



**(en) Parts Manual
MAXI-POWER™ 45**

TABLE OF CONTENTS

1.0 TRAILER PARTS GROUP

Trailer Group	(1.1)
Coupler Options	(1.2)

2.0 ENCLOSURE GROUP

Left Side Panels	(2.1)
Left Side Doors I	(2.2)
Left Side Doors II	(2.3)
Right Side Panels	(2.4)
Right Side Doors I	(2.5)
Right Side Doors II	(2.6)
Right Side Outlet Panel Door	(2.7)
Rear Side Panel with Emergency Stop Button I	(2.8)
Rear Side Panel with Emergency Stop Button II	(2.9)
Rear Side Control Panel Door I	(2.10)
Rear Side Control Panel Door II	(2.11)
Front Side Panel	(2.12)
Top Side Panel	(2.13)
Left and Right Side Door Latch Brackets	(2.14)
Left and Right Side Door Latch Brackets	(2.15)
Left and Right Side Drip Rails	(2.16)

3.0 CONTROL BOX GROUP

Control Box Install Group	(3.1)
Control Box Interior Assembly Group	(3.2)
Control Box Control Panel Components Group I	(3.3)
Control Box Control Panel Components Group II	(3.4)
Control Box Isuzu Engine Interface Group	(3.5)
Isuzu Engine Interface Harness Fuse Box	(3.6)

Maxi-Power™ 45

TABLE OF CONTENTS

3.0 CONTROL BOX GROUP (CONTINUED)

Voltage Selector Device Group	(3.7)
Connection Lug and Outlet Panel	(3.8)
Connection Lug Plate	(3.9)
Camlocks	(3.10)

4.0 ENGINE AND GENERATOR GROUP

Isuzu 4LE2X Engine and Marathon Generator	(4.1)
Isuzu 4LE2X Air Intake Group	(4.2)
Isuzu 4LE2X Exhaust Group	(4.3)
Isuzu 4LE2X Fuel Hoses and Filters	(4.4)
Isuzu 4LE2X Remote Oil Filter	(4.5)
Isuzu 4LE2X Remote Oil Drain	(4.6)
Isuzu 4LE2X Radiator and Fan Guards	(4.7)
Isuzu 4LE2X Radiator and Intercooler Hoses	(4.8)
Coolant Reservoir	(4.9)
Engine and Generator Ground Wiring	(4.10)
Engine PacBrake Option	(4.11)

5.0 FUEL TANK, BATTERY CABLES, AND OPTIONS

Fuel Tank	(5.1)
Fuel Tank Hoses and Remote Fuel Group	(5.2)
Engine and Generator Mounting Group	(5.3)
Battery Cables Group	(5.4)
Battery Charger Group	(5.5)
Battery Blanket and Engine Block Heater Group	(5.6)

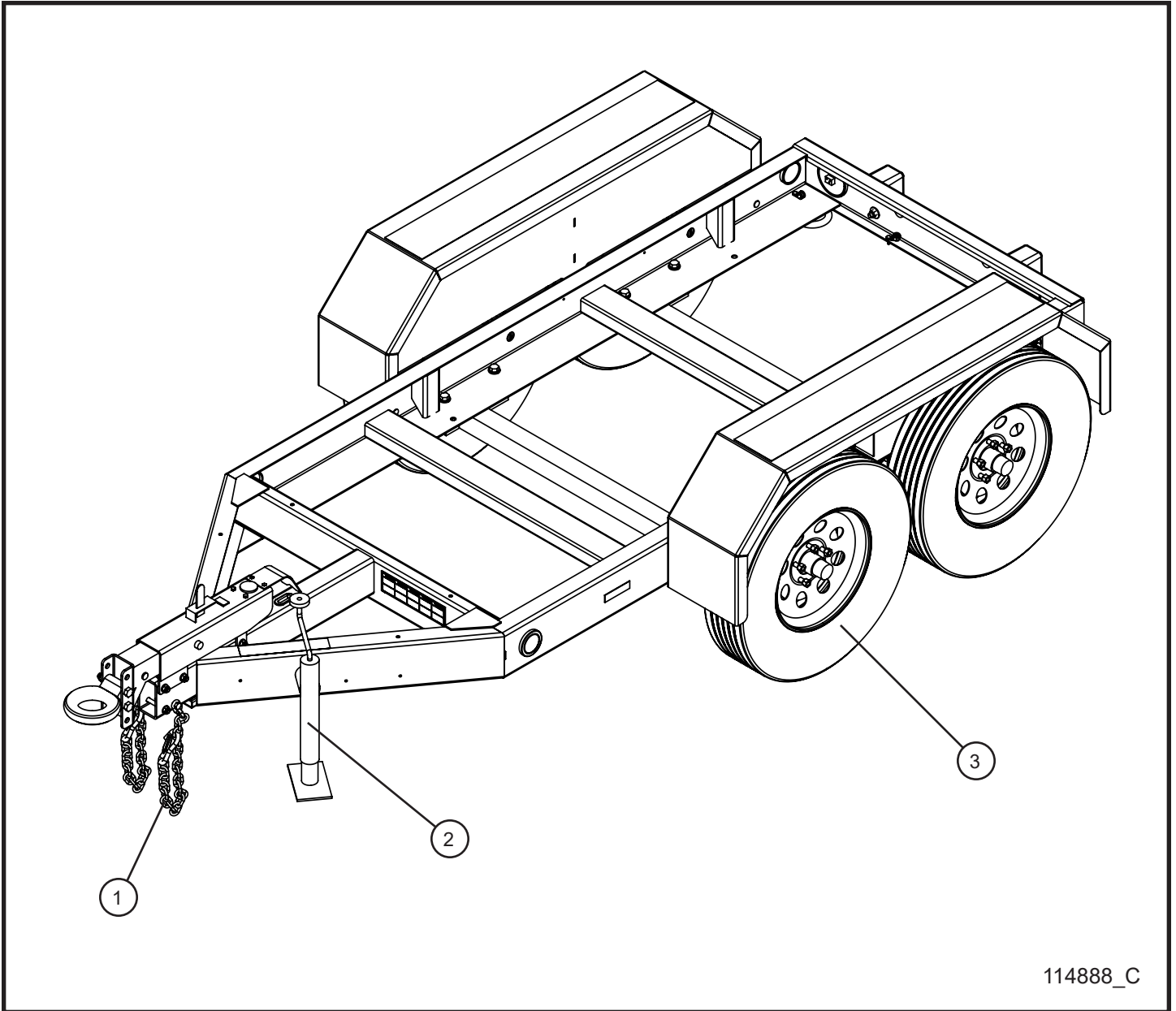
TABLE OF CONTENTS

6.0 DECALS

Branding Decals	(6.1)
Front and Rear Side Safety Decals	(6.2)
Right Side Safety Decals	(6.3)
Right Side Interior Safety Decals	(6.4)
Left Side Interior Safety Decals	(6.5)
Top Side Safety Decals	(6.6)
Control Box Safety Decals	(6.7)

Maxi-Power™ 45

1.1 - Trailer Group



114888_C

Maxi-Power™ 45

SN 49-000001 and UP

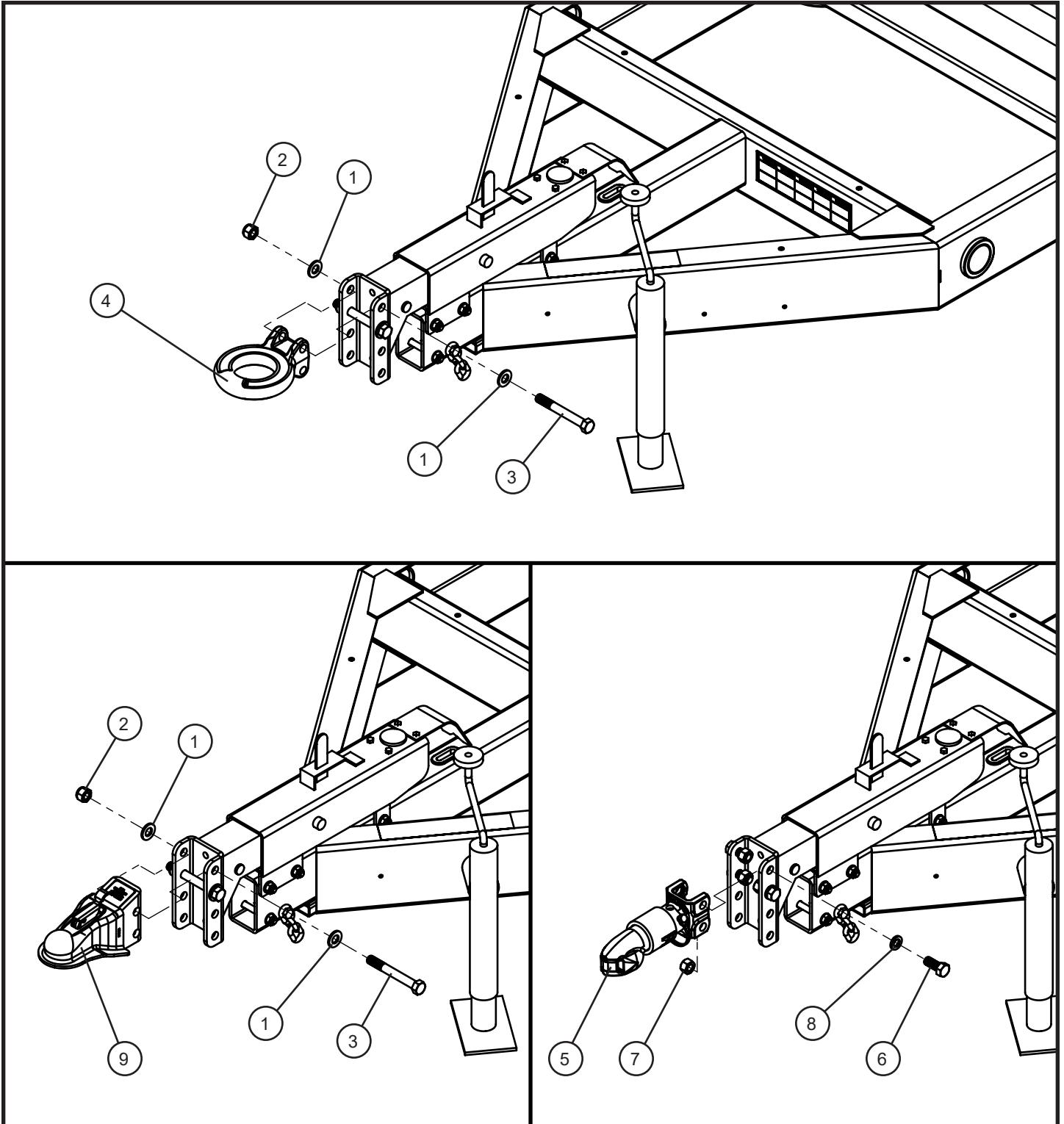
1.1 - Trailer Group

Item	Part No.	Part Description	Qty.
1	***	SAFETY CHAINS	1
2	***	TUBE MOUNT TONGUE JACK	1
3	***	205/75R15 LRC WHEEL ASSEMBLY	4
NS	***	MORE PARTS TBD	1

NS - Not Shown

*** - Contact Allmand for more information.

1.2 - Coupler Options



Maxi-Power™ 45

SN 49-000001 and UP

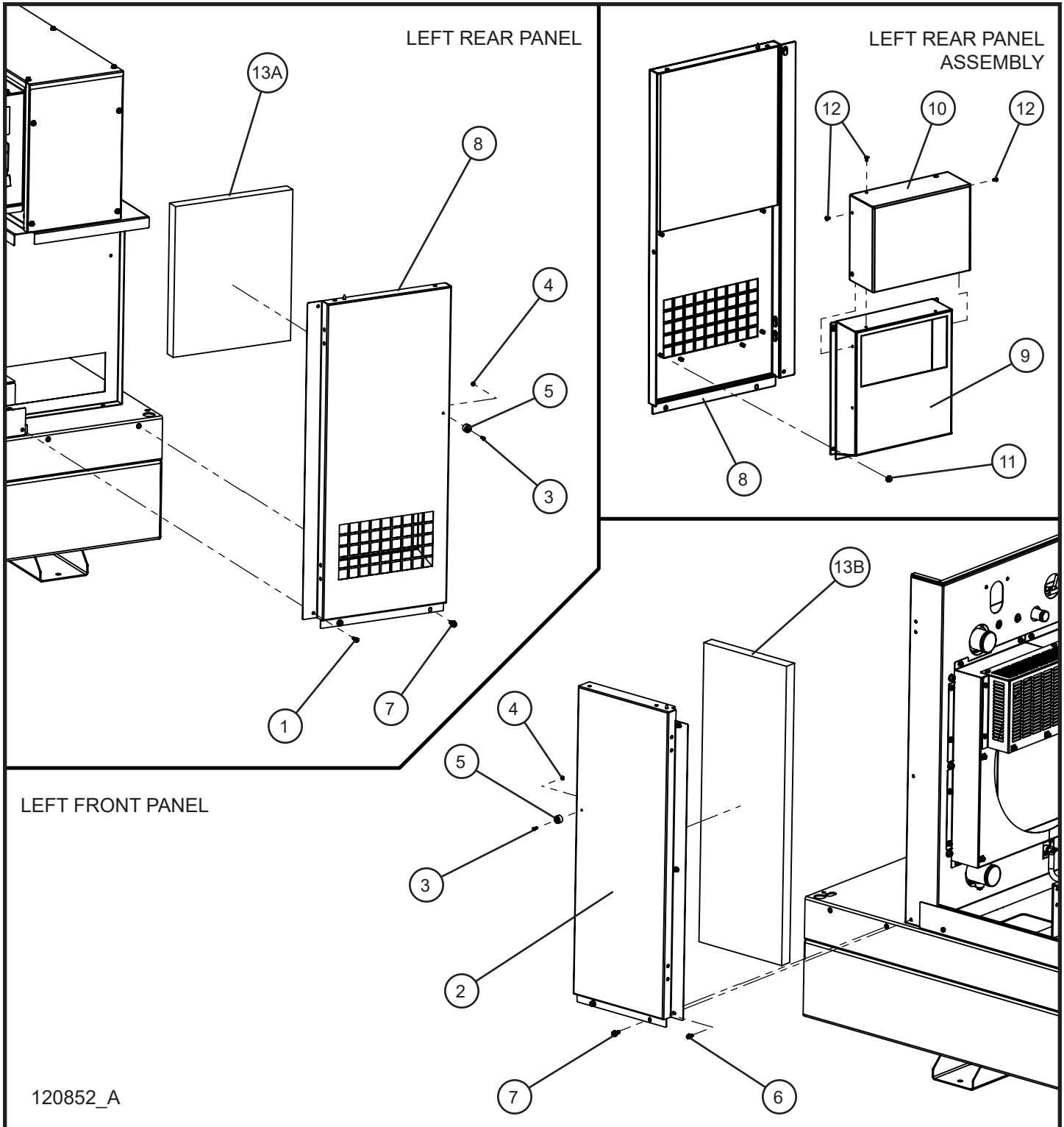
1.2 - Coupler Options

Item	Part No.	Part Description	Qty.
1	047031	5/8 FLAT WASHER	4
2	044053	5/8-11 NYLOCK HEX NUT	2
3	046255	5/8-11 x 5 HEX HEAD	2
4	106720	PINTLE RING 3.0 ADJUSTABLE	1
5	109978	COUPLER 2.00 BALL BULLDOG	1
	109979	COUPLER 2.313 BALL BULLDOG	1
6	046245	5/8-11 x 1 1/2 BOLT	4
7	044050	5/8-11 HEX NUT	4
8	043101	5/8 SPLIT LOCK WASHER	4
9	109977	COUPLER BALL 2.00	1
	109976	COUPLER BALL 2.313	1

NS - Not Shown

*** - Contact Allmand for more information.

2.1 - Left Side Panels



120852_A

Maxi-Power™ 45

SN 49-000001 and UP

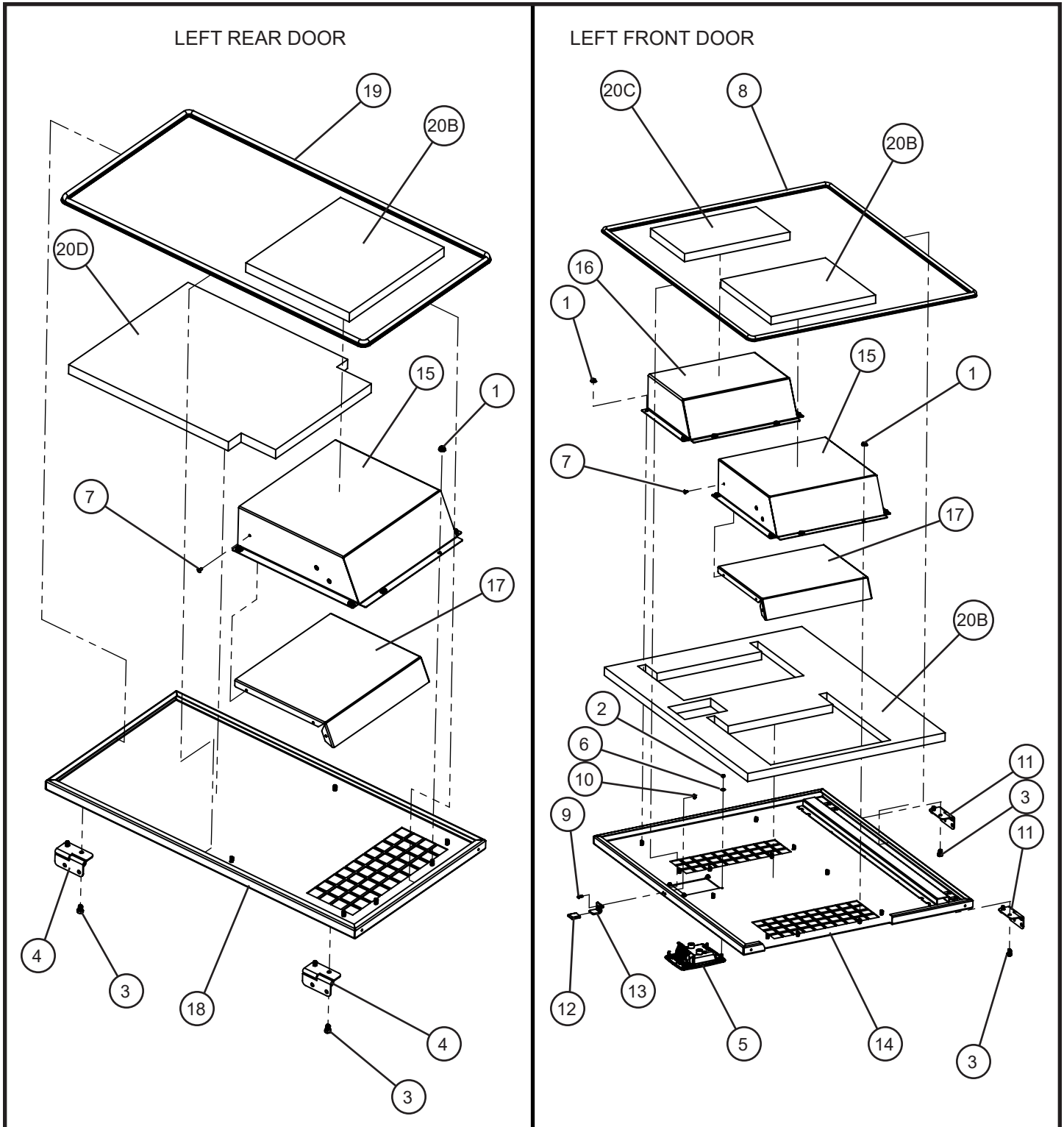
2.1 - Left Side Panels

Item	Part No.	Part Description	Qty.
1	041070	1/4-20 X 3/4 SL-HEX WASHER HEAD MACHINE SCREW	11
2	121312P	WELDMENT MP45 LEFT FRONT OUTSIDE PANEL	1
3	121047	18-8 SS BUTTON HEAD HEX DRIVE SCREW	5
4	044018	#10-24 NYLOCK HEX NUT #10-24 NYLOCK HEX NUT	5
5	121582	RUBBER BUMPER .87 OD X .53 THK	5
6	056001	1/4-20 X 1/2 HEX SERRATED FLANGE SCREW	9
7	056038	5/16-18 X 3/4 HEX FLANGE SCREW	15
8	121301P	WELDMENT MP45 LEFT REAR OUTSIDE PANEL	1
9	121302P	OUTSIDE PANEL AIR INTAKE BOX MP45	1
10	121304P	AIRBOX DIVERTER PANEL FRONT RIGHT MP45	1
11	057000	1/4-20 HEX SERRATED FLANGE NUT	8
12	118863	RIVET 3/16 DIA . X .325 L .063 TO .125 GRIP	16
13	122724	FOAM KIT MAXI-POWER 45	1
13A	121305	FOAM OUTSIDE PANEL RIGHT FRONT MP45	1
13B	121309	FOAM OUTSIDE PANEL RIGHT FRONT MP45	1

NS - Not Shown

*** - Contact Allmand for more information.

2.2 - Left Side Doors I



Maxi-Power™ 45

SN 49-000001 to 49-001065

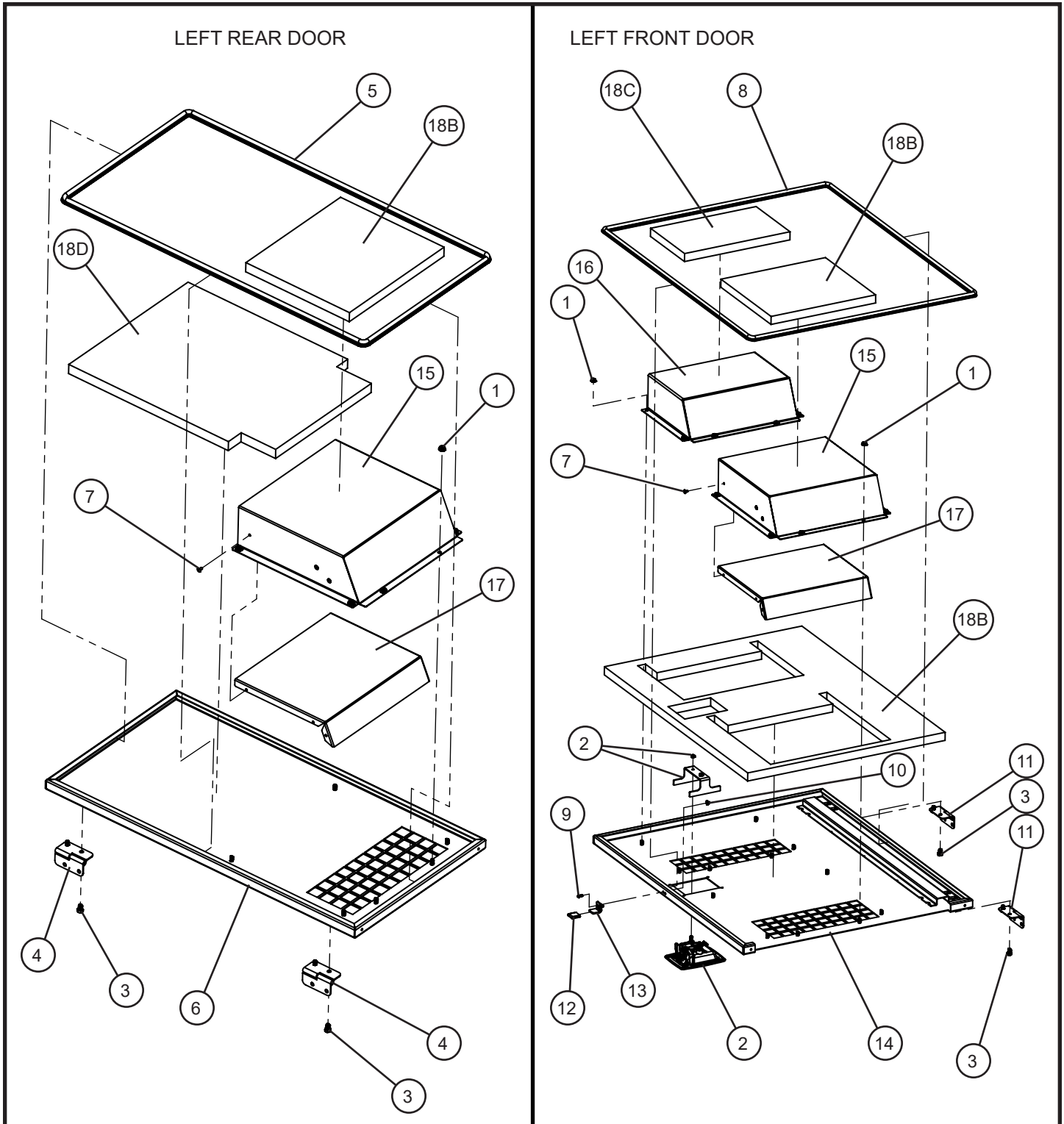
2.2 - Left Side Doors I

Item	Part No.	Part Description	Qty.
1	057000	1/4-20 HEX SERRATED FLANGE NUT	40
2	042076	M5 x .8 NYLON INSERT	12
3	046046	5/16-18 X 1/2 HEX HEAD CS	48
4	122016	RIGHT HAND HINGE REMOVABLE 5/16 HOLES MAXI-POWER	8
5	118647	LOCKABLE SLAM LATCH BLACK FOR ROD CATCH	3
6	047070	#10 FLAT WASHER	12
7	118863	RIVET 3/16 DIA . X .325 L .063 TO .125 GRIP	18
8	105998	TRIM GASKET SIDE BEAD 1/16 WITH 3/8 BULB X 127.5	2
9	041012	SCREW MS #8-32 X 1/2 PL	4
10	057003	#8-32 SERRATED FLANGE HEX LOCKNUT	4
11	118638	LEFT HAND HINGE REMOVABLE 5/16 HOLES MAXI-POWER	4
12	122723	FINISHING CAP BLACK RECTANGULAR 0.125 X 1.000 X 1.000	2
13	121161P	BRACKET DOOR HOLD	2
14	121448P	WELDMENT MP45 LEFT FRONT DOOR	1
15	121450P	AIR BOX LEFT HAND FRONT DOOR	2
16	122159P	AIR BOX UPPER LEFT HAND FRONT DOOR MP45	1
17	121750P	AIR BOX SEPARATOR LEFT DOORS MP45	2
18	121439P	WELDMENT MP45 LEFT REAR DOOR	1
19	105998	TRIM GASKET SIDE BEAD 1/16 WITH 3/8 BULB X 106.0	1
20	122724	FOAM KIT MAXI-POWER 45	1
20A	123568	FOAM LEFT FRONT DOOR MP45	1
20B	123573	FOAM LEFT DOOR LOWER AIR BOX	2
20C	123570	FOAM LEFT FRONT DOOR UPPER AIR BOX	1
20D	123572	FOAM LEFT REAR DOOR	1

NS - Not Shown

*** - Contact Allmand for more information.

2.3 - Left Side Doors II



Maxi-Power™ 45

SN 49-001066 and UP

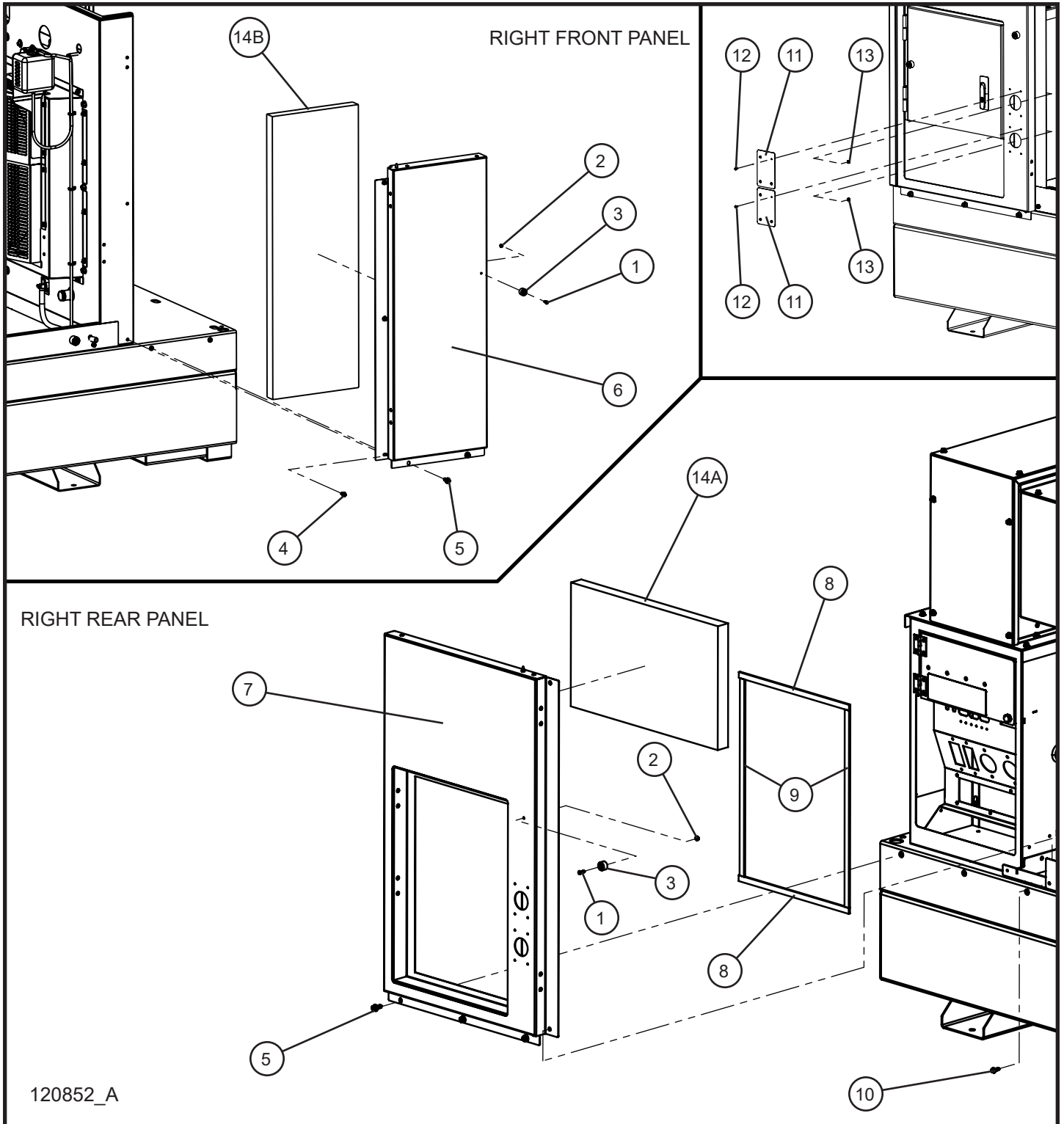
2.3 - Left Side Doors II

Item	Part No.	Part Description	Qty.
1	057000	1/4-20 HEX SERRATED FLANGE NUT	40
2	125015	LOCKABLE SLAM LATCH W/ MOUNTING BRACKET	1
3	046046	5/16-18 X 1/2 HEX HEAD CS	48
4	122016	RIGHT HAND HINGE REMOVABLE 5/16 HOLES MAXI-POWER	8
5	105998	TRIM GASKET SIDE BEAD 1/16 WITH 3/8 BULB X 106.0	1
6	121439P	WELDMENT MP45 LEFT REAR DOOR	1
7	118863	RIVET 3/16 DIA . X .325 L .063 TO .125 GRIP	18
8	105998	TRIM GASKET SIDE BEAD 1/16 WITH 3/8 BULB X 127.5	2
9	041012	SCREW MS #8-32 X 1/2 PL	4
10	057003	#8-32 SERRATED FLANGE HEX LOCKNUT	4
11	118638	LEFT HAND HINGE REMOVABLE 5/16 HOLES MAXI-POWER	4
12	122723	FINISHING CAP BLACK RECTANGULAR 0.125 X 1.000 X 1.000	2
13	121161P	BRACKET DOOR HOLD	2
14	121448P	WELDMENT MP45 LEFT FRONT DOOR	1
15	121450P	AIR BOX LEFT HAND FRONT DOOR	2
16	122159P	AIR BOX UPPER LEFT HAND FRONT DOOR MP45	1
17	121750P	AIR BOX SEPARATOR LEFT DOORS MP45	2
18	122724	FOAM KIT MAXI-POWER 45	1
18A	123568	FOAM LEFT FRONT DOOR MP45	1
18B	123573	FOAM LEFT DOOR LOWER AIR BOX	2
18C	123570	FOAM LEFT FRONT DOOR UPPER AIR BOX	1
18D	123572	FOAM LEFT REAR DOOR	1

NS - Not Shown

* * * - Contact Allmand for more information.

2.4 - Right Side Panels



Maxi-Power™ 45

SN 49-000001 and UP

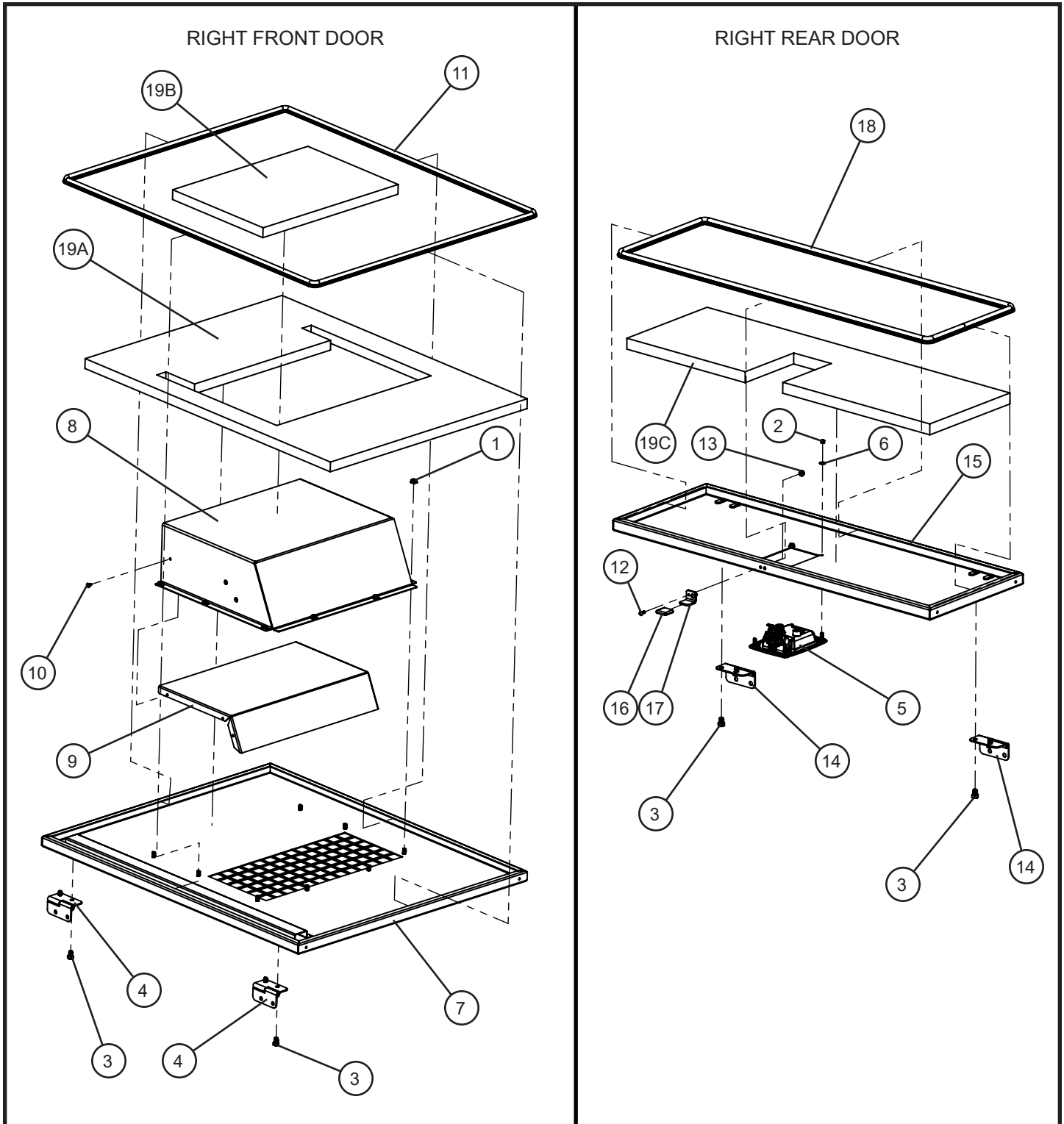
2.4 - Right Side Panels

Item	Part No.	Part Description	Qty.
1	121047	18-8 SS BUTTON HEAD HEX DRIVE SCREW	5
2	044018	#10-24 NYLOCK HEX NUT #10-24 NYLOCK HEX NUT	5
3	121582	RUBBER BUMPER .87 OD X .53 THK	5
4	056001	1/4-20 X 1/2 HEX SERRATED FLANGE SCREW	9
5	056038	5/16-18 X 3/4 HEX FLANGE SCREW	15
6	121308P	WELDMENT MP45 RIGHT FRONT OUTSIDE PANEL	1
7	121315P	WELDMENT MP45 RIGHT REAR OUTSIDE PANEL	1
8	121067	3/16 X 5/8 FOAM STRIP ADHESIVE BACKED X 16.25	2
9	121067	3/16 X 5/8 FOAM STRIP ADHESIVE BACKED X 21.31	2
10	041070	1/4-20 X 3/4 SL-HEX WASHER HEAD MACHINE SCREW	11
11	121166P	COVER PLATE OUTLETS	2
12	041017	#6-32 X 3/8 PH-PAN HEAD MS	8
13	044004	#6-32 KEPS HEX NUT	8
14	122724	FOAM KIT MAXI-POWER 45	1
14A	121317	FOAM OUTSIDE PANEL RIGHT FRONT MP45	1
14B	121309	FOAM OUTSIDE PANEL RIGHT FRONT MP45	1

NS - Not Shown

*** - Contact Allmand for more information.

2.5 - Right Side Doors I



Maxi-Power™ 45

SN 49-000001 to 49-001065

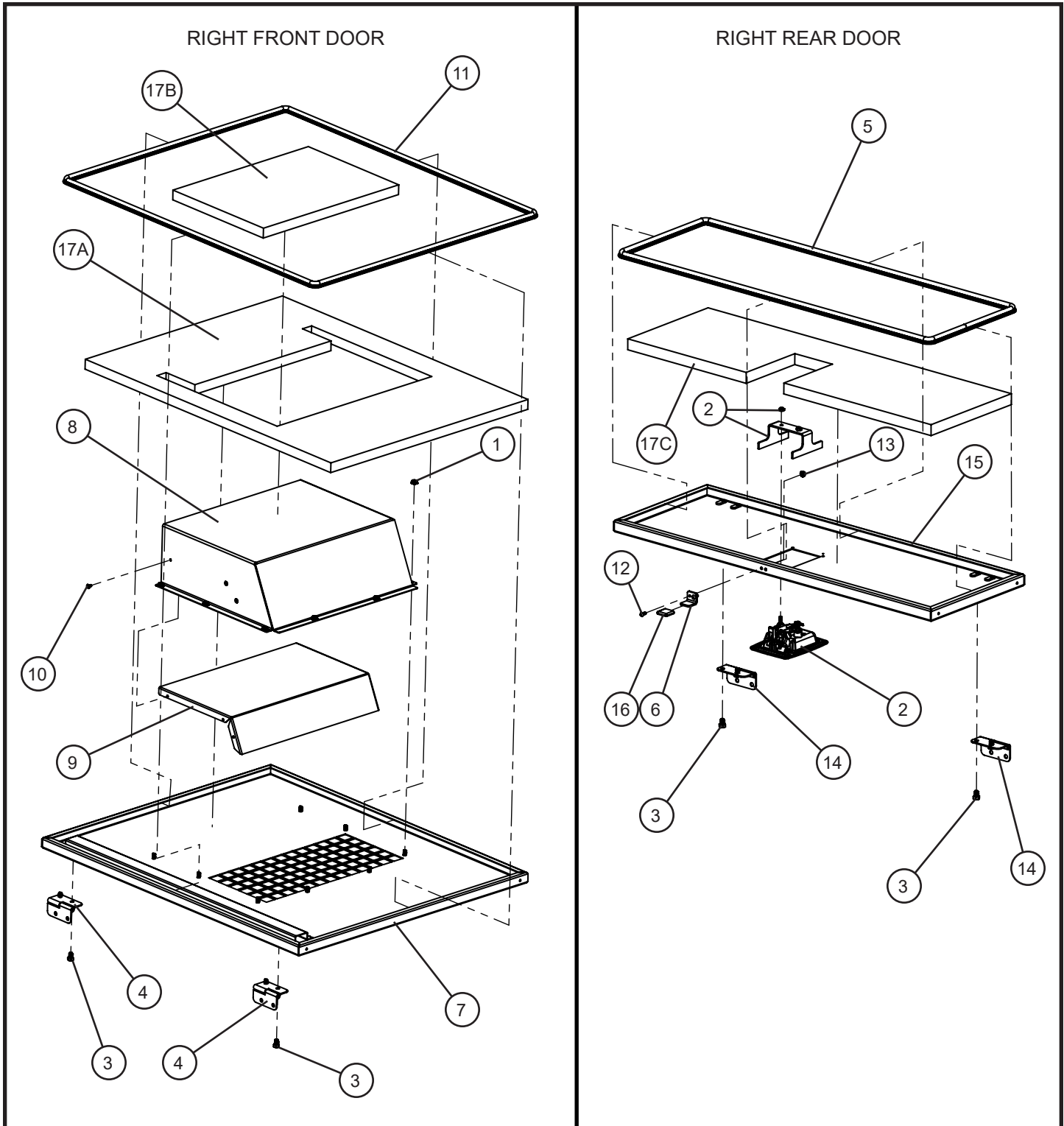
2.5 - Right Side Doors I

Item	Part No.	Part Description	Qty.
1	057000	1/4-20 HEX SERRATED FLANGE NUT	40
2	042076	M5 x .8 NYLON INSERT	12
3	046046	5/16-18 X 1/2 HEX HEAD CS	48
4	122016	RIGHT HAND HINGE REMOVABLE 5/16 HOLES MAXI-POWER	8
5	118647	LOCKABLE SLAM LATCH BLACK FOR ROD CATCH	3
6	047070	#10 FLAT WASHER	12
7	121462P	WELDMENT MP45 RIGHT FRONT DOOR	1
8	121464P	AIR BOX RIGHT FRONT DOOR MP45	1
9	121465P	AIR BOX SEPARATOR RIGHT FRONT DOOR MP45	1
10	118863	RIVET 3/16 DIA . X .325 L .063 TO .125 GRIP	18
11	105998	TRIM GASKET SIDE BEAD 1/16 WITH 3/8 BULB X 127.5	2
12	041012	SCREW MS #8-32 X 1/2 PL	4
13	057003	#8-32 SERRATED FLANGE HEX LOCKNUT	4
14	118638	LEFT HAND HINGE REMOVABLE 5/16 HOLES MAXI-POWER	4
15	121458P	DOOR RIGHT REAR WELDMENT MP45	1
16	122723	FINISHING CAP BLACK RECTANGULAR 0.125 X 1.000 X 1.000	2
17	121161P	BRACKET DOOR HOLD	2
18	105998	TRIM GASKET SIDE BEAD 1/16 WITH 3/8 BULB X 93.0	1
19	122724	FOAM KIT MAXI-POWER 45	1
19A	123567	FOAM RIGHT FRONT DOOR MP45	1
19B	123569	FOAM RIGHT FRONT DOOR AIR BOX MP45	1
19C	121460	FOAM RIGHT REAR DOOR MP45	1

NS - Not Shown

* * * - Contact Allmand for more information.

2.6 - Right Side Doors II



Maxi-Power™ 45

SN 49-001066 and UP

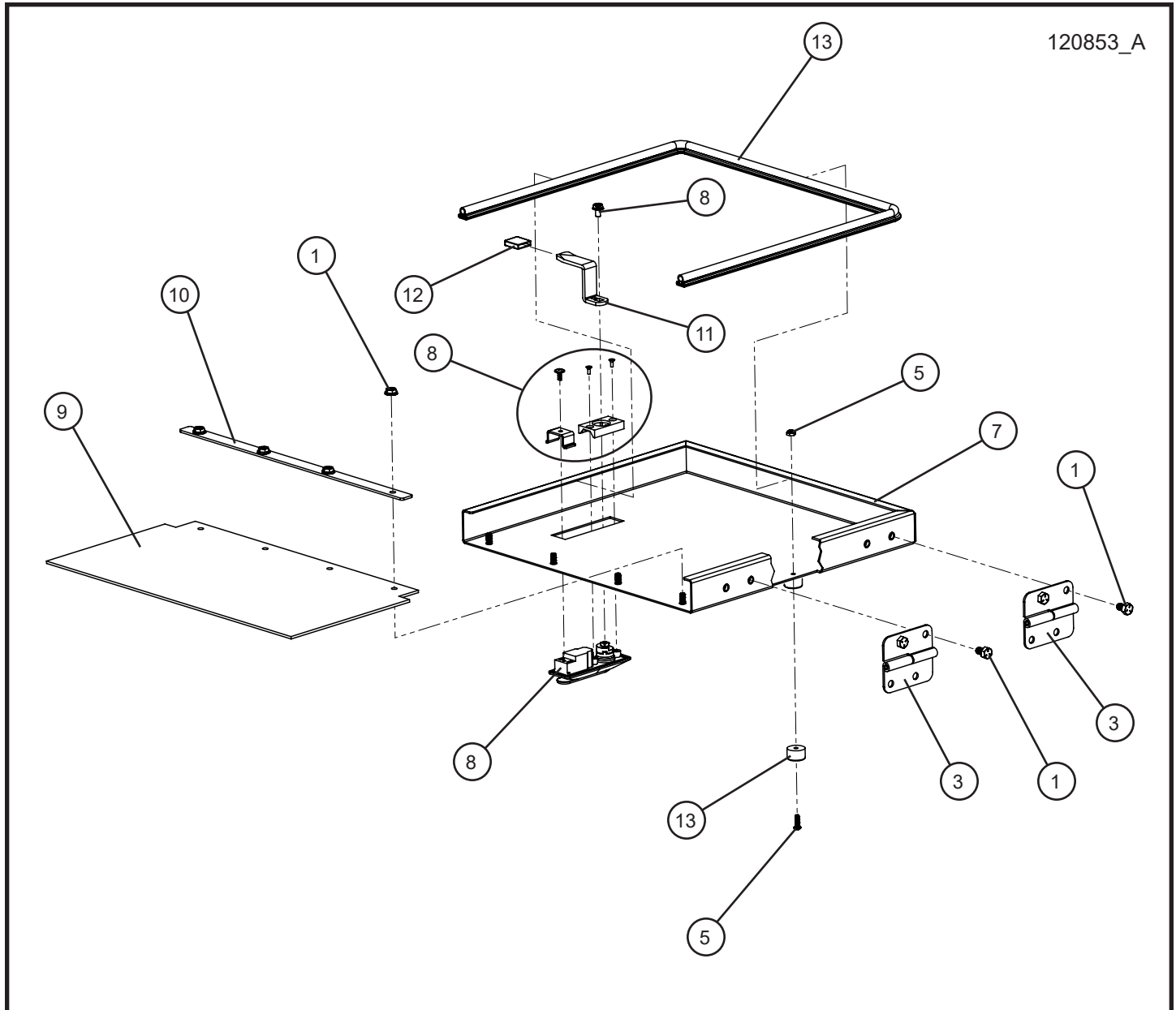
2.6 - Right Side Doors II

Item	Part No.	Part Description	Qty.
1	057000	1/4-20 HEX SERRATED FLANGE NUT	40
2	125015	LOCKABLE SLAM LATCH W/ MOUNTING BRACKET	1
3	046046	5/16-18 X 1/2 HEX HEAD CS	48
4	122016	RIGHT HAND HINGE REMOVABLE 5/16 HOLES MAXI-POWER	8
5	105998	TRIM GASKET SIDE BEAD 1/16 WITH 3/8 BULB X 93.0	1
6	121161P	BRACKET DOOR HOLD	2
7	121462P	WELDMENT MP45 RIGHT FRONT DOOR	1
8	121464P	AIR BOX RIGHT FRONT DOOR MP45	1
9	121465P	AIR BOX SEPARATOR RIGHT FRONT DOOR MP45	1
10	118863	RIVET 3/16 DIA . X .325 L .063 TO .125 GRIP	18
11	105998	TRIM GASKET SIDE BEAD 1/16 WITH 3/8 BULB X 127.5	2
12	041012	SCREW MS #8-32 X 1/2 PL	4
13	057003	#8-32 SERRATED FLANGE HEX LOCKNUT	4
14	118638	LEFT HAND HINGE REMOVABLE 5/16 HOLES MAXI-POWER	4
15	121458P	DOOR RIGHT REAR WELDMENT MP45	1
16	122723	FINISHING CAP BLACK RECTANGULAR 0.125 X 1.000 X 1.000	2
17	122724	FOAM KIT MAXI-POWER 45	1
17A	123567	FOAM RIGHT FRONT DOOR MP45	1
17B	123569	FOAM RIGHT FRONT DOOR AIR BOX MP45	1
17C	121460	FOAM RIGHT REAR DOOR MP45	1

NS - Not Shown

*** - Contact Allmand for more information.

2.7 - Right Side Outlet Panel Door



Maxi-Power™ 45

SN 49-000001 and UP

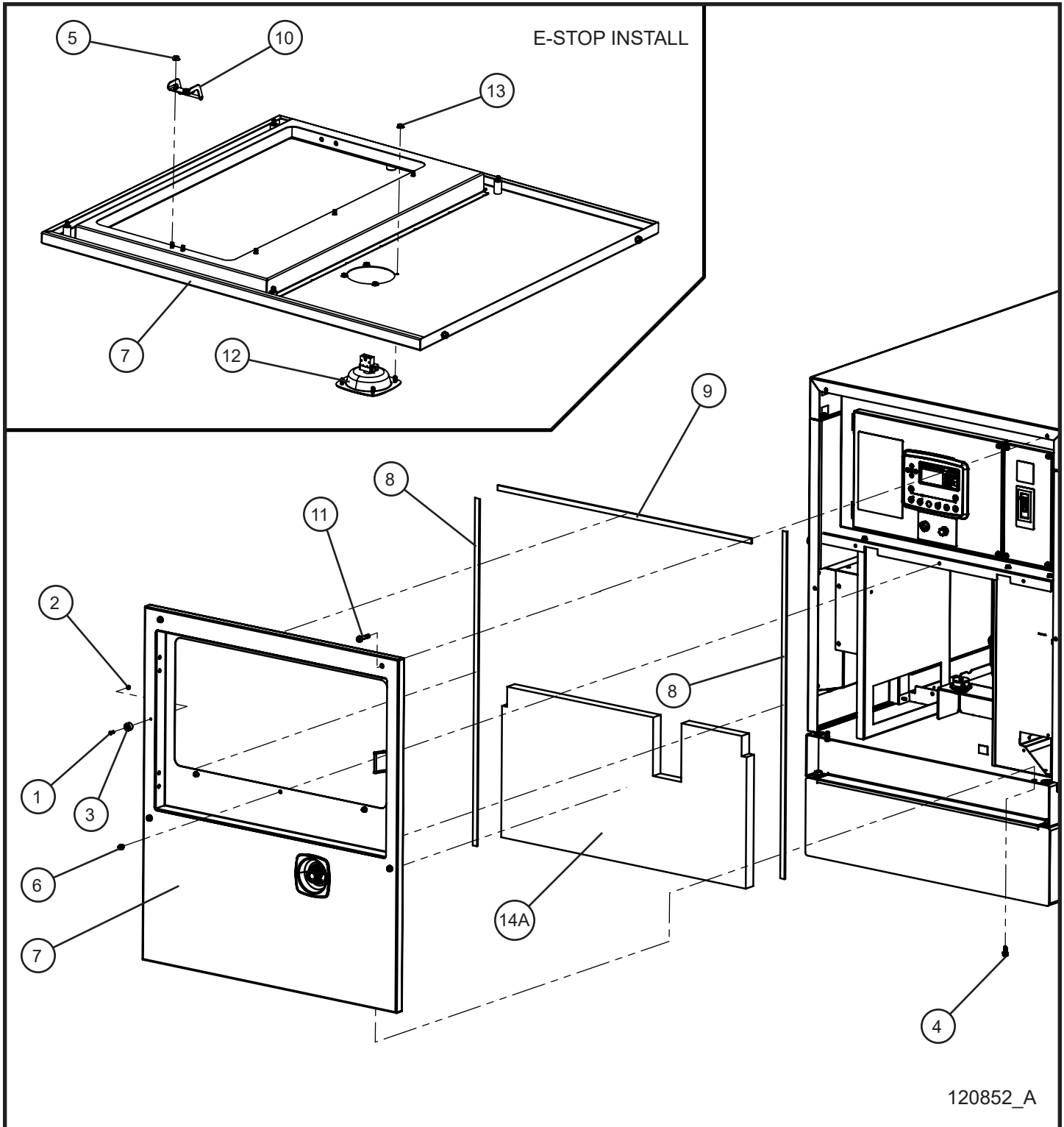
2.7 - Right Side Outlet Panel Door

Item	Part No.	Part Description	Qty.
1	057000	1/4-20 HEX SERRATED FLANGE NUT	40
2	046046	5/16-18 X 1/2 HEX HEAD CS	48
3	122016	RIGHT HAND HINGE REMOVABLE 5/16 HOLES MAXI-POWER	8
4	121047	18-8 SS BUTTON HEAD HEX DRIVE SCREW	1
5	044018	#10-24 NYLOCK HEX NUT	1
6	121582	RUBBER BUMPER .87 OD X .53 THK	1
7	121434P	WELDMENT MP45 ELECTRICAL PANEL DOOR	1
8	118646	QUARTER TURN DISCRETE LATCH LOCKABLE	1
9	121436	FLAP ELECTRICAL DOOR MP45	1
10	121437P	SUPPORT PLATE ELECTRICAL DOOR FLAP MP45	1
11	122726	DOOR LATCH CAM	1
12	122727	COVER DOOR LATCH CAM	1
13	105998	TRIM GASKET SIDE BEAD 1/16 WITH 3/8 BULB X 44.5	1

NS - Not Shown

* * * - Contact Allmand for more information.

2.8 - Rear Side Panel with Emergency Stop Button I



Maxi-Power™ 45

SN 49-000001 to 49-001065

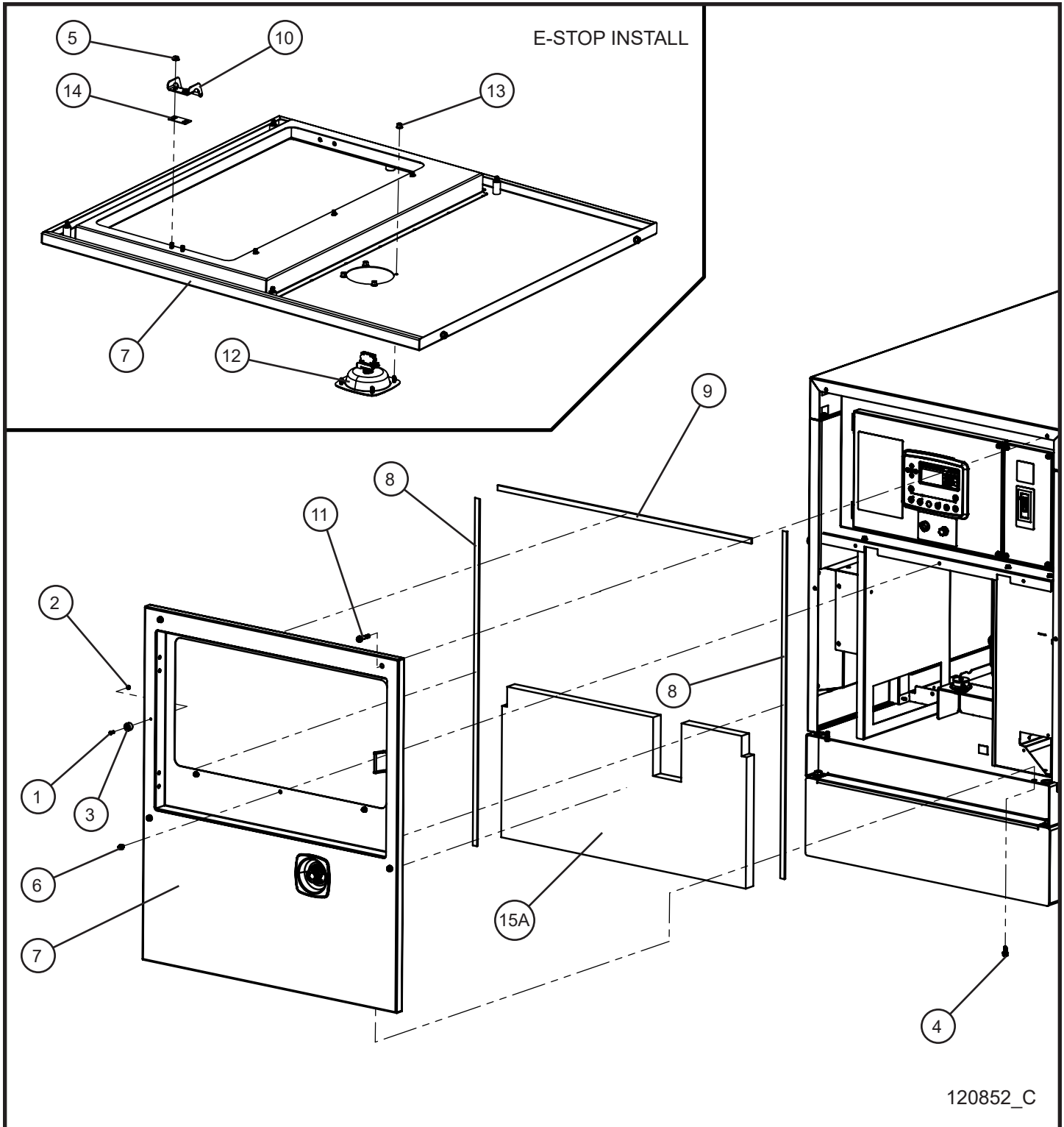
2.8 - Rear Side Panel with Emergency Stop Button I

Item	Part No.	Part Description	Qty.
1	121047	18-8 SS BUTTON HEAD HEX DRIVE SCREW	5
2	044018	#10-24 NYLOCK HEX NUT #10-24 NYLOCK HEX NUT	5
3	121582	RUBBER BUMPER .87 OD X .53 THK	5
4	056038	5/16-18 X 3/4 HEX FLANGE SCREW	15
5	057000	1/4-20 HEX SERRATED FLANGE NUT	8
6	056001	1/4-20 X 1/2 HEX SERRATED FLANGE SCREW	4
7	121327P	WELDMENT MP45 OUTSIDE REAR PANEL	1
8	121067	3/16 X 5/8 FOAM STRIP ADHESIVE BACKED X 42.98	2
9	121067	3/16 X 5/8 FOAM STRIP ADHESIVE BACKED X 38.00	1
10	124380P	WELDMENT MAXI POWER REAR BAR DOOR LATCH	1
11	056041	5/16-18 X 1-3/4 HEX FLANGE SCREW	8
12	125107	EMERGENCY STOP	1
13	057002	M6X1.0 SERRATED HEX FLANGE NUT	4
14	122724	FOAM KIT MAXI-POWER 45	1
14A	121328	FOAM OUTSIDE PANEL REAR MP45	1

NS - Not Shown

*** - Contact Allmand for more information.

2.9 - Rear Side Panel with Emergency Stop Button II



Maxi-Power™ 45

SN 49-001066 and UP

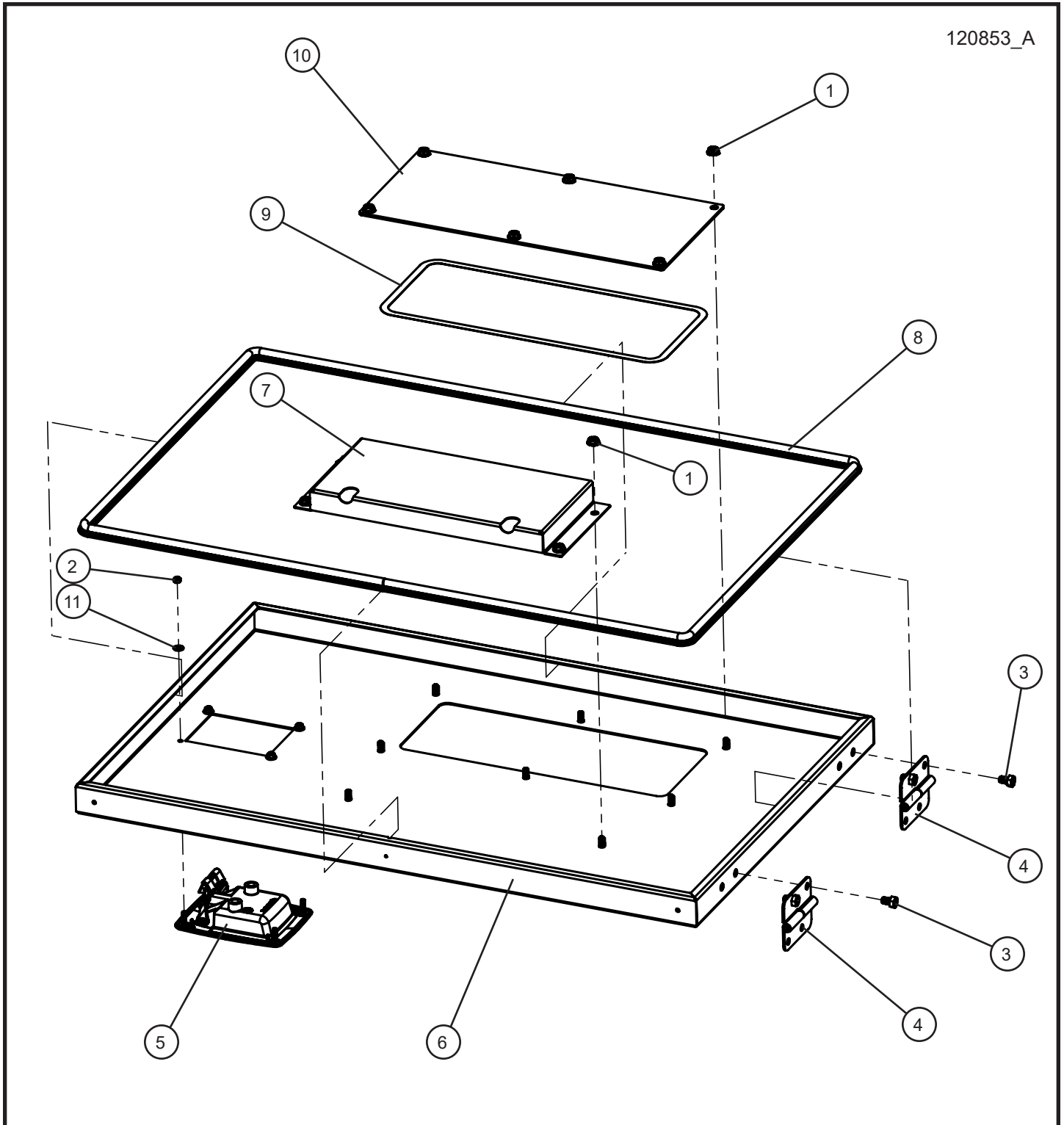
2.9 - Rear Side Panel with Emergency Stop Button II

Item	Part No.	Part Description	Qty.
1	121047	18-8 SS BUTTON HEAD HEX DRIVE SCREW	5
2	044018	#10-24 NYLOCK HEX NUT #10-24 NYLOCK HEX NUT	5
3	121582	RUBBER BUMPER .87 OD X .53 THK	5
4	056038	5/16-18 X 3/4 HEX FLANGE SCREW	15
5	057000	1/4-20 HEX SERRATED FLANGE NUT	8
6	056001	1/4-20 X 1/2 HEX SERRATED FLANGE SCREW	4
7	121327P	WELDMENT MP45 OUTSIDE REAR PANEL	1
8	121067	3/16 X 5/8 FOAM STRIP ADHESIVE BACKED X 42.98	2
9	121067	3/16 X 5/8 FOAM STRIP ADHESIVE BACKED X 38.00	1
10	126318P	WELDMENT MP45 REAR DOOR CATCH	1
11	056041	5/16-18 X 1-3/4 HEX FLANGE SCREW	8
12	125107	EMERGENCY STOP	1
13	057002	M6X1.0 SERRATED HEX FLANGE NUT	4
14	126331P	PLATE SHIM MP DOOR CATCH	1
15	122724	FOAM KIT MAXI-POWER 45	1
15A	121328	FOAM OUTSIDE PANEL REAR MP45	1

NS - Not Shown

* * * - Contact Allmand for more information.

2.10 - Rear Side Control Panel Door I



Maxi-Power™ 45

SN 49-000001 to 49-001065

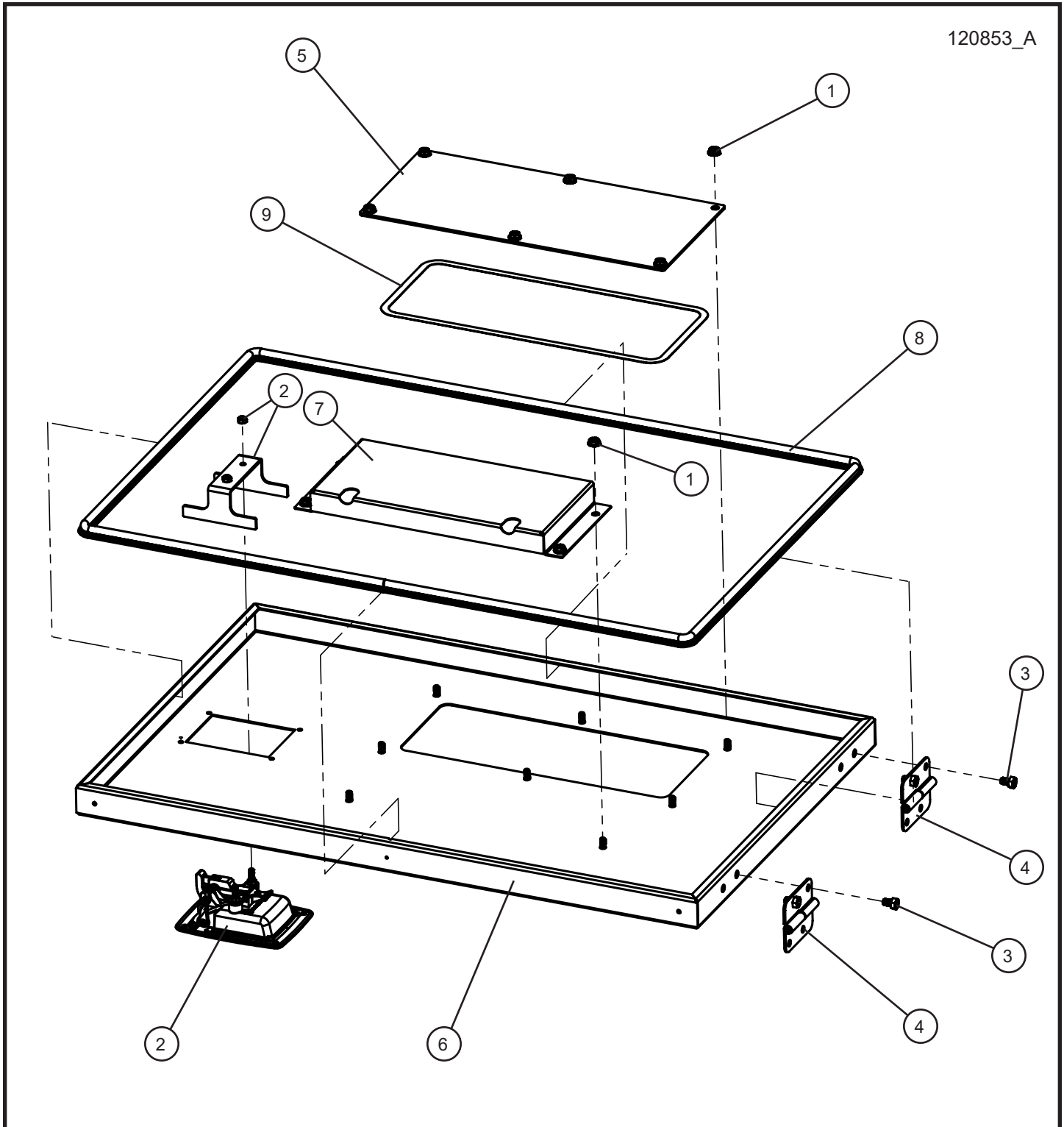
2.10 - Rear Side Control Panel Door I

Item	Part No.	Part Description	Qty.
1	057000	1/4-20 HEX SERRATED FLANGE NUT	40
2	042076	M5 x .8 NYLON INSERT	12
3	046046	5/16-18 X 1/2 HEX HEAD CS	48
4	122016	RIGHT HAND HINGE REMOVABLE 5/16 HOLES MAXI-POWER	8
5	118647	LOCKABLE SLAM LATCH BLACK FOR ROD CATCH	3
6	121752P	WELDMENT MP45 REAR DOOR	1
7	121185P	TOOL BOX	1
8	105998	TRIM GASKET SIDE BEAD 1/16 WITH 3/8 BULB X 108.0	1
9	121046	ADHESIVE BACKED EPDM FOAM STRIP X 41.13	1
10	121187	WINDOW REAR DOOR MP25 & MP45	1
11	047070	#10 FLAT WASHER	12

NS - Not Shown

*** - Contact Allmand for more information.

2.11 - Rear Side Control Panel Door II



Maxi-Power™ 45

SN 49-001066 and UP

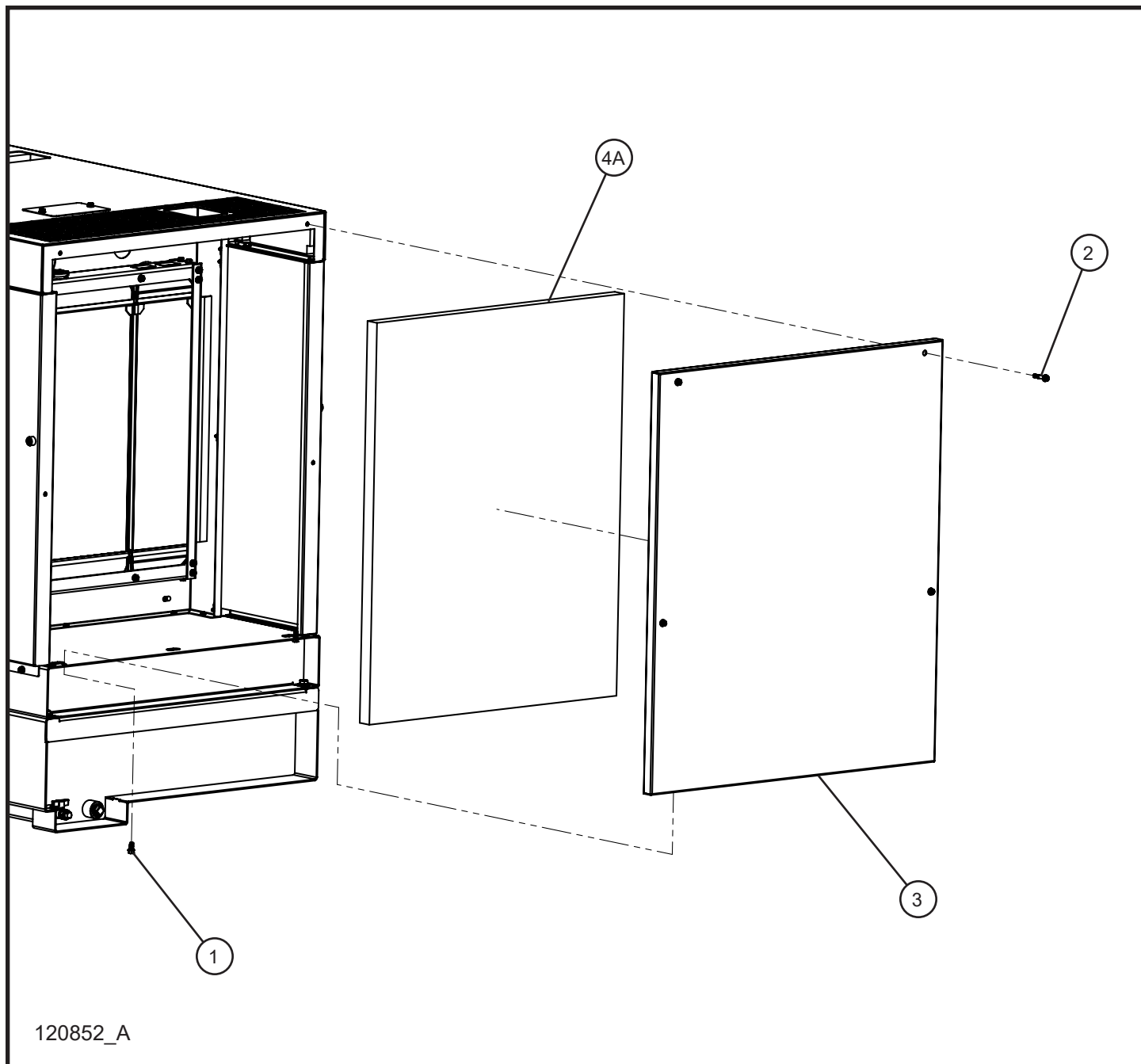
2.11 - Rear Side Control Panel Door II

Item	Part No.	Part Description	Qty.
1	057000	1/4-20 HEX SERRATED FLANGE NUT	40
2	125015	LOCKABLE SLAM LATCH W/ MOUNTING BRACKET	12
3	046046	5/16-18 X 1/2 HEX HEAD CS	48
4	122016	RIGHT HAND HINGE REMOVABLE 5/16 HOLES MAXI-POWER	8
5	121187	WINDOW REAR DOOR MP25 & MP45	1
6	121752P	WELDMENT MP45 REAR DOOR	1
7	121185P	TOOL BOX	1
8	105998	TRIM GASKET SIDE BEAD 1/16 WITH 3/8 BULB X 108.0	1
9	121046	ADHESIVE BACKED EPDM FOAM STRIP X 41.13	1

NS - Not Shown

* * * - Contact Allmand for more information.

2.12 - Front Side Panel



Maxi-Power™ 45

SN 49-000001 and UP

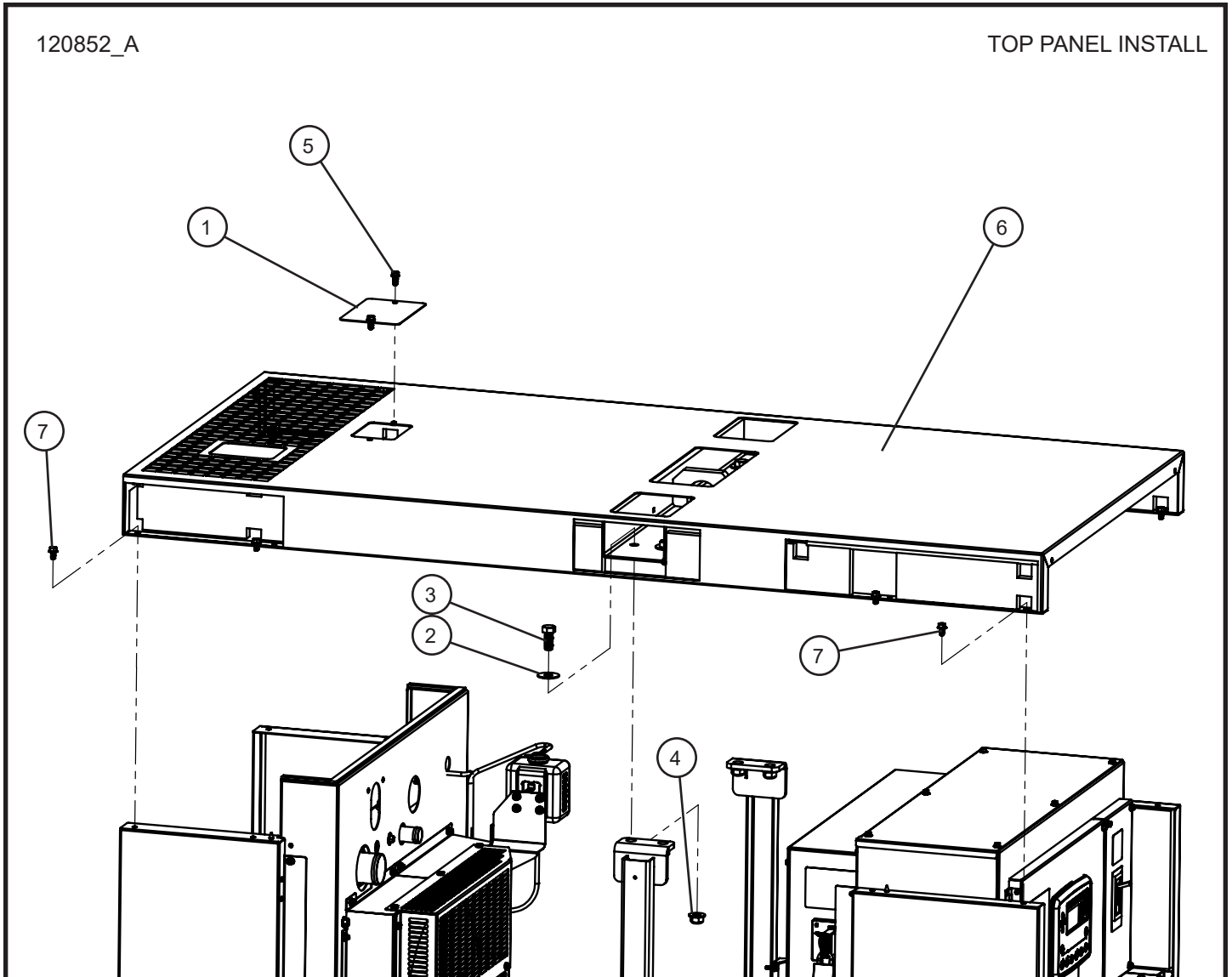
2.12 - Front Side Panel

Item	Part No.	Part Description	Qty.
1	056038	5/16-18 X 3/4 HEX FLANGE SCREW	15
2	056041	5/16-18 X 1-3/4 HEX FLANGE SCREW	8
3	121321P	WELDMENT MP45 FRONT OUTSIDE PANEL	1
4	122724	FOAM KIT MAXI-POWER 45	1
4A	121322	FOAM OUTSIDE PANEL FRONT MP45	1

NS - Not Shown

* * * - Contact Allmand for more information.

2.13 - Top Side Panel (1 of 2)



Maxi-Power™ 45

SN 49-000001 and UP

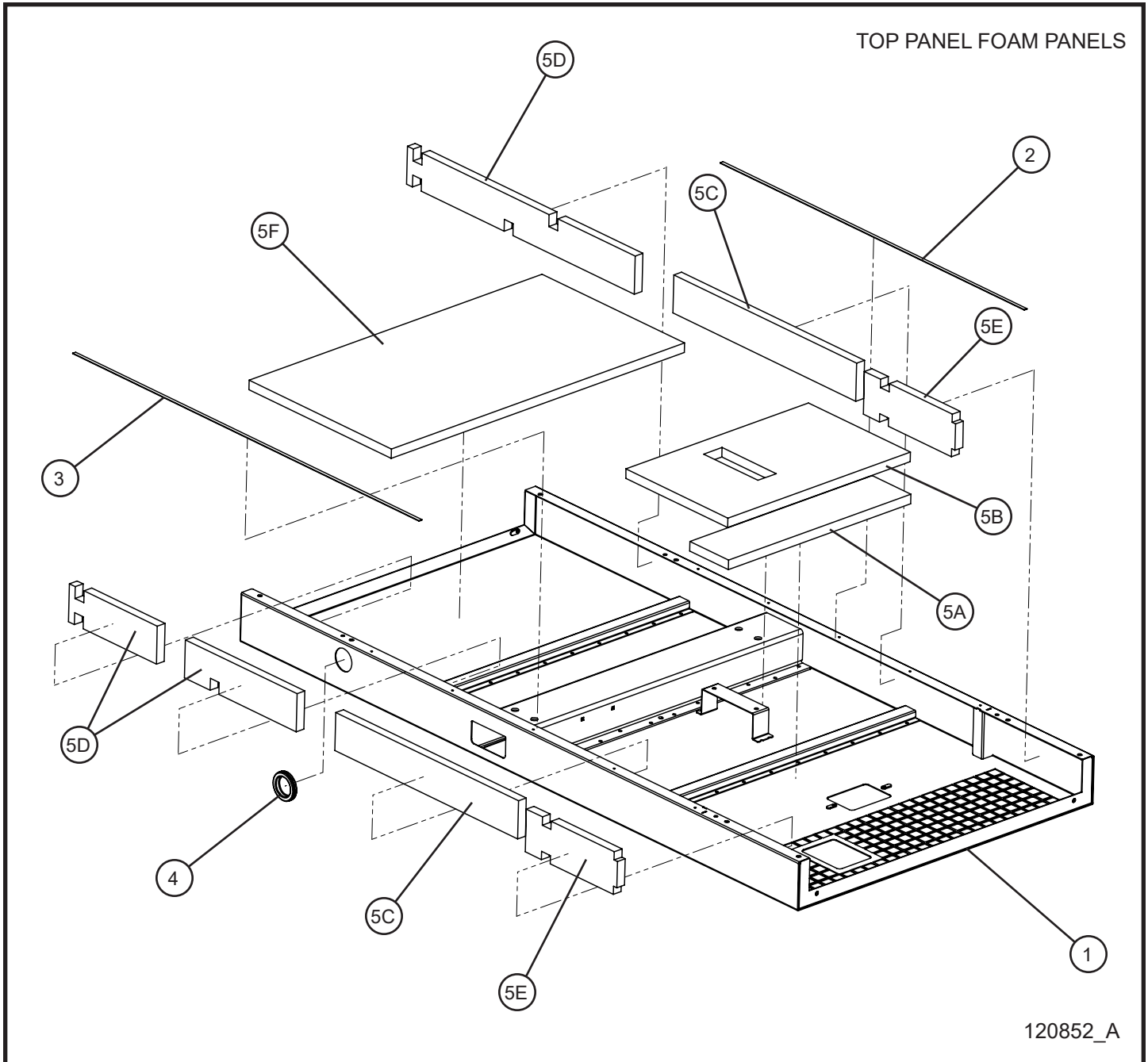
2.13 - Top Side Panel (1 of 2)

Item	Part No.	Part Description	Qty.
1	121043P	PLATE RADIATOR ACCESS COVER MP25/MP45	1
2	047030	5/8 FLAT WASHER	8
3	046246	5/8-11 X 1 1/2 HEX HEAD CAP SCREW	12
4	123587	5/8-11 FLANGE LOCKNUT	8
5	056038	5/16-18 X 3/4 HEX FLANGE SCREW	15
6	121479P	WELDMENT MP45 TOP COVER	1
7	121920	5/16-18 X 5/8 SERRATED FLANGE HEX SCREW	8

NS - Not Shown

* * * - Contact Allmand for more information.

2.9 - Top Side Panel (2 of 2)



Maxi-Power™ 45

SN 49-000001 and UP

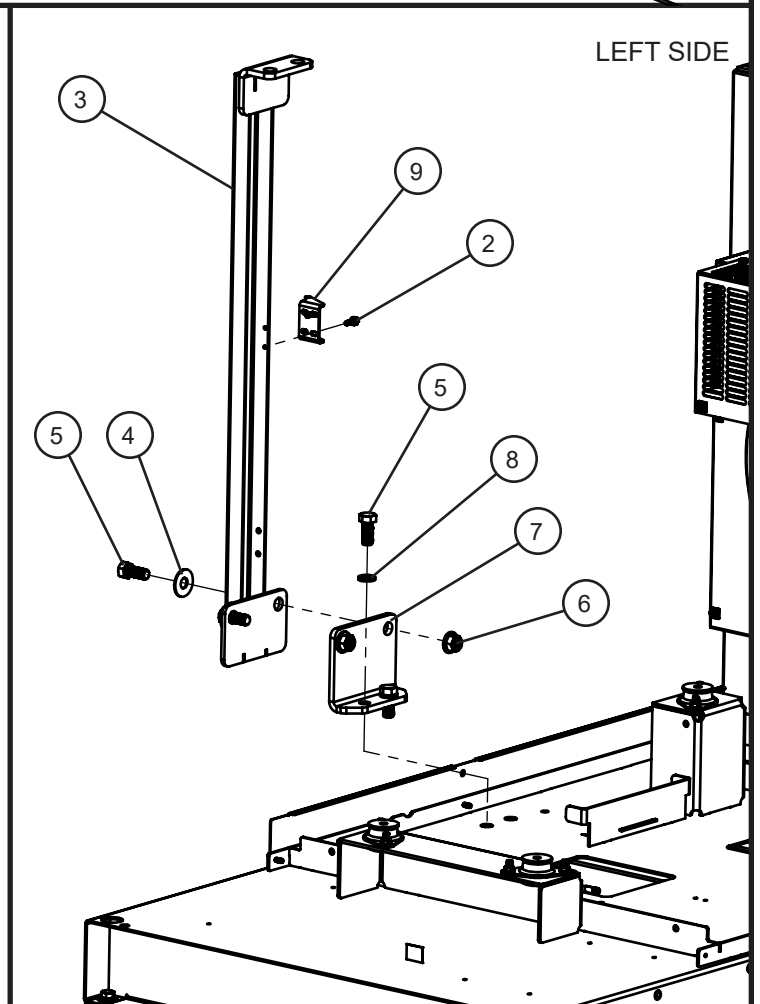
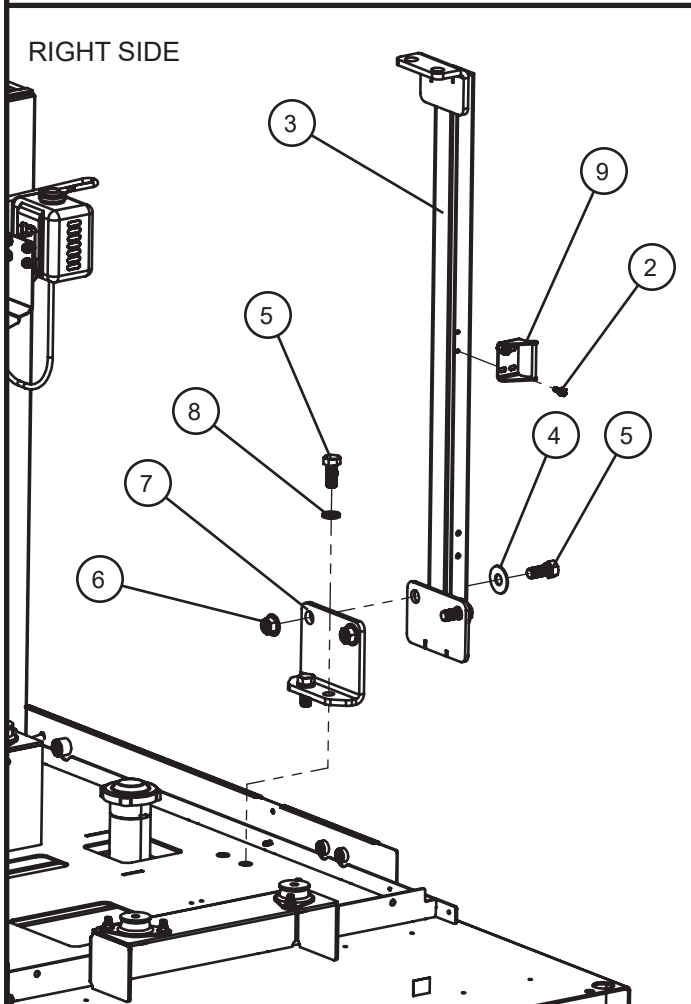
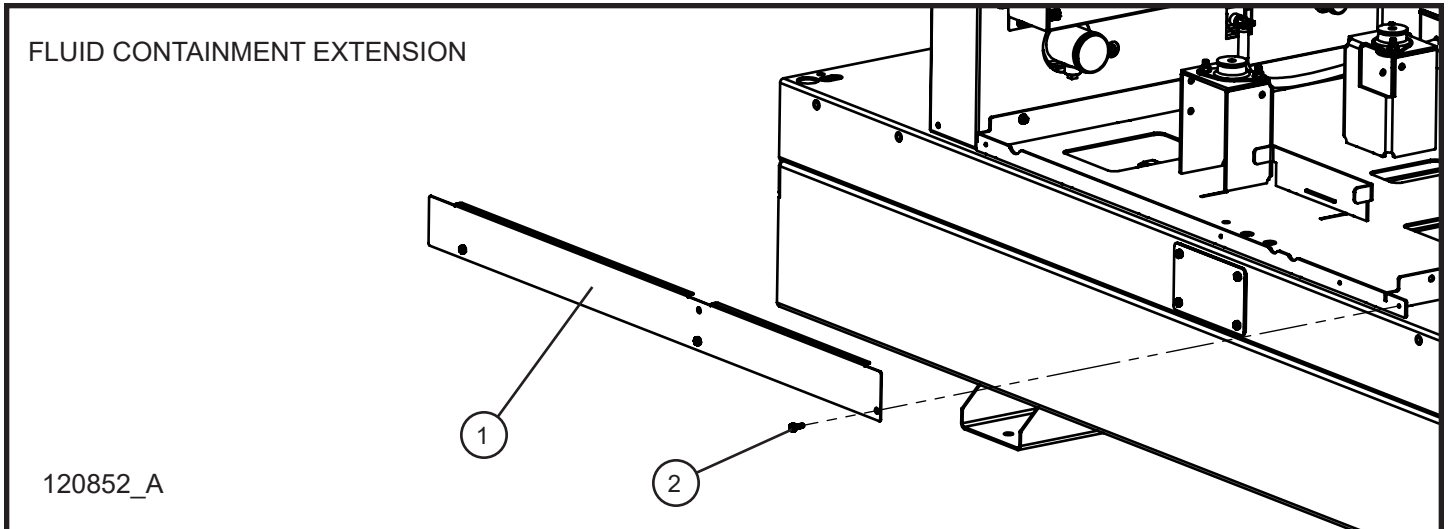
2.9 - Top Side Panel (2 of 2)

Item	Part No.	Part Description	Qty.
1	121479P	WELDMENT MP45 TOP COVER	1
2	121046	ADHESIVE BACKED EPDM FOAM STRIP, 43.25" LG	1
3	121046	ADHESIVE BACKED EPDM FOAM STRIP, 49.25"LG	1
4	110370	GROMMET SOLID 2.047 X 2.323 X .512	1
5	122724	FOAM KIT MAXI-POWER 45	1
5A	121480	TOP COVER FOAM 1 MP45	1
5B	121481	TOP COVER FOAM 2 MP45	1
5C	121482	TOP COVER FOAM 3 MP45	2
5D	121483	TOP COVER FOAM 4 MP45	2
5E	121484	TOP COVER FOAM 5 MP45	2
5F	121485	TOP COVER FOAM 6 MP45	1

NS - Not Shown

*** - Contact Allmand for more information.

2.10 - Left and Right Side Door Latch Brackets I



Maxi-Power™ 45

SN 49-000001 to 49-001065

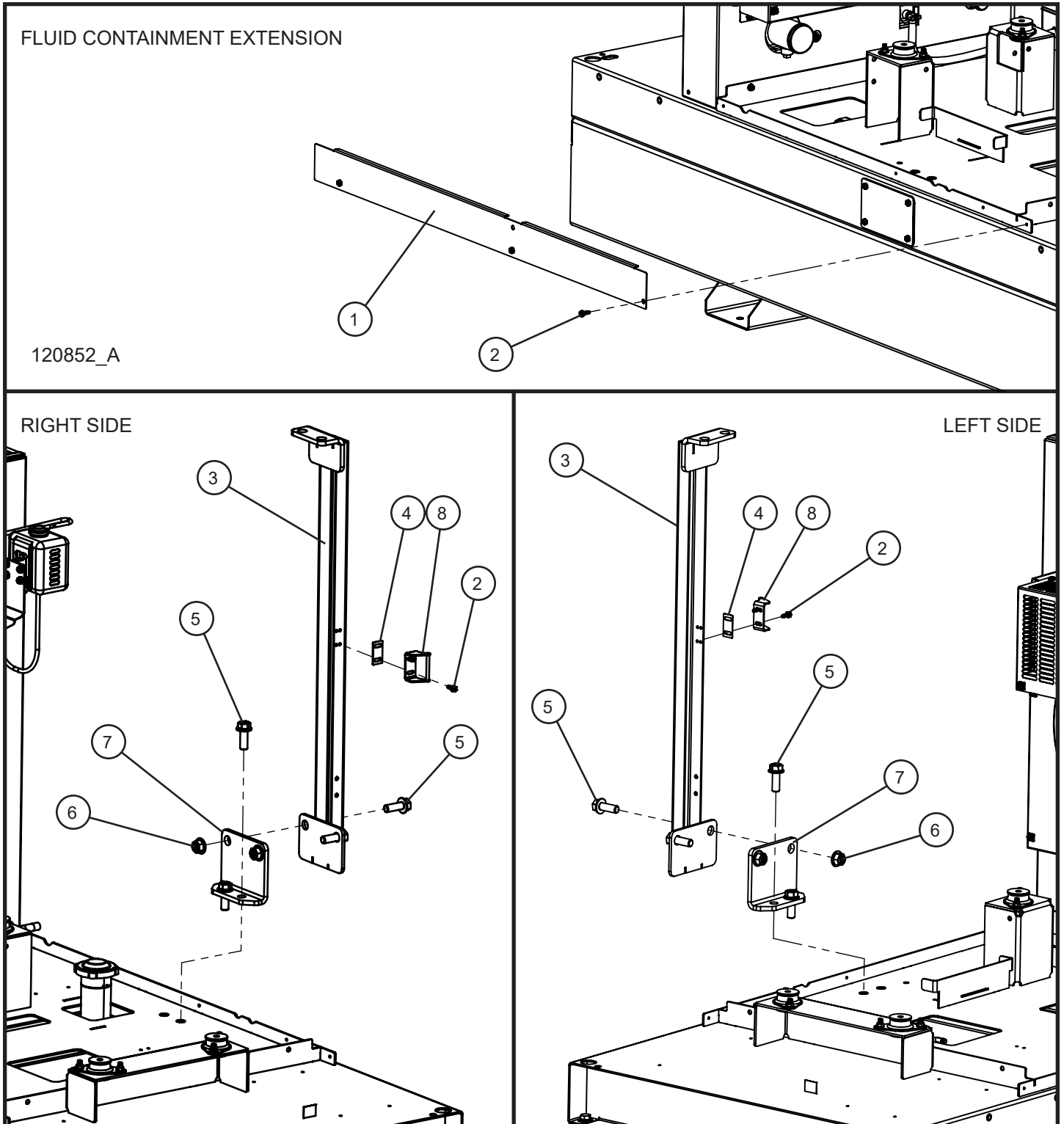
2.10 - Left and Right Side Door Latch Brackets I

Item	Part No.	Part Description	Qty.
1	118829P	FLUID CONTAINMENT EXTENSION LEFT SIDE	1
2	041070	1/4-20 X 3/4 SL-HEX WASHER HEAD MACHINE SCREW	11
3	121342P	WELDMENT MP45 LIFTING BAIL	2
4	047030	5/8 FLAT WASHER	8
5	046246	5/8-11 X 1 1/2 HEX HEAD CAP SCREW	12
6	123587	5/8-11 FLANGE LOCKNUT	8
7	121348P	UPRIGHT BASE SUPPORT MP45	2
8	043101	5/8 SPLITLOCK WASHER	4
9	124239P	WELDMENT MP25 BAR DOOR LATCH	2

NS - Not Shown

* * * - Contact Allmand for more information.

2.10 - Left and Right Side Door Latch Brackets II



Maxi-Power™ 45

SN 49-001066 and UP

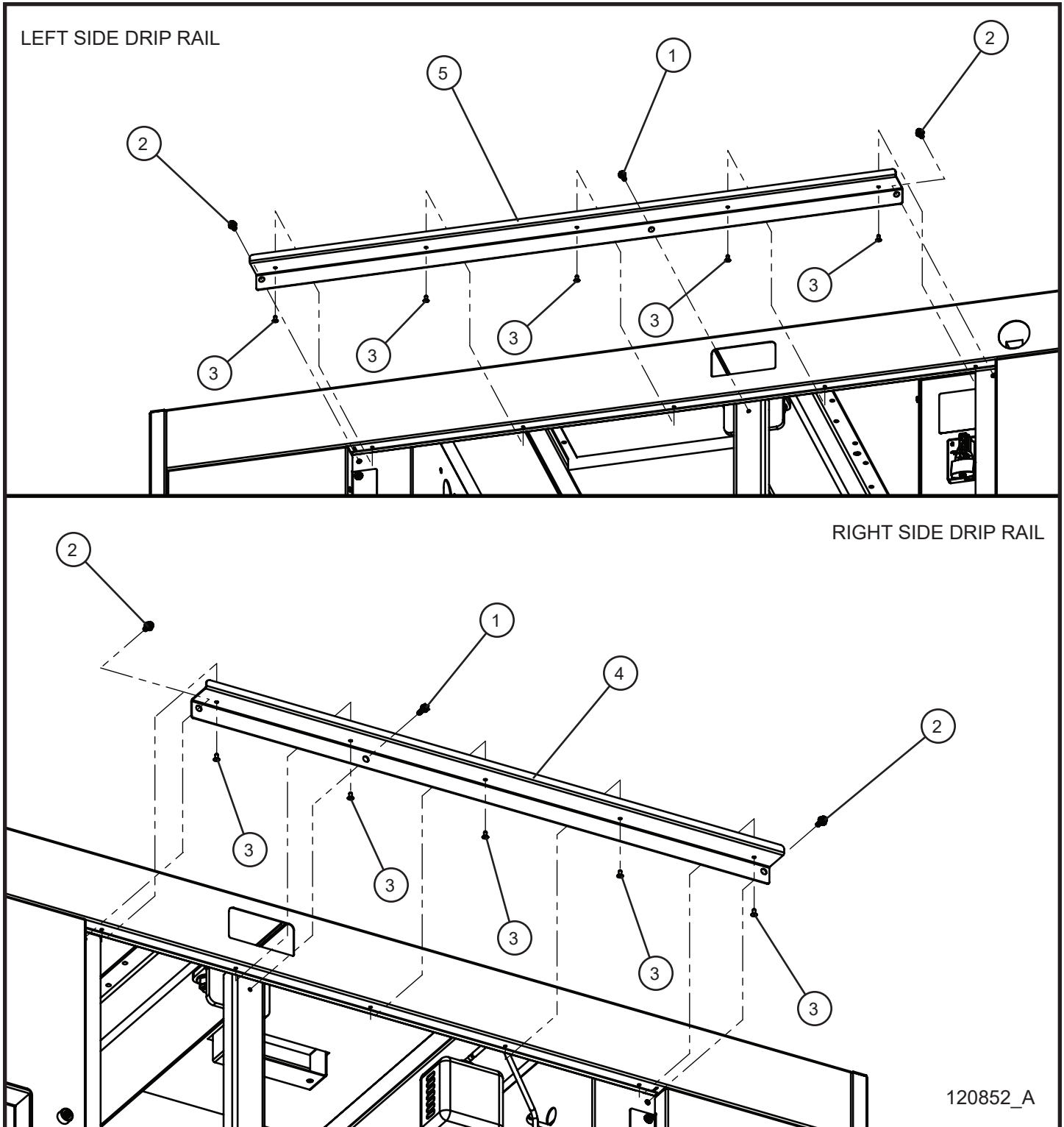
2.10 - Left and Right Side Door Latch Brackets II

Item	Part No.	Part Description	Qty.
1	118829P	FLUID CONTAINMENT EXTENSION LEFT SIDE	1
2	041070	1/4-20 X 3/4 SL-HEX WASHER HEAD MACHINE SCREW	11
3	121342P	WELDMENT MP45 LIFTING BAIL	2
4	126331P	PLATE SHIM MP DOOR CATCH	8
5	056042	5/8-11 X 1-3/4 HEX FLANGE HEAD SCREW	12
6	123587	5/8-11 FLANGE LOCKNUT	8
7	121348P	UPRIGHT BASE SUPPORT MP45	2
8	126323P	WELDMENT MP SIDE DOOR CATCH	2

NS - Not Shown

* * * - Contact Allmand for more information.

2.11 - Left and Right Side Drip Rails



120852_A

Maxi-Power™ 45

SN 49-000001 and UP

2.11 - Left and Right Side Drip Rails

Item	Part No.	Part Description	Qty.
1	041070	1/4-20 X 3/4 SL-HEX WASHER HEAD MACHINE SCREW	11
2	056001	1/4-20 X 1/2 HEX SERRATED FLANGE SCREW	9
3	118863	RIVET 3/16 DIA . X .325 L .063 TO .125 GRIP	16
4	121477P	TOP COVER DRIP EDGE RIGHT SIDE MP45	1
5	121476P	TOP COVER DRIP EDGE LEFT SIDE MP45	1

NS - Not Shown

* * * - Contact Allmand for more information.

Maxi-Power™ 45

SN 49-000001 and UP

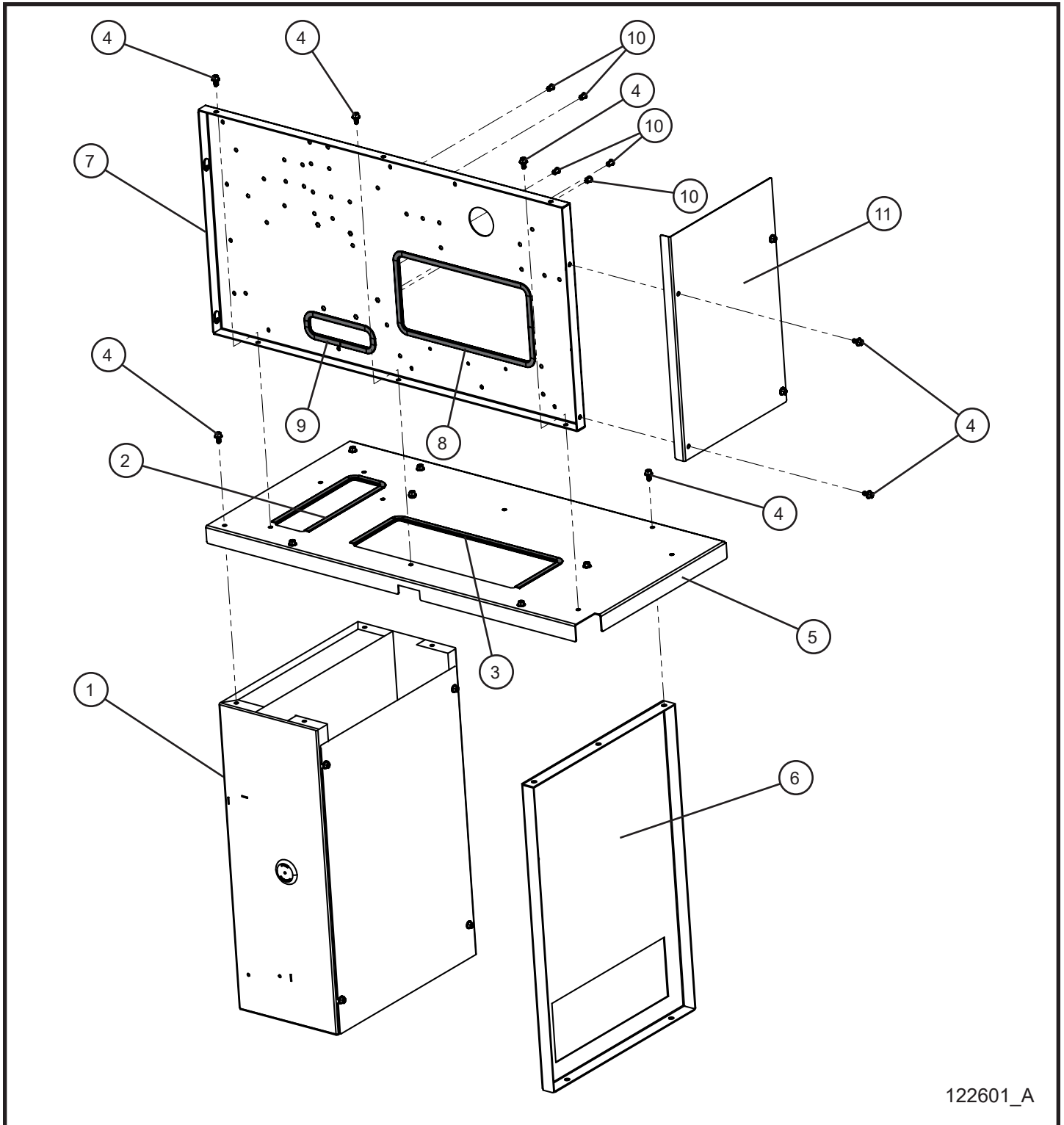
3.1 - Control Box Install Group

Item	Part No.	Part Description	Qty.
1	056002	1/4-20 X 3/4 HEX SERRATED FLANGE SCREW	6
2	124299P	SIDE COVER CONTROL CABINET MP 45	1
3	124298P	CONTROL BOX LOWER PLATE MP 45	1
4	041070	1/4-20 X 3/4 SL-HEX WASHER HEAD MS	1
5	056005	#10-24 X 3/4 SERRATED FLANGE HEX SCREW	5
6	057004	#10-24 SERRATED FLANGE HEX NUT	5
7	118880P	MP45 CONNECTION BASE BACK COVER	1
8	056001	1/4-20 X 1/2 HEX SERRATED FLANGE SCREW	4

NS - Not Shown

* * * - Contact Allmand for more information.

3.2 - Control Box Interior Assembly Group (1 of 4)



122601_A

Maxi-Power™ 45

SN 49-000001 and UP

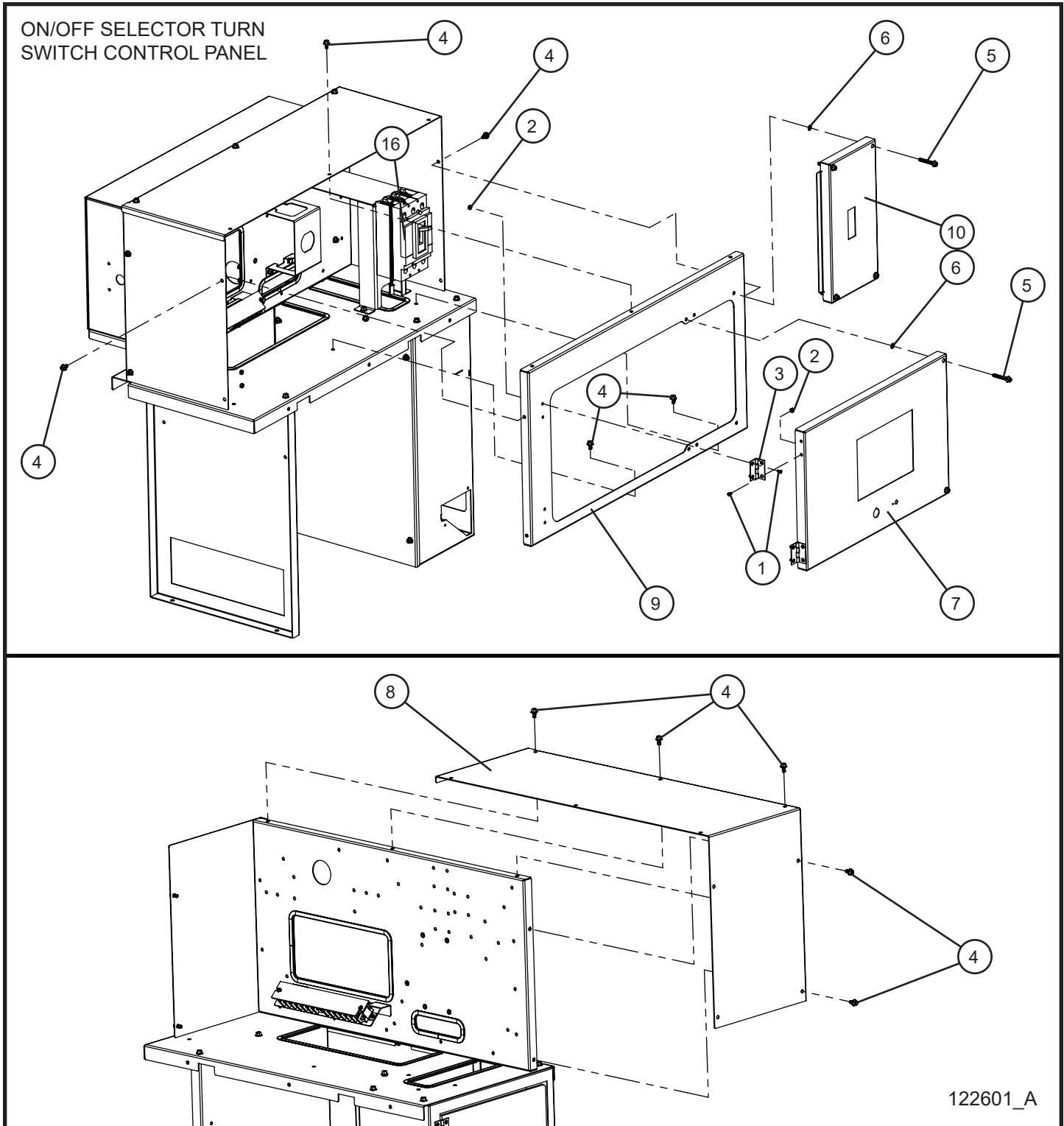
3.2 - Control Box Interior Assembly Group (1 of 4)

Item	Part No.	Part Description	Qty.
1	121281P	WELDMENT MP45 CONNECTION BASE	1
2	030053	5/64 x 7/16 TRIM LOCK X 21.0	1
3	030053	5/64 x 7/16 TRIM LOCK X 25.0	1
4	056001	1/4-20 X 1/2 HEX SERRATED FLANGE SCREW	45
5	121288P	WELDMENT MP45 HORIZONTAL BASE	1
6	121287P	WELDMENT MP45 ECC LEFT SUPPORT PANEL	1
7	121782P	WELDMENT MP45 CONTROL CABINET BACK PANEL	1
8	030053	5/64 x 7/16 TRIM LOCK X 35.0	1
9	030053	5/64 x 7/16 TRIM LOCK X 14.0	1
10	118302	RIVNUT HEX 1/4-20	5
11	118884P	MP45 CABINET LEFT SIDE	1

NS - Not Shown

* * * - Contact Allmand for more information.

3.2 - Control Box Interior Assembly Group (2 of 4)



Maxi-Power™ 45

SN 49-000001 and UP

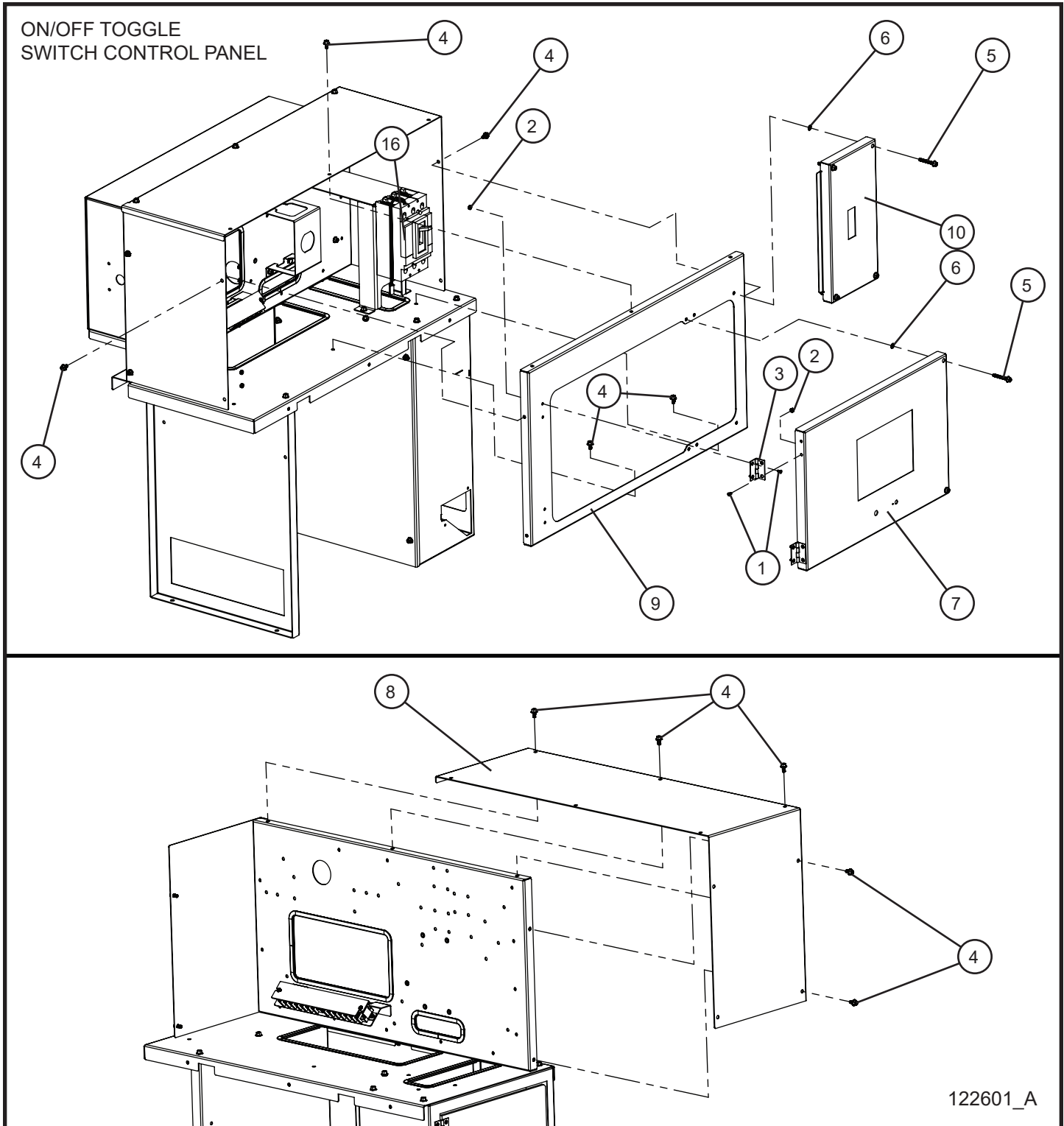
3.2 - Control Box Interior Assembly Group (2 of 4)

Item	Part No.	Part Description	Qty.
1	121415	#8-32 X 3/8 PH-FLAT HEAD COUNTERSUNK MS	8
2	044003	#8-32 NC KEPS NUT	8
3	122008	STANDARD HINGE #8 HOLE 2.00 X 1.75	2
4	056001	1/4-20 X 1/2 HEX SERRATED FLANGE SCREW	45
5	056036	1/4-20 X 1 3/4 HEX NON-SERRATED FLANGE SCREW	6
6	101701	1/4 PUSH NUT	6
7	121602P	WELDMENT MP45 HINGED DOOR	1
8	118885P	MP45 CABINET TOP COVER	1
9	124610P	WELDMENT MP45 FRONT COVER FRAME	1
10	121286P	WELDMENT MP45 FIXED DOOR	1

NS - Not Shown

*** - Contact Allmand for more information.

3.2 - Control Box Interior Assembly Group (3 of 4)



Maxi-Power™ 45

SN 49-000001 and UP

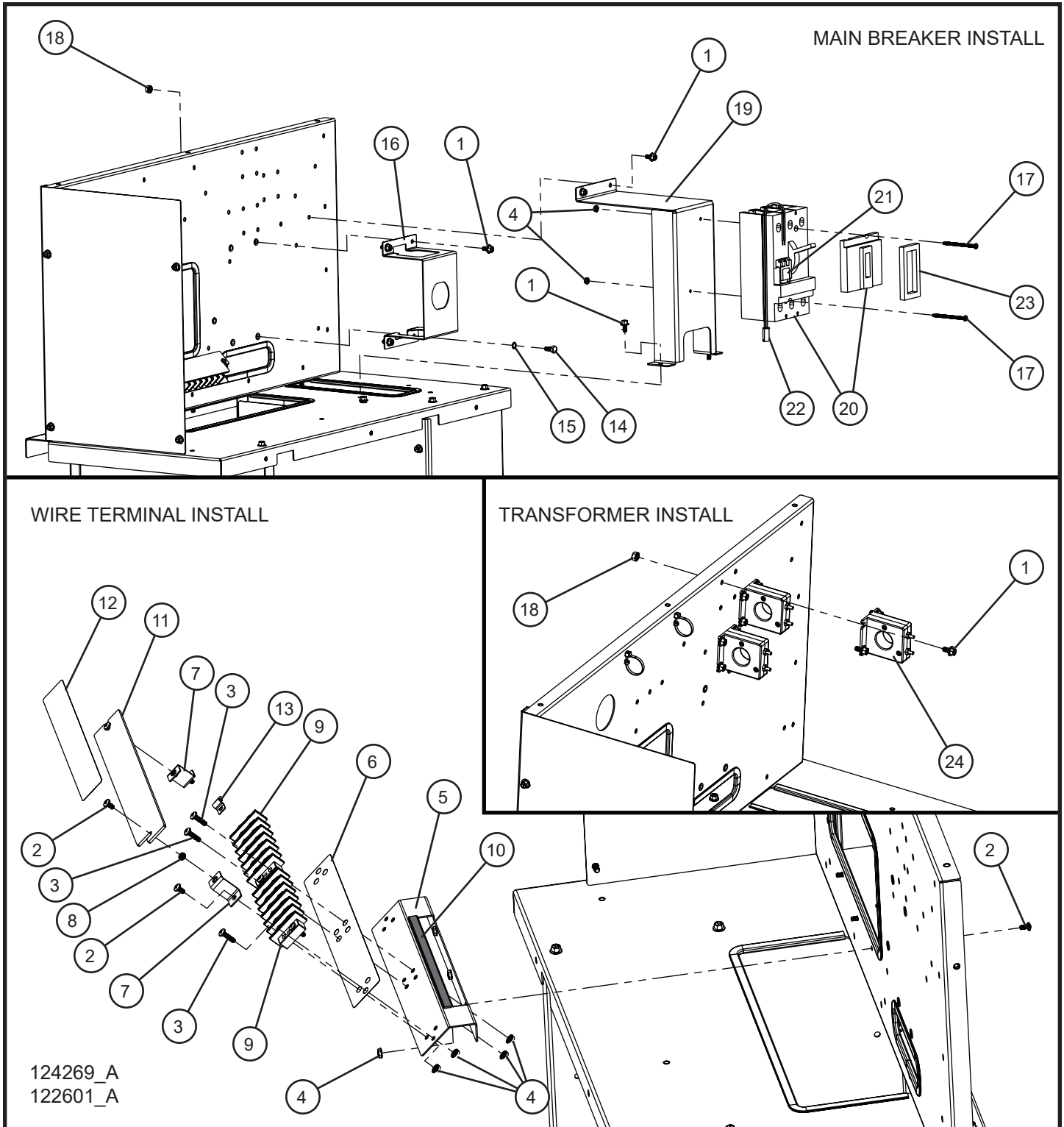
3.2 - Control Box Interior Assembly Group (3 of 4)

Item	Part No.	Part Description	Qty.
1	121415	#8-32 X 3/8 PH-FLAT HEAD COUNTERSUNK MS	8
2	044003	#8-32 NC KEPS NUT	8
3	122008	STANDARD HINGE #8 HOLE 2.00 X 1.75	2
4	056001	1/4-20 X 1/2 HEX SERRATED FLANGE SCREW	45
5	056036	1/4-20 X 1 3/4 HEX NON-SERRATED FLANGE SCREW	6
6	101701	1/4 PUSH NUT	6
7	126494P	WELDMENT CONTROL CABINET DOOR TOGGLE SWITCH MP45	1
8	118885P	MP45 CABINET TOP COVER	1
9	124610P	WELDMENT MP45 FRONT COVER FRAME	1
10	121286P	WELDMENT MP45 FIXED DOOR	1

NS - Not Shown

*** - Contact Allmand for more information.

3.2 - Control Box Interior Assembly Group (4 of 4)



Maxi-Power™ 45

SN 49-000001 and UP

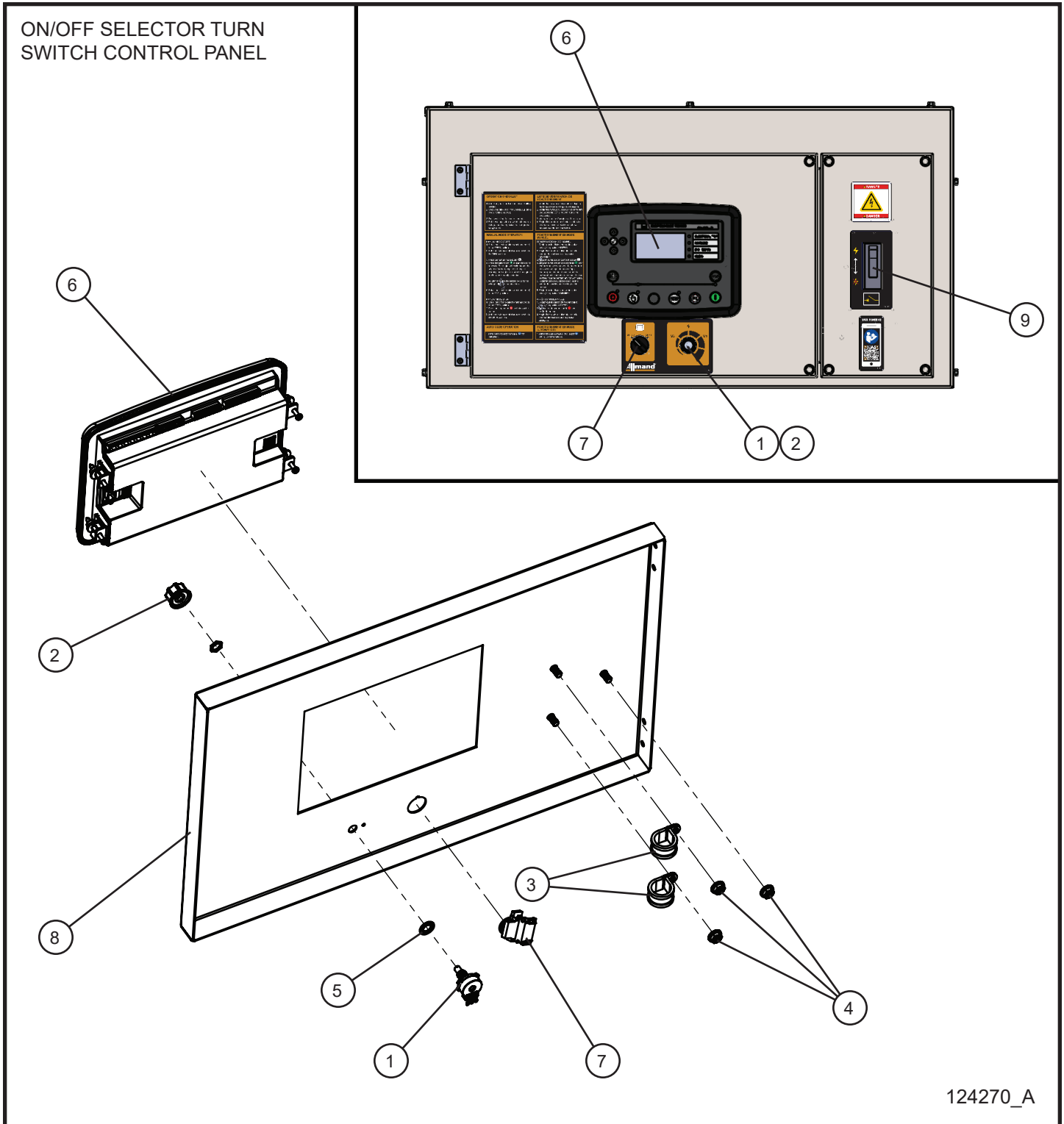
3.2 - Control Box Interior Assembly Group (4 of 4)

Item	Part No.	Part Description	Qty.
1	056001	1/4-20 x 1/2 HEX SERRATED FLANGE SCREW	45
2	121700	#10-24 X 3/8 PH-PAN HEAD MS	7
3	121711	#10-24 X 3/4 PH-PAN HEAD MS	8
4	044016	#10-24 KEPS HEX NUT	15
5	124233P	TERMINAL BLOCK MOUNT MP25	1
6	123162	DECAL TERMINAL STRIP MP25	1
7	121858P	TERMINAL BLOCK COVER MOUNT MP45/65	2
8	121336	#10-24 LOW-PROFILE RIVNUT	2
9	123159	TERMINAL STRIP 6 POSITION TB400 SERIES	2
10	030053	5/64 x 7/16 TRIM LOCK X 8.5	1
11	124234	TERMINAL STRIP COVER MP25	1
12	122456	DECAL MAXI-POWER 25 CONTROL BOX 2/6 BLOCK TERMINAL	1
13	122604	JUMPER TERMINAL BLOCK J603	1
14	046006	1/4-20 X 5/8 HHCS	1
15	043050	1/4 INTL TOOTH LOCK WASHER	1
16	121294P	AVR RISER BRACKET	1
17	121416	#10-24 X 2 3/4 PAN HEAD MS	2
18	044021	1/4-20 KEPS HEX NUT	2
19	118896P	MP45 BREAKER STANDOFF BASE	1
20	121797	CIRCUIT BREAKER 175A 80% RATED	1
21	121907	SHUNT TRIP 12V	1
22	121862	SHUNT TRIP HARNESS	1
23	118798	MAIN BREAKER FOAM	1
24	118796	150:5 CURRENT TRANSFORMER	3
NS	126367	GROUND WIRE 12 AWG GREEN x 54.00 MP25/MP45	1
NS	121565	MAIN BREAKER WIRE KIT MP45	1
NS	121563	SWITCH WIRE KIT MP45	1
NS	121564	OUTLET WIRE KIT MP45	1
NS	121864	WIRE SCHEMATIC GENERATOR TO OUTLETS MP45	1

NS - Not Shown

* * * - Contact Allmand for more information.

3.3 - Control Box Control Panel Components Group I



Maxi-Power™ 45

SN 49-000001 and UP

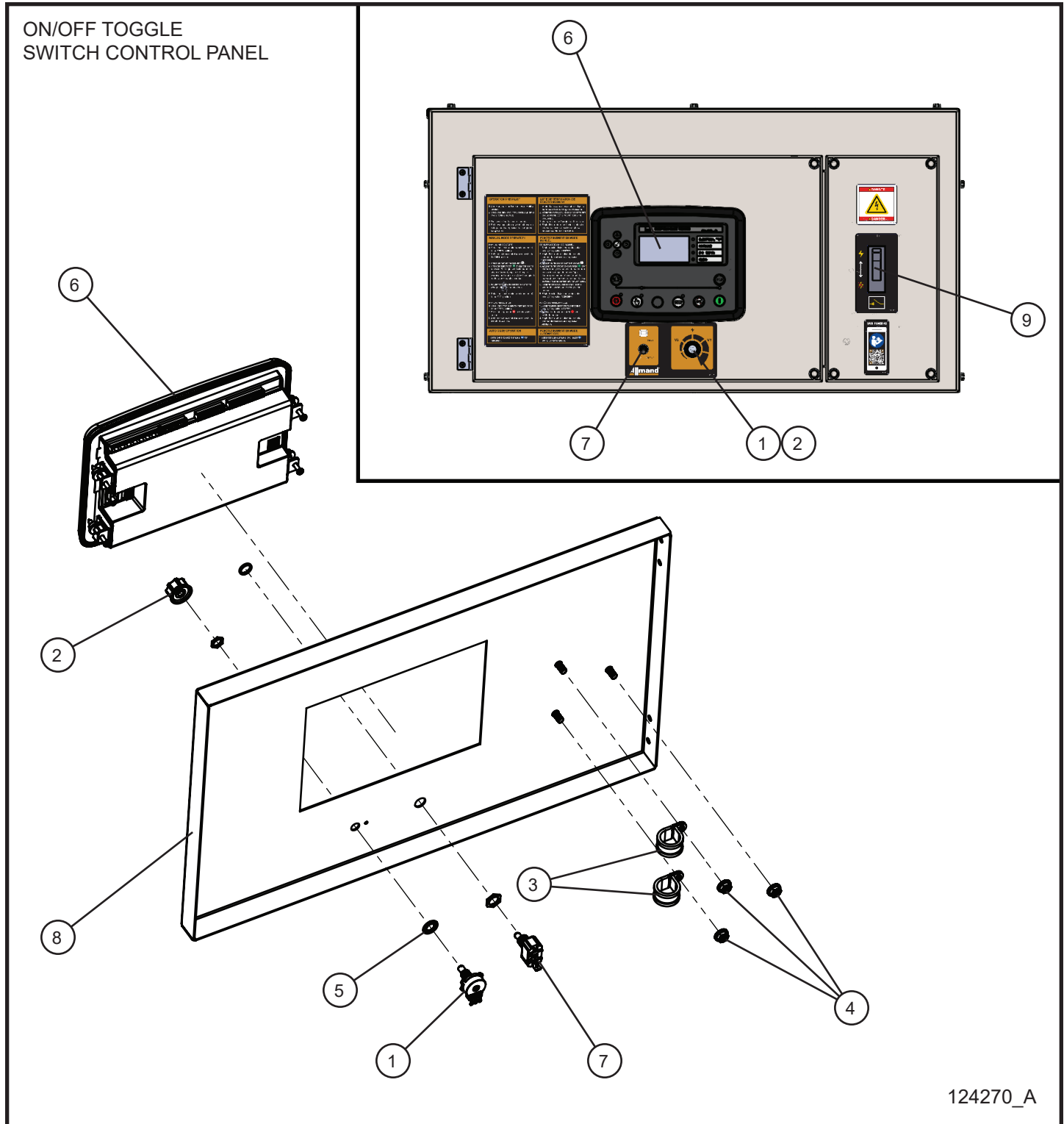
3.3 - Control Box Control Panel Components Group I

Item	Part No.	Part Description	Qty.
1	122156	POTENTIOMETER	1
2	121789	KNOB POTENTIOMETER	1
3	022024	#12 CUSHION CLAMP	2
4	057000	1/4-20 HEX SERRATED FLANGE NUT	3
5	043070	3/8 INTL TOOTH LOCK WASHER	1
6	118699	DSE 7310 MKII CONTROL MODULE	1
7	121910	SWITCH CONTROL ON / OFF	1
8	121602P	WELDMENT MP45 HINGED DOOR	1
9	121797	CIRCUIT BREAKER 175A 80% RATED	1
NS	126515	DSE CONTROLLER POWER SWITCH REPLACEMENT KIT	1
NS	121565	MAIN BREAKER WIRE KIT MP45	1
NS	121563	SWITCH WIRE KIT MP45	1
NS	121564	OUTLET WIRE KIT MP45	1
NS	121860	ISUZU ENGINE INTERFACE HARNESS MP25	1
NS	121864	WIRE SCHEMATIC GENERATOR TO OUTLETS MP45	1
NS	124273	WIRE SCHEMATIC DEEP SEA CONTROL HARNESS MP25&MP45	1
NS	115155	CHARGE CIRCUIT FUSE HOLDER	1
NS	104743	FUSE JCASE® 60 AMP	1
NS	124503	WIRE SCHEMATIC ISUZU ENGINE HARNESS MP25 & MP45	1
NS	121866	MP45 DEEP SEA CONTROL HARNESS	1

NS - Not Shown

* * * - Contact Allmand for more information.

3.4 - Control Box Control Panel Components Group II



Maxi-Power™ 45

SN 49-000001 and UP

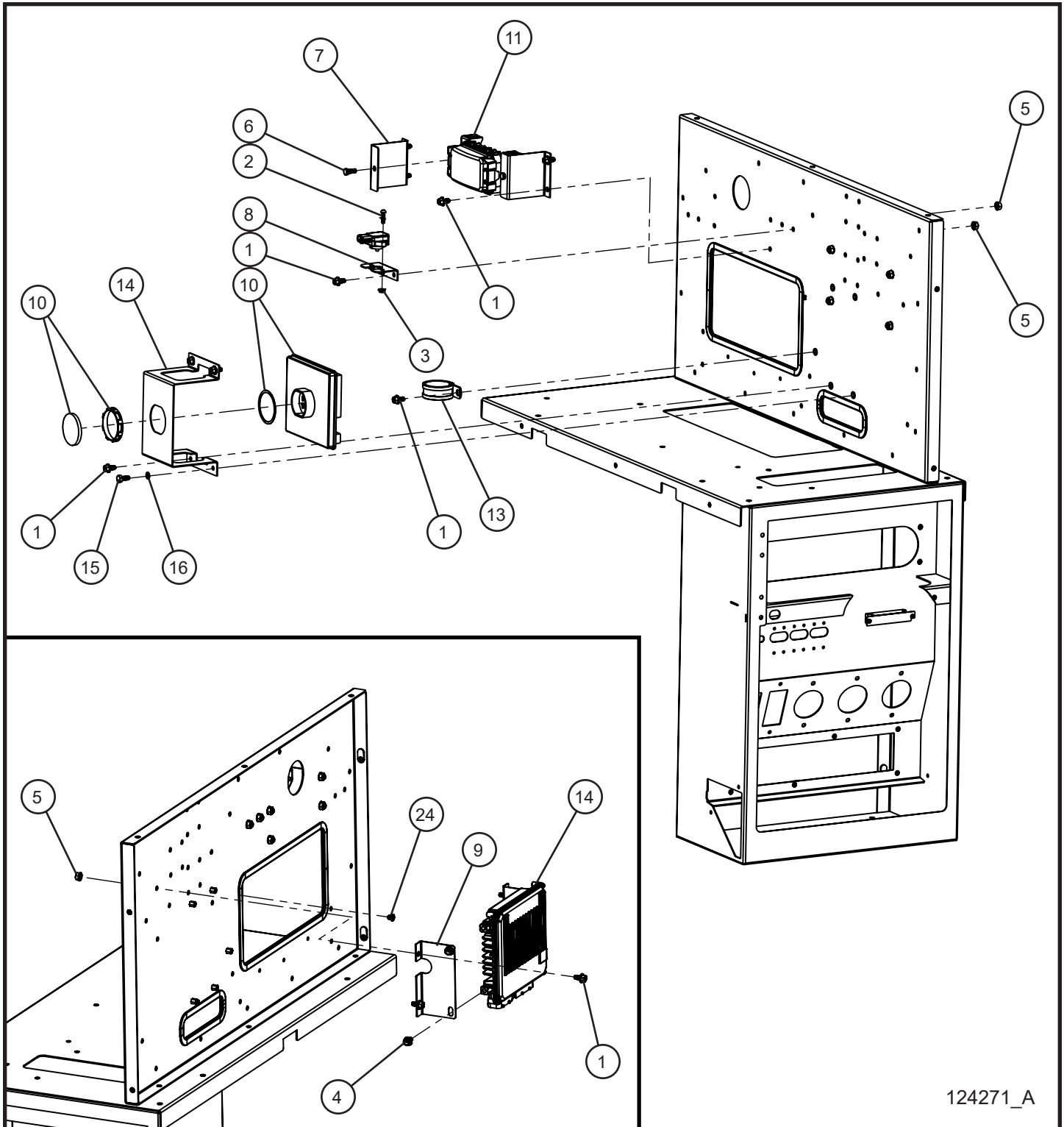
3.4 - Control Box Control Panel Components Group II

Item	Part No.	Part Description	Qty.
1	122156	POTENTIOMETER	1
2	121789	KNOB POTENTIOMETER	1
3	022024	#12 CUSHION CLAMP	2
4	057000	1/4-20 HEX SERRATED FLANGE NUT	3
5	043070	3/8 INTL TOOTH LOCK WASHER	1
6	118699	DSE 7310 MKII CONTROL MODULE	1
7	123157	TOGGLE SWITCH SPST ON-OFF	1
8	126494P	WELDMENT CONTROL CABINET DOOR TOGGLE SWITCH MP45	1
9	121797	CIRCUIT BREAKER 175A 80% RATED	1
NS	121565	MAIN BREAKER WIRE KIT MP45	1
NS	121563	SWITCH WIRE KIT MP45	1
NS	121564	OUTLET WIRE KIT MP45	1
NS	121860	ISUZU ENGINE INTERFACE HARNESS MP25	1
NS	121864	WIRE SCHEMATIC GENERATOR TO OUTLETS MP45	1
NS	124273	WIRE SCHEMATIC DEEP SEA CONTROL HARNESS MP25&MP45	1
NS	115155	CHARGE CIRCUIT FUSE HOLDER	1
NS	104743	FUSE JCASE® 60 AMP	1
NS	124503	WIRE SCHEMATIC ISUZU ENGINE HARNESS MP25 & MP45	1
NS	121866	MP45 DEEP SEA CONTROL HARNESS	1

NS - Not Shown

* * * - Contact Allmand for more information.

3.5 - Control Box Isuzu Engine Interface Group



124271_A

Maxi-Power™ 45

SN 49-000001 and UP

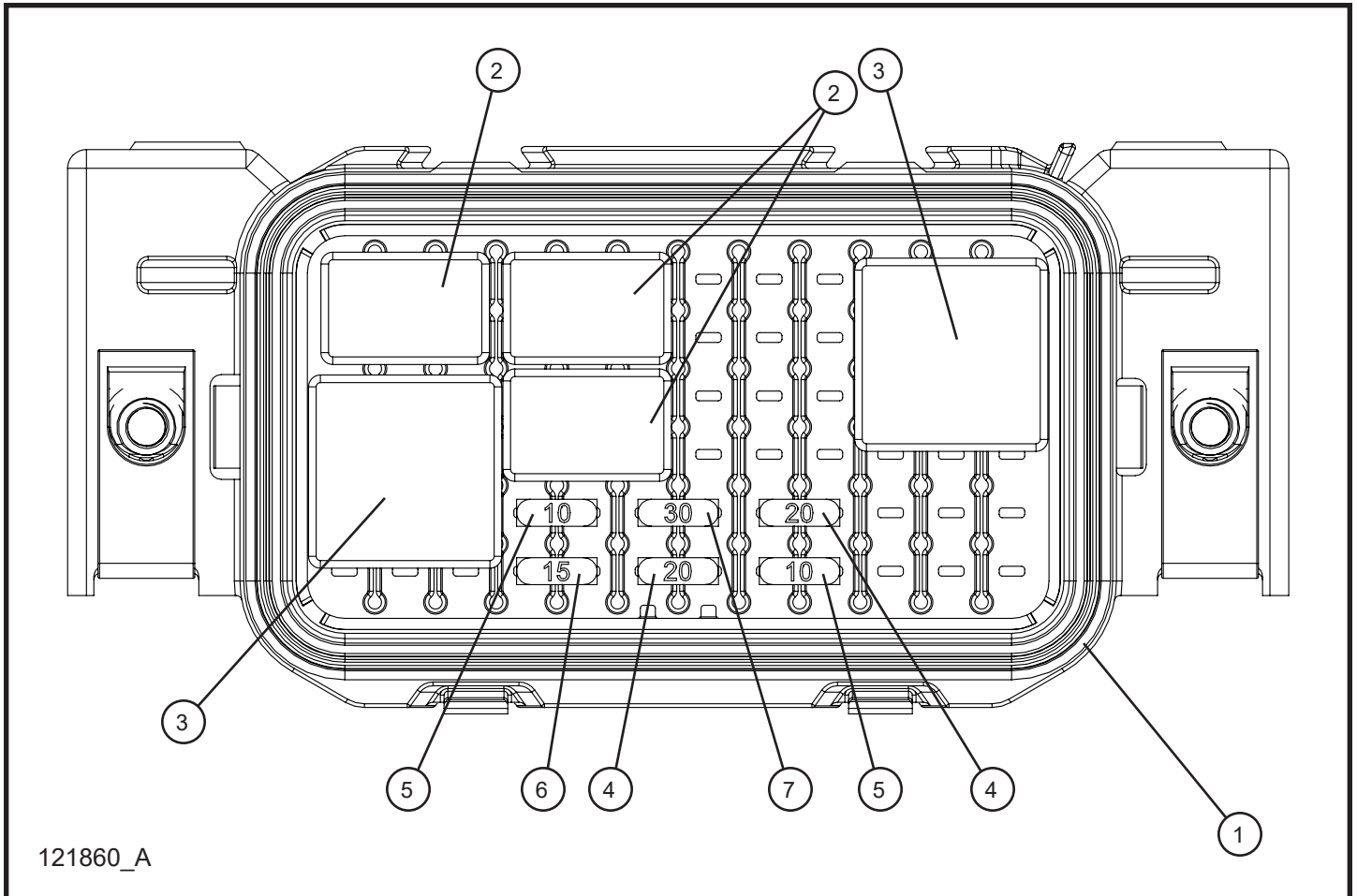
3.5 - Control Box Isuzu Engine Interface Group

Item	Part No.	Part Description	Qty.
1	056001	1/4-20 x 1/2 HEX SERRATED FLANGE SCREW	11
2	041027	#10-24 x 3/4 PH-ROUND HEAD MS	2
3	044016	#10-24 KEPS HEX NUT	2
4	056003	M6 x 1.0 x 12 SERRATED FLANGE HEX BOLT	2
5	044021	1/4-20 KEPS HEX NUT PL	10
6	042019	M6 x 1.0mm x 16mm HEX HEAD CS	2
7	121703P	POWER DISTRIBUTION MOUNTING BRACKET 25/45	2
8	118893P	BARAMETRIC PRESSURE SENSOR BRACKET	1
9	118786P	ECU BRACKET 25/45	2
10	123175	AUTOMATIC VOLTAGE REGULATOR MARATHON	1
11	121860	ISUZU ENGINE INTERFACE HARNESS MP25	1
12	022137	PUSH BUTTON ZIP TIE MOUNT	1
13	106144	#2013 CUSH CLAMP	1
14	121294P	AVR RISER BRACKET	1
15	046006	1/4-20 X 5/8 HHCS	1
16	043050	1/4 INTL TOOTH LOCK WASHER	1
NS	115155	CHARGE CIRCUIT FUSE HOLDER	1
NS	104743	FUSE JCASE® 60 AMP	1
NS	124503	WIRE SCHEMATIC ISUZU ENGINE HARNESS MP25 & MP45	1
NS	121910	SWITCH CONTROL ON / OFF	1

NS - Not Shown

* * * - Contact Allmand for more information.

3.6 - Isuzu Engine Interface Harness Fuse Box



121860_A

Maxi-Power™ 45

SN 49-000001 and UP

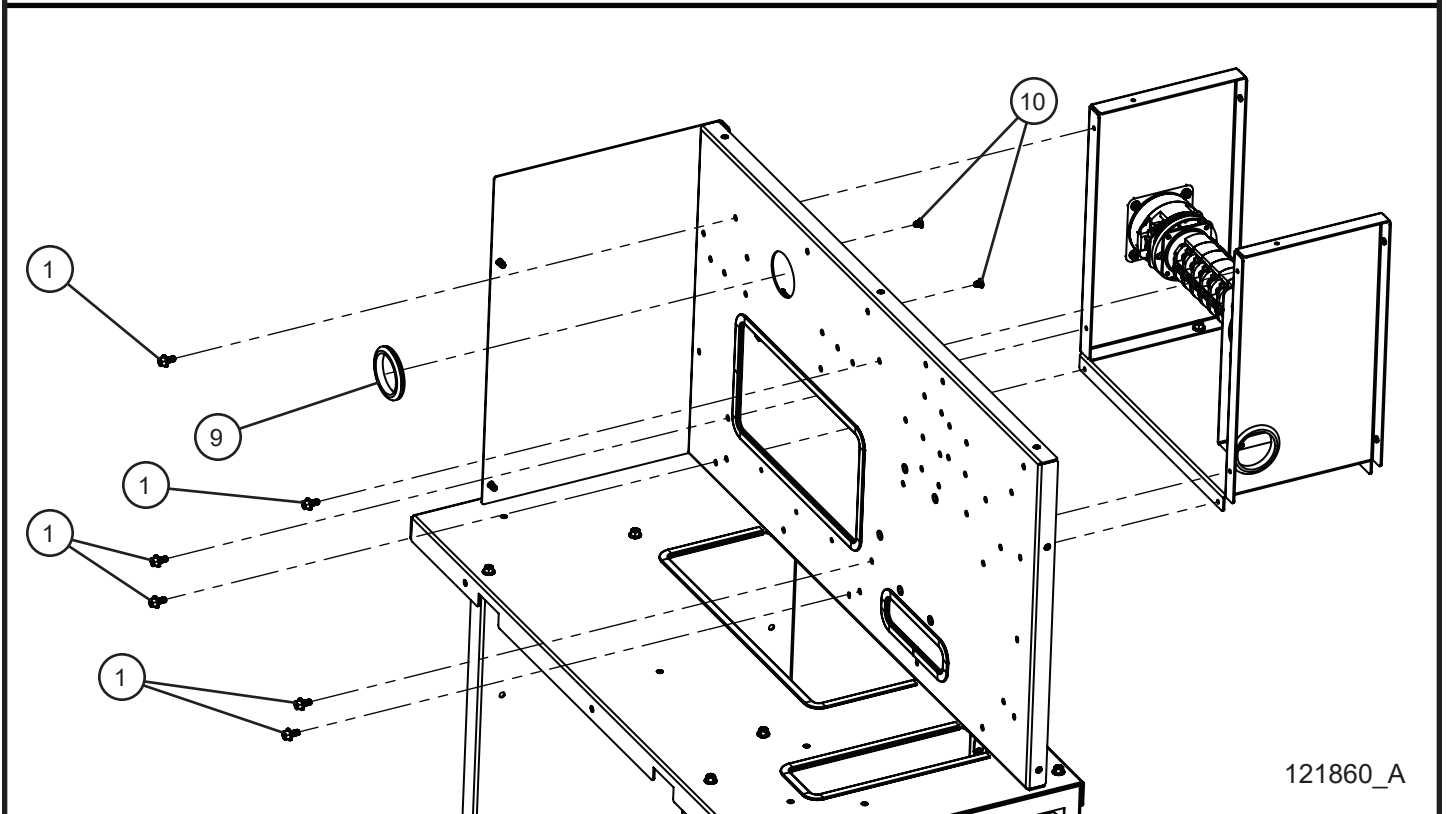
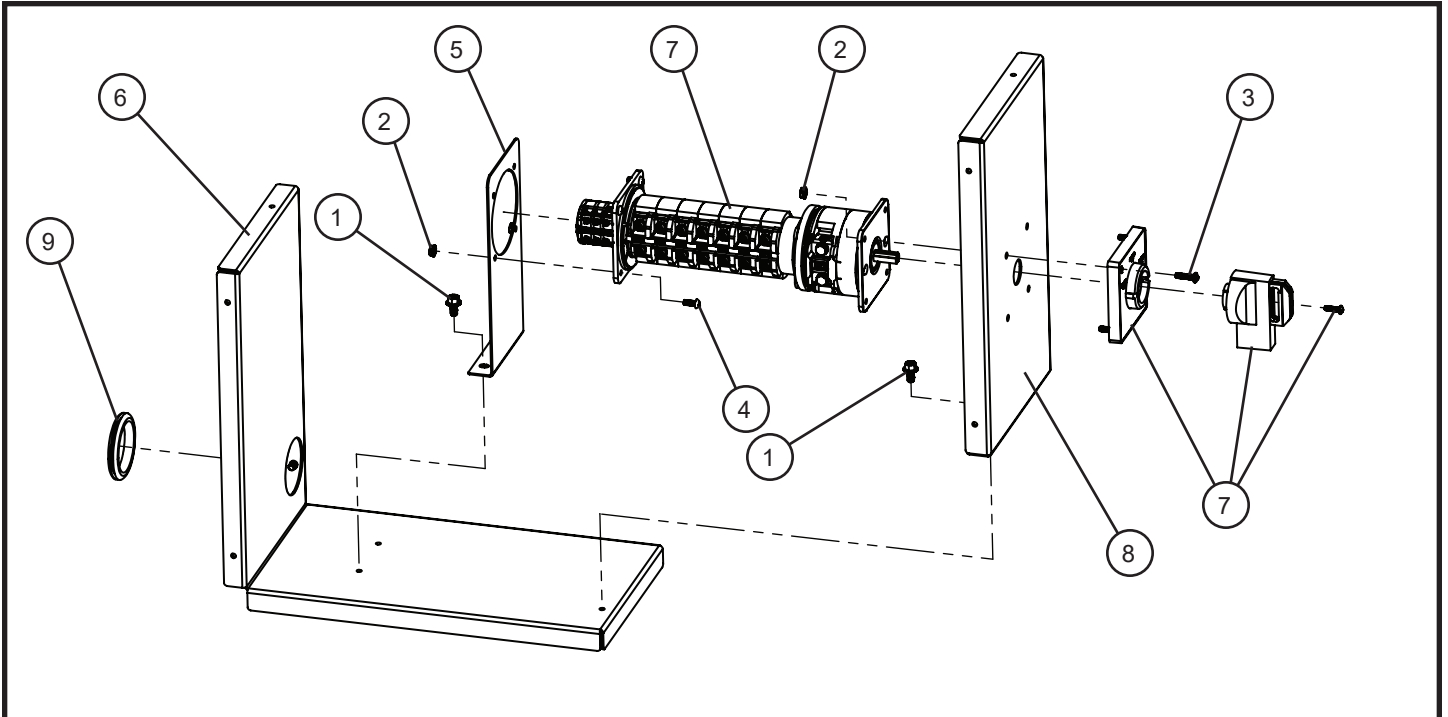
3.6 - Isuzu Engine Interface Harness Fuse Box

Item	Allmand No.	Part Description	Qty.
--	121860	ISUZU ENGINE INTERFACE HARNESS MP25	1
1	121575	72 PIN BOARD MODULE	1
2	107928	35 AMP SPST RELAY	3
3	105202	50 AMP SPST RELAY	2
4	105870	20A MINI FUSE	2
5	118358	10A MINI FUSE	2
6	105844	15A MINI FUSE	1
7	107929	30A MINI FUSE	1
NS	124503	WIRE SCHEMATIC ISUZU ENGINE HARNESS MP25&MP45	1
NS	104743	FUSE JCASE® 60 AMP	1

NS - Not Shown

* * * - Contact Allmand for more information.

3.7 - Voltage Selector Device Group



121860_A

Maxi-Power™ 45

SN 49-000001 and UP

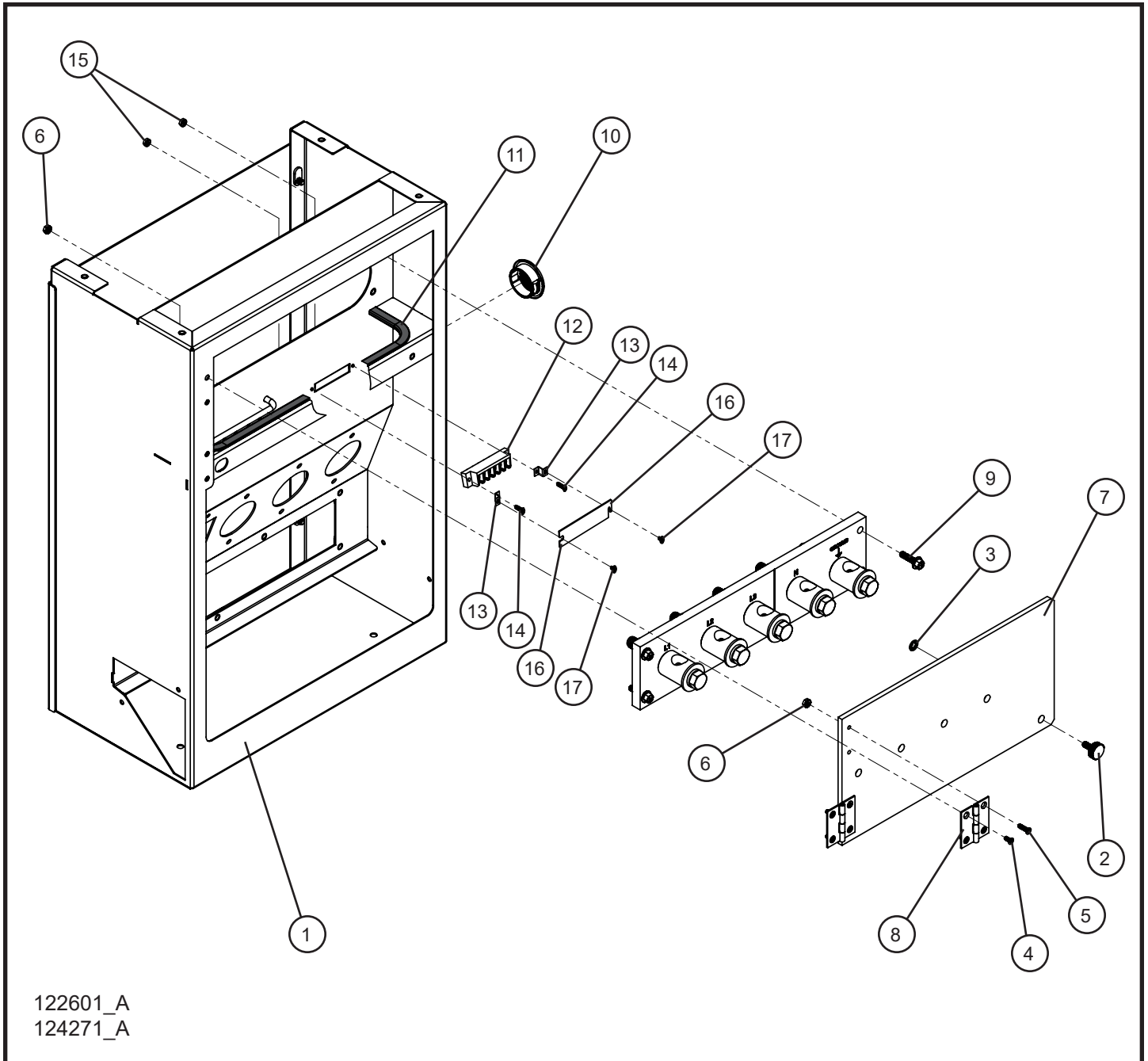
3.7 - Voltage Selector Device Group

Item	Allmand No.	Part Description	Qty.
1	056001	1/4-20 X 1/2 HEX SERRATED FLANGE SCREW	9
2	044016	#10-24 KEPS HEX NUT	8
3	121711	#10-24 X 3/4 PH-PAN HEAD MS	4
4	041021	#10-24 X 1/2 PH-ROUND HEAD MS	4
5	124272P	VOLTAGE SELECTOR SUPPORT BRACKET	1
6	121604P	MP45 BACK LOWER HORIZONTAL	1
7	121794	VOLTAGE SELECTOR SWITCH MP45	1
8	121606P	MP45 BACK VERTICAL LEFT	1
9	121702	GROMMET 2-1/4" 1/8" SBR THK	2
10	022137	PUSH BUTTON ZIP TIE MOUNT	2
NS	121607P	MP45 BACK VERTICAL RIGHT	1
NS	124947P	MP45 CONTROL BOX COVER TOP	1
NS	124948P	MP45 CONTROL BOX COVER BACK	1
NS	121918	PADLOCK	1
NS	121563	SWITCH WIRE KIT MP45	1
NS	121864	WIRE SCHEMATIC GENERATOR TO OUTLETS MP45	1

NS - Not Shown

*** - Contact Allmand for more information.

3.8 - Connection Lug and Outlet Panel (1 of 2)



Maxi-Power™ 45

SN 49-000001 and UP

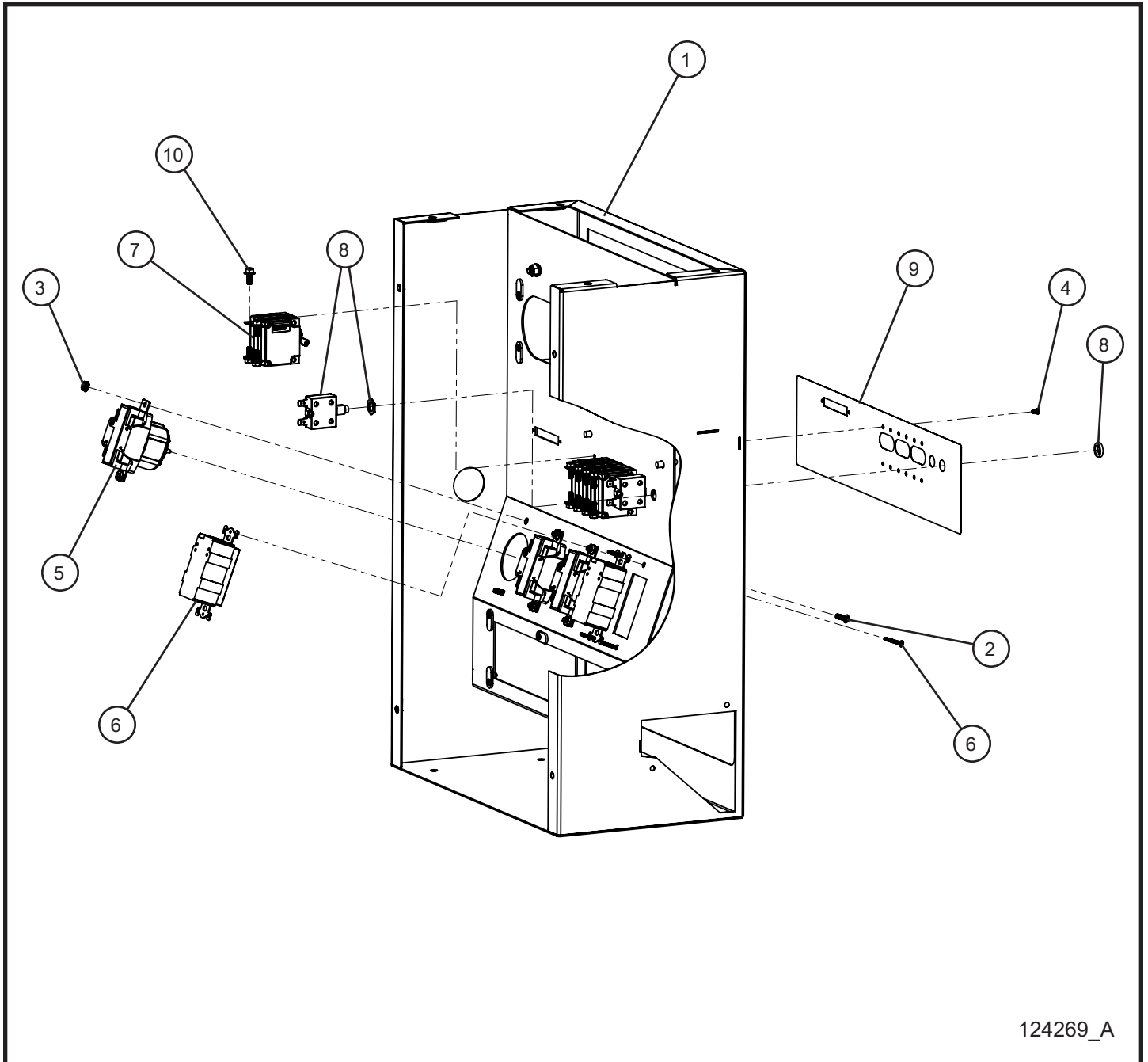
3.8 - Connection Lug and Outlet Panel (1 of 2)

Item	Part No.	Part Description	Qty.
1	121281P	WELDMENT MP45 CONNECTION BASE	1
2	121271	1/4-20 x 5/8 PLASTIC-HEAD THUMB SCREW	1
3	101701	1/4 PUSH NUT	1
4	121415	#8-32 x 3/8 PH-FLAT HEAD COUNTERSUNK MS	12
5	121414	#8-32 x 5/8 PH-FLAT HEAD COUNTERSUNK MS	4
6	044003	#8-32 NC KEPS NUT	16
7	118891	MP45 ECC CONNECTION BASE CLEAR DOOR	1
8	122008	STANDARD HINGE #8 HOLE 2.00 x 1.75	4
9	056017	1/4-20 x 1 SERRATED FLANGE HEX BOLT	4
10	122005	LIQUID TITE BREAK-THRU PLUG	1
11	030053	MP45 CONNECTION BASE EDGE PROTECTOR X 17.50	1
12	123279	BARRIER TERMINAL STRIP 6 POSITION	1
13	121845	BRACKET TERMINAL STRIP COVER	2
14	121849	M3 x 16 PH-PAN HEAD MS	2
15	123932	M3 x 0.5 FLANGE NUT	2
16	121841	TERMINAL STRIP COVER OUTLET PANEL	1
17	041018	#6-32 X 1/4 PH-ROUND HEAD MS	2
NS	122084	DECAL ELECTRICAL WIRING INFORMATION	1
NS	121860	ISUZU ENGINE INTERFACE HARNESS MP25	1
NS	121565	MAIN BREAKER WIRE KIT MP45	1
NS	121563	SWITCH WIRE KIT MP45	1
NS	121564	OUTLET WIRE KIT MP45	1
NS	121864	WIRE SCHEMATIC GENERATOR TO OUTLETS MP45	1
NS	124503	WIRE SCHEMATIC ISUZU ENGINE HARNESS MP25 & MP45	1

NS - Not Shown

* * * - Contact Allmand for more information.

3.8 - Connection Lug and Outlet Panel (2 of 2)



124269_A

Maxi-Power™ 45

SN 49-000001 and UP

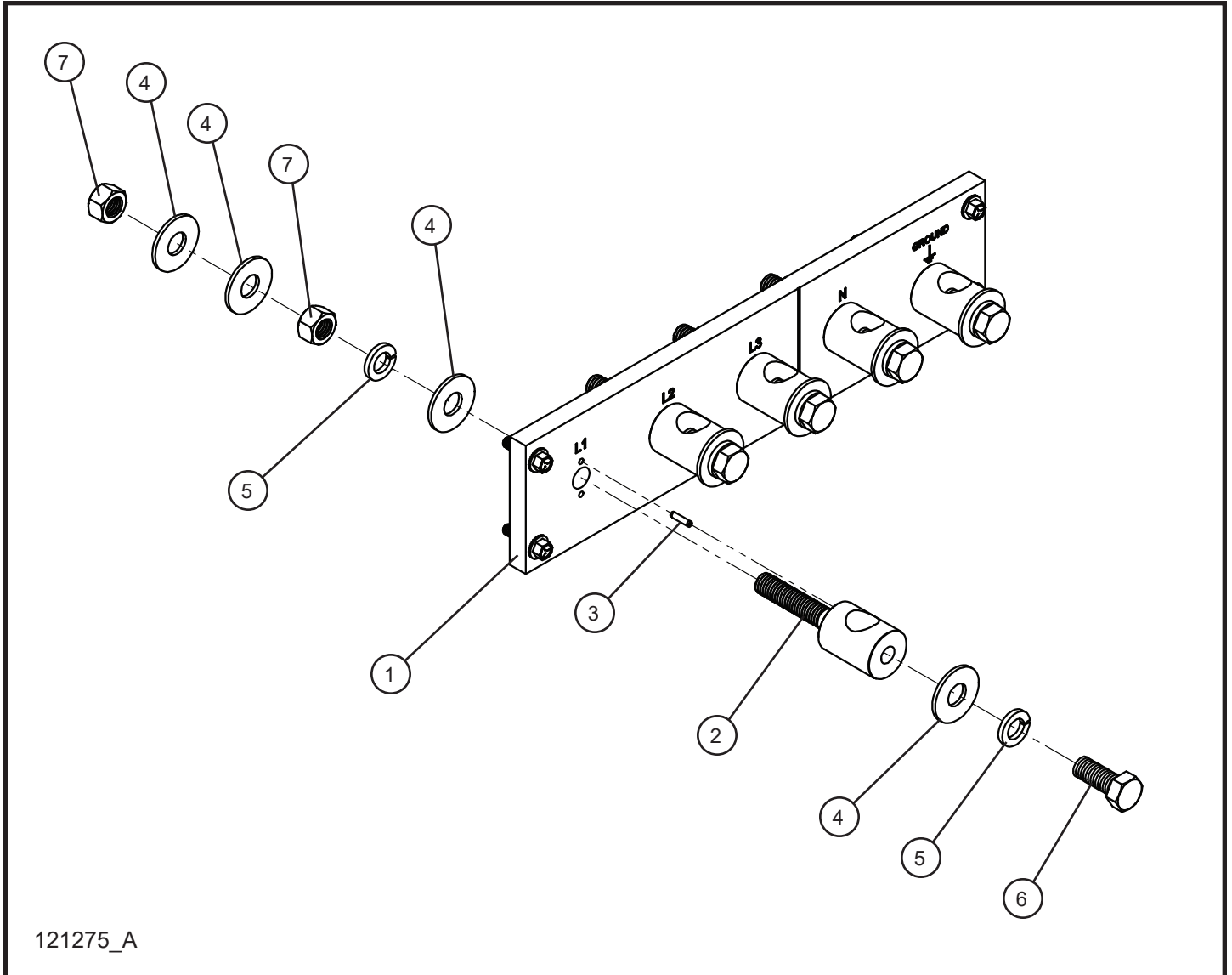
3.8 - Connection Lug and Outlet Panel (2 of 2)

Item	Part No.	Part Description	Qty.
1	121281P	WELDMENT MP45 CONNECTION BASE	1
2	041021	#10-24 X 1/2 PH-ROUND HEAD MS	6
3	044016	#10-24 KEPS HEX NUT	6
4	041252	M3 - 0.05mm x 6mm MACHINE SCREW	12
5	104267	CS6369 RECEPTACLE 50 AMP 125/250 VOLT 4 WIRE	3
6	330499	RECEPTACLE GFCI 20 AMP	2
7	123261	50AMP DOUBLE POLE CIRCUIT BREAKER	3
8	118398	BREAKER THERMAL PUSH BUTTON 20A CSA	2
9	122476	DECAL MAXI-POWER 45/65 OUTLET PANEL	1
10	123224	M5 - 0.8 x 12mm HEX HEAD FLANGE BOLT	12
NS	121565	MAIN BREAKER WIRE KIT MP45	1
NS	121563	SWITCH WIRE KIT MP45	1
NS	121564	OUTLET WIRE KIT MP45	1
NS	121864	WIRE SCHEMATIC GENERATOR TO OUTLETS MP45	1

NS - Not Shown

*** - Contact Allmand for more information.

3.9 - Connection Lug Plate



121275_A

Maxi-Power™ 45

SN 49-000001 and UP

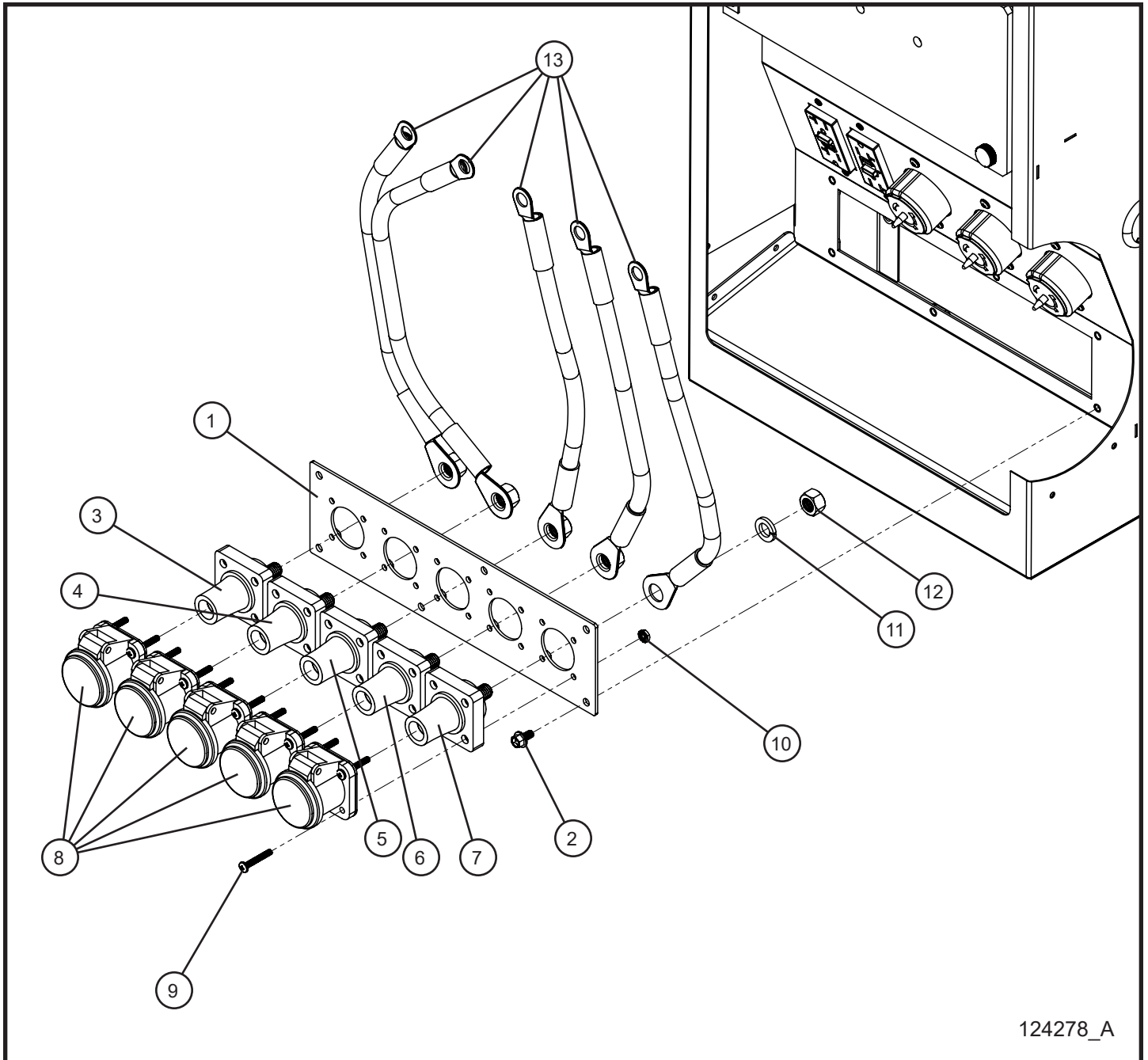
3.9 - Connection Lug Plate

Item	Allmand No.	Part Description	Qty.
1	118898	ECC CONNECTION BASE LUG INSULATOR PLATE MP45 MP65	1
2	118899	ECC CONNECTION BASE CABLE LUG MP45 MP65	5
3	118874	1/8 X 9/16 SPRING ROLL PIN	5
4	047102	1/2 FLAT WASHER	20
5	043085	1/2 SPLITLOCK WASHER	10
6	046180	1/2-13 X 1 1/4 HEX HEAD CS	5
7	044048	1/2-13 NYLOCK HEX NUT	10

NS - Not Shown

* * * - Contact Allmand for more information.

3.10 - Camlocks



124278_A

Maxi-Power™ 45

SN 49-000001 and UP

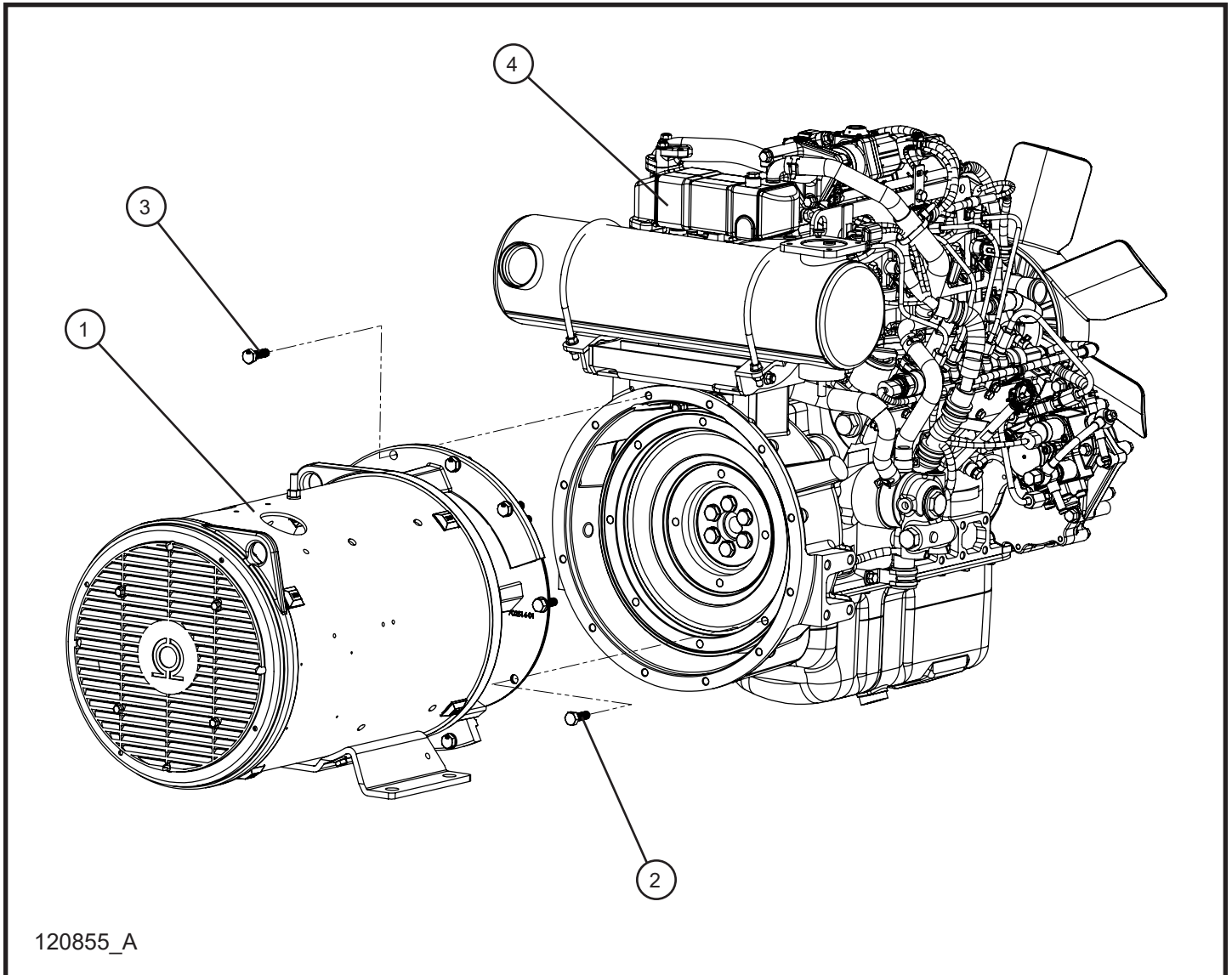
3.10 - Camlocks

Item	Allmand No.	Part Description	Qty.
1	124066P	CAM LOCK PLATE MP25	1
2	056001	1/4-20 X 1/2 HEX SERRATED FLANGE SCREW	6
3	113242	CAM LOCK BLACK FEMALE 90° 600V 400A	1
4	113243	CAM LOCK RED FEMALE 90° 600V 400A	1
5	113244	CAM LOCK BLUE FEMALE 90° 600V 400A	1
6	113245	CAM LOCK WHITE FEMALE 90° 600V 400A	1
7	113246	CAM LOCK GREEN FEMALE 90° 600V 400A	1
8	112424	CAM LOCK CLEAR COVER 90°	5
9	041035	#10-24 x 1-1/4 PHILLIPS MACHINE SCREW	20
10	044016	#10-24 KEPS HEX NUT	20
11	043085	1/2 SPLITLOCK WASHER	5
12	044045	1/2-13 HEX NUT	5
13	112573	CAM LOCK CABLE KIT 1/0 MAXI-POWER 45	1
NS	112136	DECAL CAM LOCKS	1
NS	112422	CAM LOCK 1/0 CABLE SCHEMATIC	1

NS - Not Shown

*** - Contact Allmand for more information.

4.1 - Isuzu 4LE2X Engine and Marathon Generator



Maxi-Power™ 45

SN 49-000001 and UP

4.1 - Isuzu 4LE2X Engine and Marathon Generator

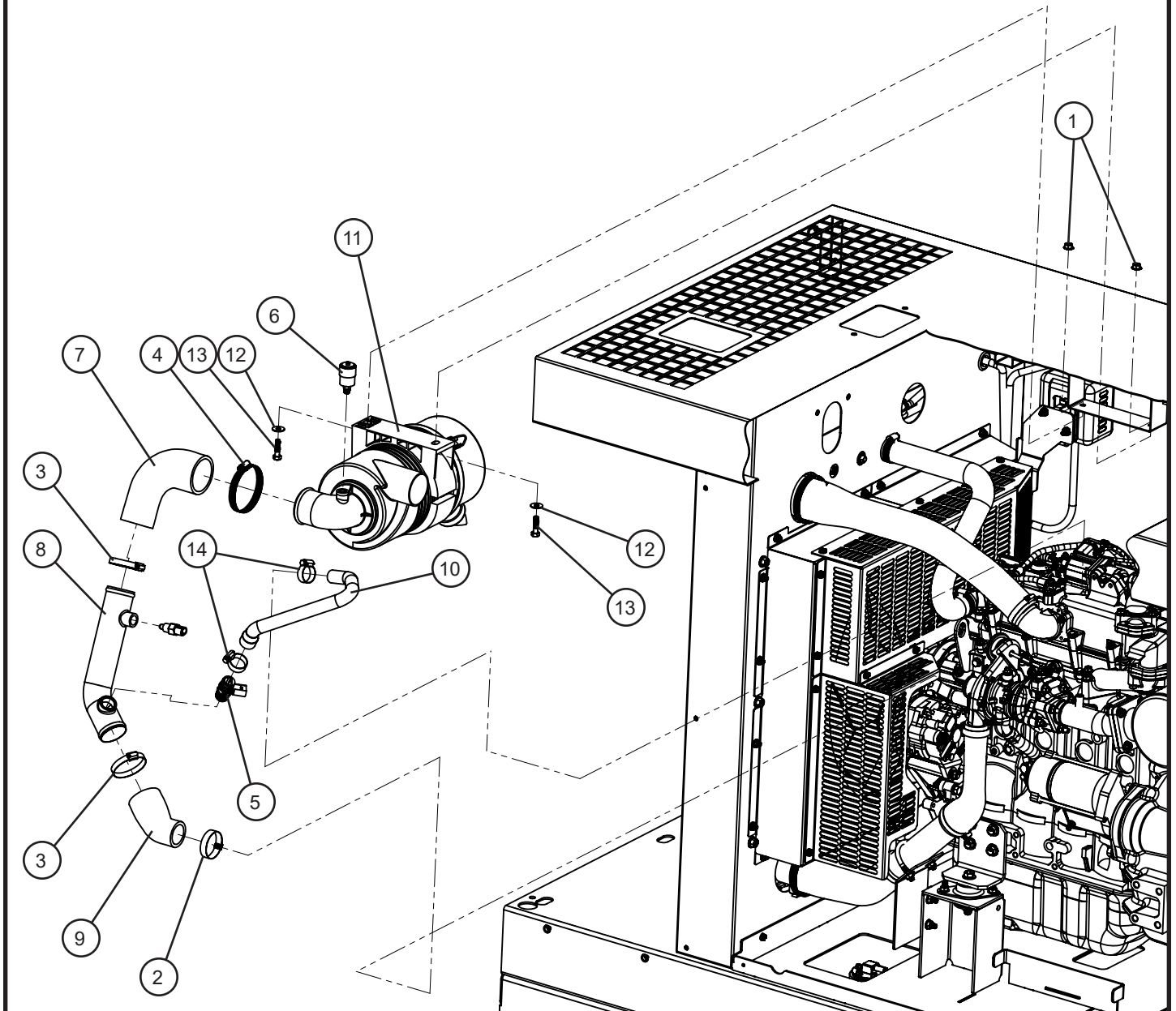
Item	Allmand No.	Part Description	Qty.
1	121792	GENERATOR MARATHON 45KVA 480V 3P AVR	1
2	055009	M10 x 1.5 x 20mm HEX FLANGE BOLT W/ RED THREADLOCK	8
3	055007	M10 x 1.5 x 30mm HEX FLANGE BOLT W/ BLUE THREADLOCK	12
4	122012	ISUZU 4LE2X ENGINE MP 45 SPEC	1
NS	115155	CHARGE CIRCUIT FUSE HOLDER	1
NS	104743	FUSE JCASE® 60 AMP	1
NS	121860	ISUZU ENGINE INTERFACE HARNESS MP25	1
NS	124503	WIRE SCHEMATIC ISUZU ENGINE HARNESS MP25&MP45	1
NS	123175	MARATHON GENERATOR 282PSL1750 AVR BOARD ASSEMBLY	1

NS - Not Shown

* * * - Contact Allmand for more information.

4.2 - Isuzu 4LE2X Air Intake Group

120855_A



Maxi-Power™ 45

SN 49-000001 and UP

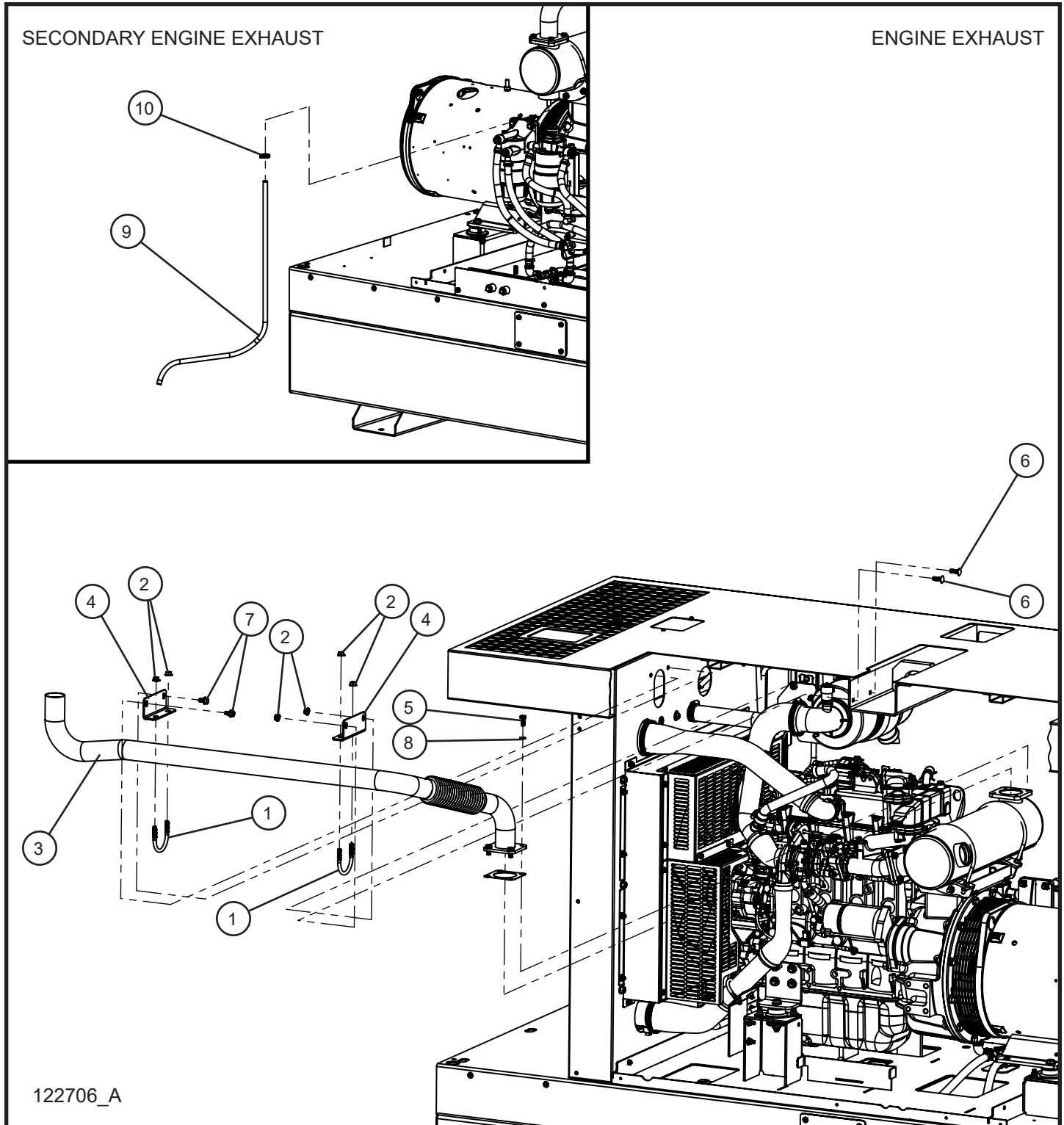
4.2 - Isuzu 4LE2X Air Intake Group

Item	Part No.	Part Description	Qty.
1	057006	5/16-18 SERRATED FLANGE NUT	16
2	045036	#24 HOSE CLAMP	1
3	045038	#32 HOSE CLAMP	2
4	121668	#48 HOSE CLAMP	1
5	106943	HEATER PCV	1
6	104795	SERVICE INDICATOR KIT	1
7	118803	HOSE-AIR FILTER TO PIPE ISUZU 4LE2X MP 45	1
8	118805	AIR INTAKE STEEL TUBE ISUZU 4LE2X MP45	1
9	118806	HOSE-PIPE TO TURBO ISUZU 4LE2X MP 45	1
10	107117	PCV HOSE ISUZU 4LE2T	1
11	122004	AIR FILTER ASSEMBLY MP45	1
	110634	PRIMARY AIR FILTER	1
	122033	SAFETY FILTER	1
12	047010	5/16 FLAT WASHER	6
13	046055	5/16-18 X 1 1/4 HEX HEAD CS	2
14	045032	HOSE CLAMP	2

NS - Not Shown

* * * - Contact Allmand for more information.

4.3 - Isuzu 4LE2X Exhaust Group



122706_A

Maxi-Power™ 45

SN 49-000001 and UP

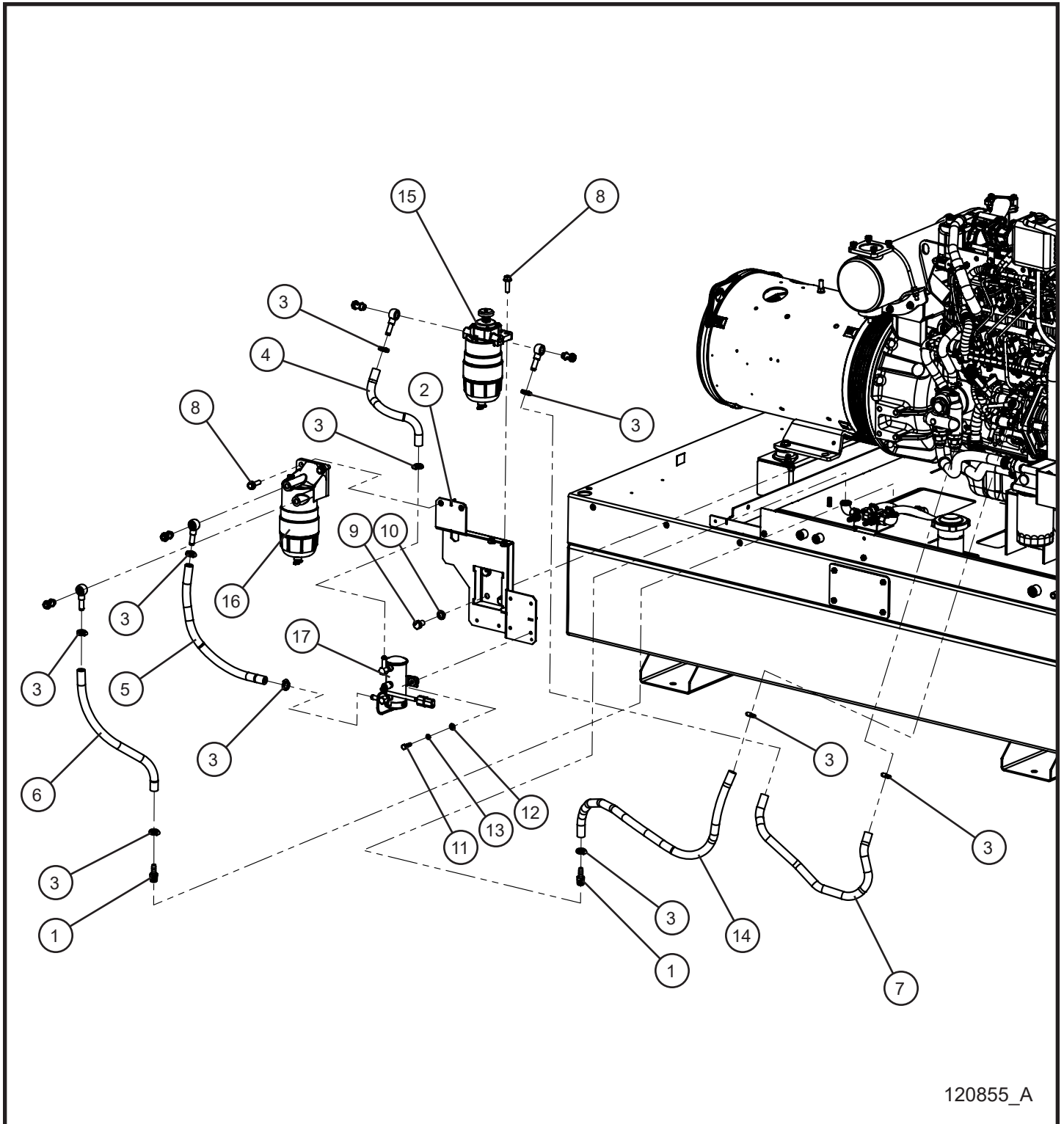
4.3 - Isuzu 4LE2X Exhaust Group

Item	Part No.	Part Description	Qty.
1	121655	U-BOLT 2.0 PIPE	3
2	057006	5/16-18 SERRATED FLANGE NUT	16
3	121095	EXHAUST WELDMENT MP45	1
4	118742P	BRACKET EXHAUST PIPE MOUNT	2
5	042033	M8 X 20mm X 1.25mm HEX HEAD CS	4
6	053020	5/16-18 X 1 CARRIAGE BOLT	4
7	121920	5/16-18 X 5/8 SERRATED FLANGE HEX SCREW	2
8	043055	5/16 SPLITLOCK WASHER	5
9	082000	7/16 PTFE TUBING X 31.0	1
10	045100	7.5 STSF CONSTANT TENSION CLAMP SILVER	1

NS - Not Shown

*** - Contact Allmand for more information.

4.4 - Isuzu 4LE2X Fuel Hoses and Filters



120855_A

Maxi-Power™ 45

SN 49-000001 and UP

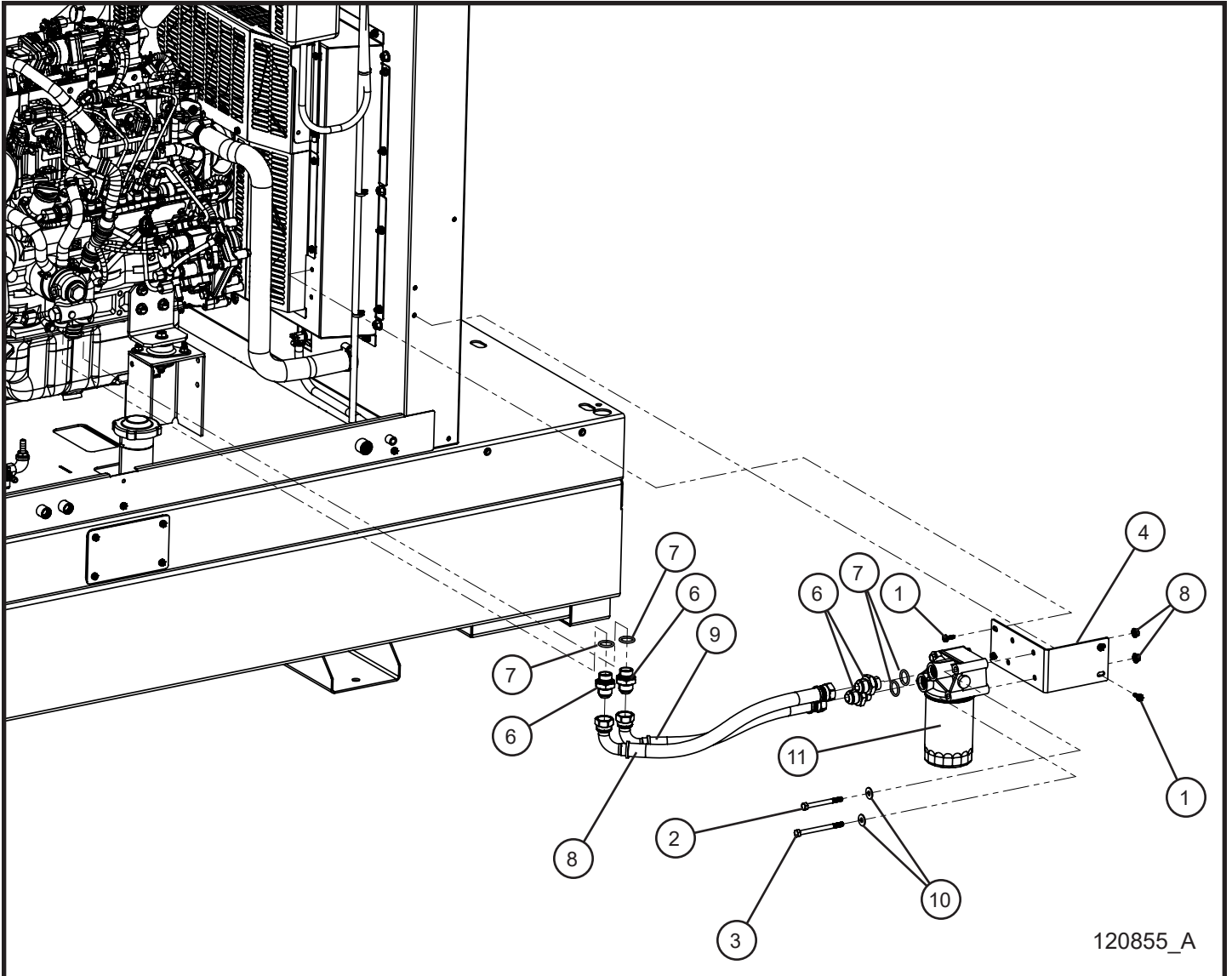
4.4 - Isuzu 4LE2X Fuel Hoses and Filters

Item	Part No.	Part Description	Qty.
1	101270	3/8 HOSE BARB TO 3/8 MNPT	2
2	124745P	WELDMENT FUEL FILTER MOUNT BRACKET MP25-MP45	1
3	433400	#4 HOSE CLAMP	10
4	101266	3/8 FUEL HOSE X 11.063	1
5	101266	3/8 FUEL HOSE X 14.63	1
6	101266	3/8 FUEL HOSE X 14.63	1
7	101266	3/8 FUEL HOSE X 18.63	1
8	056000	3/8-16 X 1 1/4 HEX FLANGE SCREW	4
9	123577	M12 x 1 3/4 HEX HEAD CAP SCREW	3
10	043085	1/2 SPLITLOCK WASHER	3
11	046015	1/4-20 X 1 HEX HEAD BOLT	2
12	047005	1/4 FLAT WASHER	2
13	043020	1/4 SPLITLOCK WASHER	4
14	101266	3/8 FUEL HOSE X 32.50	1
15	111647	PRIMARY FUEL FILTER ELEMENT	1
16	111648	SECONDARY FUEL FILTER ELEMENT	1
17	113008	ELECTRIC FUEL PUMP	1
	112896	ELECTRIC FUEL PUMP SERVICE FILTER ELEMENT	1

NS - Not Shown

* * * - Contact Allmand for more information.

4.5 - Isuzu 4LE2X Remote Oil Filter



Maxi-Power™ 45

SN 49-000001 and UP

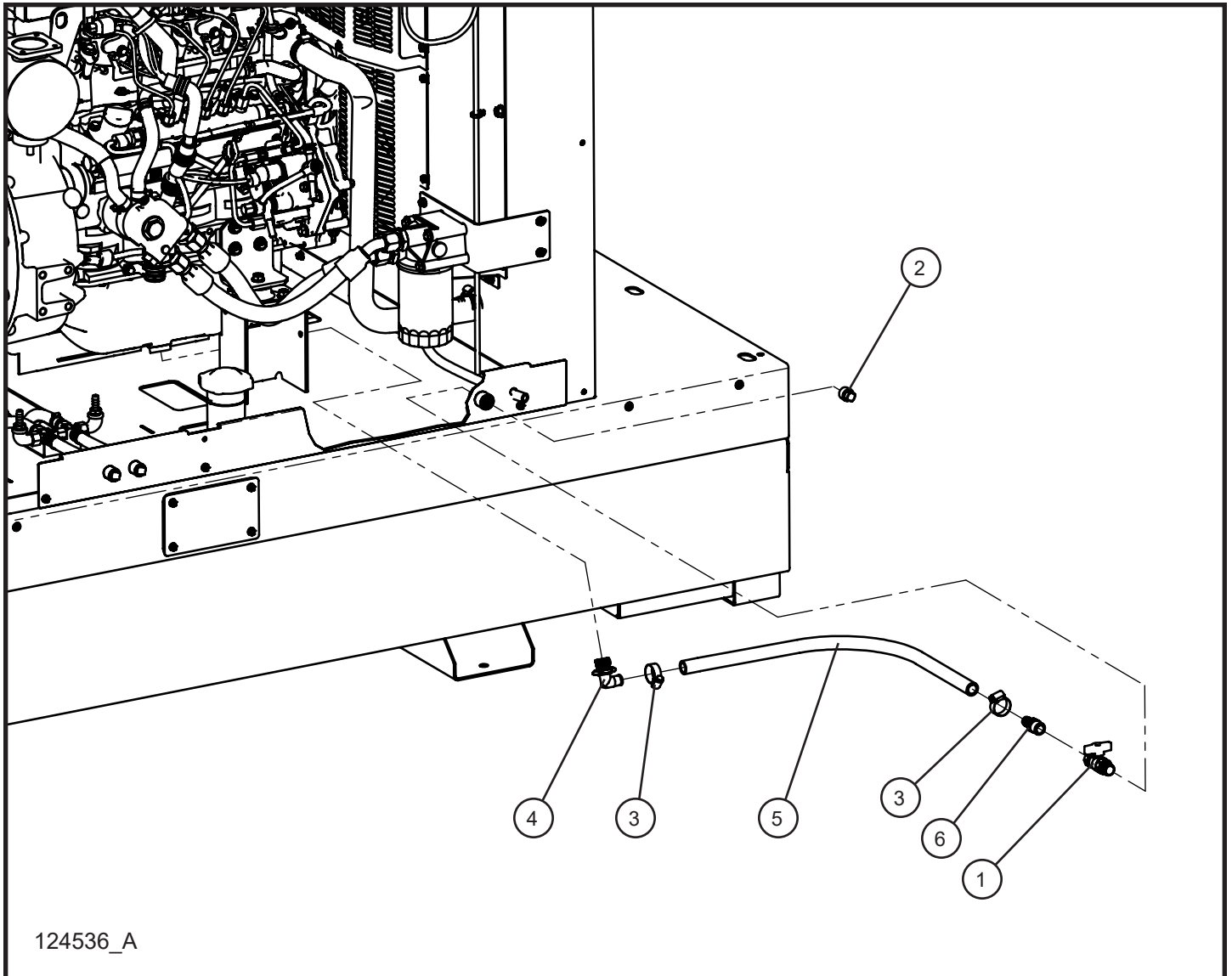
4.5 - Isuzu 4LE2X Remote Oil Filter

Item	Part No.	Part Description	Qty.
1	041070	1/4-20 X 3/4 SL-HEX WASHER HEAD MS	4
2	046076	5/16-18 X 3 1/4 HEX HEAD BOLT	2
3	046079	5/16-18 X 4 HEX HEAD BOLT	2
4	121927P	BRACKET REMOTE OIL FILTER MOUNT MP45	1
5	057006	5/16-18 SERRATED FLANGE NUT	4
6	124424	12F40MXS TRIPLE LOK BSPP ORR	4
7	123288	O-RING ISUZU REMOTE OIL	4
8	123582	HOSE REMOTE OIL RETURN MP45	1
9	123583	HOSE REMOTE OIL FEED MP45	1
10	047010	5/16 FLAT WASHER	4
11	111650	ISUZU OIL FILTER	1

NS - Not Shown

* * * - Contact Allmand for more information.

4.6 - Isuzu 4LE2X Remote Oil Drain



Maxi-Power™ 45

SN 49-000001 and UP

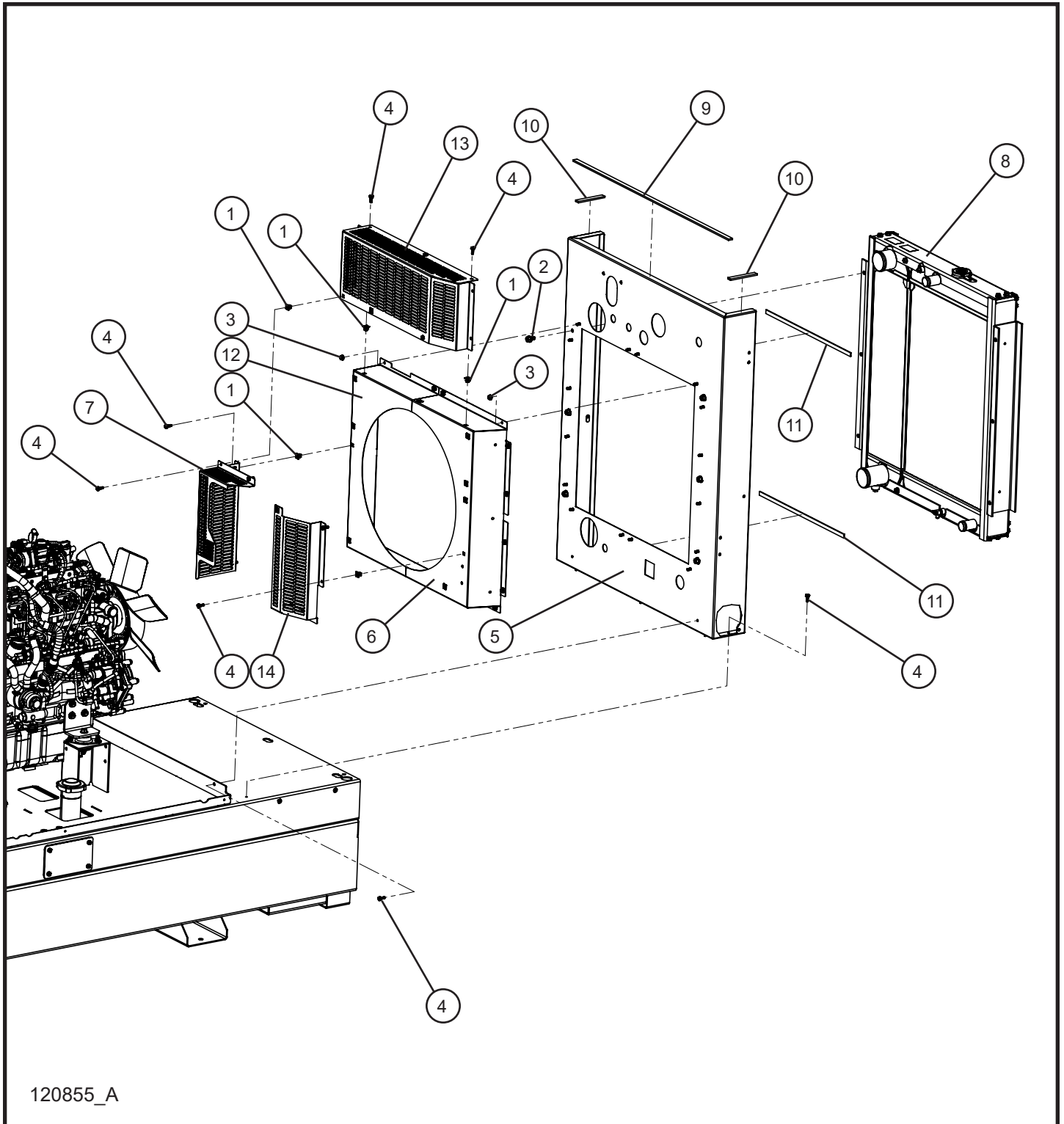
4.6 - Isuzu 4LE2X Remote Oil Drain

Item	Part No.	Part Description	Qty.
1	125254	BALL VALVE 1/2 NPT MALE X 1/2 NPT FEMALE	1
2	026106	PLUG 1/2 NPT SQUARE HEAD	1
3	045032	#12 HOSE CLAMP	2
4	123560	FITTING 90° ADAPTER M24X2 TO 5/8 IN HOSE BARB	1
5	081040	5/8 PUSH-LOK X 26.00 INCHES	1
6	123561	5/8 X 1/2 MNPT HOSE BARB	1

NS - Not Shown

*** - Contact Allmand for more information.

4.7 - Isuzu 4LE2X Radiator and Fan Guards



120855_A

Maxi-Power™ 45

SN 49-000001 and UP

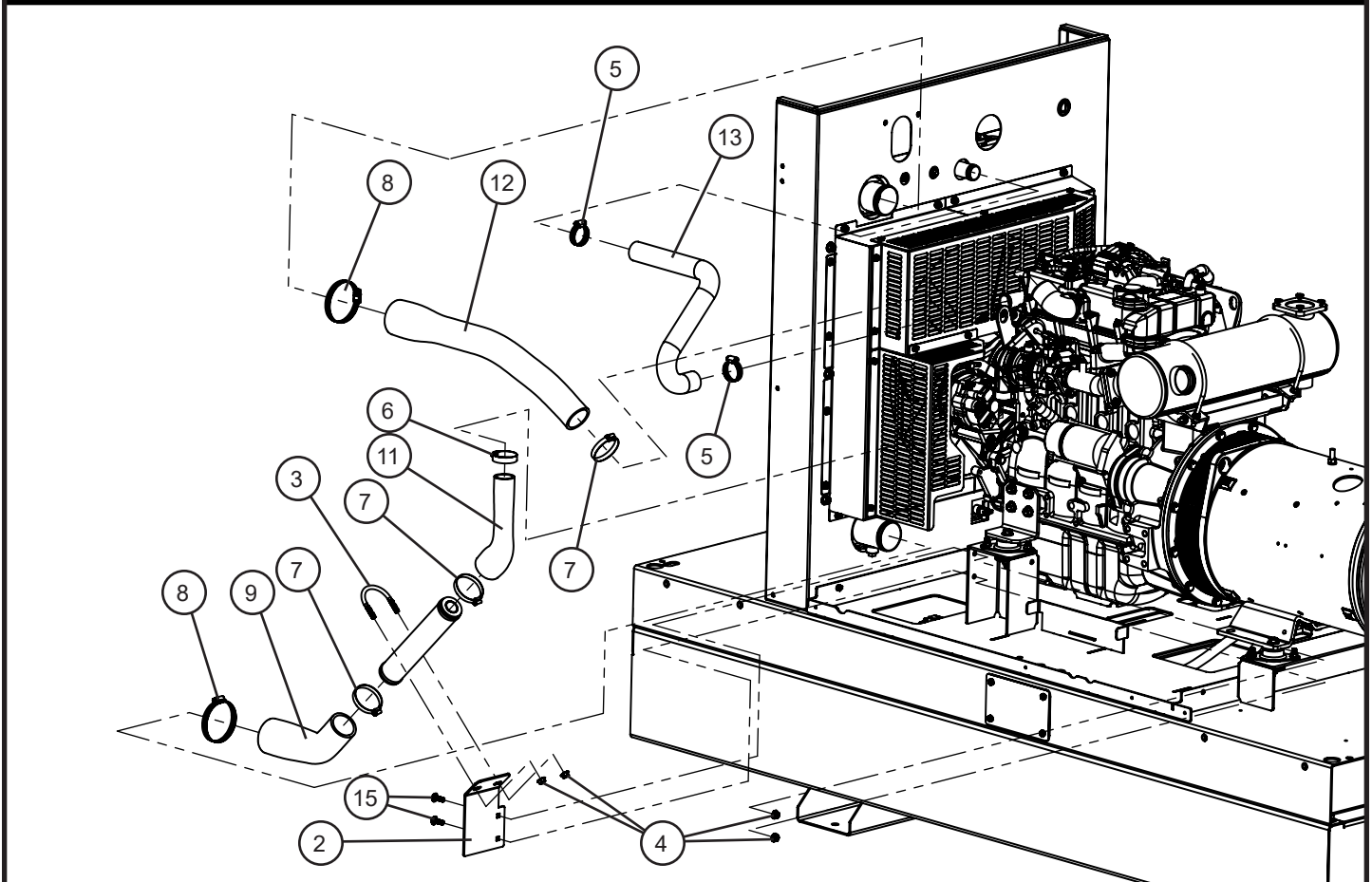
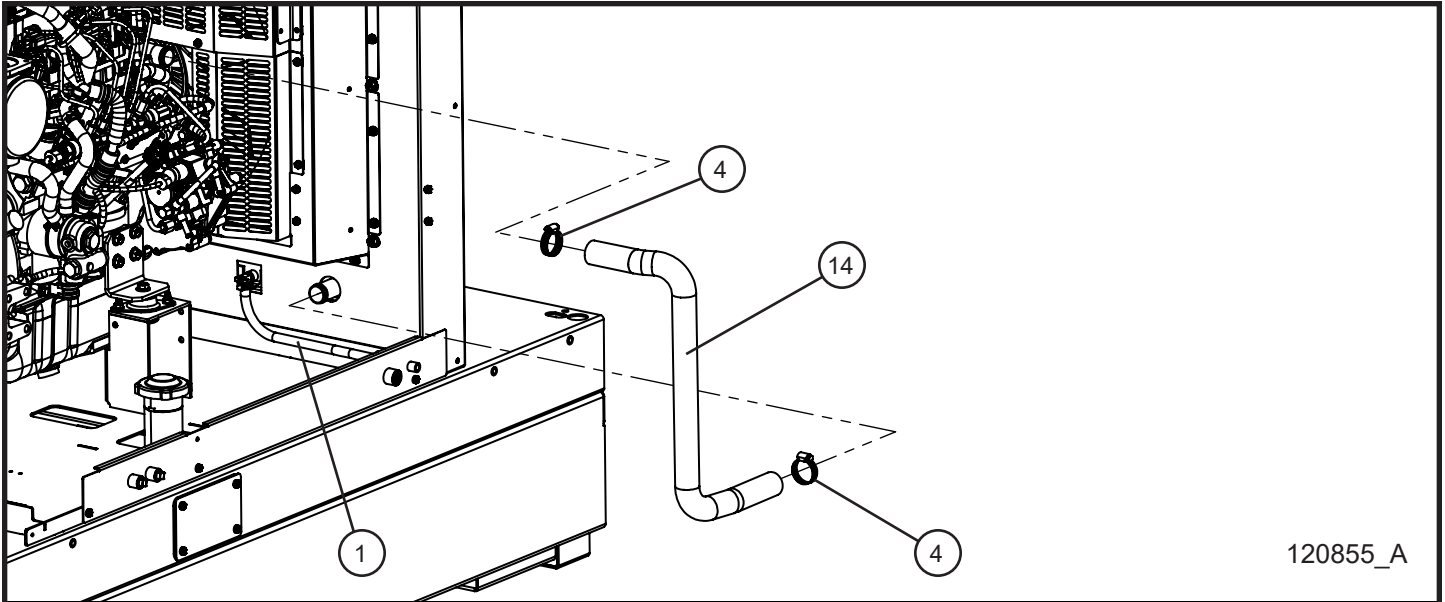
4.7 - Isuzu 4LE2X Radiator and Fan Guards

Item	Part No.	Part Description	Qty.
1	105408	GROMMET NUT DOUBLE SPLIT SQUARE HEAD	15
2	056009	3/8-16 X 3/4 SERRATED FLANGE HEX SCREW	6
3	057000	1/4-20 HEX SERRATED FLANGE NUT	18
4	041070	1/4-20 X 3/4 SL-HEX WASHER HEAD MS	31
5	121055P	WELDMENT MP45 RADIATOR MOUNTING PANEL	1
6	122113P	WELDMENT MP45 RIGHT SIDE RADIATOR SHROUD	1
7	122120P	RADIATOR VENTED GUARD LEFT MP45	1
8	121664	RADIATOR/INTERCOOLER ASSY MP45	1
9	121067	3/16 X 5/8 FOAM STRIP ADHESIVE BACKED X 34.75	1
10	121067	3/16 X 5/8 FOAM STRIP ADHESIVE BACKED X 4.125	2
11	121067	3/16 X 5/8 FOAM STRIP ADHESIVE BACKED X 18.875	2
12	122107P	FAN SHROUD RADIATOR LEFT SIDE MP45	1
13	122116P	FAN GUARD UPPER MP45	1
14	122118P	FAN GUARD RIGHT MP45	1

NS - Not Shown

*** - Contact Allmand for more information.

4.8 - Isuzu 4LE2X Radiator and Intercooler Hoses



Maxi-Power™ 45

SN 49-000001 and UP

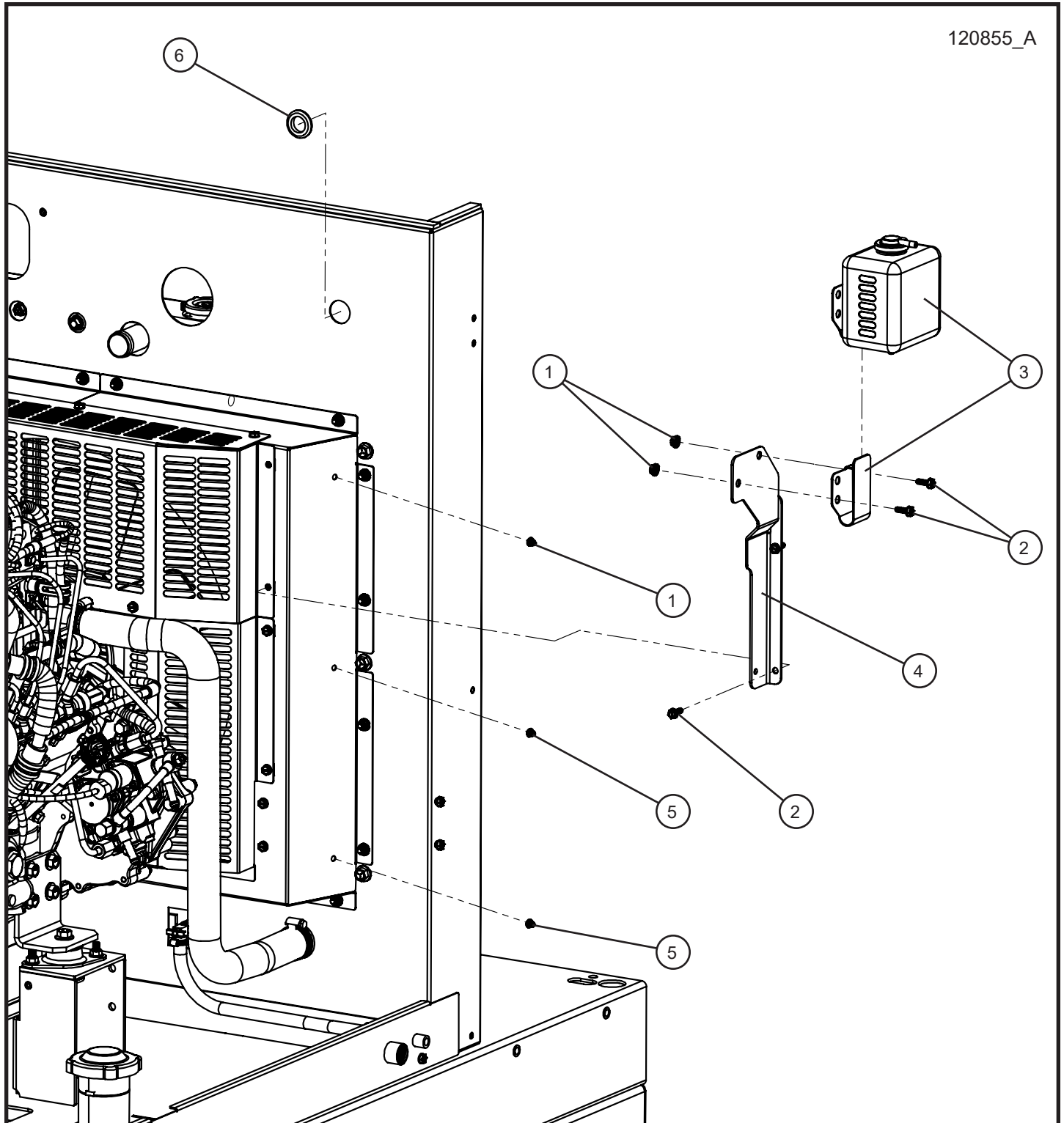
4.8 - Isuzu 4LE2X Radiator and Intercooler Hoses

Item	Part No.	Part Description	Qty.
1	101266	HOSE 3/8 SAE 30R7 X 19 INCHES	1
2	121222P	ANGLE MOUNT INTERCOOLER PIPE MP45	1
3	121655	U-BOLT 2.0 PIPE	1
4	057006	5/16-18 SERRATED FLANGE NUT	16
5	045035	#20 HOSE CLAMP	4
6	045036	#24 HOSE CLAMP	2
7	045038	#32 HOSE CLAMP	5
8	121668	#48 HOSE CLAMP	3
9	121219	HOSE-INTERCOOLER LOWER TO PIPE ISUZU 4LE2X MP 45	1
10	121220	PIPE-INTERCOOLER TO ENGINE 4LE2X MP45	1
11	121221	HOSE-INTERCOOLER	1
12	121218	HOSE-INTERCOOLER UPPER 4LE2X MP45	1
13	121085	RADIATOR HOSE UPPER ISUZU 4LE2X MP 45	1
14	121086	RADIATOR HOSE LOWER ISUZU 4LE2X MP 45	1
15	053020	5/16-18 X 1 CARRIAGE BOLT	4
NS	433400	#4 HOSE CLAMP	1

NS - Not Shown

* * * - Contact Allmand for more information.

4.9 - Coolant Reservoir



Maxi-Power™ 45

SN 49-000001 and UP

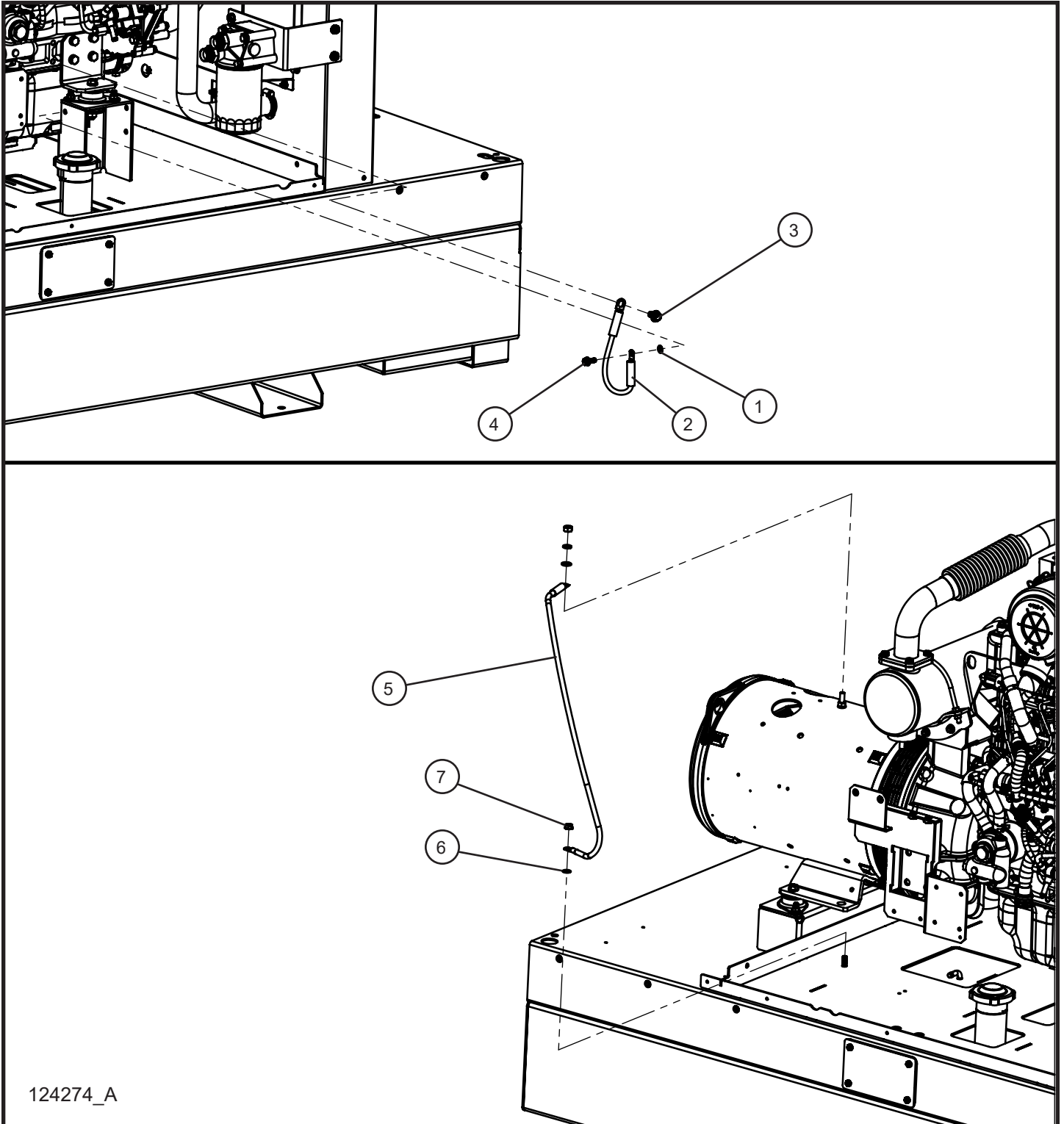
4.9 - Coolant Reservoir

Item	Part No.	Part Description	Qty.
1	057000	1/4-20 HEX SERRATED FLANGE NUT	3
2	041070	1/4-20 X 3/4 SL-HEX WASHER HEAD MS	4
3	650027	RESERVOIR COOLANT WITH BRACKET ENGINE	1
4	124880P	COOLANT OVERFLOW BOTTLE MOUNT	1
5	022137	PUSH BUTTON ZIP TIE MOUNT	3
6	122947	1-7/16 OD X 27/32 ID GROMMET	1
NS	102268	HOSE 1/4" OVERFLOW COOLANT X 30.5" L	1
NS	102268	HOSE 1/4" OVERFLOW COOLANT X 32.5" L	1
NS	433400	#4 HOSE CLAMP	3

NS - Not Shown

* * * - Contact Allmand for more information.

4.10 - Engine and Generator Ground Wiring



124274_A

Maxi-Power™ 45

SN 49-000001 and UP

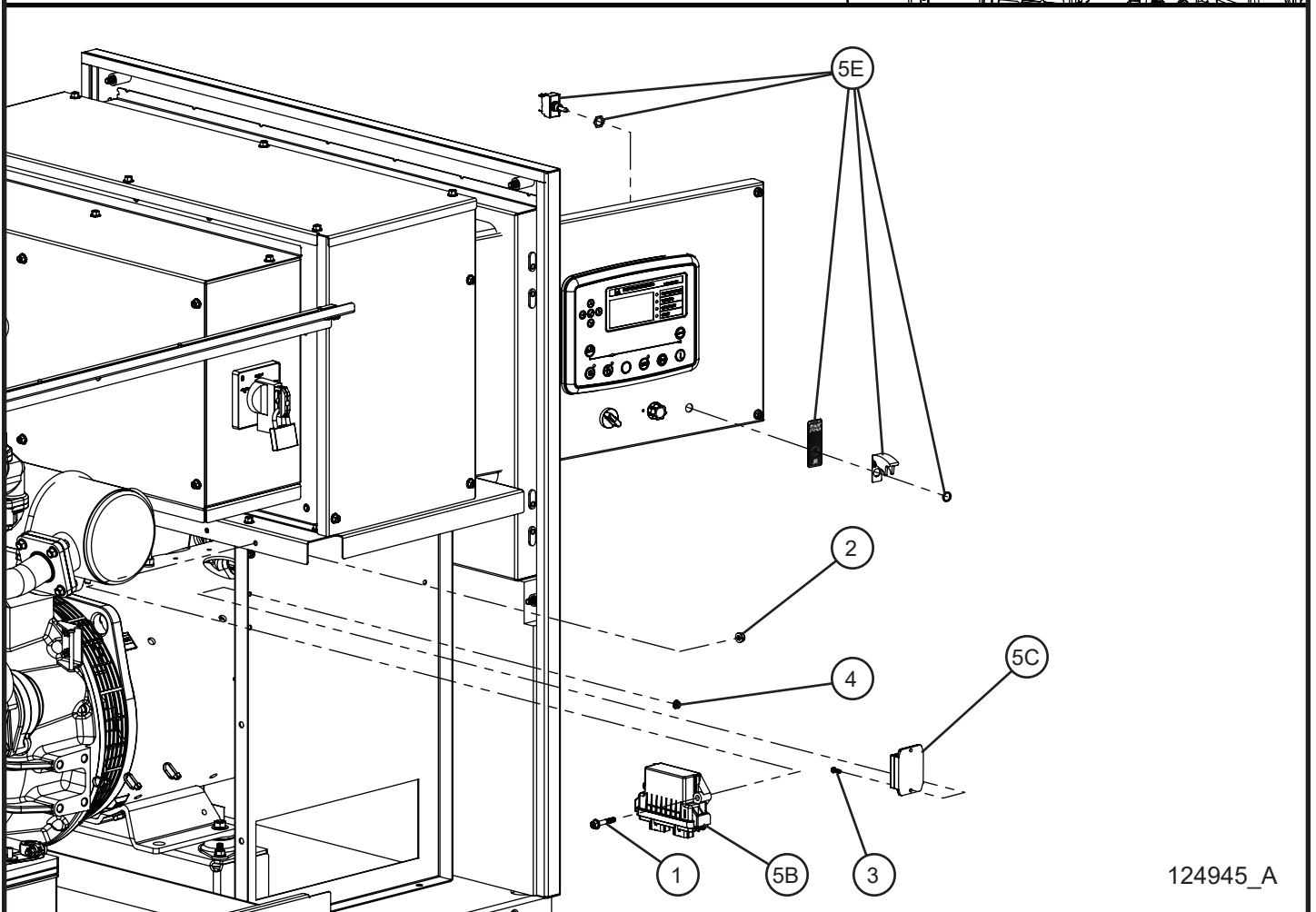
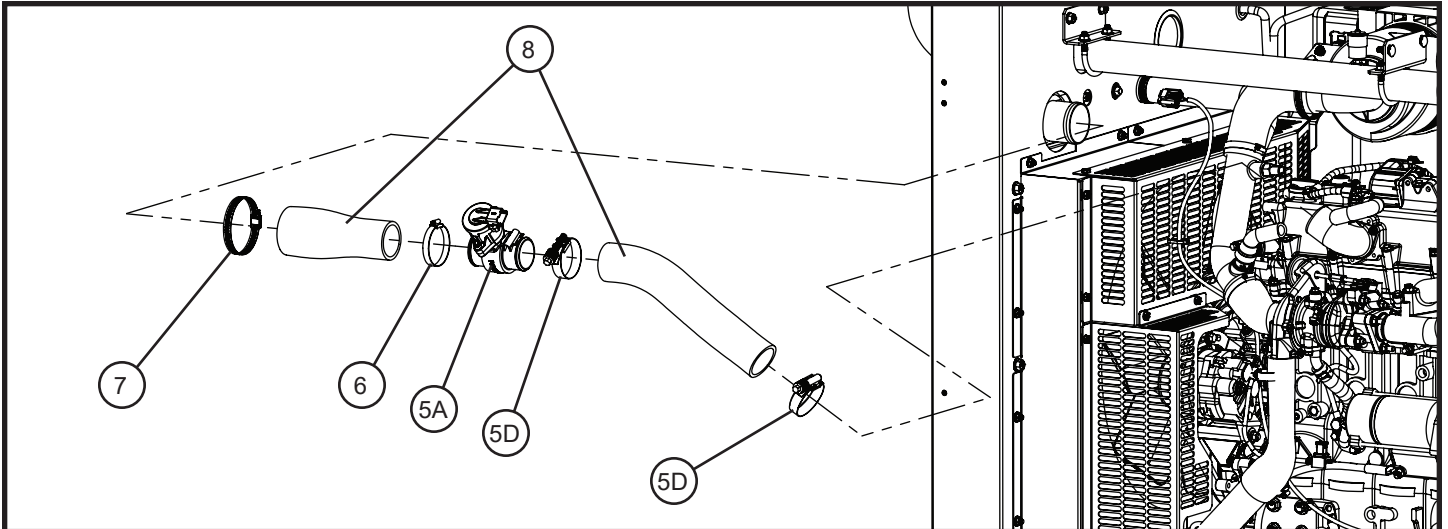
4.10 - Engine and Generator Ground Wiring

Item	Allmand No.	Part Description	Qty.
1	043060	5/16 INTL TOOTH LOCK WASHER	1
2	121554	BATTERY CABLE MP25 & MP45	1
3	056004	M10 x 1.5 x 20 SERRATED FLANGE HEX BOLT	1
4	056038	5/16-18 X 3/4 HEX FLANGE SCREW GRAD5 ZINC	1
5	121641	ALTERNATOR GROUND CABLE MP25 & MP45	1
6	043070	3/8 INTL TOOTH LOCK WASHER PL	1
7	044036	3/8-16 KEPS HEX NUT	1

NS - Not Shown

* * * - Contact Allmand for more information.

4.11 - Engine PacBrake Option



124945_A

Maxi-Power™ 45

SN 49-000001 and UP

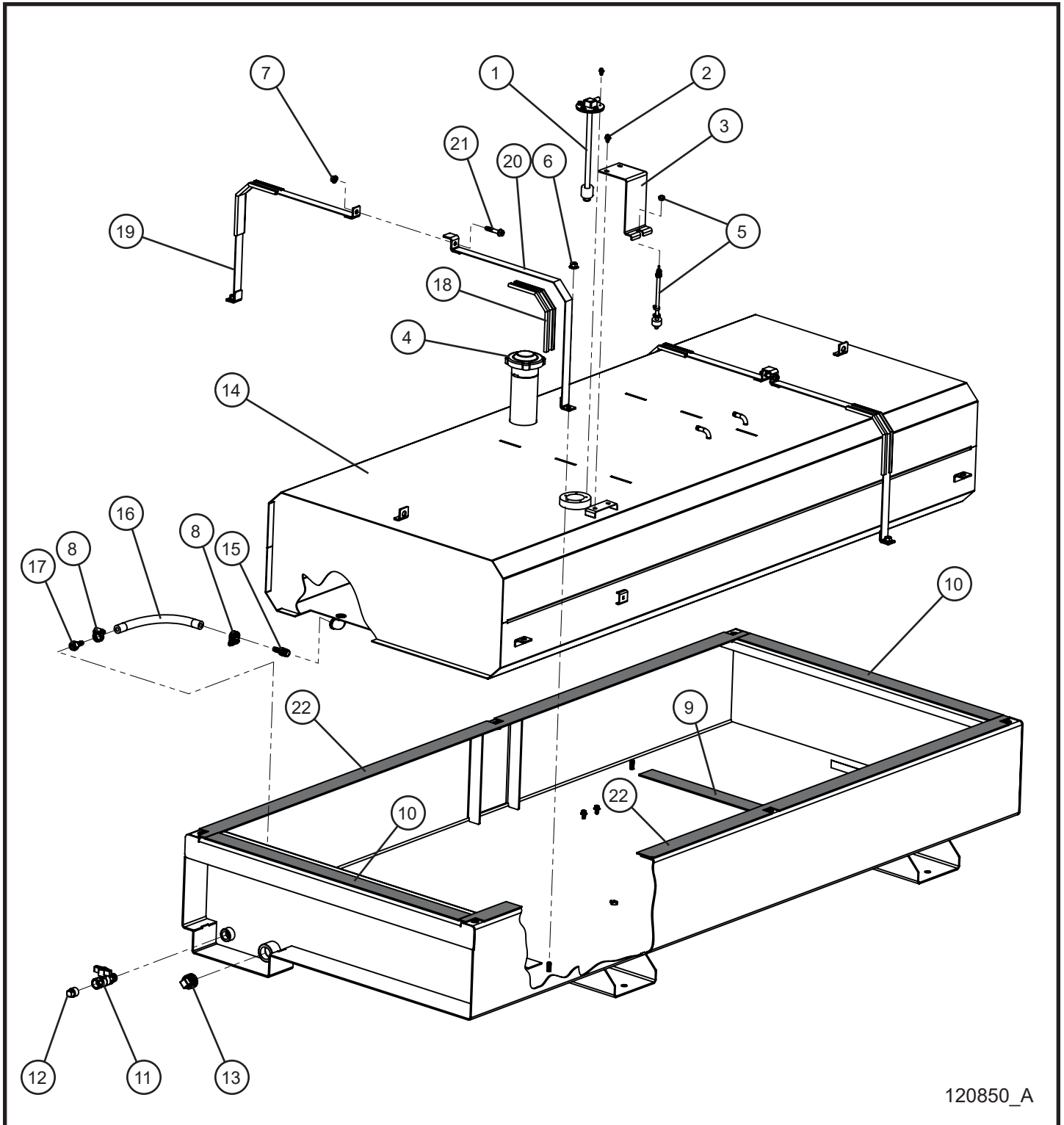
4.11 - Engine PacBrake Option

Item	Allmand No.	Part Description	Qty.
1	056012	1/4-20 x 1 1/2 HEX HEAD FLANGE SCREW	2
2	057001	1/4-20 HEX NYLOCK FLANGE NUT	2
3	041200	#8-32 x 1/2 HEX WASHER HEAD	2
4	057003	#8-32 SERRATED FLANGE HEX LOCKNUT	2
5	122098	PACBRAKE 2.00" AIR VALVE & WIRE HARNESS COMPLETE KIT	1
5A	122747	PACBRAKE 2.00" AIR VALVE	1
5B	122736	PACBRAKE AIR VALVE CONTROL MODULE	1
5C	122731	PACBRAKE AC FREQUENCY WIRE HARNESS	1
5D	122737	PACBRAKE SAE 262 BAND CLAMP	2
5E	122739	PACBRAKE TOGGLE SWITCH KIT	1
6	045038	#32 HOSE CLAMP	1
7	121668	#48 HOSE CLAMP	1
8	121218	HOSE-INTERCOOLER UPPER 4LE2X MP45	1
NS	122732	PACBRAKE DC WIRE HARNESS	1
NS	117814	WIRE SCHEMATIC PACBRAKE AIR VALVE	1

NS - Not Shown

*** - Contact Allmand for more information.

5.1 - Fuel Tank



120850_A

Maxi-Power™ 45

SN 49-000001 and UP

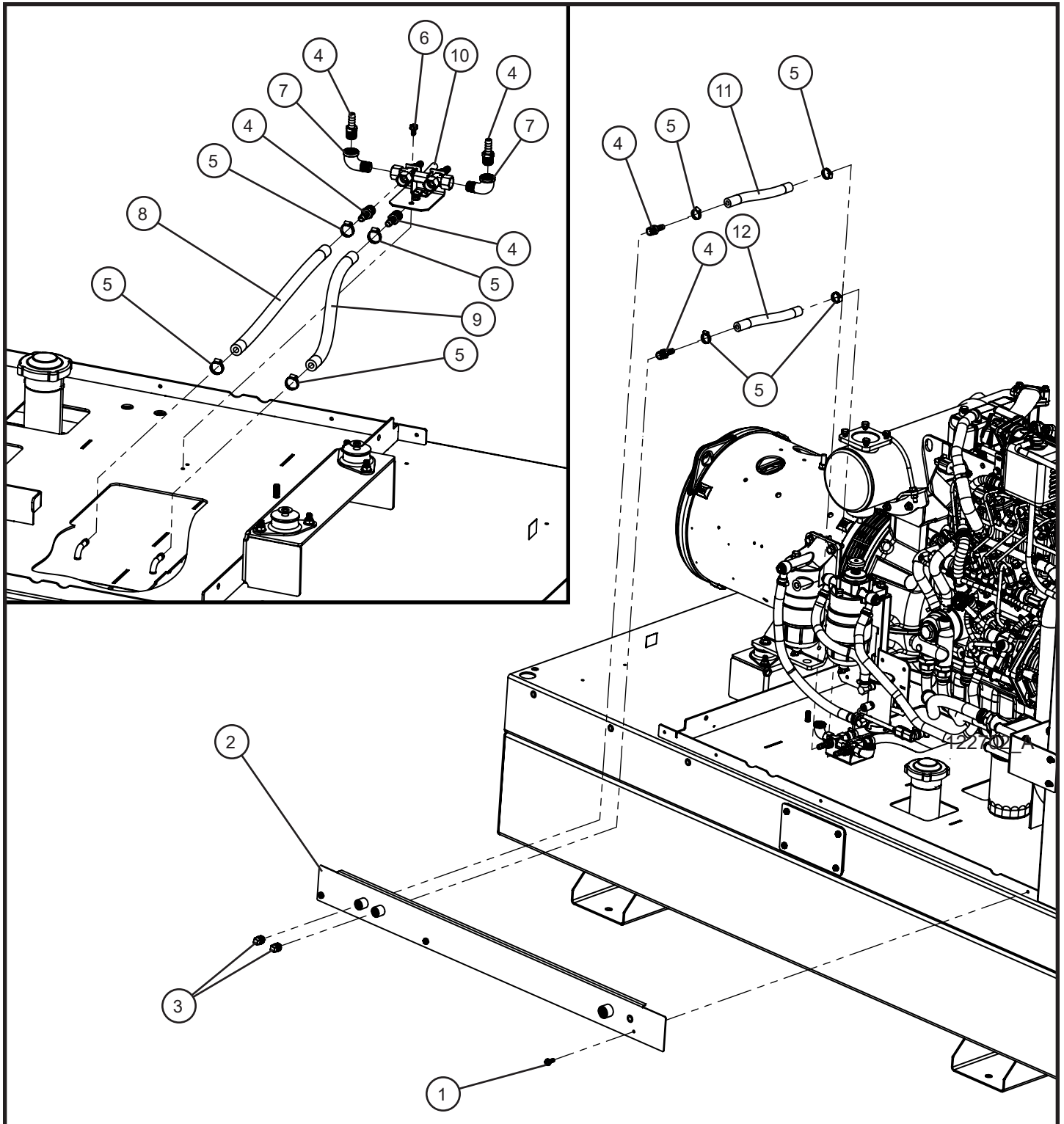
5.1 - Fuel Tank

Item	Allmand No.	Part Description	Qty.
1	121330	FUEL LEVEL SENDER VERTICAL SHAFT MP45	1
2	056001	1/4-20 X 1/2 HEX SERRATED FLANGE SCREW	2
3	121332P	BRACKET CONTAINMENT TANK LEVEL SENSOR MP45	1
4	118734	FUEL CAP Ø2.59	1
5	121266	CLIP CONTAINMENT TANK SENSOR	1
	121265	SENSOR CONTAINMENT TANK	1
6	044029	3/8-16 SERRATED FLANGE NUT	4
7	057006	5/16-18 SERRATED FLANGE NUT	2
8	045037	HOSE CLAMP #8	2
9	030010	RUBBER SEAL 2" X 27.5"	2
10	030010	RUBBER SEAL 2" X 32"	2
11	125254	BALL VALVE 1/2 NPT MALE X 1/2 NPT FEMALE	1
12	026106	1/2 NPT SQUARE HEAD PLUG	1
13	026108	1 NPT SQUARE HEAD PLUG PIPE	1
14	118739	FUEL TANK MP45	1
15	101270	3/8 HOSE BARB TO 3/8 MNPT	1
16	101266	0.375 X 9.75" HOSE FUEL LINE RUBBER	1
17	118752	FITTING SWIVEL BARBED 3/8 HOSE TO 3/8 NPSM	1
18	121260	FUEL TANK STRAP CUSHION	4
19	121402P	WELDMENT MP45 FUEL TANK STRAP 1	2
20	121405P	WELDMENT MP45 FUEL TANK STRAP 2	2
21	056041	5/16-18 X 1-3/4 HEX FLANGE SCREW	2
22	030010	RUBBER SEAL 2" X 81.5"	2
NS	118735	STRAINER FUEL TANK	1

NS - Not Shown

*** - Contact Allmand for more information.

5.2 - Fuel Tank Hoses and Remote Fuel Group



Maxi-Power™ 45

SN 49-000001 and UP

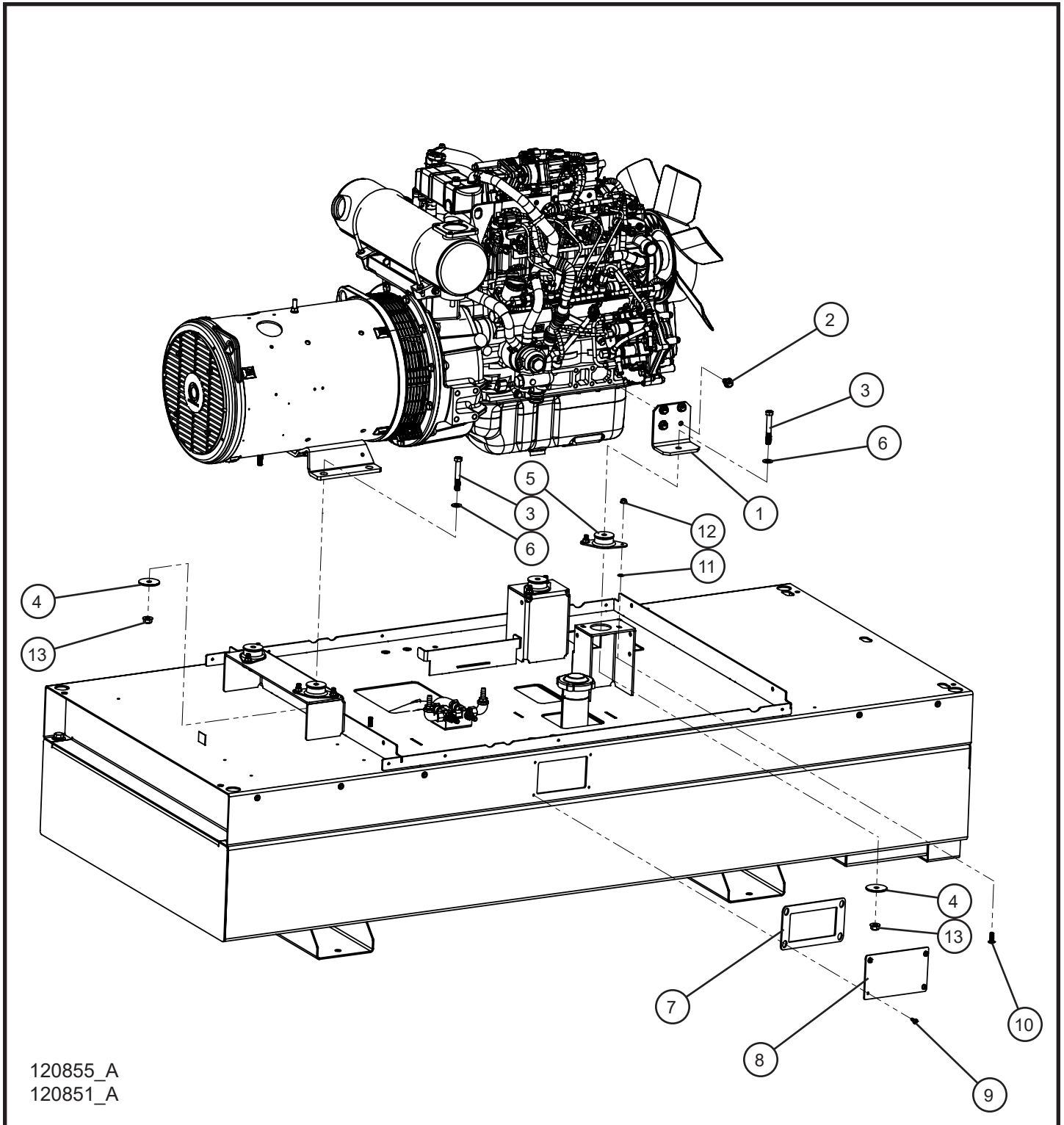
5.2 - Fuel Tank Hoses and Remote Fuel Group

Item	Allmand No.	Part Description	Qty.
1	041070	1/4-20 X 3/4 SL-HEX WASHER HEAD MS	3
2	118820P	WELDMENT MP45 FLUID CONNECTION PANEL	1
3	052180	PIPE PLUG 3/8 NPTM BLACK	2
4	101270	3/8 HOSE BARB TO 3/8 MNPT	6
5	433400	#4 HOSE CLAMP	6
6	041073	1/4-20 X 1/2 SL-HEX WASHER HEAD MS	2
7	052175	90° ELBOW 3/8 NPT TO 3/8 NPT MALE TO FEMALE	2
8	101266	HOSE FUEL LINE RUBBER .375 X 12.25	1
9	101266	HOSE FUEL LINE RUBBER .375 X 12.25	1
10	122725	FUEL DIVERTER SYSTEM	1
11	101266	HOSE FUEL LINE RUBBER .375 X 7.00	1
12	101266	HOSE FUEL LINE RUBBER .375 X 7.00	1

NS - Not Shown

* * * - Contact Allmand for more information.

5.3 - Engine and Generator Mounting Group



120855_A
120851_A

Maxi-Power™ 45

SN 49-000001 and UP

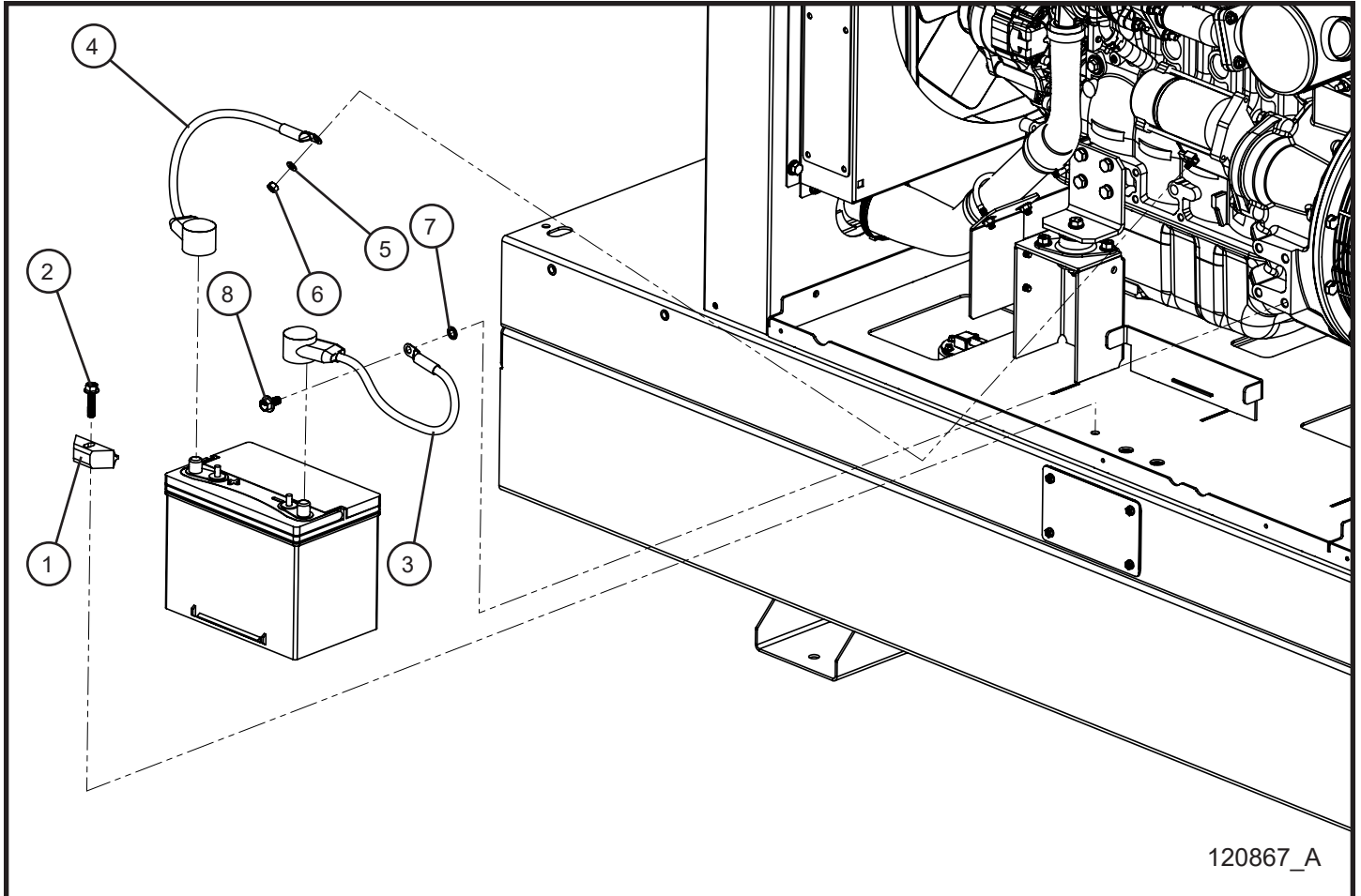
5.3 - Engine and Generator Mounting Group

Item	Allmand No.	Part Description	Qty.
1	118741P	BRACKET ENGINE MOUNT MP25	2
2	056004	M10 x 1.5 x 20 SERRATED FLANGE HEX BOLT	8
3	121915	7/16-14 x 3.00 HEX HEAD CS	4
4	650260	WASHER 2 OD x .451 ID x .125 THK	4
5	121254	MOTOR ISOLATOR MOUNT	4
6	047020	7/16 FLAT WASHER	4
7	121408	SEAL FRAME COVER MP45	2
8	121406P	COVER SIDE TOP FRAME ATTACHMENT MP45	2
9	041073	1/4-20 X 1/2 SL-HEX WASHER HEAD MS	8
10	053020	5/16-18 X 1 CARRIAGE BOLT PL	8
11	045217	5/16 PUSH NUT	8
12	057008	5/16-18 HEX NYLOCK FLANGE NUT	8
13	057011	7/16-14 HEX NYLOCK FLANGE NUT	4

NS - Not Shown

* * * - Contact Allmand for more information.

5.4 - Battery Cables Group



120867_A

Maxi-Power™ 45

SN 49-000001 and UP

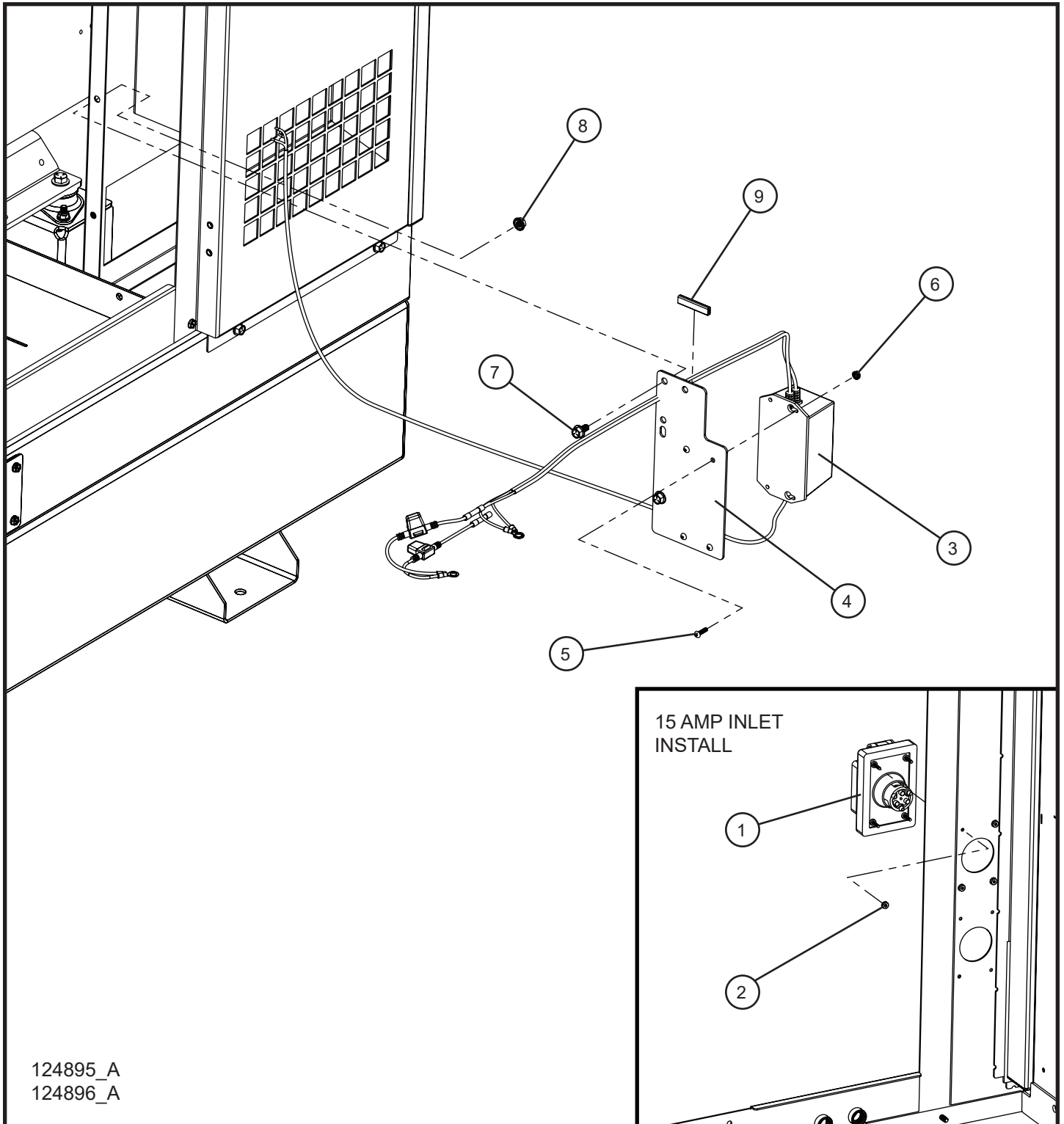
5.4 - Battery Cables Group

Item	Allmand No.	Part Description	Qty.
1	107115	BATTERY HOLD DOWN	1
2	056015	3/8-16 X 1 1/2 HEX FLANGE SCREW	1
3	110373	BATTERY CABLE BLACK 2GA 16.00 NEG .375 EYE	1
4	121556	BATTERY CABLE RED 2GA X 16.00 POS .375 EYE	1
5	043055	5/16 SPLITLOCK WASHER	1
6	042082	M8 x 1.25mm HEX NUT	1
7	043070	3/8 INTL TOOTH LOCK WASHER	1
8	056004	M10 x 1.5 x 20 SERRATED FLANGE HEX BOLT	1

NS - Not Shown

* * * - Contact Allmand for more information.

5.5 - Battery Charger Group



124895_A
124896_A

Maxi-Power™ 45

SN 49-000001 and UP

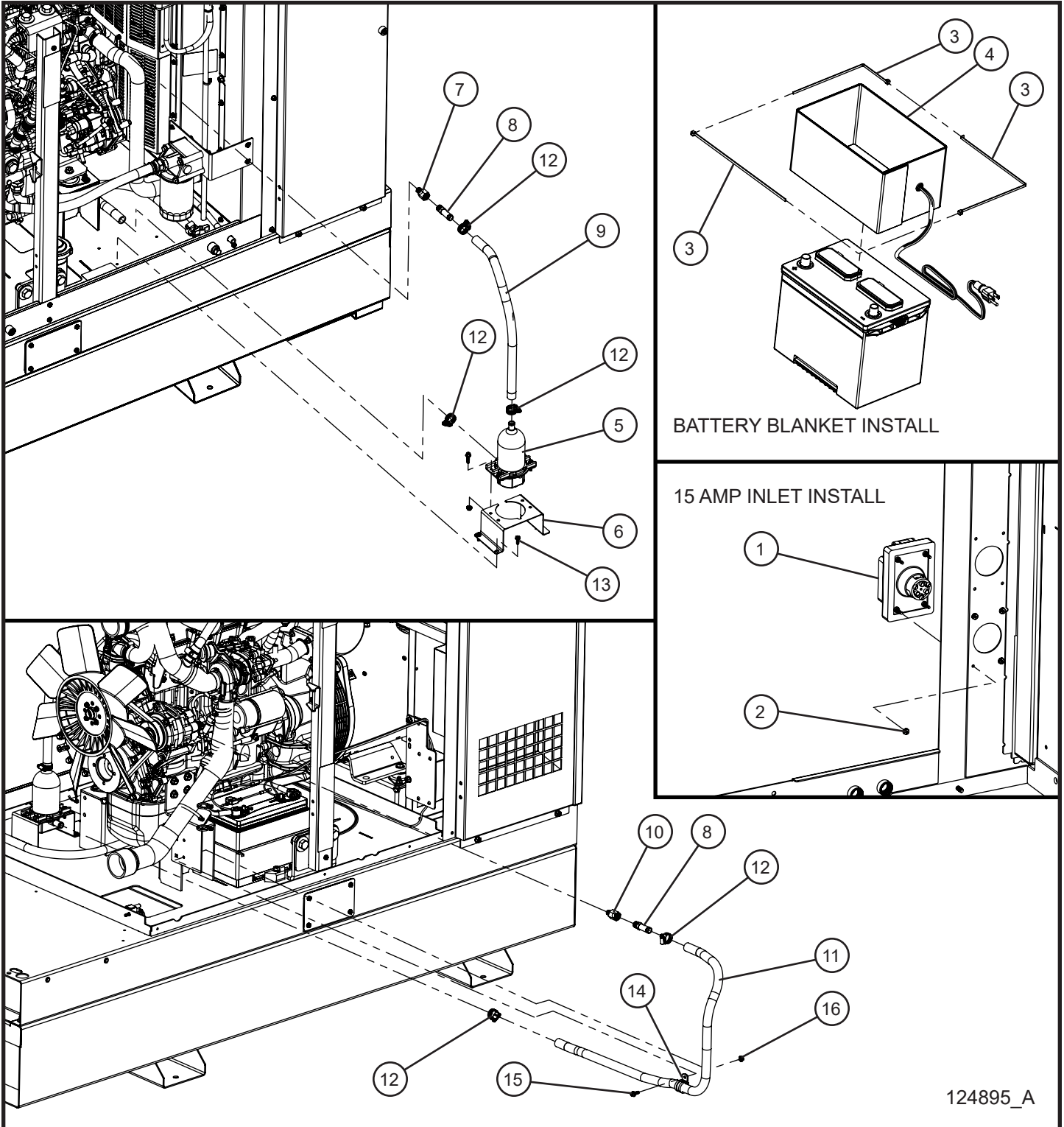
5.5 - Battery Charger Group

Item	Part No.	Part Description	Qty.
1	116990	15A 2P 3WR SINGLE LEVITON INLET	1
2	044004	#6-32 KEPS HEX NUT PL	4
3	124262	BATTERY CHARGER MAXI-POWER 25	1
4	114785P	MOUNT BATTERY CHARGER MAXI-AIR	1
5	041027	#10-24 x 3/4 PH-ROUND HEAD MS	4
6	044016	#10-24 KEPS HEX NUT	4
7	121920	5/16-18 x 5/8 SERRATED FLANGE HEX SCREW	2
8	057006	5/16-18 SERRATED FLANGE NUT	2
9	030053	5/64 x 7/16 TRIM LOCK, 2.00 INCHES	1
NS	124265	SCHEMATIC SINGLE BATTERY CHARGER MAXI-POWER	1
NS	124266	SCHEMATIC ARCTIC PACKAGE MAXI-POWER	1

NS - Not Shown

* * * - Contact Allmand for more information.

5.6 - Battery Blanket and Engine Block Heater Group



124895_A

Maxi-Power™ 45

SN 49-000001 and UP

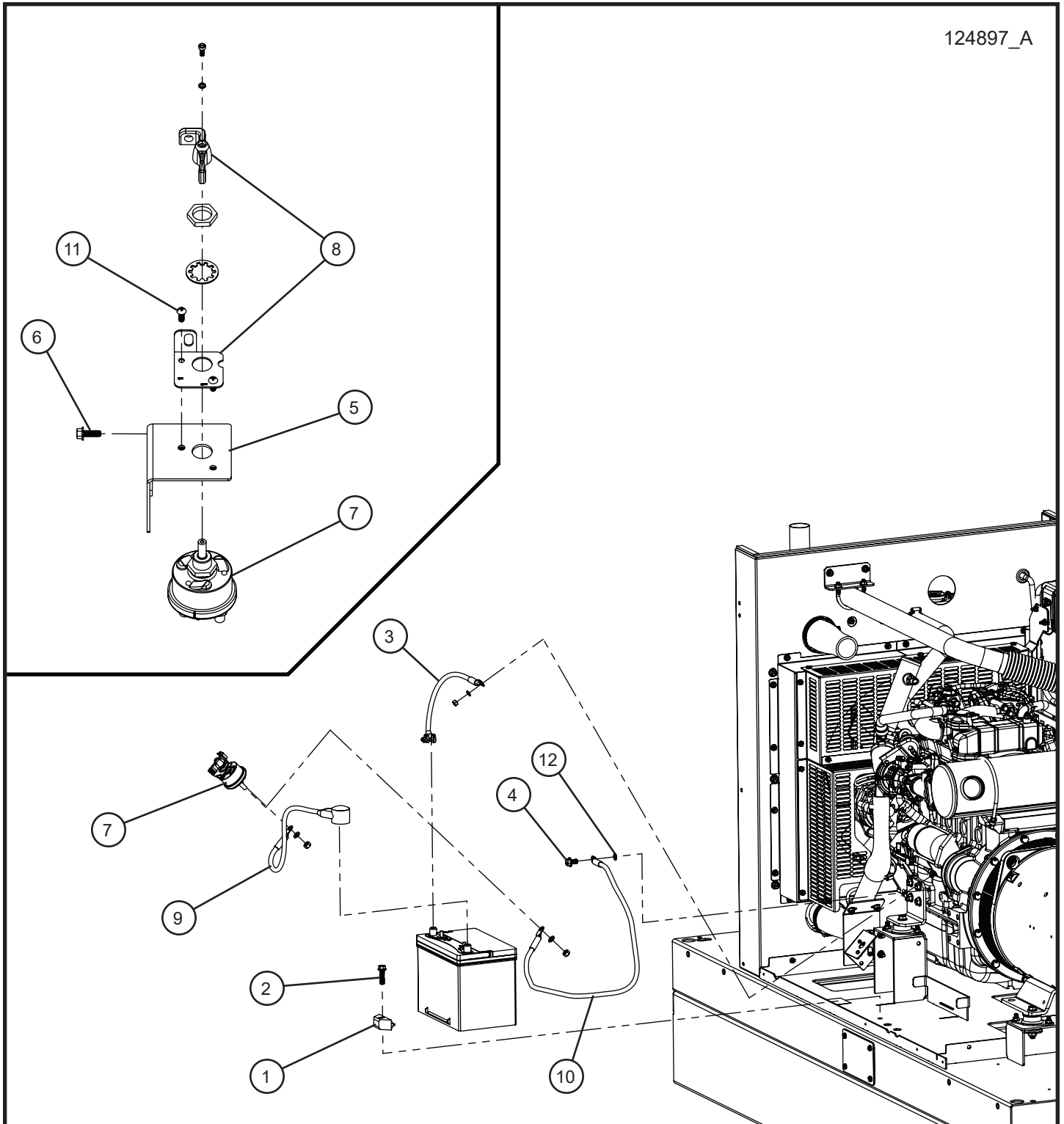
5.6 - Battery Blanket and Engine Block Heater Group

Item	Part No.	Part Description	Qty.
1	116990	15A 2P 3WR SINGLE LEVITON INLET	1
2	044004	#6-32 KEPS HEX NUT PL	4
3	068046	15" BLACK CABLE TIE	3
4	024010	80 WATT BATTERY BLANKET	1
5	112426	BLOCK HEATER TANK STYLE 1000W 120V	1
6	124901P	BRACKET BLOCK HEATER MOUNT MP45	1
7	104798	FITTING ADAPTOR 3/8" BSPT TO 3/8" NPT	1
8	112562	FITTING HOSE BARB 3/8" NPT - 5/8" BARB	2
9	081025	5/8 HEATER HOSE X 22.00	1
10	112581	FITTING ADAPTOR 1/4" BSPT TO 3/8" NPT	1
11	081025	5/8 HEATER HOSE X 22.00	1
12	045033	#10 HOSE CLAMP	4
13	041070	1/4-20 X 3/4 SL-HEX WASHER HEAD	3
14	022027	#16 CLAMP CUSH	1
15	056002	1/4-20 X 3/4 HEX SERRATED FLANGE SCREW	1
16	057000	1/4-20 HEX SERRATED FLANGE NUT	1
NS	124267	ARCTIC PACKAGE CORD EXTENSION	1
NS	124266	SCHEMATIC ARCTIC PACKAGE MAXI-POWER	1

NS - Not Shown

* * * - Contact Allmand for more information.

5.7 - Battery Disconnect Group



Maxi-Power™ 45

SN 49-000001 and UP

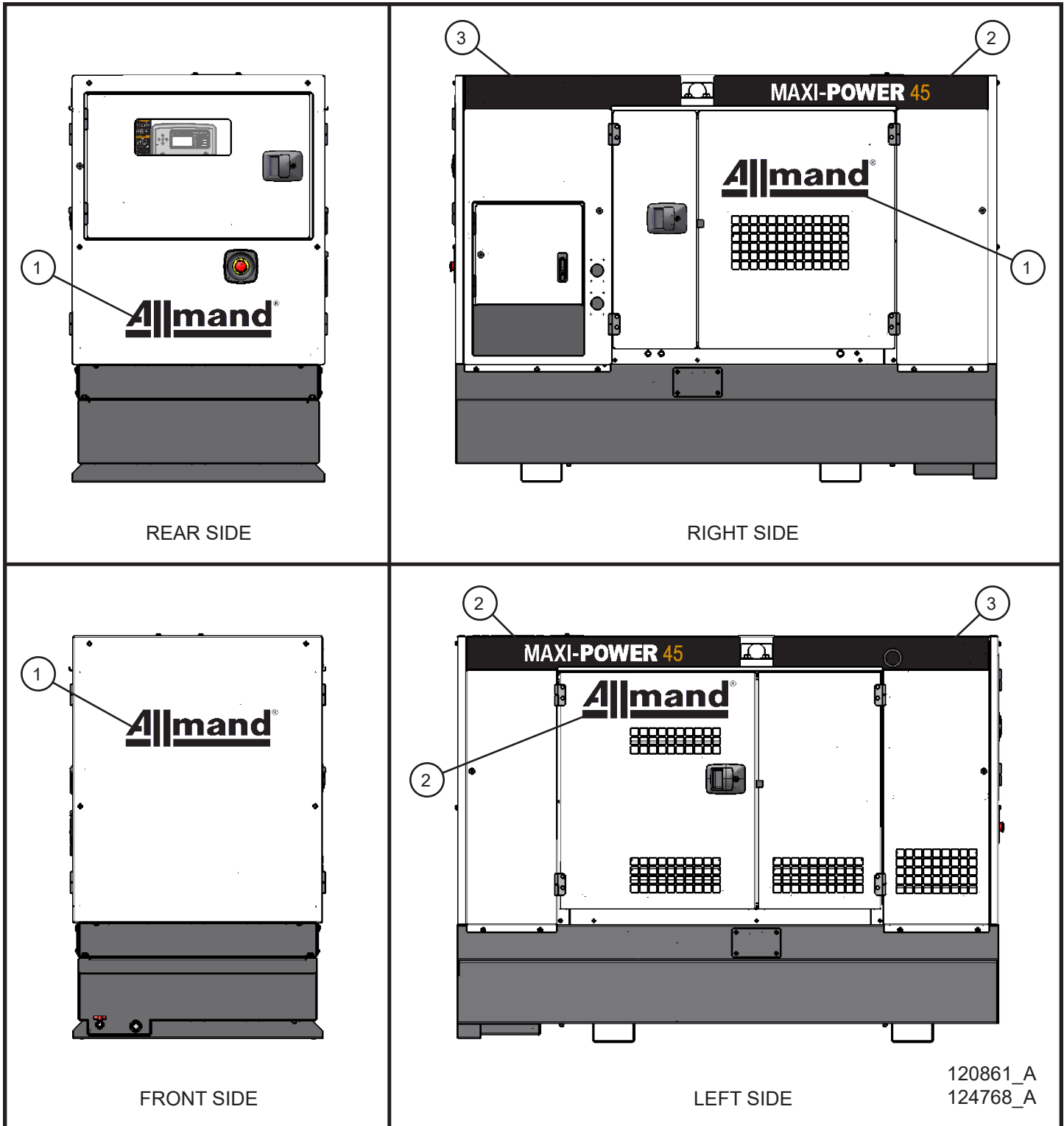
5.7 - Battery Disconnect Group

Item	Allmand No.	Part Description	Qty.
1	107115	BATTERY HOLD DOWN	1
2	056015	3/8-16 X 1 1/2 HEX FLANGE SCREW	1
3	121556	BATTERY CABLE RED 2GA X 16.00 POS .375 EYE	1
4	056004	M10 x 1.5 x 20 SERRATED FLANGE HEX BOLT	1
5	124961P	WELDMENT BRACKET BATTERY DISCONNECT MP45	1
6	056002	1/4-20 X 3/4 HEX SERRATED FLANGE SCREW	2
7	102534	SWITCH BATTERY DISCONNECT 4 TERMINAL	1
8	103483	LOCK OUT BATTERY DISCONNECT	1
9	027015	BATTERY CABLE BLACK 2GA 27.00 NEG	1
10	105111	BATTERY CABLE BLACK X 42.0 BATTERY DISCONNECT	1
11	041024	#10-24 X 1/2 PH-ROUND HEAD MS	2
12	043070	3/8 INTL TOOTH LOCK WASHER	1
NS	104777	DECAL BATTERY DISCONNECT	1

NS - Not Shown

* * * - Contact Allmand for more information.

6.1 - Branding Decals



120861_A
124768_A

Maxi-Power™ 45

SN 49-000001 and UP

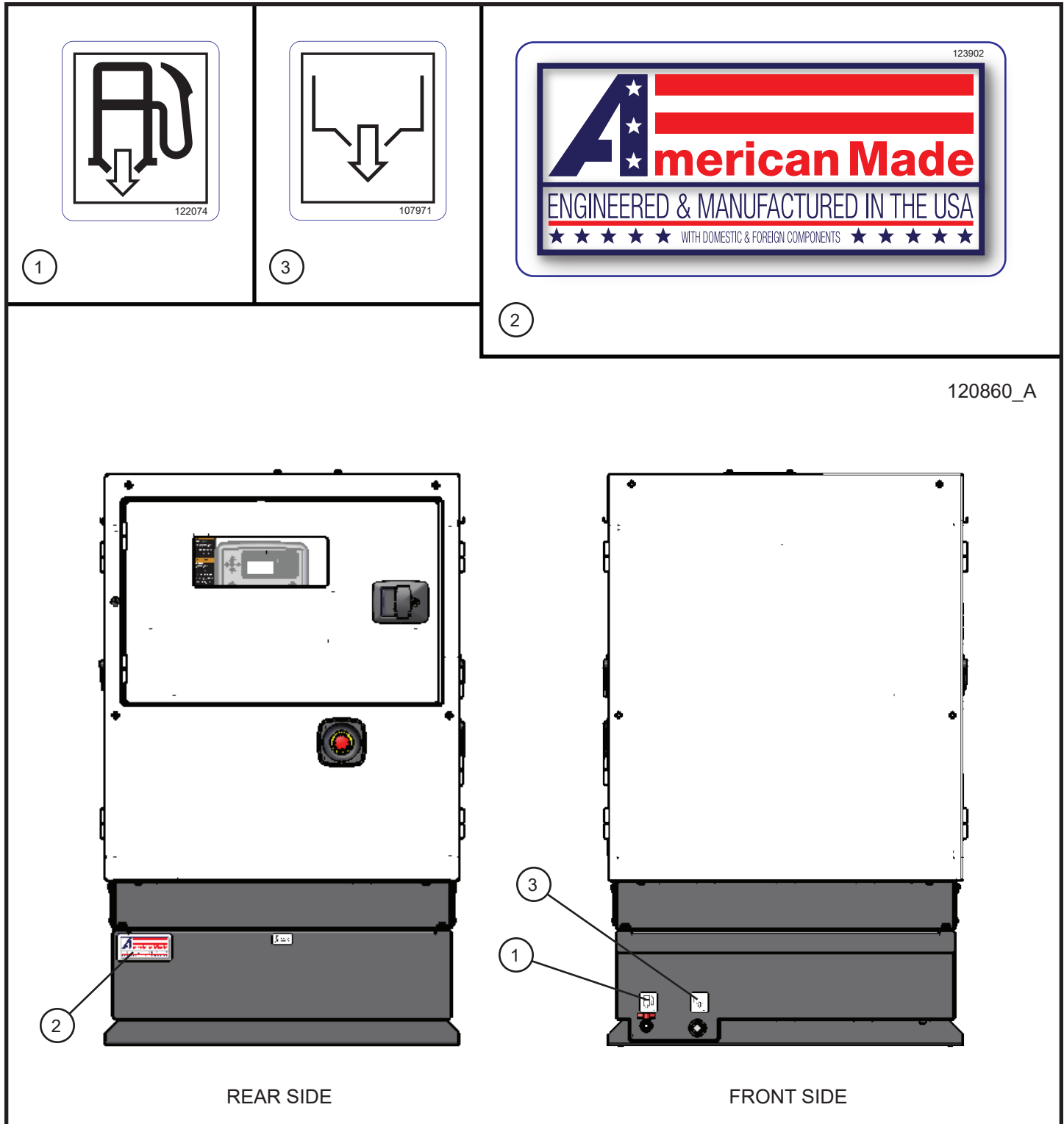
6.1 - Branding Decals

Item	Allmand No.	Part Description	Qty.
1	118119	DECAL ALLMAND 23.3	4
	118425	DECAL BRANDING ALLMAND-R GOLD-WHITE 23.3 INCH	4
2	122492	DECAL BRANDING MAXI-POWER 45 BLACK RF/LF BANNER	2
3	122493	DECAL BRANDING BLACK RR/LR BANNER	2

NS - Not Shown

* * * - Contact Allmand for more information.

6.2 - Front and Rear Side Safety Decals



Maxi-Power™ 45

SN 49-000001 and UP

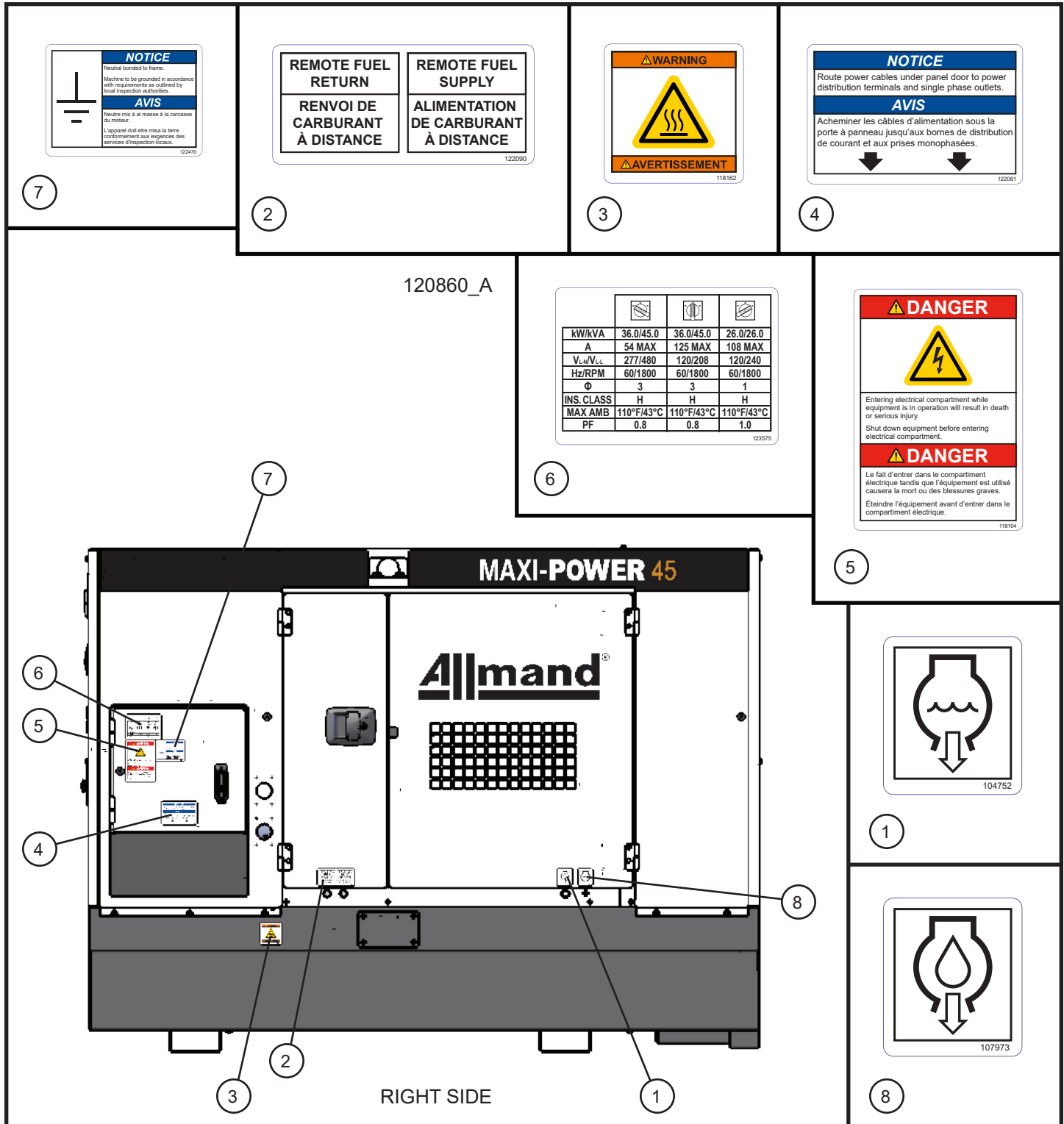
6.2 - Front and Rear Side Safety Decals

Item	Allmand No.	Part Description	Qty.
1	122074	DECAL FUEL DRAIN	1
2	123902	DECAL AMERICAN MADE	1
3	107971	DECAL FLUID CONTAINMENT DRAIN	1

NS - Not Shown

* * * - Contact Allmand for more information.

6.3 - Right Side Safety Decals



Maxi-Power™ 45

SN 49-000001 and UP

6.3 - Right Side Safety Decals

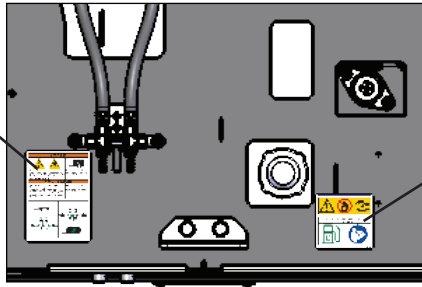
Item	Allmand No.	Part Description	Qty.
1	104752	DRAIN DECAL ENGINE COOLANT	1
2	122090	DECAL REMOTE FUEL CONNECTION	1
3	118162	DECAL WARNING HOT SURFACE ENGLISH & FRENCH	1
4	122081	DECAL TERMINAL CONNECTIONS NOTICE MAXI-POWER	1
5	118104	DECAL DANGER VOLTAGE ELECTRICAL COMPARTMENT	1
6	123575	DECAL ELECTRICAL INFORMATION MP45	1
7	122470	DECAL NEUTRAL/GROUNDED ENGLISH/FRENCH	1
8	107973	DECAL OIL DRAIN	1

NS - Not Shown

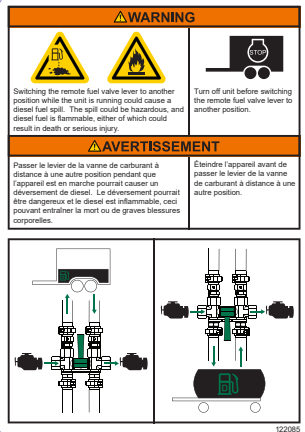
* * * - Contact Allmand for more information.

6.4 - Right Side Interior Safety Decals

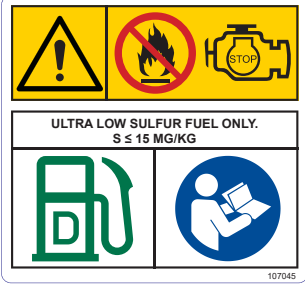
120860_A



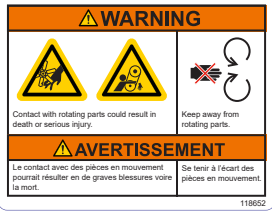
FUEL NECK DETAIL



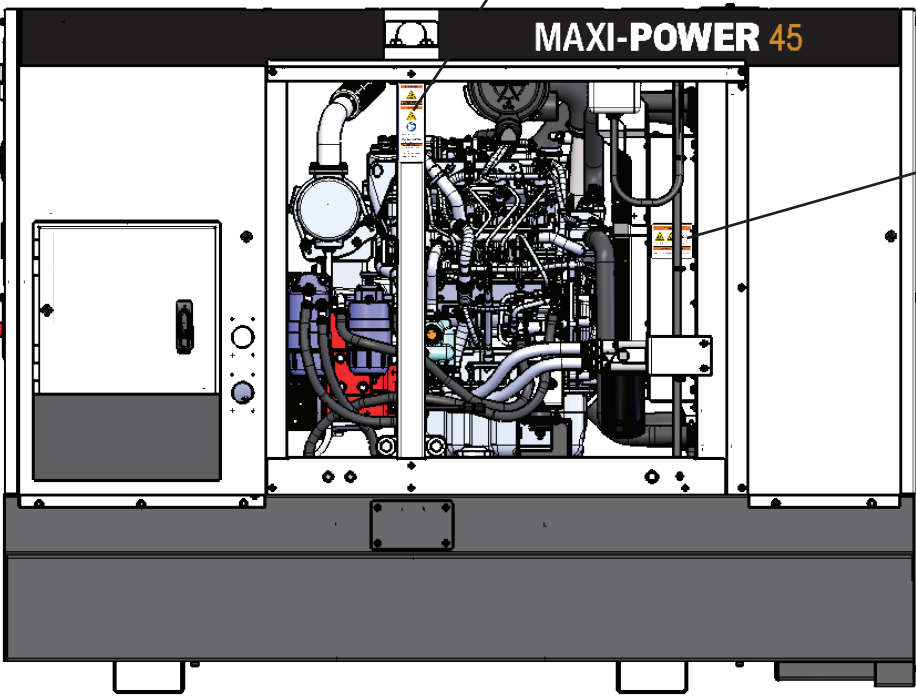
2



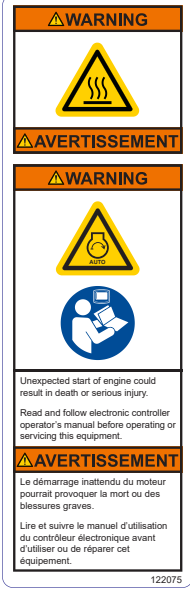
4



3



RIGHT SIDE INTERIOR



1

Maxi-Power™ 45

SN 49-000001 and UP





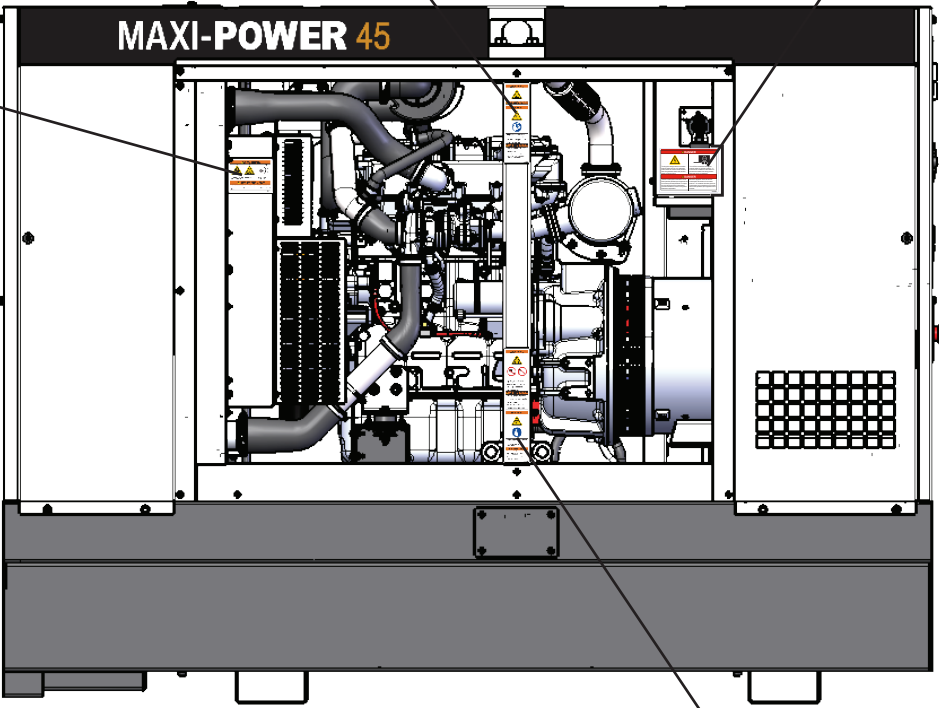


6.4 - Right Side Interior Safety Decals

Item	Allmand No.	Part Description	Qty.
1	122075	DECAL HOT SURFACE / AUTOSTART WARNING MAXI-POWER	1
2	122085	DECAL REMOTE FUEL WARNING AND INSTRUCTIONS	1
3	118652	DECAL FAN/BELT ENTANGLEMENT WARNING BI-LINGUAL	1
4	107045	LOW SULFUR FUEL DECAL	1

NS - Not Shown

* * * - Contact Allmand for more information.

6.5 - Left Side Interior Safety Decals

<div data-bbox="151 464 643 831"> <p>⚠ DANGER</p>  <p>Turning the voltage switch to another position while the unit is in operation could cause an electric shock hazard from the generator which will result in death or serious injury.</p> <p>⚠ DANGER</p> <p>Tourner l'interrupteur de tension à une autre position pendant que l'appareil est en marche pourrait présenter un risque de choc électrique de la génératrice pouvant entraîner la mort ou de graves blessures corporelles.</p> <p>Turn off the unit before turning the voltage switch to another position. A lock must be installed on the switch to prevent the switch from being turned while the unit is in operation.</p> <p>Éteindre l'appareil avant de tourner l'interrupteur de tension à une autre position. Un cadenas doit être posé sur l'interrupteur pour empêcher qu'il puisse être tourné pendant que l'appareil est en marche.</p> <p>122086</p> </div> <p>4</p>	<div data-bbox="740 464 1211 831"> <p>⚠ WARNING</p>  <p>Contact with rotating parts could result in death or serious injury.</p> <p>Keep away from rotating parts.</p> <p>⚠ AVERTISSEMENT</p> <p>Le contact avec des pièces en mouvement pourrait résulter en de graves blessures voire la mort.</p> <p>Se tenir à l'écart des pièces en mouvement.</p> <p>118652</p> </div> <p>2</p>	<div data-bbox="1312 464 1474 1178"> <p>⚠ WARNING</p>  <p>Smoking materials, open flames, or other forms of ignition near the battery could cause explosion resulting in death or serious injury. Keep smoking materials, open flames, and other forms of ignition away from the battery.</p> <p>⚠ AVERTISSEMENT</p> <p>Les articles de fumeur, les flammes nues ou d'autres formes d'allumage près de la batterie pourraient causer une explosion, causant la mort ou des blessures graves.</p> <p>Tenir les articles de fumeur, les flammes nues ou les autres formes d'allumage à l'écart de la batterie.</p> <p>⚠ WARNING</p>  <p>Exposure to corrosive material could result in death or serious injury. Wear protective gloves when handling battery.</p> <p>⚠ AVERTISSEMENT</p> <p>Toute exposition à des produits corrosifs pourrait causer la mort ou des blessures graves.</p> <p>Porter des gants de protection en manipulant la batterie.</p> <p>122076</p> </div> <p>3</p>
<div data-bbox="219 1134 1153 1837">  <p>MAXI-POWER 45</p> </div> <p>LEFT SIDE INTERIOR 120860_A</p>		
		<div data-bbox="1312 1333 1474 1829"> <p>⚠ WARNING</p>  <p>⚠ AVERTISSEMENT</p> <p>⚠ WARNING</p>  <p>Unexpected start of engine could result in death or serious injury. Read and follow electronic controller operator's manual before operating or servicing this equipment.</p> <p>⚠ AVERTISSEMENT</p> <p>Le démarrage inattendu du moteur pourrait provoquer la mort ou des blessures graves.</p> <p>Lire et suivre le manuel d'utilisation du contrôleur électronique avant d'utiliser ou de réparer cet équipement.</p> <p>122075</p> </div> <p>1</p>

Maxi-Power™ 45

SN 49-000001 and UP





6.5 - Left Side Interior Safety Decals

Item	Allmand No.	Part Description	Qty.
1	122075	DECAL HOT SURFACE / AUTOSTART WARNING MAXI-POWER	1
2	118652	DECAL FAN/BELT ENTANGLEMENT WARNING BI-LINGUAL	1
3	122076	DECAL BATTERY WARNINGS MAXI-POWER	1
4	122086	DECAL VOLTAGE CHANGE DEVICE WARNING	1

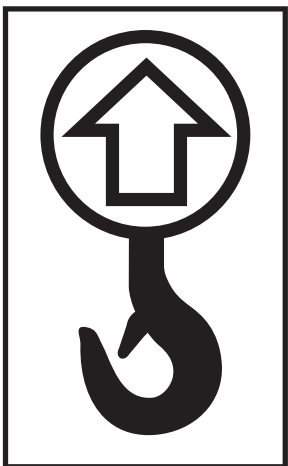
NS - Not Shown

* * * - Contact Allmand for more information.

6.6 - Top Side Safety Decals

 WARNING		 AVERTISSEMENT
<p>Opening cap on hot radiator could result in death or serious injury.</p>		<p>L'ouverture du bouchon sur un radiateur chaud pourrait causer la mort ou des blessures graves.</p>
<p>Allow radiator to cool down before opening cap.</p>		<p>Laisser le radiateur refroidir avant de dévisser le bouchon.</p>
118651		

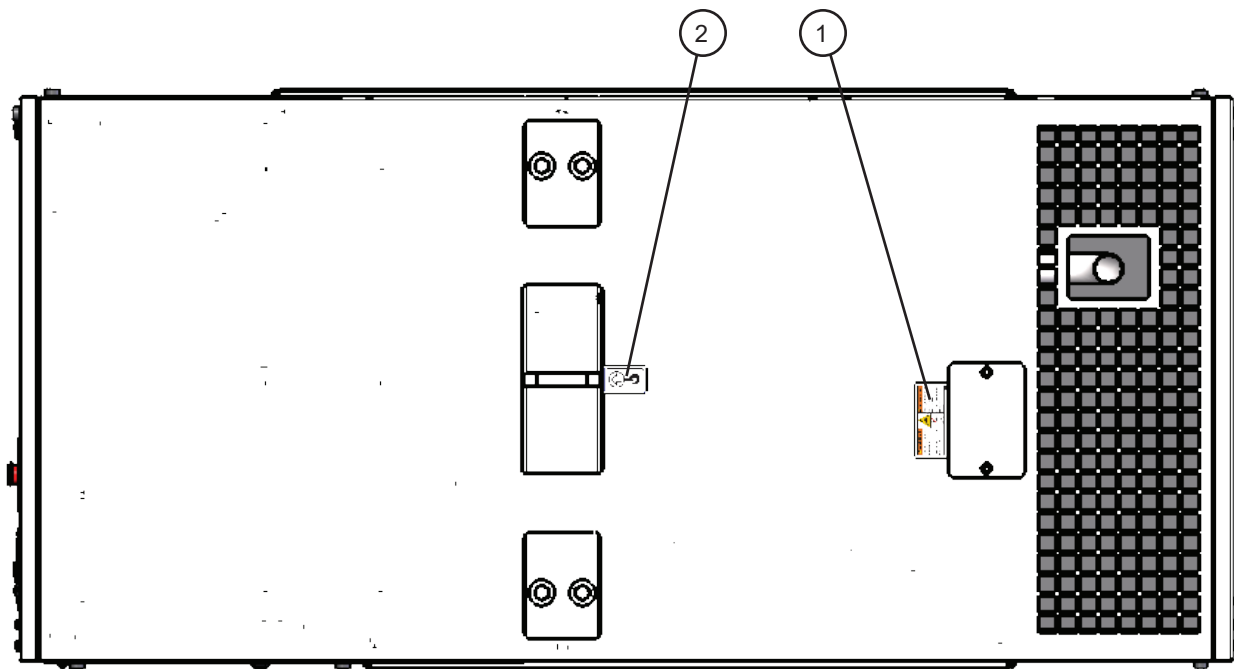
①



122480

②

120860_A



TOP SIDE

Maxi-Power™ 45

SN 49-000001 and UP

6.6 - Top Side Safety Decals

Item	Allmand No.	Part Description	Qty.
1	118651	DECAL RADIATOR WARNING BI-LINGUAL	1
2	122480	DECAL LIFT HOOK	1

NS - Not Shown

* * * - Contact Allmand for more information.

6.7 - Control Box Safety Decals

<p>⚠ WARNING</p> <p>Failure to follow warnings, instructions, and operator's manual could result in death or serious injury.</p> <p>Read and follow operator's manual before operating or servicing this equipment.</p>	<p>⚠ AVERTISSEMENT</p> <p>L'omission de respecter les avertissements, les instructions et le manuel de l'utilisateur pourrait entraîner des blessures graves ou la mort.</p> <p>Lire et suivre le manuel d'utilisation avant de faire fonctionner ou de faire l'entretien de cet équipement.</p>
<p>⚠ WARNING</p> <p>Engine exhaust contains carbon monoxide, a poisonous gas that could cause death or serious injury.</p> <p>Run equipment far from windows, doors and vents. Do not run equipment indoors or in partially enclosed spaces.</p>	<p>⚠ AVERTISSEMENT</p> <p>Le moteur contient du monoxyde de carbone, un gaz toxique pouvant provoquer la mort ou de graves blessures.</p> <p>Faites tourner à l'extérieur, loin des fenêtres, des portes et des vents. Ne faites pas fonctionner à l'intérieur ni dans un espace partiellement fermé.</p>

<p>OPERATION CHECKLIST</p> <ol style="list-style-type: none"> 1. Check engine oil and coolant levels. Refill as needed. 2. Check fuel tank (and, if equipped, DEF) tank levels. Refill as needed. 3. Drain water from fuel-water separator. 4. Set the voltage selector switch to the correct voltage and phase position that is required for operation. 	<p>LISTE DE VÉRIFICATION DE FONCTIONNEMENT</p> <ol style="list-style-type: none"> 1. Vérifier les niveaux d'huile moteur et liquide de refroidissement. Remplir si nécessaire. 2. Vérifier les niveaux du réservoir de carburant et du réservoir DEF, si équipé. Remplir si nécessaire. 3. Vidanger l'eau du séparateur carburant-eau. 4. Régler l'interrupteur du sélecteur de tension à la bonne tension et position de phase requises pour le fonctionnement.
<p>MANUAL MODE OPERATION</p> <p>MANUAL MODE START</p> <ol style="list-style-type: none"> 1. Set all the circuit breakers (main and outlet) to the OFF/O position. 2. Set the electronic controller power switch to the ON/1 position. 3. Press the manual mode button. 4. Press the start button to start the engine run cycle. The engine will cycle through the stages of preheat, engine start, engine warming, and engine run. Allow the engine to run for approximately 5 minutes. 5. Adjust the voltage as needed by using the voltage adjustment control knob. 6. Set all the circuit breakers (main and outlet) to the ON/1 position. <p>MANUAL MODE STOP</p> <ol style="list-style-type: none"> 1. Set all the circuit breakers (main and outlet) to the OFF/O position. 2. Press the stop button to shutdown the engine. 3. Set the electronic controller power switch to the OFF/O position. 	<p>FONCTIONNEMENT EN MODE MANUEL</p> <p>DÉMARRAGE EN MODE MANUEL</p> <ol style="list-style-type: none"> 1. Régler tous les disjoncteurs (principal et prises) à la position ARRÊT/O. 2. Régler l'interrupteur d'alimentation de la commande électronique à la position MARCHÉ/1. 3. Appuyer sur le bouton du mode manuel. 4. Appuyer sur le bouton de démarrage pour démarrer un cycle de moteur. Le moteur fera un cycle des étapes de préchauffage, démarrage du moteur, réchauffement du moteur et fonctionnement du moteur. Laissez le moteur tourner pendant environ 5 minutes. 5. Régler la tension au besoin en utilisant le bouton de contrôle pour le réglage de la tension. 6. Régler tous les disjoncteurs (principal et prises) à la position MARCHÉ/1. <p>ARRÊT DU MODE MANUEL</p> <ol style="list-style-type: none"> 1. Régler tous les disjoncteurs (principal et prises) à la position ARRÊT/O. 2. Appuyer sur le bouton d'arrêt pour arrêter le moteur. 3. Régler l'interrupteur d'alimentation de la commande électronique à la position ARRÊT/O.
<p>AUTO MODE OPERATION</p> <p>* Refer to the operator's manual for instruction.</p>	<p>FONCTIONNEMENT EN MODE AUTOMATIQUE</p> <p>* Reportez-vous au manuel d'utilisation pour plus d'informations.</p>

6

5

CONTROL PANEL

3

4

CONTROL PANEL DOOR

2

120995_A

1

Maxi-Power™ 45

SN 49-000001 and UP

6.7 - Control Box Safety Decals

Item	Allmand No.	Part Description	Qty.
1	122087	DECAL BREAKER DECAL MAXI-POWER	1
2	118074	DECAL BILINGUAL DANGER HAZARDOUS VOLTAGE VERTICAL	1
3	122080	DECAL DSE OPERATOR INSTRUCTIONS MAXI-POWER	1
4	122078	DECAL CONTROL PANEL MAXI-POWER	1
5	125062	DECAL QR CODE MAXI-POWER 45	1
6	122985	DECAL MULTIPLE EXHAUST WARNING MAXI POWER	1
NS	123581	INSERT BANNER RIGHT SIDE DEEP SEA 7310 MAXI-POWER	1
NS	123580	INSERT BANNER TOP DEEP SEA 7310 MAXI-POWER	1

NS - Not Shown

* * * - Contact Allmand for more information.

Maxi-Power™ 25



1502 West 4th Avenue
Holdrege, NE 68949

phone: (308) 995-4495 • toll free: (800) 562-1373

fax: (308) 995-5887

www.allmand.com