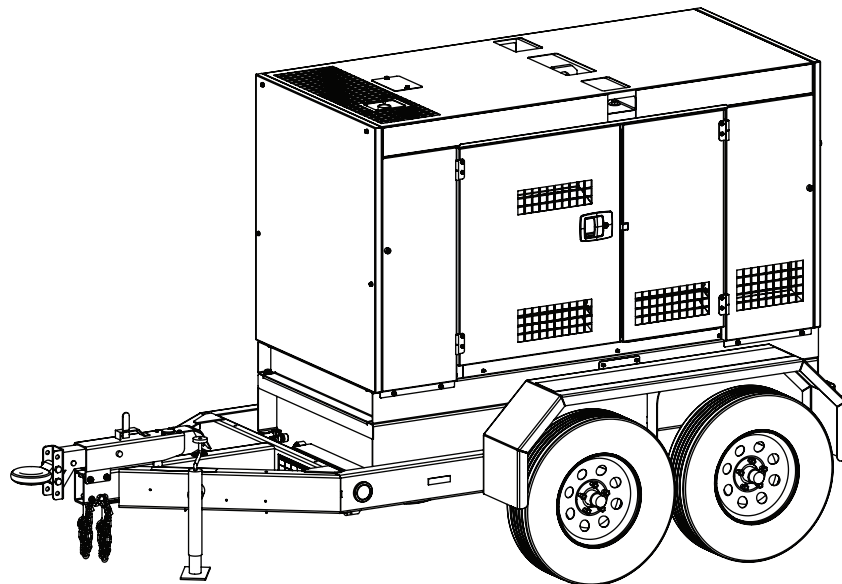


(en) **Operator's Manual**
MAXI-POWER™ 45 Mobile Generator



(es) **Manual del operario**
Generador móvil MAXI-POWER™ 45

(fr) **Manuel d'utilisation**
Génératrice mobile MAXI-POWER™ 45



Record Important Information

Recording the equipment information will help when placing an order for replacement parts and/or decals.

Company Equipment No:	
Unit Model No:	
Unit VIN:	
Engine Model No:	Serial No:
Generator Model No:	Serial No:
Accessories:	

Manual Contents:

Introduction 2

Products Covered by This Manual 2

Safety 2

Features and Controls 8

Preparing the Generator Trailer for Use 9

Transporting the Generator Trailer 10

Operation 14

Maintenance 21


Specifications 26

Troubleshooting 27

Reporting Safety Defects 28

Tire Safety Information 28

Addendum - Unit Options 34

 **WARNING**

Breathing diesel engine exhaust exposes you to chemicals known to the State of California to cause cancer and birth defects or other reproductive harm.

- Always start and operate the engine in a well-ventilated area.
- If in an enclosed area, vent the exhaust to the outside.
- Do not modify or tamper with the exhaust system.
- Do not idle the engine except as necessary.

For more information go to www.P65Warnings.ca.gov/diesel.

Introduction

About This Manual

TAKE TIME TO READ THIS MANUAL THOROUGHLY

This instruction manual provides necessary instructions for the Allmand® Maxi-Power™ 45 mobile generator.

The information found in this manual is in effect at the time of printing. Briggs & Stratton may change contents without notice and without incurring obligation.

The images throughout this manual are representative, and may differ from your model.

Any reference in this manual to left or right shall be determined by looking at the trailer from the rear.

If uncertain about any of the information in the manual, contact the Allmand service department at 1-800-562-1373, or contact us through the Allmand website, www.allmand.com.

Save these original instructions for future reference.


Products Covered by This Manual


The following products are covered by this manual:
Maxi-Power™ 45


Safety


Safety Definitions

For your safety, the safety of others, and to protect the performance of equipment, follow the precautions listed throughout the manual before operation, during operation and during periodic maintenance procedures.

 Indicates a potential personal injury hazard.

 **DANGER**
Indicates a hazardous situation which, if not avoided, will result in death or serious injury.

 **WARNING**
Indicates a hazardous situation which, if not avoided, could result in death or serious injury.

 **CAUTION**
Indicates a hazardous situation which, if not avoided, could result in minor or moderate injury.

NOTICE
Information considered important but not hazard related.

Safety Precautions

The following section contains general safety precautions and guidelines that must be obeyed to reduce risk to personal safety. Special safety precautions are listed in specific procedures. Read and understand all of the safety precautions before operating or performing repairs or maintenance.

DANGER



Electrocution Hazard

- High voltage is present when engine is running. Never attempt to service electrical components while engine is running.
- Do not operate the unit if the insulation on the electrical cord or other electrical wiring is cut or worn or if bare wires are exposed. Repair or replace damaged wiring before starting the engine.

WARNING

Unsafe Operation Hazard

- Never permit anyone to install or operate the equipment without proper training.
- Read and understand this Operator's Manual, the Engine Operator's Manual, and any other component manuals before operating or servicing the mobile generator to make sure that safe operating practices and maintenance procedures are followed.
- Safety signs and decals are additional reminders for safe operating and maintenance techniques.

WARNING

Fall Hazard

- Never carry riders on the equipment.

WARNING

Modification Hazard

- Never modify the equipment without written consent of the manufacturer. Any modification could affect the safe operation of the equipment.

WARNING

Exposure Hazard

- Always wear personal protective equipment, including appropriate clothing, gloves, work shoes, and eye and hearing protection, as required by the task at hand.

WARNING



Fire and Explosion Hazard

Batteries give off explosive gases during recharging. Sparks could cause explosions, resulting in death or serious injury.

WARNING



Burn Hazard

Batteries contain acid, which is extremely caustic. Contact with battery contents could cause severe chemical burns.

WARNING



Shock Hazard

Batteries present a risk of electric shock and high short circuit current.

- Always disconnect the negative (-) battery cable before servicing equipment.
- DO NOT dispose of battery in a fire. Recycle battery.
- DO NOT allow any open flame, spark, heat, or lit cigarette during and for several minutes after charging a battery.
- DO NOT open or mutilate battery.
- DO NOT charge a frozen battery. Always slowly warm the battery to room temperature before charging.
- Wear protective gloves, rubber apron, rubber boots and rubber gloves.
- Remove watches, rings, or other metal objects.
- Use tools having insulated handles.

WARNING



Carbon Monoxide Hazard

Engine exhaust contains carbon monoxide, a poisonous gas that could kill you in minutes. You cannot smell it, see it, or taste it. Even if you do not smell exhaust fumes, you could still be exposed to carbon monoxide gas.

- Operate this product ONLY outdoors in an area that will not accumulate deadly exhaust gas.
- Direct exhaust gas away from any windows, doors, ventilation intakes, soffit vents, crawl spaces, open garage doors or other openings that can allow exhaust gas to enter inside or be drawn into a potentially occupied building or structure.

- Carbon monoxide detector(s) MUST be installed and maintained indoors according to the manufacturer's instructions/recommendations. Smoke alarms cannot detect carbon monoxide gas.
- If you start to feel sick, dizzy, weak, or your carbon monoxide alarm sounds while using this product, get to fresh air right away. Call emergency services. You may have carbon monoxide poisoning.

 **WARNING**



Fire and Explosion Hazard

- Diesel fuel is flammable and explosive under certain conditions.
- Never use a shop rag to catch fuel.
- Wipe up all spills immediately.
- Never refuel with the engine running.
- Store any containers containing fuel in a well ventilated area, away from any combustibles or sources of ignition.

 **WARNING**

Alcohol and Drug Hazard

- Never operate the mobile generator while under the influence of alcohol or drugs, or when ill.

 **WARNING**



Entanglement / Sever Hazard

- Always stop the engine before beginning service.
- If the engine must be serviced while it is operating, remove all jewelry, tie back long hair and keep hands, other body parts and clothing away from moving/rotating parts.
- Verify that all guards and covers are attached properly to the equipment before starting the engine. Do not start the engine if any guards or covers are not properly installed on the equipment.
- Attach a "Do Not Operate" tag near the key switch while performing maintenance on the equipment.

 **WARNING**

Flying Object Hazard

- Always wear eye protection when cleaning the equipment with compressed air or high pressure water. Dust, flying debris, compressed air, pressurized water or steam may injure your eyes.

 **WARNING**

Coolant Hazard

- Wear eye protection and rubber gloves when handling engine coolant. If contact with the eyes or skin should occur, flush eyes and wash immediately with clean water.

 **WARNING**



Burn Hazard

- Opening cap on hot radiator could result in death or serious injury. Allow radiator to cool down before opening cap.

 **WARNING**



Burn Hazard

- Keep hands and other body parts away from hot surfaces.
- Handle hot components, such as light fixtures, with heat resistant gloves.

NOTICE

- Any part which is found defective as a result of inspection or any part whose measured value does not satisfy the standard or limit MUST be replaced.
- Always tighten components to the specified torque. Loose parts can cause equipment damage or cause it to operate improperly.
- Follow the guidelines of the Environmental Protection Agency (EPA), Environment Canada (EC) or other governmental agencies for the proper disposal of hazardous materials such as engine oil, diesel fuel and engine coolant.
- Only use replacement parts specified. Other replacement parts may effect warranty coverage.
- Clean all accumulated dirt and debris away from the body of the equipment and its components before you inspect the equipment or perform preventative maintenance procedures or repairs. Operating equipment with accumulated dirt and debris will cause premature wear of equipment components.
- Never dispose of hazardous materials by dumping them into a sewer, on the ground, or into groundwater or waterways.
- Retrieve any tools or parts that may have dropped inside of the equipment to avoid improper equipment operation.
- If any alert indicator illuminates during equipment operation, stop the engine immediately. Determine the cause and repair the problem before continuing to operate the equipment.

It is a violation of California Public Resource Code, Section 4442, to use or operate the engine on any forest-covered, brush-covered, or grass-covered land unless the exhaust system is equipped with a spark arrester, as defined in section 4442, maintained in effective working order. Other states or federal jurisdictions may have similar laws; reference Federal Regulation 36 CFR Part 261.52.

Safety Decals

Before operating your unit, read and understand the following safety decals. The cautions, warnings, and instructions are for your safety. To avoid personal injury or damage to the unit, understand and obey all the decals.

Keep the decals from becoming dirty or torn, and replace them if they are lost or damaged. Also, if a part needs to be replaced that has a decal attached to it, make sure to order the new part and decal at the same time.

If any safety or instructional decals become worn or damaged, and cannot be read, order replacement decals from your dealer.

All Models	
<p>WARNING - Opening cap on hot radiator could result in death or serious injury. Allow radiator to cool down before opening cap.</p> <p>Part No. 118651</p>	
<p>WARNING - Contact with hot exhaust gases and parts could cause death or serious injury. Avoid hot exhaust gases. Keep hands and combustible materials away from hot parts.</p> <p>Part No. 118162</p>	
<p>WARNING - Contact with hot exhaust gases and parts could cause death or serious injury. Avoid hot exhaust gases. Keep hands and combustible materials away from hot parts.</p> <p>WARNING - Unexpected start of engine could result in death or serious injury. Read and follow electronic controller operator's manual before operating or servicing this equipment.</p> <p>Part No. 122075</p>	
<p>All Models</p> <p>DANGER - Entering electrical compartment while equipment is in operation will result in death or serious injury. Unplug equipment before entering electrical compartment.</p> <p>Part No. 118074</p>	
<p>DANGER - Entering electrical compartment while equipment is in operation will result in death or serious injury. Unplug equipment before entering electrical compartment.</p> <p>Part No. 118104</p>	
<p>Machine Grounding Information / Ground Lug</p> <p>Part No. 122470</p>	
<p>WARNING - Contact with rotating parts could result in death or serious injury. Keep away from rotating parts.</p> <p>Part No. 118652</p>	
<p>ETL Intertek Listing Mark</p> <p>Part No. 118690</p>	
<p>WARNING - Smoking materials, open flames, or other forms of ignition near the battery could cause explosion resulting in death or serious injury. Keep smoking materials, open flames, or other forms of ignition away from the battery.</p> <p>WARNING - Exposure to corrosive materials could cause result in death or serious injury. Wear protective gloves when handling battery.</p> <p>Part No. 122076</p>	

All Models

DANGER - Turning the voltage switch to another position while the unit is in operation could cause an electric shock hazard from the generator which will result in death or serious injury. Turn off the unit before turning the voltage switch to another position. A lock must be installed on the switch to prevent the switch from being turned while the unit is in operation.

Part No. 122086

⚠ DANGER

Turning the voltage switch to another position while the unit is in operation could cause an electric shock hazard from the generator which will result in death or serious injury.

⚠ DANGER

Éteindre l'appareil avant de tourner l'interrupteur de tension à une autre position. Un cadenas doit être posé sur l'interrupteur pour empêcher qu'il puisse être tourné pendant que l'appareil est en marche.

122086

Electronic Controller Instructions
Part No. 122080

OPERATION CHECKLIST

- Check engine oil level. If low, add oil.
- Check fuel tank level. Fuel tank must be full.
- Check water level. Add water if needed.
- Check voltage and phase position. If required, re-adjust.

MANUAL MODE OPERATION

MANUAL MODE START

- Set the circuit breakers (main and outlet) to the OFF position.
- Set the electronic controller power switch to the ON position.
- Press the manual start button.
- Adjust the voltage by using the voltage adjustment control knob.
- Set the circuit breakers (main and outlet) to the ON position.

MANUAL MODE STOP

- Set the circuit breakers (main and outlet) to the OFF position.
- Press the manual stop button.
- Set the electronic controller power switch to the OFF position.

AUTO MODE OPERATION

- Refer to the operator's manual for instructions.

LISTE DE VÉRIFICATION DE FONCTIONNEMENT

- Vérifier le niveau d'huile du moteur. Si le niveau est bas, rajouter de l'huile.
- Vérifier le niveau de carburant. Le réservoir doit être plein.
- Vérifier le niveau d'eau. Ajouter de l'eau si nécessaire.
- Vérifier la tension et la position des phases. Si nécessaire, régler la tension.

FONCTIONNEMENT EN MODE MANUEL

DÉMARRAGE EN MODE MANUEL

- Régler les disjoncteurs principaux et secondaires à la position ARRÊT.
- Régler l'interrupteur d'alimentation de la commande électronique à la position ON.
- Appuyer sur le bouton de démarrage manuel.
- Régler la tension en utilisant le bouton de commande de la tension.
- Régler les disjoncteurs principaux et secondaires à la position MARCHÉ.

ARRÊT EN MODE MANUEL

- Régler les disjoncteurs principaux et secondaires à la position ARRÊT.
- Appuyer sur le bouton d'arrêt manuel.
- Régler l'interrupteur d'alimentation de la commande électronique à la position ARRÊT.

FONCTIONNEMENT EN MODE AUTOMATIQUE

- Reportez-vous au manuel d'utilisation pour plus d'informations.

122080

Power Cable Routing Information
Part No. 110362

NOTICE

Route power cables under panel door to power distribution terminals and single phase outlets.

AVIS

Acheminer les câbles d'alimentation sous la porte à panneau jusqu'aux bornes de distribution de courant et aux prises monophasées.

120361

Electrical Information
Part No. 123575

	36.0/45.0	36.0/45.0	26.0/26.0
kVA	36.0	45.0	26.0
A	54 MAX	125 MAX	108 MAX
V _{L-N} /V _{L-L}	277/480	120/208	120/240
Hz/RPM	60/1800	60/1800	60/1800
Φ	3	3	1
INS. CLASS	H	H	H
MAX AMB	110°F/43°C	110°F/43°C	110°F/43°C
PF	0.8	0.8	1.0

123575

WARNING - Switching the remote fuel valve lever to another position while the unit is running could cause a diesel fuel spill. The spill could be hazardous, and diesel fuel is flammable, either of which could result in death or serious injury. Turn off unit before switching the remote fuel valve lever to another position.

Part No. 122085

⚠ WARNING

Switching the remote fuel valve lever to another position while the unit is running could cause a diesel fuel spill. The spill could be hazardous, and diesel fuel is flammable, either of which could result in death or serious injury.

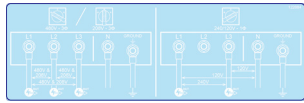
⚠ AVERTISSEMENT

Passer le levier de la vanne de carburant à distance à une autre position pendant que l'appareil est en marche pourrait causer un déversement de diesel. Le déversement pourrait être dangereux et le diesel est inflammable, ce qui pourrait entraîner la mort ou de graves blessures corporelles.

Éteindre l'appareil avant de passer le levier de la vanne de carburant à distance à une autre position.

122085

Connection Lug Plate Electrical Wiring Information
Part No. 122084



All Models

WARNING - Failure to follow warnings, instructions and operator's manual could result in death or serious injury. Read and follow operator's manual before operating or servicing this equipment.

WARNING - Engine exhaust contains carbon monoxide, a poisonous gas that could cause death or serious injury. Run equipment far from windows, doors and vents. Do not run equipment indoors or in partially enclosed spaces.

WARNING - Breathing diesel engine exhaust exposes you to chemicals known to the State of California to cause cancer and birth defects or other reproductive harm.

- Always start and operate the engine in a well-ventilated area.
- If in an enclosed area, vent the exhaust to the outside.
- Do not modify or tamper with the exhaust system.
- Do not idle the engine except as necessary.

www.P65warnings.ca.gov/diesel

Part No. 122985

122985

Emergency Stop
Part No. 105567



Fuel Drain
Part No. 122074



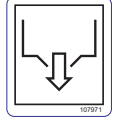
Oil Drain
Part No. 107973



Coolant Drain
Part No. 104752



Fluid Containment Drain
Part No. 107973



All Models	
Control Box Terminal Label Part No. 122456	
Lift Weight Part No. 122480	
Generator Enclosure Serial Number Part No. 124285	
Forklift Pocket Part No. 107254	
Tie-Down Point Part No. 109005	
NOTICE - Ensure packaged equipment is level prior to operation. Maximum angle of operation $\pm 1.4^\circ$ (determined by manufacturer). Part No. 122471	
WARNING - Excessive towing speed could result in death or serious injury. Do not exceed 65mph (105km/h) when towing trailer. Part No. 118108	
Product Operations QR Code Part No. 125062	

All Models	
WARNING - Do not smoke or have forms of open flame present when fueling. Stop engine before refueling. Ultra low sulfur fuel only (S \leq 15 MG/KG) Part No. 107045	
Cam Locks Part No. 112136 (Option)	
Battery Charger Part No. 112138 (Option)	
Engine and Battery Heater Part No. 112139 (Option)	

Operation Icons

The following table contains operation icons that may be found on the unit, along with the meaning of each icon.

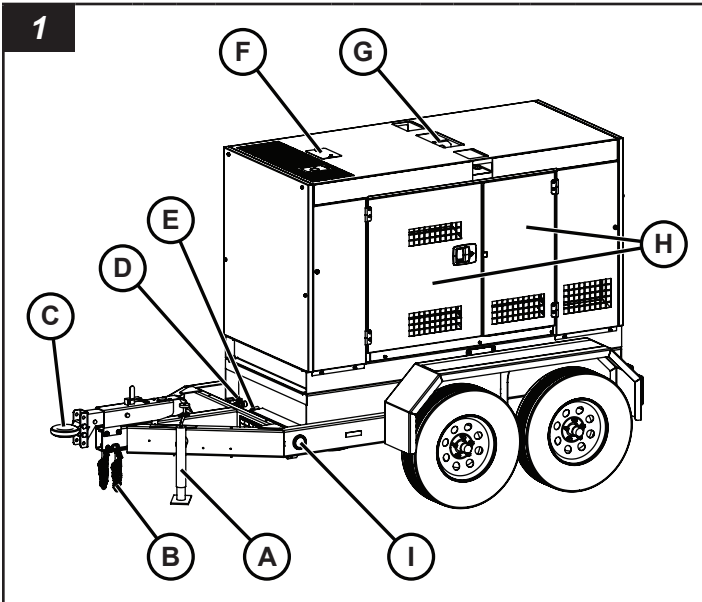
Icon	Meaning	Icon	Meaning
	Power On		Interior Light
	Power Off		Fluid Containment Drain
	Engine Stop		Engine Oil Drain
	Engine Run		Engine Coolant Drain
	Engine Start		Fuel Drain
	Engine Preheat		Electrical Power
	Hourmeter		Circuit Breaker
	Voltage Change Device Switch		Main Circuit Breaker
	Electronic Controller		Earth Ground

Features and Controls

The Allmand® Maxi-Power™ 45 mobile generator is intended for use as a stationary generator set.

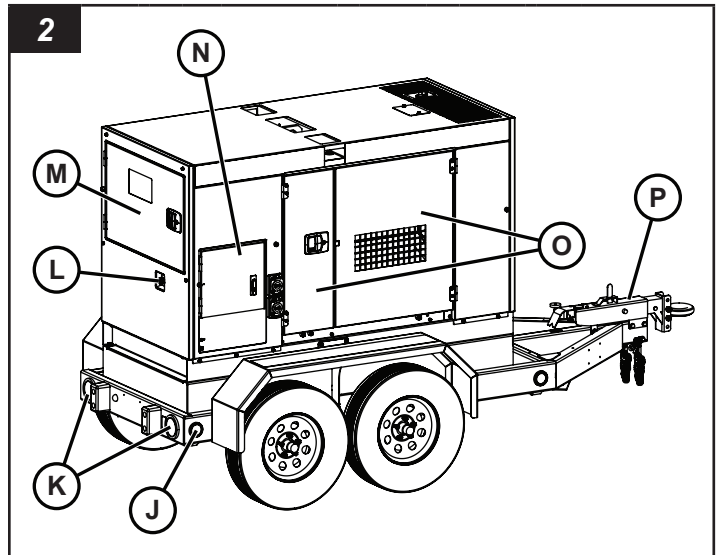
Identify the features and controls of the machine by comparing Figures 1 through 5 with the tables following. See **Operation** and for detailed information on each feature / control.

Front and Left Side Exterior



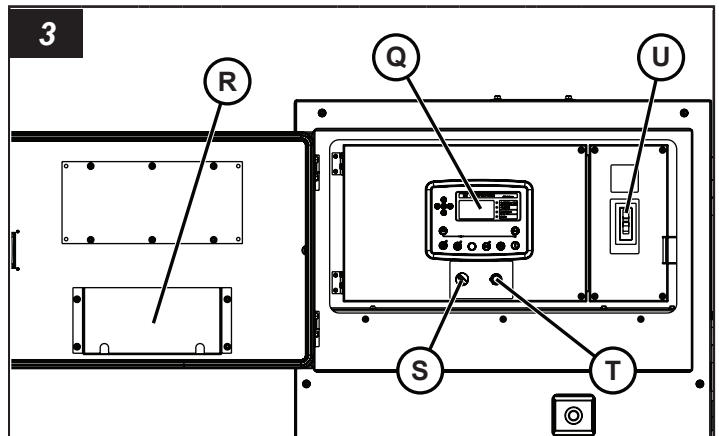
Ref	Description
A	Tongue Jack
B	Safety Chain (2)
C	Trailer Coupler / Lunette Eye
D	Fuel Drain
E	Fluid Containment Drain
F	Radiator Cap Access
G	Lifting Ring
H	Left Side Enclosure Doors
I	Front Marker Light (amber colored, each side)

Rear and Right Side Exterior



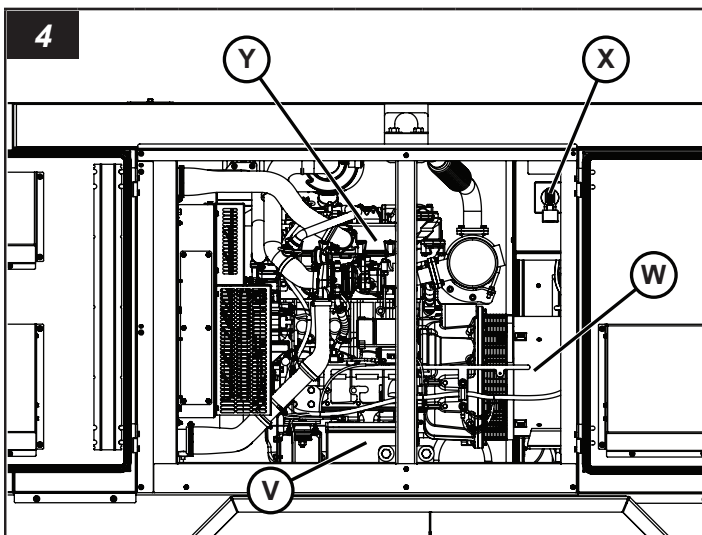
Ref	Description
J	Rear Marker Light (red colored, each side)
K	Tail Lights
L	Emergency Stop
M	Control Panel Door
N	Power Terminal and Outlet Panel Door
O	Right Side Enclosure Doors
P	Hydraulic Surge Brake

Control Panel



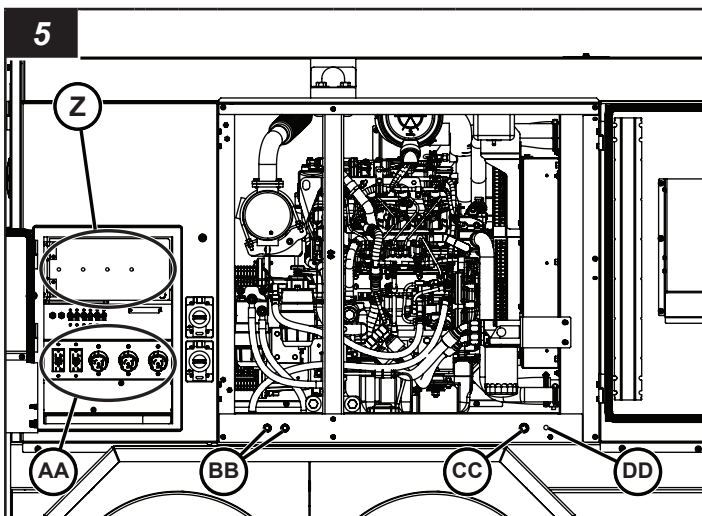
Ref	Description
Q	Deep Sea Electronic Controller
R	Manual Storage Holder
S	Electronic Controller On / Off Switch
T	Voltage Adjuster Switch
U	Main Circuit Breaker Switch

Left Side Interior



Ref	Description
V	Battery
W	Generator
X	Voltage Change Device Switch
Y	Engine

Right Side Interior and AC Output (Outlet and Connection Lug Plate) Panel



Ref	Description
Z	Power Cable Connection Lug Plate
AA	Auxiliary AC Outlets
BB	Remote Fuel Connections
CC	Engine Oil Drain
DD	Engine Coolant Drain

Preparing the Generator Trailer for Use

⚠ WARNING

Operating or towing a machine with worn, damaged or missing parts could result in death or serious injury. Replace worn, damaged or missing parts immediately. Do not operate or tow this machine until all worn, damaged or missing parts have been replaced, and the machine operates correctly.

⚠ WARNING

Towing a trailer with worn, damaged or underinflated tires could result in death or serious injury. Replace worn or damaged tires immediately. Keep tires inflated to correct cold tire inflation pressure.

NOTICE

The use of authorized replacement Allmand parts is recommended. The warranty does not cover damage or performance problems caused by the use of parts that are not authorized replacement parts.

If the generator trailer has been stored or not operated for a period of time, follow these steps to prepare the Maxi-Power™ 45 mobile generator for use.

1. Make sure that a copy of the Operator's Manual is with the generator trailer in the manual storage holder.
2. Make sure that all safety decals are legible and in place on the generator trailer. See **Safety Decals** in the **Operator Safety** section.
3. Do a check of the generator trailer for correct operation:
 - A. Use an appropriate means to safely support the trailer tongue. Make sure that the tongue jack operates correctly, and that the jack can be locked in the transport position as well as the trailer support position. See **Operating the Tongue Jack**.
 - B. Make sure that the trailer coupler or lunette ring is in good operating condition, and that the trailer coupler or lunette ring is tightly fastened to the generator trailer tongue. See **Using The Trailer Coupler/Lunette Ring**.
 - C. Make sure that the safety chains are tightly fastened to the generator trailer tongue, and that the safety chains and hooks are not damaged. Replace damaged safety chains and hooks.
 - D. Examine the condition and inflation pressure of the tires. See **Specifications**.
 - E. Make sure that the trailer axle and braking system are in good operating condition. Check for wear and damage. Repair axle and braking system as needed.

- F. Check trailer lighting cable for wear, cuts, or exposed bare wiring. Check the cable connector for damage. Replace the damaged trailer light cable and/or cable connector as needed.
 - G. Check generator trailer interior, control panel, and AC output (outlet and connection lug plate) panel for dust and debris and clean as necessary. See **Cleaning** in the **Maintenance** section.
4. Do a check of the engine oil level and add as necessary. See **Maintenance**.
 5. Check the engine cooling system and replenish as necessary. Make sure that the coolant overflow bottle is at least half full of coolant. See **Maintenance**.
 6. Examine the air filter for damage and replace as necessary. Examine the engine air intake system and make sure that all connections are air tight.
 7. Make sure that the battery is fully charged. The generator trailer is equipped from the factory with a 12 volt battery. Use a 12 volt battery charger to bring the battery back to full charge. See **Maintaining the Battery** in the **Maintenance** section.
 8. If the trailer was stored with the battery disconnected, connect the battery.
 9. Make sure that there is sufficient fuel in the fuel tank. See **Fueling the Unit** in the **Operation** section for detailed information on checking and adding fuel.
 10. Check the fuel water separator filter and drain the water from the filter as necessary. See **Fuel Water Separator Filter** in the **Maintenance** section for detailed information.
 11. Check the fluid containment system for any accumulation of fluid and drain as needed. See **Fluid Containment System** in **Maintenance** for detailed information.
 12. Make sure that the engine starts and runs correctly. See **Engine Operation** in the **Operation** section.
 13. Check electrical wiring for wear, cuts, or exposed bare wiring. Replace the damaged electrical wiring as needed.
 14. Test the GFCI and twistlock outlets on the AC output (outlet and connection lug plate) panel. See **Auxiliary AC Outlets** in the **Operation** section.

Transporting the Generator Trailer

Towing the Generator Trailer

Preparing the Generator Trailer for Towing

WARNING

Towing a trailer with an underrated tow vehicle or an underrated or undersized hitch could result in death or serious injury. Always use a tow vehicle that has a rated towing capacity that exceeds the Gross Vehicle Weight Rating (GVWR) of the trailer, and is equipped with the appropriate size tow hitch rated for the GVWR of the trailer.

WARNING

Operating or towing a machine with worn, damaged or missing parts could result in death or serious injury. Always replace worn, damaged or missing parts promptly. Do not operate or tow this machine until all worn, damaged or missing parts have been replaced, and proper operation of the machine has been verified.

WARNING

Towing a trailer with worn, damaged or underinflated tires could result in death or serious injury. Replace worn or damaged tires immediately. Keep tires inflated to correct cold tire inflation pressure.

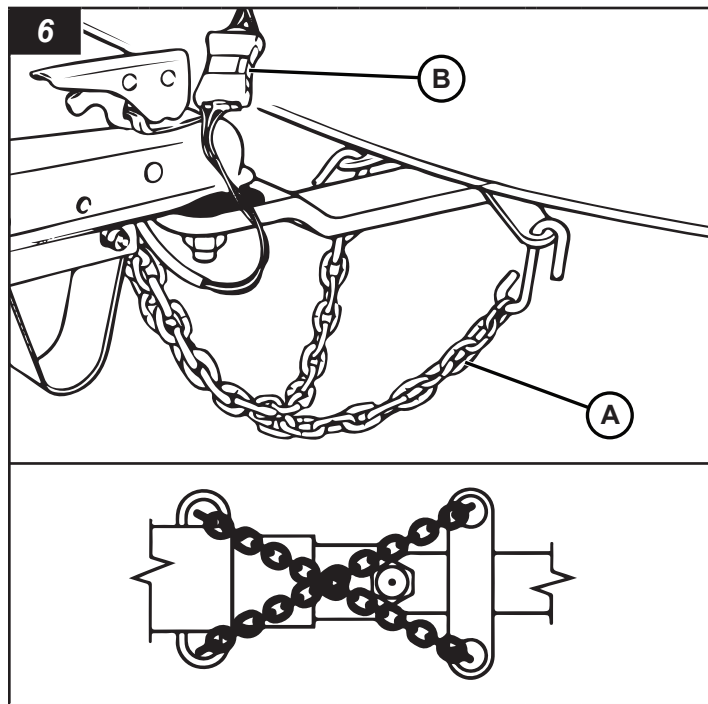
1. Shut down the generator unit.
2. Disconnect all power cables from generator unit and store cables away properly.
3. Close up all panel doors on the generator unit and make sure that they are all latched.
4. Make sure that the tow vehicle and trailer hitch are rated to tow the unit. See **Generator Trailer Weight**.
Note: Refer to the tow vehicle and trailer hitch manuals for rated towing capacities.
5. Connect the trailer to the tow vehicle hitch. Examine the trailer coupler or lunette ring for damage, and make sure that it is tightly fastened to the tongue. See **Connecting the Generator Trailer to the Tow Vehicle**.
6. Make sure that the safety chains are tightly fastened to the trailer tongue, and examine the safety chains and hooks for damage. Replace as needed.
7. Make sure that the tow vehicle lighting connector will connect with the trailer lighting connector. Examine the trailer lighting connector and wires for damage. Repair or replace as needed.
8. Examine the condition and inflation pressure of the tires. See **Checking the Tire Pressure** in the **Maintenance** section.
9. Remove the wheel chocks from the front and rear of each wheel.

Connecting the Generator Trailer to the Tow Vehicle

WARNING

Retracting the tongue jack without supporting the trailer tongue could result in death or serious injury. Make sure that the trailer tongue is safely supported by appropriate means before you retract the tongue jack.

1. Put wheel chocks (not supplied) against the front and back of each wheel on both sides of the generator tower trailer.
2. Adjust the height of the hitch so that the generator trailer is level with the tow vehicle.
3. Use the tongue jack to lift either the trailer coupler or lunette eye above the tow vehicle's ball hitch or pintle hitch. See **Operating the Tongue Jack**.
4. Move the tow vehicle so that either the ball hitch is under the trailer coupler (if equipped) or the pintle hitch is under the lunette eye.
5. Lower the trailer coupler onto the hitch with the tongue jack.
6. Lock the trailer coupler onto the hitch ball or lunette eye. See **Using the Trailer Coupler / Lunette Eye**.
7. Attach the safety chains (A, Figure 6) to the tow vehicle's hitch frame. Cross the chains under the tongue as shown. Leave enough slack in the chains to allow for turns, but not so much that the chains will hit the road surface.
8. Connect the trailer lighting connector (B, Figure 6) to the tow vehicle lighting connector. Make sure that the trailer lighting harness has sufficient length to not disconnect when turning, but not so much length that the harness will hit the road surface. Once connected, check the stop, turn signal, tail, side marker and license plate lights for correct operation.
9. Fully lift the tongue jack foot, then retract the tongue jack into the transport position. See **Operating the Tongue Jack**.
10. Remove the wheel chocks from both sides of the mobile generator trailer wheels.



Operating the Tongue Jack

The unit is equipped with a tongue jack to raise and lower trailer tongue, and to level the trailer front-to-rear.

To deploy the tongue jack

WARNING

Failure to secure the tongue jack in the operating position with the jack locking pin could cause the front of the mobile generator trailer to collapse, resulting in death or serious injury. Always be sure to secure the tongue jack in the operating position with the jack locking pin.

1. Remove the jack locking pin (A, Figure 7), rotate the tongue jack into the operating position (B, Figure 7), and install the jack locking pin fully through the top and bottom holes in the jack and tongue.
2. Unfold the crank handle (C, Figure 7).

To lower the tongue jack foot (raise the front of the trailer)

- Turn the jack handle clockwise (D, Figure 7) to lower the jack foot (E, Figure 7) and raise the front of the mobile generator trailer.

To raise the tongue jack foot (lower the front of the trailer)

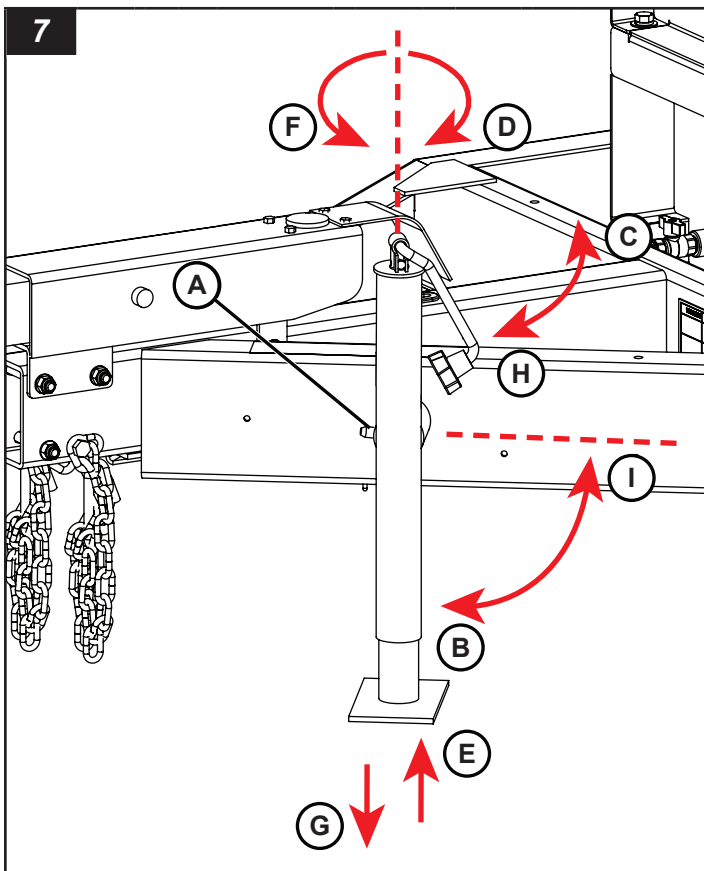
- Turn the jack handle counter-clockwise (F, Figure 7) to raise the jack foot (G, Figure 7) and lower the front of the mobile generator trailer.

To retract the tongue jack

WARNING

Retracting the tongue jack without supporting the trailer tongue could result in death or serious injury. Always be sure the trailer tongue is safely supported by appropriate means prior to retracting the tongue jack.

1. Use an appropriate means to support the trailer tongue.
2. Fully raise the tongue jack foot.
3. Fold the crank handle (H, Figure 7).
4. Remove the jack locking pin (A, Figure 7), rotate the jack into the transport position (I, Figure 7), and install the jack locking pin fully through the top and bottom holes in the jack and trailer tongue.



Using the Trailer Coupler / Lunette Eye

The trailer comes equipped either with a trailer coupler for a ball hitch or a lunette eye for a pintle hitch.

Trailer Coupler

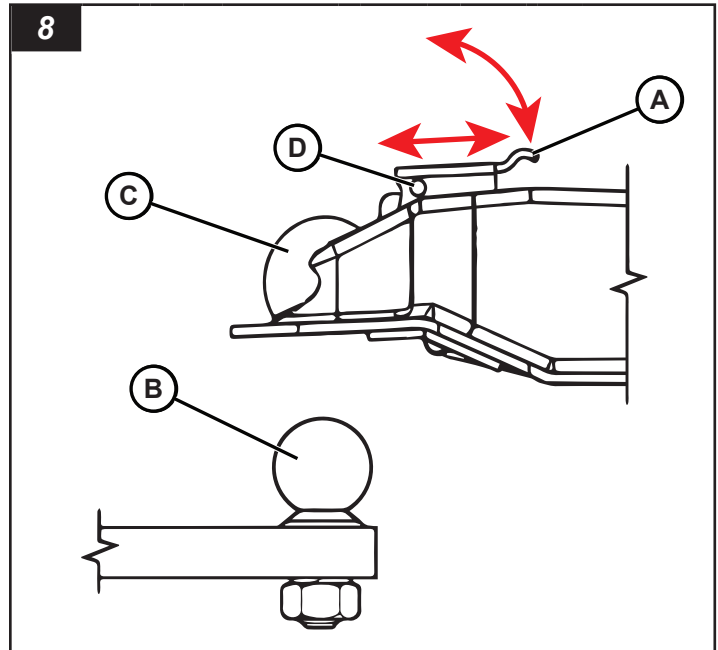
To couple to the tow vehicle ball hitch

1. Lift up and pull back on the locking latch (A, Figure 8) of the trailer coupler.
2. Lower the trailer coupler onto the vehicle ball hitch. Make sure that the hitch ball (B, Figure 8) is fully engaged in the coupler socket (C, Figure 8).

3. Push the locking latch forward and down. (It is self-locking.) Install a padlock through the latch hole (D, Figure 8) for added security.
4. Make sure that the coupler is fully installed on the ball hitch.

To uncouple from the tow vehicle ball hitch

1. Remove the padlock (if installed) from the trailer coupler latch (D, Figure 8).
2. Lift the trailer coupler (A, Figure 8) latch up and back.



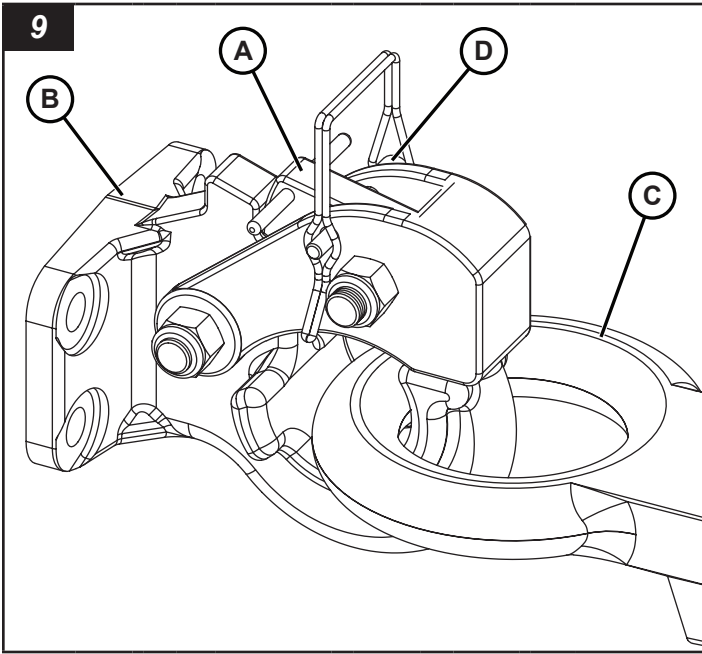
Lunette Eye

To couple to the tow vehicle pintle hitch

1. Open the locking latch (A, Figure 9) on the tow vehicle pintle hitch (B, Figure 9).
Note: Standard pintle hitch shown; designs vary.
2. Lower the lunette ring (C, Figure 9) into the pintle hitch hook.
3. Close the locking latch. Insert the locking pin (D, Figure 9) into the hole in the locking latch..

To uncouple from the tow vehicle pintle hitch

1. Remove the locking pin from the hole in the locking latch.
2. Open the locking latch.
3. Raise the lunette ring until it clears the pintle hitch hook.



Generator Trailer Weight



WARNING

Towing the generator trailer when it is loaded beyond the Gross Vehicle Weight Rating (GVWR) could result in death or serious injury. Always maintain a gross vehicle weight less than the GVWR stated on the serial plate and in the **Specifications** section of this manual.

The generator trailer is an SAE Class 2 trailer, with a Gross Vehicle Weight Rating (GVWR) as stated on the serial plate and in the **Specifications** section of this manual. Do not exceed the GVWR by attempting to carry additional tools or equipment. Do not carry riders. See **Safety**.

Towing the Generator Trailer



WARNING

Excessive speed when towing the trailer could result in death or serious injury. Always maintain a safe towing speed for road conditions. Never exceed 65 MPH (105 km/h) when towing the trailer.



WARNING

Rollover Hazard

Do not make sharp turns at high speeds when towing the generator trailer. This could cause the generator trailer to roll over, resulting in death, serious injury, or equipment damage.

The rated maximum highway towing speed for the generator trailer is 65 MPH (105 km/h). Be sure to check your state or province laws regarding maximum legal towing speeds for trailers.

When towing the trailer off-highway or on rougher terrain, the maximum towing speed is 20 MPH (32 km/h). Slower speeds may be required for very rough terrain.

Tow the generator trailer with the engine shut down.

Do not carry riders.

Disconnecting the Generator Trailer from the Tow Vehicle



WARNING

Crush Hazard

Attempting to move the generator trailer by manually pushing or pulling it could present a crush hazard resulting in death or serious injury. Always move the trailer with the tow vehicle, put chocks against the wheels, and lower the tongue jack before uncoupling the trailer from the tow vehicle.

1. Find a firm, level and stable surface at the work site. See **Work Site Considerations** in the **Operation** section.
2. Move the generator trailer into the desired position with the tow vehicle.
3. Put chocks against the wheels on both sides of the trailer.
4. Disconnect the trailer lighting connector from the tow vehicle lighting connector.
5. Move the tongue jack into the operating position. See **Operating the Tongue Jack**.
6. Lower the tongue jack foot to support the front of the generator trailer. See **Operating the Tongue Jack**.
7. Disconnect the trailer coupler or lunette eye from the tow vehicle. See **Using the Trailer Coupler / Lunette Eye**.
8. Use the tongue jack to raise either the trailer coupler or lunette eye above the tow vehicle's hitch.
9. Disconnect the safety chains from the tow vehicle's hitch frame.
10. Move the tow vehicle clear of the generator trailer.

Transporting on a Trailer

The forklift pockets on either side of the unit can be used as tie-down points. See **Lifting the Generator Trailer** for forklift pocket locations.

Always fasten the generator trailer to the transporting trailer with chains or straps. Do not apply more than 600 pounds (272 kg) force on the chains or straps.

The truck operator is responsible for making sure the unit is safely loaded and fastened to his transporting trailer.

Lifting the Generator Trailer

WARNING

Lifting the generator trailer with a lifting device that is underrated or damaged could result in death or serious injury. Always make sure that the lifting device is rated to lift the weight of the generator trailer. Make sure that the lifting device is in good condition before lifting.

WARNING

Standing or walking under equipment when it is lifted could result in death or serious injury. When lifting the generator trailer, always keep clear of the area around and under the generator trailer, and do not let others in the area.

General Lifting Guidelines

- Before lifting, shut down the unit.
- Make sure that the lifting device you are using is in good condition and rated to exceed the Gross Vehicle Weight Rating (GVWR) of the generator trailer. See **Generator Trailer Weight**.
- Use aid when using a forklift, crane or hoist, and when unloading.
- Use only the lifting eye to lift the unit with a hoist or crane.
- Use only shackles or a locking-type hook when lifting.
- Do not stand or walk under the unit when it is lifted. Keep others away.

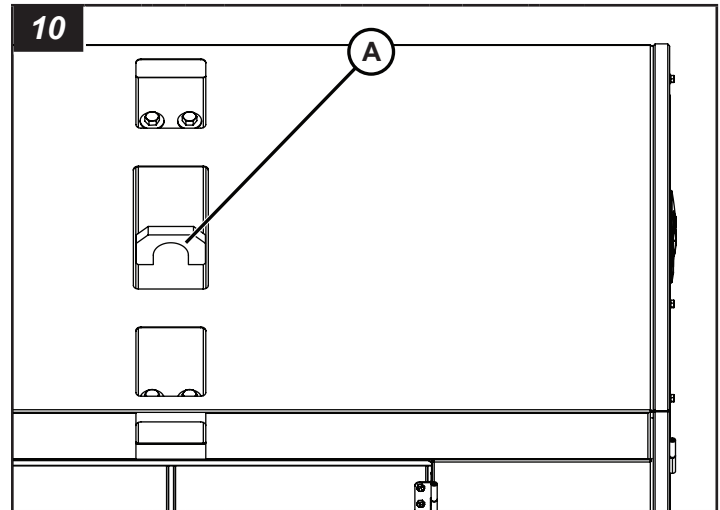
Lifting Eye

The generator trailer has one lifting eye, located at the top center of the unit (A, Figure 10). Use only this lifting eye to lift the generator trailer.

Use a lifting device with a lift rating that exceeds the Gross Vehicle Weight Rating (GVWR) of the generator trailer. See **Generator Trailer Weight**.

The lifting eye is rated for 3000 pounds (1360 kg), and is designed to hold the weight of the generator trailer only. Do not add any more weight to the unit when lifting.

Do not keep the generator trailer lifted for long periods of time.



Operation

Work Site Safety Considerations

It is the operator's responsibility to make sure that the generator trailer is properly and safely positioned at the work site. Follow state, province and federal rules, as well as rules or instructions for the work site.

Ground Surface

WARNING



Rollover Hazard

Positioning the generator trailer on soft, unstable or unlevel ground could cause trailer rollover, resulting in death or serious injury. Always position the trailer on a firm, level and stable surface.

- Do not set up the generator trailer on an incline of more than 2.8° (5% grade) front-to-back and side-to-side.
- Do not set up the generator trailer on unlevel or unstable ground. Set up on smooth, flat and solid ground surfaces only.

Leveling and Stabilizing the Generator Trailer

WARNING

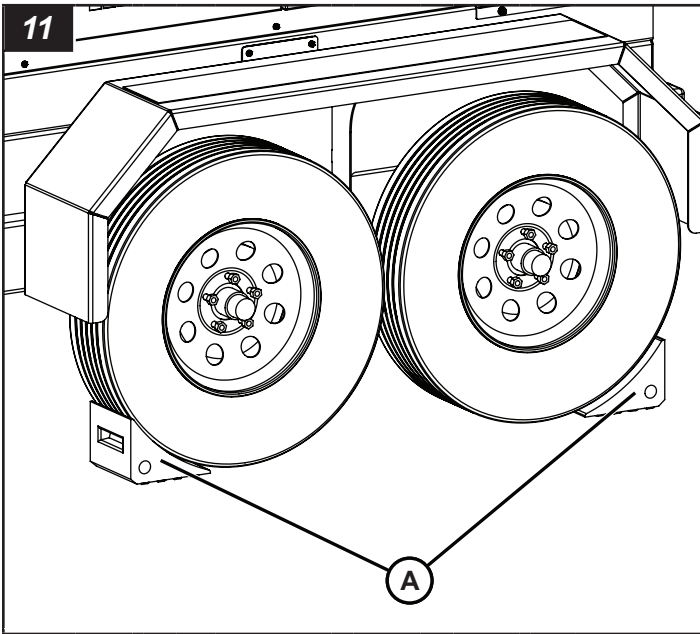


Rollover Hazard

Setting up the generator trailer on soft, unstable or unlevel ground could cause trailer rollover, resulting in death or serious injury. Always set the trailer on a firm, level and stable surface.

1. Set the generator trailer on a solid, level work site. See **Work Site Safety Considerations**.
2. Put wheels chocks against the front and rear of each wheel (A, Figure 11).

Note: Wheel chocks are not supplied with unit.



3. Make the generator trailer level using the tongue jack. See **Operating the Tongue Jack** in the **Transporting** section.

Fueling the Unit

 **WARNING**



Fire Hazard

Adding fuel to the generator trailer with the engine running could cause a fire resulting in death or serious injury. Always make sure that the engine is shut down before adding fuel to the fuel tank.

The generator trailer has a single fuel tank with a capacity of 106 gallons (401 L).

1. Open the engine compartment door.
2. Remove the fuel cap (A, Figure 12) and add fuel to the tank. See **Specifications** for fuel recommendations. The Deep Sea control module shows the amount of fuel in the tank.
3. Install the fuel cap after adding fuel.
4. Close the engine compartment door.

NOTICE

Using engine fuels other than those recommended by the engine manufacturer could cause damage to your engine or its emission control system resulting in voiding the engine manufacturer's warranty. Always read and follow the engine manufacturer's fuel recommendations.

Remote Fuel Tank

 **WARNING**



Flammable and Spill Hazard

Switching the remote fuel valve lever to another position while the unit is running could cause a diesel fuel spill. The spill could be hazardous, and diesel fuel is flammable, either of which could result in death or serious injury. Turn off unit before switching the remote fuel valve lever to another position.

The generator trailer is equipped with a remote fuel valve with option to fuel the unit from a remote fuel tank.

Remote Fuel Tank Connection and Operation

1. Set up the remote fuel tank to be at a level that is 0-98 inches (0-2.5m) higher than the generator unit.
2. Make sure that the remote fuel valve lever (B, Figure 12) is set to the generator trailer fuel tank position with the fuel lines leading to and from the generator trailer fuel tank.
3. Remove the remote fuel line plugs (C, Figure 12) from the two remote fuel connections on the side of the generator trailer.
4. Connect a 5/16-3/8 inch (8-10mm) inside diameter fuel hoses to the two remote fuel connections from the supply and return suction tubes on the remote fuel tank.

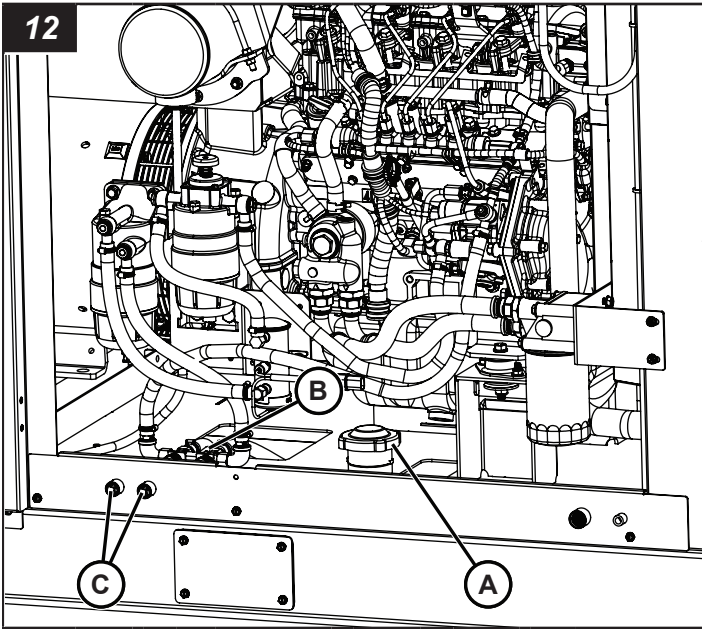
Note: Make sure that the bottom of supply and return suction tubes on the remote fuel tank are 5/8-13/16 inches (15-20mm) above the bottom of the tank to help to avoid the suction of water and sediment.

5. Switch the remote fuel valve lever to the remote fuel tank position have the fuel lines leading to and from the remote fuel tank.

Note: Secure and tighten all connections prior to switching remote fuel valve lever.

Remote Fuel Tank Disconnection

1. Switch the remote fuel valve lever to the generator trailer fuel tank position have the fuel lines leading to and from the generator trailer fuel tank.
2. Remove the fuel hoses from the two remote fuel connections on the side of the generator trailer.
3. Reinstall the remote fuel line plugs.



Preparing to Operate the Unit



WARNING



Burn Hazard

Rapid release of hot coolant under pressure could result in death or serious injury. Use extreme caution when opening the radiator cap, and always wear eye protection and heat resistant gloves.

1. Make sure that the generator trailer is level front to back. See **Leveling and Stabilizing the Generator Trailer**.
2. Open the engine compartment door.
3. Remove the dipstick from the engine and examine the engine oil level. The engine oil level should be between the "Full" and "Add" marks on the dipstick. Add oil if necessary. See **Engine Oil** in the **Maintenance** section.
4. Check the engine coolant recovery bottle. Keep engine coolant in the recovery bottle between 1/3 and 2/3 full. Open the radiator cap access door (see **Features and Controls**), remove the radiator cap, and check the coolant level. Replenish as necessary. See **Engine Coolant** in the **Maintenance** section for detailed information on engine coolant.
5. Examine the fuel level in the fuel tank. Add fuel if necessary. See **Fueling the Unit**.
6. Close the engine compartment door.

Voltage Change Device Setup and AC Output (Outlet and Connection Lug Plate) Panel

Voltage Change Device



DANGER



Electric Shock Hazard

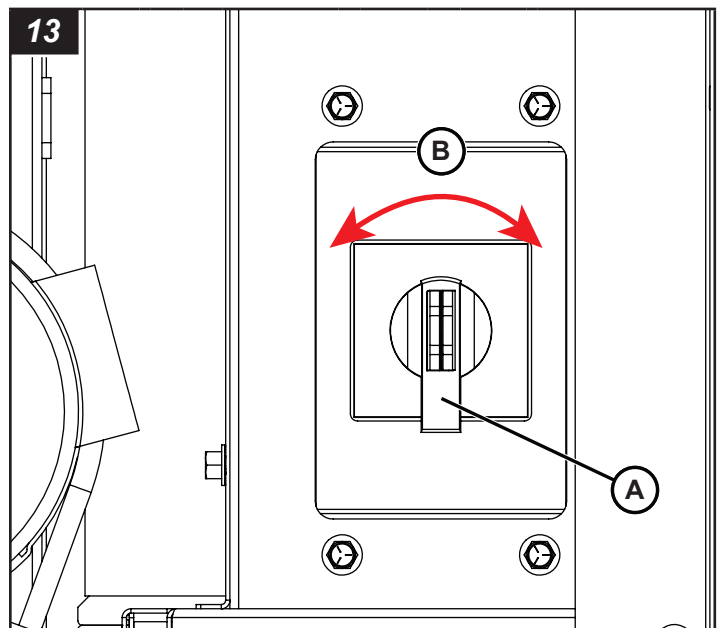
Turning the voltage switch to another position while the unit is in operation could cause an electric shock hazard from the generator which will result in death or serious injury. Turn off the unit before turning the voltage switch to another position. A lock must be installed on the switch to prevent the switch from being turned while the unit is in operation.

The voltage change device switch (A, Figure 13) is located on the left side of the generator unit. See **Features and Controls** for exact location. The switch is used to set the voltage for the outlet and connection lug plate panel.

To set voltage switch:

1. Turn switch (B, Figure 13) to desired voltage for generator operation. Refer to **Selecting Voltage and Output Connection Lug Plate Cable Configurations** to determine switch position.
2. Install lock on switch.

Note: The voltage change device switch must be set prior to operating the engine. Install a lock on the switch after setting the desired voltage.



AC Output (Outlet and Connection Lug Plate) Panel

 **DANGER**



Electrocution Hazard

Entering outlet and connection lug plate panel while equipment is in operation will result in death or serious injury. Shut down equipment before entering electrical compartment.

The AC output (outlet and connection lug plate) panel is located on the right side of the generator unit. The electrical panel is covered by a panel door with a door flap. Route power cables and cords under door. Follow steps for AC output panel operation:

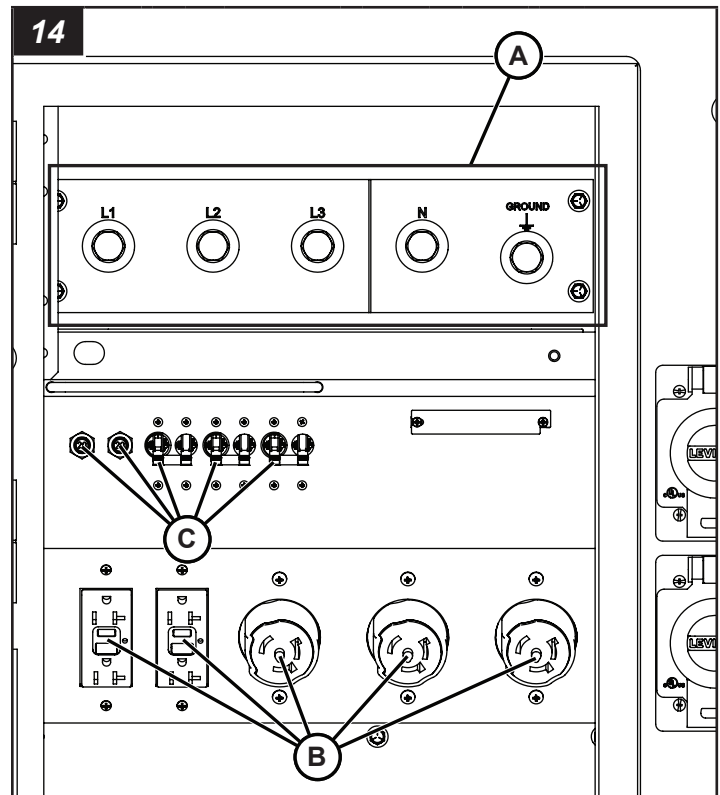
1. Set voltage change device switch. Operating voltage of the AC output panel is determined by the setting of the voltage change device switch. See **Voltage Change Device** for operation.

Note: The voltage change device switch must be set prior to operating the engine. Install a lock on the switch after setting the desired voltage.

2. Connect cables and/or power cords to connection lug plate (A, Figure 14) and/or outlets (B, Figure 14). Refer to **Selecting Voltage and Output Connection Lug Plate Cable Configurations** and **Connecting Loads and Selecting Cable** sections to determine cable connections. Refer to **Auxiliary AC Outlets** for outlet receptacles.

Note: Power cables and cords must be installed/connected to the AC output panel prior to operating the engine.

3. Start up unit and then turn the main circuit breaker to the ON position. Power is supplied to the outlet and connection lug plate panel only when the engine is running and the main breaker is in the ON position. See **Operating the Engine**.
4. Turn the outlet breakers to the ON position. The outlets are protected by dedicated circuit breakers (C, Figure 14) found on the control panel.

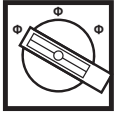
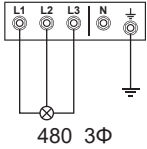
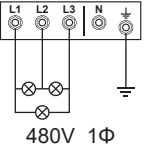
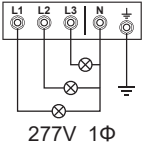
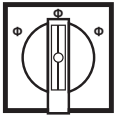
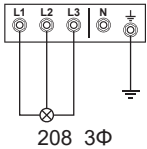
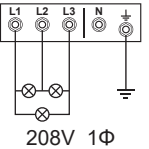
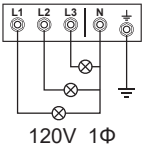
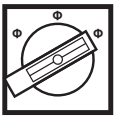
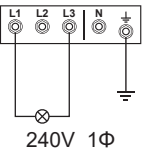
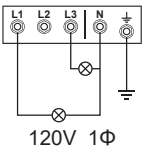


Selecting Voltage and Output Connection Lug Plate Cable Configurations

NOTICE

- During generator operation, do not operate the voltage selector switch. Voltage selection during operation may result in abnormal voltage at the load, causing damage to the load.
- In addition, this may cause damage to generator and automatic voltage regulator (AVR).
- Be sure to shut off the generator unit before operating the voltage selector switch.
- When voltage selection is completed, lock the voltage selector switch in the new position.

Select the desired voltage load for generator operation by setting the position of voltage change device switch. See table to see how the position of the voltage change device switch is associated with output connection lug plate cable configurations. Connect the cables to the lugs according to each configuration.

Voltage Change Device Switch Position	Three-Phase Connection Lug Plate Cable Configuration	Single-Phase Connection Lug Plate Cable Configuration	Single-Phase Connection Lug Plate Cable Configuration
 480/277V 3Φ	 480 3Φ	 480V 1Φ	 277V 1Φ
 208/120V 3Φ	 208 3Φ	 208V 1Φ	 120V 1Φ
 240/120V 1Φ	n/a	 240V 1Φ	 120V 1Φ

Connecting Loads and Selecting Cable



WARNING



Electric Shock Hazard

- When removing or connecting a connecting cable for changing load, be sure to switch OFF the main circuit breaker, and then carry out the work.
- For a connecting cable to load, do not use a damaged cable or a cable of insufficient voltage. Secure cable connections between each connection lug and input/output terminal. Loose connections may cause a fire or an electric shock potential.

Select a cable of applicable gauge (AWG) by considering the load capacity and the distance from the generator to the load. The cable gauge and length should be rated with a voltage drop that is less than 5%. Use the connection lug plate (A, Figure 15) to connect and securely fasten cables.

If the load current exceeds the cable's rated current, overheating of the cable may result. Similarly, if the cable gauge is too small and/or cable length is too long, the voltage drop across the cable may be excessive, which could result in machine damage.

Installing a Load Switch

Install a load switch (B, Figure 15, not supplied) between the output terminal and the load to switch on/off the load. Do not switch the load on/off directly by the circuit-breaker of the generator. It could cause damage to the circuit-breaker.

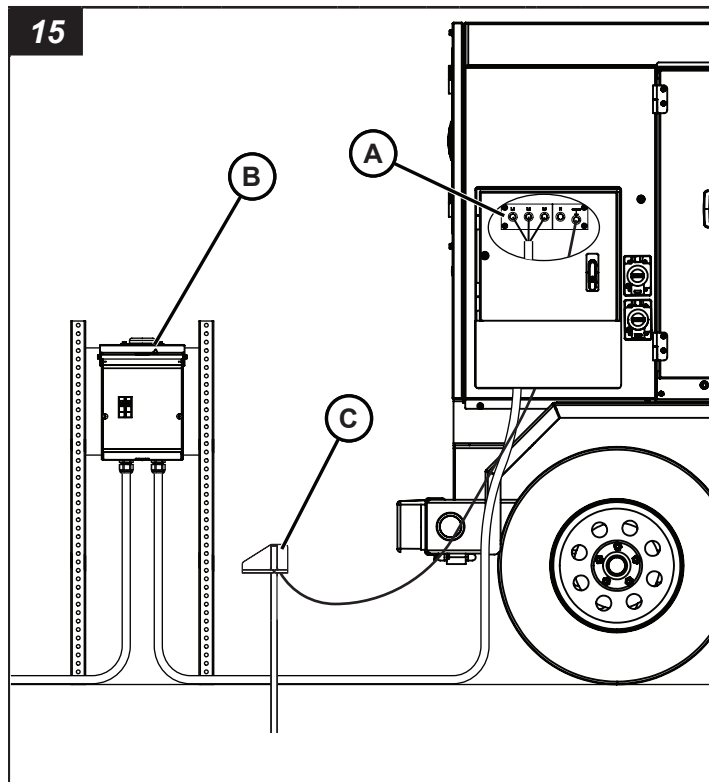
Connect the connecting cable to the load so that the output terminals should not touch each other.

Grounding the Unit

NOTICE

Machine to be grounded in accordance with requirements as outlined by local inspection authorities.

- Using a mallet, install a grounding rod (C, Figure 15, not supplied) firmly into the ground, less than 5 feet (1.5 m) from the unit's grounding connection lug.
- Connect the grounding rod cable to the grounding connection lug.



Auxiliary AC Outlets

The ac outlet and output connection lug plate panel comes equipped with two GFCI (A, Figure 16) and three twistlock (B, Figure 16) receptacles. The GFCI receptacles are protected by push button circuit breakers (C, Figure 16) and the twistlock receptacles protected by actuator handle circuit breakers (A, Figure 16).

20A GFCI Receptacles

GFCI receptacles are only available when the voltage selector switch is turned to either the single phase 240/120V or three phase 208V/120V position.

- Start the generator unit and turn the main circuit breaker to the ON/1 position on the control panel. See **Operating the Engine**.
- Turn the GFCI receptacle circuit breaker to the ON/1 position.

Note: The GFCI receptacle breaker should be in the OFF/0 position prior to starting the generator unit and turning on the main circuit breaker. Also, be sure to also check the GFCI test breaker on the GFCI outlet, and reset if necessary.

50A Twistlock Receptacles

Twistlock receptacles are only available when the voltage selector switch is turned to the single phase 240/120V.

1. Start the generator unit and turn the main circuit breaker to the ON/1 position on the control panel. See **Operating the Engine**.
2. Turn the twistlock receptacle circuit breaker to the ON/1 position.

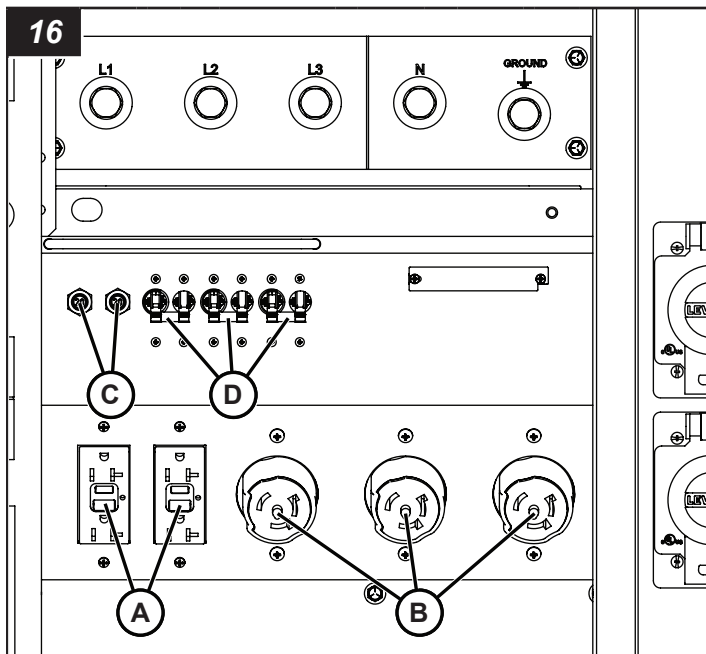
Note: The Twistlock receptacle breaker should be in the OFF/0 position prior to starting the generator unit and turning on the main circuit breaker.

If a Circuit Breaker Trips

1. Disconnect the load from the outlet.
2. Switch the main circuit breaker to the OFF/0 position and shut down the engine.
3. Wait 10 minutes for the generator to cool down.
4. Correct the load problem.
5. Start the engine and switch the main circuit breaker to the ON/1 position.
6. Reset the breaker to the ON/1 position.

Note: Be sure to also check the GFCI breaker on the GFCI outlet, and reset if necessary.

7. If the problem persists, see **Troubleshooting**.



Operating the Engine



WARNING

Automatic Engine Start Hazard

Unexpected start of engine could result in death or serious injury. Read and follow electronic controller operator's manual before operating or servicing this equipment.

Prior to operating the engine, the voltage change device must be set and the power cables/cord must be connected and routed from the AC output panel. See **Voltage Change Device Setup and AC Output (Outlet and Connection Lug Plate) Panel**.

The generator comes equipped with a Deep Sea control module. Before operating the engine, read the Deep Sea control module operator's manual.

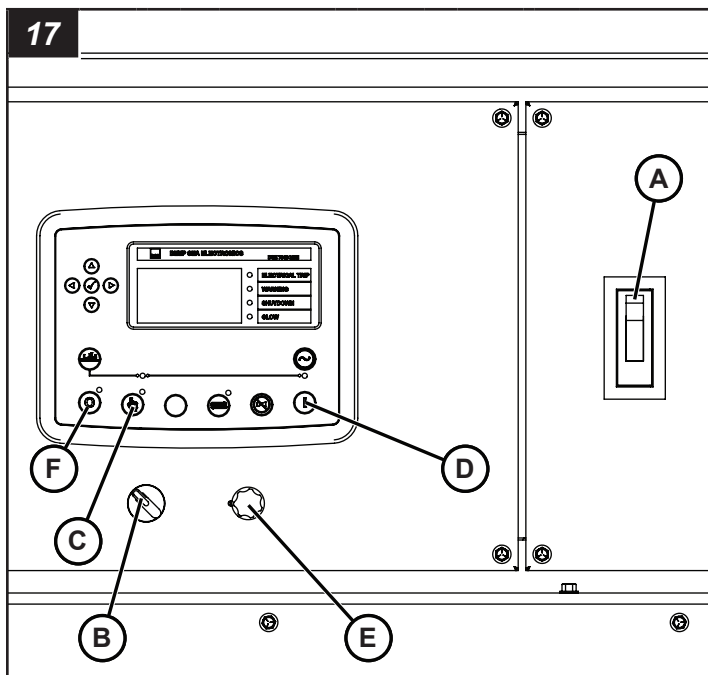
To start the engine (Manual Mode):

1. Select the desired voltage load for generator operation by setting the position of voltage change device switch. See **Voltage Change Device** for operation.
2. Set the main circuit breaker (A, Figure 17) to the OFF/0 position.
3. Set all the outlet circuit breakers to the OFF/0 position.
4. Connect cables and/or power cords to connection lug plate and/or outlets. Refer to **Selecting Voltage and Output Connection Lug Plate Cable Configurations** and **Connecting Loads and Selecting Cable** sections to determine cable connections. Refer to **Auxiliary AC Outlets** for outlet receptacles.
5. Set the electronic controller power switch (B, Figure 17) to the ON/1 position.
6. Press the manual mode button (C, Figure 17).
7. Press the start button (D, Figure 17) to start the engine run cycle. The engine will cycle through the stages of preheat, engine start, engine warming, and engine run. Allow the engine to run for approximately 5 minutes.
8. Adjust the voltage as needed by using the voltage adjustment control knob (E, Figure 17).
9. Set all the circuit breakers (main and outlet) to the ON/1 position.

To shut down the engine (Manual Mode):

1. Set all the circuit breakers (main and outlet) to the OFF/0 position.
2. Press the stop button (F, Figure 17) to shutdown the engine.
3. Set the electronic controller power switch to the OFF/0 position.

**Note: For complete information on the Deep Sea control module, read the Deep Sea control module operator's manual.*



Automatic Engine Shutdown System

The engine has an automatic engine shutdown system to prevent engine damage if there is a low oil or high temperature condition.

If the engine has automatically shut down, locate the source of the failure and repair before restarting the engine. See **Engine Troubleshooting** in the **Troubleshooting** section.

Remote Start Terminals

The generator trailer is equipped with optional remote start terminals that works in tandem with the Deep Sea controller.

Note: Remote start input configurations must be set up using the DSE Configuration Suite software. The software can be downloaded at <https://www.deepseaelectronics.com/genset/software-tools/dse-config-suite>. Connect PC to Deep Sea Controller via USB Type-A to USB Type-B cable for programming.

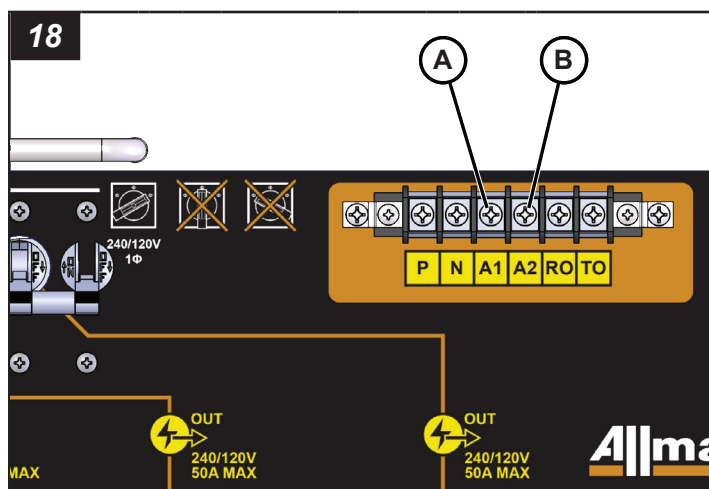
Remote Start Terminals Setup and Operation:

The remote start terminals are located on the the outlet and connection lug plate panel of the unit.

Note: The remote start terminals system of the Deep Sea Controller is set up to be engaged by a closed circuit/switch. Once operation of the unit has begun, disrupting the circuit will trigger the automatic safe shutdown sequence. This can be reversed by setting the Deep Sea's Input signal to Normally Closed. For more information on how to do this please refer to the Deep Sea Operator's Manual and the DSE Configuration Suite software.

1. Connect "Power" wire of the remote start circuit/switch to 'A1' Terminal (A, Figure 18) of the remote start terminal strip.

2. Connect "Ground" wire of the remote start circuit/switch to 'A2' Terminal (B, Figure 18) on the remote start terminal strip.
3. Engage the Deep Sea Controller's auto feature by pressing the Auto Mode push button on the controller.
 - A. Unit On: Set the remote start circuit/switch to the 'ON/1' position. The engine will go through the start-up and run cycles for unit operation.
 - B. Unit Off: Set the remote start circuit/switch to the 'OFF/0' position. The unit will stop operation, and the engine will go through shutdown cycle.



Wet Stacking and Carbon Accumulation



In case of load operation, increase load factor step by step while checking the condition of the exhaust. Do not place flammables nearby because it could cause fire.

NOTICE

Wet-stacking and carbon accumulation could cause power drop in the engine as well as overheating, resulting in serious damage to the engine.

The operation of the engine in the Maxi-Power generator is designed to run effectively and properly when the applied loads are between 60% and 100% capacity.

When the diesel engine of the generator is continuously operated with less than 60% load or no load for an extended period of time, carbon will accumulate inside the exhaust pipes, exhaust catalyst, EGR system, and engine body. If this occurs, eliminate the carbon accumulation by burning it under full load operation (to increase exhaust heat) until the exhaust gas becomes almost clear.

Also, unburned fuel may come out from connected portions of exhaust pipe and outlet port of the exhaust muffler. If it is continuously operated under these conditions, the fuel which comes out could ignite and cause a fire.

- Check accumulations in exhaust system every 250 hours.

Unit Shutdown

WARNING

Do not remove the wheel chocks from the front and back of the wheels until the generator trailer is connected to the tow vehicle and ready to be transported. Doing so could result in death or serious injury.

Once generator operations are complete at the work site, shut down the unit:

3. Set all the circuit breakers (main and outlet) to the OFF/0 position.
1. Shut down the engine. See **Operating the Engine**.
2. Wait 10 minutes for the unit to cool.
3. Disconnect any power cables or cords from the AC output panel.
4. Make sure that the doors of engine compartment, AC output panel, and control panel are closed and latched.
5. The unit is now ready for transport. See **Transporting**.

Emergency Stop

The unit has an emergency stop button that will immediately shut the entire unit down in case of an emergency. The emergency stop is located on the rear side of the generator unit.

To Engage:

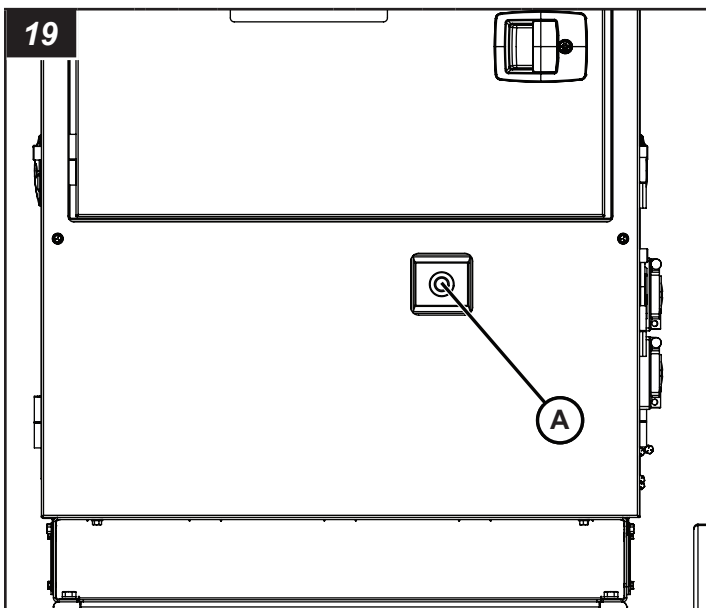
- Push the emergency stop (A, Figure 19).

To Disengage:

- Pull the emergency stop.

Make sure that you address the issue that caused the emergency before you operate the unit again.

Do not use the emergency stop to shut down the unit during normal operation. See **Unit Shutdown**.



Maintenance

WARNING

Operating or towing a machine with worn, damaged or missing parts could result in death or serious injury. Replace worn, damaged or missing parts immediately. Do not operate or tow this machine until all worn, damaged or missing parts have been replaced, and the machine operates correctly.

WARNING



Shock Hazard

Batteries present a risk of electric shock and high short-circuit current. Disconnect the black negative (-) battery cable before you do maintenance. Failure to do so could result in death or serious injury.

Before you do maintenance, see **Safety**.

Correct maintenance of the equipment is important for safe operation. Use the following maintenance procedures in addition to those scheduled by your shop equipment maintenance schedule.

Where equipment is operated under severe conditions (very dusty, extreme heat or cold, etc.), maintenance should be done more frequently.

Engine

For engine service intervals and other recommendations specific to this mobile generator unit refer to **Specifications**. Refer to the Engine Operator's Manual for all other scheduled engine maintenance procedures.

Engine Oil Drain

The unit is equipped with a remote engine oil drain. To drain the engine oil:

1. Remove the oil drain plug (A, Figure 20).
2. Attach a hose (not supplied) to the oil drain, and route the hose to empty into an approved container.
3. Open the oil drain valve (B, Figure 20) leading from the engine.
4. Let the engine oil drain fully into the approved container. Dispose of used engine oil according to local, state, province and/or federal rules.
5. Close the oil drain valve, and remove hose.
6. Replace the oil drain plug.
7. Change oil filter as needed. Refer to **Specifications**.
8. Add oil to the engine. Refer to **Specifications**.

NOTICE

Failure to add engine oil will result in engine damage.

Engine Coolant Drain

The unit is equipped with an engine coolant drain valve (C, Figure 20). To drain the engine coolant:

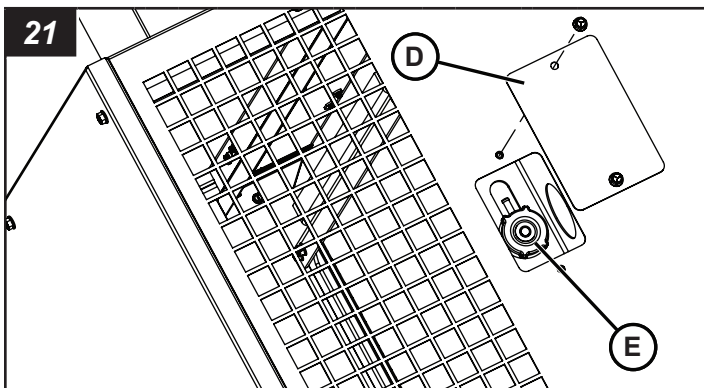
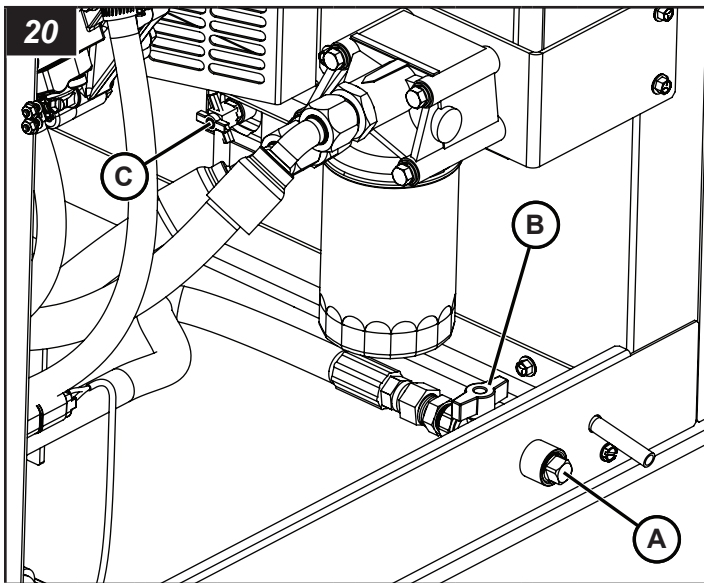
1. Put an approved container below the coolant drain.
2. Open the coolant drain valve.
3. Let the engine coolant drain fully into the approved container. Dispose of used engine coolant according to local, state, province and/or federal rules.
4. Close the coolant drain valve.
5. Remove the coolant fill access panel (D, Figure 21).
6. Remove radiator cap (E, Figure 21) and add coolant to the radiator. Refer to **Specifications**.
7. Replace radiator cap and coolant fill access panel.

NOTICE

Failure to use the required coolant type (as stated in the **Specifications** section) in the radiator may result in damage to the engine and radiator, thus voiding the warranty.

NOTICE

The mixing of different coolant types in the radiator may result in damage to the engine and radiator, thus voiding the warranty.

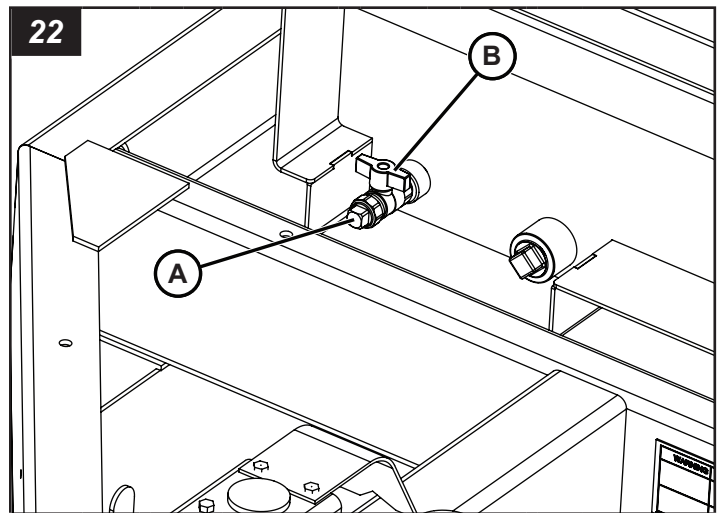


Fuel System

Fuel Drain

The unit is equipped with a remote fuel drain. To drain the fuel from the unit:

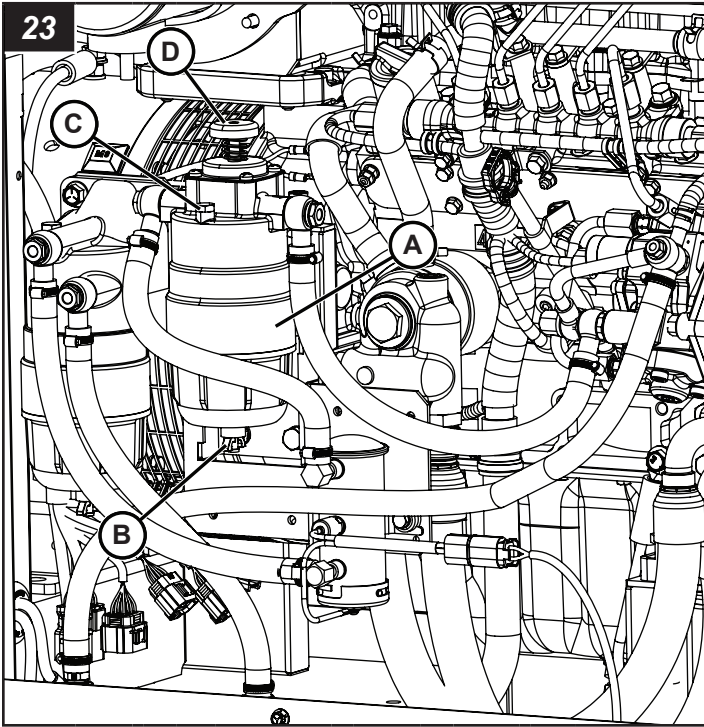
1. Remove the fuel drain plug (A, Figure 22).
2. Attach a hose (not supplied) to the fuel drain, and route the hose to empty into an approved container.
3. Open the fuel drain valve (B, Figure 22) leading from the fuel tank.
4. Let the fuel drain fully into the approved container. Dispose of the fuel according to local, state, province and/or federal rules.
5. Close the fuel drain valve, and remove hose.
6. Replace the fuel drain plug.



Fuel Water Separator Filter

The generator unit is equipped with a fuel water separator filter (A, Figure 23). To drain the water:

1. Place an approved container under the drain plug on the fuel water separator filter.
2. Loosen the drain plug (B, Figure 23) and the air bleeding plug (C, Figure 23) to drain the water.
3. Let the separated water drain fully into the approved container. Dispose of water according to local, state, province and/or federal rules.
4. Change fuel filter as needed. Refer to **Specifications**.
5. Tighten the drain plug.
6. Use the pump (D, Figure 23) on the top of the fuel water separator to prime the filter with fuel and bleed all the air out.
7. Tighten the air bleeding plug.



Generator

Refer to the Generator Operator's Manual for all scheduled generator maintenance procedures.

Trailer Frame

1. Check the trailer coupler for proper operation. Check to be sure the hardware is securely tightened. Inspect the trailer coupler for wear, damage or corrosion. Repair or replace as needed.
2. Inspect the safety chains for wear, damage or corrosion. Replace as needed.
3. Inspect the tongue jack for proper operation, and for wear, damage or corrosion. Repair or replace as needed.
4. Inspect the trailer tongue for proper operation, and for wear, damage or corrosion. Check to be sure the hardware is securely tightened. Repair or replace as needed.
5. Inspect the axle, springs and undercarriage for wear, damage or corrosion. Repair or replace as needed.

For information on the maintenance schedule and servicing the trailer, see the Triton trailer owner's manual.

Trailer Wheels and Tires



Towing Hazard

Towing the mobile generator trailer with damaged tires, rims or lug nuts could result in death or serious injury. Repair or replace damaged tires, rims or lug nuts before towing the generator trailer.

1. Check the tires for any cracks, cuts or damage. Repair or replace as needed.

2. Check the tire pressure of the trailer tires when cold. See Specifications .
3. Check the wheel rims for any cracks or damage. Repair or replace as needed.
4. Make sure all the lug nuts are in place and properly tightened. Correct torque for the lug nuts is 90 lb-ft (122 Nm).

Servicing the Axles

The axles under the mobile generator trailer will require periodic maintenance and service. Such things as wheel bearing adjustment and repacking will be required to maintain the axles. For information on the maintenance schedule and servicing the axle, see the Triton trailer owner's manual.

Trailer Lighting



Towing Hazard

Towing the mobile generator trailer with inoperable trailer lights could result in death or serious injury. Repair or replace inoperable trailer lights.

Trailer lights are a safety feature, and are required by law. Keep the trailer lights in proper working order.

- Check the trailer lights and wiring for damage or wear. Repair or replace as needed.
- Check to be sure the wiring harness is secured to the trailer and does not hang down to the ground.
- Check the trailer light housing assemblies for damage or leaks. Use silicone or rubber sealant to seal the lens or harness, as needed, or replace the housing assembly. Electrical grease will help protect the sockets and prevent corrosion.
- When replacing bulbs, be sure to use the correct replacement bulb. A small amount of electrical grease in the sockets will prevent corrosion.

Maintaining the Battery



Explosion, Burn, and Shock Hazard

Batteries give off explosive gases during recharging. Sparks could cause explosions, resulting in death or serious injury.

Batteries contain acid, which is extremely caustic. Contact with battery contents could cause severe chemical burns.

Batteries present a risk of electric shock and high short circuit current.

- Always disconnect the negative (-) battery cable before servicing equipment.
- DO NOT dispose of battery in a fire. Recycle battery.

- DO NOT allow any open flame, spark, heat, or lit cigarette during and for several minutes after charging a battery.
- DO NOT open or mutilate battery.
- DO NOT charge a frozen battery. Always slowly warm the battery to room temperature before charging.
- Wear protective gloves, rubber apron, rubber boots and rubber gloves.
- Remove watches, rings, or other metal objects.
- Use tools having insulated handles.

Removing and Installing the Battery

To remove the battery



WARNING



Explosion Hazard

Failure to remove the black negative (-) battery cable(s) first could cause sparks and/or an explosion resulting in death or serious injury. Always remove the black negative (-) battery cable(s) first.

1. Open the engine compartment cover.
2. Disconnect the black negative (-) cable (A, Figure 24) from the negative (-) battery terminal, and secure away from the battery.
3. Disconnect the red positive (+) battery cable (B, Figure 24) from the positive (+) battery terminal, and secure away from the battery.
4. Loosen the hardware fastening the battery hold-down (C, Figure 24), and remove the hold-down.
5. Carefully remove the battery, and place in a well-ventilated area on a level surface.

To install the battery



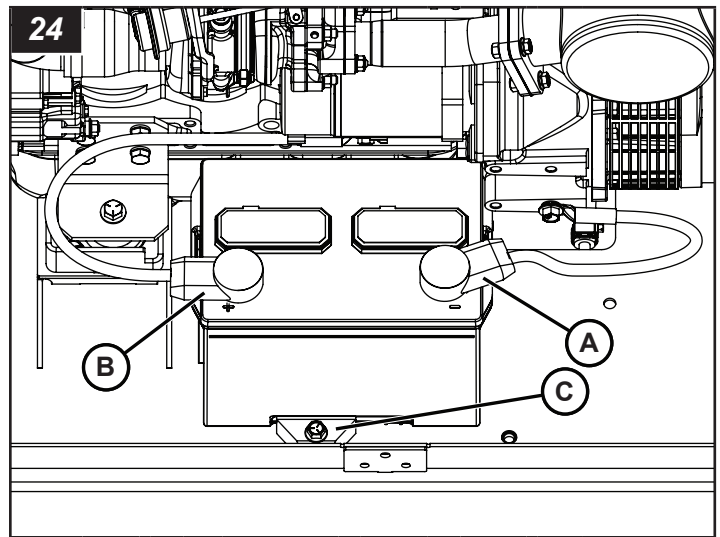
WARNING



Explosion Hazard

Failure to install the black negative (-) battery cable(s) last could cause sparks and/or an explosion resulting in death or serious injury. Always install the black negative (-) battery cable(s) last.

1. Carefully place the battery in the engine compartment with the battery terminals toward the rear of the unit.
2. Install the battery hold-down. Tighten the hardware.
3. Connect the red positive (+) battery cable(s) to the positive (+) battery terminal.
4. Connect the black negative (-) battery cable(s) to the negative (-) battery terminal.
5. Replace the terminal covers over the battery terminals.
6. Close the engine compartment cover.



Cleaning



WARNING



Entanglement / Sever Hazard

Failure to shut down the engine before cleaning the unit could result in death or serious injury. Always shut down the engine before cleaning the unit.



WARNING



Burn Hazard

Shut down the engine and let components cool before cleaning the unit. Failure to do so could result in serious burns.

NOTICE

Use caution when using compressed air or water / steam pressure washers. Do not pressure-clean electrical components, as this may cause damage.

Keeping the mobile generator clean is important to ensure proper operation. Dirt and dust buildup acts as an insulator and may cause the engine and generator to operate at excessively high temperatures.

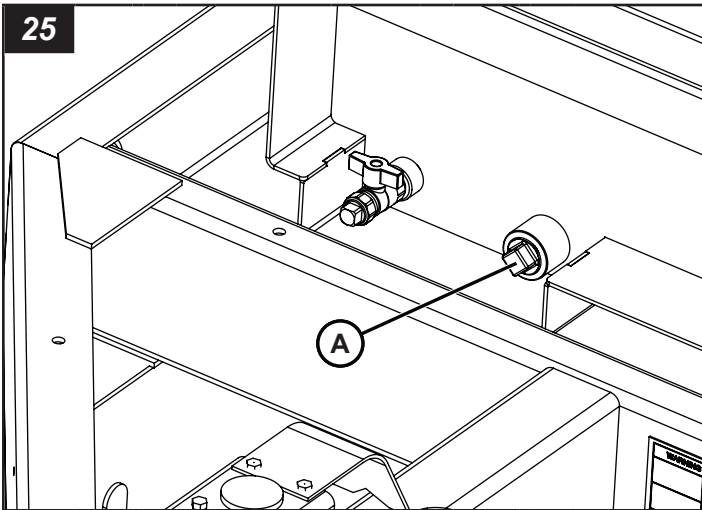
Use the following as cleaning guidelines:

1. Clean the mobile generator trailer to remove all dust, dirt or other foreign material.
2. Clean all electrical wiring and components by hand using non-corrosive cleaner.
3. Clean the inside of the engine compartment.
4. Clean any oil or liquid spills inside the engine compartment.
5. Drain the fluid containment system. See **Fluid Containment System**.

Fluid Containment System

The unit contains a fluid containment system designed to catch fuel, oil or coolant spills. To drain:

1. Position a suitable container beneath the fluid containment drain (A, Figure 25).
2. Remove the drain plug.
3. Allow the fluid to drain completely into the container.
4. Reinstall the drain plug.
5. Dispose of the fluid properly in accordance with governmental guidelines.



Long-Term Storage

Proper maintenance is required when the unit will be stored or removed from operation for long periods of time. Refer to the Engine Operator's Manual and the Generator Operator's Manual for all engine and generator long-term storage procedures.

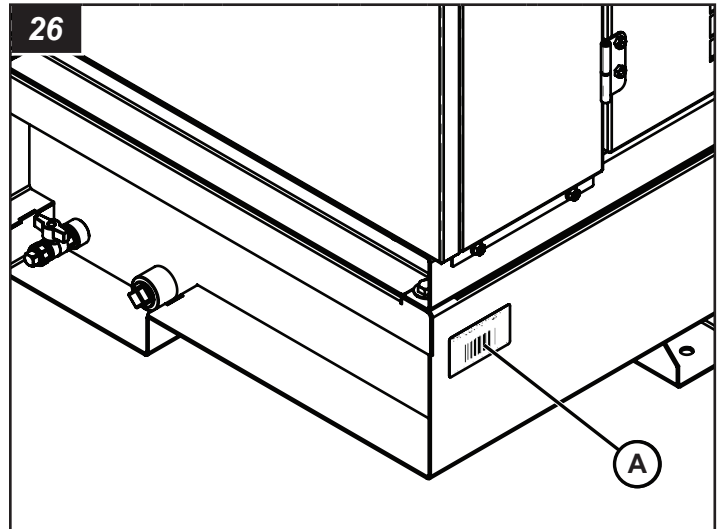
1. Make any repairs necessary to make sure the equipment is fully functional upon recommissioning.
2. Clean and wash the frame and body panels. Apply an anti-corrosion coating to all surfaces where applicable.
3. Clean any oil or liquid spills inside the engine compartment.
4. Drain the fluid containment system.
5. Clean all electrical wiring and components by hand using non-corrosive cleaner.
6. Disconnect and remove the battery.
7. Use a suitable cover to protect the unit.
8. Properly support the trailer axle on jack stands or other suitable supports to allow the tires to remain off the ground during storage.

Models and Serial Numbers

Model and serial number information is required for product support and repair parts. Following are the model and serial number locations of the primary components.

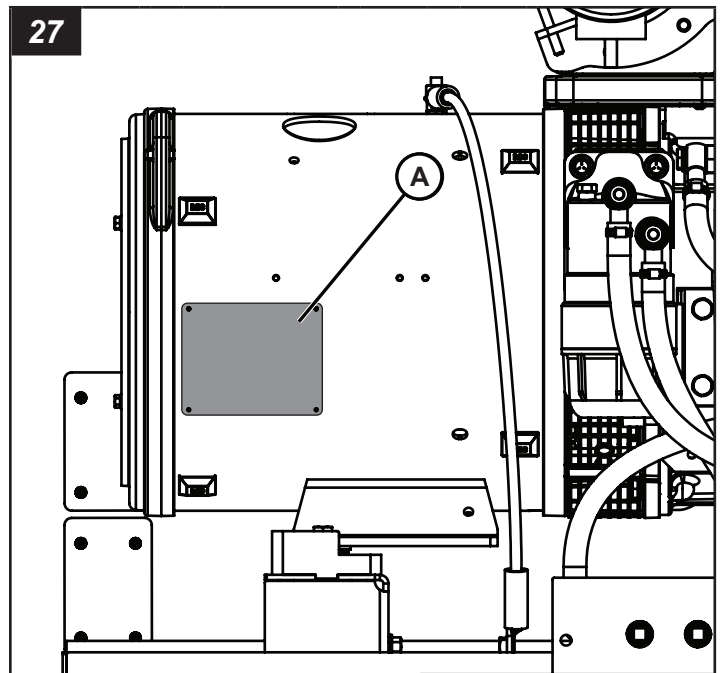
Enclosure

The serial number plate for the mobile generator enclosure is located on the left front side of the unit (A, Figure 26).



Generator

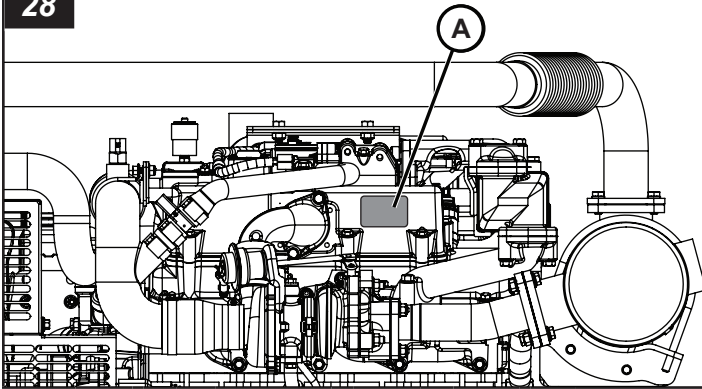
The generator has a serial number plate (A, Figure 27) attached to the side of the housing located on the right interior side of the trailer.



Engine

The engine has a serial number plate (A, Figure 28) attached to the top of the engine on the left interior side of the trailer.

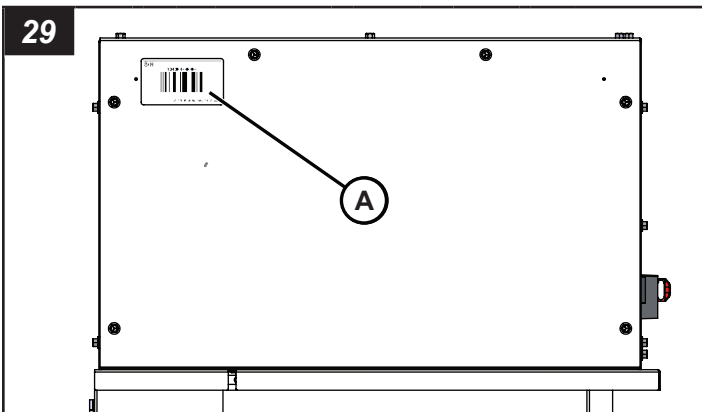
28



Control Box

The control box has a serial number tag (A, Figure 29) attached to the back top side of the control box on the left interior side of the trailer.

29



Specifications

Note: Refer to the Engine or Generator Operator's Manual for specific engine or generator specifications.

Overall Dimensions		
Dimension	Imperial	Metric
Length	11 ft - 10.5 in	3,62 m
Height	6 ft - 1 in	1,85 m
Width	5 ft - 8 in	1,73 m
Shipping Weight	3440 lbs	1560 kg
Gross Vehicle Weight Rating (GVWR)	5750 lbs	2608 kg

Trailer		
Specification	Imperial	Metric
Gross Axle Weight Rating (GAWR)	3500 lbs	1588 kg
Tire Size and Rating	ST 205/75R15C	
Rims	15 x 5 JJ with 0.0 inch offset	
Cold Tire Inflation Pressure	50 psi	345 kPa
Max On-Road Speed	65 mph	105 km/h
Max Off-Road Speed	20 mph	32 km/h
Fuel Tank	106 US gal	401 L
Frame Structure	Formed welded steel design	
Axle	Torsion Axle (2)	

Trailer		
Specification	Imperial	Metric
Hubs	(5) 1/2-20 UNF studs on a 4.5 inch (114,3 mm) bolt circle	
Available Hitches	Standard - 3 inch (76.2 mm) lunette ring for pintle hitch Optional - 2 inch (50.8 mm) or 2 5/16 inch (58.7 mm) ball coupler Optional - 2 inch (50.8 mm) or 2 5/16 inch (58.7 mm) bulldog coupler	
Trailer Road Lighting	Stop, turn, tail, side markers, illuminated license plate bracket	
Trailer Road Lighting Connector	4-way flat connector	
Lifting Eye - Rated Capacity	3000 lbs	1360 kg
Stabilization System	1 adjustable screw type tongue jack	

Electrical - Generator			
Exciting System	Brushless		
Frequency	60 Hz		
Phase	3-Phase	1-Phase	
Armature Connection	Double star	Parallel Zig-Zag	
Power Factor	80%	100%	
Rated Output	45 kVA (36 kW)	28 kVA (28 kW)	
Voltage	208V	480V	240/120V
Amps	119A	54A	108A
Note*	<i>There is a permanent conductor between the generator (stator winding) and the frame</i>		
Available Outlets	2-20A 120V duplex GFCI outlet (NEMA 5-20R) 3-50A 120/240V twistlock receptacle (CS6369)		

Engine		
Specification	Imperial	Metric
Manufacturer	Isuzu	
Model	4LE2X	
Type	Water-Cooled Four Cylinder Diesel	
Displacement	134 cu in	2.2 L
Aspiration	Turbo-charged with Charge Air Cooler	
Emissions	EPA Tier 4 Final	
Power Output - Prime	57.7 Hp @ 1800 rpm	43,0 kWm @ 1800 rpm
Fuel System	Direct Injection	
Starting Aid	Glow Plugs	
Engine Electrical System	12 Volt DC	
Engine Alternator	50 A	
Number of Batteries	1	
Battery Size	Group 24	
Battery Type	Standard - Lead Acid Optional - Absorbed Glass Mat (AGM)	
Battery Rating	525 CCA @ 0°F (-18°C) 775 CCA @ 0°F (-18°C)	
Automatic Low Oil Pressure Shutdown	10 PSI	69 kPa

Engine		
Specification	Imperial	Metric
Automatic High Water Temperature Shutdown	234°F	112°C
Fuel	North America - diesel fuels that meet ASTM D975 for Ultra Low Sulfur Diesel (ULSD) are required. ULSD has a maximum sulfur content of 15 parts per million (PPM) or 15 mg/kg. Diesel fuel may be No. 1-D or No. 2-D. Refer to Engine Operator's Manual for detailed information.	
Engine Oil	Refer to Engine Operator's Manual for detailed information.	
Engine Oil Capacity - with Filter	12.0 US qts	11,4 L
Required Engine Coolant Type	Nitrite Free Extended Life Coolant, Organic Acid Technology (OAT), 2-EHA Free	
Coolant System Capacity	12.3 US qts	11,6 L
Coolant Overflow Reservoir Capacity	1.1 US qts	1,0 L
Service Interval - Oil Change & Filter	First Oil & Oil Filter Change - 50 hrs All Other Oil & Oil Filter Changes - 500 hrs*	
Service Interval - Fuel Filter	500 hrs	
Service Interval - Air Filter	Refer to Engine Operator's Manual for detailed information.	
Note*	Engine oil must be checked prior to operation and refilled if necessary	

Troubleshooting



Electrocution Hazard

- High voltage is present when engine is running. Never attempt to service electrical components while engine is running
- Contact with wires made bare by damaged, cut or worn insulation could result in death or serious injury. Replace damaged wiring before operating unit.

Before trying to do any troubleshooting, read **Safety**.

For generator troubleshooting, refer to the Generator Operator's Manual, or contact your dealer.

Generator Unit Troubleshooting Chart

Problem	Possible Cause	Remedy
Starter does not crank or cranks slowly.	Battery malfunction.	Check the battery to see if needs to be charged or changed.
	Charging malfunction.	Check the battery to see if needs to be charged or changed.
	Alternator malfunction.	Change alternator.
	Too much power being drawn from auxiliary outlets.	Remove load(s) from auxiliary outlets.

Problem	Possible Cause	Remedy
Starter cranks but the engine does not start.	Empty diesel fuel tank.	Refill with diesel fuel.
	Air in the fuel lines.	Bleed air from fuel lines.
	Fuel filter clogged.	Perform maintenance of fuel filter and change filter.
	Fuel injectors clogged.	Disassemble and clean.
Circuit breaker trips.	Electronic controller malfunction.	Check fuses, connectors, and controller.
	Too much power being drawn from auxiliary outlets.	Remove and/or reduce load(s) from auxiliary outlets..
Too low or no voltage generation	Short-circuit occurred at the load side.	Remove cause of short-circuiting
	Poor tightening of connection lug terminals.	Check terminals and retighten.
Unstable voltage generation	Faulty exciter.	Repair exciter.
	Faulty silicon rectifier.	Change silicon rectifier.
	AVR malfunction.	Adjust potentiometers on voltage regulator. Refer to voltage regulator manual.
	Faulty AVR.	Change AVR.
Unstable voltage generation.	Poor tightening of connection lug terminals.	Check terminals and retighten.
	AVR malfunction.	Adjust potentiometers on voltage regulator. Refer to voltage regulator manual.
	Faulty AVR.	Change AVR.
Unstable voltage generation.	Loose or disconnected wiring/connectors to the AVR.	Check wiring/connectors and retighten.
	Broken wire or poor contact to the AVR.	Repair or change wiring.
	Faulty AVR.	Change AVR.
Engine Oil Pressure Low is displayed on the electronic controller screen.	Low engine oil level.	Add oil to the engine.
	Engine oil filter clogged.	Change engine oil filter.
	Loose or disconnected wiring/connectors to oil pressure switch.	Check wiring/connectors and retighten.
	Oil pressure switch malfunction.	Change oil pressure switch.
Air Filter is displayed on the electronic controller screen.	Engine air filter clogged.	Check and clean engine air filter. Change air filter as needed.
Water temperature is displayed on the electronic controller screen.	Low engine coolant level.	Add coolant to engine radiator.
	Fan belt slipping.	Adjust belt tension.
	Radiator clogging.	Perform maintenance on radiator and change coolant.
	Loose or disconnected wiring/connectors to coolant temperature switch.	Check wiring/connectors and retighten.
	Faulty coolant temperature switch.	Change coolant temperature switch.
	Faulty thermostat.	Change thermostat.

For all other troubleshooting issues, contact your authorized dealer.

Reporting Safety Defects

Reporting Safety Defects to the United States Government

If you believe that your vehicle has a defect which could cause a crash or could cause injury or death, you should immediately inform the National Highway Traffic Safety Administration (NHTSA) in addition to notifying Allmand.

If NHTSA receives similar complaints, it may open an investigation, and if it finds that a safety defect exists in a group of vehicles, it may order a recall and remedy campaign. However, NHTSA cannot become involved in individual problems between you, your dealer, or Allmand.

To contact NHTSA, you may call the Vehicle Safety Hotline toll-free at 1-888-327-4236 (TTY: 1-800-424-9153); go to <http://www.safercar.gov>; or write to: Administrator, NHTSA, 400 Seventh Street, SW., Washington, DC 20590.

You can also obtain other information about motor vehicle safety from <http://www.safercar.gov>.

Reporting Safety Defects to the Canadian Government

If you live in Canada, and you believe that the vehicle has a safety defect, notify Transport Canada immediately, and notify Allmand. Call Transport Canada at 1-800-333-0510; go to: www.tc.gc.ca/recalls (English) www.tc.gc.ca/rappels (French); or write to: Transport Canada Motor Vehicle Safety Directorate Defect Investigations and Recalls Division, 80 Noel Street, Gatineau, QC J8Z 0A1

Reporting Safety Defects to Allmand

In addition to notifying NHTSA (or Transport Canada) in a situation like this, notify Allmand. Contact the Allmand service department at 1-800-562-1373, go to www.allmand.com, or write to: Allmand Bros., Inc. P.O. Box 888 Holdrege, NE 68949.

Tire Safety Information

The following section contains tire safety information as required by 49 CFR 575.6. It will cover the following:

- (i) Tire labeling, including a description and explanation of each marking on the tires provided with the vehicle, and information about the location of the Tire Identification Number (TIN);
- (ii) Recommended tire inflation pressure, including a description and explanation of:
 - (A) Recommended cold tire inflation pressure,
 - (B) The vehicle placard and tire inflation pressure label and their location in the vehicle
 - (C) Adverse safety consequences of underinflation (including tire failure), and
 - (D) Measuring and adjusting air pressure to achieve proper inflation;

(iii) Glossary of tire terminology, including “cold tire pressure,” “maximum inflation pressure,” and “recommended inflation pressure,” and other non-technical terms;

(iv) Tire care, including maintenance and safety practices;

(v) Vehicle load limits, including a description and explanation of:

(A) Locating and understanding load limit information, total load capacity, seating capacity, towing capacity, and cargo capacity,

(B) Calculating total and cargo load capacities with varying seating configurations including quantitative examples showing/illustrating how the vehicle’s cargo and luggage capacity decreases as the combined number and size of occupants increases,

(C) Determining compatibility of tire and vehicle load capabilities,

(D) Adverse safety consequences of overloading on handling and stopping and on tires.

1. Steps for Determining Correct Load Limit—Trailer

Determining the load limits of a trailer includes more than understanding the load limits of the tires alone. On all trailers there is a Federal certification / VIN label that is located on the forward half of the left (road) side of the unit. This certification / VIN label will indicate the trailer’s Gross Vehicle Weight Rating (GVWR). This is the most weight the fully loaded trailer can weigh. It will also provide the Gross Axle Weight Rating (GAWR). This is the most a particular axle can weigh. If there are multiple axles, the GAWR of each axle will be provided.

If your trailer has a GVWR of 10,000 pounds or less, there is a vehicle placard located in the same location as the certification label described above. This placard provides tire and loading information. In addition, this placard will show a statement regarding maximum cargo capacity. Cargo can be added to the trailer, up to the maximum weight specified on the placard. The combined weight of the cargo is provided as a single number. In any case, remember: the total weight of a fully loaded trailer can not exceed the stated GVWR.

For trailers with living quarters installed, the weight of water and propane also need to be considered. The weight of fully filled propane containers is considered part of the weight of the trailer before it is loaded with cargo, and is not considered part of the disposable cargo load. Water however, is a disposable cargo weight and is treated as such. If there is a fresh water storage tank of 100 gallons, this tank when filled would weigh about 800 pounds. If more cargo is being transported, water can be off-loaded to keep the total amount of cargo added to the vehicle within the limits of the GVWR so as not to overload the vehicle. Understanding this flexibility will allow you, the owner, to make choices that fit your travel needs.

When loading your cargo, be sure it is distributed evenly to prevent overloading front to back and side to side. Heavy items should be placed low and as close to the axle positions as reasonable. Too many items on one side may overload a tire. The best way to know the actual weight of the vehicle is to weigh it at a public scale. Talk to your dealer to discuss the weighing methods needed to capture the various weights related to the trailer. This would include the weight empty or unloaded, weights per axle, wheel, hitch or king-pin, and total weight.

Excessive loads and / or underinflation cause tire overloading and, as a result, abnormal tire flexing occurs. This situation can generate an excessive amount of heat within the tire. Excessive heat may lead to tire failure. It is the air pressure that enables a tire to support the load, so proper inflation is critical. The proper air pressure may be found on the certification / VIN label and/or on the Tire Placard. This value should never exceed the maximum cold inflation pressure stamped on the tire.

1.1 Trailers 10,000 Pounds (4536 kg) GVWR or less

- (1) Locate the statement “The weight of cargo should never exceed XXX kg or XXX lbs.” on your vehicle’s placard.
- (2) This figure equals the available amount of cargo and luggage load capacity.
- (3) Determine the combined weight of luggage and cargo being loaded on the vehicle. That weight may not safely exceed the available cargo and luggage load capacity.

1.2 Trailers over 10,000 Pounds (4536 kg) GVWR (Note: These trailers are not required to have a tire information placard on the vehicle.)

- (1) Determine the empty weight of your trailer by weighing the trailer using a public scale or other means. This step does not have to be repeated.
- (2) Locate the GVWR of the trailer on your trailer’s VIN (Certification) label.
- (3) Subtract the empty weight of your trailer from the GVWR stated on the VIN label. That weight is the maximum available cargo capacity of the trailer and may not be safety exceeded.

2. Steps for Determining Correct Load Limit—Tow Vehicle

- (1) Locate the statement “The combined weight of occupants and cargo should never exceed XXX kg or XXX lbs.” on your vehicle’s placard.
- (2) Determine the combined weight of the driver and passengers that will be riding in your vehicle.
- (3) Subtract the combined weight of the driver and passengers from XXX kg or XXX lbs.
- (4) The resulting figure equals the available amount of cargo and luggage load capacity. For example, if the “XXX” amount equals 1400 lbs. and there will be five 150 lb passengers in your vehicle, the amount of available cargo and luggage load capacity is 650 lbs. (1400–750 (5 × 150) = 650 lbs.)

(5) Determine the combined weight of luggage and cargo being loaded on the vehicle. That weight may not safely exceed the available cargo and luggage load capacity calculated in Step 4.

(6) If your vehicle will be towing a trailer, load from your trailer will be transferred to your vehicle. Consult the tow vehicle’s manual to determine how this reduces the available cargo and luggage load capacity of your vehicle.

3. Glossary of Tire Terminology

Accessory weight means the combined weight (in excess of those standard items which may be replaced) of automatic transmission, power steering, power brakes, power windows, power seats, radio, and heater, to the extent that these items are available as factory-installed equipment (whether installed or not).

Bead means the part of the tire that is made of steel wires, wrapped or reinforced by ply cords and that is shaped to fit the rim.

Bead separation means a breakdown of the bond between components in the bead.

Bias ply tire means a pneumatic tire in which the ply cords that extend to the beads are laid at alternate angles substantially less than 90 degrees to the centerline of the tread.

Carcass means the tire structure, except tread and sidewall rubber which, when inflated, bears the load.

Chunking means the breaking away of pieces of the tread or sidewall.

Cord means the strands forming the plies in the tire.

Cord separation means the parting of cords from adjacent rubber compounds.

Cracking means any parting within the tread, sidewall, or inner liner of the tire extending to cord material.

Curb weight means the weight of a motor vehicle with standard equipment including the maximum capacity of fuel, oil, and coolant, and, if so equipped, air conditioning and additional weight optional engine.

Cold inflation pressure means the tire pressure when the vehicle hasn’t been driven for at least three hours.

Extra load tire means a tire designed to operate at higher loads and higher inflation pressure than the corresponding standard tire.

Groove means the space between two adjacent tread ribs.

Gross Axle Weight Rating or GAWR means the value specified by the vehicle manufacturer as the load-carrying capacity of a single axle system, as measured at the tire-ground interfaces.

Gross vehicle weight rating or GVWR means the value specified by the manufacturer as the loaded weight of a single vehicle.

Hitch Weight means the downward force exerted on the hitch ball by the trailer coupler.

Innerliner means the layer(s) forming the inside surface of a tubeless tire that contains the inflating medium within the tire.

Innerliner separation means the parting of the innerliner from cord material in the carcass.

Light truck (LT) tire means a tire designated by its manufacturer as primarily intended for use on lightweight trucks or multipurpose passenger vehicles.

Load rating means the maximum load that a tire is rated to carry for a given inflation pressure.

Maximum load rating means the load rating for a tire at the maximum permissible inflation pressure for that tire.

Maximum permissible inflation pressure means the maximum cold inflation pressure to which a tire may be inflated.

Maximum loaded vehicle weight means the sum of — (a) Curb weight; (b) Accessory weight; (c) Vehicle capacity weight; and (d) Production options weight.

Measuring rim means the rim on which a tire is fitted for physical dimension requirements.

Non-pneumatic rim means a mechanical device which, when a non-pneumatic tire assembly incorporates a wheel, supports the tire, and attaches, either integrally or separably, to the wheel center member and upon which the tire is attached.

Non-pneumatic spare tire assembly means a non-pneumatic tire assembly intended for temporary use in place of one of the pneumatic tires and rims that are fitted to a passenger car in compliance with the requirements of this standard.

Non-pneumatic tire means a mechanical device which transmits, either directly or through a wheel or wheel center member, the vertical load and tractive forces from the roadway to the vehicle, generates the tractive forces that provide the directional control of the vehicle and does not rely on the containment of any gas or fluid for providing those functions.

Non-pneumatic tire assembly means a non-pneumatic tire, alone or in combination with a wheel or wheel center member, which can be mounted on a vehicle.

Normal occupant weight means 68 kilograms (150 lbs.) times the number of occupants specified in the second column of Table I of 49 CFR 571.110.

Occupant distribution means distribution of occupants in a vehicle as specified in the third column of Table I of 49 CFR 571.110.

Open splice means any parting at any junction of tread, sidewall, or innerliner that extends to cord material.

Outer diameter means the overall diameter of an inflated new tire.

Overall width means the linear distance between the exteriors of the sidewalls of an inflated tire, including elevations due to labeling, decorations, or protective bands or ribs.

Passenger car tire means a tire intended for use on passenger cars, multipurpose passenger vehicles, and trucks, that have a gross vehicle weight rating (GVWR) of 10,000 pounds or less.

Pin weight means the downward force applied to the 5th wheel or gooseneck ball, by the trailer kingpin or gooseneck coupler.

Ply means a layer of rubber-coated parallel cords.

Ply separation means a parting of rubber compound between adjacent plies.

Pneumatic tire means a mechanical device made of rubber, chemicals, fabric and steel or other materials, that, when mounted on an automotive wheel, provides the traction and contains the gas or fluid that sustains the load.

Production options weight means the combined weight of those installed regular production options weighing over 2.3 kilograms in excess of those standard items which they replace, not previously considered in curb weight or accessory weight, including heavy duty brakes, ride levelers, roof rack, heavy duty battery, and special trim.

Radial ply tire means a pneumatic tire in which the ply cords that extend to the beads are laid at substantially 90 degrees to the centerline of the tread.

Recommended inflation pressure means the proper Cold Inflation Pressure as shown on the Tire Information label.

Reinforced tire means a tire designed to operate at higher loads and at higher inflation pressures than the corresponding standard tire.

Rim means a metal support for a tire or a tire and tube assembly upon which the tire beads are seated.

Rim diameter means nominal diameter of the bead seat.

Rim size designation means rim diameter and width.

Rim type designation means the industry of manufacturer's designation for a rim by style or code.

Rim width means nominal distance between rim flanges.

Section width means the linear distance between the exteriors of the sidewalls of an inflated tire, excluding elevations due to labeling, decoration, or protective bands.

Sidewall means that portion of a tire between the tread and bead.

Sidewall separation means the parting of the rubber compound from the cord material in the sidewall.

ST tire means a tire designed for use only on trailers drawn on a road.

Test rim means the rim on which a tire is fitted for testing, and may be any rim listed as appropriate for use with that tire.

Tread means that portion of a tire that comes into contact with the road.

Tread rib means a tread section running circumferentially around a tire.

Tread separation means pulling away of the tread from the tire carcass.

Treadwear indicators (TWI) means the projections within the principal grooves designed to give a visual indication of the degrees of wear of the tread.

Vehicle capacity weight means the rated cargo and luggage load plus 68 kilograms times the vehicle's designated seating capacity.

Vehicle maximum load on the tire means that load on an individual tire that is determined by distributing to each axle its share of the maximum loaded vehicle weight and dividing by two.

Vehicle normal load on the tire means that load on an individual tire that is determined by distributing to each axle its share of the curb weight, accessory weight, and normal occupant weight (distributed in accordance with Table I of 49 CFR 571.110) and dividing by 2.

Wheel center member means, in the case of a non-pneumatic tire assembly incorporating a wheel, a mechanical device which attaches, either integrally or separably, to the non-pneumatic rim and provides the connection between the non-pneumatic rim and the vehicle; or in the case of a nonpneumatic tire assembly not incorporating a wheel, a mechanical device which attaches, either integrally or separably, to the non-pneumatic tire and provides the connection between the tire and the vehicle.

Wheel-holding fixture means the fixture used to hold the wheel and tire assembly securely during testing.

4. Tire Safety - Everything Rides On It

The National Traffic Safety Administration (NHTSA) has published a brochure (DOT HS 809 361) that discusses all aspects of Tire Safety, as required by 49 CFR 575.6. This brochure is reproduced in part below. It can be obtained and downloaded from NHTSA, free of charge, from the following web site:

http://www.nhtsa.dot.gov/cars/rules/TireSafety/ridesonit/tires_index.html

Studies of tire safety show that maintaining proper tire pressure, observing tire and vehicle load limits (not carrying more weight in your vehicle than your tires or vehicle can safely handle), avoiding road hazards, and inspecting tires for cuts, slashes, and other irregularities are the most important things you can do to avoid tire failure, such as tread separation or blowout and flat tires. These actions, along with other care and maintenance activities, can also:

- Improve vehicle handling
- Help protect you and others from avoidable breakdowns and accidents
- Improve fuel economy
- Increase the life of your tires

This booklet presents a comprehensive overview of tire safety, including information on the following topics:

- Basic tire maintenance
- Uniform Tire Quality Grading System
- Fundamental characteristics of tires
- Tire safety tips. Use this information to make tire safety a regular part of your vehicle maintenance routine.

Recognize that the time you spend is minimal compared with the inconvenience and safety consequences of a flat tire or other tire failure.

Safety First—Basic Tire Maintenance

Properly maintained tires improve the steering, stopping, traction, and load-carrying capability of your vehicle. Underinflated tires and overloaded vehicles are a major cause of tire failure. Therefore, as mentioned above, to avoid flat tires and other types of tire failure, you should maintain proper tire pressure, observe tire and vehicle load limits, avoid road hazards, and regularly inspect your tires.

Finding Your Vehicle's Recommended Tire Pressure And Load Limits

Tire information placards and vehicle certification labels contain information on tires and load limits. These labels indicate the vehicle manufacturer's information including:

- Recommended tire size
- Recommended tire inflation pressure
- Vehicle capacity weight (VCW – the maximum occupant and cargo weight a vehicle is designed to carry)
- Front and rear gross axle weight ratings (GAWR – the maximum weight the axle systems are designed to carry).

Both placards and certification labels are permanently attached to the trailer near the left front.

Understanding Tire Pressure And Load Limits

Tire inflation pressure is the level of air in the tire that provides it with load-carrying capacity and affects the overall performance of the vehicle. The tire inflation pressure is a number that indicates the amount of air pressure—measured in pounds per square inch (psi)—a tire requires to be properly inflated. (You will also find this number on the vehicle information placard expressed in kilopascals (kpa), which is the metric measure used internationally.)

Manufacturers of passenger vehicles and light trucks determine this number based on the vehicle's design load limit, that is, the greatest amount of weight a vehicle can safely carry and the vehicle's tire size. The proper tire pressure for your vehicle is referred to as the "recommended cold inflation pressure." (As you will read below, it is difficult to obtain the recommended tire pressure if your tires are not cold.)

Because tires are designed to be used on more than one type of vehicle, tire manufacturers list the "maximum permissible inflation pressure" on the tire sidewall. This number is the greatest amount of air pressure that should ever be put in the tire under normal driving conditions.

Checking Tire Pressure

It is important to check your vehicle's tire pressure at least once a month for the following reasons:

- Most tires may naturally lose air over time.
- Tires can lose air suddenly if you drive over a pothole or other object or if you strike the curb when parking.
- With radial tires, it is usually not possible to determine underinflation by visual inspection.

For convenience, purchase a tire pressure gauge to keep in your vehicle. Gauges can be purchased at tire dealerships, auto supply stores, and other retail outlets.

The recommended tire inflation pressure that vehicle manufacturers provide reflects the proper psi when a tire is cold. The term cold does not relate to the outside temperature. Rather, a cold tire is one that has not been driven on for at least three hours.

When you drive, your tires get warmer, causing the air pressure within them to increase. Therefore, to get an accurate tire pressure reading, you must measure tire pressure when the tires are cold or compensate for the extra pressure in warm tires.

Steps For Maintaining Proper Tire Pressure

- Step 1: Locate the recommended tire pressure on the vehicle's tire information placard, certification label, or in the owner's manual.
- Step 2: Record the tire pressure of all tires.
- Step 3: If the tire pressure is too high in any of the tires, slowly release air by gently pressing on the tire valve stem with the edge of your tire gauge until you get to the correct pressure.
- Step 4: If the tire pressure is too low, note the difference between the measured tire pressure and the correct tire pressure. These "missing" pounds of pressure are what you will need to add.
- Step 5: At a service station, add the missing pounds of air pressure to each tire that is underinflated.
- Step 6: Check all the tires to make sure they have the same air pressure (except in cases in which the front and rear tires are supposed to have different amounts of pressure).

If you have been driving your vehicle and think that a tire is underinflated, fill it to the recommended cold inflation pressure indicated on your vehicle's tire information placard or certification label. While your tire may still be slightly underinflated due to the extra pounds of pressure in the warm tire, it is safer to drive with air pressure that is slightly lower than the vehicle manufacturer's recommended cold inflation pressure than to drive with a significantly underinflated tire. Since this is a temporary fix, don't forget to recheck and adjust the tire's pressure when you can obtain a cold reading.

Tire Size

To maintain tire safety, purchase new tires that are the same size as the vehicle's original tires or another size recommended by the manufacturer. Look at the tire information placard, the owner's manual, or the sidewall of the tire you are replacing to find this information. If you have any doubt about the correct size to choose, consult with the tire dealer.

Tire Tread

The tire tread provides the gripping action and traction that prevent your vehicle from slipping or sliding, especially when the road is wet or icy. In general, tires are not safe and should be replaced when the tread is worn down to 1/16 of an inch. Tires have built-in treadwear indicators that let you know when it is time to replace your tires. These indicators are raised sections spaced intermittently in the bottom of the tread grooves. When they appear "even" with the outside of the tread, it is time to replace your tires. Another method for checking tread depth is to place a penny in the tread with Lincoln's head upside down and facing you. If you can see the top of Lincoln's head, you are ready for new tires.

Tire Balance And Wheel Alignment

To avoid vibration or shaking of the vehicle when a tire rotates, the tire must be properly balanced. This balance is achieved by positioning weights on the wheel to counterbalance heavy spots on the wheel-and-tire assembly. A wheel alignment adjusts the angles of the wheels so that they are positioned correctly relative to the vehicle's frame. This adjustment maximizes the life of your tires. These adjustments require special equipment and should be performed by a qualified technician.

Tire Repair

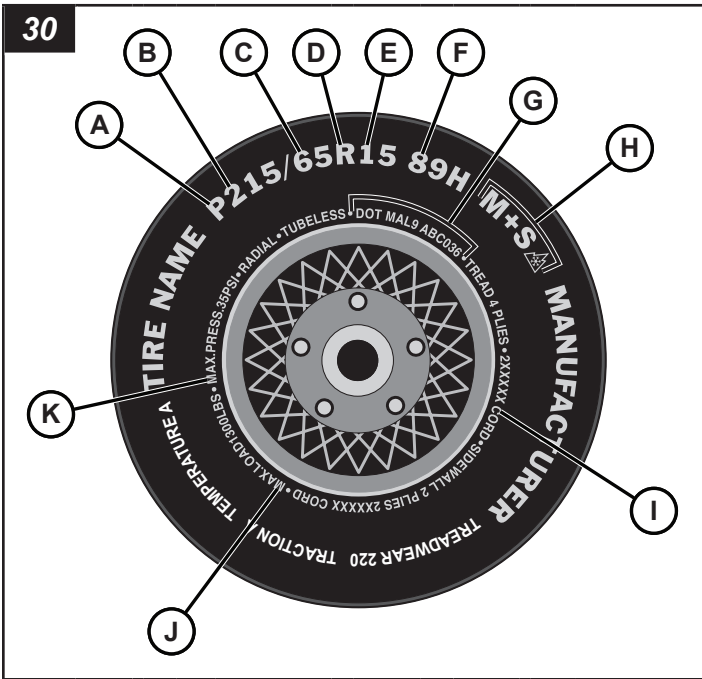
The proper repair of a punctured tire requires a plug for the hole and a patch for the area inside the tire that surrounds the puncture hole. Punctures through the tread can be repaired if they are not too large, but punctures to the sidewall should not be repaired. Tires must be removed from the rim to be properly inspected before being plugged and patched.

Tire Fundamentals

Federal law requires tire manufacturers to place standardized information on the sidewall of all tires. This information identifies and describes the fundamental characteristics of the tire and also provides a tire identification number for safety standard certification and in case of a recall.

Information on Passenger Vehicle Tires

Please refer to Figure 30 and the information following.



- A-** 'P' indicates the tire is for passenger vehicles.
- B-** This three-digit number gives the width in millimeters of the tire from sidewall edge to sidewall edge. In general, the larger the number, the wider the tire.
- C-** This two-digit number, known as the aspect ratio, gives the tire's ratio of height to width. Numbers of 70 or lower indicate a short sidewall for improved steering response and better overall handling on dry pavement.
- D-** "R" stands for radial. Radial ply construction of tires has been the industry standard for the past 20 years.
- E-** This two-digit number is the wheel or rim diameter in inches. If you change your wheel size, you will have to purchase new tires to match the new wheel diameter.
- F-**
(Number) This two- or three-digit number is the tire's load index. It is a measurement of how much weight each tire can support. You may find this information in your owner's manual. If not, contact a local tire dealer. *Note: You may not find this information on all tires because it is not required by law.*
(Letter) The speed rating denotes the speed at which a tire is designed to be driven for extended periods of time. The ratings range from 99 miles per hour (mph) to 186 mph. These ratings are listed below. *Note: You may not find this information on all tires because it is not required by law.*

Letter Rating	Speed Rating
V	168 mph*
Y	186 mph*

**Note: For tires with a maximum speed capability over 149 mph, tire manufacturers sometimes use the letters ZR. For those with a maximum speed capability over 186 mph, tire manufacturers always use the letters ZR.*

G- U.S. DOT Tire Identification Number. This begins with the letters "DOT" and indicates that the tire meets all federal standards. The next two numbers or letters are the plant code where it was manufactured, and the last four numbers represent the week and year the tire was built. For example, the numbers 3197 means the 31st week of 1997. The other numbers are marketing codes used at the manufacturer's discretion. This information is used to contact consumers if a tire defect requires a recall.

H- The "M+S" or "M/S" indicates that the tire has some mud and snow capability. Most radial tires have these markings; hence, they have some mud and snow capability.

I- Tire Ply Composition and Materials Used. The number of plies indicates the number of layers of rubber-coated fabric in the tire. In general, the greater the number of plies, the more weight a tire can support. Tire manufacturers also must indicate the materials in the tire, which include steel, nylon, polyester, and others.

J- Maximum Load Rating. This number indicates the maximum load in kilograms and pounds that can be carried by the tire.

K- Maximum Permissible Inflation Pressure. This number is the greatest amount of air pressure that should ever be put in the tire under normal driving conditions.

Uniform Tire Quality Grading (UTQGS)

Quality grades can be found where applicable on the tire sidewall between tread shoulder and maximum section width. For example:

TREADWEAR 200 TRACTION AA

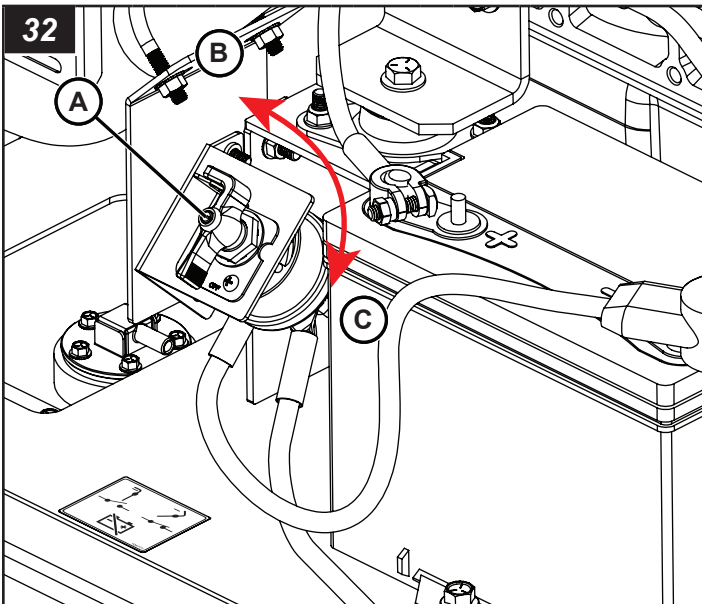
Temperature A

All Passenger Car Tires Must Conform to Federal Safety Requirements in Addition to These Grades

Treadwear

The treadwear grade is a comparative rating based on the wear rate of the tire when tested under controlled conditions on a specified government test course. For example, a tire graded 150 would wear one and one-half (1 1/2) times as well on the government course as a tire graded 100. The relative performance of tires depends upon the actual conditions of their use, however, and may depart significantly from the norm due to variations in driving habits, service practices and differences in road characteristics and climate.

Letter Rating	Speed Rating
Q	99 mph
R	106 mph
S	112 mph
T	118 mph
U	124 mph
H	130 mph



Cam Lock Receptacles

! DANGER



Electrocution Hazard

Do not connect or disconnect loads to the cam lock receptacles while the unit is in operation.

! DANGER

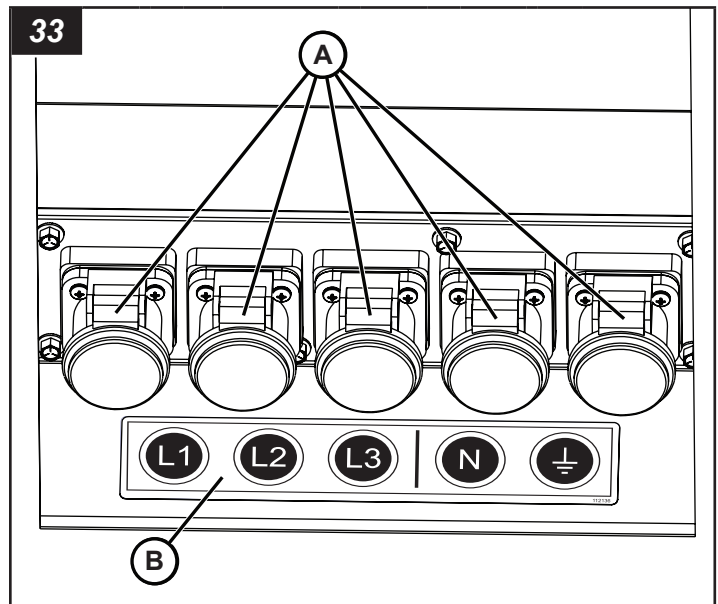


Electric Shock Hazard

Turning the voltage switch to another position while the unit is in operation could cause an electric shock hazard from the generator which will result in death or serious injury. Turn off the unit before turning the voltage switch to another position. A lock must be installed on the switch to prevent the switch from being turned while the unit is in operation.

The optional cam lock receptacles allow for quick connection and disconnection of loads.

1. Connect the cam lock connectors from the load to the cam lock receptacles (A, Figure 33) on the lower portion of the outlet and connection lug plate panel on the unit. Be sure to connect the load correctly, refer to cam lock connection decal (B, Figure 33) and see **Voltage Change Device Setup and AC Output (Outlet and Connection Lug Plate) Panel** for proper load connections.



Arctic Package

Block Heater / Battery Heater

The block heater (A, Figure 34) / battery heater (B, Figure 34) keeps the engine block and battery heated while the unit is stored or not in use.

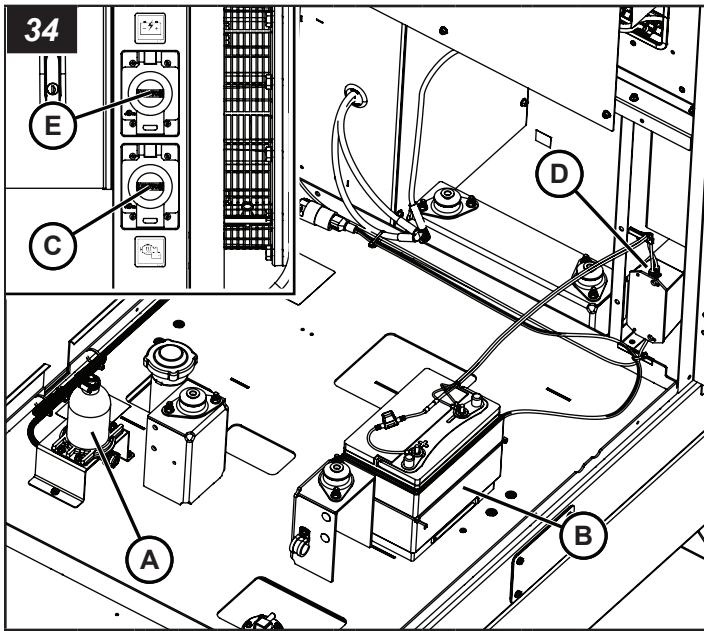
The block heater / battery heater should be used whenever the unit is stored or not in use in temperatures below 32° F (0° C).

1. Plug the female end of a heavy-duty power cord (not supplied) into the Block Heater / Battery Heater recessed receptacle (C, Figure 34).
2. Plug the male end of the power cord into a standard 120V outlet.
3. Unplug the block heater / battery heater before putting the unit into operation.

Battery Charger

The battery charger (D, Figure 34) keeps the battery charged while the unit is stored or not in use. *Note: The engine is removed from Figure 34 for clarity.*

1. Plug the female end of a heavy-duty power cord (not supplied) into the Battery Charger recessed receptacle (E, Figure 34).
2. Plug the male end of the power cord into a standard 120V outlet.
3. The battery charger will charge the battery to its full state of charge of 12 volts. The battery charger can stay plugged in without damaging the battery as the charger stops charging the battery after reaches its full state of charge.
4. Unplug the battery charger before putting the unit into operation.



Engine Air Intake Emergency Shut-Off Valve

The optional air intake emergency shut-off valve automatically closes the valve and shuts down the engine when an overspeed runaway condition occurs.

Refer to the Pacbrake PH3 programming manual for more information on operation and programming.

WARNING

If the air intake emergency shut-off valve has shut the engine down, leave the area immediately and obey the safety procedures for your jobsite. Do not reset or start the machine until the source of the problem has been identified and a solution has been found.

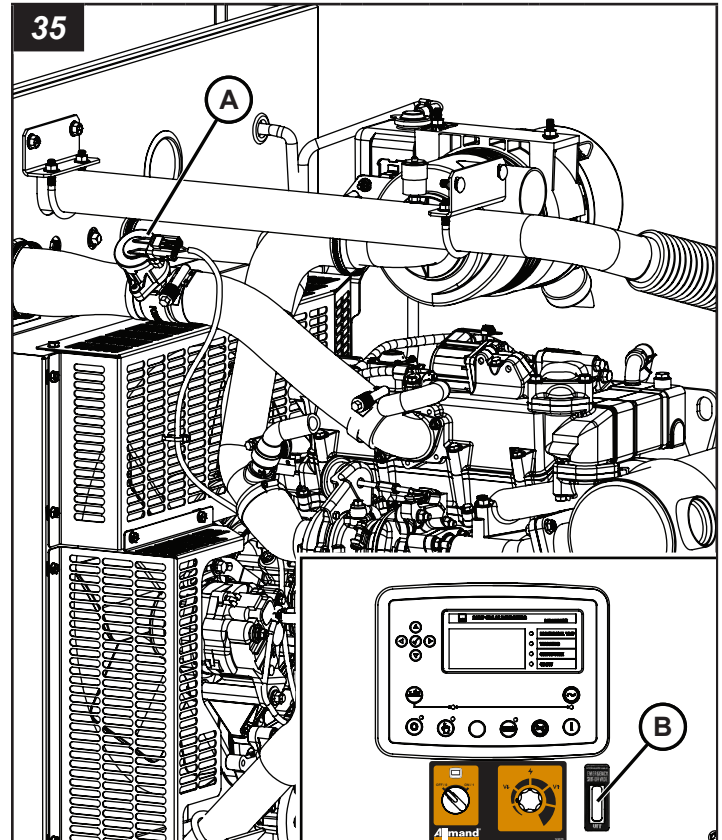
Auto Mode Operation

1. If there is an overspeed runaway condition in the engine, the controller will detect this issue and automatically close the air intake emergency shut-off valve (A, Figure 35) and shut down the engine.
2. The shut-off valve will remain closed for 15 seconds, and will automatically reset to the open position.
3. Identify the source of the issue, and correct the issue.
4. Reset the Deep Sea controller by switching the engine control panel ON / OFF switch to the 'OFF' position and back to the 'ON' position. See **Operating the Engine** for engine operating procedures.

Manual/Test Mode Operation

1. Press down the emergency shut-off valve toggle switch (B, Figure 35) to the 'OFF' position to close the valve.
2. Release the emergency shut-off valve switch to 'ON' position to reset the valve to the open position.

3. **Manual Mode:** Identify the source of the issue, and correct the issue.
Test Mode: Check functionality of the valve.
4. Reset the Deep Sea controller by switching the engine control panel ON / OFF switch to the 'OFF' position and back to the 'ON' position. See **Operating the Engine** for engine operating procedures.



Registre la información importante

Registrar la información del equipo le permitirá realizar un pedido de piezas de repuesto o calcomanías.

N.º de equipo de la empresa:	
N.º de modelo de la unidad:	
VIN de la unidad:	
N.º de modelo del motor:	N.º de serie:
N.º de modelo del generador:	N.º de serie:
Accesorios:	

Contenido del manual:

Introducción	38
Productos tratados por este manual	38
Seguridad	38
Características y controles	44
Preparación del remolque del generador para el uso	46
Transporte del remolque del generador	47
Operación	52
Mantenimiento	59
Especificaciones	65
Resolución de problemas	66
Información de defectos de seguridad	67
Información de seguridad de los neumáticos	67
Anexo: Opciones de la unidad	75



ADVERTENCIA

Respirar los gases de escape del motor diésel lo expone a sustancias químicas que, de acuerdo con el estado de California, causan cáncer, defectos de nacimiento u otros problemas reproductivos.

- Siempre arranque y haga funcionar el motor en un área bien ventilada.
- Si se encuentra en un área cerrada, oriente el escape hacia el exterior.
- No modifique ni altere el sistema de escape.
- No deje el motor inactivo, a menos que sea necesario.

Para obtener más información, visite www.P65Warnings.ca.gov/diesel.

Introducción

Acerca de este manual

TÓMESE EL TIEMPO DE LEER COMPLETAMENTE ESTE MANUAL

En este manual se proporcionan las instrucciones necesarias para el uso del generador móvil Maxi-Power™ 45 de Allmand®.

La información que encuentre en este manual está vigente a partir del momento de la impresión. Briggs & Stratton puede cambiar los contenidos sin previo aviso si se ve en la obligación.

Las imágenes proporcionadas a lo largo de este manual son representativas y pueden ser diferentes a su modelo.

Toda referencia “hacia la derecha” o “hacia la izquierda” que se haga en este manual, deberá determinarse mirando el remolque desde la parte posterior.

Si no está seguro acerca de la información de este manual, comuníquese con el departamento de mantenimiento de Allmand al

1-800-562-1373, o bien, comuníquese con nosotros en el sitio web de Allmand, www.allmand.com.

Conserve estas instrucciones originales para futuras consultas.

Productos cubiertos por este manual

Los siguientes productos se cubren en este manual:

Maxi-Power™ 45

Seguridad

Definiciones de seguridad

Para su seguridad, la seguridad de otros y para proteger el rendimiento del equipo, siga las precauciones que se indican en todo el manual antes de la operación, durante la operación y durante los procedimientos de mantenimiento periódico.



Indica un posible riesgo para su integridad física.



PELIGRO

Indica un riesgo que, de no evitarse, provocará la muerte o lesiones de gravedad.



ADVERTENCIA

Indica un riesgo que, de no evitarse, podría provocar la muerte o lesiones de gravedad.



PRECAUCIÓN

Indica un riesgo que, de no evitarse, podría provocar lesiones leves o moderadas.

AVISO

Información que se considera importante pero que no está relacionada con un peligro.

Precauciones de seguridad

La siguiente sección contiene precauciones y pautas generales de seguridad que se deben obedecer para reducir el riesgo para la seguridad personal. Las precauciones especiales de seguridad se indican en procedimientos específicos. Lea y comprenda todas las precauciones de seguridad antes de operar o realizar reparaciones o mantenimiento.

PELIGRO



Peligro de electrocución

- Cuando el motor está en funcionamiento, se produce un alto voltaje. Nunca intente realizar mantenimiento a los componentes eléctricos mientras el motor esté en funcionamiento.
- No haga funcionar la unidad si el aislamiento en el cable eléctrico u otro cableado eléctrico presenta cortes o desgaste o bien, si hay cables desnudos expuestos. Repare o reemplace el cableado dañado antes de arrancar el motor.

ADVERTENCIA

Peligro de operación no segura

- Nunca permita que alguien instale u opere el equipo si no cuenta con la capacitación adecuada.
- Lea y comprenda este manual del operador, el Manual del operador del motor y cualesquiera otros manuales de componentes antes de hacer funcionar o dar mantenimiento a generador móvil, para garantizar que se sigan los procedimientos de mantenimiento y prácticas de operación seguros.
- Las calcomanías y señales de seguridad son recordatorios adicionales para las técnicas de mantenimiento y operación seguras.

ADVERTENCIA

Peligro de caídas

- Nunca transporte pasajeros en el equipo.

ADVERTENCIA

Peligro de modificación

- Nunca modifique el equipo sin el consentimiento por escrito del fabricante. Cualquier modificación puede afectar la operación segura de equipo.

ADVERTENCIA

Peligro de exposición

- Siempre use equipo de protección personal, lo que incluye ropa adecuada, guantes, zapatos de trabajo, protección auditiva y ocular, según lo requiera la tarea en cuestión.

ADVERTENCIA



Riesgo de incendio y explosión

Las baterías emiten gases explosivos durante las recargas. Las chispas podrían causar explosiones y provocar lesiones graves o la muerte.

ADVERTENCIA



Peligro de quemaduras

Las baterías contienen ácido, que es extremadamente cáustico. El contacto con el contenido de la batería podría producir quemaduras químicas graves.

ADVERTENCIA



Peligro de choque eléctrico

Las baterías presentan riesgo de descarga eléctrica y alta corriente de cortocircuito.

- Siempre desconecte el cable negativo (-) de la batería antes de realizar mantenimiento al equipo.
- NO elimine una batería en el fuego. Recicle las baterías.
- NO permita que existan llamas abiertas, chispas, fuentes de calor, ni que se enciendan cigarrillos durante y varios minutos después de cargar una batería.
- NO abra ni destruya la batería.
- NO cargue la batería si está congelada. Siempre caliente lentamente la batería a temperatura ambiente antes de cargarla.
- Use guantes de protección, delantal, botas y guantes de goma.
- Qítense el reloj, los anillos u otros objetos metálicos.
- Use herramientas con mangos aislados.

 **ADVERTENCIA****Peligro de monóxido de carbono**

La descarga de escape del motor contiene monóxido de carbono, un gas tóxico que puede matar en minutos. Además de que no se lo puede ver, es inodoro e insípido. Incluso si no huele los gases del escape, puede estar expuesto al monóxido de carbono.

- Haga funcionar este producto SOLO en el exterior, en un área donde no se acumulen los gases de escape mortales.
- Mantenga los gases de escape lejos de ventanas, puertas, tomas de ventilación, ventilaciones de soffits, espacios de subsuelo, puertas de garajes abiertas u otras aberturas que puedan permitir que estos gases ingresen o se vean atraídos hacia estructuras o edificios posiblemente habitados.
- La instalación y el mantenimiento de detectores de monóxido de carbono en interiores se DEBE realizar conforme a las recomendaciones e instrucciones del fabricante. Las alarmas de humo no pueden detectar el monóxido de carbono.
- Si comienza a sentirse mal, mareado o débil o si la alarma de monóxido de carbono empieza a sonar mientras utiliza el producto, tome aire fresco inmediatamente. Llame a los servicios de emergencia. Puede haberse intoxicado con monóxido de carbono.

 **ADVERTENCIA****Riesgo de incendio y explosión**

- El combustible diésel es inflamable y explosivo en determinadas condiciones.
- Nunca use un trapo de taller para recoger el combustible.
- Limpie inmediatamente los derrames.
- Nunca recargue el combustible con el motor en funcionamiento.
- Almacene todos los recipientes con combustible en un área bien ventilada, lejos de cualquier fuente de encendido o combustibles.

 **ADVERTENCIA****Peligro por uso bajo la influencia de alcohol y drogas**

- Nunca opere generador móvil bajo la influencia del alcohol o las drogas o si se encuentra enfermo.

 **ADVERTENCIA****Peligro de enredo o corte**

- Siempre detenga el motor antes de comenzar el mantenimiento.
- Si se debe realizar mantenimiento al motor mientras está en funcionamiento, quítese todas las joyas, recójase el cabello largo y mantenga las manos, otras partes del cuerpo y la ropa lejos de las piezas móviles o giratorias.
- Verifique que todas las protecciones y cubiertas estén instaladas correctamente en el equipo, antes de arrancar el motor. No arranque el motor si alguna protección o cubierta no está instalada correctamente en el equipo.
- Instale una etiqueta “No operar” junto a la llave de contacto mientras realiza tareas de mantenimiento en el equipo.

 **ADVERTENCIA****Peligro de objetos expulsados**

- Siempre use protección ocular cuando limpie el equipo con aire comprimido o agua a alta presión. El polvo, los desechos expulsados, el aire comprimido, el agua o el vapor presurizados pueden causar lesiones en sus ojos.

 **ADVERTENCIA****Peligro de contacto con refrigerante**

- Use protección ocular y guantes de goma cuando manipule el refrigerante del motor. Si este entra en contacto con los ojos o la piel, enjuague los ojos y lave inmediatamente con agua limpia.

 **ADVERTENCIA****Peligro de quemaduras**

- Si abre la tapa de un radiador mientras está caliente podría provocar lesiones graves o la muerte. Deje que el radiador se enfríe antes de abrir la tapa.

 **ADVERTENCIA****Peligro de quemaduras**

- Mantenga las manos y otras partes del cuerpo alejadas de las superficies calientes.
- Manipule los componentes calientes, como las luminarias, con guantes resistentes al calor.

AVISO

- Se DEBE reemplazar toda pieza que se compruebe que está defectuosa a raíz de una inspección, o cualquier pieza cuyo valor medido no satisfaga la norma o el límite.
- Siempre apriete los componentes con el torque especificado. Las piezas sueltas pueden provocar daños en los equipos o causar que funcionen indebidamente.
- Obedezca las pautas de la Agencia de Protección Ambiental (EPA), Environment Canada (EC) u otras agencias gubernamentales para la eliminación adecuada de materiales peligrosos, como aceite de motor, combustible diésel y refrigerante de motor.
- Solo use las piezas de repuesto que se especifican. Otras piezas de repuesto pueden afectar la cobertura de la garantía.
- Limpie toda la suciedad y los residuos acumulados del cuerpo del equipo y sus componentes antes de inspeccionarlo o de realizar procedimientos de mantenimiento preventivo o reparaciones. Operar los equipos con suciedad o residuos acumulados provocará el desgaste prematuro de los componentes del equipo.
- Nunca elimine materiales peligrosos arrojándolos en la alcantarilla, en la tierra o en vías fluviales o aguas subterráneas.
- Saque todas las herramientas o piezas que pueda haber dejado caer en el interior del equipo para evitar su operación indebida.
- Si cualquier indicador de alerta se enciende durante el funcionamiento del equipo, detenga el motor inmediatamente. Determine la causa y repare el problema antes de continuar con la operación del equipo.


Es una violación del Código de Recursos Públicos de California, Sección 4442, utilizar u operar el motor en cualquier espacio con árboles, maleza o grama a menos que el sistema de escape esté equipado con un extintor de chispas, como lo define la Sección 4442, mantenido en correcto funcionamiento. Otras jurisdicciones federales o estatales pueden tener leyes similares. Para obtener más información, consulte la Parte 261.52 de la Regulación Federal 36 del CFR.

Calcomanías de seguridad

Antes de operar su unidad, lea y comprenda las siguientes calcomanías de seguridad. Las precauciones, advertencias e instrucciones son para su seguridad. Para evitar lesiones corporales o daños a la unidad, comprenda y obedezca todas las calcomanías.

Evite que las calcomanías se ensucien o se rompan, y reemplácelas si se pierden o se dañan. Además, si necesita cambiar las piezas que tienen una calcomanía, asegúrese de pedir la pieza nueva y la calcomanía al mismo tiempo.

Si alguna calcomanía de seguridad o de instrucciones se desgasta o daña y no puede leerse, pida calcomanías de reemplazo a su concesionario local.

Todos los modelos	
<p>PELIGRO: Ingresar en el compartimento eléctrico mientras el equipo está en funcionamiento provocará lesiones graves o la muerte. Apague el equipo antes de ingresar en el compartimento eléctrico.</p> <p>N.º de pieza 118074</p>	
<p>PELIGRO: Ingresar en el compartimento eléctrico mientras el equipo está en funcionamiento provocará lesiones graves o la muerte. Apague el equipo antes de ingresar en el compartimento eléctrico.</p> <p>N.º de pieza 118104</p>	
<p>Información de conexión a tierra de la máquina/Lengüeta de conexión a tierra</p> <p>N.º de pieza 122470</p>	
<p>ADVERTENCIA: El contacto con piezas giratorias podría provocar lesiones graves o la muerte. Manténgase alejado de piezas giratorias.</p> <p>N.º de pieza 118652</p>	
<p>ADVERTENCIA: Abrir la tapa de un radiador caliente podría provocar lesiones graves o la muerte. Deje que el radiador se enfríe antes de abrir la tapa.</p> <p>N.º de pieza 118651</p>	
<p>ADVERTENCIA: El contacto con gases de escape y piezas calientes podría provocar lesiones graves o la muerte. Evite los gases calientes del escape. Mantenga las manos y los materiales combustibles alejados de las piezas calientes.</p> <p>N.º de pieza 118162</p>	

Todos los modelos

ADVERTENCIA: El contacto con gases de escape y piezas calientes podría provocar lesiones graves o la muerte. Evite los gases calientes del escape. Mantenga las manos y los materiales combustibles alejados de las piezas calientes.

ADVERTENCIA: El arranque inesperado del motor podría causar la muerte o lesiones graves. Lea y siga el manual del operador del controlador electrónico antes de hacer funcionar este equipo o realizarle mantenimiento.

N.º de pieza 122075

WARNING
Unexpected start of engine could result in death or serious injury. Read and follow electronic controller operator's manual before operating or servicing this equipment.

AVERTISSEMENT
Le démarrage inattendu du moteur pourrait provoquer la mort ou des blessures graves. Lire et suivre le manuel d'utilisation du contrôleur électronique avant d'utiliser ou de réparer cet équipement.

122075

ETL Intertek la marca de lista
N.º de pieza 118690



ADVERTENCIA: Los materiales humeantes, las llamas descubiertas u otros tipos de ignición cerca de la batería podrían causar una explosión y provocar lesiones graves o la muerte. Mantenga los materiales para fumar, las llamas descubiertas u otros tipos de ignición alejados de la batería.

ADVERTENCIA: La exposición a materiales corrosivos podría causar lesiones graves o la muerte. Use guantes de protección al manipular la batería.

N.º de pieza 122076

WARNING
Smoking materials, open flames, or other forms of ignition near the battery could cause explosion resulting in death or serious injury. Keep smoking materials, open flames, and other forms of ignition away from the battery.

AVERTISSEMENT
Les articles au feu, les flammes nues ou d'autres formes d'allumage près de la batterie pourraient causer une explosion, causant la mort ou des blessures graves.

WARNING
Exposure to corrosive material could result in death or serious injury. Wear protective gloves when handling battery.

AVERTISSEMENT
Toute exposition à des produits corrosifs pourrait causer la mort ou des blessures graves. Porter des gants de protection en manipulant la batterie.

122076

PELIGRO: Girar el interruptor de tensión a otra posición mientras la unidad está en funcionamiento podría causar un peligro de descarga eléctrica del generador que provocaría la muerte o lesiones graves. Apague la unidad antes de girar el interruptor de tensión a otra posición. Se debe instalar un bloqueo en el interruptor para evitar que el interruptor se gire mientras la unidad está en funcionamiento.

N.º de pieza 122086

DANGER
Turning the voltage switch to another position while the unit is in operation could cause an electric shock hazard from the generator which will result in death or serious injury.

DANGER
Turn off the unit before turning the voltage switch to another position. A lock must be installed on the switch to prevent the switch from being turned while the unit is in operation.

DANGER
Éteindre l'appareil avant de tourner l'interrupteur de tension à une autre position. Un cadenas doit être posé sur l'interrupteur pour empêcher qu'il puisse être tourné pendant que l'appareil est en marche.

122086

Todos los modelos

Instrucciones del controlador electrónico

N.º de pieza 122080

OPERATION CHECKLIST
1. Check engine oil and coolant levels. Refill as needed.
2. Check the engine parts if equipped. OBT before tests. Refill as needed.
3. Check water from fuel/water separator.
4. Set the voltage selector switch to the correct voltage and phase position that is required for operation.

LISTE DE VÉRIFICATION DE FONCTIONNEMENT
1. Vérifier les niveaux d'huile moteur et de liquide de refroidissement. Remplir en cas de besoin.
2. Vérifier les pièces du moteur si équipées. OBT avant les tests. Remplir en cas de besoin.
3. Vérifier l'eau de la séparation carburant/eau.
4. Régler l'interrupteur de sélection de tension à la bonne tension et position de phase requises pour le fonctionnement.

MANUAL MODE OPERATION
1. Set all the control breakers (open and closed) to the OFF position.
2. Set the electronic controller power switch to the ON position.
3. Press the manual mode button.
4. Press the start button. The engine will cycle through that major parameter engine start sequence, warming, and engine run. After the engine is set for approximately 5 minutes.
5. Adjust the voltage as needed by using the voltage adjustment control knob.
6. Set all the control breakers (open and closed) to the ON position.

FONCTIONNEMENT EN MODE MANUEL
1. Régler tous les disjoncteurs (principal et auxiliaire) à la position ARRÊT.
2. Régler l'interrupteur d'alimentation de la commande électronique à la position.
3. Appuyer sur le bouton de mode manuel.
4. Appuyer sur le bouton de démarrage. Il peut déclencher un cycle du moteur. La machine fera passer par une séquence de démarrage, chauffage, et démarrage du moteur. Actuellement du moteur, actuellement du moteur, actuellement du moteur.
5. Régler la tension au besoin en utilisant le bouton de contrôle pour le réglage de la tension.
6. Régler tous les disjoncteurs (principal et auxiliaire) à la position MARCHÉ.

MANUAL MODE STOP
1. Set all the control breakers (open and closed) to the OFF position.
2. Press the stop button.
3. Set the electronic controller power switch to the OFF position.

ARRÊT DU MODE MANUEL
1. Régler tous les disjoncteurs (principal et auxiliaire) à la position ARRÊT.
2. Appuyer sur le bouton STOP.
3. Régler l'interrupteur d'alimentation de la commande électronique à la position ARRÊT.

AUTO MODE OPERATION
1. Refer to the operator's manual for instructions.

FONCTIONNEMENT EN MODE AUTOMATIQUE
1. Référez-vous au manuel d'utilisation pour plus d'informations.

Información de enrutamiento del cable de alimentación

N.º de pieza 110362

NOTICE
Route power cables under panel door to power distribution terminals and single phase outlets.

AVIS
Acheminer les câbles d'alimentation sous la porte à panneau jusqu'aux bornes de distribution de courant et aux prises monophasées.

122081

Información eléctrica
N.º de pieza 123575

	36,0/45,0	36,0/45,0	26,0/26,0
KW/KVA	54 MAX	125 MAX	108 MAX
V _{L-L} /V _{L-N}	277/480	120/208	120/240
Hz/RPM	60/1800	60/1800	60/1800
Φ	3	3	1
INS. CLASS	H	H	H
MAX AMB	110°F/43°C	110°F/43°C	110°F/43°C
PF	0.8	0.8	1.0

123575

ADVERTENCIA: Cambiar la palanca de la válvula de combustible remota a otra posición mientras la unidad está funcionando podría causar un derrame de combustible diésel. El derrame podría ser peligroso y el combustible diésel es inflamable, por lo cual cualquiera de ellos podría ocasionar la muerte o lesiones graves. Apague la unidad antes de cambiar la palanca de la válvula de combustible remota a otra posición.

N.º de pieza 122085

WARNING
Switching the remote fuel valve lever to another position while the unit is running could cause a diesel fuel spill. The spill could be hazardous, and diesel fuel is flammable, either of which could result in death or serious injury.

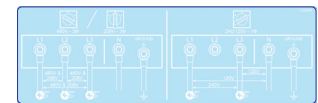
AVERTISSEMENT
Passer le levier de la valve de carburant à distance à une autre position pendant que l'appareil est en marche pourrait causer un déversement de diesel. Le déversement pourrait être dangereux et le diesel est inflammable, ce qui pourrait entraîner la mort ou de graves blessures corporelles.

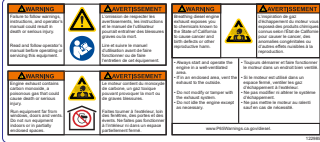




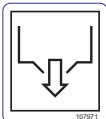
WARNING
Turn off unit before switching the remote fuel valve lever to another position.

AVERTISSEMENT
Éteindre l'appareil avant de passer le levier de la valve de carburant à distance à une autre position.

122085

Información de cableado eléctrico de la placa de orejeta de conexión
N.º de pieza 122084



Todos los modelos	
<p>ADVERTENCIA: El incumplimiento de las advertencias, las instrucciones y el manual del operador podría provocar lesiones graves o la muerte. Lea y siga el manual del operador antes de hacer funcionar este equipo o realizarle mantenimiento.</p> <p>ADVERTENCIA: El escape del motor contiene monóxido de carbono, un gas tóxico que podría causar lesiones graves o la muerte. Opere el equipo lejos de ventanas, puertas y conductos de ventilación. No opere el equipo en interiores o en espacios parcialmente cerrados.</p> <p>ADVERTENCIA: Respirar los gases de escape del motor diésel lo expone a sustancias químicas que, de acuerdo con el estado de California, causan cáncer, defectos de nacimiento u otros problemas reproductivos.</p> <ul style="list-style-type: none"> • Siempre arranque y haga funcionar el motor en un área bien ventilada. • Si se encuentra en un área cerrada, oriente el escape hacia el exterior. • No modifique ni altere el sistema de escape. • No deje el motor inactivo, a menos que sea necesario. <p>www.P65warnings.ca.gov/diesel N.º de pieza 122985</p>	
<p>Detención de emergencia N.º de pieza 105567</p>	
<p>Drenaje del combustible N.º de pieza 122074</p>	
<p>Drenaje de aceite N.º de pieza 107973</p>	
<p>Drenaje del refrigerante N.º de pieza 104752</p>	
<p>Drenaje de contención de líquidos N.º de pieza 107971</p>	

Todos los modelos	
<p>Etiqueta del terminal de la caja de control N.º de pieza 122456</p>	
<p>Peso de elevación N.º de pieza 122480</p>	
<p>Número de serie del gabinete del generador N.º de pieza 124285</p>	
<p>Cavidad para grúa horquilla N.º de pieza 107254</p>	
<p>Punto de sujeción N.º de pieza 109005</p>	
<p>AVISO: Asegúrese de que el equipo embalado esté nivelado antes de la operación. El ángulo máximo de operación es $\pm 1,4^\circ$ (determinado por el fabricante). N.º de pieza 122471</p>	
<p>ADVERTENCIA: El exceso de velocidad de remolque podría provocar lesiones graves o la muerte. No exceda los 65 mph (105 km/h) cuando arrastre el remolque. N.º de pieza 118108</p>	
<p>Código QR de las operaciones del producto N.º de pieza 125062</p>	

Todos los modelos	
<p>ADVERTENCIA: No fume ni tenga llamas abiertas cuando realice el abastecimiento de combustible. Apague el motor antes de recargar combustible.</p> <p>Solo combustible ultra bajo en azufre (S ≤ 15 MG/KG)</p> <p>N.º de pieza 107045</p>	
<p>Bloqueos de leva</p> <p>N.º de pieza 112136</p> <p>(Opción)</p>	
<p>Cargador de batería</p> <p>N.º de pieza 112138</p> <p>(Opción)</p>	
<p>Motor y calentador de batería</p> <p>N.º de pieza 112139</p> <p>(Opción)</p>	

Íconos de funcionamiento

La siguiente tabla contiene íconos de funcionamiento que se pueden encontrar en la unidad, junto con el significado de cada ícono.

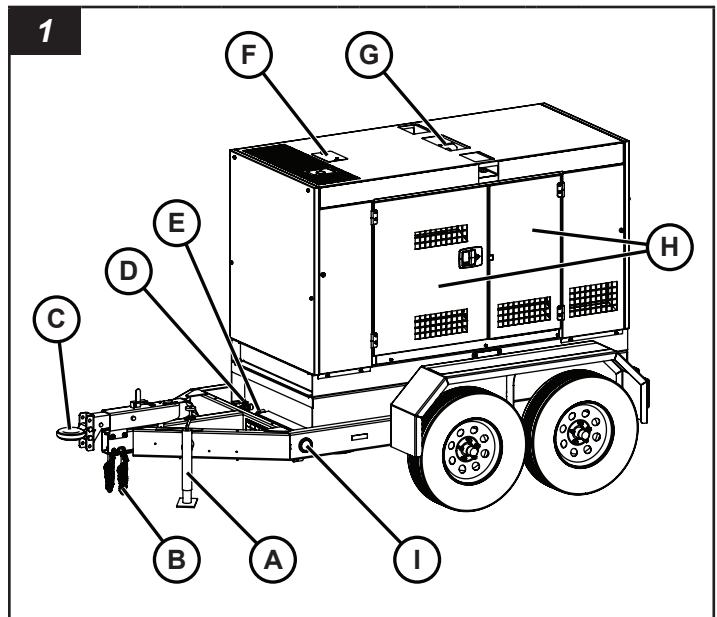
Ícono	Significado	Ícono	Significado
	Energía encendida		Luz interior
	Unidad apagada		Drenaje de contención de líquidos
	Detención del motor		Drenaje del aceite del motor
	Marcha del motor		Drenaje del refrigerante del motor
	Arranque del motor		Drenaje del combustible
	Pre calentamiento del motor		Energía eléctrica
	Contador horario		Disyuntor
	Interruptor del dispositivo de cambio de tensión		Disyuntor principal
	Controlador electrónico		Conexión a tierra

Características y controles

El generador móvil Maxi-Power™ 45 de Allmand® está destinado a ser utilizado como grupo electrógeno estacionario.

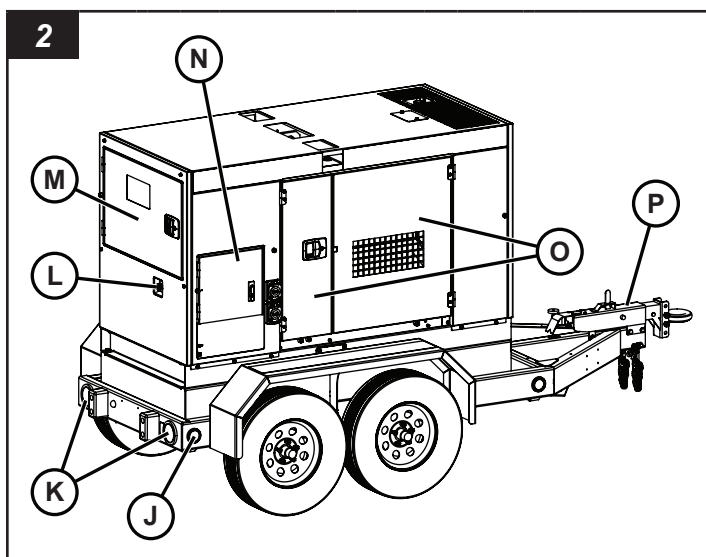
Compare las Figuras 1 a la 5 con las siguientes tablas para identificar las características y los controles de la máquina. Consulte **Operación** para obtener información detallada sobre cada característica/control.

Lado izquierdo y frente, vista exterior



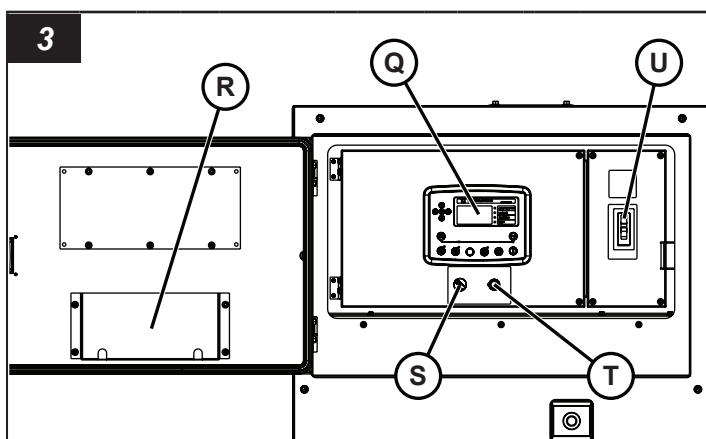
Ref.	Descripción
A	Gato de la lengua
B	Cadenas de seguridad (2)
C	Acoplador del remolque y argollón de contera
D	Drenaje del combustible
E	Drenaje de contención de líquidos
F	Acceso de la tapa del radiador
G	Anillo de elevación
H	Puertas del gabinete lateral izquierdo
I	Luz indicadora frontal (color ámbar, cada lado)

Lado derecho y posterior, vista exterior



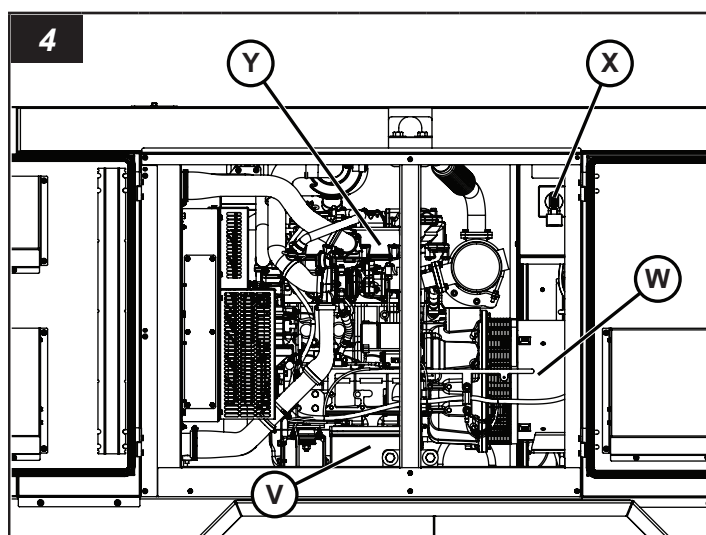
Ref.	Descripción
J	Luz indicadora trasera (color rojo, cada lado)
K	Luces traseras
L	Detención de emergencia
M	Puerta del panel de control
N	Terminal de alimentación y puerta del panel de tomacorriente
O	Puertas del gabinete lateral derecho
P	Freno de sobretensión hidráulico

Panel de control



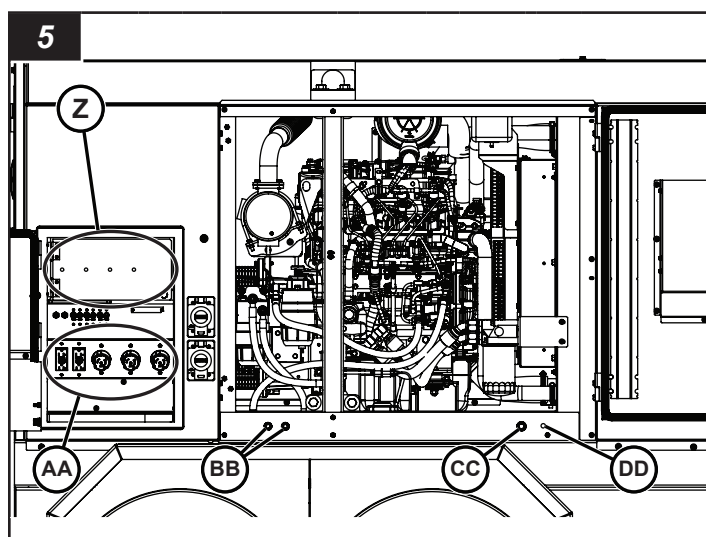
Ref.	Descripción
Q	Controlador electrónico Deep Sea
R	Soporte de almacenamiento de manuales
S	Interruptor basculante de ENCENDIDO/APAGADO del controlador electrónico
T	Interruptor de ajuste de tensión
U	Interruptor del disyuntor principal

Interior lateral izquierdo



Ref.	Descripción
V	Batería
W	Generador
X	Interruptor del dispositivo de cambio de tensión
Y	Motor

Interior lateral derecho y panel de salida de CA (tomacorriente y placa de orejeta de conexión)



Ref.	Descripción
Z	Placa de orejeta de conexión del cable de alimentación
AA	Tomacorrientes auxiliares de CA
BB	Conexiones de combustible remoto
CC	Drenaje del refrigerante del motor
DD	Drenaje del aceite del motor

Preparación del remolque del generador para el uso

ADVERTENCIA

Operar o remolcar una máquina con piezas desgastadas, faltantes o dañadas podría provocar lesiones graves o la muerte. Reemplace de inmediato dichas piezas. No opere ni remolque esta máquina antes de que se hayan reemplazado todas las piezas faltantes, dañadas o desgastadas y hágalo solo después de que se haya verificado su correcto funcionamiento.

ADVERTENCIA

Arrastrar un remolque con neumáticos mal inflados, dañados o desgastados podría provocar lesiones graves o la muerte. Reemplace inmediatamente los neumáticos desgastados o dañados. Mantenga los neumáticos inflados a la presión de inflado de neumáticos en frío correcta.

AVISO

Se recomienda el uso de repuestos autorizados de Allmand. La garantía no cubre daños ni problemas de rendimiento provocados por el uso de piezas que no sean los repuestos autorizados.

Si el remolque del generador ha estado almacenado o inactivo por un período, siga estos pasos para preparar el generador móvil Maxi-Power™ 45 para el uso.

1. Asegúrese de que se disponga de una copia del Manual del operador en el soporte de almacenamiento de manuales del remolque del generador.
2. Asegúrese de que todas las calcomanías de seguridad sean legibles y estén en su lugar en el remolque del generador. Consulte las **Calcomanías de seguridad** en la sección **Seguridad del operador**.
3. Revise que el remolque del generador funcione correctamente:
 - A. Utilice un medio adecuado para sostener con seguridad la lengua del remolque. Asegúrese de que el gato de la lengua funcione correctamente y que el gato se pueda bloquear en la posición de transporte, al igual que en la posición de soporte del remolque. Consulte la sección **Operación del gato de la lengua**.
 - B. Asegúrese de que el acoplador del remolque o el argollón de contera estén en buenas condiciones de funcionamiento y que el acoplador del remolque o el argollón de contera esté firmemente ajustado a la lengua del remolque del generador. Consulte **Uso del acoplador del remolque/argollón de contera**.
 - C. Asegúrese de que las cadenas de seguridad estén firmemente ajustadas a la lengua del remolque del generador y que los ganchos y las cadenas de seguridad no tengan daños. Reemplace las cadenas de seguridad y los ganchos que estén dañados.
 - D. Examine el estado y la presión de inflado de los neumáticos. Consulte la sección **Especificaciones**.
 - E. Asegúrese de que el eje del remolque y el sistema de frenado estén en buenas condiciones de funcionamiento. Compruebe que no haya desgastes ni daños. Repare el eje y el sistema de frenado según sea necesario.
 - F. Revise el cable de iluminación del remolque para detectar el desgaste, cortes o el cableado desnudo expuesto. Revise si el conector del cable está dañado. Reemplace el cable de iluminación del remolque dañado y/o el conector del cable según sea necesario.
 - G. Revise el interior del remolque del generador, el panel de control y el panel de salida de CA (tomacorriente y placa de orejeta de conexión) en busca de polvo y escombros y límpielos según sea necesario. Consulte **Limpieza** en la sección **Mantenimiento**.
4. Revise el nivel de aceite del motor y agregue según sea necesario. Consulte la sección **Mantenimiento**.
5. Revise el sistema de enfriamiento del motor y recárguelo según sea necesario. Asegúrese de que la botella de desborde de refrigerante esté al menos a media capacidad. Consulte la sección **Mantenimiento**.
6. Examine si el filtro de aire está dañado y reemplácelo según sea necesario. Examine el sistema de admisión de aire del motor y asegúrese de que todas las conexiones sean herméticas.
7. Asegúrese de que la batería esté cargada totalmente. El remolque del generador viene equipado desde la fábrica con una batería de 12 voltios. Use un cargador de batería de 12 voltios para cargarla nuevamente hasta su nivel máximo. Consulte **Mantenimiento de la batería** en la sección **Mantenimiento**.
8. Si el remolque se almacenó con la batería desconectada, vuelva a conectarla.
9. Asegúrese de que haya suficiente combustible en el tanque. Consulte **Abastecimiento de combustible de la unidad** en la sección **Operación** para obtener información detallada acerca de la revisión y adición de combustible.
10. Revise el filtro separador de agua de combustible y drene el agua del filtro según sea necesario. Consulte **Filtro separador de agua de combustible** en la sección **Mantenimiento** para obtener información detallada.

11. Revise el sistema de contención de líquido para detectar cualquier acumulación de líquido y drene según sea necesario. Consulte **Sistema de contención de líquido** en la sección **Mantenimiento** para obtener información detallada.
12. Asegúrese de que el motor arranca y funciona correctamente. Consulte **Funcionamiento del motor** en la sección **Operación**.
13. Revise el cableado eléctrico para detectar el desgaste, cortes o el cableado desnudo expuesto. Reemplace el cableado eléctrico dañado según sea necesario.
14. Pruebe los tomacorrientes GFCI y de conector de bloqueo giratorio en el panel de salida de CA (tomacorriente y placa de orejeta de conexión). Consulte **Tomacorrientes auxiliares de CA** en la sección **Operación**.

Transporte del remolque del generador

Arrastre del remolque del generador

Preparación del remolque del generador para el remolque



ADVERTENCIA

Arrastrar un remolque con un vehículo remolcador de baja clasificación o un enganche de dimensiones insuficientes o baja clasificación, puede provocar lesiones graves o la muerte. Siempre utilice un vehículo remolcador que tenga una capacidad de remolque nominal que exceda la clasificación de peso bruto del vehículo (GVWR) del remolque y que cuente con un enganche de remolque del tamaño adecuado, con clasificación para la GVWR del remolque.



ADVERTENCIA

Operar o remolcar una máquina con piezas desgastadas, faltantes o dañadas podría provocar lesiones graves o la muerte. Siempre reemplace oportunamente las piezas faltantes, dañadas o desgastadas. No haga funcionar ni remolque esta máquina hasta que se hayan reemplazado todas las piezas faltantes, dañadas o desgastadas y después de que se haya verificado su buen funcionamiento.



ADVERTENCIA

Arrastrar un remolque con neumáticos mal inflados, dañados o desgastados podría provocar lesiones graves o la muerte. Reemplace inmediatamente los neumáticos desgastados o dañados. Mantenga los neumáticos inflados a la presión de inflado de neumáticos en frío correcta.

1. Apague la unidad del generador.
2. Desconecte todos los cables de alimentación de la unidad del generador y guarde los cables adecuadamente.
3. Cierre todas las puertas del panel en la unidad del generador y asegúrese de que todas estén cerradas con pasador.
4. Asegúrese de que el vehículo remolcador y el enganche del remolque tengan la clasificación para remolcar la unidad. Consulte la sección **Peso del remolque del generador**.
Nota: Consulte los manuales del vehículo remolcador y del enganche del remolque para conocer las capacidades nominales de remolque.
5. Conecte el remolque al enganche del vehículo remolcador. Examine el acoplador del remolque o argollón de contera en busca de daños y asegúrese de que esté firmemente ajustado a la lengua. Consulte la sección **Conexión del remolque del generador al vehículo remolcador**.
6. Asegúrese de que las cadenas de seguridad estén firmemente ajustadas a la lengua del remolque y examine los ganchos y las cadenas de seguridad en busca de daños. Reemplace según sea necesario.
7. Asegúrese de que el conector de las luces del vehículo remolcador esté conectado con el conector de las luces del remolque. Examine si los cables y el conector de las luces del remolque tienen daños. Repare o reemplace según sea necesario.
8. Examine el estado y la presión de inflado de los neumáticos. Consulte **Verificación de la presión de los neumáticos** en la sección **Mantenimiento**.
9. Retire las cuñas para ruedas de la parte delantera y posterior de cada rueda.

Conexión del remolque del generador al vehículo remolcador

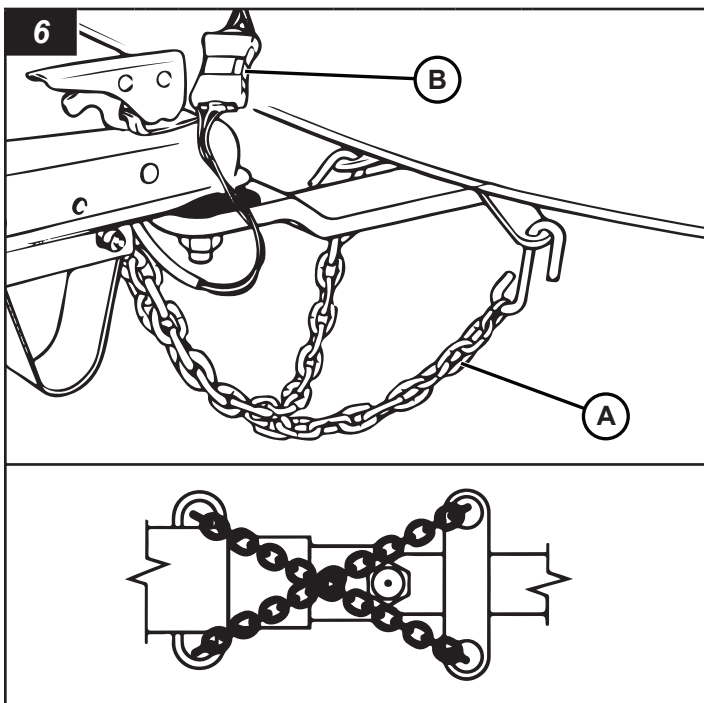


ADVERTENCIA

Retraer el gato de la lengua sin afirmar la lengua del remolque podría provocar lesiones graves o la muerte. Siempre asegúrese de que la lengua del remolque esté apoyada firmemente con los medios adecuados, antes de retraer el gato de la lengua.

1. Coloque cuñas para ruedas (no se incluyen) contra la parte delantera y posterior de cada rueda, en ambos lados del remolque del generador.
2. Ajuste la altura del enganche para que el remolque del generador esté nivelado con el vehículo de remolque.
3. Use el gato de la lengua para elevar el acoplador del remolque o el argollón de contera sobre el enganche de bola o enganche de clavija del vehículo remolcador. Consulte la sección **Operación del gato de la lengua**.

4. Mueva el vehículo de remolque de modo que el enganche de bola esté debajo del acoplador del remolque (si está equipado) o el enganche de clavija esté debajo del argollón de contera.
5. Baje el acoplador del remolque al enganche con el gato de la lengua.
6. Bloquee el acoplador del remolque al enganche de bola o argollón de contera. Consulte **Uso del acoplador del remolque/argollón de contera**.
7. Conecte las cadenas de seguridad (A, Figura 6) al armazón del enganche del vehículo remolcador. Cruce las cadenas debajo de la lengua como se muestra. Deje suficiente holgura en las cadenas para permitir los giros, pero no demasiada como para que estas tengan contacto con la superficie del camino.
8. Conecte el conector de las luces del remolque (B, Figura 6) al conector del vehículo remolcador. Asegúrese de que el haz de cables de las luces del remolque tenga la longitud suficiente para evitar la desconexión al realizar los giros, pero no demasiada como para que este tenga contacto con la superficie del camino. Una vez conectado, revise que las luces de detención, de viraje, traseras, marcadoras laterales y de la placa de licencia funcionen correctamente.
9. Levante completamente la pata del gato de la lengua y, luego, retraiga el gato de la lengua a la posición de transporte. Consulte la sección **Operación del gato de la lengua**.
10. Retire las cuñas de ambos lados de cada una de las ruedas del remolque de generador móvil.



Operación del gato de la lengua

La unidad está equipada con un gato de la lengua para elevar y bajar la lengua del remolque, y para nivelarlo de adelante hacia atrás.

Extensión del gato de la lengua

⚠ ADVERTENCIA

No fijar el gato de la lengua en la posición de funcionamiento con el pasador de bloqueo del gato podría causar que la parte delantera del remolque de torre de iluminación colapse y provocar lesiones graves o la muerte. Siempre asegúrese de fijar el gato de la lengua en la posición de funcionamiento con el pasador de bloqueo del gato.

1. Retire el pasador de bloqueo del gato (A, Figura 7), gire el gato de la lengua hasta la posición de funcionamiento (B, Figura 7) y atravesese el pasador de bloqueo del gato completamente por los orificios superiores e inferiores del gato y la lengua.
2. Despliegue la manivela (C, Figura 7).

Bajada de la pata del gato de la lengua (elevar la parte delantera del remolque)

- Gire la manivela del gato en sentido horario (D, Figura 7) para bajar la pata del gato (E, Figura 7) y elevar la parte delantera del remolque de generador móvil.

Elevación de la pata del gato de la lengua (bajar la parte delantera del remolque)

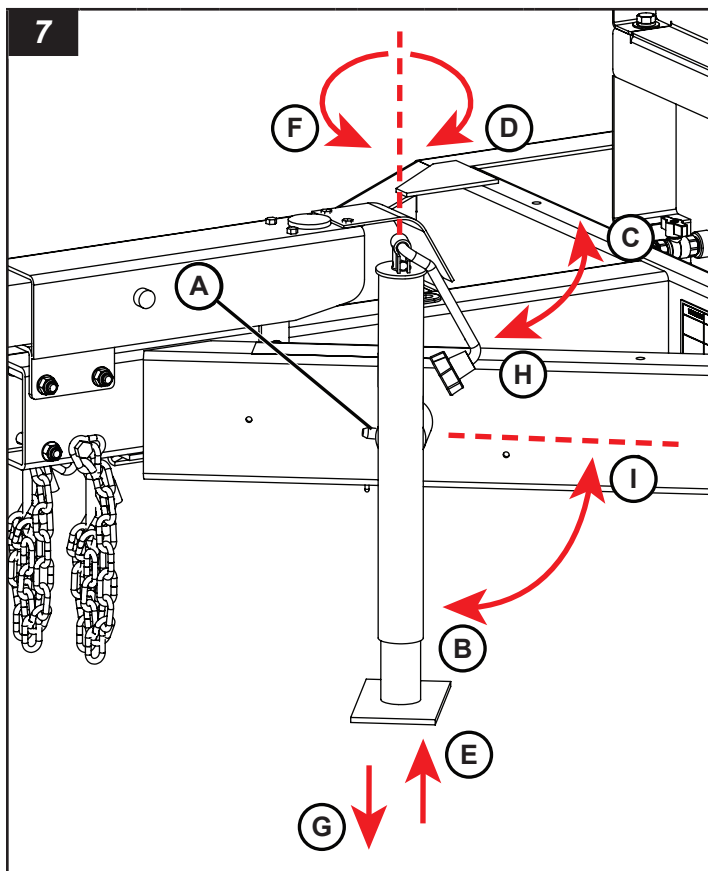
- Gire la manivela del gato en sentido antihorario (F, Figura 7) para elevar la pata del gato (G, Figura 7) y bajar la parte delantera del remolque de torre de iluminación.

Retracción del gato de la lengua

⚠ ADVERTENCIA

Retraer el gato de la lengua sin afirmar la lengua del remolque podría provocar lesiones graves o la muerte. Siempre asegúrese de que la lengua del remolque esté apoyada con seguridad con los medios adecuados, antes de retraer el gato de la lengua.

1. Utilice un medio adecuado para sostener la lengua del remolque.
2. Eleve completamente la pata del gato de la lengua.
3. Pliegue la manivela (H, Figura 7).
4. Retire el pasador de bloqueo del gato (A, Figura 7), gire el gato hasta la posición de transporte (I, Figura 7) y atravesese el pasador de bloqueo del gato completamente por los orificios superiores e inferiores del gato y la lengua del remolque.



Uso del acoplador del remolque/argollón de contera

El remolque está equipado con un acoplador del remolque para un enganche de bola o con un argollón de contera para un enganche de clavija.

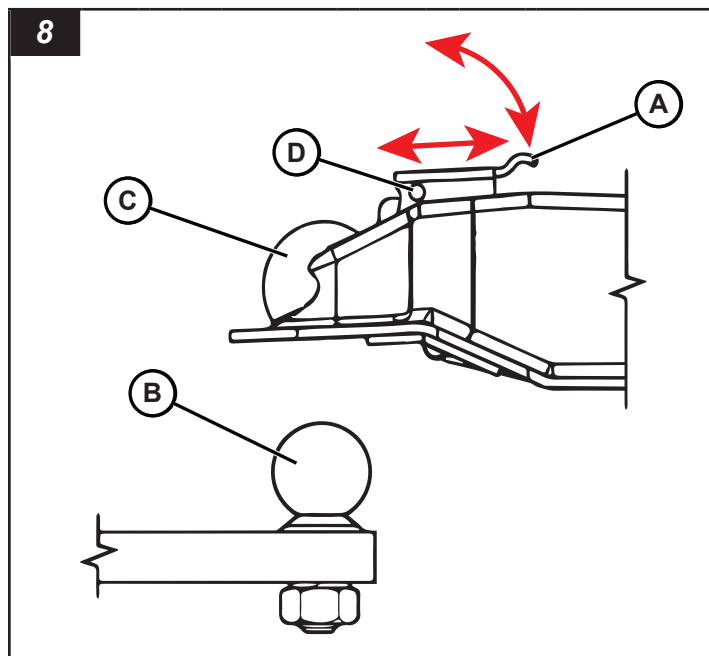
Acoplador del remolque

Para acoplar al enganche de bola del vehículo remolcador

1. Levante y tire el bloqueo (A, Figura 8) del acoplador del remolque.
2. Baje el acoplador del remolque al enganche de bola del vehículo. Asegúrese de que la bola del enganche (B, Figura 8) esté completamente enganchada en el encastre del acoplador (C, Figura 8).
3. Presione el seguro hacia adelante y hacia abajo. (Se bloquea automáticamente). Instale un candado a través del orificio del pasador (D, Figura 8) para mayor seguridad.
4. Asegúrese de que el acoplador esté completamente instalado en el enganche de bola.

Para desacoplar al enganche de bola del vehículo remolcador

1. Retire el candado (si instaló uno) del pasador del acoplador del remolque (D, Figura 8).
2. Levante el pasador del acoplador del remolque (A, Figura 8) hacia arriba y hacia atrás.



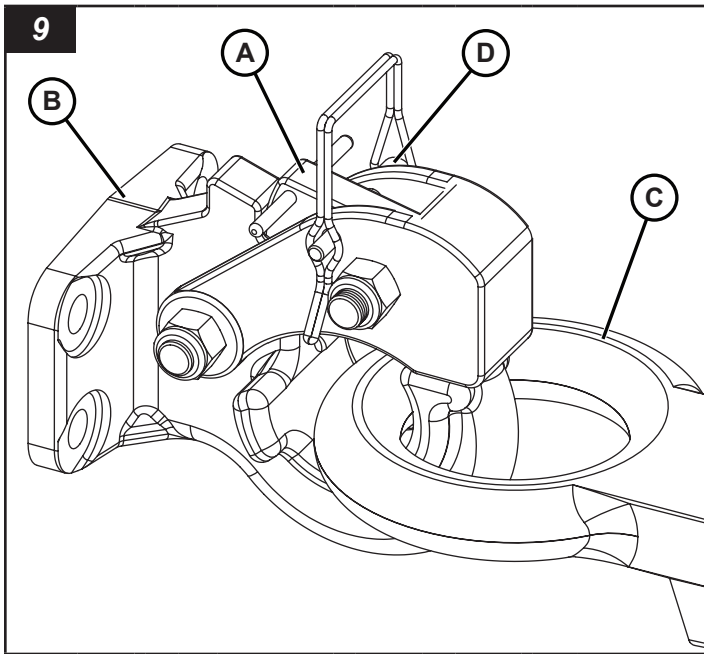
Argollón de contera

Para acoplar al enganche de clavija del vehículo remolcador

1. Abra el pasador de bloqueo (A, Figura 9) en el enganche de clavija del vehículo remolcador (B, Figura 9).
Nota: Se muestra un enganche de clavija estándar; los diseños pueden variar.
2. Baje el argollón de contera (C, Figura 9) en el gancho del enganche de clavija.
3. Cierre el pasador de bloqueo. Inserte el perno de bloqueo (D, Figura 9) en el orificio del pasador de bloqueo.

Para desacoplar al enganche de clavija del vehículo remolcador

1. Retire el perno de bloqueo del orificio en el pasador de bloqueo.
2. Abra el pasador de bloqueo.
3. Eleve el argollón de contera hasta quitar del gancho del enganche de clavija.



Peso del remolque del generador

⚠ ADVERTENCIA

Arrastrar el remolque del generador cuando su carga supera la clasificación de peso bruto del vehículo (GVWR) podría provocar lesiones graves o la muerte. Siempre mantenga un peso bruto del vehículo inferior a la GVWR que se indica en la placa de serie y en la sección **Especificaciones** de este manual.

El remolque del generador es un equipo SAE clase 2 con una clasificación de peso bruto del vehículo (GVWR) según lo señalado en la placa de serie y en la sección **Especificaciones** de este manual. Con el fin de no exceder la GVWR, no intente transportar herramientas o equipos adicionales. No transporte pasajeros. Consulte la sección **Seguridad**.

Arrastre del remolque del generador

⚠ ADVERTENCIA

El exceso de velocidad al arrastrar el remolque puede provocar lesiones graves o la muerte. Siempre mantenga una velocidad de remolque segura para las condiciones del camino. Nunca exceda las 65 mph (105 km/h) cuando arrastre el remolque.

⚠ ADVERTENCIA

Peligro de vuelco

No realice virajes cerrados a altas velocidades cuando arrastre el remolque del generador. Esto puede provocar el vuelco del remolque del generador y producir daños en el equipo, lesiones graves o la muerte.

La velocidad de remolque nominal máxima en carretera del remolque del generador es de 105 km/h (65 mph). Asegúrese de revisar las leyes de su provincia o estado, en relación con las velocidades de remolque máximas legales para los remolques.

Cuando arrastre el remolque fuera de la carretera o en terrenos en mal estado, la velocidad de remolque máxima es de 32 km/h (20 mph). Es posible que se requieran velocidades menores para terrenos en muy malas condiciones.

Arrastre el remolque del generador con el motor apagado.

No transporte pasajeros.

Desconexión del remolque del generador del vehículo remolcador

⚠ ADVERTENCIA

Peligro de aplastamiento

Intentar mover el remolque del generador empujándolo o tirando manualmente de este, puede presentar un peligro de aplastamiento y provocar lesiones graves o la muerte. Siempre mueva el remolque de generador móvil con el vehículo remolcador, coloque cuñas en las ruedas y baje el gato de la lengua antes de desacoplar el remolque del vehículo remolcador.

1. Seleccione una superficie estable, nivelada y firme en el lugar de trabajo. Consulte **Consideraciones del lugar de trabajo** en la sección **Operación**.
2. Mueva el remolque del generador a la posición que desee con respecto al vehículo remolcador.
3. Coloque cuñas contra las ruedas en ambos lados del remolque.
4. Desconecte el conector de las luces del remolque del conector de las luces del vehículo remolcador.
5. Mueva el gato de la lengua a la posición de funcionamiento. Consulte la sección **Operación del gato de la lengua**.
6. Baje la pata del gato de la lengua para sostener la parte delantera del remolque del generador. Consulte la sección **Operación del gato de la lengua**.
7. Desconecte el acoplador del remolque o el argollón de contera del vehículo remolcador. Consulte **Uso del acoplador del remolque/argollón de contera**.
8. Use el gato de la lengua para elevar el acoplador del remolque o argollón de contera sobre el enganche del vehículo remolcador.
9. Desconecte las cadenas de seguridad del armazón del enganche del vehículo remolcador.
10. Separe el vehículo remolcador del remolque del generador.

Transporte en un remolque

Las cavidades para grúa horquilla en cualquier lado de la unidad pueden utilizarse como puntos de sujeción. Consulte la sección **Elevación del remolque del generador** para ver las ubicaciones de la cavidad para grúa horquilla.

Sujete siempre el remolque del generador al remolque de transporte con cadenas o correas. No aplique una fuerza superior a 272 kg (600 libras) en las cadenas o correas.

El operador del camión es responsable de asegurarse de que la unidad esté cargada y sujeta de forma segura a su remolque de transporte.

Elevación del remolque del generador

ADVERTENCIA

Levantar el remolque del generador con un dispositivo de elevación dañado o de baja clasificación puede provocar lesiones graves o la muerte. Siempre asegúrese de que el dispositivo de elevación esté clasificado para levantar el peso del remolque del generador. Asegúrese de que el dispositivo de elevación se encuentra en buenas condiciones antes de la elevación.

ADVERTENCIA

Ponerse de pie o caminar por debajo de equipos elevados podría provocar lesiones graves o la muerte. Cuando eleve el remolque del generador, siempre mantenga despejada el área alrededor y bajo el remolque del generador, y no permita que otras personas estén en el área.

Pautas generales para la elevación

- Antes de levantar la unidad, apáguela.
- Asegúrese de que el dispositivo de elevación que use esté en buenas condiciones y excede la clasificación de peso bruto del vehículo (GVWR) del remolque del generador. Consulte la sección **Peso del remolque del generador**.
- Use ayuda cuando manipule una grúa horquilla, una grúa o un polipasto y cuando realice la descarga.
- Use solo el cáncamo de elevación para levantar la unidad con un polipasto o una grúa.
- Use solo grilletes o un gancho tipo bloqueo cuando realice la elevación.
- No se pare ni camine debajo de la unidad cuando esté levantada. Mantenga a las demás personas alejadas.

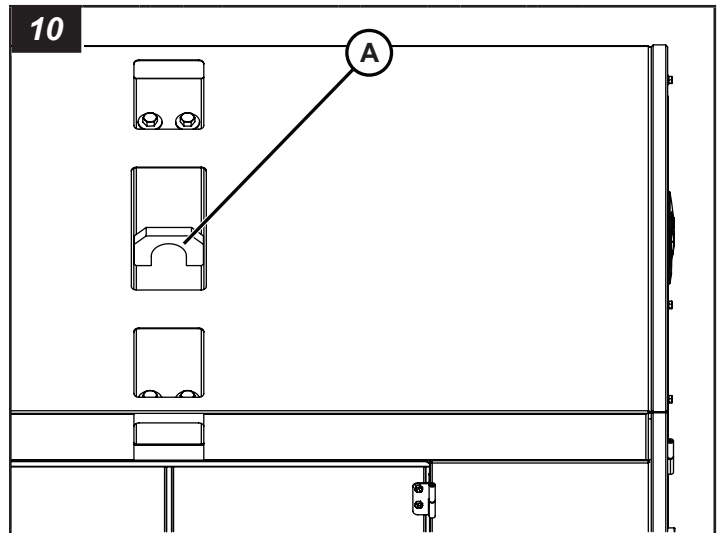
Cáncamo de elevación

El remolque del generador está equipado con un cáncamo de elevación ubicado en la parte superior central de la unidad (A, Figura 10). Use solo este cáncamo de elevación para levantar el remolque del generador.

Use un dispositivo de elevación con una clasificación de elevación que supere la clasificación de peso bruto del vehículo (GVWR) del remolque del generador. Consulte la sección **Peso del remolque del generador**.

El cáncamo de elevación tiene una capacidad nominal de 1360 kg (3000 libras) y está diseñado para soportar únicamente el peso del remolque del generador. No agregue más peso a la unidad cuando la levante.

No mantenga el remolque del generador elevado durante períodos prolongados.



Operación

Consideraciones de seguridad del lugar de trabajo

El operador tiene la responsabilidad de asegurarse de que el remolque del generador se ubique de manera segura y adecuada en el lugar de trabajo. Obedezca las reglas provinciales, estatales y federales, así como las reglas o instrucciones del lugar de trabajo.

Superficie del suelo

ADVERTENCIA



Peligro de vuelco

Colocar el remolque del generador en un terreno blando, inestable o desnivelado podría causar el vuelco del remolque y provocar lesiones graves o la muerte. Siempre posicione el remolque en una superficie firme, nivelada y estable.

- No instale el remolque del generador en una superficie inclinada de más de 2,8° (5 % de grado), de adelante hacia atrás y de lado a lado.
- No instale el remolque del generador en un suelo inestable o desnivelado. Solo instale sobre superficies con suelos sólidos, planos y uniformes.

Nivelación y estabilización del remolque del generador

 **ADVERTENCIA**

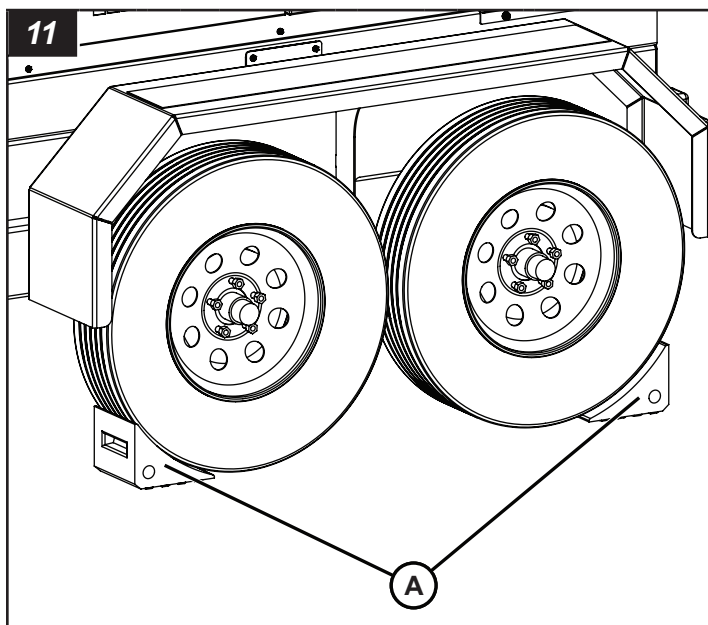


Peligro de vuelco

Instalar el remolque del generador en un terreno blando, inestable o desnivelado podría causar el vuelco del remolque y provocar lesiones graves o la muerte. Siempre coloque el remolque en una superficie firme, nivelada y estable.

1. Instale el remolque del generador en un lugar de trabajo sólido y nivelado. Consulte la sección **Consideraciones de seguridad del lugar de trabajo**.
2. Coloque cuñas para ruedas en la parte delantera y posterior de cada rueda (A, Figura 11).

Nota: Las cuñas para ruedas no se suministran con la unidad.



3. Nivele el remolque del generador con el gato de la lengua. Consulte **Funcionamiento del gato de la lengua** en la sección **Transporte**.

Abastecimiento de combustible de la unidad

 **ADVERTENCIA**



Peligro de incendio

Agregar combustible al remolque del generador con el motor en funcionamiento, puede provocar un incendio y lesiones graves o la muerte. Siempre asegúrese de que el motor esté apagado antes de agregar combustible en el tanque.

El remolque del generador cuenta con un tanque de combustible simple que tiene una capacidad de 401 litros (106 galones).

1. Abra la puerta del compartimiento del motor.
2. Retire la tapa del tanque de combustible (A, Figura 12) y agregue combustible en el tanque. Consulte la sección **Especificaciones** para ver las recomendaciones de combustible. El módulo de control Deep Sea muestra la cantidad de combustible en el tanque.
3. Coloque la tapa del tanque de combustible después de agregar combustible.
4. Cierre la puerta del compartimiento del motor.

AVISO

Usar combustibles distintos a los recomendados por el fabricante del motor podría provocar daños en el motor o en el sistema de control de emisiones, lo que anulará la garantía del fabricante. Siempre lea y respete las recomendaciones de combustible del fabricante del motor.

Retire el tanque de combustible

 **ADVERTENCIA**



Inflamable y peligro de derrame

Cambiar la palanca de la válvula de combustible remota a otra posición mientras la unidad está funcionando podría causar un derrame de combustible diésel. El derrame podría ser peligroso y el combustible diésel es inflamable, por lo cual cualquiera de ellos podría ocasionar la muerte o lesiones graves. Apague la unidad antes de cambiar la palanca de la válvula de combustible remota a otra posición.

El remolque del generador está equipado con una válvula de combustible remota con la opción de alimentar la unidad desde un tanque de combustible remoto.

Operación y conexión de tanque de combustible remoto

1. Configure el tanque de combustible remoto para que esté a un nivel que sea de 0 a 2,5 m (0 a 98 pulgadas) más alto que la unidad del generador.
2. Asegúrese de que la palanca de la válvula de combustible remota (B, Figura 12) esté en la posición del tanque de combustible del remolque del generador con las líneas de combustible que conducen hacia y desde el tanque de combustible del remolque del generador.
3. Quite los tapones de la línea de combustible remota (C, Figura 12) de las dos conexiones de combustible remotas en el costado del remolque del generador.

4. Conecte una manguera de combustible con un diámetro interior de 8 a 10 mm (5/16-3/8 in) a las dos conexiones remotas de combustible del suministro y las tuberías de succión de retorno en el tanque de combustible remoto.

Nota: Asegúrese de que las tuberías de succión de retorno y de la parte inferior del suministro en el tanque de combustible remoto estén a 5/8-13/16 pulg (15-20 mm) por encima de la base del tanque para evitar que se succione agua y sedimentos.

5. Cambie la palanca de la válvula de combustible remota a la posición del tanque de combustible remota que tiene las líneas de combustible que conducen hacia y desde el tanque de combustible remoto.

Nota: Asegure y fije todas las conexiones antes de cambiar la palanca de la válvula de combustible remota.

Desconexión del tanque de combustible remoto

1. Cambie la palanca de la válvula de combustible remota esté en la posición del tanque de combustible del remolque del generador con las líneas de combustible que conducen hacia y desde el tanque de combustible del remolque del generador.
2. Retire las mangueras de combustible de las dos conexiones de combustible remotas en el costado del remolque del generador.
3. Vuelva a colocar los tapones de la línea de combustible remota.

Preparación para hacer funcionar la unidad

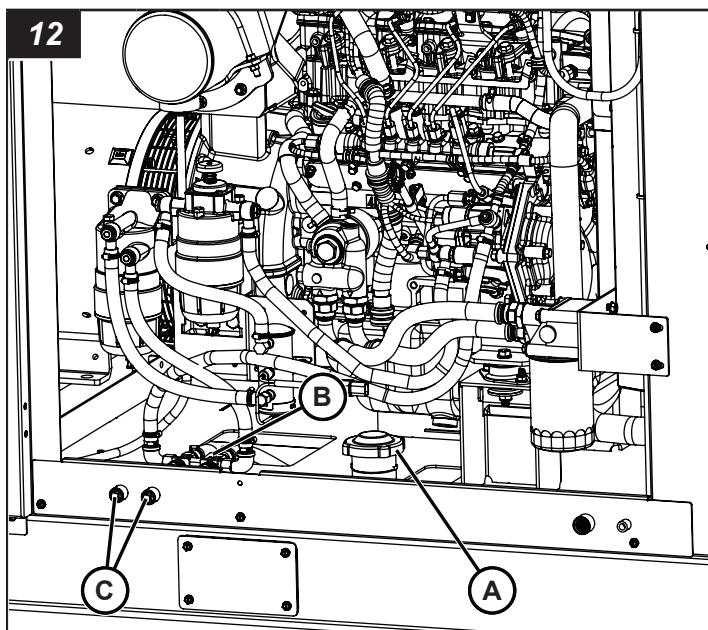
 **ADVERTENCIA**



Peligro de quemaduras

La liberación rápida de refrigerante caliente bajo presión podría provocar lesiones graves o la muerte. Tenga mucho cuidado cuando abra la tapa del radiador y siempre use protección para los ojos y guantes resistentes al calor.

1. Asegúrese de que el remolque del generador quede nivelado de adelante hacia atrás. Consulte la sección **Nivelación y estabilización del remolque del generador**.
2. Abra la puerta del compartimiento del motor.
3. Retire la varilla de nivel de aceite del motor y revise el nivel. El nivel del aceite del motor debe quedar entre las marcas "Lleno" y "Agregar" en la varilla indicadora de nivel de aceite. Añada aceite según sea necesario. Consulte **Aceite del motor** en la sección **Mantenimiento**.
4. Revise la botella de recuperación de refrigerante del motor. Mantenga el refrigerante del motor en la botella de recuperación entre 1/3 y 2/3 de su capacidad. Abra la puerta de acceso a la tapa del radiador (consulte la sección **Características y controles**), retire la tapa del radiador y compruebe el nivel del refrigerante. Rellene según sea necesario. Consulte **Refrigerante del motor** en la sección **Mantenimiento** para obtener información detallada acerca del refrigerante del motor.
5. Examine el nivel de combustible en el tanque de combustible. Agregue combustible según sea necesario. Consulte la sección **Abastecimiento de combustible de la unidad**.
6. Cierre la puerta del compartimiento del motor.



Configuración del dispositivo de cambio de tensión y panel de salida de CA (tomacorriente y placa de orejeta de conexión)

Dispositivo de cambio de tensión



PELIGRO



Peligro de descarga eléctrica

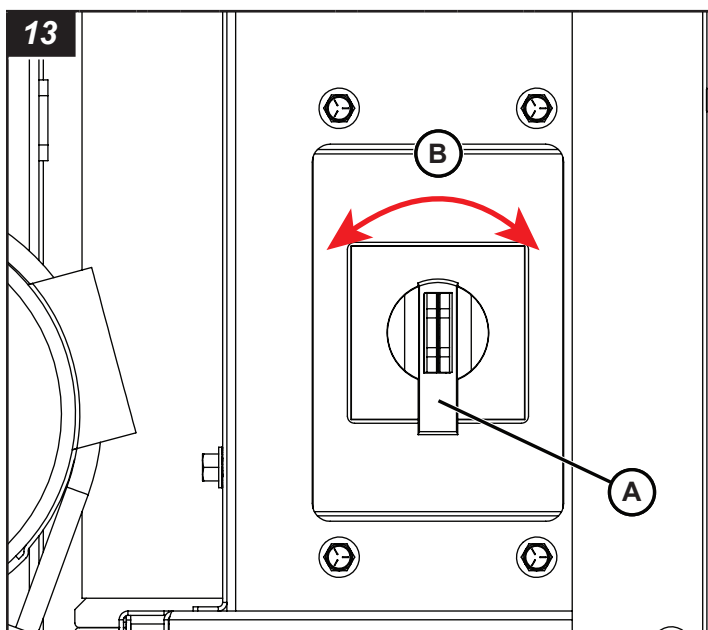
Girar el interruptor de tensión a otra posición mientras la unidad está en funcionamiento podría causar un peligro de descarga eléctrica del generador que provocaría la muerte o lesiones graves. Apague la unidad antes de girar el interruptor de tensión a otra posición. Se debe instalar un bloqueo en el interruptor para evitar que el interruptor se gire mientras la unidad está en funcionamiento.

El interruptor del dispositivo de cambio de tensión (A, Figura 13) se encuentra en el lado izquierdo de la unidad del generador. Para conocer la ubicación, consulte la sección **Características y controles**. El interruptor se utiliza para ajustar la tensión del tomacorriente y el panel de la placa de orejeta de conexión.

Para configurar el interruptor de tensión:

1. Gire el interruptor (B, Figura 13) a la tensión deseada para la operación del generador. Consulte **Selección de configuraciones de cable de la placa de orejeta de conexión de salida y tensión** para determinar la posición del interruptor.
2. Instale el bloqueo en el interruptor.

Nota: El interruptor del dispositivo de cambio de tensión debe configurarse antes de operar el motor. Instale un bloqueo en el interruptor después de configurar la tensión deseada.



Panel de salida de CA (tomacorriente y placa de orejeta de conexión)



PELIGRO



Peligro de electrocución

El ingreso al tomacorriente y panel de la placa de orejeta de conexión mientras el equipo está en funcionamiento provocará lesiones graves o la muerte. Apague el equipo antes de ingresar en el compartimento eléctrico.

El panel de salida de CA (tomacorriente y placa de orejeta de conexión) se encuentra en el lado derecho de la unidad del generador. El panel eléctrico está cubierto por una puerta de panel con una solapa de puerta. Pase los cordones y cables de alimentación por debajo de la puerta. Siga los pasos para el funcionamiento del panel de salida de CA:

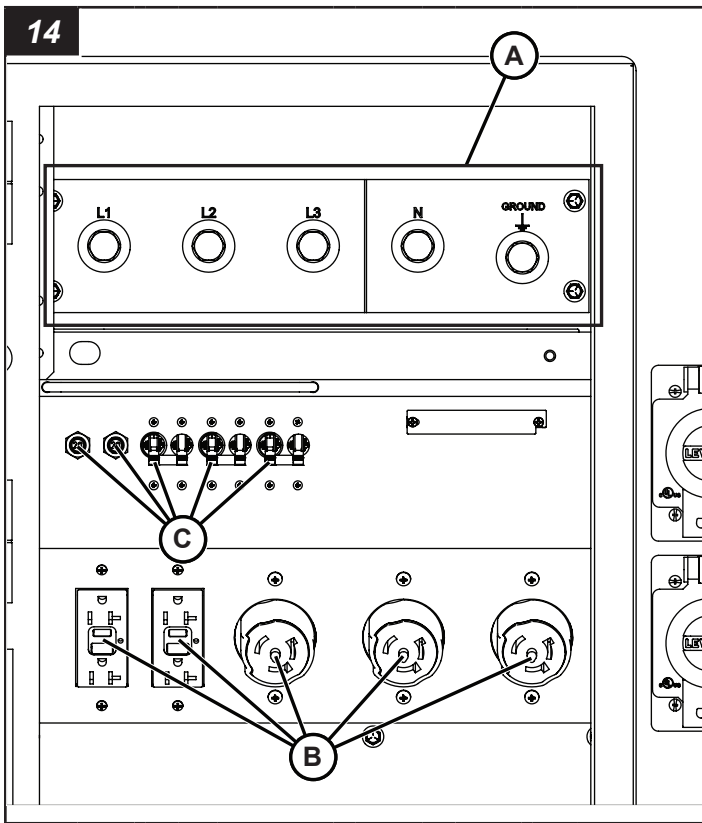
1. Configure el interruptor del dispositivo de cambio de tensión. La tensión de funcionamiento del panel de salida de CA está determinada por la configuración del interruptor del dispositivo de cambio de tensión. Consulte **Dispositivo de cambio de tensión** para la operación.

Nota: El interruptor del dispositivo de cambio de tensión debe configurarse antes de operar el motor. Instale un bloqueo en el interruptor después de configurar la tensión deseada.

2. Conecte los cordones y/o cables de alimentación a la placa de orejeta de conexión (A, Figura 14) y/o a los tomacorrientes (B, Figura 14). Consulte la sección **Selección de configuraciones de cable de la placa de orejeta de conexión de salida y tensión y Conexión de cargas y selección de cables** para determinar las conexiones de cable. Consulte **Salidas auxiliares de CA** para ver las tomas de tomacorriente.

Nota: Los cordones y cables de alimentación deben instalarse/conectarse al panel de salida de CA antes de operar el motor.

3. Arranque la unidad y luego gire el disyuntor principal a la posición de ENCENDIDO. La alimentación se suministra hacia el tomacorriente y el panel de la placa de orejeta de conexión solo cuando el motor está en funcionamiento y el disyuntor principal se encuentra en la posición de ENCENDIDO. Consulte la sección **Operación del motor**.
4. Coloque los disyuntores principales en la posición de ENCENDIDO. Los tomacorrientes están protegidos por disyuntores de circuito dedicados (C, Figura 14) que se encuentran en el panel de control.



Selección de configuraciones de cable de la placa de orejeta de conexión de salida y tensión

AVISO

- Durante la operación del generador, no opere el interruptor del selector de tensión. La selección de tensión durante la operación puede provocar una tensión anormal en la carga, lo que puede dañar la carga.
- Además, esto puede causar daños al generador y al regulador automático de tensión (automatic voltage regulator, AVR).
- Asegúrese de apagar la unidad del generador antes de operar el interruptor del selector de tensión.
- Cuando haya completado la selección de tensión, bloquee el interruptor del selector de tensión en la nueva posición.

Seleccione la carga de tensión deseada para el funcionamiento del generador configurando la posición del interruptor del dispositivo de cambio de tensión. Consulte la tabla para ver cómo la posición del interruptor del dispositivo de cambio de tensión está asociada con las configuraciones de cable de la placa de orejeta de conexión de salida. Conecte los cables a las orejetas según cada configuración.

Posición del interruptor del dispositivo de cambio de tensión	Configuración de cable trifásica de la placa de orejeta de conexión	Configuración de cable monofásica de la placa de orejeta de conexión	Configuración de cable monofásica de la placa de orejeta de conexión
 480/277V 3Φ	 480 3Φ	 480V 1Φ	 277V 1Φ
 208/120V 3Φ	 208 3Φ	 208V 1Φ	 120V 1Φ
 240/120V 1Φ	n/a	 240V 1Φ	 120V 1Φ

Conexión de cargas y selección de cables

ADVERTENCIA



Peligro de descarga eléctrica

- Al retirar o conectar un cable de conexión para cambiar la carga, asegúrese de colocar en APAGADO el disyuntor principal y, a continuación, lleve a cabo el trabajo.
- Para cargar un cable de conexión, no utilice un cable dañado ni un cable de tensión insuficiente. Fije las conexiones de cable entre cada orejeta de conexión y el terminal de entrada/salida. Las conexiones flojas pueden provocar un incendio o una descarga eléctrica.

Seleccione un cable de calibre aplicable (AWG) considerando la capacidad de carga y la distancia del generador a la carga. El calibre y la longitud del cable deben clasificarse con una caída de tensión inferior al 5 %. Utilice la placa de orejeta de conexión (A, Figura 15) para conectar y fijar los cables de forma segura.

Si la corriente de carga supera la corriente nominal del cable, puede producirse un sobrecalentamiento del cable. Del mismo modo, si el calibre del cable es demasiado pequeño y/o la longitud del cable es demasiado larga, la caída de tensión a través del cable puede ser excesiva, lo que podría provocar daños en la máquina.

Instalación de un interruptor de carga

Instale un interruptor de carga (B, Figura 15, no suministrado) entre el terminal de salida y la carga para encender/apagar la carga. No encienda/apague la carga directamente con el disyuntor del generador. Podría causar daños al disyuntor.

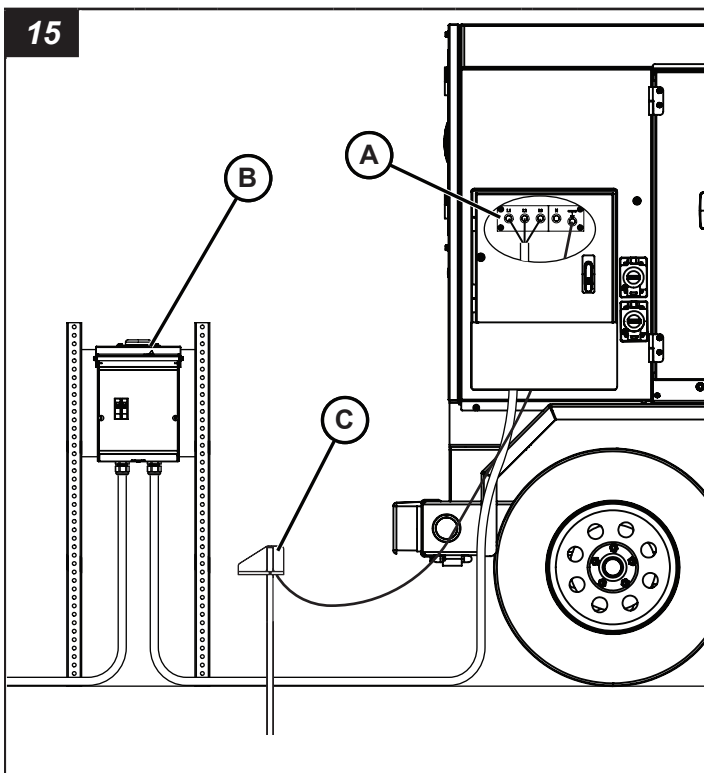
Conecte el cable de conexión a la carga de forma que los terminales de salida no entren en contacto.

Conexión a tierra de la unidad

AVISO

La máquina se debe conectar a tierra conforme a los requisitos señalados por las autoridades de inspección local.

1. Con un mazo, instale una varilla de conexión a tierra (C, Figura 15, no suministrada) firmemente en el suelo, a menos de 5 pies (1,5 m) de la orejeta de conexión a tierra de la unidad.
2. Conecte el cable de la varilla de conexión a tierra a la orejeta de conexión a tierra.



Tomacorrientes auxiliares de CA

El tomacorriente de CA y el panel de la placa de orejeta de conexión de salida están equipados con dos tomas GFCI (A, Figura 16) y tres tomas de conector de bloqueo giratorio (B, Figura 16). Las tomas GFCI están protegidas por disyuntores de botón pulsador (C, Figura 16) y las tomas de conector de bloqueo giratorio están protegidas por disyuntores de mango accionador (A, Figura 16).

Tomas GFCI de 20 A

Las tomas GFCI solo están disponibles cuando el interruptor del selector de tensión se gira a la posición monofásica de 240/120 V o trifásica de 208 V/120 V.

1. Arranque la unidad del generador y gire el disyuntor principal a la posición de ENCENDIDO/1 en el panel de control. Consulte la sección **Operación del motor**.
2. Gire el disyuntor de la toma GFCI a la posición de ENCENDIDO/1.

Nota: El disyuntor de la toma GFCI debe estar en la posición de APAGADO/0 antes de arrancar el generador y encender el disyuntor principal. Además, asegúrese de revisar también el disyuntor GFCI en el tomacorriente GFCI y restablézcalo si es necesario.

Tomas de conector de bloqueo giratorio de 50 A

Las tomas de conector de bloqueo giratorio solo están disponibles cuando el interruptor del selector de tensión se gira a la posición monofásica de 240/120 V.

1. Arranque la unidad del generador y gire el disyuntor principal a la posición de ENCENDIDO/1 en el panel de control. Consulte la sección **Operación del motor**.
2. Gire el disyuntor de la toma de conector de bloqueo giratorio a la posición de ENCENDIDO/1.

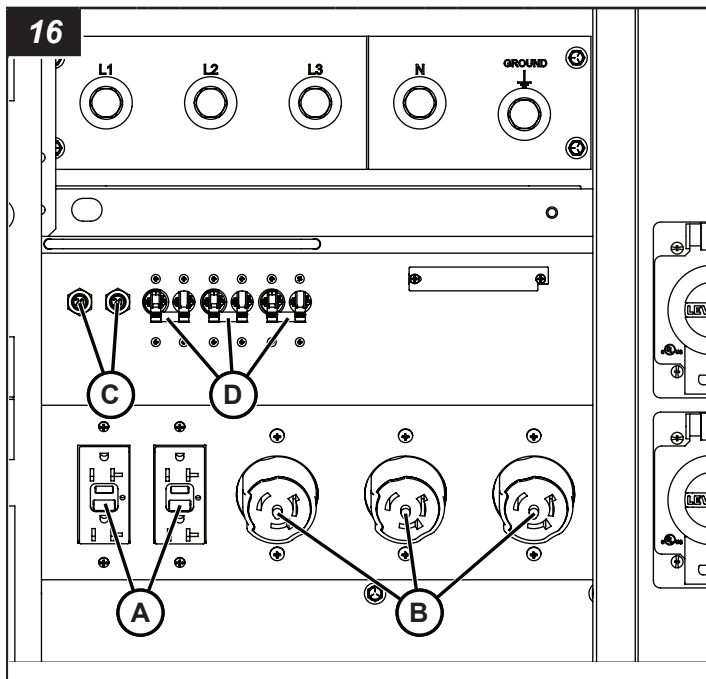
Nota: El disyuntor de la toma de conector de bloqueo giratorio debe estar en la posición de APAGADO/0 antes de arrancar el generador y encender el disyuntor principal.

Desconexiones del disyuntor

1. Desconecte la carga desde el tomacorriente.
2. Cambie el disyuntor principal a la posición de APAGADO/0 y apague el motor.
3. Espere 10 minutos para que el generador se enfríe.
4. Corrija el problema de carga.
5. Arranque el motor y cambie el disyuntor principal a la posición de ENCENDIDO/1.
6. Restablezca el interruptor a la posición de ENCENDIDO/1.

Nota: Asegúrese de revisar también el disyuntor GFCI en el tomacorriente GFCI y restablézcalo si es necesario.

7. Si el problema persiste, consulte la sección **Resolución de problemas**.



Operación del motor

⚠ ADVERTENCIA

Peligro de arranque automático del motor

El arranque inesperado del motor podría causar la muerte o lesiones graves. Lea y siga el manual del operador del controlador electrónico antes de hacer funcionar este equipo o realizarle mantenimiento.

Antes de operar el motor, el dispositivo de cambio de tensión debe estar configurado y los cordones/cables de alimentación deben conectarse y enrutarse desde el panel de salida de CA. Consulte **Configuración del dispositivo de cambio de tensión y panel de salida de CA (tomacorriente y placa de orejeta de conexión)**.

El generador está equipado con un módulo de control Deep Sea. Antes de operar el motor, lea el Manual del operador del módulo de control Deep Sea.

Para arrancar el motor (modo manual):

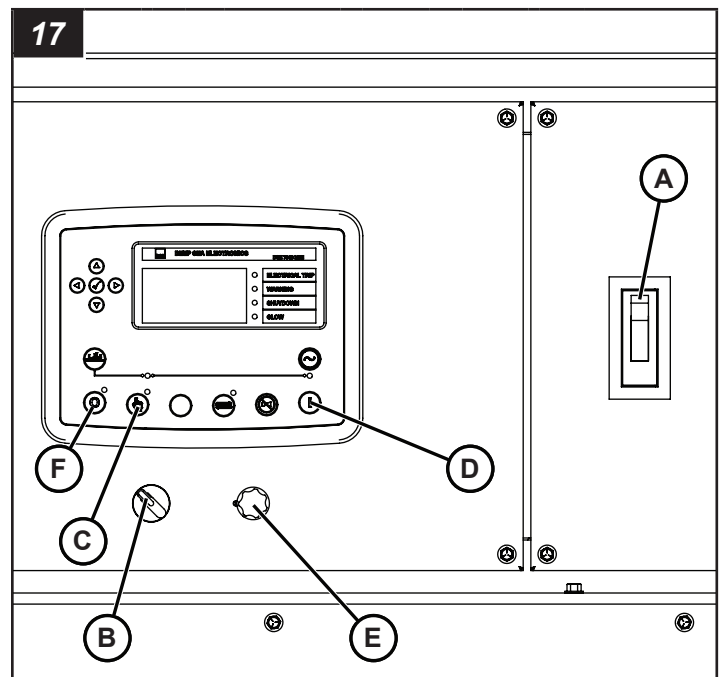
1. Seleccione la carga de tensión deseada para el funcionamiento del generador configurando la posición del interruptor del dispositivo de cambio de tensión. Consulte **Dispositivo de cambio de tensión** para la operación.
2. Ajuste el disyuntor principal (A, Figura 17) a la posición de APAGADO/0.
3. Coloque todos los disyuntores de salida en la posición de APAGADO/0.
4. Conecte los cordones y/o cables de alimentación a la placa de orejeta de conexión y/o a los tomacorrientes. Consulte la sección **Selección de configuraciones de cable de la placa de orejeta de conexión de salida y tensión y Conexión de cargas y selección de cables** para determinar las conexiones de cable. Consulte **Salidas auxiliares de CA** para ver las tomas de tomacorriente.

5. Ajuste el interruptor de alimentación del controlador electrónico (B, Figura 17) a la posición de ENCENDIDO/1.
6. Presione el botón manual (C, Figura 17).
7. Presione el botón de arranque (D, Figura 17) para arrancar el ciclo de funcionamiento del motor. El motor pasará por las etapas de precalentamiento, arranque del motor, calentamiento del motor y funcionamiento del motor. Deje que el motor funcione durante aproximadamente 5 minutos.
8. Ajuste la tensión según sea necesario utilizando la perilla de control de ajuste de tensión (E, Figura 17).
9. Ajuste todos los disyuntores (principal y de salida) a la posición de ENCENDIDO/1.

Para apagar el motor (modo manual):

1. Ajuste todos los disyuntores (principal y de salida) a la posición de APAGADO/0.
2. Pulse el botón de parada (F, Figura 17) para apagar el motor.
3. Ajuste el interruptor de alimentación del controlador electrónico a la posición de APAGADO/0.

**Nota: Para obtener información completa sobre el módulo de control Deep Sea, lea el Manual del operador del módulo de control Deep Sea.*



Sistema de apagado automático del motor

El motor tiene un sistema de apagado automático para evitar daños en el motor, en caso de una condición de bajo nivel de aceite o alta temperatura.

Si el motor se apagó automáticamente, ubique el origen de la falla y repárela antes de volver a arrancarlo.

Consulte **Resolución de problemas del motor** en la sección **Resolución de problemas**.

Terminales de arranque a distancia

El remolque del generador puede estar equipado con terminales de arranque a distancia opcionales, que funcionan en conjunto con el controlador Deep Sea.

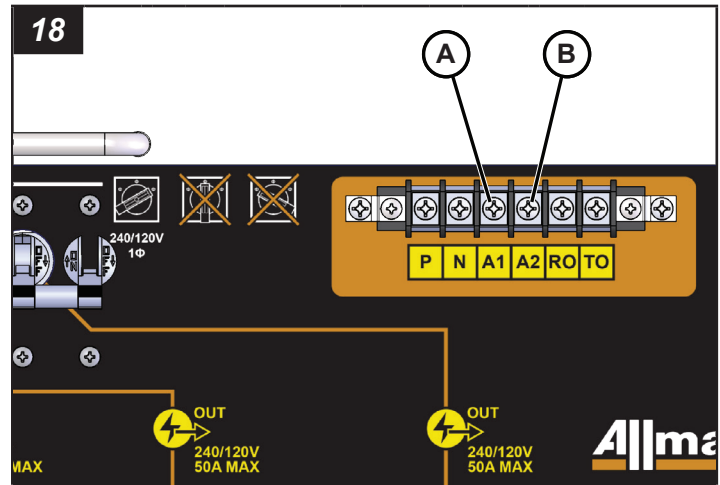
Nota: Las configuraciones de entrada de arranque a distancia deben ajustarse mediante el software DSE Configuration Suite. El software se puede descargar en <https://www.deepseaelectronics.com/genset/software-tools/dse-config-suite>. Conecte la PC al controlador Deep Sea mediante un cable USB tipo A a USB tipo B para programación.

Configuración y operación de terminales de arranque a distancia:

Los terminales de arranque a distancia se encuentran en el panel de la placa de orejetas de conexión y salida de la unidad.

Nota: El sistema de terminales de arranque a distancia del controlador Deep Sea está configurado para ser activado por un circuito o interruptor cerrado. Una vez que la unidad comienza a funcionar, la alteración del circuito activará la secuencia de apagado automático seguro. Esto se puede revertir configurando la señal de entrada del Deep Sea como Normalmente cerrada. Para obtener más información sobre cómo hacerlo, consulte el Manual del operador del Deep Sea y el software DSE Configuration Suite.

1. Conecte el cable de alimentación "Power" del circuito o interruptor de arranque a distancia a la terminal "A1" (A, Figura 18) de la regleta de terminales de arranque a distancia.
2. Conecte el cable de tierra "Ground" del circuito o interruptor de arranque a distancia a la terminal "A2" (B, Figura 18) de la regleta de terminales de arranque a distancia.
3. Active la función automática del controlador Deep Sea presionando el botón de modo automático en el controlador.
 - A. Unidad encendida: Ajuste el circuito o interruptor de arranque a distancia en la posición de encendido "ON/1". El motor pasará por los ciclos de arranque y funcionamiento para la operación de la unidad.
 - B. Unidad apagada: Ponga el circuito o interruptor de arranque a distancia en la posición de apagado "OFF/0". La unidad dejará de funcionar y el motor entrará al ciclo de apagado.



Apilamiento húmedo y acumulación de carbono

⚠ PRECAUCIÓN

En caso de una operación de carga, aumente el factor de carga paso a paso mientras comprueba la condición del escape. No coloque materiales inflamables cerca porque esto podría provocar un incendio.

AVISO

El apilamiento húmedo y la acumulación de carbono podrían causar una caída de la potencia del motor y también un sobrecalentamiento, lo que provocará daños graves en el motor.

La operación del motor en el generador Maxi-Power está ideada para funcionar de forma efectiva y adecuada cuando las cargas aplicadas están entre el 60 y el 100 % de su capacidad.

Cuando el motor diésel del generador se opera de forma constante con menos del 60 % de la carga o sin carga por un período largo, el carbono se acumulará dentro de los tubos de escape, el catalizador de escape, el sistema de EGR y el cuerpo del motor. Si esto ocurre, quemará la acumulación de carbono mediante una operación con carga completa (para aumentar el calor del escape) hasta que el gas del escape se vea casi transparente.

Además, el combustible no quemado puede salir de los tramos conectados del tubo de escape y del puerto de salida del mofle del escape. Si se opera de forma constante bajo estas condiciones, el combustible que sale podría encenderse y provocar un incendio.

- Verifique las acumulaciones en el sistema de escape cada 250 horas.

Apagado de la unidad

⚠ ADVERTENCIA

No quite las cuñas de la parte trasera y delantera de las ruedas hasta que el remolque del generador esté conectado al vehículo remolcador listo para su transporte. Esto podría provocar lesiones graves o la muerte.

Una vez terminadas las operaciones del generador en el lugar de trabajo, apague la unidad:

1. Ajuste todos los disyuntores (principal y de salida) a la posición de APAGADO/0.
2. Apague el motor. Consulte la sección **Operación del motor**.
3. Espere 10 minutos para que se enfríe la unidad.
4. Desconecte los cordones o cables de alimentación del panel de salida de CA.
5. Asegúrese de que las puertas del compartimento del motor, el panel de salida de CA y el panel de control estén cerradas y aseguradas con pasador.
6. Ahora la unidad está lista para transportarla. Consulte la sección **Transporte**.

Detención de emergencia

La unidad tiene un botón de parada de emergencia que cerrará inmediatamente toda la unidad en caso de una emergencia. El botón de parada de emergencia se encuentra en la parte trasera de la unidad del generador.

Para activar:

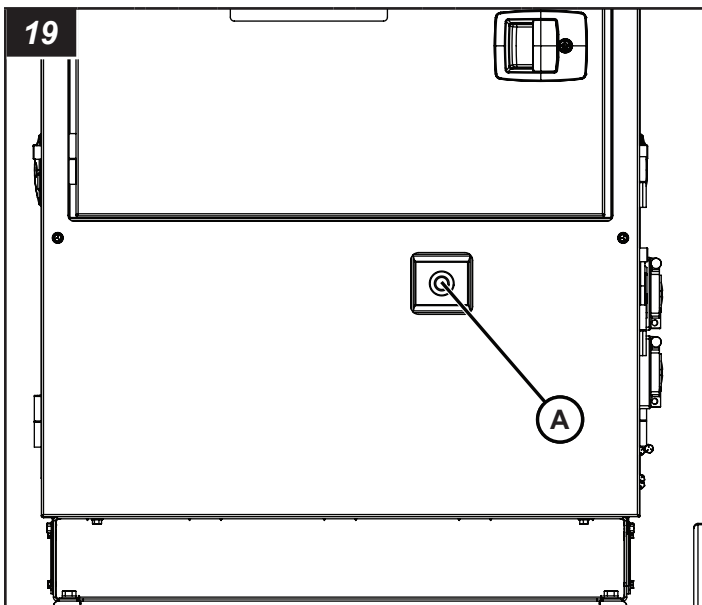
- Presione la parada de emergencia (A, Figura 19).

Para desactivar:

- Tire de la parada de emergencia.

Asegúrese de solucionar el problema que provocó la emergencia antes de volver a operar la unidad.

Durante la operación normal, nunca use la parada de emergencia para apagar la unidad. Consulte la sección **Apagado de la unidad**.



Mantenimiento

⚠ ADVERTENCIA

Operar o remolcar una máquina con piezas desgastadas, faltantes o dañadas podría provocar lesiones graves o la muerte. Reemplace de inmediato dichas piezas. No opere ni remolque esta máquina antes de que se hayan reemplazado todas las piezas faltantes, dañadas o desgastadas y hágalo solo después de que se haya verificado su correcto funcionamiento.

⚠ ADVERTENCIA



Peligro de choque eléctrico

Las baterías presentan riesgo de descarga eléctrica y alta corriente de cortocircuito. Desconecte el cable de la batería de color negro negativo (-) antes de realizar el mantenimiento. Omitir esto podría tener como consecuencia la muerte o lesiones graves.

Antes de realizar mantenimiento, consulte la sección **Seguridad**.

Es importante realizar un mantenimiento correcto del equipo para su operación segura. Utilice los siguientes procedimientos de mantenimiento, junto con los planificados por el programa de mantenimiento de equipos de su taller.

Cuando el equipo se haga funcionar en condiciones exigentes (mucho polvo, calor o frío extremo), debe recibir mantenimiento con mayor frecuencia.

Motor

Para los intervalos de servicio del motor y otras recomendaciones específicas de esta unidad de generador móvil, consulte la sección **Especificaciones**. Consulte el Manual del operador del motor para obtener información acerca de todos los demás procedimientos de mantenimiento programado del motor.

Drenaje del aceite del motor

La unidad está equipada con un drenaje remoto de aceite del motor. Para drenar el aceite del motor:

1. Retire el tapón para drenaje de aceite (A, Figura 20).
2. Conecte una manguera (no suministrada) al drenaje de aceite y dirija la manguera hasta vaciarla en un recipiente aprobado.
3. Abra la válvula de drenaje de aceite (B, Figura 20) que sale del motor.
4. Deje que el aceite del motor drene por completo en el recipiente aprobado. Elimine el aceite de motor usado de acuerdo con los reglamentos locales, estatales, provinciales y/o federales.
5. Cierre la válvula de drenaje del aceite y retire la manguera.
6. Reemplace el tapón de drenaje de aceite.

7. Cambie el filtro de aceite conforme sea necesario. Consulte la sección **Especificaciones**.
8. Agregue aceite al motor. Consulte la sección **Especificaciones**.

AVISO

No agregarle aceite al motor provocará daños al mismo.

Drenaje del refrigerante del motor

La unidad está equipada con una válvula de drenaje del refrigerante del motor (C, Figura 20). Para drenar el líquido refrigerante del motor:

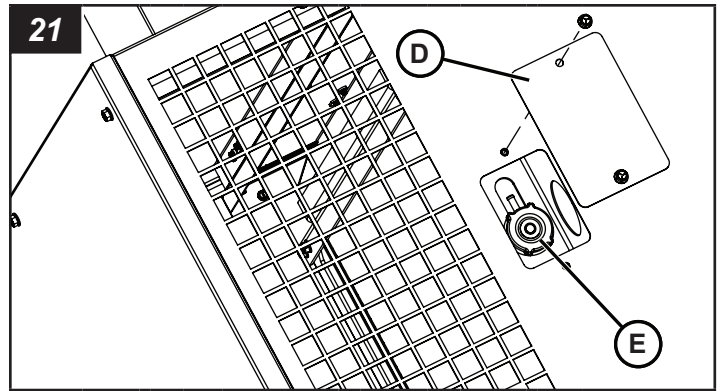
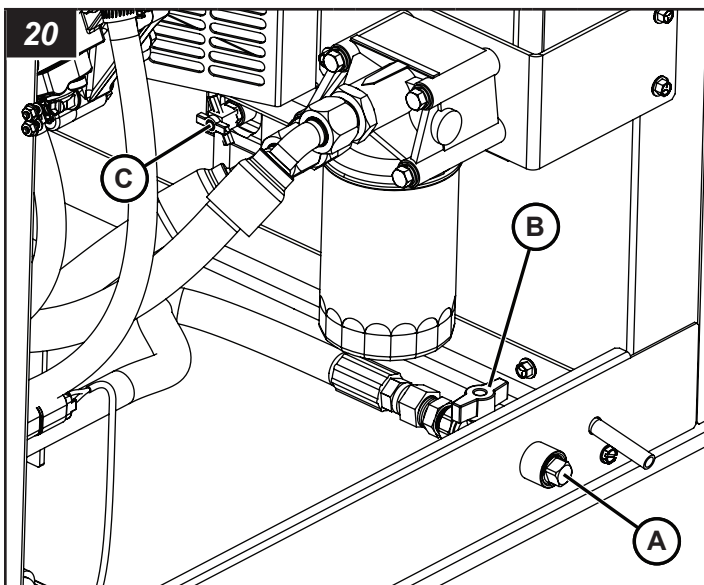
1. Coloque un recipiente aprobado debajo del drenaje del refrigerante.
2. Abra la válvula de drenaje del refrigerante.
3. Deje que el refrigerante del motor drene por completo en el recipiente aprobado. Elimine el líquido refrigerante de motor usado de acuerdo con los reglamentos locales, estatales, provinciales y/o federales.
4. Cierre la válvula de drenaje del refrigerante.
5. Retire el panel de acceso de llenado de refrigerante (D, Figura 21).
6. Retire la tapa del radiador (E, Figura 21) y añada refrigerante al radiador. Consulte la sección **Especificaciones**.
7. Reemplace la tapa del radiador y el panel de acceso de llenado de refrigerante.

AVISO

Si no se utiliza en el radiador el tipo de refrigerante requerido (tal como se indica en la sección **Especificaciones**), se podrían dañar el motor y el radiador, lo que invalidaría la garantía.

AVISO

La mezcla de diferentes tipos de refrigerantes podría dañar el motor y el radiador, lo que invalidaría la garantía.

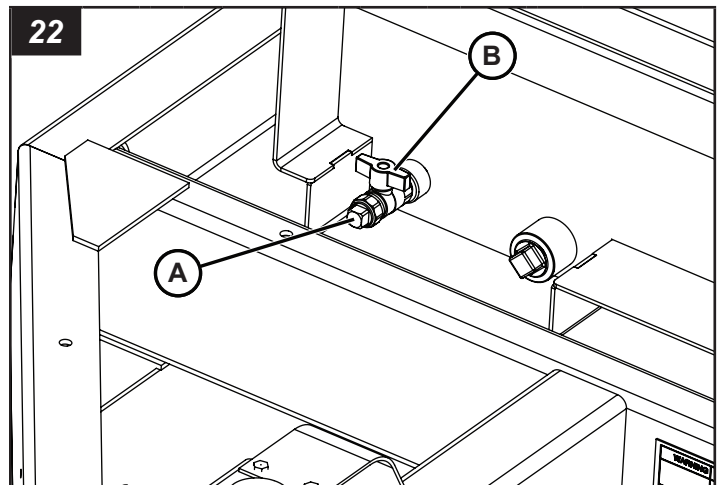


Sistema de combustible

Drenaje del combustible

La unidad está equipada con un drenaje de combustible remoto. Para drenar el combustible de la unidad:

1. Retire el tapón para drenaje de combustible (A, Figura 22).
2. Conecte una manguera (no suministrada) al drenaje de combustible y dirija la manguera hasta vaciarla en un recipiente aprobado.
3. Abra la válvula de combustible de aceite (B, Figura 22) que sale del tanque de combustible.
4. Deje que el combustible del motor drene por completo en el recipiente aprobado. Elimine el combustible de acuerdo con los reglamentos locales, estatales, provinciales y/o federales.
5. Cierre la válvula de drenaje del combustible y retire la manguera.
6. Reemplace el tapón de drenaje de combustible.



Filtro separador de agua de combustible

La unidad del generador está equipada con un filtro separador de agua de combustible (A, Figura 23). Para drenar el agua:

1. Coloque un recipiente aprobado debajo del tapón de drenaje en el filtro separador de agua de combustible.
2. Afloje el tapón de drenaje (B, Figura 23) y el tapón de purga de aire (C, Figura 23) para drenar el agua.

- Deje que el agua separada drene por completo en el recipiente aprobado. Elimine el agua de acuerdo con los reglamentos locales, estatales, provinciales y/o federales.
- Cambie el filtro de combustible conforme sea necesario. Consulte la sección **Especificaciones**.
- Apriete el tapón de drenaje.
- Utilice la bomba (D, Figura 23) en la parte superior del separador de agua y de combustible para cebar el filtro con combustible y purgar todo el aire.
- Apriete el tapón de purga de aire.

- Inspeccione el funcionamiento correcto de la lengua del remolque y busque signos de desgaste, daños o corrosión. Compruebe que las piezas metálicas estén firmemente apretadas. Repare o reemplace según sea necesario.
- Inspeccione las barras del balancín, los gatos del estabilizador y los pasadores de bloqueo para asegurarse de que funcionen bien y busque signos de desgaste, daños o corrosión. Reemplace según sea necesario.

Para obtener información acerca del programa de mantenimiento y reparación del remolque, consulte el manual del operador del remolque Triton.

Ruedas y neumáticos del remolque

ADVERTENCIA

Peligro de remolque

Arrastrar el remolque de generador móvil con tuercas de orejeta, llantas o neumáticos dañados puede provocar lesiones graves o la muerte. Repare o reemplace las tuercas de orejeta, las llantas o los neumáticos dañados antes de arrastrar el remolque de generador móvil.

- Revise si los neumáticos presentan grietas, cortes o daños. Repare o reemplace según sea necesario.
- Revise la presión de los neumáticos del remolque cuando estén fríos. Consulte la sección Especificaciones.
- Revise si las llantas de las ruedas presentan grietas o daños. Repare o reemplace según sea necesario.
- Asegúrese de que las tuercas de orejeta estén en su lugar y apretadas correctamente. La torsión correcta para las tuercas de orejeta es 90 lb-pie (122 Nm).

Mantenimiento del eje

El eje que se encuentra debajo del remolque de generador móvil requerirá reparaciones y mantenimiento periódicos. Se deben realizar ajustes del cojinete de la rueda y cambio de empaquetaduras, entre otras tareas, para mantener el eje. Para obtener información acerca del programa de mantenimiento y reparación del eje, consulte el manual del operador del remolque Triton.

Iluminación del remolque

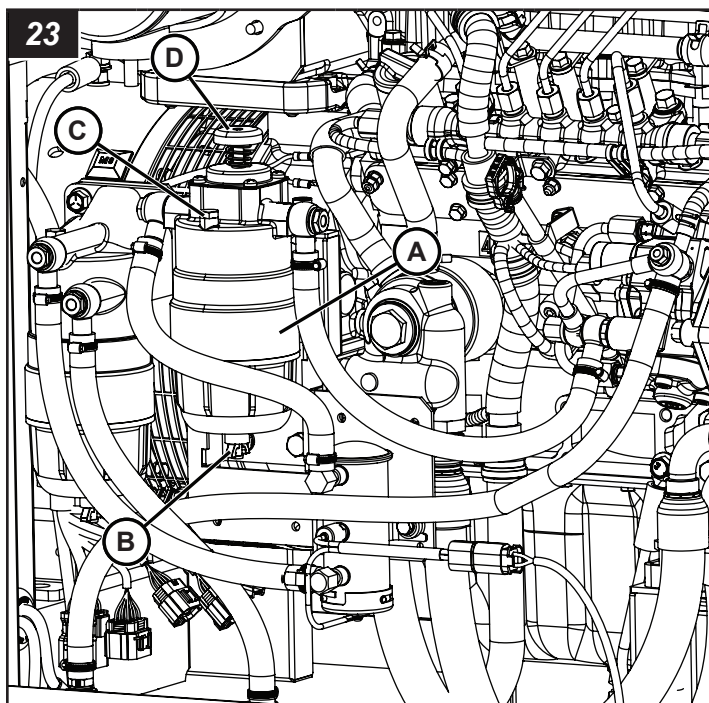
ADVERTENCIA

Peligro de remolque

Arrastrar el remolque de generador móvil con luces del remolque que no funcionan podría provocar lesiones graves o la muerte. Repare o reemplace las luces del remolque que no funcionan.

Las luces del remolque son una característica de seguridad y son exigidas por ley. Mantenga las luces en buenas condiciones de funcionamiento.

- Compruebe si las luces del remolque y el cableado presentan daños o desgaste. Repare o reemplace según sea necesario.



Generador

Consulte el manual del operador del generador para obtener información acerca de todos los procedimientos de mantenimiento programado del generador.

Remolque

Armazón

- Revise que el acoplador del remolque funcione correctamente. Compruebe que las piezas metálicas estén firmemente apretadas. Inspeccione el acoplador del remolque en busca de signos de desgaste, daños o corrosión. Repare o reemplace según sea necesario.
- Inspeccione las cadenas de seguridad en busca de signos de desgaste, daños o corrosión. Reemplace según sea necesario.
- Inspeccione el gato de la lengua para determinar que funciona correctamente y busque signos de desgaste, daños o corrosión. Repare o reemplace según sea necesario.

- Asegúrese de que el haz de cables esté fijo al remolque y que no cuelgue sobre el suelo.
- Compruebe si los conjuntos de carcasa de las luces del remolque presentan daños o filtraciones. Utilice un sellador de caucho o silicona para sellar la lente o el haz de cables, según se requiera, o bien, reemplace el conjunto de carcasa. La grasa eléctrica ayudará a proteger los portalámparas y evitar la corrosión.
- Cuando reemplace las bombillas, asegúrese de usar la bombilla de repuesto correcta. Una pequeña cantidad de grasa eléctrica en los portalámparas evitará la corrosión.

Consulte el manual esquemático de cableado que viene por separado, para obtener información del esquema de cableado del remolque.

Mantenimiento de la batería



ADVERTENCIA



Peligro de explosión, quemaduras y descarga eléctrica

Las baterías emiten gases explosivos durante las recargas. Las chispas podrían causar explosiones y provocar lesiones graves o la muerte.

Las baterías contienen ácido, que es extremadamente cáustico. El contacto con el contenido de la batería podría producir quemaduras químicas graves.

Las baterías presentan riesgo de descarga eléctrica y alta corriente de cortocircuito.

- Siempre desconecte el cable negativo (-) de la batería antes de realizar mantenimiento al equipo.
- NO elimine una batería en el fuego. Recicle las baterías.
- NO permita que existan llamas abiertas, chispas, fuentes de calor, ni que se enciendan cigarrillos durante y varios minutos después de cargar una batería.
- NO abra ni destroce la batería.
- NO cargue la batería si está congelada. Siempre caliente lentamente la batería a temperatura ambiente antes de cargarla.
- Use guantes de protección, delantal, botas y guantes de goma.
- Quítese el reloj, los anillos u otros objetos metálicos.
- Use herramientas con mangos aislados.

Retiro e instalación de la batería

Para retirar la batería



ADVERTENCIA



Peligro de explosión

Si no se retiran primero los cables negativos (-) negros de la batería, se podrían provocar chispas o una explosión, lo que provocará lesiones graves o la muerte. Siempre retire primero los cables negativos (-) negros de la batería.

1. Abra la cubierta del compartimiento del motor.
2. Desconecte los cables negros negativos (-) (A, Figura 24) del terminal de batería negativo (-) y fíjelos lejos de la batería.
3. Desconecte el cable rojo positivo (+) de la batería (B, Figura 24) del terminal positivo (+) de la batería y fíjelo lejos de la batería.
4. Afloje la pieza metálica que fija el soporte de la batería (C, Figura 24) y retire el soporte.
5. Quite cuidadosamente la batería y colóquela sobre una superficie nivelada en un área bien ventilada.

Para instalar la batería



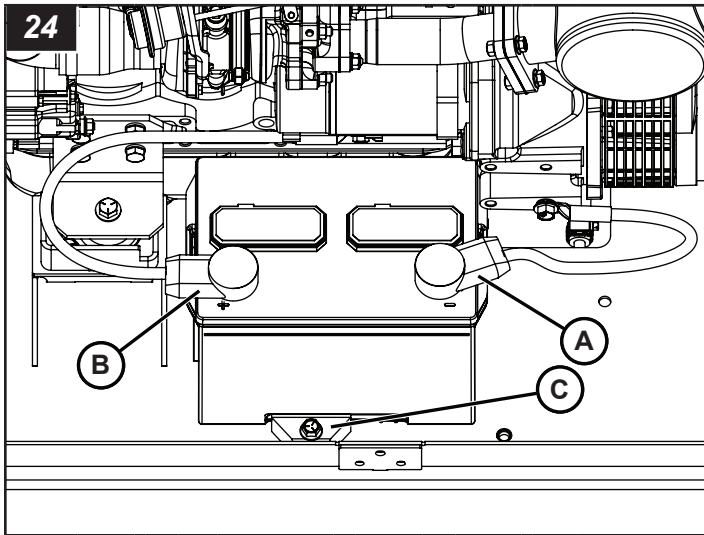
ADVERTENCIA



Peligro de explosión

Si no se instalan últimos los cables negativos (-) negros de la batería, se podrían provocar chispas o una explosión, lo que provocará lesiones graves o la muerte. Siempre instale los cables negativos (-) negros de la batería al final.

1. Coloque cuidadosamente la batería en el compartimiento del motor, con los terminales de la batería hacia la parte posterior de la unidad.
2. Instale el soporte de la batería. Ajuste las piezas.
3. Conecte los cables positivos (+) rojos al terminal positivo (+) de la batería.
4. Conecte los cables negativos (-) negros al terminal negativo (-) de la batería.
5. Vuelva a instalar las cubiertas de terminal sobre los terminales de la batería.
6. Cierre la cubierta del compartimiento del motor.



Limpieza

! ADVERTENCIA



Peligro de enredo o corte

No apagar el motor antes de la limpieza de la unidad podría provocar lesiones graves o la muerte. Siempre apague el motor antes de limpiar la unidad.

! ADVERTENCIA



Peligro de quemaduras

Antes de limpiar la unidad, apague el motor, y permita que los componentes se enfríen. De lo contrario, se pueden provocar quemaduras graves.

AVISO

Tenga precaución al utilizar aire comprimido o lavadoras de vapor o agua a presión. No limpie a presión los componentes eléctricos, ya que esto puede dañarlos.

El mantenimiento de la limpieza de generador móvil es importante para garantizar un funcionamiento correcto. La acumulación de polvo y suciedad actúa como un aislante y puede provocar que el motor, el generador y los conjuntos de iluminación funcionen a temperaturas excesivamente altas.

Utilice las siguientes indicaciones como pautas de limpieza:

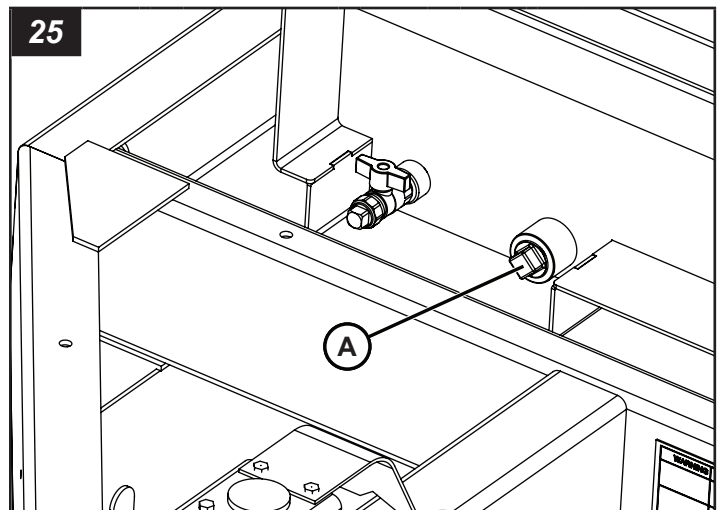
1. Limpie el remolque de torre de iluminación y elimine todo el polvo, la suciedad y cualquier material extraño.
2. Limpie todos los componentes y el cableado eléctrico manualmente, con un limpiador no corrosivo.
3. Limpie el interior del compartimento del motor.
4. Limpie todos los derrames de aceite o líquido al interior del compartimento del motor.

5. Limpie todos los derrames de aceite o líquido al interior del compartimento del motor.
6. Drene el sistema de contención de fluido. Consulte **Sistema de contención de líquido**.

Sistema de contención de líquidos

La unidad contiene un sistema de contención de líquido diseñado para recolectar derrames de combustible, aceite y refrigerante. Para drenar:

1. Coloque un recipiente adecuado debajo del drenaje de contención de líquido (A, Figura 25).
2. Retire el tapón de drenaje.
3. Permita que el líquido se drene por completo en el recipiente.
4. Vuelva a instalar el tapón de drenaje.
5. Deseche el líquido apropiadamente conforme a las pautas gubernamentales.



Almacenaje durante períodos prolongados

Se requiere un mantenimiento adecuado cuando la unidad se vaya a almacenar o sacar de funcionamiento durante períodos prolongados. Consulte el Manual del operador del motor y el Manual del operador del generador, para conocer todos los procedimientos para el almacenamiento del motor y generador durante períodos prolongados.

1. Realice todas las reparaciones necesarias para garantizar que el equipo esté completamente funcional cuando se realice la nueva puesta en servicio.
2. Limpie y lave el armazón y los paneles de la carrocería. Aplique una capa de anticorrosivo en todas las superficies donde corresponda.
3. Limpie todos los derrames de aceite o líquido al interior del compartimento del motor.
4. Drene el sistema de contención de fluido.

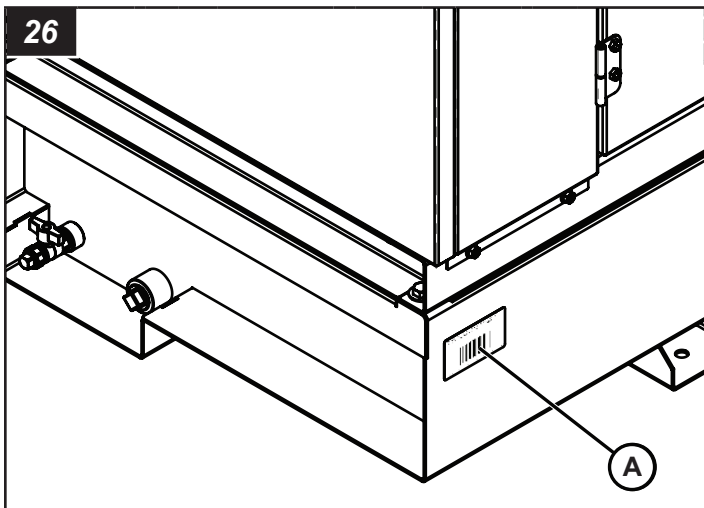
5. Limpie todos los componentes y el cableado eléctrico manualmente, con un limpiador no corrosivo.
6. Desconecte y retire la batería.
7. Utilice una cubierta adecuada para proteger la unidad.
8. Apoye correctamente el eje del remolque sobre soportes regulables u otras bases adecuadas, para permitir que los neumáticos permanezcan despegados del suelo durante el almacenamiento.

Modelos y números de serie

La información de números de modelo y serie es necesaria para la asistencia de producto y las piezas de reparación. A continuación se muestran las ubicaciones de los números de modelo y de serie de los componentes principales.

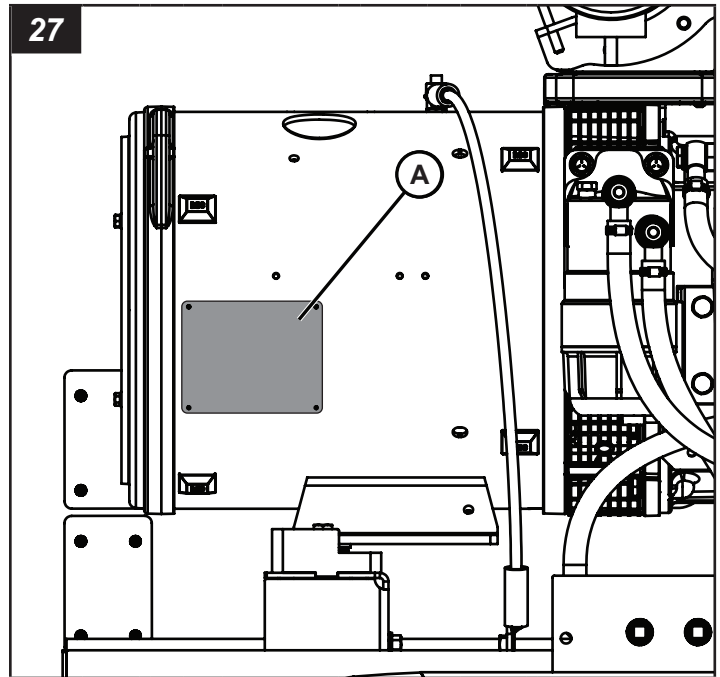
Gabinete

La etiqueta del número de serie del gabinete del generador móvil está ubicada en el lado frontal izquierdo de la unidad (A, Figura 26).



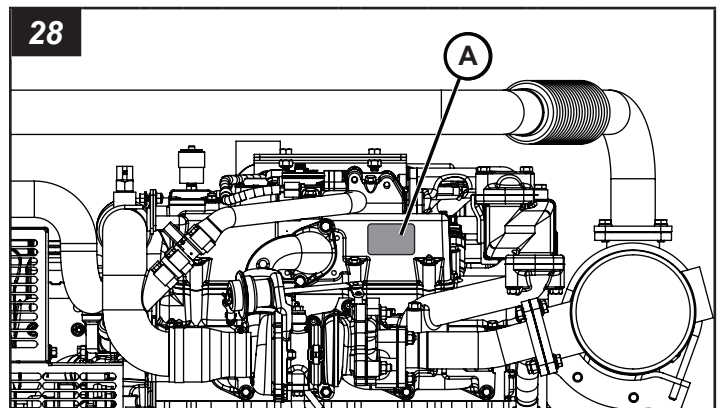
Generador

El generador tiene una placa de número de serie (A, Figura 27) adjunta al lado de la carcasa que se encuentra en el lado interior derecho del remolque.



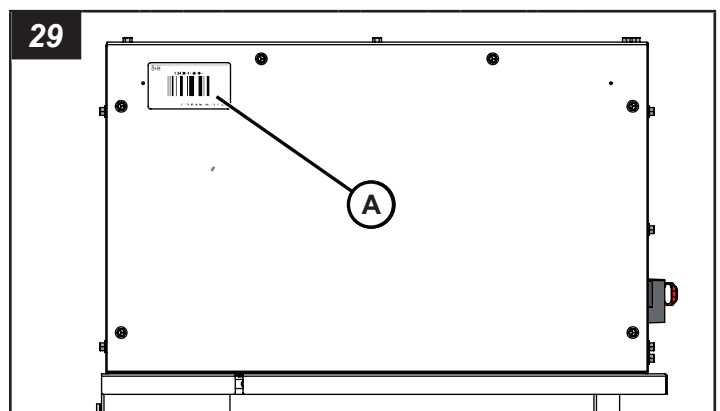
Motor

El motor tiene una placa de número de serie (A, Figura 28) adjunta en la parte superior del motor en el lado izquierdo interior del remolque.



Caja de control

La caja de control tiene una placa de número de serie (A, Figura 29) adjunta en la parte superior trasera de la caja de control en el lado izquierdo interior del remolque.



Especificaciones

Nota: Consulte el manual del operador del motor para conocer las especificaciones particulares del motor y del generador.

Dimensiones generales		
Dimensiones	Imperial	Métrico
Largo	11 ft - 10,5 in	3,62 m
Altura	6 ft - 1 in	1,85 m
Ancho	5 ft - 8 in	1,73 m
Peso con embalaje	3440 lb	1560 kg
Clasificación de peso bruto del vehículo (Gross Vehicle Weight Rating, GVWR)	5750 lb	2608 kg

Remolque		
Especificación	Imperial	Métrico
Clasificación de peso bruto del eje (Gross Axle Weight Rating, GAWR)	3500 lb	1588 kg
Tamaño y clasificación de neumáticos	ST205/75R15C	
Llantas	15 x 5 JJ con inclinación de 0,0 pulgadas	
Presión de inflado de neumáticos en frío	50 psi	345 kPa
Velocidad máxima en camino	65 mph	105 km/h
Velocidad máxima fuera de carretera	20 mph	32 km/h
Tanque de combustible	106 gal	401 l
Estructura del marco	Diseño de acero conformado en frío	
Eje	Eje de torsión (2)	
Cubos	(5) pernos sin cabeza UNF de 1/2-20 en un círculo de perno de 4,5 pulg (114,3 mm)	
Enganches disponibles	Estándar: argollón de contera para enganche de clavija de 76,2 mm (3 pulgadas) Opcional: acoplador de bola de 50,8 mm (2 pulgadas) o 58,7 mm (2 5/16 pulgadas) Opcional: acoplador Bulldog de 50,8 mm (2 pulgadas) o 58,7 mm (2 5/16 pulgadas)	
Luces del remolque para carretera	Luces de detención, de viraje, traseras, marcadoras laterales y de soporte para placa de licencia	
Conector de las luces del vehículo remolcador para camino	Conector plano de 4 clavijas	
Cáncamo de elevación (capacidad nominal)	3000 lb	1360 kg
Cavidades para grúa horquilla/ Puntos de sujeción	2 de cada lado	
Sistema de estabilización	1 gato de la lengua tipo tornillo ajustable	

Eléctrico: generador		
Sistema de excitación	Sin escobillas	
Frecuencia	60 Hz	
Fase	Trifásico	Monofásico
Conexión del inducido	Dos estrellas	Zigzag en paralelo
Factor de potencia	80 %	100 %
Salida nominal	45 kVA (36 kW)	28 kVA (28 kW)
Tensión	208 V	480 V
Amperios	119 A	54 A
		108 A
Nota*	Hay un conductor permanente entre el generador (devanado del estátor) y el armazón	
Tomacorrientes disponibles	Tomacorriente dúplex GFCI 2-20 A, 120 V (NEMA 5-20R) Toma de conector de bloqueo giratorio de 3-50 A, 120/240 V (CS6369)	

Motor		
Especificación	Imperial	Métrico
Fabricante	Isuzu	
Modelo	4LE2X	
Tipo	Diésel, de cuatro cilindros, enfriado por agua	
Cilindrada	134 in. cúb.	2,2 l
Aspiración	Turbocargado con enfriador de aire cargado	
Emisiones	Tier 4 Final de la EPA	
Potencia de salida: cebado	57,7 Hp a 1800 rpm	43,0 kW a 1800 rpm
Sistema de combustible	Inyección directa	
Asistente de arranque	Bujías precalentadoras	
Sistema eléctrico del motor	12 V CC	
Alternador del motor	50 A	
Cantidad de baterías	1	
Tamaño de la batería	Grupo 24	
Tipo de batería	Estándar (ácido-plomo) Opcional (separador de fibra de vidrio absorbente [AGM])	
Clasificación de la batería	525 CCA a 0 °F (-18 °C) 775 CCA a 0 °F (-18 °C)	
Apagado automático por baja presión del aceite	10 psi	69 kPa
Apagado automático por temperatura alta del agua	234 °F	112 °C
Combustible	En Norteamérica, se exigen combustibles diésel que cumplan con la norma ASTM D975 para diésel ultra bajo en azufre (Ultra Low Sulfur Diesel, ULSD). El ULSD tiene un contenido máximo de azufre de 15 partes por millón (PPM) o 15 mg/kg. El combustible diésel puede ser n.º 1-D o n.º 2-D. Consulte el manual del operador del motor para obtener información detallada.	
Aceite del motor	Consulte el manual del operador del motor para obtener información detallada.	

Motor		
Especificación	Imperial	Métrico
Capacidad de aceite del motor (con filtro)	12,0 qt de EE. UU.	11,4 l
Tipo de refrigerante de motor requerido	Refrigerante para vida extendida sin nitrato con tecnología de ácido orgánico (OAT), libre de 2-EHA	
Capacidad del sistema de refrigerante	12,3 qt de EE. UU.	11,6 l
Capacidad del depósito de desborde de refrigerante	1,1 qt de EE. UU.	1,0 l
Intervalo de mantenimiento (cambio de aceite y el filtro)	Primer cambio de aceite y filtro de aceite: 50 hr. Todos los otros cambios de aceite y filtro de aceite: 500 hr*.	
Intervalo de mantenimiento (filtro de combustible)	500 hr	
Intervalo de mantenimiento (filtro de aire)	Consulte el manual del operador del motor para obtener información detallada.	
Nota*	El aceite del motor debe revisarse antes de la operación y rellenarse si es necesario	

Resolución de problemas



PELIGRO



Peligro de electrocución

- Cuando el motor está en funcionamiento, se produce un alto voltaje. Nunca intente realizar mantenimiento a los componentes eléctricos mientras el motor esté en funcionamiento.
- El contacto con cables que están pelados por daños, cortes o desgaste en el aislamiento podría provocar lesiones graves o la muerte. Reemplace el cableado dañado antes de hacer funcionar la unidad.

Antes de intentar hacer cualquier resolución de problemas, lea la sección **Seguridad**.

En el caso de resolución de problemas del generador, consulte el manual del operador del generador o bien, comuníquese con su distribuidor.

Cuadro de resolución de problemas de la unidad del generador

Problema	Posible causa	Solución
El arranque no arranca o arranca lentamente.	Falla de la batería.	Revise la batería para ver si es necesario cargarla o cambiarla.
	Falla de carga.	Revise la batería para ver si es necesario cargarla o cambiarla.
	Falla del alternador.	Cambie el alternador.
	Se está consumiendo mucha energía de los tomacorrientes auxiliares.	Retire las cargas de los tomacorrientes auxiliares.

Problema	Posible causa	Solución
El arranque funciona, pero el motor no arranca.	Vacíe el tanque de combustible diésel.	Vuelva a llenar con combustible diésel.
	Coloque aire en las líneas de combustible.	Purgue el aire de las líneas de combustible.
	El filtro de combustible está obstruido.	Realice el mantenimiento del filtro de combustible y cambie el filtro.
	Los inyectores de combustible están obstruidos.	Desmonte y limpie.
	Falla del controlador electrónico.	Revise los fusibles, los conectores y el controlador.
Desconexiones del disyuntor.	Se está consumiendo mucha energía de los tomacorrientes auxiliares.	Retire y/o reduzca la(s) carga(s) del(de los) tomacorriente(s) auxiliar(es).
	Se produjo un cortocircuito en el lado de carga.	Elimine la causa del cortocircuito
Generación de tensión insuficiente o nula	Mal ajuste de los terminales de la orejeta de conexión.	Revise los terminales y vuelva a apretarlos.
	Excitador defectuoso.	Repare el excitador.
	Rectificador de silicio defectuoso.	Repare el rectificador de silicio.
Generación de tensión insuficiente o nula	Falla del AVR.	Ajuste los potenciómetros en el regulador de tensión. Consulte el manual del regulador de tensión.
	AVR defectuoso.	Cambie el AVR.
Generación de tensión inestable.	Mal ajuste de los terminales de la orejeta de conexión.	Revise los terminales y vuelva a apretarlos.
	Falla del AVR.	Ajuste los potenciómetros en el regulador de tensión. Consulte el manual del regulador de tensión.
	AVR defectuoso.	Cambie el AVR.
Generación de tensión inestable.	Cableado/conectores flojos o desconectados al AVR.	Revise el cableado/los conectores y vuelva a apretarlo(s).
	Cable roto o contacto deficiente con el AVR.	Repare o cambie el cableado.
	AVR defectuoso.	Cambie el AVR.
Se muestra una baja presión del aceite de motor en la pantalla del controlador electrónico.	Bajo nivel de aceite del motor.	Agregue aceite al motor.
	Filtro de combustible del motor obstruido.	Cambie el filtro de aceite del motor.
	Cableado/conectores flojos o desconectados al interruptor de presión de aceite.	Revise el cableado/los conectores y vuelva a apretarlo(s).
Se muestra el filtro de aire en la pantalla del controlador electrónico.	Falla del interruptor de presión de aceite.	Cambie el interruptor de presión de aceite.
	Filtro de aire del motor obstruido.	Revise y limpie el filtro de aire del motor. Cambie el filtro de aire conforme sea necesario.

Problema	Posible causa	Solución
La temperatura del agua se muestra en la pantalla del controlador electrónico.	Bajo nivel de refrigerante del motor.	Añada refrigerante al radiador del motor.
	Deslizamiento de la correa del ventilador.	Ajuste la tensión de la correa.
	Obstrucción del radiador.	Realice el mantenimiento del radiador y cambie el refrigerante.
	Cableado/conectores flojos o desconectados al interruptor de temperatura del refrigerante.	Revise el cableado/los conectores y vuelva a apretarlo(s).
	Interruptor de temperatura del refrigerante defectuoso.	Cambie el interruptor de temperatura del refrigerante.
	Termostato defectuoso.	Cambie el termostato.

Para todos los demás asuntos de resolución de problemas, comuníquese con un distribuidor autorizado.

Información de defectos de seguridad

Información de defectos de seguridad al Gobierno de los Estados Unidos

Si considera que su vehículo tiene un defecto que podría causar un choque, lesiones o la muerte, debe informar de inmediato a la Administración Nacional de Seguridad de Tráfico en Carreteras (NHTSA), además de informar a Allmand.

Si la NHTSA recibe quejas similares, puede abrir una investigación y si considera que existe un defecto de seguridad en un grupo de vehículos, puede ordenar una campaña de retirada y reparación. Sin embargo, la NHTSA no se puede involucrar en problemas individuales entre el usuario, el distribuidor o Allmand.

Para comunicarse con la NHTSA puede llamar a la línea gratuita directa de seguridad vehicular al 1-888-327-4236 (TTY:1-800-424-9153); visite <http://www.safercar.gov>; o escriba a: Administrator, NHTSA, 400 Seventh Street, SW., Washington, DC 20590.

También puede obtener información acerca de la seguridad vehicular del motor en <http://www.safercar.gov>.

Información de defectos de seguridad al Gobierno de Canadá

Si vive en Canadá, y considera que el vehículo tiene un defecto de seguridad, informe de inmediato al Departamento de Transporte de Canadá y notifique a Allmand. Llame al Departamento de Transporte de Canadá al 1-800-333-0510; visite www.tc.gc.ca/recalls (inglés) www.tc.gc.ca/rappels (francés); o escriba a: Transport Canada Motor Vehicle Safety Directorate Defect Investigations and Recalls Division, 80 Noel Street, Gatineau, QC J8Z 0A1.

Información de defectos de seguridad a Allmand

Además de notificar a la NHTSA (o al Departamento de Transporte de Canadá) en una situación como esta, debe notificar a Allmand. Contáctese con el Departamento de Servicio de Allmand al 1-800-562-1373, visite www.allmand.com o escriba a: Allmand Bros., Inc. P.O. Box 888 Holdrege, NE 68949.

Información de seguridad de neumáticos

En la siguiente sección se encuentra la información de seguridad de neumáticos según

lo exige 49 CFR 575.6. Abarcará lo siguiente:

(i) El etiquetado de los neumáticos, incluida una descripción y explicación de cada marca en los neumáticos que se proporcionan con el vehículo, además de información sobre la ubicación del número de identificación del neumático (TIN);

(ii) Presión recomendada de inflado de los neumáticos, incluida una descripción y explicación de:

(A) Presión recomendada de inflado en frío de los neumáticos,

(B) La etiqueta de presión de inflado y la placa del vehículo, junto con su ubicación en el vehículo,

(C) Consecuencias adversas para la seguridad provocadas por un inflado deficiente (incluida la falla del neumático), y

(D) Medición y modificación de la presión de aire para lograr

el inflado apropiado;

(iii) Glosario de terminología relacionada con los neumáticos, incluidas expresiones como "presión de neumáticos en frío", "presión de inflado máxima" y "presión de inflado recomendada", además de otras expresiones no técnicas;

(iv) Cuidado de los neumáticos, incluidas prácticas de mantenimiento y seguridad;

(v) Límites de carga del vehículo, incluida una descripción y explicación de lo siguiente:

(A) Ubicación y comprensión de la información sobre límites de carga, la capacidad total de carga, la capacidad de ocupación, la capacidad de remolque y la capacidad de carga,

(B) Cálculo de la carga y de las capacidades de carga total con diversas configuraciones de ocupación, incluidos ejemplos cuantitativos que muestran cómo la capacidad de equipaje y de carga del vehículo disminuye a medida que aumenta la cantidad y el tamaño combinados de los ocupantes,

(C) Determinación de la compatibilidad de las capacidades de carga del vehículo y de los neumáticos,

(D) Consecuencias de seguridad adversas de la sobrecarga en la manipulación, las paradas y sobre los neumáticos.

1. Pasos para la determinación del límite de carga correcto: remolque

La determinación de los límites de carga de un remolque implica más que comprender los límites de carga de los neumáticos. Todos los remolques cuentan con una etiqueta de VIN/certificación federal colocada en la mitad delantera del lado izquierdo (el de la carretera) de la unidad. Esta certificación/etiqueta VIN indica la clasificación de peso bruto del vehículo (Gross Vehicle Weight Rating, GVWR) del remolque. Este es el peso máximo que el remolque cargado totalmente puede tener. También se indicará allí la clasificación de peso bruto del eje (Gross Axle Weight Rating, GAWR). Y este es el peso máximo que un eje determinado puede tener. En caso de haber varios ejes, se incluirá la GAWR de cada uno.

Si su remolque tiene una GVWR de 10 000 libras o menos, se incluye una placa en el vehículo ubicada en el mismo lugar que la etiqueta de certificación anteriormente descrita. Allí se brinda información del neumático y de la carga. Además, en esta placa se incluirá una declaración sobre la capacidad de carga máxima. Se puede agregar carga al remolque, hasta el peso máximo especificado en la placa. El peso combinado de la carga se proporciona como un solo número. En cualquier caso, debe recordar siempre que el peso total de un remolque totalmente cargado no puede superar la GVWR especificada.

En el caso de los remolques con dependencias habitacionales, se debe tener en cuenta el peso del agua y el gas propano. El peso de los recipientes de propano totalmente llenos se considera parte del peso del remolque antes de que se lo cargue, y no se lo incluye como parte de la carga desechable. Sin embargo, el agua es un peso de carga desechable y se la trata como tal. Si hay un tanque de almacenamiento de agua dulce de 100 galones, una vez lleno tiene un peso de 800 libras. Si se transporta una carga mayor, el agua puede descargarse para mantener la cantidad total de la carga agregada al vehículo dentro de los límites del GVWR, a fin de no sobrecargar el vehículo. Comprender esta flexibilidad le permitirá a usted, el propietario, tomar decisiones adecuadas a sus necesidades de viaje.

Cuando cargue el remolque, asegúrese de distribuir la carga de manera uniforme, evitando sobrecargar de adelante hacia atrás, o de lado a lado. Los artículos pesados deben colocarse debajo y tan cerca de los ejes como sea posible. La ubicación de demasiados artículos en un lado puede sobrecargar un neumático. La mejor manera de saber cuál es el peso real del vehículo es pesarlo en una balanza pública. Hable con su distribuidor sobre los métodos de pesado necesarios para determinar los distintos pesos relacionados con el remolque. Esto incluiría el peso vacío o descargado, los pesos por eje, rueda, enganche o pivote de acoplamiento, y el peso total.

Las cargas excesivas o el inflado deficiente provocan la sobrecarga del neumático que a su vez, produce su flexión anormal. Esta generación puede provocar una cantidad excesiva de calor en el interior del neumático, que puede dar como resultado su falla. La presión del aire permite que el neumático soporte la carga, por lo que es fundamental contar con un inflado apropiado. La presión de aire adecuada puede encontrarse en la etiqueta de VIN/certificación y en la placa del neumático. Este valor nunca debe superar la presión de inflado en frío máxima estampada en el neumático.

1.1 Remolques con GVWR de 10 000 libras (4536 kg) o menos

(1) Encuentre la declaración “El peso de la carga nunca debe superar los XXX kg o las XXX lb” indicada en la placa del vehículo.

(2) Este número es igual a la capacidad de carga y equipaje disponible.

(3) Determine el peso combinado del equipaje y de la carga que se transporta en el vehículo. Dicho peso no puede superar de manera segura la capacidad de carga y equipaje.

1.2 Remolques con GVWR de 10 000 libras (4536 kg) o más (Nota: En estos remolques, no se requiere una placa con información del neumático instalada en el vehículo).

(1) Determine el peso vacío del remolque pesándolo en balanzas públicas o por otros medios. No es necesario repetir este paso.

(2) Ubique la GVWR del remolque en la etiqueta del VIN (certificado) del remolque.

(3) Quite el peso vacío del remolque a la GVWR indicada en la etiqueta del VIN. El peso resultante es la capacidad de carga máxima disponible del remolque y no puede superarse de manera segura.

2. Pasos para la determinación del límite de carga correcto: vehículo remolcador

(1) Encuentre la declaración “El peso combinado de los ocupantes y de la carga nunca debe superar los XXX kg o las XXX lb” indicada en la placa del vehículo.

(2) Determine el peso combinado del conductor y los pasajeros que viajarán en el vehículo.

(3) Quite el peso combinado del conductor y los pasajeros a XXX kg o XXX lb.

(4) El número resultante es igual a la capacidad de carga y equipaje disponible. Por ejemplo, si la cantidad “XXX” es igual a 1400 lb y habrá cinco pasajeros con un peso de 150 lb en el vehículo, la capacidad de carga y equipaje disponible es de 650 lb (1400–750 [5 x 150] = 650 lb)

(5) Determine el peso combinado del equipaje y de la carga que se transporta en el vehículo. Dicho peso no puede superar de manera segura la capacidad de carga y equipaje calculada en el paso 4.

(6) Si su vehículo arrastrará un remolque, la carga del remolque se transferirá al vehículo. Consulte el manual del vehículo de remolque para determinar cómo esto reduce la capacidad de carga y equipaje disponible del vehículo.

3. Glosario de terminología relacionada con los neumáticos

Peso de los accesorios hace referencia al peso combinado (que supera los elementos estándares que pueden reemplazarse) de la transmisión automática, la dirección asistida, los frenos de motor, las ventanillas eléctricas, los asientos eléctricos, la radio y el sistema de calefacción, hasta el punto en que estos elementos están disponibles como equipo instalado en fábrica (estén instalados o no).

Talón hace referencia a la parte del neumático compuesta por alambres de acero, envueltos o reforzados con cables de capas, cuya forma se adapta a la llanta.

Separación del talón hace referencia a una descomposición de la unión entre los componentes del talón.

Neumático de carcasa diagonal hace referencia a un neumático con aire en el cual los cables de las capas que se extienden hasta los talones están dispuestos en ángulos alternos a menos de 90 grados en relación con la línea central de la banda de rodadura.

Carcasa hace referencia a la estructura del neumático, excepto el talón y el flanco de goma que, una vez inflado, soportan la carga.

Fragmentación hace referencia a la desintegración de piezas de la banda de rodadura o del flanco.

Cable hace referencia a los hilos que conforman las capas en el neumático.

Separación de cables hace referencia a la separación de los cables de los componentes de caucho adyacentes.

Agrietamiento hace referencia a las divisiones dentro de la banda de rodadura, el flanco o el revestimiento interior del neumático, hasta el material de los cables.

Peso en vacío hace referencia al peso de un vehículo motorizado con equipo estándar, incluida la capacidad máxima de combustible, aceite y refrigerante, y si está equipado, sistema de aire acondicionado y el peso adicional de un motor opcional.

Presión de aire en frío hace referencia a la presión de los neumáticos cuando el vehículo no se ha conducido durante al menos tres horas.

Neumático para carga extra hace referencia a un neumático diseñado para funcionar con cargas superiores y a mayores presiones de inflado que el neumático estándar correspondiente.

Ranura hace referencia al espacio entre dos costillas adyacentes de la banda de rodadura.

Clasificación de peso bruto del eje o GAWR hace referencia al valor especificado por el fabricante del vehículo como la capacidad de carga de un solo sistema de ejes, según se mide en las interfaces neumático-suelo.

Clasificación de peso bruto del vehículo o GVWR hace referencia al valor especificado por el fabricante como el peso cargado de un solo vehículo. **Peso de enganchado** hace referencia a la fuerza hacia abajo que ejerce el acoplador del remolque sobre la bola de enganche.

Revestimiento interior hace referencia a las capas que conforman la superficie interior de un neumático sin cámara que contiene el medio de inflado dentro del neumático.

Separación del revestimiento interior hace referencia a la división del revestimiento interior del material del cable en la carcasa.

Neumático para camión liviano (LT) hace referencia a un neumático cuyo fabricante lo ha designado para usar en camiones livianos o vehículos de pasajeros multipropósitos.

Índice de carga hace referencia a la carga máxima que puede cargar un neumático con una presión de inflado dada.

Clasificación de carga máxima hace referencia a la clasificación de carga para un neumático a la presión de inflado máxima permitida para dicho neumático.

Presión de inflado máxima permitida hace referencia a la presión de inflado en frío máxima a la que se puede inflar un neumático.

Peso máximo de vehículo cargado hace referencia a la suma de: (a) peso en vacío, (b) peso de accesorios, (c) peso de capacidad del vehículo, y (d) peso de opciones de producción.

Llanta de medición hace referencia a la llanta en la cual se coloca un neumático según los requisitos de las dimensiones físicas.

Llanta sin aire hace referencia a un dispositivo mecánico que, cuando un conjunto de neumático sin aire incorpora una rueda, soporta el neumático y se fija, de manera integral o separada, al miembro central de la rueda y al cual el neumático se fija.

Conjunto de neumático de repuesto sin aire hace referencia a un conjunto de neumático sin aire para uso temporal en lugar de uno de los neumáticos y llantas con aire que se utilizan en un automóvil de pasajeros de acuerdo con los requisitos de este estándar.

Neumático sin aire hace referencia a un dispositivo mecánico que transmite, ya sea directamente o a través de una rueda o el miembro central de una rueda, la carga vertical y las fuerzas de tracción desde la carretera al vehículo, genera las fuerzas de tracción que proporcionan el control dirección del vehículo y no contiene ni gases ni líquidos que proporcionen dichas funciones.

Conjunto de neumático sin aire hace referencia a un neumático sin aire, solo o junto con una rueda o miembro central de una rueda, que puede colocarse en un vehículo.

Peso normal de ocupación hace referencia a la cantidad de ocupantes especificada en la segunda columna de la Tabla I de 49 CFR 571.110 multiplicada por 68 kg (150 lb).

Distribución de ocupación hace referencia a la distribución de los ocupantes en un vehículo, según se especifica en la tercera columna de la Tabla I de 49 CFR 571.110.

Empalme abierto hace referencia a cualquier división en una unión de la banda de rodamiento, el flanco o el revestimiento interior que se extiende hasta el material del cable.

Diámetro exterior hace referencia al diámetro general de un neumático nuevo inflado.

Ancho general hace referencia a la distancia linear entre los exteriores de los flancos de un neumático inflado, incluidas las elevaciones debido a etiquetados, decoraciones, bandas protectoras o resaltes.

Neumático de automóvil de pasajeros hace referencia a un neumático para uso en autos de pasajeros, vehículos de pasajeros multipropósitos y camiones, con una clasificación de peso bruto del vehículo (Gross Vehicle Weight Rating, GVWR) de 10 000 libras o menos.

Peso del pin hace referencia a la fuerza hacia abajo aplicada a la quinta rueda o bola del cuello de cisne, por el acoplador del cuello de cisne o pivote de acoplamiento del remolque.

Capa hace referencia a una capa de cables paralelos recubiertos en caucho.

Separación de capas hace referencia a la división de los compuestos de caucho entre capas adyacentes.

Neumático con aire hace referencia a un dispositivo mecánico creado con caucho, productos químicos, telas, aceros u otros materiales que, cuando se coloca en la rueda de un automóvil, proporciona la tracción y contiene el gas o el líquido de mantiene la carga.

Peso de opciones de producción hace referencia al peso combinado de aquellas opciones de producción regulares instaladas que pesan más de 2,3 kg por encima de los elementos estándar que reemplazan, que no se habían tenido en cuenta en el peso en vacío o en el peso de accesorios, y que pueden incluir frenos de servicio pesado, niveladores de desplazamiento, portaequipajes, batería de servicio pesado y terminaciones especiales.

Neumático de carcasa radial hace referencia a un neumático con aire en el cual las capas de la carcasa que se extienden hasta los talones están dispuestos en ángulos de 90 grados en relación con la línea central de la banda de rodadura.

Presión recomendada de inflado hace referencia a la presión de inflado en frío apropiada que se indica en la etiqueta de información del neumático.

Neumático reforzado hace referencia a un neumático diseñado para funcionar con cargas superiores y a mayores presiones de inflado que el neumático estándar correspondiente.

Llanta hace referencia al soporte de metal para un neumático, o a un conjunto de neumático y cámara sobre el cual se asientan los talones del neumático.

Diámetro de la llanta hace referencia al diámetro nominal del asiento del talón.

Designación de tamaño de la llanta hace referencia al diámetro de la llanta y a su ancho.

Designación de tipo de llanta hace referencia a la designación de la industria del fabricante para una llanta, según el estilo o un código.

Ancho de la llanta hace referencia a la distancia nominal entre los bordes de la llanta.

Ancho de la sección hace referencia a la distancia linear entre los exteriores de los flancos de un neumático inflado, sin incluir las elevaciones debido a etiquetados, decoraciones, bandas protectoras o resaltes.

Flanco hace referencia a la parte del neumático entre la banda de rodadura y el talón.

Separación del flanco hace referencia a la división del compuesto de caucho del material del cable en el flanco.

Neumático ST hace referencia a un neumático diseñado para usar solamente en remolques arrastrados en una carretera.

Llanta de prueba hace referencia a la llanta sobre la que se coloca un neumático para realizar pruebas, y puede ser cualquier llanta que esté especificada como apropiada para usar con ese neumático.

Banda de rodadura hace referencia a la parte de un neumático que está en contacto con la carretera.

Costilla de la banda de rodadura hace referencia a la sección de la banda de rodadura que se desplaza en forma periférica alrededor de un neumático.

Separación de la banda de rodadura hace referencia al alejamiento de la banda de rodadura de la carcasa del neumático.

Indicadores de desgaste de la banda de rodadura (TWI) hace referencia a las proyecciones dentro de las ranuras principales diseñadas para dar una indicación visual de los grados de desgaste de la banda de rodadura.

Peso de capacidad del vehículo hace referencia a la carga y al equipaje nominales más la capacidad de ocupación designada del vehículo multiplicada por 68 kg.

Carga máxima del vehículo en el neumático hace referencia a la carga sobre un neumático individual que está determinada por la distribución, a cada eje, de su parte del peso máximo del vehículo cargado dividido entre dos.

Carga normal del vehículo en el neumático hace referencia a la carga sobre un neumático individual que está determinada por la distribución, a cada eje, de su parte del peso en vacío, el peso de accesorios y el peso normal de ocupación (distribuido según la Tabla I de 49 CFR 571.110) y dividido entre 2.

Miembro central de la rueda hace referencia, en el caso de un conjunto de neumático sin aire que incorpora una rueda, a un dispositivo mecánico que se fija, de manera integral o separada, a la llanta sin aire y permite la conexión entre la llanta sin aire y el vehículo; o, en el caso de un conjunto de llanta sin aire que no incorpora una rueda, a un dispositivo mecánico que se fija, de manera integral o separada, al neumático sin aire y permite la conexión entre el neumático y el vehículo.

Accesorio de fijación de la rueda hace referencia al accesorio utilizado para mantener el conjunto de rueda y neumático seguro durante las pruebas.

4. Seguridad de los neumáticos: todo depende de ellos

La Administración Nacional de Seguridad de Tráfico en Carreteras (NHTSA) ha publicado un folleto (DOT HS 809 361) sobre todos los aspectos de la seguridad de los neumáticos, según lo especificado por 49 CFR 575.6. Este folleto se reproduce, en parte, debajo. Se puede descargar sin cargo del sitio web de la NHSTA:

http://www.nhtsa.dot.gov/cars/rules/TireSafety/ridesonit/tires_index.html

Los estudios realizados sobre la seguridad de los neumáticos muestran que contar con una presión apropiada de los neumáticos, respetar los límites de carga de los vehículos y sus neumáticos (no llevar más peso en el vehículo del que este o los neumáticos pueden soportar), evitar los peligros de la carretera e inspeccionar los neumáticos para determinar que no tengan cortes, rajaduras y otras irregularidades son las cosas más importantes que puede hacer para evitar la falla de los neumáticos, por ejemplo, la separación de la banda de rodadura, un reventón o un neumático desinflado. Estas medidas, junto con otras actividades de cuidado y de mantenimiento, también pueden:

- Mejorar el manejo del vehículo
- Ayudar a protegerlo a usted y a otras personas de accidentes y roturas evitables
- Mejorar el ahorro de combustible
- Prolongar la vida útil de sus neumáticos

Este folleto tiene como finalidad ofrecer una descripción integral de la seguridad de los neumáticos, incluida información sobre los temas siguientes:

- Mantenimiento básico de los neumáticos
- Sistema uniforme de calificación de la calidad de los neumáticos
- Características fundamentales de los neumáticos
- Consejos de seguridad de los neumáticos. Use esta información para integrar a la seguridad de los neumáticos a su rutina de mantenimiento del vehículo.

Se debe reconocer que el tiempo que se dedica a los neumáticos es mínimo en comparación las incomodidades y las consecuencias a la seguridad que presentan un neumático desinflado u otras fallas.

La seguridad primero: mantenimiento básico de neumáticos

Los neumáticos que se mantienen de manera apropiada mejoran la dirección, el frenado, la tracción y la capacidad de carga del vehículo. Los neumáticos mal inflados y los vehículos sobrecargados son una de las principales causas de fallas de los neumáticos. Así, y tal como se mencionó antes, para evitar los neumáticos desinflados y otros tipos de fallas en los neumáticos, debe mantener la presión apropiada de los neumáticos, respetar los límites de carga del vehículo así como de los neumáticos, evitar los peligros de la carretera e inspeccionar periódicamente los neumáticos.

Encontrar los límites de carga y de presión de los neumáticos recomendados para su vehículo

Las placas de información de los neumáticos y las etiquetas de certificación de los vehículos contienen información sobre neumáticos y límites de carga. En estas etiquetas se indica información del fabricante de los vehículos, entre otra:

- Tamaño recomendado de neumáticos
- Presión recomendada de inflado de los neumáticos
- Peso de capacidad vehicular (VCW: el peso máximo de ocupación y carga que puede soportar un vehículo)
- Clasificación de peso bruto del eje delantero o trasero (Gross Axle Weight Rating, GAWR: el peso máximo que pueden soportar los sistemas de eje).

Ambas placas y etiquetas de certificación están fijadas de manera permanente al remolque, cerca de la parte izquierda delantera.

Comprender la presión de los neumáticos y los límites de carga

La presión de inflado de los neumáticos es el nivel de aire dentro del neumático que le otorga capacidad de carga, e influye en el rendimiento general del vehículo. La presión de inflado de los neumáticos es un número que indica la cantidad de presión de aire, medida en libras por pulgada cuadrada (psi), que requiere un neumático para estar correctamente inflados. (También encontrará este número en la placa de información del vehículo, expresado en kilopascales [kpa], que es la medida métrica usada a nivel internacional).

Los fabricantes de vehículos de pasajeros y de camiones livianos determinan este número según el límite de carga diseñado del vehículo, es decir, el mayor peso que un vehículo puede transportar de manera segura y el tamaño de neumáticos del vehículo. La presión apropiada de los neumáticos para su vehículo se denomina "presión recomendada de inflado en frío". (Tal como se le informará debajo, es difícil obtener la presión recomendada de los neumáticos si estos no están fríos).

Los neumáticos se diseñan para usar en más de un tipo de vehículo, por lo que los fabricantes indican la “presión máxima de inflado permitida” en el flanco del neumático. Este número indica la presión mayor de aire que se debe ingresar en los neumáticos en condiciones de conducción normal.

Control de la presión de los neumáticos

Es importante controlar la presión de los neumáticos de su vehículo como mínimo una vez por mes, por las razones siguientes:

- De manera natural, la mayoría de los neumáticos pierde aire con el paso del tiempo.
- Si pasa sobre un bache u otro objeto, o si golpea el bordillo mientras estaciona, los neumáticos pueden perder aire sorpresivamente.
- En el caso de los neumáticos radiales, normalmente no es posible determinar la falta de aire mediante una inspección visual.

Para su comodidad, se recomienda comprar un medidor de presión de neumáticos y tenerlo en el vehículo. Los distribuidores de neumáticos, las tiendas de suministros automotores y otros comercios minoristas venden medidores.

La presión recomendada de inflado de los neumáticos que ofrecen los fabricantes de los vehículos indica el psi adecuado con el neumático frío. En este caso, frío no hace referencia a la temperatura exterior, sino que indica un neumático que no se ha utilizado para conducir en un plazo de, por lo menos, tres horas.

Cuando conduce, los neumáticos se calientan, haciendo que la presión del aire en su interior aumente. Es por este motivo que, a fin de obtener una lectura precisa de la presión de los neumáticos, debe medirla cuando los neumáticos están fríos, o compensar la presión extra en los que están calientes.

Pasos para mantener la presión adecuada de los neumáticos

- Paso 1: Encuentre la presión recomendada para los neumáticos en la placa de información de los neumáticos del vehículo, la etiqueta de certificación o en el manual del propietario.
- Paso 2: Registre la presión de todos los neumáticos.
- Paso 3: Si la presión es demasiado alta en alguno de los neumáticos, libere el aire lentamente al presionar el vástago de la válvula del neumático con el borde del medidor, hasta obtener la presión correcta.
- Paso 4: Si la presión es demasiado baja, note la diferencia entre la presión medida y la presión correcta. Estas libras “faltantes” de la presión es lo que deberá agregar.
- Paso 5: En una gasolinera, agregue las libras faltantes de presión a cada neumático que esté desinflado.
- Paso 6: Verifique todos los neumáticos para garantizar que tengan la misma presión de aire, excepto en los casos en que los delanteros deben tener presiones diferentes de los traseros.

Si ha estado conduciendo el vehículo y considera que tiene un neumático desinflado, agregue presión hasta el límite de inflado en frío recomendado que se indica en la placa de información o en la etiqueta de certificación del neumático. Si bien el neumático puede resultar ligeramente desinflado debido a las libras de presión adicionales en el neumático caliente, es más seguro conducir con presión apenas por debajo del límite recomendado de inflado en frío indicado por el fabricante en lugar de hacerlo con un neumático muy desinflado. Al ser esta una solución temporal, no olvide volver a comprobar la presión del neumático y modificarla cuando pueda hacer una lectura en frío.

Tamaño del neumático

A fin de mantener la seguridad de los neumáticos, compre nuevos que sean del mismo tamaño que los originales, o de un tamaño recomendado por el fabricante. Consulte la placa de información o el flanco del neumático que reemplaza, o el manual del propietario para obtener esta información. Si tiene dudas sobre el tamaño correcto, consulte al distribuidor de neumáticos.

Banda de rodadura del neumático

La banda de rodadura ejerce la acción de agarre y de tracción que impiden que el vehículo se deslice, en especial cuando la carretera está mojada o con hielo. En general, los neumáticos no son seguros y se deben reemplazar cuando la banda de rodadura está desgastada un 1/16 de pulgada. Los neumáticos cuentan con indicadores de desgaste integrados que le señalan cuándo debe reemplazarlos. Estos indicadores son secciones elevadas y situadas de manera intermitente en la parte inferior de las ranuras de la banda de rodadura. Cuando están “a nivel” con la parte exterior de la rodadura, entonces es momento de reemplazar los neumáticos. Otra manera de controlar la profundidad de la banda de rodadura (si está en los Estados Unidos) es colocar una moneda de un penique estadounidense con la cabeza de Lincoln invertida y apuntando hacia usted. Si puede ver la parte superior de la cabeza, necesita neumáticos nuevos.

Alineación de las ruedas y equilibrio de los neumáticos

A fin de evitar la vibración o el zarandeo del vehículo cuando la rueda gira, esta debe estar equilibrada de manera adecuada. Para lograr este equilibrio, se deben colocar pesos en la rueda para contrarrestar los puntos pesados en el conjunto de rueda y neumático. Una alineación de ruedas ajusta los ángulos de las ruedas para que estén posicionados correctamente en relación con el armazón del vehículo. Esta modificación prolonga la vida útil de los neumáticos. La realización de estos ajustes se hace con equipo especial y un técnico calificado.

Reparación de neumáticos

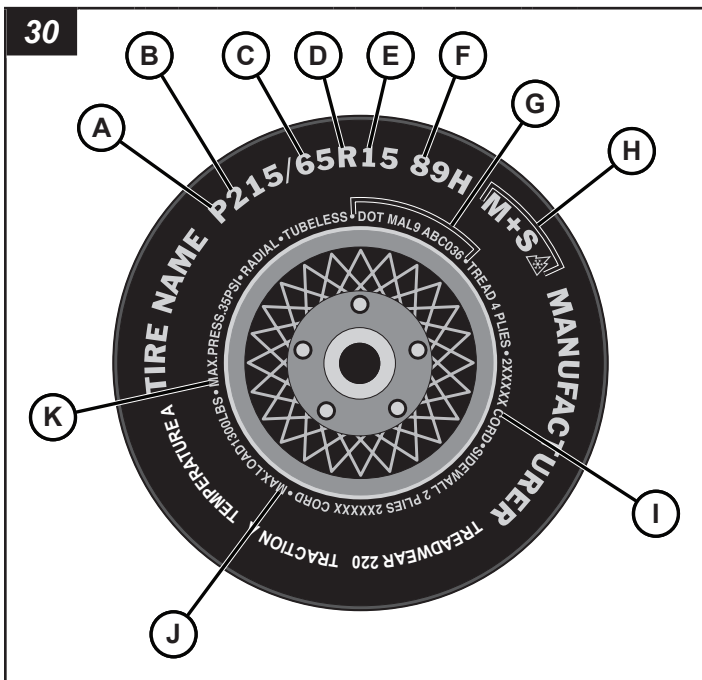
La reparación apropiada de un neumático pinchado exige un tapón para el orificio y un parche para la zona dentro del neumático que rodea al orificio de la pinchadura. Las pinchaduras en la banda de rodadura pueden repararse si no son demasiado grandes, pero las que ocurren en el flanco no se deben reparar. Los neumáticos deben quitarse de la llanta para inspeccionarlos apropiadamente antes de colocarles el tapón y el parche.

Información básica sobre neumáticos

La ley federal exige que los fabricantes de neumáticos presenten información estándar en los flancos de todos los neumáticos. Dicha información identifica y describe las características fundamentales del neumático, a la vez que ofrece un número de identificación del neumático para la certificación de seguridad estándar y en caso de un retiro del mercado.

Información en los neumáticos de los vehículos de pasajeros

Consulte la Figura 30 y la información siguiente.



A: La "P" indica que el neumático es para vehículo de pasajeros.

B: Este número de tres dígitos brinda el ancho del neumático en milímetros, desde el borde del flanco al borde del flanco. Generalmente, cuanto mayor es el número, más ancho el neumático.

C: Este número de dos dígitos, conocido como la relación de aspecto, brinda la relación de altura a ancho del neumático. Los números de 70 o inferiores indican un flanco chico para una mejor respuesta de la dirección y un manejo mejorado en general sobre pavimento seco.

D: La "R" indica radial. Durante los últimos 20 años, la construcción radial de neumáticos ha sido el estándar del sector.

E: Este número de dos dígitos es el diámetro de la rueda o llanta expresado en pulgadas. Si cambia el tamaño de la rueda, tendrá que comprar neumáticos nuevos que coincidan con el nuevo diámetro de la rueda.

F:

(Número) Este número de dos o tres dígitos es el índice de carga del neumático. Es una medida del peso que cada neumático puede soportar. Esta información se encuentra en el manual del propietario. De no ser así, contáctese con un distribuidor de neumáticos en su zona. *Nota: Es posible que esta información no esté en todos los neumáticos, ya que no se exige legalmente.*

(Letra) La clasificación de velocidad indica a qué velocidad debe conducirse este neumático por tiempos prolongados. Las clasificaciones varían de 99 millas por hora a 186 millas por hora. Debajo se indican estas clasificaciones. *Nota: Es posible que esta información no esté en todos los neumáticos, ya que no se exige legalmente.*

Clasificación de letra	Clasificación de velocidad
Q	99 mph
R	106 mph
S	112 mph
T	118 mph
U	124 mph
H	130 mph
V	168 mph*
Y	186 mph*

**Nota: En el caso de los neumáticos con una capacidad de velocidad superior a 149 mph, los fabricantes algunas veces utilizan las letras ZR. En el caso de los que tienen una capacidad de velocidad superior a 186 mph, los fabricantes algunas veces utilizan las letras ZR.*

G: Número de identificación de neumáticos del Departamento de Transporte de los EE. UU. Comienza con las letras "DOT" e indica que el neumático cumple con todos los estándares federales. Los dos números o letras siguientes son el código de planta donde se lo fabricó, y los últimos cuatro indican la semana y el año de construcción. Por ejemplo, los números 3197 indican la semana 31 de 1997. Los otros números son códigos de marketing empleados a discreción del fabricante. Esta información se utiliza para comunicarse con los clientes en caso de que un defecto del neumático amerite un retiro del mercado.

H: La combinación "M+S" o "M/S" indica que el neumático tiene cierta capacidad para uso en lodo y nieve. La mayoría de los neumáticos radiales tienen estas marcas, por lo que son algo aptos para usar en lodo y nieve.

I: Composición de las capas del neumático y materiales usados. La cantidad de capas indica cuántos niveles de tela recubierta en caucho posee el neumático. En general, a mayor cantidad de capas, mayor es el peso que puede soportar un neumático. Los fabricantes de neumáticos deben indicar asimismo los materiales incluidos, entre otros, acero, nylon, poliéster, etc.

J: Clasificación de carga máxima. Este número indica la carga máxima en kilogramos y en libras que puede soportar el neumático.

K: Presión de inflado máxima permitida. Este número indica la presión mayor de aire que se debe ingresar en los neumáticos en condiciones de conducción normal.

Sistema uniforme de clasificación de calidad de los neumáticos (UTQGS)

Los distintos grados de calidad pueden encontrarse, cuando corresponde, en el flanco del neumático, entre el hombro de la banda de rodadura y el ancho máximo de la sección. Por ejemplo:

DESGASTE DE BANDA DE RODADURA 200
TRACCIÓN AA

Temperatura A

Todos los neumáticos de los automóviles de pasajeros deben cumplir con los requisitos de seguridad federales además de estas clasificaciones

Desgaste de banda de rodadura

La clasificación del desgaste de la banda de rodadura es una clasificación comparativa basada en el índice de desgaste del neumático cuando se le realizan pruebas en condiciones controladas, en un curso de pruebas gubernamental específico. Por ejemplo, un neumático con una clasificación de 150 se desgastará una vez y media (1 1/2) también en el curso gubernamental como un neumático con clasificación 100. Sin embargo, el rendimiento relativo de los neumáticos depende de las condiciones reales de su uso, y puede desviarse significativamente de la norma debido a variaciones en las costumbres de conducción, las prácticas de mantenimiento así como diferencias en las características y el clima de la carretera.

Tracción

Las clasificaciones de tracción, desde la más alta a la más baja, son AA, A, B y C. Estas clasificaciones representan la capacidad de los neumáticos de frenar en pavimento húmedo medida en condiciones controladas en superficies de prueba gubernamentales específicas de asfalto y concreto. Un neumático con la clasificación C puede tener un escaso rendimiento de tracción.

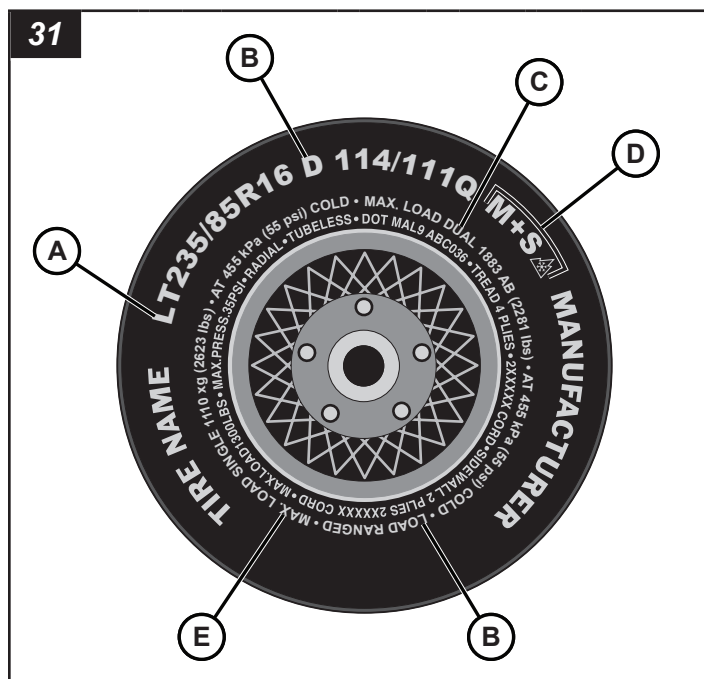
Advertencia: La clasificación de tracción asignada a este neumático está basada en pruebas de tracción de frenada directa, y no incluye aceleración, giro, acuaplaneo ni características de tracción máxima.

Temperatura

Las clasificaciones de temperatura son A (la más alta), B y C, que representan la resistencia del neumático a la generación de calor y su capacidad de disiparlo cuando se le hicieron pruebas en condiciones controladas en una rueda de prueba de laboratorio específica en interiores. Una alta temperatura constante puede destruir el material del neumático y reducir su vida útil, y la temperatura excesiva puede provocar una falla inesperada del neumático. La clasificación C corresponde a un nivel de rendimiento que todos los neumáticos para automóviles de pasajeros deben cumplir según el Estándar de Seguridad Motriz Federal n.º 109. Las clasificaciones B y A representan niveles más altos de rendimiento en la rueda de prueba en el laboratorio que los mínimos exigidos legalmente. Advertencia: La clasificación de temperatura se establece para un neumático apropiadamente inflado y no sobrecargado. La velocidad excesiva, la falta de inflado o una carga en exceso, cada una por separado o combinadas, pueden provocar acumulación de calor y la posible falla del neumático.

Información adicional sobre neumáticos para camiones livianos

Los neumáticos para camiones livianos cuentan con otras marcas además de las que se encuentran en los flancos de los neumáticos para vehículos de pasajeros. Consulte la Figura 31 y la información siguiente.



A: La "LT" indica que el neumático es para camiones livianos. Una "ST" es una indicación de que el neumático es únicamente para uso en remolque.

B: Rango de carga. Esta información identifica las capacidades de carga del neumático y sus límites de inflado.

C: Carga doble máxima. Esta información indica la carga máxima y la presión del neumático cuando se lo utiliza doble, es decir, cuando se colocan cuatro neumáticos en cada eje trasero (con un total de seis o más neumáticos en el vehículo).*

D: La combinación "M+S" o "M/S" indica que el neumático tiene cierta capacidad para uso en lodo y nieve. La mayoría de los neumáticos radiales tienen estas marcas, por lo que son algo aptos para usar en lodo y nieve.

E: Esta información indica la carga máxima y la presión del neumático cuando se lo utiliza solo.*

**Nota: La carga máxima se presenta en kilogramos y libras (kg/lb). La presión máxima del neumático se presenta en kilopascales y en libras por pulgada cuadrada (kPa/psi) cuando el neumático está en frío.*

Consejos de seguridad de los neumáticos

Prevención de daños al neumático

- Disminuya la velocidad cuando debe pasar por un bache u otro objeto en la carretera.
- No suba los bordillos ni sobre objetos desconocidos mientras conduce, e intente no golpear el bordillo cuando estaciona.

Lista de verificación de seguridad

- Revise la presión de los neumáticos periódicamente (como mínimo, una vez por mes), incluido el neumático de reemplazo.
- Inspeccione los neumáticos para determinar que no tengan rajaduras, objetos extraños, patrones de desgaste desiguales en la banda de rodadura u otros signos de desgaste o trauma.
- Retire los pedazos de vidrio y los objetos extraños incrustados en la banda de rodadura.
- Asegúrese de que las válvulas de los neumáticos tengan las tapas.
- Revise la presión de los neumáticos antes de emprender un viaje largo.
- No sobrecargue el vehículo. Revise la placa de información de los neumáticos o el manual del propietario para conocer cuál es la carga máxima recomendada para el vehículo.

Anexo: Opciones de la unidad

Desconexión de la batería

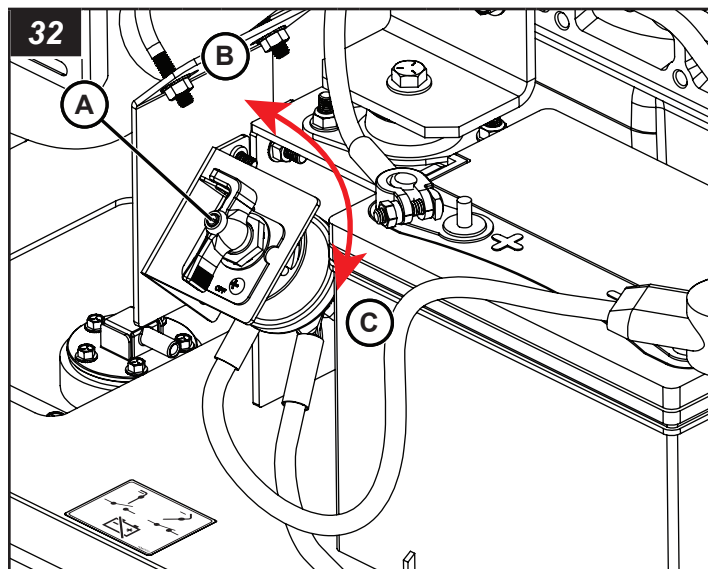
La desconexión opcional de la batería permite desconectarla de manera conveniente y sin necesidad de herramientas durante el almacenamiento de la unidad o mientras no esté en uso, o para evitar una operación no autorizado.

Para desconectar la batería:

1. Gire el interruptor (A, Figura 32) a la posición de desconexión (B, Figura 32).
2. Para mayor seguridad, puede usar un candado (no se incluye).

Para conectar la batería:

1. Retire el candado (en caso de haber usado uno).
2. Gire el interruptor a la posición de conexión (C, Figura 32).



Tomas de conector de bloqueo de leva

 PELIGRO



Peligro de electrocución

No conecte ni desconecte cargas a las tomas de bloqueo de leva mientras la unidad esté en funcionamiento.

 PELIGRO

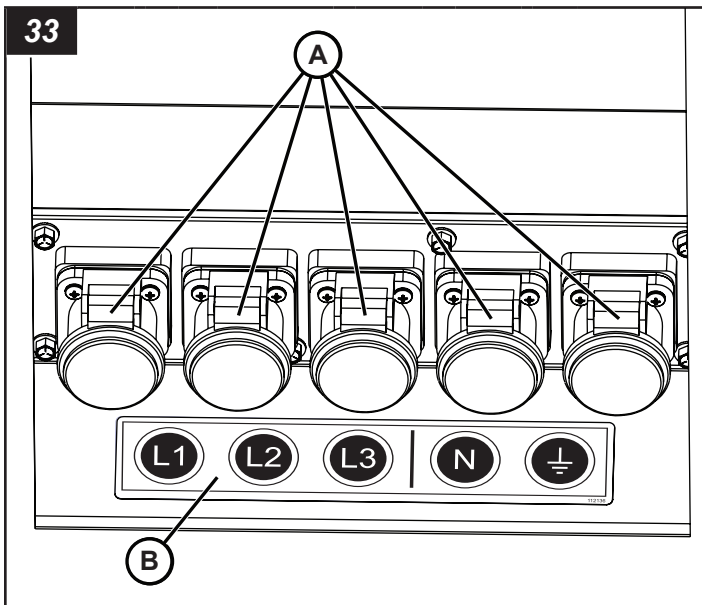


Peligro de descarga eléctrica

Girar el interruptor de tensión a otra posición mientras la unidad está en funcionamiento podría causar un peligro de descarga eléctrica del generador que provocaría la muerte o lesiones graves. Apague la unidad antes de girar el interruptor de tensión a otra posición. Se debe instalar un bloqueo en el interruptor para evitar que el interruptor se gire mientras la unidad está en funcionamiento.

Las tomas de bloqueo de leva opcionales permiten una conexión y desconexión rápida de las cargas.

1. Conecte los conectores de bloqueo de leva de la carga a las tomas de bloqueo de leva (A, Figura 33) en la parte inferior del tomacorriente y el panel de la placa de orejeta de conexión de la unidad. Asegúrese de conectar la carga correctamente, consulte la calcomanía de conexión de bloqueo de leva (B, Figura 33) y consulte **Configuración del dispositivo de cambio de tensión y panel de salida de CA (tomacorriente y placa de orejeta de conexión)** para ver las conexiones de carga adecuadas.



Paquete para climas árticos

Calentador de bloque/calentador de batería

El calentador de bloque/calentador de batería (A, Figura 34) mantiene el bloque y la batería del motor calentados mientras la unidad está almacenada o no se encuentra en uso.

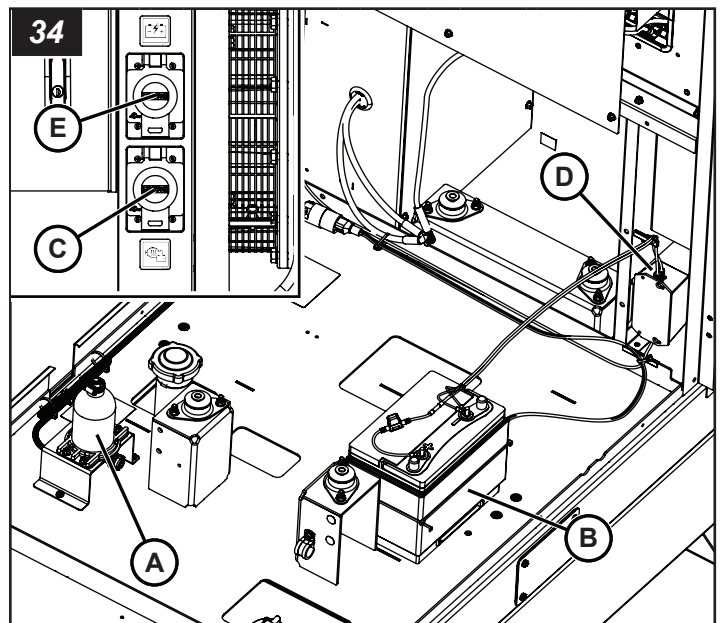
El calentador de bloque/calentador de batería debe utilizarse siempre que la unidad esté almacenada o no se encuentre en uso a temperaturas inferiores a 32 °F (0 °C).

1. Enchufe el extremo hembra de un cable de alimentación de servicio pesado (no suministrado) en la toma empotrada del calentador de bloque/calentador de batería (B, Figura 34).
2. Enchufe el extremo macho del cable de alimentación a un tomacorriente estándar de 120 V.
3. Desenchufe el calentador de bloque/calentador de batería antes de poner la unidad en funcionamiento.

Cargador de batería

El cargador de batería mantiene la batería cargada mientras la unidad está almacenada o no se encuentra en uso.

1. Enchufe el extremo hembra de un cable de alimentación de servicio pesado (no suministrado) en la toma empotrada del cargador de batería (C, Figura 34).
2. Enchufe el extremo macho del cable de alimentación a un tomacorriente estándar de 120 V.
3. La luz roja (D, Figura 34) en el módulo del cargador de batería, ubicada en la sección delantera izquierda del compartimiento del motor (consulte la Figura 34), indica que la batería se está cargando. La luz verde (E, Figura 34) indica la carga completa. (El cargador de batería puede permanecer enchufado después de que la batería alcance la carga completa sin dañar la batería).
4. Desenchufe el cargador de batería antes de poner la unidad en funcionamiento.



Válvula de cierre de emergencia de entrada de aire del motor

La válvula de cierre de emergencia de entrada de aire opcional cierra automáticamente la válvula y apaga el motor cuando se presenta una situación de exceso de velocidad incontrolable.

Consulte el manual de programación de Pacbrake PH3 para obtener más información sobre el funcionamiento y la programación.

ADVERTENCIA

Si la válvula de cierre de emergencia de entrada de aire se disparó y apagó el motor, salga del área de inmediato y siga los procedimientos de seguridad de su lugar de trabajo. No reinicie ni arranque la máquina antes de identificar el origen del problema y de haber descubierto una solución.

Operación en modo automático

1. Si hay una situación de exceso de velocidad incontrolable en el motor, el controlador la detectará y automáticamente cerrará la válvula de cierre de emergencia de entrada de aire (A, Figura 35) y apagará el motor.
2. La válvula de cierre se mantendrá cerrada durante 15 segundos, y volverá automáticamente a la posición de abierta.
3. Identifique el origen del problema y corrija.
4. Restablezca el controlador Deep Sea al llevar el interruptor de ENCENDIDO/APAGADO en el panel de control del motor a la posición “APAGADA” y nuevamente a la posición “ENCENDIDA”. Consulte la sección **Operación del motor** para conocer los procedimientos de operación.

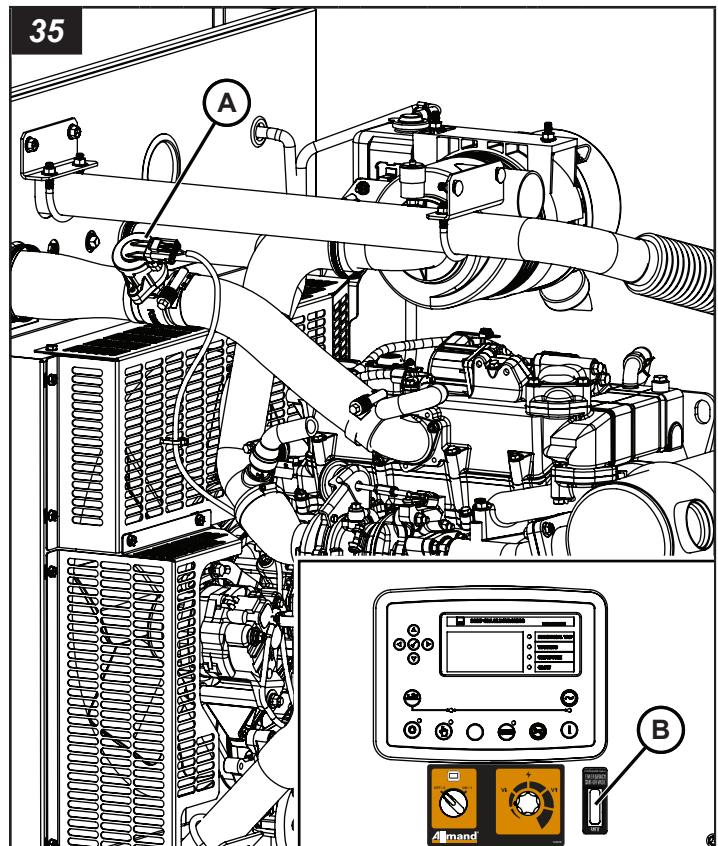
Operación en modo de prueba/manual

1. Lleve el interruptor alterno de la válvula de cierre de emergencia (B, Figura 35) a la posición “CERRADA” para cerrar la válvula.
2. Lleve el interruptor de la válvula de cierre de emergencia a la posición “ENCENDIDO” para restablecer la válvula en la posición de abierta.

Modo manual: Identifique el origen del problema y corrija.

Modo de prueba: Verifique la funcionalidad de la válvula.

4. Restablezca el controlador Deep Sea al llevar el interruptor de ENCENDIDO/APAGADO en el panel de control del motor a la posición “APAGADA” y nuevamente a la posición “ENCENDIDA”. Consulte la sección **Operación del motor** para conocer los procedimientos de operación.



Noter les renseignements importants

Noter les renseignements importants pour faciliter la commande des pièces de rechange ou des autocollants.

N° d'équipement d'entreprise :	
N° de modèle :	
NIV :	
N° de modèle du moteur :	N° de série :
N° de modèle de la génératrice :	N° de série :
Accessoires :	

Contenu du manuel :

Introduction	78
Produits couverts dans ce manuel	78
Sécurité	78
Caractéristiques et commandes	84
Préparer la génératrice sur remorque aux fins d'utilisation	86
Transporter la génératrice sur remorque	87
Fonctionnement	91
Entretien	99
Spécifications	104
Dépannage	104
Signaler les défauts de sécurité	105
Renseignements sur la sécurité des pneus	106
Addenda – Options des unités	113

AVERTISSEMENT

L'inspiration de gaz d'échappement du moteur vous expose à des produits chimiques connus selon l'État de Californie pour causer le cancer, des anomalies congénitales ou d'autres effets nuisibles à la reproduction.

- Toujours démarrer et faire fonctionner le moteur dans un endroit bien ventilé.
- Si le moteur est utilisé dans un espace fermé, ventiler les gaz d'échappement à l'extérieur.
- Ne pas modifier ni altérer le système d'échappement.
- Ne pas mettre le moteur au ralenti sauf en cas de nécessité.

Pour plus de renseignements, visiter www.P65Warnings.ca.gov/diesel.

Introduction

À propos de ce manuel

PRENDRE LE TEMPS DE LIRE CE MANUEL AU COMPLET

Ce manuel procure les instructions nécessaires pour la génératrice mobile Allmand® Maxi-Power™ 45.

L'information dans ce manuel est en vigueur au moment de l'impression. Briggs & Stratton peut changer le contenu sans préavis ni obligation.

Les images contenues dans ce manuel sont offertes aux fins d'illustration seulement et peuvent être différentes de votre modèle.

Toute référence dans ce manuel à la droite et la gauche sera déterminée en regardant la remorque de l'arrière.

En cas d'incertitude concernant toute information dans ce manuel, veuillez contacter le service à la clientèle d'Allmand au

1-800-562-1373 ou nous contacter par le site Web d'Allmand, www.allmand.com.

Conservez ces instructions d'origine pour référence future.

Produits couverts par le présent manuel

Les produits suivants sont couverts par le présent manuel : Maxi-Power™ 45

Sécurité

Définitions des mots liés à la sécurité

Pour votre sécurité et celle des autres ainsi que pour protéger la performance de l'équipement, suivre les précautions énumérées dans le manuel avant de l'opérer, pendant l'opération et les procédures d'entretien périodiques.



Le symbole d'alerte de sécurité indique un risque de blessure corporelle.



DANGER

Indique une situation dangereuse qui, si non évitée, causera la mort ou des blessures graves.



AVERTISSEMENT

Indique une situation dangereuse qui, si non évitée, pourrait causer la mort ou des blessures graves.



ATTENTION

Indique une situation dangereuse qui, si non évitée, pourrait causer des blessures mineures ou modérées.

AVIS

Informations considérées comme importantes, mais pas liées à des risques.

Mesures de sécurité

La section suivante contient des mesures et des directives de sécurité générales qui doivent être obéies afin de réduire tout risque à la sécurité personnelle. Des mesures de sécurité particulières sont listées dans certaines procédures pertinentes. Lire et comprendre toutes les mesures de sécurité avant de faire fonctionner ou d'effectuer des réparations ou de l'entretien.



DANGER



Risque d'électrocution

- Une haute tension est présente lorsque le moteur est en marche. Ne jamais tenter d'effectuer l'entretien des composants électriques lorsque le moteur est en marche.
- Ne pas utiliser l'appareil si l'isolation sur le cordon électrique ou tout autre câblage électrique est coupée, usée ou mise à nu. Réparer ou remplacer le câblage endommagé avant de démarrer le moteur.



AVERTISSEMENT

Risque de fonctionnement non sécuritaire

- Ne jamais laisser quiconque installer ou faire fonctionner l'équipement sans formation adéquate.
- Lire et comprendre ce manuel d'utilisation, le manuel d'utilisation du moteur et tout autre manuel des composants avant d'utiliser ou d'entretenir la génératrice mobile afin de s'assurer que les pratiques exemplaires de sécurité et les procédures d'entretien sont suivies.
- Les enseignes et les autocollants de sécurité sont des rappels d'utiliser des techniques d'utilisation et d'entretien sûres.



AVERTISSEMENT

Risque de chute

- Ne jamais transporter des passagers sur l'équipement.



AVERTISSEMENT

Risque lié aux modifications

- Ne jamais modifier l'équipement sans le consentement écrit du fabricant. Toute modification pourrait affecter le fonctionnement sécuritaire de l'équipement.



AVERTISSEMENT

Risque d'exposition

- Toujours porter de l'équipement de protection individuelle, incluant les vêtements appropriés, les gants, chaussures de travail, et une protection des yeux et de l'ouïe, selon ce qui est exigé par la tâche à effectuer.



AVERTISSEMENT



Risque d'incendie et d'explosion

Les batteries dégagent des gaz explosifs pendant le chargement. Des étincelles pourraient causer des explosions, entraînant la mort ou des blessures graves.



AVERTISSEMENT



Risque de brûlure

Les batteries contiennent de l'acide, qui est très caustique. Tout contact avec les composants de la batterie peut causer de graves brûlures chimiques.



AVERTISSEMENT



Risque de choc électrique

Les batteries présentent un risque de décharge électrique et de haute tension lors d'un court-circuit.

- Toujours débrancher le câble négatif (-) de la batterie avant d'effectuer le service de l'équipement.
- NE PAS jeter la batterie au feu. Recycler la batterie.
- NE PAS permettre de flamme nue, d'étincelle, de chaleur, de tison de cigarette au cours et plusieurs minutes après le chargement de la batterie.
- NE PAS tenter d'ouvrir ou de mutiler la batterie.
- NE PAS charger une batterie gelée. Toujours réchauffer lentement la batterie à la température ambiante avant de la charger.
- Porter des gants de protection ainsi qu'un tablier, des bottes et des gants en caoutchouc.
- Enlever vos montres, bagues et autres objets métalliques.
- Utiliser des outils dont les poignées sont isolées.

AVERTISSEMENT



Risque de monoxyde de carbone

Les gaz d'échappement du moteur contiennent du monoxyde de carbone, un gaz toxique pouvant provoquer la mort en quelques minutes. Il est inodore, invisible et sans saveur. Même si vous ne sentez pas de vapeurs d'échappement, vous pourriez quand même être exposé(e) au gaz de monoxyde de carbone.

- Faire fonctionner la génératrice **UNIQUEMENT** à l'extérieur, dans un endroit où les gaz d'échappement mortels ne s'accumuleront pas.
- Diriger les gaz d'échappement des fenêtres, des portes, des prises d'aération, des orifices de ventilation dans l'avant-toit, des vides sanitaires, des portes de garage ouvertes ou de toute autre ouverture par lesquels les gaz d'échappement pourraient pénétrer à l'intérieur ou être aspirés dans les espaces d'un édifice qui pourraient être occupés.
- Des détecteurs de monoxyde de carbone **DOIVENT** être installés à l'intérieur et entretenus conformément aux instructions et recommandations du fabricant. Les détecteurs de fumée ne détectent pas le monoxyde de carbone.
- Si vous commencez à vous sentir mal ou faible ou que votre alarme de monoxyde de carbone sonne pendant que vous utilisez ce produit, sortir au grand air immédiatement. Appeler les services d'urgence. Vous pourriez être intoxiqué(e) par le monoxyde de carbone.

AVERTISSEMENT



Risque d'incendie et d'explosion

- Le carburant diesel est inflammable et explosif sous certaines conditions.
- Ne jamais utiliser un chiffon industriel pour ramasser le carburant.
- Essuyer immédiatement tout déversement.
- Ne jamais faire le plein si le moteur est en marche.
- Ranger tous les contenants qui contiennent du carburant dans un endroit bien ventilé, loin de tout combustible et de toute source d'allumage.

AVERTISSEMENT

Risque lié à l'alcool et aux drogues

- Ne pas utiliser la génératrice mobile sous l'emprise de l'alcool ou de drogues, ou en étant malade.

AVERTISSEMENT



Risque d'emmêlement/de rupture

- Toujours arrêter le moteur avant de commencer un entretien.
- Si le moteur doit être réparé pendant qu'il tourne, retirer tous les bijoux, attacher les cheveux longs et garder les mains, toute partie du corps et tout vêtement éloignés des pièces mobiles et rotatives.
- S'assurer que tous les protecteurs et les couvercles sont fixés correctement à l'équipement avant de démarrer le moteur. Ne pas démarrer le moteur si les protecteurs et les couvercles ne sont pas installés correctement sur l'équipement.
- Attacher l'étiquette « Ne pas faire fonctionner » près de la clé l'interrupteur de contact pendant l'entretien d'un équipement.

AVERTISSEMENT

Risque lié aux objets propulsés

- Toujours porter une protection des yeux lors du nettoyage de l'équipement avec de l'air comprimé ou de l'eau à haute pression. La poussière, les débris propulsés, l'air comprimé, l'eau ou la vapeur à haute pression peuvent endommager vos yeux.

AVERTISSEMENT

Risque lié au liquide de refroidissement

- Porter une protection des yeux et des gants en caoutchouc lors de la manipulation du liquide de refroidissement du moteur. Si un contact avec les yeux ou la peau se produit, rincer les yeux et laver immédiatement avec de l'eau propre.

AVERTISSEMENT



Danger de brûlure

- L'ouverture du bouchon sur un radiateur chaud pourrait provoquer la mort ou des blessures graves. Laisser le radiateur refroidir avant de dévisser le bouchon.

AVERTISSEMENT



Danger de brûlure

- Garder les mains et les autres parties du corps loin des surfaces chaudes.
- Manipuler les composants chauds, comme les luminaires, avec des gants résistants à la chaleur.

AVIS

- Toute pièce déclarée défectueuse à la suite d'une inspection ou toute pièce dont la valeur mesurée ne satisfait pas à la norme ou à la limite DOIT être remplacée.
- Toujours serrer les composants au couple indiqué. Les pièces desserrées peuvent causer des dommages à l'équipement et le faire fonctionner incorrectement.
- Suivre les directives d'Environmental Protection Agency (EPA), Environnement Canada (EC) ou d'autres agences gouvernementales pour l'élimination appropriée des matières dangereuses comme l'huile à moteur, le carburant diesel et le liquide de refroidissement du moteur.
- Utiliser uniquement les pièces de rechange indiquées. D'autres pièces de rechange peuvent affecter la couverture de garantie.
- Éliminer toute saleté et tout débris accumulé dans la carrosserie de l'équipement et de ses composants avant d'inspecter l'équipement ou d'effectuer un entretien ou des réparations. Faire fonctionner l'équipement avec de la saleté et des débris accumulés causera une usure prématurée des composants de l'équipement.
- Ne jamais disposer des matières dangereuses en les jetant dans un égout, sur le sol, ou dans les eaux souterraines ou les voies d'eau.
- Récupérer tous outils et toutes les pièces qui peuvent être tombés à l'intérieur de l'équipement pour éviter le mauvais fonctionnement de ce dernier.
- Si un témoin s'allume pendant l'utilisation de l'équipement, arrêter immédiatement le moteur. Déterminer la cause et réparer le problème avant de continuer à faire fonctionner l'équipement.

L'utilisation ou le fonctionnement du moteur sur des terrains forestiers, broussailleux ou herbeux constituent une violation de la Section 4442 du California Public Resource Code, à moins que le système d'échappement ne soit équipé d'un pare-étincelles, comme le définit la Section 4442, maintenu en bon état de marche. D'autres États ou juridictions fédérales peuvent avoir des lois similaires; consulter le Règlement fédéral 36 CFR, partie 261.52.

Autocollants de sécurité

Avant de faire fonctionner votre appareil, veuillez lire et comprendre les autocollants de sécurité suivants. Les mises en garde, les avertissements et les directives sont là pour votre sécurité. Afin d'éviter des blessures corporelles ou des dommages à l'appareil, il faut comprendre et observer tous les autocollants.

Empêcher les autocollants de devenir sales ou de se déchirer et les remplacer s'ils sont perdus ou endommagés. De plus, si une pièce ayant un autocollant a besoin d'être remplacée, veiller à commander la nouvelle pièce et l'autocollant en même temps.

Si un autocollant de sécurité ou de directive est usé ou endommagé et n'est plus lisible, commander des autocollants de remplacement auprès de votre concessionnaire.

Tous les modèles	
<p>DANGER – Le fait d'entrer dans le compartiment électrique tandis que l'équipement est utilisé peut entraîner la mort ou des blessures graves. Débrancher l'équipement avant d'entrer dans le compartiment électrique.</p> <p>N° de pièce 118074</p>	
<p>DANGER – Le fait d'entrer dans le compartiment électrique tandis que l'équipement est utilisé peut entraîner la mort ou des blessures graves. Débrancher l'équipement avant d'entrer dans le compartiment électrique.</p> <p>N° de pièce 118104</p>	
<p>Renseignements sur la mise à la terre de la machine/cosse de mise à la terre</p> <p>N° de pièce 122470</p>	
<p>AVERTISSEMENT – Le contact avec des pièces en mouvement pourrait causer la mort ou des blessures graves. Se tenir à l'écart des pièces en mouvement.</p> <p>N° de pièce 118652</p>	
<p>AVERTISSEMENT – L'ouverture du bouchon sur un radiateur chaud pourrait causer la mort ou des blessures graves. Laisser le radiateur refroidir avant de dévisser le bouchon.</p> <p>N° de pièce 118651</p>	
<p>AVERTISSEMENT – Tout contact avec les pièces et les gaz d'échappement chauds pourrait causer la mort ou des blessures graves. Éviter les gaz d'échappement chauds. Tenir les mains et les produits inflammables à l'écart des pièces chaudes.</p> <p>N° de pièce 118162</p>	

Tous les modèles

AVERTISSEMENT – Tout contact avec les pièces et les gaz d'échappement chauds pourrait causer la mort ou des blessures graves. Éviter les gaz d'échappement chauds. Tenir les mains et les produits inflammables à l'écart des pièces chaudes.

AVERTISSEMENT – Le démarrage inattendu du moteur pourrait provoquer la mort ou des blessures graves. Lire et suivre le manuel d'utilisation du contrôleur électronique avant de faire fonctionner ou de faire l'entretien de cet équipement.

N° de pièce 122075

WARNING

AVERTISSEMENT

WARNING

Unexpected start of engine could result in death or serious injury. Read and follow electronic controller operator's manual before operating or servicing this equipment.

AVERTISSEMENT

Le démarrage inattendu du moteur pourrait provoquer la mort ou des blessures graves. Lire et suivre le manuel d'utilisation du contrôleur électronique avant d'utiliser ou de réparer cet équipement.

122075

Marque de référencement ETL Intertek

N° de pièce 118690



AVERTISSEMENT – Les articles de fumeur, les flammes nues ou d'autres formes d'allumage près de la batterie pourraient causer une explosion, causant la mort ou des blessures graves. Tenir les articles de fumeur, les flammes nues ou les autres formes d'allumage à l'écart de la batterie.

AVERTISSEMENT – Toute exposition à des produits corrosifs pourrait causer la mort ou des blessures graves. Porter des gants de protection en manipulant la batterie.

N° de pièce 122076

WARNING

Smoking materials, open flames, or other forms of ignition near the battery could cause explosion resulting in death or serious injury. Keep smoking materials, open flames, and other forms of ignition away from the battery.

AVERTISSEMENT

Tous les articles de fumeur, les flammes nues ou d'autres formes d'allumage près de la batterie pourraient causer une explosion, causant la mort ou des blessures graves.

Tout les articles de fumeur, les flammes nues ou les autres formes d'allumage à l'écart de la batterie.

WARNING

Exposure to corrosive material could result in death or serious injury. Wear protective gloves when handling battery.

AVERTISSEMENT

Toute exposition à des produits corrosifs pourrait causer la mort ou des blessures graves. Porter des gants de protection en manipulant la batterie.

122076

DANGER - Tourner l'interrupteur de tension à une autre position pendant que l'appareil est en marche pourrait présenter un risque de choc électrique de la génératrice pouvant entraîner la mort ou de graves blessures corporelles. Éteindre l'appareil avant de tourner l'interrupteur de tension à une autre position. Un cadenas doit être posé sur l'interrupteur pour empêcher qu'il puisse être tourné pendant que l'appareil est en marche.

N° de pièce 122086

DANGER

Turning the voltage switch to another position while the unit is in operation could cause an electric shock hazard from the generator which will result in death or serious injury.

Turn off the unit before turning the voltage switch to another position. A lock must be installed on the switch to prevent the switch from being turned while the unit is in operation.

DANGER

Tourner l'interrupteur de tension à une autre position pendant que l'appareil est en marche pourrait présenter un risque de choc électrique de la génératrice pouvant entraîner la mort ou de graves blessures corporelles.

Éteindre l'appareil avant de tourner l'interrupteur de tension à une autre position. Un cadenas doit être posé sur l'interrupteur pour empêcher qu'il puisse être tourné pendant que l'appareil est en marche.

122086

Tous les modèles

Instructions du contrôleur électronique

N° de pièce 122080

OPERATION CHECKLIST

- Check engine oil and coolant levels. Refill as needed.
- Check battery level. If recharged, OBT battery levels. Refill as needed.
- Check water from fuel-water separator.
- Set the voltage selector switch to the correct voltage and phase position that is required for operation.

LISTE DE VÉRIFICATION DE FONCTIONNEMENT

- Vérifier les niveaux d'huile moteur et de liquide de refroidissement. Remplir en conséquence.
- Vérifier le niveau de batterie. Si rechargée, vérifier le niveau de batterie. Remplir en conséquence.
- Vérifier l'eau de la séparation carburant-eau.
- Régler l'interrupteur de sélection de tension à la bonne tension et position de phase requises pour le fonctionnement.

MANUAL MODE OPERATION

- Set all the OBT breakers (open and closed) to the OFF position.
- Set the electronic controller power switch to the ON position.
- Press the manual mode button.
- Press the start button. If the engine will not start, the engine will cycle through that major parameter until engine starting, warming, and engine run. After the engine is set for approximately 5 minutes.
- Adjust the voltage as needed by using the voltage adjustment control knob.
- Set all the OBT breakers (open and closed) to the ON position.

FONCTIONNEMENT EN MODE MANUEL

- Régler tous les disjoncteurs (ouvert et fermé) à la position ARRÊT.
- Régler l'interrupteur d'alimentation de la commande électronique à la position ON.
- Appuyer sur le bouton de mode manuel.
- Appuyer sur le bouton de démarrage. Si l'engin ne démarre pas, l'engin va passer par un cycle de démarrage. Le moteur fera passer un paramètre principal jusqu'à ce que le moteur démarre, se réchauffe, et fonctionne normalement pendant environ 5 minutes.
- Régler la tension de sortie en utilisant le bouton de contrôle pour le réglage de la tension.
- Régler tous les disjoncteurs (ouvert et fermé) à la position MARCHÉ.

MANUAL MODE STOP

- Set all the OBT breakers (open and closed) to the OFF position.
- Press the stop button.
- Set the electronic controller power switch to the OFF position.

ARRÊT DU MODE MANUEL

- Régler tous les disjoncteurs (ouvert et fermé) à la position ARRÊT.
- Appuyer sur le bouton ARRÊT.
- Appuyer sur l'interrupteur d'alimentation de la commande électronique à la position ARRÊT.

AUTO MODE OPERATION

- Refer to the operator's manual for instructions.

FONCTIONNEMENT EN MODE AUTOMATIQUE

- Reportez-vous au manuel d'utilisation pour plus d'informations.

Information sur le cheminement des câbles d'alimentation

N° de pièce 110362

NOTICE

Route power cables under panel door to power distribution terminals and single phase outlets.

AVIS

Acheminer les câbles d'alimentation sous la porte à panneau jusqu'aux bornes de distribution de courant et aux prises monophasées.

122081

Information électrique

N° de pièce 123575

	36,0/45,0	36,0/45,0	26,0/26,0
A	54 MAX	125 MAX	108 MAX
V_{L-N}/V_{L-L}	277/480	120/208	120/240
Hz/RPM	60/1800	60/1800	60/1800
Φ	3	3	1
INS. CLASS	H	H	H
MAX AMB	110°F/43°C	110°F/43°C	110°F/43°C
PF	0.8	0.8	1.0

123575

AVERTISSEMENT - Passer le levier de la vanne de carburant à distance à une autre position pendant que l'appareil est en marche pourrait causer un déversement de diesel. Le déversement pourrait être dangereux et le diesel est inflammable, ceci pouvant entraîner la mort ou de graves blessures corporelles. Éteindre l'appareil avant de passer le levier de la vanne de carburant à distance à une autre position.

N° de pièce 122085

WARNING

Switching the remote fuel valve lever to another position while the unit is running could cause a diesel fuel spill. The spill could be hazardous, and diesel fuel is flammable, either of which could result in death or serious injury.

Turn off unit before switching the remote fuel valve lever to another position.

AVERTISSEMENT

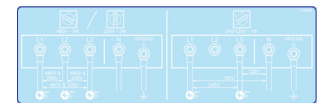
Passer le levier de la vanne de carburant à distance à une autre position pendant que l'appareil est en marche pourrait causer un déversement de diesel. Le déversement pourrait être dangereux et le diesel est inflammable, ceci pouvant entraîner la mort ou de graves blessures corporelles.

Éteindre l'appareil avant de passer le levier de la vanne de carburant à distance à une autre position.

122085

Information sur la connexion du câblage électrique de la plaque d'ergot de connexion

N° de pièce 122084



Arrêt d'urgence

N° de pièce 105567



Tous les modèles

AVERTISSEMENT – L'omission de respecter les avertissements, les instructions et le manuel d'utilisation pourrait causer la mort ou des blessures graves. Lire et suivre le manuel d'utilisation avant de faire fonctionner cet équipement ou d'en faire l'entretien.

AVERTISSEMENT – L'échappement du moteur contient du monoxyde de carbone, un gaz toxique qui pourrait causer la mort ou des graves blessures. Faire fonctionner l'équipement loin des fenêtres, des portes et des événements. Ne pas faire fonctionner à l'intérieur ni dans un espace partiellement fermé.

AVERTISSEMENT – L'inspiration de gaz d'échappement du moteur vous expose à des produits chimiques connus selon l'État de Californie pour causer le cancer, des anomalies congénitales ou d'autres effets nuisibles à la reproduction.

- Toujours démarrer et faire fonctionner le moteur dans un endroit bien ventilé.
- Si le moteur est utilisé dans un espace confiné, ventiler les gaz d'échappement à l'extérieur.
- Ne pas modifier ni altérer le système d'échappement.
- Ne pas mettre le moteur au ralenti sauf en cas de nécessité.

www.P65Warnings.ca.gov/diesel

N° de pièce 122985



Vidange de carburant

N° de pièce 122074



Vidange d'huile

N° de pièce 107973



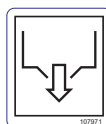
Vidange de liquide de refroidissement

N° de pièce 104752



Drain de confinement du liquide

N° de pièce 107973



Tous les modèles

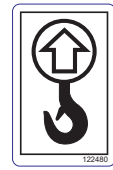
Étiquette de borne de boîtier de commande

N° de pièce 122456



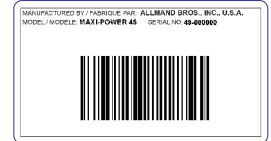
Poids de levage

N° de pièce 122480



Numéro de série de l'enceinte du générateur

N° de pièce 124285



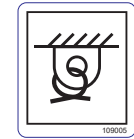
Passages de fourches

N° de pièce 107254



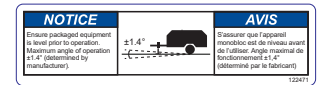
Point de fixation

N° de pièce 109005



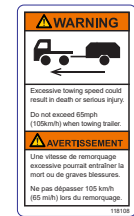
AVIS – S'assurer que l'équipement emballé est à niveau avant de le faire fonctionner. Angle maximal de fonctionnement $\pm 1,4^\circ$ (déterminé par le fabricant).

N° de pièce 122471



AVERTISSEMENT – Une vitesse de remorquage excessive pourrait causer la mort ou des blessures graves. Ne pas dépasser 65 mi/h (105 km/h) lors du remorquage.

N° de pièce 118108



Code QR des opérations sur les produits

N° de pièce 125062



Tous les modèles

AVERTISSEMENT - Ne pas fumer ou avoir une flamme nue présente en faisant le plein. Arrêter le moteur avant de faire le plein.

Carburant à faible teneur en soufre uniquement ($S \leq 15$ MG/KG)

N° de pièce 107045



Cames de verrouillage

N° de pièce 112136

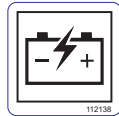
(Option)



Chargeur de batterie

N° de pièce 112138

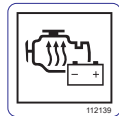
(Option)



Chauffe-moteur et chauffe-batterie

N° de pièce 112139

(Option)



Icônes de fonctionnement

Le tableau ci-dessous contient des icônes de fonctionnement qui peuvent se retrouver sur l'unité, ainsi que la signification de chaque icône.

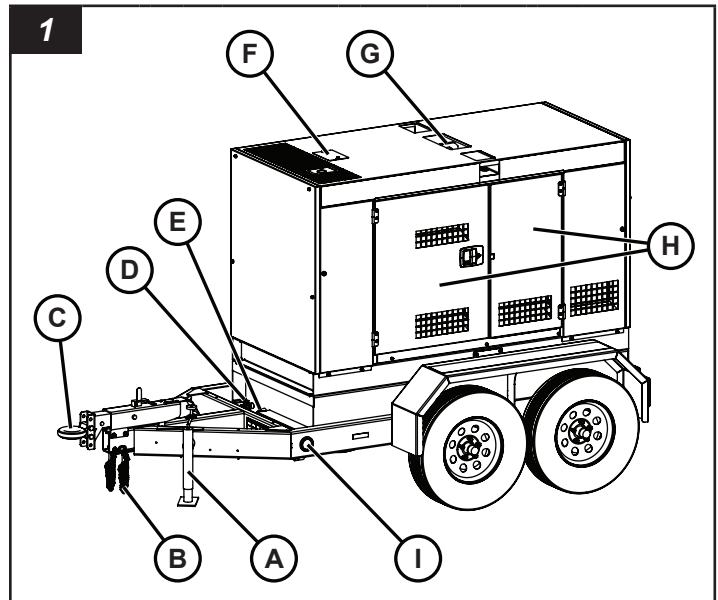
Icône	Signification	Icône	Signification
	Sous tension		Éclairage intérieur
	Hors tension		Drain de confinement du liquide
	Arrêt du moteur		Vidange de l'huile à moteur
	Moteur en marche		Vidange de liquide de refroidissement du moteur
	Démarrage du moteur		Vidange de carburant
	Préchauffage du moteur		Alimentation électrique
	Compteur d'heures		Disjoncteur
	Interrupteur de l'appareil de changement de tension		Disjoncteur principal
	Contrôleur électronique		Mise à la masse

Caractéristiques et commandes

La génératrice mobile Allmand® Maxi-Power™ 45 devrait être utilisée comme groupe électrogène stationnaire.

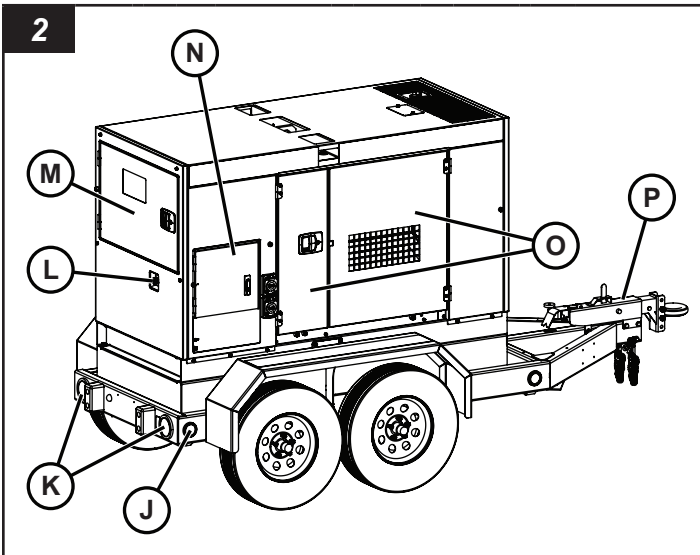
Repérer les caractéristiques et commandes de la machine en comparant les figures 1 à 5 avec les tableaux suivants. Voir **Fonctionnement** pour des informations détaillées sur chaque caractéristique et commande.

Extérieur avant et côté gauche



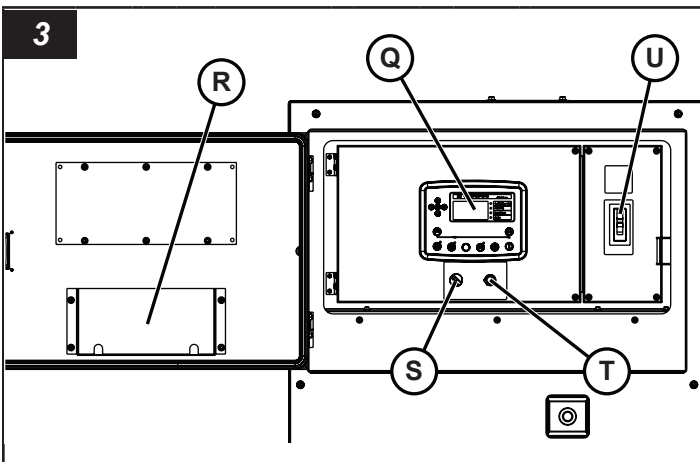
Réf	Description
A	Vérin de flèche
B	Chaîne de sécurité (2)
C	Attelage de la remorque et œil de lunette
D	Vidange de carburant
E	Drain de confinement du liquide
F	Accès au bouchon du radiateur
G	Anneau de levage
H	Portes du côté gauche de l'enceinte
I	Feu de gabarit avant (ambre; chaque coté)

Extérieur arrière et côté droit



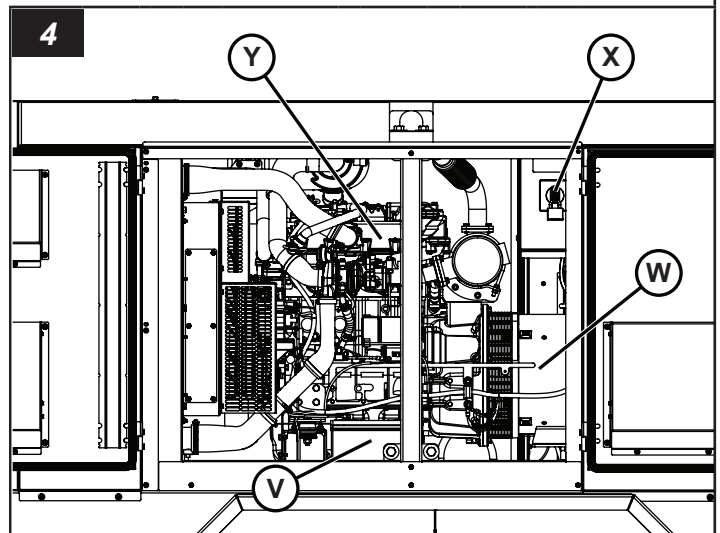
Réf	Description
J	Feu de gabarit arrière (rouge; chaque côté)
K	Feux arrière
L	Arrêt d'urgence
M	Porte d'accès du panneau de commande
N	Borne d'alimentation et porte du panneau de prises
O	Portes du côté droit de l'enceinte
P	Frein à inertie hydraulique

Tableau de commande



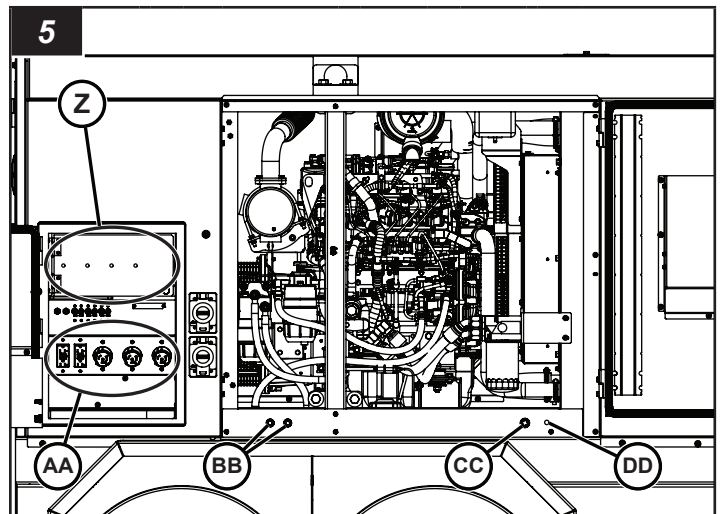
Réf.	Description
Q	Contrôle électronique Deep Sea
R	Support de stockage du manuel
S	Interrupteur Marche/Arrêt de la commande électronique
T	Interrupteur du régulateur de tension
U	Interrupteur du disjoncteur principal

Intérieur côté gauche



Réf.	Description
V	Batterie
W	Génératrice
X	Interrupteur de l'appareil de changement de tension
Y	Moteur

Intérieur côté droit et panneau de sortie CA (plaque d'ergot de sortie et de connexion)



Réf.	Description
Z	Plaque d'ergot de connexion du câble d'alimentation
AA	Prises CA auxiliaires
BB	Connexions de carburant distantes
CC	Vidange de liquide de refroidissement du moteur
DD	Vidange de l'huile moteur

Préparer la génératrice sur remorque aux fins d'utilisation



AVERTISSEMENT

Faire fonctionner ou remorquer une machine avec des pièces usées, endommagées ou manquantes pourrait causer la mort ou des blessures graves. Remplacer immédiatement les pièces usées ou endommagées. Ne pas faire fonctionner ou remorquer cette machine jusqu'à ce que les pièces usées, endommagées ou manquantes aient été remplacées, et que la machine fonctionne correctement.



AVERTISSEMENT

Tirer une remorque avec des pneus usés, endommagés ou insuffisamment gonflés pourrait causer la mort ou des blessures graves. Remplacer immédiatement les pneus usés ou endommagés. Garder les pneus gonflés à une pression appropriée pour pneus froids.

AVIS

L'utilisation de pièces de remplacement Allmand autorisées est recommandée. La garantie ne couvre pas les dommages ou les problèmes de performance causés par l'utilisation de pièces non autorisées.

Si la génératrice sur remorque a été entreposée ou n'a pas fonctionné depuis un certain temps, suivre ces étapes pour préparer la génératrice mobile Maxi-Power™ 45 aux fins d'utilisation.

1. S'assurer qu'un exemplaire du manuel d'utilisation se trouve dans le support de stockage du manuel de la génératrice sur remorque.
2. S'assurer que tous les autocollants de sécurité sont lisibles et en place sur la génératrice sur remorque. Voir **Autocollants de sécurité** dans la section **Sécurité de l'utilisateur**.
3. Faire une vérification du bon fonctionnement de la génératrice sur remorque :
 - A. Utiliser un moyen approprié pour soutenir de façon sécuritaire la flèche de la remorque. S'assurer que le vérin de flèche fonctionne correctement, et que le vérin est verrouillé en position de transport de même qu'en position de support de remorque. Voir **Utilisation du vérin de flèche**.
 - B. S'assurer que l'attelage ou l'œil de lunette de la remorque est en bon état de fonctionnement et que l'attelage ou l'œil de lunette de la remorque est bien fixé(e) au vérin de la génératrice sur remorque. Voir **Utilisation de l'attelage/œil de lunette de la remorque**.
 - C. S'assurer que les chaînes de sécurité sont bien fixées à la flèche de la génératrice sur remorque, et que les chaînes et crochets de sécurité ne sont pas endommagés. Remplacer les chaînes de sécurité et les crochets endommagés.
 - D. Examiner l'état et la pression de gonflage des pneus. Voir **Spécifications**.
 - E. S'assurer que l'essieu et le système de freinage de la remorque sont en bon état de fonctionnement. Vérifier s'il y a usure et dommages. Réparer l'essieu et le système de freinage, au besoin.
 - F. Vérifier le câble d'éclairage de la remorque pour usure, coupures ou fils nus exposés. Vérifier le connecteur de câble pour dommages. Remplacer le câble d'éclairage et/ou le connecteur de câble de la remorque endommagé, au besoin.
 - G. Vérifier l'intérieur de la génératrice sur remorque, le tableau de commande et la sortie CA (plaque d'ergot de sortie et de connexion) pour poussière et débris, au besoin. Voir **Nettoyage** dans la section **Entretien**.
4. Effectuer une vérification du niveau d'huile moteur et ajouter au besoin. Voir **Entretien**.
5. Vérifier le système de refroidissement du moteur et faire le plein si nécessaire. S'assurer que la bouteille de trop-plein du liquide de refroidissement est au moins à moitié pleine. Voir **Entretien**.
6. Examiner si le filtre à air est endommagé et le remplacer si nécessaire. Examiner le système d'admission d'air du moteur et s'assurer que toutes les connexions sont bien serrées.
7. S'assurer que la batterie est entièrement chargée. La génératrice est équipée à l'usine d'une batterie de 12 volts. Utiliser un chargeur de batterie de 12 volts pour la recharger au maximum de sa capacité. Voir **Entretien de la batterie** dans la section **Entretien**.
8. Si la remorque a été entreposée avec la batterie déconnectée, connecter la batterie.
9. S'assurer qu'il y a suffisamment de carburant dans le réservoir de carburant. Voir **Faire le plein de l'appareil** dans la section **Fonctionnement** pour des informations détaillées sur la vérification et l'ajout de carburant.
10. Vérifier le filtre séparateur d'eau et de carburant et drainer l'eau du filtre, au besoin. Voir **Filtre séparateur d'eau et de carburant** dans la section **Entretien** pour de l'information détaillée.
11. Vérifier le système de confinement des fluides pour toute accumulation de fluides et drainer, au besoin. Voir **Système de confinement des fluides** dans la section **Entretien** pour de l'information détaillée.
12. S'assurer que le moteur démarre et fonctionne correctement. Voir **Utilisation du moteur** dans la section **Fonctionnement**.
13. Vérifier le câblage électrique pour usure, coupures ou fils nus exposés. Remplacer le câblage électrique endommagé, au besoin.
14. Tester le disjoncteur de fuite de terre (GFCI) et les sorties à verrou tournant sur le panneau de sortie CA (plaque d'ergot de sortie et de connexion). Voir **Prises CA auxiliaires** dans la section **Fonctionnement**.

Transporter la génératrice sur remorque

Remorquer la génératrice sur remorque

Préparer la génératrice sur remorque aux fins de remorquage



AVERTISSEMENT

Tirer une remorque avec un véhicule remorqueur sous-estimé, ou un attelage sous-estimé ou de dimension insuffisante pourrait causer la mort ou des blessures graves. Toujours utiliser un véhicule remorqueur qui a une capacité de remorquage qui dépasse le poids nominal brut du véhicule (PNBV) de la remorque, et qui est équipé d'un attelage de remorque de capacité appropriée pour le PNBV de la remorque.



AVERTISSEMENT

Faire fonctionner ou remorquer une machine avec des pièces usées, endommagées ou manquantes pourrait causer la mort ou des blessures graves. Toujours remplacer promptement toutes pièces usées, endommagées ou manquantes. Ne pas faire utilisation ni remorquer cette machine jusqu'à ce que les pièces usées, endommagées ou manquantes aient été remplacées, et que le bon fonctionnement de la machine ait été vérifié.



AVERTISSEMENT

Tirer une remorque avec des pneus usés, endommagés ou insuffisamment gonflés pourrait causer la mort ou des blessures graves. Remplacer immédiatement les pneus usés ou endommagés. Garder les pneus gonflés à une pression appropriée pour pneus froids.

1. Éteindre la génératrice.
2. Déconnecter tous les câbles d'alimentation de la génératrice et ranger les câbles.
3. Fermer toutes les portes de panneau sur la génératrice et s'assurer qu'elles sont toutes verrouillées.
4. S'assurer que le véhicule de remorquage et son dispositif d'attelage sont évalués pour remorquer une génératrice mobile. Voir **Poids de la génératrice sur remorque**.

Remarque : Vous reporter aux manuels pour véhicule remorqueur et d'attelage de la remorque pour connaître les capacités de remorquage.

5. Raccorder la remorque à l'attelage du véhicule remorqueur. Examiner si l'attelage/œil de lunette de la remorque comporte des dommages et s'assurer qu'il est bien fixé à la flèche. Voir **Raccorder la génératrice sur remorque au véhicule remorqueur**.

6. S'assurer que les chaînes de sécurité sont bien fixées à la flèche de la remorque et examiner l'état des chaînes et crochets de sécurité. Remplacer si nécessaire.
7. S'assurer que le connecteur de l'éclairage du véhicule de remorquage s'accouple avec le connecteur d'éclairage de la remorque. Examiner l'état du connecteur et des fils de l'éclairage de la remorque pour déceler s'il y a des dommages. Réparer ou remplacer au besoin.
8. Examiner l'état et la pression de gonflage des pneus. Voir **Vérification de la pression des pneus** dans la section **Entretien**.
9. Retirer les cales de roue à l'avant et à l'arrière de chaque roue.

Raccorder la génératrice sur remorque au véhicule remorqueur

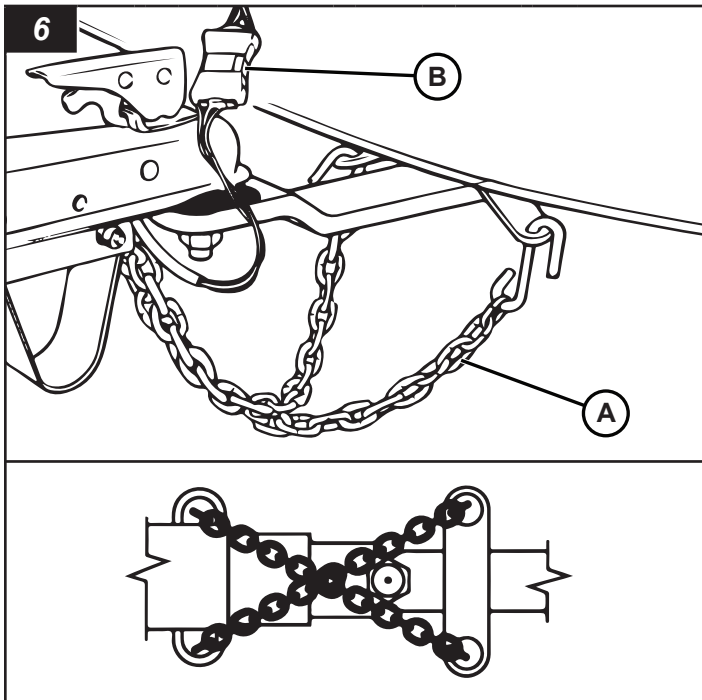


AVERTISSEMENT

Rétracter le vérin de flèche sans soutenir la flèche de la remorque pourrait entraîner la mort ou de graves blessures. S'assurer que la flèche de la remorque est supportée de façon sécuritaire par des moyens appropriés avant d'enlever la goupille pour démontage rapide du vérin.

1. Mettre les cales de roue (non fournies) contre l'avant et l'arrière de chaque roue sur chaque côté de la tour de la génératrice sur remorque.
2. Ajuster la hauteur de l'attelage de sorte que la génératrice sur remorque soit de niveau avec le véhicule remorqueur.
3. Utiliser le vérin de flèche pour relever soit l'attelage de remorque, soit l'œil de lunette au-dessus de la boule d'attelage ou du crochet d'attelage du véhicule remorqueur. Voir **Utilisation du vérin de flèche**.
4. Déplacer le véhicule remorqueur pour que soit la boule d'attelage soit sous l'attelage de la remorque (le cas échéant), soit le crochet d'attelage soit sous l'œil de lunette.
5. Abaisser la remorque sur l'attelage avec le vérin de flèche.
6. Verrouiller l'attelage de la remorque sur la boule d'attelage ou l'œil de lunette. Voir **Utilisation de l'attelage/œil de lunette de la remorque**.
7. Fixer les chaînes de sécurité (A, Figure 6) au cadre de l'attelage du véhicule remorqueur. Croiser les chaînes sous la flèche selon l'illustration. Laisser assez de jeu dans les chaînes pour permettre les virages, mais pas trop pour éviter que les chaînes touchent la surface de la route.
8. Brancher le connecteur d'éclairage de la remorque (B, Figure 6) à celui du véhicule remorqueur.

9. Lever complètement le pied du vérin de flèche, puis le rétracter en position de transport. Voir **Utilisation du vérin de flèche**.
10. Enlever les cales de roue des deux côtés de chaque roue de la tour d'attelage.



Utilisation du vérin de flèche

L'appareil est doté d'un vérin de flèche pour soulever et abaisser la flèche de la remorque et pour mettre la remorque de niveau de l'avant à l'arrière.

Pour déployer le vérin de flèche

! AVERTISSEMENT

L'omission de verrouiller le vérin de flèche de la remorque en position de fonctionnement avec la goupille de verrouillage du vérin pourrait entraîner l'affaissement de l'avant de la remorque à génératrice mobile entraînant la mort ou de graves blessures. Veiller à toujours verrouiller le vérin de flèche en position de fonctionnement avec la goupille de verrouillage du vérin.

1. Enlever la goupille de verrouillage du vérin (A, Figure 7), faire tourner le vérin de flèche en position de fonctionnement (B, Figure 7) et installer la goupille de verrouillage du vérin complètement dans les orifices du haut et du bas du vérin et de la flèche.
2. Déplier la manivelle (C, Figure 7).

Pour abaisser le pied du vérin de flèche (soulever l'avant de la remorque)

- Tourner la manivelle du vérin dans le sens horaire (D, Figure 7) pour abaisser le pied du vérin (E, Figure 7) et soulever le devant de la génératrice mobile sur remorque.

Pour soulever le pied du vérin de flèche (abaisser l'avant de la remorque)

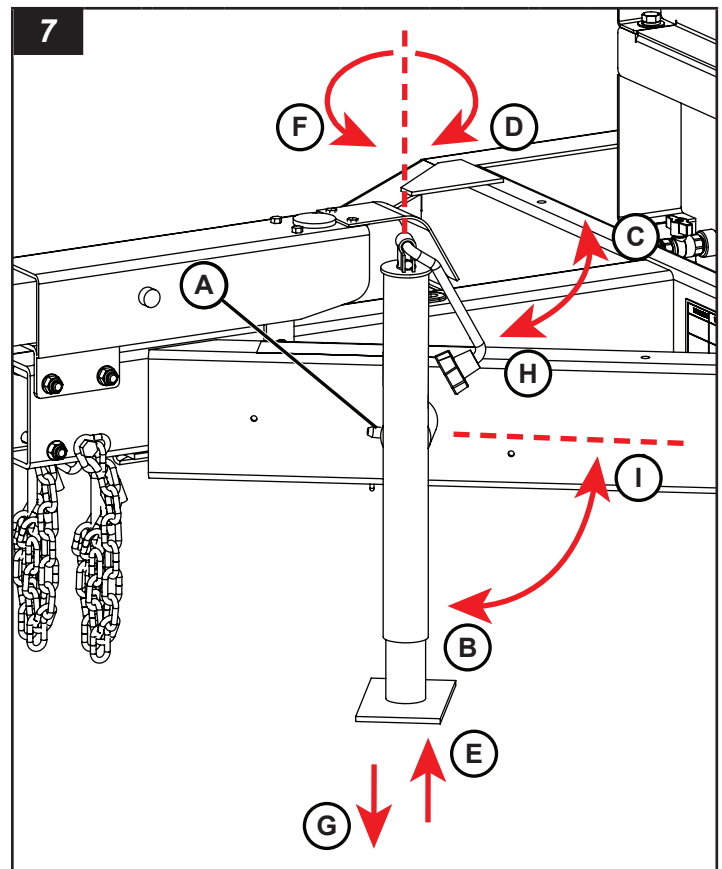
- Tourner la manivelle du vérin dans le sens antihoraire (F, Figure 7) pour soulever le pied du vérin (G, Figure 7) et abaisser le devant de la génératrice mobile sur remorque.

Pour rétracter le vérin de flèche

! AVERTISSEMENT

Rétracter le vérin de flèche sans soutenir la flèche de la remorque pourrait entraîner la mort ou de graves blessures. Toujours s'assurer que la flèche de la remorque est supportée de façon sécuritaire par des moyens appropriés avant d'enlever la goupille pour rétracter du vérin de flèche.

1. Utiliser un moyen approprié pour soutenir la flèche de la remorque.
2. Soulever complètement le pied du vérin de flèche.
3. Plier la manivelle (H, Figure 7).
4. Enlever la goupille de verrouillage du vérin (A, Figure 7), faire tourner le vérin en position de transport (I, Figure 7) et installer la goupille de verrouillage du vérin complètement dans les orifices du haut et du bas du vérin et de la flèche de la remorque.



Utilisation de l'attelage de la remorque ou de l'œil de lunette

La remorque est équipée soit d'un attelage avec une boule d'attelage, soit d'un œil de lunette pour un crochet d'attelage.

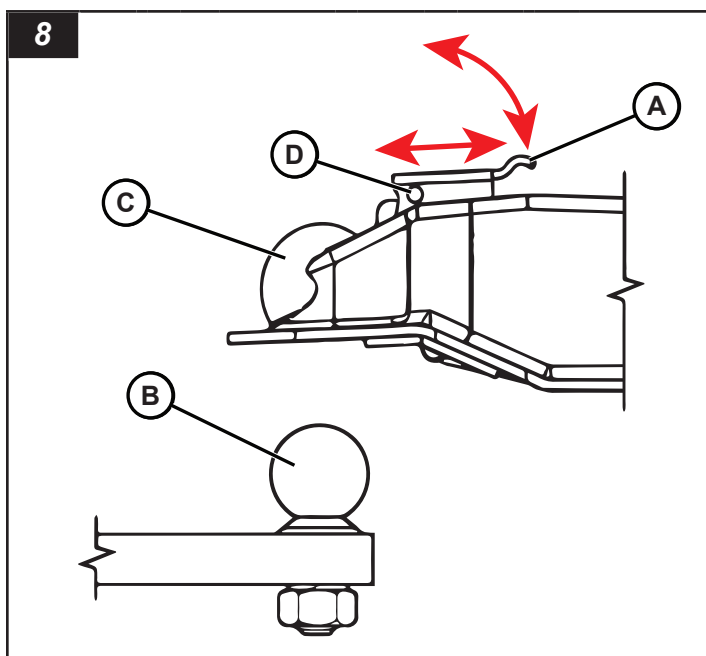
Attelage de la remorque

Pour couplage à l'attelage avec boule du véhicule remorqueur

1. Lever et tirer sur le loquet de verrouillage (A, Figure 8) de l'attelage de la remorque.
2. Abaisser l'attelage de la remorque dans l'attelage à boule du véhicule. Veiller à ce que la boule d'attelage (B, Figure 8) soit complètement engagée dans la bride de raccordement (C, Figure 8).
3. Pousser le loquet de verrouillage vers l'avant et le bas. (À blocage automatique.) Installer un cadenas dans l'orifice du loquet (D, Figure 8) pour plus de sécurité.
4. Veiller à ce que la bride de raccordement soit correctement installée sur la boule d'attelage.

Pour découpler de la boule du véhicule remorqueur

1. Enlever le cadenas (le cas échéant) du loquet de l'attelage de la remorque (D, Figure 8).
2. Soulever le loquet de l'attelage de la remorque (A, Figure 8) vers le haut et l'arrière.



Œil de lunette

Pour raccorder l'attelage à rondelle du véhicule remorqueur

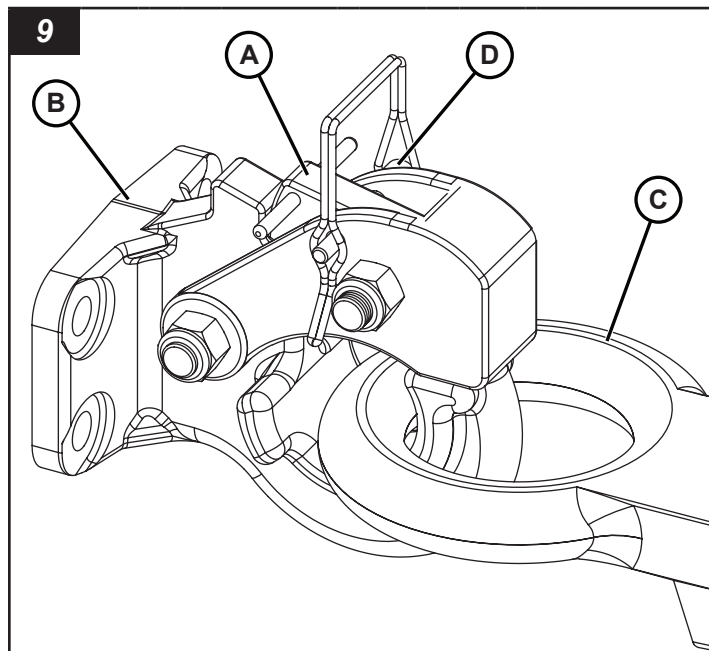
1. Ouvrir le loquet de verrouillage (A, Figure 9) sur le crochet d'attelage du véhicule remorqueur (B, Figure 9).

Remarque : Attelage à rondelle standard illustré; les modèles varient.

2. Abaisser l'œil de lunette (C, Figure 9) dans le crochet d'attelage.
3. Fermer le levier de verrouillage. Insérer la goupille de verrouillage (D, Figure 9) dans le trou du levier de verrouillage.

Pour découpler du crochet d'attelage du véhicule remorqueur

1. Retirer la goupille de verrouillage dans le trou du levier de verrouillage.
2. Ouvrir le levier de verrouillage.
3. Soulever l'œil de lunette jusqu'à ce qu'il se dégage du crochet d'attelage.



Poids de la génératrice sur remorque

⚠ AVERTISSEMENT

Remorquer la génératrice sur remorque lorsqu'elle est chargée au-delà du poids nominal brut du véhicule (PNBV) pourrait causer la mort ou des blessures graves. Toujours maintenir un poids de véhicule brut inférieur au PNBV indiqué sur la plaque de série et dans la section **Spécifications** de ce manuel.

La génératrice sur remorque est une remorque de catégorie 2 SAE avec un poids nominal brut du véhicule (PNBV) comme indiqué sur la plaque signalétique et dans la section **Spécifications** de ce manuel. Ne pas dépasser le PNBV en tentant de transporter des outils ou de l'équipement supplémentaire. Ne pas transporter de passagers. Voir **Sécurité**.

Remorquer la génératrice sur remorque



AVERTISSEMENT

Une vitesse excessive lors du remorquage de la remorque pourrait causer la mort ou des blessures graves. Toujours maintenir une vitesse de remorquage sécuritaire pour les conditions de la route. Ne jamais dépasser 65 mi/h (105 km/h) en remorquant la remorque.



AVERTISSEMENT

Risque de renversement

Ne pas faire de virage brusque à haute vitesse lorsqu'on remorque la génératrice sur remorque. Ceci pourrait causer le renversement de la génératrice sur remorque, entraînant la mort, de graves blessures ou des dommages à l'équipement.

La vitesse de remorquage maximale évaluée pour la génératrice sur remorque est de 65 mi/h (105 km/h). S'assurer de vérifier les lois provinciales ou fédérales en ce qui a trait aux vitesses de remorquage légales maximales pour les remorques.

Lors du remorquage de la remorque à génératrice mobile hors route ou sur un terrain plus accidenté, la vitesse maximale de remorquage est de 20 mi/h (32 km/h). Des vitesses plus réduites peuvent être requises sur un terrain très accidenté.

Remorquer la génératrice sur remorque avec le moteur éteint.

Ne pas transporter de passagers.

Déconnecter la génératrice sur remorque du véhicule remorqueur



AVERTISSEMENT

Risque d'écrasement

Tenter de déplacer la génératrice sur remorque en la poussant ou en la tirant manuellement pourrait présenter un risque d'écrasement causant la mort ou des blessures graves. Toujours déplacer la remorque avec le véhicule remorqueur, mettre des cales sous les roues et abaisser le vérin de flèche avant de décrocher la remorque du véhicule remorqueur.

1. Trouver une surface ferme, de niveau et stable sur le chantier. Voir **Considérations chantier** dans la section **Fonctionnement**.
2. Déplacer la génératrice sur remorque à la position voulue avec le véhicule remorqueur.
3. Mettre des cales contre les roues sur les deux côtés de la remorque.
4. Déconnecter le connecteur d'éclairage de la remorque du connecteur d'éclairage du véhicule remorqueur.
5. Déplacer le vérin de flèche en position de fonctionnement. Voir **Utilisation du vérin de flèche**.
6. Abaisser le pied du vérin de flèche pour soutenir le devant de la génératrice sur remorque. Voir **Utilisation du vérin de flèche**.
7. Déconnecter l'attelage de remorque ou l'œil de lunette du véhicule remorqueur. Voir **Utilisation de l'attelage/œil de lunette de la remorque**.
8. Utiliser le vérin de flèche pour soulever soit l'attelage de la remorque, soit l'œil de lunette de la remorque au-dessus de l'attelage du véhicule remorqueur.
9. Déconnecter les chaînes de sécurité du châssis de l'attelage du véhicule remorqueur.
10. Déplacer le véhicule remorqueur pour dégager la génératrice sur remorque.

Transport sur une remorque

Les passages de fourches sur chaque côté de l'appareil peuvent servir de points d'attache. Voir **Soulèvement de la génératrice sur remorque** pour l'emplacement des passages de fourches.

Toujours fixer la génératrice sur remorque à la remorque de transport avec des chaînes ou des sangles. Ne pas appliquer une force de plus de 600 livres (272 kg) sur les chaînes ou les sangles.

L'opérateur du camion est responsable de s'assurer que l'appareil est bien chargé et fixé à sa remorque de transport.

Soulever la génératrice sur remorque



AVERTISSEMENT

Soulever la génératrice sur remorque avec un dispositif de levage non compatible ou endommagé peut entraîner la mort ou de graves blessures. Toujours s'assurer que le dispositif de levage a la capacité de soulever le poids de la génératrice sur remorque. S'assurer que le dispositif de levage est en bon état avant de soulever.



AVERTISSEMENT

Se tenir debout ou marcher sous de l'équipement en élévation pourrait causer la mort ou des blessures graves. Lors de l'élévation de la génératrice sur remorque, toujours se tenir à l'écart de la zone autour et sous la génératrice sur remorque et ne pas laisser les autres entrer dans la zone.

Lignes directrices générales pour soulever

- Avant de le soulever, éteindre l'appareil.
- S'assurer que l'appareil de levage utilisé est en bon état et que sa valeur nominale est supérieure au poids nominal brut du véhicule (PNBV) de la génératrice sur remorque. Voir **Poids de la génératrice sur remorque**.
- Utiliser de l'aide lors de l'utilisation de fourches, d'une grue ou d'un treuil, ainsi que pour le déchargement.
- Utiliser uniquement l'œillet de levage pour soulever l'appareil avec un treuil ou une grue.
- Utiliser seulement des manilles ou un crochet de type verrouillable lors du levage.
- Ne pas se tenir debout ou marcher sous l'unité lorsqu'elle est levée. Tenir les spectateurs à distance.

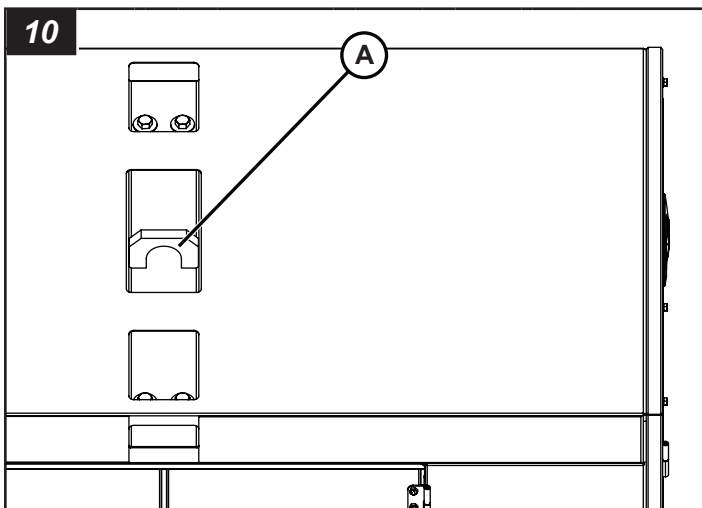
Œillet de levage

La génératrice sur remorque est pourvue d'un œillette de levage sur le dessus au centre de l'appareil (A, Figure 10). Utiliser seulement cet œillette de levage pour lever la génératrice sur remorque.

Utiliser un appareil de levage évalué pour dépasser le poids nominal brut du véhicule (PNBV) de la génératrice sur remorque. Voir **Poids de la génératrice sur remorque**.

L'œillette de levage est évalué pour 3 000 lb (1 360 kg) et prévu pour supporter le poids de la génératrice sur remorque seulement. Ne pas ajouter d'autre poids à l'appareil lors du levage.

Ne pas maintenir la génératrice sur remorque levée pendant une longue période.



Fonctionnement

Considérations de sécurité sur le chantier

L'opérateur a la responsabilité de s'assurer que la génératrice sur remorque est positionnée correctement et de façon sécuritaire sur une surface stable sur le chantier. Suivre les règlements étatiques, provinciaux et fédéraux ainsi que les règlements ou les directives du chantier.

Surface du sol

 **AVERTISSEMENT**



Risque de renversement

Le positionnement de la génératrice sur remorque sur un sol mou, instable et inégal pourrait entraîner le renversement de la remorque, entraînant la mort ou de graves blessures. Toujours placer la remorque sur une surface ferme, de niveau et stable.

- Ne pas monter la génératrice sur remorque sur une pente de plus de 2,8° (inclinaison de 5 %) de l'avant à l'arrière et d'un côté à l'autre.
- Ne pas installer ni monter la génératrice sur remorque sur un sol inégal ou instable. Installer sur une surface lisse, plane et solide seulement.

Mise à niveau et stabilisation de la génératrice sur remorque

 **AVERTISSEMENT**

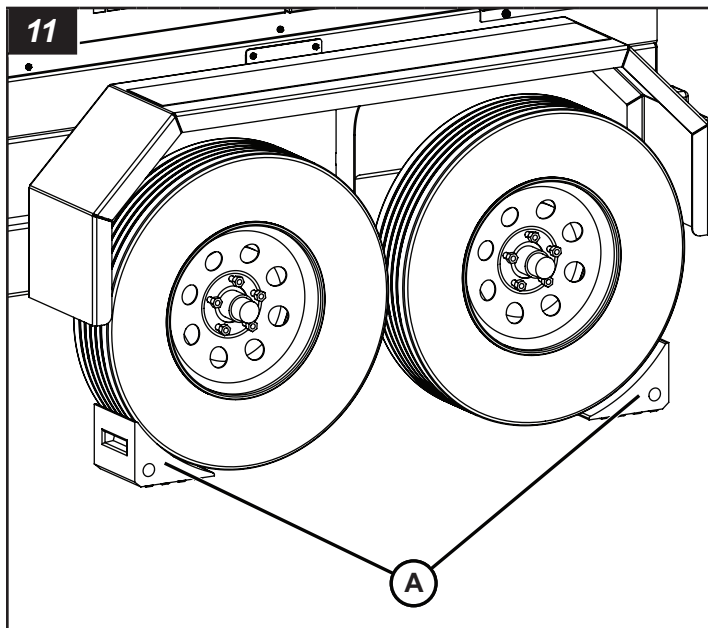


Risque de renversement

Installer la génératrice sur remorque sur un sol mou, instable et inégal pourrait entraîner le renversement de la remorque, entraînant la mort ou de graves blessures. Toujours placer la remorque sur une surface ferme, de niveau et stable.

1. Installer la génératrice sur remorque sur un chantier solide, de niveau. Voir **Considérations de sécurité sur le chantier**.
2. Mettre des cales de roue contre chaque roue avant et arrière (A, Figure 11).

Remarque : Les cales ne sont pas fournies avec l'appareil.



3. Mettre la génératrice sur remorque de niveau avec le vérin de flèche. Voir **Fonctionnement du vérin de flèche** dans la section **Transport**.

Faire le plein de carburant



AVERTISSEMENT



Danger d'incendie

Ajouter du carburant à la génératrice sur remorque avec le moteur en marche pourrait causer la mort ou des blessures graves. Toujours s'assurer que le moteur est arrêté avant d'ajouter du carburant au réservoir de carburant.

La génératrice sur remorque est dotée d'un réservoir de carburant simple ayant une capacité de 106 gal (401 l).

1. Ouvrir la porte du compartiment moteur.
2. Retirer le bouchon du réservoir de carburant (A, Figure 12) et ajouter du carburant dans le réservoir. Voir les **Spécifications** pour les recommandations de carburant. Le module de commande Deep Sea affiche le niveau de carburant dans le réservoir.
3. Installer le bouchon du réservoir de carburant après avoir fait le plein.
4. Fermer la porte du compartiment moteur.

AVIS

L'utilisation de carburants autres que ceux recommandés par le fabricant pourrait endommager votre moteur ou son système antipollution et annuler la garantie du fabricant du moteur. Toujours lire et suivre les recommandations concernant le carburant du fabricant du moteur.

Réservoir de carburant distant



AVERTISSEMENT



Inflammable et risque de déversement

Passer le levier de la vanne de carburant à distance à une autre position pendant que l'appareil est en marche pourrait causer un déversement de diesel. Le déversement pourrait être dangereux et le diesel est inflammable, ceci pouvant entraîner la mort ou de graves blessures corporelles. Éteindre l'appareil avant de passer le levier de la vanne de carburant à distance à une autre position.

La génératrice sur remorque est équipée d'une vanne de carburant distante pour alimenter l'appareil à partir d'un réservoir de carburant distant.

Connexion et fonctionnement du réservoir de carburant distant

1. Placer le réservoir de carburant distant de 0 à 98 pouces (0 à 2,5 m) au-dessus de la génératrice.
2. S'assurer que le levier de vanne de carburant distant (B, Figure 12) est placé sur la position du réservoir de carburant de la génératrice sur remorque, les conduites de carburant menant vers et depuis le réservoir de carburant de génératrice sur remorque.
3. Enlever les bouchons des conduites de carburant distants (C, Figure 12) des deux connexions de carburant distantes sur le côté de la génératrice sur remorque.
4. Connecter un tuyau de conduite de carburant de 5/16 à 3/8 pouce (8 à 10 mm) de diamètre intérieur aux deux connexions de carburant distantes à partir des tubes d'aspiration d'approvisionnement et de retour sur le réservoir de carburant distant.

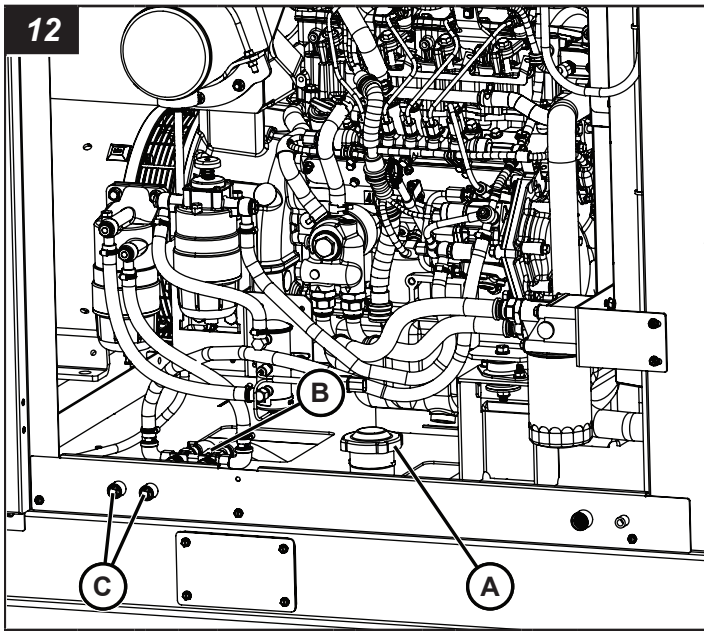
Remarque : S'assurer que le fond des tubes d'aspiration d'approvisionnement et de retour sur le réservoir de carburant distant sont de 5/8 à 13/16 po (15 à 20 mm) au-dessus du fond du réservoir pour aider à éviter d'aspirer de l'eau et des sédiments.

5. Déplacer le levier de vanne de carburant distant sur la position du réservoir de carburant distant, les conduites de carburant menant vers et depuis le réservoir de carburant.

Remarque : Fixer et serrer toutes les connexions avant de déplacer le levier de la vanne de carburant distant.

Déconnexion du réservoir de carburant distant

1. Déplacer le levier de la vanne de carburant distant sur la position du réservoir de carburant de la génératrice sur remorque, les conduites de carburant menant vers et depuis le réservoir de carburant de la génératrice sur remorque.
2. Enlever les tuyaux des deux connexions de carburant distantes sur le côté de la génératrice sur remorque.
3. Réinstaller les bouchons de conduite de carburant distants.



Préparer l'appareil pour son utilisation

AVERTISSEMENT



Danger de brûlure

Un dégagement rapide de réfrigérant chaud sous pression pourrait causer la mort ou des blessures graves. Être extrêmement prudent lors de l'ouverture du bouchon du radiateur, et toujours porter une protection oculaire et des gants résistants à la chaleur.

1. S'assurer que la génératrice sur remorque est de niveau d'un bout à l'autre. Voir **Mise à niveau et stabilisation de la génératrice sur remorque**.
2. Ouvrir la porte du compartiment moteur.
3. Enlever la jauge d'huile et examiner le niveau d'huile du moteur. Le niveau d'huile du moteur doit être entre les repères Plein (Full) et Ajouter (Add). Ajouter de l'huile au besoin. Voir **Huile moteur** dans la section **Entretien**.
4. Vérifier la bouteille de récupération du liquide de refroidissement du moteur. Maintenir le niveau de liquide de refroidissement du moteur dans la bouteille de récupération entre un et deux tiers. Ouvrir la porte d'accès au bouchon du radiateur (voir la section **Caractéristiques et commandes**), enlever le bouchon du radiateur et vérifier le niveau du liquide de refroidissement. Faire le plein au besoin. Voir **Liquide de refroidissement du moteur** dans la section **Entretien** pour des informations à ce sujet.
5. Examiner le niveau de carburant dans le réservoir de carburant. Ajouter du carburant au besoin. Voir **Faire le plein de carburant**.
6. Fermer la porte du compartiment moteur.

Configuration de l'appareil de changement de tension et panneau de sortie CA (plaque d'ergot de sortie et de connexion)

Appareil de changement de tension

DANGER



Risque de décharge électrique

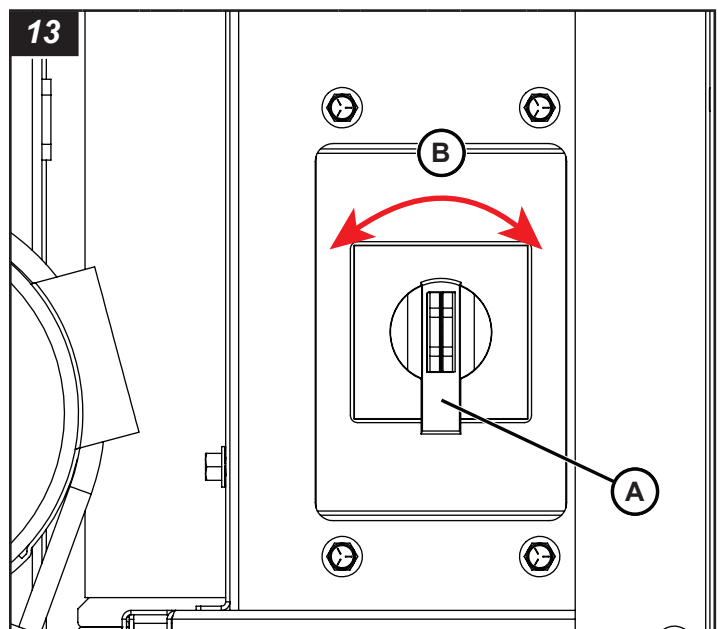
Tourner l'interrupteur de tension à une autre position pendant que l'appareil est en marche pourrait présenter un risque de choc électrique de la génératrice pouvant entraîner la mort ou de graves blessures corporelles. Éteindre l'appareil avant de tourner l'interrupteur de tension à une autre position. Un cadenas doit être posé sur l'interrupteur pour empêcher qu'il puisse être tourné pendant que l'appareil est en marche.

L'interrupteur de l'appareil de changement de tension (A, Figure 13) se trouve du côté gauche de la génératrice. Voir **Caractéristiques et commandes** pour l'emplacement exact. L'interrupteur sert à régler la tension pour le panneau de la plaque d'ergot de sortie et de connexion.

Pour régler l'interrupteur de tension :

1. Tourner l'interrupteur (B, Figure 13) à la tension désirée pour le fonctionnement de la génératrice. Voir **Sélectionner la tension et les configurations des câbles de plaque d'ergot de sortie et de connexion** pour déterminer la position de l'interrupteur.
2. Installer le verrou sur l'interrupteur.

Remarque : L'appareil de changement de tension doit être réglé avant de faire fonctionner le moteur. Installer un verrou sur l'interrupteur après avoir réglé la tension désirée.



Panneau de sortie CA (plaque d'ergot de sortie et de connexion)

 **DANGER**



Risque d'électrocution

Pénétrer dans le panneau de la plaque d'ergot de sortie et de connexion pendant que l'équipement fonctionne occasionnera la mort ou des blessures graves. Éteindre l'équipement avant d'entrer dans le compartiment électrique.

La plaque de sortie CA (plaque d'ergot de sortie et de connexion) se trouve du côté droit de la génératrice. Le panneau électrique est couvert par une porte de panneau avec un rabat de porte. Acheminer les câbles et cordons d'alimentation sous la porte. Suivre les étapes pour le fonctionnement du panneau de sortie CA :

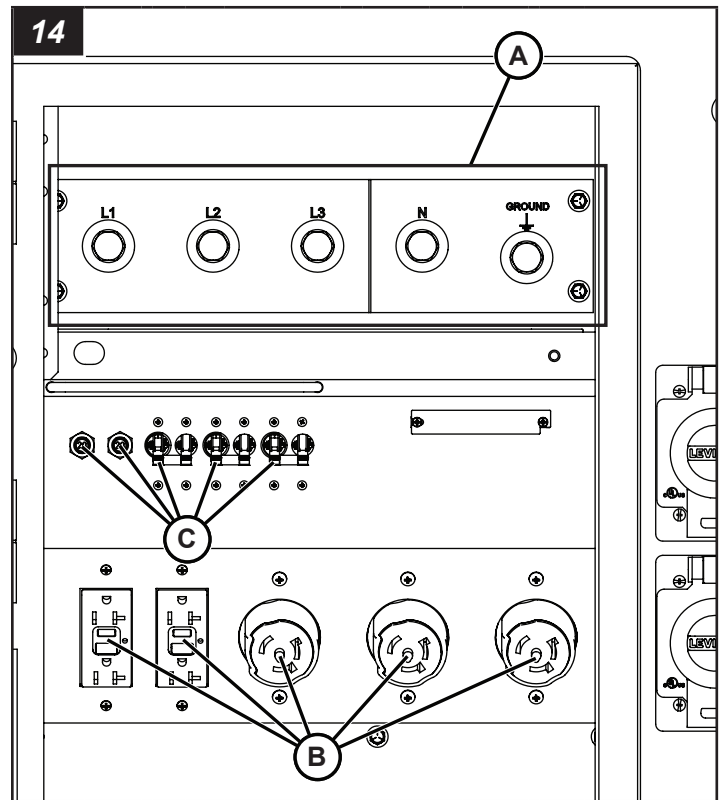
1. Régler l'interrupteur de l'appareil de changement de tension. La tension de fonctionnement du panneau de sortie CA est déterminée par le réglage de l'interrupteur de l'appareil de changement de tension. Voir **Appareil de changement de tension** pour le fonctionnement.

Remarque : L'appareil de changement de tension doit être réglé avant de faire fonctionner le moteur. Installer un verrou sur l'interrupteur après avoir réglé la tension désirée.

2. Connecter les câbles et/ou cordons d'alimentation à la plaque d'ergot de connexion (A, Figure 14) et/ou aux sorties (B, Figure 14). Voir les sections **Sélectionner la tension et les configurations de câbles de plaque d'ergot de sortie et de connexion** et **Connecter les charges et sélectionner le câble** pour déterminer les connexions de câble. Voir **Sorties CA auxiliaires** pour les prises de sortie.

Remarque : Les câbles et cordons d'alimentation doivent être installés/connectés au panneau de sortie CA avant de faire fonctionner le moteur.

3. Démarrer l'appareil, puis mettre le disjoncteur principal en position MARCHE. Le courant est amené au panneau de plaque d'ergot de sortie et de connexion seulement lorsque le moteur est en marche et le disjoncteur principal est en position MARCHE. Voir **Fonctionnement du moteur**.
4. Activer les disjoncteurs principaux de sortie (position MARCHE). Les prises sont protégées par des disjoncteurs spécialisés (C, Figure 14) qui se trouvent sur le tableau de commande.

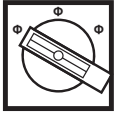
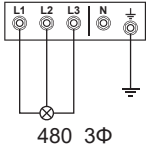
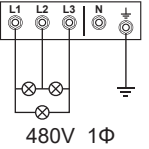
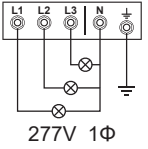
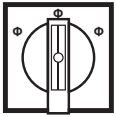
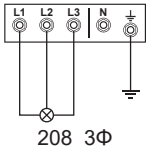
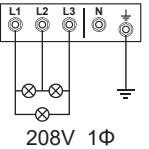
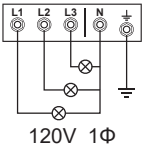
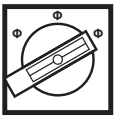
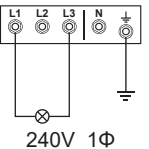
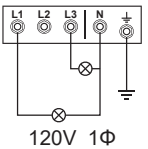


Sélectionner la tension et les configurations de câbles de plaque d'ergot de sortie et de connexion

AVIS

- Pendant que la génératrice fonctionne, ne pas faire fonctionner l'interrupteur de sélection de tension. Sélectionner la tension en cours de fonctionnement peut occasionner une tension anormale à la charge, l'endommageant.
- De plus, cela peut endommager la génératrice et le régulateur de tension automatique (AVR).
- S'assurer d'éteindre la génératrice avant de faire fonctionner l'interrupteur de sélection de tension.
- Une fois la sélection de tension effectuée, verrouiller l'interrupteur de sélection de tension dans la nouvelle position.

Sélectionner la charge de tension désirée pour faire fonctionner la génératrice en réglant la position de l'interrupteur de l'appareil de changement de tension. Voir le tableau pour voir comment la position de l'interrupteur de l'appareil de changement de tension est associée aux configurations du câble de la plaque d'ergot de sortie et de connexion. Connecter les câbles aux ergots selon la configuration de chacun.

Position de l'interrupteur de l'appareil de changement de tension	Configuration du câble de la plaque d'ergot de connexion triphasé	Configuration du câble de la plaque d'ergot de connexion monophasé	Configuration du câble de la plaque d'ergot de connexion monophasé
 480/277V 3Φ	 480 3Φ	 480V 1Φ	 277V 1Φ
 208/120V 3Φ	 208 3Φ	 208V 1Φ	 120V 1Φ
 240/120V 1Φ	n/a	 240V 1Φ	 120V 1Φ

Connecter les charges et sélectionner le câble

 **AVERTISSEMENT**



Risque de décharge électrique

- Quand on enlève ou connecte un câble de connexion pour changer la charge, s'assurer de mettre le disjoncteur principal en position ARRÊT, puis exécuter le travail.
- Pour connecter un câble à la charge, ne pas utiliser un câble endommagé ou un câble dont la tension est insuffisante. Fixer les connexions de câble entre chaque ergot de connexion et borne d'entrée/de sortie. Les connexions desserrées peuvent causer un incendie ou une décharge électrique potentielle.

Sélectionner un câble de calibre (AWG) applicable en évaluant la capacité de charge et la distance entre la génératrice et la charge. Le calibre et la longueur du câble devraient être cotés pour une baisse de tension de moins de 5 %. Utiliser la plaque d'ergot de connexion (A, Figure 15) pour connecter et bien fixer les câbles.

Si le courant de la charge dépasse le courant nominal du câble, il risque de surchauffer. De même, si le calibre du câble est trop petit et/ou si le câble est trop long, la baisse de tension sur le câble peut être excessive, risquant d'endommager l'appareil.

Installer un interrupteur de charge

Installer un interrupteur de charge (B, Figure 15, non fourni) entre la borne de sortie et la charge pour mettre la charge en/hors circuit. Ne pas mettre la charge en/hors circuit directement par le disjoncteur de la génératrice. Cela pourrait endommager le disjoncteur.

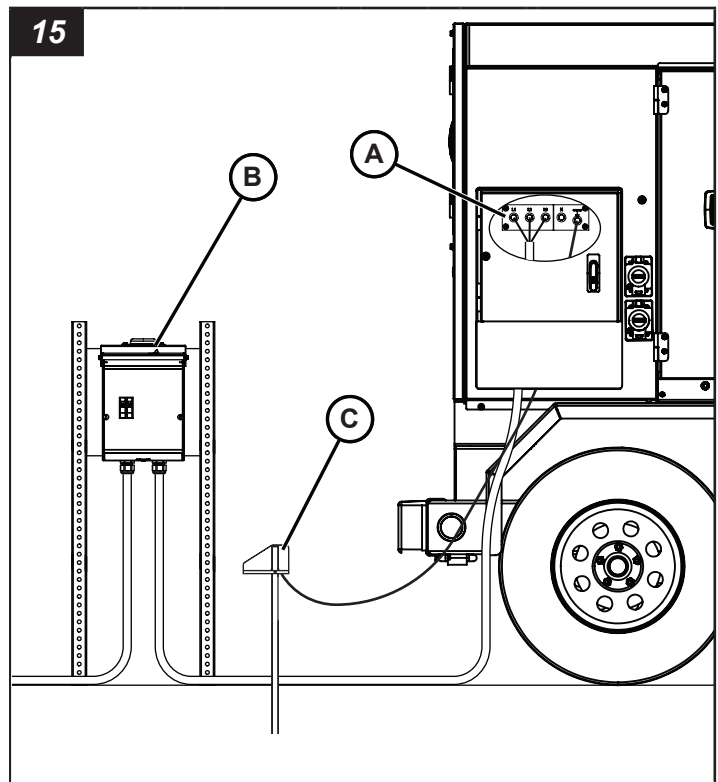
Connecter le câble de connexion à la charge de sorte que les bornes de sortie ne se touchent pas.

Mettre l'appareil à la terre

AVIS

La machine doit être mise à la terre selon les exigences tel que décrit par les autorités d'inspection locales.

1. Avec un maillet, installer la tige de mise à la terre (C, Figure 15, non fournie) fermement dans le sol à moins de 5 pieds (1,5 m) de l'ergot de connexion de mise à la terre de l'appareil.
2. Connecter le câble de la tige de mise à la terre à l'ergot de connexion de mise à la terre.



Prises CA auxiliaires

La sortie CA et le panneau de la plaque d'ergot de connexion de sortie comptent deux GFCI (A, Figure 16) et trois prises à verrou tournant (B, Figure 16). Les prises GFCI sont protégées par des disjoncteurs à bouton-poussoir (C, Figure 16) et les prises à verrou tournant sont protégées par des disjoncteurs à poignée d'actionneur (A, Figure 16).

Prises GFCI 20 A

Les prises GFCI sont disponibles seulement quand l'interrupteur de changement de tension est en position monophasée 240/120 V ou triphasée 208 V/120 V.

1. Démarrer la génératrice et tourner le disjoncteur principal en position MARCHE/1 sur le tableau de commande. Voir **Fonctionnement du moteur**.
2. Tourner l'interrupteur de disjoncteur de prise GFCI en position MARCHE/1.

Remarque : Le disjoncteur GFCI devrait être en position ARRÊT/0 avant de démarrer la génératrice et de mettre en circuit le disjoncteur principal. Vérifier aussi le disjoncteur GFCI sur la prise GFCI et le réarmer, si nécessaire.

Prises à verrou tournant 50 A

Les prises à verrou tournant sont disponibles seulement quand l'interrupteur de changement de tension est en position monophasée 240/120 V.

1. Démarrer la génératrice et tourner le disjoncteur principal en position MARCHE/1 sur le tableau de commande. Voir **Fonctionnement du moteur**.
2. Tourner le disjoncteur de prise à verrou tournant en position MARCHE/1.

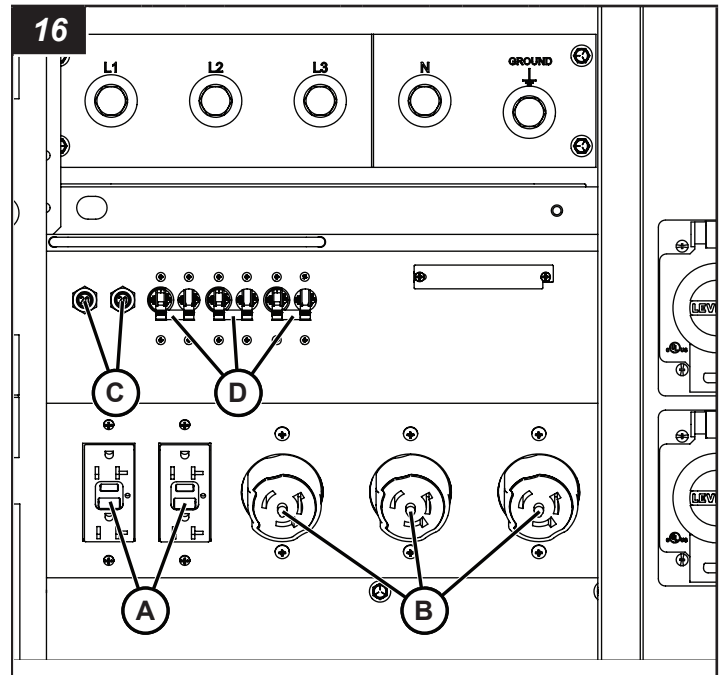
Remarque : Le disjoncteur de prise à verrou tournant devrait être en position ARRÊT/0 avant de démarrer la génératrice et de mettre en circuit le disjoncteur principal.

Si un disjoncteur est déclenché

1. Déconnecter la charge de la prise.
2. Mettre le disjoncteur principal en position ARRÊT/0 et éteindre le moteur.
3. Attendre 10 minutes que la génératrice se refroidisse.
4. Corriger le problème de charge.
5. Démarrer le moteur et mettre le disjoncteur principal en position MARCHE/1.
6. Remettre le disjoncteur en position MARCHE/1.

Remarque : Vérifier aussi le disjoncteur GFCI sur la prise de GFCI et le réarmer si nécessaire.

7. Si le problème persiste, voir **Dépannage**.



Utilisation du moteur

⚠ AVERTISSEMENT

Risque de démarrage automatique du moteur

Le démarrage inattendu du moteur pourrait provoquer la mort ou des blessures graves. Lire et suivre le manuel d'utilisation du contrôleur électronique avant de faire fonctionner ou de faire l'entretien de cet équipement.

Avant de faire fonctionner le moteur, l'appareil de changement de tension doit être réglé et les câbles/ le cordon d'alimentation doit(vent) être connecté(s) et acheminé(s) à partir du panneau de sortie CA. Voir **Configuration de l'appareil de changement de tension et panneau de sortie CA (plaque d'ergot de sortie et de connexion)**.

La génératrice est équipée d'un module de commande Deep Sea. Avant de faire fonctionner le moteur, veuillez lire le manuel d'utilisation Deep Sea.

Pour démarrer le moteur (en mode Manuel) :

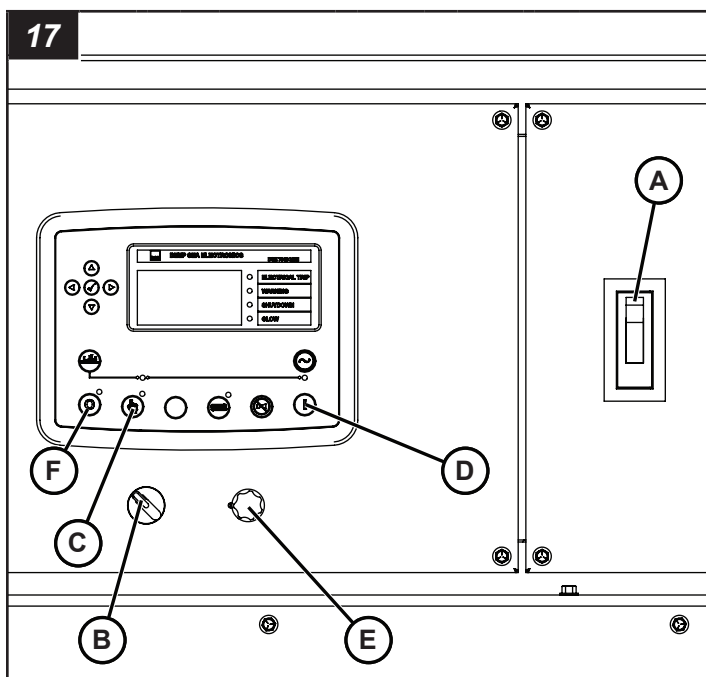
1. Sélectionner la charge de tension désirée pour faire fonctionner la génératrice en réglant la position de l'interrupteur de l'appareil de changement de tension. Voir **Appareil de changement de tension** pour le fonctionnement.
2. Activer le disjoncteur principal (A, Figure 17) en position ARRÊT/0.
3. Régler tous les disjoncteurs de sortie à la position ARRÊT/0.

4. Connecter les câbles et/ou cordons d'alimentation à la plaque d'ergot de connexion et/ou aux sorties. Voir les sections **Sélectionner la tension et les configurations de câbles de plaque d'ergot de sortie et de connexion** et **Connecter les charges et sélectionner le câble** pour déterminer les connexions de câble. Voir **Sorties CA auxiliaires** pour les prises de sortie.
5. Régler l'interrupteur d'alimentation de la commande électronique (B, Figure 17) à la position MARCHE/1.
6. Appuyer sur le bouton du mode Manuel (C, Figure 17).
7. Appuyer sur le bouton de démarrage (D, Figure 17) pour démarrer un cycle du moteur. Le moteur fera un cycle des étages de préchauffage, démarrage du moteur, réchauffement du moteur et fonctionnement du moteur. Laisser le moteur tourner pendant environ 5 minutes.
8. Régler la tension, au besoin, en utilisant le bouton de contrôle pour le réglage de la tension (E, Figure 17).
9. Régler tous les disjoncteurs (principal et prises) à la position MARCHE/1.

Pour éteindre le moteur (mode Manuel) :

1. Régler tous les disjoncteurs (principal et prises) à la position ARRÊT/0.
2. Appuyer sur le bouton d'arrêt (F, Figure 17) pour arrêter le moteur.
3. Régler l'interrupteur d'alimentation de la commande électronique à la position ARRÊT/0.

*Remarque : Pour des informations complètes sur le module de commande Deep Sea, lire le manuel d'utilisation du module de commande Deep Sea.



Système d'arrêt automatique du moteur

Le moteur comporte un système d'arrêt automatique du moteur pour empêcher que le moteur ne s'endommage en cas de niveau d'huile bas ou de température élevée.

Si le moteur s'est arrêté automatiquement, trouver la source de la défaillance et réparer avant de redémarrer le moteur. Voir **Dépannage du moteur** dans la section **Dépannage**.

Bornes de démarrage à distance

La génératrice sur remorque peut être équipée de bornes de démarrage à distance en option qui fonctionnent de pair avec le contrôleur Deep Sea.

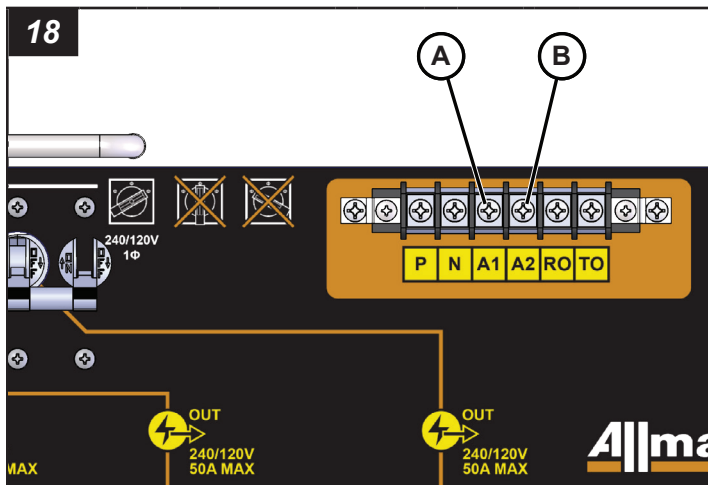
Remarque : Les configurations des entrées de démarrage à distance doivent être réalisées à l'aide du logiciel DSE Configuration Suite. Le logiciel peut être téléchargé à l'adresse <https://www.deepseaelectronics.com/genset/software-tools/dse-config-suite>. Connecter le PC au contrôleur Deep Sea via un câble de programmation USB de type A vers USB de type B.

Configuration et fonctionnement des bornes de démarrage à distance :

Les bornes de démarrage à distance sont situées sur le panneau de la prise et de la plaque d'ergot de connexion de l'appareil.

Remarque : Le système de bornes de démarrage à distance du contrôleur Deep Sea est conçu pour être activé par un circuit/interrupteur fermé. Une fois que l'appareil a démarré, l'interruption du circuit déclenche la séquence d'arrêt sécurisé automatique. Ceci peut être inversé en réglant le signal d'entrée du Deep Sea sur Normalement fermé. Pour en savoir plus, reportez-vous au manuel d'utilisation Deep Sea et au logiciel DSE Configuration Suite.

1. Connecter le fil d'alimentation du circuit/de l'interrupteur de démarrage à distance à la borne « A1 » (A, figure 18) du bornier de démarrage à distance.
2. Connecter le fil de mise à la terre du circuit/de l'interrupteur de démarrage à distance à la borne « A2 » (B, figure 18) du bornier de démarrage à distance.
3. Activer la fonction automatique du contrôleur Deep Sea en appuyant sur le bouton-poussoir du mode Auto sur le contrôleur.
 - A. Appareil activé : Régler le circuit/l'interrupteur de démarrage à distance sur la position « MARCHE/1 ». Le moteur passe par les cycles de démarrage et de fonctionnement de l'appareil.
 - B. Appareil désactivé : Régler le circuit/l'interrupteur de démarrage à distance sur la position « ARRÊT/0 ». L'appareil s'arrête de fonctionner et le moteur passe par un cycle d'arrêt.



Non-combustion et accumulation de carbone

⚠ ATTENTION

En cas de fonctionnement sous charge, augmenter le facteur de charge étape par étape tout en vérifiant la condition de l'échappement. Ne pas placer de produits inflammables aux alentours parce qu'ils pourraient s'enflammer.

AVIS

La non-combustion et l'accumulation de carbone pourraient causer une chute de puissance ainsi que le surchauffage du moteur, l'endommageant sérieusement.

Le fonctionnement du moteur de la génératrice Maxi-Power est conçu pour être efficace et correct lorsque les charges appliquées sont de 60 % à 100 % de sa capacité.

Quand le moteur diesel de la génératrice fonctionne continuellement à moins de 60 % de sa charge ou sans charge pour une durée prolongée, le carbone s'accumulera dans les tuyaux d'échappement, le catalyseur d'échappement, le système RGE et le corps du moteur. Si cela se produit, éliminer l'accumulation de carbone en le brûlant lors du fonctionnement du moteur à pleine charge (pour augmenter la chaleur de l'échappement) jusqu'à ce que les gaz d'échappement deviennent presque transparents.

Aussi, il peut y avoir du carburant non brûlé qui sorte des parties raccordées du tuyau d'échappement ou du port de sortie du silencieux d'échappement. S'il fonctionne continuellement en de pareilles conditions, le carburant qui sort pourrait s'enflammer et déclencher un incendie.

- Vérifier les accumulations dans le système d'échappement toutes les 250 heures.

Arrêt de l'appareil

⚠ AVERTISSEMENT

Ne pas retirer les cales de roue à l'avant et à l'arrière tant que la génératrice sur remorque n'est pas reliée au véhicule remorqueur et prête pour le transport. Ceci pourrait causer la mort ou des blessures graves.

Une fois que les opérations de la génératrice sont terminées sur le chantier, arrêter l'appareil :

1. Régler tous les disjoncteurs (principal et prises) à la position ARRÊT/0.
2. Arrêter le moteur. Voir **Fonctionnement du moteur**.
3. Attendre 10 minutes pour que l'appareil refroidisse.
4. Déconnecter tout câble ou cordon d'alimentation du panneau de sortie CA.
5. S'assurer que les portes du compartiment moteur, du panneau de sortie CA et du tableau de commande sont fermées et verrouillées.
6. L'appareil est prêt pour le transport. Voir **Transport**.

Arrêt d'urgence

L'appareil est doté d'un bouton d'arrêt d'urgence qui arrête immédiatement tout l'appareil en cas d'urgence. L'arrêt d'urgence se trouve derrière la génératrice.

Pour activer :

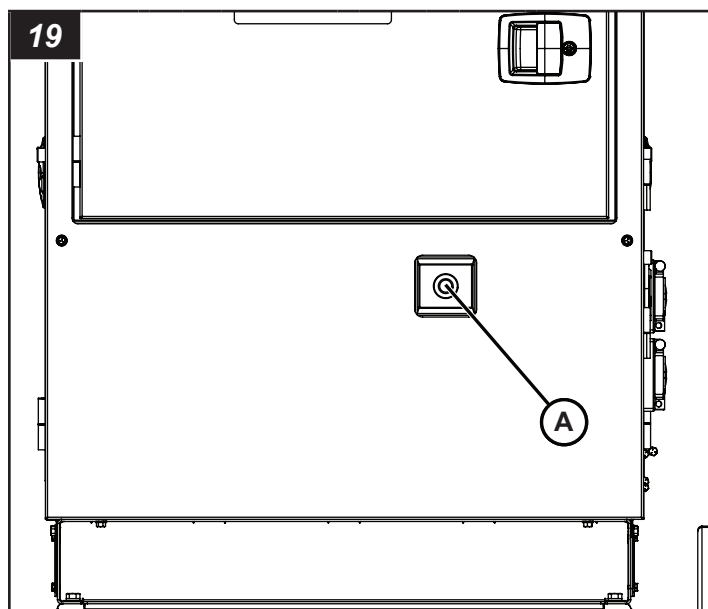
- Appuyer sur l'arrêt d'urgence (A, Figure 19).

Pour désactiver :

- Tirer sur l'arrêt d'urgence.

S'assurer que vous prenez en charge le problème qui a causé l'urgence avant de faire fonctionner l'appareil de nouveau.

Ne pas utiliser l'arrêt d'urgence pour arrêter l'appareil en cours de fonctionnement normal. Consulter la section **Arrêt de l'appareil**.



Entretien

AVERTISSEMENT

Faire fonctionner ou remorquer une machine avec des pièces usées, endommagées ou manquantes pourrait causer la mort ou des blessures graves. Remplacer immédiatement les pièces usées ou endommagées. Ne pas faire fonctionner ou remorquer cette machine jusqu'à ce que les pièces usées, endommagées ou manquantes aient été remplacées, et que la machine fonctionne correctement.

AVERTISSEMENT



Risque de choc électrique

Les batteries présentent un risque de choc électrique et de haute tension lors d'un court-circuit. Débrancher le câble noir négatif (-) de la batterie avant de procéder à l'entretien. Le défaut de le faire pourrait causer la mort ou des blessures graves.

Avant de procéder à l'entretien, consulter la section **Sécurité**.

Un entretien adéquat de l'équipement est important pour assurer un fonctionnement sécuritaire. Suivre les directives d'entretien suivantes en plus de celles prévues par le calendrier d'entretien d'équipement de votre atelier.

Un équipement qui fonctionne dans des conditions extrêmes (très poussiéreux, chaleur ou froid extrême, etc.) devrait être entretenu plus fréquemment.

Moteur

Pour les intervalles de service du moteur et autres recommandations spécifiques pour cette génératrice mobile, consulter **Spécifications**. Consulter le manuel d'utilisation du moteur pour toute autre procédure d'entretien périodique du moteur.

Vidange de l'huile moteur

L'appareil est équipé d'un purgeur d'huile à moteur distant. Pour vidanger l'huile moteur :

1. Enlever le bouchon de vidange d'huile (A, Figure 20).
2. Fixer un tuyau (non fourni) à la soupape de vidange d'huile et acheminer le tuyau pour qu'il se vide dans un contenant approuvé.
3. Ouvrir la soupape de vidange d'huile (B, Figure 20) qui part du moteur.
4. Laisser l'huile moteur s'écouler complètement dans le contenant approuvé. Jeter l'huile moteur usée selon les règlements locaux, d'état, provinciaux ou fédéraux.
5. Fermer la soupape de vidange d'huile et enlever le tuyau.
6. Replacer le bouchon de vidange d'huile.
7. Changer le filtre à l'huile, au besoin. Consulter la section **Spécifications**.

8. Ajouter de l'huile au moteur. Consulter la section **Spécifications**.

AVIS

L'omission d'ajouter de l'huile à moteur abîmera le moteur.

Vidange de liquide de refroidissement du moteur

L'appareil est équipé d'une soupape de vidange de liquide de refroidissement de moteur (C, Figure 20). Pour purger le liquide de refroidissement du moteur :

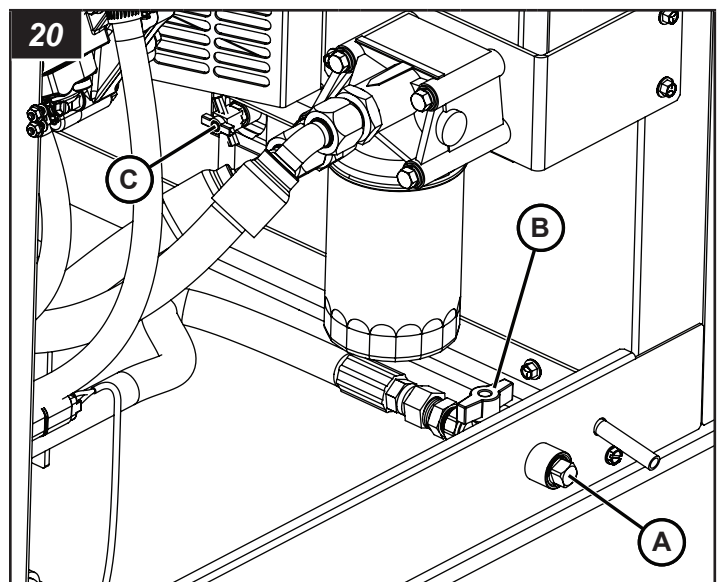
1. Mettre un contenant approuvé sous la soupape de vidange de liquide de refroidissement.
2. Ouvrir la soupape de vidange de liquide de refroidissement.
3. Laisser le liquide de refroidissement du moteur s'écouler complètement dans le contenant approuvé. Jeter le liquide de refroidissement du moteur usé selon les règlements locaux, étatiques, provinciaux ou fédéraux.
4. Fermer la soupape de vidange de liquide de refroidissement.
5. Enlever le panneau d'accès de remplissage de liquide de refroidissement (D, Figure 21).
6. Enlever le bouchon du radiateur (E, Figure 21) pour ajouter le liquide de refroidissement au radiateur. Consulter la section **Spécifications**.
7. Replacer le bouchon du radiateur et le panneau d'accès de remplissage de liquide de refroidissement.

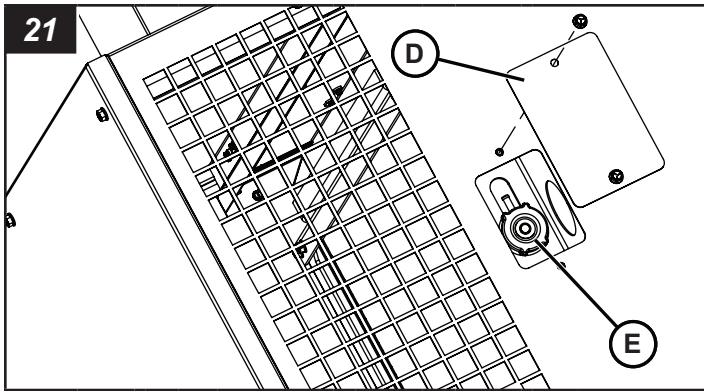
AVIS

Ne pas utiliser le type de liquide de refroidissement requis (tel qu'indiqué dans la section **Spécifications**) dans le radiateur peut endommager le moteur et le radiateur, rendant la garantie nulle et non avenue.

AVIS

Mélanger différents types de liquide de refroidissement dans le radiateur peut endommager le moteur et le radiateur, rendant la garantie nulle et non avenue.



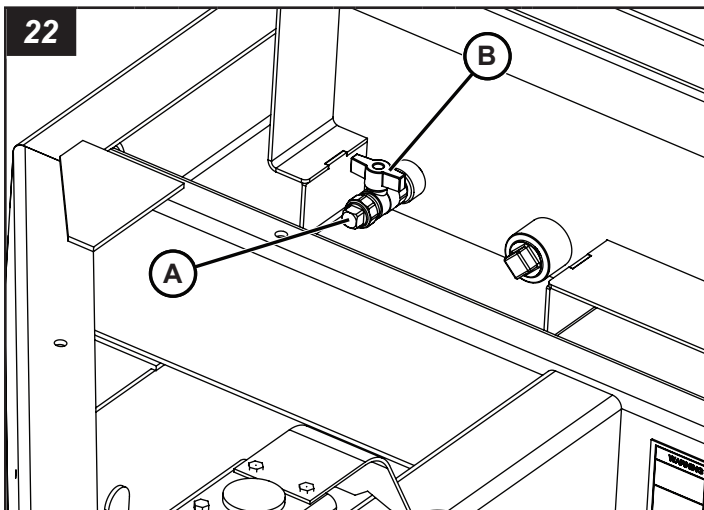


Système de carburant

Vidange de carburant

L'appareil est équipé d'un purgeur de carburant distant. Pour vidanger le carburant de l'appareil :

1. Enlever le bouchon de vidange de carburant (A, Figure 22).
2. Fixer un tuyau (non fourni) à la soupape de vidange de carburant et acheminer le tuyau pour qu'il se vide dans un contenant approuvé.
3. Ouvrir la soupape de vidange de carburant (B, Figure 22) qui part du réservoir de carburant.
4. Laisser le carburant s'écouler complètement dans le contenant approuvé. Jeter le carburant selon les règlements locaux, d'État, provinciaux ou fédéraux.
5. Fermer la soupape de vidange de carburant et enlever le tuyau.
6. Replacer le bouchon de vidange de carburant.

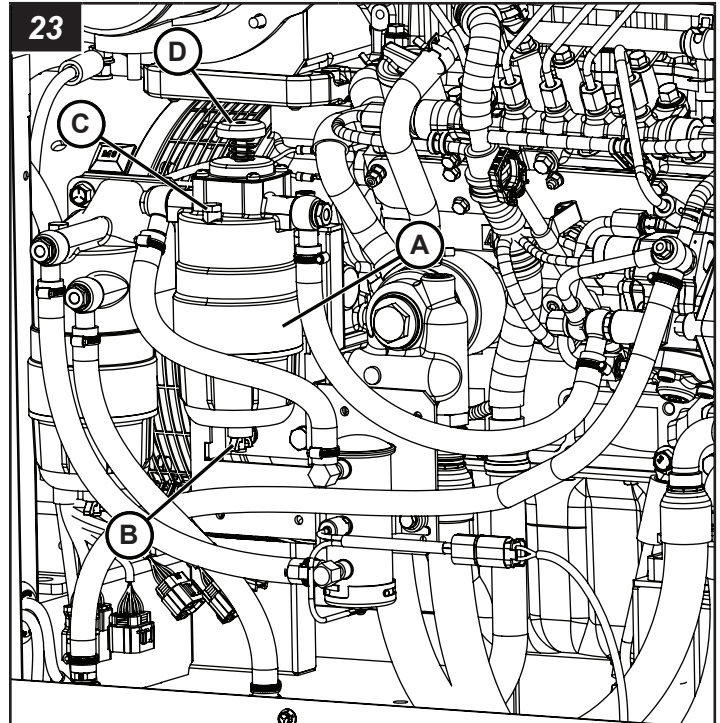


Filtre séparateur d'eau et de carburant

La génératrice est équipée d'un filtre séparateur d'eau et de carburant (A, Figure 23). Pour vidanger l'eau :

1. Placer un contenant approuvé sous le bouchon de vidange sur le filtre séparateur d'eau et de carburant.
2. Desserrer le bouchon de vidange (B, Figure 23) et le bouchon de purge d'air (C, Figure 23) pour vidanger l'eau.

3. Laisser l'eau séparée s'écouler complètement dans le contenant approuvé. Jeter l'eau selon les règlements locaux, d'État, provinciaux ou fédéraux.
4. Changer le filtre à carburant, au besoin. Consulter la section **Spécifications**.
5. Serrer le bouchon de vidange.
6. Utiliser la pompe (D, Figure 23) sur le séparateur d'eau et de carburant pour apprêter le filtre de carburant et purger tout l'air.
7. Serrer le bouchon de purge.



Génératrice

Vous reporter au mode d'emploi de la génératrice pour connaître les procédures d'entretien prévues pour la génératrice.

Remarque

Châssis

1. Vérifier le bon fonctionnement de l'attelage de la remorque. Vérifier que le matériel est bien serré. Inspecter l'usure, l'état ou la corrosion de l'attelage de la remorque. Réparer ou remplacer au besoin.
2. Inspecter l'usure, l'état ou la corrosion des chaînes de sécurité. Remplacer si nécessaire.
3. Inspecter le bon fonctionnement, l'usure, l'état ou la corrosion du vérin de flèche. Réparer ou remplacer au besoin.
4. Inspecter le bon fonctionnement, l'usure, l'état ou la corrosion de la flèche de la remorque. Vérifier que le matériel est bien serré. Réparer ou remplacer au besoin.
5. Inspecter l'usure, l'état ou la corrosion de l'essieu, des ressorts et de châssis. Réparer ou remplacer au besoin.

Pour des informations sur le calendrier d'entretien et la façon d'entretenir la remorque, voir le manuel du propriétaire de la remorque Triton.

Roues et pneus de la remorque

AVERTISSEMENT

Risque lié au remorquage

Remorquer la remorque à génératrice mobile avec des pneus, des jantes ou des écrous endommagés pourrait entraîner la mort ou de graves blessures. Réparer ou remplacer les pneus, jantes ou écrous endommagés avant de remorquer la remorque à génératrice mobile.

1. Vérifier les pneus en cas de fissures, coupures ou dommages. Réparer ou remplacer au besoin.
2. Vérifier la pression des pneus de la remorque à froid. Consulter la section Spécifications.
3. Vérifier les jantes de roues en cas de fissures ou de dommages. Réparer ou remplacer au besoin.
4. Vérifier que les écrous sont bien en place et serrés. Le couple de serrage adéquat pour les écrous est de 90 livres-pi (122 Nm).

Entretien de l'essieu

L'essieu sous la remorque à génératrice mobile exigera un entretien et un service périodiques. Il faudra, entre autres, ajuster les roulements des roues et remettre l'essieu en bon état. Pour des informations sur le calendrier d'entretien et la façon d'entretenir l'essieu, voir le manuel du propriétaire de la remorque Triton.

Éclairage de la remorque

AVERTISSEMENT

Risque lié au remorquage

Remorquer la remorque à génératrice mobile avec des feux qui ne fonctionnent pas pourrait entraîner la mort ou de graves blessures. Réparer ou remplacer les feux de la remorque.

L'éclairage de la remorque est une caractéristique de sécurité exigée par la loi. Maintenir l'éclairage de la remorque en bon état.

- Vérifier l'état et l'usure de l'éclairage et du câblage de la remorque. Réparer ou remplacer au besoin.
- Vérifier que le faisceau électrique est bien fixé à la remorque et ne traîne pas sur le sol.
- Vérifier l'état et l'étanchéité des boîtiers d'éclairage de la remorque. Utiliser du silicone ou du scellant au caoutchouc pour sceller les lentilles ou le faisceau électrique, selon le besoin, ou remplacer le boîtier. La graisse électrique aidera à protéger les douilles et empêchera leur corrosion.
- Lors du remplacement des ampoules, s'assurer d'utiliser la bonne ampoule. Une petite quantité de graisse électrique dans les douilles empêchera la corrosion.

Entretien de la batterie

AVERTISSEMENT



Danger d'explosion, de brûlure et de choc

Les batteries dégagent des gaz explosifs pendant le chargement. Des étincelles pourraient causer des explosions, entraînant la mort ou de graves blessures.

Les batteries contiennent de l'acide, qui est très caustique. Tout contact avec les composants de la batterie peut causer de graves brûlures chimiques.

Les batteries présentent un risque de choc électrique et de haute tension lors d'un court-circuit.

- Toujours débrancher le câble négatif (-) de la batterie avant d'effectuer le service de l'équipement.
- NE PAS jeter la batterie au feu. Recycler la batterie.
- NE PAS permettre de flamme nue, d'étincelle, de chaleur, de tison de cigarette au cours et plusieurs minutes après le chargement de la batterie.
- NE PAS tenter d'ouvrir ou de mutiler la batterie.
- NE PAS charger une batterie gelée. Toujours réchauffer lentement la batterie à la température ambiante avant de la charger.
- Porter des gants de protection ainsi qu'un tablier, des bottes et des gants en caoutchouc.
- Enlever vos montres, bagues et autres objets métalliques.
- Utiliser des outils dont les poignées sont isolées.

Retrait et installation de la batterie

Pour enlever la batterie

AVERTISSEMENT



Risque d'explosion

L'omission de retirer d'abord le ou les câbles noirs négatifs (-) de la batterie d'abord pourrait provoquer des étincelles ou une explosion entraînant la mort ou de graves blessures. Toujours déconnecter en premier le ou les câbles noirs négatifs (-) de la batterie.

1. Ouvrir le couvercle du compartiment moteur.
2. Débrancher le câble négatif (-) noir (A, Figure 24) de la borne de batterie négative (-) et l'éloigner de la batterie.
3. Débrancher le câble positif (+) rouge (B, Figure 24) de la borne de batterie positive (+) et l'éloigner de la batterie.
4. Desserrer la quincaillerie fixant la retenue de la batterie (C, Figure 24) et enlever la retenue.
5. Enlever la batterie soigneusement et la placer sur une surface nivelée dans un endroit bien aéré.

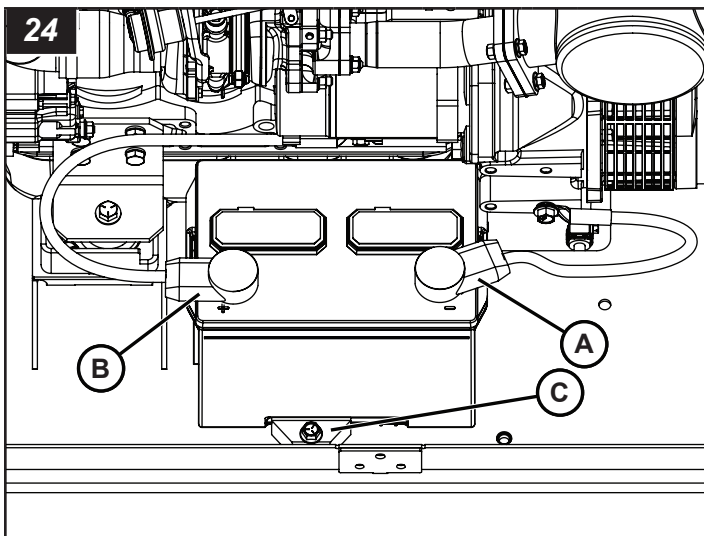
Pour installer la batterie



Risque d'explosion

L'omission d'installer d'abord le ou les câbles noirs négatifs (-) de la batterie en dernier pourrait provoquer des étincelles ou une explosion entraînant la mort ou de graves blessures. Toujours installer le ou les câbles noirs négatifs (-) en dernier.

1. Placer soigneusement la batterie dans le compartiment moteur avec les bornes de batterie vers l'arrière de l'unité.
2. Installer la retenue de la batterie. Serrer toute la boulonnerie.
3. Brancher les câbles rouges positifs (+) de la batterie à la borne positive (+) sur la batterie
4. Brancher les câbles noirs négatifs (-) à la borne négative (-) sur la batterie.
5. Remettre les couvercles sur les bornes de la batterie.
6. Fermer le couvercle du compartiment moteur.



Nettoyage



Risque d'emmêlement/de rupture

L'omission d'arrêter le moteur avant de nettoyer l'appareil pourrait provoquer la mort ou des blessures graves. Toujours arrêter le moteur avant de nettoyer l'appareil.



Danger de brûlure

Arrêter le moteur et laisser suffisamment de temps aux composants pour qu'ils se refroidissent avant de nettoyer l'appareil. L'omission de le faire pourrait provoquer de graves brûlures.

AVIS

Être prudent lors de l'utilisation d'air comprimé ou de laveuses à pression à l'eau ou à la vapeur. Ne pas nettoyer des composants électriques sous pression, ils risqueraient d'être endommagés.

Il est important de maintenir la génératrice mobile propre pour en assurer le bon fonctionnement. L'accumulation de saleté et de poussière agit comme isolant et peut faire fonctionner le moteur, la génératrice et les luminaires à des températures excessivement élevées.

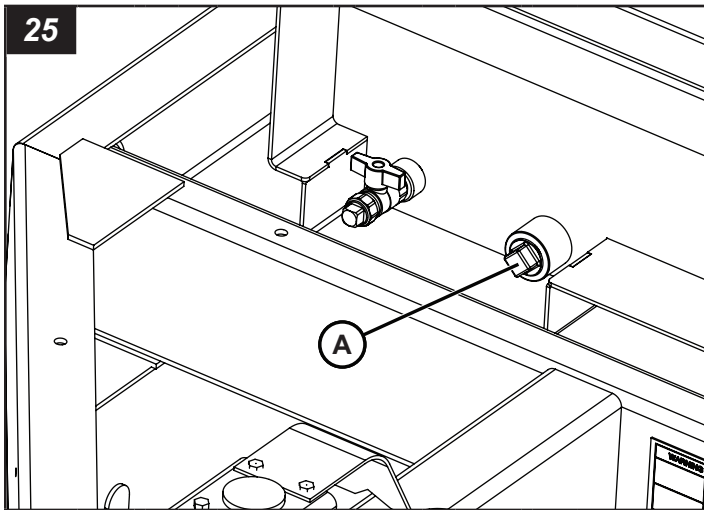
Utiliser ce qui suit comme directives de nettoyage :

1. Nettoyer la remorque à génératrice mobile pour supprimer la saleté, la poussière et tout corps étranger.
2. Nettoyer tout le câblage électrique et les composants à la main en utilisant un nettoyeur non corrosif.
3. Nettoyer l'intérieur du compartiment moteur.
4. Nettoyer tout déversement d'huile ou de liquide dans le compartiment moteur.
5. Vidanger le système de confinement du liquide. Voir **Système de confinement du liquide**.

Système de confinement du liquide

L'appareil contient un système de confinement du liquide conçu pour recevoir les déversements de carburant, d'huile ou de liquide de refroidissement. Pour vidanger :

1. Positionner un contenant approprié sous le drain de confinement du liquide (A, Figure 25).
2. Retirer le bouchon de vidange.
3. Laisser le liquide se vidanger complètement dans le contenant.
4. Remettre le capuchon de vidange.
5. Jeter le liquide de manière adéquate conformément aux directives du gouvernement.



Remisage à long terme

Un entretien adéquat est requis lorsque l'appareil doit être remis ou mis hors service pour des périodes prolongées. Consulter le Manuel d'utilisation du moteur et le Manuel d'utilisation du générateur pour toutes les procédures de remisage à long terme du moteur et du générateur.

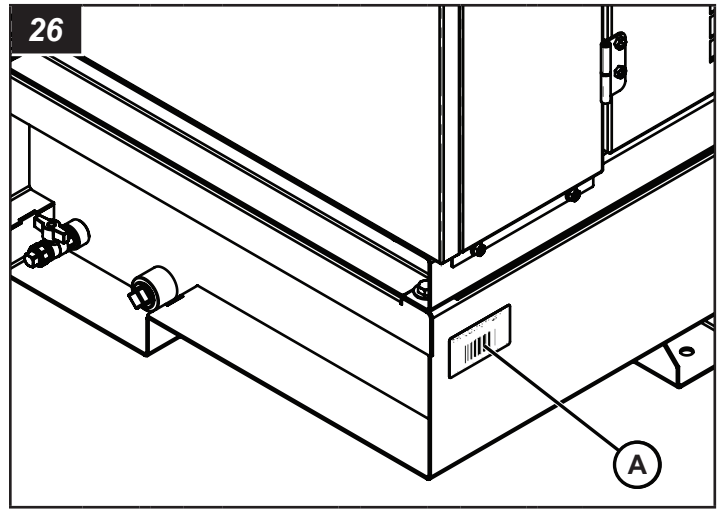
1. Faire les réparations nécessaires pour s'assurer que l'équipement est entièrement fonctionnel lors de la remise en service.
2. Nettoyer et laver le châssis et la tôle de carrosserie. Enduire toutes les surfaces d'une couche anticorrosion, le cas échéant.
3. Nettoyer tout déversement d'huile ou de liquide dans le compartiment moteur.
4. Vidanger le système de retenue de liquide.
5. Nettoyer tout le câblage électrique et les composants à la main en utilisant un nettoyeur non corrosif.
6. Débrancher et enlever la batterie.
7. Couvrir adéquatement pour protéger l'appareil.
8. Déposer adéquatement l'essieu de la remorque sur des chandelles ou autres supports appropriés pour que les pneus ne touchent pas au sol lors du remisage.

Numéros de modèle et de série

Le numéro de modèle et le numéro de série sont nécessaires pour le soutien du produit et les pièces pour la réparation. Vous trouverez ci-après les emplacements où se trouvent les numéros de modèle et les numéros de série des composants principaux.

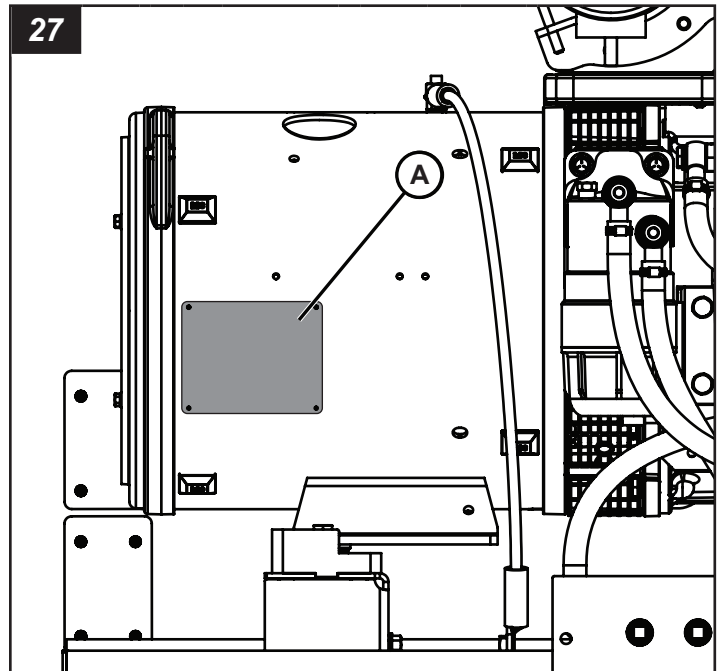
L'enceinte

L'étiquette du numéro de série de l'enceinte du générateur mobile se trouve sur le côté avant gauche de l'unité (A, Figure 26).



Génératrice

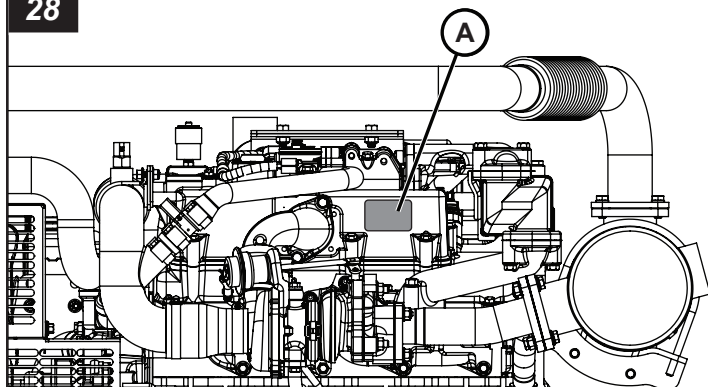
La génératrice a une plaque avec numéro de série (A, Figure 27) fixée sur le côté du boîtier du côté intérieur droit de la remorque.



Moteur

Le moteur a une plaque avec numéro de série (A, Figure 28) fixée sur le dessus du moteur du côté intérieur gauche de la remorque.

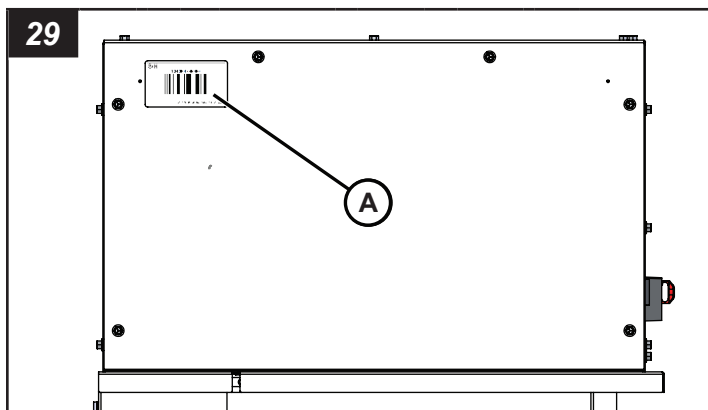
28



Boîtier de commande

La boîte de commande a une plaque avec numéro de série (A, Figure 29) fixée sur le côté supérieur arrière de la boîte de commande du côté intérieur gauche de la remorque.

29



Spécifications

Remarque : Consulter le manuel d'utilisation du moteur ou de la génératrice pour les spécifications propres au moteur ou à la génératrice.

Dimension hors tout		
Dimensions	Impérial	Métrique
Longueur	11 pi, 10,5 po	3,62 m
Hauteur	6 pi, 1 po	1,85 m
Largeur	5 pi, 8 po	1,73 m
Poids d'expédition	3 440 lb	1560 kg
Poids nominal brut du véhicule (PNBV)	5 750 lb	2 608 kg

Remorque

Spécifications	Impérial	Métrique
Poids technique maximal sous essieu (GAWR)	3 500 lb	1588 kg
Dimensions et type de pneus	ST205/75R15C	
Jantes	15 x 5 JJ avec 0,0 po de retrait	
Pression de gonflage du pneu froid	50 lb/po ²	345 kPa
Vitesse sur-la-route maximale	65 mi/h	105 km/h
Vitesse hors-route maximale	20 mi/h	32 km/h

Remorque

Spécifications	Impérial	Métrique
Réservoir de carburant	106 gallons US	401 l
Structure du cadre	Conception en acier soudé formé	
Essieu	Essieu de torsion (2)	
Moyeux	(5) goujons 1/2-20 UNF sur un cercle de boulonnage de 4,5 po (114,3 mm) de diamètre	
Attelages offerts	Standard - Œil de lunette pour crochet d'attelage de 3 pouces (76,2 mm) Facultatif - Boule d'attelage de 2 pouces (50,8 mm) ou de 2 5/16 pouces (58,7 mm) Facultatif - Bride de raccordement Bulldog de 2 pouces (50,8 mm) ou de 2 5/16 pouces (58,7 mm)	
Éclairage de route de la remorque	Arrêt, virage, arrière, feux de position, support de plaque d'immatriculation illuminé	
Connecteur d'éclairage de route de la remorque	Connecteur plat 4 directions	
Œillet de levage : capacité nominale	3 000 lb	1360 kg
Passages de fourches/Points de fixation	Deux de chaque côté	
Système de stabilisation	1 vérin de flèche de type à vis ajustable	

Électricité - Génératrice

Système d'excitation	Sans brosse		
Fréquence	60 Hz		
Phase	Triphasé	Monophasé	
Connexion de l'armature	Double étoile	Parallèle Zigzag	
Facteur de puissance	80 %	100 %	
Sortie nominale	45 kVA (36 kW)	28 kVA (28 kW)	
Tension	208 V	480 V	240/120 V
Ampères	119 A	54 A	108 A
Remarque*	<i>Il y a un conducteur permanent entre la génératrice (enroulement du stator) et le châssis</i>		
Prises de courant offertes	2 prises GFCI doubles de 20 A à 120 V (NEMA 5-20R) 3 prises à verrou tournant de 50 A à 120/240 V (CS6369)		

Moteur

Spécifications	Impérial	Métrique
Fabricant	Isuzu	
Modèle	4LE2X	
Type	Moteur diesel à quatre cylindres refroidi à l'eau	
Cylindrée	134 po ³	2,2 L
Aspiration	Turbocompresseur avec refroidisseur d'air de suralimentation	
Émissions	EPA niveau 4 final	
Puissance de sortie : principale	57,7 ch à 1 800 tr/min	43,0 kWm à 1 800 tr/min
Système de carburant	Injection directe	
Aide au démarrage	Bougies de préchauffage	

Moteur		
Spécifications	Impérial	Métrique
Système électrique du moteur	12 volts CC	
Alternateur de moteur	50 A	
Nombre de batteries	1	
Taille de la batterie	Groupe 24	
Type de batterie	Standard : acide au plomb Facultatif : fibres de verre imprégnées (AGM)	
Valeurs nominales de la batterie	525 CCA à 0 °F (-18 °C) 775 CCA à 0 °F (-18 °C)	
Arrêt automatique de faible pression d'huile	10 lb/po ²	69 kPa
Arrêt automatique de température élevée de l'eau	234 °F	112 °C
Carburant	En Amérique du Nord, il faut utiliser des carburants diesel qui respectent la norme ASTM D975 pour le diesel à faible teneur en soufre (ULSD). L'ULSD a un contenu maximal de soufre de 15 parties par million (PPM) ou de 15 mg/kg. Le carburant diesel peut être des types 1-D et 2-D. Consulter le manuel d'utilisation du moteur pour des renseignements détaillés.	
Huile à moteur	Consulter le manuel d'utilisation du moteur pour obtenir de l'information détaillée.	
Capacité d'huile à moteur – Avec filtre	12,0 pte	11,4 L
Type de liquide de refroidissement de moteur requis	Liquide de refroidissement à durée prolongée sans nitrite, technologie d'acide organique (Organic Acid Technology [OAT], sans 2-EHA	
Capacité du système de liquide de refroidissement	12,3 pte	11,6 L
Capacité du réservoir de trop-plein de liquide de refroidissement	1,1 pte	1,0 L
Intervalle de service : filtre et changement d'huile	Première vidange et premier remplacement de filtre à huile : 50 h, toutes les autres vidanges et tous les remplacements de filtre à huile - 500 h*	
Intervalle de service – Filtre à carburant	500 h	
Intervalle de service : filtre à air	Consulter le manuel d'utilisation du moteur pour obtenir de l'information détaillée.	
Remarque*	<i>L'huile moteur doit être vérifiée avant la mise en marche et remplie, au besoin</i>	

Dépannage



DANGER



Risque d'électrocution

- Une haute tension est présente lorsque le moteur est en marche. Ne jamais tenter d'effectuer l'entretien des composants électriques lorsque le moteur est en marche.
- Le contact avec les fils qui sont mis à nu à cause d'une isolation endommagée, coupée ou usée pourrait causer la mort ou des blessures graves. Remplacer tout câblage endommagé avant d'utiliser l'unité.

Avant de faire quelque dépannage que ce soit, lire **Sécurité**.

Pour le dépannage de la génératrice, consulter le manuel d'utilisation de la génératrice ou contacter votre concessionnaire.

Tableau de dépannage de la génératrice

Problème	Cause possible	Solution
Le démarreur ne démarre pas ou démarre lentement.	Dysfonctionnement de la batterie.	Vérifier la batterie pour déterminer si elle doit être chargée ou remplacée.
	Dysfonctionnement de charge.	Vérifier la batterie pour déterminer si elle doit être chargée ou remplacée.
	Dysfonctionnement d'alternateur.	Remplacer l'alternateur.
	Trop de puissance est tirée des sorties auxiliaires.	Enlever les charges des sorties auxiliaires.
Le démarreur démarre, mais le moteur ne démarre pas.	Vider le réservoir de carburant diesel.	Remplir de carburant diesel.
	Air dans les conduites de carburant.	Purger l'air des conduites de carburant.
	Filtre à carburant bouché.	Faire un entretien du filtre à carburant et remplacer le filtre.
	Injecteurs de carburant bloqués.	Désassembler et nettoyer.
	Dysfonctionnement du contrôleur électronique.	Vérifier les fusibles, les connecteurs et le contrôleur.
Disjoncteur déclenché.	Trop de puissance est tirée des sorties auxiliaires.	Enlever et/ou la/les charge(s) des prises auxiliaires.
	Court-circuit du côté charge.	Supprimer la cause du court-circuit.

Problème	Cause possible	Solution
Tension trop basse ou absente.	Mauvais serrage des bornes d'ergot de connexion.	Vérifier les bornes et resserrer.
	Excitatrice défectueuse.	Réparer l'excitatrice.
	Rectificateur de silicone défectueux.	Remplacer le rectificateur de silicone.
	Dysfonctionnement de l'AVR.	Ajuster les potentiomètres sur le régulateur de tension. Voir le manuel du régulateur de tension.
	AVR défectueux.	Remplacer l'AVR.
Tension instable.	Mauvais serrage des bornes d'ergot de connexion.	Vérifier les bornes et resserrer.
	Dysfonctionnement de l'AVR.	Ajuster les potentiomètres sur le régulateur de tension. Voir le manuel du régulateur de tension.
	AVR défectueux.	Remplacer l'AVR.
Tension instable.	Desserrer ou déconnecter le câble/les connecteurs vers l'AVR.	Vérifier le câblage/les connecteurs et resserrer.
	Câble brisé ou mauvais contact avec l'AVR.	Réparer ou remplacer le câblage.
	AVR défectueux.	Remplacer l'AVR.
Pression d'huile à moteur faible sur l'écran du contrôleur électronique.	Niveau d'huile à moteur bas.	Ajouter de l'huile au moteur.
	Filtre d'huile à moteur bouché.	Remplacer le filtre à l'huile moteur.
	Câbles/connecteurs desserrés ou déconnectés vers le pressostat d'huile.	Vérifier le câblage/les connecteurs et resserrer.
	Dysfonctionnement de l'interrupteur du pressostat d'huile.	Remplacer le pressostat d'huile.
Filtre à air sur l'écran du contrôleur électronique.	Filtre à air du moteur bouché.	Vérifier et nettoyer le filtre à air du moteur. Remplacer le filtre à air, au besoin.
Température de l'eau sur l'écran du contrôleur électronique.	Niveau de liquide de refroidissement de moteur bas.	Ajouter du liquide de refroidissement au radiateur du moteur.
	La courroie de ventilateur glisse.	Ajuster la tension de la courroie.
	Le radiateur se bouche.	Faire l'entretien du radiateur et remplacer le liquide de refroidissement.
	Câbles/connecteurs desserrés ou déconnectés vers l'interrupteur de température du liquide de refroidissement.	Vérifier le câblage/les connecteurs et resserrer.
	Interrupteur de température du liquide de refroidissement défectueux.	Remplacer l'interrupteur de température du liquide de refroidissement.
	Thermostat défectueux.	Remplacer le thermostat.

Pour tous les autres problèmes de dépannage, contacter votre détaillant autorisé.

Signaler les défauts de sécurité

Signaler les défauts de sécurité au gouvernement des États-Unis

En cas de doute que le véhicule présente une défektivité qui pourrait causer un accident, des blessures ou la mort, Allmand ainsi que la National Highway Traffic Safety Administration (NHTSA) devaient en être informées.

Si la NHTSA reçoit des plaintes similaires, une investigation peut s'ouvrir, et si elle trouve qu'une défektivité liée à la sécurité existe dans un groupe de véhicules, il pourrait y avoir un rappel afin d'effectuer des réparations. Toutefois, la NHTSA ne peut pas s'impliquer dans des problèmes individuels entre l'utilisateur, le concessionnaire ou Allmand.

Pour joindre la NHTSA, appeler la ligne d'assistance téléphonique pour la sécurité des véhicules au numéro sans frais 1-888-327-4236 (TTY : 1-800-424-9153), visiter le <http://www.safercar.gov> ou écrire à : Administrator, NHTSA, 400 Seventh Street, SW., Washington, DC 20590.

Vous pouvez aussi obtenir d'autres informations au sujet de la sécurité des véhicules à moteur de <http://www.safercar.gov>.

Signaler les défauts de sécurité au gouvernement du Canada

Les résidents du Canada qui pensent que le véhicule présente un défaut de sécurité doivent en informer immédiatement Transports Canada et Allmand. Appeler Transports Canada au 1-800-333-0510, visiter le www.tc.gc.ca/rappels (français) ou le www.tc.gc.ca/recalls (anglais) ou écrire à : Transports Canada, Normes de service, Division des enquêtes sur les défauts et rappels, 80, rue Noël, Gatineau, QC J8Z 0A1

Signaler les défauts de sécurité à Allmand

En plus d'aviser la NHTSA (ou Transports Canada) d'une situation comme celle-ci, aviser Allmand. Contacter le service d'entretien d'Allmand au 1-800-562-1373, visiter le www.allmand.com, ou écrire à : Allmand Bros., Inc., P.O. Box 888, Holdrege, NE 68949.

Consignes de sécurité relatives aux pneus

La section suivante comporte des renseignements sur la sécurité relative aux pneus, comme l'exige la norme 49 CFR 575.6. Sujets abordés :

- (i) L'étiquetage des pneus, y compris une description et une explication de chaque marquage sur les pneus fournis avec le véhicule et des informations sur l'emplacement du numéro d'identification des pneus (NIP);
- (ii) La pression de gonflage des pneus recommandée, y compris une description et une explication des points suivants :

(A) Pression de gonflage des pneus à froid recommandée;

(B) La plaque du véhicule et l'étiquette de pression de gonflage des pneus et leur emplacement dans le véhicule;

(C) Les conséquences du sous-gonflage sur la sécurité (y compris la défaillance des pneus), et

(D) Mesure et réglage de la pression pour obtenir un gonflage adéquat;

(iii) Glossaire de la terminologie relative aux pneus, y compris la « pression des pneus à froid », la « pression de gonflage maximale » et la « pression de gonflage recommandée » et d'autres termes non techniques;

(iv) L'entretien des pneus, y compris les pratiques en matière de sécurité;

(v) Les limites de charge du véhicule, y compris une description et une explication des éléments suivants :

(A) Repérer et comprendre les informations sur les limites de charge, la capacité de charge totale, le nombre de places assises, la capacité de remorquage et la capacité de chargement;

(B) Calculer la capacité totale et la capacité de chargement avec différentes configurations de sièges, y compris des exemples quantitatifs illustrant la manière dont la capacité de chargement et de bagages du véhicule diminue à mesure que le nombre et la taille combinés des occupants augmentent;

(C) Déterminer la compatibilité des pneus et des capacités de charge du véhicule;

(D) Les incidences sur les pneus d'une surcharge pour la sécurité par rapport à la tenue de route et au freinage.

1. Étapes pour déterminer la limite de charge appropriée – Remorque

Déterminer les limites de charge d'une remorque ne se limite pas à comprendre les limites de charge des pneus seuls. Toutes les remorques portent une étiquette de certification fédérale/NIV qui se trouve dans la moitié avant du côté gauche (côté route). Cette étiquette de certification/NIV indique le poids nominal brut du véhicule (PNBV) de la remorque. Il s'agit du poids maximum de la remorque entièrement chargée. Elle indique également le poids technique maximal sous essieu (GAWR). Il s'agit du poids maximum sous un essieu particulier. Si la remorque comporte plusieurs essieux, le GAWR est indiqué.

Si le PNBV de la remorque est inférieur ou égal à 10 000 livres, il y a une plaque de véhicule qui se trouve au même endroit que l'étiquette de certification décrite ci-dessus. Cette plaque indique les informations sur les pneus et le chargement. De plus, cette plaque indique la capacité maximale de chargement. La remorque peut être chargée jusqu'au poids maximum indiqué sur la plaque. Le poids combiné du chargement est indiqué sous la forme d'un seul nombre. Dans tous les cas, ne pas oublier que le poids total d'une remorque entièrement chargée ne peut pas dépasser le PNBV indiqué.

Pour les remorques comportant des espaces habitables, le poids de l'eau et du propane doit également être pris en compte. Le poids des réservoirs de propane entièrement remplis est considéré comme faisant partie du poids de la remorque avant qu'elle ne soit chargée de marchandises et non comme faisant partie du chargement temporaire. Par contre, l'eau est un poids de chargement temporaire et est traitée comme telle. Un réservoir destiné à contenir 100 gallons d'eau douce pèserait environ 800 livres une fois rempli. Si une quantité plus importante de marchandises est transportée, l'eau peut être déchargée pour maintenir le poids total du chargement dans les limites du PNBV afin de ne pas surcharger le véhicule. Comprendre cette flexibilité vous permettra, en tant que propriétaire, de faire les bons choix en fonction de vos besoins.

Lors du chargement de la cargaison, veiller à ce qu'elle soit répartie uniformément pour éviter toute surcharge de l'avant à l'arrière et d'un côté à l'autre. Les objets lourds devraient être placés bas et aussi près des essieux que possible. Mettre trop d'objets d'un même côté peut surcharger un pneu. La meilleure façon de connaître le poids réel du véhicule est de le peser sur une balance publique. Parler au concessionnaire des méthodes de pesage nécessaires pour mesurer les différents poids liés à la remorque. Cela comprend le poids à vide et le poids par essieu, par roue, par attache-remorque ou par pivot, ainsi que le poids total.

Des charges excessives ou un sous-gonflage provoquent une surcharge sur les pneus et, par conséquent, une flexion anormale se produit. Cette situation peut générer une chaleur excessive dans le pneu. Cela peut entraîner une défaillance du pneu. Puisque la pression d'air permet à un pneu de supporter la charge, un bon gonflage est essentiel. La pression d'air appropriée se trouve sur l'étiquette de certification/NIV ou sur la plaquette relative aux pneus. Cette valeur ne doit jamais dépasser la pression de gonflage à froid maximale estampillée sur le pneu.

1.1 Remorques avec un PNBV de 10 000 livres (4 536 kg) ou moins

(1) Repérer la mention « The weight of cargo should never exceed XXX kg or XXX lbs » (« Le poids du chargement ne doit jamais dépasser XXX kg ou XXX lb ») sur la plaque du véhicule.

(2) Ce chiffre est égal à la capacité de charge disponible pour la marchandise et les bagages.

(3) Déterminer le poids combiné des bagages et des marchandises chargés dans le véhicule. Pour des raisons de sécurité, ce poids ne doit pas dépasser la capacité maximale de chargement de la marchandise et des bagages.

1.2 Remorques avec un PNBV de plus de 10 000 livres (4 536 kg) (Remarque : Ces remorques ne sont pas tenues de comporter une plaque d'information sur les pneus.)

(1) Déterminer le poids à vide de la remorque en pesant la remorque à l'aide d'une balance publique ou d'un autre moyen. Cette étape n'a pas besoin d'être répétée.

(2) Repérer le PNBV de la remorque sur l'étiquette du NIV (certification) de la remorque.

(3) Soustraire le poids à vide de la remorque du PNBV indiqué sur l'étiquette du NIV. Le poids de chargement maximal de la remorque à ne pas dépasser est ainsi obtenue pour des raisons de sécurité.

2. Étapes pour déterminer la limite de charge appropriée – Véhicule tracteur

(1) Repérer la mention « The combined weight of occupants and cargo should never exceed XXX kg or XXX lbs » (« Le poids combiné des occupants et du chargement ne doit jamais dépasser XXX kg ou XXX lb ») sur la plaque du véhicule.

(2) Déterminer le poids combiné du conducteur et des passagers du véhicule.

(3) Soustraire le poids combiné du conducteur et des passagers de XXX kg ou de XXX lb.

(4) Ce résultat est égal à la capacité de charge disponible pour la marchandise et les bagages. Par exemple, si le nombre « XXX » est égal à 1 400 lb et s'il y a cinq passagers de 150 lb dans le véhicule, la capacité de charge disponible pour la marchandise et les bagages est de 650 lb (1 400 - 750 [5 × 150] = 650 lb).

(5) Déterminer le poids combiné des bagages et des marchandises chargés dans le véhicule. Pour des raisons de sécurité, ce poids ne doit pas dépasser la capacité maximale de chargement de la marchandise et des bagages calculée à l'étape 4.

(6) Si le véhicule doit tirer une remorque, le chargement sera transféré au véhicule. Consulter le manuel du véhicule tracteur pour déterminer comment cela réduit la capacité de chargement du véhicule en matière de cargaison et de bagages.

3. Glossaire de la terminologie relative aux pneus

Poids des accessoires désigne le poids combiné, en plus des éléments standard qui peuvent être remplacés, de la transmission automatique, de la direction assistée, des freins assistés, des vitres et des sièges électriques, de la radio et du système de chauffage, dans la mesure où ces articles sont offerts en tant qu'équipements installés en usine (qu'ils soient installés ou non).

Le **talon** désigne la partie du pneu qui est faite de fils d'acier enveloppés ou renforcés par des câblés de pli et qui est formée pour s'adapter à la jante.

La **séparation du talon** désigne la rupture du lien entre les composants du talon.

Un **pneu à renfort de carcasse en diagonale** désigne un pneu dans lequel les câbles du pli qui s'étendent jusqu'aux talons sont posés à des angles alternés sensiblement inférieurs à 90 degrés par rapport à la ligne centrale de la bande de roulement.

La **carcasse** désigne la structure du pneu, à l'exception de la bande de roulement et du caoutchouc des flancs qui, une fois le pneu gonflé, supportent la charge.

Arrachement est le détachement de morceaux de la bande de roulement ou du flanc.

Câblé désigne les brins formant les plis du pneu.

La **séparation des câblés** signifie que les fils câblés sont séparés des composés de caoutchouc adjacents.

Craquelage désigne toute séparation dans la bande de roulement, le flanc ou le calandrage intérieur du pneu s'étendant aux câblés.

Poids à vide désigne le poids d'un véhicule à moteur avec l'équipement standard, y compris la capacité maximale de carburant, d'huile et de liquide de refroidissement et, le cas échéant, la climatisation et le poids supplémentaire d'un moteur en option.

Pression de gonflage à froid désigne la pression des pneus lorsque le véhicule n'a pas roulé pendant au moins trois heures.

Pneu à charge supplémentaire désigne un pneu conçu pour être utilisé avec des charges et une pression de gonflage plus élevées que le pneu standard correspondant.

La **rainure** désigne l'espace entre deux nervures adjacentes de la bande de roulement.

Poids technique maximal sous essieu (GAWR) est la valeur spécifiée par le constructeur du véhicule comme étant la capacité de charge d'un seul système d'essieu, telle que mesurée aux interfaces pneu-sol.

Poids nominal brut du véhicule ou PNBV désigne la valeur spécifiée par le constructeur comme étant le poids d'un seul véhicule chargé.

Le **poids à l'attelage** est la force descendante exercée sur la boule d'attelage par l'attelage de remorque.

Le **revêtement intérieur** désigne la ou les couches formant la surface intérieure d'un pneu sans chambre à air qui comporte le système de gonflage à l'intérieur du pneu.

La **séparation du revêtement intérieur** signifie que le revêtement intérieur est séparé des câblés dans la carcasse.

Pneu pour véhicule utilitaire léger (LT) est un pneu désigné par son fabricant comme étant principalement destiné à être utilisé sur des camions légers ou des véhicules de tourisme polyvalents.

La **capacité de charge** désigne la charge maximale qu'un pneu est censé supporter pour une pression de gonflage donnée.

La **capacité de charge maximale** désigne l'indice de charge d'un pneu à la pression de gonflage maximale autorisée pour ce pneu.

La **pression de gonflage maximale autorisée** désigne la pression de gonflage à froid maximale à laquelle un pneu peut être gonflé.

Le **poids maximum d'un véhicule chargé** est la somme des éléments suivants : (a) poids à vide, (b) poids des accessoires, (c) poids de la capacité du véhicule et (d) poids des options de production.

Jante de mesure désigne la jante sur laquelle un pneu est monté pour les besoins de la dimension physique.

Jante non pneumatique désigne un dispositif mécanique qui, lorsqu'un assemblage de pneus non pneumatiques comprend une roue, supporte le pneu et se fixe, soit intégralement, soit de manière séparable, à l'élément central de la roue et sur lequel le pneu est fixé.

Assemblage de pneu de secours non pneumatique est un assemblage de pneu non pneumatique destiné à un usage temporaire à la place d'un assemblage pneu-jante monté sur une voiture conformément aux exigences de la présente norme.

Pneu non pneumatique désigne un dispositif mécanique qui transmet, directement ou par l'intermédiaire d'une roue ou d'un corps de roue, la charge verticale et les forces de traction de la chaussée au véhicule, qui génère les forces de traction qui assurent le contrôle directionnel du véhicule, et ce, sans gaz ni liquide pour assurer ces fonctions.

Assemblage de pneu non pneumatique est un pneu non pneumatique, seul ou en combinaison avec une jante ou un corps de roue, qui peut être monté sur un véhicule.

Le **poids normal des occupants** est calculé comme suit : 68 kg (150 lb) est multiplié par le nombre d'occupants spécifié dans la deuxième colonne du Tableau I de la norme 49 CFR 571.110.

Répartition des occupants est la répartition des occupants dans un véhicule comme spécifié dans la troisième colonne du Tableau I de la norme 49 CFR 571.110.

Soudure ouverte désigne toute séparation à une jonction de la bande de roulement, du flanc ou du revêtement intérieur qui s'étend aux câblés.

Diamètre extérieur désigne le diamètre total d'un pneu neuf gonflé.

Largeur hors tout désigne la distance linéaire entre les extérieurs des flancs d'un pneu gonflé, y compris les élévations dues aux étiquettes, aux décorations, aux bandes de protection ou aux nervures.

Pneu tourisme désigne un pneu destiné à être utilisé sur les voitures de tourisme, les véhicules de tourisme polyvalents et les camions, dont le poids nominal brut du véhicule (PNBV) est inférieur ou égal à 10 000 livres.

Poids de la boule d'accouplement est la force descendante appliquée à la sellette ou à la boule du col de cygne par le pivot d'attelage de la remorque ou de l'attelage à col de cygne.

Pli désigne une couche de câbles parallèles recouverts de caoutchouc.

Décollement entre plis est une séparation du composé de caoutchouc entre les plis adjacents.

Pneu pneumatique est un dispositif mécanique composé de caoutchouc, de produits chimiques, de tissu et d'acier ou d'autres matériaux qui, lorsqu'il est monté sur une roue d'automobile, assure la traction. Il contient le gaz ou le liquide qui soutient la charge.

Poids des options de production est le poids combiné des options de production courantes installées et pesant plus de 2,3 kilogrammes de plus que les éléments standards qu'elles remplacent et qui ne sont pas pris en compte dans le poids à vide ou le poids des accessoires, y compris les freins à service lourd, les stabilisateurs, le porte-bagages de toit, la batterie à usage intensif et les garnitures spéciales.

Un **pneu à carcasse radiale** est un pneu dans lequel les câbles du pli qui s'étendent jusqu'aux talons sont posés à des angles de 90 degrés par rapport à la ligne centrale de la bande de roulement.

La **pression de gonflage recommandée** est la pression de gonflage à froid appropriée telle qu'elle est indiquée sur l'étiquette d'information sur les pneus.

Pneu renforcé est un pneu conçu pour être utilisé avec des charges et une pression de gonflage plus élevées que le pneu standard correspondant.

Jante désigne un support métallique pour un pneu ou un ensemble de pneu et chambre à air sur lequel reposent les talons du pneu.

Diamètre de jante est le diamètre nominal du siège du talon.

Désignation de la jante est le diamètre et la largeur de la jante.

Désignation du type de jante est la désignation du fabricant d'une jante par style ou code.

Largeur de jante est la distance nominale entre les rebords de la jante.

Largeur du boudin désigne la distance linéaire entre les extérieurs des flancs d'un pneu gonflé, à l'exclusion des élévations dues à l'étiquetage, à la décoration ou aux bandes de protection.

Le **flanc** est la partie d'un pneu située entre la bande de roulement et le talon.

Il y a **séparation du flanc** lorsque le composé de caoutchouc et les câblés se séparent dans le flanc.

Un **pneu ST** n'est conçu que pour être utilisé sur des remorques tirées sur une route.

Jante d'essai désigne la jante sur laquelle un pneu est monté pour l'essai. Cela peut être toute jante répertoriée comme appropriée pour ce pneu.

La **bande de roulement** est la partie d'un pneu qui entre en contact avec la route.

Une **nervure** est une partie de la bande de roulement qui entoure le pneu sur toute sa circonférence.

Il y a **déchapage** lorsqu'un décollement de la bande de roulement de la carcasse du pneu se produit.

Les **indicateurs d'usure (TWI)** sont les projections dans les rainures principales conçues pour donner une indication visuelle du degré d'usure de la bande de roulement.

Le **poids de la capacité du véhicule** est la charge nominale de la cargaison et des bagages plus 68 kilogrammes multiplié par le nombre de places assises du véhicule.

La **charge maximale du véhicule sur le pneu** est la charge sur un pneu individuel qui est déterminée en distribuant à chaque essieu sa part du poids maximal du véhicule chargé et en la divisant par deux.

La **charge normale du véhicule sur le pneu** est la charge sur un pneu individuel qui est déterminée en distribuant à chaque essieu sa part du poids à vide, du poids des accessoires et du poids normal des occupants (distribués conformément au tableau I de la norme 49 CFR 571.110) et en divisant ce nombre par 2.

Le **corps de roue** signifie, dans le cas d'un assemblage de pneu non pneumatique comprenant une roue, un dispositif mécanique qui se fixe, intégralement ou de manière séparable, à la jante non pneumatique et qui assure la liaison entre la jante non pneumatique et le véhicule ou, dans le cas d'un assemblage de pneu non pneumatique ne comprenant pas de roue, un dispositif mécanique qui se fixe, intégralement ou de manière séparable, au pneu non pneumatique et qui assure la liaison entre le pneu et le véhicule.

Le **dispositif de fixation de la roue** est utilisé pour maintenir l'assemblage de roue et de pneu en toute sécurité pendant les essais.

4. La sécurité des pneus – tout repose sur eux

La National Highway Traffic Safety Administration (NHTSA) a publié une brochure (DOT HS 809 361) qui aborde tous les aspects de la sécurité des pneus, comme l'exige la norme 49 CFR 575.6. Elle est partiellement reproduite ci-dessous. Elle peut être obtenue et téléchargée gratuitement auprès de la NHTSA sur le site Web suivant :

http://www.nhtsa.dot.gov/cars/rules/TireSafety/ridesonit/tires_index.html

Les études sur la sécurité des pneus montrent que le maintien d'une pression adéquate, le respect des limites de charge des pneus et du véhicule (ne pas transporter plus de poids dans le véhicule que ce que les pneus ou le véhicule peuvent supporter en toute sécurité), éviter les dangers de la route et inspecter les pneus à la recherche de coupures, d'entailles et d'autres irrégularités) sont les choses les plus importantes à faire pour éviter une défaillance des pneus, comme le déchappage, les éclatements ou les crevaisons. Ces mesures, ainsi que d'autres interventions d'entretien, ont également les avantages suivants :

- Améliorer la maniabilité du véhicule
- Contribuer à vous protéger, ainsi que les autres, contre les pannes et les accidents évitables
- Économiser du carburant
- Augmenter la durée de vie des pneus

Ce livret présente un aperçu complet de la sécurité des pneus, y compris des informations sur les sujets suivants :

- Entretien de base des pneus
- Classement uniformisé de la qualité du pneu
- Caractéristiques fondamentales des pneus

- Conseils de sécurité en matière de pneus. Ces renseignements vous permettront de faire de la sécurité des pneus un élément régulier de votre programme d'entretien du véhicule.

Reconnaître que le temps passé est minime par rapport aux inconvénients et aux conséquences sur la sécurité d'un pneu à plat ou d'une autre défaillance.

La sécurité d'abord – entretien de base des pneus

Des pneus adéquatement entretenus améliorent la direction, le freinage, la traction et la capacité de charge du véhicule. Les pneus sous-gonflés et les véhicules surchargés sont une cause majeure de défaillance des pneus. Par conséquent, comme mentionné ci-dessus, pour éviter les crevaisons et les autres types de défaillance des pneus, il est nécessaire de maintenir une pression appropriée des pneus, de respecter les limites de charge des pneus et du véhicule, d'éviter les dangers de la route et d'inspecter régulièrement vos pneus.

Trouver la pression des pneus et les limites de charge recommandées pour votre véhicule

Les plaques d'information sur les pneus et les étiquettes de certification du véhicule comportent des renseignements sur les pneus et les limites de charge. Ces étiquettes indiquent les informations du constructeur du véhicule, notamment :

- Taille de pneu recommandée
- Pression de gonflage des pneus recommandée
- Poids de capacité du véhicule (VCW – le poids maximal des occupants et du chargement qu'un véhicule est conçu pour transporter)
- Poids technique maximal sous essieux avant et arrière (GAWR – le poids maximal que les systèmes d'essieux sont conçus pour supporter).

Les plaques et les étiquettes de certification sont fixées en permanence sur la remorque, près de la partie avant, à gauche.

Comprendre la pression des pneus et les limites de charge

La pression de gonflage est le niveau d'air dans le pneu qui lui confère une capacité de charge et qui influence la performance globale du véhicule. La pression de gonflage d'un pneu est le nombre qui indique la quantité de pression d'air – mesurée en livres par pouce carré (psi) – pour qu'un pneu soit bien gonflé. (Ce nombre figure également sur la plaque d'information du véhicule en kilopascals [kPa], qui est la mesure métrique utilisée sur le plan international.)

Les fabricants de véhicules de tourisme et de camions légers déterminent ce nombre en fonction de la limite de charge nominale du véhicule, c'est-à-dire, le poids maximal qu'un véhicule peut transporter en toute sécurité et les dimensions des pneus du véhicule. La pression appropriée des pneus du véhicule est appelée « pression de gonflage à froid recommandée ». (Comme cela est décrit ci-dessous, il est difficile d'obtenir la pression recommandée lorsque les pneus ne sont pas froids.)

Comme les pneus sont conçus pour être utilisés sur plus d'un type de véhicule, les fabricants de pneus indiquent la « pression de gonflage maximale autorisée » sur le flanc du pneu. Ce nombre représente la pression d'air la plus élevée qui devrait être mise dans le pneu dans des conditions de conduite normales.

Vérifier la pression des pneus

Il est important de vérifier la pression des pneus du véhicule au moins une fois par mois pour les raisons suivantes :

- La plupart des pneus peuvent naturellement perdre de l'air au fil du temps.
- Les pneus peuvent perdre soudainement de l'air si l'on passe sur un nid-de-poule ou un autre obstacle ou si le trottoir est heurté en se garant.
- Il n'est généralement pas possible de déterminer un sous-gonflage des pneus radiaux par une inspection visuelle.

Pour plus de commodité, acheter un manomètre de pression des pneus à conserver dans le véhicule. Les manomètres se trouvent chez les marchands de pneus, dans les magasins d'équipement automobile et dans d'autres points de vente au détail.

La pression de gonflage recommandée par les constructeurs automobiles correspond à la pression manométrique appropriée lorsqu'un pneu est froid. Le terme « froid » ne se rapporte pas à la température extérieure. Un pneu froid est plutôt un pneu qui n'a pas roulé pendant au moins trois heures.

Les pneus se réchauffent en roulant, ce qui fait augmenter la pression de l'air interne. Par conséquent, pour obtenir une lecture précise de la pression des pneus, il est nécessaire de mesurer la pression lorsque les pneus sont froids ou de compenser la pression supplémentaire causée par des pneus chauds.

Étapes à suivre pour maintenir une pression adéquate des pneus

- Étape 1 : Repérer la pression recommandée sur la plaque d'information sur les pneus du véhicule, sur l'étiquette de certification ou dans le manuel du propriétaire.
- Étape 2 : Noter la pression de tous les pneus.
- Étape 3 : Si la pression est trop élevée dans l'un des pneus, libérer lentement l'air en appuyant doucement sur la tige de la valve du pneu avec l'extrémité du manomètre jusqu'à ce que la pression adéquate soit atteinte.
- Étape 4 : Si la pression du pneu est trop basse, noter la différence entre la pression mesurée et la pression adéquate du pneu. Il faudra ajouter ces livres de pression « manquantes ».
- Étape 5 : À une station-service, ajouter les livres de pression d'air manquantes à chaque pneu qui est sous-gonflé.
- Étape 6 : Vérifier tous les pneus pour s'assurer que leur pression d'air est la même (sauf dans les cas où la pression des pneus avant et arrière est censée être différente).

Si le véhicule a été utilisé et qu'un pneu semble sous-gonflé, le gonfler à la pression de gonflage à froid recommandée indiquée sur la plaque d'information ou l'étiquette de certification des pneus du véhicule. Bien que le pneu puisse être encore légèrement sous-gonflé en raison de la pression supplémentaire causée par un pneu chaud, il est plus sécuritaire de conduire avec une pression légèrement inférieure à la pression de gonflage à froid recommandée par le constructeur du véhicule que de conduire avec un pneu nettement sous-gonflé. Comme il s'agit d'une solution temporaire, ne pas oublier de révérier et d'ajuster la pression du pneu lorsqu'il est possible d'obtenir une lecture à froid.

Dimensions des pneus

Pour préserver la sécurité des pneus, acheter des pneus neufs aux mêmes dimensions que ceux d'origine du véhicule ou d'autres dimensions recommandées par le fabricant. Pour trouver ces informations, examiner la plaque d'information sur les pneus, le manuel du propriétaire ou le flanc du pneu remplacé. En cas de doute sur les dimensions à choisir, consulter le détaillant de pneus.

Bande de roulement

La bande de roulement assure l'adhérence et la traction qui empêchent le véhicule de glisser ou de dérapier, surtout lorsque la route est mouillée ou glacée. En général, les pneus ne sont pas sécuritaires et ils doivent être remplacés lorsque la bande de roulement est usée à 1/16 de pouce. Les pneus comportent des indicateurs d'usure intégrés qui indiquent quand il est temps de les remplacer. Ces indicateurs sont des sections en relief espacées par intermittence dans le fond des rainures de la bande de roulement. Lorsqu'ils semblent « égaux » avec l'extérieur de la bande de roulement, il est temps de remplacer les pneus. Une autre méthode pour vérifier la profondeur de sculpture consiste à placer une pièce d'un cent dans la bande de roulement avec la tête de la reine à l'envers et face à soi. Si le sommet de la tête de la reine est visible, il est temps de changer les pneus.

Équilibrage des pneus et réglage de la géométrie

Un pneu doit être adéquatement équilibré pour éviter les vibrations ou les secousses du véhicule. Cet équilibre est obtenu en positionnant des poids sur la roue pour contrebalancer les points lourds de l'ensemble roue-pneu. Le réglage de la géométrie des roues permet d'ajuster leurs angles afin qu'elles soient positionnées exactement par rapport au châssis du véhicule. Ce réglage permet de maximiser la durée de vie des pneus. Ces réglages nécessitent un équipement spécialisé et ils doivent être effectués par un technicien qualifié.

Réparations des pneus

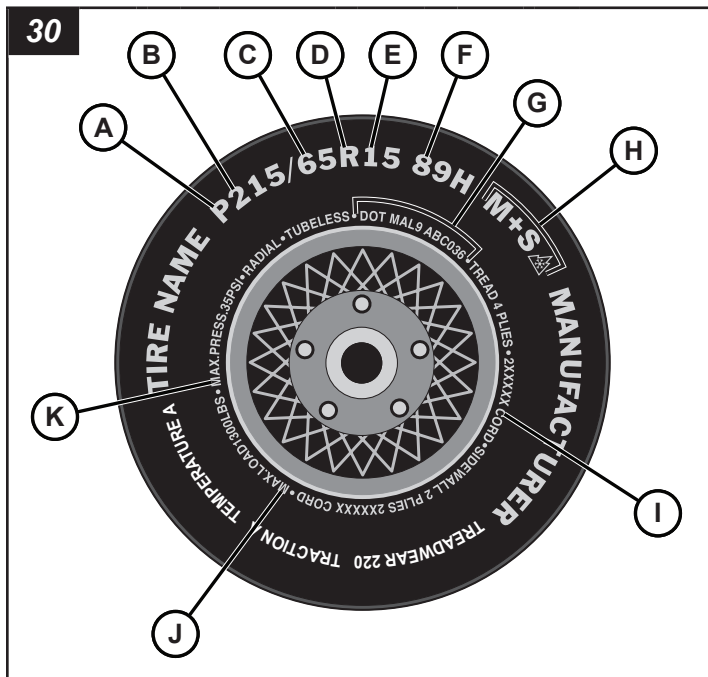
La réparation adéquate d'un pneu crevé nécessite un bouchon pour le trou et une pièce pour la zone qui entoure le trou de crevaision à l'intérieur du pneu. Si les crevaisons dans la bande de roulement peuvent être réparées si elles ne sont pas trop importantes, celles sur le flanc ne devraient pas être réparées. Les pneus doivent être retirés de la jante pour être convenablement inspectés avant de boucher et de réparer la crevaision.

Éléments fondamentaux des pneus

La loi fédérale oblige les fabricants de pneus à placer des informations standardisées sur le flanc de tous les pneus. Ces informations décrivent les caractéristiques fondamentales du pneu et indiquent un numéro d'identification du pneu pour la certification des normes de sécurité et en cas de rappel.

Informations sur les pneus des véhicules de tourisme

Veuillez voir la Figure 30 et les informations suivantes.



A- La lettre « P » indique que le pneu est destiné aux véhicules de tourisme.

B- Ce nombre à trois chiffres indique la largeur en millimètres du pneu d'un bord à l'autre du flanc. En règle générale, plus le nombre est élevé, plus le pneu est large.

C- Ce nombre à deux chiffres, connu sous le nom de rapport d'aspect, donne le rapport entre la hauteur et la largeur du pneu. Un nombre de 70 ou moins indique que la paroi latérale est courte, ce qui se caractérise par une meilleure réponse de la direction et une maniabilité générale accrue sur chaussée sèche.

D- « R » signifie radial. La construction de pneus à carcasse radiale est la norme de l'industrie depuis 20 ans.

E- Ce nombre à deux chiffres est le diamètre de la roue ou de la jante en pouces. Si la taille de la roue est changée, il est nécessaire d'acheter de nouveaux pneus pour qu'ils correspondent à ce nouveau diamètre.

F-

(Nombre) Ce nombre à deux ou à trois chiffres est l'indice de charge du pneu. Il s'agit d'une mesure du poids que chaque pneu peut supporter. Ces informations se trouvent dans votre manuel du propriétaire. Dans le cas contraire, contacter le détaillant de pneus. *Remarque : Ces informations ne se trouvent pas nécessairement sur tous les pneus, car elles ne sont pas exigées par la loi.*

(Lettre) L'indice de vitesse indique la vitesse à laquelle un pneu est conçu pour être conduit pendant de longues périodes. Les vitesses varient de 99 mi/h à 186 mi/h. Ces cotes sont énumérées ci-dessous. *Remarque : Ces informations ne se trouvent pas nécessairement sur tous les pneus, car elles ne sont pas exigées par la loi.*

Cote en lettre	Cote de vitesse
Q	99 mi/h
R	106 mi/h
S	112 mi/h
T	118 mi/h
U	124 mi/h
H	130 mi/h
V	168 mi/h*
Y	186 mi/h*

**Remarque : Pour les pneus dont la vitesse maximale est supérieure à 149 mi/h, les fabricants de pneus utilisent parfois les lettres ZR. Pour ceux dont la vitesse maximale est supérieure à 186 mi/h, les fabricants de pneus utilisent toujours les lettres ZR.*

G- Numéro d'identification U.S. DOT. Il commence par les lettres « DOT » et indique que le pneu est conforme à toutes les normes fédérales américaines. Les deux chiffres ou lettres suivants sont le code de l'usine où il a été fabriqué et les quatre derniers chiffres représentent la semaine et l'année de fabrication du pneu. Par exemple, les chiffres 3197 signifient la 31^e semaine de 1997. Les autres numéros sont des codes de commercialisation utilisés à la discrétion du fabricant. Ces informations sont utilisées pour contacter les consommateurs au cas où une défectuosité du pneu nécessiterait un rappel.

H- « M+S » ou « M/S » indique que le pneu peut être utilisé dans la boue et la neige dans une certaine mesure. La plupart des pneus radiaux portent ces marquages et ils peuvent donc être utilisés dans la boue et la neige dans une certaine mesure.

I- Composition des plis du pneu et matériaux utilisés. Le nombre de plis indique le nombre de couches de caoutchouc dans le pneu. En général, plus le nombre de plis est important, plus un pneu peut supporter de poids. Les fabricants doivent également indiquer les matériaux qui composent le pneu, qui comprennent l'acier, le nylon, le polyester et autres.

J- Capacité de charge maximale. Ce nombre indique la charge maximale en kilogrammes et en livres qui peut être supportée par le pneu.

C- Charge maximale avec roues jumelées. Ces informations indiquent la charge et la pression maximales des pneus lorsqu'ils sont utilisés de manière jumelée, c'est-à-dire, lorsque quatre pneus sont posés sur chaque essieu arrière (total de six pneus ou plus sur le véhicule).*

D- « M+S » ou « M/S » indique que le pneu peut être utilisé dans la boue et la neige dans une certaine mesure. La plupart des pneus radiaux portent ces marquages et ils peuvent donc être utilisés dans la boue et la neige dans une certaine mesure.

E- Cette information indique la charge et la pression maximales des pneus sur roues simples*.

**Remarque : La charge maximale est présentée en kilogrammes et en livres (kg/lb). La pression maximale du pneu est présentée en kilopascals et en livres par pouce carré (kPa et lb/po²) lorsque le pneu est froid.*

Conseils de sécurité en matière de pneus

Prévenir les dommages aux pneus

- Ralentir s'il est nécessaire de passer par-dessus un nid-de-poule ou un autre obstacle sur la route.
- Ne pas rouler sur les trottoirs ou autres objets étrangers sur la chaussée et essayer de ne pas heurter le trottoir lorsque l'on doit se garer.

Liste de contrôle pour la sécurité des pneus

- Vérifier la pression des pneus régulièrement (au moins une fois par mois), y compris celle de la roue de secours.
- Inspecter les pneus à la recherche de fissures, de corps étrangers, d'usure inégale de la bande de roulement ou d'autres signes d'usure ou de traumatisme.
- Retirer les morceaux de verre et les objets étrangers coincés dans la bande de roulement.
- Vérifier que les vannes des pneus sont munies de bouchons.
- Vérifier la pression des pneus avant de partir pour un long voyage.
- Ne pas surcharger le véhicule. Vérifier sur la plaquette d'information sur les pneus ou dans le manuel du propriétaire la charge maximale recommandée pour le véhicule.

Addenda – Options des unités

Débranchement de la batterie

Le débranchement facultatif de la batterie permet un débranchement pratique et sans outils de cette dernière tandis que l'unité est rangée ou lorsqu'elle n'est pas utilisée, ou pour prévenir une utilisation non autorisée de l'unité.

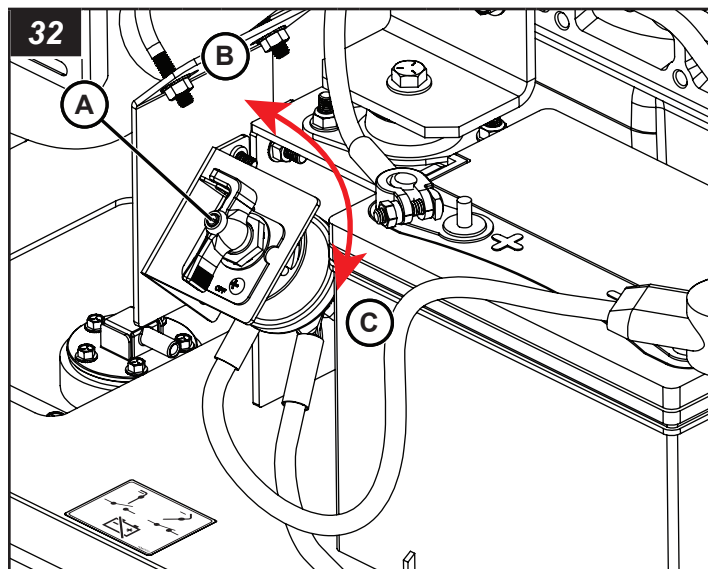
Pour débrancher la batterie :

1. Mettre le commutateur (A, Figure 32) à la position de débranchement (B, Figure 32).

2. Un cadenas (non fourni) peut être utilisé pour plus de sécurité.

Pour brancher la batterie :

1. Retirer le cadenas (le cas échéant).
2. Mettre le commutateur à la position de branchement (C, Figure 32).



Prises à cames de verrouillage

 **DANGER**



Risque d'électrocution

Ne pas connecter ni déconnecter les charges aux prises à cames de verrouillage pendant que l'appareil fonctionne.

 **DANGER**

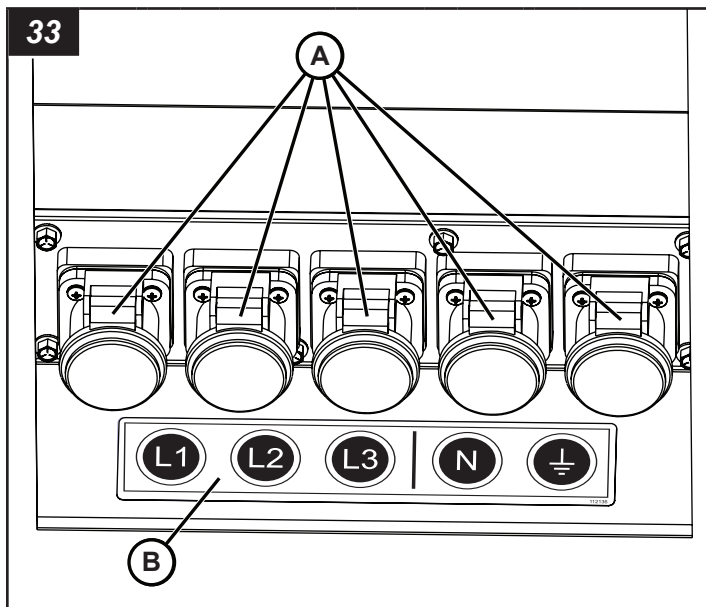


Risque de choc électrique

Tourner l'interrupteur de tension à une autre position pendant que l'appareil est en marche pourrait présenter un risque de choc électrique de la génératrice pouvant entraîner la mort ou de graves blessures corporelles. Éteindre l'appareil avant de tourner l'interrupteur de tension à une autre position. Un cadenas doit être posé sur l'interrupteur pour empêcher qu'il puisse être tourné pendant que l'appareil est en marche.

Les prises à cames de verrouillage optionnelles permettent la connexion et la déconnexion rapides des charges.

1. Connecter les connecteurs des cames à verrouillage de la charge aux prises à cames de verrouillage (A, Figure 33) sur la partie inférieure du panneau de la plaque d'ergot de sortie et de connexion sur l'appareil. S'assurer de connecter la charge correctement; voir l'autocollant de connexion des cames à verrouillage (B, Figure 33) et **Configuration de l'appareil de changement de tension et panneau de sortie CA (plaque d'ergot de sortie et de connexion)** pour les bonnes connexions de charge.



Ensemble Arctique

Chauffe-bloc/chauffe-batterie

Le chauffe-bloc/chauffe-batterie (A, Figure 34) garde le bloc-moteur et la batterie réchauffés pendant que l'appareil est entreposé ou non utilisé.

Le chauffe-bloc/chauffe-batterie devrait être utilisé quand l'appareil est entreposé ou non utilisé sous 32° F (0° C).

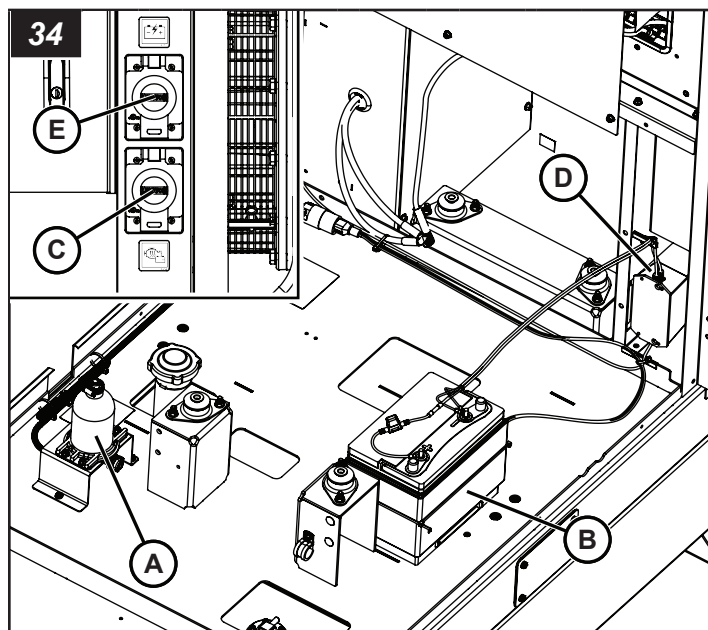
1. Brancher l'extrémité femelle d'un cordon d'alimentation service lourd (non fourni) dans la prise encastrée du chauffe-bloc/chauffe-batterie (B, Figure 34).
2. Brancher l'extrémité mâle du cordon d'alimentation dans une sortie 120 V standard.
3. Débrancher le chauffe-bloc/chauffe-moteur avant de mettre l'appareil en service.

Chargeur de batterie

Le chargeur de batterie garde la batterie chargée pendant que l'appareil est entreposé ou non utilisé.

1. Brancher l'extrémité femelle d'un cordon d'alimentation service lourd (non fourni) dans la prise encastrée du chargeur de batterie (C, Figure 34).
2. Brancher l'extrémité mâle du cordon d'alimentation dans une sortie 120 V standard.

3. Le voyant rouge (D, Figure 34) sur le module de chargeur de batterie dans la section avant gauche du compartiment moteur (voir Figure 34) indique que la batterie se charge. Le voyant vert (E, Figure 34) indique pleine charge. (Le chargeur de batterie peut rester branché après que la batterie atteint sa pleine charge sans endommager la batterie.)
4. Débrancher le chargeur de batterie avant de mettre l'appareil en service.



Vanne d'arrêt d'urgence d'entrée d'air du moteur

Cette vanne d'arrêt d'urgence d'entrée d'air facultative ferme la vanne et éteint le moteur automatiquement en cas de survitesse et d'emballement.

Consulter le manuel de programmation Pacbrake PH3 pour en savoir plus sur le fonctionnement et la programmation.

⚠ AVERTISSEMENT

Si la vanne de fermeture d'urgence d'entrée d'air a éteint le moteur, quitter la zone immédiatement et respecter les instructions et les procédures de sécurité pour votre chantier. Ne pas relancer ni démarrer la machine tant que la source du problème n'a pas été identifiée et qu'une solution n'a pas été trouvée.

Fonctionnement en mode Auto

1. S'il y a survitesse et emballement du moteur, le contrôleur détecte le problème et ferme la vanne d'arrêt d'urgence d'entrée d'air (A, Figure 35) et éteint le moteur automatiquement.
2. La vanne d'arrêt reste fermée pendant 15 secondes et sera réinitialisée en position ouverte.
3. Déterminer la source du problème et le corriger.

4. Réinitialiser le contrôleur Deep Sea en faisant basculer le commutateur MARCHÉ/ARRÊT du tableau de commande du moteur en position « ARRÊT », puis de nouveau en position « MARCHÉ ». Consulter **Utilisation du moteur** pour les procédures de fonctionnement du moteur.

Fonctionnement en mode manuel/test

1. Appuyer sur le commutateur à bascule de la vanne d'arrêt d'urgence (B, Figure 35) (position « ARRÊT ») pour fermer la vanne.
2. Lâcher le commutateur de vanne d'arrêt d'urgence (position « MARCHÉ ») pour réinitialiser la vanne en position ouverte.
3. *Mode manuel* : Déterminer la source du problème et le corriger.
Mode test : Vérifier la fonctionnalité de la vanne.
4. Réinitialiser le contrôleur Deep Sea en faisant basculer le commutateur MARCHÉ/ARRÊT du tableau de commande du moteur en position « ARRÊT », puis de nouveau en position « MARCHÉ ». Consulter **Utilisation du moteur** pour les procédures de fonctionnement du moteur.

