



en **Parts Manual**
HYBRID LT-SERIES™



TABLE OF CONTENTS

1.0 AXLE/TONGUE/OUTRIGGERS

Axle and Wheels	(1.1)
Fenders	(1.2)
Tongue	(1.3)
Tongue Couplers	(1.4)
Tongue Platform	(1.5)
Outriggers	(1.6)

2.0 TRAILER BASE PARTS

Engine Cradle	(2.1)
Rear Panel	(2.2)
Stringer	(2.3)
Front Panels	(2.4)
Front Panel Air Deflector	(2.5)
Quarter Panels	(2.6)
Doors	(2.7)
Manual Canister	(2.8)

3.0 VERTICAL TOWER GROUP

Vertical Tower Section 1	(3.1)
Vertical Tower Section 2	(3.2)
Vertical Tower Section 3	(3.3)
Vertical Tower Section 4	(3.4)
Vertical Tower Section 5	(3.5)
Vertical Tower Section 4-Light Round and Light Bar	(3.6)
Vertical Tower Components	(3.7)
Vertical Tower Front Cover	(3.8)
Vertical Tower Nycoil Tower Cord	(3.9)
350W Dimmable 48VDC LED Lamp Install Group	(3.10)
LED Lamp Diffuser	(3.11)

Hybrid LT-Series™

TABLE OF CONTENTS

4.0 CONTROL BOX GROUP

Control Box and E-Stop Install Group	(4.1)
Control Box Door	(4.2)
Control Box Rear Install Group	(4.3)
Control Panel	(4.4)
Control Box Outlet & Inlet Install Group	(4.5)
Control Box Splash Guard	(4.6)

5.0 ELECTRICAL GROUP

12V Battery Install Group	(5.1)
Lithium Ion Batteries Install Group	(5.2)
Inverter and Battery Charger Install Group	(5.3)
PMG and Rectifier Install Group	(5.4)
Side Marker Lights and Tail Lights	(5.5)
Breakaway Kit I	(5.6)
Breakaway Kit II	(5.7)

6.0 ENGINE COMPONENTS GROUP

Engine Isolator Mounts	(6.1)
Fluid Containment Drain Cap	(6.2)
Fuel Tanks	(6.3)
Fuel Level Sender	(6.4)
Radiator Coolant Recovery Tank	(6.5)
Radiator Coolant Drain Group	(6.6)
Oil Drain Group	(6.7)

7.0 KUBOTA Z482 VARIABLE SPEED ENGINE GROUP

Kubota Z482 Variable Speed Diesel Engine	(7.1)
Kubota Z482 Radiator Install Group	(7.2)
Kubota Z482 Engine Fuel Lines	(7.3)

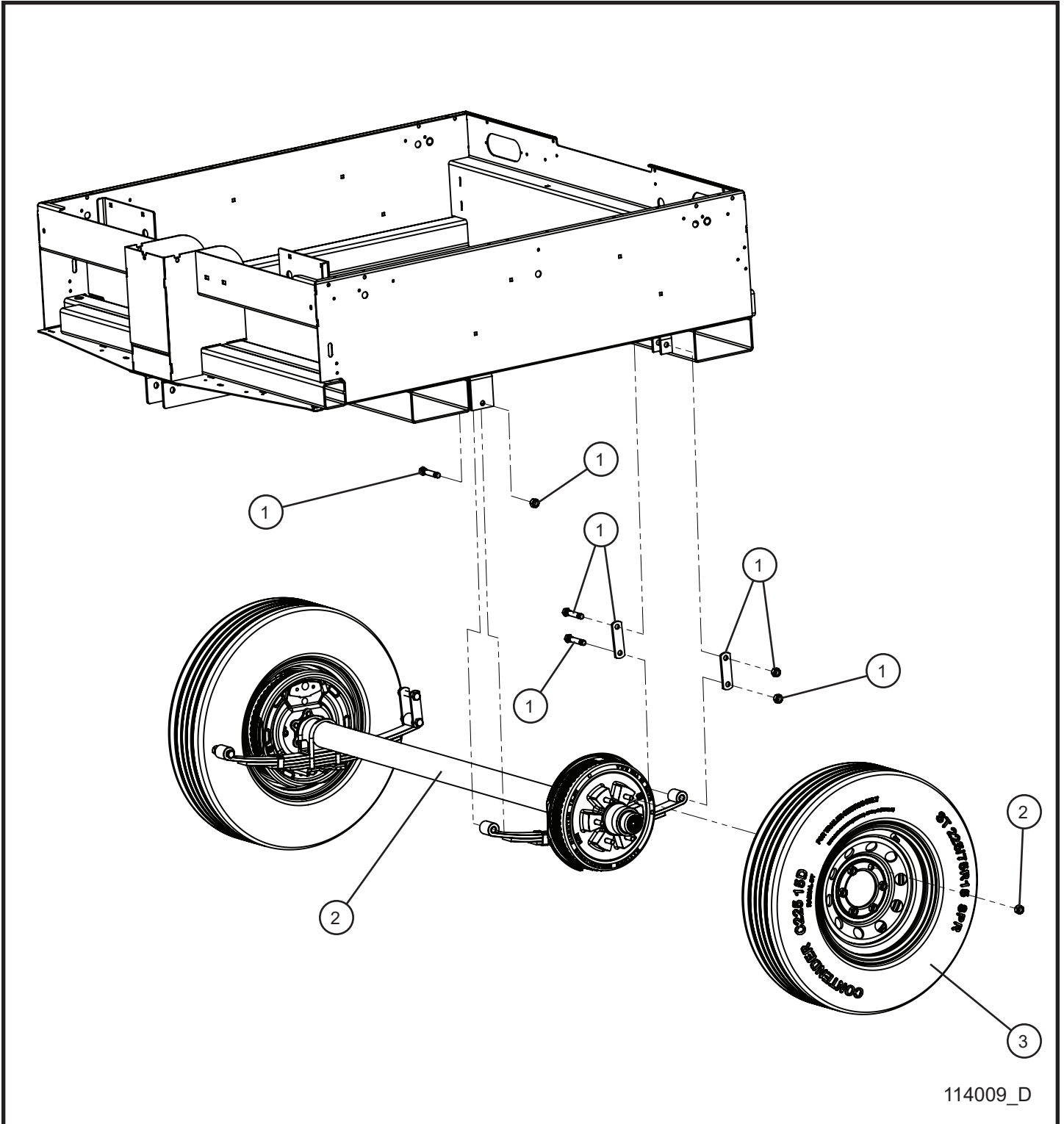
TABLE OF CONTENTS

8.0 DECAL GROUP

Branding Decals	(8.1)
Left Side Safety Decals	(8.2)
Right Side Safety Decals	(8.3)
Rear Side Safety Decals	(8.4)
Top and Front Side Safety Decals	(8.5)
Control Box and Door Safety Decals	(8.6)

Hybrid LT-Series™

1.1 - Axle and Wheels



Hybrid LT-Series™

SN 52-000001 and UP

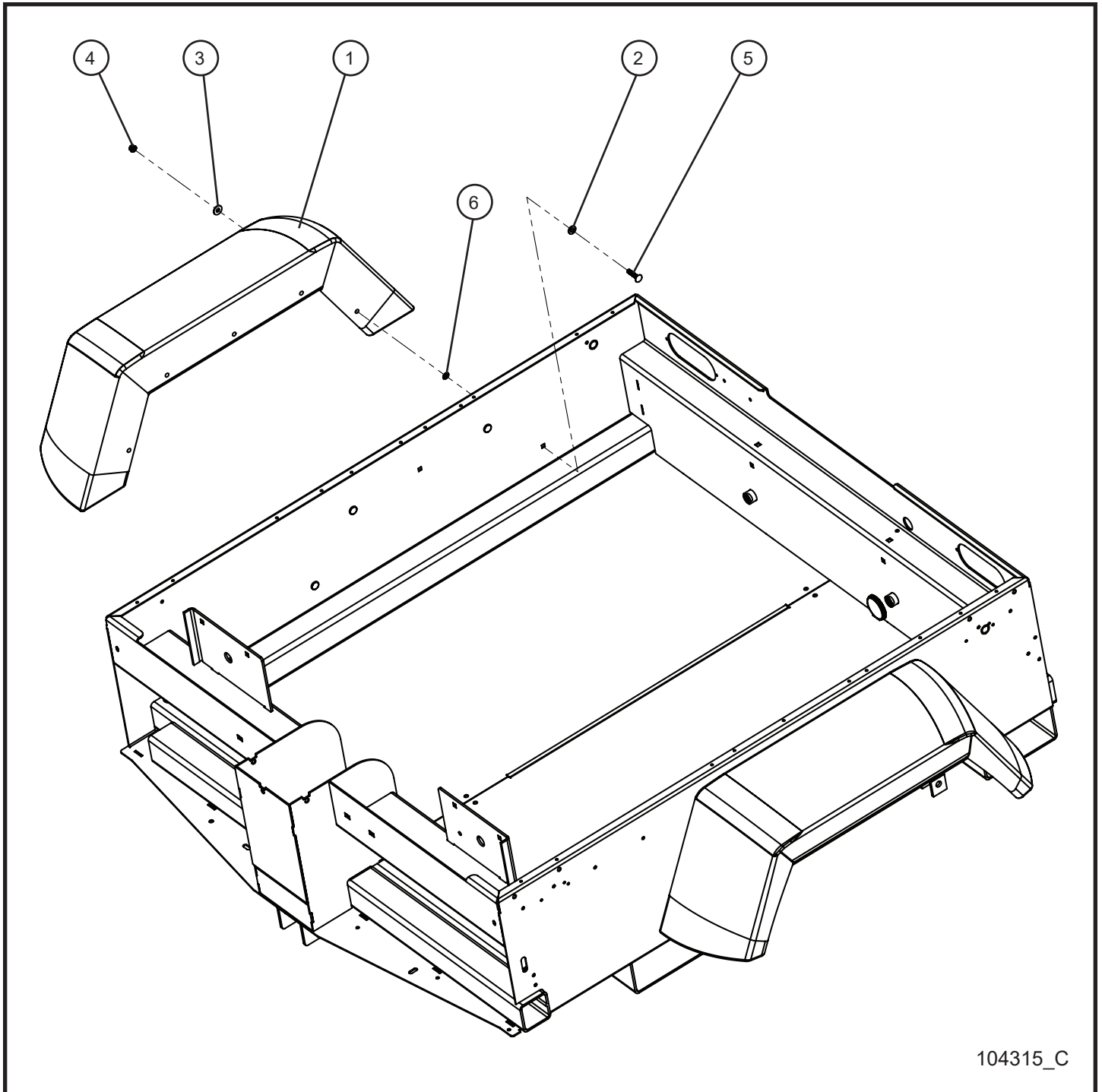
1.1 - Axle and Wheels

Item	Part No.	Part Description	Qty.
1	117120	SUSPENSION KIT SINGLE AXLE	1
2	110278	AXLE 5200LBS ELECTRIC BRAKE MAXI-LITE	1
3	110331	WHEEL-6 BOLT ST225/75R15 LOAD RANGE D	2
NS	022200	1/4 LOOM FLEX GUARD x 23.0	1

NS - NOT SHOWN

* * * - CONTACT ALLMAND FOR MORE INFORMATION

1.2 - Fenders



104315_C

Hybrid LT-Series™

SN 52-000001 and UP

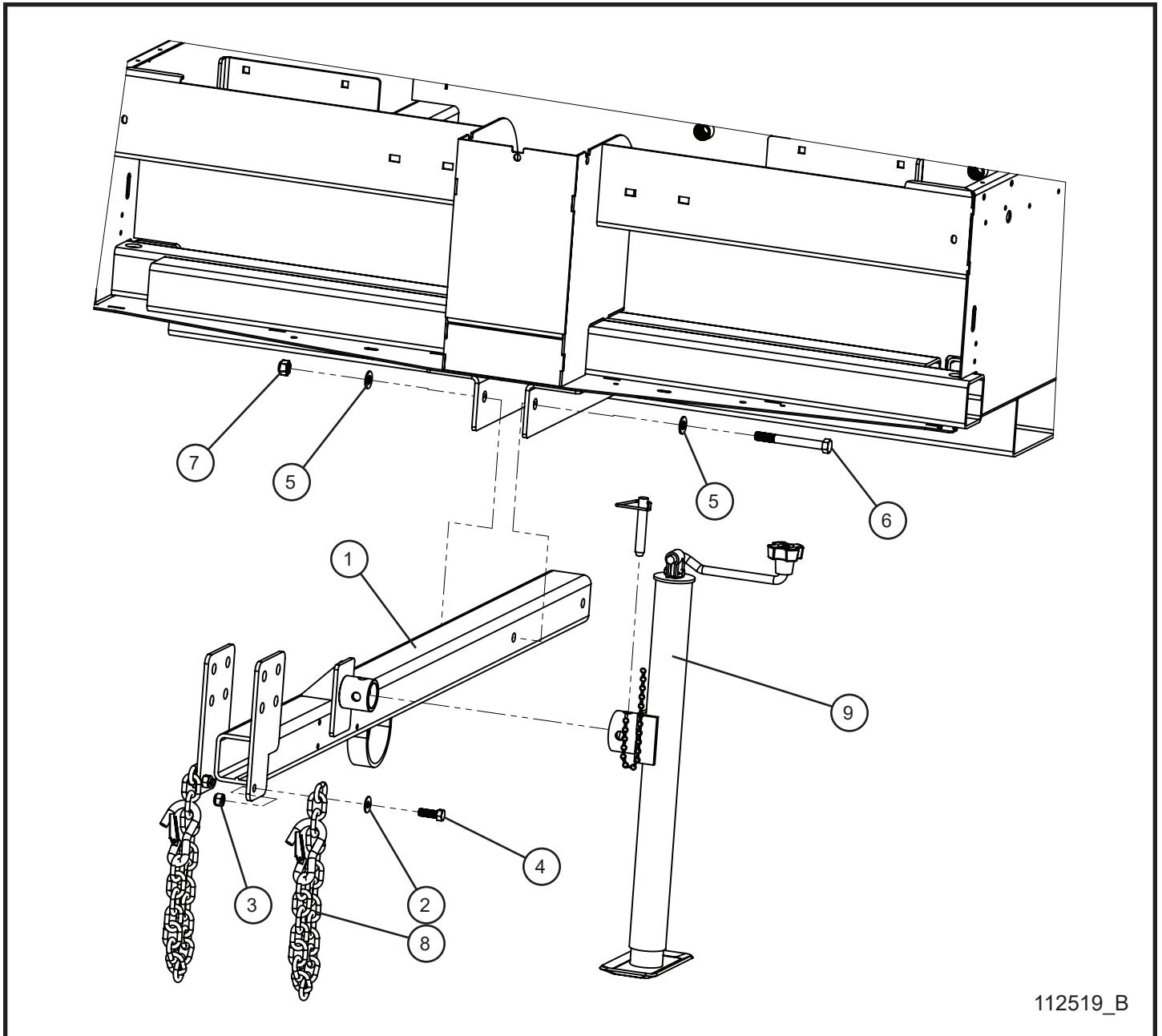
1.2 - Fenders

Item	Part No.	Part Description	Qty.
1	103066	FENDER ROTATION MOLDED 15 INCH EMBEDDED DECAL	2
2	100644	RUBBER WASHER BLACK NEOPRENE	8
3	047010	5/16 FLAT WASHER PL	8
4	044031	5/16-18 KEPS HEX NUT PL	8
5	053023	5/16-18 x 1 1/2 CARRIAGE BOLT PL	8
6	045217	5/16 PUSH NUT	8

NS - NOT SHOWN

* * * - CONTACT ALLMAND FOR MORE INFORMATION

1.3 - Tongue



112519_B

Hybrid LT-Series™

SN 52-000001 and UP

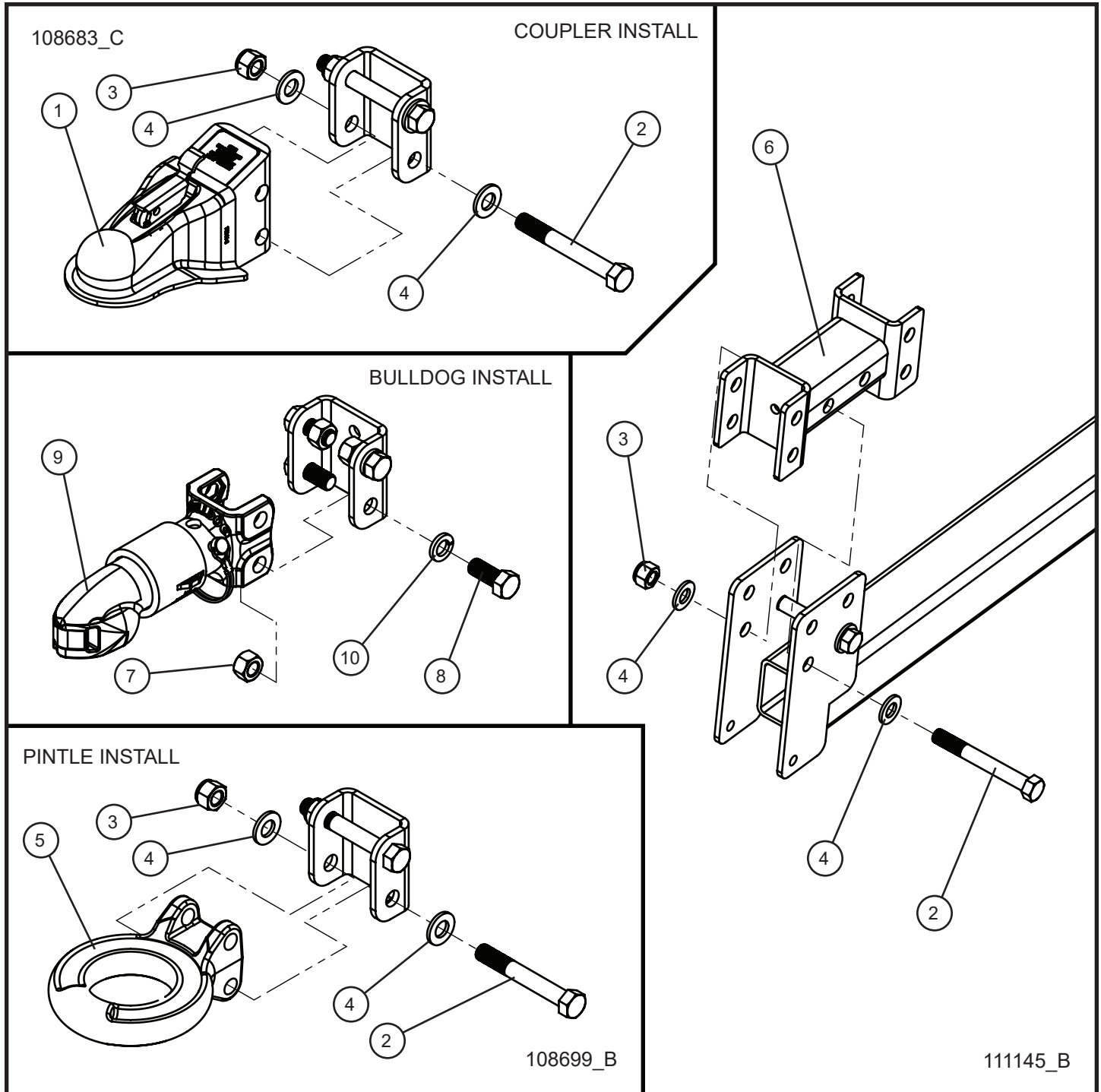
1.3 - Tongue

Item	Part No.	Part Description	Qty.
1	112377P	TONGUE WELDMENT REVERSIBLE COUPLER	1
2	047015	3/8 FLAT WASHER	2
3	044043	7/16-14 NYLOCK HEX NUT	2
4	046159	7/16-14 x 1 1/4 HEX HEAD BOLT	2
5	047025	1/2 FLAT WASHER	4
6	046225	1/2-13 x 4 1/2 HEX HEAD BOLT	2
7	044048	1/2-13 NYLOCK HEX NUT	2
8	049040	SAFETY CHAIN	2
9	108727	TOP CRANK JACK TUBE MOUNT	2

NS - NOT SHOWN

* * * - CONTACT ALLMAND FOR MORE INFORMATION

1.4 - Tongue Couplers



Hybrid LT-Series™

SN 52-000001 and UP

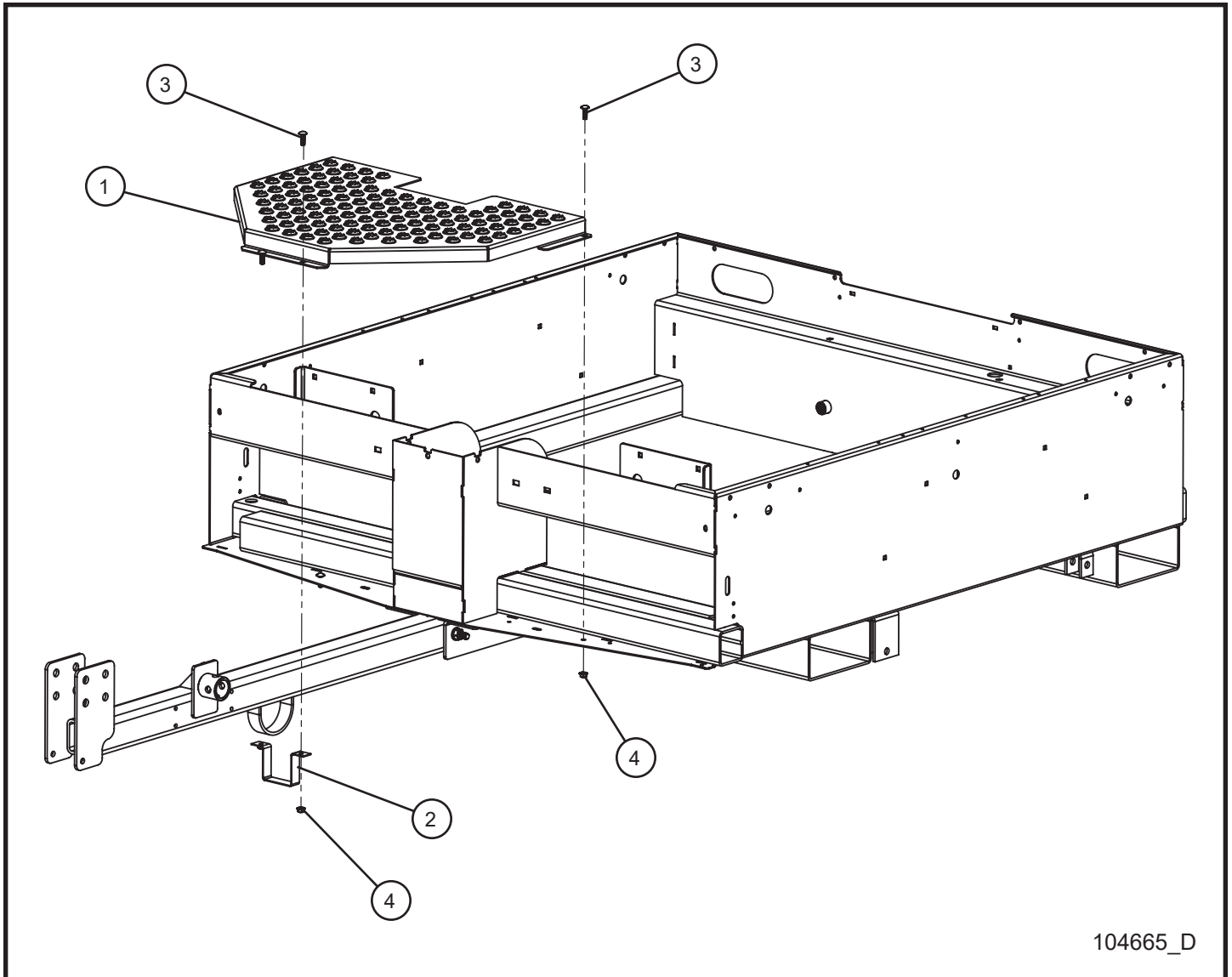
1.4 - Tongue Couplers

Item	Part No.	Part Description	Qty.
1	109977	COUPLER BALL 2.00 ADJUSTABLE STAMPED	1
2	046255	5/8-11 x 5 HEX HEAD BOLT	4
3	044053	5/8-11 NYLOCK HEX NUT	4
4	047031	5/8 FLAT WASHER	10
5	106720	RING PINTLE 3.00 ADJUSTABLE	1
6	111148P	REVERSIBLE COUPLER TONGUE MOUNT	1
7	044050	5/8-11 HEX NUT	4
8	046245	5/8-11 x 1 1/2 HEX HEAD BOLT	4
9	109978	COUPLER BALL 2.00 BULLDOG HITCH 7,000 LBS	1
	109979	COUPLER BALL 2.313 BULLDOG HITCH 12,500 LBS	1
10	043101	5/8 SPLITLOCK WASHER	4

NS - NOT SHOWN

* * * - CONTACT ALLMAND FOR MORE INFORMATION

1.5 - Tongue Platform



104665_D

Hybrid LT-Series™

SN 52-000001 and UP

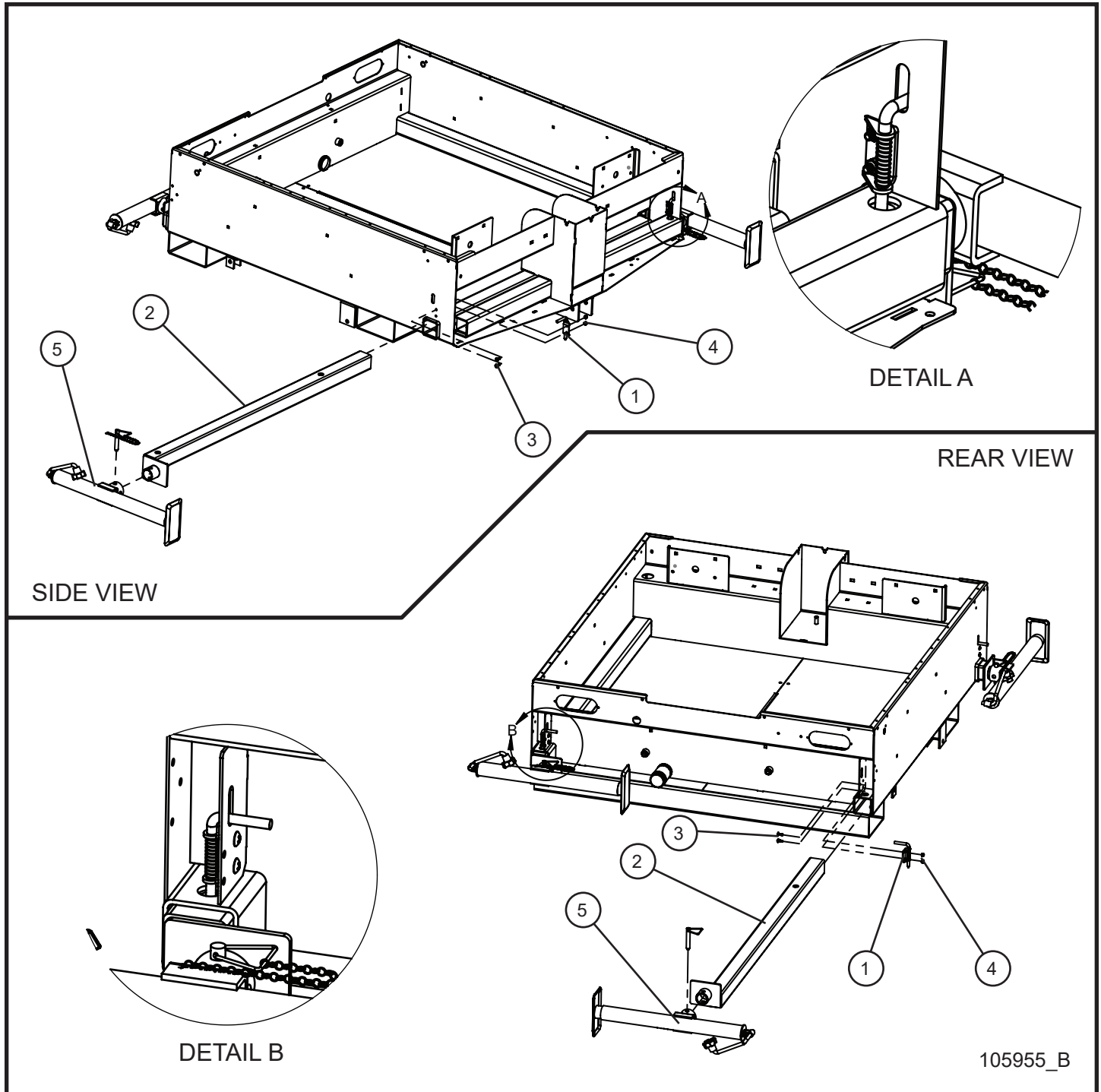
1.5 - Tongue Platform

Item	Part No.	Part Description	Qty.
1	120382P	PUNCHED GRIP STEP PLATE MAXI-LITE	1
2	104530P	TONGUE STRAP GRIP STEP	1
3	053020	5/16-18 x 1 CARRIAGE BOLT	4
4	057006	5/16-18 SERRATED FLANGE NUT	4

NS - NOT SHOWN

* * * - CONTACT ALLMAND FOR MORE INFORMATION

1.6 - Outriggers



Hybrid LT-Series™

SN 52-000001 and UP

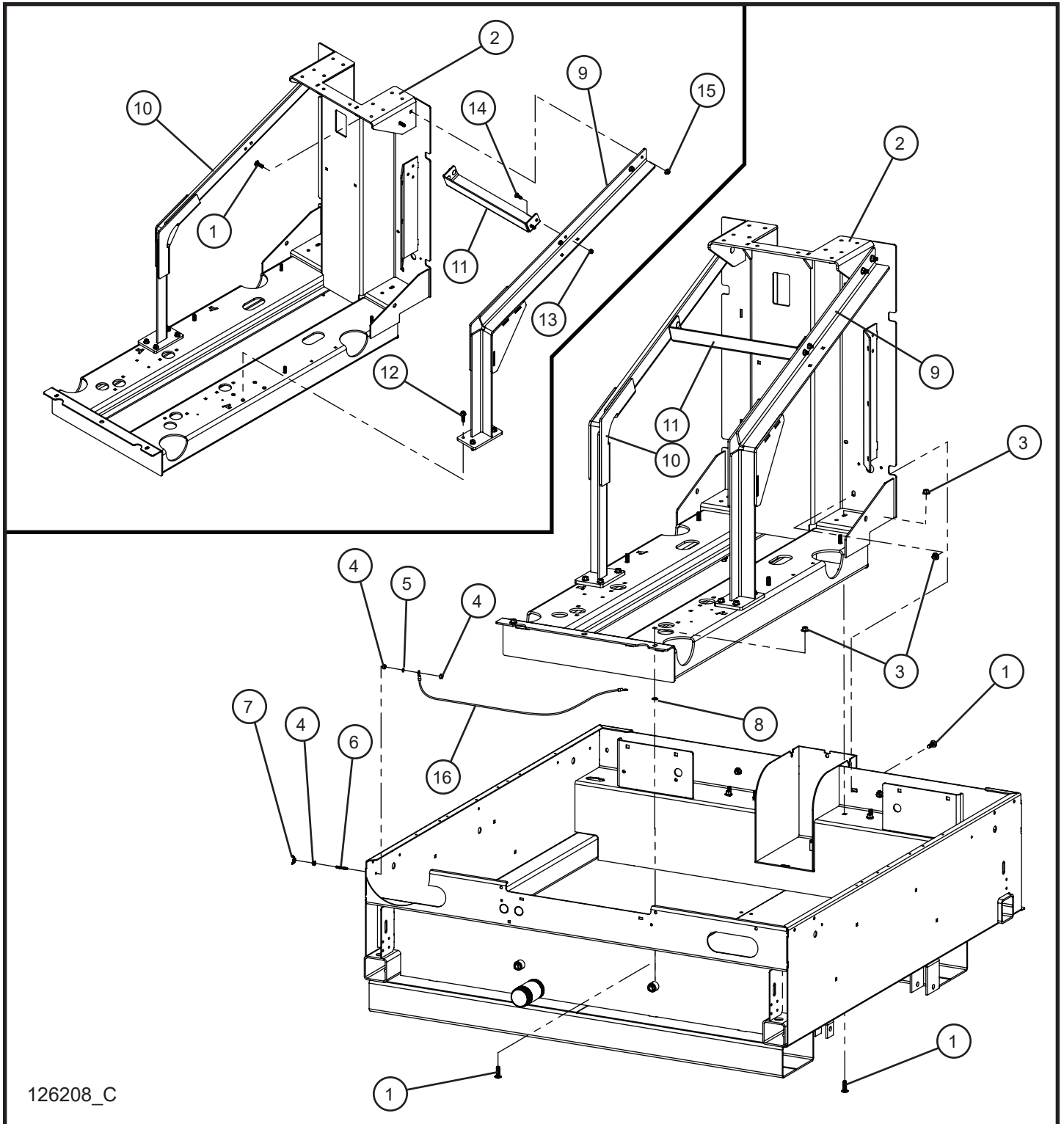
1.6 - Outriggers

Item	Part No.	Part Description	Qty.
1	650723	PIN OUTRIGGER RETENTION RIGHT	4
2	105946P	HD OUTRIGGER WELDMENT MAXI II	4
3	056002	1/4-20 x 3/4 HEX SERRATED FLANGE SCREW	8
4	057001	1/4-20 HEX NYLOCK FLANGE NUT	8
5	108727	JACK TOP CRANK TUBE MOUNT	4

NS - NOT SHOWN

* * * - CONTACT ALLMAND FOR MORE INFORMATION

2.1 - Engine Cradle



126208_C

Hybrid LT-Series™

SN 52-000001 and UP

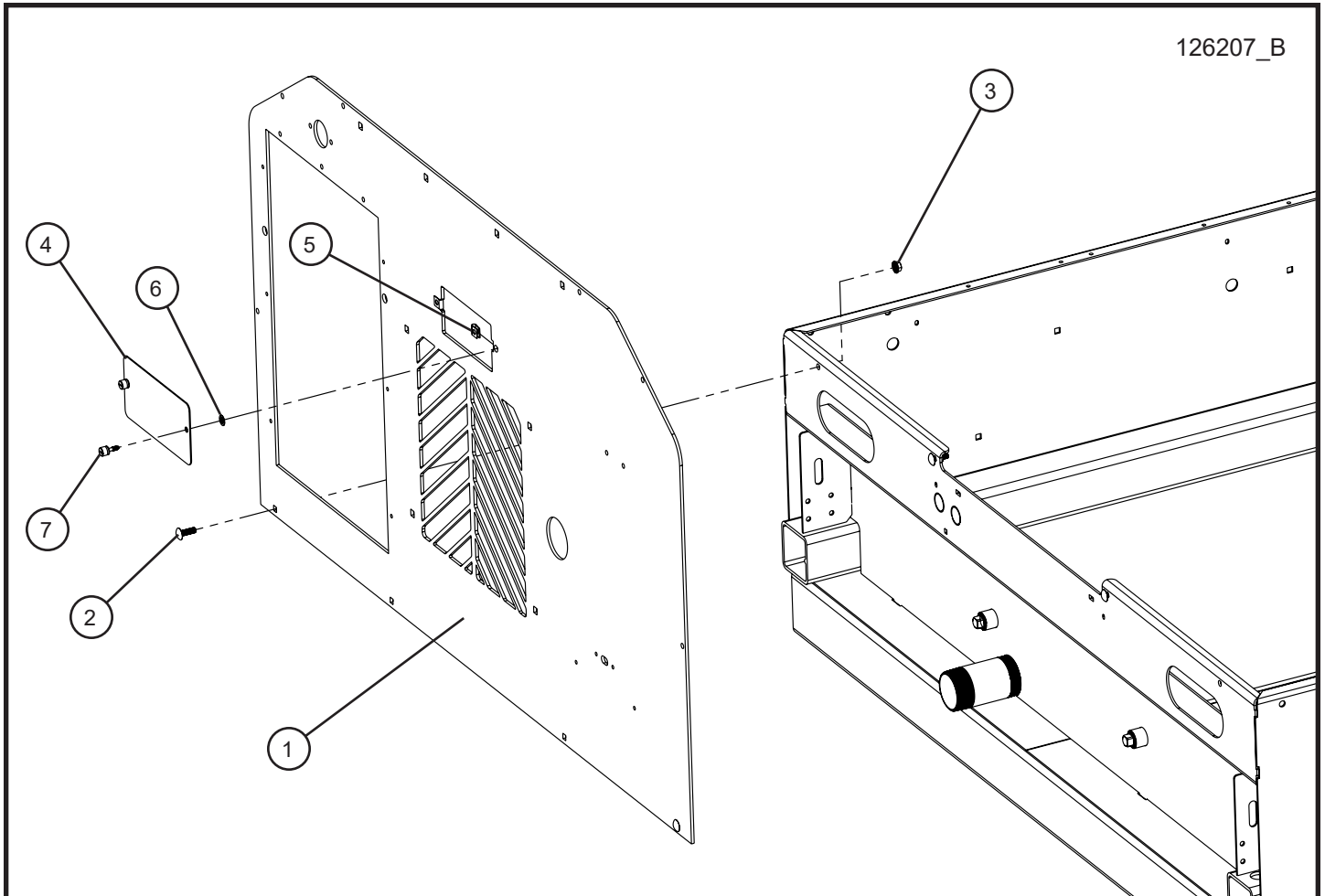
2.1 - Engine Cradle

Item	Part No.	Part Description	Qty.
1	100670	3/8-16 x 1 1/4 CARRIAGE BOLT	22
2	126121P	CRADLE ENGINE HYBRID LT-SERIES	1
3	044029	3/8-16 SERRATED FLANGE NUT	22
4	044021	1/4-20 KEPS HEX NUT	3
5	043050	1/4 INTL TOOTH LOCK WASHER	1
6	045003	1/4-20 x 1-1/2 STUD	1
7	330494	1/4-20 WING NUT	1
8	043070	3/8 INTL TOOTH LOCK WASHER	1
9	126156P	BRACE CRADLE WELDMENT CURB SIDE HYBRID LT-SERIES	1
10	126157P	BRACE CRADLE WELDMENT ROAD SIDE HYBRID LT-SERIES	1
11	126158P	BRACE CRADLE CROSS WELDMENT HYBRID LT-SERIES	1
12	056031	3/8-16 x 1-1/4 HEX FLANGE SCREW WITH BLUE THREAD LOCK	8
13	057008	5/16-18 HEX NYLOCK FLANGE NUT	4
14	053020	5/16-18 x 1 CARRIAGE BOLT	4
15	057007	3/8-16 HEX NYLOCK FLANGE NUT	4
16	116650	12 AWG GREEN X 30.00	1

NS - NOT SHOWN

* * * - CONTACT ALLMAND FOR MORE INFORMATION

2.2 - Rear Panel



Hybrid LT-Series™

SN 52-000001 and UP

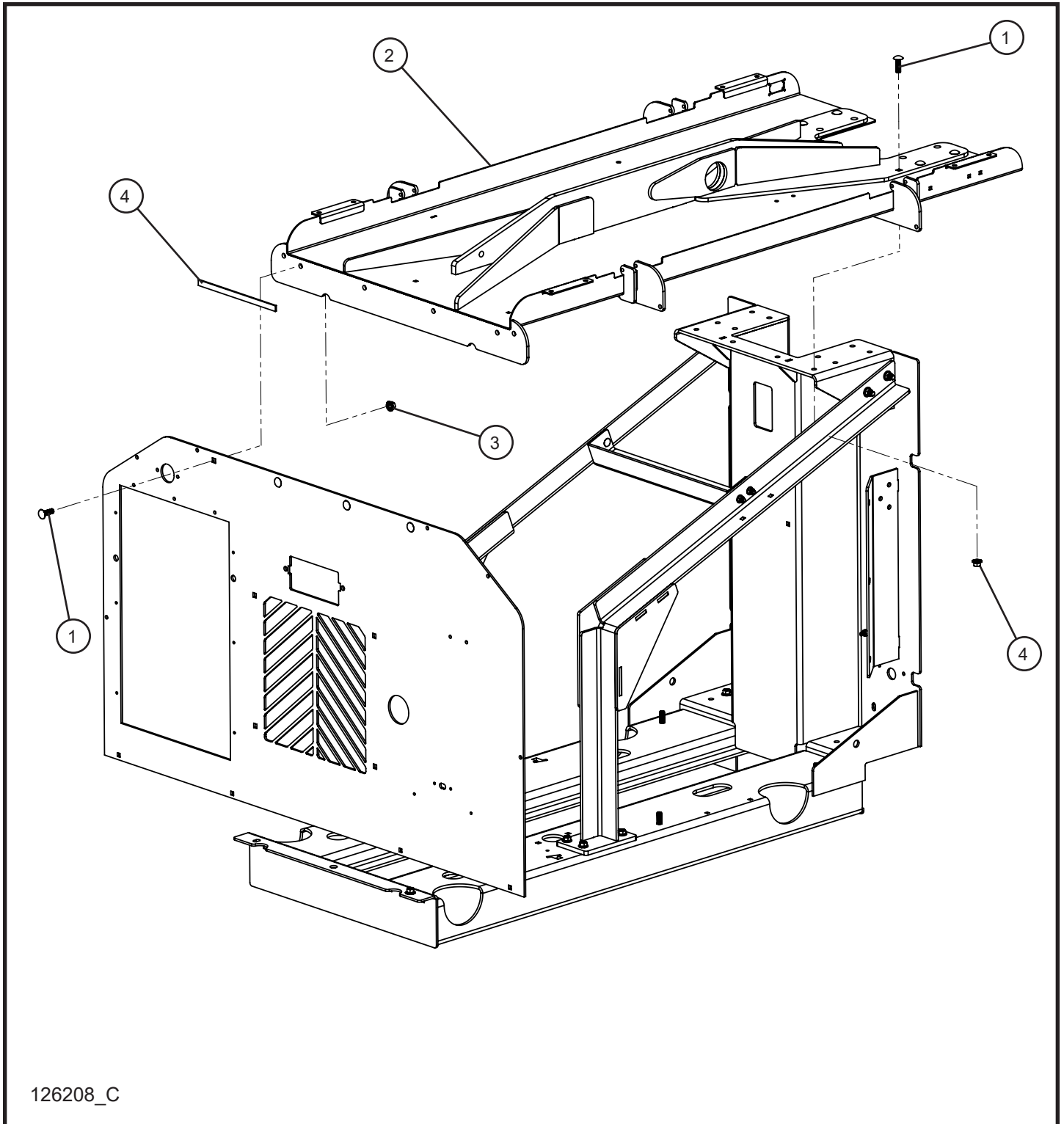
2.2 - Rear Panel

Item	Part No.	Part Description	Qty.
1	126126P	REAR PANEL HYBRID LT-SERIES	1
2	053020	5/16-18 x 1 CARRIAGE BOLT	4
3	057006	5/16-18 SERRATED FLANGE NUT	4
4	126077P	RADIATOR CAP ACCESS PANEL HYBRID	1
5	045216	1/4-20 TINNEMAN NUT	2
6	115243	RETAINER PUSH ON	2
7	115244	KNOB KNURLED FAST THREAD	2

NS - NOT SHOWN

* * * - CONTACT ALLMAND FOR MORE INFORMATION

2.3 - Stringer



126208_C

Hybrid LT-Series™

SN 52-000001 and UP

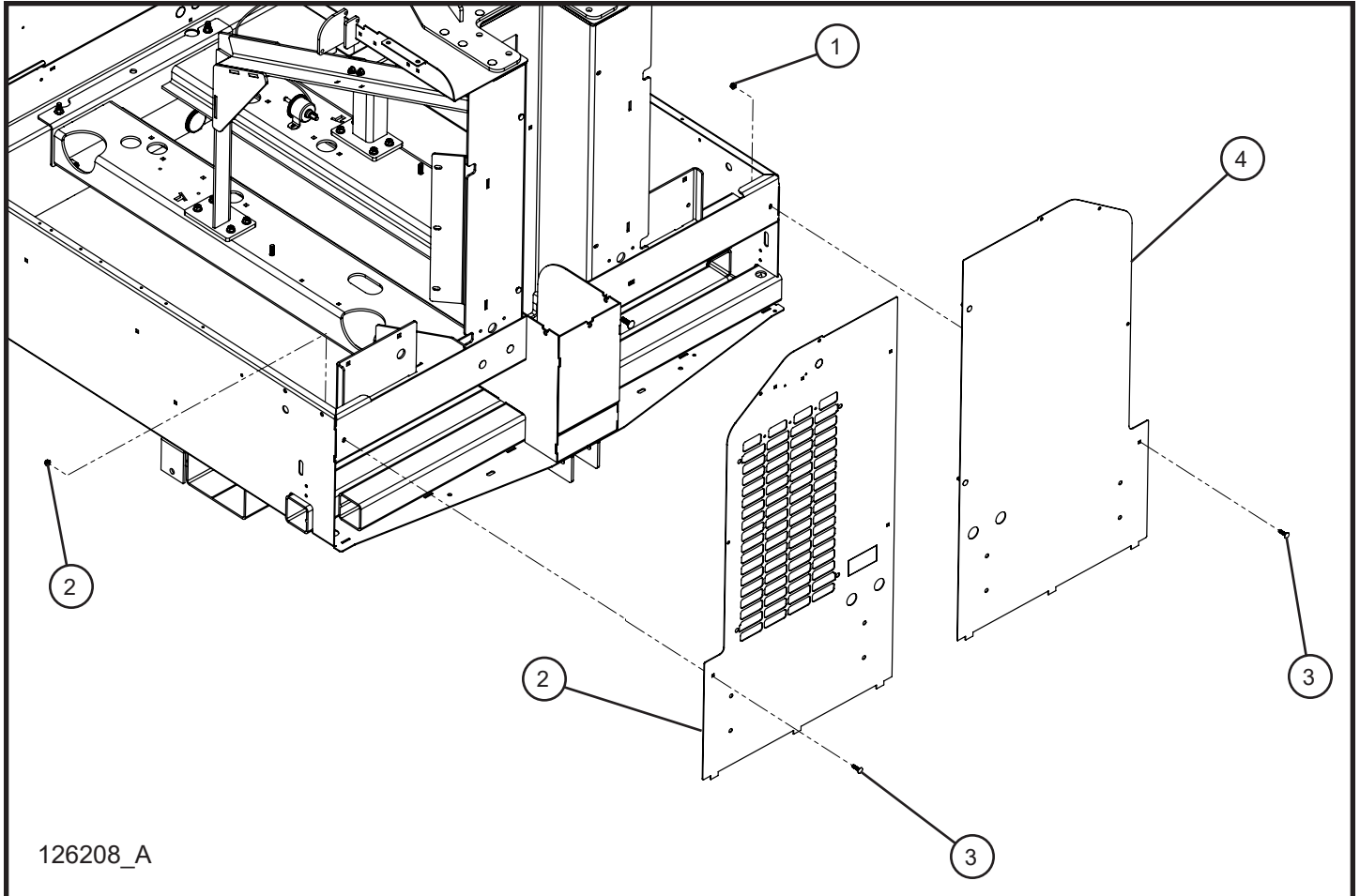
2.3 - Stringer

Item	Part No.	Part Description	Qty.
1	100670	3/8-16 x 1 1/4 CARRIAGE BOLT	22
2	126128P	STRINGER CHANNEL WELDMENT HYBRID	1
3	044029	3/8-16 SERRATED FLANGE NUT	22
4	115259	SEAL 1/8 x 1/2 x 9.50	1

NS - NOT SHOWN

* * * - CONTACT ALLMAND FOR MORE INFORMATION

2.4 - Front Panels



Hybrid LT-Series™

SN 52-000001 and UP

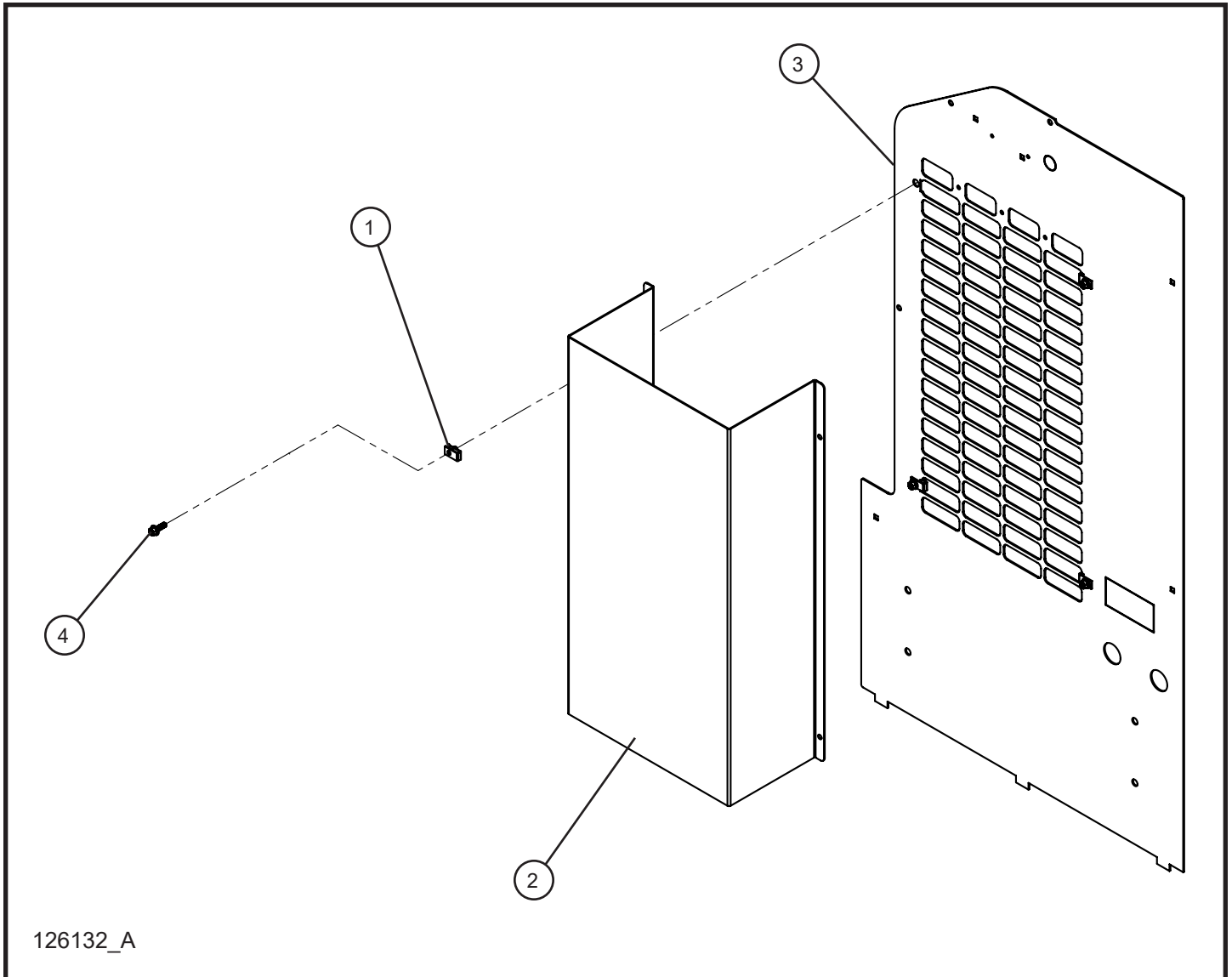
2.4 - Front Panels

Item	Part No.	Part Description	Qty.
1	057001	1/4-20 HEX NYLOCK FLANGE NUT	6
2	126125P	CURB SIDE FRONT PANEL HYBRID	1
3	100342	1/4-20 x 1 CARRIAGE BOLT	6
4	126124P	ROAD SIDE FRONT PANEL HYBRID	1

NS - NOT SHOWN

* * * - CONTACT ALLMAND FOR MORE INFORMATION

2.5 - Front Panel Air Deflector



Hybrid LT-Series™

SN 52-000001 and UP

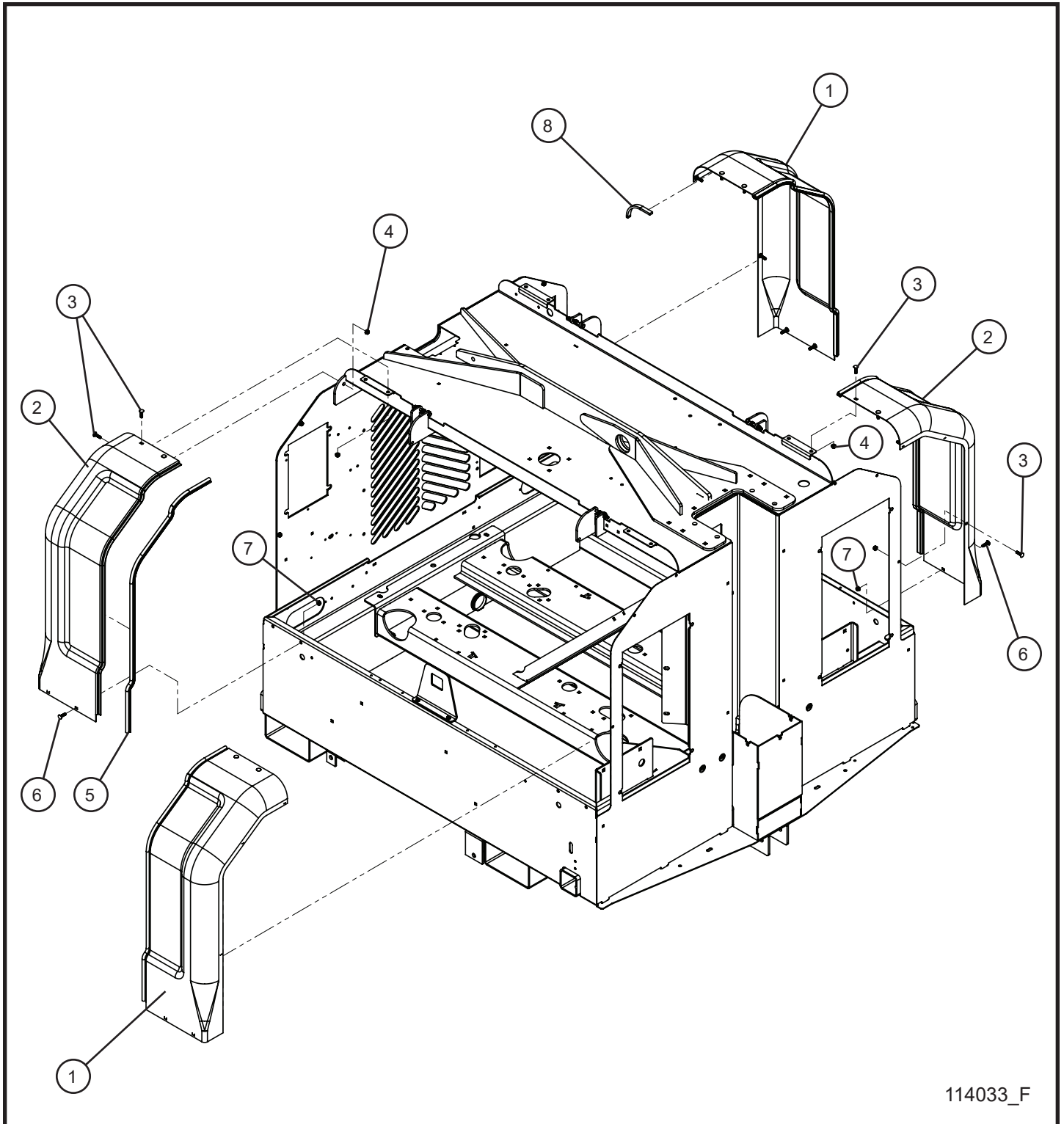
2.5 - Front Panel Air Deflector

Item	Part No.	Part Description	Qty.
1	044106	NUT U EXTRUDED 1/4-20	4
2	124082P	AIR VENT DEFLECTOR	1
3	126124P	CURB SIDE FRONT PANEL HYBRID	1
4	056019	1/4-20 x 3/4 HEX FLANGE SCREW	4

NS - NOT SHOWN

* * * - CONTACT ALLMAND FOR MORE INFORMATION

2.6 - Quarter Panels



114033_F

Hybrid LT-Series™

SN 52-000001 and UP

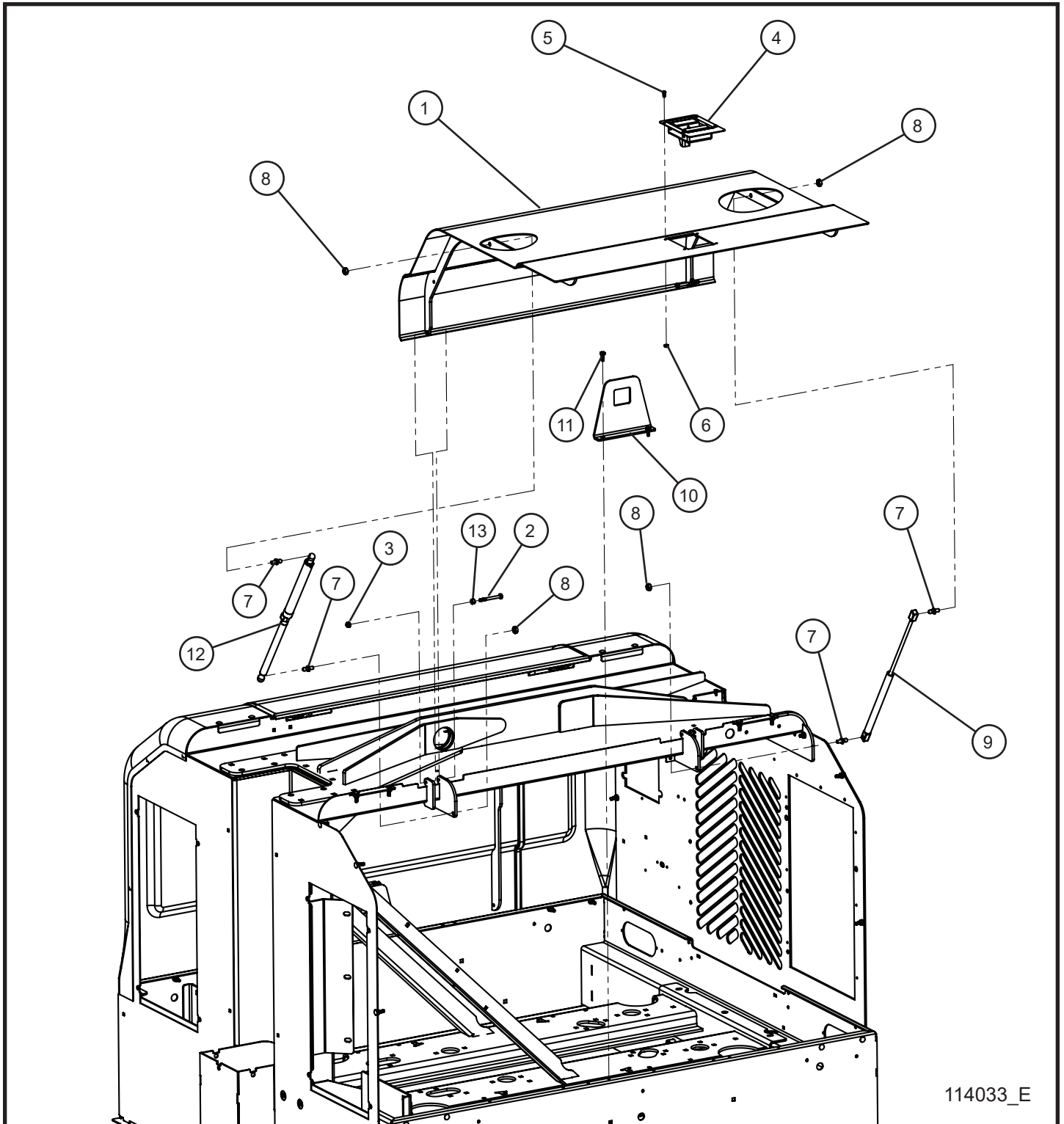
2.6 - Quarter Panels

Item	Part No.	Part Description	Qty.
1	103642P	PANEL QUARTER LEFT REAR/RIGHT FRONT	2
2	103643P	PANEL QUARTER LEFT FRONT/RIGHT REAR	2
3	046036	1/4-20 x 1 CARRIAGE BOLT	20
4	057001	1/4-20 HEX NYLOCK FLANGE NUT	20
5	105998	TRIM GASKET 1/16" x 41" WITH 3/8 BULB	4
6	056019	1/4-20 X 3/4 HEX FLANGE SCREW	8
7	057000	1/4-20 HEX SERRATED FLANGE NUT	8
8	115260	SEAL 1/4 x 1/2 x 5.5	4

NS - NOT SHOWN

* * * - CONTACT ALLMAND FOR MORE INFORMATION

2.7 - Doors



114033_E

Hybrid LT-Series™

SN 52-000001 and UP

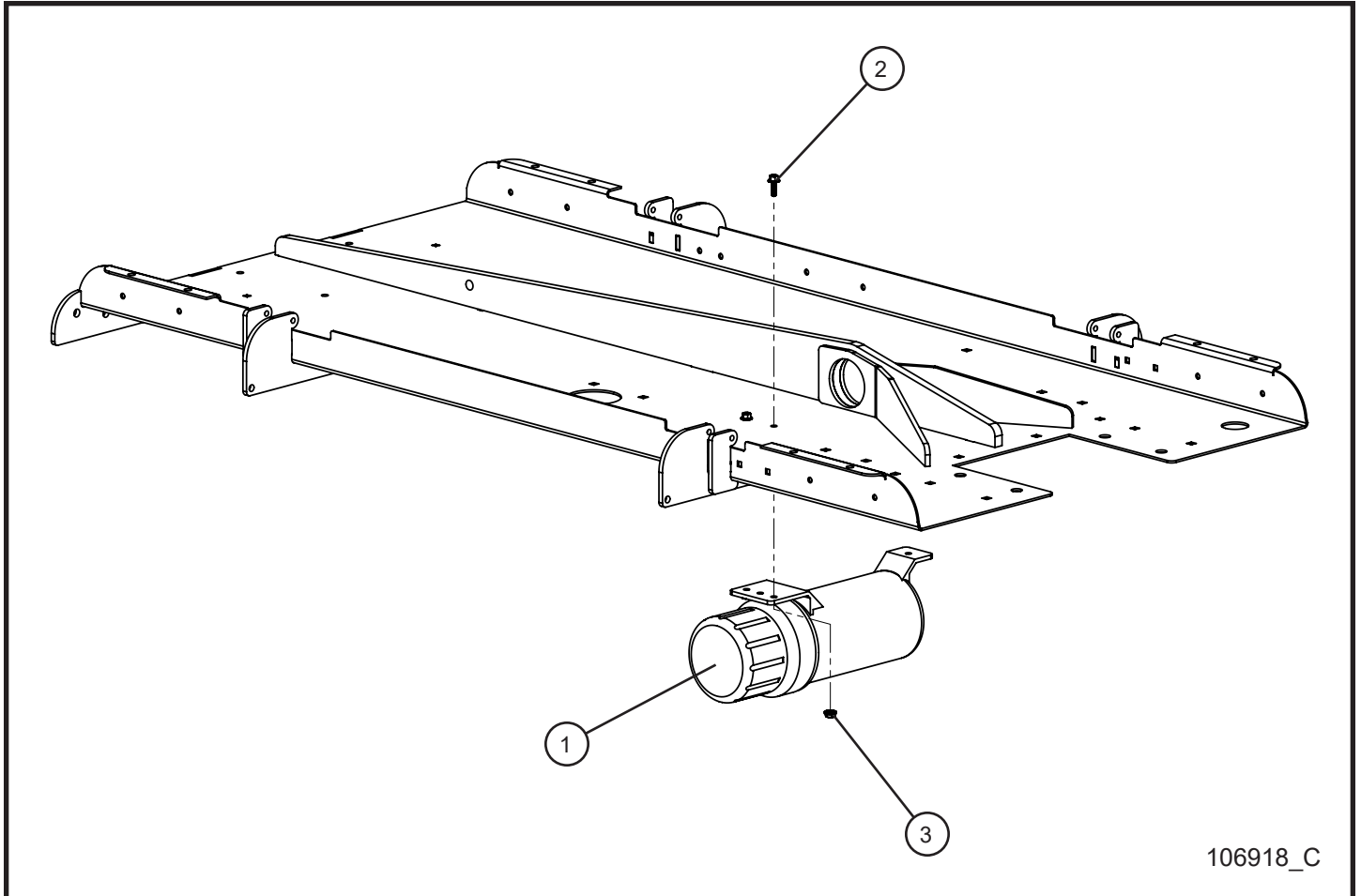
2.7 - Doors

Item	Part No.	Part Description	Qty.
1	104540P	MAXI II DOOR	2
2	046036	1/4-20 x 2 1/2 HEX HEAD BOLT	4
3	057001	1/4-20 HEX NYLOCK FLANGE NUT	32
4	680459	SLAM LATCH	2
5	041021	#10-24 x 1/2 PH-ROUND HEAD MACHINE SCREW	8
6	044018	#10-24 NYLOCK HEX NUT	8
7	330437	BALL STUD M10	8
8	044090	5/16-18 TOP LOCK HEX NUT	8
9	680813	LIFT SUPPORT	2
10	104313P	BRACKET DOOR SLAM LATCH	2
11	041070	1/4-20 x 3/4 SL-HEX WASHER HEAD MACHINE SCREW	4
12	105245	CYLINDER GAS SPRING LOCKING	2
13	105362	COLLAR LOCKING .25 ID	4

NS - NOT SHOWN

* * * - CONTACT ALLMAND FOR MORE INFORMATION

2.8 - Manual Canister



106918_C

Hybrid LT-Series™

SN 52-000001 and UP

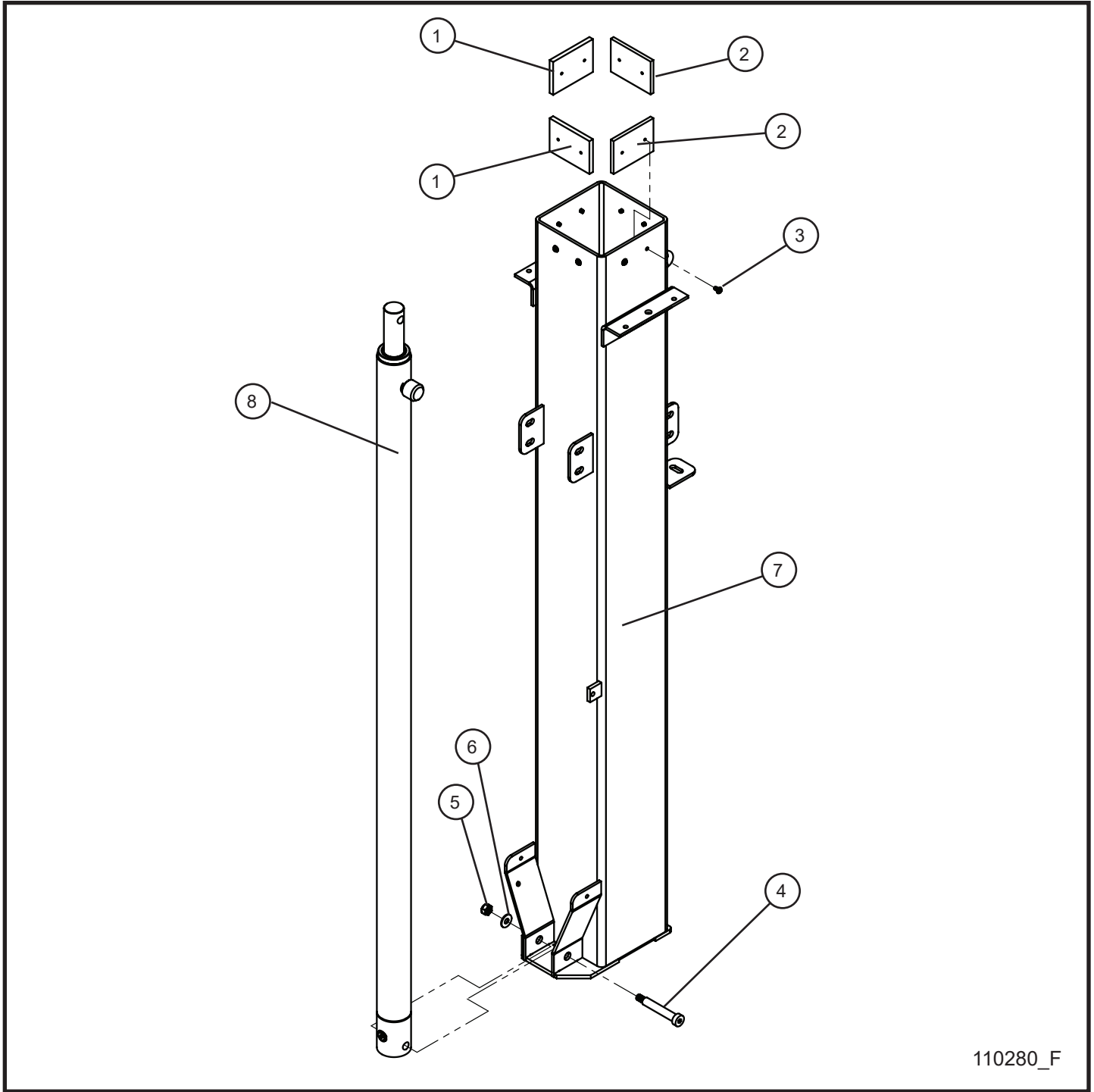
2.8 - Manual Canister

Item	Part No.	Part Description	Qty.
1	106916	MEGA CANISTER	1
2	056002	1/4-20 x 3/4 HEX SERRATED FLANGE SCREW	3
3	057000	1/4-20 HEX SERRATED FLANGE NUT	3
NS	123986	OPERATOR'S MANUAL MAXI-LITE	1

NS - NOT SHOWN

* * * - CONTACT ALLMAND FOR MORE INFORMATION

3.1 - Vertical Tower Section 1



110280_F

Hybrid LT-Series™

SN 52-000001 and UP

3.1 - Vertical Tower Section 1

Item	Part No.	Part Description	Qty.
1	650110	.312 TOWER PAD	2
2	102954	.250 TOWER PAD	2
3	041023	#10 x 3/8 PH-ROUND HEAD MACHINE SCREW	8
4	101379	1/2 x 2 3/4 (3/8-16 x 5/8) HX-SOCKET HEAD SHOULDER BOLT	1
5	047010	5/16 FLAT WASHER	1
6	044038	3/8-16 NYLOCK HEX NUT	1
7	110282P	6" VERTICAL TOWER SECTION	1
8	106140	VERTICAL TOWER HYDRAULIC CYLINDER	1

NS - NOT SHOWN

* * * - CONTACT ALLMAND FOR MORE INFORMATION

Hybrid LT-Series™

SN 52-000001 and UP

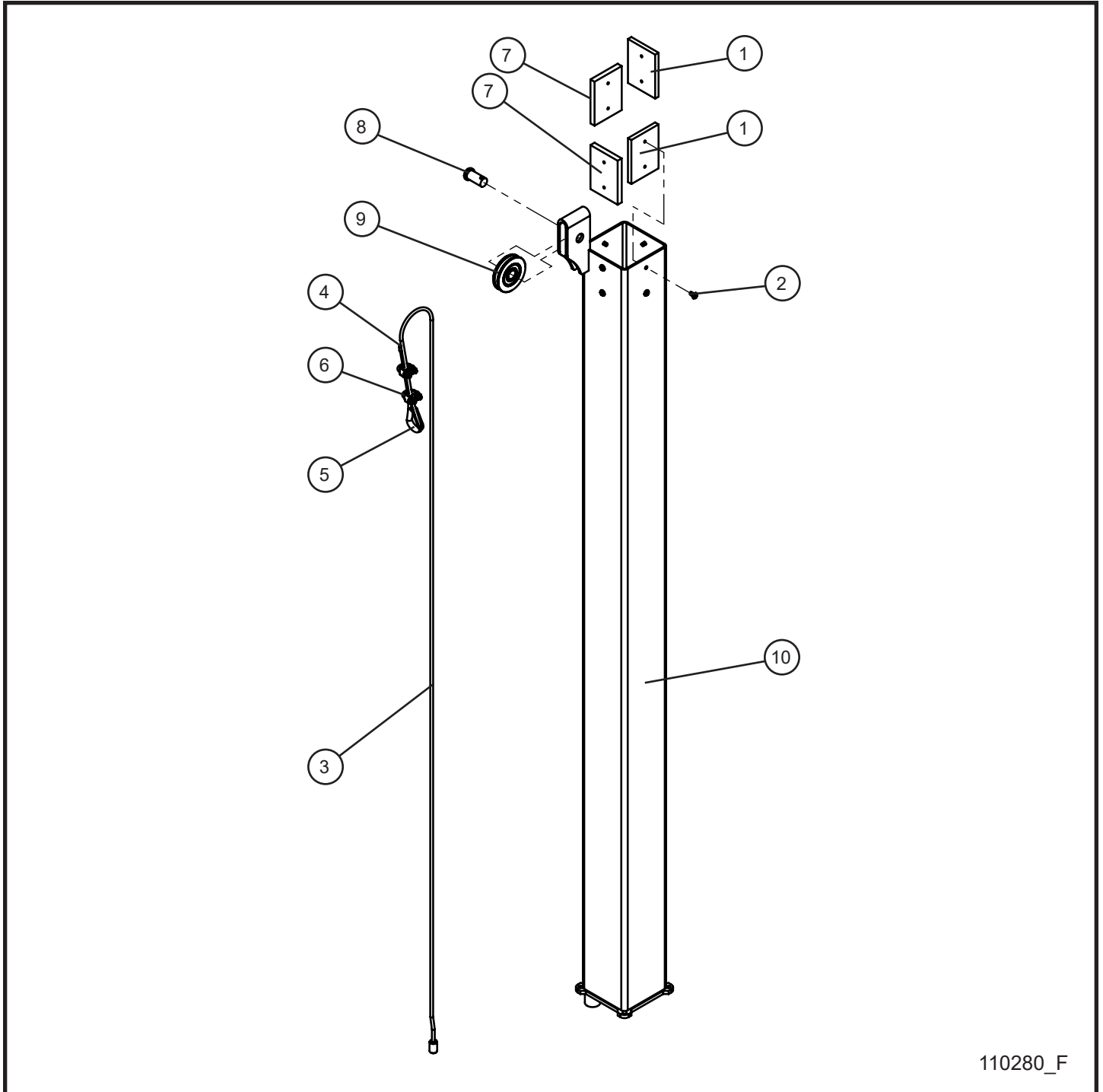
3.2 - Vertical Tower Section 2

Item	Part No.	Part Description	Qty.
1	650110	.312 TOWER PAD	6
2	041023	#10 x 3/8 PH-ROUND HEAD MS PL	8
3	047010	5/16 FLAT WASHER PL	1
4	044038	3/8-16 NYLOCK HEX NUT PL	1
5	320185	STEEL CABLE 3/16 x 10'	2
6	022150	FERRULE 10-12 AWG	2
7	045040	3/16 CABLE THIMBLE 3/16 WIRE ROPE	2
8	620084	3/16 CABLE CLIP	4
9	101378	1/2 x 2 (3/8-16 x 5/8) HX-SOCKET HEAD SHOULDER BOLT	1
10	650109	.375 TOWER PAD	2
11	033000	5/8 x 1 SLIC PIN	5
12	100160	2 1/2 PULLEY BALL BEARING	5
13	110281P	5" VERTICAL TOWER SECTION	1
NS	045042	COTTER PIN 1/8 X 1 1/2"	2

NS - NOT SHOWN

* * * - CONTACT ALLMAND FOR MORE INFORMATION

3.3 - Vertical Tower Section 3



110280_F

Hybrid LT-Series™

SN 52-000001 and UP

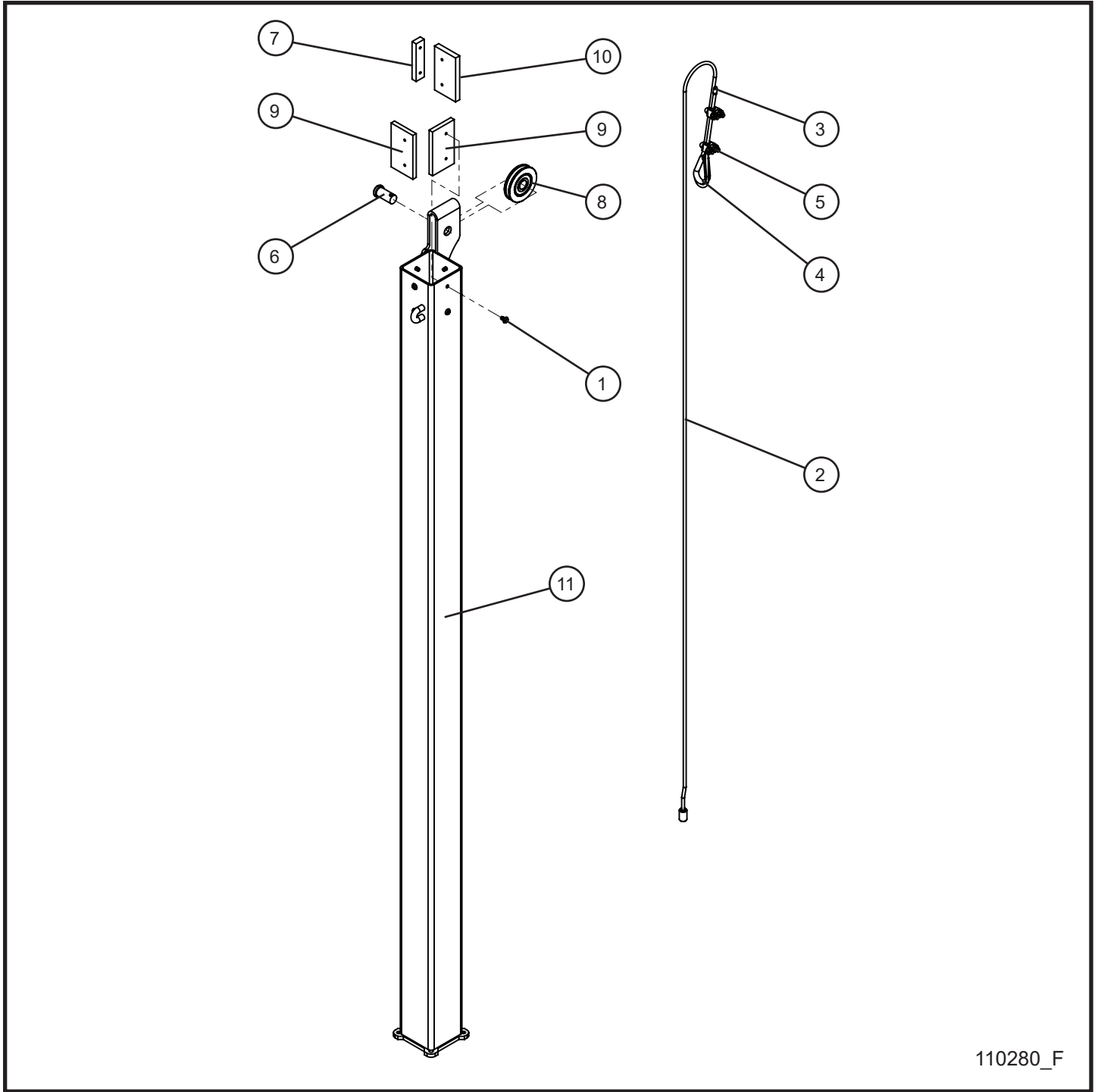
3.3 - Vertical Tower Section 3

Item	Part No.	Part Description	Qty.
1	650110	.312 TOWER PAD	6
2	041023	#10 x 3/8 PH-ROUND HEAD MS PL	8
3	320185	STEEL CABLE 3/16 x 10'	1
4	022150	FERRULE 10-12 AWG	1
5	045040	3/16 CABLE THIMBLE 3/16 WIRE ROPE	1
6	620084	3/16 CABLE CLIP	2
7	650109	.375 TOWER PAD	4
8	033000	5/8 x 1 SLIC PIN	5
9	100160	2 1/2 PULLEY BALL BEARING	5
10	102961P	4" VERTICAL TOWER SECTION	1
NS	045042	COTTER PIN 1/8 X 1 1/2"	1

NS - NOT SHOWN

* * * - CONTACT ALLMAND FOR MORE INFORMATION

3.4 - Vertical Tower Section 4



110280_F

Hybrid LT-Series™

SN 52-000001 and UP

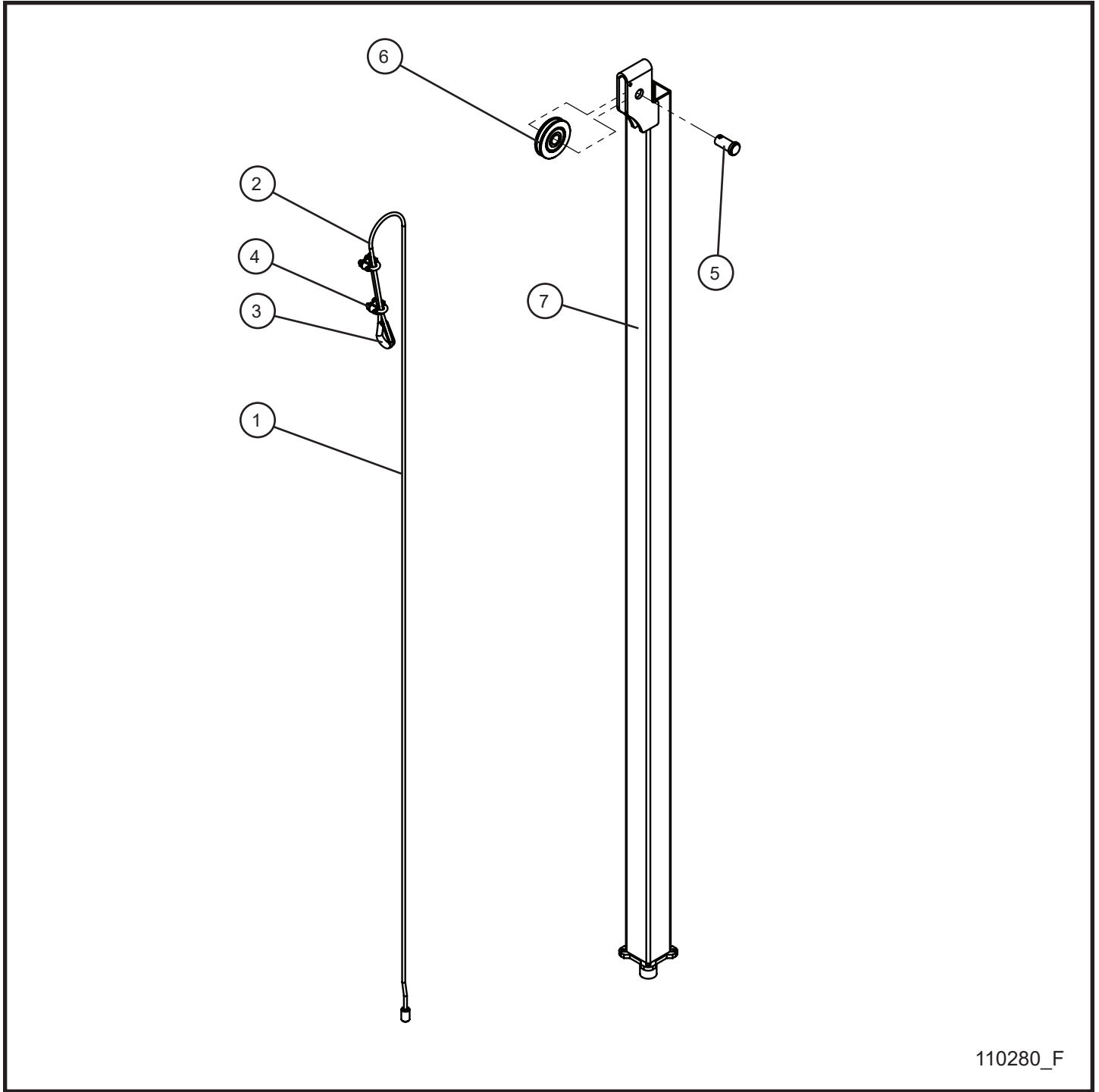
3.4 - Vertical Tower Section 4

Item	Part No.	Part Description	Qty.
1	041023	#10 x 3/8 PH-ROUND HEAD MS PL	8
2	320185	STEEL CABLE 3/16 x 10'	1
3	022150	FERRULE 10-12 AWG	1
4	045040	3/16 CABLE THIMBLE 3/16 WIRE ROPE	1
5	620084	3/16 CABLE CLIP	2
6	033000	5/8 x 1 SLIC PIN	1
7	100062	3/8 UHMW SPACER	1
8	100160	2 1/2 PULLEY BALL BEARING	1
9	352280	PLASTIC TOWER PAD	2
10	100446	3/8 PAD SMALL	1
11	112727P	3" VERTICAL TOWER SECTION	1
NS	045042	COTTER PIN 1/8 X 1 1/2"	1

NS - NOT SHOWN

* * * - CONTACT ALLMAND FOR MORE INFORMATION

3.5 - Vertical Tower Section 5



110280_F

Hybrid LT-Series™

SN 52-000001 and UP

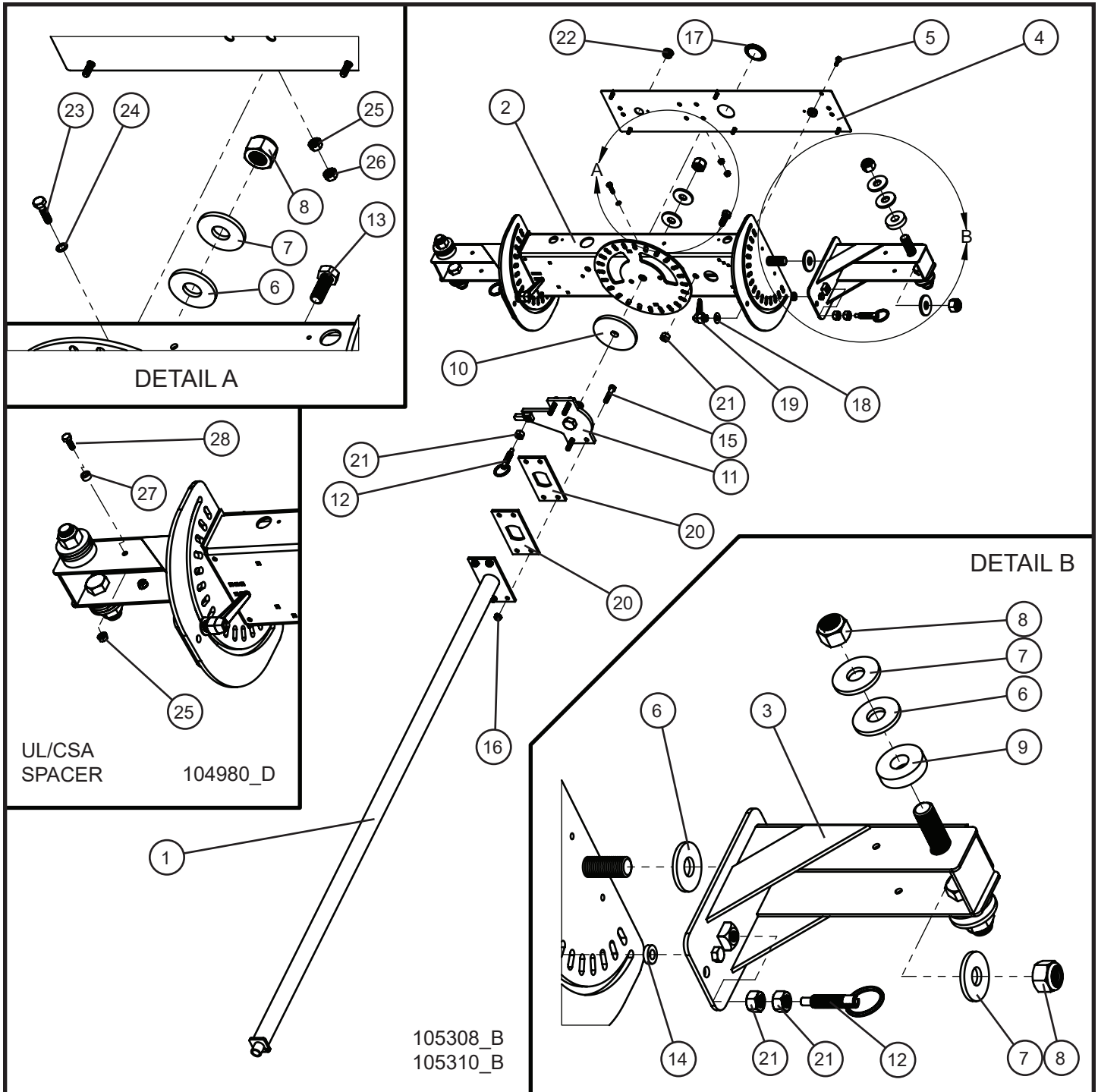
3.5 - Vertical Tower Section 5

Item	Part No.	Part Description	Qty.
1	320185	STEEL CABLE 3/16 x 10'	1
2	022150	FERRULE 10-12 AWG	1
3	045040	3/16 CABLE THIMBLE 3/16 WIRE ROPE	1
4	620084	3/16 CABLE CLIP	2
5	033000	5/8 x 1 SLIC PIN	1
6	100160	2 1/2 PULLEY BALL BEARING	1
7	102968P	2" VERTICAL TOWER SECTION	1
NS	045042	COTTER PIN 1/8 X 1 1/2"	1

NS - NOT SHOWN

* * * - CONTACT ALLMAND FOR MORE INFORMATION

3.6 - Vertical Tower Section 4-Light Round and Light Bar



Hybrid LT-Series™

SN 52-000001 and UP

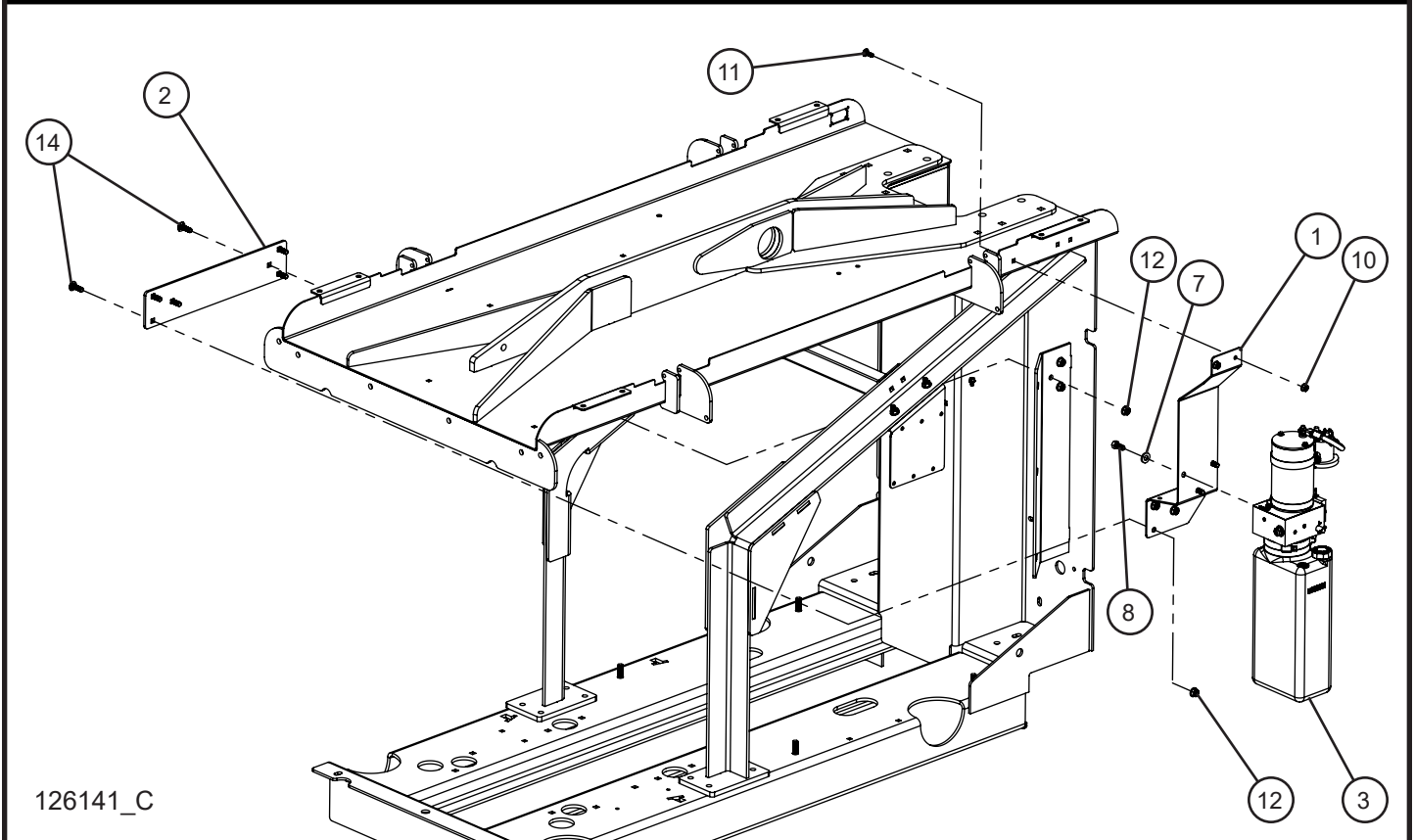
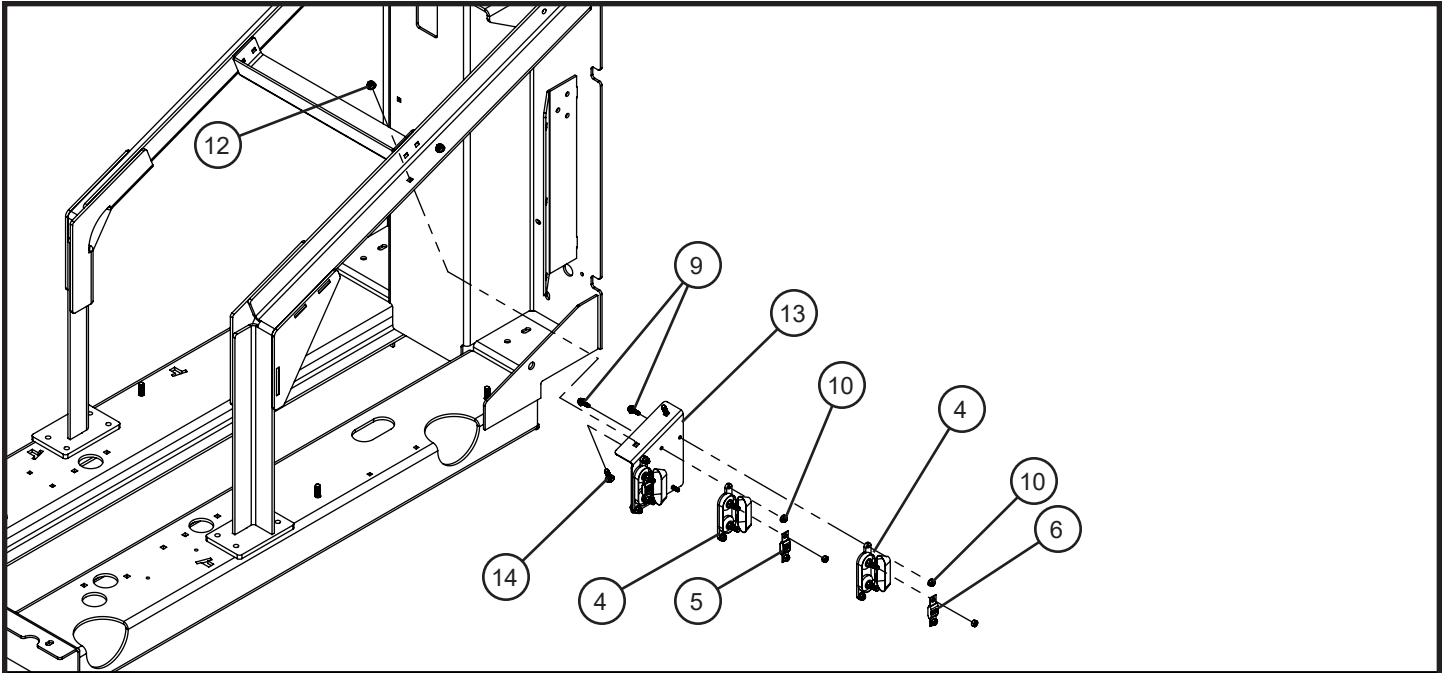
3.6 - Vertical Tower Section 4-Light Round and Light Bar

Item	Part No.	Part Description	Qty.
1	102972P	ROUND TOWER SECTION	1
2	114204P	VERTICAL LIGHT BAR WELDMENT NO CORD REEL	1
3	105363P	BRACKET LAMP ROTATING INDEXING LIGHT BAR	2
4	104063P	COVER LIGHT BAR	1
5	041070	1/4-20 x 3/4 SL-HEX WASHER HEAD MS TP F	6
6	650550	.785" x 2" HDPE WASHER	7
7	047035	3/4 FLAT WASHER	7
8	044058	3/4-10 NYLOCK HEX NUT PL	7
9	101813	.781 ID x 2 OD x 1/2 HDPE WASHER	4
10	100147	UHMW BEARING TOWER ROTATION	1
11	100143P	ROTATION MOUNT	1
12	100148	SPRING LOCK 1/2-13 UNC x 1.4	3
13	046180	1/2-13 X 1 1/4 HEX HEAD CS GR5 PL	1
14	047019	NYLON BUSHING 3/4 OD x .385 ID	2
15	046126	3/8-16 x 1 3/4 HEX HEAD CS GR5 PL	4
16	044036	3/8-16 KEPS HEX NUT PL	4
17	680878	1 3/4 CAPLUG	1
18	047015	3/8 FLAT WASHER PL	2
19	102361	ADJUSTABLE LEVER PUSH BUTTON	2
20	100104P	LIGHT BAR BRACKET	2
21	044045	1/2-13 HEX NUT PL	6
22	711029	7/8 LOCKING HOLE PLUG	2
23	046010	1/4-20 x 1 HEX HEAD CS GR5 PL	1
24	043050	1/4 INT'L TOOTH LOCK WASHER	1
25	044021	1/4-20 KEPS HEX NUT PL	5
26	044023	1/4-20 NYLOCK HEX NUT PL	1
27	104979	UL/CSA CLEARANCE SPACER NYLON UNTHREADED	4
28	046010	1/4-20 x 3/4 HEX HEAD CS GR5 SS	4

NS - NOT SHOWN

* * * - CONTACT ALLMAND FOR MORE INFORMATION

3.7 - Vertical Tower Components (1 of 2)



126141_C

Hybrid LT-Series™

SN 52-000001 and UP

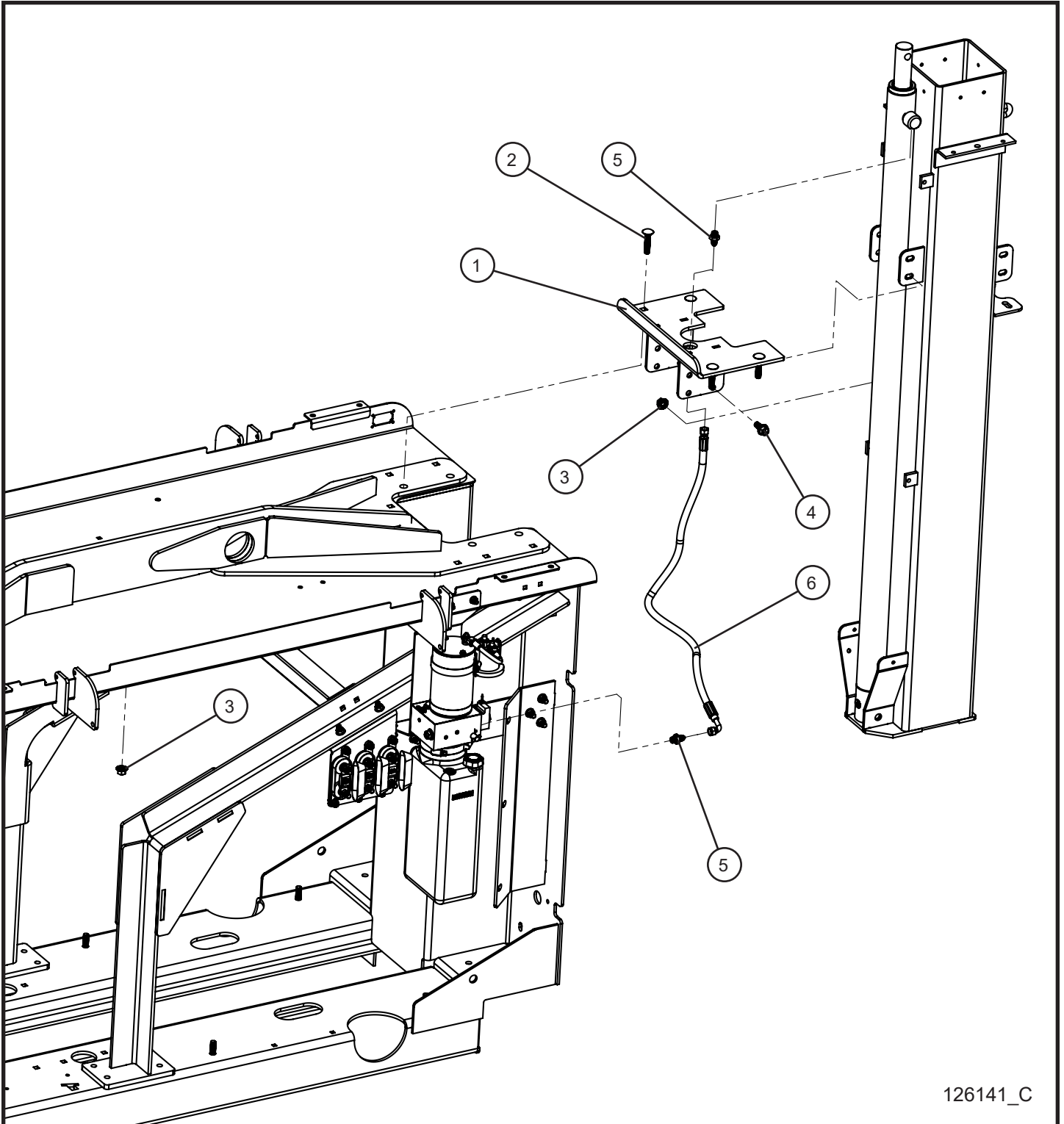
3.7 - Vertical Tower Components (1 of 2)

Item	Part No.	Part Description	Qty.
1	126146P	PUMP VERTICAL SUPPORT MOD HYBRID	1
2	126165P	FUSE MOUNT PLATE HYBRID	1
3	104358	POWER UNIT VERTICAL TOWER BUCHER	1
4	100235	FUSE HOLDER F AMG FUSE	3
5	123991	60A LITTLEFUSE MEGA	2
6	100234	125A FUSE LINK BUSS AMG	1
7	043055	5/16 SPLITLOCK WASHER	3
8	046045	5/16-18 x 3/4 HEX HEAD	3
9	056002	1/4-20 x 3/4 HEX SERRATED FLANGE SCREW	6
10	057001	1/4-20 HEX NYLOCK FLANGE NUT	8
11	053006	1/4-20 x 3/4 CARRIAGE BOLT	2
12	057008	5/16-18 HEX NYLOCK FLANGE NUT	8
13	120795P	FUSE HOLDER HYBRID LT-SERIES	1
14	053020	5/16-18 x 1 CARRIAGE BOLT	8

NS - NOT SHOWN

* * * - CONTACT ALLMAND FOR MORE INFORMATION

3.7 - Vertical Tower Components (2 of 2)



126141_C

Hybrid LT-Series™

SN 52-000001 and UP

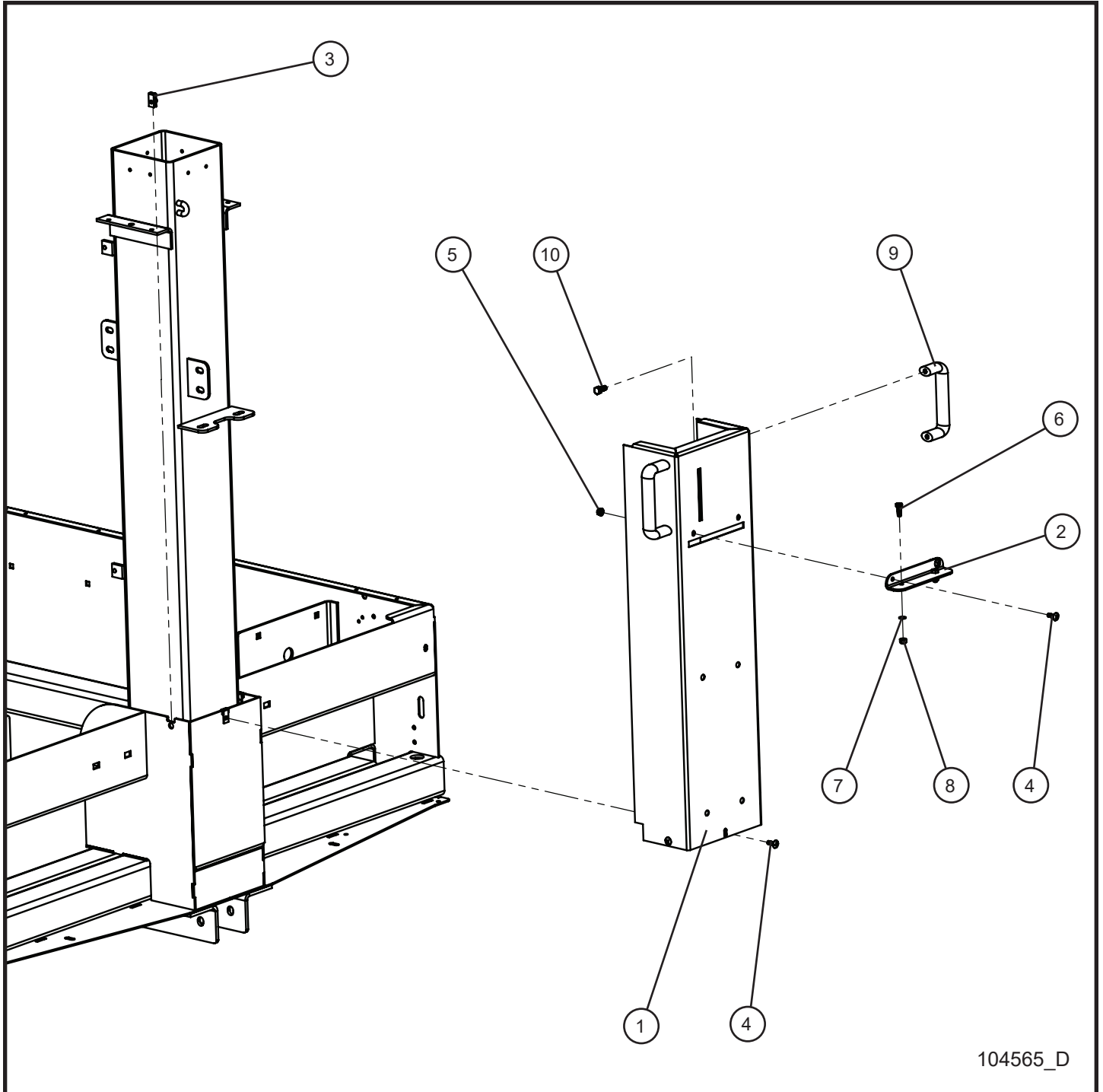
3.7 - Vertical Tower Components (2 of 2)

Item	Part No.	Part Description	Qty.
1	114014P	VERTICAL TOWER MOUNT WELDMENT	1
2	053031	3/8-16 x 1 3/4 CARRIAGE BOLT	4
3	044029	3/8-16 SERRATED FLANGE NUT	8
4	056010	3/8-16 x 1 SERRATED FLANGE HEX SCREW	4
5	923205	STRAIGHT ADAPTER	2
6	101910	HYDRAULIC HOSE 4FJX - 4FJX90S x 41.00	1
NS	056016	#10-24 x 3/8 SERRATED FLANGE HEX BOLT	1

NS - NOT SHOWN

* * * - CONTACT ALLMAND FOR MORE INFORMATION

3.8 - Vertical Tower Front Cover



Hybrid LT-Series™

SN 52-000001 and UP

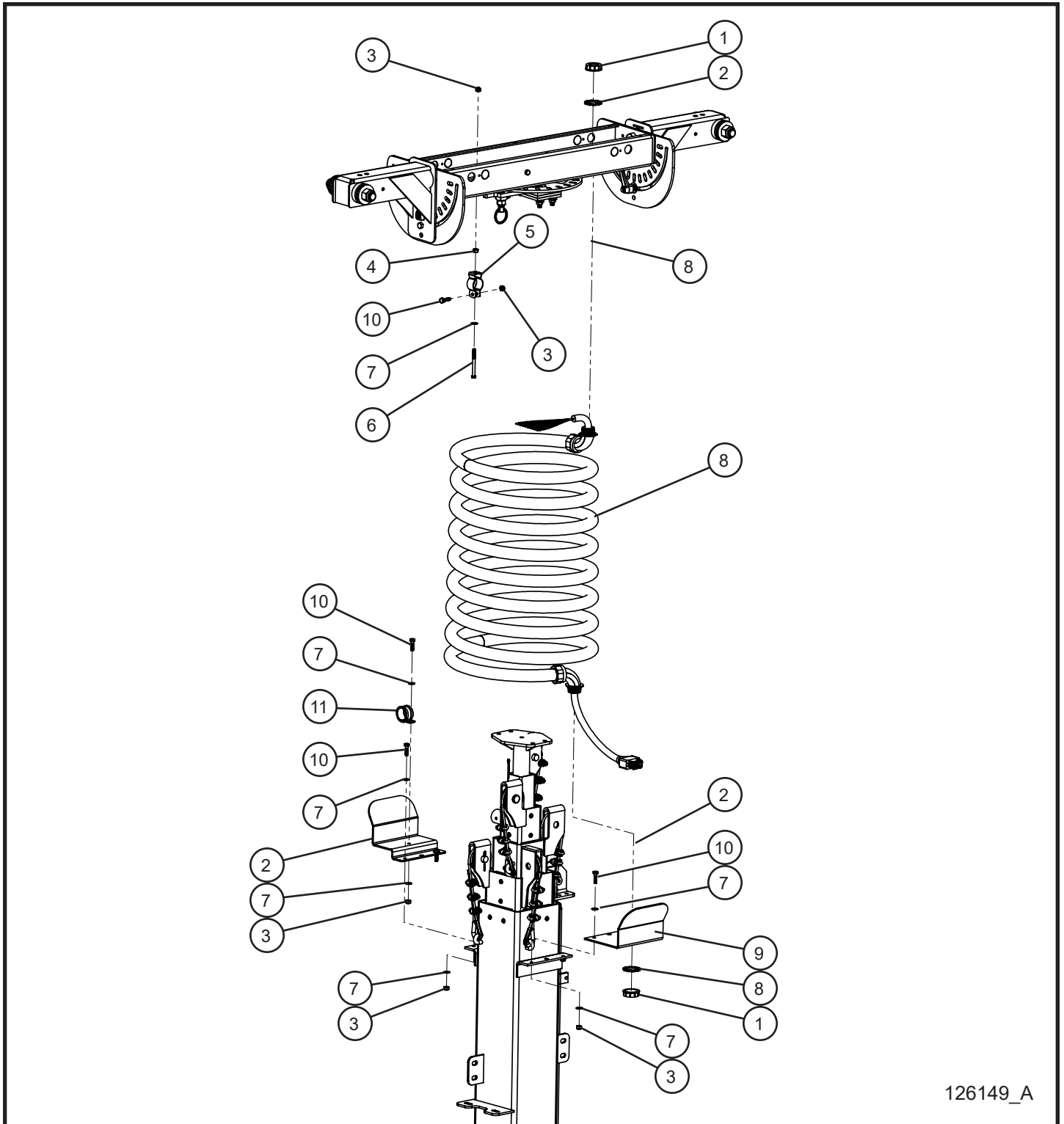
3.8 - Vertical Tower Front Cover

Item	Part No.	Part Description	Qty.
1	104555P	VERTICAL TOWER COVER PANEL	1
	104555HD	VERTICAL TOWER COVER PANEL - HD POWDER COAT	1
2	104299P	HANDLE BRACKET VERTICAL TOWER	1
3	044106	1/4-20 TINNEMAN NUT	3
4	041050	1/4-20 x 3/4 PH-TRUSS HEAD MACHINE SCREW	5
5	044021	1/4-20 KEPS HEX NUT	2
6	046010	1/4-20 x 3/4 HEX HEAD BOLT	2
7	047009	1/4 FLAT WASHER	2
8	044023	1/4-20 NYLOCK HEX NUT	2
9	103887	HANDLE THREE POINT	2
10	056030	5/16-18 X 1/2 HEX FLANGE SCREW	4

NS - NOT SHOWN

* * * - CONTACT ALLMAND FOR MORE INFORMATION

3.9 - Vertical Tower Nycoil Tower Cord



126149_A

Hybrid LT-Series™

SN 52-000001 and UP

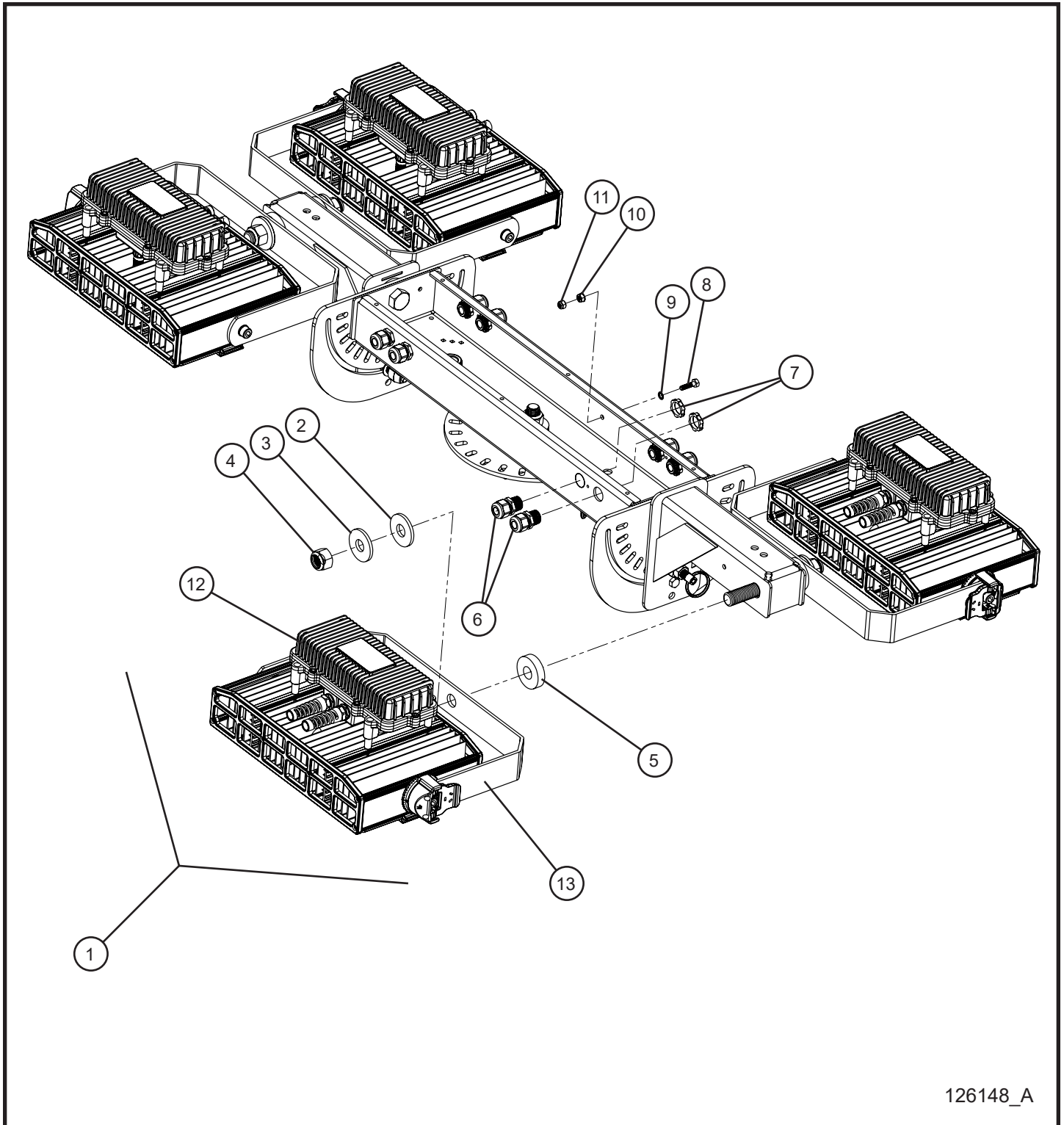
3.9 - Vertical Tower Nycoil Tower Cord

Item	Part No.	Part Description	Qty.
1	101672	1" INSULATING BUSHING	2
2	102978P	NYCOIL CLAMP PLATE	1
3	044023	1/4-20 NYLOCK HEX NUT PL	7
4	044021	1/4-20 KEPS HEX NUT PL	1
5	100474	1" CONDUIT CLAMP	1
6	046037	1/4-20 x 2 3/4 HEX HEAD CS GR5 PL	1
7	047009	1/4 FLAT WASHER SAE SS	11
8	126219	ASSEMBLY NYCOIL 16/10 CORD HYBRID LIGHT TOWER	1
9	102977P	CORD GRIP BRACKET	1
10	046015	1/4-20 x 1 HEX HEAD CS GR5 PL	6
11	920366	#16 CUSH CLAMP W/ 3/8 HOLE	1

NS - NOT SHOWN

* * * - CONTACT ALLMAND FOR MORE INFORMATION

3.10 - 350W Dimmable 48VDC LED Lamp Install Group



126148_A

Hybrid LT-Series™

SN 52-000001 and UP

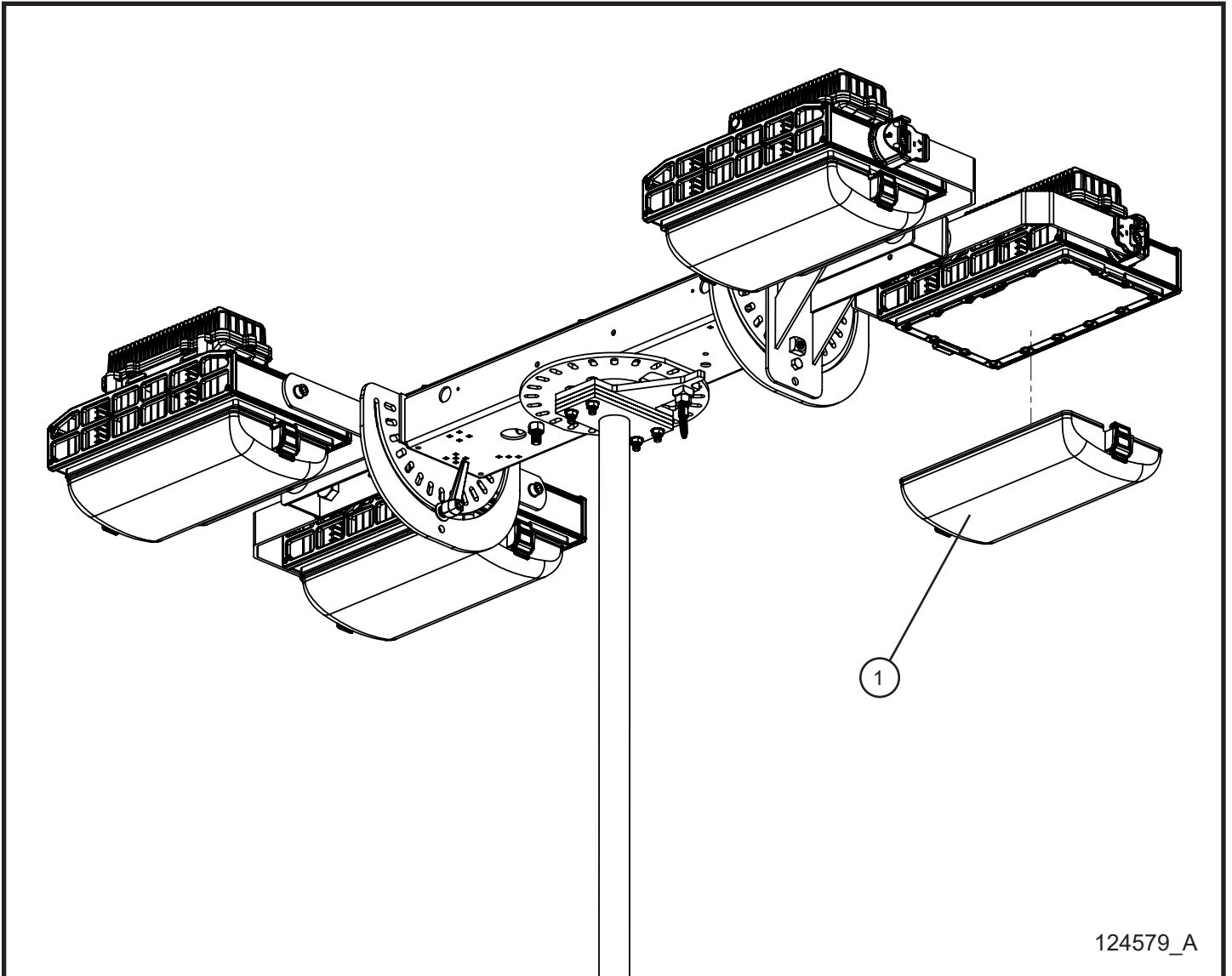
3.10 - 350W Dimmable 48VDC LED Lamp Install Group

Item	Part No.	Part Description	Qty.
1	125900	350W DIMMABLE 48VDC LED LIGHT	4
2	650550	.785" x 2" HDPE WASHER	4
3	047035	3/4 FLAT WASHER PL	4
4	044058	3/4-10 NYLOCK HEX NUT PL	4
5	101813	.781 ID x 2 OD x 1/2 HDPE WASHER	4
6	105626	1/2 CORD GRIP	8
7	022035	1/2 CORD GRIP NUT	8
8	046015	1/4-20 x 1 HEX HEAD BOLT	1
9	043050	1/4 INTL TOOTHLOCK WASHER	1
10	044021	1/4-20 KEPS HEX NUT	1
11	044023	1/4-20 NYLOCK HEX NUT	1
12	* * *	DRIVER KUM1S-350 SMD LED 350W	1
13	* * *	YOKE & HARDWARE KIT KUM1S-350	1

NS - NOT SHOWN

* * * - CONTACT ALLMAND FOR MORE INFORMATION

3.11 - LED Lamp Diffuser



124579_A

Hybrid LT-Series™

SN 52-000001 and UP

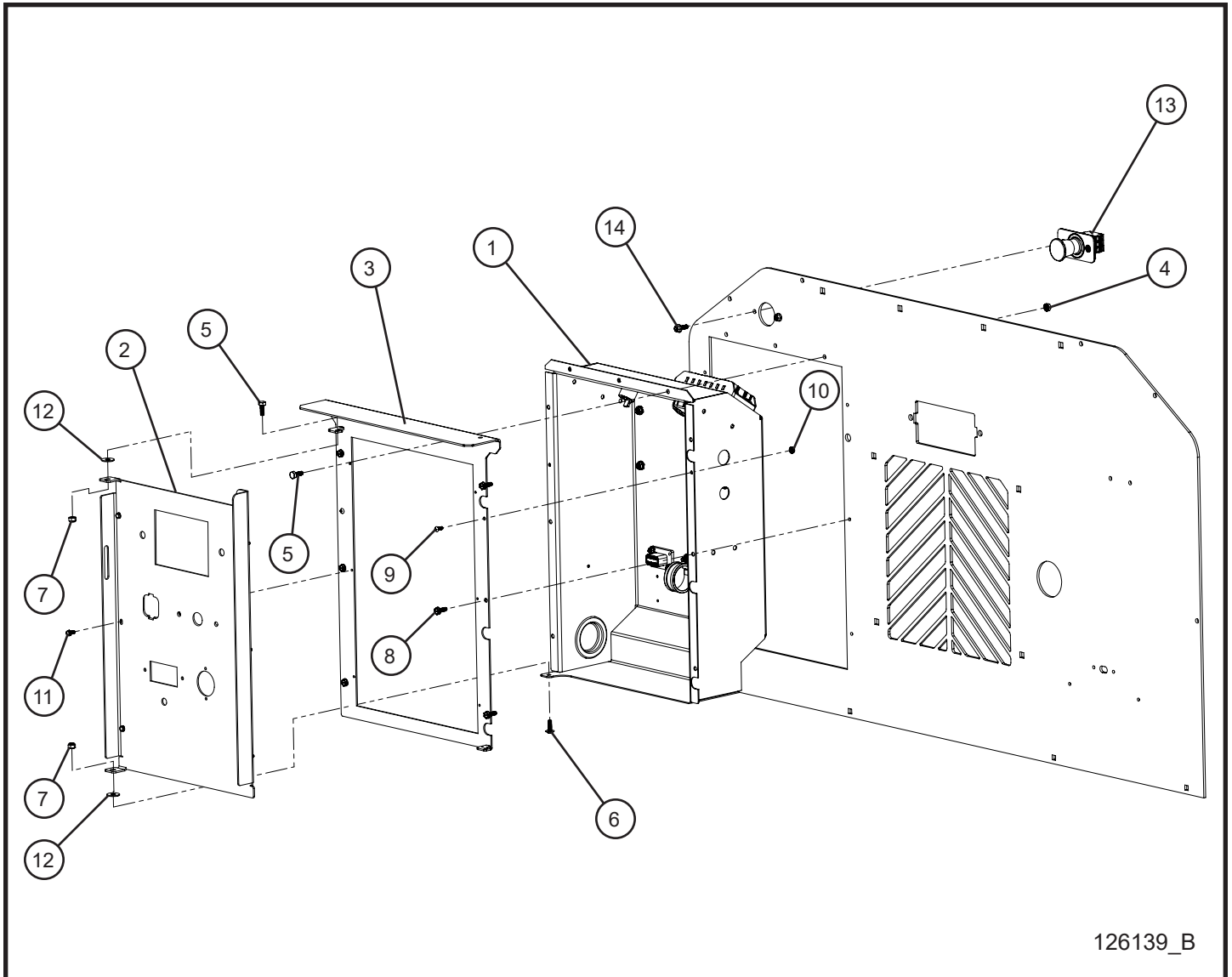
3.11 - LED Lamp Diffuser

Item	Part No.	Part Description	Qty.
1	123199	DIFFUSER LED LIGHT KUM1S-350	4
	125226	DIFFUSER AMBER LED LIGHT KUM1S-350	4

NS - NOT SHOWN

* * * - CONTACT ALLMAND FOR MORE INFORMATION

4.1 - Control Box and E-Stop Install Group



Hybrid LT-Series™

SN 52-000001 and UP

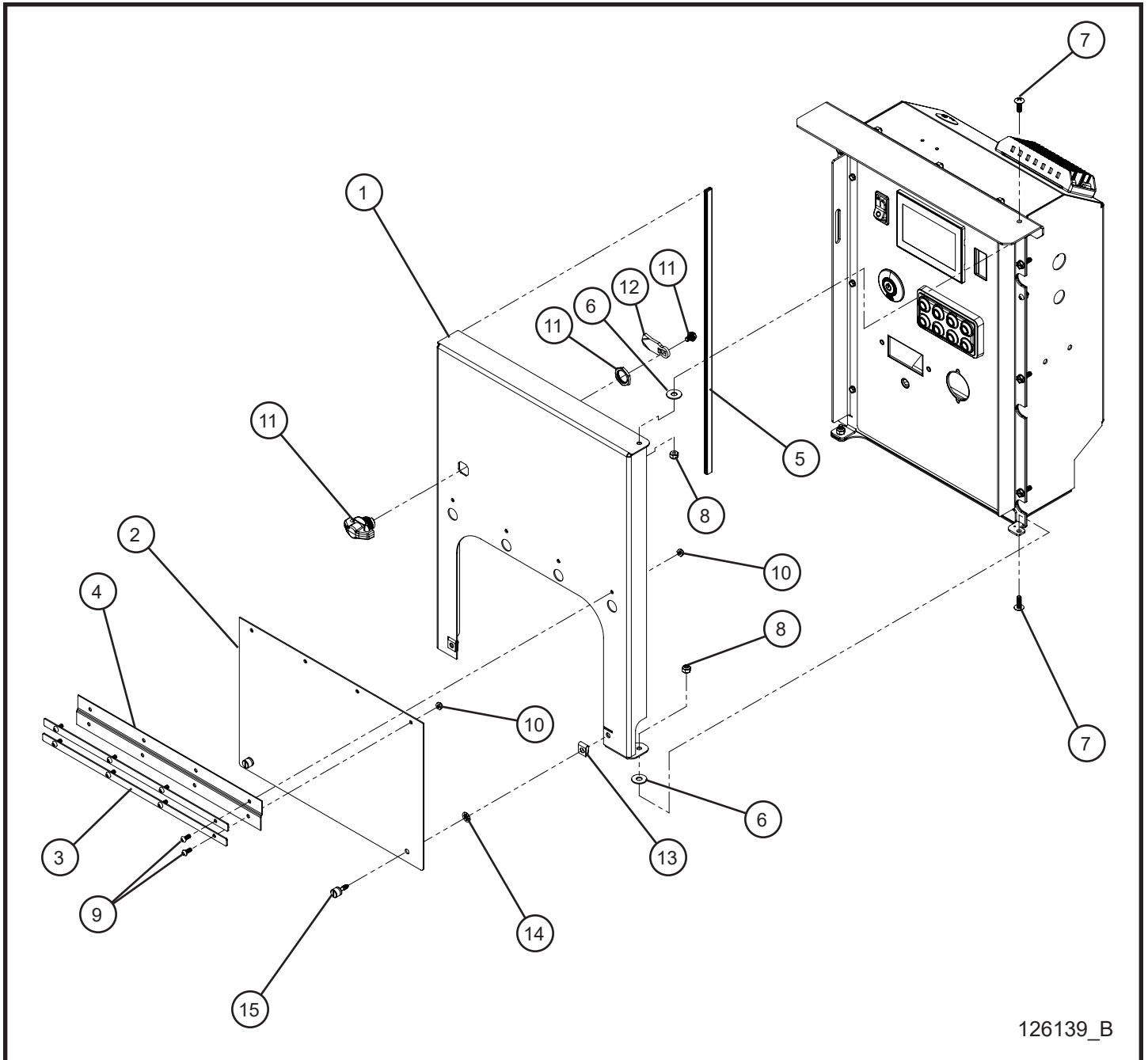
4.1 - Control Box and E-Stop Install Group

Item	Part No.	Part Description	Qty.
1	126127P	COMPONENT BOX HYBRID LIGHT TOWER	1
2	126080P	PANEL CONTROL HYBRID LT-SERIES	1
3	113480P	DOOR MOUNT COMP BOX	1
4	044021	1/4-20 KEPS HEX NUT	3
5	046010	1/4-20 x 3/4 HEX HEAD	4
6	041050	1/4-20 x 3/4 PH-TRUSS HEAD	3
7	044023	1/4-20 NYLOCK HEX NUT	4
8	041070	1/4-20 x 3/4 SL-HEX WASHER HEAD	6
9	041021	#10-24 x 1/2 PH-ROUND HEAD	10
10	044016	#10-24 KEPS HEX NUT	2
11	041031	#10-24 x 1/2 HEX HEAD	6
12	711036	3/8 NYLON WASHER 7/8 OD x .344 ID	4
13	125250	EMERGENCY STOP PANEL MOUNT THREE CONTACTS	1
14	056019	1/4-20 x 3/4 HEX FLANGE SCREW	3
NS	115259	1/8 x 1/2 POLYURETHANE FOAM x 12.50	1

NS - NOT SHOWN

* * * - CONTACT ALLMAND FOR MORE INFORMATION

4.2 - Control Box Door



126139_B

Hybrid LT-Series™

SN 52-000001 and UP

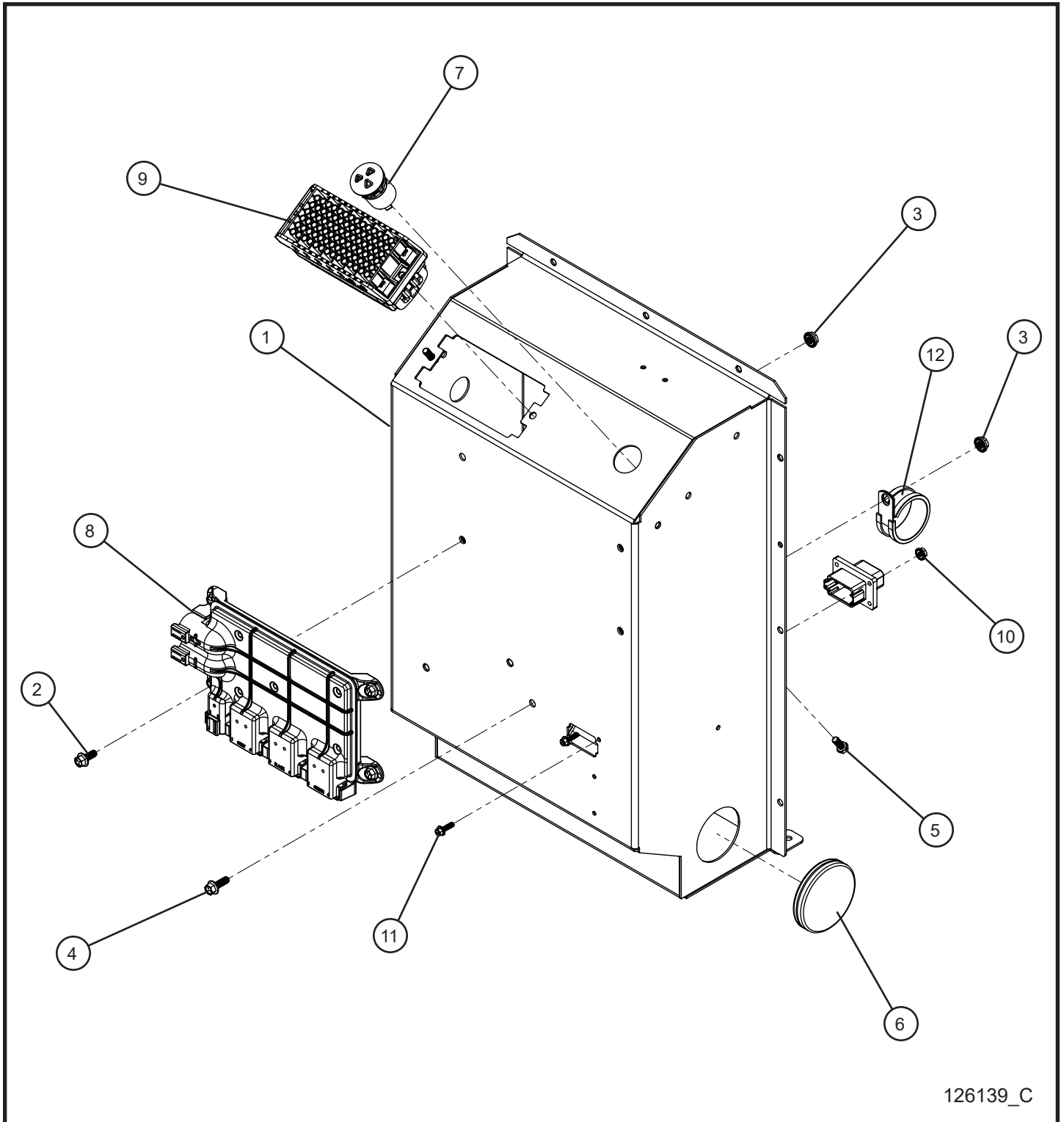
4.2 - Control Box Door

Item	Part No.	Part Description	Qty.
1	111226P	COMPONENT BOX DOOR PANEL	1
2	112431P	COMPONENT BOX DOOR FLAP	1
3	112433P	COMPONENT BOX HINGE STRAP	2
4	115115	HINGE	1
5	030053	5/64 x 7/16 x 20 TRIMLOCK	1
6	711036	3/8 NYLON WASHER 7/8 OD x 11/32 ID	2
7	041050	1/4-20 x 3/4 PH-TRUSS HEAD MACHINE SCREW	3
8	044023	1/4-20 NYLOCK HEX NUT	7
9	041021	#10-24 x 1/2 PH-ROUND HEAD MACHINE SCREW	10
10	044018	#10-24 NYLOCK HEX NUT	8
11	111481	PADLOCKABLE BLACK WINGKNOB	1
12	111482	LATCH CAM STRAIGHT	1
13	045216	1/4-20 TINNEMAN NUT	1
14	115243	RETAINER PUSH ON	2
15	115244	FAST THREAD KNURLED KNOB	2

NS - NOT SHOWN

* * * - CONTACT ALLMAND FOR MORE INFORMATION

4.3 - Control Box Rear Install Group



126139_C

Hybrid LT-Series™

SN 52-000001 and UP

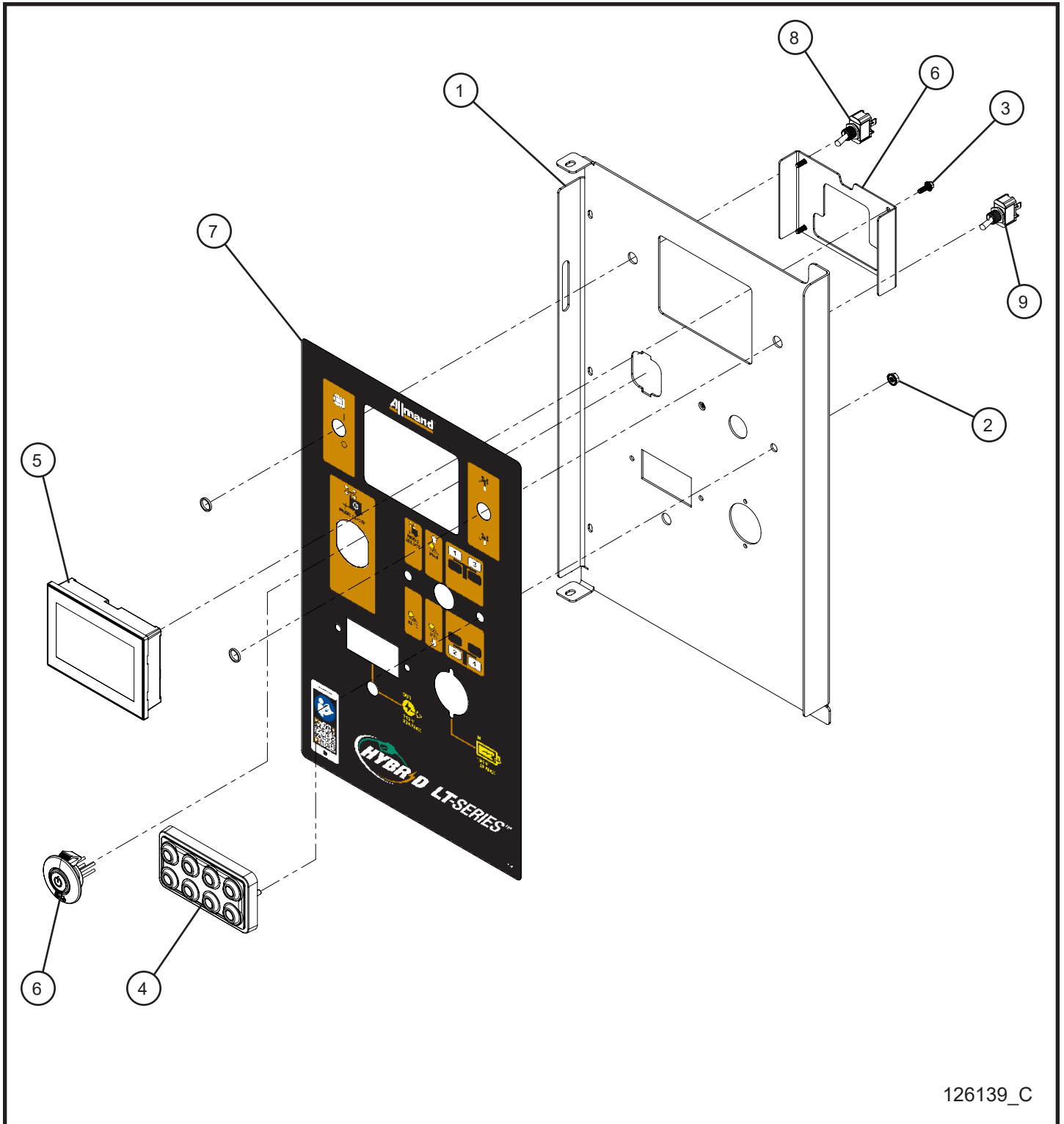
4.3 - Control Box Rear Install Group

Item	Part No.	Part Description	Qty.
1	126127P	COMPONENT BOX HYBRID LIGHT TOWER	1
2	056040	1/4-20 x 5/8 HEX FLANGE SCREW	4
3	057000	1/4-20 HEX SERRATED FLANGE NUT	5
4	056019	1/4-20 X 3/4 HEX FLANGE SCREW	3
5	042019	M6 x 1.0mm x 16mm HEX HEAD	2
6	110370	GROMMET SOLID 2.047 X 2.323 X .512	1
7	123995	AUDIBLE ALARM	1
8	122043	POWER DISTRIBUTION MODULE IX3212-12V	1
9	123204	HARNESS CONTROL BOX HYBRID LT-SERIES	1
10	057003	#8-32 SERRATED FLANGE HEX LOCKNUT	2
11	056020	#8-32 x 5/8 SERRATED FLANGE HEX SCREW	2
12	106144	#2013 CUSH CLAMP	1
NS	125343	DECAL FUSE BOX HYBRID LT-SERIES	1

NS - NOT SHOWN

* * * - CONTACT ALLMAND FOR MORE INFORMATION

4.4 - Control Panel



126139_C

Hybrid LT-Series™

SN 52-000001 and UP

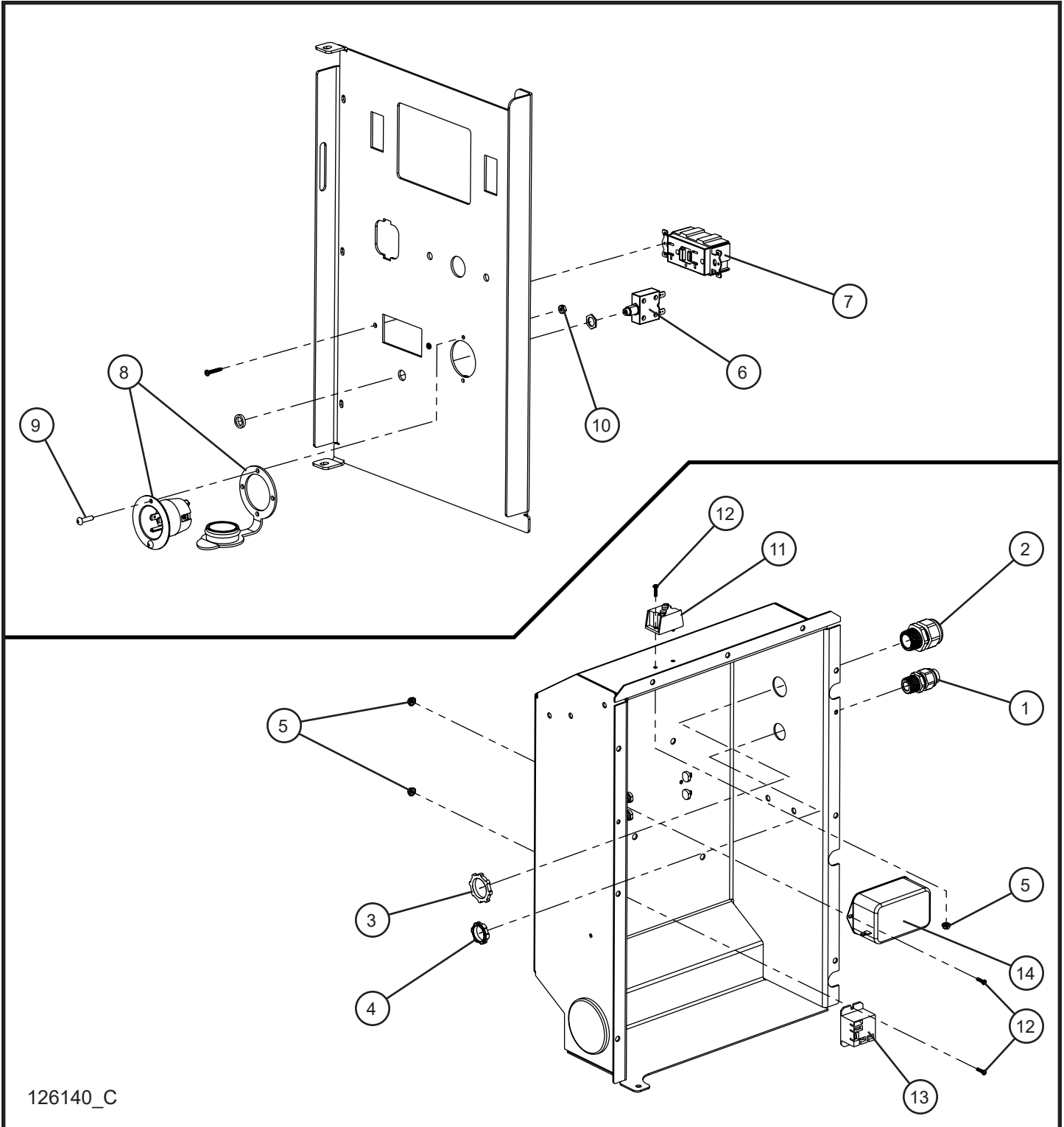
4.4 - Control Panel

Item	Part No.	Part Description	Qty.
1	126080P	PANEL CONTROL HYBRID LT-SERIES	1
2	057012	#10-32 HEX SERRATED FLANGE NUT	2
3	056006	#8-32 x 1/2 SERRATED FLANGE HEX SCREW	4
4	122036	HMI CAN KEYPAD	1
5	122042	PV500 CONTROLLER	1
6	123206	PUSH BUTTON START	1
7	125340	DECAL CONTROL PANEL HYBRID	1
8	123157	TOGGLE SWITCH SPST ON-OFF	1
9	123158	TOGGLE SWITCH SPDT ON-OFF-ON	1

NS - NOT SHOWN

* * * - CONTACT ALLMAND FOR MORE INFORMATION

4.5 - Control Box Outlet & Inlet Install Group



126140_C

Hybrid LT-Series™

SN 52-000001 and UP

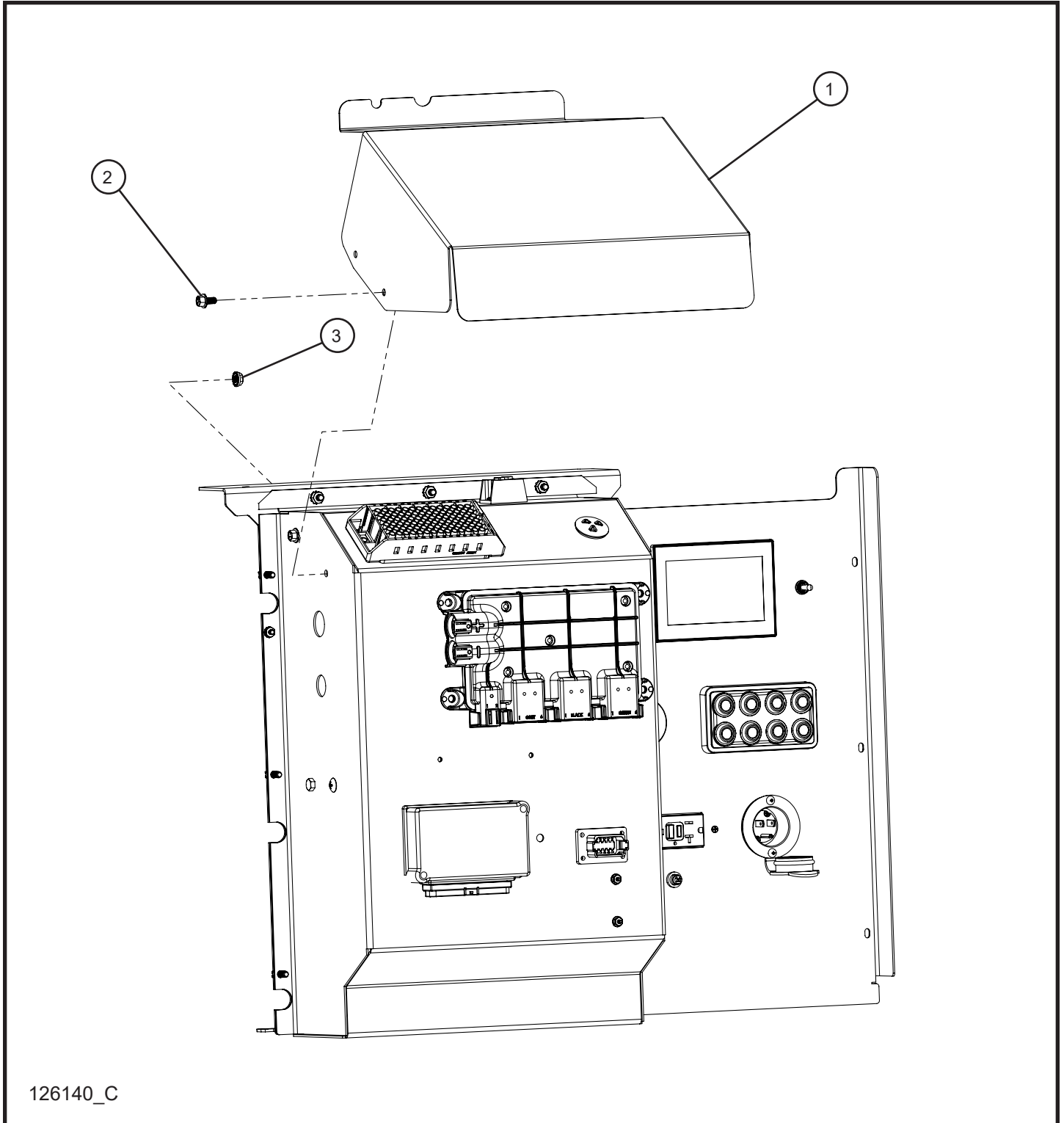
4.5 - Control Box Outlet & Inlet Install Group

Item	Part No.	Part Description	Qty.
1	105626	1/2 CORD GRIP	1
2	105916	3/4 GRIP CORD NYLON	1
3	022036	3/4 CORD GRIP NUT	1
4	022035	1/2 CORD GRIP NUT	1
5	057005	#6-32 SERRATED FLANGE HEX NUT	26
6	118398	BREAKER THERMAL PUSH BUTTON 20A CSA	1
7	330499	RECEPTACLE GFCI 20 AMP	1
8	118678	INLET 15A 125VAC NEMA 5-15P	1
9	041203	#8-32 x 3/4 SCREW MS	2
10	044003	#8-32 NC KEPS NUT	2
11	123979	CHARGER PROTECTION DIODE	1
12	100029	#6-32 x 1/2 PH-ROUND HEAD MS	6
13	125219	CHARGER RELAY	1
14	125222	SCHAFFNER POWER LINE FILTER 20A FAST-ON	1
NS	126334	SCHEMATIC INVERTER TO GFCI/AC CHARGER HYBRID LT	1
NS	125442	CABLE KIT LESTER 48V CHARGER HYBRID LT-SERIES	1
NS	123983	INVERTER TO GFCI A/C CORD	1
NS	126221	WIRE 12 AWG BLACK x 6.00	1

NS - NOT SHOWN

* * * - CONTACT ALLMAND FOR MORE INFORMATION

4.6 - Control Box Splash Guard



126140_C

Hybrid LT-Series™

SN 52-000001 and UP

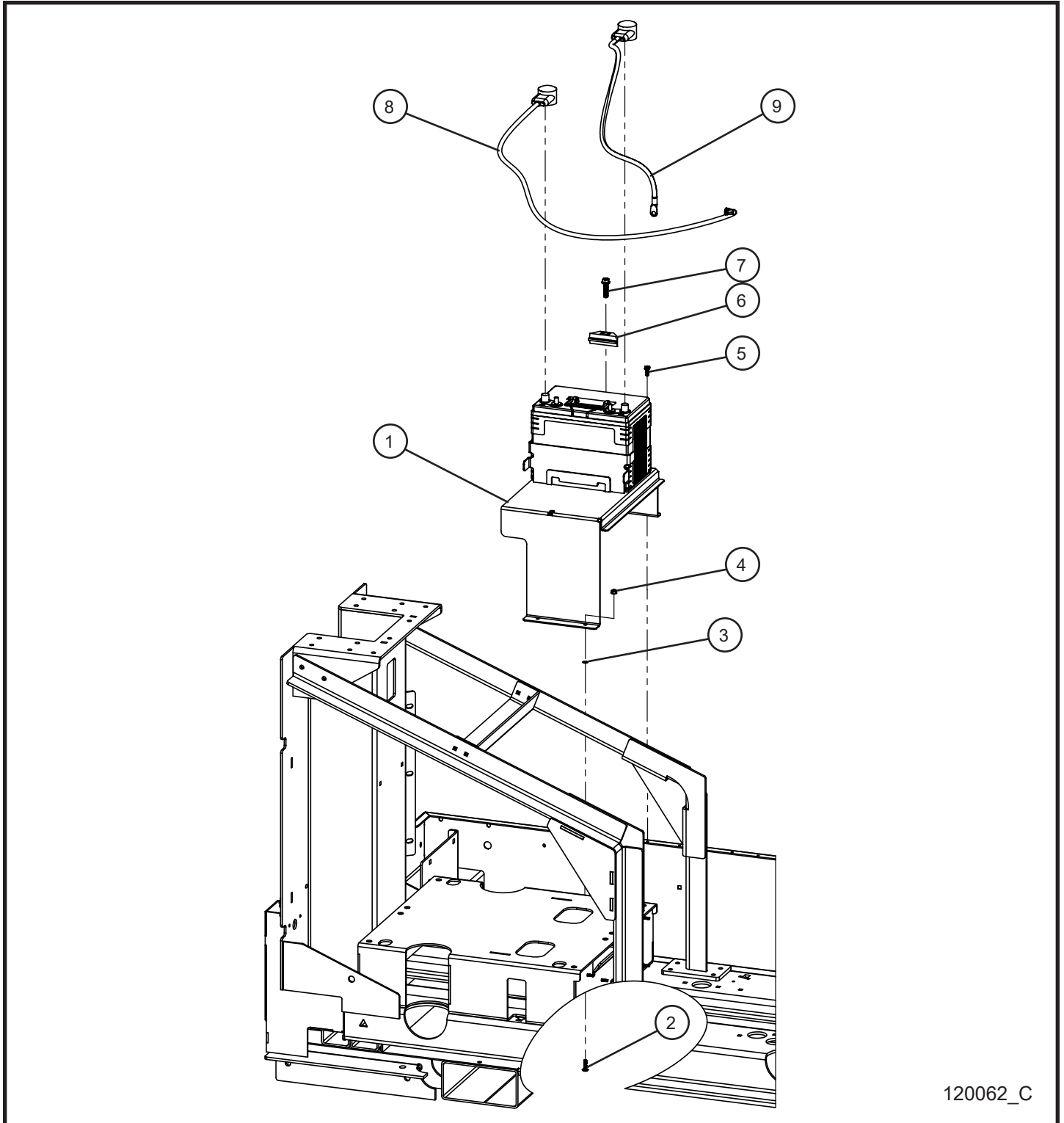
4.6 - Control Box Splash Guard

Item	Part No.	Part Description	Qty.
1	126300P	CONTROL BOX SPLASH GUARD HYBRID LT-SERIES	1
2	056001	1/4-20 x 1/2 HEX SERRATED FLANGE SCREW	4
3	057000	1/4-20 HEX SERRATED FLANGE NUT	4

NS - NOT SHOWN

* * * - CONTACT ALLMAND FOR MORE INFORMATION

5.1 - 12V Battery Install Group



120062_C

Hybrid LT-Series™

SN 52-000001 and UP

5.1 - 12V Battery Install Group

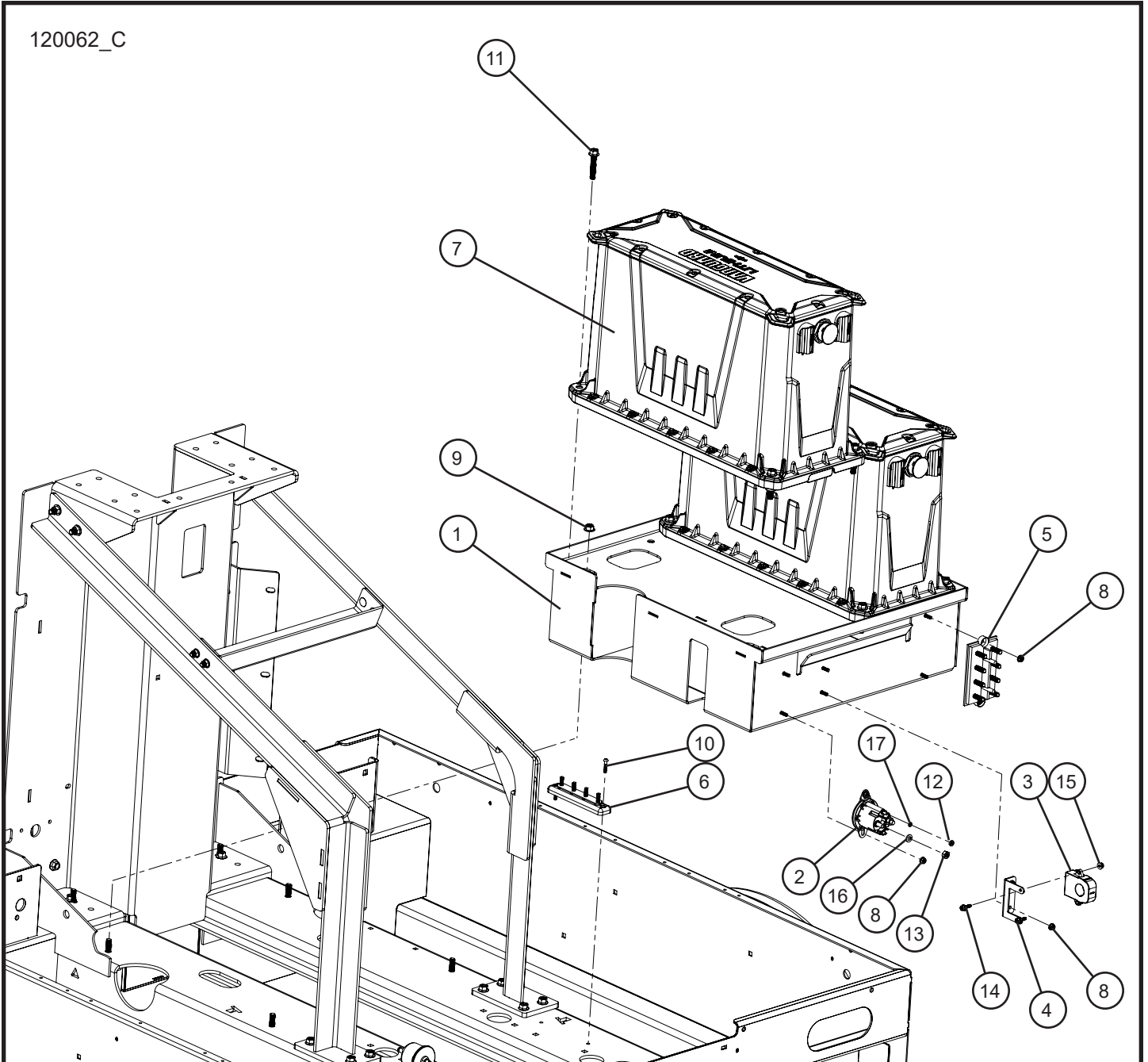
Item	Part No.	Part Description	Qty.
1	120059P	MAXI-LITE DUAL BATTERY MOUNT	1
2	100342	1/4-20 x 1 CARRIAGE BOLT	2
3	101701	1/4 PUSH NUT	2
4	057001	1/4-20 HEX NYLOCK FLANGE NUT	2
5	041070	1/4-20 x 3/4 SL-HEX WASHER HEAD MACHINE SCREW	2
6	107115	BATTERY HOLD DOWN	1
7	056015	3/8-16 x 1 1/2 HEX FLANGE SCREW	1
8	* * *	RED BATTERY CABLE	1
9	* * *	BLACK BATTERY CABLE	1

NS - NOT SHOWN

* * * - CONTACT ALLMAND FOR MORE INFORMATION

5.2 - Lithium Ion Batteries Install Group

120062_C



Hybrid LT-Series™

SN 52-000001 and UP

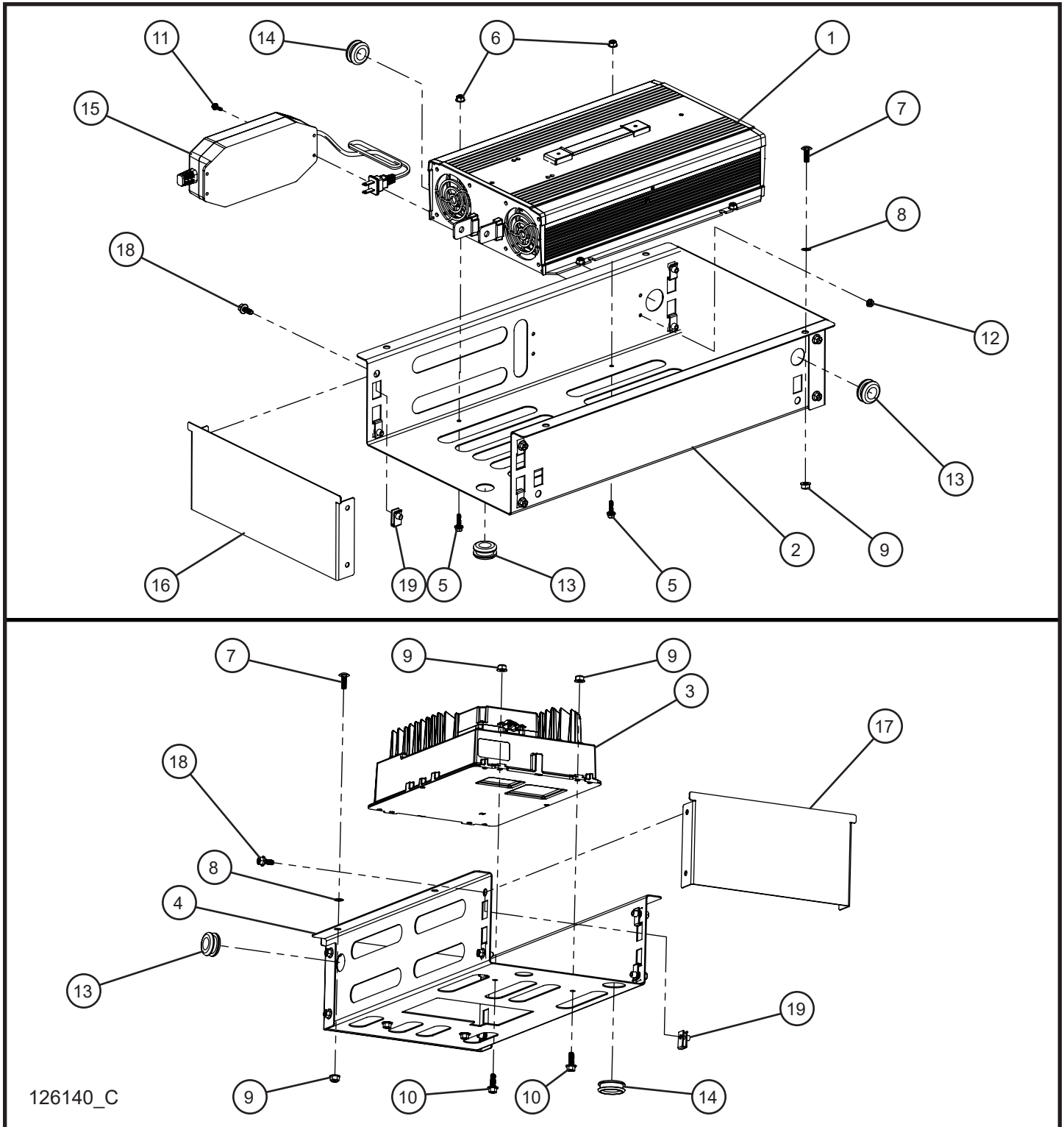
5.2 - Lithium Ion Batteries Install Group

Item	Part No.	Part Description	Qty.
1	126295P	WELDMENT LITHIUM BATTERY BOX HYBRID LT-SERIES	1
2	123987	CONTACTOR BATTERY OUTPUT	1
3	125269	500A FLUXGATE CURRENT SENSOR	1
4	126079P	BRACKET CURRENT SENSOR HYBRID LT-SERIES	1
5	123989	48V DISTRIBUTION BLOCK	1
6	123990	12V GROUND BLOCK	1
7	122045	B&S 7kWH LITHIUM ION BATTERY PACK	2
8	057004	#10-24 SERRATED FLANGE HEX NUT	6
9	057007	3/8-16 HEX NYLOCK FLANGE NUT	4
10	041030	#10-24 x 1 PH-ROUND HEAD MS	2
11	056037	3/8-16 X 2 HEX FLANGE SCREW WITH BLUE THREAD LOCK	8
12	123150	#10-32 HEX M/S NUT	2
13	123149	5/16-24 HEX NUT	2
14	056005	#10-24 X 3/4 SERRATED FLANGE HEX SCREW	2
15	057010	#10-24 HEX NYLOC FLANGE NUT	2
16	043055	5/16 SPLIT LOCK WASHER	2
17	122948	#10 SPLIT LOCK WASHER	2
NS	123205	CHASSIS GROUND / LARGE CABLES - KIT	1
NS	123203	MAIN HARNESS HYBRID	1

NS - NOT SHOWN

* * * - CONTACT ALLMAND FOR MORE INFORMATION

5.3 - Inverter and Battery Charger Install Group



126140_C

Hybrid LT-Series™

SN 52-000001 and UP

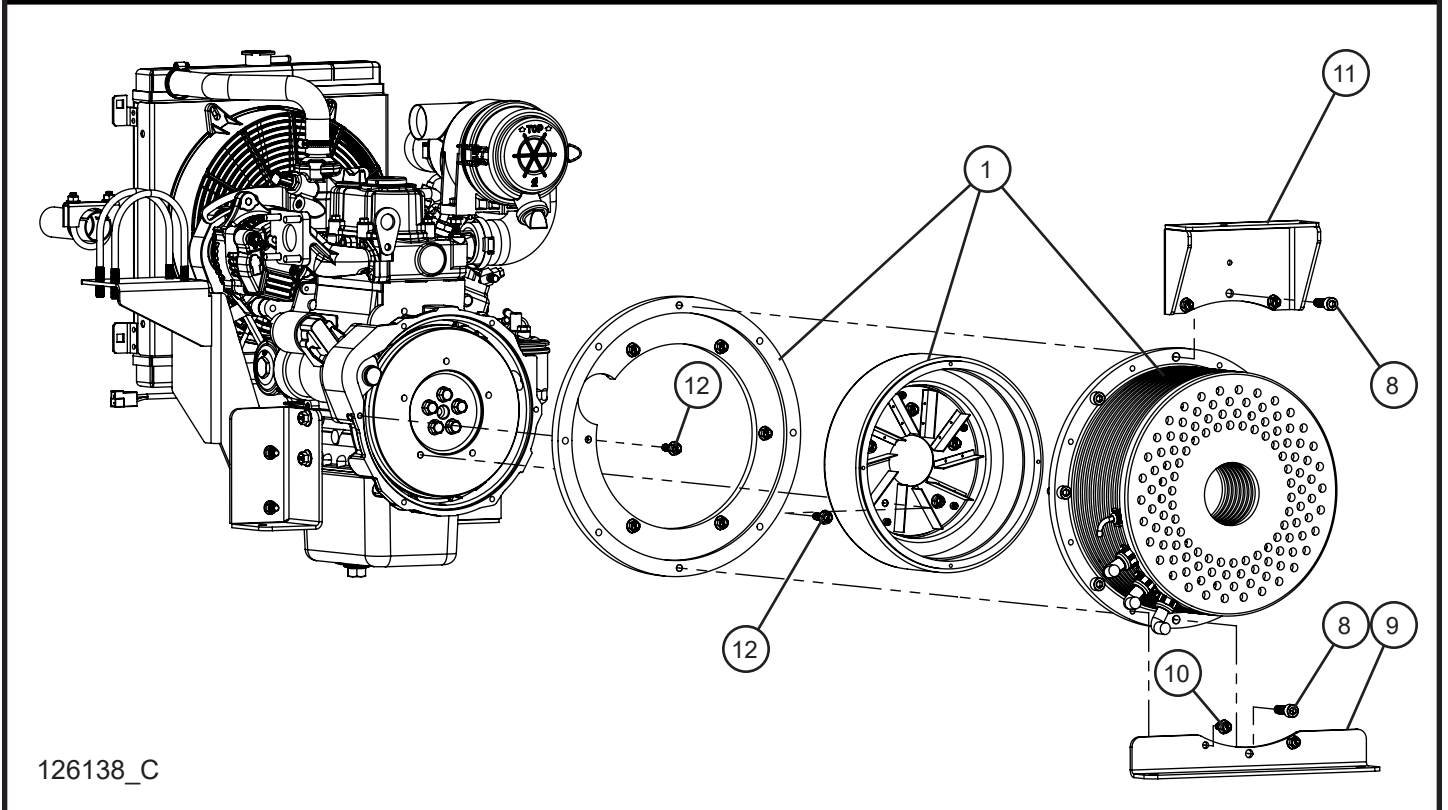
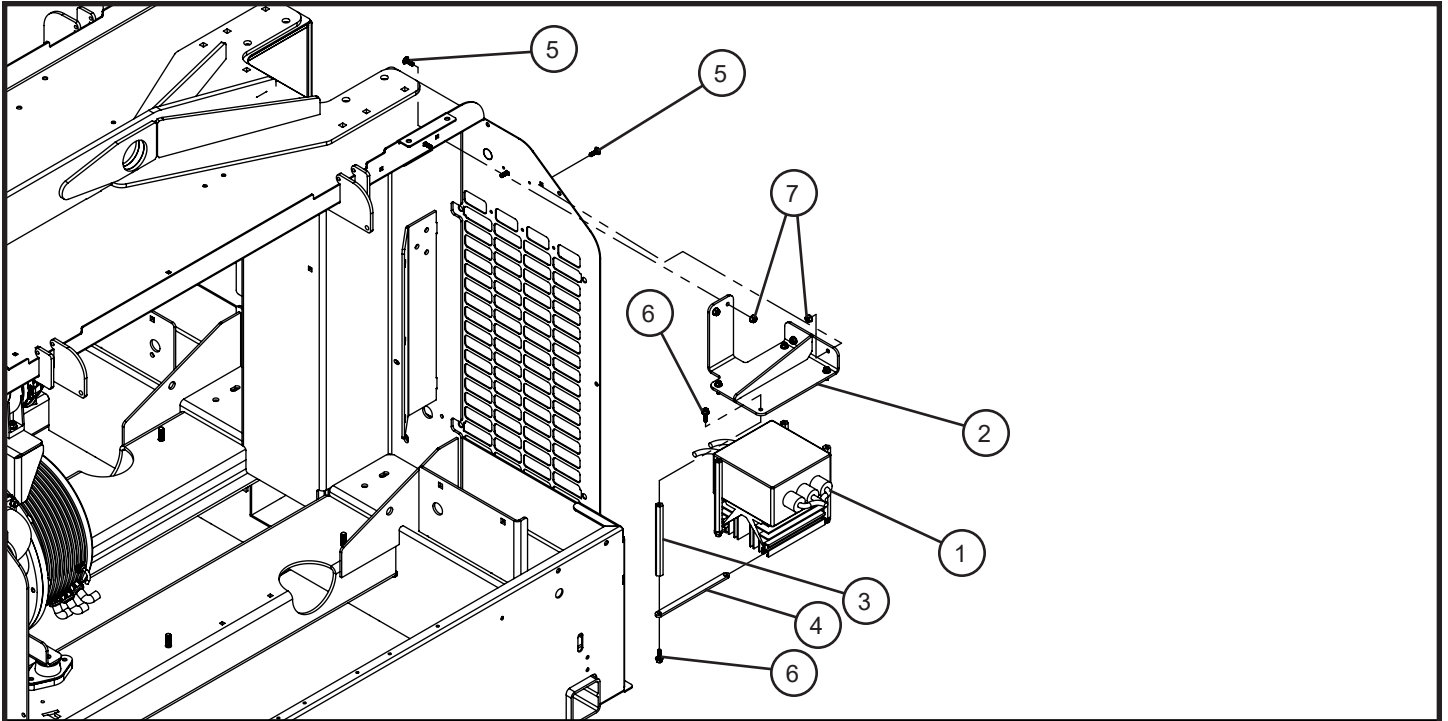
5.3 - Inverter and Battery Charger Install Group

Item	Part No.	Part Description	Qty.
1	125157	MEANWELL INVERTER 120VAC / 48VDC	1
2	126160P	INVERTER COVER HYBRID	1
3	122046	48VDC BATTERY CHARGER	1
4	126155P	CHARGER COVER HYBRID	1
5	056005	#10-24 x 3/4 SERRATED FLANGE HEX SCREW	4
6	057010	#10-24 HEX NYLOC FLANGE NUT	4
7	053006	1/4-20 x 3/4 CARRIAGE BOLT	8
8	101701	1/4 PUSH NUT	8
9	057001	1/4-20 HEX NYLOCK FLANGE NUT	12
10	056002	1/4-20 x 3/4 HEX SERRATED FLANGE SCREW	4
11	056007	#6-32 x 1/2 HEX SERRATED FLANGE SCREW	20
12	057005	#6-32 SERRATED FLANGE HEX NUT	26
13	330463	11/16 RUBBER GROMMET	3
14	114183	1" RUBBER GROMMET	2
15	123201	BATTERY TENDER 3 AMP AUTO BATTERY CHARGER & MAINTAINER	1
16	126298P	INVERTER SPLASH GUARD HYBRID LT-SERIES	2
17	126299P	CHARGER SPLASH GUARD HYBRID LT-SERIES	2
18	056040	1/4-20 X 5/8 HEX FLANGE SCREW	16
19	044106	1/4-20 EXTRUDED U NUT	16
NS	126334	SCHEMATIC INVERTER TO GFCI/AC CHARGER HYBRID LT	1
NS	125442	CABLE KIT LESTER 48V CHARGER HYBRID LT-SERIES	1
NS	123983	INVERTER TO GFCI A/C CORD	1
NS	126221	WIRE 12 AWG BLACK x 6.00	1

NS - NOT SHOWN

* * * - CONTACT ALLMAND FOR MORE INFORMATION

5.4 - PMG and Rectifier Install Group



126138_C

Hybrid LT-Series™

SN 52-000001 and UP

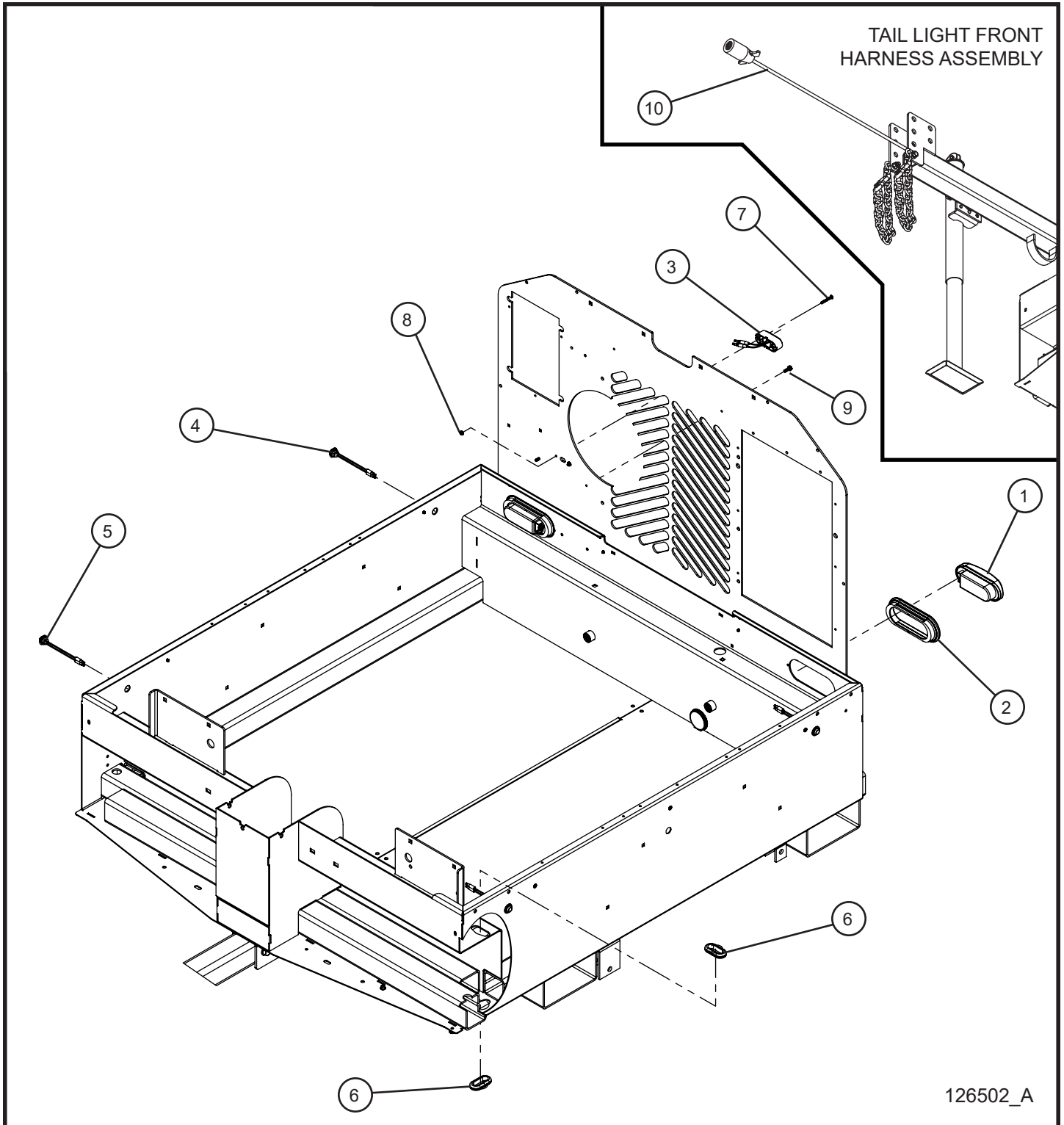
5.4 - PMG and Rectifier Install Group

Item	Part No.	Part Description	Qty.
1	122047	PMG AND RECTIFIER	1
2	126166P	RECTIFIER BRACKET WELDMENT	1
3	123992	6" HEX ROD	4
4	126169P	RECTIFIER RETENTION STRAPS	2
5	053006	1/4-20 X 3/4 CARRIAGE BOLT	4
6	056019	1/4-20 X 3/4 HEX FLANGE SCREW	8
7	057001	1/4-20 HEX NYLOCK FLANGE NUT	4
8	054002	M10 x 1.50 x 30 - 8.8 SOCKET HEAD SCREW W/ BLUE LOCTITE	8
9	126130P	GENERATOR MOUNT HYBRID	1
10	055003	M8 x 1.25 x 16 HEX FLANGE SCREW W/ BLUE THREAD LOCK	2
11	126119P	AIR CLEANER BRACKET WELDMENT KUBOTA Z482 HYBRID	1
12	055006	M8 x 1.25 x 25 HEX FLANGE SCREW W/ RED THREAD LOCK	11

NS - NOT SHOWN

* * * - CONTACT ALLMAND FOR MORE INFORMATION

5.5 - Side Marker Lights and Tail Lights



126502_A

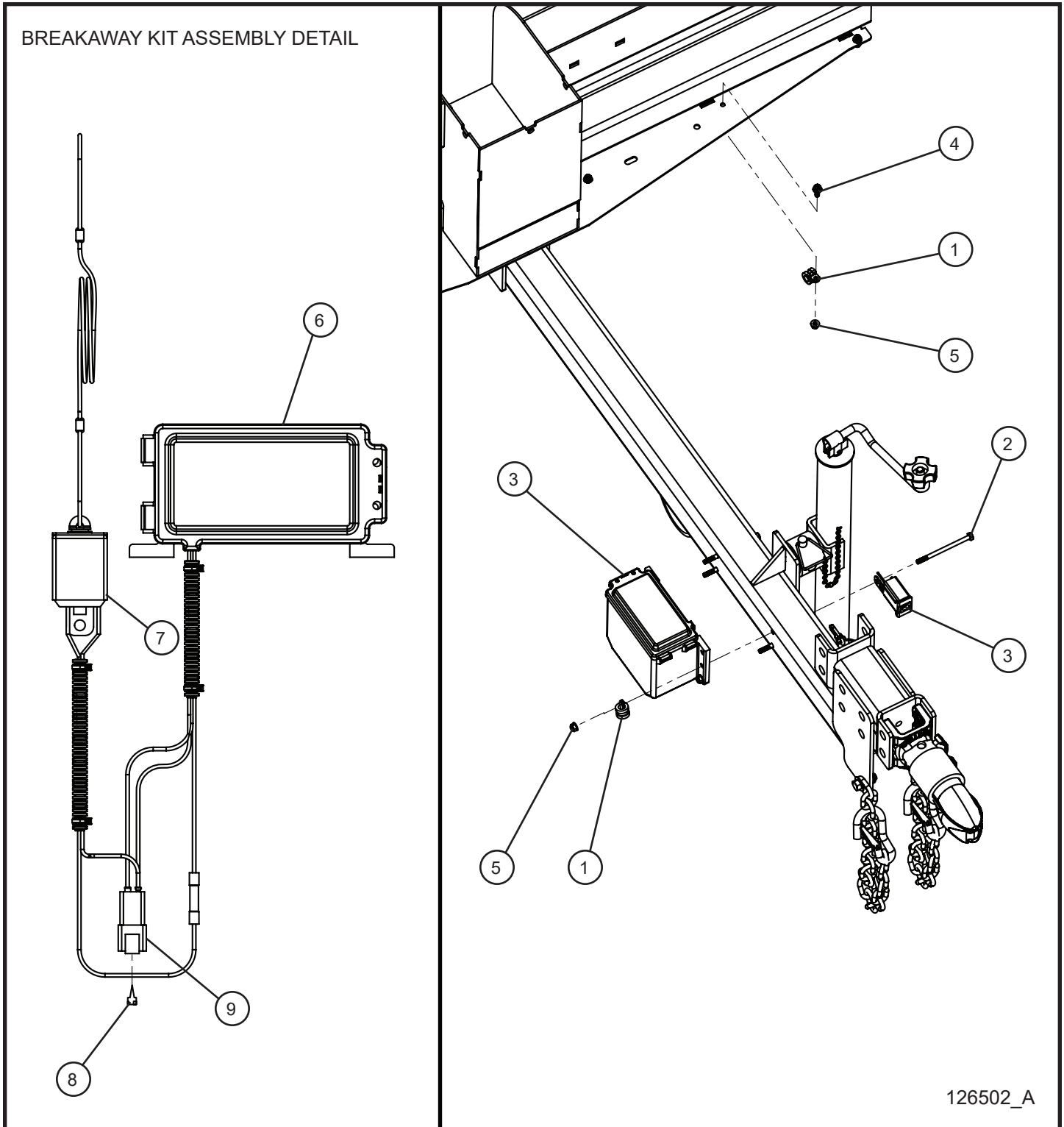
Hybrid LT-Series™

SN 52-000001 and UP

5.5 - Side Marker Lights and Tail Lights

Item	Part No.	Part Description	Qty.
1	102721	LED TAIL LAMP	2
2	102825	GROMMET	2
3	115116	LICENSE PLATE LED LIGHT	1
4	106211	RED BULLET LED MARKER LIGHT	2
5	106212	AMBER BULLET LED MARKER LIGHT	2
6	106542	RUBBER GROMMET	2
7	041040	#10-24 x 1 1/2 PH-ROUND HEAD MACHINE SCREW	2
8	044016	#10-24 KEPS HEX NUT	2
9	041070	1/4-20 x 3/4 SL-HEX WASHER HEAD MACHINE SCREW	2
10	125532	HARNESS TAILLIGHT ARCTIC BREAKAWAY ML, MP15XR, & HLT	1
NS	113663	MAXI-LITE TAIL LIGHT BASE HARNESS	1
NS	113861	BREAK AWAY KIT TAIL LIGHT HARNESS	1
NS	114032	MAXI-LITE ELECTRIC BRAKE TAIL LIGHT HARNESS SCHEMATIC	1

5.6 - Breakaway Kit I



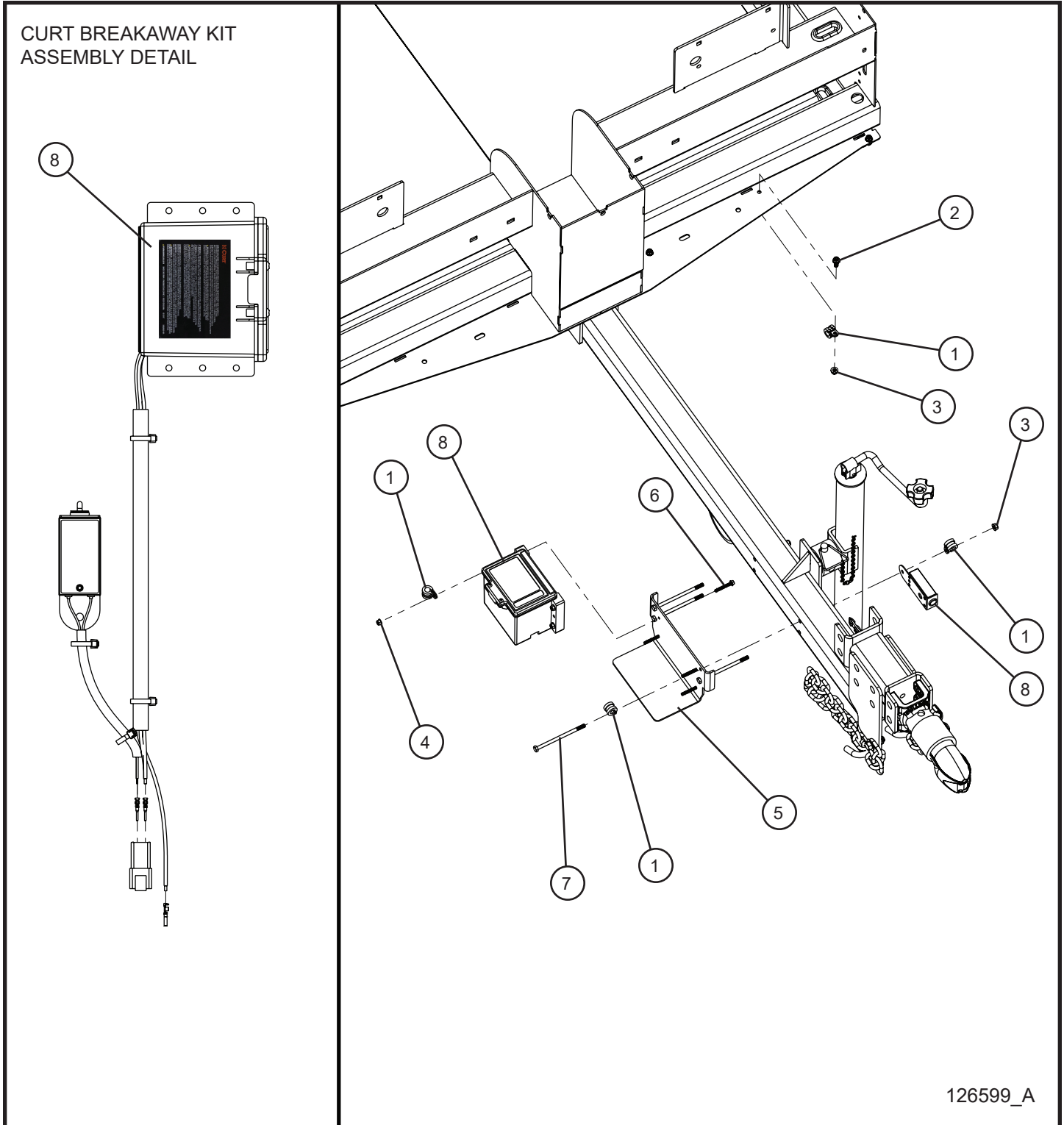
Hybrid LT-Series™

SN 52-000001 and UP

5.6 - Breakaway Kit I

Item	Part No.	Part Description	Qty.
1	310212	#10 CUSH CLAMP 1/4 HOLE	4
2	046039	1/4-20 x 4 HEX HEAD BOLT	4
3	113855	MAXI-LITE BREAK AWAY KIT ASSEMBLY	1
4	056002	1/4-20 x 3/4 HEX SERRATED FLANGE SCREW	3
5	057001	1/4-20 HEX NYLOCK FLANGE NUT	7
6	106578	BREAKAWAY KIT	1
7	113065	BREAKAWAY SWITCH AND LANYARD ASSEMBLY	1
8	105847	4-WAY RECEPTACLE WEDGELOCK	1
9	105207	4-WAY RECEPTACLE	1
NS	113663	MAXI-LITE TAIL LIGHT BASE HARNESS	1
NS	125532	HARNESS TAILLIGHT ARCTIC BREAKAWAY ML, MP15XR, & HLT	1
NS	113861	BREAK AWAY KIT TAIL LIGHT HARNESS	1
NS	114032	MAXI-LITE ELECTRIC BRAKE TAIL LIGHT HARNESS SCHEMATIC	1

5.7 - Breakaway Kit II



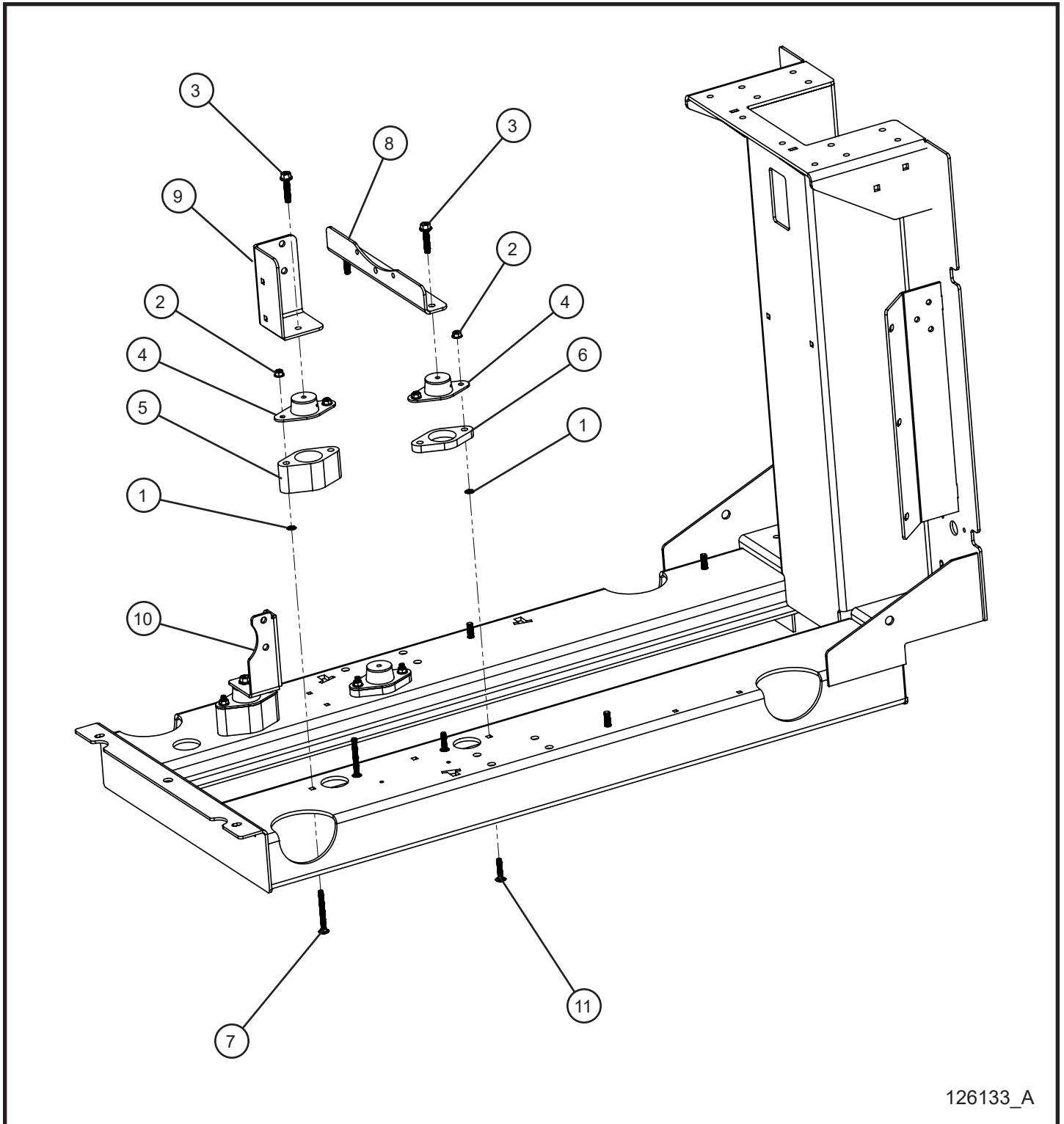
Hybrid LT-Series™

SN 52-000001 and UP

5.7 - Breakaway Kit II

Item	Part No.	Part Description	Qty.
1	310212	#10 CUSH CLAMP 1/4 HOLE	4
2	056002	1/4-20 x 3/4 HEX SERRATED FLANGE SCREW	3
3	057001	1/4-20 HEX NYLOCK FLANGE NUT	7
4	057010	#10-24 HEX NYLOCK FLANGE NUT	4
5	126664P	PLATE MOUNT BREAKAWAY BATTERY ML, MP15XR & HYBRID	1
6	056047	#10-24 X 1-1/2 HEX SERRATED FLANGE SCREW	4
7	046042	1/4-20 X 4 1/2 HEX HEAD CS	4
8	126663	CURT BREAKAWAY KIT ASSEMBLY MAXI-LITE	1
NS	113663	MAXI-LITE TAIL LIGHT BASE HARNESS	1
NS	125532	HARNESS TAILLIGHT ARCTIC BREAKAWAY ML, MP15XR, & HLT	1
NS	126666	SCHEMATIC CURT BREAK AWAY KIT ML MP15XR & HYBRID	1
NS	114032	MAXI-LITE ELECTRIC BRAKE TAIL LIGHT HARNESS SCHEMATIC	1

6.1 - Engine Isolator Mounts



126133_A

Hybrid LT-Series™

SN 52-000001 and UP

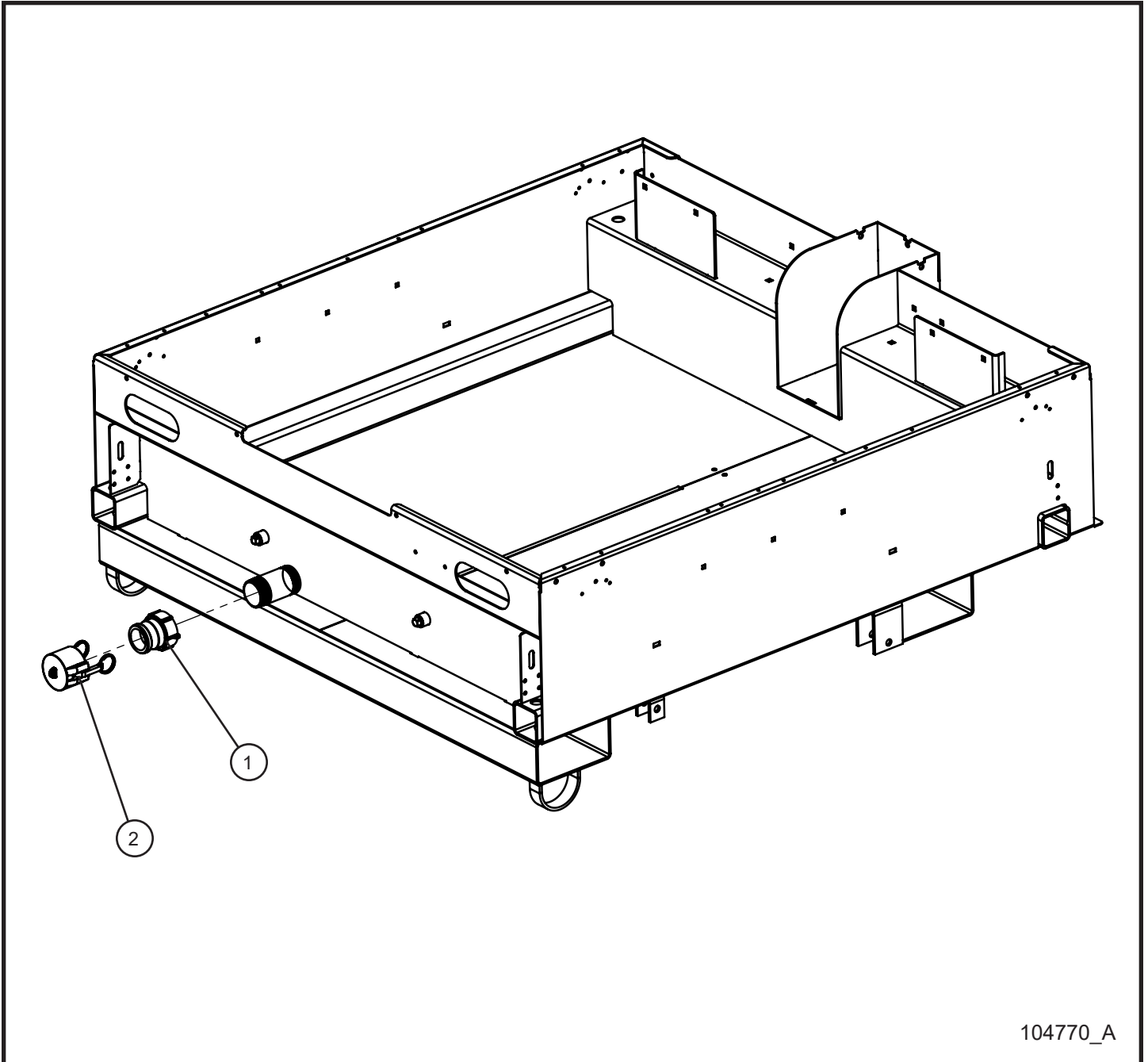
6.1 - Engine Isolator Mounts

Item	Part No.	Part Description	Qty.
1	045217	5/16 PUSH NUT	8
2	057008	5/16-18 HEX NYLOCK FLANGE NUT	8
3	056013	3/8-16 x 1 3/4 SERRATED FLANGE BOLT WITH THREAD LOCK	4
4	125118	ISOLATOR ENGINE MOUNT THREADED 250 LBS	4
5	123984	PLATE SPACER 2 IN ENGINE ISOLATOR	2
6	104696P	PLATE SPACER 1/2" ENGINE ISOLATOR	2
7	053033	5/16-18 X 3 CARRIAGE BOLT	4
8	126130P	GENERATOR MOUNT HYBRID	1
9	126117P	LEFT ENGINE FOOT WELDMENT KUBOTA Z482 HYBRID	1
10	126118P	RIGHT ENGINE FOOT WELDMENT KUBOTA Z482 HYBRID	1
11	053023	5/16-18 X 1 1/2 CARRIAGE BOLT	4

NS - NOT SHOWN

* * * - CONTACT ALLMAND FOR MORE INFORMATION

6.2 - Fluid Containment Drain Cap



Hybrid LT-Series™

SN 52-000001 and UP

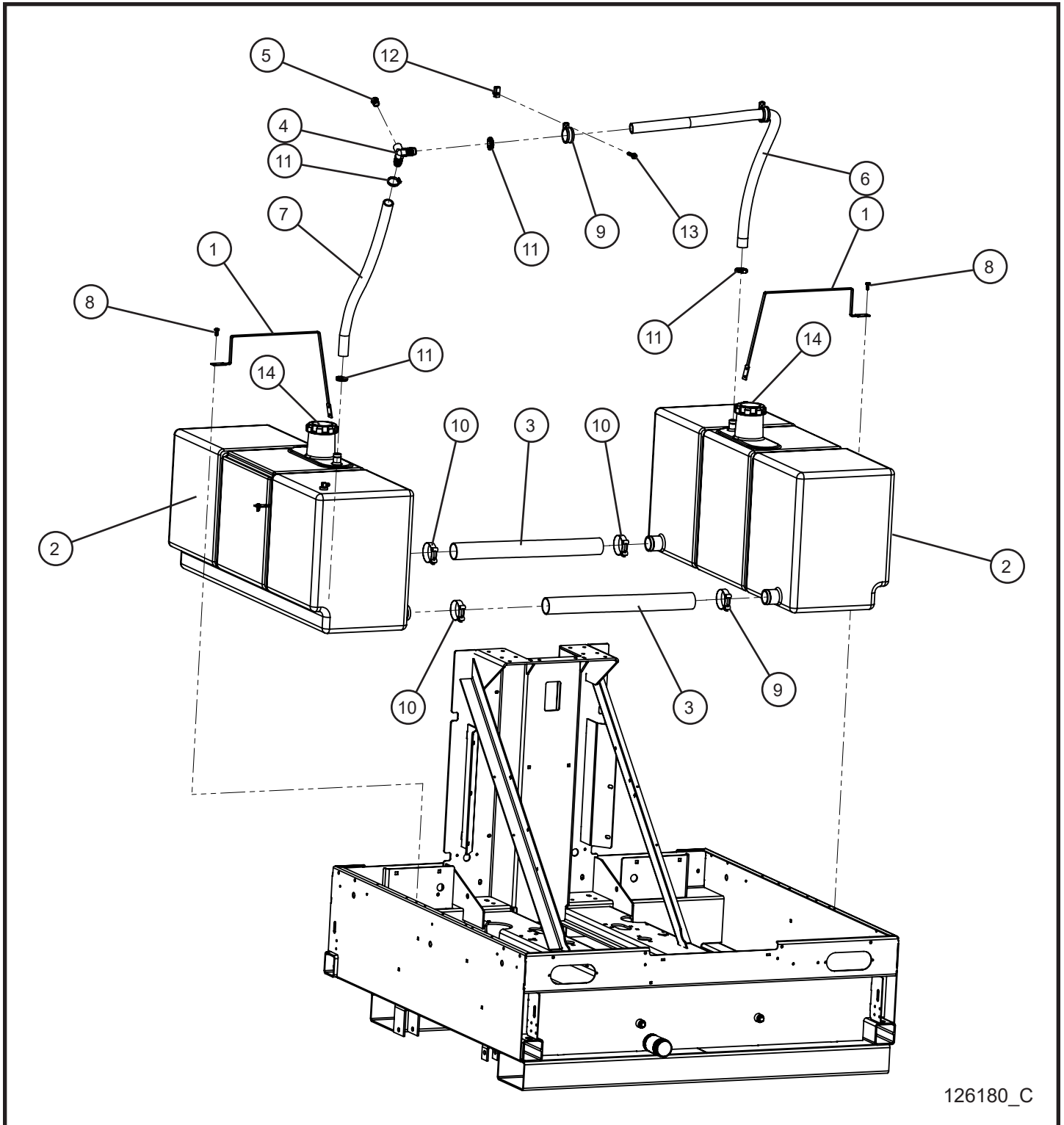
6.2 - Fluid Containment Drain Cap

Item	Part No.	Part Description	Qty.
1	104464	PIPE CONNECTION 2 INCH COUPLING	1
2	104463	CAP 2 INCH COUPLING	1

NS - NOT SHOWN

* * * - CONTACT ALLMAND FOR MORE INFORMATION

6.3 - Fuel Tanks



126180_C

Hybrid LT-Series™

SN 52-000001 and UP

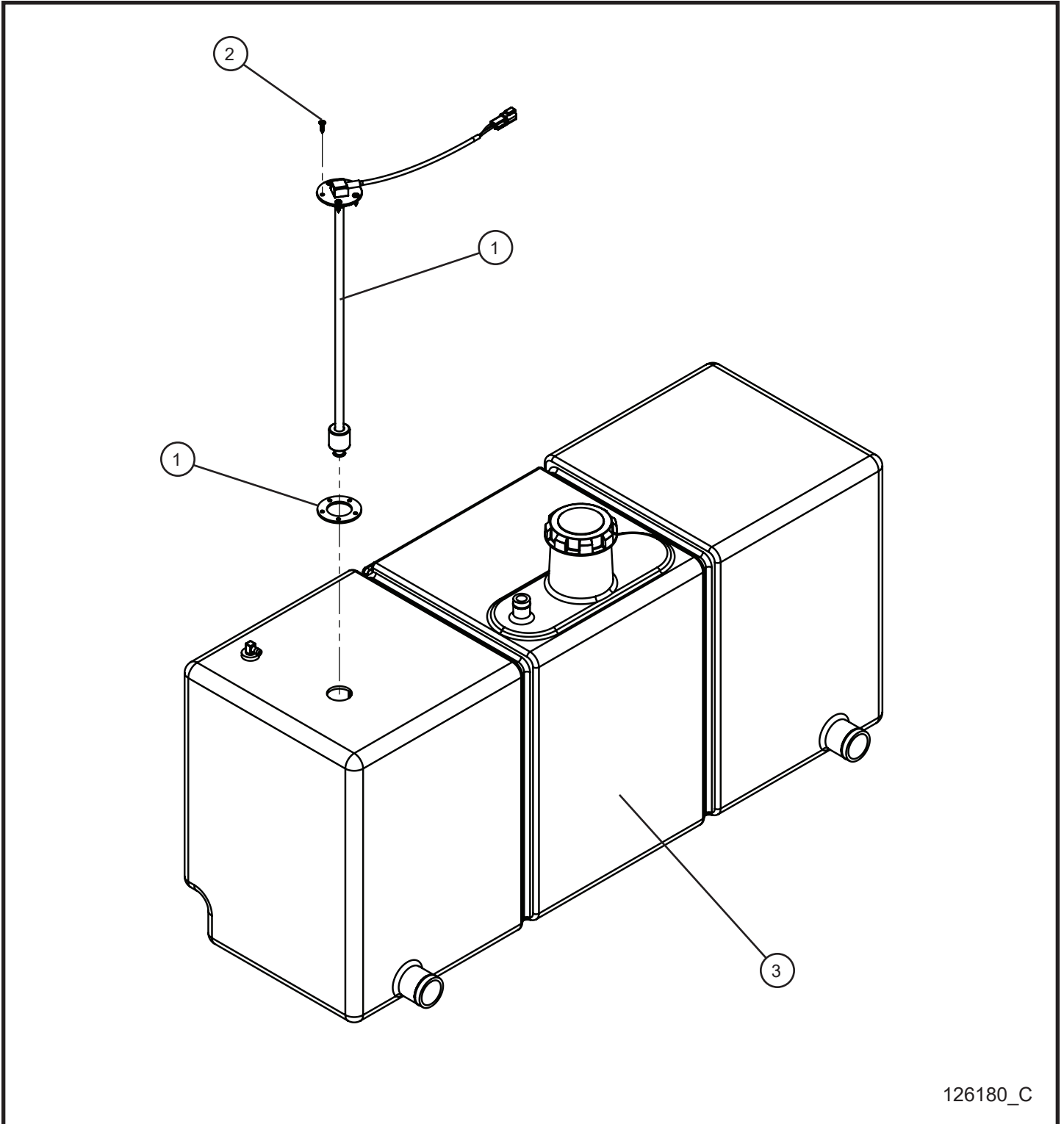
6.3 - Fuel Tanks

Item	Part No.	Part Description	Qty.
1	104698P	STRAP TIEDOWN FUEL TANK	3
2	107062	FUEL TANK 51.5 GALLON FAST FILL	2
3	104383	CROSSOVER HOSE FUEL TANKS	2
4	106131	PVC Y FITTING 1 x 1 x 1/2 NPT	1
5	106132	FITTING BREATHER 1/2 NPT	1
6	125072	1" ID VENT HOSE x 53.00	1
7	125072	1" ID VENT HOSE x 26.00	1
8	041070	1/4-20 x 3/4 SL-HEX WASHER HEAD MACHINE SCREW	3
9	106144	1 1/2 CUSH CLAMP W/ 3/8 HOLE	2
10	125421	FLEX GEAR CLAMP IDEA TRIDON 47036	4
11	045034	#16 HOSE CLAMP	6
12	044106	1/4-20 NUT U EXTRUDED	2
13	056019	1/4-20 X 3/4 HEX FLANGE SCREW	2
14	104532	FUEL CAP NON-VENTED	2
NS	106153	FUEL SUCTION TUBE ASSEMBLY	1
NS	105106	DAPCO 90° ELBOW	1
NS	340025C	DAPCO GROMMET	2

NS - NOT SHOWN

* * * - CONTACT ALLMAND FOR MORE INFORMATION

6.4 - Fuel Level Sender



126180_C

Hybrid LT-Series™

SN 52-000001 and UP

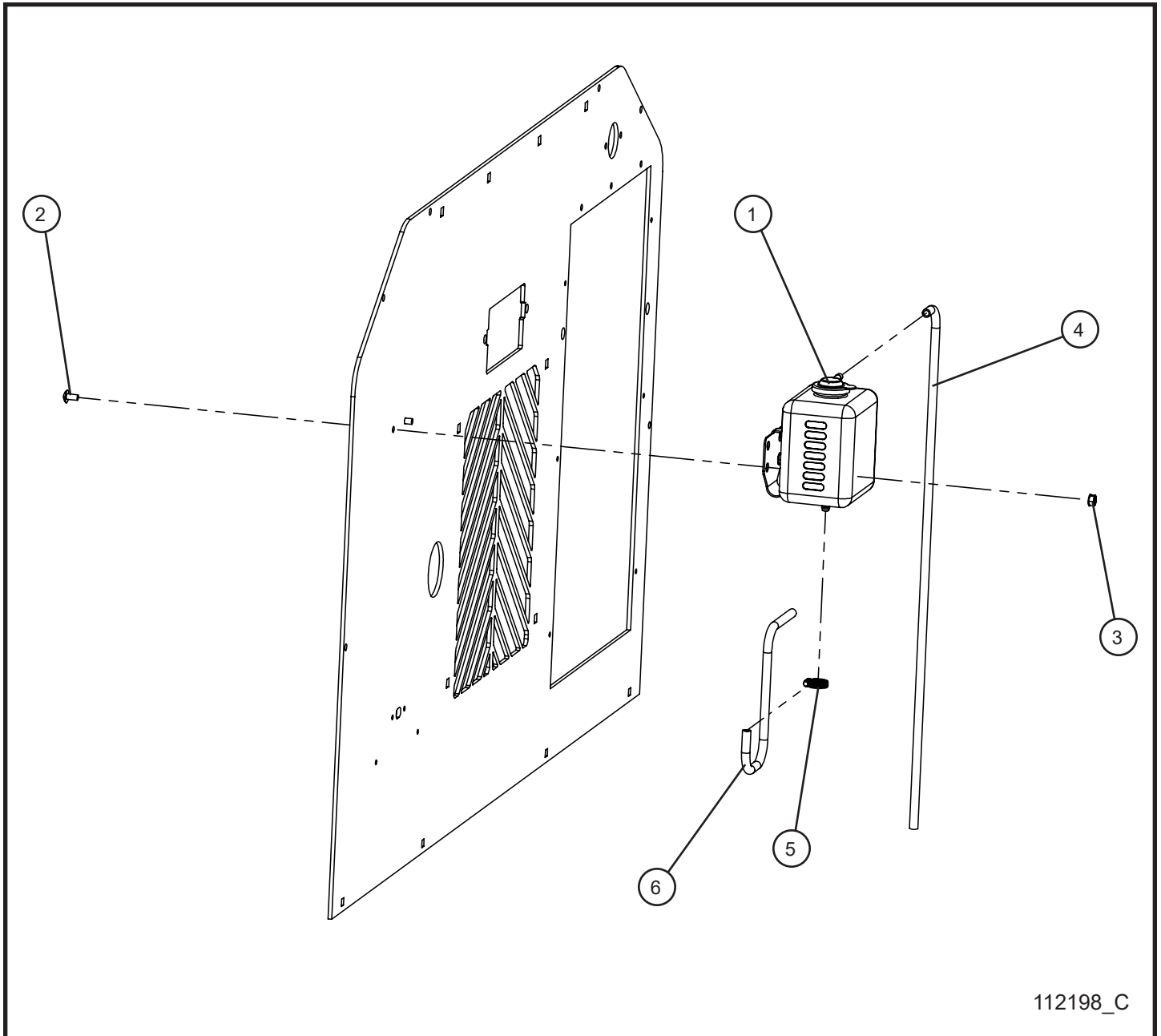
6.4 - Fuel Level Sender

Item	Part No.	Part Description	Qty.
1	110088	VERTICAL SHAFT FUEL LEVEL SENDER	1
2	102556	SCREW #8 x 3/4	5
3	107062	FUEL TANK 51.5 GALLON FAST FILL	1

NS - NOT SHOWN

* * * - CONTACT ALLMAND FOR MORE INFORMATION

6.5 - Radiator Coolant Recovery Tank



Hybrid LT-Series™

SN 52-000001 and UP

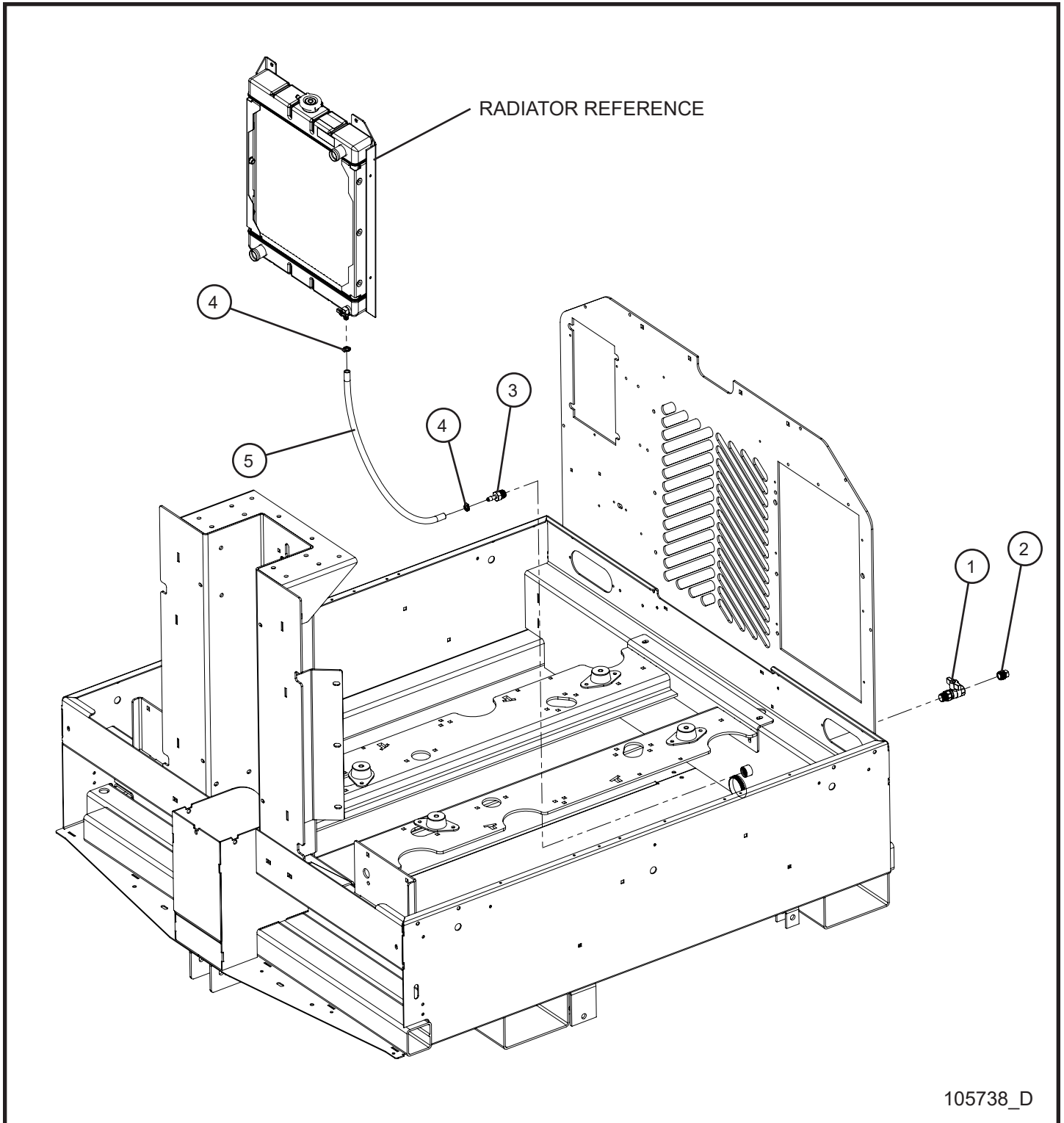
6.5 - Radiator Coolant Recovery Tank

Item	Part No.	Part Description	Qty.
1	650027	RESERVOIR WITH BRACKET	1
2	041078	1/4-20 x 1/2 PH-TRUSS HEAD MS SS	2
3	044021	1/4-20 KEPS HEX NUT PL	2
4	102268	COOLANT HOSE 1/4 x 44.0	1
5	433400	#4 HOSE CLAMP	1
6	102268	COOLANT HOSE 1/4 x 28.0	1

NS - NOT SHOWN

* * * - CONTACT ALLMAND FOR MORE INFORMATION

6.6 - Radiator Coolant Drain Group



105738_D

Hybrid LT-Series™

SN 52-000001 and UP

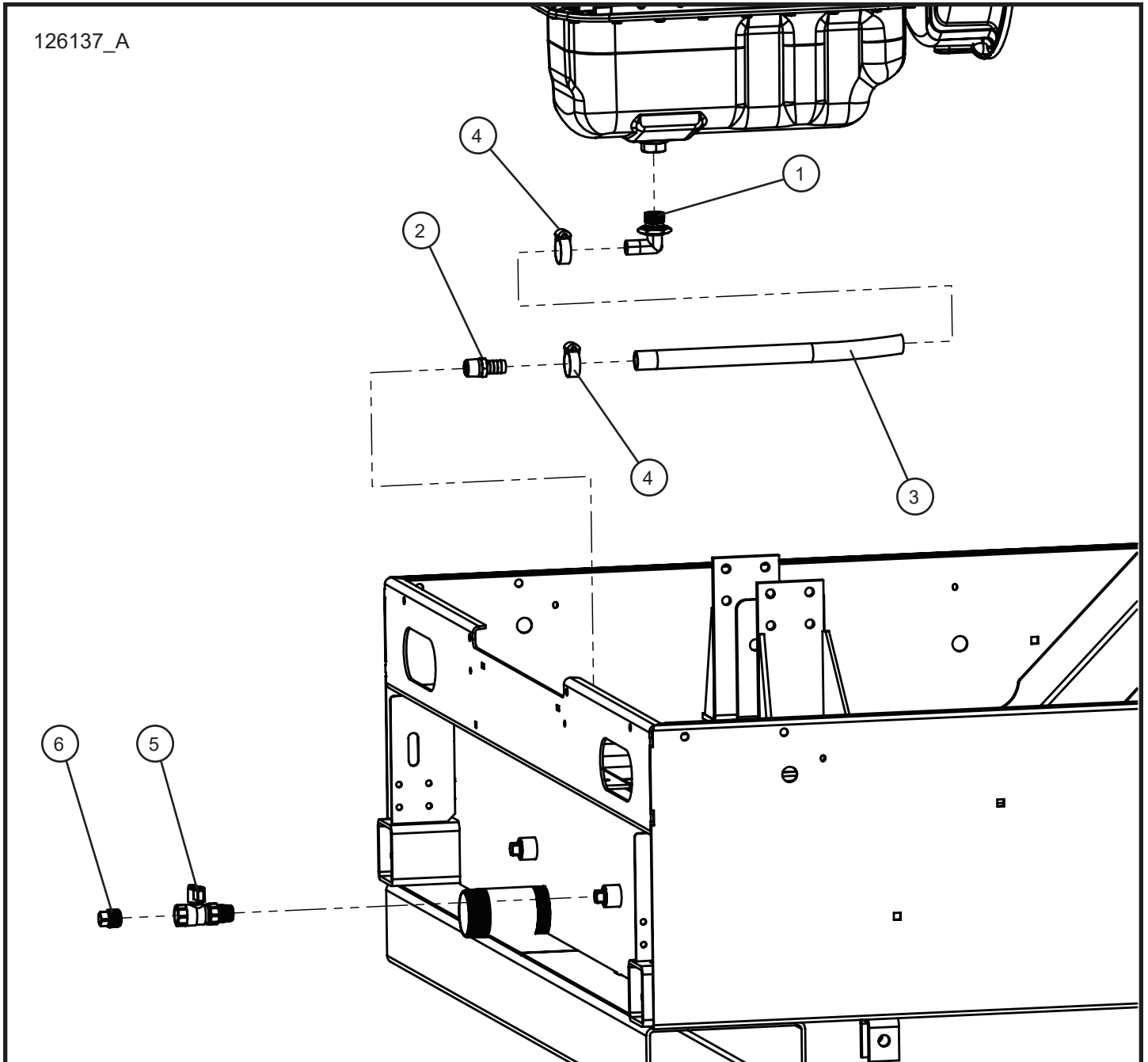
6.6 - Radiator Coolant Drain Group

Item	Part No.	Part Description	Qty.
1	125254	BALL VALVE 1/2 NPT MALE X 1/2 NPT FEMALE	1
2	026106	1/2 NPT SQUARE HEAD PLUG	1
3	104381	1/2 NPT - 3/8 HOSE BARB FITTING	1
4	433400	#4 HOSE CLAMP	2
5	101266	3/8 COOLANT HOSE x 21.00 (JB/RCP RADIATOR)	1
NS	105352	DRAIN COCK	1

NS - NOT SHOWN

* * * - CONTACT ALLMAND FOR MORE INFORMATION

6.7 - Oil Drain Group



Hybrid LT-Series™

SN 52-000001 and UP

6.7 - Oil Drain Group

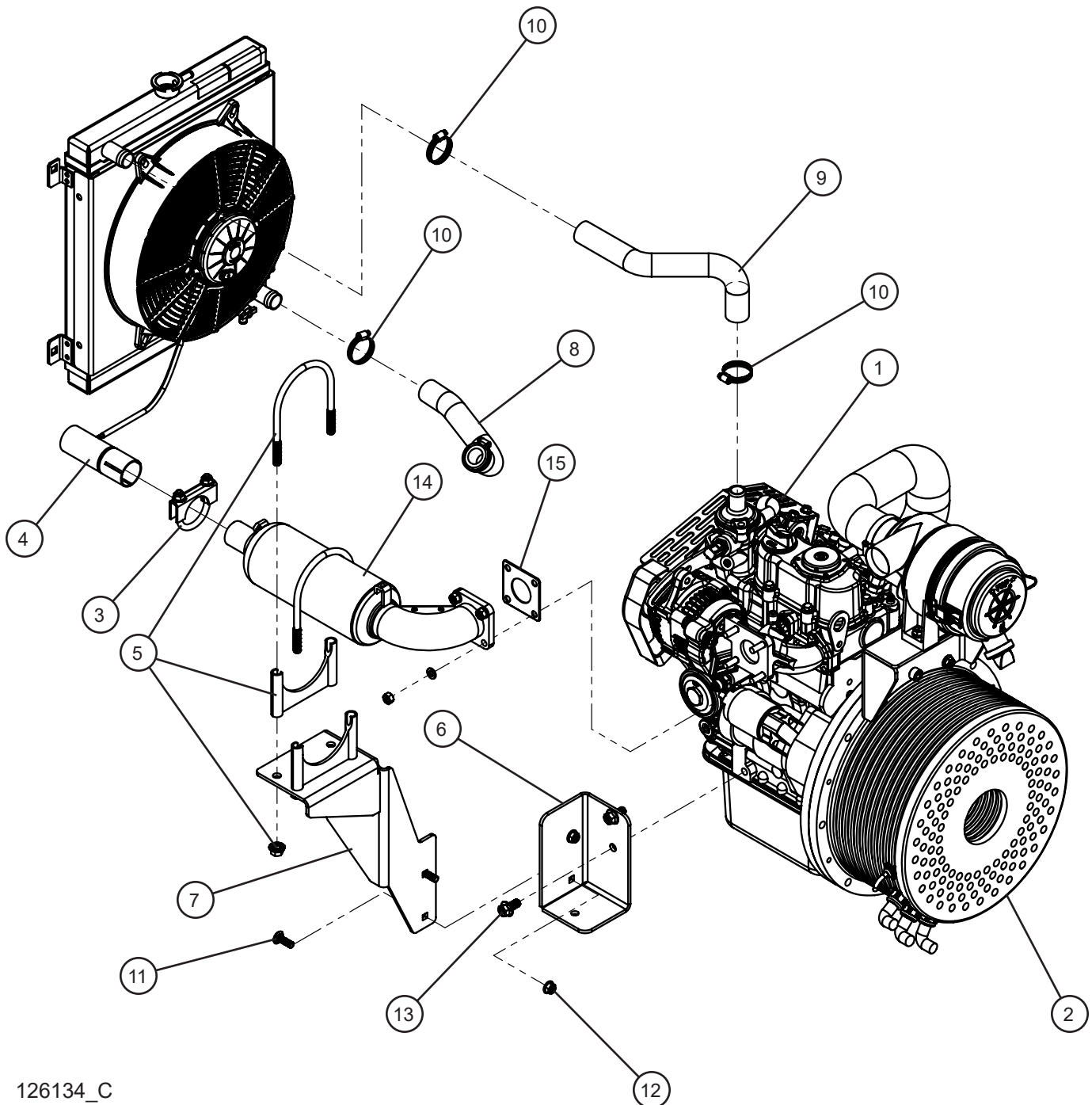
Item	Part No.	Part Description	Qty.
1	122048	FITTING 90° ADAPTER M22 x 1.5 TO 5/8 IN HOSE BARB	1
2	123561	5/8 X 1/2 MNPT HOSE BARB	1
3	081040	5/8 PUSH-LOK X 12.5 INCHES	1
4	045033	#10 HOSE CLAMP	2
5	125254	BALL VALVE 1/2 NPT MALE X 1/2 NPT FEMALE	1
6	026106	PLUG 1/2 NPT SQUARE HEAD	1

NS - NOT SHOWN

* * * - CONTACT ALLMAND FOR MORE INFORMATION

7.1 - Kubota Z482 Variable Speed Diesel Engine (1 of 3)

ENGINE INSTALL



126134_C

Hybrid LT-Series™

SN 52-000001 and UP

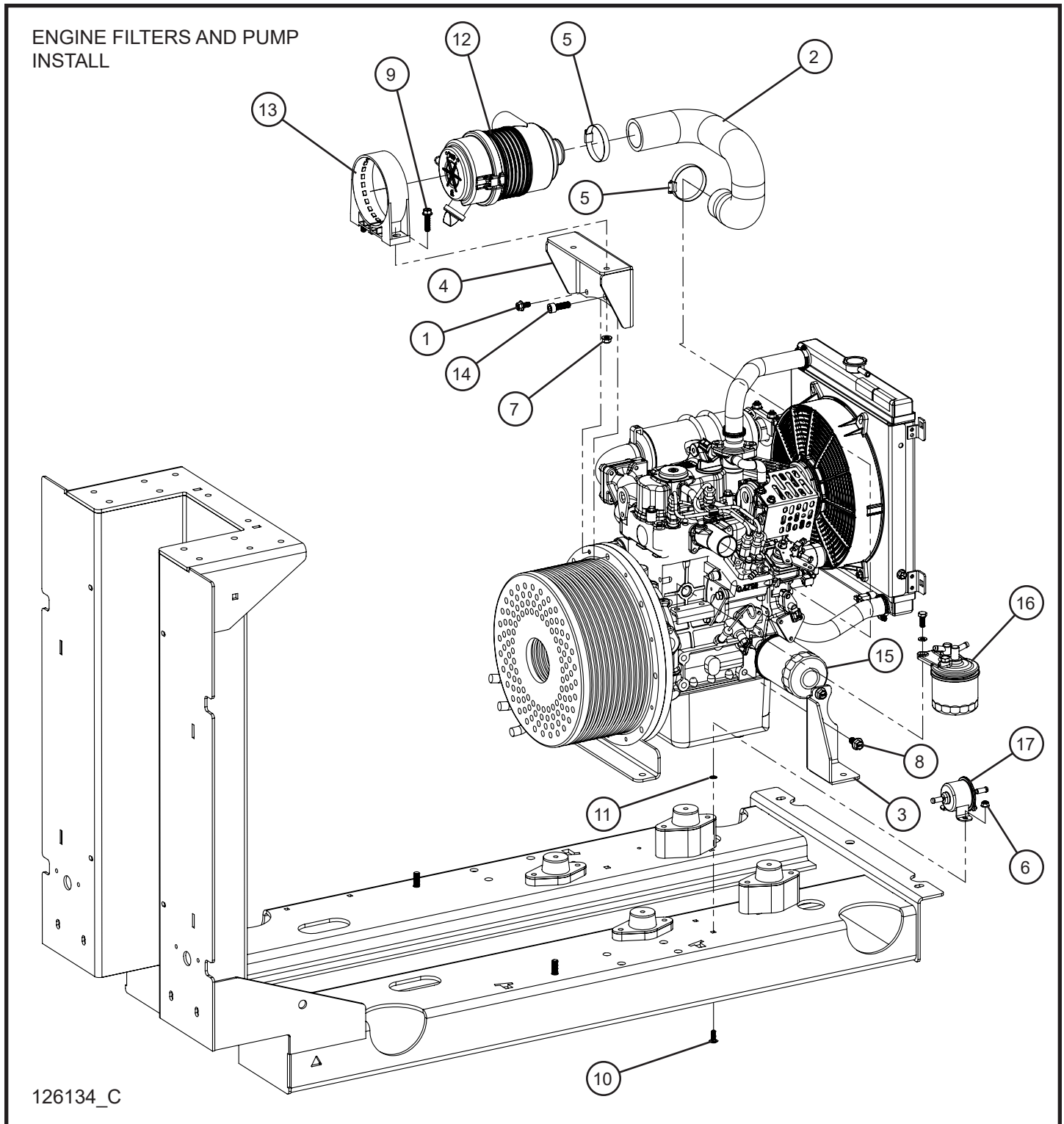
7.1 - Kubota Z482 Variable Speed Diesel Engine (1 of 3)

Item	Part No.	Part Description	Qty.
1	125999	KUBOTA Z482 VARIABLE SPEED T4F ENGINE	1
2	122047	PMG AND RECTIFIER	1
3	112211	CLAMP MUFFLER 1-5/8 EXHAUST	1
4	118397	TAILPIPE EXHAUST KUBOTA Z482	1
5	123985	3/8-16 x 4.00 MUFFLER CLAMP	2
6	126117P	LEFT ENGINE FOOT WELDMENT KUBOTA Z482 HYBRID	1
7	126120P	MUFFLER SUPPORT WELDMENT KUBOTA Z482 HYBRID	1
8	125170	HOSE RADIATOR LOWER Z482 HYBRID	1
9	125169	HOSE RADIATOR UPPER Z482 HYBRID	1
10	045034	#16 CLAMP HOSE	4
11	053020	5/16-18 X 1 CARRIAGE BOLT	6
12	057008	5/16-18 HEX NYLOCK FLANGE NUT	8
13	055002	M10 x 1.25 x 20 HEX FLANGE SCREW W/ BLUE THREAD LOCK	4
14	118382	MUFFLER	1
15	118383	MUFFLER GASKET	1
NS	123202	ENGINE HARNESS HYBRID KUBOTA Z482	1
NS	125435	HARNESS RELAY 12V ELETRIC FAN HYBRID LT-SERIES	1
NS	126333	SCHEMATIC RELAY 12V ELETRIC FAN HYBRID LT-SERIES	1

NS - NOT SHOWN

* * * - CONTACT ALLMAND FOR MORE INFORMATION

7.1 - Kubota Z482 Variable Speed Diesel Engine (2 of 3)



Hybrid LT-Series™

SN 52-000001 and UP

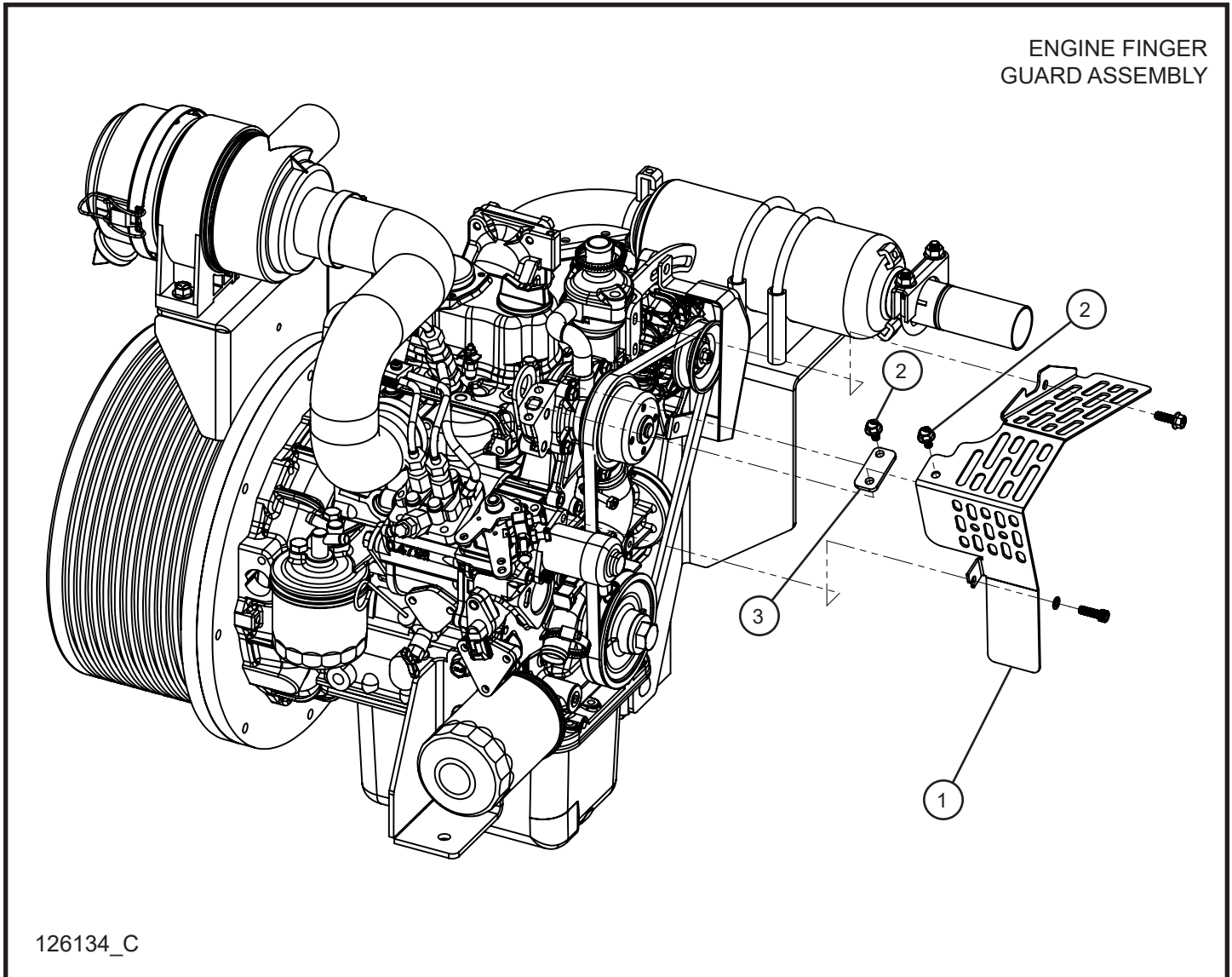
7.1 - Kubota Z482 Variable Speed Diesel Engine (2 of 3)

Item	Part No.	Part Description	Qty.
1	055003	M8 x 1.25 x 16 HEX FLANGE SCREW W/ BLUE THREAD LOCK	1
2	118390	HOSE AIR INTAKE KUBOTA Z482	1
3	126118P	RIGHT ENGINE FOOT WELDMENT KUBOTA Z482 HYBRID	1
4	126119P	AIR CLEANER BRACKET WELDMENT KUBOTA Z482 HYBRID	1
5	045038	#32 HOSE CLAMP	2
6	057001	1/4-20 HEX NYLOCK FLANGE NUT	6
7	057008	5/16-18 HEX NYLOCK FLANGE NUT	8
8	055002	M10 x 1.25 x 20 HEX FLANGE SCREW W/ BLUE THREAD LOCK	4
9	056035	5/16-18 x 1 1/4 HEX FLANGE SCREW	2
10	053006	1/4-20 x 3/4 CARRIAGE BOLT	2
11	101701	1/4 PUSH NUT	2
12	125415	AIR CLEANER ASSEMLBY	1
	650290	AIR FILTER	1
13	125416	AIR CLEANER ASSEMLBY BRACKET	1
14	054002	M10 x 1.50 x 30 - 8.8 SOCKET HEAD SCREW W/ BLUE LOCTITE	8
15	118380	OIL FILTER	1
16	920745	FUEL FILTER	1
17	103331	FUEL PUMP	1
NS	123202	ENGINE HARNESS HYBRID KUBOTA Z482	1
NS	125435	HARNESS RELAY 12V ELETRIC FAN HYBRID LT-SERIES	1
NS	126333	SCHEMATIC RELAY 12V ELETRIC FAN HYBRID LT-SERIES	1

NS - NOT SHOWN

* * * - CONTACT ALLMAND FOR MORE INFORMATION

7.1 - Kubota Z482 Variable Speed Diesel Engine (3 of 3)



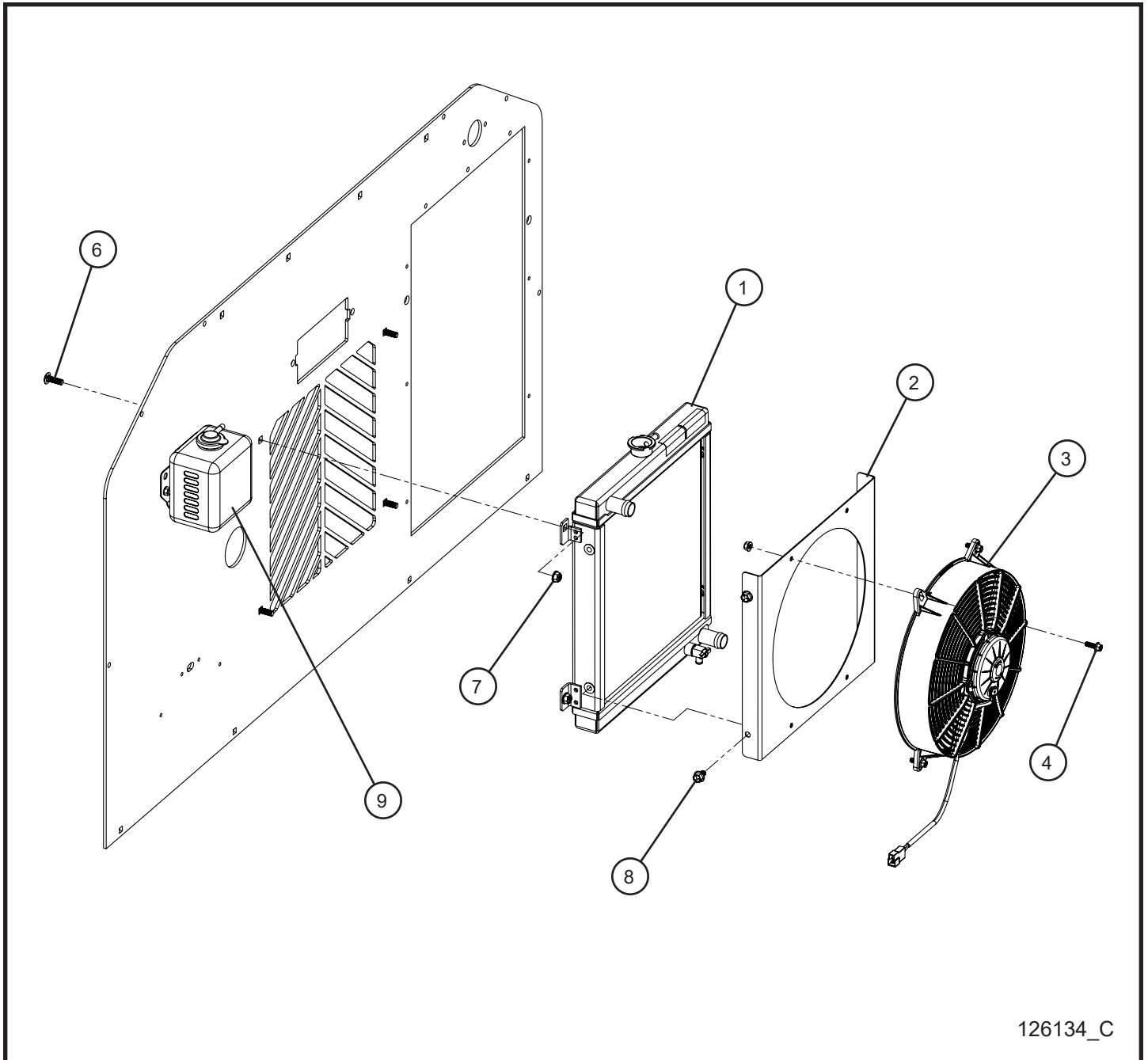
Hybrid LT-Series™

SN 52-000001 and UP

7.1 - Kubota Z482 Variable Speed Diesel Engine (3 of 3)

Item	Part No.	Part Description	Qty.
1	126209P	GUARD BELT KUBOTA Z482 WITH ELECTRIC FAN	1
2	056003	M6 x 1.0 x 12 SERRATED FLANGE HEX BOLT	2
3	126260P	SPACER FINGER GUARD HYBRID LT SERIES	1
NS	123202	ENGINE HARNESS HYBRID KUBOTA Z482	1
NS	125435	HARNESS RELAY 12V ELETRIC FAN HYBRID LT-SERIES	1
NS	126333	SCHEMATIC RELAY 12V ELETRIC FAN HYBRID LT-SERIES	1

7.2 - Kubota Z482 Radiator Install Group



126134_C

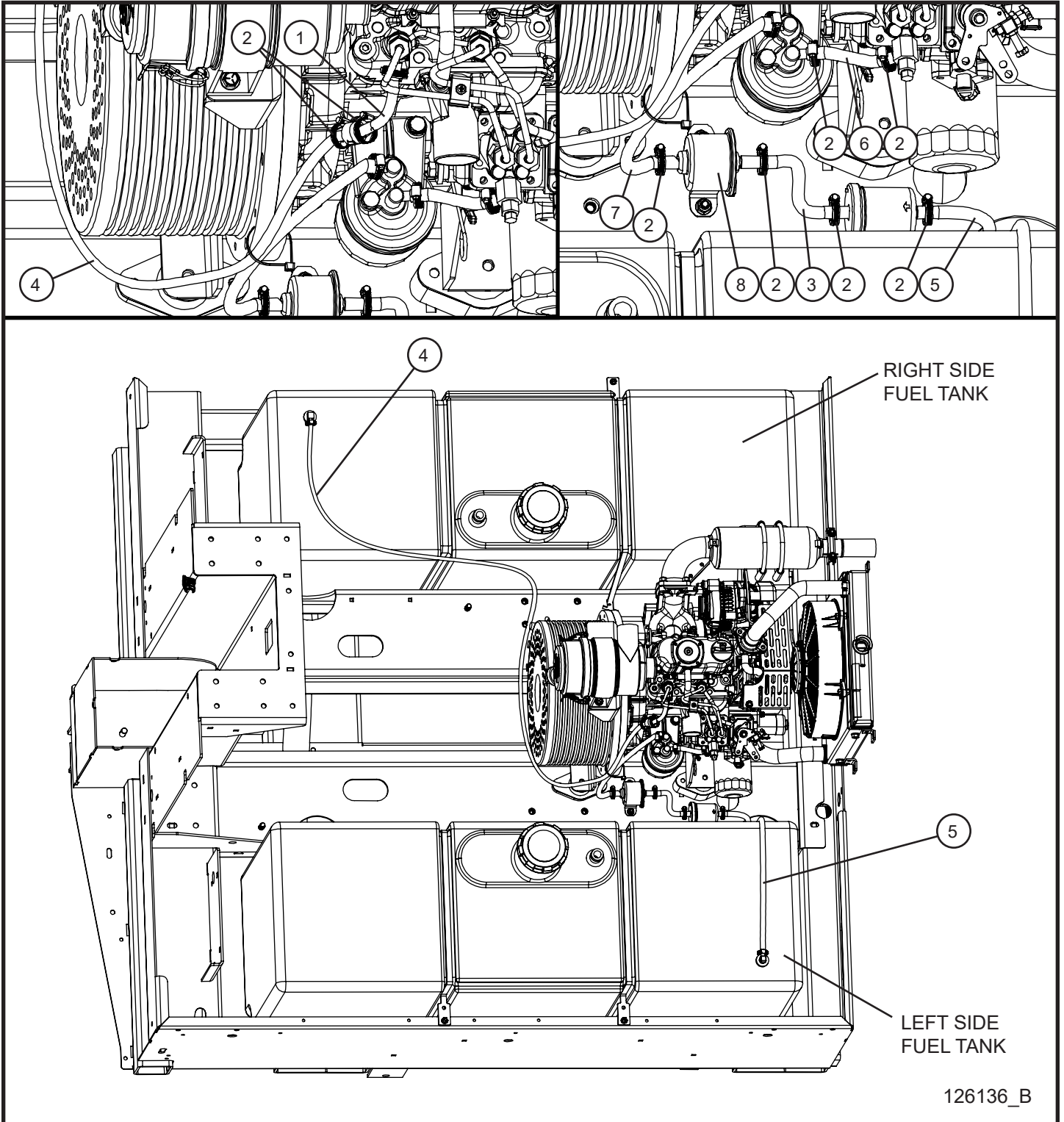
Hybrid LT-Series™

SN 52-000001 and UP

7.2 - Kubota Z482 Radiator Install Group

Item	Part No.	Part Description	Qty.
1	118394	RADIATOR KUBOTA Z482	1
2	120787P	SHROUD FAN KUBOTA Z482 HYBRID	1
3	122035	COOLING FAN 13" ELECTRIC 12V	1
4	056019	1/4-20 X 3/4 HEX FLANGE SCREW	4
5	057001	1/4-20 HEX NYLOCK FLANGE NUT	6
6	053020	5/16-18 X 1 CARRIAGE BOLT	6
7	057008	5/16-18 HEX NYLOCK FLANGE NUT	8
8	056030	5/16-18 X 1/2 HEX FLANGE SCREW	4
9	650027	RESERVOIR WITH BRACKET	1
NS	125170	HOSE RADIATOR LOWER Z482 HYBRID	1
NS	125169	HOSE RADIATOR UPPER Z482 HYBRID	1
NS	125435	HARNESS RELAY 12V ELETRIC FAN HYBRID LT-SERIES	1
NS	126333	SCHEMATIC RELAY 12V ELETRIC FAN HYBRID LT-SERIES	1

7.3 - Kubota Z482 Engine Fuel Lines



126136_B

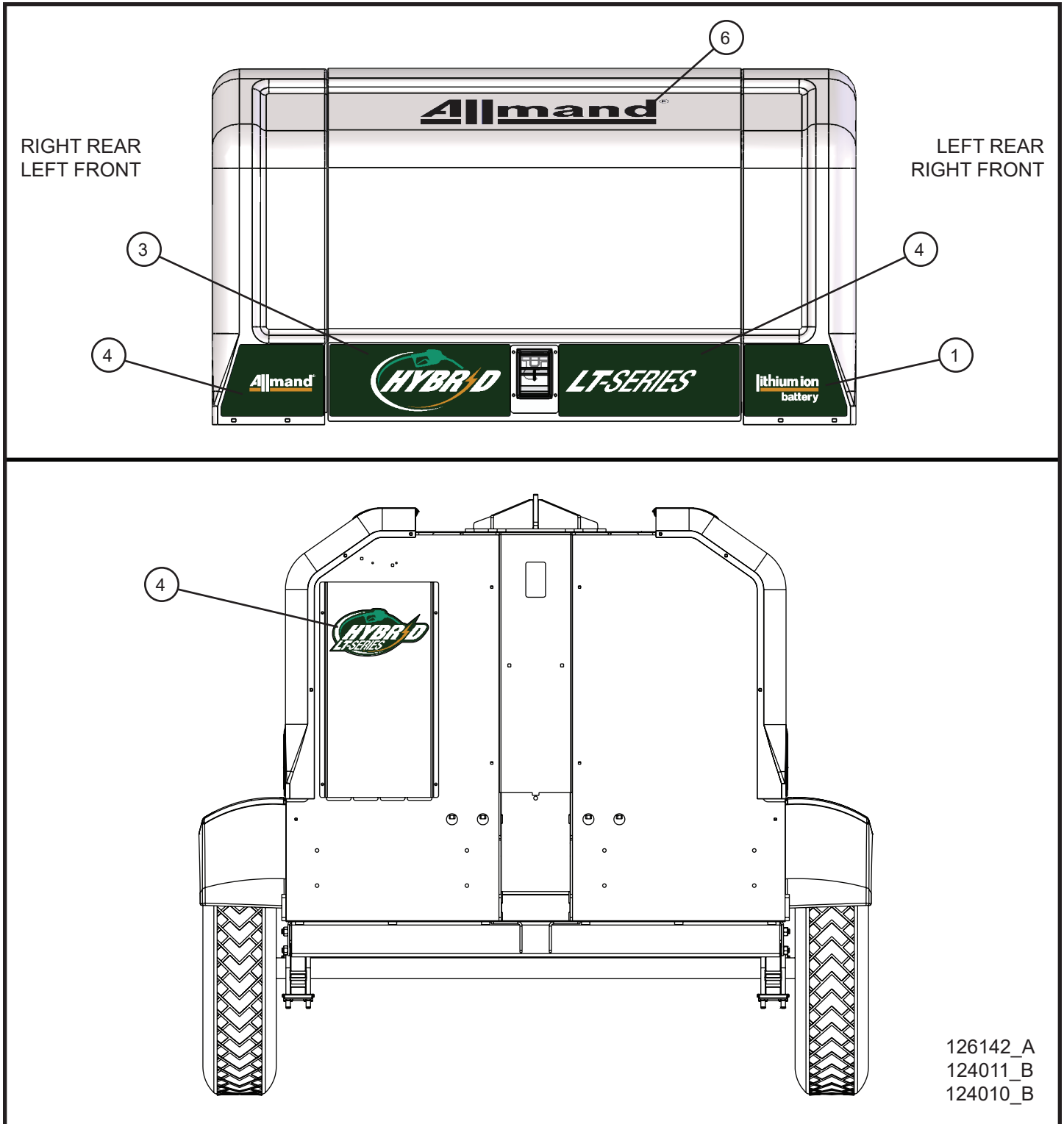
Hybrid LT-Series™

SN 52-000001 and UP

7.3 - Kubota Z482 Engine Fuel Lines

Item	Part No.	Part Description	Qty.
1	081016	HOSE 1/4 FUEL LINE X 5.00	1
2	433400	#4 HOSE CLAMP	12
3	081018	HOSE 5/16 FUEL LINE X 5.00	1
4	081016	HOSE 1/4 FUEL LINE X 63.00	1
5	081018	HOSE 5/16 FUEL LINE X 24.00	1
6	125162	HOSE FUEL FILTER TO INJECTION PUMP KUBOTA Z482	1
7	081018	HOSE 5/16 FUEL LINE X 17.00	1
8	* * *	FUEL PUMP	1
NS	105106	DAPCO 90° ELBOW	1

8.1 - Branding Decals



Hybrid LT-Series™

SN 52-000001 and UP

8.1 - Door Branding Decals

Item	Part No.	Part Description	Qty.
1	123975	DECAL RIGHT QUARTER PANEL STRIP HYBRID	2
2	123974	DECAL LEFT QUARTER PANEL STRIPE HYBRID	2
3	123976	DECAL LEFT HAND DOOR STRIPE HYBRID	2
4	123977	DECAL RIGHT HAND DOOR STRIPE HYBRID	2
5	123978	DECAL HYBRID LOGO SMALL	
6	118119	DECAL BRANDING ALLMAND-R BLACK 23.3 INCH	2
	118425	DECAL BRANDING ALLMAND-R GOLD-WHITE 23.3 INCH	2

NS - Not Shown

* * * - Contact Allmand for more information.

8.2 - Left Side Safety Decals

⚠ WARNING	⚠ WARNING	⚠ WARNING	⚠ WARNING	⚠ WARNING	⚠ WARNING	⚠ WARNING
Failure to follow warnings, instructions, and operator's manual could result in death or serious injury.	Read and follow operator's manual before operating or servicing this equipment.	Unexpected start of engine could result in death or serious injury.	Contact with hot exhaust gases and parts could cause serious injury.	Contact with rotating parts could result in death or serious injury.	Opening cap on hot radiator could result in death or serious injury.	Exposure to corrosive material could result in death or serious injury.
⚠ AVERTISSEMENT	⚠ AVERTISSEMENT	⚠ AVERTISSEMENT	⚠ AVERTISSEMENT	⚠ AVERTISSEMENT	⚠ AVERTISSEMENT	⚠ AVERTISSEMENT
L'omission de respecter les avertissements, les instructions et le manuel de l'utilisateur pourrait entraîner des blessures graves ou la mort.	Lire et suivez le manuel d'utilisateur avant de faire fonctionner ou de faire l'entretien de cet équipement.	Le démarrage inattendu du moteur pourrait provoquer la mort ou des blessures graves.	Tout contact avec les pièces et les gaz d'échappement chauds pourrait causer la mort ou des blessures graves.	Evitez les pièces en mouvement.	L'ouverture du bouchon sur un radiateur chaud pourrait causer la mort ou des blessures graves.	Toute exposition à des produits corrosifs pourrait causer la mort ou des blessures graves.
⚠ WARNING	⚠ WARNING	⚠ WARNING	⚠ WARNING	⚠ WARNING	⚠ WARNING	⚠ WARNING
Smoking materials, open flames, or other forms of ignition near the battery could cause explosion resulting in death or serious injury.	Keep smoking materials, open flames, and other forms of ignition away from the battery.	Keep away from rotating parts.	Keep away from rotating parts.	Allow radiator to cool down before opening cap.	Wear protective gloves when handling battery.	Wear protective gloves when handling battery.
⚠ AVERTISSEMENT	⚠ AVERTISSEMENT	⚠ AVERTISSEMENT	⚠ AVERTISSEMENT	⚠ AVERTISSEMENT	⚠ AVERTISSEMENT	⚠ AVERTISSEMENT
Les articles de fumeur, les flammes nues ou d'autres formes d'allumage près de la batterie pourraient causer une explosion, causant la mort ou des blessures graves.	Tenez les articles de fumeur, les flammes nues ou d'autres formes d'allumage à l'écart de la batterie.	Évitez les pièces en mouvement.	Évitez les pièces en mouvement.	Laissez le radiateur refroidir avant de déboucher le bouchon.	Porter des gants de protection en manipulant la batterie.	Porter des gants de protection en manipulant la batterie.

122407

2

3

4

5

LEFT SIDE

1

6

126145_B

Hybrid LT-Series™

SN 52-000001 and UP

8.2 - Left Side Safety Decals

Item	Part No.	Part Description	Qty.
1	125338	DECAL BILINGUAL WARNING DO NOT POWER WASH	1
2	122467	DECAL MULTIPLE WARNINGS DOOR	1
3	122470	DECAL NOTICE NEUTRAL BONDED & GROUNDED	1
4	107254	FORKLIFT POSITION DECAL	2
5	118074	DECAL BILINGUAL DANGER HAZARDOUS VOLTAGE VERTICAL	1
6	109005	TIE DOWN POSITION DECAL	2

8.3 - Right Side Safety Decals

 WARNING Failure to follow warnings, instructions, and operator's manual could result in death or serious injury. Read and follow operator's manual before operating or servicing this equipment.	 WARNING Unexpected start of engine could result in death or serious injury. Read and follow electronic controls operator's manual before operating or servicing this equipment.	 WARNING Contact with hot exhaust gases and parts could cause serious injury. Avoid hot exhaust gases. Keep hands and combustible materials away from hot parts.	 WARNING Contact with rotating parts could result in death or serious injury. Keep away from rotating parts.	 WARNING Opening cap on hot radiator could result in death or serious injury. Allow radiator to cool down before opening cap.	 WARNING Exposure to corrosive material could result in death or serious injury. Wear protective gloves when handling battery.	 WARNING Smoking materials, open flames, or other forms of ignition near the battery could cause explosion resulting in death or serious injury. Keep smoking materials, open flames, and other forms of ignition away from the battery.
AVERTISSEMENT L'absence de respecter les avertissements, les instructions et le manuel de l'utilisateur pourrait entraîner des blessures graves ou la mort. Lire et suivre le manuel d'utilisation avant de faire fonctionner ou de faire fonctionner cet équipement.	AVERTISSEMENT Le démarrage inattendu du moteur pourrait provoquer la mort ou des blessures graves. Lire et suivre le manuel d'utilisation du contrôleur électronique avant d'utiliser ou de réparer cet équipement.	AVERTISSEMENT Tout contact avec les pièces et les gaz d'échappement chauds. Tenir les mains et les produits inflammables à l'écart des pièces chaudes. Éviter les gaz d'échappement chauds. Tenir les mains et les produits inflammables à l'écart des pièces chaudes.	AVERTISSEMENT Le contact avec des pièces en mouvement pourrait résulter en de graves blessures voire la mort. Se tenir à l'écart des pièces en mouvement.	AVERTISSEMENT L'ouverture du bouchon sur un radiateur chaud pourrait causer la mort ou des blessures graves. Laisser le radiateur refroidir avant de dévisser le bouchon.	AVERTISSEMENT Toute exposition à des produits corrosifs pourrait causer la mort ou des blessures graves. Porter des gants de protection en manipulant la batterie.	AVERTISSEMENT Les articles de fumeur, les flammes nues ou d'autres formes d'allumage à l'écart de la batterie. Tenir les articles de fumeur, les flammes nues ou les autres formes d'allumage à l'écart de la batterie.

122467

1

107254

2

3

4

118074

5

109005

3

5

4

5

3

5

4

5

3

5

4

5

3

5

4

5

3

5

4

5

3

5

4

5

3

5

4

5

3

5

4

5

3

5

4

5

3

5

4

5

3

5

4

5

3

5

4

5

3

5

4

5

3

5

4

5

3

5

4

5

3

5

4

5

3

5

4

5

3

5

4

5

3

5

4

5

3

5

4

5

3

5

4

5

3

5

4

5

3

5

4

5

3

5

4

5

3

5

4

5

3

5

4

5

3

5

4

5

3

5

4

5

3

5

4

5

3

5

4

5

3

5

4

5

3

5

4

5

3

5

4

5

3

5

4

5

3

5

4

5

3

5

4

5

3

5

4

5

3

5

4

5

3

5

4

5

3

5

4

5

3

5

4

5

3

5

4

5

3

5

4

5

3

5

4

5

3

5

4

5

3

5

4

5

3

5

4

5

3

5

4

5

3

5

4

5

3

5

4

5

3

5

4

5

3

5

4

5

3

5

4

5

3

5

4

5

3

5

4

5

3

5

4

5

3

5

4

5

3

5

4

5

3

5

4

5


Hybrid LT-Series™

SN 52-000001 and UP

8.3 - Right Side Safety Decals

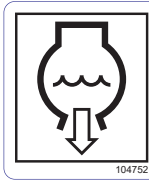
Item	Part No.	Part Description	Qty.
1	122467	DECAL MULTIPLE WARNINGS DOOR	1
2	107254	FORKLIFT POSITION DECAL	2
3	125338	DECAL BILINGUAL WARNING DO NOT POWER WASH	1
4	118074	DECAL BILINGUAL DANGER HAZARDOUS VOLTAGE VERTICAL	1
5	109005	TIE DOWN POSITION DECAL	2

8.4 - Rear Side Safety Decals




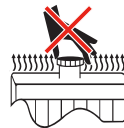
107973

1



104752


3

<p>⚠ WARNING</p> <p>Opening cap on hot radiator could result in death or serious injury.</p> <p>Allow radiator to cool down before opening cap.</p>	 	<p>⚠ AVERTISSEMENT</p> <p>L'ouverture du bouchon sur un radiateur chaud pourrait causer la mort ou des blessures graves.</p> <p>Laisser le radiateur refroidir avant de dévisser le bouchon.</p>
--	--	---

118651

6


⚠ WARNING



⚠ AVERTISSEMENT

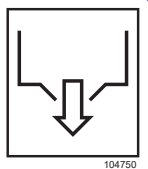
118162

4



105567

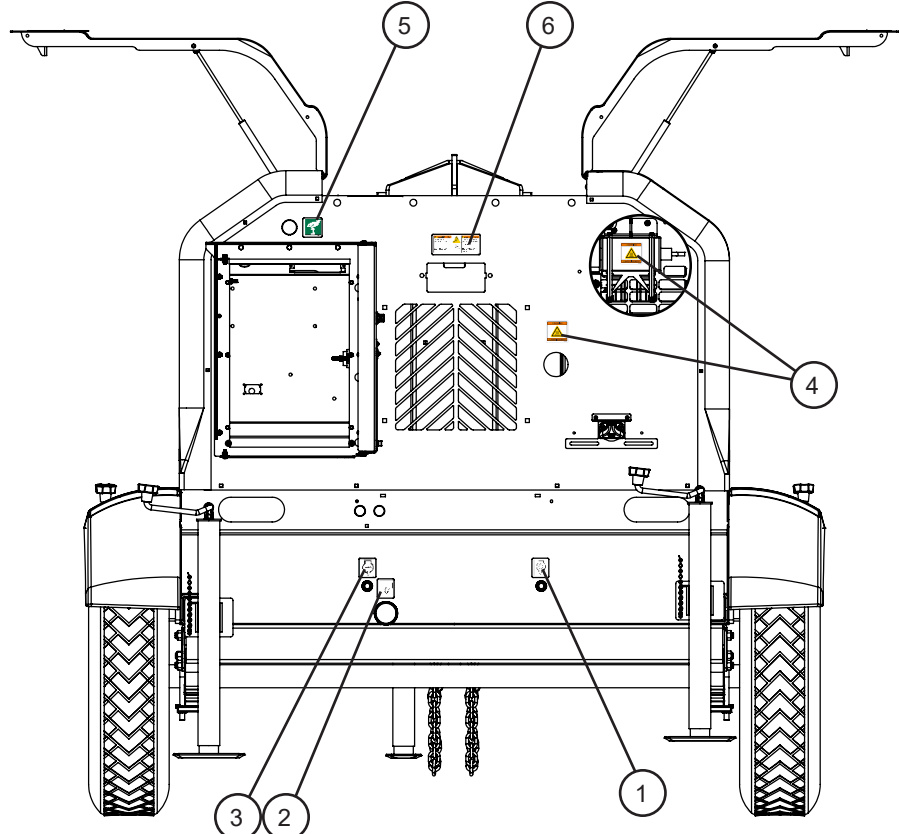
5



104750

2

BACK SIDE



126145_B

Hybrid LT-Series™

SN 52-000001 and UP

8.4 - Rear Side Safety Decals

Item	Part No.	Part Description	Qty.
1	107973	OIL DRAIN DECAL	1
2	107971	DRAIN FLUID CONTAINMENT DECAL	1
3	104752	DRAIN ENGINE COOLANT DECAL	1
4	118162	DECAL WARNING HOT SURFACE ENGLISH & FRENCH	2
5	105567	EMERGENCY STOP DECAL	1
6	118651	DECAL RADIATOR WARNING BI-LINGUAL	1

8.5 - Top and Front Side Safety Decals

<p>⚠ WARNING Standing under light tower mast and fixtures during lowering operation could result in death or serious injury. Keep bystanders away from light tower during lowering and raising operations.</p> <p>⚠ AVERTISSEMENT Le fait de se tenir debout sous une tour d'éclairage et de ses accessoires alors qu'elle est abaissée pourrait causer la mort ou des blessures graves. Tenir les spectateurs à l'écart de la tour d'éclairage pendant qu'on la soulève ou l'abaisse.</p> <p>⚠ WARNING Handling light fixtures when they are hot could result in death or serious injury. Keep clear of light fixtures when illuminated or hot.</p> <p>⚠ AVERTISSEMENT La manipulation des luminaires alors qu'ils sont chauds pourrait causer la mort ou des blessures graves. Rester à l'écart des luminaires lorsqu'ils sont allumés ou chauds.</p> <p>⚠ WARNING Looking at illuminated light fixtures could result in serious injury. Do not look directly at illuminated light fixtures.</p> <p>⚠ AVERTISSEMENT Regarder des luminaires allumés pourrait provoquer de graves blessures. Ne jamais regarder directement des luminaires allumés.</p> <p>122478</p>	<p>1</p> <p>TOP OF THE LIGHT BAR</p>	<p>⚠ WARNING Failure to follow warnings, instructions and operator's manual could result in death or serious injury. Read and follow operator's manual before operating or servicing this equipment.</p> <p>⚠ AVERTISSEMENT L'omission de respecter les avertissements, les instructions et le manuel de l'utilisateur pourrait entraîner des blessures graves ou la mort. Lire et suivre le manuel d'utilisation avant de faire fonctionner ou de faire l'entretien de cet équipement.</p> <p>⚠ WARNING Failure to lower tower into a secured position before towing could result in death or serious injury. Lower tower to a secured position before towing.</p> <p>⚠ AVERTISSEMENT Ne pas abaisser la tour d'éclairage en position sécurisée au préalable peut provoquer la mort ou des blessures graves. Abaisser la tour en position sécurisée avant le remorquage.</p> <p>⚠ WARNING Excessive towing speed could result in death or serious injury. Do not exceed 60mph (100km/h) when towing trailer.</p> <p>⚠ AVERTISSEMENT Une vitesse de remorquage excessive pourrait entraîner la mort ou de graves blessures. Ne pas dépasser 105 km/h (65 mi/h) lors du remorquage.</p> <p>122463</p>	
<p>2</p>	<p>5</p> <p>LIFT POINT LEFT SIDE DETAIL</p>	<p>5</p> <p>TOWER DETAIL</p>	<p>3</p>
<p>126145_B</p>	<p>3</p> <p>TOP FRONT DETAIL</p>	<p>122480</p>	<p>4</p>
<p>5</p> <p>LIFT POINT RIGHT SIDE DETAIL</p>	<p>⚠ DANGER</p> <p>⚠ DANGER</p> <p>118074</p>	<p>1</p>	

Hybrid LT-Series™

SN 52-000001 and UP

8.5 - Top and Front Side Safety Decals

Item	Part No.	Part Description	Qty.
1	118074	DECAL BILINGUAL DANGER HAZARDOUS VOLTAGE VERTICAL	1
2	122478	VERTICAL TOWER DECAL PRO II/ MAXI II	1
3	122463	LIGHT TOWER UNIVERSAL WARNING TONGUE DECAL	1
4	122480	DECAL LIFT HOOK	2

8.6 - Control Box and Door Safety Decals

CONTROL BOX REAR SIDE

CONTROL BOX DOOR INTERIOR

CONTROL BOX DOOR EXTERIOR

162145_B

126145_B

125338

118074

125344

FUSE BOX LID

Hybrid LT-Series™

SN 52-000001 and UP

8.6 - Control Box and Door Safety Decals

Item	Part No.	Part Description	Qty.
1	122469	DECAL WARNINGS MAXI-LITE & NLV CONTROL BOX	1
2	125335	DECAL HYBRID LT-SERIES OPERATOR	1
3	125338	DECAL BILINGUAL WARNING DO NOT POWER WASH	1
4	125343	DECAL FUSE BOX HYBRID LT-SERIES	1
5	118074	DECAL BILINGUAL DANGER HAZARDOUS VOLTAGE VERTICAL	2

Hybrid LT-Series™



1502 West 4th Avenue
Holdrege, NE 68949

phone: (308) 995-4495 • toll free: (800) 562-1373

fax: (308) 995-5887

www.allmand.com