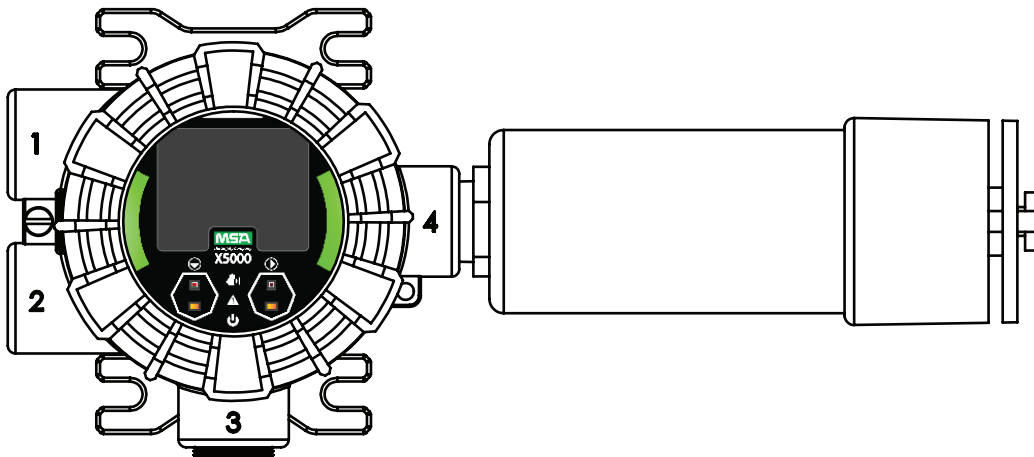


en **Parts Manual**  
**MAXI-HEAT® MH500iQ™**  
**Gas Detection System**



## TABLE OF CONTENTS

### 1.0 GAS DETECTION SYSTEM ASSEMBLY GROUP

Gas Detection System Control Box .....	(1.1)
Gas Detection System Monitor .....	(1.2)
Gas Detection System Relay Box .....	(1.3)

### 2.0 GAS DETECTION SYSTEM SCHEMATICS

Control Box Schematic .....	(2.1)
Monitor and Relay Box Schematic .....	(2.2)

# MAXI-HEAT® MH500iQ™

PAGE LEFT BLANK  
INTENTIONALLY

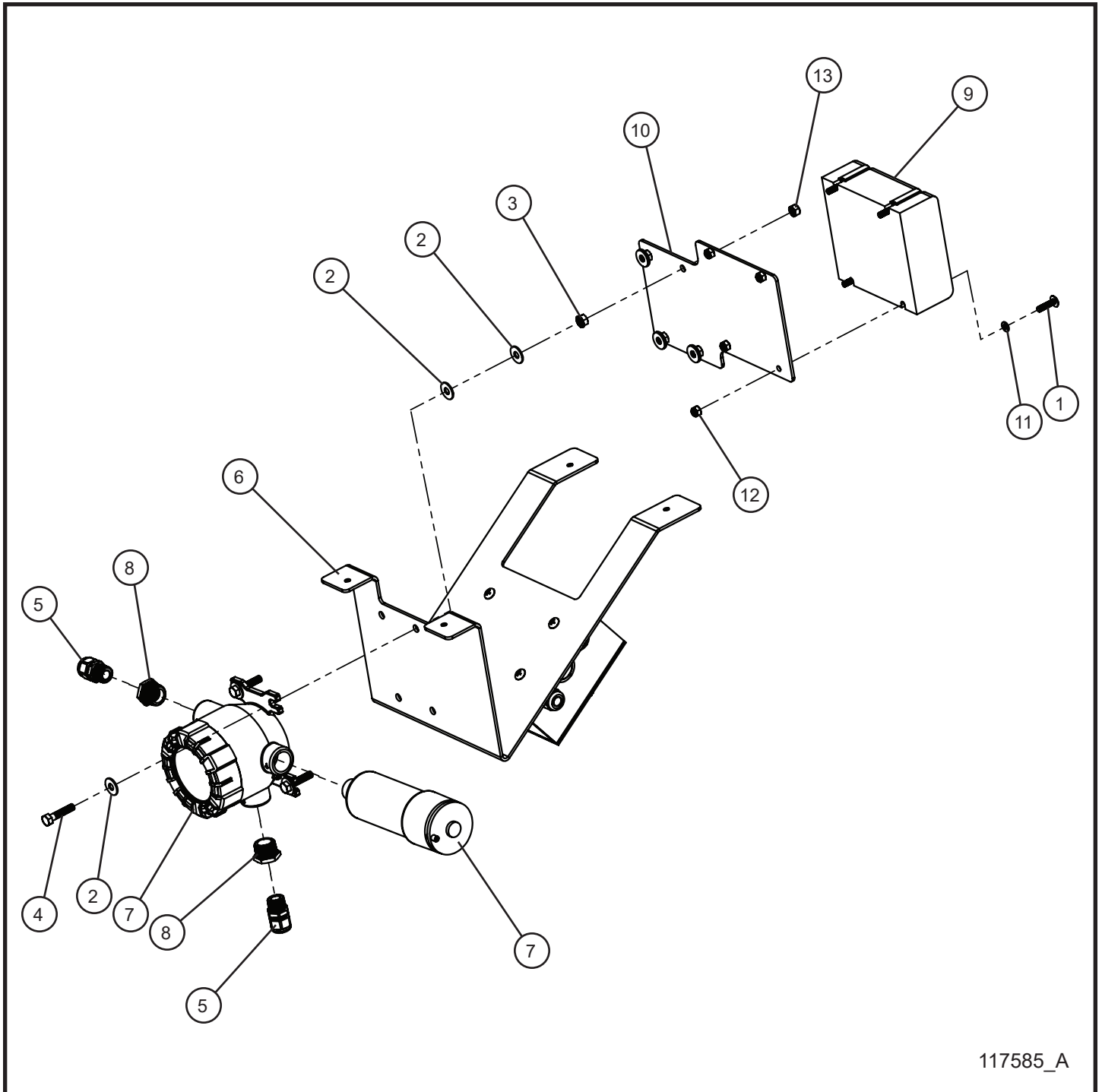


# MAXI-HEAT® MH500iQ™

## 1.1 - Gas Detection System Control Box

Item	Part No.	Part Description	Qty.
1	041080	1/4 X 1 PH-TRUSS HEAD MACHINE SCREW	16
2	044021	1/4-20 KEPS HEX NUT	21
3	041021	#10-24 x 1/2 PH-ROUND MEAD MACHINE SCREW	6
4	044018	#10-24 NYLOCK HEX NUT	8
5	117581P	GAS DETECTOR MOUNTING BRACKET	1
6	116976	NEMA 3R ENCLOSURE 6 x 6	1
7	117587P	RELAY PLATE GAS MONITOR	2
8	106730	SCREW TERMINAL BLOCK 4 GANG	1
9	116971	TIME DELAY SOLID STATE RELAY 5 MIN	1
10	104656	RELAY	1
11	116977	RELAY DIODE SUPRESSED 40A SPDT	1
12	116968	TOGGLE SWITCH DPST 15A	1
13	117787	LED INDICATOR	1
14	100859	7/8 ID x 1 1/4 OD GROMMET	3
NS	117589	MSA X-5000 POWER CORD	1
NS	117799	TVS DIODE ASSEMBLY	1
NS	117761	SCHEMATIC GAS DETECTION MH500iQ	1

## 1.2 - Gas Detection System Monitor



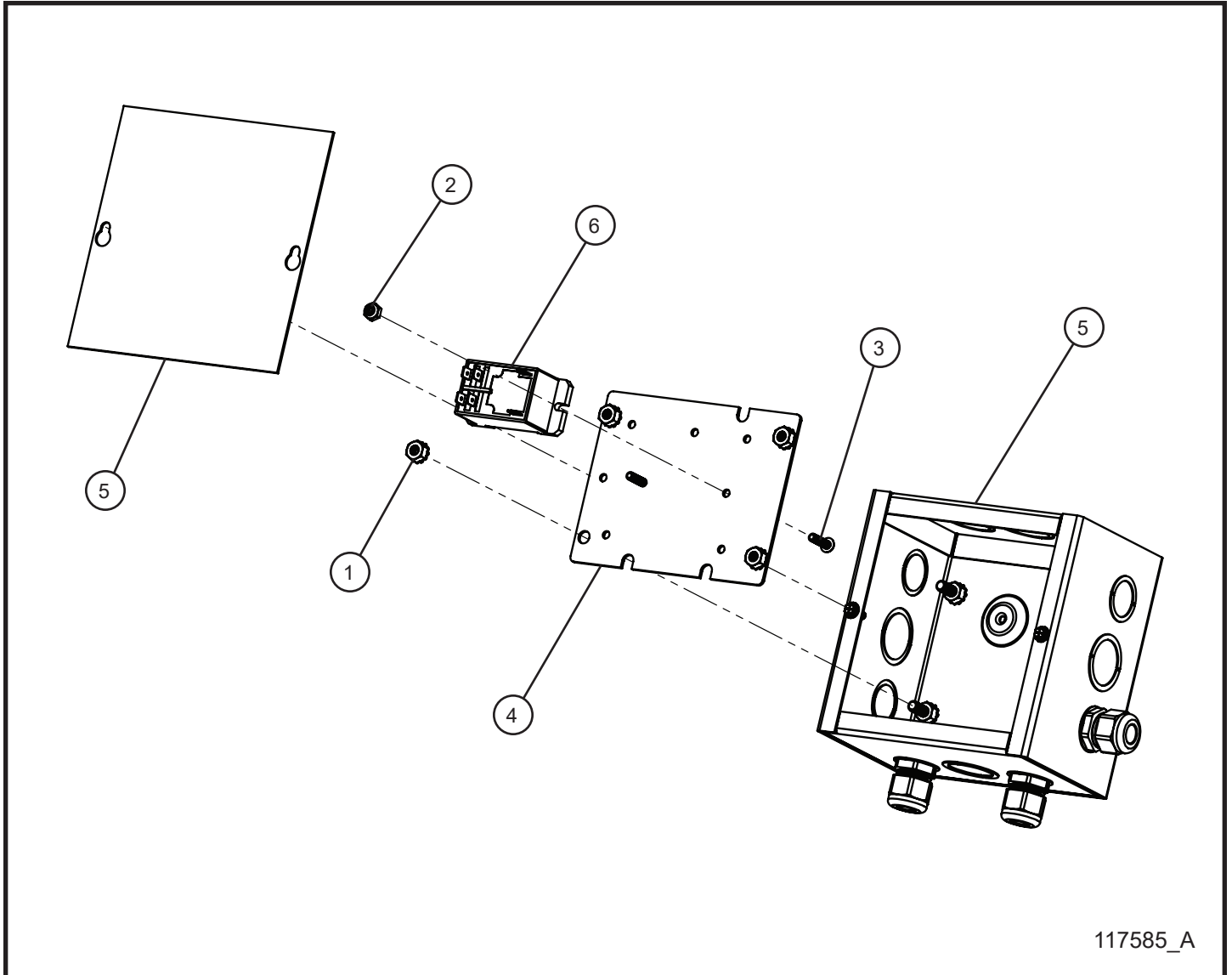
117585\_A

# MAXI-HEAT® MH500iQ™

## 1.2 - Gas Detection System Monitor

Item	Part No.	Part Description	Qty.
1	041080	1/4 X 1 PH-TRUSS HEAD MACHINE SCREW	16
2	047010	5/16 FLAT WASHER	12
3	105235	5/16-18 KEPS HEX NUT	4
4	046060	5/16-18 x 1 1/2 HEX HEAD BOLT	4
5	105626	1/2 CORD GRIP	8
6	117758P	BRACKT GAS MONITOR MH500iQ WELDMENT	1
7	116967	MSA GAS MONITOR SYSTEM	1
8	116974	3/4 HEX REDUCING BUSHING	3
9	116975	12VDC to 24VDC CONVERTER	1
10	117790	CONVERTER MOUNT	1
11	043020	1/4 SPLITLOCK WASHER	4
12	044023	1/4-20 NYLOCK HEX NUT	4
13	044033	5/16-18 NYLOCK HEX NUT	4
NS	117586	BURNER CONTROL CORD	2
NS	117588	BURNER RELAY BOX CORD	1
NS	117589	MSA X-5000 POWER CORD	1
NS	117792	MSA MAIN POWER CORD	1
NS	117797	CONVERTER HARNESS	1
NS	117761	SCHEMATIC GAS DETECTION MH500iQ	1

## 1.3 - Gas Detection System Relay Box (1 of 2)



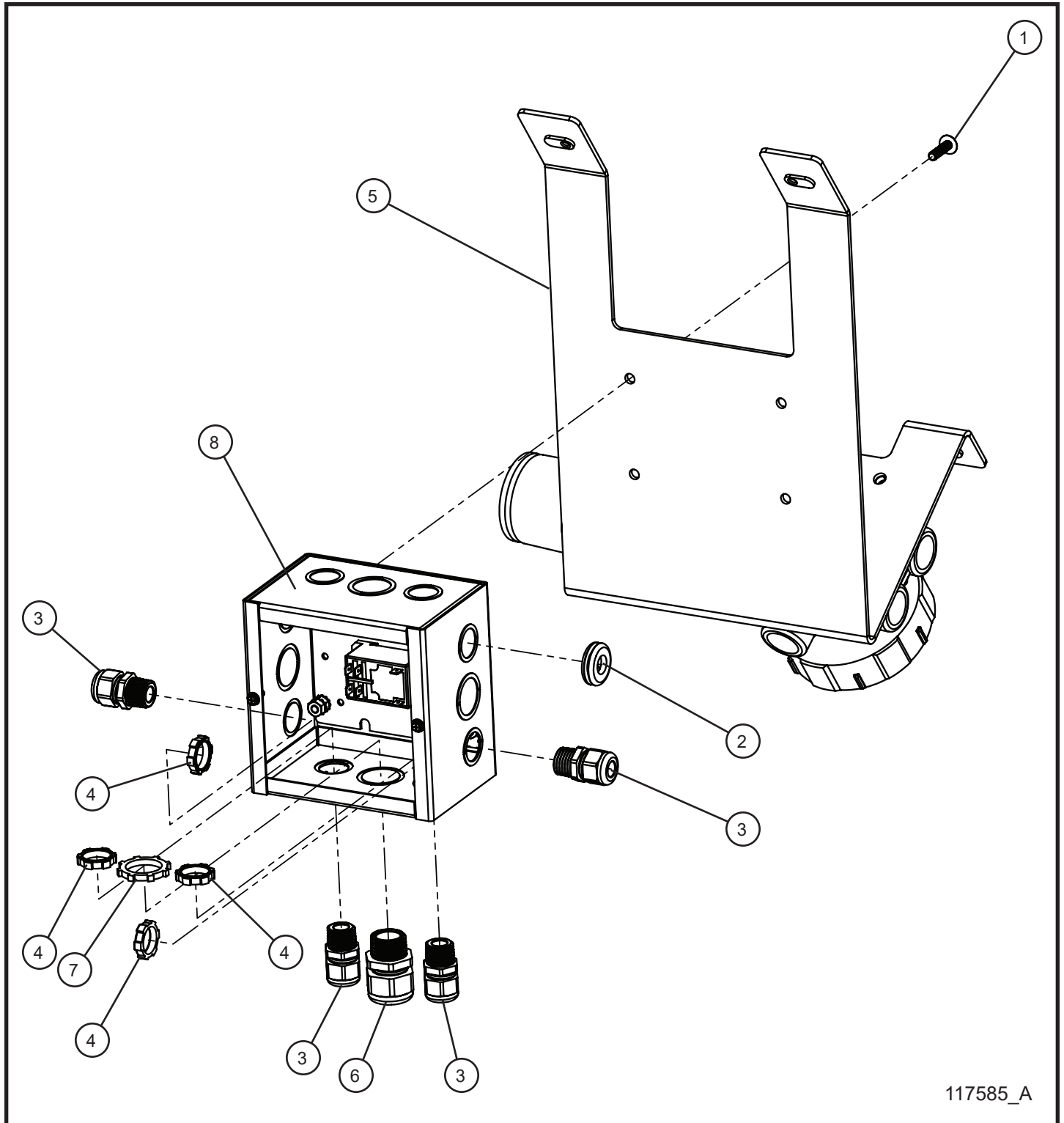


# MAXI-HEAT® MH500iQ™

## 1.3 - Gas Detection System Relay Box (1 of 2)

Item	Part No.	Part Description	Qty.
1	044021	1/4-20 KEPS HEX NUT	21
2	044018	#10-24 NYLOCK HEX NUT	8
3	041027	#10-24 x 3/4 PH-ROUND HEAD MACHINE SCREW	2
4	117587P	RELAY PLATE GAS MONITOR	2
5	116036	NEMA TYPE 1 COVER ENCLOSURE 6 x 6 x 4	1
6	106864	30 AMP DC	1
NS	117586	BURNER CONTROL CORD	2
NS	117588	BURNER RELAY BOX CORD	1
NS	117589	MSA X-5000 POWER CORD	1
NS	117792	MSA MAIN POWER CORD	1
NS	117797	CONVERTER HARNESS	1
NS	117761	SCHEMATIC GAS DETECTION MH500iQ	1

## 1.3 - Gas Detection System Relay Box (2 of 2)



117585\_A

# MAXI-HEAT® MH500iQ™

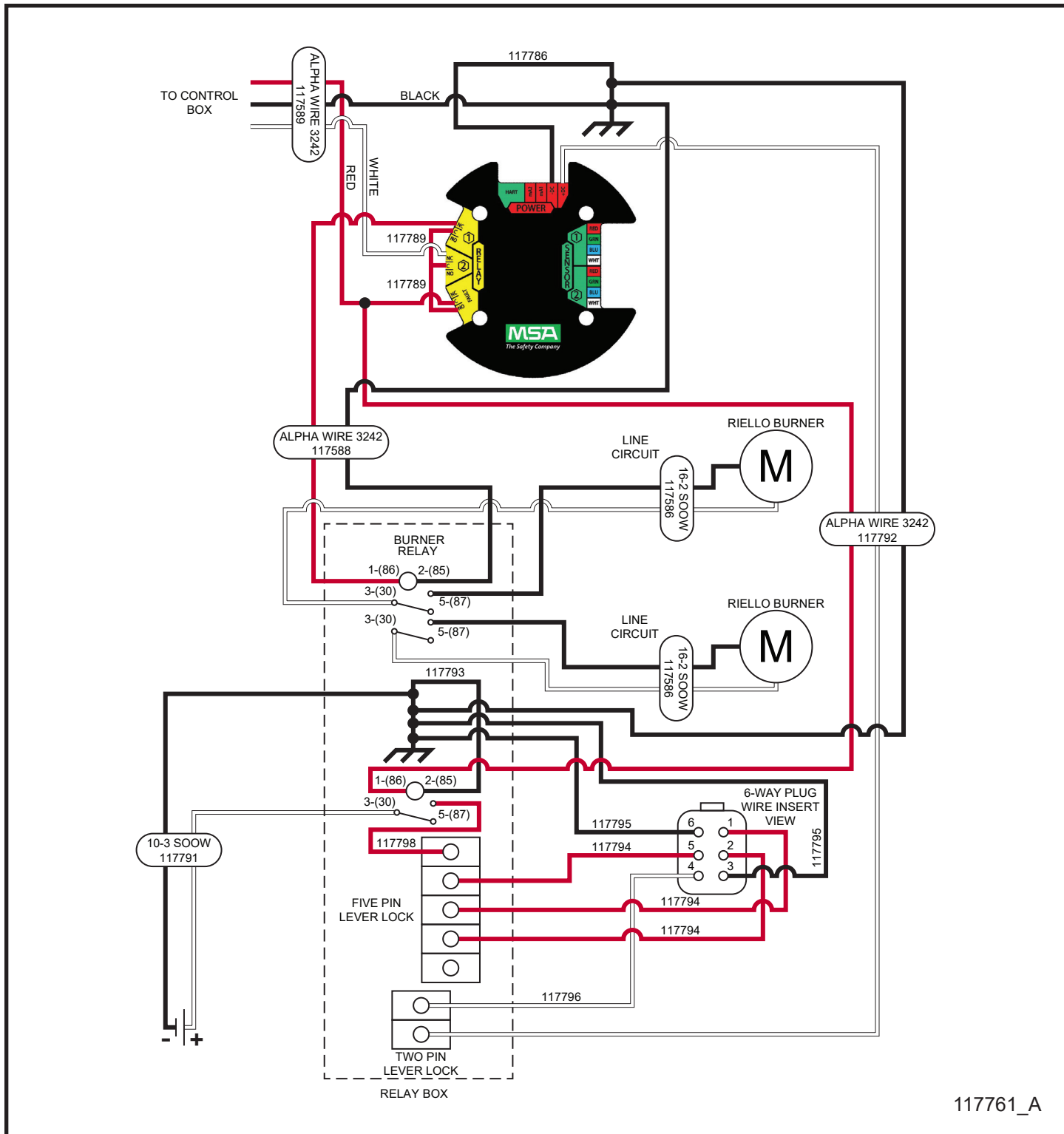
## 1.3 - Gas Detection System Relay Box (2 of 2)

Item	Part No.	Part Description	Qty.
1	041080	1/4 X 1 PH-TRUSS HEAD MACHINE SCREW	16
2	100859	7/8 ID x 1 1/4 OD GROMMET	3
3	105626	1/2 CORD GRIP	8
4	022035	1/2 CORD GRIP NUT	5
5	117758P	BRACKT GAS MONITOR MH500iQ WELDMENT	1
6	105916	3/4 NYLON CORD GRIP	1
7	022036	3/4 CORD GRIP NUT	1
NS	117586	BURNER CONTROL CORD	2
NS	117588	BURNER RELAY BOX CORD	1
NS	117589	MSA X-5000 POWER CORD	1
NS	117792	MSA MAIN POWER CORD	1
NS	117797	CONVERTER HARNESS	1
NS	117761	SCHEMATIC GAS DETECTION MH500iQ	1



# MAXI-HEAT<sup>®</sup> MH500iQ<sup>™</sup>

## 2.2 - Monitor and Relay Box Schematic



**MAXI-HEAT® MH500iQ™**



**1502 West 4th Avenue  
Holdrege, NE 68949**

**phone: (308) 995-4495 • toll free: (800) 562-1373**

**fax: (308) 995-5887**

**[www.allmand.com](http://www.allmand.com)**