

Eclipse AB 2200 15 Light or 25 Light will run and then has each corner lights start to flash:

- ❑ When you have flashing lights on each corner, this means that the unit will need to be charged. Low battery voltage is the problem.
- ❑ Each battery needs to be charged individually for 24 hours with a 75 amp charger.
- ❑ If the batteries continue to lose power then the battery could be defective. Replace the battery.
- ❑ If batteries are working, make sure voltage is coming from the solar panel. If the solar panel is not working then replace it.
- ❑ The controller on the board has a charging relay inside, power is passed through the relay from the solar panel. If power is coming from the solar panel but batteries still get no charge then the relay has failed and the controller will have to be replaced.

Testing the Solar Panel 55 watt or 75 watt:

- ❑ To test the Solar Panel, the panel will need to be under the Sun.
- ❑ Test harness from the panel to the battery. Black and Red wire should be tested with and need to be tested for 18 to 19 volts.
- ❑ Ensure the Solar panel is clean and there is no layer of dust.
- ❑ If you are not getting 18 volts from harness then the solar panel is defective and will need to be replaced.
- ❑ If the voltage is 18 to 19, then the control will need to be sent in for repairs.
- ❑ The controller on the board has a relay that works with a voltage regulator. The relay will need to be replaced. Have the customer send in the controller for repair to the Electronic Repair Center.

# **Allmand**<sup>™</sup> ARROWBOARD 2200

## Batteries will not charge with Solar panel under the sun:

- ❑ Make sure the Solar panel is clean and there is no layer of dust, debris or dirt on the panel. Having a dirty panel can affect the amount of sun or solar charge to recharge the battery.
- ❑ Ensure black and red wires have 18 volts going to the controller.
- ❑ If the proper amount of voltage is coming from the solar panel to the controller, but is still not charging the batteries, then the controller has a bad relay and will need to be replaced.
- ❑ If the charge is coming from the controller to the batteries, but the batteries are still not holding voltage, then replace the batteries.

## Recommended spare parts:

Tube mount tongue jack- 680879

Snap ring tongue jack- 102089

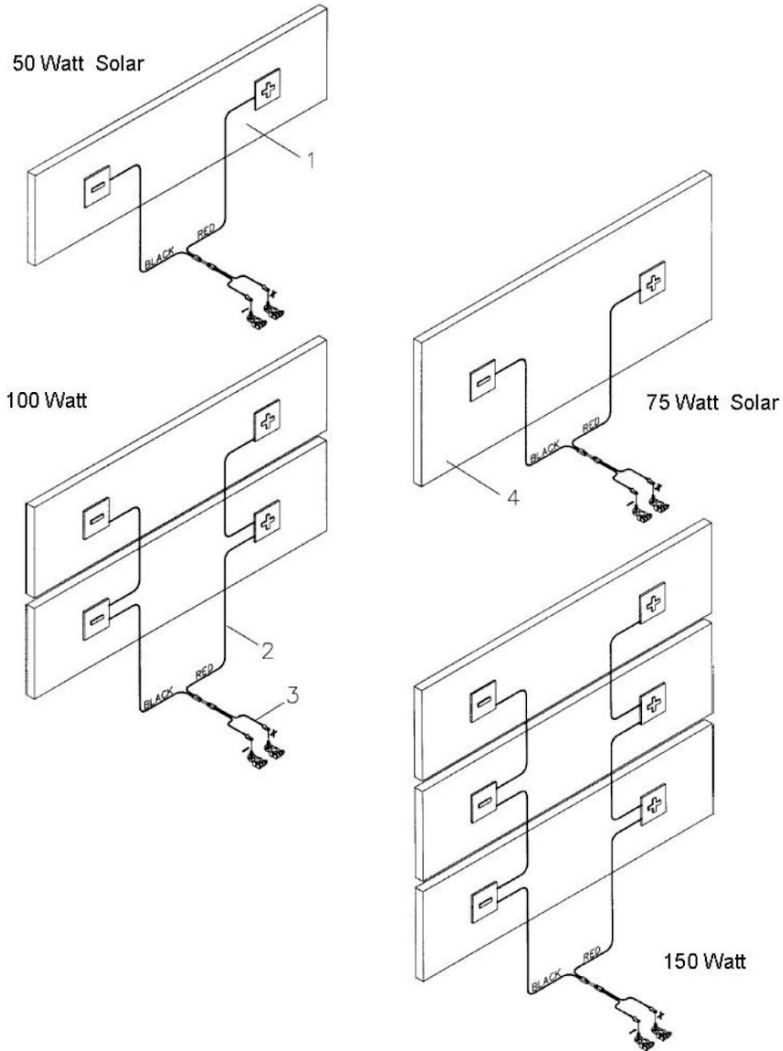
Axle- 712110

Axle hardware kit-102106

Jack stand (leg)- 712012P

# Allmand™ ARROWBOARD 2200

## 50, 75, 100, AND 150 WATT SOLAR PANEL WIRING



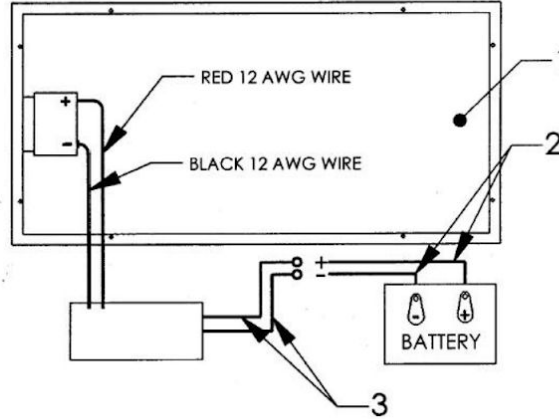
PART NO	DESCRIPTION
711468	Power cable 12 Ft.
711467	Power cable 4 Ft.

LEGEND:	NS	NOT SHOWN
	ALT:	15 LIGHT DISPLAY
	APF:	25 LIGHT DISPLAY

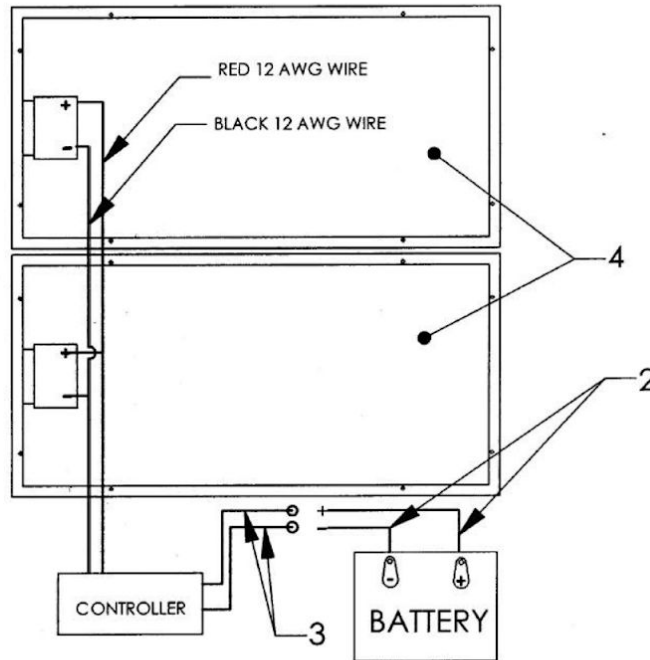
# Allmand™ ARROWBOARD 2200

## 45, 50, 75, 80, 90, 100, 150, AND 160 WATT SOLAR PANEL WIRING

### SINGLE PANEL WIRING -45, 50, 75, OR 80 WATT SOLAR PANEL ASSEMBLIES



### DOUBLE PANEL WIRING -90, 100, 150, OR 160 WATT SOLAR PANEL ASSEMBLIES

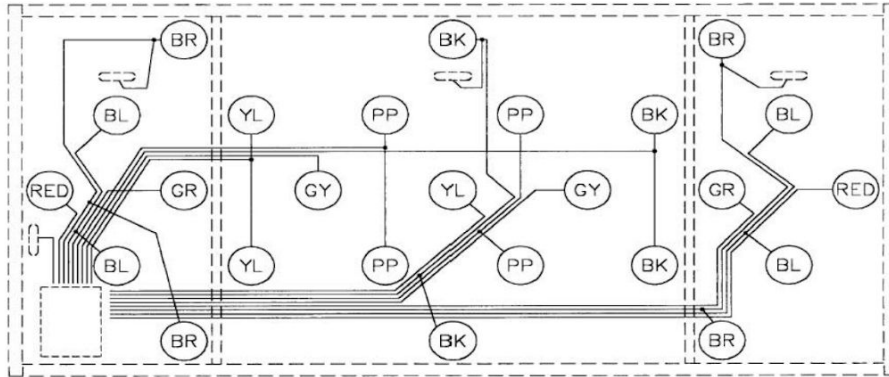


NO	REQ'D	PART NO	DESCRIPTION
1	1	711302	Solar panel 50 watts New SW50 20" x 40"
	1	711301	Solar panel 45 watts (Optional)
	1	711304	Solar panel 75 watts (Not Shown)
	1	711305	Solar panel 80 watts (Not Shown)
2	1	711468	Power Cable 12 Ft.
3	1	711467	Power Cable 4 Ft.
	1	711583	Power Cable Kit
4	2	711302	Solar panel 50 watts New SW50 20" x 40"
	2	711301	Solar panel 45 watts (Optional)
	2	711304	Solar panel 75 watts (Not Shown)
	2	711305	Solar panel 80 watts (Not Shown)

# Allmand™ ARROWBOARD 2200

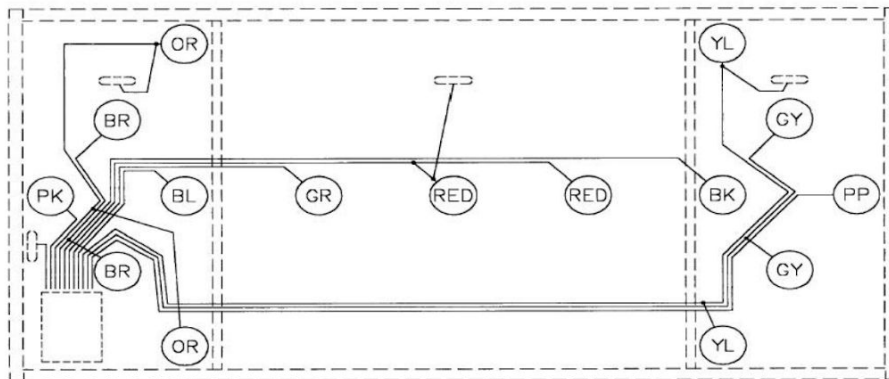
APF WIRING SCHEMATIC

711444

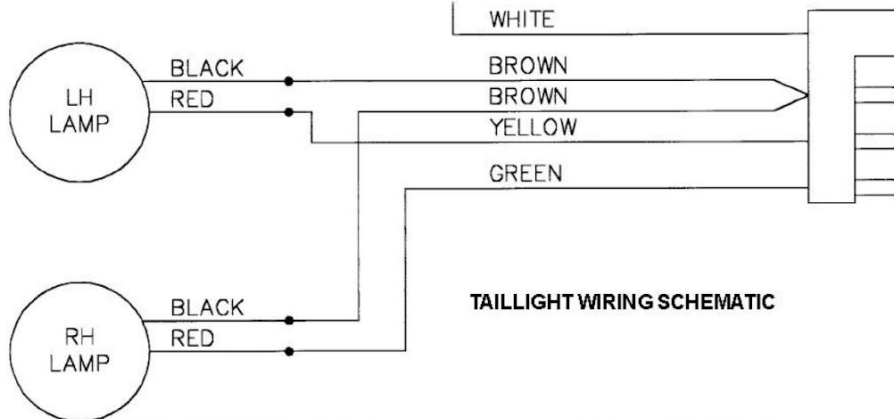


ALT WIRING SCHEMATIC

711442



LEGEND: BK = BLACK    YL = YELLOW    GR = GREEN    RED = RED  
 BL = BLUE    OR = ORANGE    PP = PURPLE  
 BR = BROWN    PK = PINK    GY = GRAY  
 ALL LIGHTS USE COMMON WHITE WIRE POSITIVE.



TAILLIGHT WIRING SCHEMATIC

**Note:** For parts manuals please visit [www.Allmand.com](http://www.Allmand.com)