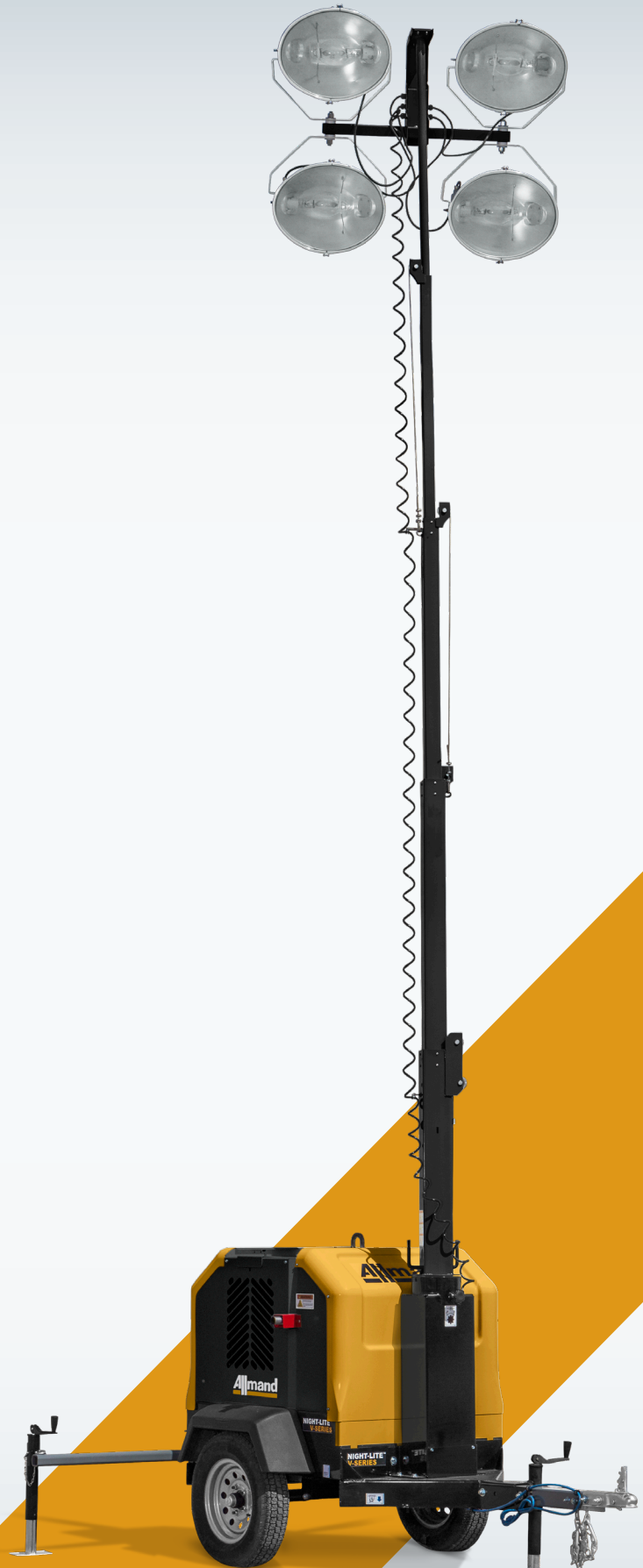




NIGHT-LITE™

V-SERIES®

An ROI-driven solution, the **Night-Lite™** **V-Series®** is built with the efficiency, durability and performance you demand. This light tower is great for special events, building construction and infrastructure construction. This unit is made with a convenient fuel fill neck for quick refueling allowing you to get back to work fast and stay on top of any job. With up to 542,000 total lumens from four metal halide or LED light fixtures and eco-friendly sized units fitting 20 on a 53ft flatbed trailer, the **Night-Lite™** **V-Series®** is perfect for any jobsite.



KEY FEATURES

Night-Lite™ V-Series®

Sequenced Light System (SLS™)

Automatically delays engine shutdown to turn off lights and prevent generator from shutting down while under load.

(4) Metal Halide Light Fixtures

(4) LED Light Fixtures (Optional)

Easy Fixture Adjustment

359° Fixture Rotation

55 mph Operating Wind Speed Rating

Guide Pads

Polyethylene self-lubricating

Structure

Five-section tubular steel design

Complete Tower Rotation

Lift Ring

All Steel Body Construction

Trailer Lighting

Stop, turn, tail lights / side marker lights / illuminated license plate bracket

Stabilizers

Three-point design, tongue jack, (2) retractable side outriggers at front of trailer

Remote Engine Oil and Coolant Drain

Easily accessible at rear of trailer

45 Gallon Polyethylene Fuel Tank

Tie Down Slots

Simple, Easily Accessible Controls

Height

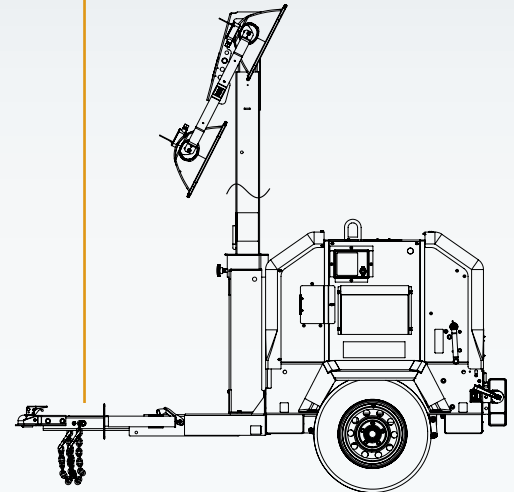
Mast Lowered / Raised
8.5 ft (2.6 m) /
24.6 ft (7.5 m)

Width

Transport
58 in (1,473 mm)

Length

Transport
109.8 in (2,789 mm)



Hour Meter

Actuated Manual Winch, standard

Exterior Fuel Fill

Fluid Containment System (FCS)

Holding up to 110% of all on-board fluids

Removable Tongue

Frame Formed, welded steel frame

Axle Tubular axle with elliptical leaf springs

2" Ball Coupler

Pin Tilt Tongue

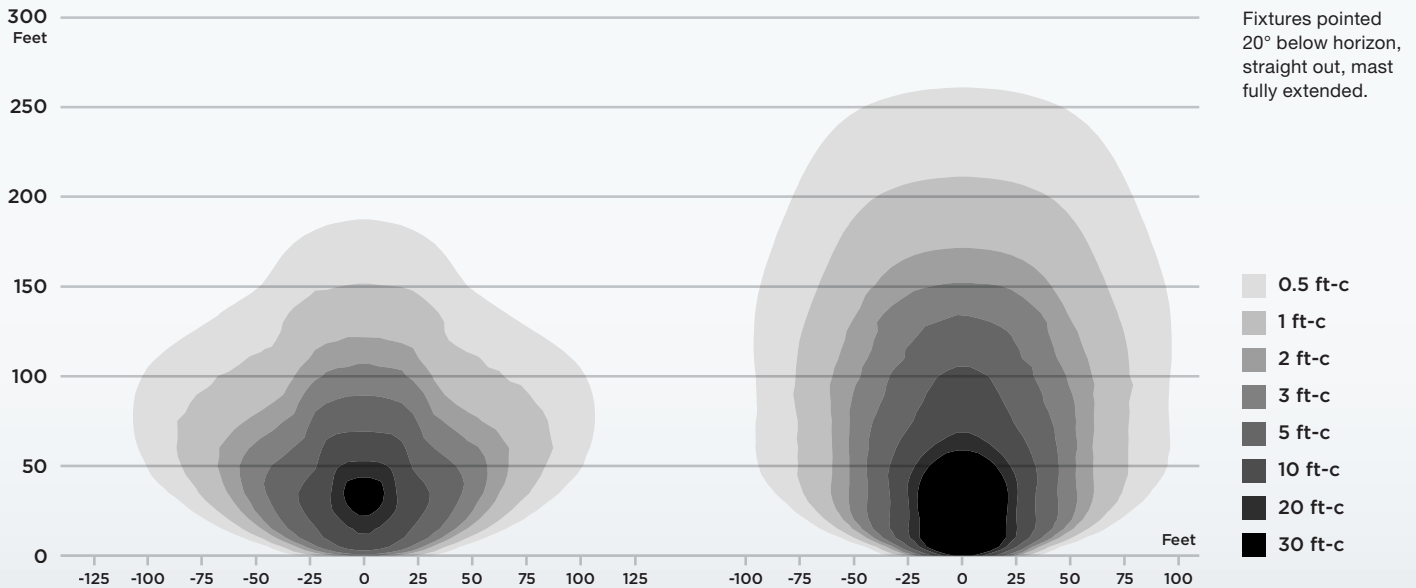
Forklift Pockets

Below the frame

Tires ST175 / 80R13 load range 'C'

Model	NLV-ML3EC	NLV-K1005C	NLV-P11
Engine Brand / Model	Mitsubishi / L3E	Kubota / D1005	Perkins / 403F-11
Engine Prime Power (kW)**	6	7	8
Fuel Capacity gal (L)	45 (170)	45 (170)	45 (170)
Horsepower (@ 1,800 RPM) ****	11.3	11.6	13.8
Engine Tier	Tier 4 Final	Tier 4 Final	Tier 4 Final
Light Type – Metal Halide (4) Metal Halide SHO-HD® fixture			
Metal Halide Wattage (per lamp)	1,250	1,250	1,250
Metal Halide Lumens (per lamp / total)	135,500 / 542,000	135,500 / 542,000	135,500 / 542,000
Operating Time (hrs)*** <small>(Using four 1,250 W metal halide light fixtures)</small>	75	72.6	75
Light Type – LED (Optional) (4) Two LED, 5000°K color temperature			
LED Wattage (per lamp)	320	320	320
LED Lumens (per lamp / total)	38,500 / 154,000	38,500 / 154,000	38,500 / 154,000
Operating Time (hrs)*** <small>(Using four 320 W LED light fixtures)</small>	121.6	155.2	118.4
Features			
Outlets	Standard 20 A 120 VAC duplex GFCI / 30 A 240 VAC 4-Wire Twist Lock (NEMA L14-30R) / 30 A 120 VAC RV (NEMA TT-30R)		
Weights & Shipping			
Shipping Weight lbs (kg)	1,885 (855)	1,885 (855)	1,885 (855)
Gross Vehicle Weight Rating (GVWR) lbs (kg)	2,200 (998)	2,200 (998)	2,200 (998)
Number of Units on 48' Flatbed	18	18	18
Number of Units on 53' Flatbed	20	20	20

LIGHT COVERAGE



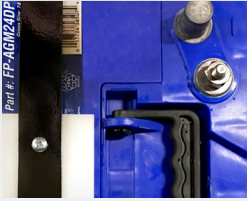
Night-Lite™ V-Series®
4 – 320 W LED Light Output
 Area Lit to .5 Foot Candle (ft-c)
 or Higher: 28,449 ft²

Night-Lite™ V-Series®
4 – 1,250 W Metal Halide Light Output
 Area Lit to .5 Foot Candle (ft-c)
 or Higher: 42,597 ft²

* Balloon light only included in raised dimension – balloon light is removed for transportation. ** Prime generator electrical output per Allmand® testing. *** Based on one hour run test full fuel tank consumption. **** All power levels are stated gross horsepower as rated by each engine's manufacturers. Allmand® has a policy of continuous product improvement and reserves the right to modify its specifications at any time and without prior notice. See operator's manual or www.allmand.com website for complete warranty details.

OPTIONS

Night-Lite™ V-Series®



Cold Weather Package

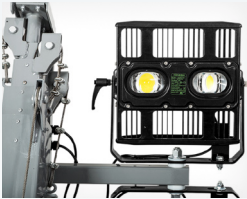
- Heavy-duty battery 775 CCA @ 0° F
- Block heater (120 VAC)



LSC with E-Stop Package

(Not available with Mitsubishi Engine)

- LSC 2.1™ – Light Sequence Commander® automatically starts engine at sunset and shuts down engine at sunrise – programmable for user preferences.
- Emergency stop switch on exterior of machine



LED Package

- (4) LED light fixtures



- CSA (metal halide or LED)

Coliseum Alternator

Telematics Package (Customer supplied – consult factory)

Electric Winch Actuated Light Tower

Lockable Battery Disconnect

2" Bulldog coupler with 3" lunette ring for pintle hitch

2" ball coupler with 3" lunette ring for pintle hitch

Custom Paint

Fuel Level Gauge

Fluid Containment System (FCS)

Galvanized Tower



COMPROMISE NOTHING.

At Allmand, our sole focus is providing jobsite support equipment to help your customers get the job done. Whenever they need it. Wherever they are. And whatever it takes. What's more, our genuine commitment to you — the highest standard of service and lowest total cost of ownership — is simply unmatched. Choose the equipment that comes with complete confidence that jobsite productivity won't go dark at 2 a.m.

Allmand. Above All.

www.allmand.com

NLV-1119

Allmand®

ALLMAND BROS., INC.

A subsidiary of Briggs & Stratton Corporation
P.O. Box 888, Holdrege, NE 68949

Copyright ©2019. All rights reserved.