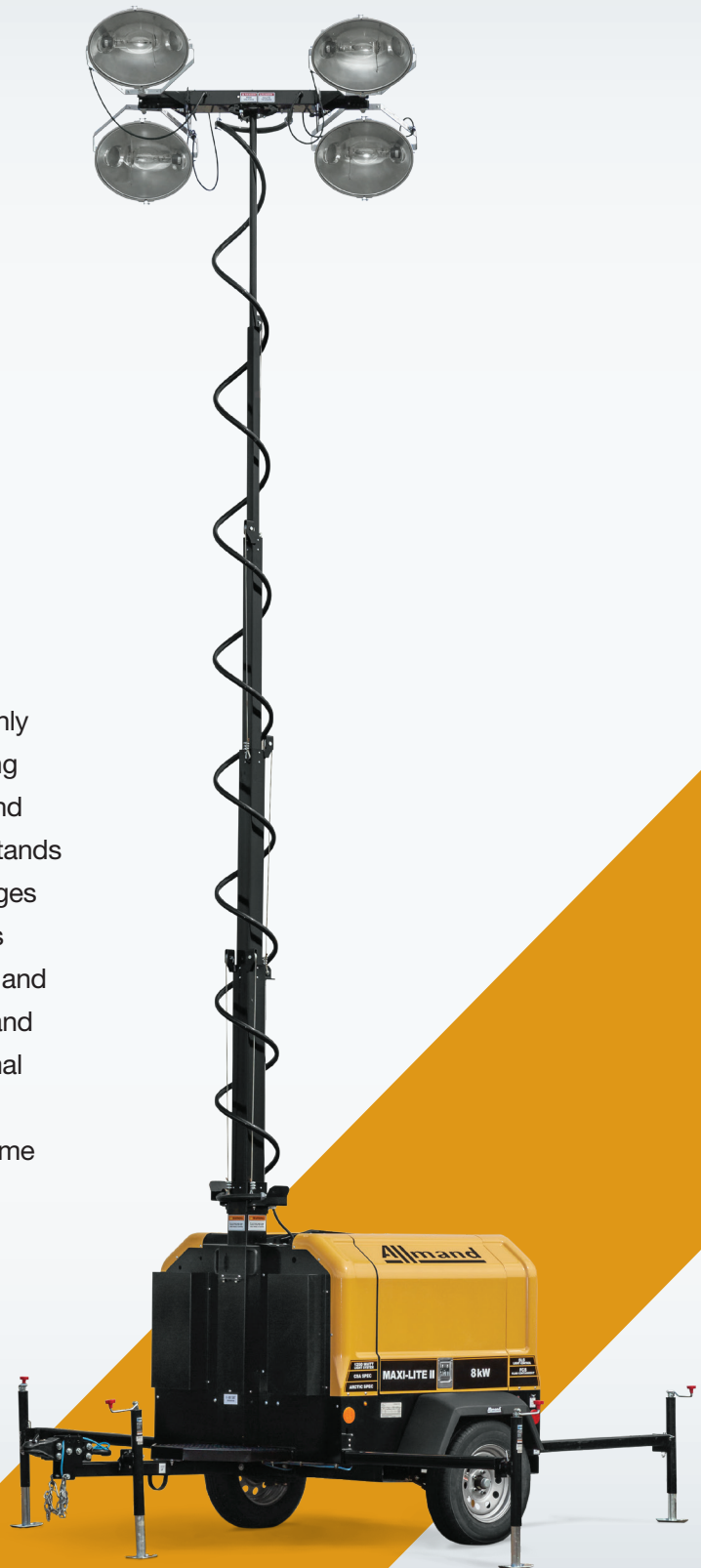




MAXI-LITE®

The Allmand® **Maxi-Lite**® is the premium light tower containing the most durable job site features commonly required in heavy construction, oil and gas, and mining applications, where rugged usage is the norm. Allmand has built its reputation in these industries and understands the rigor required to handle the tough job site challenges and needs. The **Maxi-Lite's** 6-section tower contains 13" minimum overlapping tower sections for strength and stability. It includes larger self-lubricating wear pads and pulley locations that result in longer lasting and minimal wearing parts. The hydraulic winch and light cabling attachments are constructed to last in the most extreme conditions. Allmand gets the job done.



KEY FEATURES

Maxi-Lite

Sequenced Light System (SLS™) Automatically delays engine shutdown to turn off lights and prevent generator from shutting down while under load.

55 mph Operating Wind Speed Rating

(4) or (6) Metal Halide

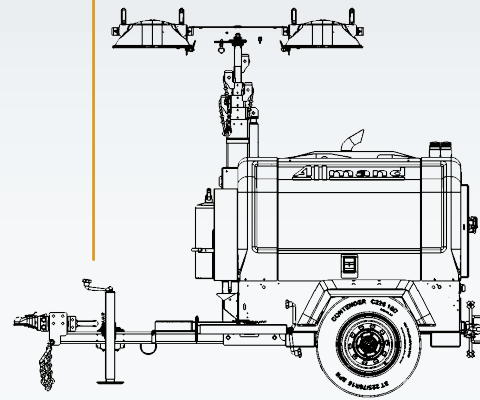
359° Fixture Rotation

Structure
Six section tubular steel design



Height*
Mast Lowered
105.2 in (2,672 mm)
Mast Raised
(4)-MH – 26 ft 10 in (8,179 mm)
(4)-LED – 26 ft 10 in (8,179 mm)
(6)-MH – 27 ft 10 in (8,484 mm)
(6)-LED – 27 ft 10 in (8,484 mm)

Width
Transport
77 in (1,956 mm)



Length
Transport
126 in (3,200 mm)

Hydraulically Actuated Tower

Axle
Tubular axle with elliptical leaf springs

Reversible Coupler
Adjustable height
2" ball / 3" pintle

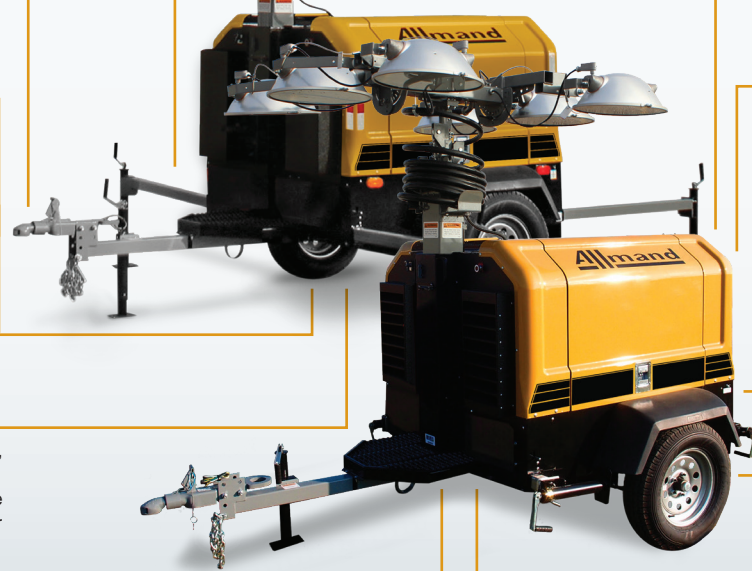
Electric Brakes with Break-Away Kit

Heavy-duty Battery
(Standard on 15kW & 20kW)

Two-Stage Engine Air Filter

Stabilizers
Five-point design, tongue jack, (2) retractable side outriggers at front of trailer, (2) retractable side outriggers at rear of trailer

Seven-Way Trailer Connector



Gull-Wing Style Doors

Lift Ring

Low Fuel Warning Beacon
(Standard on 20kW)

VIN Package
Stop, turn, tail lights / side marker lights / illuminated license plate bracket

Forklift Pockets
Below the frame

Tires ST225/75R15 radial load range 'D'

Fluid Containment System (FCS) Holding up to 110% of all on-board fluids

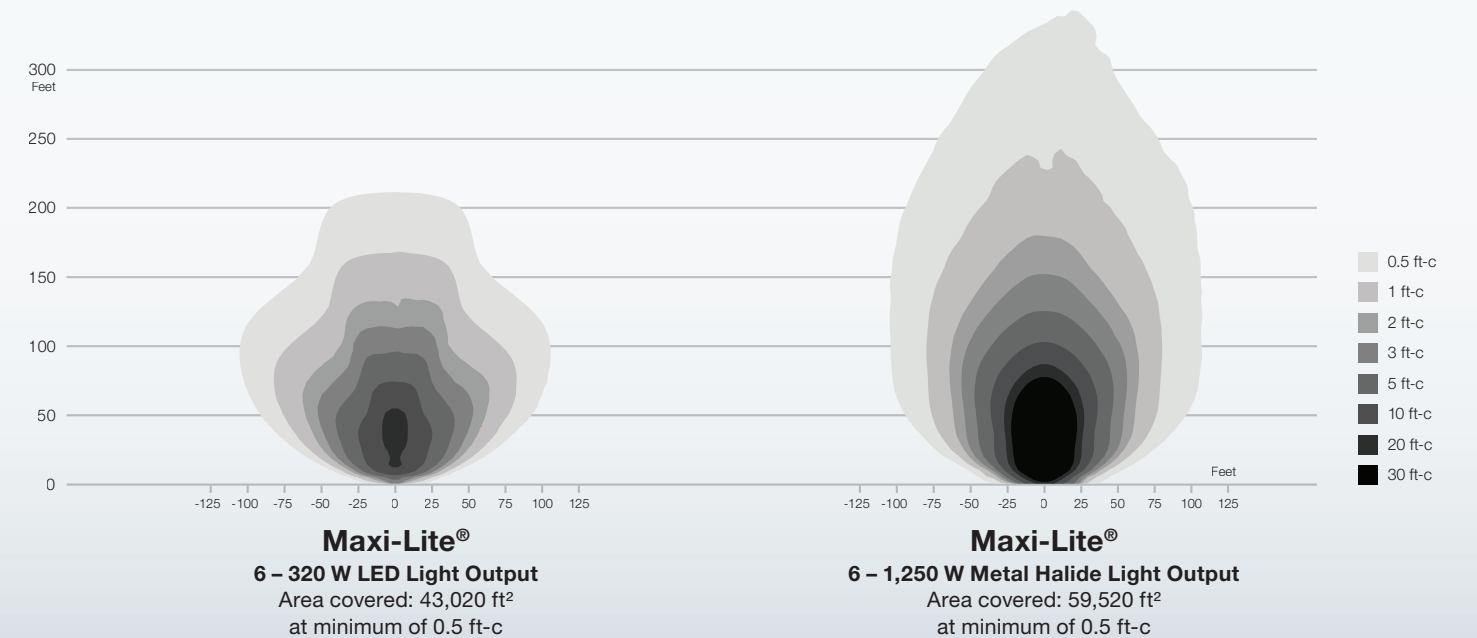
Remote Engine Oil and Coolant Drain Easily accessible at rear of trailer

Maxi-Lite

TECHNICAL SPECS

Model	Kubota D1105	Caterpillar C1.1	Caterpillar C1.5 Turbo	Isuzu
Engine Brand / Model	Kubota / D1105	Caterpillar / C1.1	Caterpillar / C1.5 Turbo	Isuzu / 4LE2T
Engine Prime Power (kW)**	8	8	15	20
Fuel Capacity gal (L)	100 gal (378.5 L)	100 gal (378.5 L)	100 gal (378.5 L)	100 gal (378.5 L)
Horsepower (@ 1,800 RPM) ****	11.6	13.8	22.3	40.2
Engine Tier	Tier 4 Final	Tier 4 Final	Tier 4 Final	Tier 4 Final
Light Type – Metal Halide	Metal Halide SHO-HD® fixture			
Metal Halide Wattage (per lamp)	1,250			
Metal Halide Lumens (per lamp / total)	135,500 / (4) Light Total – 542,000 / (6) Light Total – 813,000			
Operating Time (hrs)*** <small>(Using four 1,250 W metal halide light fixtures)</small>	158.7	166.7	128.2	137
Operating Time (hrs)*** <small>(Using six 1,250 W metal halide light fixtures)</small>	N/A	N/A	103.1	113.6
Light Type – LED	Two LED, 5000 K color temperature			
LED Wattage (per lamp)	320			
LED Lumens (per lamp / total)	38,500 / (4) Light Total – 154,000 / (6) Light Total – 231,000			
Operating Time (hrs)*** <small>(Using four 320 W LED light fixtures)</small>	277.8	263.2	217.4	200
Operating Time (hrs)*** <small>(Using six 320 W LED light fixtures)</small>	222.2	232.6	185.2	181.8
Features	Standard (2) 20 A 120 VAC duplex GFCI outlets, (2) 30 A 240 VAC 4-Wire Twist Lock (NEMA L14-30R), (1) 30 A RV outlet		Standard (2) 20 A 120 VAC duplex GFCI outlets, (3) 30 A 240 VAC 4-Wire Twist Lock (NEMA L14-30R), (1) 50 A Twist Lock	
Weights & Shipping				
Weight lbs (kg)	3,430 (1,555.8)	3,430 (1,555.8)	3,430 (1,555.8)	3,430 (1,555.8)
Gross Vehicle Weight Rating (GVWR) lbs (kg)	5,000 (2,267)	5,000 (2,267)	5,000 (2,267)	5,000 (2,267)
Number of Units on 48' Flatbed	7	7	7	7
Number of Units on 53' Flatbed	7	7	7	7

LIGHT COVERAGE



* Balloon light only included in raised dimension – balloon light is removed for transportation. ** Prime generator electrical output per Allmand® testing. *** Based on one hour run test full fuel tank consumption. **** All power levels are stated gross horsepower as rated by each engine's manufacturer. Allmand® has a policy of continuous product improvement and reserves the right to modify its specifications at any time and without prior notice. See operator's manual or www.allmand.com website for complete warranty details.

LED Package

- (4) LED light fixtures
- (6) LED light fixtures

CSA (metal halide or LED)

CSA Certification (Canada specific)

LSC with E-Stop Package

- LSC 2.1™ – Light Sequence Commander® automatically starts engine at sunset and shuts down engine at sunrise – programmable for user preferences.
- Emergency stop switch on exterior of machine
- Low Fuel Sender with Low Fuel Beacon
- Heavy-duty battery

Cold Weather Package

- Block Heater
- Arctic hydraulic fluid
- Heavy-duty battery (8 kW only)

Arctic Package (Only available with Cold Weather Package)

- Heated fuel/water separator
- Radiator cover
- Adjustable air vent cover panel

Arctic Max Package

(Only available with Arctic Package and LSC)

- Diesel fired block heater (controlled by LSC)
- Muffler wrap
- Dual heavy-duty batteries

Mining Package

- Safety Run beacon
- Reflective Tape
- Wheel chocks
- Metal halide SFR (Secondary Fixture Retention) (Not available on LED)
- Vertical exhaust w/ shield (8 kW Only)
- Muffler wrap

Special Outlet Package

(15 kW and 20 kW only)

- 30A RV Outlet
- 50A RV Outlet

Engine Air Intake Shut-Off Valve

Battery Disconnect

Airstar Package

(4-light Metal Halide Only)

Reversible Coupler

2" Bulldog / 3" Pintle

Reversible Coupler

2-5/16" Bulldog / 3" Pintle

Interior Work Lights

Chip Resistant Panels

Emergency Stop

(Standard on 20 kW)

Low Fuel Shut-Off & Low Fuel Beacon

(Standard on 20 kW)

Telematics Package

(Customer Supplied) Must Contact Factory for Lead Time Availability

Custom Paint

Skid Mount

Switchable Balloon Light

Galvanized Tower



COMPROMISE NOTHING.

At Allmand, our sole focus is providing jobsite support equipment to help your customers get the job done. Whenever they need it. Wherever they are. And whatever it takes. What's more, our genuine commitment to you — the highest standard of service and lowest total cost of ownership — is simply unmatched. Choose the equipment that comes with complete confidence that jobsite productivity won't go dark at 2 a.m.

Allmand. Above All.