



**en** **Parts Manual**  
**NIGHT-LITE™ V-SERIES**



## TABLE OF CONTENTS

### 1.0 AXLE/TONGUE/OUTRIGGERS

Axle and Fender Group .....	(1.1)
Standard Tongue Install Group .....	(1.2)
Reversible Tongue Install Group .....	(1.3)
Reversible Tongue Couplers .....	(1.4)
Outriggers Group .....	(1.5)
Step Plate LED Balloon Light Option .....	(1.6)

### 2.0 TRAILER PARTS GROUP

Side Panels I .....	(2.1)
Side Panels II .....	(2.2)
Side Panels III .....	(2.3)
Stringer Group I .....	(2.4)
Stringer Group II .....	(2.5)
Stringer Group III .....	(2.6)
Front Cover I .....	(2.7)
Front Cover II .....	(2.8)
Rear Door I .....	(2.9)
Rear Door II .....	(2.10)
Air Inlet Cover I .....	(2.11)
Air Inlet Cover II .....	(2.12)
Lift Bow .....	(2.13)
Manual Canister .....	(2.14)
Trailer Lighting I .....	(2.15)
Trailer Lighting II .....	(2.16)
Trailer Reflectors I .....	(2.17)
Trailer Reflectors II .....	(2.18)
Tail Light Hole Covers .....	(2.19)



# NIGHT-LITE™ V-SERIES

## TABLE OF CONTENTS

### 3.0 VERTICAL TOWER GROUP

Vertical Tower Pivot Support .....	(3.1)
Manual Vertical Tower Section 1 .....	(3.2)
Manual Winch Group with Old Style Mount .....	(3.3)
Manual Winch Group with New Style Mount .....	(3.4)
C1000 Electric Winch Vertical Tower Section 1 .....	(3.5)
SH 1000 Electric Winch Vertical Tower Section 1 .....	(3.6)
Electric Winch Side Cover with Bracket Bracket .....	(3.7)
Vertical Tower Section 2 .....	(3.8)
Vertical Tower Section 3 .....	(3.9)
Vertical Tower Section 4 .....	(3.10)
Vertical Tower Round Section with Light Bar .....	(3.11)
Vertical Tower Round Section with Balloon Light Mount .....	(3.12)
Vertical Tower Cord .....	(3.13)
SMD LED Vertical Tower Cord .....	(3.14)
LED Balloon Light Vertical Tower Cord .....	(3.15)

### 4.0 LAMP AND BALLAST GROUP

1250W Lamps with 60Hz 120V Ballasts .....	(4.1)
1250W 60Hz 120V Ballast Box Assembly Group .....	(4.2)
1000W Lamps with 60Hz 120V Ballasts .....	(4.3)
1000W 60Hz 120V Ballast Box Assembly Group .....	(4.4)
1000W Lamps with 50Hz 120V Ballasts .....	(4.5)
1000W 50Hz 120V Ballast Box Assembly Group .....	(4.6)
COB LED Lamps with COB LED Drivers Group .....	(4.7)
COB LED Drivers Assembly Group .....	(4.8)
SHO Light Fixtures .....	(4.9)
SHO Light Assembly Group .....	(4.10)
SHO Light SAF-T-Visor Group .....	(4.11)
COB LED Light Fixtures .....	(4.12)
COB LED Light Diffuser .....	(4.13)

## TABLE OF CONTENTS

### 4.0 LAMP AND BALLAST GROUP (CONTINUED)

SMD 350W LED Light Fixtures .....	(4.12)
SMD 350W LED Light Diffuser .....	(4.13)
LED Balloon Light Fixture .....	(4.14)

### 5.0 CONTROL BOX GROUP

Control Box Door .....	(5.1)
SLS Hour Meter Control Box .....	(5.2)
SLS Dual Gauge Control Box .....	(5.3)
SLS Harness Control Panel .....	(5.4)
LSC Control Box with Toggle Switch .....	(5.5)
LSC Control Box with Rocker Switch .....	(5.6)
LSC Harness Control Panel .....	(5.7)
C1000 Electric Winch Control w/ NLV Wiring .....	(5.8)
C1000 Electric Winch Control w/ NLV Wiring .....	(5.9)
SH 1000 Electric Winch Control .....	(5.10)
Emergency Stop .....	(5.11)

### 6.0 OLD STYLE BREAKER BOX AND REAR OUTLETS GROUP

Circuit Breaker Box .....	(6.1)
20A GFCI and 30A Twistlock Outlets Install Group .....	(6.2)
30A RV Plug Adapter .....	(6.3)

### 7.0 NEW STYLE OUTLET BREAKER BOX GROUP

Outlet Circuit Breaker Box Face Plate .....	(7.1)
LED Balloon Light Outlet Circuit Breaker Box Face Plate .....	(7.2)
Outlet 725 Relay Circuit Breaker Box Group .....	(7.3)
Outlet Zettler Relay Circuit Breaker Box Group .....	(7.4)
Outlet LED Balloon Light Circuit Breaker Box Group .....	(7.5)

# NIGHT-LITE™ V-SERIES

## TABLE OF CONTENTS

### 7.0 NEW STYLE OUTLET BREAKER BOX GROUP (CONTINUED)

30A Twistlock, 30A RV, 20A GFCI Outlets Group .....	(7.6)
2-20A GFCI Outlets Group .....	(7.7)
2-Schuko Outlets Group .....	(7.8)

### 8.0 ENGINE/BATTERY/FUEL TANK

Engine Mounting Tray I .....	(8.1)
Engine Mounting Tray II .....	(8.2)
Coolant Reservoir Tank .....	(8.3)
Engine Ground Strap .....	(8.4)
Fuel Tank .....	(8.5)
Fuel Sender .....	(8.6)
Fluid Containment Liner .....	(8.7)
Battery Install Group .....	(8.8)
Battery Disconnect .....	(8.9)

### 9.0 KUBOTA ENGINE GROUP

Kubota Engine Assembly Group .....	(9.1)
Kubota Fuel Lines .....	(9.2)
Kubota Oil Drain Line .....	(9.3)

### 10.0 MITSUBISHI ENGINE GROUP

Mitsubishi Engine Assembly Group .....	(10.1)
Mitsubishi Fuel Lines .....	(11.2)
Mitsubishi Oil Drain Line .....	(10.3)

### 11.0 CAT/PERKINS 1.1 ENGINE GROUP

CAT/Perkins 1.1 Engine Assembly Group .....	(11.1)
CAT/Perkins 1.1 Fuel Lines .....	(11.2)
CAT/Perkins 1.1 Oil Drain Line .....	(11.3)

## TABLE OF CONTENTS

### 12.0 GENERATOR GROUP

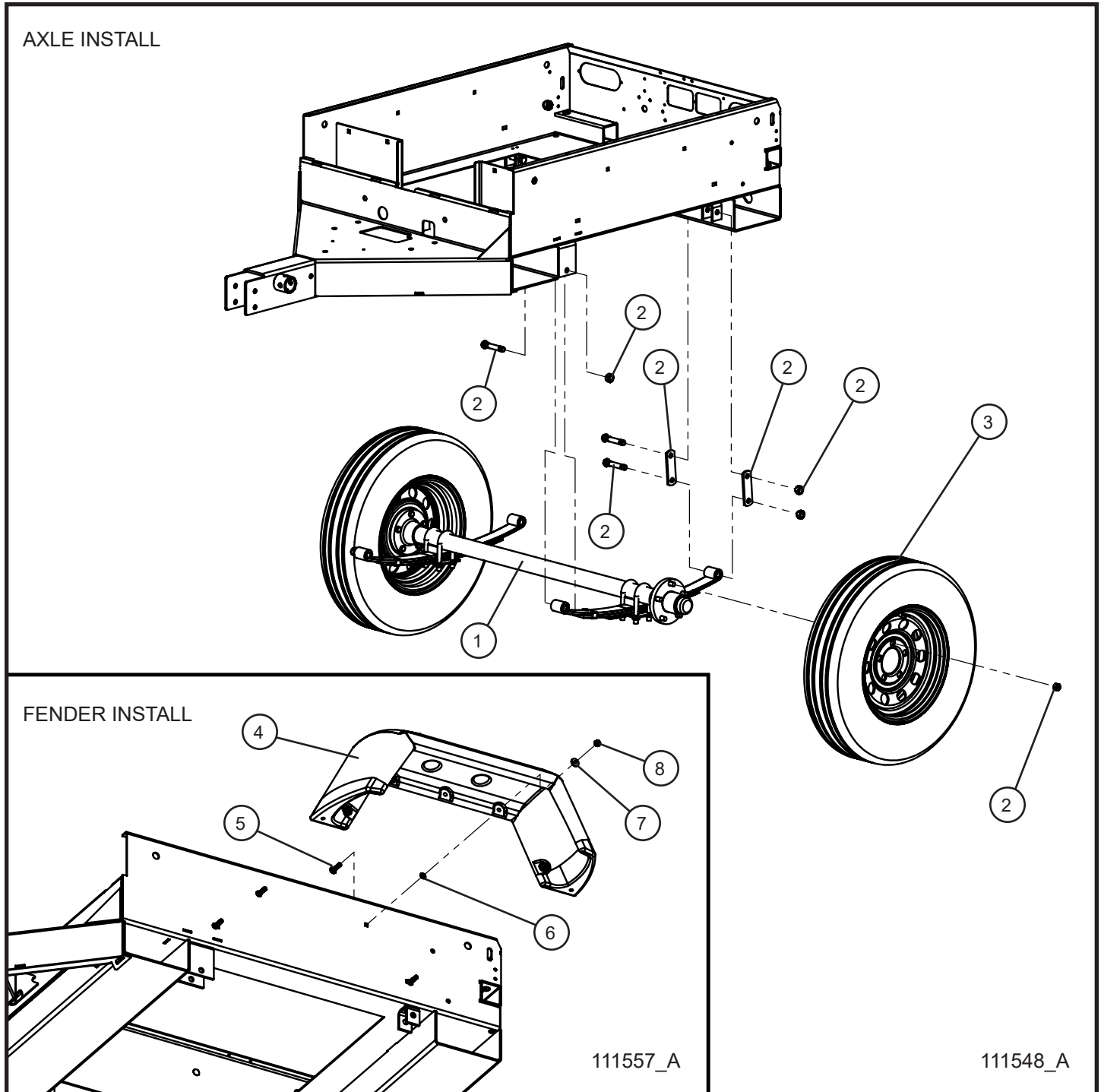
Coliseum 6/8kW 50/60Hz Generator .....	(12.1)
Marathon 6/8kW 50/60Hz Generator .....	(12.2)
6/4 and 10/4 Generator Cord Install Group .....	(12.3)

### 13.0 DECALS

Left Side Decals .....	(13.1)
Left Side Door Panels and Back Side Decals .....	(13.2)
Right Side Decals .....	(13.3)
Front Side Decals .....	(13.4)
Top Side Decals .....	(13.5)
Interior Decals .....	(13.6)
Wordless Left Side Decals .....	(13.7)
Wordless Left Side Door Panels and Back Side Decals .....	(13.8)
Wordless Right Side Decals .....	(13.9)
Wordless Front Side Decals .....	(13.10)
Wordless Top Side Decals .....	(13.11)
Wordless Interior Decals .....	(13.12)
CSA Decals .....	(13.13)
Electrical Information Decals .....	(13.14)
LSC Autostart Decal .....	(13.15)
LED Balloon Light Decals .....	(13.16)

# NIGHT-LITE™ V-SERIES

## 1.1 - Axle and Fender Group



# NIGHT-LITE™ V-SERIES

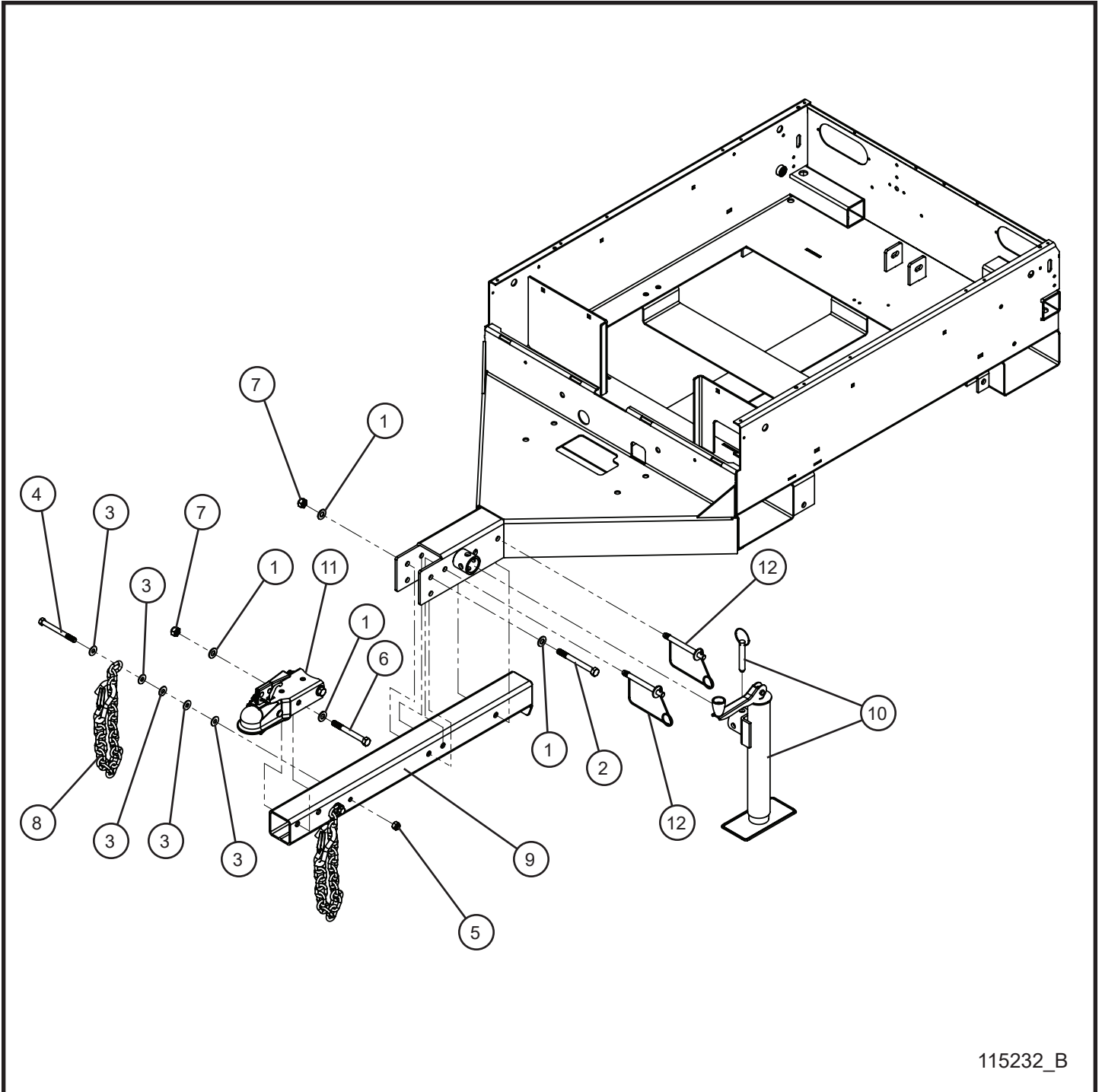
SN 39-000001 to 39-999999

## 1.1 - Axle and Fender Group

Item	Part No.	Part Description	Qty.
1	107128	AXLE 13" HUBS	1
2	102106	AXLE HARDWARE KIT LONG	1
3	112801	13" WHEEL/TIRE ASSEMBLY	2
4	650297	FENDER 13 INCH MOLDED EMBEDDED DECAL	2
5	053023	5/16-18 x 1 1/2 CARRIAGE BOLT PL	8
6	045217	5/16 PUSH NUT	8
7	047010	5/16 FLAT WASHER PL	8
8	044031	5/16-18 KEPS HEX NUT PL	8

\*NS - NOT SHOWN

## 1.2 - Standard Tongue Install Group





# NIGHT-LITE™ V-SERIES

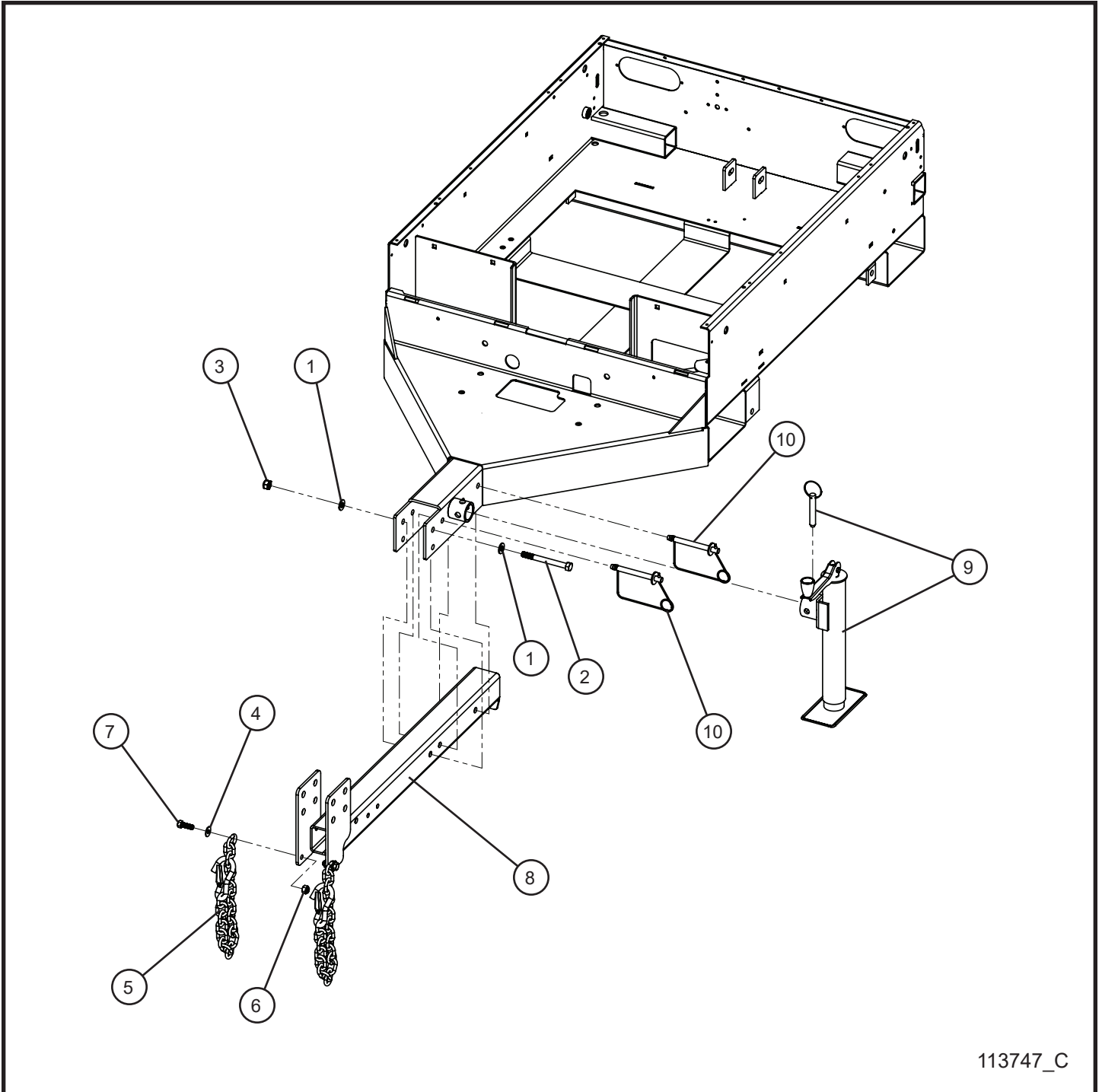
SN 39-000001 to 39-999999

## 1.2 - Standard Tongue Install Group

Item	Part No.	Part Description	Qty.
1	047025	1/2 FLAT WASHER PL	6
2	046230	1/2-13 x 5 HEX HEAD CS GR5 PL	1
3	047015	3/8 FLAT WASHER PL	10
4	046172	7/16-14 x 1 1/2 HEX HEAD CS GR5 PL	2
5	044043	7/16-14 NYLOCK HEX NUT PL	2
6	046225	1/2-13 x 4 1/2 HEX HEAD CS GR5 PL	2
7	044048	1/2-13 NYLOCK HEX NUT PL	3
8	049040	SAFETY CHAIN SINGLE CLASS III	2
9	117165P	TONGUE FOLDING WELDMENT	1
10	108726	TOP CRANK JACK TUBE JACK	1
11	712021	2" BALL SAE CLASS 2 3500 LBS	1
12	116374	1/2 x 4 SNAP LOCK PIN W/ WIRE COIL & 1 1/4 WASHER	2

\*NS - NOT SHOWN

## 1.3 - Reversible Tongue Install Group



113747\_C

# NIGHT-LITE™ V-SERIES

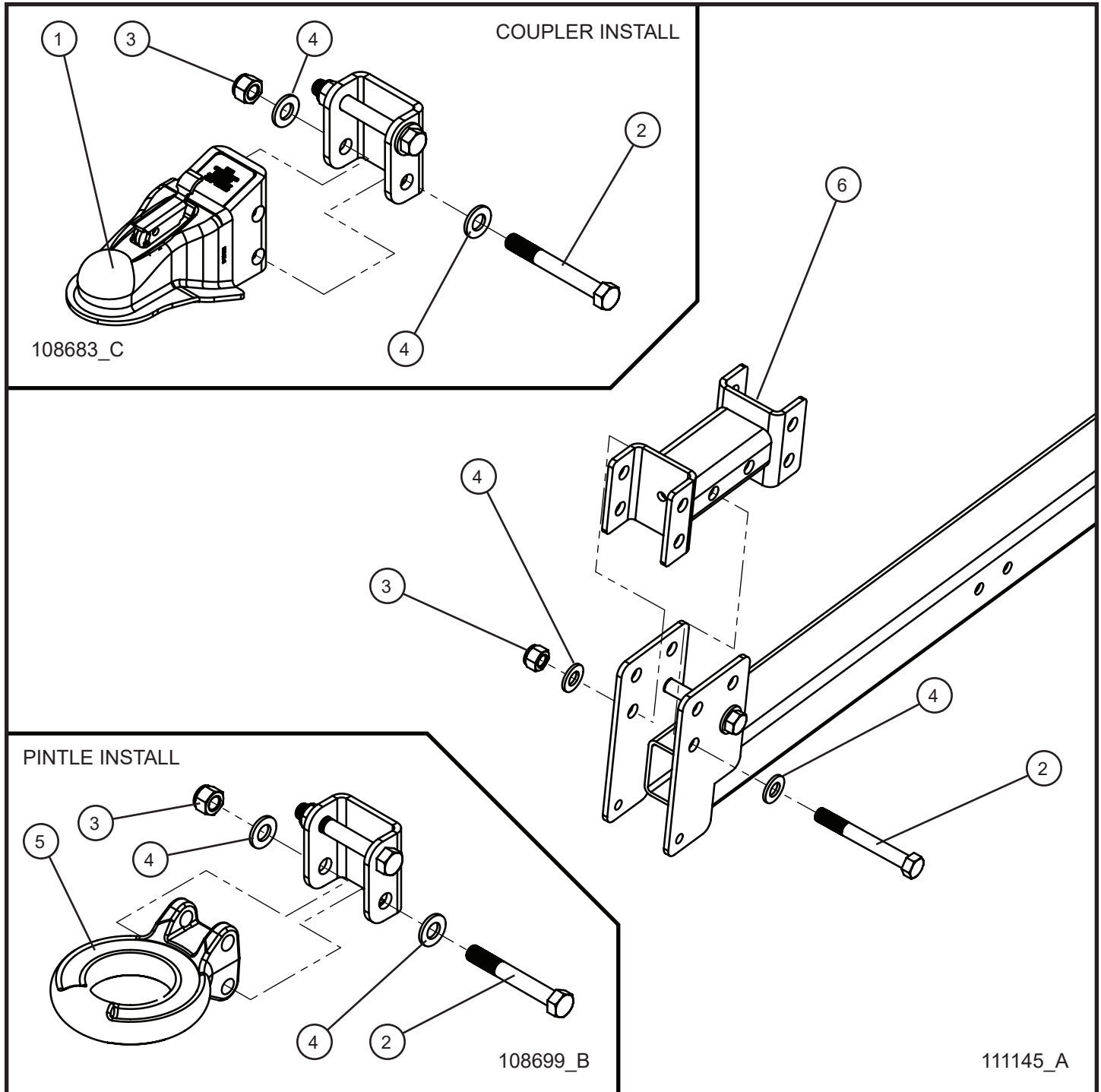
SN 39-000001 to 39-999999

## 1.3 - Reversible Tongue Install Group

Item	Part No.	Part Description	Qty.
1	047025	1/2 FLAT WASHER PL	2
2	046230	1/2-13 x 5 HEX HEAD CS GR5 PL	1
3	044048	1/2-13 NYLOCK HEX NUT PL	1
4	047015	3/8 FLAT WASHER PL	2
5	049040	SAFETY CHAIN SINGLE CLASS III	2
6	044043	7/16-14 NYLOCK HEX NUT PL	2
7	046159	7/16-14 x 1 1/4 HEX HEAD CS GR5 PL	2
8	113746P	TONGUE FOLDING REVERSIBLE COUPLER	1
9	108726	TOP CRANK JACK TUBE JACK	1
10	116374	1/2 x 4 SNAP LOCK PIN W/ WIRE COIL & 1 1/4 WASHER	2

\*NS - NOT SHOWN

## 1.4 - Reversible Tongue Couplers



# NIGHT-LITE™ V-SERIES

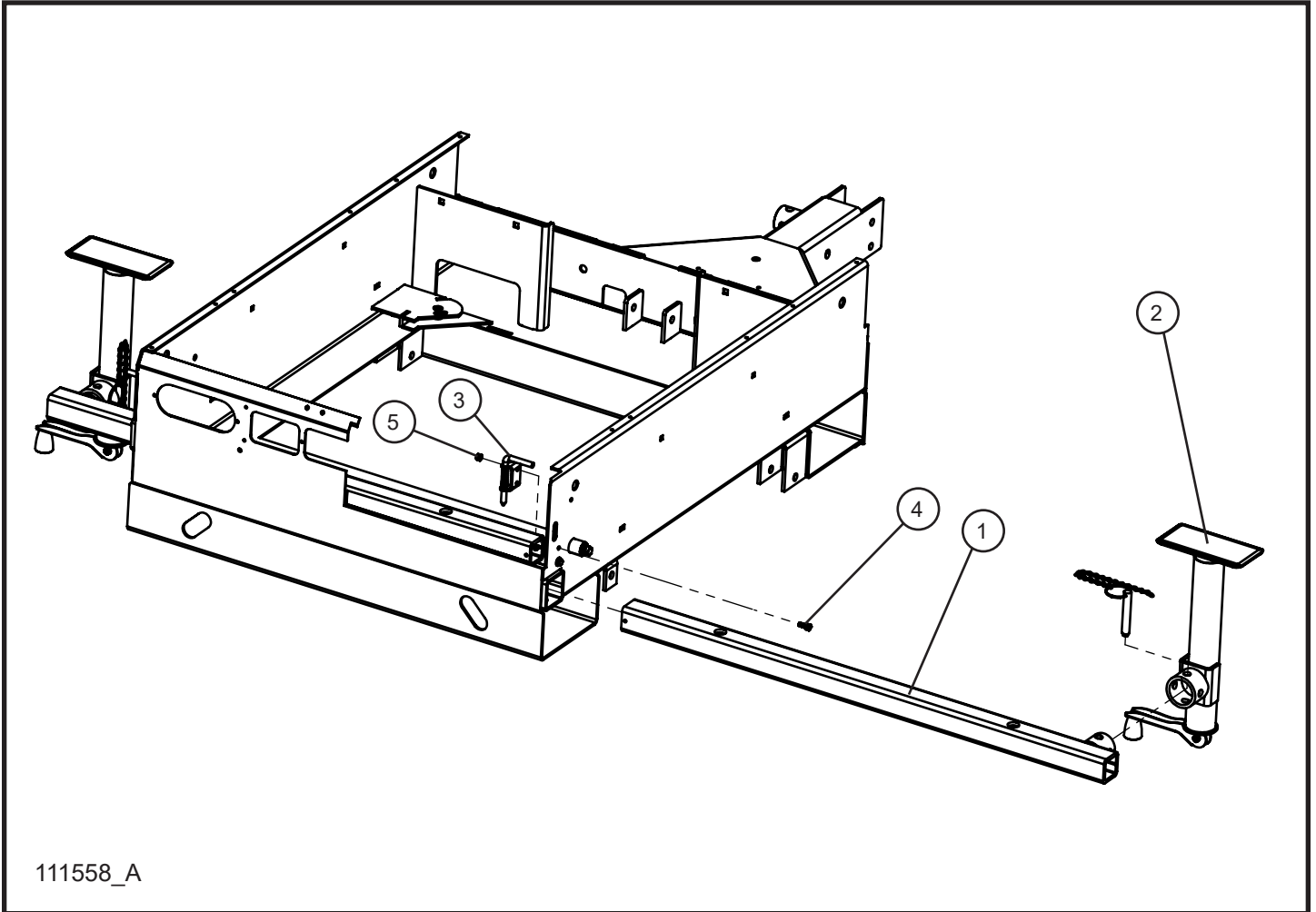
SN 39-000001 to 39-999999

## 1.4 - Reversible Tongue Couplers

Item	Part No.	Part Description	Qty.
1	109977	COUPLER BALL 2.00 ADJUSTABLE STAMPED	1
	109976	COUPLER BALL 2.313 ADJUSTABLE STAMPED	1
2	046255	5/8-11 x 5 HEX HEAD CS GR5 PL	4
3	044053	5/8-11 NYLOCK HEX NUT PL	4
4	047031	5/8 FLAT WASHER HDND PL	8
5	106720	RING PINTLE 3.00 ADJUSTABLE	1
6	111148P	REVERSIBLE COUPLER TONGUE MOUNT	1

\*NS - NOT SHOWN

## 1.5 - Outriggers Group



# NIGHT-LITE™ V-SERIES

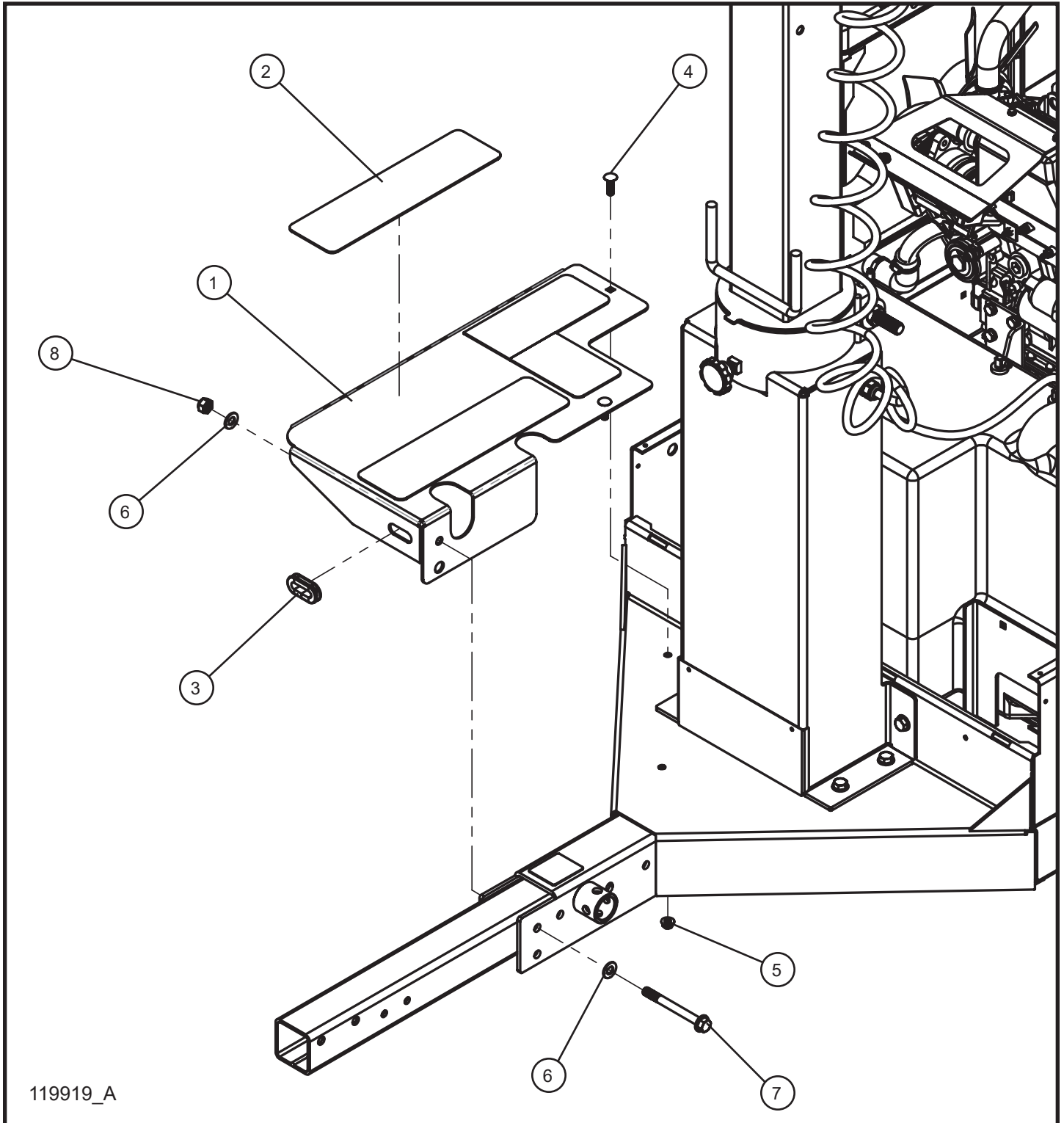
SN 39-000001 to 39-999999

## 1.5 - Outriggers Group

Item	Part No.	Part Description	Qty.
1	109855P	NLV OUTRIGGER WELDMENT	2
2	108726	TOP CRANK JACK TUBE MOUNT	2
3	650723	RETENSION PIN RIGHT/LEFT	2
4	046010	1/4-20 x 3/4 PHILLIPS TRUSS HEAD MACHINE SCREW	4
5	044023	1/4-20 NYLOCK HEX NUT PL	4

\*NS - NOT SHOWN

## 1.6 - Step Plate LED Balloon Light Option



119919\_A



# NIGHT-LITE™ V-SERIES

SN 39-000001 to 39-999999

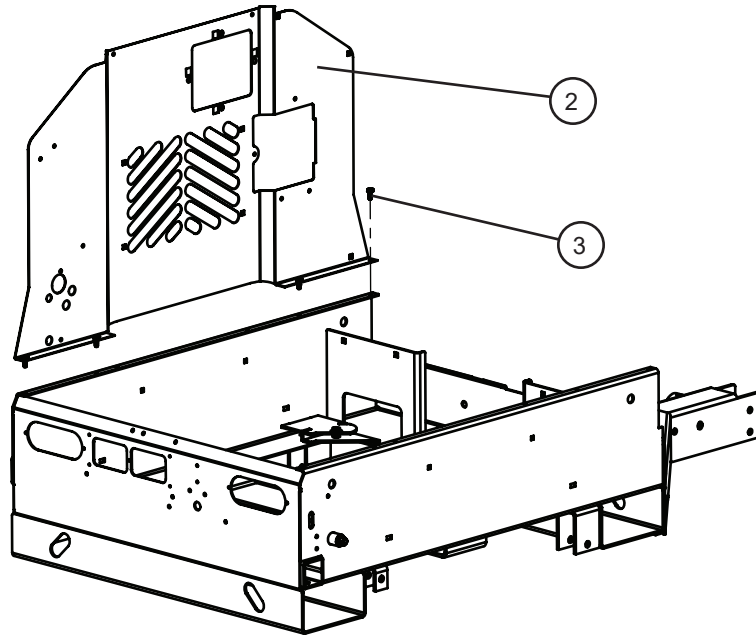
## 1.6 - Step Plate LED Balloon Light Option

Item	Part No.	Part Description	Qty.
1	119918P	WELDMENT STEP PLATE NLV LED BALLOON LIGHT OPTION	1
2	062006	ANTI SKID TAPE DIE CUT PEAL AND STICK	3
3	650542	1 1/4 ID x 1 1/2 OD GROMMET	1
4	100670	3/8-16 x 1 1/4 CARRIAGE BOLT	2
5	057007	3/8-16 HEX NYLOCK FLANGE NUT	2
6	047025	1/2 FLAT WASHER PL	2
7	046230	1/2-13 x 5 HEX HEAD CS GR5 PL	1
8	044048	1/2-13 NYLOCK HEX NUT PL	1
NS	119920	STEP PLATE INSTALLATION INSTRUCTIONS NLV	1

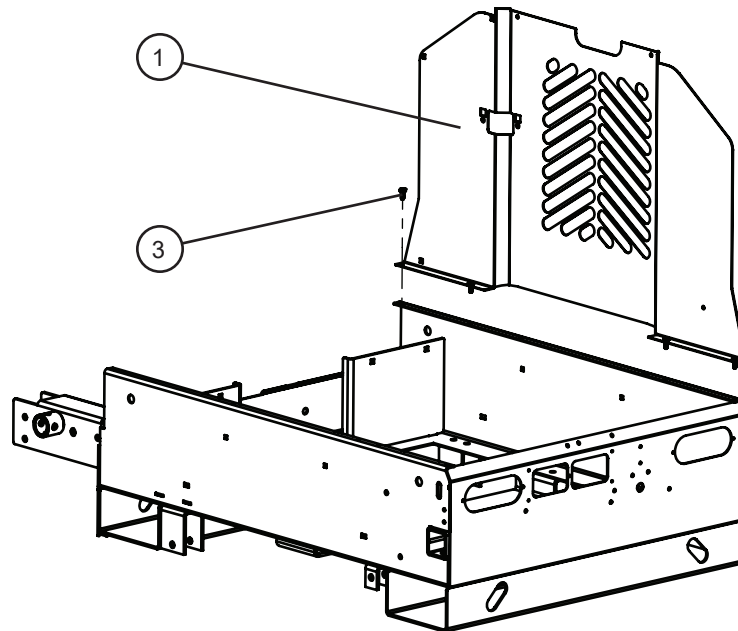
\*NS - NOT SHOWN

## 2.1 - Side Panels I

LEFT SIDE INSTALL



RIGHT SIDE INSTALL



111939\_A

# NIGHT-LITE™ V-SERIES

SN 39-000001 to 39-000559

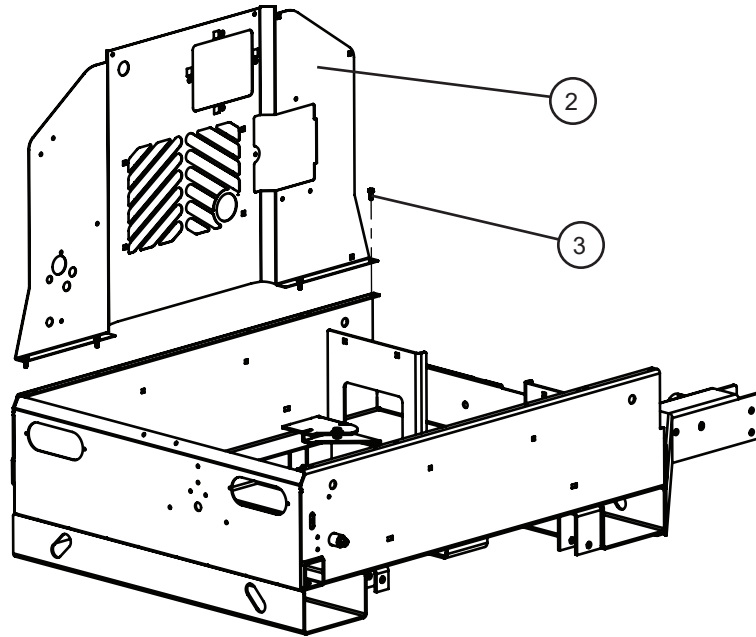
## 2.1 - Side Panels I

Item	Part No.	Part Description	Qty.
1	109861P	PANEL SIDE RIGHT	1
2	109862P	PANEL SIDE LEFT	1
3	041070	1/4-20 x 3/4 SL-HEX WASHER HEAD MS TP F	8

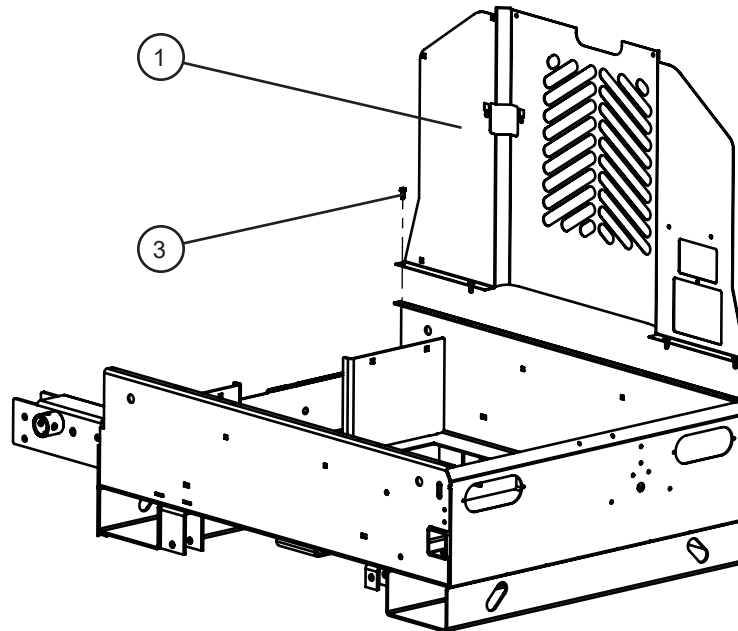
\*NS - NOT SHOWN

## 2.2 - Side Panels II

LEFT SIDE INSTALL



RIGHT SIDE INSTALL



111939\_A

# NIGHT-LITE™ V-SERIES

SN 39-000560 to 39-002957

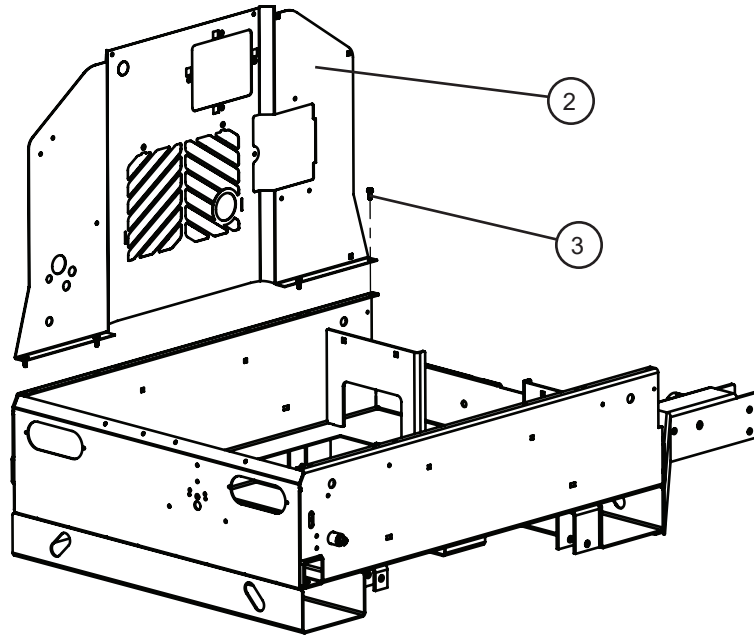
## 2.2 - Side Panels II

Item	Part No.	Part Description	Qty.
1	112679P	PANEL SIDE RIGHT w/ OUTLET HOLES	1
2	113188P	PANEL SIDE LEFT w/ AIR INTAKE	1
3	041070	1/4-20 x 3/4 SL-HEX WASHER HEAD MS TP F	8

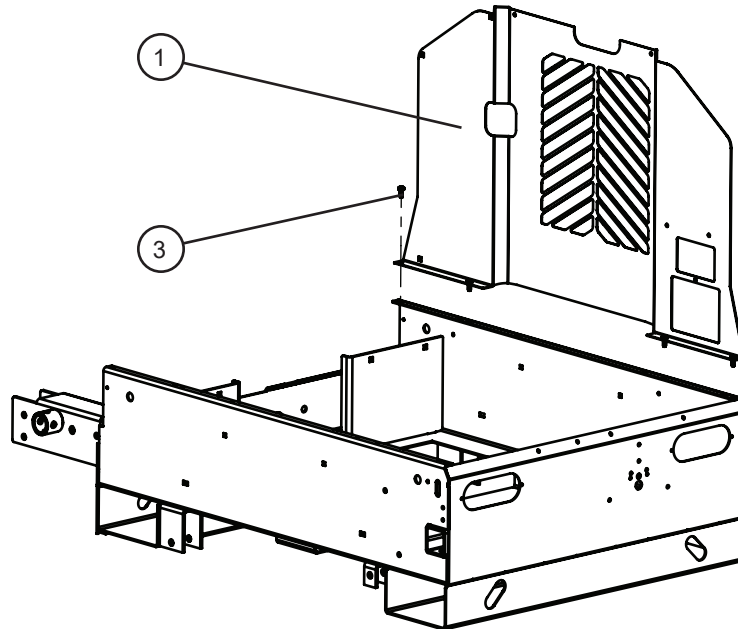
\*NS - NOT SHOWN

## 2.3 - Side Panels III

LEFT SIDE INSTALL



RIGHT SIDE INSTALL



111939\_A

# NIGHT-LITE™ V-SERIES

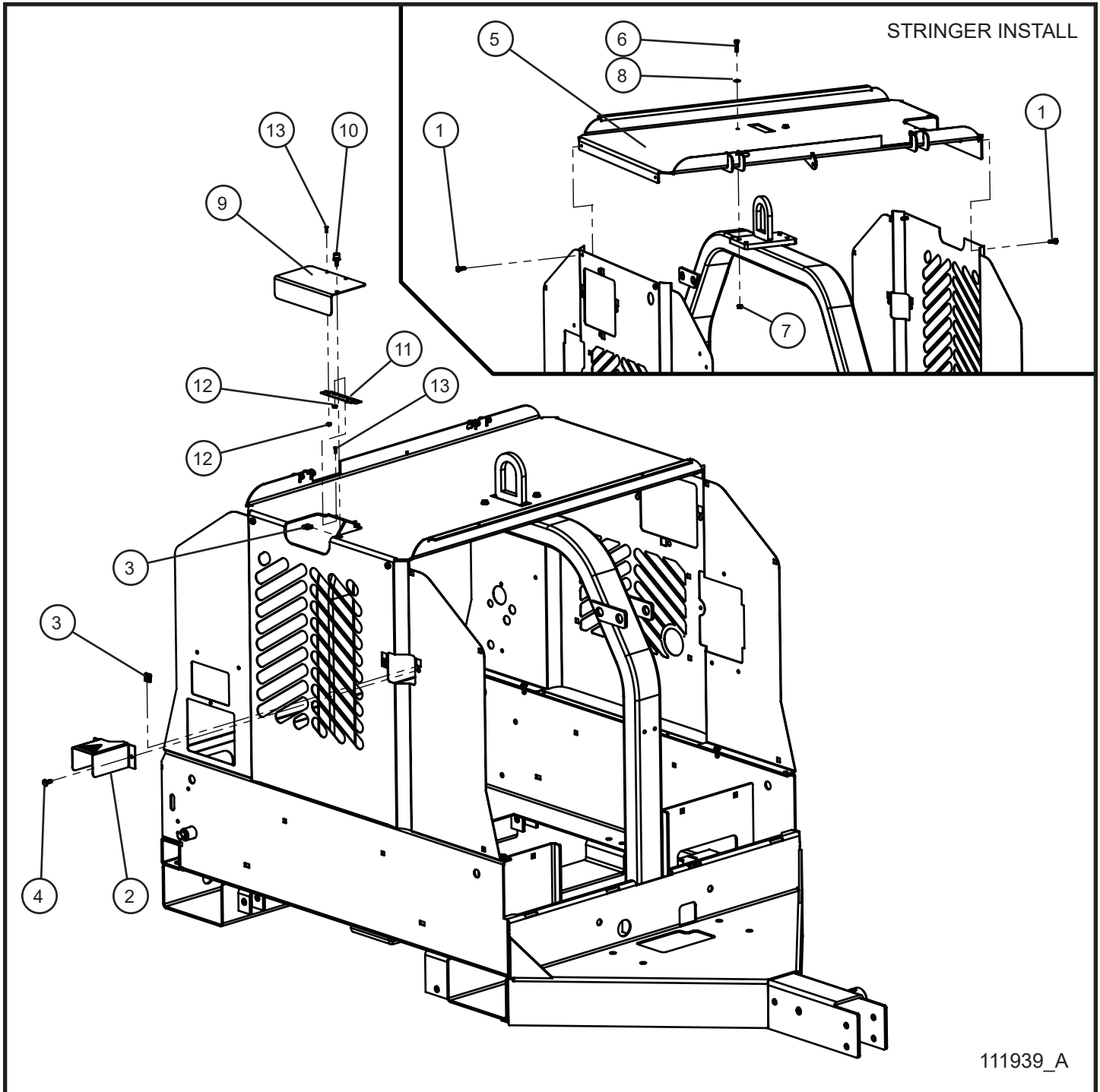
SN 39-002958 to 39-999999

## 2.3 - Side Panels III

Item	Part No.	Part Description	Qty.
1	114847P	PANEL SIDE RIGHT NO EXHAUST GUARD	1
2	114873P	PANEL SIDE LEFT NLV w/ AIR INTAKE	1
3	041070	1/4-20 x 3/4 SL-HEX WASHER HEAD MS TP F	8

\*NS - NOT SHOWN

## 2.4 - Stringer Group I





# NIGHT-LITE™ V-SERIES

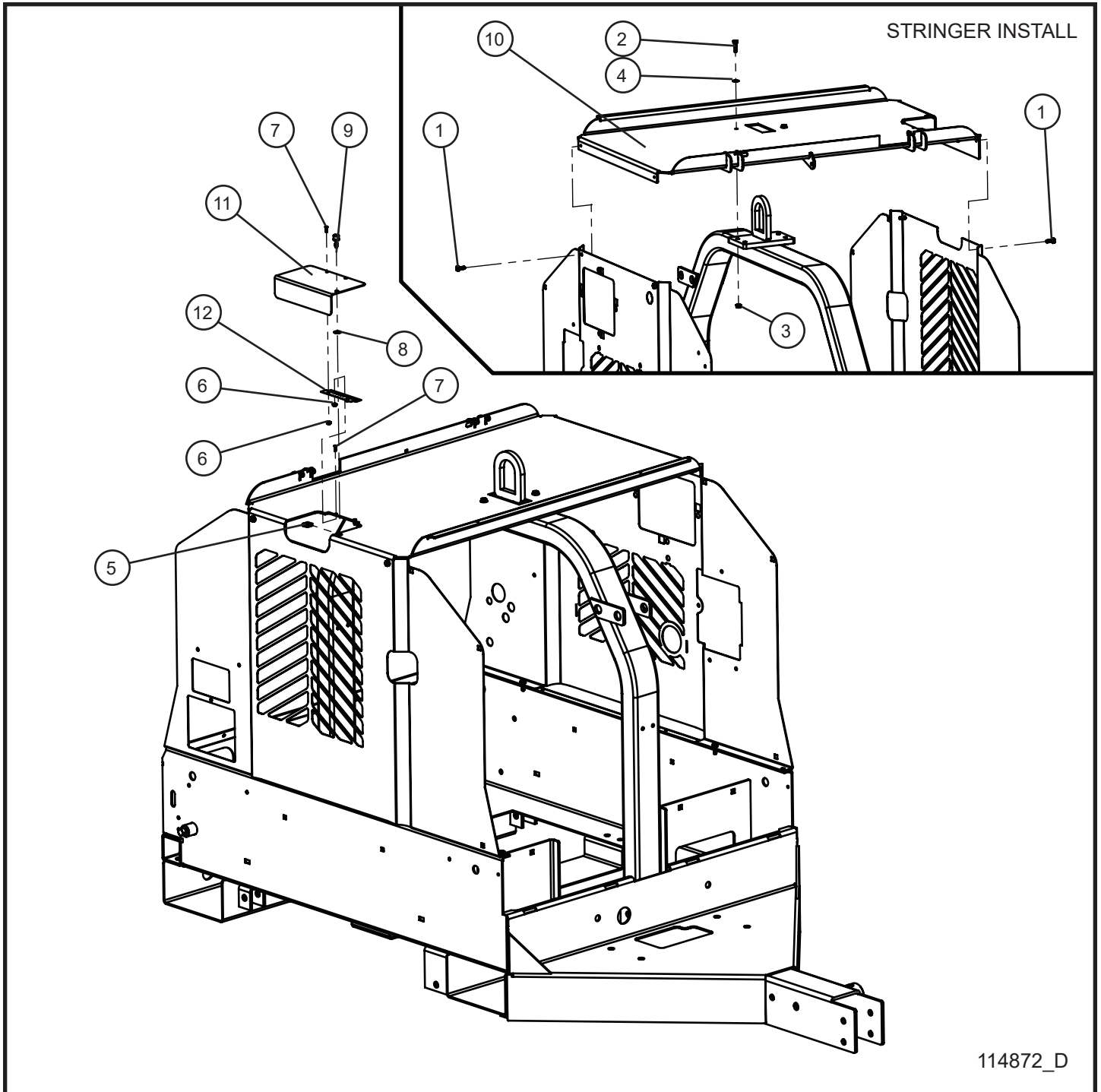
SN 39-000001 to 39-002957

## 2.4 - Stringer Group I

Item	Part No.	Part Description	Qty.
1	041070	1/4-20 x 3/4 SL-HEX WASHER HEAD MS TP F	4
2	111945P	EXHAUST PIPE GUARD	1
3	045216	1/4-20 TINNEMAN NUT	3
4	041050	1/4-20 x 3/4 PH-TRUSS HEAD MS SS MACHINE SCREW	2
5	111454P	NLV STRINGER WELDMENT	1
6	046015	1/4-20 x 1 HEX HEAD CS GR5 PL	2
7	044021	1/4-20 KEPS HEX NUT PL	2
8	047009	1/4 FLAT WASHER SAE SS	2
9	109871P	PANEL ACCESS RADIATOR CAP	1
10	102435	KNURLED SHMS w/ RETAINER	1
11	045023	HINGE APF & ALT BOARDS	1
12	044004	#6-32 KEPS HEX NUT PL	4
13	041259	#6-32 x 1/2 PHILLIPS FLAT HEAD MACHINE SCREW	4

\*NS - NOT SHOWN

## 2.5 - Stringer Group II



114872\_D

# NIGHT-LITE™ V-SERIES

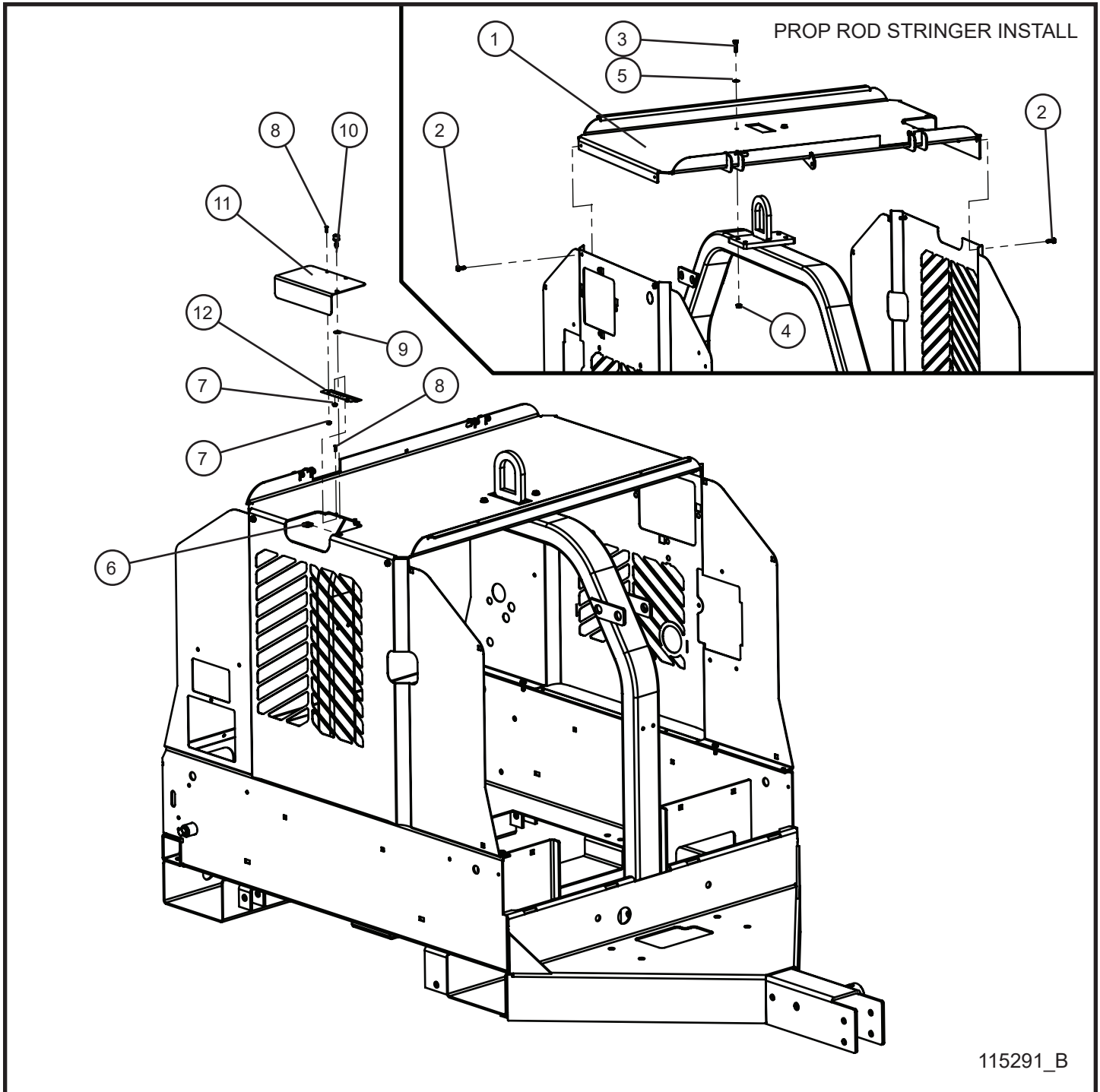
SN 39-002958 to 39-006680

## 2.5 - Stringer Group II

Item	Part No.	Part Description	Qty.
1	041070	1/4-20 x 3/4 SL-HEX WASHER HEAD MS TP F	4
2	046015	1/4-20 x 1 HEX HEAD CS GR5 PL	2
3	044021	1/4-20 KEPS HEX NUT PL	2
4	047009	1/4 FLAT WASHER SAE SS	2
5	045216	1/4-20 TINNERMAN NUT	3
6	044004	#6-32 KEPS HEX NUT PL	4
7	041259	#6-32 x 1/2 PHILLIPS FLAT HEAD MACHINE SCREW	4
8	115243	RETAINER PUSH ON	1
9	115244	KNOB KNURLED FAST THREAD	1
10	111454P	NLV STRINGER WELDMENT	1
11	109871P	PANEL ACCESS RADIATOR CAP	1
12	045023	HINGE CONTROLLER COVER	1

\*NS - NOT SHOWN

## 2.6 - Stringer Group III



115291\_B

# NIGHT-LITE™ V-SERIES

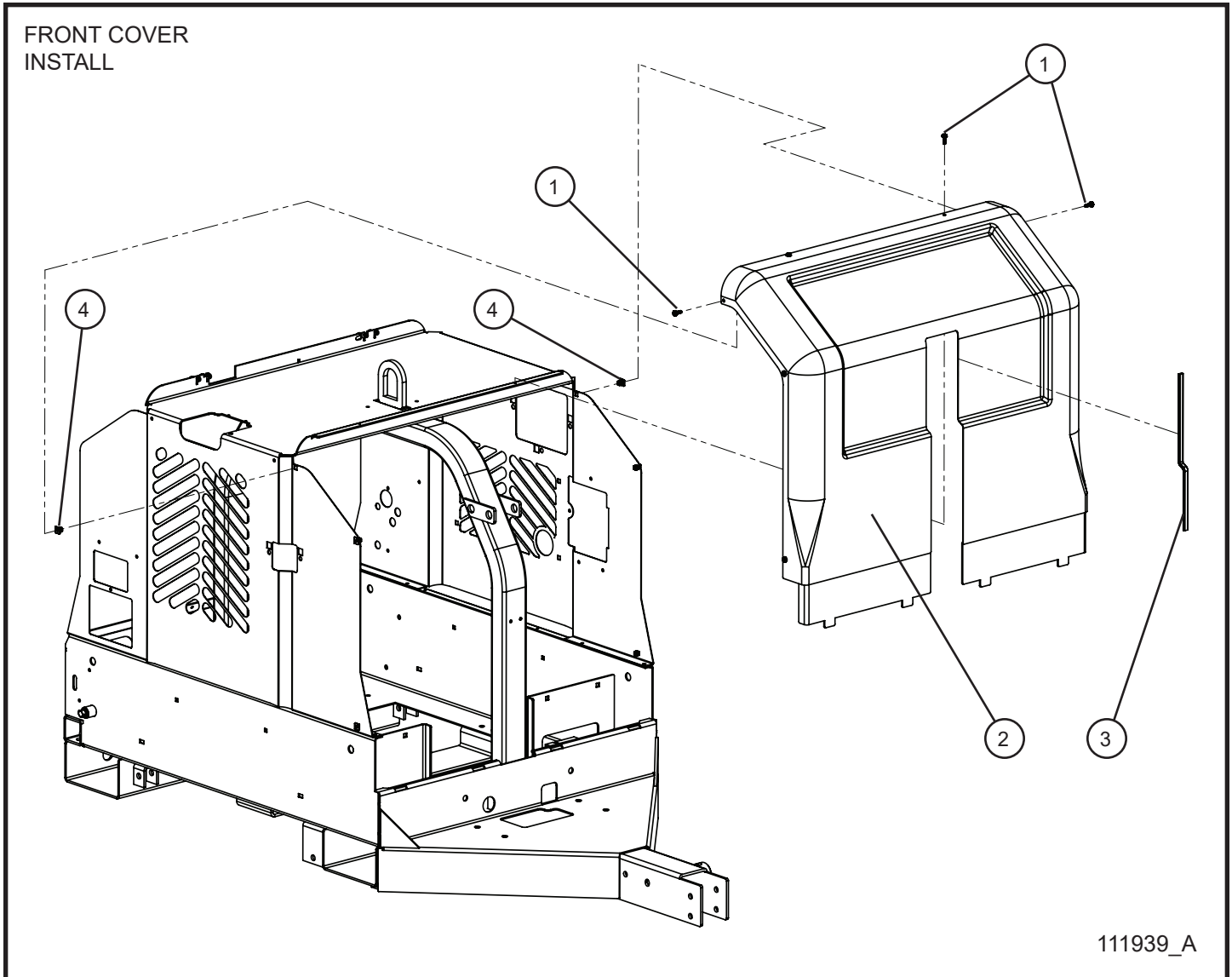
SN 39-006681 to 39-999999

## 2.6 - Stringer Group III

Item	Part No.	Part Description	Qty.
1	115292P	NLV PROP ROD STRINGER WELDMENT	1
2	041070	1/4-20 x 3/4 SL-HEX WASHER HEAD MS TP F	4
3	046015	1/4-20 x 1 HEX HEAD CS GR5 PL	2
4	044021	1/4-20 KEPS HEX NUT PL	2
5	047009	1/4 FLAT WASHER SAE SS	2
6	045216	1/4-20 TINNEMAN NUT	1
7	044004	#6-32 KEPS HEX NUT PL	4
8	041259	#6-32 x 1/2 PHILLIPS FLAT HEAD MACHINE SCREW	4
9	115243	RETAINER PUSH ON	1
10	115244	KNOB KNURLED FAST THREAD	1
11	109871P	PANEL ACCESS RADIATOR CAP	1
12	045023	HINGE CONTROLLER COVER	1

\*NS - NOT SHOWN

## 2.7 - Front Cover I



# NIGHT-LITE™ V-SERIES

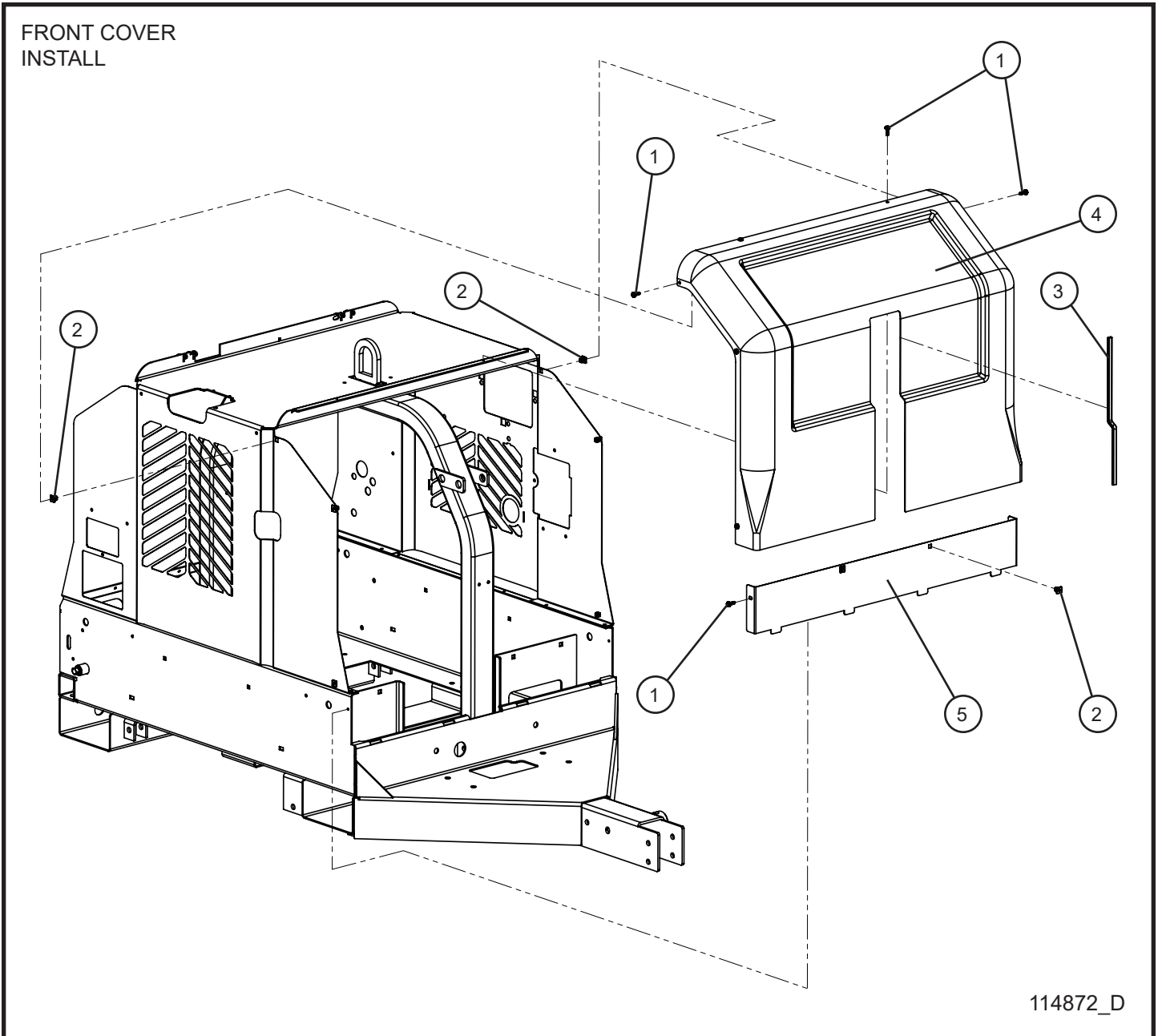
SN 39-000001 to 39-002957

## 2.7 - Front Cover I

Item	Part No.	Part Description	Qty.
1	041070	1/4-20 x 3/4 SL-HEX WASHER HEAD MS TP F	8
2	109875P	WELDMENT COVER FRONT	1
3	030053	5/64 x 7/16 TRIM LOCK, 16 INCH	1
4	105408	GROMMET NUT DOUBLE SPLIT	6

\*NS - NOT SHOWN

## 2.8 - Front Cover II





# NIGHT-LITE™ V-SERIES

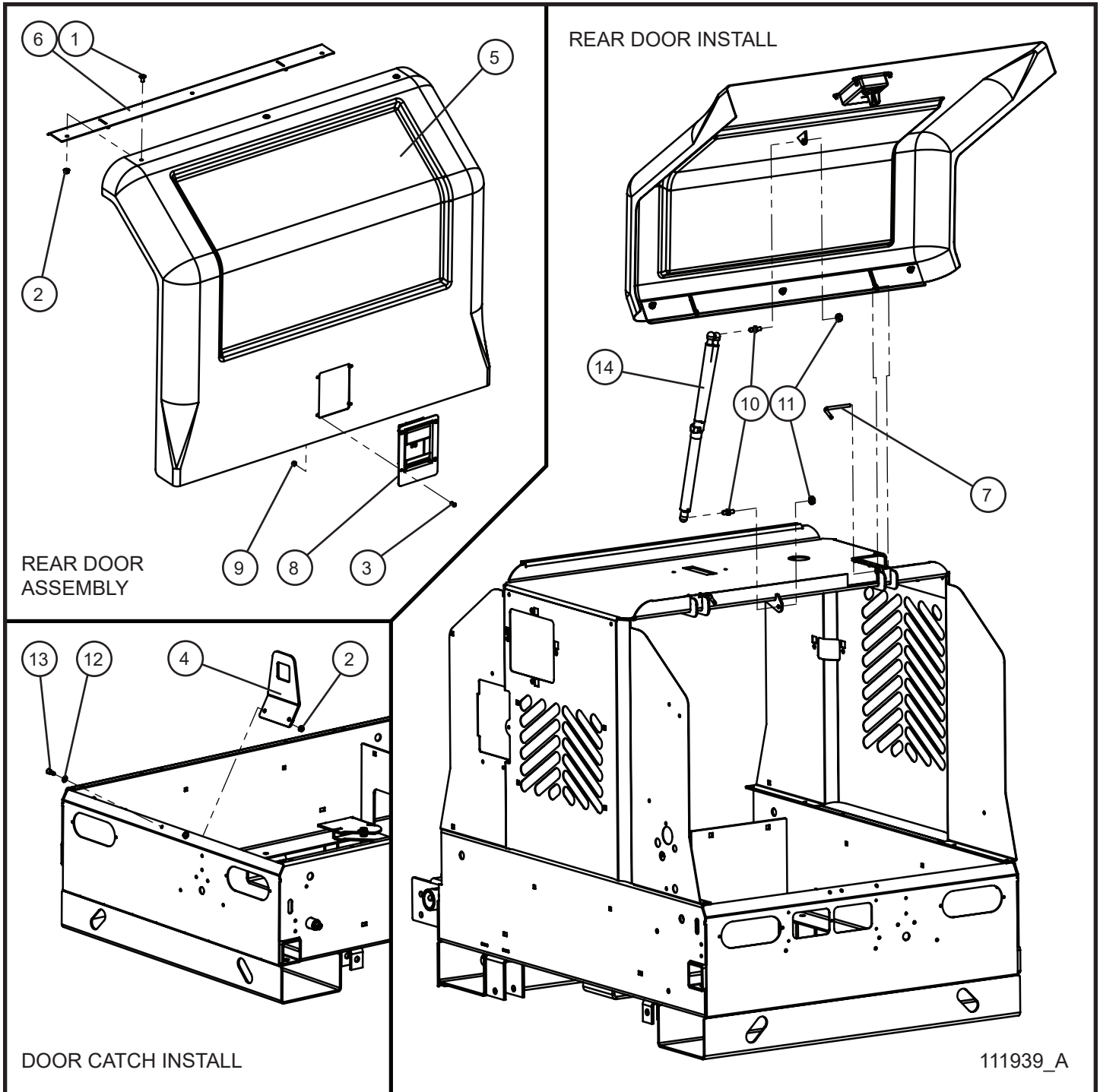
SN 39-002958 to 39-999999

## 2.8 - Front Cover II

Item	Part No.	Part Description	Qty.
--	117158	NLV FRONT COVER PARTS KIT	1
1	041070	1/4-20 x 3/4 SL-HEX WASHER HEAD MS TP F	10
2	105408	GROMMET NUT DOUBLE SPLIT	8
3	030053	5/64 x 7/16 TRIM LOCK, 16 INCH	1
4	108914P	FRONT COVER	1
5	114803P	NLV FILLER FRONT PANEL	1

\*NS - NOT SHOWN

## 2.9 - Rear Door I



# NIGHT-LITE™ V-SERIES

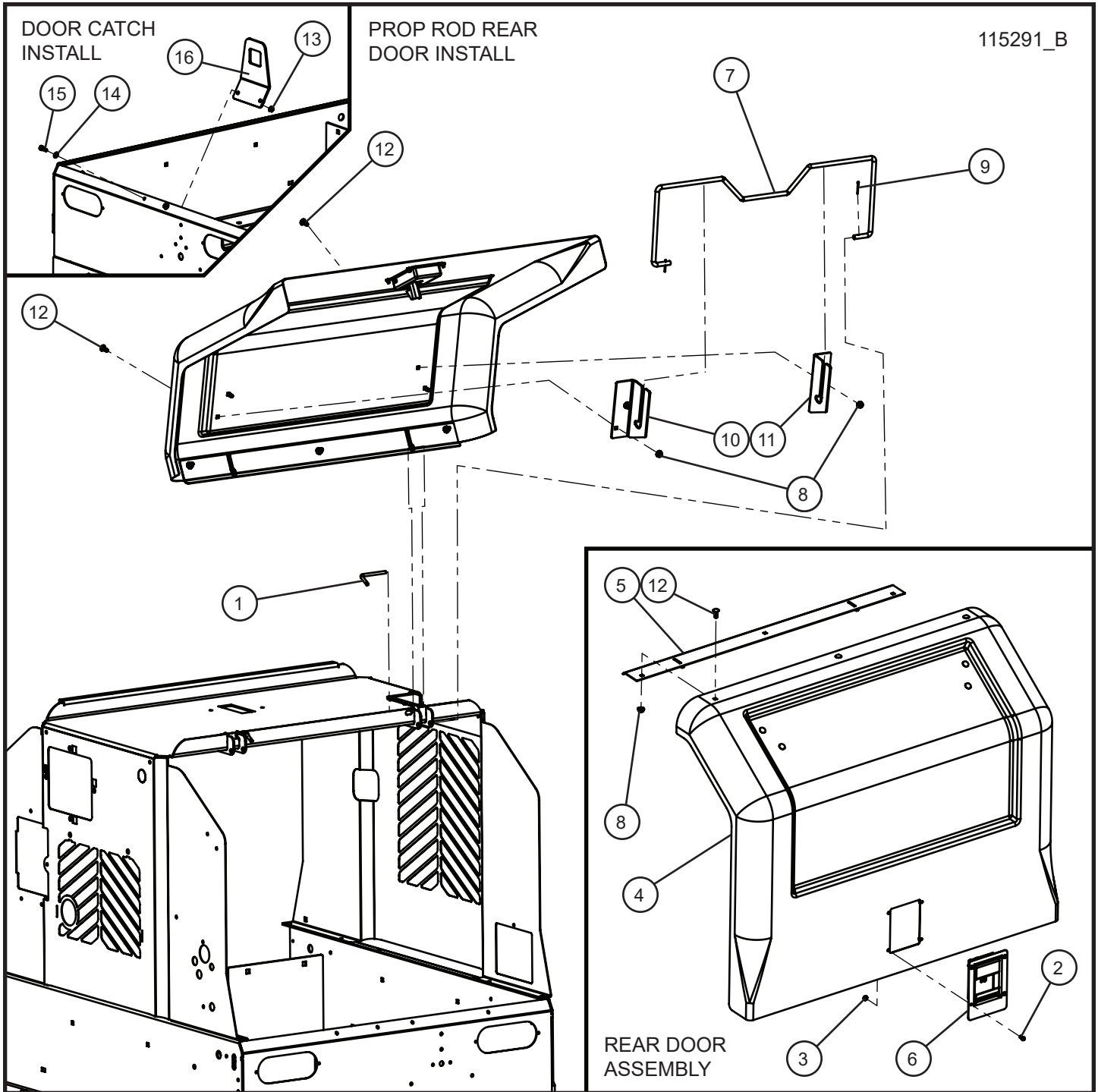
SN 39-000001 to 39-006680

## 2.9 - Rear Door I

Item	Part No.	Part Description	Qty.
1	041078	1/4-20 x 1/2 PH-TRUSS HEAD MS SS MACHINE SCREW	3
2	044021	1/4-20 KEPS HEX NUT PL	5
3	041021	#10-24 x 1/2 PH-ROUND HEAD MS PL	4
4	113521P	PLATE LATCH COVER REAR	1
5	109873P	WELDMENT COVER REAR	1
6	111457P	WELDMENT REAR COVER HINGE	1
7	111456	PIN HINGE	2
8	680459	SLAM LATCH	1
9	044018	#10-24 NYLOCK HEX NUT PL	4
10	330437	BALL STUD M10	2
11	044090	5/16-18 TOP LOCK HEX NUT PL	2
12	047009	1/4 FLAT WASHER SAE SS	2
13	046010	1/4-20 x 3/4 HEX HEAD CS GR5 SS	2
14	105245	CYLINDER GAS SPRING LOCKING	1
NS	117833	PROP ROD REPLACEMENT SERVICE KIT	1

\*NS - NOT SHOWN

## 2.10 - Rear Door II



# NIGHT-LITE™ V-SERIES

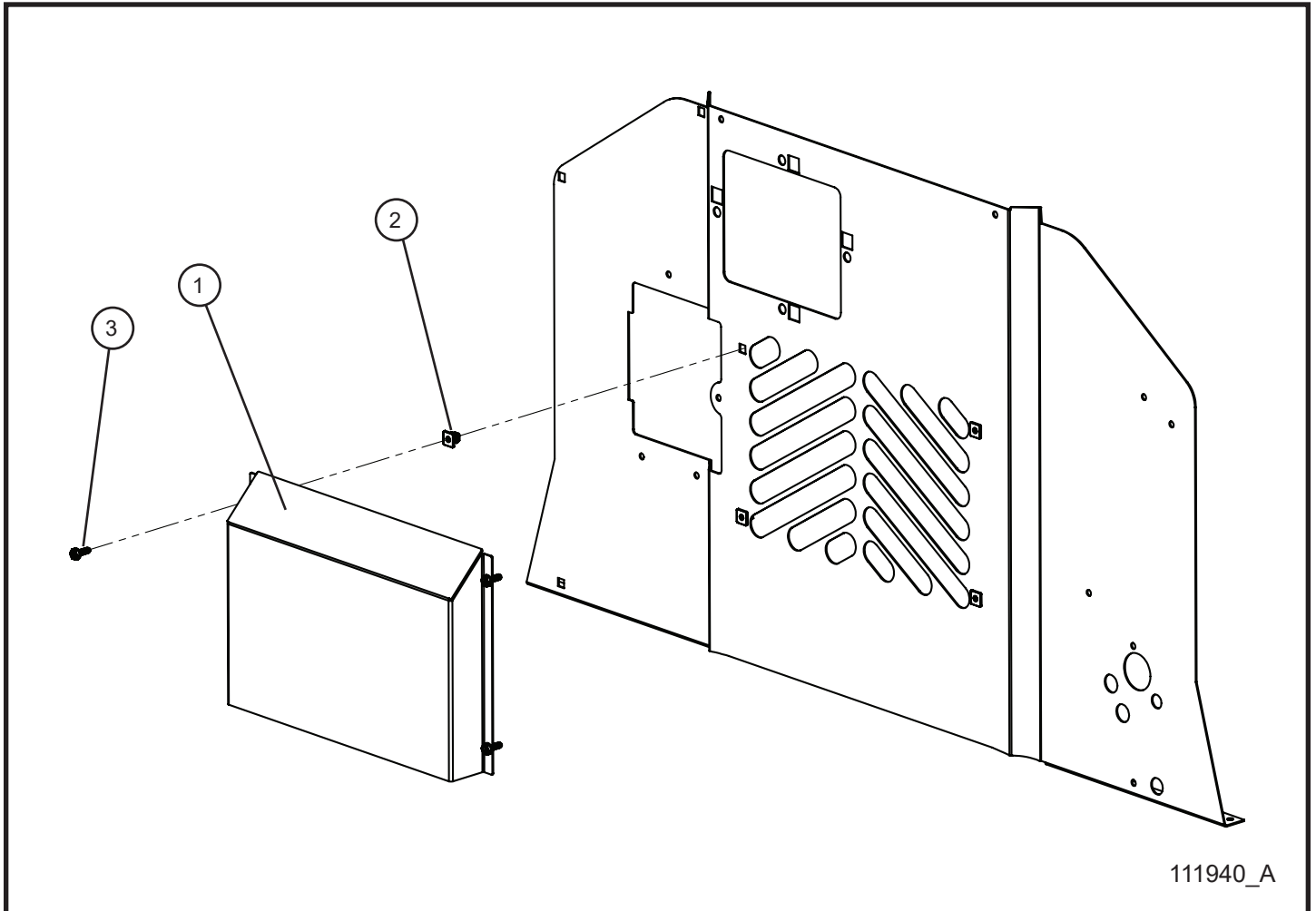
SN 39-006681 to 39-999999

## 2.10 - Rear Door II

Item	Part No.	Part Description	Qty.
1	111456	PIN HINGE	2
2	041021	#10-24 x 1/2 PH-ROUND HEAD MS PL	4
3	044018	#10-24 NYLOCK HEX NUT PL	4
4	115308P	NLV REAR COVER DOOR	1
5	115302P	NLV REAR COVER HINGE WELDMENT	1
6	680459	SLAM LATCH	1
7	115306	DOOR PROP	1
8	057000	1/4-20 HEX SERRATED FLANGE NUT	7
9	045041	5/64 x 1 IN COTTER PIN	2
10	116063P	NLV RIGHT DOOR HINGE MOUNT BRACKET	1
11	116062P	NLV LEFT DOOR HINGE MOUNT BRACKET	1
12	053006	1/4-20 x 3/4 CARRIAGE BOLT	7
13	044021	1/4-20 KEPS HEX NUT PL	2
14	047009	1/4 FLAT WASHER SAE SS	2
15	046010	1/4-20 x 3/4 HEX HEAD CS GR5 SS	2
16	113512P	PLATE LATCH COVER REAR	1

\*NS - NOT SHOWN

## 2.11 - Air Inlet Cover I



# NIGHT-LITE™ V-SERIES

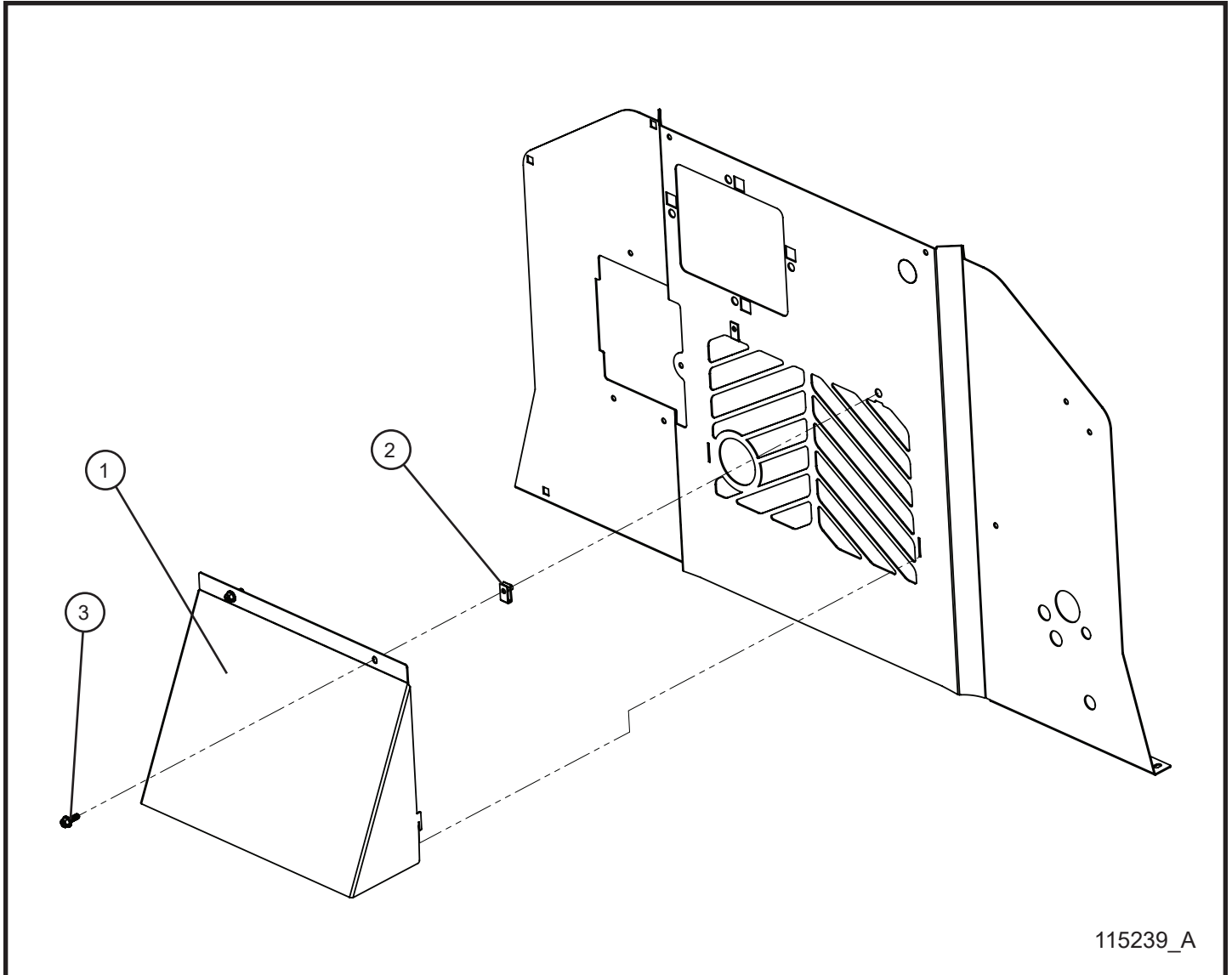
SN 39-000001 to 39-002957

## 2.11 - Air Inlet Cover I

Item	Part No.	Part Description	Qty.
1	109863P	PANEL COVER AIR INLET	1
2	105408	GROMMET NUT DOUBLE SPLIT	4
3	041070	1/4-20 x 3/4 SL-HEX WASHER HEAD MS TP F	4

\*NS - NOT SHOWN

## 2.12 - Air Inlet Cover II





# NIGHT-LITE™ V-SERIES

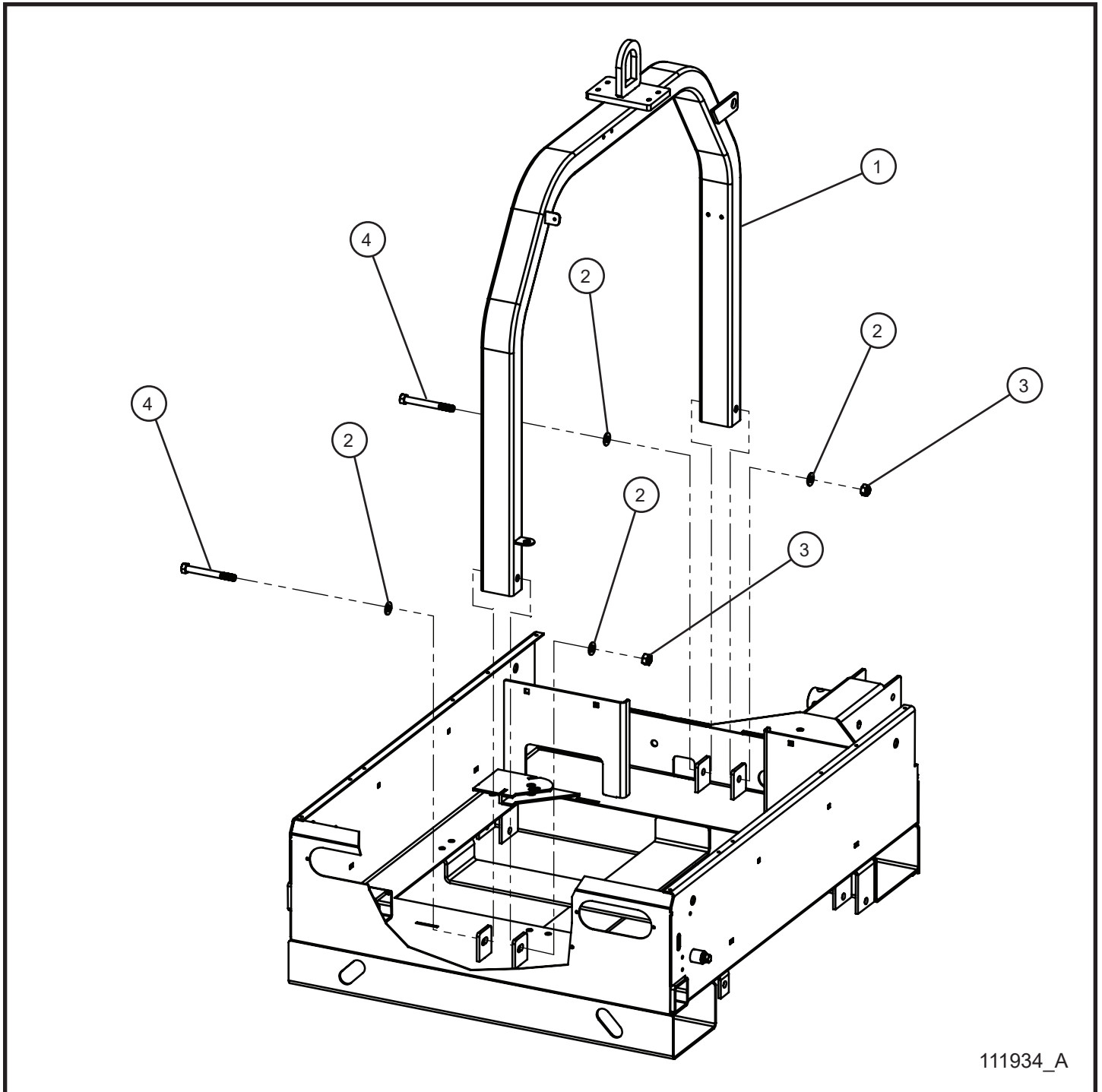
SN 39-002958 to 39-999999

## 2.12 - Air Inlet Cover II

Item	Part No.	Part Description	Qty.
1	114892P	AIR INTAKE COVER NLV	1
2	044106	NUT U EXTRUDED 1/4-20	4
3	056002	1/4-20 x 3/4 HEX SERRATED FLANGE SCREW	4

\*NS - NOT SHOWN

## 2.13 - Lift Bow



111934\_A

# NIGHT-LITE™ V-SERIES

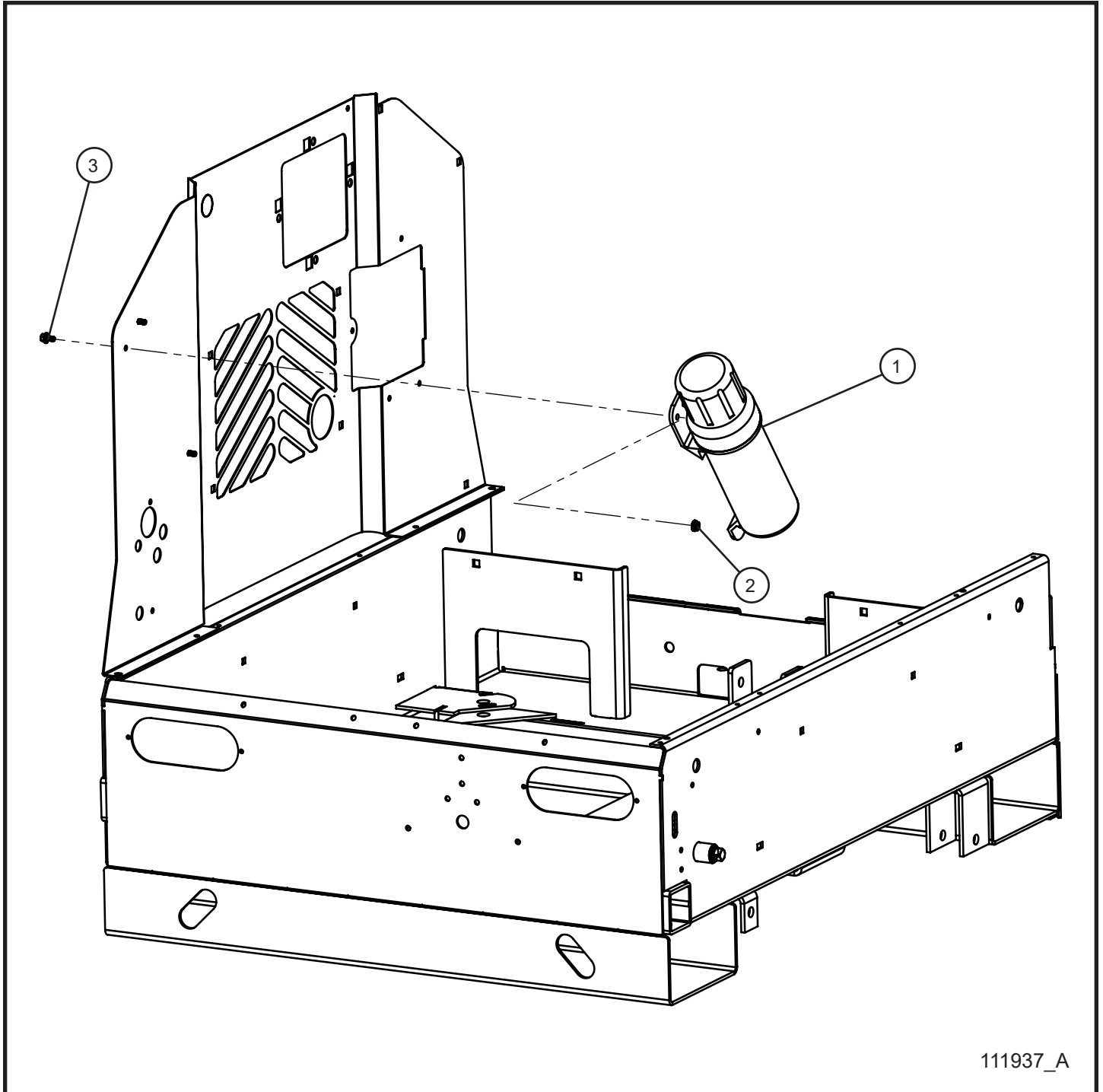
SN 39-000001 to 39-999999

## 2.13 - Lift Bow

Item	Part No.	Part Description	Qty.
1	109837P	LIFT BOW NLV	1
2	047025	1/2 FLAT WASHER PL	4
3	044048	1/2-13 NYLOCK HEX NUT PL	2
4	046225	1/2-13 x 4 1/2 HEX HEAD CS GR5 PL	4

\*NS - NOT SHOWN

## 2.14 - Manual Canister



111937\_A

# NIGHT-LITE™ V-SERIES

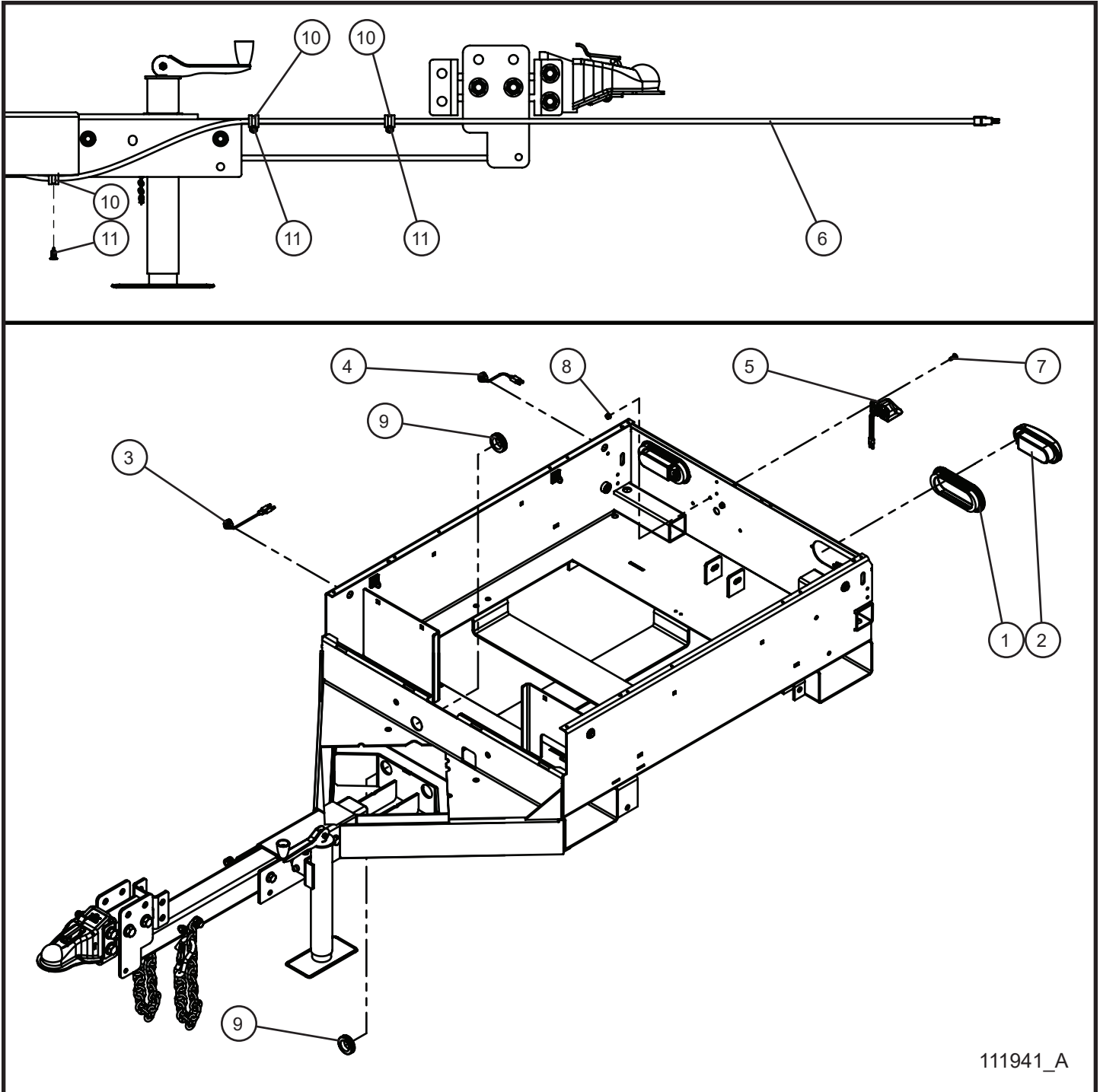
SN 39-000001 to 39-999999

## 2.14 - Manual Canister

Item	Part No.	Part Description	Qty.
1	103651	CANISTER PRODUCT MANUAL	1
2	057000	1/4-20 HEX SERRATED FLANGE NUT	3
3	056001	1/4-20 x 1/2 HEX SERRATED FLANGE SCREW	3

\*NS - NOT SHOWN

## 2.15 - Trailer Lighting I



111941\_A

# NIGHT-LITE™ V-SERIES

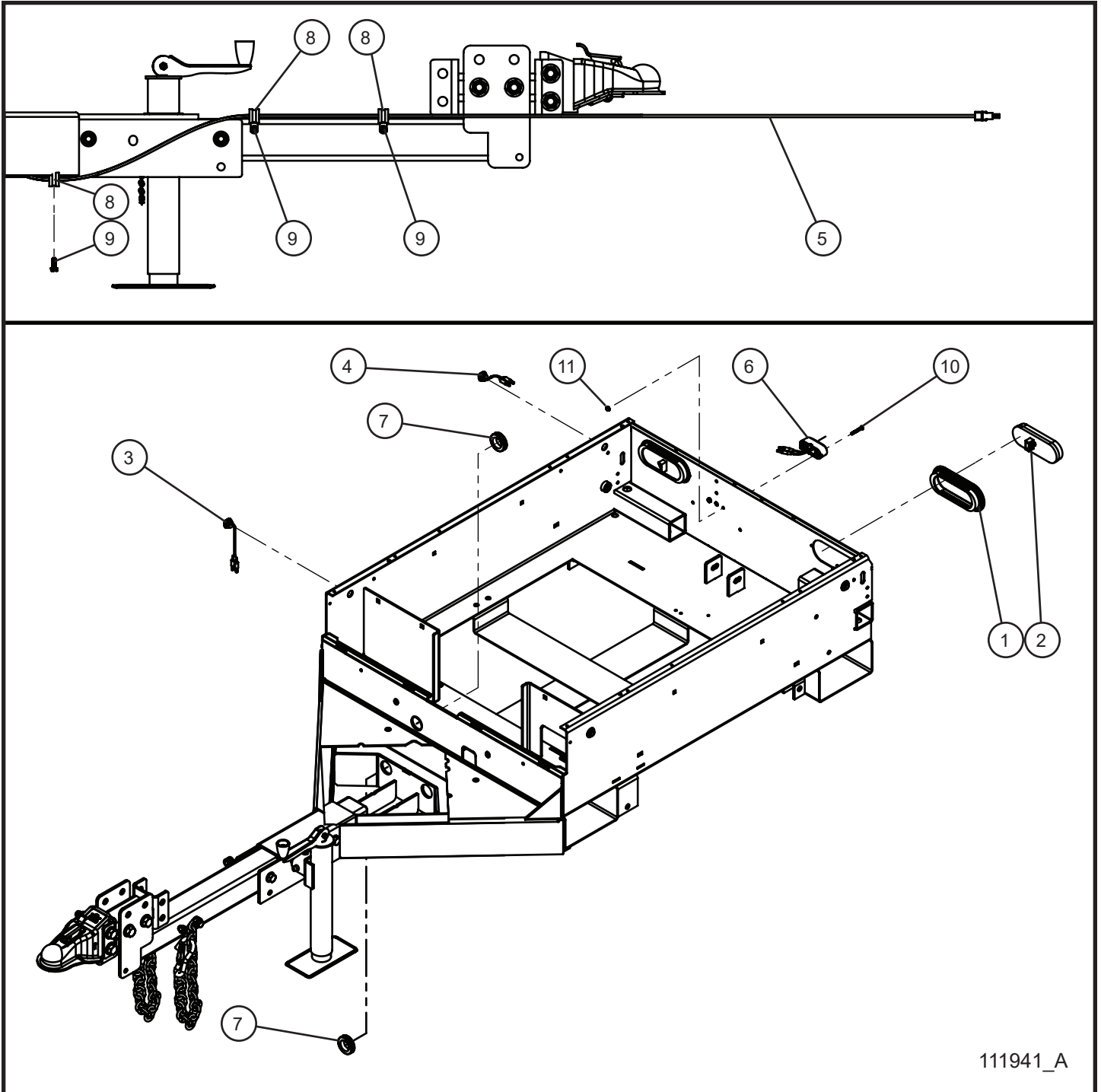
SN 39-000001 to 39-003168

## 2.15 - Trailer Lighting I

Item	Part No.	Part Description	Qty.
1	102825	OVAL LAMP GROMMET	2
2	102721	LED TAIL LAMP STOP TURN	2
3	106212	LIGHT LED MARKER AMBER	2
4	106211	LIGHT LED MARKER RED	2
5	107605	MOUNT LED LIGHT CLEAR	1
6	107857	LONG TONGUE TAIL LIGHT HARNESS	1
7	041050	1/4-20 x 3/4 PH-TRUSS HEAD MACHINE SCREW	2
8	044021	1/4-20 KEPS HEX NUT PL	2
9	650542	1 1/4 ID x 1 1/2 OD GROMMET	2
10	022014	#10 CUSH CLAMP .313 HOLE	3
11	041070	1/4-20 x 3/4 SLOTTED HEX WASHER HEAD MACHINE SCREW	3
NS	107266	SCHEMATIC TAIL LIGHT HARNESS	1
NS	107489	HARNESS MARKER LIGHTS REAR	1
NS	107490	HARNESS MARKER LIGHTS FRONT	1
NS	107858	BASE HARNESS TAIL LIGHTS	1
NS	107861	TAIL LIGHT PIGTAIL SHORT SQUARE PLUG HARNESS	2
NS	107268	FRONT MARKER LIGHTS SCHEMATIC	1
NS	107493	REAR MARKER LIGHT SCHEMATIC	1

\*NS - NOT SHOWN

## 2.16 - Trailer Lighting II



111941\_A



# NIGHT-LITE™ V-SERIES

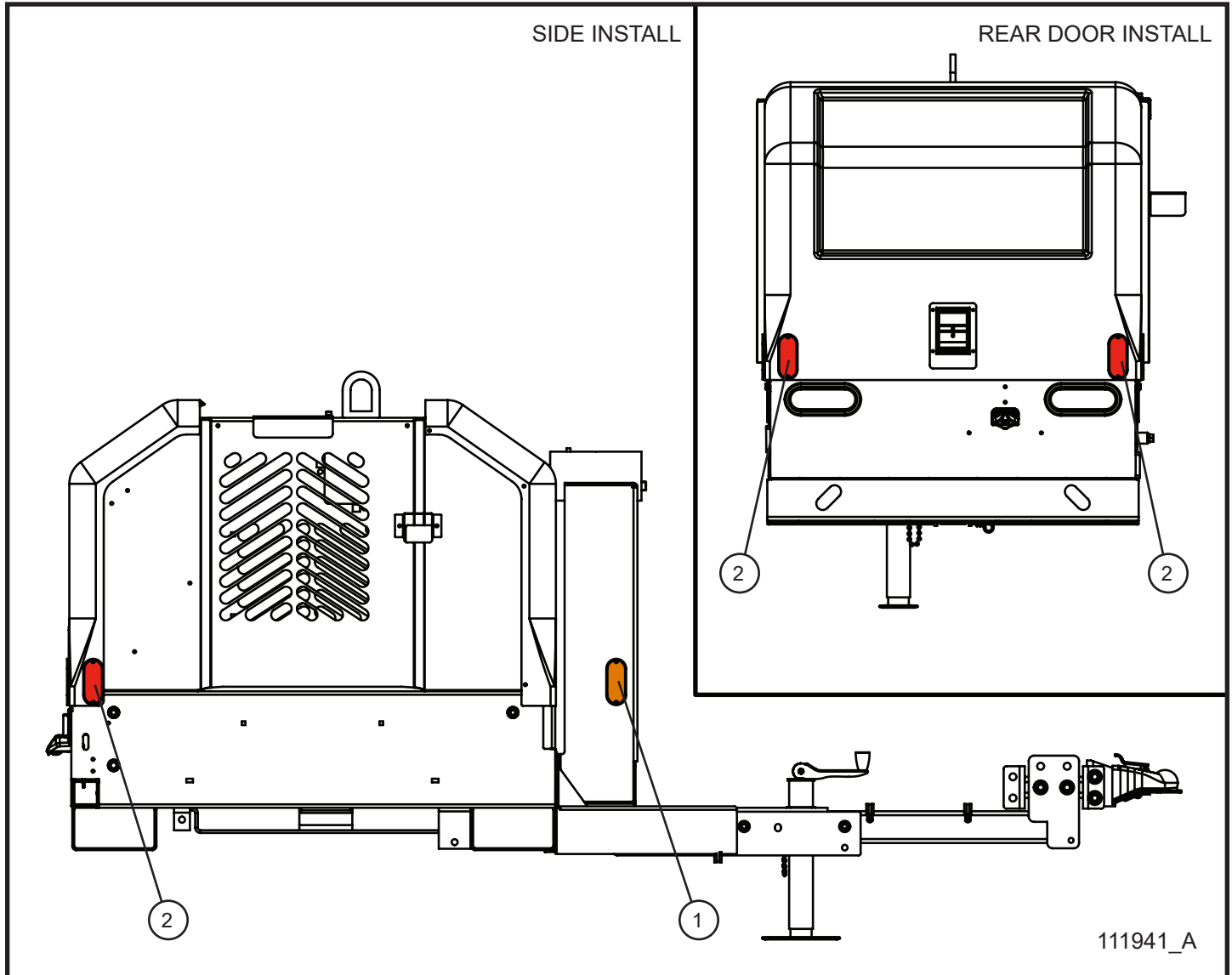
SN 39-003169 to 39-999999

## 2.16 - Trailer Lighting II

Item	Part No.	Part Description	Qty.
1	102825	OVAL LAMP GROMMET	2
2	102721	LED TAIL LAMP STOP TURN	2
3	106212	LIGHT LED MARKER AMBER	2
4	106211	LIGHT LED MARKER RED	2
5	114115	TAIL LIGHT HARNESS NLV	1
6	115116	LICENSE PLATE LIGHT LED	1
7	650542	1 1/4 ID x 1 1/2 OD GROMMET	2
8	022014	#10 CUSH CLAMP .313 HOLE	3
9	041070	1/4-20 x 3/4 SLOTTED HEX WASHER HEAD MACHINE SCREW	3
10	041040	#10-24 x 1 1/2 PHILLIPS ROUND HEAD MACHINE SCREW	2
11	044016	#10-24 KEPS HEX NUT	2
NS	068041	4" CABLE TIE	7
NS	022137	PUSH BUTTON ZIP TIE MOUNT	7
NS	112266	TAIL LIGHT HARNESS SCHEMATIC	1

\*NS - NOT SHOWN

## 2.17 - Trailer Reflectors I



# NIGHT-LITE™ V-SERIES

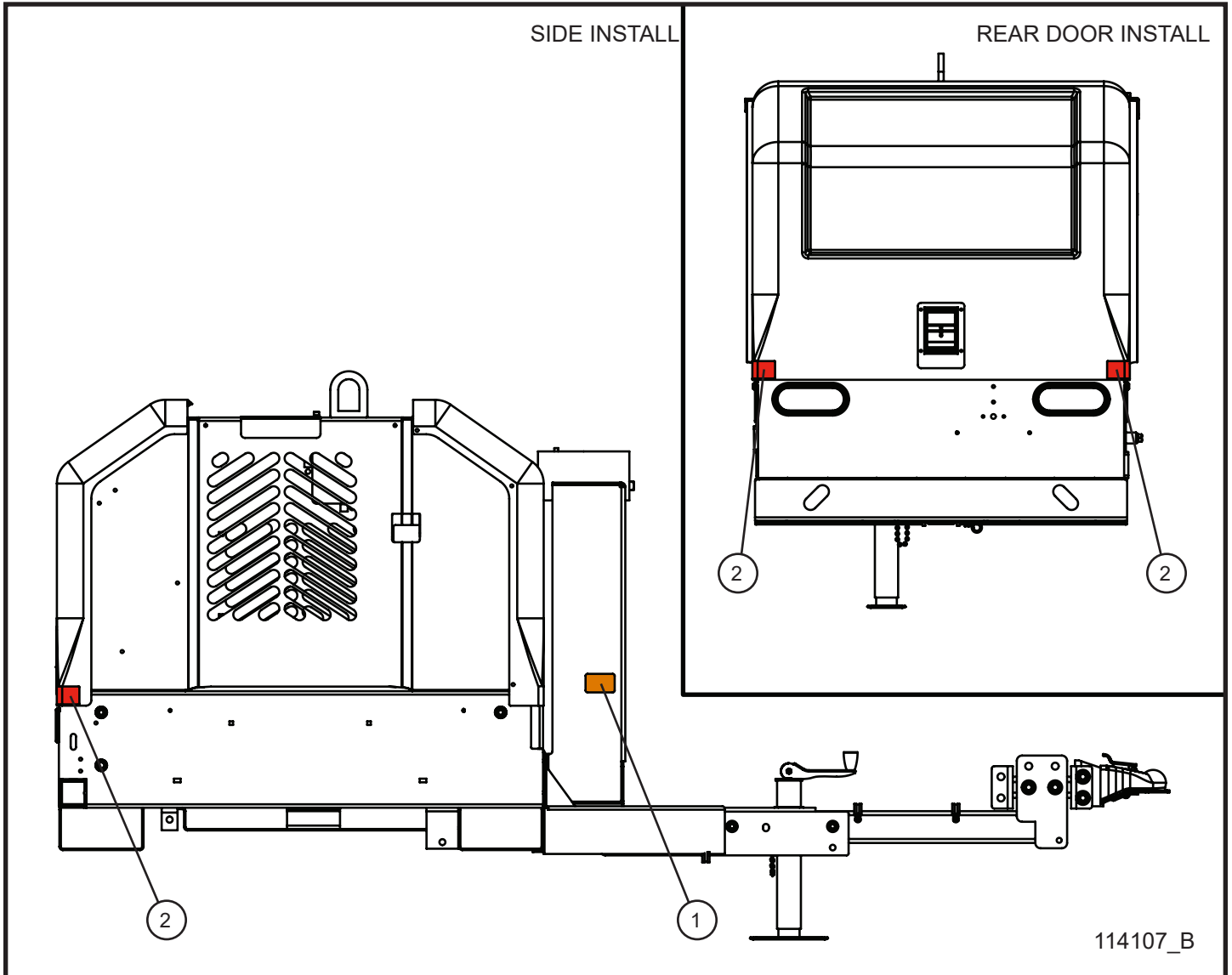
SN 39-000001 to 39-003168

## 2.17 - Trailer Reflectors I

Item	Part No.	Part Description	Qty.
1	713527	AMBER REFLECTOR OVAL	2
2	713526	RED REFLECTOR OVAL	4

\*NS - NOT SHOWN

## 2.18 - Trailer Reflectors II



# NIGHT-LITE™ V-SERIES

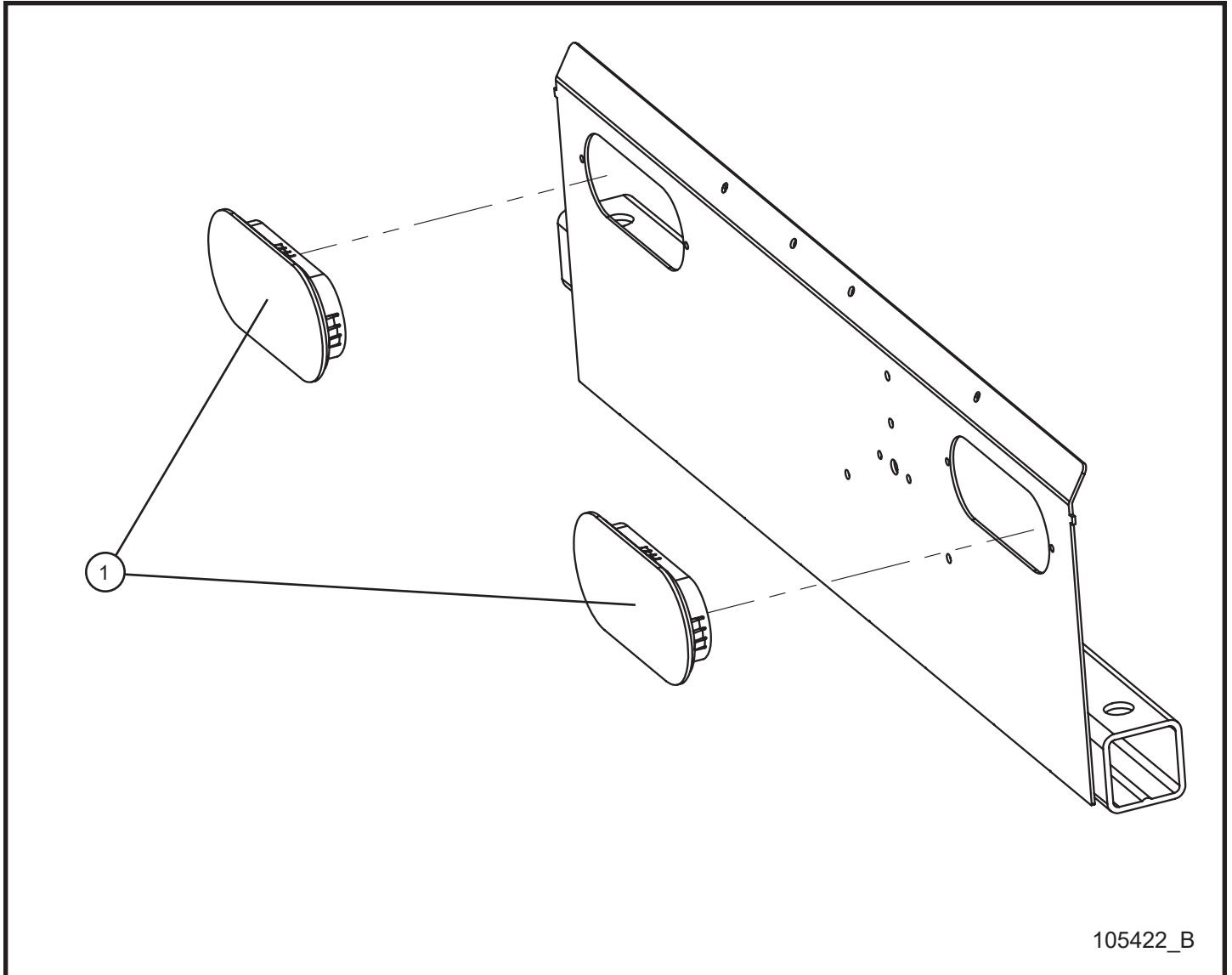
SN 39-003169 to 39-999999

## 2.18 - Trailer Reflectors II

Item	Part No.	Part Description	Qty.
1	114884	AMBER REFLECTOR DECAL	2
2	114885	RED REFLECTOR DECAL	2

\*NS - NOT SHOWN

## 2.19 - Tail Light Hole Covers



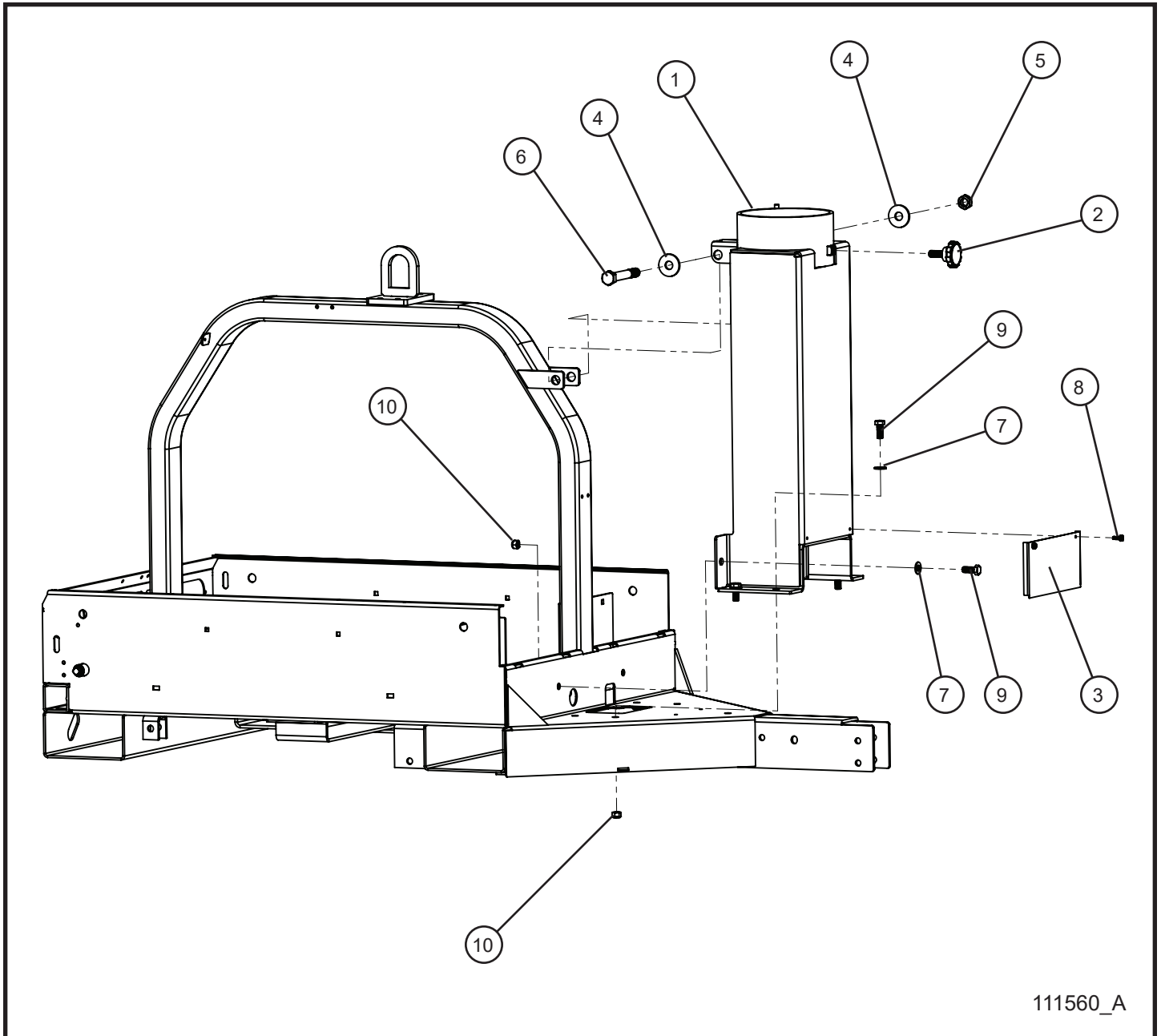
# NIGHT-LITE™ V-SERIES

SN 39-003169 to 39-999999

## 2.19 - Tail Light Hole Covers

Item	Part No.	Part Description	Qty.
1	118601	TAILLIGHT PLASTIC FILLER PLUG (2 SET)	1

## 3.1 - Vertical Tower Pivot Support



111560\_A



# NIGHT-LITE™ V-SERIES

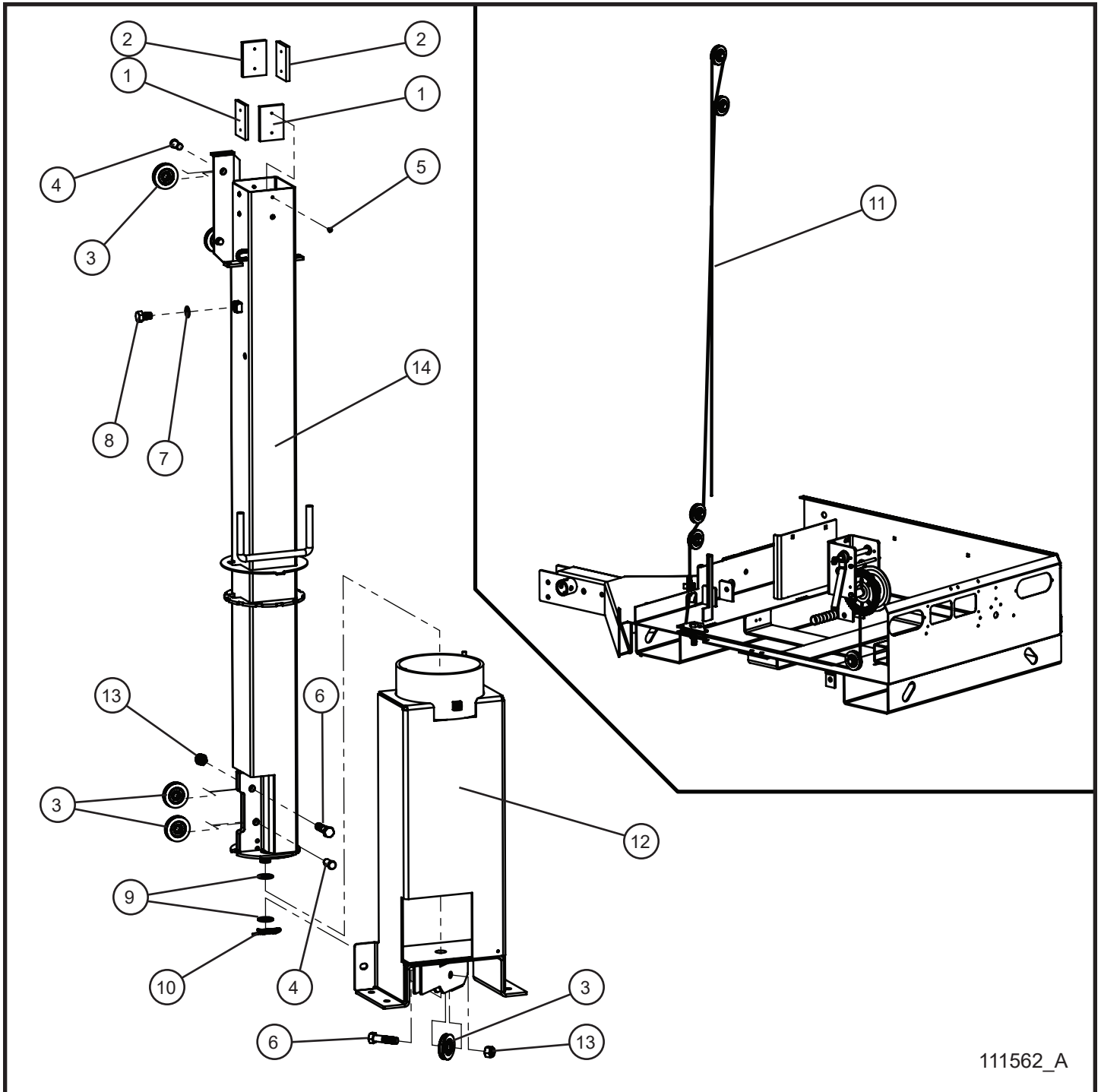
SN 39-000001 to 39-999999

## 3.1 - Vertical Tower Pivot Support

Item	Part No.	Part Description	Qty.
1	110248P	PIVOT SECTION SUPPORT	1
2	620550	LOCKING KNOB	1
3	110220P	TOWER PULLEY PANEL	1
4	047035	3/4 FLAT WASHER PL	2
5	044059	3/4-16 JAM NUT	1
6	046272	STEEL CAT SCREW 3/4 x 5 1/2 GRADE 5	1
7	047025	1/2 FLAT WASHER PL	6
8	041070	1/4-20 x 3/4 SL-HEX WASHER HEAD MS TP F	2
9	046180	1/2-13 x 1 1/4 HEX HEAD CS GR5 PL	6
10	044043	7/16-14 NYLOCK HEX NUT PL	6

\*NS - NOT SHOWN

## 3.2 - Manual Winch Vertical Tower Section 1



111562\_A

# NIGHT-LITE™ V-SERIES

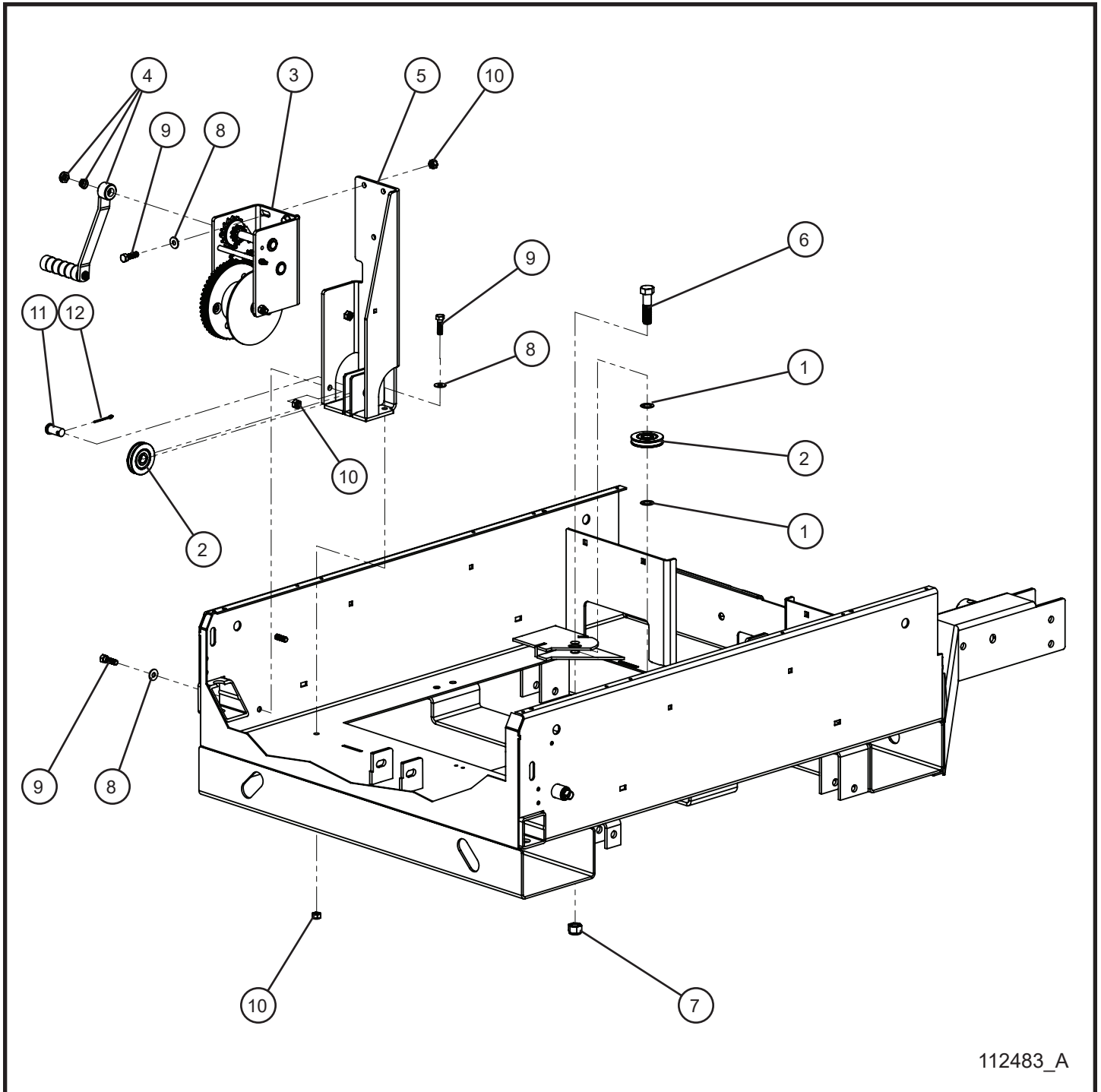
SN 39-000001 to 39-999999

## 3.2 - Manual Winch Vertical Tower Section 1

Item	Part No.	Part Description	Qty.
1	650110	.312 TOWER PAD	2
2	650109	.375 TOWER PAD	2
3	100160	2 1/2 PULLEY BALL BEARING	5
4	033000	5/8 x 1 SLIC PIN	3
5	041023	#10 x 3/8 PH-ROUND HEAD MS PL	8
6	046243	5/8-11 x 2 1/2 HEX HEAD CS PL	2
7	043100	5/8 INTL TOOTHLOCK WASHER PL	1
8	046242	5/8-11 x 1 HEX HEAD CS GR5 PL	1
9	047055	1" ID NARROW RIM PLATED MACHINE BUSHING	2
10	620545	3/4" HAIR PIN CLIP RATED	1
11	107365	WINCH CABLE	1
12	110248P	PIVOT SECTION SUPPORT	1
13	044053	5/8-11 NYLOCK HEX NUT PL	2
14	110335P	MANUAL WINCH TOWER WELDMENT	1
	110335-20	MANUAL WINCH TOWER WELDMENT - GALVANIZED	1

\*NS - NOT SHOWN

## 3.3 - Manual Winch Group with Old Style Mount



112483\_A

# NIGHT-LITE™ V-SERIES

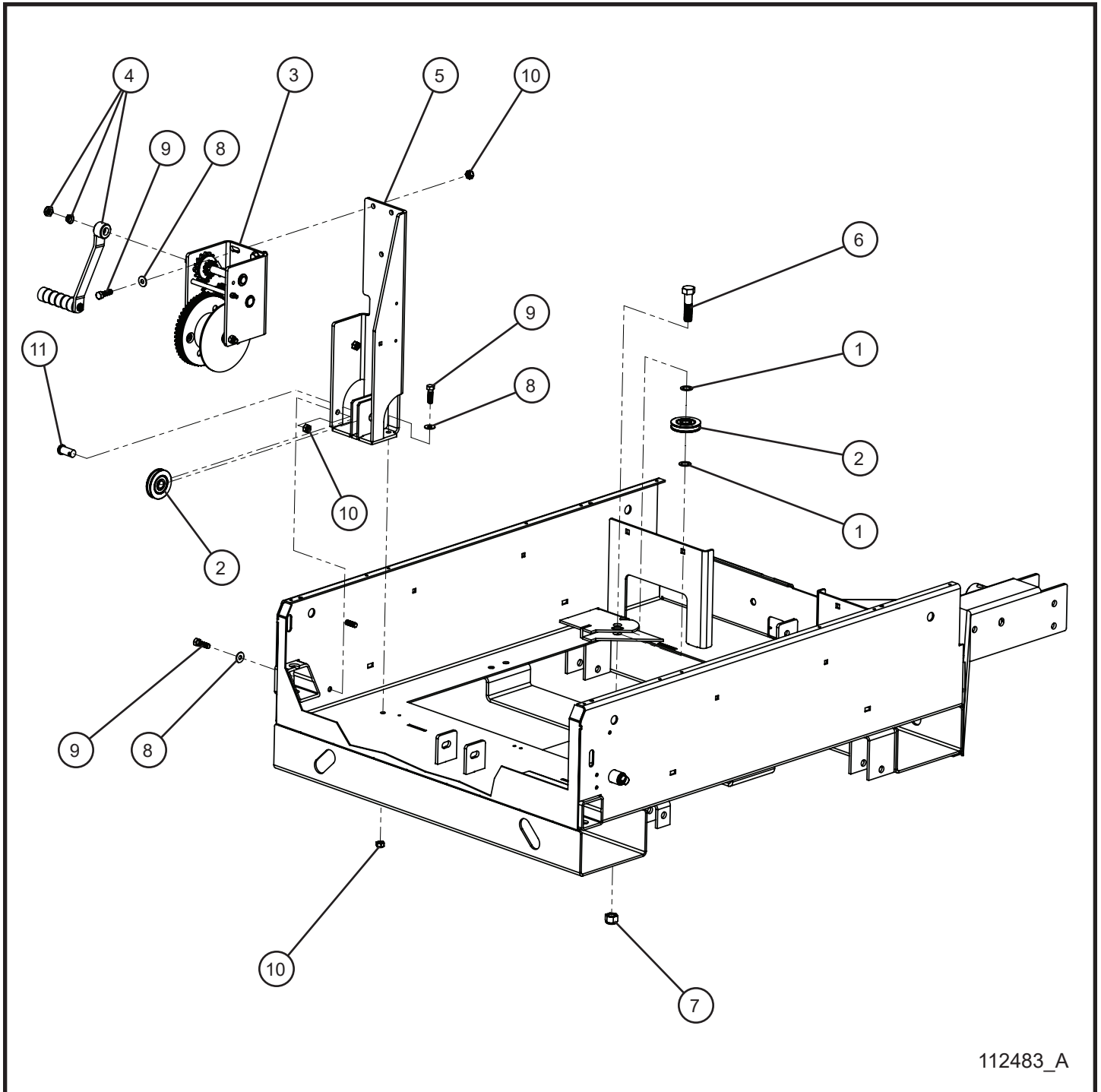
SN 39-000001 to 39-000559

## 3.3 - Manual Winch Group with Old Style Mount

Item	Part No.	Part Description	Qty.
1	047201	5/8 BUSHING	2
2	100160	2 1/2 PULLEY	2
3	108910	WINCH BRAKE 3 1/8 INCH DIAMETER HUB	1
4	712032	WINCH HANDLE	1
5	109865P	WELDMENT MOUNT WINCH	1
6	046243	5/8-11 x 2 1/2 HEX HEAD CS PL	1
7	044053	5/8-11 NYLOCK HEX NUT PL	1
8	047010	5/16 FLAT WASHER PL	6
9	046115	3/8-16 x 1 1/4 HEX HEAD CS GR5 PL	6
10	044038	3/8-16 NYLOCK HEX NUT PL	6
11	102906	5/8 x 1 1/4 CLEVIS PIN	1
12	045042	COTTER PIN 1/8 x 1 1/2	1

\*NS - NOT SHOWN

## 3.4 - Manual Winch Group with New Style Mount



112483\_A

# NIGHT-LITE™ V-SERIES

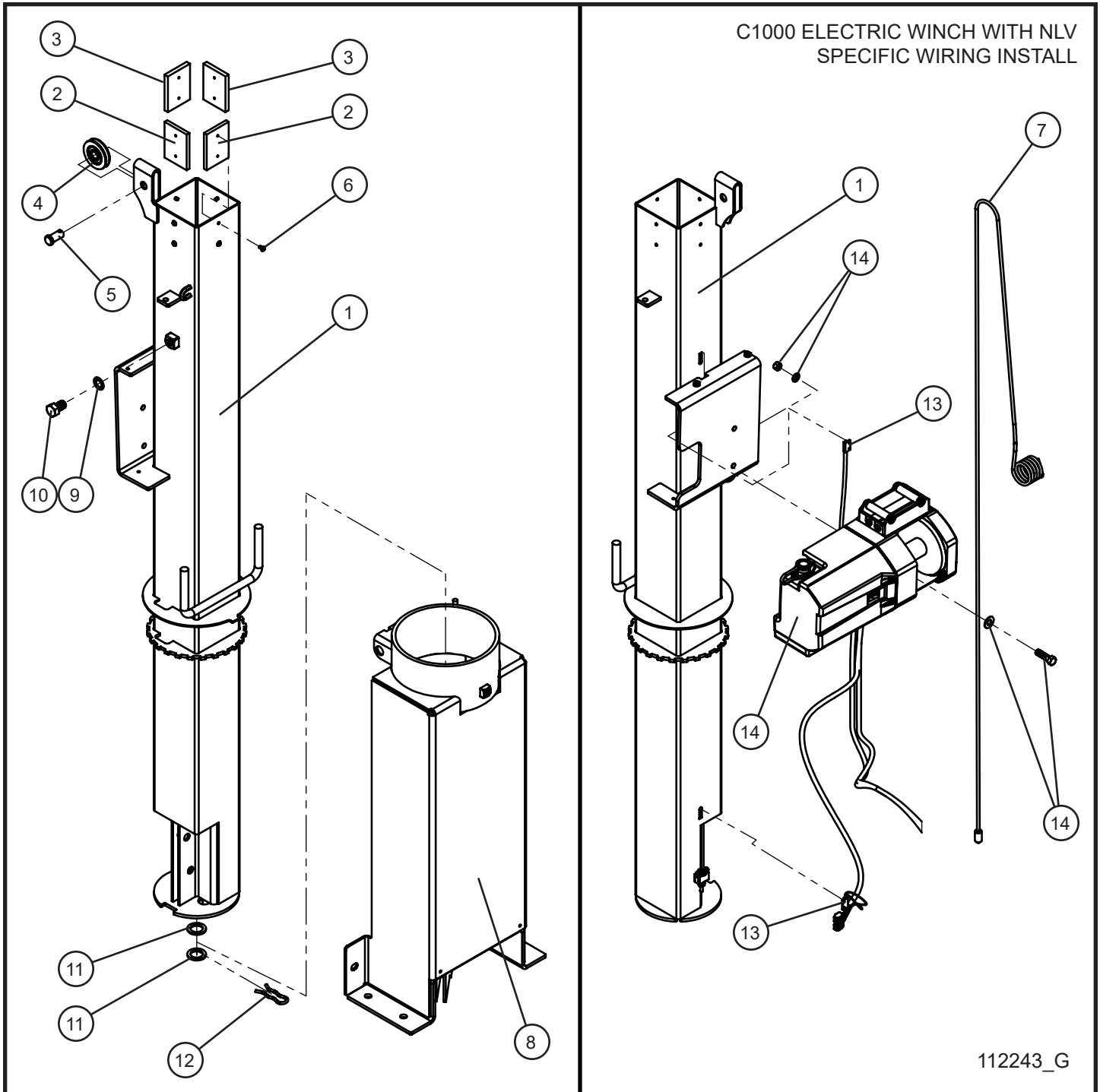
SN 39-000560 to 39-999999

## 3.4 - Manual Winch Group with New Style Mount

Item	Part No.	Part Description	Qty.
1	047201	5/8 BUSHING	2
2	100160	2 1/2 PULLEY	2
3	108910	WINCH BRAKE 3 1/8 INCH DIAMETER HUB	1
4	712032	WINCH HANDLE	1
5	113194P	WELDMENT MOUNT WINCH	1
6	046243	5/8-11 x 2 1/2 HEX HEAD CS PL	1
7	044053	5/8-11 NYLOCK HEX NUT PL	1
8	047010	5/16 FLAT WASHER PL	6
9	046115	3/8-16 x 1 1/4 HEX HEAD CS GR5 PL	6
10	044038	3/8-16 NYLOCK HEX NUT PL	6
12	033000	5/8 x 1 SLIC PIN	1

\*NS - NOT SHOWN

## 3.5 - C1000 Electric Winch Vertical Tower Section 1 (1 of 3)





# NIGHT-LITE™ V-SERIES

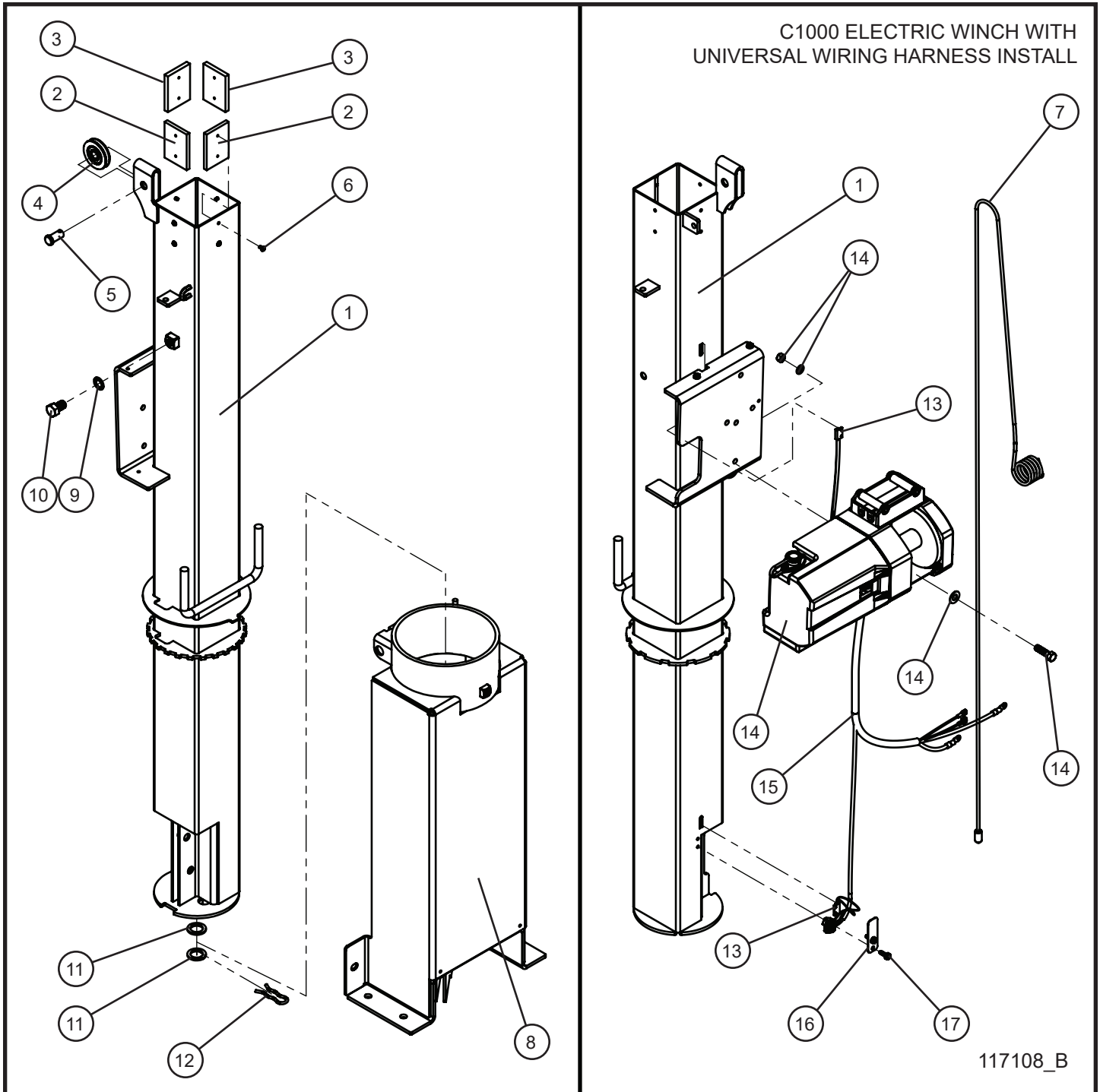
SN 39-000001 to 39-004440

## 3.5 - C1000 Electric Winch Vertical Tower Section 1 (1 of 3)

Item	Part No.	Part Description	Qty.
1	111086P	ELECTRIC WINCH TOWER 5 INCH SECTION	1
	111086-20	ELECTRIC WINCH TOWER 5 INCH SECTION GALVANIZED	1
2	650110	.312 TOWER PAD	2
3	650109	.375 TOWER PAD	2
4	100160	2 1/2 PULLEY BALL BEARING	1
5	033000	5/8 x 1 SLIC PIN	1
6	041023	#10 x 3/8 PH-ROUND HEAD MS PL	8
7	109998	ELECTRIC WINCH CABLE	1
8	110248P	PIVOT SECTION SUPPORT	1
9	043100	5/8 INTL TOOTHLOCK WASHER PL	1
10	046242	5/8-11 x HEX HEAD CS GR5 PL	1
11	047055	1" ID NARROW RIM PLATED MACHINE BUSHING	2
12	620545	3/4" HAIR PIN CLIP RATED	1
13	109993	MAGNETIC LIMIT SWITCH	2
14	110022	C1000 ELECTRIC WINCH ASSEMBLY	1
	109992	ELECTRIC WINCH C1000 (WINCH ONLY)	1
NS	112290	50AMP SHORT SHOP BREAKER	1
NS	115148	MOUNTING HARDWARE	1
NS	115322	FILLER BLOCK	1
NS	115323	M4 x 0.7 x 8mm SCREW-STPH	1
NS	115324	8-16 x 1/2 BLACK SCREW	1
NS	115325	TYPE 6 W/S BRK CONTACTOR ASSY	1
NS	115326	MOTOR COVER	1
NS	115327	SET CUP POINT SCREW	1
NS	115328	12V DC66P CONTACTOR RELAY	1
NS	116380	M6-1.0 SPACER TERMINAL SOLENOID	1
NS	110117	ELECTRIC WINCH SCHEMATIC	1

\*NS - NOT SHOWN

## 3.5 - C1000 Electric Winch Vertical Tower Section 1 (2 of 3)



# NIGHT-LITE™ V-SERIES

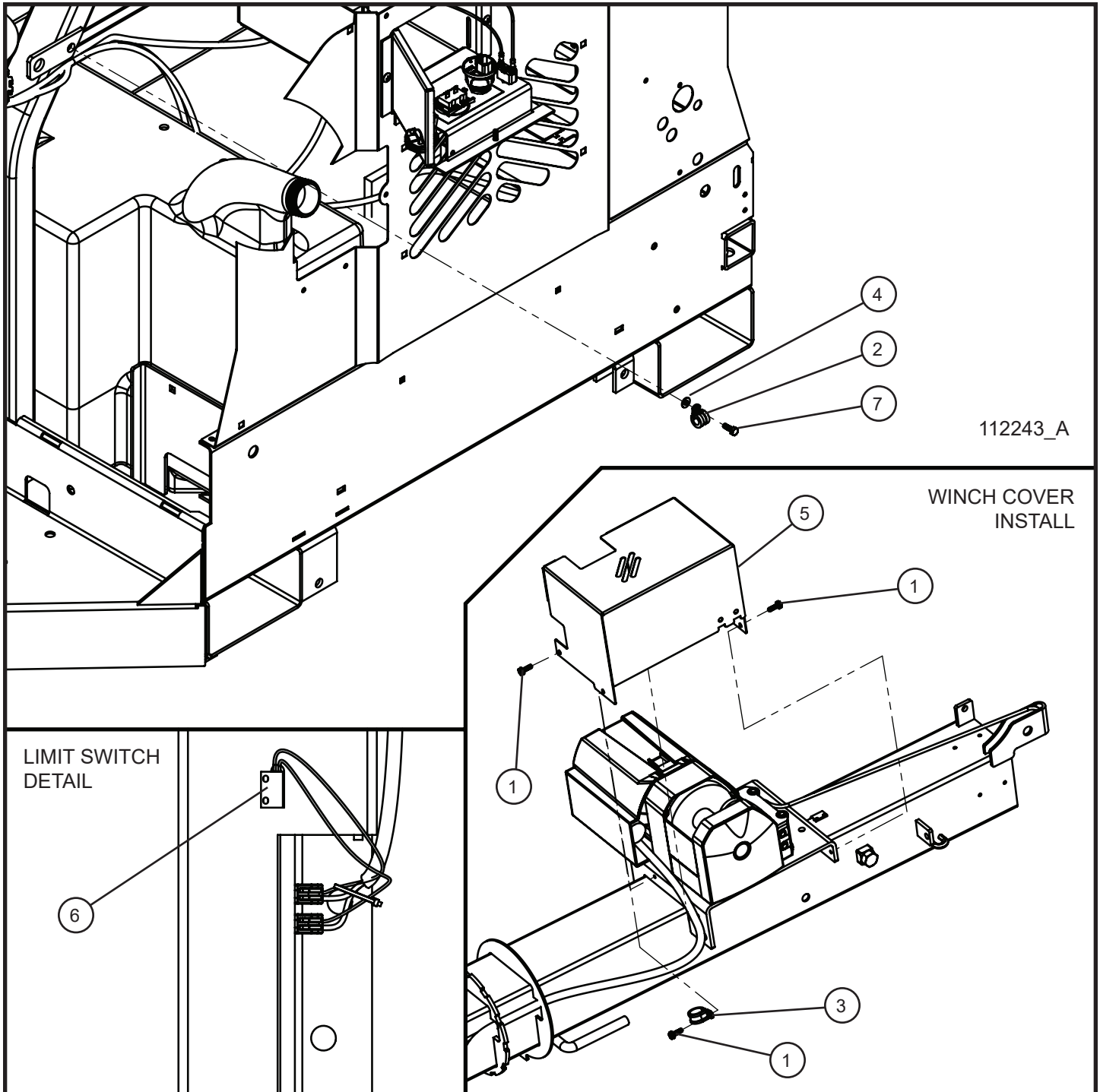
SN 39-004441 to 39-006373

## 3.5 - C1000 Electric Winch Vertical Tower Section 1 (2 of 3)

Item	Part No.	Part Description	Qty.
1	111086P	ELECTRIC WINCH TOWER 5 INCH SECTION	1
	111086-20	ELECTRIC WINCH TOWER 5 INCH SECTION GALVANIZED	1
2	650110	.312 TOWER PAD	2
3	650109	.375 TOWER PAD	2
4	100160	2 1/2 PULLEY BALL BEARING	1
5	033000	5/8 x 1 SLIC PIN	1
6	041023	#10 x 3/8 PH-ROUND HEAD MS PL	8
7	109998	ELECTRIC WINCH CABLE	1
8	110248P	PIVOT SECTION SUPPORT	1
9	043100	5/8 INTL TOOTHLOCK WASHER PL	1
10	046242	5/8-11 x HEX HEAD CS GR5 PL	1
11	047055	1" ID NARROW RIM PLATED MACHINE BUSHING	2
12	620545	3/4" HAIR PIN CLIP RATED	1
13	109993	MAGNETIC LIMIT SWITCH	2
14	114869	C1000 ELECTRIC WINCH ASSEMBLY	1
	109992	ELECTRIC WINCH C1000 (WINCH ONLY)	1
15	114860	NLE/NLV ELECTRIC WINCH HARNESS	1
16	115136P	LOWER LIMIT SWITCH HOLD DOWN	1
17	041070	1/4-20 x 3/4 SL-HEX WASHER HEAD	2
NS	116054	ELECTRIC WINCH HARNESS EXTENSION	1
NS	112290	50AMP SHORT SHOP BREAKER	1
NS	115148	MOUNTING HARDWARE	1
NS	115322	FILLER BLOCK	1
NS	115323	M4 x 0.7 x 8mm SCREW-STPH	1
NS	115324	8-16 x 1/2 BLACK SCREW	1
NS	115325	TYPE 6 W/S BRK CONTACTOR ASSY	1
NS	115326	MOTOR COVER	1
NS	115327	SET CUP POINT SCREW	1
NS	115328	12V DC66P CONTACTOR RELAY	1
NS	116380	M6-1.0 SPACER TERMINAL SOLENOID	1
NS	117147	NLV ELECTRIC WINCH SCHEMATIC	1

\*NS - NOT SHOWN

## 3.5 - C1000 Electric Winch Vertical Tower Section 1 (3 of 3)



# NIGHT-LITE™ V-SERIES

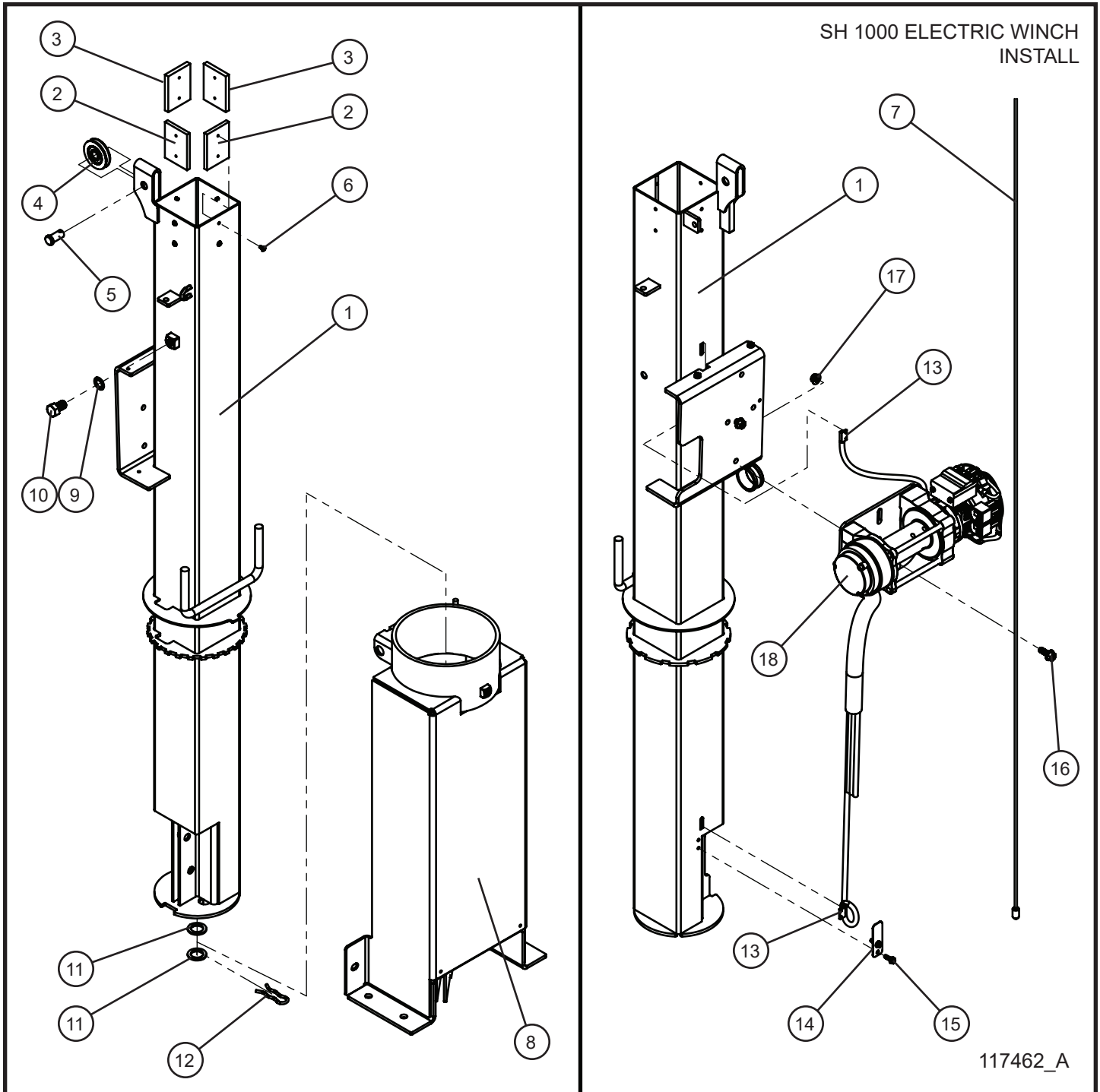
SN 39-000001 to 39-006373

## 3.5 - C1000 Electric Winch Vertical Tower Section 1 (3 of 3)

Item	Part No.	Part Description	Qty.
1	041070	1/4-20 x 3/4 SL-HEX WASHER HEAD	4
2	310212	#10 CUSH CLAMP 1/4 HOLE	1
3	022024	#12 CUSH CLAMP	1
4	047007	1/4 x 1 1/4 x .056 FENDER WASHER	1
5	110214P	ELECTRIC WINCH COVER PLATE	1
6	109993	MAGNETIC LIMIT SWITCH	2
7	102573	1/4-20 x 3/4 HEX HEAD CS GR5 ZINC	1
NS	110044	16/2 ELECTRIC WINCH TO LIMIT SWITCH CORD	1
NS	110117	ELECTRIC WINCH SCHEMATIC	1

\*NS - NOT SHOWN

## 3.6 - SH 1000 Electric Winch Vertical Tower Section 1 (1 of 2)



# NIGHT-LITE™ V-SERIES

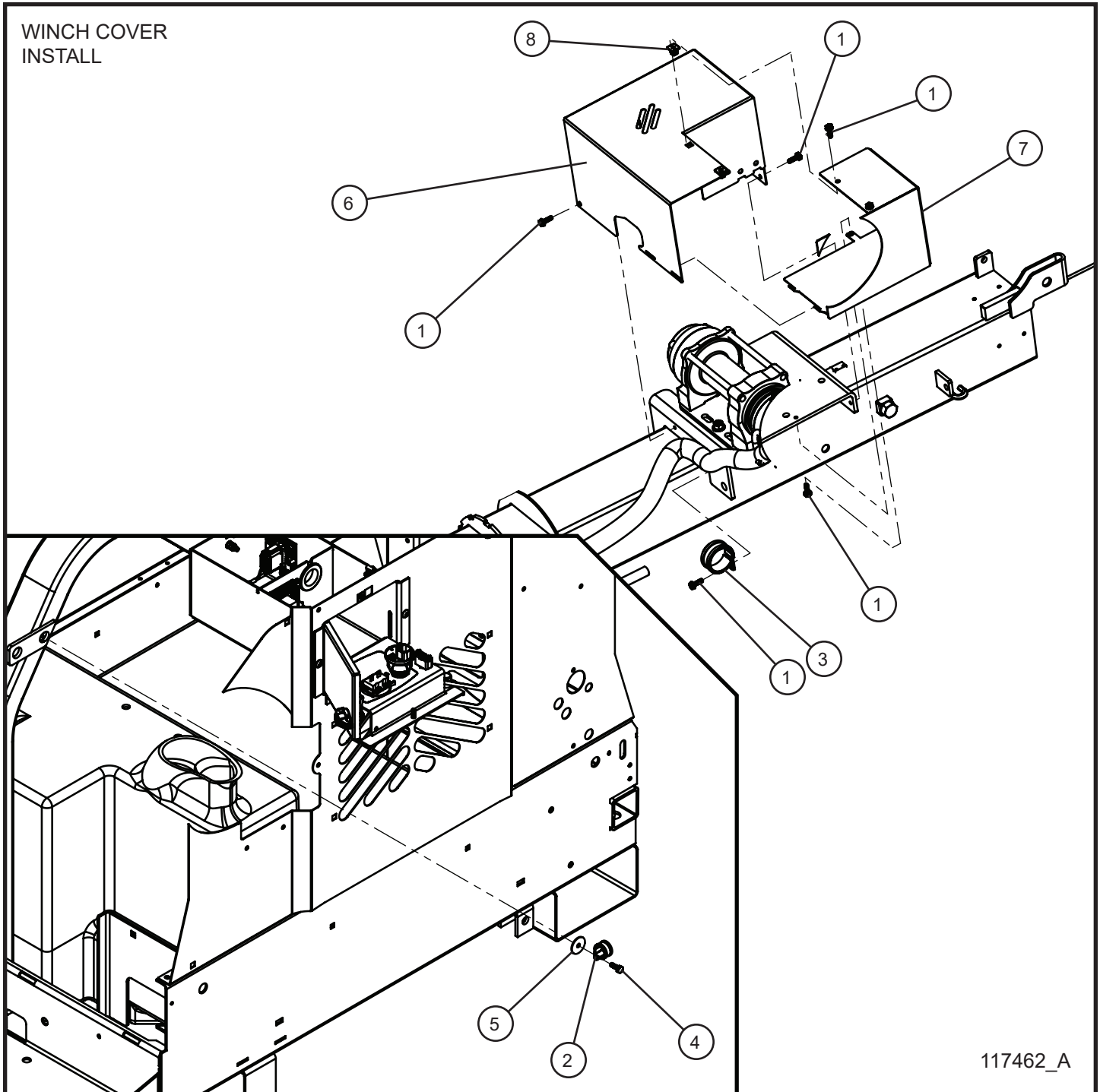
SN 39-006374 to 39-999999

## 3.6 - SH 1000 Electric Winch Vertical Tower Section 1 (1 of 2)

Item	Part No.	Part Description	Qty.
1	111086P	ELECTRIC WINCH TOWER 5 INCH SECTION	1
	111086-20	ELECTRIC WINCH TOWER 5 INCH SECTION GALVANIZED	1
2	650110	.312 TOWER PAD	2
3	650109	.375 TOWER PAD	2
4	100160	2 1/2 PULLEY BALL BEARING	1
5	033000	5/8 x 1 SLIC PIN	1
6	041023	#10 x 3/8 PH-ROUND HEAD MS PL	8
7	620076	TOP CABLE	1
8	110248P	PIVOT SECTION SUPPORT	1
9	043100	5/8 INTL TOOTHLOCK WASHER PL	1
10	046242	5/8-11 x HEX HEAD CS GR5 PL	1
11	047055	1" ID NARROW RIM PLATED MACHINE BUSHING	2
12	620545	3/4" HAIR PIN CLIP RATED	1
13	109993	MAGNETIC LIMIT SWITCH	2
14	115136P	LOWER LIMIT SWITCH HOLD DOWN	1
15	041070	1/4-20 x 3/4 SLOTTED HEX WASHER HEAD	2
16	056010	3/8-16 x 1 SERRATED FLANGE HEX SCREW	2
17	057007	3/8-16 HEX NYLOCK FLANGE NUT	2
18	117467	ELECTRIC WINCH ASSEMBLY	1
	116699	ELECTRIC WINCH SH 1000 (WINCH ONLY)	1
NS	116054	ELECTRIC WINCH HARNESS EXTENSION	1
NS	116672	ELECTRIC WINCH SH 1000 HARNESS	1
NS	104431	12V 40AMP RELAY	2
NS	115328	12V DC66P CONTACTOR RELAY	1
NS	117537	NLV SH 1000 ELECTRIC WINCH SCHEMATIC	1

\*NS - NOT SHOWN

## 3.6 - SH 1000 Electric Winch Vertical Tower Section 1 (2 of 2)





# NIGHT-LITE™ V-SERIES

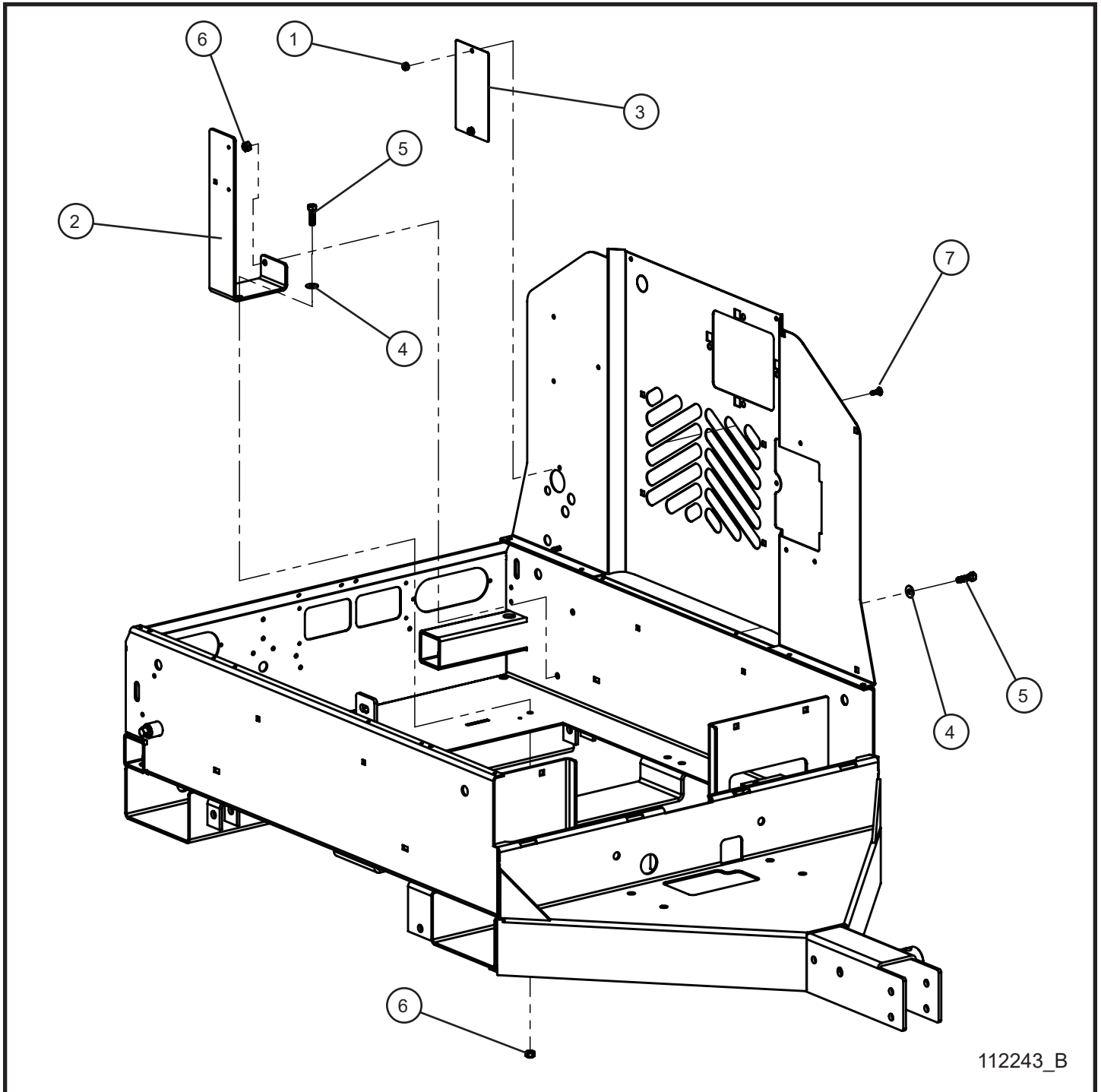
SN 39-006374 to 39-999999

## 3.6 - SH 1000 Electric Winch Vertical Tower Section 1 (2 of 2)

Item	Part No.	Part Description	Qty.
1	041070	1/4-20 x 3/4 SL-HEX WASHER HEAD	7
2	022024	#12 CUSH CLAMP	1
3	106144	#2013 CUSH CLAMP	1
4	102573	1/4-20 x 3/4 HEX HEAD CS GR5 ZINC	1
5	047007	1/4 x 1 1/4 x .056 FENDER WASHER	1
6	117299P	SH 1000 ELECTRIC WINCH COVER PLATE	1
7	117466P	WINCH ELECTRICAL BOX TOP COVER	1
8	105408	SQUARE HEAD DOUBLE SPLIT GROMMET NUT	2

\*NS - NOT SHOWN

## 3.7 - Electric Winch Side Cover with Battery Bracket



# NIGHT-LITE™ V-SERIES

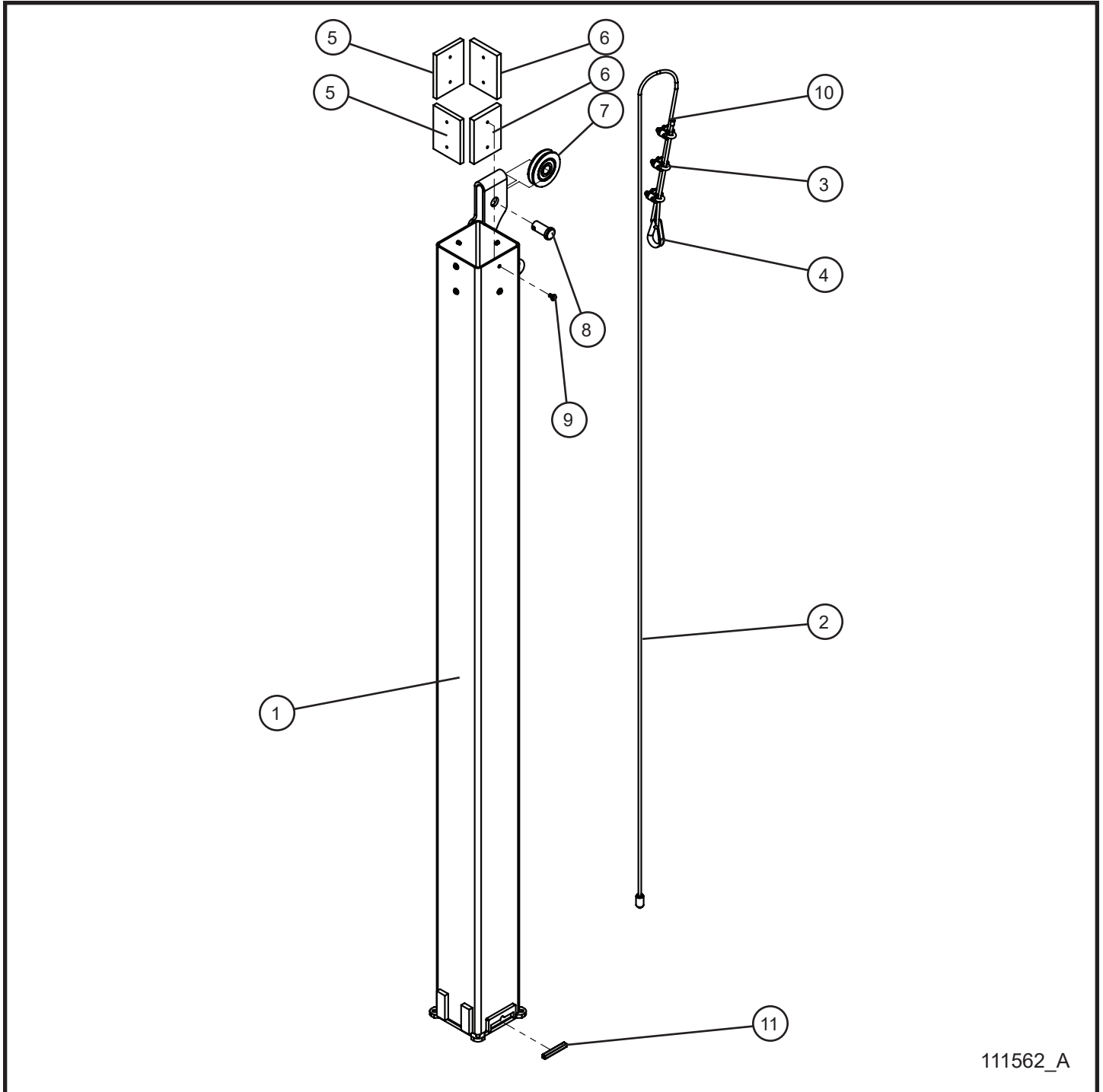
SN 39-000001 to 39-999999

## 3.7 - Electric Winch Side Cover with Battery Bracket

Item	Part No.	Part Description	Qty.
1	044021	1/4-20 KEPS HEX NUT PL	2
2	111957P	HOLD DOWN BATTERY BRACKET	1
3	111953P	WINCH HOLE COVER PLATE	1
4	047010	5/16 FLAT WASHER PL	2
5	046115	3/8-16 x 1 1/4 HEX HEAD CS GR5 PL	2
6	044038	3/8-16 NYLOCK HEX NUT PL	2
7	041050	1/4-20 x 3/4 PHILLIPS TRUSS HEAD MACHINE SCREW	2

\*NS - NOT SHOWN

## 3.8 - Vertical Tower Section 2



111562\_A

# NIGHT-LITE™ V-SERIES

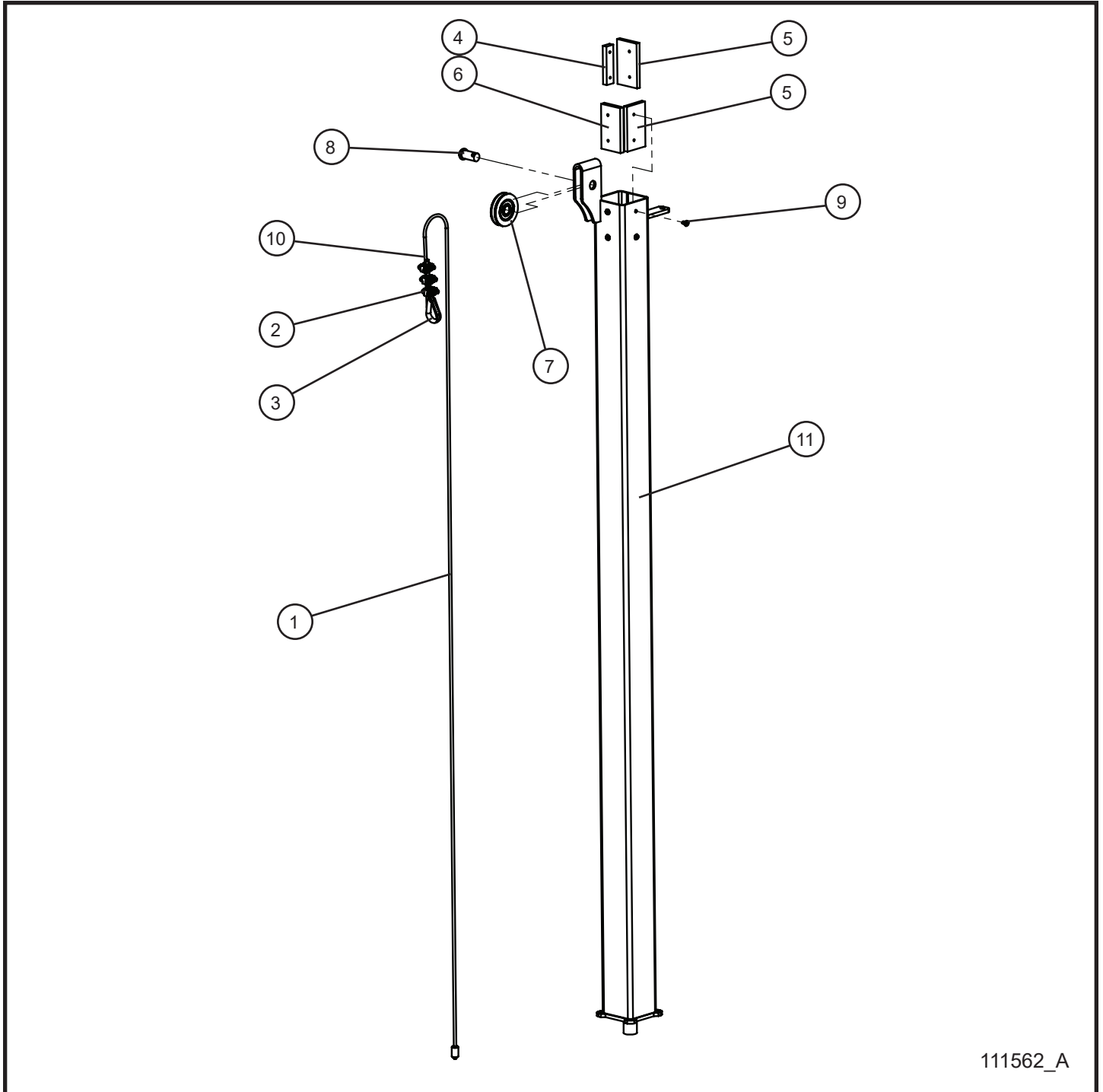
SN 39-000001 to 39-999999

## 3.8 - Vertical Tower Section 2

Item	Part No.	Part Description	Qty.
1	110352P	TOWER WELDMENT 4 INCH SECTION	1
	110352-20	TOWER WELDMENT 4 INCH SECTION - GALVANIZED	1
2	320185	CABLE 3/16 STEEL 10'	1
3	620084	3/16 CABLE CLIP	3
4	045040	3/16 CABLE THIMBLE 3/16 WIRE ROPE	1
5	650110	.312 TOWER PAD	2
6	650109	.375 TOWER PAD	2
7	100160	2 1/2 PULLEY BALL BEARING	1
8	033000	5/8 x 1 SLIC PIN	1
9	041023	#10 x 3/8 PH-ROUND HEAD MS PL	8
10	022150	FERRULE 10-12 AWG	1
11	109988	MAGNET 1/4 x 1/4 x 2	1

\*NS - NOT SHOWN

## 3.9 - Vertical Tower Section 3



111562\_A

# NIGHT-LITE™ V-SERIES

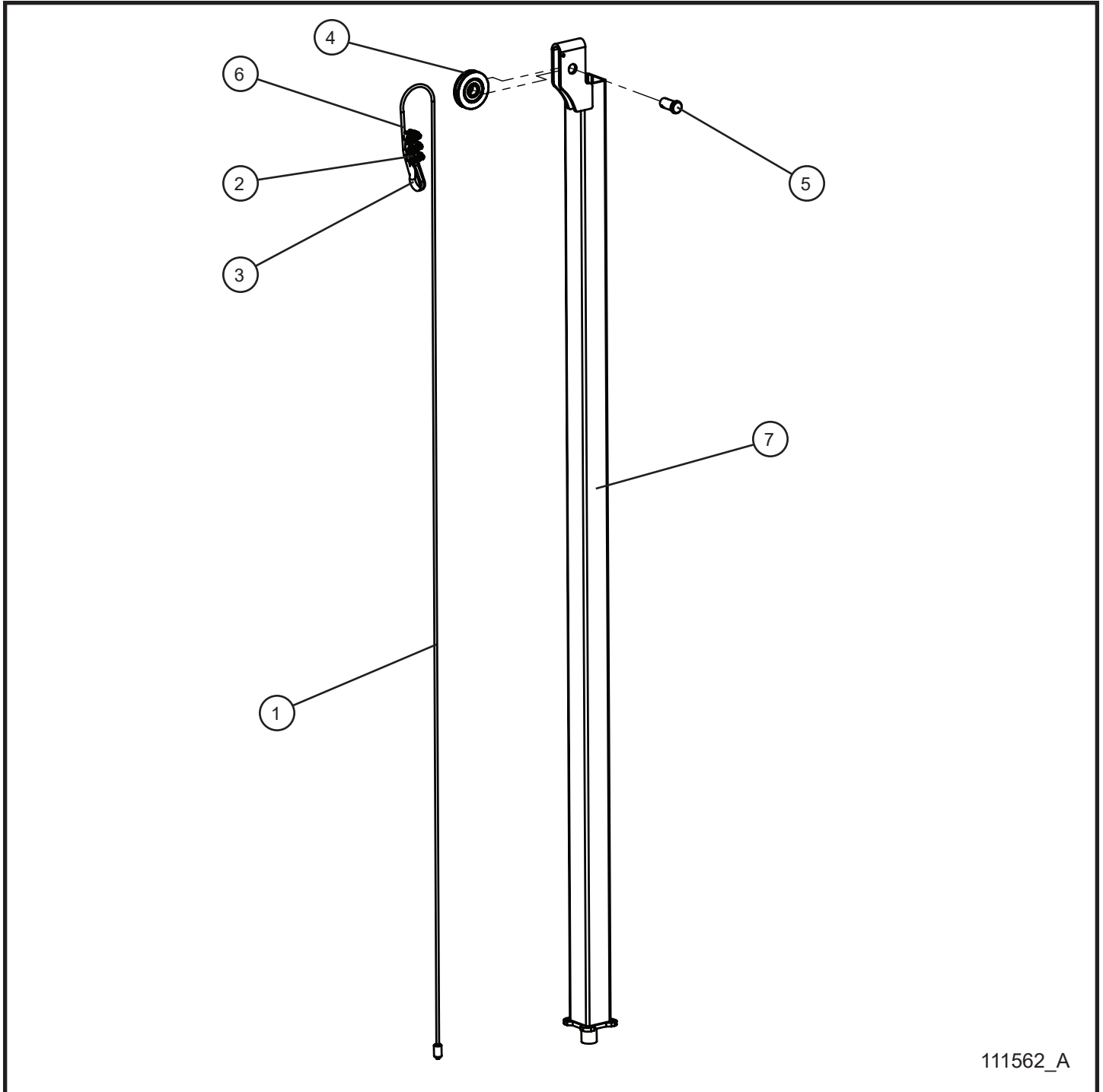
SN 39-000001 to 39-999999

## 3.9 - Vertical Tower Section 3

Item	Part No.	Part Description	Qty.
1	320185	CABLE 3/16 STEEL 10'	1
2	620084	3/16 CABLE CLIP	3
3	045040	3/16 CABLE THIMBLE 3/16 WIRE ROPE	1
4	100062	3/8 UHMW SPACER	1
5	352280	PLASTIC TOWER PAD	2
6	100446	3/8 PAD SMALL	1
7	100160	2 1/2 PULLEY BALL BEARING	1
8	033000	5/8 x 1 SLIC PIN	1
9	041023	#10 x 3/8 PH-ROUND HEAD MS PL	8
10	022150	FERRULE 10-12 AWG	1
11	110353P	TOWER WELDMENT 3 INCH SECTION	1
	110353-20	TOWER WELDMENT 3 INCH SECTION - GALVANIZED	1

\*NS - NOT SHOWN

## 3.10 - Vertical Tower Section 4





# NIGHT-LITE™ V-SERIES

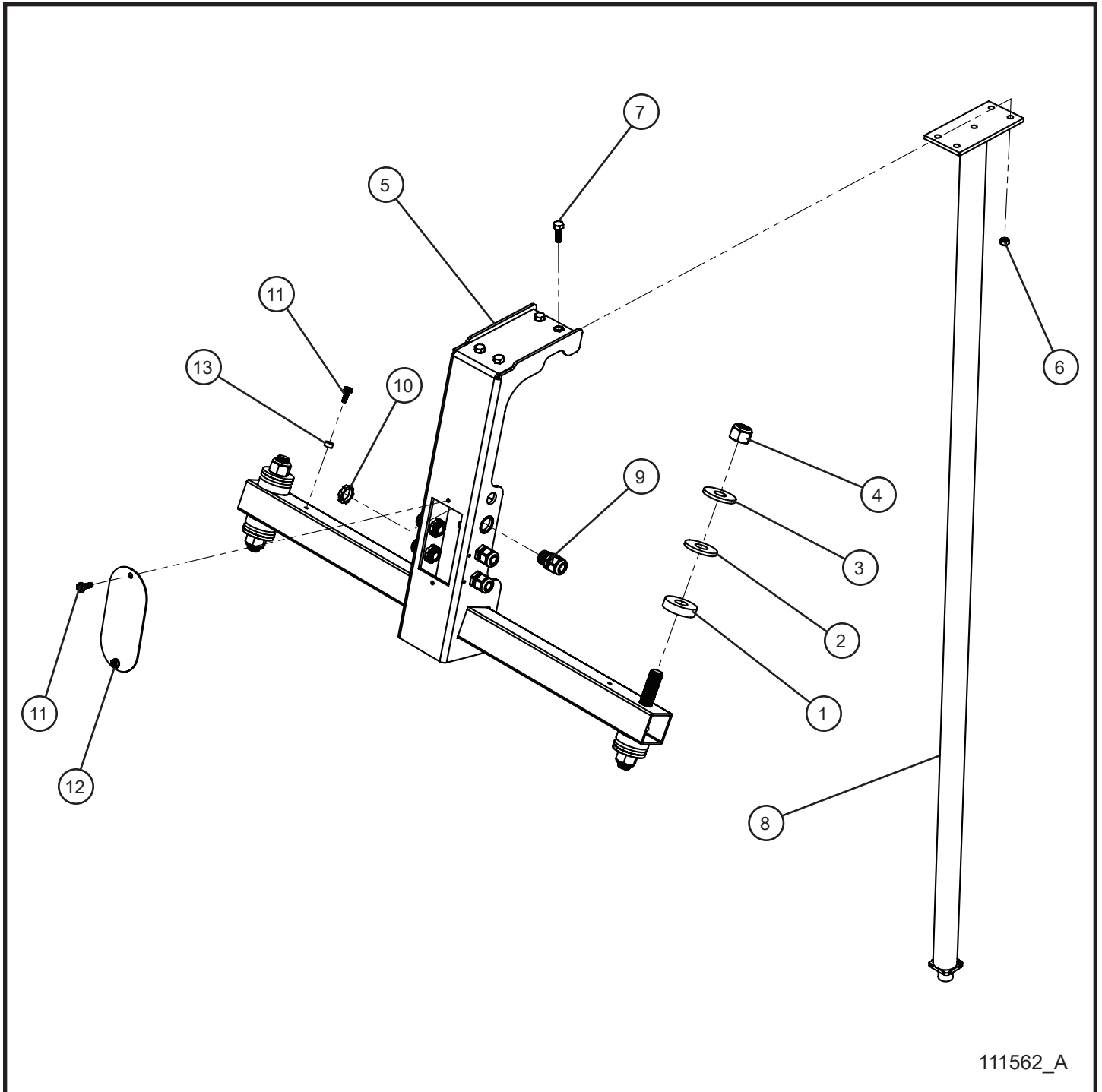
SN 39-000001 to 39-999999

## 3.10 - Vertical Tower Section 4

Item	Part No.	Part Description	Qty.
1	320185	CABLE 3/16 STEEL 10'	1
2	620084	3/16 CABLE CLIP	3
3	045040	3/16 CABLE THIMBLE 3/16 WIRE ROPE	1
4	100160	2 1/2 PULLEY BALL BEARING	1
5	033000	5/8 x 1 SLIC PIN	1
6	022150	FERRULE 10-12 AWG	1
7	110355P	TOWER WELDMENT 2 INCH SECTION	1
	110355-20	TOWER WELDMENT 2 INCH SECTION - GALVANIZED	1

\*NS - NOT SHOWN

## 3.11 - Vertical Tower Round Section with Light Bar



111562\_A

# NIGHT-LITE™ V-SERIES

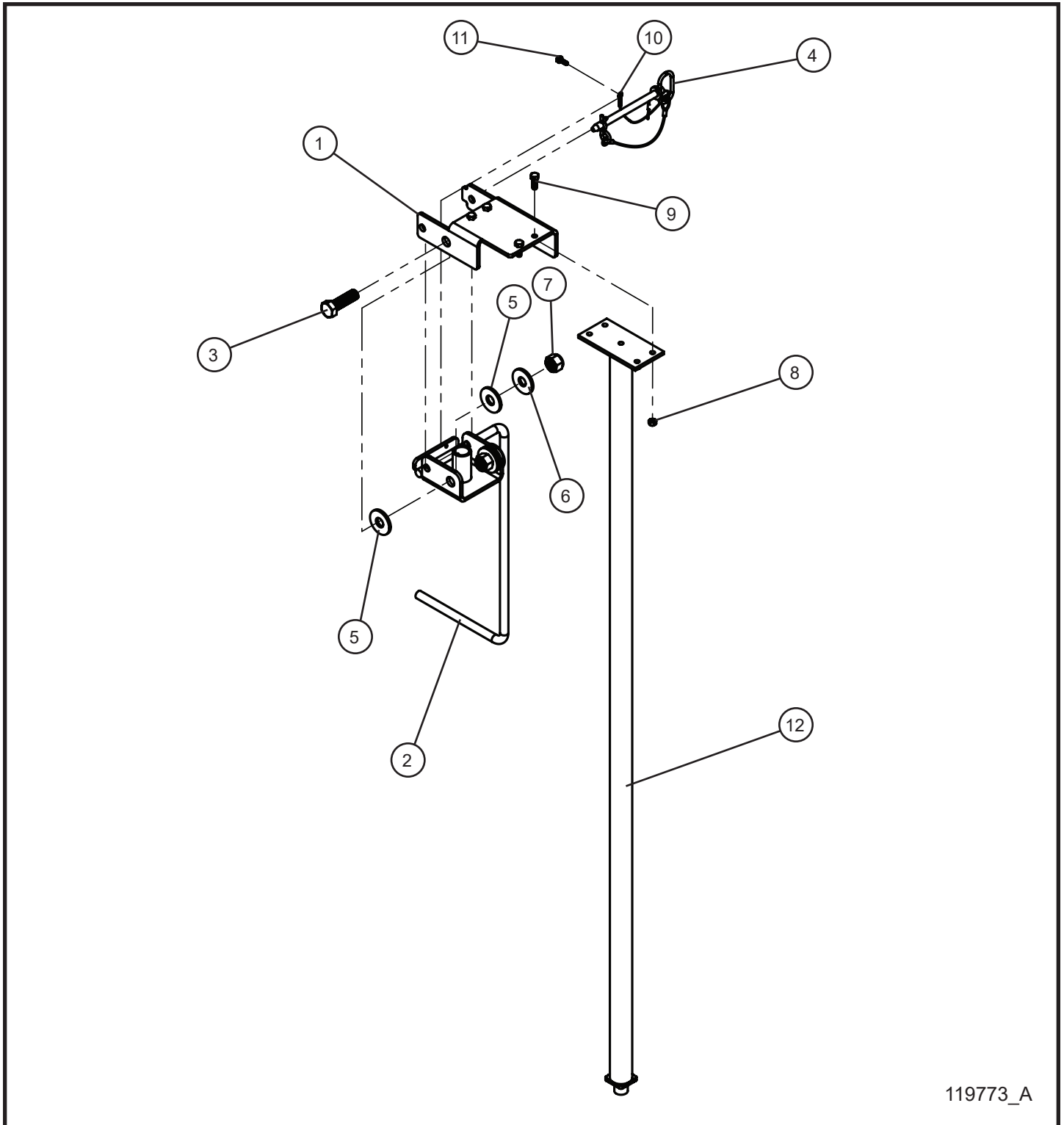
SN 39-000001 to 39-999999

## 3.11 - Vertical Tower Round Section and Light Bar

Item	Part No.	Part Description	Qty.
1	101813	.781 ID x 2 OD x 1/2 HDPE WASHER	4
2	650550	.785 x 2 HDPE WASHER	4
3	047035	3/4 FLAT WASHER PL	4
4	044058	3/4-10 NYLOCK HEX NUT PL	4
5	108934P	LIGHT BAR WELDMENT NL5000	1
6	044033	5/16-18 NYLOCK HEX NUT PL	4
7	046050	5/16-18 x 1 HEX HEAD CS GR5 PL	4
8	110357P	ROUND TOWER SECTION	1
	110357-20	ROUND TOWER SECTION - GALVANIZED	1
9	105626	CORD GRIP 1/2" NYLON BLACK	5
10	022035	1/2 CORD GRIP NUT	5
11	041070	1/4-20 x 3/4 SL-HEX WASHER HEAD MACHINE SCREW	6
12	108933P	FRONT COVER LIGHT BAR	1
13	104979	CLEARANCE SPACER NYLON UNTHREADED	4
NS	056017	1/4-20 X 1.00 SERRATED FLANGE HEX BOLT	1
NS	057000	1/4-20 HEX SERRATED FLANGE NUT	1
NS	057001	1/4 - 20 HEX NYLOCK FLANGE NUT	1

\*NS - NOT SHOWN

## 3.12 - Vertical Tower Round Section with Balloon Light Mount



119773\_A

# NIGHT-LITE™ V-SERIES

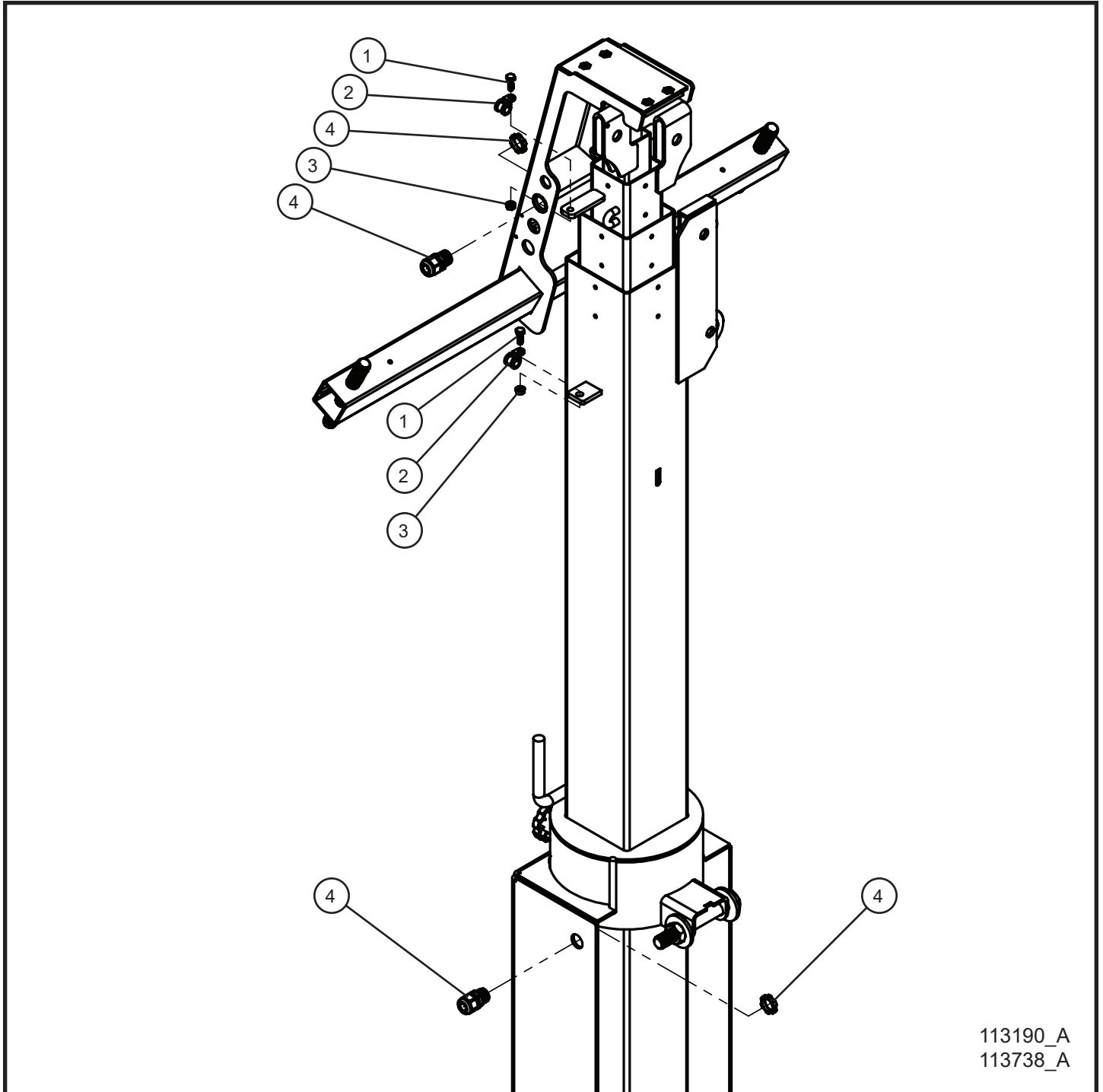
SN 39-000001 to 39-999999

## 3.12 - Vertical Tower Round Section with Balloon Light Mount

Item	Part No.	Part Description	Qty.
1	119762P	LED BALLOON LIGHT HINGE MOUNT	1
2	119765P	LED BALLOON LIGHT HINGE WELDMENT	1
3	046263	3/4-10 x 2 1/2 HEX HEAD BOLT	2
4	113336	6 1/2 INCH HITCH PIN	1
5	650550	.785 x 2 HDPE WASHER	4
6	047035	3/4 FLAT WASHER PL	2
7	044058	3/4-10 NYLOCK HEX NUT PL	2
8	044033	5/16-18 NYLOCK HEX NUT PL	4
9	046050	5/16-18 x 1 HEX HEAD CS GR5 PL	4
10	712061	STEEL LANYARD	1
11	041070	1/4-20 x 3/4 SL-HEX WASHER HEAD MACHINE SCREW	1
12	110357P	ROUND TOWER SECTION	1
	110357-20	ROUND TOWER SECTION - GALVANIZED	1

\*NS - NOT SHOWN

## 3.13 - Vertical Tower Cord



113190\_A  
113738\_A

# NIGHT-LITE™ V-SERIES

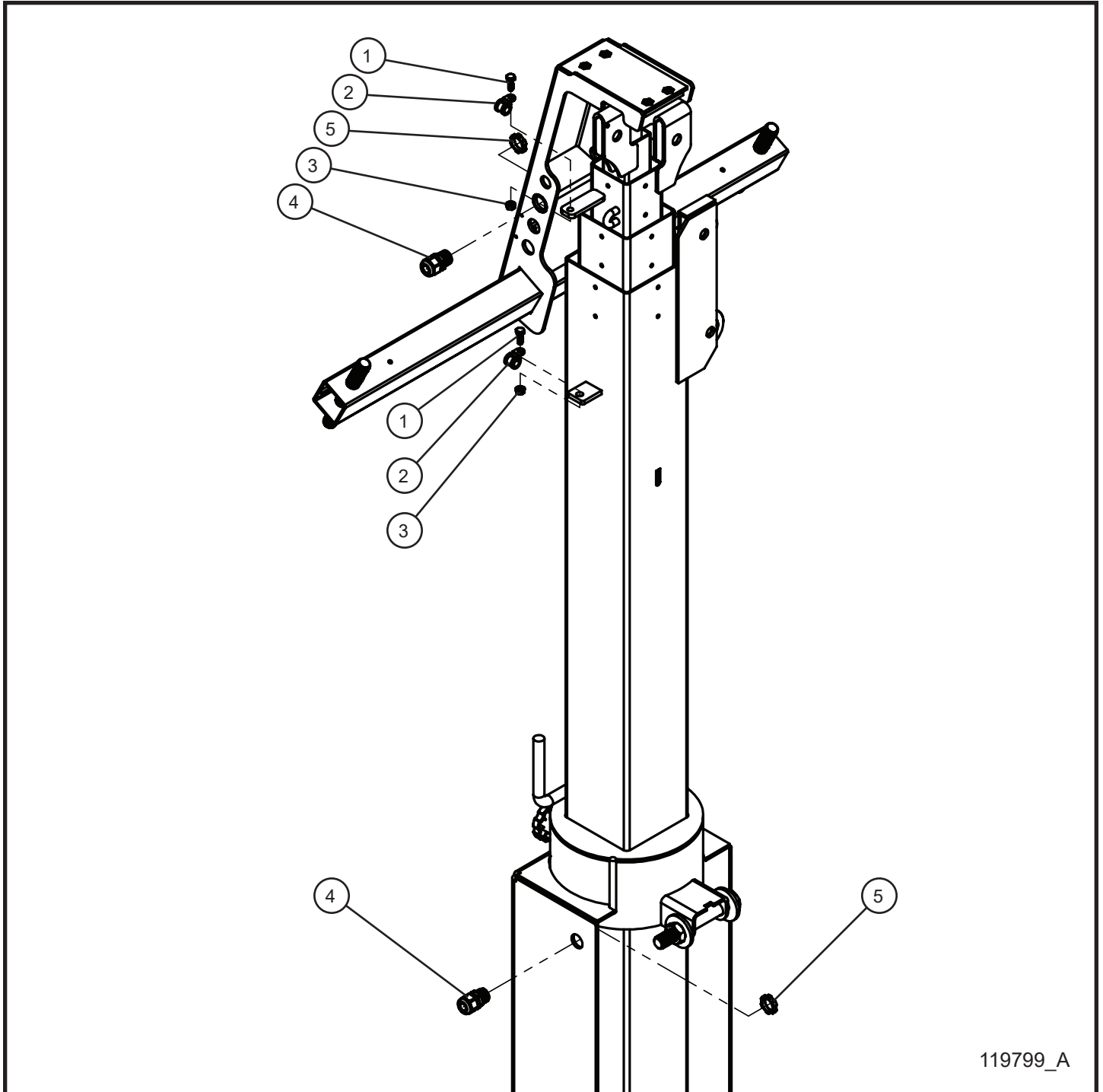
SN 39-000001 to 39-999999

## 3.13 - Vertical Tower Cord

Item	Part No.	Part Description	Qty.
1	056002	1/4-20 x 3/4 HEX SERRATED FLANGE SCREW	2
2	022012	#8 CUSH CLAMP 1/4 HOLE	2
3	057000	1/4-20 HEX SERRATED FLANGE NUT	2
4	117420	16/8 STANDARD COIL CORD ASSEMBLY AND CORD GRIP KIT	1
	117423	16/8 COB LED COIL CORD ASSEMBLY AND CORD GRIP KIT	1

\*NS - NOT SHOWN

## 3.14 - SMD LED Vertical Tower Cord





# NIGHT-LITE™ V-SERIES

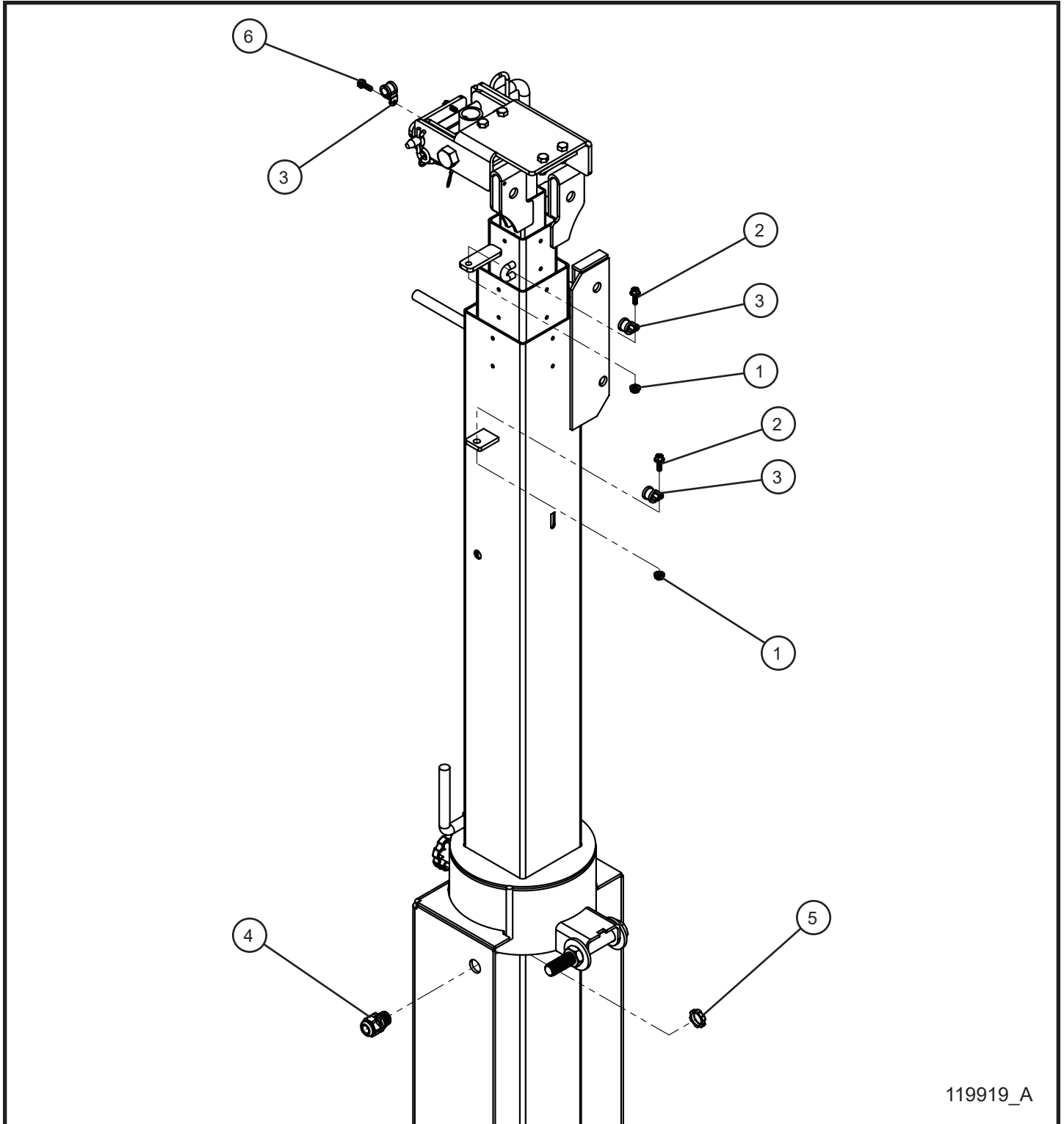
SN 39-008432 to 39-999999

## 3.14 - SMD LED Vertical Tower Cord

Item	Part No.	Part Description	Qty.
1	056002	1/4-20 x 3/4 HEX SERRATED FLANGE SCREW	2
2	022012	#8 CUSH CLAMP 1/4 HOLE	2
3	057000	1/4-20 HEX SERRATED FLANGE NUT	2
4	114886	1/2 CORD GRIP	2
5	022035	1/2 CORD GRIP NUT	2
NS	119794	16/8 SMD LED COIL CORD ASSEMBLY	1

\*NS - NOT SHOWN

## 3.15 - LED Balloon Light Vertical Tower Cord



119919\_A

# NIGHT-LITE™ V-SERIES

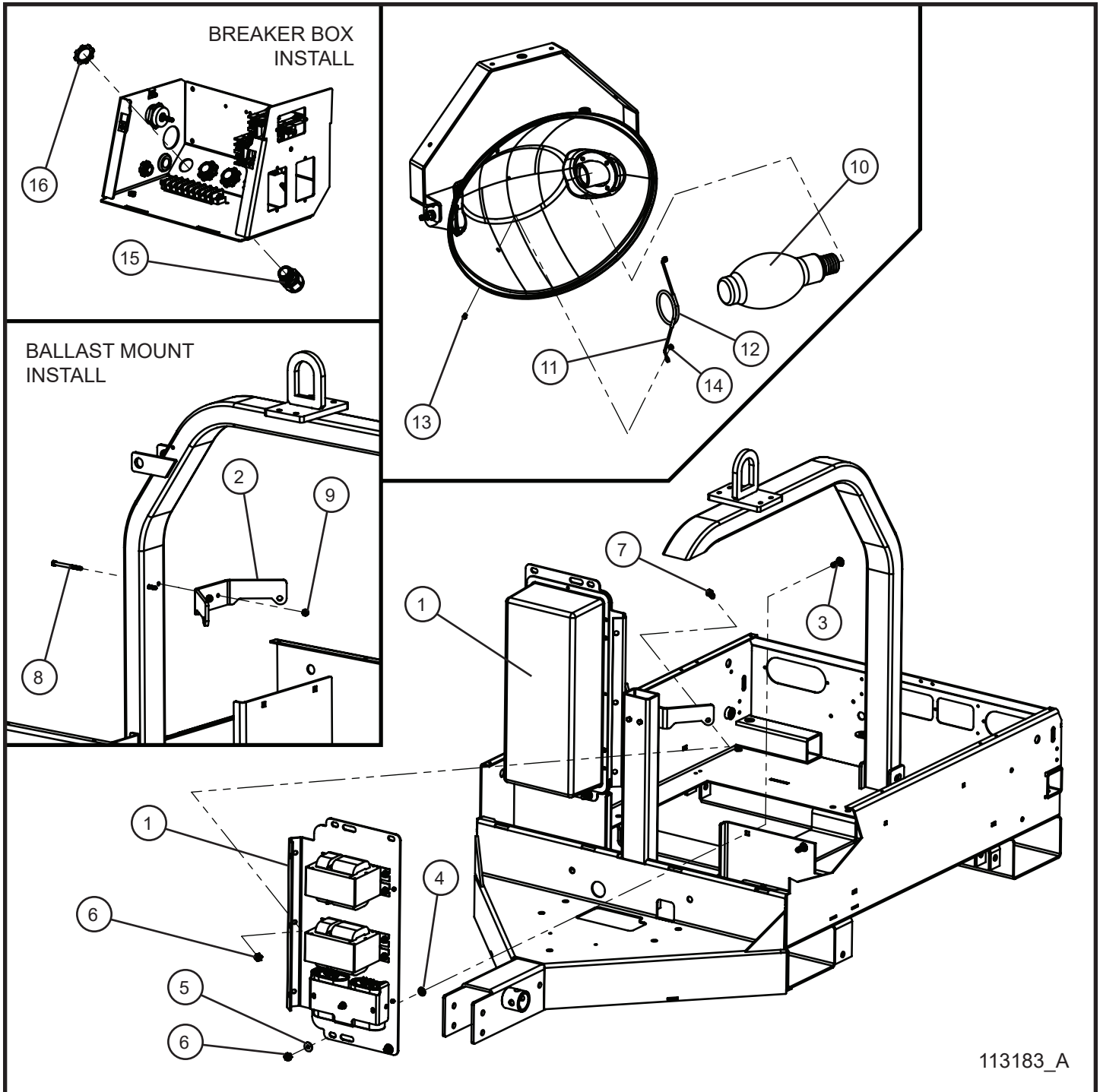
SN 39-000001 to 39-999999

## 3.15 - LED Balloon Light Vertical Tower Cord

Item	Part No.	Part Description	Qty.
1	057000	1/4-20 HEX SERRATED FLANGE NUT	2
2	056002	1/4-20 x 3/4 HEX SERRATED FLANGE SCREW	2
3	022022	#8 CUSH CLAMP	3
4	114886	CORD GRIP 1/2" NYLON BLACK	1
5	022035	1/2 CORD GRIP NUT	1
6	041070	1/4-20 x 3/4 SL-HEX WASHER HEAD MACHINE SCREW	1
NS	119772	16/8 LED BALLOON LIGHT COIL CORD ASSEMBLY	1

\*NS - NOT SHOWN

## 4.1 - 1250W Lamps with 60Hz 120V Ballasts Group



# NIGHT-LITE™ V-SERIES

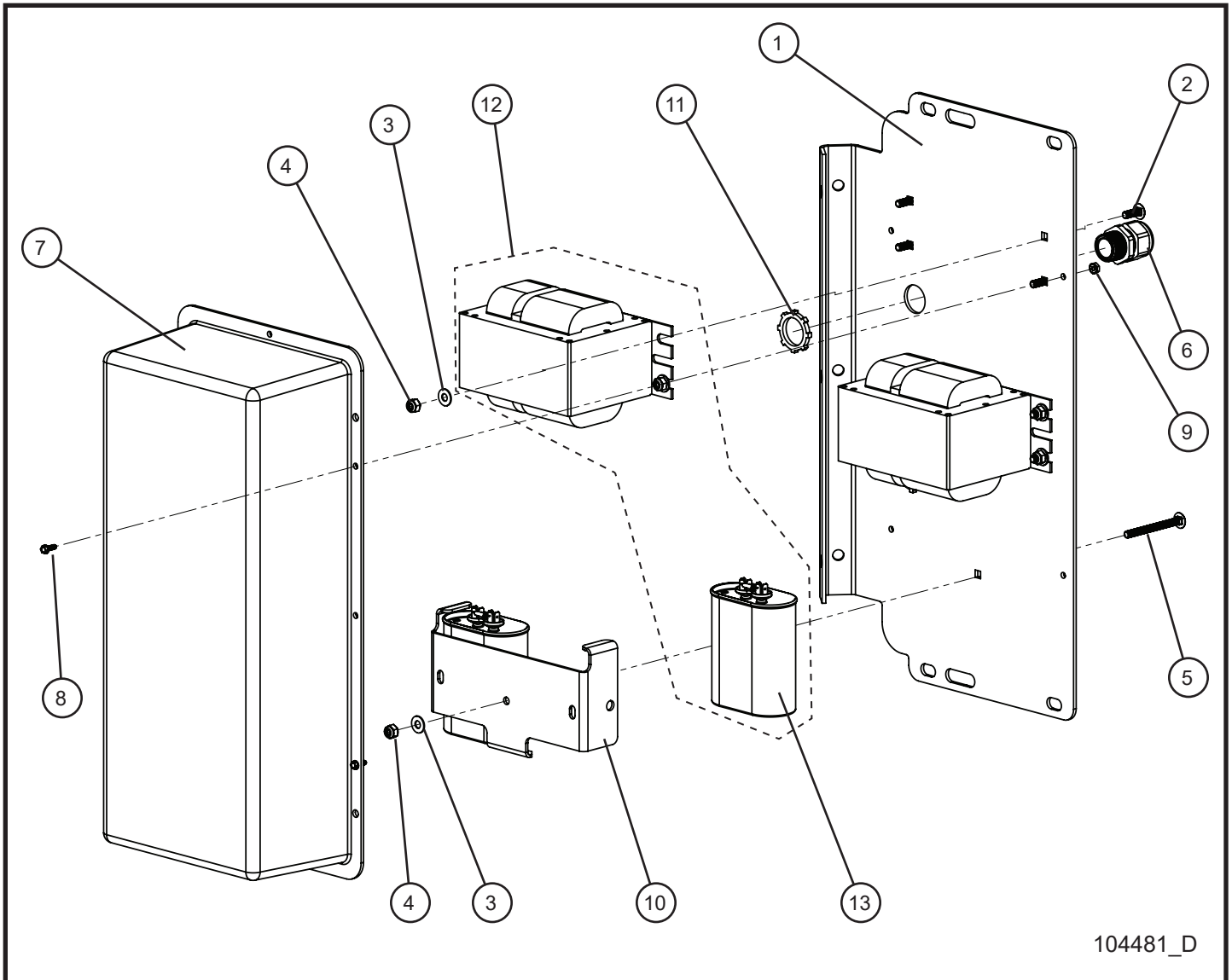
SN 39-000001 to 39-999999

## 4.1 - 1250W Lamps with 60Hz 120V Ballasts Group

Item	Part No.	Part Description	Qty.
1	104481	1250W 28uF 60Hz 120V BALLAST	2
2	109834P	PLATE MOUNT BALLAST	1
3	100670	3/8-16 x 1 1/4 CARRIAGE BOLT	4
4	045218	3/8 PUSH NUT	4
5	047010	5/16 FLAT WASHER PL	4
6	044038	3/8-16 NYLOCK HEX NUT PL	6
7	046110	3/8-16 x 1 HEX HEAD CS GR5 PL	2
8	046037	1/4-20 x 2 3/4 HEX HEAD CS GR5 PL	2
9	044023	1/4-20 NYLOCK HEX NUT PL	2
10	610221	LAMP 1250W	4
11	610209	SUPPORT TIP LAMP SHO	4
12	610210	FIBERGLASS TUBE 12" LAMP SUPPORT	4
13	041200	#8-32 x 1/2 HEX WASHER HEAD INDT	8
14	044013	#8-32 NYLOCK HEX NUT SS	8
15	105916	3/4 CORD GRIP NYLON	4
16	022036	3/4 CORD GRIP NUT	4
NS	113192	14/4 BALLAST CORD NLV x 72.00	4
NS	113474	NLV BALLAST CORD SCHEMATIC	1

\*NS - NOT SHOWN

## 4.2 - 1250W 60Hz 120V Ballast Box Assembly Group



104481\_D

# NIGHT-LITE™ V-SERIES

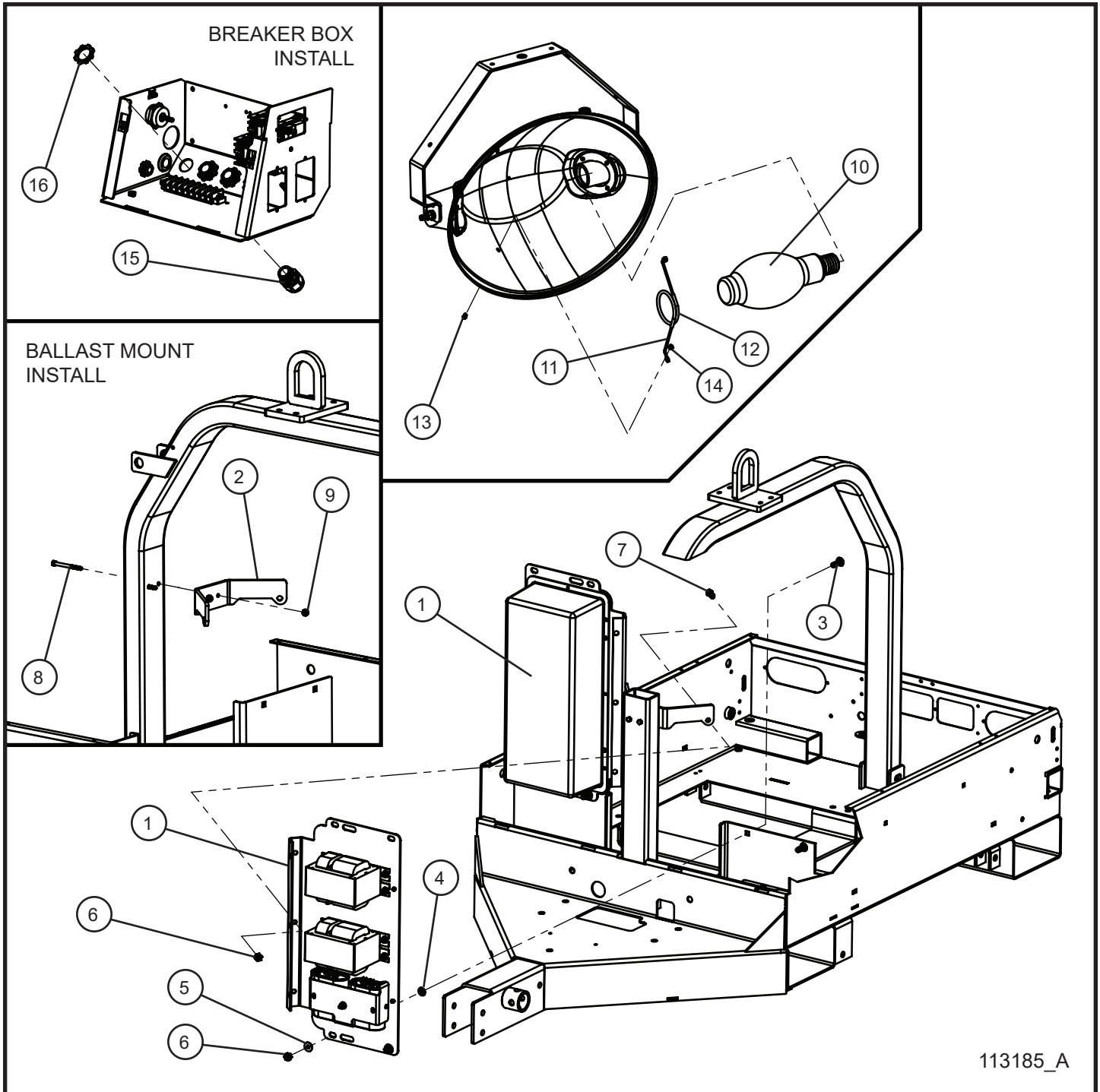
SN 39-000001 to 39-999999

## 4.2 - 1250W 60Hz 120V Ballast Box Assembly Group

Item	Part No.	Part Description	Qty.
1	105914P	MOUNT PLATE BALLAST BOX	1
2	053006	1/4-20 x 3/4 CARRIAGE BOLT	8
3	047009	1/4 FLAT WASHER SAE SS	9
4	044023	1/4-20 NYLOCK HEX NUT PL	9
5	100718	1/4-20 x 2 1/4 CARRIAGE BOLT	1
6	105916	GRIP CORD NYLON 3/4	2
7	102752	BALLAST TOP MODULAR BOX	1
8	041029	#8-32 x 1/2 HEX WASHER HEAD SCREW	4
9	044003	#8-32 NC KEPS NUT	4
10	100392P	TABBED CAPACITOR CLAMP	1
11	022036	3/4 CORD GRIP NUT	2
12	109606	BALLAST KIT 1250W 60Hz 120/240V 28uF (INCLUDES 100329)	2
13	100329	CAPACITOR 28uF 1250W	2
NS	105286	SCHEMATIC 60Hz 1250W	1

\*NS - NOT SHOWN

## 4.3 - 1000W Lamps with 60Hz 120V Ballasts Group





# NIGHT-LITE™ V-SERIES

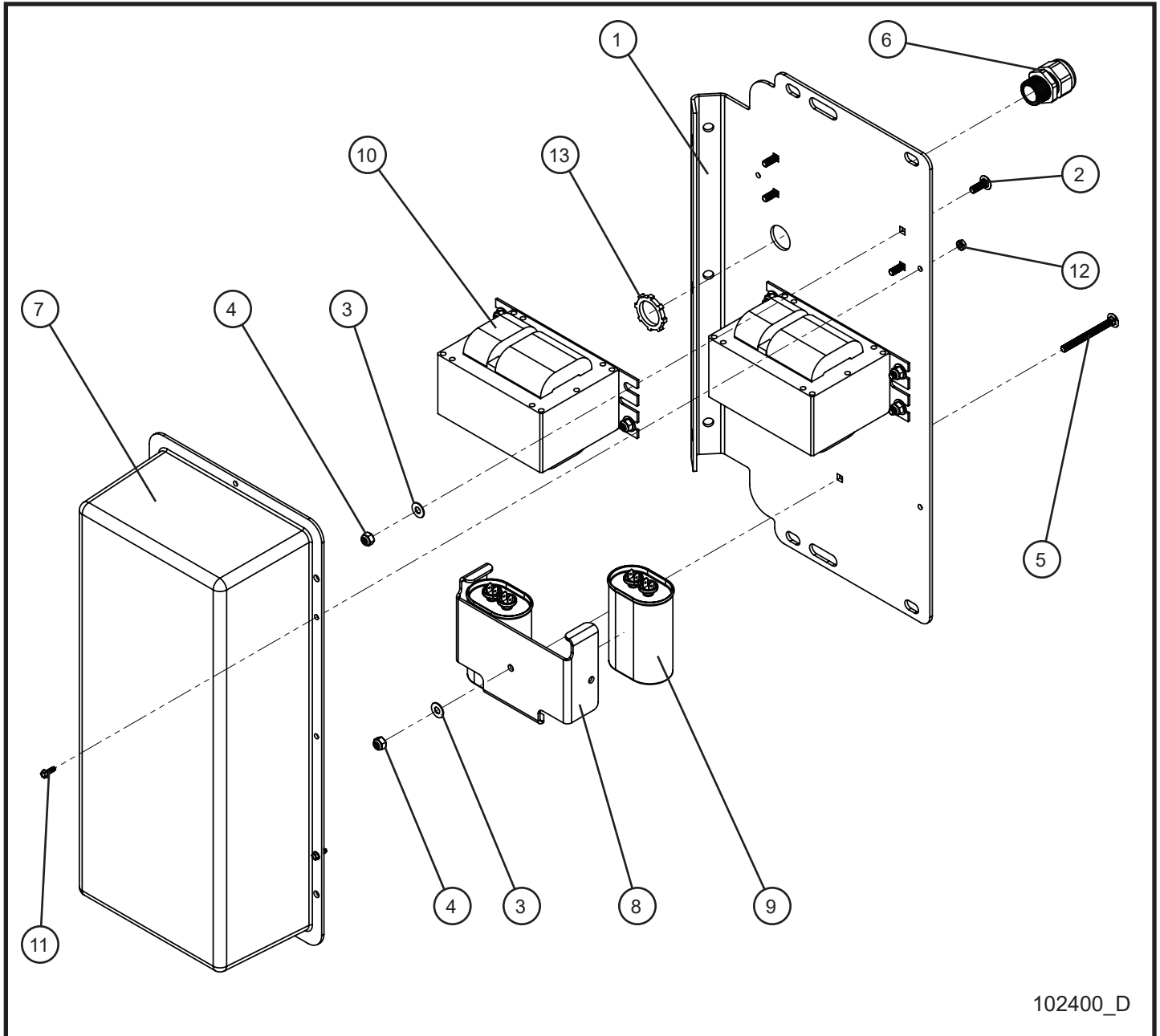
SN 39-000001 to 39-999999

## 4.3 - 1000W Lamps with 60Hz 120V Ballasts Group

Item	Part No.	Part Description	Qty.
1	102400	1000W 60Hz 120V BALLAST	2
2	109834P	PLATE MOUNT BALLAST	1
3	100670	3/8-16 x 1 1/4 CARRIAGE BOLT	4
4	045218	3/8 PUSH NUT	4
5	047010	5/16 FLAT WASHER PL	4
6	044038	3/8-16 NYLOCK HEX NUT PL	6
7	046110	3/8-16 x 1 HEX HEAD CS GR5 PL	2
8	046037	1/4-20 x 2 3/4 HEX HEAD CS GR5 PL	2
9	044023	1/4-20 NYLOCK HEX NUT PL	2
10	610211	LAMP 1000W	4
11	610209	SUPPORT TIP LAMP SHO	4
12	610210	FIBERGLASS TUBE 12" LAMP SUPPORT	4
13	041200	#8-32 x 1/2 HEX WASHER HEAD INDT	8
14	044013	#8-32 NYLOCK HEX NUT SS	8
15	105916	3/4 CORD GRIP NYLON	4
16	022036	3/4 CORD GRIP NUT	4
NS	113192	14/4 BALLAST CORD NLV x 72.00	4
NS	113474	NLV BALLAST CORD SCHEMATIC	1

\*NS - NOT SHOWN

## 4.4 - 1000W 60Hz 120V Ballast Box Assembly Group



# NIGHT-LITE™ V-SERIES

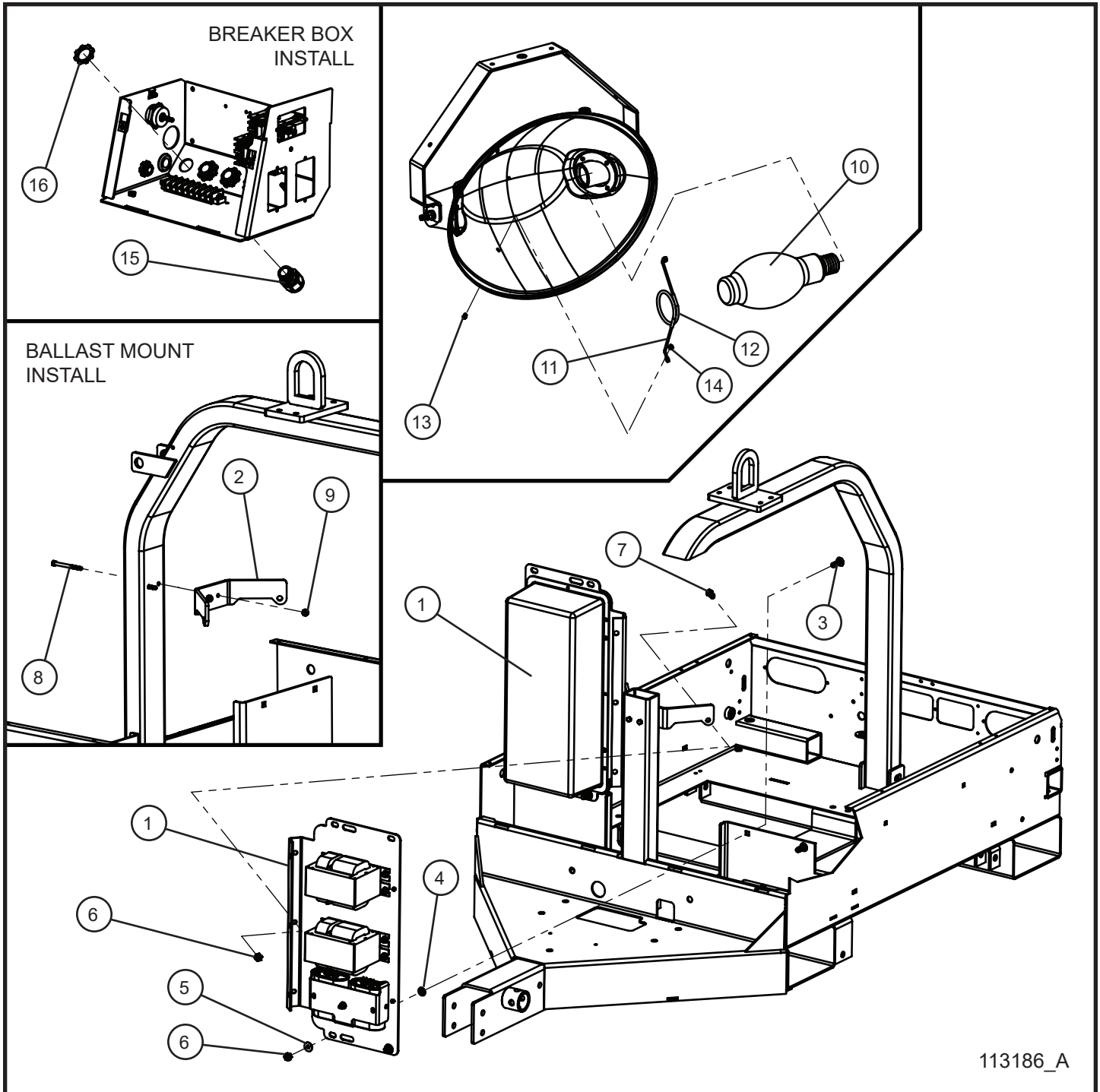
SN 39-000001 to 39-999999

## 4.4 - 1000W 60Hz 120V Ballast Box Assembly Group

Item	Part No.	Part Description	Qty.
1	105914P	MOUNT PLATE BALLAST BOX	1
2	053006	1/4-20 x 3/4 CARRIAGE BOLT	8
3	047009	1/4 FLAT WASHER SAE SS	9
4	044023	1/4-20 NYLOCK HEX NUT PL	9
5	100718	1/4-20 x 2 1/4 CARRIAGE BOLT	1
6	105916	GRIP CORD NYLON 3/4	2
7	102752	BALLAST TOP MODULAR BOX	1
8	680608P	TABBED CAPACITOR CLAMP	1
9	310115	CAPACITOR 24uF 1000W	2
10	310124	BALLAST 1000W 60Hz 120V	2
11	041029	#8-32 x 1/2 HEX WASHER HEAD SCREW	4
12	044003	#8-32 NC KEPS NUT	4
13	022036	3/4 CORD GRIP NUT	2
NS	105287	SCHEMATIC BALLAST 1000W 60Hz 120V	1

\*NS - NOT SHOWN

## 4.5 - 1000W Lamps with 50Hz 120V Ballasts Group



# NIGHT-LITE™ V-SERIES

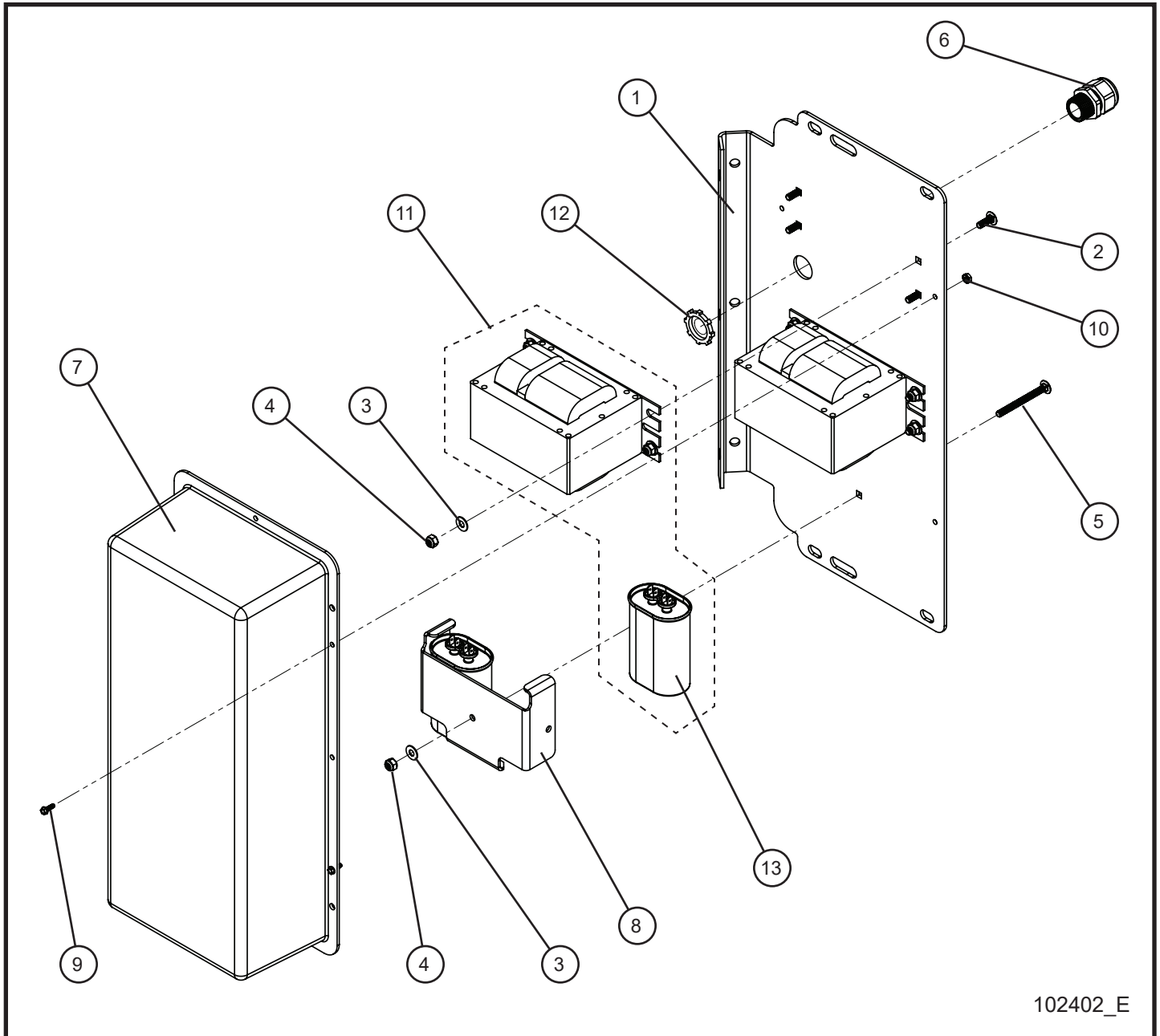
SN 39-000001 to 39-999999

## 4.5 - 1000W Lamps with 50Hz 120V Ballasts Group

Item	Part No.	Part Description	Qty.
1	102402	1000W 50Hz 120V BALLAST	2
2	109834P	PLATE MOUNT BALLAST	1
3	100670	3/8-16 x 1 1/4 CARRIAGE BOLT	4
4	045218	3/8 PUSH NUT	4
5	047010	5/16 FLAT WASHER PL	4
6	044038	3/8-16 NYLOCK HEX NUT PL	6
7	046110	3/8-16 x 1 HEX HEAD CS GR5 PL	2
8	046037	1/4-20 x 2 3/4 HEX HEAD CS GR5 PL	2
9	044023	1/4-20 NYLOCK HEX NUT PL	2
10	610211	LAMP 1000W	4
11	610209	SUPPORT TIP LAMP SHO	4
12	610210	FIBERGLASS TUBE 12" LAMP SUPPORT	4
13	041200	#8-32 x 1/2 HEX WASHER HEAD INDT	8
14	044013	#8-32 NYLOCK HEX NUT SS	8
15	105916	3/4 CORD GRIP NYLON	4
16	022036	3/4 CORD GRIP NUT	4
NS	113192	14/4 BALLAST CORD NLV x 72.00	4
NS	113474	NLV BALLAST CORD SCHEMATIC	1

\*NS - NOT SHOWN

## 4.6 - 1000W 50Hz 120V Ballast Box Assembly



102402\_E

# NIGHT-LITE™ V-SERIES

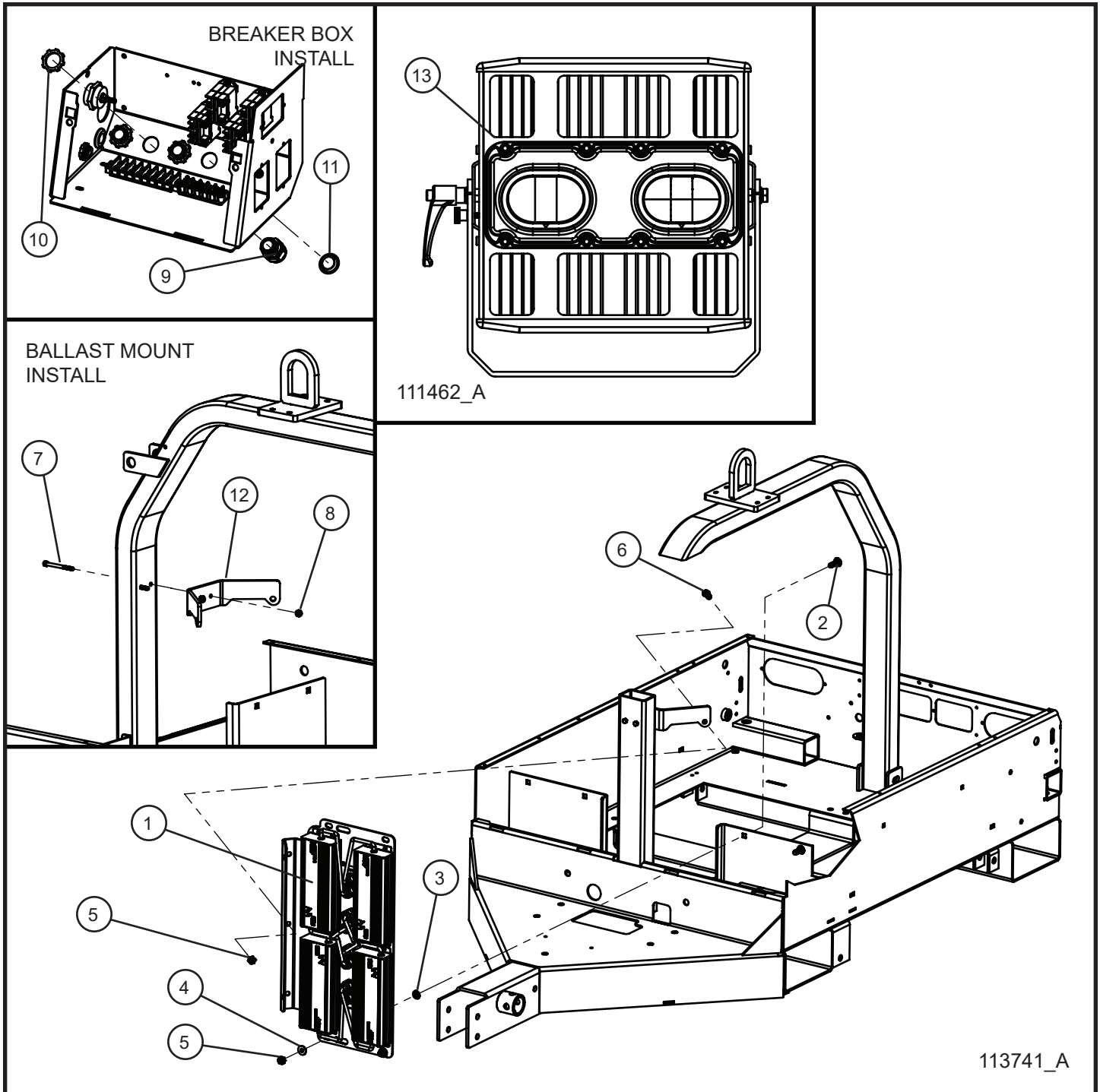
SN 39-000001 to 39-999999

## 4.6 - 1000W 50Hz 120V Ballast Box Assembly

Item	Part No.	Part Description	Qty.
1	105914P	MOUNT PLATE BALLAST BOX	1
2	053006	1/4-20 x 3/4 CARRIAGE BOLT	8
3	047009	1/4 FLAT WASHER SAE SS	9
4	044023	1/4-20 NYLOCK HEX NUT PL	9
5	100718	1/4-20 x 2 1/4 CARRIAGE BOLT	1
6	105916	GRIP CORD NYLON 3/4	2
7	102752	BALLAST TOP MODULAR BOX	1
8	680608P	TABBED CAPACITOR CLAMP	1
9	041029	#8-32 x 1/2 HEX WASHER HEAD SCREW	4
10	044003	#8-32 NC KEPS NUT	4
11	310116A	BALLAST KIT 1000W 50Hz	2
12	022036	3/4 CORD GRIP NUT	2
13	310115A	CAPACITOR 26UF 60/50Hz 540V	2
NS	105288	SCHEMATIC BALLAST 1000W 50Hz	1

\*NS - NOT SHOWN

## 4.7 - COB LED Lamps with COB LED Drivers Group





# NIGHT-LITE™ V-SERIES

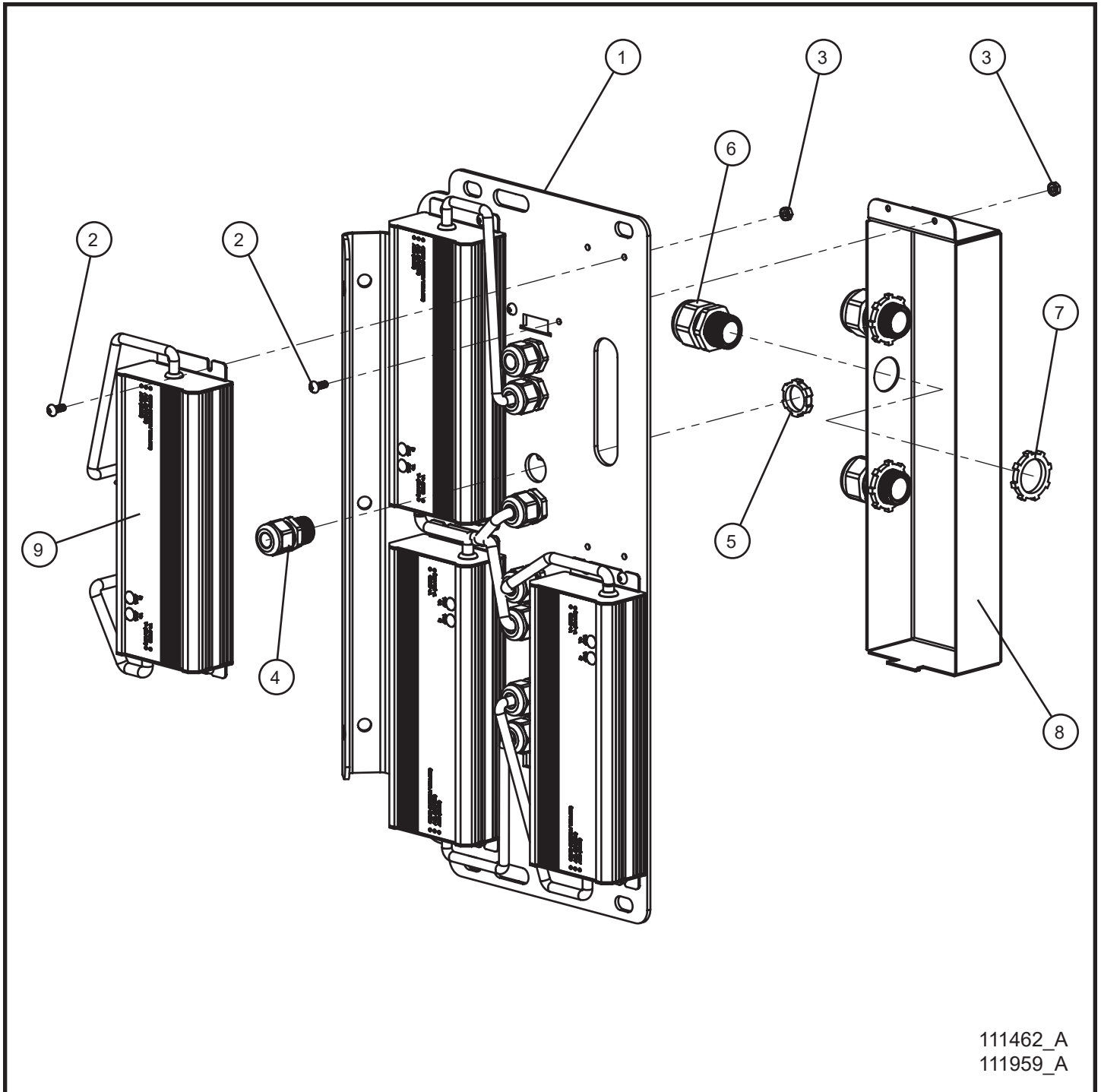
SN 39-000001 to 39-008431

## 4.7 - COB LED Lamps with COB LED Drivers Group

Item	Part No.	Part Description	Qty.
1	111959	FOUR DRIVER LED LIGHTING	1
2	100670	3/8-16 x 1 1/4 CARRIAGE BOLT	2
3	045218	3/8 PUSH NUT	2
4	047010	5/16 FLAT WASHER PL	2
5	044038	3/8-16 NYLOCK HEX NUT PL	3
6	046110	3/8-16 x 1 HEX HEAD CS GR5 PL	1
7	046037	1/4-20 x 2 3/4 HEX HEAD CS GR5 PL	2
8	044023	1/4-20 NYLOCK HEX NUT PL	2
9	105916	3/4 CORD GRIP NYLON	3
10	022036	3/4 CORD GRIP NUT	3
11	064025	1 1/16 IN. PLASTIC PLUG	1
12	109834P	PLATE MOUNT BALLAST	1
13	114075	CONSSIN KUEM2-320 LED LIGHT	4
NS	114104	YOKE, BRACKETS, AND HARDWARE CONSSIN KIT	1
NS	111462	CONSSIN LED LIGHT AND DRIVER KIT (INCL. 111449 & 111451)	1
NS	113740	OUTPUT CORD LED DRIVER NLV	1
NS	113739	INPUT CORD LED DRIVER NLV	2
NS	113621	NLV LED DRIVERS SCHEMATIC	1

\*NS - NOT SHOWN

## 4.8 - COB LED Drivers Assembly Group



111462\_A  
111959\_A

# NIGHT-LITE™ V-SERIES

SN 39-000001 to 39-008431

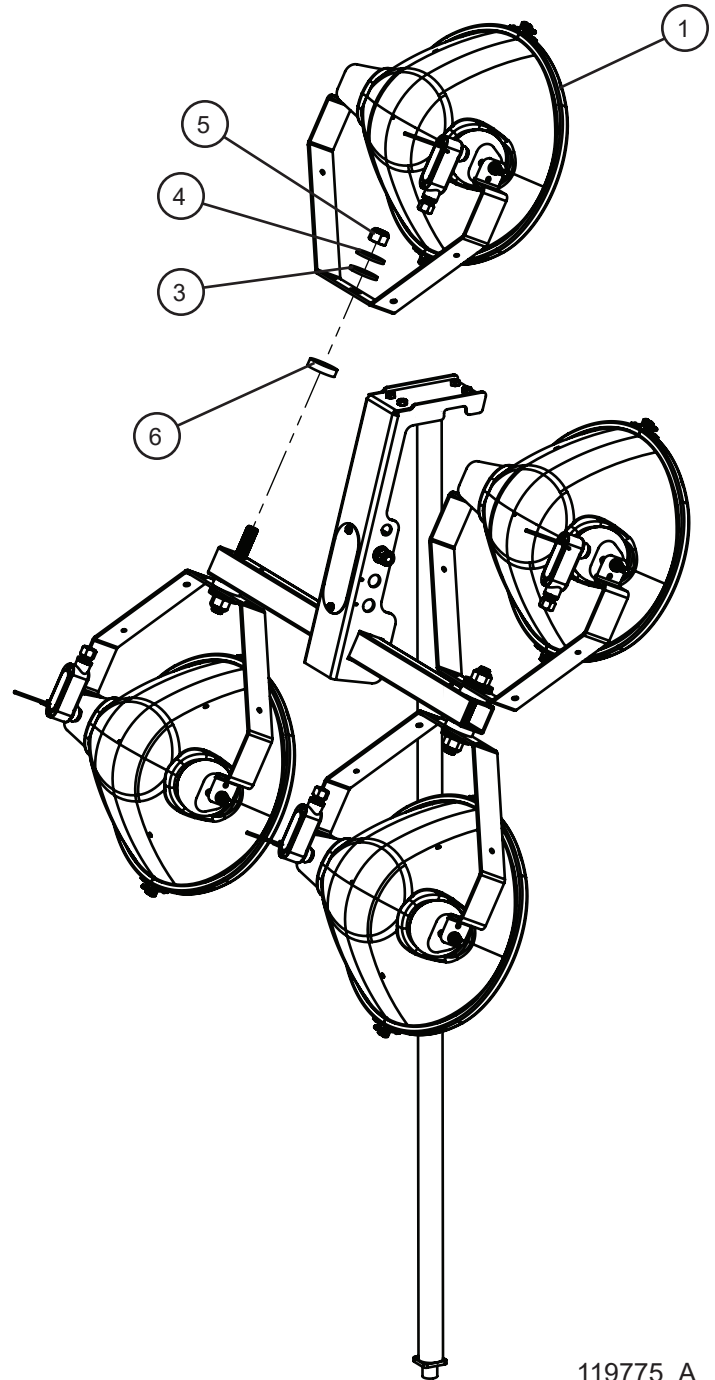
## 4.8 - COB LED Drivers Assembly Group

Item	Part No.	Part Description	Qty.
1	111465P	MOUNT PLATE LED DRIVER	1
2	041012	SCREW MS #8-32 x 1/2 PL	18
3	044003	#8-32 NC KEPS NUT	18
4	105626	CORD GRIP 1/2 NYLON BLACK	8
5	022035	1/2 CORD GRIP NUT	8
6	105916	CORD GRIP NYLON 3/4	3
7	022036	3/4 CORD GRIP NUT	3
8	111960P	LED DRIVER JUNCTION BOX	1
9	111449	CONSSIN HLG-320-54A LED DRIVER	4
NS	111462	CONSSIN LED LIGHT AND DRIVER KIT (INCL. 111449 & 111451)	1

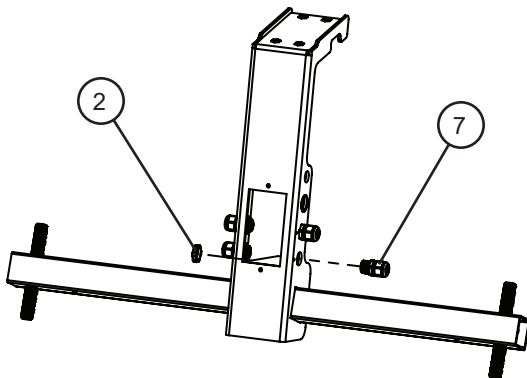
\*NS - NOT SHOWN

## 4.9 - SHO Light Fixtures

SHO LIGHT  
INSTALL



CORD GRIPS  
INSTALL



119775\_A

# NIGHT-LITE™ V-SERIES

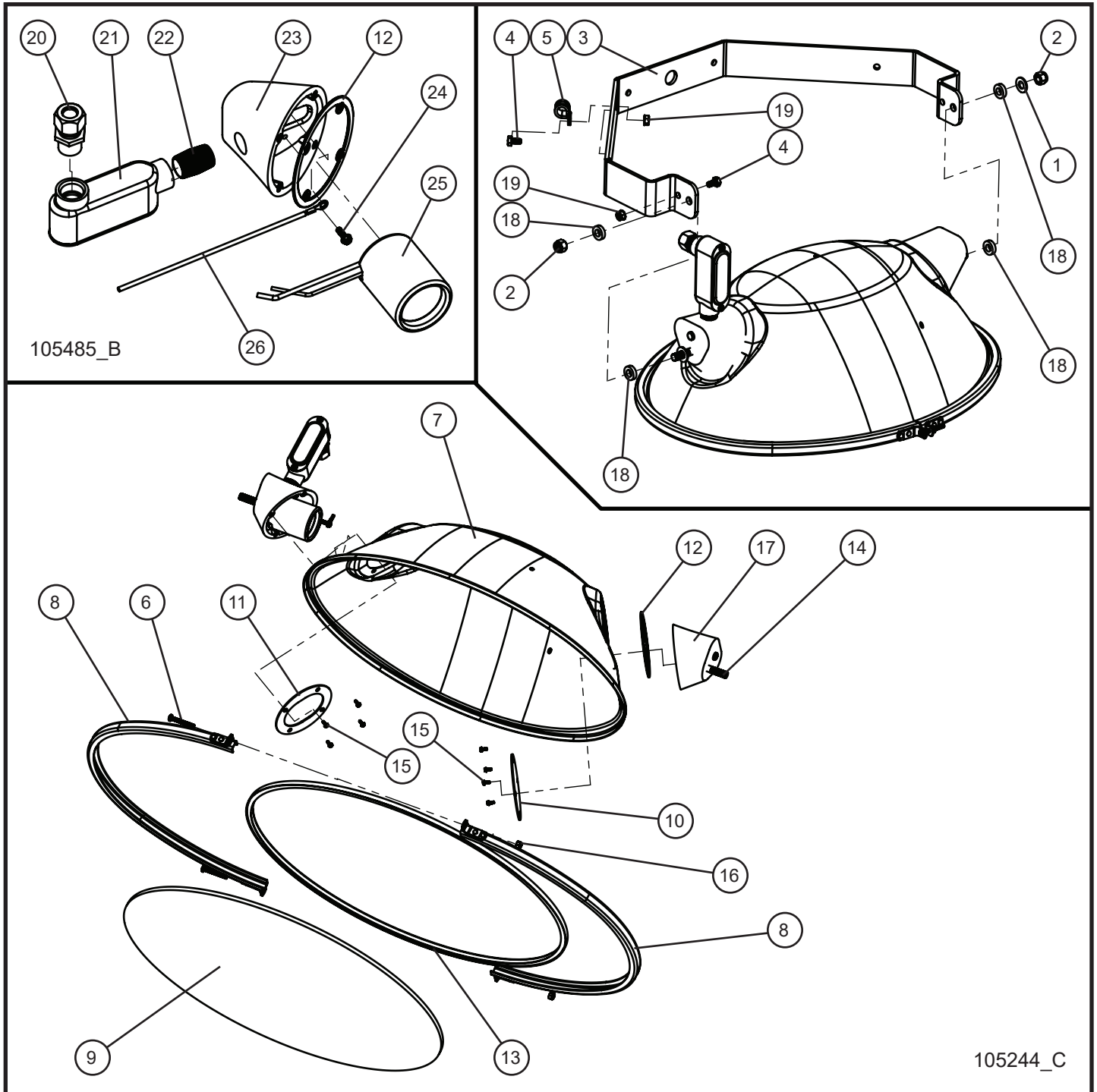
SN 39-000001 to 39-999999

## 4.9 - SHO Light Fixtures

Item	Part No.	Part Description	Qty.
1	650147	LAMPHOLDER SHO LIGHT NO LAMPS	4
	650144	LAMPHOLDER SHO LIGHT WITH 1000W LAMPS	4
	100633	LAMPHOLDER SHO LIGHT WITH 1250W LAMPS	4
2	022035	1/2 CORD GRIP NUT	4
3	650550	.785" x 2" HDPE WASHER	4
4	047035	3/4 FLAT WASHER PL	4
5	044058	3/4-10 NYLOCK HEX NUT PL	4
6	101813	.781 ID x 2 OD x 1/2 HDPE WASHER	4
7	105626	CORD GRIP 1/2" NYLON BLACK	4
NS	115000	16/3 CORD HARD WIRED LAMP LEAD	4
NS	112039	SCHEMATIC 4 LAMPS SOLID WIRED	1
NS	113750	SCHEMATIC LED LIGHT 4 LIGHT BAR	1

\*NS - NOT SHOWN

## 4.10 - SHO Light Assembly Group



# NIGHT-LITE™ V-SERIES

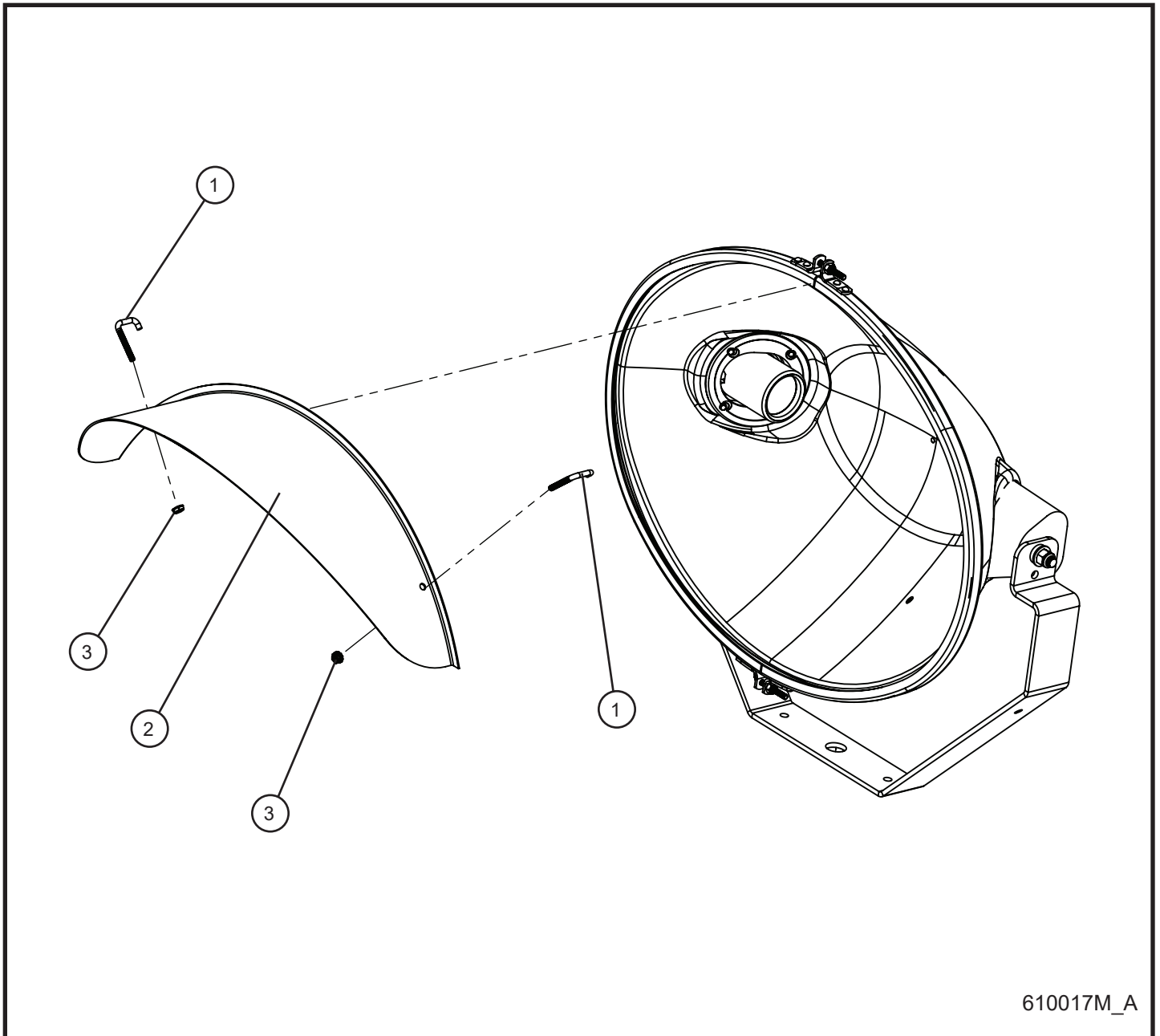
SN 39-000001 to 39-999999

## 4.10 - SHO Light Assembly Group

Item	Part No.	Part Description	Qty.
--	105244	COMPLETE LAMP ASSEMBLY	1
1	047016	3/8 FLAT WASHER SAE ZINC	2
2	044037	3/8-24 NYLOCK HEX NUT PL	2
3	660130	YOKE MOUNT SHO LAMP	1
4	046005	1/4-20 x 1/2 HEX HEAD CS GR5 PL	2
5	022022	#8 CUSH CLAMP 1/4 HOLE	1
6	041040	#10-24 x 1 1/2 PH-ROUND HEAD MS SS	2
7	610201	REFLECTOR	1
8	610202	LENS CHANNEL SET SHO LIGHT	2
9	610203	GLASS LENS	1
10	610207	INTERIOR COVER PLATE WITHOUT HOLE	1
11	610208	INTERIOR COVER PLATE WITH HOLE	1
12	610213	GASKET SOCKET END CAP	2
13	610217	SILICONE GASKET	1
14	045142	3/8-24 x 3/8-16 x 2 STUD	2
15	041028	#10-24 x 1/2 HEX WASHER HEAD INDT	8
16	044019	#10-24 NYLOCK HEX NUT SS	2
17	610206	CASTING END SHO	1
18	047019	NYLON BUSHING 3/4 OD x .385 ID	4
19	044021	1/4-20 KEPS HEX NUT PL	2
20	510007	1/2 CORD GRIP	1
21	610214	ELBOW 1/2 SLB SHO ENTRANCE	1
22	610215	1/2 NPT NIPPLE	1
23	610205	SOCKET CASTING END SHO	1
24	041257	#10-32 x 3/8 SL-HEX WASHER HEAD MS GRND	1
25	610212	CERAMIC SOCKET	1
26	610219	GROUND WIRE LAMPHOLDER SHO ENTRANCE	1

\*NS - NOT SHOWN

## 4.11 - SHO Light SAF-T-Visor



610017M\_A



# NIGHT-LITE™ V-SERIES

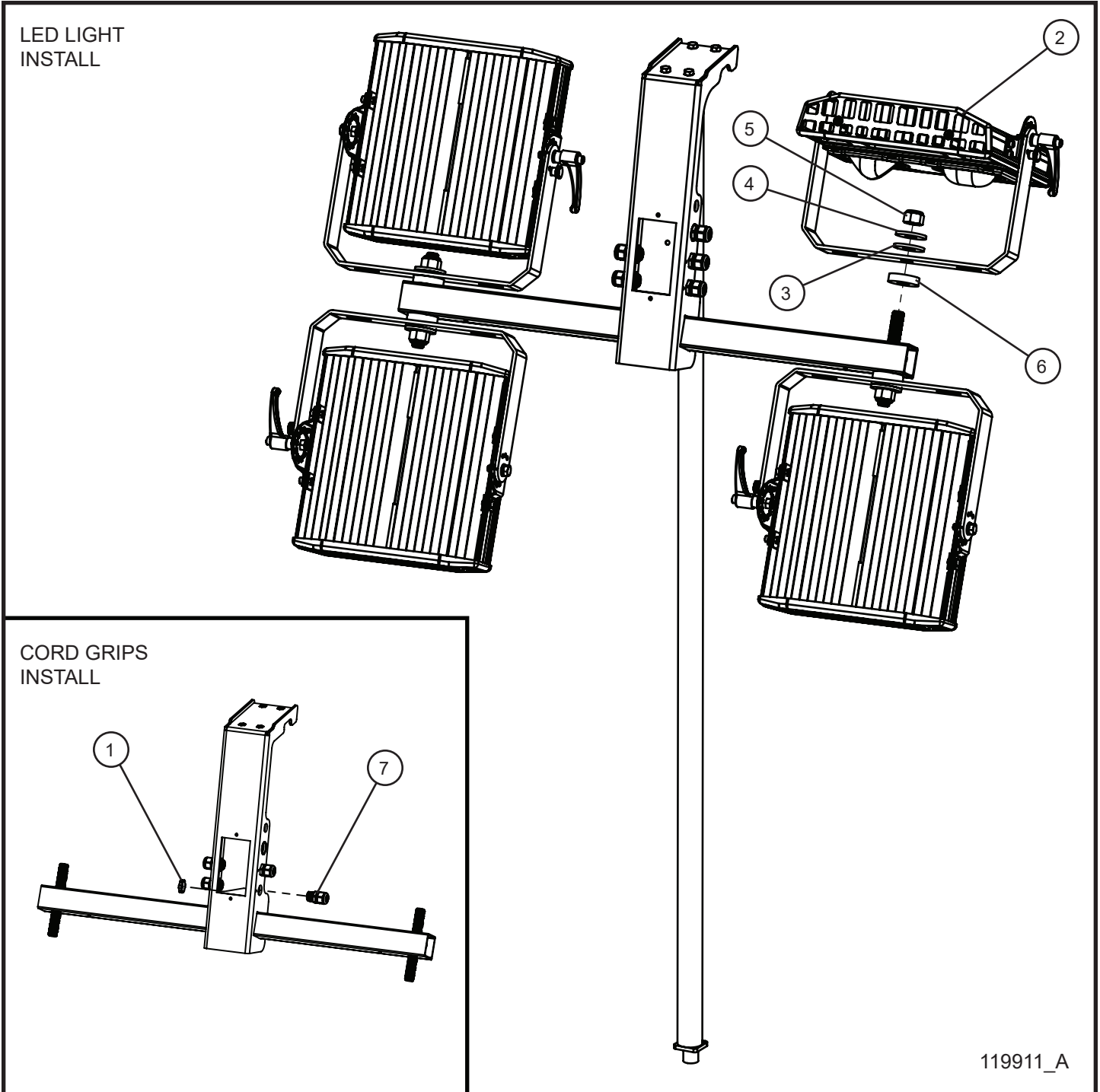
SN 39-000001 to 39-999999

## 4.11 - SHO Light SAF-T-Visor

Item	Part No.	Part Description	Qty.
1	045070	#10-24 HOOK SQ BEND BOLT	8
2	610017	SAF-T VISOR SHO LAMP (*SEE NOTE)	4
3	044016	#10-24 KEPS HEX NUT PL	8

\*NS - NOT SHOWN

## 4.12 - COB LED Light Fixtures



# NIGHT-LITE™ V-SERIES

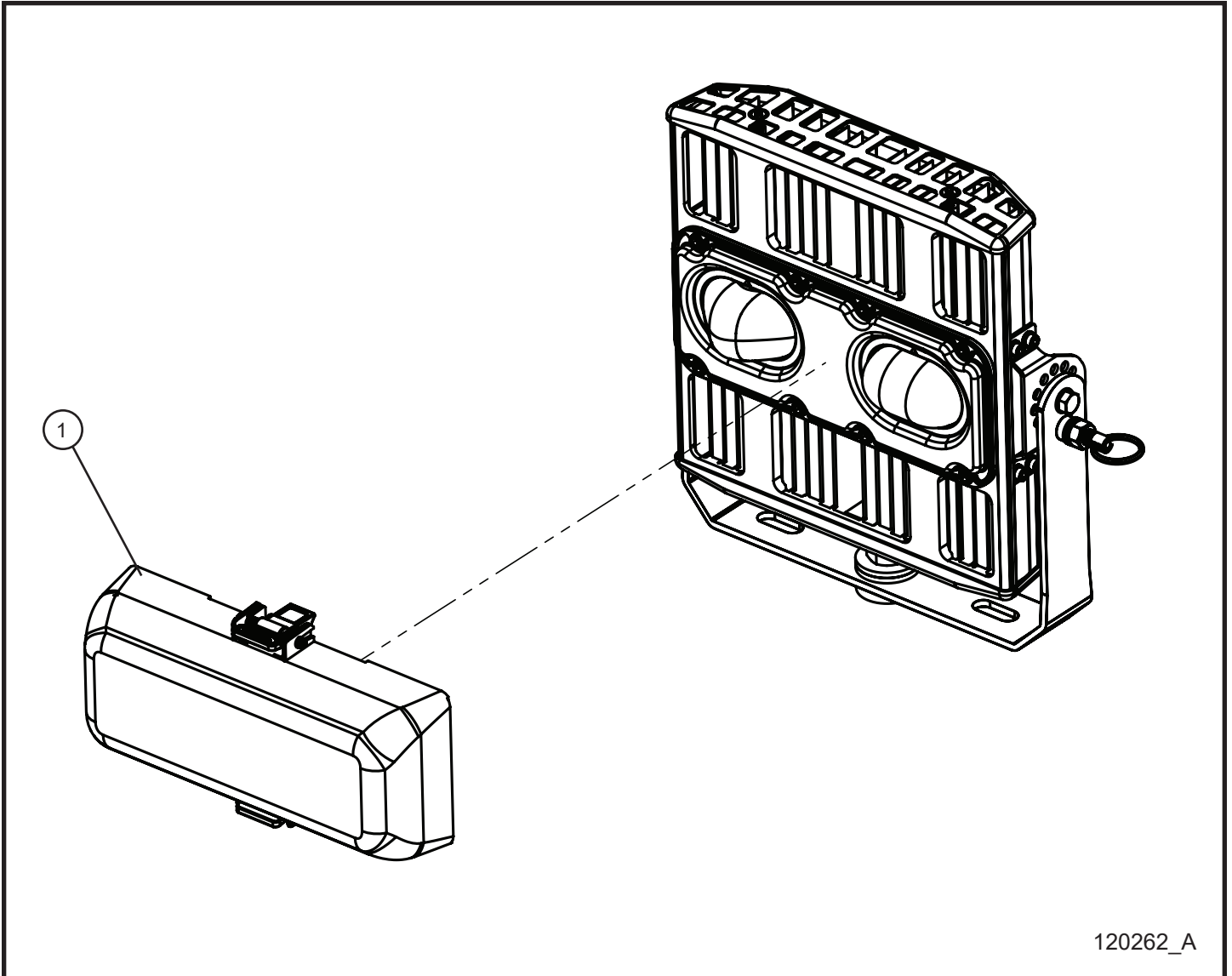
SN 39-000001 to 39-008431

## 4.12 - COB LED Light Fixtures

Item	Part No.	Part Description	Qty.
1	022035	1/2 CORD GRIP NUT	4
2	111451	CONSSIN KUEM2-320 LED LIGHT	4
3	650550	.785" x 2" HDPE WASHER	4
4	047035	3/4 FLAT WASHER PL	4
5	044058	3/4-10 NYLOCK HEX NUT PL	4
6	101813	.781 ID x 2 OD x 1/2 HDPE WASHER	4
7	105626	CORD GRIP 1/2" NYLON BLACK	4
NS	111462	CONSSIN LED LIGHT AND DRIVER KIT (INCL. 111449 & 111451)	1
NS	113750	SCHEMATIC LED LIGHT 4 LIGHT BAR	1

\*NS - NOT SHOWN

## 4.13 - COB LED Light Diffuser



120262\_A

# NIGHT-LITE™ V-SERIES

SN 39-000001 to 39-008431

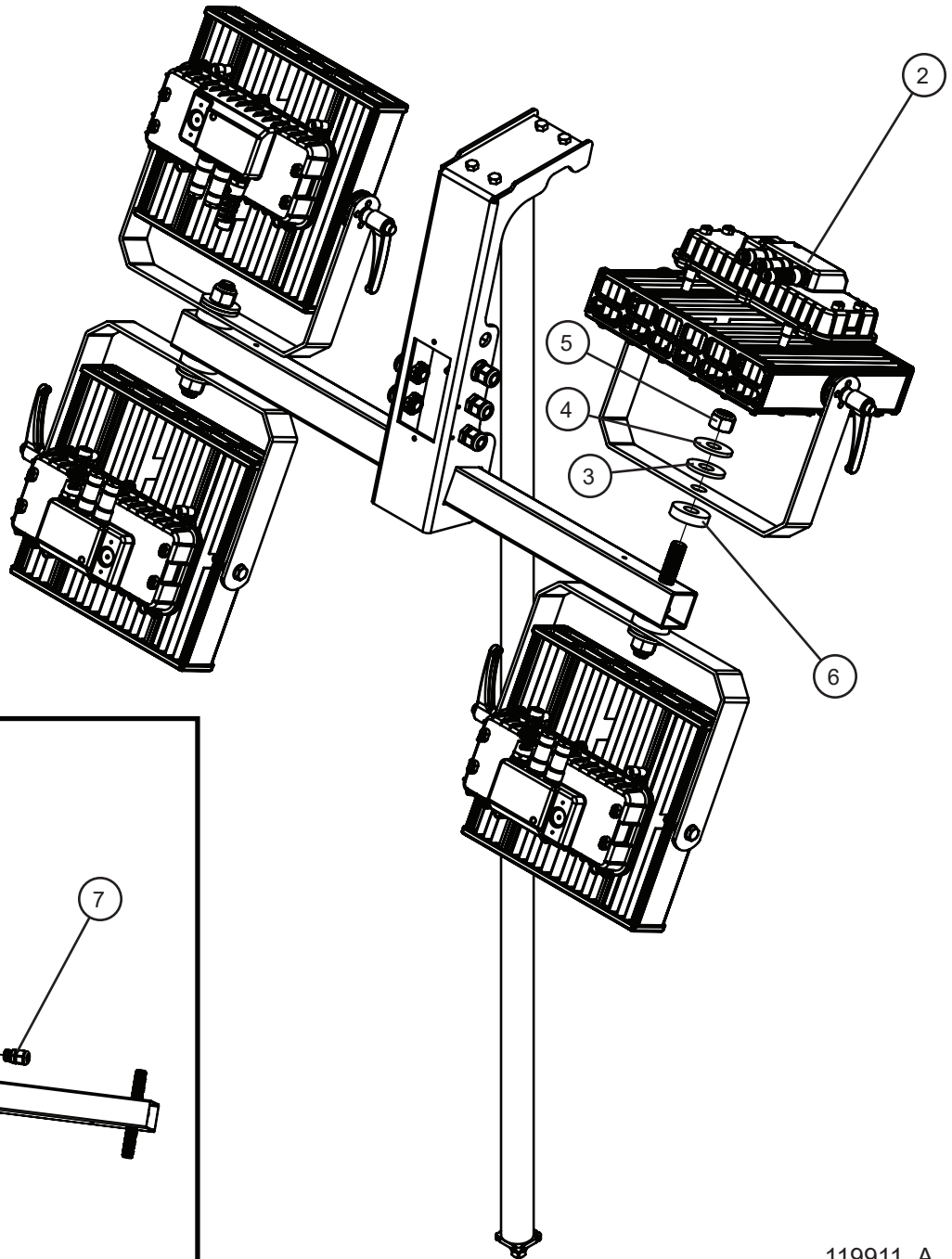
## 4.13 - COB LED Light Diffuser

Item	Part No.	Part Description	Qty.
1	118419	DIFFUSER COVER LIGHT LED COB 320W	1

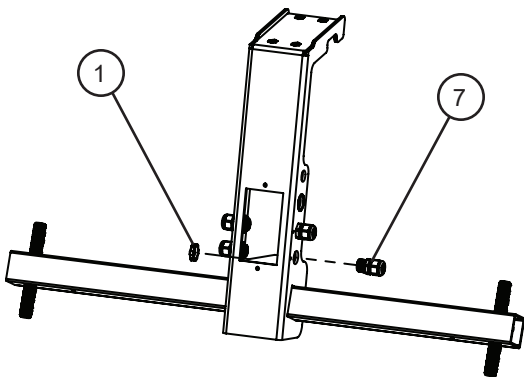
\*NS - NOT SHOWN

## 4.14 - SMD 350W LED Light Fixtures

LED LIGHT  
INSTALL



CORD GRIPS  
INSTALL



119911\_A

# NIGHT-LITE™ V-SERIES

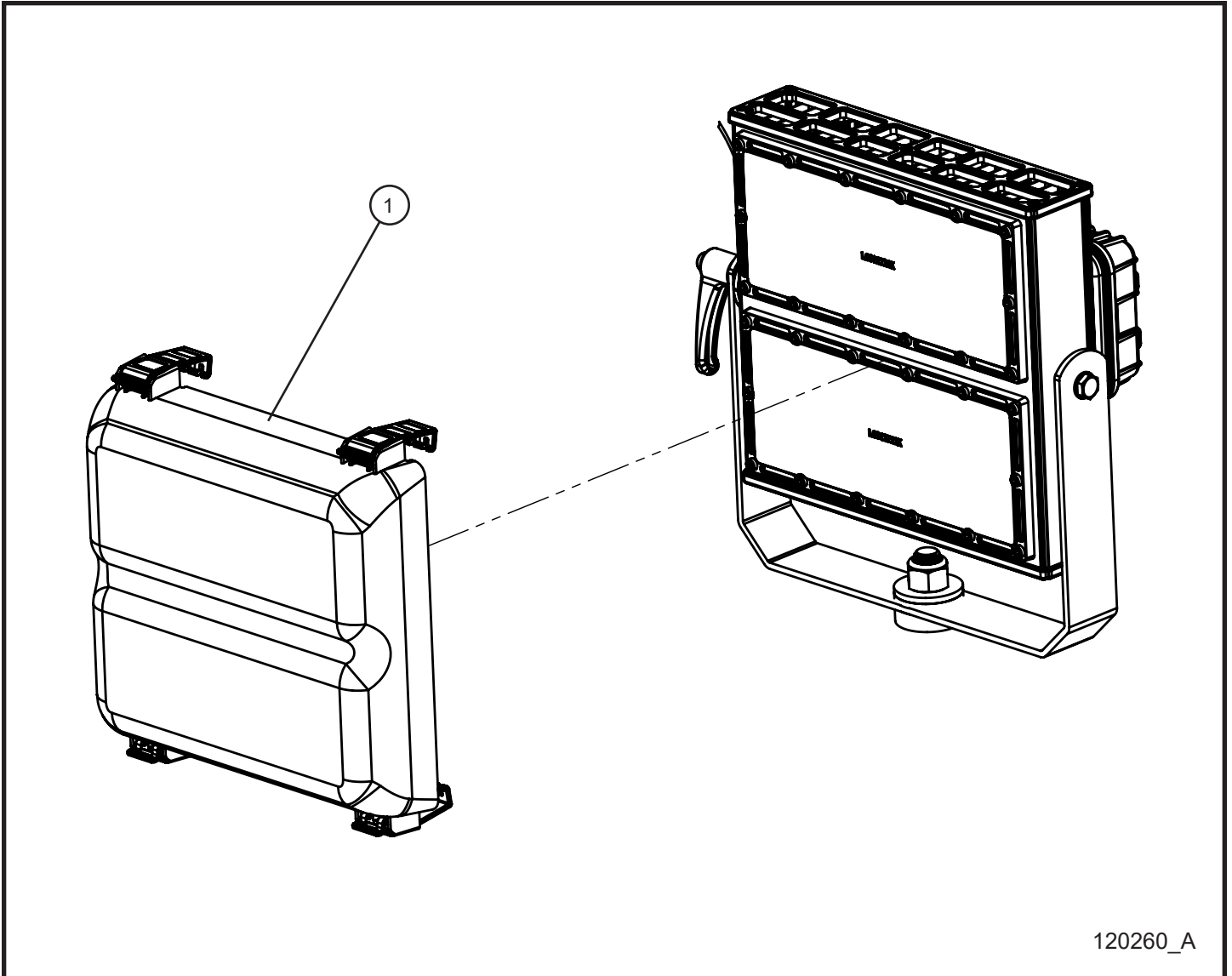
SN 39-008432 to 39-999999

## 4.14 - SMD 350W LED Light Fixtures

Item	Part No.	Part Description	Qty.
1	022035	1/2 CORD GRIP NUT	4
2	120088	SMD 350W LED LIGHT ASSEMBLY	4
3	650550	.785" x 2" HDPE WASHER	4
4	047035	3/4 FLAT WASHER PL	4
5	044058	3/4-10 NYLOCK HEX NUT PL	4
6	101813	.781 ID x 2 OD x 1/2 HDPE WASHER	4
7	105626	CORD GRIP 1/2" NYLON BLACK	4
NS	119960	SCHEMATIC SMD LED LIGHT 4 LIGHT BAR NLV	1

\*NS - NOT SHOWN

## 4.15 - SMD 350W LED Light Diffuser



120260\_A



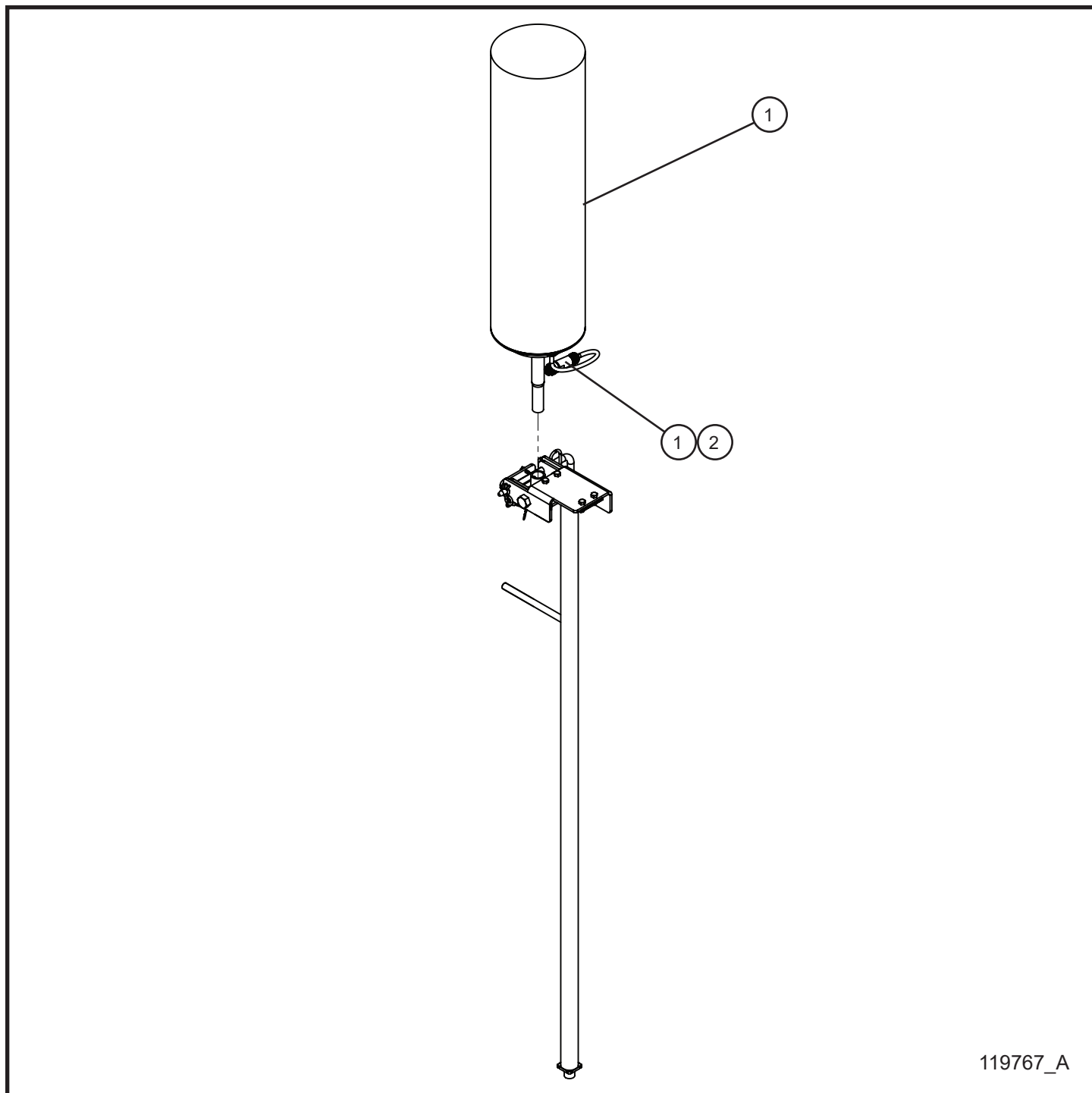
# NIGHT-LITE™ V-SERIES

SN 39-008432 to 39-999999

## 4.15 - SMD 350W LED Light Diffuser

Item	Part No.	Part Description	Qty.
1	118417	DIFFUSER COVER LIGHT LED SMD 350W	1

## 4.16 - LED Balloon Light Fixture



119767\_A

# NIGHT-LITE™ V-SERIES

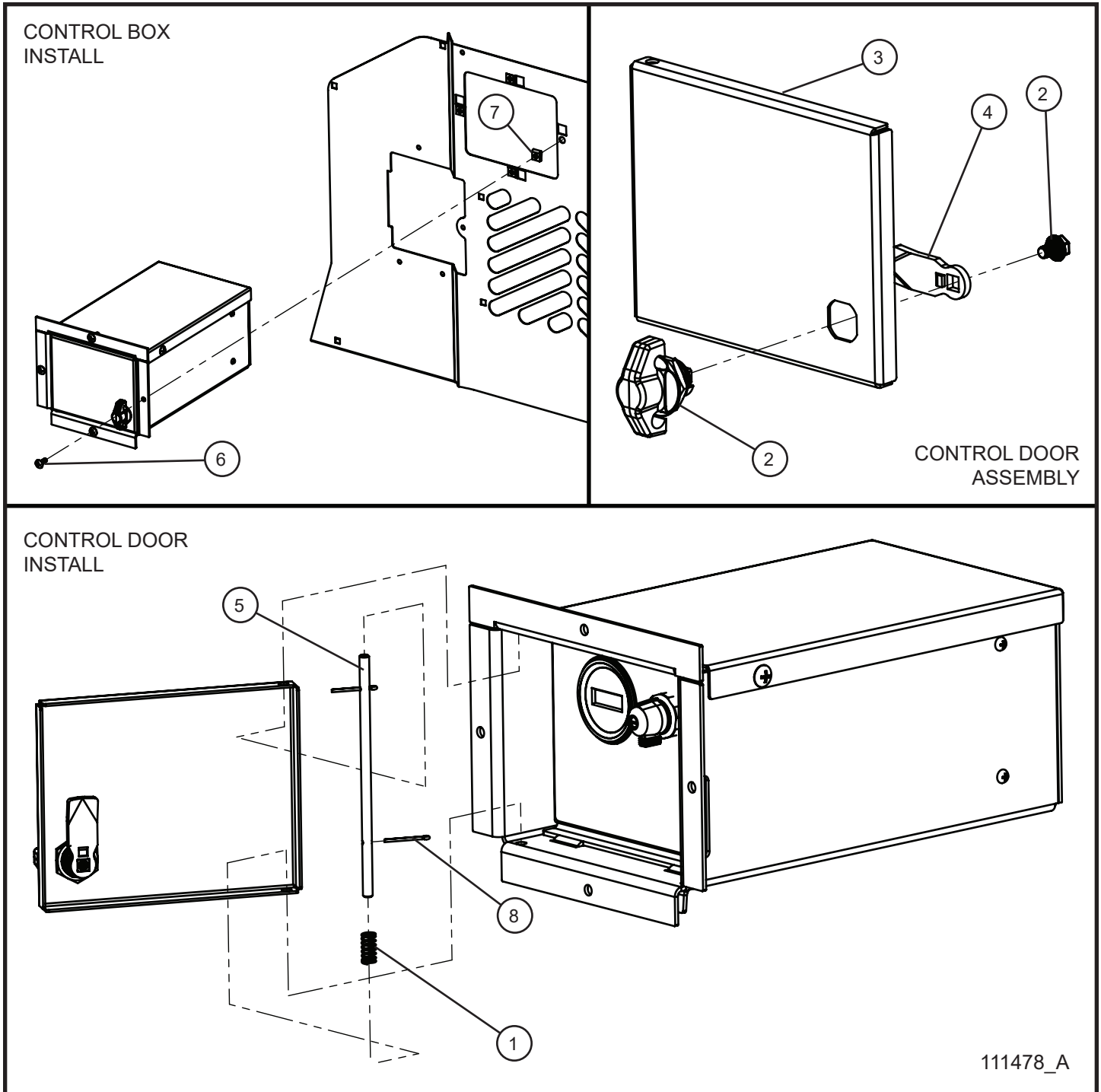
SN 39-000001 to 39-999999

## 4.16 - LED Balloon Light Fixture

Item	Part No.	Part Description	Qty.
1	119767	LED BALLOON LIGHT ASSEMBLY (INCLUDES 112800)	1
2	112800	CONNECTOR MALE 4 PIN MIN SERIES	1
NS	119907	CONNECTOR FEMALE 4 PIN MIN SERIES	1

\*NS - NOT SHOWN

## 5.1 - Control Box Door



# NIGHT-LITE™ V-SERIES

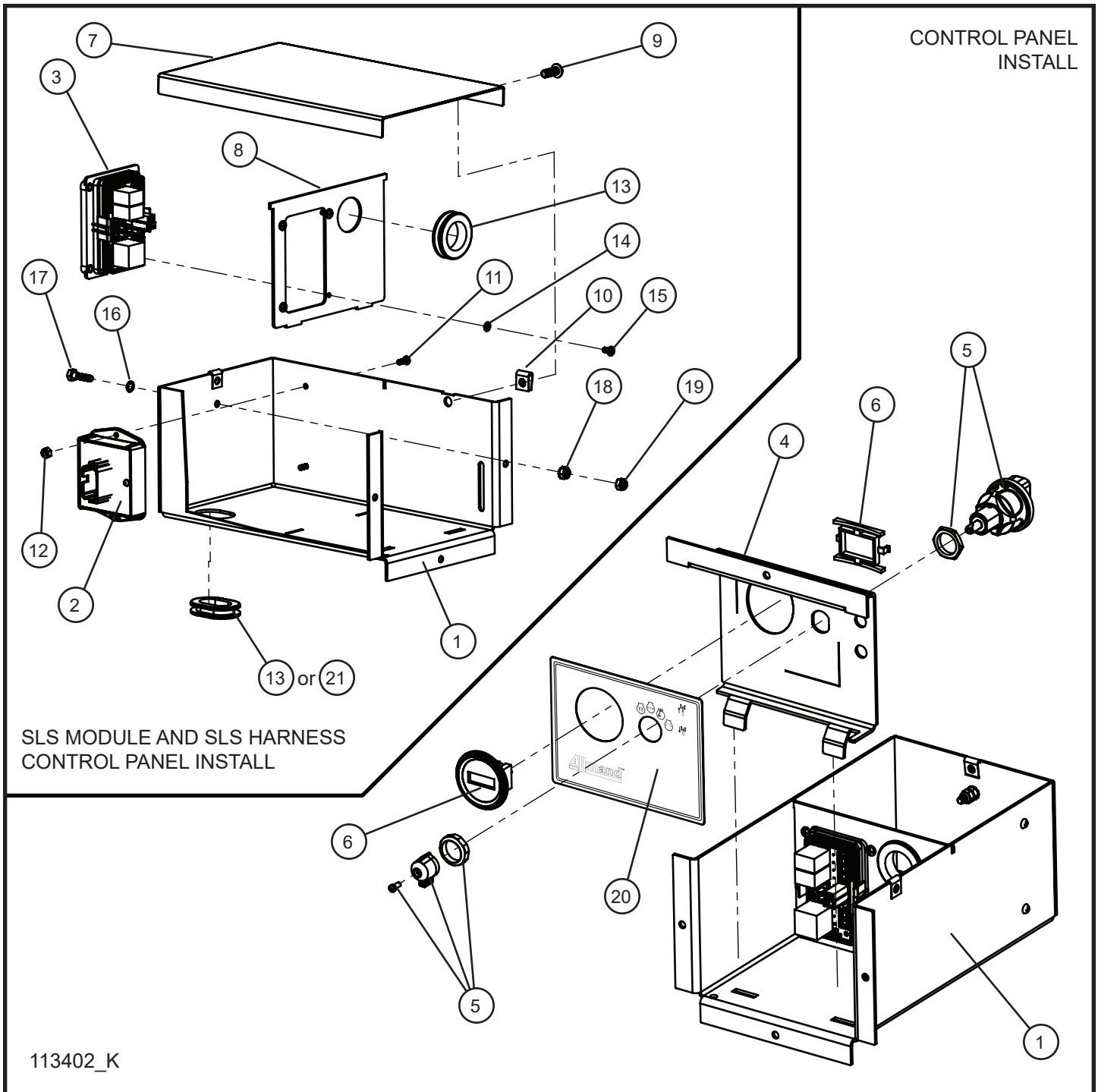
SN 39-000001 to 39-999999

## 5.1 - Control Box Door

Item	Part No.	Part Description	Qty.
1	106528	SPRING COMPRESSION 3/8 x 3/4	1
2	111481	WINGKNOB PADLOCKABLE BLACK	1
3	111424P	PANEL DOOR CONTROL BOX	1
4	111482	LATCH CAM STRAIGHT	1
5	111425	PIN HINGE	1
6	041050	1/4-20 x 3/4 PH-TRUSS HEAD MS SS MACHINE SCREW	4
7	045216	1/4-20 TINNEMAN NUT	4
8	045041	COTTER PIN 5/64 x 1 IN.	2

\*NS - NOT SHOWN

## 5.2 - SLS Key Start Hour Meter Control Box



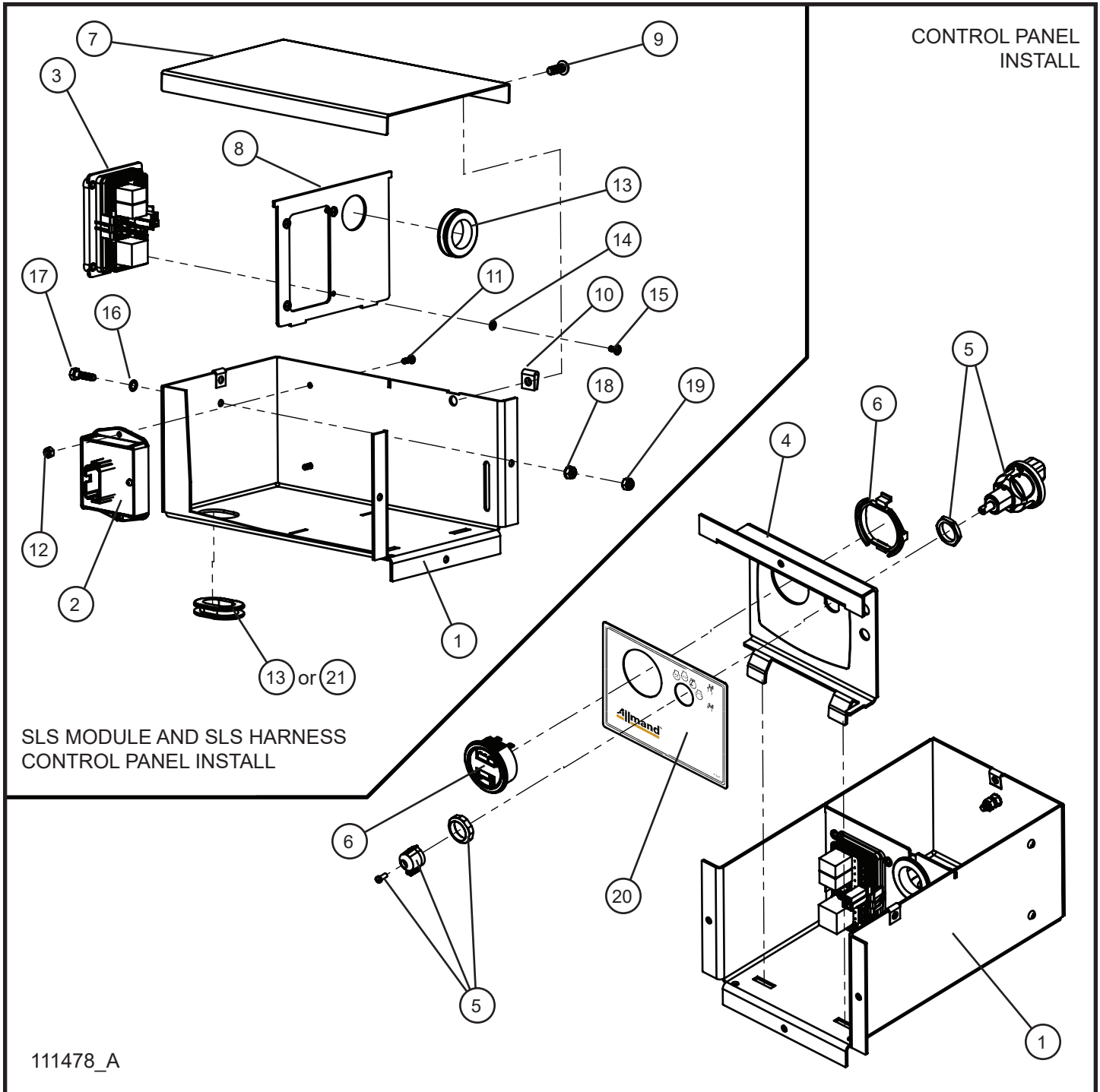
# NIGHT-LITE™ V-SERIES

SN 39-000001 to 39-999999

## 5.2 - SLS Key Start Hour Meter Control Box

Item	Part No.	Part Description	Qty.
1	111427P	BOX CONTROL	1
2	108053	SLS 1.1 MODULE	1
3	113338	HARNESS SLS CONTROL PANEL	1
4	112404P	PANEL CONTROL LSC/SLS	1
5	106273	IGNITION SWITCH LEVER STYLE	1
6	340014	HOUR METER DIGITAL	1
7	111428P	COVER CONTROL PANEL BOX	1
8	111946P	PLATE DIVIDER DC CONTROL BOX	1
9	041050	1/4-20 x 3/4 PH-TRUSS HEAD MS SS MACHINE SCREW	2
10	045216	1/4-20 TINNERMAN NUT	2
11	041021	#10-24 x 1/2 PH-ROUND HEAD MS PL	2
12	044019	#10-24 NYLOCK HEX NUT SS	2
13	650542	1 1/4 ID x 1 1/2 OD GROMMET	2
14	043017	#10 INTL TOOTHLOCK WASHER	1
15	041019	#10-32 x 3/8 PH-ROUND HEAD MS PL	4
16	043050	1/4 INTL TOOTHLOCK WASHER	1
17	046015	1/4-20 x 1 HEX HEAD CS GR5 PL	1
18	044021	1/4-20 KEPS HEX NUT PL	1
19	044023	1/4-20 NYLOCK HEX NUT PL	1
20	110297	NLV CONTROL BOX DECAL	1
21	118053	2 1/4 ID x 3 OD GROMMET	1
NS	113289	SLS RELAY CONTACT WIRES	1
NS	113468	SCHEMATIC SLS RELAY	1

## 5.3 - SLS Key Start Dual Gauge Control Box



111478\_A



# NIGHT-LITE™ V-SERIES

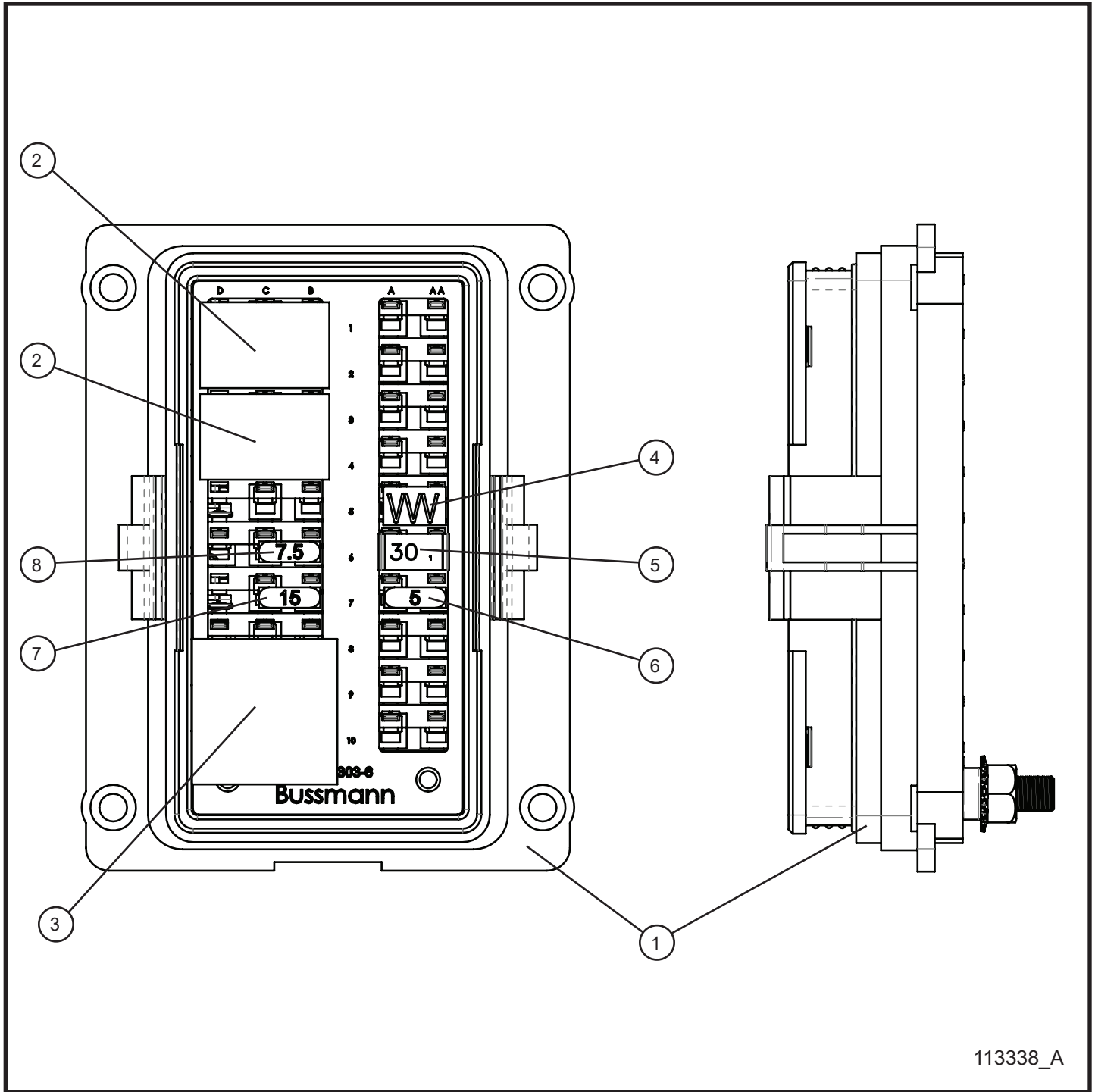
SN 39-000001 to 39-999999

## 5.3 - SLS Key Start Dual Gauge Control Box

Item	Part No.	Part Description	Qty.
1	111427P	BOX CONTROL	1
2	113338	SLS 1.1 MODULE	1
3	108024	HARNESS SLS CONTROL PANEL	1
4	112404P	PANEL CONTROL LSC/SLS	1
5	106273	IGNITION SWITCH LEVER STYLE	1
6	113493	DUAL GAUGE FUEL / HOUR	1
7	111428P	COVER CONTROL PANEL BOX	1
8	111946P	PLATE DIVIDER DC CONTROL BOX	1
9	041050	1/4-20 x 3/4 PH-TRUSS HEAD MS SS MACHINE SCREW	2
10	045216	1/4-20 TINNERMAN NUT	2
11	041021	#10-24 x 1/2 PH-ROUND HEAD MS PL	2
12	044019	#10-24 NYLOCK HEX NUT SS	2
13	650542	1 1/4 ID x 1 1/2 OD GROMMET	2
14	043017	#10 INTL TOOTHLOCK WASHER	1
15	041019	#10-32 x 3/8 PH-ROUND HEAD MS PL	4
16	043050	1/4 INTL TOOTHLOCK WASHER	1
17	046015	1/4-20 x 1 HEX HEAD CS GR5 PL	1
18	044021	1/4-20 KEPS HEX NUT PL	1
19	044023	1/4-20 NYLOCK HEX NUT PL	1
20	110297	NLV CONTROL BOX DECAL	1
21	118053	2 1/4 ID x 3 OD GROMMET	1
NS	110123	SCHEMATIC SLS / KEY START	1
NS	113859	SCHEMATIC GAUGE FUEL / HOUR	1
NS	113468	SCHEMATIC SLS RELAY	1

\*NS - NOT SHOWN

## 5.4 - SLS Harness Control Panel Fuse Box



113338\_A

# NIGHT-LITE™ V-SERIES

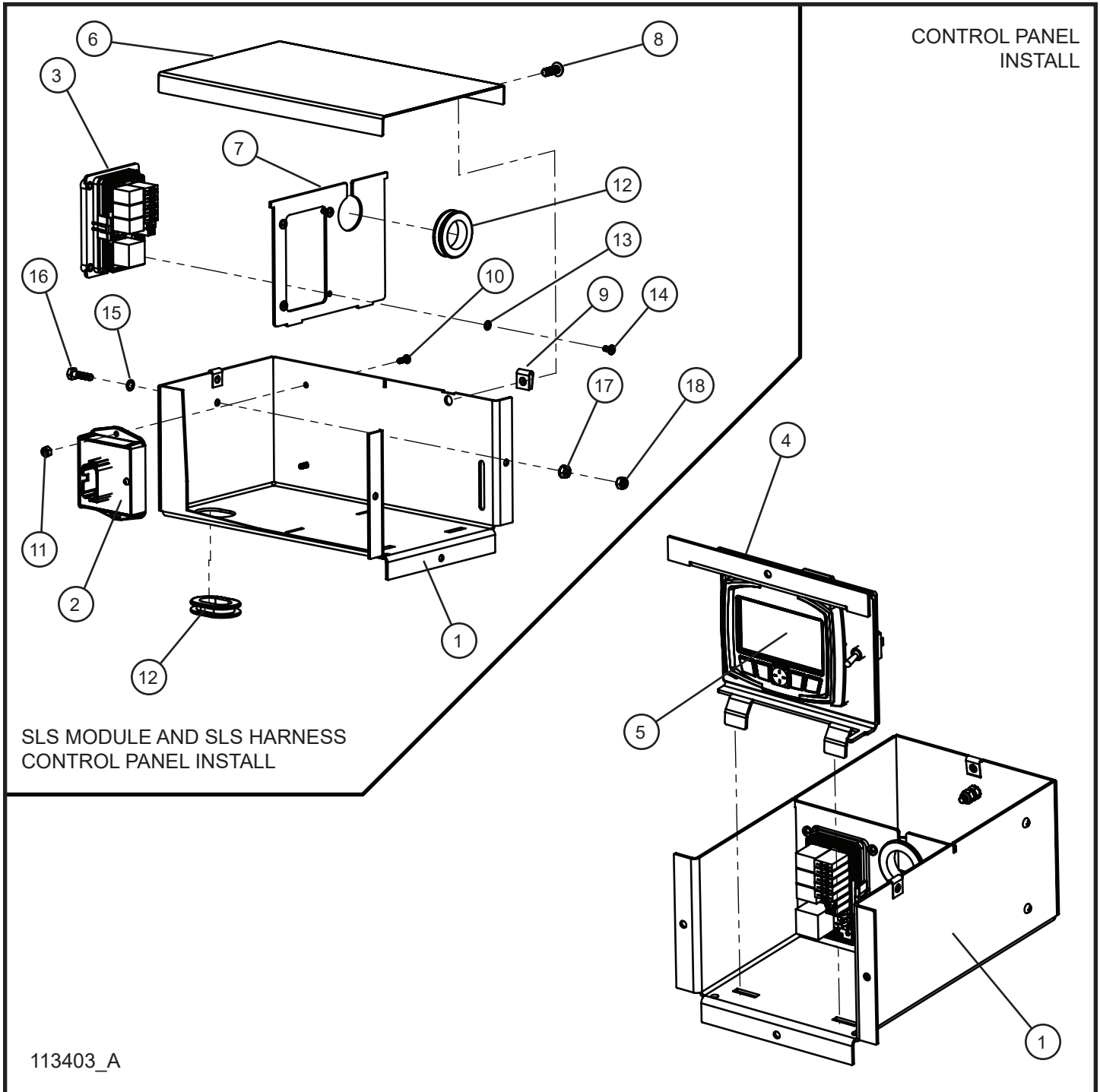
SN 39-000001 to 39-999999

## 5.4 - SLS Harness Control Panel Fuse Box

Item	Part No.	Part Description	Qty.
--	113338	NEW HARNESS SLS CONTROL PANEL	1
1	105199	BUSSMANN 45 PIN BOARD MODULE	1
2	105201	35 AMP SPST RELAY	2
3	105202	50 AMP SPST RELAY	1
4	105204	RESISTOR 68OHM	1
5	105832	CIRCUIT BREAKER 30A	1
6	105843	5A MINI FUSE	1
7	105844	15A MINI FUSE	1
8	105876	7.5A MINI FUSE	1

\*NS - NOT SHOWN

## 5.5 - LSC Control Box with Toggle Switch (1 of 2)



113403\_A

# NIGHT-LITE™ V-SERIES

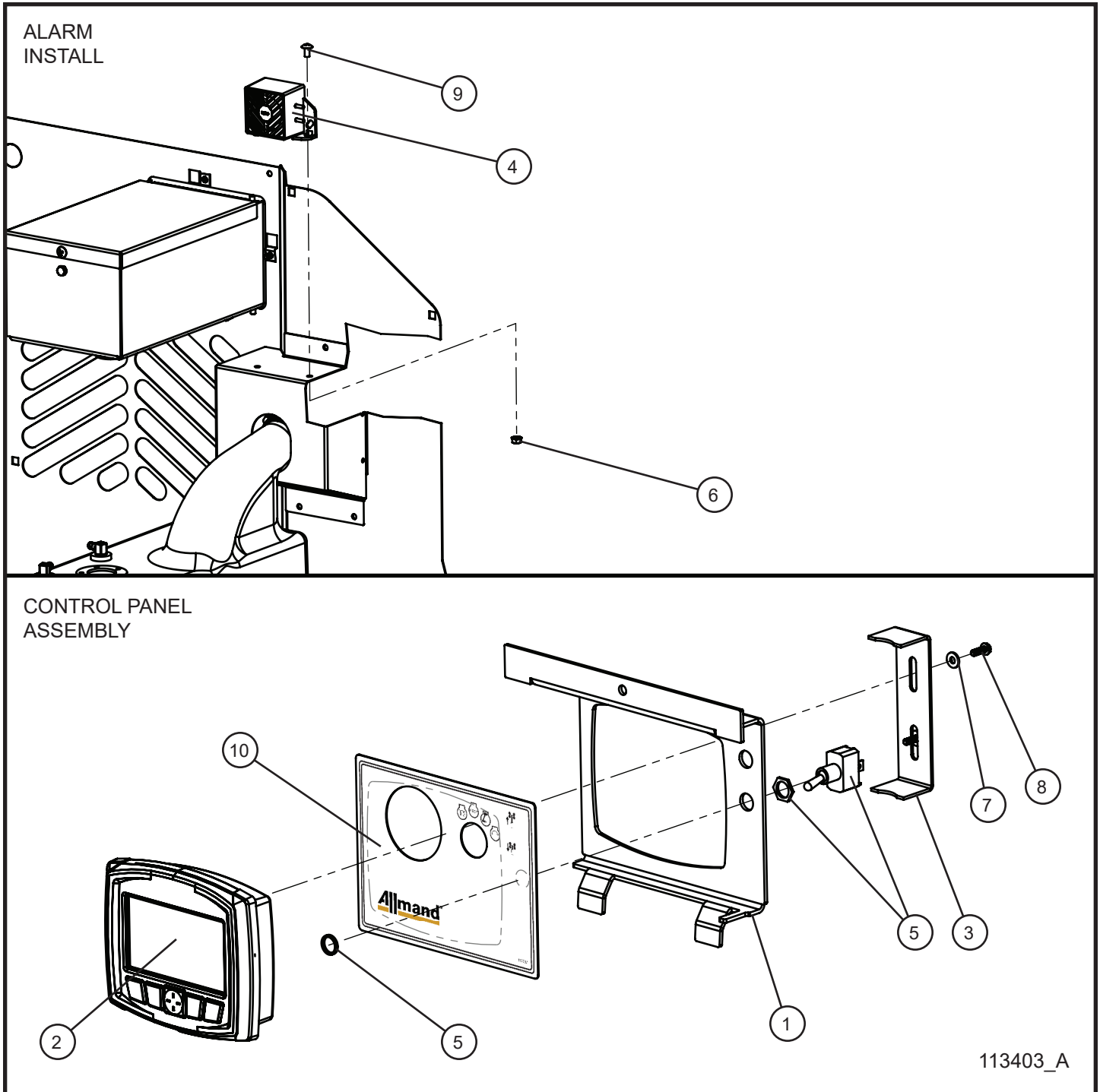
SN 39-000001 to 39-008973

## 5.5 - LSC Control Box with Toggle Switch (1 of 2)

Item	Part No.	Part Description	Qty.
1	111427P	BOX CONTROL	1
2	108053	SLS 1.1 MODULE	1
3	116653	HARNESS LSC CONTROL PANEL COMPLETE (NO SWITCH)	1
4	112404P	NLV CONTROL PANEL LSC/SLS	1
5	107404	LSC 2.1 MODULE	1
6	111428P	COVER CONTROL PANEL BOX	1
7	111946P	PLATE DIVIDER DC CONTROL BOX	1
8	041050	1/4-20 x 3/4 PH-TRUSS HEAD MS SS MACHINE SCREW	2
9	045216	1/4-20 TINNERMAN NUT	2
10	041021	#10-24 x 1/2 PH-ROUND HEAD MS PL	2
11	044019	#10-24 NYLOCK HEX NUT SS	2
12	650542	1 1/4 ID x 1 1/2 OD GROMMET	2
13	043017	#10 INTL TOOTHLOCK WASHER	1
14	041019	#10-32 x 3/8 PH-ROUND HEAD MS PL	4
15	043050	1/4 INTL TOOTHLOCK WASHER	1
16	046015	1/4-20 x 1 HEX HEAD CS GR5 PL	1
17	044021	1/4-20 KEPS HEX NUT PL	1
18	044023	1/4-20 NYLOCK HEX NUT PL	1
NS	113437	TRANSFORMER 117/6.3V SCHEMATIC	1
NS	113652	LSC SCHEMATIC	1

\*NS - NOT SHOWN

## 5.5 - LSC Control Box with Toggle Switch (2 of 2)



# NIGHT-LITE™ V-SERIES

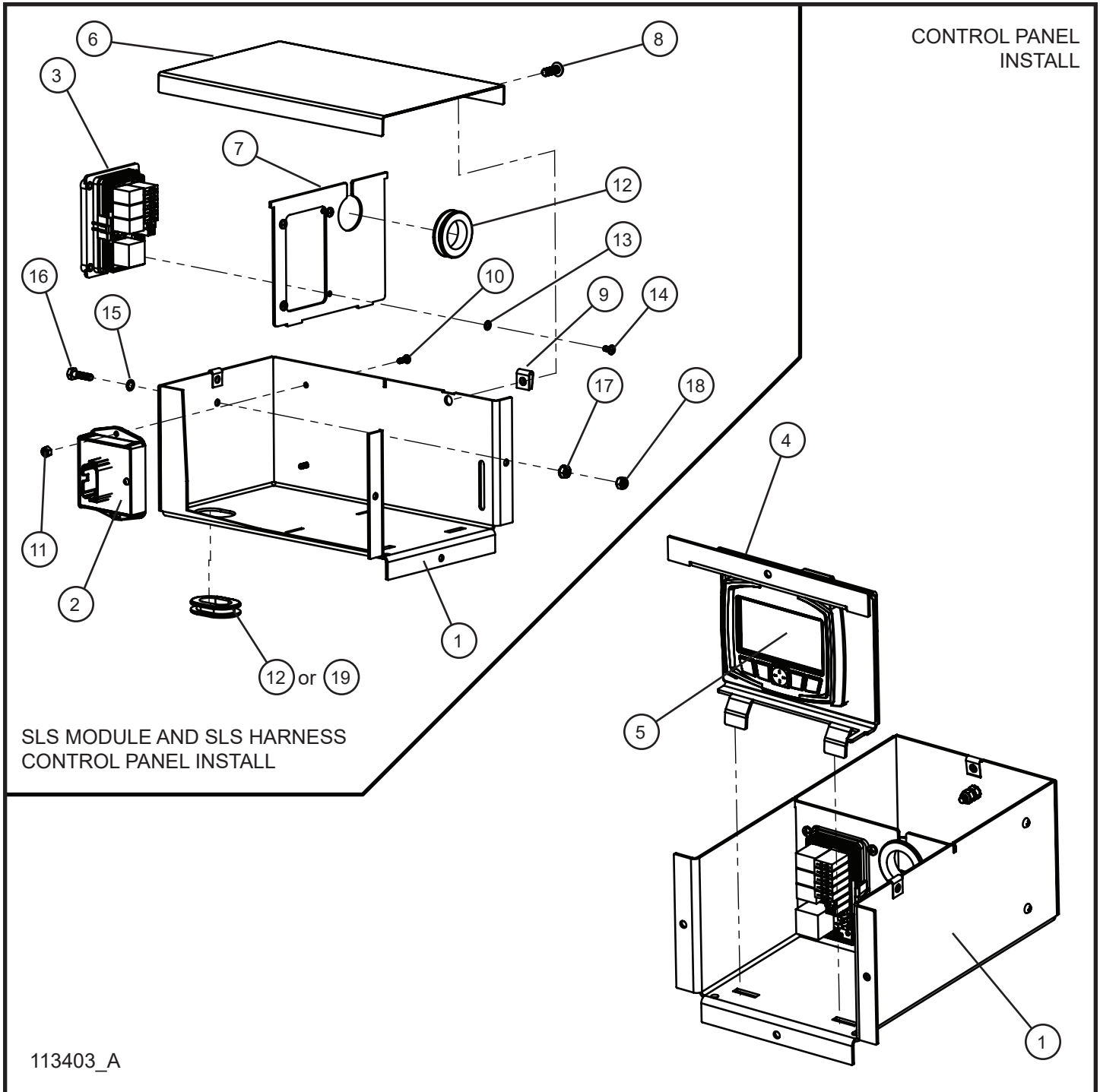
SN 39-000001 to 39-008973

## 5.5 - LSC Control Box with Toggle Switch (2 of 2)

Item	Part No.	Part Description	Qty.
1	112404P	NLV CONTROL PANEL LSC/SLS	1
2	107404	LSC 2.1 MODULE	1
3	105188P	LSC BACK BRACKET	1
4	105846	ALARM 102 DB	1
5	101067	SPST SWITCH	1
6	044021	1/4-20 KEPS HEX NUT	2
7	047004	#8 FLAT WASHER	2
8	041200	#8-32 x 1/2 HEX WASHER HEAD	2
9	041078	1/4 x 1/2 PHILLIPS TRUSS HEAD MACHINE SCREW	2
10	110297	DECAL CONTROL BOX	1
NS	116653	HARNESS LSC CONTROL PANEL COMPLETE (NO SWITCH)	1
NS	106037	AUTOSTART ALARM WIRE HARNESS	1

\*NS - NOT SHOWN

## 5.6 - LSC Control Box with Rocker Switch (1 of 2)





# NIGHT-LITE™ V-SERIES

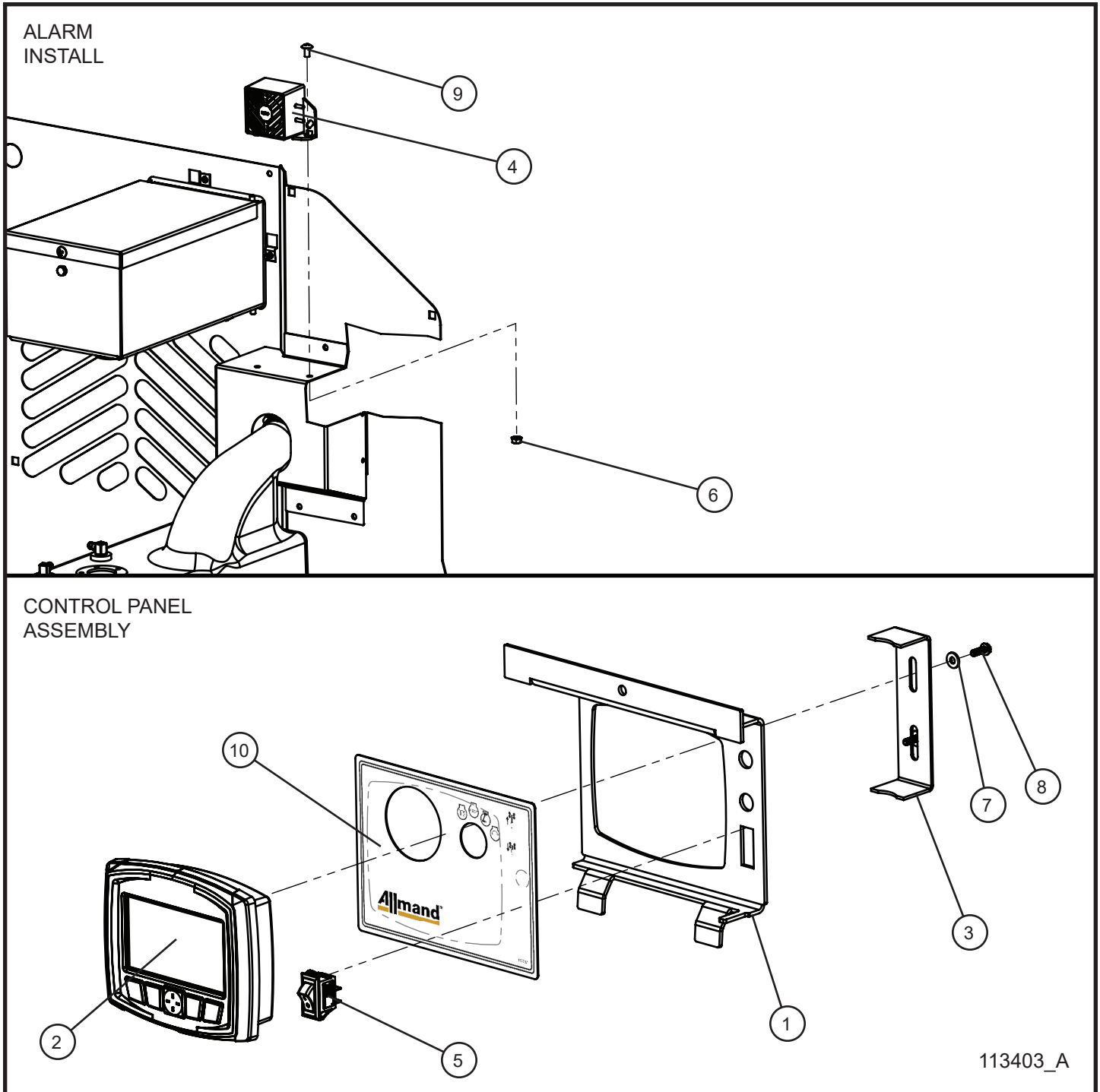
SN 39-008794 to 39-999999

## 5.6 - LSC Control Box with Rocker Switch (1 of 2)

Item	Part No.	Part Description	Qty.
1	111427P	BOX CONTROL	1
2	108053	SLS 1.1 MODULE	1
3	116653	HARNESS LSC CONTROL PANEL COMPLETE (NO SWITCH)	1
4	112404P	NLV CONTROL PANEL LSC/SLS	1
5	107404	LSC 2.1 MODULE	1
6	111428P	COVER CONTROL PANEL BOX	1
7	111946P	PLATE DIVIDER DC CONTROL BOX	1
8	041050	1/4-20 x 3/4 PH-TRUSS HEAD MS SS MACHINE SCREW	2
9	045216	1/4-20 TINNERMAN NUT	2
10	041021	#10-24 x 1/2 PH-ROUND HEAD MS PL	2
11	044019	#10-24 NYLOCK HEX NUT SS	2
12	650542	1 1/4 ID x 1 1/2 OD GROMMET	2
13	043017	#10 INTL TOOTHLOCK WASHER	1
14	041019	#10-32 x 3/8 PH-ROUND HEAD MS PL	4
15	043050	1/4 INTL TOOTHLOCK WASHER	1
16	046015	1/4-20 x 1 HEX HEAD CS GR5 PL	1
17	044021	1/4-20 KEPS HEX NUT PL	1
18	044023	1/4-20 NYLOCK HEX NUT PL	1
19	118053	2 1/4 ID x 3 OD GROMMET	1
NS	113437	TRANSFORMER 117/6.3V SCHEMATIC	1
NS	113652	LSC SCHEMATIC	1

\*NS - NOT SHOWN

## 5.6 - LSC Control Box with Rocker Switch (2 of 2)



# NIGHT-LITE™ V-SERIES

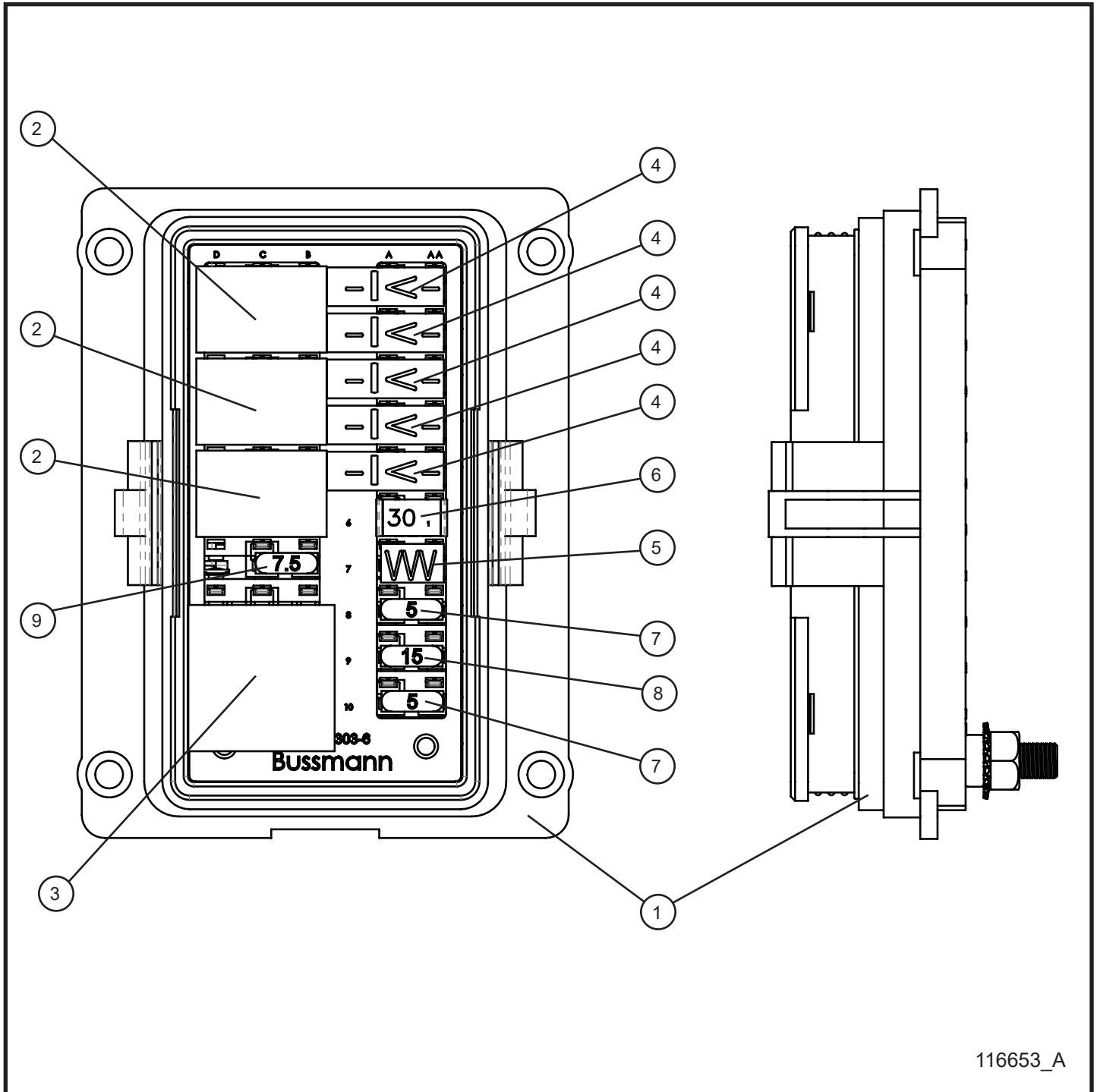
SN 39-008794 to 39-999999

## 5.6 - LSC Control Box with Rocker Switch (2 of 2)

Item	Part No.	Part Description	Qty.
1	112404P	NLV CONTROL PANEL LSC/SLS	1
2	107404	LSC 2.1 MODULE	1
3	105188P	LSC BACK BRACKET	1
4	105846	ALARM 102 DB	1
5	113541	ROCKER SWITCH SPST ON / OFF	1
6	044021	1/4-20 KEPS HEX NUT	2
7	047004	#8 FLAT WASHER	2
8	041200	#8-32 x 1/2 HEX WASHER HEAD	2
9	041078	1/4 x 1/2 PHILLIPS TRUSS HEAD MACHINE SCREW	2
10	110297	DECAL CONTROL BOX	1
NS	116653	HARNESS LSC CONTROL PANEL COMPLETE (NO SWITCH)	1
NS	106037	AUTOSTART ALARM WIRE HARNESS	1

\*NS - NOT SHOWN

## 5.7 - LSC Harness Control Panel Fuse Box



116653\_A

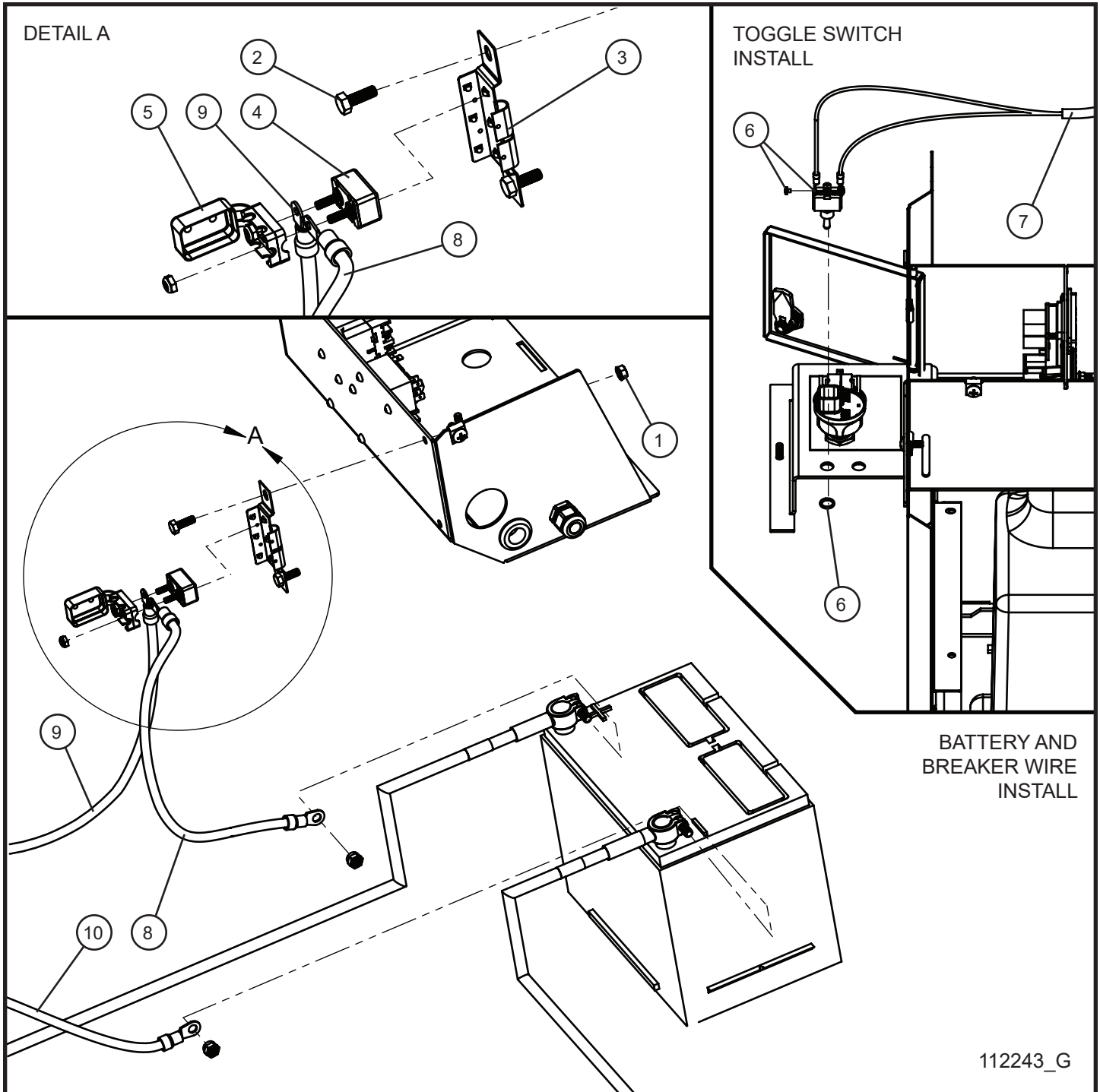
# NIGHT-LITE™ V-SERIES

SN 39-000001 to 39-999999

## 5.7 - LSC Harness Control Panel Fuse Box

Item	Part No.	Part Description	Qty.
--	116653	HARNESS LSC CONTROL PANEL COMPLETE (NO SWITCH)	1
1	105199	BUSSMANN 45 PIN BOARD MODULE	1
2	105201	35 AMP SPST RELAY	3
3	105202	50 AMP SPST RELAY	1
4	105203	BLOCKING DIODE KEYED	5
5	105204	RESISTOR 68OHM	1
6	105832	CIRCUIT BREAKER 30A	1
7	105843	5A MINI FUSE	2
8	105844	15A MINI FUSE	1
9	105876	7.5A MINI FUSE	1

## 5.8 - C1000 Electric Winch Control w/ NLV Wiring



# NIGHT-LITE™ V-SERIES

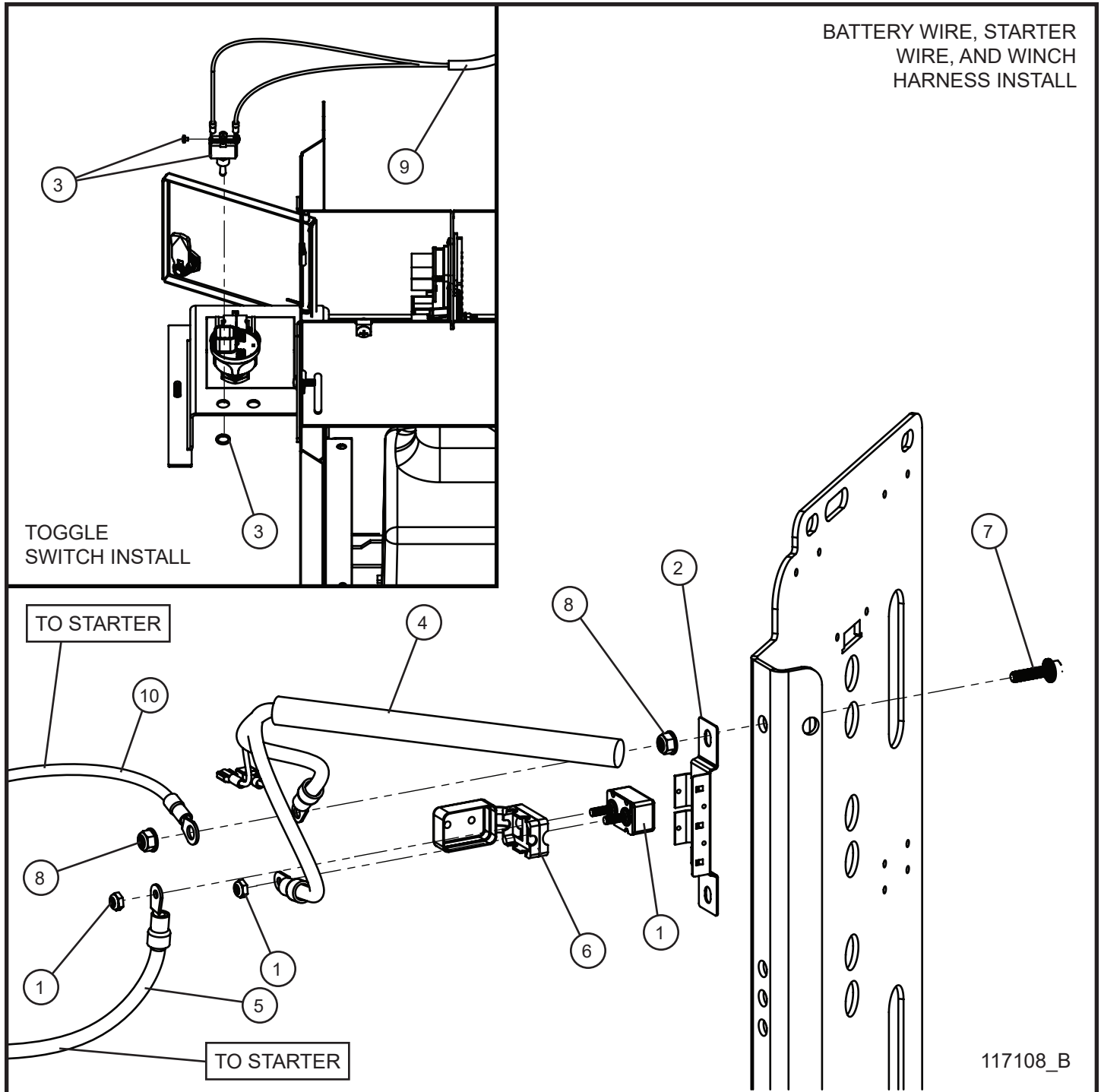
SN 39-000001 to 39-004440

## 5.8 - C1000 Electric Winch Control w/ NLV Wiring

Item	Part No.	Part Description	Qty.
1	044021	1/4-20 KEPS HEX NUT PL	2
2	102573	1/4-20 x 3/4 HEX HEAD BOLT	2
3	112292	SHORT STOP BREAKER BRACKET	1
4	112290	50AMP 12V SHORT STOP CIRCUIT BREAKER	1
5	102698	RED BOOT CIRCUIT BREAKER COVER	1
6	102453	TOGGLE SWITCH SINGLE POLE	1
7	112366	16/2 ELECTRIC WINCH TO TOGGLE SWITCH CORD	1
8	112364	BATTERY TO SHORT STOP BREAKER RED 6 AWG WIRE	1
9	110046	ELECTRIC WINCH SHORT STOP BREAKER RED 6 AWG WIRE	1
10	112277	ELECTRIC WINCH TO BATTERY BLACK 6 AWG WIRE	1
NS	110117	SCHEMATIC ELECTRIC WINCH	1

\*NS - NOT SHOWN

## 5.9 - C1000 Electric Winch Control w/ Universal Wiring





# NIGHT-LITE™ V-SERIES

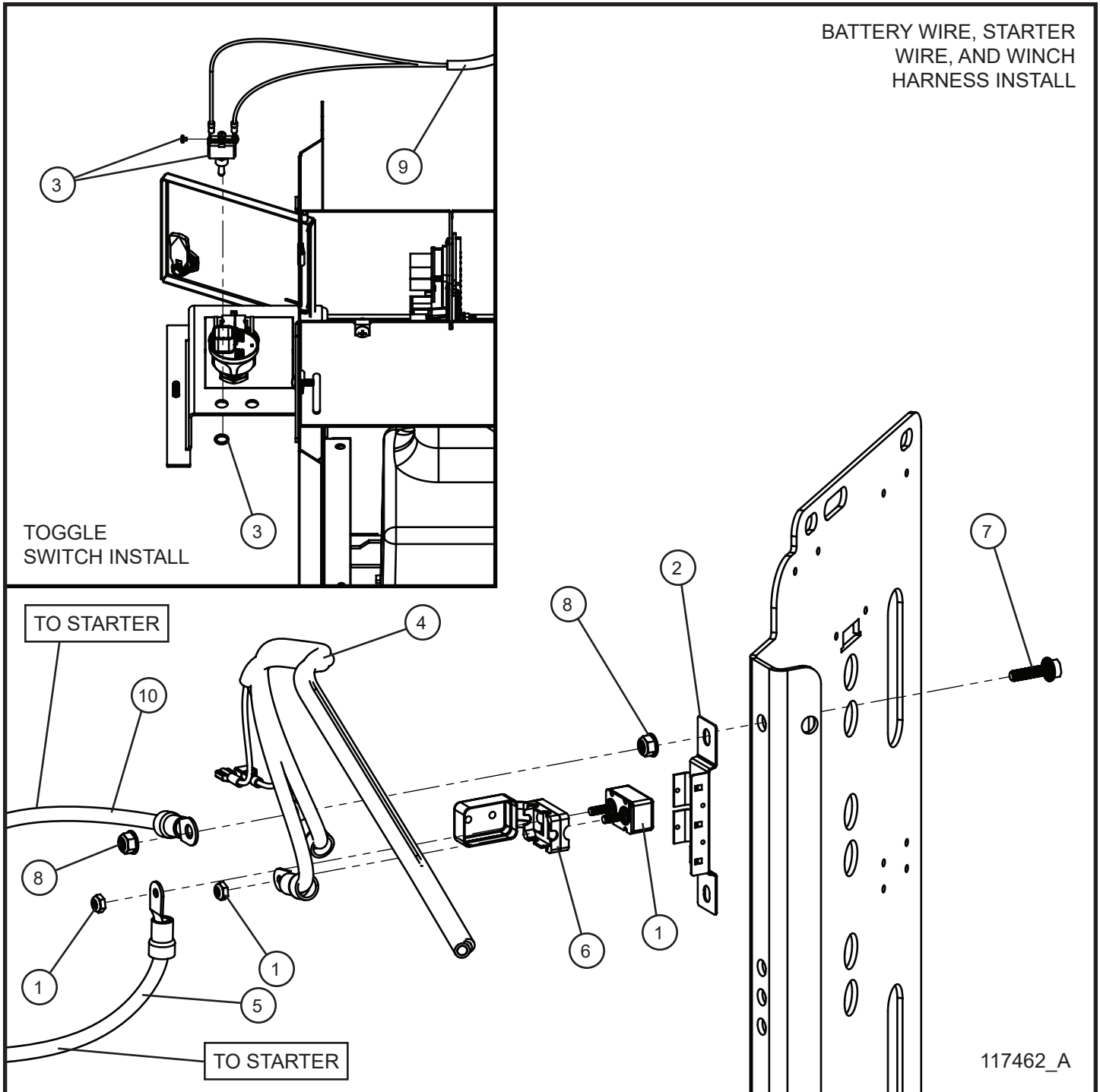
SN 39-000001 to 39-004440

## 5.9 - C1000 Electric Winch Control w/ Universal Wiring

Item	Part No.	Part Description	Qty.
1	112290	50AMP 12V SHORT STOP CIRCUIT BREAKER	1
2	112292	SHORT STOP BREAKER BRACKET	1
3	102453	TOGGLE SWITCH SINGLE POLE	1
4	114860	ELECTRIC WINCH C1000 HARNESS	1
5	112364	WIRE 6 AWG RED	1
6	102698	RED BOOT CIRCUIT BREAKER COVER	1
7	056017	1/4-20 x 1 SERRATED FLANGE HEX BOLT	1
8	057001	1/4-20 HEX NYLOCK FLANGE NUT	2
9	116054	ELECTRIC WINCH HARNESS EXTENSION	1
10	116059	WIRE 8 AWG BLACK x 47.00	1
NS	111074	WIRE 16 AWG RED x 6.00	1
NS	117147	NLV C1000 ELECTRIC WINCH SCHEMATIC	1

\*NS - NOT SHOWN

## 5.10 - SH 1000 Electric Winch Control



# NIGHT-LITE™ V-SERIES

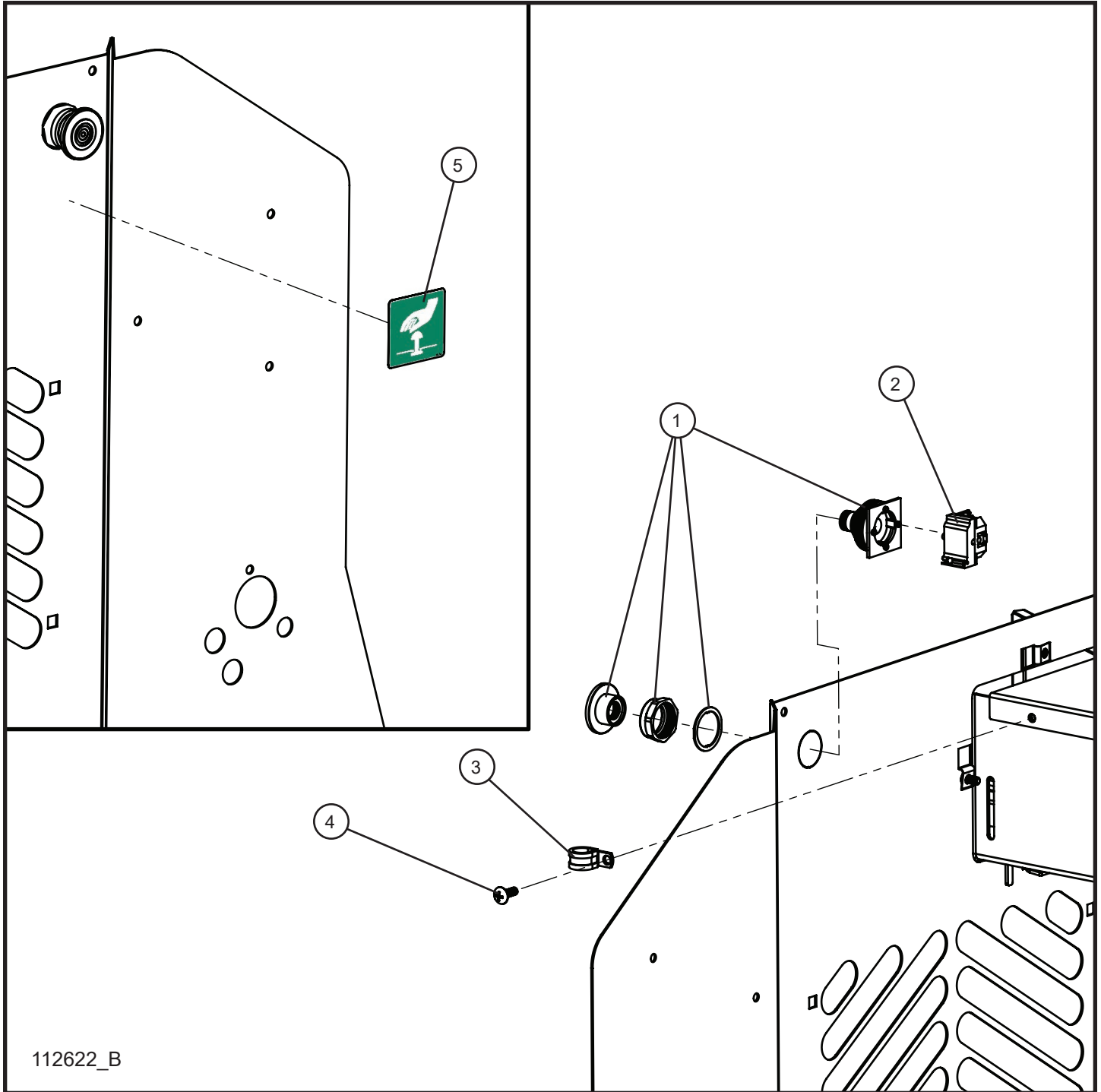
SN 39-000001 to 39-004440

## 5.10 - SH 1000 Electric Winch Control

Item	Part No.	Part Description	Qty.
1	112290	50AMP 12V SHORT STOP CIRCUIT BREAKER	1
2	112292	SHORT STOP BREAKER BRACKET	1
3	102453	TOGGLE SWITCH SINGLE POLE	1
4	116672	ELECTRIC WINCH SH 1000 HARNESS	1
5	116700	WIRE 4 AWG RED x 18.00	1
6	102698	RED BOOT CIRCUIT BREAKER COVER	1
7	056017	1/4-20 x 1 SERRATED FLANGE HEX BOLT	1
8	057001	1/4-20 HEX NYLOCK FLANGE NUT	2
9	116054	ELECTRIC WINCH HARNESS EXTENSION	1
10	116701	WIRE 4 AWG BLACK x 45.00	1
NS	111074	WIRE 16 AWG RED x 6.00	1
NS	117537	NLV SH 1000 ELECTRIC WINCH SCHEMATIC	1

\*NS - NOT SHOWN

## 5.11 - Emergency Stop



# NIGHT-LITE™ V-SERIES

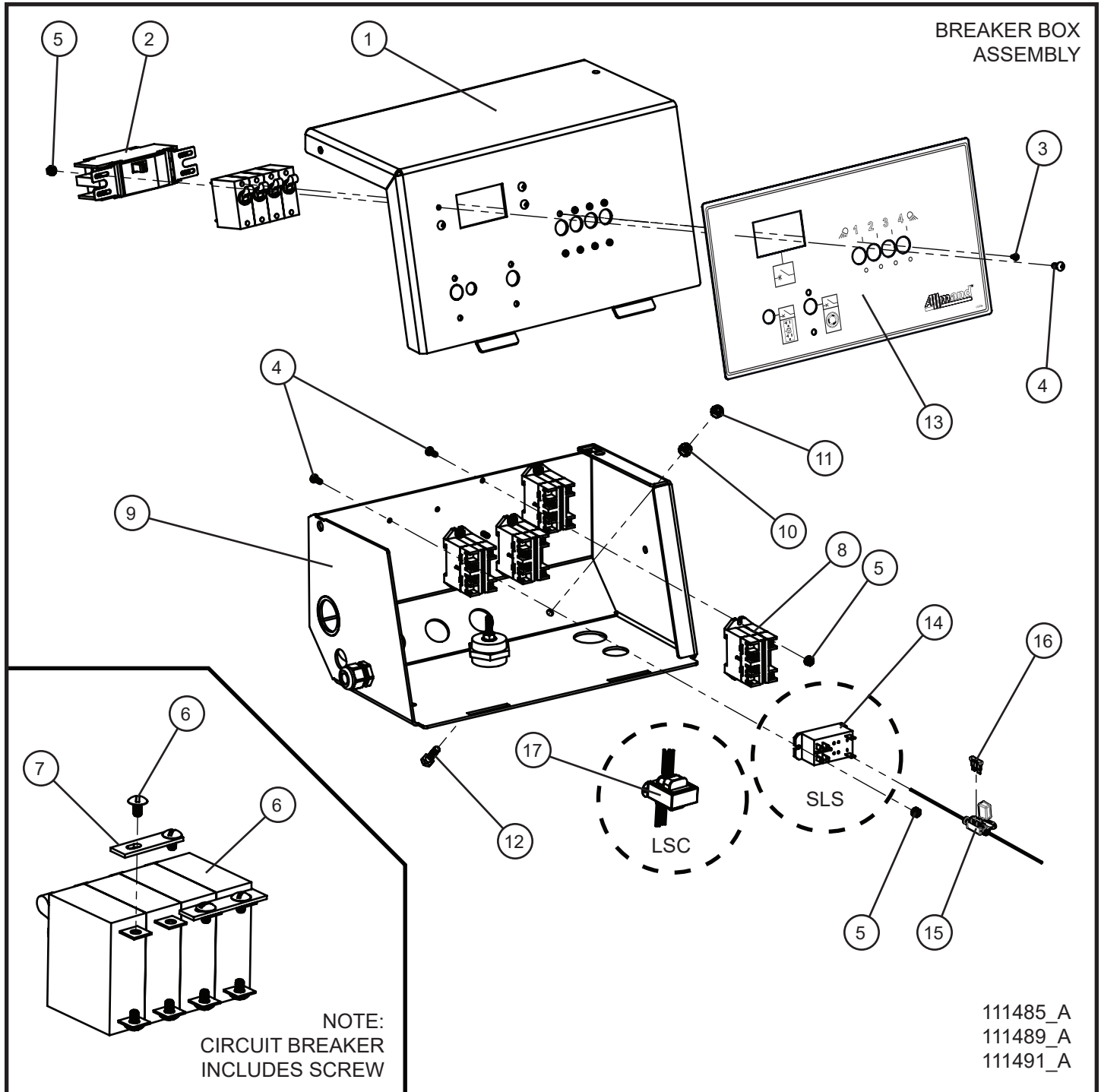
SN 39-000001 to 39-999999

## 5.11 - Emergency Stop

Item	Part No.	Part Description	Qty.
1	650460	EMERGENCY STOP OPERATOR BUTTON	1
2	650461	EMERGENCY STOP CONTACT BLOCK	1
3	022021	#10 CUSH CLAMP	1
4	041050	1/4-20 x 3/4 PH-TRUSS HEAD MS SS MACHINE SCREW	1
5	105567	EMERGENCY STOP DECAL	1
NS	108867	EMERGENCY STOP SCHEMATIC	1
NS	105991	EMERGENCY STOP WIRE HARNESS	1

\*NS - NOT SHOWN

## 6.1 - Circuit Breaker Box (1 of 2)



# NIGHT-LITE™ V-SERIES

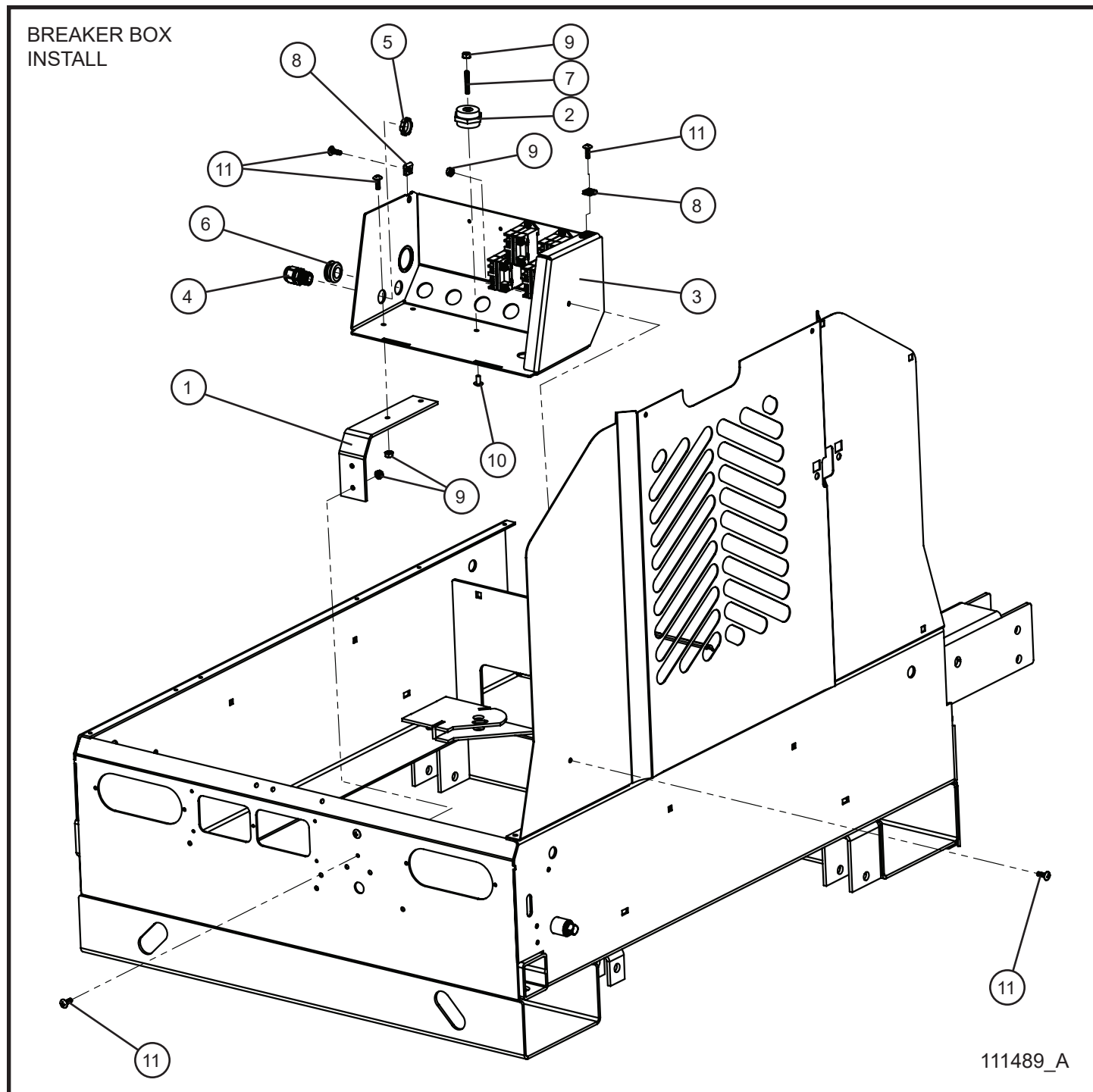
SN 39-000001 to 39-000559

## 6.1 - Circuit Breaker Box (1 of 2)

Item	Part No.	Part Description	Qty.
1	111431P	CIRCUIT BREAKER BOX PANEL	1
2	350354	35 AMP DOUBLE POLE BREAKER	1
3	041018	#6-32 x 1/4 PH-ROUND HEAD MS PL MACHINE SCREW	8
4	041012	SCREW MS #8-32 x 1/2 PL	14
5	044003	#8-32 NC KEPS NUT	14
6	330458	15 AMP SPST BREAKER SWITCH	4
7	620560	BUSS BAR	2
8	109025	RELAY 277VAC 30 AMP 12VDC COIL	4
9	111430P	CIRCUIT BREAKER BOX	1
10	044021	1/4-20 KEPS HEX NUT PL	1
11	044023	1/4-20 NYLOCK HEX NUT PL	1
12	046015	1/4-20 x 1 HEX HEAD CS GR5 PL	1
13	110299	DECAL BREAKER BOX	1
14	105219	RELAY 30 AMP	1
15	103864	FUSE HOLDER INLINE BLADE	1
16	104990	FUSE BLADE 2 AMP ATO/ATC	1
17	108057	POWER FILAMENT 266 SERIES	1
NS	112035	SCHEMATIC MAIN BREAKER TO LIGHT	1

\*NS - NOT SHOWN

## 6.1 - Circuit Breaker Box (2 of 2)





# NIGHT-LITE™ V-SERIES

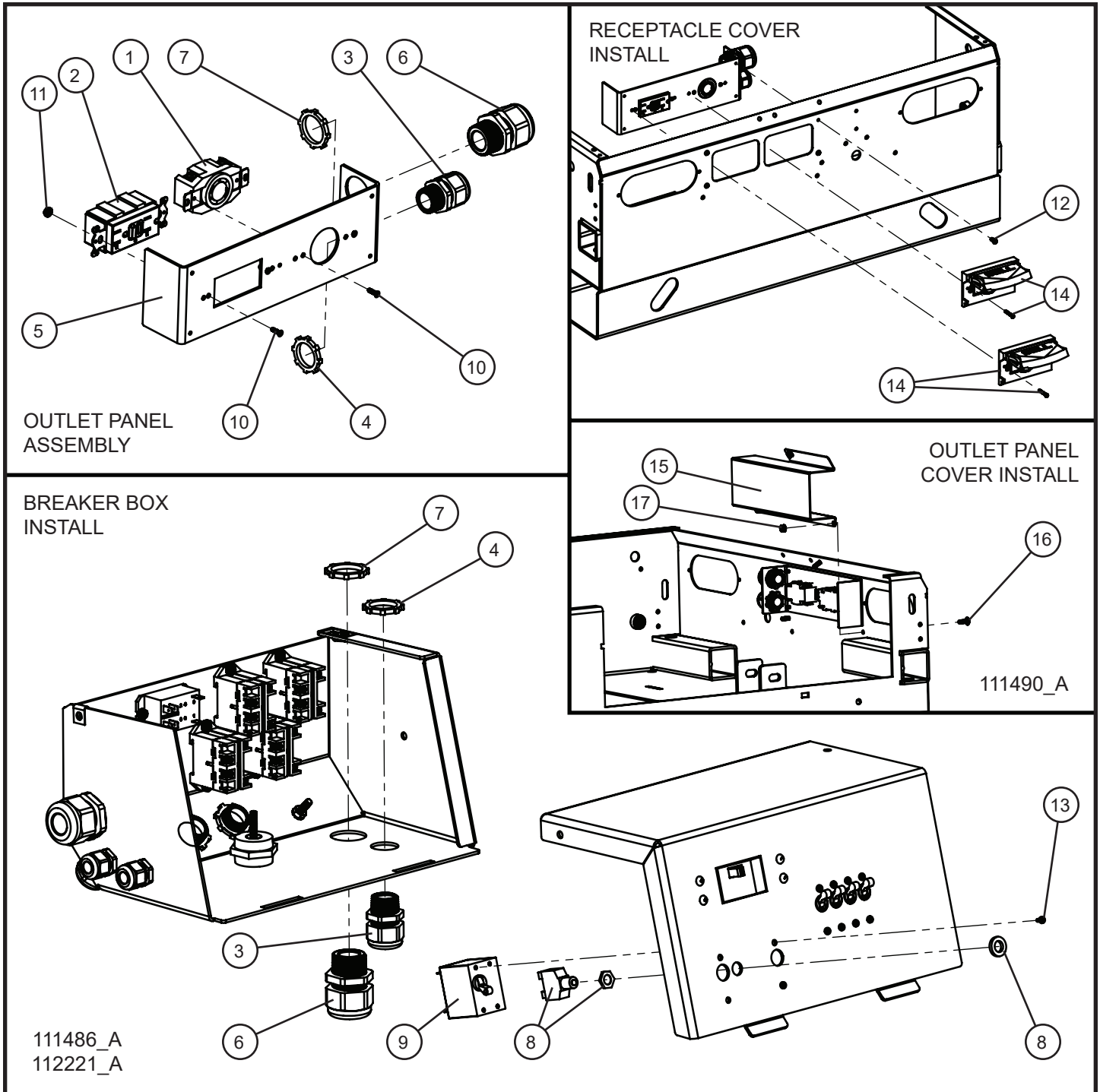
SN 39-000001 to 39-000559

## 6.1 - Circuit Breaker Box (2 of 2)

Item	Part No.	Part Description	Qty.
1	111429P	CIRCUIT BREAKER BOX MOUNT	1
2	106318	LOW VOLTAGE INSULATOR 1-1/4", 1/4-20	1
3	111430P	CIRCUIT BREAKER BOX	1
4	105626	CORD GRIP 1/2" NYLON BLACK	1
5	022035	1/2 CORD GRIP NUT	1
6	330463	11/16 RUBBER GROMMET	1
7	045003	1/4-20 x 1-1/2 STUD PL	1
8	045216	1/4-20 TINNERMAN NUT	2
9	044021	1/4-20 KEPS HEX NUT PL	6
10	041078	1/4-20 x 1/2 PH-TRUSS HEAD MS SS	1
11	041050	1/4-20 x 3/4 PH-TRUSS HEAD MS SS MACHINE SCREW	7

\*NS - NOT SHOWN

## 6.2 - 20A GFCI and 30A Twistlock Outlets Install Group



# NIGHT-LITE™ V-SERIES

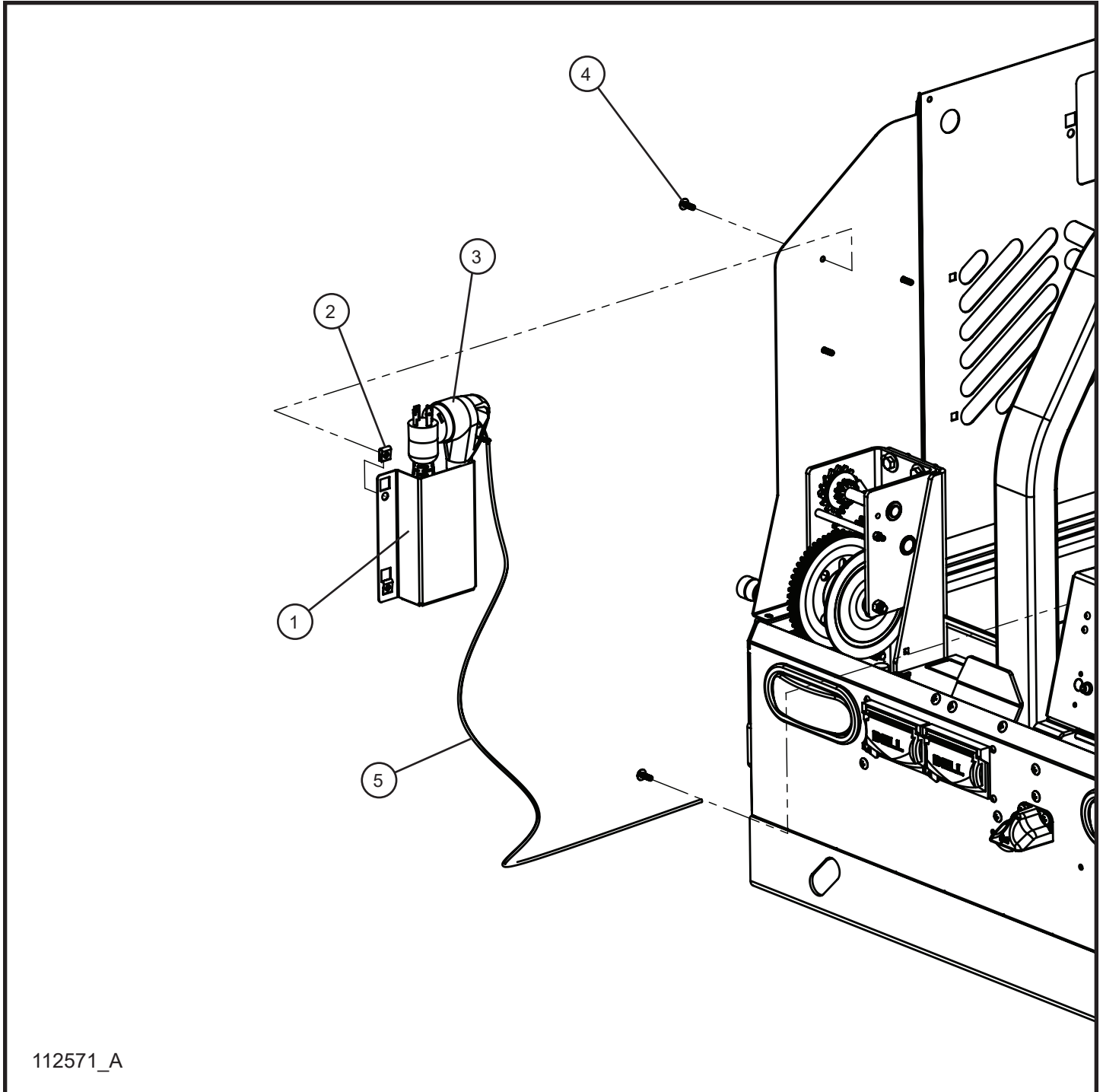
SN 39-000001 to 39-000559

## 6.2 - 20A GFCI and 30A Twistlock Outlets Install Group

Item	Part No.	Part Description	Qty.
1	653102	4-PRONG 30A 125-250V TWISTLOCK RECEPTACLE	1
	330491	3-PRONG 30A 250V TWISTLOCK RECEPTACLE	1
2	330499	20A GFCI RECEPTACLE	1
3	105916	3/4" CORD GRIP NYLON	2
4	022036	3/4" CORD GRIP NUT	2
5	111476P	OUTLET PANEL	1
6	105627	1" CORD GRIP NYLON	2
7	022038	1" CORD GRIP NUT	2
8	650138	CIRCUIT BREAKER 20A PUSH BUTTON	1
9	330456	30A DPST CIRCUIT BREAKER	1
10	041259	#6-32 x 1/2 PH-FLAT HEAD MS PL	4
11	044004	#6-32 KEPS HEX NUT PL	4
12	041021	#10-24 x 1/2 PH-ROUND HEAD MS PL	4
13	041018	#6-32 x 1/4 PH-ROUND HEAD MS PL	2
14	112278	HORIZONTAL WEATHERPROOF COVER	2
15	111477P	OUTLET PANEL COVER	1
16	041050	1/4-20 x 3/4 PH-TRUSS HEAD MS SS MACHINE SCREW	3
17	044021	1/4-20 KEPS HEX NUT PL	3
NS	112037	1-GFCI, 1-30A OUTLET PANEL SCHEMATIC	1
NS	110439	CORD 10/4 240V TWISTLOCK	1
NS	110438	CORD 12/3 GFCI OUTLET	1

\*NS - NOT SHOWN

## 6.3 - 30A RV Plug Adapter



112571\_A

# NIGHT-LITE™ V-SERIES

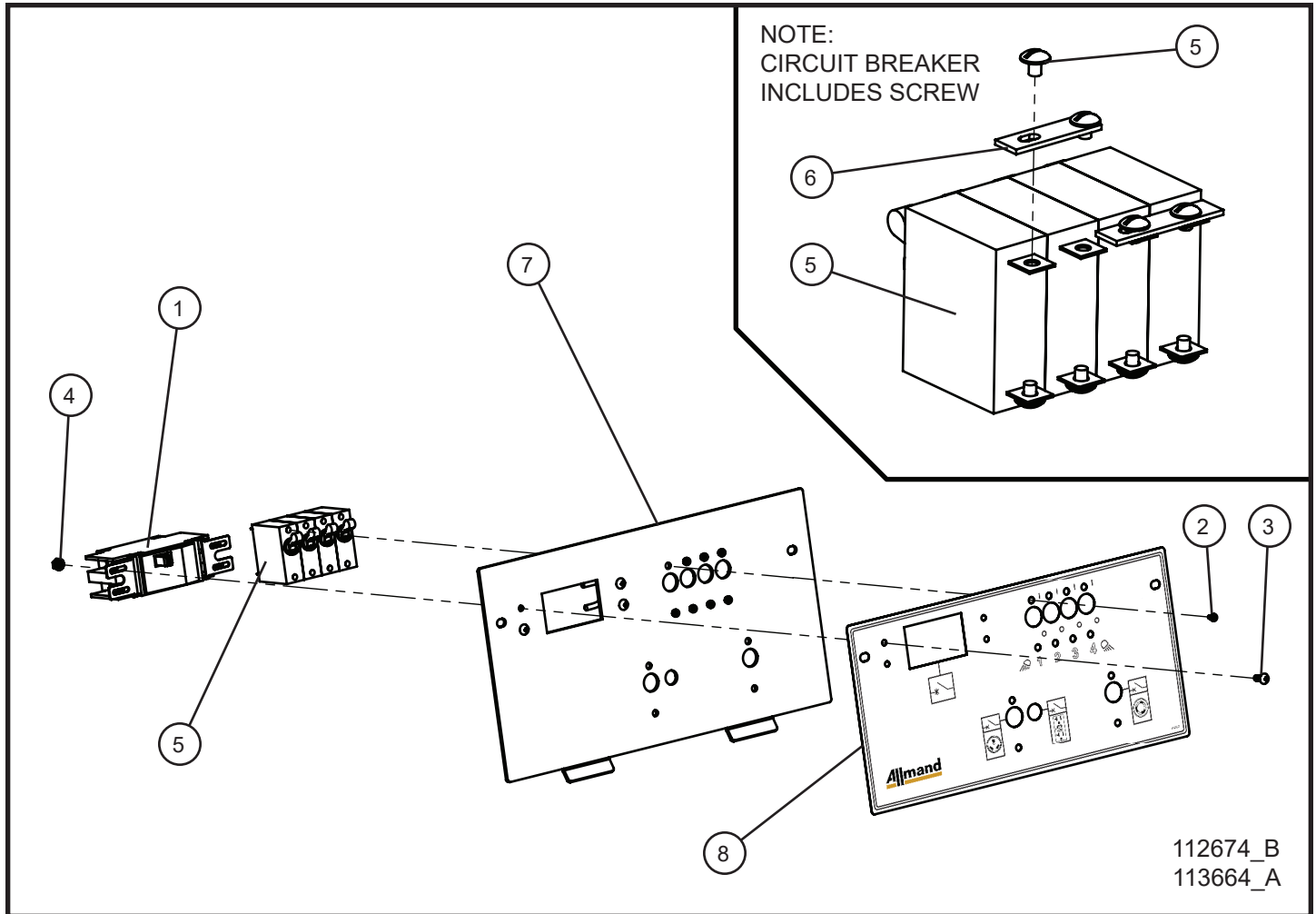
SN 39-000001 to 39-000559

## 6.3 - 30A RV Plug Adapter

Item	Part No.	Part Description	Qty.
1	112403P	RV PLUG ADAPTER TRAY	1
2	045216	1/4-20 TINNERMAN NUT	3
3	112400	RV PLUG ADAPTER	1
4	041050	1/4-20 x 3/4 PH-TRUSS HEAD MACHINE SCREW	3
5	112402	LANYARD 36 INCHES	1

\*NS - NOT SHOWN

## 7.1 - Outlet Circuit Breaker Box Face Plate



# NIGHT-LITE™ V-SERIES

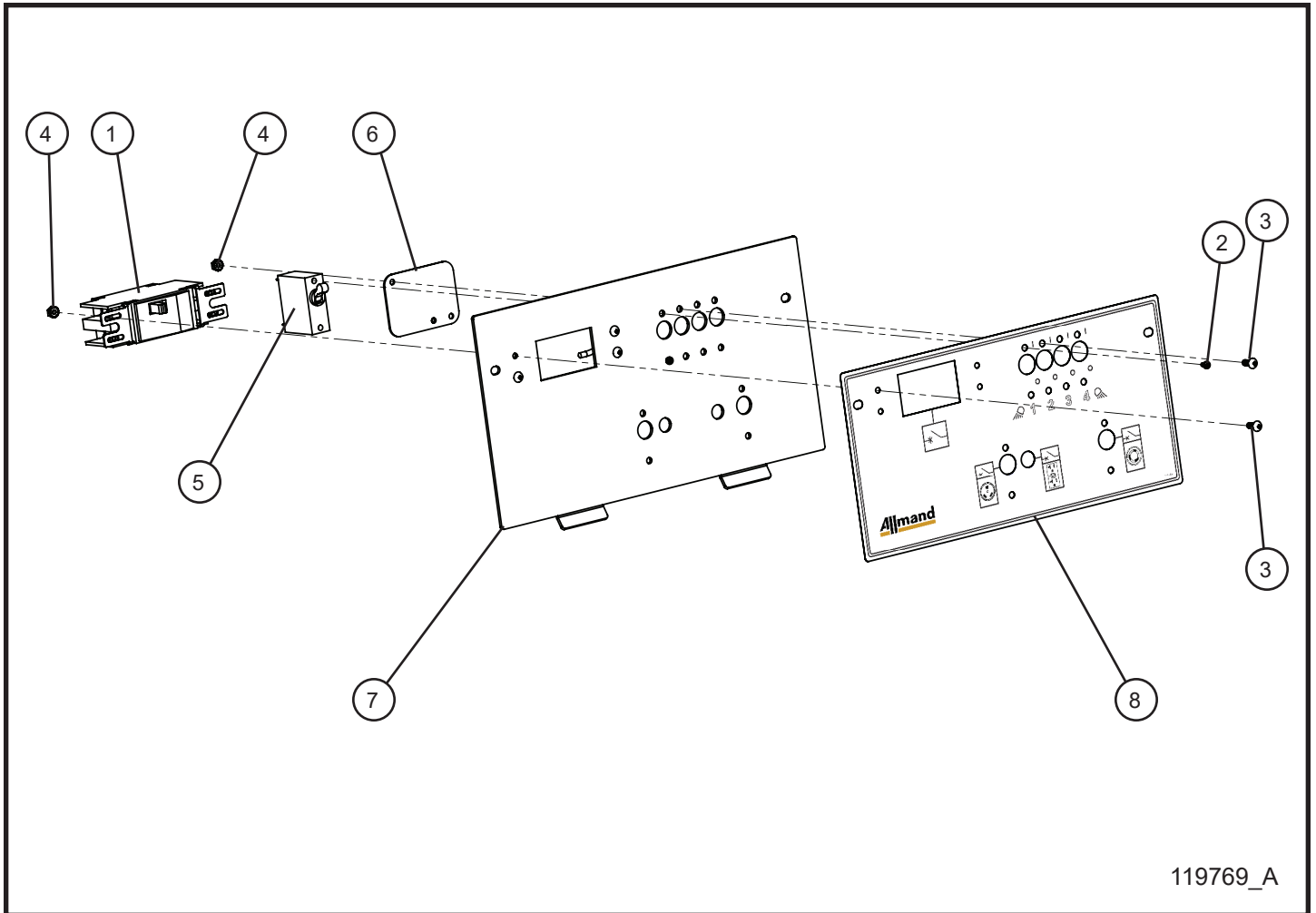
SN 39-000560 to 39-999999

## 7.1 - Outlet Circuit Breaker Box Face Plate

Item	Part No.	Part Description	Qty.
1	350354	35 AMP DOUBLE POLE BREAKER	1
	650534	25 AMP 120/240V DPST MAIN BREAKER	1
2	041018	#6-32 x 1/4 PH-ROUND HEAD MS PL MACHINE SCREW	8
3	041012	SCREW MS #8-32 x 1/2 PL	4
4	044003	#8-32 NC KEPS NUT	4
5	330458	15 AMP SPST BREAKER SWITCH	4
	116992	5 AMP SPST BREAKER SWITCH (SMD LED LIGHTS)	4
6	620560	BUSS BAR	2
7	112677P	OUTLET CIRCUIT BREAKER BOX FACE PLATE	1
8	113180	OUTLET CIRCUIT BREAKER BOX SCHUKO DECAL	1
	113492	OUTLET CIRCUIT BREAKER BOX 2-GFCI DECAL	1
	113179	OUTLET CIRCUIT BREAKER BOX DECAL	1
NS	119961	SCHEMATIC MAIN BREAKER TO LIGHT SWITCHES NLV (SMD)	1
NS	112035	SCHEMATIC MAIN BREAKER TO LIGHT SWITCHES NLV	1

\*NS - NOT SHOWN

## 7.2 - LED Balloon Light Outlet Circuit Breaker Box Face Plate





# NIGHT-LITE™ V-SERIES

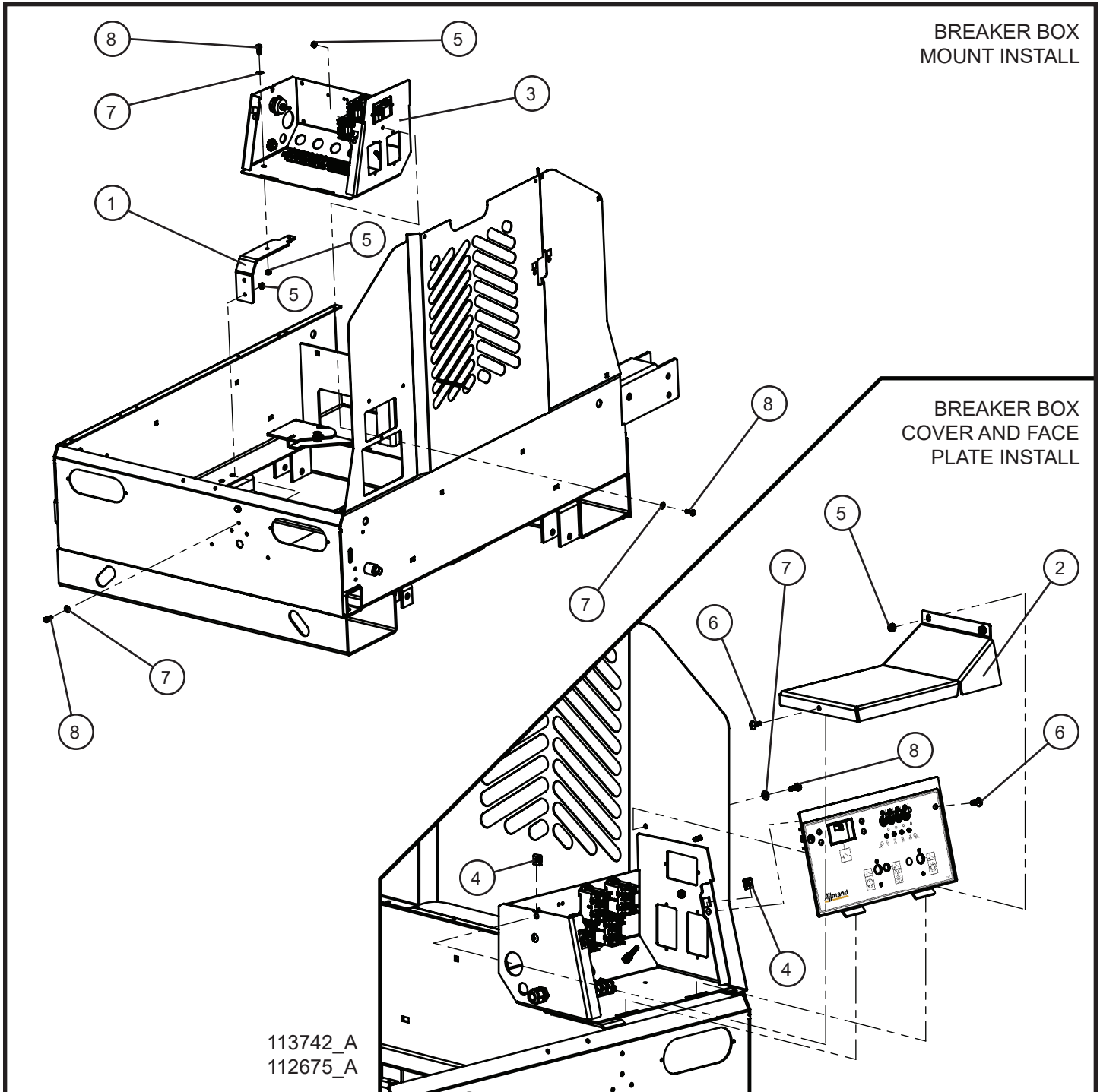
SN 39-000560 to 39-999999

## 7.2 - LED Balloon Light Outlet Circuit Breaker Box Face Plate

Item	Part No.	Part Description	Qty.
1	350354	35 AMP DOUBLE POLE BREAKER	1
2	041018	#6-32 x 1/4 PH-ROUND HEAD MS PL MACHINE SCREW	2
3	041012	SCREW MS #8-32 x 1/2 PL	6
4	044003	#8-32 NC KEPS NUT	6
5	330458	15 AMP SPST BREAKER SWITCH	1
6	119770P	BREAKER COVER PLATE	1
7	112677P	OUTLET CIRCUIT BREAKER BOX FACE PLATE	1
8	113492	OUTLET CIRCUIT BREAKER BOX 2-GFCI DECAL	1
	113179	OUTLET CIRCUIT BREAKER BOX DECAL	1
NS	119909	SCHEMATIC MAIN BREAKER TO LED BALLOON LIGHT	1

\*NS - NOT SHOWN

## 7.3 - Outlet Circuit 725 Relay Breaker Box Group (1 of 2)



# NIGHT-LITE™ V-SERIES

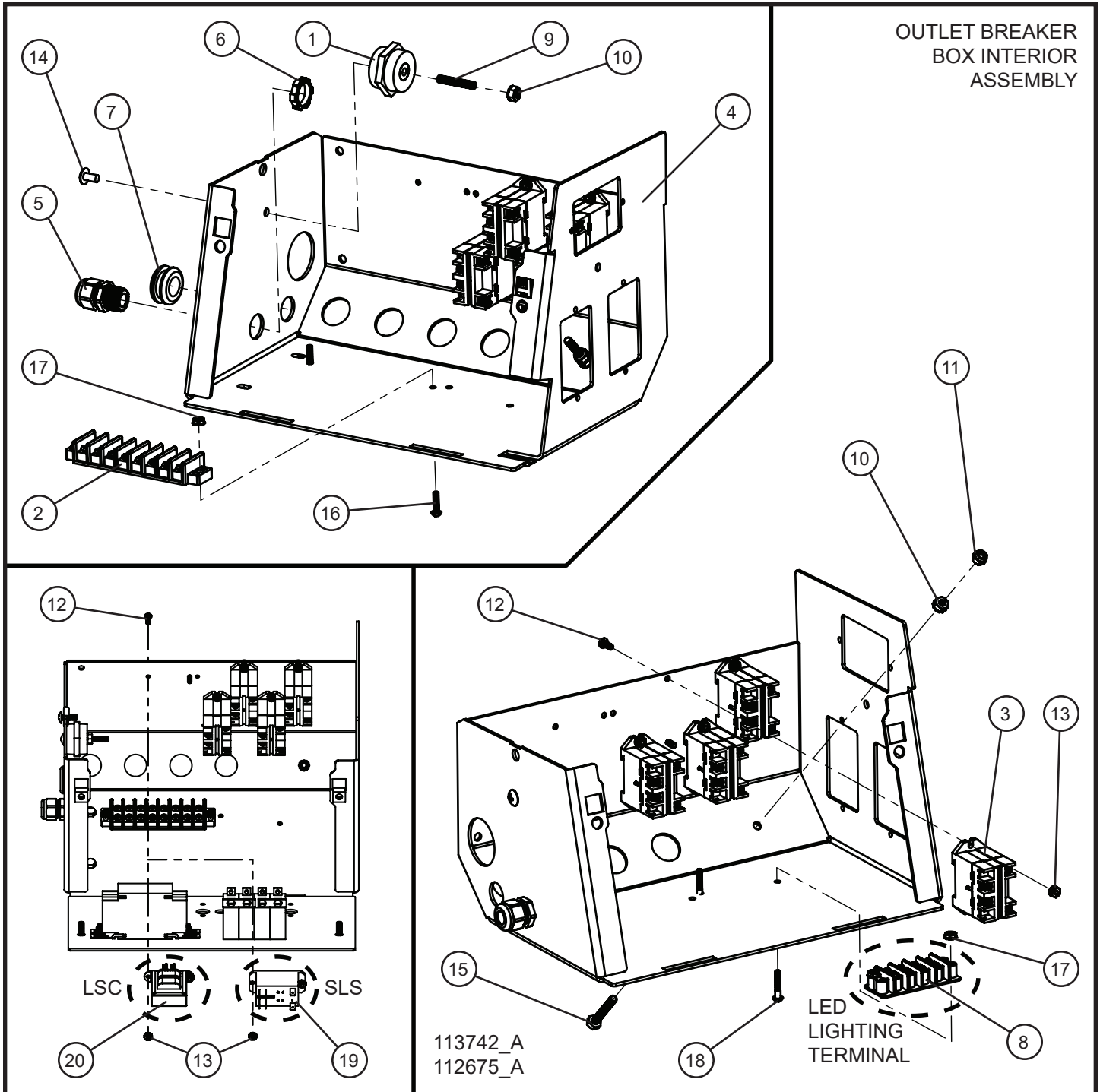
SN 39-000560 to 39-003932

## 7.3 - Outlet Circuit 725 Relay Breaker Box Group (1 of 2)

Item	Part No.	Part Description	Qty.
1	113230P	MOUNT OUTLET CIRCUIT BREAKER BOX	1
2	112678P	COVER OUTLET CIRCUIT BREAKER BOX	1
3	112676P	OUTLET CIRCUIT BREAKER BOX	1
4	045216	1/4-20 TINNEMAN NUT	3
5	044021	1/4-20 KEPS HEX NUT PL	7
6	041050	1/4-20 x 3/4 PH-TRUSS HEAD MS SS MACHINE SCREW	3
7	047009	1/4 FLAT WASHER	7
8	046010	1/4-20 x 3/4 HEX HEAD	7

\*NS - NOT SHOWN

## 7.3 - Outlet Circuit 725 Relay Breaker Box Group (2 of 2)



# NIGHT-LITE™ V-SERIES

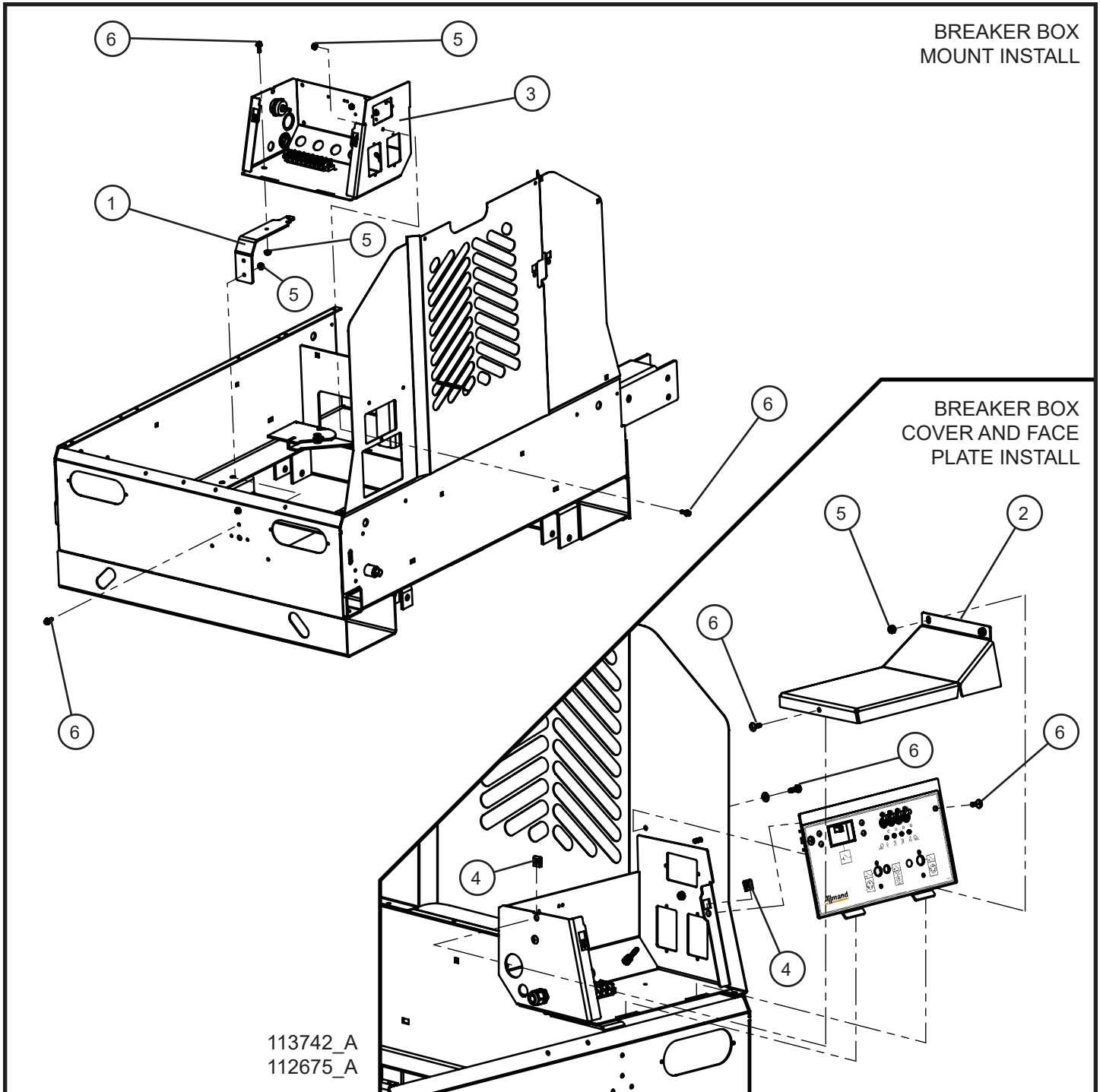
SN 39-000560 to 39-003932

## 7.3 - Outlet Circuit 725 Relay Breaker Box Group (2 of 2)

Item	Part No.	Part Description	Qty.
1	106318	LOW VOLTAGE INSULATOR 1-1/4", 1/4-20	1
2	106732	SCREW TERMINAL BLOCK 8 GANG	1
3	109025	RELAY 277VAC 30 AMP 12VDC COIL	4
4	114184P	OUTLET CIRCUIT BREAKER BOX	1
5	114886	CORD GRIP 1/2" NYLON BLACK	1
6	022035	1/2 CORD GRIP NUT	1
7	114183	11/16 RUBBER GROMMET	1
8	106730	SCREW TERMINAL BLOCK 4 GANG	1
9	045003	1/4-20 x 1-1/2 STUD PL	1
10	044021	1/4-20 KEPS HEX NUT PL	2
11	044023	1/4-20 NYLOCK HEX NUT PL	1
12	041012	SCREW MS #8-32 x 1/2 PL	10
13	044003	#8-32 NC KEPS NUT	10
14	041078	1/4-20 x 1/2 PH-TRUSS HEAD MS SS	1
15	046029	1/4-20 x 1 3/4 HEX HEAD CS GR5 PL	1
16	041027	#10-24 x 3/4 PH-ROUND HEAD MACHINE SCREW	2
17	044016	#10-24 KEPS HEX NUT	4
18	041030	#10-24 x 1 PH-ROUND HEAD MACHINE SCREW	2
19	105219	RELAY 30 AMP	1
20	108057	POWER FILAMENT 266 SERIES	1
NS	113288	LIGHT RELAY DC COIL WIRES	1
NS	112698	4 LIGHT 725 LIGHT RELAYS WIRE HARNESS	1
NS	113333	4 LIGHT 725 LIGHT RELAYS AC WIRE HARNESS	1
NS	103864	FUSE HOLDER INLINE BLADE	1
NS	104990	FUSE BLADE 2 AMP ATO/ATC	1
NS	113583	SCHEMATIC 4 SHO LIGHTS 4 RELAYS	
NS	113805	SCHEMATIC 4 LED LIGHTS 4 RELAYS	1

\*NS - NOT SHOWN

## 7.4 - Outlet Circuit Zettler Relay Breaker Box Group (1 of 2)



# NIGHT-LITE™ V-SERIES

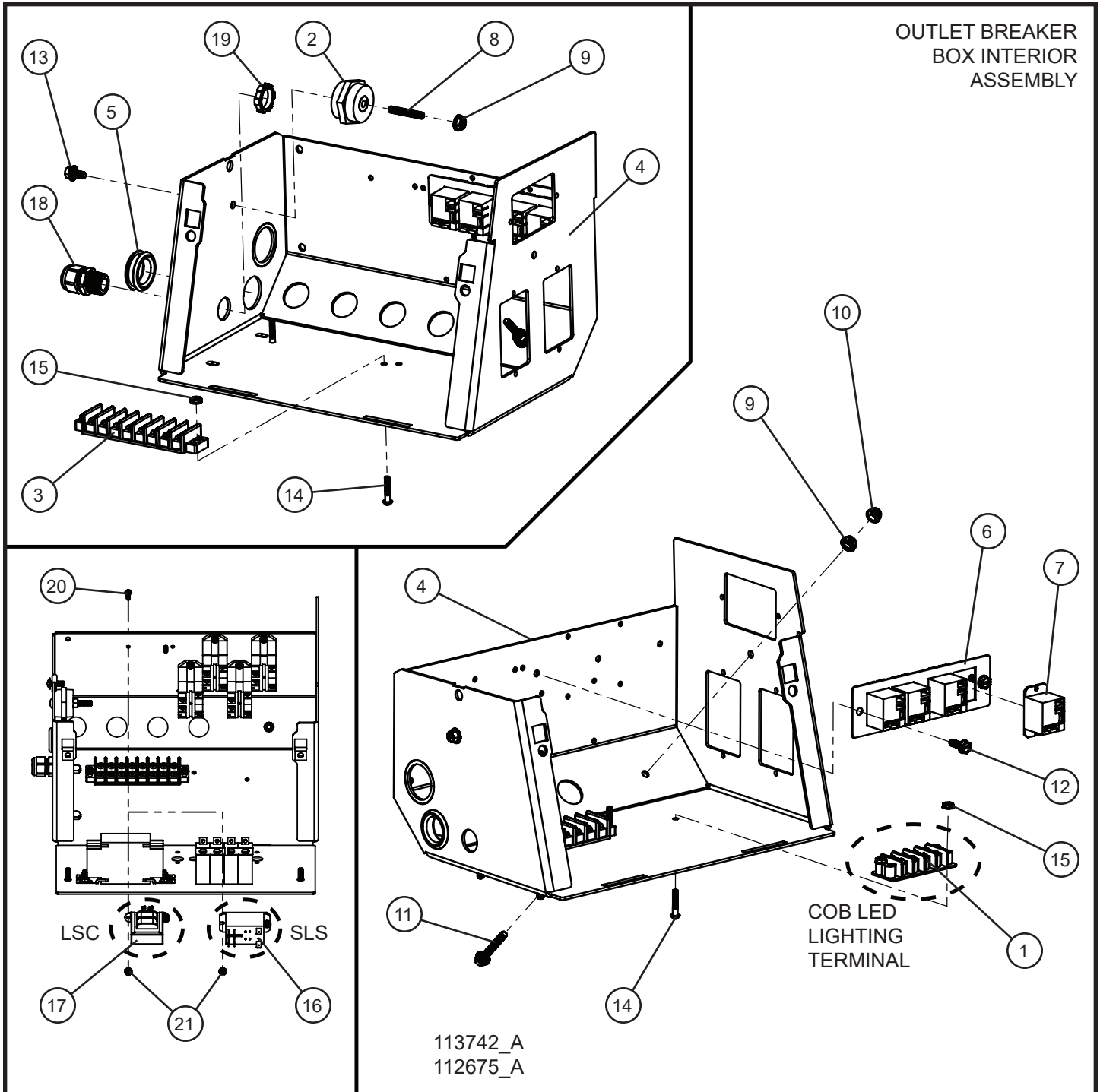
SN 39-003933 to 39-999999

## 7.4 - Outlet Circuit Zettler Relay Breaker Box Group (1 of 2)

Item	Part No.	Part Description	Qty.
1	113230P	MOUNT OUTLET CIRCUIT BREAKER BOX	1
2	112678P	COVER OUTLET CIRCUIT BREAKER BOX	1
3	114184P	OUTLET CIRCUIT BREAKER BOX	1
4	045216	1/4-20 TINNEMAN NUT	3
5	057000	1/4-20 HEX SERRATED FLANGE NUT	6
6	056002	1/4-20 x 3/4 HEX SERRATED FLANGE SCREW	9

\*NS - NOT SHOWN

## 7.4 - Outlet Circuit Zettler Relay Breaker Box Group (2 of 2)





# NIGHT-LITE™ V-SERIES

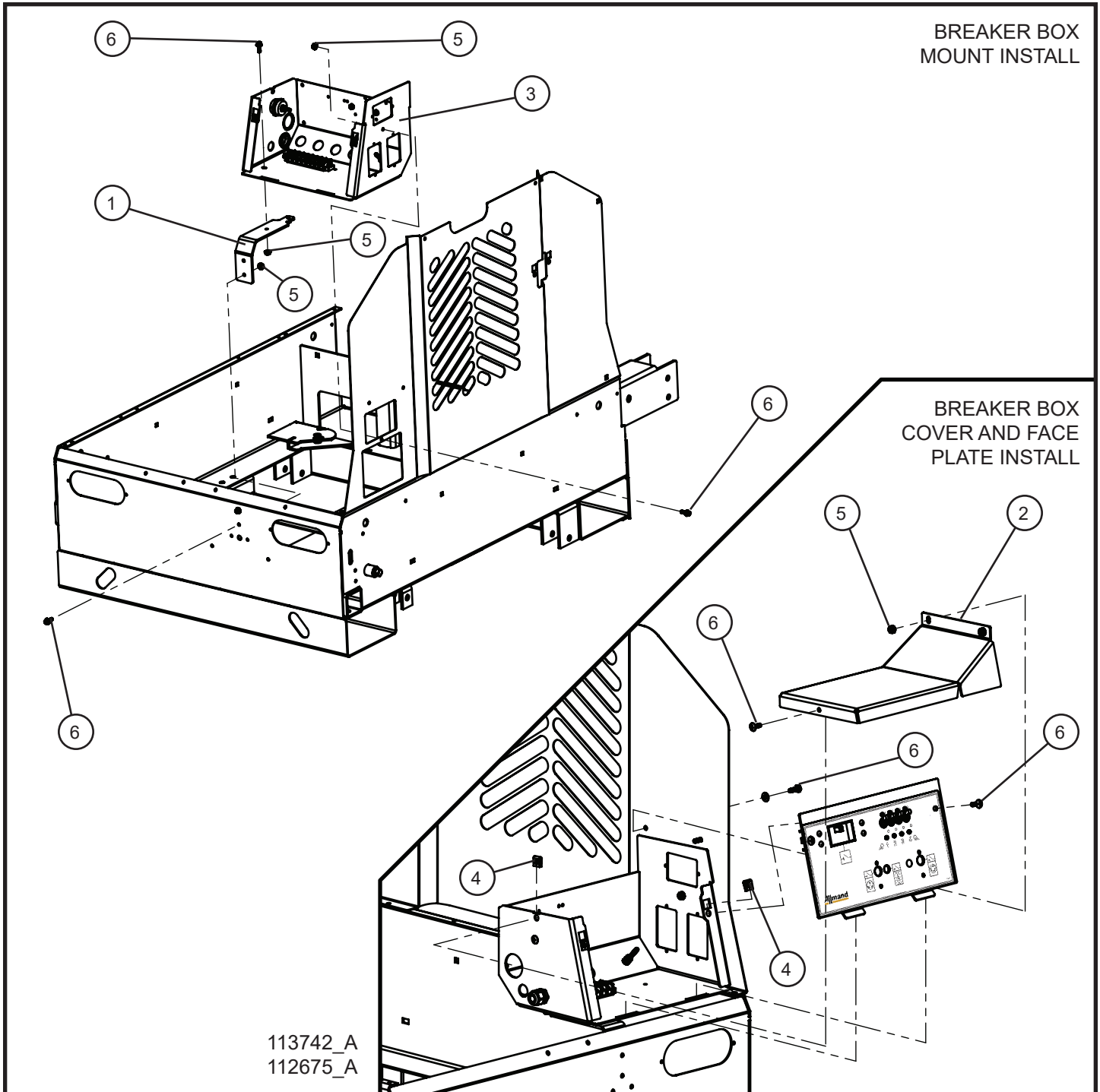
SN 39-003933 to 39-999999

## 7.4 - Outlet Circuit Zettler Relay Breaker Box Group (2 of 2)

Item	Part No.	Part Description	Qty.
1	106730	SCREW TERMINAL BLOCK 4 GANG	1
2	106318	LOW VOLTAGE INSULATOR 1-1/4", 1/4-20	1
3	106732	SCREW TERMINAL BLOCK 8 GANG	1
4	114184P	OUTLET CIRCUIT BREAKER BOX	1
5	114183	11/16 RUBBER GROMMET	1
6	114846P	RELAY BRACKET BREAKER BOX NLV	1
7	104957	RELAY 120 VAC 30 AMP 12-28 VDC CONTROL	4
8	045003	1/4-20 x 1-1/2 STUD PL	1
9	057000	1/4-20 HEX SERRATED FLANGE NUT	2
10	057001	1/4-20 HEX NYLOCK FLANGE NUT	1
11	056014	1/4-20 x 1 3/4 HEX SERRATED FLANGE SCREW	1
12	041070	1/4-20 x 3/4 SL-HEX WASHER HEAD MACHINE SCREW	3
13	056001	1/4-20 x 1/2 HEX SERRATED FLANGE SCREW	1
14	041030	#10-24 x 1 PH-ROUND HEAD MACHINE SCREW	2
15	044016	#10-24 KEPS HEX NUT	4
16	105219	RELAY 30 AMP	1
17	108057	POWER FILAMENT 266 SERIES	1
18	114886	CORD GRIP 1/2" NYLON BLACK	1
19	022035	1/2 CORD GRIP NUT	1
20	041012	SCREW MS #8-32 x 1/2 PL	2
21	044003	#8-32 NC KEPS NUT	2
NS	113288	LIGHT RELAY DC COIL WIRES	1
NS	114828	RELAY CONTROL HARNESS NLV	1
NS	114827	RELAY GROUND HARNESS NLV	1
NS	114826	LIGHT RELAY HARNESS DC CONTROL NLV	1
NS	103864	FUSE HOLDER INLINE BLADE	1
NS	104990	FUSE BLADE 2 AMP ATO/ATC	1
NS	113583	SCHEMATIC 4 SHO LIGHTS 4 RELAYS	1
NS	119959	SCHEMATIC 4 SMD LED LIGHT LIGHTS 4 RELAYS	1
NS	113805	SCHEMATIC 4 COB LED LIGHTS 4 RELAYS	1

\*NS - NOT SHOWN

## 7.5 - Outlet Circuit LED Balloon Light Breaker Box Group (1 of 2)



# NIGHT-LITE™ V-SERIES

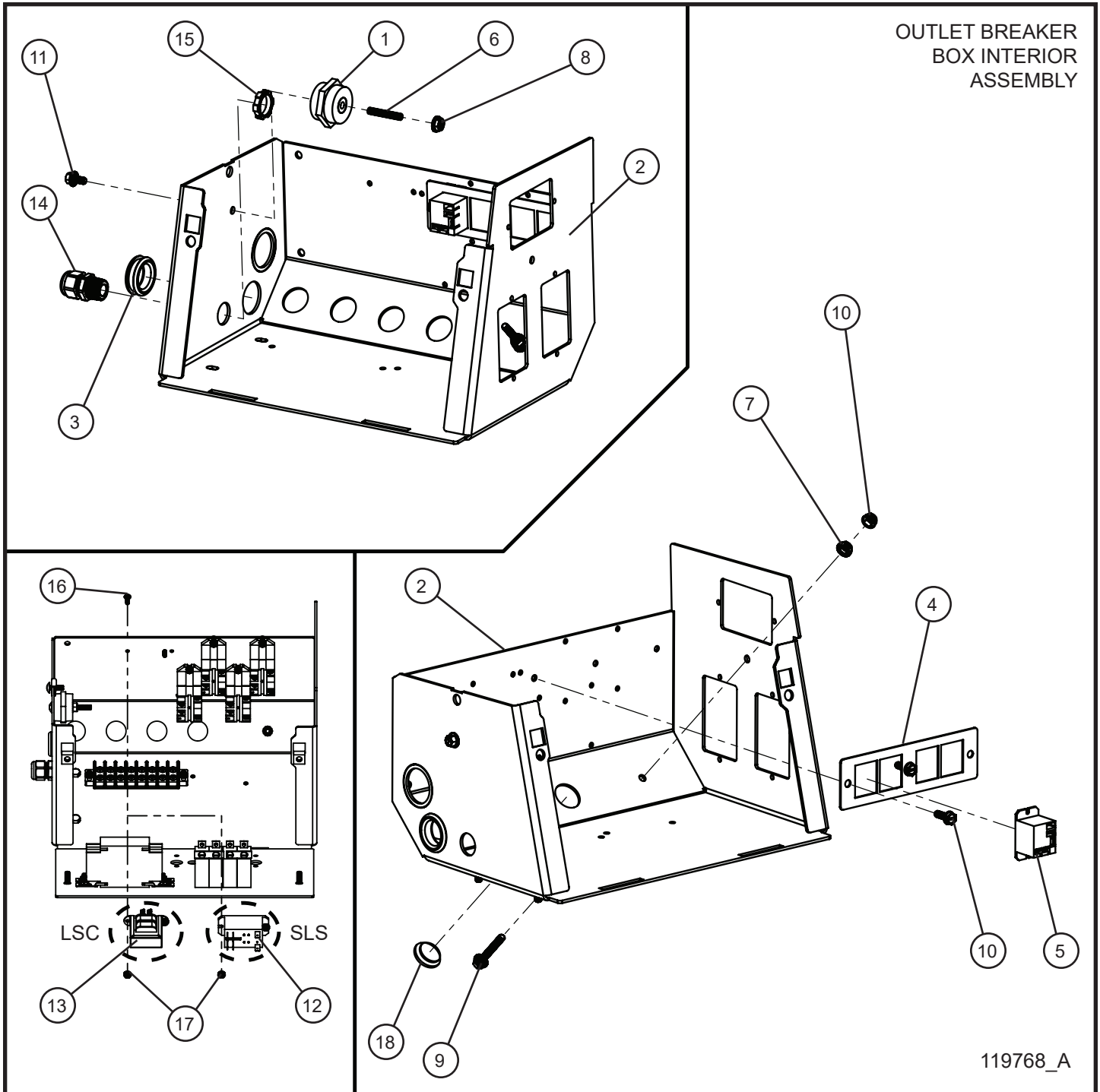
SN 39-003933 to 39-999999

## 7.5 - Outlet Circuit LED Balloon Light Breaker Box Group (1 of 2)

Item	Part No.	Part Description	Qty.
1	113230P	MOUNT OUTLET CIRCUIT BREAKER BOX	1
2	112678P	COVER OUTLET CIRCUIT BREAKER BOX	1
3	114184P	OUTLET CIRCUIT BREAKER BOX	1
4	045216	1/4-20 TINNEMAN NUT	3
5	057000	1/4-20 HEX SERRATED FLANGE NUT	6
6	056002	1/4-20 x 3/4 HEX SERRATED FLANGE SCREW	9

\*NS - NOT SHOWN

## 7.5 - Outlet Circuit LED Balloon Light Breaker Box Group (2 of 2)



# NIGHT-LITE™ V-SERIES

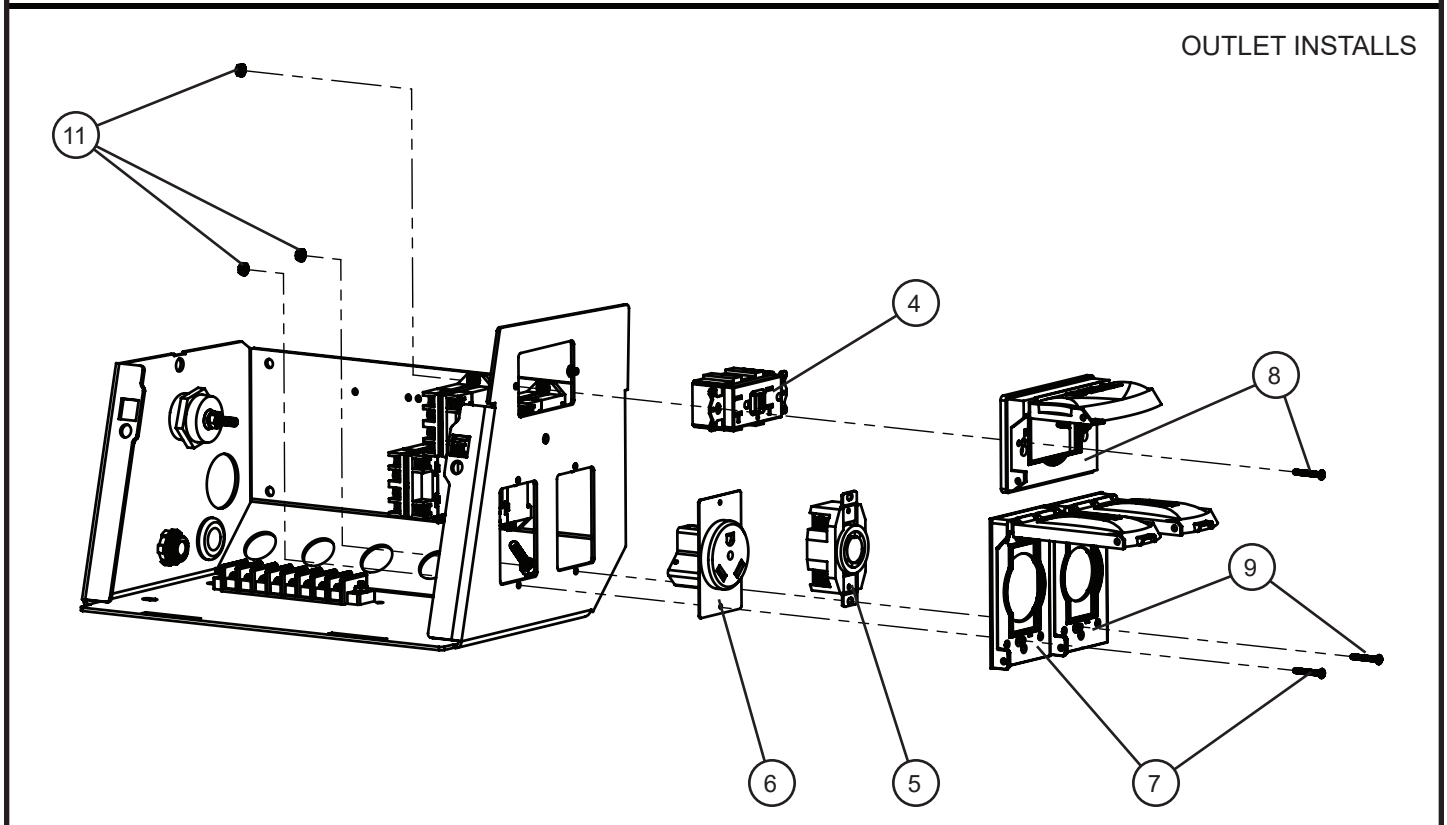
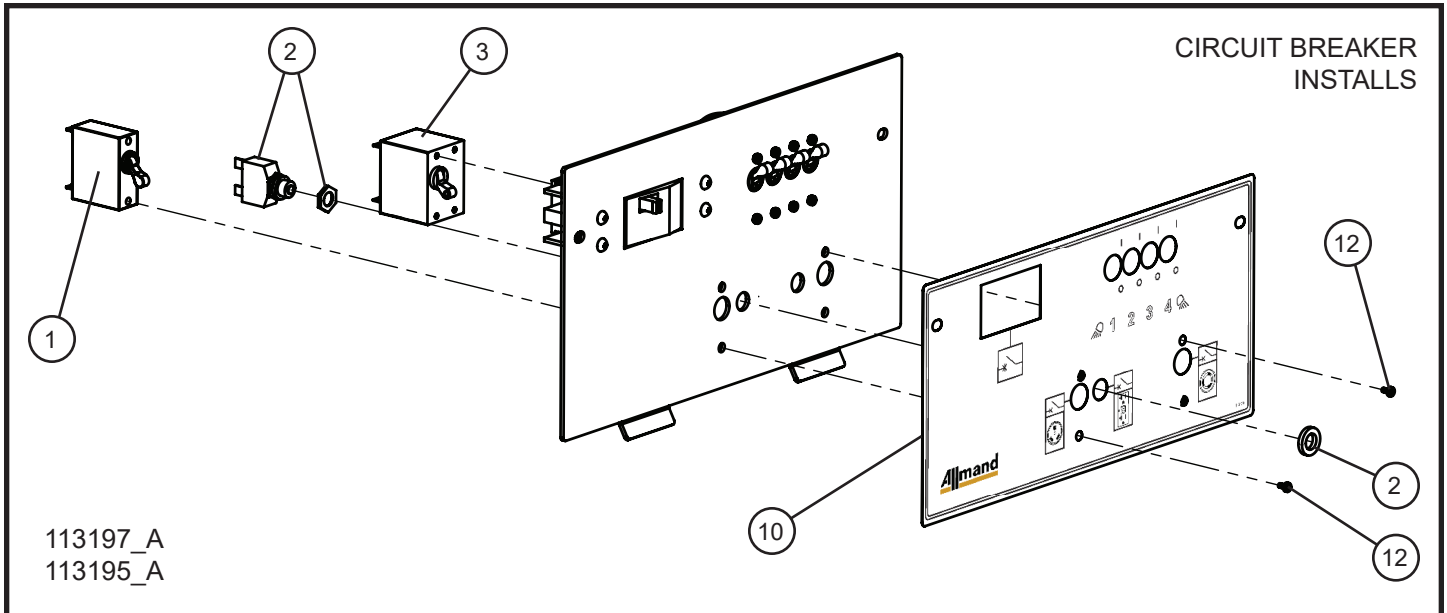
SN 39-003933 to 39-999999

## 7.5 - Outlet Circuit LED Balloon Light Breaker Box Group (2 of 2)

Item	Part No.	Part Description	Qty.
1	106318	LOW VOLTAGE INSULATOR 1-1/4", 1/4-20	1
2	114184P	OUTLET CIRCUIT BREAKER BOX	1
3	114183	11/16 RUBBER GROMMET	1
4	114186P	RELAY BRACKET BREAKER BOX NLV	1
5	104957	RELAY 120 VAC 30 AMP 12-28 VDC CONTROL	1
6	045003	1/4-20 x 1-1/2 STUD PL	1
7	057000	1/4-20 HEX SERRATED FLANGE NUT	2
8	057001	1/4-20 HEX NYLOCK FLANGE NUT	1
9	056014	1/4-20 x 1 3/4 HEX SERRATED FLANGE SCREW	1
10	041070	1/4-20 x 3/4 SL-HEX WASHER HEAD MACHINE SCREW	2
11	056001	1/4-20 x 1/2 HEX SERRATED FLANGE SCREW	1
12	105219	RELAY 30 AMP	1
13	108057	POWER FILAMENT 266 SERIES	1
14	114886	CORD GRIP 1/2" NYLON BLACK	1
15	022035	1/2 CORD GRIP NUT	1
16	041012	SCREW MS #8-32 x 1/2 PL	2
17	044003	#8-32 NC KEPS NUT	2
18	064025	1 1/16 IN. PLASTIC PLUG	4
NS	103864	FUSE HOLDER INLINE BLADE	1
NS	104990	FUSE BLADE 2 AMP ATO/ATC	1
NS	119908	SCHEMATIC LED BALLOON LIGHT RELAY	1

\*NS - NOT SHOWN

## 7.6 - 30A Twistlock, 30A RV, 20A GFCI Outlets Group



# NIGHT-LITE™ V-SERIES

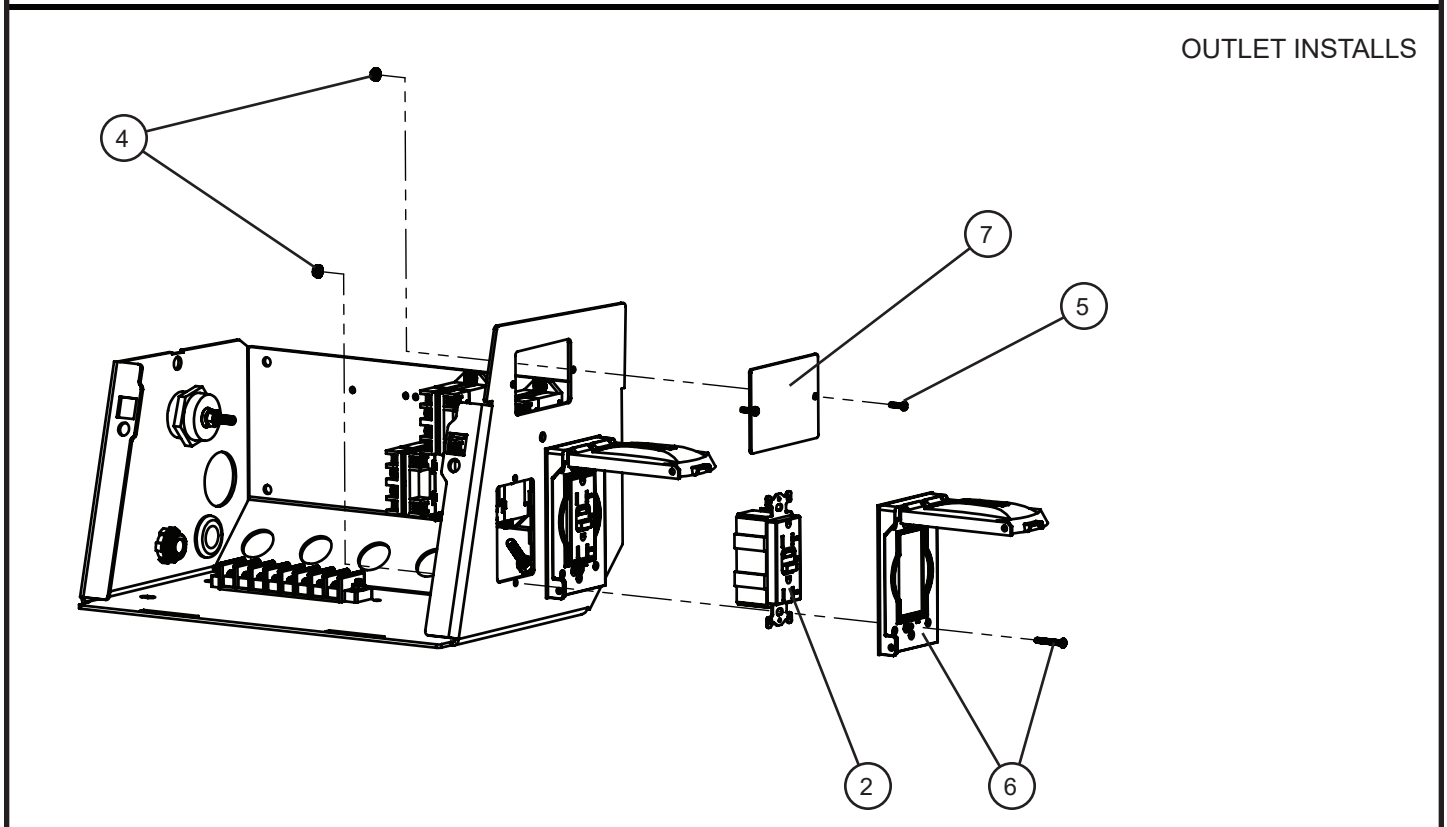
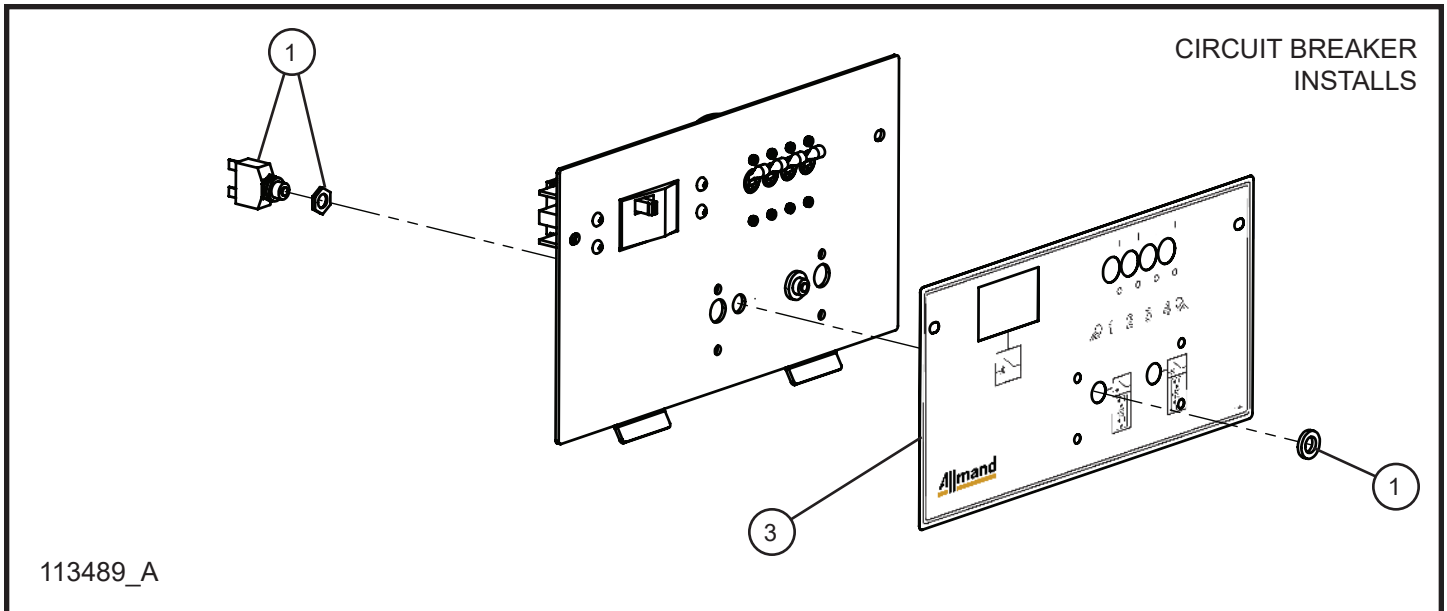
SN 39-000560 to 39-999999

## 7.6 - 30A Twistlock, 30A RV, 20A GFCI Outlets Group

Item	Part No.	Part Description	Qty.
1	330472	30A SPST CIRCUIT BREAKER	1
2	650138	20A PUSH BUTTON CIRCUIT BREAKER	1
3	330456	30A DPST CIRCUIT BREAKER	1
4	330499	20A GFCI RECEPTABLE	1
5	653102	4-PRONG 30A 125-250V TWISTLOCK RECEPTACLE	1
	330491	3-PRONG 30A 250V TWISTLOCK RECEPTACLE	1
6	680815	125V 30A RV OUTLET	1
7	113241	VERTICAL WEATHERPROOF RV OUTLET COVER	1
8	112278	HORIZONTAL WEATHERPROOF COVER	1
9	113839	VERTICAL WEATHERPROOF OUTLET COVER	1
10	113179	OUTLET CIRCUIT BREAKER BOX DECAL	1
11	044004	#6-32 KEPS HEX NUT PL	4
12	041018	#6-32 x 1/4 PH-ROUND HEAD MS PL	2
NS	113472	SCHEMATIC OUTLET 1-GFCI 1-30A RV 1-30A 3-TWISTLOCK NLV	1
NS	113473	SCHEMATIC OUTLET 1-GFCI 1-30A RV 1-30A 4-TWISTLOCK NLV	1

\*NS - NOT SHOWN

## 7.7 - 2-20A GFCI Outlets Group





# NIGHT-LITE™ V-SERIES

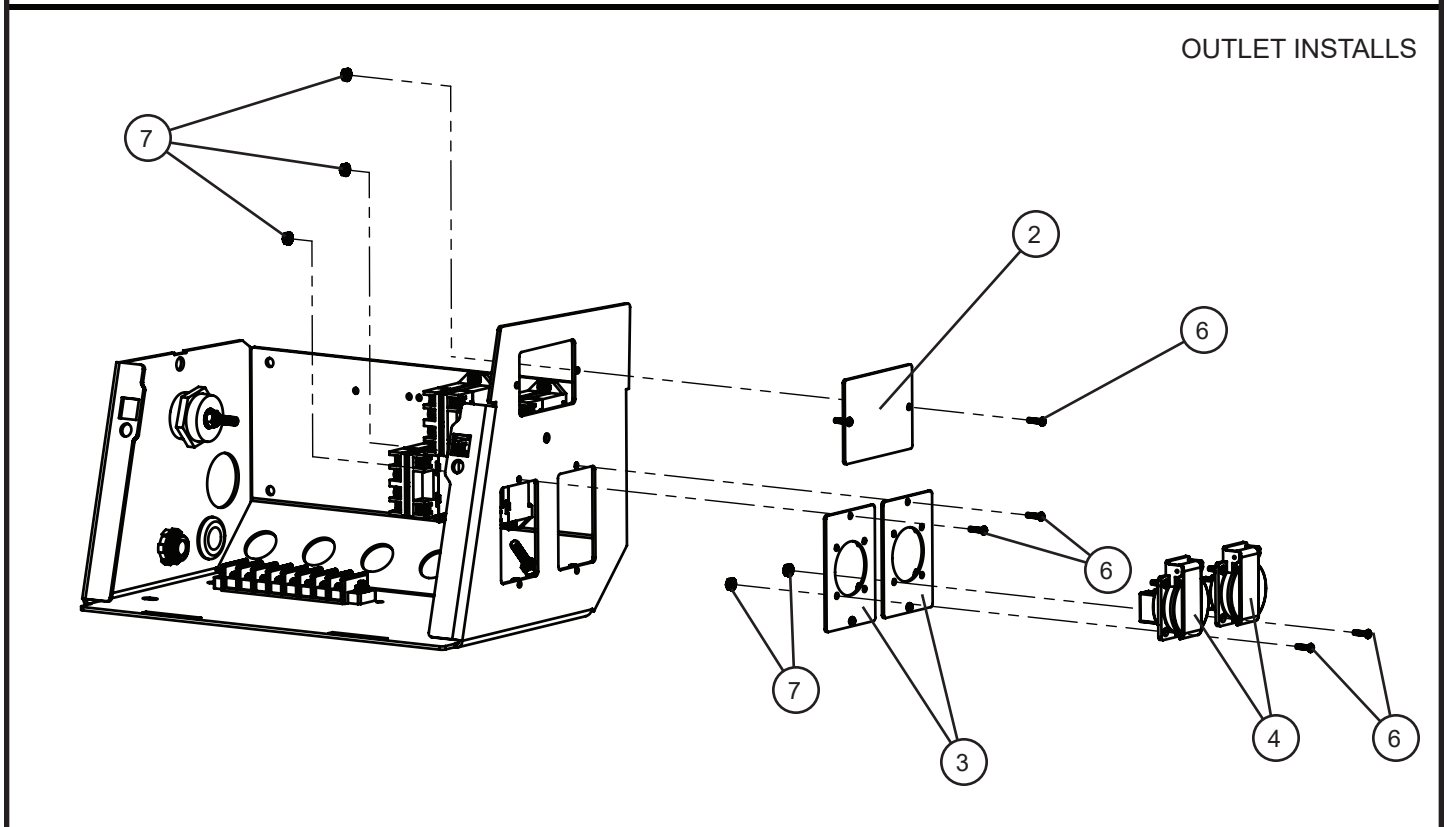
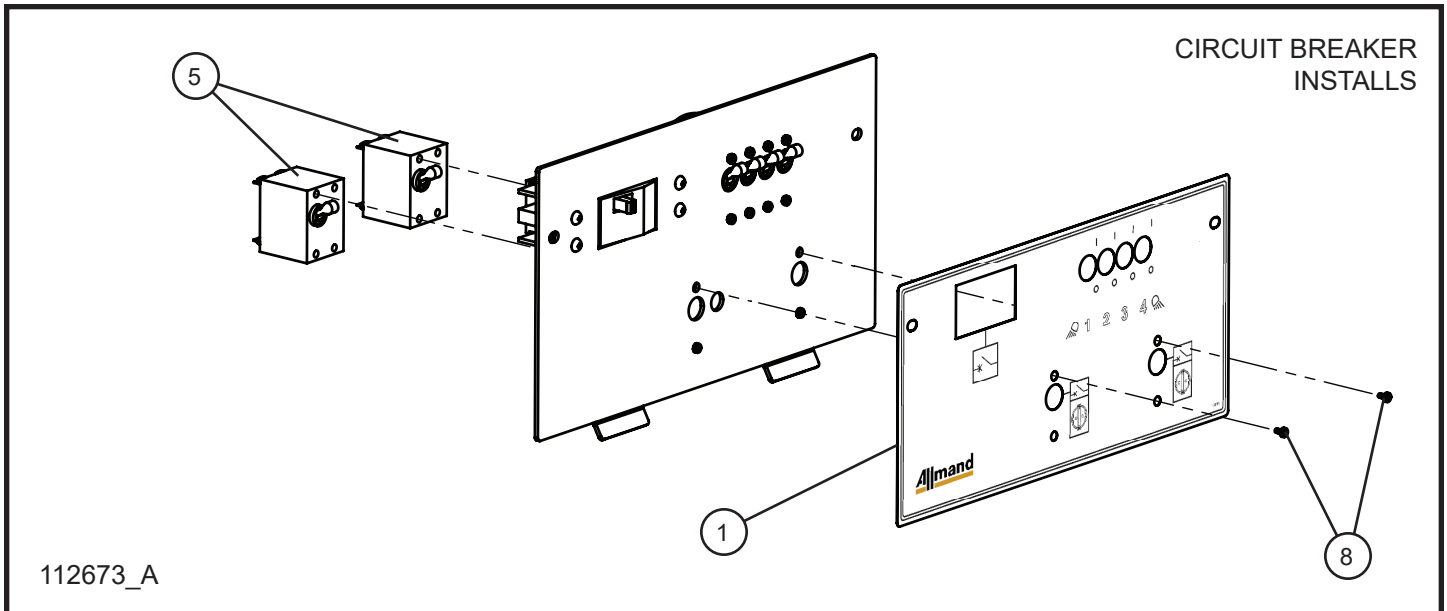
SN 39-000560 to 39-999999

## 7.7 - 2-20A GFCI Outlets Group

Item	Part No.	Part Description	Qty.
1	650138	20A PUSH BUTTON CIRCUIT BREAKER	2
2	330499	20A GFCI RECEPTABLE	2
3	113492	OUTLET CIRCUIT BREAKER BOX 2-GFCI DECAL	1
4	044004	#6-32 KEPS HEX NUT PL	6
5	100029	#6-32 x 1/2 PH-ROUND HEAD MS PL	2
6	113839	VERTICAL WEATHERPROOF OUTLET COVER	2
7	112680P	OUTLET HOLE COVER PLATE	1
NS	113860	SCHEMATIC OUTLET 2-GFCI NLV	1

\*NS - NOT SHOWN

## 7.8 - 2-Schuko Outlets Group



# NIGHT-LITE™ V-SERIES

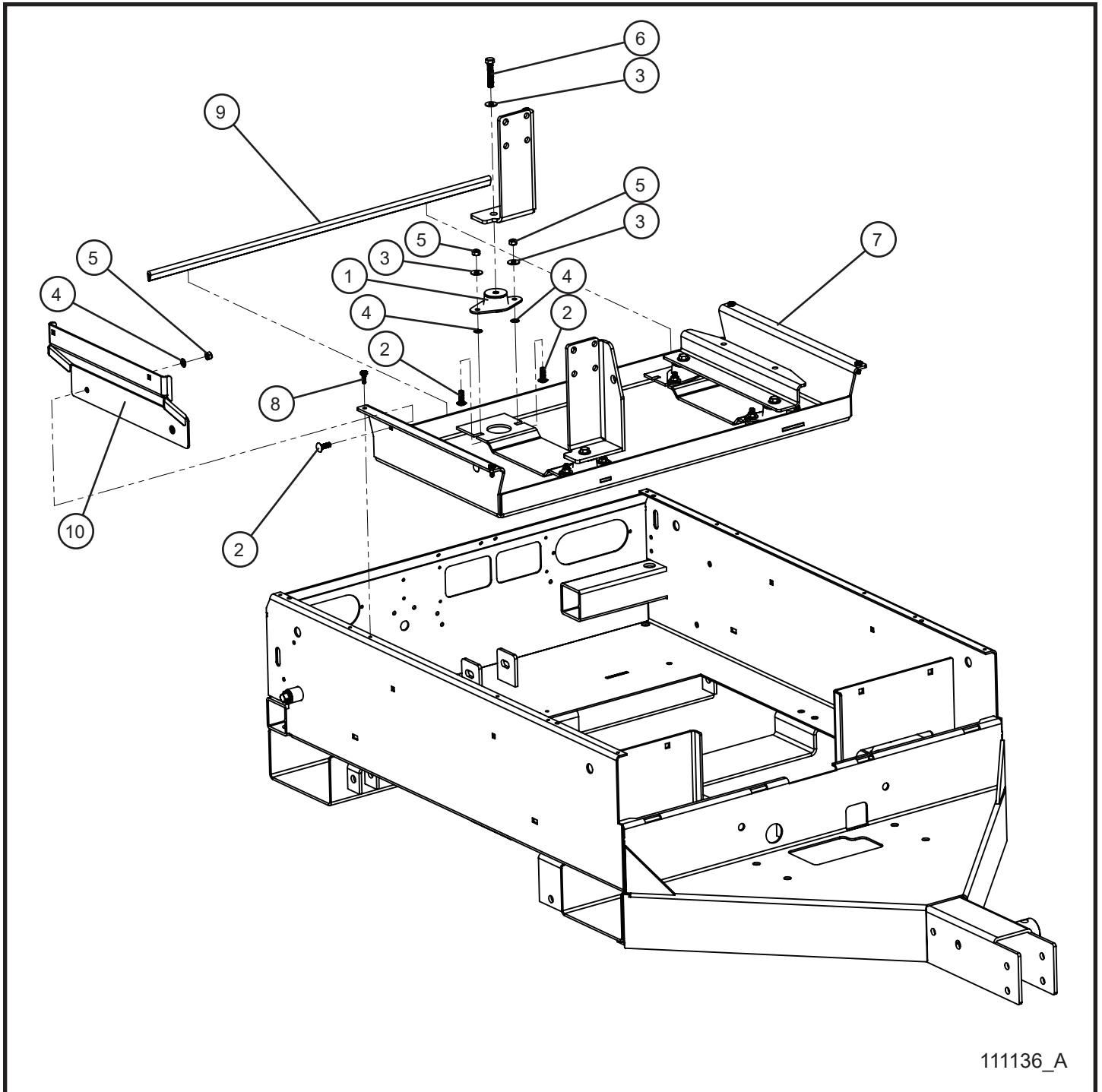
SN 39-000560 to 39-999999

## 7.8 - 2-Schuko Outlets Group

Item	Part No.	Part Description	Qty.
1	113180	OUTLET CIRCUIT BREAKER BOX SCHUKO DECAL	1
2	112680P	OUTLET HOLE COVER PLATE	1
3	112681P	SCHUKO OUTLET ADAPTER PLATE	1
4	650485	SCHUKO RECEPTACLE	2
5	330459	15A DPST CIRCUIT BREAKER	2
6	100029	#6-32 x 1/2 PH-ROUND HEAD MS PL	2
7	044004	#6-32 KEPS HEX NUT PL	4
8	041018	#6-32 x 1/4 PH-ROUND HEAD MS PL	2
NS	113475	SCHEMATIC OUTLET 2-SCHUKO NLV	1

\*NS - NOT SHOWN

## 8.1 - Engine Mounting Tray I



111136\_A

# NIGHT-LITE™ V-SERIES

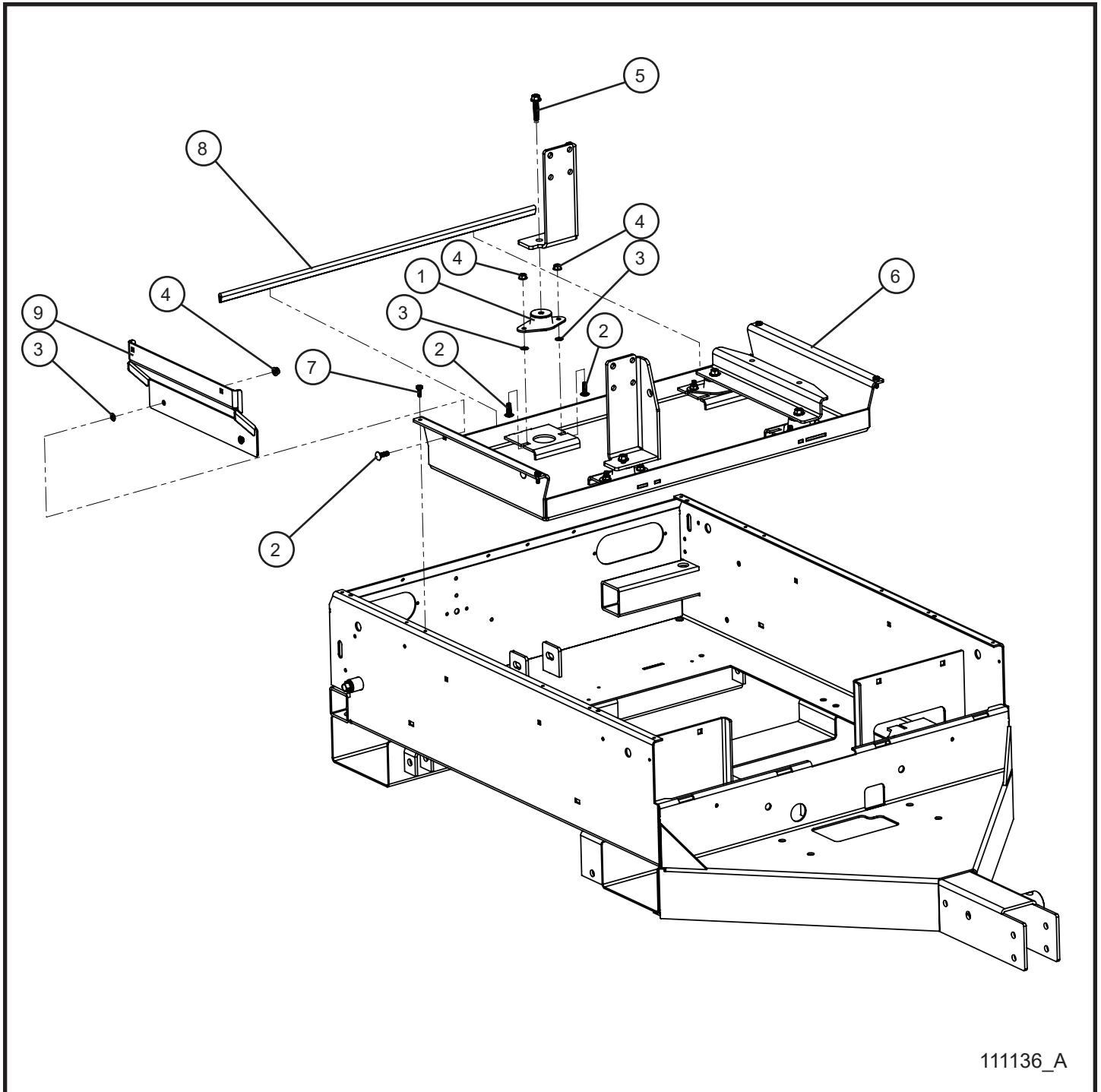
SN 39-000001 to 39-002957

## 8.1 - Engine Mounting Group

Item	Part No.	Part Description	Qty.
1	107028	ENGINE ISOLATOR THREADED MOUNT LIGHT DUTY	4
2	053020	5/16-18 x 1 CARRIAGE BOLT PL	10
3	047010	5/16 FLAT WASHER PL	12
4	045217	5/16 PUSH NUT	10
5	044033	5/16-18 NYLOCK HEX NUT PL	10
6	046133	3/8-16 x 2 HEX HEAD CS GR8 PL	4
7	109857P	ENGINE TRAY	1
8	041070	1/4-20-3/4 SLOTTED HEX WASHER HEAD MS TP F	4
9	030054	TRIMLOK 3/16 x 3/4 x 32.00	1
10	110393P	LOWER RADIATOR LOWER	1
NS	112724	LIGHT DUTY ENGINE MOUNT SERVICE KIT	1

\*NS - NOT SHOWN

## 8.2 - Engine Mounting Tray II



111136\_A

# NIGHT-LITE™ V-SERIES

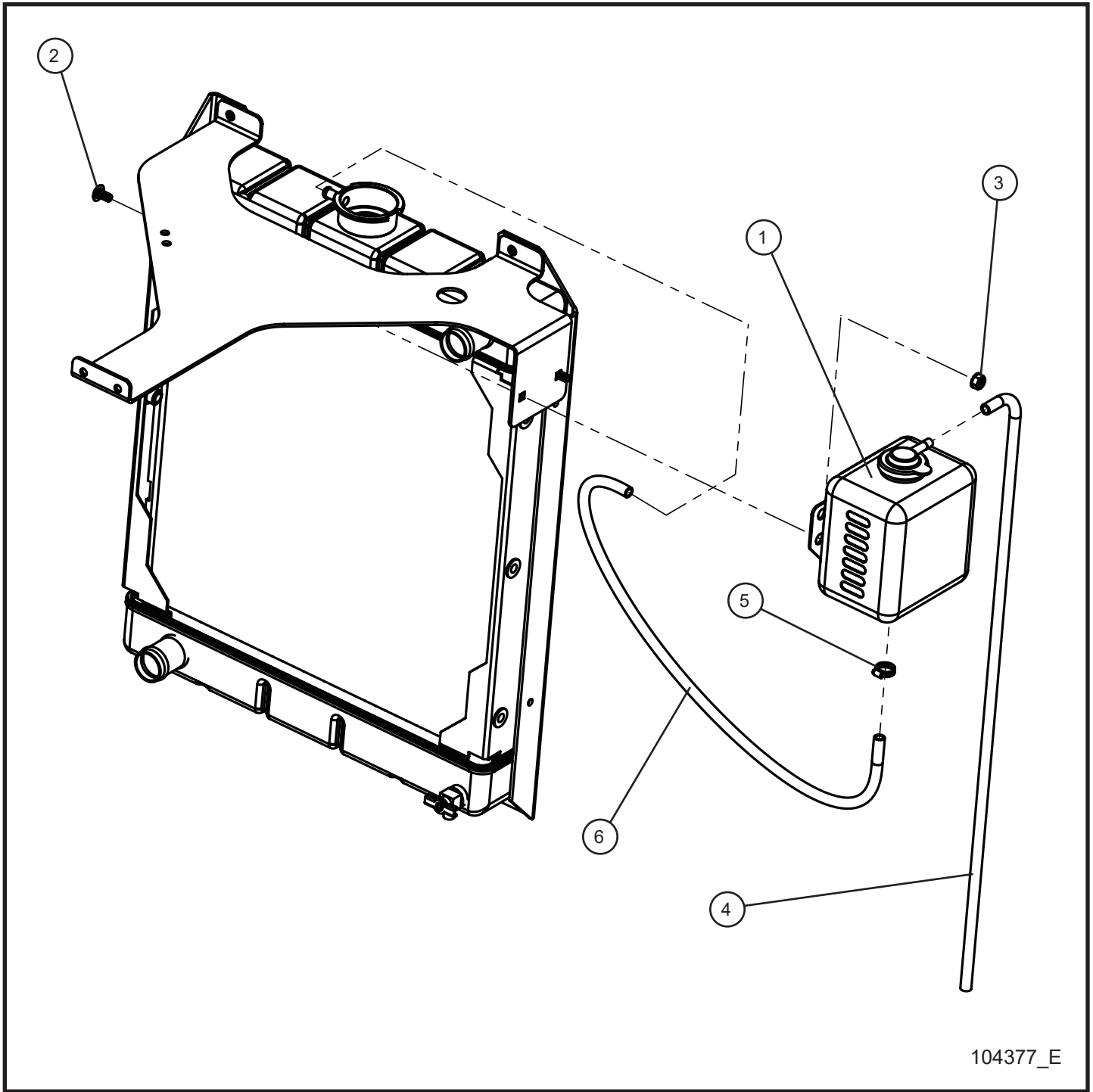
SN 39-002958 to 39-999999

## 8.2 - Engine Mounting Tray II

Item	Part No.	Part Description	Qty.
1	107028	ENGINE ISOLATOR THREADED MOUNT LIGHT DUTY	4
2	053020	5/16-18 x 1 CARRIAGE BOLT PL	10
3	045217	5/16 PUSH NUT	10
4	057008	5/16-18 HEX NYLOCK FLANGE NUT	10
5	056013	3/8-16 x 1 3/4 SERRATED FLANGE BOLT	4
6	114830P	ENGINE TRAY PAN	1
7	041070	1/4-20-3/4 SLOTTED HEX WASHER HEAD MS TP F	4
8	030054	TRIMLOK 3/16 x 3/4 x 32.00	1
9	110393P	LOWER RADIATOR LOWER	1

\*NS - NOT SHOWN

## 8.3 - Coolant Reservoir Tank



104377\_E



# NIGHT-LITE™ V-SERIES

SN 39-000001 to 39-999999

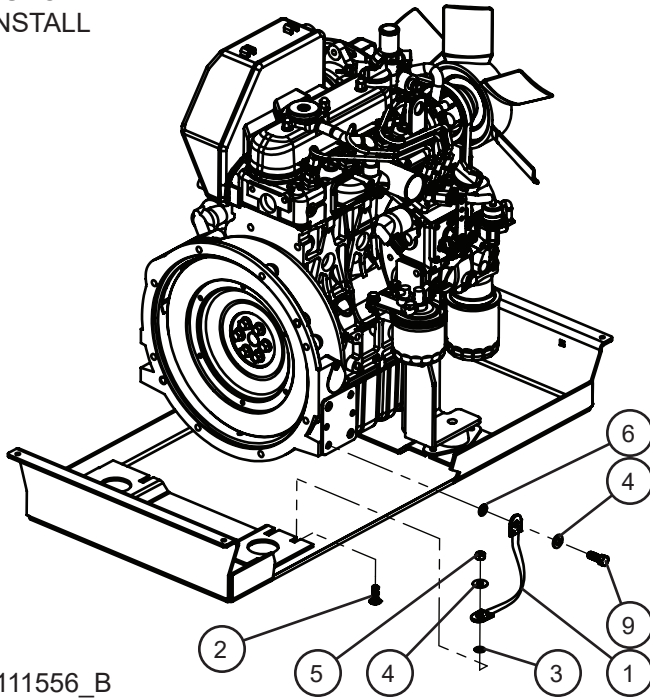
## 8.3 - Coolant Reservoir Tank

Item	Part No.	Part Description	Qty.
1	650027	RESERVOIR WITH BRACKET	1
2	053005	1/4-20 x 1/2 CARRIAGE BOLT PL	2
3	044021	1/4-20 KEPS HEX NUT PL	2
4	102268	COOLANT HOSE 1/4 x 44.0	1
5	433400	#4 HOSE CLAMP	1
6	102268	COOLANT HOSE 1/4 x 28.0	1

\*NS - NOT SHOWN

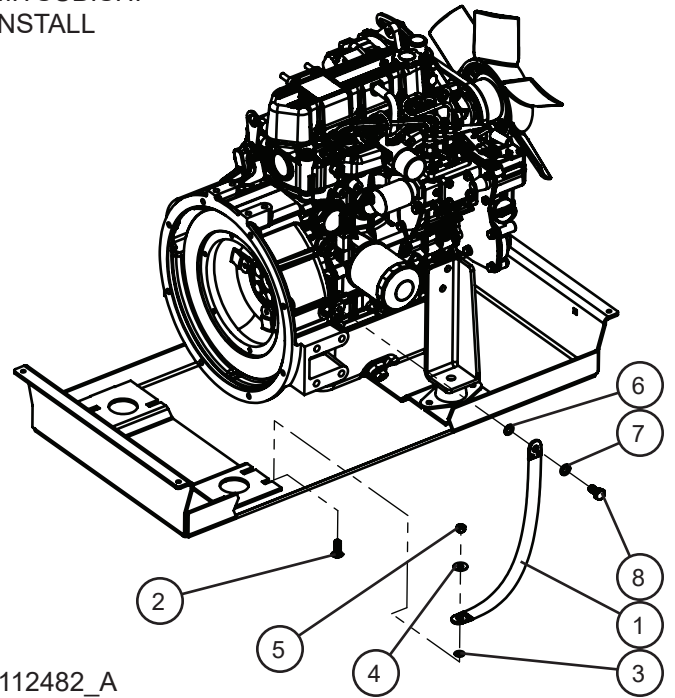
## 8.4 - Ground Strap

KUBOTA  
INSTALL



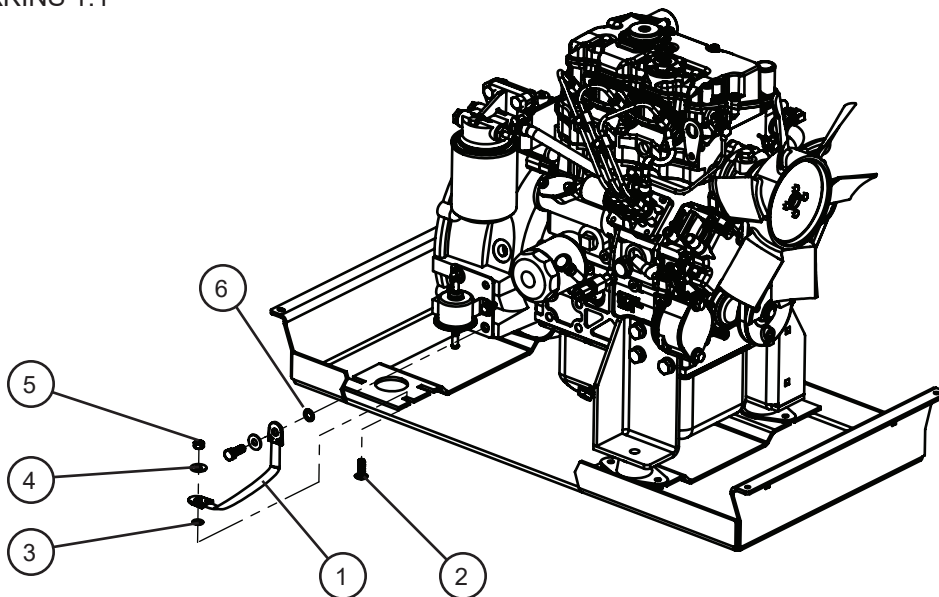
111556\_B

MITSUBISHI  
INSTALL



112482\_A

CAT/PERKINS 1.1  
INSTALL



113578\_A

# NIGHT-LITE™ V-SERIES

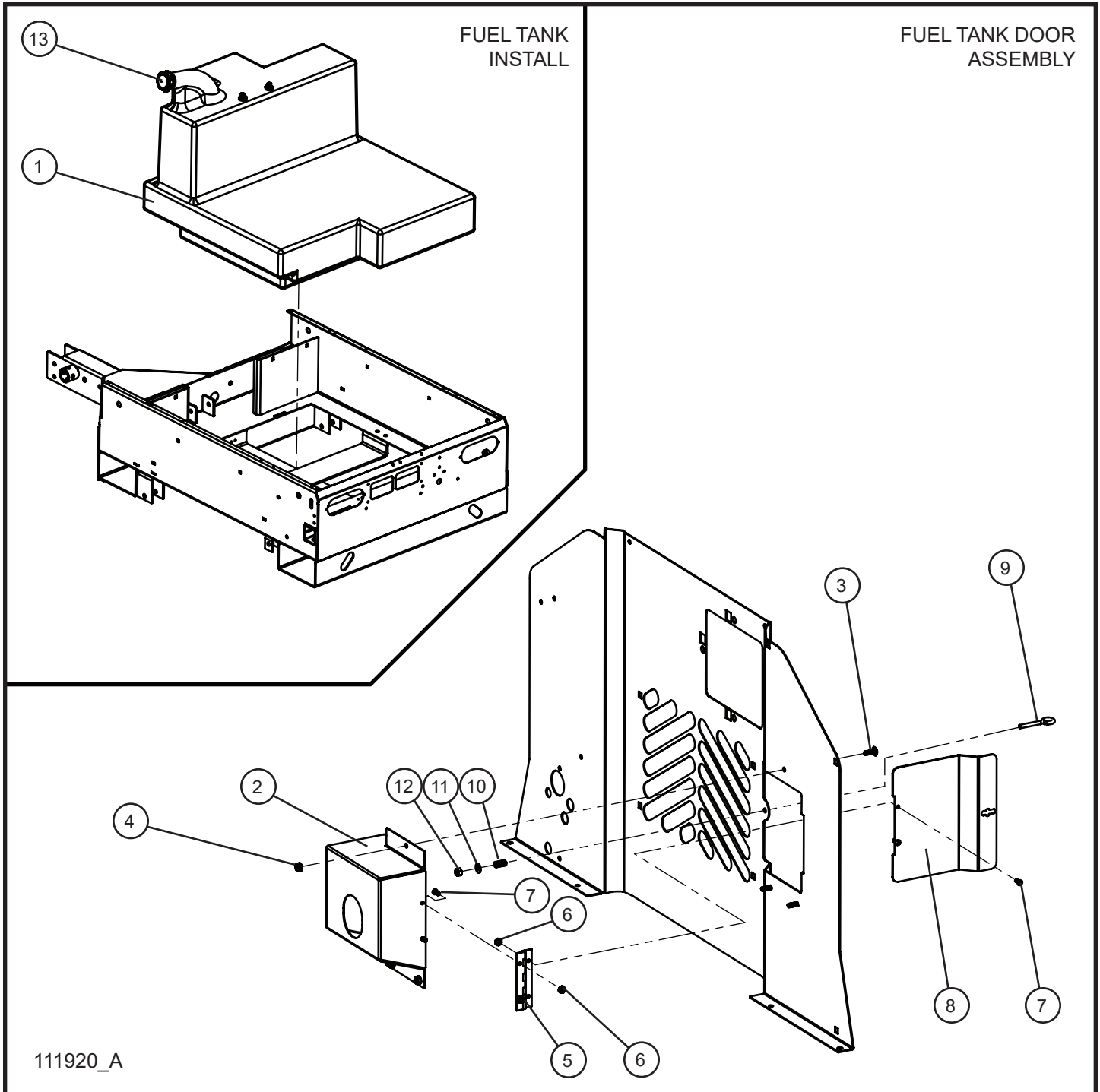
SN 39-000001 to 39-999999

## 8.4 - Ground Strap

Item	Part No.	Part Description	Qty.
1	340105	GROUND STRAP	1
	114800	GROUND WIRE	1
2	053020	5/16-18 x 1 CARRIAGE BOLT PL	1
3	043060	5/16 INTL TOOTH LOCK WASHER	1
4	047010	5/16 FLAT WASHER PL	2
5	044033	5/16-18 NYLOCK HEX NUT PL	1
6	043070	3/8 INTL TOOTH LOCK WASHER PL	1
7	042151	M10 SPLIT LOCK WASHER	1
8	042038	M10 x 20mm x 1.25mm HEX HEAD CS GR8.8 PL	1
9	046105	3/8-16 x 3/4 HEX HEAD CS GR8 PL	1

\*NS - NOT SHOWN

## 8.5 - Fuel Tank



# NIGHT-LITE™ V-SERIES

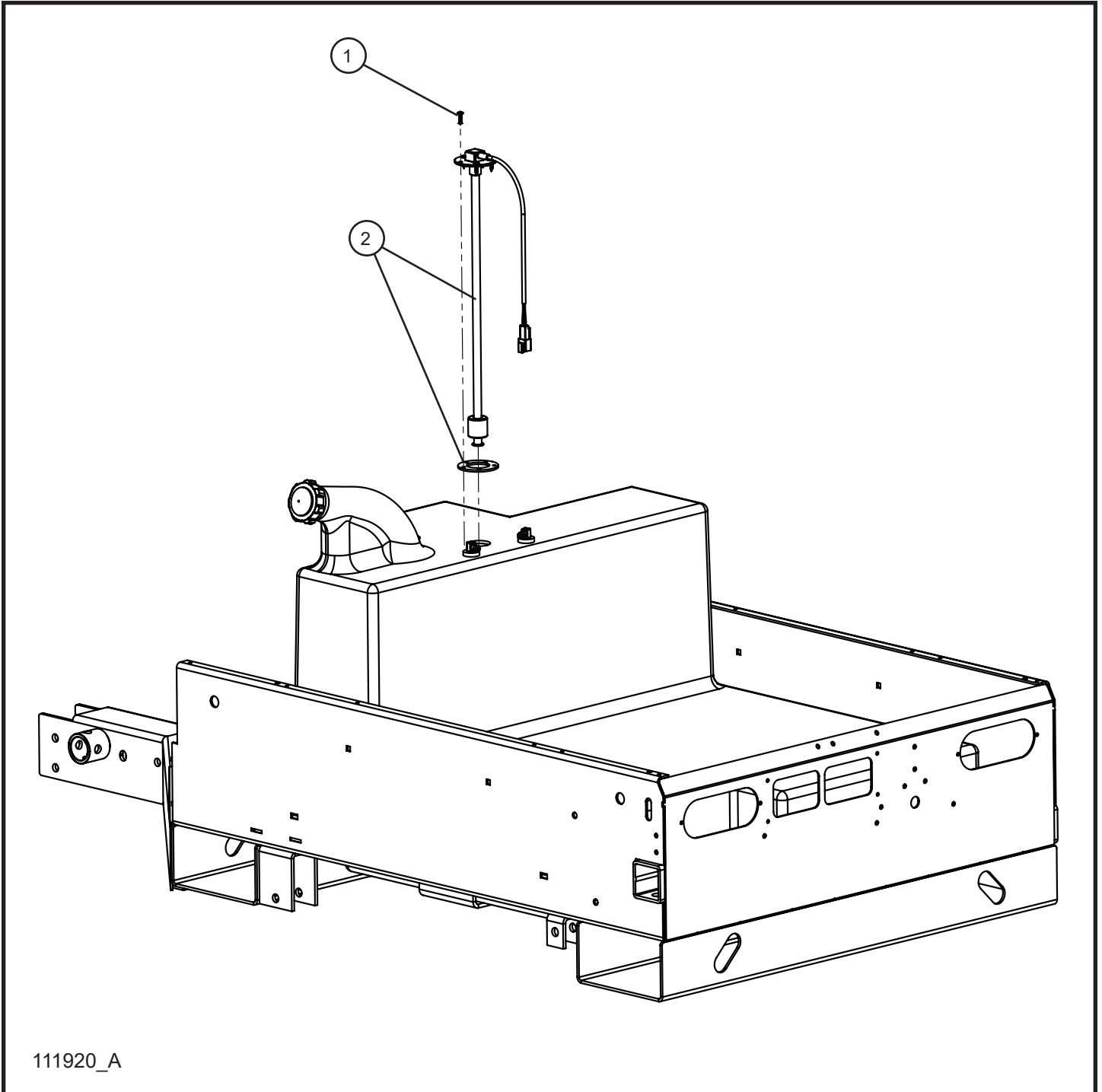
SN 39-000001 to 39-999999

## 8.5 - Fuel Tank

Item	Part No.	Part Description	Qty.
1	114807	TANK POLY 45 GALLON	1
2	109856P	FUEL TANK SHELL	1
3	041050	1/4-20 x 3/4 PH-TRUSS HEAD MACHINE SCREW	3
4	044021	1/4-20 KEPS HEX NUT PL	3
5	045023	HINGE APF & ALT BOARDS	1
6	044016	#10-24 KEPS HEX NUT PL	4
7	041021	#10-24 x 1/2 PH-ROUND HEAD MS PL	4
8	109872P	PANEL ACCESS FUEL FILL	1
9	045066	BOLT EYE 1/4-20 x 1 ZINC	1
10	106528	SPRING COMPRESSION 3/8 x 3/4	1
11	047009	1/4 FLAT WASHER SAE SS	1
12	044023	1/4-20 NYLOCK HEX NUT PL	1
13	340027	FUEL CAP	1
NS	106153	FUEL SUCTION TUBE ASSEMBLY	1
NS	340025C	DAPCO GROMMET	2
NS	113325	1/4 HOSE BARB DROP TUBE	1

\*NS - NOT SHOWN

## 8.6 - Fuel Sender



111920\_A

# NIGHT-LITE™ V-SERIES

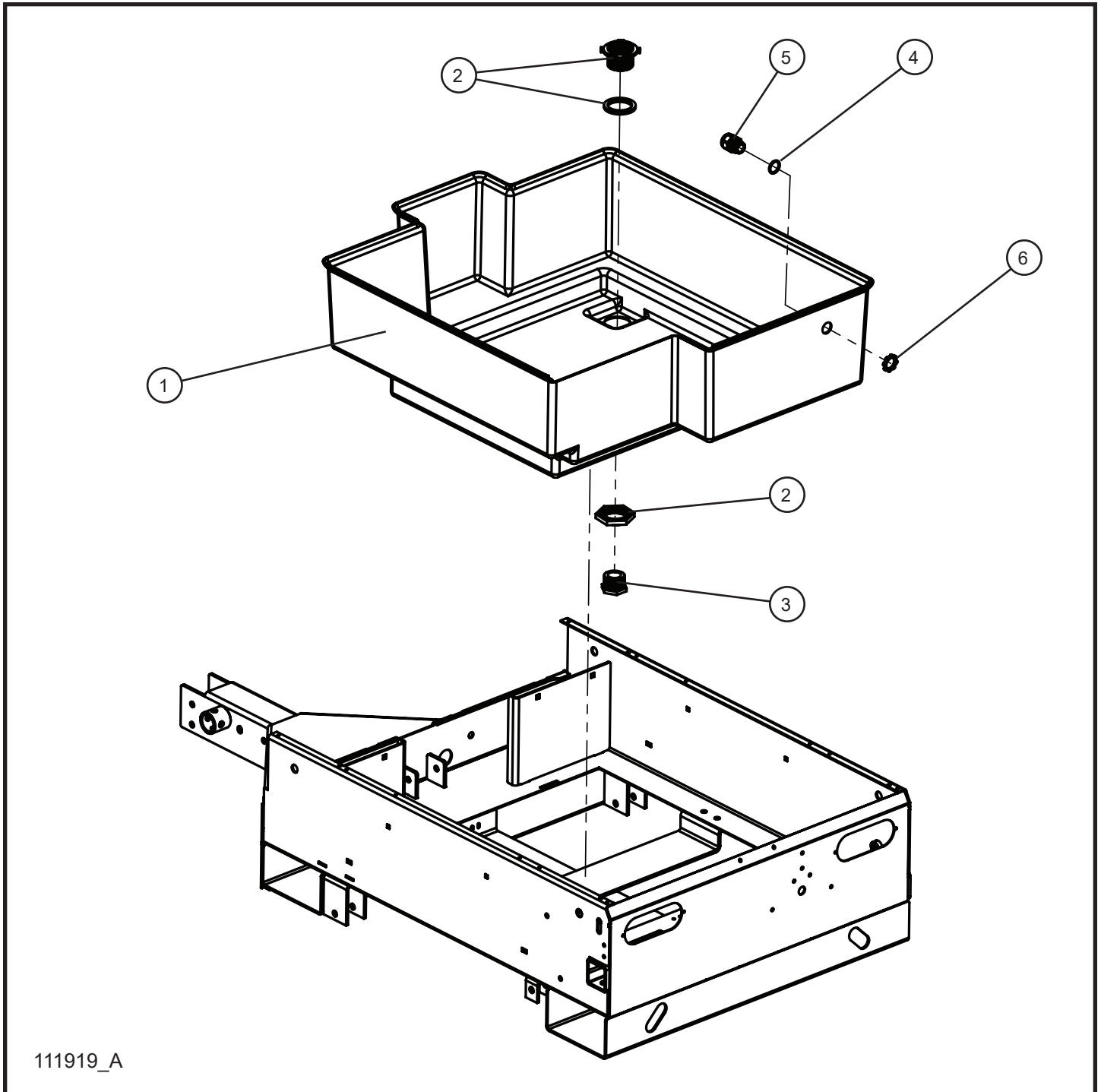
SN 39-000001 to 39-999999

## 8.6 - Fuel Sender

Item	Part No.	Part Description	Qty.
1	102556	#8 x 3/4 SCREW	5
2	112641	VERTICAL SHAFT FUEL LEVEL SENDER	1
NS	110090	FUEL LEVEL SENDER HARNESS	1

\*NS - NOT SHOWN

## 8.7 - Fluid Containment Liner





# NIGHT-LITE™ V-SERIES

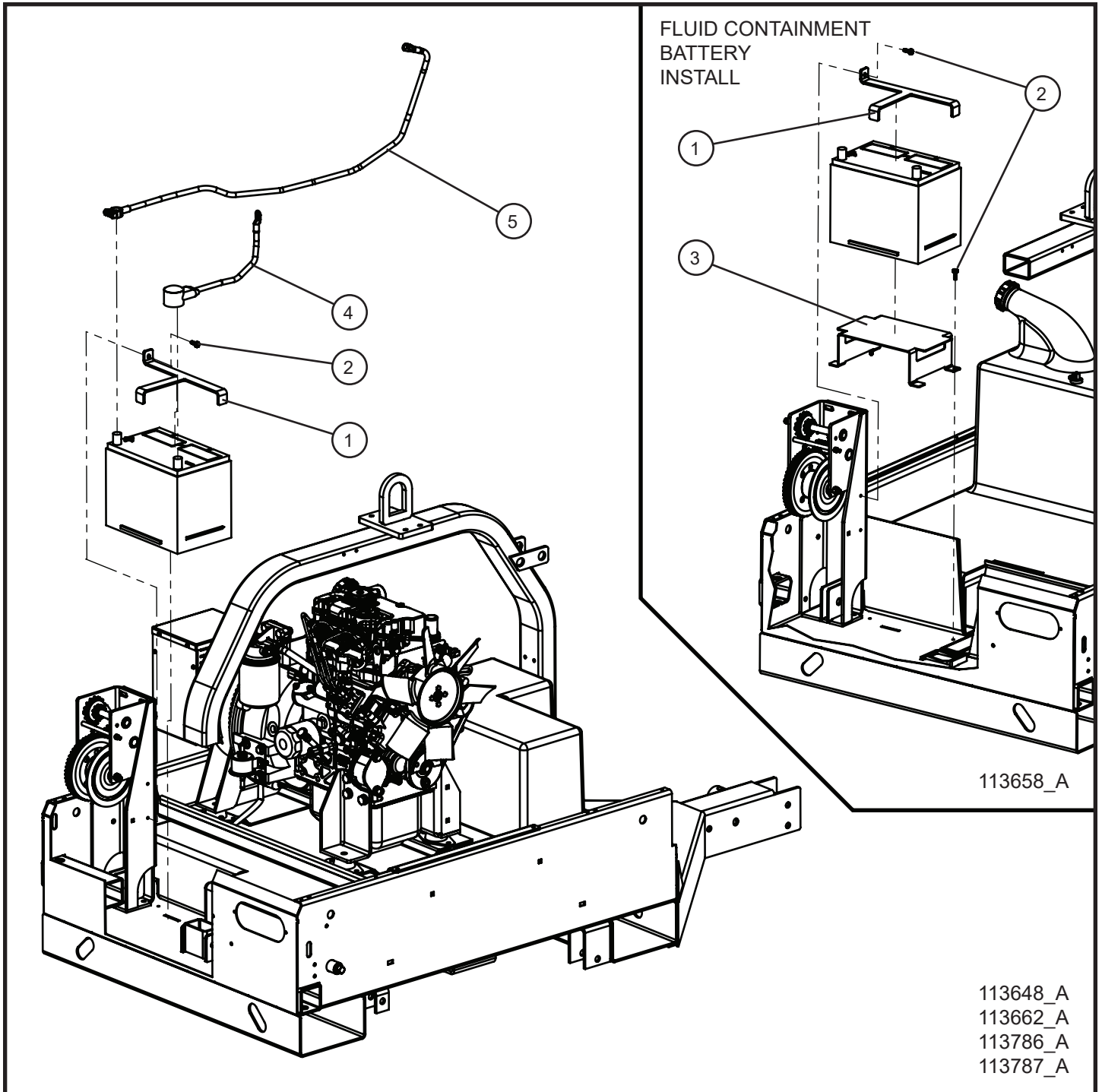
SN 39-000001 to 39-999999

## 8.7 - Fluid Containment Liner

Item	Part No.	Part Description	Qty.
1	108924	FLUID CONTAINMENT LINER	1
2	111922	1 1/4 TANK FLANGE ASSEMBLY	1
3	111923	PLUG HEX FLANGE TANK	1
4	113650	O-RING CHEMICAL-RESISTANT	1
5	105916	CORD GRIP NYLON 3/4	1
6	022036	3/4 CORD GRIP NUT	1

\*NS - NOT SHOWN

## 8.8 - Battery Install Group



# NIGHT-LITE™ V-SERIES

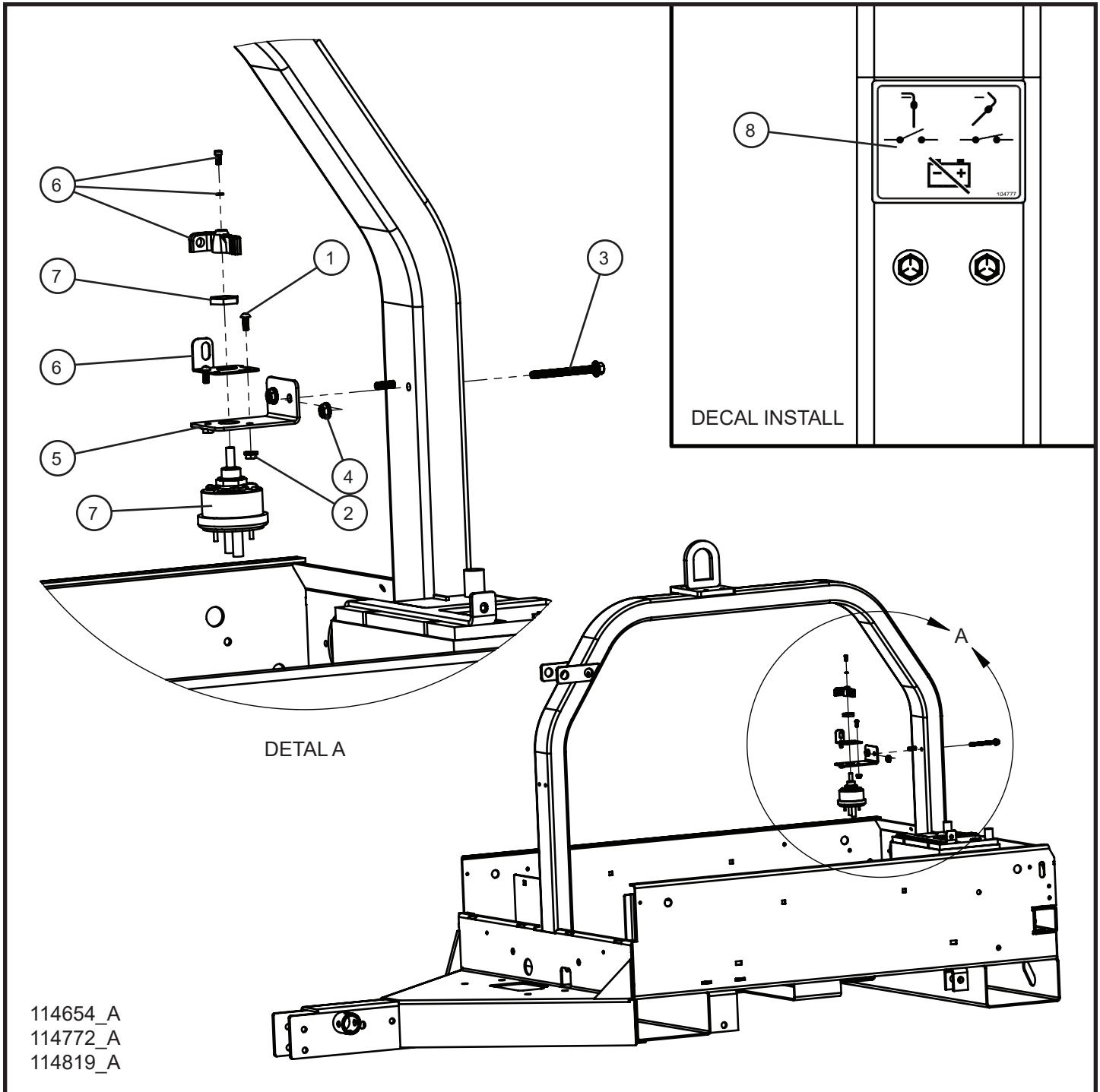
SN 39-000001 to 39-999999

## 8.8 - Battery Install Group

Item	Part No.	Part Description	Qty.
1	113637P	BATTERY HOLDDOWN STRAP	1
2	100342	1/4-20 x 3/4 SLOTTED HEX WASHER HEAD MACHINE SCREW	3
3	113638P	CONTAINMENT BATTERY TRAY	1
4	110373	BATTERY CABLE BLACK 2GA 16.00 (NEGATIVE)	1
5	113656	BATTERY CABLE RED 2GA 40.00 (POSITIVE)	1

\*NS - NOT SHOWN

## 8.9 - Battery Disconnect



# NIGHT-LITE™ V-SERIES

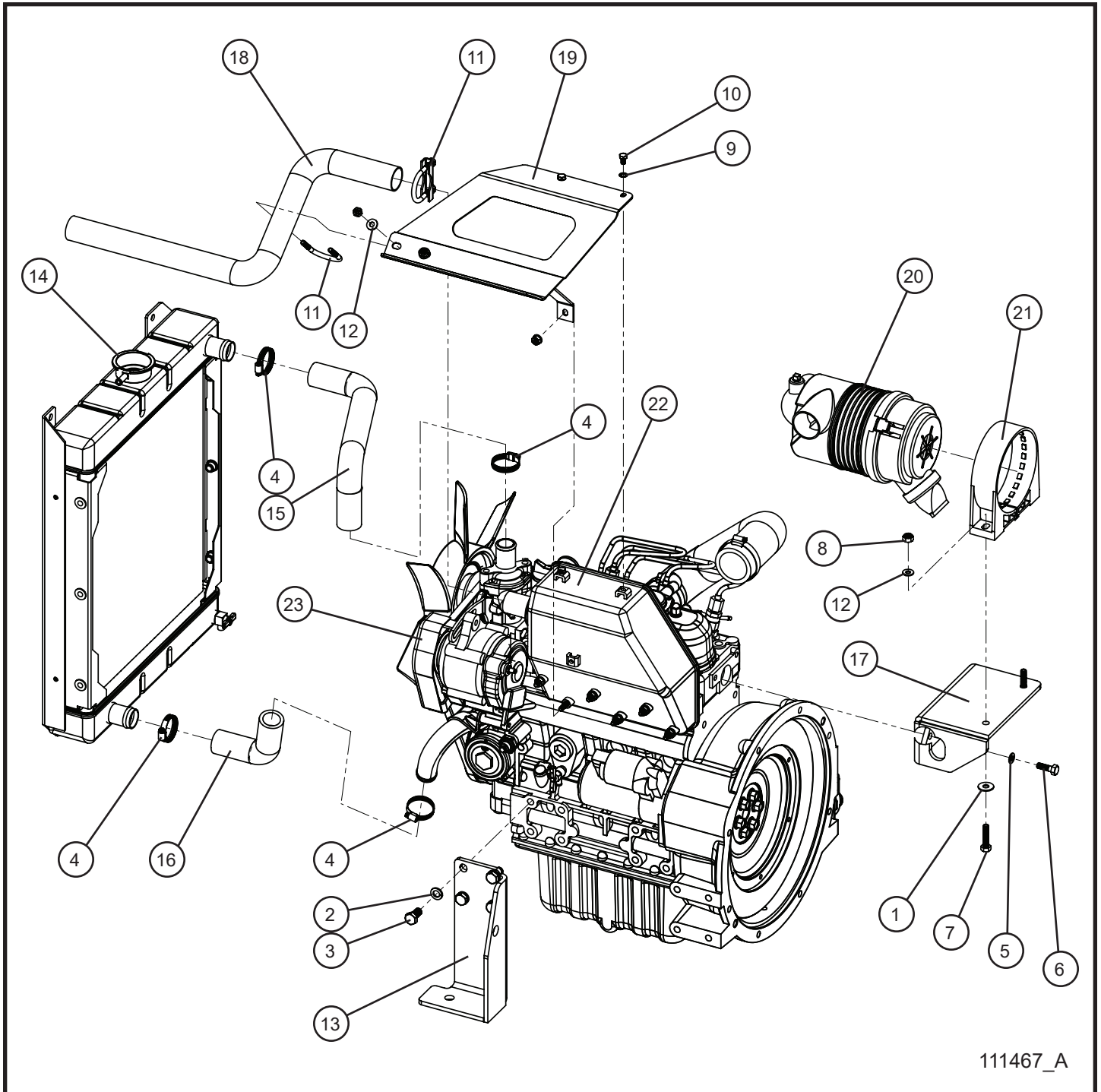
SN 39-000001 to 39-999999

## 8.9 - Battery Disconnect

Item	Part No.	Part Description	Qty.
1	041024	#10-24 x 1/2 PHILLIPS ROUND HEAD	2
2	057004	#10-24 SERRATED FLANGE HEX LOCKNUT	2
3	056008	1/4-20 x 2-3/4 SERRATED FLANGE HEX SCREW	2
4	057000	1/4-20 HEX SERRATED FLANGE NUT	2
5	114660P	MOUNT BATTERY DISCONNECT	1
6	103483	LOCK OUT BATTERY DISCONNECT	1
7	102534	SWITCH BATTERY DISCONNECT	1
8	104777	BATTERY DISCONNECT DECAL	1
NS	105301	SCHEMATIC BATTERY DISCONNECT	1
NS	106466	CABLE NEGATIVE BATTERY PARALLEL	1
NS	113656	BATTERY CABLE RED 2GA 42.0	1
NS	110373	BATTERY CABLE BLACK 2GA 16.0	1

\*NS - NOT SHOWN

## 9.1 - Kubota Engine Assembly Group (1 of 3)



111467\_A

# NIGHT-LITE™ V-SERIES

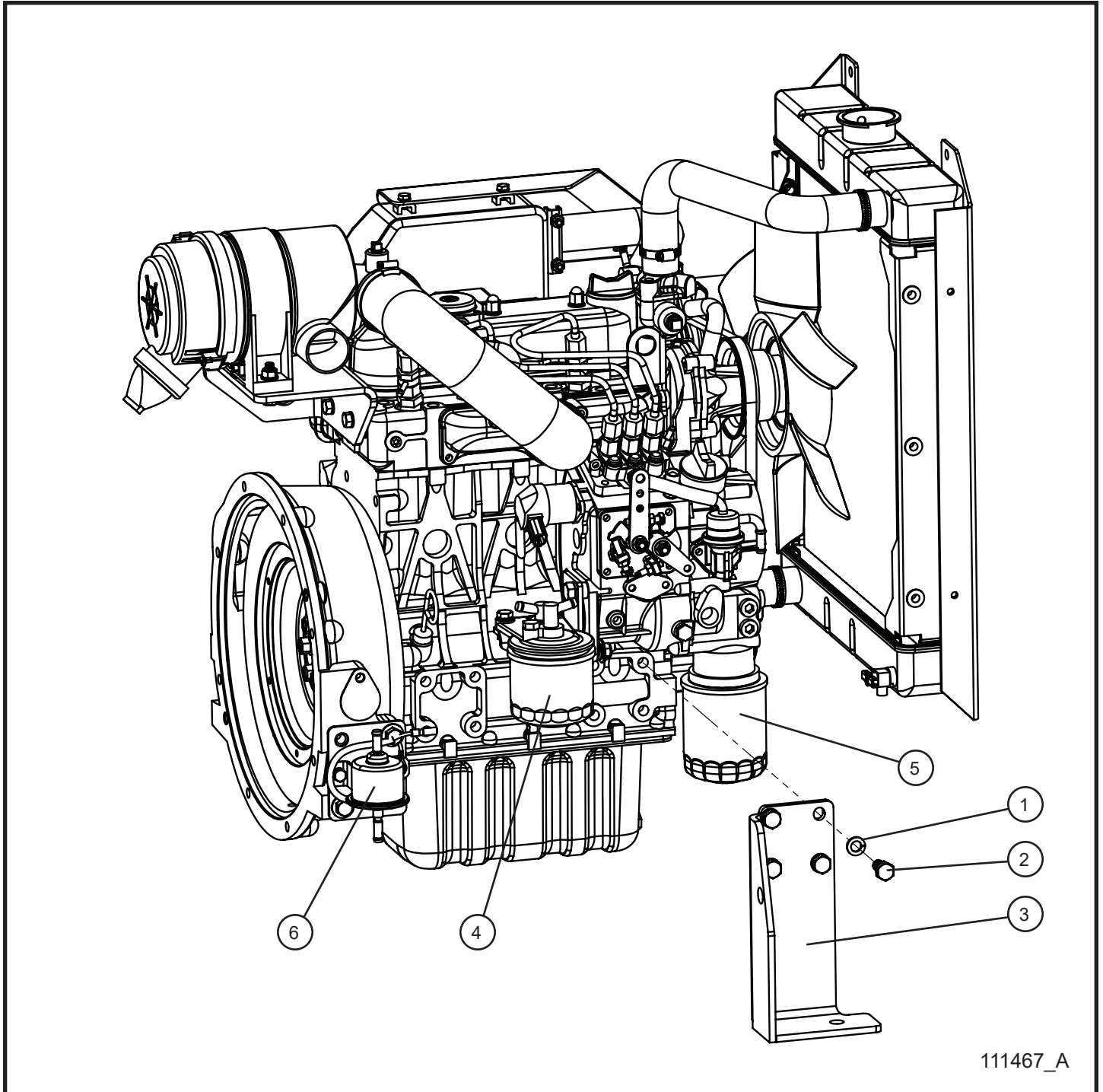
SN 39-000001 to 39-999999

## 9.1 - Kubota Engine Assembly Group (1 of 3)

Item	Part No.	Part Description	Qty.
1	047010	5/16 FLAT WASHER PL	8
2	042151	M10 SPLIT LOCK WASHER PL	4
3	042038	M10 x 20MM x 1.25MM HEX HEAD CS GR 8.8 PL	4
4	045034	#16 HOSE CLAMP	4
5	102131	M8 SPLIT LOCK WASHER PL	2
6	042027	M8 x 16MM x 1.25 HEX HEAD CS GR10.9 PL	2
7	102127	8MM x 35MM x 1.25 HEX GR 8.8 PLATED	2
8	042081	M8 x 1.25MM NYLOCK HEX NUT PL METRIC	2
9	043050	1/4 INTL TOOTH LOCK WASHER	2
10	042018	M6 x 1.0MM x 10MM HEX HEAD CS GR 8.8 PL	2
11	713086	1 3/8 MUFFLER CLAMP	2
12	047005	1/4 FLAT WASHER	4
13	103470P	BRACKET ENGINE FOOT RIGHT WELDMENT KUBOTA	1
14	105393	RADIATOR KUBOTA	1
15	107119	RADIATOR HOSE UPPER KUBOTA	1
16	107120	RADIATOR HOSE LOWER KUBOTA	1
17	107356P	MOUNT WELDED AIR FILTER	1
18	109800	TAIL PIPE KUBOTA	1
	114858	TAIL PIPE NLV KUBOTA	1
19	103579P	TAILPIPE MOUNT D1105 NL PRO II	1
20	650262	AIR CLEANER RADIAL SEAL	1
	650290	AIR FILTER	1
21	650263	MOUNTING BAND AIR CLEANER	1
22	352139	BOX MUFFLER	1
23	104479	ENGINE D1005 NRTC/NTE KUBOTA	1
NS	045038	#32 HOSE CLAMP	2
NS	101734	AIR CLEANER HOSE KUBOTA D1005/D1105	1
NS	107347	RADIATOR KIT KUBOTA (INCLUDES PART NUMBERS 105393, 107119, & 107120)	1
NS	108043	HARNESS KUBOTA	1
NS	105875	KUBOTA CHARGE CIRCUIT FUSE	1
NS	108044	KUBOTA ENGINE HARNESS SCHEMATIC	1

\*NS - NOT SHOWN

## 9.1 - Kubota Engine Assembly Group (2 of 3)



111467\_A



# NIGHT-LITE™ V-SERIES

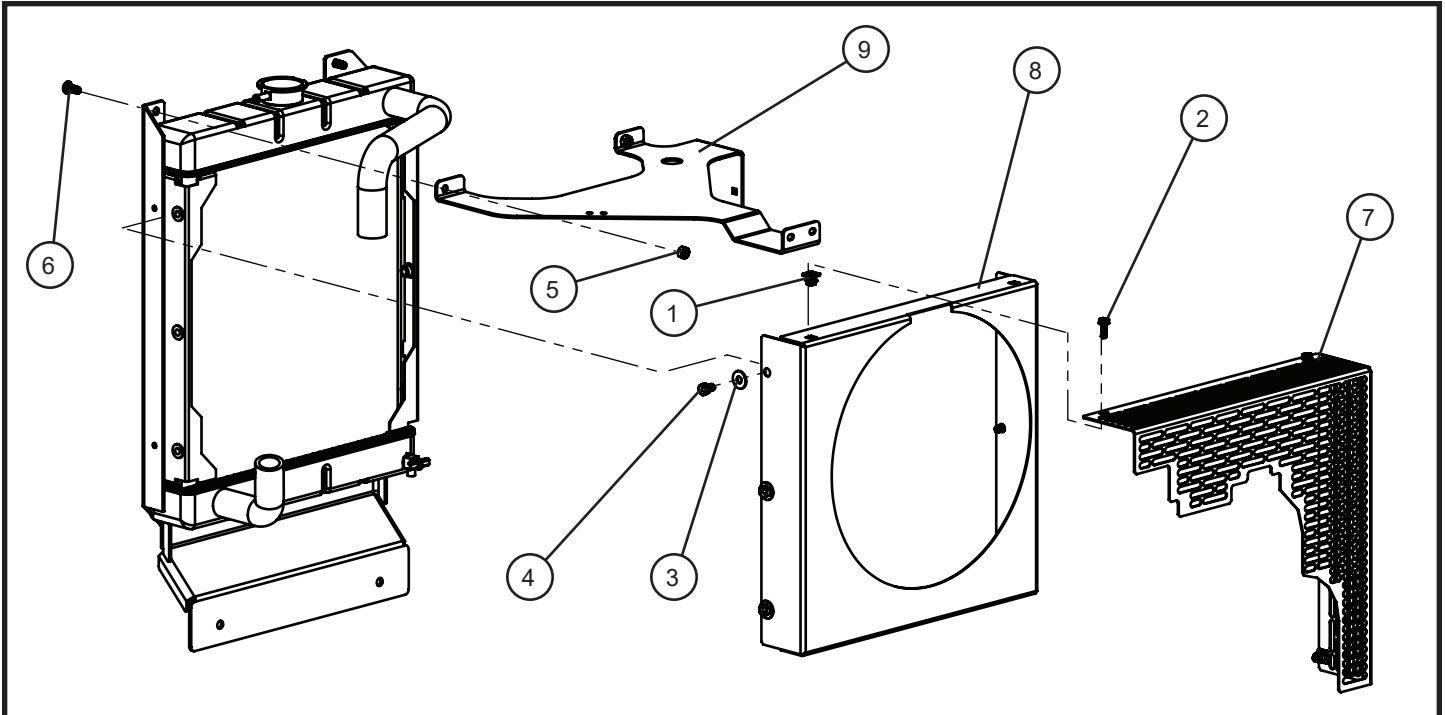
SN 39-000001 to 39-999999

## 9.1 - Kubota Engine Assembly Group (2 of 3)

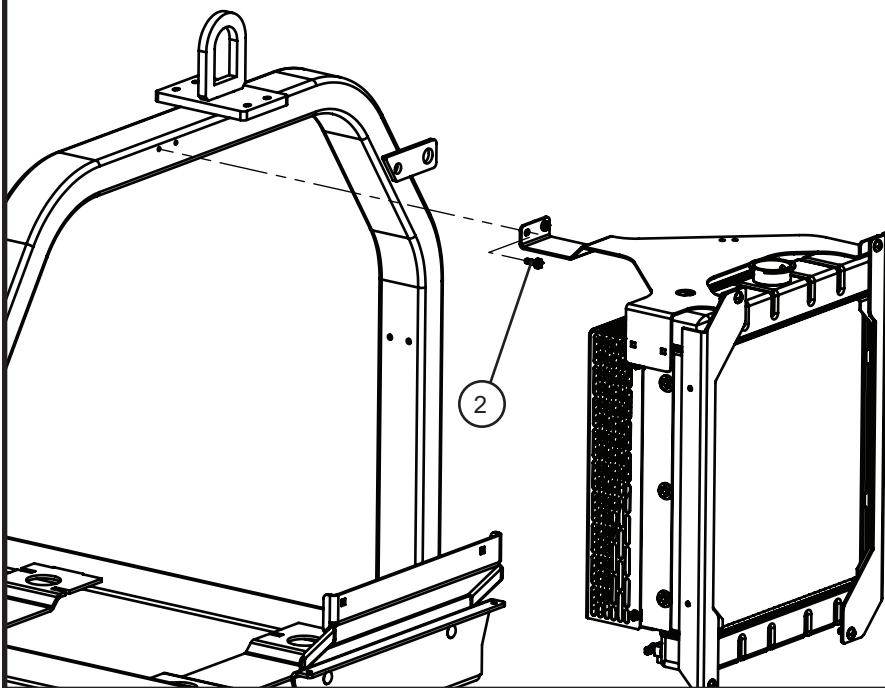
Item	Part No.	Part Description	Qty.
1	042151	M10 SPLIT LOCK WASHER PL	4
2	042038	M10 x 20MM x 1.25MM HEX HEAD CS GR 8.8 PL	4
3	103469P	BRACKET ENGINE FOOT LEFT WELDMENT KUBOTA	1
4	920745	FUEL FILTER	1
5	920743	OIL FILTER	1
6	103331	FUEL PUMP	1
NS	108962	KUBOTA FILTER KIT (INCLUDES PART NUMBERS 920745, 920743, & 650290)	1
NS	340302	HIGH TEMP SWITCH	1
NS	340301	OIL PRESSURE SWITCH	1
NS	920751	FUEL SHUT OFF SOLENOID	1

\*NS - NOT SHOWN

## 9.1 - Kubota Engine Assembly Group (3 of 3)



UPPER RADIATOR  
MOUNT INSTALL



111467\_A

# NIGHT-LITE™ V-SERIES

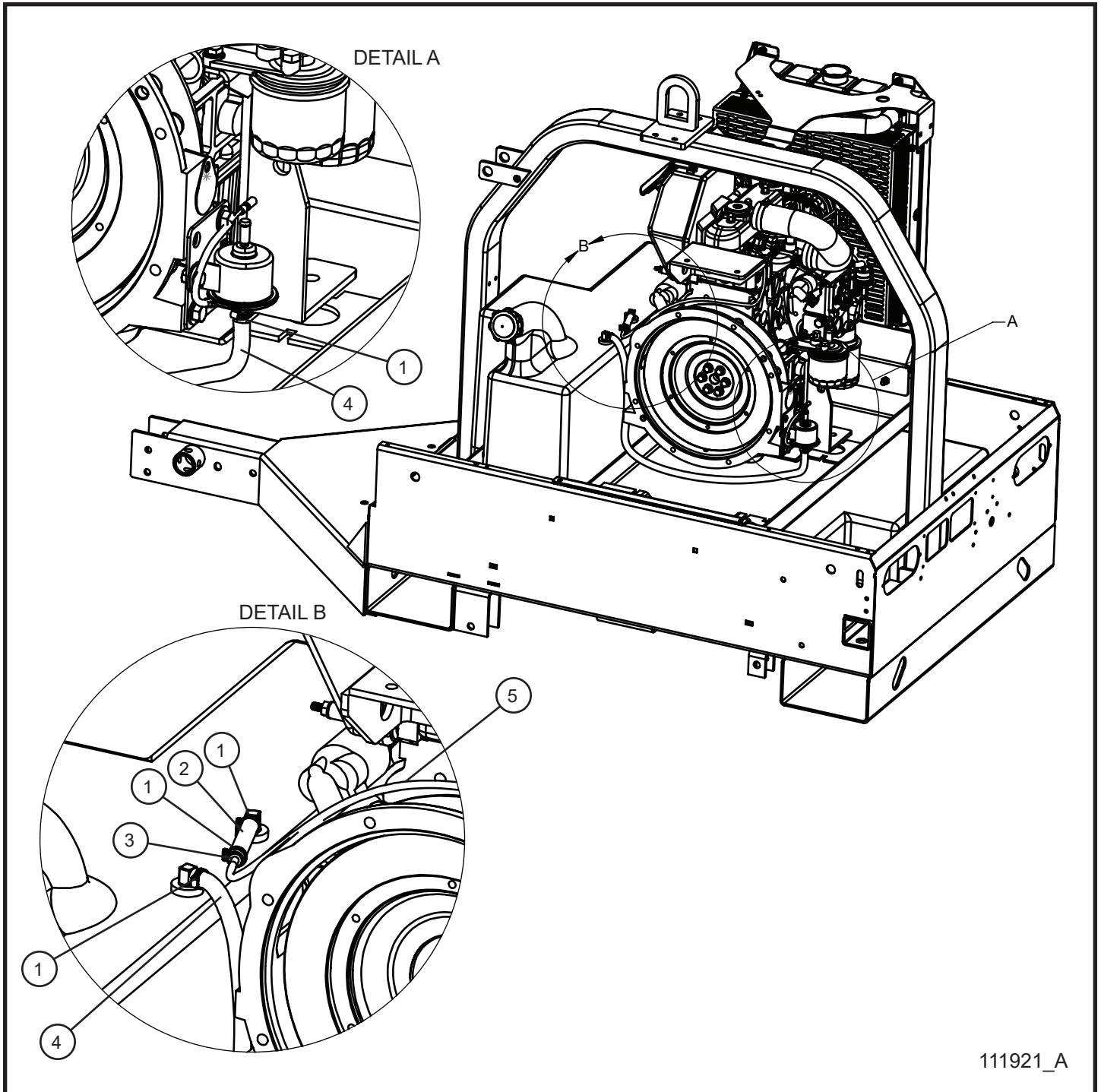
SN 39-000001 to 39-999999

## 9.1 - Kubota Engine Assembly Group (3 of 3)

Item	Part No.	Part Description	Qty.
1	105408	GROMMET NUT DOUBLE SPLIT	4
2	041070	1/4-20 x 3/4 SL-HEX WASHER HEAD MS TP F	6
3	047010	5/16 FLAT WASHER PL	6
4	046046	5/16-18 x 1/2 HEX HEAD CS GR5 PL	6
5	044033	5/16-18 NYLOCK HEX NUT PL	4
6	041071	SCREW MACHINE PHILLIPS HEAD ROUND 5/16-18 x 3/4 PLATED	4
7	110318P	FINGER GUARD KUBOTA	1
8	107184P	FAN SHROUD SHORT JB RADIATOR	1
9	112413P	TOP RADIATOR MOUNT	1

\*NS - NOT SHOWN

## 9.2 - Kubota Fuel Lines



# NIGHT-LITE™ V-SERIES

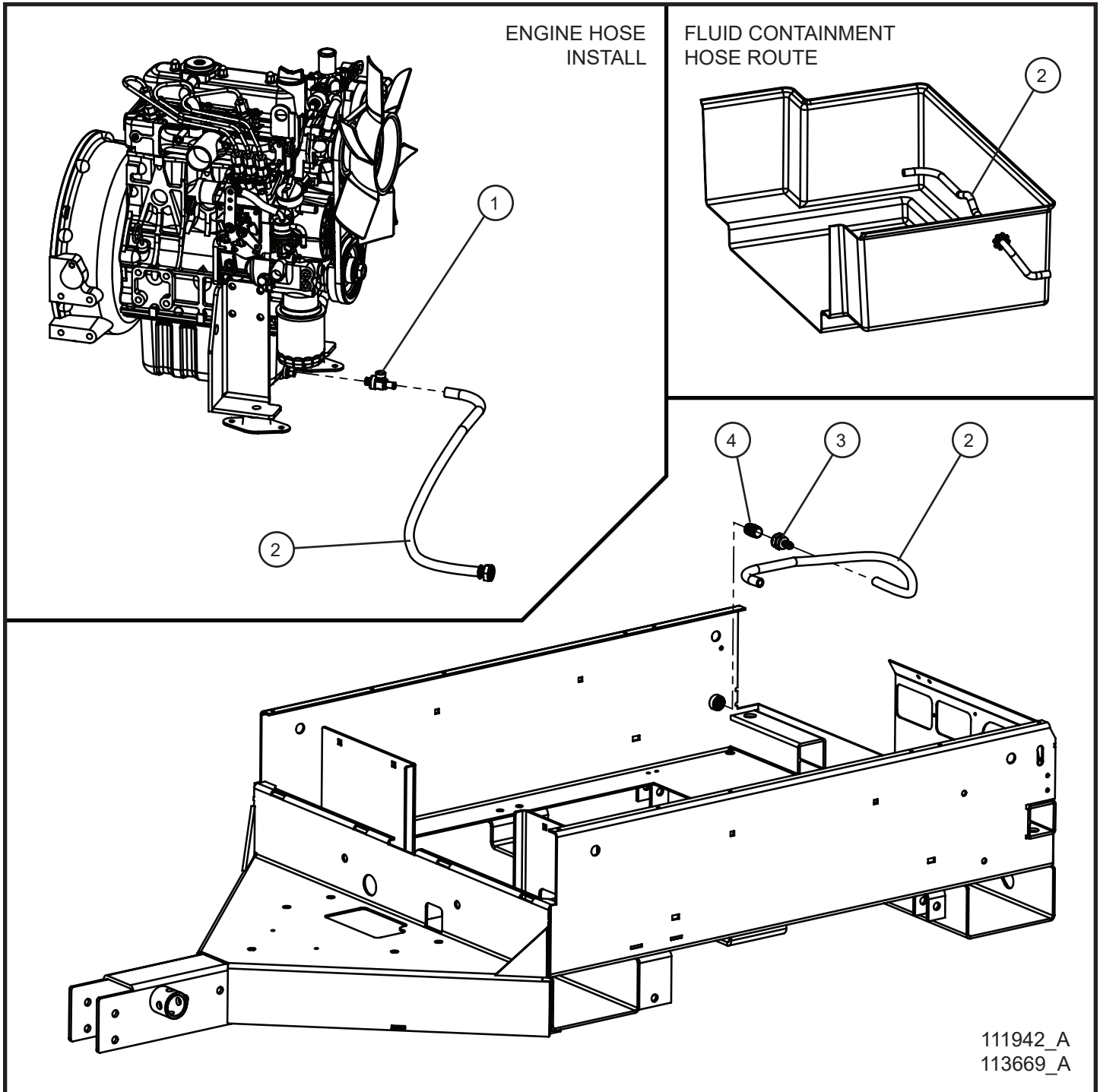
SN 39-000001 to 39-999999

## 9.2 - Kubota Fuel Lines

Item	Part No.	Part Description	Qty.
1	433400	#4 HOSE CLAMP	4
2	081018	HOSE 5/16" FUEL LINE x 3.0	1
3	106134	REDUCER FITTING HOSE BARB	1
4	081018	HOSE 5/16" FUEL LINE x 30.0	1
5	081005	NYLON HOSE 1/4 OD x .035 WALL 250WP FUEL LINE BK	1

\*NS - NOT SHOWN

## 9.3 - Kubota Oil Drain Line



# NIGHT-LITE™ V-SERIES

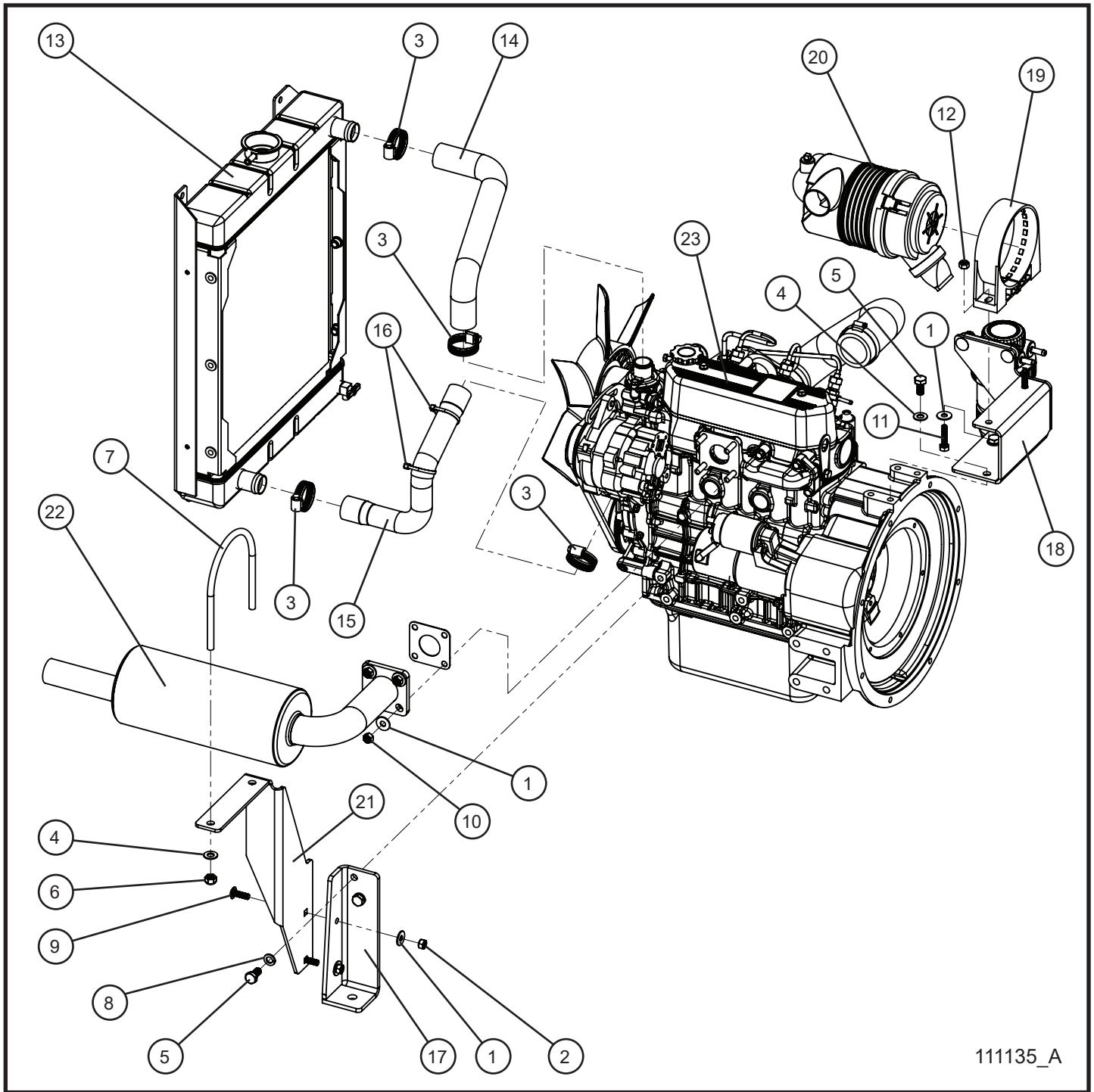
SN 39-000001 to 39-999999

## 9.3 - Kubota Oil Drain Line

Item	Part No.	Part Description	Qty.
1	848299	DRAIN VALVE M12 x 1.5 - 3/8 HOSE	1
2	081017	3/8 YELLOW FUEL HOSE x 26 INCHES	1
3	104865	3/8 HOSE x 1/2 NPT BARBED TO FEMALE	1
4	610215	1/2 NPT NIPPLE	1

\*NS - NOT SHOWN

## 10.1 - Mitsubishi Engine Assembly Group (1 of 4)



111135\_A



# NIGHT-LITE™ V-SERIES

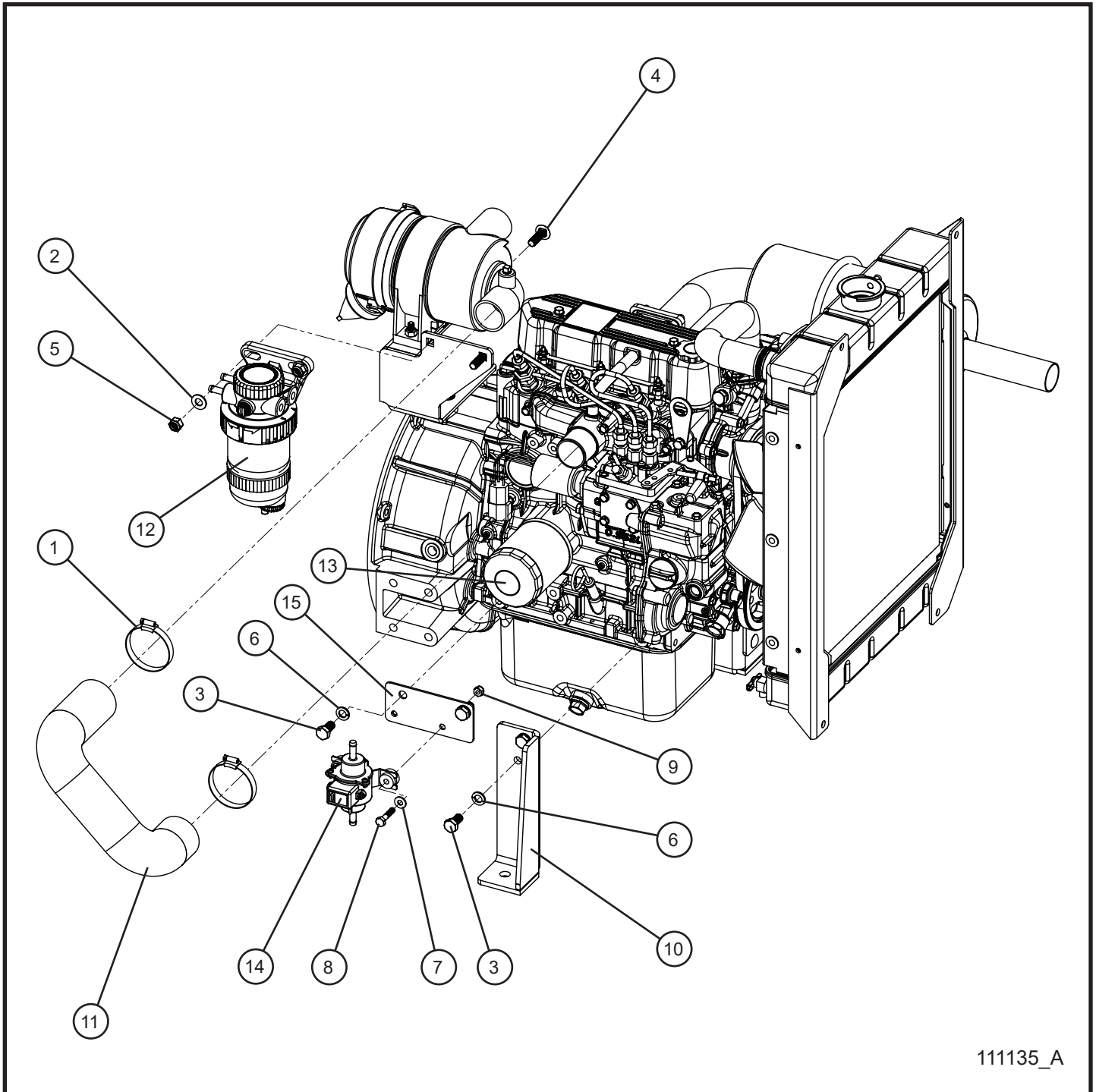
SN 39-000001 to 39-999999

## 10.1 - Mitsubishi Engine Assembly Group (1 of 4)

Item	Part No.	Part Description	Qty.
1	047010	5/16 FLAT WASHER PL	8
2	044033	5/16-18 NYLOCK HEX NUT PL	2
3	045035	#20 HOSE CLAMP	4
4	047016	3/8 FLAT WASHER SAE ZINC	4
5	042038	M10 x 20mm x 1.25mm HEX HEAD CS GR8.8 PL	4
6	044080	3/8-16 TOP LOCK HEX NUT PL	2
7	105744	4.75" MUFFLER U-BOLT	1
8	042151	M10 SPLIT LOCK WASHER PL	2
9	053020	5/16-18 x 1 CARRIAGE BOLT PL	2
10	042079	M8 x 1.25 GR8 TOP LOCK NUT	4
11	102127	8mm x 35mm x 1.25 HEX GR8.8 PLATED	2
12	042081	M8 x 1.25mm NYLOCK HEX NUT PL METRIC	2
13	105393	RADIATOR SMALL ENGINES 1.0L / 1.1L	1
14	108241	RADIATOR HOSE UPPER MITSUBISHI L3E	1
15	108435	RADIATOR HOSE LOWER MITSUBISHI L3E	1
16	068090	CABLE TIE 8	2
17	108239P	ENGINE BRACKET RIGHT WELDMENT	1
18	108690P	AIR CLEANER BRACKET WELDMENT NL5000	1
19	650263	MOUNTING BAND AIR CLEANER	1
20	650262	AIR CLEANER RADIAL SEAL	1
	650290	AIR FILTER	1
21	108246P	MUFFLER BRACKET	1
22	108245	MUFFLER MITSUBISHI L3E	1
	114856	MUFFLER NLV MITSUBISHI L3E	1
23	108377	MITSUBISHI L3E TIER 4 FINAL ENGINE	1
NS	108311	SCHEMATIC ENGINE HARNESS	1
NS	108041	ENGINE HARNESS MISTUBISHI L3E	1
NS	108369	CHARGE CIRCUIT FUSE 40AMP	1

\*NS - NOT SHOWN

## 10.1 - Mitsubishi Engine Assembly Group (2 of 4)



111135\_A

# NIGHT-LITE™ V-SERIES

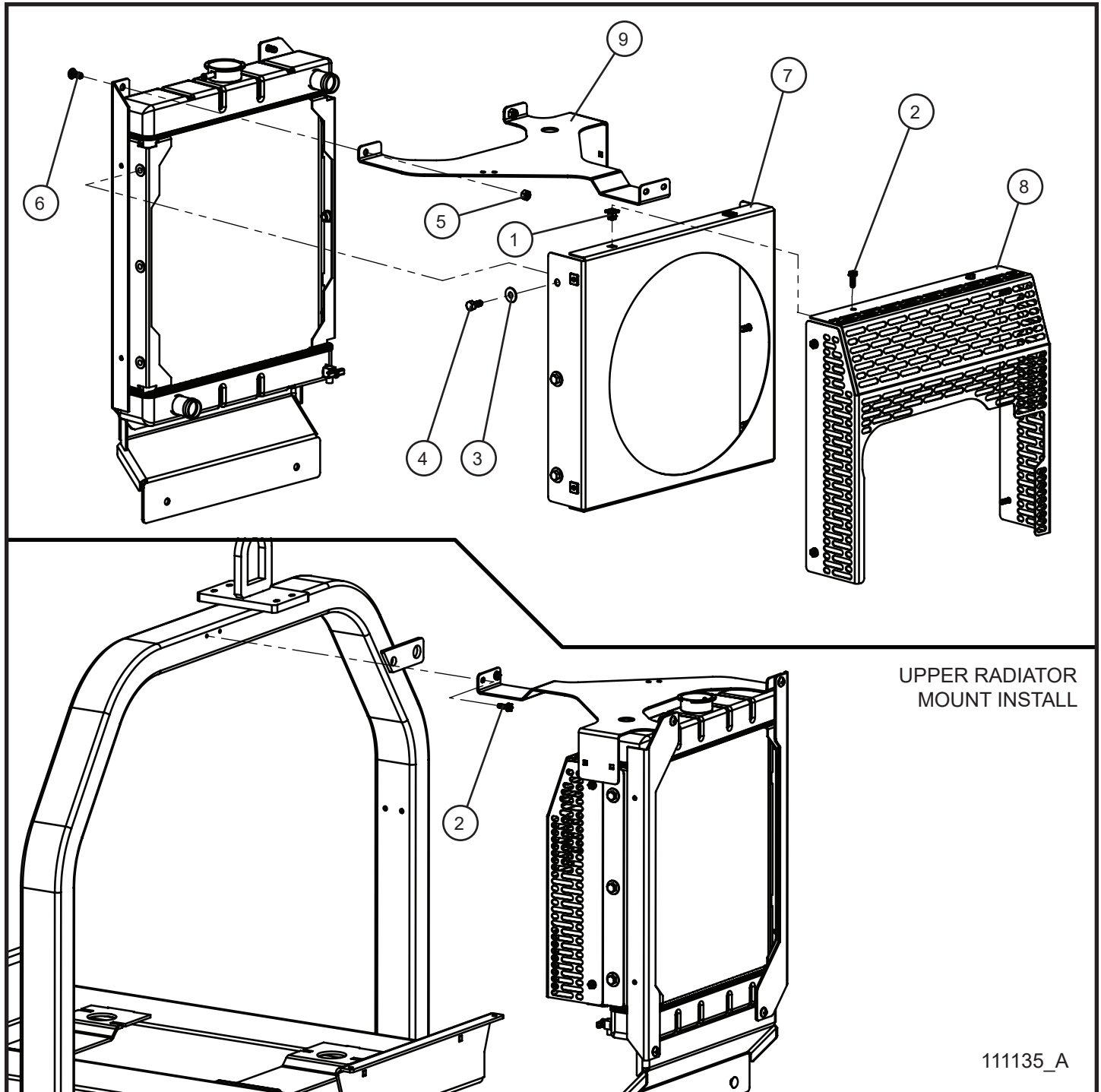
SN 39-000001 to 39-999999

## 10.1 - Mitsubishi Engine Assembly Group (2 of 4)

Item	Part No.	Part Description	Qty.
1	045038	#32 HOSE CLAMP	2
2	047016	3/8 FLAT WASHER SAE ZINC	2
3	042038	M10 x 20mm x 1.25mm HEX HEAD CS GR8.8 PL	4
4	100670	3/8-16 x 1 1/4 CARRIAGE BOLT	2
5	044038	3/8-16 NYLOCK HEX NUT PL	2
6	042151	M10 SPLIT LOCK WASHER PL	4
7	047005	1/4 FLAT WASHER PL	2
8	046020	1/4-20 x 1 1/4 HEX HEAD CS GR5 PL	2
9	044023	1/4-20 NYLOCK HEX NUT PL	2
10	108266P	ENGINE BRACKET LEFT WELDMENT	1
11	101734	AIR INTAKE HOSE SMALL ENGINES	1
12	108430	FUEL FILTER	1
13	108429	OIL FILTER	1
14	108897	FUEL PUMP	1
15	108248P	FUEL PUMP BRACKET	1

\*NS - NOT SHOWN

## 10.1 - Mitsubishi Engine Assembly Group (3 of 4)



# NIGHT-LITE™ V-SERIES

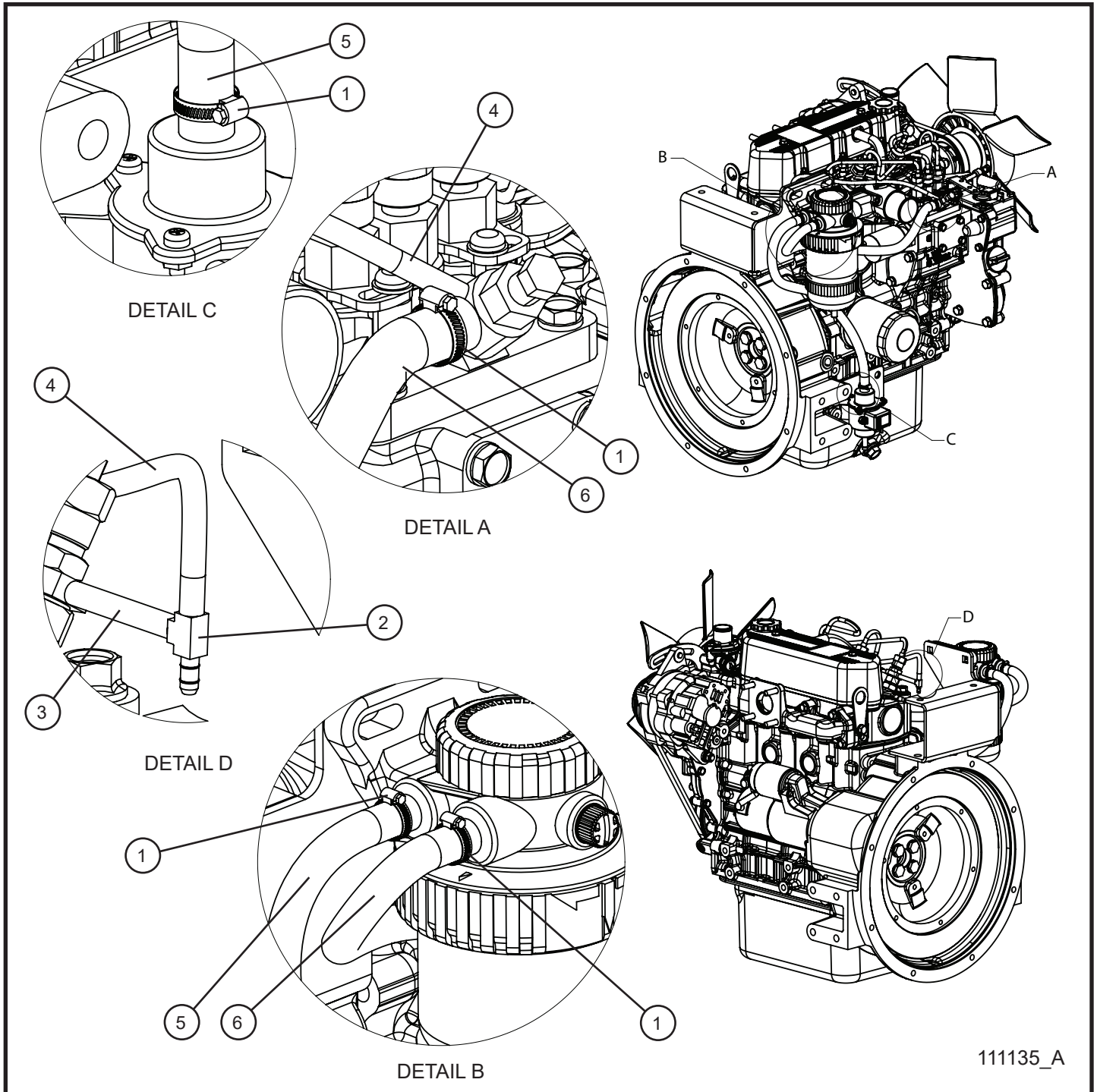
SN 39-000001 to 39-999999

## 10.1 - Mitsubishi Engine Assembly Group (3 of 4)

Item	Part No.	Part Description	Qty.
1	105408	GROMMET NUT DOUBLE SPLIT	4
2	041070	1/4-20 x 3/4 SL-HEX WASHER HEAD MS TP F	6
3	047010	5/16 FLAT WASHER PL	6
4	046047	5/16-18 x 3/4 HEX HEAD CS GR5 PL	6
5	044033	5/16-18 NYLOCK HEX NUT PL	4
6	041071	SCREW MACHINE PHILLIPS HEAD ROUND 5/16-18 x 3/4 PLATED	4
7	108243P	FAN SHROUD MITSUBISHI L3E	1
8	110316P	FINGER GUARD MITSUBISHI L3E	1
9	112413P	UPPER RADIATOR MOUNT	1

\*NS - NOT SHOWN

## 10.1 - Mitsubishi Engine Assembly Group (4 of 4)



111135\_A

# NIGHT-LITE™ V-SERIES

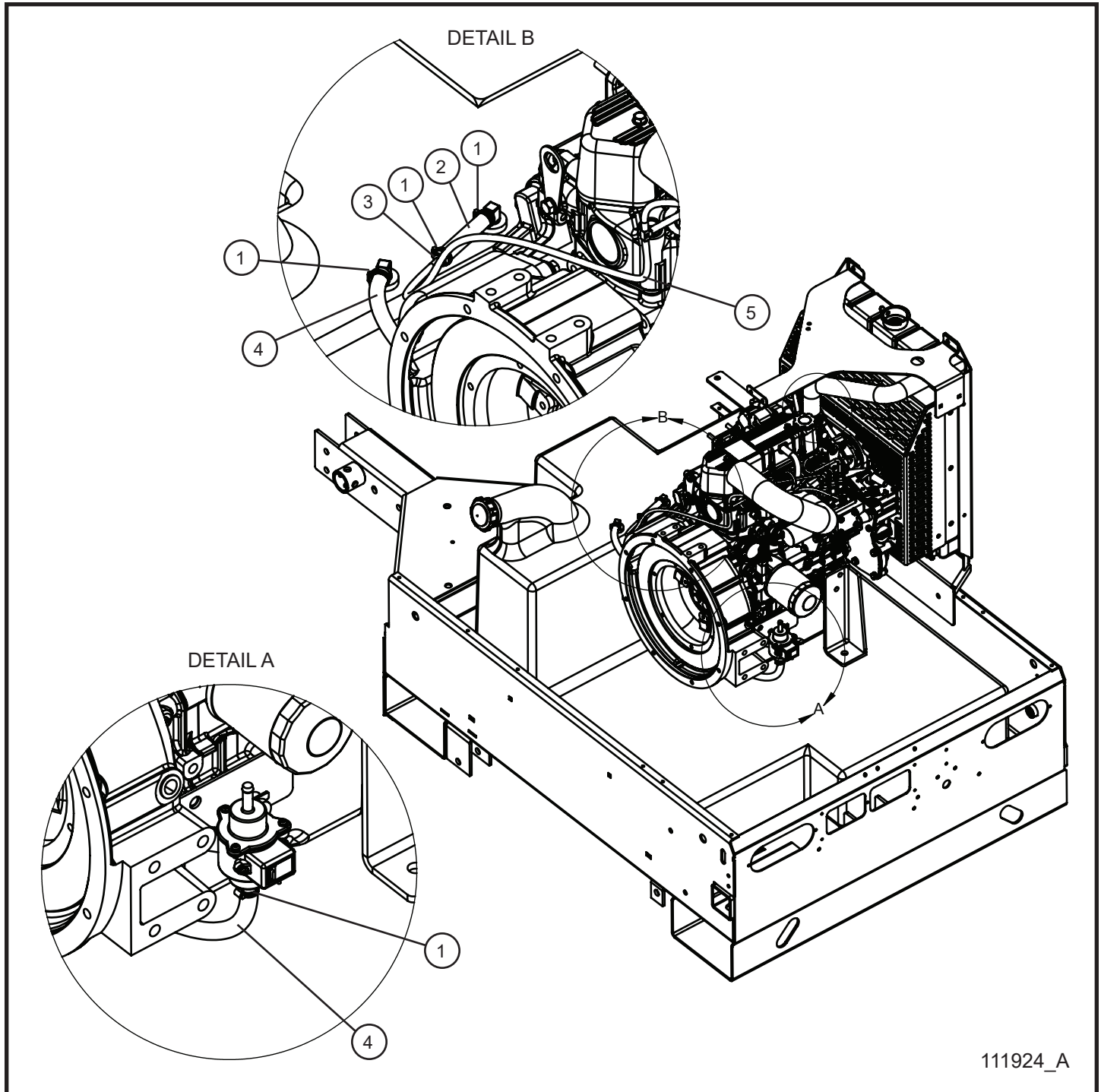
SN 39-000001 to 39-999999

## 10.1 - Mitsubishi Engine Assembly Group (4 of 4)

Item	Part No.	Part Description	Qty.
1	433400	#4 HOSE CLAMP	4
2	108713	TEE FITTING FOR .25in. OD TUBE	1
3	081005	HOSE 1/4 OD x .035 WALL 250WP FUEL LINE BK x 1.5	1
4	081005	HOSE 1/4 OD x .035 WALL 250WP FUEL LINE BK x 11.0	1
5	081018	HOSE 5/16 BLACK FUEL LINE x 18.0	1
6	081018	HOSE 5/16 BLACK FUEL LINE x 18.0	1

\*NS - NOT SHOWN

## 10.2 - Mitsubishi Fuel Lines



111924\_A



# NIGHT-LITE™ V-SERIES

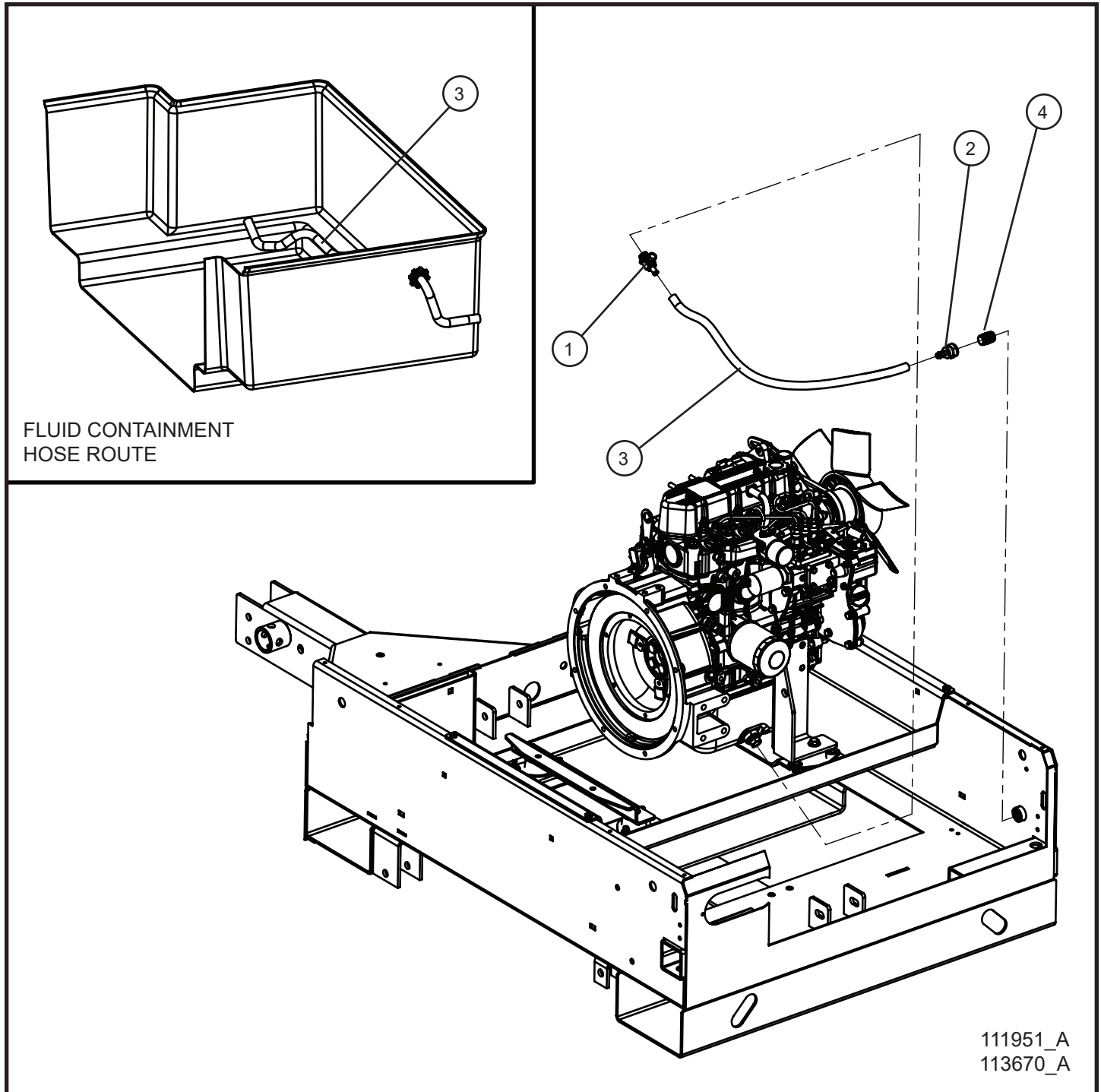
SN 39-000001 to 39-999999

## 10.2 - Mitsubishi Fuel Lines

Item	Part No.	Part Description	Qty.
1	433400	#4 HOSE CLAMP	4
2	081018	HOSE 5/16" FUEL LINE x 3.0	1
3	106134	REDUCER FITTING HOSE BARB	1
4	081018	HOSE 5/16" FUEL LINE x 30.0	1
5	081005	NYLON HOSE 1/4 OD x .035 WALL 250WP FUEL LINE BK	1

\*NS - NOT SHOWN

## 10.3 - Mitsubishi Oil Drain Line



# NIGHT-LITE™ V-SERIES

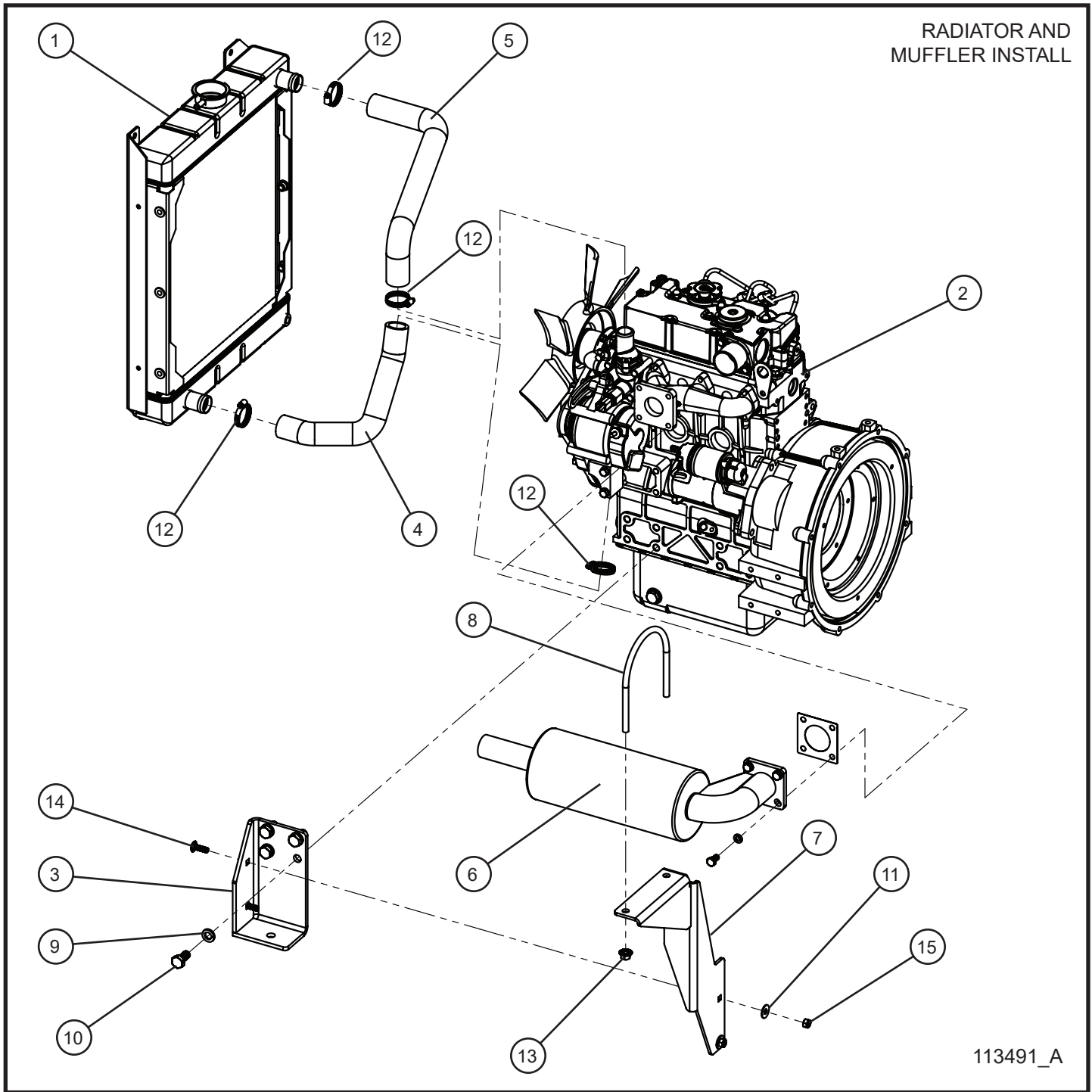
SN 39-000001 to 39-999999

## 10.3 - Mitsubishi Oil Drain Line

Item	Part No.	Part Description	Qty.
1	100901	DRAIN VALVE M18 x 1.5 - 3/8 HOSE	1
2	104865	3/8 HOSE x 1/2 NPT BARBED TO FEMALE	1
3	081017	HOSE 3/8 YELLOW LINE x 26.0	1
4	610215	1/2 NPT NIPPLE	1

\*NS - NOT SHOWN

## 11.1 - CAT/Perkins 1.1 Engine Assembly Group (1 of 4)



# NIGHT-LITE™ V-SERIES

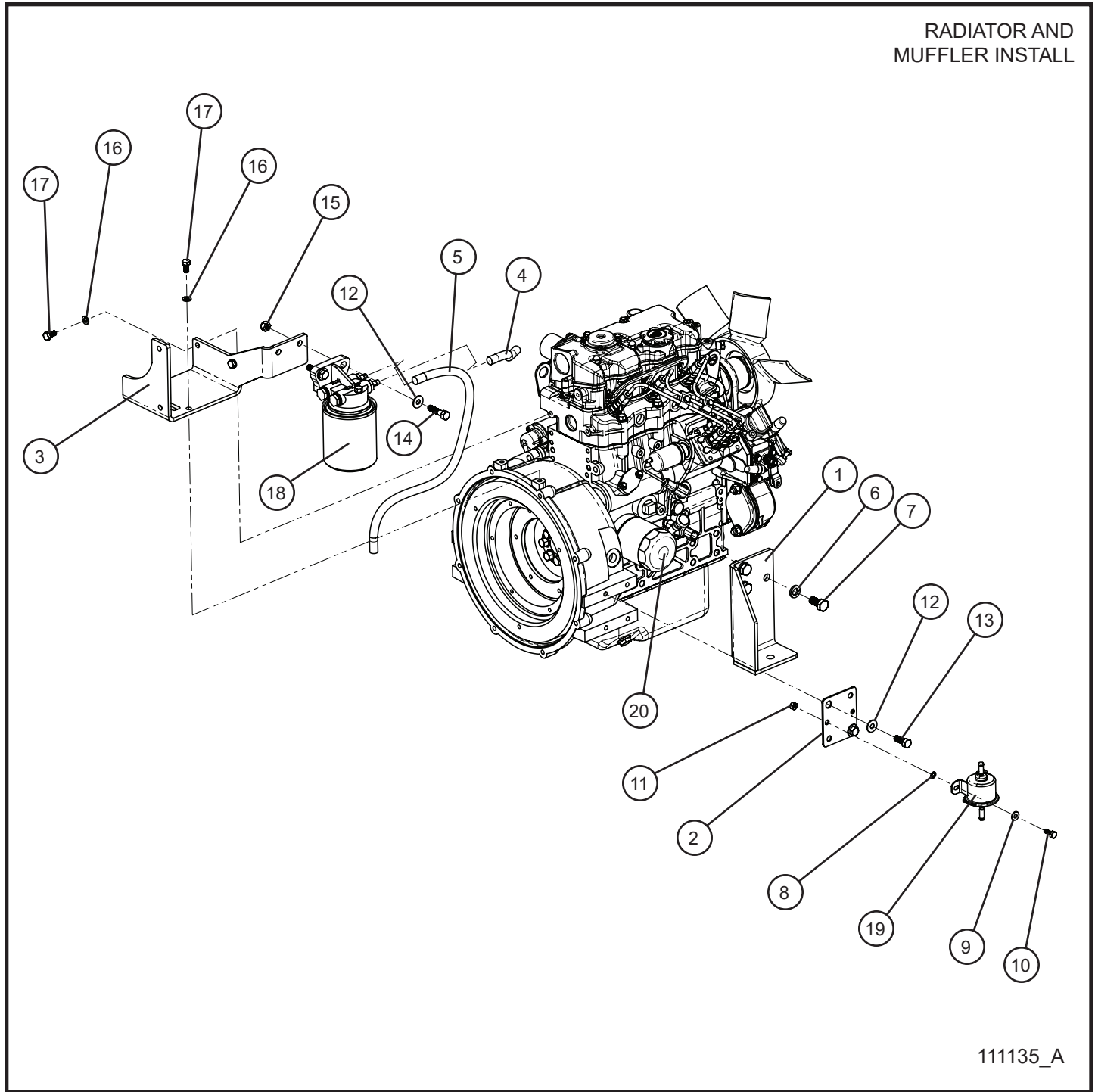
SN 39-000001 to 39-999999

## 11.1 - CAT/Perkins 1.1 Engine Assembly Group (1 of 4)

Item	Part No.	Part Description	Qty.
1	105393	RADIATOR SMALL ENGINES 1.0L / 1.1L	1
2	113484	CAT/PERKINS 1.1L ENGINE	1
3	108889P	ENGINE BRACKET LEFT WELDMENT	1
4	108751	CAT C1.1 LOWER RADIATOR HOSE	1
5	108750	CAT C1.1 UPPER RADIATOR HOSE	1
6	104787	CAT C1.1 MUFFLER 4.5 SPOUT	1
	114857	MUFFLER NLV CAT/PERKINS 1.1L	1
7	112309P	MUFFLER BRACKET WELDMENT	1
8	105744	4.75" MUFFLER U-BOLT	1
9	043085	1/2 SPLITLOCK WASHER PL	4
10	042300	M12 x 25mm x 1.25mm HEX HEAD CS GR8.8 PL	4
11	047010	5/16 FLAT WASHER PL	2
12	045034	#16 HOSE CLAMP	4
13	044029	3/8-16 SERRATED FLANGE NUT	2
14	053020	5/16-18 x 1 CARRIAGE BOLT	2
15	044033	5/16-18 NYLOCK HEX NUT PL	2
NS	110113	CAT C1.1 ENGINE HARNESS	1
NS	113494	CAT C1.1 40AMP CHARGE CIRCUIT FUSE	1
NS	110112	CAT/PERKINS 1.1L SCHEMATIC	1

\*NS - NOT SHOWN

## 11.1 - CAT/Perkins 1.1 Engine Assembly Group (2 of 4)



# NIGHT-LITE™ V-SERIES

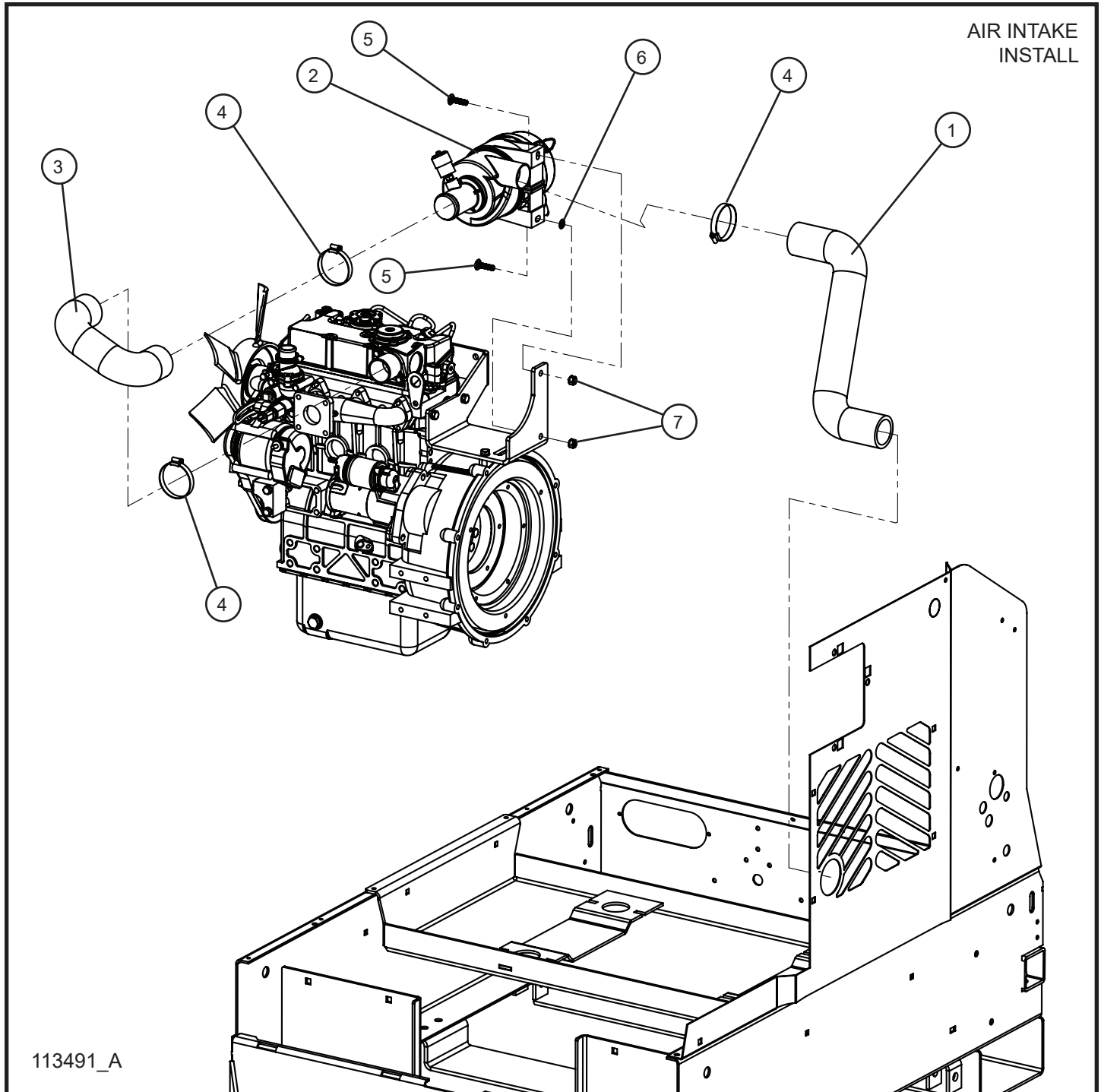
SN 39-000001 to 39-999999

## 11.1 - CAT/Perkins 1.1 Engine Assembly Group (2 of 4)

Item	Part No.	Part Description	Qty.
1	108891P	ENGINE BRACKET RIGHT WELDMENT	1
2	105402P	FUEL PUMP MOUNT PLATE	1
3	113327P	CAT/PERKINS 1.1L AIR CLEANER MOUNT	1
4	081018	HOSE 5/16" FUEL LINE x 7.0	1
5	081018	HOSE 5/16" FUEL LINE x 20.0	1
6	043085	1/2 SPLITLOCK WASHER PL	3
7	042300	M12 x 25mm x 1.25mm HEX HEAD CS GR8.8 PL	3
8	043051	1/4 INTL TOOTH LOCK WASHER SS	1
9	047005	1/4 FLAT WASHER PL	2
10	102573	1/4-20 x 3/4 HEX HEAD CS GR5 PL	2
11	044023	1/4-20 NYLOCK HEX NUT PL	2
12	047010	5/16 FLAT WASHER PL	13
13	046110	3/8-16 x 1 HEX HEAD CS GR5 PL	3
14	046120	3/8-16 x 1 1/2 HEX HEAD CS GR5 PL	2
15	044038	3/8-16 NYLOCK HEX NUT PL	2
16	043055	5/16 SPLITLOCK WASHER	5
17	042027	M8 x 16mm x 1.25mm HEX HEAD CS GR10.9 PL	4
18	113874	PERKINS 1.1L FUEL FILTER	1
19	114999	PERKINS 1.1L FUEL PUMP	1
20	113867	PERKINS 1.1L OIL FILTER	1
NS	433400	#4 HOSE CLAMP	4

\*NS - NOT SHOWN

## 11.1 - CAT/Perkins 1.1 Engine Assembly Group (3 of 4)





# NIGHT-LITE™ V-SERIES

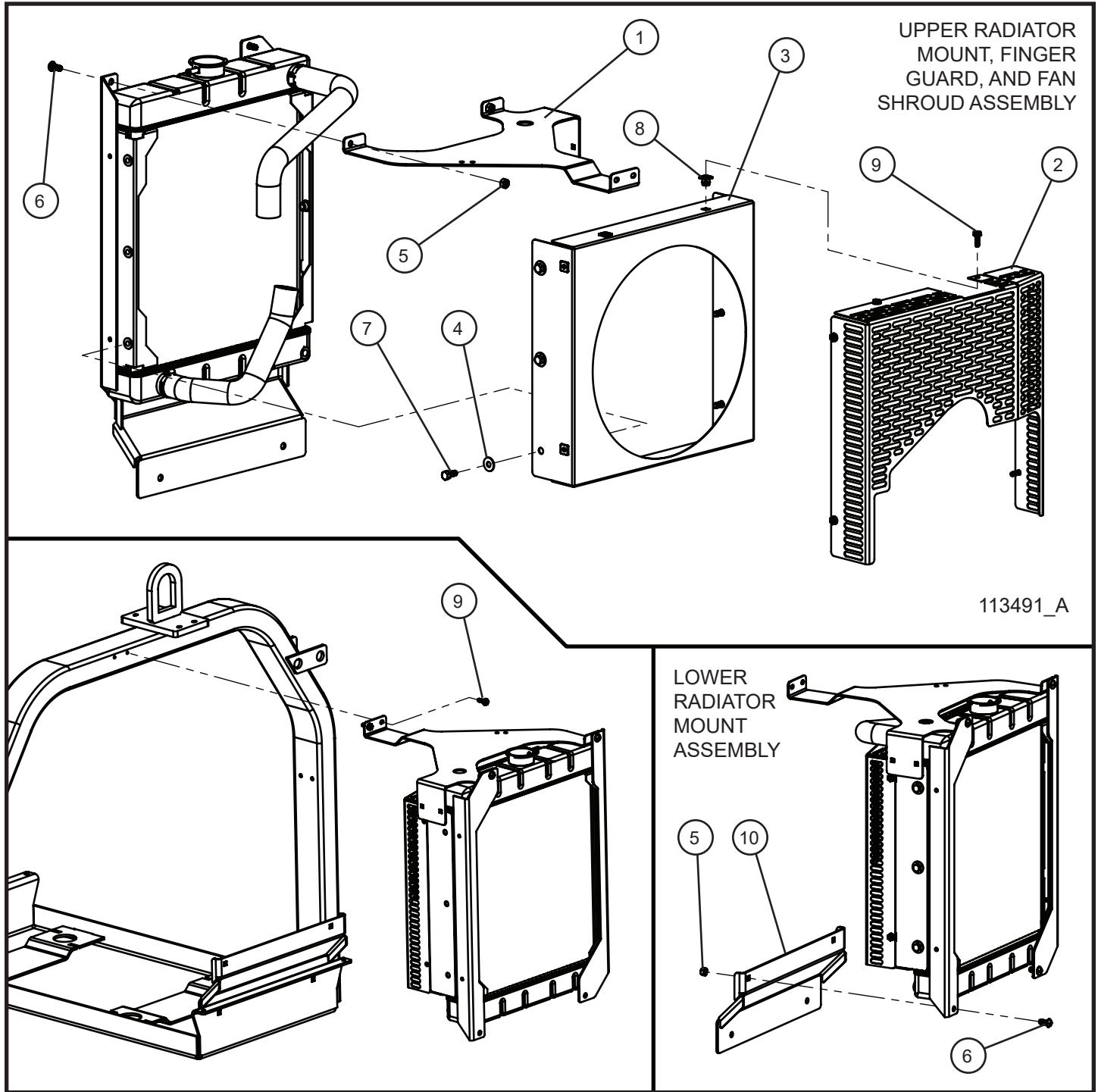
SN 39-000001 to 39-999999

## 11.1 - CAT/Perkins 1.1 Engine Assembly Group (3 of 4)

Item	Part No.	Part Description	Qty.
1	115347	FRESH AIR INTAKE HOSE	1
2	111568	AIR CLEANER ASSEMBLY STRAIGHT INLET	1
	650290	AIR FILTER	1
	104795	AIR FILTER SERVICE INDICATOR KIT	1
3	113332	AIR INTAKE HOSE SMALL ENGINE	1
4	045038	#32 HOSE CLAMP	3
5	053022	5/16-18 x 1 1/4 CARRIAGE BOLT	2
6	045217	5/16 PUSH NUT	1
7	044031	5/16-18 KEPS HEX NUT PL	2

\*NS - NOT SHOWN

## 11.1 - CAT/Perkins 1.1 Engine Assembly Group (4 of 4)



# NIGHT-LITE™ V-SERIES

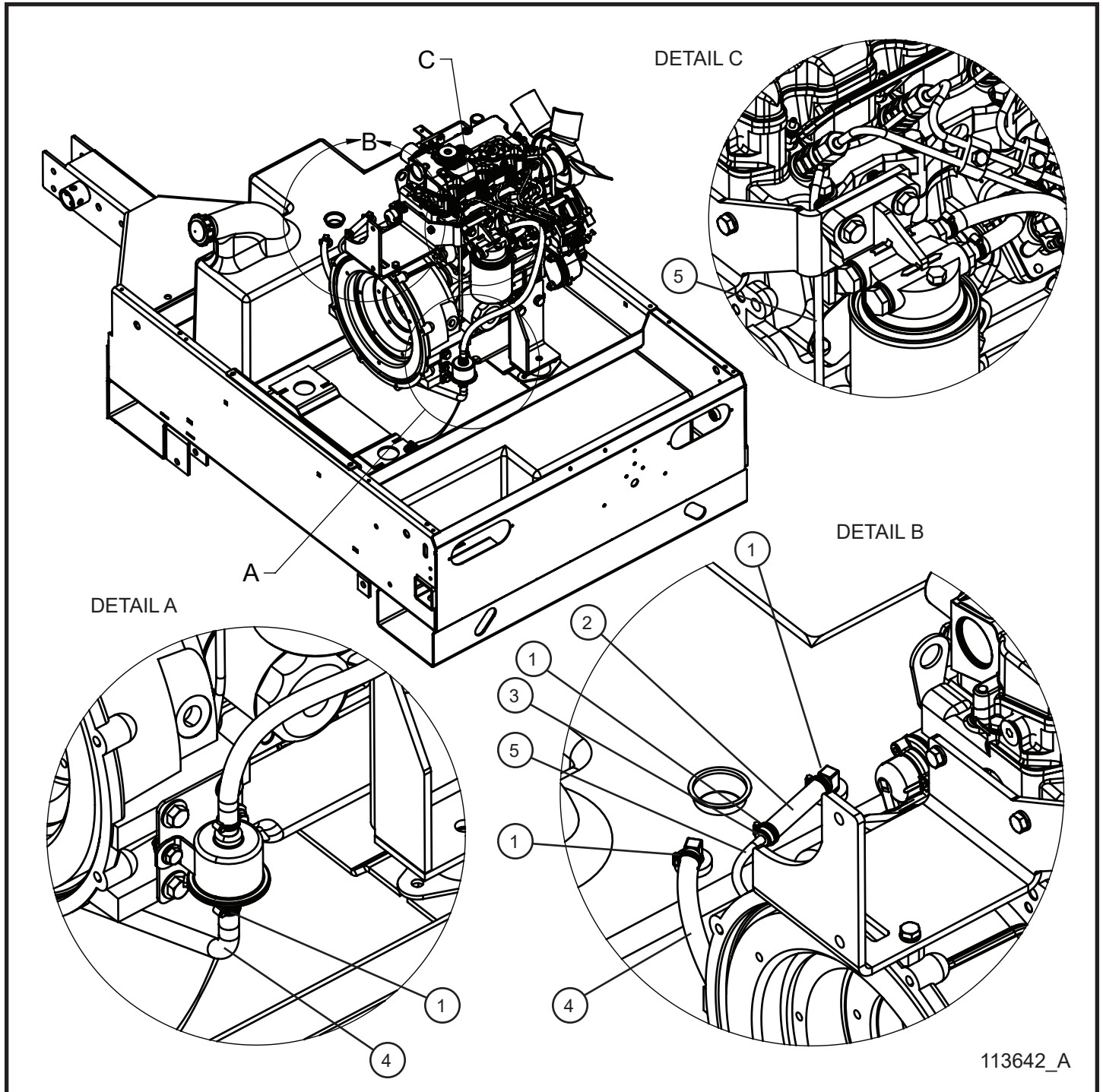
SN 39-000001 to 39-999999

## 11.1 - CAT/Perkins 1.1 Engine Assembly Group (4 of 4)

Item	Part No.	Part Description	Qty.
1	112413P	RADIATOR TOP MOUNT	1
2	108862P	CAT/PERKINS 1.1L FINGER GUARD	1
3	108861P	CAT/PERKINS 1.1L FAN SHROUD	1
4	047010	5/16 FLAT WASHER PL	6
5	044033	5/16-18 NYLOCK HEX NUT PL	4
6	041071	5/16-18 x 3/4 PHILLIPS ROUND HEAD MACHINE SCREW	4
7	046045	5/16-18 x 3/4 HEX HEAD CS GR5 PL	6
8	105408	GROMMET DOUBLE SPLIT NUT	6
9	041070	1/4-20 x 3/4 SL-HEX WASHER HEAD MS TP F	8
10	110393P	LOWER RADIATOR LOWER	1

\*NS - NOT SHOWN

## 11.2 - CAT/Perkins 1.1 Fuel Lines



# NIGHT-LITE™ V-SERIES

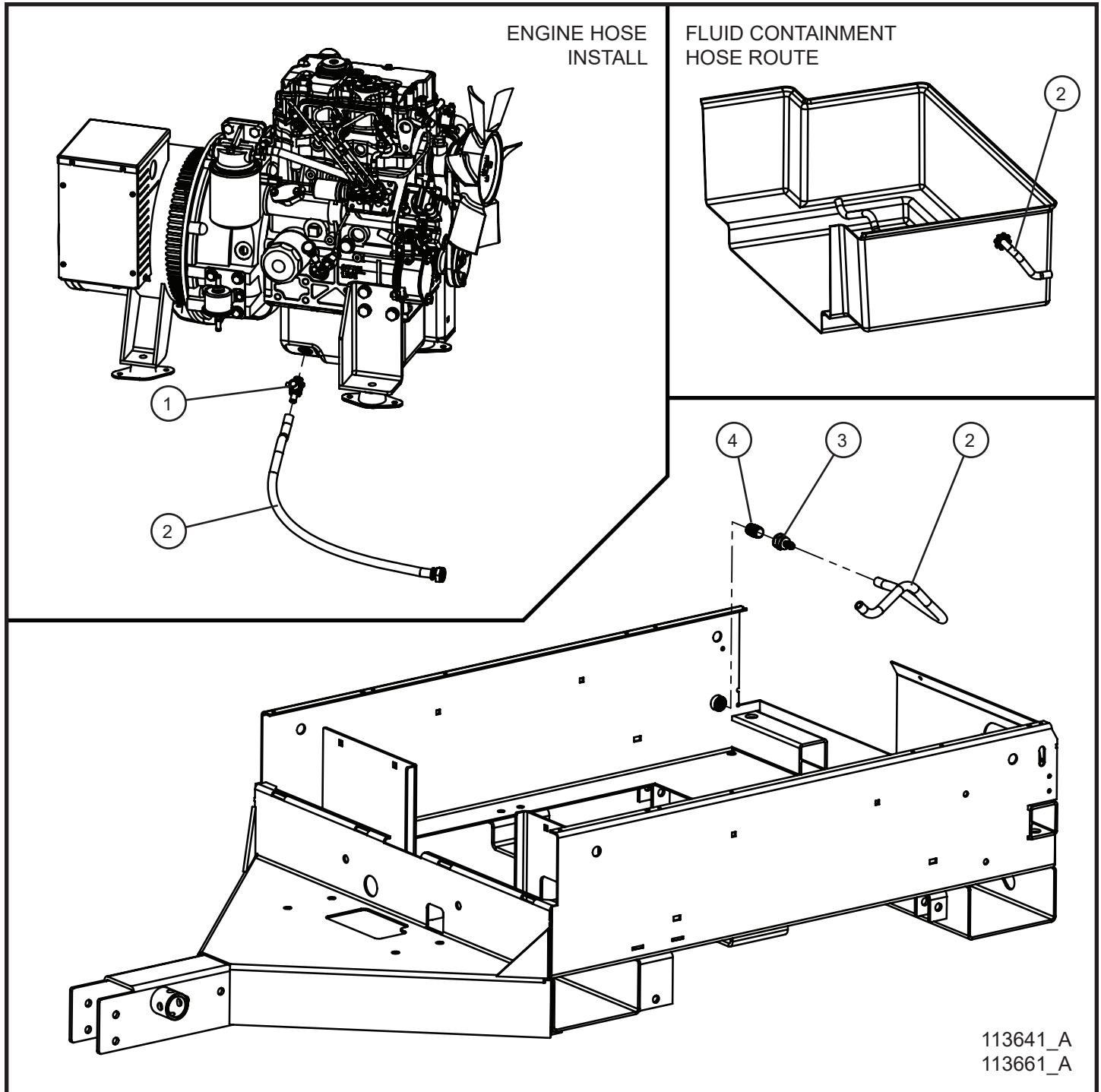
SN 39-000001 to 39-999999

## 11.2 - CAT/Perkins 1.1 Fuel Lines

Item	Part No.	Part Description	Qty.
1	433400	#4 HOSE CLAMP	4
2	081018	HOSE 5/16" FUEL LINE x 3.0	1
3	106134	REDUCER FITTING HOSE BARB	1
4	081018	HOSE 5/16" FUEL LINE x 30.0	1
5	081005	NYLON HOSE 1/4 OD x .035 WALL 250WP FUEL LINE BK	1

\*NS - NOT SHOWN

## 11.3 - CAT/Perkins 1.1 Oil Drain Line



# NIGHT-LITE™ V-SERIES

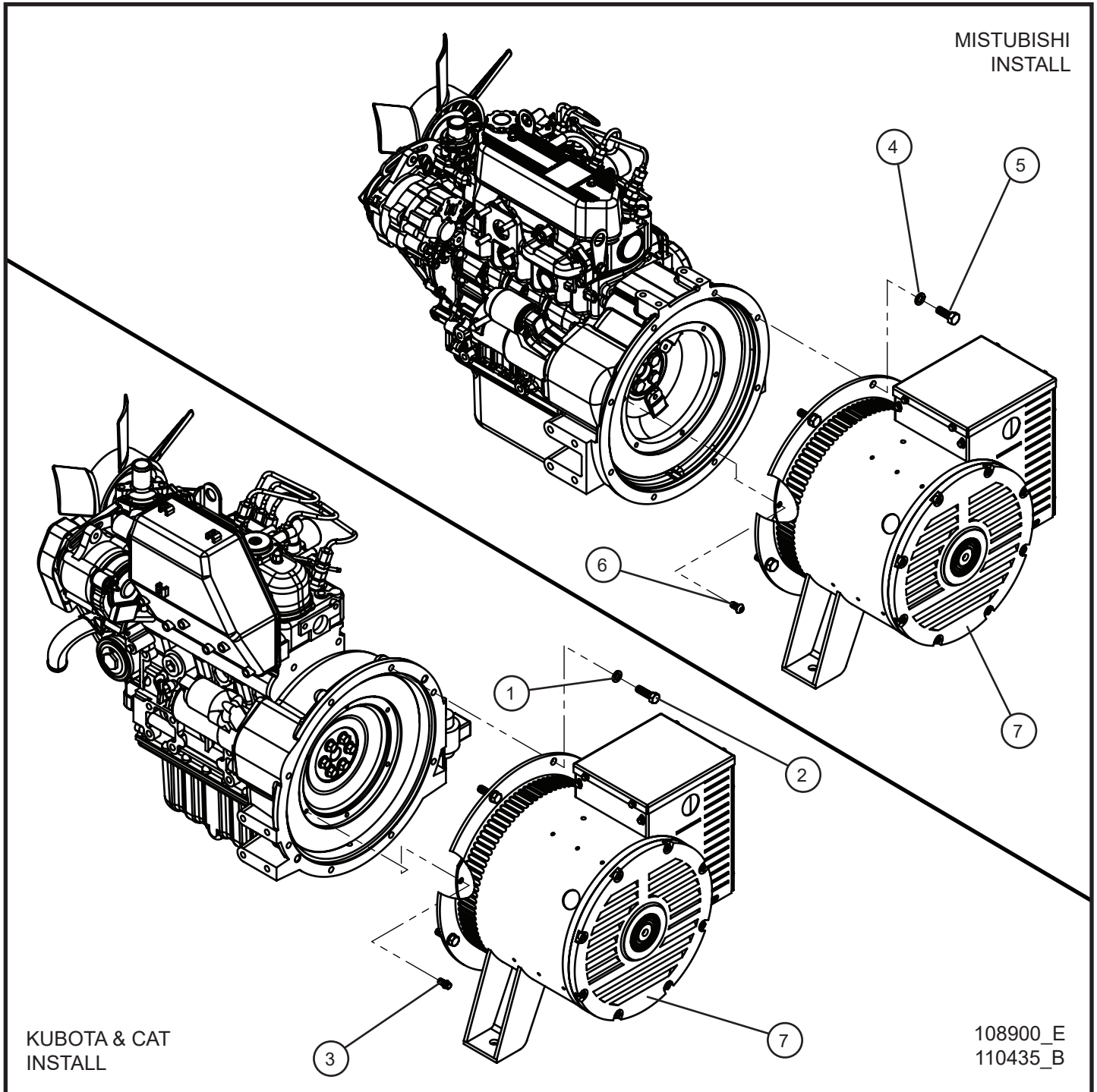
SN 39-000001 to 39-999999

## 11.3 - CAT/Perkins 1.1 Oil Drain Line

Item	Part No.	Part Description	Qty.
1	651193	DRAIN VALVE M16 x 1.5 - 3/8 HOSE	1
2	081017	3/8 YELLOW FUEL HOSE x 26 INCHES	1
3	104865	3/8 HOSE x 1/2 NPT BARBED TO FEMALE	1
4	610215	1/2 NPT NIPPLE	1

\*NS - NOT SHOWN

## 12.1 - Coliseum 6/8kW 50/60Hz Generator





# NIGHT-LITE™ V-SERIES

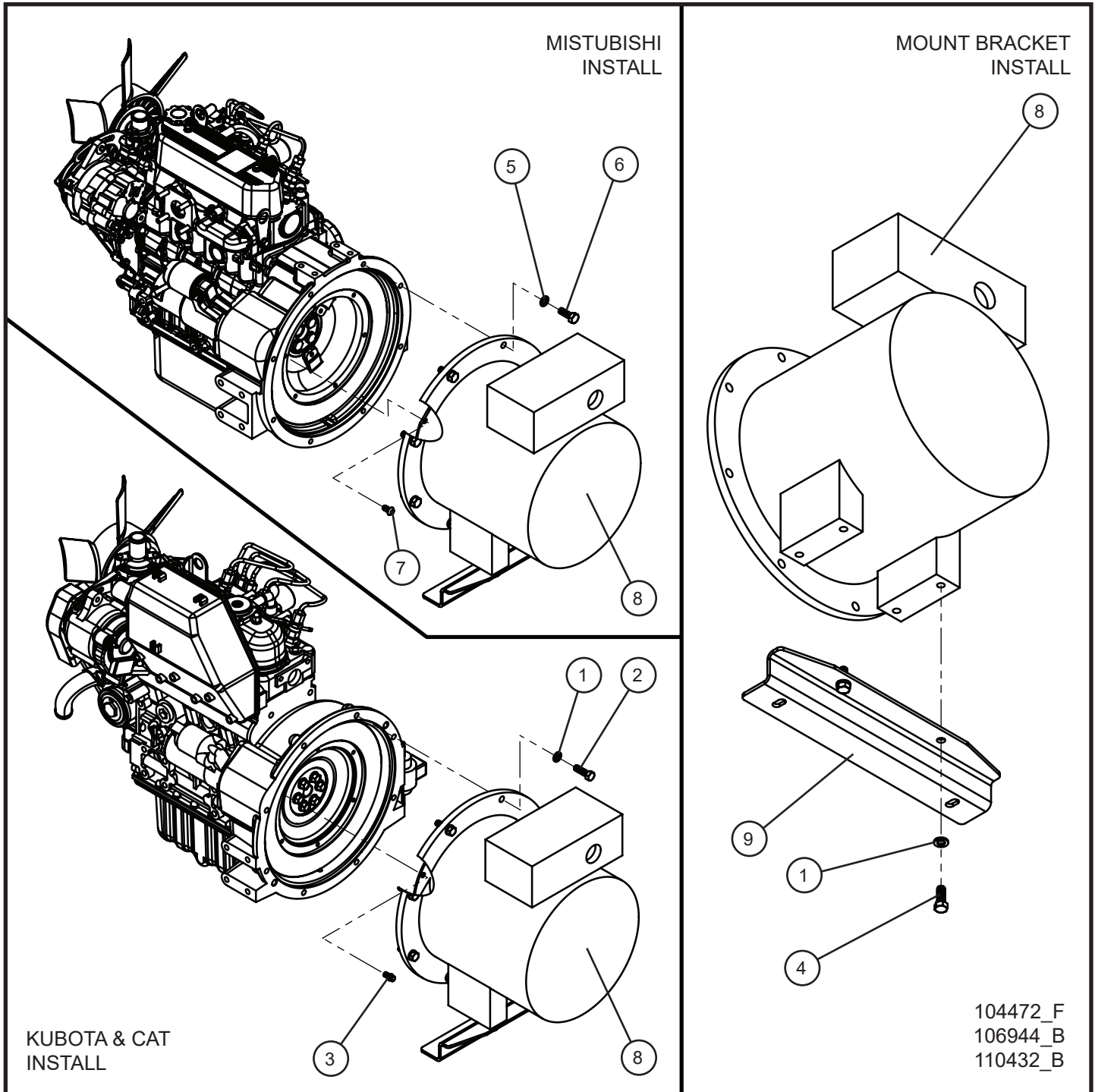
SN 39-000001 to 39-999999

## 12.1 - Coliseum 6/8kW 50/60Hz Generator

Item	Part No.	Part Description	Qty.
1	043065	3/8 SPLITLOCK WASHER PL	10
2	046115	3/8-16 x 1 1/4 HEX HEAD CS GR5 PL	8
3	046041	5/16-18 x 1/2 PT FLANGE HEAD BOLT	6
4	042151	M10 SPLITLOCK WASHER PL	8
5	042041	10mm x 1.25mm x 30mm HEX HEAD	8
6	042028	M8 x 1.25mm x 16mm SOCKET BUTTON HEAD CS	8
7	108858	GENERATOR 50/60Hz COLISEUM 6/8kW	1
NS	108892	CAPACITOR 65uf 630V	1

\*NS - NOT SHOWN

## 12.2 - Marathon 6/8kW 50/60Hz Generator



# NIGHT-LITE™ V-SERIES

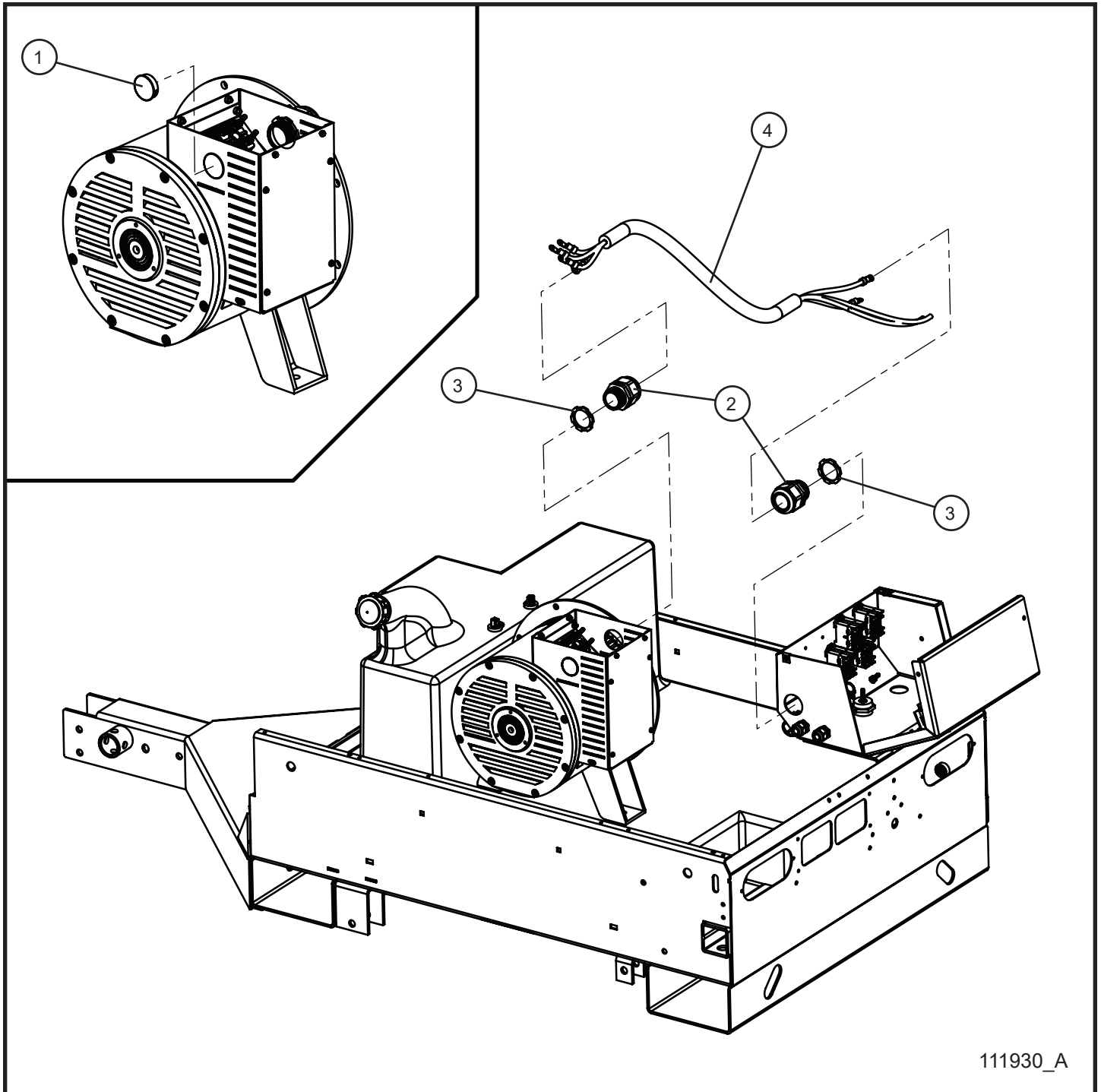
SN 39-000001 to 39-999999

## 12.2 - Marathon 6/8kW 50/60Hz Generator

Item	Part No.	Part Description	Qty.
1	043065	3/8 SPLITLOCK WASHER PL	10
2	046115	3/8-16 x 1 1/4 HEX HEAD CS GR5 PL	8
3	046041	5/16-18 x 1/2 PT FLANGE HEAD BOLT	6
4	046110	3/8-16 x 1 HEX HEAD CS GR5 PL	2
5	042151	M10 SPLITLOCK WASHER PL	8
6	042041	10mm x 1.25mm x 30mm HEX HEAD	8
7	042028	M8 x 1.25mm x 16mm SOCKET BUTTON HEAD CS	8
8	101075	GENERATOR MARATHON 8kW 60Hz	1
	106920	GENERATOR MARATHON 6kW 50Hz	1
9	651012P	GENERATOR MOUNT BRACKET	1
NS	105100	CAPACITOR 25uf 600V	1

\*NS - NOT SHOWN

## 12.3 - 6/4 and 10/4 Generator Cord Install Group



111930\_A

# NIGHT-LITE™ V-SERIES

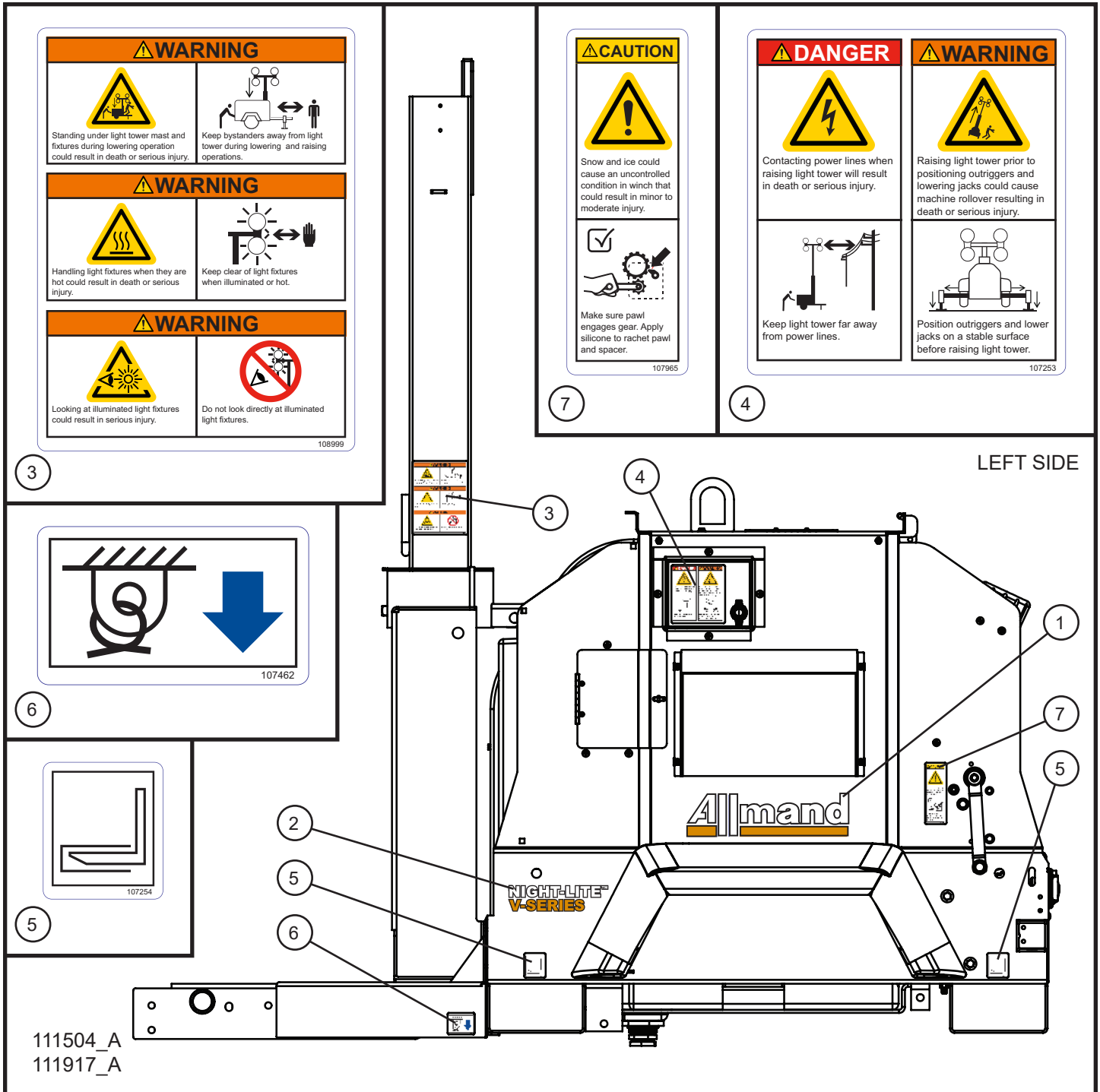
SN 39-000001 to 39-999999

## 12.3 - 6/4 and 10/4 Generator Cord Install Group

Item	Part No.	Part Description	Qty.
1	108911	LOCKING DOME PLUG 1.375	1
2	105628	CORD GRIP 1 1/4 NYLON BLACK	2
	105627	CORD GRIP 1 NYLON BLACK	2
3	350363	1 1/4 CORD GRIP NUT	2
	022038	1 CORD GRIP NUT	2
4	650295	GENERATOR CORD 6/4	1
	114089	GENERATOR CORD 10/4	1
NS	108909	SCHEMATIC 10/4 CORD	1
	105269	SCHEMATIC 6/4 CORD	1

\*NS - NOT SHOWN

## 13.1 - Left Side Decals



# NIGHT-LITE™ V-SERIES

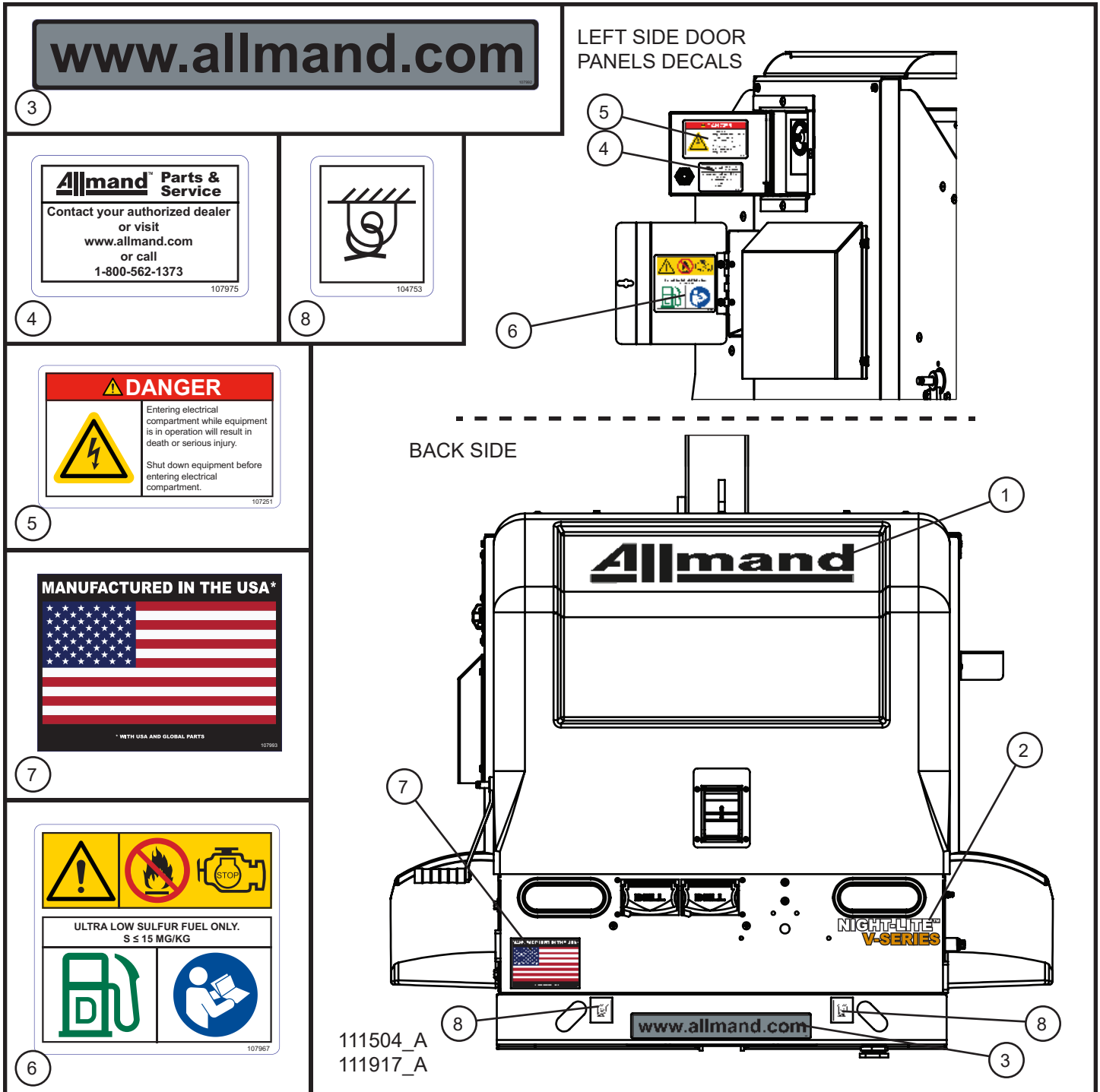
SN 39-000001 to 39-999999

## 13.1 - Left Side Decals

Item	Part No.	Part Description	Qty.
1	112134	ALLMAND WHITE GOLD STRIPE DECAL	1
2	112233	NIGHT-LITE V-SERIES LEFT DECAL	1
3	108999	VERTICAL TOWER 3 PANEL WARNING DECAL	1
4	107253	POWER LINE DANGER AND OUTRIGGERS WARNING DECAL	1
5	107254	FORKLIFT DECAL	2
6	107462	TIE DOWN POSITION DECAL	1
7	107965	WINCH CAUTION DECAL	1
NS	111585	TIRE INFORMATION DECAL	1

\*NS - NOT SHOWN

## 13.2 - Left Side Door Panels and Back Side Decals





# NIGHT-LITE™ V-SERIES

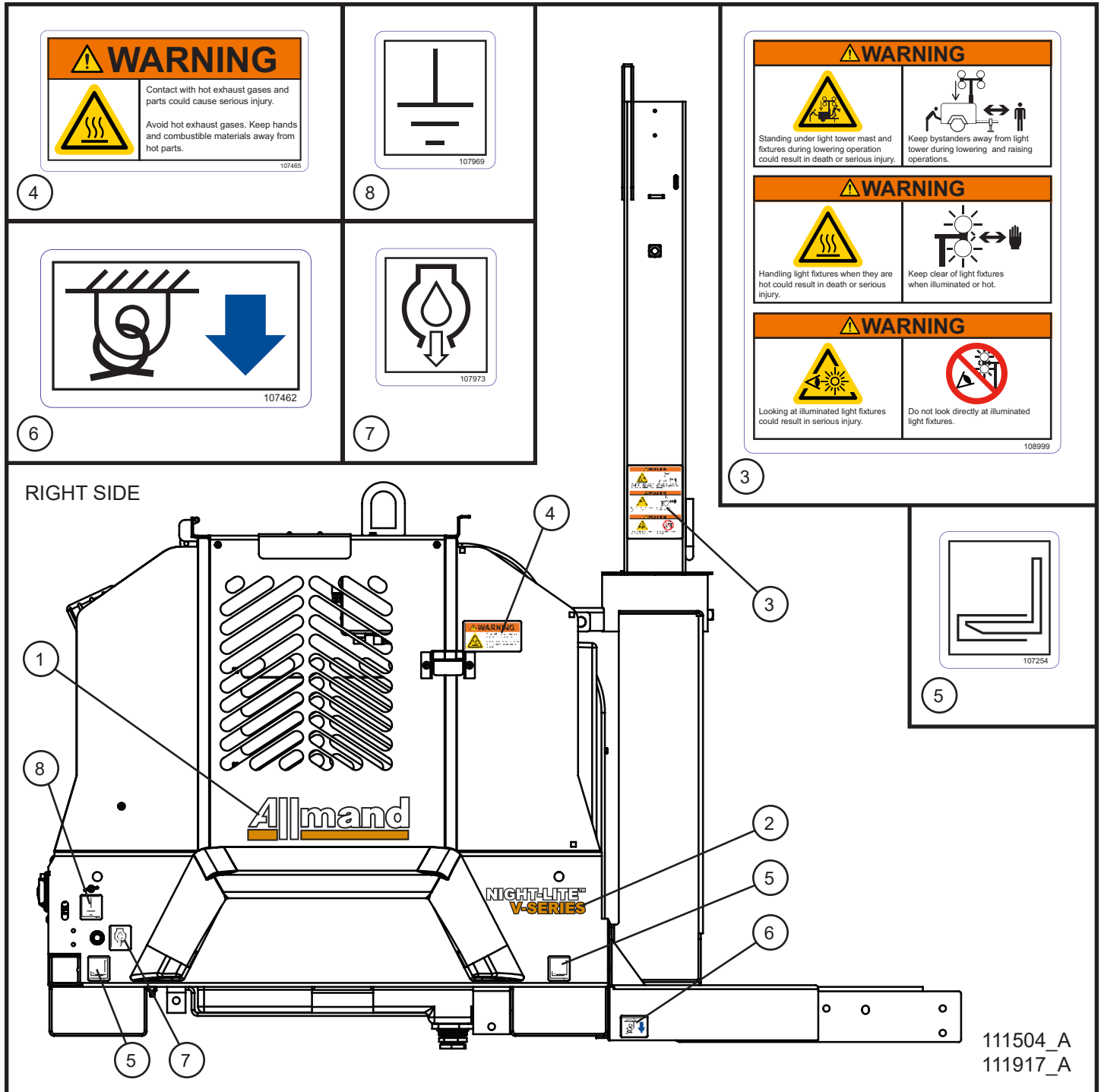
SN 39-000001 to 39-999999

## 13.2 - Left Side Door Panels and Back Side Decals

Item	Part No.	Part Description	Qty.
1	112232	ALLMAND BLACK 21 INCH DECAL	1
	110285	ALLMAND WHITE SMALL BRAND DECAL	1
2	112234	NIGHT-LITE V-SERIES RIGHT DECAL	1
3	107992	WWW.ALLMAND.COM DECAL	1
4	107975	PARTS & SERVICE DECAL	1
5	107251	HAZARDOUS VOLTAGE DANGER DECAL	1
6	107045	LOW SULFUR FUEL DECAL	1
7	107993	MANUFACTURED IN THE USA DECAL	1
8	104753	TIE DOWN POINT DECAL	2

\*NS - NOT SHOWN

## 13.3 - Right Side Decals

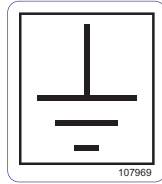


**WARNING**

Contact with hot exhaust gases and parts could cause serious injury.

Avoid hot exhaust gases. Keep hands and combustible materials away from hot parts.

107465



**WARNING**

Standing under light tower mast and fixtures during lowering operation could result in death or serious injury.

Keep bystanders away from light tower during lowering and raising operations.

**WARNING**

Handling light fixtures when they are hot could result in death or serious injury.

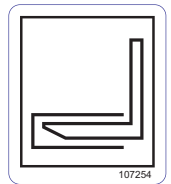
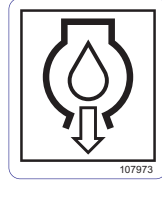
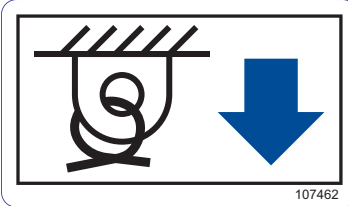
Keep clear of light fixtures when illuminated or hot.

**WARNING**

Looking at illuminated light fixtures could result in serious injury.

Do not look directly at illuminated light fixtures.

108999



# NIGHT-LITE™ V-SERIES

SN 39-000001 to 39-999999


## 13.3 - Right Side Decals

Item	Part No.	Part Description	Qty.
1	112134	ALLMAND WHITE GOLD STRIPE DECAL	1
2	112234	NIGHT-LITE V-SERIES RIGHT DECAL	1
3	108999	VERTICAL TOWER 3 PANEL WARNING DECAL	1
4	107465	HOT SURFACE WARNING DECAL	1
5	107254	FORKLIFT DECAL	2
6	107462	TIE DOWN POSITION DECAL	1
7	107973	OIL DRAIN DECAL	1
8	107969	GROUND DECAL	1

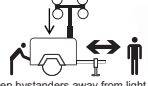
\*NS - NOT SHOWN

## 13.4 - Front Side Decals

**WARNING**




Standing under light tower mast and fixtures during lowering operation could result in death or serious injury.




Keep bystanders away from light tower during lowering and raising operations.

---

**WARNING**




Handling light fixtures when they are hot could result in death or serious injury.




Keep clear of light fixtures when illuminated or hot.

---

**WARNING**



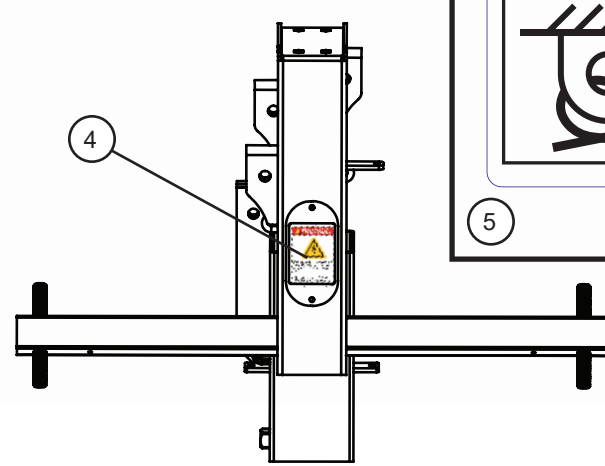
Looking at illuminated light fixtures could result in serious injury.

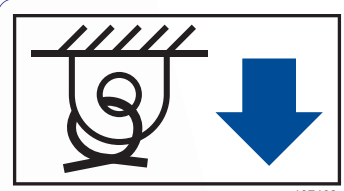


Do not look directly at illuminated light fixtures.

108999

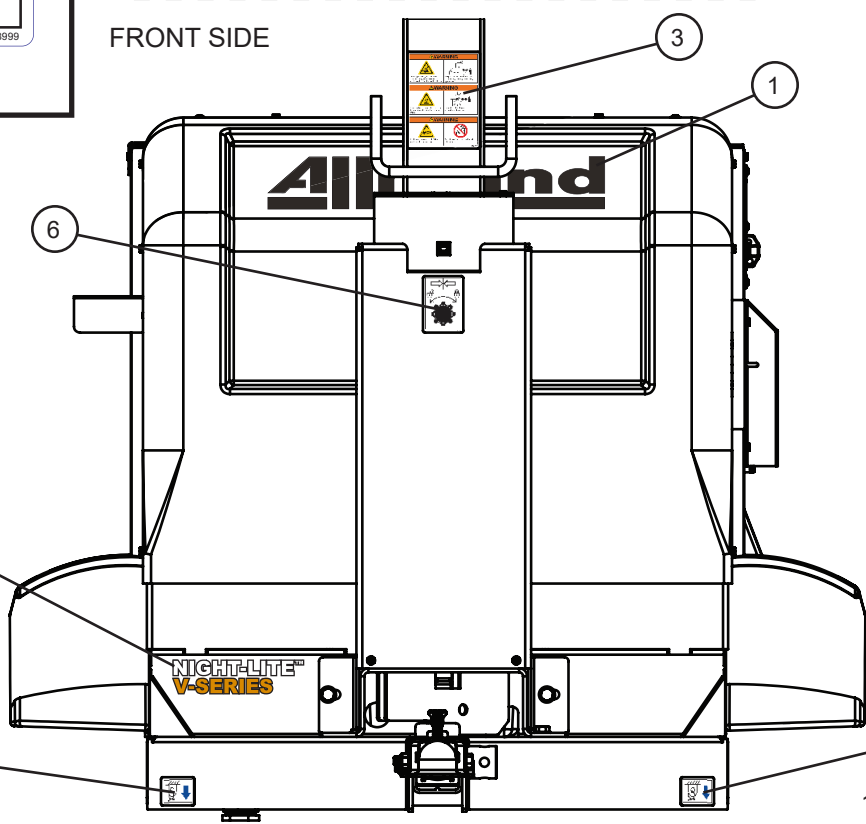
LIGHT BAR DETAIL



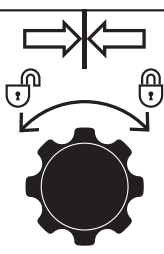


107462


FRONT SIDE



107459



**DANGER**



Entering electrical compartment while equipment is in operation will result in death or serious injury.

Shut down equipment before entering electrical compartment.

109011

111504\_A  
111917\_A

# NIGHT-LITE™ V-SERIES

SN 39-000001 to 39-999999

## 13.4 - Front Side Decals

Item	Part No.	Part Description	Qty.
1	112232	ALLMAND BLACK 21 INCH DECAL	1
	110285	ALLMAND WHITE SMALL BRAND DECAL	1
2	112233	NIGHT-LITE V-SERIES LEFT DECAL	1
3	108999	VERTICAL TOWER 3 PANEL WARNING DECAL	1
4	109011	HAZARDOUS VOLTAGE VERTICAL DANGER DECAL	1
5	107462	TIE DOWN POSITION DECAL	2
6	107459	TOWER ALIGNMENT DECAL	1

\*NS - NOT SHOWN

## 13.5 - Top Side Decals

**WARNING**

Excessive towing speed could result in death or serious injury.

**65 mph (105 km/h) max**

Do not exceed 65mph (105km/h) when towing trailer.

**WARNING**

Failure to lower light tower and secure in aligned position could cause light fixtures to detach resulting in death or serious injury.

Lower light tower and secure in aligned position before towing trailer.

**WARNING**

Engine exhaust contains carbon monoxide, a poisonous gas that could cause death or serious injury.

Run equipment far from windows, doors, and vents. Do not run equipment indoors or in partially enclosed spaces.

**WARNING**

Opening cap on hot radiator could result in death or serious injury.

Allow radiator to cool down before opening cap.

**WARNING**

Failure to follow warnings, instructions, and operator's manual could result in death or serious injury.

Open rear door to locate operator's manual. Read and follow operator's manual before operating or servicing this equipment.

**2300 lbs.  
1045 kg.**

**WARNING**

Breathing diesel engine exhaust exposes you to chemicals known to the State of California to cause cancer and birth defects or other reproductive harm.

- Always start and operate the engine in a well-ventilated area.
- If in an enclosed area, vent the exhaust to the outside.
- Do not modify or tamper with the exhaust system.
- Do not idle the engine except as necessary.

For more information go [www.P65warnings.ca.gov/diesel](http://www.P65warnings.ca.gov/diesel)

TOP SIDE

111504\_A  
111917\_A

# NIGHT-LITE™ V-SERIES

SN 39-000001 to 39-999999

## 13.5 - Top Side Decals

Item	Part No.	Part Description	Qty.
1	107464	EXCESSIVE TOWING DECAL	1
2	107453	LIFT HOOK WEIGHT DECAL	1
3	107990	OPERATOR WARNING DECAL	1
4	110303	MANUAL WINCH TOWER INSTRUCTIONS DECAL	1
	110304	ELECTRIC WINCH TOWER INSTRUCTIONS DECAL	1
	107256	LSC MANUAL WINCH TOWER INSTRUCTIONS DECAL	1
	107519	LSC ELECTRIC WINCH TOWER INSTRUCTIONS DECAL	1
5	112141	PROPOSITION 65 WARNING DECAL	1
6	113940	EXHAUST WARNING DECAL	1
7	110296	RADIATOR WARNING DECAL	1

\*NS - NOT SHOWN

## 13.6 - Interior Decals

<p><b>WARNING</b></p> <p>Contact with rotating parts could result in death or serious injury.</p> <p>Keep away from rotating parts.</p>	<p><b>WARNING</b></p> <p>Opening cap on hot radiator could result in death or serious injury.</p> <p>Allow radiator to cool down before opening cap.</p>	<p>BREAKER BOX DETAIL</p>	
<p><b>WARNING</b></p> <p>Smoking materials, open flames, or other forms of ignition near the battery could cause explosion resulting in death or serious injury.</p> <p>Keep smoking materials, open flames, and other forms of ignition away from the battery.</p>	<p><b>WARNING</b></p> <p>Exposure to corrosive material could result in death or serious injury.</p> <p>Wear protective gloves when handling battery.</p>		
<p>1</p>	<p><b>DANGER</b></p> <p>Entering electrical compartment while equipment is in operation will result in death or serious injury.</p> <p>Shut down equipment before entering electrical compartment.</p> <p>107251</p>	<p><b>DANGER</b></p> <p>Entering electrical compartment while equipment is in operation will result in death or serious injury.</p> <p>Shut down equipment before entering electrical compartment.</p> <p>109011</p>	<p>1</p>
<p>2</p>	<p>LED DRIVER BACK COVER DETAIL</p>	<p>3</p>	<p>REAR DOOR INTERIOR DETAIL</p>
<p>3</p>	<p>2</p>	<p>BALLAST BOX TOP DETAIL</p>	
		<p>111504_A 111917_A</p>	



# NIGHT-LITE™ V-SERIES

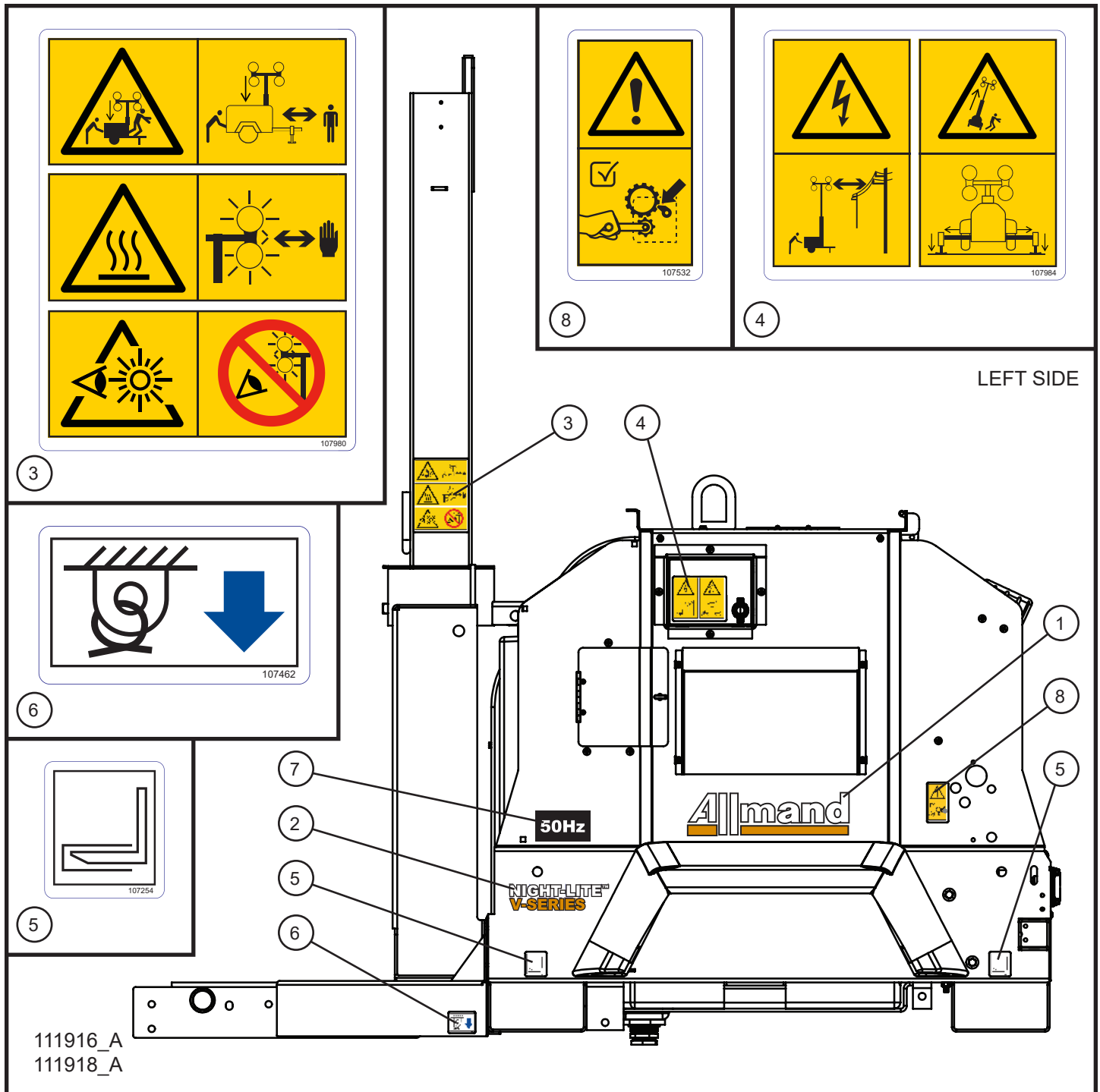
SN 39-000001 to 39-999999

## 13.6 - Interior Decals

Item	Part No.	Part Description	Qty.
1	110295	ENGINE-RADIATOR-BATTERY WARNING DECAL	1
2	107251	HAZARDOUS VOLTAGE DANGER DECAL	3
3	109011	HAZARDOUS VOLTAGE VERTICAL DANGER DECAL	1

\*NS - NOT SHOWN

## 13.7 - Wordless Left Side Decals



# NIGHT-LITE™ V-SERIES

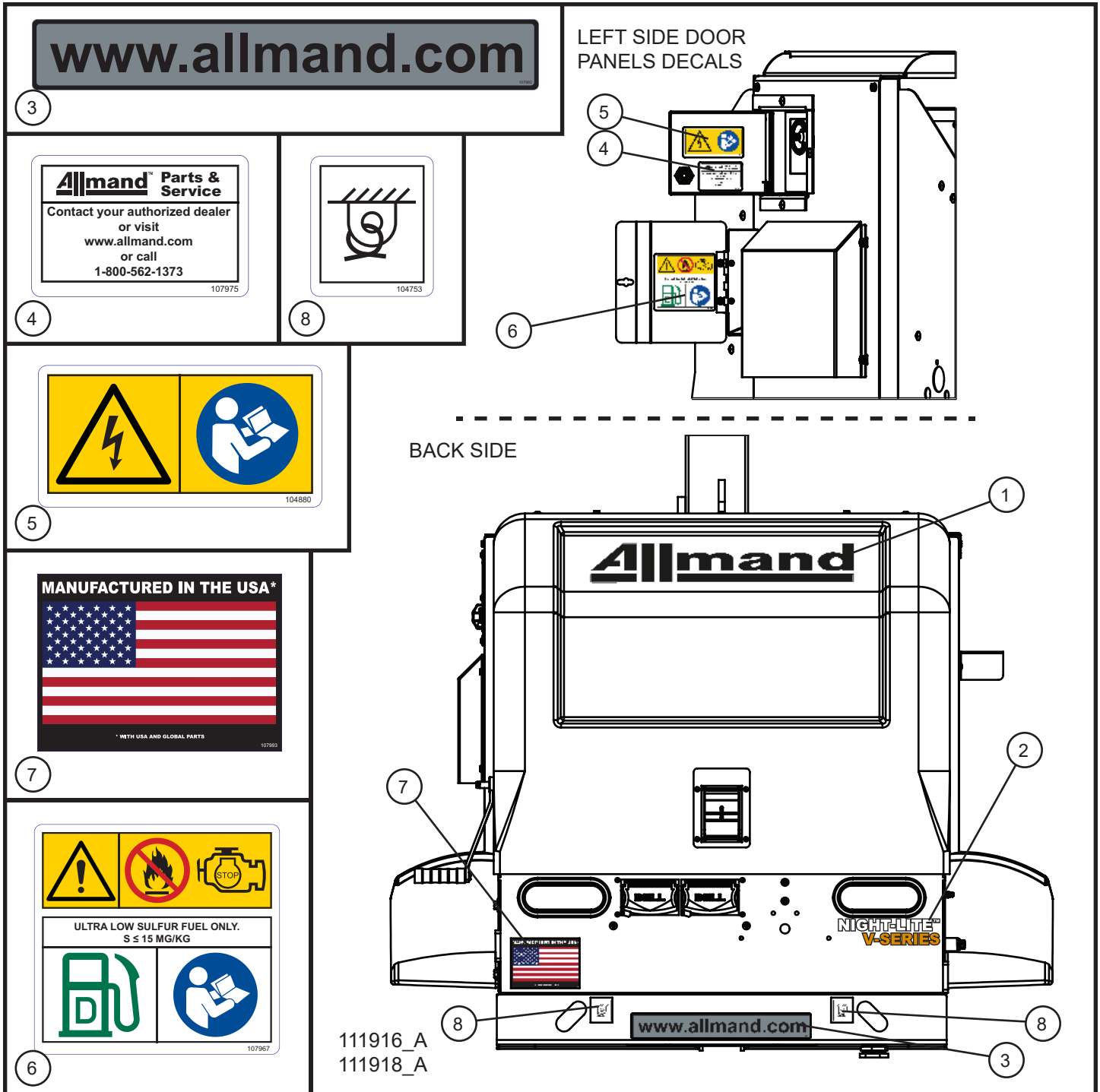
SN 39-000001 to 39-999999

## 13.7 - Wordless Left Side Decals

Item	Part No.	Part Description	Qty.
1	112134	ALLMAND WHITE GOLD STRIPE DECAL	1
2	112233	NIGHT-LITE V-SERIES LEFT DECAL	1
3	107980	WORDLESS VERTICAL TOWER 3 PANEL WARNING DECAL	1
4	107984	WORDLESS POWER DANGER/OUTRIGGERS WARNING DECAL	1
5	107254	FORKLIFT DECAL	2
6	107462	TIE DOWN POSITION DECAL	1
7	108354	50Hz DECAL	1
8	107532	WORDLESS WINCH CAUTION DECAL	1
NS	111585	TIRE INFORMATION DECAL	1

\*NS - NOT SHOWN

## 13.8 - Wordless Left Side Door Panels and Back Side Decals



# NIGHT-LITE™ V-SERIES

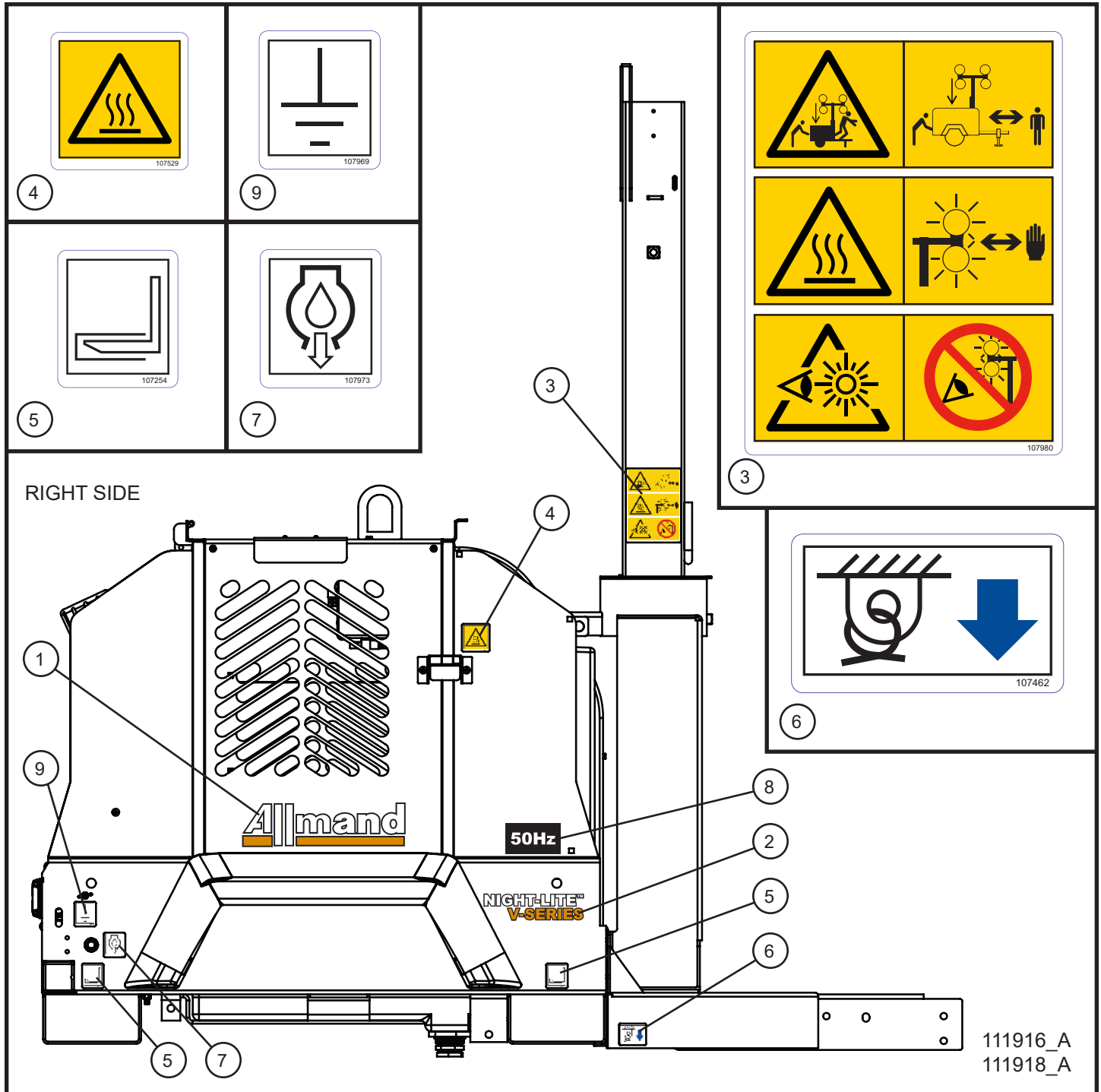
SN 39-000001 to 39-999999

## 13.8 - Wordless Left Side Door Panels and Back Side Decals

Item	Part No.	Part Description	Qty.
1	112232	ALLMAND BLACK 21 INCH DECAL	1
	110285	ALLMAND WHITE SMALL BRAND DECAL	1
2	112234	NIGHT-LITE V-SERIES RIGHT DECAL	1
3	107992	WWW.ALLMAND.COM DECAL	1
4	107975	PARTS & SERVICE DECAL	1
5	104880	WORDLESS HAZARDOUS VOLTAGE DANGER DECAL	1
6	107045	LOW SULFUR FUEL DECAL	1
7	107993	MANUFACTURED IN THE USA DECAL	1
8	104753	TIE DOWN POINT DECAL	2

\*NS - NOT SHOWN

## 13.9 - Wordless Right Side Decals



111916\_A  
111918\_A

# NIGHT-LITE™ V-SERIES

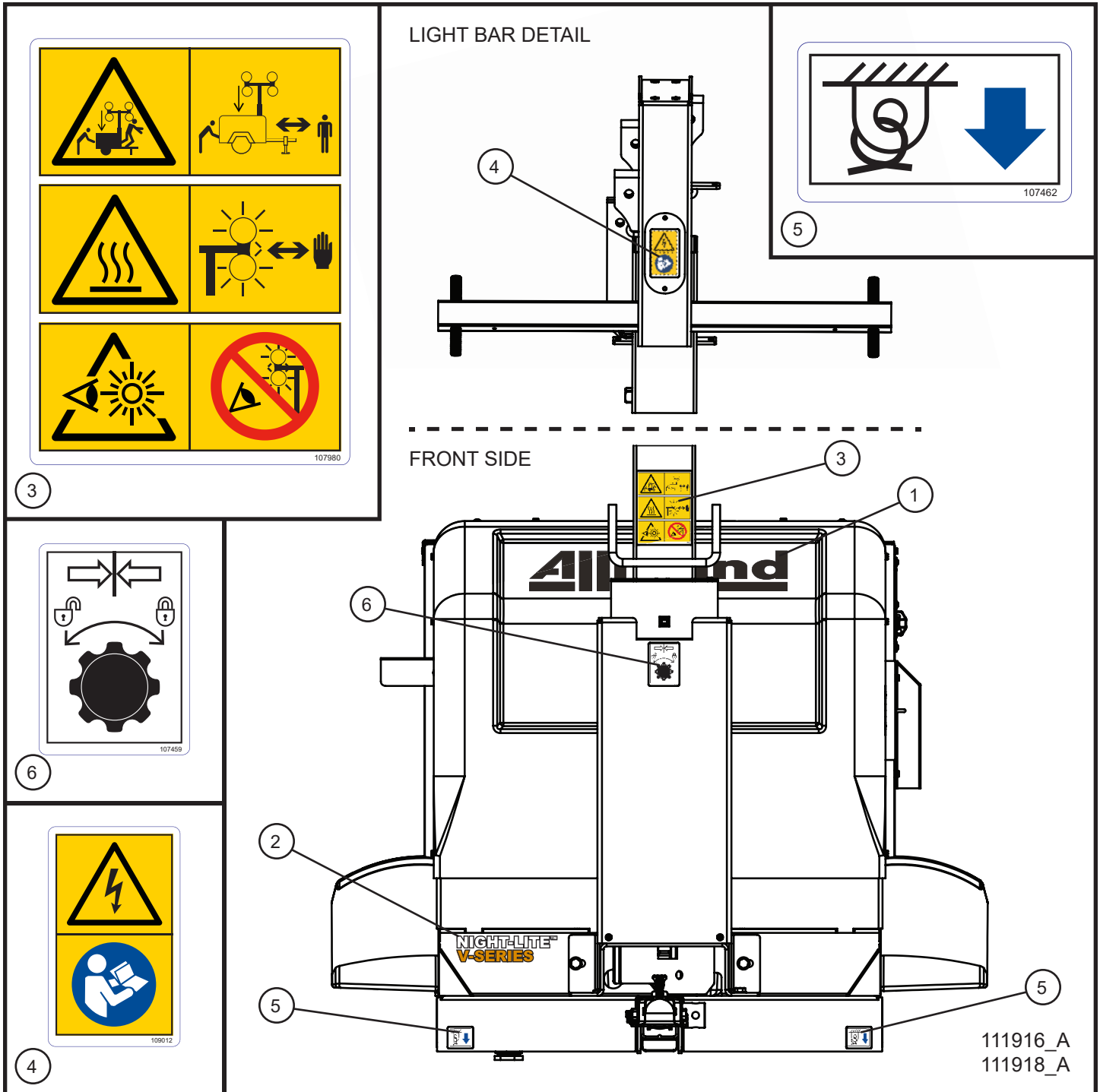
SN 39-000001 to 39-999999

## 13.9 - Wordless Right Side Decals

Item	Part No.	Part Description	Qty.
1	112134	ALLMAND WHITE GOLD STRIPE DECAL	1
2	112234	NIGHT-LITE V-SERIES RIGHT DECAL	1
3	107980	WORDLESS VERTICAL TOWER 3 PANEL WARNING DECAL	1
4	107529	WORDLESS HOT SURFACE WARNING DECAL	1
5	107254	FORKLIFT DECAL	2
6	107462	TIE DOWN POSITION DECAL	1
7	107973	OIL DRAIN DECAL	1
8	108354	50Hz DECAL	1
9	107969	GROUND DECAL	1

\*NS - NOT SHOWN

## 13.10 - Wordless Front Side Decals





# NIGHT-LITE™ V-SERIES

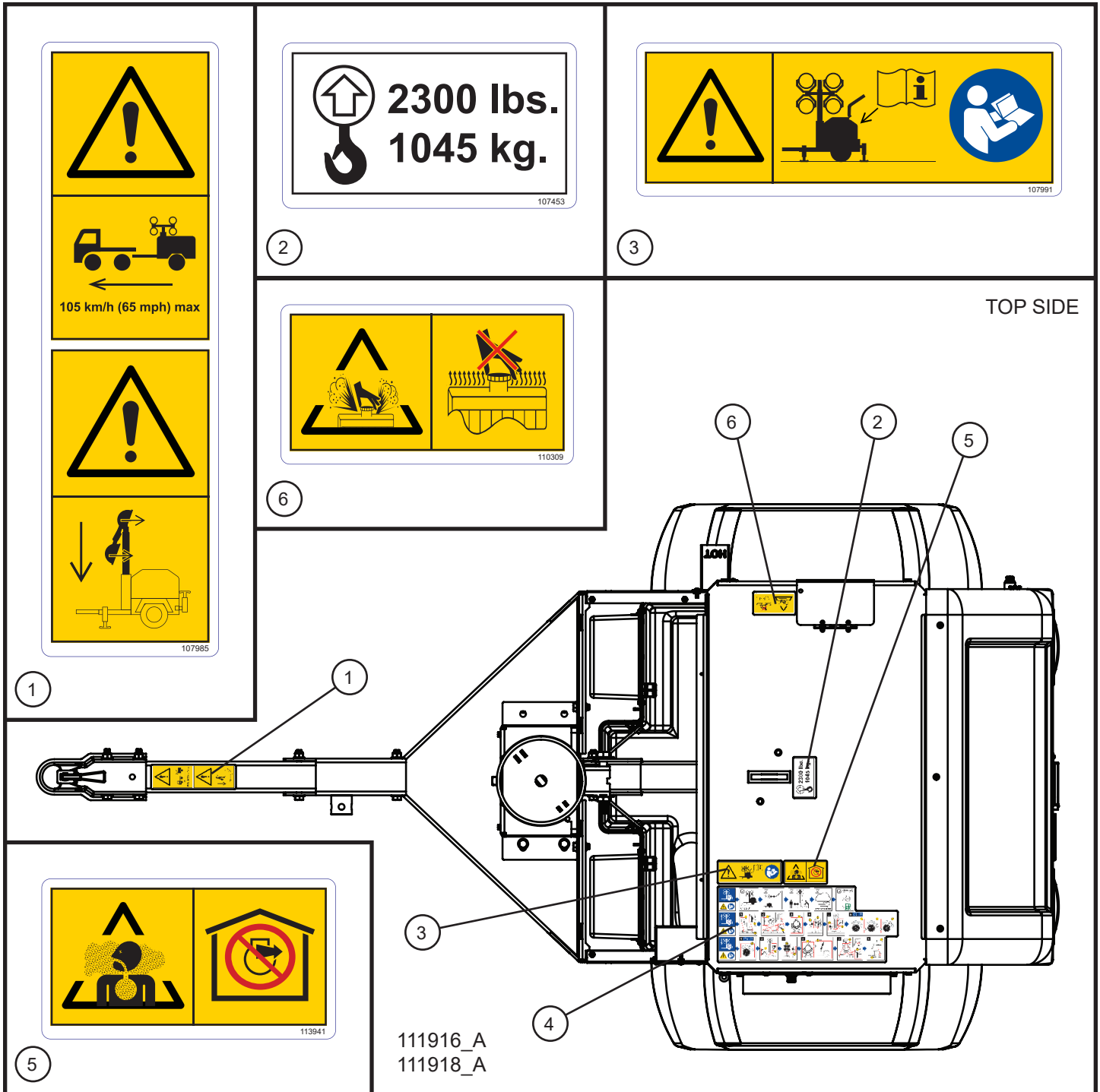
SN 39-000001 to 39-999999

## 13.10 - Wordless Front Side Decals

Item	Part No.	Part Description	Qty.
1	112232	ALLMAND BLACK 21 INCH DECAL	1
	110285	ALLMAND WHITE SMALL BRAND DECAL	1
2	112233	NIGHT-LITE V-SERIES LEFT DECAL	1
3	107980	WORDLESS VERTICAL TOWER 3 PANEL WARNING DECAL	1
4	109012	WORDLESS HAZARDOUS VOLTAGE VERTICAL DANGER DECAL	1
5	107462	TIE DOWN POSITION DECAL	2
6	107459	TOWER ALIGNMENT DECAL	1

\*NS - NOT SHOWN

## 13.11 - Wordless Top Side Decals



# NIGHT-LITE™ V-SERIES

SN 39-000001 to 39-999999

## 13.11 - Wordless Top Side Decals

Item	Part No.	Part Description	Qty.
1	107985	WORDLESS EXCESSIVE TOWING DECAL	1
2	107453	LIFT HOOK WEIGHT DECAL	1
3	107991	WORDLESS OPERATOR WARNING DECAL	1
4	110303	MANUAL WINCH TOWER INSTRUCTIONS DECAL	1
	110304	ELECTRIC WINCH TOWER INSTRUCTIONS DECAL	1
	107256	LSC MANUAL WINCH TOWER INSTRUCTIONS DECAL	1
	107519	LSC ELECTRIC WINCH TOWER INSTRUCTIONS DECAL	1
5	113941	WORDLESS EXHAUST WARNING DECAL	1
6	110309	WORDLESS RADIATOR WARNING DECAL	1

\*NS - NOT SHOWN

## 13.12 - Wordless Interior Decals

1

BREAKER BOX DETAIL

2

3

LED DRIVER BACK COVER DETAIL

REAR DOOR INTERIOR DETAIL

BALLAST BOX TOP DETAIL

111916\_A  
111918\_A

# NIGHT-LITE™ V-SERIES


SN 39-000001 to 39-999999

## 13.12 - Wordless Interior Decals

Item	Part No.	Part Description	Qty.
1	110310	WORDLESS ENGINE-RADIATOR-BATTERY WARNING DECAL	1
2	104880	WORDLESS HAZARDOUS VOLTAGE DANGER DECAL	3
3	109012	WORDLESS HIGH VOLTAGE VERTICAL DANGER DECAL	1

\*NS - NOT SHOWN

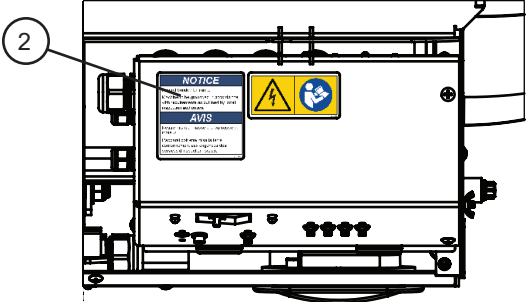
## 13.13 - CSA Decals

<p><b>⚠ WARNING</b></p> <p>Engine exhaust contains carbon monoxide, a poisonous gas that could cause death or serious injury.</p> <p>Run equipment far from windows, doors and vents. Do not run equipment indoors or in partially enclosed spaces.</p>		<p><b>⚠ AVERTISSEMENT</b></p> <p>Le moteur contient du monoxyde de carbone, un gaz toxique pouvant provoquer la mort ou de graves blessures.</p> <p>Faites tourner à l'extérieur, loin des fenêtres, des portes et des événements. Ne faites pas fonctionner à l'intérieur ni dans un espace partiellement fermé.</p>
---	---	---

110363

**1**

**BREAKER BOX DETAIL**



2

---

**NOTICE**

Neutral bonded to frame.  
Machine to be grounded in accordance with requirements as outlined by local inspection authorities.

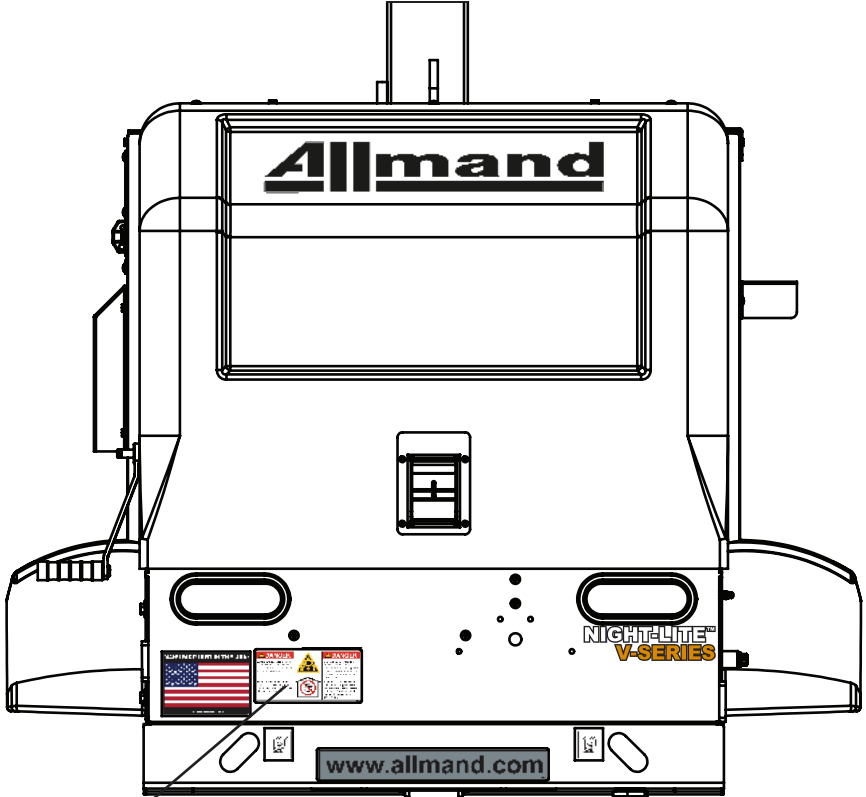
**AVIS**

Neutre mis à la masse à la carcasse du moteur.  
L'appareil doit être mis à terre conformément aux exigences des services d'inspection locaux.

110362

**2**

**BACK SIDE**



1

112398\_A

# NIGHT-LITE™ V-SERIES

SN 39-000001 to 39-999999

## 13.13 - CSA Decals

Item	Part No.	Part Description	Qty.
1	110363	DECAL EXHAUST WARNING	1
2	110362	DECAL NEUTRAL / GROUNDED NOTICE	1

\*NS - NOT SHOWN

## 13.14 - Electrical Information Decals

**1**

5 kW
50 Hz
110/220 V
45/23 A
1 Ø

112124

**2**

6 kW
60 Hz
120/240 V
50/25 A
1 Ø

112123

**3**

6 kW
50 Hz
110/220 V
55/27 A
1 Ø

112126

**4**

8 kW
60 Hz
120/240 V
67/33 A
1 Ø

112127

**5**

7 kW
60 Hz
120/240 V
58/29 A
1 Ø

112125

TOP SIDE OF BREAKER BOX

112701\_A  
112702\_A  
112703\_A  
112704\_A



# NIGHT-LITE™ V-SERIES

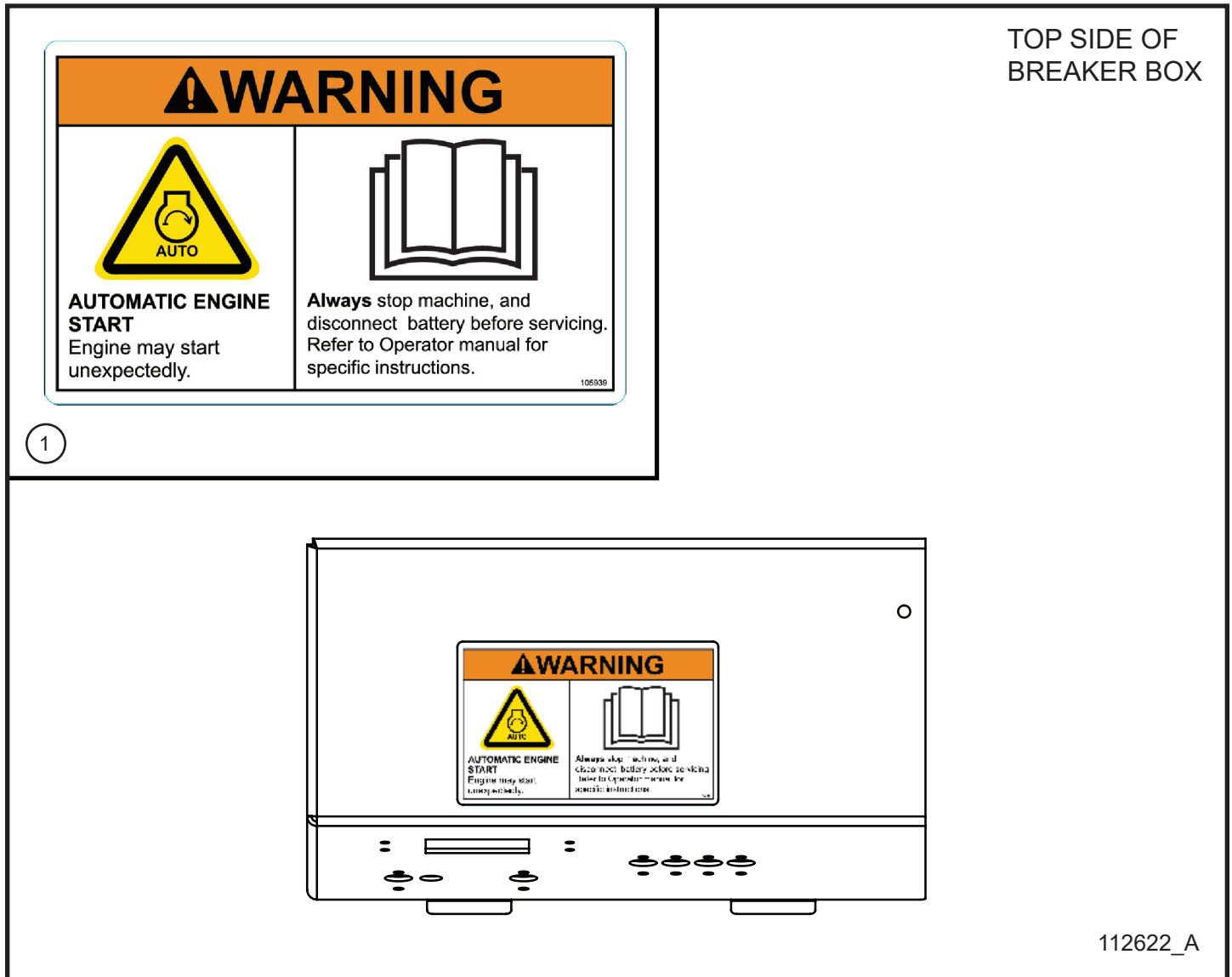
SN 39-000001 to 39-999999

## 13.14 - Electrical Information Decals

Item	Part No.	Part Description	Qty.
1	112124	DECAL ELECTRICAL INFO 5kW 50Hz 1 PHASE	1
2	112123	DECAL ELECTRICAL INFO 6kW 60Hz 1 PHASE	1
3	112126	DECAL ELECTRICAL INFO 6kW 50Hz 1 PHASE	1
4	112127	DECAL ELECTRICAL INFO 8kW 60Hz 1 PHASE	1
5	112125	DECAL ELECTRICAL INFO 7kW 60Hz 1 PHASE	1

\*NS - NOT SHOWN

## 13.15 - LSC Autostart Decal



# NIGHT-LITE™ V-SERIES

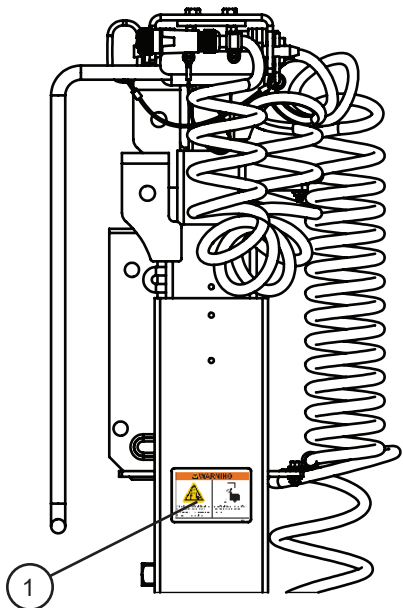
SN 39-000001 to 39-999999

## 13.15 - LSC Autostart Decal

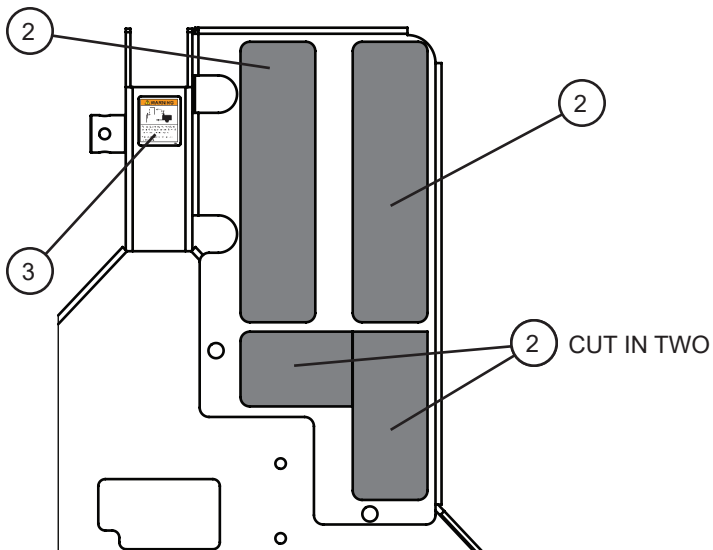
Item	Part No.	Part Description	Qty.
1	105939	LSC AUTOSTART WARNING DECAL	1

\*NS - NOT SHOWN

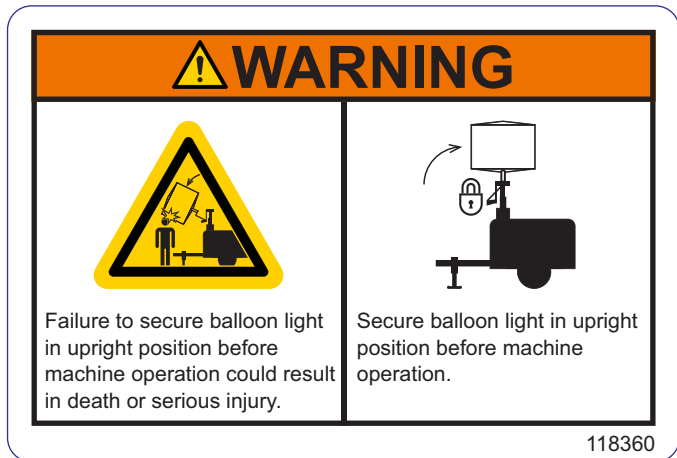
## 13.16 - LED Balloon Light Decals



VERTICAL  
TOWER DETAIL

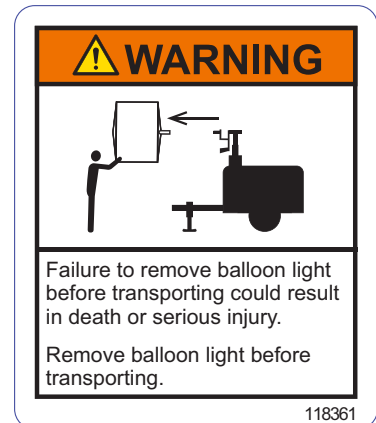


STEP PLATE &  
TONGUE DETAIL



118360

1



118361

3

119919\_A

# NIGHT-LITE™ V-SERIES

SN 39-000001 to 39-999999

## 13.16 - LED Balloon Light Decals

Item	Part No.	Part Description	Qty.
1	118360	DECAL WARNING BALLOON LIGHT OPERATION	1
2	062006	ANTI SKID TAPE DIE CUT PEAL AND STICK	3
3	118361	DECAL WARNING BALLOON LIGHT TRANSPORT	1

\*NS - NOT SHOWN

# NIGHT-LITE™ V-SERIES



1502 West 4th Avenue  
Holdrege, NE 68949

phone: (308) 995-4495 • toll free: (800) 562-1373

fax: (308) 995-5887

[www.allmand.com](http://www.allmand.com)