



(en) Parts Manual
NIGHT-LITE™ GR-SERIES
Liquid-Cooled Diesel



TABLE OF CONTENTS

1.0 TRAILER BASE PARTS

Axle and Wheels	(1.1)
Fenders	(1.2)
Tongue	(1.3)
Outriggers	(1.4)
Enclosure Base Parts	(1.5)
Lift Bow	(1.6)
Manual Canister	(1.7)

2.0 TOWER GROUP

Tower Pedestal	(2.1)
Tower Section 1	(2.2)
Tower Section 2	(2.3)
Tower Section 3	(2.4)
Tower Round Section and Light Bar	(2.5)

3.0 ELECTRICAL AND LIGHTING GROUP

Control Box Interior and Install Group	(3.1)
Control Box Deep Sea Controller and Light Switches	(3.2)
Control Box (60Hz) Main Breaker and GFCI Group	(3.3)
Emergency Stop Button	(3.4)
Tower Cord	(3.5)
350W LED Lighting	(3.6)
350W LED Light Diffuser	(3.7)
250W LED Lighting	(3.8)
250W LED Light Diffuser	(3.9)
Trailer Lighting	(3.10)

NIGHT-LITE™ GR-SERIES

TABLE OF CONTENTS

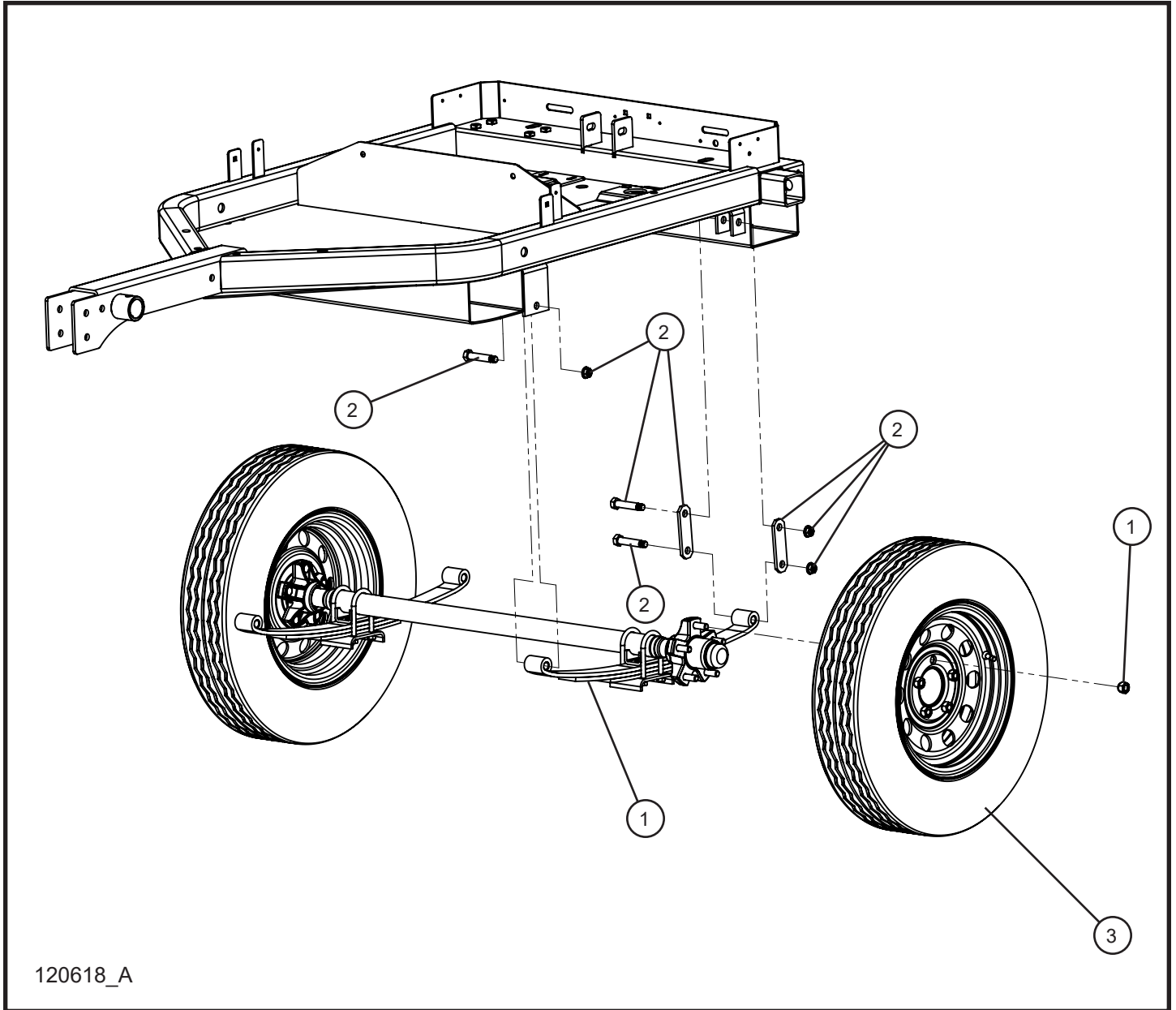
4.0 ENGINE AND GENERATOR GROUP

Kubota Z482 Diesel Engine	(4.1)
Coolant Reservoir Tank	(4.2)
Remote Oil Drain	(4.3)
Engine and Generator Mounting	(4.4)
Linz 4.3kW 60Hz Generator	(4.5)
10/3 Generator Cord	(4.6)
Fuel Tank	(4.7)
Fuel Lines	(4.8)
Battery Group	(4.9)

5.0 DECALS

Right Side Decals	(5.1)
Left Side English and French Decals	(5.2)
Left Side International Wordless Decals	(5.3)
Front Side English and French Decals	(5.4)
Front Side International Wordless Decals	(5.5)
Rear Side English and French Decals	(5.6)
Rear Side International Wordless Decals	(5.7)
Top View English and French Decals	(5.8)
Top View International Wordless Decals	(5.9)
Door Interior English and French Decals	(5.10)
Door Interior International Wordless Decals	(5.11)

1.1 - Axle and Wheels



120618_A

NIGHT-LITE™ GR-SERIES

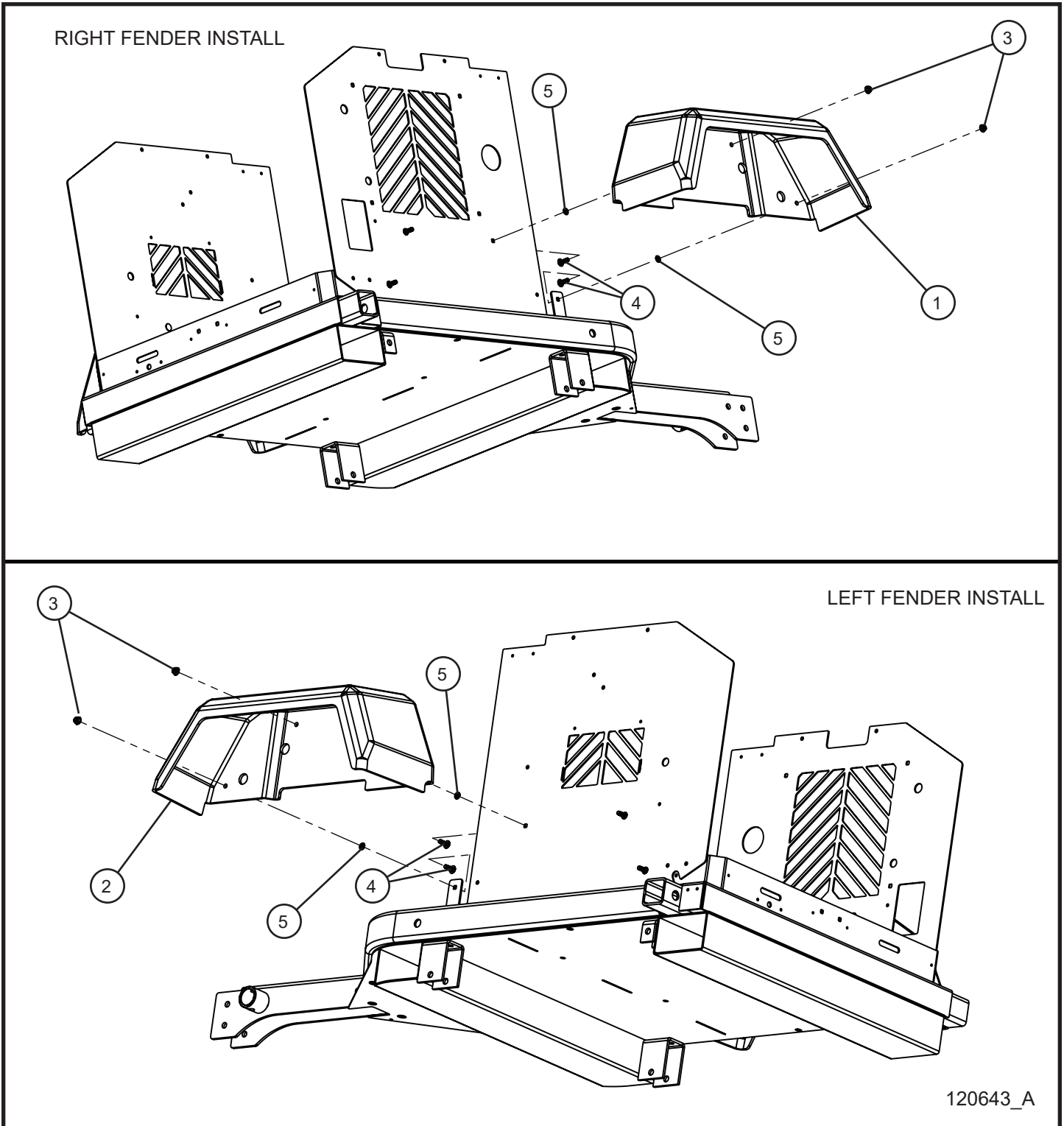
SN 37-000001 and UP

1.1 - Axle and Wheels

Item	Part No.	Part Description	Qty.
1	114113	NIGHT-LITE PRO II & GR-SERIES LIQUID-COOLED AXLE	1
2	117120	SINGLE AXLE SUSPENSION KIT	1
3	112801	13" RADIAL WHEEL/TIRE ASSEMBLY	2

*NS - NOT SHOWN

1.2 - Fenders



120643_A

NIGHT-LITE™ GR-SERIES

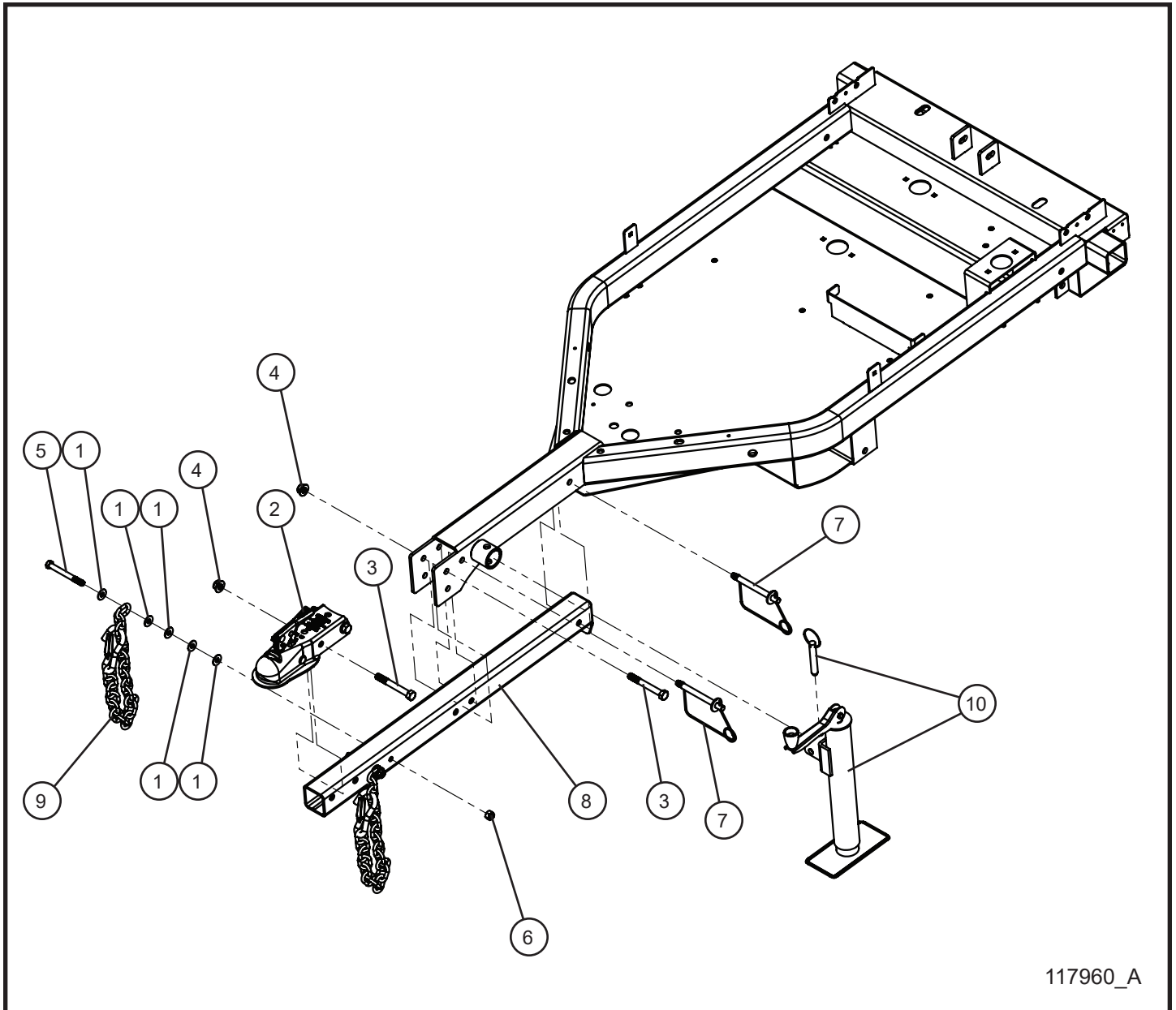
SN 37-000001 and UP

1.2 - Fenders

Item	Part No.	Part Description	Qty.
1	116133	13 INCH RIGHT FENDER NL GR-SERIES	1
2	116984	13 INCH LEFT FENDER NL GR-SERIES	1
3	057006	5/16-18 SERRATED FLANGE NUT	8
4	053020	5/16-18 x 1 CARRIAGE BOLT	8
5	045217	5/16 PUSH NUT	8

*NS - NOT SHOWN

1.3 - Tongue



117960_A

NIGHT-LITE™ GR-SERIES

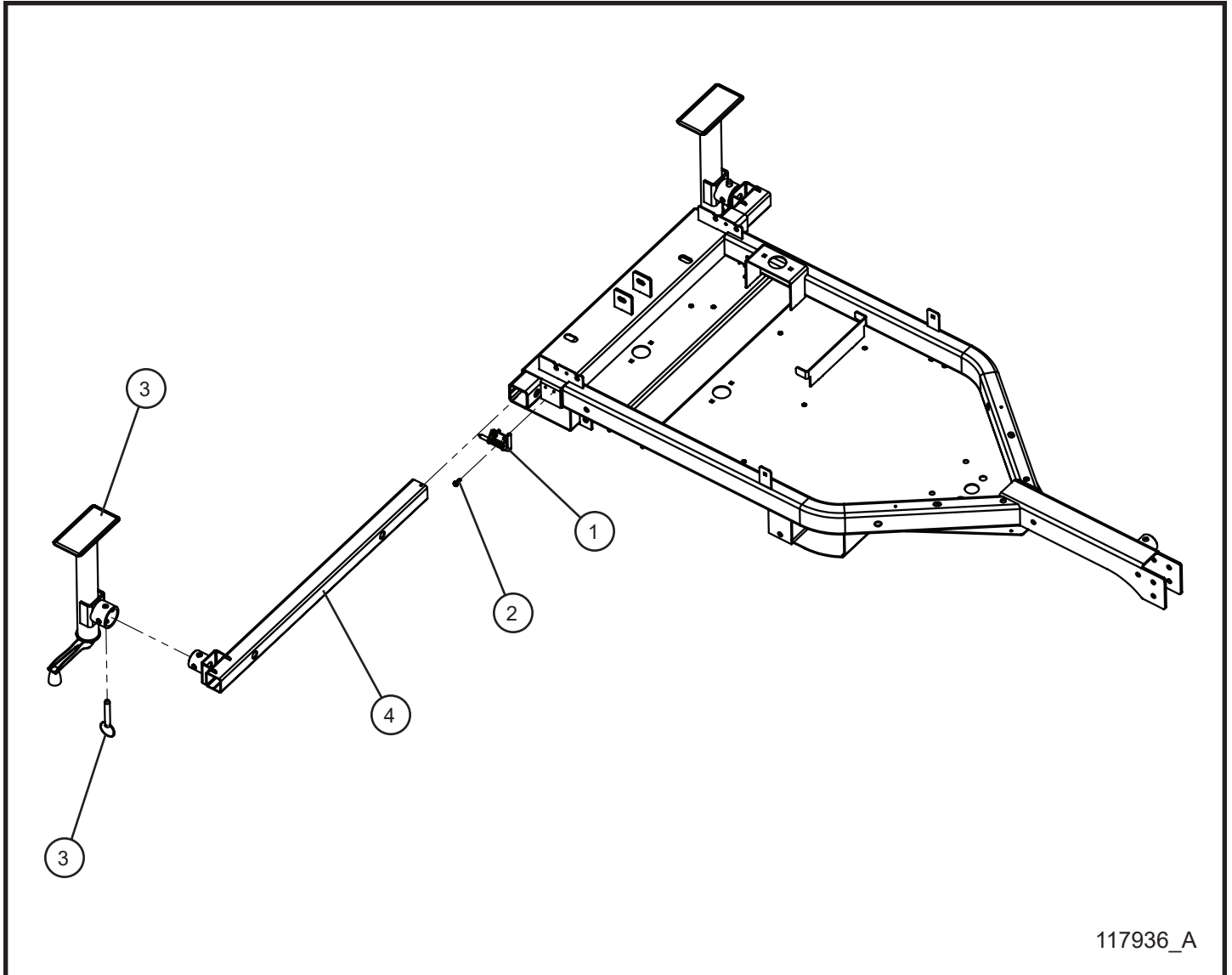
SN 37-000001 and UP

1.3 - Tongue

Item	Part No.	Part Description	Qty.
1	047015	3/8 FLAT WASHER	10
2	116989	2 INCH BALL COUPLER CLASS II 3500LBS 2.5 INCH TONGUE	1
3	056025	1/2-13 x 4 HEX FLANGE SCREW	3
4	057009	1/2-13 NYLOCK FLANGE NUT	3
5	056028	7/16-14 X 4 HEX FLANGE SCREW	2
6	044043	7/16-14 NYLOCK HEX NUT	2
7	116374	1/2 x 4 SNAP LOCK PIN W/ WIRE COIL & 1 1/4 WASHER	2
8	117553P	TONGUE WELDMENT NL GR-SERIES	2
9	049040	27 INCH CLASS III TOW CHAIN	2
10	108726	TOP CRANK TUBE JACK	1

*NS - NOT SHOWN

1.4 - Outriggers



117936_A

NIGHT-LITE™ GR-SERIES

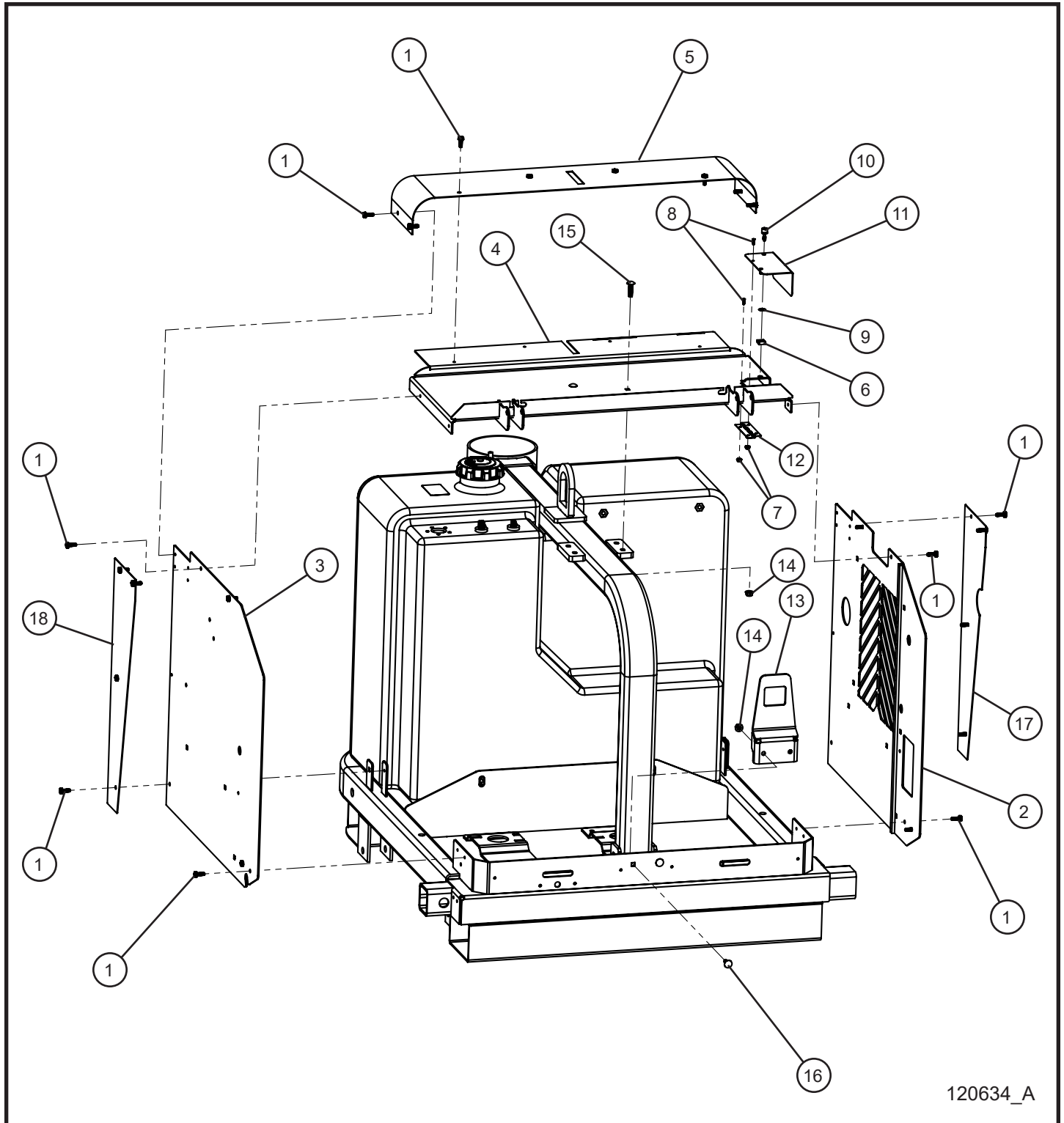
SN 37-000001 and UP

1.4 - Outriggers

Item	Part No.	Part Description	Qty.
1	650723	RETENSION PIN	2
2	041070	1/4-20 x 3/4 SLOTTED HEX WASHER HEAD	4
3	108726	TOP CRANK TUBE JACK	2
4	117748P	OUTRIGGER WELDMENT ROAD SIDE NL GR-SERIES	2

*NS - NOT SHOWN

1.5 - Enclosure Base Parts (1 of 2)



120634_A

NIGHT-LITE™ GR-SERIES

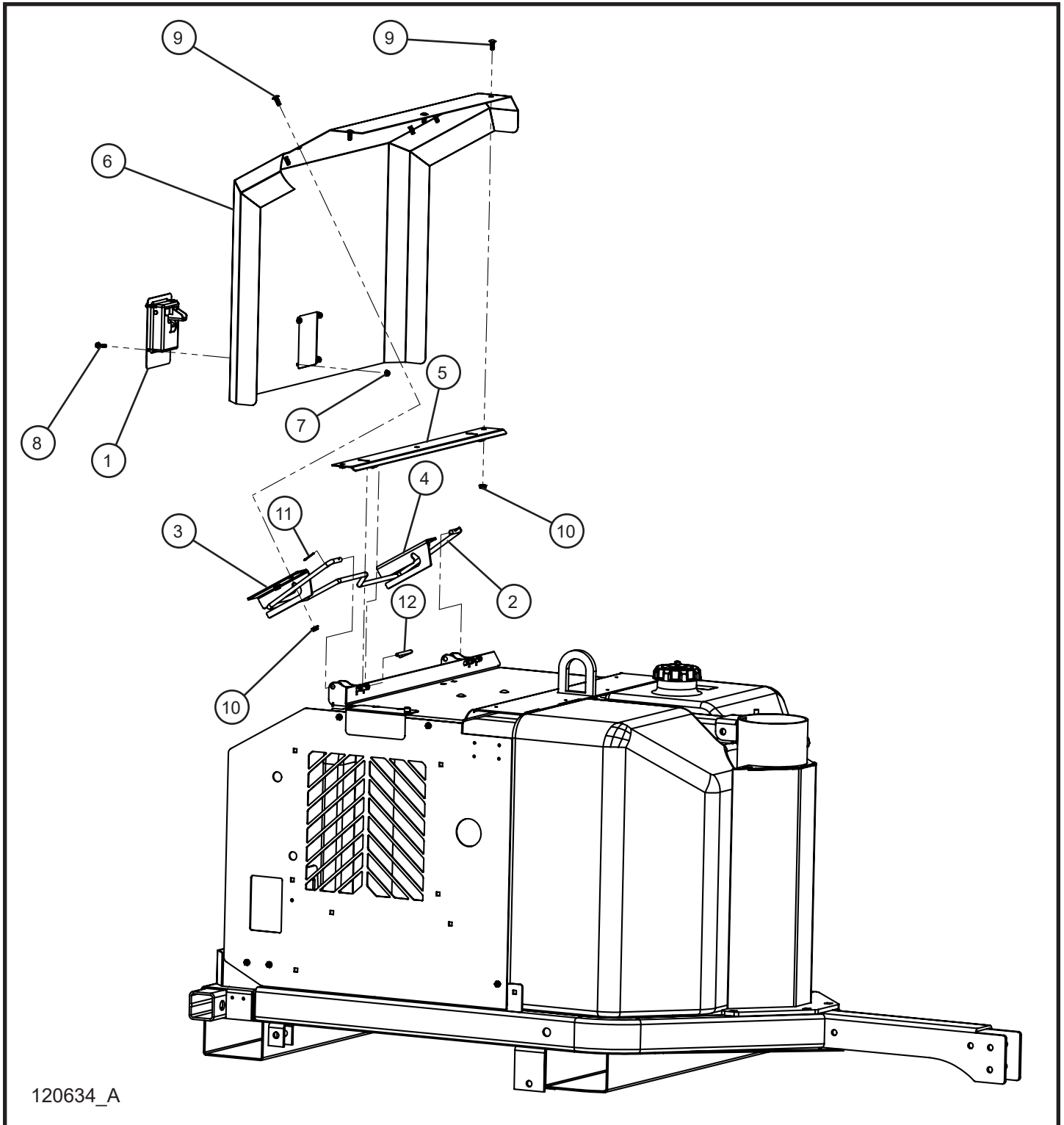
SN 37-000001 and UP

1.5 - Enclosure Base Parts (1 of 2)

Item	Part No.	Part Description	Qty.
1	041070	1/4-20 x 3/4 SLOTTED HEX WASHER HEAD	20
2	120420P	PANEL CURBSIDE NIGHT-LITE GR-SERIES LIQUID-COOLED	1
3	120421P	PANEL ROADSIDE NIGHT-LITE GR-SERIES LIQUID-COOLED	1
4	117967P	STRINGER WELDMENT NLGR LIQUID-COOLED	1
5	120448P	STRINGER FRONT COVER NLGR LIQUID-COOLED	1
6	045216	1/4-20 TINNEMAN NUT	1
7	057005	#6-32 SERRATED FLANGE HEX NUT	4
8	041259	#6-32 X 1/2 PH-FLAT HEAD MACHINE SCREW	4
9	115243	RETAINER PUSH ON	1
10	115244	KNOB KNURLED FAST THREAD	1
11	120446P	RADIATOR CAP ACCESS PANEL NLGR LIQUID-COOLED	1
12	045023	HINGE CONTROLLER COVER	1
13	120449P	BRACKET SLAM LATCH NLGR LC	1
14	057008	5/16-18 HEX NYLOCK FLANGE NUT	4
15	053022	5/16-18 X 1 1/4 CARRIAGE BOLT	2
16	102081	5/16-18 X 3/4 CARRIAGE BOLT	2
17	120451P	PANEL CURBSIDE TRIM NLGR LIQUID-COOLED	1
18	120452P	PANEL CURBSIDE TRIM NLGR LIQUID-COOLED	1
NS	056021	3/8-16 X 5/8 HEX FLANGE SCREW	2
NS	115260	SEAL 1/4 x 1/2 x 25.25	1

*NS - NOT SHOWN

1.5 - Enclosure Base Parts (2 of 2)



NIGHT-LITE™ GR-SERIES

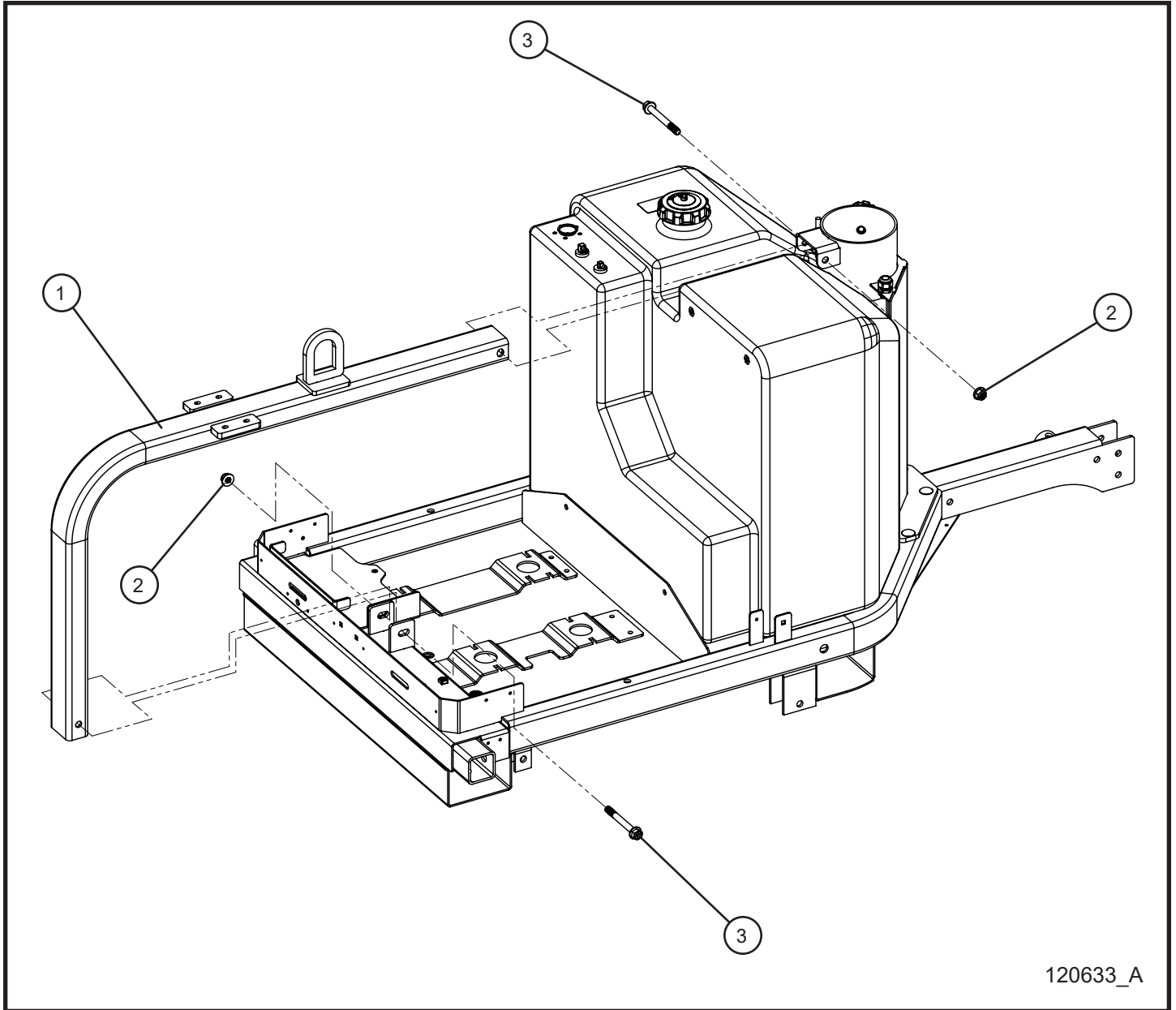
SN 37-000001 and UP

1.5 - Enclosure Base Parts (2 of 2)

Item	Part No.	Part Description	Qty.
1	680459	SLAM LATCH	1
2	115306	DOOR PROP ROD NLV & NLGR LC	1
3	120443P	BRACKET RIGHT DOOR HINGE MOUNT NLGR LC	1
4	120444P	BRACKET LEFT DOOR HINGE MOUNT NLGR LC	1
5	120439P	WELDMENT HINGE COVER REAR NLGR LC	1
6	120442P	REAR DOOR WELDMENT NLGR LC	1
7	057010	#10-24 HEX NYLOCK FLANGE NUT	4
8	056005	#10-24 X 3/4 SERRATED FLANGE HEX SCREW	4
9	053006	1/4-20 X 3/4 CARRIAGE BOLT	7
10	057000	1/4-20 HEX SERRATED FLANGE NUT	7
11	045041	5/64 x 1 COTTER PIN	2
12	111456	PIN HINGE	2
NS	115259	SEAL 1/8 x 1/2 x 29.25	1

*NS - NOT SHOWN

1.6 - Lift Bow



120633_A

NIGHT-LITE™ GR-SERIES

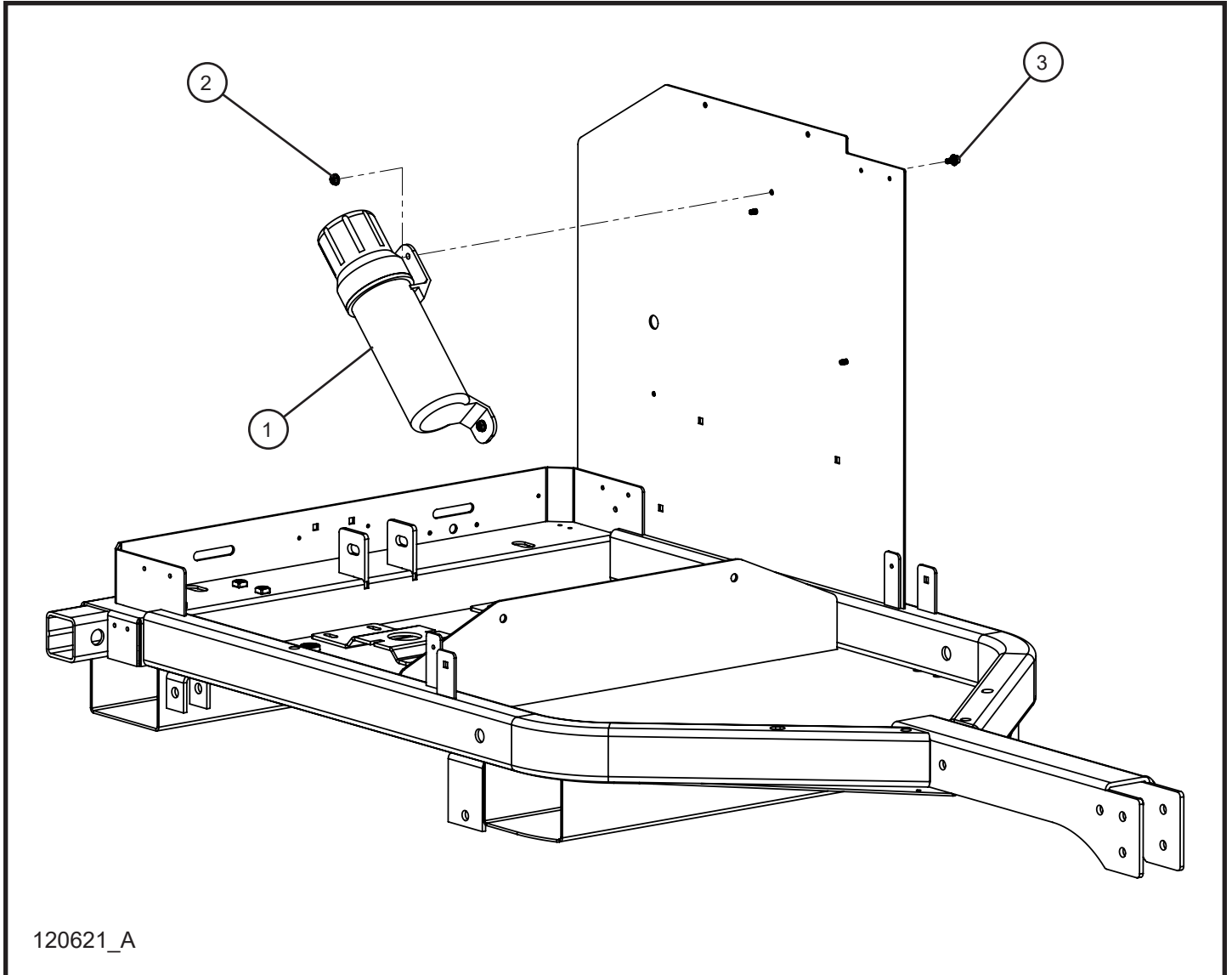
SN 37-000001 and UP

1.6 - Lift Bow

Item	Part No.	Part Description	Qty.
1	120419P	LIFT BOW NIGHT-LITE GR-SERIES LIQUID-COOLED	1
2	057009	1/2-13 NYLOCK FLANGE NUT	2
3	056026	1/2-13 X 4 1/2 HEX FLANGE SCREW	2

*NS - NOT SHOWN

1.7 - Manual Canister



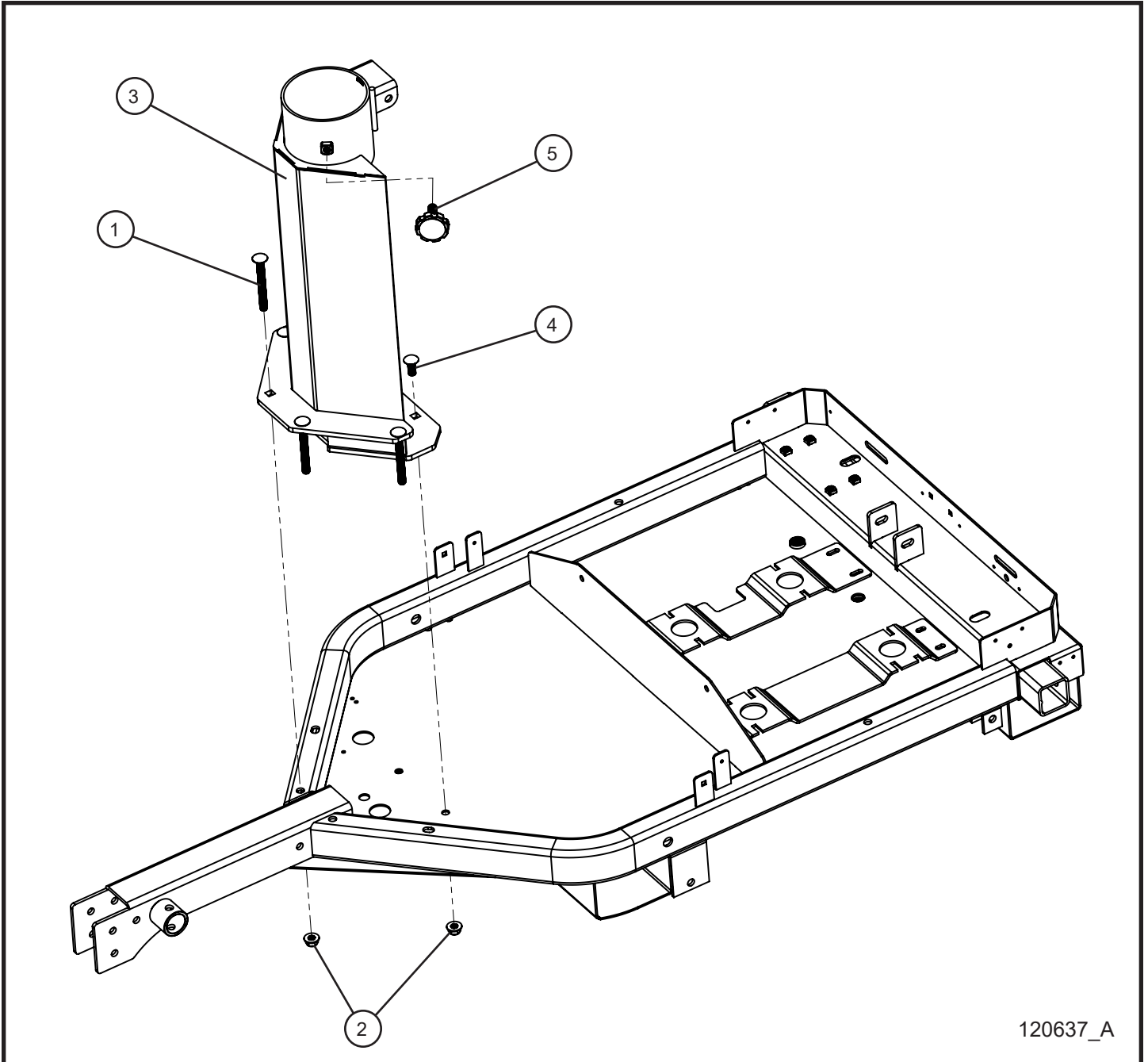
NIGHT-LITE™ GR-SERIES

SN 37-000001 and UP

1.7 - Manual Canister

Item	Part No.	Part Description	Qty.
1	103651	PRODUCT MANUAL CANISTER	1
2	057000	1/4-20 HEX SERRATED FLANGE NUT	3
3	056019	1/4-20 x 3/4 HEX SERRATED FLANGE SCREW	3
NS	120250	NIGHT-LITE GR-SERIES SCHEMATIC MANUAL	1
NS	118656	NIGHT-LITE GR-SERIES AIR COOLED OPERATOR MANUAL	1

2.1 - Tower Pedestal



120637_A

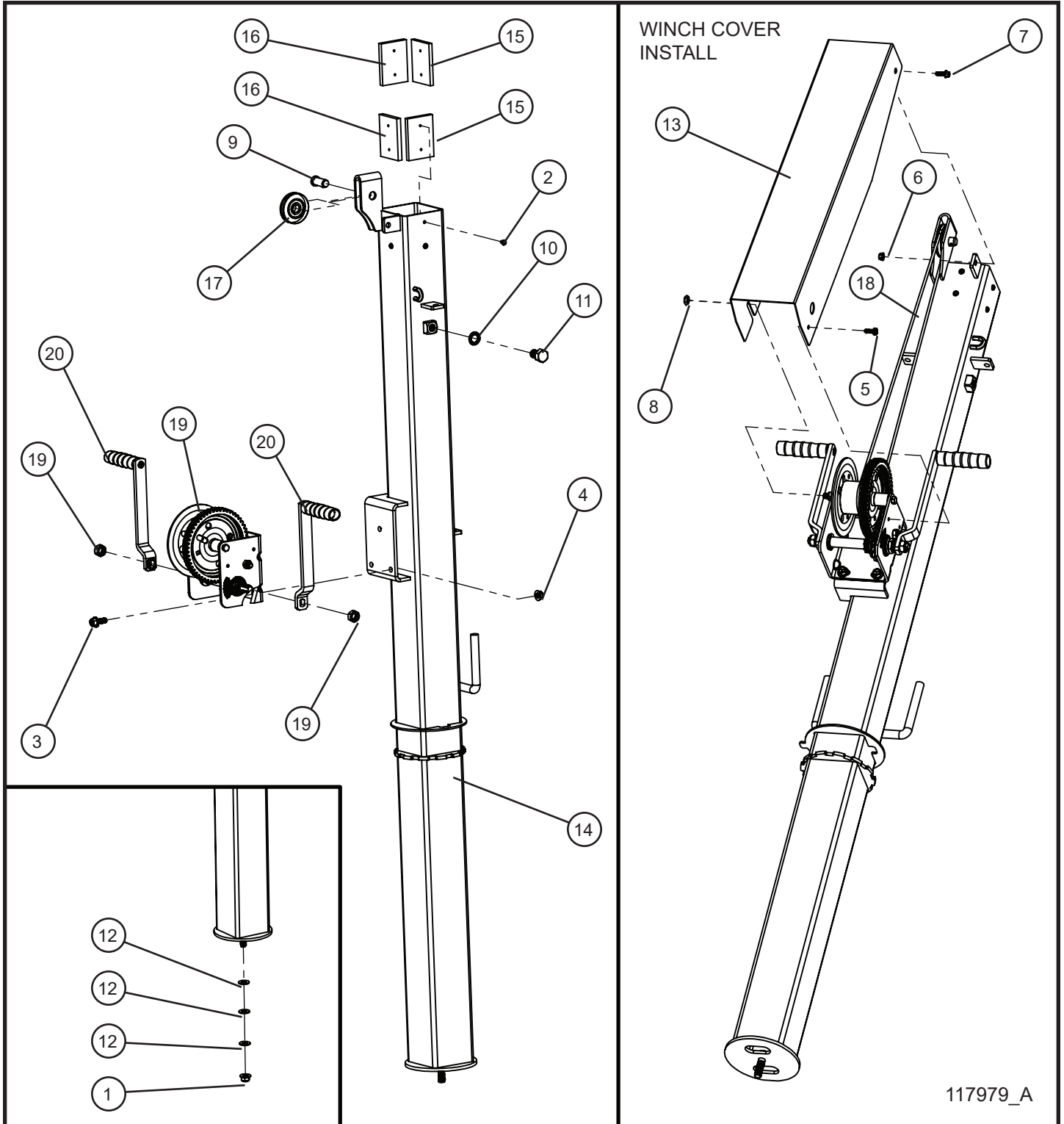
NIGHT-LITE™ GR-SERIES

SN 37-000001 and UP

2.1 - Tower Pedestal

Item	Part No.	Part Description	Qty.
1	053051	1/2-13 X 4 1/2 CARRIAGE BOLT	4
2	057009	1/2-13 NYLOCK FLANGE NUT	6
3	120416P	PEDESTAL WELDMENT NL-GR SERIES LIQUID-COOLED	1
4	053050	1/2-13 X 1 1/4 CARRIAGE BOLT	2
5	620550	LOCKING KNOB	1

2.2 - Tower Section 1



117979_A

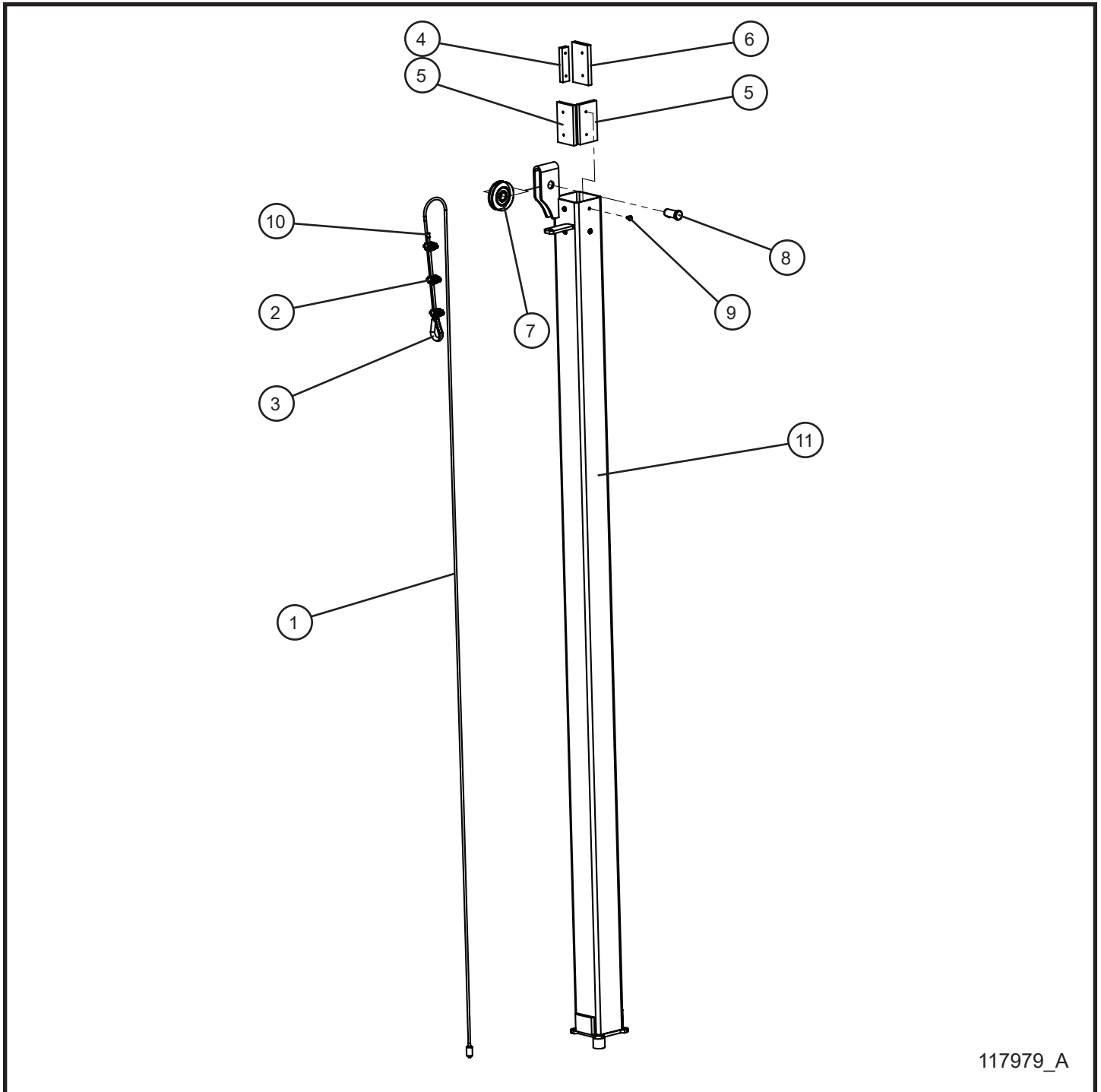
NIGHT-LITE™ GR-SERIES

SN 37-000001 and UP

2.2 - Tower Section 1

Item	Part No.	Part Description	Qty.
1	057009	1/2-13 NYLOCK FLANGE NUT	1
2	041023	#10 x 3/8 PH-ROUND HEAD	8
3	056010	3/8-16 x 1 SERRATED FLANGE HEX SCREW	3
4	057007	3/8-16 HEX NYLOCK FLANGE NUT	3
5	041070	1/4-20 x 3/4 SLOTTED HEX WASHER HEAD	3
6	057001	1/4-20 HEX NYLOCK FLANGE NUT	1
7	056019	1/4-20 x 3/4HEX FLANGE SCREW	1
8	044041	3/8-16 HEX JAM NUT	1
9	033000	5/8 x 1 SLIC PIN	3
10	043100	5/8 INTL TOOTHLOCK WASHER PL	1
11	046242	5/8-11 x HEX HEAD CS GR5 PL	1
12	047025	1/2 FLAT WASHER	3
13	117776P	MANUAL WINCH CABLE COVER NL-GR SERIES	1
14	120415P	WELDMENT TOWER 4 INCH SECTION NL-GR SERIES	1
15	650110	.312 TOWER PAD	2
16	650109	.375 TOWER PAD	2
17	100160	2 1/2 PULLEY BALL BEARING	1
18	620076	TOP CABLE MANUAL PRO	1
19	116985	WINCH BRAKE 1500 LB DUAL HANDLE WINCH ONLY	1
20	113618	HANDLE SMALL OFFSET DUAL HANDLE WINCH	2

2.3 - Tower Section 2



117979_A

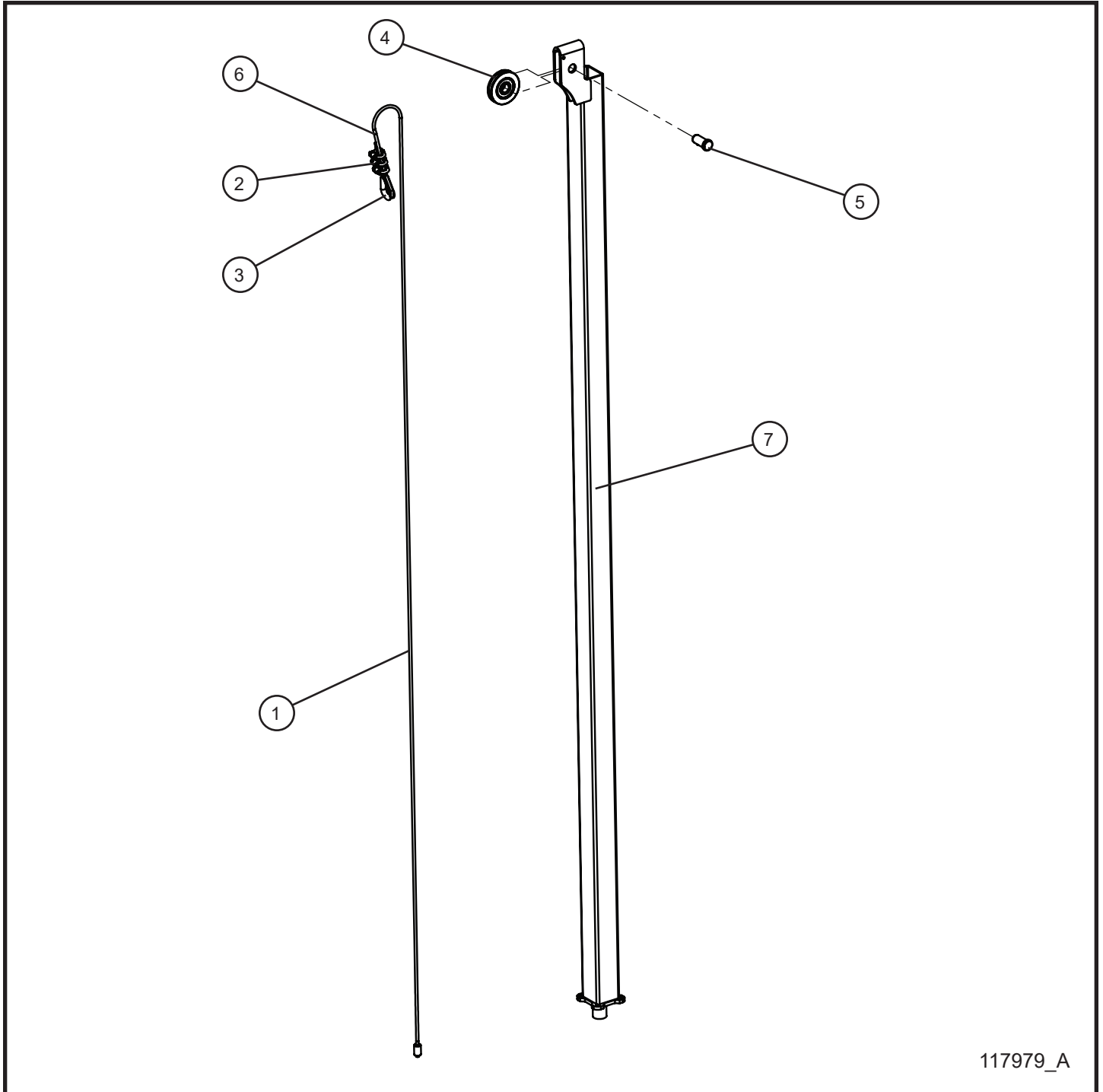
NIGHT-LITE™ GR-SERIES

SN 37-000001 and UP

2.3 - Tower Section 2

Item	Part No.	Part Description	Qty.
1	320185	WINCH CABLE MANUAL TOWER	1
2	620084	3/16 CABLE CLIP	3
3	045040	3/16 CABLE THIMBLE 3/16 WIRE ROPE	1
4	100062	3/8 UHMW SPACER	1
5	352280	PLASTIC TOWER PAD	2
6	100446	3/8 PAD SMALL	1
7	100160	2 1/2 PULLEY BALL BEARING	1
8	033000	5/8 x 1 SLIC PIN	1
9	041023	#10 x 3/8 PH-ROUND HEAD MS PL	8
10	022150	FERRULE 10-12 AWG	1
11	120525	WELDMENT TOWER 3 INCH SECTION NLGR GALVINIZED	1
	117092P	WELDMENT TOWER 3 INCH SECTION NL-GR SERIES	1

2.4 - Tower Section 3



117979_A

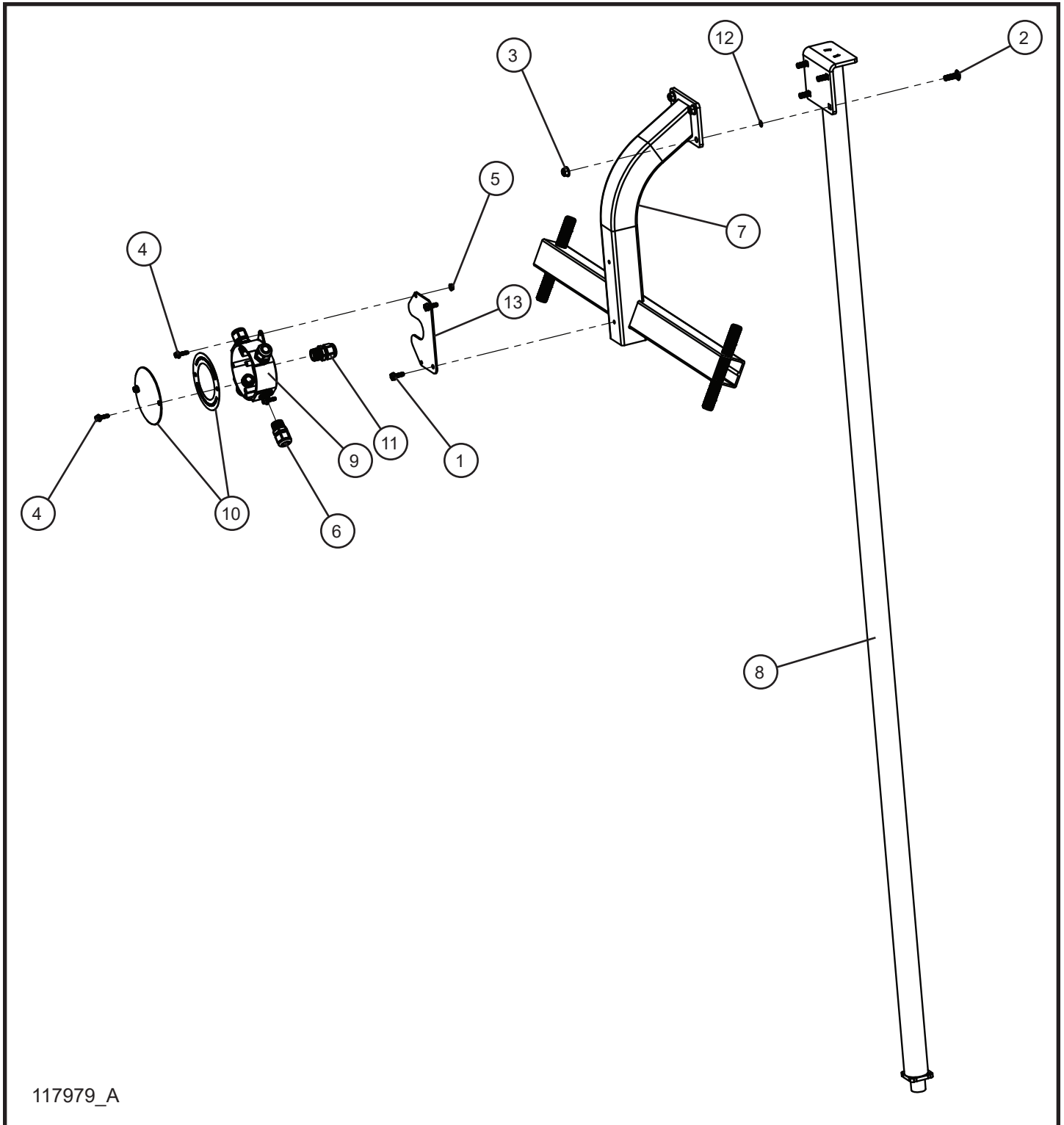
NIGHT-LITE™ GR-SERIES

SN 37-000001 and UP

2.4 - Tower Section 3

Item	Part No.	Part Description	Qty.
1	320185	WINCH CABLE MANUAL TOWER	1
2	620084	3/16 CABLE CLIP	3
3	045040	3/16 CABLE THIMBLE 3/16 WIRE ROPE	1
4	100160	2 1/2 PULLEY BALL BEARING	1
5	033000	5/8 x 1 SLIC PIN	1
6	022150	FERRULE 10-12 AWG	1
7	120526	WELDMENT TOWER 2 INCH SECTION NLGR GALVINIZED	1
	117093P	WELDMENT TOWER 2 INCH SECTION NL-GR SERIES	1

2.5 - Tower Round Section and Light Bar



117979_A

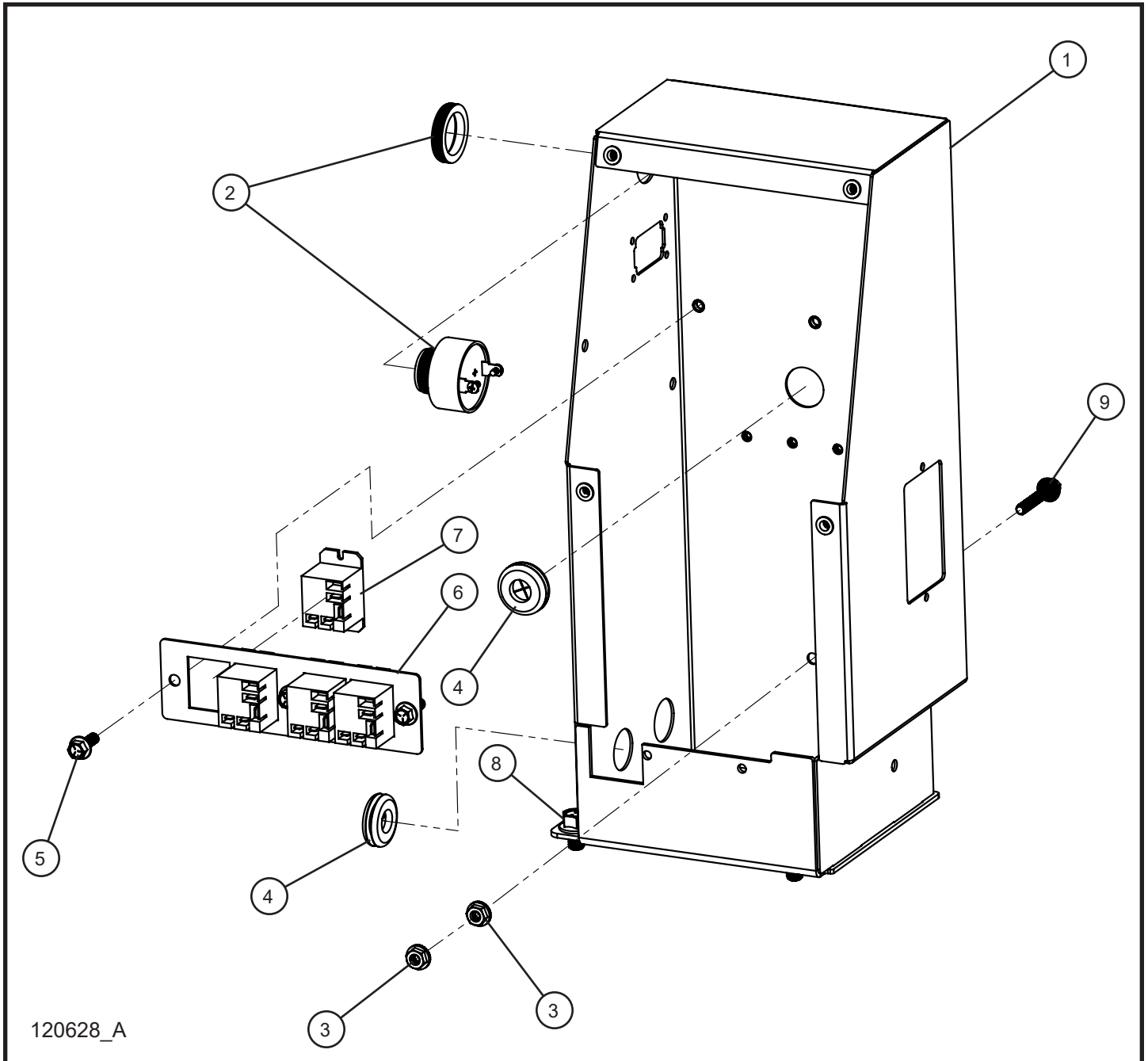
NIGHT-LITE™ GR-SERIES

SN 37-000001 and UP

2.5 - Tower Round Section and Light Bar

Item	Part No.	Part Description	Qty.
1	041070	1/4-20 x 3/4 SLOTTED HEX WASHER HEAD	3
2	053020	5/16-18 x 1 CARRIAGE BOLT	4
3	057008	5/16-18 HEX NYLOCK FLANGE NUT	4
4	056005	#10-24 x 3/4 SERRATED FLANGE HEX SCREW	4
5	057010	#10-24 HEX NYLOCK FLANGE NUT	2
6	105626	1/2 CORD GRIP	4
7	117770P	LIGHT BAR WELDMENT NL-GR SERIES	1
8	117094P	WELDMENT TOWER ROUND SECTION NL-GR SERIES	1
9	118127	WEATHERTIGHT OUTLET BOX	1
10	118128	WEATHERTIGHT LID OUTLET BOX	1
11	114886	1/2 CORD GRIP	1
12	045217	5/16 PUSH NUT	4
13	117768P	MOUNT PLATE JUNCTION BOX	1

3.1 - Control Box Interior and Install Group



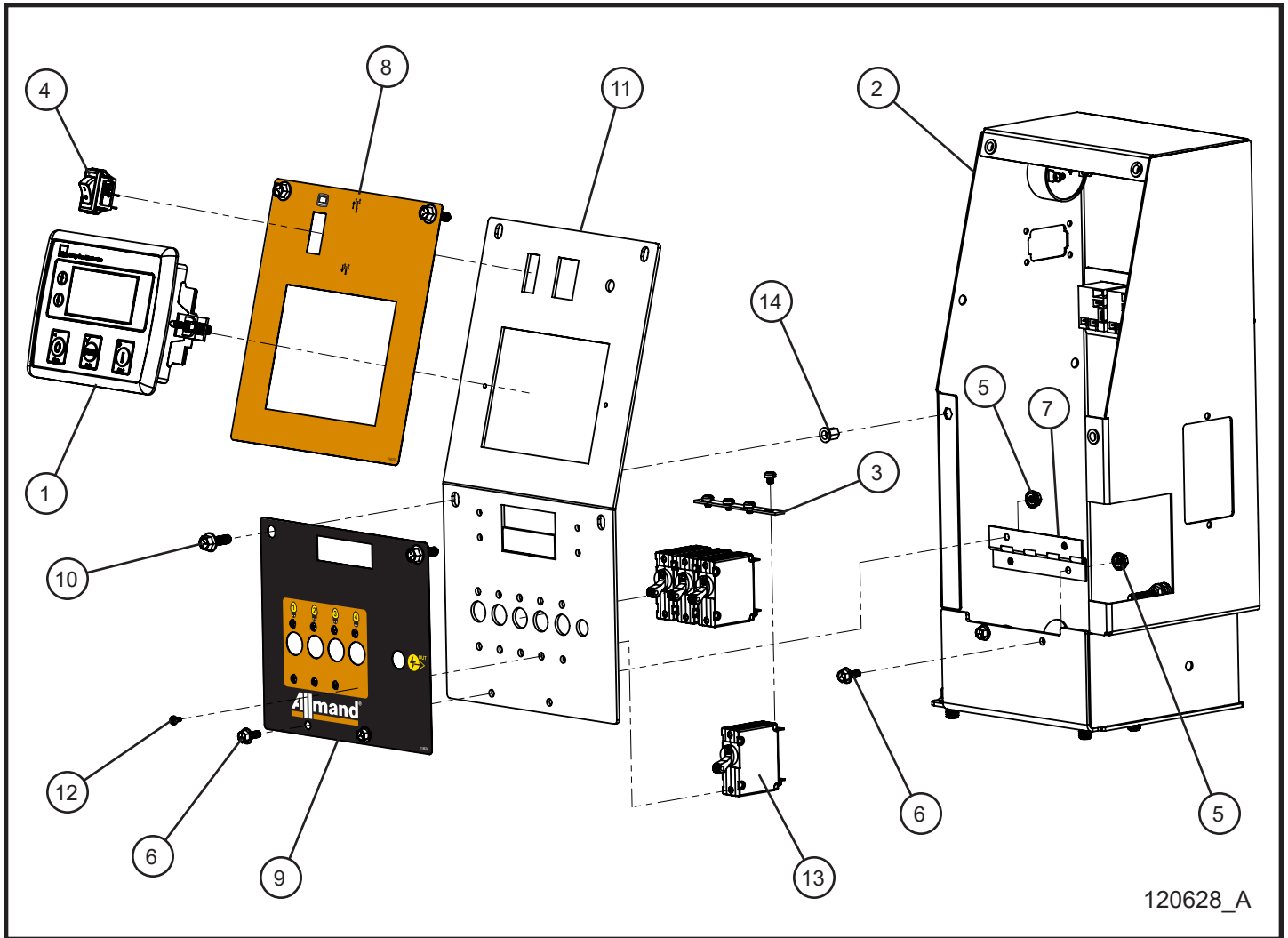
NIGHT-LITE™ GR-SERIES

SN 37-000001 and UP

3.1 - Control Box Interior and Install Group

Item	Part No.	Part Description	Qty.
1	120434P	CONTROL BOX WELDMENT NL GR-SERIES LIQUID-COOLED	1
2	118086	AUDIBLE ALARM PANEL MOUNT	1
3	057000	1/4-20 HEX SERRATED FLANGE NUT	2
4	100859	7/8 ID x 1 1/4 OD GROMMET	2
5	056019	1/4-20 x 3/4 HEX FLANGE SCREW	7
6	114846P	RELAY BRACKET BREAKER BOX	1
7	104957	RELAY 120VAC 30AMP 12-28 VDC CONTROL	4
8	056033	3/8-16 x 1/2 HEX FLANGE SCREW	4
9	056012	1/4-20 x 1 1/2 HEX SERRATED FLANGE SCREW	1
NS	105844	15A MINI FUSE	1
NS	102571	2A 250V FUSE	2
NS	105039	5A 32V BLADE FUSE	2
NS	103865	10A 32V BLADE FUSE	1
NS	103866	15A 32V BLADE FUSE	1
NS	120529	SCHEMATIC DEEP SEA LSC NL GR-SERIES LIQUID-COOLED	1
NS	118585	HARNES CONTROL BOX DEEP SEA NLGR LC	1

3.2 - Control Box Deep Sea Controller and Light Switches



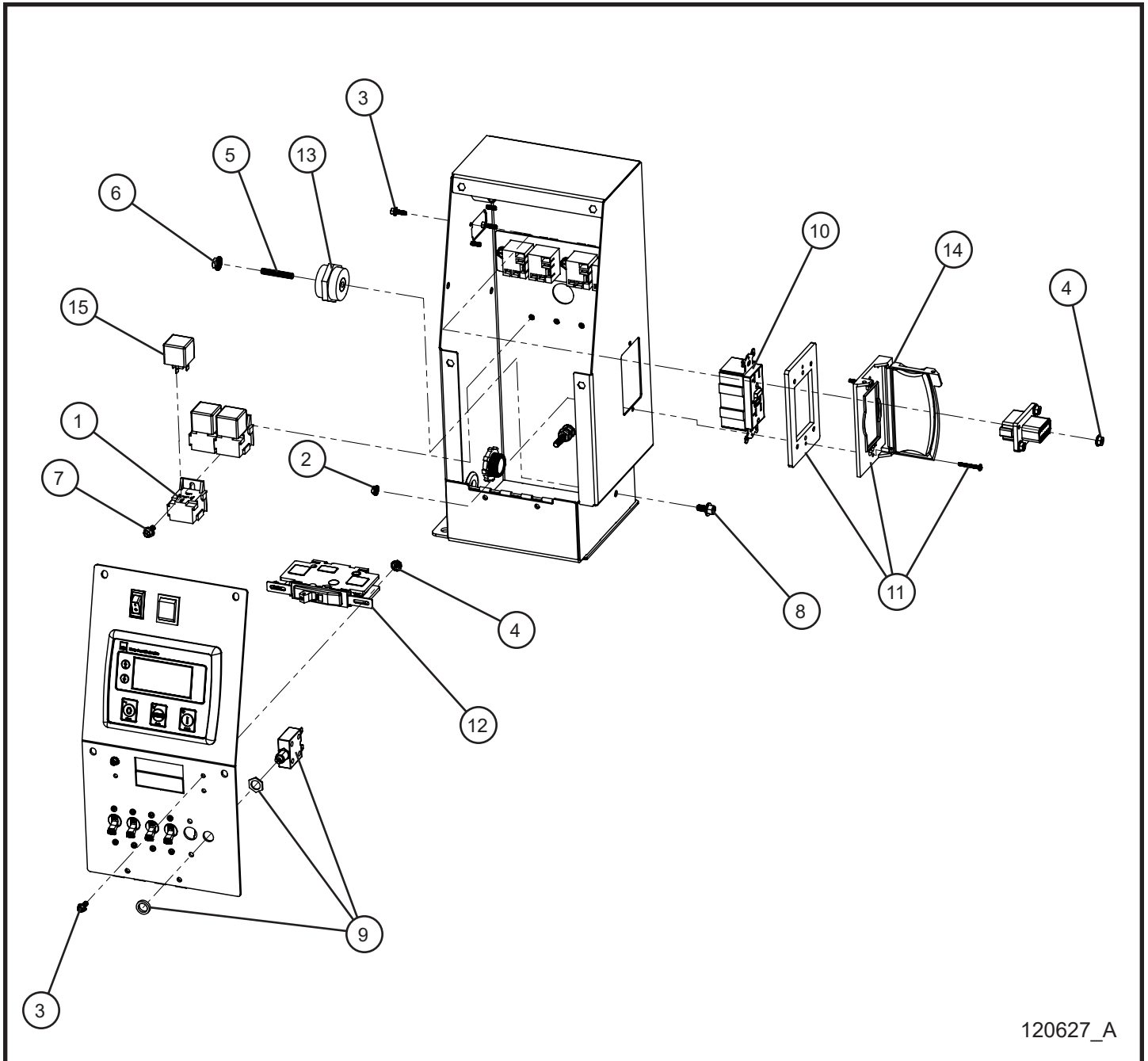
NIGHT-LITE™ GR-SERIES

SN 37-000001 and UP

3.2 - Control Box Deep Sea Controller and Light Switches

Item	Part No.	Part Description	Qty.
1	110154	DSE L401 MK II CONTROL MODULE	1
2	120434P	CONTROL BOX WELDMENT NL GR-SERIES LIQUID-COOLED	1
3	022425	BUSS BAR 4 SLOT	1
4	113541	ROCKER SWITCH SPDT ON / OFF	1
5	057004	#10-24 SERRATED FLANGE HEX LOCKNUT	2
6	056022	#10-24 x 1/2 SERRATED FLANGE HEX SCREW	2
7	045023	HINGE CONTROLLER COVER	1
8	118403	DECAL ENGINE CONTROL PANEL NLGR LC	1
9	118402	DECAL BREAKER PANEL NLGR LC	1
10	056019	1/4-20 x 3/4 HEX FLANGE SCREW	7
11	120435P	CONTROL PANEL NL GR-SERIES LIQUID-COOLED	1
12	041018	#6-32 x 1/4 PH-ROUND HEAD	8
13	116992	5 AMP SPST BREAKER SWITCH	4
14	118302	1/4-20 RIVNUT HEX	4
NS	115259	SEAL 1/8 x 1/2 x 5.625	1
NS	105844	15A MINI FUSE	1
NS	102571	2A 250V FUSE	2
NS	105039	5A 32V BLADE FUSE	2
NS	103865	10A 32V BLADE FUSE	1
NS	103866	15A 32V BLADE FUSE	1
NS	120529	SCHEMATIC DEEP SEA LSC NL GR-SERIES LIQUID-COOLED	1
NS	118585	HARNESS CONTROL BOX DEEP SEA NLGR LC	1

3.3 - Control Box Main Breaker and GFCI Group



120627_A

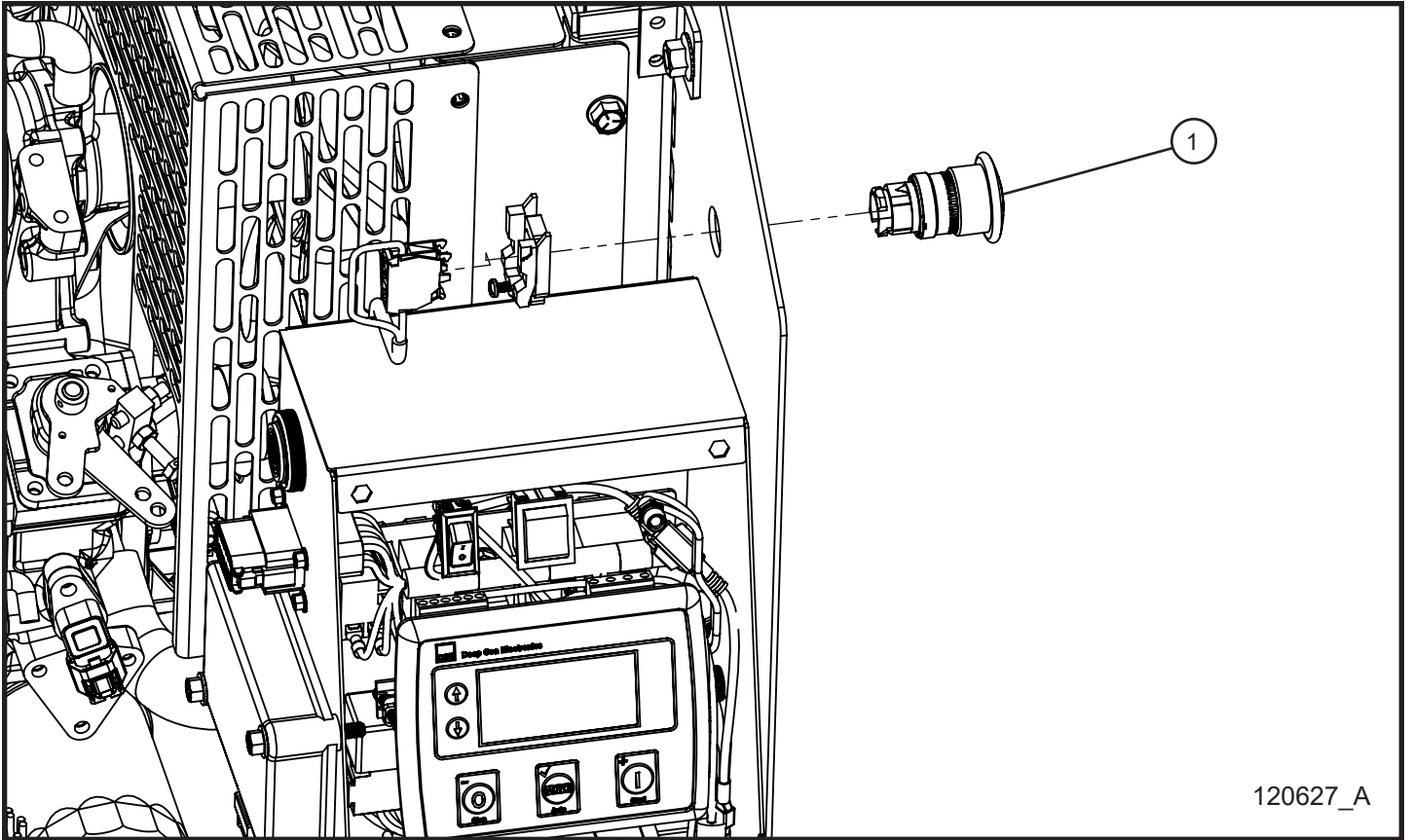
NIGHT-LITE™ GR-SERIES

SN 37-000001 and UP

3.3 - Control Box Main Breaker and GFCI Group

Item	Part No.	Part Description	Qty.
1	118230	SINGLE RELAY BLOCK WITH MOUNTING TAB	3
2	057005	#6-32 SERRATED FLANGE HEX NUT	2
3	056006	#8-32 x 1/2 HEX SERRATED FLANGE SCREW	6
4	057003	#8-32 HEX SERRATED FLANGE LOCKNUT	6
5	045003	1/4-20 x 1-1/2 STUD	1
6	057000	1/4-20 HEX SERRATED FLANGE NUT	1
7	056022	#10-24 x 1/2 HEX SERRATED FLANGE SCREW	3
8	056001	1/4-20 x 1/2 HEX SERRATED FLANGE SCREW	1
9	118396	20A THERMAL PUSH BUTTON CIRCUIT BREAKER	1
10	330499	20 AMP RECEPTACLE GFCI	1
11	112278	COVER WEATHERPROOF HORIZONTAL	1
12	116997	25A 120/240V SPDT MAIN BREAKER	1
13	106318	LOW VOLTAGE INSULATOR 1-1/4", 1/4-20	1
14	118614	12 PIN DEUTSCH PANEL MOUNT RECEPTACLE	1
	118617	12 PIN WEDGELOCK RECEPTACLE	1
15	118231	30/40 AMP 12V PLUG IN RELAY	3
NS	118469	BREAKER AND GFCI OUTLET NLGR AIR-COOLED WIRE KIT	1
NS	105844	15A MINI FUSE	1
NS	102571	2A 250V FUSE	2
NS	105039	5A 32V BLADE FUSE	2
NS	103865	10A 32V BLADE FUSE	1
NS	103866	15A 32V BLADE FUSE	1
NS	120529	SCHEMATIC DEEP SEA LSC NL GR-SERIES LIQUID-COOLED	1
NS	118585	HARNESS CONTROL BOX DEEP SEA NLGR LC	1

3.4 - Emergency Stop Button



120627_A

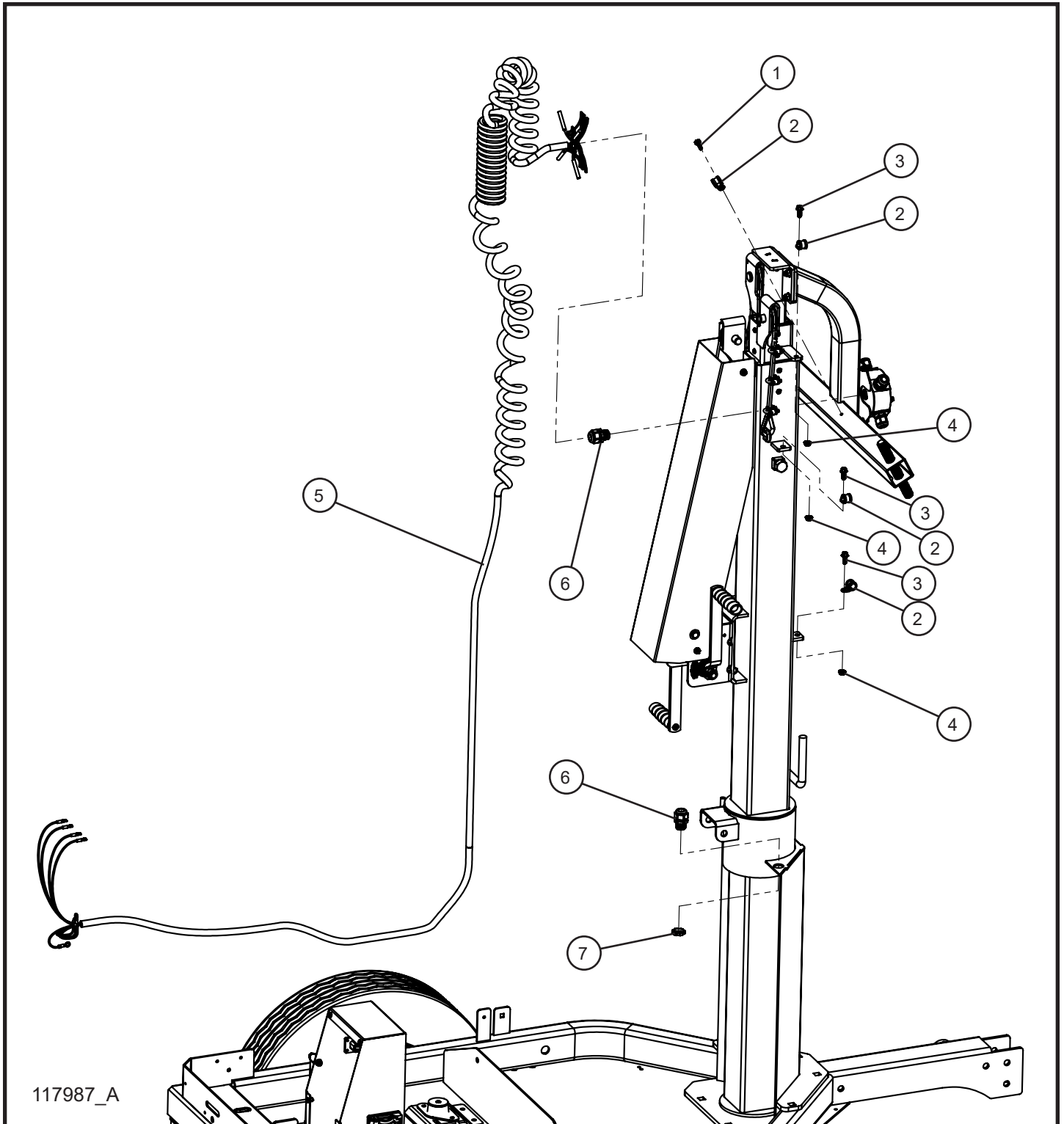
NIGHT-LITE™ GR-SERIES

SN 37-000001 and UP

3.4 - Emergency Stop Button

Item	Part No.	Part Description	Qty.
1	108912	PUSH-PULL EMERGENCY STOP 40mm W/ 22mm MOUNTING	1
NS	120529	SCHEMATIC DEEP SEA LSC NL GR-SERIES LIQUID-COOLED	1
NS	120528	SCHEMATIC KUBOTA Z482 NLGR LIQUID-COOLED	1
NS	118584	HARNESS ENGINE NLGR LC	1
NS	118585	HARNESS CONTROL BOX DEEP SEA NLGR LC	1

3.5 - Tower Cord



117987_A

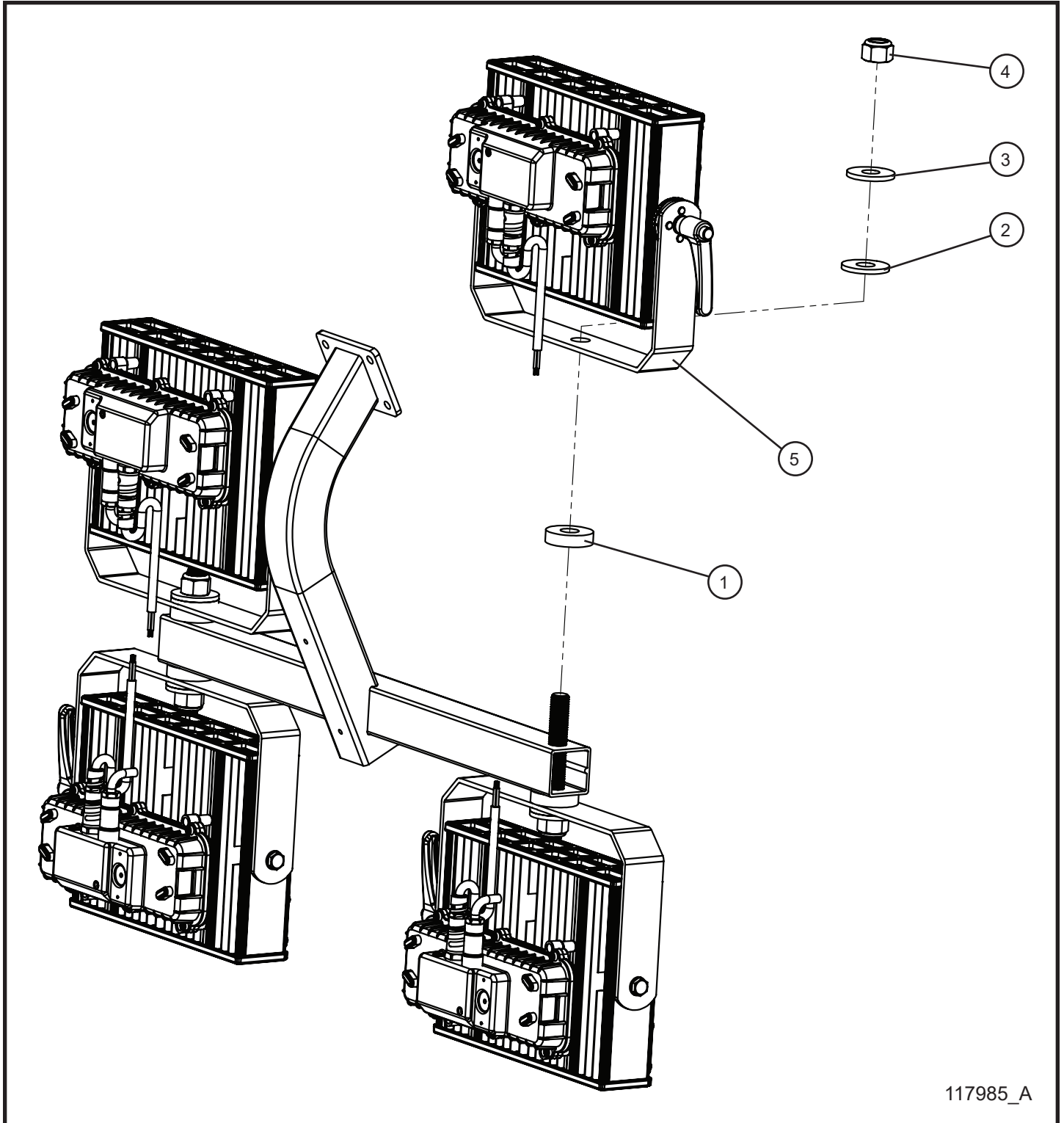
NIGHT-LITE™ GR-SERIES

SN 37-000001 and UP

3.5 - Tower Cord

Item	Part No.	Part Description	Qty.
1	041070	1/4-20 x 3/4 SLOTTED HEX WASHER HEAD MACHINE SCREW	1
2	022022	#8 CUSH CLAMP 1/4 HOLE	4
3	056002	1/4-20 x 3/4 HEX SERRATED FLANGE SCREW	3
4	057000	1/4-20 HEX SERRATED FLANGE NUT	3
5	117988	TOWER CORD ASSEMBLY NL GR-SERIES AIR-COOLED	1
6	114886	CORD GRIP 1/2" NYLON BLACK	3
7	022035	1/2 CORD GRIP NUT	2
NS	102624	2 TERMINAL PORT LEVER LOCK	4
NS	102622	5 TERMINAL PORT LEVER LOCK	2
NS	102623	3 TERMINAL PORT LEVER LOCK	2
NS	120531	SCHEMATIC 16/8 TOWER CORD NLGR LIQUID-COOLED	1
NS	118136	16 AWG GROUND GREEN WIRE x 3.00	1

3.6 - 350W LED Lighting



117985_A

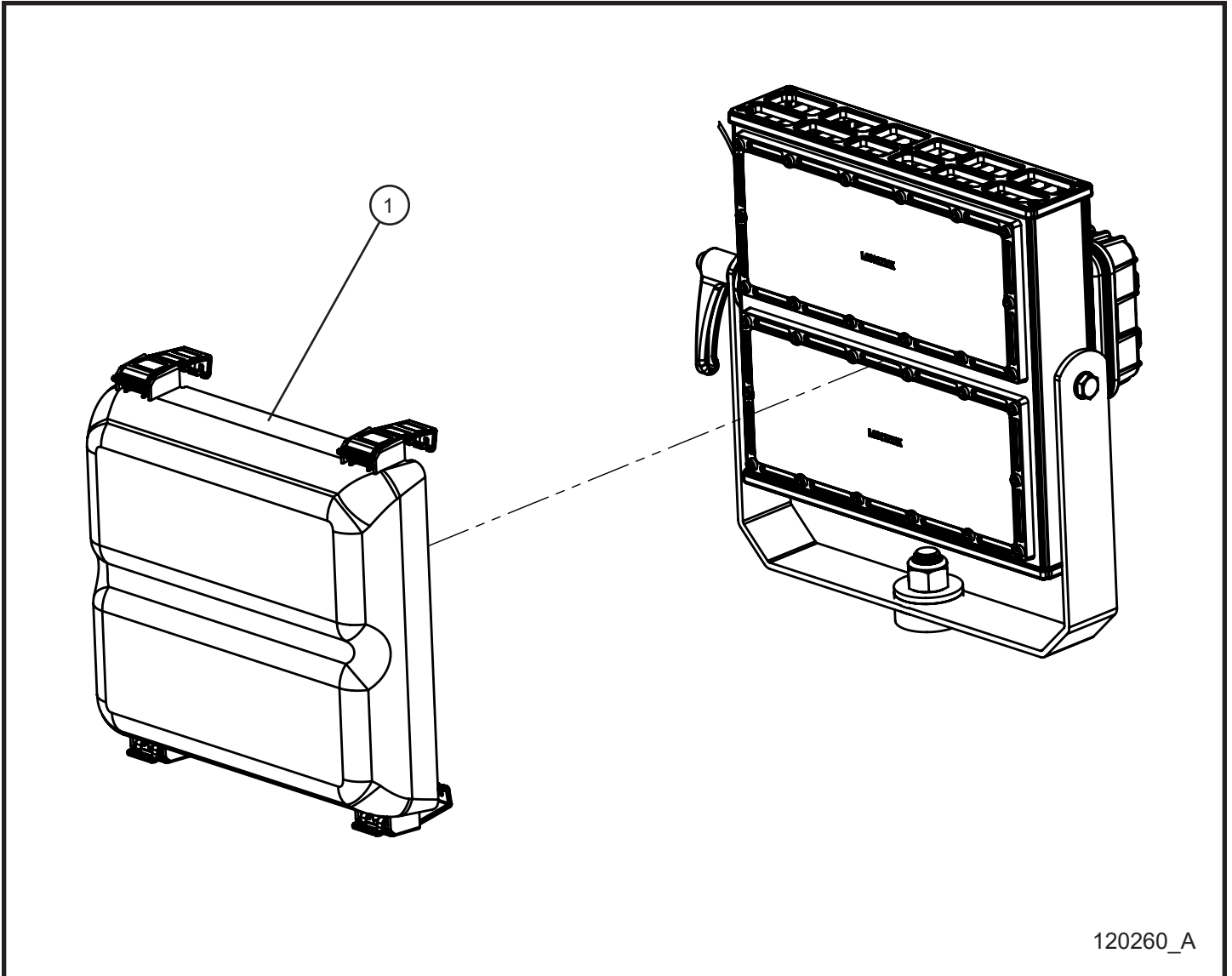
NIGHT-LITE™ GR-SERIES

SN 37-000001 and UP

3.6 - 350W LED Lighting

Item	Part No.	Part Description	Qty.
1	101813	.781 ID x 2 OD x 1/2 HDPE WASHER	4
2	650550	.785" x 2" HDPE WASHER	4
3	047035	3/4 FLAT WASHER	4
4	044058	3/4-10 NYLOCK HEX NUT PL	4
5	116981	LIGHT LED SMD 350W	4

3.7 - 350W LED Light Diffuser



120260_A

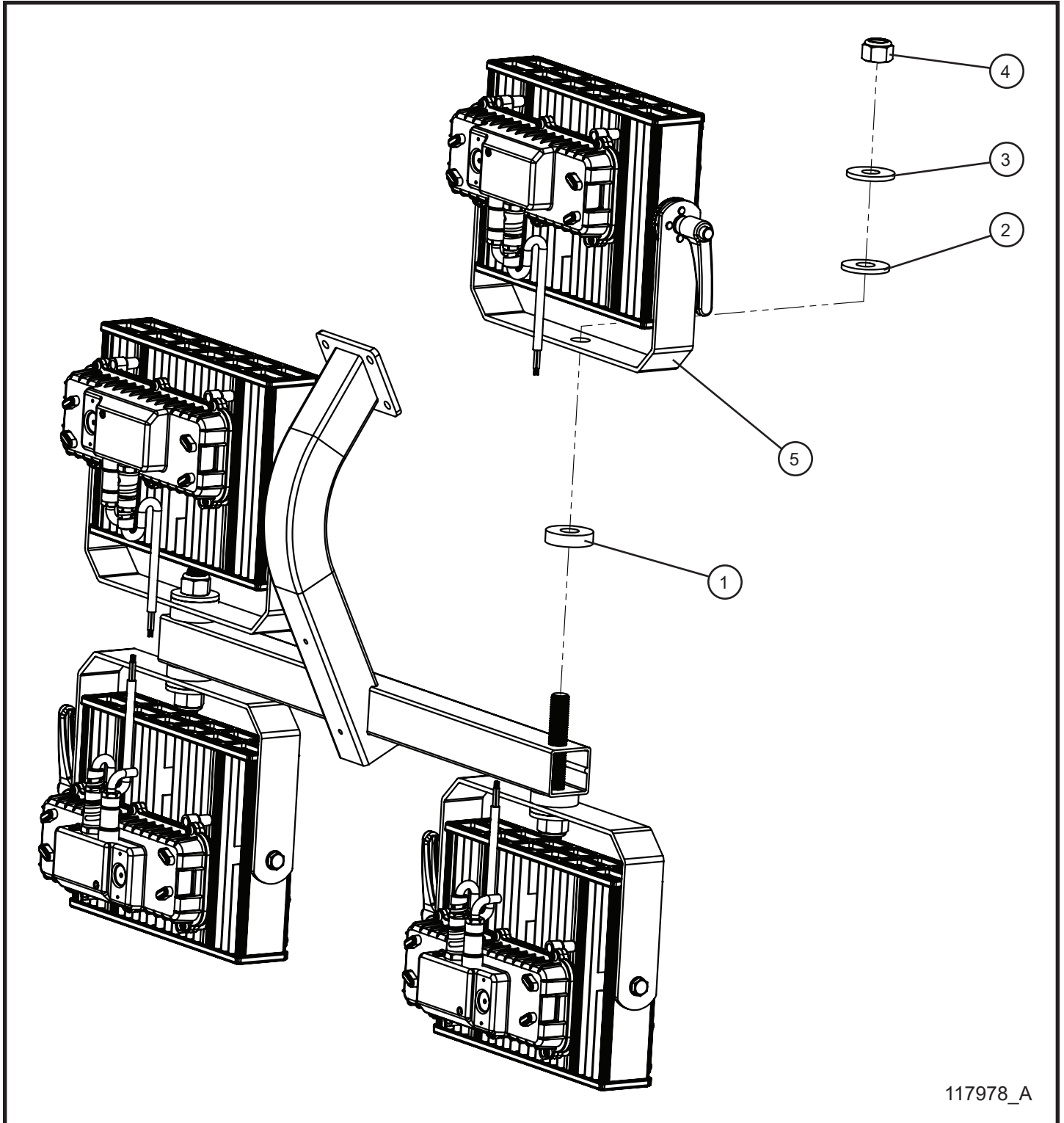
NIGHT-LITE™ GR-SERIES

SN 37-000001 and UP

3.7 - 350W LED Light Diffuser

Item	Part No.	Part Description	Qty.
1	118417	DIFFUSER COVER LIGHT LED SMD 350W	1

3.8 - 250W LED Lighting



117978_A

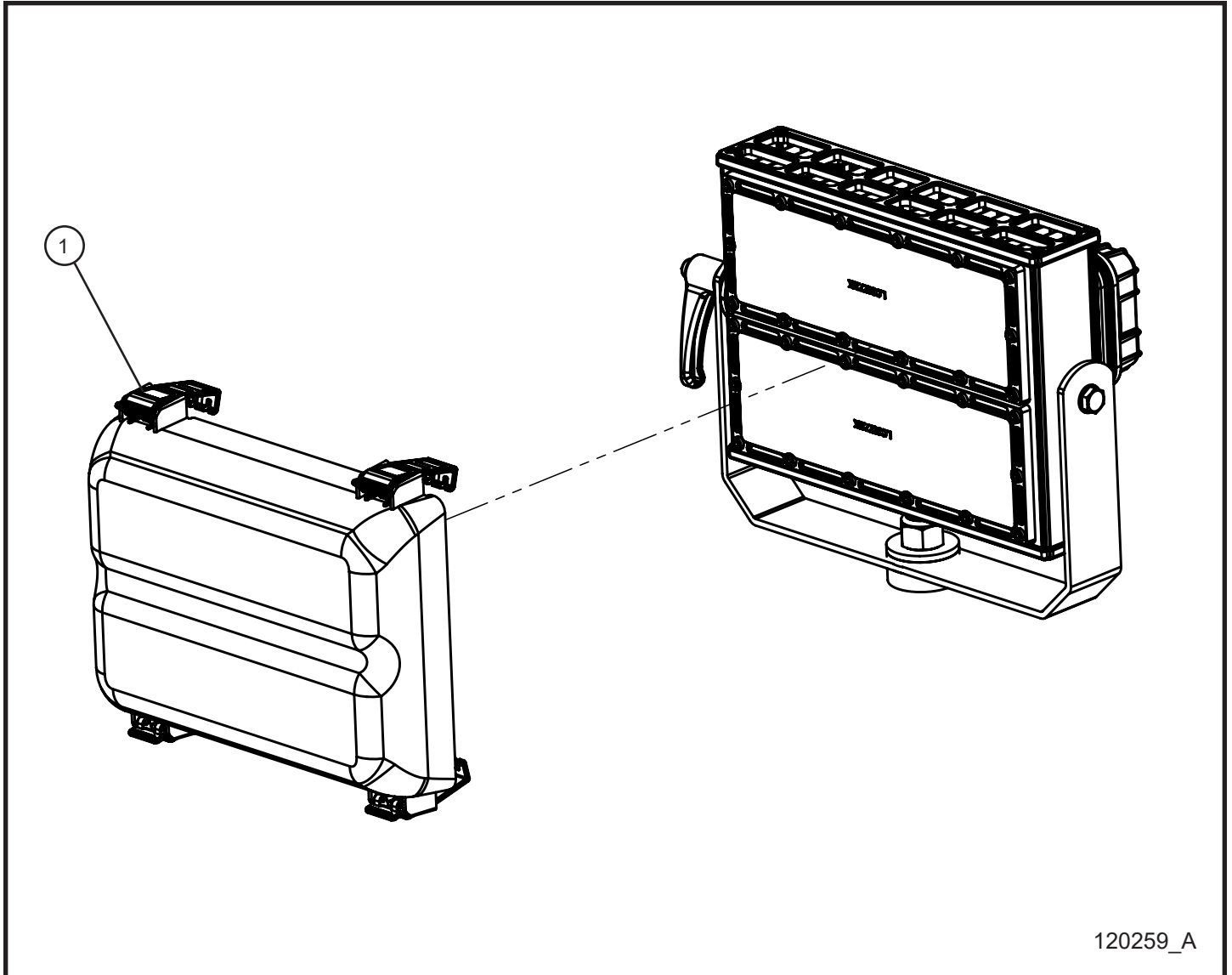
NIGHT-LITE™ GR-SERIES

SN 37-000001 and UP

3.8 - 250W LED Lighting

Item	Part No.	Part Description	Qty.
1	101813	.781 ID x 2 OD x 1/2 HDPE WASHER	4
2	650550	.785" x 2" HDPE WASHER	4
3	047035	3/4 FLAT WASHER	4
4	044058	3/4-10 NYLOCK HEX NUT PL	4
5	116980	LIGHT LED SMD 250W	4

3.9 - 250W LED Light Diffuser



120259_A

NIGHT-LITE™ GR-SERIES

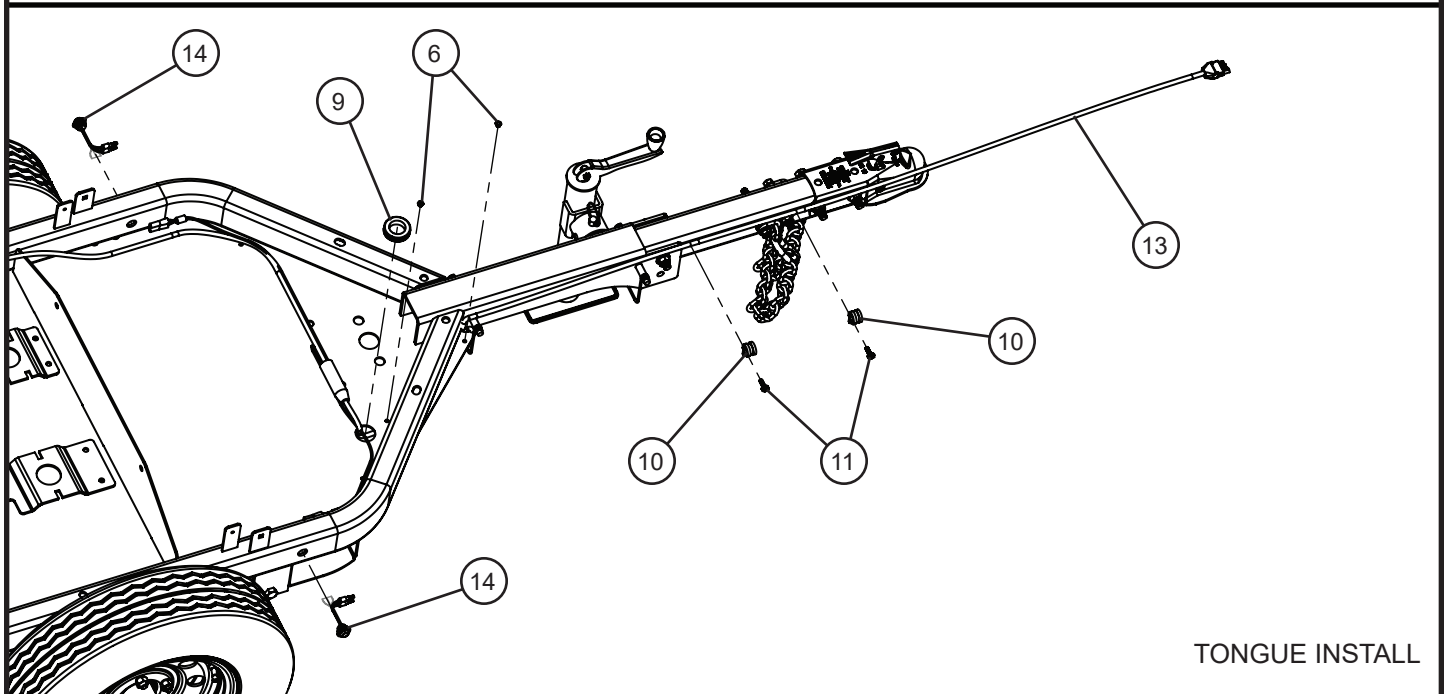
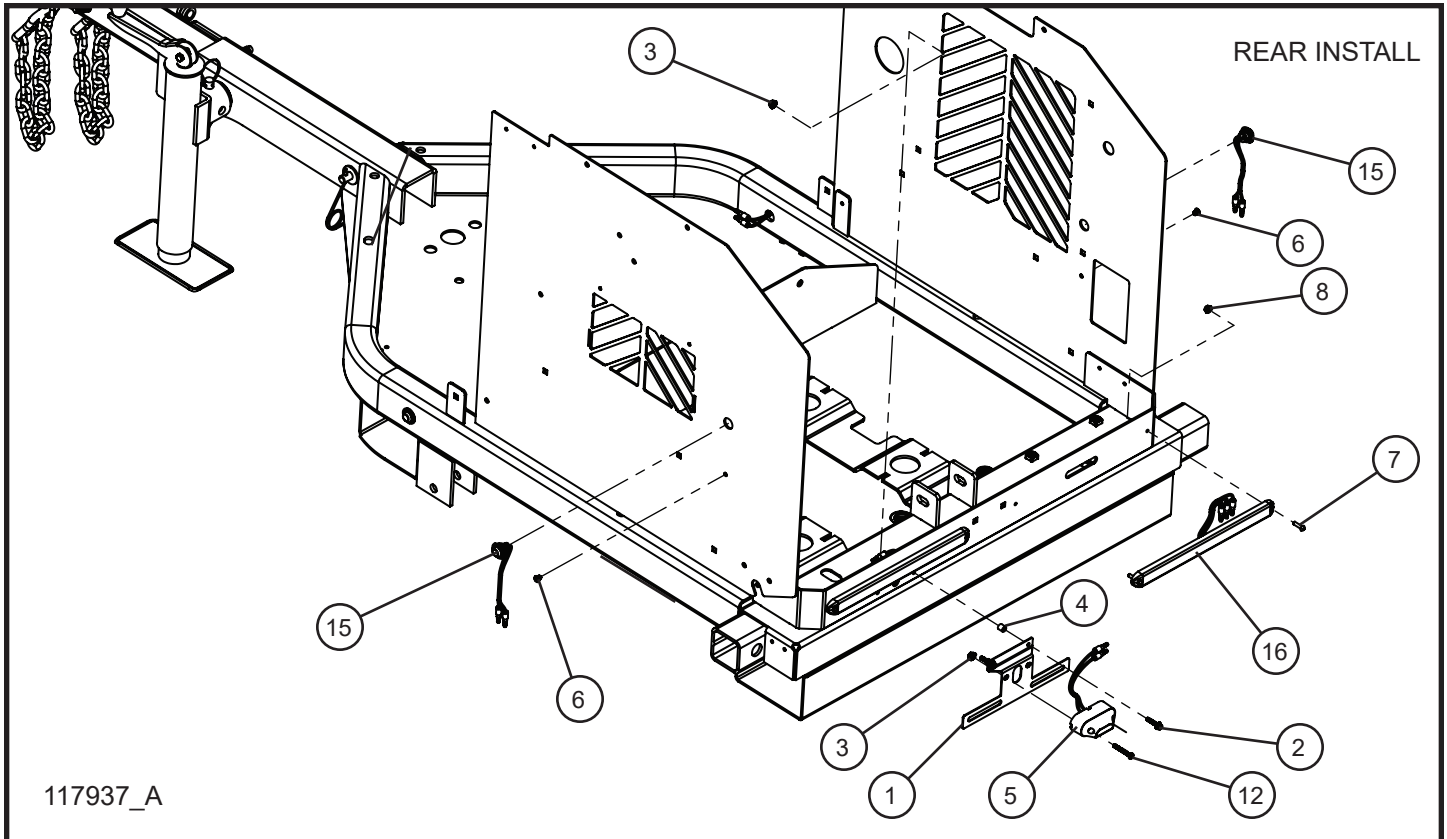
SN 37-000001 and UP

3.9 - 250W LED Light Diffuser

Item	Part No.	Part Description	Qty.
1	118418	DIFFUSER COVER LIGHT LED SMD 250W	1

*NS - NOT SHOWN

3.10 - Trailer Lighting



NIGHT-LITE™ GR-SERIES

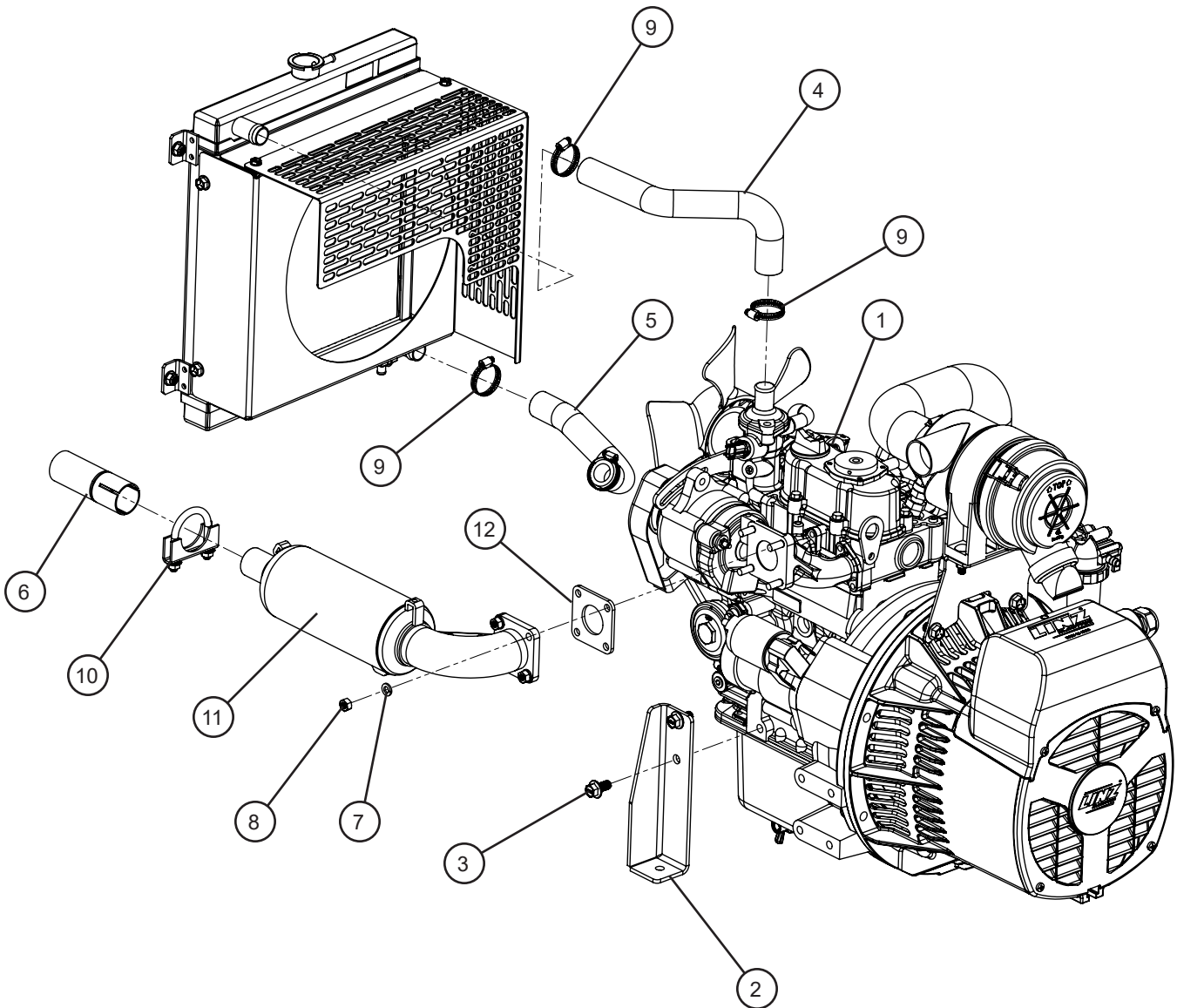
SN 37-000001 and UP

3.10 - Trailer Lighting

Item	Part No.	Part Description	Qty.
1	105349P	BRACKET LICENSE PLATE LED LIGHT	1
2	056034	#10-24 x 1 SERRATED FLANGE HEX SCREW	2
3	057004	#10-24 SERRATED FLANGE HEX LOCKNUT	4
4	022180	SPACER RICOHO	2
5	115116	LICENSE PLATE LIGHT LED	1
6	022137	PUSH BUTTON	4
7	041203	#8-32 x 3/4 SCREW	4
8	057003	#8-32 SERRATED FLANGE HEX LOCKNUT	4
9	650542	1 1/4 ID x 1 1/2 OD GROMMET	1
10	022014	#10 CUSHION CLAMP	2
11	041070	1/4 x 3/4 SL-HEX WASHER HEAD	4
12	041040	#10-24 x 1 1/2 PH-ROUND HEAD	2
13	118583	TAIL LIGHT HARNESS NL GR-SERIES LIQUID-COOLED	1
14	106212	MARKER LIGHT AMBER BULLET LED	2
15	106211	MARKER LIGHT RED BULLET LED	2
16	118090	TAIL LIGHT THIN LINE SURFACE MOUNT	2
NS	114884	REFLECTOR DECAL AMBER 2.75 x 1.75	2
NS	114885	REFLECTOR DECAL RED 4.3125 x 1.6875	2
NS	120533	SCHEMATIC TAIL LIGHT HARNESS NLGR LIQUID-COOLED	1

4.1 - Kubota Z482 Diesel Engine (1 of 3)

ENGINE INSTALL



120623_A

NIGHT-LITE™ GR-SERIES

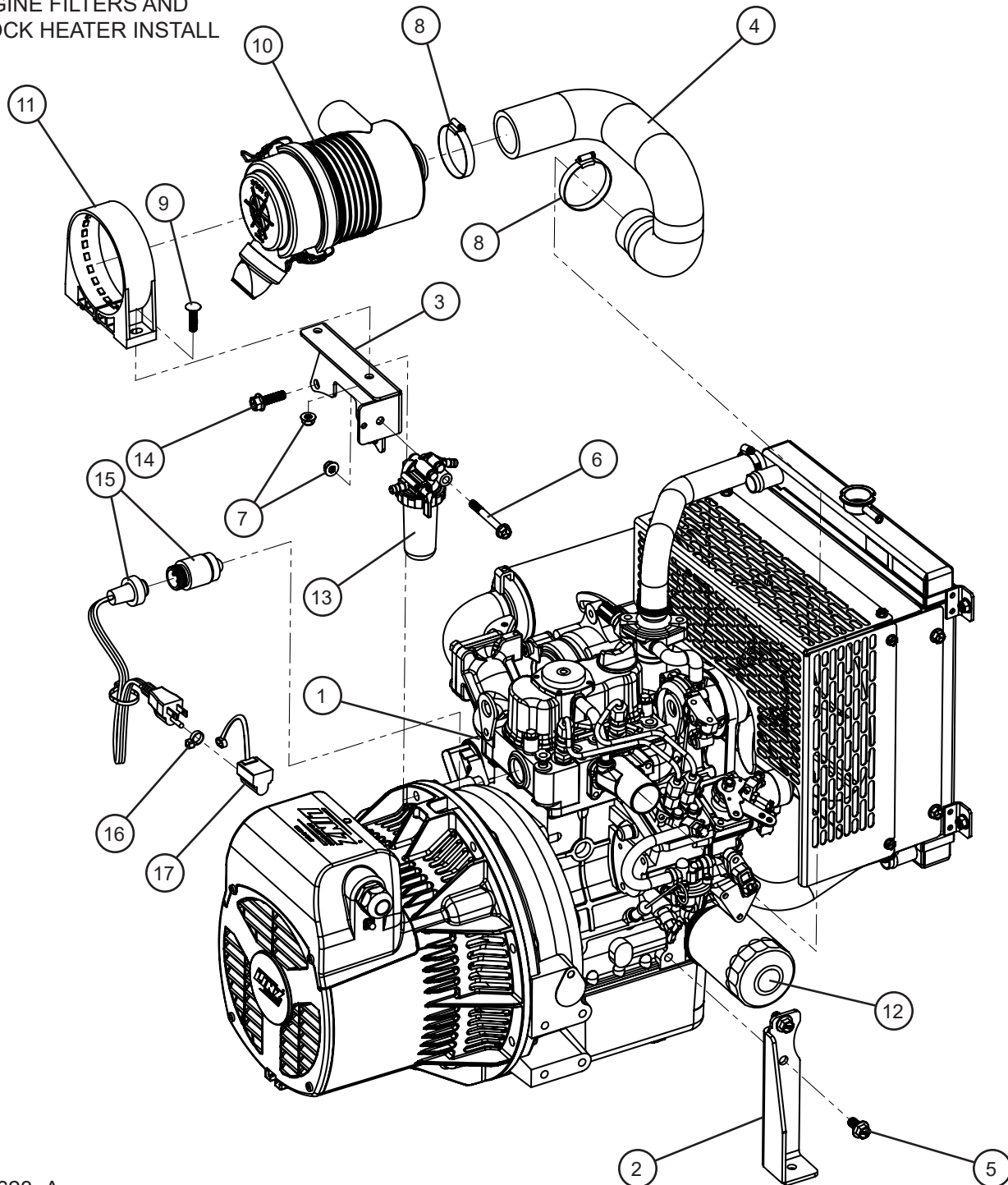
SN 37-000001 and UP

4.1 - Kubota Z482 Diesel Engine (1 of 3)

Item	Part No.	Part Description	Qty.
1	118399	ENGINE KUBOTA Z482 EGOV	1
2	117969P	ENGINE MOUNT LEFT WELDMENT KUBOTA Z482	1
3	055002	M10 x 1.25 x 20 HEX FLANGE SCREW	4
4	118649	HOSE RADIATOR UPPER KUBOTA Z482	1
5	118650	HOSE RADIATOR LOWER KUBOTA Z482	1
6	118397	TAILPIPE EXHAUST KUBOTA Z482	1
7	043055	5/16 SPLITLOCK WASHER	4
8	042082	M8 X 1.25MM HEX NUT	4
9	045034	#16 CLAMP HOSE	4
10	112211	CLAMP MUFFLER 1-5/8 EXHAUST 1-5/8 EXHAUST	1
11	118382	MUFFLER	1
12	118383	MUFFLER GASKET	1
NS	120586	KUBOTA Z482 30 AMP CHARGE CIRCUIT FUSE	1
	107929	30A MINI FUSE	1
NS	118380	OIL FILTER	1
NS	650290	AIR FILTER	1
NS	118381	FUEL FILTER	1
NS	105844	15A MINI FUSE	1
NS	120528	SCHEMATIC KUBOTA Z482 NLGR LIQUID-COOLED	1
NS	118584	ENGINE HARNESS NLGR LC	1

4.1 - Kubota Z482 Diesel Engine (2 of 3)

ENGINE FILTERS AND
BLOCK HEATER INSTALL



120623_A

NIGHT-LITE™ GR-SERIES

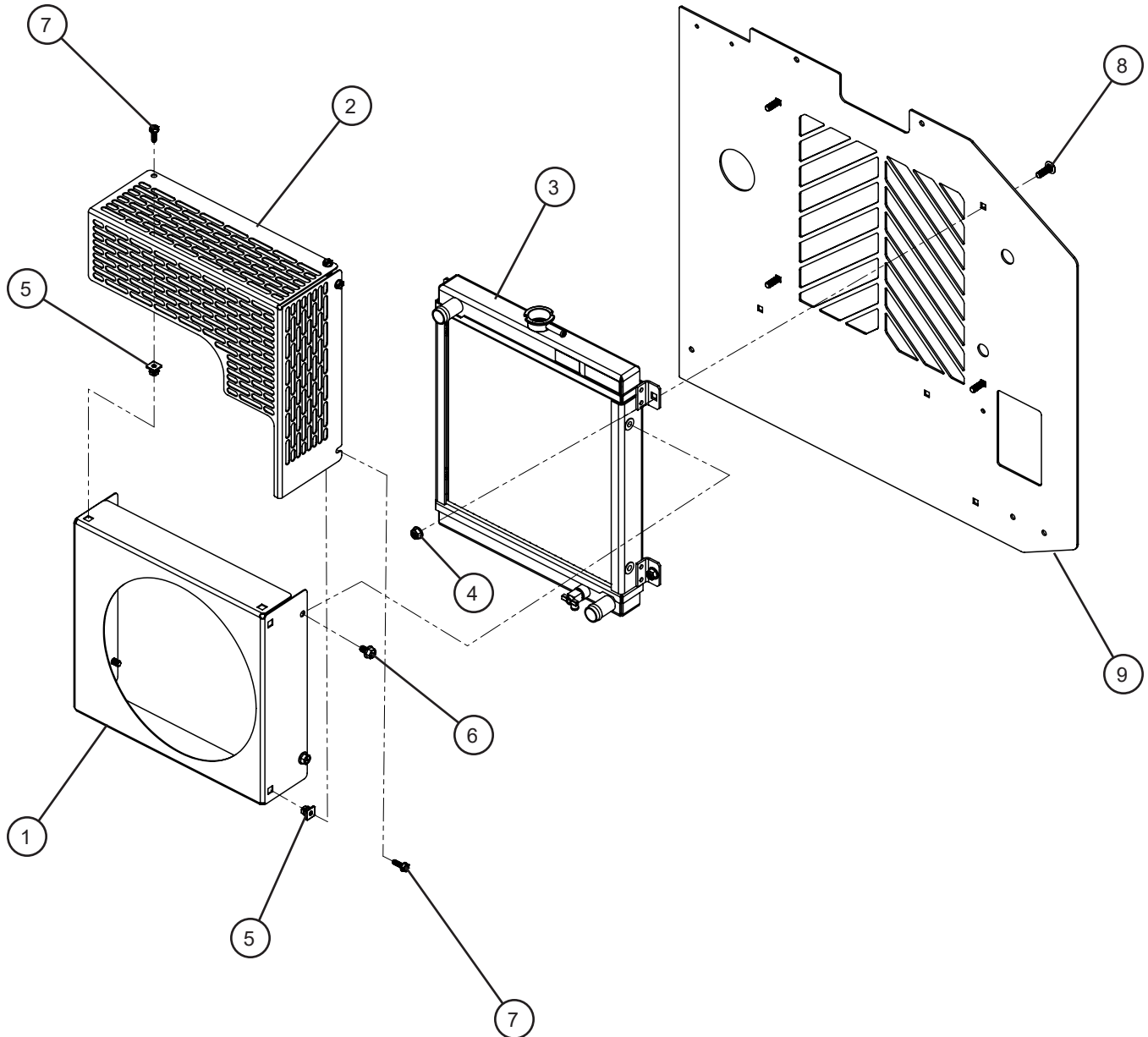
SN 37-000001 and UP

4.1 - Kubota Z482 Diesel Engine (2 of 3)

Item	Part No.	Part Description	Qty.
1	118399	ENGINE KUBOTA Z482 EGOV	1
2	117941P	ENGINE MOUNT RIGHT WELDMENT KUBOTA Z482	1
3	117722P	AIR CLEANER MOUNT KUBOTA Z482	1
4	118390	HOSE AIR INTAKE KUBOTA Z482	1
5	055002	M10 x 1.25 x 20 HEX FLANGE SCREW	4
6	056032	5/16-18 x 2-3/4 HEX FLANGE SCREW	1
7	057008	5/16-18 HEX NYLOCK FLANGE NUT	3
8	045038	#32 HOSE CLAMP	2
9	053022	5/16-18 X 1 1/4 CARRIAGE BOLT PL	2
10	650262	AIR CLEANER RADIAL SEAL	1
	650290	AIR FILTER	1
11	650263	MOUNTING BAND AIR CLEANER	1
12	118380	OIL FILTER	1
13	118381	FUEL FILTER	1
14	056031	3/8-16 x 1-1/4 HEX FLANGE SCREW	2
15	118330	BLOCK HEATER IMMERSION 30MM 400W 120V	1
16	068090	7" BLACK CABLE TIE	2
17	105995	END COVER 120 VOLT CORD	1
NS	120586	KUBOTA Z482 30 AMP CHARGE CIRCUIT FUSE	1
	107929	30A MINI FUSE	1
NS	118382	MUFFLER	1
NS	118383	MUFFLER GASKET	1
NS	105844	15A MINI FUSE	1
NS	120528	SCHEMATIC KUBOTA Z482 NLGR LIQUID-COOLED	1
NS	118584	ENGINE HARNESS NLGR LC	1

4.1 - Kubota Z482 Diesel Engine (3 of 3)

RADIATOR INSTALL



120623_A

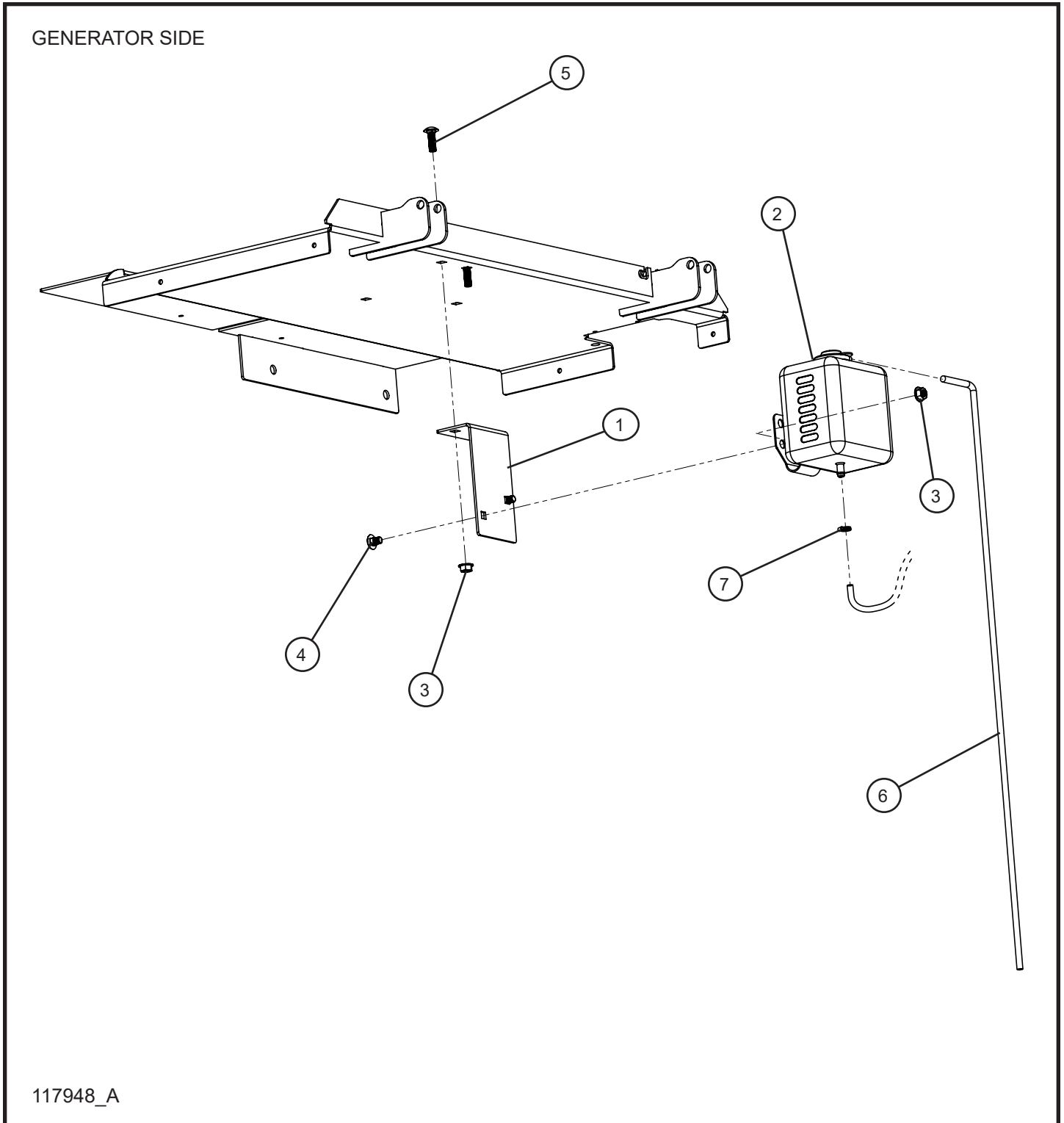
NIGHT-LITE™ GR-SERIES

SN 37-000001 and UP

4.1 - Kubota Z482 Diesel Engine (3 of 3)

Item	Part No.	Part Description	Qty.
1	120417P	SHROUD FAN KUBOTA Z482	1
2	120418P	GUARD FINGER KUBOTA Z482	1
3	118394	RADIATOR KUBOTA Z482	1
4	057008	5/16-18 HEX NYLOCK FLANGE NUT	4
5	105408	GROMMET NUT DOUBLE SPLIT SQUARE HEAD	4
6	056030	5/16-18 x 1/2 HEX FLANGE SCREW	4
7	041070	1/4-20 X 3/4 SL-HEX WASHER HEAD MS TP F	4
8	053020	5/16-18 X 1 CARRIAGE BOLT PL	4
9	120420P	PANEL CURBSIDE NIGHT-LITE GR-SERIES LIQUID-COOLED	1

4.2 - Coolant Reservoir Tank



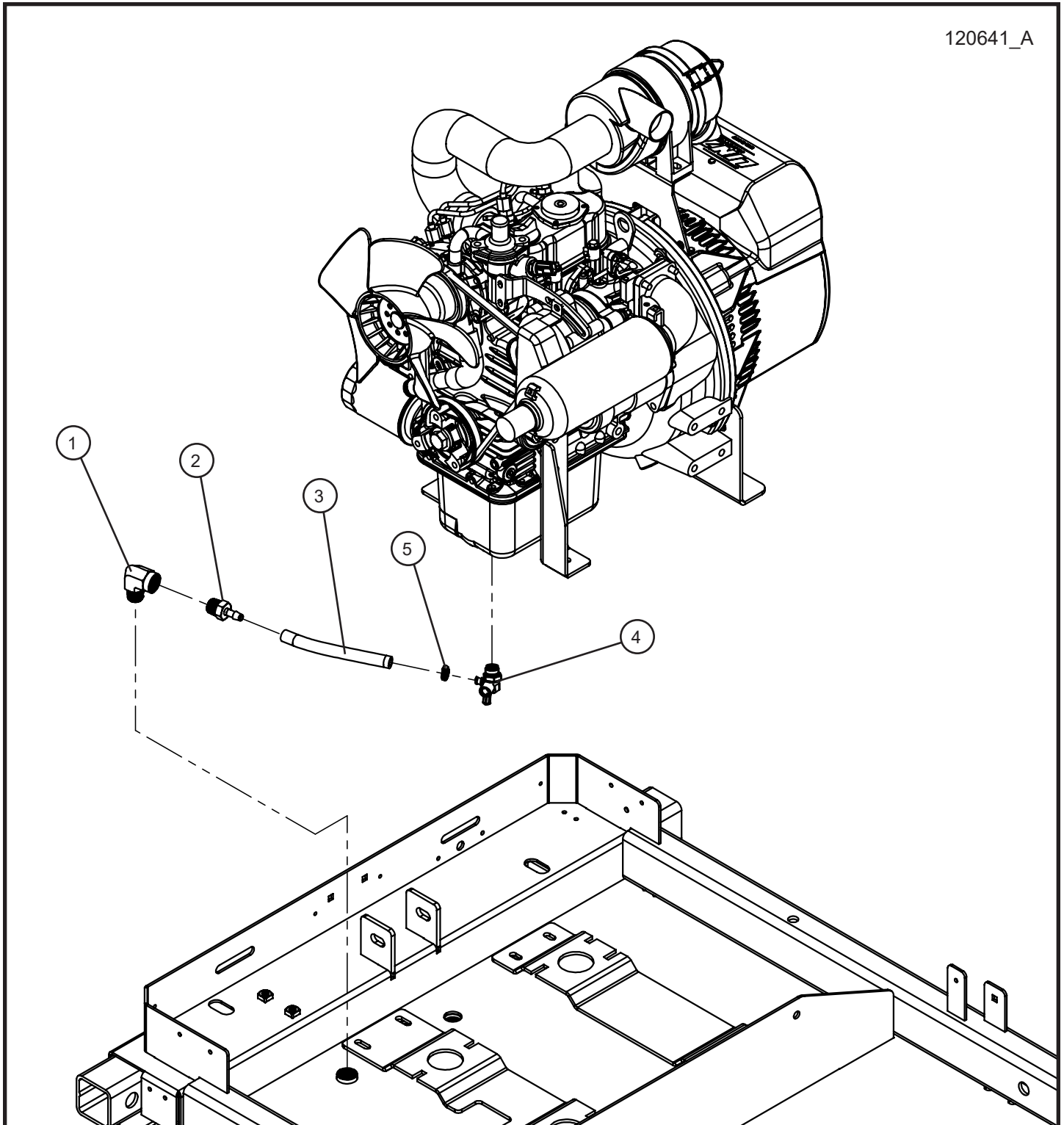
NIGHT-LITE™ GR-SERIES

SN 37-000001 and UP

4.2 - Coolant Reservoir Tank

Item	Part No.	Part Description	Qty.
1	120651P	COOLANT RESERVOIR MOUNTING BRACKET	1
2	650027	COOLANT RESERVOIR WITH BRACKET	1
3	057006	5/16-18 SERRATED FLANGE NUT	4
4	056030	5/16-18 x 1/2 HEX FLANGE SCREW	2
5	053020	5/16-18 x 1 CARRIAGE BOLT	2
6	102268	1/4 x 29.00 COOLANT HOSE	1
7	433400	#4 HOSE CLAMP	1

4.3 - Remote Oil Drain



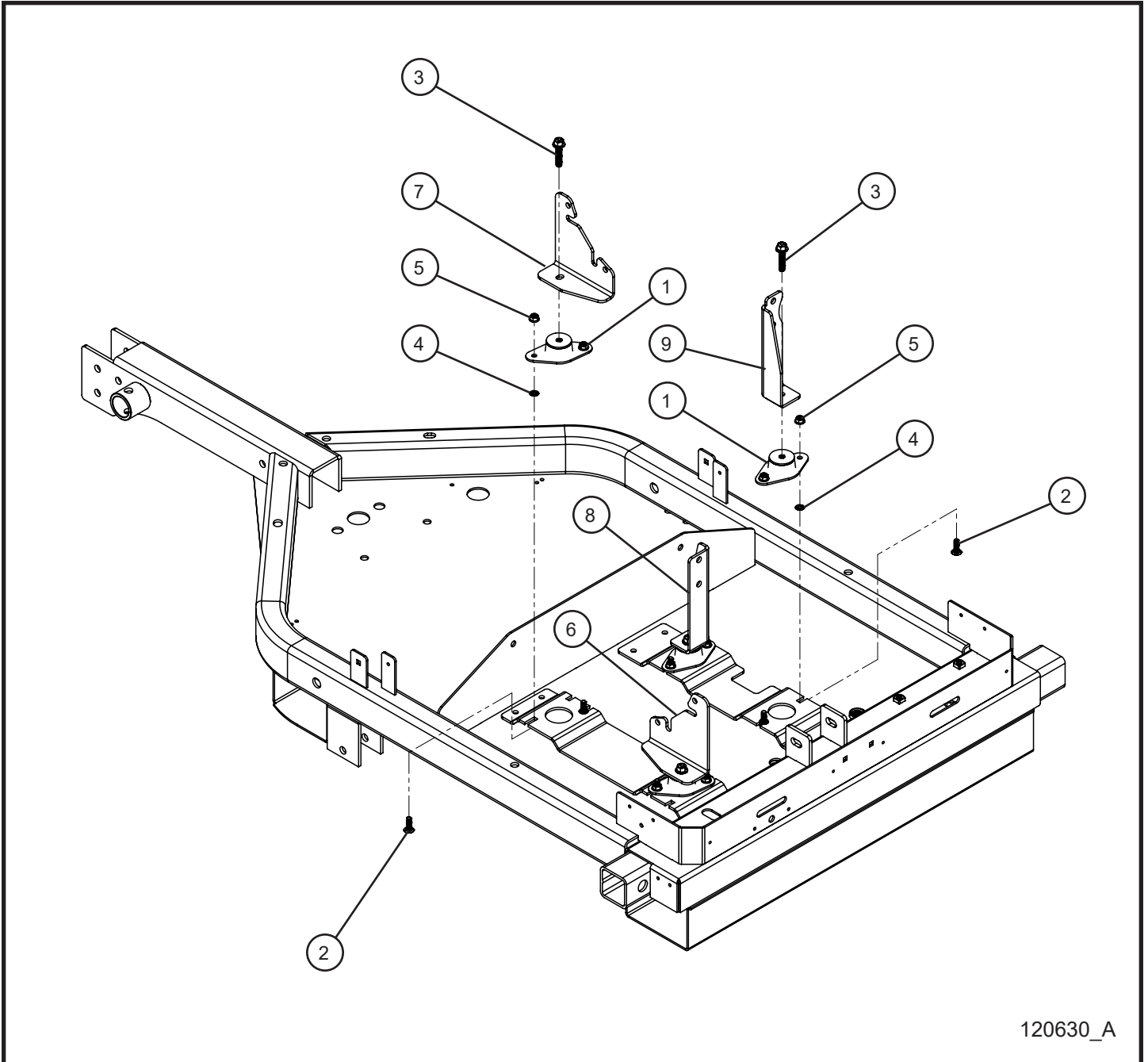
NIGHT-LITE™ GR-SERIES

SN 37-000001 and UP

4.3 - Remote Oil Drain

Item	Part No.	Part Description	Qty.
1	104956	1/2 NPT x 1/2 NPT FEMALE 90° ELBOW	1
2	104381	1/2 NPT - 3/8 HOSE BARB FITTING	1
3	101266	3/8 x 11.00 SAE 30R7 HOSE	1
4	118332	M22 x 1.5 90° OIL DRAIN VALVE	1
5	433400	#4 HOSE CLAMP	1

4.4 - Engine and Generator Mounting



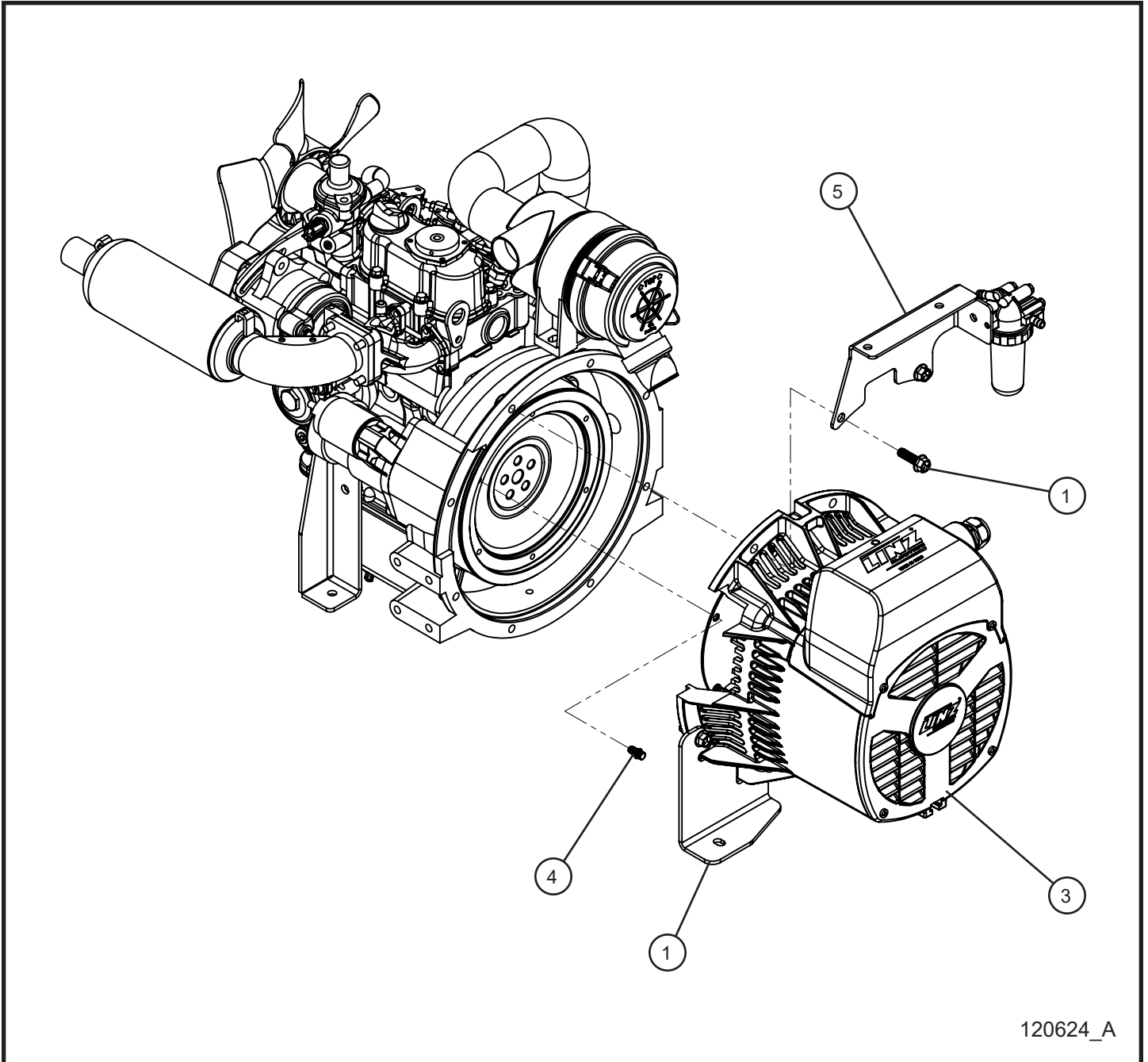
NIGHT-LITE™ GR-SERIES

SN 37-000001 and UP

4.4 - Engine and Generator Mounting

Item	Part No.	Part Description	Qty.
1	107028	LIGHT DUTY ENGINE ISOLATOR MOUNT	4
2	053020	5/16-18 x 1 CARRIAGE BOLT	8
3	056013	3/8-16 x 1.75 SERRATED FLANGE BOLT	4
4	045217	5/16 PUSH NUT	8
5	057008	5/16-18 HEX NYLOCK FLANGE NUT	8
6	117957P	RIGHT GENERATOR MOUNT NLGR LIQUID-COOLED	1
7	117942P	LEFT GENERATOR MOUNT NLGR LIQUID-COOLED	1
8	117969P	ENGINE MOUNT LEFT WELDMENT KUBOTA Z482	1
9	117941P	ENGINE MOUNT RIGHT WELDMENT KUBOTA Z482	1

4.5 - Linz 4.3kW 60Hz Generator



120624_A

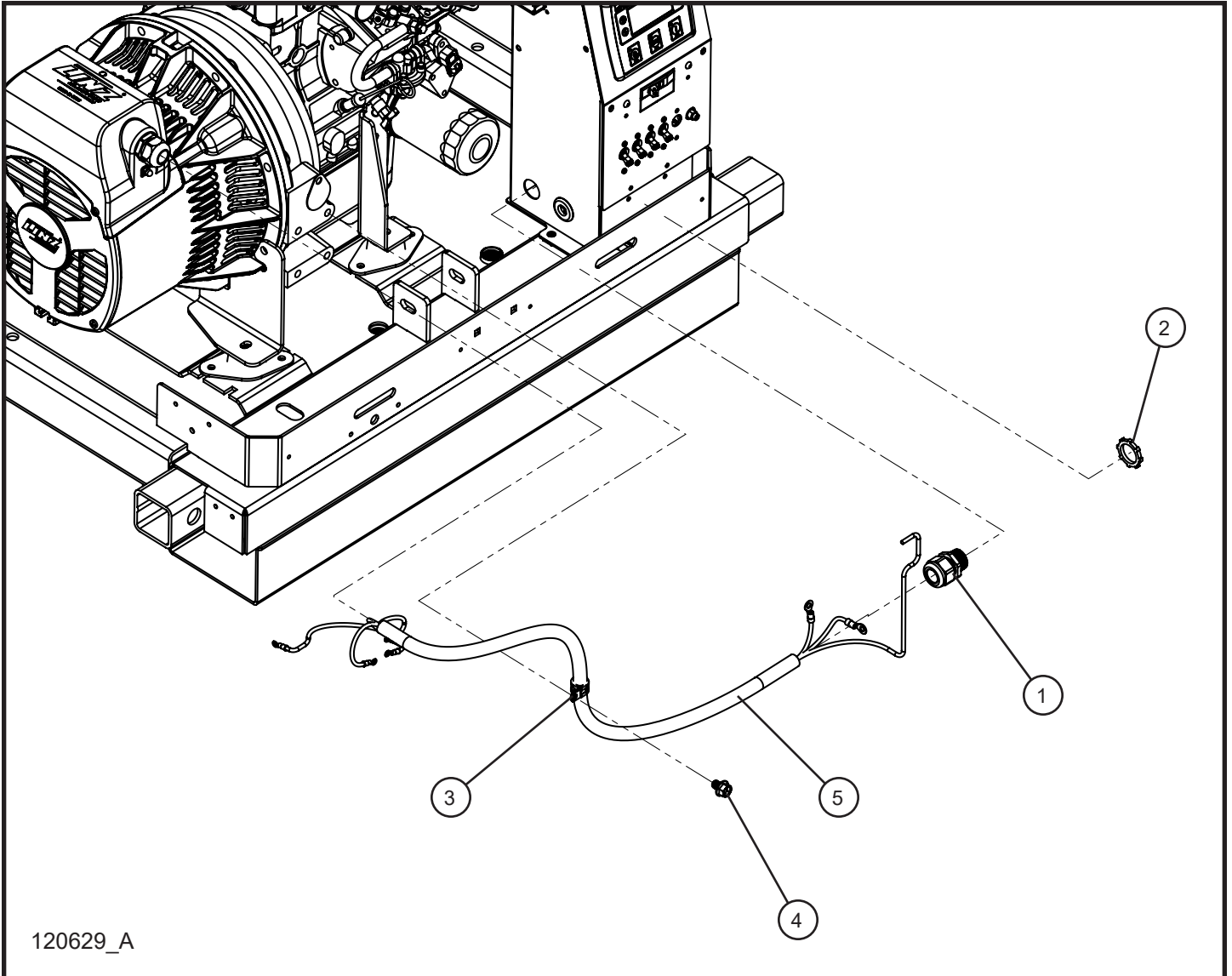
NIGHT-LITE™ GR-SERIES

SN 37-000001 and UP

4.5 - Linz 4.3kW 60Hz Generator

Item	Part No.	Part Description	Qty.
1	056031	3/8-16 x 1-1/4 HEX FLANGE SCREW	8
2	118331	GENERATOR LINZ 4.3kW 60Hz 4 POLE	1
3	117722P	AIR CLEANER MOUNT KUBOTA Z482	1
4	117942P	LEFT GENERATOR MOUNT NLGR LIQUID-COOLED	1
5	046500	5/16-18 x 1/2 12 PT FLANGE SCREW	6
NS	118384	CAPACITOR	1
NS	118385	DIODES	1
NS	117957P	RIGHT GENERATOR MOUNT NLGR LIQUID-COOLED	1

4.6 - 10/3 Generator Cord



120629_A

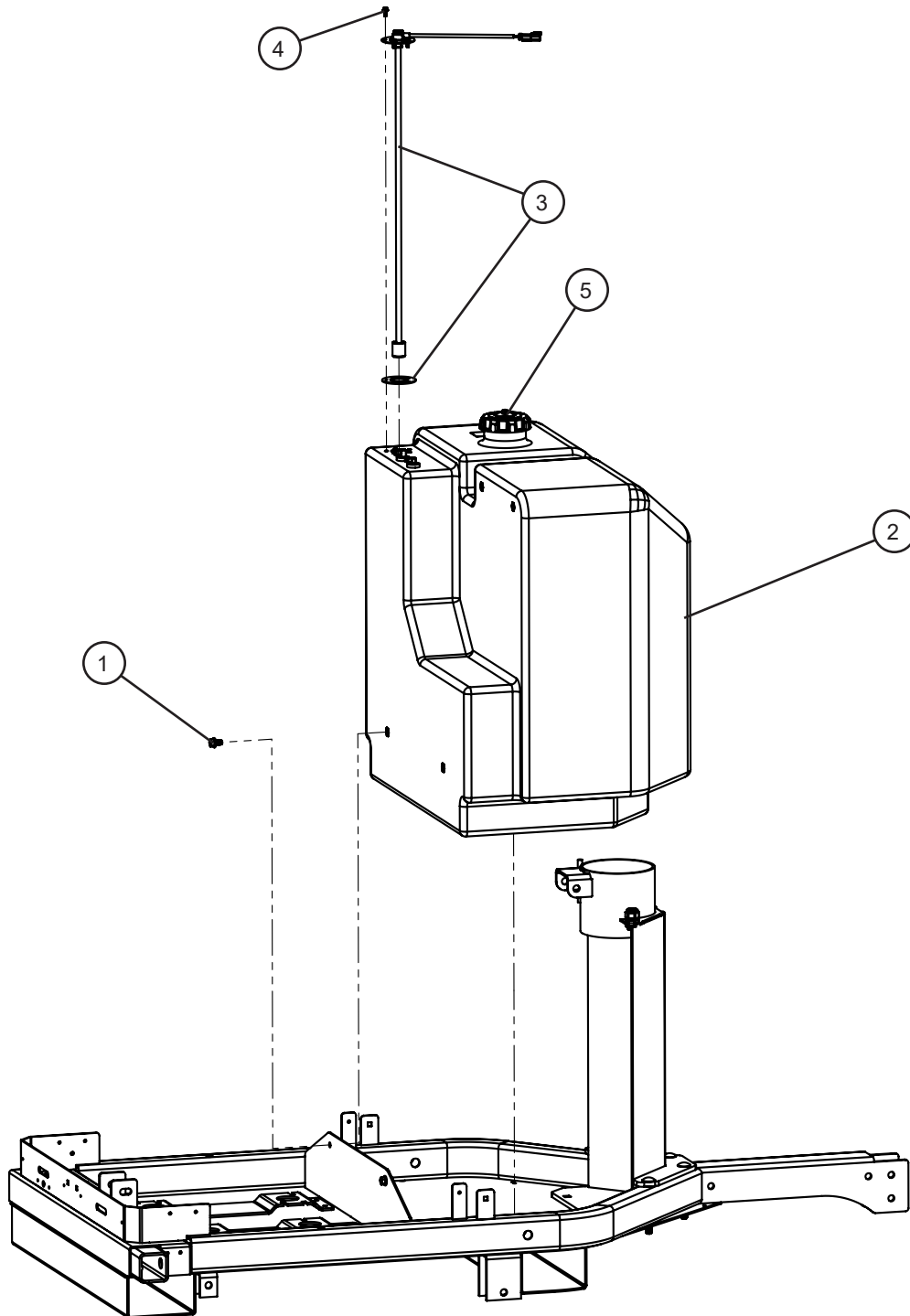
NIGHT-LITE™ GR-SERIES

SN 37-000001 and UP

4.6 - 10/3 Generator Cord

Item	Part No.	Part Description	Qty.
1	105916	3/4 NYLON CORD GRIP	1
2	022036	3/4 CORD GRIP NUT	1
3	022021	#10 CUSHION CLAMP	1
4	056033	3/8-16 x 1/2 HEX FLANGE SCREW	1
5	118639	10/3 GENERATOR CORD LINZ 4kW NLGR LIQUID-COOLED	1
NS	120532	SCHEMATIC 10/3 GENERATOR CORD NLGR LIQUID-COOLED	1

4.7 - Fuel Tank



120622_A

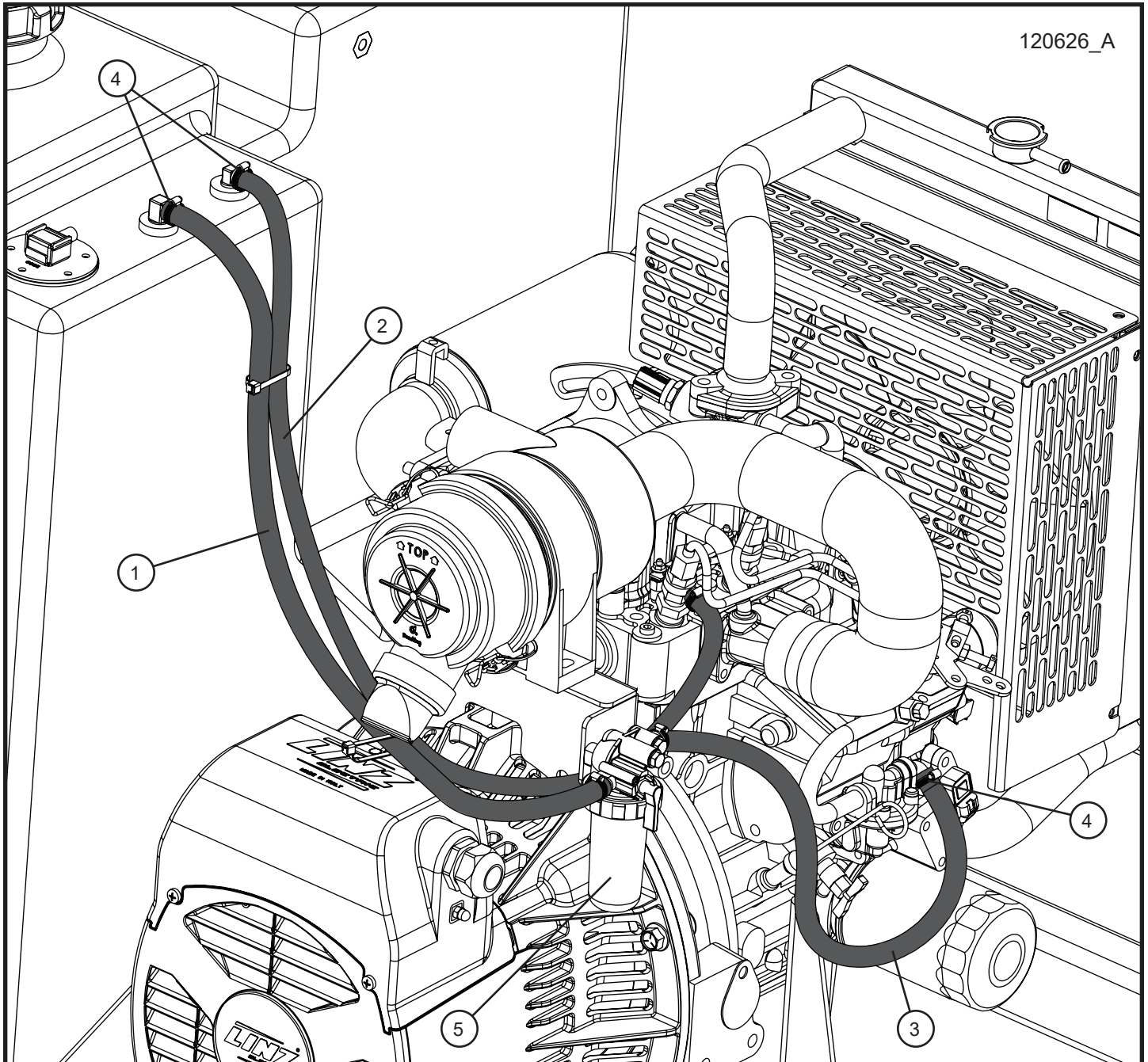
NIGHT-LITE™ GR-SERIES

SN 37-000001 and UP

4.7 - Fuel Tank

Item	Part No.	Part Description	Qty.
1	056021	3/8-16 X 5/8 HEX FLANGE SCREW	2
2	116993	FUEL TANK ASSEMBLY NLGR LIQUID-COOLED	1
3	118151	27 INCH VERTICAL FUEL LEVEL SENDER	1
4	056022	#10-24 x 1/2 SERRATED FLANGE HEX SCREW	5
5	116136	FUEL CAP	1

4.8 - Fuel Lines



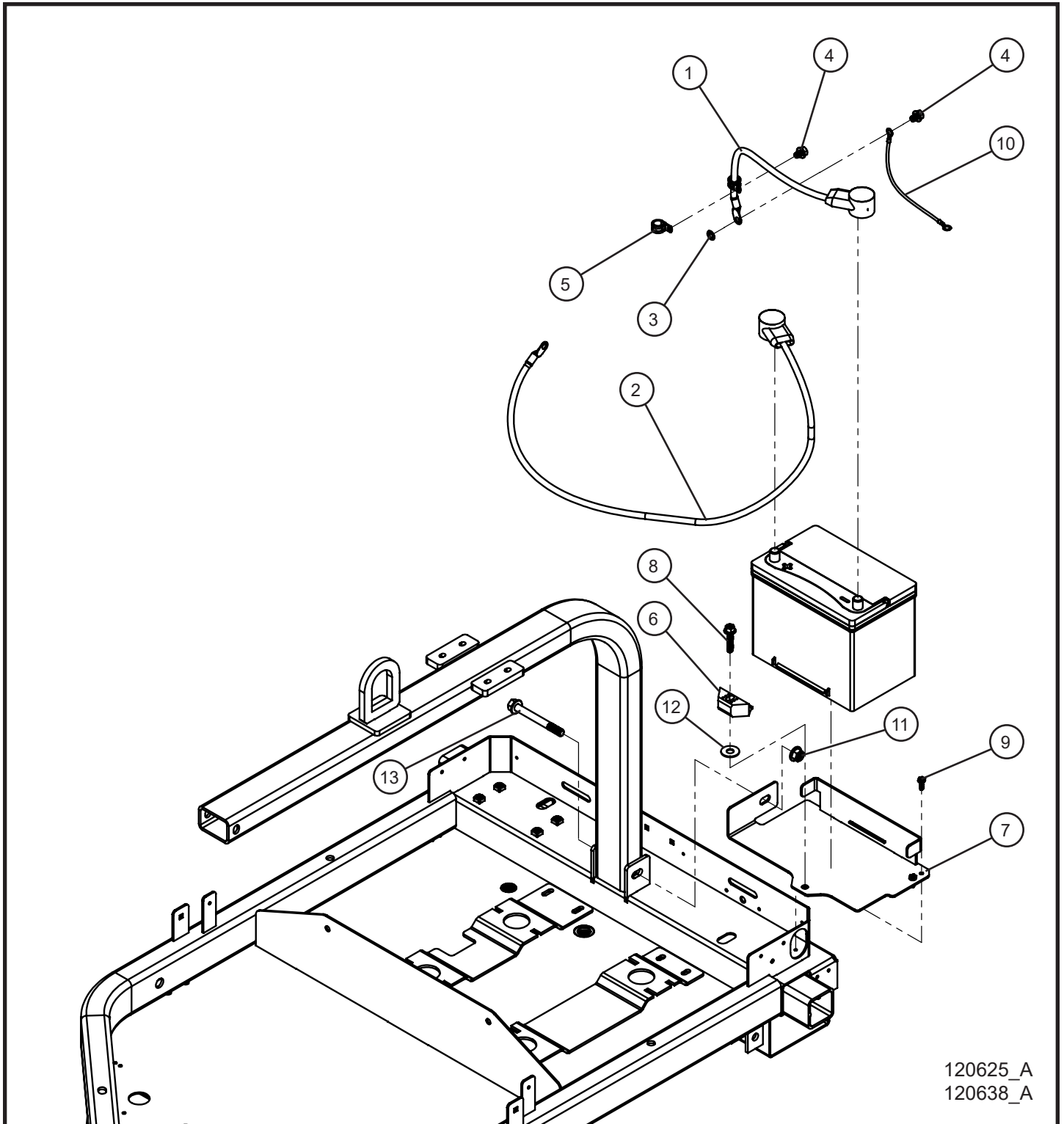
NIGHT-LITE™ GR-SERIES

SN 37-000001 and UP

4.7 - Fuel Tank

Item	Part No.	Part Description	Qty.
1	081018	5/16" HOSE FUEL LINE x 29.00	1
2	081016	1/4" BLACK FUEL LINE x 34.00	1
3	081018	5/16" HOSE FUEL LINE x 31.00	1
4	433400	#4 HOSE CLAMP	6
5	118381	FUEL FILTER	1

4.9 - Battery Group



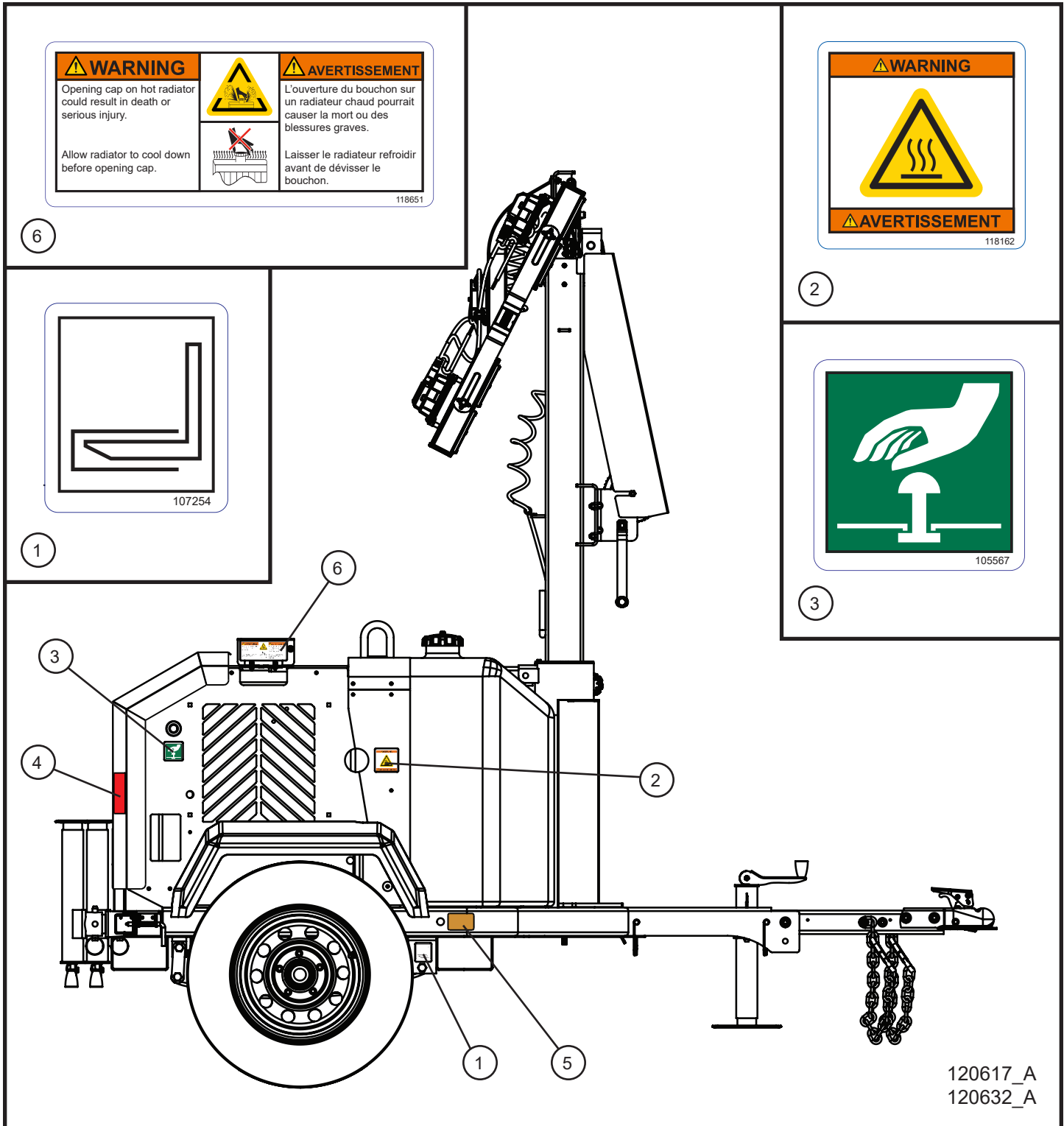
NIGHT-LITE™ GR-SERIES

SN 37-000001 and UP

4.9 - Battery Group

Item	Part No.	Part Description	Qty.
1	110373	BATTERY CABLE NEGATIVE BLACK 2AWG x 16.00 .375 EYE	1
2	113656	BATTERY CABLE POSITIVE RED 2AWG x 42.00 .375 EYE	1
3	043070	3/8 INTL TOOTHLOCK WASHER	1
4	056033	3/8-16 x 1/2 HEX FLANGE SCREW	2
5	022021	#10 CUSHION CLAMP	2
6	107115	BATTERY HOLD DOWN	1
7	120424P	BATTERY WELDMENT TRAY NLGR LIQUID-COOLED	1
8	056013	3/8-16 x 1 3/4 SERRATED FLANGE BOLT	1
9	041070	1/4-20 x 3/4 SL-HEX WASHER HEAD MACHINE SCREW	2
10	114800	10 AWG GROUND WIRE	1
11	057009	1/2-13 NYLOCK FLANGE NUT	1
12	047015	3/8 FLAT WASHER	1
13	056026	1/2-13 X 4 1/2 HEX FLANGE SCREW	1

5.1 - Right Side Decals



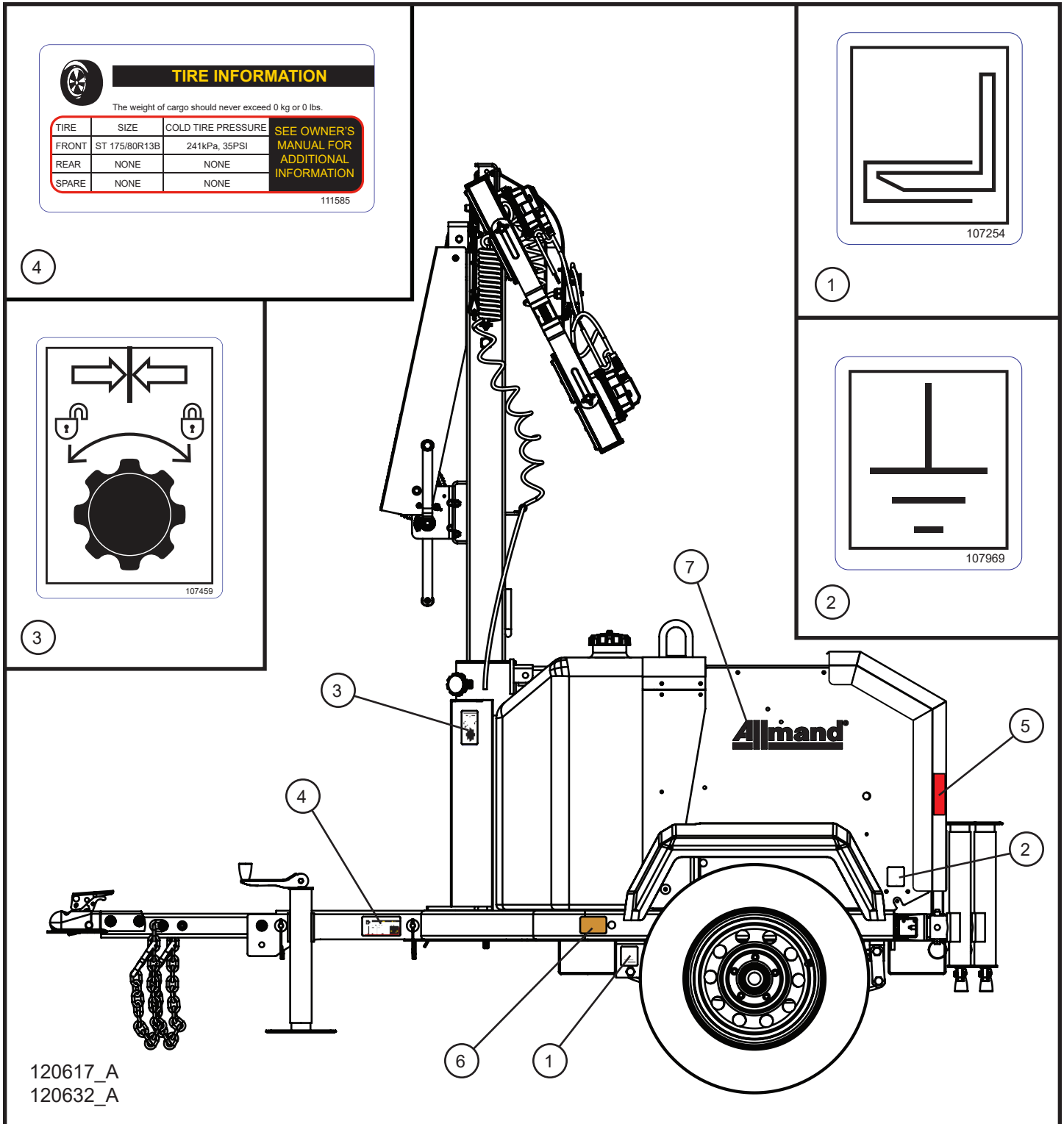
NIGHT-LITE™ GR-SERIES

SN 37-000001 and UP

5.1 - Right Side Decals

Item	Part No.	Part Description	Qty.
1	107254	FORKLIFT DECAL	1
2	118162	DECAL WARNING HOT SURFACE ENGLISH & FRENCH	1
3	105567	DECAL EMERGENCY STOP	1
4	114885	REFLECTOR DECAL RED 4.313 x 1.688	1
5	114884	REFLECTOR DECAL AMBER 2.75 x 1.75	1
6	118651	DECAL RADIATOR WARNING	1

5.2 - Left Side Decals



NIGHT-LITE™ GR-SERIES

SN 37-000001 and UP

5.2 - Left Side Decals

Item	Part No.	Part Description	Qty.
1	107254	FORKLIFT DECAL	1
2	107969	DECAL GROUND WORDLESS	1
3	107459	TOWER ALIGNMENT DECAL	1
4	111585	DECAL TIRE INFO ST175/80R13 LD-B 35 PSI 0 LB CARGO	1
5	114885	REFLECTOR DECAL RED 4.313 x 1.688	1
6	114884	REFLECTOR DECAL AMBER 2.75 x 1.75	1
7	118226	DECAL BRANDING ALLMAND-R BLACK 12 INCH	1
	118229	DECAL BRANDING ALLMAND-R GOLD-WHITE 12 INCH	1

5.3 - Front Side Decals

107455

⚠ DANGER

⚡ Contacting power lines when raising light tower will result in death or serious injury.

⚡ Keep light tower far away from power lines.

⚠ DANGER

⚡ Le contact avec une ligne électrique lorsque la tour d'éclairage est levée entraînera des blessures graves ou la mort.

⚡ Tenir la tour d'éclairage éloignée des lignes électriques.

⚠ WARNING

⚡ Raising light tower prior to positioning outriggers and lowering jacks could cause machine rollover resulting in death or serious injury.

⚠ Position outriggers and lower jacks on a stable surface before raising light tower.

⚠ AVERTISSEMENT

⚡ Le fait de soulever la tour d'éclairage avant de positionner correctement les longirons et sans baisser les vérins pourrait entraîner le basculement de la machine et provoquer des blessures graves ou la mort.

⚡ Il faut positionner les longirons et abaisser les vérins sur une surface stable avant de lever la tour d'éclairage.

118075

⚠ CAUTION

⚠ Snow and ice could cause an uncontrolled condition in which that could result in minor to moderate injury.

⚠ Make sure park engages gear. Apply brake to ratchet pawl and spacer.

⚠ ATTENTION

⚠ La neige et la glace pourraient causer une condition incontrôlée du treuil qui pourrait entraîner une blessure mineure à moyenne.

⚠ S'assurer que le cliquet embrayé dans l'engrenage appliqué du système sur le cliquet et la butée d'espacement.

118076

⚠ WARNING

⚠ Climbing under light tower mast and fixtures during lowering operation could result in death or serious injury.

⚠ Keep bystanders away from light tower during lowering and raising operations.

⚠ AVERTISSEMENT

⚠ Le fait de se tenir debout sous une tour d'éclairage et de ses accessoires alors que elle est abaisse pourrait causer la mort ou des blessures graves.

⚠ Tenir les spectateurs à l'écart de la tour d'éclairage pendant qu'elle se souève ou l'abaisse.

⚠ WARNING

⚠ Looking at illuminated light fixtures could result in serious injury.

⚠ Do not look directly at illuminated light fixtures.

⚠ AVERTISSEMENT

⚠ Regarder les luminaires allumés pourrait provoquer de graves blessures.

⚠ Ne jamais regarder directement des luminaires allumés.

118078

120617_A

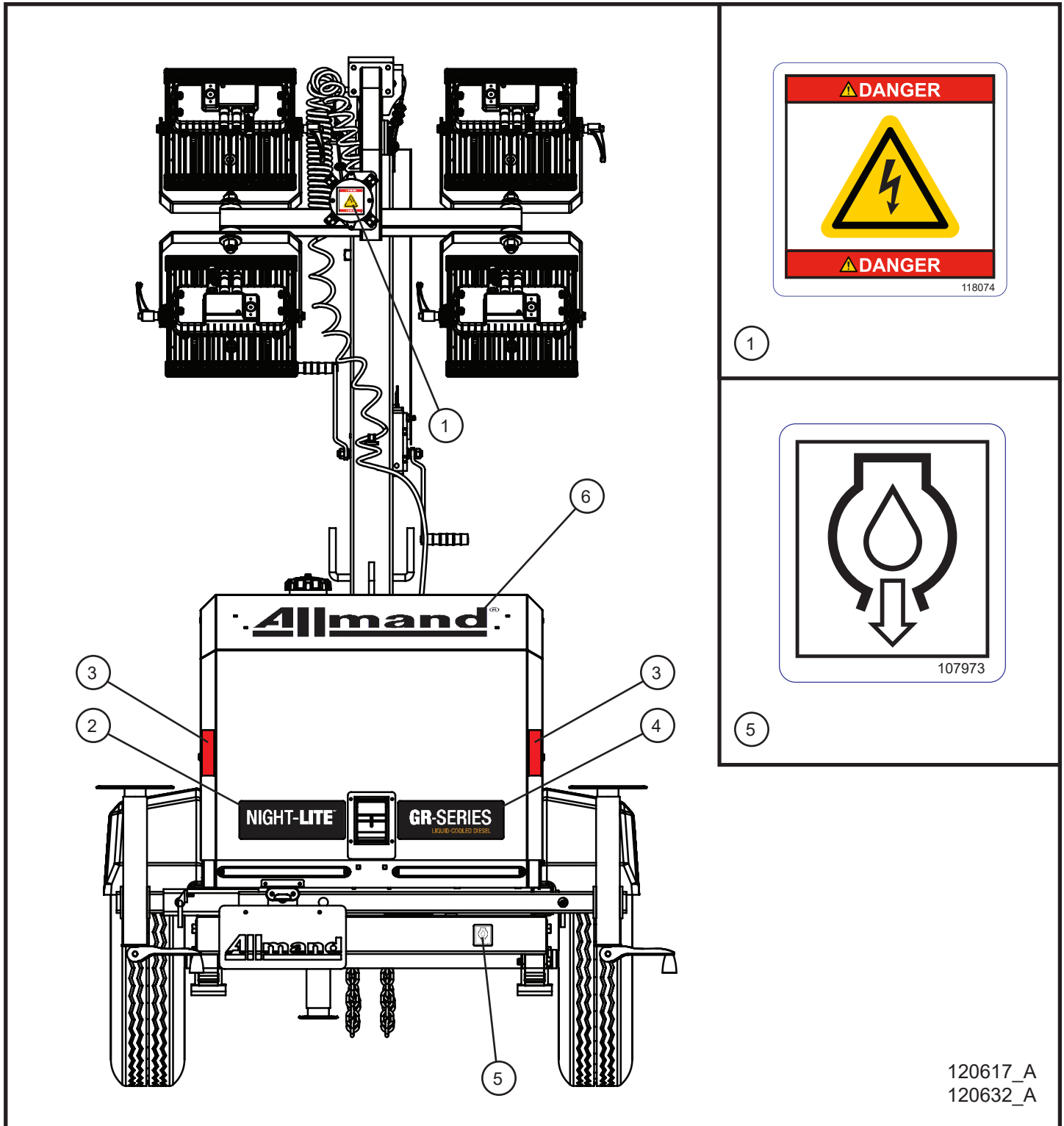
NIGHT-LITE™ GR-SERIES

SN 37-000001 and UP

5.3 - Front Side Decals

Item	Part No.	Part Description	Qty.
1	118078	BILINGUAL ICY WINCH CAUTION DECAL	1
2	118076	NLE 2 PANEL TOWER BILINGUAL WARNING DECAL	1
3	118075	BILINGUAL MANUAL WINCH WARNING DECAL	1
4	107459	TOWER ALIGNMENT DECAL	1

5.4 - Rear Side Decals



120617_A
120632_A

NIGHT-LITE™ GR-SERIES

SN 37-000001 and UP

5.4 - Rear Side Decals

Item	Part No.	Part Description	Qty.
1	118074	HAZARDOUS VOLTAGE BILINGUAL DANGER DECAL	1
2	118223	DECAL BRANDING NIGHT-LITE NL-GR	1
3	114885	REFLECTOR DECAL RED 4.313 x 1.688	2
4	118447	DECAL BRANDING LIQUID-COOLED NL-GR DIESEL	1
5	107973	DECAL OIL DRAIN	1
6	118119	DECAL BRANDING ALLMAND-R BLACK 23.3 INCH	1
	118425	DECAL BRANDING ALLMAND-R GOLD-WHITE 23.3 INCH	1

5.5 - Top View Decals

107254

5

WARNING

Excessive towing speed could result in death or serious injury.

Do not exceed 65mph (105km/h) when towing trailer.

AVERTISSEMENT

Une vitesse de remorquage excessive pourrait entraîner la mort ou de graves blessures.

Ne pas dépasser 105 km/h (65 mi/h) lors du remorquage.

118108

3

WARNING

Failure to lower tower into a secured position before towing could result in death or serious injury.

Lower tower to a secured position before towing.

AVERTISSEMENT

Ne pas abaisser la tour d'éclairage en position sécurisée au préalable peut provoquer la mort ou des blessures graves.

Abaisser la tour en position sécurisée avant le remorquage.

118165

4

DANGER

118074

2

TOP SIDE OF CONTROL BOX

kW	3.0
A	25
V	120
Hz/RPM	60/1800
PHASE	1
INS. CLASS	H
MAX AMB	120°F/49°C
PF	1.0

118653

7

TOP SIDE OF CONTROL BOX

1750 lbs.

794 kg.

118654

1

ULTRA LOW SULFUR FUEL ONLY.
S ≤ 15 MG/KG

107045

6

NIGHT-LITE™ GR-SERIES

SN 37-000001 and UP

5.5 - Top View Decals

Item	Part No.	Part Description	Qty.
1	118654	DECAL LIFT WEIGHT 1750 LBS	1
2	118074	HAZARDOUS VOLTAGE BILINGUAL DANGER DECAL	1
3	118108	DECAL EXCESSIVE TOW SPEED WARNING ENGLISH/FRENCH	1
4	118165	DECAL LOWER TOWER BEFORE TOWING ENGLISH/FRENCH	1
5	107254	FORKLIFT DECAL	2
6	107045	LOW SULFUR FUEL DECAL	1
7	118227	DECAL ELEC INFO 3.0kW 60Hz 1800RPM 120V 25A 1 PHASE	1

5.6 - Door Interior Decals

1

5

<p>NOTICE</p> <p>Neutral bonded to frame. Machine to be grounded in accordance with requirements as outlined by local inspection authorities.</p> <p>AVIS</p> <p>Neutre mis à la masse à la carcasse du moteur. L'appareil doit être mis à la terre conformément aux exigences des services d'inspection locaux.</p> <p style="text-align: right; font-size: small;">118241</p>	<p>WARNING</p> <p>Operation of this equipment may create sparks that can start fires around dry vegetation. A spark arrester may be required. The operator should contact local fire agencies for laws or regulations relating to fire prevention requirements.</p> <p>AVERTISSEMENT</p> <p>Le fonctionnement de cet appareil peut provoquer des étincelles qui peuvent enflammer de la végétation sèche environnante. Un pare-étincelles peut être requis. L'opérateur doit communiquer avec le service d'incendie local pour connaître les lois ou les règlements régissant la prévention des incendies.</p> <p style="text-align: right; font-size: small;">118241</p>	<table border="1" style="width: 100%; border-collapse: collapse;"> <tr> <td style="width: 33%; padding: 5px;"> <p>WARNING</p> <p>Failure to follow warnings, instructions, and operator's manual could result in death or serious injury.</p> <p>AVERTISSEMENT</p> <p>L'omission de respecter les avertissements, les instructions et le manuel de l'utilisateur pourrait entraîner des blessures graves ou la mort.</p> </td> <td style="width: 33%; padding: 5px;"> <p>WARNING</p> <p>Read and follow operator's manual before operating or servicing this equipment.</p> <p>AVERTISSEMENT</p> <p>Lire et suivez le manuel d'utilisation avant de faire fonctionner ou de faire l'entretien de cet équipement.</p> </td> <td style="width: 33%; padding: 5px;"> <p>WARNING</p> <p>Engine exhaust contains carbon monoxide, a poisonous gas that could cause death or serious injury.</p> <p>AVERTISSEMENT</p> <p>Le moteur contient du monoxyde de carbone, un gaz toxique pouvant provoquer la mort ou de graves blessures.</p> </td> <td style="width: 33%; padding: 5px;"> <p>WARNING</p> <p>Run equipment far from windows, doors and vents. Do not run equipment indoors or in partially enclosed spaces.</p> <p>AVERTISSEMENT</p> <p>Faites tourner à l'extérieur, loin des fenêtres, des portes et des événements. Ne faites pas fonctionner à l'intérieur ni dans un espace partiellement fermé.</p> </td> <td style="width: 33%; padding: 5px;"> <p>WARNING</p> <p>Unexpected start of engine could result in death or serious injury.</p> <p>AVERTISSEMENT</p> <p>Le démarrage inattendu du moteur pourrait provoquer la mort ou des blessures graves.</p> </td> <td style="width: 33%; padding: 5px;"> <p>WARNING</p> <p>Read and follow electronic controller operator's manual before operating or servicing this equipment.</p> <p>AVERTISSEMENT</p> <p>Lire et suivre le manuel d'utilisation du contrôleur électronique avant d'utiliser ou de réparer cet équipement.</p> </td> </tr> </table>	<p>WARNING</p> <p>Failure to follow warnings, instructions, and operator's manual could result in death or serious injury.</p> <p>AVERTISSEMENT</p> <p>L'omission de respecter les avertissements, les instructions et le manuel de l'utilisateur pourrait entraîner des blessures graves ou la mort.</p>	<p>WARNING</p> <p>Read and follow operator's manual before operating or servicing this equipment.</p> <p>AVERTISSEMENT</p> <p>Lire et suivez le manuel d'utilisation avant de faire fonctionner ou de faire l'entretien de cet équipement.</p>	<p>WARNING</p> <p>Engine exhaust contains carbon monoxide, a poisonous gas that could cause death or serious injury.</p> <p>AVERTISSEMENT</p> <p>Le moteur contient du monoxyde de carbone, un gaz toxique pouvant provoquer la mort ou de graves blessures.</p>	<p>WARNING</p> <p>Run equipment far from windows, doors and vents. Do not run equipment indoors or in partially enclosed spaces.</p> <p>AVERTISSEMENT</p> <p>Faites tourner à l'extérieur, loin des fenêtres, des portes et des événements. Ne faites pas fonctionner à l'intérieur ni dans un espace partiellement fermé.</p>	<p>WARNING</p> <p>Unexpected start of engine could result in death or serious injury.</p> <p>AVERTISSEMENT</p> <p>Le démarrage inattendu du moteur pourrait provoquer la mort ou des blessures graves.</p>	<p>WARNING</p> <p>Read and follow electronic controller operator's manual before operating or servicing this equipment.</p> <p>AVERTISSEMENT</p> <p>Lire et suivre le manuel d'utilisation du contrôleur électronique avant d'utiliser ou de réparer cet équipement.</p>			
<p>WARNING</p> <p>Failure to follow warnings, instructions, and operator's manual could result in death or serious injury.</p> <p>AVERTISSEMENT</p> <p>L'omission de respecter les avertissements, les instructions et le manuel de l'utilisateur pourrait entraîner des blessures graves ou la mort.</p>	<p>WARNING</p> <p>Read and follow operator's manual before operating or servicing this equipment.</p> <p>AVERTISSEMENT</p> <p>Lire et suivez le manuel d'utilisation avant de faire fonctionner ou de faire l'entretien de cet équipement.</p>	<p>WARNING</p> <p>Engine exhaust contains carbon monoxide, a poisonous gas that could cause death or serious injury.</p> <p>AVERTISSEMENT</p> <p>Le moteur contient du monoxyde de carbone, un gaz toxique pouvant provoquer la mort ou de graves blessures.</p>	<p>WARNING</p> <p>Run equipment far from windows, doors and vents. Do not run equipment indoors or in partially enclosed spaces.</p> <p>AVERTISSEMENT</p> <p>Faites tourner à l'extérieur, loin des fenêtres, des portes et des événements. Ne faites pas fonctionner à l'intérieur ni dans un espace partiellement fermé.</p>	<p>WARNING</p> <p>Unexpected start of engine could result in death or serious injury.</p> <p>AVERTISSEMENT</p> <p>Le démarrage inattendu du moteur pourrait provoquer la mort ou des blessures graves.</p>	<p>WARNING</p> <p>Read and follow electronic controller operator's manual before operating or servicing this equipment.</p> <p>AVERTISSEMENT</p> <p>Lire et suivre le manuel d'utilisation du contrôleur électronique avant d'utiliser ou de réparer cet équipement.</p>						
<table border="1" style="width: 100%; border-collapse: collapse;"> <tr> <td style="width: 33%; padding: 5px;"> <p>WARNING</p> <p>Smoking materials, open flames, or other forms of ignition near the battery could cause explosion resulting in death or serious injury.</p> <p>AVERTISSEMENT</p> <p>Les articles de fumeur, les flammes nues ou d'autres formes d'allumage près de la batterie pourraient causer une explosion, causant la mort ou des blessures graves.</p> </td> <td style="width: 33%; padding: 5px;"> <p>WARNING</p> <p>Keep smoking materials, open flames, and other forms of ignition away from the battery.</p> <p>AVERTISSEMENT</p> <p>Tenir les articles de fumeur, les flammes nues ou les autres formes d'allumage à l'écart de la batterie.</p> </td> <td style="width: 33%; padding: 5px;"> <p>WARNING</p> <p>Exposure to corrosive material could result in death or serious injury.</p> <p>AVERTISSEMENT</p> <p>Toute exposition à des produits corrosifs pourrait causer la mort ou des blessures graves.</p> </td> <td style="width: 33%; padding: 5px;"> <p>WARNING</p> <p>Wear protective gloves when handling battery.</p> <p>AVERTISSEMENT</p> <p>Porter des gants de protection en manipulant la batterie.</p> </td> <td style="width: 33%; padding: 5px;"> <p>WARNING</p> <p>Contact with hot exhaust gases and parts could cause serious injury.</p> <p>AVERTISSEMENT</p> <p>Tout contact avec les pièces et les gaz d'échappement chauds pourrait causer la mort ou des blessures graves.</p> </td> <td style="width: 33%; padding: 5px;"> <p>WARNING</p> <p>Avoid hot exhaust gases. Keep hands and combustible materials away from hot parts.</p> <p>AVERTISSEMENT</p> <p>Éviter les gaz d'échappement chauds. Tenir les mains et les produits inflammables à l'écart des pièces chaudes.</p> </td> </tr> </table>						<p>WARNING</p> <p>Smoking materials, open flames, or other forms of ignition near the battery could cause explosion resulting in death or serious injury.</p> <p>AVERTISSEMENT</p> <p>Les articles de fumeur, les flammes nues ou d'autres formes d'allumage près de la batterie pourraient causer une explosion, causant la mort ou des blessures graves.</p>	<p>WARNING</p> <p>Keep smoking materials, open flames, and other forms of ignition away from the battery.</p> <p>AVERTISSEMENT</p> <p>Tenir les articles de fumeur, les flammes nues ou les autres formes d'allumage à l'écart de la batterie.</p>	<p>WARNING</p> <p>Exposure to corrosive material could result in death or serious injury.</p> <p>AVERTISSEMENT</p> <p>Toute exposition à des produits corrosifs pourrait causer la mort ou des blessures graves.</p>	<p>WARNING</p> <p>Wear protective gloves when handling battery.</p> <p>AVERTISSEMENT</p> <p>Porter des gants de protection en manipulant la batterie.</p>	<p>WARNING</p> <p>Contact with hot exhaust gases and parts could cause serious injury.</p> <p>AVERTISSEMENT</p> <p>Tout contact avec les pièces et les gaz d'échappement chauds pourrait causer la mort ou des blessures graves.</p>	<p>WARNING</p> <p>Avoid hot exhaust gases. Keep hands and combustible materials away from hot parts.</p> <p>AVERTISSEMENT</p> <p>Éviter les gaz d'échappement chauds. Tenir les mains et les produits inflammables à l'écart des pièces chaudes.</p>
<p>WARNING</p> <p>Smoking materials, open flames, or other forms of ignition near the battery could cause explosion resulting in death or serious injury.</p> <p>AVERTISSEMENT</p> <p>Les articles de fumeur, les flammes nues ou d'autres formes d'allumage près de la batterie pourraient causer une explosion, causant la mort ou des blessures graves.</p>	<p>WARNING</p> <p>Keep smoking materials, open flames, and other forms of ignition away from the battery.</p> <p>AVERTISSEMENT</p> <p>Tenir les articles de fumeur, les flammes nues ou les autres formes d'allumage à l'écart de la batterie.</p>	<p>WARNING</p> <p>Exposure to corrosive material could result in death or serious injury.</p> <p>AVERTISSEMENT</p> <p>Toute exposition à des produits corrosifs pourrait causer la mort ou des blessures graves.</p>	<p>WARNING</p> <p>Wear protective gloves when handling battery.</p> <p>AVERTISSEMENT</p> <p>Porter des gants de protection en manipulant la batterie.</p>	<p>WARNING</p> <p>Contact with hot exhaust gases and parts could cause serious injury.</p> <p>AVERTISSEMENT</p> <p>Tout contact avec les pièces et les gaz d'échappement chauds pourrait causer la mort ou des blessures graves.</p>	<p>WARNING</p> <p>Avoid hot exhaust gases. Keep hands and combustible materials away from hot parts.</p> <p>AVERTISSEMENT</p> <p>Éviter les gaz d'échappement chauds. Tenir les mains et les produits inflammables à l'écart des pièces chaudes.</p>						

2

<p>WARNING</p> <p>Engine exhaust contains carbon monoxide, a poisonous gas that could cause death or serious injury.</p> <p>AVERTISSEMENT</p> <p>Le moteur contient du monoxyde de carbone, un gaz toxique pouvant provoquer la mort ou de graves blessures.</p>	<p>WARNING</p> <p>Run equipment far from windows, doors and vents. Do not run equipment indoors or in partially enclosed spaces.</p> <p>AVERTISSEMENT</p> <p>Faites tourner à l'extérieur, loin des fenêtres, des portes et des événements. Ne faites pas fonctionner à l'intérieur ni dans un espace partiellement fermé.</p>
--	--

3

<p>WARNING</p> <p>Engine exhaust contains carbon monoxide, a poisonous gas that could cause death or serious injury.</p> <p>AVERTISSEMENT</p> <p>Le moteur contient du monoxyde de carbone, un gaz toxique pouvant provoquer la mort ou de graves blessures.</p>	<p>WARNING</p> <p>Run equipment far from windows, doors and vents. Do not run equipment indoors or in partially enclosed spaces.</p> <p>AVERTISSEMENT</p> <p>Faites tourner à l'extérieur, loin des fenêtres, des portes et des événements. Ne faites pas fonctionner à l'intérieur ni dans un espace partiellement fermé.</p>
--	--

4

<p>WARNING</p>	
<p>Contact with rotating parts could result in death or serious injury.</p>	<p>Keep away from rotating parts.</p>
<p>AVERTISSEMENT</p>	
<p>Le contact avec des pièces en mouvement pourrait résulter en de graves blessures voire la mort.</p>	<p>Se tenir à l'écart des pièces en mouvement.</p>

120617_A

NIGHT-LITE™ GR-SERIES

SN 37-000001 and UP

5.6 - Door Interior Decals

Item	Part No.	Part Description	Qty.
1	110362	DECAL NEUTRAL/GROUNDED ENGLISH/FRENCH	1
2	118163	DECAL MULTIPLE WARNINGS ENGLISH/FRENCH	1
3	118102	DECAL EXHAUST WARNING CA PROP 65 ENGLISH/FRENCH	1
4	118652	DECAL WARNING FAN/BELT ENTANGLEMENT BILINGUAL	1
5	118241	DECAL CALIFORNIA SPARK ARRESTOR ENGLISH/FRENCH	1

NIGHT-LITE™ GR-SERIES



1502 West 4th Avenue
Holdrege, NE 68949

phone: (308) 995-4495 • toll free: (800) 562-1373

fax: (308) 995-5887

www.allmand.com