



MAXI-LITE ML 6/ML 8 HYDRAULIC TOWER OPERATOR'S MANUAL

ALLMAND BROS. INC
P.O. BOX 888
HOLDREGE, NE 68949

PHONE: 308/995-4495, 1-800/562-1373
ALLMAND FAX: 308/995-5887
ALLMAND PARTS FAX: 308/995-4883

 **MAXI-LITE SERIES**

Part No. 107638

For Parts and Updates visit Allmand on the Web at www.allmand.com

INSPECTION CHECK LIST

FOR PREPARING THE MAXI LITE FOR DELIVERY OR RENTAL

The **MAXI LITE** requires service as well as proper operation in order to provide the performance and safety it has been designed for. Never deliver or put a machine into service with known defects or missing instructions or decals. Always instruct the customer in the proper operation and safety procedures as described in the operator's manual. Always provide the manual with the equipment for proper and safe operation.

CHECK LIST:

- Visually inspect the equipment to ensure that all instructions and decals are in place and legible.
- Inspect the tower latch and knob assembly which locks the tower in the vertical position for proper operation.
- Check the hitch assembly and safety tow chains.
- Check the outriggers and jacks to make sure they operate properly.
- Inspect the light assemblies for damage and test for proper operation.
- Inspect the electrical wiring for signs of damage.
- Check the ground rod cable and the ground lug. Make sure they are clean, undamaged, and functional.
- Inspect the tires to ensure good condition and proper inflation.
- Check oil, fuel, coolant levels, and hydraulic fluid levels.
- Check to make sure the operator's manual is with the equipment.
- Inspect the machine physically for damage and repair if necessary.

NOTE: See appropriate section of manual for scheduled maintenance intervals.

After completing the inspection check list, operate the tower through a complete operation cycle, following the operating instructions in the operator's manual.



WARNING

**NEVER ALLOW ANYONE TO OPERATE THE EQUIPMENT WITHOUT
PROPER TRAINING!**

ALWAYS READ THE INSTRUCTIONS FIRST!

TABLE OF CONTENTS

INSPECTION CHECK LIST	2
TABLE OF CONTENTS	3
INTRODUCTION	4
SAFETY SYMBOL INFORMATION	4
SAFETY AND WARNING DECALS	5-7
HYDRAULIC MAST OPERATION	8-9
MODEL AND SERIAL NUMBERING SYSTEM	10
SPECIFICATIONS	11-15
CONTROLS AND COMPONENTS	16-23
ROUTINE MAINTENANCE SCHEDULE	24
KUBOTA D905, D1105 AND PERKINS 103-10	
TROUBLESHOOTING	25
ASSEMBLY PARTS AND ACCESSORIES	26

INTRODUCTION

- This manual provides the information necessary for the safe operation of the Allmand Bros., Inc., **MAXI-LITE** light tower.
- The **MAXI-LITE** standard tower configuration is operated by a two cylinder hydraulic system used to erect, extend, and lower the tower.
- Specific operating instructions and specifications are contained in this publication to familiarize the operator and maintenance personnel with the correct and safe procedures necessary to maintain and operate the equipment.

Take time to read this book thoroughly. If you are uncertain about any of the information presented in the manual, contact the factory or your dealer for clarification before operation.

SAFETY SYMBOLS

The purpose of the **SAFETY INFORMATION SYMBOL** shown below is to attract your special attention to safety related information contained in the text.



FAILURE TO UNDERSTAND AND COMPLY WITH SAFETY RELATED INFORMATIONAL INSTRUCTIONS MAY RESULT IN INJURY TO OPERATOR OR OTHERS. IF YOU DO NOT UNDERSTAND ANY PART OF THIS INFORMATION CONTACT YOUR DEALER FOR CLARIFICATION PRIOR TO OPERATING EQUIPMENT.

NOTE

The word **NOTE** is used to bring your attention to supplementary information in relation to various aspects of proper operation and maintenance.

NOTE: Keep this manual accessible during operation to provide convenient reference.

NOTE: Any reference in this manual to **LEFT** or **RIGHT** shall be determined by looking at the trailer from the rear.

SAFETY AND WARNING DECALS

SAFETY WARNING

ALWAYS REPLACE ANY SAFETY AND INSTRUCTION DECALS THAT BECOME DAMAGED, PAINTED, OR OTHERWISE ILLEGIBLE.

Refer to these representations of the safety warning decals used on the MAXI-LITE to insure correct ordering if replacing becomes necessary.

OPERATING INSTRUCTIONS
Read and understand Operator's Manual before operating machine.

BEFORE STARTING:

1. Visually inspect machine for leaks or damage.
2. Make sure battery connections are clean and tight.
3. Check engine oil level (see manual).
4. Check fuel supply (see manual).
5. Check air cleaner, seals, hoses and clamps (see manual).

STARTING:

1. Turn off all circuit breakers.
2. Turn ON/OFF toggle switch to up (ON) position.
3. Press and hold PREHEAT switch (below 30° F, hold for 1 minute before adding step 4).
4. Press START switch while holding PREHEAT switch in. Release both switches as soon as engine starts.

NOTE Do not crank for more than 10 seconds without allowing starter to cool for 30 seconds.

STOPPING:

1. Turn lights off with circuit breakers.
2. Unplug external leads.
3. Turn ON/OFF toggle switch to down (OFF) position.

CAUTION
MAKE SURE GROUND ROD IS PUT AWAY AND JACKS, OUTRIGGERS AND MAST ARE FULLY RETRACTED AND LOCKED INTO PLACE BEFORE TOWING.

D-151

PART NO. D-151
Location: Inside left hand door panel of Lister Petter engine units.

OPERATING INSTRUCTIONS
Read and understand Operator's Manual before operating machine.

BEFORE STARTING:

1. Visually inspect machine for leaks or damage.
2. Make sure battery connections are clean and tight.
3. Check engine oil level (see manual).
4. Check fuel supply (see manual).
5. Check air cleaner, seals, hoses and clamps (see manual).

STARTING:

1. Turn lights off with circuit breakers.
2. Turn switch to Preheat position, hold until the glow plug lamp goes out.
3. Turn switch to start position until the engine starts. Release key as soon as the engine starts.
4. If engine fails to start, repeat cycle.

NOTE Do not crank for more than 10 seconds without allowing starter to cool for 30 seconds.

STOPPING:

1. Turn lights off with circuit breakers.
2. Unplug external leads.
3. Turn ON/OFF toggle switch to down (OFF) position.

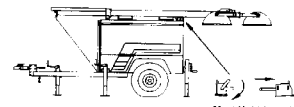
CAUTION
MAKE SURE GROUND ROD IS PUT AWAY AND JACKS, OUTRIGGERS AND MAST ARE FULLY RETRACTED AND LOCKED INTO PLACE BEFORE TOWING.

D-248

PART NO. D-249
Location: Inside left hand door panel of Kubota engine units.

LIFTING INSTRUCTIONS

CAUTION
A MINIMUM OF 2 TONS LIFTING CAPACITY IS REQUIRED TO LIFT THIS MACHINE!



Mast Hold-down Pin

BEFORE LIFTING:

1. Make sure the mast hold-down pin (shown above) is fully inserted and secure to lock the mast in place.
2. Unplug all external equipment and move it a safe distance away.
3. Clear the machine of all loose objects.

WARNING!
Lifting heavy equipment is a dangerous activity. Do not allow personnel on or near the machine and keep all bystanders a safe distance away. Failure to follow these instructions could result in severe injury or death.

D-264

PART NO. D-264
Location: Inside left hand door panel.

ERECT MAST & RAISE LIGHTS

1. EXTEND BOTH SIDE OUTRIGGERS AND LEVEL TRAILER WITH JACKS.
2. CONNECT GROUND ROD AND DRIVE INTO EARTH.
3. PULL PIN BACK TO RELEASE MAST FROM MAST SUPPORT.
4. OPERATE THE ERECT TOGGLE SWITCH UP TO RAISE TOWER TO VERTICAL.
5. TURN KNOB COUNTERCLOCKWISE AND ENGAGE LATCH IN STRIKE PLATE. RETIGHTEN KNOB.
6. OPERATE THE EXTEND SWITCH UP TO RAISE LIGHTS.
7. TURN KNOB TO ALLOW MAST AND LIGHTS TO ROTATE.

LOWER LIGHTS & LOWER MAST

1. ROTATE MAST UNTIL LIFTING EYE POINTS TO FRONT OF TRAILER.
2. OPERATE DOWN ON THE EXTEND TOGGLE SWITCH TO LOWER LIGHTS TO LOWEST VERTICAL POSITION.
4. OPERATE THE ERECT TOGGLE SWITCH UP UNTIL TIGHT.
5. TURN KNOB COUNTERCLOCKWISE AND RELEASE LATCH FROM STRIKE. NOTE: MAST HAS TO BE POSITIONED WITH THE LIFTING EYE DIRECTLY FORWARD BEFORE LATCH CAN BE RELEASED. TURN KNOB CLOCKWISE TO HOLD LATCH IN UP POSITION.
6. OPERATE THE ERECT TOGGLE SWITCH DOWN TO FOLD MAST DOWN.
8. LOCK MAST TO MAST SUPPORT.
9. REMOVE GROUND ROD AND SECURE.
10. RAISE JACKS.
11. RETRACT OUTRIGGERS AND SECURE.


LAY MAST DOWN

D-325

PART NO. D-325
Location: Inside left hand door panel. (Hydraulic tower model only.)

SAFETY AND WARNING DECALS

! WARNING

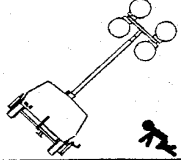


To Prevent Serious Injury or Death:

- Avoid unsafe operation or maintenance.
- Do not operate or work on this machine without reading and understanding the operator's manual.
- If manual is lost, contact your nearest dealer for a new manual. D-158

PART NO. D-158
Location: AC control panel

! WARNING

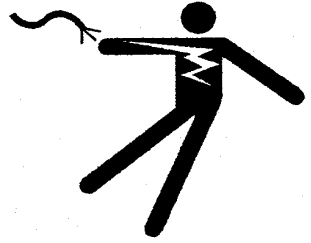


OVERHEAD HAZARD TO PREVENT SERIOUS INJURY OR DEATH:

- DO NOT RAISE, LOWER OR USE LIGHT TOWER UNLESS ALL OUTRIGGERS AND JACKS ARE POSITIONED ON FIRM GROUND.
- LEVEL TRAILER BEFORE USE. D-166

PART NO. D-166
Location: inside left hand door panel

! DANGER



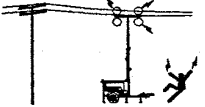
ELECTRIC SHOCK HAZARD

Failure to use ground rod could cause severe injury or death.

- Drive ground rod into earth and attach ground wire to grounding lug on front of trailer. D-163

PART NO. D-163
Location: On left side wheel well

! DANGER



ELECTRICAL SHOCK HAZARD Will Cause Severe Injury or Death

Do not position light tower under electric power lines. D-165


PART NO. D-165
Location: Inside left hand door panel

WARNING

FAILURE TO TURN OFF LIGHTS BEFORE STOPPING ENGINE MAY RESULT IN GENERATOR DAMAGE AND VOID WARRANTY. D-084

PART NO. D-084
Location: AC control panel

! DANGER



HAZARDOUS VOLTAGE

To prevent serious injury or death from electrocution:


- Do not enter electrical compartment while engine is running.
- Close cover before operating.
- Keep components in good repair. D-162

PART NO. D-162
Location: On left front ABS panel

GROUNDING LUG

PART NO. D-133
Location: On left side panel below ground lug

! WARNING



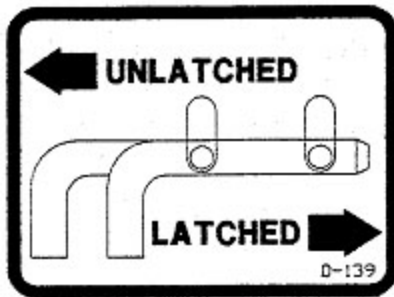
COMBUSTIBLE GAS

Can Cause Severe Burns or Blindness.

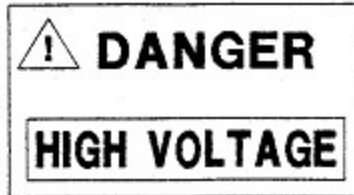
- Keep sparks and open flame away from batteries. D-159

PART NO. D-159
Location: On right hand wheel well

SAFETY AND WARNING DECALS



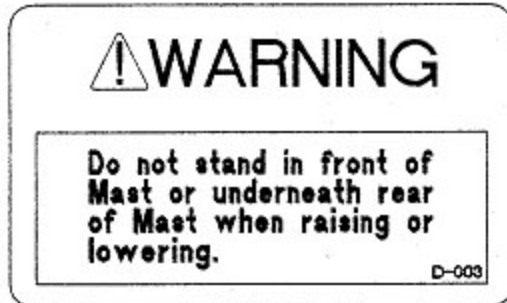
PART NO. D-139
Location: On rear panel under the rear tower support.



PART NO. D-002
Location: Light bar cover



PART NO. D-263
Location: Inside left hand door panel



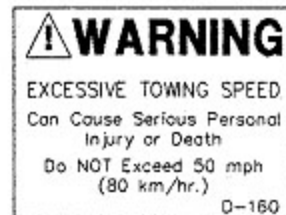
PART NO. D-003
Location: Inside left hand door panel



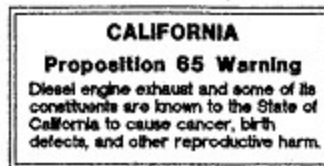
PART NO. D-152
Location: Inside left hand door panel



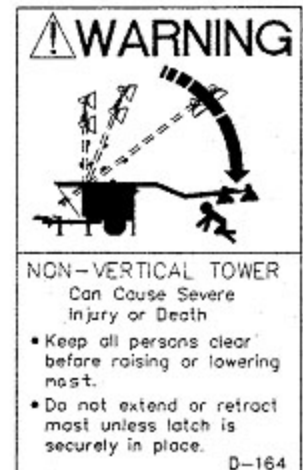
PART NO. D-005
Location: Inside left hand door panel



PART NO. D-160
Location: On pintle hitch



PART NO. D-179
Location: Inside left hand door panel



PART NO. D-164
Location: On mast pivot section

HYDRAULIC MAST OPERATION

DESCRIPTION OF OPERATION

The Allmand **MAXI-LITE** tower assembly consists of a three section telescoping mast that can be raised and extended by operating two toggle switches mounted on the D.C. Control Panel. The lift cylinder toggle switch operates a solenoid on a hydraulic pump that pressurizes a cylinder to raise the mast from the horizontal towing position to the vertical position. The extend cylinder toggle switch operates a solenoid on the same hydraulic pump that pressurizes a cylinder that extends the telescoping sections.

The three section mast assembly can be rotated from the ground by loosening a knob and rotating the entire assembly 360° to aim the lights as necessary.



SAFETY WARNING

- ALWAYS CHECK FOR OVERHEAD OBSTRUCTIONS BEFORE RAISING AND LOWERING MAST. ALLOW 35' CLEARANCE. AVOID ALL OVERHEAD ELECTRICAL WIRES.
- TO PREVENT INSTABILITY AND HELP ENSURE SAFE OPERATION, ALWAYS PROVIDE PROPER GROUND SUPPORT BEFORE RAISING MAST.
- BEFORE RAISING MAST, VISUALLY INSPECT EQUIPMENT FOR DAMAGE OR WEAR. FAMILIARIZE YOURSELF WITH THE LOCATION AND FUNCTION OF ALL OPERATING PARTS BY STUDYING THIS MANUAL. OBSERVE ALL CAUTION DECALS LOCATED ON EQUIPMENT.

NOTE: The latch locks the mast in the vertical position and disengages the sections allowing the tower assembly to be rotated to position the lights.

TO ERECT MAST AND RAISE LIGHTS

1. Extend both side outrigger jacks, rear jack and tongue jack to stabilize and level the trailer.

NOTE: Jacks should be placed only on firm footing.



SAFETY WARNING

- WHEN EXTENDING REAR JACK, WATCH TO ENSURE YOU ARE CLEAR OF THE OVERHANGING ENDS OF THE MAST.
 - THE SUPPLEMENTAL GROUND ROD IS A SAFETY DEVICE THAT MAY REDUCE THE CHANCE OF PERSONAL INJURY FROM STRAY ELECTRICAL CURRENT. Therefore, Allmand recommends using the ground rod. However, it is the user's responsibility to determine the requirements and/or applicability of local, state, or national electrical code which governs the use of the ground rod.
2. Attach the ground rod to the grounding lug, and drive the ground rod fully for adequate electrical ground, as required by local, state, or national code.
 3. Release the pin that secures the mast to the rear mast support.
 4. Operate the LIFT CYLINDER toggle switch UP to raise the mast from horizontal to vertical.
 5. Turn black knob counterclockwise and engage latch in strike plate. Retighten black knob.
 6. Operate the EXTEND CYLINDER toggle switch UP to raise the lights vertically.
 7. To rotate the lights, loosen the black knob on mast and turn the tower assembly with the handles provided. Retighten knob.

HYDRAULIC MAST OPERATION



SAFETY WARNING

- IF THE TOWER CANNOT BE ROTATED AFTER LOOSENING THE BLACK KNOB, CHECK TO ASSURE THE LOWER LATCH IS ENGAGED IN THE STRIKE PLATE. THIS DOUBLE LATCH FEATURE PREVENTS THE TOWER FROM BEING ROTATED IF THE LATCH IS NOT ENGAGED.



SAFETY WARNING

VISUALLY INSPECT EQUIPMENT FOR DAMAGE BEFORE OPERATING. ALLOW ADEQUATE CLEARANCE AROUND TRAILER FOR TOWER AND INSURE THAT NO PERSONS ARE STANDING IN FRONT OF, OR BEHIND UNIT WHEN LOWERING.

TO LOWER MAST AND LIGHTS

1. Turn off lights.
2. Loosen black knob and rotate tower until the black triangles are aligned and re-tighten knob.
3. Operate the extend cylinder toggle switch **DOWN** to lower the lights to the lowest vertical position.
4. Turn the black knob counterclockwise and lift to release the latch from the strike plate. Retighten the knob with the latch disengaged from the strike plate.
5. Operate the lift cylinder toggle switch down to lower the mast from vertical to horizontal into the towing position.

NOTE: *The tower has to be positioned with the winch handle pointing directly forward before the latch can be released. This aligns the tower correctly with the pin in the rear tower support, preventing tower extension during towing.*

6. Secure pin locking mast to rear tower support.
7. Remove ground rod from earth. Disconnect wire from ground lug and secure in trailer.
8. Raise jacks and rear stand, retract outriggers and secure for towing.

NOTE: *Ensure the detent pins are properly engaged in the outriggers before towing.*

MODEL AND SERIAL NUMBERING SYSTEM

MODEL NUMBERING SYSTEM

EXAMPLE: ML683HCKFMX

MAXI-LITE trailer, 6KW generator (standard), 1000 Watt Ballast Capacitors, Hydraulic tower, Coiled Cord w/Tunnel, Kubota water cooled engine, Marathon Generator, Metal Halide Lamps, and Light Package

ML-MAXI-LITE trailer

683 - 6KW Gen., standard 1000 watt Ballast Cap.

695 - 6KW Gen., Special Capacity 28 UF

883 - 8KW Gen., standard 1000 watt Ballast Cap.

895 - 8KW Gen.k, Special Cap. 28 UF

XL - 6-Light Option

E - Electric Winch 120V

R - Cord Reel

I - Straight Cord

C - Coiled Cord

P - Perkins 103-10 Water Cooled Engine

W - Lister Petter LPW-3 Water Cooled Engine

K - Kubota Water Cooled Engine

F - Marathon Pancake Generator

P - T & J Pow r Gard Generator

O - Allmand 6KW Generator

M - Metal Halide, 1000 Watt Multi-Vapor Lamps

H - High pressure sodium 1000 Watt
(Power-lite Fixtures)

X - Indicates stop, turn and tail lights

V - Visor Package

S - Sound Attenuation

NOTE: 50 following a generator letter indicates 50 hertz.

SERIAL NUMBERING SYSTEM

EXAMPLE: 00 03 ML 11

00 - Year of manufacture

03 - Month of manufacture

ML - MAXI-LITE

11 - Allmand code indicating this unit was the 11th produced that month.

SERIAL NUMBER LOCATION

Trailer: All MAXI-LITE models have a serial number plate located just below the rear tower support on the rear panel.

Generator: Plate attached to the side of the generator housing

Engine: Plate attached to the engine

KUBOTA D905-BG and D1105-BG:

Left side, between manifold and starter

PERKINS 103-10:

Upper right front corner behind injector pump

DESCRIPTION OF MODELS AND OPTIONS

The **MAXI-LITE** hydraulic light tower uses four 1000 Watt Metal Halide or High Pressure Sodium lamps with the exclusive Allmand SHO lighting system to produce a total of 334,204 lumens (83,551 lumens per fixture). Optional reflective visors and 6-light units are available. The lights are mounted on a hydraulically operated tower. The tower is operated by two hydraulic cylinders powered by an electrically driven hydraulic pump. One cylinder, mounted on the trailer frame, erects the mast from the horizontal towing position to vertical. The second cylinder, mounted inside the tower, extends the mast vertically to the desired height. The hydraulic cylinders both erect the mast from horizontal to vertical and extend the mast vertically to the desired height. Inside fixture storage is offered for the 4-light option.

The heavy duty trailer shell has 12 gauge doors and roof panels. The shell houses the 15" wheels and tires inside the side panels. The front panels are rust proof ABS plastic. The **MAXI-LITE** light tower is powered by either one of two Kubota water cooled engines, 10.5 hp or 13.6 hp., or a Perkins water cooled 10.7 hp diesel engine. Each engine mounts to either the 6KW or 8KW generator. The trailer houses a 50 gallon poly fuel tank and an optional sound attenuation package.

KUBOTA D905, D1105, AND PERKINS 103.10 FUEL AND LUBRICATING OIL REQUIREMENTS

See the KUBOTA 905 EBG1 or 1105 EBG1 Engine Operators Handbook or the PERKINS 103-10 Engine Operators Handbook for information on oil and fuel requirements.

TOWING INSTRUCTIONS

Before towing the MAXI-LITE the trailer should be inspected visually to insure that the following operations have been completed.

1. Hitch is securely attached to towing vehicle (safety chain secure).
2. All outriggers and jacks are retracted and secured.
3. Tower is lowered and the rear tower support pin is in place.
4. Light fixtures are positioned for transport.
5. Doors are closed and secure.
6. Check for adequate tire pressure.
7. Taillights are connected and operating (if equipped).
8. Ground rod is removed from ground and secured in the trailer.

GROUND ROD INSTRUCTIONS

1. Remove ground rod stowed inside the left door (attached to the lower frame).
2. Unroll the electrical wire lead from the ground rod.
3. Attach the ground rod lead to the grounding lug located near the ballast compartment.
4. Drive the ground rod a minimum of 2 1/2 FT into the earth for adequate electrical grounding. If this is not possible consult your local qualified electrician.
5. After shutdown of engine: Remove the ground rod from the earth, remove lead from the trailer ground lug and store ground rod inside left door.

SPECIFICATIONS

BEFORE STARTING

1. Fill the engine with the right grade of lubricating oil and to correct level (check dipstick).
2. Ensure there is an adequate supply of fuel.
3. Ensure that the air cleaner is firmly attached, the air canister seals and the hose clamps are properly sealed. Air cleaner element should be checked and replaced if necessary.
4. Install the ground rod.

DESCRIPTION OF OPERATION

By depressing the start assist switch, the fuel solenoid is energized. The solenoid plunger is drawn into the coil and activates the fuel control linkage to RUN position. When the engine starts, adequate engine oil pressure at the oil pressure switch will maintain the solenoid in the energized position. The start assist switch can be released as soon as the engine starts. A 10A inline fuse protects the solenoid from electrical damage.

LOW OIL PRESSURE SHUTOFF SYSTEM

Should a low oil pressure condition occur (less than 5 PSI) the pressure sending unit breaks the circuit between the battery and the fuel solenoid, allowing the spring load to immediately move the fuel control to the shutoff position.

HIGH COOLANT TEMPERATURE SHUTOFF SYSTEM

Should a high coolant temperature condition occur, the temperature sending unit breaks the circuit between the battery and the fuel solenoid, allowing the spring load to immediately move the fuel control to the shutoff position.

STARTING THE KUBOTA AND PERKINS ENGINES

NOTE: The Kubota and the Perkins engines include a glow plug cold start system controlled by the ignition switch on the control panel. Glow plugs are not needed on a warm engine or if the ambient temperature is above 50 F. Do not use starting fluid or ether.

1. Turn the ignition switch to the **PREHEAT** position and hold until the glow plug lamp goes out.
2. Turn the ignition switch to the Start position until the engine starts. Release key as soon as the engine starts.
3. If engine fails to start, it may be necessary to cycle the glow plugs again.

NOTE: To prevent equipment damage, DO NOT hold ignition switch for more than 10 seconds in the start position. If the engine does not start in 10 seconds, wait 30 seconds and try the start sequence again. Do not run the cell motor for more than 20 seconds continuously. Limit engine cranking to 3 attempts with a 2 minute cool-down between each. After 3 attempts allow to cool to ambient temperature.

STOPPING THE KUBOTA AND PERKINS ENGINES

Turn the ignition switch to the OFF position. This breaks the circuit between the battery and the fuel solenoid, allowing the spring load to immediately move the fuel control to the shutoff position.

SPECIFICATIONS

ELECTRICAL

Hard wired electrical circuits
Componentized ballast assemblies
Ground rod
Hour meter
Voltmeter (optional)
External 120V and 240V outlets (optional)

FLOOD LIGHT ASSEMBLY

Four or six 1000 watt lamp fixtures sealed for all weather use. Lamps can be either the SHO 1000 fixture, 1250 watt fixture or PowerLite fixture.

SHO 1000 FIXTURE - BT-37 lamp, Metal Halide, Laboratory rated life is 10,000 hours.

Lumen rating: 110,000
Warm-up time: 2-4 minutes
Restart time: 10-15 minutes

POWERLITE FIXTURE - BT-56 1000 watt Multi-Vapor lamp, Metal Halide, Laboratory rated life is 12,000 hours.

Lumen rating: 110,000
Warm-up time: 2-4 minutes
Restart time: 10-15 minutes

POWERLITE FIXTURE - E-25 1000 watt High Pressure Sodium lamp (often referred to as H.P.S), Laboratory rated life is 24,000 hours.

Lumen rating: 140,000
Warm-up time: 4-6 minutes
Restart time: 1 minute

NOTE: A trailer equipped with Metal Halide lights and a trailer equipped with High Pressure Sodium lights use different ballasts and starters. Therefore, it is not advisable to interchange bulb types.

MAST

1. A single stage hydraulic cylinder inside the cabinet raises the tower from the horizontal towing position to vertical.
2. A three-stage telescopic hydraulic cylinder supported inside a steel tube mast extends to raise the lights to 30 feet.
3. Hydraulic power is provided by a self-contained 12 volt hydraulic power unit operated by two switches located on the control panel.

TRAILER

The complete generator is housed in a lockable enclosure with the frame fabricated from heavy gauge steel mounted on a two-wheel, leaf spring axle. The design enables the trailer to contain the outriggers in a simple compact position.

When the mast is in the operating position it is located in the middle of a four point outrigger system for optimum balance and stability. This system was engineered to allow the light plant to remain operational in sustained winds of 65 MPH with the mast extended to full height and the outriggers in position.

The design includes an adjustable-height reversible hitch, which includes a 2" ball and pintle hook hitch.

STABILIZERS

Four (4) point outrigger design with tower center mounted between two (2) retractable side outriggers, tongue and rear jack.

SPECIFICATIONS

MAXI-LITE DIMENSIONS

Height lowered:	6'0" (1.84 m)
Height extended:	30' (9.14 m)
Length:	14'9" (4.49 m)
Width:	6'4" (1.93 m)
Outrigger width:	11'6" (3.5 m)
Trailer:	Structural steel frame Leaf spring axle
Wheels & tires:	15"

DOMESTIC SHIPPING WEIGHT

Fixtures:	15 lbs. ea. = 60 lbs.
Trailer with mast:	2,180 lbs. (902.7 kg)
Total weight:	2,240 lbs. (1016 kg)

SPECIFICATIONS

KUBOTA D905-EBG1 ENGINE

Kubota D905-EBG1, Indirect injection 3 Cylinder

Displacement:	54.80 cu. in.(898 cm)
Bore:	2.83 in. (72 mm)
Stroke:	2.90 in. (73.6 mm)
Power output:	10.5 BHP@ 1800 rpm
Power output derating:	3.0% for every1000 ft. altitude (305 m) above sea level
Ambient temp:	1% per 10° F (5.6°C) above 77°F (25°C)
Fuel:	Diesel
Fuel consumption:	0.63 US gal (2.39 L/hr)
Starting:	Glow plugs needed below 45° F. 12V electric
Oil sump capacity (excluding filter)	5.4 US qt. (5.14L)

Low oil pressure shutdown, high engine temp. shutdown, and glow plug cold start assist are standard.

KUBOTA D 1105-EBG1 ENGINE

Kubota D1105-EBG1, Indirect injection 3 Cylinder

Displacement:	68.53 cu. (1.1 cm)
Bore:	3.07 in. (78 mm)
Stroke:	3.09 in. (78.4 mm)
Power output:	13.6 BHP@ 1800 rpm
Power output derating:	3.0% for every1000 ft. altitude (305 m) above sea level
Ambient temp:	1% per 10°F (5.6°C) above 77°F (25°C)
Fuel:	Diesel
Fuel consumption:	0.63 gal (2.39 L/hr)
Starting:	Glow plugs needed below 45° F. 12V electric
Oil sump capacity (excluding filter):	5.4 US qt. (5.14 L)

Low oil pressure shutdown, high engine temp. shutdown, and glow plug cold start assist are standard.

PERKINS 103.10 ENGINE

Perkins 103.10, Indirect injection 3 Cylinder

Displacement:	58.3 cu. in. (954 cc)
Bore:	75 mm
Stroke:	72 mm
Power output:	10.7 BHP@ 1800 RPM
Power output derating:	3.5% for every 1000 ft altitude (305 m) above sea level
Air Inlet Temp:	1% per 10°F (5.6°C) above 77° F (25°C)
Fuel:	Diesel
Oil sump capacity:	Fill to correct level
Starting:	12 volt electric

Low oil pressure shutdown, high engine temp. shutdown, and glow plug cold start assist are standard.

CONTROLS AND COMPONENTS

NOTE: COMPONENTS SHOWN ARE STANDARD. PICTURES MAY VARY WITH DIFFERENT OPTIONS.



FIG. 1. A.C. CONTROL PANEL

1. Switch, Circuit Breaker (Lights 1 through 4)
2. Switch, Circuit Breaker (240V Receptacle)
3. Switch, Circuit Breaker (120V Receptacles)



SAFETY WARNING

FAILURE TO UNDERSTAND AND COMPLY WITH SAFETY RELATED INFORMATION AND INSTRUCTIONS MAY RESULT IN INJURY TO THE OPERATOR OR OTHERS. IF YOU DO NOT UNDERSTAND ANY PART OF THIS CONTACT YOUR DEALER FOR CLARIFICATION PRIOR TO OPERATING EQUIPMENT.

FIG. 2. D.C. CONTROL PANEL

4. Voltmeter (optional)
Indicates charging circuit voltage
5. Hour Meter
Shows total elapsed hours of engine operation
6. Momentary Contact Switch
Lift up on 6 to raise tower
Press down on 6 to fold the tower
7. Momentary Contact Switch
Lift up on 7 to extend the tower
Press down on 7 to lower the tower
8. Glow Plug Indicator
9. Ignition ON/OFF Switch
10. Control Panel complete

CONTROLS AND COMPONENTS

NOTE: COMPONENTS SHOWN ARE STANDARD. PICTURES MAY VARY WITH DIFFERENT OPTIONS.

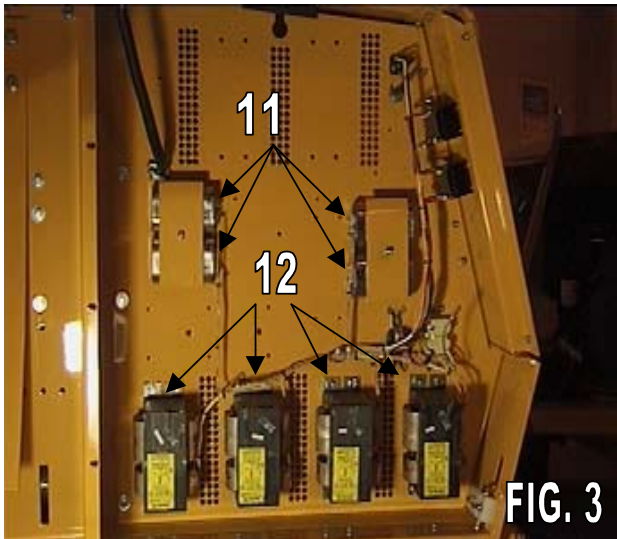


FIG. 3 BALLAST PANEL

- 11. Ballast, Capacitors 1 through 4
- 12. Ballast, Transformers 1 through 4

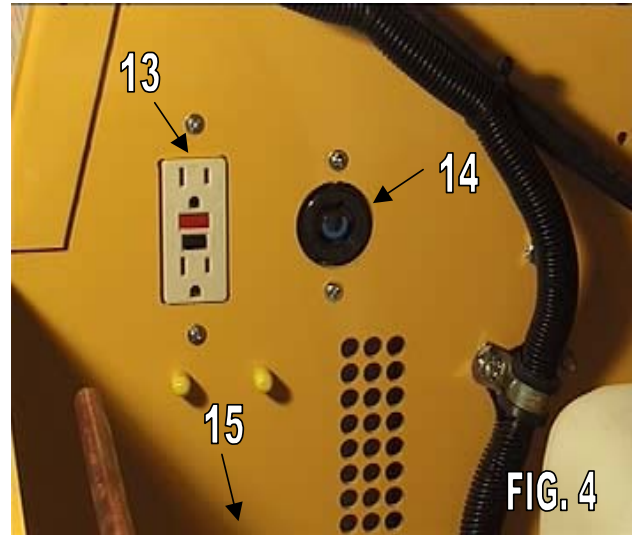


FIG. 4 CONVENIENCE PANEL

- 13. 120 Volt/ 15 Amp Outlet Receptacles
(Ground fault)
- 14. 240 Volt/ 15 Amp D.C. Outlet Receptacle
- 15. Power Cord Access Hole



SAFETY WARNING

FAILURE TO UNDERSTAND AND COMPLY WITH SAFETY RELATED INFORMATION AND INSTRUCTIONS MAY RESULT IN INJURY TO THE OPERATOR OR OTHERS. IF YOU DO NOT UNDERSTAND ANY PART OF THIS CONTACT YOUR DEALER FOR CLARIFICATION PRIOR TO OPERATING EQUIPMENT

CONTROLS AND COMPONENTS

NOTE: COMPONENTS SHOWN ARE STANDARD. PICTURES MAY VARY WITH DIFFERENT OPTIONS.



FIG. 5 GROUND ROD

16. Ground Rod
Ground rod should be attached to grounding lug with wire provided and ground rod and then driven fully into the earth for adequate electrical ground, as required by local, state, or national electrical code.

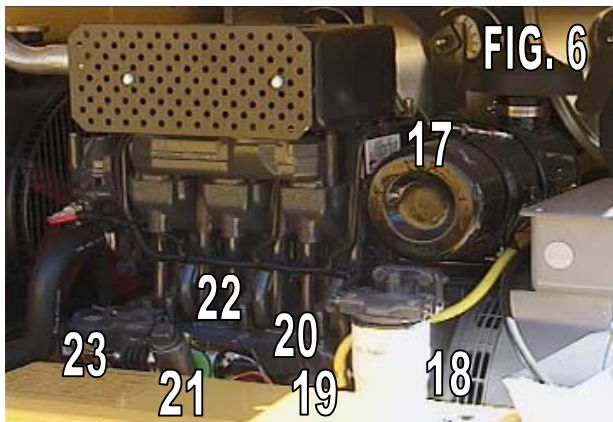


FIG. 6 ENGINE (Left Side)

17. Air Cleaner
18. Fuel Filter
19. Fuel Lift Pump
20. Fuse (10 Amp)
21. Oil fill
22. Stop Solenoid
23. Oil Filter

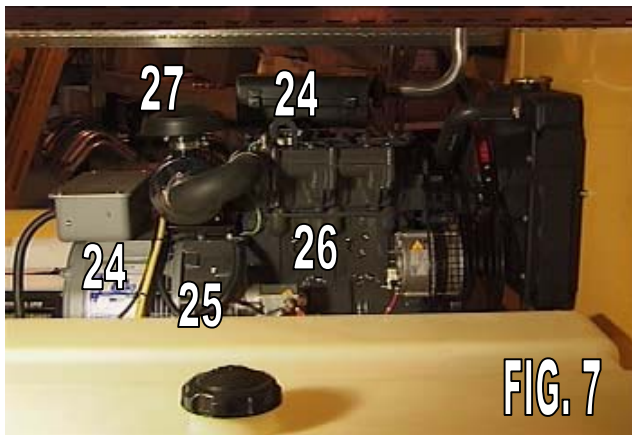


FIG. 7 ENGINE (Right Side)

24. Fuel Return Line
25. Fuel Suction Line
26. Starter
27. Glow Plug

CONTROLS AND COMPONENTS

NOTE: COMPONENTS SHOWN ARE STANDARD. PICTURES MAY VARY WITH DIFFERENT OPTIONS.



FIG. 8 REAR JACK

28. Rear Jack



SAFETY WARNING

WHEN EXTENDING REAR JACK, WATCH TO INSURE YOU ARE CLEAR OF THE OVERHANGING ENDS OF THE MAST BEFORE STANDING UP.

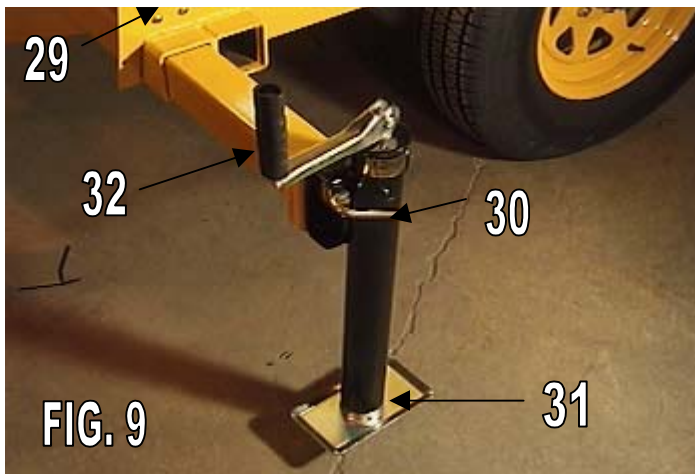


FIG. 9 OUTRIGGER JACK

29. Pin—Retains outrigger in retracted position for towing
30. Jack Pin—Pull to allow jack to rotate
31. Outrigger Jack
32. Jack Handle—Crank handle to raise and lower foot of jack to level trailer.



FIG. 10 REAR TOWER SUPPORT

33. Pin—Locks tower into rear tower support
34. Rear Tower Support

CONTROLS AND COMPONENTS

NOTE: COMPONENTS SHOWN ARE STANDARD. PICTURES MAY VARY WITH DIFFERENT OPTIONS.

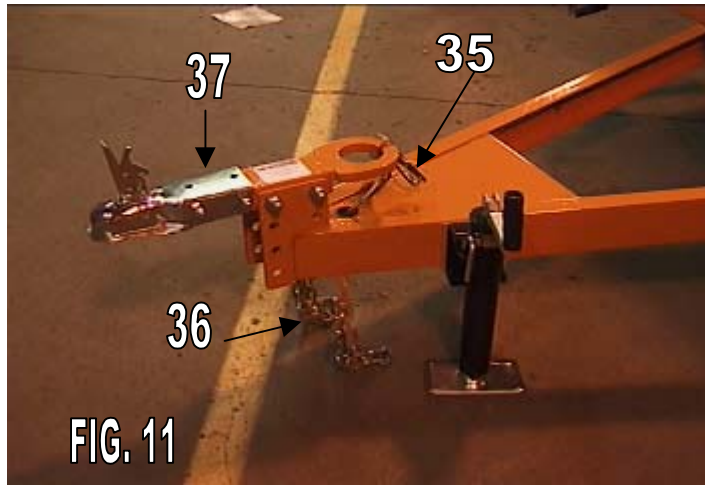


FIG. 11 TONGUE ASSEMBLY

- 35. Taillight Wiring Harness
- 36. Safety Tow Chains
- 37. Reversible Hitch (2" Ball and Pintle Hitch)

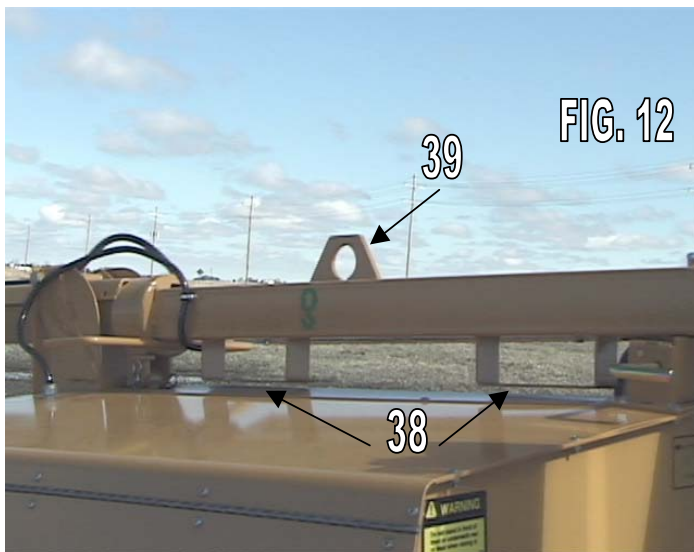


FIG. 12 FORKLIFT POCKETS

- 38. Forklift Pockets
- 39. Lifting Eye

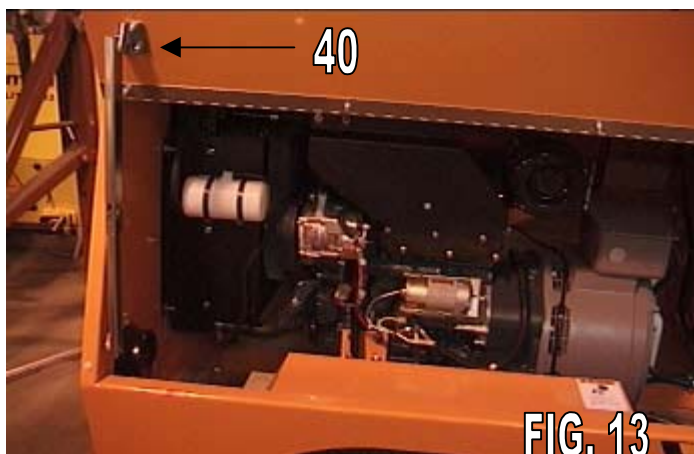


FIG. 13 DOOR PROP

- 40. Door Prop—Locks Door Panel in Open Position

CONTROLS AND COMPONENTS

NOTE: COMPONENTS SHOWN ARE STANDARD. PICTURES MAY VARY WITH DIFFERENT OPTIONS.

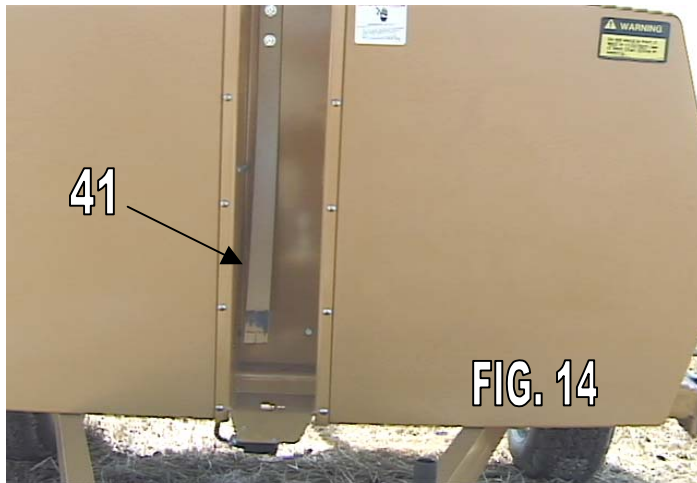


FIG. 14 KICKOUT SPRING

41. Kickout Spring—*Tilts mast off center when folding mast down*

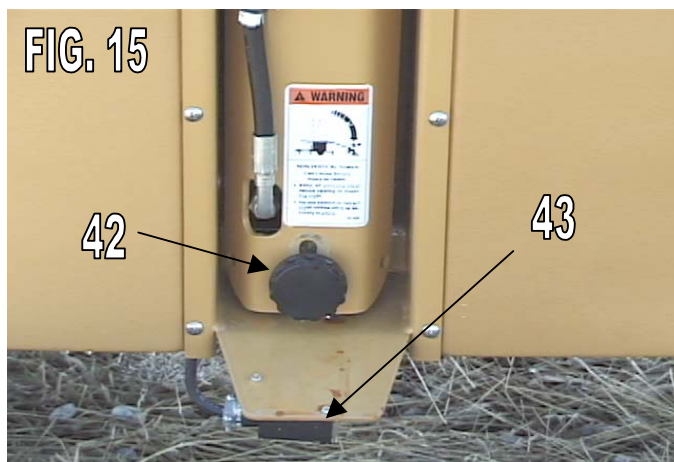


FIG. 15 TOWER LOCKING BAR LATCH

42. Mast Locking Bar Latch —*Locks mast in vertical position and allows tower to rotate.*

43. Mast Locking Bar Safety Switch —
Prevents extension of mast when locking bar is not engaged.

NOTE: *Tower must be positioned with the two black triangles on the tower assembly, near the mast handles, pointing at each other. Then the locking bar can be released from the strike plate allowing the tower to rotate toward horizontal towing position.*

CONTROLS AND COMPONENTS

NOTE: COMPONENTS SHOWN ARE STANDARD. PICTURES MAY VARY WITH DIFFERENT OPTIONS.

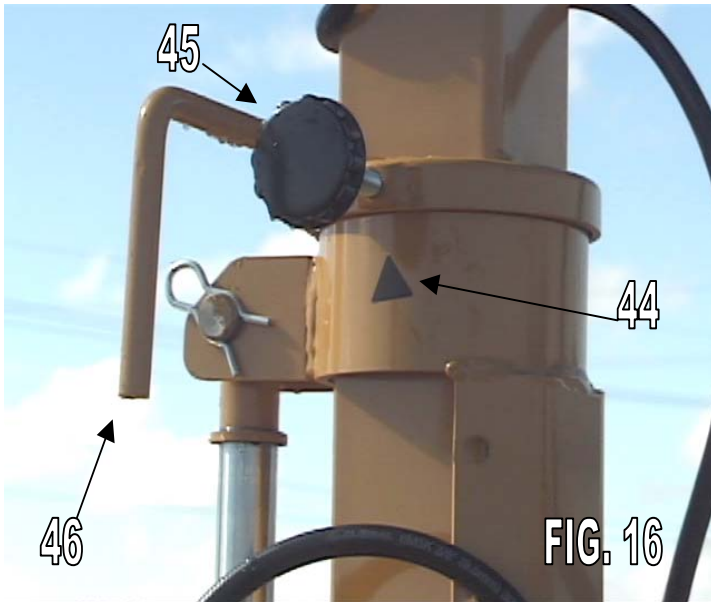


FIG. 16 TOWER CONTROLS

- 44. Alignment arrows —*Must be aligned to unlock the tower*
- 45. Lock Knob—*Locks tower in position.*
- 46. Mast Handles—*Use to rotate tower and lights.*



FIG. 17 COIL CORD

- 47. Coil Cord and Coil Cord Tunnel

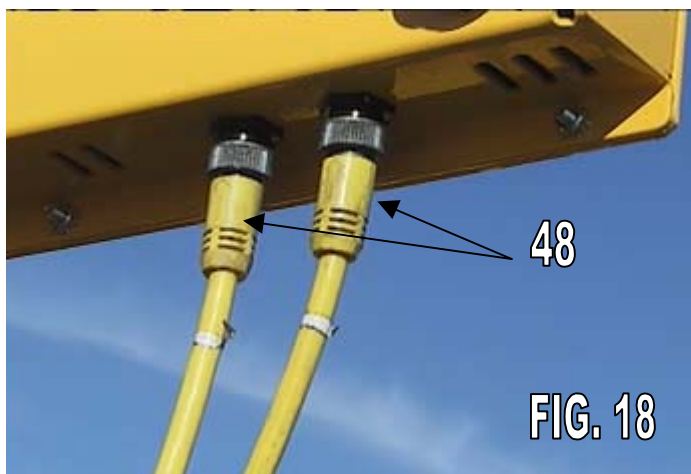


FIG. 18 LAMP CONNECTORS

- 48. Lamp Connector Lead—*For quick connecting/disconnecting of the the lamp fixtures*

CONTROLS AND COMPONENTS

NOTE: COMPONENTS SHOWN ARE STANDARD. PICTURES MAY VARY WITH DIFFERENT OPTIONS.

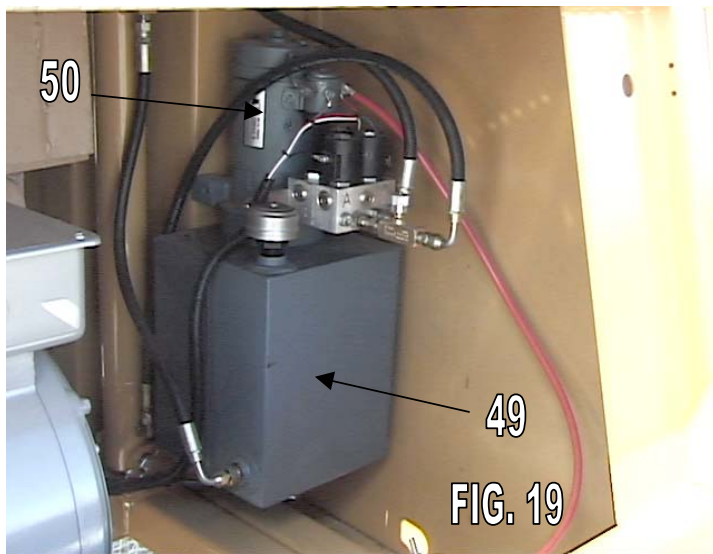


FIG. 19 HYDRAULIC PUMP ASSEMBLY

49. Hydraulic Pump Assembly with Hydraulic Reservoir

50. Electric hydraulic pump drive motor

ROUTINE MAINTENANCE SCHEDULE

KUBOTA D905 and D1105 and PERKINS 103-10 INSPECTION AND LUBRICATION SCHEDULE

Check hydraulic fluid level.

Lubrication grease specifications: N.G.L.I. consistency #2, high temperature anti-friction bearing lubricating grease.

Service intervals shown below have been established for operation under normal conditions. Where equipment is operated under severe conditions (very dusty, extreme heat or cold, etc.) affected items should be serviced more frequently.

INTERVAL	ITEM	PROCEDURE
Daily or 10 Hr.	Fuel level	Check and fill as necessary
	Lubricating oil	Check level and condition
	Air Cleaner	Clean under very dusty conditions.
100 Hr.	All 10 Hr. items	As above
	Air Cleaner	Service as required. Service requirements may be accelerated
	Battery	Check level of electrolyte
	Engine Generator assembly	Check for fuel and lubricating oil leaks
200 Hr.	All 100 Hr. items	As above
	Engine lubricating oil system	Drain lubricating oil, flush out system, renew filter element and refill with correct grade and type oil
	Coolant	Check level and condition
400 Hr.	Fuel Filter	Replace with new.
500 Hr.	All 200 Hr. Items	As above
	Fan belt	Check tension and condition
	Radiator	Clean out fins with water or air
1000 hr. or yearly	All 500 Hr. Items	As above
	Engine Valves	Adjust clearance
	Axle wheel bearings	Clean and repack
	Fuel System	Clean sediment from tank

TROUBLESHOOTING



SAFETY WARNING

DANGER!

HIGH VOLTAGE! DO NOT ATTEMPT TO TEST AND REPAIR GENERATOR AND BALLAST ELECTRICAL SYSTEMS UNLESS YOU UNDERSTAND AND ARE QUALIFIED TO WORK ON SUCH SYSTEMS.

When one lamp does not light, **TURN OFF THE GENERATOR** and test the lamp by switching leads with a lamp that **DOES** light. **DO NOT WEAR JEWELRY WHILE WORKING WITH ELECTRICITY!** If the following procedures do not solve your problem, have the circuit tested by a licensed electrician. **DO NOT** attempt to test generator voltage or ballast electrical systems unless you are a qualified electrician. Consult the factory for voltage specifications and test procedures.

PROBLEM	POSSIBLE CAUSE
ONE OR MORE LIGHTS DO NOT LIGHT UP.	1. Circuit breakers in the outlet box are not turned on or have tripped.
	2. Lamps are not allowed time to cool after last being lit. You must allow 15 minutes between the time the lights are shut off and the time they are restarted.
	3. The lamp or lamps are burned out or broken.
	4. One or more of the lamps are not screwed in securely.
	5. Plug and socket at light bar not securely pushed together and locked.
	6. The temperature of the ballast is below –20 degrees F. the efficiency of the capacitors in the ballast is not enough to ignite the lamps. For operations where the temperatures of the ballasts falls below –20 degrees F. some means of warming the ballast must be used.
	7. Low electrical system voltage.
	8. A loose connection in the back of the lamp socket in the lamp holder.
	9. A circuit breaker or breakers are defective.
	10. A loose connection on the terminal board.
	11. The engine and generator are not running up to speed (1800 RPM).
	12. A wrong style replacement lamp (requiring a different ballast) has been installed.
	13. Too much power is being drawn from the auxiliary outlets.
	14. Capacitor or transformer has failed.
	15. Corrosion has occurred on the lamp bases.



**INSERT
VT2
VERTICAL TOWER 2
PARTS
MANUAL**

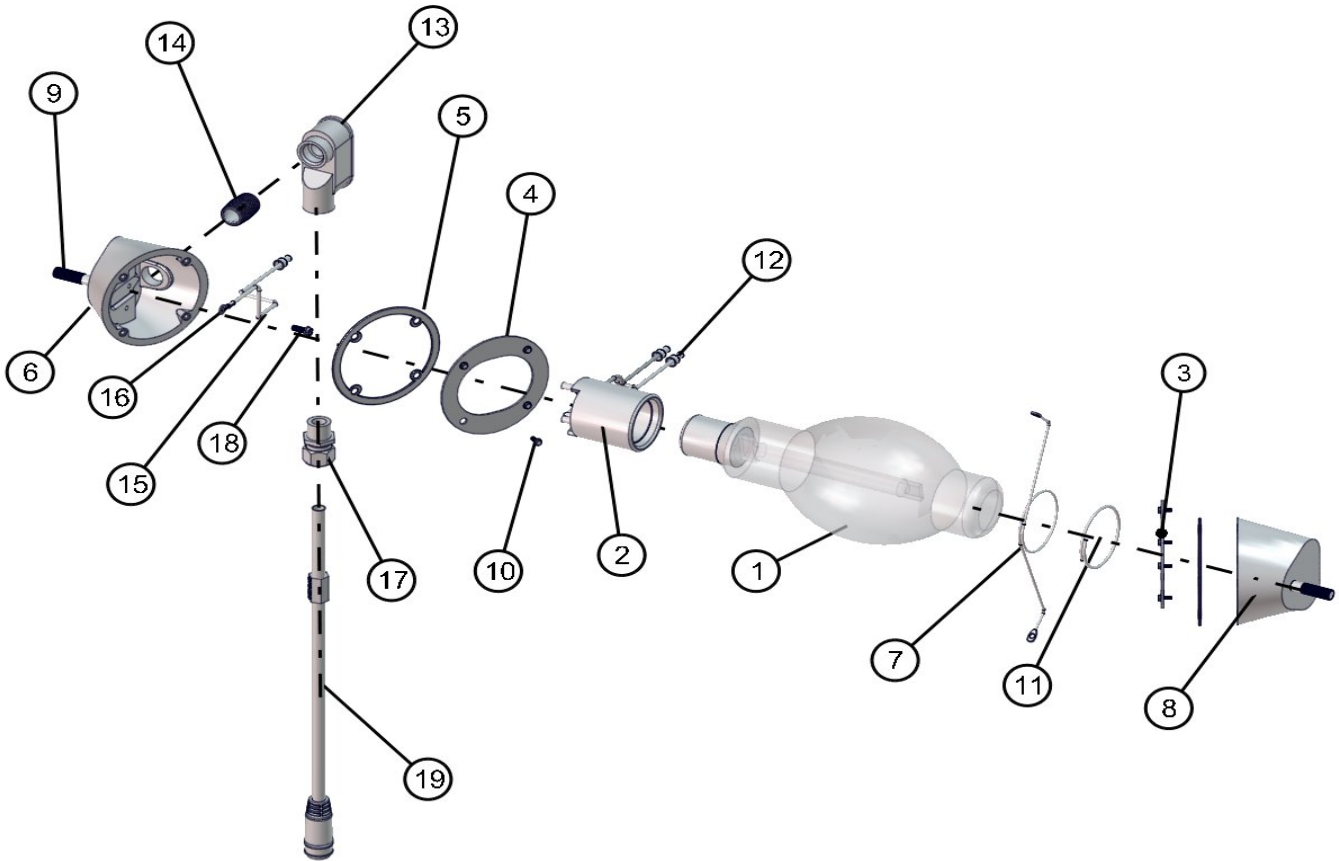
**ALLMAND BROTHERS INC.
P.O. BOX 888
HOLDREGE, NE 68949**

**PHONE: (308) 995- 4495, 1- 800- 562- 1373
ALLMAND FAX: (308) 995- 5887
ALLMAND PARTS DEPT. FAX : (308) 995- 4883**

www.allmand.com

PART NO. 103694 REVISED FEBUARY 2012

1000W SHO LAMP



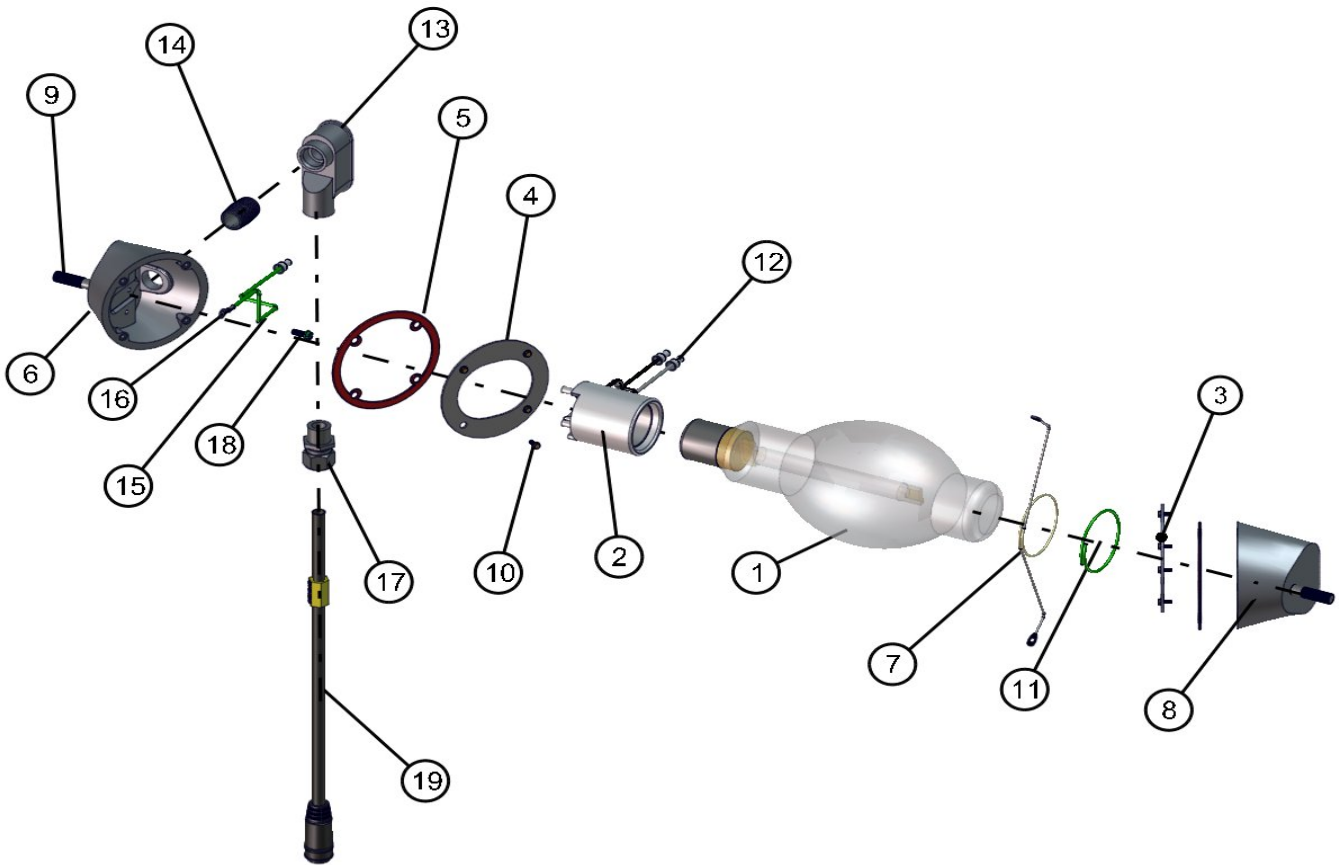
NO	QTY	PARTNO	DESCRIPTION
1	1	610211	LAMP 1000W BT37(MH)
2	1	610212	CERAMIC SOCKET
3	1	610207	INTERIOR COVER PLATE
4	1	610208	INTERIOR COVER PLATE
5	2	610213	GASKET
6	1	610205	SOCKET END CAP
7	1	610209	LAMP SUPPORT TIP
8	1	610206	SOCKET END CAP
9	2	045142	STUD 3/8-24 X 3/8-16 X 2"
10	8	041028	10-24 X 1/2 HEX MACH SCREW

NO	QTY	PARTNO	DESCRIPTION
11	1	610210	FIBERGLASS MESS TUBE 12"
12	3	022060	WIRE CAP SMALL
13	1	610214	ELBOW
14	1	610215	NIPPLE
15	1	610219	14 AWG GREEN 6"
16	1	022155	#10 ELEC. RING
17	1	510007	1/2 DIA. CORD GRIP
18	1	041257	10-32 GROUND SCREW
19	1	310434	MALE CONNECTOR CABLE (OPTION)

610250 - 1000W LAMPHOLDER ASSEMBLY W/ QD, YOKE, LAMP

NOTE: NS = NOT SHOWN. WHEN ORDERING, SPECIFY THE COLOR WANTED ON PARTS CONTAINING THE LETTER "P"

1250W SHO LAMP



NO	QTY	PARTNO	DESCRIPTION
1	1	610221	LAMP 1250W BT37
2	1	610212	CERAMIC SOCKET
3	1	610207	INTERIOR COVER PLATE
4	1	610208	INTERIOR COVER PLATE
5	2	610213	GASKET
6	1	610205	SOCKET END CAP, w. STOP BOSS
7	1	610209	LAMP SUPPORT TIP
8	1	610206	SOCKET END CAP, w. STOP BOSS
9	2	045142	STUD 3/8-24 X 3/8-16 X 2"
10	8	041028	10-24 X 1/2 HEX MACH SCREW

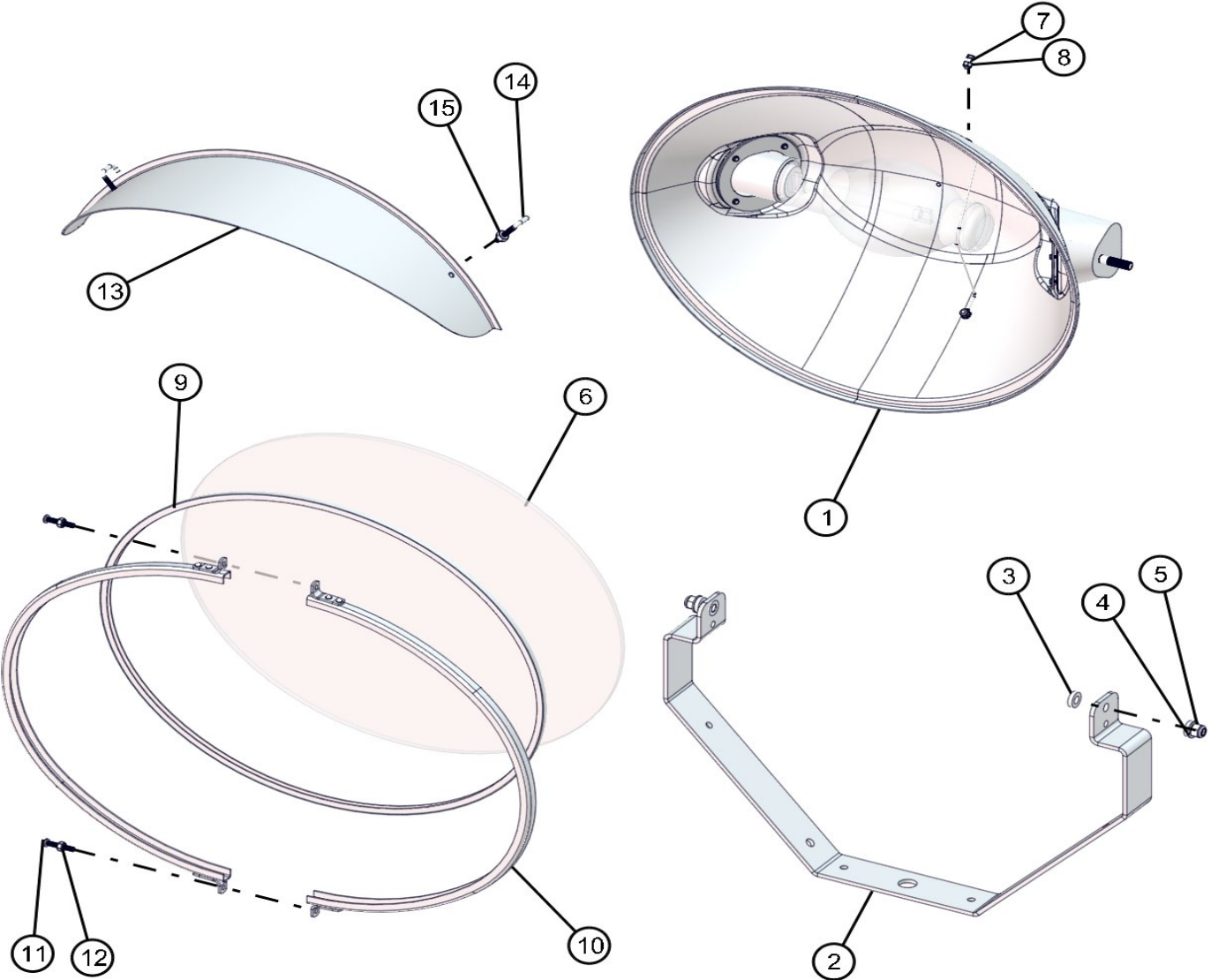
NO	QTY	PARTNO	DESCRIPTION
11	1	610210	FIBERGLASS MESS TUBE 12"
12	3	022060	WIRE CAP SMALL
13	1	610214	ELBOW
14	1	610215	NIPPLE
15	1	610219	14 AWG GREEN 6"
16	1	022155	#10 ELEC. RING
17	1	510007	1/2 DIA. CORD GRIP
18	1	041257	10-32 GROUND SCREW
19	1	310434	MALE CONNECTOR CABLE (OPTION)

100623 - LAMPHOLDER W/ QD, YOKE, LAMP

NOTE: NS = NOT SHOWN. WHEN ORDERING, SPECIFY THE COLOR WANTED ON PARTS CONTAINING THE LETTER "P"

CA

SHO LAMPHOLDER

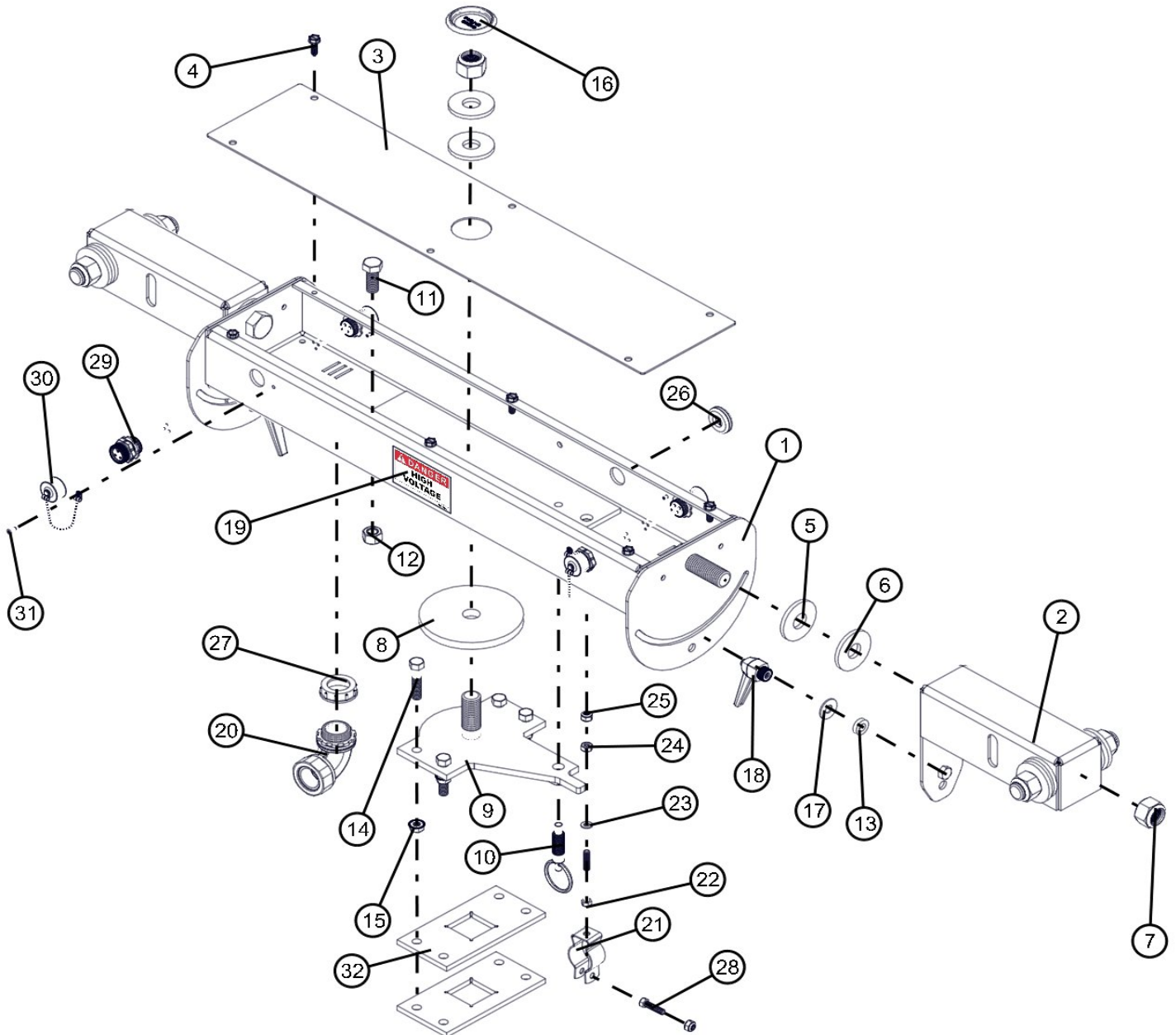


NO	QTY	PARTNO	DESCRIPTION
1	1	610201	REFLECTOR
2	1	660130P	SOLID MOUNT YOKE
3	4	047019	3/4 OD X .385 ID NYLON BUSHING
4	2	047016	3/8 SAE FLAT WASHER
5	2	044037	3/8-24 NYLOC HEX NUT
6	1	610203	LENS FROSTED
7	2	041200	8-32 X 1/2 HEX HEAD MS
8	2	044013	#8-32 NYLOCK HEX NUT
9	1	610217	SILICONE GASKET
10	2	610202	LENS CHANNEL
11	2	041036	10-24 X 1 1/4 PH-ROUND HEAD MS SS
12	2	044019	10-24 NYLOC HEX NUT
13	1	610017	SAF-T VISOR (OPTION)
14	2	045070	#10-24 HOOK SQ BD BOLT (OPTION)
15	2	044023	1/4-20 NYLOCK HEX NUT (OPTION)

NOTE: NS = NOT SHOWN. WHEN ORDERING, SPECIFY THE COLOR WANTED ON PARTS CONTAINING THE LETTER "P"



ROTATIONAL LIGHT BAR VT2 NYCOIL



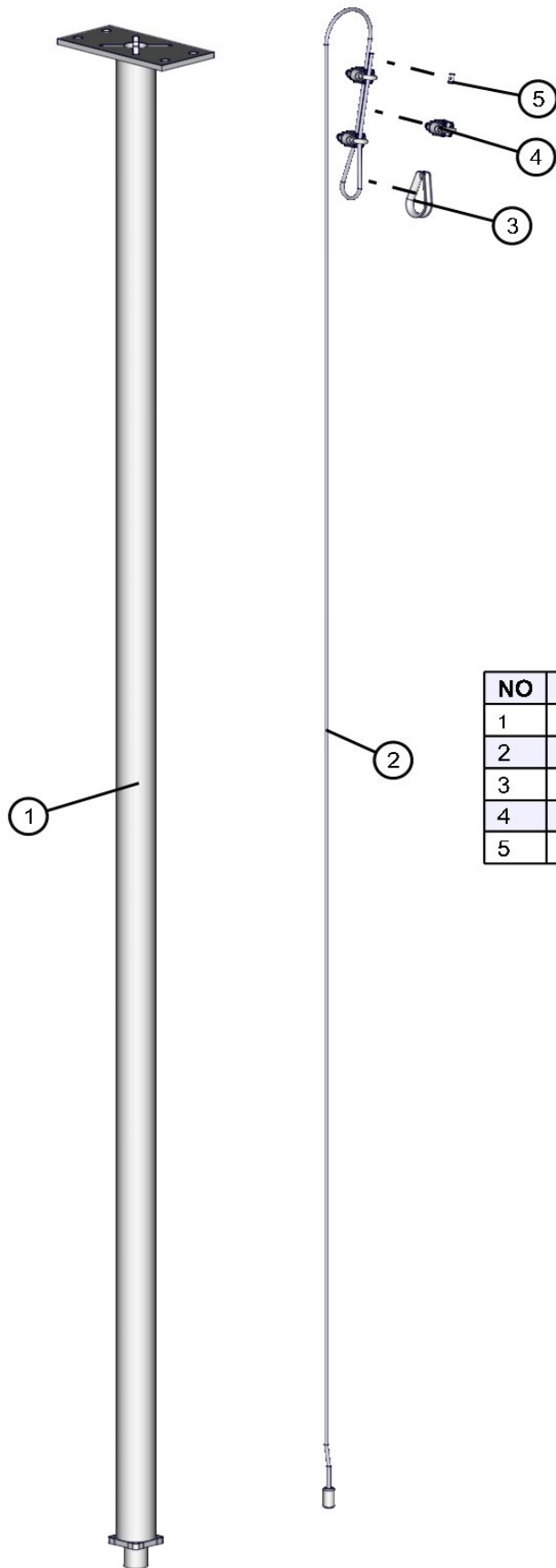
NO	QTY	PARTNO	DESCRIPTION
1	1	101930P	LIGHT BAR
2	2	101931P	LAMP MOUNT
3	1	101929P	COVER
4	6	041070	1/4-20 x 3/4 SMSHH TP F
5	7	650550	.785 X 2" HDPE WASHER
6	7	047035	3/4 FLAT WASHER (PLATED)
7	7	044058	3/4-10 NYLOCK PLATED HEX NUT
8	1	100147	UHMW BEARING
9	1	100143P	ROTATION MOUNT
10	1	100148	LATCH ASSY
11	1	046180	1/2-13 X 1 1/4 HHCS GR 5
12	1	044048	1/2-13 HNUT
13	2	047019	3/4 OD X .385 ID NYLON BUSHING
14	4	046126	3/8-16 x 1 3/4 HHCS GR 8
15	4	044036	3/8-16 KEPS NUT
16	1	680878	CAPLUG 1 3/4"
17	2	047015	3/8 FW

NO	QTY	PARTNO	DESCRIPTION
18	2	102361	ADJUSTABLE LEVER
19	2	090002	HIGH VOLTAGE DECAL
20	1	102979	CORD GRIP ELBOW
21	1	100474	1" CONDUIT HANGER
22	1	046037	1/4-20 x 2 3/4 HHCS
23	3	047009	1/4 SAE SS FW
24	1	044020	1/4 -20 HNUT PL
25	2	044023	1/4-20 NYLOCK NUT
26	1	100859	GROMMET
27	1	101672	BUSHING, PLASTIC, 1" NPT
28	1	046015	1/4-20 X 1 HEX BOLT
29	4	310414	CONNECTOR, FEMALE QD
30	4	310413	CAP
31	4	045116	1/8 POP RIVET
32	2	100104P	BRACKET

NOTE: NS = NOT SHOWN. WHEN ORDERING, SPECIFY THE COLOR WANTED ON PARTS CONTAINING THE LETTER "P"

Ä

SECTION 6 VT2

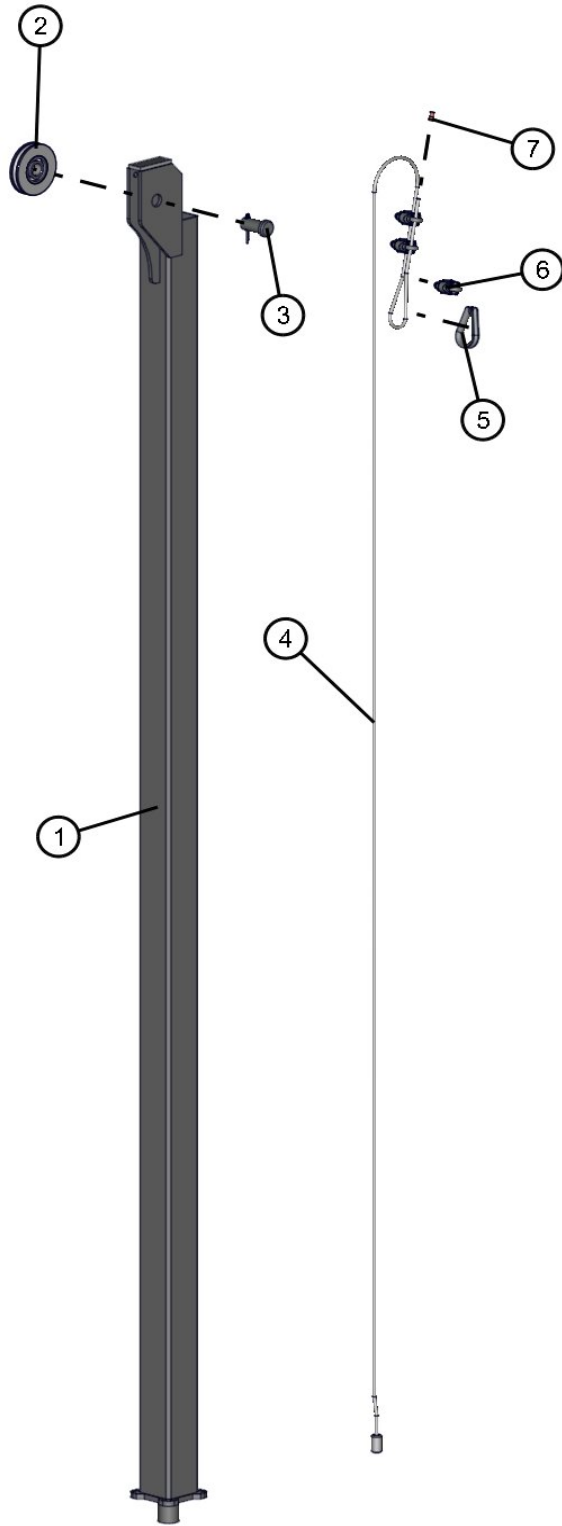


NO	QTY	PARTNO	DESCRIPTION
1	1	102972P	ROUND SECTION
2	1	350185	3/16 X 10' STEEL CABLE
3	1	045040	1/4 CABLE THIMBLE
4	3	620084	1/4 CABLE CLIP
5	1	022150	FERRULE 10-12 AWG

NOTE: NS = NOT SHOWN. WHEN ORDERING, SPECIFY THE COLOR WANTED ON PARTS CONTAINING THE LETTER "P"

~~~~~ Á

# SECTION 5 VT2

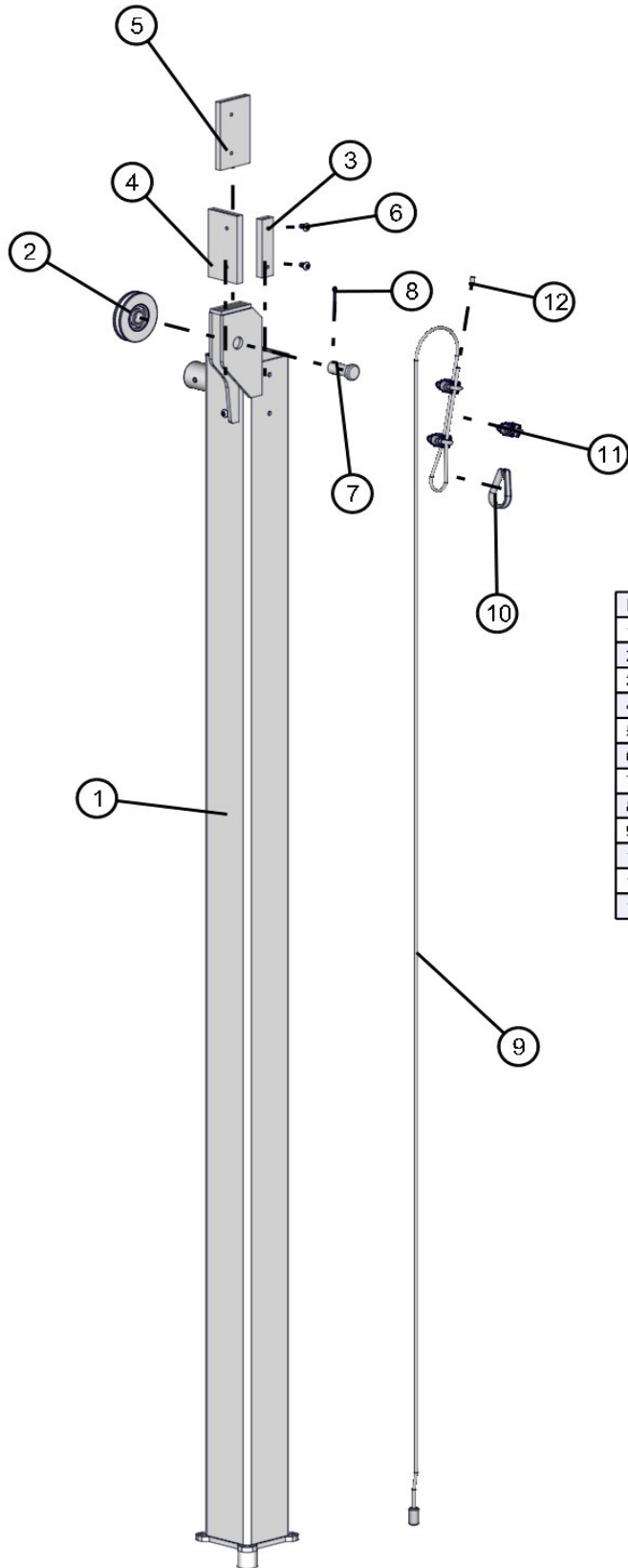


| NO | QTY | PARTNO  | DESCRIPTION               |
|----|-----|---------|---------------------------|
| 1  | 1   | 102968P | 2" SECTION                |
| 2  | 1   | 100160  | 2 1/2 PULLEY BALL BEARING |
| 3  | 1   | 102906  | 5/8 X 1 1/4 CLEVIS PIN    |
| 4  | 1   | 320185  | 3/16 X 10' STEEL CABLE    |
| 5  | 1   | 045040  | 1/4 CABLE THIMBLE         |
| 6  | 3   | 620084  | 1/4 CABLE CLIP            |
| 7  | 1   | 022150  | FERRULE 10-12 AWG         |

NOTE: NS = NOT SHOWN. WHEN ORDERING, SPECIFY THE COLOR WANTED ON PARTS CONTAINING THE LETTER "P"

~~~~~


SECTION 4 VT2

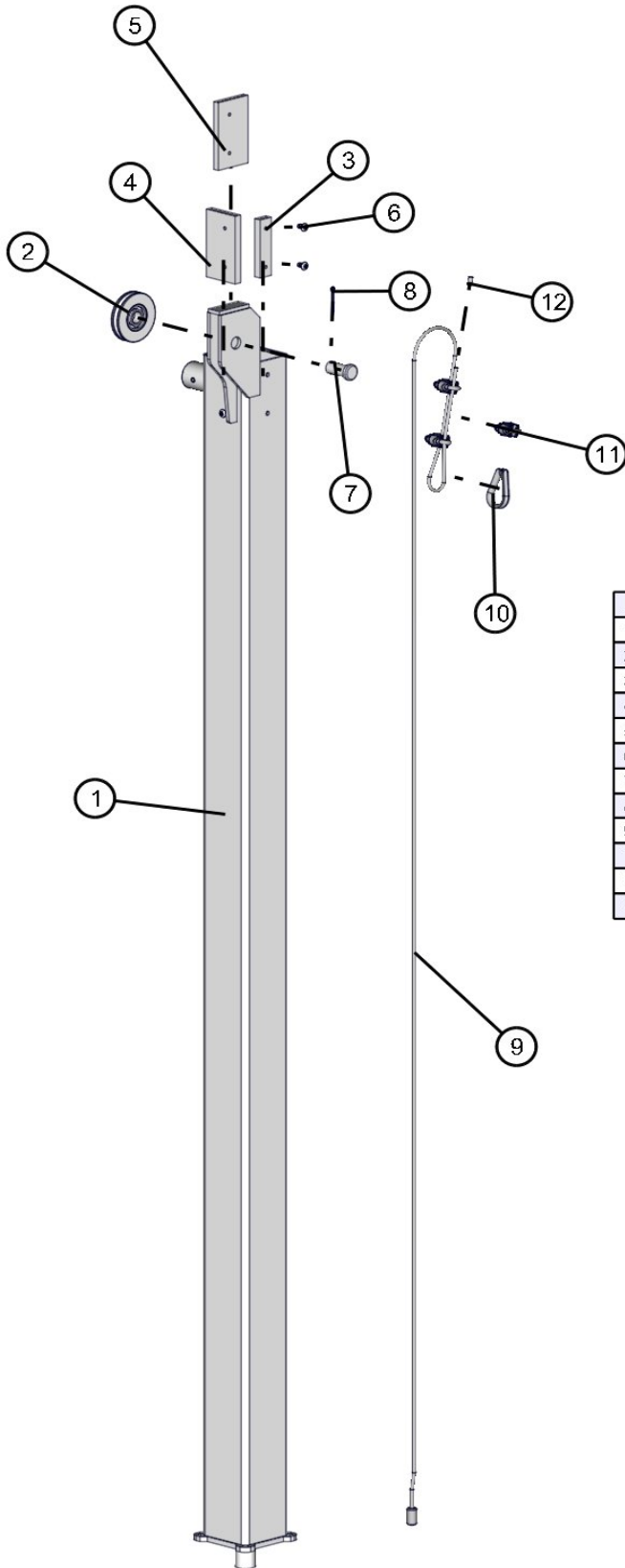


NO	QTY	PARTNO	DESCRIPTION
1	1	102965P	3" SECTION
2	1	100160	2 1/2 PULLEY BALL BEARING
3	1	100062	3/8 UHMW SPACER
4	1	100446	3/8 PAD
5	2	352280	5/16 PAD
6	8	041023	#10 X 3/8 PH-ROUND HEAD MS PL
7	1	102906	5/8 X 1 1/4 CLEVIS PIN
8	1	045045	5/32 X 1 1/2 COTTER PIN
9	1	320185	3/16 X 10' STEEL CABLE
10	1	045040	1/4 CABLE THIMBLE
11	3	620084	1/4 CABLE CLIP
12	1	022150	FERRULE 10-12 AWG

NOTE: NS = NOT SHOWN. WHEN ORDERING, SPECIFY THE COLOR WANTED ON PARTS CONTAINING THE LETTER "P"

~~~~~ A

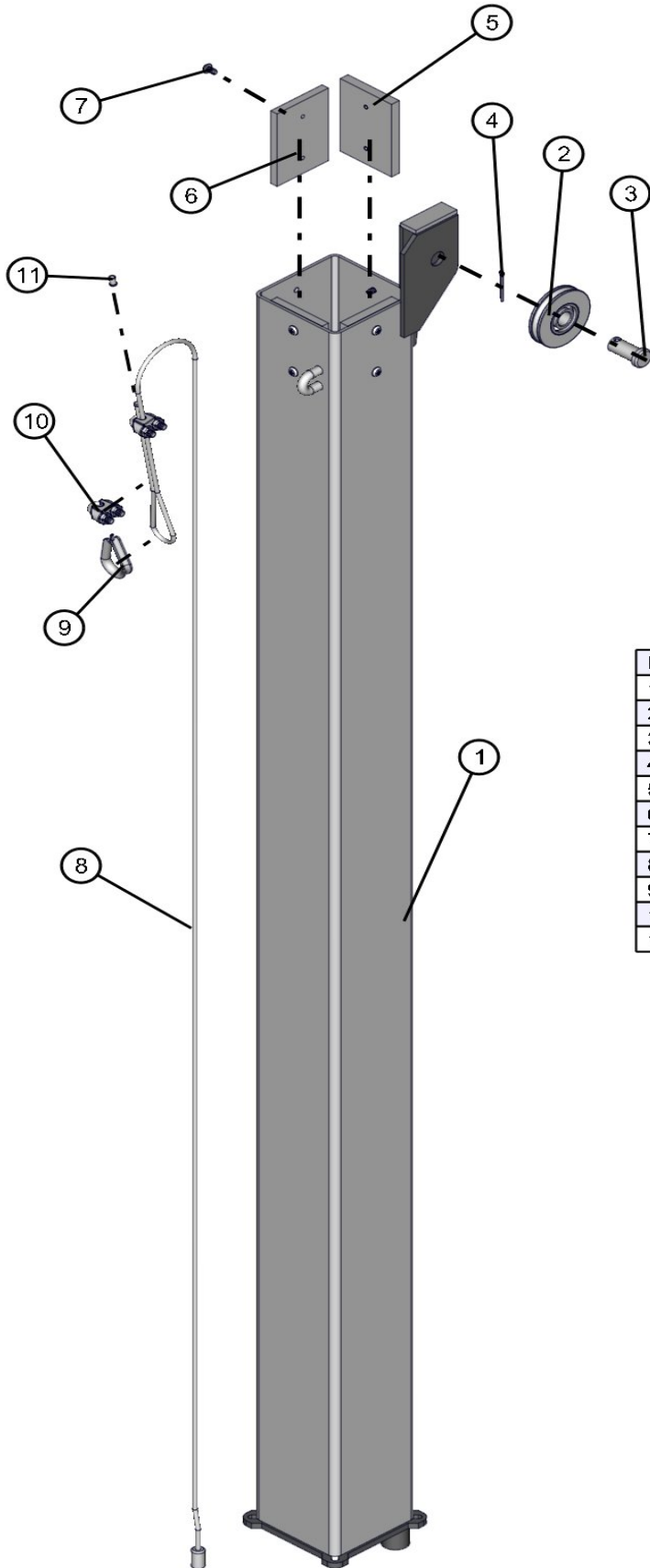
# SECTION 4 VT2



| NO | QTY | PARTNO  | DESCRIPTION                   |
|----|-----|---------|-------------------------------|
| 1  | 1   | 102965P | 3" SECTION                    |
| 2  | 1   | 100160  | 2 1/2 PULLEY BALL BEARING     |
| 3  | 1   | 100062  | 3/8 UHMW SPACER               |
| 4  | 1   | 100446  | 3/8 PAD                       |
| 5  | 2   | 352280  | 5/16 PAD                      |
| 6  | 8   | 041023  | #10 X 3/8 PH-ROUND HEAD MS PL |
| 7  | 1   | 102906  | 5/8 X 1 1/4 CLEVIS PIN        |
| 8  | 1   | 045045  | 5/32 X 1 1/2 COTTER PIN       |
| 9  | 1   | 320185  | 3/16 X 10' STEEL CABLE        |
| 10 | 1   | 045040  | 1/4 CABLE THIMBLE             |
| 11 | 3   | 620084  | 1/4 CABLE CLIP                |
| 12 | 1   | 022150  | FERRULE 10-12 AWG             |

NOTE: NS = NOT SHOWN. WHEN ORDERING, SPECIFY THE COLOR WANTED ON PARTS CONTAINING THE LETTER "P"

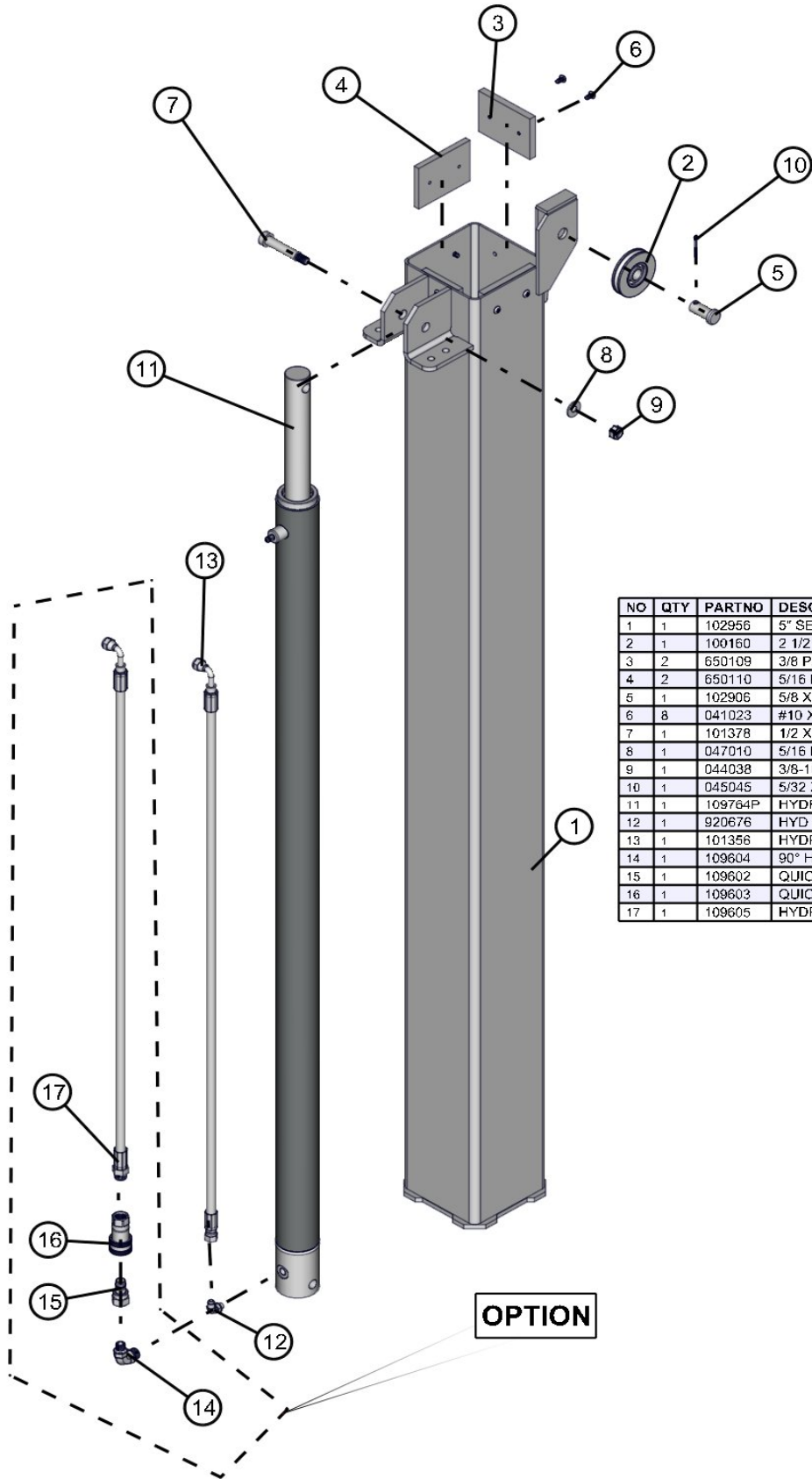
# SECTION 3 VT2



| NO | QTY | PARTNO  | DESCRIPTION                   |
|----|-----|---------|-------------------------------|
| 1  | 1   | 102961P | 4" SECTION                    |
| 2  | 1   | 100160  | 2 1/2 PULLEY BALL BEARING     |
| 3  | 1   | 102906  | 5/8 X 1 1/4 CLEVIS PIN        |
| 4  | 1   | 045045  | 5/32 X 1 1/2 COTTER PIN       |
| 5  | 2   | 650109  | 3/8 PAD                       |
| 6  | 2   | 650110  | 5/16 PAD                      |
| 7  | 8   | 041023  | #10 X 3/8 PH-ROUND HEAD MS PL |
| 8  | 1   | 320185  | 3/16 CABLE X 10'              |
| 9  | 1   | 045040  | 1/4 CABLE THIMBLE             |
| 10 | 2   | 620084  | 1/4 CABLE CLIP                |
| 11 | 1   | 022150  | FERRULE 10-12 AWG             |

NOTE: NS = NOT SHOWN. WHEN ORDERING, SPECIFY THE COLOR WANTED ON PARTS CONTAINING THE LETTER "P"

# SECTION 2 VT2

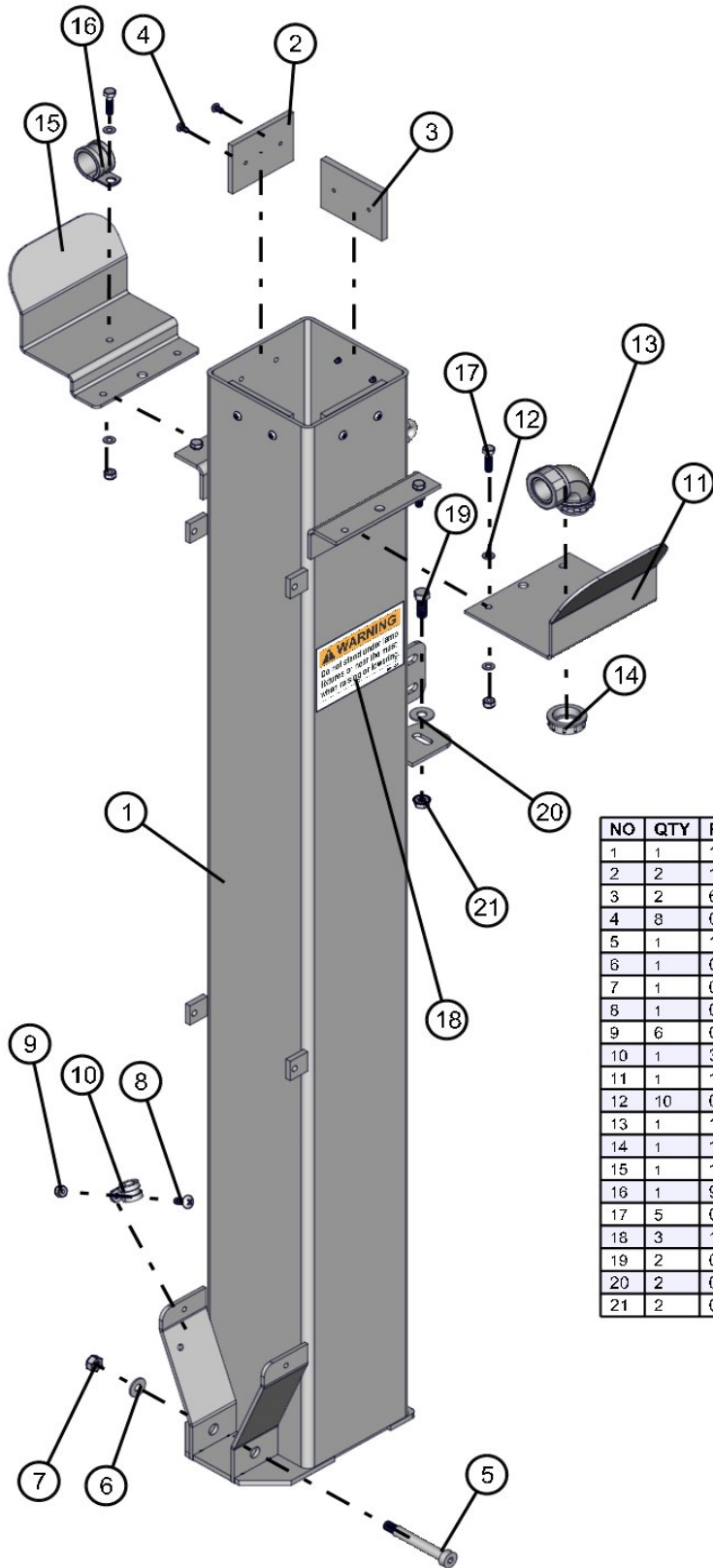


| NO | QTY | PARTNO  | DESCRIPTION                                         |
|----|-----|---------|-----------------------------------------------------|
| 1  | 1   | 102956  | 5" SECTION                                          |
| 2  | 1   | 100160  | 2 1/2 PULLEY BALL BEARING                           |
| 3  | 2   | 650109  | 3/8 PAD                                             |
| 4  | 2   | 650110  | 5/16 PAD                                            |
| 5  | 1   | 102906  | 5/8 X 1 1/4 CLEVIS PIN                              |
| 6  | 8   | 041023  | #10 X 3/8 PH-ROUND HEAD MS PL                       |
| 7  | 1   | 101378  | 1/2 X 2 (3/8-16 X 5/8) HX-SOCKET HEAD SHOULDER BOLT |
| 8  | 1   | 047010  | 5/16 FLAT WASHER PL                                 |
| 9  | 1   | 044038  | 3/8-16 NYLOCK HEX NUT PL                            |
| 10 | 1   | 045045  | 5/32 X 1 1/2 COTTER PIN                             |
| 11 | 1   | 109764P | HYDRAULIC CYLINDER                                  |
| 12 | 1   | 920676  | HYD FITTING                                         |
| 13 | 1   | 101356  | HYDRAULIC HOSE                                      |
| 14 | 1   | 109604  | 90° HYD FITTING                                     |
| 15 | 1   | 109602  | QUICK COUPLING MALE                                 |
| 16 | 1   | 109603  | QUICK COUPLING FEMALE                               |
| 17 | 1   | 109605  | HYDRAULIC HOSE                                      |

**OPTION**

NOTE: NS = NOT SHOWN. WHEN ORDERING, SPECIFY THE COLOR WANTED ON PARTS CONTAINING THE LETTER "P"

# SECTION 1 VT2



| NO | QTY | PARTNO  | DESCRIPTION                                             |
|----|-----|---------|---------------------------------------------------------|
| 1  | 1   | 102951P | 6" SECTION                                              |
| 2  | 2   | 102954  | 1/4 PAD                                                 |
| 3  | 2   | 650110  | 5/16 PAD                                                |
| 4  | 8   | 041023  | #10 X 3/8 PH-ROUND HEAD MS PL                           |
| 5  | 1   | 101379  | 1/2 X 2 3/4 (3/8-16 X 5/8) HX-SOCKET HEAD SHOULDER BOLT |
| 6  | 1   | 047010  | 5/16 FLAT WASHER PL                                     |
| 7  | 1   | 044038  | 3/8-16 NYLOCK HEX NUT PL                                |
| 8  | 1   | 041050  | 1/4-20 X 3/4 PH-TRUSS HEAD MS SS                        |
| 9  | 6   | 044023  | 1/4-20 NYLOCK HEX NUT PL                                |
| 10 | 1   | 310212  | #10 CUSH CLAMP 1/4 HOLE                                 |
| 11 | 1   | 102977P | BRACKET                                                 |
| 12 | 10  | 047009  | 1/4 FLAT WASHER SAE SS                                  |
| 13 | 1   | 102979  | CORD GRIP 90° ELBOW                                     |
| 14 | 1   | 101672  | 1" INSULATING BUSHING                                   |
| 15 | 1   | 102978P | CLAMP PLATE                                             |
| 16 | 1   | 920366  | #16 CUSH CLAMP                                          |
| 17 | 5   | 046015  | 1/4-20 X 1 HEX HEAD CS GR5 PL                           |
| 18 | 3   | 101404  | DO NOT STAND DECAL                                      |
| 19 | 2   | 046110  | 3/8-16 X 1 HEX HEAD CS GR5 PL                           |
| 20 | 2   | 047015  | 3/8 FLAT WASHER PL                                      |
| 21 | 2   | 044036  | 3/8-16 KEPS HEX NUT PL                                  |

NOTE: NS = NOT SHOWN. WHEN ORDERING, SPECIFY THE COLOR WANTED ON PARTS CONTAINING THE LETTER "P"

# INSTRUCTIONS FOR REPLACING STEEL CABLES

---

## HYDRAULIC VERTICAL TOWER

### Section 6 -

- Remove cable clamps (2) from section 4.
- Remove section 6.
- Remove all broken and frayed cable.
- Replace new cable into slot in the bottom of section 6.
- Replace section 6 into section 5.
- Route cable through pulley bracket on section 5.
- With all sections pushed together tight, insert cable through half-link on section 5.
- Replace cable clips.

### Section 5 -

- Remove cable clamps (2) from section 3.
- Remove machine screws (8) and pads (4) from section 4. *Being careful not to drop them into lower tower sections*
- Remove section 5.
- Remove all broken and frayed cable.
- Replace new cable into slot in the bottom of section 5.
- Replace section 5 into section 4.
- Route cable through pulley bracket on section 4.
- With all sections pushed together tight, insert cable through half-link on section 3.
- Replace cable clips.
- Replace tower pads and screws. *Be careful not to drop them into lower tower sections.*

### Section 4 -

- Remove cable clamps (2) from section 2.
- Remove machine screws (8) and pads (4) from section 3. *Being careful not to drop into lower tower sections*
- Remove section 4.
- Remove all broken and frayed cable.
- Replace new cable into slot in the bottom of section 4.
- Replace section 4 into section 3.
- Route cable through pulley bracket on section 3.
- With all sections pushed together tight, insert cable through half-link on section 2.
- Replace cable clips.
- Replace tower pads and screws. *Be careful not to drop them into lower tower sections.*

# INSTRUCTIONS FOR REPLACING STEEL CABLES

---

## HYDRAULIC VERTICAL TOWER

### Section 3 -

Remove cable clamps (2) from section 1.

Remove machine screws (8) and pads (4) from section 2. *Being care full not to drop into lower tower sections*

Remove section 3.

Remove all broken and frayed cable.

Replace new cable into slot in the bottom of section 3.

Replace section 3 into section 2.

Route cable through pulley bracket on section 2.

With all sections pushed together tight, insert cable through half-link on section 1.

Replace cable clips.

Replace tower pads and screws. *Be careful not to drop them into lower tower sections.*

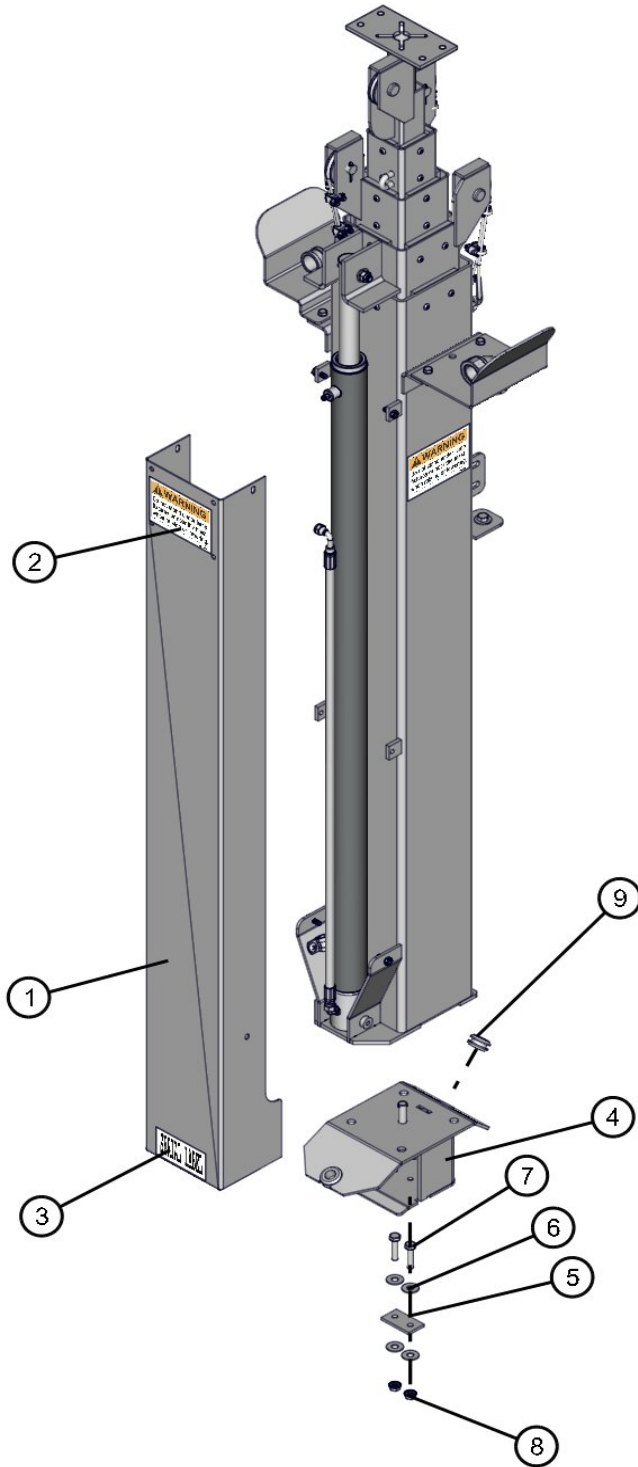
### *Note:*

*If broken cable, tower pads or pad screw happen to fall into lower sections they must be retrieved . Damage to tower sections or other moving parts may occur.*

### *Note:*

*When replacing tower section cables, the tower sections above the cable being replaced should be removed.*

# TOWER PEDESTAL VT2

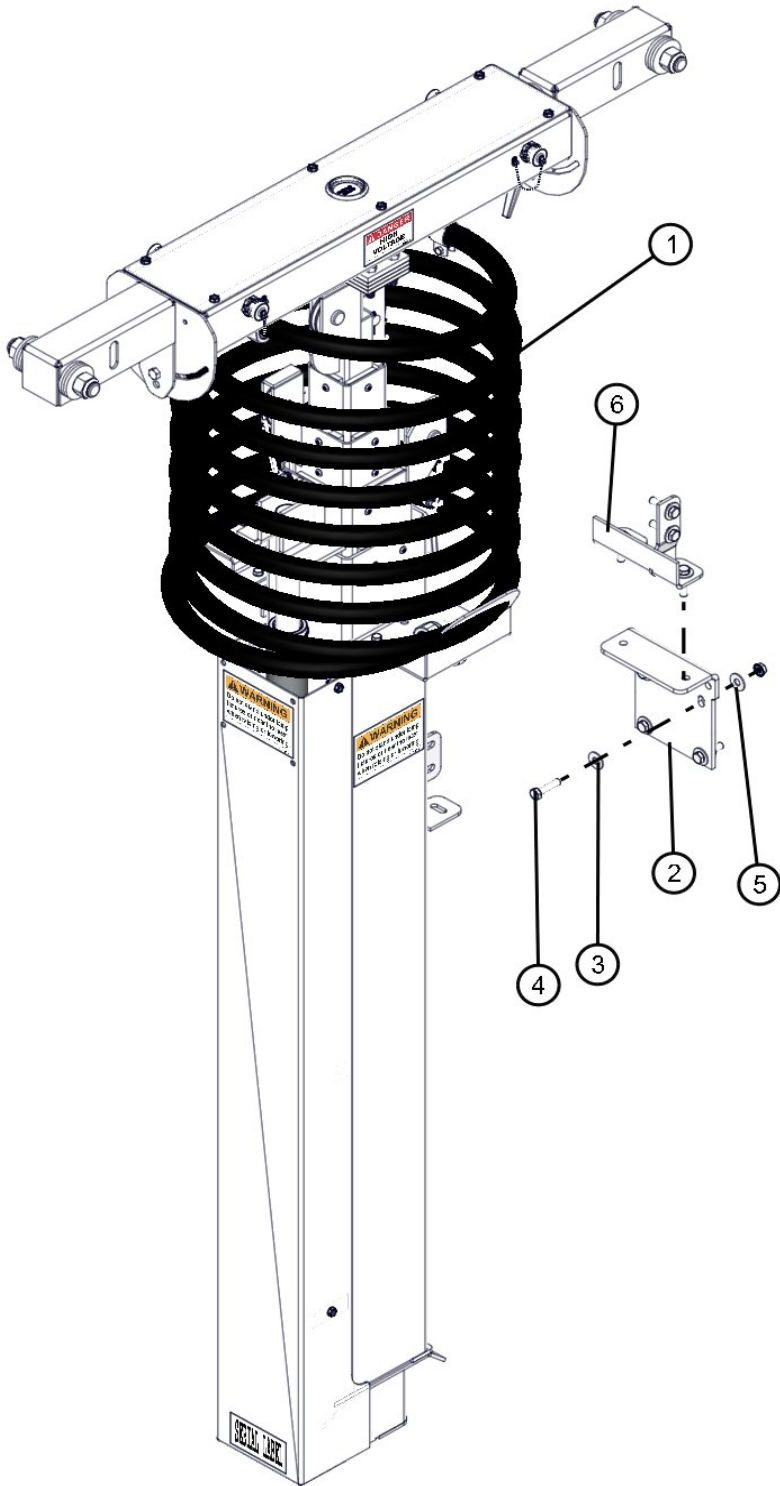


| NO | QTY | PARTNO       | DESCRIPTION                       |
|----|-----|--------------|-----------------------------------|
| 1  | 1   | 100245P      | CYLINDER COVER                    |
| 2  | 1   | 101404       | DO NOT STAND                      |
| 3  | 1   | SERIAL LABEL | SERIAL LABEL                      |
| 4  | 1   | 101406P      | TOWER PLATFORM                    |
| 5  | 1   | 101629P      | COVER PLATE                       |
| 6  | 4   | 047015       | 3/8 FLAT WASHER                   |
| 7  | 2   | 046120       | 3/8-16 X 1 1/2 HEX HEAD CS GR5 PL |
| 8  | 2   | 044036       | 3/8-16 KEPS NUT                   |
| 9  | 2   | 330463       | 1 1/16 RUBBER GROMMET             |

NOTE: NS = NOT SHOWN. WHEN ORDERING, SPECIFY THE COLOR WANTED ON PARTS CONTAINING THE LETTER "P"



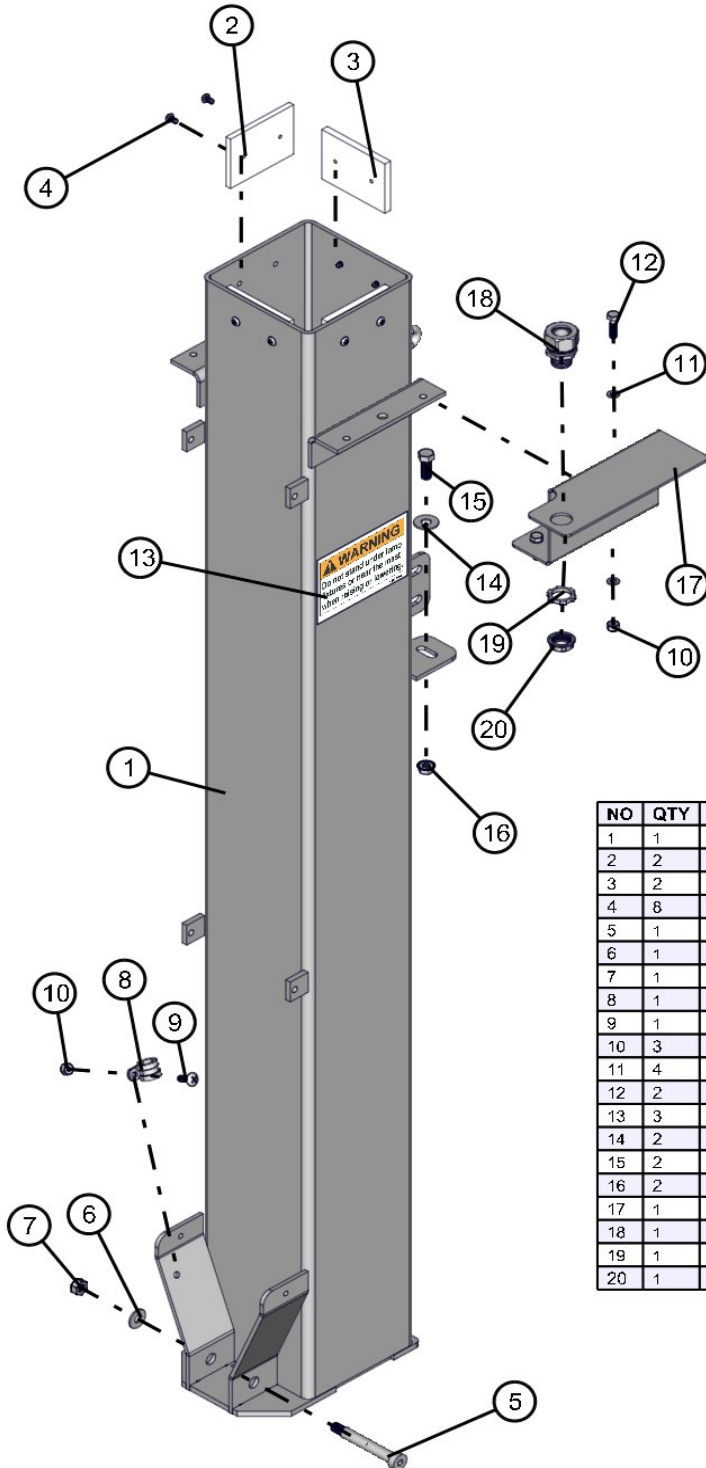
# NYCOIL & TOWER MOUNT VT2



| NO | QTY | PARTNO  | DESCRIPTION                       |
|----|-----|---------|-----------------------------------|
| 1  | 1   | 101183  | 1 1/4 NYCOIL                      |
| 2  | 1   | 100244P | ANGLE MOUNTING BRKT               |
| 3  | 14  | 047015  | 3/8 FLAT WASHER                   |
| 4  | 8   | 046120  | 3/8-16 X 1 1/2 HEX HEAD CS GR5 PL |
| 5  | 8   | 044036  | 3/8-16 KEPS NUT                   |
| 6  | 1   | 101410P | TOWER MOUNT                       |

NOTE: NS = NOT SHOWN. WHEN ORDERING, SPECIFY THE COLOR WANTED ON PARTS CONTAINING THE LETTER "P"

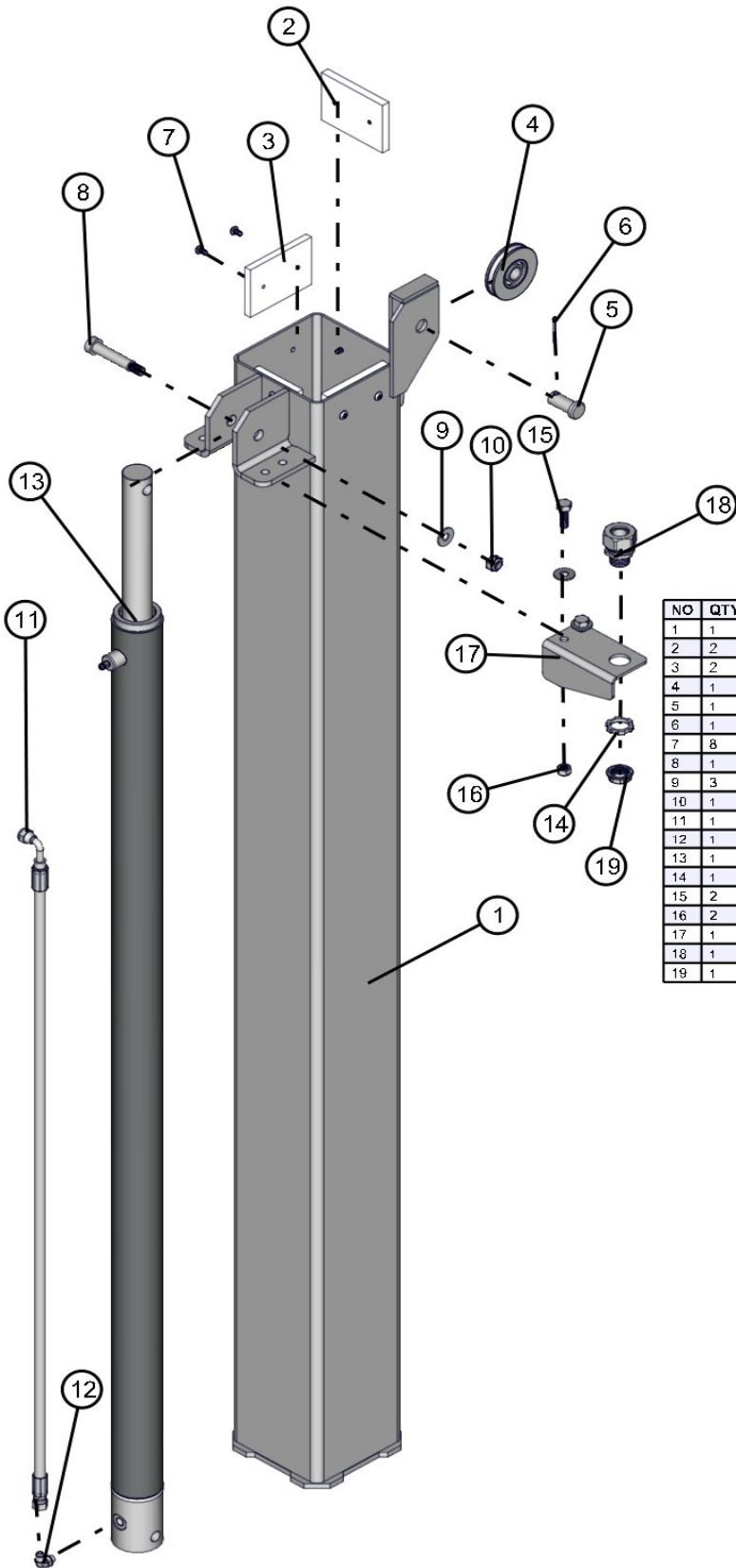
# SECTION 1 VT2 CORD REEL



| NO | QTY | PARTNO  | DESCRIPTION                                             |
|----|-----|---------|---------------------------------------------------------|
| 1  | 1   | 102951P | 6" SECTION                                              |
| 2  | 2   | 102954  | 1/4 PAD                                                 |
| 3  | 2   | 650110  | 5/16 PAD                                                |
| 4  | 8   | 041023  | #10 X 3/8 PH-ROUND HEAD MS PL                           |
| 5  | 1   | 101379  | 1/2 X 2 3/4 (3/8-16 X 5/8) HX-SOCKET HEAD SHOULDER BOLT |
| 6  | 1   | 047010  | 5/16 FLAT WASHER PL                                     |
| 7  | 1   | 044038  | 3/8-16 NYLOCK HEX NUT PL                                |
| 8  | 1   | 310212  | #10 CUSH CLAMP 1/4 HOLE                                 |
| 9  | 1   | 041050  | 1/4-20 X 3/4 PH-TRUSS HEAD MS SS                        |
| 10 | 3   | 044023  | 1/4-20 NYLOCK HEX NUT PL                                |
| 11 | 4   | 047009  | 1/4 FLAT WASHER SAE SS                                  |
| 12 | 2   | 046015  | 1/4-20 X 1 HEX HEAD CS GR5 PL                           |
| 13 | 3   | 101404  | DO NOT STAND DECAL                                      |
| 14 | 2   | 047015  | 3/8 FLAT WASHER PL                                      |
| 15 | 2   | 046110  | 3/8-16 X 1 HEX HEAD CS GR5 PL                           |
| 16 | 2   | 044036  | 3/8-16 KEPS HEX NUT PL                                  |
| 17 | 1   | 103301P | BRACKET                                                 |
| 18 | 1   | 310033  | 1/2 CORD GRIP                                           |
| 19 | 1   | 022035  | 1/2 CORD GRIP NUT                                       |
| 20 | 1   | 022415  | 1/2 INSULATING BUSHING                                  |

NOTE: NS = NOT SHOWN. WHEN ORDERING, SPECIFY THE COLOR WANTED ON PARTS CONTAINING THE LETTER "P"

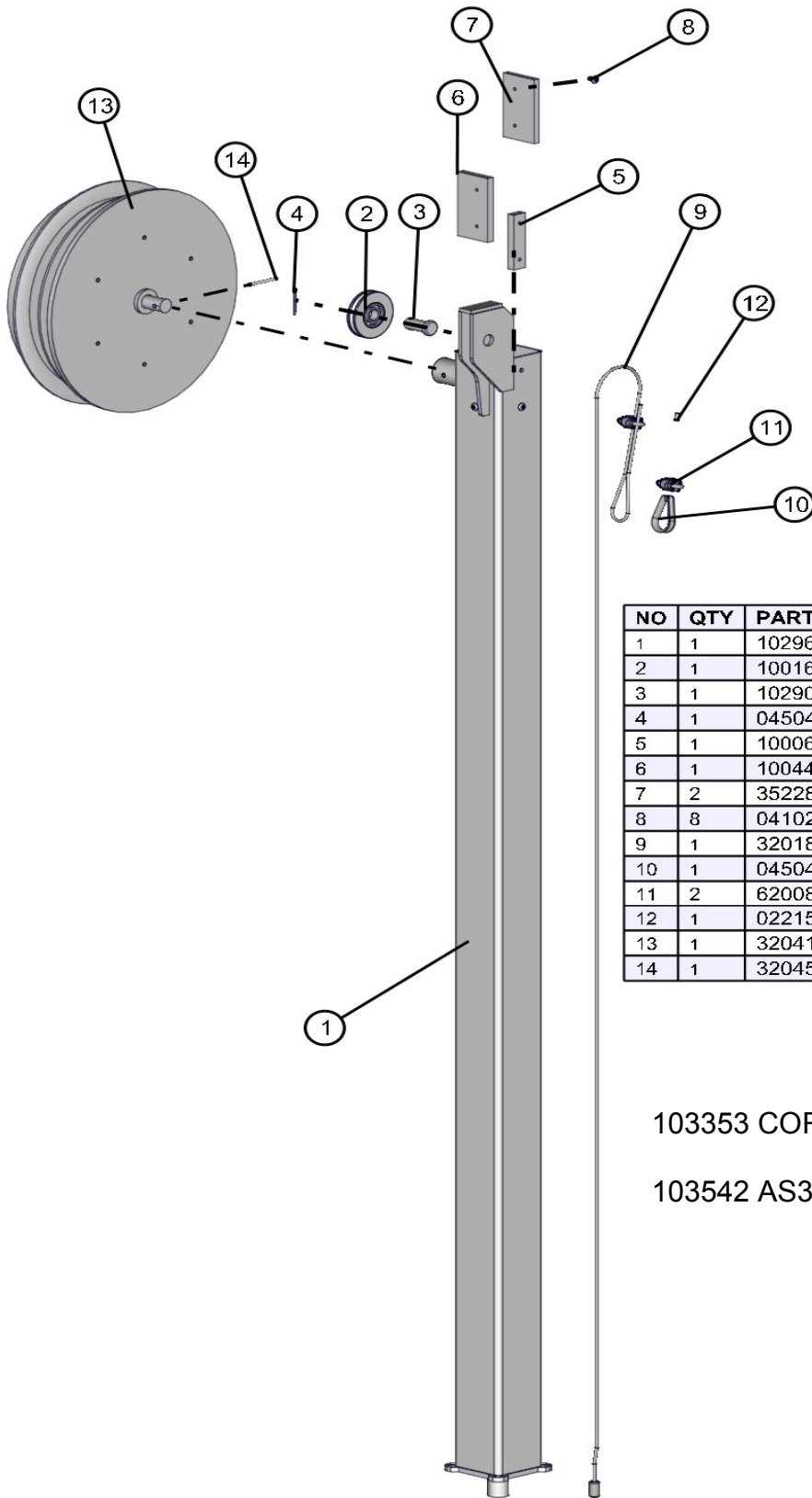
# SECTION 2 VT2 CORD REEL



| NO | QTY | PARTNO  | DESCRIPTION                                         |
|----|-----|---------|-----------------------------------------------------|
| 1  | 1   | 102956  | 5" SECTION                                          |
| 2  | 2   | 650109  | 3/8 PAD                                             |
| 3  | 2   | 650110  | 5/16 PAD                                            |
| 4  | 1   | 100160  | 2 1/2 PULLEY BALL BEARING                           |
| 5  | 1   | 102906  | 5/8 X 1 1/4 CLEVIS PIN                              |
| 6  | 1   | 045045  | 5/32 X 1 1/2 COTTER PIN                             |
| 7  | 8   | 041023  | #10 X 3/8 PH-ROUND HEAD MS PL                       |
| 8  | 1   | 101378  | 1/2 X 2 (3/8-16 X 5/8) HX-SOCKET HEAD SHOULDER BOLT |
| 9  | 3   | 047010  | 5/16 FLAT WASHER PL                                 |
| 10 | 1   | 044038  | 3/8-16 NYLOCK HEX NUT PL                            |
| 11 | 1   | 101356  | HYDRAULIC HOSE                                      |
| 12 | 1   | 920676  | HYD FITTING                                         |
| 13 | 1   | 109764P | HYDRAULIC CYLINDER                                  |
| 14 | 1   | 022035  | 1/2 CORD GRIP NUT                                   |
| 15 | 2   | 046050  | 5/16-18 X 1 HEX HEAD CS GR5 PL                      |
| 16 | 2   | 044033  | 5/16-18 NYLOCK HEX NUT PL                           |
| 17 | 1   | 103190P | CORD GRIP BRACKET                                   |
| 18 | 1   | 310033  | 1/2 CORD GRIP                                       |
| 19 | 1   | 022415  | 1/2 INSULATING BUSHING                              |

NOTE: NS = NOT SHOWN. WHEN ORDERING, SPECIFY THE COLOR WANTED ON PARTS CONTAINING THE LETTER "P"

# SECTION 4 VT2 CORD REEL



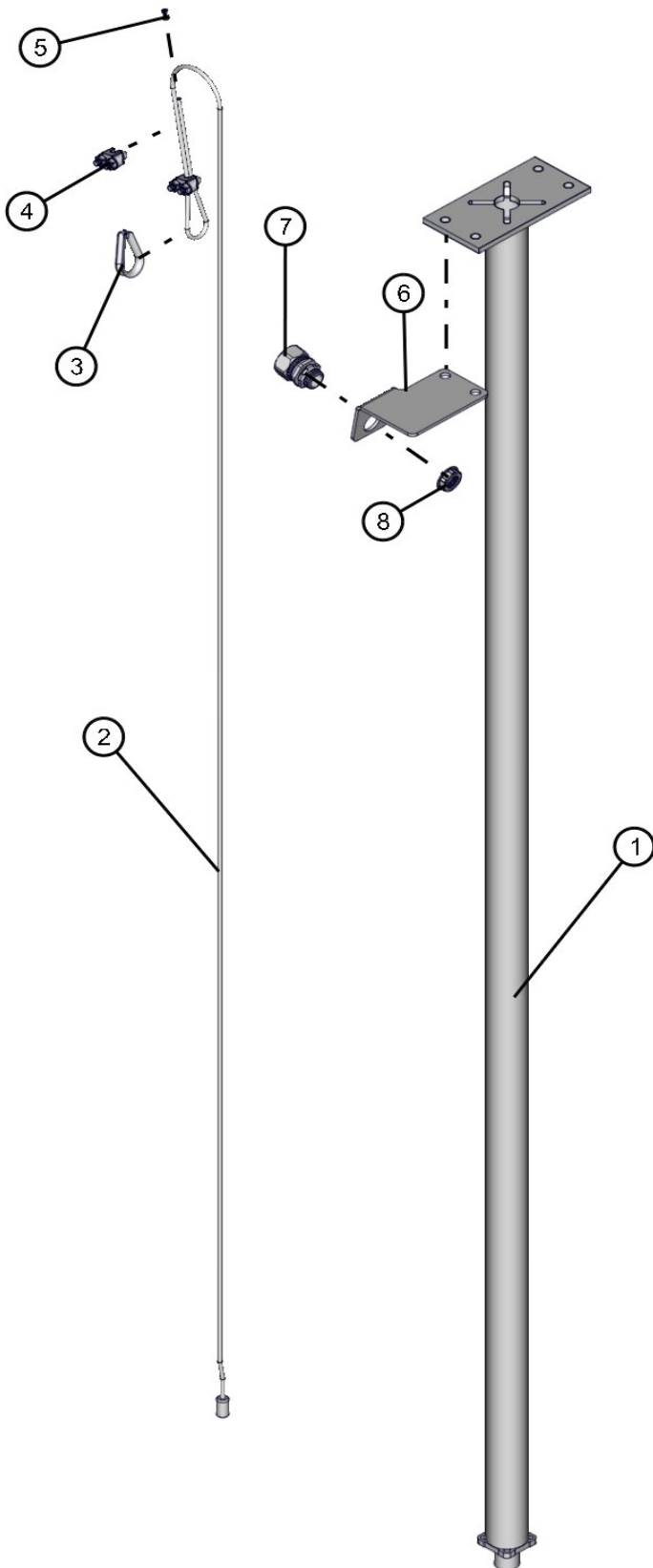
| NO | QTY | PARTNO  | DESCRIPTION                   |
|----|-----|---------|-------------------------------|
| 1  | 1   | 102965P | 3" SECTION                    |
| 2  | 1   | 100160  | 2 1/2 PULLEY BALL BEARING     |
| 3  | 1   | 102906  | 5/8 X 1 1/4 CLEVIS PIN        |
| 4  | 1   | 045045  | 5/32 X 1 1/2 COTTER PIN       |
| 5  | 1   | 100062  | 3/8 UHMW SPACER               |
| 6  | 1   | 100446  | 3/8 PAD                       |
| 7  | 2   | 352280  | 5/16 PAD                      |
| 8  | 8   | 041023  | #10 X 3/8 PH-ROUND HEAD MS PL |
| 9  | 1   | 320185  | 3/16 CABLE X 10'              |
| 10 | 1   | 045040  | 1/4 CABLE THIMBLE             |
| 11 | 2   | 620084  | 1/4 CABLE CLIP                |
| 12 | 1   | 022150  | FERRULE 10-12 AWG             |
| 13 | 1   | 320410P | CORD REEL (OPTION)            |
| 14 | 1   | 320453  | 3/16 X 1 3/4 SPRING ROLL PIN  |

103353 CORD REEL AND CORD

103542 AS3000 CORD REEL AND CORD

NOTE: NS = NOT SHOWN. WHEN ORDERING, SPECIFY THE COLOR WANTED ON PARTS CONTAINING THE LETTER "P"

# SECTION 6 VT2 CORD REEL



| NO | QTY | PARTNO  | DESCRIPTION            |
|----|-----|---------|------------------------|
| 1  | 1   | 102972P | ROUND SECTION          |
| 2  | 1   | 350185  | 3/16 CABLE X 10'       |
| 3  | 1   | 045040  | 1/4 CABLE THIMBLE      |
| 4  | 2   | 620084  | 1/4 CABLE CLIP         |
| 5  | 1   | 022150  | FERRULE 10-12 AWG      |
| 6  | 1   | 103191P | BRACKET                |
| 7  | 1   | 310033  | 1/2 CORD GRIP          |
| 8  | 1   | 022415  | 1/2 INSULATING BUSHING |

NOTE: NS = NOT SHOWN. WHEN ORDERING, SPECIFY THE COLOR WANTED ON PARTS CONTAINING THE LETTER "P"

# VT2 CORD REEL

---



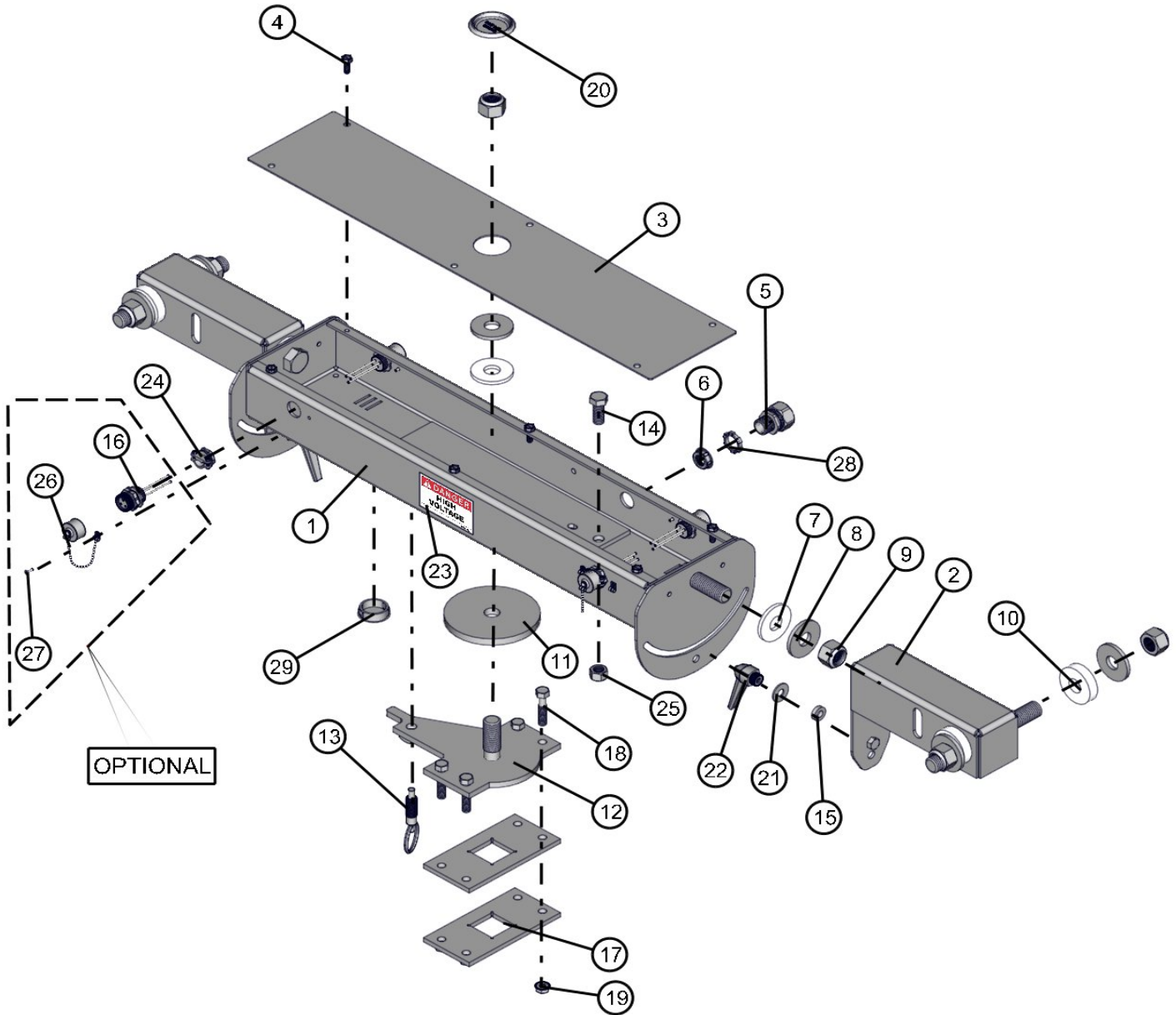
103304—16/8 CORD (CORD REEL)

---

NOTE: NS = NOT SHOWN. WHEN ORDERING, SPECIFY THE COLOR WANTED ON PARTS CONTAINING THE LETTER "P"



# LIGHT BAR VT2 CORD REEL

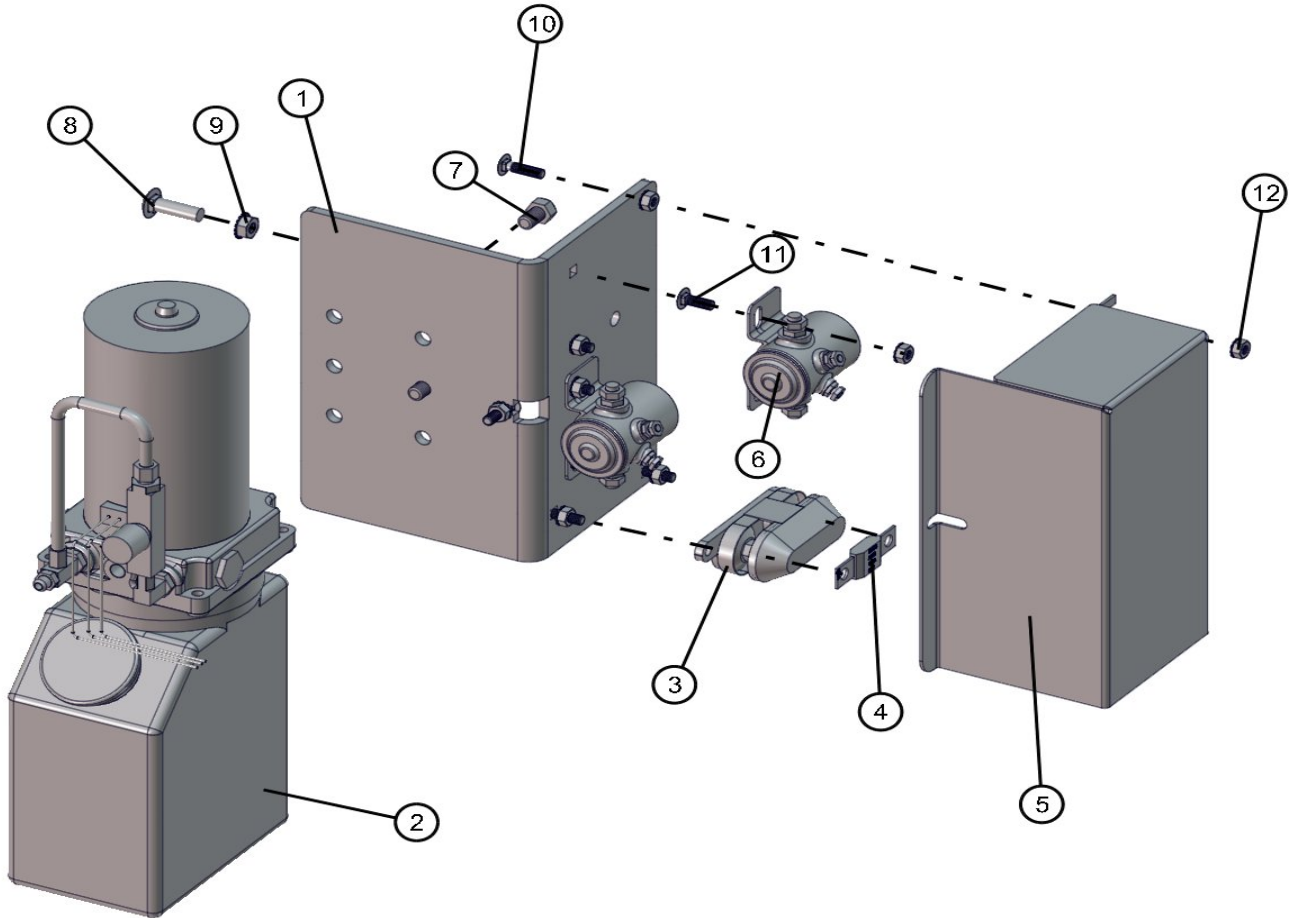


| NO | QTY | PARTNO    | DESCRIPTION                             |
|----|-----|-----------|-----------------------------------------|
| 1  | 1   | 101930P   | LIGHT BAR                               |
| 2  | 2   | 101931P   | LAMP MOUNT                              |
| 3  | 1   | 101929P   | COVER                                   |
| 4  | 6   | 041070    | 1/4-20 x 3/4 SL-HEX WASHER HEAD MS TP F |
| 5  | 1   | 310033    | 1/2 CORD GRIP                           |
| 6  | 1   | 022415    | 1/2 INSULATING BUSHING                  |
| 7  | 3   | 650550    | .785" x 2" HDPE WASHER                  |
| 8  | 7   | 047035    | 3/4 FLAT WASHER PL                      |
| 9  | 7   | 044058    | 3/4-10 NYLOCK HEX NUT PL                |
| 10 | 4   | 101813    | .781 ID x 2 OD x 1/2 HDPE WASHER        |
| 11 | 1   | 100147    | UHMW BEARING                            |
| 12 | 1   | 100143-15 | ROTATION MOUNT                          |
| 13 | 1   | 100148    | SPRING LOCK 1/2-13 X 1.4                |
| 14 | 1   | 046180    | 1/2-13 X 1 1/4 HEX HEAD CS GR5 PL       |
| 15 | 2   | 047019    | 3/4 OD X .385 ID NYLON BUSHING          |

| NO | QTY | PARTNO  | DESCRIPTION                       |
|----|-----|---------|-----------------------------------|
| 16 | 4   | 310414  | QD CONNECTOR FEMALE               |
| 17 | 2   | 100104P | BRACKET                           |
| 18 | 4   | 046126  | 3/8-16 x 1 3/4 HEX HEAD CS GR5 PL |
| 19 | 4   | 044036  | 3/8-16 KEPS HEX NUT PL            |
| 20 | 1   | 680878  | 1 3/4 CAPLUG                      |
| 21 | 2   | 047015  | 3/8 FLAT WASHER PL                |
| 22 | 2   | 102361  | ADJUSTABLE LEVER                  |
| 23 | 2   | 090002  | HIGH VOLTAGE DECAL                |
| 24 | 4   | 022020  | 3/8 2 SCREW CLAMP                 |
| 25 | 1   | 044045  | 1/2-13 HEX NUT PL                 |
| 26 | 4   | 310413  | CAP                               |
| 27 | 4   | 045116  | 1/8 X 1/4 BLIND RIVET             |
| 28 | 1   | 022035  | 1/2 CORD GRIP NUT                 |
| 29 | 1   | 064040  | 1 3/8 CAP PLUG                    |

NOTE: NS = NOT SHOWN. WHEN ORDERING, SPECIFY THE COLOR WANTED ON PARTS CONTAINING THE LETTER "P"

# HYDRAULIC PUMP VERTICAL TOWER



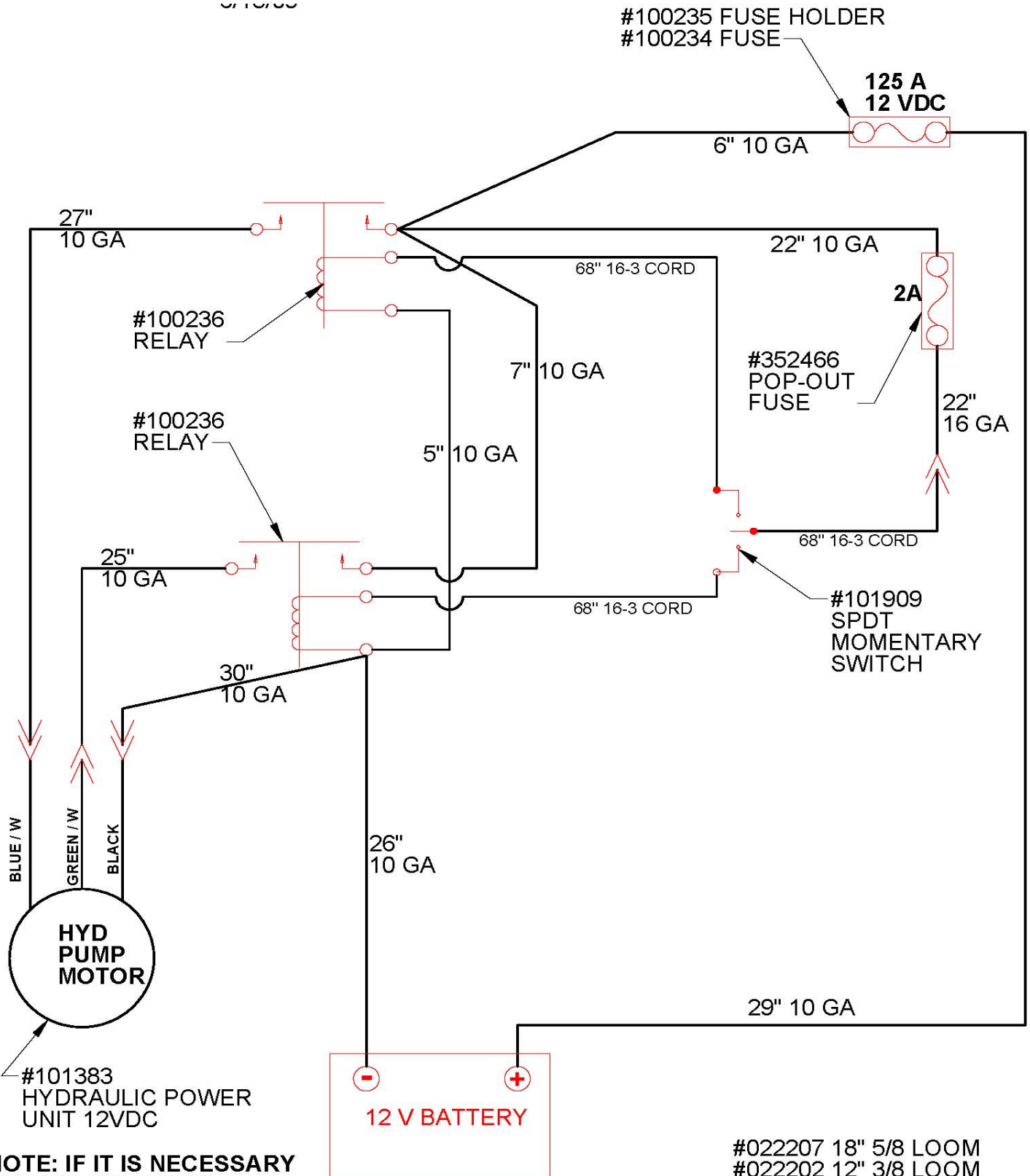
| NO | QTY | PARTNO  | DESCRIPTION                  |
|----|-----|---------|------------------------------|
| 1  | 1   | 101839P | BRACKET                      |
| 2  | 1   | 101383  | POWER UNIT                   |
| 3  | 1   | 100235  | FUSE HOLDER                  |
| 4  | 1   | 100234  | 125A FUSE LINK               |
| 5  | 1   | 102191P | COVER                        |
| 6  | 2   | 100236  | 12 VDC RELAY                 |
| 7  | 2   | 101384  | 3/8-16 x 5/8 HEX HEAD CS GR5 |
| 8  | 2   | 100670  | 3/8-16 X 1 1/4 CARRIAGE BOLT |
| 9  | 2   | 044036  | 3/8-16 KEPS HEX NUT PL       |
| 10 | 4   | 100342  | 1/4-20 X 1 CARRIAGE BOLT PL  |
| 11 | 4   | 053006  | 1/4-20 X 3/4 CARRIAGE BOLT   |
| 12 | 9   | 044021  | 1/4-20 KEPS HEX NUT PL       |

NOTE: NS = NOT SHOWN. WHEN ORDERING, SPECIFY THE COLOR WANTED ON PARTS CONTAINING THE LETTER "P"



# WIRING SCHEMATIC

## HYDRAULIC PUMP WITH RELAYS



**NOTE: IF IT IS NECESSARY TO REVERSE PUMP DIRECTION, SWITCH BLUE/W & GREEN/W WIRES FROM PUMP MTR.**

#022207 18" 5/8 LOOM  
#022202 12" 3/8 LOOM

COMPONENTS



# **Allmand™**

## **MAXI-LITE**

# **MAXI-LITE ML 6/ML 8 HYDRAULIC TOWER PARTS MANUAL**

**ALLMAND BROS. INC  
P.O. BOX 888  
HOLDREGE, NE 68949**

**PHONE: 308/995-4495, 1-800/562-1373  
ALLMAND FAX: 308/995-5887  
ALLMAND PARTS FAX: 308/995-4883**

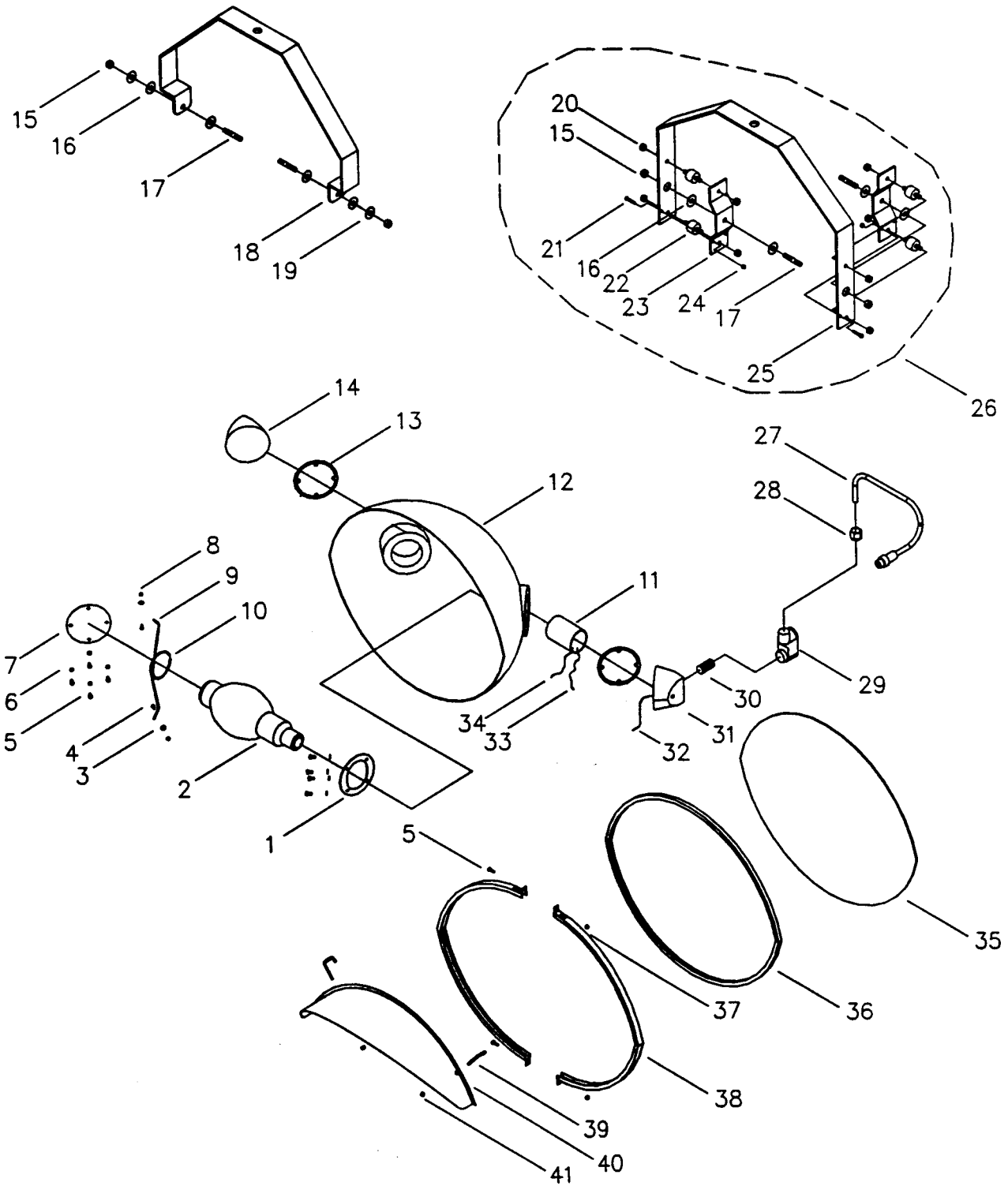
**Allmand™ MAXI-LITE SERIES**

**For Parts and Updates visit Allmand on the Web at [www.allmand.com](http://www.allmand.com)**

# MAXI-LITE SERIES W/ HYDRAULIC TOWER

## SHO 1000 METALLIC VAPOR LAMP SHO 1000 HIGH PRESSURE SODIUM LAMP

A-1A



# MAXI-LITE SERIES W/ HYDRAULIC TOWER

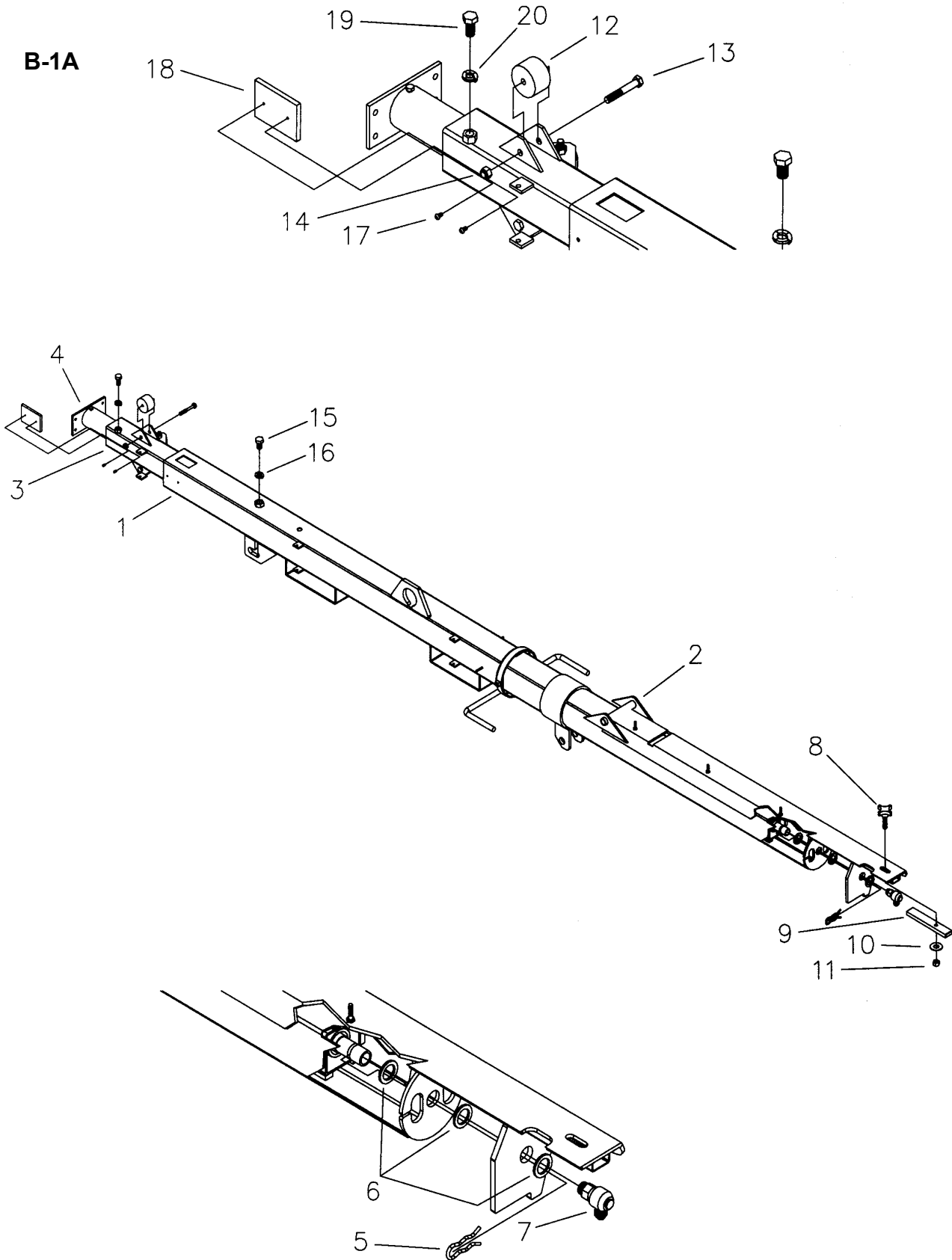
## SHO 1000 METALLIC VAPOR LAMP SHO 1000 HIGH PRESSURE SODIUM LAMP

| NO | PART NO | DESCRIPTION                                                  | A-1B |
|----|---------|--------------------------------------------------------------|------|
| NS | 610250  | LAMP HOLDER ASS'Y WITH YOKE AND LAMP (SOLID MT.)             |      |
| NS | 610251  | LAMP HOLDER ASS'Y WITH YOKE AND NO LAMP (SOLID MT.)          |      |
| NS | 610252  | LAMP HOLDER ASSEMBLY WITH NO YOKE OR LAMP                    |      |
| NS | 610255  | LAMP HOLDER ASSEMBLY W/YOKE, LAMP AND CUSHIONS (CUSHION MT.) |      |
| NS | 610253  | LAMP HOLDER ASSEMBLY W/ YOKE AND CUSHIONS NO LAMP (CUSH MT.) |      |
| 1  | 610208  | ALUMINUM RING                                                |      |
| 2  | 610211  | LAMP BT-37                                                   |      |
| NS | 610218  | LAMP (HIGH PRESSURE SODIUM)                                  |      |
| 3  | **      | 8-32 WASHER (STAINLESS STEEL)                                |      |
| 4  | **      | 8-32 X 1/2 HEX HEAD BOLT (STAINLESS STEEL)                   |      |
| 5  | **      | 10- 24 X 1/2 HEX HEAD BOLT (STAINLESS STEEL)                 |      |
| 6  | **      | #10 INTERNAL TOOTH WASHER                                    |      |
| 7  | 610207  | ALUMINUM PLATE                                               |      |
| 8  | **      | 8-32 NYLON LOCK NUT (STAINLESS STEEL)                        |      |
| 9  | 610209  | LAMP TIP SUPPORT                                             |      |
| 10 | 610210  | LAMP TIP SUPPORT TUBE                                        |      |
| 11 | 610212  | CERAMIC SOCKET                                               |      |
| 12 | 610201  | REFLECTOR                                                    |      |
| 13 | 610213  | END HOUSING GASKET                                           |      |
| 14 | 610206  | RH SOLID END CASTING                                         |      |
| 15 | **      | 3/8-24 NYLON LOCK NUT (STAINLESS STEEL)                      |      |
| 16 | FW019   | .75 OD x .385 ID x .20 NYLON WASHER                          |      |
| 17 | HD142   | 3/8 - 24 NF X 3/8 - 16 NC X 2" STUD                          |      |
| 18 | 660130  | SOLID MOUNT YOKE                                             |      |
| 19 | **      | 3/8 SAE WASHER                                               |      |
| 20 | **      | 5/16 - 18 KEPS NUT                                           |      |
| 21 | **      | 10 - 24 X 1 1/2 HEX HEAD BOLT                                |      |
| 22 | 610260  | RUBBER SHOCK MOUNT SHO 1000                                  |      |
| 23 | 610235  | SHO CUSHION MOUNT PLATE                                      |      |
| 24 | **      | 10-24 NYLON LOCK NUT                                         |      |
| 25 | 610234  | SHO 1000 CUSHION MOUNT YOKE                                  |      |
| 26 | 610236  | SHO 1000 CUSHION MOUNT YOKE ASSEMBLY                         |      |
| 27 | 310434  | LAMP CONNECTOR AND LEAD                                      |      |
| 28 | 510007  | 1/2" CORD GRIP                                               |      |
| 29 | 610214  | 1/2" SLB ENTRANCE ELBOW                                      |      |
| 30 | 610215  | 1/2" CONDUIT NIPPLE                                          |      |
| 31 | 610205  | LH SOCKET END CASTING                                        |      |
| 32 | ~       | GREEN HEAT TEMP WIRE                                         |      |
| 33 | ~       | BLACK HEAT TEMP WIRE                                         |      |
| 34 | ~       | WHITE HEAT TEMP WIRE                                         |      |
| 35 | 610203  | LENS                                                         |      |
| 36 | 610217  | LENS GASKET (SILICONE)                                       |      |
| 37 | **      | 10-24 NYLON LOCK NUT (STAINLESS STEEL)                       |      |
| 38 | 610202  | LENS CHANNEL SET                                             |      |
| 39 | HD070   | 10-24 SQ BD HOOK BOLT                                        |      |
| 40 | 610017  | SHO 1000 LIGHT VISOR                                         |      |
| 41 | **      | 10-24 KEPS NUT                                               |      |

LEGEND: NS = Not Shown  
\*\* = Purchase Locally

# MAXI-LITE SERIES W/ HYDRAULIC TOWER

## HYDRAULIC TOWER ASSEMBLY



# MAXI-LITE SERIES W/ HYDRAULIC TOWER

## HYDRAULIC TOWER ASSEMBLY

B-1B

| NO | REQ'D | PART NO | DESCRIPTION                          |
|----|-------|---------|--------------------------------------|
| 1  | 1     | 352222  | 4" HYDRAULIC TOWER, COIL CORD        |
| 2  | 1     | 352198  | HYDRAULIC TOWER BACKBONE             |
| 3  | 1     | 352216  | 3" HYDRAULIC TOWER                   |
| 4  | 1     | 352206  | HYDRAULIC TOWER TELESCOPIC CYLINDER  |
| 5  | 1     | 620545  | HAIRPIN CLAMP                        |
| 6  | 3     | FW055   | 1" NARROW MACHINE BUSHING            |
| 7  | 1     | 352209  | HYDRAULIC SWIVEL FITTING             |
| 8  | 1     | 620550  | LOCKING KNOB 1/2-13 NC x 2"          |
| 9  | 1     | 352168  | MAST LOCKING BAR                     |
| 10 | 1     | **      | 5/8 FLAT WASHER                      |
| 11 | 1     | **      | 1/2-13 NC NYLON INSERT NUT           |
| 12 | 3     | FP010   | 2" NYLON ROLLER                      |
| 13 | 3     | **      | 3/8-16 NC x 2-1/2 GRADE 5 BOLT       |
| 14 | 3     | **      | 3/8-16 NC NYLON INSERT NUT           |
| 15 | 1     | **      | 5/8-11 NC x 1" GRADE 5 BOLT          |
| 16 | 1     | **      | 5/8 SPLIT LOCK WASHER                |
| 17 | 2     | MS023   | #10 x 3/8 SELF-TAPPING PLASTIC SCREW |
| 18 | 1     | 650110  | PLASTIC TOWER PAD, 5/16              |
| 19 | 1     | **      | 1/2-13 x 1" GRADE 8 BOLT             |
| 20 | 1     | **      | 1/2" SPLIT LOCK WASHER               |

LEGEND: NS = Not Shown

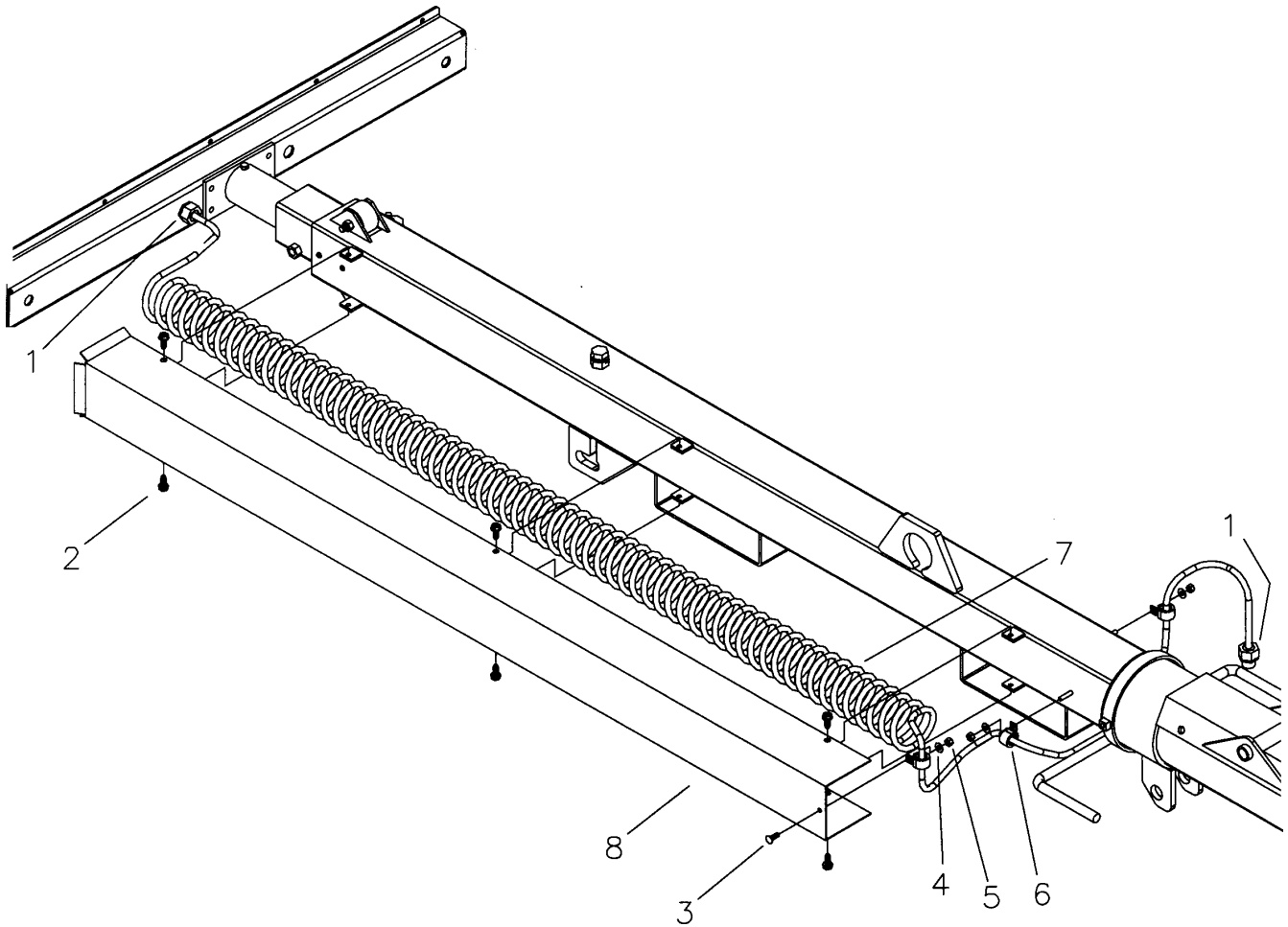
\*\* = Purchase Locally

# MAXI-LITE SERIES W/ HYDRAULIC TOWER

---

## HYDRAULIC TOWER COIL CORD ASSEMBLY

B-2A





# MAXI-LITE SERIES W/ HYDRAULIC TOWER

## HYDRAULIC TOWER COIL CORD ASSEMBLY

B-2B

| NO | REQ'D | PART NO | DESCRIPTION                         |
|----|-------|---------|-------------------------------------|
| 1  | 2     | 310032  | CORD GRIP                           |
| 1A | 2     | EL039   | 1/2" BUSHING                        |
| 2  | 6     | **      | 5/16-18 NC x 3/4 SELF-TAPPING SCREW |
| 3  | 1     | MS050   | 1/4-20 NC x 3/4 TRUSS HEAD SCREW    |
| 4  | 3     | **      | 1/4 FLAT WASHER                     |
| 5  | 3     | **      | 1/4-20 NC HEX NUT                   |
| 6  | 3     | EL022   | #8 CUSHION CLAMP                    |
| 7  | 1     | 320126  | COIL CORD 16/8                      |
| 8  | 1     | 352224  | TUNNEL, COIL CORD, HYDRAULIC TOWER  |

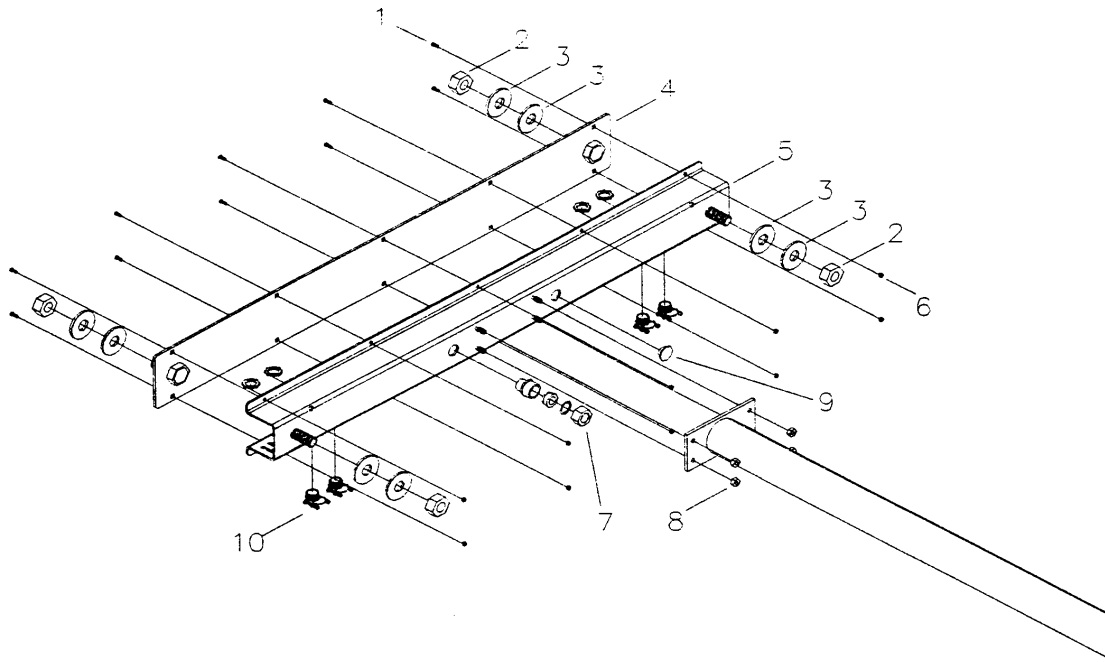
LEGEND: NS = Not Shown

\*\* = Purchase Locally

# MAXI-LITE SERIES W/ HYDRAULIC TOWER

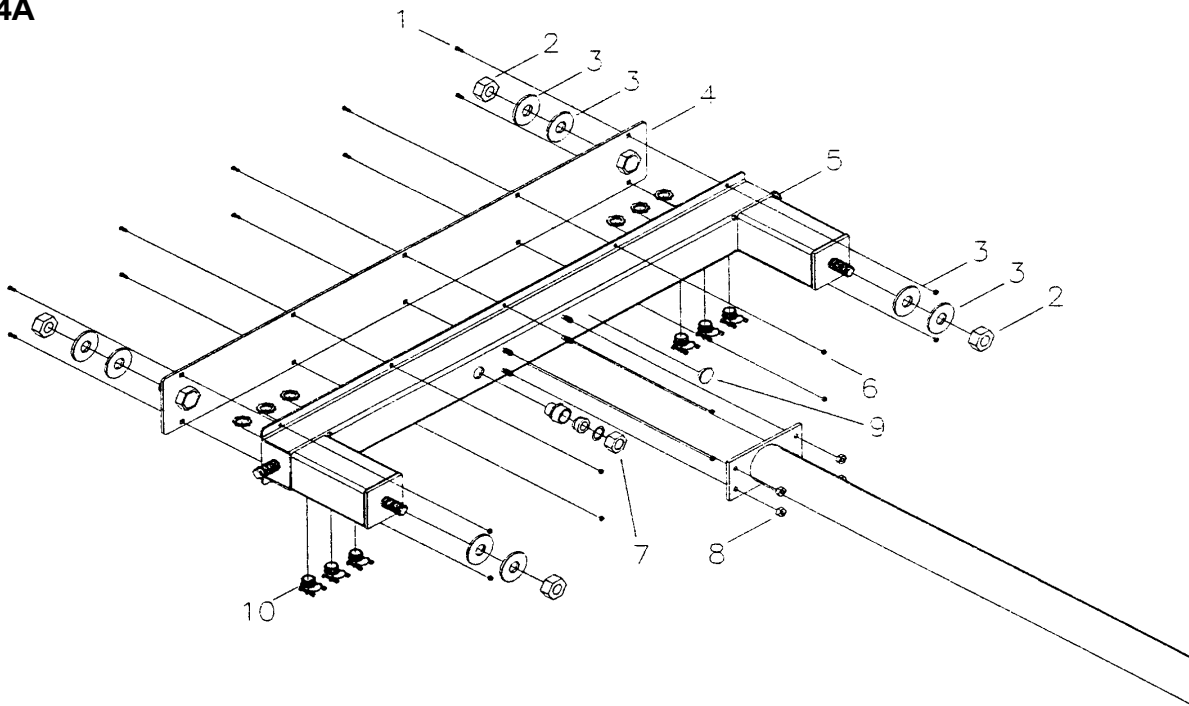
## 4-LIGHT LIGHT BAR ASSEMBLY

B-3A



## 6-LIGHT LIGHT BAR ASSEMBLY

B-4A



# MAXI-LITE SERIES W/ HYDRAULIC TOWER

## 4-LIGHT LIGHT BAR ASSEMBLY

B-3B

| NO | REQ'D | PART NO | DESCRIPTION                                |
|----|-------|---------|--------------------------------------------|
|    |       | 352042  | LIGHT BAR ASSEMBLY, 4-LIGHT                |
|    |       | 352250  | LIGHT BAR ASSEMBLY, 4-LIGHT (ALLMAND GOLD) |
| 1  | 10    | **      | 1/4 - 20 NC X 1/2 CARRIAGE BOLT            |
| 2  | 4     | **      | 3/4 - 10 NC NYLON INSERT NUT               |
| 3  | 8     | **      | 3/4 FLAT WASHER                            |
| 4  | 1     | 352038  | LIGHT BAR COVER PLATE                      |
|    |       | 352257  | LIGHT BAR COVER PLATE (ALLMAND GOLD)       |
| 5  | 1     | 352035  | LIGHT BAR FRAME ONLY                       |
|    |       | 352256  | LIGHT BAR FRAME ONLY (ALLMAND GOLD)        |
| 6  | 10    | **      | 1/4 - 20 NC KEPS NUT                       |
| 7  | 1     | 310032  | CORD GRIP NUT - METAL                      |
| 7A | 1     | EL039   | 1/2" BUSHING                               |
| 8  | 4     | **      | 5/16 - 18 NC KEPS NUT                      |
| 9  | 1     | 711029  | LOCKING HOLE PLUG                          |
| 10 | 4     | 310414  | LAMP CONNECTOR, FEMALE                     |

LEGEND: NS = Not Shown

\*\* = Purchase Locally

## 6-LIGHT LIGHT BAR ASSEMBLY

B-4B

| NO | REQ'D | PART NO | DESCRIPTION                                |
|----|-------|---------|--------------------------------------------|
|    |       | 352045  | LIGHT BAR ASSEMBLY, 6-LIGHT                |
|    |       | 352349  | LIGHT BAR ASSEMBLY, 6-LIGHT (ALLMAND GOLD) |
| 1  | 10    | **      | 1/4 - 20 NC X 1/2 CARRIAGE BOLT            |
| 2  | 4     | **      | 3/4 - 10 NC NYLON INSERT NUT               |
| 3  | 8     | **      | 3/4 FLAT WASHER                            |
| 4  | 1     | 352031  | LIGHT BAR COVER PLATE                      |
|    | 1     | 352351  | LIGHT BAR COVER PLATE (ALLMAND GOLD)       |
| 5  | 1     | 352030  | LIGHT BAR FRAME ONLY                       |
|    | 1     | 352350  | LIGHT BAR FRAME ONLY (ALLMAND GOLD)        |
| 6  | 10    | **      | 1/4 - 20 NC KEPS NUT                       |
| 7  | 1     | 310032  | CORD GRIP NUT - METAL                      |
| 7A | 1     | EL039   | 1/2" BUSHING                               |
| 8  | 4     | **      | 5/16 - 18 NC KEPS NUT                      |
| 9  | 1     | 711029  | LOCKING HOLE PLUG                          |
| 10 | 6     | 310414  | LAMP CONNECTOR, FEMALE                     |

LEGEND: NS = Not Shown

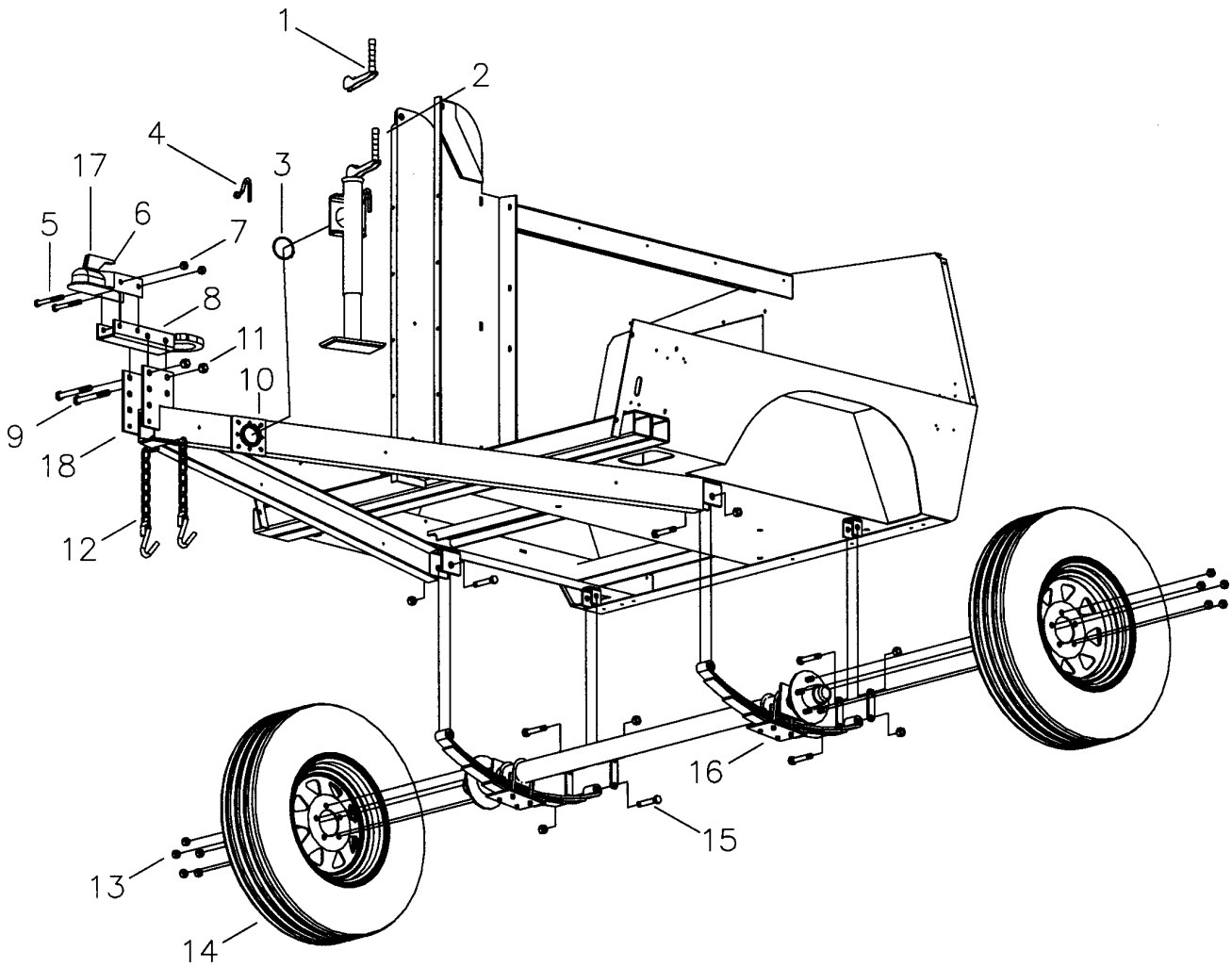
\*\* = Purchase Locally

# MAXI-LITE SERIES W/ HYDRAULIC TOWER

## TRAILER ASSEMBLY PARTS AND ACCESSORIES

### AXLE ASSEMBLY, HITCH ASSEMBLY AND TONGUE JACK

C-1A



# MAXI-LITE SERIES W/ HYDRAULIC TOWER

## TRAILER ASSEMBLY PARTS AND ACCESSORIES

AXLE ASSEMBLY, HITCH ASSEMBLY AND TONGUE JACK

C-1B

| NO | REQ'D | PART NO | DESCRIPTION                                 |
|----|-------|---------|---------------------------------------------|
| 1  |       | 330012  | REPLACEMENT JACK HANDLE FOR 330008          |
| 2  | 1     | 330008  | SHORT JACK, SNAP RING (SHOWN)               |
|    | 1     | 680558  | SIDE CRANK JACK, TUBE MOUNT (NOT SHOWN)     |
|    | 1     | 680879  | TOP CRANK JACK, TUBE MOUNT (NOT SHOWN)      |
|    | 1     | 330013  | JACK LOCK PIN (USE WITH 680558 and 680879)  |
| 3  | 1     | 330014  | JACK SNAP RING 2 5/16 XT (USE WITH 330008)  |
| 4  |       | 330012A | JACK HOLE PIN KIT                           |
| 5  | 2     | **      | 1/2 - 13 NC X 4 GRADE 5 BOLT                |
| 6  | 1     | 712021  | BALL COUPLER ONLY                           |
| 7  | 2     | **      | 1/2 - 13 NC TOPLOCK NUT                     |
| 8  | 1     | 712540  | PINTLE HITCH WELDMENT                       |
| 9  | 2     | **      | 5/8 - 11 NC X 5 GRADE 5 BOLT                |
| 10 |       | 330009  | JACK MOUNTING BRACKET W/SNAP RING           |
| 11 | 2     | **      | 5/8 - 11 NC TOPLOCK NUT                     |
| 12 |       | 712008  | SAFETY CHAIN SET                            |
| 13 | 10    | **      | AXLE LUG NUT                                |
| 14 | 2     | 680124  | WHEEL & TIRE 15" ORANGE SPOKE               |
|    |       | 352157  | WHEEL ORANGE SPOKE                          |
|    |       | 680136  | WHEEL SPOKE (ALLMAND GOLD)                  |
|    |       | RG020   | TIRE P225/75R15                             |
|    |       | RG075   | TIRE VALVE STEM                             |
| 15 | 1     | RG025   | AXLE MOUNTING HARDWARE KIT                  |
| 16 | 1     | 352021  | AXLE 3000 LB. 56"/44"                       |
| 17 |       | 712021  | 2" BALL COUPLING KIT                        |
| 18 |       | 712552  | HITCH PLATE, ONE EACH                       |
| NS |       | 712542Y | REVERSIBLE HITCH ASSY. (712021 AND 712540Y) |
|    |       | 680135  | REVERSIBLE HITCH ASSY. (ALLMAND GOLD)       |
| NS |       | 330007  | HUB W/RACES                                 |
| NS |       | 330005  | BEARING SET                                 |
| NS |       | 330004  | HUB W/RACES AND BEARING SET                 |

LEGEND: NS = Not Shown

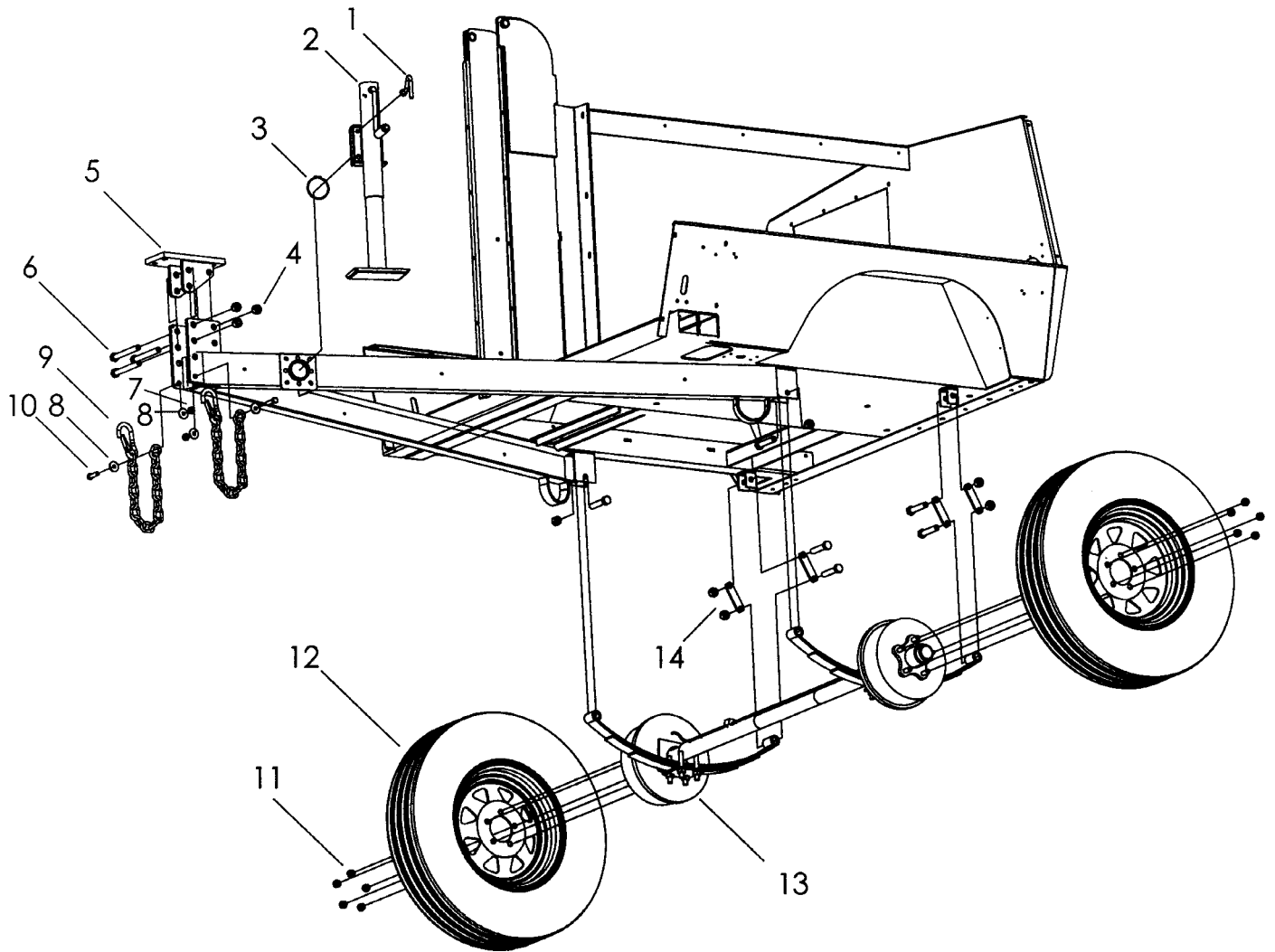
\*\* = Purchase Locally

# MAXI-LITE SERIES W/ HYDRAULIC TOWER

## TRAILER ASSEMBLY PARTS AND ACCESSORIES

HYDRAULIC BRAKE AXLE ASSEMBLY, HITCH ASSEMBLY AND TONGUE JACK

C-1C



# MAXI-LITE SERIES W/ HYDRAULIC TOWER

## TRAILER ASSEMBLY PARTS AND ACCESSORIES

HYDRAULIC BRAKE AXLE ASSEMBLY, HITCH ASSEMBLY AND TONGUE JACK

C-1D

| NO | REQ'D | PART NO | DESCRIPTION                     |
|----|-------|---------|---------------------------------|
| 1  | 1     | 330014A | JACK HOLE PIN KIT               |
| 2  | 1     | 650235  | SHORT JACK, SIDE CRANK          |
| 3  | 1     | 330014  | JACK SNAP RING 2-5/16 XT        |
| 4  | 3     | 044061  | 5/8-11 NC TOPLOCK NUT           |
| 5  | 1     | 680398  | SURGE BRAKE MOUNT               |
| 6  | 3     | 046250  | 5/8-11 NC X 5 GRADE 5 BOLT      |
| 7  | 2     | 044043  | 7/16-14 NC NYLON LOCK NUT       |
| 8  | 4     | 047016  | 3/8 FLAT WASHER                 |
| 9  | 1     | 049040  | SAFETY CHAIN SET                |
| 10 | 2     | 046160  | 7/16-14 NC X 1-1/2 GRADE 5 BOLT |
| 11 | 10    | 044099  | AXLE LUG NUT                    |
| 12 | 2     | 680136  | WHEEL, SPOKE (ALLMAND GOLD)     |
|    |       | 032020  | TIRE P225/75R15                 |
|    |       | 032075  | TIRE VALVE STEM                 |
| 13 | 1     | 352138  | HYDRAULIC BRAKE AXLE            |
| 14 | 1     | 032025  | AXLE MOUNTING HARDWARE KIT      |
| NS | 1     | 330025A | SINGLE AXLE HYDRAULIC KIT       |

LEGEND: NS = Not Shown

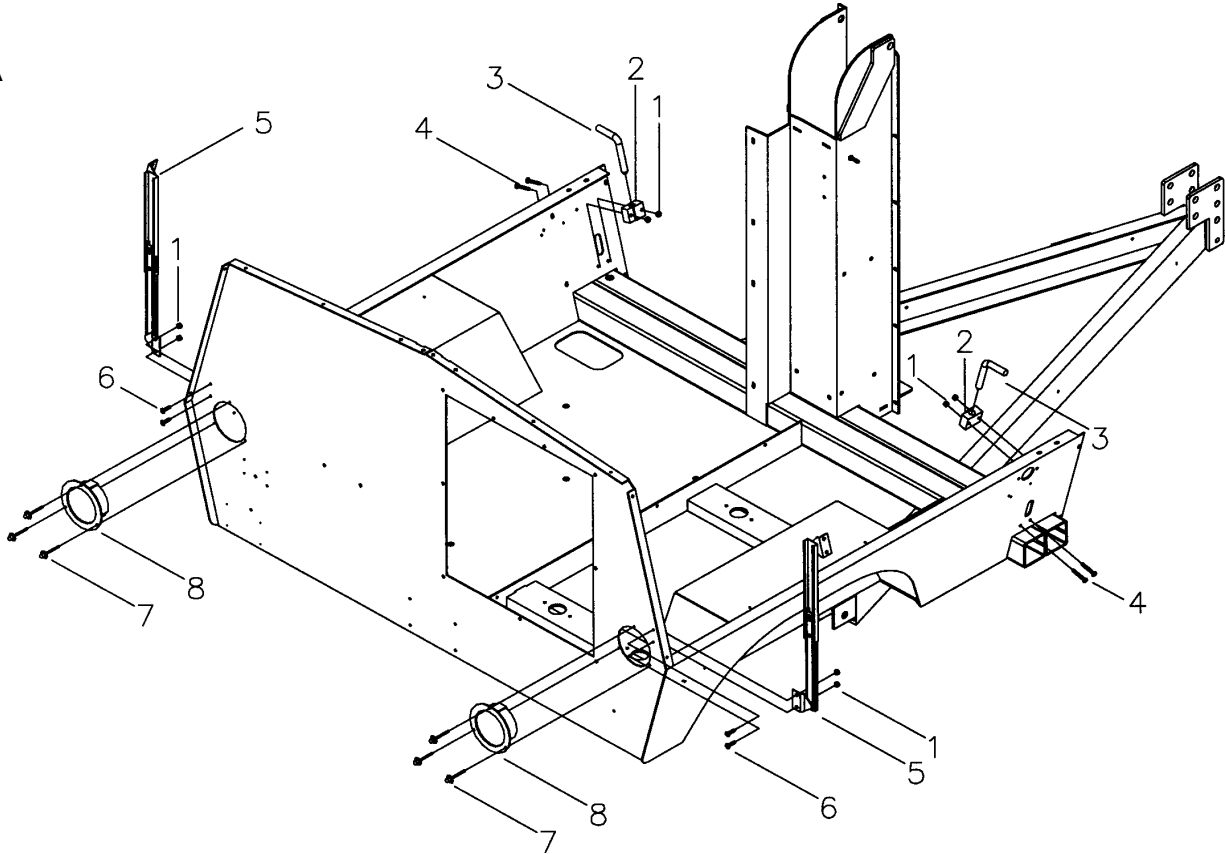
\*\* = Purchase Locally

# MAXI-LITE SERIES W/ HYDRAULIC TOWER

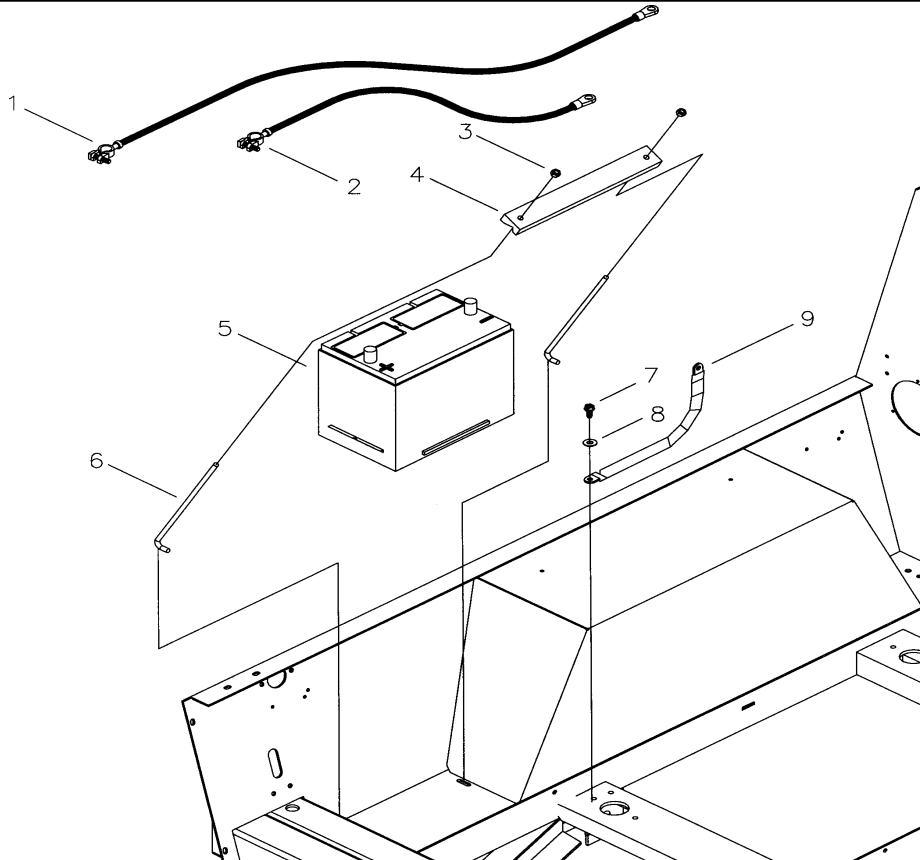
## TRAILER ASSEMBLY PARTS AND ACCESSORIES

TAILLIGHTS, DOOR PROPS AND OUTRIGGER LOCKS

C-2A



C-3A





# MAXI-LITE SERIES W/ HYDRAULIC TOWER

## TRAILER ASSEMBLY PARTS AND ACCESSORIES

### TAILLIGHTS, DOOR PROPS AND OUTRIGGER LOCKS

C-2B

| NO | REQ'D | PART NO | DESCRIPTION                  |
|----|-------|---------|------------------------------|
| 1  | 8     | **      | 1/4-20 NC NYLON INSERT NUT   |
| 2  | 2     | 330430  | OUTRIGGER PIN BLOCK          |
| 3  | 2     | 330455  | OUTRIGGER PIN                |
| 4  | 4     | **      | 1/4 - 20 NC X 1 3/4 SS SCREW |
| 5  | 2     | 352057  | TELESCOPIC PROP              |
| 6  | 4     | **      | 1/4 - 20 NC X 1 SS SCREW     |
| 7  | 6     | **      | 3/16 ALUMINUM RIVETS         |
| 8  | 2     | 650129  | TAILLIGHT                    |
| NS |       | 352037  | TAILLIGHT WIRING HARNESS     |

LEGEND: NS = Not Shown

\*\* = Purchase Locally

### BATTERY, CABLES, AND GROUND STRAP

C-3B

| NO | REQ'D | PART NO | DESCRIPTION                    |
|----|-------|---------|--------------------------------|
| 1  | 1     | 713098  | 36" BATTERY CABLE              |
| 2  | 1     | BC010   | 21" BATTERY CABLE              |
| 3  | 2     | **      | 5/16 - 18 NC NYLON INSERT NUT  |
| 4  | 1     | 340017  | NYLON BATTERY HOLD DOWN        |
| 5  | 1     | BT002   | 12 VOLT BATTERY                |
| 6  | 2     | 433507  | J-BOLT 5/16 X 11"              |
| 7  | 1     | **      | 1/4-18 NC X 1 BOLT W/ KEPS NUT |
| 8  | 2     | **      | 1/4 FLAT WASHER                |
| 9  | 1     | 340105  | GROUND STRAP                   |

LEGEND: NS = Not Shown

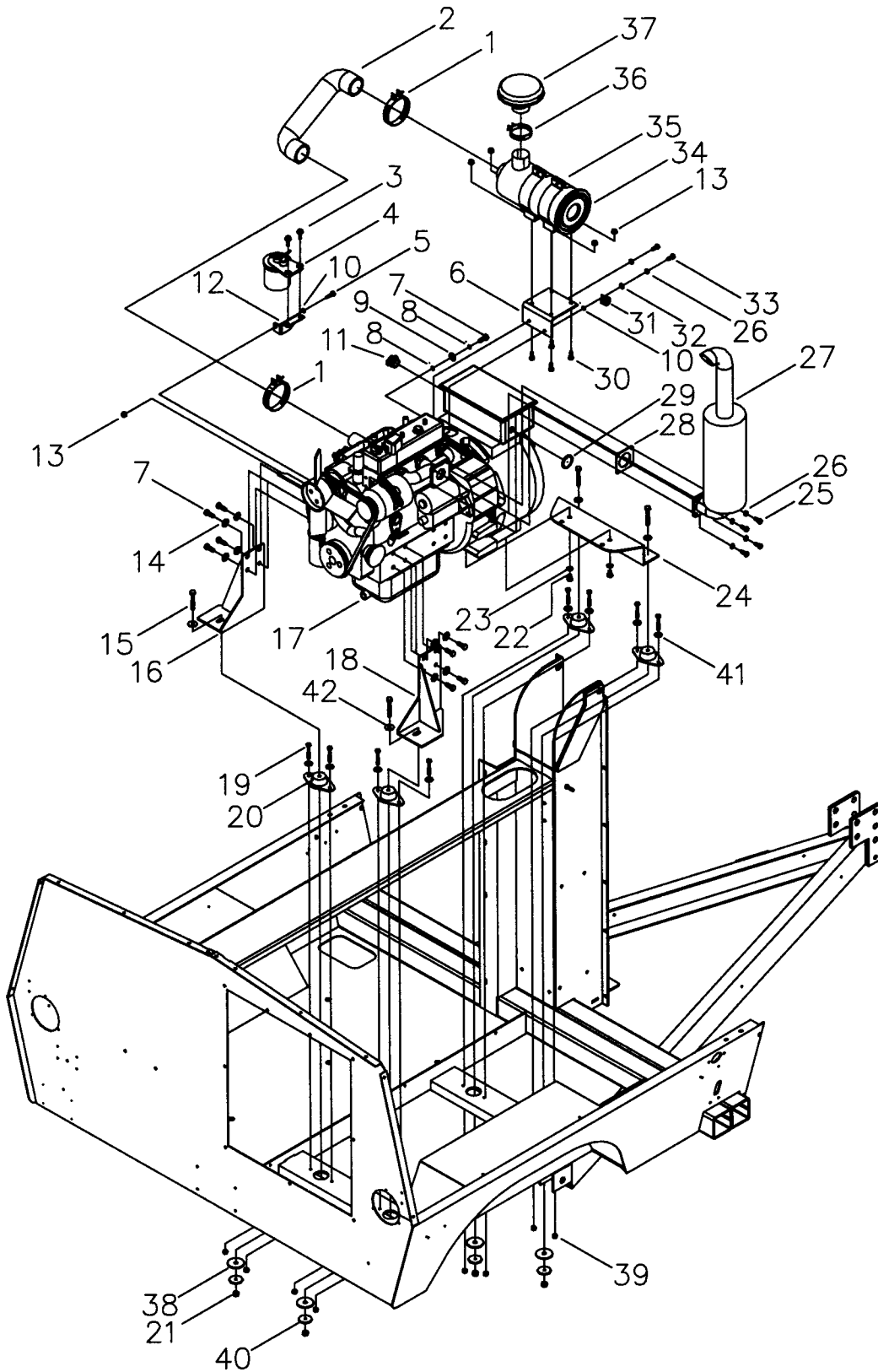
\*\* = Purchase Locally

# MAXI-LITE SERIES W/ HYDRAULIC TOWER

## TRAILER ASSEMBLY PARTS AND ACCESSORIES

KUBOTA/PERKINS ENGINE/GENERATOR SET

C-4A



# MAXI-LITE SERIES W/ HYDRAULIC TOWER

## TRAILER ASSEMBLY PARTS AND ACCESSORIES

KUBOTA/PERKINS ENGINE/GENERATOR SET

C-4B

| NO | REQ'D | PART NO | DESCRIPTION                                                               |
|----|-------|---------|---------------------------------------------------------------------------|
| 1  | 2     | HD030   | HOSE CLAMP #40                                                            |
| 2  | 1     | 650272  | AIR INTAKE HOSE, KUBOTA (640273 BEFORE 3/1/99)                            |
| 3  | 2     | **      | 8mm X 20mm X 1.25 GRADE 8.8 BOLT                                          |
| 4  | 1     | 920745  | KUBOTA FUEL FILTER                                                        |
| 5  | 1     | **      | 5/16 - 18 NC X 1 1/4 GRADE 5 BOLT                                         |
| 6  | 1     | 650291  | AIR CLEANER MOUNT PLATE, KUBOTA (AFTER 03/1/99)<br>(650157 BEFORE 3/1/99) |
| 7  | 9     | **      | 10mm X 20mm X 1.25 GRADE 8.8 BOLT                                         |
| 8  | 2     | **      | 3/8 FLAT WASHER                                                           |
| 9  | 1     | **      | 3/8 INTERNAL TOOTH LOCK WASHER                                            |
| 10 | 2     | **      | 5/16 INTERNAL TOOTH LOCK WASHER                                           |
| 11 | 1     | EL025   | 2-SCREW ROMEX CLAMP 3/4                                                   |
| NS |       | EL036   | 3/4" STEEL LOCK NUT                                                       |
| 12 | 1     | @@@     | FUEL FILTER MOUNTING PLATE                                                |
| 13 | 5     | **      | 5/16 - 18 NC KEPS NUT                                                     |
| 14 | 8     | **      | 3/8 SAE FLAT WASHER                                                       |
| 15 | 4     | **      | 3/8 - 16 NC X 2 1/4 GRADE 5 BOLT                                          |
| 16 | 1     | 640283  | ENGINE MOUNT BRACE, RIGHT                                                 |
|    | 1     | 680127  | ENGINE MOUNT BRACE, RIGHT (ALLMAND GOLD)                                  |
| 17 | 1     | 100990  | KUBOTA 1105 WITH DEEP SEA PANEL                                           |
| 18 | 1     | 640282  | ENGINE MOUNT BRACE, LEFT                                                  |
|    | 1     | 680126  | ENGINE MOUNT BRACE, LEFT (ALLMAND GOLD)                                   |

LEGEND: NS = Not Shown

\*\* = Purchase Locally

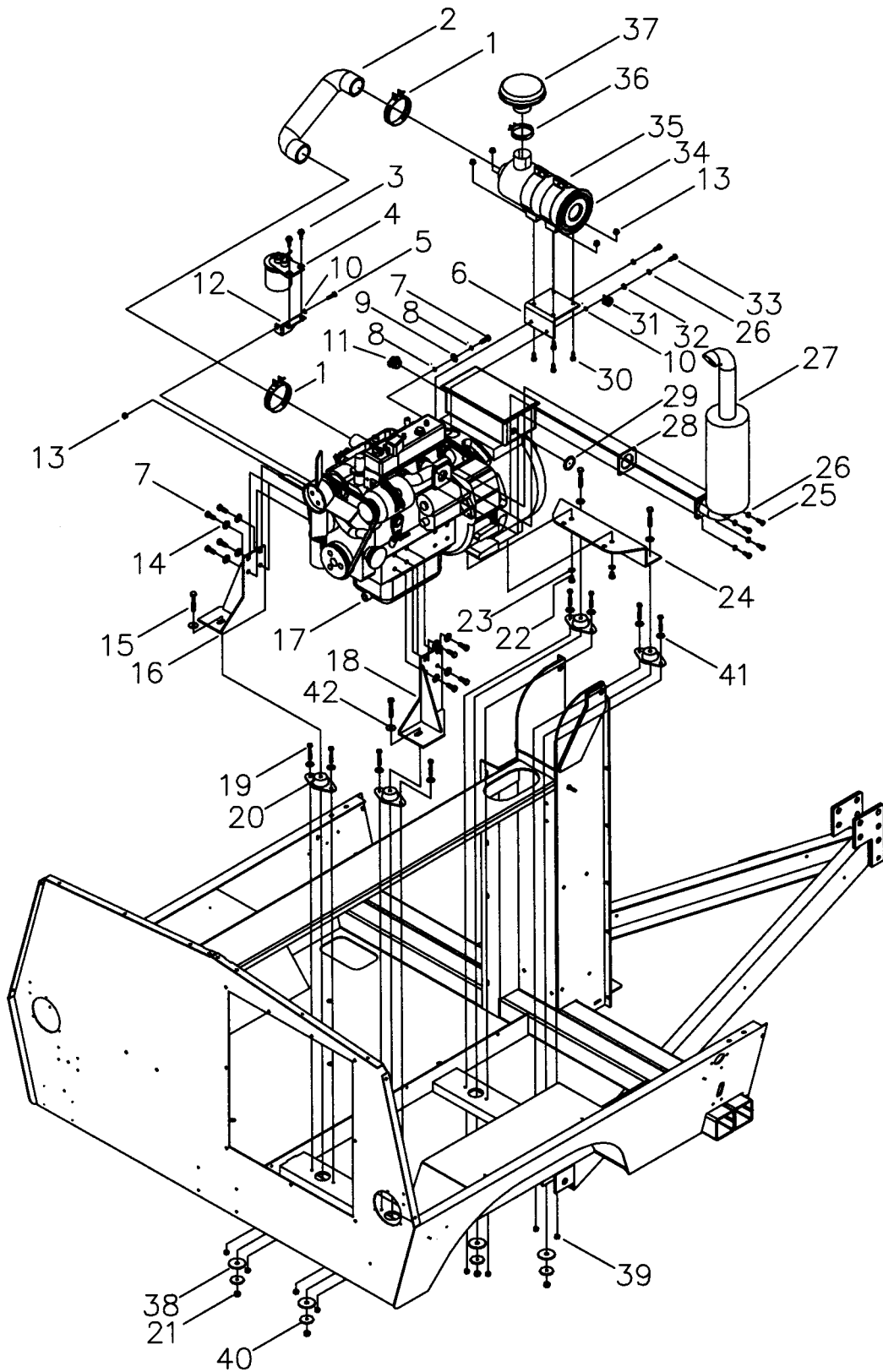
@@@ = See Kubota Dealer

# MAXI-LITE SERIES W/ HYDRAULIC TOWER

## TRAILER ASSEMBLY PARTS AND ACCESSORIES

KUBOTA/PERKINS ENGINE/GENERATOR SET

C-4A CONT



# MAXI-LITE SERIES W/ HYDRAULIC TOWER

## TRAILER ASSEMBLY PARTS AND ACCESSORIES

KUBOTA/PERKINS ENGINE/GENERATOR SET

C-4B CONT

| NO    | REQ'D | PART NO | DESCRIPTION                                    |
|-------|-------|---------|------------------------------------------------|
| 19    | 8     | **      | 5/16-18 NC X 1 GRADE 5 BOLT                    |
| A.S.  | 4     | 640565  | WASHER MUSHROOM CUSHION MOUNT                  |
| A.S.  | 4     | 650260  | WASHER SNUBBING                                |
| NS    | 4     | 640500  | MUSHROOM CUSHION MOUNT                         |
| 20    | 4     | 650259  | RUBBER ENGINE MOUNTS-120 LB (KUBOTA)           |
| 21    | 4     | **      | 3/8-16 NC NYLON INSERT NUT                     |
| 22    | 2     | **      | 3/8-16 NC X 1 GRADE 5 BOLT                     |
| 23    | 2     | **      | 3/8 SPLIT LOCK WASHER                          |
| 24    | 1     | 352033  | GENERATOR MOUNT PLATE, KUBOTA                  |
|       |       | 680128  | GENERATOR MOUNT PLATE, KUBOTA (ALLMAND GOLD)   |
| A. S. | 1     | 352144  | GENERATOR MOUNT PLATE, LIMA MAC                |
|       |       | 352357  | GENERATOR MOUNT PLATE, LIMA-MAC (ALLMAND GOLD) |
| 25    | 4     | **      | 8mm X 25mm X 1.25 GRADE 8.8 BOLT               |
| 26    | 5     | **      | 5/16 SPLIT LOCK WASHER                         |
| 27    | 1     | 650173  | MUFFLER PRO GT                                 |
| NS    | 1     | 352139  | KUBOTA BOX MUFFLER KIT                         |
| NS    | 1     | 352126  | KUBOTA BOX MUFFLER HEAT SHIELD                 |
| NS    | 1     | 352140  | KUBOTA EXHAUST PIPE                            |
| 28    | 1     | 650234  | EXHAUST MANIFOLD MOUNT GASKET (KUBOTA)         |
| 29    | 1     | **      | CAP PLUG                                       |
| 30    | 4     | **      | 5/16 - 18 X 3/4 GRADE 5 BOLT                   |
| 31    | 1     | **      | #6 CUSHION MOUNT                               |
| 32    | 1     | **      | 1/4 FLAT WASHER                                |
| 33    | 2     | **      | 8mm X 20mm X 1.25 GRADE 10.9 BOLT              |
| 34    | 1     | 340034  | AIR CLEANER                                    |
| 35    | 2     | 340038  | AIR CLEANER BAND                               |
| 36    | 1     | HD038   | HOSE CLAMP #32                                 |
| 37    | 1     | 340032  | AIR CLEANER CAP                                |
| 38    | 4     | 640565  | ENGINE MOUNT WASHER                            |
| 39    | 8     | **      | 5/16 - 18 NYLON INSERT NUT                     |
| 40    | 4     | 650260  | SNUBBING WASHER                                |
| 41    | 4     | **      | 5/16 FLAT WASHER                               |
| 42    | 4     | **      | 3/8 FLAT WASHER                                |
| NS    | 1     | 680395  | GENERATOR MOUNT CE AVR GENERATOR               |
| NS    | 1     | 340189  | GENERATOR AVR 8KW CE                           |
| NS    | 1     | 654000  | 8 Kw AVR MARATHON GENERATOR                    |

LEGEND: NS = Not Shown

\*\* = Purchase Locally

@@@ = See Kubota Dealer

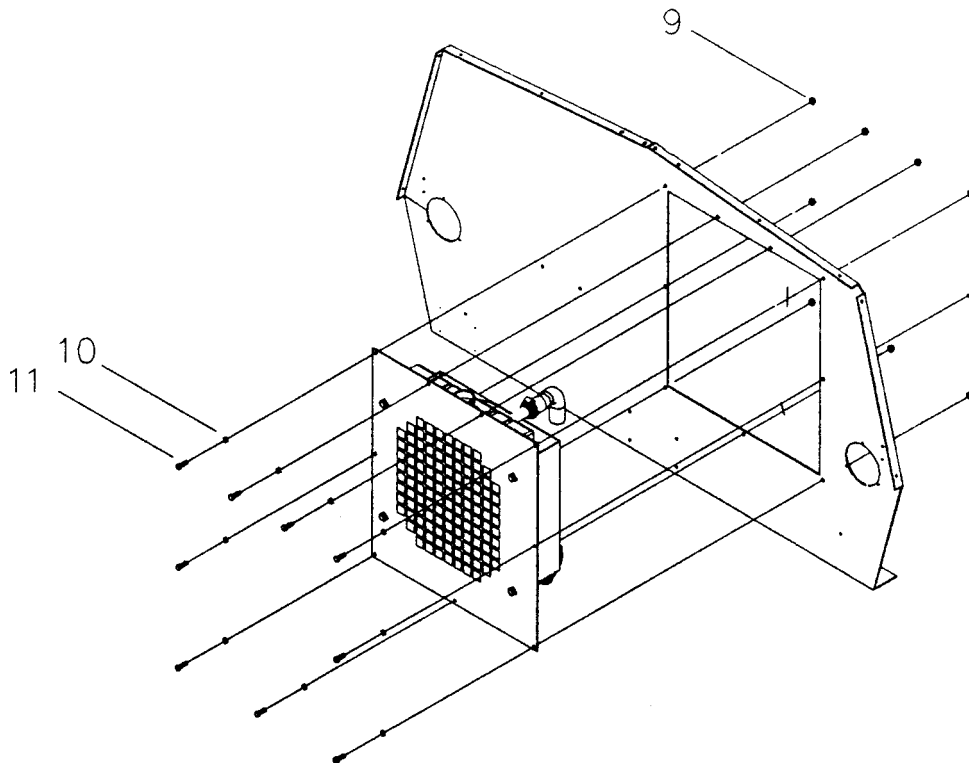
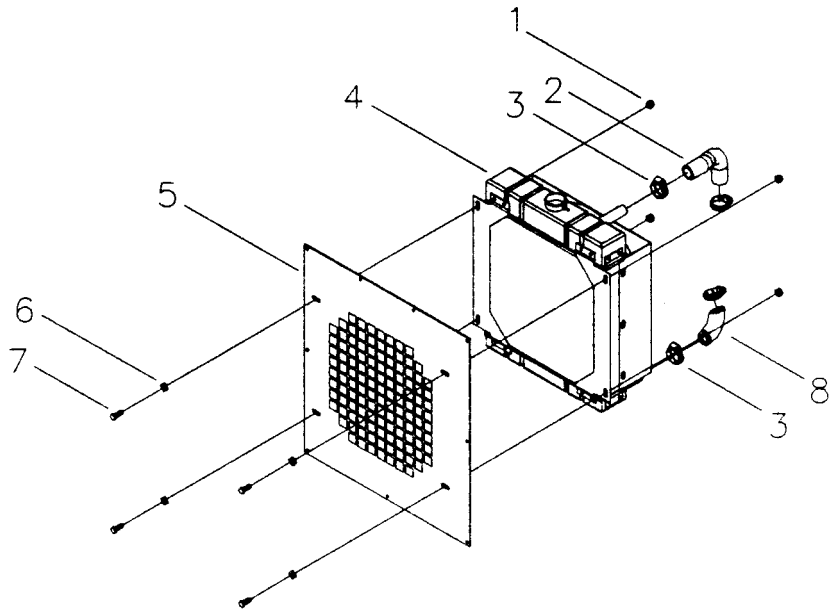
@@@@ = See Perkins Dealer

# MAXI-LITE SERIES W/ HYDRAULIC TOWER

## TRAILER ASSEMBLY PARTS AND ACCESSORIES

### KUBOTA RADIATOR AND MOUNTING PLATE

C-5A



# MAXI-LITE SERIES W/ HYDRAULIC TOWER

---

## TRAILER ASSEMBLY PARTS AND ACCESSORIES

### KUBOTA RADIATOR AND MOUNTING PLATE

C-5B

| NO | REQ'D | PART NO | DESCRIPTION                                |
|----|-------|---------|--------------------------------------------|
| 1  | 4     | **      | 3/8 - 16 NC KEPS NUT                       |
| 2  | 1     | @@@     | UPPER RADIATOR HOSE                        |
| 3  | 4     | HD035   | #20 HOSE CLAMP                             |
| 4  | 1     | 650107  | KUBOTA RADIATOR                            |
| 5  | 1     | 352075  | KUBOTA RADIATOR MOUNT PLATE                |
|    | 1     | 352359  | KUBOTA RADIATOR MOUNT PLATE (ALLMAND GOLD) |
| 6  | 4     | **      | 3/8 FLAT WASHER                            |
| 7  | 4     | **      | 3/8 - 16 NC X 1 GRADE 5 BOLT               |
| 8  | 1     | @@@     | LOWER RADIATOR HOSE                        |
| 9  | 9     | **      | 5/16 - 18 NC KEPS NUT                      |
| 10 | 9     | **      | 1/4 FLAT WASHER                            |
| 11 | 9     | **      | 5/16 - 18 NC X 3/4 GRADE 5 BOLT            |

LEGEND: NS = Not Shown

\*\* = Purchase Locally

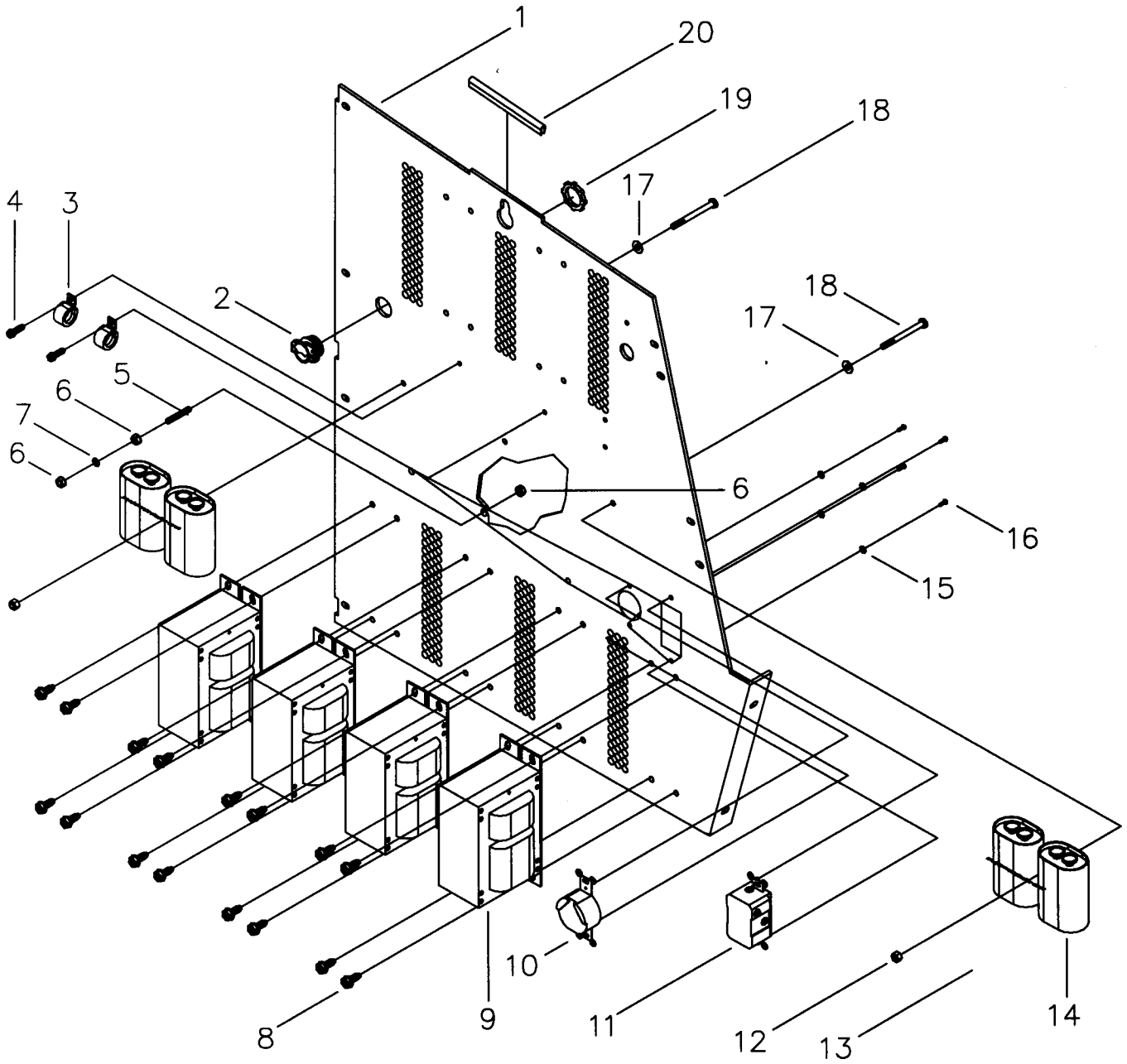
@@@ = Contact Local Kubota Dealer

# MAXI-LITE SERIES W/ HYDRAULIC TOWER

## TRAILER ASSEMBLY PARTS AND ACCESSORIES

### 4-LIGHT BALLAST ASSEMBLY

C-6A





# MAXI-LITE SERIES W/ HYDRAULIC TOWER

## TRAILER ASSEMBLY PARTS AND ACCESSORIES

### 4-LIGHT BALLAST ASSEMBLY

C-6B

| NO | REQ'D | PART NO | DESCRIPTION                                  |
|----|-------|---------|----------------------------------------------|
|    |       | 352004  | BALLAST ASSY COMPLETE (24 UF)                |
|    |       | 680144  | BALLAST ASSY COMPLETE (24 UF) (ALLMAND GOLD) |
|    |       | 352082  | BALLAST ASSY COMPLETE (28 UF)                |
|    |       | 352185  | BALLAST ASSY COMPLETE (28 UF) (ALLMAND GOLD) |
| 1  | 1     | 352009  | BALLAST PANEL, ONLY                          |
|    | 1     | 352188  | BALLAST PANEL, ONLY (ALLMAND GOLD)           |
| 2  | 1     | EL025   | 2-SCREW ROMEX CLAMP, 3/4                     |
| 3  | 2     | **      | 7/8 CUSHION CLAMP                            |
| 4  | 2     | **      | 1/4 - 20 NC SELF TAPPING SCREW               |
| 5  | 1     | **      | 1/4 - 20 NC X 1 1/2 STUD BOLT                |
| 6  | 3     | **      | 1 4 20 NC KEPS NUT                           |
| 7  | 1     | **      | 1 4 INTERNAL TOOTH LOCK WASHER               |
| 8  | 16    | **      | 5/16 - 18 NC INTERNAL TOOTH LOCK WASHER      |
| 9  | 4     | 310124  | TRANSFORMER ONLY                             |
| 10 | 1     | 330490  | RECEPTACLE 240V. 15A (6KW ONLY)              |
|    | 1     | 330491  | RECEPTACLE 250V. 30A (8KW ONLY)              |
| 11 | 1     | 630132A | RECEPTACLE 120V. GFCI (6KW ONLY)             |
|    | 1     | 330499  | 20 AMP DUPLEX GFCI (8KW ONLY)                |
| 12 | 2     | **      | 1/4 - 20 NC NYLON INSERT NUT                 |
| 13 | 2     | 310470  | DUAL CAPACITOR MOUNTING CLAMP                |
|    | 2     | 352186  | DUAL CAPACITOR MOUNTING CLAMP (ALLMAND GOLD) |
| 14 | 4     | 310391  | CAPACITOR ONLY, 28 UF                        |
| 15 | 4     | **      | #8 STAINLESS STEEL FLAT WASHER               |
| 16 | 4     | **      | #6 - 32 NC X 3/8 ROUND HEAD SCREW            |
| NS | 1     | 711029  | 7/8 HOLE PLUG (MANUAL WINCH)                 |
| NS |       | 352046  | 1.5 AMP BREAKER (USED W/630157A)             |
| 17 | 2     | **      | 1/4 FLAT WASHER                              |
| 18 | 2     | **      | 1/4 - 20 NC X 24 GRADE 5 BOLT                |
| 19 | 1     | EL036   | STEEL LOCK NUT, 3/4"                         |
| 20 | 1     | WP054   | RUBBER EDGE TRIM 3/16 X 5" LONG              |

LEGEND: NS = Not Shown

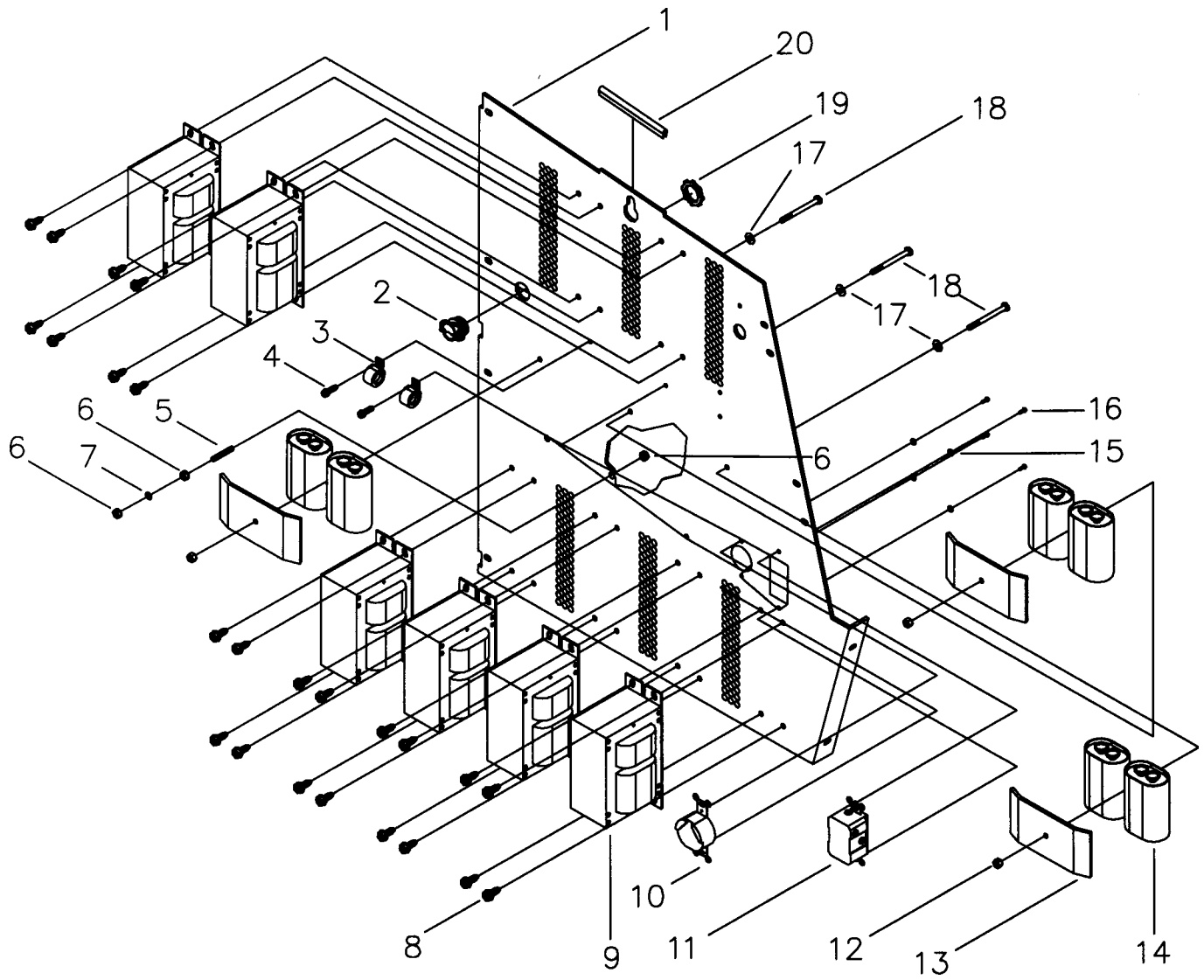
\*\* = Purchase Locally

# MAXI-LITE SERIES W/ HYDRAULIC TOWER

## TRAILER ASSEMBLY PARTS AND ACCESSORIES

### 6-LIGHT BALLAST ASSEMBLY

C-6C



# MAXI-LITE SERIES W/ HYDRAULIC TOWER

## TRAILER ASSEMBLY PARTS AND ACCESSORIES

### 6-LIGHT BALLAST ASSEMBLY

C-6D

| NO | REQ'D | PART NO | DESCRIPTION                                  |
|----|-------|---------|----------------------------------------------|
|    |       | 352058  | BALLAST ASSY COMPLETE (24 UF)                |
|    |       | 352360  | BALLAST ASSY COMPLETE (24 UF) (ALLMAND GOLD) |
|    |       | 352090  | BALLAST ASSY COMPLETE (28 UF)                |
|    |       | 352361  | BALLAST ASSY COMPLETE (28 UF) (ALLMAND GOLD) |
| 1  | 1     | 352009  | BALLAST PANEL, ONLY                          |
|    | 1     | 352188  | BALLAST PANEL, ONLY (ALLMAND GOLD)           |
| 2  | 1     | EL025   | 2-SCREW ROMEX CLAMP, 3/4                     |
| 3  | 2     | **      | 7/8 CUSHION CLAMP                            |
| 4  | 2     | **      | 1~4 - 20 NC SELF TAPING SCREW                |
| 5  | 1     | **      | 1 4 - 20 NC X 1 1/2 STUD BOLT                |
| 6  | 3     | **      | 1 4 20 NC KEPS NUT                           |
| 7  | 1     | **      | 1/4 INTERNAL TOOTH LOCK WASHER               |
| 8  | 24    | **      | 5/16 - 18 NC INTERNAL TOOTH LOCK WASHER      |
| 9  | 6     | 310124  | TRANSFORMER ONLY                             |
| 10 | 1     | 330490  | RECEPTACLE 240V. 15A (6KW ONLY)              |
|    | 1     | 330491  | RECEPTACLE 250V. 30A (8KW ONLY)              |
| 11 | 1     | 630132A | RECEPTACLE 120V. GFCI (6KW ONLY)             |
|    | 1     | 330499  | 20 AMP DUPLEX GFCI (8KW ONLY)                |
| 12 | 3     | **      | 1/4 - 20 NC NYLON INSERT NUT                 |
| 13 | 3     | 310470  | DUAL CAPACITOR MOUNTING CLAMP                |
|    | 3     | 352186  | DUAL CAPACITOR MOUNTING CLAMP (ALLMAND GOLD) |
| 14 | 6     | 310115  | CAPACITOR ONLY, 24 UF                        |
| 15 | 4     | **      | #8 STAINLESS STEEL FLAT WASHER               |
| 16 | 4     | **      | #6 - 32 NC X 3/8 ROUND HEAD SCREW            |
| NS | 1     | 711029  | 7/8 HOLE PLUG (MANUAL WINCH)                 |
| NS |       | 352046  | 1.5 AMP BREAKER (USED W/630157A)             |
| 17 | 2     | **      | 1/4 FLAT WASHER                              |
| 18 | 2     | **      | 1/4 - 20 NC: X 2 3/4 GRADE 5 BOLT            |
| 19 | 1     | EL036   | STEEL LOCK NUT, 3/4"                         |
| 20 | 1     | WP054   | RUBBER EDGE TRIM 3/16" X 5" LONG             |

LEGEND: NS = Not Shown

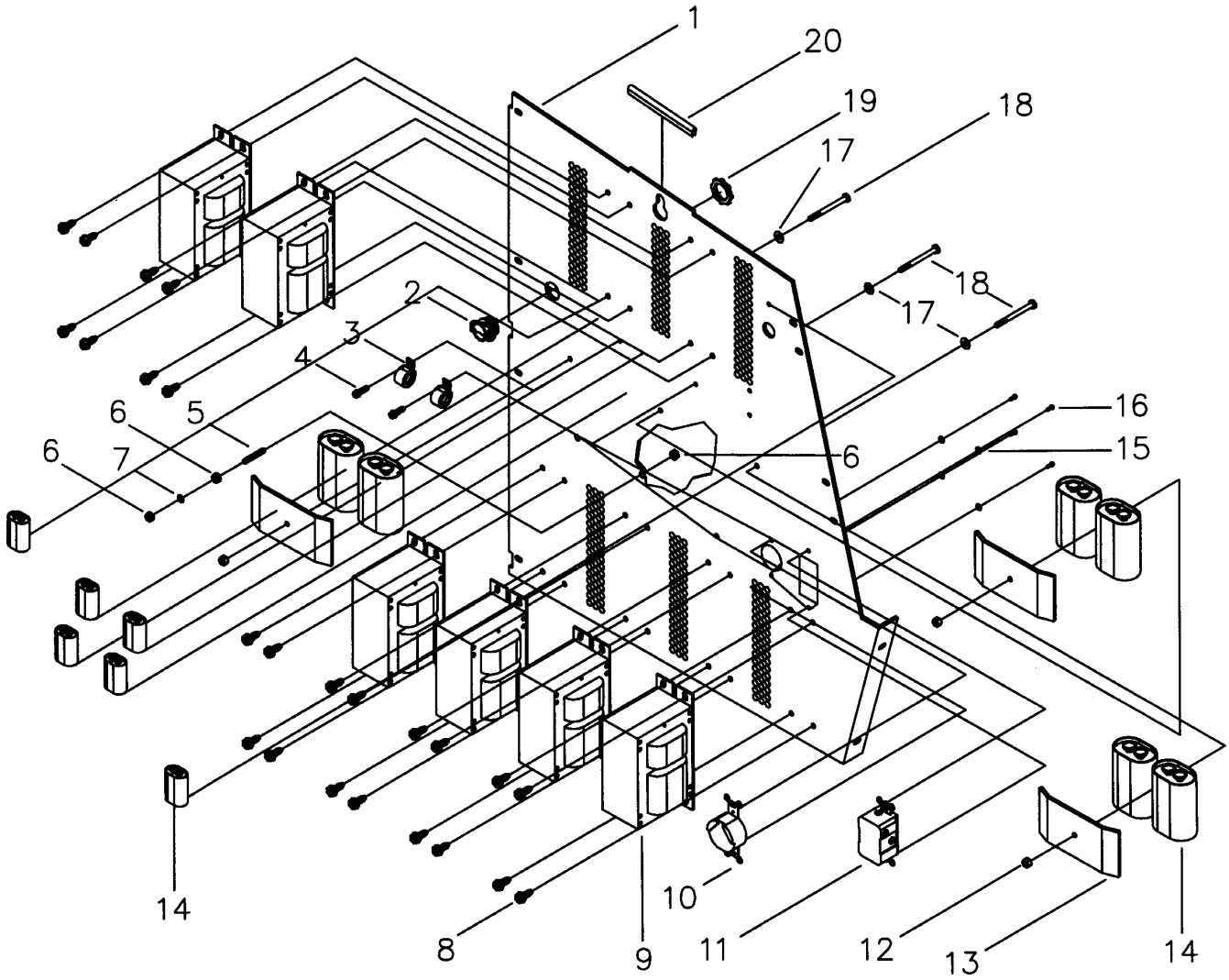
\*\* = Purchase Locally

# MAXI-LITE SERIES W/ HYDRAULIC TOWER

## TRAILER ASSEMBLY PARTS AND ACCESSORIES

### 6-LIGHT BALLAST ASSEMBLY HPS

C-6E



# MAXI-LITE SERIES W/ HYDRAULIC TOWER

## TRAILER ASSEMBLY PARTS AND ACCESSORIES

### 6-LIGHT BALLAST ASSEMBLY HPS

C-6F

| NO | REQ'D | PART NO   | DESCRIPTION                             |
|----|-------|-----------|-----------------------------------------|
|    |       | 680349-06 | BALLAST ASSY COMPLETE (26 UF)           |
| 1  | 1     | 352009    | BALLAST PANEL, ONLY                     |
|    | 1     | 680119-06 | BALLAST PANEL, ONLY (ALLMAND GOLD)      |
| 2  | 1     | 022025    | 2-SCREW ROMEX CLAMP, 3/4                |
| 3  | 2     | **        | 7/8 CUSHION CLAMP                       |
| 4  | 2     | **        | 1~4 - 20 NC SELF TAPING SCREW           |
| 5  | 1     | **        | 1 4 - 20 NC X 1 1/2 STUD BOLT           |
| 6  | 3     | **        | 1 4 20 NC KEPS NUT                      |
| 7  | 1     | **        | 1/4 INTERNAL TOOTH LOCK WASHER          |
| 8  | 24    | **        | 5/16 - 18 NC INTERNAL TOOTH LOCK WASHER |
| 9  | 6     | 310118    | TRANSFORMER W/24 UF CAPACITOR           |
|    | 1     | 330490    | RECEPTACLE 240V. 15A (6KW ONLY)         |
| 10 | 1     | 650299    | RECEPTACLE 250V. 30A (8KW ONLY)         |
| 11 | 1     | 650606    | 20 AMP DUPLEX GFCI (8KW ONLY)           |
| 12 | 3     | **        | 1/4 - 20 NC NYLON INSERT NUT            |
| 13 | 3     | 610570-03 | DUAL CAPACITOR MOUNTING CLAMP           |
| 14 | 6     | 310119    | CAPACITOR ONLY, 26 UF W/ STARTER        |
| 15 | 4     | **        | #8 STAINLESS STEEL FLAT WASHER          |
| 16 | 4     | **        | #6 - 32 NC X 3/8 ROUND HEAD SCREW       |
| NS | 1     | 711029    | 7/8 HOLE PLUG (MANUAL WINCH)            |
| 17 | 2     | **        | 1/4 FLAT WASHER                         |
| 18 | 2     | **        | 1/4 - 20 NC: X 2 3/4 GRADE 5 BOLT       |
| 19 | 1     | 022036    | STEEL LOCK NUT, 3/4"                    |
| 20 | 1     | 030054    | RUBBER EDGE TRIM 3/16" X 5" LONG        |

LEGEND: NS = Not Shown

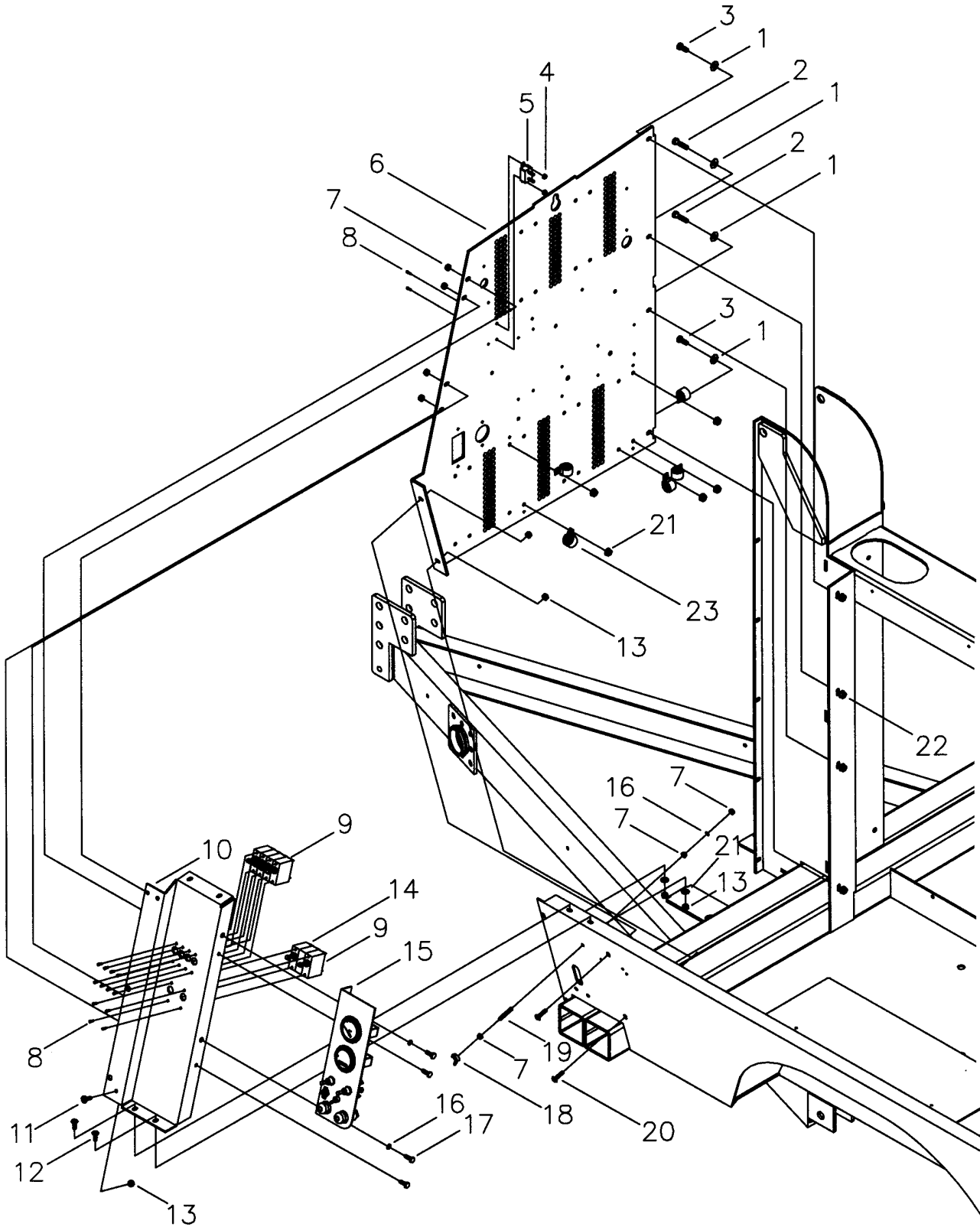
\*\* = Purchase Locally

# MAXI-LITE SERIES W/ HYDRAULIC TOWER

## TRAILER ASSEMBLY PARTS AND ACCESSORIES

### 4-LIGHT AC GAUGE PANEL ASSEMBLY

C-7A



# MAXI-LITE SERIES W/ HYDRAULIC TOWER

## TRAILER ASSEMBLY PARTS AND ACCESSORIES

4-LIGHT AC GAUGE PANEL ASSEMBLY

C-7B

| NO | REQ'D | PART NO | DESCRIPTION                                   |
|----|-------|---------|-----------------------------------------------|
| 1  | 4     | **      | 5/16 FLAT WASHER                              |
| 2  | 2     | **      | 5/6 - 18 NC X 1 1/4 GRADE 5 BOLT              |
| 3  | 2     | **      | 5/6 - 18 NC X 3/4 GRADE 5 BOLT                |
| 4  | 2     | **      | #6 - 32 NC KEPS NUT                           |
| 5  | 1     | 650139  | 30 AMP CIRCUIT BREAKER, KUBOTA ONLY           |
| 6  | 1     | 352009  | BALLAST PANEL, ONLY                           |
|    | 1     | 352188  | BALLAST PANEL, ONLY (ALLMAND GOLD)            |
| 7  | 7     | **      | 1/4-20 NC KEPS NUT                            |
| 8  | 14    | **      | #6-32 NC X 3/8 ROUND HEAD SCREW               |
| 9  | 5     | 330458  | CIRCUIT BREAKER SWITCH, 15 AMP SP (6KW ONLY)  |
|    | 5     | 330456  | CARLING SWITCH, 30AMP DP (8KW ONLY)           |
| 10 | 1     | 352008  | LEFT QUARTER PANEL 4-LIGHT                    |
|    | 1     | 352187  | LEFT QUARTER PANEL 4-LIGHT (ALLMAND GOLD)     |
| 11 | 1     | **      | 1/4 - 20 NC X 1 ROUND HEAD NYLON SCREW        |
| 12 | 2     | **      | 1/4 - 20 NC X 3/4 SCREW                       |
| 13 | 3     | **      | 1/4 - 20 NC NYLON INSERT NUT                  |
| 14 | 1     | 330459  | CIRCUIT BREAKER SWITCH , 15 AMP DP (6KW ONLY) |
|    | 1     | 330453  | CARLING SWITCH 20 AMP SP (8KW ONLY)           |
| 15 | 1     | 352003  | LPW-3 DC GAUGE PANEL                          |
| S  |       | 352079  | KUBOTA DC GAUGE PANEL                         |
|    |       | 680129  | KUBOTA DC GAUGE PANEL (ALLMAND GOLD)          |
| 16 | 3     | **      | 1/4 INTERNAL TOOTH LOCK WASHER                |
| 17 | 4     | **      | 1/4 - 20 NC X 3/4 GRADE 5 BOLT                |
| 18 | 1     | **      | 1/4 - 20 NC WING NUT                          |
| 19 | 1     | **      | 1/4 - 20 NC X 1 1/2 STUD                      |
| 20 | 2     | **      | 1/4 - 20 NC X 1 SCREW                         |
| 21 | 2     | **      | 1/4 STAINLESS STEEL FLAT WASHER               |
| 22 | 9     | 9       | 5/16 - 18 NC KEPS NUT                         |
| 23 | 5     | EL024   | 3/4" CUSHION CLAMP WITH 3/8 HOLE              |

LEGEND: NS = Not Shown

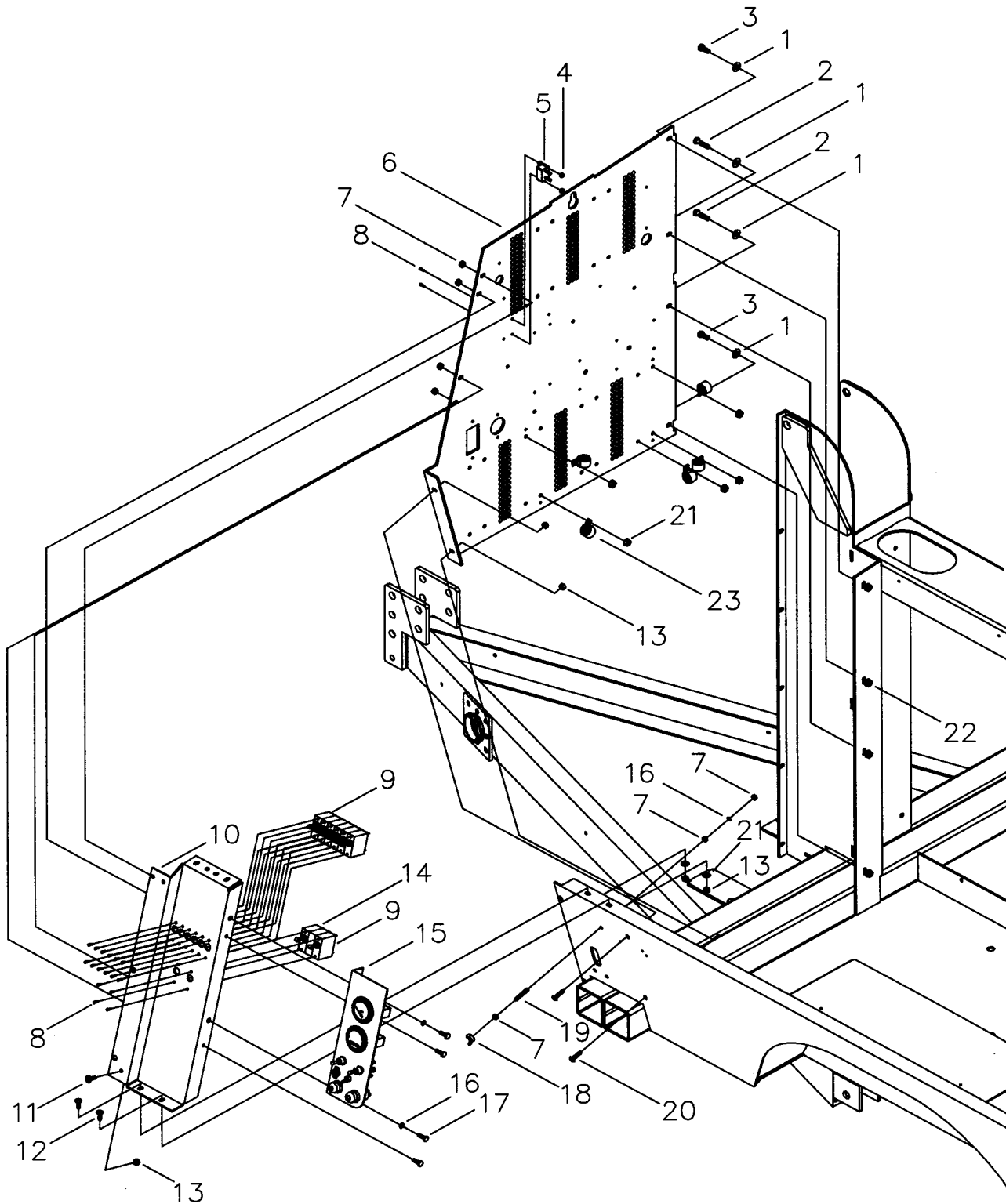
\*\* = Purchase Locally

# MAXI-LITE SERIES W/ HYDRAULIC TOWER

## TRAILER ASSEMBLY PARTS AND ACCESSORIES

### 6-LIGHT AC GAUGE PANEL ASSEMBLY

C-7C





# MAXI-LITE SERIES W/ HYDRAULIC TOWER

## TRAILER ASSEMBLY PARTS AND ACCESSORIES

6-LIGHT AC GAUGE PANEL ASSEMBLY

C-7D

| NO | REQ'D | PART NO | DESCRIPTION                                |
|----|-------|---------|--------------------------------------------|
| 1  | 4     | **      | 5/16 FLAT WASHER                           |
| 2  | 2     | **      | 5/6 - 18 NC X 1 1/4 GRADE 5 BOLT           |
| 3  | 2     | **      | 5/6 - 18 NC X 3/4 GRADE 5 BOLT             |
| 4  | 2     | **      | #6 - 32 NC KEPS NUT                        |
| 5  | 1     | 650139  | 30 AMP CIRCUIT BREAKER, KUBOTA ONLY        |
| 6  | 1     | 352009  | BALLAST PANEL, ONLY                        |
|    | 1     | 352188  | BALLAST PANEL, ONLY (ALLMAND GOLD)         |
| 7  | 7     |         | 1/4-20 NC KEPS NUT                         |
| 8  | 18    |         | #6-32 NC X 3/8 ROUND HEAD SCREW            |
| 9  | 7     | 330458  | CIRCUIT BREAKER SWITCH, 15 AMP SP          |
| 10 | 1     | 352073  | LEFT QUARTER PANEL, 6-LIGHT                |
|    | 1     | 352187  | LEFT QUARTER PANEL, 6-LIGHT (ALLMAND GOLD) |
| 11 | 1     | **      | 1/4 - 20 NC X 1 ROUND HEAD NYLON SCREW     |
| 12 | 2     | **      | 1/4 - 20 NC X 3/4 SCREW                    |
| 13 | 3     | **      | 1/4 - 20 NC NYLON INSERT NUT               |
| 14 | 1     | 330459  | CIRCUIT BREAKER SWITCH, 15 AMP DP          |
| 15 | 1     | 352003  | LPW-3 DC GAUGE PANEL                       |
| NS |       | 352079  | KUBOTA DC GAUGE PANEL                      |
|    |       | 680129  | KUBOTA DC GAUGE PANEL (ALLMAND GOLD)       |
| 16 | 3     | **      | 1/4 INTERNAL TOOTH LOCK WASHER             |
| 17 | 4     | **      | 1/4 - 20 NC X 3/4 GRADE 5 BOLT             |
| 18 | 1     | **      | 1/4 - 20 NC WING NUT                       |
| 19 | 1     | **      | 1/4 - 20 NC X 1 1/2 STUD                   |
| 20 | 2     | **      | 1/4 - 20 NC X 1 SCREW                      |
| 21 | 2     | **      | 1/4 STAINLESS STEEL FLAT WASHER            |
| 22 | 9     | **      | 5/16 - 18 NC KEPS NUT                      |
| 23 | 5     | EL024   | 3/4" CUSHION CLAMP WITH 3/8 HOLE           |

LEGEND: NS = Not Shown

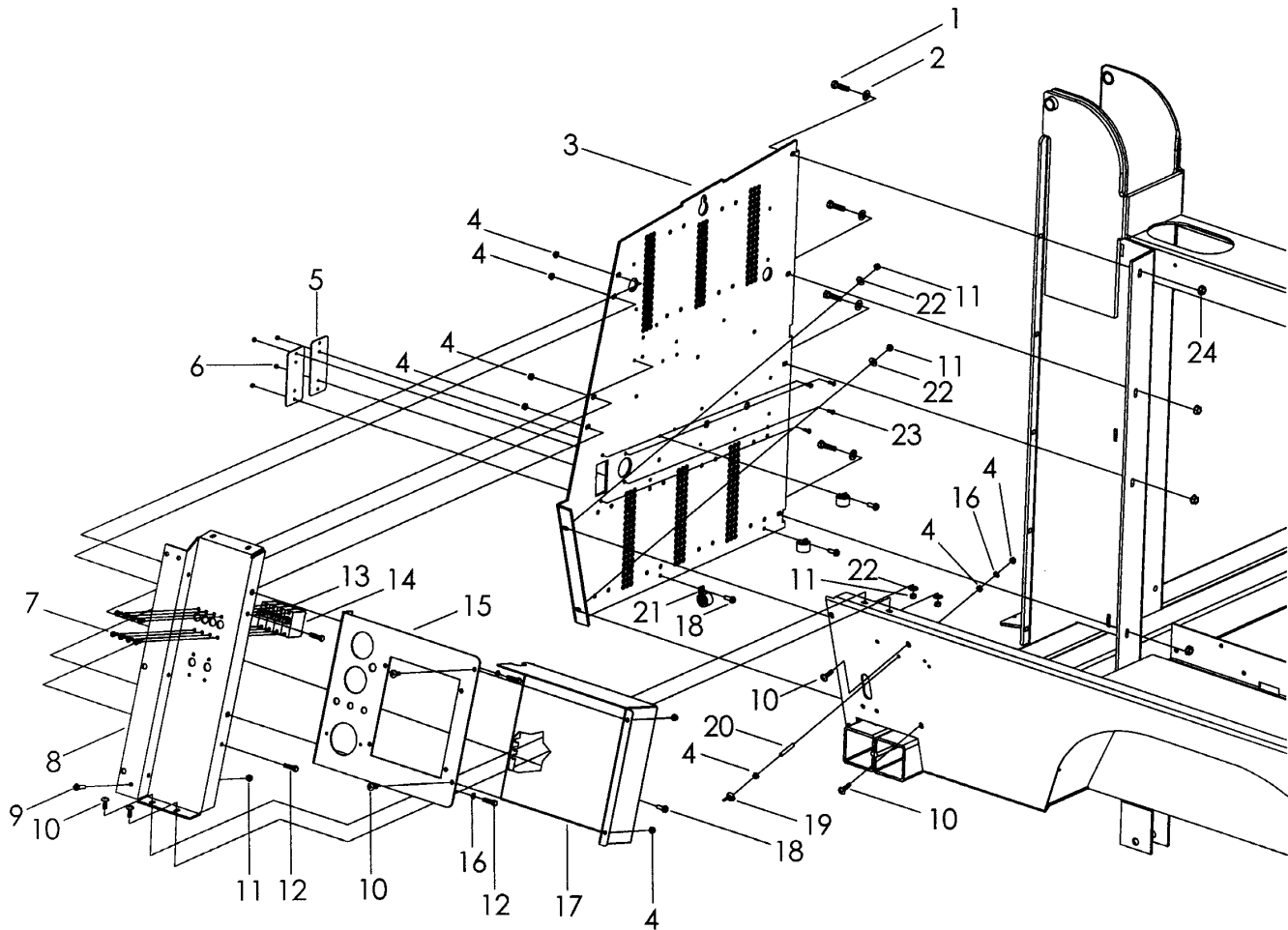
\*\* = Purchase Locally

# MAXI-LITE SERIES W/ HYDRAULIC TOWER

## TRAILER ASSEMBLY PARTS AND ACCESSORIES

### LSC100 CONTROL PANEL MOUNTING

C-7E



# MAXI-LITE SERIES W/ HYDRAULIC TOWER

## TRAILER ASSEMBLY PARTS AND ACCESSORIES

LSC100 CONTROL PANEL MOUNTING

C-7F

| NO | REQ'D | PART NO | DESCRIPTION                            |
|----|-------|---------|----------------------------------------|
| 1  | 4     | 046045  | 5/16-18 x 1-1/4 GRADE 5 BOLT           |
| 2  | 4     | 047010  | 5/16 FLAT WASHER                       |
| 3  | 1     | 680119  | BALLAST PANEL ONLY                     |
| 4  | 9     | 043021  | 1/4-20 KEPS NUT                        |
| 5  | 2     | 650367  | OUTLET COVER                           |
| 6  | 4     | 044003  | #8-32 NC KEPS NUT                      |
| 7  | 12    | 041017  | #6-32 NC X 3/8 ROUND HEAD SCREW        |
| 8  | 1     | 680118  | LEFT QUARTER PANEL, 4 LIGHT            |
| 9  | 1     | 041250  | 1/4-20 NC X 1/2 ROUND HEAD NYLON SCREW |
| 10 | 6     | 041050  | 1/4-20 NC X 3/4 TRUSS HEAD SCREW       |
| 11 | 5     | 044023  | 1/4-20 NC NYLON INSERT NUT             |
| 12 | 4     | 046015  | 1/4-20 NC X 1 GRADE 5 BOLT             |
| 13 | 1     | 650098  | 25 AMP CE SWITCH                       |
| 14 | 1     | 650594  | 15 AMP CE SWITCH                       |
| 15 | 4     | 680392  | UNIVERSAL LSC100 GAUGE PANEL           |
| 16 | 1     | 043050  | 1/4 INTERNAL TOOTH LOCK WASHER         |
| 17 | 3     | 650715  | LSC100 GAUGE PANEL COVER               |
| 18 | 1     | 041070  | 1/4-20 NC X 3/4 SELF TAPPING SCREW     |
| 19 | 4     | 330494  | 1/4-20 NC WING NUT                     |
| 20 | 1     | 045003  | 1/4-20 NC X 1-1/2 STUD                 |
| 21 | 1     | 022024  | 3/4" CUSHION CLAMP WITH 3/8 HOLE       |
| 22 | 3     | 047008  | 1/4 FLAT WASHER                        |
| 23 | 4     | 041013  | #8-32 X 1/2 SCREW                      |
| 24 | 4     | 044031  | 5/16-18 NC KEPS NUT                    |

LEGEND: NS = Not Shown

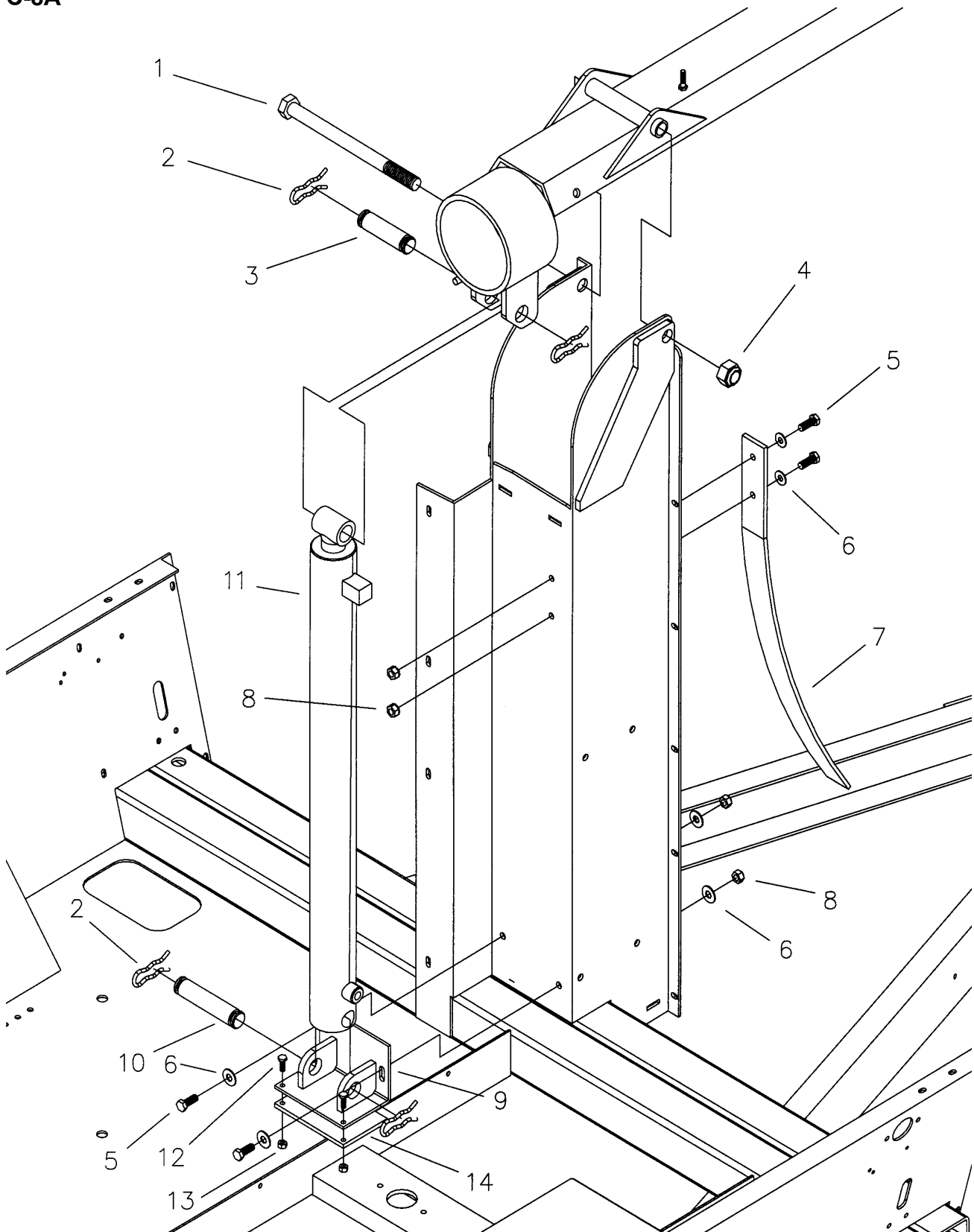
\*\* = Purchase Locally

# MAXI-LITE SERIES W/ HYDRAULIC TOWER

## TRAILER ASSEMBLY PARTS AND ACCESSORIES

### HYDRAULIC TOWER SUPPORT ASSEMBLY

C-8A



# MAXI-LITE SERIES W/ HYDRAULIC TOWER

---

## TRAILER ASSEMBLY PARTS AND ACCESSORIES

### HYDRAULIC TOWER SUPPORT ASSEMBLY

C-8B

| NO | REQ'D | PART NO | DESCRIPTION                            |
|----|-------|---------|----------------------------------------|
| 1  | 1     | **      | 3/4-10 NC x 10" GRADE 5 BOLT           |
| 2  | 4     | 620545  | HAIRPIN RETAINER                       |
| 3  | 1     | 352392  | STAND-UP CYLINDER PIVOT PIN, UPPER     |
| 4  | 1     | **      | 3/4-10 NC NYLON INSERT NUT             |
| 5  | 4     | **      | 3/8-16 NC x 1 GRADE 5 BOLT             |
| 6  | 6     | **      | 5/16 FLAT WASHER                       |
| 7  | 1     | 650330  | TOWER KICK-OUT SPRING                  |
| 8  | 4     | **      | 3/8-16 NC NYLON INSERT NUT             |
| 9  | 1     | 352219  | STAND-UP CYLINDER FRAME MOUNT          |
| 10 | 1     | 352393  | STAND-UP CYLINDER PIVOT PIN, LOWER     |
| 11 | 1     | 352207  | TOWER STAND-UP CYLINDER                |
| 12 | 2     | **      | 1/4-20 NC x 3/4 GRADE 5 BOLT           |
| 13 | 2     | **      | 1/4-20 NC x 3/4 HEX NUT                |
| 14 | *     | 352225  | STAND-UP CYLINDER SHIM PLATE, 1/4"     |
| NS | *     | 352226  | STAND-UP CYLINDER SHIM PLATE, 7 GAUGE  |
| NS | *     | 352227  | STAND-UP CYLINDER SHIM PLATE, 10 GAUGE |
| NS | *     | 352228  | STAND-UP CYLINDER SHIM PLATE, 12 GAUGE |
| NS | *     | 352229  | STAND-UP CYLINDER SHIM PLATE, 14 GAUGE |
| NS | *     | 352230  | STAND-UP CYLINDER SHIM PLATE, 16 GAUGE |

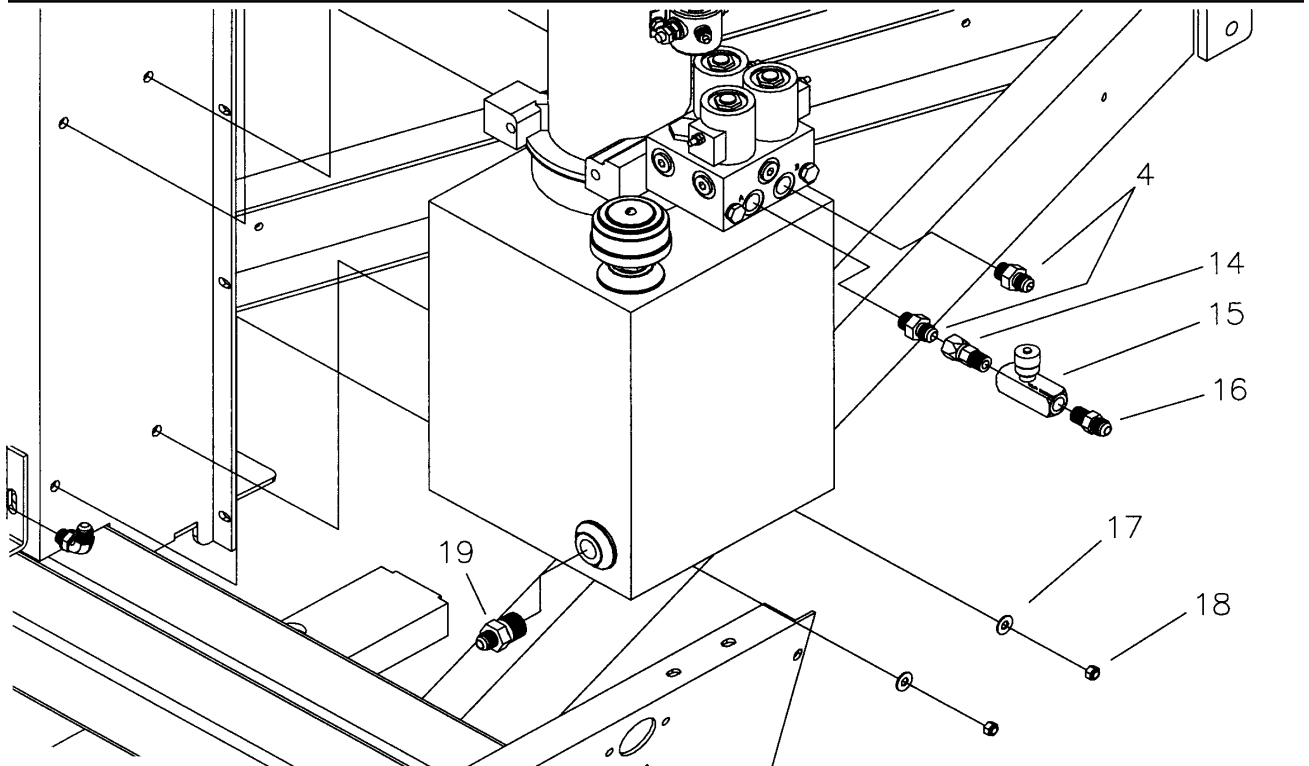
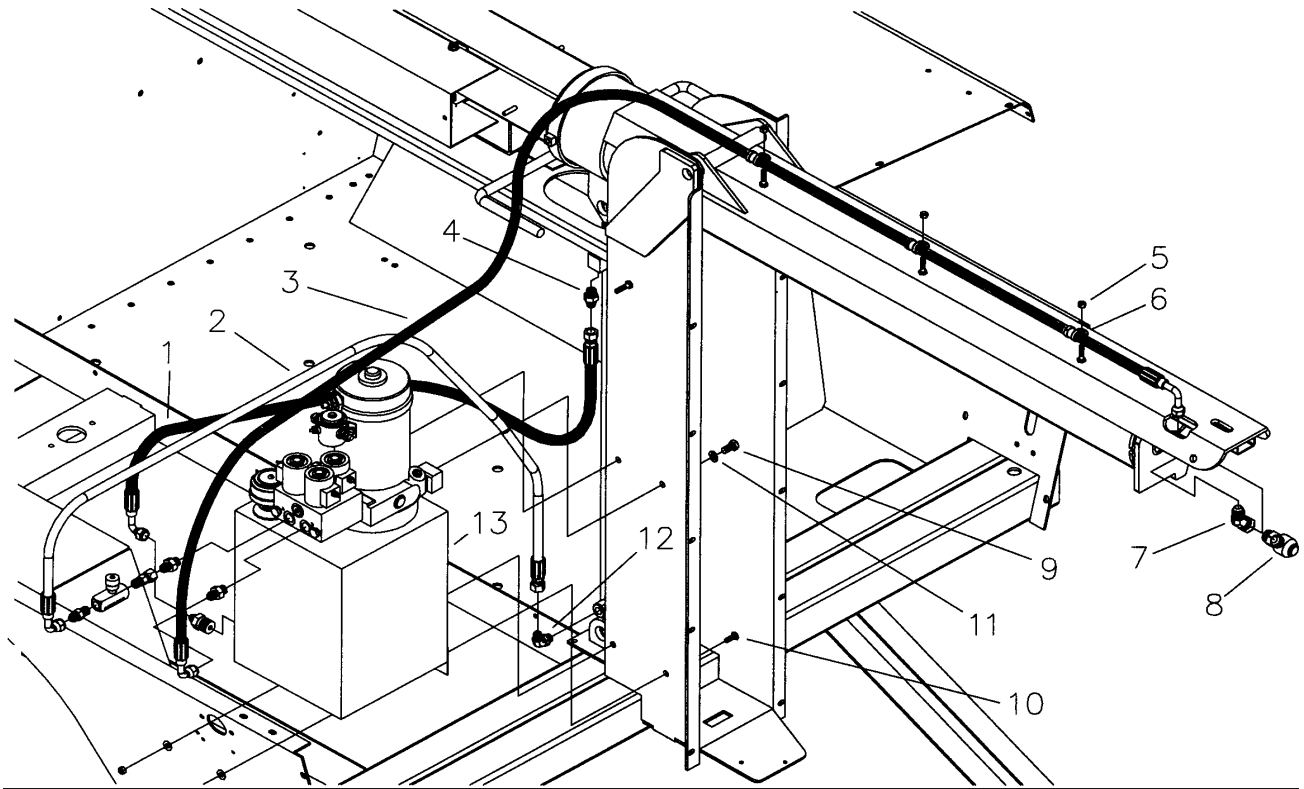
LEGEND: NS = Not Shown  
 \*\* = Purchase Locally  
 \* = As Needed

# MAXI-LITE SERIES W/ HYDRAULIC TOWER

## TRAILER ASSEMBLY PARTS AND ACCESSORIES

### HYDRAULIC TANK ASSEMBLY

C-8C



# MAXI-LITE SERIES W/ HYDRAULIC TOWER

## TRAILER ASSEMBLY PARTS AND ACCESSORIES

### HYDRAULIC TANK ASSEMBLY

C-8D

| NO | REQ'D | PART NO | DESCRIPTION                                                |
|----|-------|---------|------------------------------------------------------------|
| 1  | 1     | 352212  | HYDRAULIC HOSE ASSEMBLY<br>6M3K-6FJX-6FJX902-24"           |
| 2  | 1     | 352211  | HYDRAULIC HOSE ASSEMBLY<br>6M3K-6FJX-6FJX90S-38"           |
| 3  | 1     | 352210  | HYDRAULIC HOSE ASSEMBLY<br>6M3K-6FJX90S-6C28FJX90M-87"-30° |
| 4  | 3     | 320076  | HYDRAULIC FITTING, 6F50X-S                                 |
| 5  | 3     |         | 1/4-20 NC NYLON INSERT NUT                                 |
| 6  | 3     | 310212  | HOSE CLAMP                                                 |
| 7  | 1     | 352259  | HYDRAULIC FITTING, 8V6X-S                                  |
| 8  | 1     | 352209  | HYDRAULIC FITTING, SWIVEL 90°                              |
| 9  | 2     | **      | 3/8-16 NC x 3/4 GRADE 5 BOLT                               |
| 10 | 2     | **      | 1/4-20 NC x 1" TRUSS HEAD BOLT                             |
| 11 | 2     | **      | 3/8 SPLIT LOCKWASHER                                       |
| 12 | 1     | 920692  | HYDRAULIC FITTING, 6C50X-S                                 |
| 13 | 1     | 352208  | HYDRAULIC POWER UNIT                                       |
|    | 3     | 320545  | SOLENOID COIL                                              |
|    | 2     | 320555  | CARTRIDGE, UP                                              |
|    | 1     | 320560  | CARTRIDGE, DOWN                                            |
| 14 | 1     | 352260  | HYDRAULIC FITTING, STRAIGHT SWIVEL, 6F6X-S                 |
| 15 | 1     | 320087  | FLOW CONTROL VALVE                                         |
| 16 | 1     | 920823  | HYDRAULIC FITTING, 6FTX-S                                  |
| 17 | 2     | **      | 1/4 FLAT WASHER                                            |
| 18 | 2     | **      | 1/4-20 NC NYLON INSERT NUT                                 |
| 19 | 1     | 920666  | HYDRAULIC FITTING, 6-8FTX-S                                |

LEGEND: NS = Not Shown

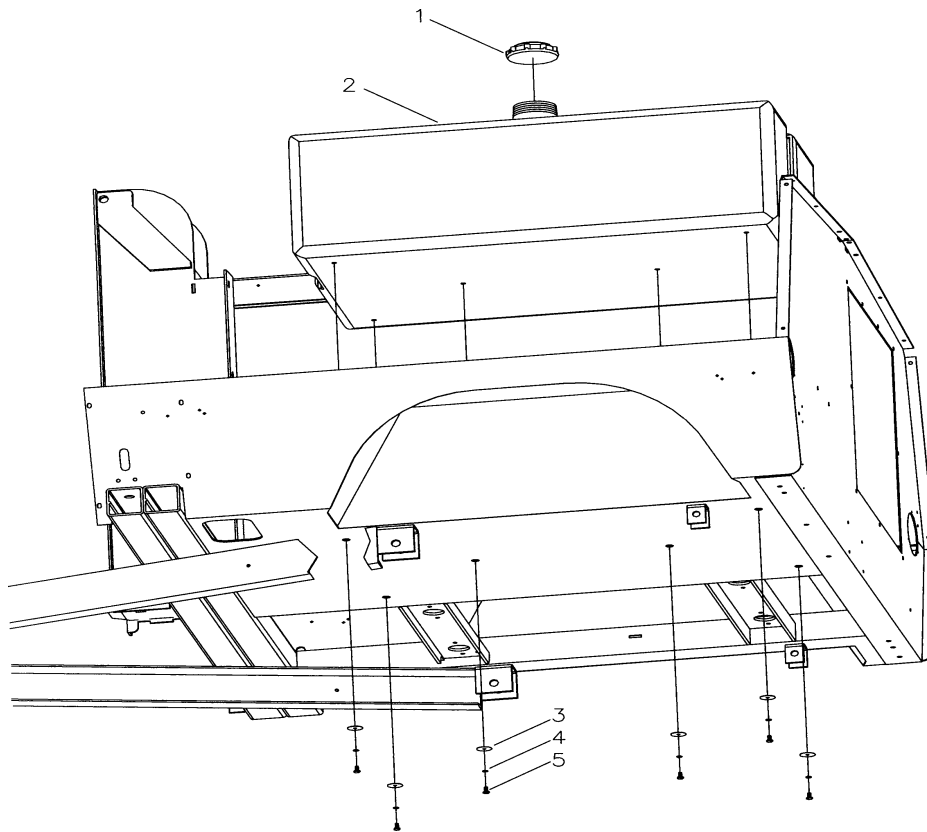
\*\* = Purchase Locally

# MAXI-LITE SERIES W/ HYDRAULIC TOWER

## TRAILER ASSEMBLY PARTS AND ACCESSORIES

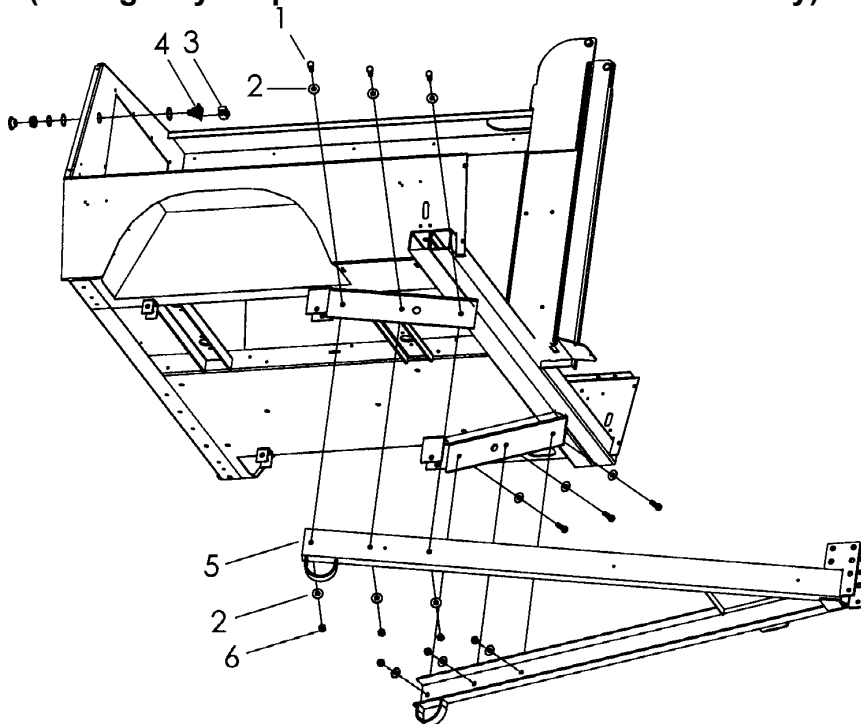
### FUEL TANK ASSEMBLY

C-9A



### REMOVABLE TONGUE, EMERGENCY STOP BUTTON (Emergency Stop Button used on Euro Models only)

C-10A





---

---

# MAXI-LITE SERIES W/ HYDRAULIC TOWER

## TRAILER ASSEMBLY PARTS AND ACCESSORIES

### FUEL TANK ASSEMBLY

C-9B

| NO | REQ'D | PART NO | DESCRIPTION                    |
|----|-------|---------|--------------------------------|
| 1  | 1     | 340441  | FUEL TANK FILLER CAP           |
| 2  | 1     | 340440  | FUEL TANK, 50 GALLON           |
| 3  | 6     | **      | 1/4 X 1 1/4 FENDER WASHER      |
| 4  | 6     | **      | 1/4 INTERNAL TOOTH LOCK WASHER |
| 5  | 6     | **      | 1/4 - 20 NC X 1/2 GRADE 5 BOLT |

LEGEND: NS = Not Shown

\*\* = Purchase Locally

---

### REMOVABLE TONGUE, EMERGENCY STOP BUTTON (Emergency Stop Button used on Euro Models only)

C-10B

| NO | REQ'D | PART NO | DESCRIPTION                    |
|----|-------|---------|--------------------------------|
| 1  | 6     | 046185  | 1/2-13 NC X 1-1/2 GRADE 5 BOLT |
| 2  | 12    | 047025  | 1/2 FLAT WASHER                |
| 3  | 1     | 650468  | NORMALLY CLOSED CONTACT BLOCK  |
| 4  | 1     | 650460  | PUSH/PULL OPERATOR BUTTON      |
| 5  | 1     | 680199  | REMOVABLE TONGUE               |
| 6  | 6     | 044048  | 1/2-13 NC NYLON INSERT NUT     |

LEGEND: NS = Not Shown

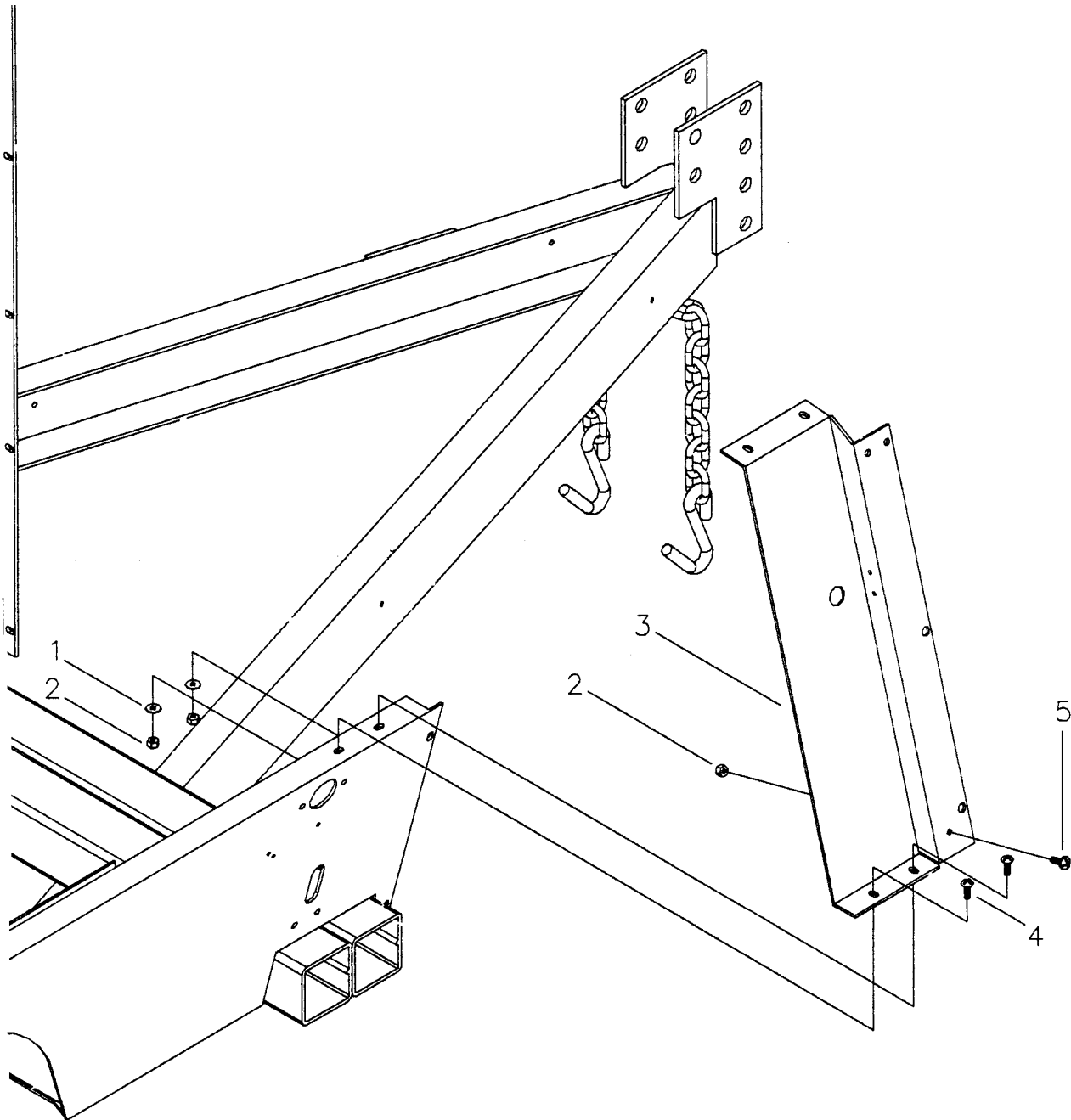
\*\* = Purchase Locally

# MAXI-LITE SERIES W/ HYDRAULIC TOWER

## TRAILER ASSEMBLY PARTS AND ACCESSORIES

### RIGHT QUARTER PANEL ASSEMBLY

C-10A



# MAXI-LITE SERIES W/ HYDRAULIC TOWER

## TRAILER ASSEMBLY PARTS AND ACCESSORIES

RIGHT QUARTER PANEL ASSEMBLY

C-10B

| NO | REQ'D | PART NO | DESCRIPTION                            |
|----|-------|---------|----------------------------------------|
| 1  | 2     | **      | 1/4 STAINLESS STEEL FLAT WASHER        |
| 2  | 3     | **      | 1/4 -20 NC NYLON INSERT NUT            |
| 3  | 1     | 680108  | RIGHT QUARTER PANEL                    |
| 4  | 2     | **      | 1/4 - 20 NC X 3/4 SCREW                |
| 5  | 1     | **      | 1/4 - 20 NC X 1 ROUND HEAD NYLON SCREW |
| NS | 1     | 830165  | SNAP SWITCH                            |
| NS | 1     | 711028  | 9/16 X 7/8 GROMMET                     |
| NS | 2     | **      | #6 X 1 1/2 TRUSS HEAD CAP SCREW        |
| NS | 2     | **      | #6 KEPS NUT                            |

LEGEND: NS = Not Shown

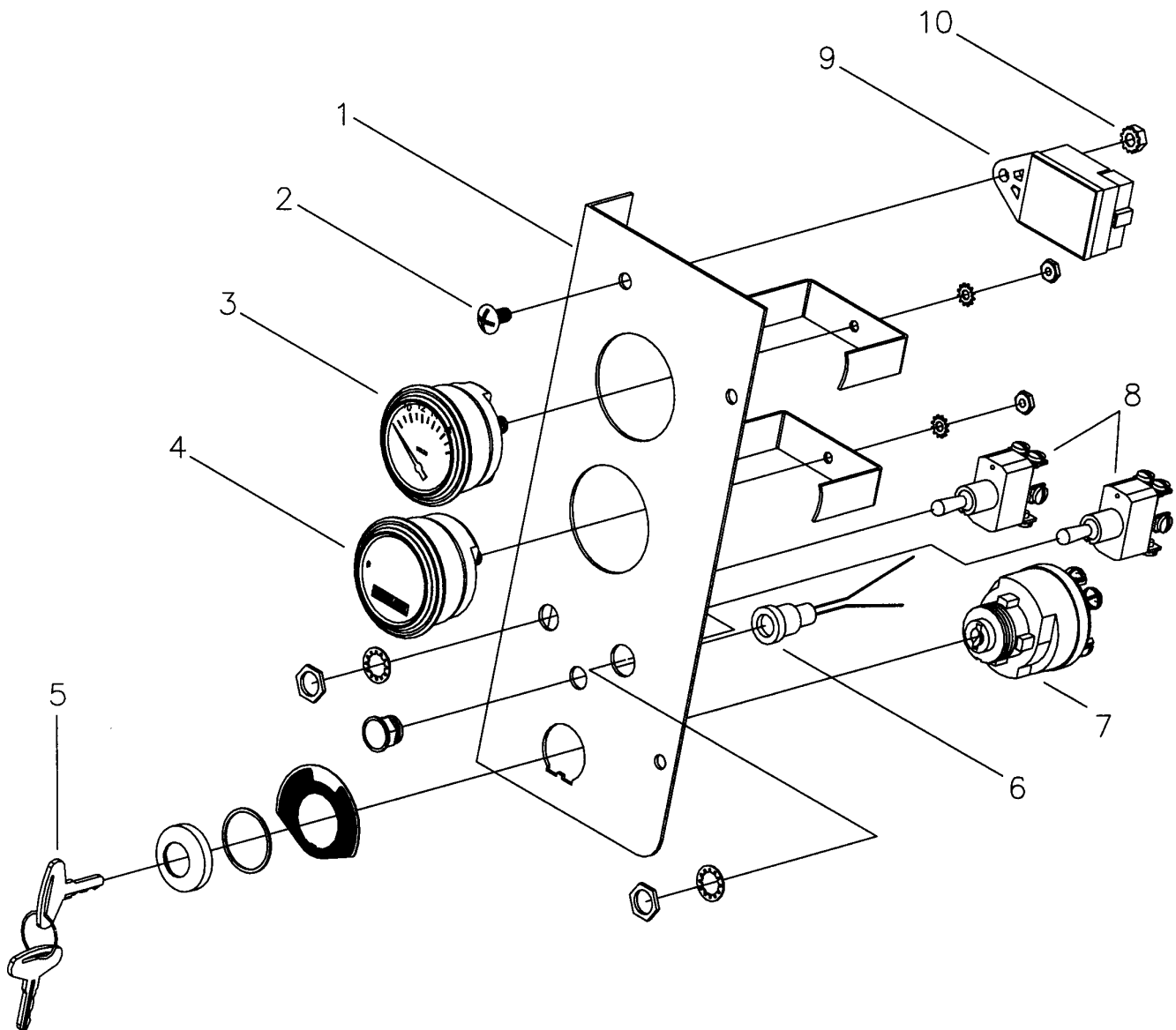
\*\* = Purchase Locally

# MAXI-LITE SERIES W/ HYDRAULIC TOWER

## TRAILER ASSEMBLY PARTS AND ACCESSORIES

### KUBOTA/ PERKINS ENGINE DC GAUGE PANEL ASSEMBLY

C-11A



# MAXI-LITE SERIES W/ HYDRAULIC TOWER

## TRAILER ASSEMBLY PARTS AND ACCESSORIES

### KUBOTA/PERKINS ENGINE DC GAUGE PANEL ASSEMBLY

C-11B

| NO | REQ'D | PART NO | DESCRIPTION                           |
|----|-------|---------|---------------------------------------|
| 1  | 1     | 352079  | KUBOTA DC GAUGE PANEL                 |
|    | 1     | 680129  | KUBOTA DC GAUGE PANEL (ALLMAND GOLD)  |
|    | 1     | 352164  | PERKINS DC GAUGE PANEL (ALLMAND GOLD) |
| 2  | 1     | **      | 1/4 - 20 NC X 1/2 SCREW               |
| 3  | 1     | 340413  | VOLT METER                            |
| 4  | 1     | 340014  | HOUR METER, 12 VOLT                   |
| 5  | 1     | 920474  | IGNITION KEY (KUBOTA)                 |
|    | 1     | @@@     | IGNITION KEY (PERKINS)                |
| 6  | 1     | @@@     | GLOW PLUG LAMP (KUBOTA)               |
|    | 1     | @@@@    | GLOW PLUG LAMP (PERKINS)              |
| 7  | 1     | 920475  | KUBOTA KEY SWITCH W/2 KEYS            |
|    | 1     | @@@@    | PERKINS KEY SWITCH W/2 KEYS           |
| 8  | 1     | 310544  | DPDT MOMENTARY CONTACT SWITCH         |
| 9  | 1     | @@@     | GLOW LAMP TIMER (KUBOTA)              |
|    | 1     | @@@@    | REGULATOR (PERKINS)                   |
| 10 | 1     | **      | 1/4 - 20 NC KEPS NUT                  |

LEGEND: NS = Not Shown

\*\* = Purchase Locally

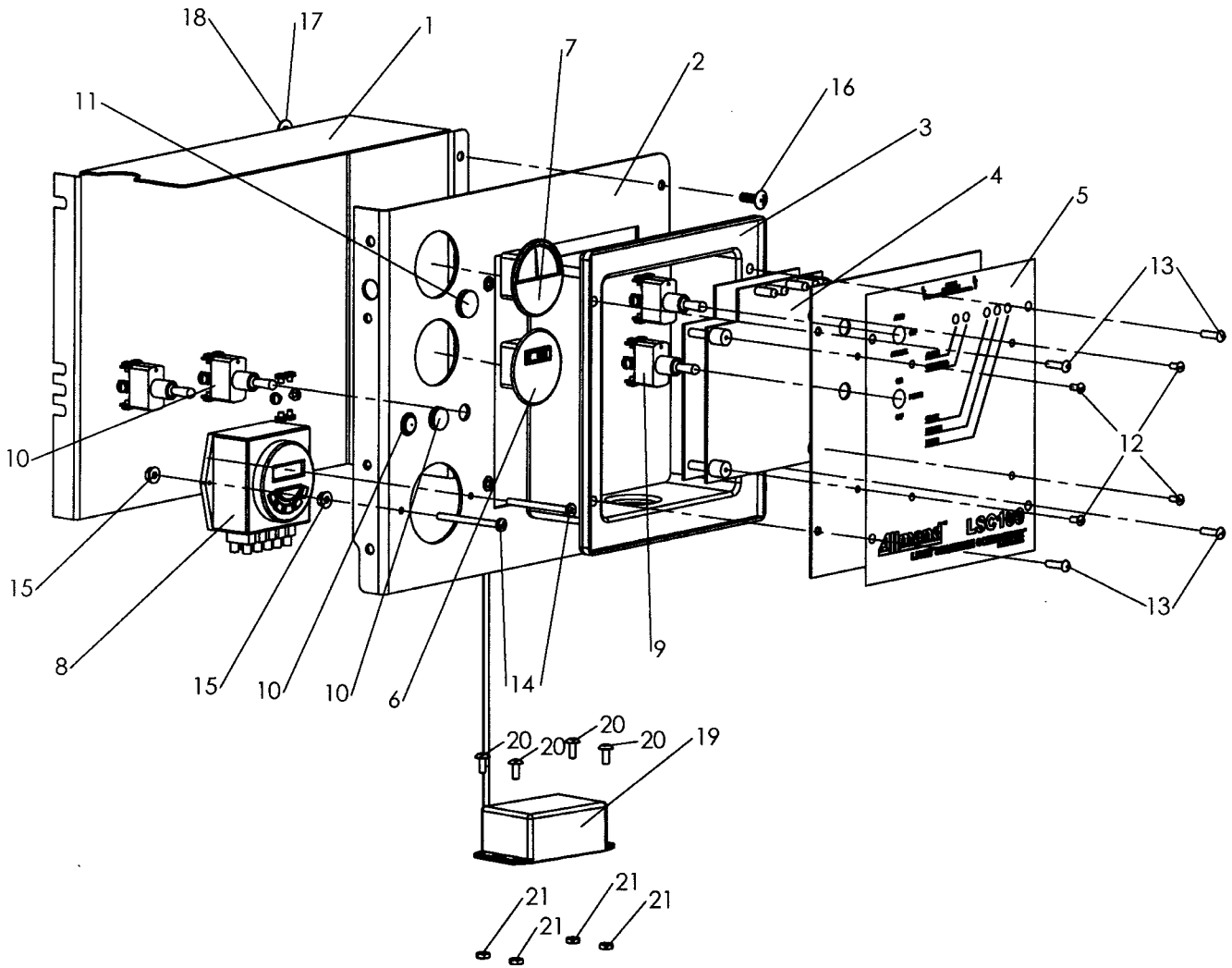
@@@ = See Local Kubota Dealer

@@@@ = See Local Perkins Dealer

# MAXI-LITE SERIES W/ HYDRAULIC TOWER

## LSC100 LIGHT SEQUENCE COMMANDER ASSEMBLY

C-11C



# MAXI-LITE SERIES W/ HYDRAULIC TOWER

## LSC100 LIGHT SEQUENCE COMMANDER ASSEMBLY

C-11D

| NO | REQ'D | PART NO | DESCRIPTION                                               |
|----|-------|---------|-----------------------------------------------------------|
| 1  | 1     | 650715  | COVER, LSC100 MOUNT PANEL                                 |
| 2  | 1     | 680392  | LSC100 UNIVERSAL MOUNT PANEL                              |
|    |       | 680391  | LSC100 STANDARD MAXI MOUNT PANEL                          |
| 3  | 1     | 650750  | LSC100 CONTROLLER BOX                                     |
| 4  | 1     | 650744  | LSC100 CONTROLLER ONLY WITH SWITCH                        |
|    |       | 650716  | LSC 100 UNIT COMPLETE                                     |
| 5  | 1     | 650713  | LSC100 PANEL FACE AND SILKSCREEN                          |
| 6  | 1     | 340014  | HOUR METER                                                |
| 7  | 1     | 340413  | VOLT METER                                                |
| 8  | 1     | 352471  | DIGITAL TIMER (OPTIONAL)                                  |
| 9  | 1     | 650754  | 15 AMP DPDT ON/ON TOGGLE SWITCH                           |
| 10 | 1     | 340009  | 15 AMP SPST TOGGLE SWITCH (2 required for Electric Winch) |
|    |       | 433328  | PLASTIC PLUG (Replaces Switch)                            |
| 11 | 1     | 433329  | 5/8" PLASTIC CAP (Replaces Breaker)                       |
| 12 | 4     | 041018  | #6-32 NC X 3/8 ROUND HEAD SCREW                           |
| 13 | 4     | 041027  | 10-24 x 3/4" TRUSS HEAD SCREW                             |
| 14 | 2     | 041045  | 10-24 x 2-1/2" ROUND HEAD SCREW                           |
| 15 | 4     | 044016  | 10-24 KEPS NUT                                            |
| 16 | 2     | 041050  | 1/4-20 NC X 3/4 TRUSS HEAD SCREW                          |
| 17 | 2     | 047008  | 1/4 FLAT WASHER                                           |
| 18 | 2     | 043021  | 1/4-20 KEPS NUT                                           |
| 19 | 1     | 650755  | PHOTOCELL (LSC100)                                        |
| 20 | 4     | 041013  | #8-32 X 1/2 SCREW                                         |
| 21 | 4     | 044016  | #8-32 NC KEPS NUT                                         |

LEGEND: NS = Not Shown

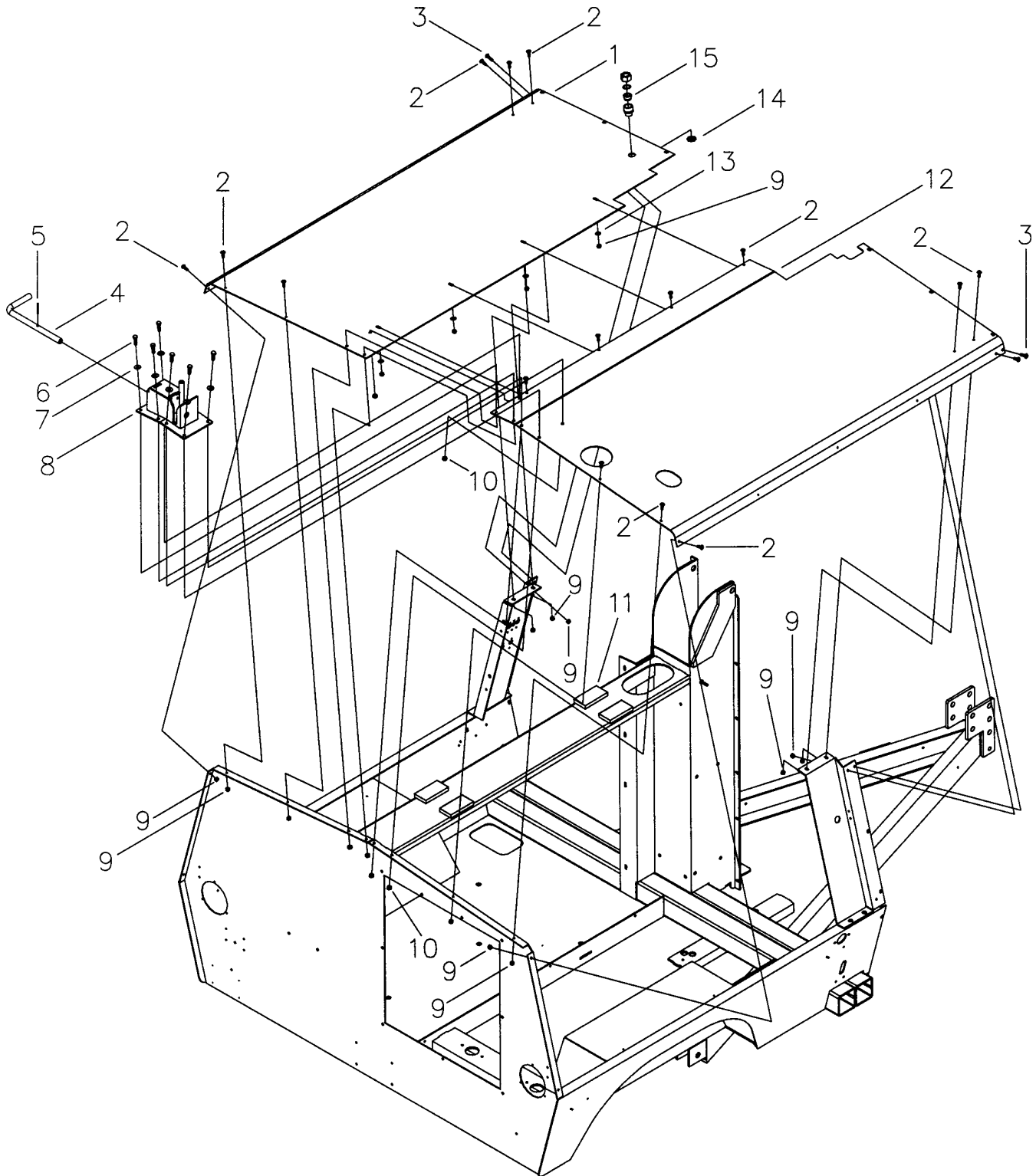
\*\* = Purchase Locally

# MAXI-LITE SERIES W/ HYDRAULIC TOWER

## TRAILER ASSEMBLY PARTS AND ACCESSORIES

### ROOF PANEL AND REAR TOWER SUPPORT ASSEMBLY

C-12A





# MAXI-LITE SERIES

## TRAILER ASSEMBLY PARTS AND ACCESSORIES

### ROOF PANEL AND REAR TOWER SUPPORT ASSEMBLY

C-12B

| NO | REQ'D | PART NO | DESCRIPTION                            |
|----|-------|---------|----------------------------------------|
| 1  | 1     | 680106* | LEFT ROOF PANEL                        |
| 2  | 15    | 041050  | 1/4 - 20 NC X 3/4 SCREW                |
| 3  | 2     | 041080  | 1/4 - 20 NC X 1 SCREW                  |
| 4  | 1     | 330450  | REAR TOWER SUPPORT PIN                 |
| 5  | 1     | 045156  | 1/4 X 2 ROLL PIN                       |
| 6  | 6     | 046050  | 5/16 - 18 NC X 1 GRADE 5 BOLT          |
| 7  | 6     | 047010  | 5/16 FLAT WASHER                       |
| 8  | 1     | 680110P | REAR TOWER SUPPORT                     |
|    |       | 680540  | REAR TOWER SUPPORT EXTENDED (Optional) |
| 9  | 17    | 044023  | 1/4-20 NC NYLON INSERT NUT             |
| 10 | 6     | 044033  | 5/16-18 NC NYLON INSERT NUT            |
| 11 | 4     | 030007  | RUBBER PAD 1 1/4 X 7/16 X 4            |
| 12 | 1     | 101006P | RIGHT ROOF PANEL                       |
|    | 1     | 352159P | RIGHT ROOF PANEL (PERKINS)             |
| 13 | 5     | 047008  | 1/4 STAINLESS STEEL FLAT WASHER        |
| 14 | 1     | 022035  | STEEL LOCK NUT, 1/2"                   |
| 15 | 1     | 310033  | 1/2" CORD GRIP                         |
| 16 | 1     | 680105  | CORD HOLDER (STRAIGHT CORD ONLY)       |

LEGEND: NS= Not Shown

\*\* = Purchase locally

\* Use these codes to designate color needed:

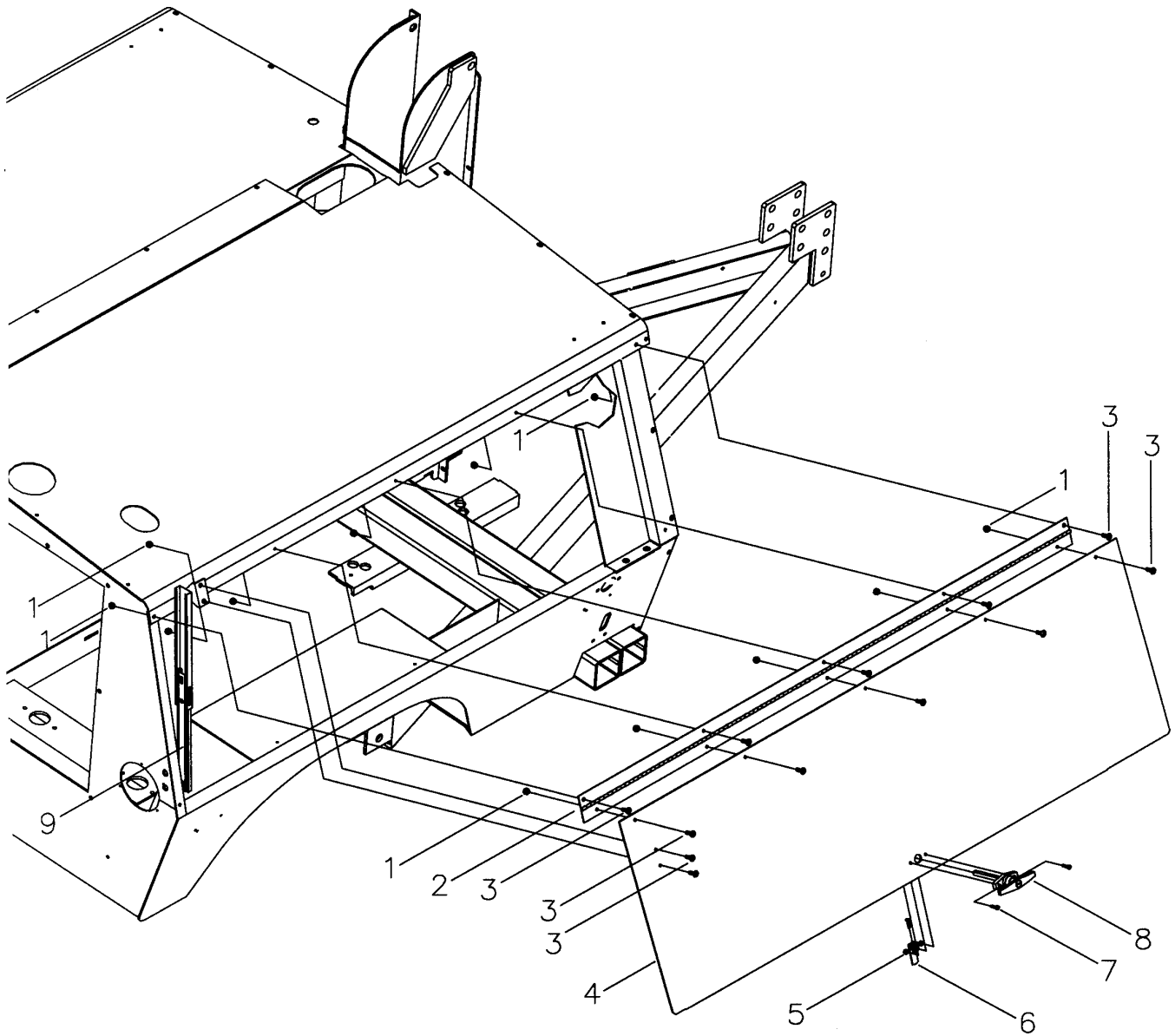
|                   |                    |
|-------------------|--------------------|
| 01-White          | 06-Allmand Gold    |
| 02-Gloss Black    | 09-Flat Black      |
| 03-Gray           | 10-High temp Black |
| 04-Allmand Yellow | 11-Red             |
| 05-Orange         |                    |

# MAXI-LITE SERIES W/ HYDRAULIC TOWER

## TRAILER ASSEMBLY PARTS AND ACCESSORIES

### RIGHT AND LEFT DOOR PANEL ASSEMBLY

C-13A



# MAXI-LITE SERIES W/ HYDRAULIC TOWER

## TRAILER ASSEMBLY PARTS AND ACCESSORIES

### RIGHT AND LEFT DOOR PANEL ASSEMBLY

C-13B

| NO | REQ'D | PART NO | DESCRIPTION                        |
|----|-------|---------|------------------------------------|
| 1  | 24    | **      | 1/4 - 20 NC NYLON INSERT NUT       |
| 2  | 2     | 352023  | DOOR HINGE                         |
| 3  | 24    | **      | 1/4 - 20 NC X 3/4 SCREW            |
| 4  | 1     | 680444  | RIGHT DOOR PANEL (SLAM LATCH)      |
|    |       | 352010  | RIGHT DOOR PANEL (T-HANDLE)        |
| NS | 1     | 680453  | LEFT DOOR PANEL (SLAM LATCH)       |
|    |       | 352028  | LEFT DOOR PANEL (T-HANDLE)         |
| 5  | 4     | **      | #10 - 24 NC KEPS NUT               |
| 6  | 2     | 650132  | LATCH CAM, W/SQUARE HEAD SET SCREW |
| 7  | 4     | **      | #10 - 24 NC X 3/4 FLAT HEAD SCREW  |
| 8  | 2     | 650131  | LOCKING T-HANDLE                   |
| NS | 1     | 680459  | SLAM LATCH                         |
| 9  | 2     | 352057  | TELESCOPIC PROP                    |

LEGEND: NS = Not Shown

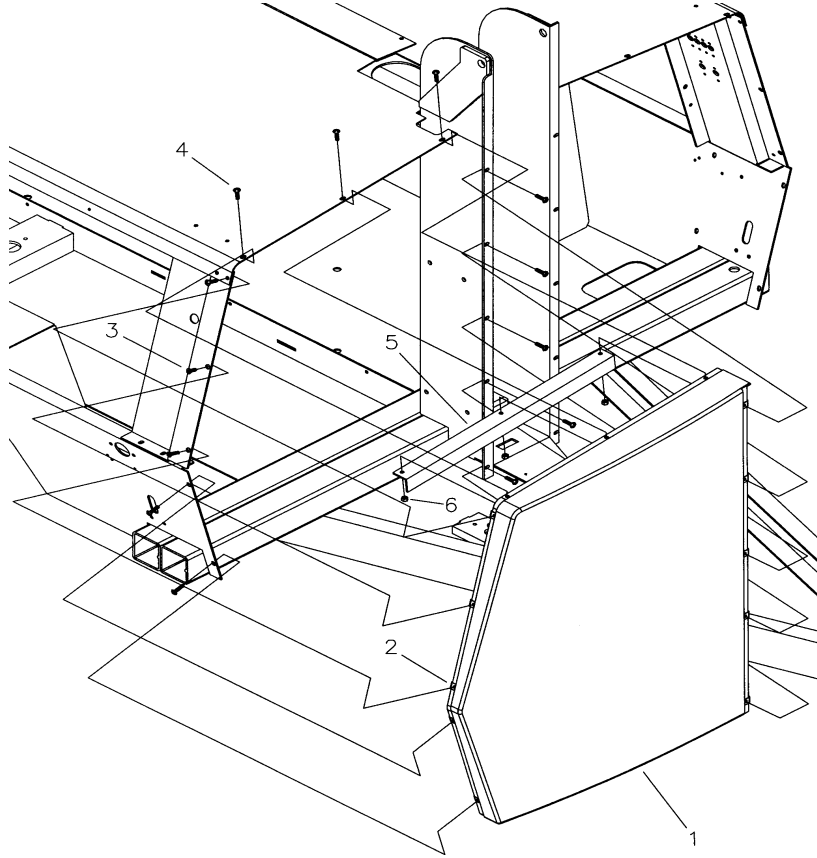
\*\* = Purchase Locally

# MAXI-LITE SERIES W/ HYDRAULIC TOWER

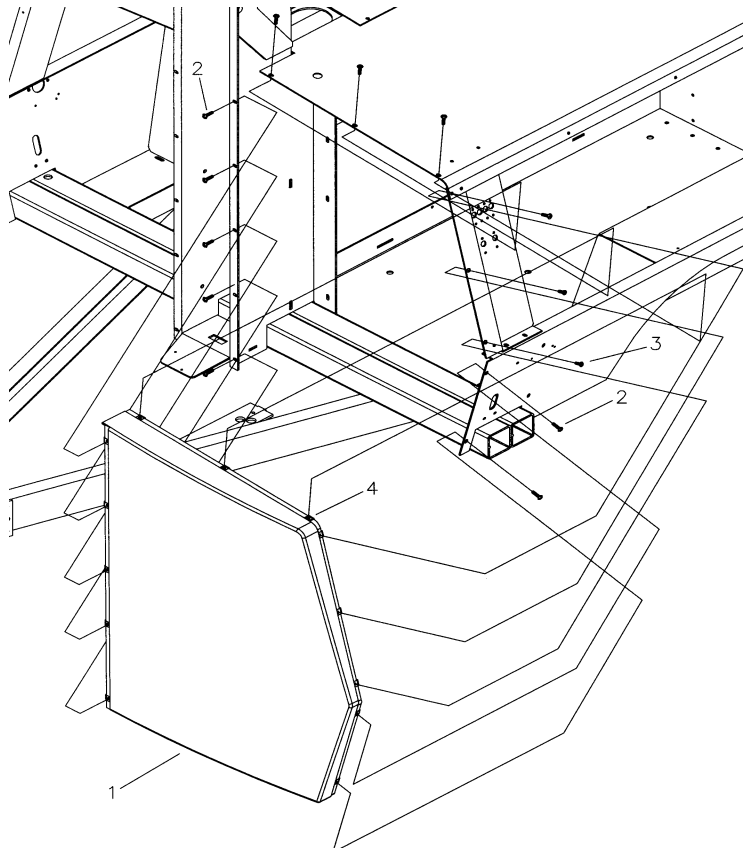
## TRAILER ASSEMBLY PARTS AND ACCESSORIES

### PLASTIC FRONT PANEL ASSEMBLY

C-14A



C-14C



# MAXI-LITE SERIES W/ HYDRAULIC TOWER

## TRAILER ASSEMBLY PARTS AND ACCESSORIES

### PLASTIC FRONT PANEL ASSEMBLY

C-14B

| NO | REQ'D | PART NO | DESCRIPTION                               |
|----|-------|---------|-------------------------------------------|
| 1  | 1     | 680499  | RIGHT FRONT PANEL (HYDRAULIC)             |
|    |       | 680440  | RIGHT FRONT PANEL (CE)                    |
| 2  | 10    | HD216   | TINNERMAN FASTENER                        |
| 3  | 2     | **      | 1/4 - 20 NC X 3/4 FLAT HEAD MACHINE SCREW |
| 4  | 11    | **      | 1/4 - 20 NC X 1 SCREW                     |
| 5  | 1     | 352055  | ROOF SUPPORT                              |
| 6  | 3     | **      | 1/4 - 20 NC NYLON INSERT NUT              |

LEGEND: NS = Not Shown  
\*\* = Purchase Locally

---

| NO | REQ'D | PART NO | DESCRIPTION                               | C-14D |
|----|-------|---------|-------------------------------------------|-------|
| 1  | 1     | 680497  | LEFT FRONT PANEL (HYDRAULIC)              |       |
|    |       | 680441  | LEFT FRONT PANEL (CE)                     |       |
| 2  | 11    | **      | 1/4 - 20 NC X 1 SCREW                     |       |
| 3  | 2     | **      | 1/4 - 20 NC X 3/4 FLAT HEAD MACHINE SCREW |       |
| 4  | 13    | HD216   | TINNERMAN FASTENER                        |       |

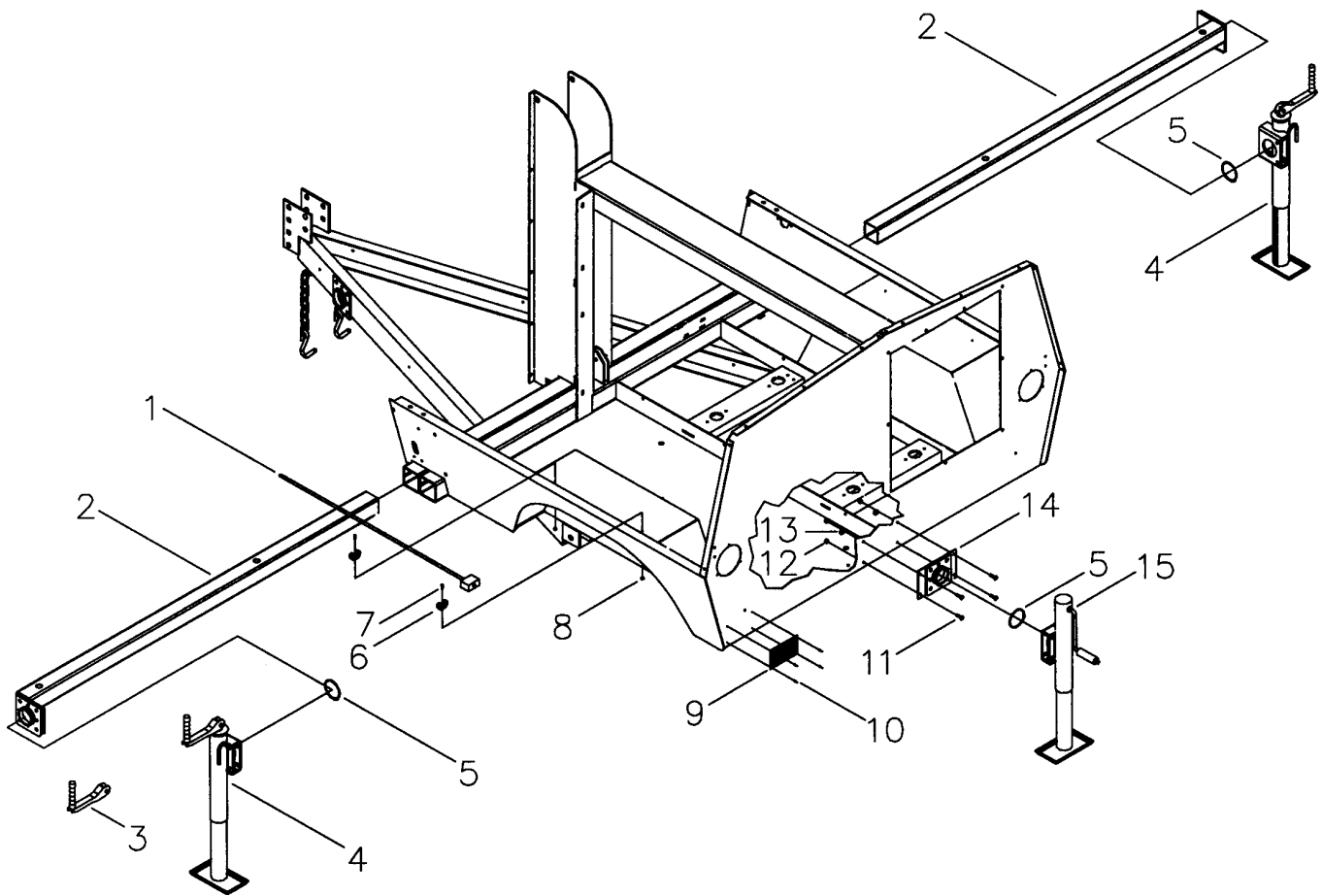
LEGEND: NS = Not Shown  
\*\* = Purchase Locally

# MAXI-LITE SERIES W/ HYDRAULIC TOWER

## TRAILER ASSEMBLY PARTS AND ACCESSORIES

### OUTRIGGERS AND REAR JACK ASSEMBLY

C-15A



# MAXI-LITE SERIES W/ HYDRAULIC TOWER

## TRAILER ASSEMBLY PARTS AND ACCESSORIES

### OUTRIGGERS AND REAR JACK ASSEMBLY

C-15B

| NO | REQ'D | PART NO | DESCRIPTION                       |
|----|-------|---------|-----------------------------------|
| 1  | 1     | 340058  | GROUND ROD                        |
| 2  | 1     | 352014  | LEFT/RIGHT OUTRIGGER              |
| 3  |       | 330012  | REPLACEMENT HANDLE                |
| 4  | 2     | 330010  | LONG JACK                         |
| 5  | 3     | 330014  | JACK SNAP RING 2 5/16 XT          |
| 6  | 2     | 330481  | GROUND ROD CLIP                   |
| 7  | 2     | **      | #10 - 24 NC X 1/2 SCREW           |
| 8  | 2     | **      | #10 - 24 NC KEPS NUT              |
| 9  | 1     | **      | SERIAL NUMBER PLATE               |
| 10 | 4     | HD108   | BLIND RIVET                       |
| 11 | 4     | **      | 1/4 - 20 NC X 1 SCREW             |
| 12 | 4     | **      | 1/4 - 20 NC NYLON INSERT NUT      |
| 13 | 2     | **      | #4 CUSHION CLAMP                  |
| 14 | 1     | 680112P | REAR JACK MOUNT WELDMENT          |
| 15 | 1     | 352072  | SWIVEL MOUNT JACK WITH SIDE CRANK |

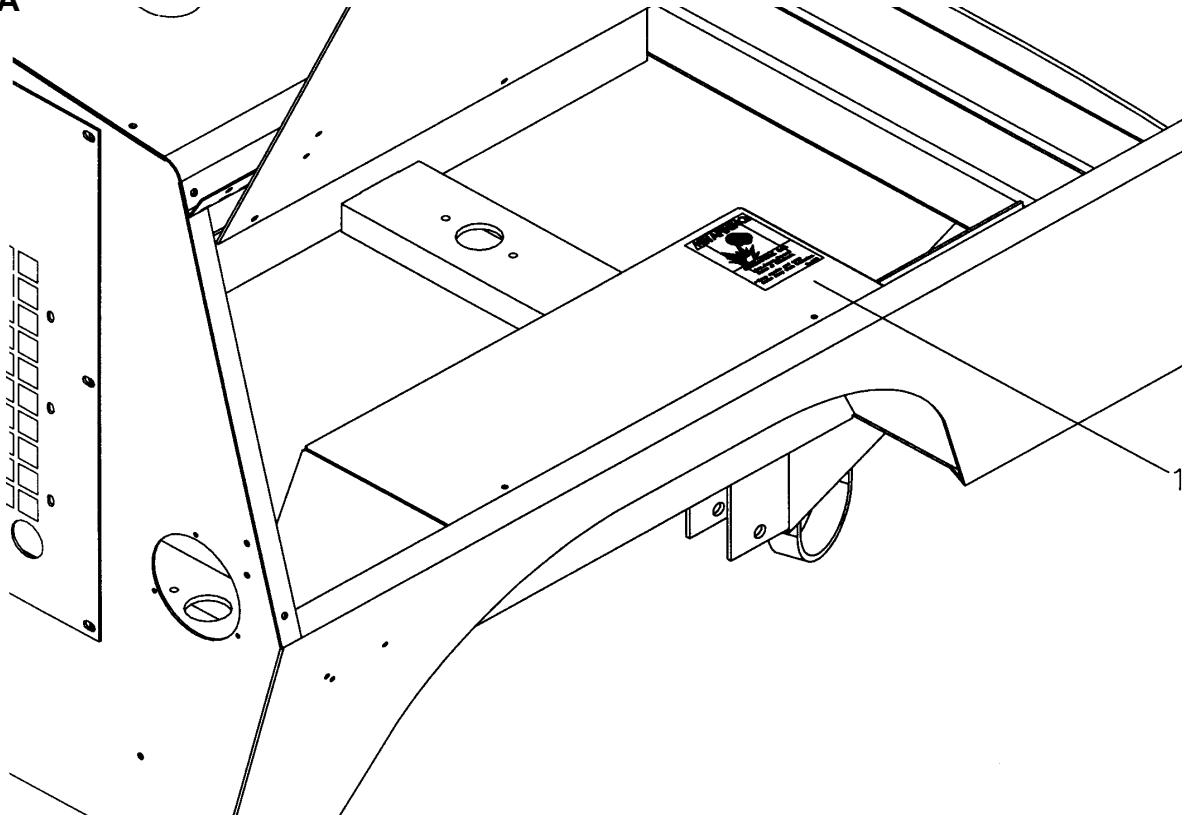
LEGEND: NS = Not Shown

\*\* = Purchase Locally

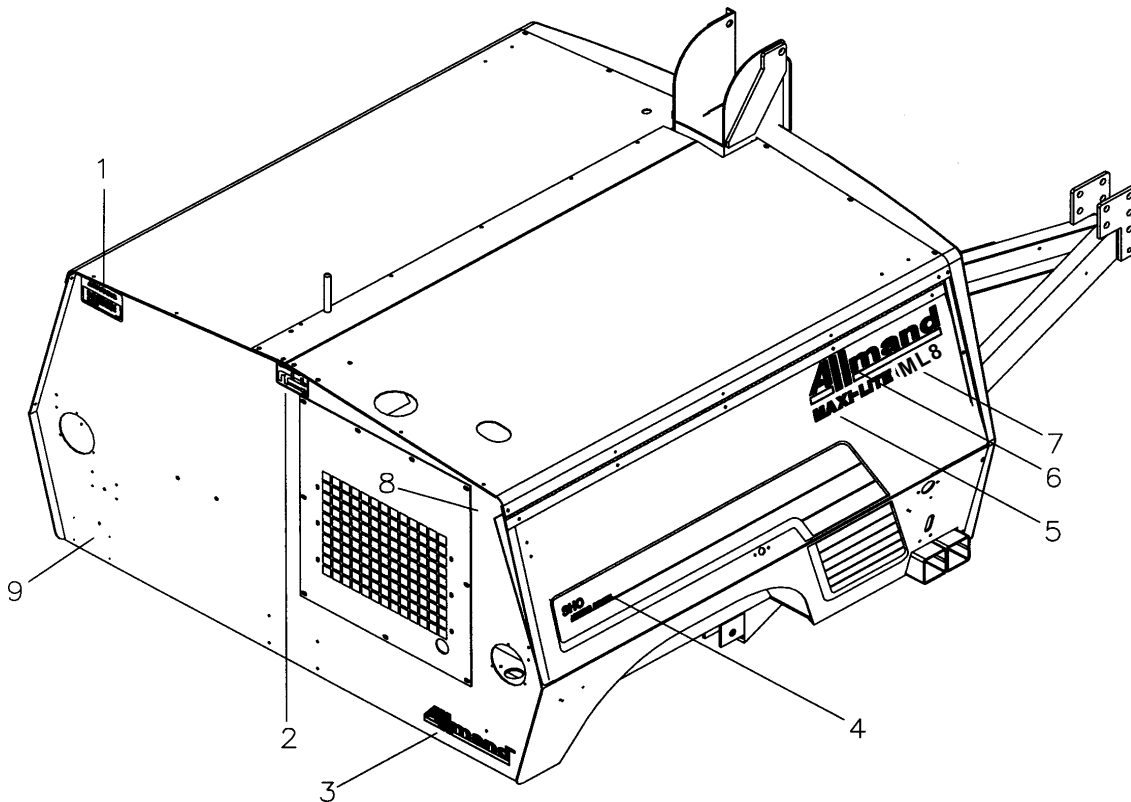
# MAXI-LITE SERIES W/ HYDRAULIC TOWER

## DECAL PLACEMENT

D-1A



D-2A





# MAXI-LITE SERIES W/ HYDRAULIC TOWER

---

## DECAL PLACEMENT

D-1B

| NO | REQ'D | PART NO | DESCRIPTION                   |
|----|-------|---------|-------------------------------|
| 1  | 1     | DD-159  | DECAL-WARNING COMBUSTIBLE GAS |

LEGEND: NS = Not Shown  
\*\* = Purchase Locally

---

D-2B

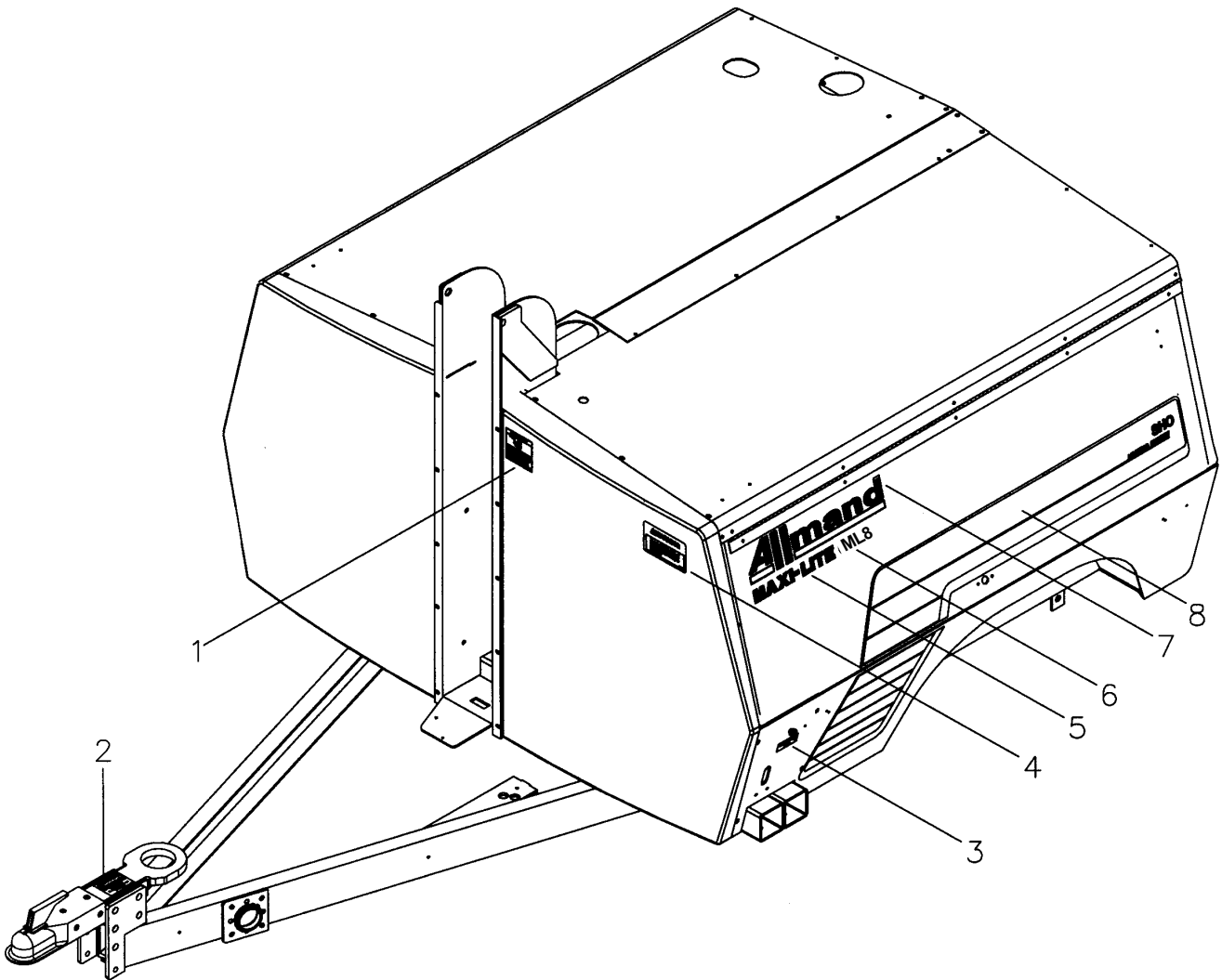
| NO | REQ'D | PART NO | DESCRIPTION                             |
|----|-------|---------|-----------------------------------------|
| 1  | 1     | 090003  | DECAL - DO NOT STAND                    |
| 2  | 1     | 090139  | DECAL - UNLATCHED/LATCHED               |
| 3  | 1     | 090269  | DECAL - ALLMAND YELLOW TO ORANGE 11.75" |
| 4  | 1     | 352026  | DECAL - GRADATION STRIPE SET            |
| 5  | 2     | 090255  | DECAL - MAXI-LITE                       |
| 6  | 2     | 090256  | DECAL - ALLMAND, YELLOW TO ORANGE       |
| NS | 2     | 090490  | DECAL - ML 6                            |
| 7  |       | 090491  | DECAL - ML 8                            |
| 8  | 2     | 090267  | DECAL - XL                              |
| NS | 1     | 090065  | DECAL - ARCTIC SPECIAL                  |
| NS | 1     | 090164  | DECAL - WARNING NON-VERTICAL            |
| NS | 1     | 090161  | DECAL - MOVING PART HAZARD              |

LEGEND: NS = Not Shown  
\*\* = Purchase Locally

# MAXI-LITE SERIES W/ HYDRAULIC TOWER

## DECAL PLACEMENT

D-3A



# MAXI-LITE SERIES W/ HYDRAULIC TOWER

---

## DECAL PLACEMENT

D-3B

| NO | REQ'D | PART NO | DESCRIPTION                         |
|----|-------|---------|-------------------------------------|
| 1  | 1     | 090162  | DECAL - DANGER HAZARDOUS VOLTAGE    |
| 2  | 1     | 090160  | DECAL - WARNING EXCESSIVE TOW SPEED |
| 3  | 1     | 090133  | DECAL - GROUND LUG                  |
| 4  | 1     | 090003  | DECAL - DO NOT STAND                |
| 5  | 2     | 090255  | DECAL - MAXI-LITE                   |
| NS | 2     | 090490  | DECAL - ML 6                        |
| 6  | 2     | 090491  | DECAL - ML-8                        |
| 7  | 2     | 090267  | DECAL - XL                          |
| NS | 2     | 090065  | DECAL - ARCTIC SPECIAL              |
| 9  | 1     | 352026  | DECAL - GRADATION STRIPE SET        |

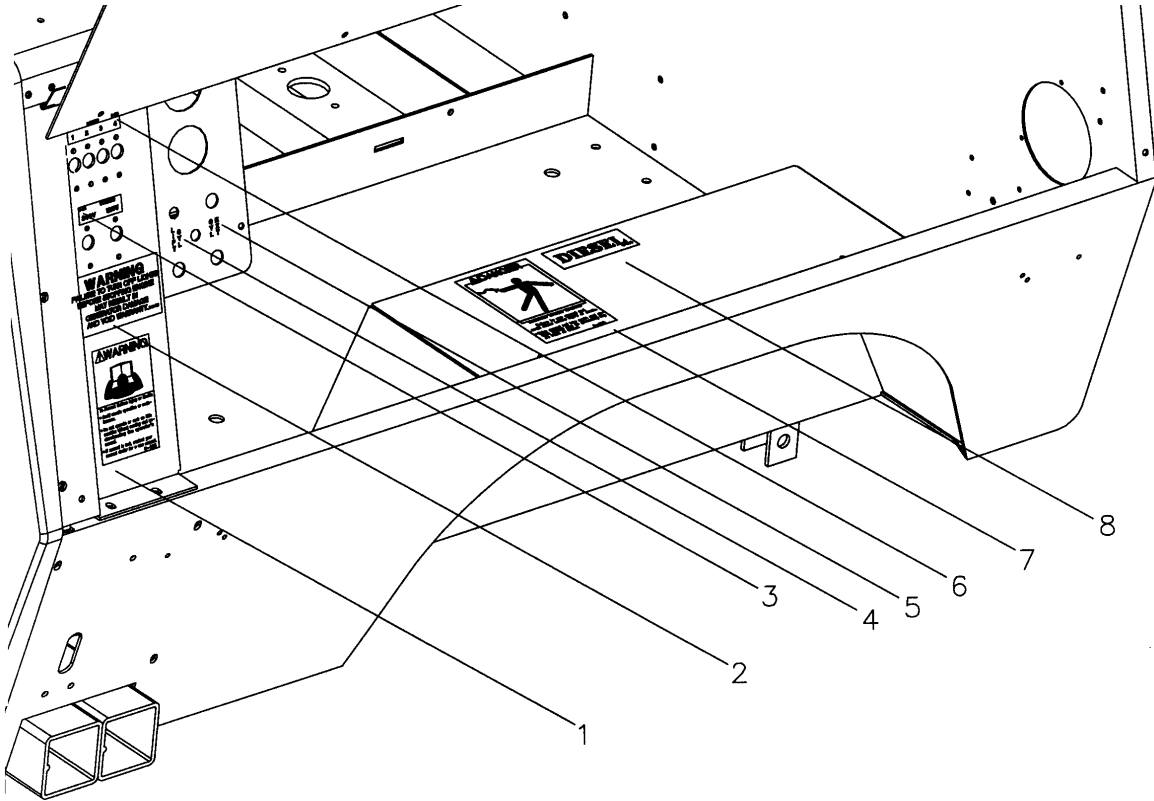
LEGEND: NS = Not Shown

\*\* = Purchase Locally

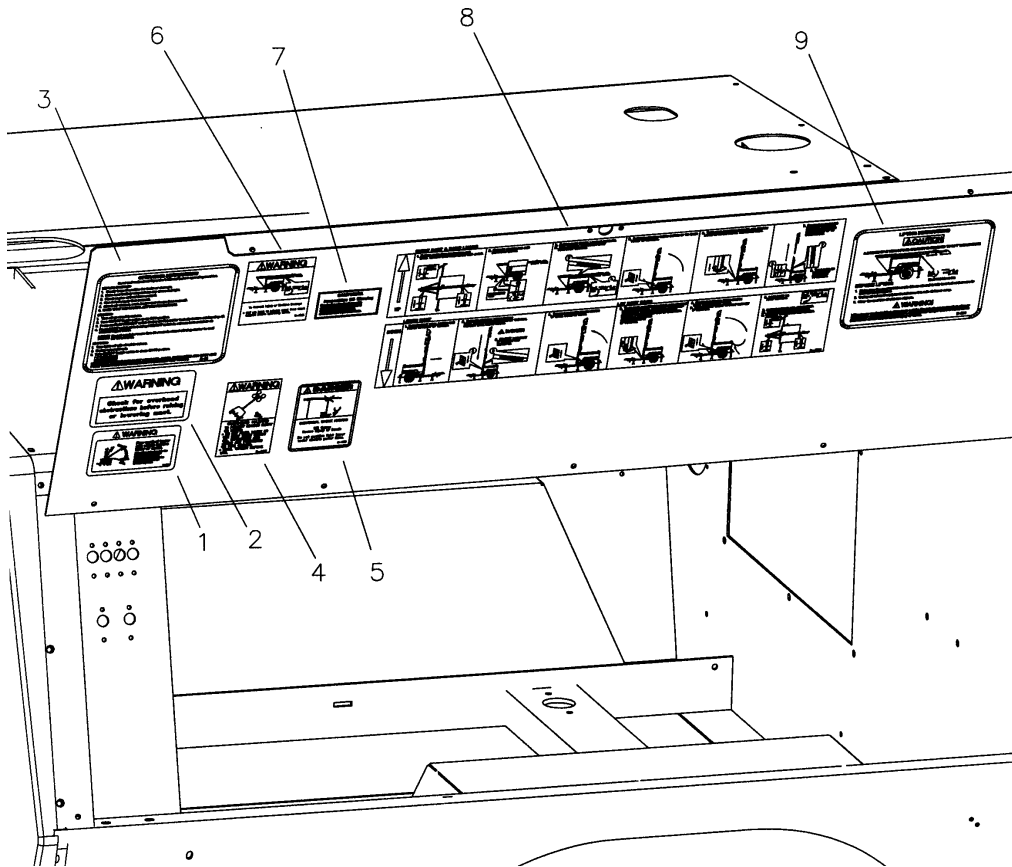
# MAXI-LITE SERIES W/ HYDRAULIC TOWER

## DECAL PLACEMENT

D-4A



D-5A



# MAXI-LITE SERIES W/ HYDRAULIC TOWER

---

## DECAL PLACEMENT

D-4B

| NO | REQ'D | PART NO | DESCRIPTION                                 |
|----|-------|---------|---------------------------------------------|
| 1  | 1     | DD-158  | DECAL - WARNING OPERATORS MANUAL            |
| 2  | 1     | DD-084  | DECAL - WARNING FAILURE TO TURN OFF LIGHTS  |
| 3  | 1     | DD-283  | DECAL - OUTLETS                             |
| 4  | 1     | NA      | DECAL - LIFT CYLINDER                       |
| 5  | 1     | NA      | DECAL - EXTEND CYLINDER                     |
| 6  | 1     | DD-169  | DECAL - LIGHTS 1,2,3,4 (4-LIGHT OPTION)     |
|    |       | DD-282  | DECAL - LIGHTS 1,2,3,4,5,6 (6-LIGHT OPTION) |
| 7  | 1     | DD-163  | DECAL - DANGER ELECTRIC SHOCK               |
| 8  | 1     | DD-034  | DECAL - DIESEL                              |

LEGEND: NS = Not Shown

\*\* = Purchase Locally

---

D-5B

| NO | REQ'D | PART NO | DESCRIPTION                            |
|----|-------|---------|----------------------------------------|
| 1  | 1     | DD-152  | DECAL -NON-VERTICAL TOWER              |
| 2  | 1     | DD-005  | DECAL -CHECK FOR OVERHEAD OBSTRUCTIONS |
| 3  | 1     | DD-151  | DECAL -OPERATING INSTRUCTIONS          |
| 4  | 1     | DD-166  | DECAL -CAUTION, OVERHEAD HAZARD        |
| 5  | 1     | DD-165  | DECAL -DANGER, ELECTRIC SHOCK          |
| 6  | 1     | DD-263  | DECAL -WARNING, PULL PIN               |
| 7  | 1     | DD-179  | DECAL -PROPOSITION 65, DIESEL          |
| 8  | 1     | DD-325  | DECAL -PICTORIAL OPERATOR, HYDRAULIC   |
| 9  | 1     | DD-326  | DECAL -LIFT INSTRUCTIONS               |

LEGEND: NS = Not Shown

\*\* = Purchase Locally

# MAXI-LITE SERIES W/ HYDRAULIC TOWER

## INTERNATIONAL SAFETY AND WARNING DECALS (EURO PRODUCTS ONLY)

D-6A



DD-413  
OFF POWER



DD-412  
ON POWER



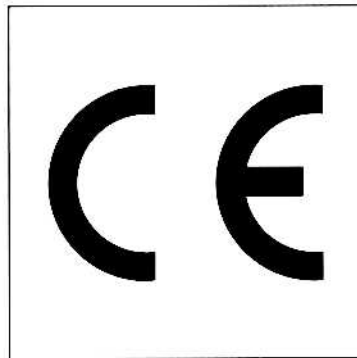
DD-409  
FORK LIFT  
POINT (RIGHT)



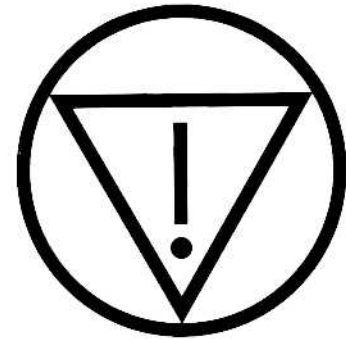
DD-410  
FORK LIFT  
POINT (LEFT)



DD-416  
PROTECTIVE  
EARTH GROUND



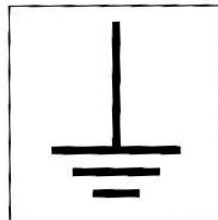
DD-415  
CE APPROVAL  
MARK



DD-414  
EMERGENCY  
STOP



DD-411  
LIFT POINT



DD-419  
EARTH  
GROUND



DD-418  
DO NOT  
TOUCH



DD-417  
BURN HAZARD  
HOT SURFACE

# MAXI-LITE SERIES W/ HYDRAULIC TOWER

## INTERNATIONAL SAFETY AND WARNING DECALS (EURO PRODUCTS ONLY)

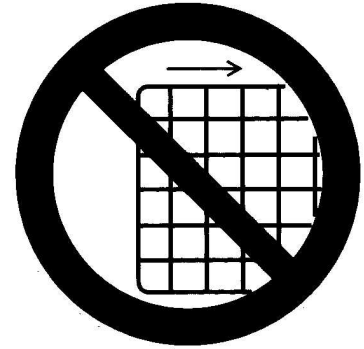
D-6B



DD-402  
HAND ENTANGLEMENT



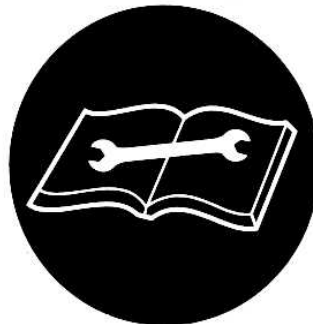
DD-401



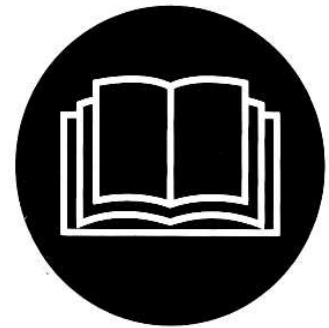
DD-400  
DO NOT OPERATE WITH



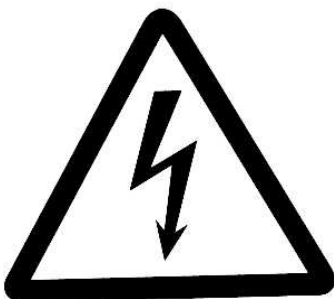
DD-405



DD-404  
CONSULT SERVICE



DD-403  
CONSULT OPERATOR'S



DD-408



DD-407  
BODY CRUSH

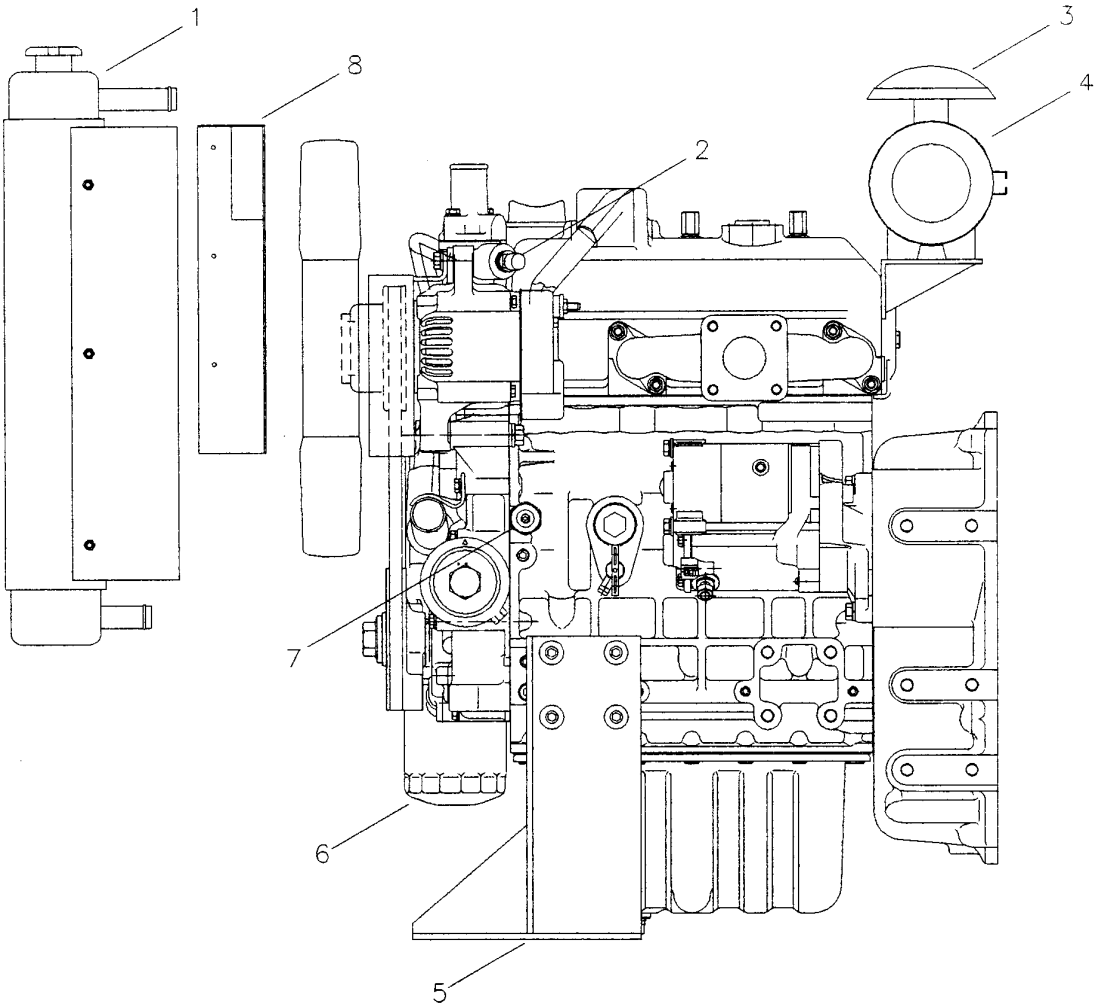


DD-406  
BODY CRUSH

# MAXI-LITE SERIES W/ HYDRAULIC TOWER

## KUBOTA ENGINE

E-1A





# MAXI-LITE SERIES W/ HYDRAULIC TOWER

## KUBOTA ENGINE

E-1B

| NO | REQ'D | PART NO | DESCRIPTION                                           |
|----|-------|---------|-------------------------------------------------------|
| NS |       | 352093  | KUBOTA D905-EBG1 ENGINE/MARATHON 6 KW GEN. SET (SAE)  |
| NS |       | 352096  | KUBOTA D905-EBG1 ENGINE/MARATHON 8 KW GEN. SET (SAE)  |
| NS |       | 352076  | KUBOTA D1105-EBG1 ENGINE/MARATHON 6 KW GEN. SET (SAE) |
| NS |       | 352077  | KUBOTA D1105-EBG1 ENGINE/MARATHON 8 KW GEN. SET(SAE)  |
| NS |       | 340304  | KUBOTA D905-EBG1 ENGINE ONLY (SAE)                    |
| NS |       | 352081  | KUBOTA D1105-EBG1 ENGINE ONLY (SAE)                   |
| NS |       | 640146  | MARATHON 6 KW GENERATOR ONLY (SAE)                    |
| NS |       | 640147  | MARATHON 8 KW GENERATOR ONLY SAE)                     |
| NS | 1     | 920745  | KUBOTA FUEL FILTER                                    |
| NS | 1     | H0016   | FUEL LINE (1/4" FUEL LINE 72")                        |
| NS | 1     | H0005   | RETURN LINE (NYLON HOSE 80")                          |
| NS | 1     | H0018   | FUEL LINE (5/16" FUEL LINE 14")                       |
| NS | 1     | H0018   | FUEL LINE(5/16" FUEL LINE 10")                        |
| NS | 1     | 352080  | ENGINE WIRING HARNESS - DC GAUGE PANEL/ENGINE         |
| NS | 1     | 352033  | GENERATOR MOUNT PLATE, KUBOTA                         |
|    | 1     | 680128  | GENERATOR MOUNT PLATE, KUBOTA (ALLMAND GOLD)          |
| NS | 1     | @@@     | TOP RADIATOR HOSE                                     |
| NS | 1     | @@@     | BOTTOM RADIATOR HOSE                                  |
| NS | 1     | 340105  | GROUND STRAP                                          |
| 1  | 1     | 650107  | RADIATOR                                              |
| 2  | 1     | 340302  | HIGH TEMPERATURE SWITCH                               |
| 3  | 1     | 340032  | AIR CLEANER CAP                                       |
| 4  | 1     | 340034  | AIR CLEANER/FILTER ELEMENT                            |
| 5  | 1     | 640282  | ENGINE MOUNT BRACE (LEFT)                             |
|    | 1     | 680126  | ENGINE MOUNT BRACE (LEFT) (ALLMAND GOLD)              |
|    | 1     | 640283  | ENGINE MOUNT BRACE (RIGHT)                            |
|    | 1     | 680127  | ENGINE MOUNT BRACE (RIGHT) (ALLMAND GOLD)             |
| 6  | 1     | 930743  | KUBOTA OIL FILTER                                     |
| 7  | 1     | 340301  | OIL PRESSURE SWITCH                                   |
| 8  | 1     | 650168  | KUBOTA FAN GUARD                                      |

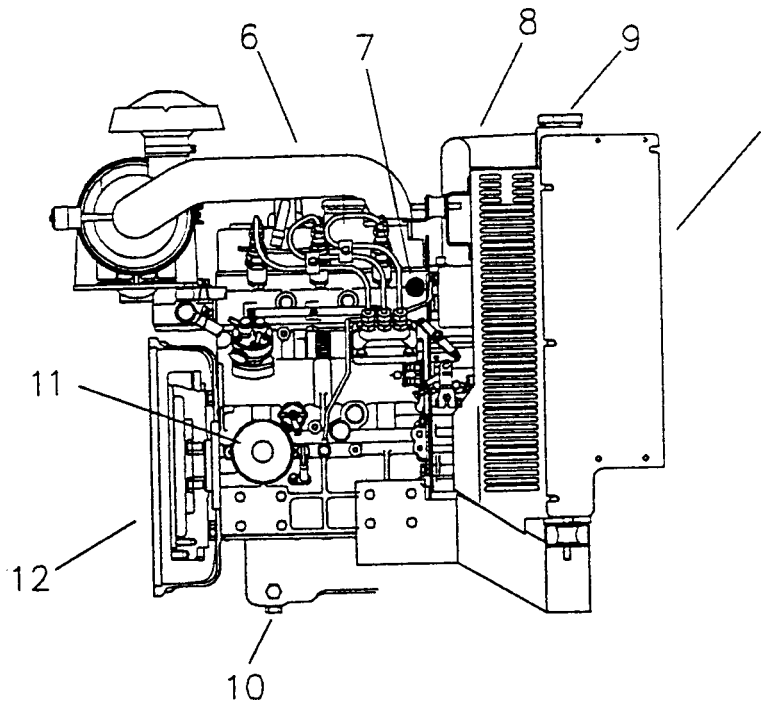
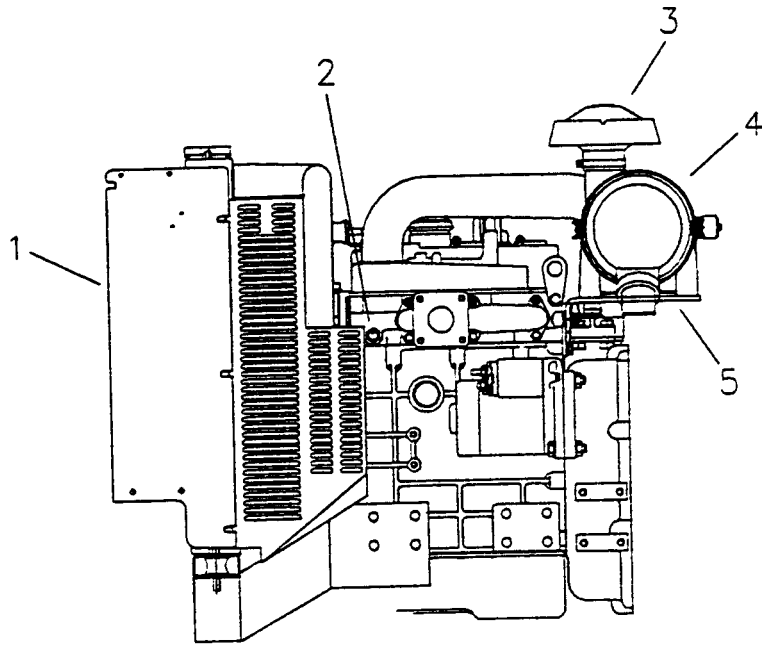
FOR ENGINE PARTS NOT SHOWN, SEE KUBOTA D905 PARTS LIST. FOR GENERATOR PARTS NOT SHOWN, SEE MANUFACTURER'S LIST OR CALL 800-562-1373 FOR ASSISTANCE.

LEGEND: NS = Not Shown  
\*\* = Purchase Locally  
@@ = See Local Kubota Dealer

# MAXI-LITE SERIES W/ HYDRAULIC TOWER

## PERKINS 103.10

E-2A



# MAXI-LITE SERIES W/ HYDRAULIC TOWER

## PERKINS 103.10

E-2B

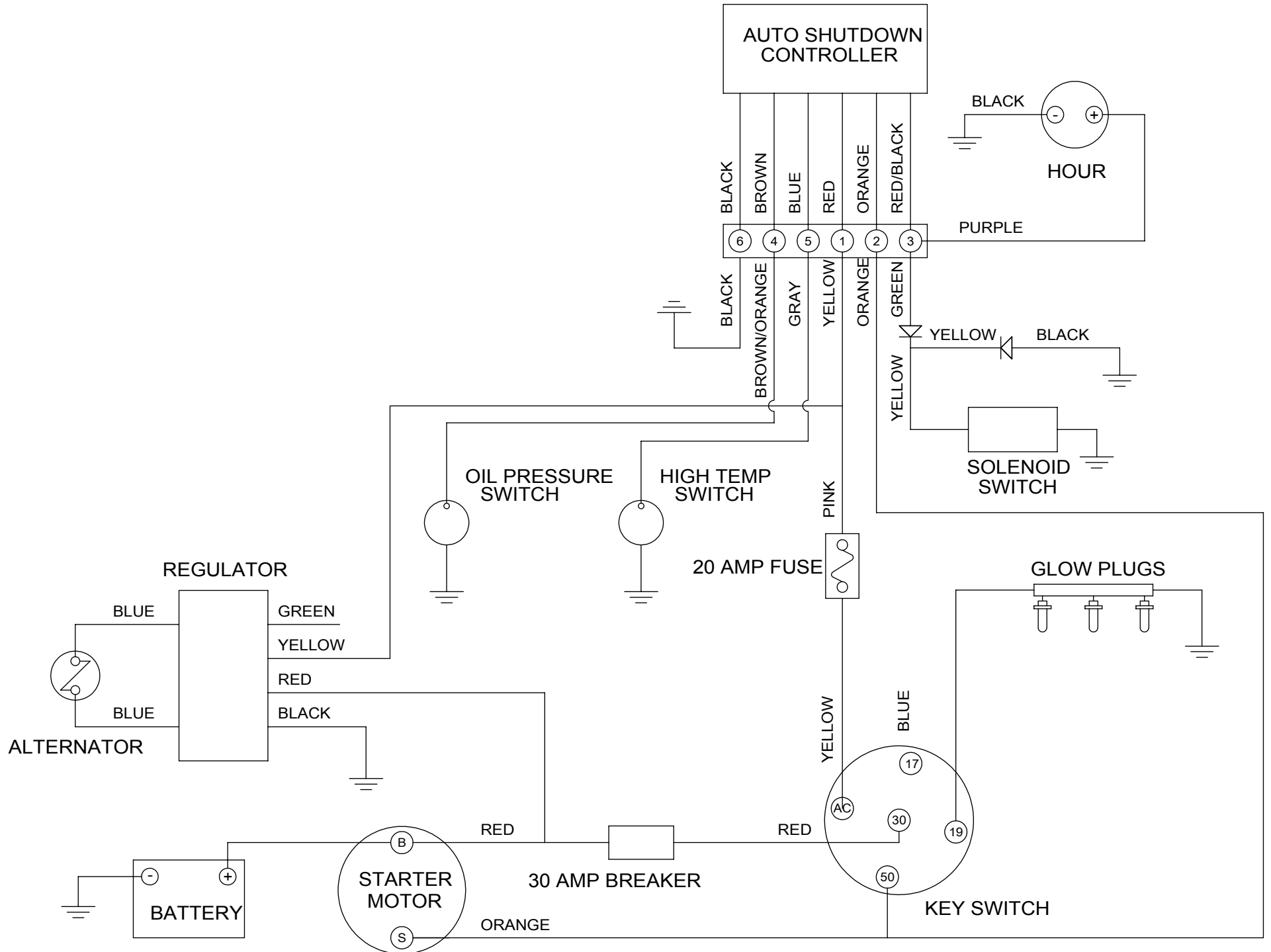
| NO | REQ'D | PART NO | DESCRIPTION                                            |
|----|-------|---------|--------------------------------------------------------|
| 1  | 2     | 650284  | RADIATOR SHROUD, PERKINS, SIDE                         |
| 2  | 1     | @@@@    | HIGH TEMPERATURE SWITCH                                |
| 3  | 1     | @@@@    | AIR CLEANER DUST CAP                                   |
| 4  | 1     | @@@@    | AIR CLEANER                                            |
| 5  | 1     | @@@@    | AIR CLEANER, MOUNTING BRACKET                          |
| 6  | 1     | @@@@    | AIR INTAKE HOSE                                        |
| 7  | 1     | @@@@    | OIL PRESSURE SWITCH                                    |
| 8  | 1     | @@@@    | UPPER RADIATOR HOSE                                    |
| 9  | 1     | @@@@    | RADIATOR                                               |
| 10 | 1     | @@@@    | OIL DRAIN PLUG                                         |
| 11 | 1     | @@@@    | OIL FILTER                                             |
| 12 | 1     |         | PERKINS 103.10 ENGINE / MARATHON GENERATOR             |
|    | 1     | 352160  | PERKINS 103.10 ENGINE ONLY                             |
|    | 1     | 640146  | MARATHON GENERATOR ONLY                                |
| NS | 1     | 650279  | RADIATOR SHROUD, PERKINS, UPPER                        |
| NS | 1     | 650280  | RADIATOR SHROUD, PERKINS, LOWER                        |
| NS | 1     | WP052   | TRIM LOCK NTH RUBBER SEAL                              |
| NS | 8     | **      | M12-1.25 X 20 GRADE 10.9 BOLT                          |
| NS | 8     | **      | 1/4-20 X .75 STAINLESS STEEL PAN SCREWS                |
| NS | 8     | **      | 1/4 SPLIT LOCK WASHER                                  |
| NS | 8     | **      | 1/4-20 NYLON INSERT NUT                                |
| NS | 1     | 650285  | PERKINS ENGINE WIRING HARNESS<br>(SEE WRING SCHEMATIC) |
| NS | 1     | H0005   | NYLON RETURN LINE (52")                                |
| NS | 1     | H0016   | 1/4 FUEL LINE (20")                                    |
| NS | 1     | 650278  | GT MUFFLER                                             |
| NS | 1     | @@@@    | MUFFLER GASKET                                         |
| NS | 4     | **      | M8-1.25 X 20 GRADE 8.8 BOLT                            |
| NS | 4     | **      | 3/8 SPLIT LOCK WASHER                                  |
| NS | 1     | 352033  | MARATHON GENERATOR MOUNT PLATE                         |
|    | 1     | 680128  | MARATHON GEN. MOUNT PLATE (ALLMAND GOLD)               |
| NS | 1     | 352162  | LEFT ENGINE MOUNT FOOT                                 |
|    | 1     | 680126  | LEFT ENGINE MOUNT FOOT (ALLMAND GOLD)                  |
| NS | 1     | 352163  | RIGHT ENGINE MOUNT FOOT                                |
|    | 1     | 680127  | RIGHT ENGINE MOUNT FOOT (ALLMAND GOLD)                 |
| NS | 1     | 352075  | KUBOTA RADIATOR MOUNT PLATE                            |
|    | 1     | 352359  | KUBOTA RADIATOR MOUNT PLATE (ALLMAND GOLD)             |
| NS | 1     | 650303  | PERKINS AIR CLEANER ELEMENT                            |
| NS | 1     | 650304  | PERKINS OIL FILTER                                     |
| NS | 1     | 650305  | PERKINS FUEL FILTER                                    |

LEGEND: NS = Not Shown

\*\* = Purchase Locally

@@@@ = See Local Perkins Dealer

# CAT C1.1 ENGINE WIRING HARNESS



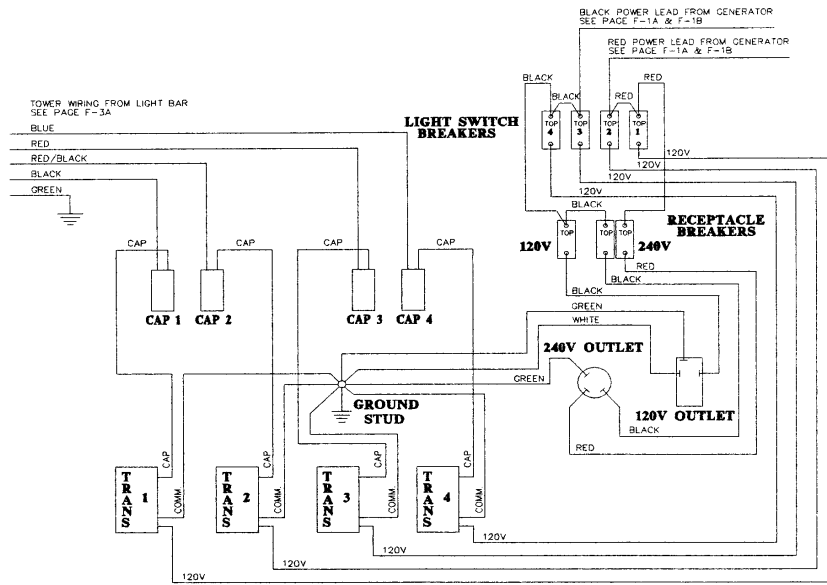


# MAXI-LITE SERIES W/ HYDRAULIC TOWER

## ELECTRICAL DIAGRAMS

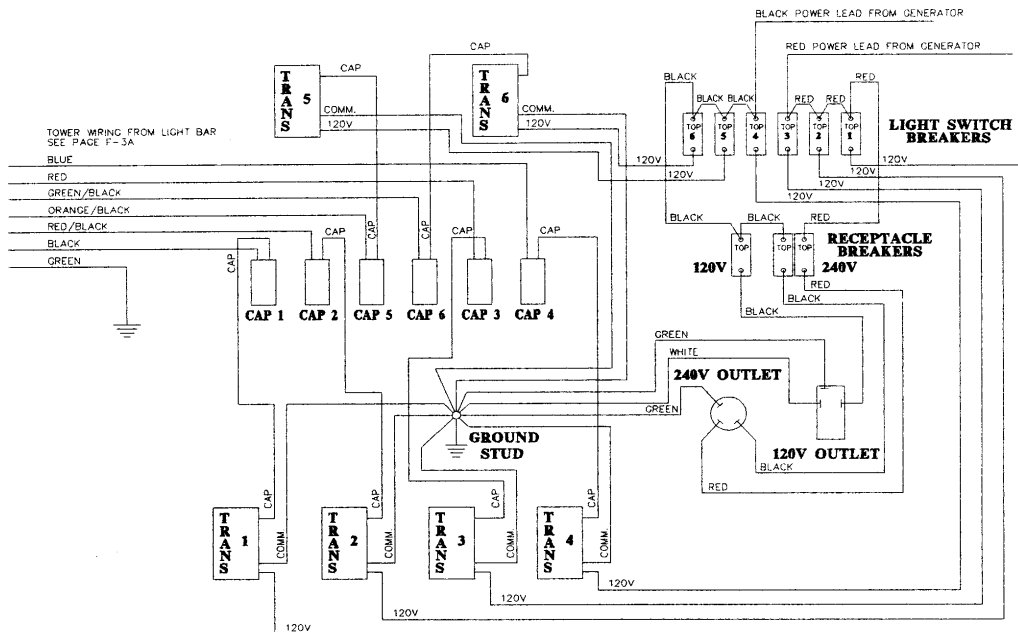
F-2A

### BALLAST ASSEMBLY, 4-LIGHT



F-2B

### BALLAST ASSEMBLY, 6-LIGHT

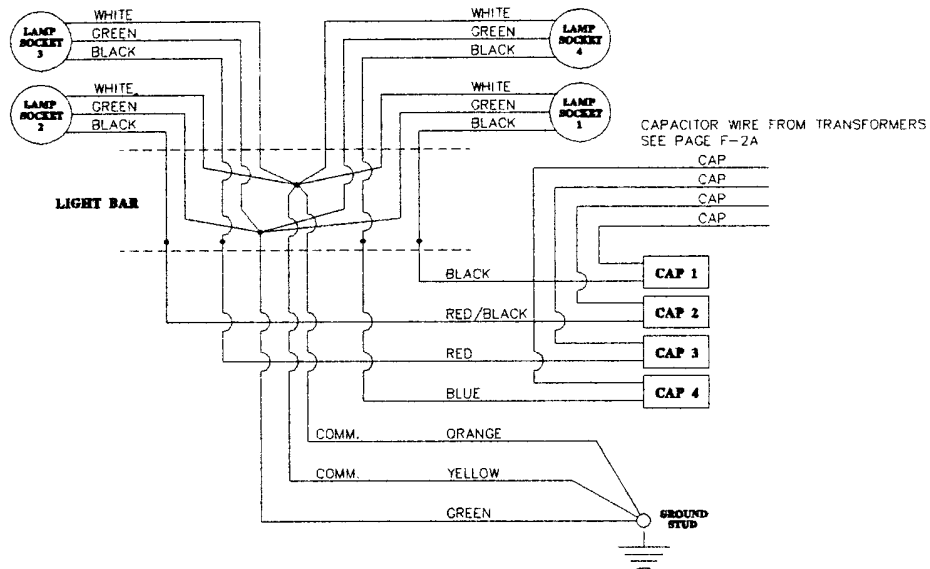


# MAXI-LITE SERIES W/ HYDRAULIC TOWER

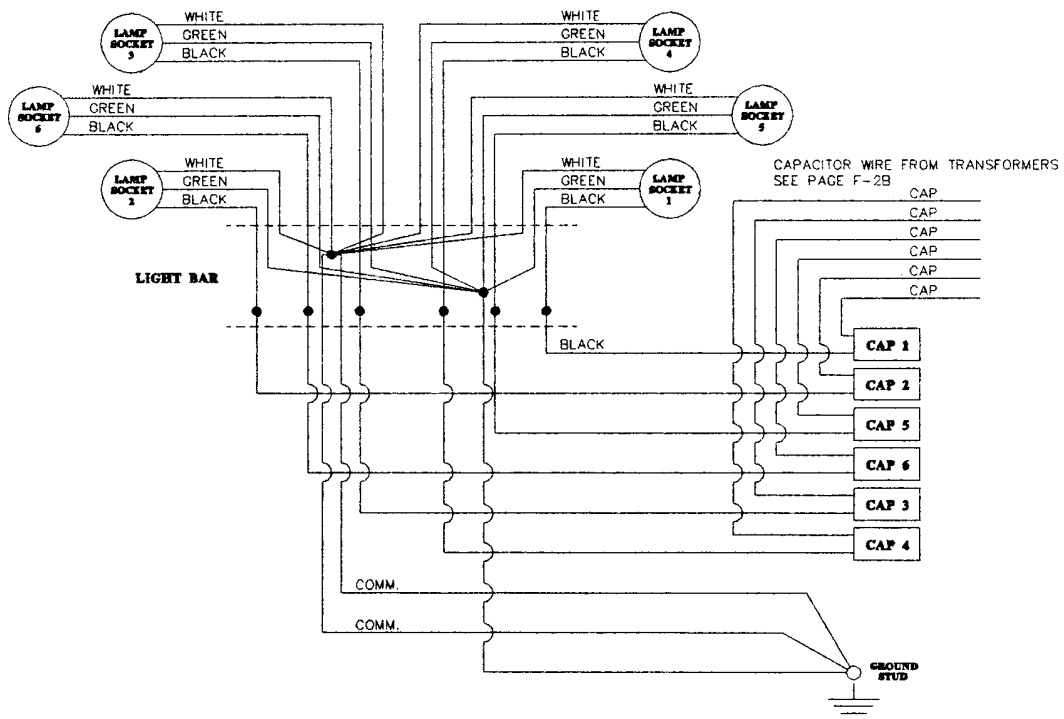
## ELECTRICAL DIAGRAMS

F-3A

### LAMP SOCKET/BALLAST COMPARTMENT WIRING, 4-LIGHT



### LAMP SOCKET/BALLAST COMPARTMENT WIRING, 6-LIGHT

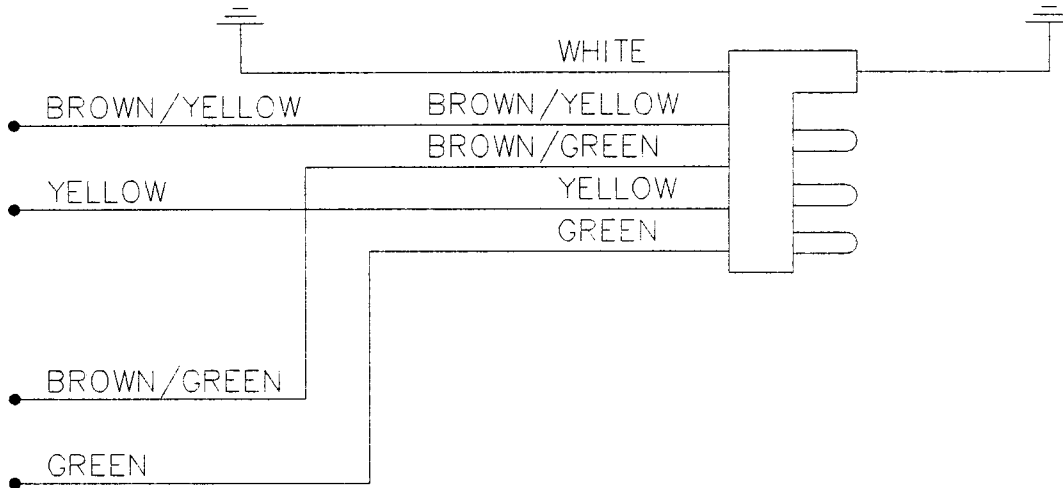


# MAXI-LITE SERIES W/ HYDRAULIC TOWER

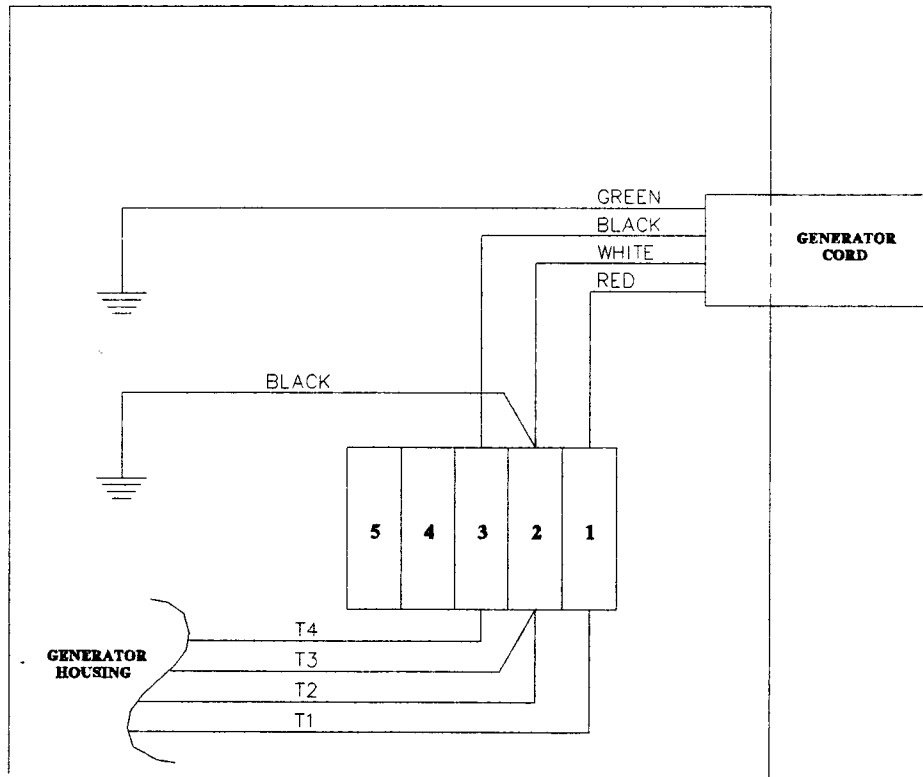
## ELECTRICAL DIAGRAMS

F-3B

### 352037 TAILLIGHT WIRING HARNESS



### MARATHON GENERATOR ELECTRICAL BOX WIRING







# MAXI-LITE SERIES W/ HYDRAULIC TOWER

## ALLMAND LIGHTING SYSTEMS LIMITED WARRANTY UNITED STATES and U.S. TERRITORIES

**THIS WARRANTY IS IN LIEU OF ALL OTHER WARRANTIES, EXPRESSED OR IMPLIED INCLUDING WARRANTIES OF MERCHANTABILITY OR OF FITNESS FOR PURPOSE, AND ANY EXCEPTIONS ARE DESCRIBED IN THE PUBLISHED LIMITED WARRANTY ADDENDUM, AVAILABLE UPON REQUEST.**

**COMPONENTS, SUB-ASSEMBLIES, AND DEVICES MANUFACTURED BY OTHER MANUFACTURERS ARE NOT COVERED BY THIS WARRANTY. ALL WARRANTY INFORMATION FROM SUCH OTHER MANUFACTURERS IS PROVIDED WITHIN OR ACCOMPANY THESE GOODS.**

Subject to the foregoing, the manufacturer, Allmand Bros. Inc., hereby warrants all equipment manufactured by Allmand Bros. Inc. to be free from defects in material and workmanship for a period of (1) year after delivery to the original purchaser. Additionally, Allmand Bros. Inc. hereby warrants all replacement parts supplied by Allmand Bros. Inc. to be free from defects in material and workmanship for a period of 90 days after date of invoice. Delivery shall be deemed for the purposes of this warranty to have occurred no later than five days following the date of sale agreement or invoice unless the purchase agreement or invoice specifically states a later delivery date in which case such delivery date shall control. The original purchaser shall be deemed to be a person who places the goods or products in actual use, and any person holding such goods solely for wholesale or retail sale purposes shall not constitute an original purchaser. PROVIDED, any leasing of these goods or other use beyond normal demonstration of same shall be deemed to be in use by an original purchaser and all warranty periods shall commence at the time of such use. During the warranty period any defective goods or parts hereof shall be repaired or replaced at manufacturer's discretion. In the event it is necessary to return such goods or parts to the factory, all transportation charges shall be prepaid. The manufacturer shall in no event pay mileage expenses, but will warrant outbound ground freight.

The obligations of the manufacturer is solely to repair or replace defective goods or parts or to refund the cost of the same if it is determined by the manufacturer that repair or replacement will not return the goods to proper working order or utility. **THE REMEDIES SET FORTH HEREIN ARE EXCLUSIVE AND MANUFACTURER SHALL NOT BE LIABLE FOR SPECIAL, INDIRECT, OR CONSEQUENTIAL DAMAGES. THE OBLIGATIONS OF THE MANUFACTURER HEREUNDER SHALL IN NO WAY EXCEED THE PRICE OF THE EQUIPMENT OR PART UPON WHICH SUCH LIABILITY IS BASED.**

The warranty shall not extend to tires, lamps, batteries, or parts that have been altered, changed, damaged, or improperly installed, repaired, operated or maintained. Provided, this exclusion shall not apply to installations, repairs or other work done at the manufacturer's plant or under direct manufacturer's supervision. The Operator's Manual, to the extent covered therein, is deemed to set forth the proper procedures for operation, repair, installation, and maintenance of these goods.

**No representative, dealer or distributor of the company is authorized to make any changes or exceptions to this warranty unless expressly authorized in writing from the manufacturer. All warranty claims must be filed within forty-five (45) days of the failure.**