



(en) Parts & Schematic Manual
MH BALLOON LIGHT OPTION
(For Maxi-Lite II and Night-Lite Pro II Units)



TABLE OF CONTENTS

1.0 BALLOON LIGHT PARTS

Balloon Light Assembly Group	(1.1)
Balloon Light Carry Case	(1.2)

2.0 LAYDOWN TOWER INSTALL GROUP

Laydown Balloon Light Install Group	(2.1)
Laydown Balloon Light Cord Group	(2.2)
Laydown Light Bar Balloon Light Cord Group	(2.3)

3.0 VERTICAL TOWER INSTALL GROUP

Vertical Balloon Light Install Group	(3.1)
Vertical Balloon Light Nycoil Cord Group	(3.2)
Vertical Light Bar Balloon Light Group	(3.3)
Vertical Light Bar Balloon Light Cord Group	(3.4)

4.0 LAMPS AND BALLASTS

1250W Lamps with 60Hz 120V Ballast Boxes	(4.1)
1250W 60Hz 120V Ballast Box Assembly	(4.2)

5.0 DECALS

Balloon Light Decals	(5.1)
----------------------------	-------

6.0 WIRING SCHEMATICS

4 Light 14/7 Cord Junction Box Schematic	(6.1)
4 Light 16/8 Cord Junction Box Schematic	(6.2)
4 Light 14/7 Cord Schematic	(6.3)
4 Light 16/8 Cord Schematic	(6.4)
4 Light 14/7 Cord Junction Box Schematic	(6.5)

MH BALLOON LIGHT OPTION

TABLE OF CONTENTS

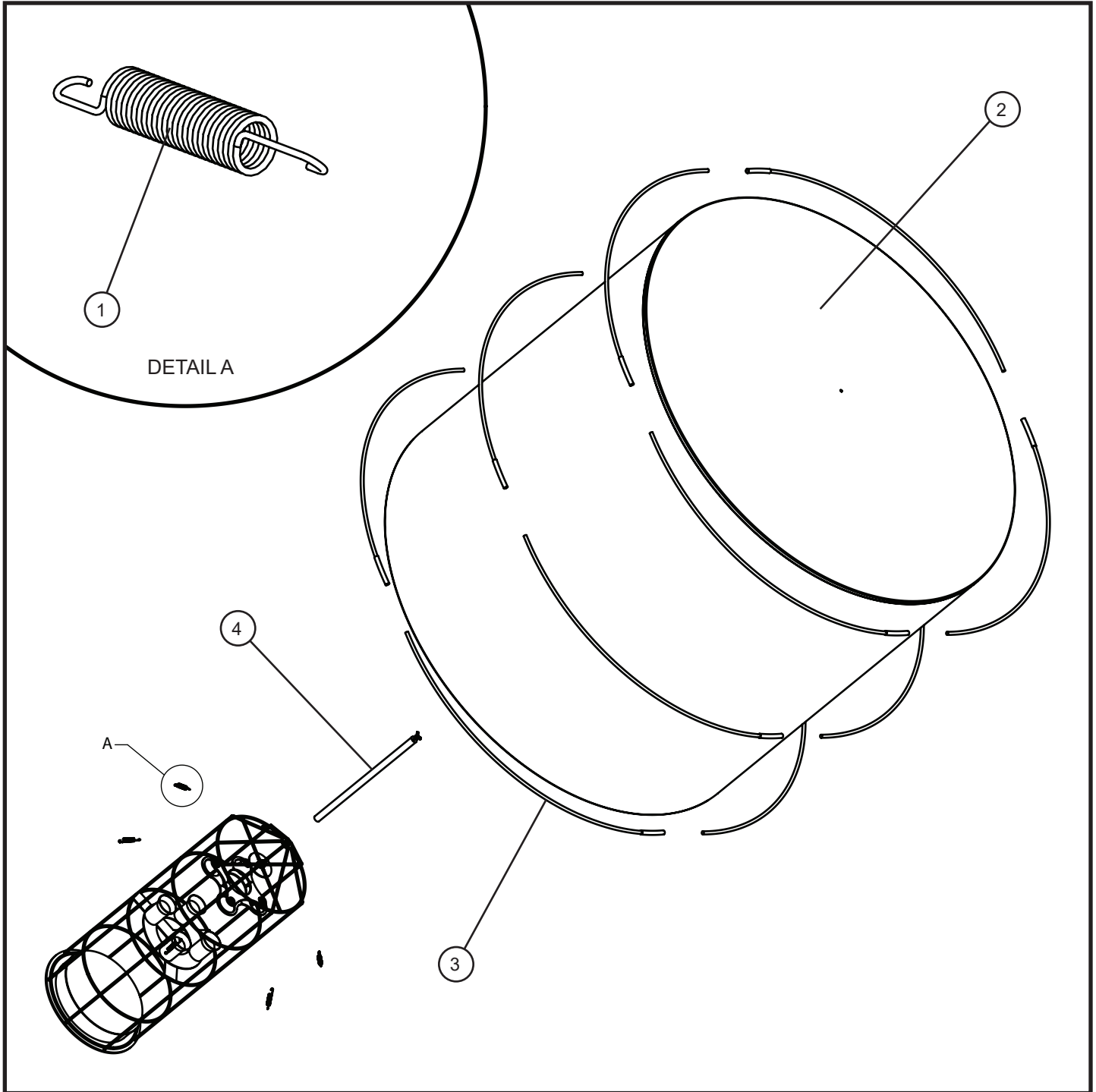
6.0 WIRING SCHEMATICS (Continued)

4 Light 16/8 Cord Junction Box Schematic	(6.6)
1250W 60Hz 120V Ballast Schematic	(6.7)

1.1 - Balloon Light Assembly Group

SN 07-000001 to 07-002728
SN 08-000001 to 08-004440

SN 10-000001 to 10-000025
SN 11-000001 to 11-002444



MH BALLOON LIGHT OPTION

1.1 - Balloon Light Assembly Group

SN 07-000001 to 07-002728

SN 08-000001 to 08-004440

SN 10-000001 to 10-000025

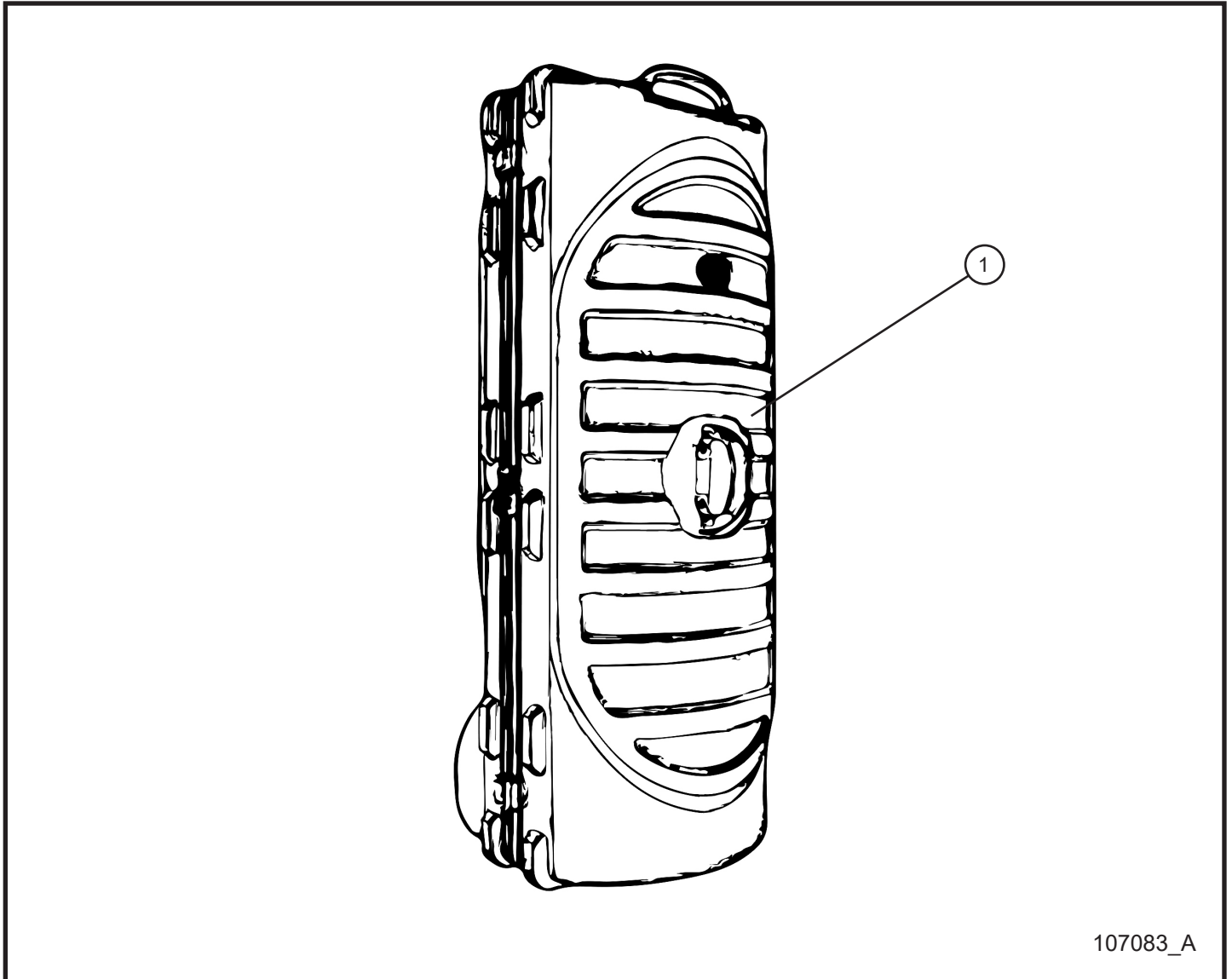
SN 11-000001 to 11-002444

Item	Part No.	Part Description	Qty.
--	107333	BALLOON LIGHT 3 ROD W/10 PIN COMPLETE ASSEMBLY	1
1	107276	BULB HOLDER SPRING HOLDER SET (16 PIECE SET)	1
2	107332	BALLOON 3 SLEEVE COVER	1
3	107242	BALLOON ROD SET (8 PIECE SET)	1
4	107278	BALLOON EXTENSION ROD	1

1.2 - Balloon Light Carry Case

SN 07-000001 to 07-002728
SN 08-000001 to 08-004440

SN 10-000001 to 10-000025
SN 11-000001 to 11-002444



107083_A

MH BALLOON LIGHT OPTION

1.2 - Balloon Light Carry Case

SN 07-000001 to 07-002728

SN 08-000001 to 08-004440

SN 10-000001 to 10-000025

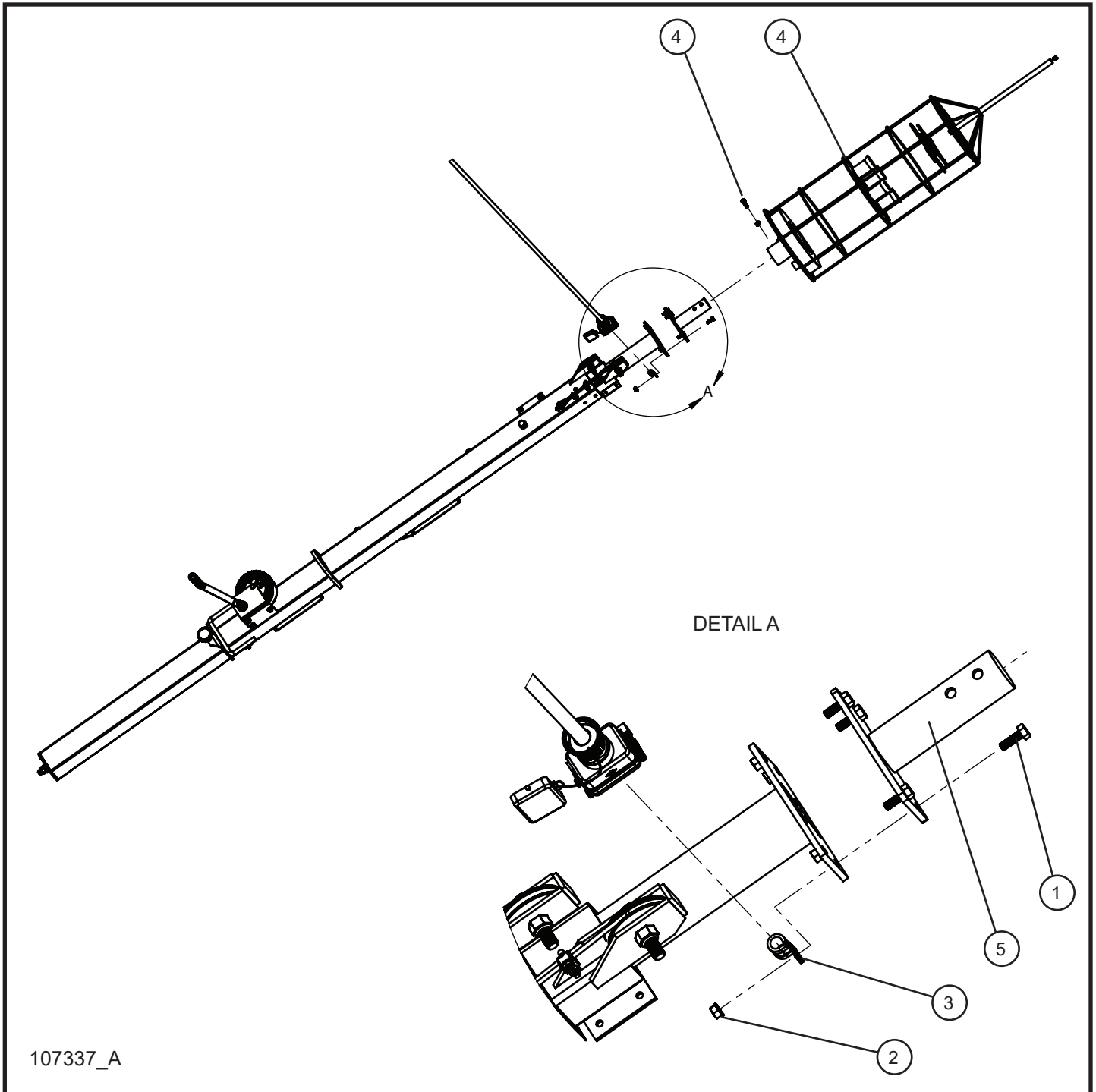
SN 11-000001 to 11-002444

Item	Part No.	Part Description	Qty.
1	107083	AIRSTAR LIGHT HARD COVER CARRY CASE	1

2.1 - Laydown Balloon Light Install Group

SN 07-000001 to 07-002728

SN 10-000001 to 10-000025



MH BALLOON LIGHT OPTION

2.1 - Laydown Balloon Light Install Group

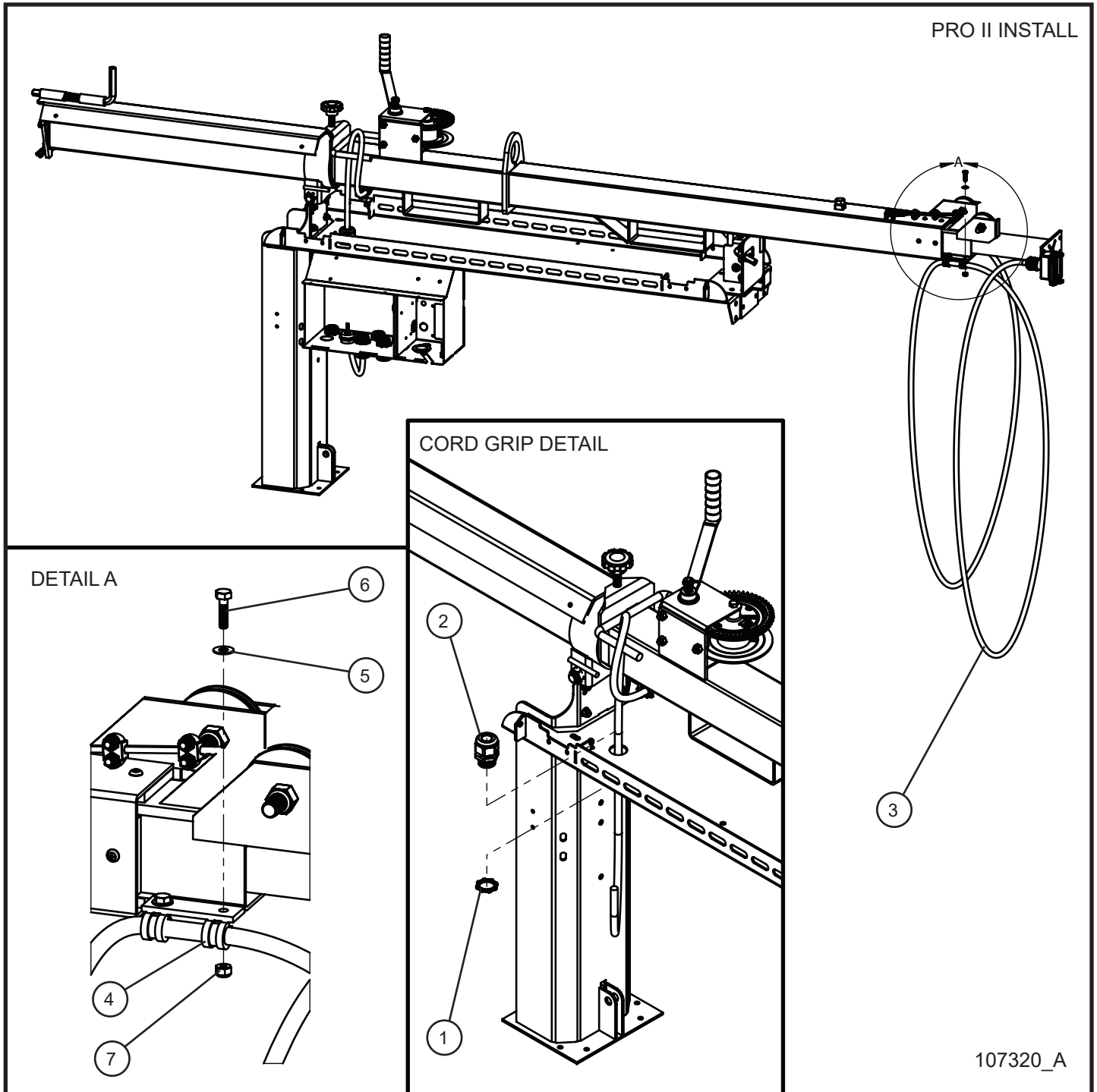
SN 07-000001 to 07-002728

SN 10-000001 to 10-000025

Item	Part No.	Part Description	Qty.
1	046050	5/16-18 x 1 HEX HEAD CS GR5 PL	4
2	044031	5/16-18 KEPS HEX NUT PL	4
3	022018	#8 CUSH CLAMP	1
4	107333	BALLOON LIGHT 3 ROD W/10 PIN COMPLETE ASSEMBLY	1
5	108443P	TOWER MOUNT BALLOON LIGHT	1
NS	108357	1250W LAYDOWN BALLOON LIGHT RETRO FIT KIT	1

2.2 - Laydown Balloon Light Cord Group (1 of 2)

SN 07-000001 to 07-002728



MH BALLOON LIGHT OPTION

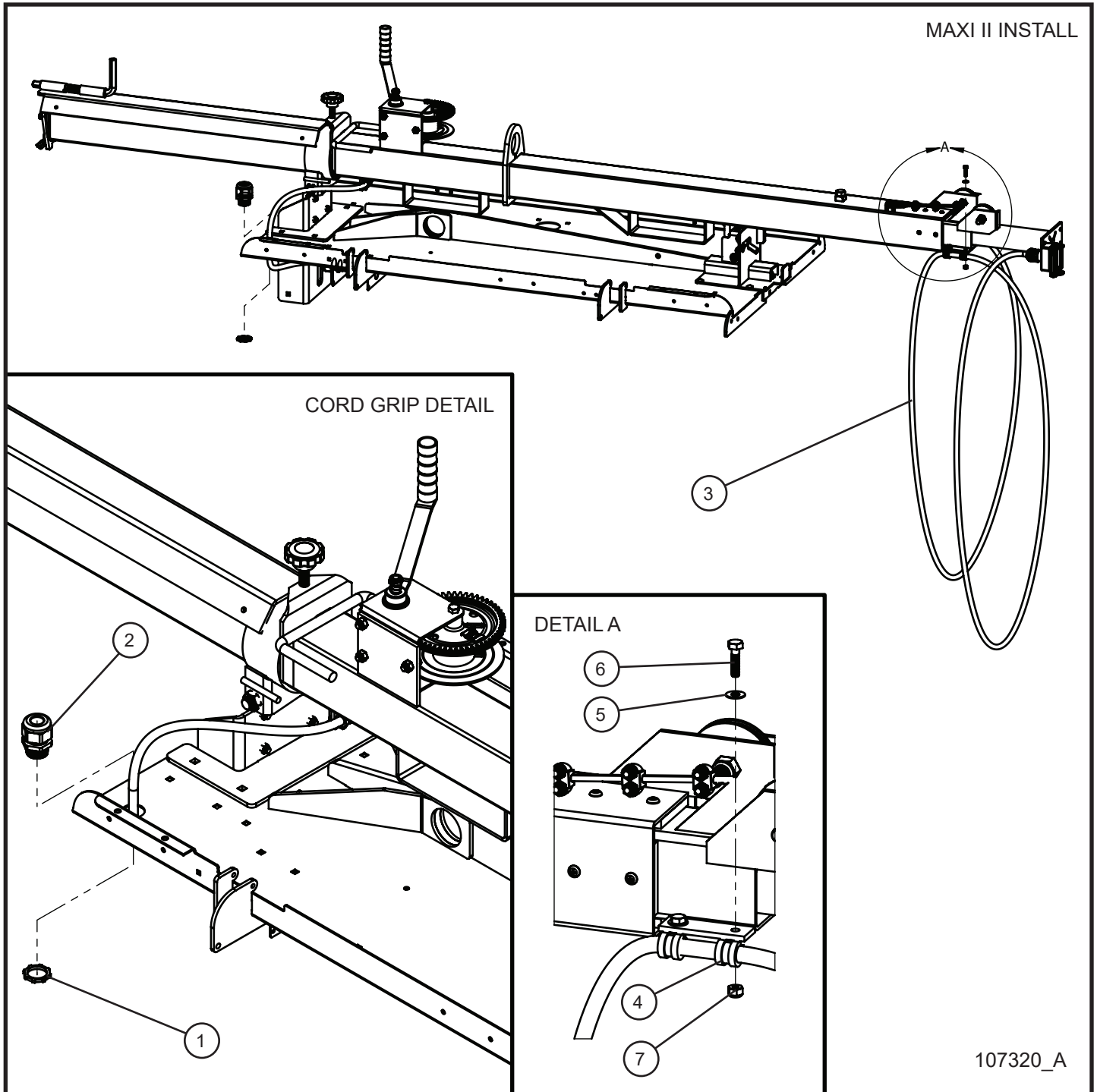
2.2 - Laydown Balloon Light Cord Group (1 of 2)

SN 07-000001 to 07-002728

Item	Part No.	Part Description	Qty.
1	022038	1" CORD GRIP NUT	1
2	105627	CORD GRIP 1" NYLON BLACK	1
3	107085	STRAIGHT CORD 16/8 4-LIGHT	1
	107331	STRIAGHT CORD 14/7 4-LIGHT	1
4	310212	#10 CUSH CLAMP 1/4 HOLE	2
5	047009	1/4 FLAT WASHER SAE SS	2
6	046015	1/4-20 x 1 HEX HEAD CS GR5 PL	2
7	046023	1/4-20 NYLOCK HEX NUT PL	2
NS	106875	SCHEMATIC 4 LIGHT 16/8 CORD	1
NS	106874	SCHEMATIC 4 LIGHT 14/7 CORD	1

2.2 - Laydown Balloon Light Cord Group (2 of 2)

SN 10-000001 to 10-000025



MH BALLOON LIGHT OPTION

2.2 - Laydown Balloon Light Cord Group (2 of 2)

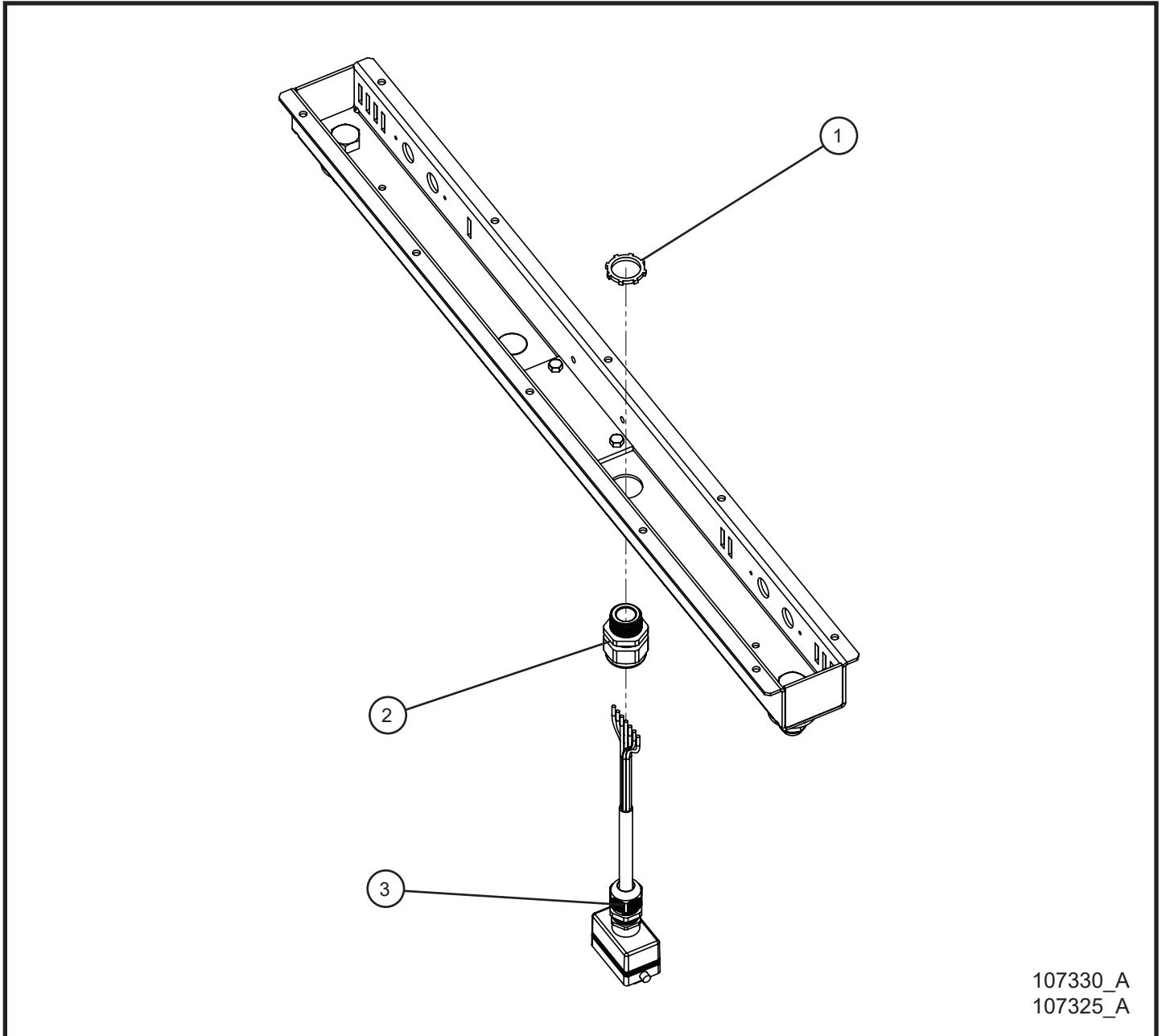
SN 10-000001 to 10-000025

Item	Part No.	Part Description	Qty.
1	022038	1" CORD GRIP NUT	1
2	105627	CORD GRIP 1" NYLON BLACK	1
3	107085	STRAIGHT CORD 16/8 4-LIGHT	1
	107331	STRIAGHT CORD 14/7 4-LIGHT	1
4	310212	#10 CUSH CLAMP 1/4 HOLE	2
5	047009	1/4 FLAT WASHER SAE SS	2
6	046015	1/4-20 x 1 HEX HEAD CS GR5 PL	2
7	046023	1/4-20 NYLOCK HEX NUT PL	2
NS	106875	SCHEMATIC 4 LIGHT 16/8 CORD	1
NS	105284	SCHEMATIC 4 LIGHT 16/8 JUNCTION BOX	1
NS	106874	SCHEMATIC 4 LIGHT 14/7 CORD	1
NS	105283	SCHEMATIC 4 LIGHT 14/7 JUNCTION BOX	1

2.3 - Laydown Light Bar Balloon Light Cord Group

SN 07-000001 to 07-002728

SN 10-000001 to 10-000025



107330_A
107325_A

MH BALLOON LIGHT OPTION

2.3 - Laydown Light Bar Balloon Light Cord Group

SN 07-000001 to 07-002728

SN 10-000001 to 10-000025

Item	Part No.	Part Description	Qty.
1	022038	1" CORD GRIP NUT	1
2	105627	CORD GRIP 1" NYLON BLACK	1
3	107087	14/7 STRAIGHT CORD LIGHT BAR SIDE	1
	107086	16/8 STRAIGHT CORD LIGHT BAR SIDE	1
NS	105291	SCHEMATIC LIGHT BAR 4 LIGHT 14/7 CORD	1
NS	105292	SCHEMATIC LIGHT BAR 4 LIGHT 16/8 CORD	1

MH BALLOON LIGHT OPTION

3.1 - Vertical Balloon Light Install Group (1 of 2)

SN 08-000001 to 08-004440

SN 11-000001 to 11-002444

Item	Part No.	Part Description	Qty.
1	105518	THRUST BUSHING LEVER LOCK	4
2	330041	RUBBER BUMPER	2
3	044035	NUT HEX 3/8-16 ZINC	2
4	047015	3/8 FLAT WASHER PL	7
5	046134	3/8-16 x 2 1/2 HEX HEAD CS GR8 PL	2
6	044038	3/8-16 NYLOCK HEX NUT PL	2
7	056010	3/8-16 x 16 SERRATED FLANGE HEX SCREW	3
8	047010	5/16 FLAT WASHER PL	2
9	046070	5/16-18 x 2 1/4 HEX HEAD CS GR5 PL	1
10	044033	5/16-18 NYLOCK HEX NUT PL	1
11	046050	5/16-18 x 1 HEX HEAD CS GR5 PL	4
12	044031	5/16-18 KEPS HEX NUT PL	4
13	044018	#10-24 NYLOCK HEX NUT PL	5
14	041021	#10-24 x 1/2 PH-ROUND HEAD MS PL	4
15	041030	#10-24 x 1 PH-ROUND HEAD MS PL	1
16	057007	3/8-16 HEX NYLOCK FLANGE NUT	3
17	046030	1/4-20 x 1 3/4 HEX HEAD CS GR5 PL	1
18	044021	1/4-20 KEPS HEX NUT PL	1
19	046015	1/4-20 x 1 HEX HEAD CS GR5 PL	1
20	107075P	TOWER MOUNT WELDMENT	1
21	107081P	SWING ARM AIRSTAR VERTICAL	1
22	530337	WINCH DLB 350	1
23	100160	2 1/2 PULLEY BALL BEARING	1
24	712017	LOCK PIN SNAP	1
25	660144	DRIVE HUB	1
26	033000	5/8 x 1 SLIC PIN	1
27	107167	HANDLE WINCH	1
28	108437	WINCH CABLE AIRSTAR VERTICAL	1
29	108443P	MOUNT AIRSTAR LIGHT BALLOON	1
30	100474	1" CONDUIT CLAMP	1
31	108708	CHAIN STOP	1
NS	108358	1250W VERTICAL BALLOON LIGHT RETRO FIT KIT	1

MH BALLOON LIGHT OPTION

3.1 - Vertical Balloon Light Install Group (2 of 2)

SN 08-000001 to 08-004440

SN 11-000001 to 11-002444

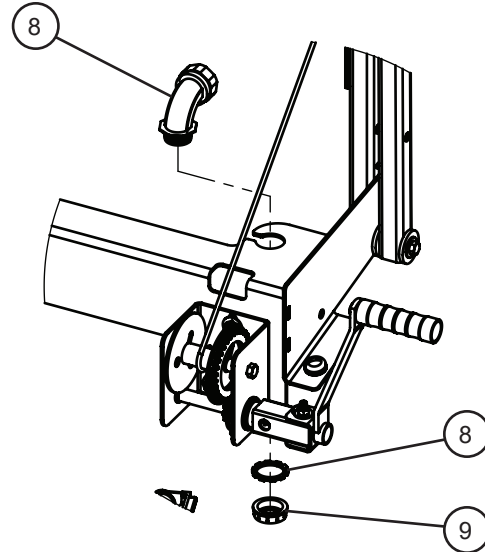
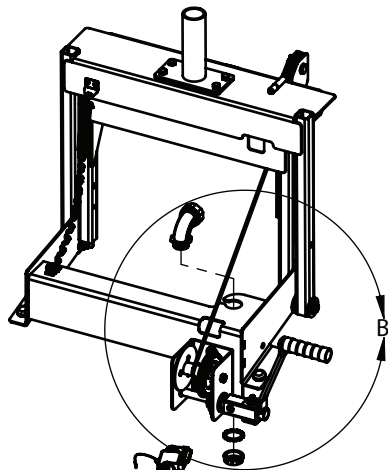
Item	Part No.	Part Description	Qty.
1	044036	3/8-16 KEPS HEX NUT PL	4
2	046126	3/8-16 x 1 3/4 HEX HEAD CS GR5 PL	4
3	044045	1/2-13 HEX NUT PL	1
4	100148	SPRING LOCK 1/2-13 UNC x 1.4	1
5	650550	.785" x 2" HDPE WASHER	1
6	047035	3/4 FLAT WASHER PL	1
7	044058	3/4-10 NYLOCK HEX NUT PL	1
8	108236P	ROTATION MOUNT	1
9	100147	UHMW BEARING TOWER ROTATION	1
10	100104P	BRACKET LIGHT BAR SEC7	1
11	102972P	ROUND TOWER SECTION	1
	113104	ROUND TOWER SECTION - GALVANIZED	1

3.2 - Vertical Balloon Light Nycoil Cord Group

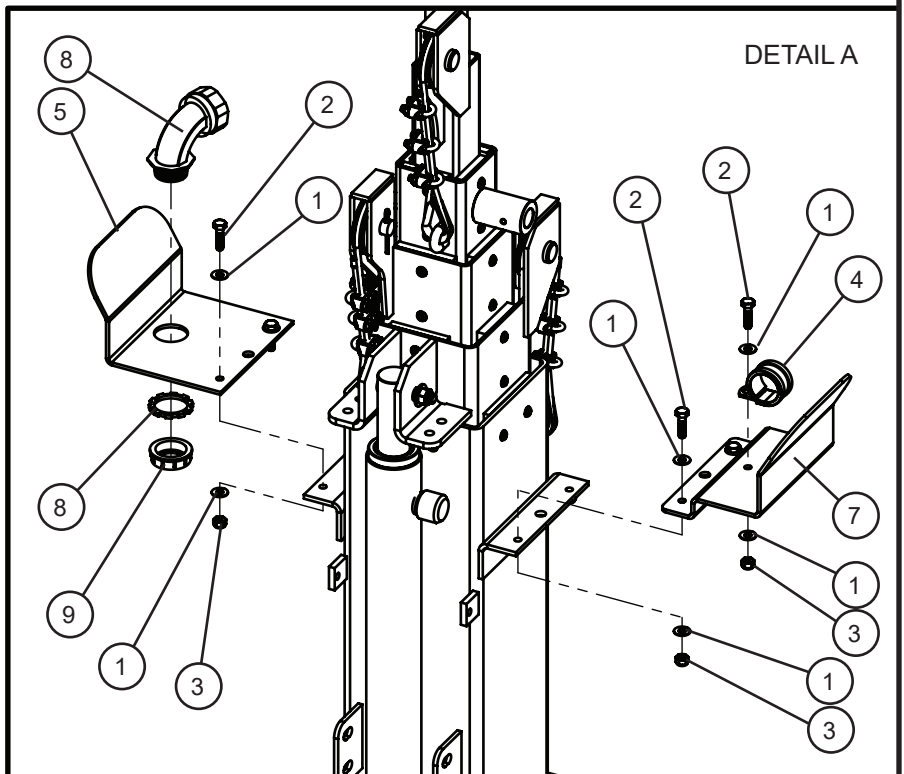
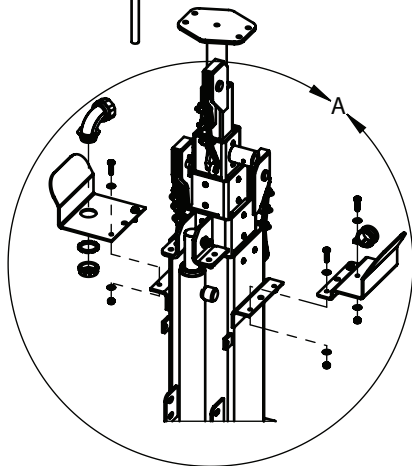
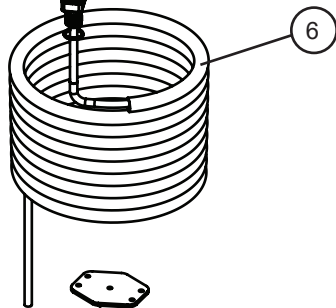
SN 08-000001 to 08-004440

SN 11-000001 to 11-002444

108450_C
115290_B



DETAIL B



DETAIL A

MH BALLOON LIGHT OPTION

3.2 - Vertical Balloon Light Nycoil Cord Group

SN 08-000001 to 08-004440

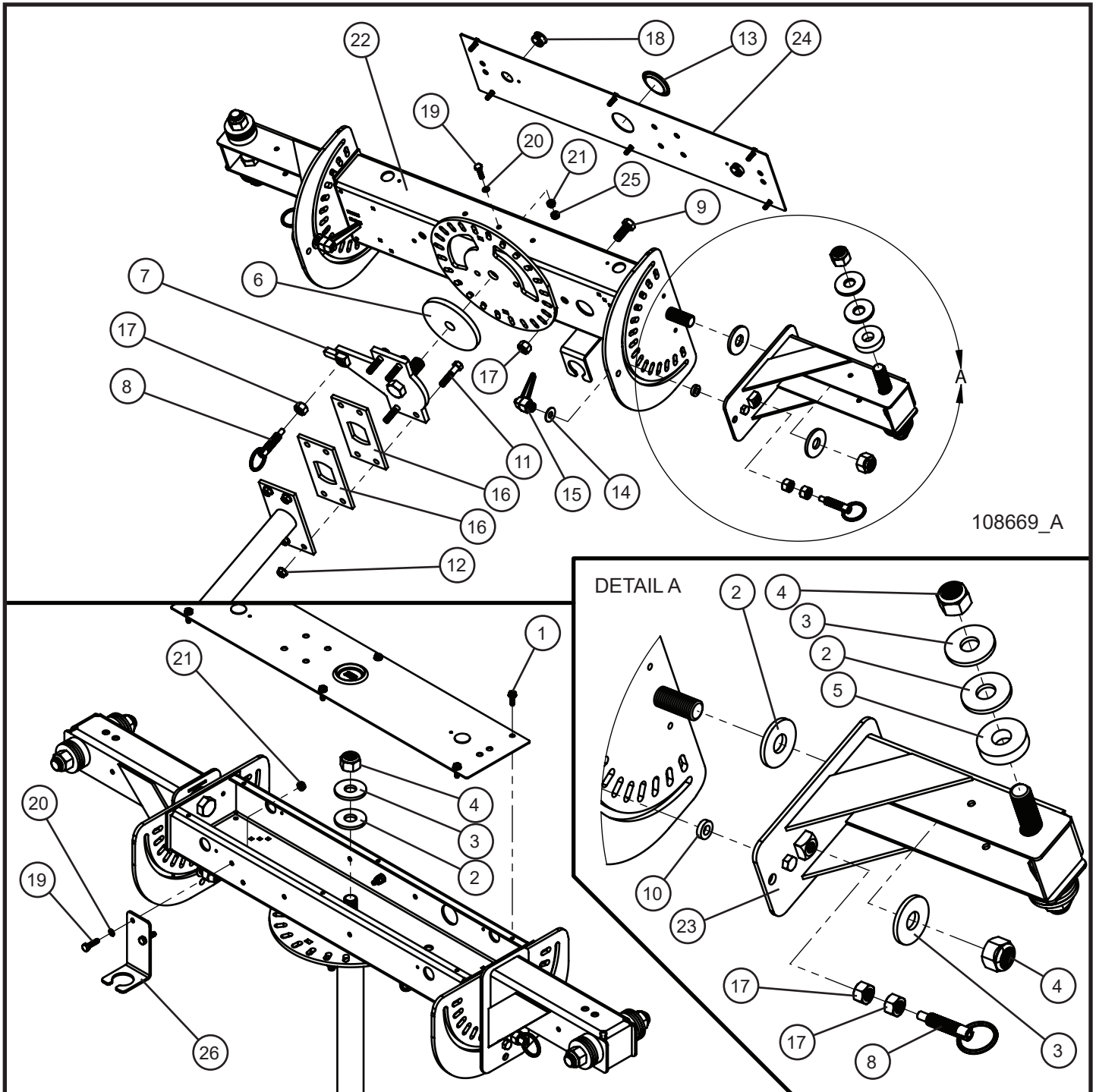
SN 11-000001 to 11-002444

Item	Part No.	Part Description	Qty.
1	047009	1/4 FLAT WASHER SAE SS	10
2	046015	1/4-20 x 1 HEX HEAD CS GR5 PL	5
3	044023	1/4-20 NYLOCK HEX NUT PL	5
4	920366	#16 CUSH CLAMP W/ 3/8 HOLE	1
5	102977P	CORD GRIP BRACKET	1
6	120075	NYCOIL ASSEMBLY AIRSTAR CORD PRO (INCL. 2-102979)	1
	120076	NYCOIL ASSEMBLY AIRSTAR CORD MAXI (INCL. 2-102979)	1
7	102978P	NYCOIL CLAMP PLATE	1
8	102979	CORD GRIP 90° ELBOW LIQUID TIGHT	2
9	101672	1" INSULATING BUSHING	2
NS	105284	SCHEMATIC 4 LIGHT 16/8 JUNCTION BOX	1
NS	106875	SCHEMATIC 4 LIGHT 16/8 CORD	1

3.3 - Vertical Light Bar Balloon Light Group

SN 08-000001 to 08-004440

SN 11-000001 to 11-002444



MH BALLOON LIGHT OPTION

3.3 - Vertical Light Bar Balloon Light Group

SN 08-000001 to 08-004440

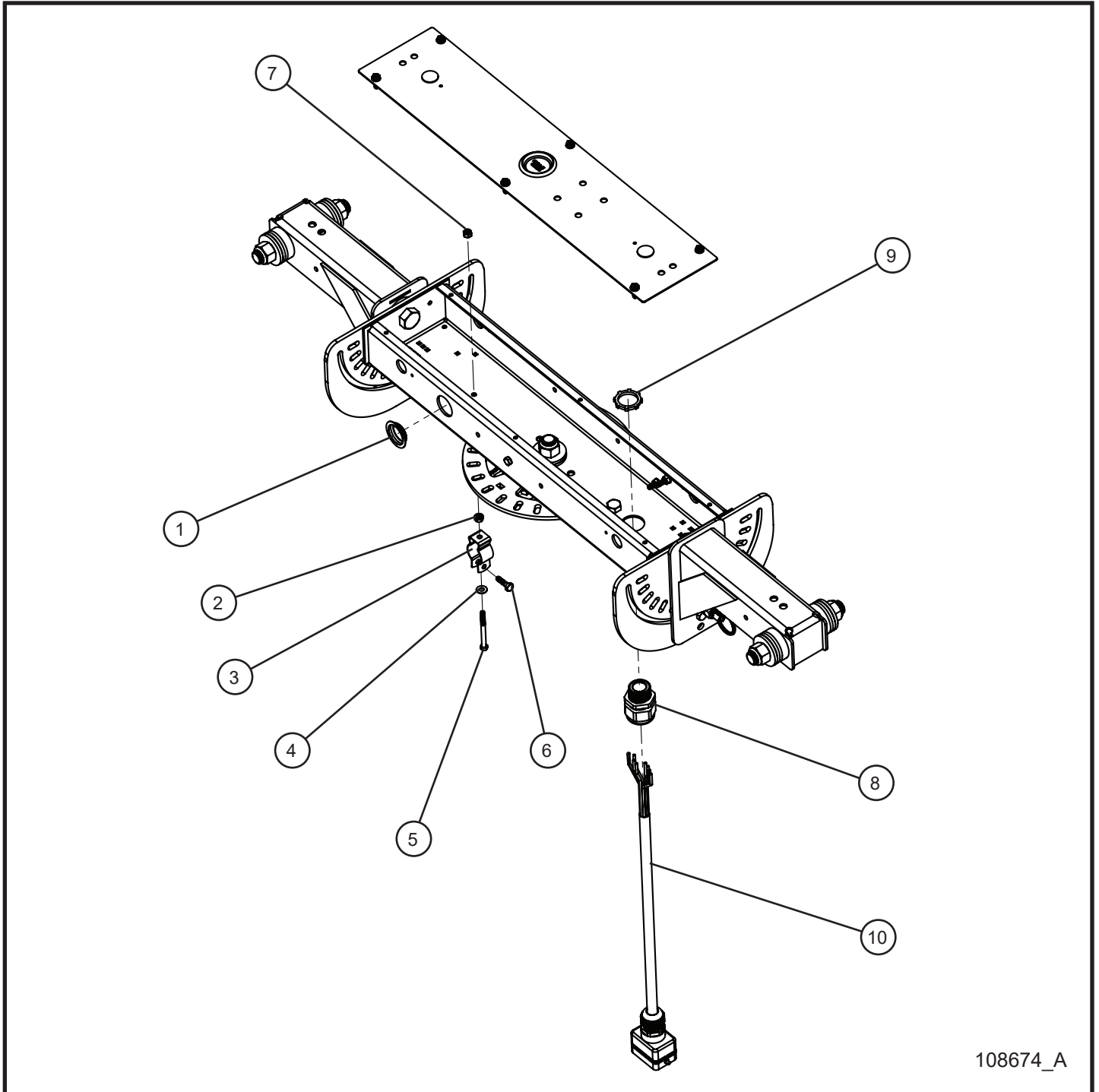
SN 11-000001 to 11-002444

Item	Part No.	Part Description	Qty.
1	041070	1/4-20 x 3/4 SL-HEX WASHER HEAD MS TP F	6
2	650550	.785" x 2" HDPE WASHER	7
3	047035	3/4 FLAT WASHER PL	7
4	044058	3/4-10 NYLOCK HEX NUT PL	7
5	101813	.781 ID x 2 OD x 1/2 HDPE WASHER	4
6	100147	UHMW BEARING TWR ROTATION	1
7	100143P	ROTATION MOUNT	1
8	100148	SPRING LOCK 1/2-13 UNC x 1.4	3
9	046180	1/2-13 x 1 1/4 HEX HEAD CS GR5 PL	1
10	047019	NYLON BUSHING 3/4 OD x .385 ID	2
11	046126	3/8-16 x 1 3/4 HEX HEAD CS GR5 PL	4
12	044036	3/8-16 KEPS HEX NUT PL	4
13	680878	1 3/4 CAPPLUG	1
14	047015	3/8 FLAT WASHER PL	2
15	102361	ADJUSTABLE LEVER PUSH BUTTON	2
16	100104P	BRACKET LIGHT BAR	2
17	044045	1/2-13 HEX NUT PL	6
18	711029	7/8 LOCKING HOLE PLUG	2
19	046015	1/4-20 x 1 HEX HEAD CS GR5 PL	3
20	046050	1/4 INTL TOOTH LOCK WASHER	3
21	044021	1/4-20 KEPS HEX NUT PL	3
22	114204P	VERTICAL LIGHT BAR WELDMENT	1
23	105363P	BRACKET LAMP ROTATING INDEXING LIGHT BAR	2
24	104063P	COVER LIGHT BAR	1
25	044023	1/4-20 NYLOCK HEX NUT PL	1
26	108453P	CONDUIT BRACKET LIGHT BAR	1

3.4 - Vertical Light Bar Balloon Light Cord Group

SN 08-000001 to 08-004440

SN 11-000001 to 11-002444



108674_A

MH BALLOON LIGHT OPTION

3.4 - Vertical Light Bar Balloon Light Cord Group

SN 08-000001 to 08-004440

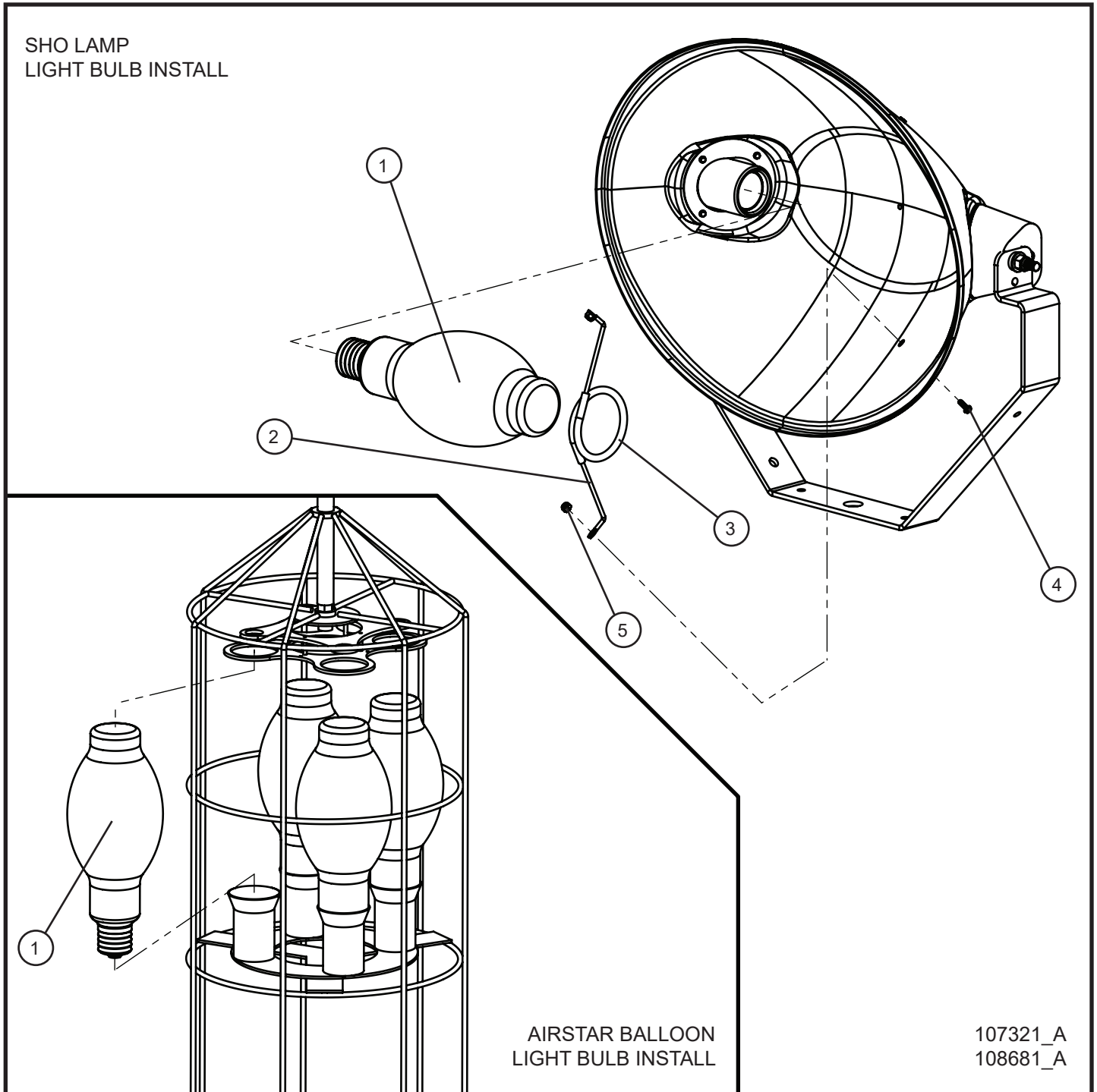
SN 11-000001 to 11-002444

Item	Part No.	Part Description	Qty.
1	064040	1 3/8 CAP PLUG	1
2	044021	1/4-20 KEPS HEX NUT PL	1
3	100474	1" CONDUIT CLAMP	1
4	047009	1/4 FLAT WASHER SAE SS	1
5	046037	1/4-20 x 2 3/4 HEX HEAD CS GR5 PL	1
6	046015	1/4-20 x 1 HEX HEAD CS GR5 PL	1
7	044023	1/4-20 NYLOCK HEX NUT PL	1
8	105627	CORD GRIP 1" NYLON BLACK	1
9	022038	1" CORD GRIP NUT	1
10	108675	16/8 CORD LIGHT BAR	1
NS	105292	SCHEMATIC LIGHT BAR 4 LIGHT 16/8 CORD	1

4.1 - 1250W Lamps with 60Hz 120V Ballast Boxes (1 of 3)

SN 07-000001 to 07-002728
SN 08-000001 to 08-004440

SN 10-000001 to 10-000025
SN 11-000001 to 11-002444



MH BALLOON LIGHT OPTION

4.1 - 1250W Lamps with 60Hz 120V Ballast Boxes (1 of 3)

SN 07-000001 to 07-002728

SN 08-000001 to 08-004440

SN 10-000001 to 10-000025

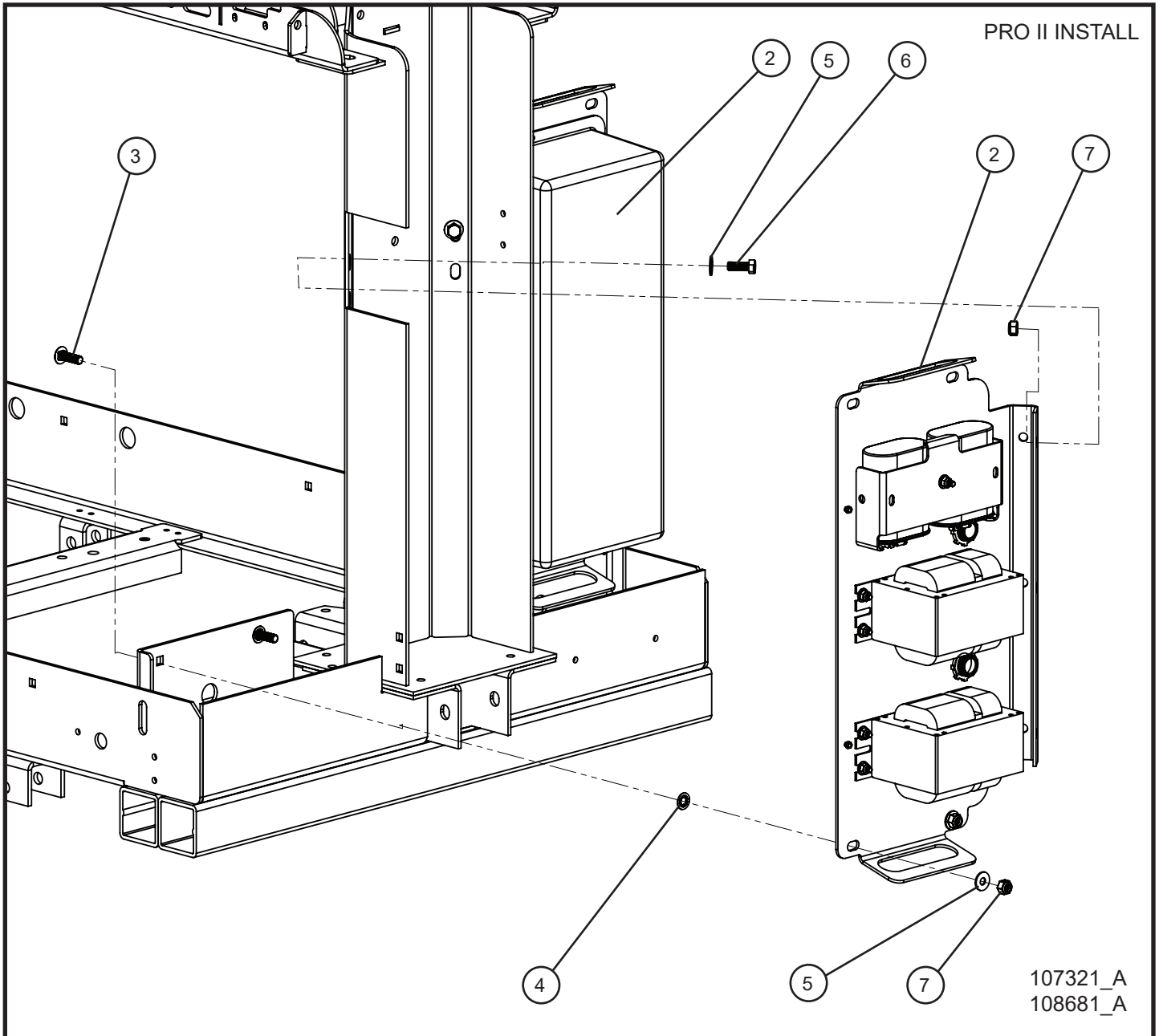
SN 11-000001 to 11-002444

Item	Part No.	Part Description	Qty.
1	610221	LAMP 1250W BT37 (MH)	4
2	610209	SUPPORT TIP LAMP SHO	4
3	610210	FIBERGLASS TUBE 12" LAMP SUPPORT	4
4	041200	#8-32 x 1/2 HEX WASHER HEAD INDT	8
5	044013	#8-32 NYLOCK HEX NUT SS	8

4.1 - 1250W Lamps with 60Hz 120V Ballast Boxes (2 of 3)

SN 07-000001 to 07-002728

SN 08-000001 to 08-004440



MH BALLOON LIGHT OPTION

4.1 - 1250W Lamps with 60Hz 120V Ballast Boxes (2 of 3)

SN 07-000001 to 07-002728

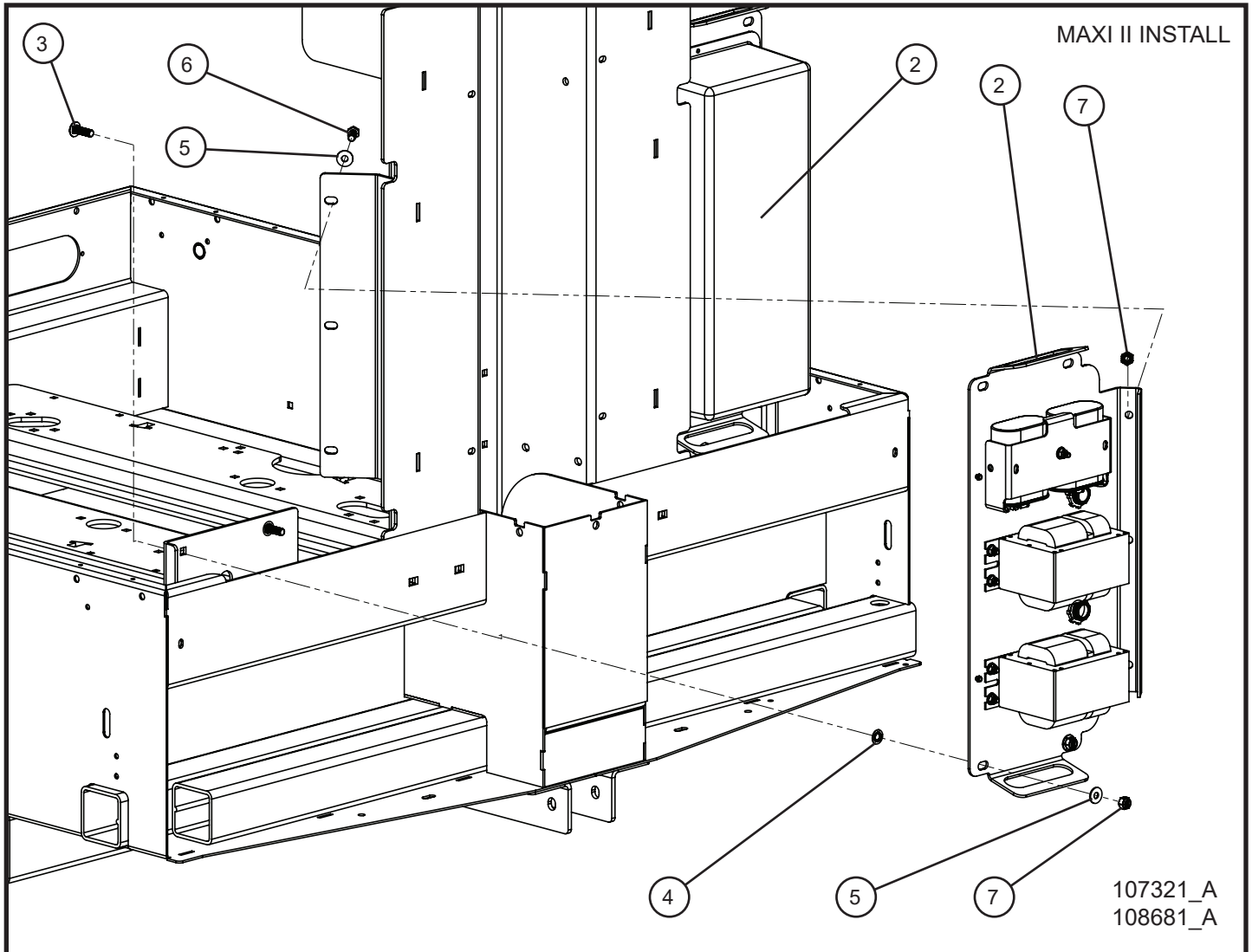
SN 08-000001 to 08-004440

Item	Part No.	Part Description	Qty.
1	103624	BALLAST CORD ASSEMBLY	4
2	104481	1250W-28uF 60Hz 120V BALLAST ASSEMBLY	2
3	100670	3/8-16 x 1 1/4 CARRIAGE BOLT	4
4	045218	3/8 PUSH NUT	4
5	047010	5/16 FLAT WASHER PL	6
6	046110	3/8-16 x 1 HEX HEAD CS GR5 PL	2
7	044038	3/8-16 NYLOCK HEX NUT PL	6
NS	105286	SCHEMATIC BALLAST 1250W 60Hz 120V (NOT SHOWN)	1

4.1 - 1250W Lamps with 60Hz 120V Ballast Boxes (3 of 3)

SN 10-000001 to 10-000025

SN 11-000001 to 11-002444



MH BALLOON LIGHT OPTION

4.1 - 1250W Lamps with 60Hz 120V Ballast Boxes (3 of 3)

SN 10-000001 to 10-000025

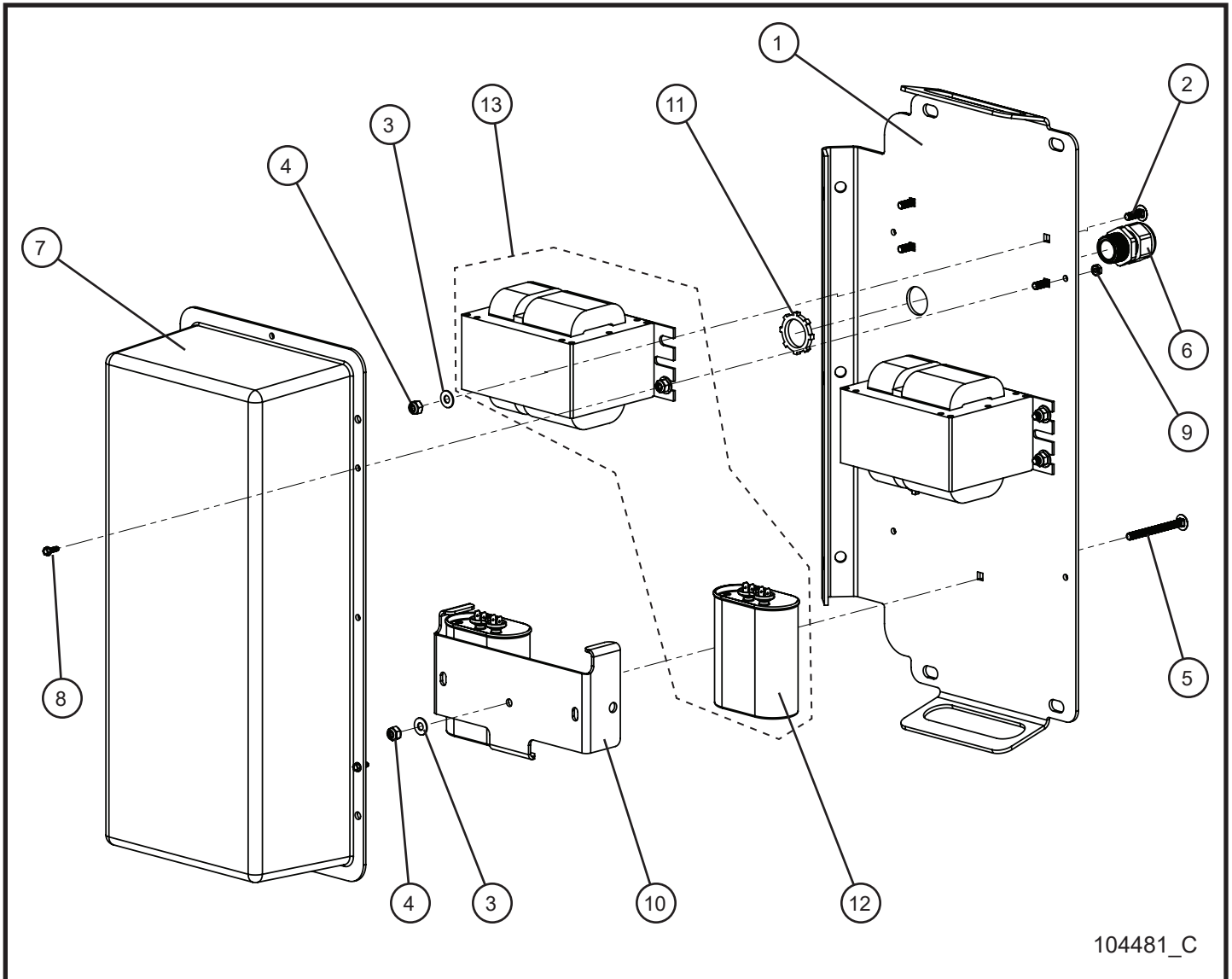
SN 11-000001 to 11-002444

Item	Part No.	Part Description	Qty.
1	103624	BALLAST CORD ASSEMBLY	4
2	104481	1250W-28uF 60Hz 120V BALLAST ASSEMBLY	2
3	100670	3/8-16 x 1 1/4 CARRIAGE BOLT	4
4	045218	3/8 PUSH NUT	4
5	047010	5/16 FLAT WASHER PL	6
6	046110	3/8-16 x 1 HEX HEAD CS GR5 PL	2
7	044038	3/8-16 NYLOCK HEX NUT PL	6
NS	105286	SCHEMATIC BALLAST 1250W 60Hz 120V (NOT SHOWN)	1

4.2 - 1250W 60Hz 120V Ballast Box Assembly

SN 07-000001 to 07-002728
SN 08-000001 to 08-004440

SN 10-000001 to 10-000025
SN 11-000001 to 11-002444



104481_C

MH BALLOON LIGHT OPTION

4.2 - 1250W 60Hz 120V Ballast Box Assembly

SN 07-000001 to 07-002728

SN 08-000001 to 08-004440

SN 10-000001 to 10-000025

SN 11-000001 to 11-002444

Item	Part No.	Part Description	Qty.
1	105914P	MOUNT PLATE BALLAST BOX	1
2	053006	1/4-20 x 3/4 CARRIAGE BOLT	8
3	047009	1/4 FLAT WASHER SAE SS	9
4	044023	1/4-20 NYLOCK HEX NUT PL	9
5	100718	1/4-20 x 2 1/4 CARRIAGE BOLT	1
6	105916	GRIP CORD NYLON 3/4	2
7	102752	BALLAST TOP MODULAR BOX	1
8	041029	#8-32 x 1/2 HEX WASHER HEAD SCREW	4
9	044003	#8-32 NC KEPS NUT	4
10	100392P	TABBED CAPACITOR CLAMP	1
11	022036	3/4 CORD GRIP NUT	2
12	100329	CAPACITOR 28uF 1250W	2
13	109606	BALLAST KIT 1250W 60Hz 120/240V 28uF (INCLUDES 100329)	2
NS	105286	SCHEMATIC BALLAST 1250W 60Hz 120V (NOT SHOWN)	1

5.1 - Balloon Light Decals

SN 07-000001 to 07-002728
 SN 08-000001 to 08-004440

SN 10-000001 to 10-000025
 SN 11-000001 to 11-002444

<div style="border: 1px solid black; padding: 5px; margin-bottom: 5px;"> <p style="text-align: center;">⚠ DANGER</p> <p>Entering electrical compartment while equipment is running will result in death or serious injury.</p> <p>Always shut down equipment before entering electrical compartment.</p> </div> <div style="border: 1px solid black; padding: 5px;"> <p style="text-align: center;">⚠ WARNING</p> <p>Handling light fixtures when they are hot could result in death or serious injury.</p> <p>Always keep clear of light fixtures when illuminated or hot.</p> </div>	<div style="display: flex; justify-content: space-between;"> <div style="width: 48%; border: 1px solid black; padding: 5px;"> <p style="text-align: center;">⚠ WARNING</p> <p>Failure to lock balloon light in upright position before machine operation could result in death or serious injury.</p> </div> <div style="width: 48%; border: 1px solid black; padding: 5px;"> <p style="text-align: center;">⚠ CAUTION</p> <p>Snow and ice could cause uncontrolled condition in which that could result in minor to moderate injury.</p> </div> </div> <div style="display: flex; justify-content: space-between; margin-top: 5px;"> <div style="width: 48%; border: 1px solid black; padding: 5px;"> <p>Always lock balloon light in upright position before machine operation.</p> </div> <div style="width: 48%; border: 1px solid black; padding: 5px;"> <p>Always check to make sure pawl engages gear, and apply silicone to winch as needed.</p> </div> </div>
①	②
107994	107988
108442_A	
<p>INSIDE BALLOON LIGHT CAGE</p>	<p>VERTICAL TOWER BALLOON LIGHT MOUNT</p>

MH BALLOON LIGHT OPTION

5.1 - Balloon Light Decals

SN 07-000001 to 07-002728

SN 08-000001 to 08-004440

SN 10-000001 to 10-000025

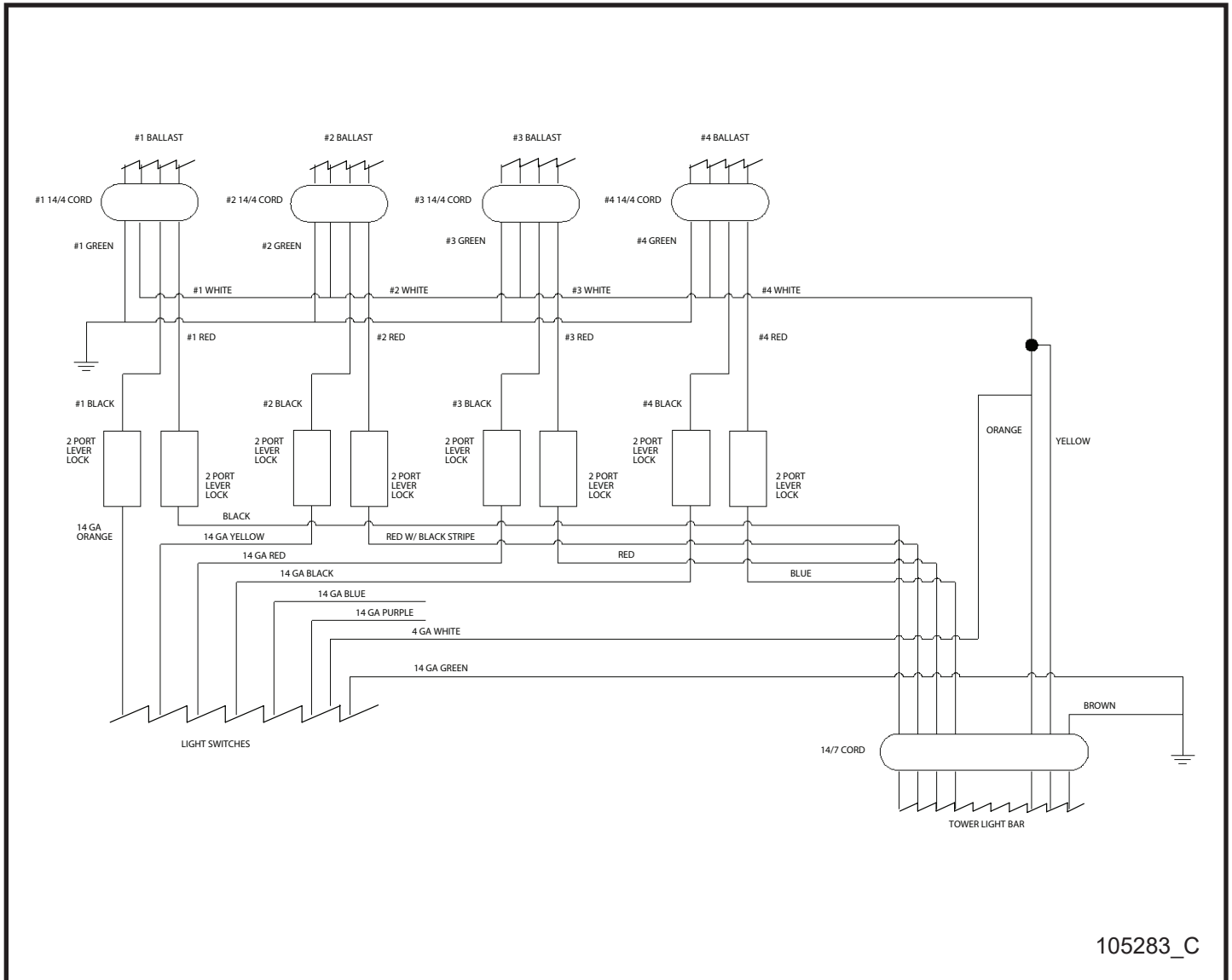
SN 11-000001 to 11-002444

Item	Part No.	Part Description	Qty.
1	107994	BALLOON LIGHT DANGER/WARNING DECAL	1
2	107988	VERTICAL TOWER BALLOON LIGHT WARNING/CAUTION DECAL	1

6.1 - 4 Light 14/7 Cord Junction Box Schematic

SN 07-000001 to 07-002728
 SN 08-000001 to 08-004440

SN 10-000001 to 10-000025
 SN 11-000001 to 11-002444

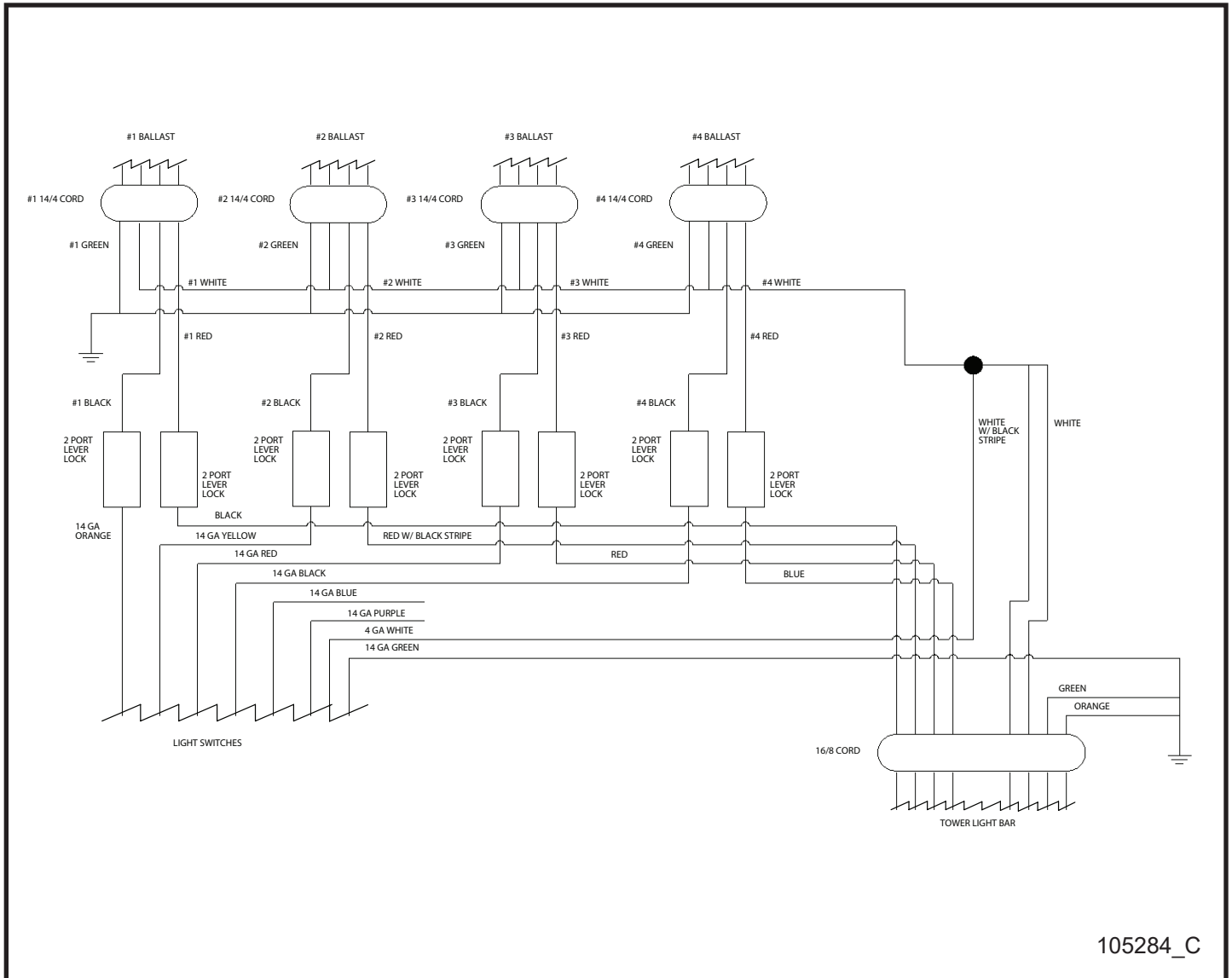


MH BALLOON LIGHT OPTION

6.2 - 4 Light 16/8 Cord Junction Box Schematic

SN 07-000001 to 07-002728
SN 08-000001 to 08-004440

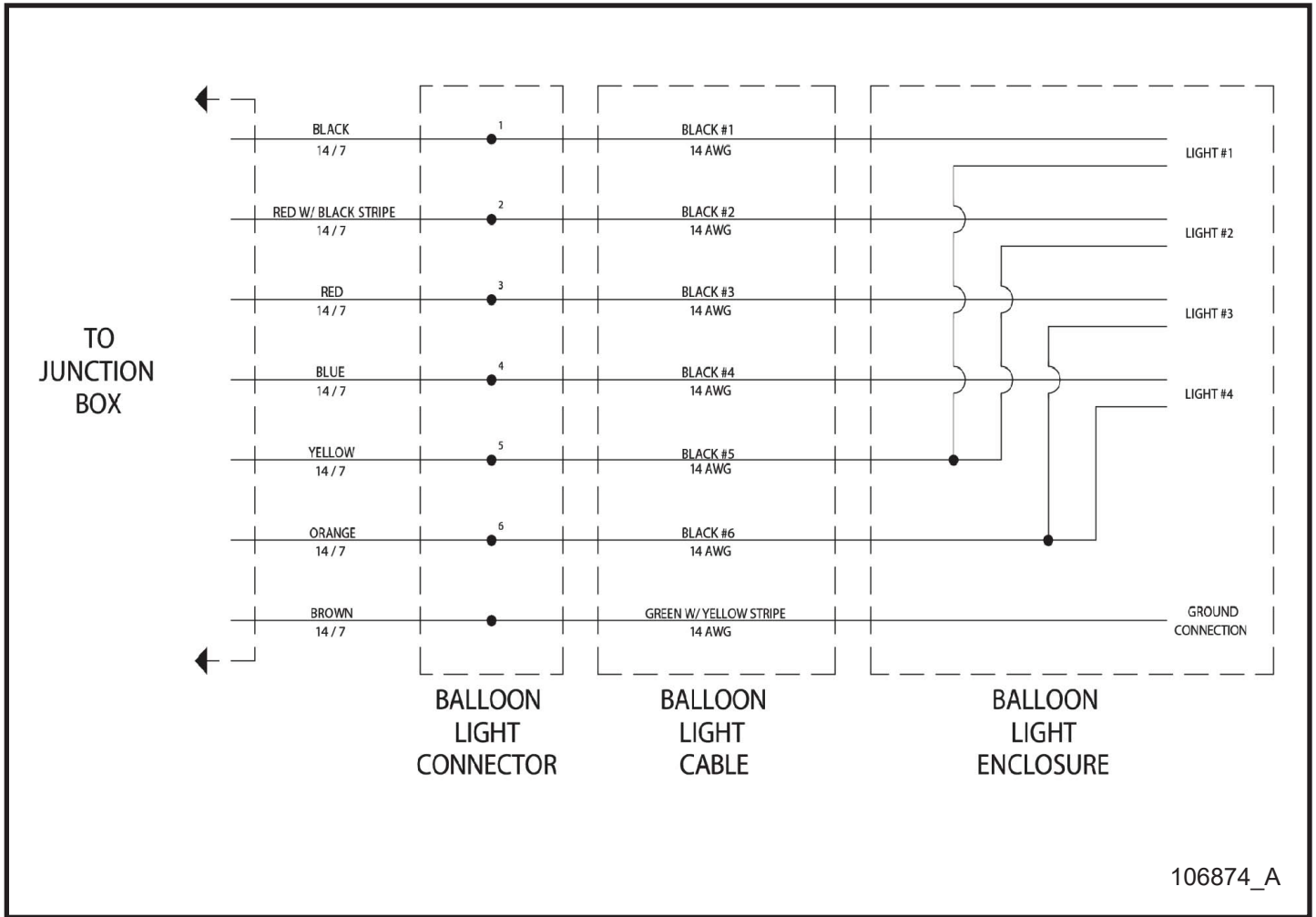
SN 10-000001 to 10-000025
SN 11-000001 to 11-002444



6.3 - 4 Light 14/7 Cord Schematic

SN 07-000001 to 07-002728
 SN 08-000001 to 08-004440

SN 10-000001 to 10-000025
 SN 11-000001 to 11-002444

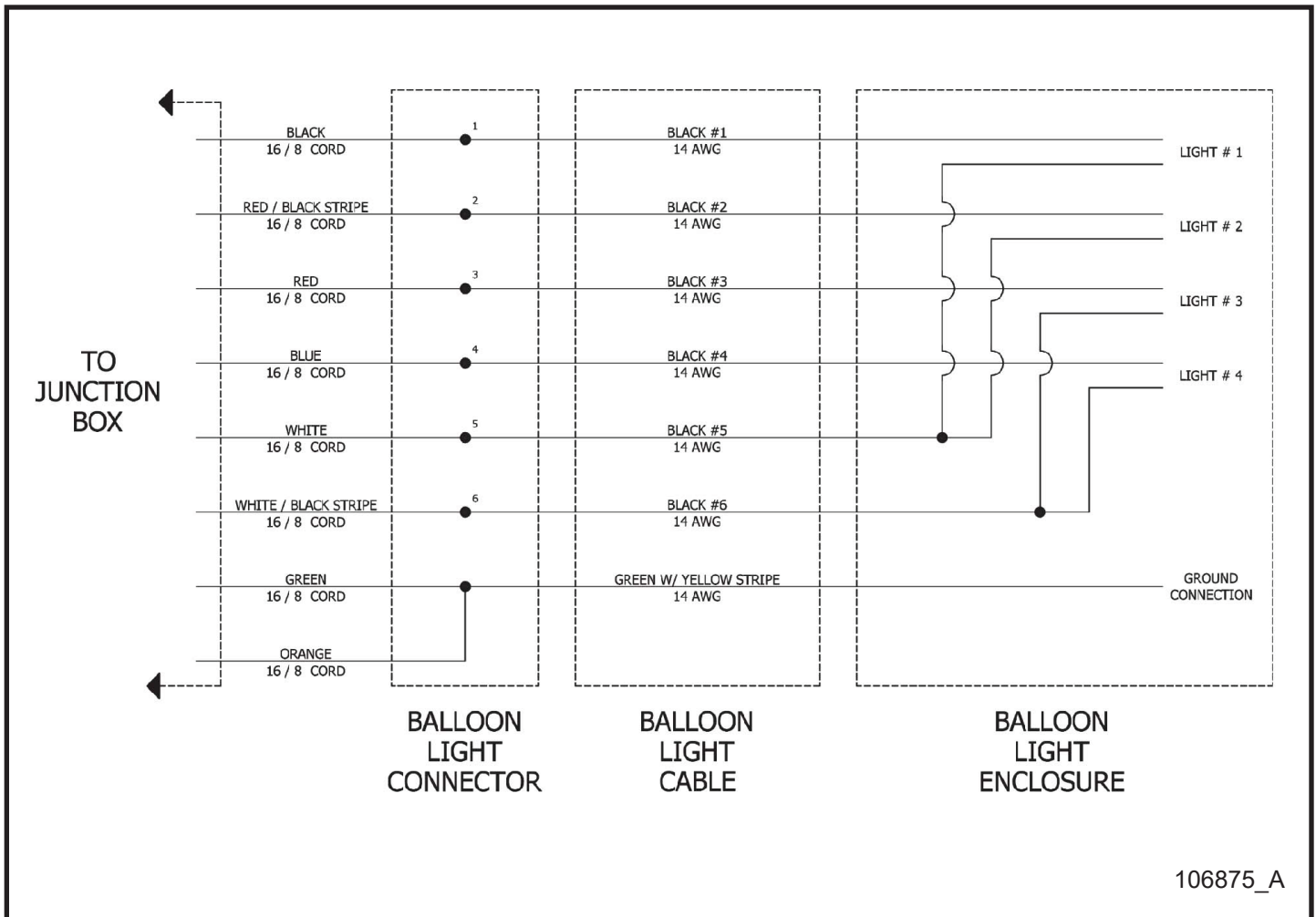


MH BALLOON LIGHT OPTION

6.4 - 4 Light 16/8 Cord Schematic

SN 07-000001 to 07-002728
SN 08-000001 to 08-004440

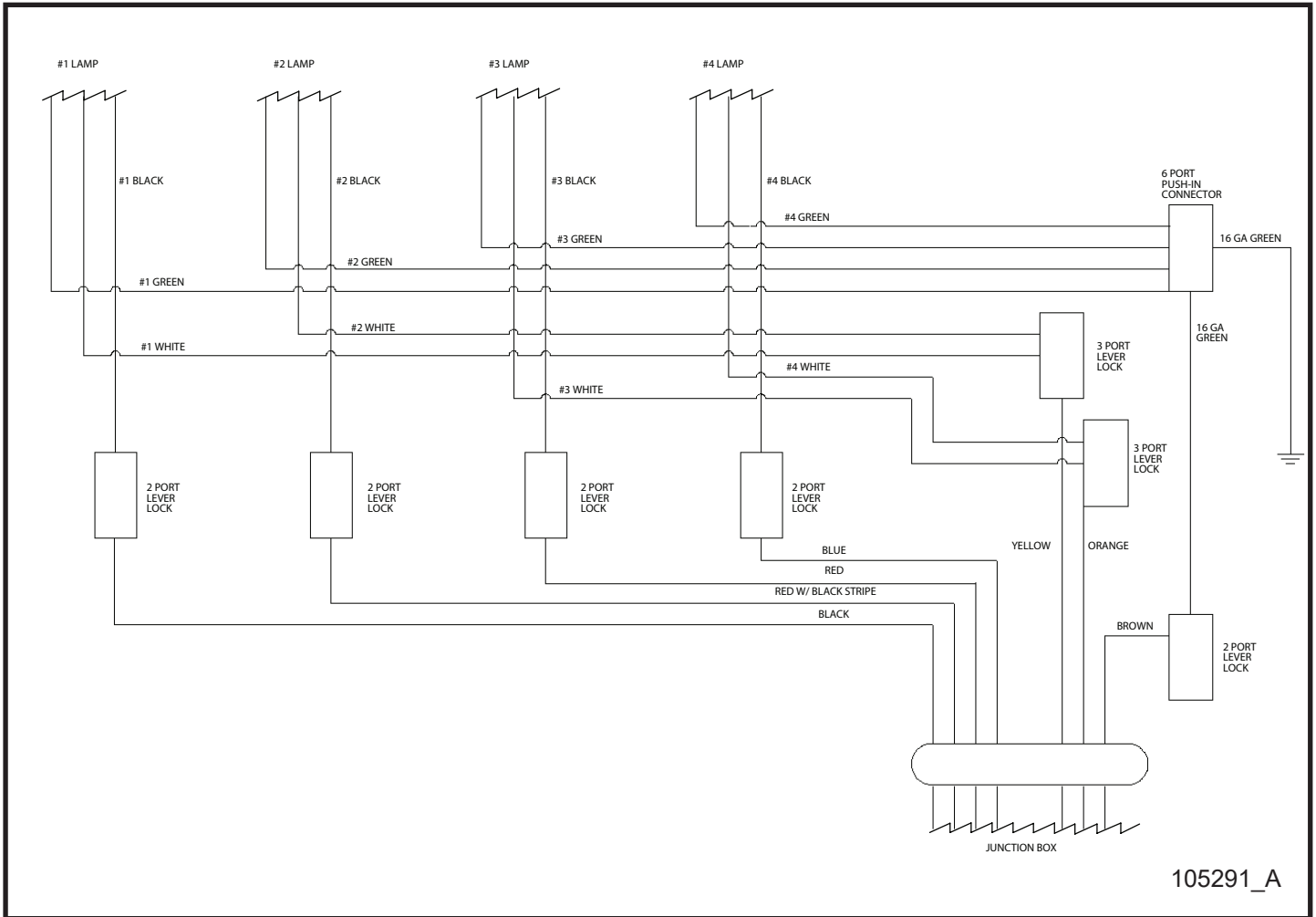
SN 10-000001 to 10-000025
SN 11-000001 to 11-002444



6.5 - 4 Light 14/7 Cord Light Bar Schematic

SN 07-000001 to 07-002728
SN 08-000001 to 08-004440

SN 10-000001 to 10-000025
SN 11-000001 to 11-002444

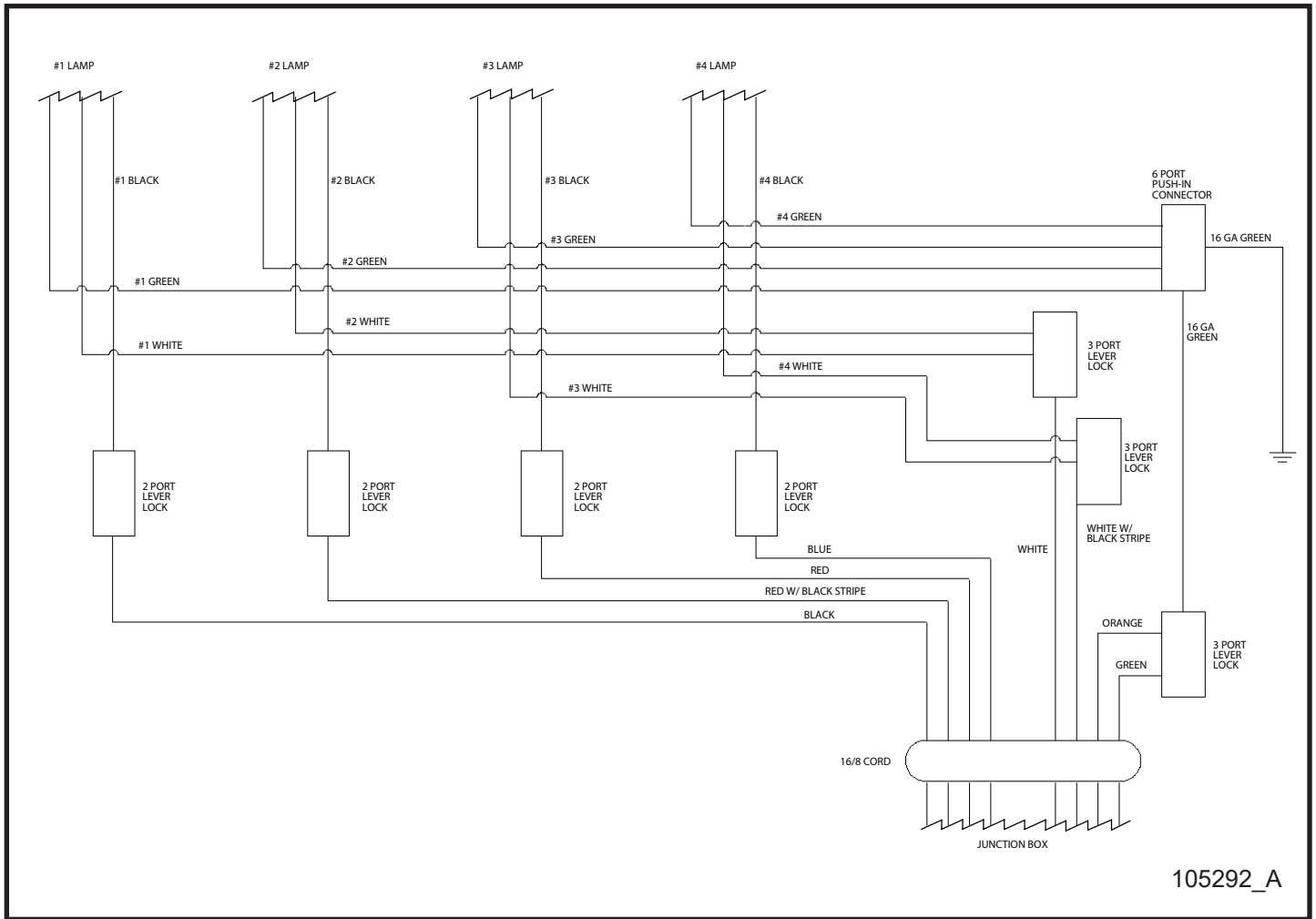


MH BALLOON LIGHT OPTION

6.6 - 4 Light 16/8 Cord Light Bar Schematic

SN 07-000001 to 07-002728
SN 08-000001 to 08-004440

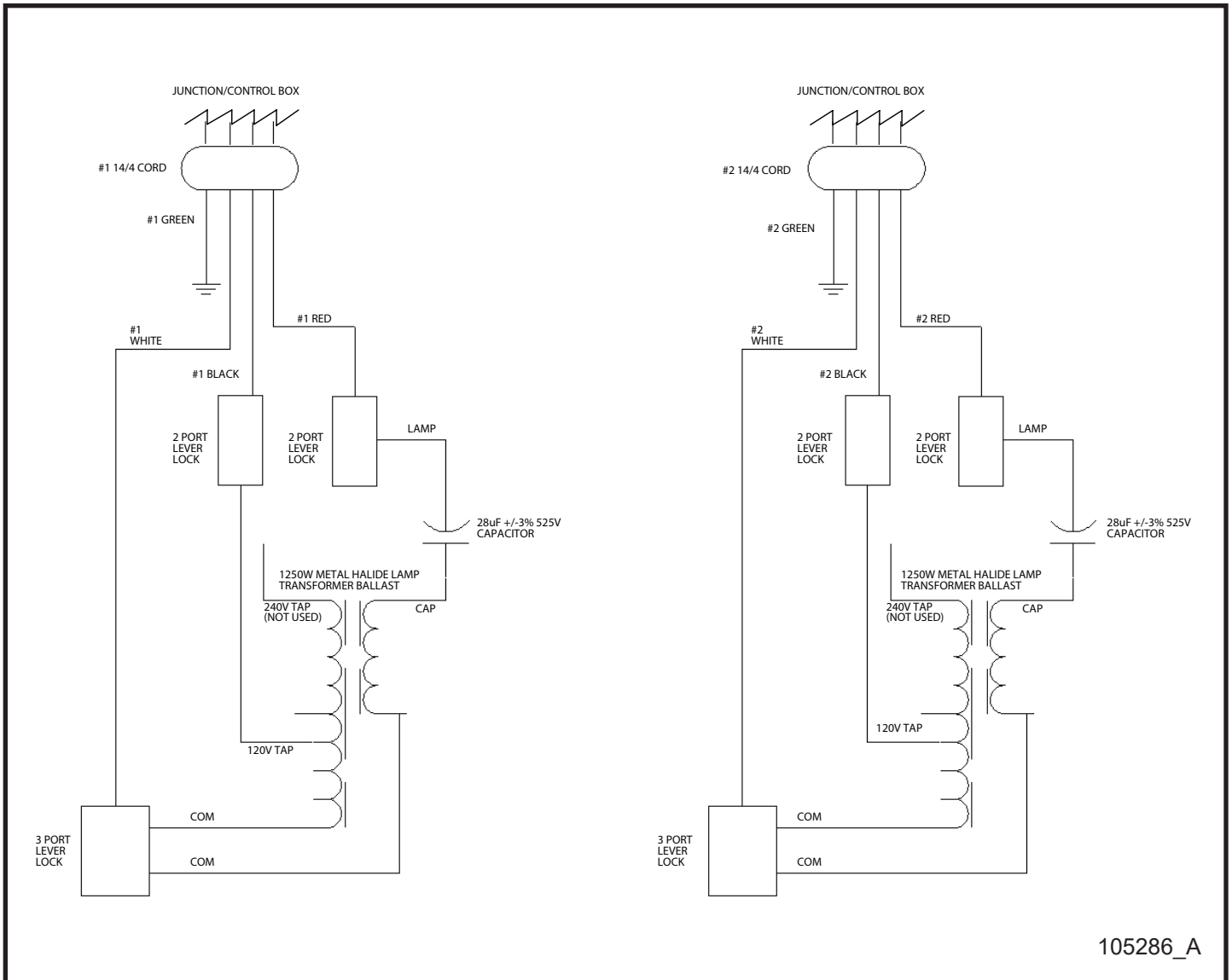
SN 10-000001 to 10-000025
SN 11-000001 to 11-002444



6.7 - 1250W 60Hz 120V Ballast Schematic

SN 07-000001 to 07-002728
 SN 08-000001 to 08-004440

SN 10-000001 to 10-000025
 SN 11-000001 to 11-002444



105286_A

MH BALLOON LIGHT OPTION

PAGE LEFT BLANK
INTENTIONALLY

MH Balloon Light Option



1502 West 4th Avenue
Holdrege, NE 68949

phone: (308) 995-4495 • toll free: (800) 562-1373

fax: (308) 995-5887

www.allmand.com