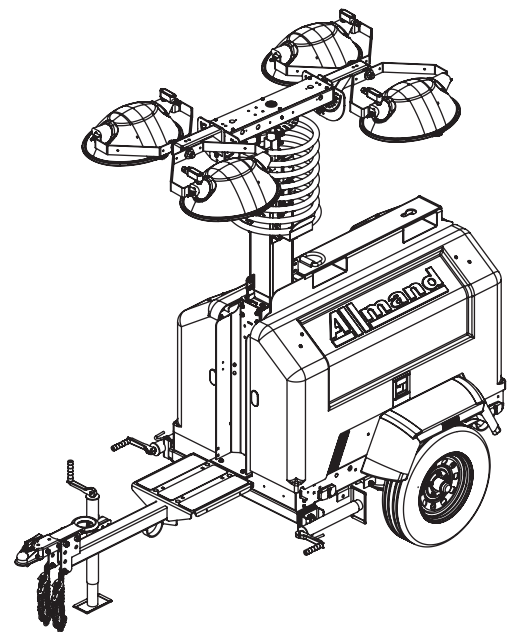
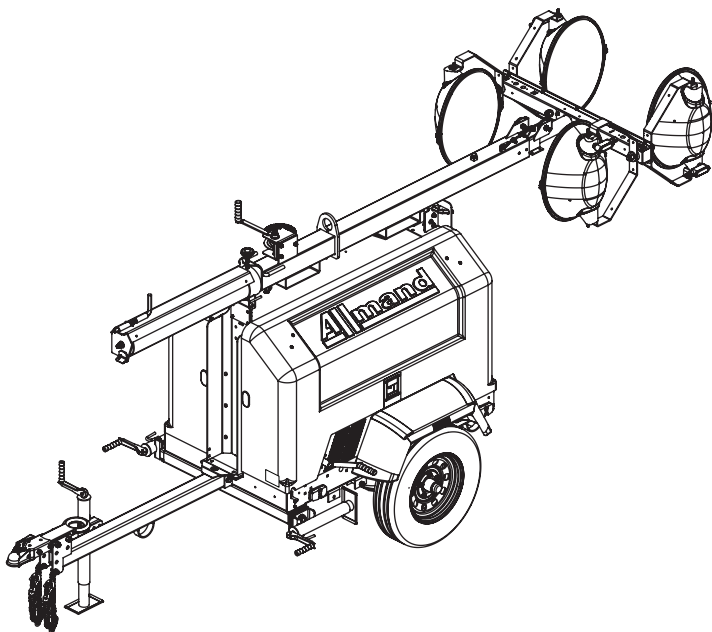


(en) **Parts Manual**  
**50 & 60Hz NIGHT-LITE PRO II®**



## TABLE OF CONTENTS

### 1.0 FRAME/AXLE/TONGUE/OUTRIGGERS

Universal Frame and Axle .....	(1.1)
Hydraulic Brake Axle .....	(1.2)
Removeable Tongue .....	(1.3)
Removeable Tongue Coupler Options .....	(1.4)
Adjustable Tongue .....	(1.5)
Adjustable Tongue Coupler Options .....	(1.6)
Adjustable Tongue Extra Coupler Option .....	(1.7)
New Style Tube-Mount Tongue .....	(1.8)
New Style Tube-Mount Tongue Coupler Options .....	(1.9)
Tongue Platform .....	(1.10)
Foldable Tongue .....	(1.11)
Australian Tongue and Coupler .....	(1.12)
5 Position Adjustable Tongue w/ Drop Leg Jack .....	(1.13)
Snap Ring Outriggers and Jacks .....	(1.14)
Tube Mount Outriggers and Jacks .....	(1.15)
Wheel Chock Block .....	(1.16)

### 2.0 TRAILER BASE PARTS

Left Door .....	(2.1)
Right Door .....	(2.2)
Left Door w/ Cord Opening .....	(2.3)
Right Door w/ Cord Opening .....	(2.4)
Cord Opening Hooks .....	(2.5)
Tower Pedestal .....	(2.6)
CAT Rear Panel .....	(2.7)
Kubota Rear Panel .....	(2.8)
Mobile Platform Rear Panel .....	(2.9)
FCS Tray Group .....	(2.10)
Non FCS Group .....	(2.11)
Fender .....	(2.12)
Manual Canister .....	(2.13)
Fire Extinguisher Bracket .....	(2.14)

## TABLE OF CONTENTS

### 3.0 LAYDOWN TOWER GROUP

Laydown Tower Trailer Group .....	(3.1)
Laydown Tower Parts Old Style .....	(3.2)
Laydown Tower Parts New Style .....	(3.3)
Laydown Tower Light Bar .....	(3.4)
Laydown Tower Pivot Group .....	(3.5)
Laydown Tower Pivot Section .....	(3.6)
Laydown Tower Rear Support .....	(3.7)
Laydown Tower Winch Group .....	(3.8)
Laydown Tower 14/7 Cord Group .....	(3.9)
Laydown Tower 16/8 Cord Group .....	(3.10)

### 4.0 VERTICAL TOWER GROUP

Vertical Tower Trailer Group .....	(4.1)
Vertical Tower Parts Old Style .....	(4.2)
Vertical Tower Parts New Style .....	(4.3)
Vertical Tower Light Bar .....	(4.4)
Vertical Tower Go Green LED Light Bar .....	(4.5)
Vertical Tower Hydraulic Pump w/ Bottom Port Cylinder .....	(4.6)
Vertical Tower Hydraulic Pump w/ Top Port Cylinder .....	(4.7)
Vertical Tower Hydraulic Pump Mount .....	(4.8)
Vertical Tower Bottom Port Cylinder Quick Disconnect .....	(4.9)
Vertical Tower Top Port Cylinder Cap and Plug .....	(4.10)
Vertical Tower Pump-Key Switch Relay .....	(4.11)
Vertical Tower Switch Panel .....	(4.12)
Vertical Tower Momentary Switch Panel w/ Relay .....	(4.13)
Vertical Tower 16/8 Nycoil Cord Group .....	(4.14)

---

---

## TABLE OF CONTENTS

### 5.0 LAMP AND BALLAST GROUP

1000W HPS Lamps with 60Hz 120V Ballast Boxes .....	(5.1)
1000W HPS 60Hz 120V Ballast Box Assembly .....	(5.2)
1250W Lamps with 60Hz 120V Ballasts .....	(5.3)
1250W 60Hz 120V Ballast Box Assembly .....	(5.4)
1000W Lamps with 60Hz 120V Ballasts Boxes .....	(5.5)
1000W 60Hz 120V Ballast Box Assembly .....	(5.6)
1000W Lamps with 50Hz 120V Ballast Boxes .....	(5.7)
1000W 50Hz 120V Ballast Box Assembly .....	(5.8)
Conssin COB LED 4 Driver Install Group .....	(5.9)
Conssin COB LED 4 Driver Assembly .....	(5.10)
No Lamps with Non Ballast Box Assembly .....	(5.11)
SHO Lamp Holder Install Group .....	(5.12)
SHO Lamp Holder Disconnect Install Group .....	(5.13)
SHO Lamp Holder Assembly Group .....	(5.14)
SHO Light SAF-T-Visor .....	(5.15)
SHO Light SFR Safety Lanyards .....	(5.16)
Conssin COB LED Lamp Install Group .....	(5.17)
Conssin COB LED Lamp .....	(5.18)
Conssin COB LED Lamp Diffuser .....	(5.19)
Conssin SMD LED Lamp Install Group .....	(5.20)
Conssin SMD LED Lamp Diffuser .....	(5.21)

### 6.0 COMPONENT BOX GROUP

Component Box .....	(6.1)
2-20AMP GFCI Outlet UL489 Package .....	(6.2)
2-20AMP GFCI Outlet Package .....	(6.3)
50Hz 1-Schuko Outlet Package .....	(6.4)
50Hz 2-Schuko Outlets Package .....	(6.5)
2-10AMP Outlet Package Australian .....	(6.6)
1-20AMP GFCI Outlet UL489 Package .....	(6.7)
1-20AMP GFCI Outlet Package .....	(6.8)
1-30AMP RV 1-20AMP GFCI Outlet UL489 Package .....	(6.9)

## TABLE OF CONTENTS

### 6.0 COMPONENT BOX GROUP (CONTINUED)

1-30AMP RV 1-20AMP GFCI Outlet Package .....	(6.10)
2-30AMP RV Outlet UL489 Package .....	(6.11)
2-30AMP RV Outlet Package .....	(6.12)
2-30AMP Twistlock 1-20AMP GFCI Outlet Package .....	(6.13)
2-30AMP RV 1-20AMP GFCI Outlet Package .....	(6.14)
No Outlet UL489 Package .....	(6.15)
No Outlet Package .....	(6.16)
1-30AMP Twistlock 1-GFCI Outlet UL489 Package .....	(6.17)
1-30AMP Twistlock 1-GFCI Outlet Package .....	(6.18)
1-30AMP 3-Prong Twistlock 1-GFCI Outlet Package .....	(6.19)
1-30AMP Twistlock 1-RV 1-GFCI Outlet Package .....	(6.20)
50Hz CE Outlet Package .....	(6.21)
50Hz Africa Outlet Package .....	(6.22)
50Hz Schuko International Outlet Package .....	(6.23)
50AMP Auxiliary Outlet .....	(6.24)
SLS Key Start Engine Control I (with Timer Relay) .....	(6.25)
SLS Harness Control Fuse Panel I .....	(6.26)
SLS Key Start Engine Control II (no Timer Relay) .....	(6.27)
SLS Harness Control Fuse Panel II .....	(6.28)
LSC Start Engine Control with Toggle Switch .....	(6.29)
LSC Start Engine Control with Rocker Switch .....	(6.30)
LSC Harness Control Fuse Panel .....	(6.31)
Kohler Start Engine Control .....	(6.32)
4-Light Zettler Relay .....	(6.33)
4-Light 725 Relay .....	(6.34)
Low Level Fuel Module .....	(6.35)
CAT C1.1 Engine Voltage Regulator .....	(6.36)
GPS Module Option .....	(6.37)

### 7.0 ELECTRICAL GROUP

Oval Tail Lights .....	(7.1)
Tail Light Covers .....	(7.2)

---

---

## TABLE OF CONTENTS

### 7.0 ELECTRICAL GROUP (CONTINUED)

CAT 4-PIN Tail Light Harness .....	(7.3)
CAT 4-PIN 2 Piece Tail Light Harness .....	(7.4)
Kubota 4-PIN Tail Light Harness .....	(7.5)
Kubota 4-PIN 2 Piece Tail Light Harness .....	(7.6)
7-Pole Plug Adapter .....	(7.7)
Ground Rod .....	(7.8)
Ground Rod 4 AWG Wire .....	(7.9)
Emergency Stop .....	(7.10)
Emergency Stop Kohler .....	(7.11)
Emergency Stop Mitsubishi .....	(7.12)
VIN Package .....	(7.13)
VIN LED Package .....	(7.14)
License Plate Bracket w/ Lamp .....	(7.15)
License Plate Bracket w/ LED Lamp .....	(7.16)
Reflectors .....	(7.17)
Low Fuel Beacon .....	(7.18)
Interior LED Light .....	(7.19)

### 8.0 BATTERY/FUEL TANK/UNIVERSAL ENGINE PARTS

Battery and Battery Cables .....	(8.1)
Battery Blanket .....	(8.2)
Battery Negative Pole Disconnect .....	(8.3)
FCS Fuel Tank Group .....	(8.4)
Non FCS Fuel Tank Group .....	(8.5)
Fuel Sender .....	(8.6)
CAT Fuel Line Kit .....	(8.7)
Kubota and Mitsubishi Fuel Line Kit .....	(8.8)
Fuel Water Separator .....	(8.9)
Fuel Water Separator CAT 1.1 50Hz Marathon .....	(8.10)
Fuel Water Separator Heated .....	(8.11)
Engine Isolator Mounts .....	(8.12)
Engine Isolator Threaded Mounts .....	(8.13)

## TABLE OF CONTENTS

### 8.0 BATTERY/FUEL TANK/UNIVERSAL ENGINE PARTS (CONTINUED)

CAT and Kubota Engine Ground Wire .....	(8.14)
Mitsubishi Engine Ground Wire .....	(8.15)
Coolant Recovery Tank .....	(8.16)

### 9.0 CAT/PERKINS ENGINE GROUP

CAT C1.1 Engine and Filters .....	(9.1)
CAT/Perkins 1.1 Engine (Fan-to-Fly) and Filters .....	(9.2)
CAT C1.1 Engine Assembly Group .....	(9.3)
CAT/Perkins 1.1 Engine (Fan-to-Fly) Assembly Group .....	(9.4)
CAT C1.1 Oil Drain Options .....	(9.5)
CAT C1.1 LSC Sending Unit .....	(9.6)
CAT C1.1 Block Heater .....	(9.7)
CAT C1.1 Shocker Group .....	(9.8)
CAT C1.1 Cold Front .....	(9.9)

### 10.0 KUBOTA ENGINE GROUP

Kubota Engine and Filters .....	(10.1)
Kubota Engine Assembly Group .....	(10.2)
Kubota Remote Oil Drain and Fumoto Valve .....	(10.3)
Kubota LSC Sending Unit .....	(10.4)
Kubota Block Heater .....	(10.5)
Kubota Shocker Group .....	(10.6)
Kubota Cold Front .....	(10.7)

### 11.0 KOHLER ENGINE GROUP

Kohler Engine and Filters .....	(11.1)
Kohler Engine Assembly Group .....	(11.2)
Kohler Remote Oil Drain and Fumoto Valve .....	(11.3)
Kohler Block Heater .....	(11.4)

---

---

## TABLE OF CONTENTS

### 12.0 MITSUBISHI ENGINE GROUP

Mitsubishi Engine and Filters .....	(12.1)
Mitsubishi Engine Assembly Group .....	(12.2)
Mitsubishi Remote Oil Drain and Fumoto Valve .....	(12.3)
Mitsubishi LSC Sending Unit .....	(12.4)
Mitsubishi Block Heater .....	(12.5)

### 13.0 GENERATORS AND GENERATOR CORDS

Marathon 6kW 50Hz Generator .....	(13.1)
Marathon 6kW 50Hz 201 Series Generator .....	(13.2)
Marathon 8kW 60Hz Generator .....	(13.3)
Marathon 8kW 60Hz AVR Generator .....	(13.4)
Athlon 8kW 60Hz Generator .....	(13.5)
Coliseum 6/8kW 50/60Hz Generator .....	(13.6)
10/4 Generator Cord .....	(13.7)
10/3 International Generator Cord .....	(13.8)
6/4 CSA Generator Cord .....	(13.9)
50 AMP Disconnect Marathon Generator Cord .....	(13.10)
50 AMP Disconnect Marathon AVR Generator Cord .....	(13.11)
30 AMP Disconnect Marathon Generator Cord .....	(13.12)
30 AMP Disconnect Marathon AVR Generator Cord .....	(13.13)

### 14.0 DECALS

Door Stripe Decals .....	(14.1)
Old Style Universal Interior Trailer Decals .....	(14.2)
English Universal Interior Trailer Decals .....	(14.3)
Wordless Universal Interior Trailer Decals .....	(14.4)
Laydown Tower Trailer Old Style Decals .....	(14.5)
Laydown Tower Trailer English Decals .....	(14.6)
Laydown Tower Trailer Wordless Decals .....	(14.7)
Vertical Tower Trailer Old Style Decals .....	(14.8)
Vertical Tower Trailer English Decals .....	(14.9)



## TABLE OF CONTENTS

### 14.0 DECALS

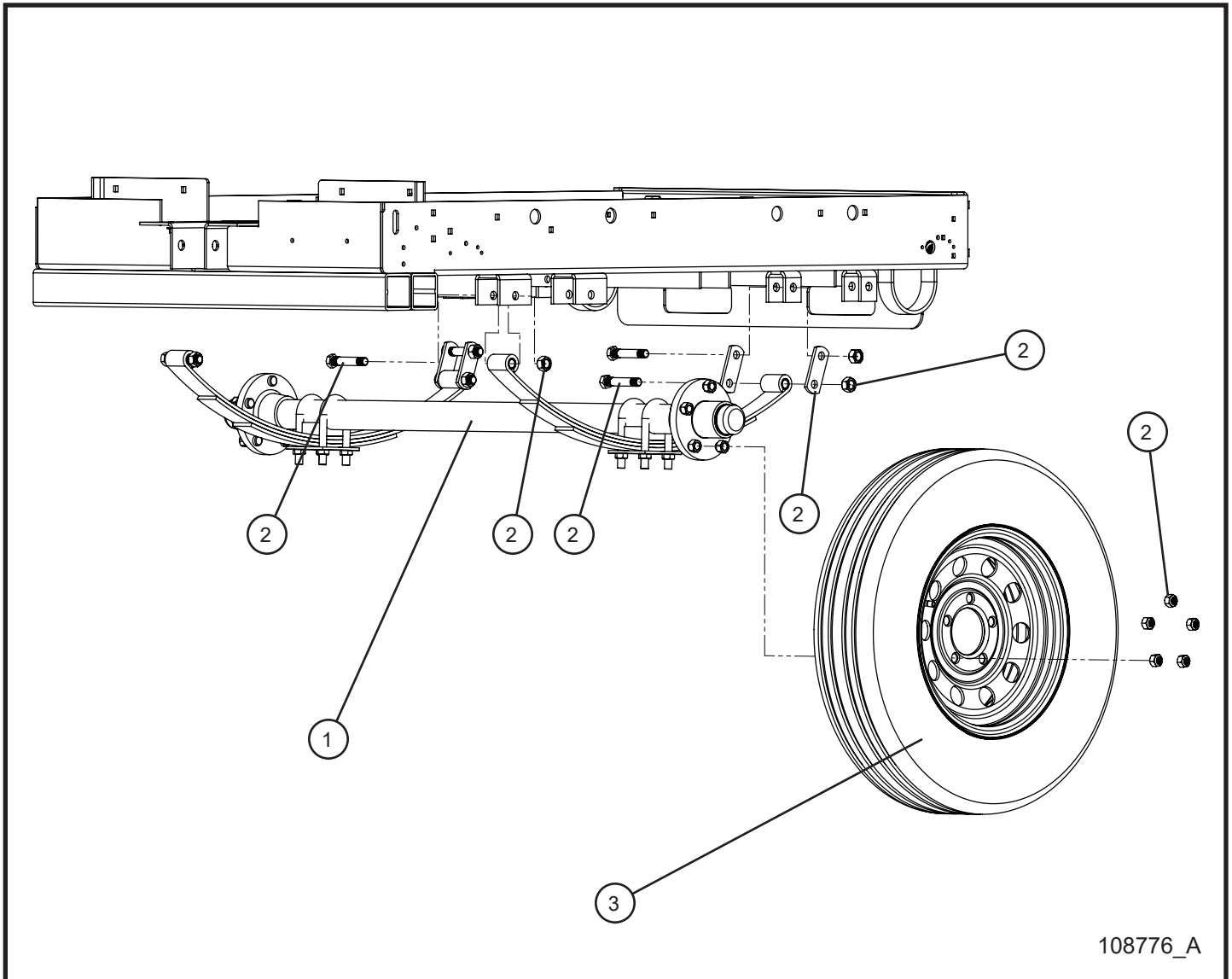
Vertical Tower Trailer Wordless Decals .....	(14.10)
CSA Decals .....	(14.11)
Electrical Information Decals .....	(14.12)

### 15.0 RECOMMENDED SPARE PARTS LIST TABLES

Vertical or Laydown with 60Hz or LED Lighting .....	(15.1)
Vertical or Laydown with 50Hz Lighting .....	(15.2)

## 1.1 - Universal Frame and Axle

SN 07-000001 and UP  
SN 08-000001 and UP



108776\_A

# Night-Lite ProII™

---

---

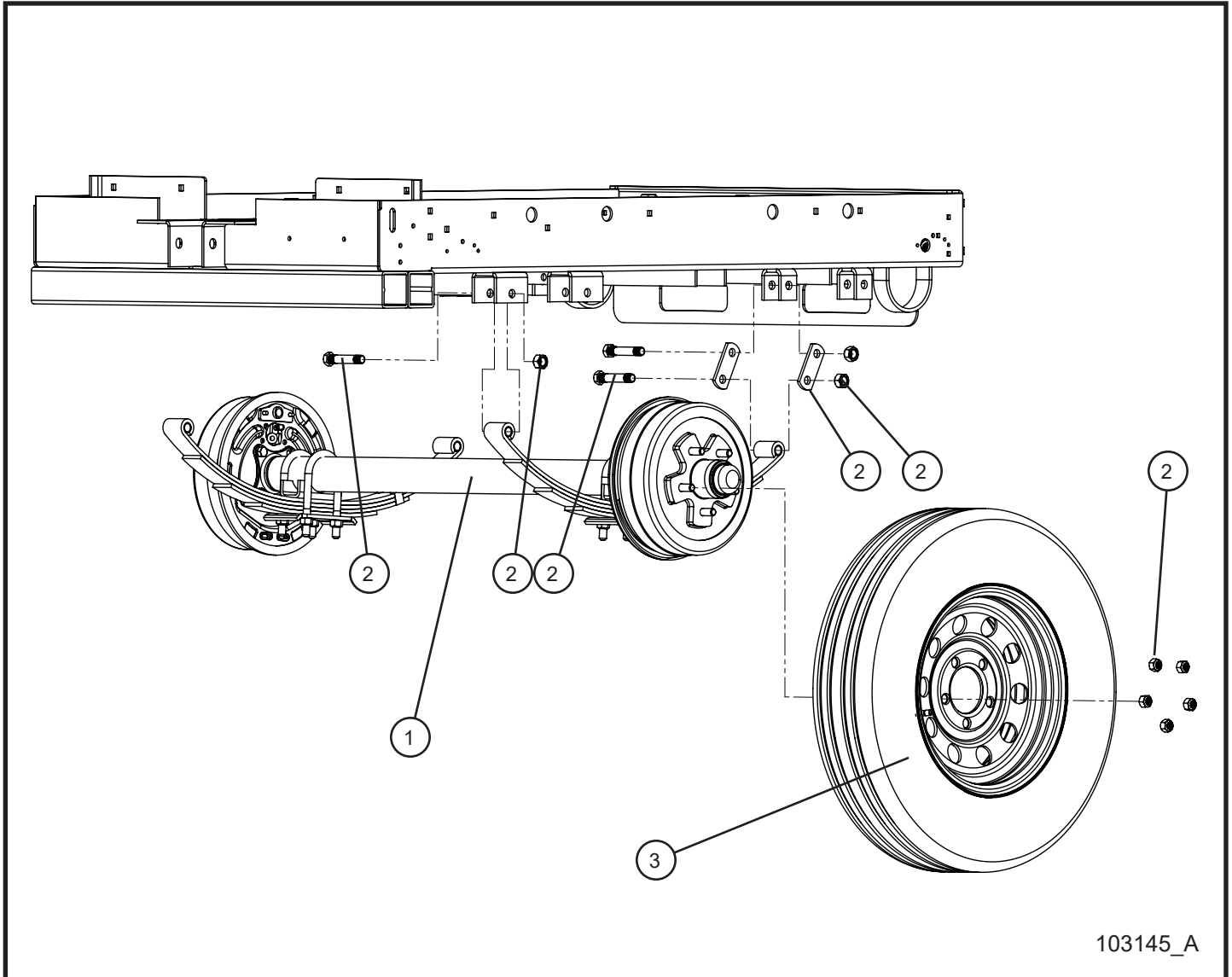
## 1.1 - Universal Frame and Axle

SN 07-000001 and UP  
SN 08-000001 and UP

Item	Part No.	Part Description	Qty.
1	114113	AXLE 25.25 SPRING EYE SPACING	1
2	102105	AXLE HARDWARE KIT	1
3	112801	13" TIRE/WHEEL ASSEMBLY	2

## 1.2 - Hydraulic Brake Axle

SN 07-000001 and UP  
SN 08-000001 and UP



# Night-Lite ProII™

---

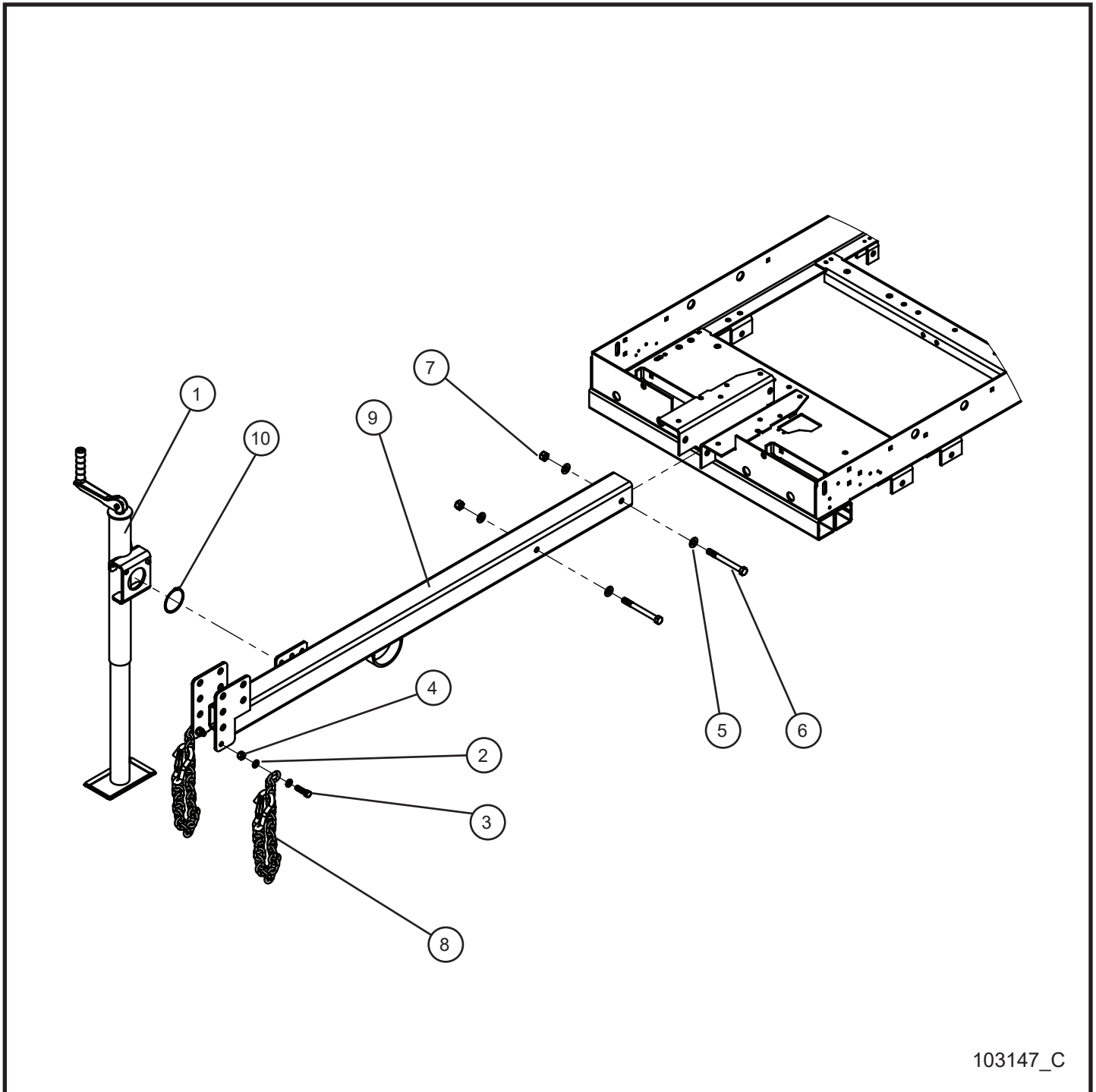
## 1.2 - Hydraulic Brake Axle

SN 07-000001 and UP  
SN 08-000001 and UP

Item	Part No.	Part Description	Qty.
1	650183	HYDRAULIC BRAKE AXLE 3500LB NLPRO II	1
2	102105	AXLE HARDWARE KIT	1
3	112801	13" TIRE/WHEEL ASSEMBLY	2
NS	330025A	HYDRAULIC AXLE LINE KIT	1

## 1.3 - Old Style Snap-Ring Tongue

SN 07-000001 to 07-000142  
SN 08-000001 to 08-000256



103147\_C

# Night-Lite ProII™

## 1.3 - Old Style Snap-Ring Tongue

SN 07-000001 to 07-000142

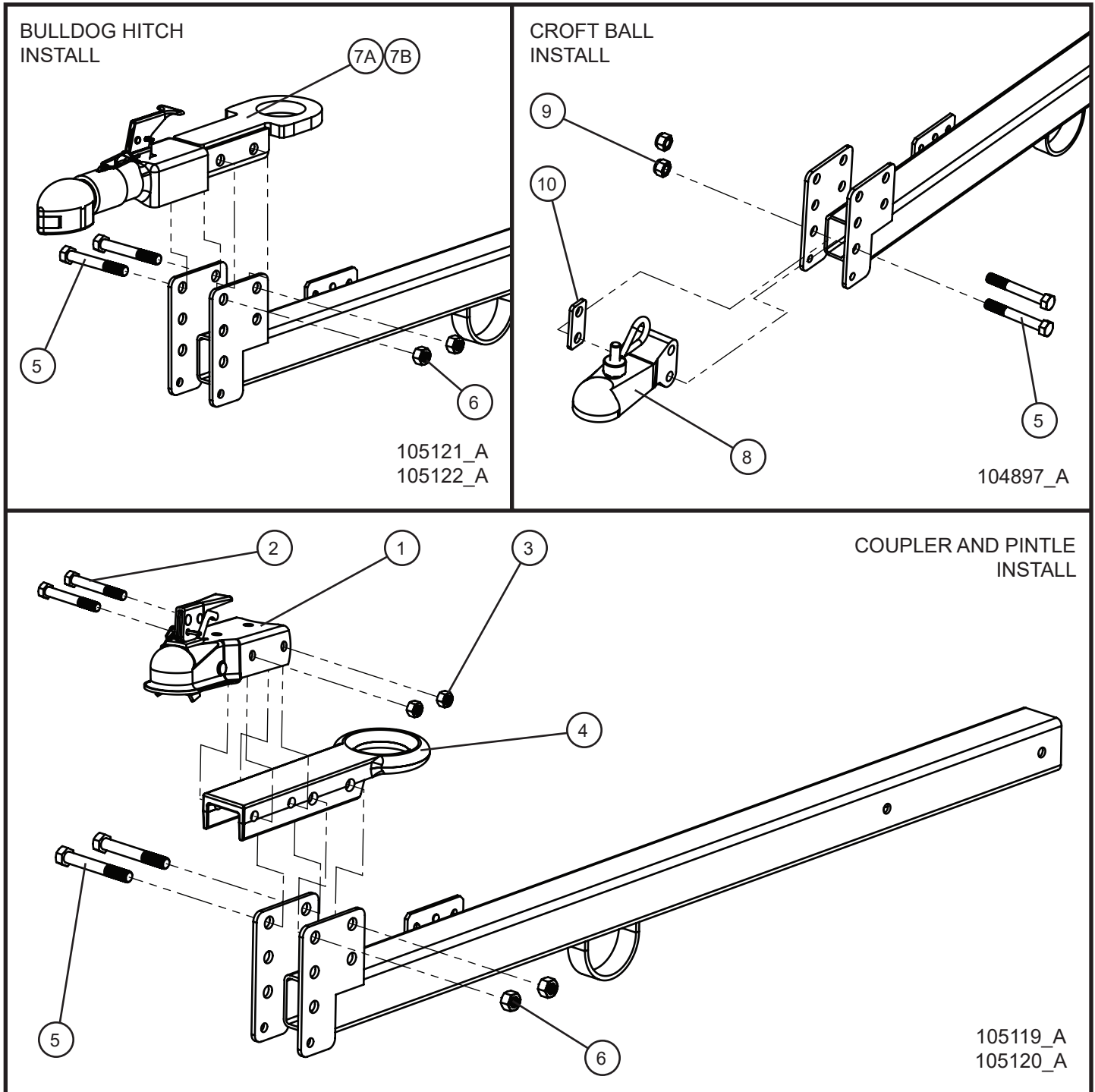
SN 08-000001 to 08-000256

Item	Part No.	Part Description	Qty.
1	102089	TOP CRANK JACK SNAP RING	1
2	047075	7/16 FLAT WASHER SAE ZC	4
3	046160	7/16-14 x 1 1/2 HEX HEAD CS GR5 PL	2
4	044043	7/16-14 NYLOCK HEX NUT PL	2
5	047025	1/2 FLAT WASHER PL	4
6	046230	1/2-13 x 5 HEX HEAD CS GR5 PL	2
7	044048	1/2-13 NYLOCK HEX NUT PL	2
8	049040	SAFETY CHAIN	2
9	650398P	TONGUE	1
10	330014	2 5/6 XT JACK SNAP RING	1

## 1.4 - Old Style Snap-Ring Tongue Coupler Options

SN 07-000001 to 07-000142

SN 08-000001 to 08-000256





# Night-Lite ProII™

## 1.4 - Old Style Snap-Ring Tongue Coupler Options

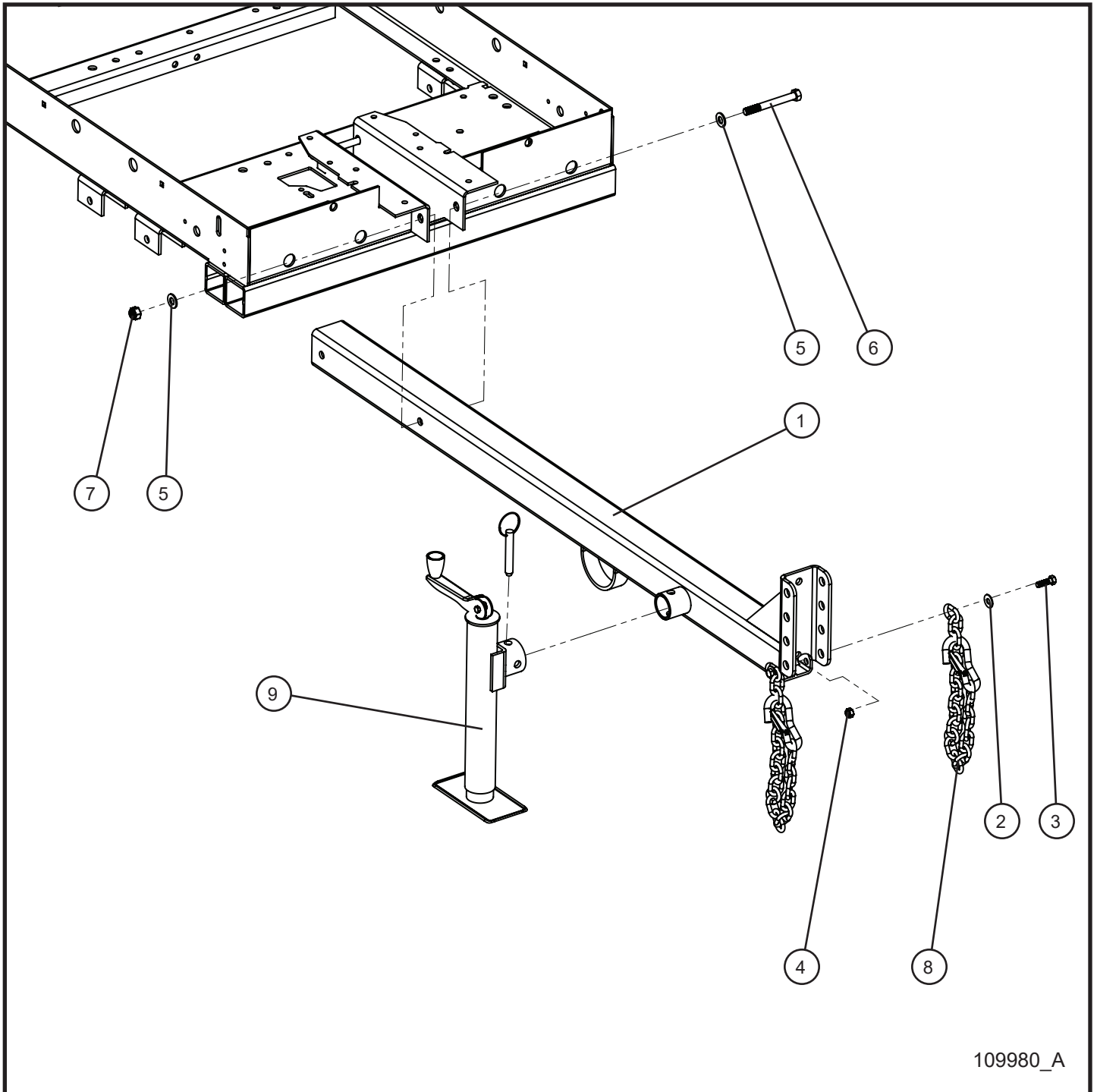
SN 07-000001 to 07-000142

SN 08-000001 to 08-000256

Item	Part No.	Part Description	Qty.
1	712021	2" BALL SAE CLASS 2 3500 LBS	1
2	046220	1/2-13 x 4 HEX HEAD CS GR5 PL	2
3	044062	1/2-13 TOPLOCK HEX NUT PL	2
4	712540-13	PINTLE HITCH DUCTILE IRON	1
5	046250	5/8-11 x 4 1/2 HEX HEAD CS GR5 PL	2
6	044061	5/8-11 TOPLOCK HEX NUT PL	2
7A	300775P	2" HITCH PINTLE COMBO	1
7B	680489P	2 5/16 HITCH PINTLE COMBO	1
8	104894	2" BALL COUPLER CROFT AH3	1
9	044053	5/8-11 NYLOCK HEX NUT PL	2
10	104898	5/8 FLAT WASHER	1

## 1.5 - Adjustable Tongue

SN 07-000143 and UP  
SN 08-000257 and UP



109980\_A

# Night-Lite ProII™

---

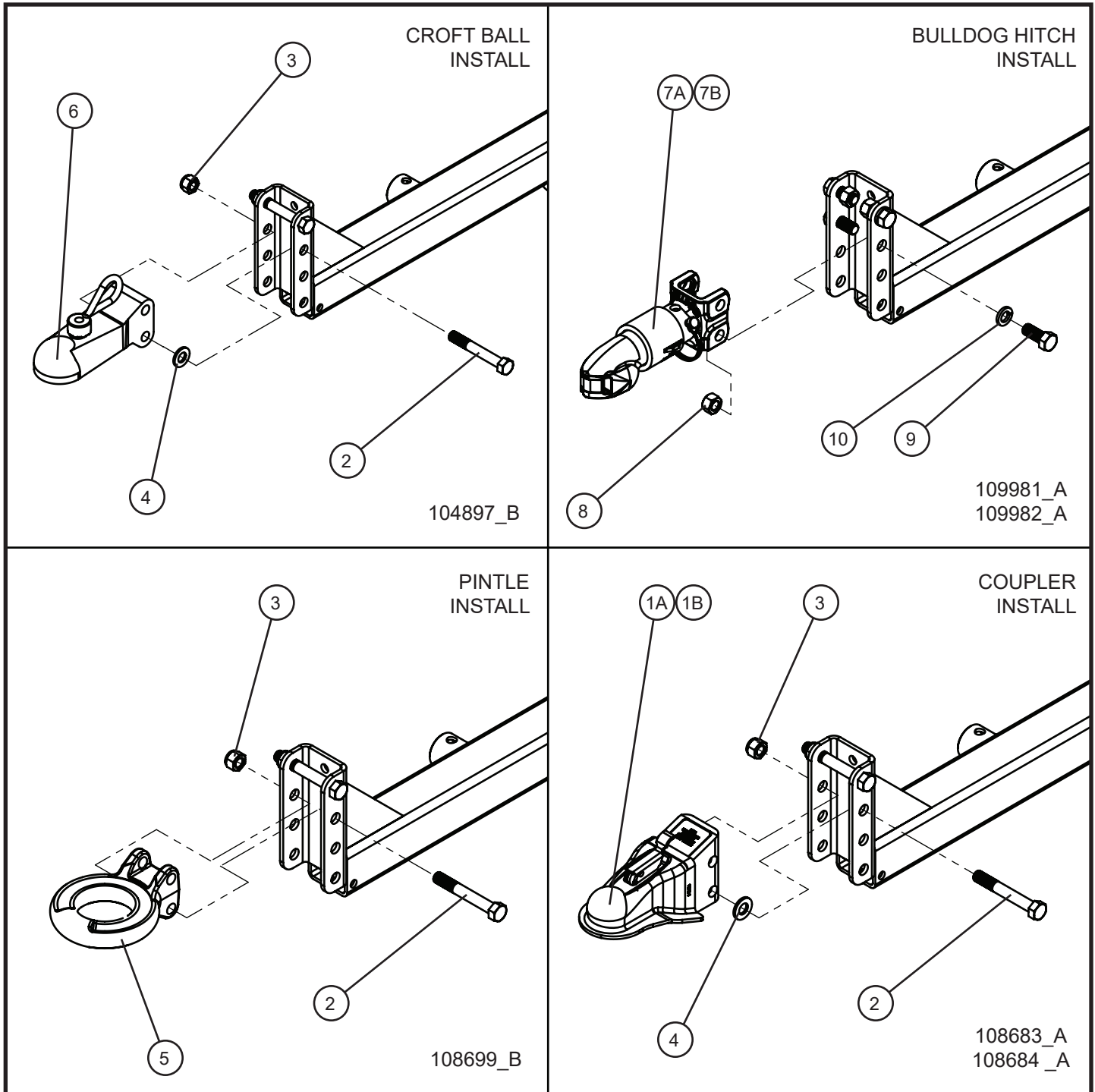
## 1.5 - Adjustable Tongue

SN 07-000143 and UP  
SN 08-000257 and UP

Item	Part No.	Part Description	Qty.
1	108859P	ADJUSTABLE TUBE MOUNT TONGUE	1
2	047015	3/8 FLAT WASHER PL	2
3	046159	7/16-14 x 1 1/4 HEX HEAD CS GR5 PL	2
4	044043	7/16-14 NYLOCK HEX NUT PL	2
5	047025	1/2 FLAT WASHER PL	4
6	046225	1/2-13 x 4 1/2 HEX HEAD CS GR5 PL	2
7	044048	1/2-13 NYLOCK HEX NUT PL	2
8	049040	SAFETY CHAIN	2
9	108726	TOP CRANK TUBE MOUNT JACK	1

## 1.6 - Adjustable Tongue Coupler Options

SN 07-000143 and UP  
SN 08-000257 and UP



# Night-Lite ProII™

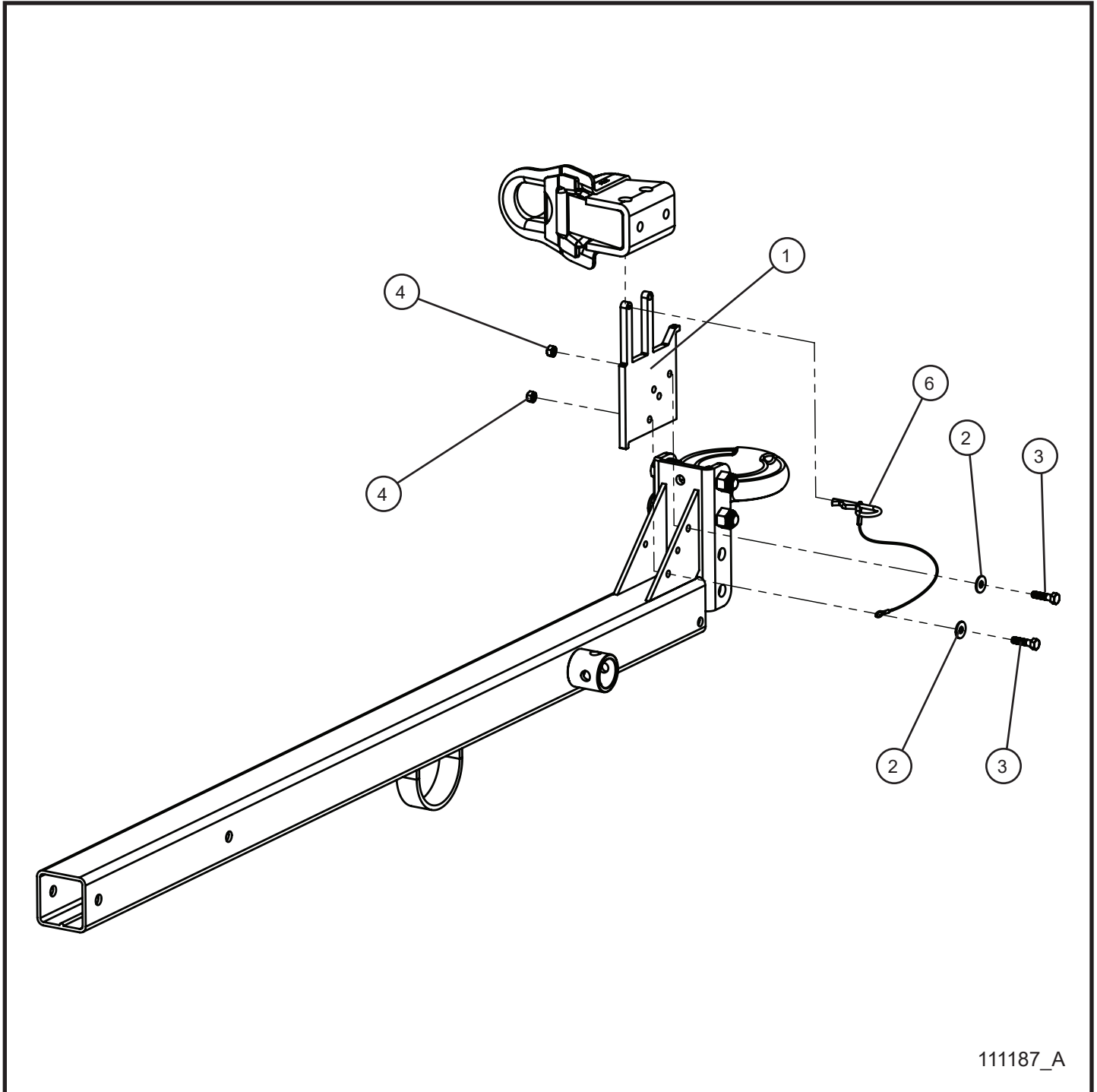
## 1.6 - Adjustable Tongue Coupler Options

SN 07-000143 and UP  
SN 08-000257 and UP

Item	Part No.	Part Description	Qty.
1A	109977	COUPLER BALL 2.00 ADJUSTABLE STAMPED	1
1B	109976	COUPLER BALL 2.313 ADJUSTABLE STAMPED	1
2	046250	5/8-11 x 4 1/2 HEX HEAD CS GR5 PL	2
3	044053	5/8-11 NYLOCK HEX NUT PL	2
4	047031	5/8 FLAT WASHER HDND PL	2
5	106720	RING PINTLE 3.00 ADJUSTABLE	1
6	104894	2" BALL COUPLER CROFT AH3	1
7A	109978	COUPLER BALL 2.00 BULLDOG HITCH 7,000 LBS	1
7B	109979	COUPLER BALL 2.313 BULLDOG HITCH 12,500 LBS	1
8	044050	5/8-11 HEX NUT PL	4
9	046245	5/8-11 x 1 1/2 HEX HEAD CS GR5 PL	4
10	043101	5/8 SPLITLOCK WASHER PL	4

## 1.7 - Adjustable Tongue Extra Coupler Option

SN 07-000143 and UP  
SN 08-000257 and UP



111187\_A

# Night-Lite ProII™

---

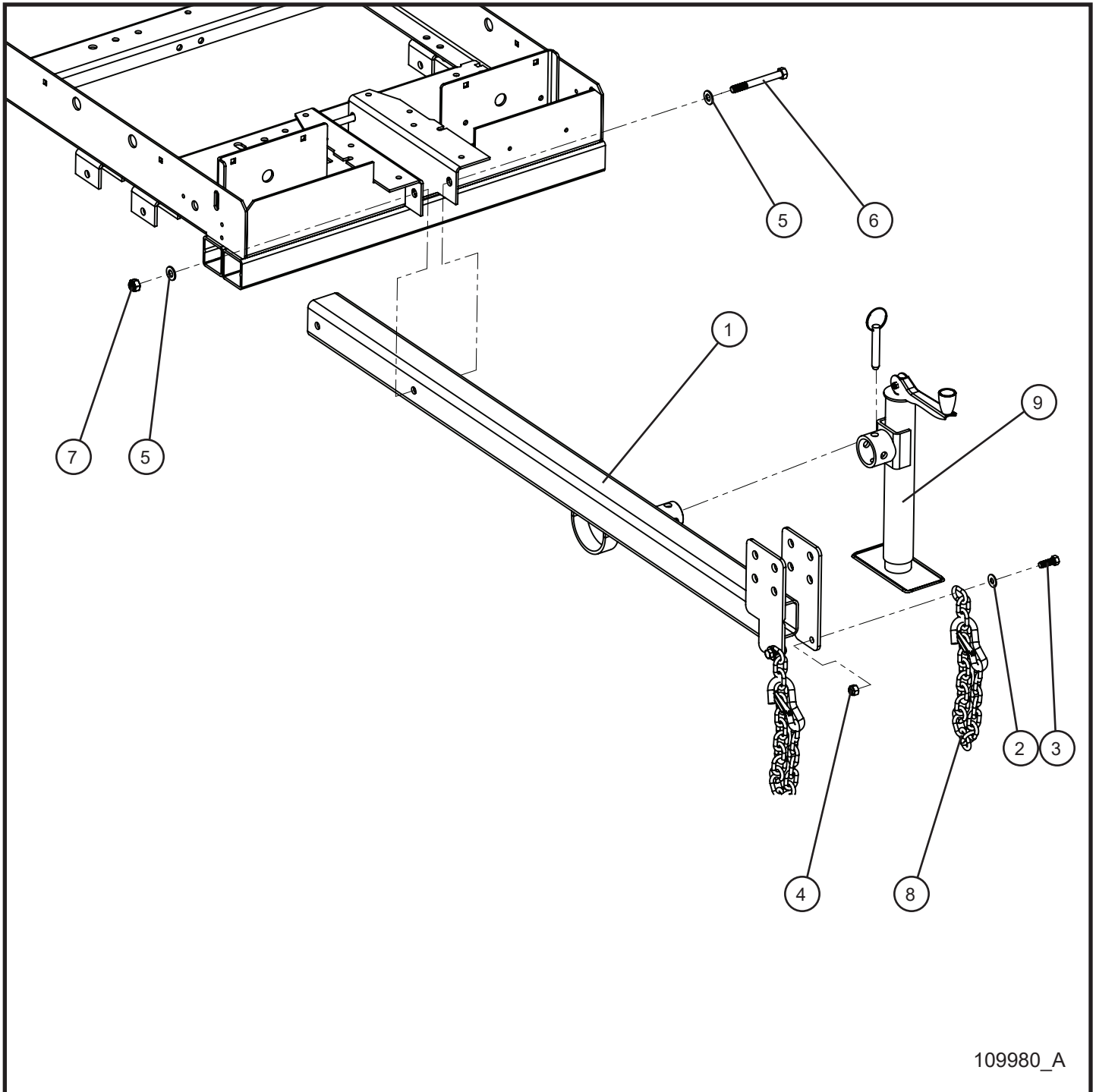
## 1.7 - Adjustable Tongue Extra Coupler Option

SN 07-000143 and UP  
SN 08-000257 and UP

Item	Part No.	Part Description	Qty.
1	111144P	PLATE MOUNT OPTION COUPLER	1
2	047010	5/16 FLAT WASHER PL	2
3	046055	5/16-18 x 1 1/4 HEX HEAD CS GR5 PL	2
4	044033	5/16-18 NYLOCK HEX NUT PL	2
5	712061	STEEL LANYARD	1
6	045015	HAIR COTTER PIN 3/16 x 3 1/4	1

## 1.8 - New Style Tube-Mount Tongue

SN 07-000143 and UP  
SN 08-000257 and UP



109980\_A



# Night-Lite ProII™

---

---

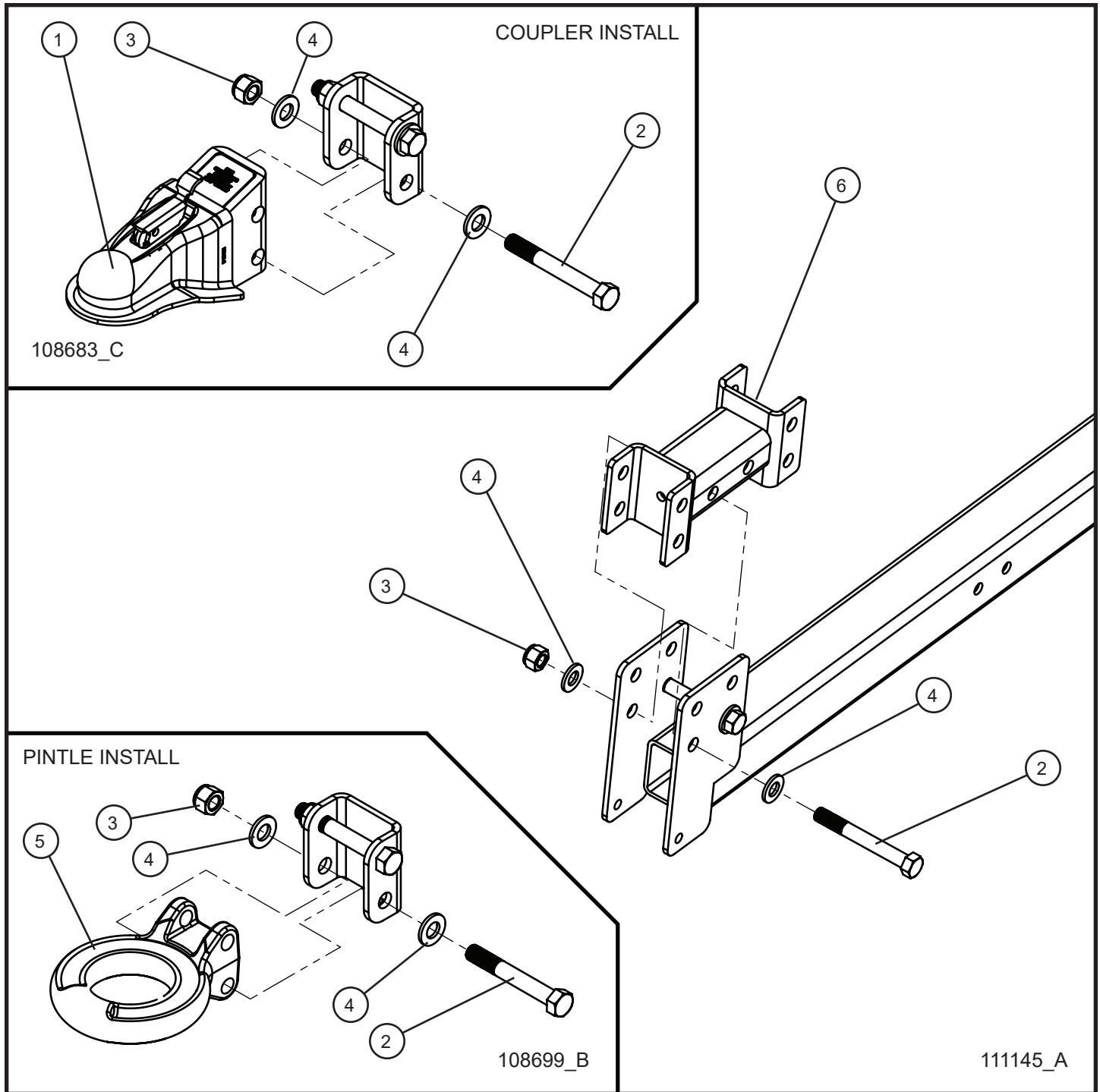
## 1.8 - New Style Tube-Mount Tongue

SN 07-000143 and UP  
SN 08-000257 and UP

Item	Part No.	Part Description	Qty.
1	112376P	ADJUSTABLE TUBE MOUNT TONGUE	1
2	047015	3/8 FLAT WASHER PL	2
3	046159	7/16-14 x 1 1/4 HEX HEAD CS GR5 PL	2
4	044043	7/16-14 NYLOCK HEX NUT PL	2
5	047025	1/2 FLAT WASHER PL	4
6	046225	1/2-13 x 4 1/2 HEX HEAD CS GR5 PL	2
7	044048	1/2-13 NYLOCK HEX NUT PL	2
8	049040	SAFETY CHAIN	2
9	108726	TOP CRANK TUBE MOUNT JACK	1

## 1.9 - New Style Tube-Mount Tongue Coupler Options

SN 07-000143 and UP  
SN 08-000257 and UP



# Night-Lite ProII™

---

---

## 1.9 - New Style Tube-Mount Tongue Coupler Options

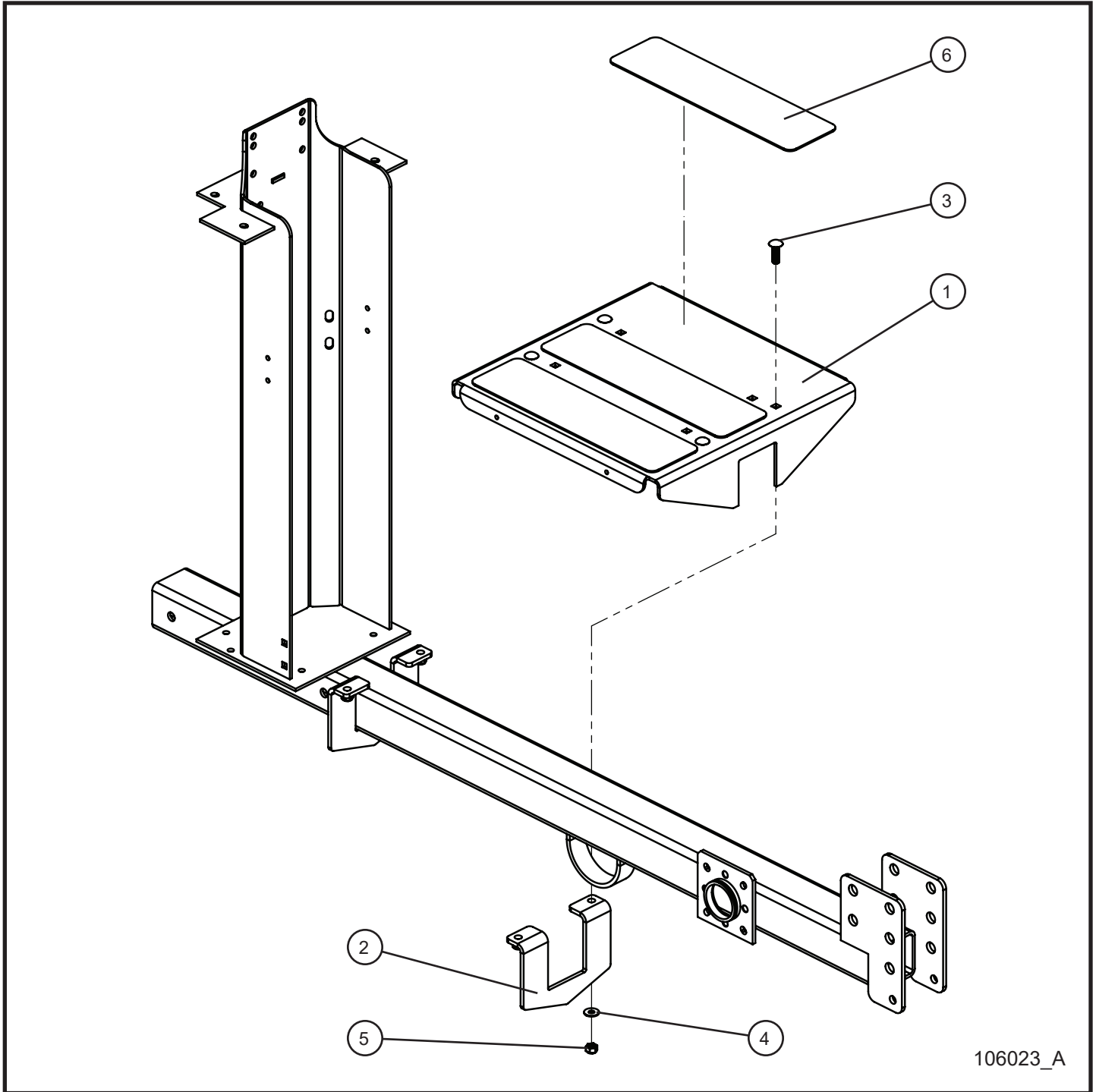
SN 07-000143 and UP

SN 08-000257 and UP

Item	Part No.	Part Description	Qty.
1	109977	COUPLER BALL 2.00 ADJUSTABLE STAMPED	1
	109976	COUPLER BALL 2.313 ADJUSTABLE STAMPED	1
2	046255	5/8-11 x 5 HEX HEAD CS GR5 PL	4
3	044053	5/8-11 NYLOCK HEX NUT PL	4
4	047031	5/8 FLAT WASHER HDND PL	10
5	106720	RING PINTLE 3.00 ADJUSTABLE	1
6	111148P	REVERSIBLE COUPLER TONGUE MOUNT	1

## 1.10 - Tongue Platform

SN 08-000001 and UP



106023\_A

# Night-Lite ProII™

---

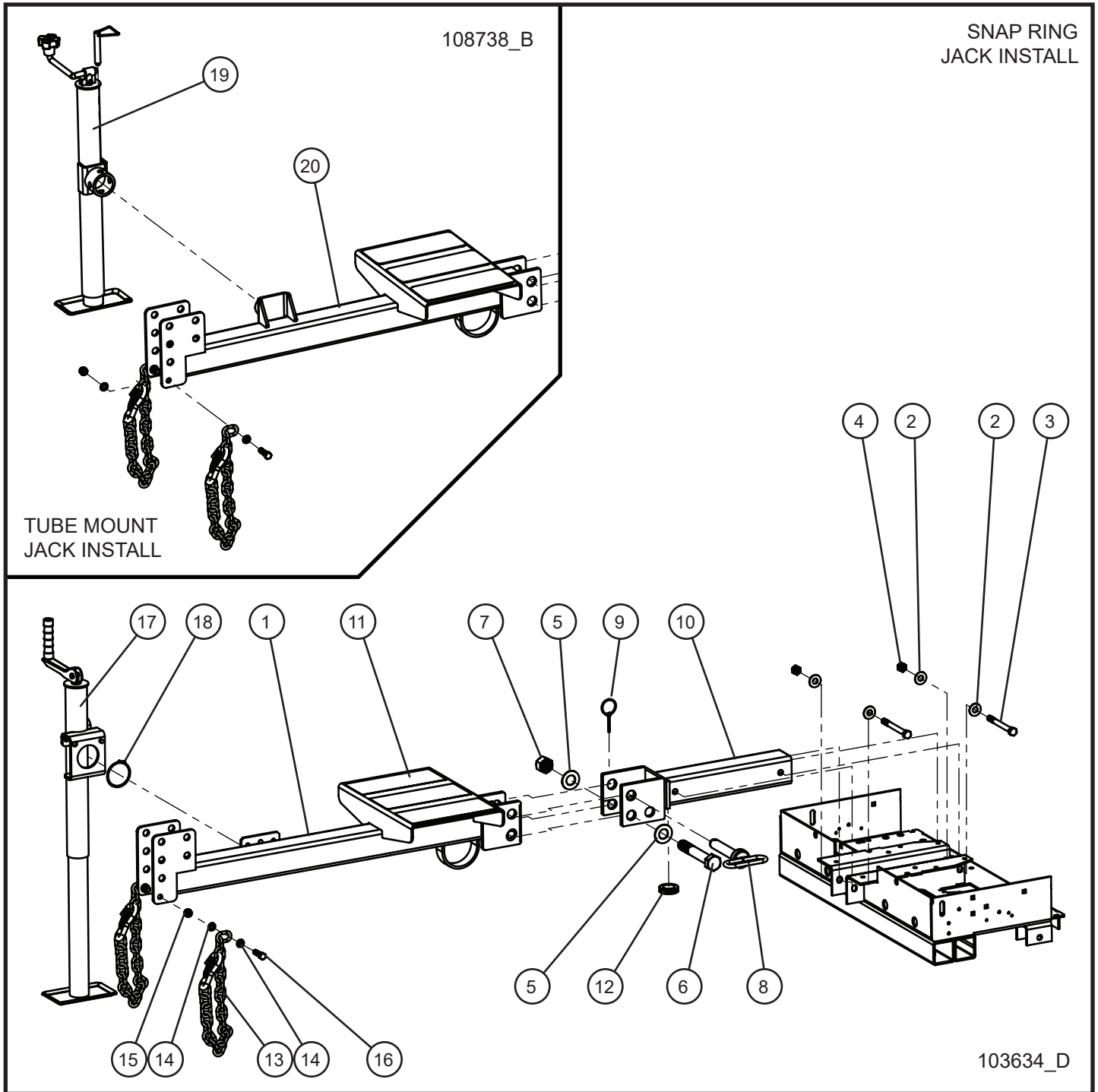
## 1.10 - Tongue Platform

SN 08-000001 and UP

Item	Part No.	Part Description	Qty.
1	105330P	STEP PLATFORM	1
2	104406P	ANCHOR STEP	2
3	100670	3/8-16 x 1 1/4 CARRIAGE BOLT	4
4	047010	5/16 FLAT WASHER PL	4
5	044038	3/8-16 NYLOCK HEX NUT PL	4
6	062006	ANTI SKID TAPE DIE CUT	3

## 1.11 - Foldable Tongue

SN 08-000001 to 08-000256



# Night-Lite ProII™

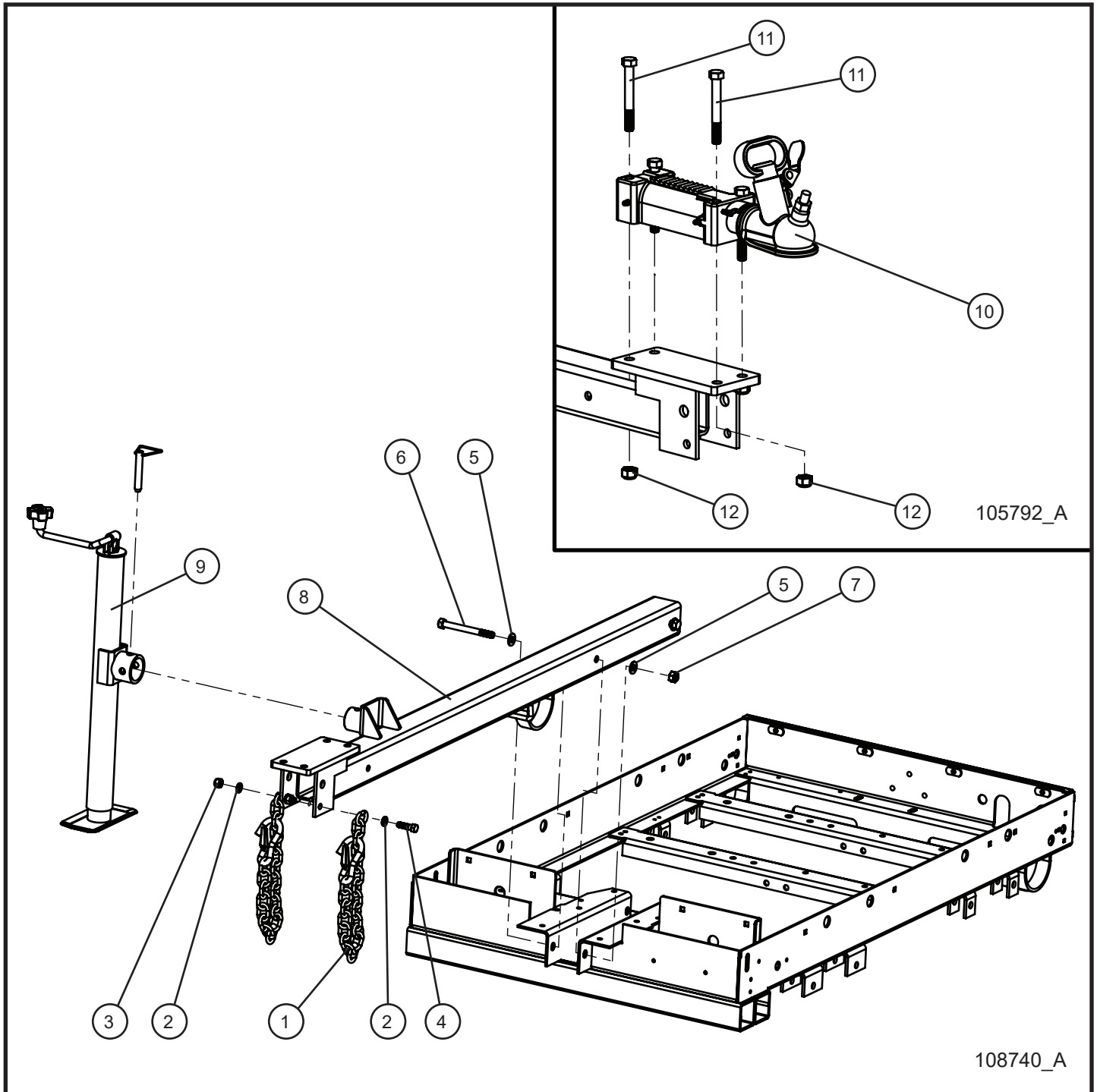
## 1.11 - Foldable Tongue

SN 08-000001 to 08-000256

Item	Part No.	Part Description	Qty.
1	103629P	SNAP RING FOLDABLE TONGUE	1
2	047028	1/2 FLAT WASHER HDND PL	4
3	046230	1/2-13 x 5 HEX HEAD CS GR5 PL	2
4	044048	1/2-13 NYLOCK HEX NUT PL	2
5	047040	1 FLAT WASHER ZC	2
6	046290	1-8 x 6 1/2 HEX HEAD GR8 ZC	1
7	044070	1-8 NYLOCK HEX NUT GR8 ZC	1
8	103633	LOCK PIN	1
9	045140	SNAP-RING PIN	1
10	103630P	FOLDABLE TONGUE MOUNT	1
11	062006	ANTI-SKID TAPE	3
12	650542	1 1/4 ID x 1 1/2 OD GROMMET	1
13	049040	SAFETY CHAIN	2
14	047075	7/16 FLAT WASHER SAE ZC	4
15	044043	7/16-14 NYLOCK HEX NUT PL	2
16	046160	7/16-14 x 1 1/2 HEX HEAD CS GR5 PL	2
17	102089	TOP CRANK SNAP RING JACK	1
18	330014	2 5/6 XT JACK SNAP RING	1
19	108727	TOP CRANK TUBE MOUNT JACK	1
20	108737P	TUBE MOUNT FOLDABLE TONGUE	1

## 1.12 - Australian Tongue and Coupler

SN 07-000001 and UP  
SN 08-000001 and UP





# Night-Lite ProII™

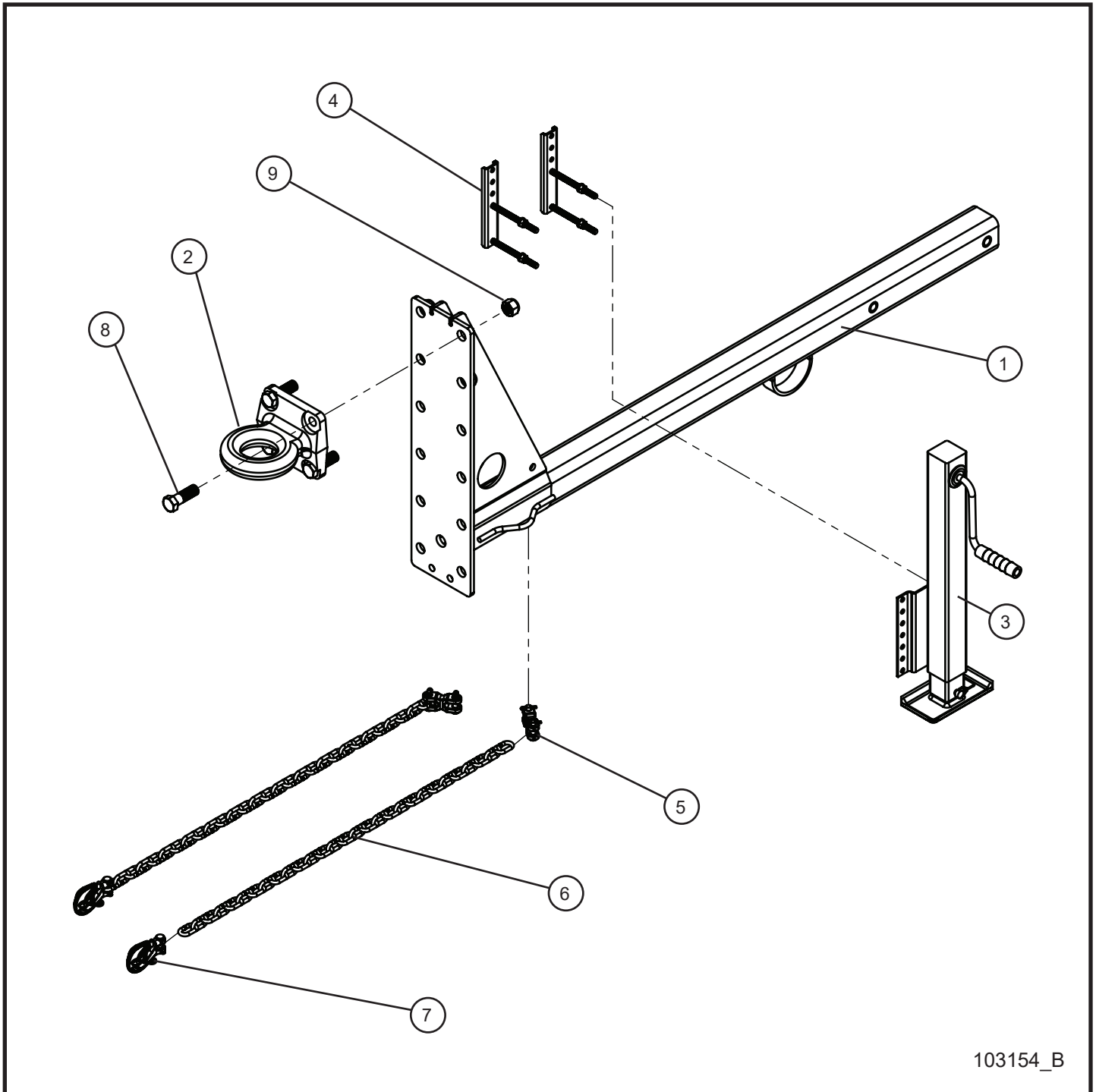
## 1.12 - Australian Tongue and Coupler

SN 07-000001 and UP  
SN 08-000001 and UP

Item	Part No.	Part Description	Qty.
1	049040	SAFETY CHAIN	2
2	047015	3/8 FLAT WASHER SAE ZC	4
3	044043	7/16-14 NYLOCK HEX NUT PL	2
4	046159	7/16-14 x 1 1/4 HEX HEAD CS GR5 PL	2
5	047025	1/2 FLAT WASHER PL	4
6	046225	1/2-13 x 4 1/2 HEX CS GR5 PL	2
7	044048	1/2-13 NYLOCK HEX NUT PL	2
8	108739P	PRO SE POWER TONGUE	1
9	108727	TOP CRANK JACK TUBE	1
10	C103486	COUPLING O/R 3/4 HYD TB A0105	1
11	C103493	1/2"-20 x 4" GRADE 8 HEX BOLT	4
12	C103495	1/2"-20 NYLON INSERT HEX NUT	4

## 1.13 - 5 Position Adjustable Tongue w/ Drop Leg Jack

SN 07-000001 and UP  
SN 08-000001 and UP



103154\_B

# Night-Lite ProII™

## 1.13 - 5 Position Adjustable Tongue w/ Drop Leg Jack

SN 07-000001 and UP

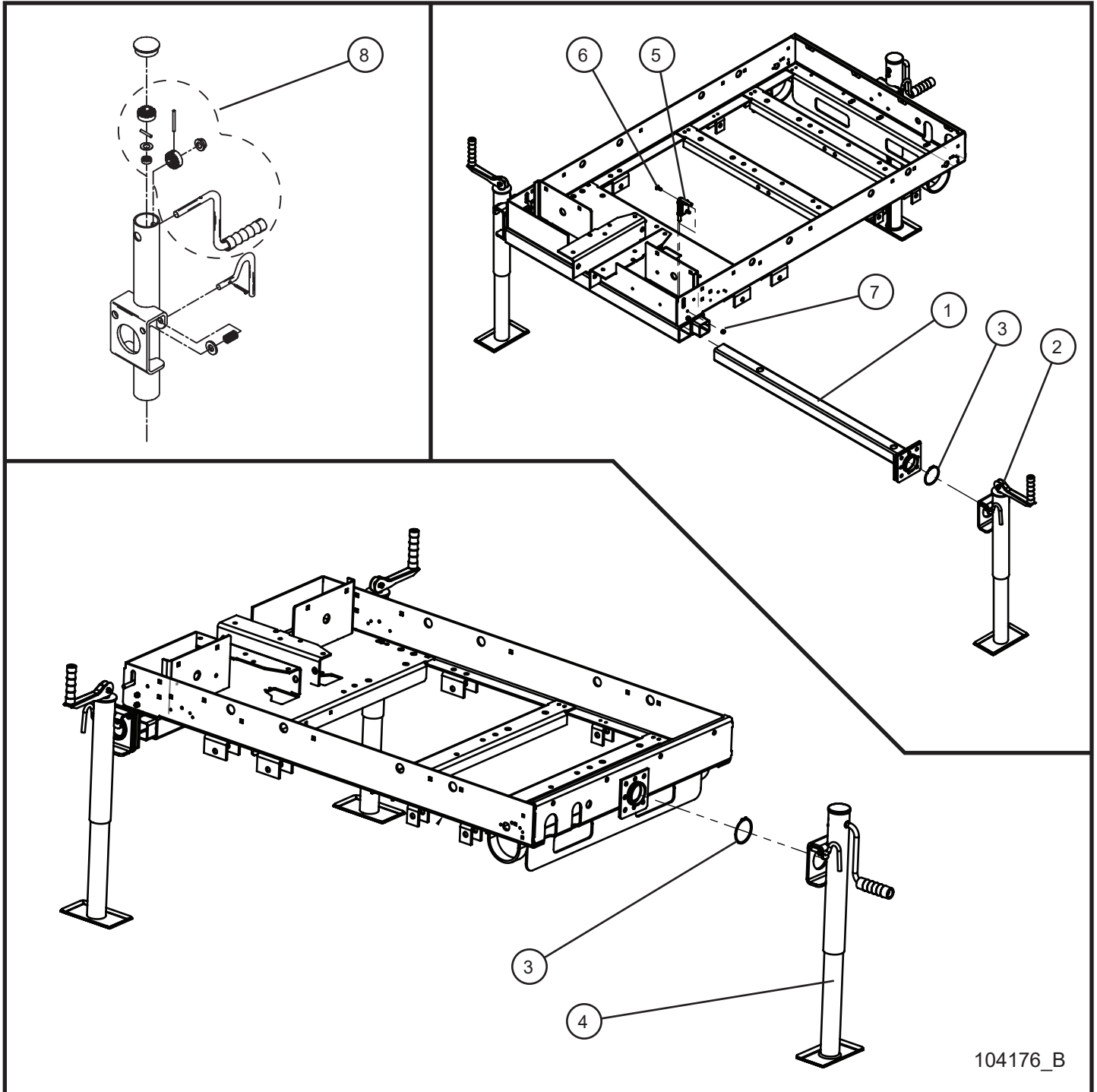
SN 08-000001 and UP

Item	Part No.	Part Description	Qty.
1	102669P	ADJUSTABLE TONGUE 5 POSITION	1
2	102661	3 INCH ID PINTLE DROP FORGED STEEL	1
3	103893	SIDE CRANK JACK TONGUE MOUNT	1
4	103894	HARDWARE KIT DROP LEG JACK	1
5	103891	DOUBLE CLEVIS 4,700 LB CHAIN ANCHOR	2
6	103912	36 INCH CHAIN 5/16 GRADE 70	2
7	103902	CLEVIS GRAB HOOK W/ SAFETY PIN	2
8	046263	3/4-10 x 2 1/2 HEX HEAD CS GR5 PL	4
9	044058	3/4-10 NYLOCK HEX NUT PL	4

## 1.14 - Snap Ring Outriggers and Jacks

SN 07-000001 to 07-000142

SN 08-000001 to 08-000256



104176\_B

# Night-Lite ProII™

---

## 1.14 - Snap Ring Outriggers and Jacks

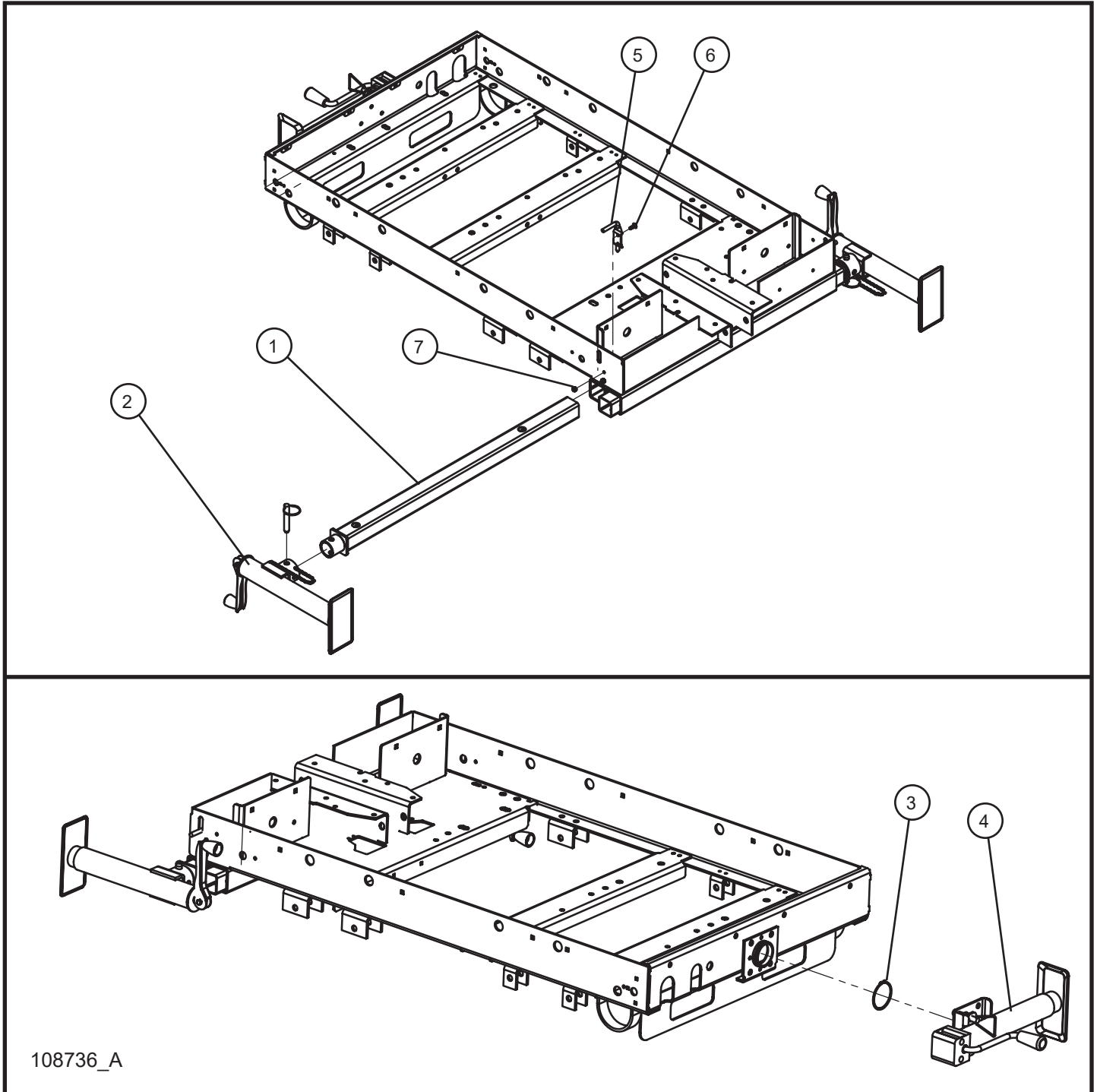
SN 07-000001 to 07-000142

SN 08-000001 to 08-000256

Item	Part No.	Part Description	Qty.
1	102809P	SNAP RING OUTRIGGER LEFT AND RIGHT	2
2	330008	SHORT JACK TOP CRANK	2
3	330014	2 5/6 XT JACK SNAP RING	3
4	650235	JACK SIDE CRANK	1
5	650723	PIN OUTRIGGER RETENTION RIGHT	2
6	041050	1/4-20 x 3/4 PH-TRUSS HEAD MS SS MACHINE SCREW	4
7	044023	1/4-20 NYLOCK HEX NUT PL	4
8	107299	JACK SIDE CRANK HANDLE AND GEAR KIT	1

## 1.15 - Tube Mount Outriggers and Jacks

SN 07-000143 and UP  
SN 08-000257 and UP



108736\_A

# Night-Lite ProII™

---

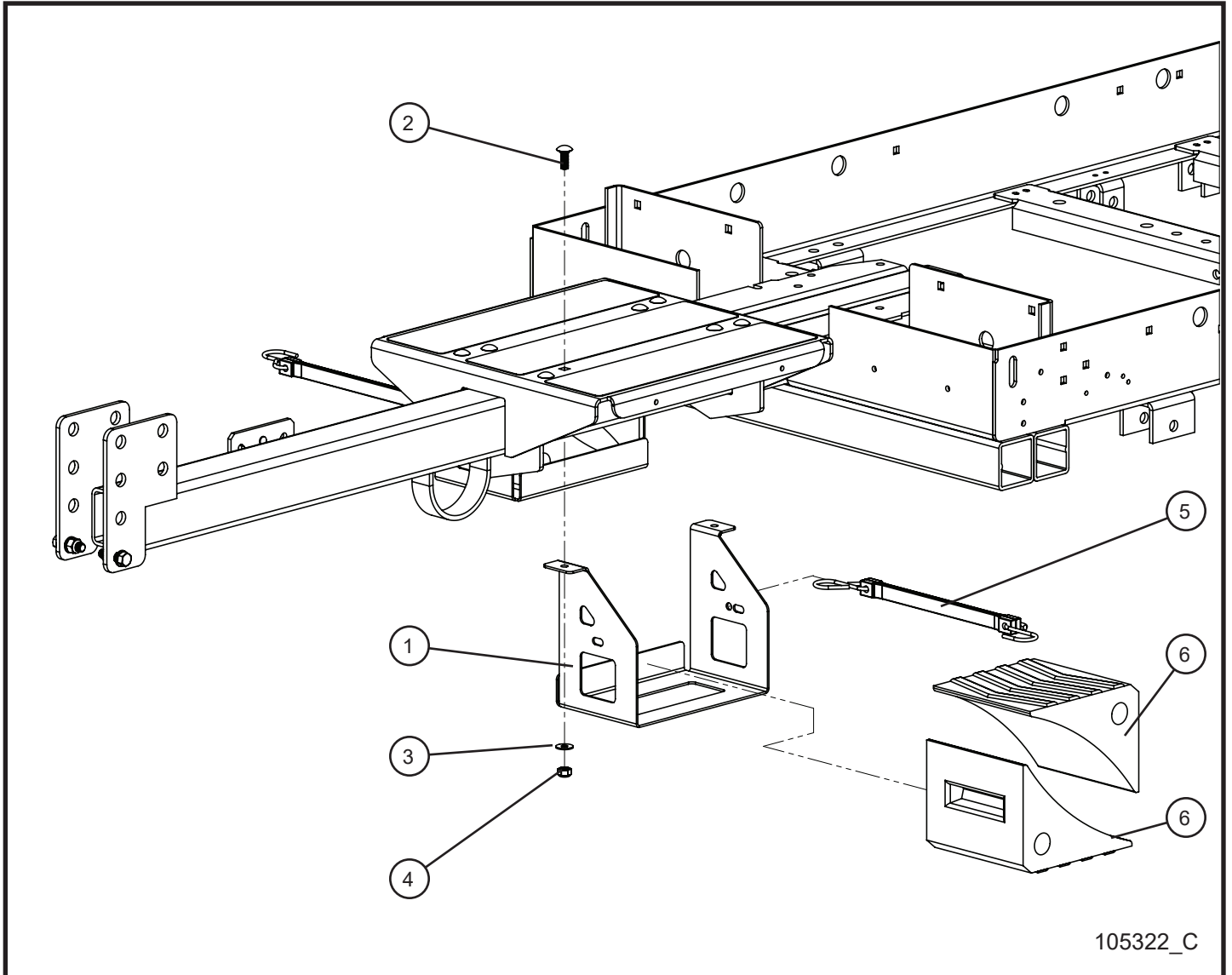
## 1.15 - Tube Mount Outriggers and Jacks

SN 07-000143 and UP  
SN 08-000257 and UP

Item	Part No.	Part Description	Qty.
1	108732P	TUBE MOUNT OUTRIGGER LEFT AND RIGHT	2
2	108726	TOP CRANK JACK TUBE	2
3	330014	2 5/6 XT JACK SNAP RING	1
4	108725	JACK SIDE CRANK	1
5	650723	PIN OUTRIGGER RETENTION RIGHT	2
6	041050	1/4-20 x 3/4 PH-TRUSS HEAD MS SS MACHINE SCREW	4
7	044023	1/4-20 NYLOCK HEX NUT PL	4

## 1.16 - Wheel Chock Block

SN 08-000001 and UP





# Night-Lite ProII™

---

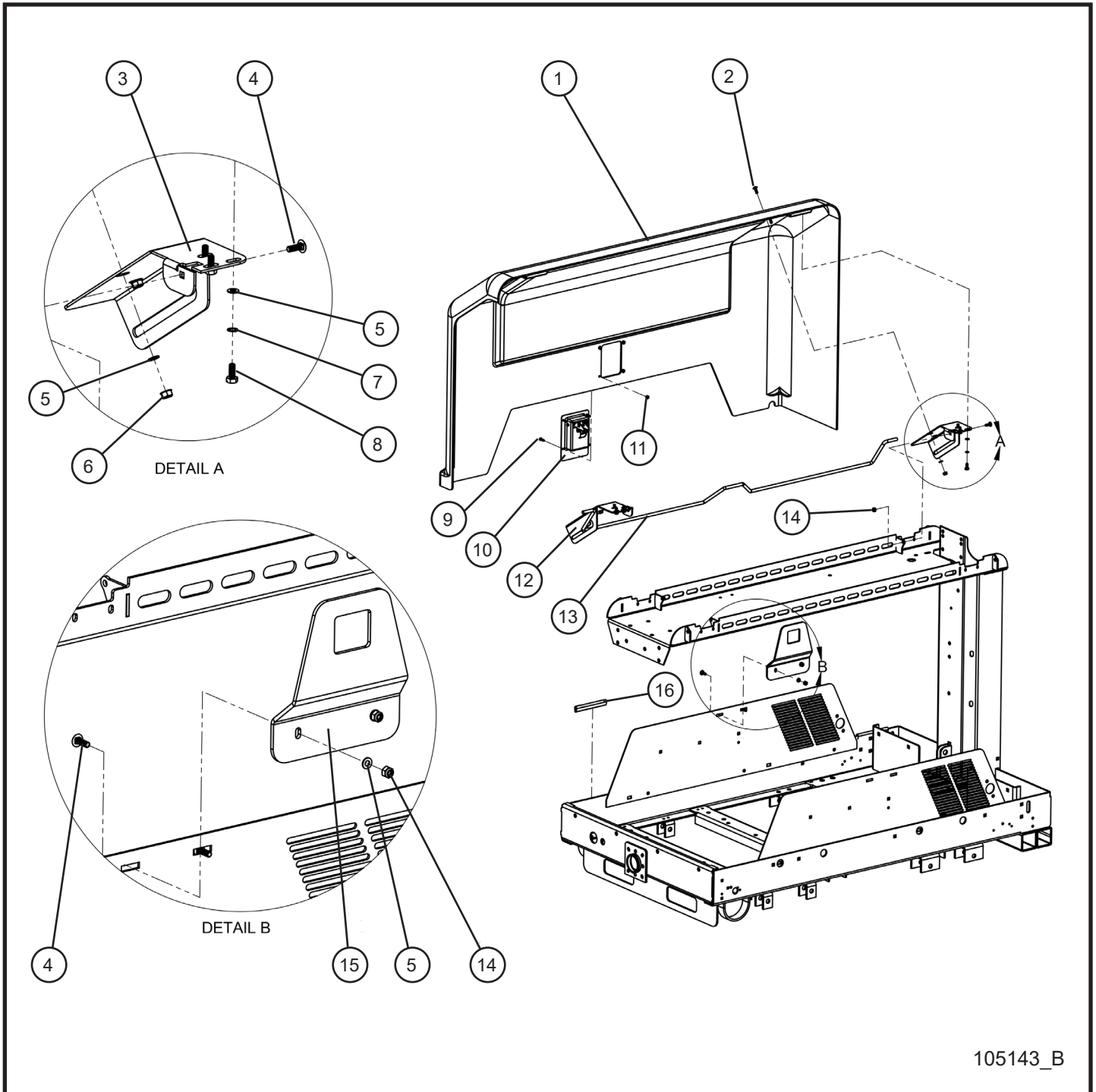
## 1.16 - Wheel Chock Block

SN 08-000001 and UP

Item	Part No.	Part Description	Qty.
1	106404P	MOUNT CHOCK BLOCK	2
2	053028	3/8-16 x 1 CARRIAGE BOLT	4
3	047010	5/16 FLAT WASHER	4
4	044038	3/8-16 NYLOCK HEX NUT PL	4
5	103625	14" RUBBER STRAP	2
6	104031	WHEEL CHOCK BLOCK	4

## 2.1 - Left Door Group

SN 07-000001 and UP  
SN 08-000001 and UP



105143\_B

# Night-Lite ProII™

## 2.1 - Left Door Group

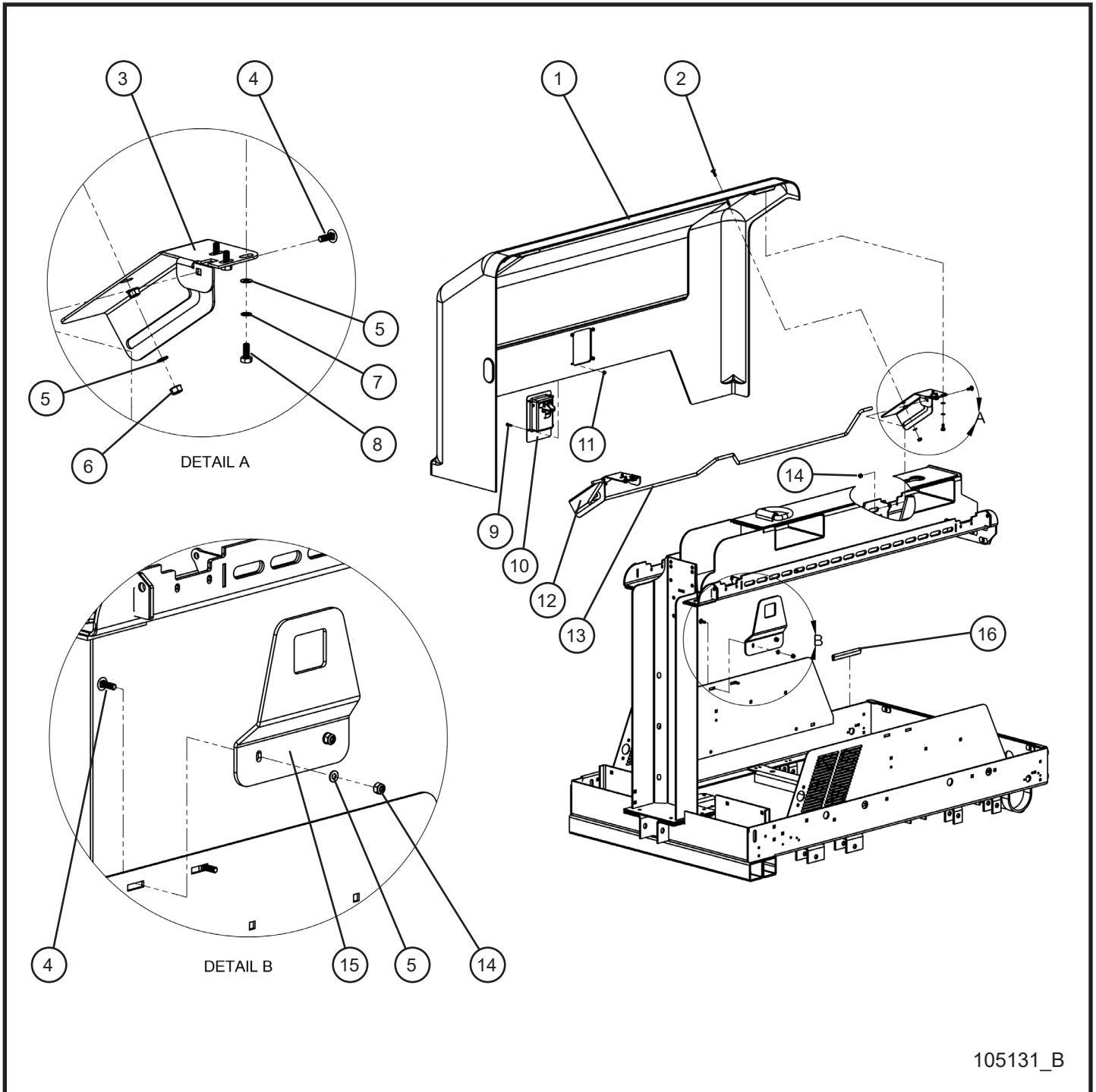
SN 07-000001 and UP  
SN 08-000001 and UP

Item	Part No.	Part Description	Qty.
1	105140P	LEFT PRO II DOOR	1
2	041050	1/4-20 x 3/4 PH-TRUSS HEAD MS SS	4
3	105139P	FRONT HINGE BRACKET PLASTIC DOOR	1
4	053006	1/4-20 x 3/4 CARRIAGE BOLT	4
5	047009	1/4 FLAT WASHER SAE SS	12
6	044021	1/4-20 KEPS HEX NUT PL	4
7	043050	1/4 INTL TOOTH LOCK WASHER	6
8	046006	1/4-20 x 5/8 HEX HEAD CS GR5 PL	6
9	041027	#10-24 x 3/4 PH-ROUND HEAD MS	4
10	680459	SLAM LATCH	1
11	044018	#10-24 NYLOCK HEX NUT PL	4
12	105138P	REAR HINGE BRACKET PLASTIC DOOR	1
13	103047	DOOR PROP	1
14	044023	1/4-20 NYLOCK HEX PL	4
15	105132P	SLAM LATCH CATCH PLATE	1
16	030054	TRIMLOK 3/16 x 3/4, 5 INCH	2
NS	105150	LEFT PRO II DOOR ASSEMBLY KIT	1
NS	112216	NIGHT-LITE PRO II DOOR DECAL KIT	1

\*NOTE: PROVIDE SERIAL NUMER WHEN ORDERING LEFT DOOR ASSEMBLY KIT (105150).

## 2.2 - Right Door Group

SN 07-000001 and UP  
SN 08-000001 and UP



# Night-Lite ProII™

## 2.2 - Right Door Group

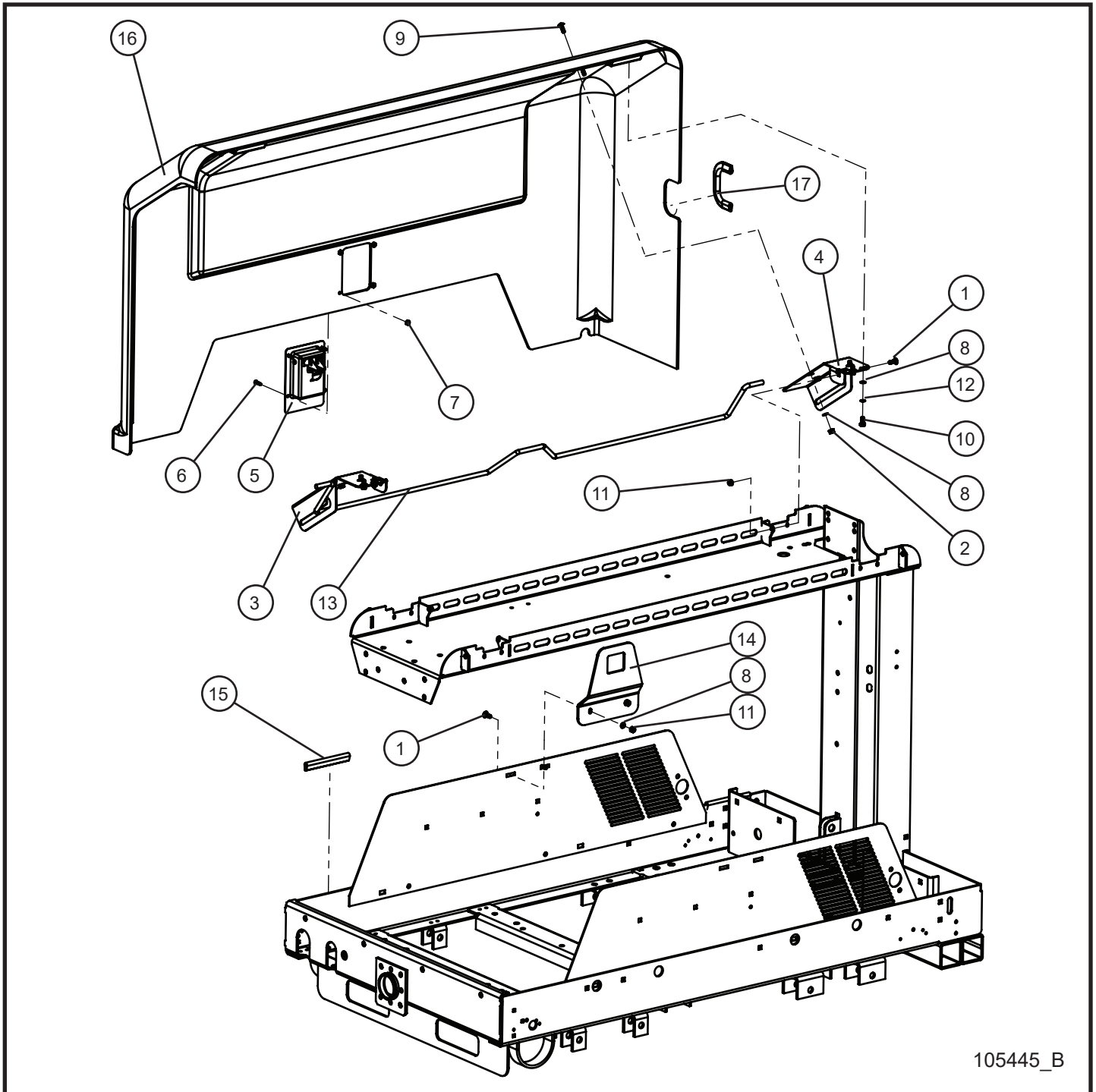
SN 07-000001 and UP  
SN 08-000001 and UP

Item	Part No.	Part Description	Qty.
1	105141P	RIGHT PRO II DOOR	1
2	041050	1/4-20 x 3/4 PH-TRUSS HEAD MS SS	4
3	105139P	FRONT HINGE BRACKET PLASTIC DOOR	1
4	053006	1/4-20 x 3/4 CARRIAGE BOLT	4
5	047009	1/4 FLAT WASHER SAE SS	12
6	044021	1/4-20 KEPS HEX NUT PL	4
7	043050	1/4 INTL TOOTH LOCK WASHER	6
8	046006	1/4-20 x 5/8 HEX HEAD CS GR5 PL	6
9	041027	#10-24 x 3/4 PH-ROUND HEAD MS	4
10	680459	SLAM LATCH	1
11	044018	#10-24 NYLOCK HEX NUT PL	4
12	105138P	REAR HINGE BRACKET PLASTIC DOOR	1
13	103047	DOOR PROP	1
14	044023	1/4-20 NYLOCK HEX PL	4
15	105132P	SLAM LATCH CATCH PLATE	1
16	030054	TRIMLOK 3/16 x 3/4, 5 INCH	2
NS	105149	RIGHT PRO II DOOR ASSEMBLY KIT	1
NS	112216	NIGHT-LITE PRO II DOOR DECAL KIT	1

\*NOTE: PROVIDE SERIAL NUMER WHEN ORDERING RIGHT DOOR ASSEMBLY KIT (105149).

## 2.3 - Left Door w/ Cord Opening

SN 07-000001 and UP  
SN 08-000001 and UP



105445\_B

# Night-Lite ProII™

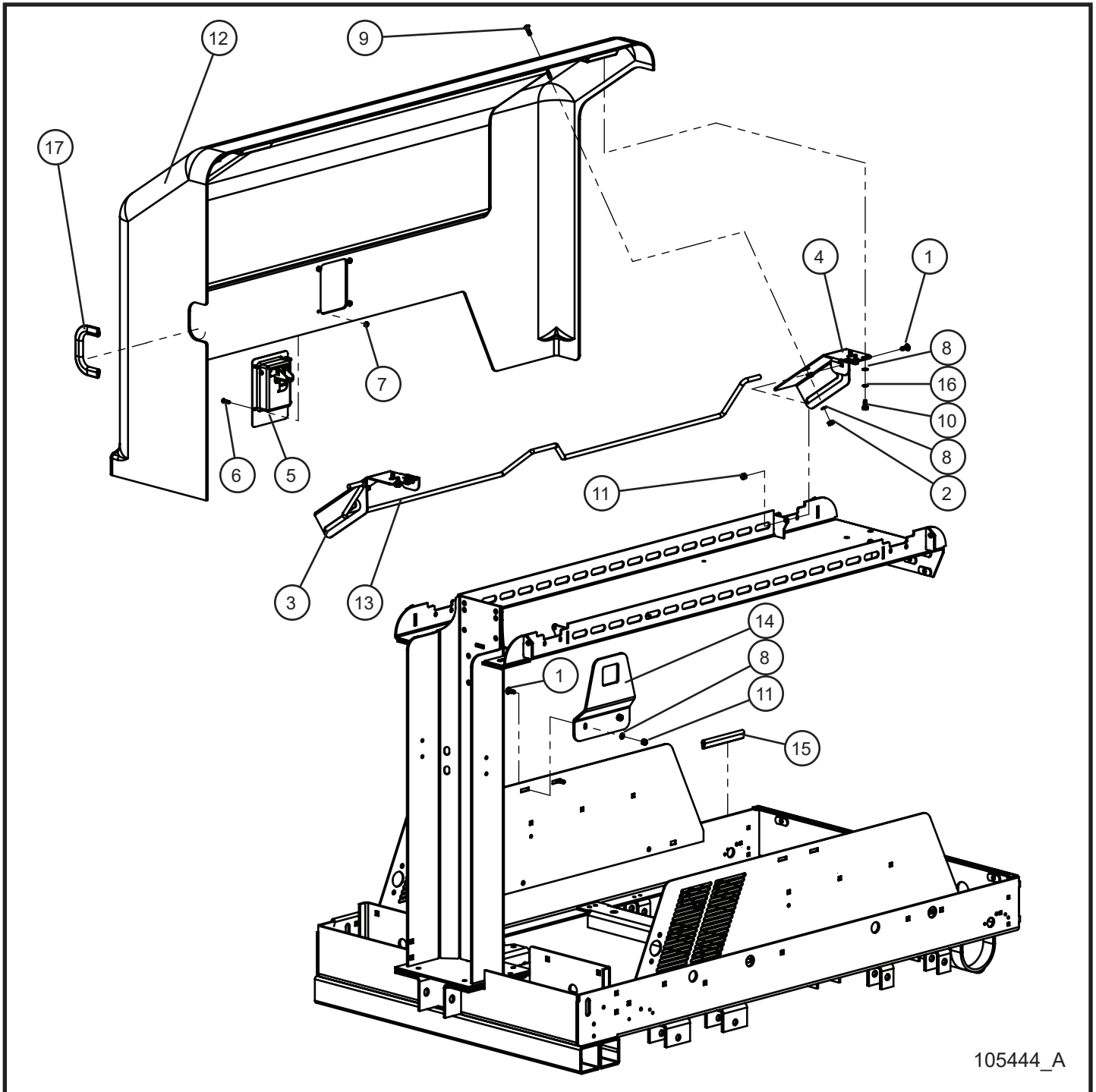
## 2.3 - Left Door w/ Cord Opening

SN 07-000001 and UP  
SN 08-000001 and UP

Item	Part No.	Part Description	Qty.
1	053006	1/4-20 x 3/4 CARRIAGE BOLT	4
2	044021	1/4-20 KEPS HEX NUT PL	4
3	105138P	BRACKET HINGE FRONT PLASTIC DOOR	1
4	105139P	BRACKET HINGE REAR PLASTIC DOOR	1
5	680459	SLAM LATCH	1
6	041027	#10-24 x 3/4 PH-ROUND HEAD MS	4
7	044018	#10-24 NYLOCK HEX NUT PL	4
8	047009	1/4 FLAT WASHER SAE SS	12
9	041050	1/4-20 x 3/4 PH-TRUSS HEAD MS SS	4
10	046006	1/4-20 x 5/8 HEX HEAD CS GR5 PL	6
11	044023	1/4-20 NYLOCK HEX NUT PL	4
12	043050	1/4 INT'L TOOTH LOCK WASHER	6
13	103047	DOOR PROP	1
14	105132P	CATCH PLATE SLAM LATCH	1
15	030054	TRIMLOCK 3/16 x 3/4 x 5 INCH	2
16	105333P	LEFT DOOR W/ CORD OPENING	1
17	030054	TRIMLOCK 3/16 x 3/4 x 7 INCH	1

## 2.4 - Right Door w/ Cord Opening

SN 07-000001 and UP  
SN 08-000001 and UP



105444\_A



# Night-Lite ProII™

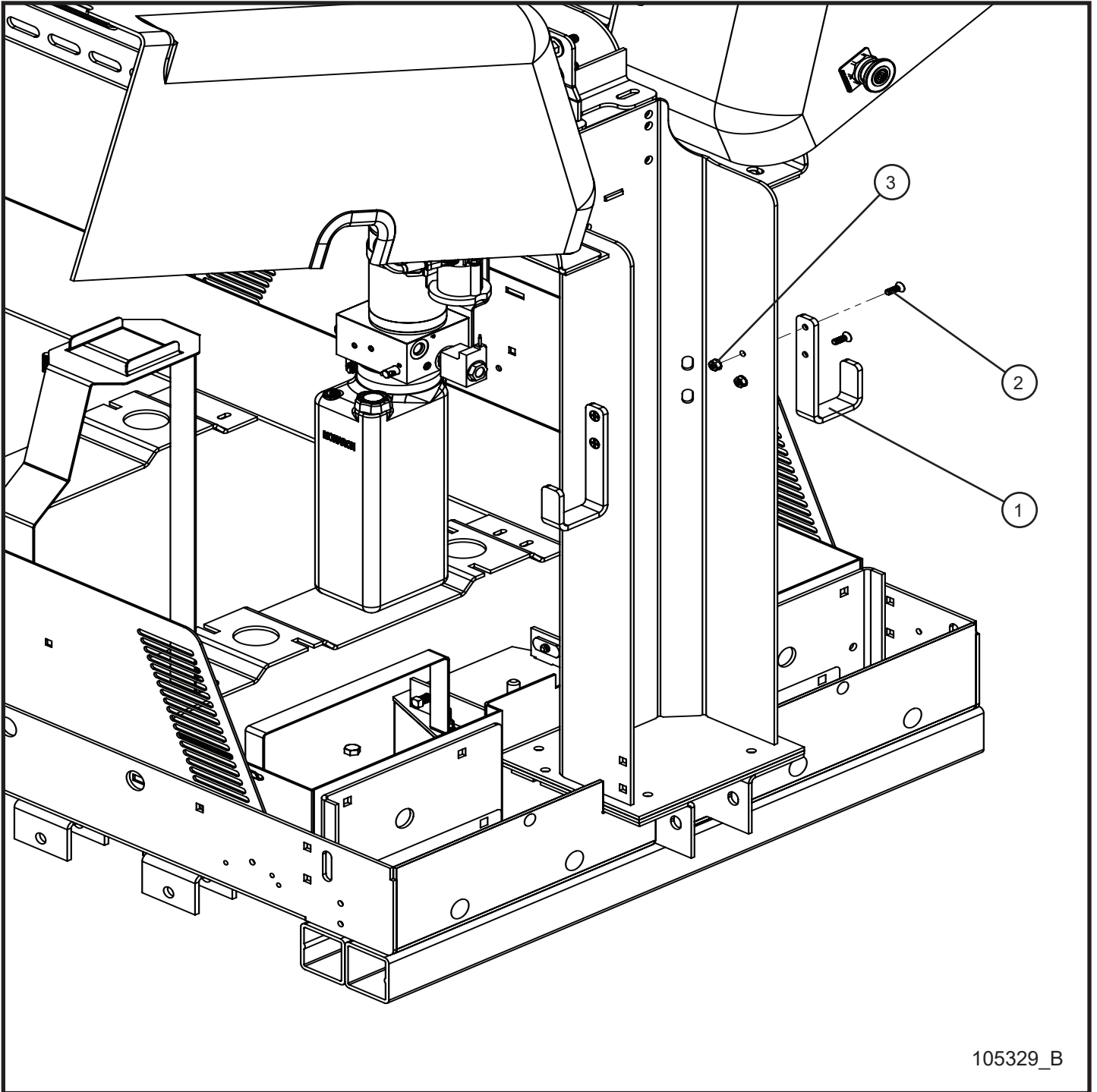
## 2.4 - Right Door w/ Cord Opening

SN 07-000001 and UP  
SN 08-000001 and UP

Item	Part No.	Part Description	Qty.
1	053006	1/4-20 x 3/4 CARRIAGE BOLT	4
2	044021	1/4-20 KEPS HEX NUT PL	4
3	105138P	BRACKET HINGE FRONT PLASTIC DOOR	1
4	105139P	BRACKET HINGE REAR PLASTIC DOOR	1
5	680459	SLAM LATCH	1
6	041027	#10-24 x 3/4 PH-ROUND HEAD MS	4
7	044018	#10-24 NYLOCK HEX NUT PL	4
8	047009	1/4 FLAT WASHER SAE SS	12
9	041050	1/4-20 x 3/4 PH-TRUSS HEAD MS SS	4
10	046006	1/4-20 x 5/8 HEX HEAD CS GR5 PL	6
11	044023	1/4-20 NYLOCK	4
12	105332P	RIGHT DOOR W/ CORD OPENING	1
13	103047	DOOR PROP	1
14	105132P	CATCH PLATE SLAM LATCH	1
15	030054	TRIMLOCK 3/16 x 3/4 x 5 INCH	2
16	043050	1/4 INT'L TOOTH LOCK WASHER	6
17	030054	TRIMLOCK 3/16 x 3/4 x 7 INCH	1

## 2.5 - Cord Opening Hooks

SN 07-000001 and UP  
SN 08-000001 and UP



105329\_B

# Night-Lite ProII™

---

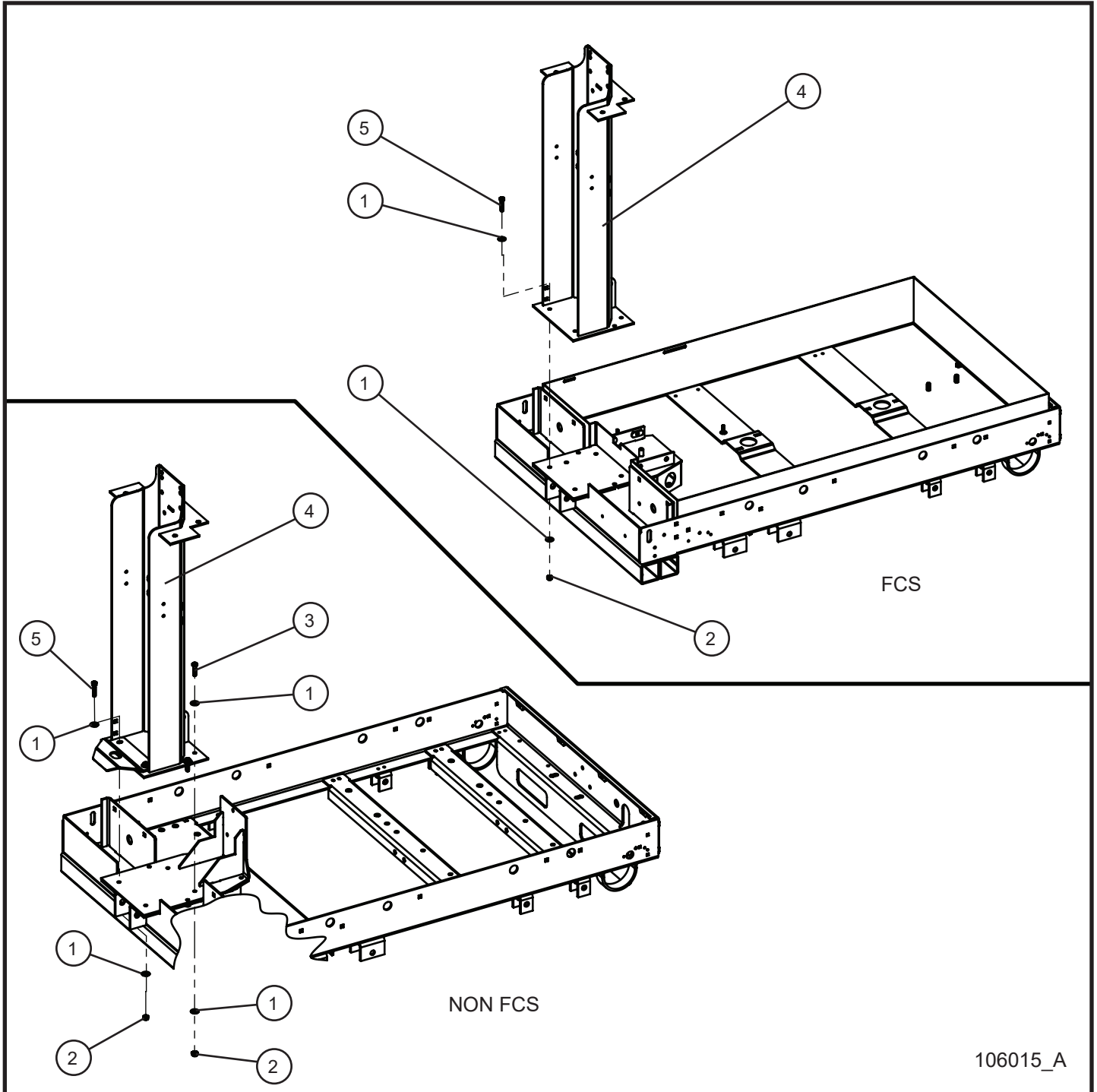
## 2.5 - Cord Opening Hooks

SN 07-000001 and UP  
SN 08-000001 and UP

Item	Part No.	Part Description	Qty.
1	105323P	HOOK CORD	2
2	041047	1/4-20 x 3/4 PH-FLAT HEAD MS PL	4
3	044021	1/4-20 KEPS HEX NUT PL	4

## 2.6 - Tower Pedestal

SN 07-000001 and UP  
SN 08-000001 and UP



106015\_A

# Night-Lite ProII™

---

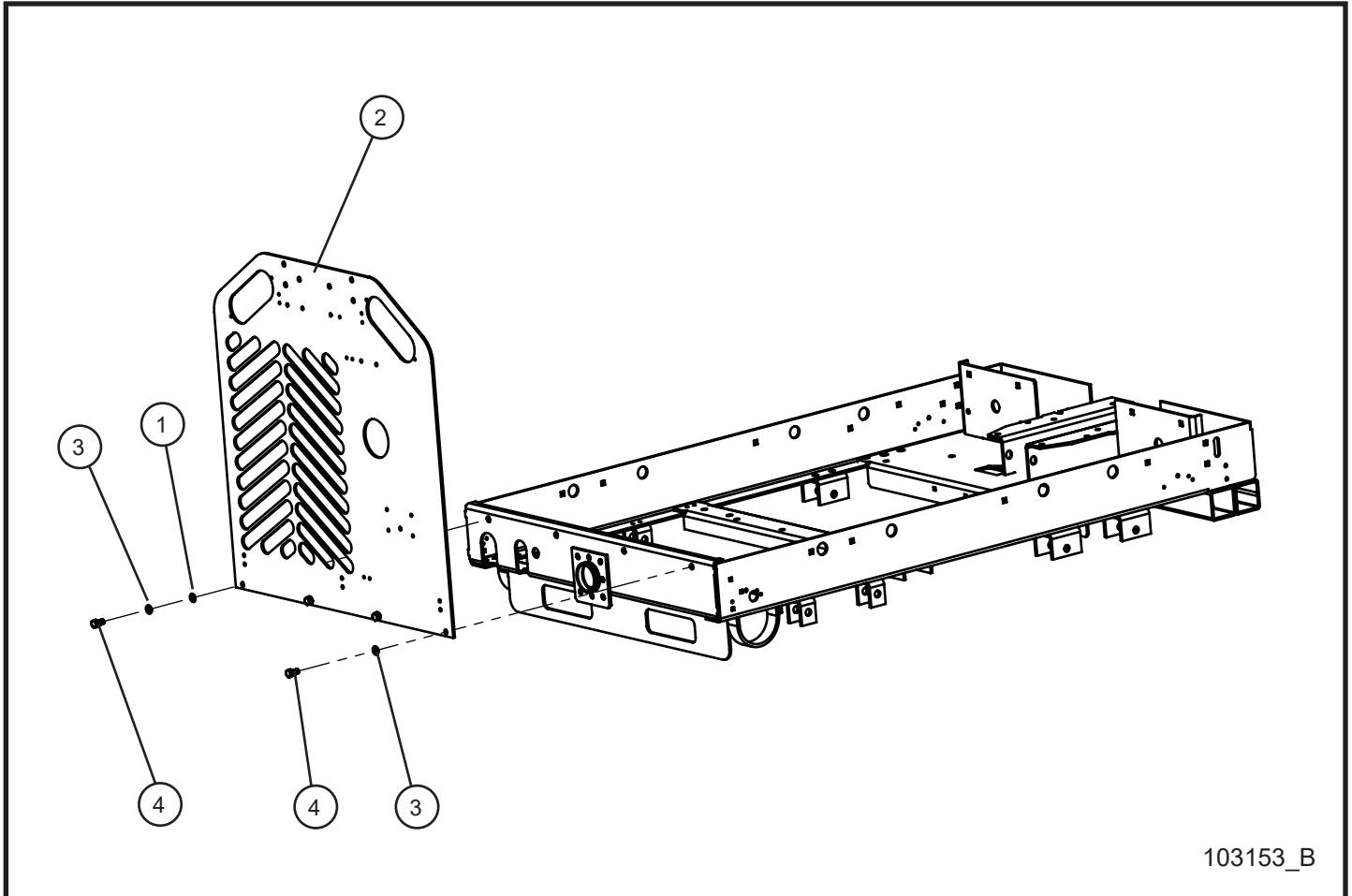
## 2.6 - Tower Pedestal

SN 07-000001 and UP  
SN 08-000001 and UP

Item	Part No.	Part Description	Qty.
1	047010	5/16 FLAT WASHER PL	12
2	044031	5/16-18 KEPS HEX NUT PL	6
3	046055	5/16-18 x 1 1/4 HEX HEAD CS GR5 PL	4
4	103937P	TOWER PEDESTAL	1
5	046060	5/16-18 x 1 1/2 HEX HEAD CS GR5 PL	2

## 2.7 - CAT Rear Panel

SN 07-000001 and UP  
SN 08-000001 and UP



103153\_B

# Night-Lite ProII™

---

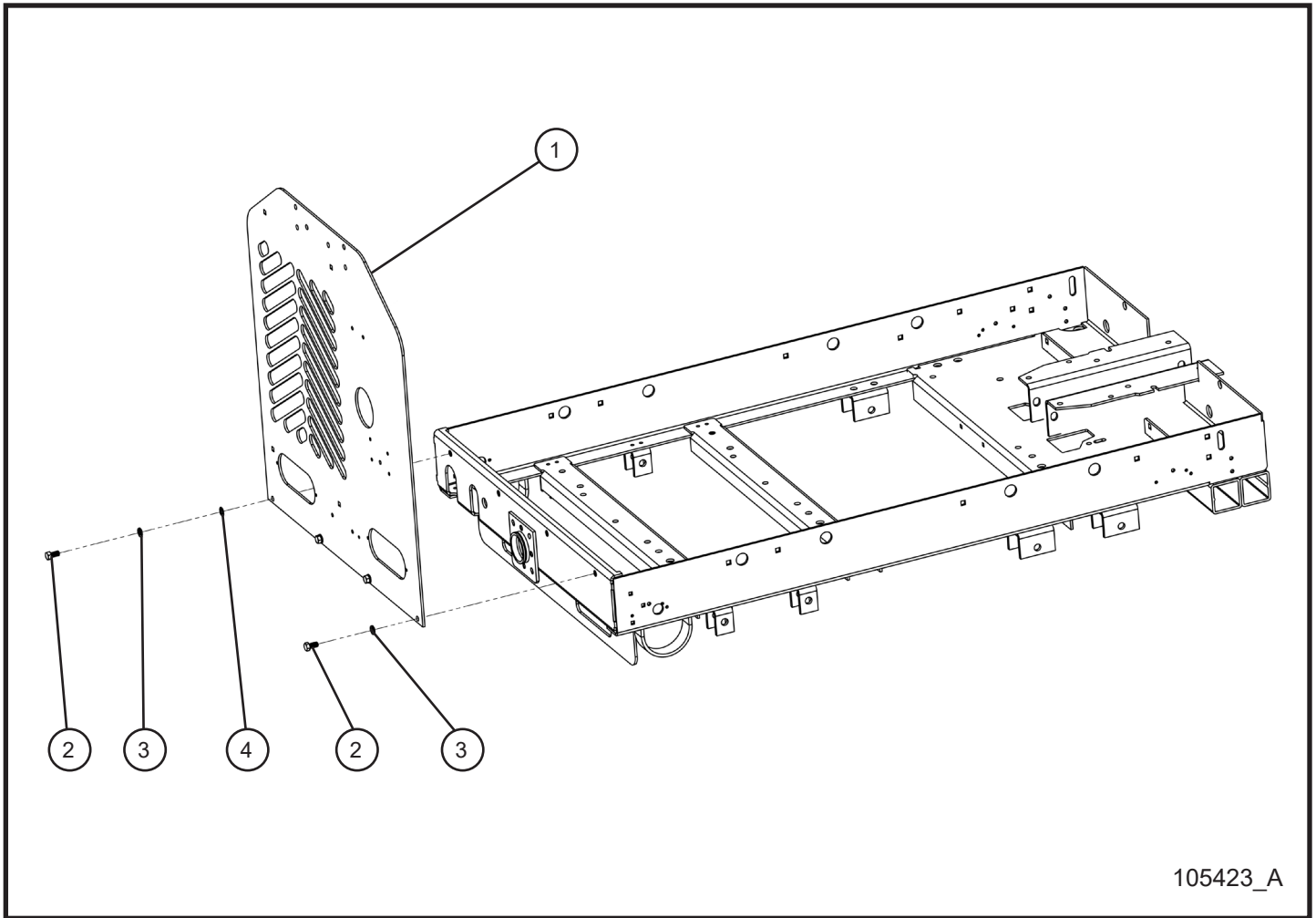
## 2.7 - CAT Rear Panel

SN 07-000001 and UP  
SN 08-000001 and UP

Item	Part No.	Part Description	Qty.
1	043070	3/8 INTL TOOTH LOCK WASHER PL	1
2	102823P	REAR PANEL UNIVERSAL	1
3	043065	3/8 SPLITLOCK WASHER PL	4
4	046105	3/8-16 x 3/4 HEX HEAD CS GR8 PL	4

## 2.8 - Kubota Rear Panel

SN 07-000001 and UP  
SN 08-000001 and UP



105423\_A



# Night-Lite ProII™

---

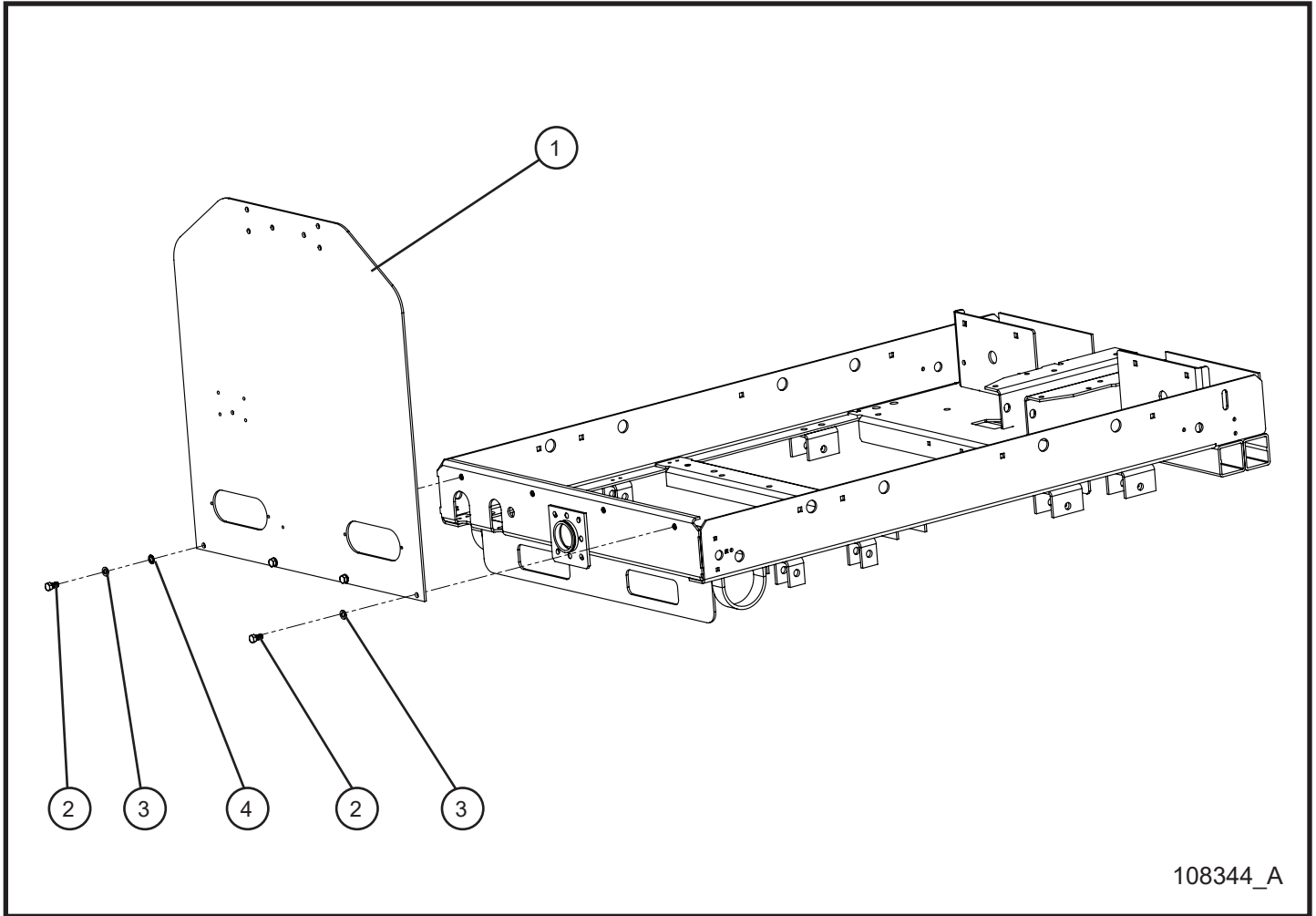
## 2.8 - Kubota Rear Panel

SN 07-000001 and UP  
SN 08-000001 and UP

Item	Part No.	Part Description	Qty.
1	105403P	REAR PANEL (KUBOTA)	1
2	046105	3/8-16 x 3/4 HEX HEAD CS GR8 PL	4
3	043065	3/8 SPLITLOCK WASHER PL	4
4	043070	3/8 INTL TOOTH LOCK WASHER PL	1

## 2.9 - Mobile Platform Rear Panel

SN 07-000001 and UP  
SN 08-000001 and UP



108344\_A

# Night-Lite ProII™

---

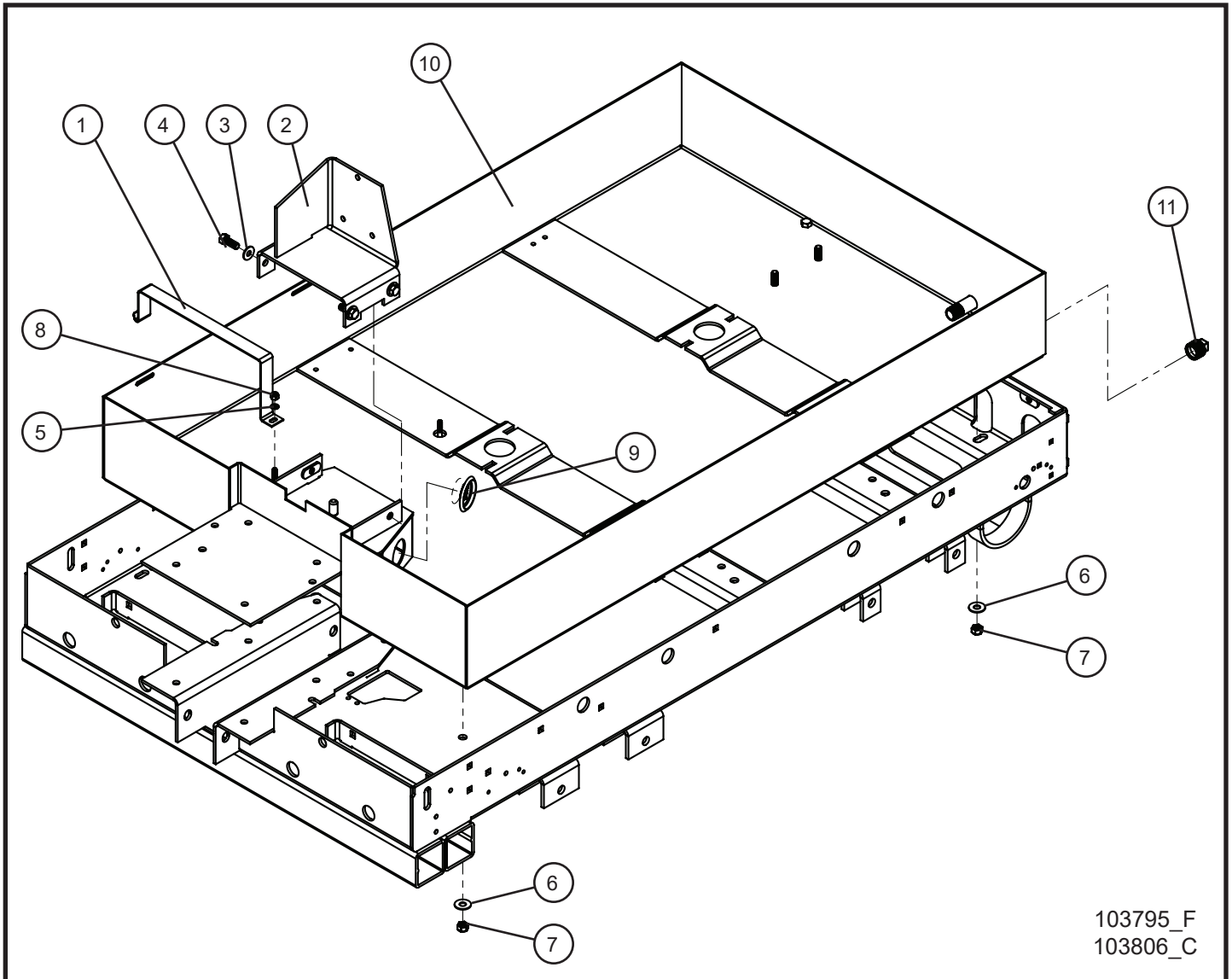
## 2.9 - Mobile Platform Rear Panel

SN 07-000001 and UP  
SN 08-000001 and UP

Item	Part No.	Part Description	Qty.
1	108343P	MOBILE PLATFORM REAR PANEL	1
2	046105	3/8-16 x 3/4 HEX HEAD CS GR8 PL	4
3	043065	3/8 SPLITLOCK WASHER PL	4
4	043070	3/8 INTL TOOTH LOCK WASHER PL	1

## 2.10 - FCS Tray Group

SN 07-000001 and UP  
SN 08-000001 and UP



# Night-Lite ProII™

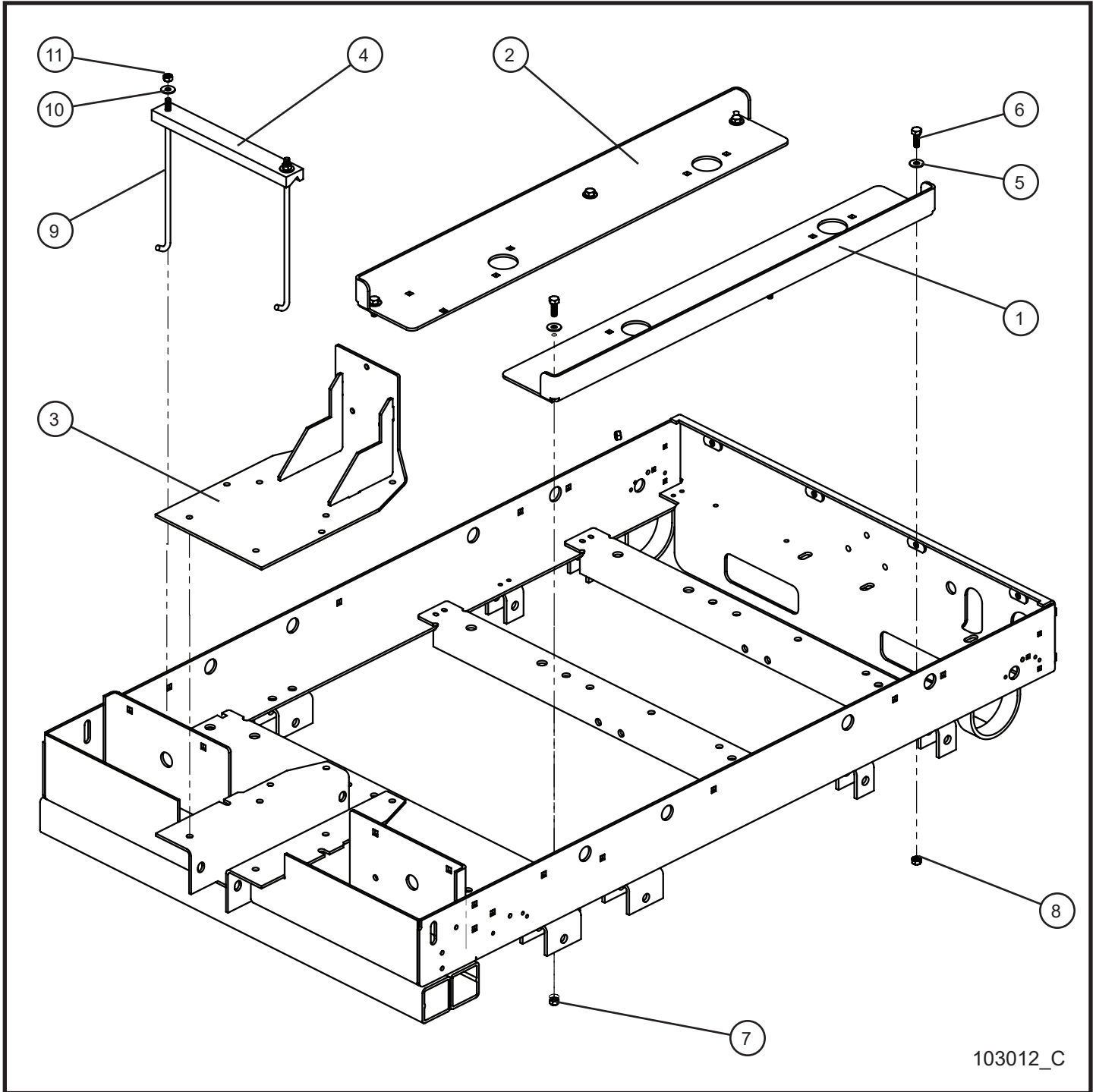
## 2.10 - FCS Tray Group

SN 07-000001 and UP  
SN 08-000001 and UP

Item	Part No.	Part Description	Qty.
1	102820P	BATTERY STRAP	1
2	102770P	FCS TRAY WINCH MOUNT (LAYDOWN TOWER ONLY)	1
3	047010	5/16 FLAT WASHER PL (LAYDOWN TOWER ONLY)	4
4	046110	3/8-16 x 1 HEX HEAD CS GR5 PL (LAYDOWN TOWER ONLY)	4
5	047009	1/4 FLAT WASHER SAE SS	1
6	047015	3/8 FLAT WASHER PL	4
7	044038	3/8-16 NYLOCK HEX NUT PL	4
8	044023	1/4-20 NYLOCK HEX NUT PL	1
9	680878	1 3/4 CAP PLUG	1
10	105755P	JB RADIATOR FCS CONTAINMENT TRAY	1
11	104148	PIPE PLUG 3/4 NPT SQUARE HEAD	1

## 2.11 - Non FCS Group

SN 07-000001 and UP



# Night-Lite ProII™

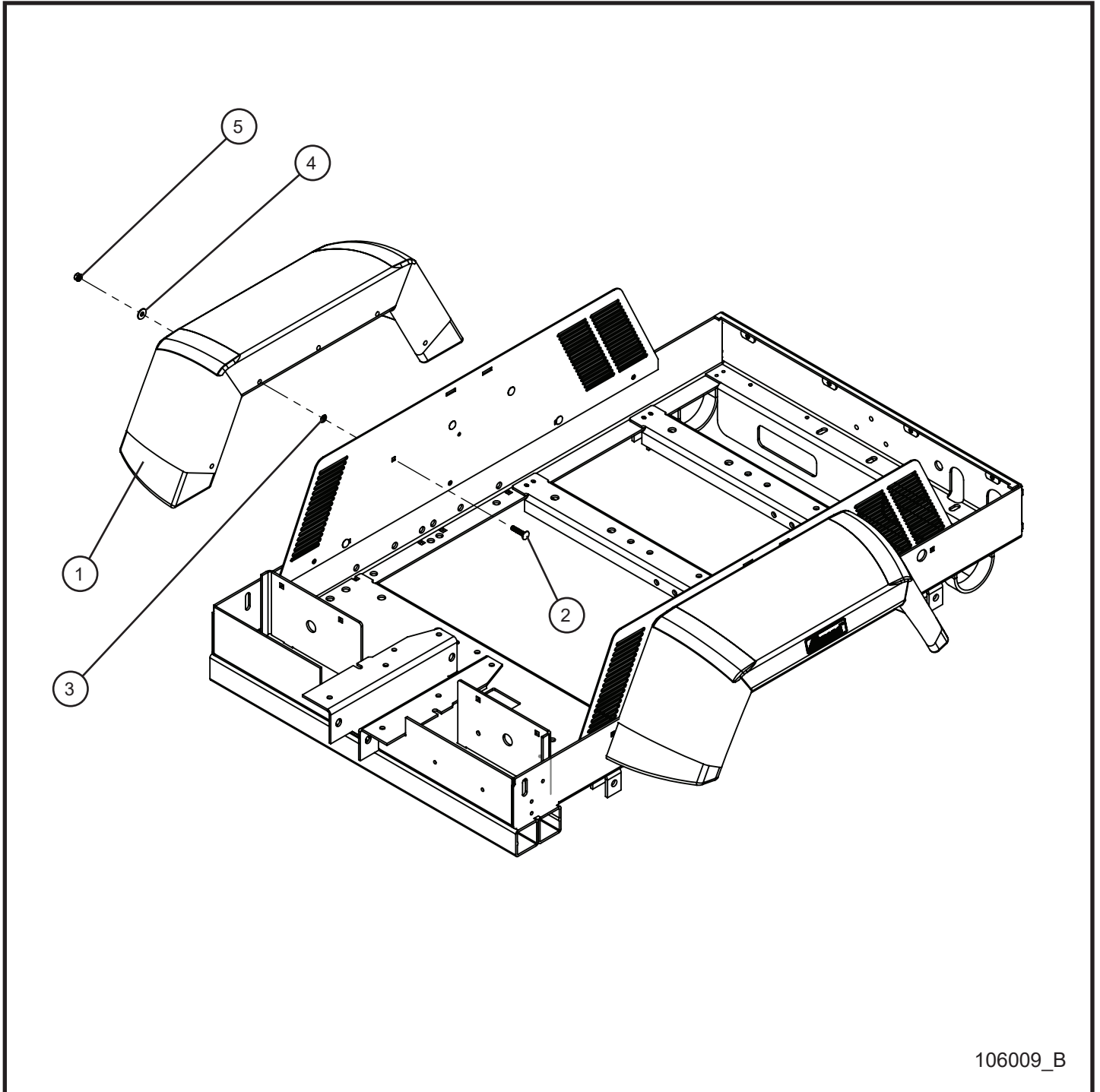
## 2.11 - Non FCS Group

SN 07-000001 and UP

Item	Part No.	Part Description	Qty.
1	102793P	LEFT ENGINE RAIL	1
2	102794P	RIGHT ENGINE RAIL	1
3	102842P	LAYDOWN TOWER WINCH MOUNT	1
4	340017	HOLD DOWN BATTERY	1
5	047015	3/18 FLAT WASHER PL	6
6	046115	3/8-16 x 1 1/4 HEX HEAD CS GR5 PL	6
7	044031	3/8-16 NYLOCK HEX NUT PL	5
8	044036	3/8-16 KEPS HEX NUT PL	1
9	433507	5/16-18 J BOLT x 11 ZINC	2
10	047010	5/16 FLAT WASHER PL	2
11	044033	5/16-18 NYLOCK HEX NUT PL	2

## 2.12 - Fender

SN 07-000001 and UP  
SN 08-000001 and UP



106009\_B



# Night-Lite ProII™

---

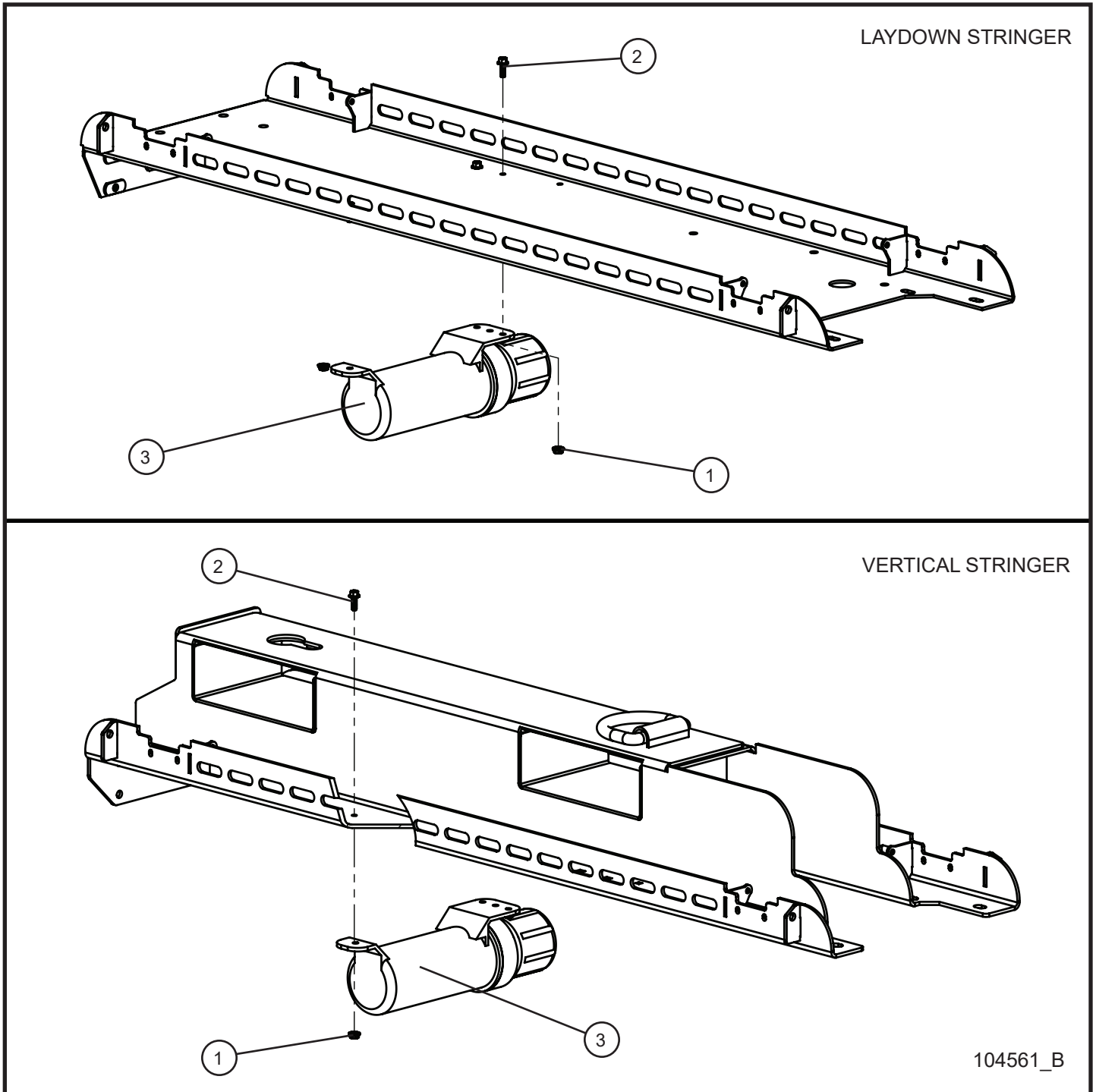
## 2.12 - Fender

SN 07-000001 and UP  
SN 08-000001 and UP

Item	Part No.	Part Description	Qty.
1	650297	FENDER MOLDED BLACK 13 INCH	2
2	053023	5/16-18 x 1 1/2 CARRIAGE BOLT PL	10
3	045217	5/16 PUSH NUT	10
4	047010	5/16 FLAT WASHER PL	10
5	044031	5/16-18 KEPS HEX NUT PL	10

## 2.13 - Manual Canister

SN 07-000001 and UP  
SN 08-000001 and UP



# Night-Lite ProII™

---

---

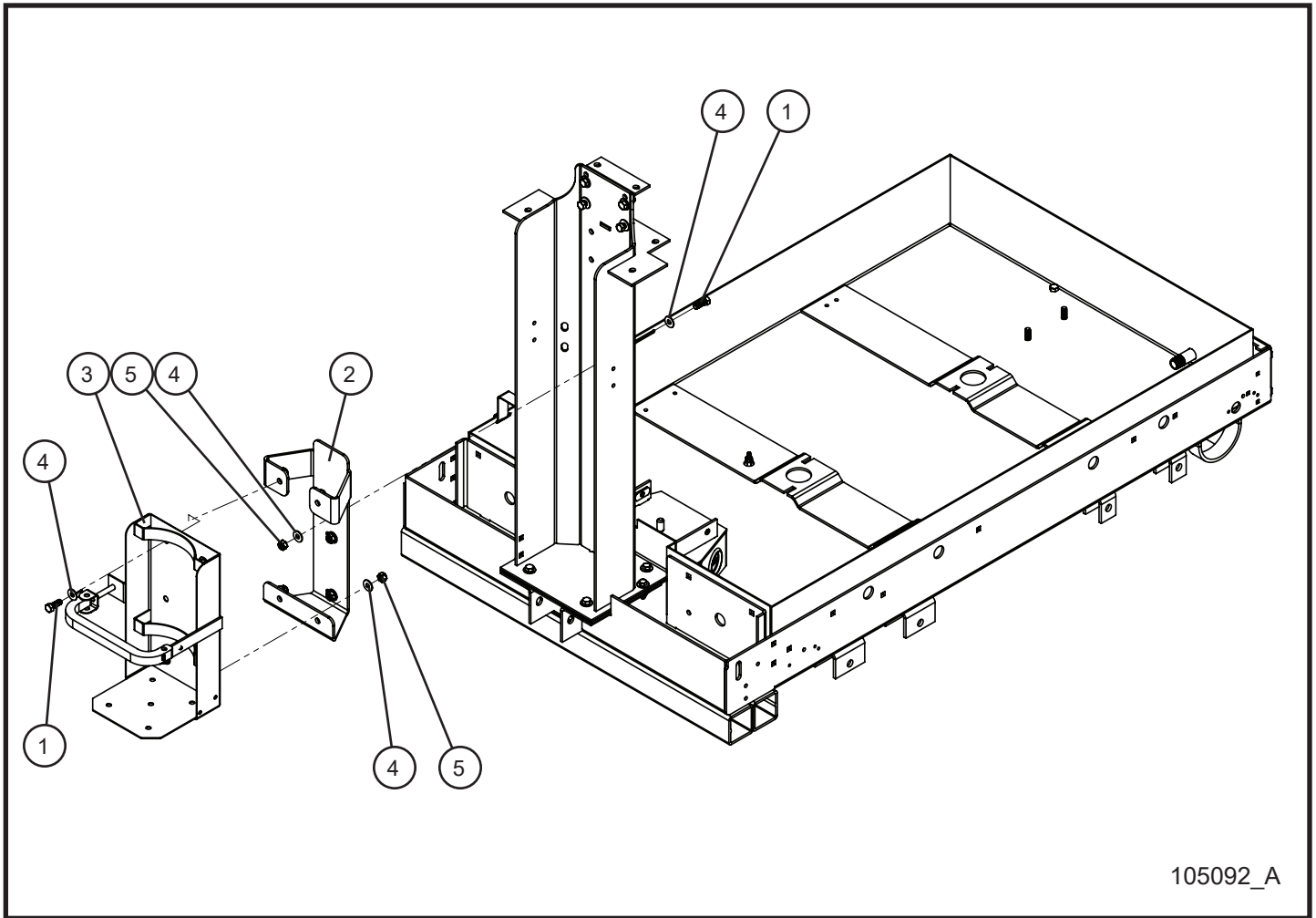
## 2.13 - Manual Canister

SN 07-000001 and UP  
SN 08-000001 and UP

Item	Part No.	Part Description	Qty.
1	057000	1/4-20 HEX SERRATED FLANGE NUT	3
2	056005	1/4-20 x 3/4 HEX SERRATED FLANGE SCREW	3
3	103651	CANISTER PRODUCT MANUAL	1

## 2.14 - Fire Extinguisher Bracket

SN 08-000001 and UP



105092\_A

# Night-Lite ProII™

---

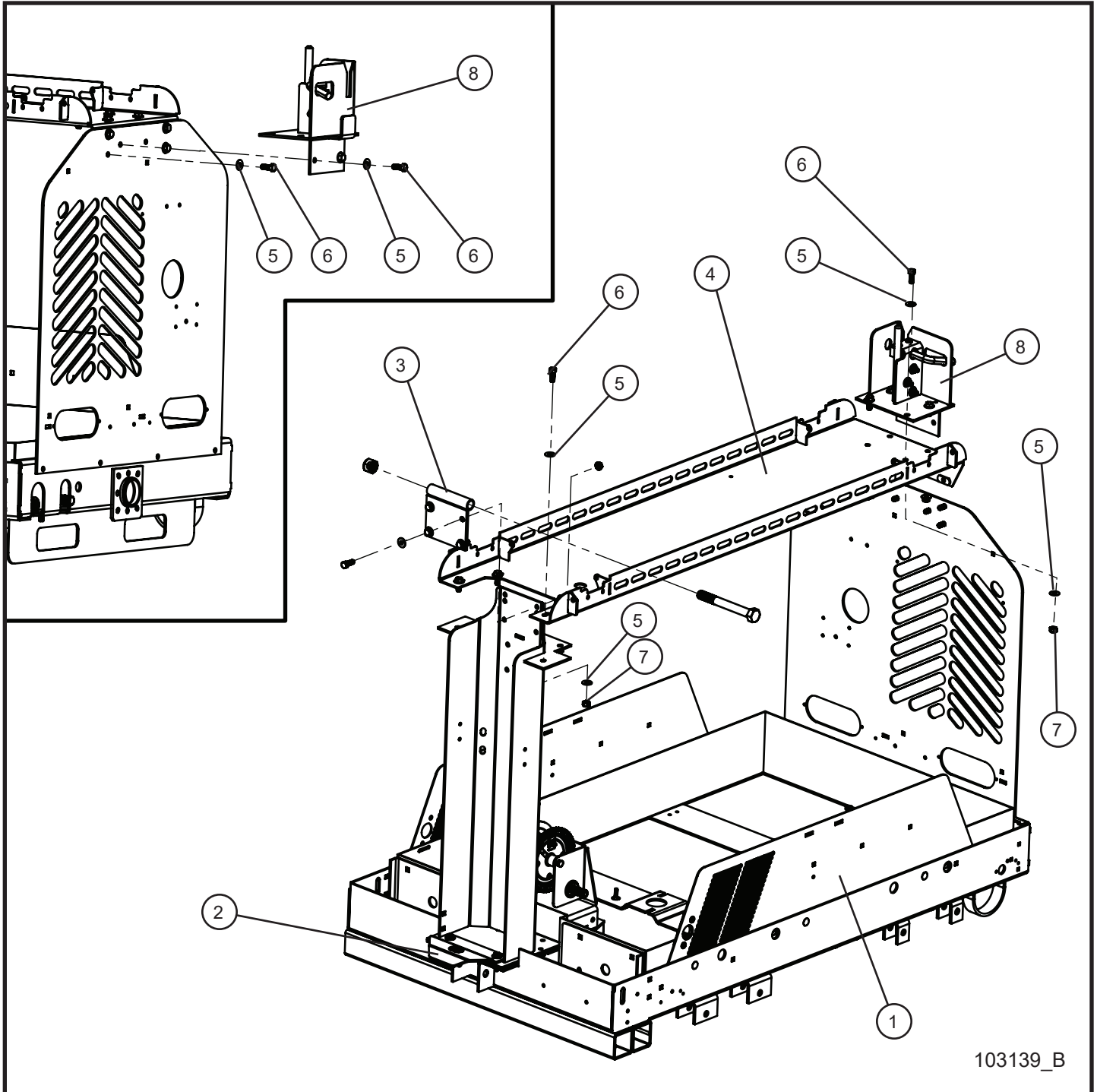
## 2.14 - Fire Extinguisher Bracket

SN 08-000001 and UP

Item	Part No.	Part Description	Qty.
1	046110	3/8-16 x 1 HEX HEAD CS GR5 PL	7
2	105090P	MOUNT BRACKET FIRE EXTINGUISHER	1
3	109725	BRACKET EXTINGUISHER FIRE HD	1
4	047010	5/16 FLAT WASHER PL	14
5	044038	3/8-16 NYLOCK HEX NUT PL	7
6	105522	FIRE EXTINGUISHER (NOT SHOWN)	1

## 3.1 - Laydown Tower Trailer Group (1 of 2)

SN 07-000001 and UP



103139\_B

# Night-Lite ProII™

---

---

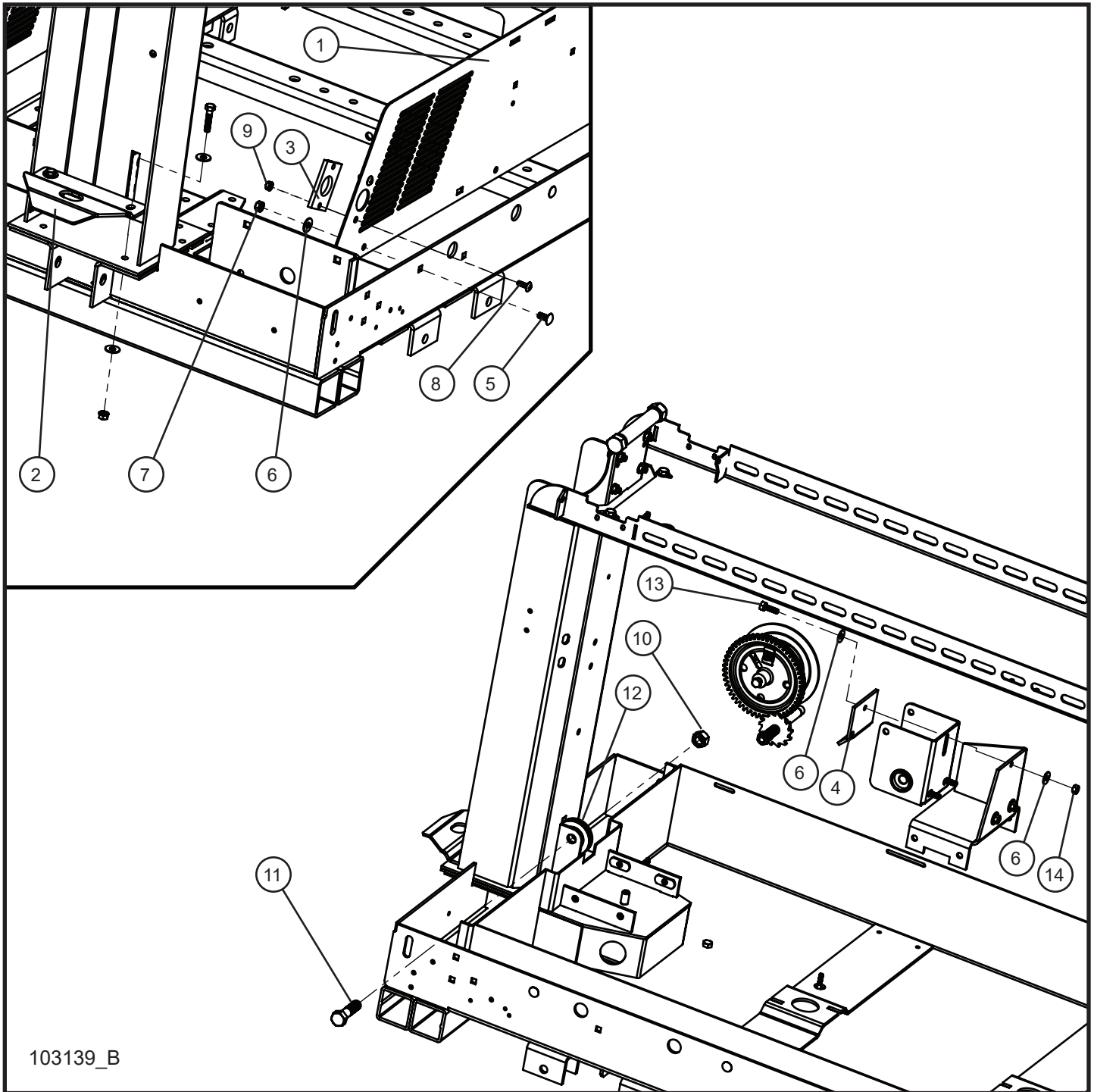
## 3.1 - Laydown Tower Trailer Group (1 of 2)

SN 07-000001 and UP

Item	Part No.	Part Description	Qty.
1	102765P	LAYDOWN TOWER FENDER MOUNT PANEL	2
2	102839P	PIN CATCH TOWER LOCK	1
3	104410	LAYDOWN TOWER PIVOT GROUP	1
4	105720P	STRINGER LAYDOWN TOWER	1
5	047010	5/16 FLAT WASHER PL	22
6	046115	3/8-16 x 1 1/4 HEX HEAD CS GR5 PL	14
7	044038	3/8-16 NYLOCK NEX NUT PL	8
8	103143	LAYDOWN TOWER REAR SUPPORT GROUP	1

## 3.1 - Laydown Tower Trailer Group (2 of 2)

SN 07-000001 and UP



103139\_B



# Night-Lite ProII™

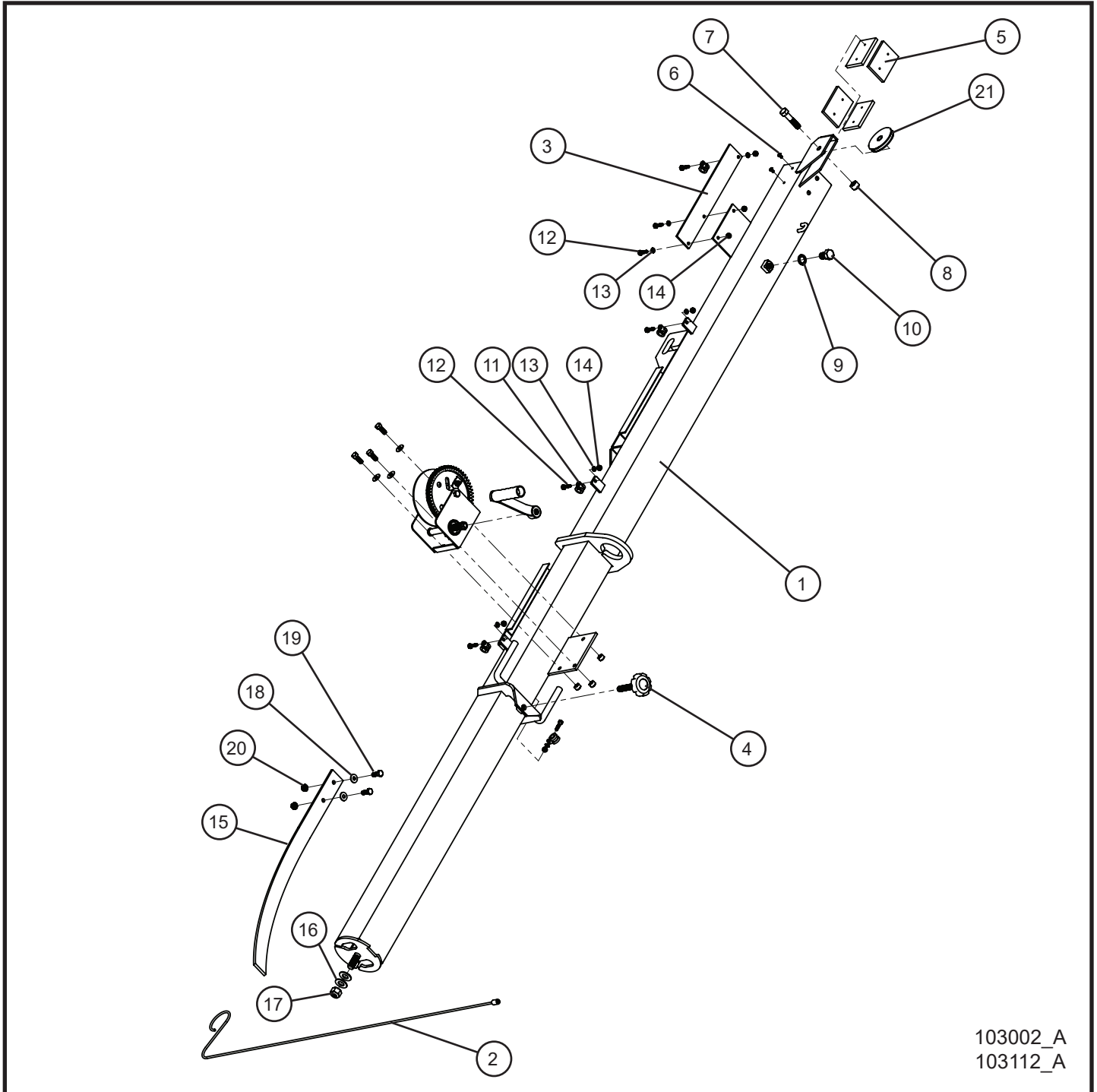
## 3.1 - Laydown Tower Trailer Group (2 of 2)

SN 07-000001 and UP

Item	Part No.	Part Description	Qty.
1	102765P	LAYDOWN TOWER FENDER MOUNT PANEL	2
2	102839P	PIN CATCH TOWER LOCK	1
3	650106	GUIDE BLOCK	1
4	651021P	WINCH CABLE GUIDE	1
5	102081	5/16-18 x 3/4 CARRIAGE BOLT GR5	6
6	047010	5/16 FLAT WASHER PL	12
7	044031	5/16-18 KEPS NEX NUT PL	6
8	041050	1/4-20 x 3/4 PH-TRUSS HEAD MS SS MACHINE SCREW	2
9	044021	1/4-20 KEPS HEX NUT PL	2
10	044050	5/8-11 HEX NUT PL	1
11	046243	5/8-11 x 2 1/2 HEX HEAD CS PL	1
12	100160	2 1/2 PULLEY W/ BALL BEARING	1
13	046050	5/16-18 x 1 HEX HEAD CS GR5 PL	3
14	044030	5/16-18 HEX NUT PL	3

## 3.2 - Laydown Tower Parts Old Style (1 of 2)

SN 07-000001 and UP



103002\_A  
103112\_A

# Night-Lite ProII™

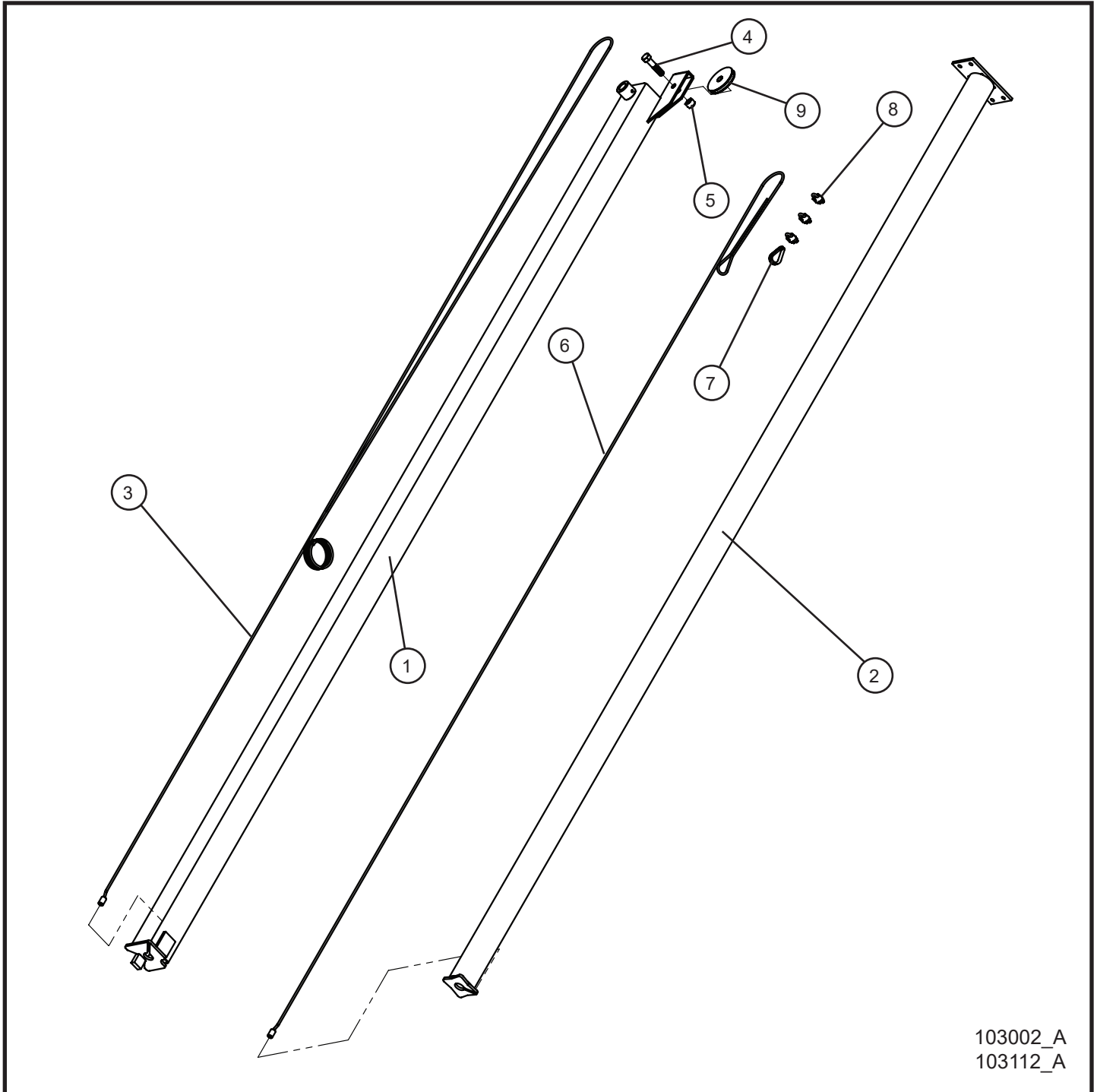
## 3.2 - Laydown Tower Parts Old Style (1 of 2)

SN 07-000001 and UP

Item	Part No.	Part Description	Qty.
1	102943P	4" SECTION LAYDOWN TOWER	1
	102943-20	4" SECTION LAYDOWN TOWER (GALVANIZED)	1
2	320185	CABLE 3/16 STEEL 10'	1
3	102677P	4" TOWER CORD BRACKET	1
4	620550	1/2-13 x 2 1/8 LOCKING KNOB	1
5	650110	.312 TOWER PAD	4
6	041023	#10 x 3/8 PH-ROUND HEAD MS PL	8
7	046200	1/2-13 x 2 1/4 HEX HEAD CS GR5 PL	1
8	044048	1/2-13 NYLOCK HEX NUT PL	1
9	043100	5/8 INT'L TOOTH LOCK WASHER PL	1
10	046242	5/8-11 x 1 HEX HEAD CS GR5 PL	1
11	310212	#10 CUSH CLAMP 1/4 HOLE	5
12	046015	1/4-20 x 1 HEX HEAD CS GR5 PL	7
13	047009	1/4 FLAT WASHER SAE SS	7
14	044023	1/4-20 NYLOCK HEX NUT PL	7
15	630555P	KICKOUT SPRING LAYDOWN	1
16	047030	5/8 FLAT WASHER PL	2
17	044053	5/8-11 NYLOCK HEX NUT PL	1
18	047010	5/16 FLAT WASHER PL	2
19	046110	3/8-16 x 1 HEX HEAD CS GR5 PL	2
20	044036	3/8-16 KEPS HEX NUT PL	2
21	320110	PULLEY 3 OD W/ BUSHING	1

## 3.2 - Laydown Tower Parts Old Style (2 of 2)

SN 07-000001 and UP



103002\_A  
103112\_A

# Night-Lite ProII™

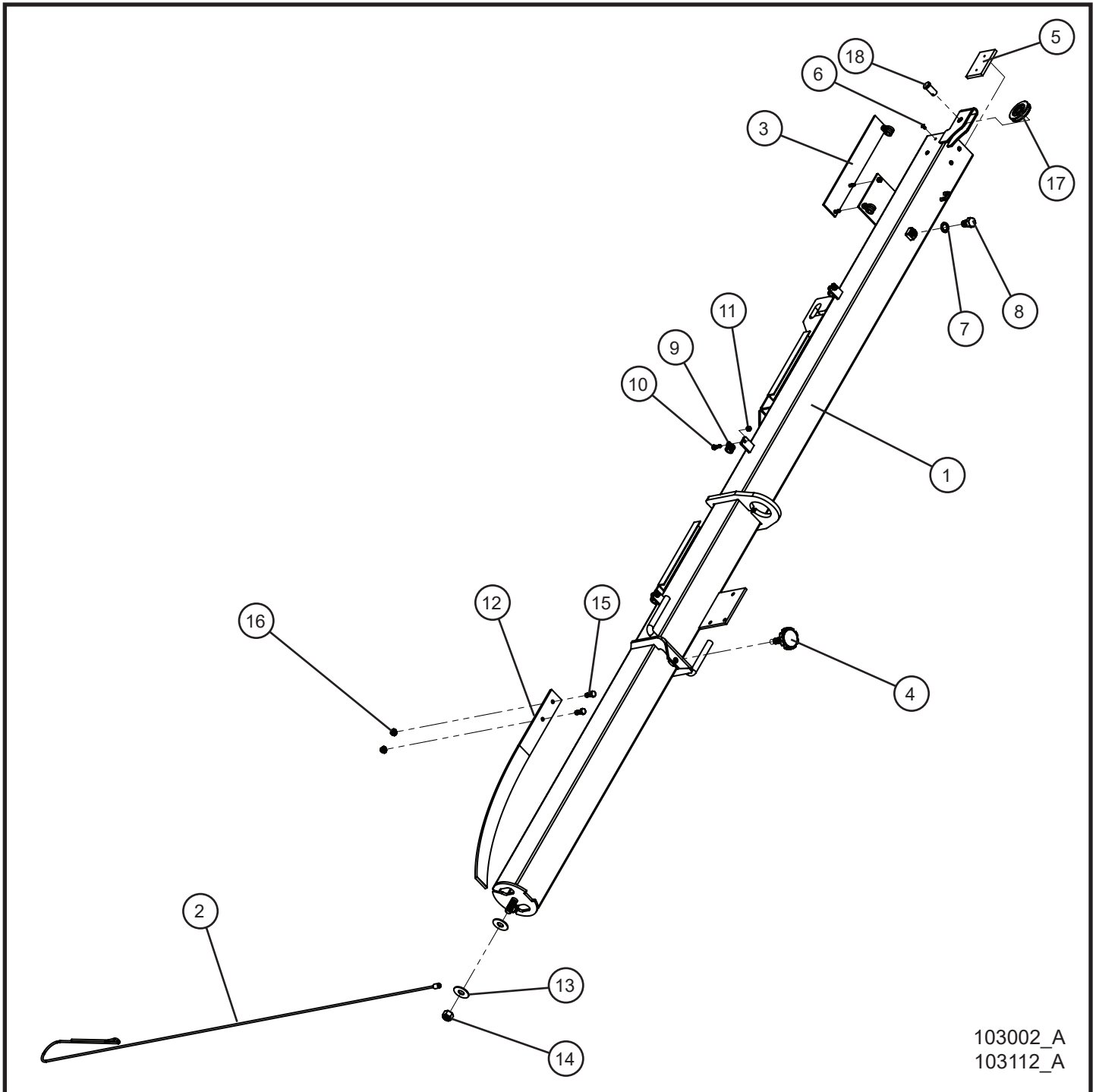
## 3.2 - Laydown Tower Parts Old Style (2 of 2)

SN 07-000001 and UP

Item	Part No.	Part Description	Qty.
1	680180P	3" SECTION LAYDOWN TOWER	1
	680180-20	3" SECTION LAYDOWN TOWER (GALVANIZED)	1
2	352017P	2 5/8" ROUND SECTION LAYDOWN TOWER	1
	115099	GALVANIZED 2 5/8" ROUND SECTION LAYDOWN TOWER	1
3	650133	CABLE 3/16 STEEL 17' 9"	1
4	046200	1/2-13 x 2 1/4 HEX HEAD CS GR5 PL	1
5	044048	1/2-13 NYLOCK HEX NUT PL	1
6	620076	CABLE 3/16 STEEL 11'	1
7	045040	3/16 CABLE THIMBLE	1
8	620084	1/4 CABLE CLIP	3
9	320110	PULLEY 3 OD W/ BUSHING	1

## 3.3 - Laydown Tower Parts New Style (1 of 2)

SN 07-000001 and UP



103002\_A  
103112\_A

# Night-Lite ProII™

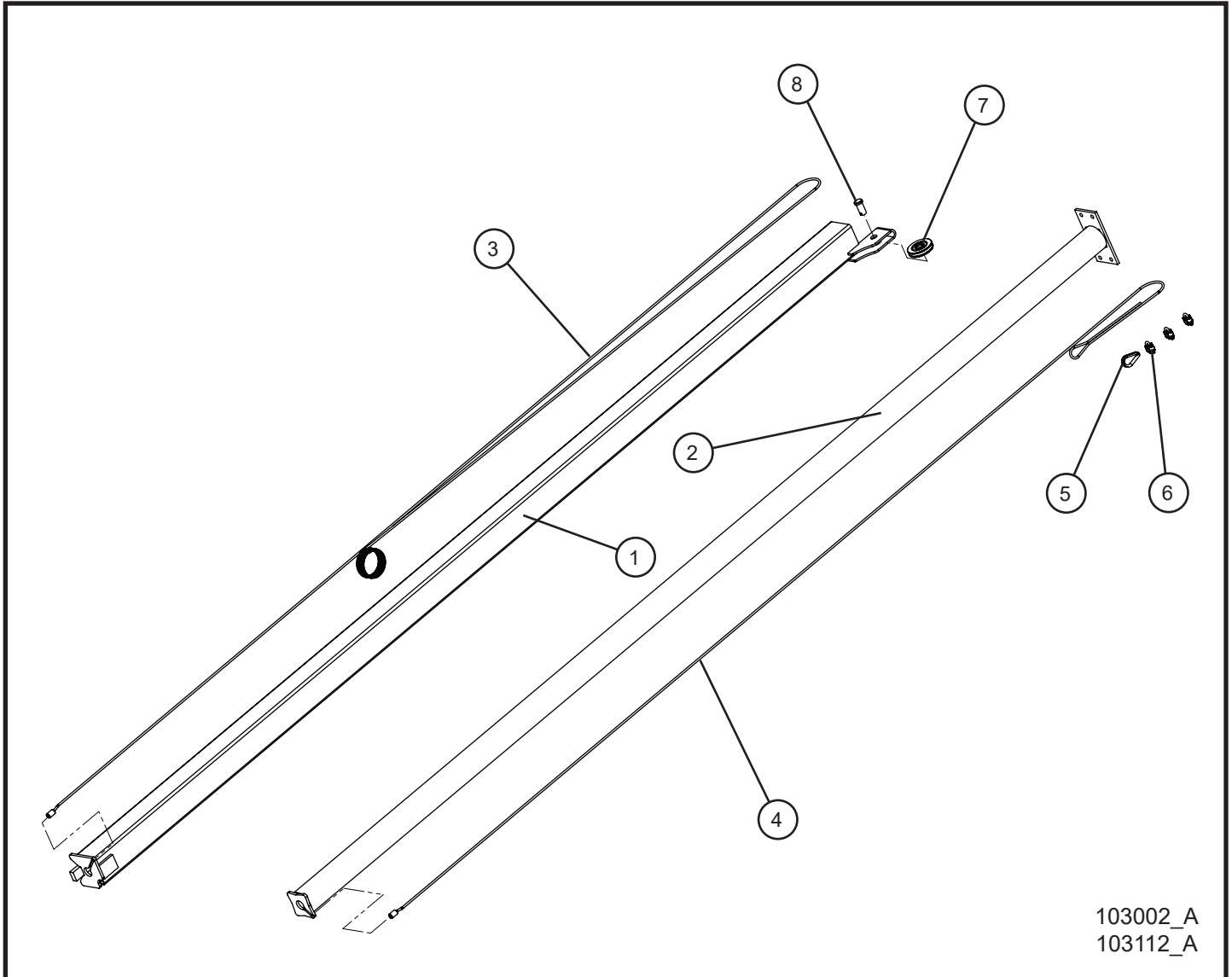
## 3.3 - Laydown Tower Parts New Style (1 of 2)

SN 07-000001 and UP

Item	Part No.	Part Description	Qty.
1	109973P	4" SECTION LAYDOWN TOWER	1
	115097	GALVANIZED 4" SECTION LAYDOWN TOWER	1
2	320185	CABLE 3/16 STEEL 10'	1
3	102677P	4" TOWER CORD BRACKET	1
4	620550	1/2-13 x 2 1/8 LOCKING KNOB	1
5	650110	.312 TOWER PAD	4
6	041023	#10 x 3/8 PH-ROUND HEAD MS PL	8
7	043100	5/8 INT'L TOOTH LOCK WASHER PL	1
8	046242	5/8-11 x 1 HEX HEAD CS GR5 PL	1
9	310212	#10 CUSH CLAMP 1/4 HOLE	5
10	046015	1/4-20 x 1 HEX HEAD CS GR5 PL	7
11	044023	1/4-20 NYLOCK HEX NUT PL	7
12	630555P	KICKOUT SPRING LAYDOWN	1
13	047030	5/8 FLAT WASHER PL	2
14	044053	5/8-11 NYLOCK HEX NUT PL	1
15	046110	3/8-16 x 1 HEX HEAD CS GR5 PL	2
16	044036	3/8-16 KEPS HEX NUT PL	2
17	100160	2 1/2 PULLEY	1
18	033000	5/8 x 1 SLIC PIN	1

## 3.3 - Laydown Tower Parts New Style (2 of 2)

SN 07-000001 and UP





# Night-Lite ProII™

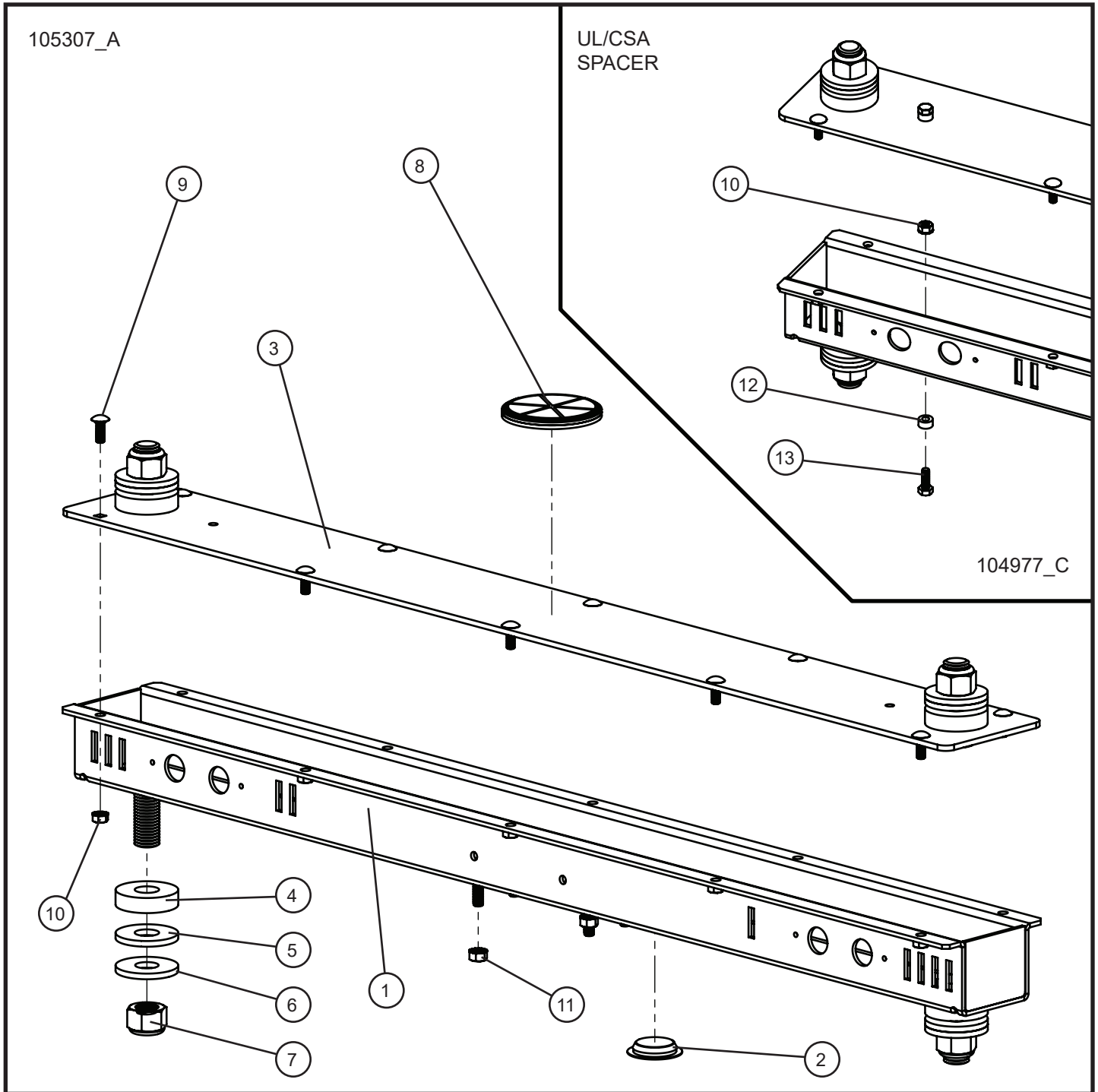
## 3.3 - Laydown Tower Parts New Style (2 of 2)

SN 07-000001 and UP

Item	Part No.	Part Description	Qty.
1	112728P	3" SECTION LAYDOWN TOWER	1
	115098	GALVANIZED 3" SECTION LAYDOWN TOWER	1
2	352017P	2 5/8" ROUND SECTION LAYDOWN TOWER	1
	115099	GALVANIZED 2 5/8" ROUND SECTION LAYDOWN TOWER	1
3	650133	CABLE 3/16 STEEL 17' 9"	1
4	620076	CABLE 3/16 STEEL 11'	1
5	045040	3/16 CABLE THIMBLE	1
6	620084	1/4 CABLE CLIP	3
7	100160	2 1/2 PULLEY	1
8	033000	5/8 x 1 SLIC PIN	1

## 3.4 - Laydown Tower Light Bar

SN 07-000001 and UP



# Night-Lite ProII™

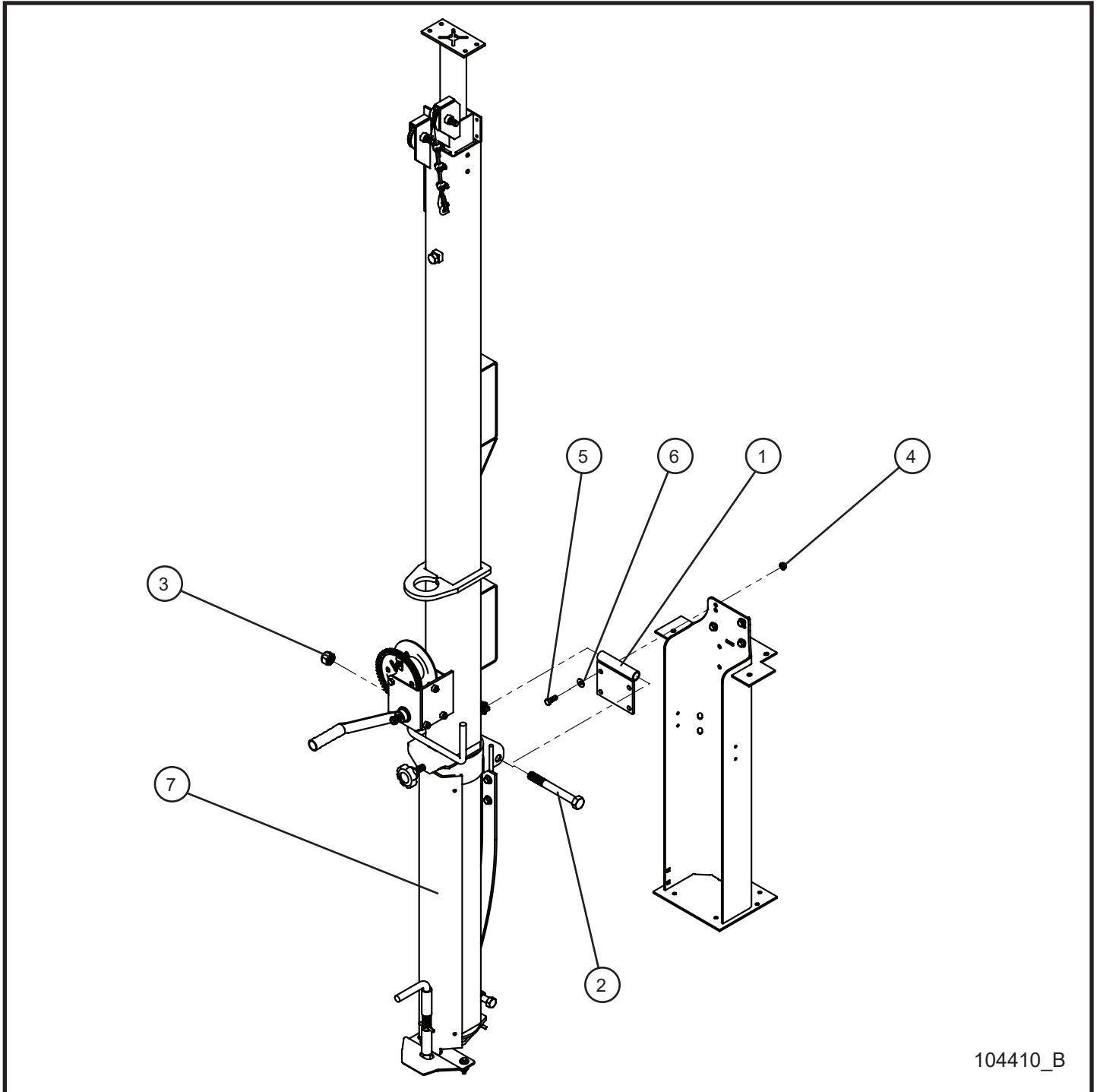
## 3.4 - Laydown Tower Light Bar

SN 07-000001 and UP

Item	Part No.	Part Description	Qty.
1	105718P	FRAME LIGHT BAR NYLON CORD GRIP	1
	113075P	FRAME LIGHT BAR NO CORD REEL	1
2	064040	1 3/8 CAP PLUG	1
3	620537P	COVER LIGHT BAR	1
4	101813	.781 x 2 OD x 1/2 HDPE WASHER	4
5	650550	.785 x 2 HDPE WASHER	4
6	047035	3/4 FLAT WASHER PL	4
7	044121	3/4-10 NYLOCK HEX NUT SS	4
8	330037	REFLECTOR RED 3"	1
9	053006	1/4-20 x 3/4 CARRIAGE BOLT	10
10	044021	1/4-20 KEPS HEX NUT PL	14
11	044031	5/16-18 KEPS HEX NUT PL	4
12	104979	UL/CSA CLEARANCE SPACER NYLON UNTHREADED	4
13	046010	1/4-20 x 3/4 HEX HEAD CS GR5 SS	4

## 3.5 - Laydown Tower Pivot Group

SN 07-000001 and UP



104410\_B

# Night-Lite ProII™

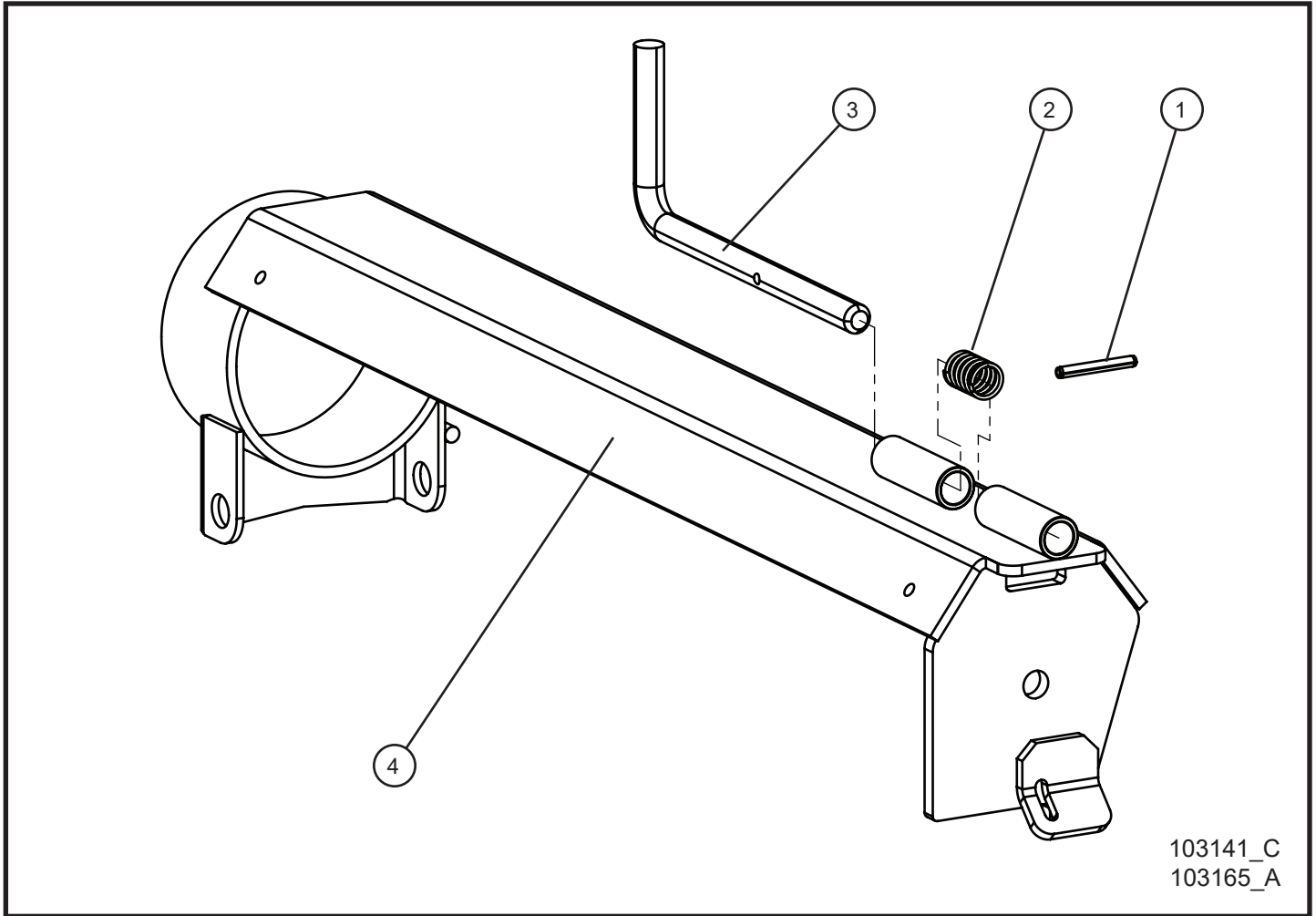
## 3.5 - Laydown Tower Pivot Group

SN 07-000001 and UP

Item	Part No.	Part Description	Qty.
1	650111P	WELD BRACKET PIVOT	1
2	046286	3/4-10 x 6 1/2 HEX HEAD CS GR5 PL	1
3	044067	3/4-10 JAM TOP LOCK NUT PL	1
4	044036	3/8-16 KEPS HEX NUT PL	4
5	046110	3/8-16 x 1 HEX HEAD CS GR5 PL	4
6	047010	5/16 FLAT WASHER PL	8
7	103141	LAYDOWN TOWER PIVOT SECTION	1
	103165	LAYDOWN TOWER PIVOT SECTION (GALVANIZED)	1

## 3.6 - Laydown Tower Pivot Section

SN 07-000001 and UP



# Night-Lite ProII™

---

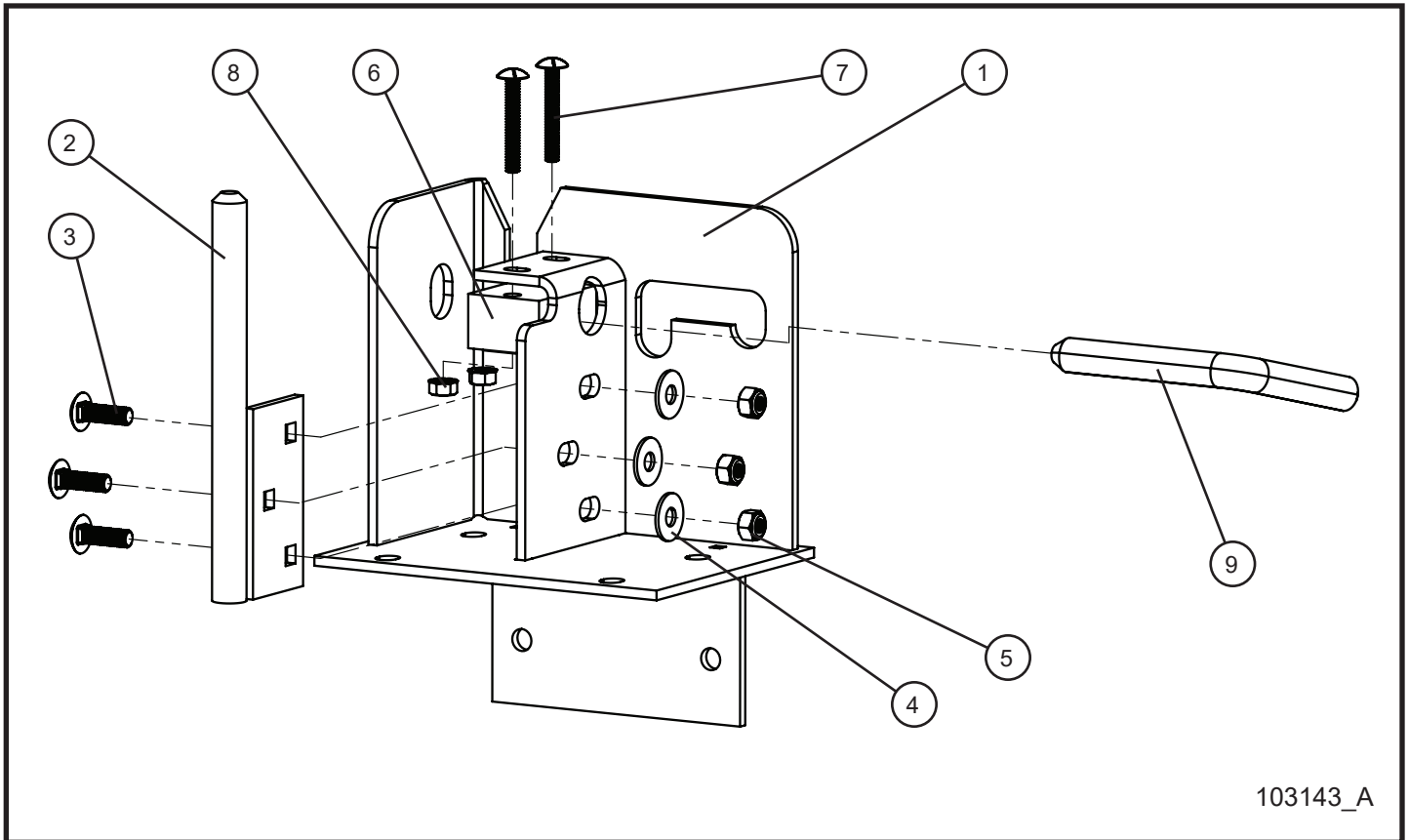
## 3.6 - Laydown Tower Pivot Section

SN 07-000001 and UP

Item	Part No.	Part Description	Qty.
1	045156	1/4 x 2 SPRING ROLL PIN	1
2	102944	SPRING TOWER LATCH	1
3	330450	LOCKING PIN	1
4	103030P	LAYDOWN TOWER PIVOT	1
	115279	GALVANIZED LAYDOWN TOWER PIVOT	1

## 3.7 - Laydown Tower Rear Support

SN 07-000001 and UP





# Night-Lite ProII™

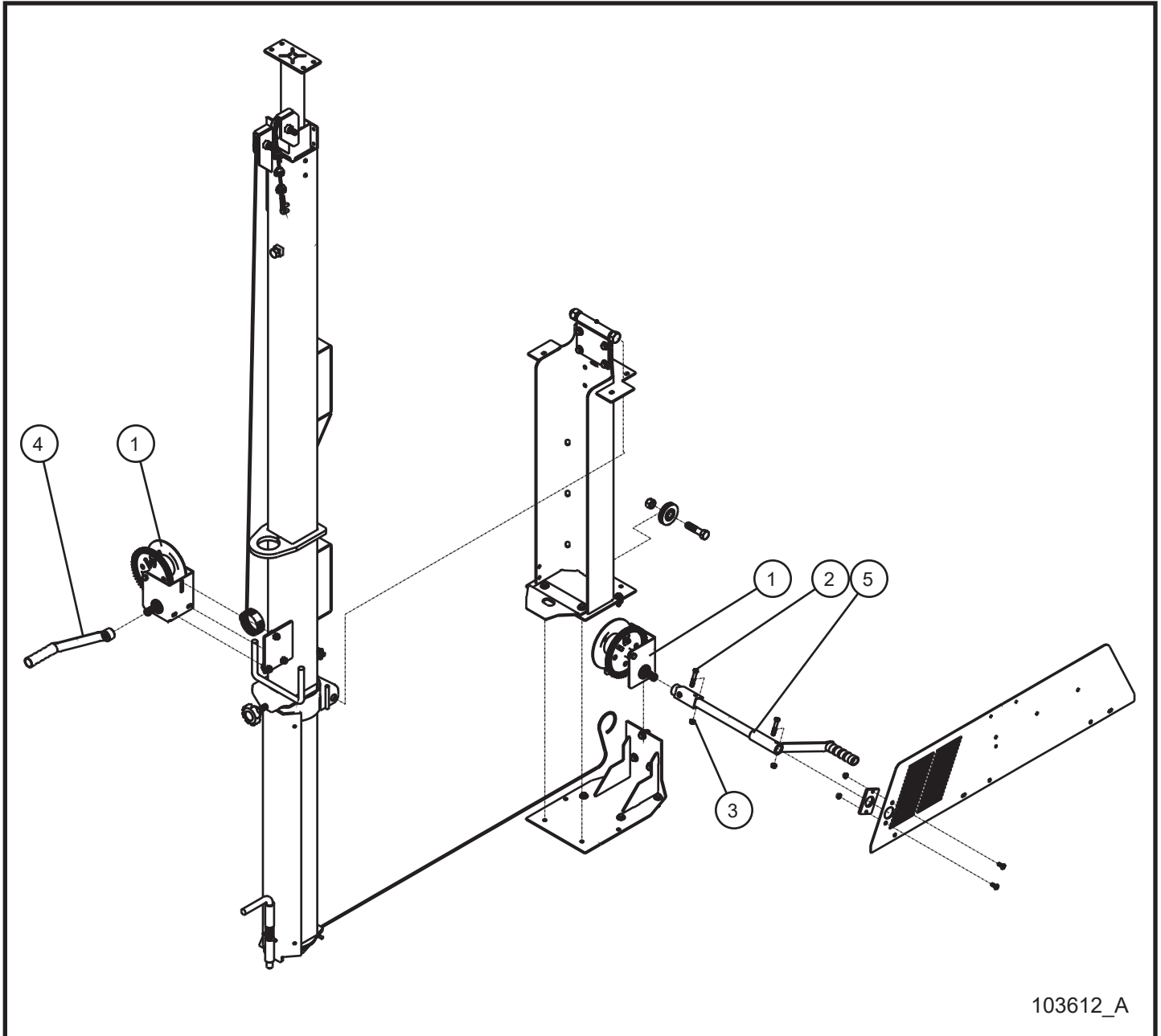
## 3.7 - Laydown Tower Rear Support

SN 07-000001 and UP

Item	Part No.	Part Description	Qty.
1	103295P	REAR TOWER SUPPORT	1
2	103292P	PIN TOWER SUPPORT	1
3	053020	5/16-18 x 1 CARRIAGE BOLT PL	3
4	047010	5/16 FLAT WASHER PL	3
5	044033	5/16-18 NYLOCK HEX NUT PL	3
6	330430	GUIDE BLOCK OUTRIGGER	1
7	041053	1/4-20 x 1 3/4 PH-TRUSS HEAD MS SS	2
8	044021	1/4-20 KEPS HEX NUT PL	2
9	330455	OUTRIGGER PIN	1

## 3.8 - Laydown Tower Winch Group

SN 07-000001 and UP



103612\_A

# Night-Lite ProII™

---

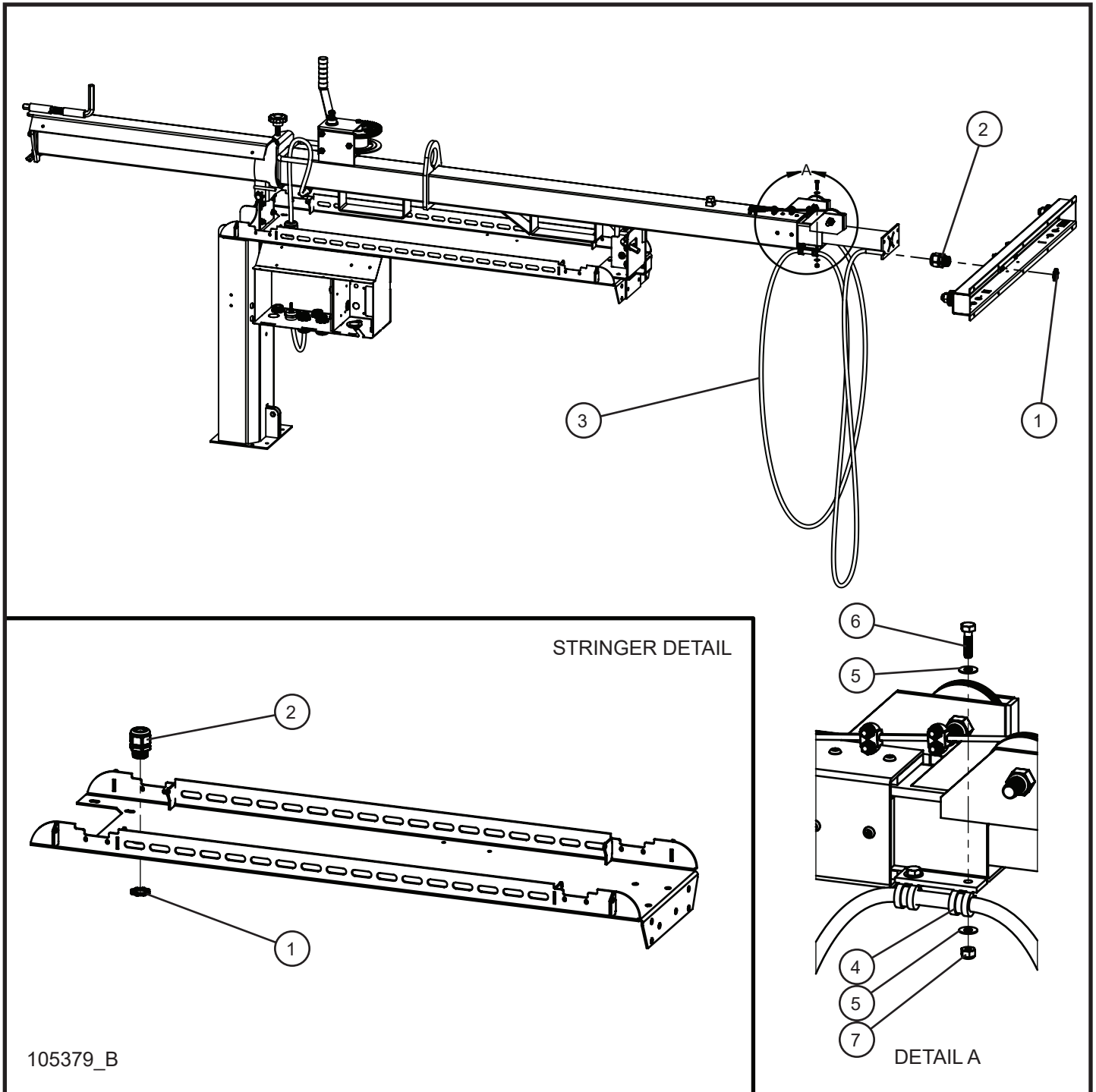
## 3.8 - Laydown Tower Winch Group

SN 07-000001 and UP

Item	Part No.	Part Description	Qty.
1	610531	DL 1200 LB. WINCH	2
2	046065	5/16-18 x 1 3/4 HEX HEAD CS GR5 PL	2
3	044030	5/16-18 HEX NUT PL	2
4	712032	WINCH HANDLE	1
5	102924	STAND-UP WINCH HANDLE	1

## 3.9 - Laydown Tower 14/7 Cord Group

SN 07-000001 and UP



# Night-Lite ProII™

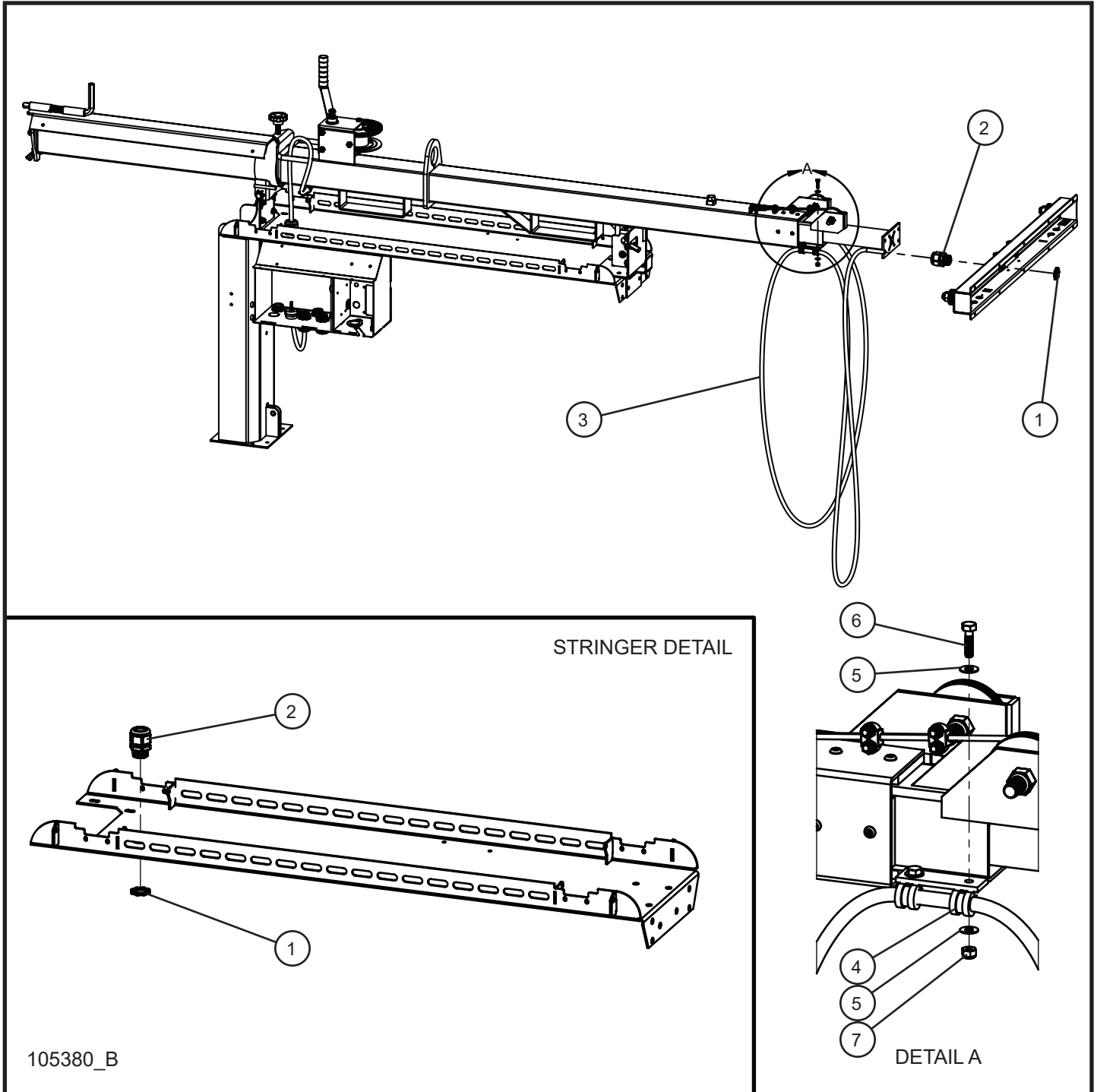
## 3.9 - Laydown Tower 14/7 Cord Group

SN 07-000001 and UP

Item	Part No.	Part Description	Qty.
1	022038	1" CORD GRIP NUT	2
2	105627	CORD GRIP 1" NYLON BLACK	2
3	103049	14/7 STRAIGHT CORD MANUAL TOWER	1
4	310212	#10 CUSH CLAMP 1/4 HOLE	2
5	047009	1/4 FLAT WASHER SAE SS	4
6	046015	1/4-20 x 1 HEX HEAD CS GR5 PL	2
7	044023	1/4-20 NYLOCK HEX NUT PL	2
8	105291	SCHEMATIC LIGHT BAR 4 LIGHT 14/7 CORD	1

## 3.10 - Laydown Tower 16/8 Cord Group

SN 07-000001 and UP



# Night-Lite ProII™

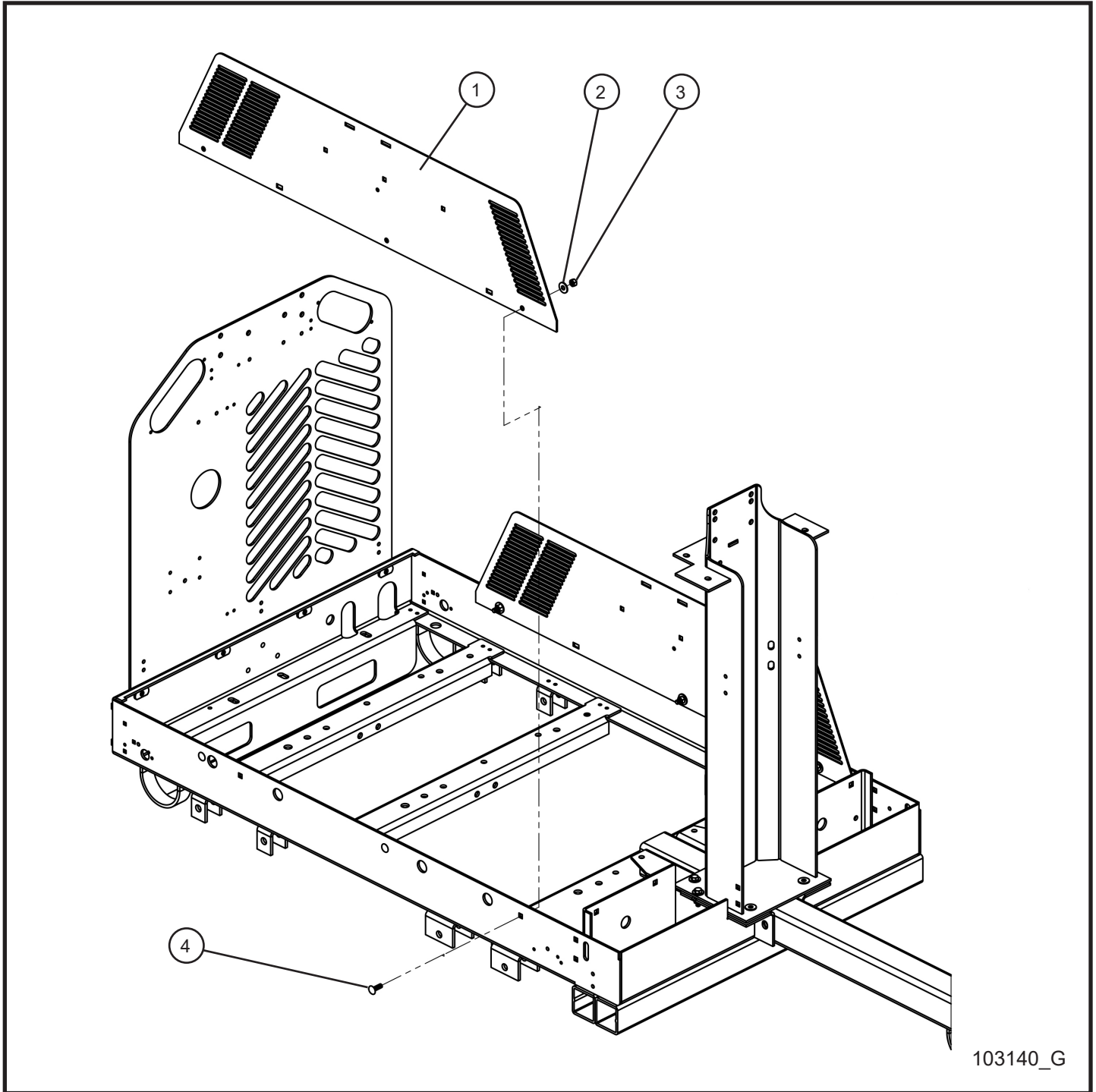
## 3.10 - Laydown Tower 16/8 Cord Group

SN 07-000001 and UP

Item	Part No.	Part Description	Qty.
1	022038	1" CORD GRIP NUT	2
2	105627	CORD GRIP 1" NYLON BLACK	2
3	105006	16/8 CSA STRAIGHT CORD MANUAL TOWER	1
	119778	16/8 CSA STRAIGHT LED CORD MANUAL TOWER	1
4	310212	#10 CUSH CLAMP 1/4 HOLE	2
5	047009	1/4 FLAT WASHER SAE SS	4
6	046015	1/4-20 x 1 HEX HEAD CS GR5 PL	2
7	044023	1/4-20 NYLOCK HEX NUT PL	2
NS	105292	SCHEMATIC LIGHT BAR 4 LIGHT 16/8 CORD	1

## 4.1 - Vertical Tower Trailer Group (1 of 3)

SN 08-000001 and UP



103140\_G



# Night-Lite ProII™

---

---

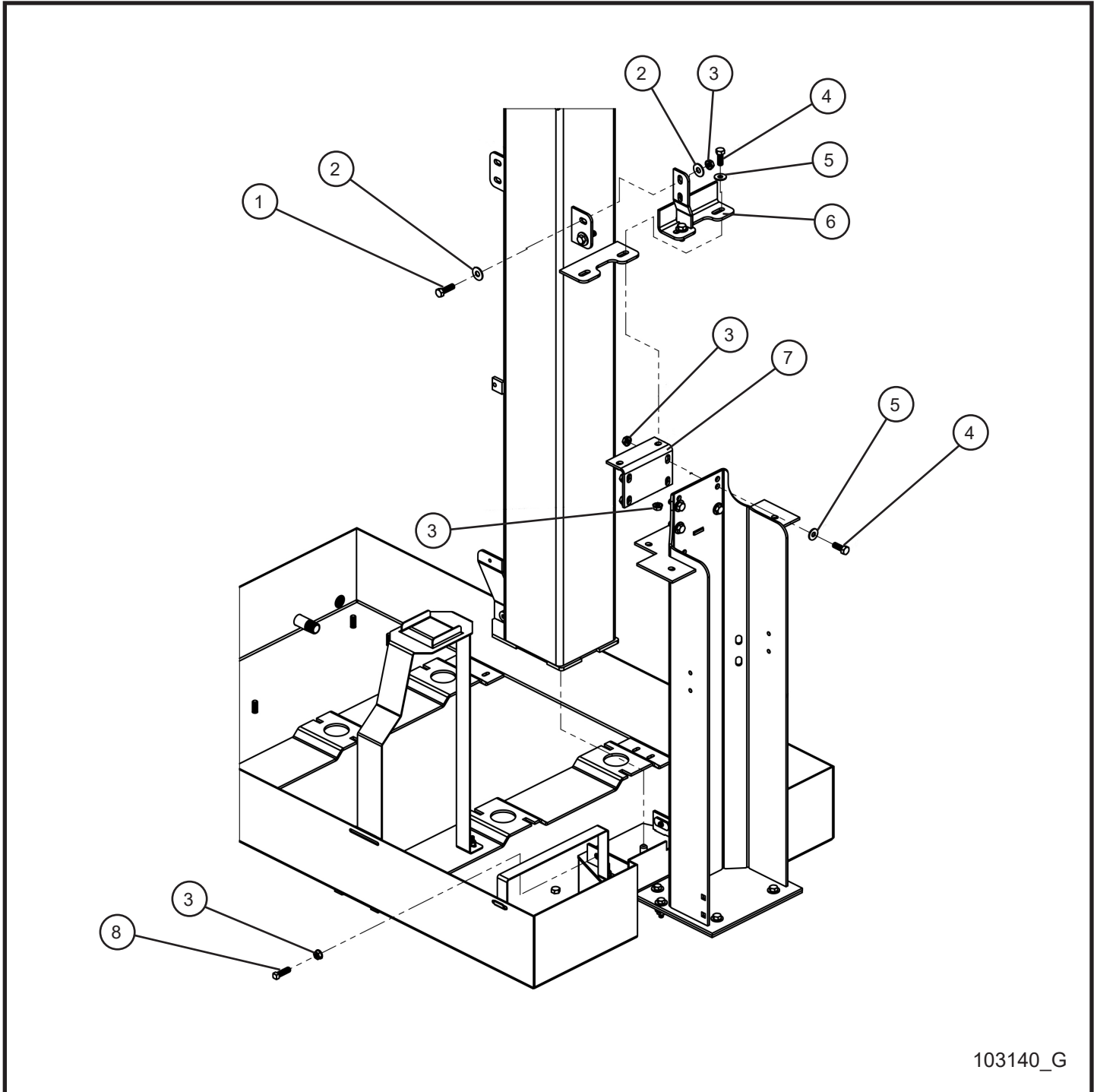
## 4.1 - Vertical Tower Trailer Group (1 of 3)

SN 08-000001 and UP

Item	Part No.	Part Description	Qty.
1	102840P	VERTICAL TOWER FENDER MOUNT PANEL	2
2	047010	5/16 FLAT WASHER PL	6
3	044030	5/16-18 HEX NUT PL	6
4	053020	5/16-18 x 1 CARRIAGE BOLT PL	6

## 4.1 - Vertical Tower Trailer Group (2 of 3)

SN 08-000001 and UP



103140\_G

# Night-Lite ProII™

---

---

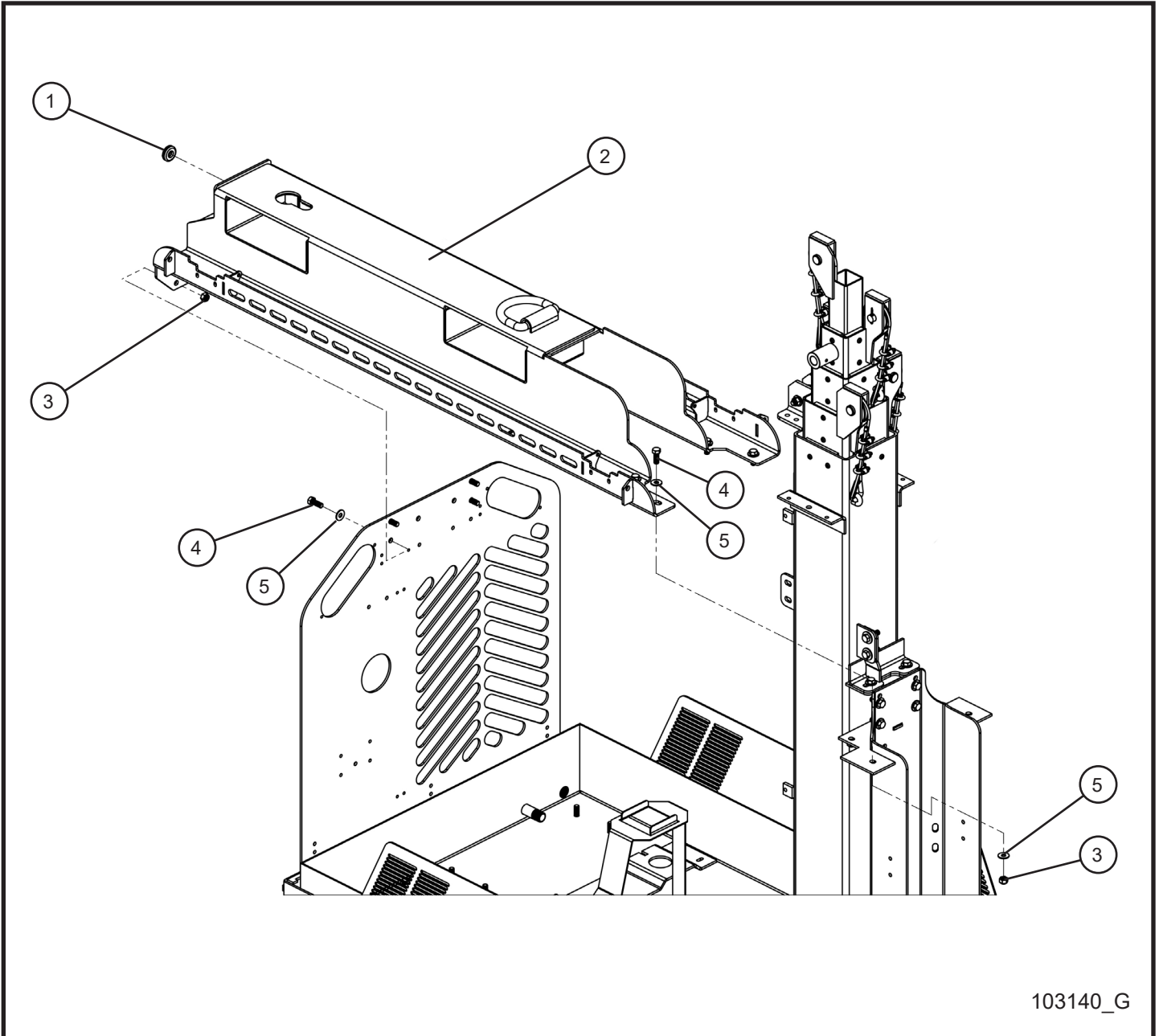
## 4.1 - Vertical Tower Trailer Group (2 of 3)

SN 08-000001 and UP

Item	Part No.	Part Description	Qty.
1	046115	3/8-16 x 1 1/4 HEX HEAD CS GR5 PL	2
2	047015	3/8 FLAT WASHER PL	4
3	044036	3/8-16 KEPS HEX NUT PL	12
4	046110	3/8-16 x 1 HEX HEAD CS GR5 PL	6
5	047010	5/16 FLAT WASHER PL	6
6	101410P	VERTICAL TOWER MOUNT REINFORCEMENT	1
7	102799P	VERTICAL TOWER MOUNT ANGLE	1
8	040010	SET SCREW SQ HEAD CUP TIP	4

## 4.1 - Vertical Tower Trailer Group (3 of 3)

SN 08-000001 and UP



# Night-Lite ProII™

---

---

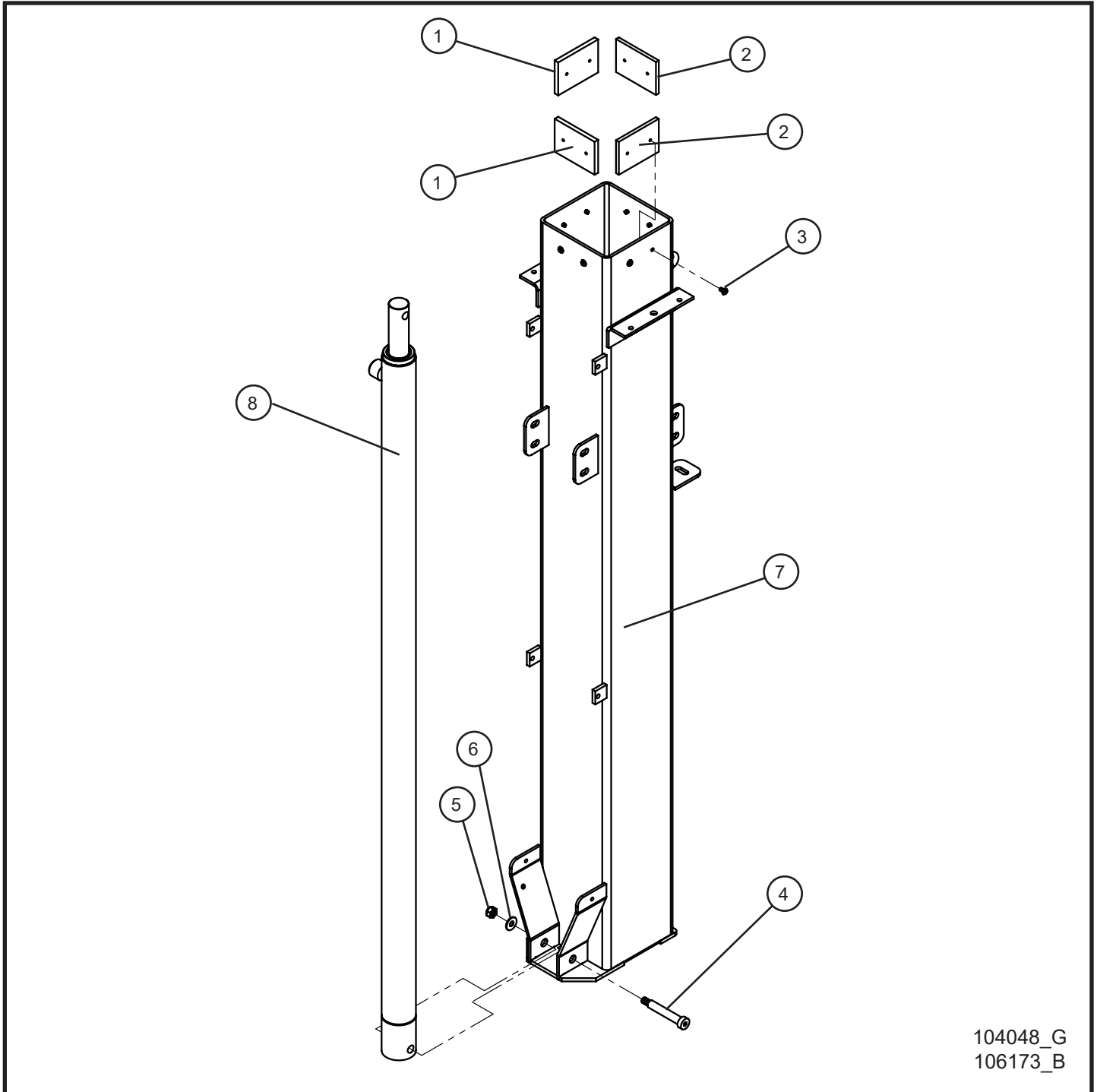
## 4.1 - Vertical Tower Trailer Group (3 of 3)

SN 08-000001 and UP

Item	Part No.	Part Description	Qty.
1	100859	7/8 ID x 1 1/4 OD GROMMET	1
2	105133P	VERTICAL TOWER STRINGER	1
3	044038	3/8-16 NYLOCK HEX NUT PL	8
4	046115	3/8-16 x 1 1/4 HEX HEAD CS GR5 PL	8
5	047010	5/16 FLAT WASHER PL	12

## 4.2 - Vertical Tower Parts Old Style (1 of 5)

SN 08-000001 and UP



104048\_G  
106173\_B

# Night-Lite ProII™

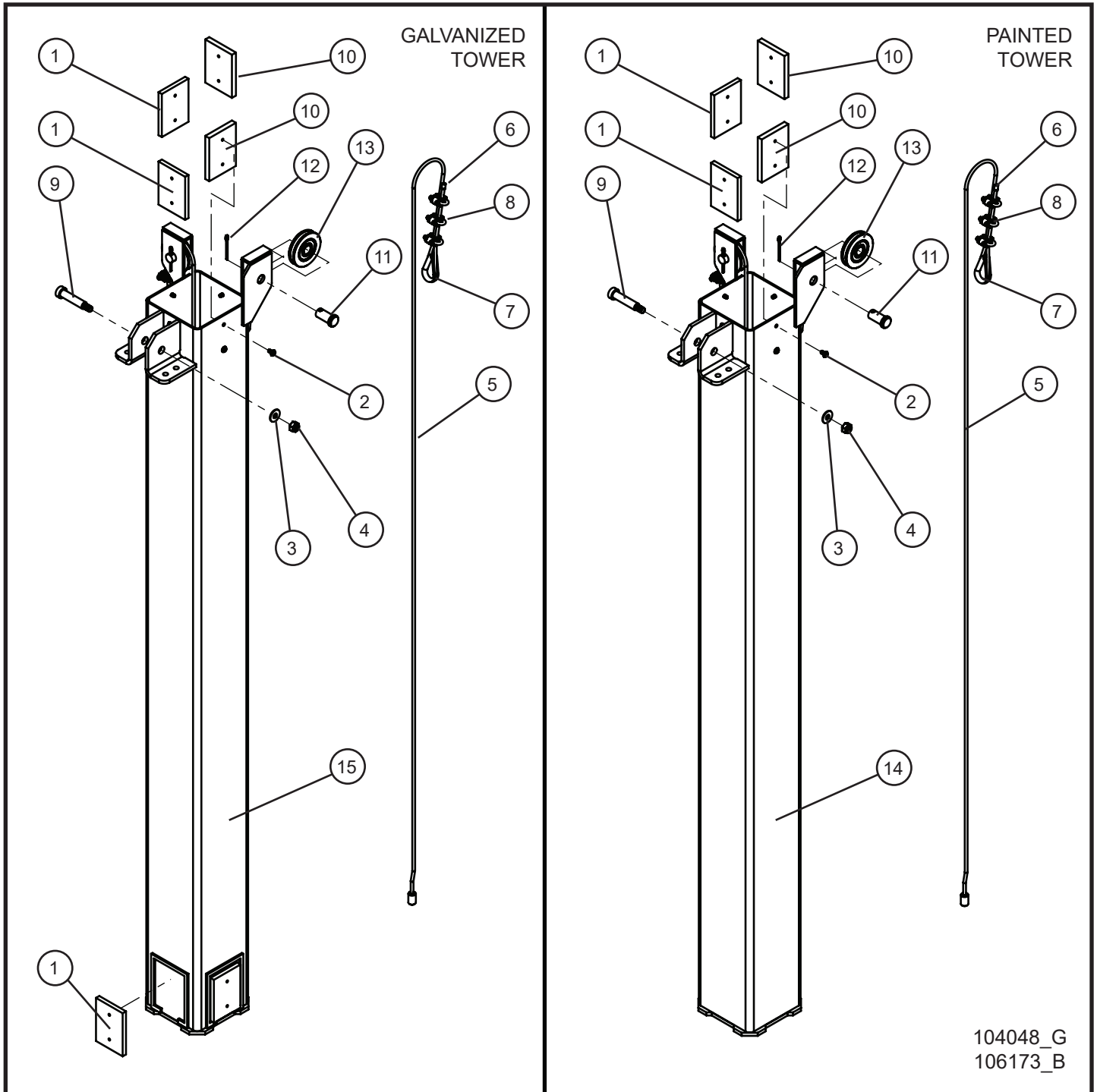
## 4.2 - Vertical Tower Parts Old Style (1 of 5)

SN 08-000001 and UP

Item	Part No.	Part Description	Qty.
1	650110	.312 TOWER PAD	2
2	102954	.250 TOWER PAD	2
3	041023	#10 x 3/8 PH-ROUND HEAD MS PL	8
4	101379	1/2 x 2 3/4 (3/8-16 x 5/8) HX-SOCKET HEAD SHOULDER BOLT	1
5	047010	5/16 FLAT WASHER PL	1
6	044038	3/8-16 NYLOCK HEX NUT PL	1
7	104036P	6" VERTICAL TOWER 2 SECTION	1
	104036-20	6" GALVANIZED VERTICAL TOWER SECTION	1
8	106140	VERTICAL TOWER TOP PORT HYDRAULIC CYLINDER	1
	109764	VERTICAL TOWER 2 HYDRAULIC CYLINDER	1

## 4.2 - Vertical Tower Parts Old Style (2 of 5)

SN 08-000001 and UP





# Night-Lite ProII™

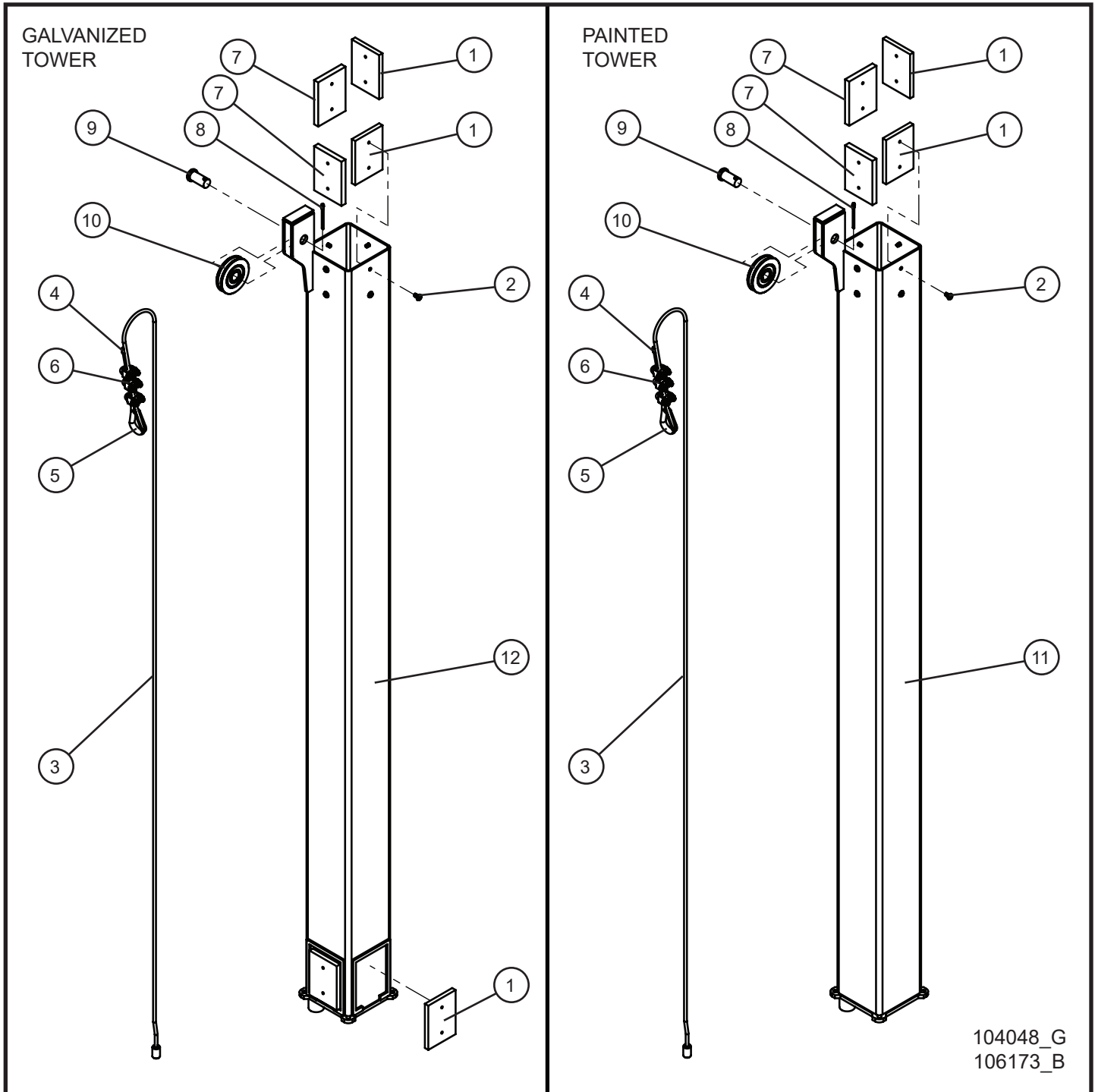
## 4.2 - Vertical Tower Parts Old Style (2 of 5)

SN 08-000001 and UP

Item	Part No.	Part Description	Qty.
1	650110	.312 TOWER PAD	6
2	041023	#10 x 3/8 PH-ROUND HEAD MS PL	8
3	047010	5/16 FLAT WASHER PL	1
4	044038	3/8-16 NYLOCK HEX NUT PL	1
5	320185	STEEL CABLE 3/16 x 10'	2
6	022150	FERRULE 10-12 AWG	2
7	045040	3/16 CABLE THIMBLE	2
8	620084	1/4 CABLE CLIP	6
9	101378	1/2 x 2 (3/8-16 x 5/8) HX-SOCKET HEAD SHOULDER BOLT	1
10	650109	.375 TOWER PAD	2
11	102906	5/8 x 1 1/4 CLEVIS PIN	2
12	045045	5/32 x 1 1/2 COTTER PIN	2
13	100160	2 1/2 PULLEY BALL BEARING W/ BALL BEARING	2
14	104037P	VERTICAL TOWER 2 5" SECTION	1
15	106171-20	5" GALVANIZED VERTICAL TOWER SECTION	1

## 4.2 - Vertical Tower Parts Old Style (3 of 5)

SN 08-000001 and UP



# Night-Lite ProII™

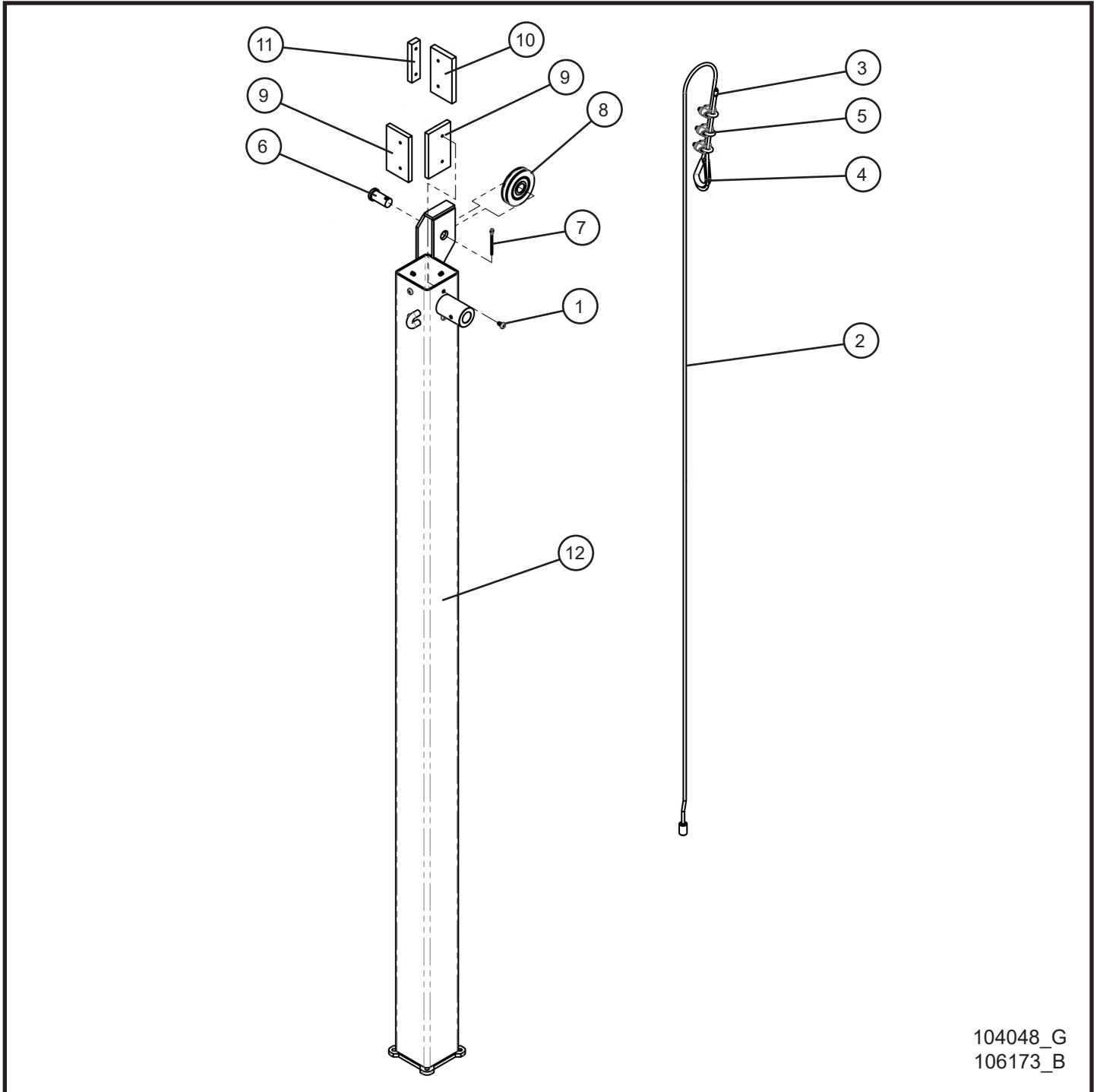
## 4.2 - Vertical Tower Parts Old Style (3 of 5)

SN 08-000001 and UP

Item	Part No.	Part Description	Qty.
1	650110	.312 TOWER PAD	6
2	041023	#10 x 3/8 PH-ROUND HEAD MS PL	8
3	320185	STEEL CABLE 3/16 x 10'	1
4	022150	FERRULE 10-12 AWG	1
5	045040	3/16 CABLE THIMBLE	1
6	620084	1/4 CABLE CLIP	3
7	650109	.375 TOWER PAD	2
8	102906	5/8 x 1 1/4 CLEVIS PIN	1
9	045045	5/32 x 1 1/2 COTTER PIN	1
10	100160	2 1/2 PULLEY BALL BEARING W/ BALL BEARING	1
11	102961P	VERTICAL TOWER 2 4" SECTION	1
12	106170-20	4" GALVANIZED VERTICAL TOWER SECTION	1

## 4.2 - Vertical Tower Parts Old Style (4 of 5)

SN 08-000001 and UP



104048\_G  
106173\_B

# Night-Lite ProII™

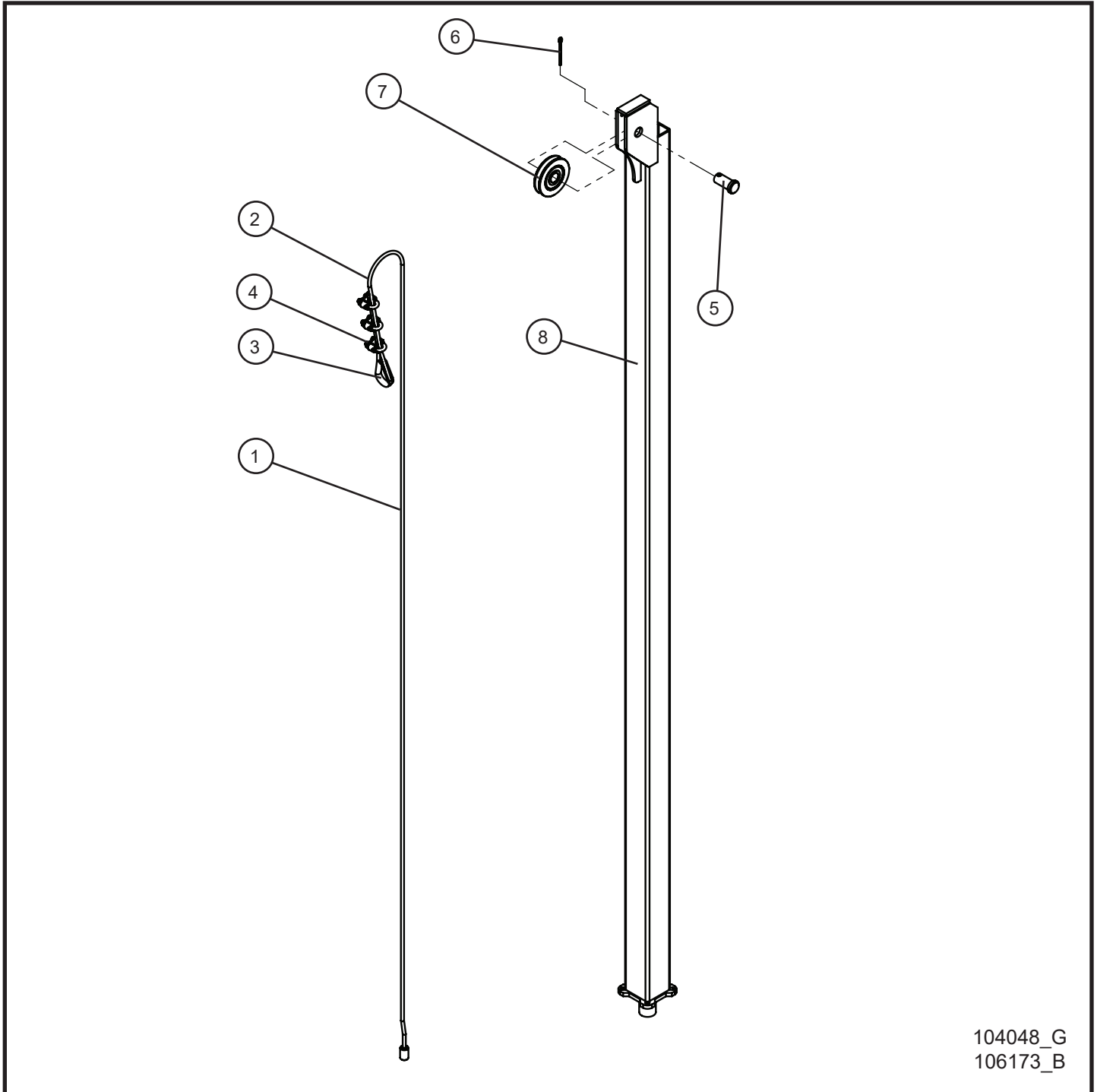
## 4.2 - Vertical Tower Parts Old Style (4 of 5)

SN 08-000001 and UP

Item	Part No.	Part Description	Qty.
1	041023	#10 x 3/8 PH-ROUND HEAD MS PL	8
2	320185	STEEL CABLE 3/16 x 10'	1
3	022150	FERRULE 10-12 AWG	1
4	045040	3/16 CABLE THIMBLE	1
5	620084	1/4 CABLE CLIP	3
6	102906	5/8 x 1 1/4 CLEVIS PIN	1
7	045045	5/32 x 1 1/2 COTTER PIN	1
8	100160	2 1/2 PULLEY BALL BEARING W/ BALL BEARING	1
9	352280	PLASTIC TOWER PAD	2
10	100446	3/8 PAD SMALL	1
11	100062	3/8 UHMW SPACER	1
12	102965P	VERTICAL TOWER 2 3" SECTION	1
	102965-20	3" GALVANIZED VERTICAL TOWER SECTION	1

## 4.2 - Vertical Tower Parts Old Style (5 of 5)

SN 08-000001 and UP



104048\_G  
106173\_B

# Night-Lite ProII™

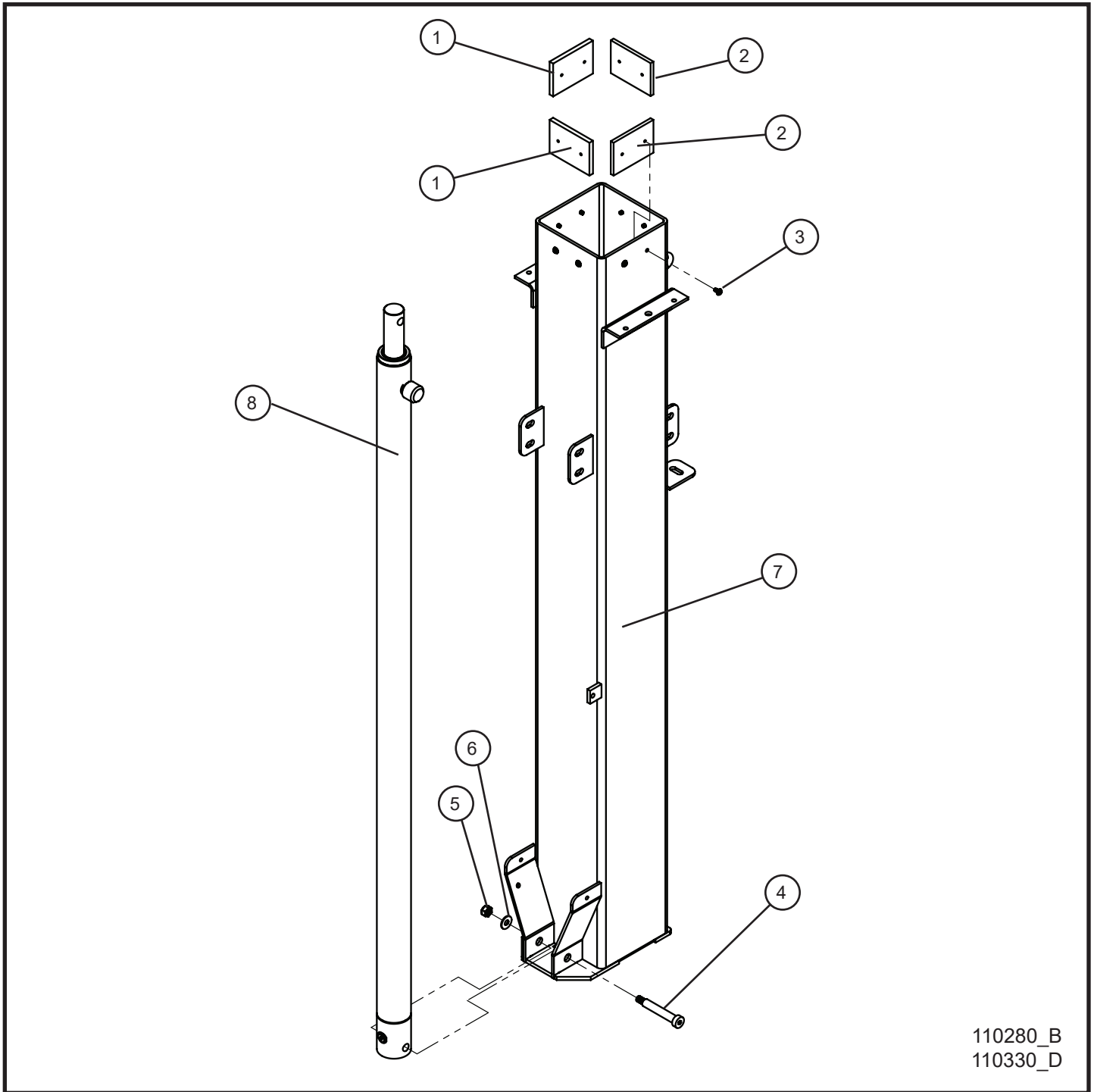
## 4.2 - Vertical Tower Parts Old Style (5 of 5)

SN 08-000001 and UP

Item	Part No.	Part Description	Qty.
1	320185	STEEL CABLE 3/16 x 10'	1
2	022150	FERRULE 10-12 AWG	1
3	045040	3/16 CABLE THIMBLE	1
4	620084	1/4 CABLE CLIP	3
5	102906	5/8 x 1 1/4 CLEVIS PIN	1
6	045045	5/32 x 1 1/2 COTTER PIN	1
7	100160	2 1/2 PULLEY BALL BEARING W/ BALL BEARING	1
8	102968P	VERTICAL TOWER 2 2" SECTION	1
	102968-20	2" GALVANIZED VERTICAL TOWER SECTION	1

## 4.3 - Vertical Tower Parts New Style (1 of 5)

SN 08-000001 and UP



110280\_B  
110330\_D



# Night-Lite ProII™

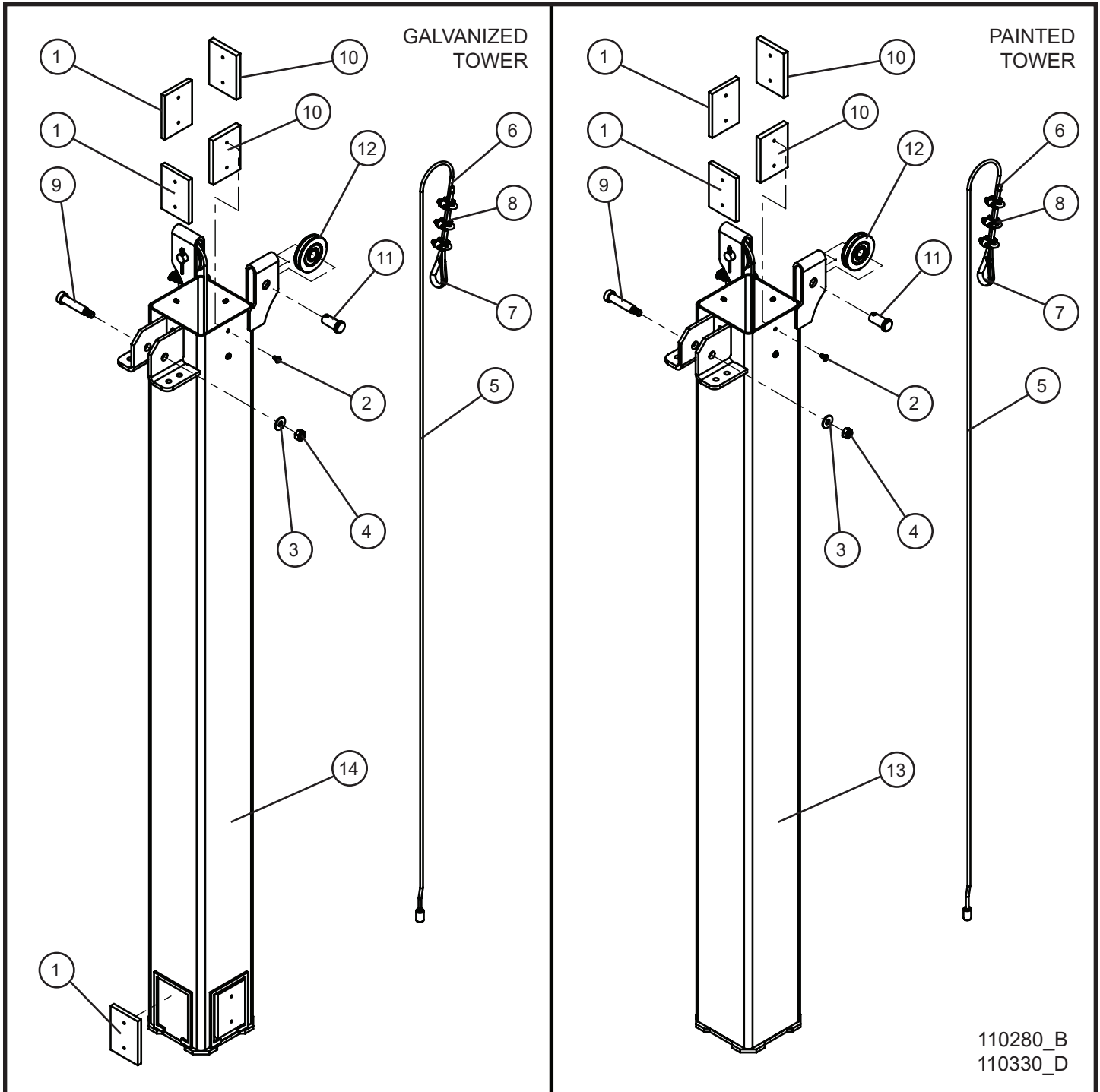
## 4.3 - Vertical Tower Parts New Style (1 of 5)

SN 08-000001 and UP

Item	Part No.	Part Description	Qty.
1	650110	.312 TOWER PAD	2
2	102954	.250 TOWER PAD	2
3	041023	#10 x 3/8 PH-ROUND HEAD MACHINE SCREW	8
4	101379	1/2 x 2 3/4 (3/8-16 x 5/8) HX-SOCKET HEAD SHOULDER BOLT	1
5	047010	5/16 FLAT WASHER	1
6	044038	3/8-16 NYLOCK HEX NUT	1
7	110282P	6" VERTICAL TOWER SECTION	1
	113090	6" GALVANIZED VERTICAL TOWER SECTION	1
8	106140	VERTICAL TOWER HYDRAULIC CYLINDER	1

## 4.3 - Vertical Tower Parts New Style (2 of 5)

SN 08-000001 and UP



110280\_B  
110330\_D

# Night-Lite ProII™

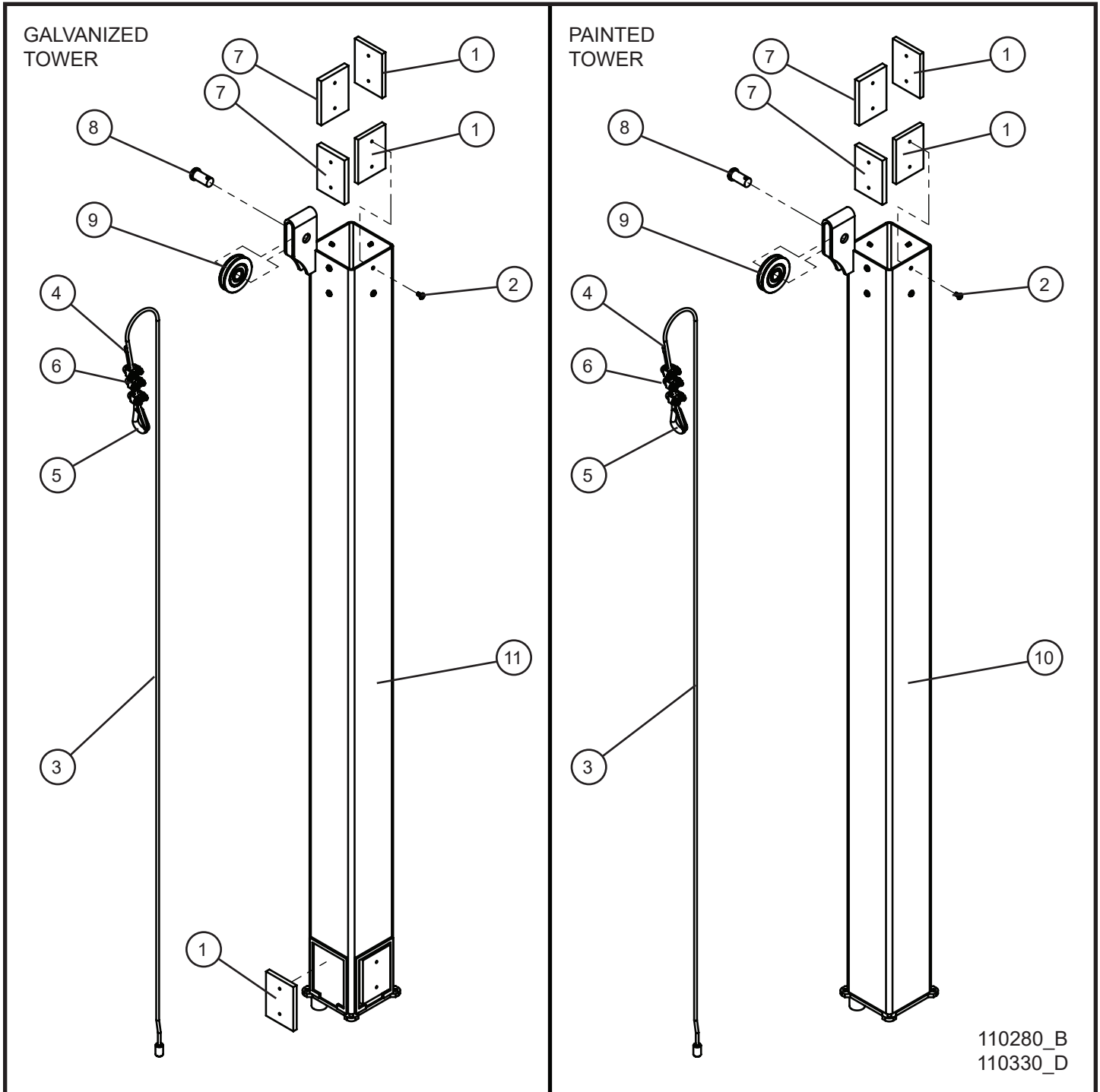
## 4.3 - Vertical Tower Parts New Style (2 of 5)

SN 08-000001 and UP

Item	Part No.	Part Description	Qty.
1	650110	.312 TOWER PAD	6
2	041023	#10 x 3/8 PH-ROUND HEAD MS PL	8
3	047010	5/16 FLAT WASHER PL	1
4	044038	3/8-16 NYLOCK HEX NUT PL	1
5	320185	STEEL CABLE 3/16 x 10'	2
6	022150	FERRULE 10-12 AWG	2
7	045040	3/16 CABLE THIMBLE 3/16 WIRE ROPE	2
8	620084	3/16 CABLE CLIP	6
9	101378	1/2 x 2 (3/8-16 x 5/8) HX-SOCKET HEAD SHOULDER BOLT	1
10	650109	.375 TOWER PAD	2
11	033000	5/8 x 1 SLIC PIN	5
12	100160	2 1/2 PULLEY BALL BEARING	5
13	110281P	5" VERTICAL TOWER SECTION	1
14	113092	5" GALVANIZED VERTICAL TOWER SECTION	1

## 4.3 - Vertical Tower Parts New Style (3 of 5)

SN 08-000001 and UP



# Night-Lite ProII™

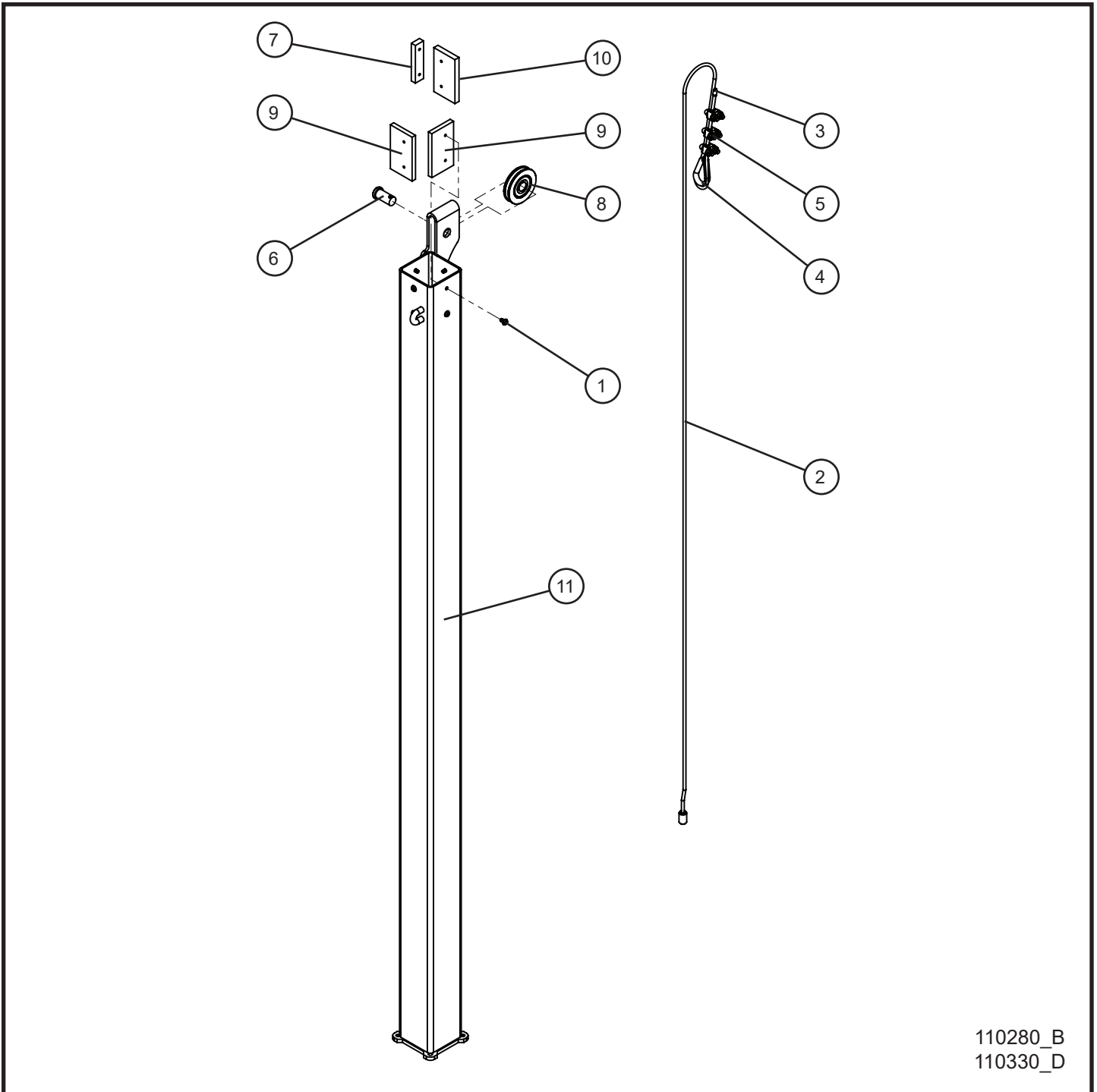
## 4.3 - Vertical Tower Parts New Style (3 of 5)

SN 08-000001 and UP

Item	Part No.	Part Description	Qty.
1	650110	.312 TOWER PAD	6
2	041023	#10 x 3/8 PH-ROUND HEAD MS PL	8
3	320185	STEEL CABLE 3/16 x 10'	1
4	022150	FERRULE 10-12 AWG	1
5	045040	3/16 CABLE THIMBLE 3/16 WIRE ROPE	1
6	620084	3/16 CABLE CLIP	3
7	650109	.375 TOWER PAD	4
8	033000	5/8 x 1 SLIC PIN	5
9	100160	2 1/2 PULLEY BALL BEARING	5
10	102961P	4" VERTICAL TOWER SECTION	1
11	113093	4" GALVANIZED VERTICAL TOWER SECTION	1

## 4.3 - Vertical Tower Parts New Style (4 of 5)

SN 08-000001 and UP



110280\_B  
110330\_D

# Night-Lite ProII™

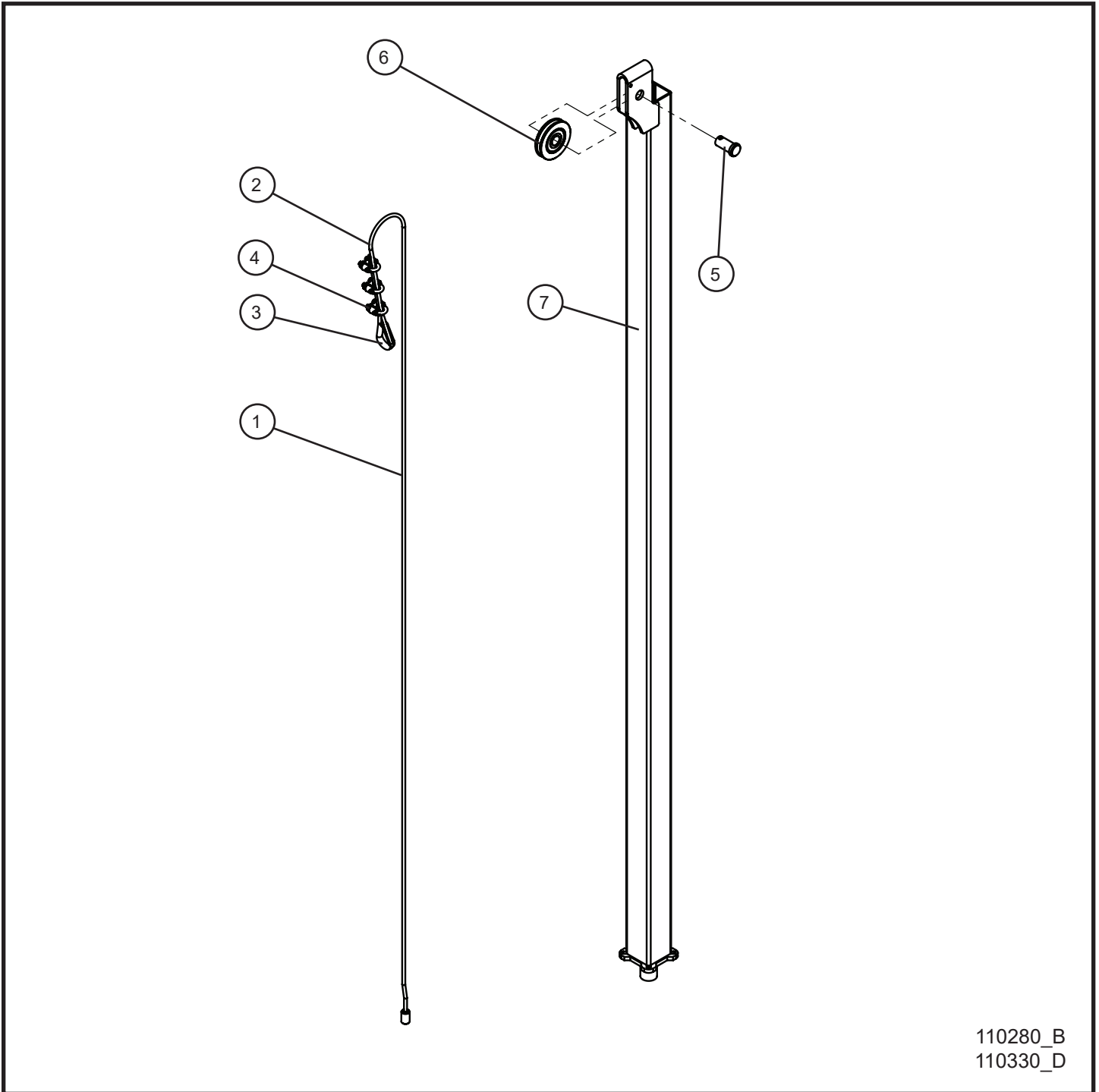
## 4.3 - Vertical Tower Parts New Style (4 of 5)

SN 08-000001 and UP

Item	Part No.	Part Description	Qty.
1	041023	#10 x 3/8 PH-ROUND HEAD MS PL	8
2	320185	STEEL CABLE 3/16 x 10'	1
3	022150	FERRULE 10-12 AWG	1
4	045040	3/16 CABLE THIMBLE 3/16 WIRE ROPE	1
5	620084	3/16 CABLE CLIP	3
6	033000	5/8 x 1 SLIC PIN	1
7	100062	3/8 UHMW SPACER	1
8	100160	2 1/2 PULLEY BALL BEARING	1
9	352280	PLASTIC TOWER PAD	2
10	100446	3/8 PAD SMALL	1
11	112727P	3" VERTICAL TOWER SECTION	1
	113094	3" GALVANIZED VERTICAL TOWER SECTION	1

## 4.3 - Vertical Tower Parts New Style (5 of 5)

SN 08-000001 and UP



110280\_B  
110330\_D



# Night-Lite ProII™

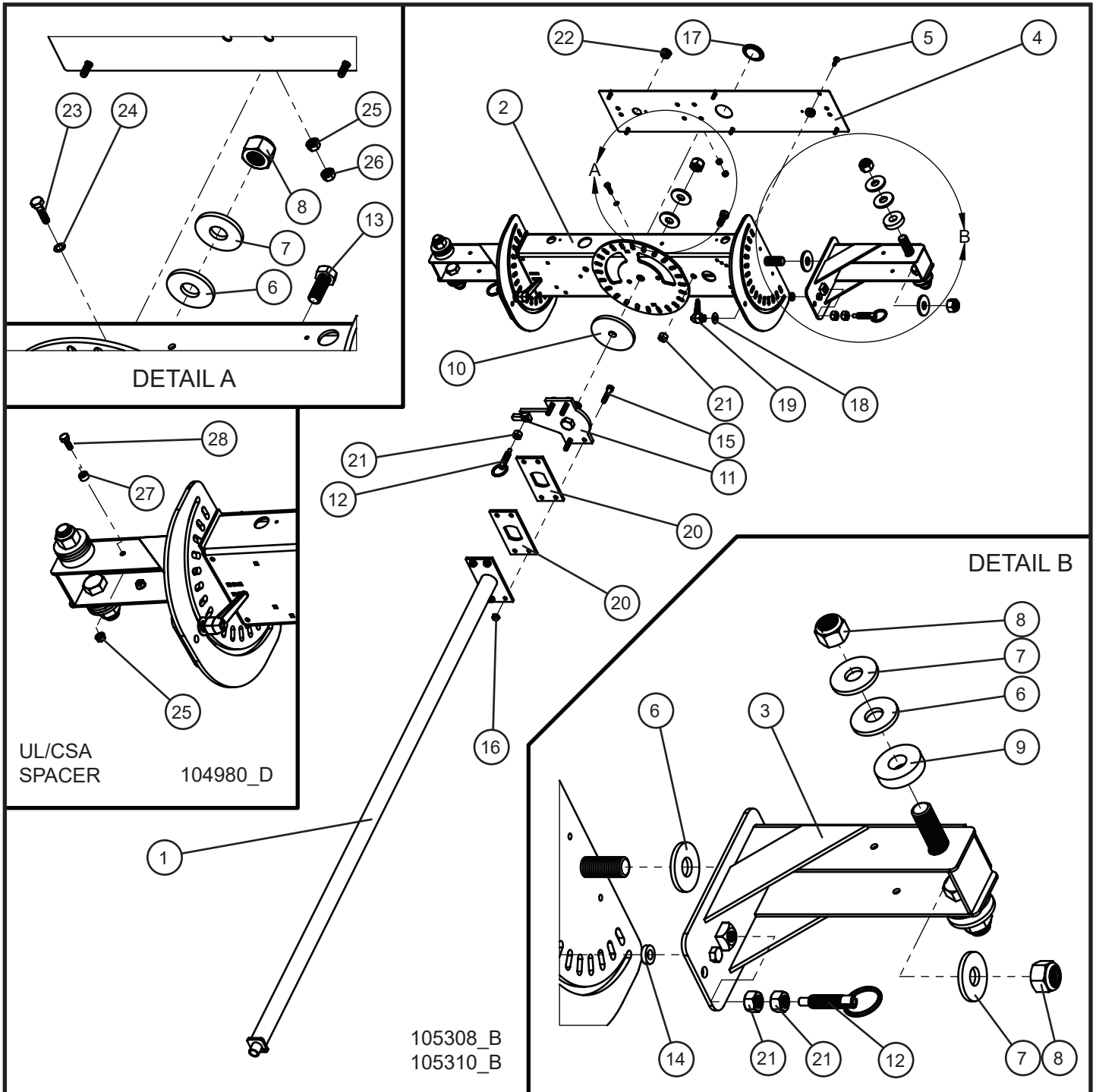
## 4.3 - Vertical Tower Parts New Style (5 of 5)

SN 08-000001 and UP

Item	Part No.	Part Description	Qty.
1	320185	STEEL CABLE 3/16 x 10'	1
2	022150	FERRULE 10-12 AWG	1
3	045040	3/16 CABLE THIMBLE 3/16 WIRE ROPE	1
4	620084	3/16 CABLE CLIP	3
5	033000	5/8 x 1 SLIC PIN	1
6	100160	2 1/2 PULLEY BALL BEARING	1
7	102968P	2" VERTICAL TOWER SECTION	1
	113099	2" GALVANIZED VERTICAL TOWER SECTION	1

## 4.4 - Vertical Tower Light Bar

SN 08-000001 and UP



# Night-Lite ProII™

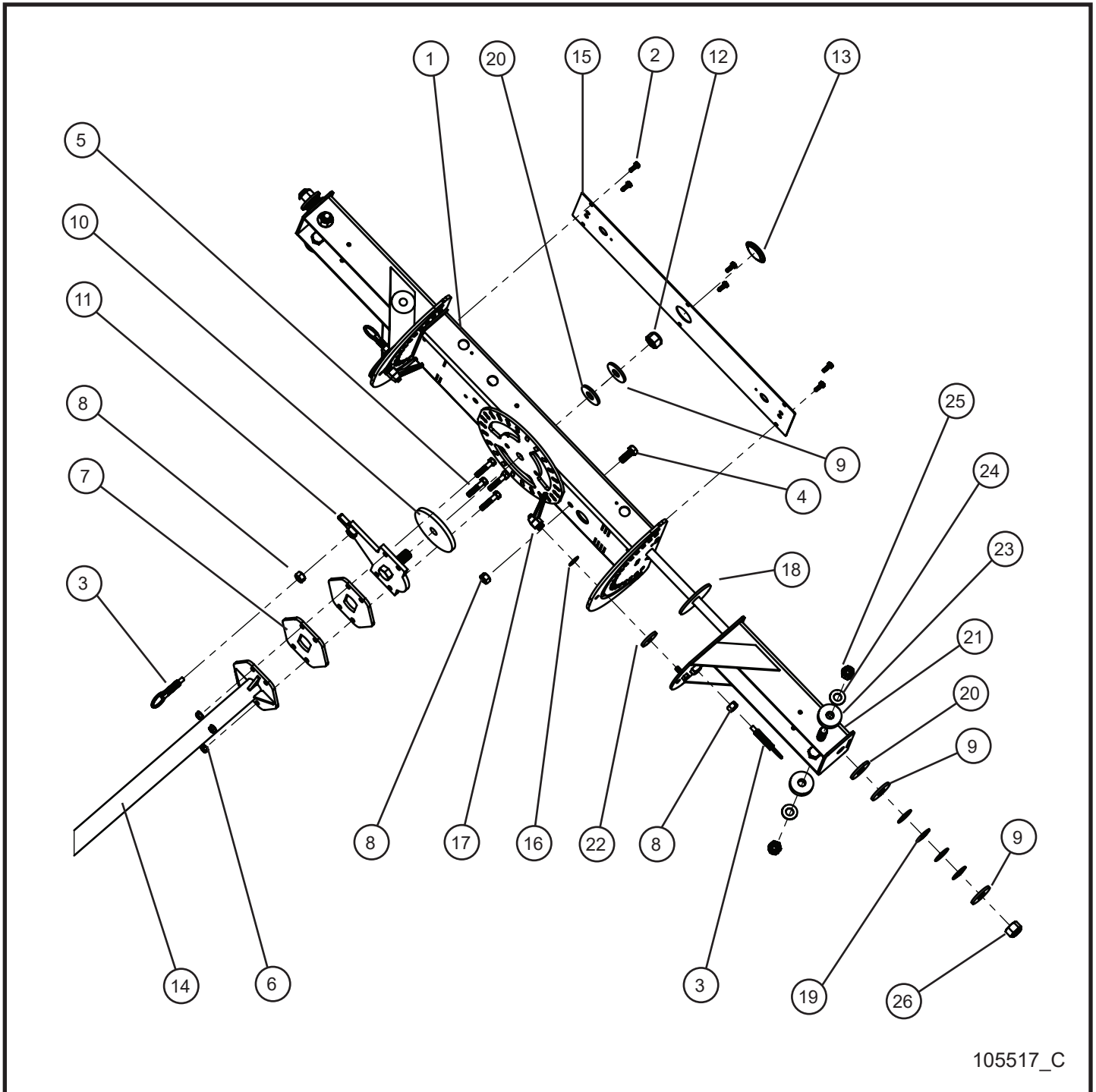
## 4.4 - Vertical Tower Light Bar

SN 08-000001 and UP

Item	Part No.	Part Description	Qty.
1	102972P	ROUND TOWER SECTION	1
	113104	ROUND GALVANIZED TOWER SECTION	1
2	105716P	VERTICAL LIGHT BAR WELDMENT	1
	114204P	VERTICAL LIGHT BAR WELDMENT NO CORD REEL	1
3	105363P	BRACKET LAMP ROTATING INDEXING LIGHT BAR	2
4	104063P	COVER LIGHT BAR	1
5	041070	1/4-20 x 3/4 SL-HEX WASHER HEAD MS TP F	6
6	650550	.785" x 2" HDPE WASHER	7
7	047035	3/4 FLAT WASHER	7
8	044058	3/4-10 NYLOCK HEX NUT PL	7
9	101813	.781 ID x 2 OD x 1/2 HDPE WASHER	4
10	100147	UHMW BEARING TOWER ROTATION	1
11	100143P	ROTATION MOUNT	1
12	100148	SPRING LOCK 1/2-13 UNC x 1.4	3
13	046180	1/2-13 X 1 1/4 HEX HEAD CS GR5 PL	1
14	047019	NYLON BUSHING 3/4 OD x .385 ID	2
15	046126	3/8-16 x 1 3/4 HEX HEAD CS GR5 PL	4
16	044036	3/8-16 KEPS HEX NUT PL	4
17	680878	1 3/4 CAPPLUG	1
18	047015	3/8 FLAT WASHER PL	2
19	102361	ADJUSTABLE LEVER PUSH BUTTON	2
20	100104P	LIGHT BAR BRACKET	2
21	044045	1/2-13 HEX NUT PL	6
22	711029	7/8 LOCKING HOLE PLUG	2
23	046010	1/4-20 x 1 HEX HEAD CS GR5 PL	1
24	043050	1/4 INT'L TOOTH LOCK WASHER	1
25	044021	1/4-20 KEPS HEX NUT PL	5
26	044023	1/4-20 NYLOCK HEX NUT PL	1
27	104979	UL/CSA CLEARANCE SPACER NYLON UNTHREADED	4
28	046010	1/4-20 x 3/4 HEX HEAD CS GR5 SS	4

## 4.5 - Vertical Tower Go Green LED Light Bar

SN 08-000001 and UP



# Night-Lite ProII™

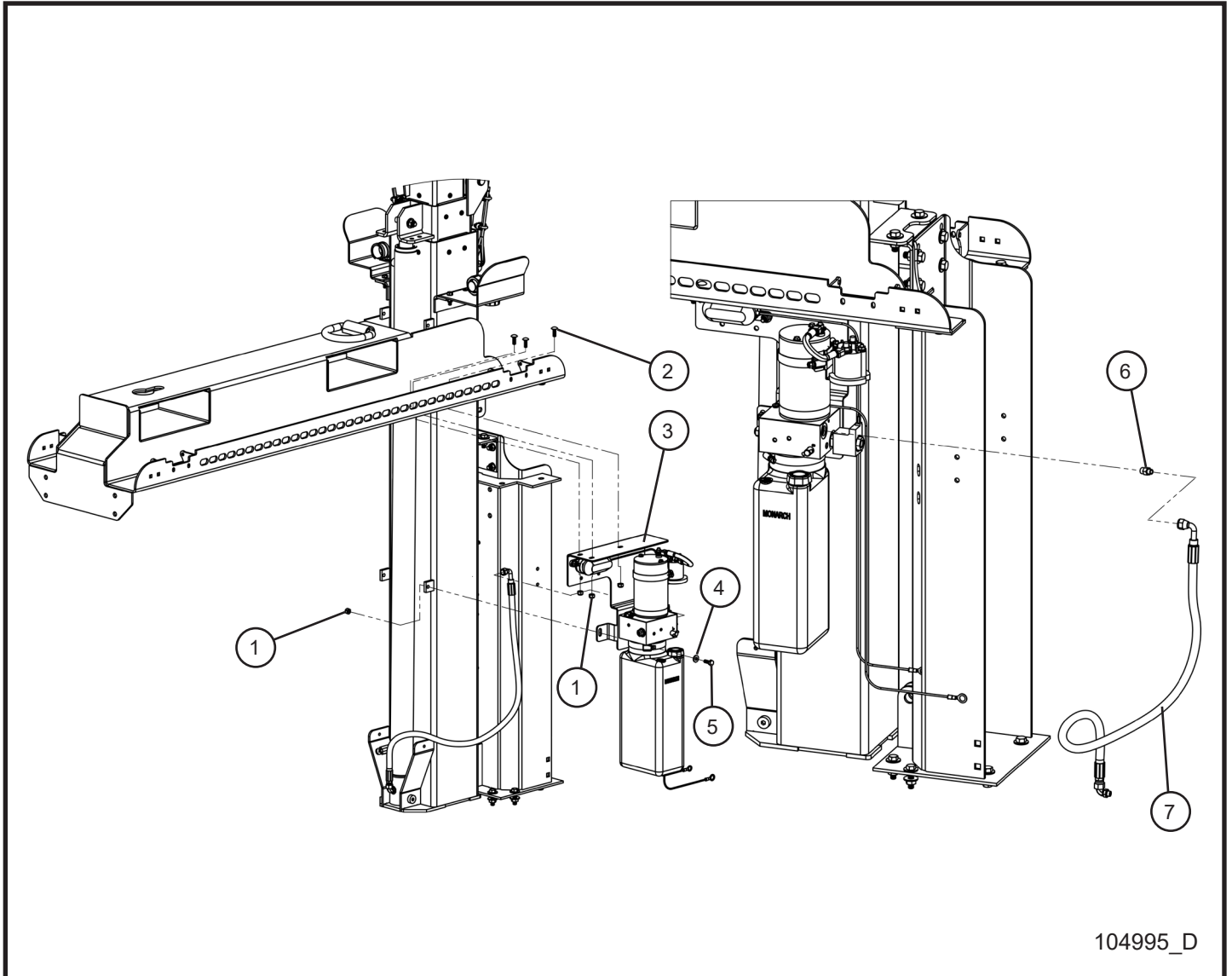
## 4.5 - Vertical Tower Go Green LED Light Bar

SN 08-000001 and UP

Item	Part No.	Part Description	Qty.
1	105503	GO GREEN LED LIGHT BAR	1
2	041070	1/4-20 x 3/4 SL-HEX WASHER MEAD MS TP F	6
3	100148	SPRING LOCK 1/2-13 UNC x 1.4	3
4	046180	1/2-13 x 1 1/4 HEX HEAD CS GR5 PL	1
5	046126	3/8-16 x 1 3/4 HEX HEAD CS GR5 PL	4
6	044036	3/8-16 KEPS HEX NUT PL	4
7	105501P	LIGHT BAR SPACER BRACKET	2
8	044045	1/2-13 HEX NUT PL	4
9	047035	3/4 FLAT WASHER PL	5
10	100147	UHMW BEARING TOWER ROTATION	1
11	100143P	ROTATION MOUNT	1
12	044058	3/4-NYLOCK HEX NUT PL	1
13	680878	1 3/4 CAPPLUG	1
14	104053P	ROUND SECTION OPTION	1
15	104063P	LIGHT BAR COVER	1
16	047015	3/8 FLAT WASHER PL	2
17	102361	ADJUSTABLE LEVER PUSH BUTTON	2
18	105492	THRUST BUSHING	2
19	105494	BELLVILLE WASHER .75 I.D.	8
20	650550	.785" x 2" HDPE WASHER	3
21	105514P	ROTATION BRACKET LED WELDMENT	2
22	105518	THRUST BUSHING, LEVER LOCK	2
23	105496	THRUST BUSHING, HDPE 2"	4
24	047030	5/8 FLAT WASHER PL	4
25	044053	5/8-11 NYLOCK HEX NUT PL	4
26	044066	3/4-16 NYLOCK HEX NUT PL	2

## 4.6 - Vertical Tower Hydraulic Pump w/Bottom Port Cylinder

SN 08-00001 and UP



# Night-Lite ProII™

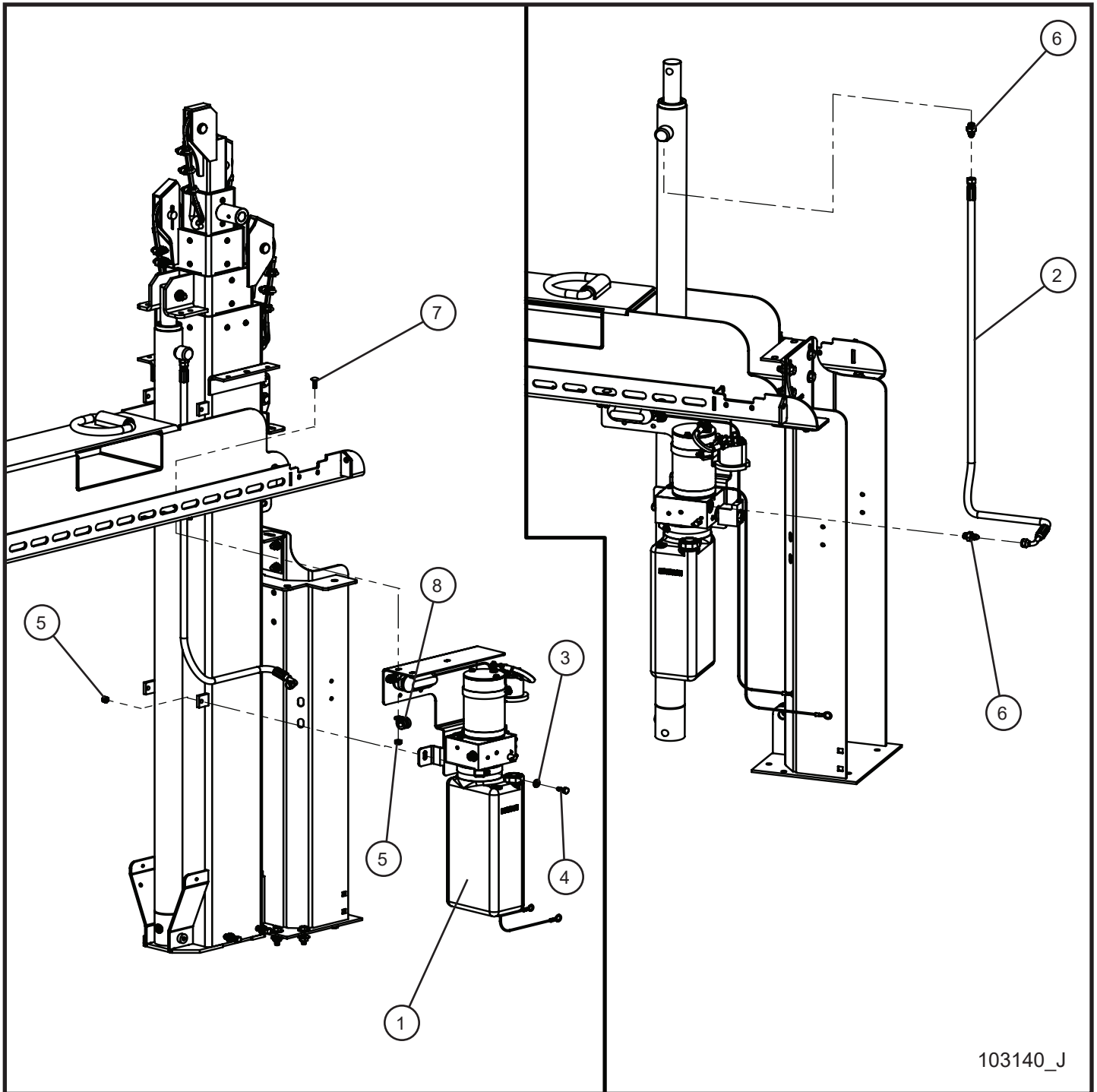
## 4.6 - Vertical Tower Hydraulic Pump w/Bottom Port Cylinder

SN 08-000001 and UP

Item	Part No.	Part Description	Qty.
1	044023	1/4-20 NYLOCK HEX NUT PL	4
2	053007	1/4-20 x 3/4 CARR BOLT SS	3
3	104994	PUMP W/ MOUNT VERTICAL TOWER NL PRO II	1
4	047005	1/4 FLAT WASHER PL	1
5	046010	1/4-20 x 3/4 HEX HEAD CS GR5 SS	1
6	923205	ADPT HYD FITTING	1
7	101356	HYDRAULIC HOSE V-SERIES	1

## 4.7 - Vertical Tower Hydraulic Pump w/Top Port Cylinder

SN 08-000001 and UP



103140\_J



# Night-Lite ProII™

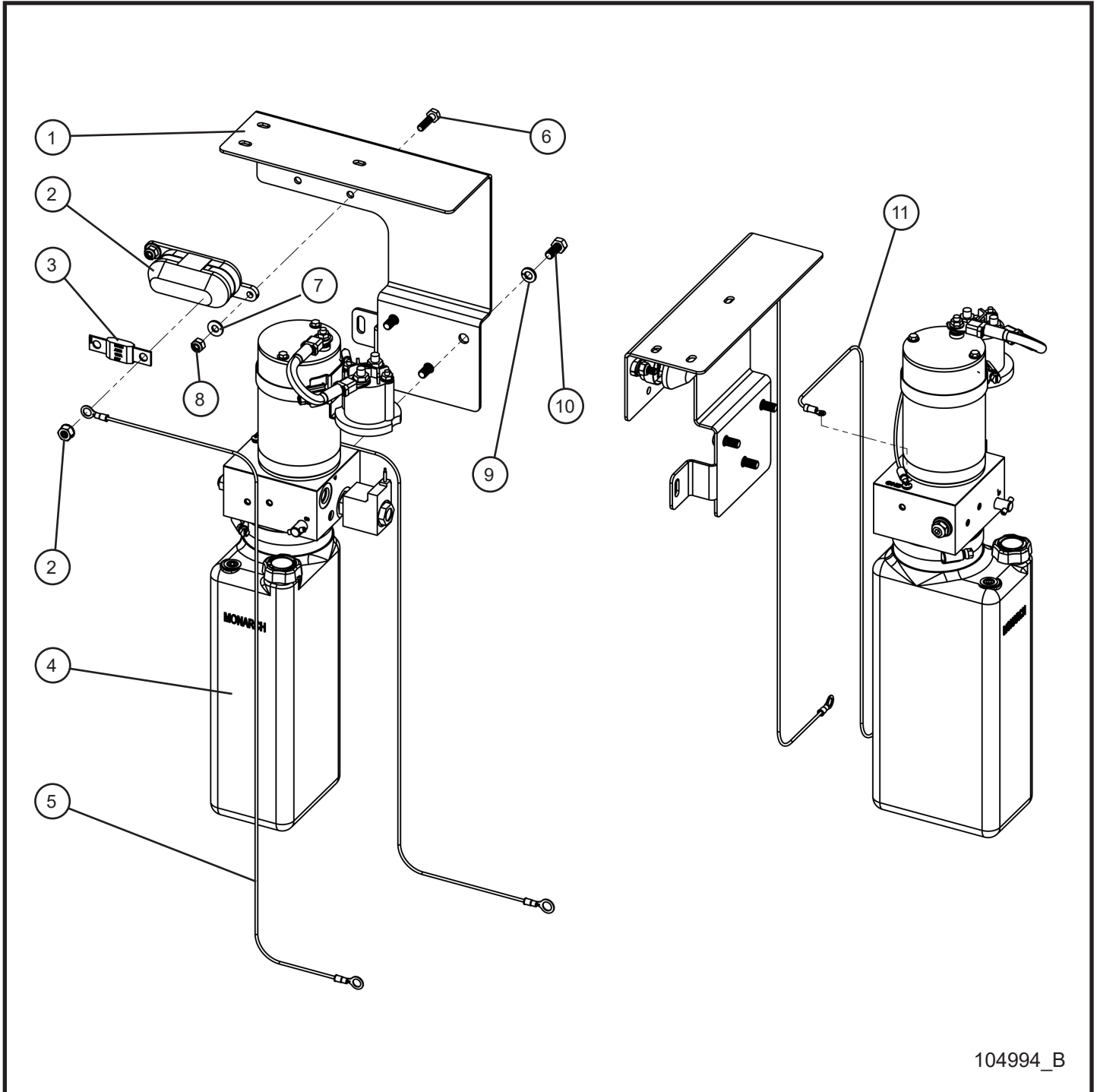
## 4.7 - Vertical Tower Hydraulic Pump w/Top Port Cylinder

SN 08-000001 and UP

Item	Part No.	Part Description	Qty.
1	104994	PUMP W/ MOUNT VERTICAL TOWER NL PRO II	1
2	101910	HYDRAULIC HOSE - 41" MAXI HYD V-SERIES	1
3	047005	1/4 FLAT WASHER PL	1
4	046010	1/4-20 x 3/4 HEX HEAD CS GR5 SS	1
5	044023	1/4-20 NYLOCK HEX NUT PL	4
6	923205	ADPT HYD FITTING	2
7	053007	1/4-20 x 3/4 CARR BOLT SS	3
8	310212	#10 CUSH CLAMP 1/4 HOLE	1

## 4.8 - Vertical Tower Hydraulic Pump Mount

SN 08-000001 and UP



104994\_B

# Night-Lite ProII™

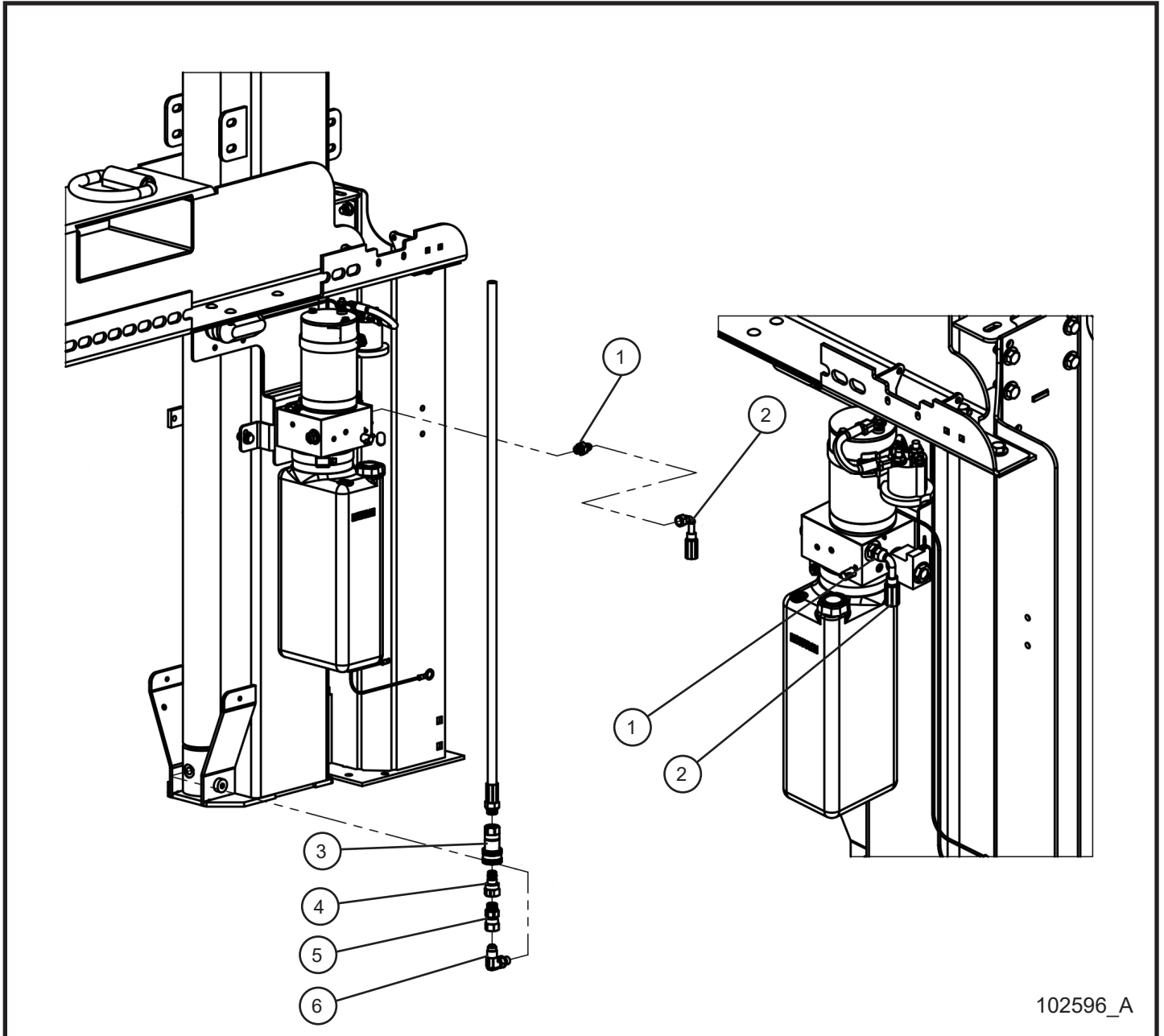
## 4.8 - Vertical Tower Hydraulic Pump Mount

SN 08-000001 and UP

Item	Part No.	Part Description	Qty.
1	104993P	PUMP MOUNT VERTICAL	1
2	100235	FUSE HOLDER F AMG FUSE	1
3	100234	125A FUSE LINK BUSS AMG	1
4	104358	POWER UNIT VERTICAL TOWER	1
5	105217	RED WIRE BUCHER HYD PUMP	1
6	046015	1/4-20 x 1 HEX HEAD CS GR5 PL	2
7	047005	1/4 FLAT WASHER PL	2
8	044023	1/4-20 NYLOCK HEX NUT PL	2
9	043055	5/16 SPLITLOCK WASHER	3
10	046045	5/16-18 x 3/4 HEX HEAD CS GR5 PL	3
11	105216	BLACK WIRE BUCHER HYD PUMP	1

## 4.9 - Vertical Tower Bottom Port Cylinder Quick Disconnect

SN 08-000001 and UP



102596\_A

# Night-Lite ProII™

---

---

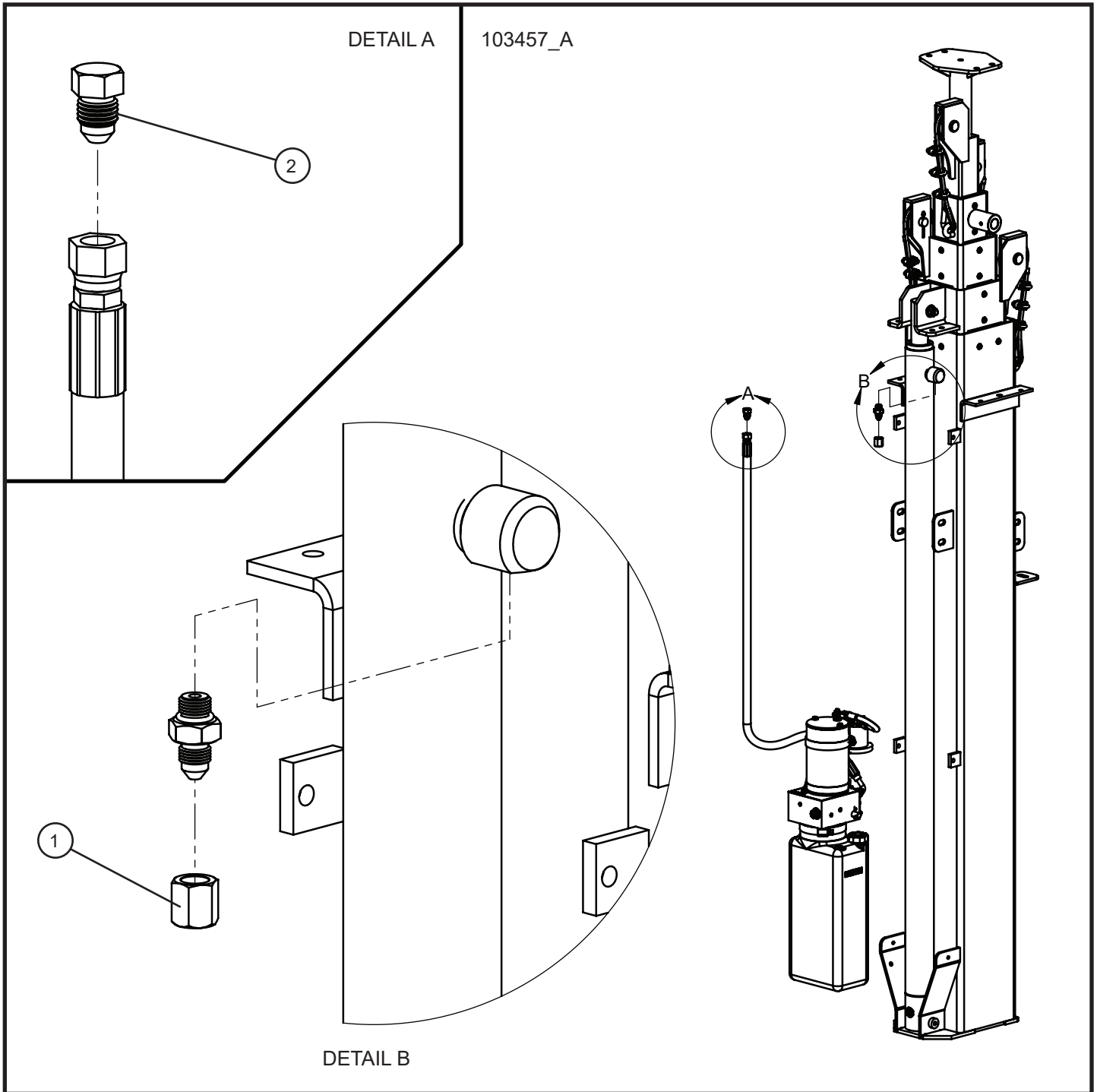
## 4.9 - Vertical Tower Bottom Port Cylinder Quick Disconnect

SN 08-000001 and UP

Item	Part No.	Part Description	Qty.
1	923205	STRAIGHT THREAD 6400	1
2	109605	PRO V QUICK COUPLER HYDRAULIC HOSE	1
3	109603	1/4 FEMALE QUICK DISCONNECT	1
4	109602	QUICK COUPLING MALE QUICK DISCONNECT	1
5	103272	SWIVEL NUT ADAPTER 6402-06-06	1
6	103273	STRAIGHT THREAD ELBOW 6801/6801R	1

## 4.10 - Vertical Tower Top Port Cylinder Cap and Plug

SN 08-000001 and UP



# Night-Lite ProII™

---

---

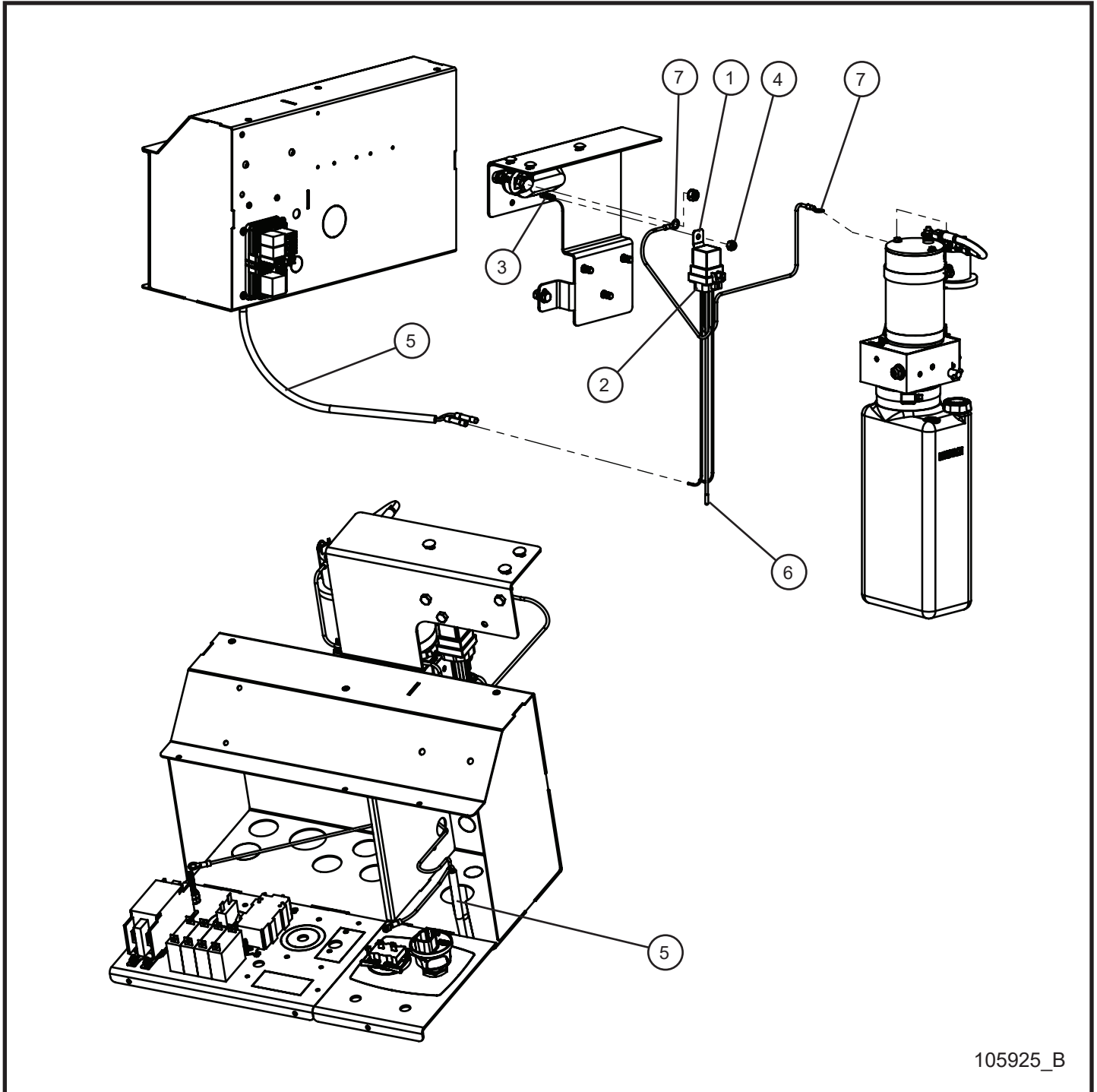
## 4.10 - Vertical Tower Top Port Cylinder Cap and Plug

SN 08-000001 and UP

Item	Part No.	Part Description	Qty.
1	102467	CAP JIC #4 VERTICAL TOWER	1
2	102468	PLUG JIC #4 VERTICAL TOWER	1

## 4.11 - Vertical Tower Pump-Key Switch Relay

SN 08-000001 and UP



105925\_B



# Night-Lite ProII™

---

---

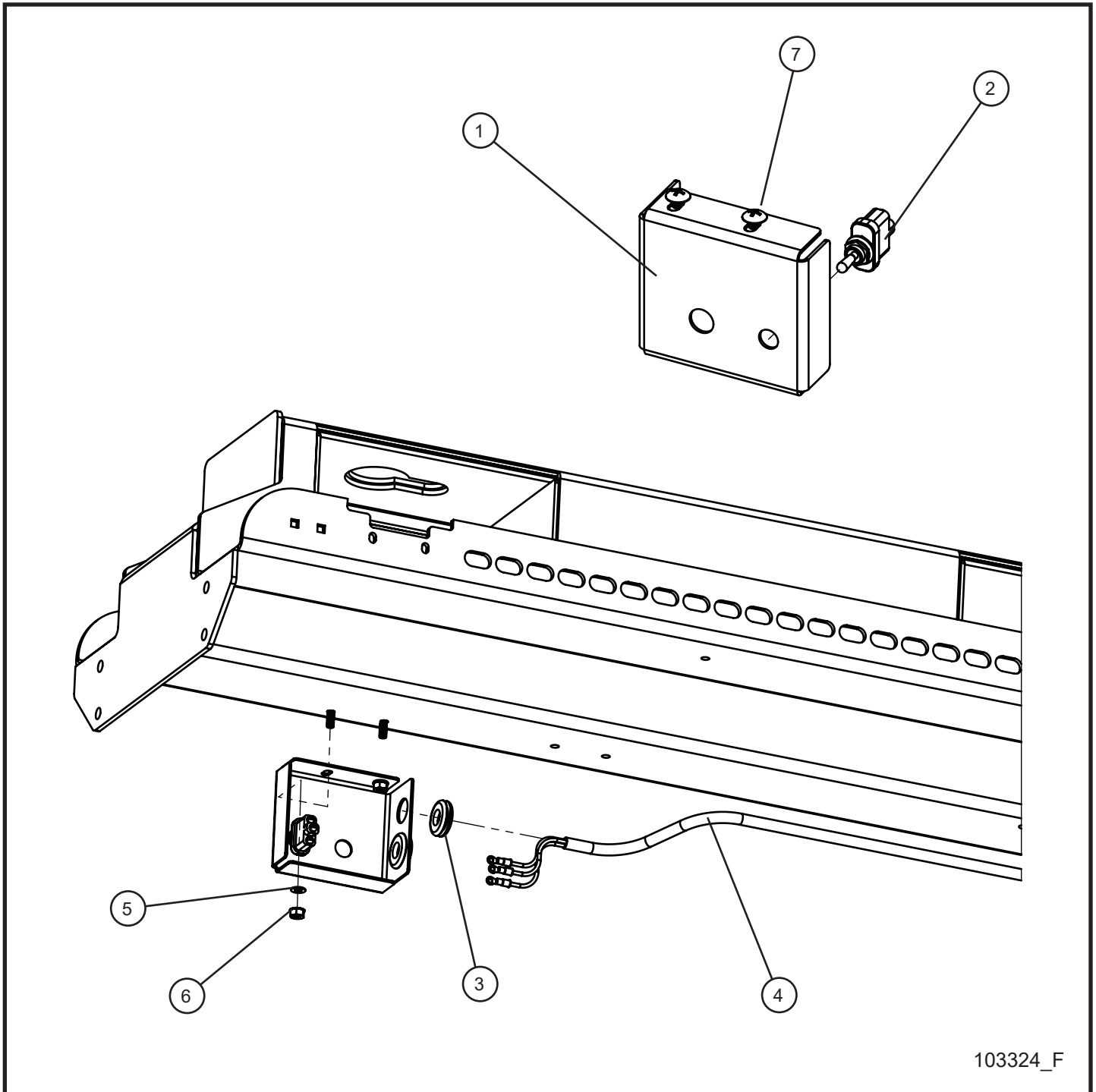
## 4.11 - Vertical Tower Pump-Key Switch Relay

SN 08-000001 and UP

Item	Part No.	Part Description	Qty.
1	105173	RELAY 12VDC 150AMP INRUSH	1
2	105174	RELAY BLOCK WEATHER PACK	1
3	046015	1/4-20 x 1 HEX HEAD CS GR5 PL	1
4	044023	1/4-20 NYLOCK HEX NUT PL	1
5	105183	CORD HYDRAULIC RELAY KEY SWITCH NL PRO II	1
6	022244	1/4 HEAT SHRINK x 1.0	1
7	022347	TERM RING 10-12 AWG 5/16	2

## 4.12 - Vertical Tower Switch Panel

SN 08-000001 and UP



103324\_F

# Night-Lite ProII™

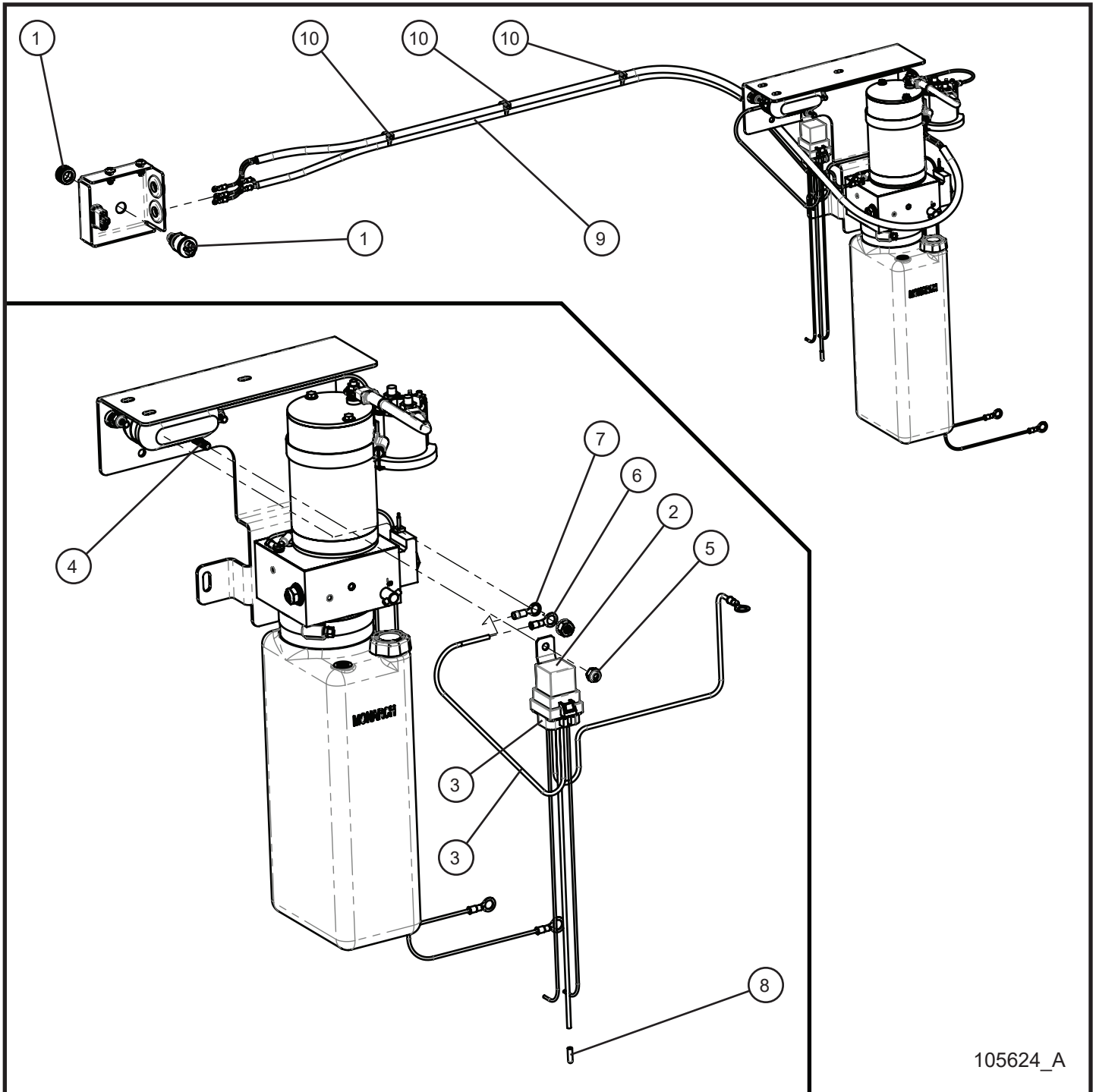
## 4.12 - Vertical Tower Switch Panel

SN 08-000001 and UP

Item	Part No.	Part Description	Qty.
1	102947P	CONTROL BRACKET VERTICAL TOWER	1
2	102453	TOGGLE SWITCH SINGLE POLE	1
3	100859	7/8 ID x 1 1/4 OD GROMMET	2
4	105215	SWITCH CORD BUCHER VERTICAL HYDRAULIC	1
5	047009	1/4 FLAT WASHER SAE SS	2
6	044021	1/4-20 KEPS HEX NUT PL	2
7	041050	1/4-20 x 3/4 PH-TRUSS HEAD MS SS MACHINE SCREW	2
NS	105968	VERTICAL TOWER DECAL	1
NS	105935	SCHEMATIC VERTICAL UP/DOWN MOMENTARY	1

## 4.13 - Vertical Tower Momentary Switch Panel w/ Relay

SN 08-000001 and UP



105624\_A

# Night-Lite ProII™

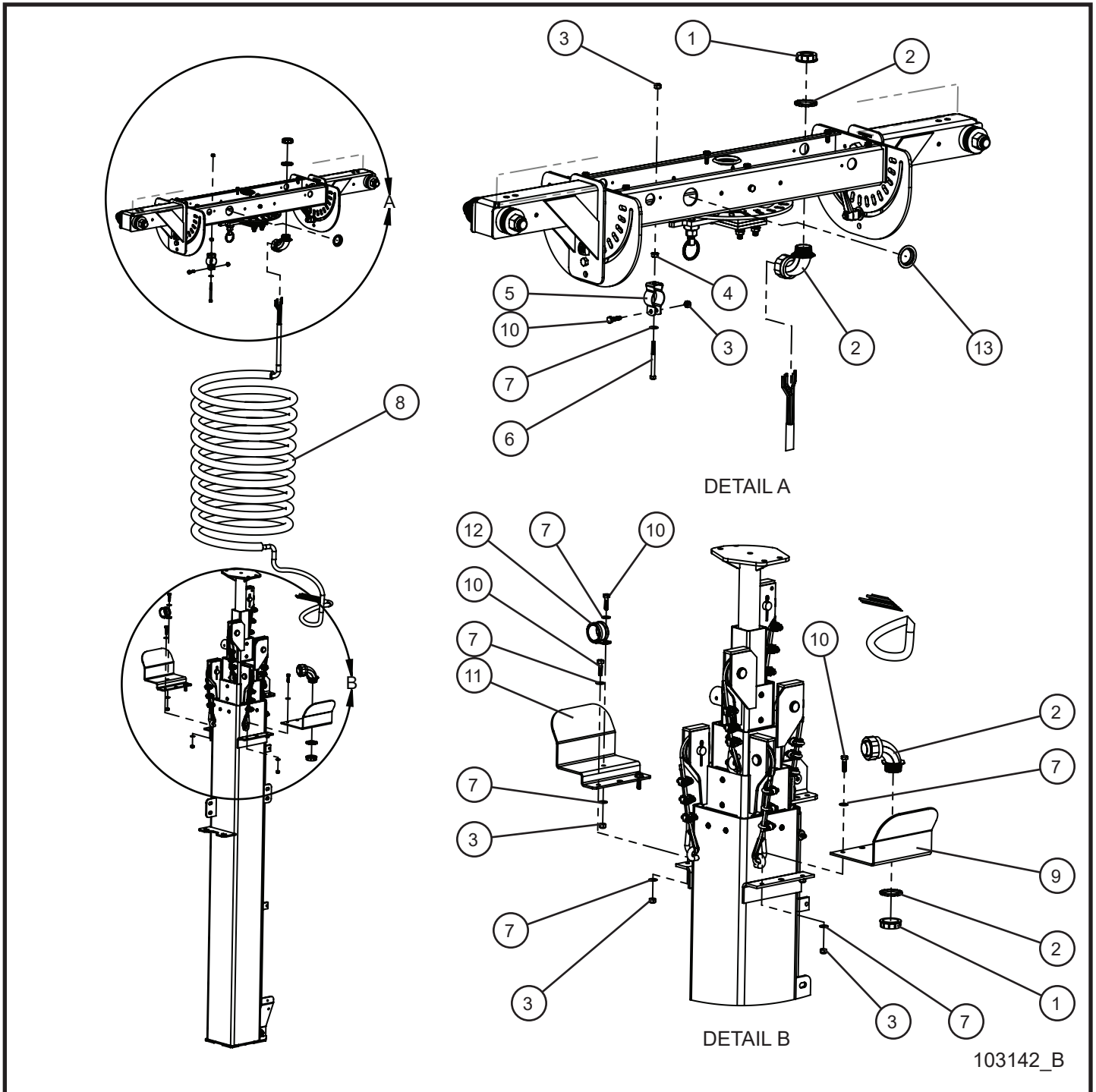
## 4.13 - Vertical Tower Momentary Switch Panel w/ Relay

SN 08-000001 and UP

Item	Part No.	Part Description	Qty.
1	105172	SWITCH MOMENTARY 35AMP 12VDC	1
2	105173	RELAY 12VDC 150 AMP INRUSH	1
3	105174	RELAY BLOCK WEATHER PACK	1
4	046015	1/4-20 x 1 HEX HEAD CS GR5 PL	1
5	044023	1/4-20 NYLOCK HEX NUT PL	1
6	022347	TERM RING 10-12 AWG 5/16	2
7	022418	TERM RING 14-16 AWG 5/16	1
8	022244	1/4 HEAT SHRINK x 1.0	1
9	105934	CORD RELAY MOMENTARY SWITCH	1
10	068090	CABLE TIE 8"	4
NS	105968	VERTICAL TOWER DECAL	1
NS	106154	SCHEMATIC HYDRAULIC PUMP W/ PUSH SWITCH	1

## 4.14 - Vertical Tower 16/8 Nycoil Cord Group

SN 08-000001 and UP



# Night-Lite ProII™

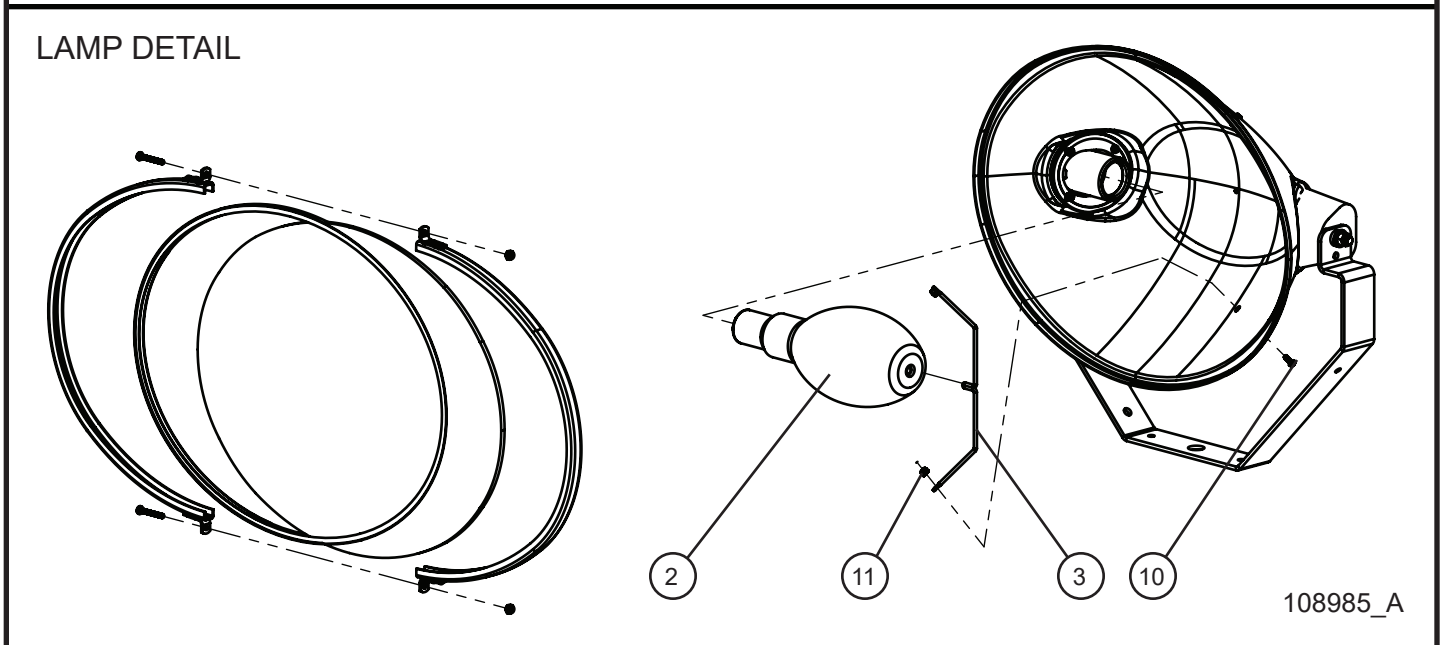
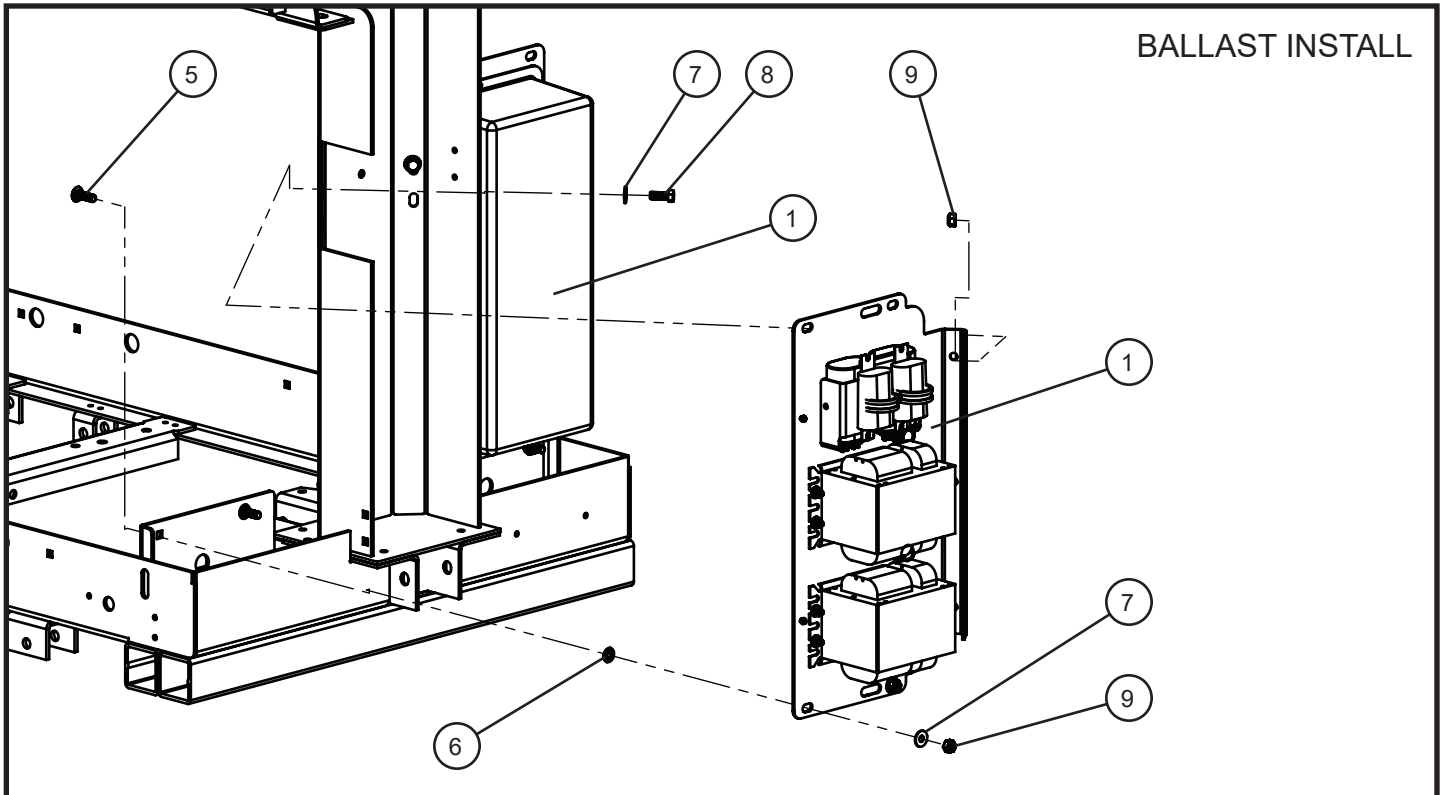
## 4.14 - Vertical Tower 16/8 Nycoil Cord Group

SN 08-000001 and UP

Item	Part No.	Part Description	Qty.
1	101672	1" INSULATING BUSHING	2
2	102979	CORD GRIP 90° ELBOW LIQUID TIGHT	2
3	044023	1/4-20 NYLOCK HEX NUT PL	7
4	044021	1/4-20 KEPS HEX NUT PL	1
5	100474	1" CONDUIT CLAMP	1
6	046037	1/4-20 x 2 3/4 HEX HEAD CS GR5 PL	1
7	047009	1/4 FLAT WASHER SAE SS	11
8	106880	NYCOIL ASSEMBLY 16/8 CORD PRO (INCL. 2-102979)	1
	120077	NYCOIL ASSEMBLY 16/8 COB LED CORD PRO (INCL. 2-102979)	1
	120593	NYCOIL ASSEMBLY 16/8 SMD LED CORD PRO (INCL. 2-102979)	1
9	102977P	CORD GRIP BRACKET	1
10	046015	1/4-20 x 1 HEX HEAD CS GR5 PL	6
11	102978P	NYCOIL CLAMP PLATE	1
12	920366	#16 CUSH CLAMP W/ 3/8 HOLE	1
13	064040	1 3/8 CAP PLUG	1
NS	105292	SCHEMATIC LIGHT BAR 4 LIGHT 16/8 CORD	1

## 5.1 - 1000W HPS Lamps with 60Hz 120V Ballast Boxes

SN 07-000001 and UP  
SN 08-000001 and UP



108985\_A



# Night-Lite ProII™

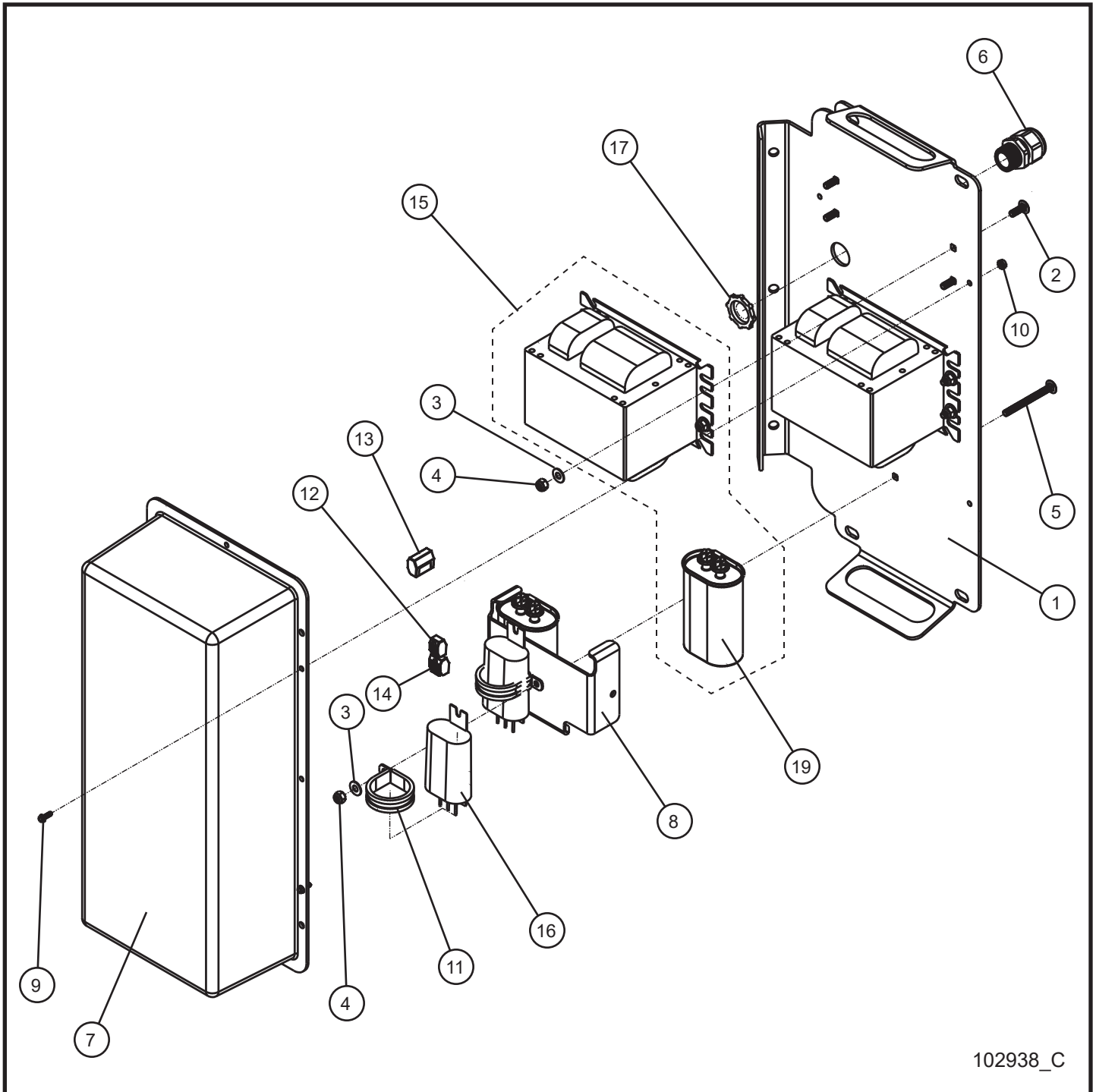
## 5.1 - 1000W HPS Lamps with 60Hz 120V Ballast Boxes

SN 07-000001 and UP  
SN 08-000001 and UP

Item	Part No.	Part Description	Qty.
1	102938	1000W HPS 60Hz 120V BALLAST BOX ASSEMBLY	2
2	610218	LAMP 1000W HPS	4
3	650250	TIP SUPPORT HPS 1000W	4
4	103624	CORD 14/4 BALLAST (NOT SHOWN)	4
5	100670	3/8-16 x 1 1/4 CARRIAGE BOLT	4
6	045218	3/8 PUSH NUT	4
7	047010	5/16 FLAT WASHER PL	8
8	046115	3/8-16 x 1 1/4 HEX HEAD CS GR5 PL	4
9	044038	3/8-16 NYLOCK HEX NUT PL	8
10	041200	#8-32 x 1/2 HEX WASHER HEAD INDT	8
11	044013	#8-32 NYLOCK HEX NUT SS	8
12	105184	SCHEMATIC 1000W HPS BALLAST	1

## 5.2 - 1000W HPS 60Hz 120V Ballast Box Assembly

SN 07-000001 and UP  
SN 08-000001 and UP



102938\_C

# Night-Lite ProII™

## 5.2 - 1000W HPS 60Hz 120V Ballast Box Assembly

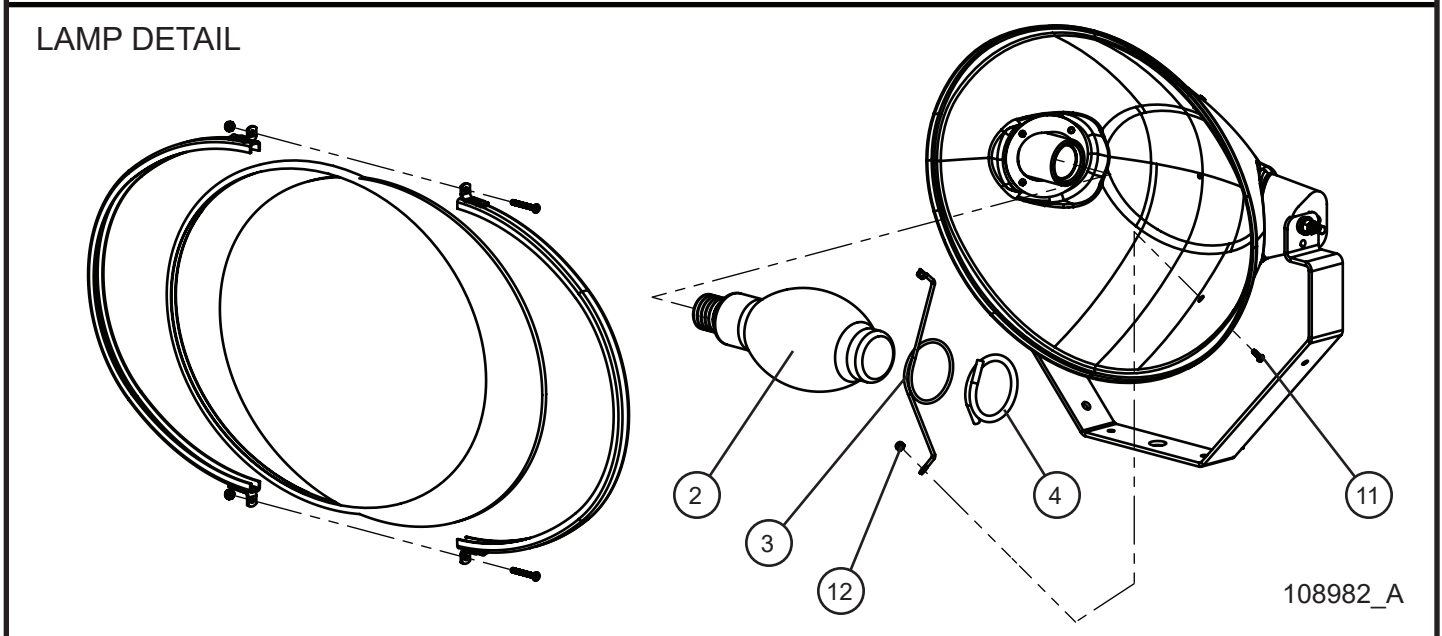
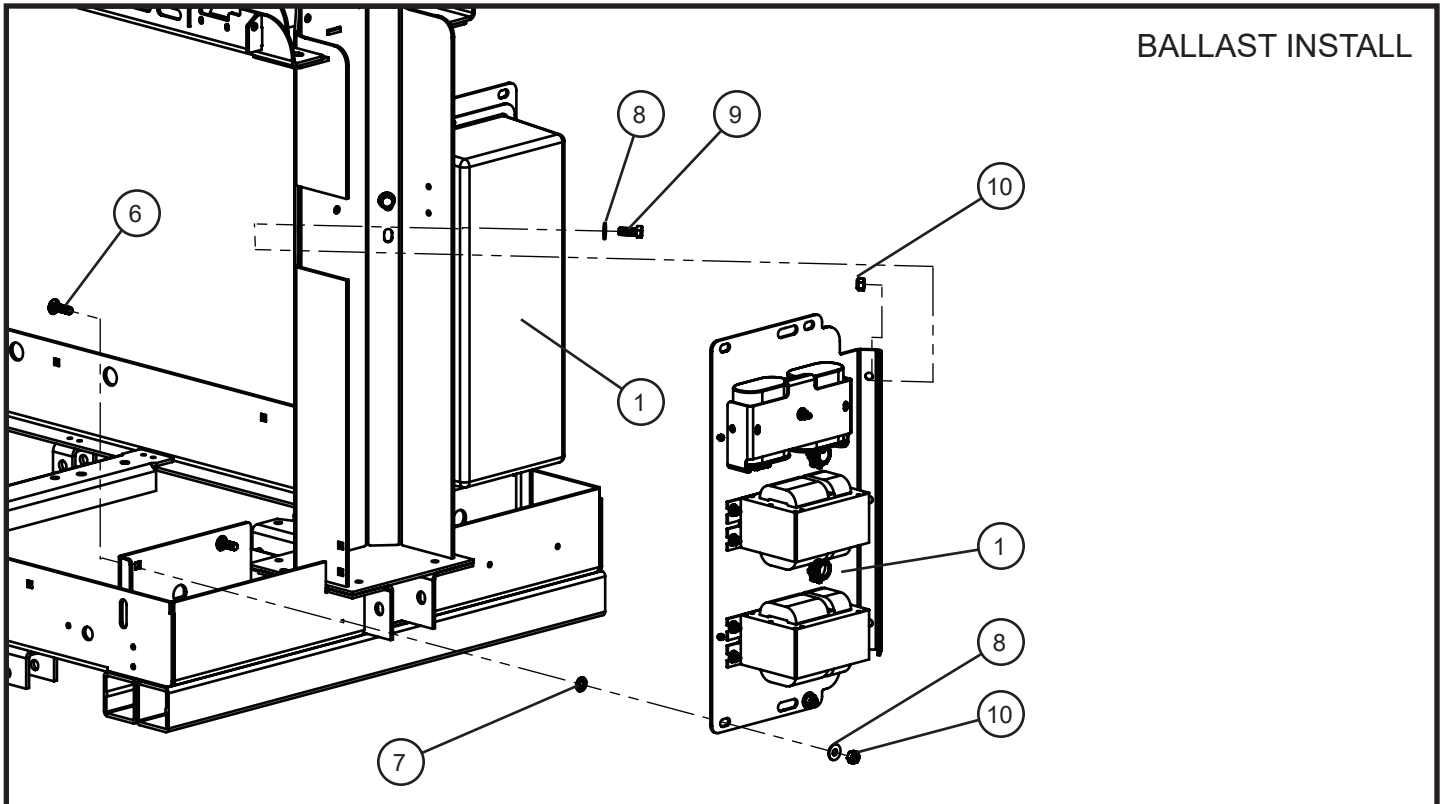
SN 07-000001 and UP

SN 08-000001 and UP

Item	Part No.	Part Description	Qty.
1	105914P	MOUNT PLATE BALLAST BOX	1
2	053006	1/4-20 x 3/4 CARRIAGE BOLT	8
3	047009	1/4 FLAT WASHER SAE SS	9
4	044023	1/4-20 NYLOCK HEX NUT PL	9
5	100718	1/4-20 x 2 1/4 CARRIAGE BOLT	1
6	105916	GRIP CORD NYLON 3/4"	2
7	102752	BALLAST TOP MODULAR BOX	1
8	680608P	TAPPED CAPACITOR CLAMP	1
9	041029	#8-32 x 1/2 HEX WASHER HEAD SCREW	4
10	044003	#8-32 NC KEPS NUT	4
11	920365	#28 CUSHION CLAMP	2
12	102624	2 WIRE LEVER LOCK	4
13	102622	CONNECTOR BLOCK 5 TERMINAL LEVERS	2
14	102623	3 PIN LEVER LOCK	2
15	310118	BALLAST KIT 1000W 60Hz 120V HPS (INCLUDES 310115A)	2
16	028015	LAMP IGNITOR 1000W	2
17	022036	3/4 CORD GRIP NUT	2
18	105184	SCHEMATIC BALLAST 1000W HPS 60Hz 120V (NOT SHOWN)	1
19	310115A	CAPACITOR 26UF 60/50Hz 540V	2

## 5.3 - 1250W Lamps with 60Hz 120V Ballasts

SN 07-000001 and UP  
SN 08-000001 and UP



108982\_A

# Night-Lite ProII™

## 5.3 - 1250W Lamps with 60Hz 120V Ballasts

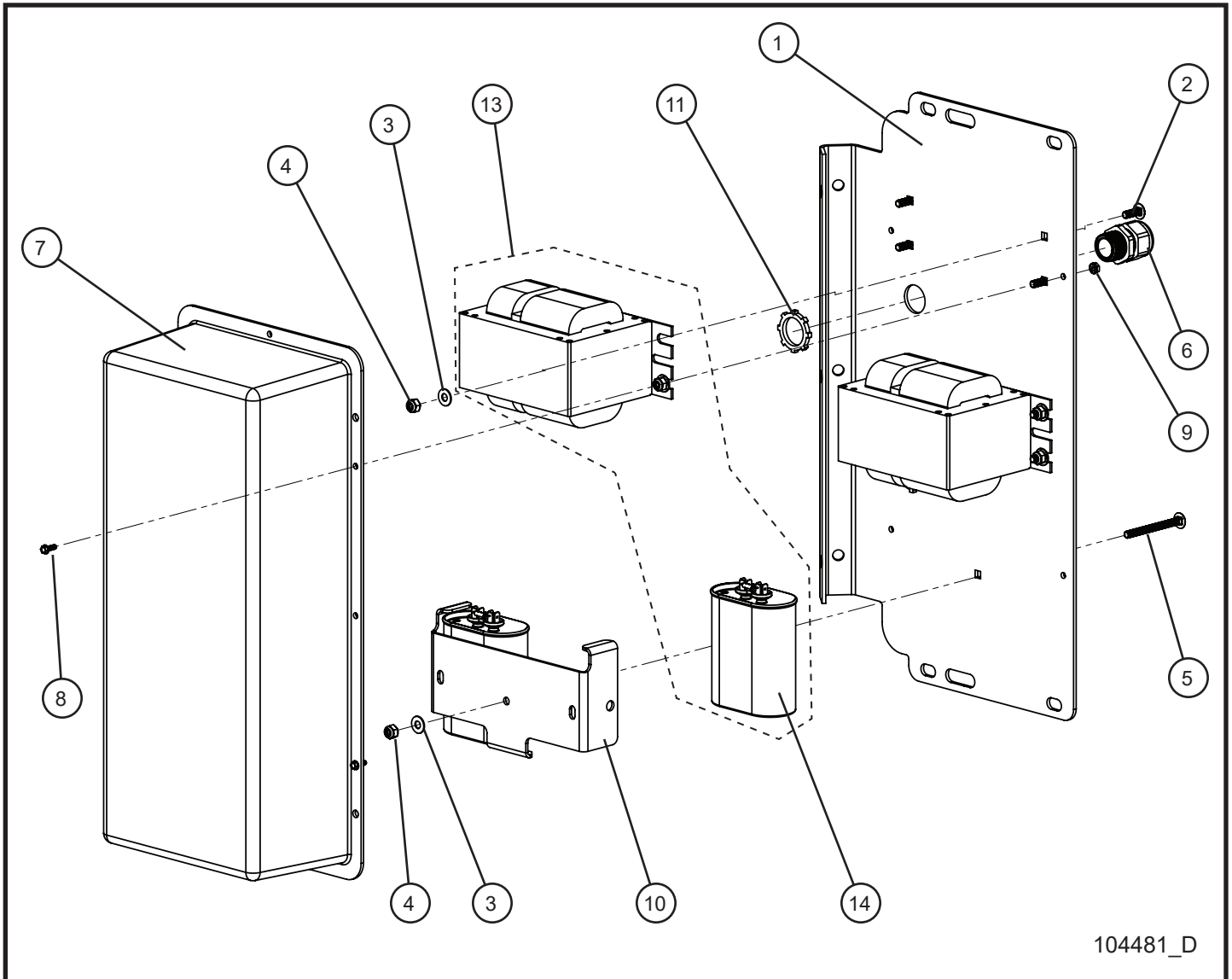
SN 07-000001 and UP

SN 08-000001 and UP

Item	Part No.	Part Description	Qty.
1	104481	1250W 28uF 60Hz 120V BALLAST	2
2	610221	LAMP 1250W	4
3	610209	SUPPORT TIP LAMP SHO	4
4	610210	FIBERGLASS TUBE 12" LAMP SUPPORT	4
5	103624	CORD 14/4 BALLAST	4
6	100670	3/8-16 x 1 1/4 CARRIAGE BOLT	4
7	045218	3/8 PUSH NUT	4
8	047010	5/16 FLAT WASHER PL	8
9	046115	3/8-16 x 1 1/4 HEX HEAD CS GR5 PL	4
10	044038	3/8-16 NYLOCK HEX NUT PL	8
11	041200	#8-32 x 1/2 HEX WASHER HEAD INDT	8
12	044013	#8-32 NYLOCK HEX NUT SS	8
13	105286	SCHEMATIC 60Hz 1250W	1

## 5.4 - 1250W 60Hz 120V Ballast Box Assembly

SN 07-000001 and UP  
SN 08-000001 and UP



104481\_D

# Night-Lite ProII™

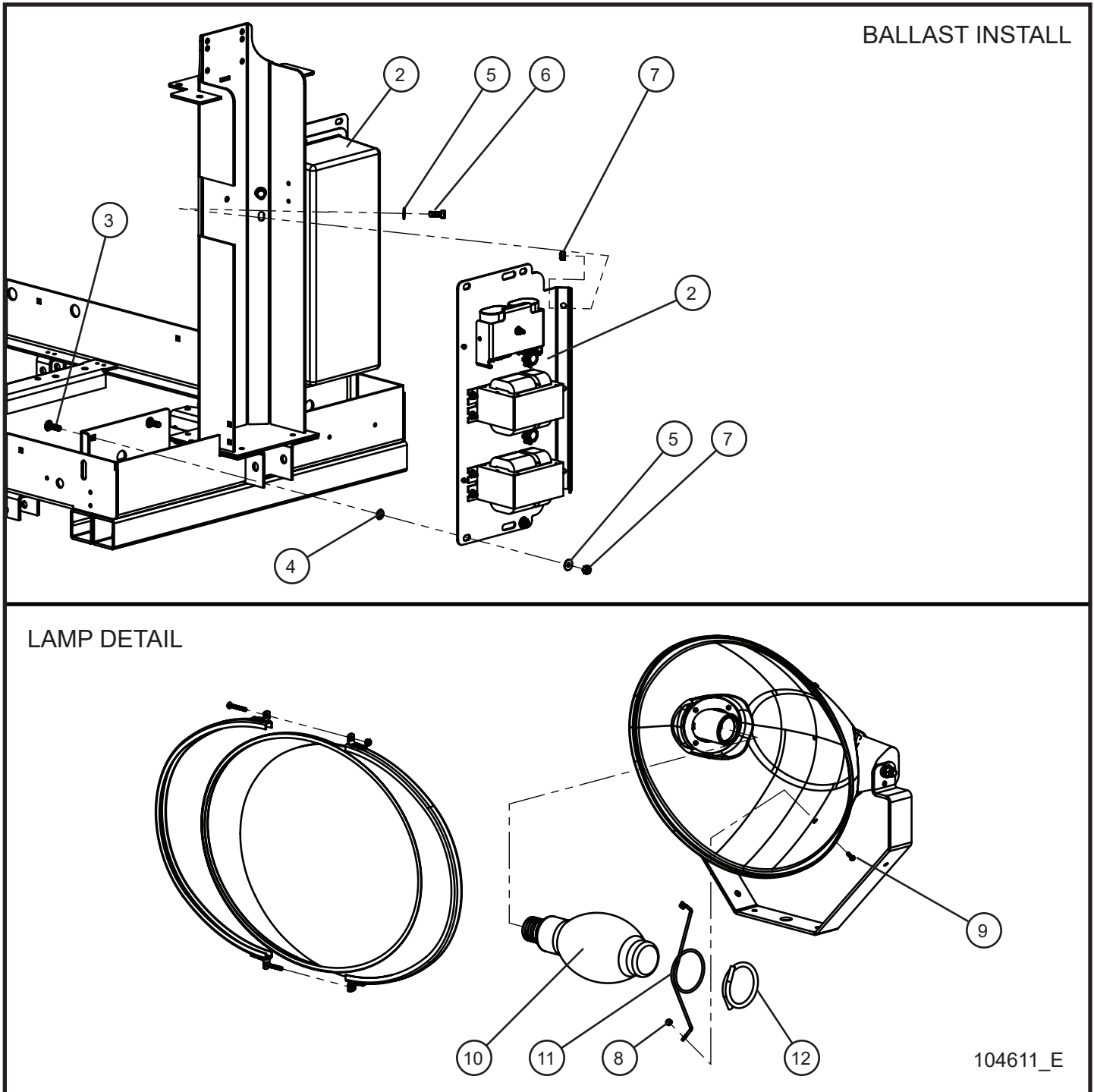
## 5.4 - 1250W 60Hz 120V Ballast Box Assembly

SN 07-000001 and UP  
SN 08-000001 and UP

Item	Part No.	Part Description	Qty.
1	105914P	MOUNT PLATE BALLAST BOX	1
2	053006	1/4-20 x 3/4 CARRIAGE BOLT	8
3	047009	1/4 FLAT WASHER SAE SS	9
4	044023	1/4-20 NYLOCK HEX NUT PL	9
5	100718	1/4-20 x 2 1/4 CARRIAGE BOLT	1
6	105916	GRIP CORD NYLON 3/4	2
7	102752	BALLAST TOP MODULAR BOX	1
8	041029	#8-32 x 1/2 HEX WASHER HEAD SCREW	4
9	044003	#8-32 NC KEPS NUT	4
10	100392P	TABBED CAPACITOR CLAMP	1
11	022036	3/4 CORD GRIP NUT	2
12	105286	SCHEMATIC 60Hz 1250W	1
13	109606	BALLAST KIT 1250W 60Hz 120/240V 28uF (INCLUDES 100329)	2
14	100329	CAPACITOR 28uF 1250W	2

## 5.5 - 1000W Lamps with 60Hz 120V Ballast Boxes

SN 07-000001 and UP  
SN 08-000001 and UP





# Night-Lite ProII™

## 5.5 - 1000W Lamps with 60Hz 120V Ballast Boxes

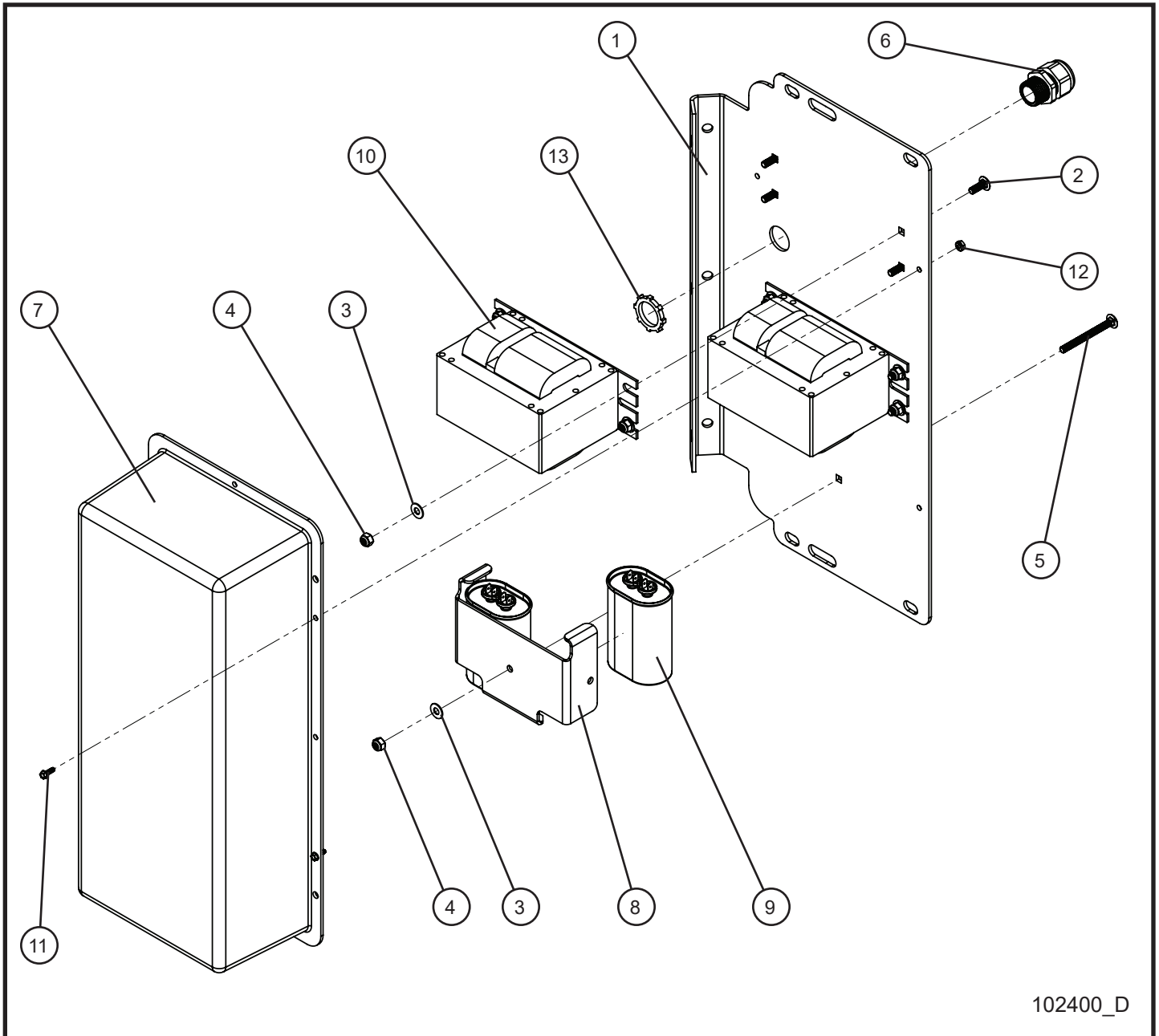
SN 07-000001 and UP

SN 08-000001 and UP

Item	Part No.	Part Description	Qty.
1	103624	PRO II BALLAST ASSEMBLY CORD (NOT SHOWN)	4
2	102400	1000W 60Hz 120V BALLAST ASSEMBLY	2
3	100670	3/8-16 x 1 1/4 CARRIAGE BOLT	4
4	045218	3/8 PUSH NUT	4
5	047010	5/16 FLAT WASHER PL	8
6	046115	3/8-16 x 1 1/4 HEX HEAD CS GR5 PL	4
7	044038	3/8-16 NYLOCK HEX NUT PL	8
8	044013	#8-32 NYLOCK HEX NUT SS	8
9	041200	#8-32 x 1/2 HEX WASHER HEAD INDT	8
10	610211	LAMP 1000W	4
11	610209	SUPPORT TIP LAMP SHO	4
12	610210	FIBERGLASS TUBE 12" LAMP SUPPORT	4
13	105287	SCHEMATIC 60Hz 1000W	1

## 5.6 - 1000W 60Hz 120V Ballast Box Assembly

SN 07-000001 and UP  
SN 08-000001 and UP



102400\_D

# Night-Lite ProII™

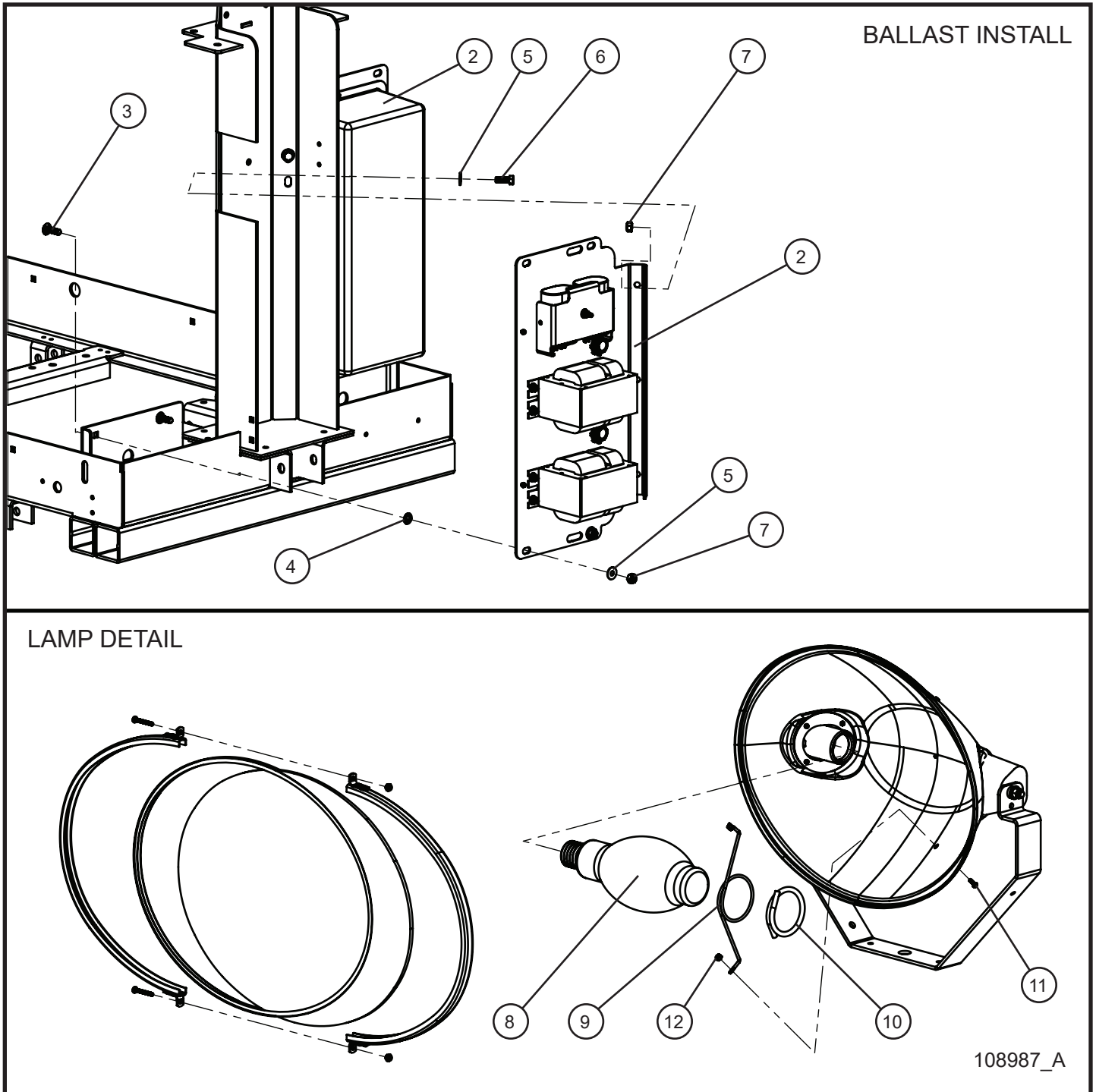
## 5.6 - 1000W 60Hz 120V Ballast Box Assembly

SN 07-000001 and UP  
SN 08-000001 and UP

Item	Part No.	Part Description	Qty.
1	105914P	MOUNT PLATE BALLAST BOX	1
2	053006	1/4-20 x 3/4 CARRIAGE BOLT	8
3	047009	1/4 FLAT WASHER SAE SS	9
4	044023	1/4-20 NYLOCK HEX NUT PL	9
5	100718	1/4-20 x 2 1/4 CARRIAGE BOLT	1
6	105916	GRIP CORD NYLON 3/4	2
7	102752	BALLAST TOP MODULAR BOX	1
8	680608P	TABBED CAPACITOR CLAMP	1
9	310115	CAPACITOR 24uF 1000W	2
10	310124	BALLAST 1000W 60Hz 120V	2
11	041029	#8-32 x 1/2 HEX WASHER HEAD SCREW	4
12	044003	#8-32 NC KEPS NUT	4
13	022036	3/4 CORD GRIP NUT	2
14	105287	SCHEMATIC BALLAST 1000W 60Hz 120V (NOT SHOWN)	1

## 5.7 - 1000W Lamps with 50Hz 120V Ballast Boxes

SN 07-000001 and UP  
SN 08-000001 and UP



# Night-Lite ProII™

## 5.7 - 1000W Lamps with 50Hz 120V Ballast Boxes

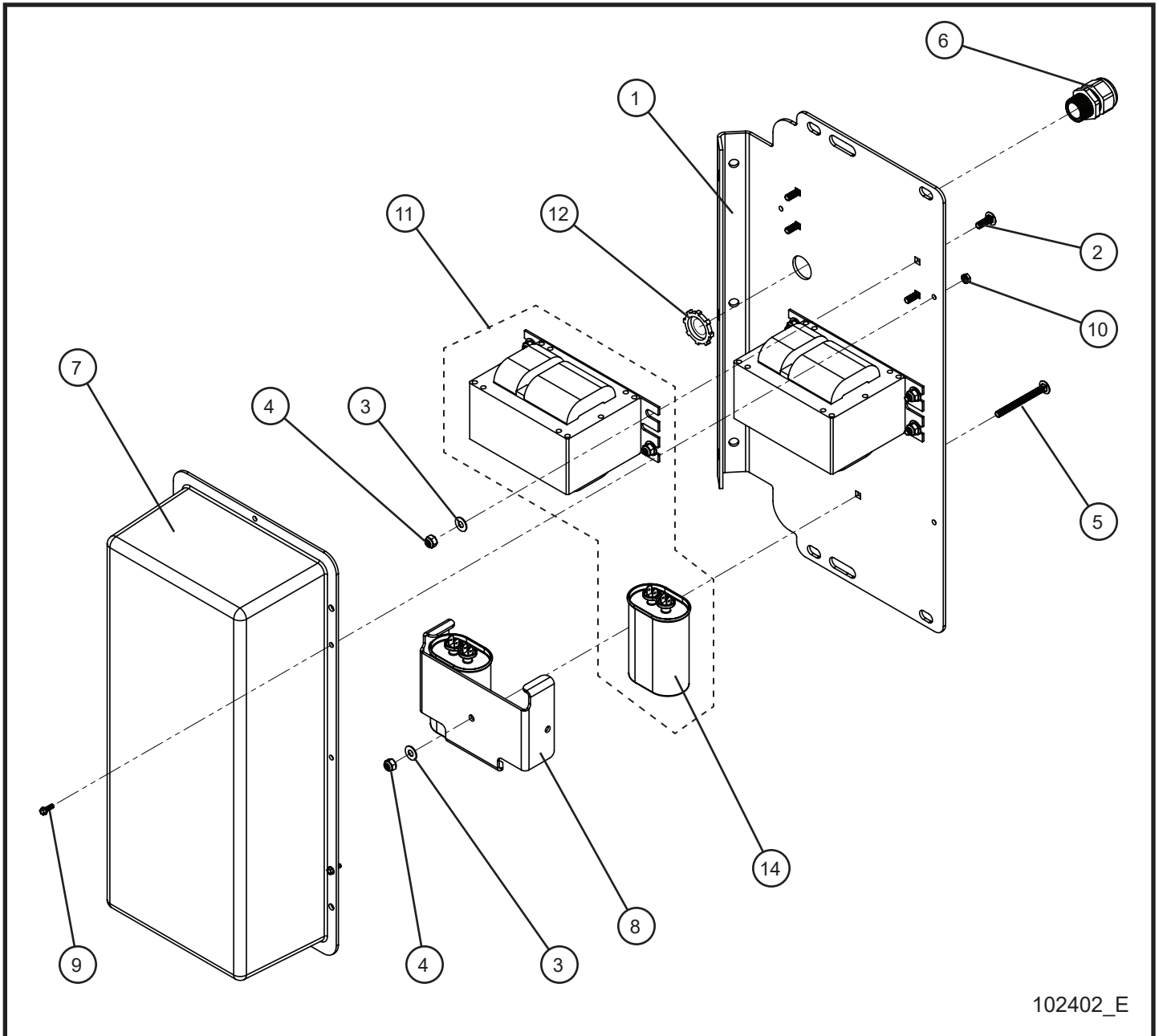
SN 07-000001 and UP

SN 08-000001 and UP

Item	Part No.	Part Description	Qty.
1	103624	PRO II BALLAST ASSEMBLY CORD	4
2	102402	1000W 50Hz 220V BALLAST ASSEMBLY	2
3	100670	3/8-16 x 1 1/4 CARRIAGE BOLT	4
4	045218	3/8 PUSH NUT	4
5	047010	5/16 FLAT WASHER PL	8
6	046110	3/8-16 x 1 HEX HEAD CS GR5 PL	4
7	044038	3/8-16 NYLOCK HEX NUT PL	8
8	610211	LAMP 1000W	4
9	610209	SUPPORT TIP LAMP SHO	4
10	610210	FIBERGLASS TUBE 12" LAMP SUPPORT	4
11	041200	#8-32 x 1/2 HEX WASHER HEAD INDT	8
12	044013	#8-32 NYLOCK HEX NUT SS	8
13	105288	SCHEMATIC 50Hz 1000W	1

## 5.8 - 1000W 50Hz 120V Ballast Box Assembly

SN 07-000001 and UP  
SN 08-000001 and UP



102402\_E

# Night-Lite ProII™

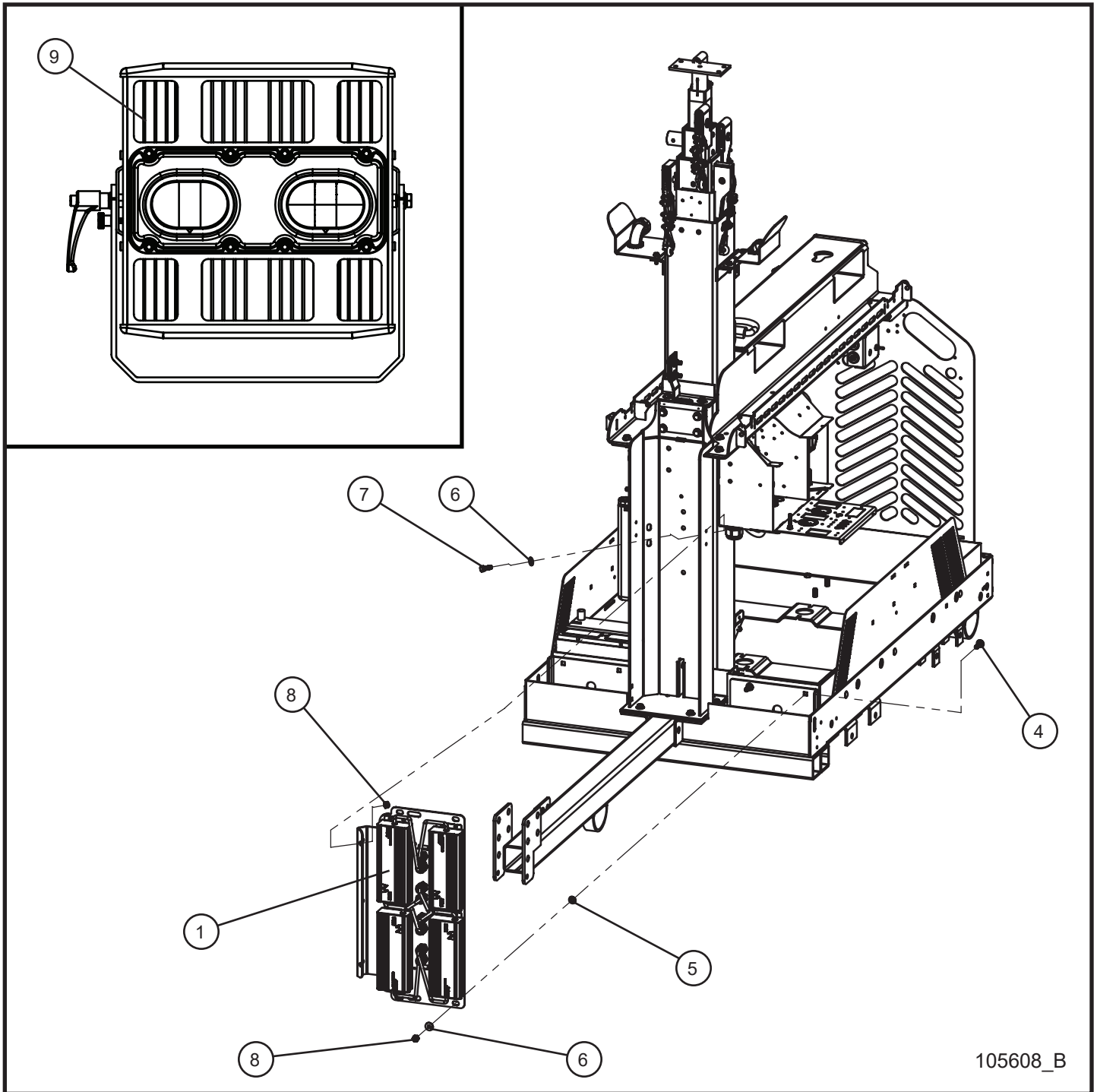
## 5.8 - 1000W 50Hz 120V Ballast Box Assembly

SN 07-000001 and UP  
SN 08-000001 and UP

Item	Part No.	Part Description	Qty.
1	105914P	MOUNT PLATE BALLAST BOX	1
2	053006	1/4-20 x 3/4 CARRIAGE BOLT	8
3	047009	1/4 FLAT WASHER SAE SS	9
4	044023	1/4-20 NYLOCK HEX NUT PL	9
5	100718	1/4-20 x 2 1/4 CARRIAGE BOLT	1
6	105916	GRIP CORD NYLON 3/4	2
7	102752	BALLAST TOP MODULAR BOX	1
8	680608P	TABBED CAPACITOR CLAMP	1
9	041029	#8-32 x 1/2 HEX WASHER HEAD SCREW	4
10	044003	#8-32 NC KEPS NUT	4
11	310116A	BALLAST KIT 1000W 50Hz	2
12	022036	3/4 CORD GRIP NUT	2
13	105288	SCHEMATIC BALLAST 1000W 50Hz	1
14	310115A	CAPACITOR 26UF 60/50Hz 540V	2

## 5.9 - Conssin COB LED 4 Driver Install Group

SN 07-000001 and UP  
SN 08-000001 to 08-004638



105608\_B



# Night-Lite ProII™

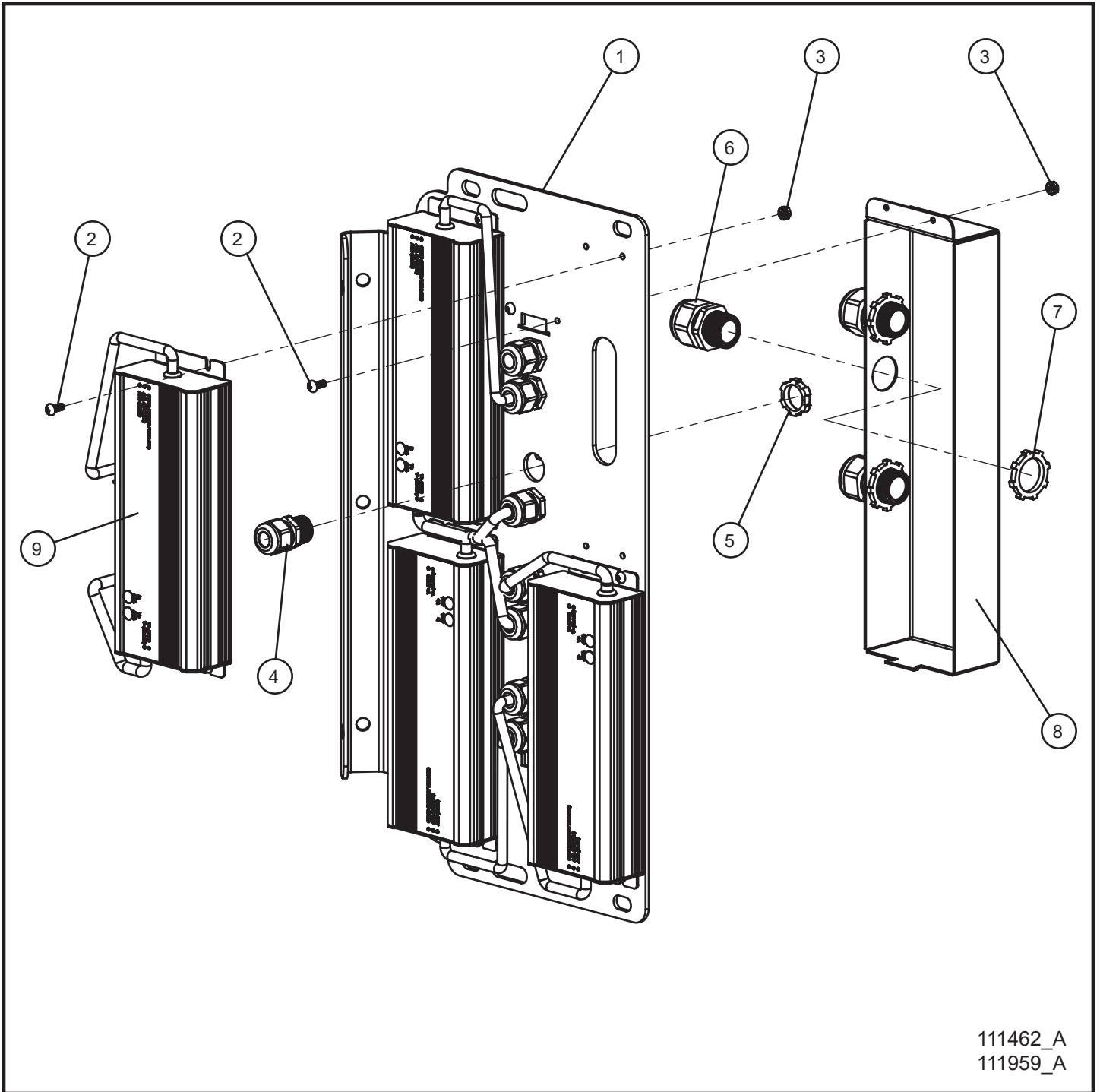
## 5.9 - Conssin COB LED 4 Driver Install Group

SN 07-000001 and UP  
SN 08-000001 to 08-004638

Item	Part No.	Part Description	Qty.
1	--	LED 4 DRIVER ASSEMBLY	1
2	111463	LED DRIVER INPUT CORD	2
3	111464	LED DRIVER OUTPUT CORD	1
4	100670	3/8-16 x 1 1/4 CARRIAGE BOLT	2
5	045218	3/8 PUSH NUT	2
6	047010	5/16 FLAT WASHER PL	3
7	046110	3/8-16 x 1 HEX HEAD CS GR5 PL	1
8	044038	3/8-16 NYLOCK HEX NUT	3
9	111451	CONSSIN KUEM2-320 LED LIGHT	4
NS	111462	CONSSIN LED LIGHT AND DRIVER KIT (INCL. 111449 & 111451)	1
NS	114125	LAYDOWN TOWER SHO LIGHT TO CONSSIN LED LIGHT KIT	1
NS	114127	VERTICAL TOWER SHO LIGHT TO CONSSIN LED LIGHT KIT	1
NS	114104	YOKE, BRACKETS, AND HARDWARE CONSSIN KIT	1
NS	112719	SPEAKER LED TO CONSSIN COB LED LIGHT SERVICE KIT	1
NS	110097	LED DRIVER SCHEMATIC NL PRO II	1

## 5.10 - Conssin COB LED 4 Driver Assembly

SN 07-000001 and UP  
SN 08-000001 to 08-004638



111462\_A  
111959\_A

# Night-Lite ProII™

## 5.10 - Conssin COB LED 4 Driver Assembly

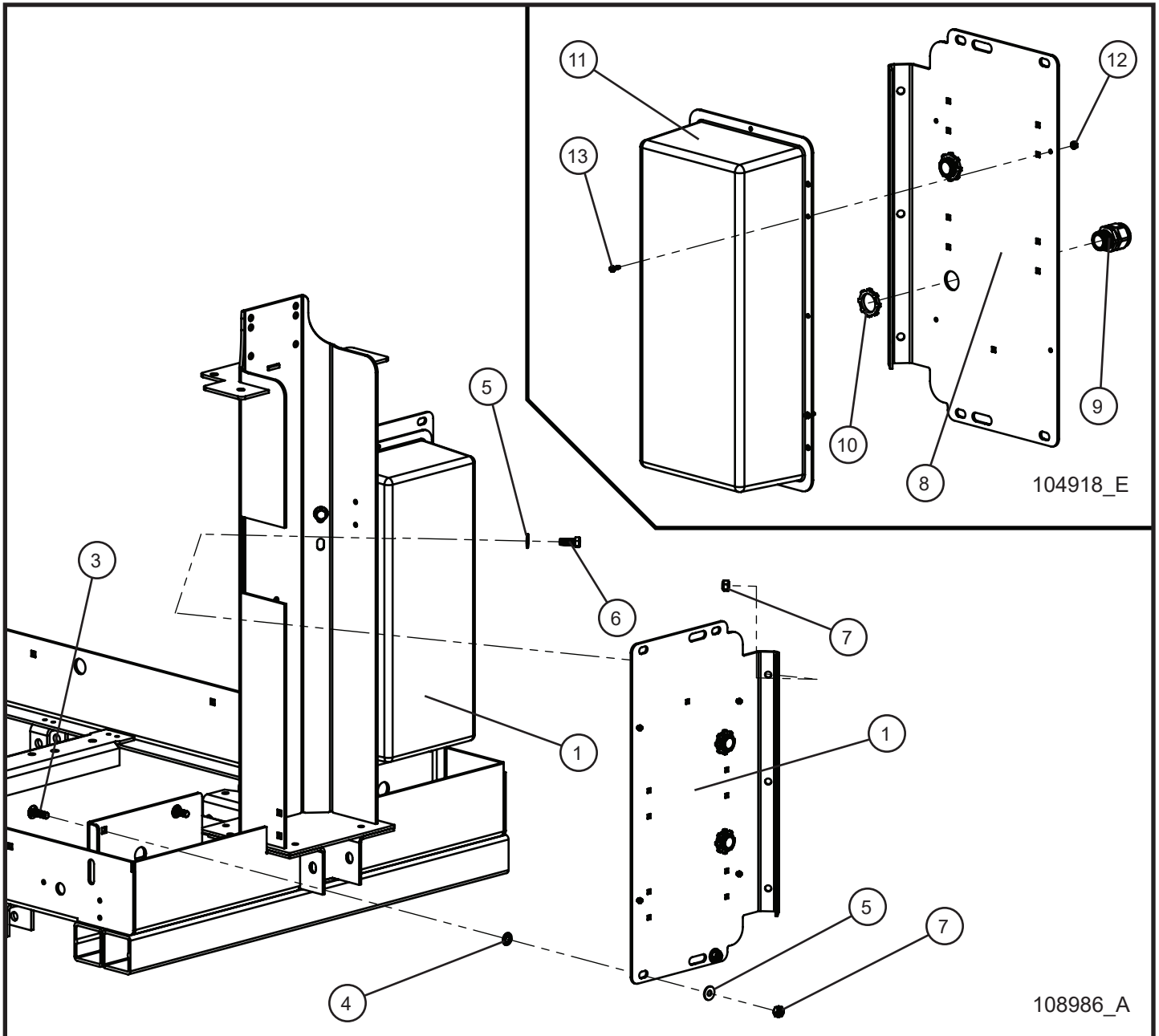
SN 07-000001 and UP  
SN 08-000001 to 08-004638

Item	Part No.	Part Description	Qty.
1	111465P	MOUNT PLATE LED DRIVER	1
2	041012	SCREW MS #8-32 x 1/2 PL	18
3	044003	#8-32 NC KEPS NUT	18
4	105626	CORD GRIP 1/2 NYLON BLACK	8
5	022035	1/2 CORD GRIP NUT	8
6	105916	CORD GRIP NYLON 3/4	3
7	022036	3/4 CORD GRIP NUT	3
8	111960P	LED DRIVER JUNCTION BOX	1
9	111449	CONSSIN HLG-320-54A LED DRIVER	4
NS	112719	SPEAKER LED TO CONSSIN COB LED LIGHT SERVICE KIT	1
NS	111462	CONSSIN LED LIGHT AND DRIVER KIT (INCL. 111449 & 111451)	1

\*NS - NOT SHOWN

## 5.11 - No Lamps with Non Ballast Box Assembly

SN 07-000001 and UP  
SN 08-000001 and UP



# Night-Lite ProII™

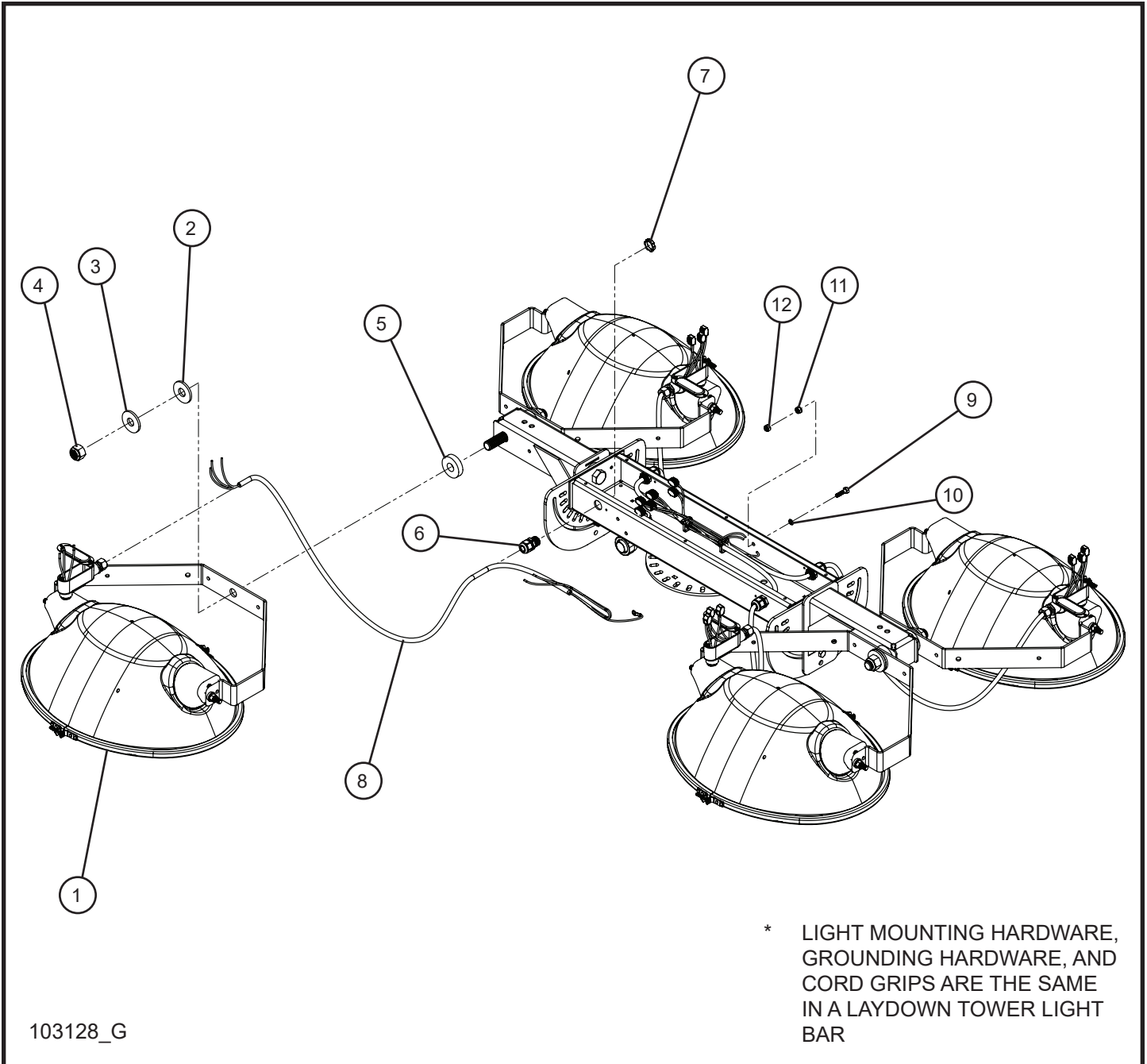
## 5.11 - No Lamps with Non Ballast Box Assembly

SN 07-000001 and UP  
SN 08-000001 and UP

Item	Part No.	Part Description	Qty.
1	104918	NO LAMPS NON BALLAST BOX	2
2	103624	PRO II BALLAST ASSEMBLY CORD	4
3	100670	3/8-16 x 1 1/4 CARRIAGE BOLT	4
4	045218	3/8 PUSH NUT	4
5	047010	5/16 FLAT WASHER PL	8
6	046110	3/8-16 x 1 HEX HEAD CS GR5 PL	4
7	044038	3/8-16 NYLOCK HEX NUT PL	8
8	103936P	MOUNT PLATE BALLAST BOX	1
9	105916	GRIP CORD NYLON 3/4"	2
10	022036	3/4 CORD GRIP NUT	2
11	102752	BALLAST TOP MODULAR BOX	1
12	044003	#8-32 NC KEPS NUT	4
13	041029	#8-32 x 1/2 HEX WASHER HEAD SCREW	4

## 5.12 - SHO Lamp Holder Install Group

SN 07-000001 and UP  
SN 08-000001 and UP



# Night-Lite ProII™

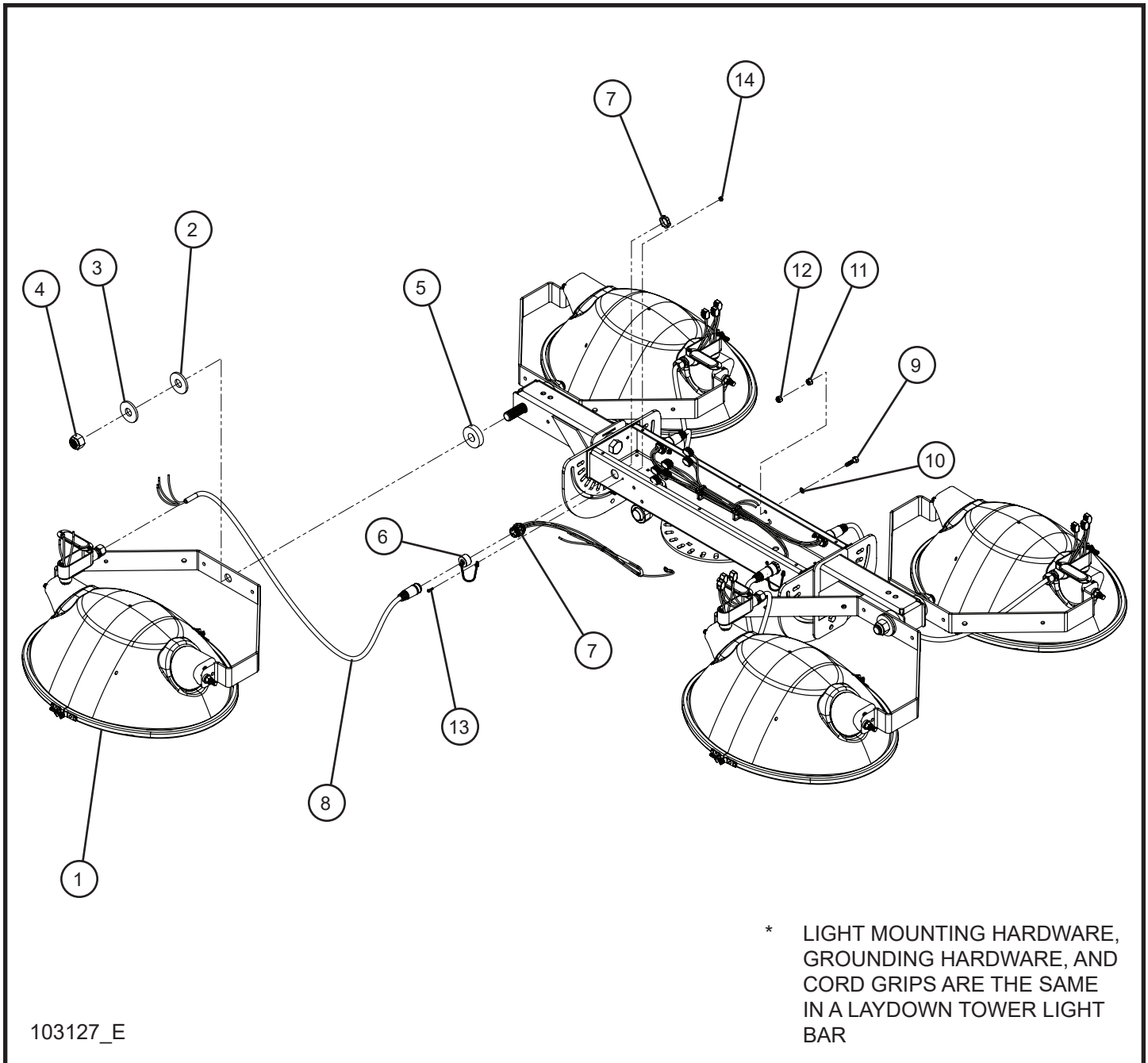
## 5.12 - SHO Light Fixtures

SN 07-000001 and UP  
SN 08-000001 and UP

Item	Part No.	Part Description	Qty.
1	650147	LAMPHOLDER SHO LIGHT WITH NO LAMP	4
	650144	LAMPHOLDER SHO LIGHT WITH 1000W LAMP	4
	100633	LAMPHOLDER SHO LIGHT WITH 1250W LAMP	4
	105244	LAMPHOLDER CSA/UL SHO LIGHT WITH NO LAMP	4
2	650550	.785" x 2" HDPE WASHER	4
3	047035	3/4 FLAT WASHER	4
4	044058	3/4-10 NYLOCK HEX NUT	4
5	101813	.781 ID x 2 OD x 1/2 HDPE WASHER	4
6	105626	1/2 NYLON BLACK CORD GRIP	4
7	022035	1/2 CORD GRIP NUT	4
8	115000	16/3 HARD WIRED LAMP LEAD CORD	4
9	046015	1/4-20 x 1 HEX HEAD BOLT	1
10	043050	1/4 INTL TOOTHLOCK WASHER	1
11	044021	1/4-20 KEPS HEX NUT	1
12	044023	1/4-20 NYLOCK HEX NUT	1
NS	105294	SOLID WIRED LAMP SCHEMATIC	1

## 5.13 - SHO Lamp Holder Disconnect Install Group

SN 07-000001 and UP  
SN 08-000001 and UP





# Night-Lite ProII™

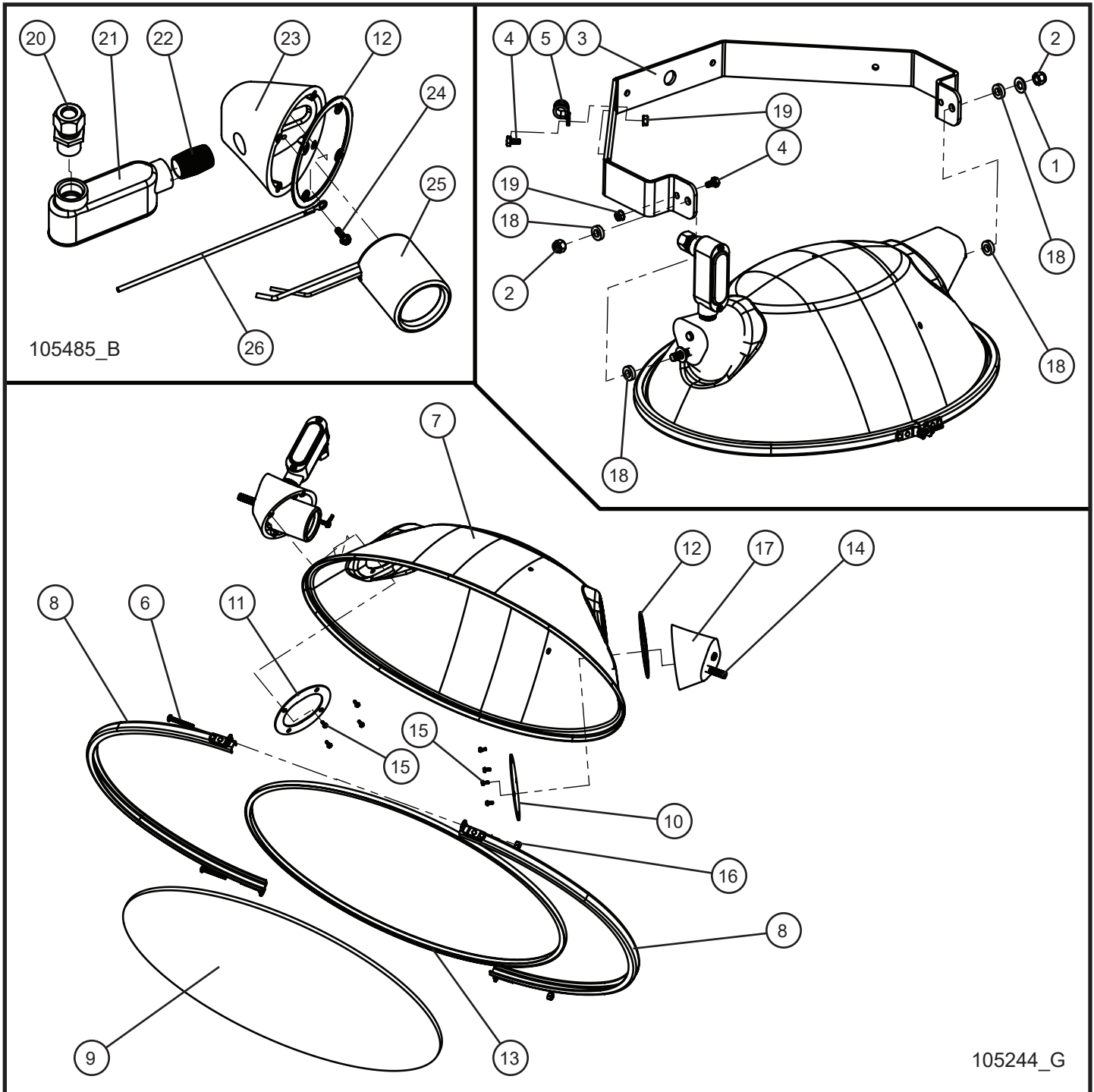
## 5.13 - SHO Lamp Holder Disconnect Install Group

SN 07-000001 and UP  
SN 08-000001 and UP

Item	Part No.	Part Description	Qty.
1	650147	LAMPHOLDER SHO LIGHT WITH NO LAMP	4
	650144	LAMPHOLDER SHO LIGHT WITH 1000W LAMP	4
	100633	LAMPHOLDER SHO LIGHT WITH 1250W LAMP	4
	105244	LAMPHOLDER CSA/UL SHO LIGHT WITH NO LAMP	4
2	650550	.785" x 2" HDPE WASHER	4
3	047035	3/4 FLAT WASHER	4
4	044058	3/4-10 NYLOCK HEX NUT	4
5	101813	.781 ID x 2 OD x 1/2 HDPE WASHER	4
6	310413	LIGHT BAR QUICK DISCONNECT CAP	4
7	115001	HUBBEL FEMALE CONNECTOR CABLE	4
8	310434	HUBBEL MALE CONNECTOR CABLE	4
9	046015	1/4-20 x 1 HEX HEAD BOLT	1
10	043050	1/4 INTL TOOTHLOCK WASHER	1
11	044021	1/4-20 KEPS HEX NUT	1
12	044023	1/4-20 NYLOCK HEX NUT	1
13	100029	#6-32 x 1/2 PH-ROUND HEAD MACHINE SCREW	4
14	044004	#6-32 KEPS HEX NUT	4
NS	105295	QUICK DISCONNECT WIRED LAMP SCHEMATIC	1

## 5.14 - SHO Lamp Holder Assembly Group

SN 07-000001 and UP  
SN 08-000001 and UP



# Night-Lite ProII™

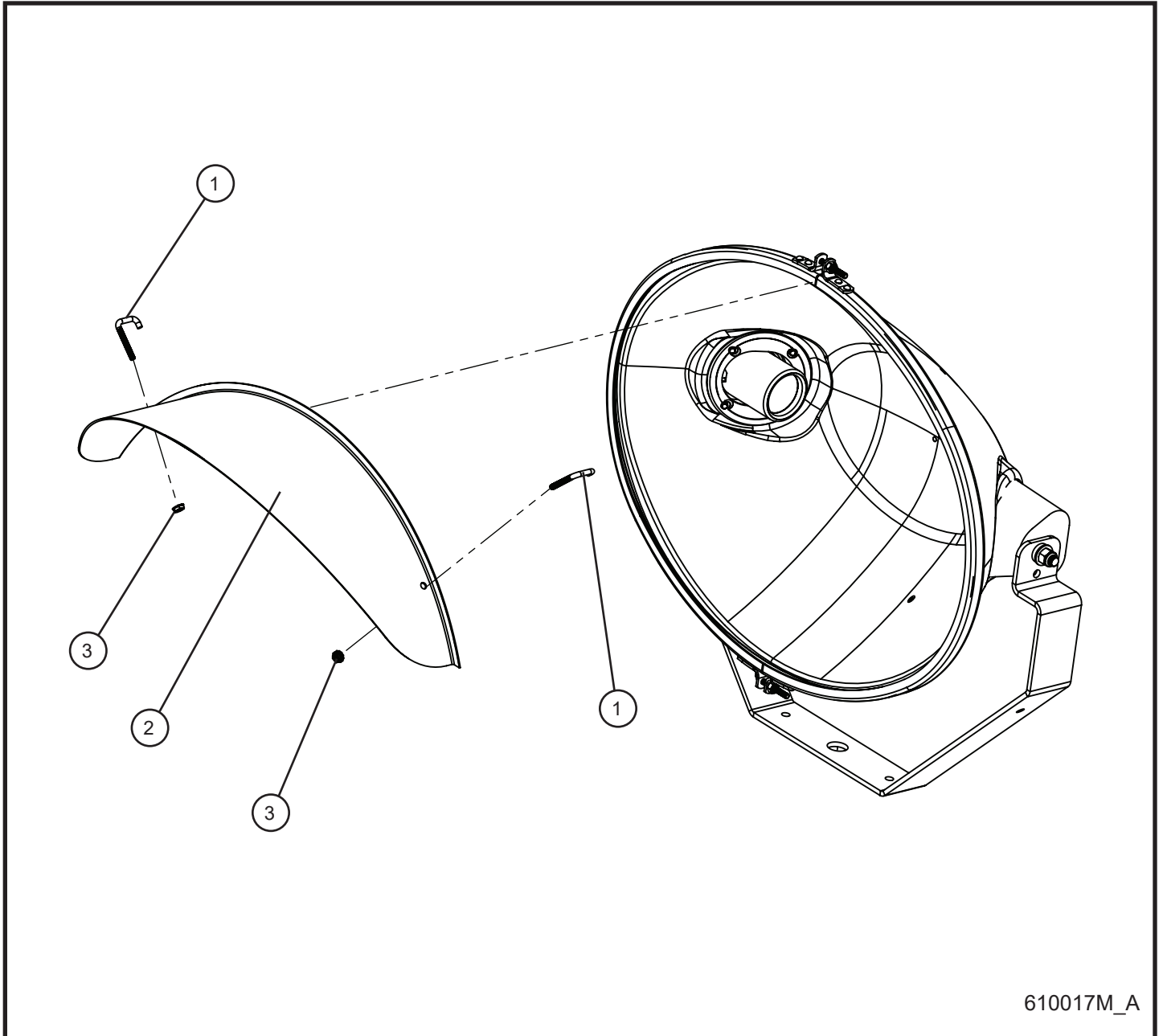
## 5.14 - SHO Light Assembly Group

SN 07-000001 and UP  
SN 08-000001 and UP

Item	Part No.	Part Description	Qty.
--	105244	COMPLETE LAMP ASSEMBLY	1
1	047016	3/8 FLAT WASHER SAE ZINC	2
2	044037	3/8-24 NYLOCK HEX NUT PL	2
3	660130	YOKE MOUNT SHO LAMP	1
4	046005	1/4-20 x 1/2 HEX HEAD CS GR5 PL	2
5	022018	#8 CUSH CLAMP	1
6	041040	#10-24 x 1 1/2 PH-ROUND HEAD MS SS	2
7	610201	REFLECTOR	1
8	610202	LENS CHANNEL SET SHO LIGHT	2
9	610203	GLASS LENS	1
10	610207	INTERIOR COVER PLATE WITHOUT HOLE	1
11	610208	INTERIOR COVER PLATE WITH HOLE	1
12	610213	GASKET SOCKET END CAP	2
13	610217	SILICONE GASKET	1
14	045142	3/8-24 x 3/8-16 x 2 STUD	2
15	041028	#10-24 x 1/2 HEX WASHER HEAD INDT	8
16	044019	#10-24 NYLOCK HEX NUT SS	2
17	610206	CASTING END SHO	1
18	047019	NYLON BUSHING 3/4 OD x .385 ID	4
19	044021	1/4-20 KEPS HEX NUT PL	2
20	510007	1/2 CORD GRIP	1
21	610214	ELBOW 1/2 SLB SHO ENTRANCE	1
22	610215	1/2 NPT NIPPLE	1
23	610205	SOCKET CASTING END SHO	1
24	041257	#10-32 x 3/8 SL-HEX WASHER HEAD MS GRND	1
25	610212	CERAMIC SOCKET	1
26	610219	GROUND WIRE LAMPHOLDER SHO ENTRANCE	1

## 5.15 - SHO Lamp SAF-T-Visor

SN 07-000001 and UP  
SN 08-000001 and UP



610017M\_A

# Night-Lite ProII™

---

---

## 5.15 - SHO Lamp SAF-T-Visor

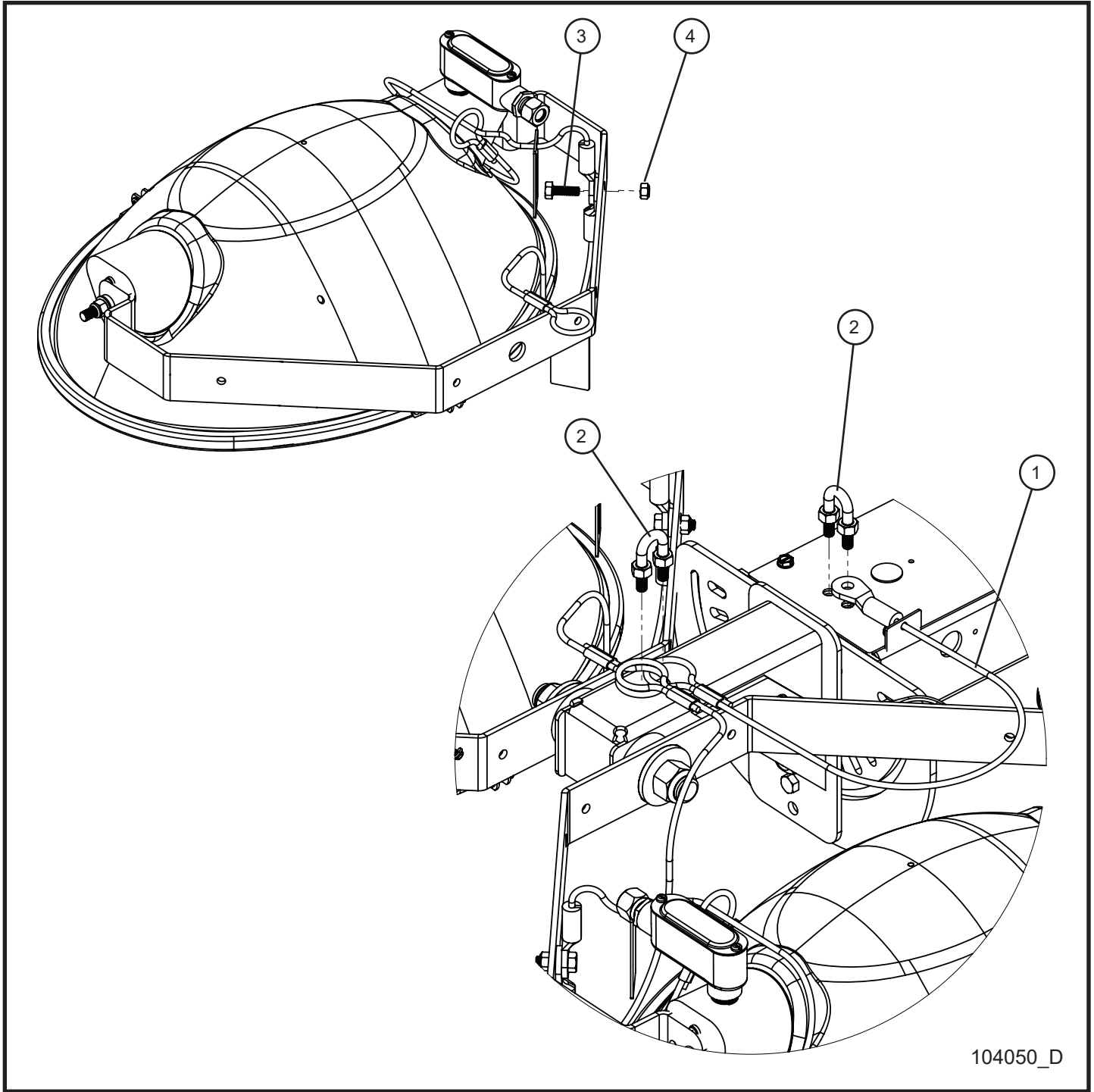
SN 07-000001 and UP  
SN 08-000001 and UP

Item	Part No.	Part Description	Qty.
1	045070	#10-24 HOOK SQ BEND BOLT	8
2	610017	SAF-T VISOR SHO LAMP (*SEE NOTE)	4
3	044016	#10-24 KEPS HEX NUT PL	8

\*NOTE: SAF-T VISOR MUST BE INSTALLED WITH LIP BETWEEN GASKET AND GLASS LENS.

## 5.16 - SHO Light SFR Safety Lanyards

SN 08-000001 and UP



# Night-Lite ProII™

---

---

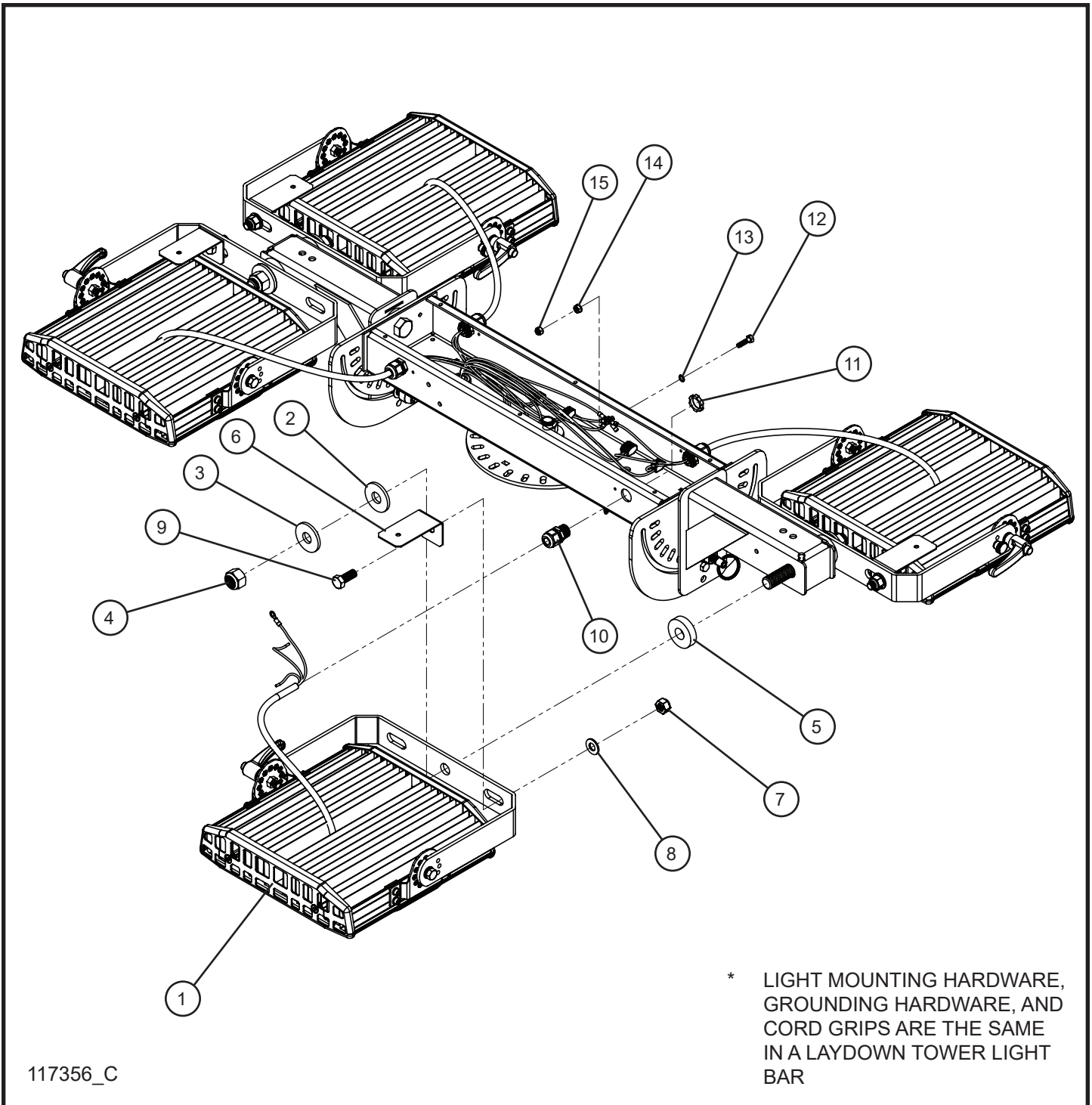
## 5.16 - SHO Light SFR Safety Lanyards

SN 08-000001 and UP

Item	Part No.	Part Description	Qty.
1	103907	LOAD RATED LANYARD	10
2	045085	3/8-16 U BOLT	4
3	046050	5/16-18 x 1 HEX HEAD CS GR5 PL	4
4	044033	5/16-18 NYLOCK HEX NUT PL	4

## 5.17 - Conssin COB LED Lamp Install Group

SN 07-000001 and UP  
SN 08-000001 to 08-004638



117356\_C



# Night-Lite ProII™

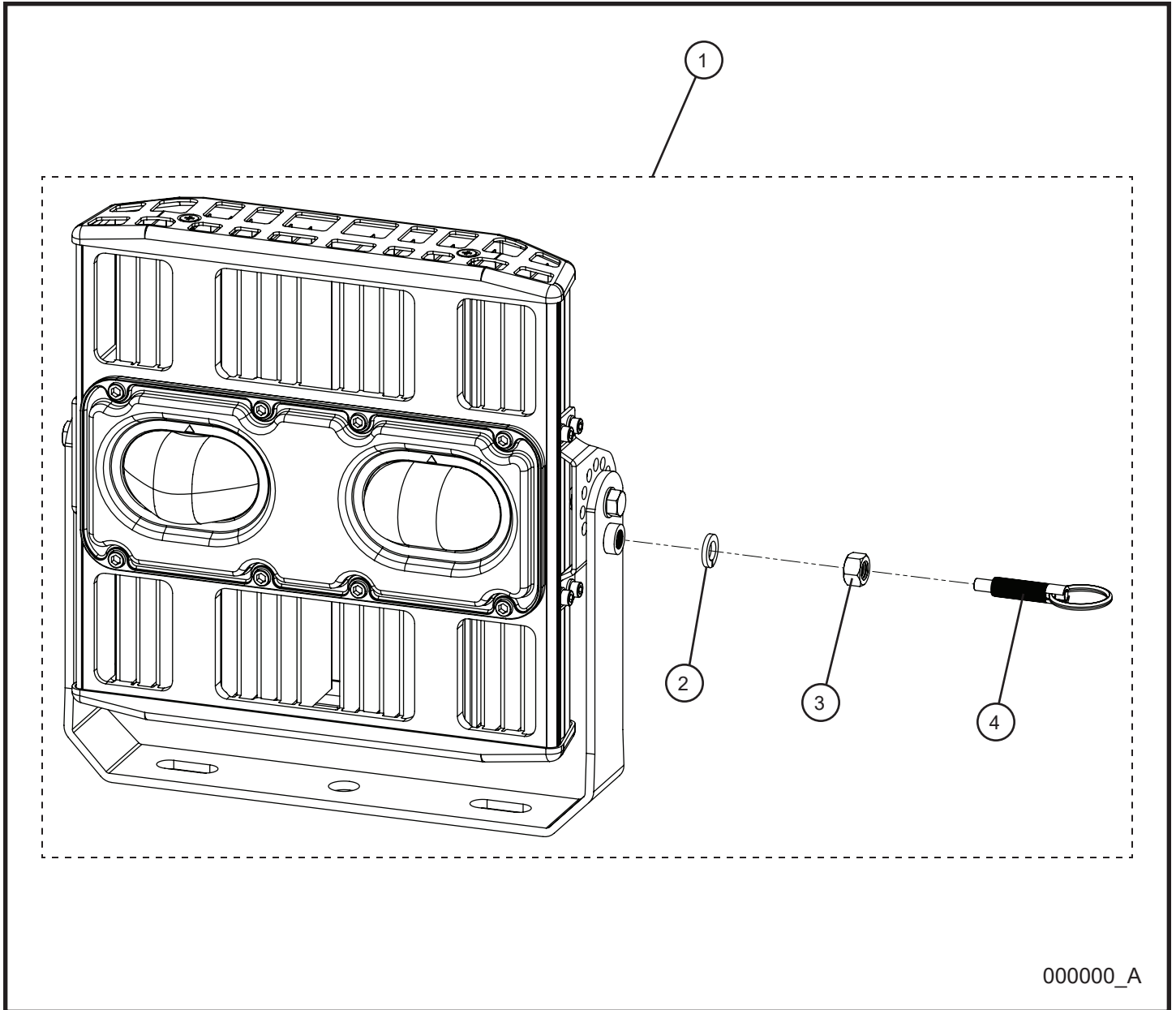
## 5.17 - Conssin COB LED Lamp Install Group

SN 07-000001 and UP  
SN 08-000001 to 08-004638

Item	Part No.	Part Description	Qty.
1	114075	CONSSIN KUEM2-320 LED LIGHT	4
2	650550	.785" x 2" HDPE WASHER	4
3	047035	3/4 FLAT WASHER PL	4
4	044058	3/4-10 NYLOCK HEX NUT PL	4
5	101813	.781 ID x 2 OD x 1/2 HDPE WASHER	4
6	111975P	LED CONSSIN CSA STOP	4
7	044048	1/2-13 NYLOCK HEX NUT PL	4
8	047025	1/2 FLAT WASHER PL	4
9	046180	1/2-13 x 1 1/4 HEX HEAD CS GR5 PL	4
10	105626	1/2 CORD GRIP	4
11	022035	1/2 CORD GRIP NUT	4
12	046015	1/4-20 x 1 HEX HEAD BOLT	1
13	043050	1/4 INTL TOOTHLOCK WASHER	1
14	044021	1/4-20 KEPS HEX NUT	1
15	044023	1/4-20 NYLOCK HEX NUT	1
NS	117357	4 LIGHT LED LIGHT BAR SCHEMATIC	1
NS	112719	SPEAKER LED TO CONSSIN COB LED LIGHT SERVICE KIT	1
NS	111462	CONSSIN LED LIGHT AND DRIVER KIT	1

## 5.18 - Conssin COB LED Lamp

SN 07-000001 and UP  
SN 08-000001 to 08-004638



000000\_A

# Night-Lite ProII™

---

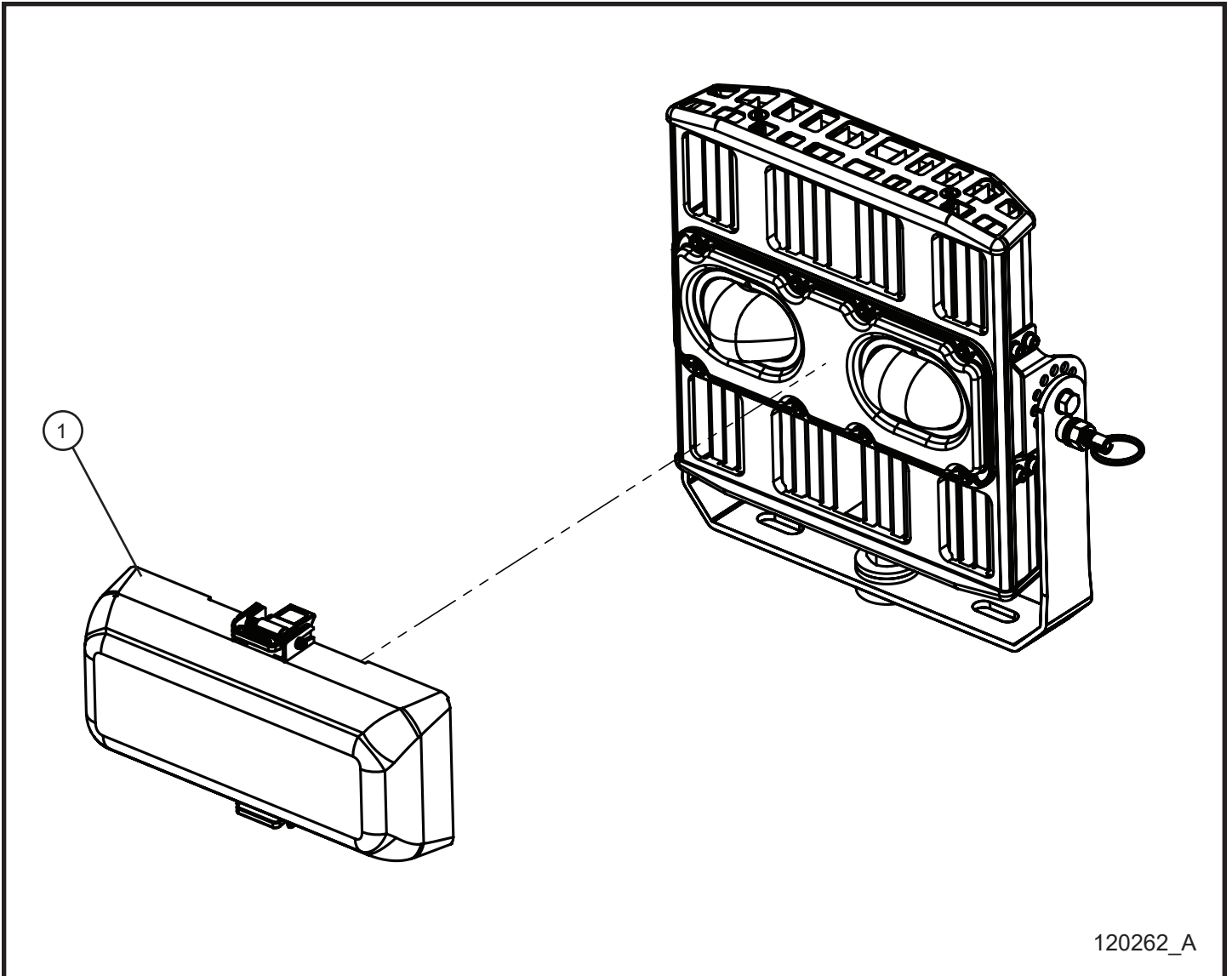
## 5.18 - Conssin COB LED Lamp

SN 07-000001 and UP  
SN 08-000001 to 08-004638

Item	Part No.	Part Description	Qty.
1	114075	CONSSIN KUEM2-320 LED LIGHT	1
2	043085	1/2 SPLITLOCK WASHER	1
3	044045	1/2 HEX NUT	1
4	100148	SPRING LOCK 1/2-13 UNC x 1.4	1
NS	114104	YOKE, BRACKETS, AND HARDWARE CONSSIN KIT	1
NS	111462	CONSSIN LED LIGHT AND DRIVER KIT	1

## 5.19 - Conssin COB LED Lamp Diffuser

SN 07-000001 and UP  
SN 08-000001 to 08-004638



120262\_A

# Night-Lite ProII™

---

## 5.19 - Conssin COB LED Lamp Diffuser

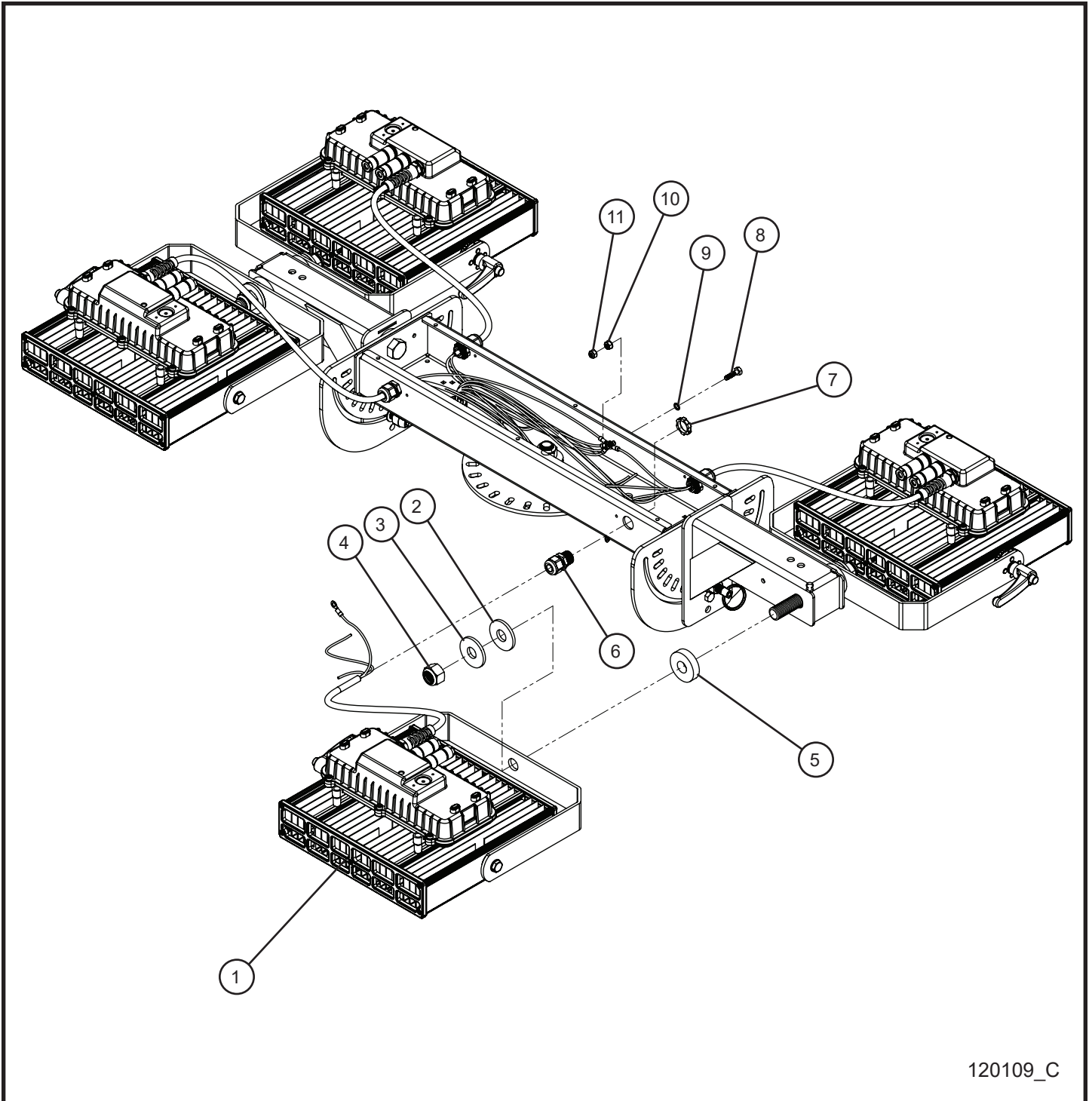
SN 07-000001 and UP  
SN 08-000001 to 08-004638

Item	Part No.	Part Description	Qty.
1	118419	DIFFUSER COVER LIGHT LED COB 320W	1

\*NS - NOT SHOWN

## 5.20 - Conssin SMD LED Lamp Install Group

SN 08-004639 and UP



120109\_C

# Night-Lite ProII™

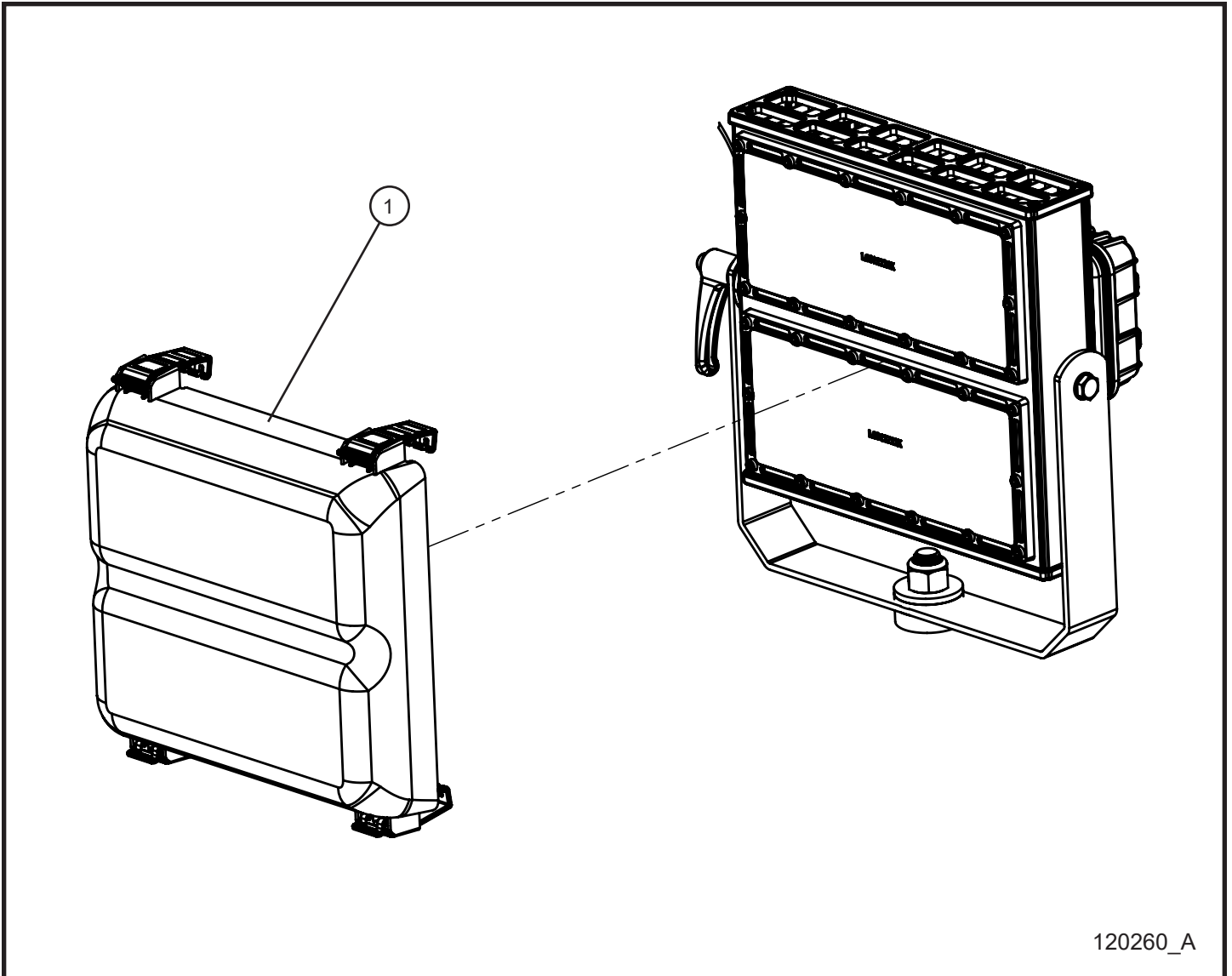
## 5.20 - Conssin SMD LED Lamp Install Group

SN 08-004639 and UP

Item	Part No.	Part Description	Qty.
1	120088	350W SMD LED ASSEMBLY	4
2	650550	.785" x 2" HDPE WASHER	4
3	047035	3/4 FLAT WASHER PL	4
4	044058	3/4-10 NYLOCK HEX NUT PL	4
5	101813	.781 ID x 2 OD x 1/2 HDPE WASHER	4
6	105626	1/2 CORD GRIP	4
7	022035	1/2 CORD GRIP NUT	4
8	046015	1/4-20 x 1 HEX HEAD BOLT	1
9	043050	1/4 INTL TOOTHLOCK WASHER	1
10	044021	1/4-20 KEPS HEX NUT	1
11	044023	1/4-20 NYLOCK HEX NUT	1
NS	105292	SCHEMATIC 4 LIGHT 16/8 CORD 1P OR 208V 3P	1

## 5.21 - Conssin SMD LED Lamp Diffuser

SN 08-004639 and UP





# Night-Lite ProII™

---

---

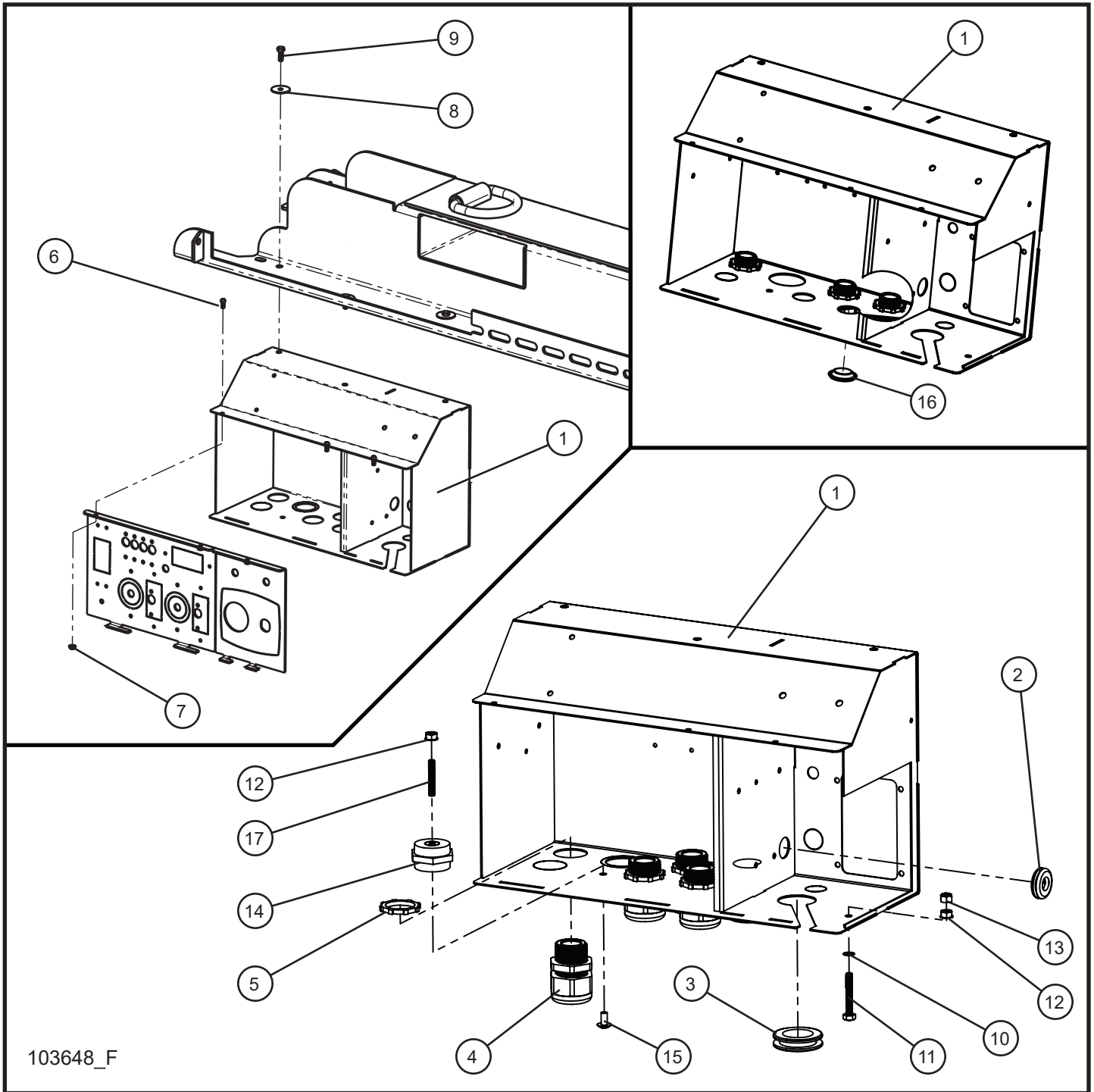
## 5.21 - Conssin SMD LED Lamp Diffuser

SN 08-004639 and UP

Item	Part No.	Part Description	Qty.
1	118417	DIFFUSER COVER LIGHT LED SMD 350W	1

## 6.1 - Component Box

SN 07-000001 and UP  
SN 08-000001 and UP



103648\_F

# Night-Lite ProII™

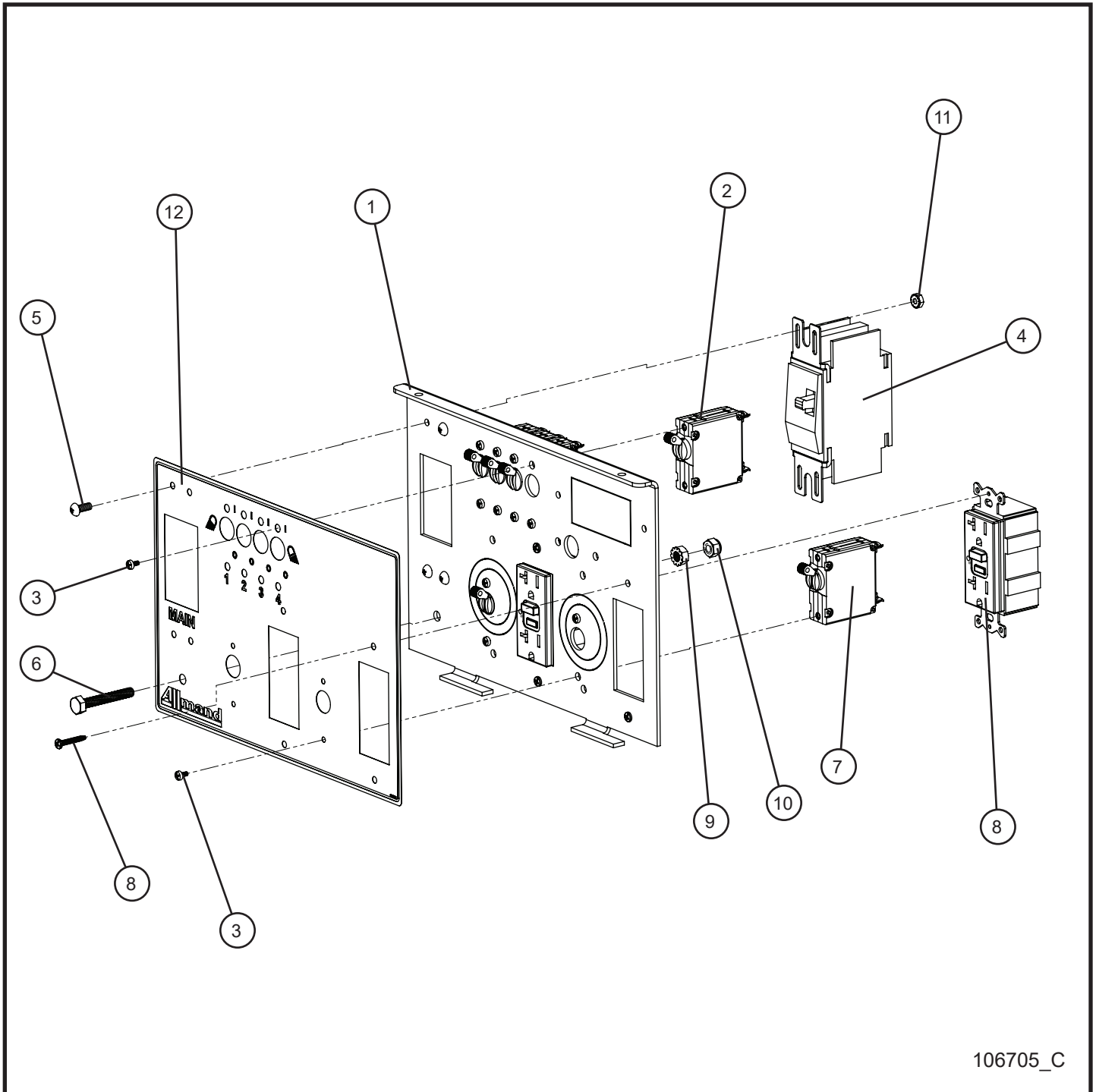
## 6.1 - Component Box

SN 07-000001 and UP  
SN 08-000001 and UP

Item	Part No.	Part Description	Qty.
1	112222P	COMPONENT BOX WELDMENT	1
2	100859	7/8 ID x 1 1/4 OD GROMMET	1
3	650542	1 1/4 ID x 1 1/2 OD GROMMET	1
4	105916	CORD GRIP 3/4" NYLON BLACK	5
5	022036	3/4" CORD GRIP NUT	5
6	041024	#10-24 x 1/2 PH-ROUND HEAD MS SS	3
7	044016	#10-24 KEPS HEX NUT PL	3
8	047007	1/4 x 1 1/4 x .056 FENDER WASHER	3
9	046010	1/4-20 x 3/4 HEX HEAD CS GR5 SS	3
10	043050	1/4 INT'L TOOTH LOCK WASHER	1
11	046029	1/4-20 x 1 3/4 HEX HEAD CS GR5 PL	1
12	057000	1/4-20 HEX SERRATED FLANGE NUT	2
13	057001	1/4 - 20 HEX NYLOCK FLANGE NUT	1
14	106318	LOW VOLTAGE INSULATOR 1-1/4, 1/4-20	1
15	041078	1/4-20 x 1/2 PH-TRUSS HEAD MS SS	1
16	064025	1 1/16 IN. PLASTIC PLUG	1
17	045003	1/4-20 x 1-1/2 STUD PL	1

## 6.2 - 2-20AMP GFCI Outlet UL489 Package

SN 07-000001 and UP  
SN 08-000001 and UP



106705\_C

# Night-Lite ProII™

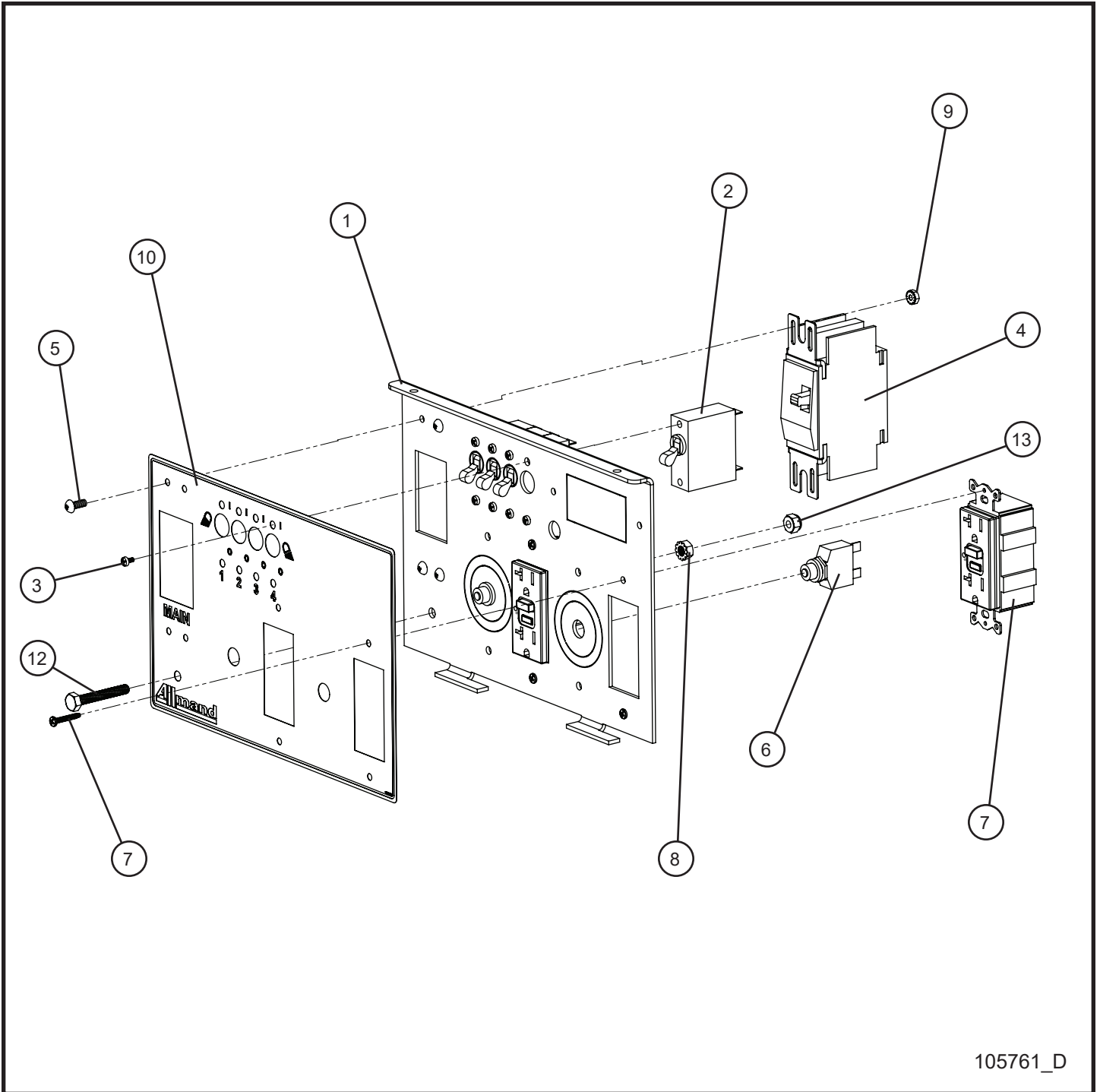
## 6.2 - 2-20AMP GFCI Outlet UL489 Package

SN 07-000001 and UP  
SN 08-000001 and UP

Item	Part No.	Part Description	Qty.
1	106684P	OUTLET PANEL UNIVERSAL 3	1
2	106781	CIRCUIT BREAKER 15AMP	4
3	041018	#6-32 x 1/4 PH-ROUND HEAD MS PL	12
4	350354	35 AMP DOUBLE POLE BREAKER	1
5	041012	SCREW MS #8-32 x 1/2 PL	4
6	046029	1/4-20 x 1 3/4 HEX HEAD CS GR5 PL	1
7	106787	CIRCUIT BREAKER 20AMP	2
8	330499	20 A GFCI RECEPTACLE	2
9	044021	1/4-20 KEPS HEX NUT PL	1
10	044023	1/4-20 NYLOCK HEX NUT PL	1
11	044003	#8-32 NC KEPS NUT	4
12	105771	DECAL BREAKER DOMESTIC OPTIONS	1
13	107599	SCHEMATIC 2-20 AMP GFCI	1

## 6.3 - 2-20AMP GFCI Outlet Package

SN 07-000001 and UP  
SN 08-000001 and UP



105761\_D

# Night-Lite ProII™

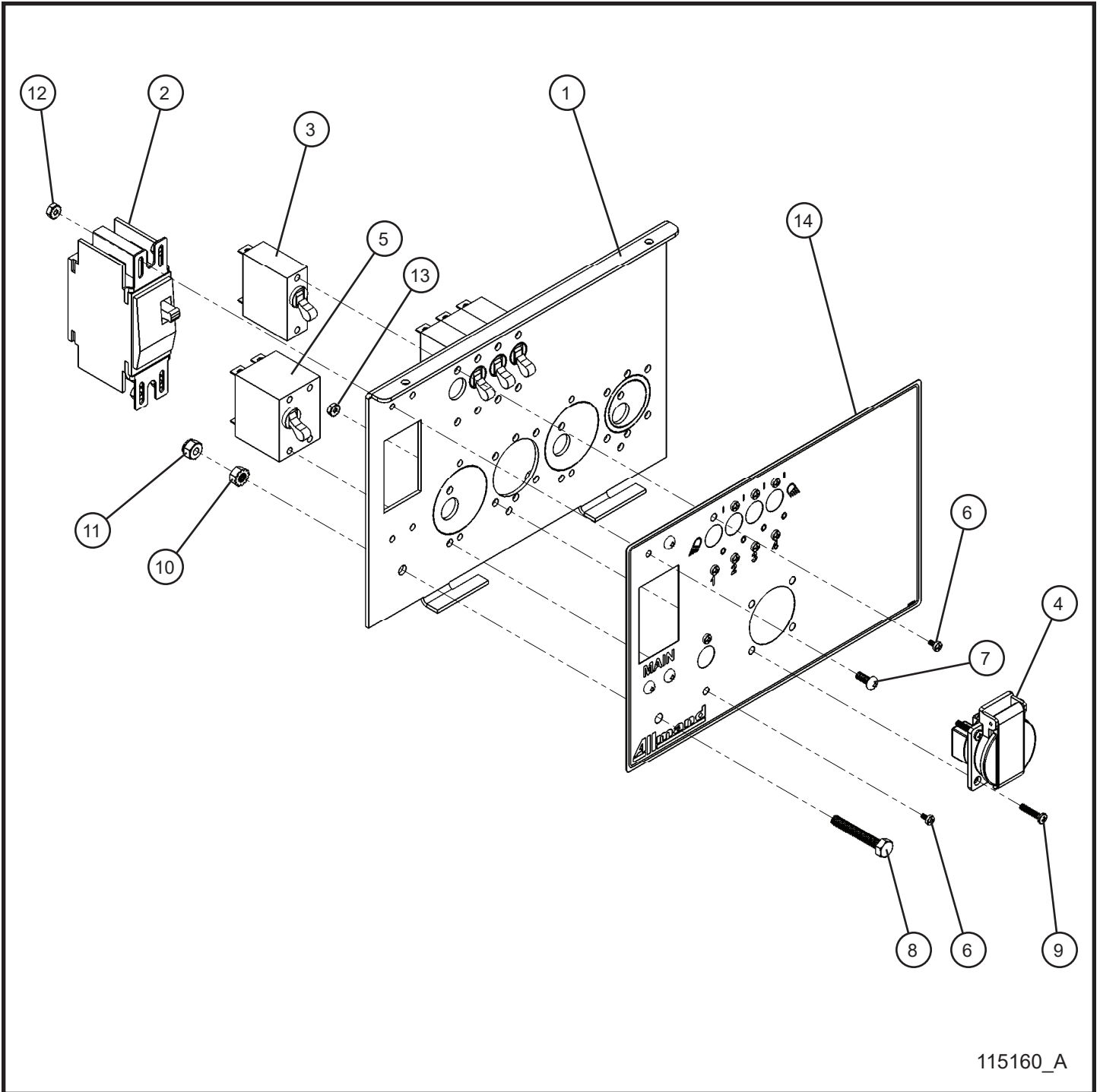
## 6.3 - 2-20AMP GFCI Outlet Package

SN 07-000001 and UP  
SN 08-000001 and UP

Item	Part No.	Part Description	Qty.
1	105777P	OUTLET PANEL UNIVERSAL 3	1
2	330458	15A SPST BREAKER SWITCH	4
3	041018	#6-32 x 1/4 PH-ROUND HEAD MS PL	8
4	350354	35 AMP DOUBLE POLE BREAKER	1
5	041012	SCREW MS #8-32 x 1/2 PL	4
6	650138	CIRCUIT BREAKER 20A PUSH BUTTON	2
7	330499	20 A GFCI RECEPTACLE	2
8	044021	1/4-20 KEPS HEX NUT PL	1
9	044003	#8-32 NC KEPS NUT	4
10	105771	DECAL BREAKER DOMESTIC OPTIONS	1
11	108015	SCHEMATIC 2-20AMP GFCI	1
12	046029	1/4-20 x 1 3/4 HEX HEAD CS GR5 PL	1
13	044023	1/4-20 NYLOCK HEX NUT PL	1

## 6.4 - 50Hz 1-Schuko Outlet Package

SN 07-000001 and UP  
SN 08-000001 and UP



115160\_A



# Night-Lite ProII™

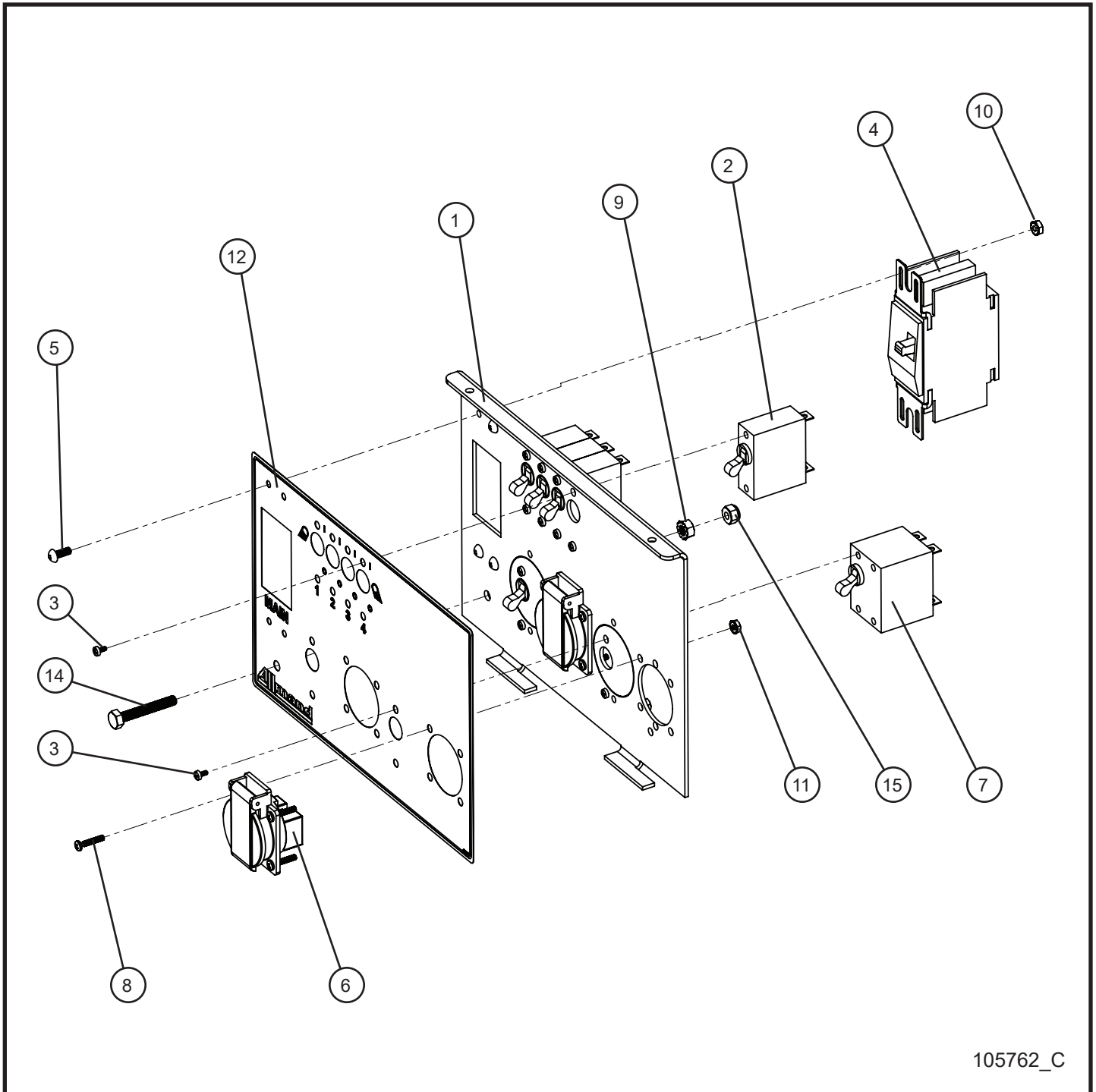
## 6.4 - 50Hz 1-Schuko Outlet Package

SN 07-000001 and UP  
SN 08-000001 and UP

Item	Part No.	Part Description	Qty.
1	105778P	OUTLET PANEL UNIVERSAL 1	1
2	650534	25 AMP 120/240V DPST MAIN BREAKER	1
3	330458	15A SPST BREAKER SWITCH	4
	116992	5A SPST BREAKER SWITCH (SMD LED)	4
4	650485	SCHUKO RECEPTACLE	1
5	330459	15A DPST, CARLING SWITCH	2
6	041018	#6-32 x 1/4 PH-ROUND HEAD MS PL	10
7	041012	SCREW MS #8-32 x 1/2 PL	4
8	046029	1/4-20 x 1 3/4 HEX HEAD CS GR5 PL	1
9	101291	#6-32 x 3/4 PH-PAN HEAD MS ZC	4
10	044021	1/4-20 KEPS HEX NUT PL	1
11	044023	1/4-20 NYLOCK HEX NUT PL	1
12	044003	#8-32 NC KEPS NUT	4
13	044004	#6-32 KEPS HEX NUT PL	4
14	105771	DECAL BREAKER FOREIGN OPTIONS	1
NS	115164	SCHEMATIC 50Hz 1-16A SCHUKO OUTLET	1

## 6.5 - 50Hz 2-Schuko Outlet Package

SN 07-000001 and UP  
SN 08-000001 and UP



105762\_C

# Night-Lite ProII™

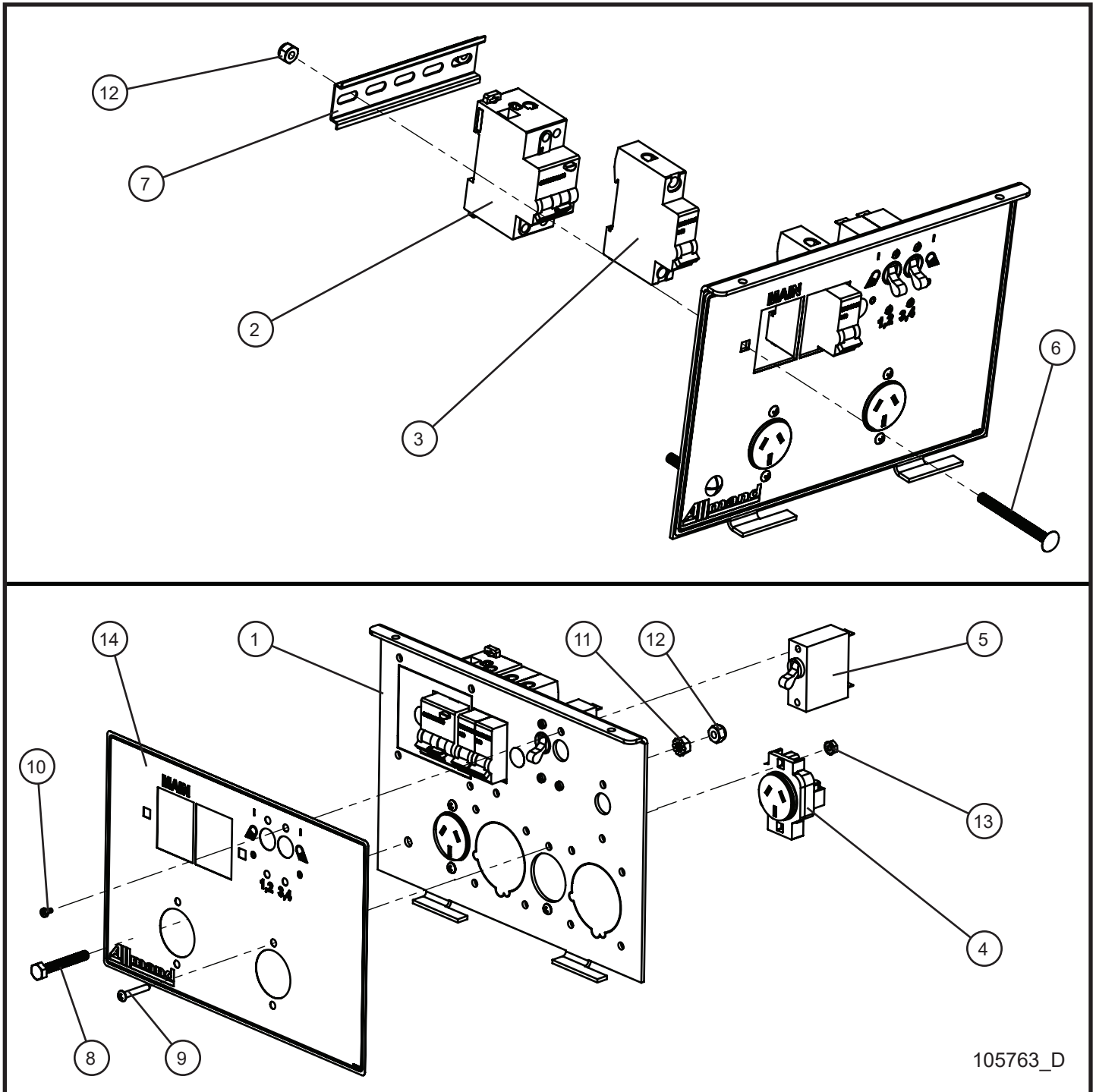
## 6.5 - 50Hz 2-Schuko Outlet Package

SN 07-000001 and UP  
SN 08-000001 and UP

Item	Part No.	Part Description	Qty.
1	105778P	OUTLET PANEL UNIVERSAL 1	1
2	330458	15A SPST BREAKER SWITCH	4
	116992	5A SPST BREAKER SWITCH (SMD LED)	4
3	041018	#6-32 x 1/4 PH-ROUND HEAD MS PL	12
4	650534	25 AMP 120/240V DPST MAIN BREAKER	1
5	041012	SCREW MS #8-32 x 1/2 PL	4
6	650485	SCHUKO RECEPTACLE	2
7	330459	15A DPST, CARLING SWITCH	2
8	101291	#6-32 x 3/4 PH-PAN HEAD MS ZC	8
9	044021	1/4-20 KEPS HEX NUT PL	1
10	044003	#8-32 NC KEPS NUT	4
11	044004	#6-32 KEPS HEX NUT PL	8
12	105771	DECAL BREAKER FOREIGN OPTIONS	1
13	108039	SCHEMATIC 50Hz 2-16A SCHUKO OUTLETS	1
14	046029	1/4-20 x 1 3/4 HEX HEAD CS GR5 PL	1
15	044023	1/4-20 NYLOCK HEX NUT PL	1

## 6.6 - 2-10AMP Outlet Package Australian

SN 07-000001 and UP  
SN 08-000001 and UP



105763\_D

# Night-Lite ProII™

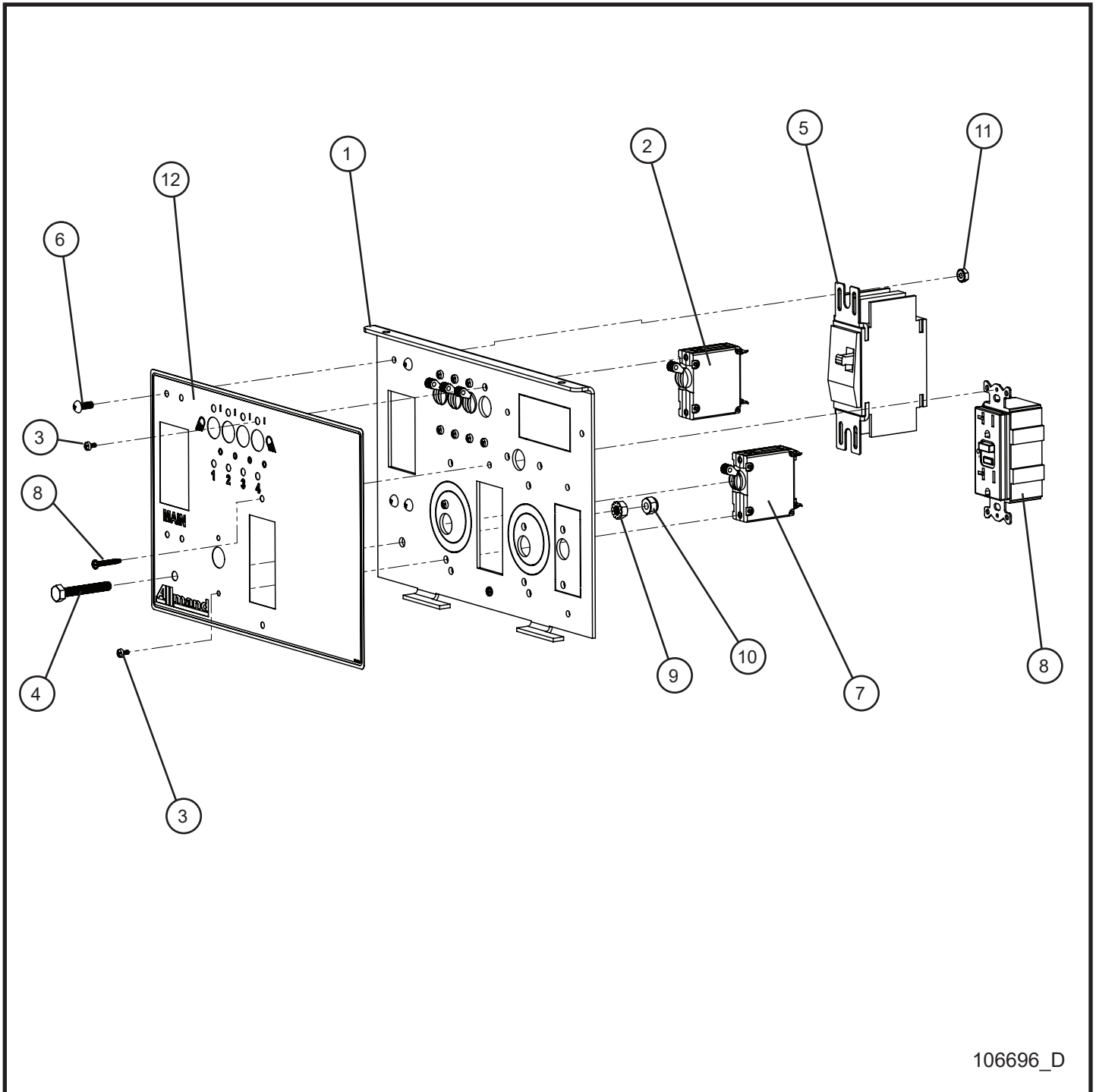
## 6.6 - 2-10AMP Outlet Package Australian

SN 07-000001 and UP  
SN 08-000001 and UP

Item	Part No.	Part Description	Qty.
1	105779P	OUTLET PANEL UNIVERSAL 2	1
2	C104040	CIRCUIT BREAKER 32 AMP	1
3	C104516	CIRCUIT BREAKER 10 AMP	2
4	102124	AU1-10 240V RECEPTACLE	2
5	330458	15A SPST BREAKER SWITCH	2
6	100718	1/4-20 x 2 1/4 CARRIAGE BOLT	2
7	105775	DIN RAIL 5"	1
8	046029	1/4-20 x 1 3/4 HEX HEAD CS GR5 PL	1
9	041202	#8-32 x 1 PH-ROUND HEAD MS ZC	4
10	041018	#6-32 x 1/4 PH-ROUND HEAD MS PL	4
11	044021	1/4-20 KEPS HEX NUT PL	1
12	044023	1/4-20 NYLOCK HEX NUT PL	3
13	044003	#8-32 NC KEPS NUT	4
14	102930	DECAL BREAKER	1
15	107615	SCHEMATIC 2-10 AMP AUSTRALIAN OUTLETS	1

## 6.7 - 1-20AMP GFCI Outlet UL489 Package

SN 07-000001 and UP  
SN 08-000001 and UP



106696\_D

# Night-Lite ProII™

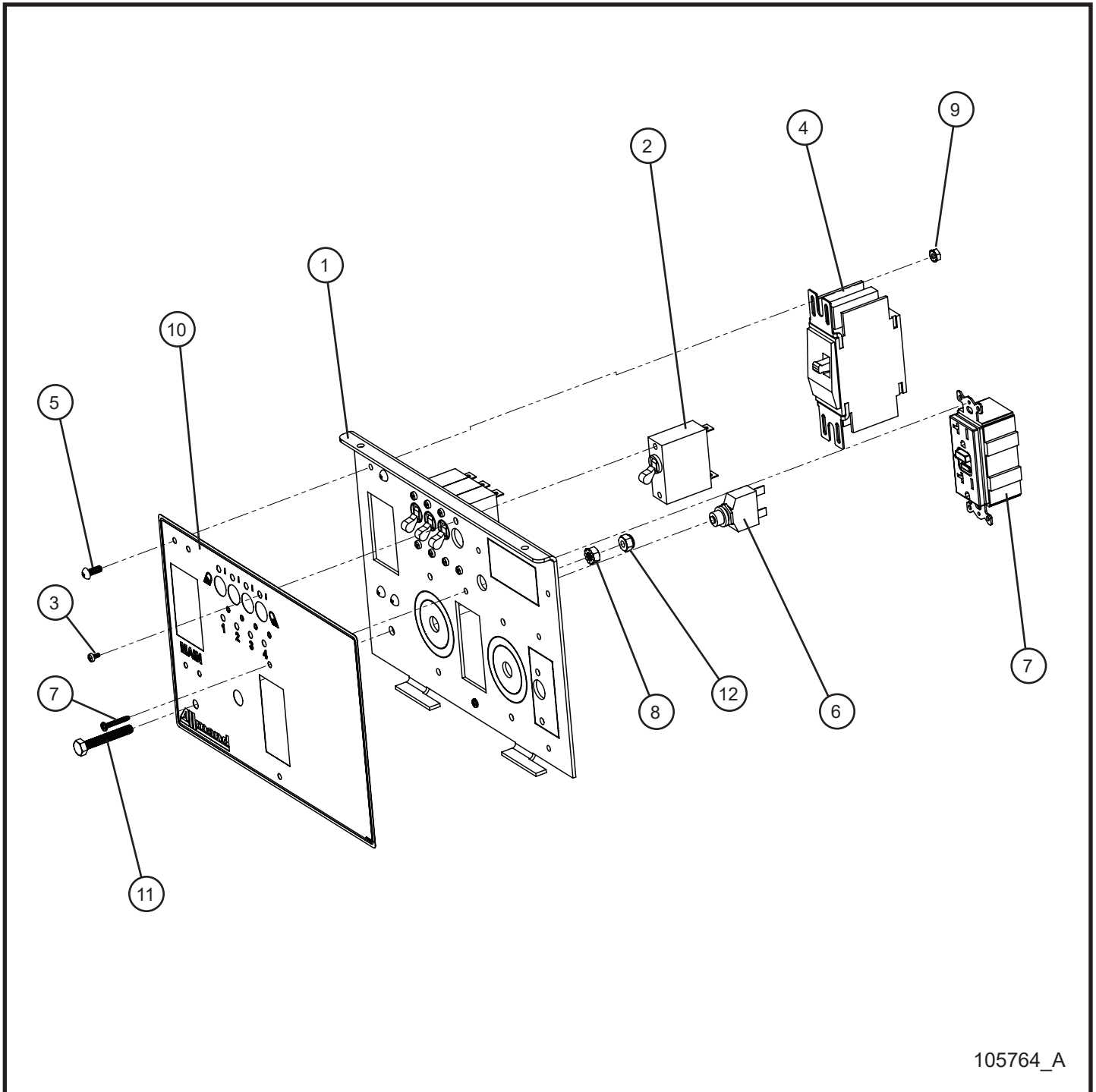
## 6.7 - 1-20AMP GFCI UL489 Outlet Package

SN 07-000001 and UP  
SN 08-000001 and UP

Item	Part No.	Part Description	Qty.
1	106684P	OUTLET PANEL UNIVERSAL 3	1
2	106781	CIRCUIT BREAKER 15 AMP	4
3	041018	#6-32 x 1/4 PH-ROUND HEAD MS PL	10
4	046029	1/4-20 x 1 3/4 HEX HEAD CS GR5 PL	1
5	350354	35 AMP DOUBLE POLE BREAKER	1
6	041012	SCREW MS #8-32 x 1/2 PL	4
7	106787	CIRCUIT BREAKER 20 AMP	1
8	330499	20 A GFCI RECEPTACLE	1
9	044021	1/4-20 KEPS HEX NUT PL	1
10	044023	1/4-20 NYLOCK HEX NUT PL	1
11	044003	#8-32 NC KEPS NUT	4
12	105771	DECAL BREAKER DOMESTIC OPTIONS	1
13	107620	SCHEMATIC 1-20 AMP GFCI	1

## 6.8 - 1-20AMP GFCI Outlet Package

SN 07-000001 and UP  
SN 08-000001 and UP



105764\_A



# Night-Lite ProII™

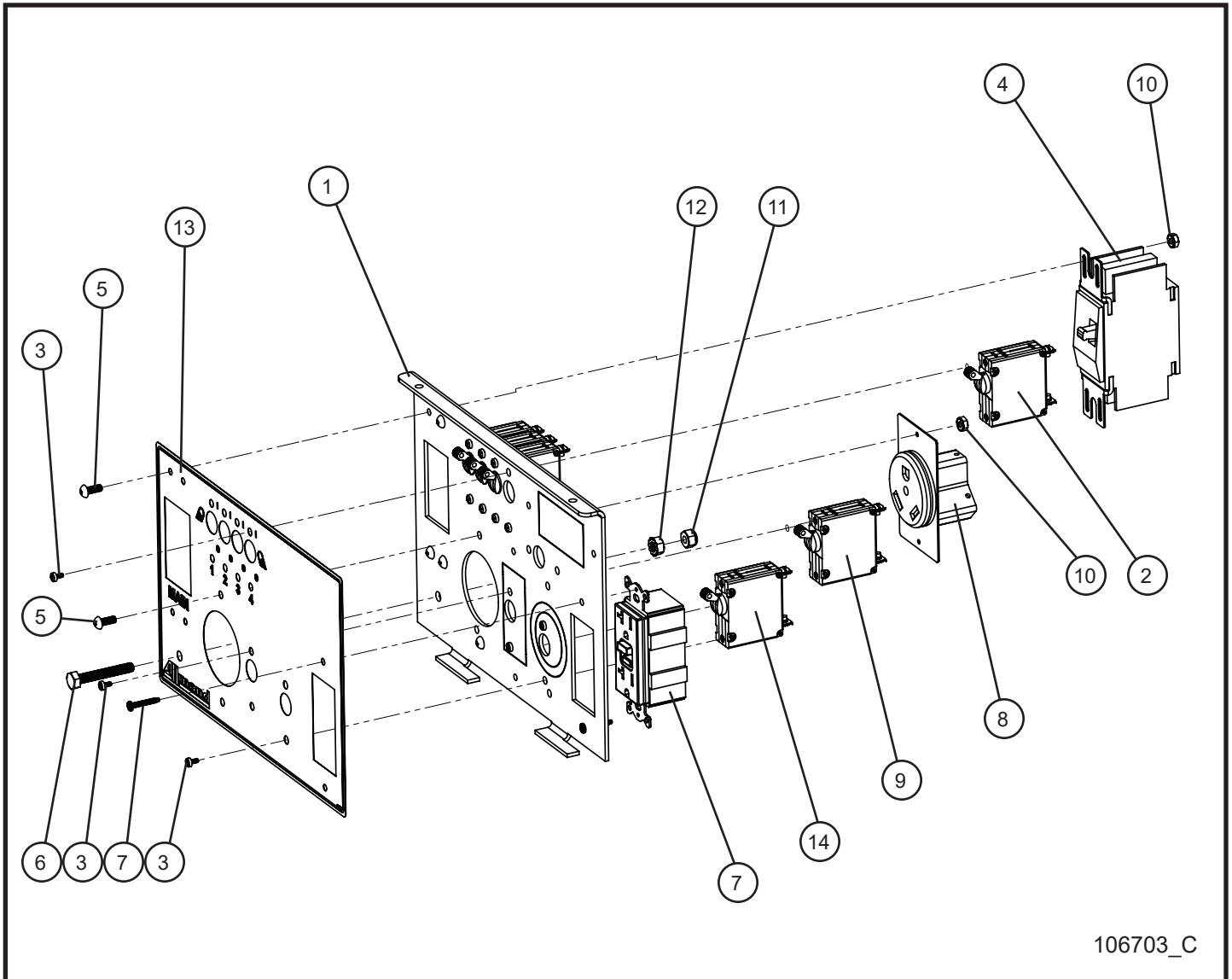
## 6.8 - 1-20AMP GFCI Outlet Package

SN 07-000001 and UP  
SN 08-000001 and UP

Item	Part No.	Part Description	Qty.
1	105777P	OUTLET PANEL UNIVERSAL 3	1
2	330458	15A SPST BREAKER SWITCH	4
	116992	5A SPST BREAKER SWITCH (SMD LED)	4
3	041018	#6-32 x 1/4 PH-ROUND HEAD MS PL	8
4	350354	35 AMP DOUBLE POLE BREAKER	1
5	041012	SCREW MS #8-32 x 1/2 PL	4
6	650138	CIRCUIT BREAKER 20A PUSH BUTTON	1
7	330499	20 A GFCI	1
8	044021	1/4-20 KEPS HEX NUT PL	1
9	044003	#8-32 NC KEPS NUT	4
10	105771	DECAL BREAKER DOMESTIC OPTIONS	1
11	046029	1/4-20 x 1 3/4 HEX HEAD CS GR5 PL	1
12	044023	1/4-20 NYLOCK HEX NUT PL	1
NS	108016	SCHEMATIC 1-20 AMP GFCI	1

## 6.9 - 1-30AMP RV 1-20AMP GFCI Outlet UL489 Package

SN 07-000001 and UP  
SN 08-000001 and UP



106703\_C

# Night-Lite ProII™

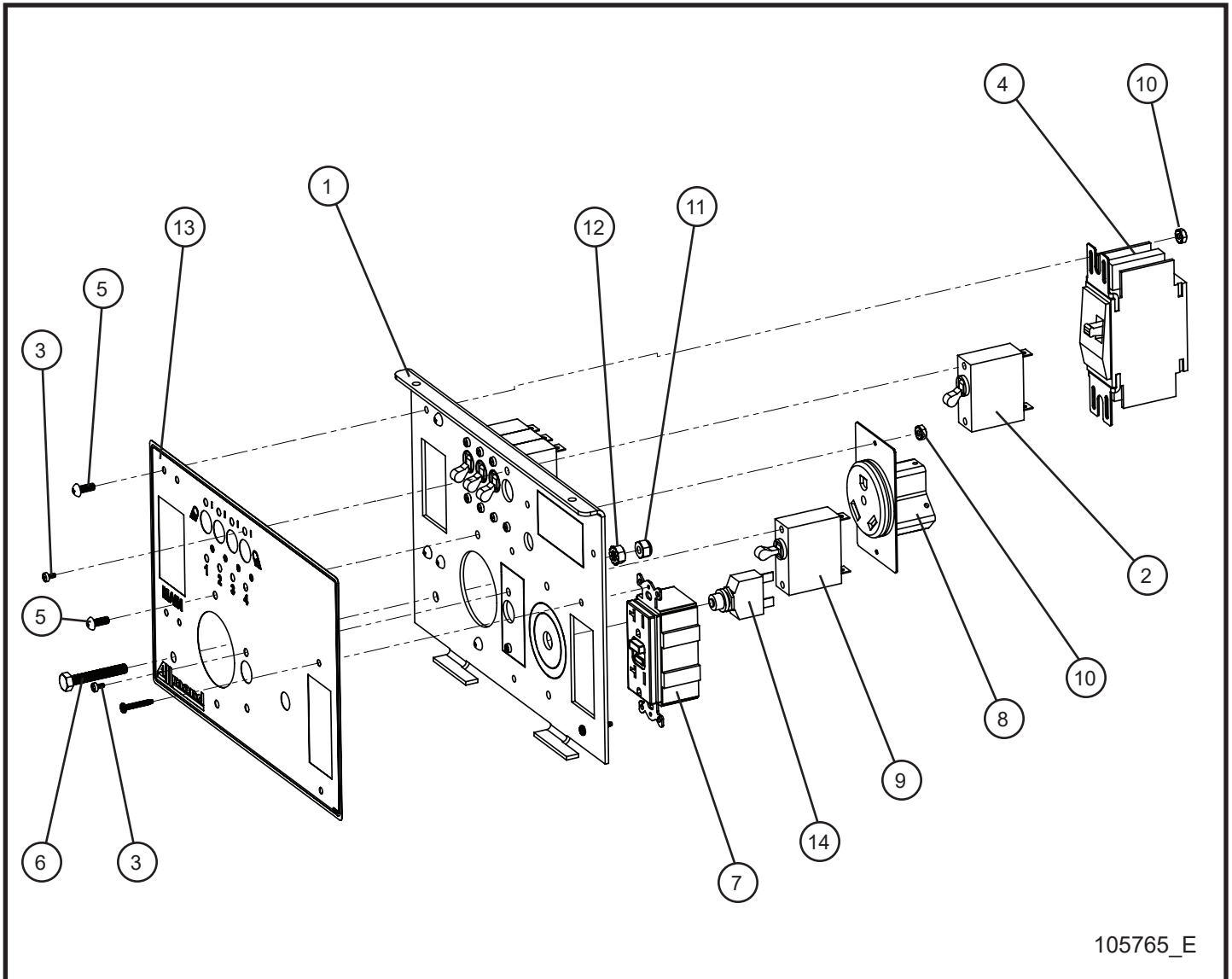
## 6.9 - 1-30AMP RV 1-20AMP GFCI Outlet UL489 Package

SN 07-000001 and UP  
SN 08-000001 and UP

Item	Part No.	Part Description	Qty.
1	106684P	OUTLET PANEL UNIVERSAL 3	1
2	106781	CIRCUIT BREAKER 15 AMP	4
3	041018	#6-32 x 1/4 PH-ROUND HEAD MS PL	12
4	350354	35 AMP DOUBLE POLE BREAKER	1
5	041012	SCREW MS #8-32 x 1/2 PL	6
6	046029	1/4-20 x 1 3/4 HEX HEAD CS GR5 PL	1
7	330499	20 A GFCI RECEPTACLE	1
8	680815	125V 30A OUTLET	1
9	106782	CIRCUIT BREAKER 30 AMP	1
10	044003	#8-32 NC KEPS NUT	6
11	044023	1/4-20 NYLOCK HEX NUT PL	1
12	044021	1/4-20 KEPS HEX NUT PL	1
13	105771	DECAL BREAKER DOMESTIC OPTIONS	1
14	106787	CIRCUIT BREAKER 20AMP	1
15	107621	SCHEMATIC 1-30 AMP RV	1

## 6.10 - 1-30AMP RV 1-20AMP GFCI Outlet Package

SN 07-000001 and UP  
SN 08-000001 and UP



# Night-Lite ProII™

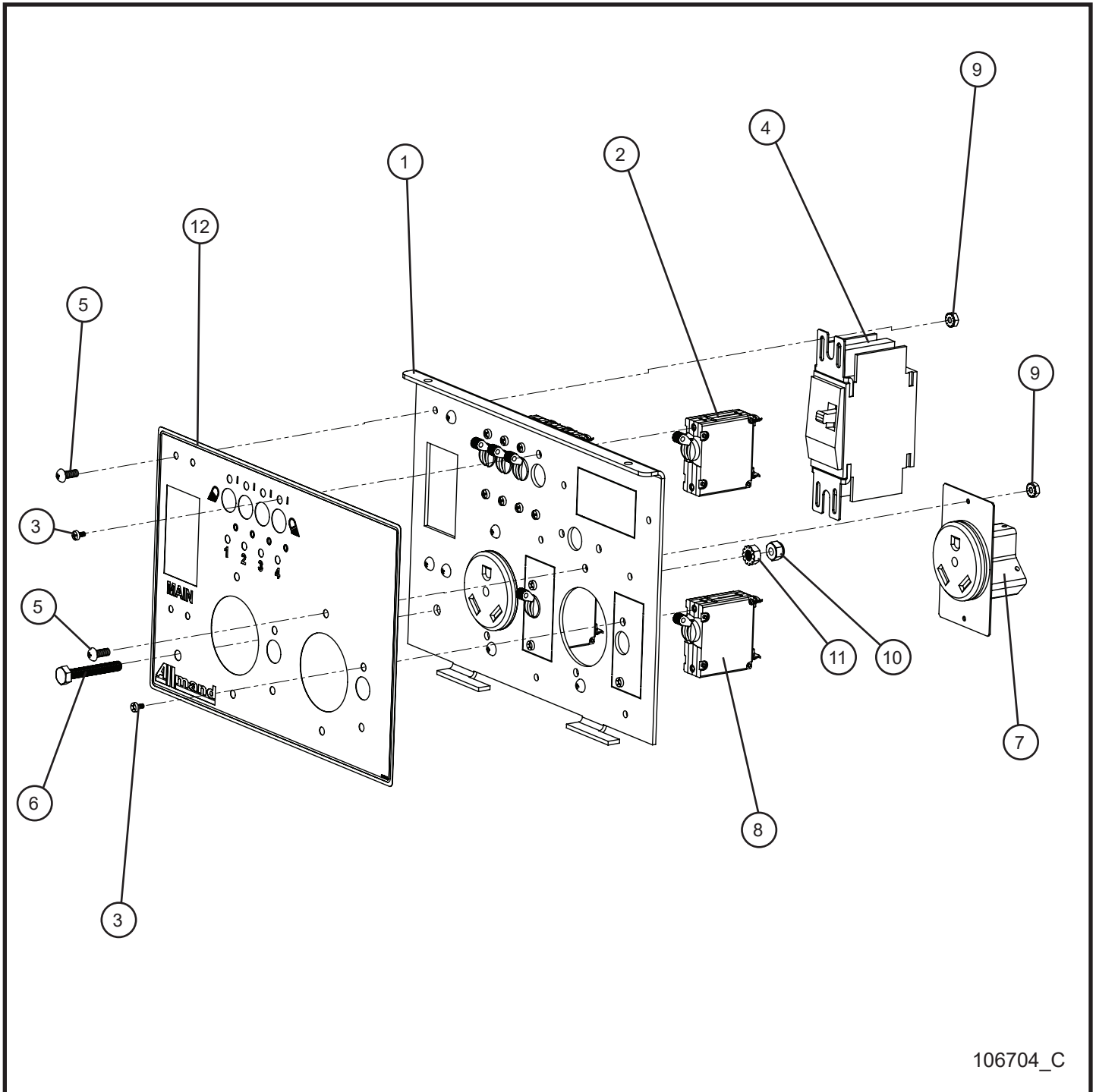
## 6.10 - 1-30AMP RV 1-20AMP GFCI Outlet Package

SN 07-000001 and UP  
SN 08-000001 and UP

Item	Part No.	Part Description	Qty.
1	105777P	OUTLET PANEL UNIVERSAL 3	1
2	330458	15A SPST BREAKER SWITCH	4
3	041018	#6-32 x 1/4 PH-ROUND HEAD MS PL	10
4	350354	35 AMP DOUBLE POLE BREAKER	1
5	041012	SCREW MS #8-32 x 1/2 PL	6
6	041053	1/4-20 x 1 3/4 PH-TRUSS HEAD MS SS	1
7	330499	20 A GFCI RECEPTACLE	1
8	680815	125V 30A OUTLET	1
9	330472	30 AMP SINGLE POLE SWITCH	1
10	044003	#8-32 NC KEPS NUT	6
11	044023	1/4-20 NYLOCK HEX NUT PL	1
12	044021	1/4-20 KEPS HEX NUT PL	1
13	105771	DECAL BREAKER DOMESTIC OPTIONS	1
14	650138	CIRCUIT BREAKER 20A PUSH BUTTON	1
15	110121	SCHEMATIC 1-30A RV 1-20A GFCI	1

## 6.11 - 2-30AMP RV Outlet UL489 Package

SN 07-000001 and UP  
SN 08-000001 and UP



106704\_C

# Night-Lite ProII™

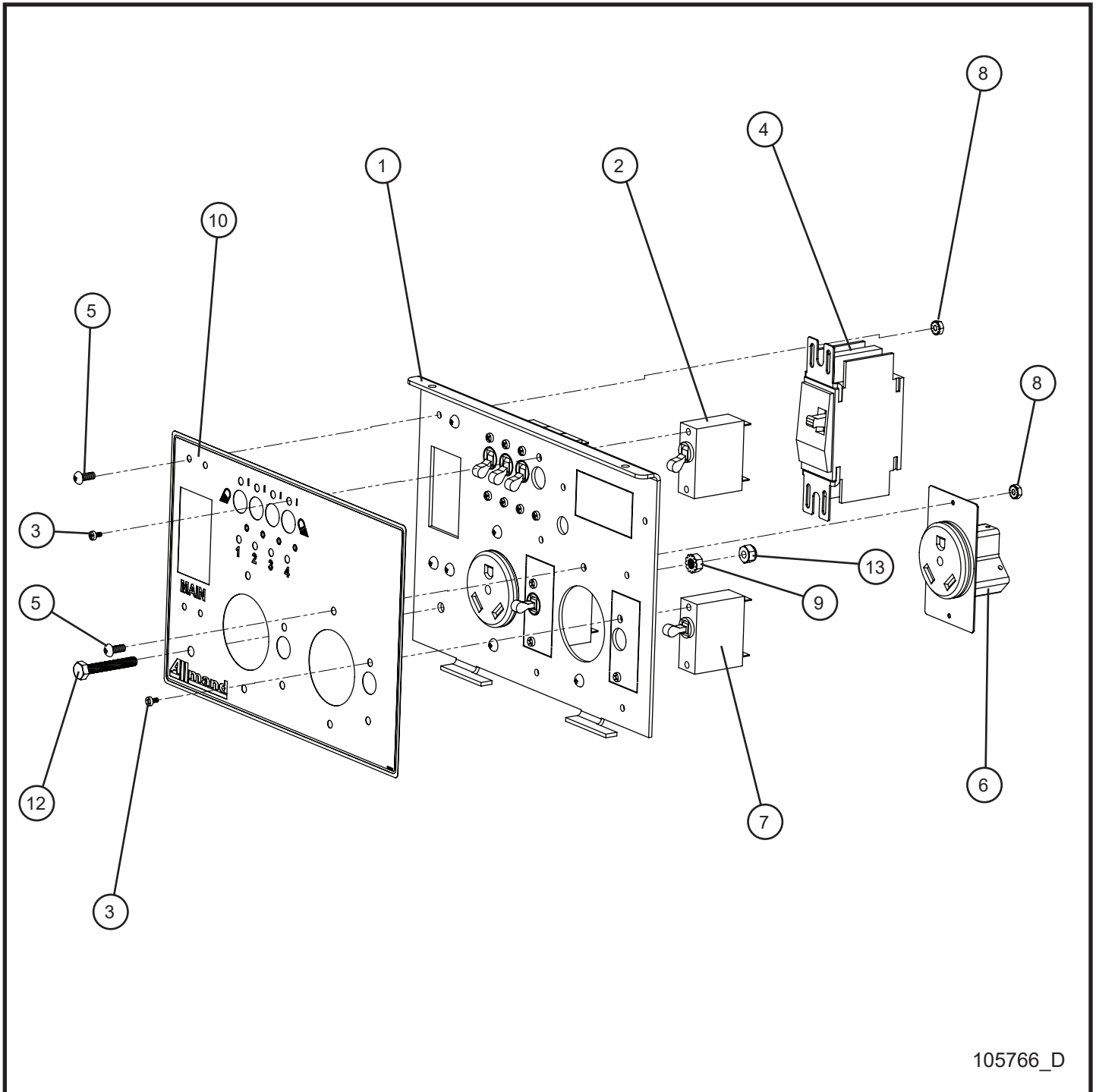
## 6.11 - 2-30AMP RV Outlet UL489 Package

SN 07-000001 and UP  
SN 08-000001 and UP

Item	Part No.	Part Description	Qty.
1	106684P	OUTLET PANEL UNIVERSAL 3	1
2	106781	CIRCUIT BREAKER 15 AMP	4
3	041018	#6-32 x 1/4 PH-ROUND HEAD MS PL	12
4	350354	35 AMP DOUBLE POLE BREAKER	1
5	041012	SCREW MS #8-32 x 1/2 PL	8
6	046029	1/4-20 x 1 3/4 HEX HEAD CS GR5 PL	1
7	680815	125V 30A OUTLET	2
8	106782	CIRCUIT BREAKER 30 AMP	2
9	044003	#8-32 NC KEPS NUT	8
10	044023	1/4-20 NYLOCK HEX NUT PL	1
11	044021	1/4-20 KEPS HEX NUT PL	1
12	105771	DECAL BREAKER DOMESTIC OPTIONS	1
13	107624	SCHEMATIC 2-30 AMP RV	1

## 6.12 - 2-30AMP RV Outlet Package

SN 07-000001 and UP  
SN 08-000001 and UP



105766\_D



# Night-Lite ProII™

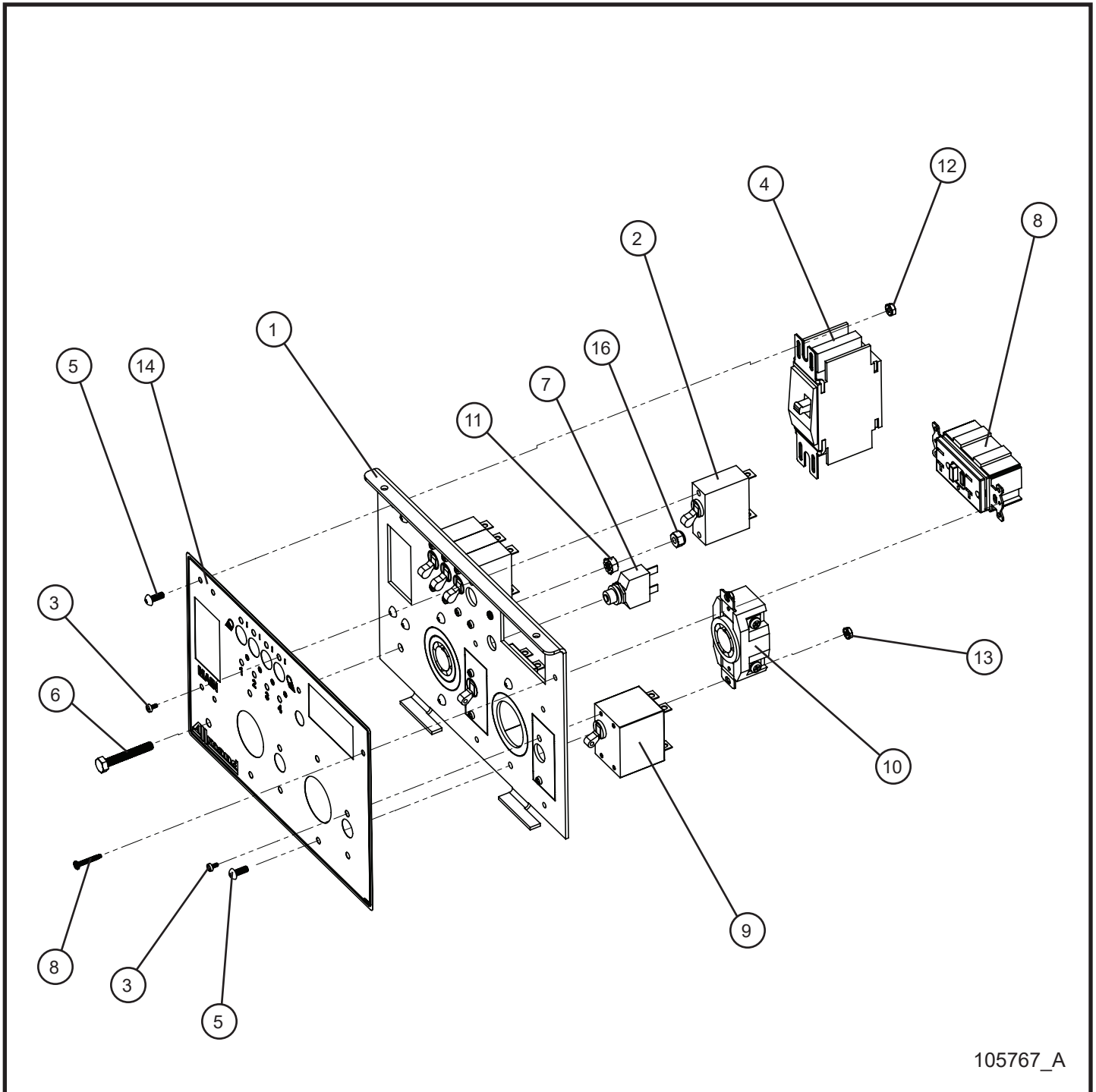
## 6.12 - 2-30AMP RV Outlet Package

SN 07-000001 and UP  
SN 08-000001 and UP

Item	Part No.	Part Description	Qty.
1	105777P	OUTLET PANEL UNIVERSAL 3	1
2	330458	15A SPST BREAKER SWITCH	4
3	041018	#6-32 x 1/4 PH-ROUND HEAD MS PL	12
4	350354	35 AMP DOUBLE POLE BREAKER	1
5	041012	SCREW MS #8-32 x 1/2 PL	8
6	680815	125V 30A OUTLET	2
7	330472	30 AMP SINGLE POLE SWITCH	2
8	044003	#8-32 NC KEPS NUT	8
9	044021	1/4-20 KEPS HEX NUT PL	1
10	105771	DECAL BREAKER DOMESTIC OPTIONS	1
11	107624	SCHEMATIC 2-30 AMP RV	1
12	046029	1/4-20 x 1 3/4 HEX HEAD CS GR5 PL	1
13	044023	1/4-20 NYLOCK HEX NUT PL	1

## 6.13 - 2-30AMP Twistlock 1-20AMP GFCI Outlet Package

SN 07-000001 and UP  
SN 08-000001 and UP



105767\_A

# Night-Lite ProII™

## 6.13 - 2-30AMP Twistlock 1-20AMP GFCI Outlet Package

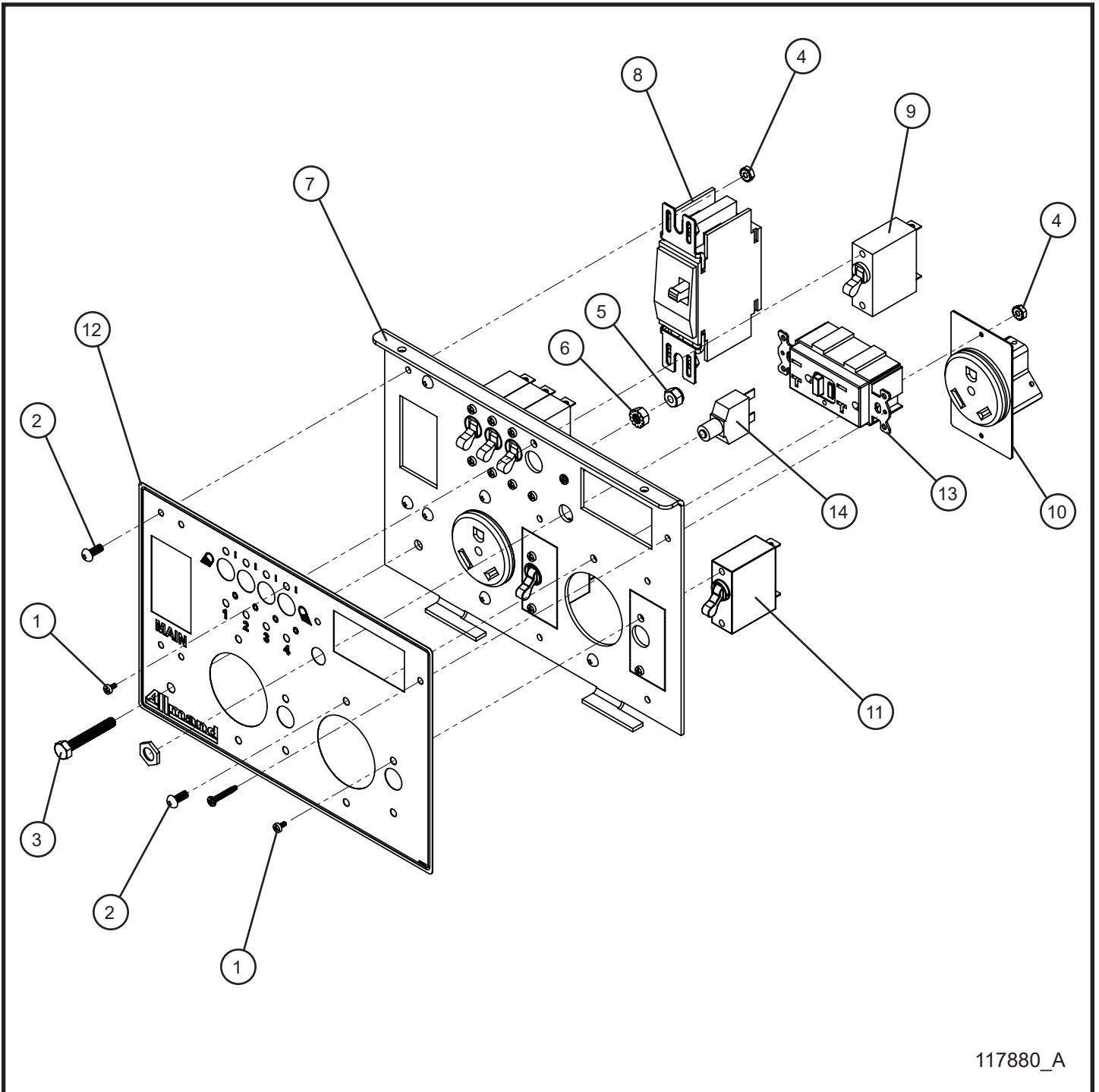
SN 07-000001 and UP

SN 08-000001 and UP

Item	Part No.	Part Description	Qty.
1	105777P	OUTLET PANEL UNIVERSAL 3	1
2	330458	15A SPST BREAKER SWITCH	4
	116992	5A SPST BREAKER SWITCH (SMD LED)	4
3	041018	#6-32 x 1/4 PH-ROUND HEAD MS PL	12
4	350354	35 AMP DOUBLE POLE BREAKER	1
5	041012	SCREW MS #8-32 x 1/2 PL	8
6	046029	1/4-20 x 1 3/4 HEX HEAD CS GR5 PL	1
7	650138	CIRCUIT BREAKER 20A PUSH BUTTON	1
8	330499	20 A GFCI RECEPTACLE	1
9	330456	30A DPST CIRCUIT BREAKER	2
10	653102	30A 125-250V TWISTLOCK RECEPTACLE	2
11	044021	1/4-20 KEPS NUT PL	2
12	044003	#8-32 NC KEPS NUT	4
13	044004	#6-32 KEPS HEX NUT PL	4
14	105771	DECAL BREAKER DOMESTIC OPTIONS	1
15	107626	SCHEMATIC 2-30 AMP TWISTLOCKS 1-20A GFCI	1
16	044023	1/4-20 NYLOCK HEX NUT PL	1

## 6.14 - 2-30AMP RV 1-20AMP GFCI Outlet Package

SN 07-000001 and UP  
SN 08-000001 and UP



117880\_A

# Night-Lite ProII™

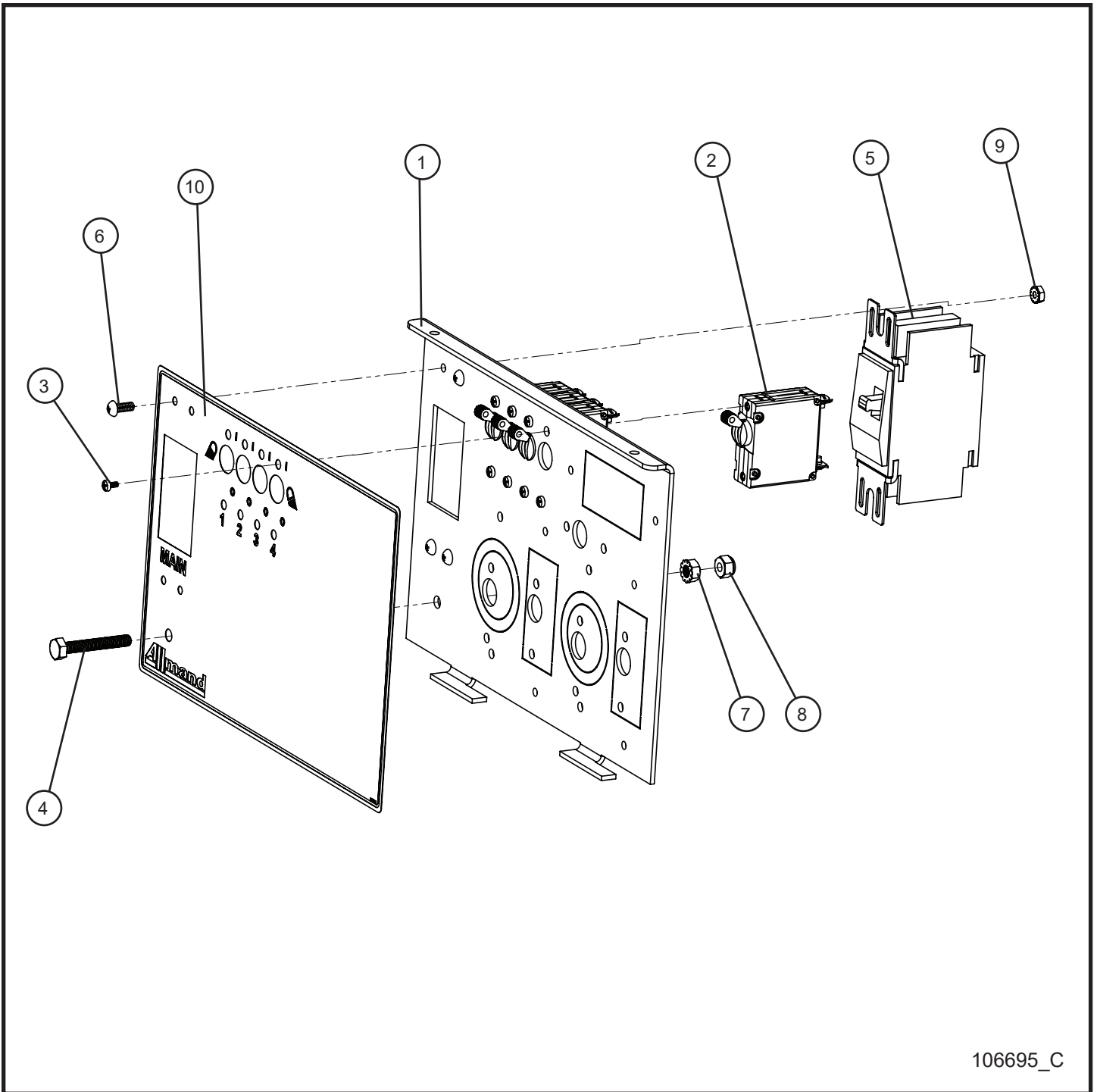
## 6.14 - 2-30AMP RV 1-20AMP GFCI Outlet Package

SN 07-000001 and UP  
SN 08-000001 and UP

Item	Part No.	Part Description	Qty.
1	041018	#6-32 x 1/4 PH-ROUND HEAD MS PL	12
2	041012	SCREW MS #8-32 x 1/2 PL	8
3	046029	1/4-20 x 1 3/4 HEX HEAD CS GR5 PL	1
4	044003	#8-32 NC KEPS NUT	8
5	044023	1/4-20 NYLOCK HEX NUT PL	1
6	044021	1/4-20 KEPS NUT PL	1
7	105777P	OUTLET PANEL UNIVERSAL 3	1
8	350354	35 AMP DOUBLE POLE BREAKER	1
9	330458	15A SPST BREAKER SWITCH	4
	116992	5A SPST BREAKER SWITCH (SMD LED)	4
10	680815	125V 30A OUTLET	2
11	330472	30 AMP SINGLE POLE SWITCH	2
12	105771	DECAL BREAKER DOMESTIC OPTIONS	1
13	330499	20 A GFCI RECEPTACLE	1
14	650138	CIRCUIT BREAKER 20A PUSH BUTTON	1
NS	117881	SCHEMATIC 2-30 AMP RV 1-20A GFCI PRO II	1

## 6.15 - No Outlet UL489 Package

SN 07-000001 and UP  
SN 08-000001 and UP



106695\_C

# Night-Lite ProII™

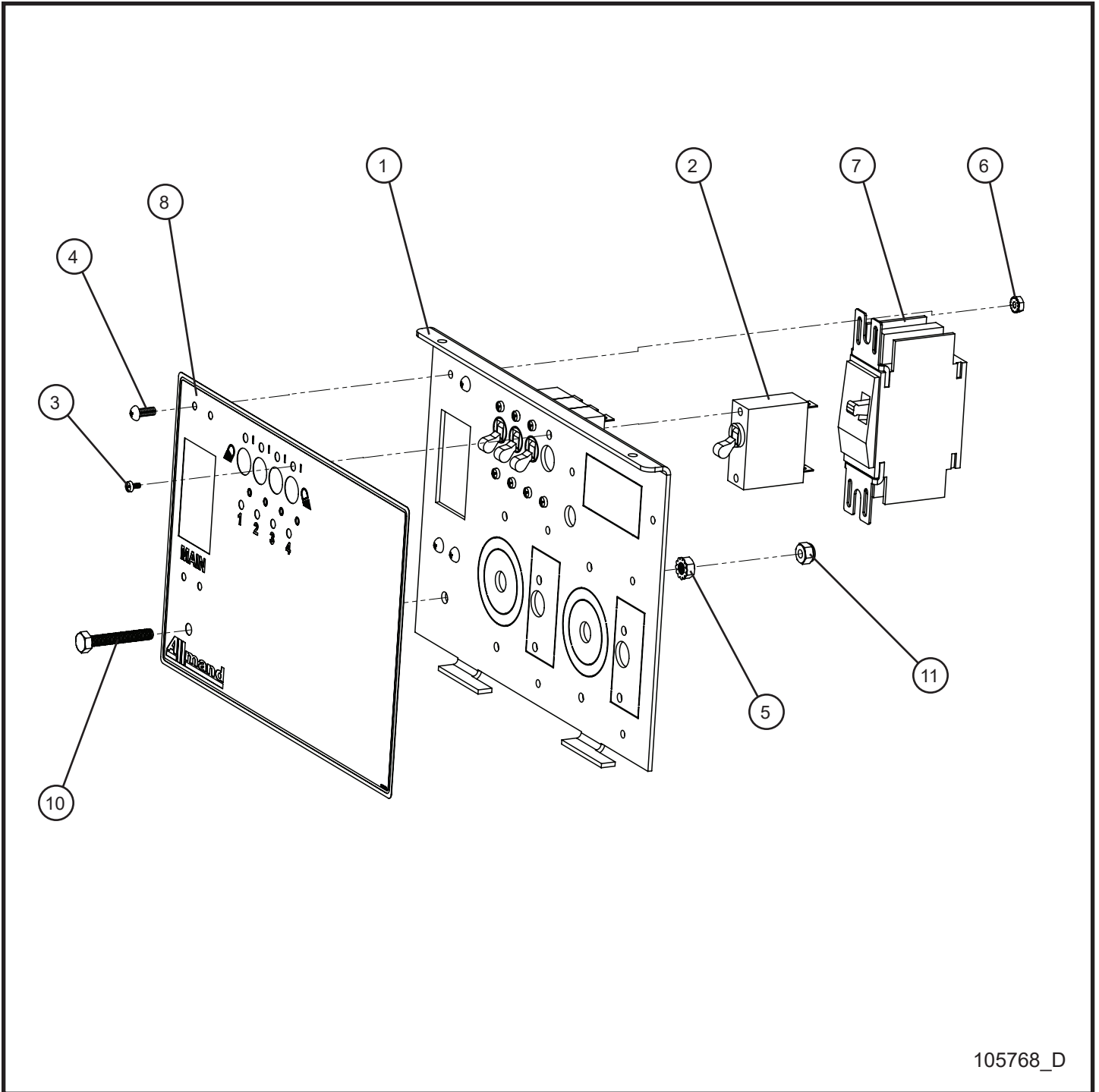
## 6.15 - No Outlet UL489 Package

SN 07-000001 and UP  
SN 08-000001 and UP

Item	Part No.	Part Description	Qty.
1	106684P	OUTLET PANEL UNIVERSAL 3	1
2	106781	CIRCUIT BREAKER 15 AMP	4
3	041018	#6-32 x 1/4 ROUND HEAD MS PL	8
4	046029	1/4-20 x 1 3/4 HEX HEAD CS GR5 PL	1
5	350354	35 AMP DOUBLE POLE BREAKER	1
6	041012	SCREW MS #8-32 x 1/2 PL	4
7	044021	1/4-20 KEPS HEX NUT PL	1
8	044023	1/4-20 NYLOCK HEX NUT PL	1
9	044003	#8-32 NC KEPS NUT	4
10	105771	DECAL BREAKER DOMESTIC OPTIONS	1
11	107627	SCHEMATIC NO OUTLET	1

## 6.16 - No Outlet Package

SN 07-000001 and UP  
SN 08-000001 and UP



105768\_D



# Night-Lite ProII™

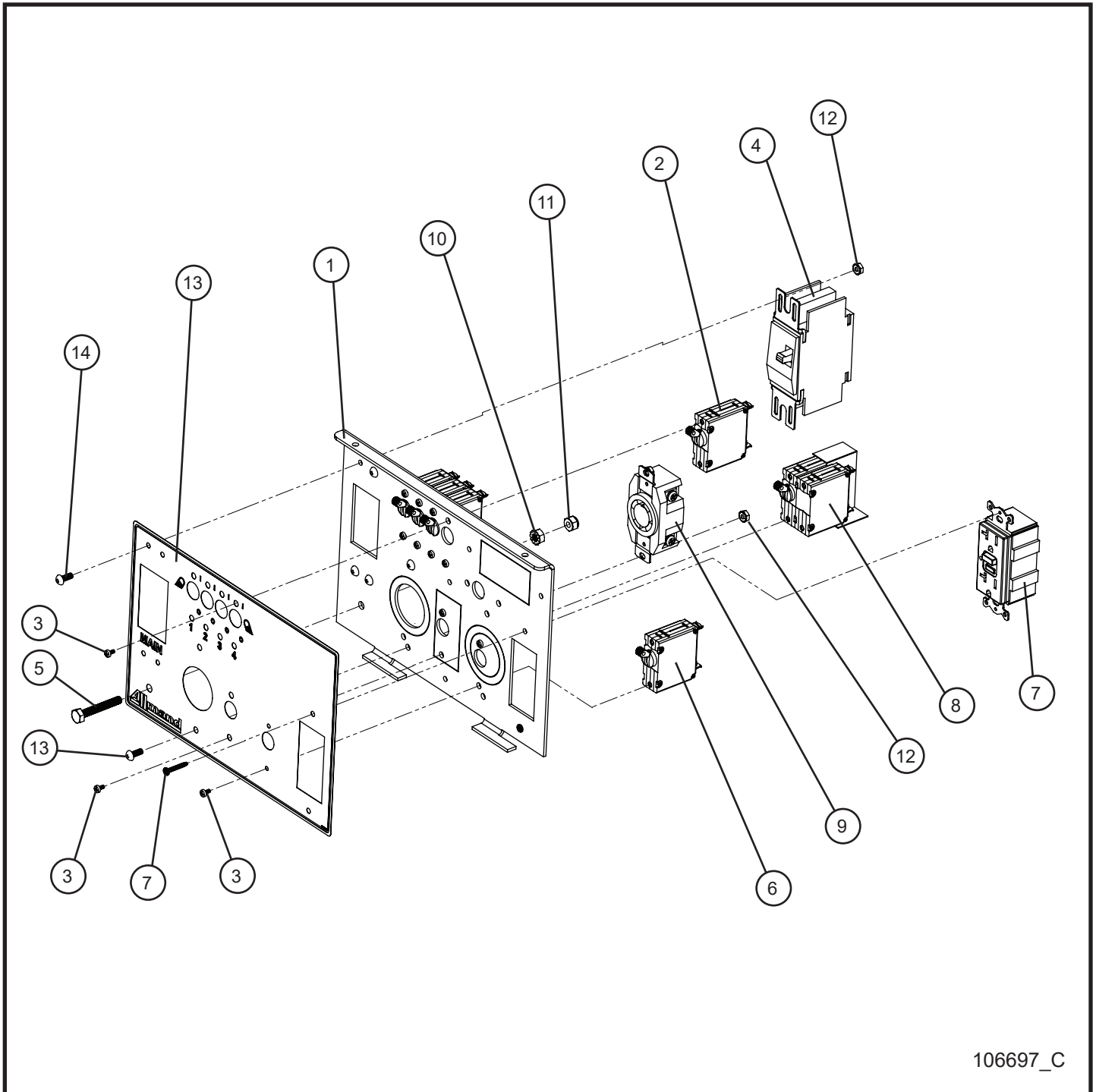
## 6.16 - No Outlet Package

SN 07-000001 and UP  
SN 08-000001 and UP

Item	Part No.	Part Description	Qty.
1	105777P	OUTLET PANEL UNIVERSAL 3	1
2	330458	15A SPST BREAKER SWITCH	4
3	041018	#6-32 x 1/4 ROUND HEAD MS PL	8
4	041012	SCREW MS #8-32 x 1/2 PL	4
5	044021	1/4-20 KEPS HEX NUT PL	2
6	044003	#8-32 NC KEPS NUT	4
7	350354	35 AMP DOUBLE POLE BREAKER	1
8	105771	DECAL BREAKER DOMESTIC OPTIONS	1
9	107627	SCHEMATIC NO OUTLET PACKAGE	1
10	046029	1/4-20 x 1 3/4 HEX HEAD CS GR5 PL	1
11	044023	1/4-20 NYLOCK HEX NUT PL	1

## 6.17 - 1-30AMP Twistlock 1-GFCI Outlet UL489 Package

SN 07-000001 and UP  
SN 08-000001 and UP



106697\_C

# Night-Lite ProII™

## 6.17 - 1-30AMP Twistlock 1-GFCI UL489 Outlet Package

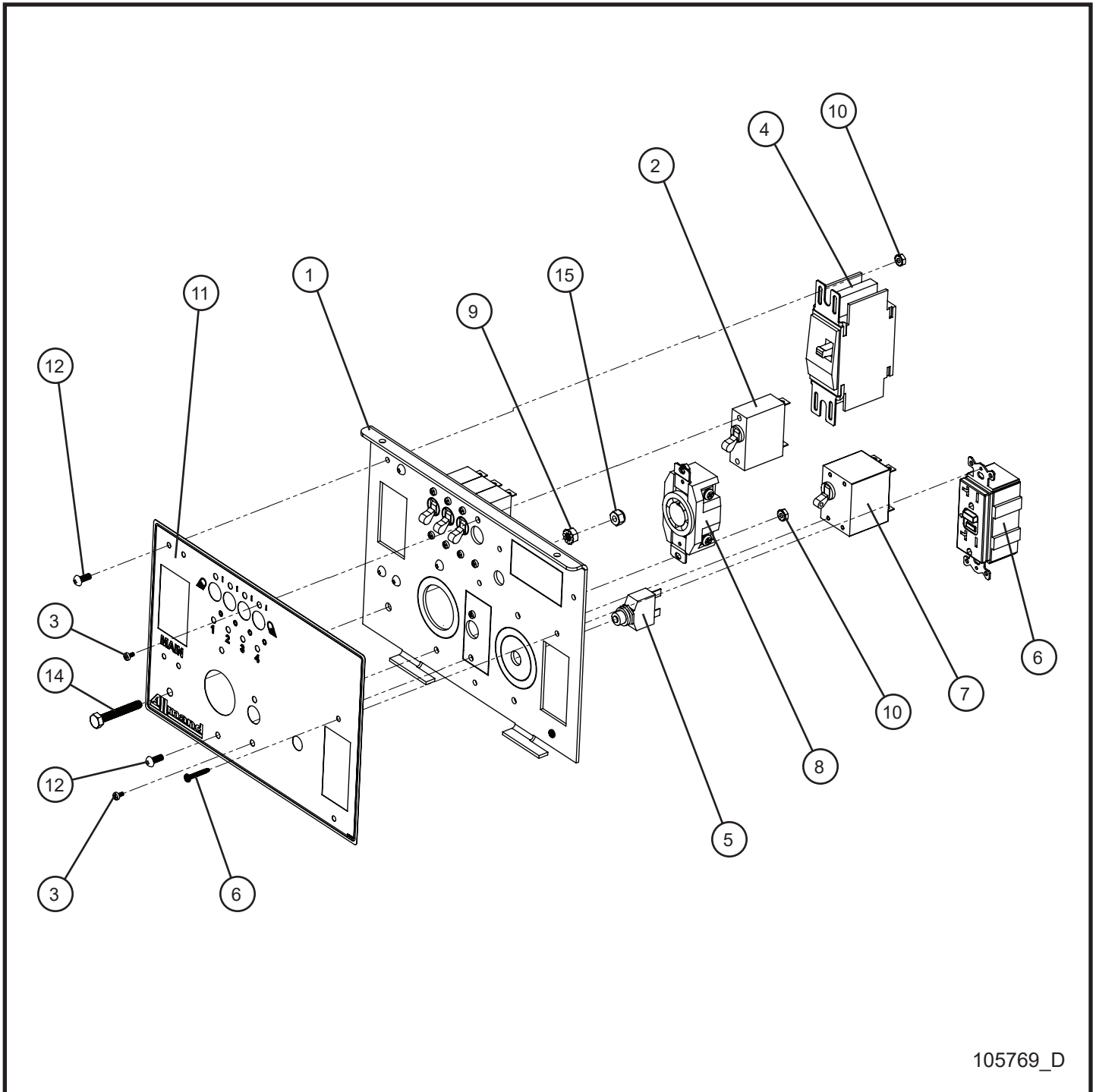
SN 07-000001 and UP

SN 08-000001 and UP

Item	Part No.	Part Description	Qty.
1	106684P	OUTLET PANEL UNIVERSAL 3	1
2	106781	CIRCUIT BREAKER 15 AMP	4
3	041018	#6-32 x 1/4 PH-ROUND HEAD MS PL	12
4	350354	35 AMP DOUBLE POLE BREAKER	1
5	046029	1/4-20 x 1 3/4 HEX HEAD CS GR5 PL	1
6	106787	CIRCUIT BREAKER 20 AMP	1
7	330499	20 A GFCI RECEPTACLE	1
8	106785	CIRCUIT BREAKER 30 AMP	1
9	653102	30A 125-250V TWISTLOCK RECEPTACLE	1
10	044021	1/4-20 KEPS HEX NUT PL	1
11	044023	1/4-20 NYLOCK HEX NUT PL	1
12	044003	#8-32 NC KEPS NUT	6
13	105771	DECAL BREAKER DOMESTIC OPTIONS	1
14	041012	SCREW MS #8-32 x 1/2 PL	6
15	107628	SCHEMATIC 1-30 AMP TWISTLOCK	1

## 6.18 - 1-30AMP Twistlock 1-GFCI Outlet Package

SN 07-000001 and UP  
SN 08-000001 and UP



105769\_D

# Night-Lite ProII™

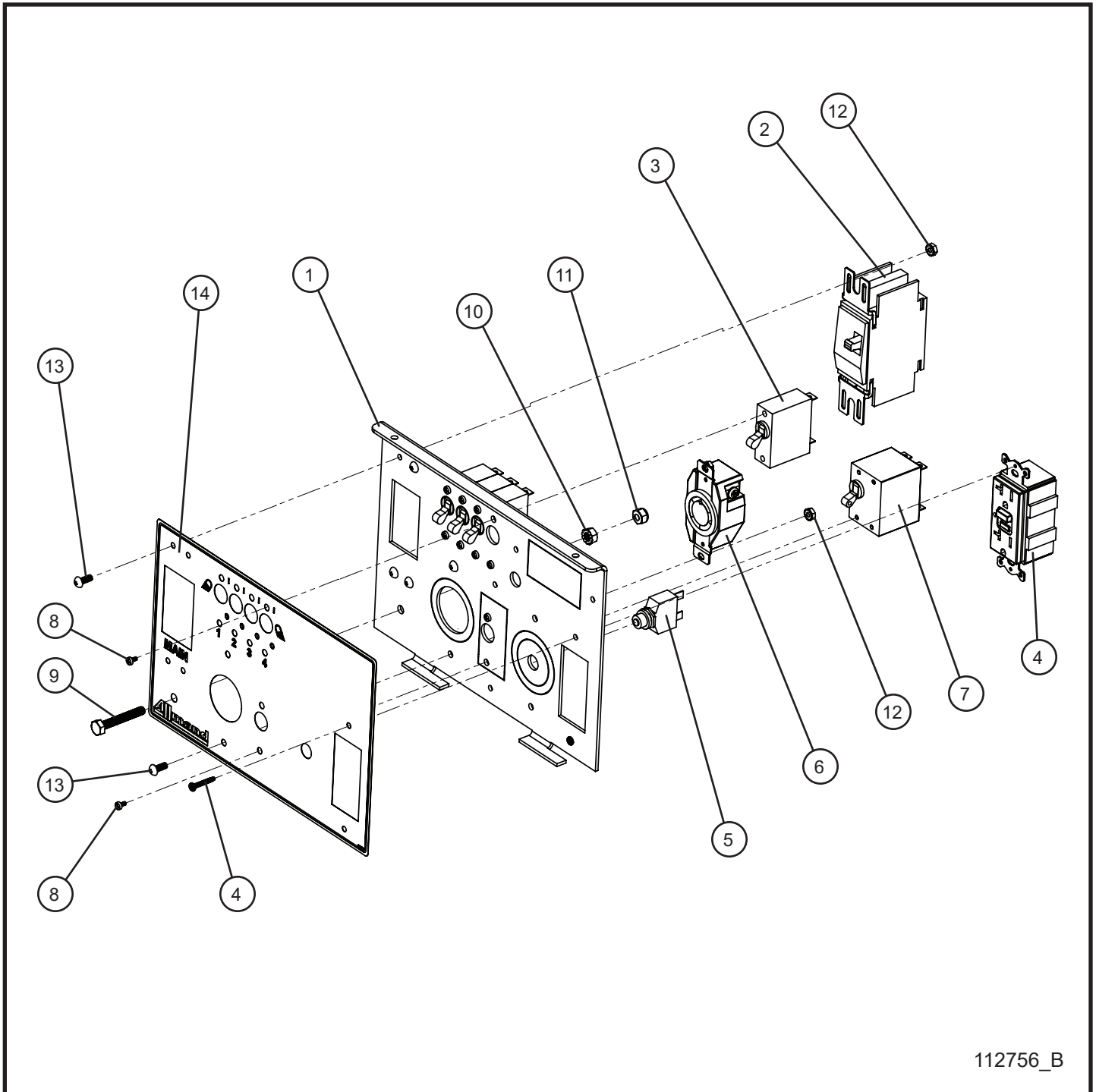
## 6.18 - 1-30AMP Twistlock 1-GFCI Outlet Package

SN 07-000001 and UP  
SN 08-000001 and UP

Item	Part No.	Part Description	Qty.
1	105777P	OUTLET PANEL UNIVERSAL 3	1
2	330458	15A SPST BREAKER SWITCH	4
3	041018	#6-32 x 1/4 PH-ROUND HEAD MS PL	10
4	350354	35 AMP DOUBLE POLE BREAKER	1
5	650138	CIRCUIT BREAKER 20A PUSH BUTTON	1
6	330499	20 A GFCI RECEPTACLE	1
7	330456	30A DPST CIRCUIT BREAKER	1
8	653102	30A 125-250V TWISTLOCK RECEPTACLE	1
9	044021	1/4-20 KEPS HEX NUT PL	2
10	044003	#8-32 NC KEPS NUT	6
11	105771	DECAL BREAKER DOMESTIC OPTIONS	1
12	041012	SCREW MS #8-32 x 1/2 PL	6
13	108018	SCHEMATIC 1-30 AMP TWISTLOCK 1-20 GFCI	1
14	046029	1/4-20 x 1 3/4 HEX HEAD CS GR5 PL	1
15	044023	1/4-20 NYLOCK HEX NUT PL	1

## 6.19 - 1-30A 3-Prong Twistlock 1-GFCI Outlet Package

SN 07-000001 and UP  
SN 08-000001 and UP



112756\_B

# Night-Lite ProII™

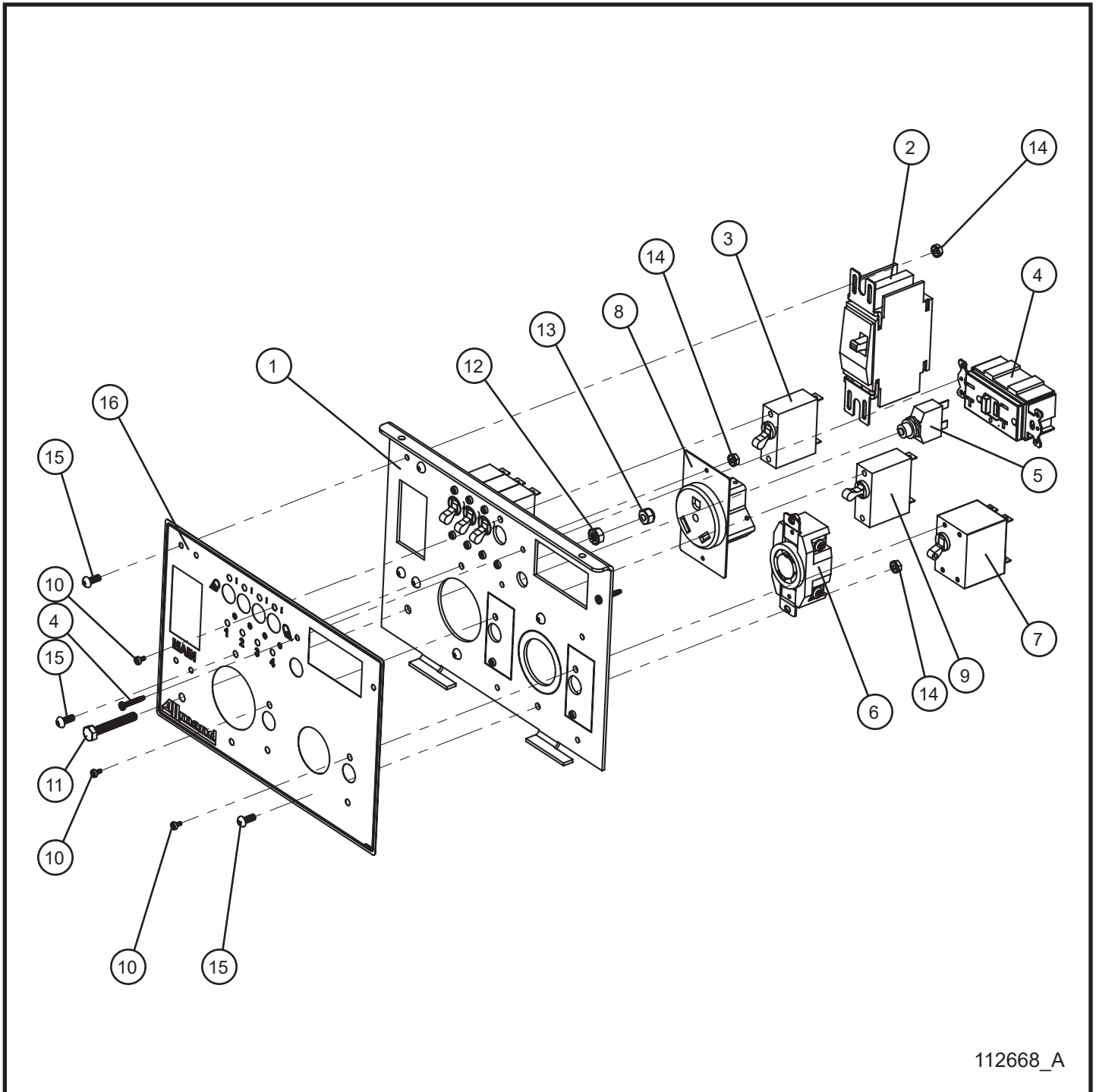
## 6.19 - 1-30A 3-Prong Twistlock 1-GFCI Outlet Package

SN 07-000001 and UP  
SN 08-000001 and UP

Item	Part No.	Part Description	Qty.
1	105777P	OUTLET PANEL UNIVERSAL 3	1
2	350354	35 AMP DOUBLE POLE BREAKER	1
3	330458	15A SPST BREAKER SWITCH	4
	116992	5A SPST BREAKER SWITCH (SMD LED)	4
4	330499	20 A GFCI RECEPTACLE	1
5	650138	CIRCUIT BREAKER 20A PUSH BUTTON	1
6	330491	30A 250V TWISTLOCK RECEPTACLE	1
7	330456	30A DPST CIRCUIT BREAKER	1
8	041018	#6-32 x 1/4 PH-ROUND HEAD MS PL	10
9	046029	1/4-20 x 1 3/4 HEX HEAD CS GR5 PL	1
10	044021	1/4-20 KEPS HEX NUT PL	1
11	044023	1/4-20 NYLOCK HEX NUT PL	1
12	044003	#8-32 NC KEPS NUT	6
13	041012	SCREW MS #8-32 x 1/2 PL	6
14	105771	DECAL BREAKER DOMESTIC OPTIONS	1
15	112670	SCHEMATIC 1-20 GFCI 1-30A 3-PRONG TWISTLOCK	1

## 6.20 - 1-30AMP Twistlock 1-RV 1-GFCI Outlet Package

SN 07-000001 and UP  
SN 08-000001 and UP



112668\_A



# Night-Lite ProII™

## 6.20 - 1-30AMP Twistlock 1-RV 1-GFCI Outlet Package

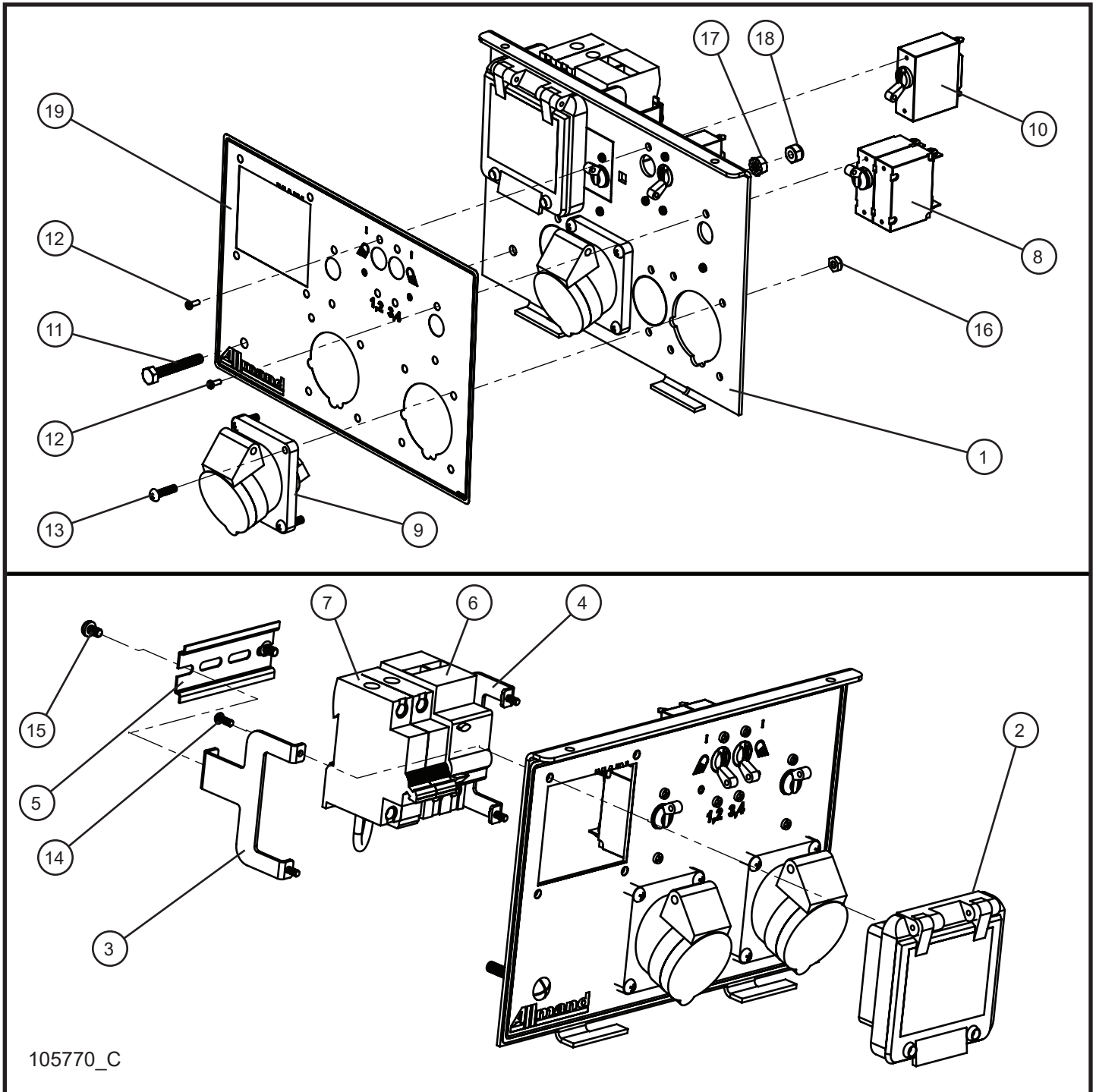
SN 07-000001 and UP

SN 08-000001 and UP

Item	Part No.	Part Description	Qty.
1	105777P	OUTLET PANEL UNIVERSAL 3	1
2	350354	35 AMP DOUBLE POLE BREAKER	1
3	330458	15A SPST BREAKER SWITCH	4
4	330499	20 A GFCI RECEPTACLE	1
5	650138	CIRCUIT BREAKER 20A PUSH BUTTON	1
6	653102	30A 125-250V TWISTLOCK RECEPTACLE	1
7	330456	30A DPST CIRCUIT BREAKER	1
8	680815	125V 30A OUTLET	1
9	330472	30 AMP SINGLE POLE SWITCH	1
10	041018	#6-32 x 1/4 PH-ROUND HEAD MS PL	12
11	046029	1/4-20 x 1 3/4 HEX HEAD CS GR5 PL	1
12	044021	1/4-20 KEPS NUT PL	1
13	044023	1/4-20 NYLOCK HEX NUT PL	1
14	044003	#8-32 NC KEPS NUT	8
15	041012	SCREW MS #8-32 x 1/2 PL	8
16	105771	DECAL BREAKER DOMESTIC OPTIONS	1
17	112669	1-30A RV, 1-20A GFCI, 1-30A 4-PRONG TWISTLOCK SCHEMATIC	1

## 6.21 - 50Hz CE Outlet Package

SN 07-000001 and UP  
SN 08-000001 and UP



105770\_C

# Night-Lite ProII™

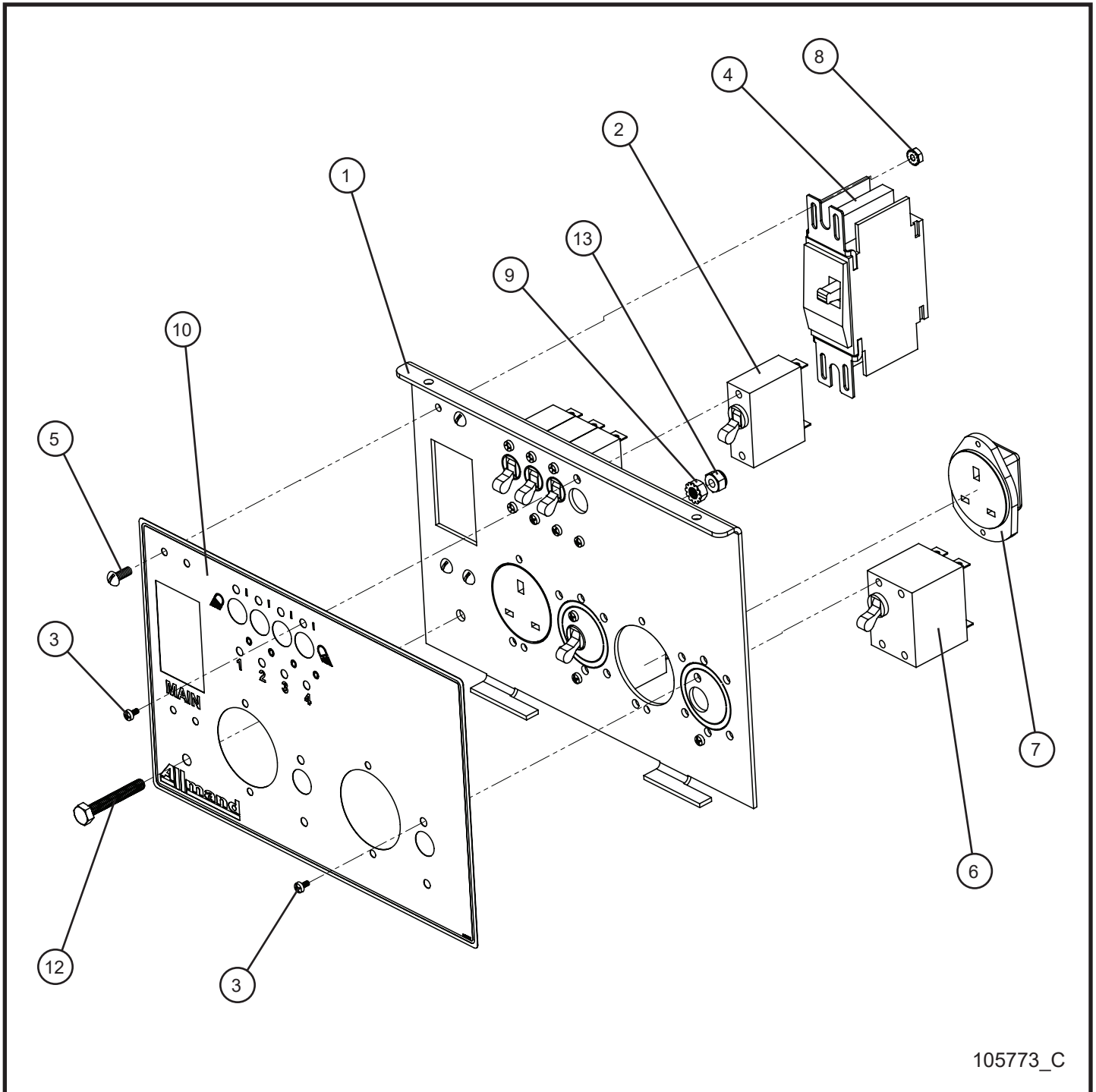
## 6.21 - 50Hz CE Outlet Package

SN 07-000001 and UP  
SN 08-000001 and UP

Item	Part No.	Part Description	Qty.
1	105779P	OUTLET PANEL UNIVERSAL 2	1
2	A109608	CIRCUIT BREAKER COVER	1
3	A109608-1	CIRCUIT BREAKER COVER LEFT BRACKET	1
4	A109608-2	CIRCUIT BREAKER COVER RIGHT BRACKET	1
5	A109608-3	CIRCUIT BREAKER DIN RAIL	1
6	A109602	VIGI C60 EARTH LEAKAGE DEVICE	1
7	A109603	63A DP CIRCUIT BREAKER	1
8	650530	15 AMP DPST BREAKER SWITCH 15 AMP DPST	2
9	A109605	16A 110V RECEPTACLE	2
10	650127	25A SPST NIKKO CIRCUIT BREAKER 50/60Hz	2
11	046029	1/4-20 x 1 3/4 HEX HEAD CS GR5 PL	1
12	041251	M3 x 0.5mm x 8mm PH-PAN HEAD MS ZC	8
13	041027	#10-24 x 3/4 PH-ROUND HEAD MS	8
14	A109608-4	M4 x 1.8 x 10mm PHTS	4
15	A109608-5	M5 x 0.8 x 8mm PHMS	2
16	044018	#10-24 NYLOCK HEX NUT PL	8
17	044021	1/4-20 KEPS HEX NUT PL	1
18	044023	1/4-20 NYLOCK HEX NUT PL	1
19	102930	DECAL BREAKER FOREIGN OPTIONS	1

## 6.22 - 50Hz Africa Outlet Package

SN 07-000001 and UP  
SN 08-000001 and UP



105773\_C

# Night-Lite ProII™

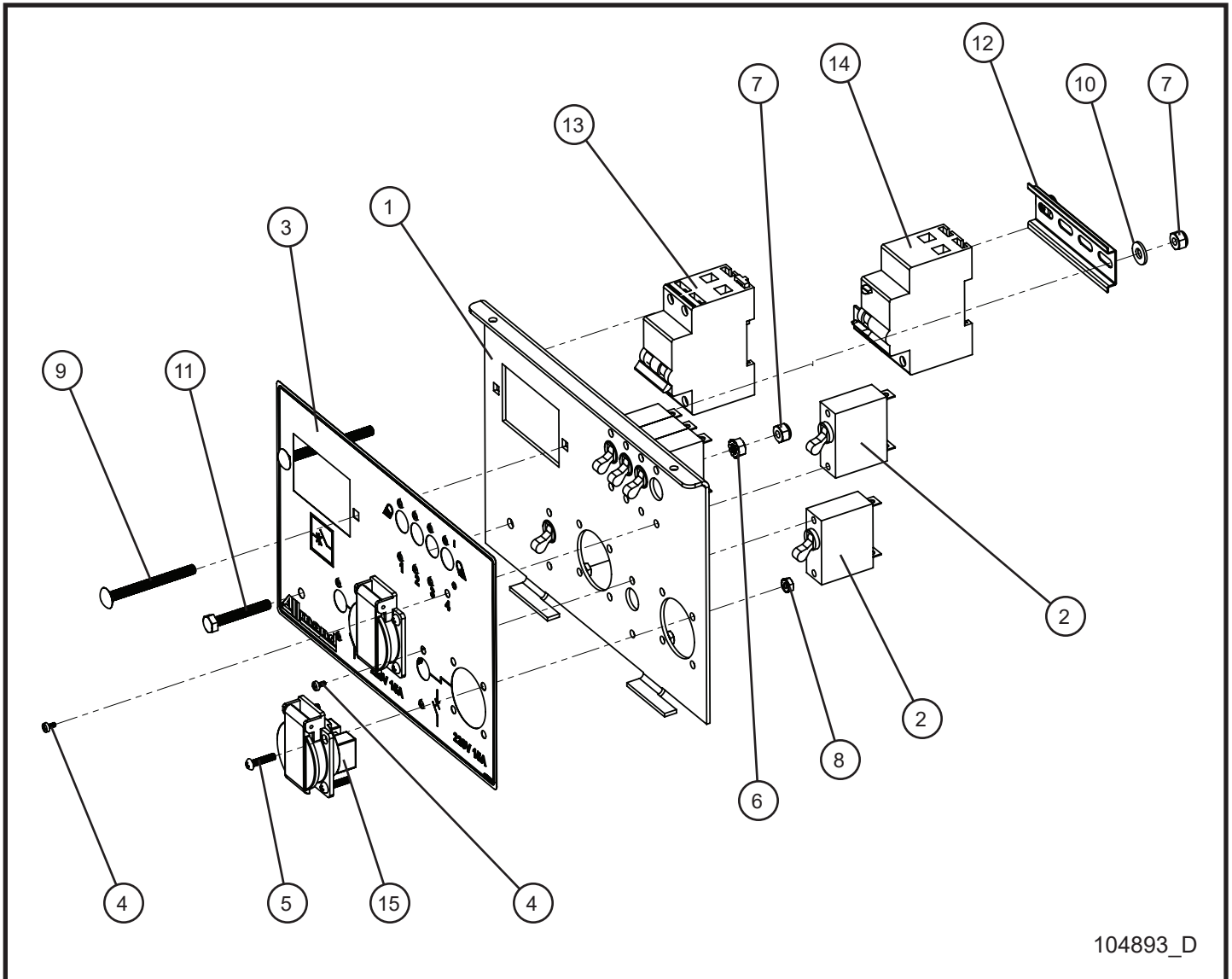
## 6.22 - 50Hz Africa Outlet Package

SN 07-000001 and UP  
SN 08-000001 and UP

Item	Part No.	Part Description	Qty.
1	105778P	OUTLET PANEL UNIVERSAL	1
2	330458	15A SPST BREAKER SWITCH	4
3	041018	#6-32 x 1/4 PH-ROUND HEAD MS PL	12
4	650534	25 AMP 120/240V DPST MAIN BREAKER	1
5	041013	#8-32 x 1/2 PH-ROUND HEAD MS PL	4
6	330459	15A DPST CARLING SWITCH	2
7	103876	OUTLET UK PANEL MOUNT	2
8	044003	#8-32 NC KEPS NUT	4
9	044021	1/4-20 KEPS HEX NUT PL	2
10	105771	DECAL BREAKER DOMESTIC OPTIONS	1
11	107629	SCHEMATIC 50Hz AFRICA	1
12	046029	1/4-20 x 1 3/4 HEX HEAD CS GR5 PL	1
13	044023	1/4-20 NYLOCK HEX NUT PL	1

## 6.23 - 50Hz Schuko International Outlet Package

SN 07-000001 and UP  
SN 08-000001 and UP



104893\_D

# Night-Lite ProII™

## 6.23 - 50Hz Schuko International Outlet Package

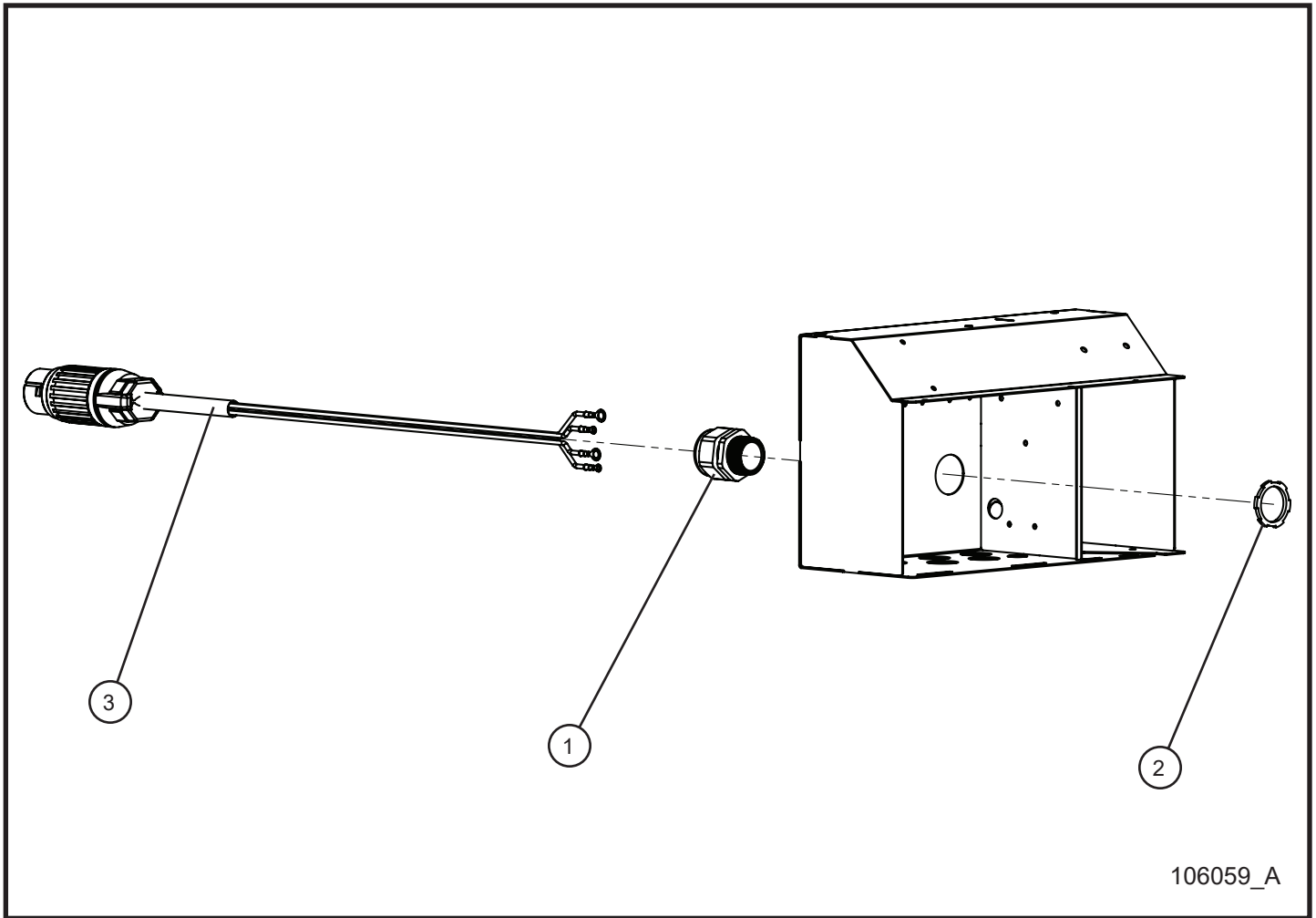
SN 07-000001 and UP

SN 08-000001 and UP

Item	Part No.	Part Description	Qty.
1	104891P	OUTLET PANEL CE 50Hz SCHUKO	1
2	330458	15A SPST BREAKER SWITCH	6
3	104892	DECAL BREAKER 50 Hz SCHUKO	1
4	041018	#6-32 x 1/4 PH-ROUND HEAD MS PL	12
5	041042	#8-32 x 3/4 PH-ROUND HEAD MS PL	8
6	044021	1/4-20 KEPS HEX NUT PL	1
7	044023	1/4-20 NYLOCK HEX NUT PL	3
8	044003	#8-32 NC KEPS NUT	8
9	100718	1/4-20 x 2 1/4 CARRIAGE BOLT	2
10	047005	1/4 FLAT WASHER PL	2
11	046029	1/4-20 x 1 3/4 HEX HEAD CS GR5 PL	1
12	103476	4" DIN RAIL	1
13	106609	CIRCUIT PROTECTOR 32A C60H-DC	1
14	106610	MODULE EARTH LEAKAGE VIGI C60 30mA	1
15	650485	RECEPTACLE SCHUKO (EURO)	2
16	105513	WIRE SCHEMATIC TWO 16 SCHUKO INT'L PRO II	1

## 6.24 - 50AMP Auxiliary Outlet

SN 07-000001 and UP  
SN 08-000001 and UP





# Night-Lite ProII™

---

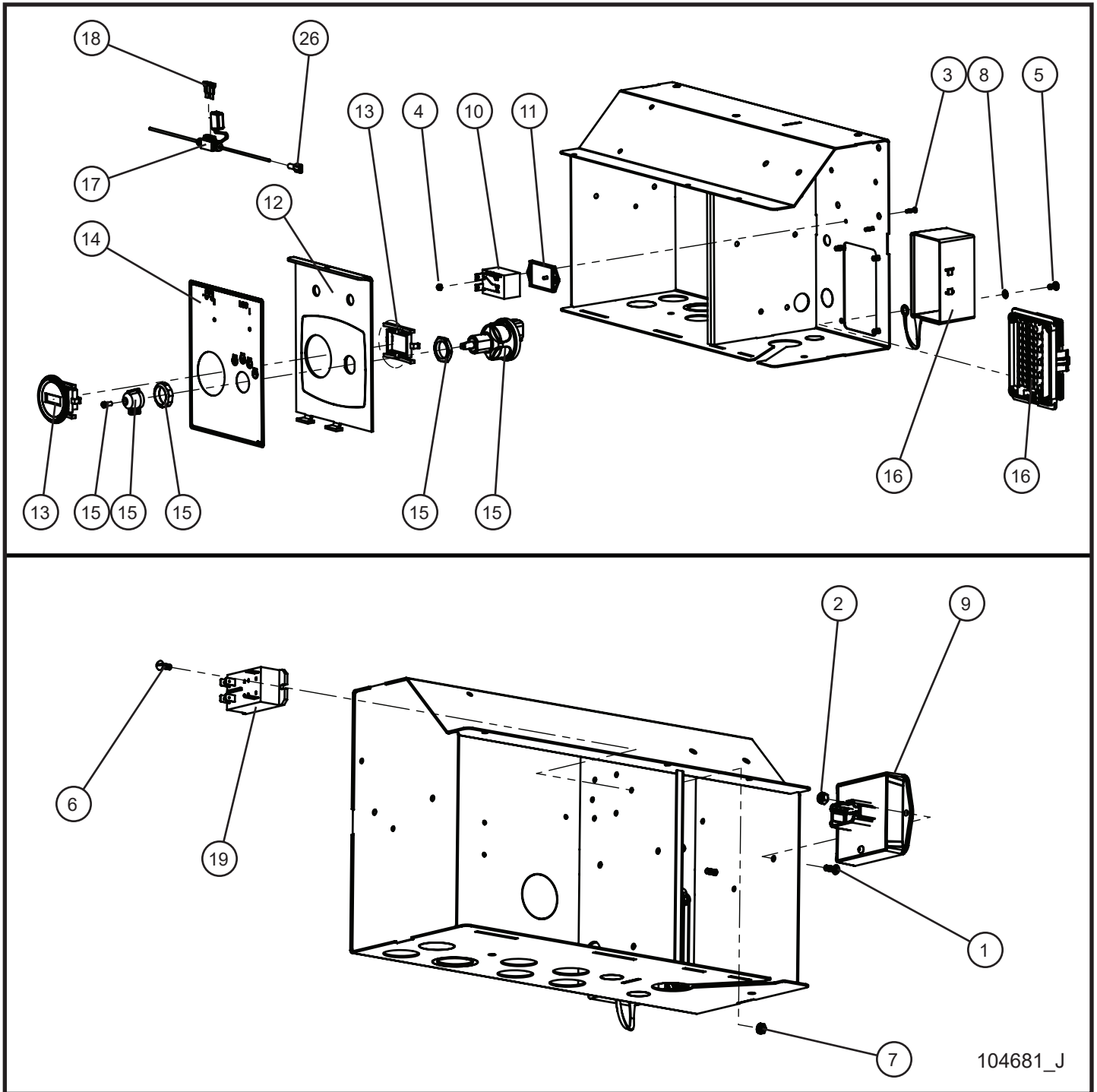
## 6.24 - 50AMP Auxiliary Outlet

SN 07-000001 and UP  
SN 08-000001 and UP

Item	Part No.	Part Description	Qty.
1	105628	CORD GRIP 1-1/4 NYLON BLACK	1
2	350363	1 1/4 LOCK NUT	1
3	106054	AUXILIARY 50AMP HARNESS	1

## 6.25 - SLS Key Start Engine Control I (with Timer Relay)

SN 07-000001 and UP  
SN 08-000001 and UP



# Night-Lite ProII™

## 6.25 - SLS Key Start Engine Control I (with Timer Relay)

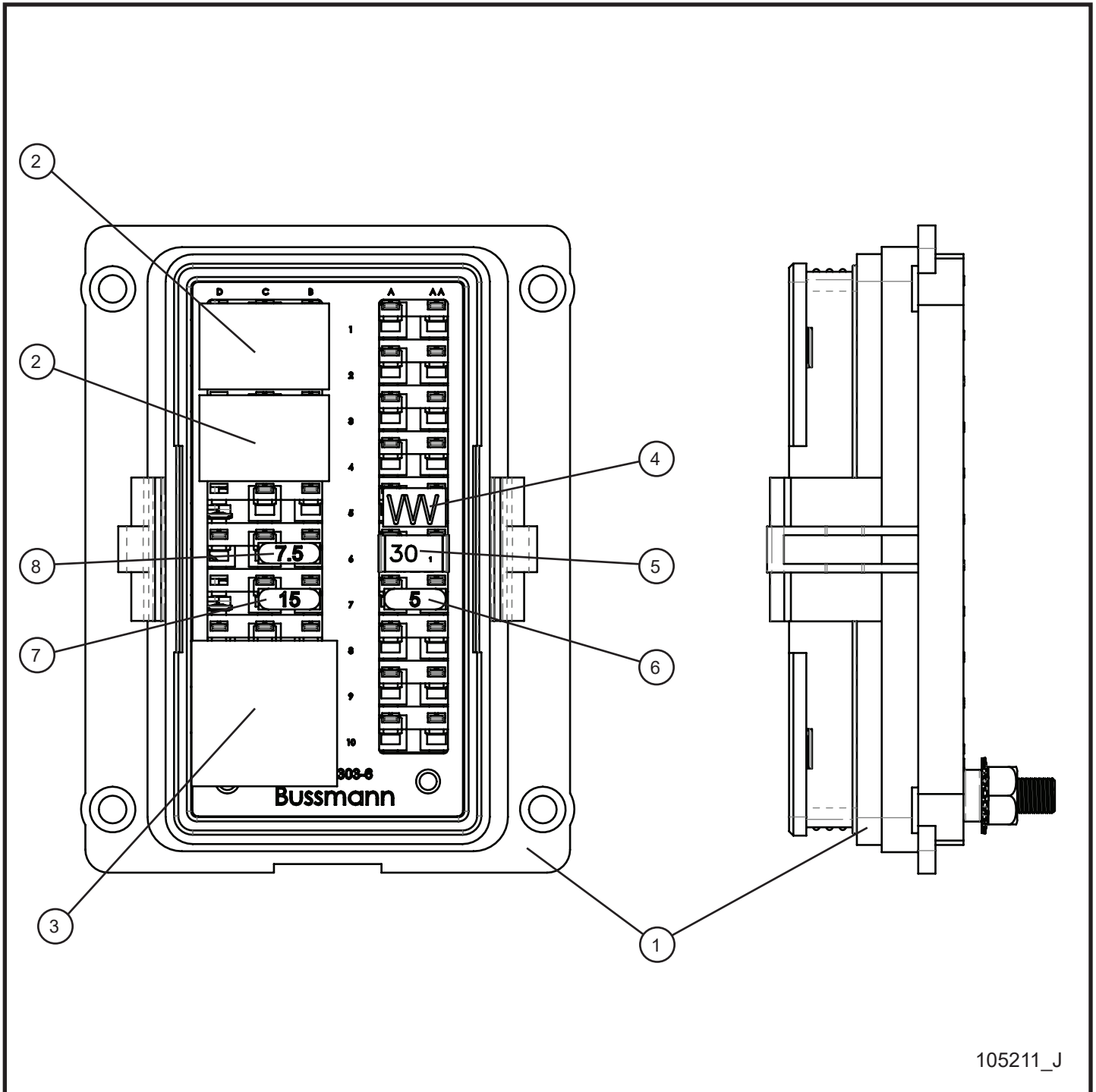
SN 07-000001 and UP

SN 08-000001 and UP

Item	Part No.	Part Description	Qty.
1	041021	#10-24 x 1/2 PH-ROUND HEAD MS PL	2
2	044019	#10-24 NYLOCK HEX NUT SS	2
3	041258	#5-40 x 1/2 PH-ROUND HEAD	2
4	044133	#5-40 NYLOCK	2
5	041019	#10-32 x 3/8 PH-ROUND HEAD MS PL	4
6	041013	#8-32 x 1/2 SLOTTED-ROUND HEAD MS PL	2
7	044003	#8-32 NC KEPS NUT	2
8	043017	#10 INTL TOOTH LOCK WASHER	1
9	108053	SLS 1.1 MODULE	1
10	105845	TIMER RELAY 1 AMP	1
11	105857	MOUNT PANEL TIMER RELAY	1
12	105776P	ENGINE PANEL COMPONENT BOX	1
13	340014	HOUR METER DIGITAL	1
14	103417	DECAL ENGINE CONTROL PANEL	1
15	104310	IGNITION KEY SWITCH W/ KEYS	1
	107793	KEYS (PAIR)	1
	107794	KEY RUBBER BOOT (EACH / REQUIRED WITH 107793)	1
	106273	IGNITION SWITCH LEVER STYLE	1
16	105211	HARNESS SLS CONTROL PANEL	1
17	103864	FUSE HOLDER INLINE BLADE	1
18	104990	FUSE BLADE 2 AMP ATO/ATC	1
19	105219	RELAY 30 AMP	1
20	106890	FUSE HOLDER TO MAIN BREAKER WIRE	1
21	106891	AC GROUND TO RELAY WIRE	1
22	106892	DC GROUND TO RELAY WIRE	1
23	106893	SLS PIN 4 TO RELAY WIRE	1
24	105894	SLS SCHEMATIC	1
25	106877	RELAY SCHEMATIC SLS 1.1	1
26	022342	TERM SPADE FEMALE 10-12 AWG 1/4	1
27	107417	SOFTWARE UPDATE KIT SLS 1.1 FOR SLS MODULE 107405	1

## 6.26 - SLS Harness Control Fuse Panel I

SN 07-000001 and UP  
SN 08-000001 and UP



105211\_J

# Night-Lite ProII™

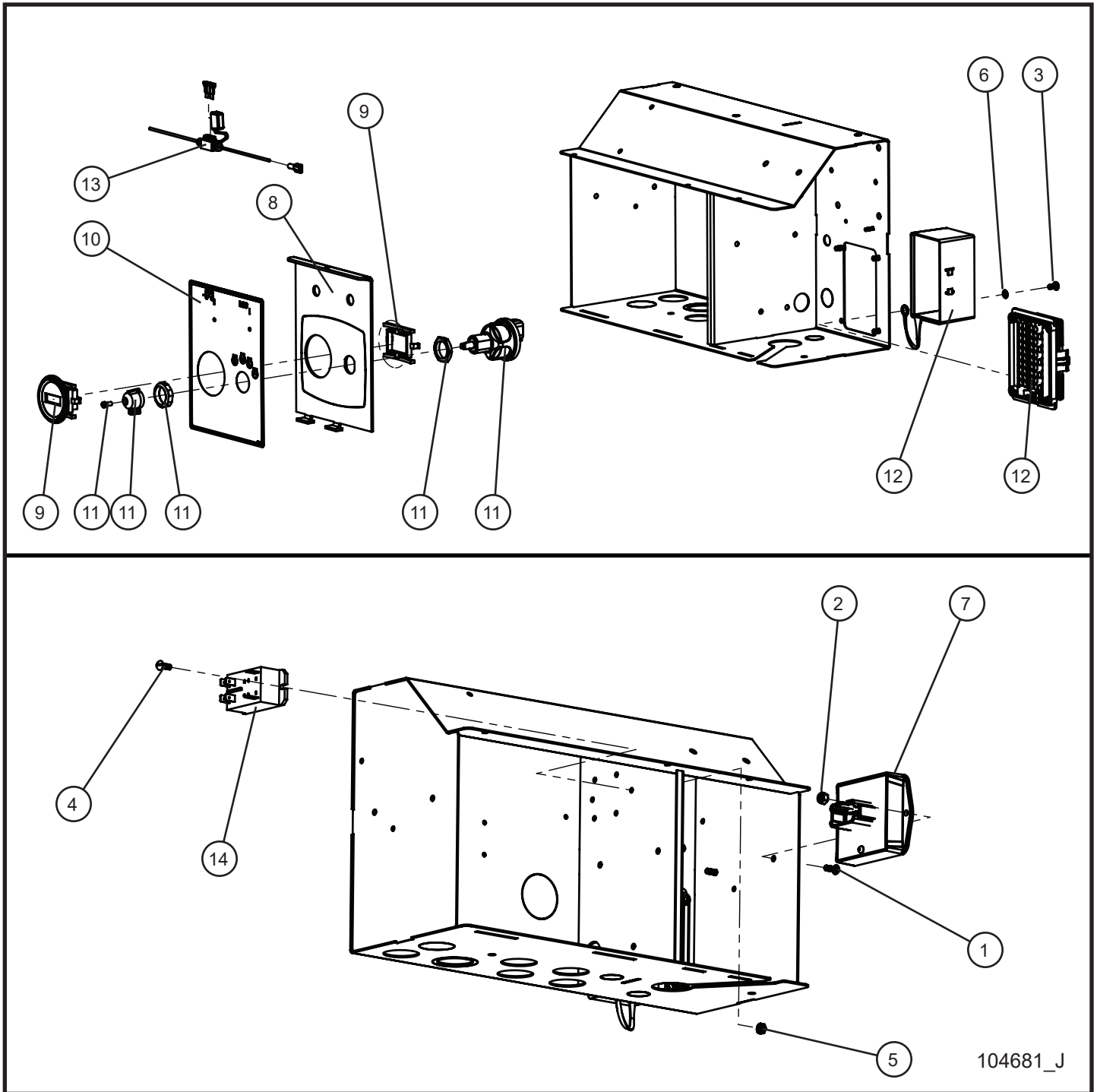
## 6.26 - SLS Harness Control Fuse Panel I

SN 07-000001 and UP  
SN 08-000001 and UP

Item	Part No.	Part Description	Qty.
--	105211	HARNESS SLS CONTROL PANEL COMPLETE	1
1	105199	BUSSMANN 45 PIN BOARD MODULE	1
2	105201	35 AMP SPST RELAY	2
3	105202	50 AMP SPST RELAY	1
4	105204	RESISTOR 68OHM	1
5	105832	CIRCUIT BREAKER 30A	1
6	105843	5A MINI FUSE	1
7	105844	15A MINI FUSE	1
8	105876	7.5A MINI FUSE	1

## 6.27 - SLS Key Start Engine Control II (no Timer Relay)

SN 07-000001 and UP  
SN 08-000001 and UP



104681\_J

# Night-Lite ProII™

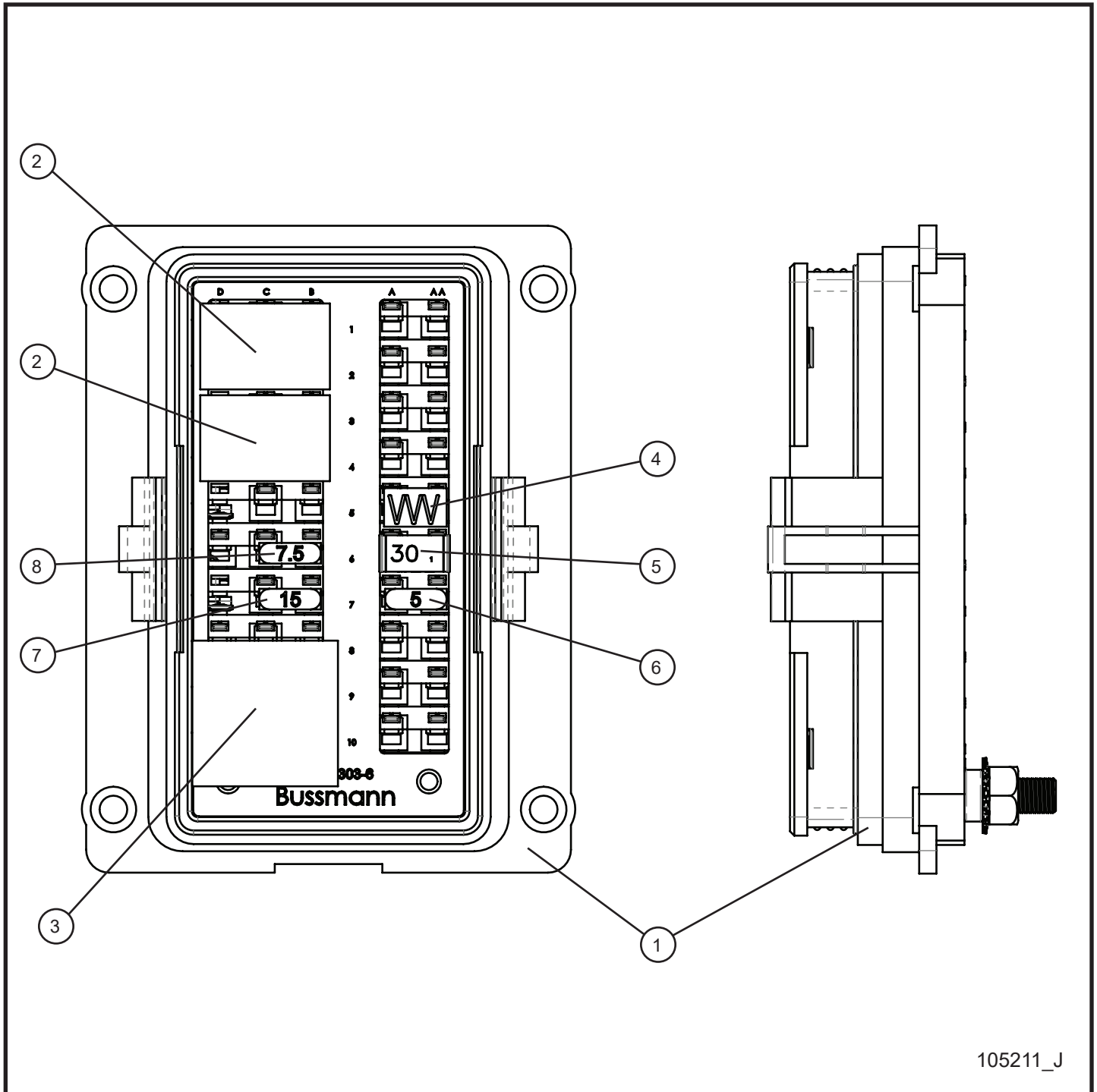
## 6.27 - SLS Key Start Engine Control II (no Timer Relay)

SN 07-000001 and UP  
SN 08-000001 and UP

Item	Part No.	Part Description	Qty.
1	041021	#10-24 x 1/2 PH-ROUND HEAD MS PL	2
2	044019	#10-24 NYLOCK HEX NUT SS	2
3	041019	#10-32 x 3/8 PH-ROUND HEAD MS PL	4
4	041013	#8-32 x 1/2 SLOTTED-ROUND HEAD MS PL	2
5	044003	#8-32 NC KEPS NUT	2
6	043017	#10 INTL TOOTH LOCK WASHER	1
7	108053	SLS 1.1 MODULE	1
8	105776P	ENGINE PANEL COMPONENT BOX	1
9	340014	HOUR METER DIGITAL	1
10	103417	DECAL ENGINE CONTROL PANEL	1
11	106273	IGNITION SWITCH LEVER STYLE	1
12	113338	NEW HARNESS SLS CONTROL PANEL	1
13	111211	FUSE HOLDER INLINE BLADE	1
	104990	FUSE BLADE 2 AMP ATO/ATC	1
14	105219	RELAY 30 AMP	1
	110101	RELAY 30 AMP 240V COIL	1
NS	106890	FUSE HOLDER TO MAIN BREAKER WIRE	1
NS	106891	AC GROUND TO RELAY WIRE	1
NS	106892	DC GROUND TO RELAY WIRE	1
NS	110123	SLS / KEY START SCHEMATIC	1
NS	106877	RELAY SCHEMATIC SLS 1.1	1
NS	110099	RELAY SCHEMATIC 240V ADDITION	1

## 6.28 - SLS Harness Control Fuse Panel II

SN 07-000001 and UP  
SN 08-000001 and UP



105211\_J



# Night-Lite ProII™

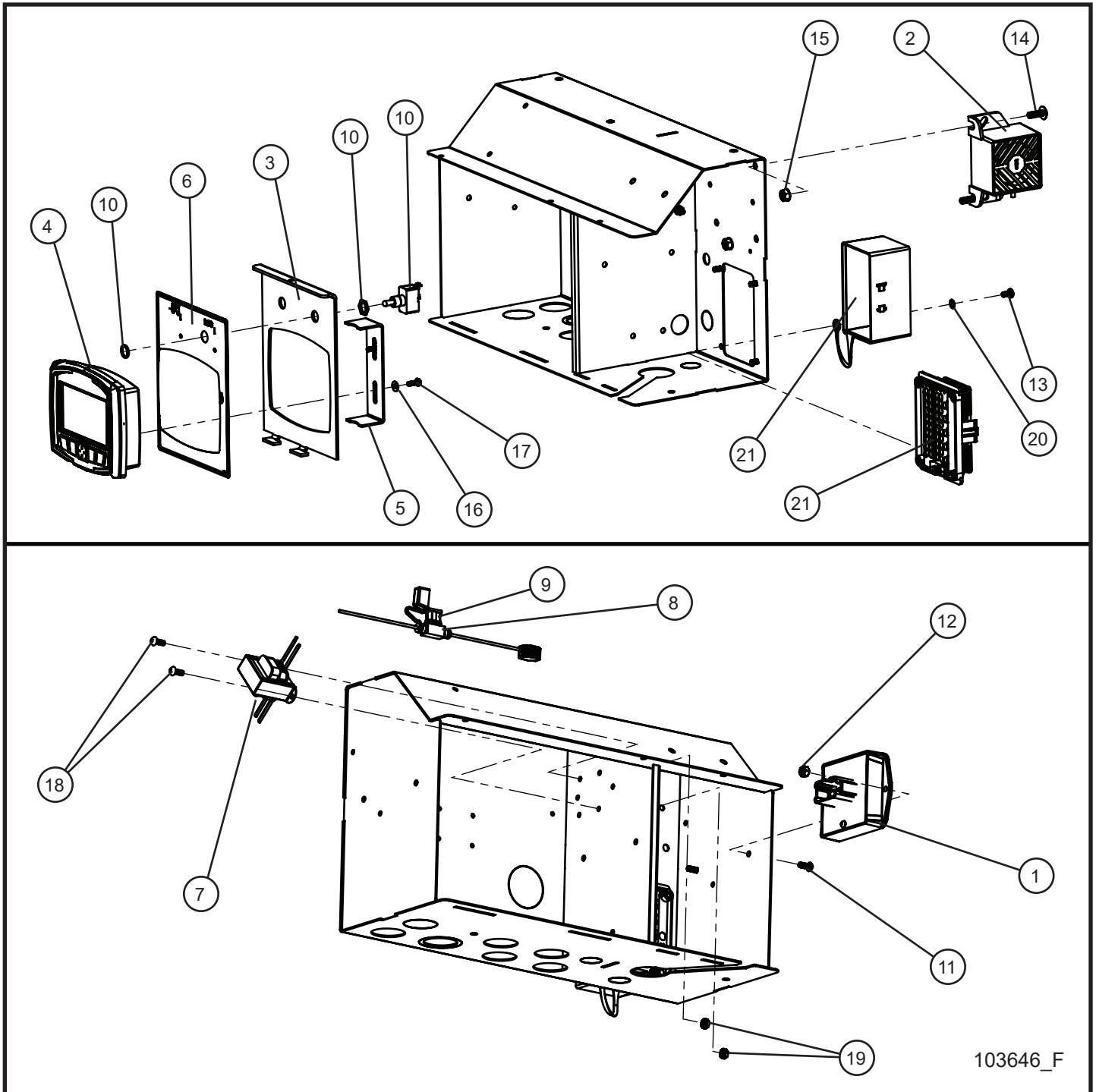
## 6.28 - SLS Harness Control Fuse Panel II

SN 07-000001 and UP  
SN 08-000001 and UP

Item	Part No.	Part Description	Qty.
--	113338	HARNESS SLS CONTROL PANEL COMPLETE	1
1	105199	BUSSMANN 45 PIN BOARD MODULE	1
2	105201	35 AMP SPST RELAY	2
3	105202	50 AMP SPST RELAY	1
4	105204	RESISTOR 68OHM	1
5	105832	CIRCUIT BREAKER 30A	1
6	105843	5A MINI FUSE	1
7	105844	15A MINI FUSE	1
8	105876	7.5A MINI FUSE	1

## 6.29 - LSC Start Engine Control with Toggle Switch

SN 07-000001 and UP  
SN 08-000001 and UP



# Night-Lite ProII™

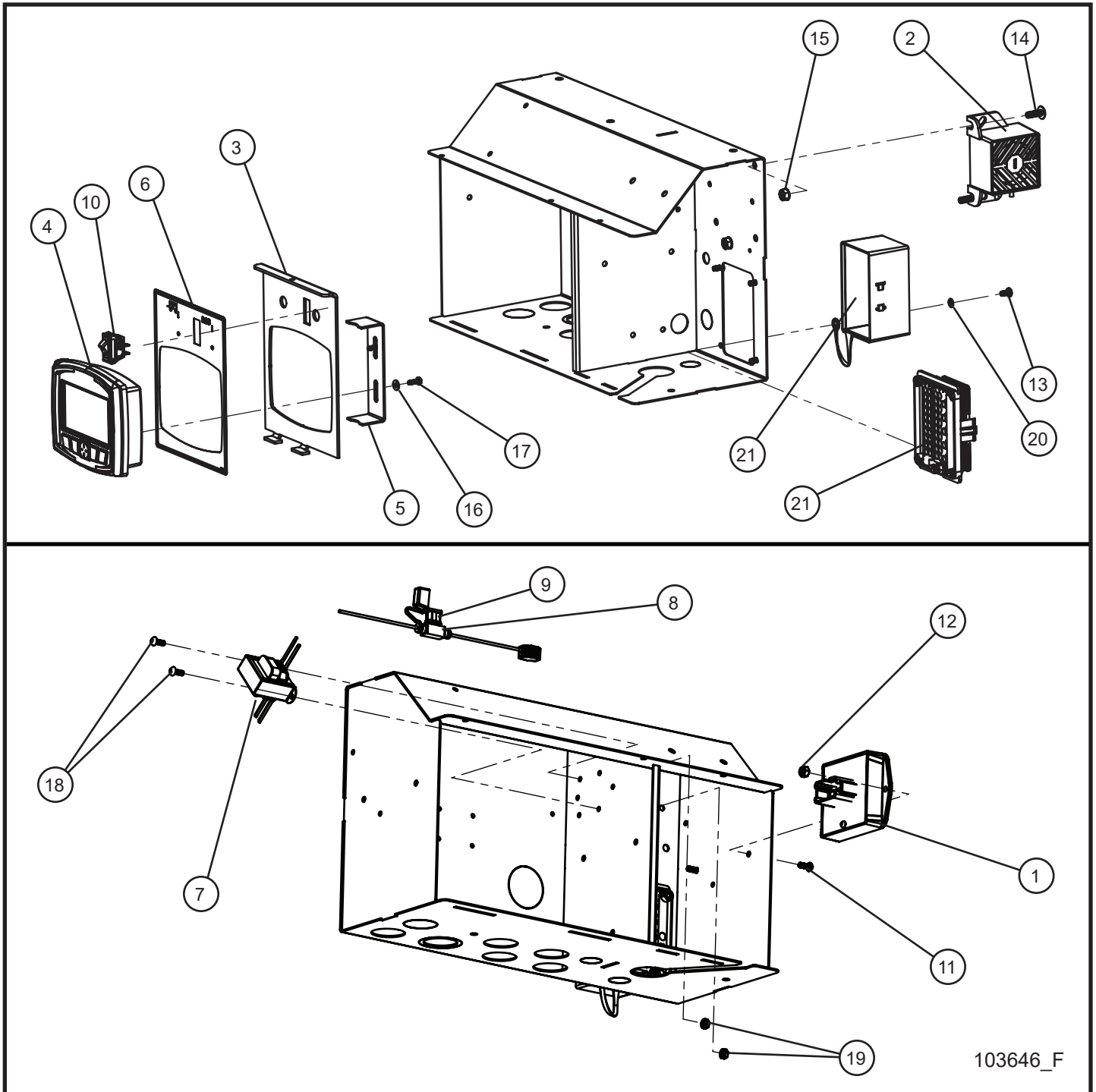
## 6.29 - LSC Start Engine Control with Toggle Switch

SN 07-000001 and UP  
SN 08-000001 and UP

Item	Part No.	Part Description	Qty.
1	108053	SLS 1.1 MODULE	1
2	105846	ALARM 102 DB	1
3	105776P	ENGINE PANEL COMPONENT BOX	1
4	107404	LSC 2.1 MODULE	1
5	105188P	BRACKET BACK LSC	1
6	103417	DECAL ENGINE CONTROL PANEL	1
7	108057	POWER FILAMENT 266 SERIES	1
8	103864	FUSE HOLDER INLINE BLADE	1
9	104990	FUSE BLADE 2 AMP ATO/ATC	1
10	101067	SPST SWITCH	1
11	041021	#10-24 x 1/2 PH-ROUND HEAD MS PL	2
12	044019	#10-24 NYLOCK HEX NUT PL	2
13	041019	#10-32 x 3/8 PH-ROUND HEAD MS PL	4
14	041050	1/4-20 x 3/4 PH-TRUSS HEAD MS SS MACHINE SCREW	2
15	044021	1/4-20 KEPS HEX NUT PL	2
16	047004	#8 FLAT WASHER SAE ZC	2
17	041200	#8-32 x 1/2 HEX WASHER HEAD INDT	2
18	041012	#8-32 x 1/2 SCREW MS PL	2
19	044003	#8-32 NC KEPS NUT	2
20	043017	#10 INTL TOOTH LOCK WASHER	1
21	116653	HARNESS LSC CONTROL PANEL COMPLETE	1
NS	106037	AUTOSTART ALARM WIRE HARNESS	1
NS	113437	117/6.3V TRANSFORMER SCHEMATIC	1
NS	113652	LSC SCHEMATIC	1
NS	107414	SOFTWARE UPDATE KIT LSC 2.1 NL PRO II	1

## 6.30 - LSC Start Engine Control with Rocker Switch

SN 07-000001 and UP  
SN 08-000001 and UP



103646\_F

# Night-Lite ProII™

## 6.30 - LSC Start Engine Control with Rocker Switch

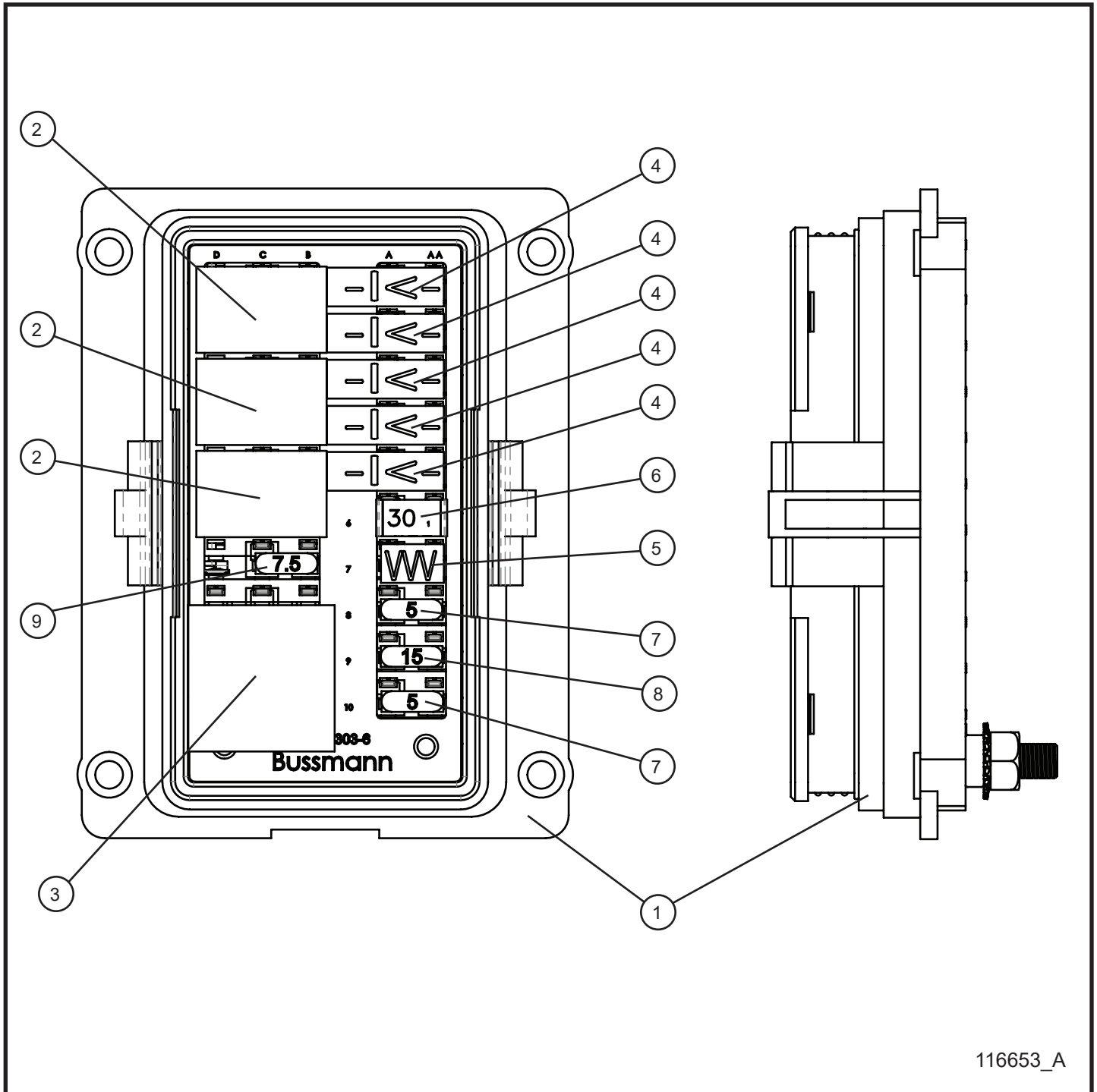
SN 07-000001 and UP

SN 08-000001 and UP

Item	Part No.	Part Description	Qty.
1	108053	SLS 1.1 MODULE	1
2	105846	ALARM 102 DB	1
3	105776P	ENGINE PANEL COMPONENT BOX	1
4	107404	LSC 2.1 MODULE	1
5	105188P	BRACKET BACK LSC	1
6	103417	DECAL ENGINE CONTROL PANEL	1
7	108057	POWER FILAMENT 266 SERIES	1
8	103864	FUSE HOLDER INLINE BLADE	1
9	104990	FUSE BLADE 2 AMP ATO/ATC	1
10	113541	ROCKER SWITCH SPST ON/OFF	1
11	041021	#10-24 x 1/2 PH-ROUND HEAD MS PL	2
12	044019	#10-24 NYLOCK HEX NUT PL	2
13	041019	#10-32 x 3/8 PH-ROUND HEAD MS PL	4
14	041050	1/4-20 x 3/4 PH-TRUSS HEAD MS SS MACHINE SCREW	2
15	044021	1/4-20 KEPS HEX NUT PL	2
16	047004	#8 FLAT WASHER SAE ZC	2
17	041200	#8-32 x 1/2 HEX WASHER HEAD INDT	2
18	041012	#8-32 x 1/2 SCREW MS PL	2
19	044003	#8-32 NC KEPS NUT	2
20	043017	#10 INTL TOOTH LOCK WASHER	1
21	116653	HARNESS LSC CONTROL PANEL COMPLETE	1
NS	106037	AUTOSTART ALARM WIRE HARNESS	1
NS	113437	117/6.3V TRANSFORMER SCHEMATIC	1
NS	113652	LSC SCHEMATIC	1

## 6.31 - LSC Harness Control Fuse Panel

SN 07-000001 and UP  
SN 08-000001 and UP



116653\_A

# Night-Lite ProII™

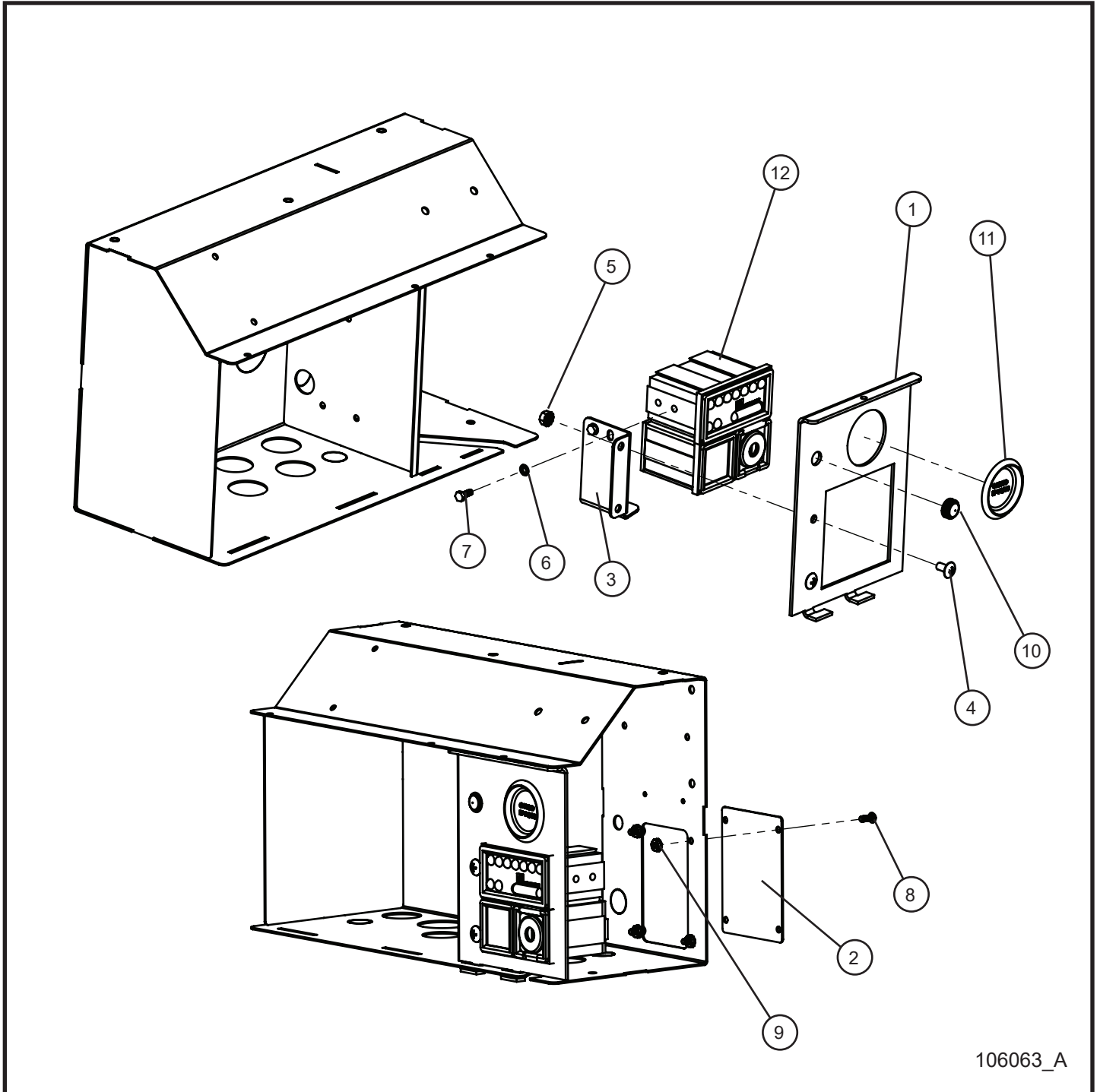
## 6.31 - LSC Harness Control Fuse Panel

SN 07-000001 and UP  
SN 08-000001 and UP

Item	Part No.	Part Description	Qty.
--	116653	HARNESS LSC CONTROL PANEL COMPLETE	1
1	105199	BUSSMANN 45 PIN BOARD MODULE	1
2	105201	35 AMP SPST RELAY	3
3	105202	50 AMP SPST RELAY	1
4	105203	BLOCKING DIODE KEYED	5
5	105204	RESISTOR 68OHM	1
6	105832	CIRCUIT BREAKER 30A	1
7	105843	5A MINI FUSE	2
8	105844	15A MINI FUSE	1
9	105876	7.5A MINI FUSE	1

## 6.32 - Kohler Start Engine Control

SN 07-000001 and UP  
SN 08-000001 and UP



106063\_A



# Night-Lite ProII™

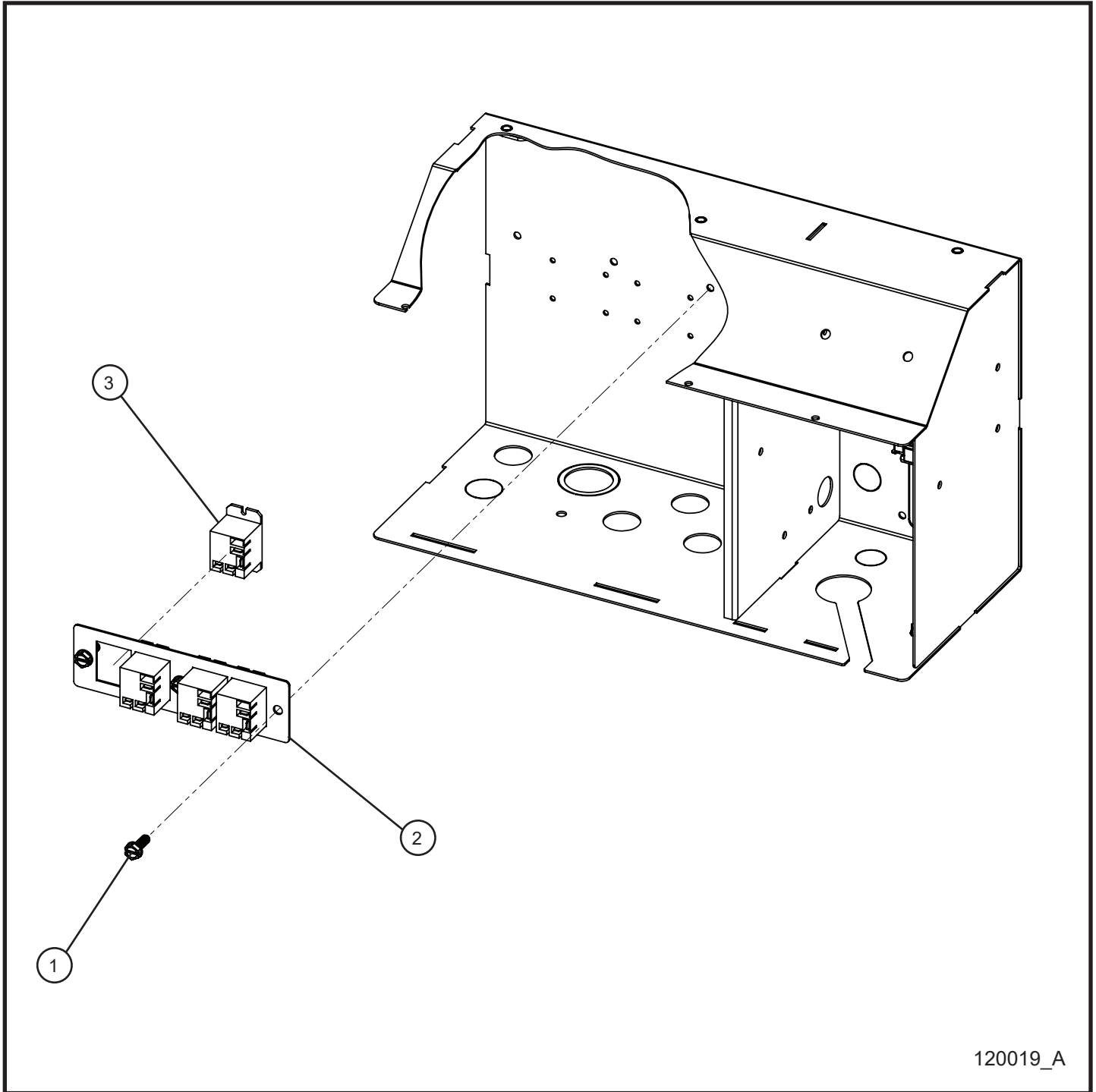
## 6.32 - Kohler Start Engine Control

SN 07-000001 and UP  
SN 08-000001 and UP

Item	Part No.	Part Description	Qty.
1	106061P	ENGINE PANEL COMPONENT BOX	1
2	106062P	PANEL COVER PDM CUT OUT	1
3	102803P	KOHLER/LOMB CONTROL PANEL MOUNT	1
4	041078	1/4-20 x 1/2 PH-TRUSS HEAD MS SS	2
5	044021	1/4-20 KEPS HEX NUT PL	2
6	043015	#10 INTL TOOTH LOCK WASHER PL	2
7	046426	M5 x 0.8MM x 12MM HEX HEAD CS	2
8	041021	#10-24 x 1/2 PH-ROUND HEAD MS PL	4
9	044016	#10-24 KEPS HEX NUT PL	4
10	433328	1/2 PLASTIC PLUG	1
11	680878	1 3/4 CAPLUG	1
12	103317	KOHLER CONTROL PANEL	1
	650832	SWITCH W/KEYS	1
	650833	KEY (SINGLE)	1

## 6.33 - 4-Light Zettler Relay

SN 07-000001 and UP  
SN 08-000001 and UP



120019\_A

# Night-Lite ProII™

---

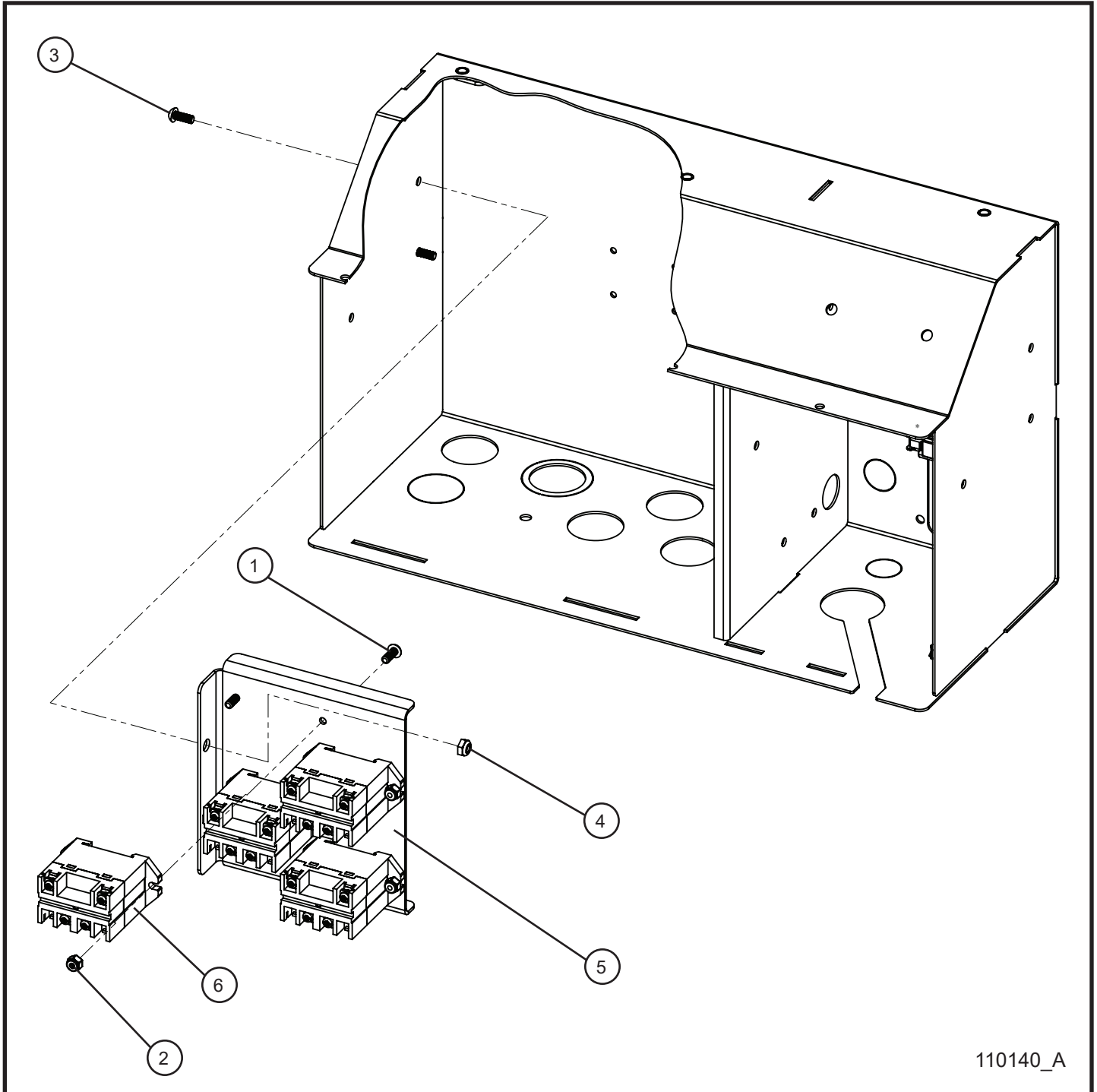
## 6.33 - 4-Light Zettler Relay

SN 07-000001 and UP  
SN 08-000001 and UP

Item	Part No.	Part Description	Qty.
1	041070	1/4-20 X 3/4 SL-HEX WASHER HEAD MACHINE SCREW	3
2	114846P	RELAY BRACKET BREAKER BOX	1
3	104957	RELAY 120 VAC 30 AMP 12-28 VDC CONTROL	4
NS	114826	LIGHT RELAY HARNESS	1
NS	114828	RELAY CONTROL HARNESS	1
NS	120514	SCHEMATIC 4 LED 4 RELAY NL PRO II	1

## 6.34 - 4-Light 725 Relay

SN 07-000001 and UP  
SN 08-000001 and UP



110140\_A

# Night-Lite ProII™

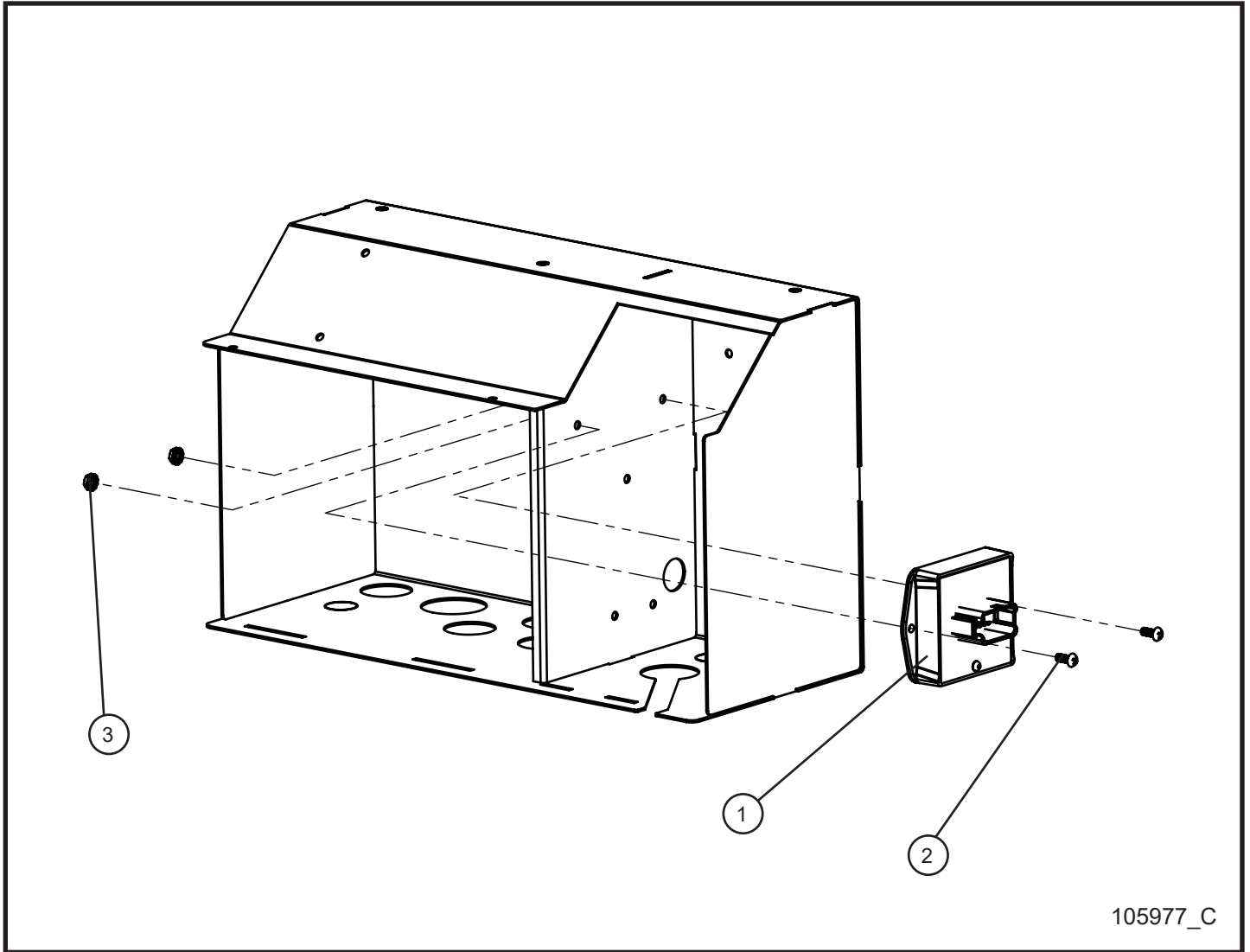
## 6.34 - 4-Light 725 Relay

SN 07-000001 and UP  
SN 08-000001 and UP

Item	Part No.	Part Description	Qty.
1	041012	SCREW MS #8-32 x 1/2 PL	8
2	044013	#8-32 NYLOCK HEX NUT SS	8
3	041021	#10-24 x 1/2 PH-ROUND HEAD MS PL	2
4	044018	#10-24 NYLOCK HEX NUT PL	2
5	109035P	BRACKET 725 RELAY	1
6	109025	RELAY 277VAC 30AMP 12VDC COIL SPST	4
NS	112698	4 LIGHT 725 RELAYS WIRE HARNESS	1
NS	113313	4 LIGHT 725 RELAYS AC WIRE HARNESS	1
NS	113582	SCHEMATIC 4 LIGHT 725 RELAYS NL PRO II	1

## 6.35 - Low Level Fuel Module

SN 07-000001 and UP  
SN 08-000001 and UP



105977\_C

# Night-Lite ProII™

---

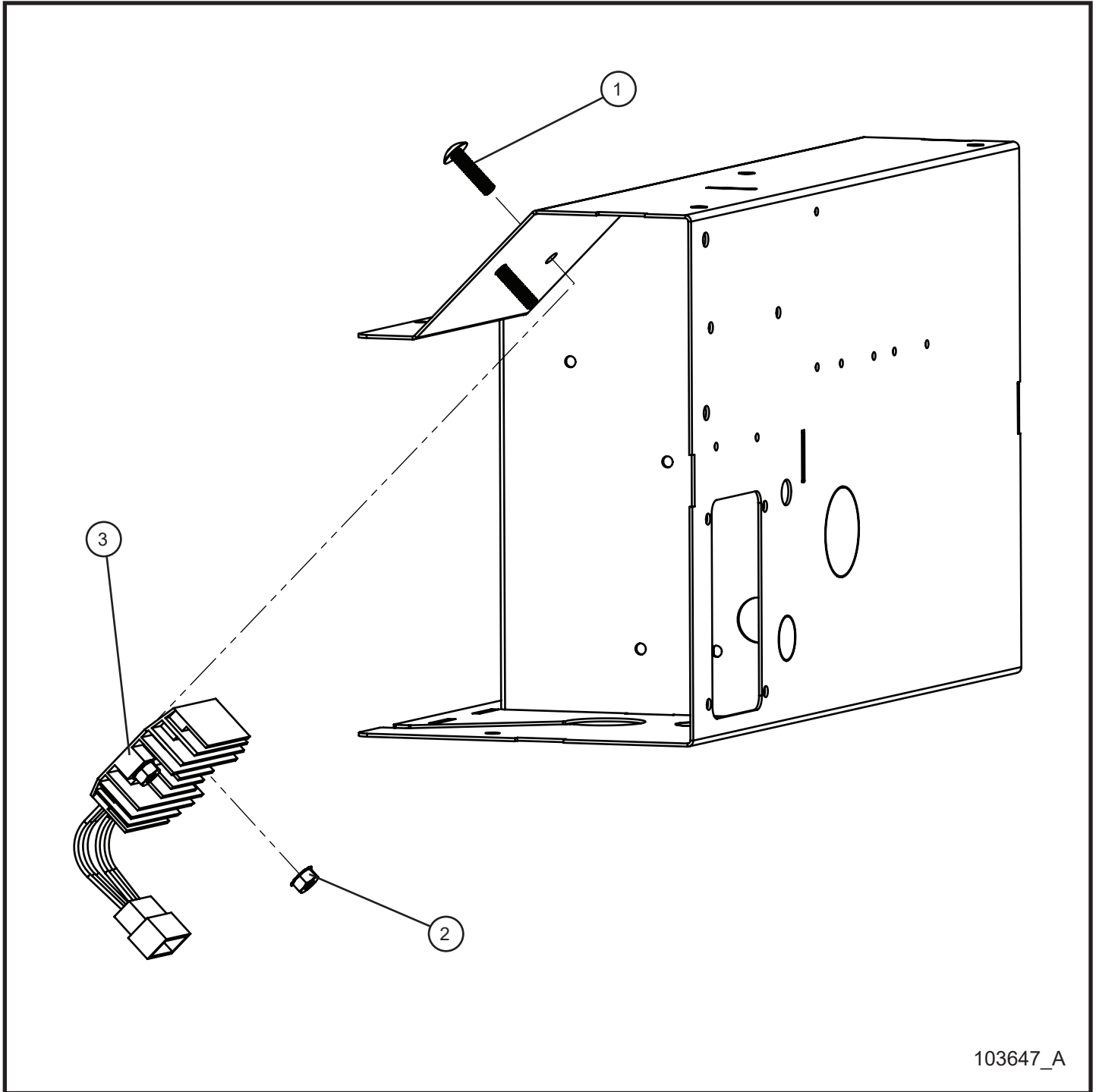
## 6.35 - Low Level Fuel Module

SN 07-000001 and UP  
SN 08-000001 and UP

Item	Part No.	Part Description	Qty.
1	105856	SLS MODULE WITH 5V POWER SUPPLY	1
2	041021	#10-24 x 1/2 PH-ROUND HEAD MS PL	2
3	044018	#10-24 NYLOCK HEX NUT PL	2
NS	105901	LOW FUEL SHUTDOWN WIRE SCHEMATIC	1
NS	105900	WIRE HARNESS LOW FUEL MODULE	1

## 6.36 - CAT C1.1 Engine Voltage Regulator

SN 07-000001 and UP  
SN 08-000001 and UP



103647\_A



# Night-Lite ProII™

---

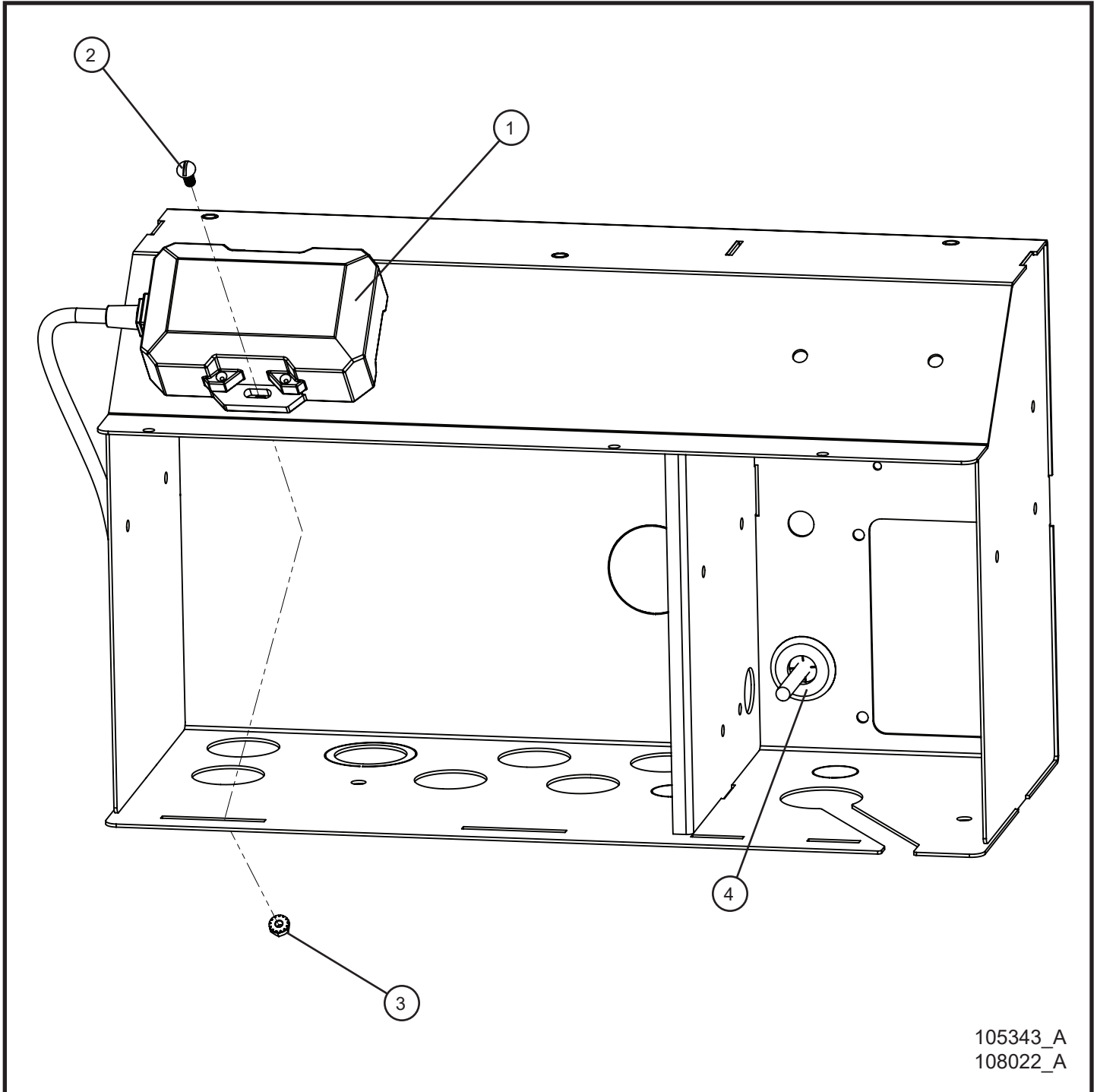
## 6.36 - CAT C1.1 Engine Voltage Regulator

SN 07-000001 and UP  
SN 08-000001 and UP

Item	Part No.	Part Description	Qty.
1	041080	1/4-20 x PH-TRUSS HEAD MS SS	2
2	044021	1/4-20 KEPS HEX NUT PL	2
3	650446	VOLTAGE REGULATOR	1
NS	105988	CAT ENGINE VR HARNESS	1
NS	105899	C1.1 VOLTAGE REGULATOR SCHEMATIC	1

## 6.37 - GPS Module Option

SN 07-000001 and UP  
SN 08-000001 and UP



105343\_A  
108022\_A

# Night-Lite ProII™

---

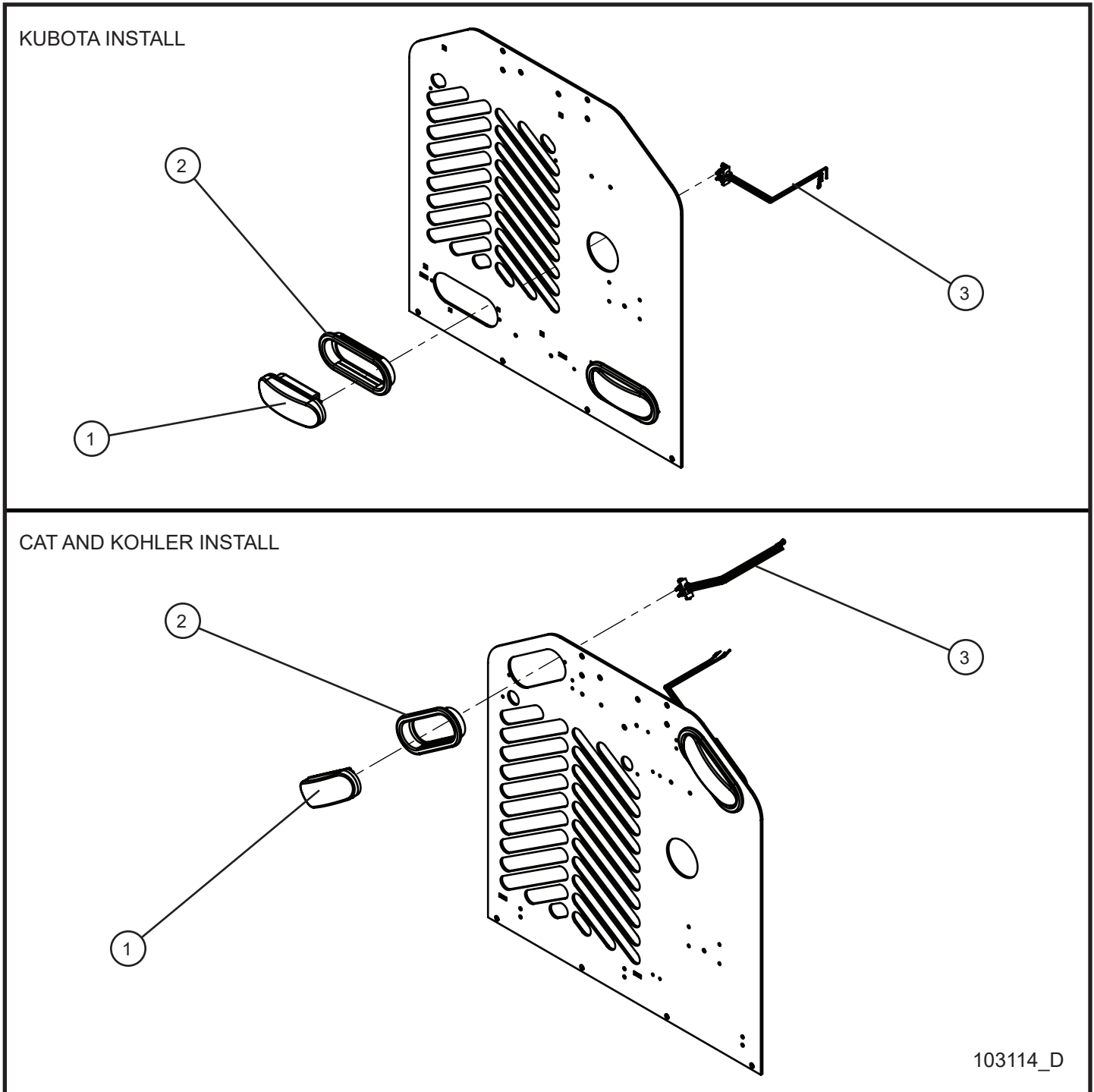
## 6.37 - GPS Module Option

SN 07-000001 and UP  
SN 08-000001 and UP

Item	Part No.	Part Description	Qty.
1	105650	ZTR GPS MODULE	1
	108037	LHP TELEMATICS GPS MODULE	1
2	041013	#8-32 x 1/2 SLOTTED-ROUND HEAD MS PL	2
3	044003	#8-32 NC KEPS NUT	2
4	100859	7/8 ID x 1 1/4 OD GROMMET	1
5	105345	SCHEMATIC GPS ZTR SYSTEM W/ SLS	1
6	108056	SCHEMATIC GPS LHP TELEMATICS W/ SLS	1

## 7.1 - Oval Tail Lights

SN 07-000001 and UP  
SN 08-000001 and UP



# Night-Lite ProII™

---

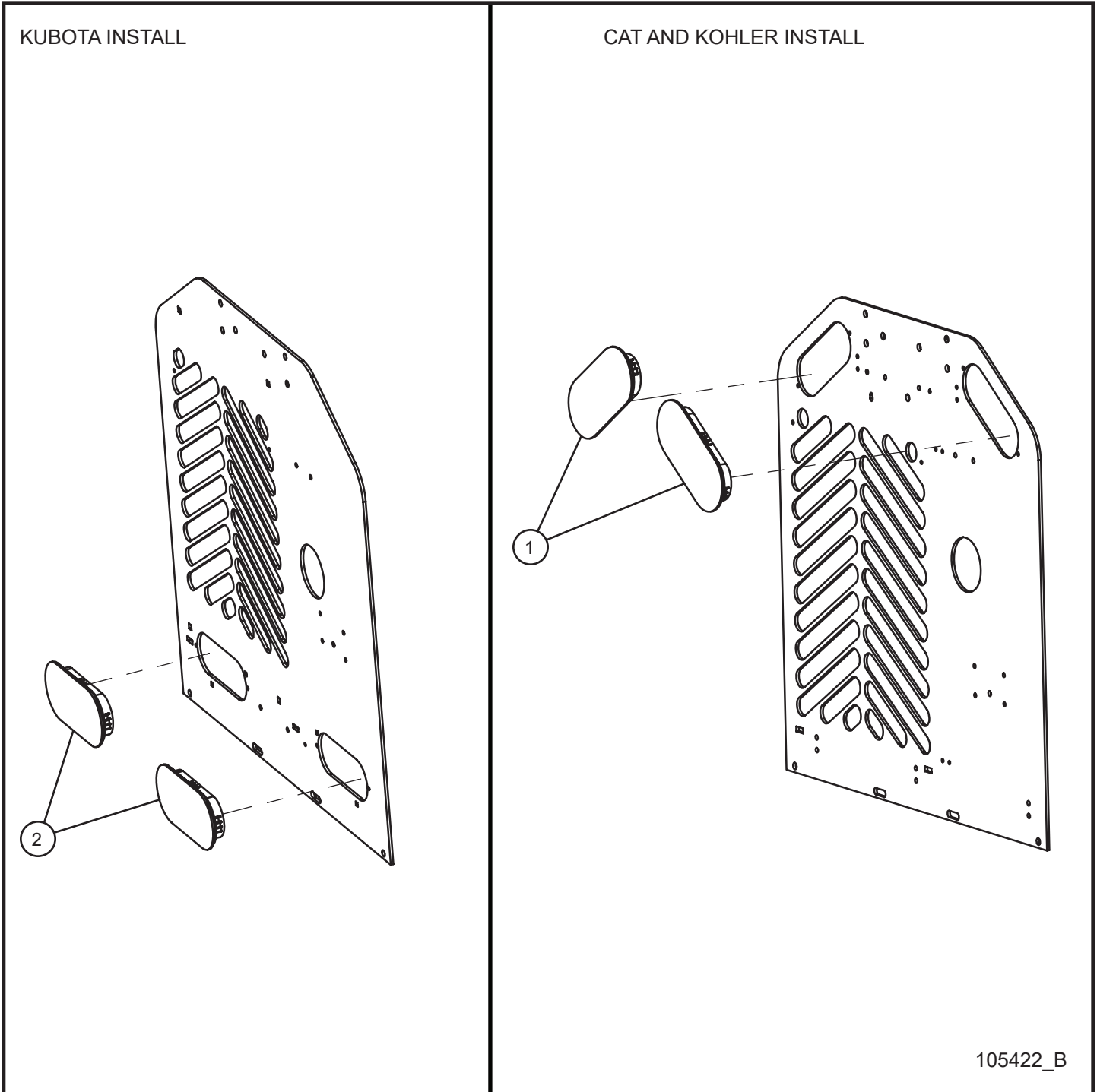
## 7.1 - Oval Tail Lights

SN 07-000001 and UP  
SN 08-000001 and UP

Item	Part No.	Part Description	Qty.
1	102826	STOP, TAIL, TURN LAMP	2
	102721	LED TAIL LAMP STOP TURN	2
2	102825	OVAL LAMP GROMMET	2
3	102827	ECONO 90 DEG 3-PRONG PIGTAIL	2

## 7.2 - Tail Light Covers

SN 07-000001 and UP  
SN 08-000001 and UP



105422\_B

# Night-Lite ProII™

---

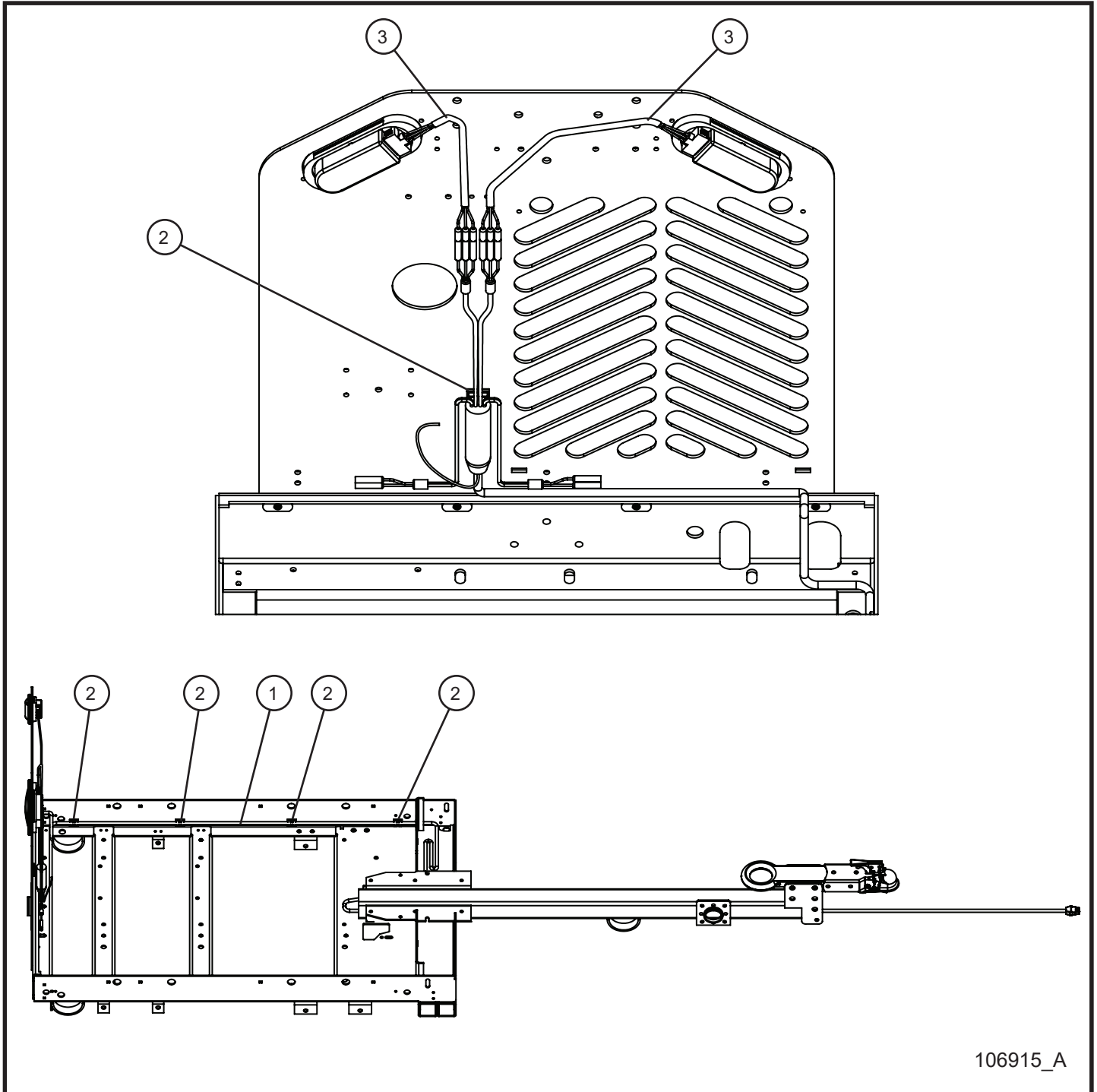
## 7.2 - Tail Light Covers

SN 07-000001 and UP  
SN 08-000001 and UP

Item	Part No.	Part Description	Qty.
1	118601	TAILLIGHT PLASTIC FILLER PLUG (SET OF 2)	1

## 7.3 - CAT 4-Pin Tail Light Harness

SN 07-000001 and UP  
SN 08-000001 and UP



106915\_A



# Night-Lite ProII™

---

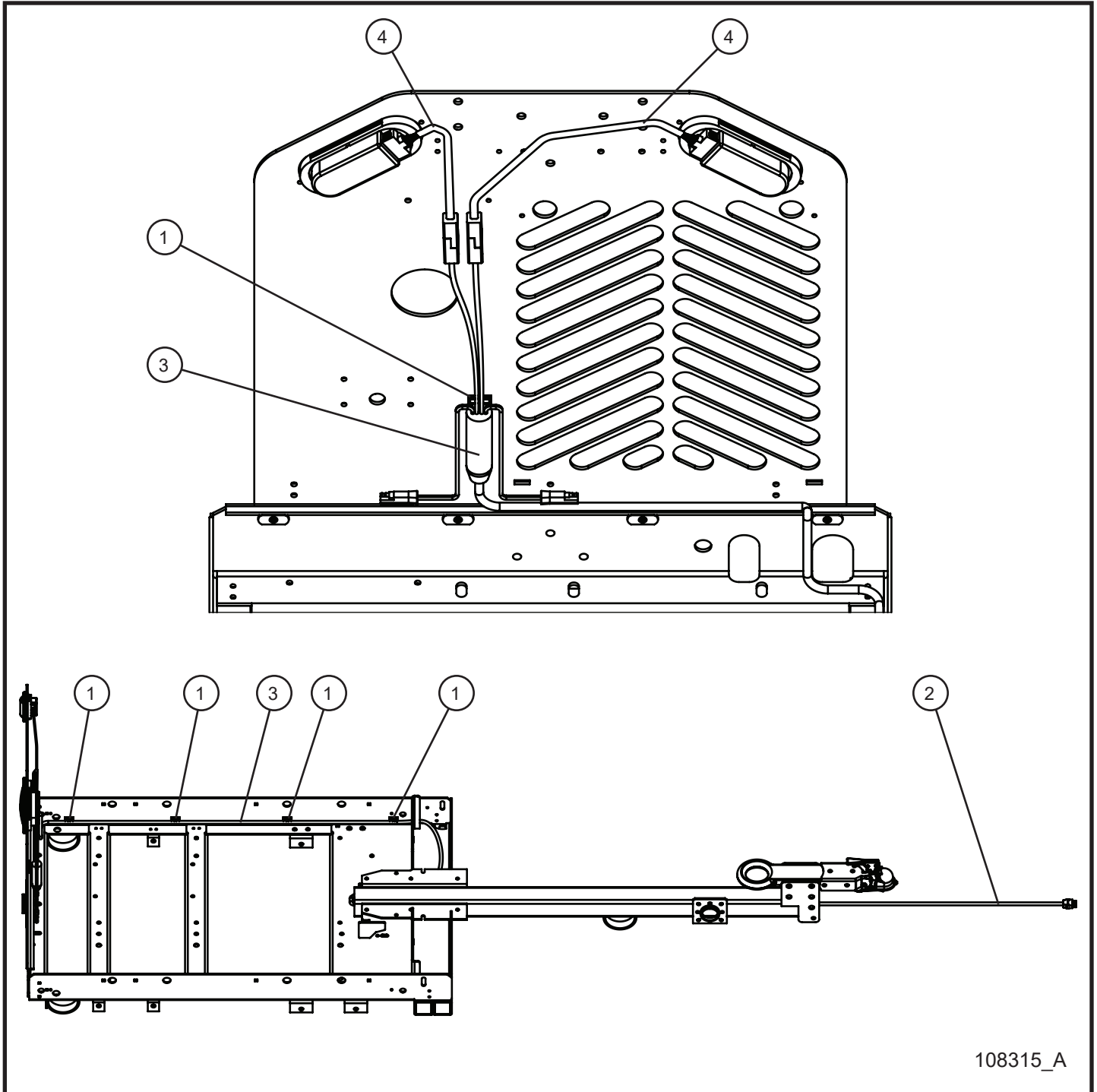
## 7.3 - CAT 4-Pin Tail Light Harness

SN 07-000001 and UP  
SN 08-000001 and UP

Item	Part No.	Part Description	Qty.
1	106903	BASE HARNESS TAILLIGHTS	1
2	022135	TIE ADHESIVE MOUNT	5
3	106906	TAILLIGHT PIGTAIL LONG HARNESS PRO II	2
4	107266	SCHEMATIC TAILLIGHT HARNESS	1

## 7.4 - CAT 4-Pin 2 Piece Tail Light Harness

SN 07-000001 and UP  
SN 08-000001 and UP



108315\_A

# Night-Lite ProII™

---

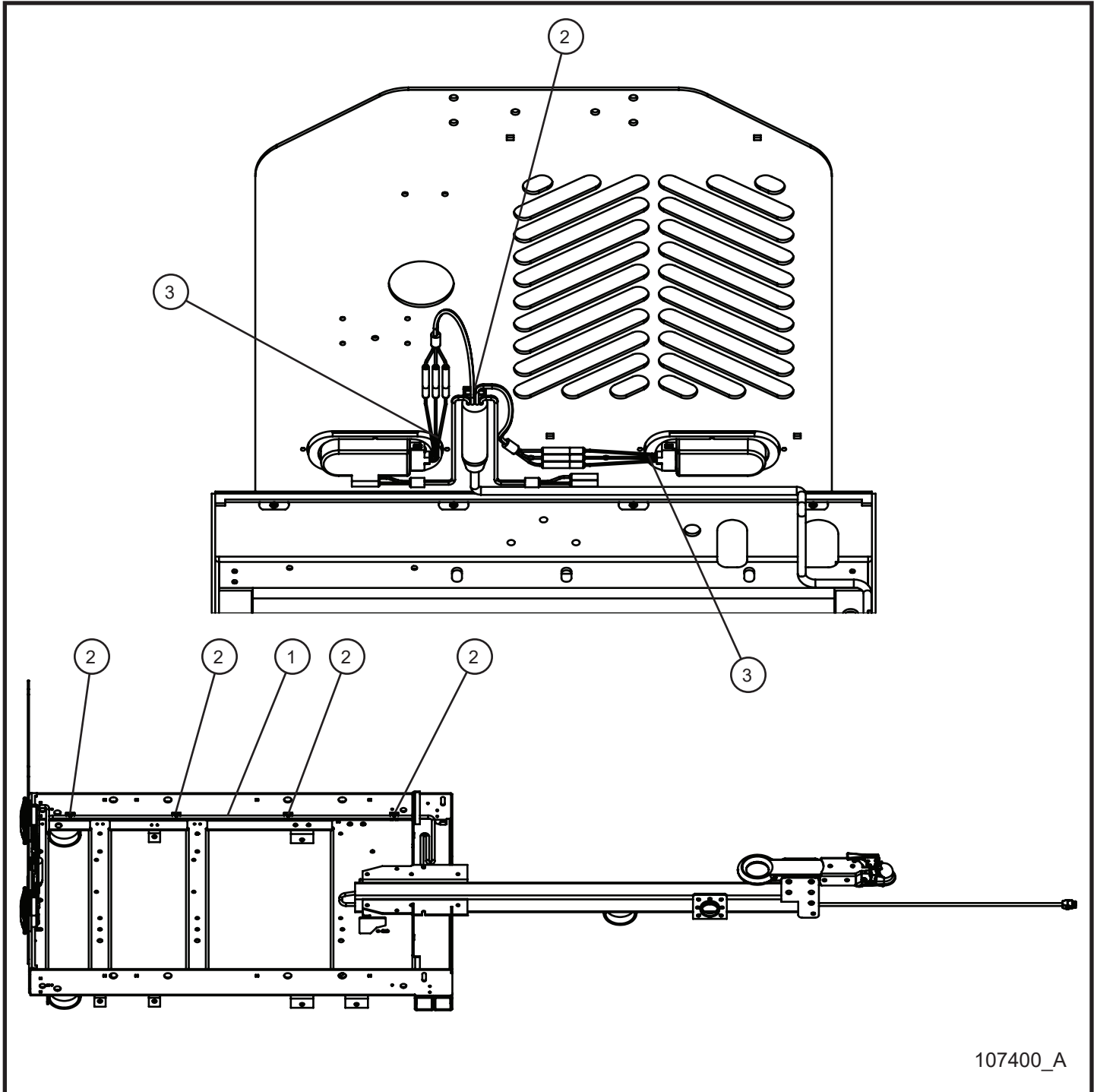
## 7.4 - CAT 4-Pin 2 Piece Tail Light Harness

SN 07-000001 and UP  
SN 08-000001 and UP

Item	Part No.	Part Description	Qty.
1	022135	TIE ADHESIVE MOUNT	5
2	107856	SHORT TONGUE TAIL LIGHTS	1
3	107859	BASE HARNESS TAIL LIGHTS	1
4	107862	TAIL LIGHT PIGTAIL LONG SQUARE PLUG HARNESS	2
5	107266	SCHEMATIC TAILLIGHT HARNESS	1

## 7.5 - Kubota 4-Pin Tail Light Harness

SN 07-000001 and UP  
SN 08-000001 and UP



107400\_A

# Night-Lite ProII™

---

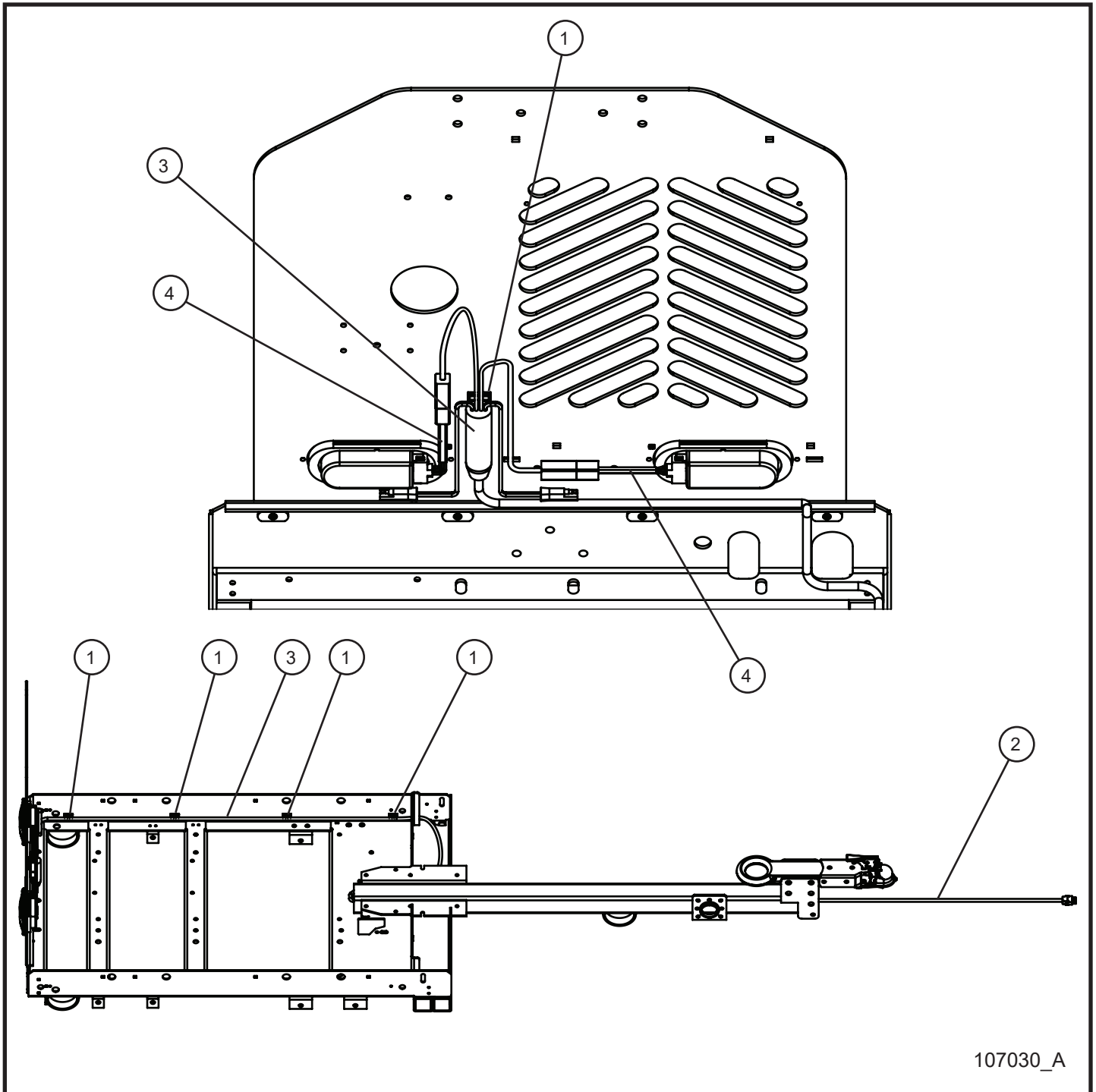
## 7.5 - Kubota 4-Pin Tail Light Harness

SN 07-000001 and UP  
SN 08-000001 and UP

Item	Part No.	Part Description	Qty.
1	106903	BASE HARNESS TAILLIGHTS	1
2	022135	TIE ADHESIVE MOUNT	5
3	106907	TAILLIGHT PIGTAIL SHORT HARNESS PRO II	2
4	107266	SCHEMATIC TAILLIGHT HARNESS	1

## 7.6 - Kubota 4-Pin 2 Piece Tail Light Harness

SN 07-000001 and UP  
SN 08-000001 and UP



107030\_A

# Night-Lite ProII™

---

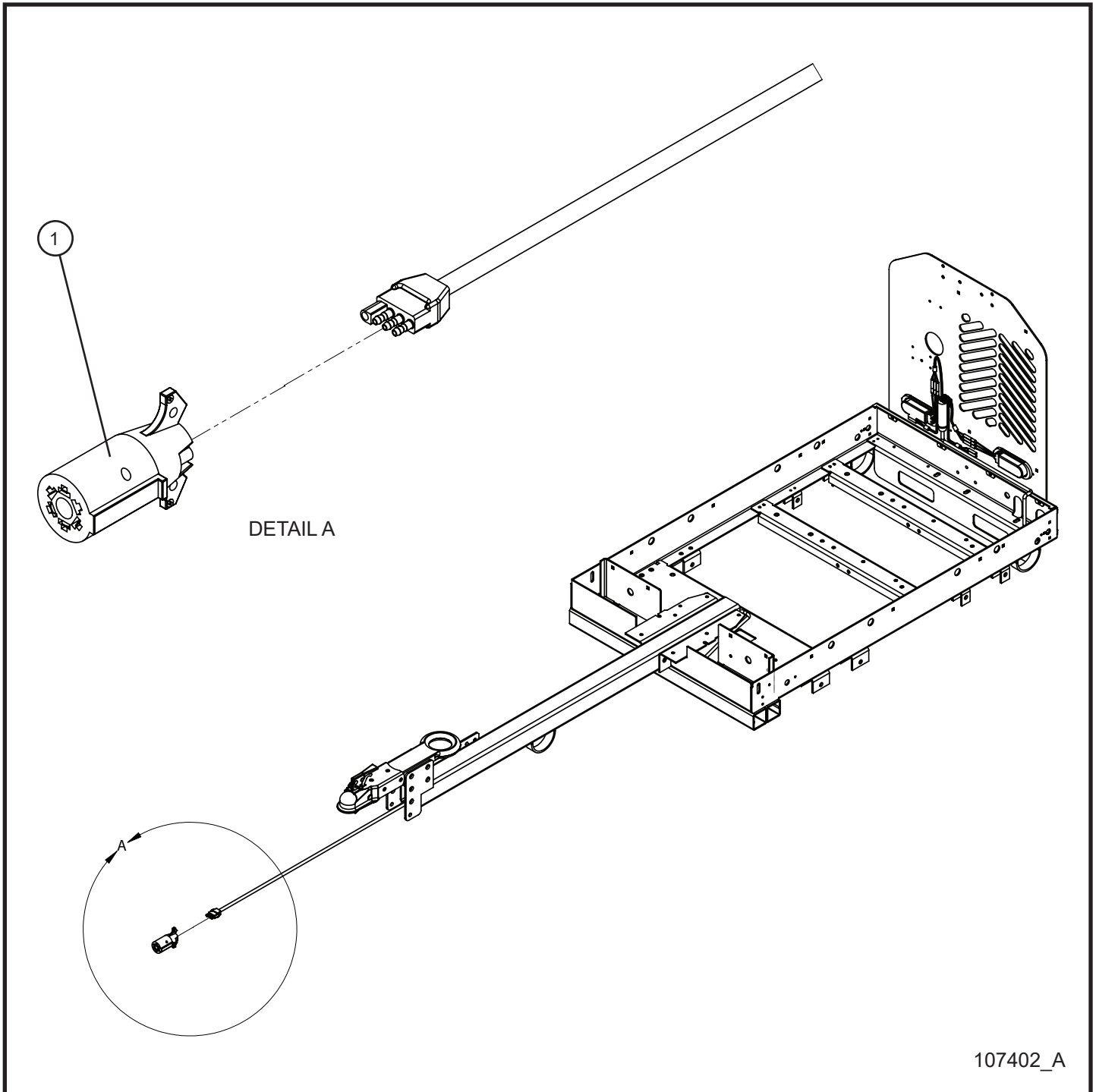
## 7.6 - Kubota 4-Pin 2 Piece Tail Light Harness

SN 07-000001 and UP  
SN 08-000001 and UP

Item	Part No.	Part Description	Qty.
1	022135	TIE ADHESIVE MOUNT	5
2	107856	SHORT TONGUE TAIL LIGHTS	1
3	107859	BASE HARNESS TAIL LIGHTS	1
4	107861	TAIL LIGHT PIGTAIL LONG SQUARE PLUG HARNESS	2
5	107266	SCHEMATIC TAILLIGHT HARNESS	1

## 7.7 - 7-Pole Plug Adapter

SN 07-000001 and UP  
SN 08-000001 and UP



107402\_A



# Night-Lite ProII™

---

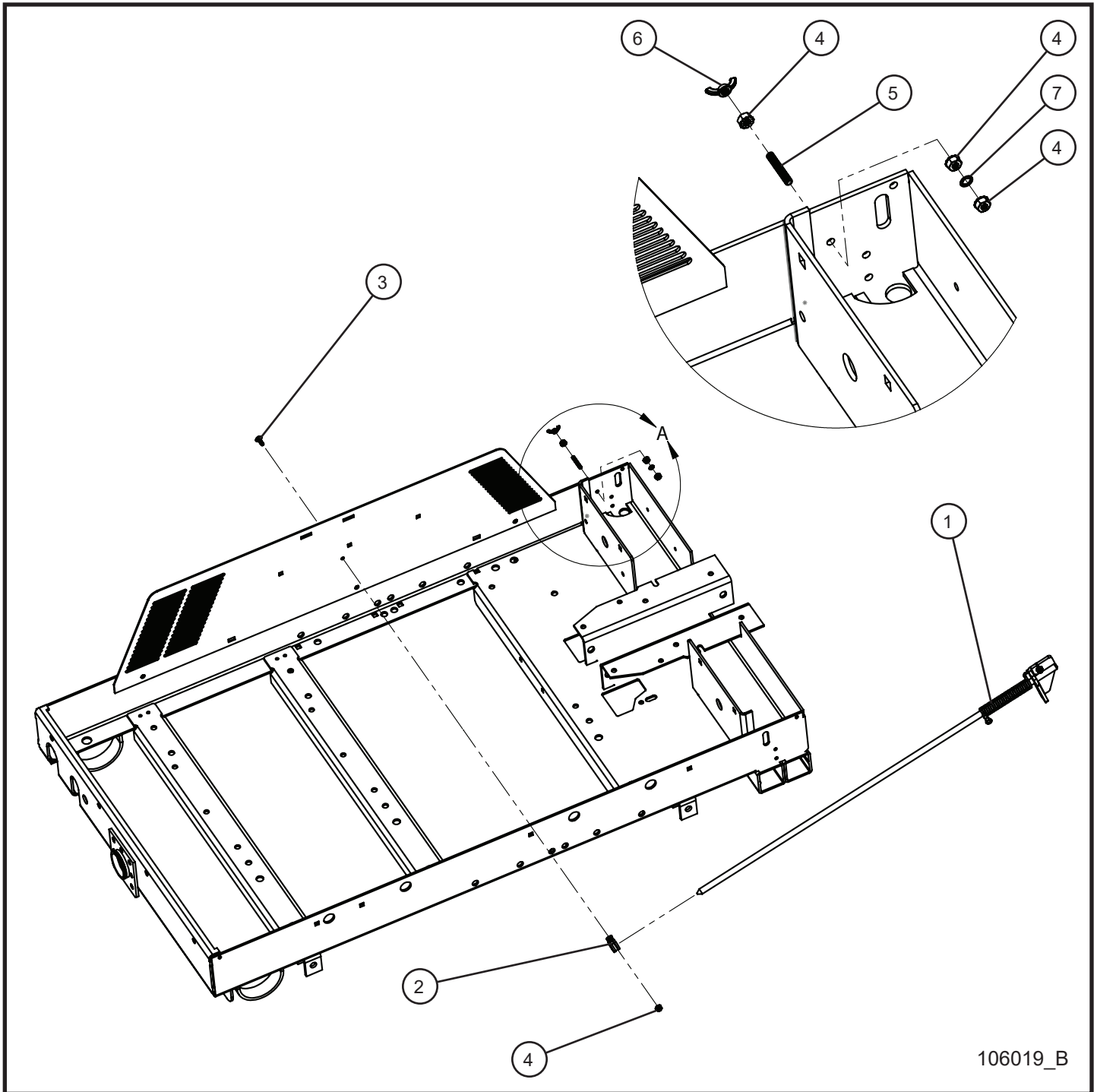
## 7.7 - 7-Pole Plug Adapter

SN 07-000001 and UP  
SN 08-000001 and UP

Item	Part No.	Part Description	Qty.
1	107401	7-WAY RV PLUG, BLADE STYLE	1

## 7.8 - Ground Rod

SN 07-000001 and UP  
SN 08-000001 and UP



# Night-Lite ProII™

---

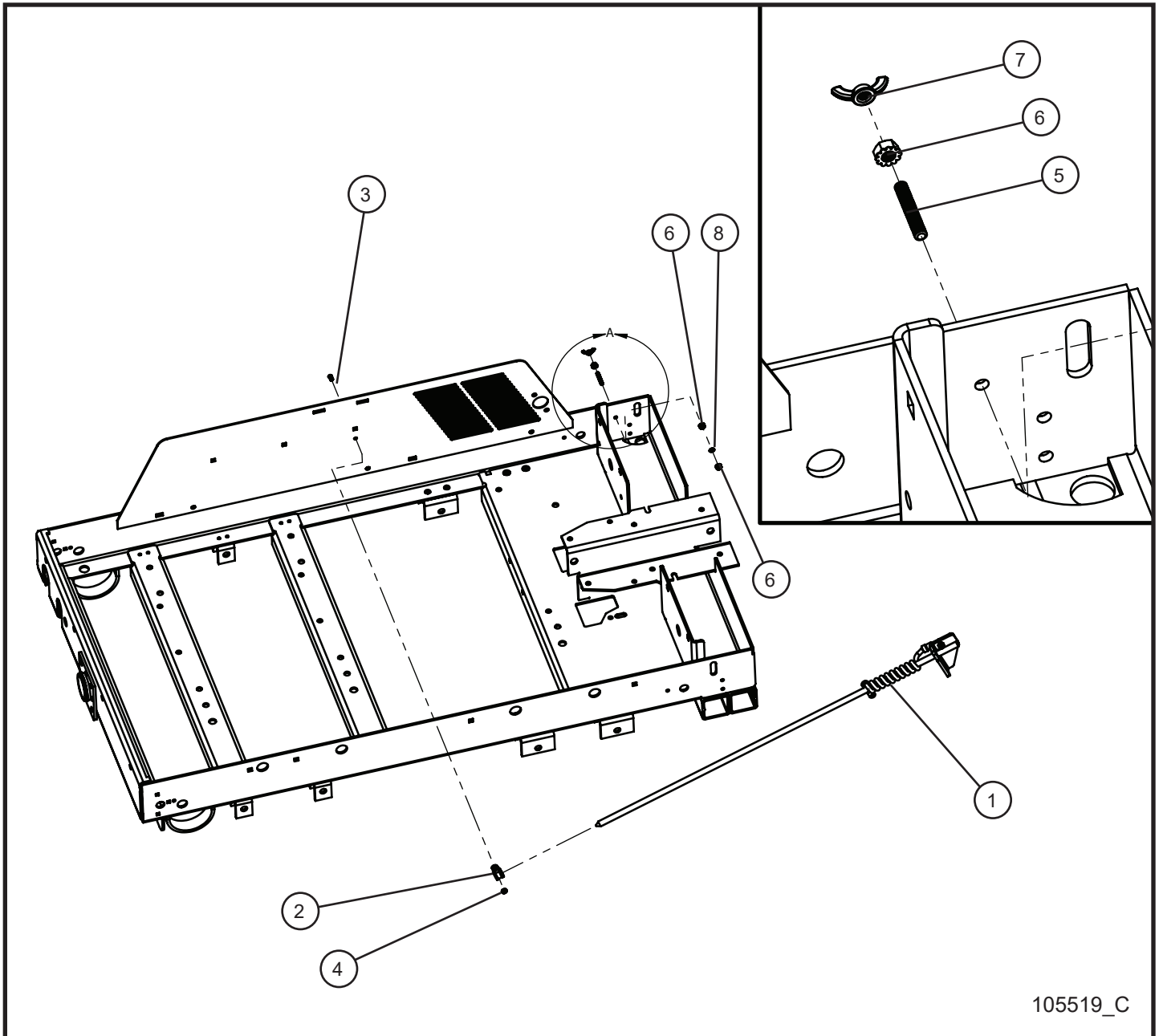
## 7.8 - Ground Rod

SN 07-000001 and UP  
SN 08-000001 and UP

Item	Part No.	Part Description	Qty.
1	340058	GROUND ROD ASSEMBLY	1
2	022024	#12 CLAMP CUSH	1
3	041050	1/4-20 x 3/4 PH-TRUSS HEAD MS SS MACHINE SCREW	1
4	044021	1/4-20 KEPS HEX NUT PL	4
5	045003	1/4-20 x 1-1/2 STUD PL	1
6	330494	NUT WING 1/4-20 PL	1
7	043050	1/4 INTL TOOTH LOCK WASHER	1

## 7.9 - Ground Rod 4 AWG Wire

SN 07-000001 and UP  
SN 08-000001 and UP



105519\_C

# Night-Lite ProII™

---

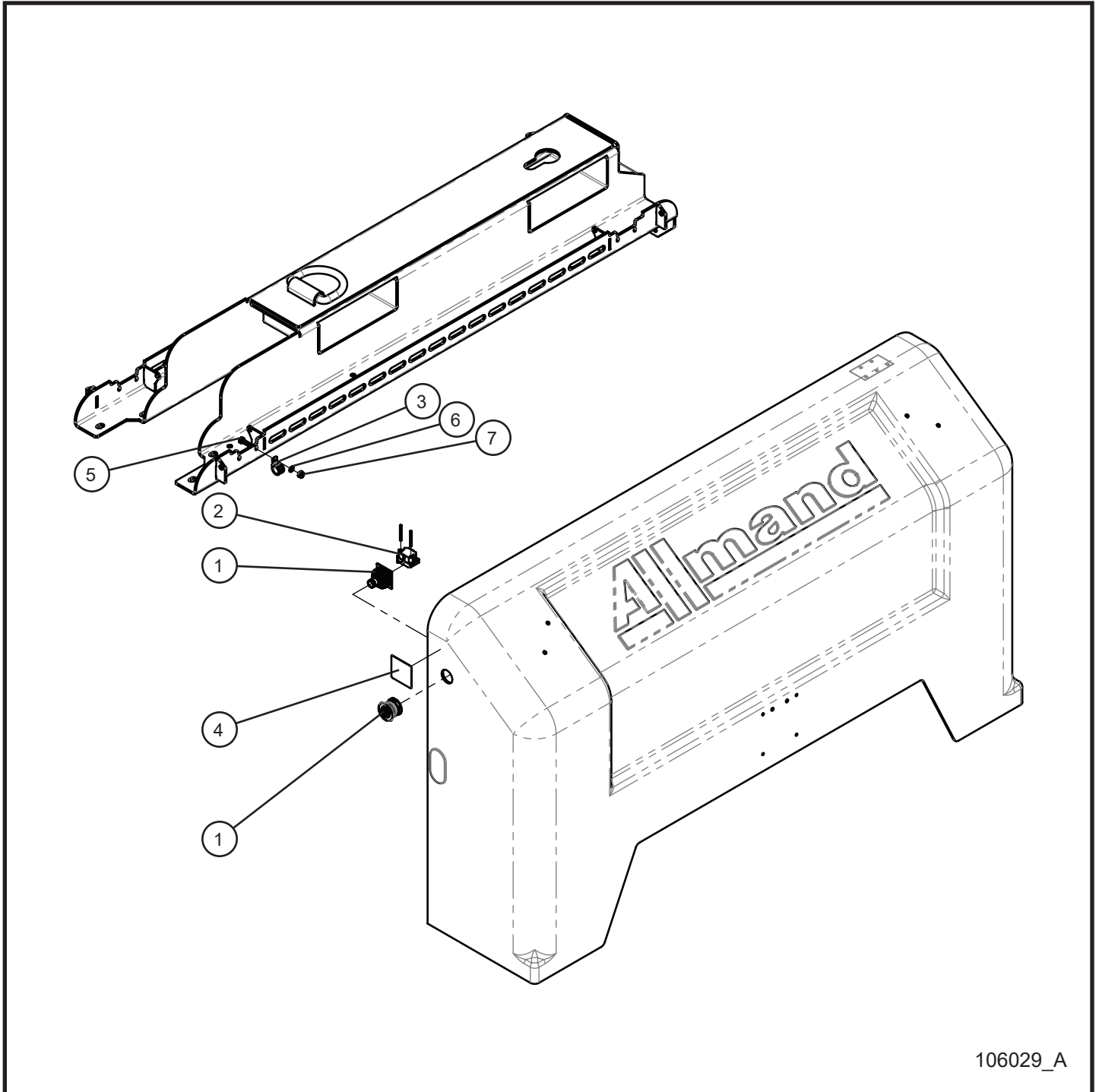
## 7.9 - Ground Rod 4 AWG Wire

SN 07-000001 and UP  
SN 08-000001 and UP

Item	Part No.	Part Description	Qty.
1	105331	GROUND ROD 4 AWG WIRE	1
2	022022	#8 CUSH CLAMP 1/4 HOLE	1
3	041024	#10-24 x 1/2 PH-ROUND HEAD MS SS	1
4	044016	#10-24 KEPS HEX NUT PL	1
5	045003	1/4-20 x 1-1/2 STUD PL	1
6	044021	1/4-20 KEPS HEX NUT PL	3
7	330494	NUT WING 1/4-20 PL	1
8	043050	1/4 INTL TOOTH LOCK WASHER	1

## 7.10 - Emergency Stop

SN 07-000001 and UP



106029\_A

# Night-Lite ProII™

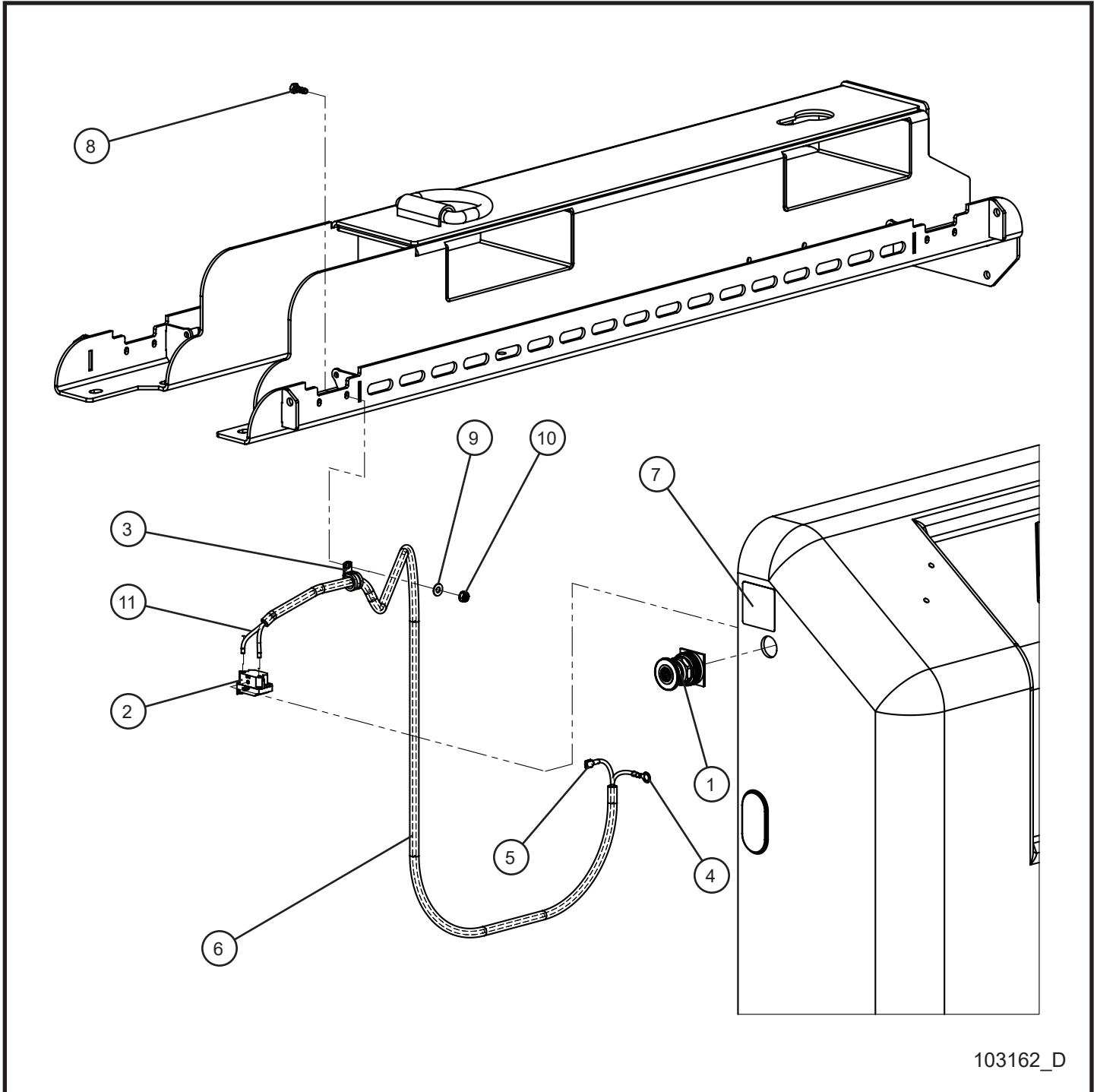
## 7.10 - Emergency Stop

SN 07-000001 and UP

Item	Part No.	Part Description	Qty.
1	650460	EMERGENCY STOP OPERATORS	1
2	650461	CONTACT BLOCK EMERGENCY STOP	1
3	022021	#10 CUSH CLAMP	1
4	105567	EMERGENCY STOP DECAL	1
5	046010	1/4-20 x 3/4 HEX HEAD CS GR5 SS	1
6	047009	1/4 FLAT WASHER SAE SS	1
7	044021	1/4-20 KEPS HEX NUT PL	1
8	105991	WIRE HARNESS E-STOP PRO	1

## 7.11 - Emergency Stop Kohler

SN 07-000001 and UP



103162\_D



# Night-Lite ProII™

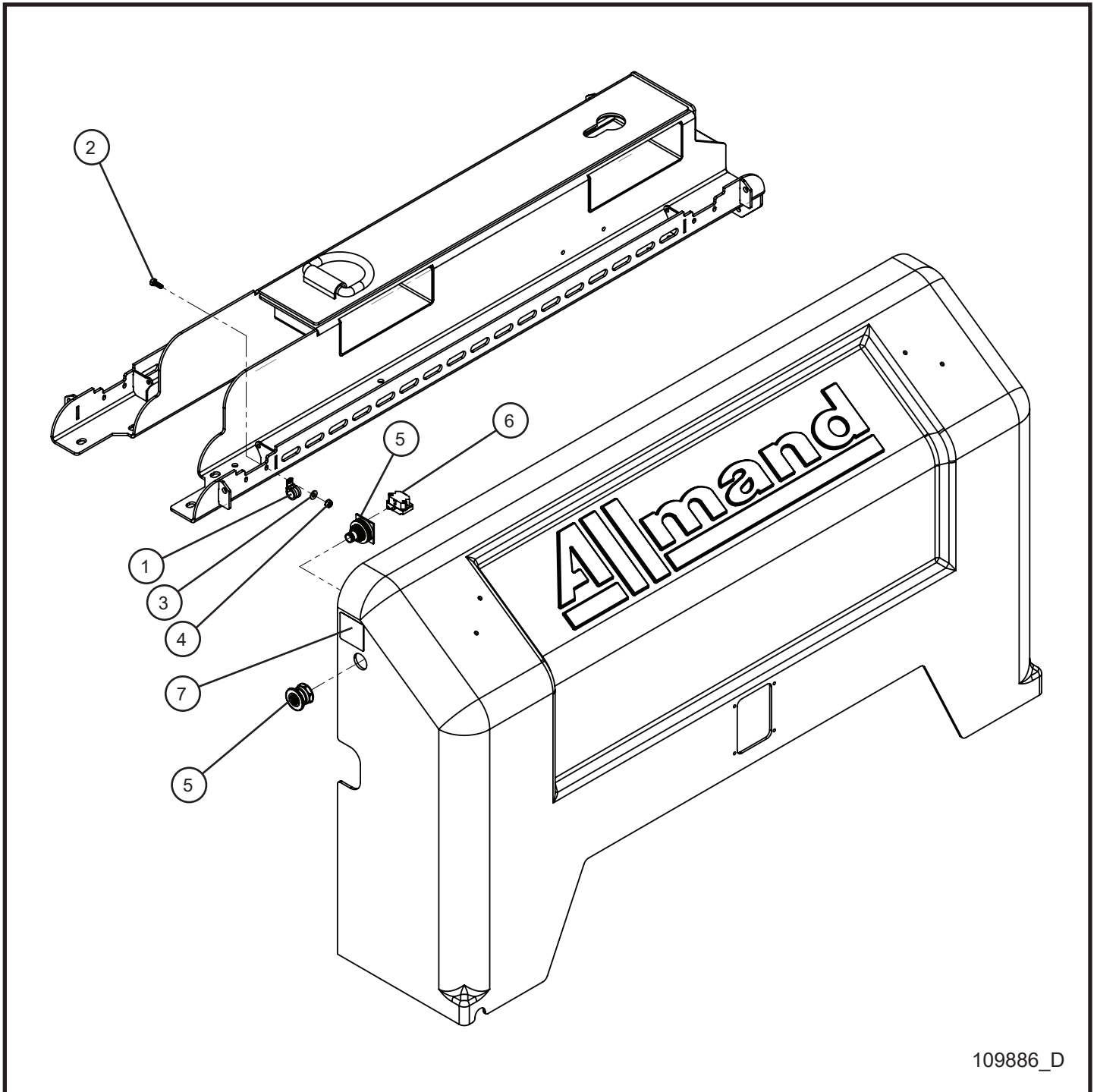
## 7.11 - Emergency Stop Kohler

SN 07-000001 and UP

Item	Part No.	Part Description	Qty.
1	650460	EMERGENCY STOP OPERATORS	1
2	650461	CONTACT BLOCK EMERGENCY STOP	1
3	022021	#10 CUSH CLAMP	1
4	022347	TERM RING 10-12 AWG 5/16	1
5	022145	TERM SPADE FEMALE 10-12 AWG 1/4 MOLEX	1
6	022202	3/8 LOOM x 66.00	1
7	105567	EMERGENCY STOP DECAL	1
8	046010	1/4-20 x 3/4 HEX HEAD CS GR5 SS	1
9	047009	1/4 FLAT WASHER SAE SS	1
10	044021	1/4-20 KEPS HEX NUT PL	1
11	020160	10 GA RED x 70.00	2

## 7.12 - Emergency Stop Mitsubishi

SN 07-000001 and UP



109886\_D

# Night-Lite ProII™

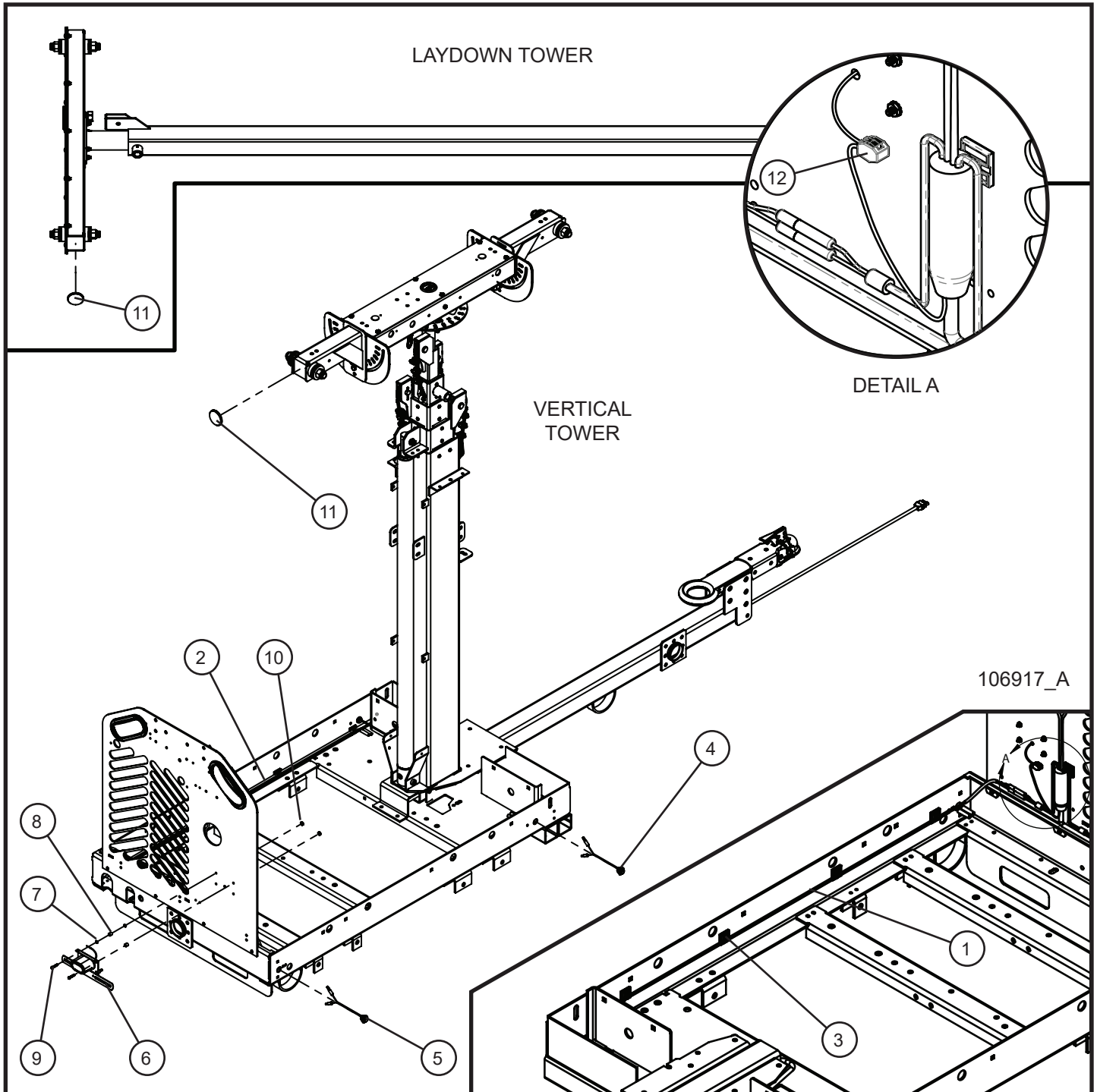
## 7.12 - Emergency Stop Mitsubishi

SN 07-000001 and UP

Item	Part No.	Part Description	Qty.
1	022021	#10 CUSH CLAMP	1
2	046010	1/4-20 x 3/4 HEX HEAD CS GR5 SS	1
3	047009	1/4 FLAT WASHER SAE SS	1
4	044021	1/4-20 KEPS HEX NUT PL	1
5	650460	EMERGENCY STOP OPERATORS	1
6	650461	CONTACT BLOCK EMERGENCY STOP	1
7	105567	EMERGENCY STOP DECAL	1
8	108868	HARNESS EMERGENCY STOP	1
9	108867	SCHEMATIC EMERGENCY STOP	1

## 7.13 - VIN Package

SN 07-000001 and UP



# Night-Lite ProII™

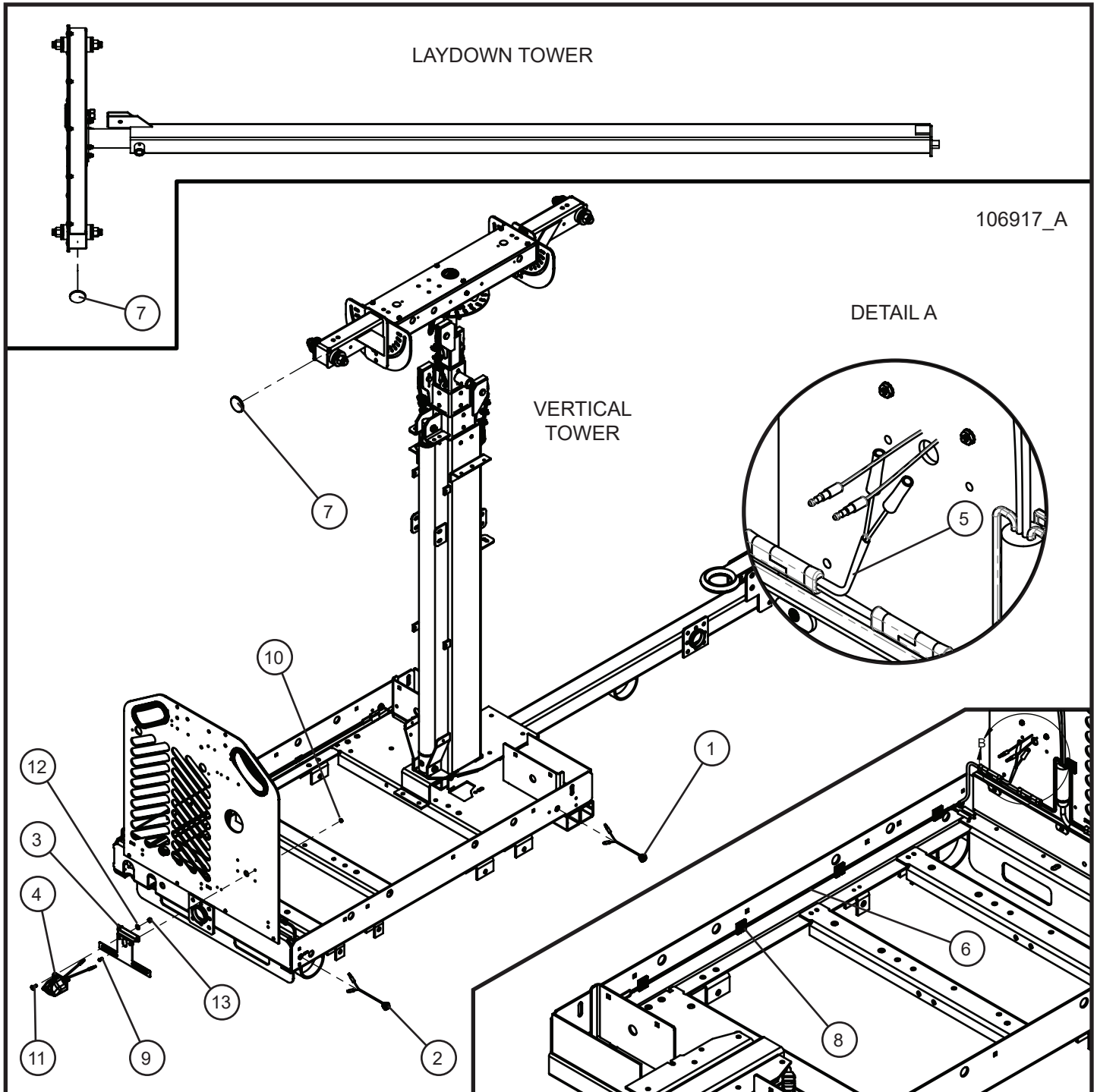
## 7.13 - VIN Package

SN 07-000001 and UP

Item	Part No.	Part Description	Qty.
1	106904	SHORT HARNESS MARKER LIGHTS	1
2	106905	LONG HARNESS MARKER LIGHTS	1
3	022135	TIE ADHESIVE MOUNT	4
4	106212	LIGHT LED MARKER AMBER	2
5	106211	LIGHT LED MARKER RED	2
6	032035	LICENSE PLATE LAMP WITH BRACKET	1
7	043015	#10 INT'L TOOTHLOCK WASHER PL	2
8	022180	SPACER RICOHO	4
9	041030	#10-24 x 1 PH-ROUND HEAD MS PL	4
10	044016	#10-24 KEPS HEX NUT PL	4
11	650237	2" RED REFLECTOR	2
12	102624	2 WIRE LEVER LOCK	1
13	107267	SCHEMATIC MARKER LIGHTS	1

## 7.14 - VIN LED Package

SN 07-000001 and UP



# Night-Lite ProII™

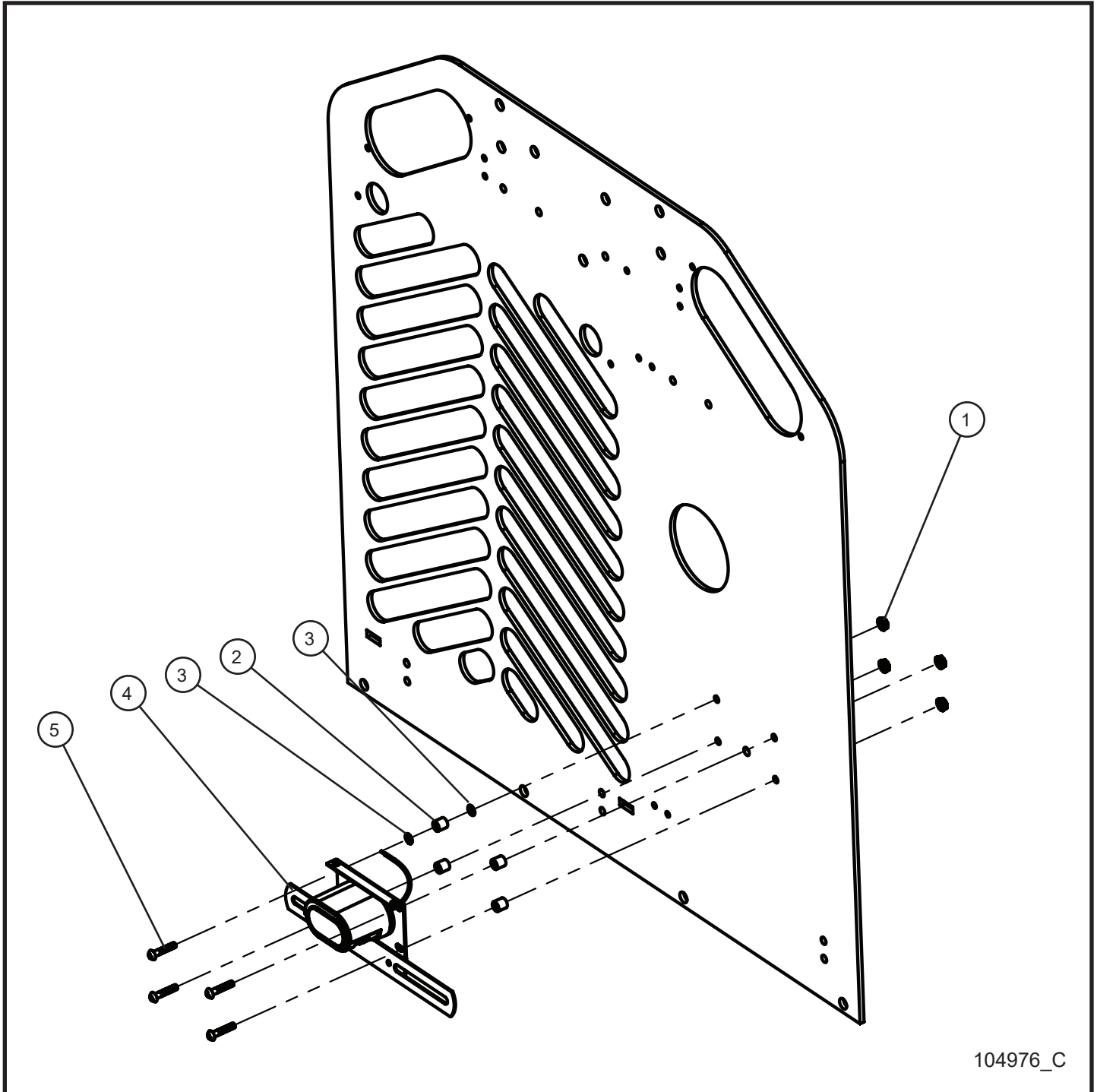
## 7.14 - VIN LED Package

SN 07-000001 and UP

Item	Part No.	Part Description	Qty.
1	106212	LIGHT LED MARKER AMBER	2
2	106211	LIGHT LED MARKER RED	2
3	105349P	BRACKET LICENSE PLATE	1
4	107605	MOUNT LED LIGHT CLEAR	1
5	105347	SHORT LED LIGHT LICENSE PLATE	1
6	107863	SHORT-2 PIN PLUG MARKER LIGHTS	2
7	650237	2" RED REFLECTOR	2
8	022135	TIE ADHESIVE MOUNT	4
9	041021	#10-24 x 1/2 PH-ROUND HEAD MS PL	2
10	044016	#10-24 KEPS HEX NUT PL	2
11	041050	1/4-20 x 3/4 PH-TRUSS HEAD MS SS MACHINE SCREW	2
12	047009	1/4 FLAT WASHER SAE SS	2
13	044023	1/4-20 NYLOCK HEX NUT PL	2
14	107267	SCHEMATIC MARKER LIGHTS	1

## 7.15 - License Plate Bracket w/ Lamp

SN 07-000001 and UP  
SN 08-000001 and UP



104976\_C



# Night-Lite ProII™

---

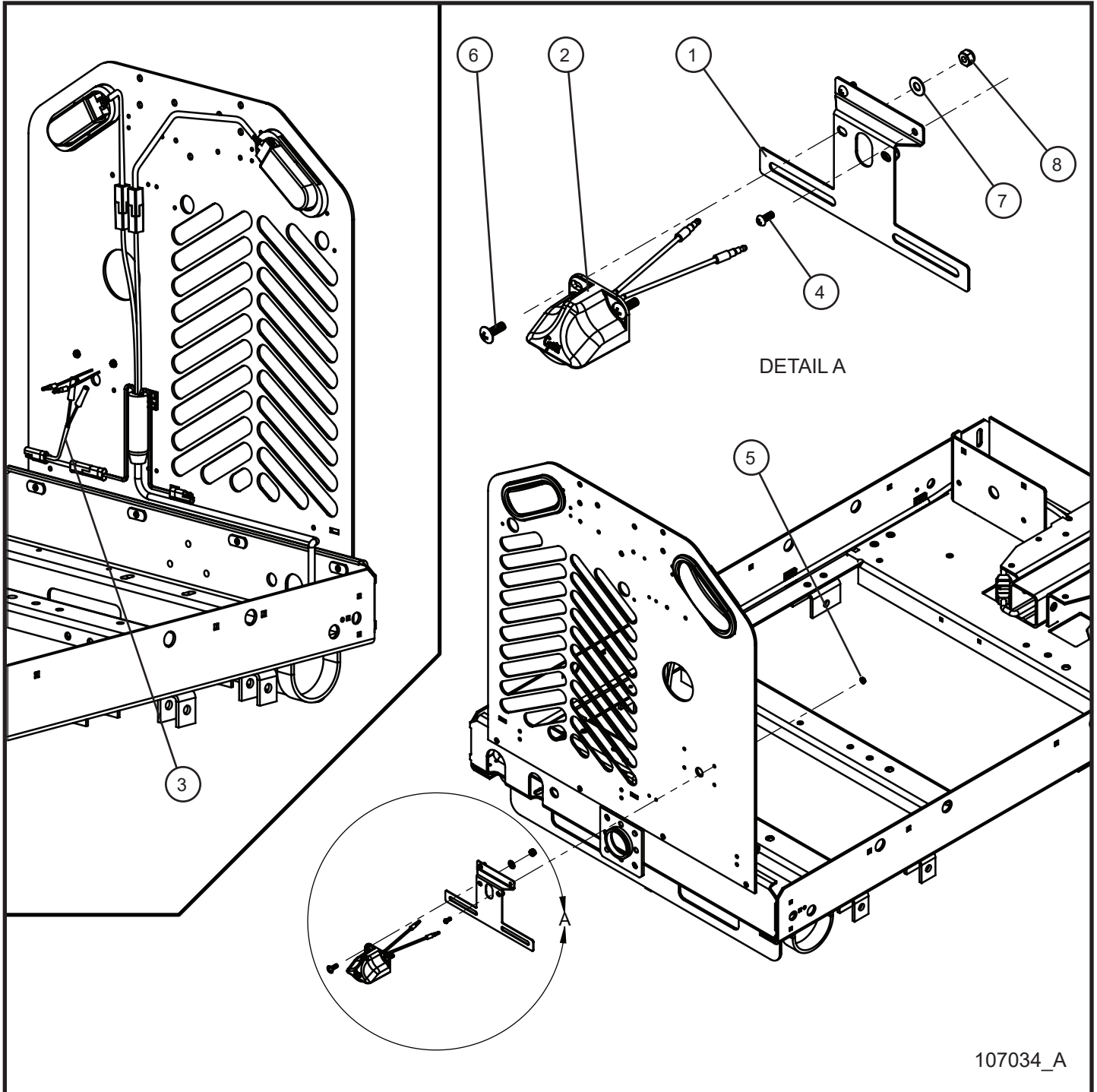
## 7.15 - License Plate Bracket w/ Lamp

SN 07-000001 and UP  
SN 08-000001 and UP

Item	Part No.	Part Description	Qty.
1	044016	#10-24 KEPS HEX NUT PL	4
2	022180	SPACER RICOHO	4
3	043015	#10 INT'L TOOTH LOCK WASHER	2
4	032035	LICENSE PLATE LAMP WITH BRACKET	1
5	041030	#10-24 x 1 PH-ROUND HEAD MS PL	4

## 7.16 - License Plate Bracket w/ LED Lamp

SN 07-000001 and UP  
SN 08-000001 and UP



# Night-Lite ProII™

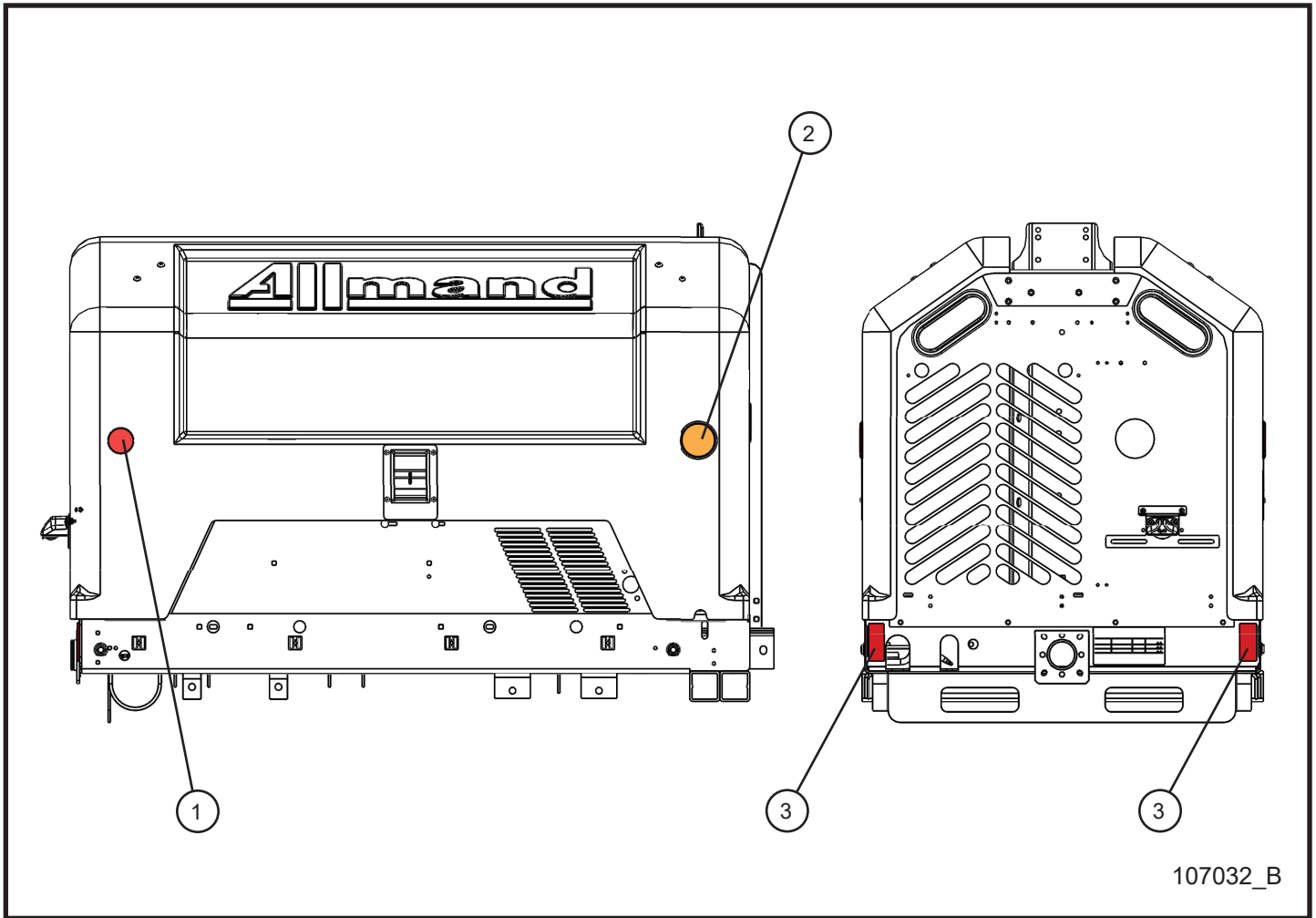
## 7.16 - License Plate Bracket w/ LED Lamp

SN 07-000001 and UP  
SN 08-000001 and UP

Item	Part No.	Part Description	Qty.
1	105349P	BRACKET LICENSE PLATE	1
2	107605	MOUNT LED LIGHT CLEAR	1
3	105347	SHORT LED LIGHT LICENSE PLATE	1
4	041021	#10-24 x 1/2 PH-ROUND HEAD MS PL	2
5	044016	#10-24 KEPS HEX NUT PL	2
6	041050	1/4-20 x 3/4 PH-TRUSS HEAD MS SS MACHINE SCREW	2
7	047009	1/4 FLAT WASHER SAE SS	2
8	044023	1/4-20 NYLOCK	2
9	105350	SCHEMATIC LICENSE PLATE LED LIGHT	1

## 7.17 - Reflectors

SN 07-000001 and UP  
SN 08-000001 and UP



# Night-Lite ProII™

---

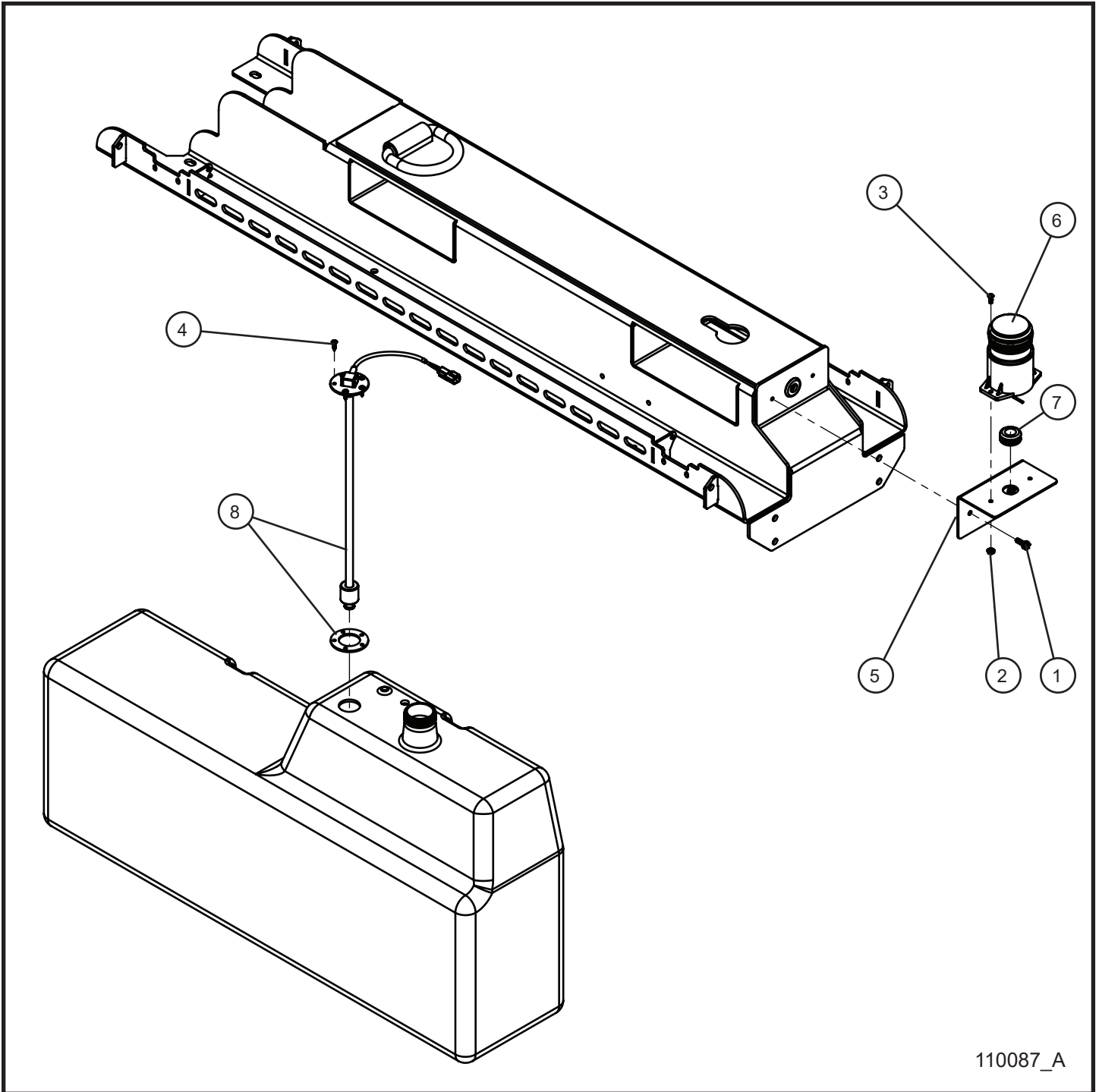
## 7.17 - Reflectors

SN 07-000001 and UP  
SN 08-000001 and UP

Item	Part No.	Part Description	Qty.
1	650237	2" RED REFLECTOR	2
2	330039	3" AMBER REFLECTOR	2
3	112692	RECTANGULAR REFLECTOR	2

## 7.18 - Low Fuel Beacon

SN 08-000001 and UP



110087\_A

# Night-Lite ProII™

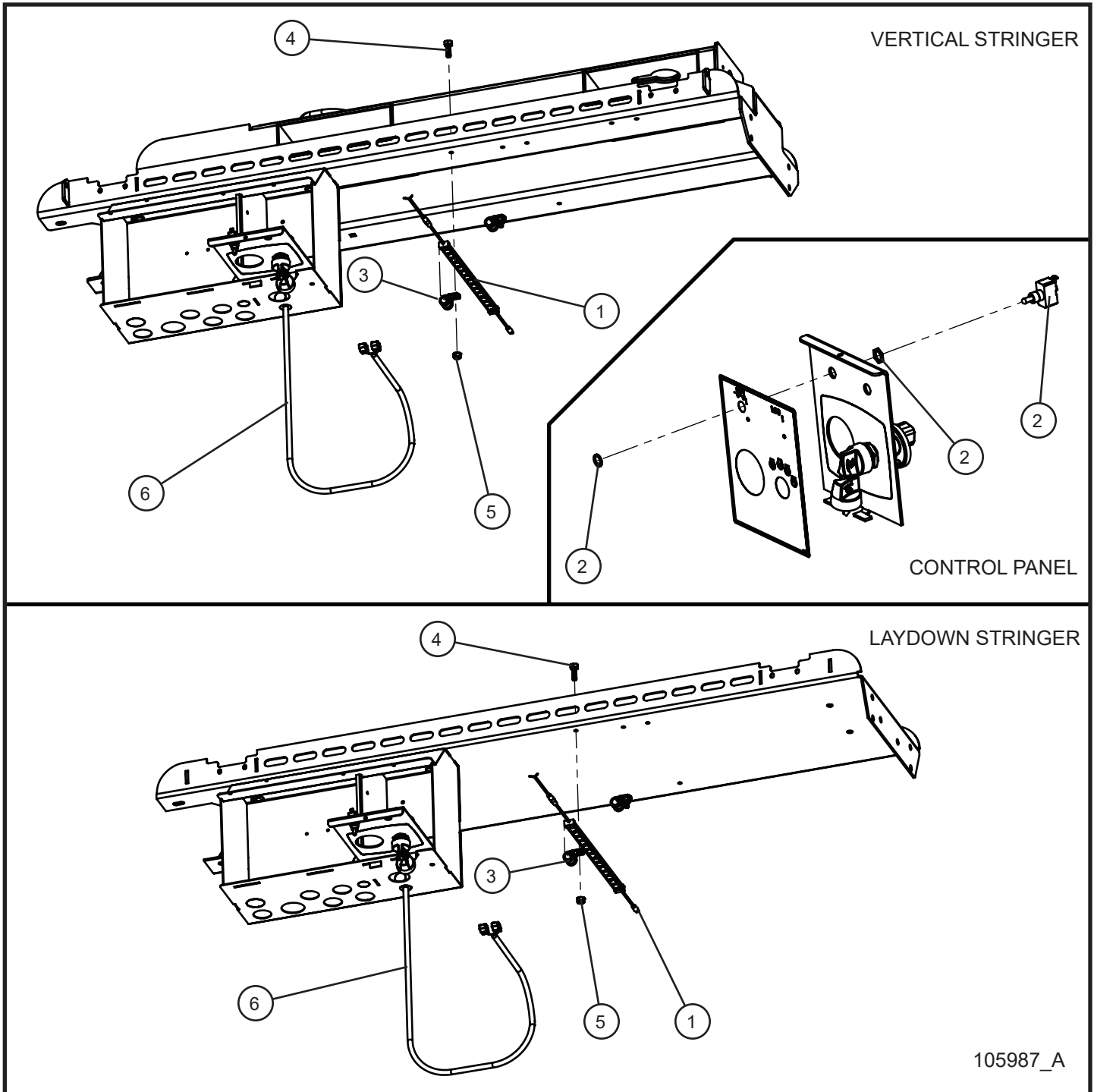
## 7.18 - Low Fuel Beacon

SN 08-000001 and UP

Item	Part No.	Part Description	Qty.
1	041070	1/4-20 x 3/4 SL-HEX WASHER HEAD MS TP F	2
2	044016	#10-24 KEPS HEX NUT PL	2
3	041021	#10-24 x 1/2 PH-ROUND HEAD MS PL	2
4	102556	SCREW #8 x 3/4	5
5	103645P	BRACKET BEACON PRO II	1
6	104974	LED STROBE LIGHT AMBER 3" ROUND	1
7	330463	11/16 RUBBER GROMMET	1
8	110088	VERTICAL SHAFT FUEL LEVEL SENDER	1
NS	110090	HARNESS SENDER FUEL LEVEL	1
NS	110089	LOW FUEL SENDER WIRE SCHEMATIC	1
NS	105897	LOW FUEL BEACON SCHEMATIC PRO II	1
NS	106050	LOW FUEL BEACON WIRE HARNESS PRO II	1

## 7.19 - Interior LED Light

SN 07-000001 and UP  
SN 08-000001 and UP





# Night-Lite ProII™

---

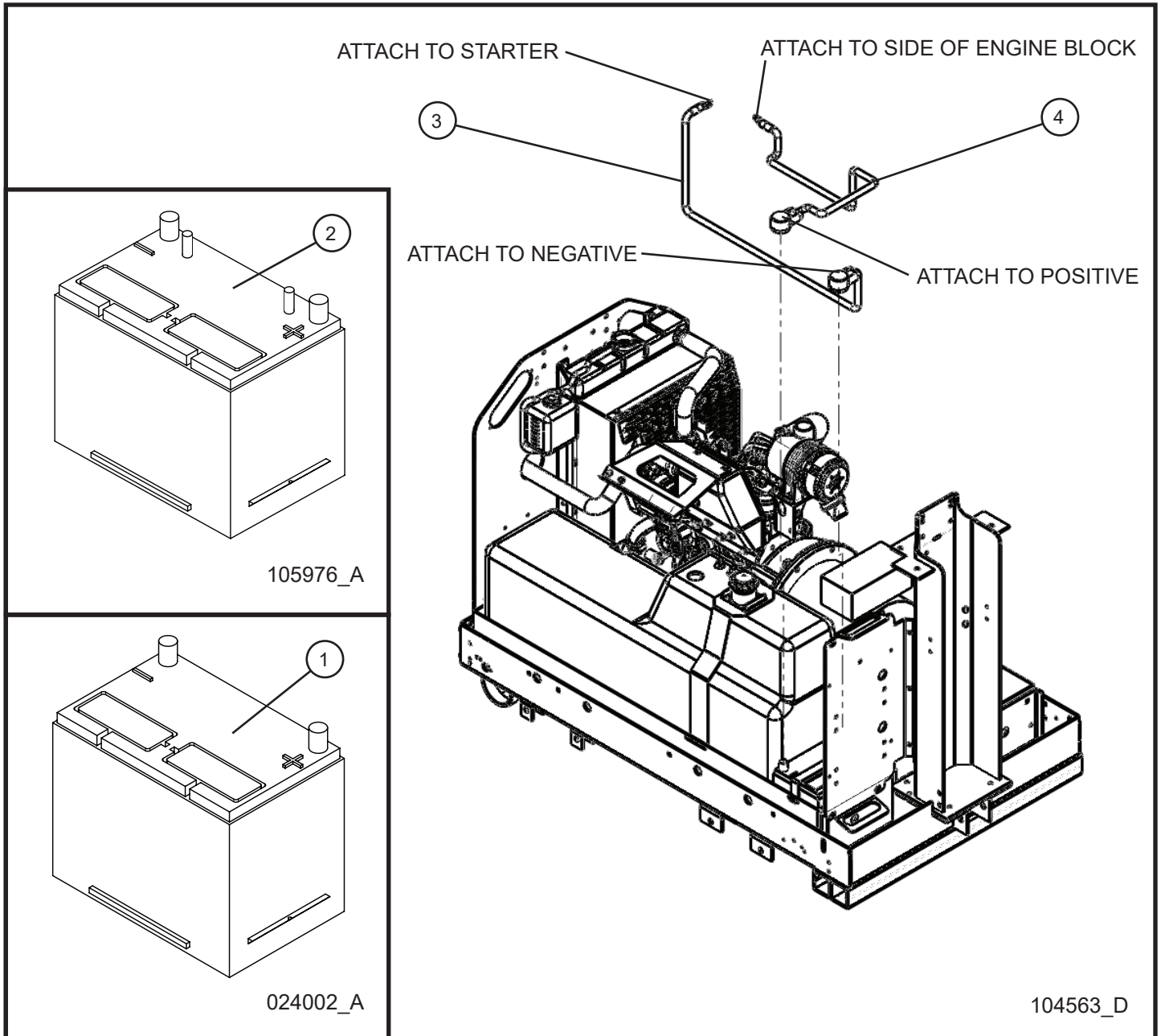
## 7.19 - Interior LED Light

SN 07-000001 and UP  
SN 08-000001 and UP

Item	Part No.	Part Description	Qty.
1	104820	LED LIGHT 12 INCH	1
2	340009	SWITCH 15A 125V	1
3	022018	#8 CUSH CLAMP	2
4	046050	5/16-18 x 1 HEX HEAD CS GR5 PL	2
5	044031	5/16-18 KEPS HEX NUT PL	2
6	105989	WIRE KIT INTERIOR LIGHT	1
7	105896	INTERIOR LIGHT WIRING SCHEMATIC	1

## 8.1 - Battery and Battery Cables

SN 07-000001 and UP  
SN 08-000001 and UP



# Night-Lite ProII™

---

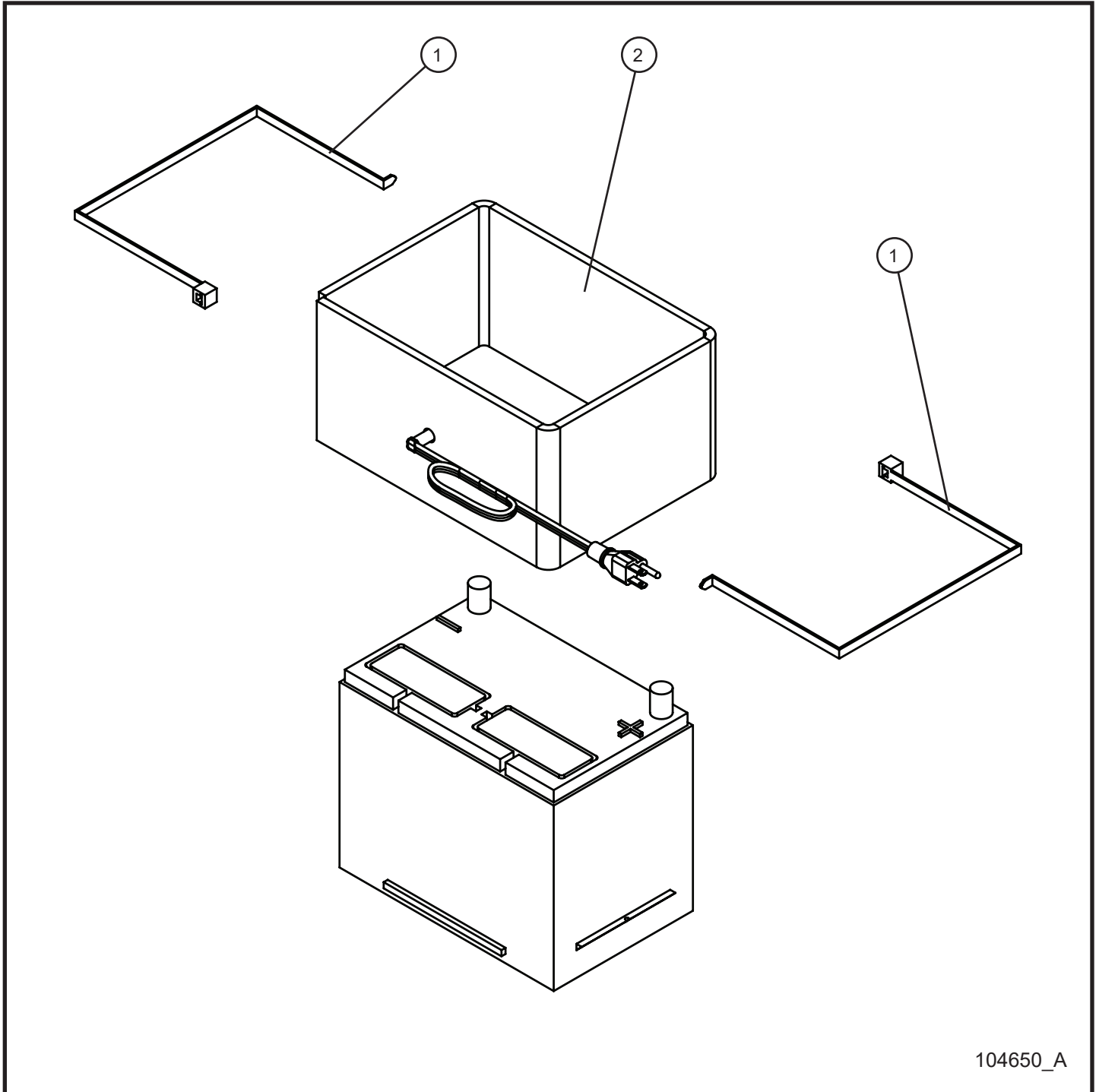
## 8.1 - Battery and Battery Cables

SN 07-000001 and UP  
SN 08-000001 and UP

Item	Part No.	Part Description	Qty.
1	N/A	BATTERY 12 VOLT GROUP	1
2	N/A	HEAVY DUTY BATTERY AGM GROUP 24	1
3	112764	BATTERY CABLE BLACK KIT	1
4	112763	BATTERY CABLE RED KIT	1

## 8.2 - Battery Blanket

SN 07-000001 and UP  
SN 08-000001 and UP



104650\_A

# Night-Lite ProII™

---

---

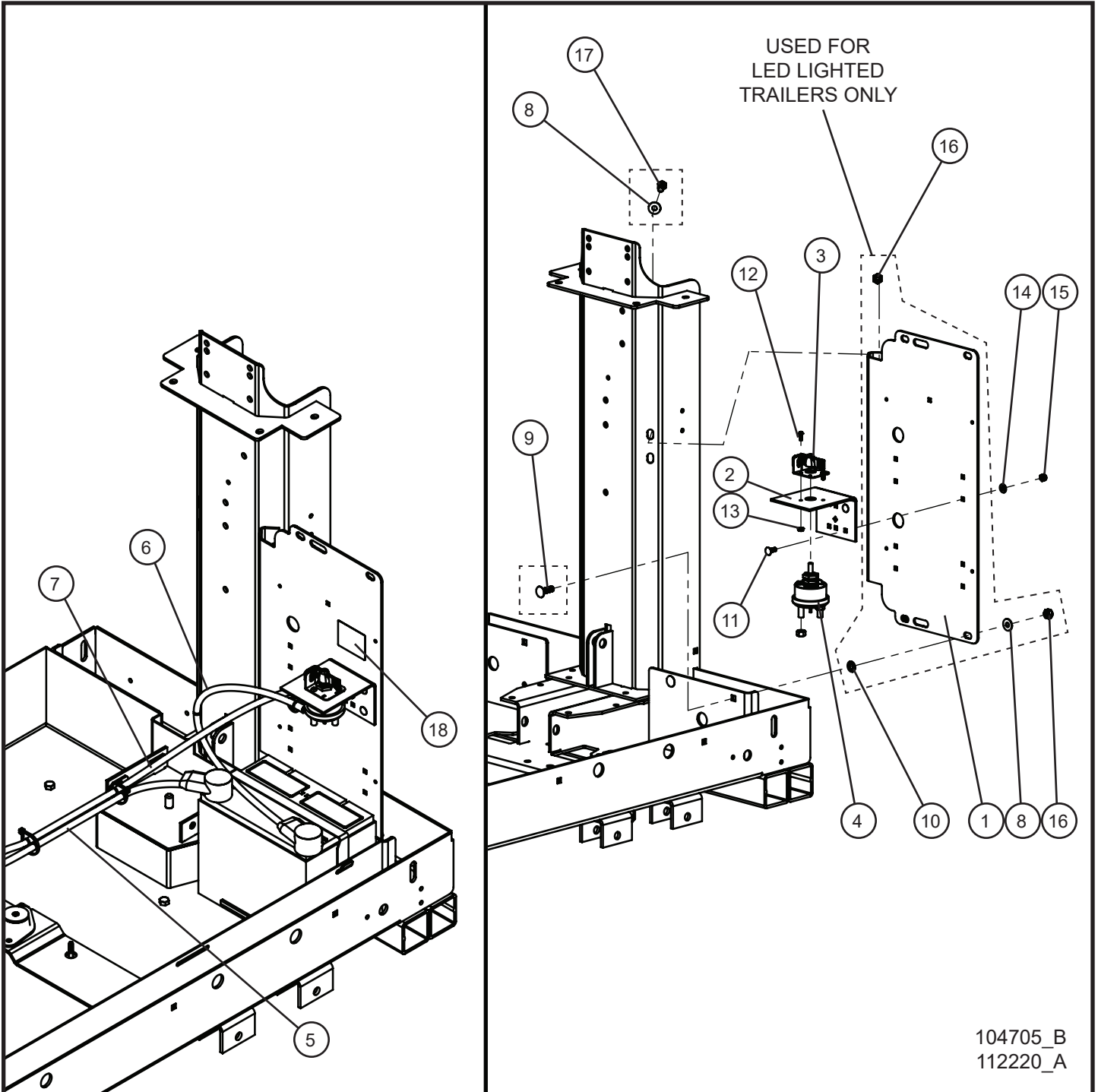
## 8.2 - Battery Blanket

SN 07-000001 and UP  
SN 08-000001 and UP

Item	Part No.	Part Description	Qty.
1	105759	CABLE TIE 32"	2
2	024010	80 WATT BATTERY BLANKET	1

## 8.3 - Battery Negative Pole Disconnect

SN 07-000001 and UP  
SN 08-000001 and UP



# Night-Lite ProII™

## 8.3 - Battery Negative Pole Disconnect

SN 07-000001 and UP  
SN 08-000001 and UP

Item	Part No.	Part Description	Qty.
1	105914	MOUNT PLATE BALLAST BOX	1
2	104704P	BRACKET BATTERY DISCONNECT	1
3	103483	LOCK OUT BATTERY DISCONNECT	1
4	102534	SWITCH BATTERY DISCONNECT	1
5	027026	BATTERY CABLE RED	1
6	105093	BATTERY CABLE BLACK	1
7	105111	BATTERY DISCONNECT CABLE BLACK	1
8	047010	5/16 FLAT WASHER	3
9	100670	3/8-16 x 1 1/4 CARRIAGE BOLT	2
10	045218	3/8 PUSH NUT	2
11	053007	1/4-20 x 3/4 CARRIAGE BOLT SS	2
12	041024	#10-24 x 1/2 PH-ROUND HEAD MS SS	2
13	044016	#10-24 KEPS	2
14	047009	1/4 FLAT WASHER SAE SS	2
15	044023	1/4-20 NYLOCK HEX NUT PL	2
16	044038	3/8-16 NYLOCK HEX NUT PL	3
17	046110	3/8-16 x 1 HEX HEAD CS GR5 PL	1
18	104777	DECAL BATTERY DISCONNECT	1
NS	105301	SCHEMATIC BATTERY DISCONNECT	1





# Night-Lite ProII™

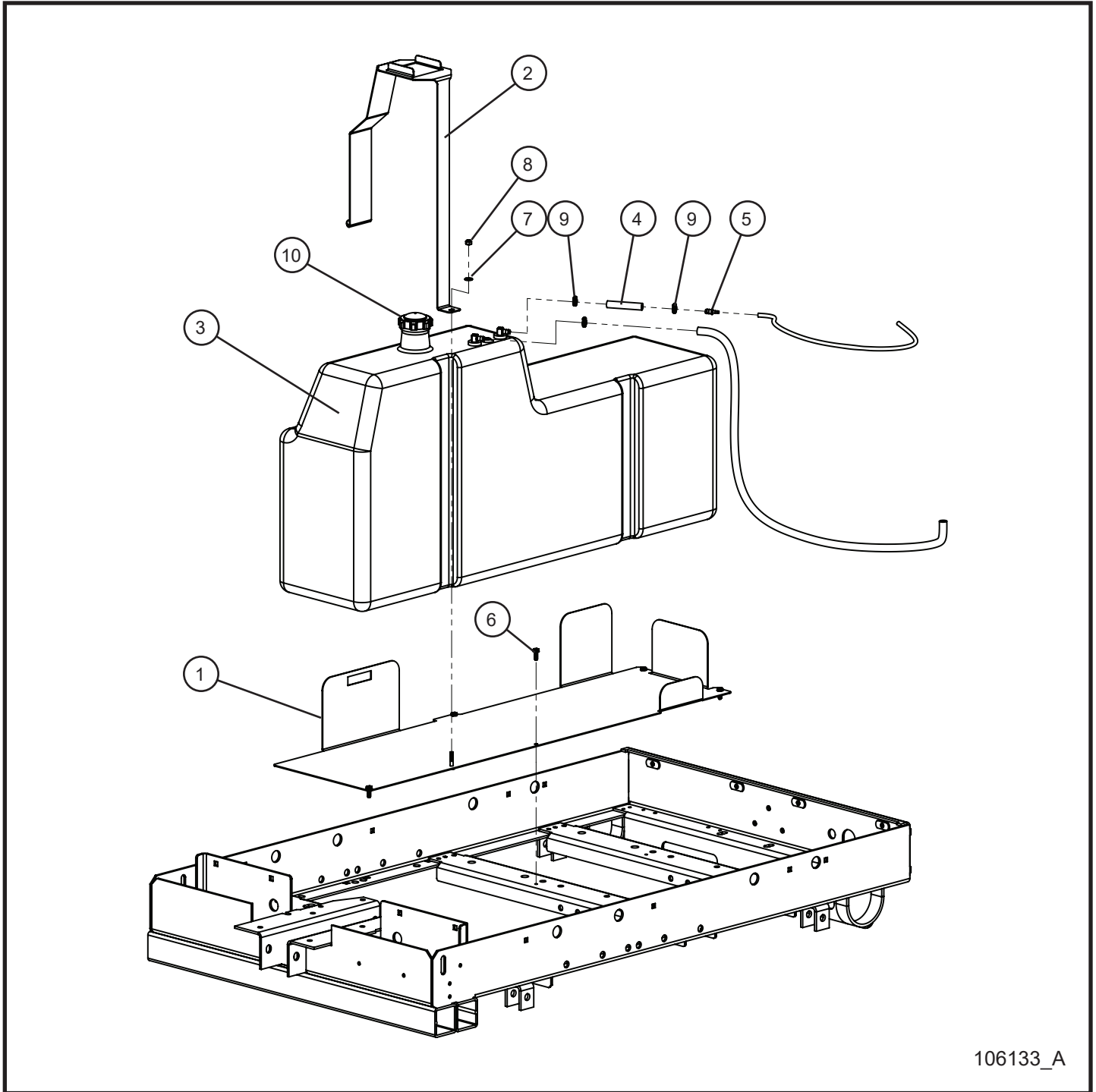
## 8.4 - FCS Fuel Tank Group

SN 07-000001 and UP  
SN 08-000001 and UP

Item	Part No.	Part Description	Qty.
1	105482	FUEL TANK 30 GALLON PRO II	1
2	106134	REDUCER FITTING HOSE BARB	1
3	081018	HOSE 5/16" FUEL LINE x 3 INCHES	1
4	102821P	PRO II CONTAINMENT TRAY TANK STRAP	1
5	047005	1/4 FLAT WASHER	1
6	044023	1/4-20 NYLOCK HEX NUT PL	1
7	433400	#4 HOSE CLAMP	2
8	103821P	BRACKET SUPPORT FUEL TANK PRO II	1
9	047010	5/16 FLAT WASHER PL	2
10	044038	3/8-16 NYLOCK HEX NUT PL	2
11	340027	FUEL CAP	1
NS	106153	FUEL SUCTION TUBE ASSEMBLY	2
NS	340025C	DAPCO GROMMET	2

## 8.5 - Non FCS Fuel Tank Group

SN 07-000001 and UP



106133\_A

# Night-Lite ProII™

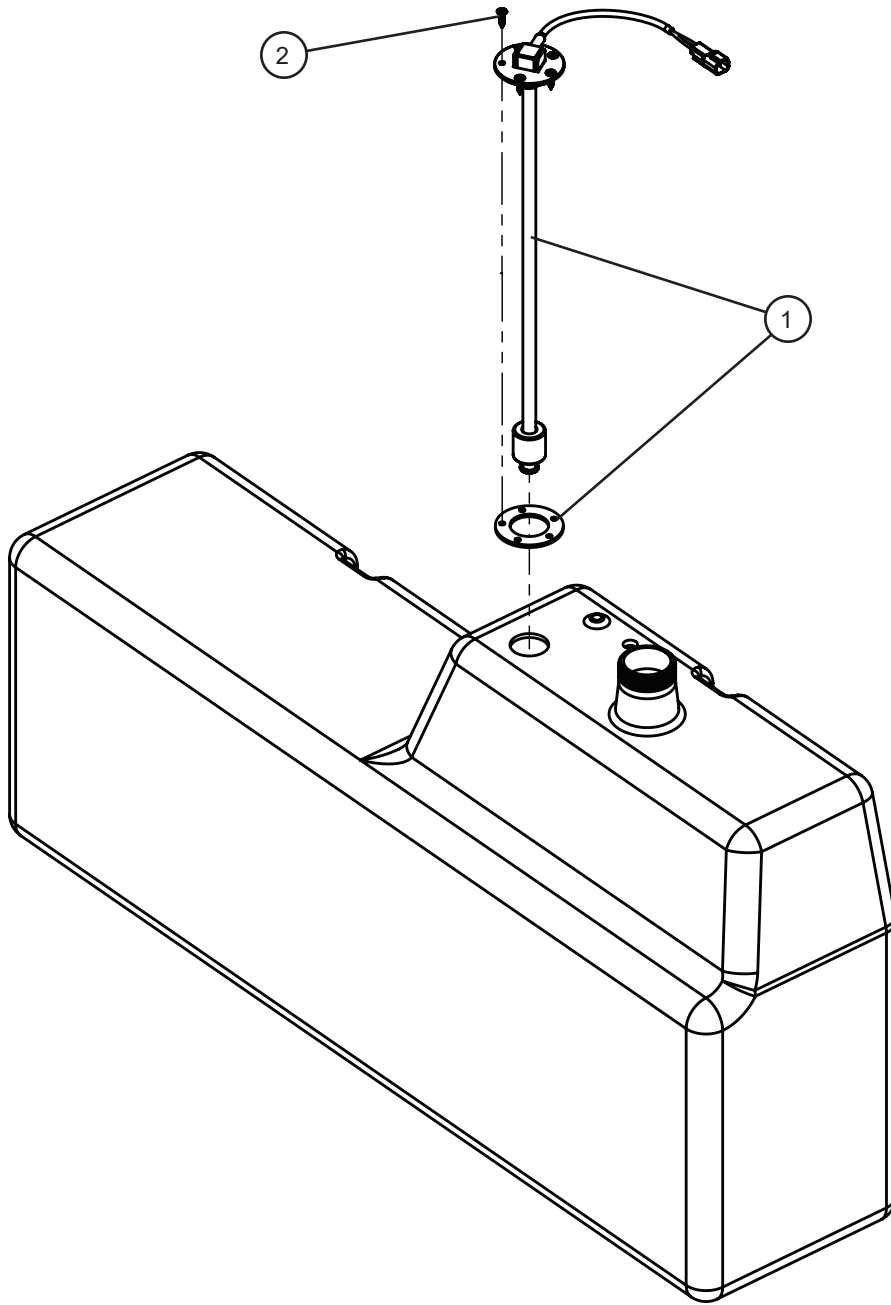
## 8.5 - Non FCS Fuel Tank Group

SN 07-000001 and UP

Item	Part No.	Part Description	Qty.
1	113160P	FUEL TANK TOP MOUNT	1
2	102821P	PRO II CONTAINMENT TRAY TANK STRAP	1
3	105482	FUEL TANK 30 GALLON PRO II	1
4	081018	HOSE 5/16" FUEL LINE x 3 INCHES	1
5	106134	REDUCER FITTING HOSE BARB	1
6	041070	1/4-20 x 3/4 SLOTTED HEX WASHER HEAD	5
7	047007	1/4 FLAT WASHER PL	1
8	044023	1/4-20 NYLOCK HEX NUT PL	1
9	433400	#4 HOSE CLAMP	2
10	340027	FUEL CAP	1
NS	106153	FUEL SUCTION TUBE ASSEMBLY	2
NS	340025C	DAPCO GROMMET	2

## 8.6 - Fuel Sender

SN 07-000001 and UP  
SN 08-000001 and UP



110085\_A

# Night-Lite ProII™

---

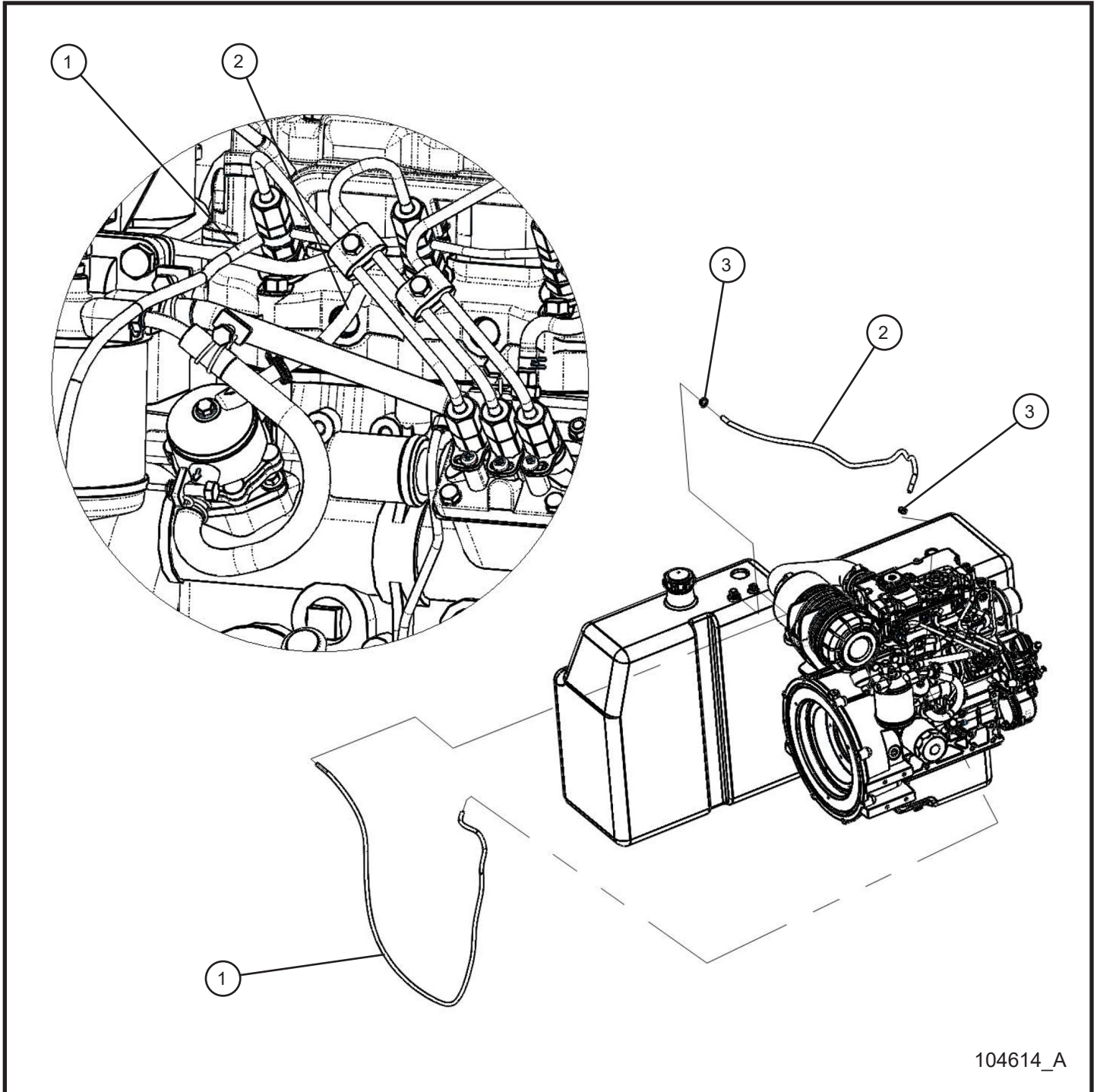
## 8.6 - Fuel Sender

SN 07-000001 and UP  
SN 08-000001 and UP

Item	Part No.	Part Description	Qty.
1	110088	VERTICAL SHAFT FUEL LEVEL SENDER	1
2	102556	SCREW #8 x 3/4	5
NS	110090	HARNESS SENDER FUEL LEVEL	1
NS	110089	LOW FUEL SENDER WIRE SCHEMATIC	1

## 8.7 - CAT Fuel Line Kit

SN 07-000001 and UP  
SN 08-000001 and UP



104614\_A

# Night-Lite ProII™

---

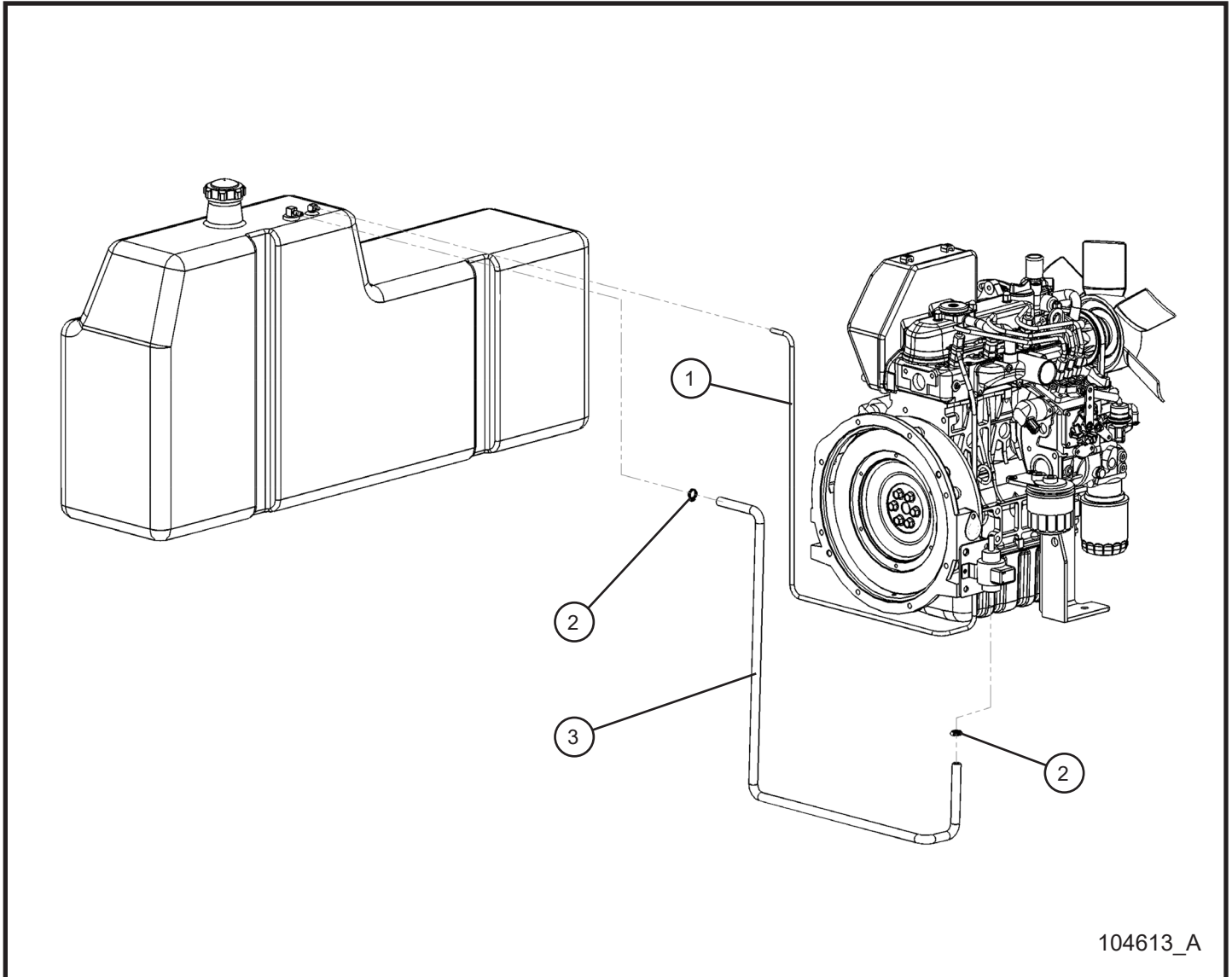
## 8.7 - CAT Fuel Line Kit

SN 07-000001 and UP  
SN 08-000001 and UP

Item	Part No.	Part Description	Qty.
1	081005	1/4 FUEL LINE x 48"	1
2	081018	5/16 FUEL LINE x 24"	1
3	433400	#4 HOSE CLAMP	2

## 8.8 - Kubota and Mitsubishi Fuel Line Kit

SN 07-000001 and UP  
SN 08-000001 and UP



104613\_A



# Night-Lite ProII™

---

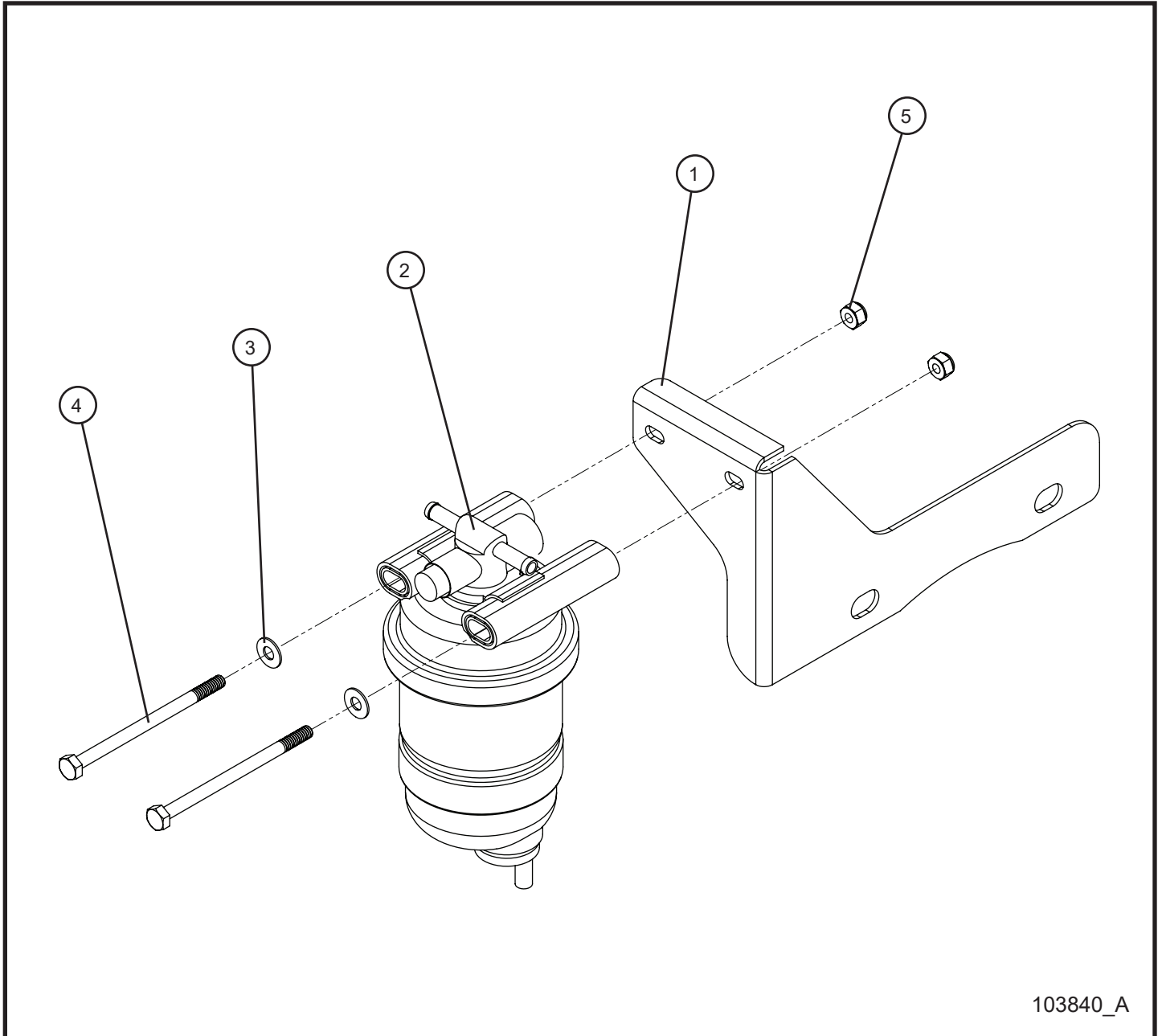
## 8.8 - Kubota and Mitsubishi Fuel Line Kit

SN 07-000001 and UP  
SN 08-000001 and UP

Item	Part No.	Part Description	Qty.
1	081005	HOSE 1/4 OD x .035 WALL FUEL LINE x 48.00	1
2	433400	#4 HOSE CLAMP	2
3	081018	HOSE 5/16 FUEL LINE x 40.00	1

## 8.9 - Fuel Water Separator

SN 07-000001 and UP  
SN 08-000001 and UP



103840\_A

# Night-Lite ProII™

---

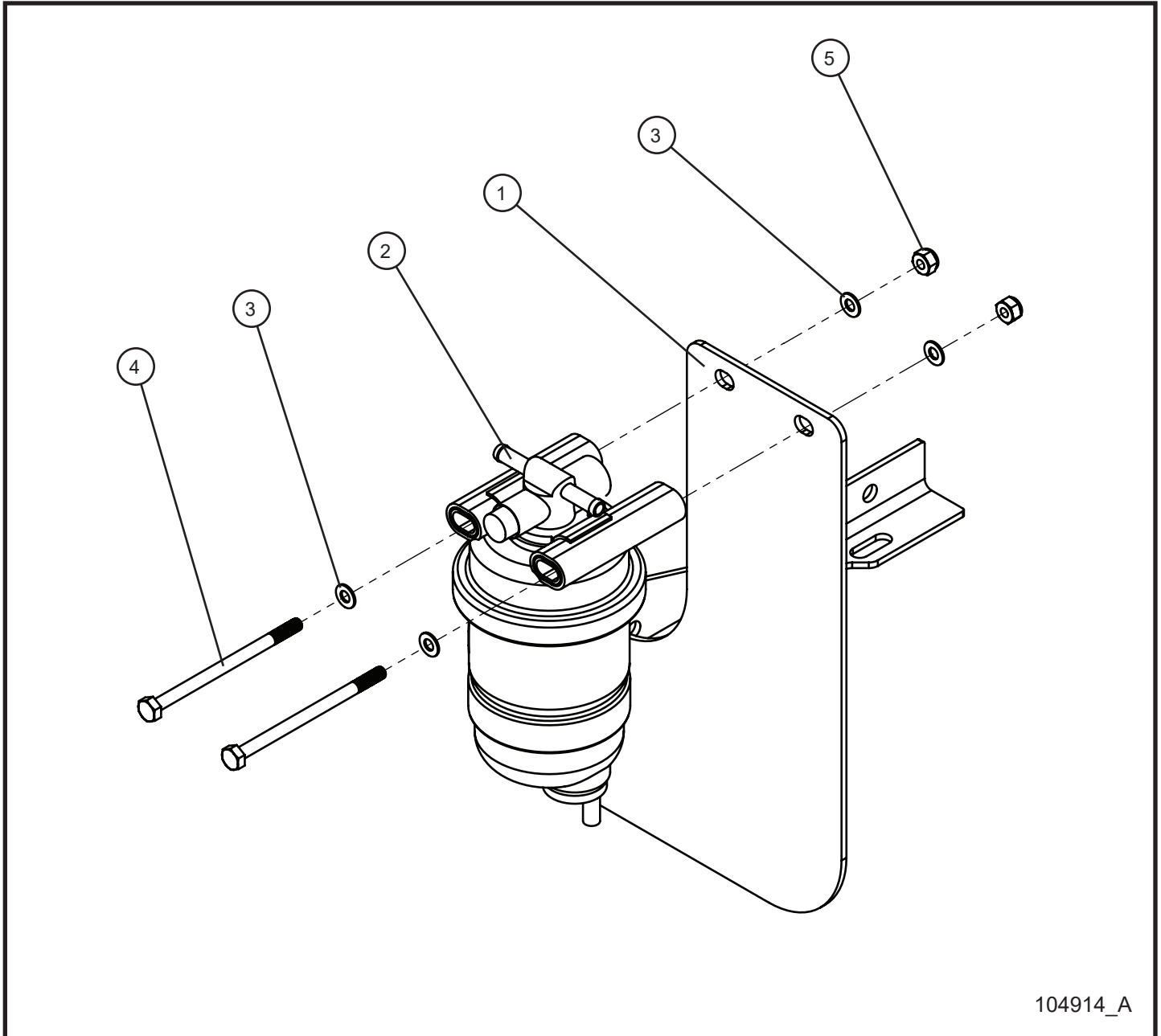
## 8.9 - Fuel Water Separator

SN 07-000001 and UP  
SN 08-000001 and UP

Item	Part No.	Part Description	Qty.
1	103839	SEPARATOR MOUNT UNIVERSAL	1
2	100898	FM 10 FUEL/WATER SEPARATOR	1
3	047009	1/4 FLAT WASHER SAE SS	2
4	046039	1/4-20 x 4 HEX HEAD CS Z5	2
5	044023	1/4-20 NYLOCK HEX NUT PL	2

## 8.10 - Fuel Water Separator CAT 1.1 50Hz Marathon

SN 07-000001 and UP  
SN 08-000001 and UP



# Night-Lite ProII™

---

---

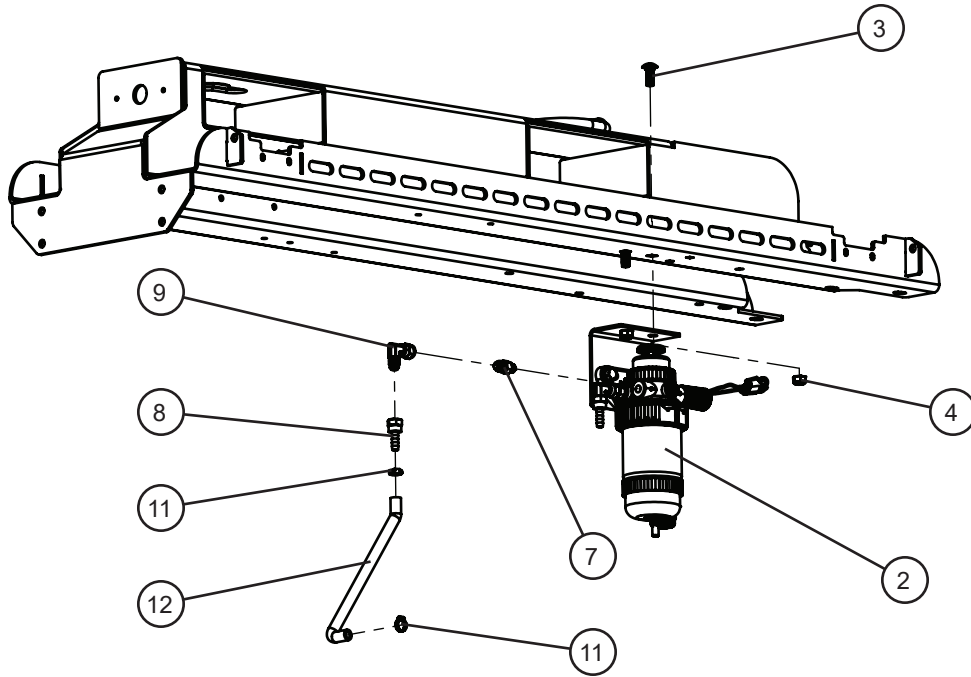
## 8.10 - Fuel Water Separator CAT 1.1 50Hz Marathon

SN 07-000001 and UP  
SN 08-000001 and UP

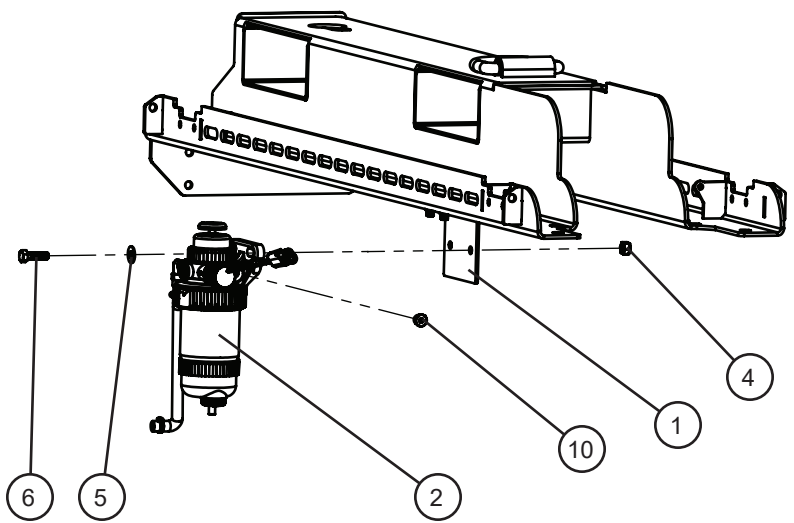
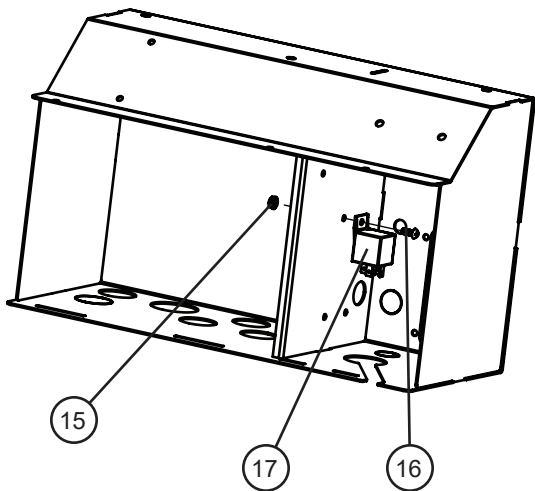
Item	Part No.	Part Description	Qty.
1	104907	SEPARATOR MOUNT FACE PLATE CAT 1.1 50Hz MARATHON	1
2	100898	FM 10 FUEL/WATER SEPARATOR	1
3	047009	1/4 FLAT WASHER SAE SS	4
4	046039	1/4-20 x 4 HEX HEAD CS Z5	2
5	044023	1/4-20 NYLOCK HEX NUT PL	2

## 8.11 - Heated Fuel Water Separator

SN 07-000001 and UP  
SN 08-000001 and UP



### COMPONENT BOX



105981\_A

# Night-Lite ProII™

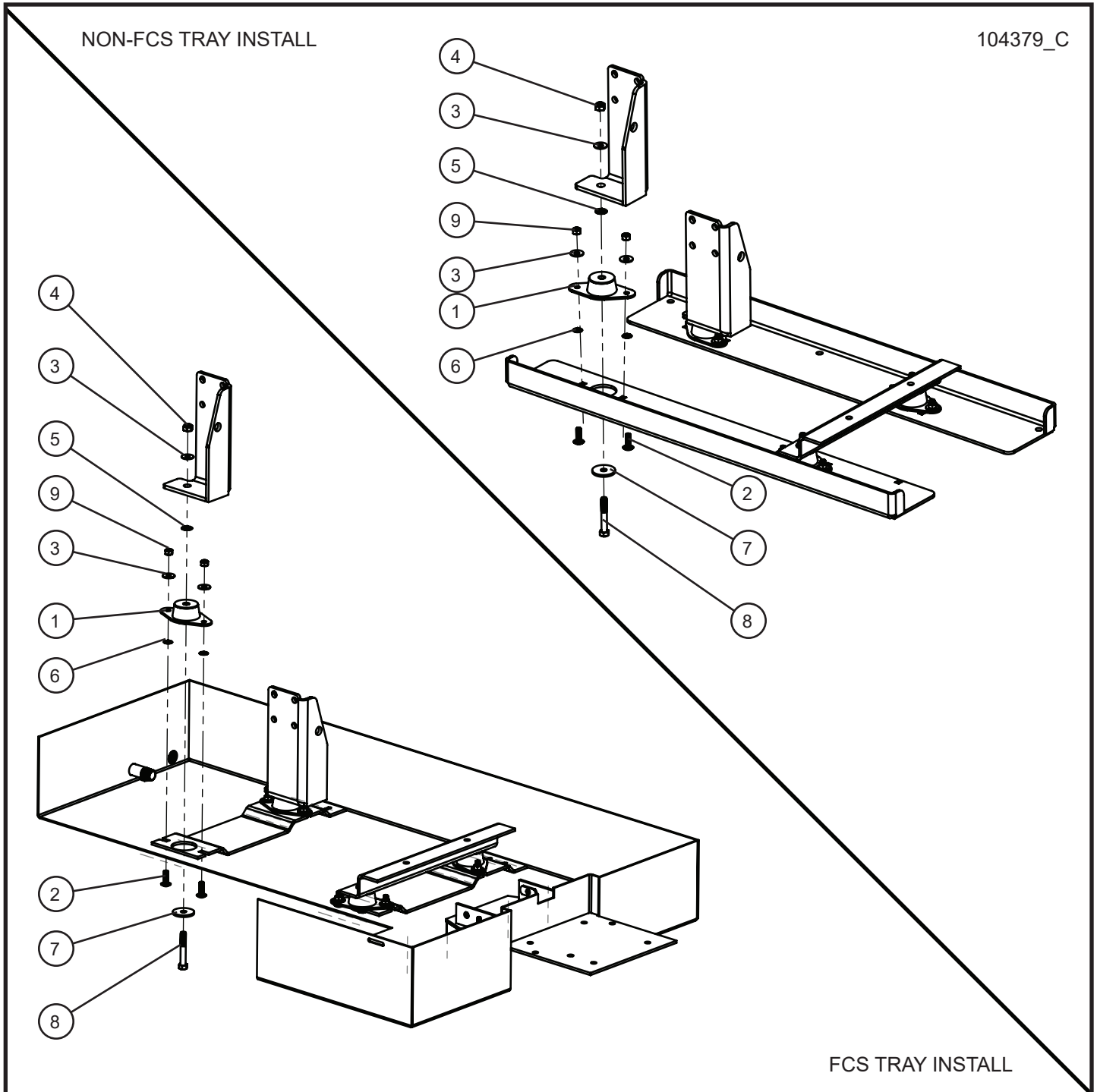
## 8.11 - Heated Fuel Water Separator

SN 07-000001 and UP  
SN 08-000001 and UP

Item	Part No.	Part Description	Qty.
1	103610P	BRACKET WATER SEPARATOR	1
2	100611	HEATER PREFILTER ASSY STANADYNE	1
3	100670	3/8-16 x 1 1/4 CARRIAGE BOLT PL	2
4	044038	3/8-16 NYLOCK HEX NUT PL	4
5	047010	5/16 FLAT WASHER PL	2
6	046115	3/8-16 x 1 1/4 HEX HEAD CS GR5 PL	2
7	100655	STRAIGHT CONNECTOR	2
8	106030	FITTING HOSE BARB 6 JIC 5/16 BARB	2
9	101263	90° SWIVEL FITTING	2
10	101267	HOLLOW HEX PLUG	1
11	433400	#4 HOSE CLAMP	2
12	081018	HOSE 5/16 FUEL LINE x 11	1
13	106049	FUEL WATER SEPARATOR HEATER HARNESS PRO II	1
14	105886	HEATED FUEL WATER SEPARATOR SCHEMATIC	1
15	044016	#10-24 KEPS HEX NUT PL	1
16	041021	#10-24 x 1/2 PH-ROUND HEAD MS PL	1
17	104254	RELAY 12V 40AMP	1

## 8.12 - Engine Isolator Mounts

SN 07-000001 and UP  
SN 08-000001 and UP





# Night-Lite ProII™

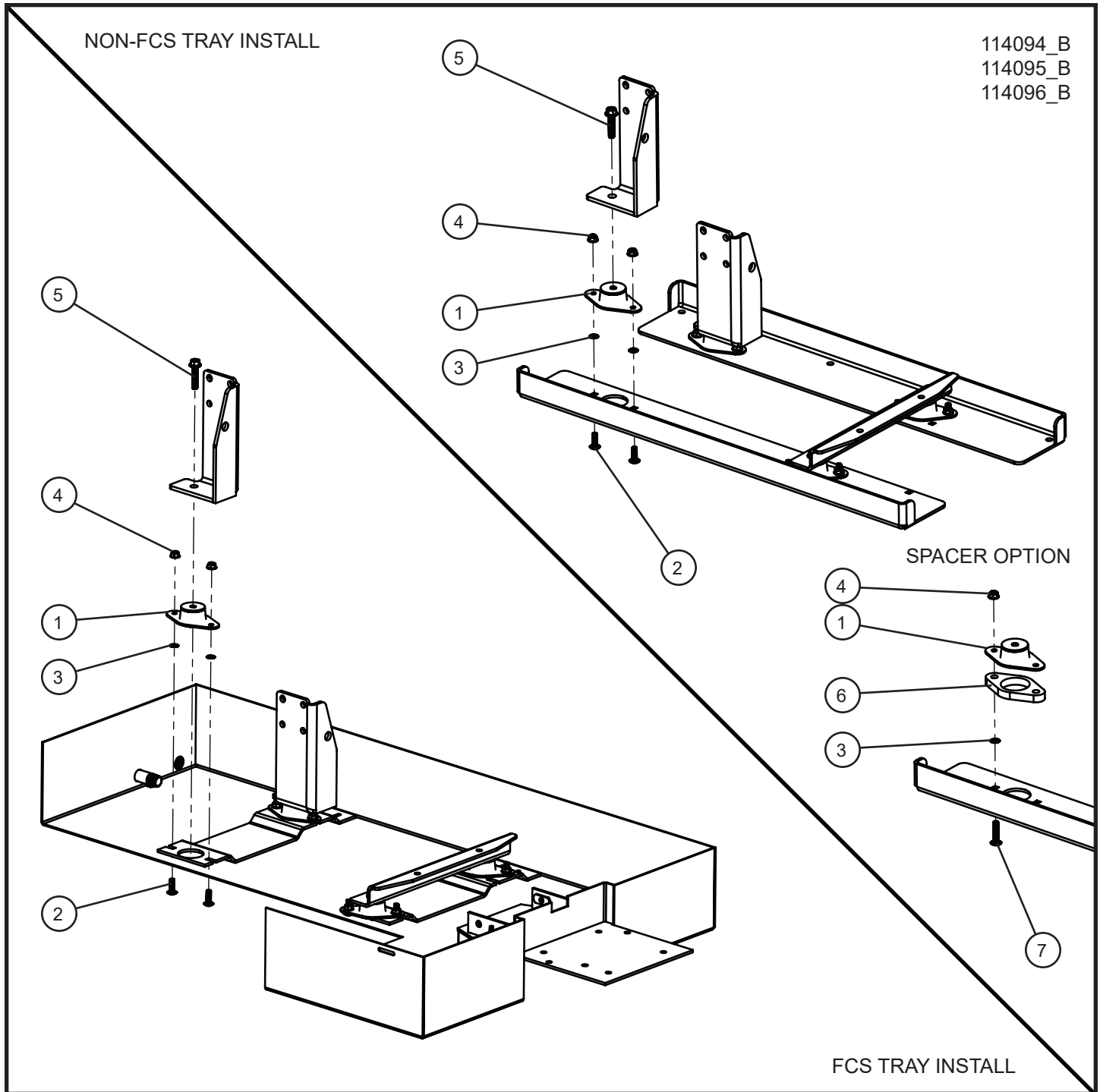
## 8.12 - Engine Isolator Mounts

SN 07-000001 and UP  
SN 08-000001 and UP

Item	Part No.	Part Description	Qty.
1	650259	ENGINE MOUNT LIGHT DUTY	4
2	053020	5/16-18 x 1 CARRIAGE BOLT PL	8
3	047010	5/16 FLAT WASHER PL	12
4	044038	3/8-16 NYLOCK HEX NUT PL	4
5	045218	3/8 PUSH NUT	4
6	045217	5/16 PUSH NUT	8
7	640565	ENGINE MOUNT WASHER 1.55 OD x .41 x .135 THK	4
8	046134	3/8-16 x 2 1/2 HEX HEAD CS GR8 PL	4
9	044033	5/16-18 NYLOCK HEX NUT PL	8

## 8.13 - Engine Isolator Threaded Mounts

SN 07-000001 and UP  
SN 08-000001 and UP



# Night-Lite ProII™

---

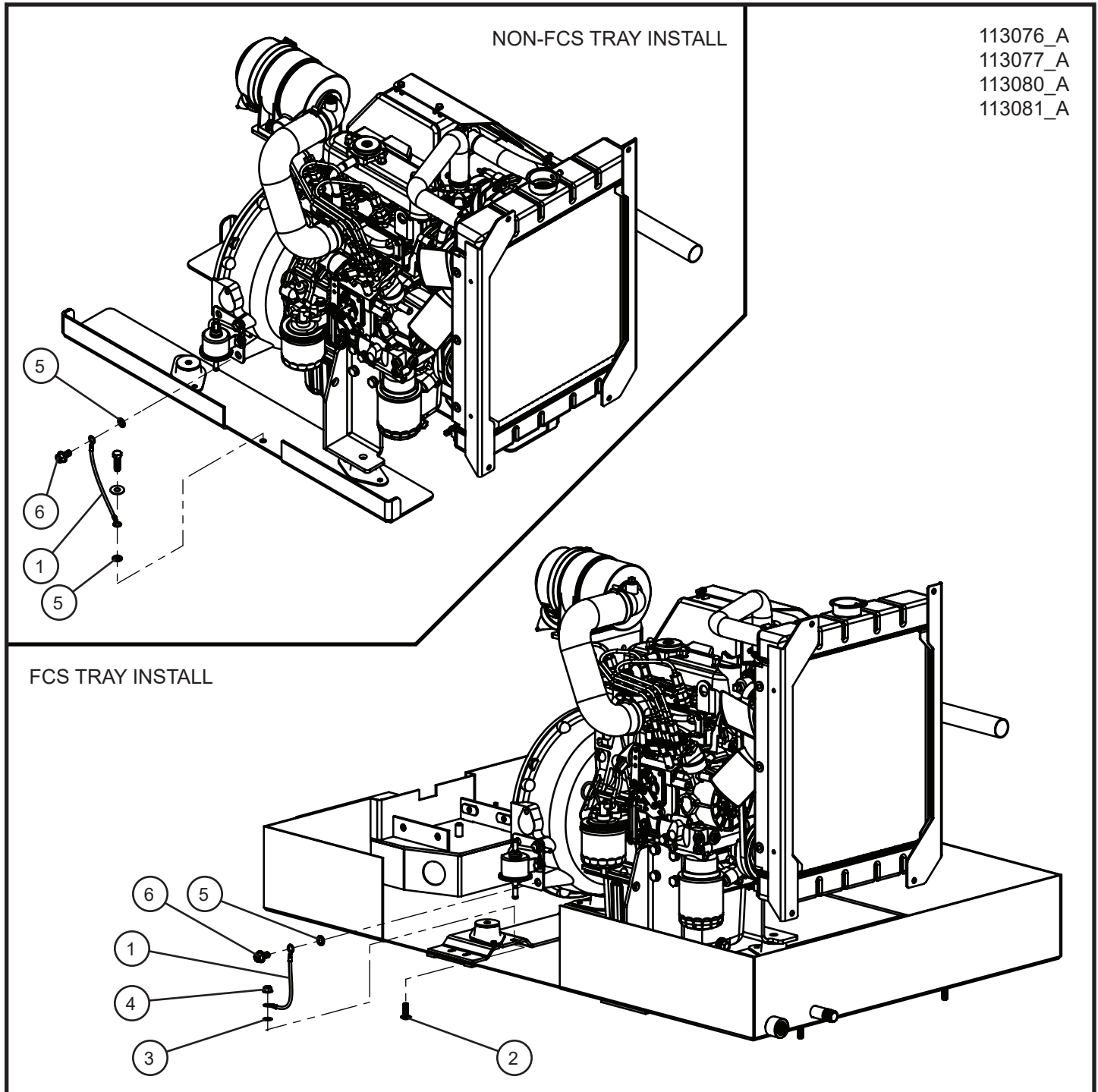
## 8.13 - Engine Isolator Threaded Mounts

SN 07-000001 and UP  
SN 08-000001 and UP

Item	Part No.	Part Description	Qty.
1	107028	ENGINE ISOLATOR THREADED MOUNT LIGHT DUTY	4
2	053020	5/16-18 x 1 CARRIAGE BOLT PL	8
3	045217	5/16 PUSH NUT	8
4	044033	5/16-18 NYLOCK FLANGE HEX NUT	8
5	046133	3/8-16 x 1 3/4 HEX SERRATED FLANGE BOLT	4
6	104696P	ENGINE ISOLATOR 1/2" PLATE SPACER	4
7	053023	5/16-18 x 1 1/2 CARRIAGE BOLT PL	4
NS	112724	ENGINE ISOLATOR LIGHT DUTY MOUNTS SERVICE KIT	1

## 8.14 - CAT and Kubota Engine Ground Wire

SN 07-000001 and UP  
SN 08-000001 and UP



# Night-Lite ProII™

---

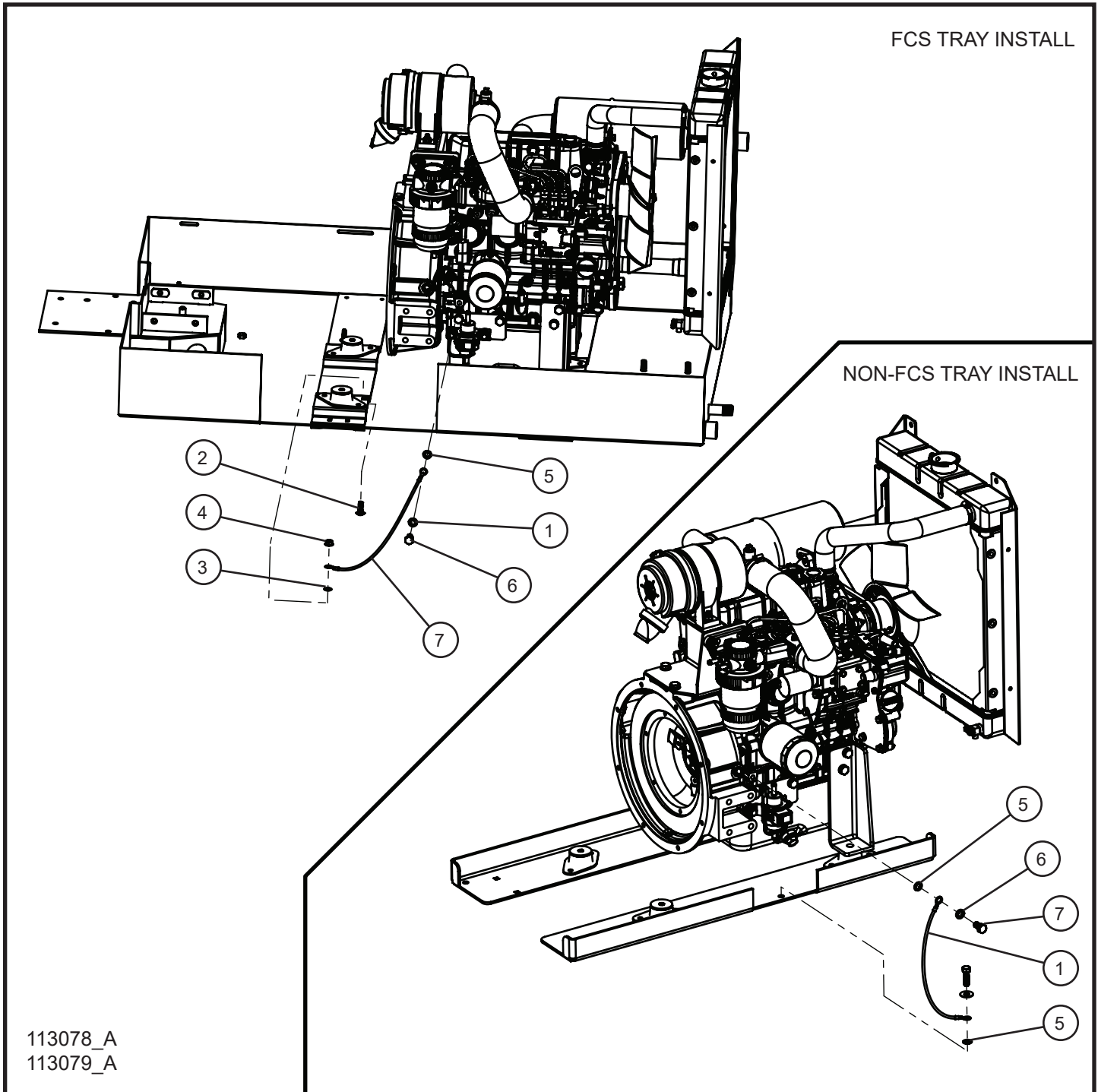
## 8.14 - CAT and Kubota Engine Ground Wire

SN 07-000001 and UP  
SN 08-000001 and UP

Item	Part No.	Part Description	Qty.
1	114800	GROUND WIRE 10 AWG	1
2	053020	5/16-18 x 1 CARRIAGE BOLT PL	1
3	043060	5/16 INT'L TOOTHLOCK WASHER	1
4	057008	5/16-18 HEX NYLOCK FLANGE NUT	1
5	043070	3/8 INT'L TOOTHLOCK WASHER	2
6	056009	3/8-16 x 3/4 HEX SERRATED FLANGE SCREW	1

## 8.15 - Mitsubishi Engine Ground Wire

SN 07-000001 and UP  
SN 08-000001 and UP



113078\_A  
113079\_A

# Night-Lite ProII™

---

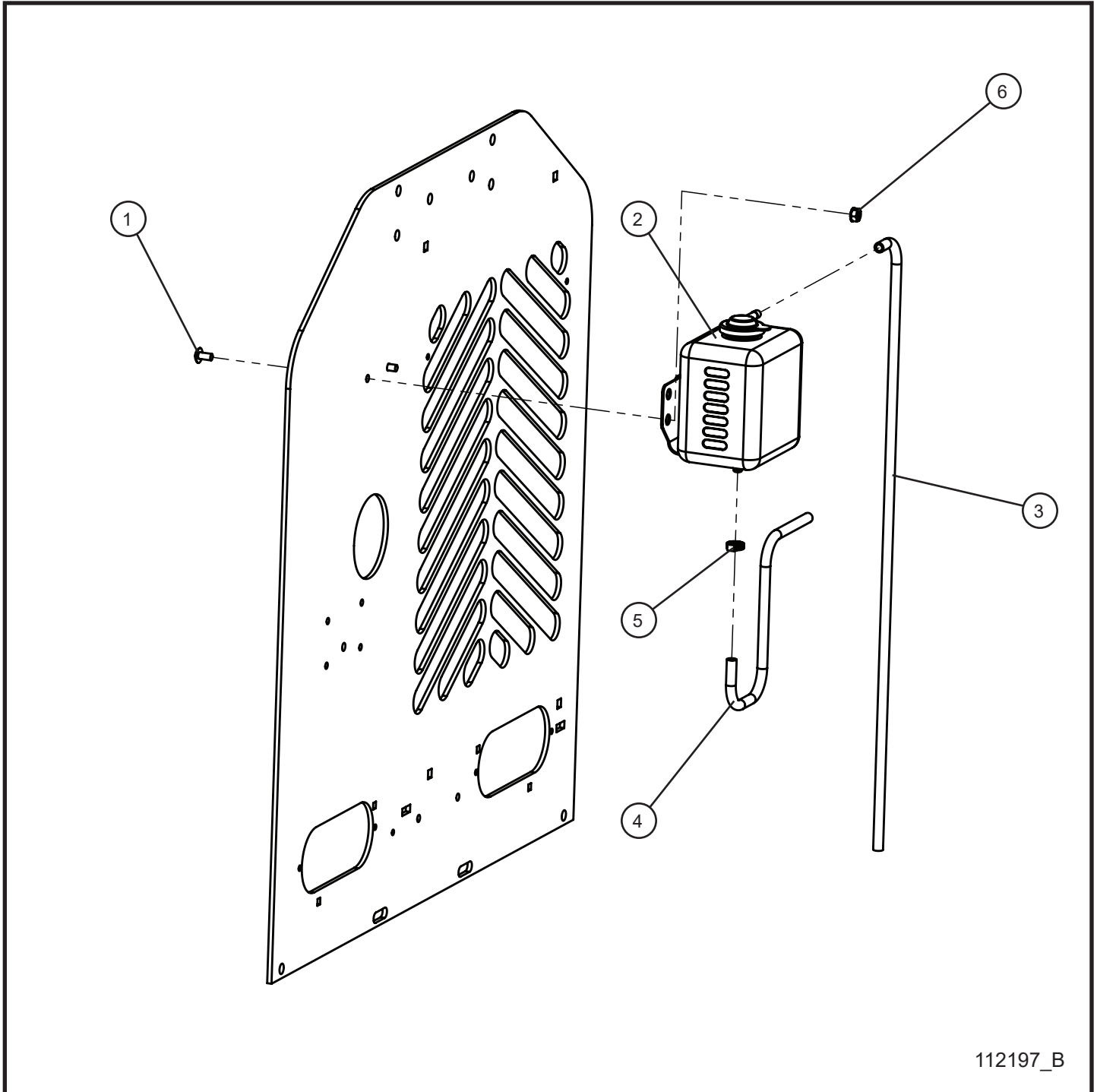
## 8.15 - Mitsubishi Engine Ground Wire

SN 07-000001 and UP  
SN 08-000001 and UP

Item	Part No.	Part Description	Qty.
1	114800	GROUND WIRE 10 AWG	1
2	053020	5/16-18 x 1 CARRIAGE BOLT PL	1
3	043060	5/16 INT'L TOOTHLOCK WASHER	1
4	057008	5/16-18 HEX NYLOCK FLANGE NUT	1
5	043070	3/8 INT'L TOOTHLOCK WASHER	2
6	042151	M10 SPLIT LOCK WASHER PL	1
7	042038	M10 x 20mm x 1.25mm HEX HEAD CS GR8.8 PL	1

## 8.16 - Coolant Recovery Tank

SN 07-000001 and UP  
SN 08-000001 and UP



112197\_B



# Night-Lite ProII™

---

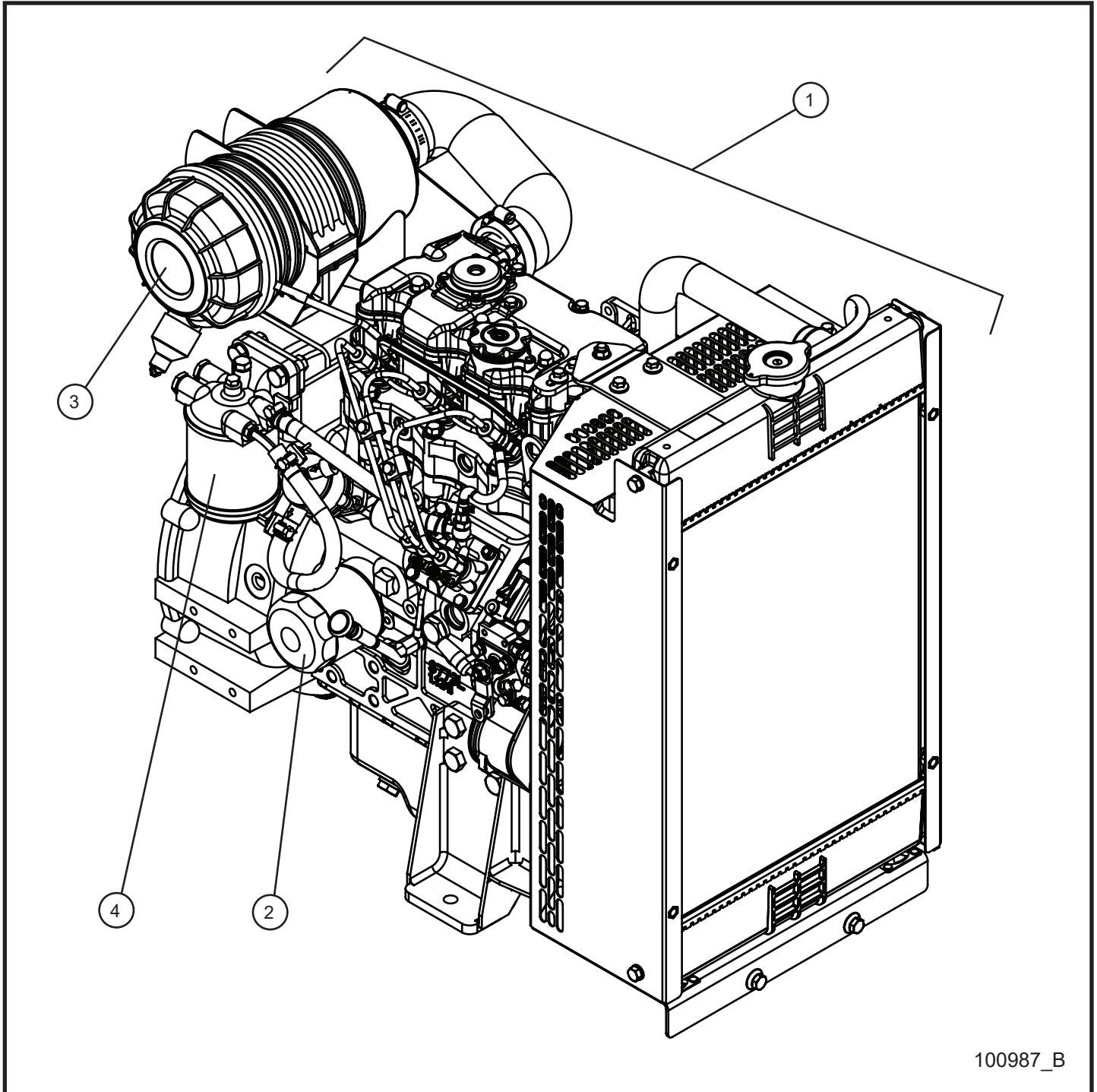
## 8.16 - Coolant Recovery Tank

SN 07-000001 and UP  
SN 08-000001 and UP

Item	Part No.	Part Description	Qty.
1	041078	1/4-20 x 1/2 PH-TRUSS HEAD MS SS	2
2	650027	RESERVOIR WITH BRACKET	1
3	102268	COOLANT HOSE 1/4" x 44.0	1
4	102268	COOLANT HOSE 1/4" x 28.0	1
5	433400	#4 HOSE CLAMP	1
6	044021	1/4-20 KEPS HEX NUT PL	2

## 9.1 - CAT C1.1 Engine and Filters

SN 07-000001 and UP  
SN 08-000001 and UP



100987\_B

# Night-Lite ProII™

---

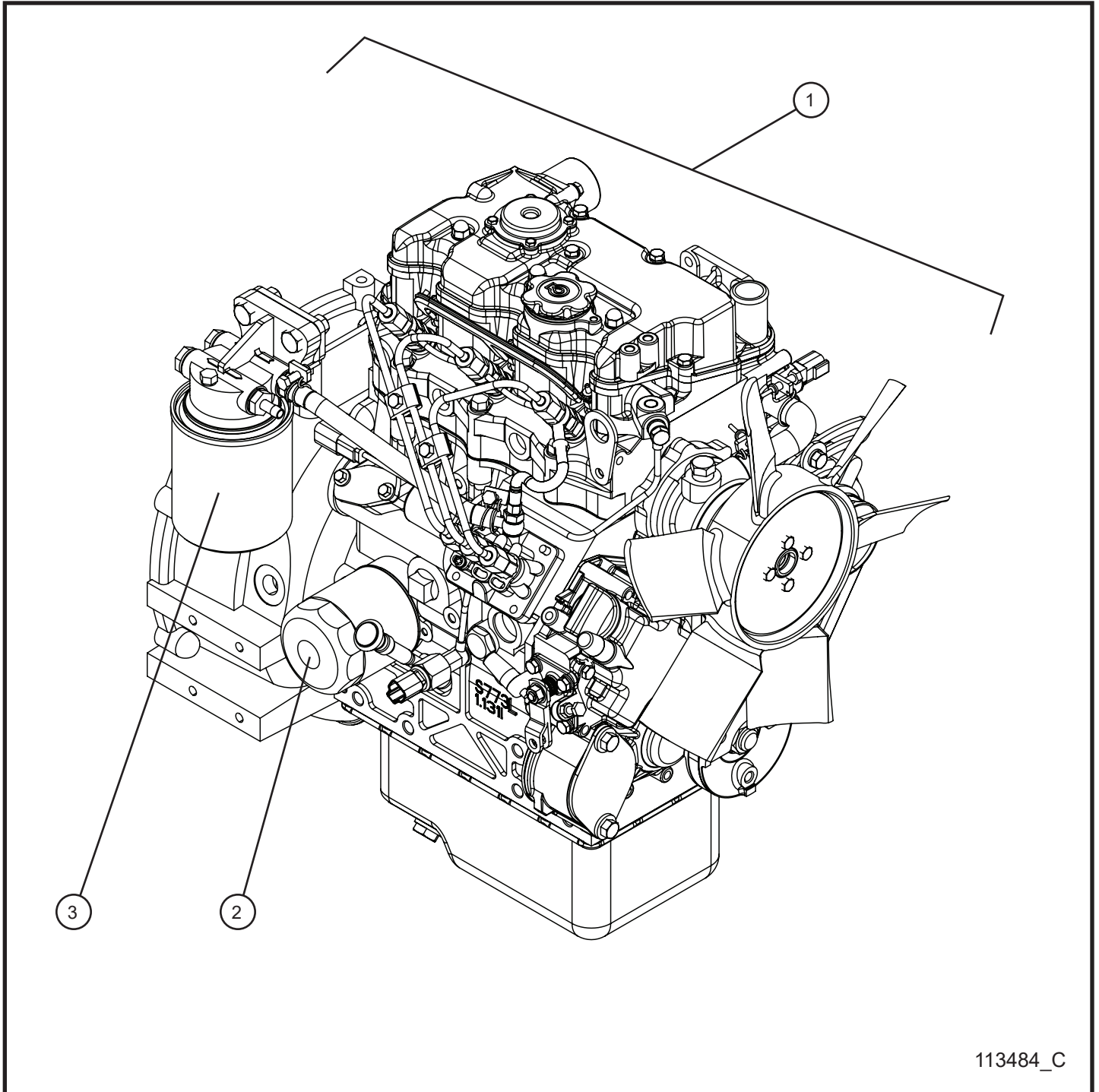
## 9.1 - CAT C1.1 Engine and Filters

SN 07-000001 and UP  
SN 08-000001 and UP

Item	Part No.	Part Description	Qty.
1	103558	ENGINE CAT C1.1 60Hz EPA Tier 4	1
	100987	ENGINE CAT C1.1 50Hz	1
2	650304	OIL FILTER	1
3	102580	AIR FILTER	1
4	103155	FUEL FILTER	1
NS	108461	CAT C1.1 FILTER KIT (INCLUDES PART NUMBERS 650304, 102580, & 103155)	1

## 9.2 - CAT/Perkins 1.1 Engine (Fan-to-Fly) and Filters

SN 07-000001 and UP  
SN 08-000001 and UP



113484\_C

# Night-Lite ProII™

## 9.2 - CAT/Perkins 1.1 Engine (Fan-to-Fly) and Filters

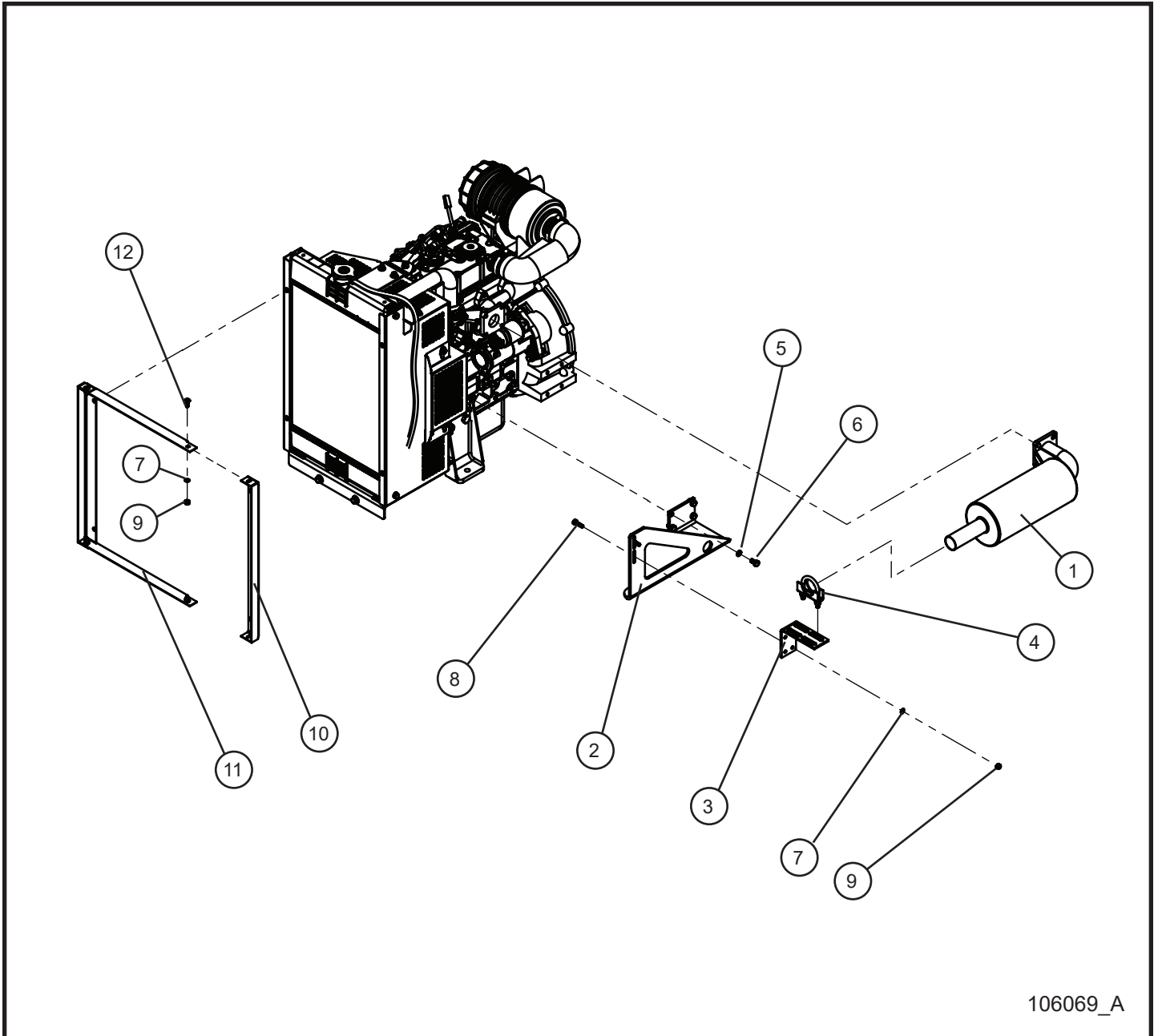
SN 07-000001 and UP

SN 08-000001 and UP

Item	Part No.	Part Description	Qty.
1	112561	CAT 1.1L ENGINE	1
	113484	PERKINS 1.1L ENGINE	1
2	113635	CAT 1.1L OIL FILTER	1
	113867	PERKINS 1.1L OIL FILTER	1
3	112464	CAT 1.1L FUEL FILTER	1
	113874	PERKINS 1.1L FUEL FILTER	1
NS	120240	CAT C1.1 (FAN-TO-FLY) FILTER KIT	1
NS	650290	AIR FILTER	1
NS	104795	AIR FILTER SERVICE INDICATOR KIT	1

## 9.3 - CAT C1.1 Engine Assembly Group

SN 07-000001 and UP  
SN 08-000001 and UP



106069\_A

# Night-Lite ProII™

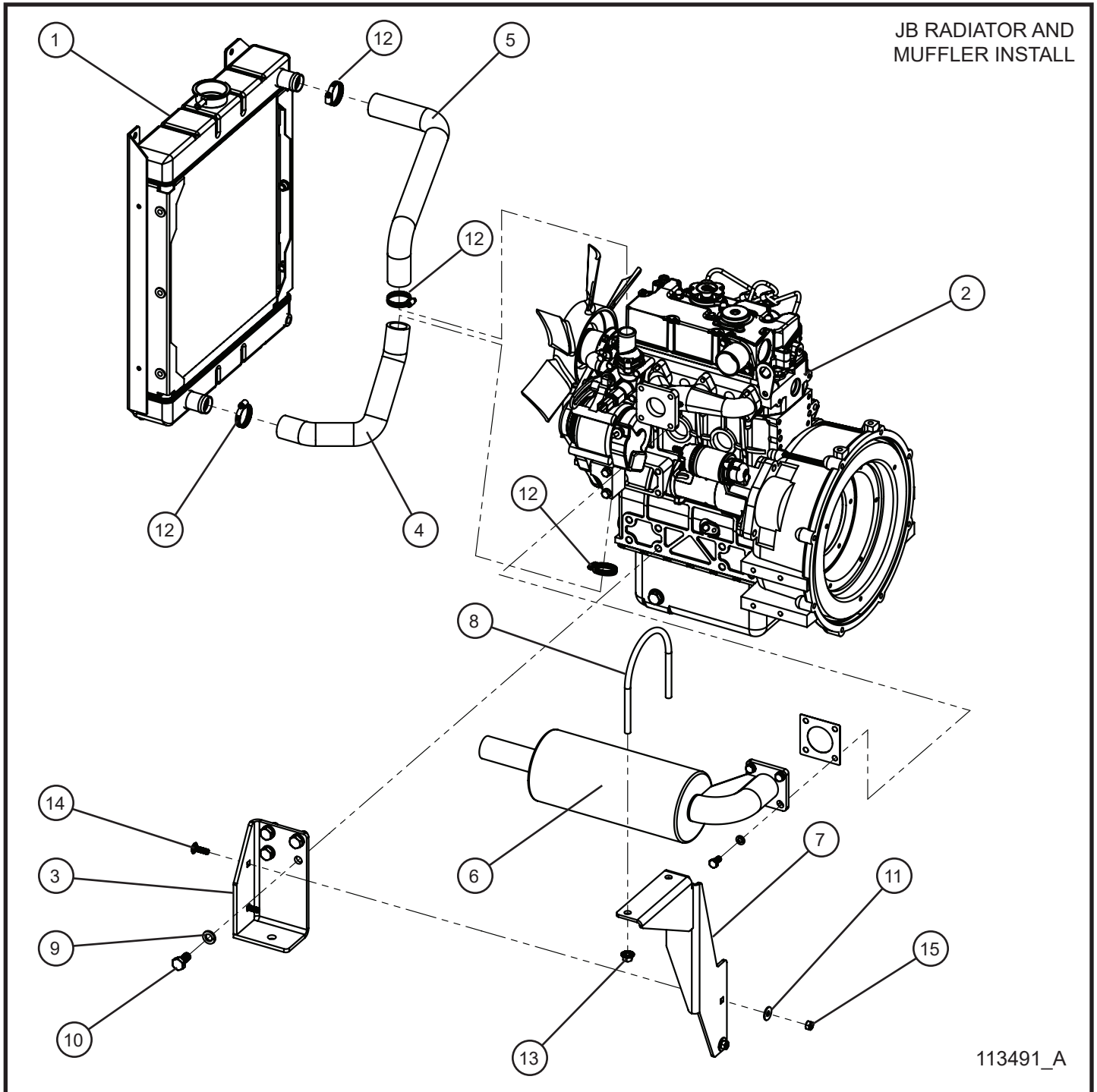
## 9.3 - CAT C1.1 Engine Assembly Group

SN 07-000001 and UP  
SN 08-000001 and UP

Item	Part No.	Part Description	Qty.
1	104787	MUFFLER CAT C1.1 4.500 SPOUT	1
2	100705P	BRACKET CAT C1.1 MUFFLER	1
3	100706P	MUFFLER BRACKET ADJUSTABLE CAT	1
4	112211	1-5/8 MUFFLER CLAMP EXHAUST	1
5	043055	5/16 SPLITLOCK WASHER	4
6	042027	M8 x 16MM x 1.25 MM HEX HEAD CS GR10.9 PL	4
7	047009	1/4 FLAT WASHER SAE SS	6
8	100342	1/4-20 x 1 CARRIAGE BOLT PL	2
9	044023	1/4-20 NYLOCK HEX NUT PL	6
10	102932P	RADIATOR SHROUD SIDE	2
11	102933P	RADIATOR SHROUD CROSS BAR	2
12	041050	1/4-20 x 3/4 PH-TRUSS HEAD MS SS	4
NS	104788	CAT C1.1 MUFFLER REPLACEMENT KIT	1
NS	105195	ENGINE HARNESS CAT 1.1	1
NS	105888	WIRING SCHEMATIC C1.1 ENGINE	1

## 9.4 - CAT/Perkins 1.1 Engine (Fan-to-Fly) Assembly Group (1 of 7)

SN 07-000001 and UP  
SN 08-000001 and UP



113491\_A



# Night-Lite ProII™

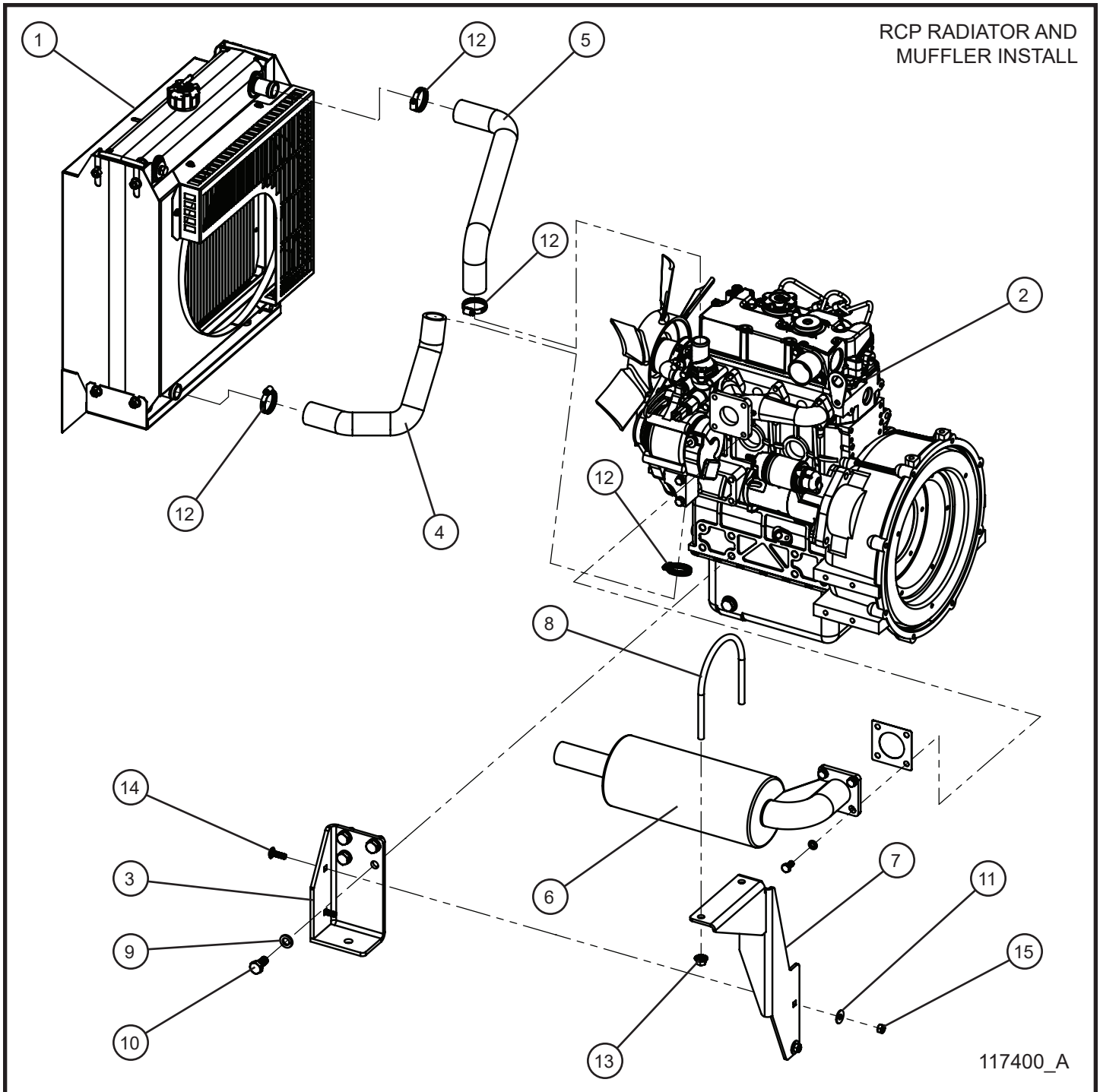
## 9.4 - CAT/Perkins 1.1 Engine (Fan-to-Fly) Assembly Group (1 of 7)

SN 07-000001 and UP  
SN 08-000001 and UP

Item	Part No.	Part Description	Qty.
1	105393	RADIATOR SMALL ENGINES 1.0L / 1.1L	1
2	113484	CAT/PERKINS 1.1L ENGINE	1
3	108889P	ENGINE BRACKET LEFT WELDMENT	1
4	113828	CAT C1.1 LOWER RADIATOR HOSE	1
5	113827	CAT C1.1 UPPER RADIATOR HOSE	1
6	104787	CAT C1.1 MUFFLER 4.5 SPOUT	1
7	112309P	MUFFLER BRACKET WELDMENT	1
8	105744	4.75" MUFFLER U-BOLT	1
9	043085	1/2 SPLITLOCK WASHER PL	4
10	042300	M12 x 25mm x 1.25mm HEX HEAD CS GR8.8 PL	4
11	047010	5/16 FLAT WASHER PL	2
12	045034	#16 HOSE CLAMP	4
13	044029	3/8-16 SERRATED FLANGE NUT	2
14	053020	5/16-18 x 1 CARRIAGE BOLT	2
15	044033	5/16-18 NYLOCK HEX NUT PL	2
NS	110113	CAT C1.1 ENGINE HARNESS	1
NS	113494	CAT C1.1 40AMP CHARGE CIRCUIT FUSE	1
NS	110112	CAT/PERKINS 1.1L SCHEMATIC	1

## 9.4 - CAT/Perkins 1.1 Engine (Fan-to-Fly) Assembly Group (2 of 7)

SN 07-000001 and UP  
SN 08-000001 and UP



# Night-Lite ProII™

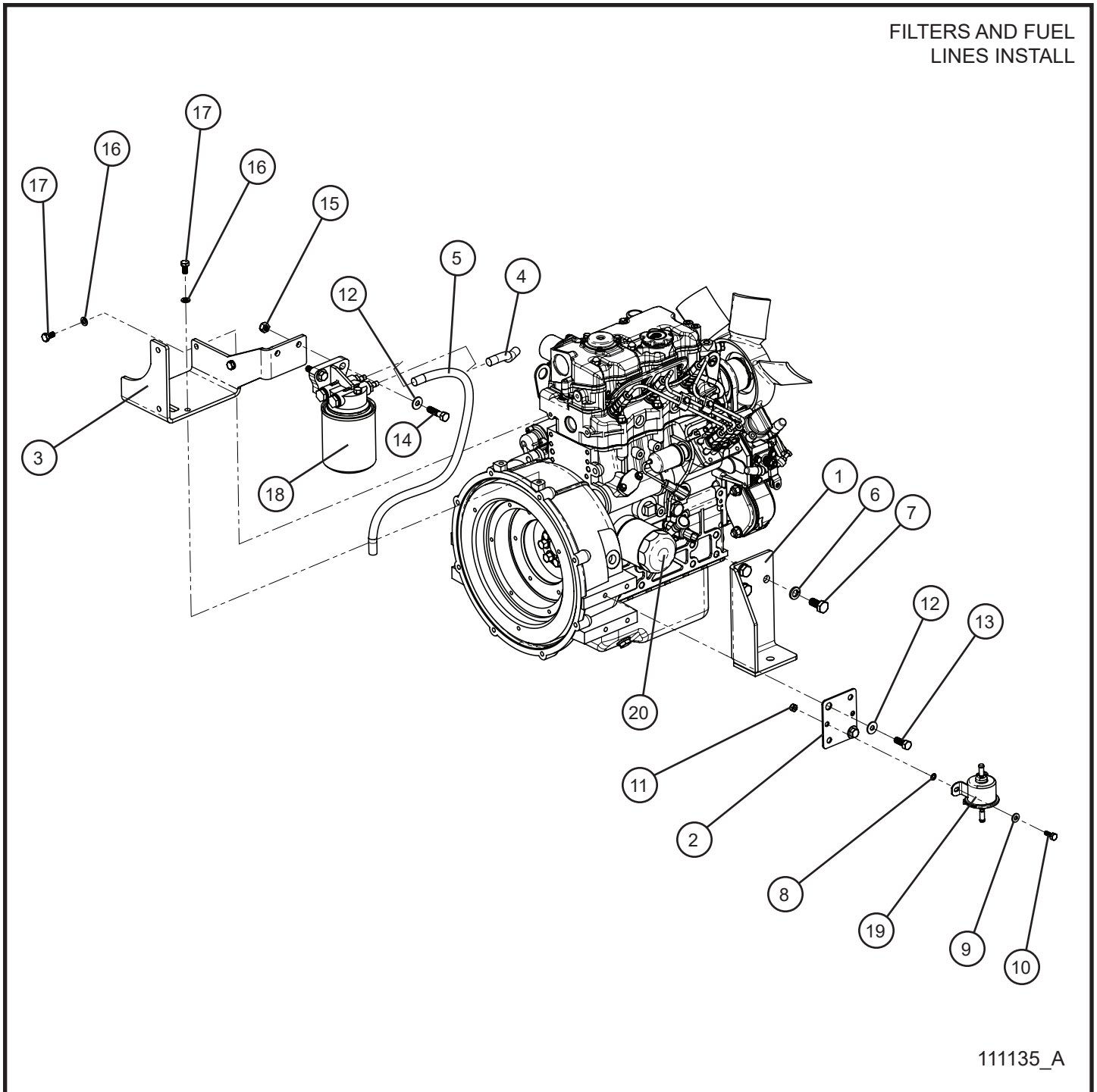
## 9.4 - CAT/Perkins 1.1 Engine (Fan-to-Fly) Assembly Group (2 of 7)

SN 07-000001 and UP  
SN 08-000001 and UP

Item	Part No.	Part Description	Qty.
1	103422	RCP RADIATOR	1
2	112561	CAT C1.1 ENGINE	1
3	108889P	ENGINE BRACKET LEFT WELDMENT	1
4	113828	CAT C1.1 LOWER RADIATOR HOSE	1
5	113827	CAT C1.1 UPPER RADIATOR HOSE	1
6	104787	CAT C1.1 MUFFLER 4.5 SPOUT	1
7	112309P	MUFFLER BRACKET WELDMENT	1
8	105744	4.75" MUFFLER U-BOLT	1
9	043085	1/2 SPLITLOCK WASHER	4
10	042300	M12 x 25mm x 1.25mm HEX HEAD BOLT	4
11	047010	5/16 FLAT WASHER	2
12	045034	#16 HOSE CLAMP	4
13	044029	3/8-16 SERRATED FLANGE NUT	2
14	053020	5/16-18 x 1 CARRIAGE BOLT	2
15	044033	5/16-18 NYLOCK HEX NUT	2
NS	102911	RCP RADIATOR KIT	
NS	110113	CAT C1.1 ENGINE HARNESS	1
NS	113494	CAT C1.1 40AMP CHARGE CIRCUIT FUSE	1
NS	106309	JCASE 40A LITTLE FUSE	1
NS	110112	CAT 1.1L SCHEMATIC	1

## 9.4 - CAT/Perkins 1.1 Engine (Fan-to-Fly) Assembly Group (3 of 7)

SN 07-000001 and UP  
SN 08-000001 and UP



# Night-Lite ProII™

## 9.4 - CAT/Perkins 1.1 Engine (Fan-to-Fly) Assembly Group (3 of 7)

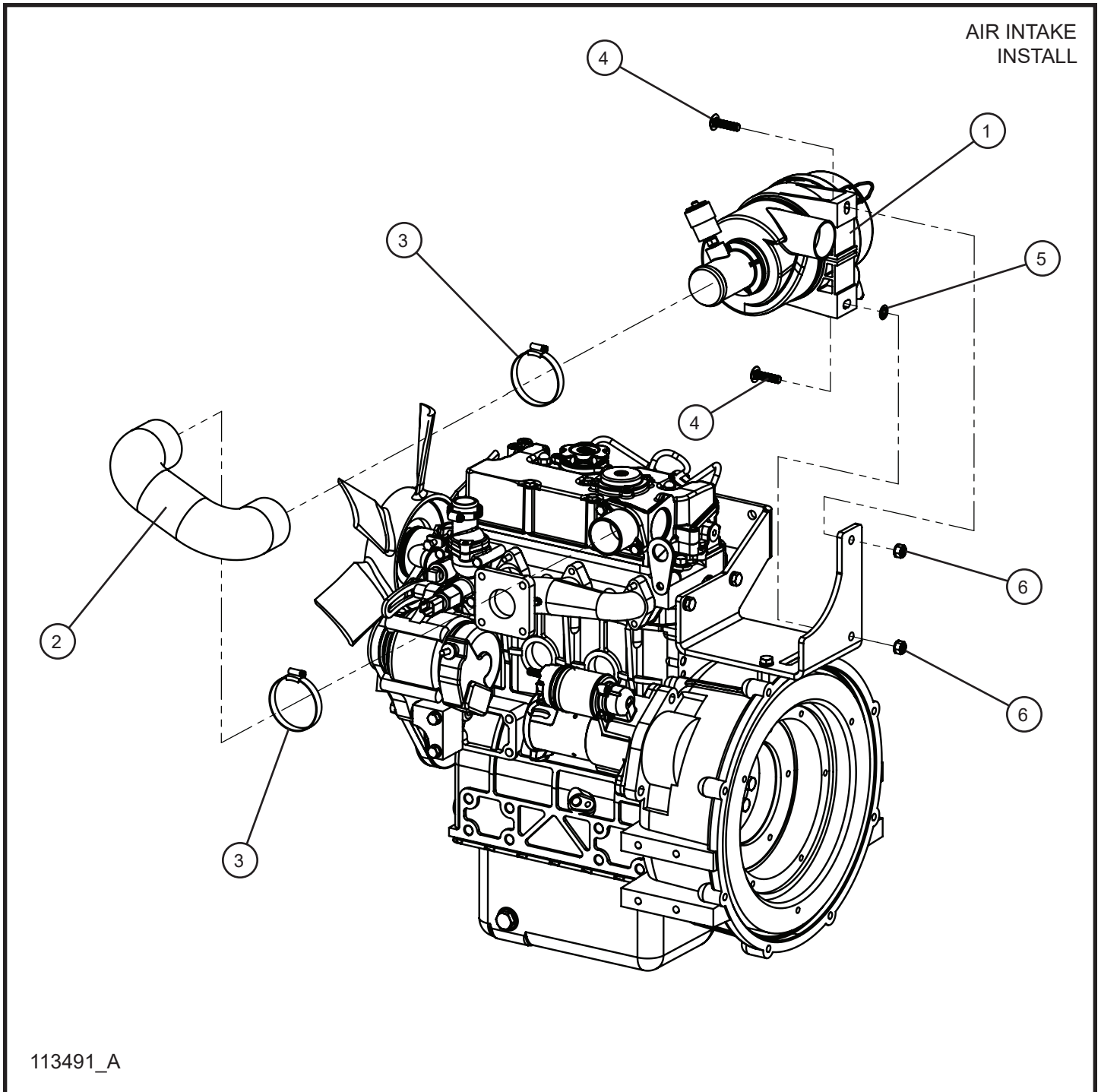
SN 07-000001 and UP

SN 08-000001 and UP

Item	Part No.	Part Description	Qty.
1	108891P	ENGINE BRACKET RIGHT WELDMENT	1
2	105402P	FUEL PUMP MOUNT PLATE	1
3	113327P	CAT/PERKINS 1.1L AIR CLEANER MOUNT	1
4	081018	HOSE 5/16" FUEL LINE x 7.0	1
5	081018	HOSE 5/16" FUEL LINE x 20.0	1
6	043085	1/2 SPLITLOCK WASHER PL	3
7	042300	M12 x 25mm x 1.25mm HEX HEAD CS GR8.8 PL	3
8	043051	1/4 INTL TOOTH LOCK WASHER SS	1
9	047005	1/4 FLAT WASHER PL	2
10	102573	1/4-20 x 3/4 HEX HEAD CS GR5 PL	2
11	044023	1/4-20 NYLOCK HEX NUT PL	2
12	047010	5/16 FLAT WASHER PL	13
13	100670	3/8-16 x 1 HEX HEAD CS GR5 PL	3
14	046120	3/8-16 x 1 1/2 HEX HEAD CS GR5 PL	2
15	044038	3/8-16 NYLOCK HEX NUT PL	2
16	043055	5/16 SPLITLOCK WASHER	5
17	042027	M8 x 16mm x 1.25mm HEX HEAD CS GR10.9 PL	4
18	112464	CAT 1.1L FUEL FILTER	1
	113874	PERKINS 1.1L FUEL FILTER	1
19	114114	CAT 1.1L FUEL PUMP	1
	114999	PERKINS 1.1L FUEL PUMP	1
20	113635	CAT 1.1L OIL FILTER	1
	113867	PERKINS 1.1L OIL FILTER	1
NS	433400	#4 HOSE CLAMP	4

## 9.4 - CAT/Perkins 1.1 Engine (Fan-to-Fly) Assembly Group (4 of 7)

SN 07-000001 and UP  
SN 08-000001 and UP



# Night-Lite ProII™

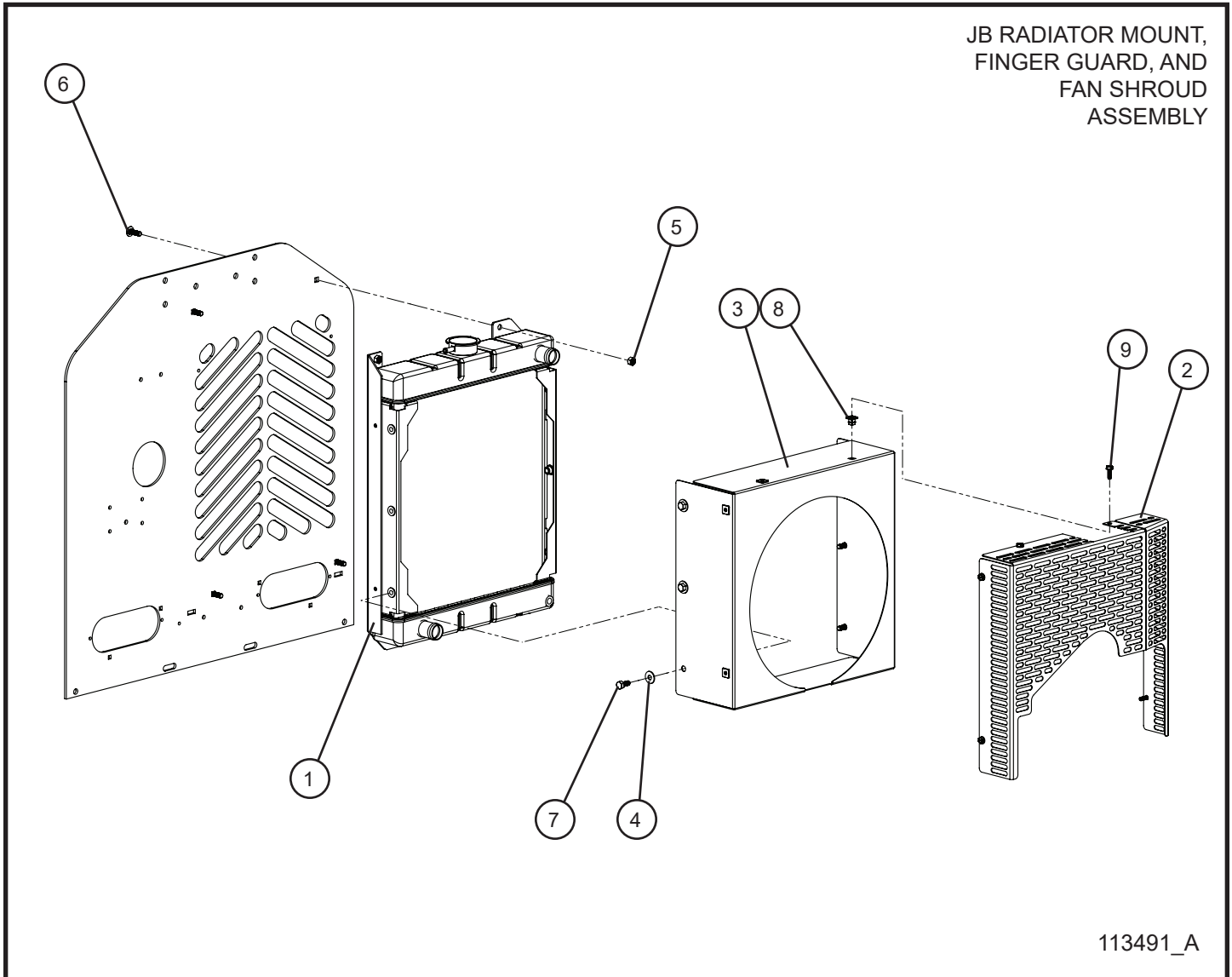
## 9.4 - CAT/Perkins 1.1 Engine (Fan-to-Fly) Assembly Group (4 of 7)

SN 07-000001 and UP  
SN 08-000001 and UP

Item	Part No.	Part Description	Qty.
1	111568	AIR CLEANER ASSEMBLY STRAIGHT INLET	1
	650290	AIR FILTER	1
	104795	AIR FILTER SERVICE INDICATOR KIT	1
2	113332	AIR INTAKE HOSE SMALL ENGINE	1
3	045038	#32 HOSE CLAMP	2
4	053022	5/16-18 x 1 1/4 CARRIAGE BOLT	2
5	045217	5/16 PUSH NUT	1
6	044031	5/16-18 KEPS HEX NUT PL	2

## 9.4 - CAT/Perkins 1.1 Engine (Fan-to-Fly) Assembly Group (5 of 7)

SN 07-000001 and UP  
SN 08-000001 and UP





# Night-Lite ProII™

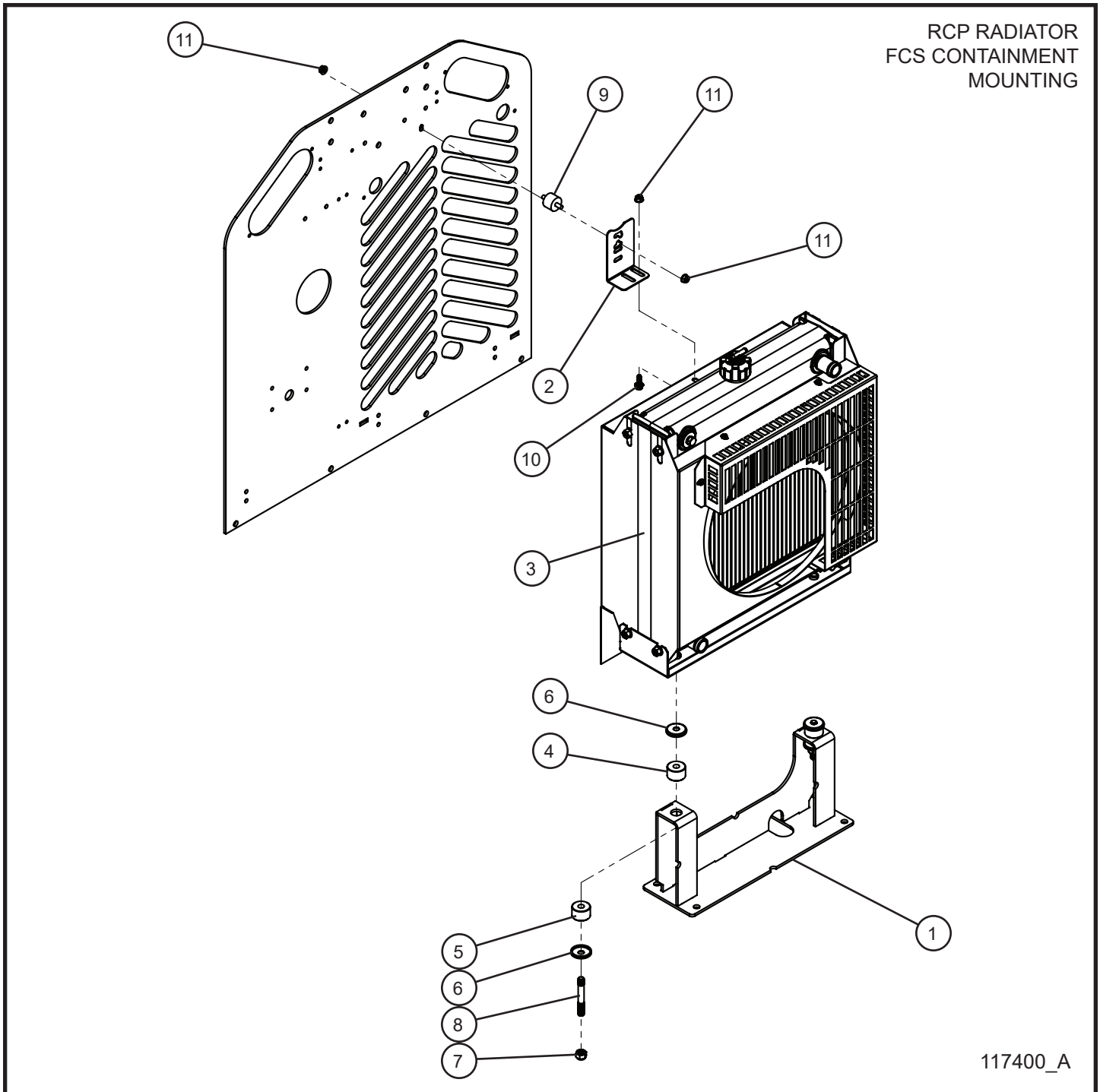
## 9.4 - CAT/Perkins 1.1 Engine (Fan-to-Fly) Assembly Group (5 of 7)

SN 07-000001 and UP  
SN 08-000001 and UP

Item	Part No.	Part Description	Qty.
1	105393	RADIATOR SMALL ENGINES 1.0L / 1.1L	1
2	108862P	CAT/PERKINS 1.1L FINGER GUARD	1
3	113825P	CAT/PERKINS 1.1L FAN SHROUD	1
4	047010	5/16 FLAT WASHER PL	6
5	044033	5/16-18 NYLOCK HEX NUT PL	4
6	053020	5/16-18 x 1 CARRIAGE BOLT PL	4
7	046045	5/16-18 x 3/4 HEX HEAD CS GR5 PL	6
8	105408	GROMMET DOUBLE SPLIT NUT	6
9	041070	1/4-20 x 3/4 SL-HEX WASHER HEAD MS TP F	6

## 9.4 - CAT/Perkins 1.1 Engine (Fan-to-Fly) Assembly Group (6 of 7)

SN 07-000001 and UP  
SN 08-000001 and UP



117400\_A

# Night-Lite ProII™

## 9.4 - CAT/Perkins 1.1 Engine (Fan-to-Fly) Assembly Group (6 of 7)

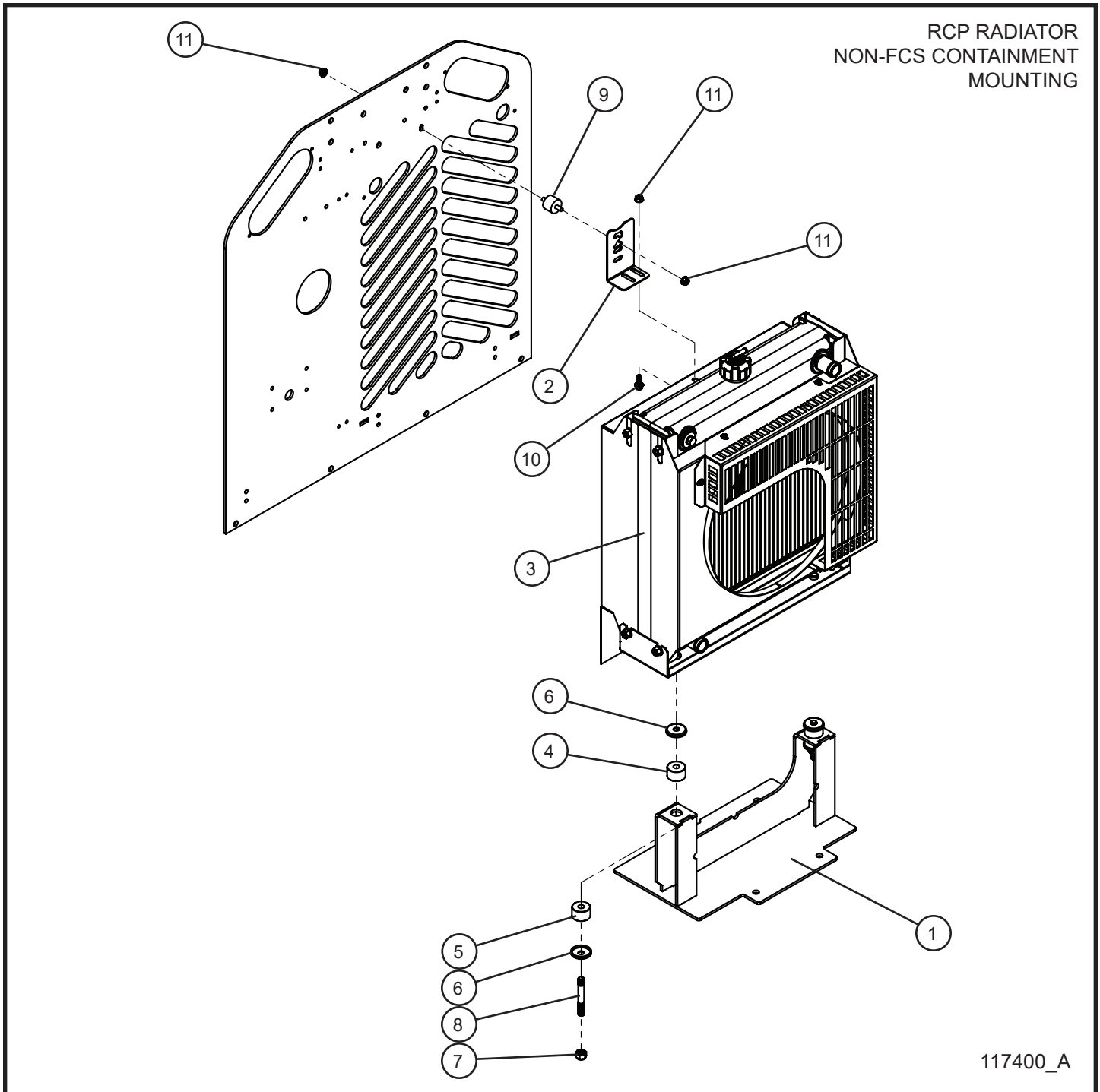
SN 07-000001 and UP

SN 08-000001 and UP

Item	Part No.	Part Description	Qty.
1	117395P	PRO II FCS PERKINS/CAT C1.1 RCP RADIATOR MOUNT	1
2	103988P	RCP RADIATOR SHROUD ANGLE BRACKET	1
3	103422	RCP RADIATOR	1
4	116086	RCP RADIATOR RAISED RUBBER ISOLATOR	2
5	116085	RCP RADIATOR RUBBER ISOLATOR	2
6	116087	RCP RADIATOR CUP WASHER	4
7	044129	M10 x 1.5mm NYLOCK NUT	2
8	103425	M10 x 1.5mm STUD BOLT	2
9	330057	BOX MOUNT	1
10	056002	1/4-20 x 3/4 HEX SERRATED FLANGE SCREW	1
11	057001	1/4-20 HEX NYLOCK FLANGE NUT	3
NS	102911	RCP RADIATOR KIT	1

## 9.4 - CAT/Perkins 1.1 Engine (Fan-to-Fly) Assembly Group (7 of 7)

SN 07-000001 and UP  
SN 08-000001 and UP



# Night-Lite ProII™

## 9.4 - CAT/Perkins 1.1 Engine (Fan-to-Fly) Assembly Group (7 of 7)

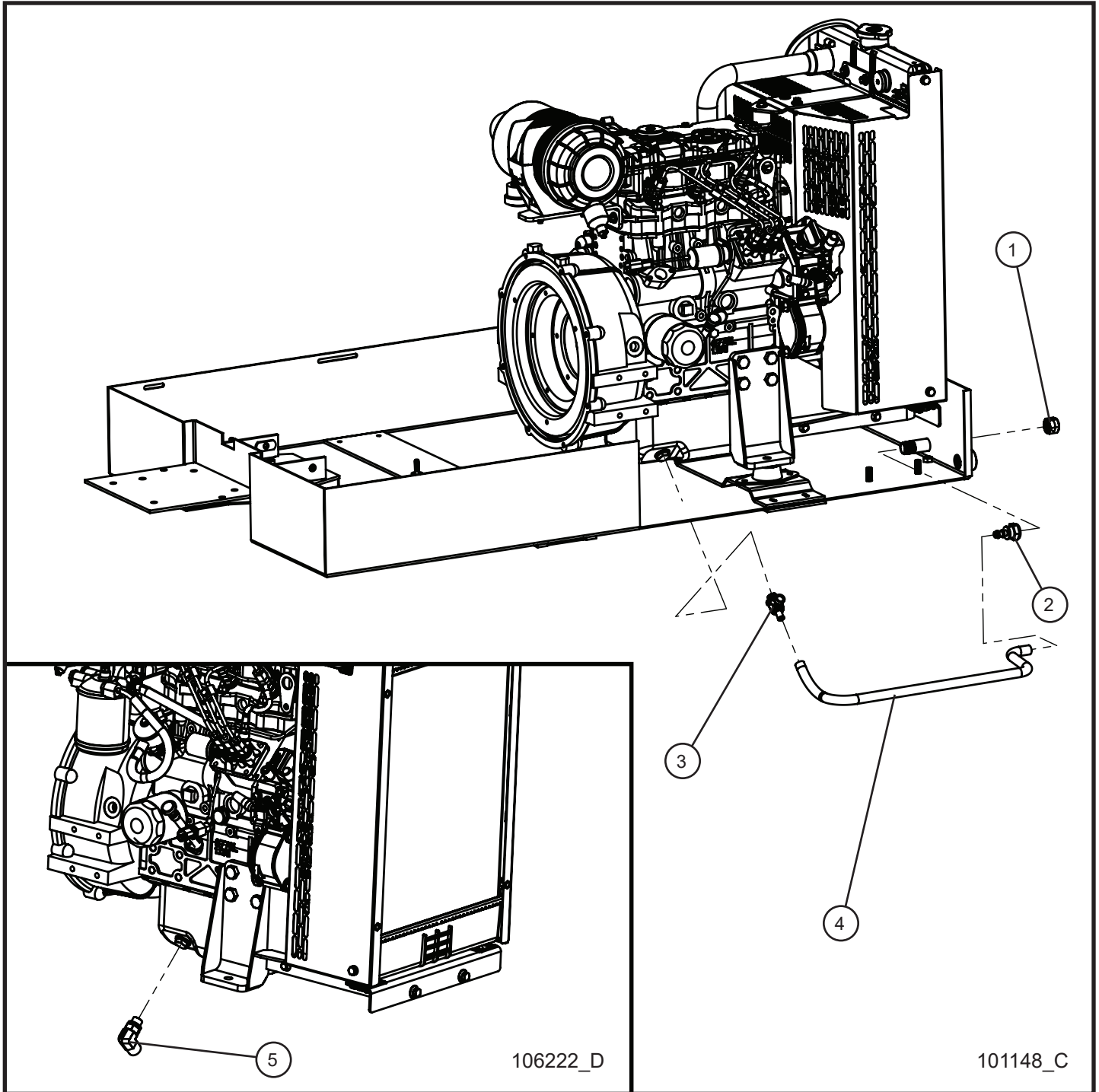
SN 07-000001 and UP

SN 08-000001 and UP

Item	Part No.	Part Description	Qty.
1	117391P	PRO II NON-FCS PERKINS/CAT C1.1 RCP RADIATOR MOUNT	1
2	103988P	RCP RADIATOR SHROUD ANGLE BRACKET	1
3	103422	RCP RADIATOR	1
4	116086	RCP RADIATOR RAISED RUBBER ISOLATOR	2
5	116085	RCP RADIATOR RUBBER ISOLATOR	2
6	116087	RCP RADIATOR CUP WASHER	4
7	044129	M10 x 1.5mm NYLOCK NUT	2
8	103425	M10 x 1.5mm STUD BOLT	2
9	330057	BOX MOUNT	1
10	056002	1/4-20 x 3/4 HEX SERRATED FLANGE SCREW	1
11	057001	1/4-20 HEX NYLOCK FLANGE NUT	3
NS	102911	RCP RADIATOR KIT	1

## 9.5 - CAT C1.1 Oil Drain Options

SN 07-000001 and UP  
SN 08-000001 and UP



# Night-Lite ProII™

---

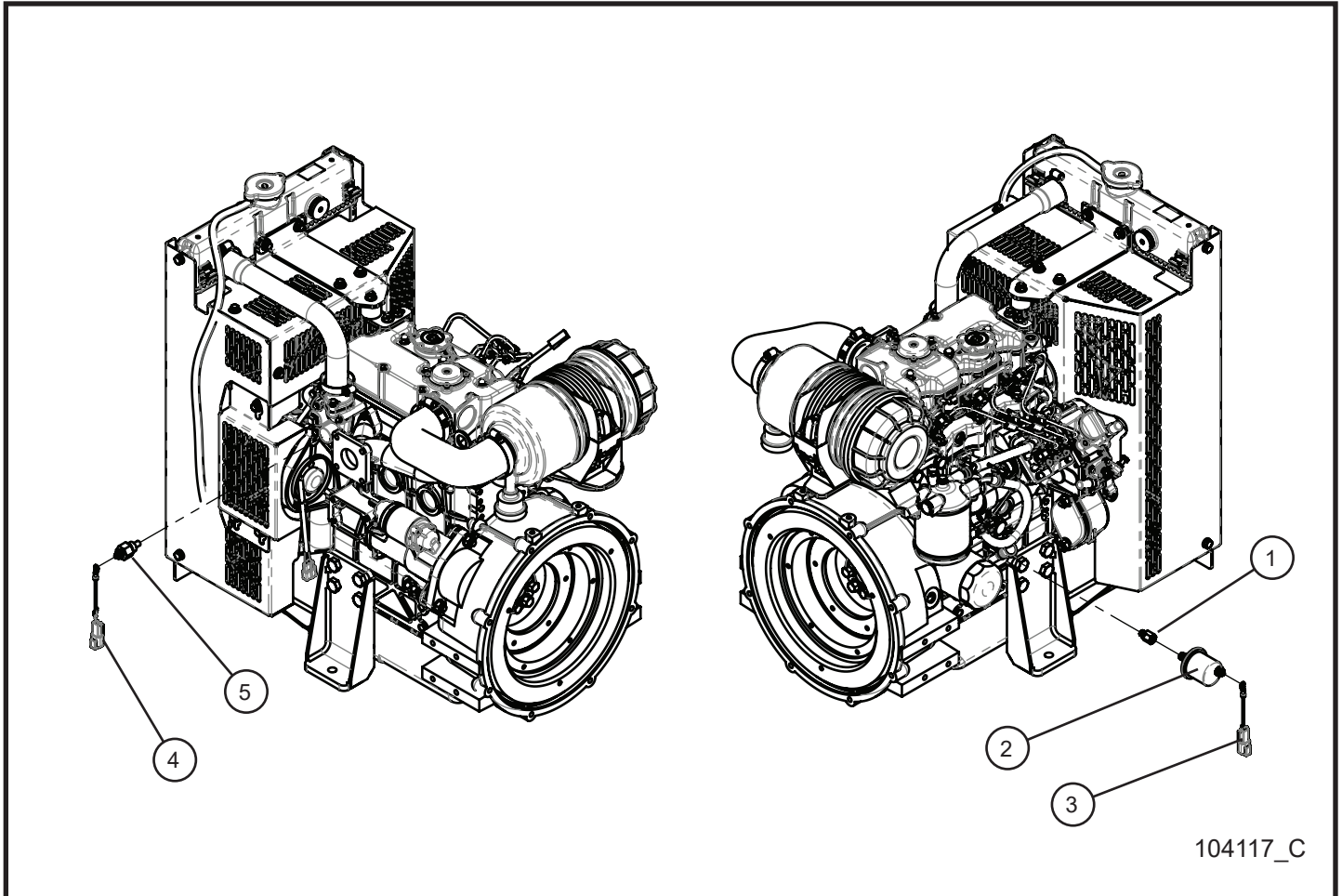
## 9.5 - CAT C1.1 Oil Drain Options

SN 07-000001 and UP  
SN 08-000001 and UP

Item	Part No.	Part Description	Qty.
1	105089	1/2 NPT BRASS CAP	1
2	104865	3/8 HOSE x 1/2 NPT BARBED TO FEMALE	1
3	651193	DRAIN VALVE FUMOTO M16 x 1.5	1
4	081017	3/8 x 23" YELLOW FUEL HOSE	1
5	108981	FITTING HYDRAULIC 90 DEG 10 JIC x 16MM	1

## 9.6 - CAT C1.1 LSC Sending Unit

SN 07-000001 and UP  
SN 08-000001 and UP





# Night-Lite ProII™

---

---

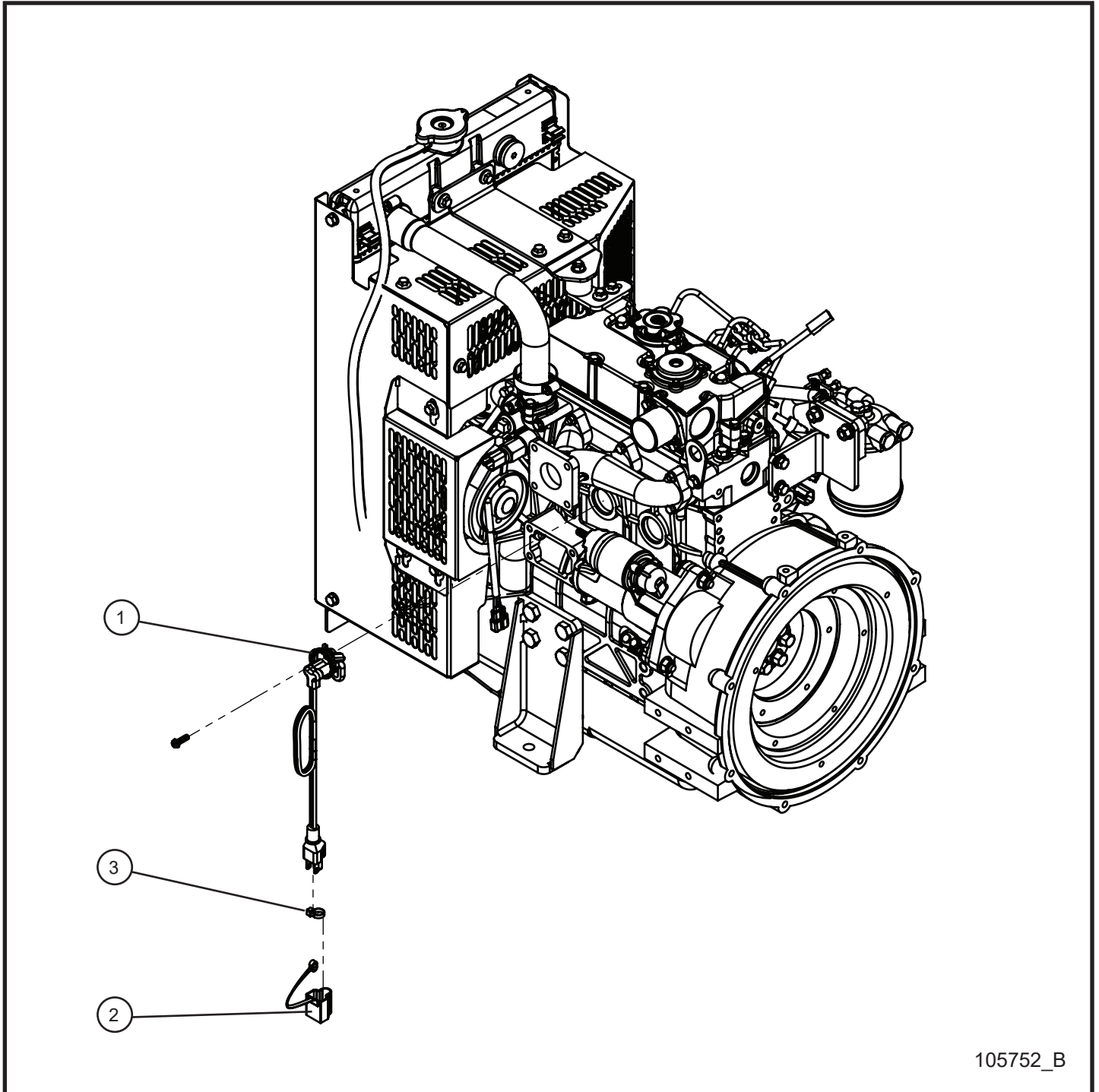
## 9.6 - CAT C1.1 LSC Sending Unit

SN 07-000001 and UP  
SN 08-000001 and UP

Item	Part No.	Part Description	Qty.
1	104558	FITTING ADAPTER 1/8 BSPM x 1/8 NPTF	1
2	104019	SENDER OIL PRESSURE	1
3	105881	OIL JUMPER CAT	1
4	105882	TEMP JUMPER CAT	1
5	650769	SENDER TEMPERATURE M16 x 1.5	1
NS	105904	SCHEMATIC LSC CAT C1.1	1

## 9.7 - CAT C1.1 Block Heater

SN 07-00001 and UP  
SN 08-00001 and UP



105752\_B

# Night-Lite ProII™

---

---

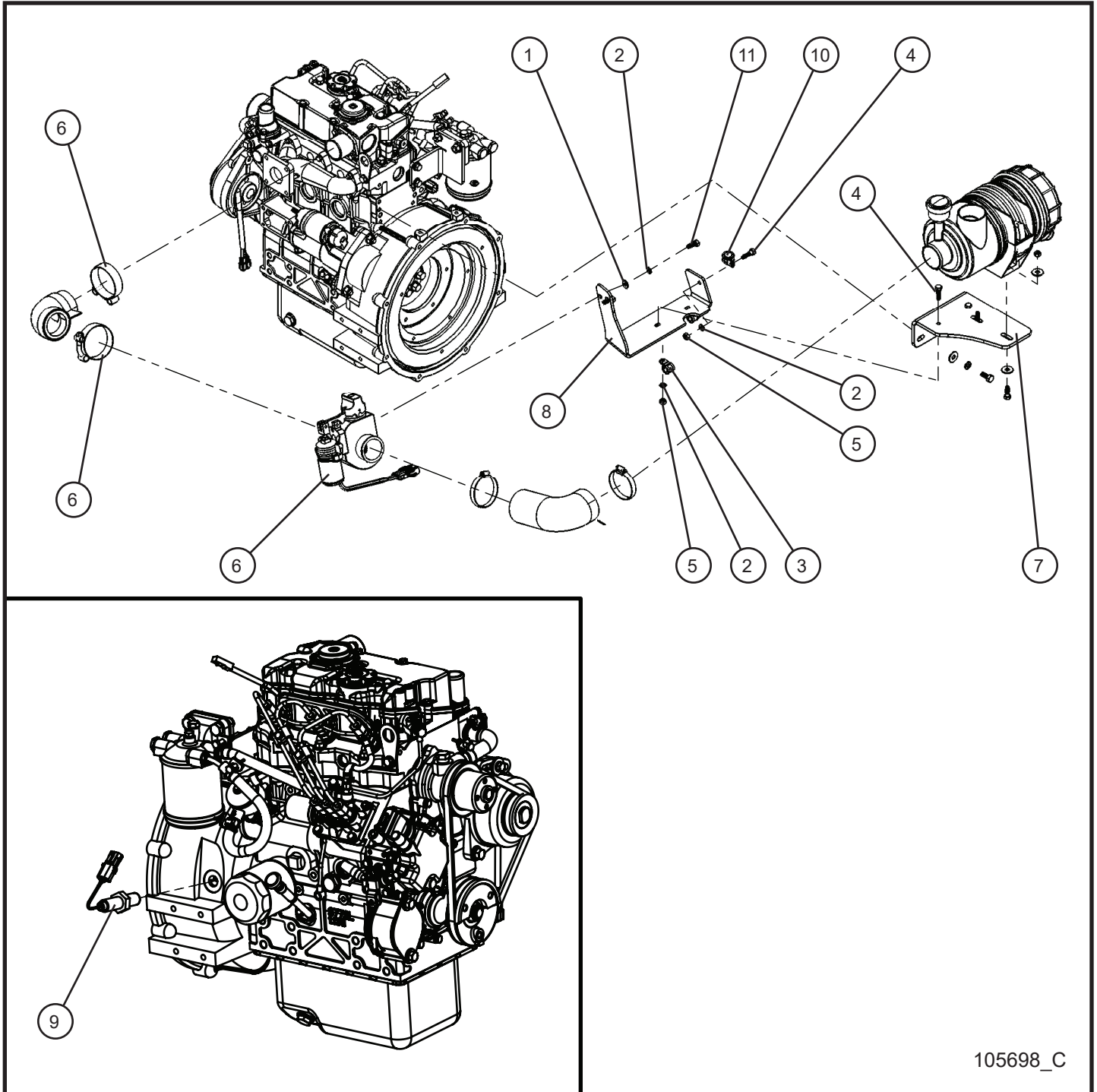
## 9.7 - CAT C1.1 Block Heater

SN 07-000001 and UP  
SN 08-000001 and UP

Item	Part No.	Part Description	Qty.
1	651192	BLOCK HEATER CAT C1.1	1
2	105995	END COVER 120 VOLT CORD	1
3	068090	CABLE TIE 8"	1

## 9.8 - CAT C1.1 Shocker Group (1 of 2)

SN 07-000001 and UP  
SN 08-000001 and UP



105698\_C

# Night-Lite ProII™

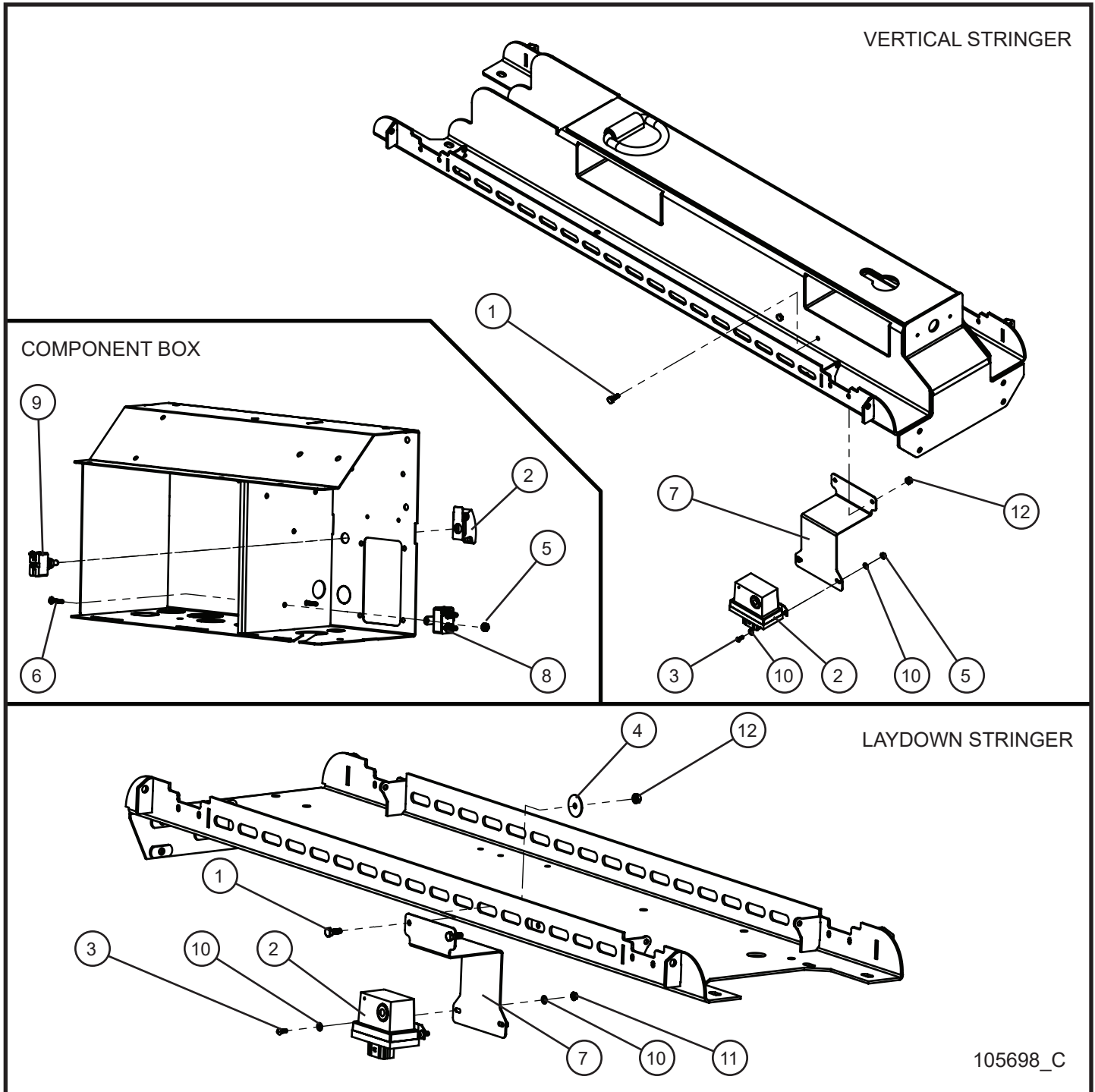
## 9.8 - CAT C1.1 Shocker Group (1 of 2)

SN 07-000001 and UP  
SN 08-000001 and UP

Item	Part No.	Part Description	Qty.
1	047005	1/4 FLAT WASHER PL	2
2	043020	1/4 SPLIT LOCK WASHER	5
3	022016	#6 CUSH CLAMP 1/4 HOLE	2
4	046015	1/4-20 x 1 HEX HEAD CS GR5 PL	3
5	044020	1/4-20 HEX NUT PL	3
6	105705	SHOCKER 2" VALVE KIT	1
7	105523P	BRACKET MOUNT AIR CLEANER/SHOCKER	1
8	105707P	BRACKET SHOCKER MOUNT	1
9	105536	RPM SENSOER 18mm x 1.5	1
10	022021	#10 CLAMP CUSH	1
11	102573	BOLT CAP SCREW HEX HEAD 1/4-20 x 3/4 GR 5 ZINC	2
NS	105802	HARNESS SHOCKER VALVE	1
NS	105702	SHOCKER SETUP INSTRUCTIONS	1
NS	106156	SCHEMATIC SHOCKER VALVE HARNESS	1

## 9.8 - CAT C1.1 Shocker Group (2 of 2)

SN 07-000001 and UP  
SN 08-000001 and UP



105698\_C

# Night-Lite ProII™

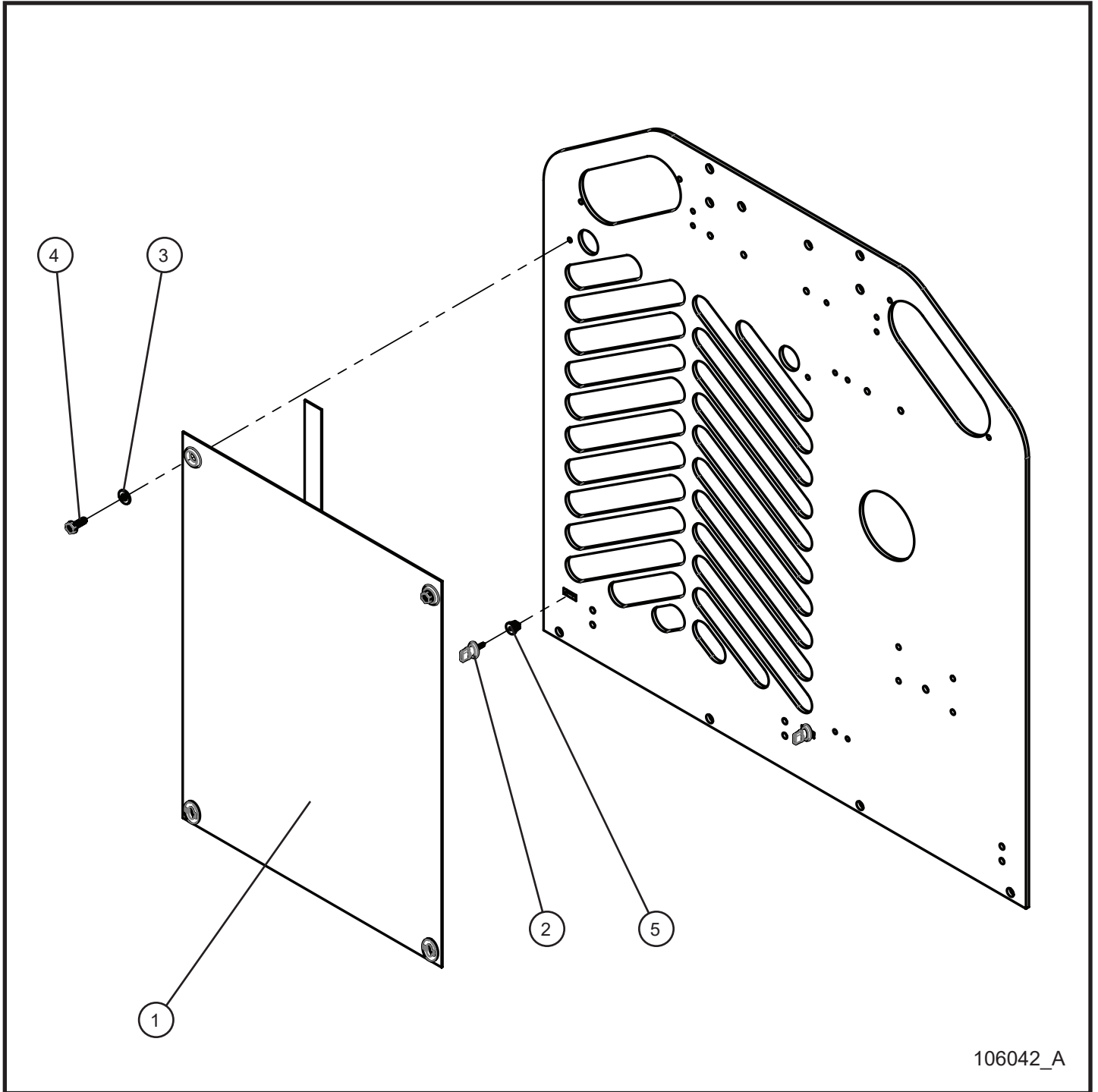
## 9.8 - CAT C1.1 Shocker Group (2 of 2)

SN 07-000001 and UP  
SN 08-000001 and UP

Item	Part No.	Part Description	Qty.
1	046010	1/4-20 x 3/4 HEX HEAD CS GR5 SS	2
2	105705	SHOCKER 2" VALVE KIT	1
3	041012	#8-32 x 1/2 SCREW MS PL	2
4	047007	1/4 x 1 1/4 x .056 FENDER WASHER (LAYDOWN ONLY)	2
5	044003	#8-32 NC KEPS NUT	4
6	041201	#8-32 x 3/4 SL-ROUND HEAD MS PL	2
7	105803P	MOUNT SHOCKER CONTROL	1
8	105636	20 AMP BREAKER	1
9	340009	SWITCH 15A 125V	1
10	047004	#8 FLAT WASHER SAE ZC	4
11	044023	1/4-20 NYLOCK HEX NUT PL	2

## 9.9 - CAT C1.1 Cold Front

SN 07-000001 and UP  
SN 08-000001 and UP



106042\_A



# Night-Lite ProII™

---

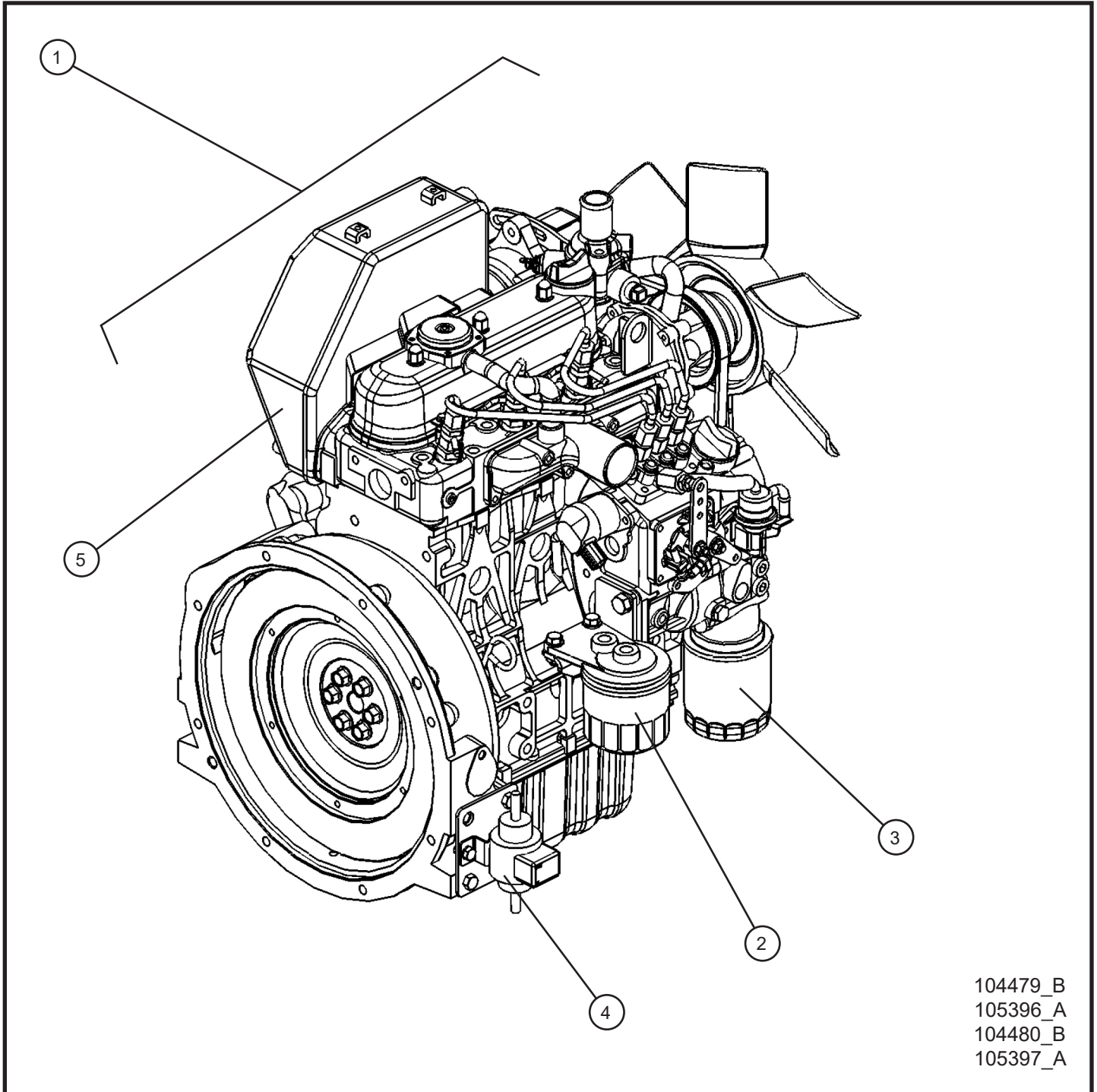
## 9.9 - CAT C1.1 Cold Front

SN 07-000001 and UP  
SN 08-000001 and UP

Item	Part No.	Part Description	Qty.
--	106042	COLD FRONT KIT CAT	1
1	106039	COLD FRONT CAT	1
2	106056	TURN BUTTON QUARTER TURNS	2
3	047005	1/4 FLAT WASHER PL	2
4	041070	1/4-20 x 3/4 SL-HEX WASHER HEAD MS TP F	2
5	106052	NYLON NUT	2

## 10.1 - Kubota Engine and Filters

SN 07-000001 and UP  
SN 08-000001 and UP



104479\_B  
105396\_A  
104480\_B  
105397\_A

# Night-Lite ProII™

## 10.1- Kubota Engine and Filters

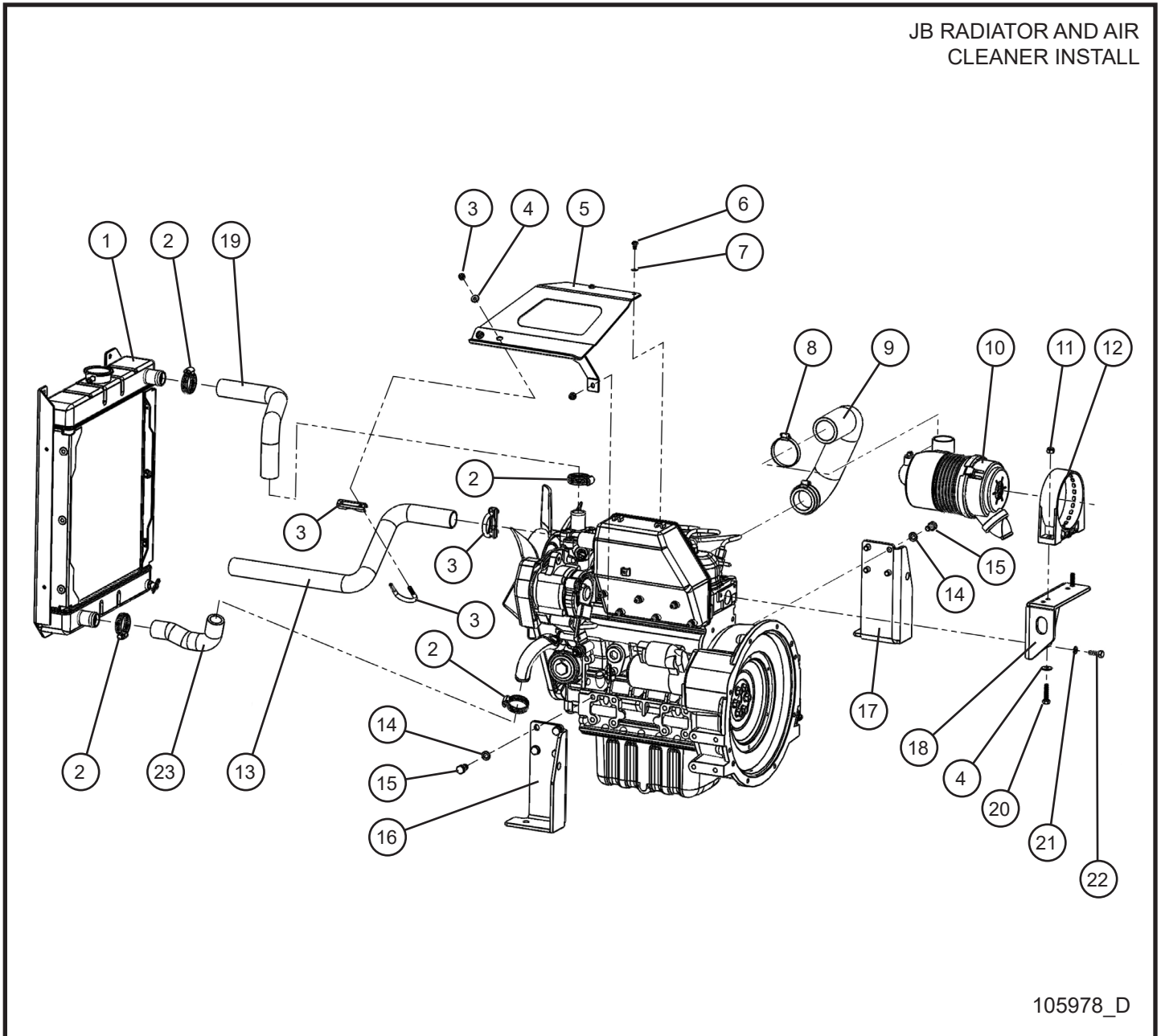
SN 07-000001 and UP  
SN 08-000001 and UP

Item	Part No.	Part Description	Qty.
1	104479	ENGINE D1005 NRTC/NTE KUBOTA	1
	105396	ENGINE D1005 NRTC/NTE T4 KUBOTA	1
	104480	ENGINE D1105 NRTC/NTE KUBOTA	1
	105397	ENGINE D1105 NRTC/NTE T4 KUBOTA	1
2	920745	FUEL FILTER	1
3	920743	OIL FILTER	1
4	103331	FUEL PUMP	1
5	352139	BOX MUFFLER	1
NS	650290	AIR FILTER	1
NS	108962	KUBOTA FILTER KIT (INCLUDES PART NUMBERS 920745, 920743, & 650290)	1
NS	340302	HIGH TEMP SWITCH	1
NS	340301	OIL PRESSURE SWITCH	1
NS	920751	FUEL SHUT OFF SOLENOID	1

## 10.2 - Kubota Engine Assembly Group (1 of 6)

SN 07-000001 and UP  
SN 08-000001 and UP

JB RADIATOR AND AIR  
CLEANER INSTALL



105978\_D

# Night-Lite ProII™

## 10.2 - Kubota Engine Assembly Group (1 of 6)

SN 07-000001 and UP

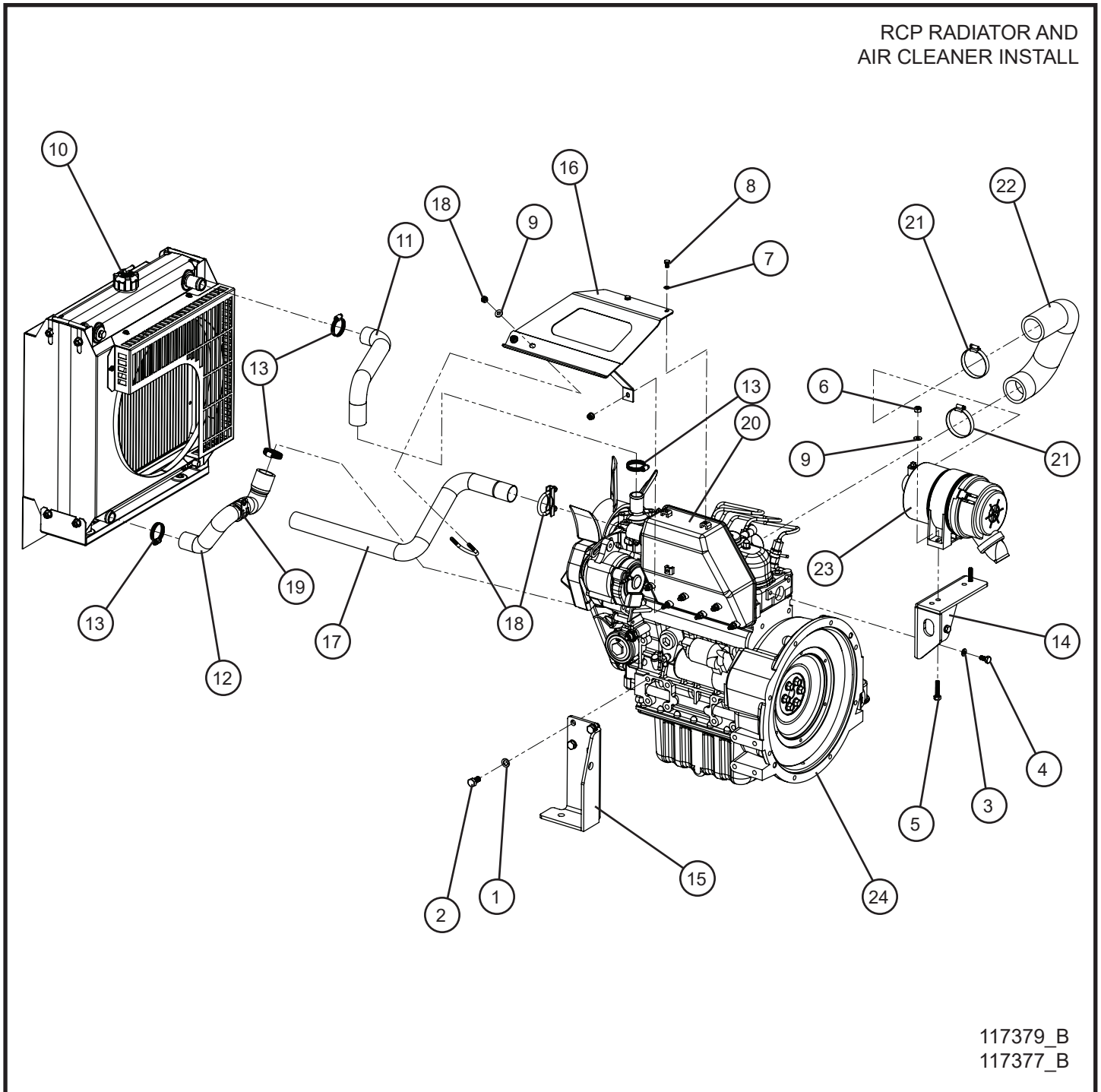
SN 08-000001 and UP

Item	Part No.	Part Description	Qty.
1	105393	RADIATOR KUBOTA	1
2	045034	#16 HOSE CLAMP	4
3	713086	1 3/8 MUFFLER CLAMP	2
4	047005	1/4 FLAT WASHER	4
5	103579P	TAILPIPE MOUNT D1105 NL PRO II	1
6	042018	M6 x 1.0MM x 10MM HEX HEAD CS GR 8.8 PL	2
7	043050	1/4 INTL TOOTH LOCK WASHER	2
8	045038	#32 HOSE CLAMP	2
9	101734	AIR CLEANER HOSE KUBOTA D1005/D1105	1
10	650262	AIR CLEANER RADIAL SEAL	1
11	042081	M8 x 1.25MM NYLOCK HEX NUT PL METRIC	2
12	650263	MOUNTING BAND AIR CLEANER	1
13	109800	TAIL PIPE KUBOTA	1
14	042151	M10 SPLIT LOCK WASHER PL	8
15	042038	M10 x 20MM x 1.25MM HEX HEAD CS GR 8.8 PL	8
16	103470P	BRACKET ENGINE FOOT RIGHT WELDMENT KUBOTA	1
17	103469P	BRACKET ENGINE FOOT LEFT WELDMENT KUBOTA	1
18	105800P	MOUNT WELDED AIR FILTER KUBOTA	1
19	105391	RADIATOR HOSE UPPER KUBOTA	1
20	102127	8MM x 35MM x 1.25 HEX GR 8.8 PLATED	2
21	043055	5/16 SPLIT LOCK WASHER PL	2
22	042027	M8 x 16MM x 1.25 HEX HEAD CS GR8.8 PL	2
23	105392	RADIATOR HOSE LOWER KUBOTA	1
NS	105406	KUBOTA JB RADIATOR KIT (INCLUDES PARTS 105391, 105392, AND 105393)	1
NS	108043	HARNESS KUBOTA	1
NS	105875	KUBOTA D1005 CHARGE CIRCUIT FUSE	1
NS	112774	KUBOTA D1105 40AMP CHARGE CIRCUIT FUSE	1
NS	112776	KUBOTA D1105 40AMP ENGINE HARNESS SCHEMATIC	1
NS	112329	KUBOTA D1105 ALTERNATOR ADAPTOR HARNESS	1
NS	108044	KUBOTA D1005 ENGINE HARNESS SCHEMATIC	1

## 10.2 - Kubota Engine Assembly Group (2 of 6)

SN 07-000001 and UP  
SN 08-000001 and UP

RCP RADIATOR AND  
AIR CLEANER INSTALL



117379\_B  
117377\_B

# Night-Lite ProII™

## 10.2 - Kubota Engine Assembly Group (2 of 6)

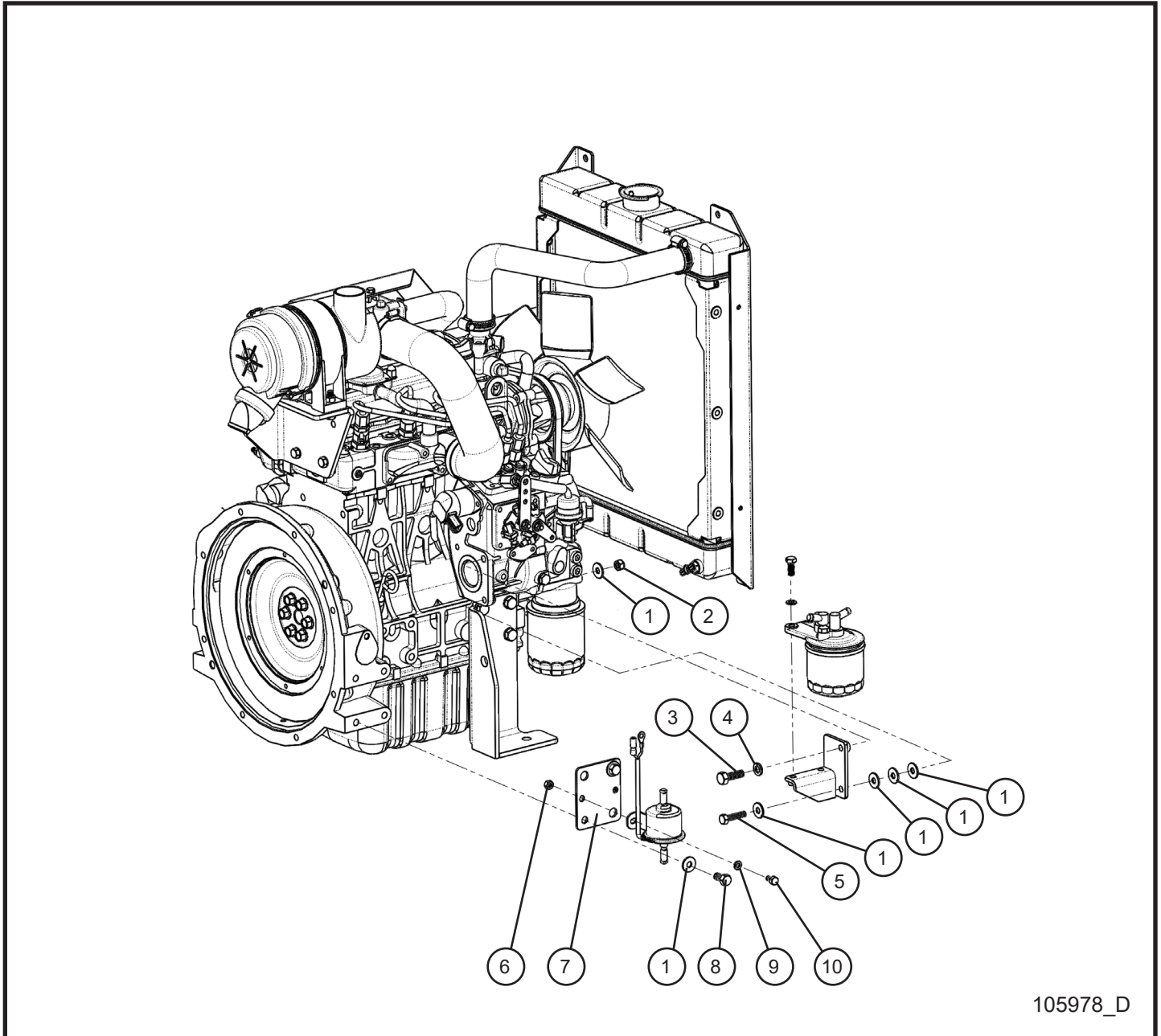
SN 07-000001 and UP

SN 08-000001 and UP

Item	Part No.	Part Description	Qty.
1	042151	M10 SPLIT LOCK WASHER	4
2	042038	M10 x 20mm x 1.25mm HEX HEAD BOLT	4
3	043055	5/16 SPLITLOCK WASHER	2
4	042027	M8 x 16mm x 1.25mm HEX HEAD BOLT	2
5	102127	M8 x 35mm x 1.25mm HEX HEAD BOLT	2
6	042081	M8 x 1.25mm NYLOCK HEX NUT	2
7	043050	1/4 INTL TOOTH LOCK WASHER	2
8	042018	M6 x 10mm x 1.0mm HEX HEAD BOLT	2
9	047005	1/4 FLAT WASHER	4
10	103422	RCP RADIATOR	1
11	103424	RCP RADIATOR HOSE TOP	1
12	103423	RCP RADIATOR HOSE BOTTOM	1
13	045034	#16 HOSE CLAMP	4
14	105800P	MOUNT WELDED AIR FILTER KUBOTA	1
15	103470P	BRACKET ENGINE FOOT RIGHT WELDMENT KUBOTA	1
16	103579P	TAILPIPE MOUNT D1105 NL PRO II	1
17	109800	TAIL PIPE KUBOTA	1
18	713086	1 3/8 MUFFLER CLAMP	2
19	103472	#16 CUSH CLAMP	1
20	352139	KUBOTA BOX MUFFLER	1
21	045038	#32 HOSE CLAMP	2
22	101734	AIR INTAKE HOSE SMALL ENGINES	1
23	650262	AIR CLEANER RADIAL SEAL	1
	650263	MOUNTING BAND AIR CLEANER	1
	650290	DONALDSON AIR FILTER	1
24	105396	ENGINE D1005 NRTC/NTE T4F KUBOTA	1
	105397	ENGINE D1105 NRTC/NTE T4F KUBOTA	1
NS	103420	KUBOTA RCP RADIATOR HOSE KIT	1
NS	102911	RCP RADIATOR KIT	1
NS	108043	KUBOTA ENGINE HARNESS	1
NS	105875	KUBOTA D1005 30AMP FUSE CHARGE CIRCUIT	1
	105872	JCASE 30AMP FUSE	1
NS	112774	KUBOTA D1105 40AMP FUSE CHARGE CIRCUIT	1
	106309	JCASE 40AMP FUSE	1
NS	112776	KUBOTA D1105 40AMP ENGINE HARNESS SCHEMATIC	1
NS	108044	KUBOTA D1005 30AMP ENGINE HARNESS SCHEMATIC	1

## 10.2 - Kubota Engine Assembly Group (3 of 6)

SN 07-00001 and UP  
SN 08-00001 and UP



105978\_D



# Night-Lite ProII™

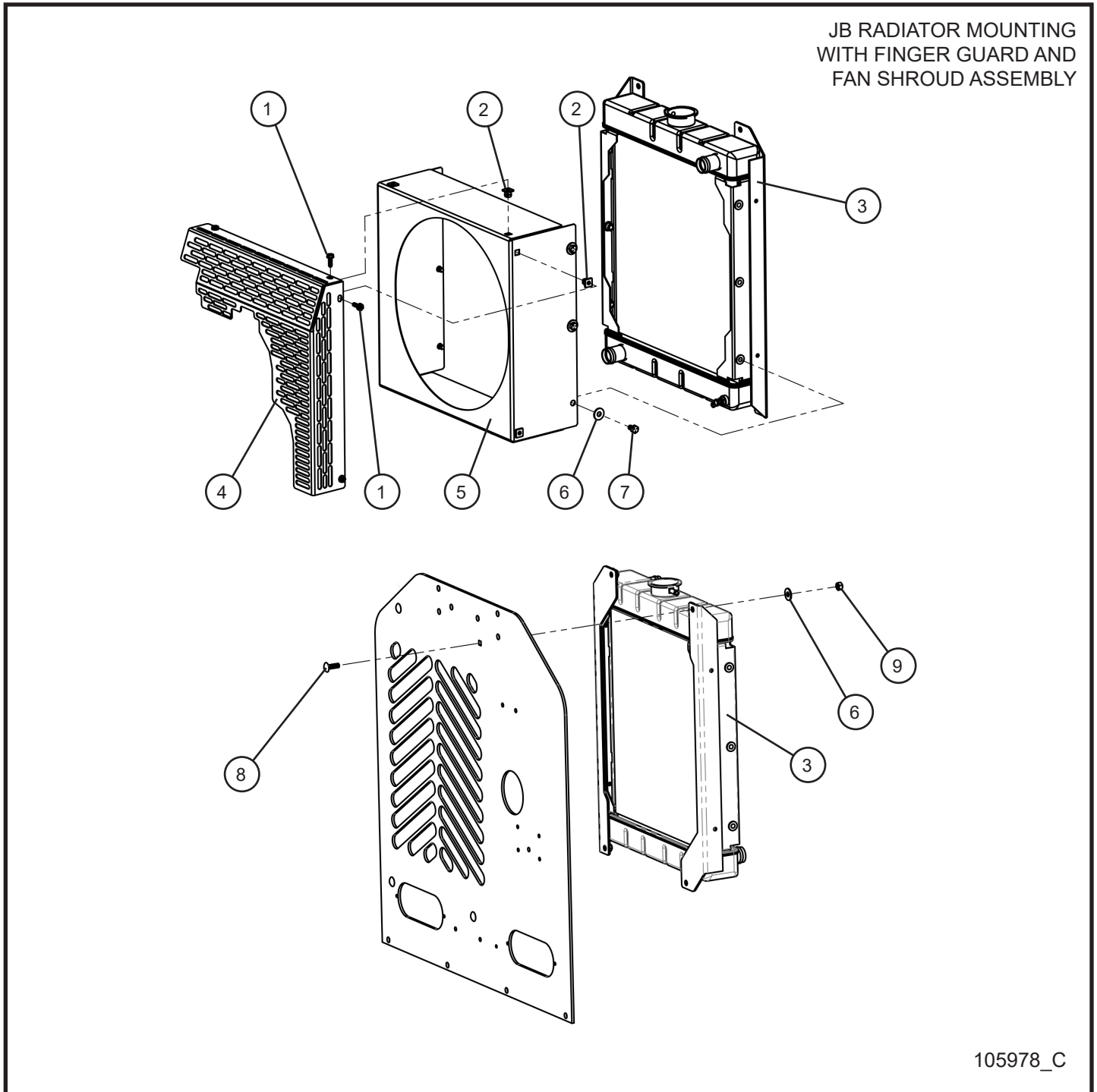
## 10.2 - Kubota Engine Assembly Group (3 of 6)

SN 07-000001 and UP  
SN 08-000001 and UP

Item	Part No.	Part Description	Qty.
1	047010	5/16 FLAT WASHER PL	7
2	042081	M8 x 1.25MM NYLOCK HEX NUT PL METRIC	1
3	102130	10MM x 1.25MM x 25MM	1
4	042151	M10 SPLIT LOCK WASHER PL	1
5	102127	8MM x 35MM x 1.25 HEX GR 8.8 PLATED	1
6	044020	1/4-20 x HEX NUT PL	2
7	105402P	FUEL PUMP MOUNT KUBOTA D1005/D1105	1
8	046105	3/8-16 x 3/4 HEX HEAD CS GR8 PL	2
9	043020	1/4 SPLITLOCK WASHER	2
10	046005	1/4-20 x 1/2 HEX HEAD CS GR5 PL	2

## 10.2 - Kubota Engine Assembly Group (4 of 6)

SN 07-00001 and UP  
SN 08-00001 and UP



105978\_C

# Night-Lite ProII™

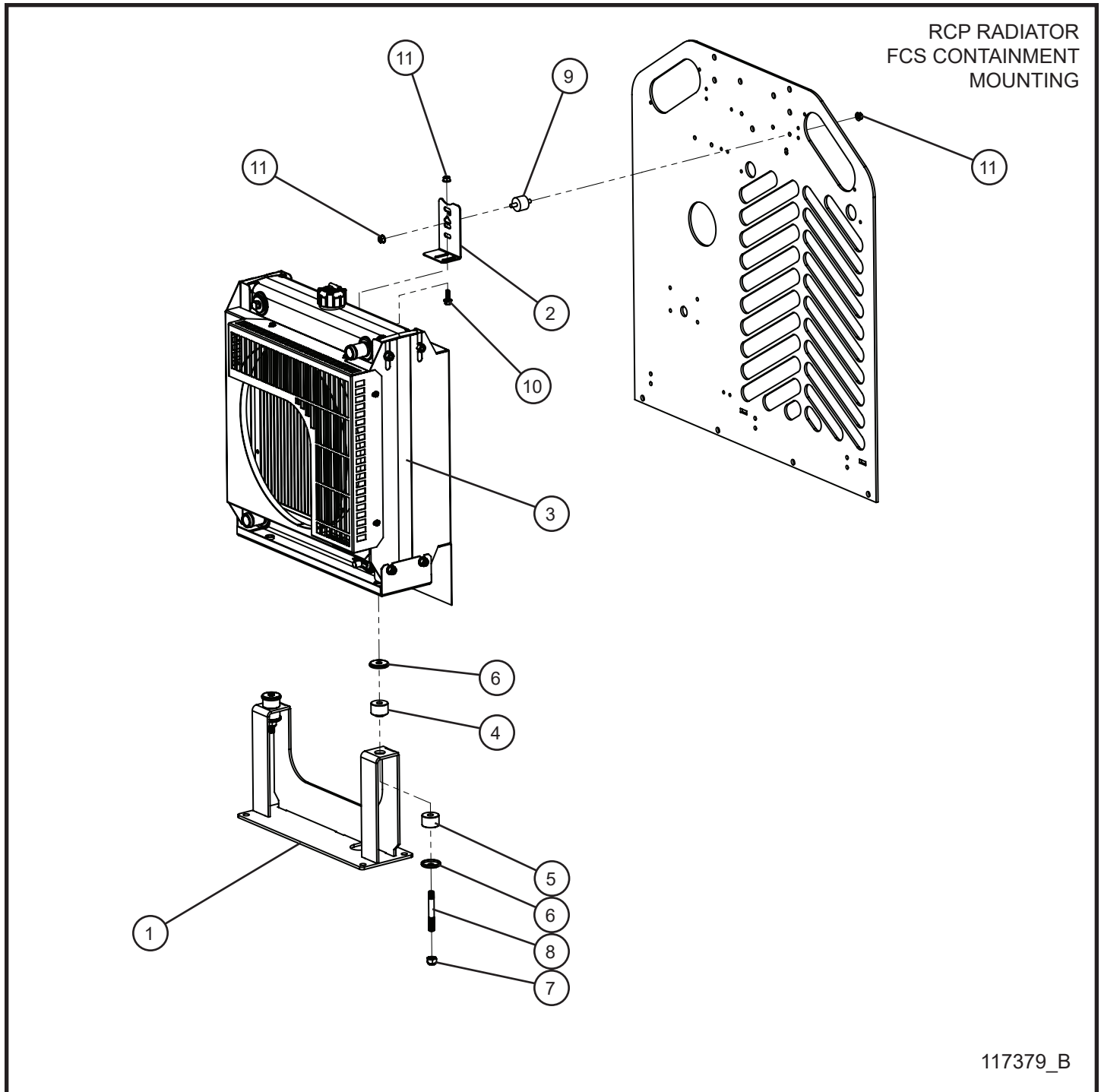
## 10.2 - Kubota Engine Assembly Group (4 of 6)

SN 07-000001 and UP  
SN 08-000001 and UP

Item	Part No.	Part Description	Qty.
1	041070	1/4-20 x 3/4 SL-HEX WASHER HEAD MS TP F	4
2	105408	GROMMET NUT DOUBLE SPLIT	4
3	105393	RADIATOR KUBOTA	1
4	110320P	HAND GUARD JB RADIATOR	1
5	105404P	FAN SHROUD JB RADIATOR	1
6	047010	5/16 FLAT WASHER PL	10
7	046045	5/16-18 x 3/4 HEX HEAD CS GR5 PL	6
8	053020	5/16-18 x 1 CARRIAGE BOLT PL	4
9	044033	5/16-18 NYLOCK HEX NUT PL	4

## 10.2 - Kubota Engine Assembly Group (5 of 6)

SN 07-000001 and UP  
SN 08-000001 and UP



117379\_B

# Night-Lite ProII™

## 10.2 - Kubota Engine Assembly Group (5 of 6)

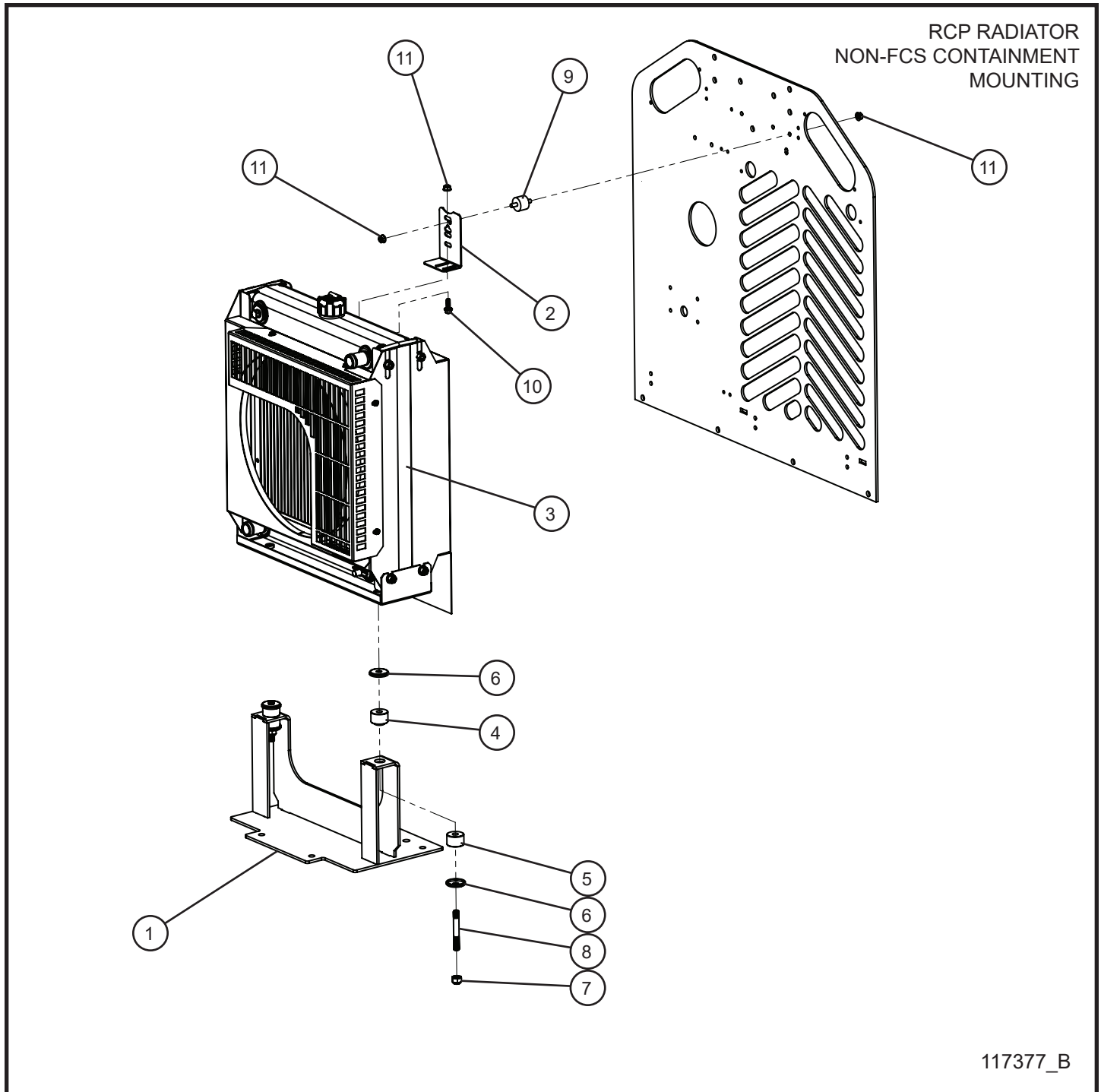
SN 07-000001 and UP

SN 08-000001 and UP

Item	Part No.	Part Description	Qty.
1	104842P	PRO II FCS KUBOTA RCP RADIATOR MOUNT	1
2	103988P	RCP RADIATOR SHROUD ANGLE BRACKET	1
3	103422	RCP RADIATOR	1
4	116086	RCP RADIATOR RAISED RUBBER ISOLATOR	2
5	116085	RCP RADIATOR RUBBER ISOLATOR	2
6	116087	RCP RADIATOR CUP WASHER	4
7	044129	M10 x 1.5mm NYLOCK NUT	2
8	103425	M10 x 1.5mm STUD BOLT	2
9	330057	BOX MOUNT	1
10	056002	1/4-20 x 3/4 HEX SERRATED FLANGE SCREW	1
11	057001	1/4-20 HEX NYLOCK FLANGE NUT	3
NS	102911	RCP RADIATOR KIT	1

## 10.2 - Kubota Engine Assembly Group (6 of 6)

SN 07-000001 and UP  
SN 08-000001 and UP



117377\_B

# Night-Lite ProII™

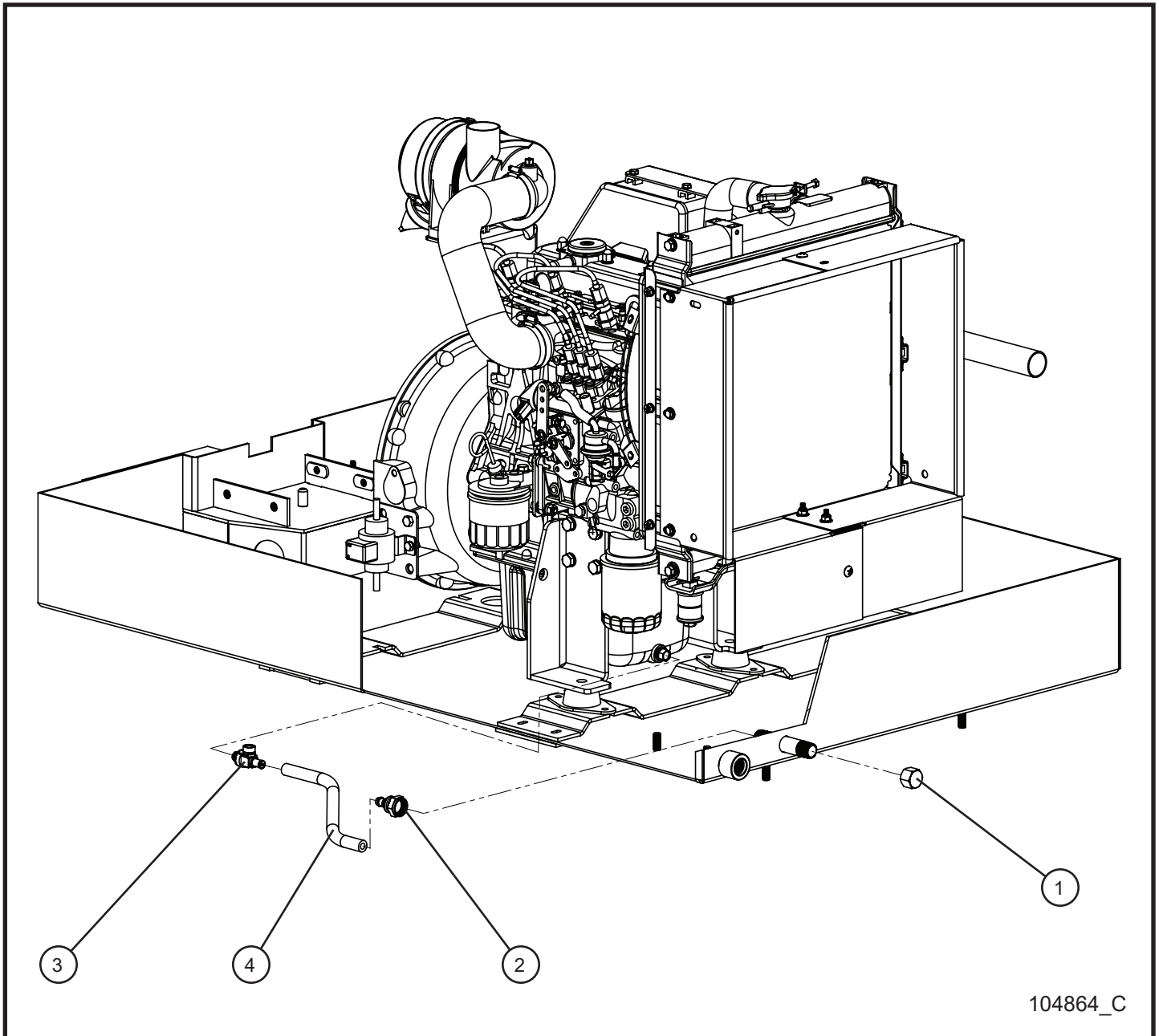
## 10.2 - Kubota Engine Assembly Group (6 of 6)

SN 07-000001 and UP  
SN 08-000001 and UP

Item	Part No.	Part Description	Qty.
1	103619P	PRO II NON-FCS KUBOTA RCP RADIATOR MOUNT	1
2	103988P	RCP RADIATOR SHROUD ANGLE BRACKET	1
3	103422	RCP RADIATOR	1
4	116086	RCP RADIATOR RAISED RUBBER ISOLATOR	2
5	116085	RCP RADIATOR RUBBER ISOLATOR	2
6	116087	RCP RADIATOR CUP WASHER	4
7	044129	M10 x 1.5mm NYLOCK NUT	2
8	103425	M10 x 1.5mm STUD BOLT	2
9	330057	BOX MOUNT	1
10	056002	1/4-20 x 3/4 HEX SERRATED FLANGE SCREW	1
11	057001	1/4-20 HEX NYLOCK FLANGE NUT	3
NS	102911	RCP RADIATOR KIT	1

## 10.3 - Kubota Remote Oil Drain and Fumoto Valve

SN 07-000001 and UP  
SN 08-000001 and UP





# Night-Lite ProII™

---

---

## 10.3 - Kubota Remote Oil Drain and Fumoto Valve

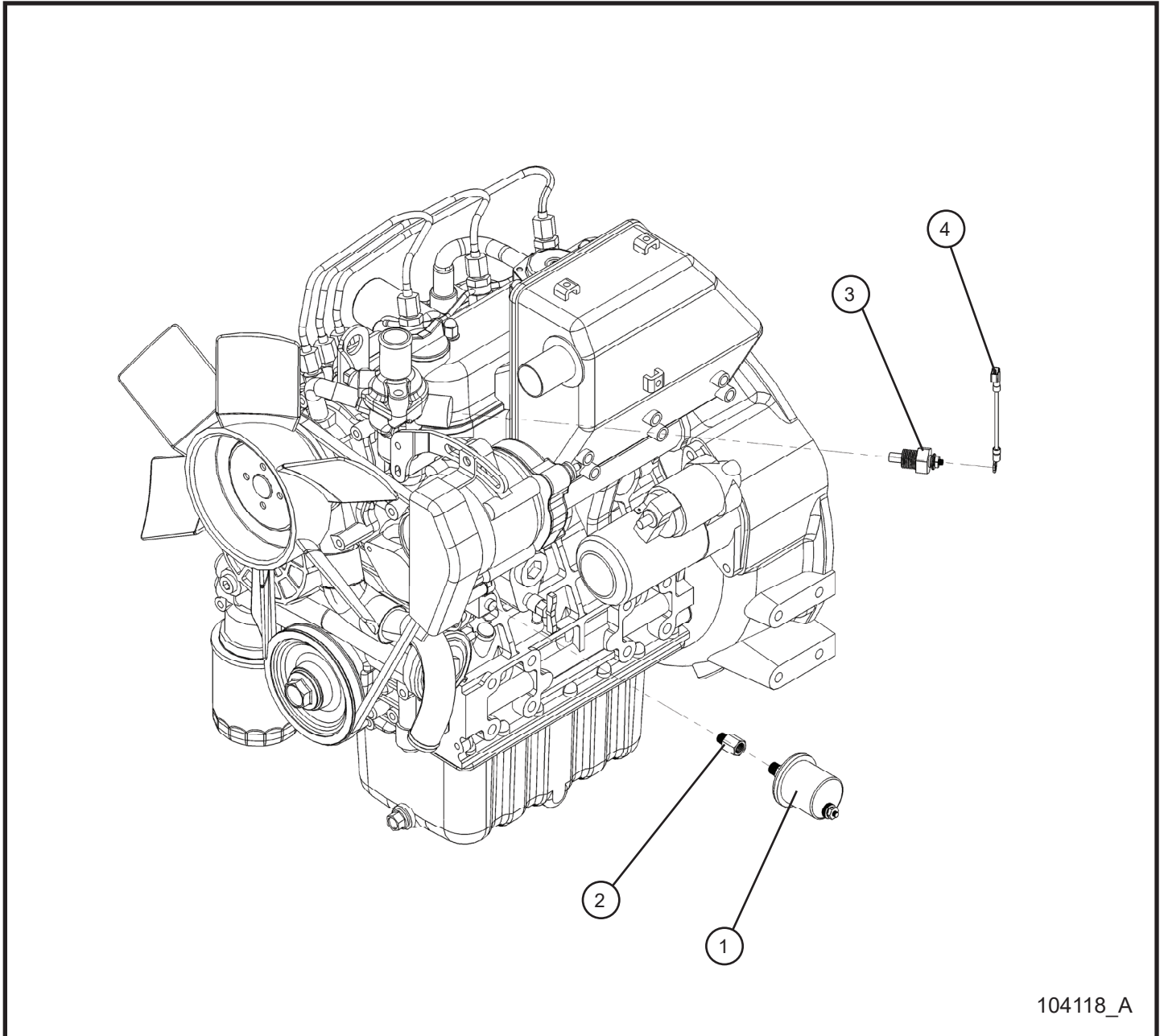
SN 07-000001 and UP

SN 08-000001 and UP

Item	Part No.	Part Description	Qty.
1	105089	1/2 NPT BRASS CAP	1
2	104865	3/8 HOSE x 1/2 NPT BARBED TO FEMALE	1
3	848299	DRAIN VALVE FUMOTO D1105 OIL	1
4	081017	3/8 x 15" YELLOW FUEL HOSE	1

## 10.4 - Kubota LSC Sending Unit

SN 07-000001 and UP  
SN 08-000001 and UP



104118\_A

# Night-Lite ProII™

---

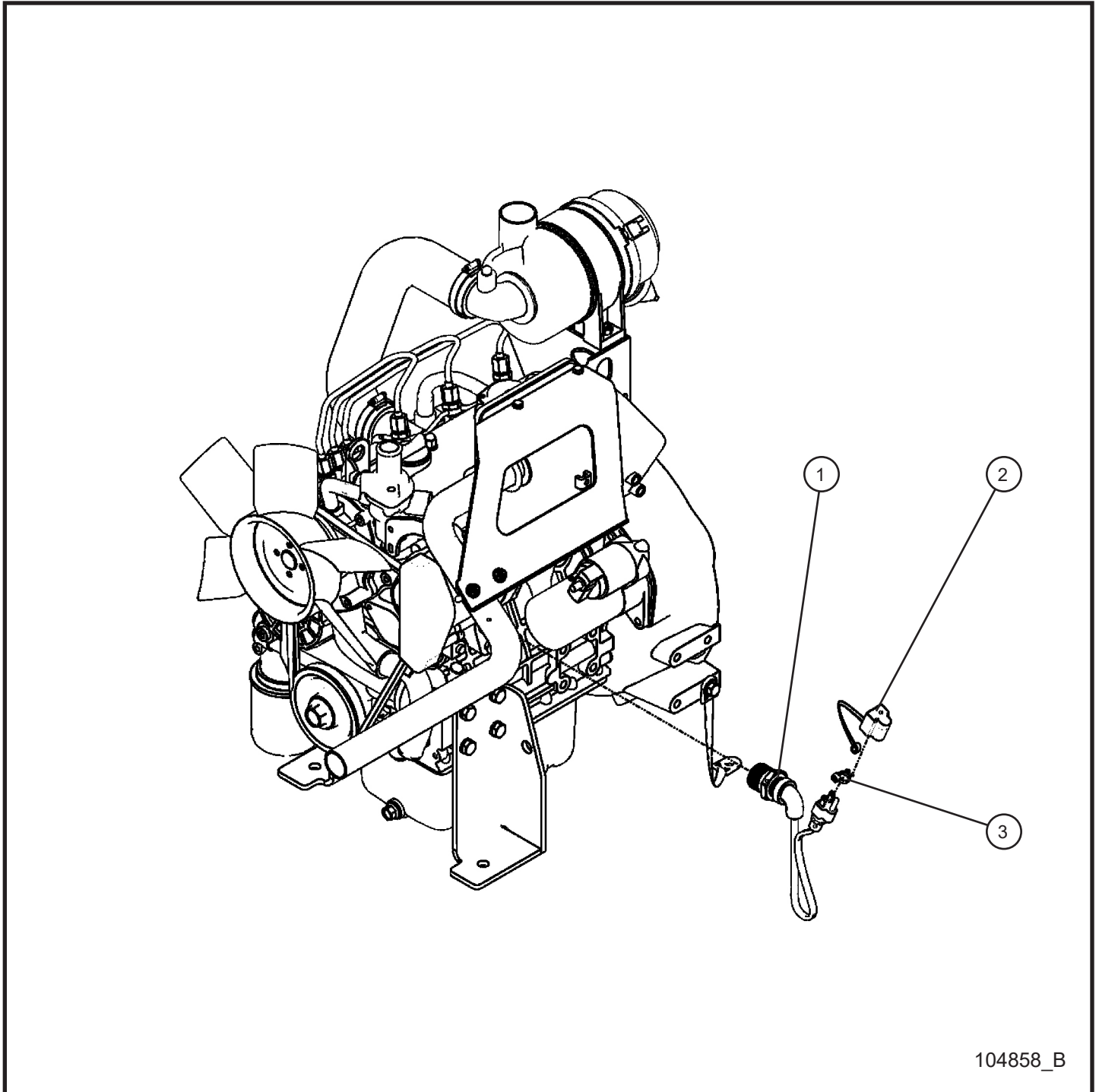
## 10.4 - Kubota LSC Sending Unit

SN 07-000001 and UP  
SN 08-000001 and UP

Item	Part No.	Part Description	Qty.
1	104019	SENDER OIL PRESSURE	1
2	104558	FITTING ADAPTER 1/8 BSPM x 1/8 NPTF	1
3	104020	SENDER WATER TEMPERATURE	1
4	105883	TEMP JUMPER KUBOTA	1
NS	105905	SCHEMATIC LSC KUBOTA D1005/D1105	1

## 10.5 - Kubota Block Heater

SN 07-000001 and UP  
SN 08-000001 and UP



104858\_B

# Night-Lite ProII™

---

---

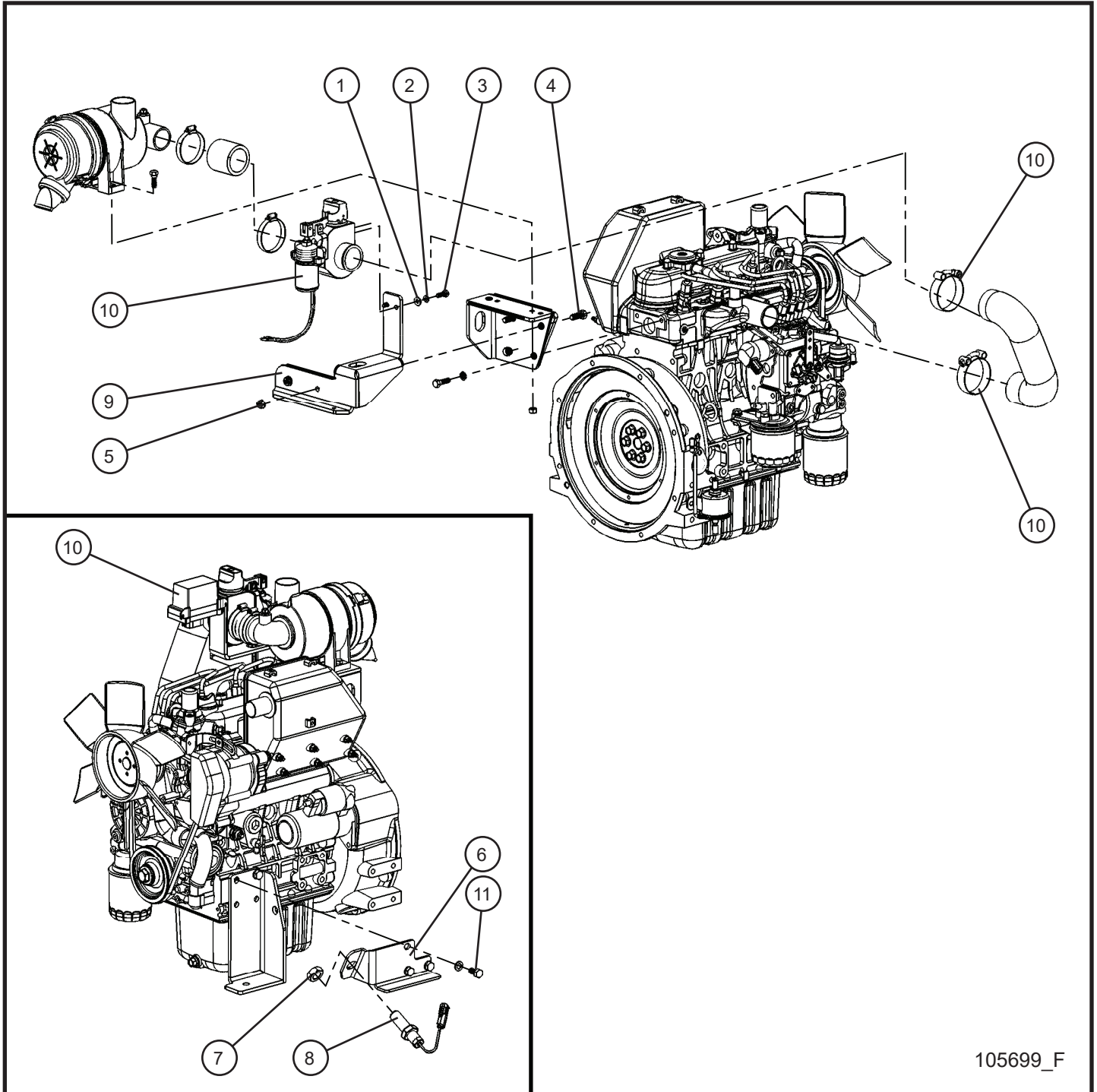
## 10.5 - Kubota Block Heater

SN 07-000001 and UP  
SN 08-000001 and UP

Item	Part No.	Part Description	Qty.
1	352373	BLOCK HEATER D1005/D1105	1
2	105995	END COVER 120 VOLT CORD	1
3	068090	CABLE TIE 8"	1

## 10.6 - Kubota Shocker Group (1 of 2)

SN 07-000001 and UP  
SN 08-000001 and UP



105699\_F

# Night-Lite ProII™

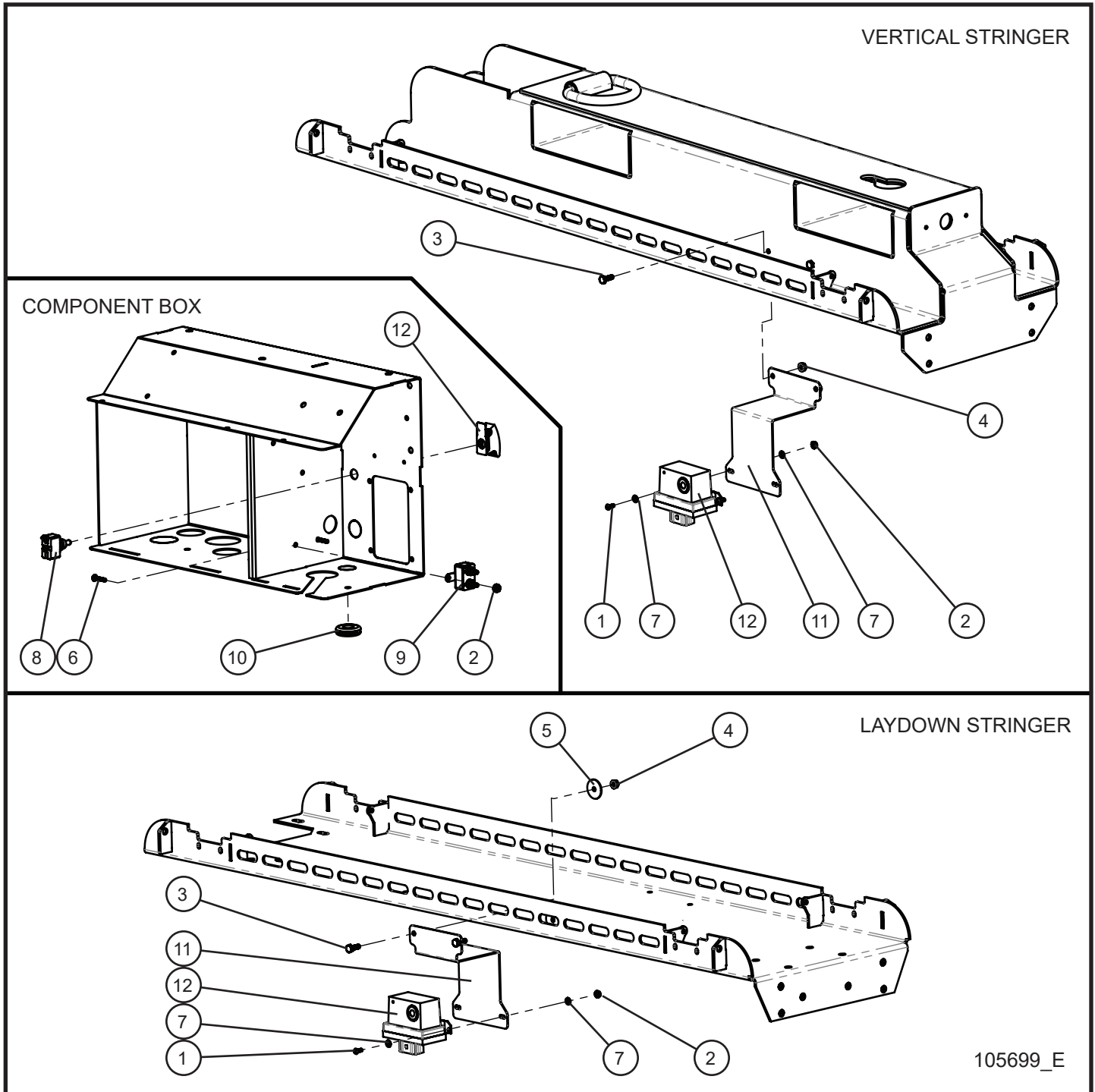
## 10.6 - Kubota Shocker Group (1 of 2)

SN 07-000001 and UP  
SN 08-000001 and UP

Item	Part No.	Part Description	Qty.
1	047005	1/4 FLAT WASHER PL	2
2	043020	1/4 SPLITLOCK WASHER	2
3	102573	1/4-20 x 3/4 HEX HEAD CS GR5 ZINC	2
4	046110	3/8-16 x 1 HEX HEAD CS GR5 PL	2
5	044036	3/8-16 KEPS HEX NUT PL	2
6	106003P	MAG SENSOR KUBOTA BRACKET	1
7	044059	3/4-16 JAM NUT	1
8	105537	MAGNETIC SENSOR 3/4 x 16 WITH PLUG	1
9	105801P	MOUNT SHOCKER VALVE	1
10	105705	SHOCKER 2" VALVE KIT	1
11	102130	10MM x 1.25MM x 25MM HEX HEAD BOLT	1
NS	106156	SCHEMATIC SHOCKER VALVE HARNESS	1
NS	105802	HARNESS SHOCKER VALVE	1
NS	105702	SHOCKER SETUP INSTRUCTIONS	1

## 10.6 - Kubota Shocker Group (2 of 2)

SN 07-000001 and UP  
SN 08-000001 and UP



105699\_E



# Night-Lite ProII™

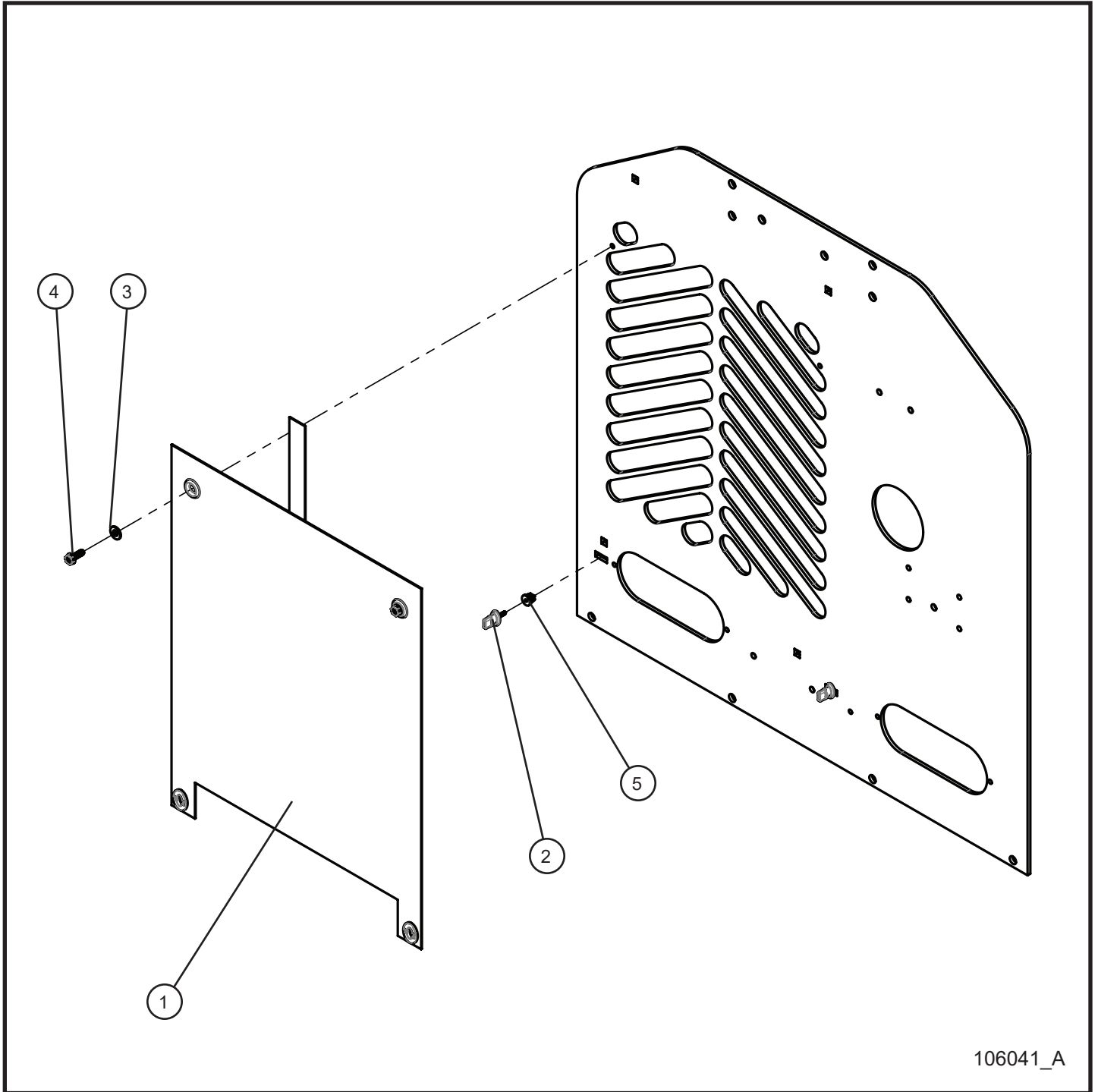
## 10.6 - Kubota Shocker Group (2 of 2)

SN 07-000001 and UP  
SN 08-000001 and UP

Item	Part No.	Part Description	Qty.
1	041012	#8-32 x 1/2 SCREW MS PL	4
2	044003	#8-32 NC KEPS NUT	4
3	046010	1/4-20 x 3/4 HEX HEAD CS GR5 SS	2
4	044021	1/4-20 KEPS HEX NUT PL	2
5	047007	1/4 x 1 1/4 x .056 FENDER WASHER (LAYDOWN ONLY)	2
6	041201	#8-32 x 3/4 SL-ROUND HEAD MS PL	2
7	047004	#8 FLAT WASHER SAE ZC	8
8	340009	SWITCH 15A 125V	1
9	105636	20 AMP BREAKER	1
10	100859	7/8 ID x 1 1/4 OD GROMMET	1
11	105803P	MOUNT SHOCKER CONTROL	1
12	105705	SHOCKER 2" VALVE KIT	1

## 10.7 - Kubota Cold Front

SN 07-000001 and UP  
SN 08-000001 and UP



106041\_A

# Night-Lite ProII™

---

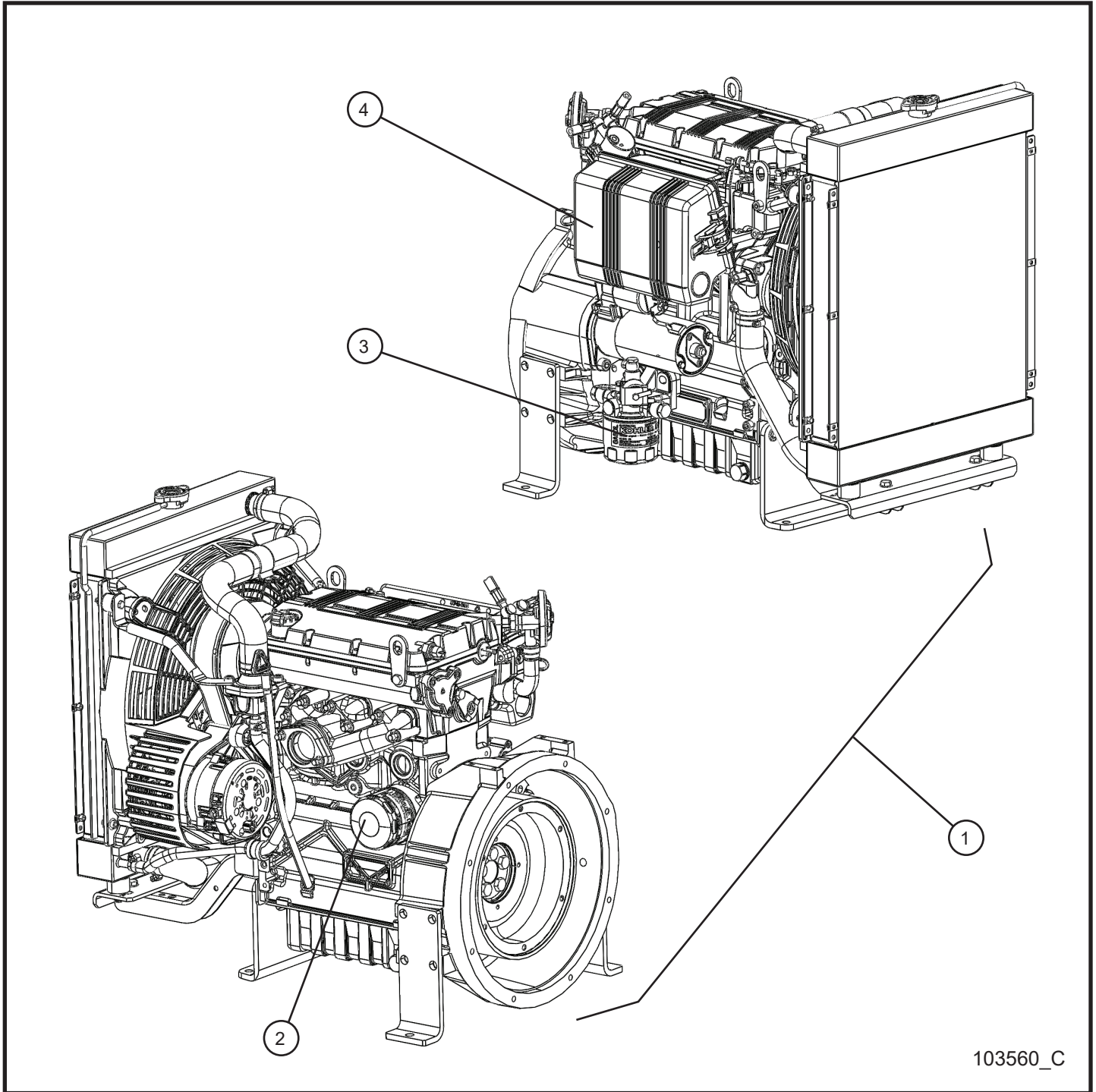
## 10.7 - Kubota Cold Front

SN 07-000001 and UP  
SN 08-000001 and UP

Item	Part No.	Part Description	Qty.
--	106041	COLD FRONT KIT KUBOTA	1
1	106038	COLD FRONT KUBOTA	1
2	106056	TURN BUTTON QUARTER TURNS	2
3	047005	1/4 FLAT WASHER PL	2
4	041070	1/4-20 x 3/4 SL-HEX WASHER HEAD MS TP F	2
5	106052	NYLON NUT	2

## 11.1 - Kohler Engine and Filters

SN 07-000001 and UP  
SN 08-000001 and UP



103560\_C

# Night-Lite ProII™

---

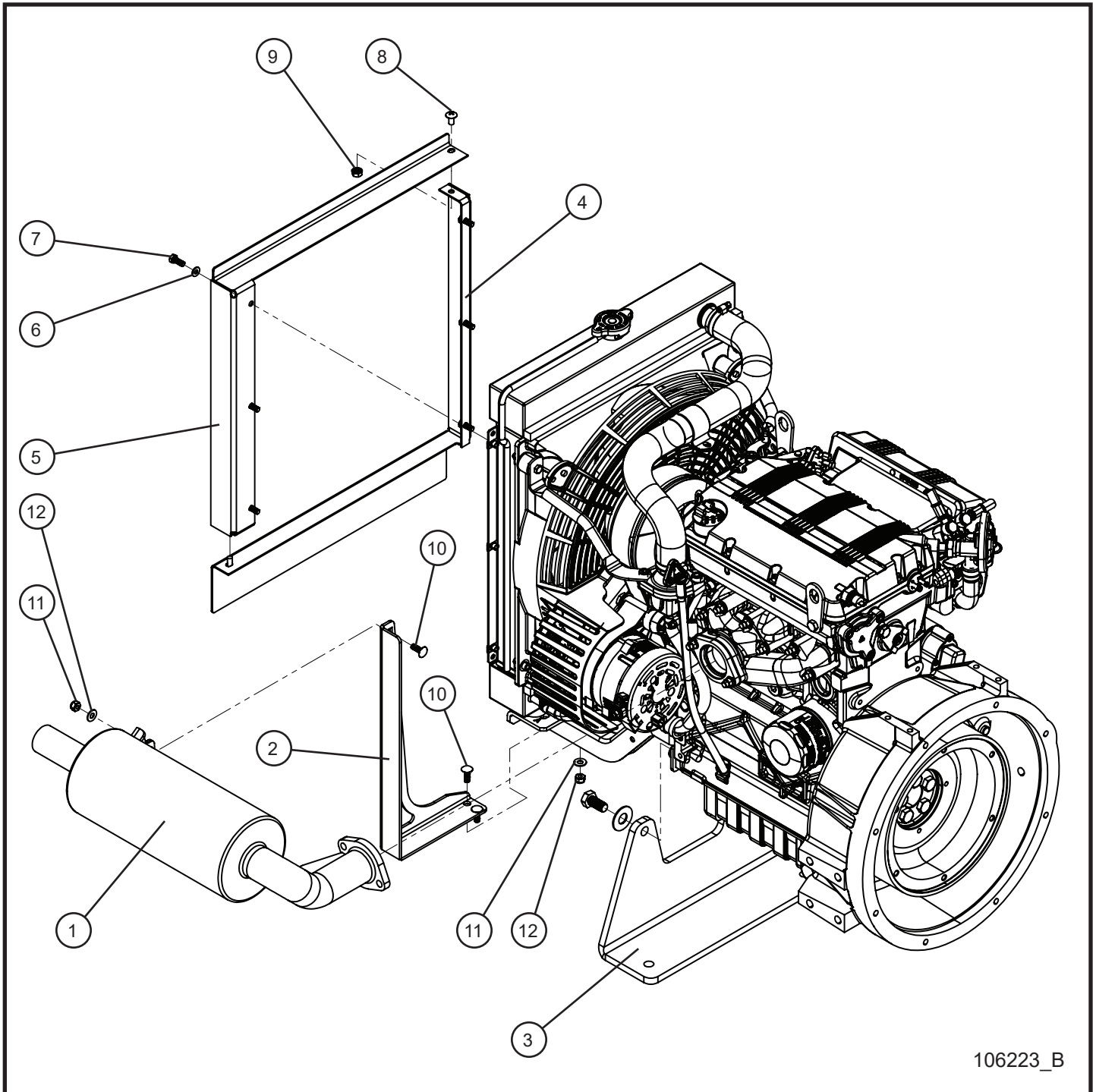
## 11.1 - Kohler Engine and Filters

SN 07-000001 and UP  
SN 08-000001 and UP

Item	Part No.	Part Description	Qty.
1	103560	ENGINE KOHLER KDW1003 T4F	1
2	650011	KOHLER OIL FILTER	1
3	650010	KOHLER FUEL FILTER	1
4	650012	KOHLER AIR FILTER	1

## 11.2 - Kohler Engine Assembly Group

SN 07-000001 and UP  
SN 08-000001 and UP



106223\_B

# Night-Lite ProII™

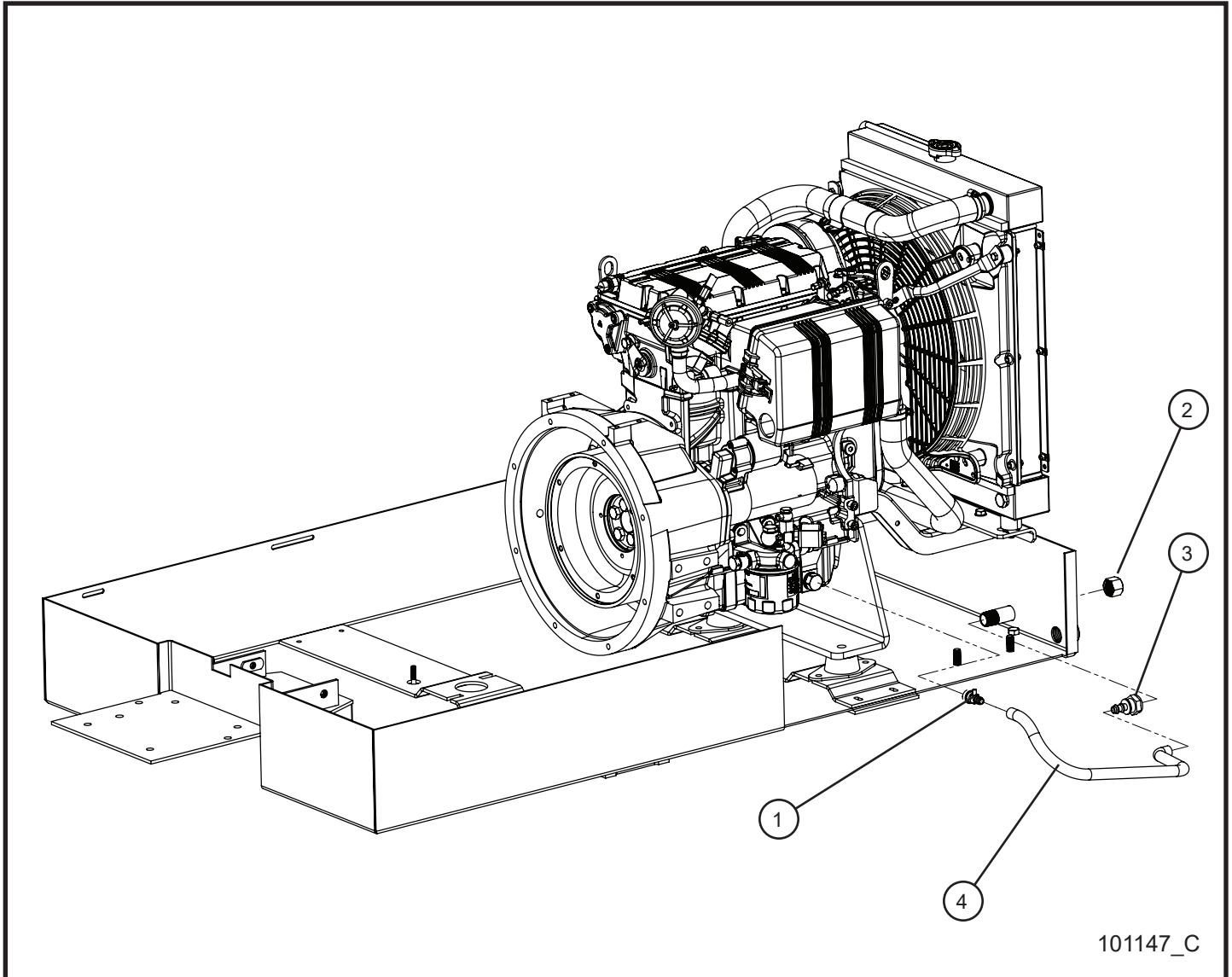
## 11.2 - Kubota Engine Assembly Group

SN 07-000001 and UP  
SN 08-000001 and UP

Item	Part No.	Part Description	Qty.
1	109803	MUFFLER KOHLER KDW1003	1
2	109804P	MUFFLER BRACE KOHLER KDW1003	1
3	109718P	FRONT ENGINE MOUNT KOHLER KDW1003	1
4	109023P	SHROUD BOTTOM/LEFT KOHLER KDW1003	1
5	109024P	SHROUD TOP/RIGHT KOHLER KDW1003	1
6	047070	#10 FLAT WASHER USS PL	6
7	042019	M6 x 1.0mm x 16mm HEX HEAD CS GR8.8 PL	6
8	041078	1/4-20 x 1/2 PH-TRUSS HEAD MS SS	2
9	044021	1/4-20 KEPS HEX NUT PL	2
10	053006	1/4-20 x 3/4 CARRIAGE BOLT	3
11	047009	1/4 FLAT WASHER SAE SS	3
12	044023	1/4-20 NYLOCK HEX NUT PL	3

## 11.3 - Kohler Remote Oil Drain and Fumoto Valve

SN 07-000001 and UP  
SN 08-000001 and UP





# Night-Lite ProII™

---

## 11.3 - Kohler Remote Oil Drain and Fumoto Valve

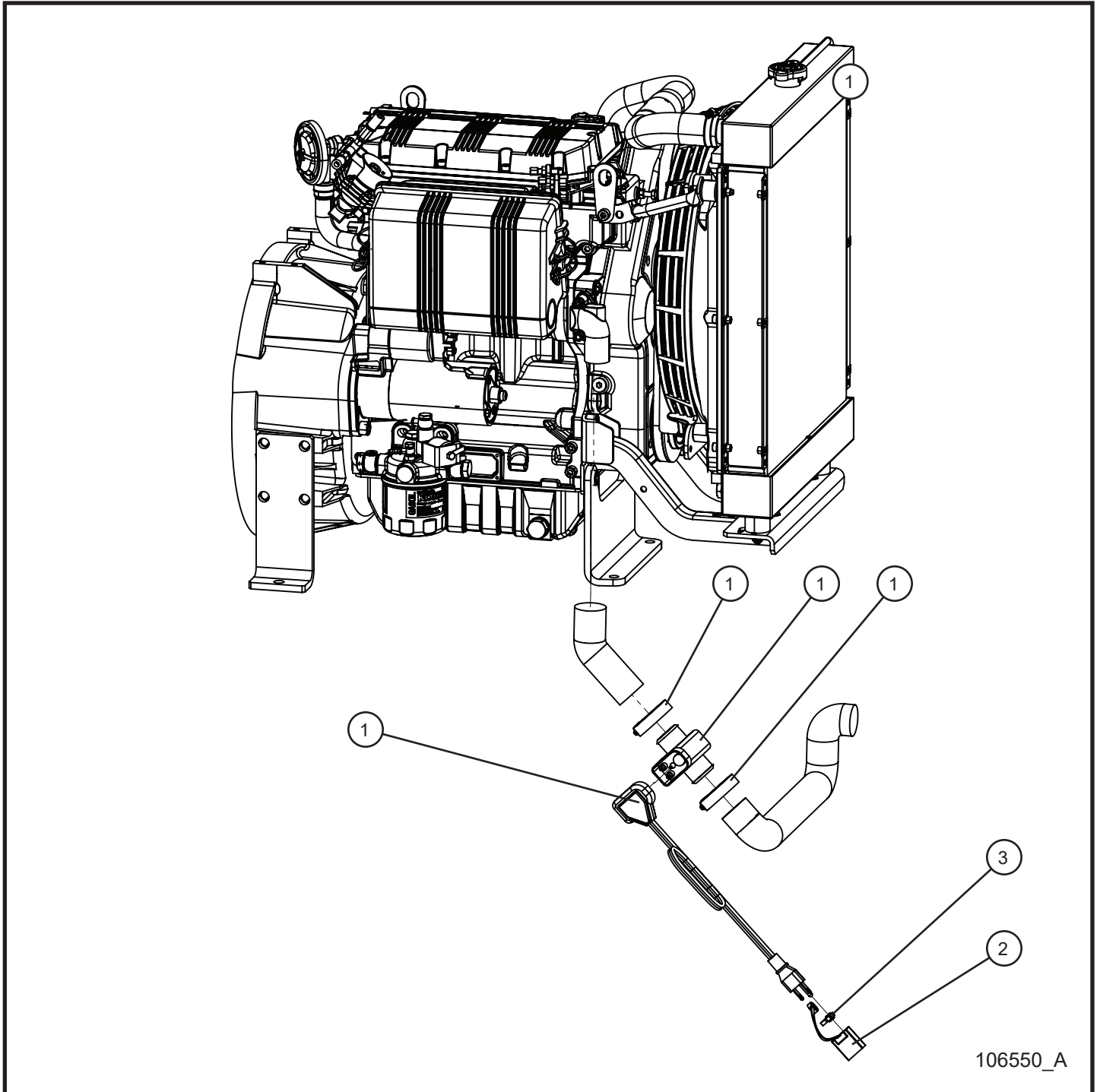
SN 07-000001 and UP

SN 08-000001 and UP

Item	Part No.	Part Description	Qty.
1	100901	LOMBARDINI FUMOTO VALVE	1
2	105089	1/2 NPT BRASS CAP	1
3	104865	3/8 HOSE x 1/2 NPT BARBED TO FEMALE	1
4	081017	3/8 x 23" YELLOW FUEL HOSE	1

## 11.4 - Kohler Block Heater

SN 07-000001 and UP  
SN 08-000001 and UP



106550\_A

# Night-Lite ProII™

---

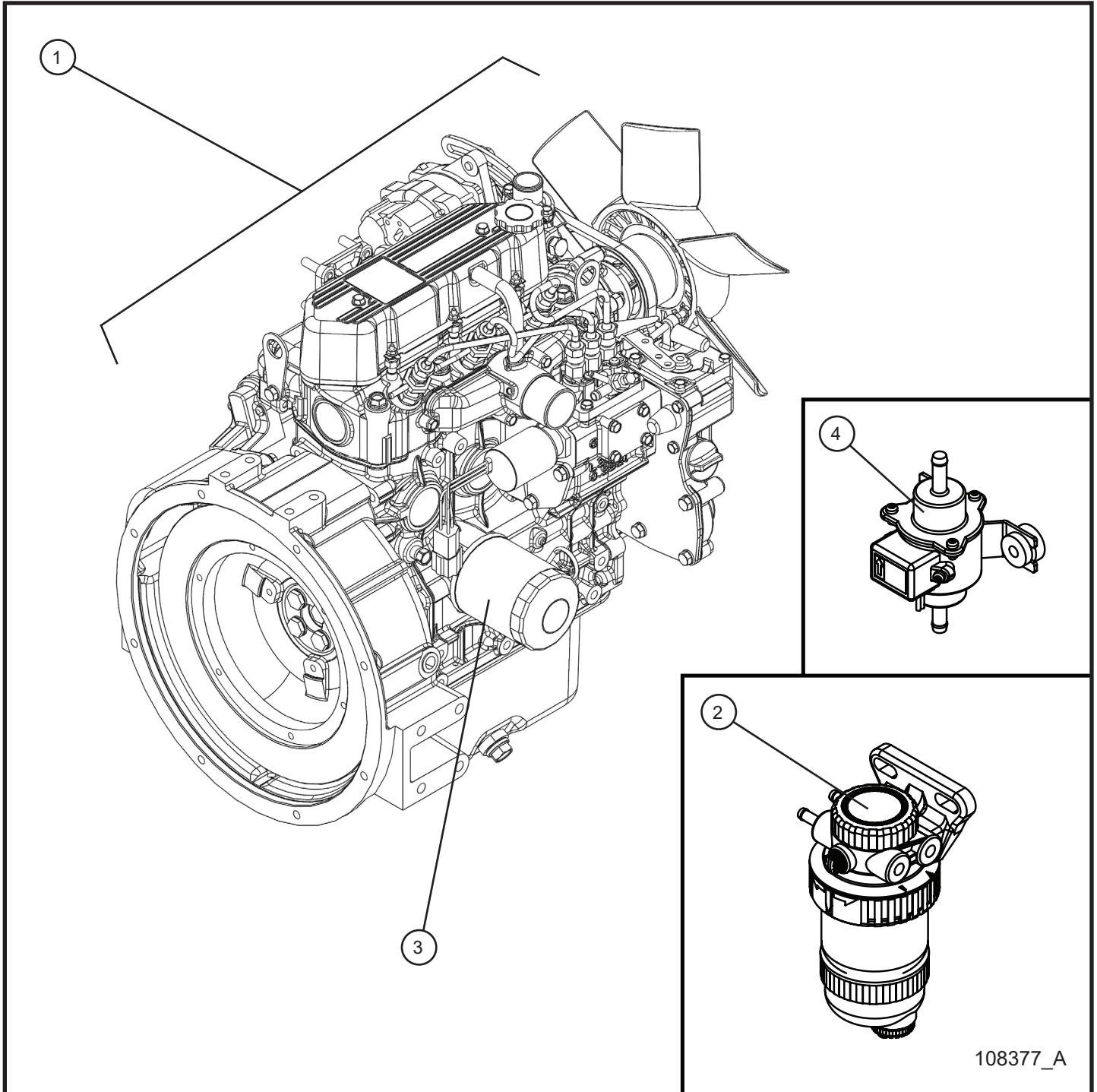
## 11.4 - Kohler Block Heater

SN 07-000001 and UP  
SN 08-000001 and UP

Item	Part No.	Part Description	Qty.
1	352459	BLOCK HEATER KOHLER	1
2	105995	END COVER 120 VOLT CORD	1
3	068090	CABLE TIE 8"	1

## 12.1 - Mitsubishi Engine and Filters

SN 07-000001 and UP  
SN 08-000001 and UP



108377\_A

# Night-Lite ProII™

---

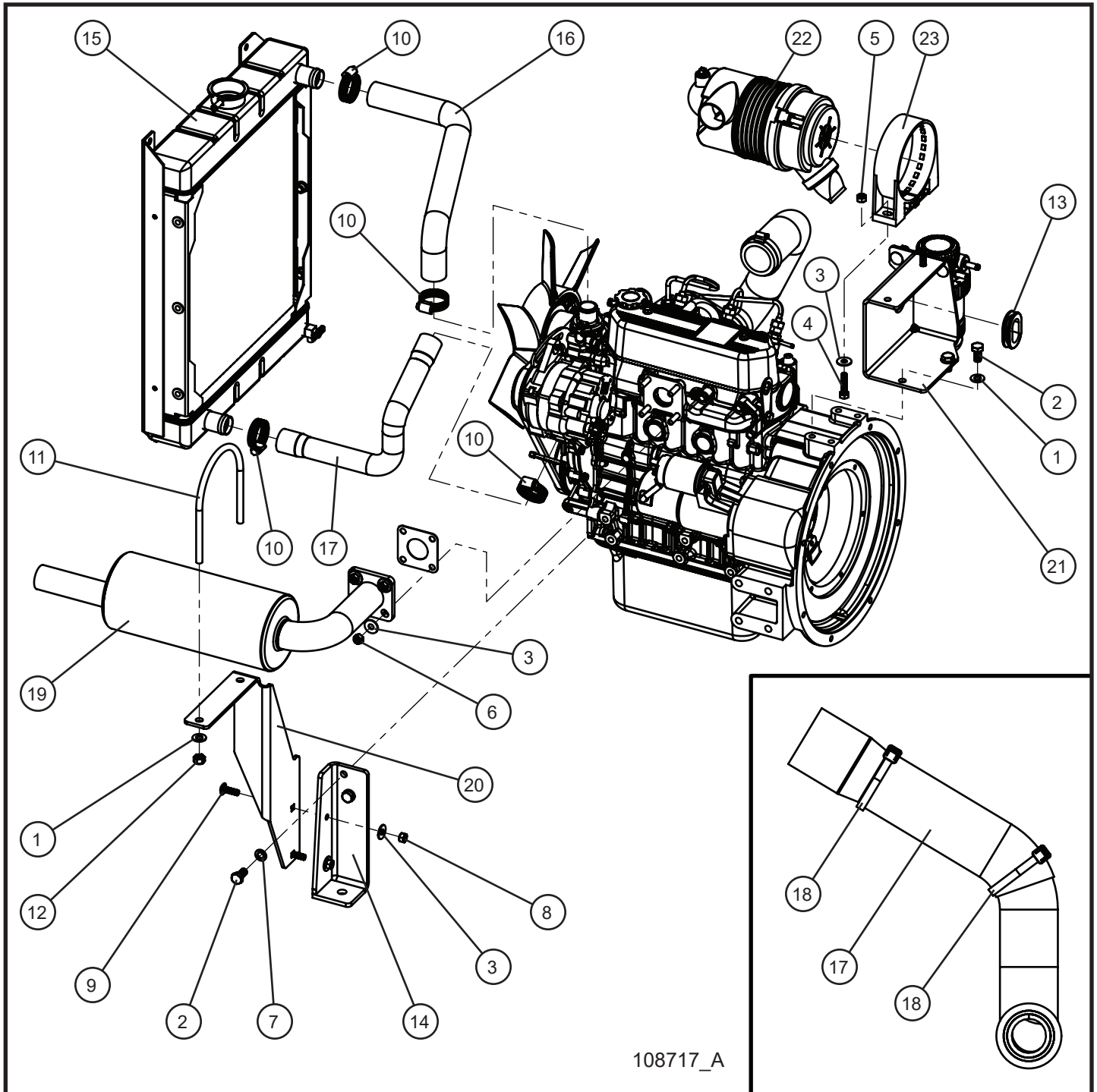
## 12.1 - Mitsubishi Engine and Filters

SN 07-000001 and UP  
SN 08-000001 and UP

Item	Part No.	Part Description	Qty.
1	108377	mitsubishi L3E TIER 4 FINAL ENGINE	1
2	108430	FUEL FILTER	1
3	108429	OIL FILTER	1
4	108897	FUEL PUMP	1
NS	650290	AIR FILTER	1

## 12.2 - Mitsubishi Engine Assembly Group (1 of 4)

SN 07-000001 and UP  
SN 08-000001 and UP



# Night-Lite ProII™

## 12.2 - Mitsubishi Engine Assembly Group (1 of 4)

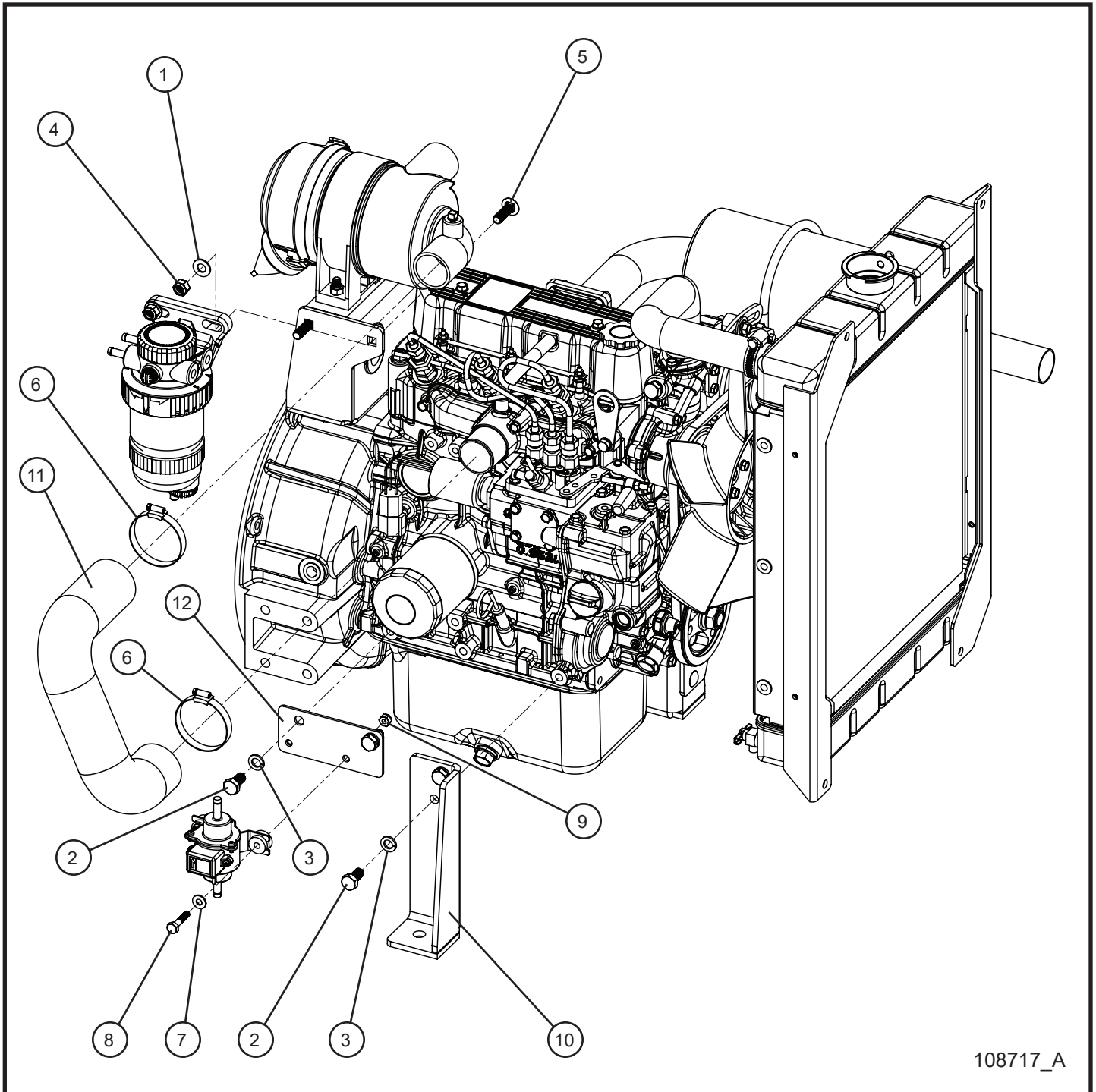
SN 07-000001 and UP

SN 08-000001 and UP

Item	Part No.	Part Description	Qty.
1	047016	3/8 FLAT WASHER SAE ZINC	4
2	042038	M10 x 20mm x 1.25mm HEX HEAD CS GR8.8 PL	4
3	047010	5/16 FLAT WASHER PL	10
4	102127	8mm x 35mm x 1.25 HEX GR 8.8 PLATED	2
5	042081	M8 x 1.25mm NYLOCK HEX NUT PL	2
6	042079	M8 x 1.25 GR8 TOP LOCK NUT	4
7	042151	M10 SPLIT LOCK WASHER PL	2
8	044033	5/16-18 NYLOCK HEX NUT PL	2
9	053020	5/16-18 x 1 CARRIAGE BOLT PL	2
10	045034	#16 HOSE CLAMP	4
11	105744	4.75" MUFFLER U-BOLT	1
12	044080	3/8-16 TOP LOCK HEX NUT PL	2
13	650542	1 1/4 ID x 1 1/2 OD GROMMET	1
14	108239P	ENGINE BRACKET RIGHT WELDMENT	1
15	105393	RADIATOR KUBOTA	1
16	105395	RADIATOR HOSE UPPER MITSUBISHI L3E	1
17	105394	RADIATOR HOSE LOWER MITSUBISHI L3E	1
18	068090	CABLE TIE 8"	2
19	108245	MUFFLER MITSUBISHI	1
20	108246P	MUFFLER BRACKET	1
21	108720P	AIR CLEANER BRACKET WELDMENT	1
22	650262	AIR CLEANER RADIAL SEAL	1
23	650263	MOUNTING BAND AIR CLEANER	1
NS	108042	SCHEMATIC SLS MITSUBISHI L3E	1
NS	108310	ENGINE HARNESS MITSUBISHI L3E	1
NS	108369	CHARGE CIRCUIT FUSE 40AMP	1

## 12.2 - Mitsubishi Engine Assembly Group (2 of 4)

SN 07-000001 and UP  
SN 08-000001 and UP



108717\_A



# Night-Lite ProII™

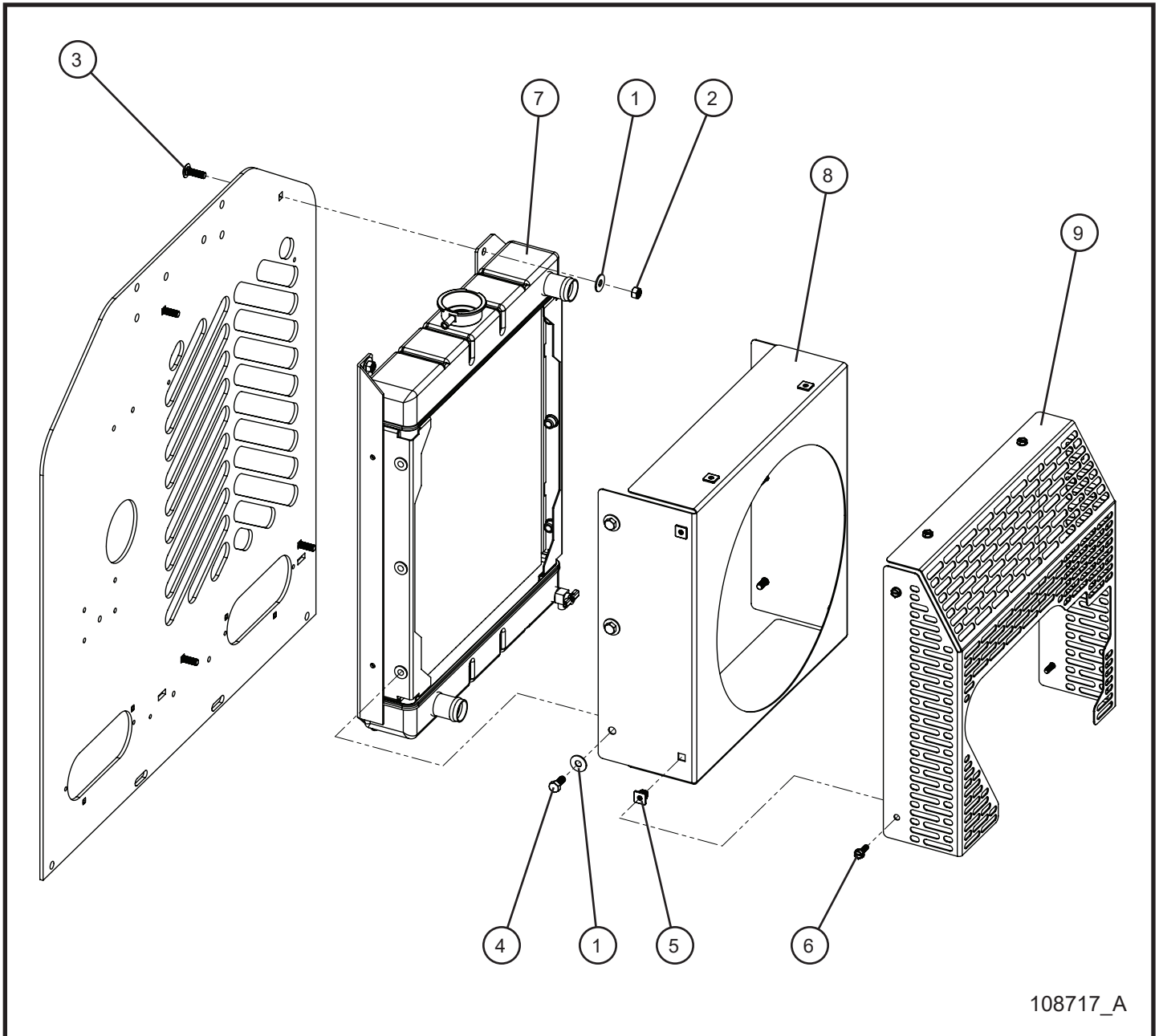
## 12.2 - Mitsubishi Engine Assembly Group (2 of 4)

SN 07-000001 and UP  
SN 08-000001 and UP

Item	Part No.	Part Description	Qty.
1	047016	3/8 FLAT WASHER SAE ZINC	2
2	042038	M10 x 20mm x 1.25mm HEX HEAD CS GR8.8 PL	4
3	042151	M10 SPLIT LOCK WASHER PL	4
4	044038	3/8-16 NYLOCK HEX NUT PL	2
5	100670	3/8-16 x 1 1/4 CARRIAGE BOLT	2
6	045038	#32 HOSE CLAMP	2
7	047005	1/4 FLAT WASHER PL	2
8	046020	1/4-20 x 1 1/4 HEX HEAD CS GR5 PL	2
9	044023	1/4-20 NYLOCK HEX NUT PL	2
10	108266P	ENGINE BRACKET LEFT WELDMENT	1
11	101734	AIR INTAKE HOSE SMALL ENGINES	1
12	108284P	FUEL PUMP BRACKET	1

## 12.2 - Mitsubishi Engine Assembly Group (3 of 4)

SN 07-000001 and UP  
SN 08-000001 and UP



108717\_A

# Night-Lite ProII™

## 12.2 - Mitsubishi Engine Assembly Group (3 of 4)

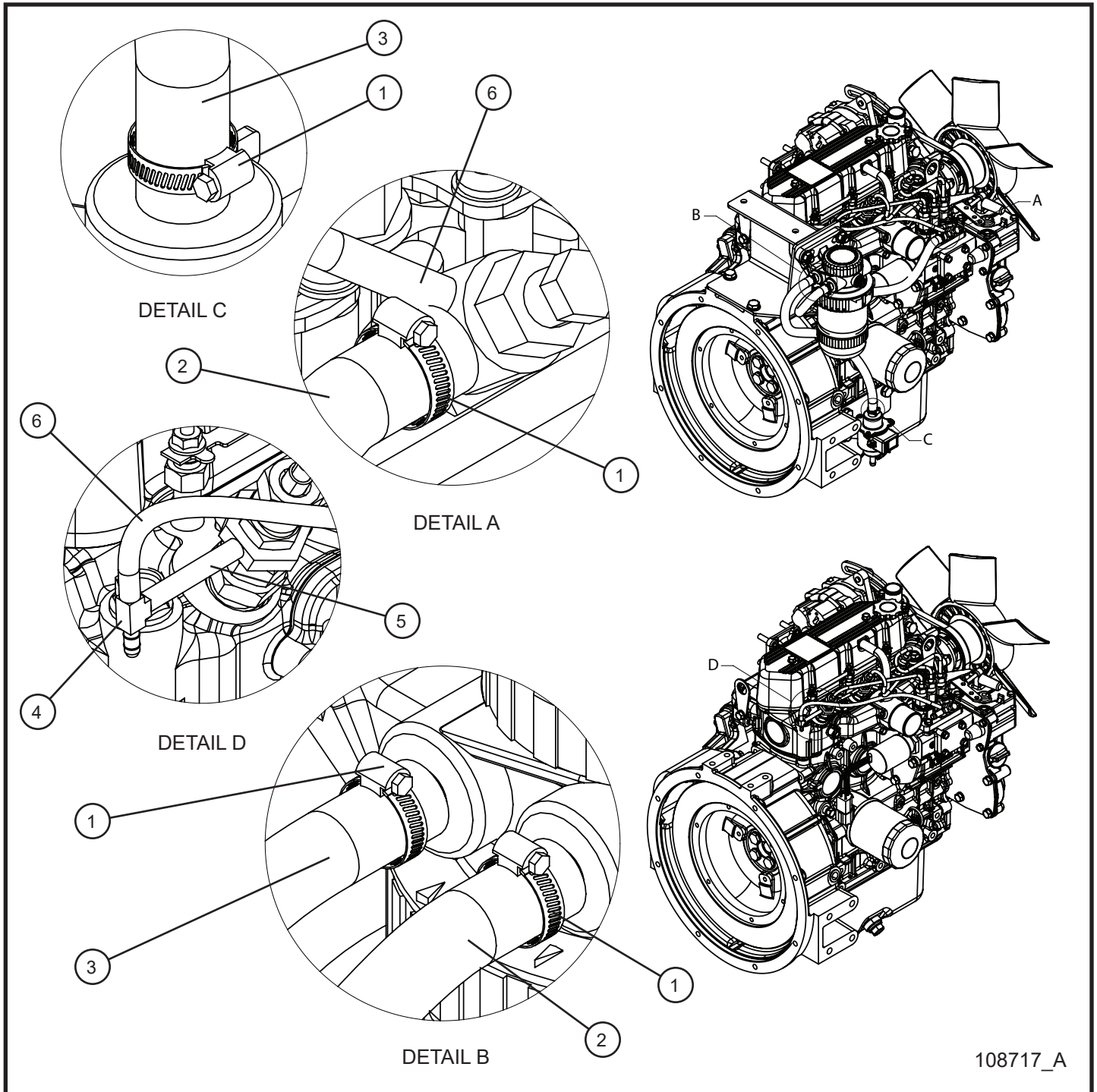
SN 07-000001 and UP

SN 08-000001 and UP

Item	Part No.	Part Description	Qty.
1	047010	5/16 FLAT WASHER PL	10
2	044033	5/16-18 NYLOCK HEX NUT PL	4
3	053020	5/16-18 x 1 CARRIAGE BOLT PL	4
4	046045	5/16-18 x 3/4 HEX HEAD CS GR5 PL	6
5	105408	GROMMET NUT DOUBLE SPLIT	6
6	041070	1/4-20 x 3/4 SL-HEX WASHER HEAD MS TP F	6
7	105393	RADIATOR KUBOTA	1
8	108434P	FAN SHROUD MITSUBISHI L3E	1
9	110314P	FINGER GUARD MITSUBISHI L3E	1

## 12.2 - Mitsubishi Engine Assembly Group (4 of 4)

SN 07-000001 and UP  
SN 08-000001 and UP



108717\_A

# Night-Lite ProII™

---

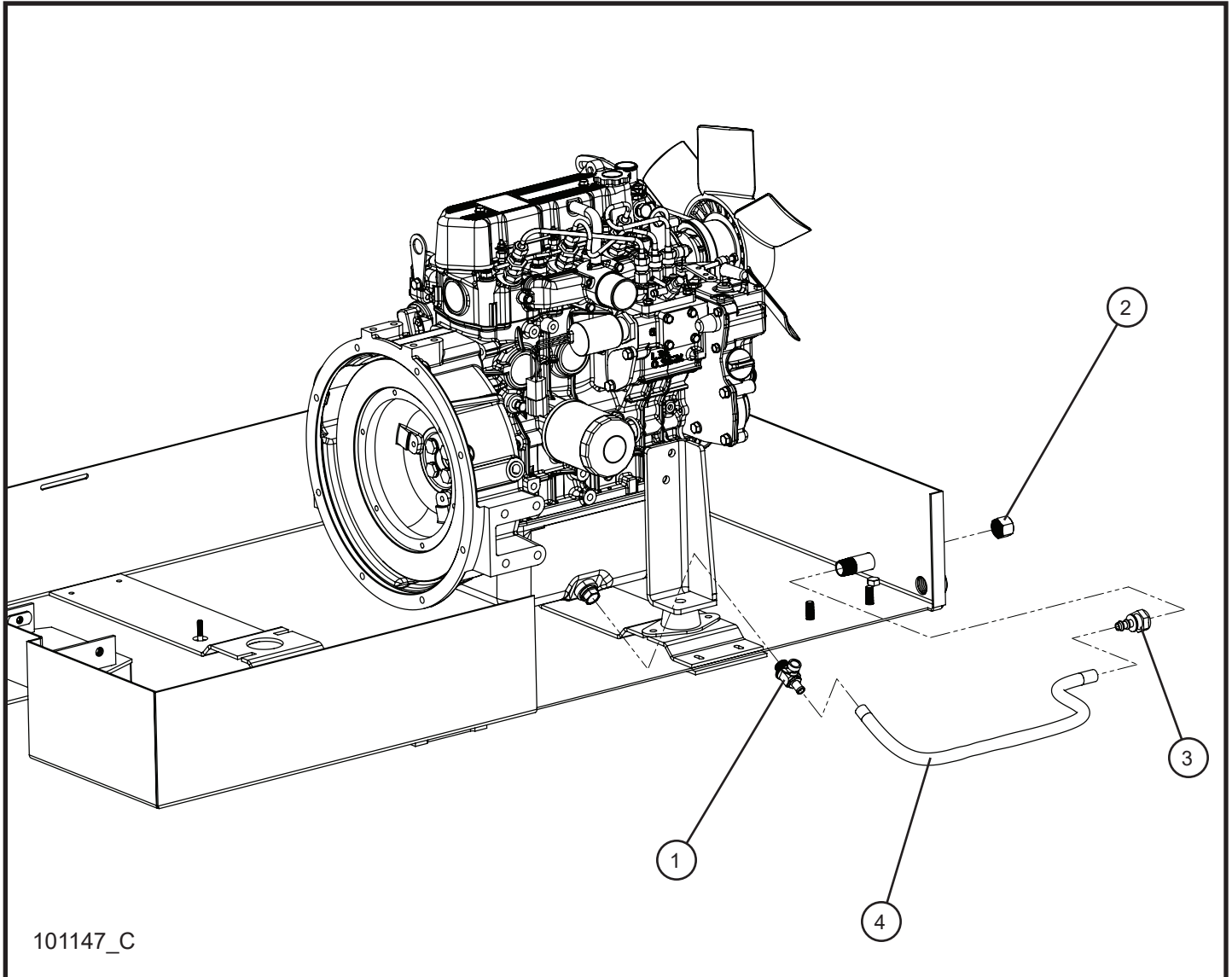
## 12.2 - Mitsubishi Engine Assembly Group (4 of 4)

SN 07-000001 and UP  
SN 08-000001 and UP

Item	Part No.	Part Description	Qty.
1	433400	#4 HOSE CLAMP	4
2	081018	HOSE 5/16 BLACK LINE x 22.0	1
3	081018	HOSE 5/16 BLACK LINE x 18.0	1
4	108713	TEE FITTING FOR .25in. OD TUBE	1
5	081005	HOSE 1/4 ODX .035 WALL 250WP FUEL LINE BK x 1.5	1
6	081005	HOSE 1/4 ODX .035 WALL 250WP FUEL LINE BK x 11.0	1

## 12.3 - Mitsubishi Remote Oil Drain and Fumoto Valve

SN 07-000001 and UP  
SN 08-000001 and UP



# Night-Lite ProII™

---

## 12.3 - Mitsubishi Remote Oil Drain and Fumoto Valve

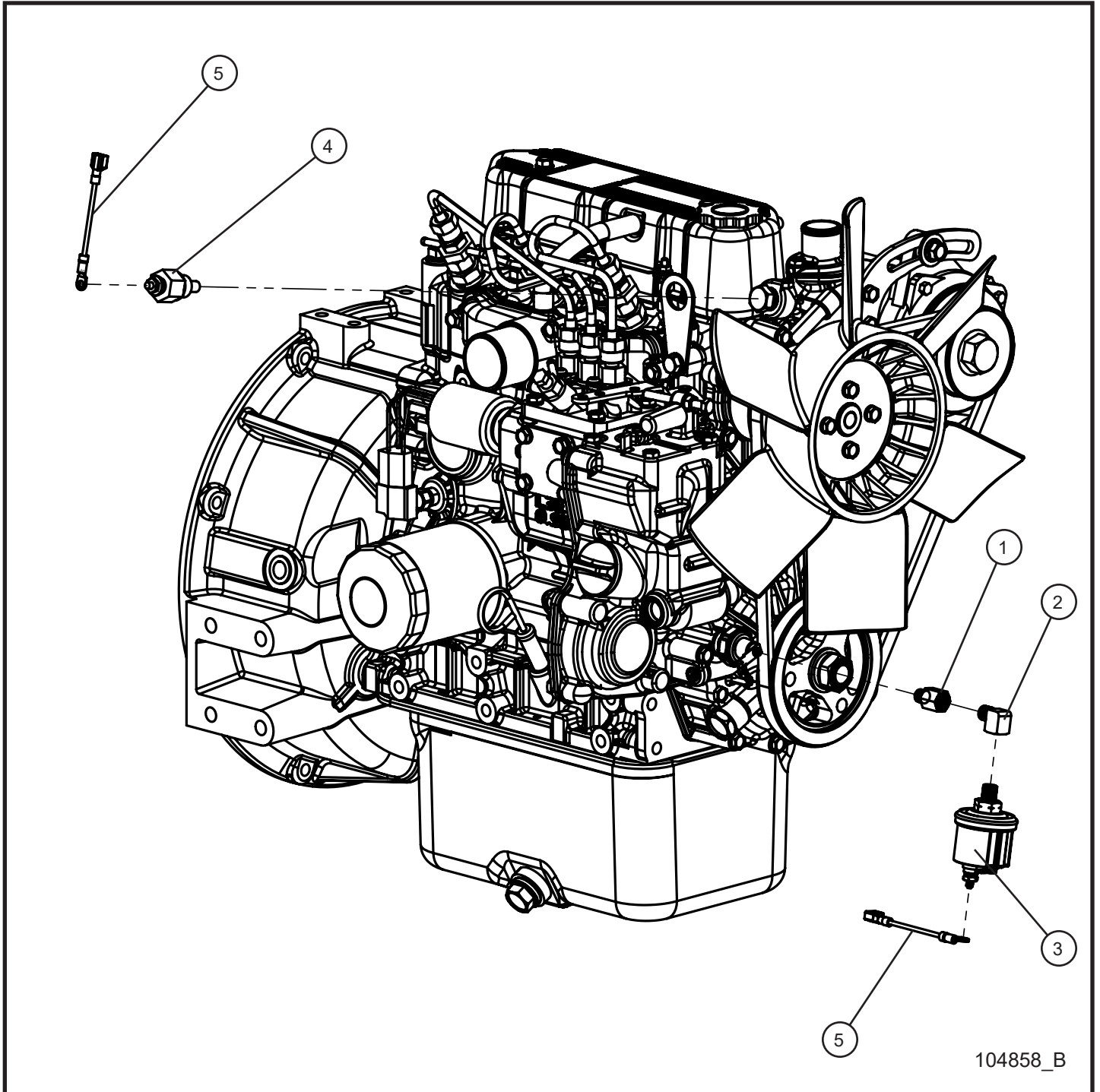
SN 07-000001 and UP

SN 08-000001 and UP

Item	Part No.	Part Description	Qty.
1	100901	LOMBARDINI FUMOTO VALVE	1
2	105089	1/2 NPT BRASS CAP	1
3	104865	3/8 HOSE x 1/2 NPT BARBED TO FEMALE	1
4	081017	3/8 x 23" YELLOW FUEL HOSE	1

## 12.4 - Mitsubishi LSC Sending Unit

SN 07-000001 and UP  
SN 08-000001 and UP



104858\_B



# Night-Lite ProII™

---

---

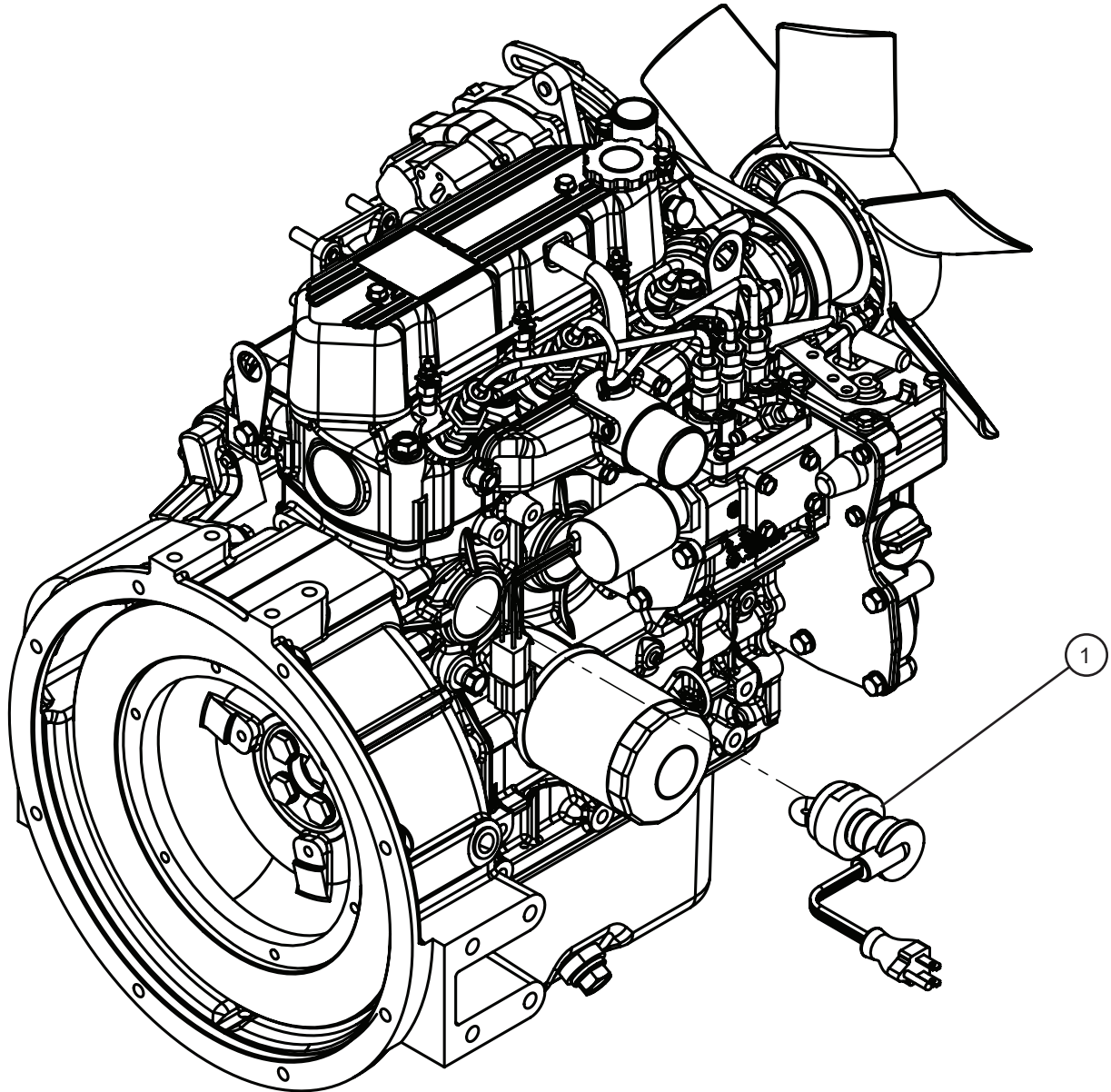
## 12.4 - Mitsubishi LSC Sending Unit

SN 07-000001 and UP  
SN 08-000001 and UP

Item	Part No.	Part Description	Qty.
1	104558	FITTING ADAPTER 1/8 BSPM x 1/8 NPTF	1
2	026030	ELBOW 1/8 NPTM STREET	1
3	108869	SENDER OIL PRESSURE VDO	1
4	650769	SENDER TEMPERATURE M16 x 1.5	1
5	105883	TEMP JUMPER KUBOTA	2
NS	108874	SCHEMATIC LSC MITSUBISHI L3E	1

## 12.5 - Mitsubishi Block Heater

SN 07-000001 and UP  
SN 08-000001 and UP



108870\_A

# Night-Lite ProII™

---

---

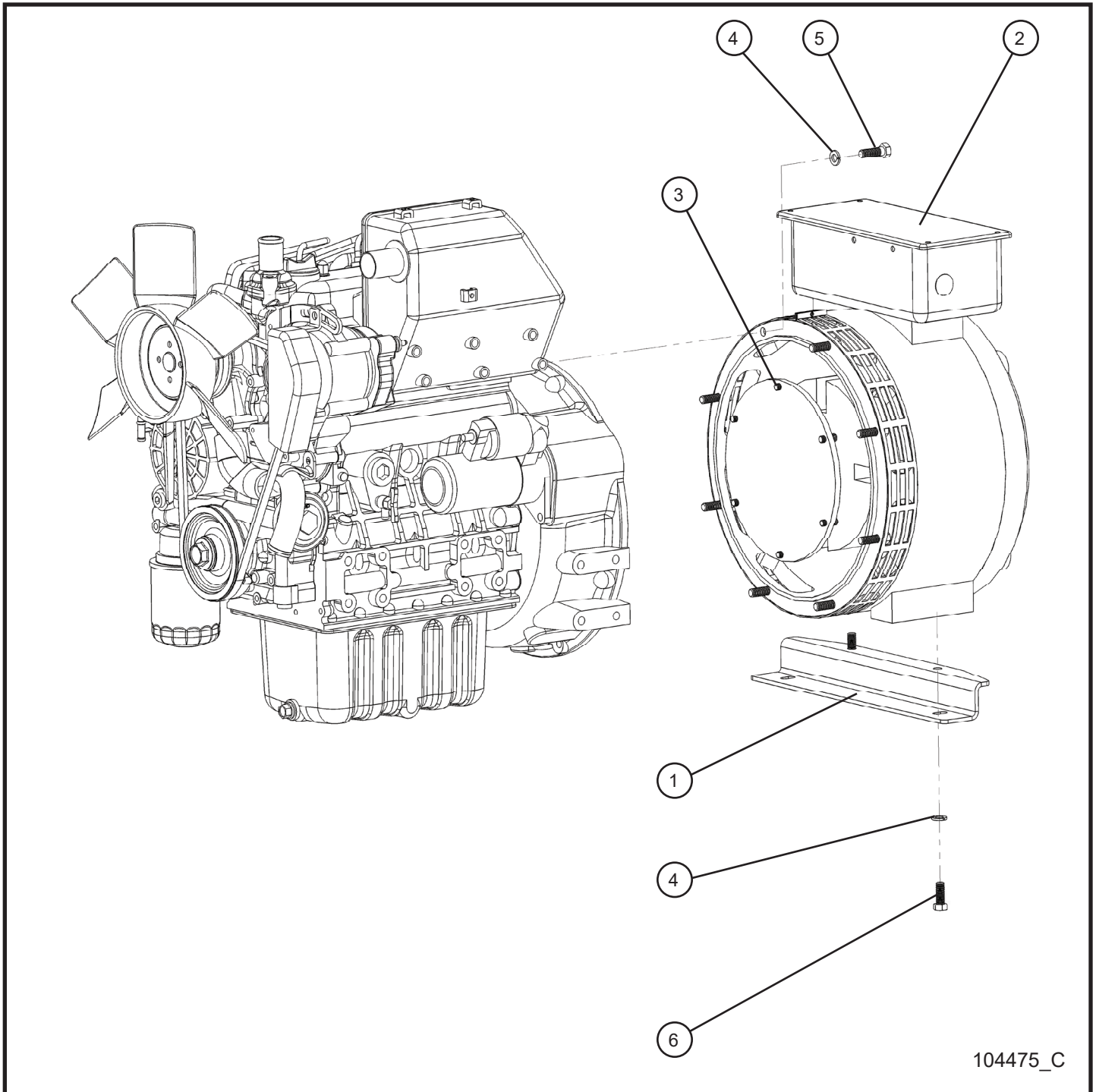
## 12.5 - Mitsubishi Block Heater

SN 07-000001 and UP  
SN 08-000001 and UP

Item	Part No.	Part Description	Qty.
1	108871	BLOCK HEATER 40mm 400W 120V	1
NS	108935	LOCTITE #640 GREEN	1
NS	108936	LOCTITE #7471 PRIMER	1

## 13.1 - Marathon 6kW 50Hz Generator

SN 07-000001 and UP  
SN 08-000001 and UP



104475\_C

# Night-Lite ProII™

---

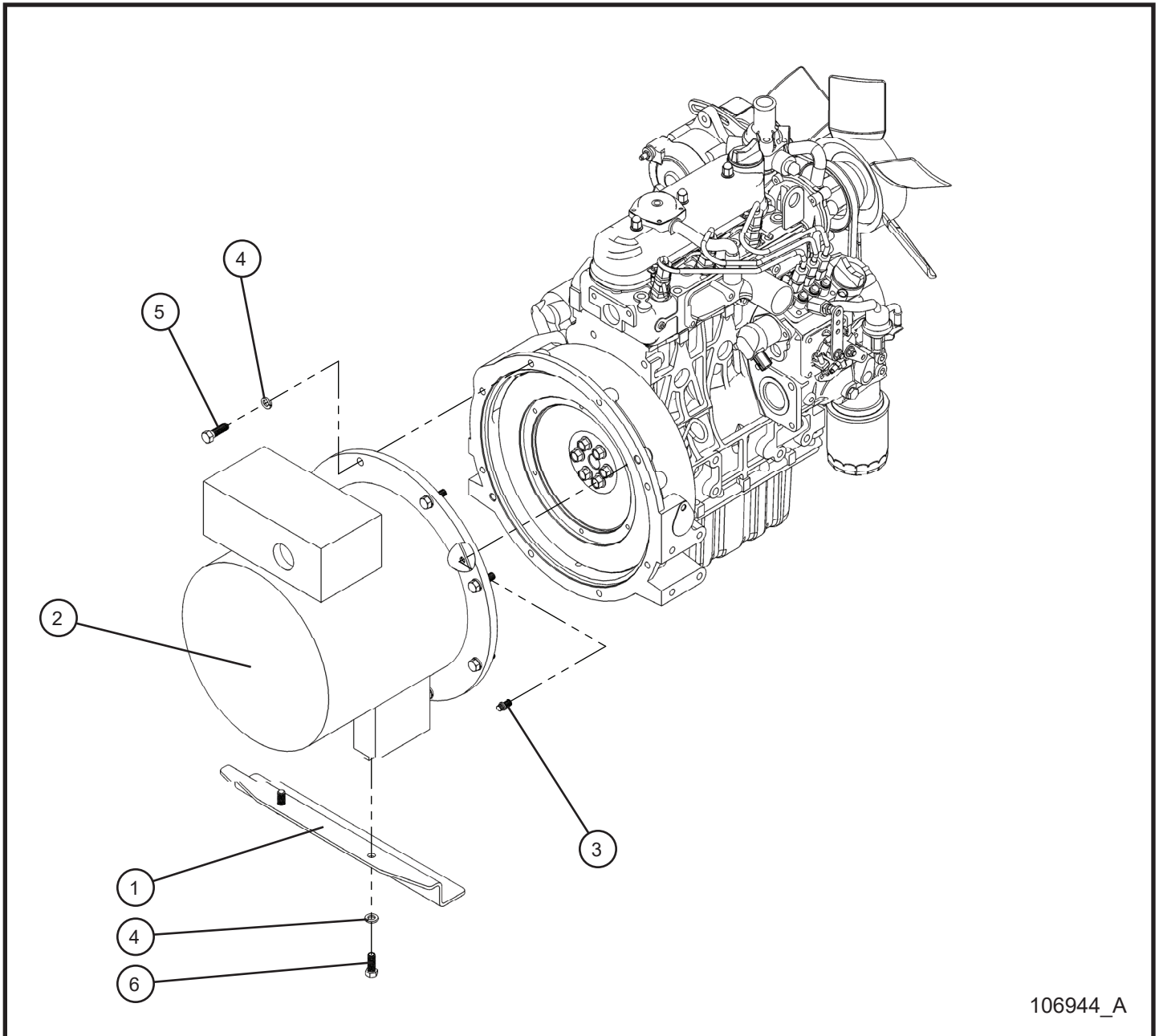
## 13.1 - Marathon 6kW 50Hz Generator

SN 07-000001 and UP  
SN 08-000001 and UP

Item	Part No.	Part Description	Qty.
1	651012P	GENERATOR MOUNT BRACKET	1
2	650286	GENERATOR MARATHON 6kW 50Hz	1
3	046041	5/16-18 x 1/2 PT FLANGE HEAD BOLT	6
4	043065	3/8 SPLITLOCK WASHER PL	10
5	046115	3/8-16 x 1 1/4 HEX HEAD CS GR5 PL	8
6	046110	3/8-16 x 1 HEX HEAD CS GR5 PL	2

## 13.2 - Marathon 201 Series 6kW 50Hz Generator

SN 07-000001 and UP  
SN 08-000001 and UP



106944\_A

# Night-Lite ProII™

---

## 13.2 - Marathon 201 Series 6kW 50Hz Generator

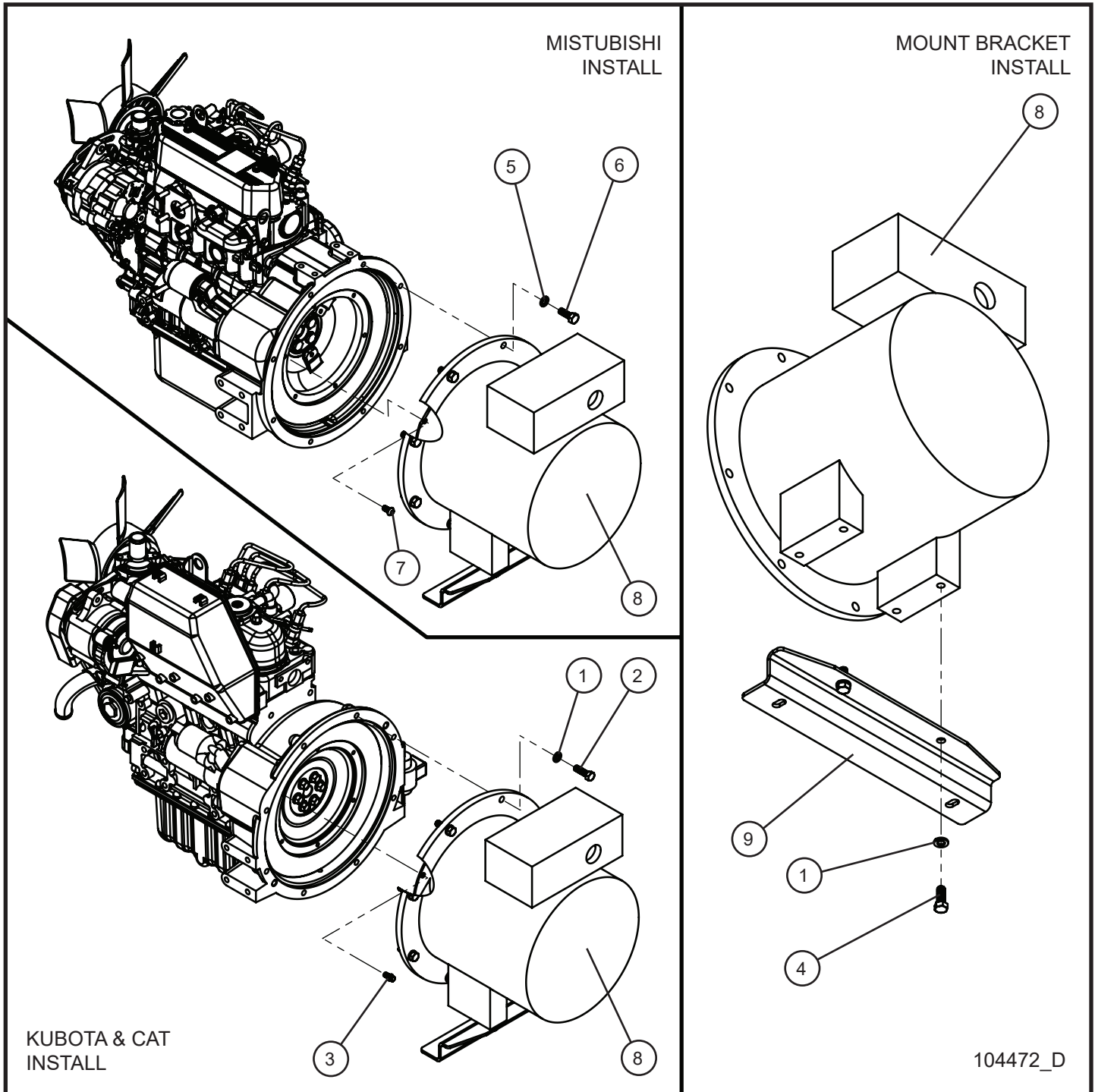
SN 07-000001 and UP

SN 08-000001 and UP

Item	Part No.	Part Description	Qty.
1	651012P	GENERATOR MOUNT BRACKET	1
2	106920	GENERATOR MARATHON 6kW 50Hz	1
3	046041	5/16-18 x 1/2 PT FLANGE HEAD BOLT	6
4	043065	3/8 SPLITLOCK WASHER PL	10
5	046115	3/8-16 x 1 1/4 HEX HEAD CS GR5 PL	8
6	046110	3/8-16 x 1 HEX HEAD CS GR5 PL	2

## 13.3 - Marathon 8kW 60Hz Generator

SN 07-000001 and UP  
SN 08-000001 and UP





# Night-Lite ProII™

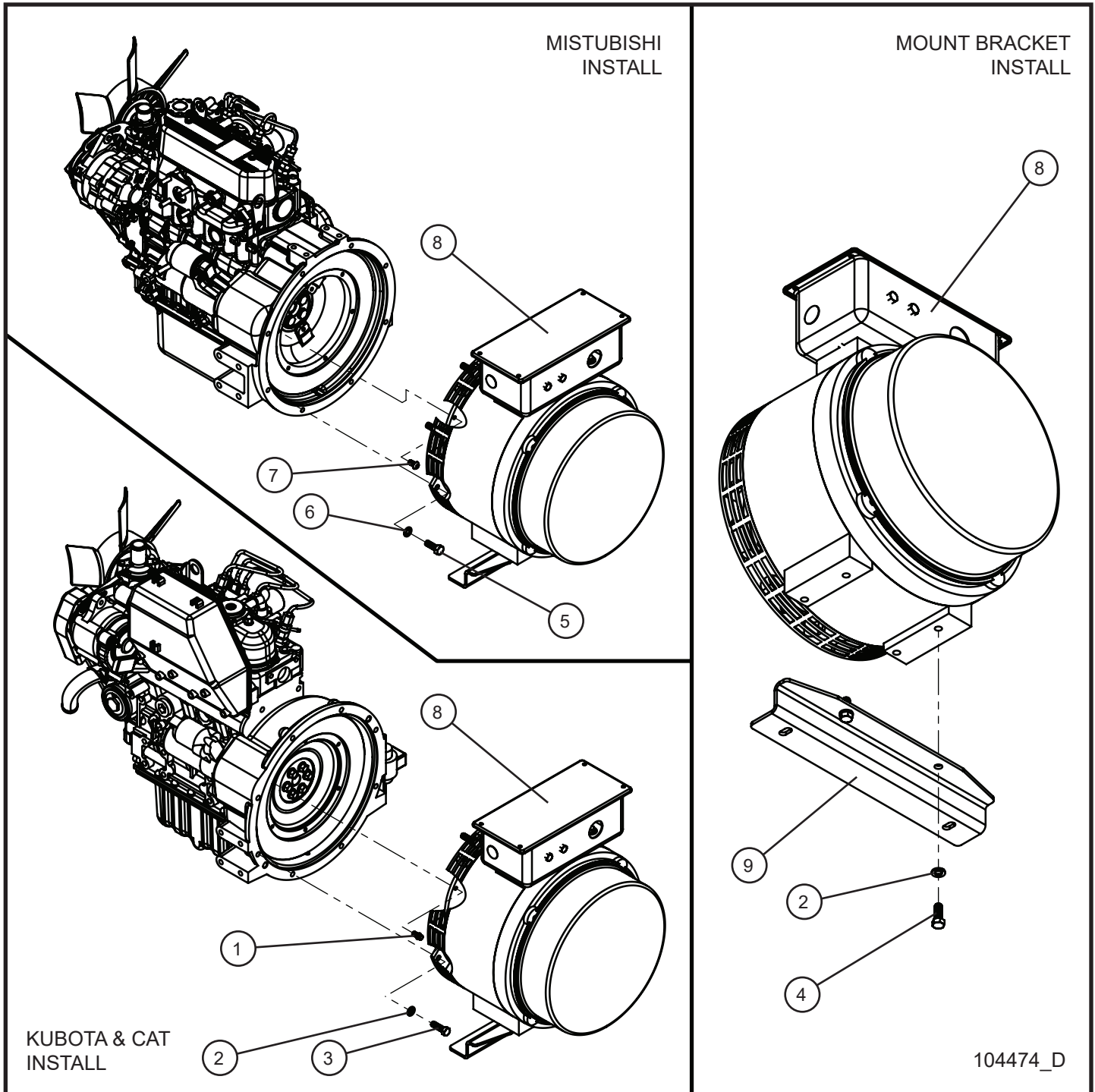
## 13.3 - Marathon 8kW 60Hz Generator

SN 07-000001 and UP  
SN 08-000001 and UP

Item	Part No.	Part Description	Qty.
1	043065	3/8 SPLITLOCK WASHER PL	10
2	046115	3/8-16 x 1 1/4 HEX HEAD CS GR5 PL	8
3	046041	5/16-18 x 1/2 PT FLANGE HEAD BOLT	6
4	046110	3/8-16 x 1 HEX HEAD CS GR5 PL	2
5	042151	M10 SPLITLOCK WASHER PL	8
6	042041	10mm x 1.25mm x 30mm HEX HEAD	8
7	042028	M8 x 1.25mm x 16mm SOCKET BUTTON HEAD CS	8
8	101075	GENERATOR MARATHON 8kW 60Hz	1
9	651012P	GENERATOR MOUNT BRACKET	1
NS	108714	LOCTITE #242 BLUE	1
NS	108715	LOCTITE #271 RED	1
NS	105100	CAPACITOR 25uf 600V	1

## 13.4 - Marathon 8kW 60Hz AVR Generator

SN 07-000001 and UP  
SN 08-000001 and UP



# Night-Lite ProII™

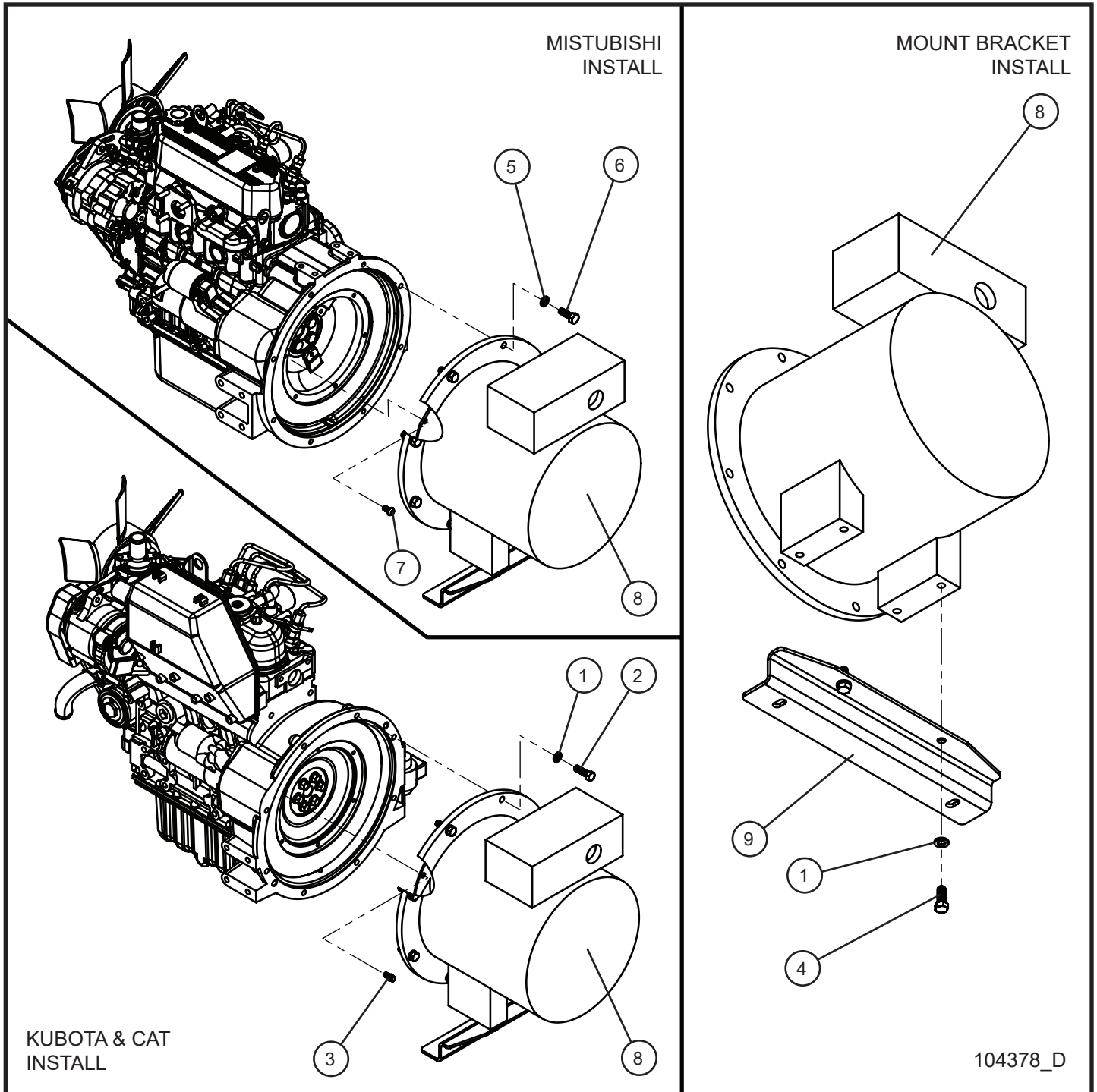
## 13.4 - Marathon 8kW 60Hz AVR Generator

SN 07-000001 and UP  
SN 08-000001 and UP

Item	Part No.	Part Description	Qty.
1	046041	5/16-18 x 1/2 PT FLANGE HEAD BOLT	6
2	043065	3/8 SPLITLOCK WASHER PL	10
3	046115	3/8-16 x 1 1/4 HEX HEAD CS GR5 PL	8
4	046110	3/8-16 x 1 HEX HEAD CS GR5 PL	2
5	042041	10mm x 1.25mm x 30mm HEX HEAD	8
6	042151	M10 SPLITLOCK WASHER PL	8
7	042028	M8 x 1.25mm x 16mm SOCKET BUTTON HEAD CS	8
8	654000	GENERATOR MARATHON 8kW 60Hz	1
9	651012P	GENERATOR MOUNT BRACKET	1
NS	108714	LOCTITE #242 BLUE	1
NS	108715	LOCTITE #271 RED	1

## 13.5 - Athlon 8kW 60Hz Generator

SN 07-000001 and UP  
SN 08-000001 and UP



# Night-Lite ProII™

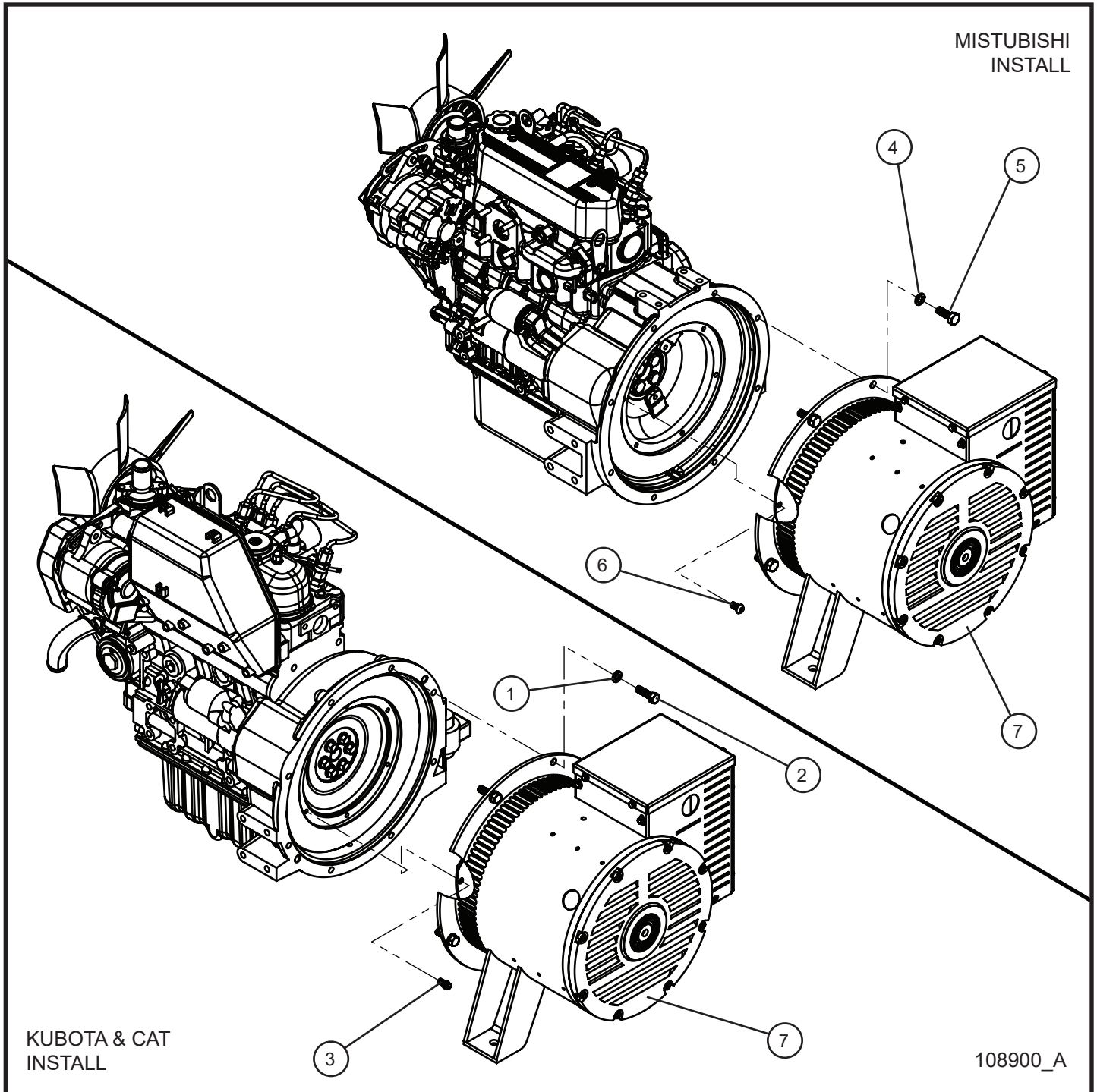
## 13.5 - Athlon 8kW 60Hz Generator

SN 07-000001 and UP  
SN 08-000001 and UP

Item	Part No.	Part Description	Qty.
1	043065	3/8 SPLITLOCK WASHER PL	10
2	046115	3/8-16 x 1 1/4 HEX HEAD CS GR5 PL	8
3	046041	5/16-18 x 1/2 PT FLANGE HEAD BOLT	6
4	046110	3/8-16 x 1 HEX HEAD CS GR5 PL	2
5	042151	M10 SPLITLOCK WASHER PL	8
6	042041	10mm x 1.25mm x 30mm HEX HEAD	8
7	042028	M8 x 1.25mm x 16mm SOCKET BUTTON HEAD CS	8
8	102692	GENERATOR ATHLON 8kW 60Hz	1
9	651012P	GENERATOR MOUNT BRACKET	1
NS	108714	LOCTITE #242 BLUE	1
NS	108715	LOCTITE #271 RED	1
NS	640158	CAPACITOR 25uf 550V	1

## 13.6 - Coliseum 6/8kW 50/60Hz Generator

SN 07-000001 and UP  
SN 08-000001 and UP



# Night-Lite ProII™

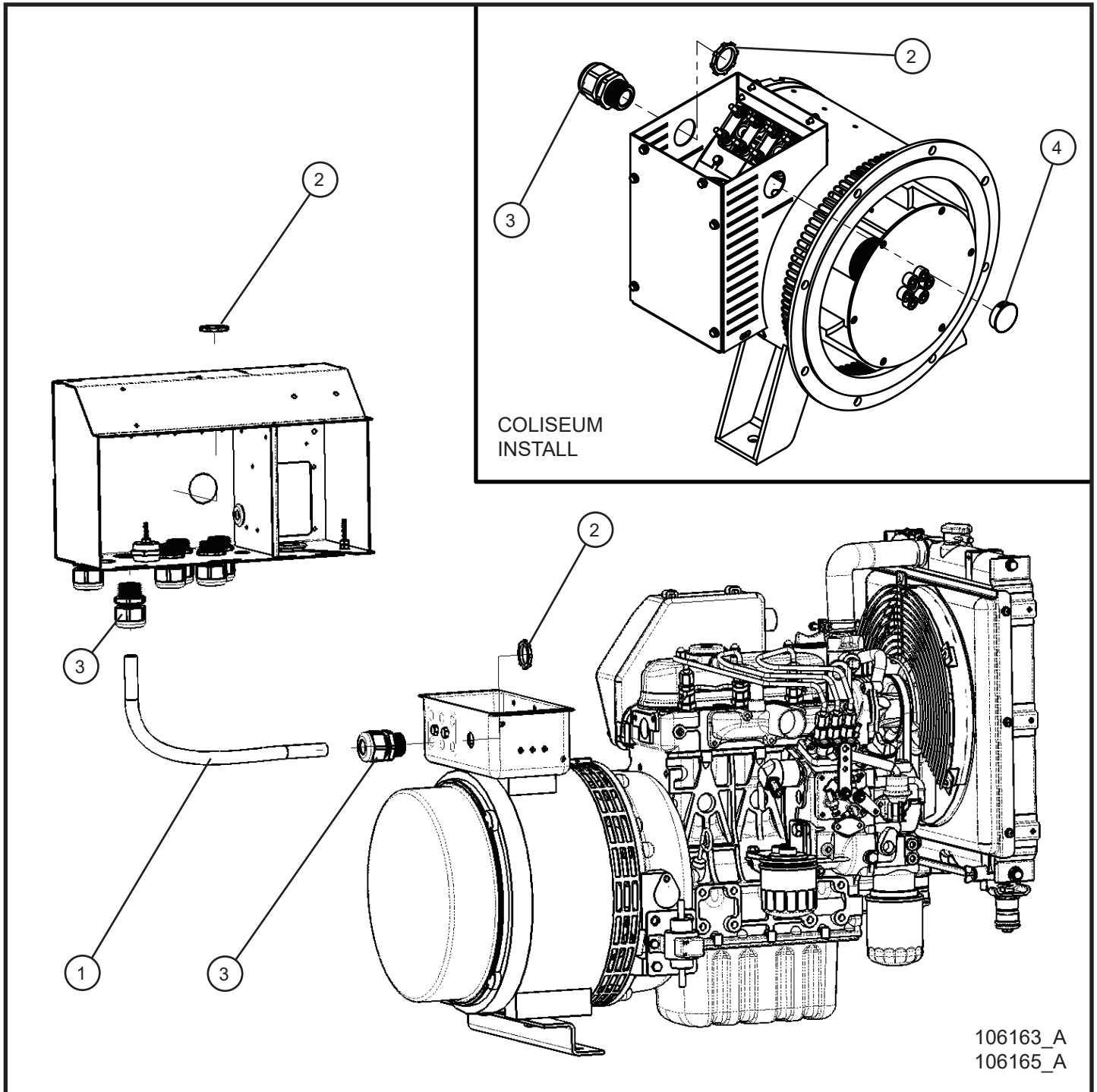
## 13.6 - Coliseum 6/8kW 50/60Hz Generator

SN 07-000001 and UP  
SN 08-000001 and UP

Item	Part No.	Part Description	Qty.
1	043065	3/8 SPLITLOCK WASHER PL	10
2	046115	3/8-16 x 1 1/4 HEX HEAD CS GR5 PL	8
3	046041	5/16-18 x 1/2 PT FLANGE HEAD BOLT	6
4	042151	M10 SPLITLOCK WASHER PL	8
5	042041	10mm x 1.25mm x 30mm HEX HEAD	8
6	042028	M8 x 1.25mm x 16mm SOCKET BUTTON HEAD CS	8
7	108858	GENERATOR 50/60Hz COLISEUM 6/8kW	1
NS	108714	LOCTITE #242 BLUE	1
NS	108715	LOCTITE #271 RED	1
NS	108892	CAPACITOR 65uf 630V	1

## 13.7 - 10/4 Generator Cord

SN 07-000001 and UP  
SN 08-000001 and UP





# Night-Lite ProII™

---

---

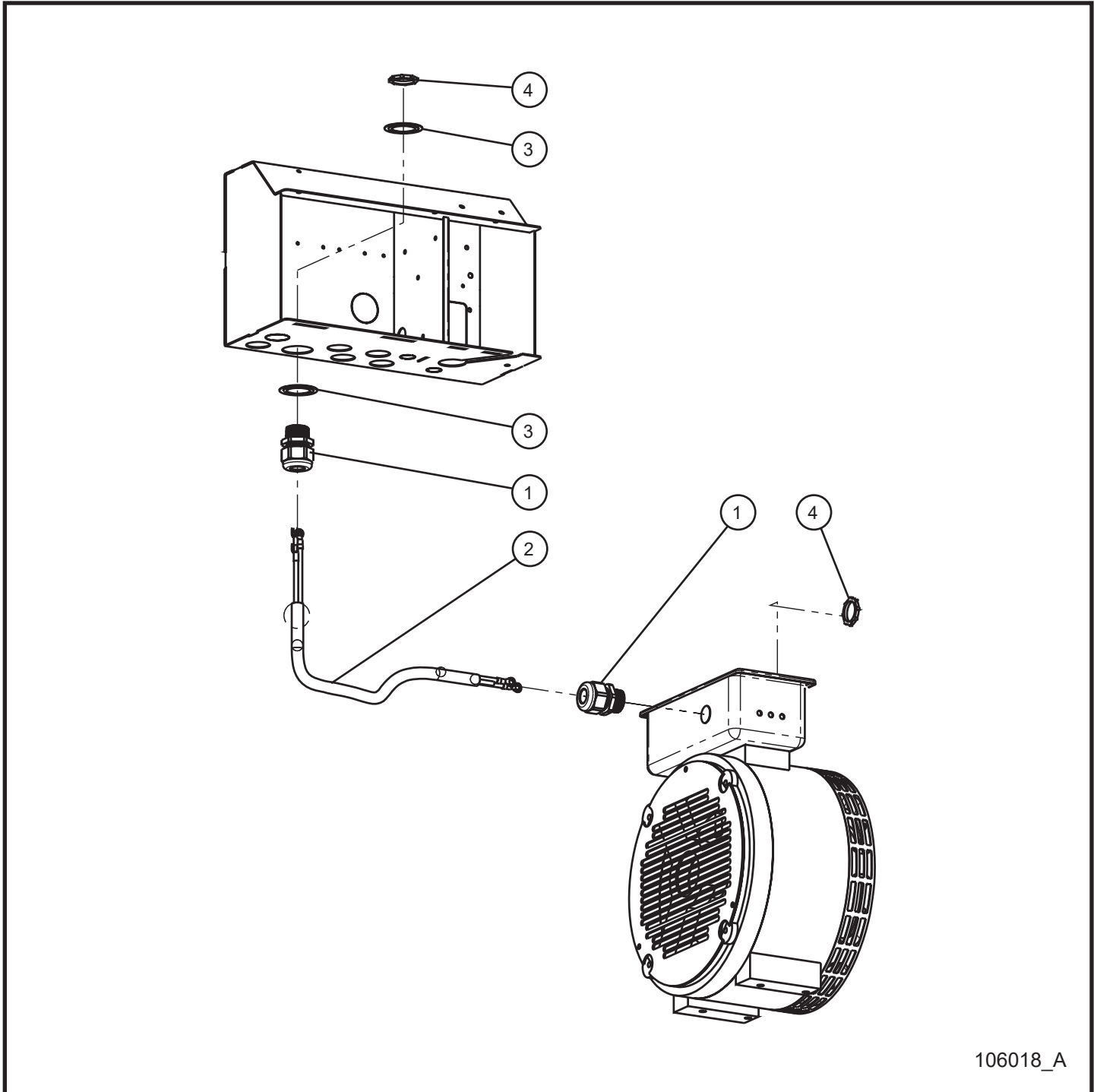
## 13.7 - 10/4 Generator Cord

SN 07-000001 and UP  
SN 08-000001 and UP

Item	Part No.	Part Description	Qty.
1	114089	CORD GENERATOR 10/4 DOMESTIC	1
	117064	CORD GENERATOR 10/4 AVR	1
2	022038	1" CORD GRIP NUT	2
3	105627	1" CORD GRIP NYLON BLACK	2
4	108911	LOCKING DOME PLUG 1.375 IN.	1
NS	108909	SCHEMATIC 10/4 GEN CORD	1

## 13.8 - 10/3 International Generator Cord

SN 07-000001 and UP  
SN 08-000001 and UP



106018\_A

# Night-Lite ProII™

---

---

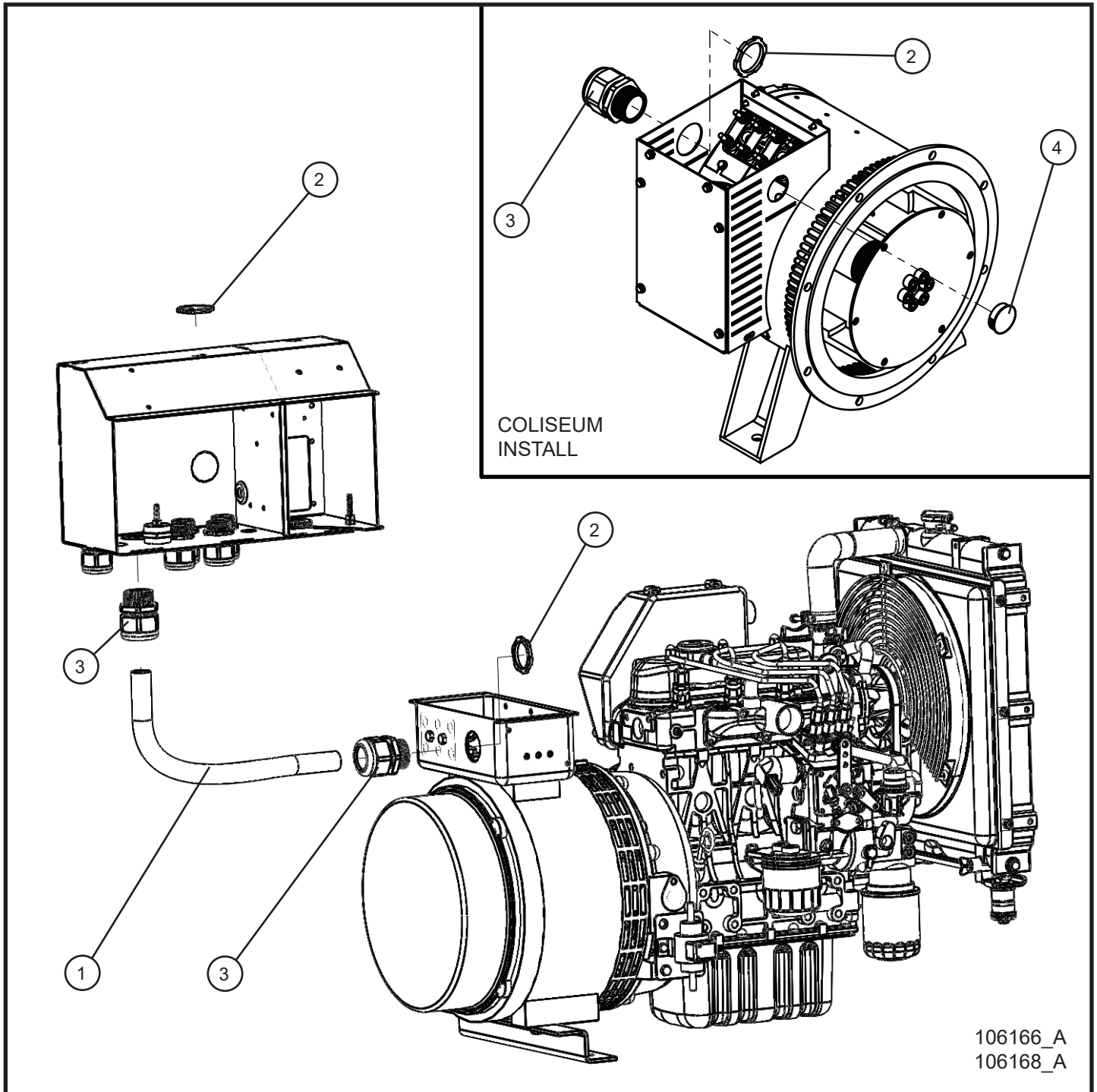
## 13.8 - 10/3 International Generator Cord

SN 07-000001 and UP  
SN 08-000001 and UP

Item	Part No.	Part Description	Qty.
1	105627	CORD GRIP 1" NYLON BLACK	2
2	106017	10/3 GENERATOR CORD INTERNATIONAL 6kW PRO II	1
3	022350	1 1/4 TO 1" REDUCING WASHER	2
4	022038	1" CORD GRIP NUT	2
NS	106337	AC WIRE SCHEMATIC GENERATOR TO LIGHTS INT'L PRO II	1

## 13.9 - 6/4 CSA Generator Cord

SN 07-000001 and UP  
SN 08-000001 and UP



106166\_A  
106168\_A

# Night-Lite ProII™

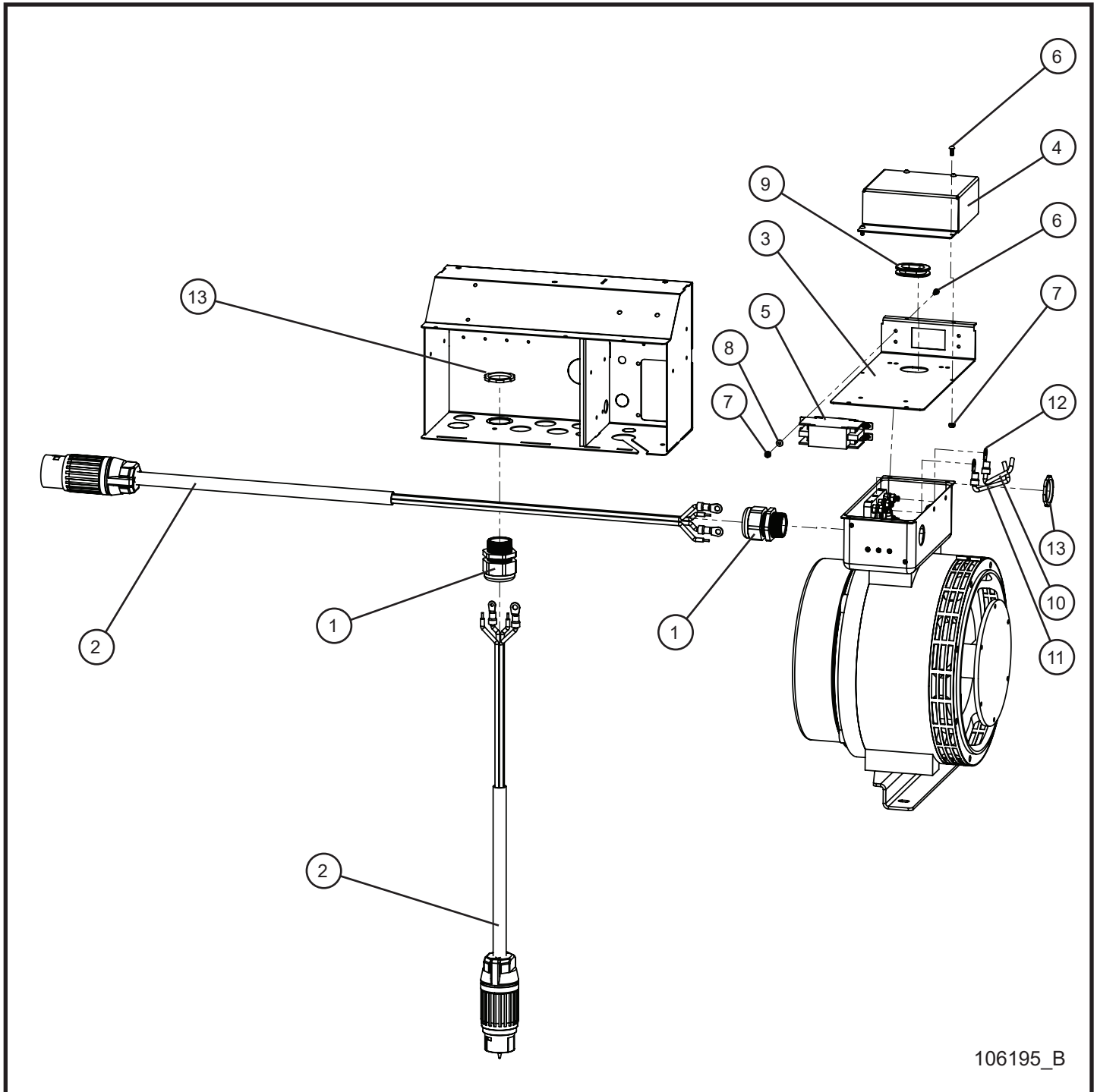
## 13.9 - 6/4 CSA Generator Cord

SN 07-000001 and UP  
SN 08-000001 and UP

Item	Part No.	Part Description	Qty.
1	650295	CORD GENERATOR 6/4 CSA	1
	106167	CORD GENERATOR 6/4 CSA AVR	1
2	105628	1-1/4 NYLON BLACK CORD GRIP	2
3	350363	1-1/4 LOCK NUT	2
4	108911	LOCKING DOME PLUG 1.375 IN.	1
NS	105269	SCHEMATIC 6/4 GEN CORD	1

## 13.10 - 50 AMP Disconnect Marathon Generator Cord

SN 07-000001 and UP  
SN 08-000001 and UP



106195\_B

# Night-Lite ProII™

## 13.10 - 50 AMP Disconnect Marathon Generator Cord

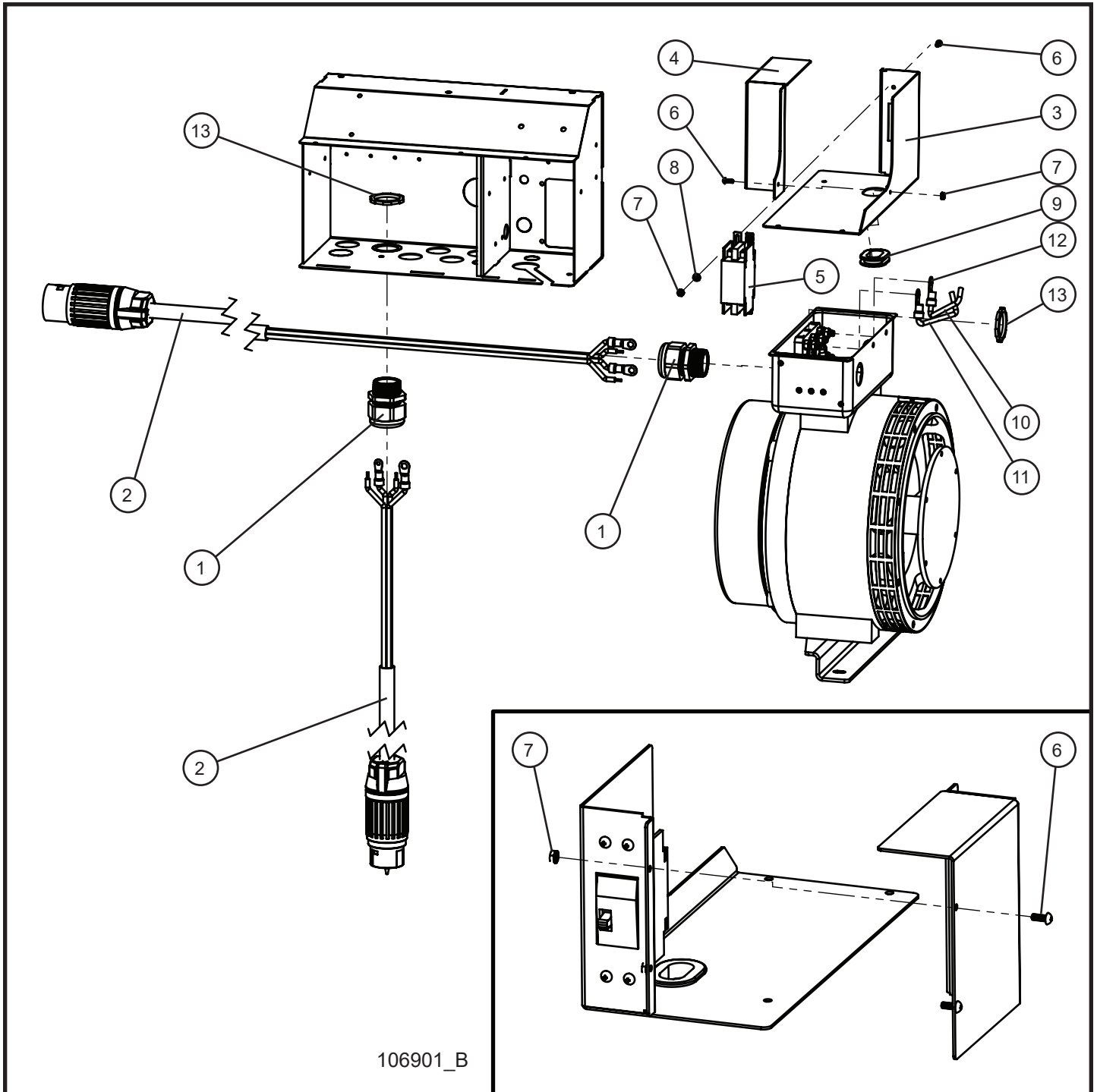
SN 07-000001 and UP

SN 08-000001 and UP

Item	Part No.	Part Description	Qty.
1	105628	1-1/4 NYLON BLACK CORD GRIP	2
2	104178	6/4 GEN CORD 50 AMP DISCONNECT	1
3	108843P	COVER MARATHON GENERATOR	1
4	108844P	COVER GENERATOR	1
5	104434	30 AMP QOU230 BREAKER	1
6	041012	#8-32 x 1/2 SCREW MS PL	8
7	044003	#8-32 NC KEPS NUT	8
8	047004	#8 FLAT WASHER SAE ZC	4
9	650542	1 1/4 ID x 1 1/2 OD GROMMET	1
10	020199	6 AWG BLACK x 20.0	1
11	020195	6 AWG RED x 20.0	1
12	022330	TERM 5/16 EYE 6 AWG	2
13	350363	1-1/4 LOCK NUT	2
14	105180	SCHEMATIC 50A GENERATOR DISCONNECT	1

## 13.11 - 50 AMP Disconnect Marathon AVR Generator Cord

SN 07-000001 and UP  
SN 08-000001 and UP





# Night-Lite ProII™

## 13.11 - 50 AMP Disconnect Marathon AVR Generator Cord

SN 07-000001 and UP  
SN 08-000001 and UP

Item	Part No.	Part Description	Qty.
1	105628	1-1/4 NYLON BLACK CORD GRIP	2
2	104178	6/4 GEN CORD 50 AMP DISCONNECT	1
3	105491P	COVER MARATHON AVR GENERATOR	1
4	105490P	COVER AVR GENERATOR	1
5	104434	30 AMP QOU230 BREAKER	1
6	041012	#8-32 x 1/2 SCREW MS PL	7
7	044003	#8-32 NC KEPS NUT	7
8	047004	#8 FLAT WASHER SAE ZC	4
9	650542	1 1/4 ID x 1 1/2 OD GROMMET	1
10	020199	6 AWG BLACK x 20.0	1
11	020195	6 AWG RED x 20.0	1
12	022330	TERM 5/16 EYE 6 AWG	2
13	350363	1-1/4 LOCK NUT	2
14	105180	SCHEMATIC 50A GENERATOR DISCONNECT	1



# Night-Lite ProII™

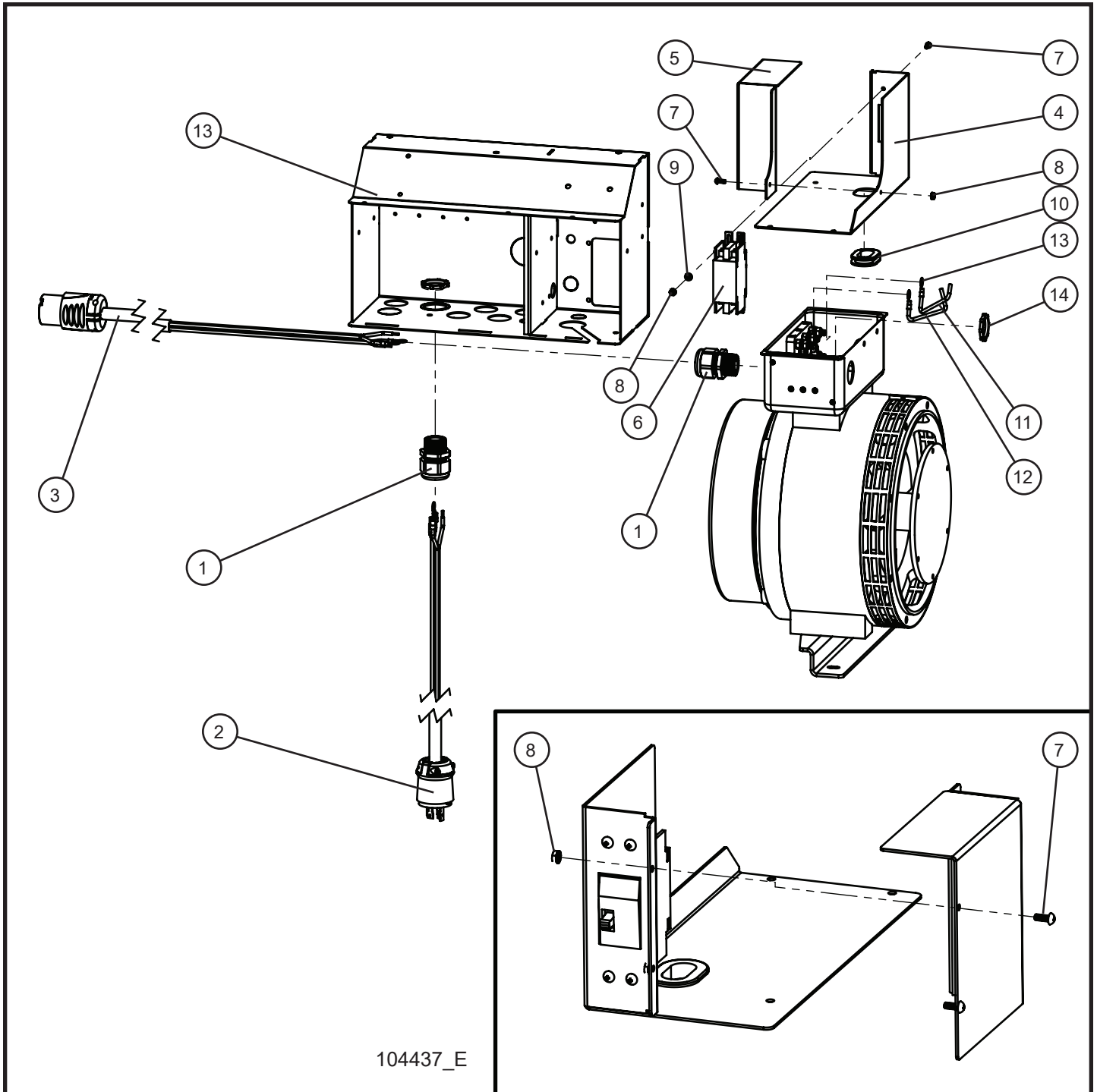
## 13.12 - 30 AMP Disconnect Marathon Generator Cord

SN 07-000001 and UP  
SN 08-000001 and UP

Item	Part No.	Part Description	Qty.
1	105627	1" NYLON BLACK CORD GRIP	2
2	105487	GENERATOR CORD W/ DISCONNECT	1
3	105486	GENERATOR CORD W/ DISCONNECT	1
4	108843P	COVER MARATHON GENERATOR	1
5	108844P	COVER GENERATOR	1
6	104434	30AMP QOU230 BREAKER	1
7	044003	#8-32 NC KEPS NUT	8
8	041012	#8-32 x 1/2 SCREW MS PL	8
9	047004	#8 FLAT WASHER SAE ZC	4
10	650542	1 1/4 ID x 1 1/2 OD GROMMET	1
11	020170	10 AWG x 12.0	1
12	020160	10 AWG x 12.0	1
13	022347	TERM RING 10-12 AWG 5/16	2
14	022038	1" CORD GRIP NUT	2
15	108973	SCHEMATIC 30A GENERATOR DISCONNECT	1

## 13.13 - 30 AMP Disconnect Marathon AVR Generator Cord

SN 07-000001 and UP  
SN 08-000001 and UP



# Night-Lite ProII™

## 13.13 - 30 AMP Disconnect Marathon AVR Generator Cord

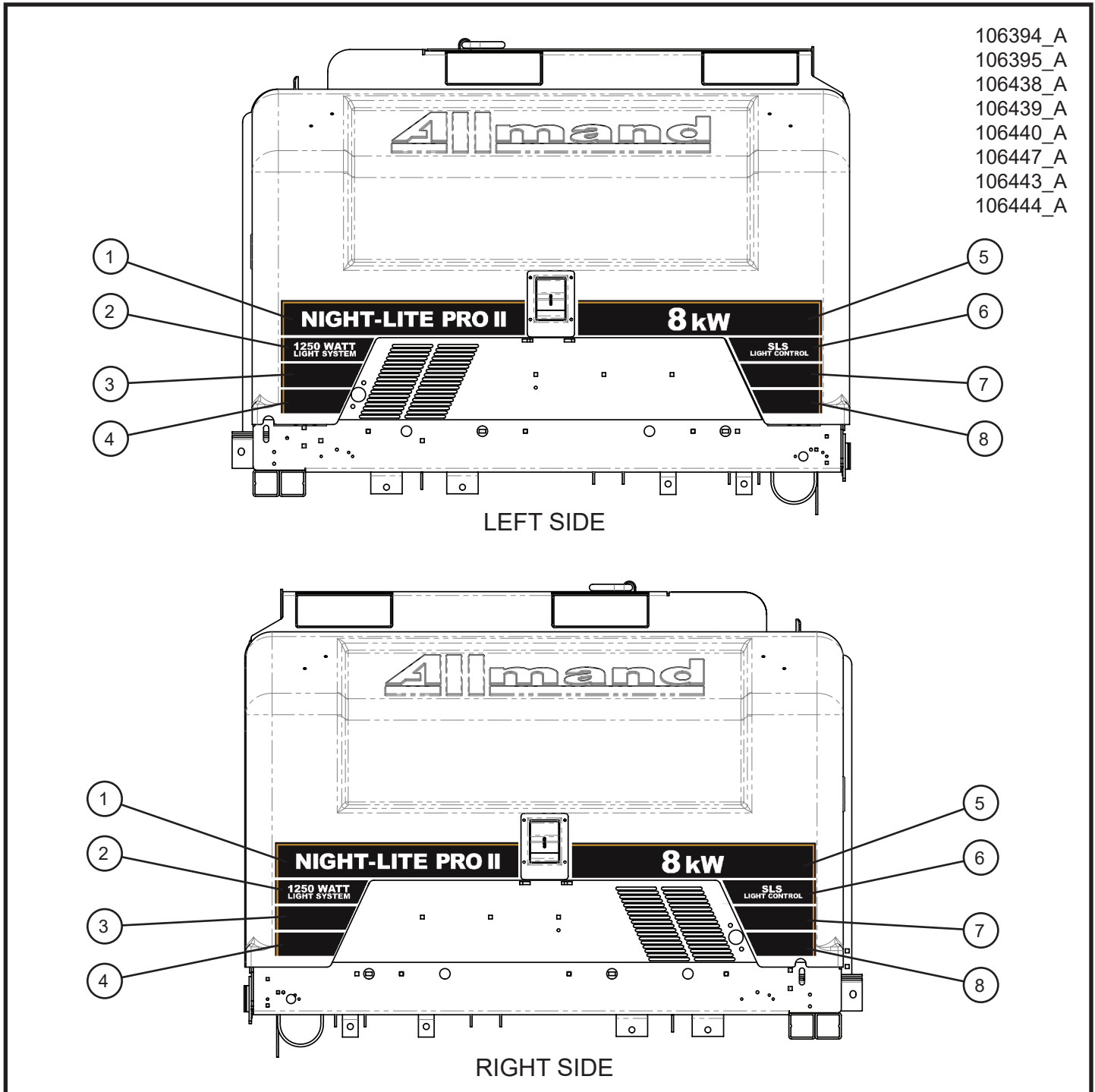
SN 07-000001 and UP

SN 08-000001 and UP

Item	Part No.	Part Description	Qty.
1	105627	1" NYLON BLACK CORD GRIP	2
2	105487	GENERATOR CORD W/ DISCONNECT	1
3	105486	GENERATOR CORD W/ DISCONNECT	1
4	105491P	COVER MARATHON AVR GENERATOR	1
5	105490P	COVER AVR GENERATOR	1
6	104434	30AMP QOU230 BREAKER	1
7	044003	#8-32 NC KEPS NUT	7
8	041012	#8-32 x 1/2 SCREW MS PL	7
9	047004	#8 FLAT WASHER SAE ZC	4
10	650542	1 1/4 ID x 1 1/2 OD GROMMET	1
11	020170	10 AWG x 12.0	1
12	020160	10 AWG x 12.0	1
13	022347	TERM RING 10-12 AWG 5/16	2
14	022038	1" CORD GRIP NUT	2
15	108973	SCHEMATIC 30A GENERATOR DISCONNECT	1

## 14.1 - Door Stripe Decals (1 of 3)

SN 07-000001 and UP  
SN 08-000001 and UP



# Night-Lite ProII™

---

---

## 14.1 - Door Stripe Decals (1 of 3)

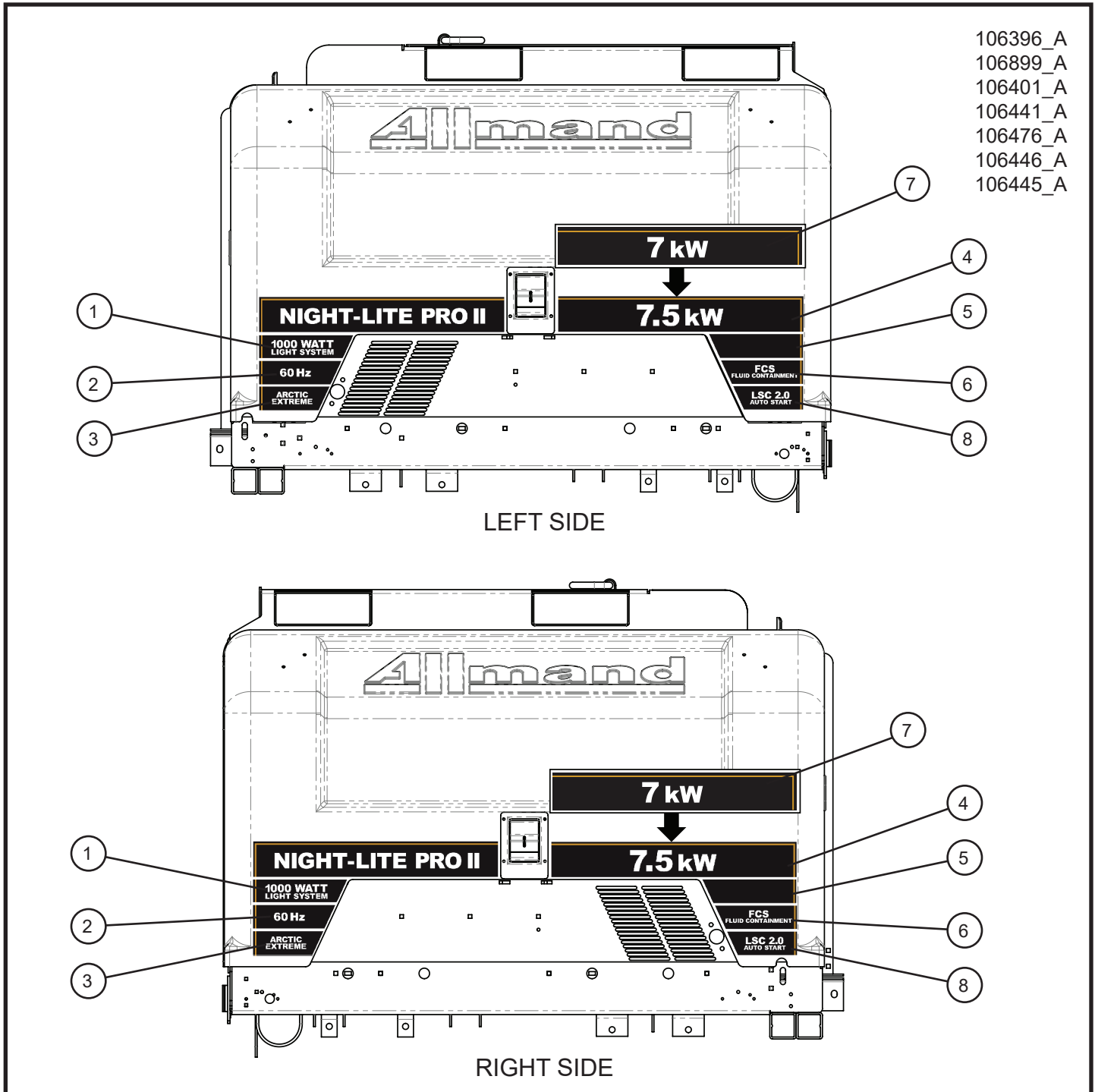
SN 07-000001 and UP  
SN 08-000001 and UP

Item	Part No.	Part Description	Qty.
1	106374	NIGHT-LITE DOOR STRIPE DECAL	2
2	106375	1250 WATT DOOR STRIPE DECAL	2
3	106382	BLANK DOOR STRIPE DECAL	2
4	106384	BLANK DOOR STRIPE DECAL	2
5	106385	8 kW DOOR STRIPE DECAL	2
6	106392	SLS DOOR STRIPE DECAL	2
7	106388	BLANK DOOR STRIPE	2
8	106389	BLANK DOOR STRIPE DECAL	2

\*NOTE: DOOR STRIPE DECALS ON THESE PAGES ARE SHOWN FOR PLACEMENT ONLY.

## 14.1 - Door Stripe Decals (2 of 3)

SN 07-000001 and UP  
SN 08-000001 and UP





# Night-Lite ProII™

## 14.1 - Door Stripe Decals (2 of 3)

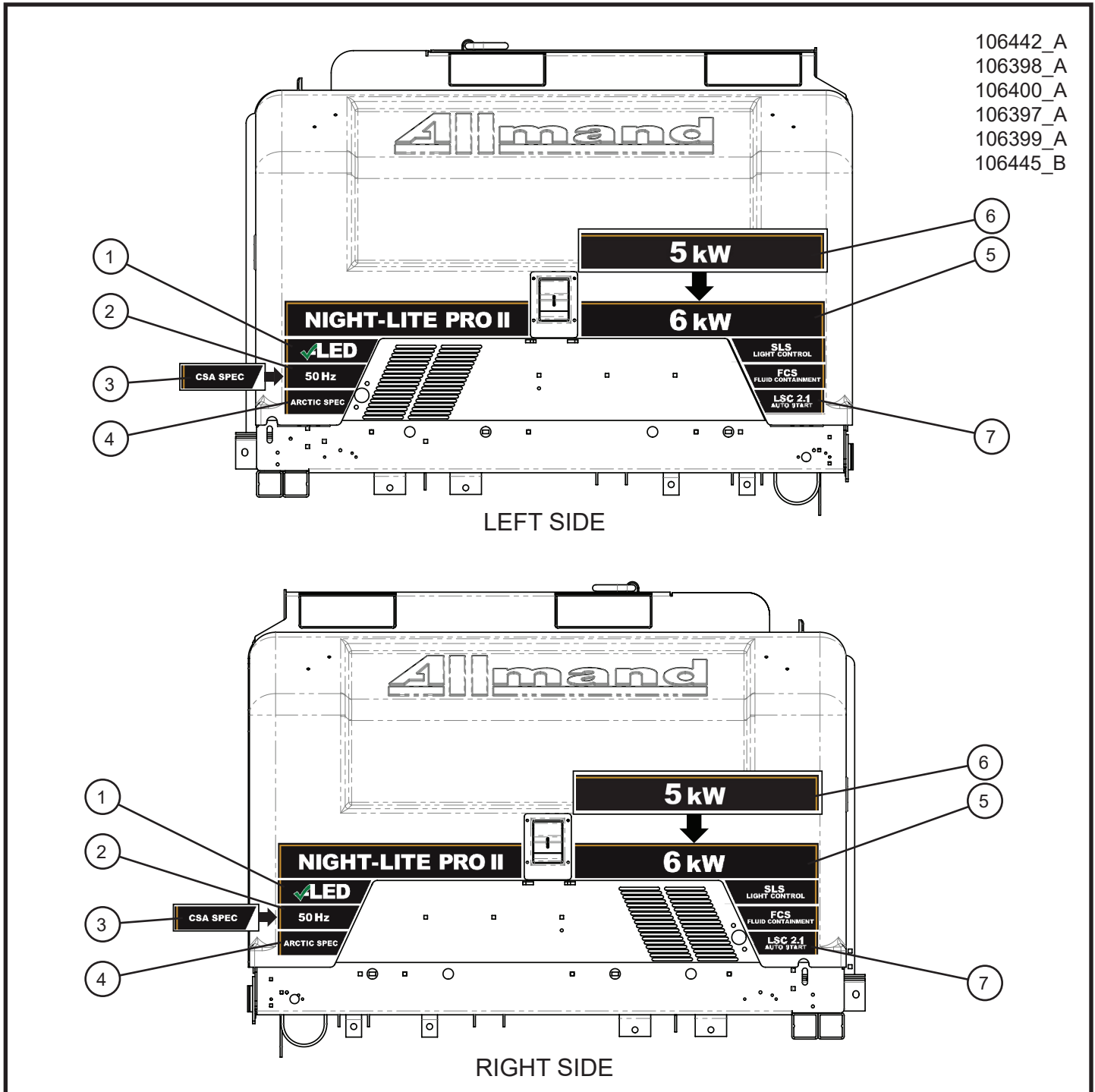
SN 07-000001 and UP  
SN 08-000001 and UP

Item	Part No.	Part Description	Qty.
1	106376	1000 WATT DOOR STRIPE DECAL	2
2	106477	60 Hz DOOR STRIPE DECAL	2
3	106381	ARCTIC EXTREME DOOR STRIPE DECAL	2
4	106386	7.5 kW DOOR STRIPE DECAL	2
5	106475	BLANK SLS DOOR STRIPE DECAL	2
6	106391	FCS DOOR STRIPE DECAL	2
7	110365	7 kW DOOR STRIPE DECAL	2
8	106390	LSC 2.0 DOOR STRIPE DECAL	2

\*NOTE: DOOR STRIPE DECALS ON THESE PAGES ARE SHOWN FOR PLACEMENT ONLY.

## 14.1 - Door Stripe Decals (3 of 3)

SN 07-000001 and UP  
SN 08-000001 and UP



# Night-Lite ProII™

---

---

## 14.1 - Door Stripe Decals (3 of 3)

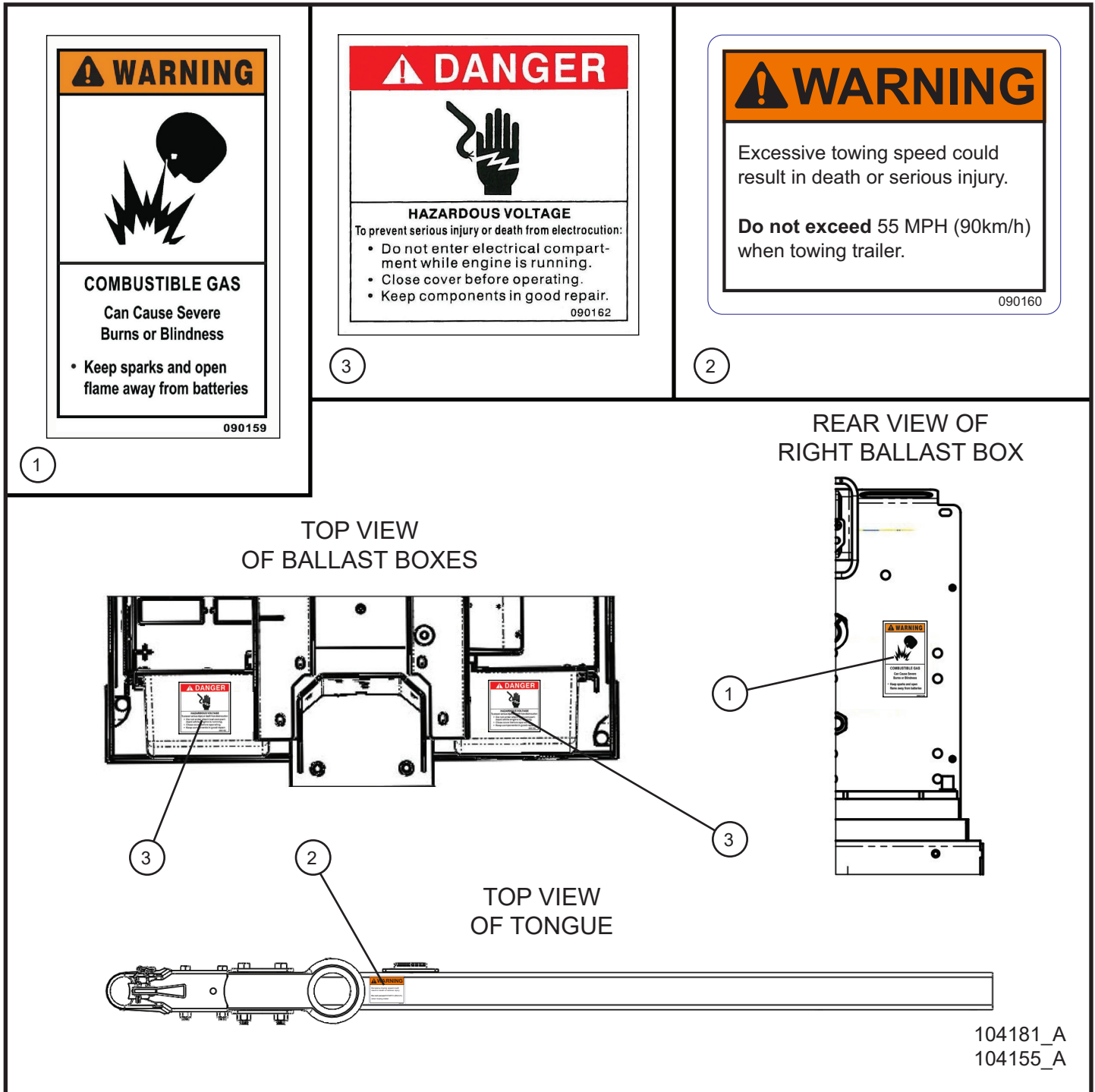
SN 07-000001 and UP  
SN 08-000001 and UP

Item	Part No.	Part Description	Qty.
1	106378	LED DOOR STRIPE DECAL	2
2	106380	50 Hz DOOR STRIPE DECAL	2
3	106377	CSA SPEC DOOR STRIPE DECAL	2
4	106379	ARCTIC SPEC DOOR STRIPE DECAL	2
5	106387	6 kW DOOR STRIPE DECAL	2
6	110308	5 kW DOOR STRIPE DECAL	2
7	107407	LSC 2.1 DOOR STRIPE DECAL	2

\*NOTE: DOOR STRIPE DECALS ON THESE PAGES ARE SHOWN FOR PLACEMENT ONLY.

## 14.2 - Old Style Universal Interior Trailer Decals

SN 07-000001 and UP  
SN 08-000001 and UP



# Night-Lite ProII™

---

## 14.2 -Old Style Universal Interior Trailer Decals




SN 07-000001 and UP  
SN 08-000001 and UP

Item	Part No.	Part Description	Qty.
1	090159	BATTERY COMBUSTIBLE GAS WARNING DECAL	1
2	090160	EXCESS TOWING WARNING DECAL	1
3	090162	VOLTAGE HAZARD DANGER DECAL	2

## 14.3 - English Universal Interior Trailer Decals

SN 07-000001 and UP  
SN 08-000001 and UP



**⚠ WARNING**

Smoking materials, open flames, or other forms of ignition near the battery could cause explosion resulting in death or serious injury.

Keep smoking materials, open flames, and other forms of ignition away from the battery.




**⚠ WARNING**

Exposure to corrosive material could result in death or serious injury.

Wear protective gloves when handling battery.

**⚠ DANGER**


Failure to use ground rod will result in death or serious injury.

Drive ground rod into earth and attach ground wire to grounding lug on side of trailer.

Entering electrical compartment while equipment is in operation will result in death or serious injury.

Shut down equipment before entering electrical compartment.

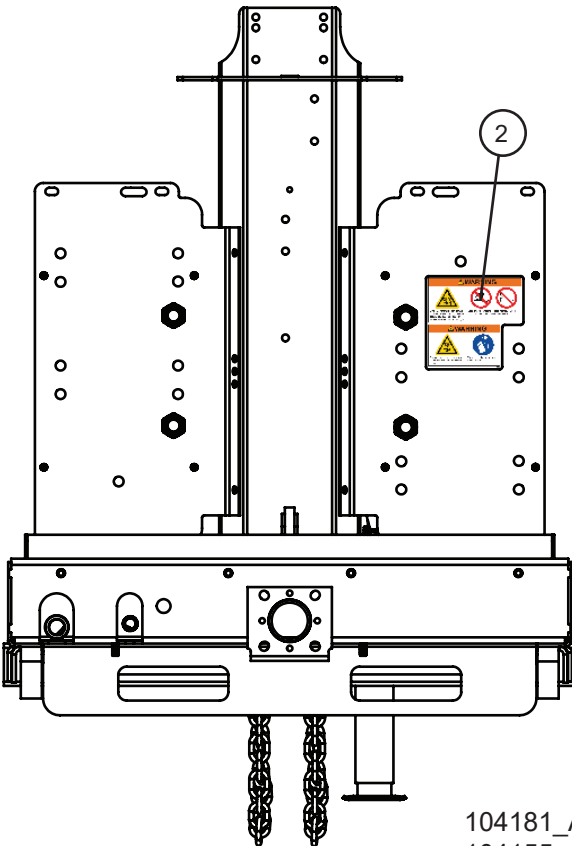
**⚠ DANGER**



Entering electrical compartment while equipment is in operation will result in death or serious injury.

Shut down equipment before entering electrical compartment.

REAR VIEW OF BALLAST BOXES



TOP VIEW OF BALLAST BOXES



TOP VIEW OF CONTROL BOX



104181\_A  
104155\_A

# Night-Lite ProII™

---

---

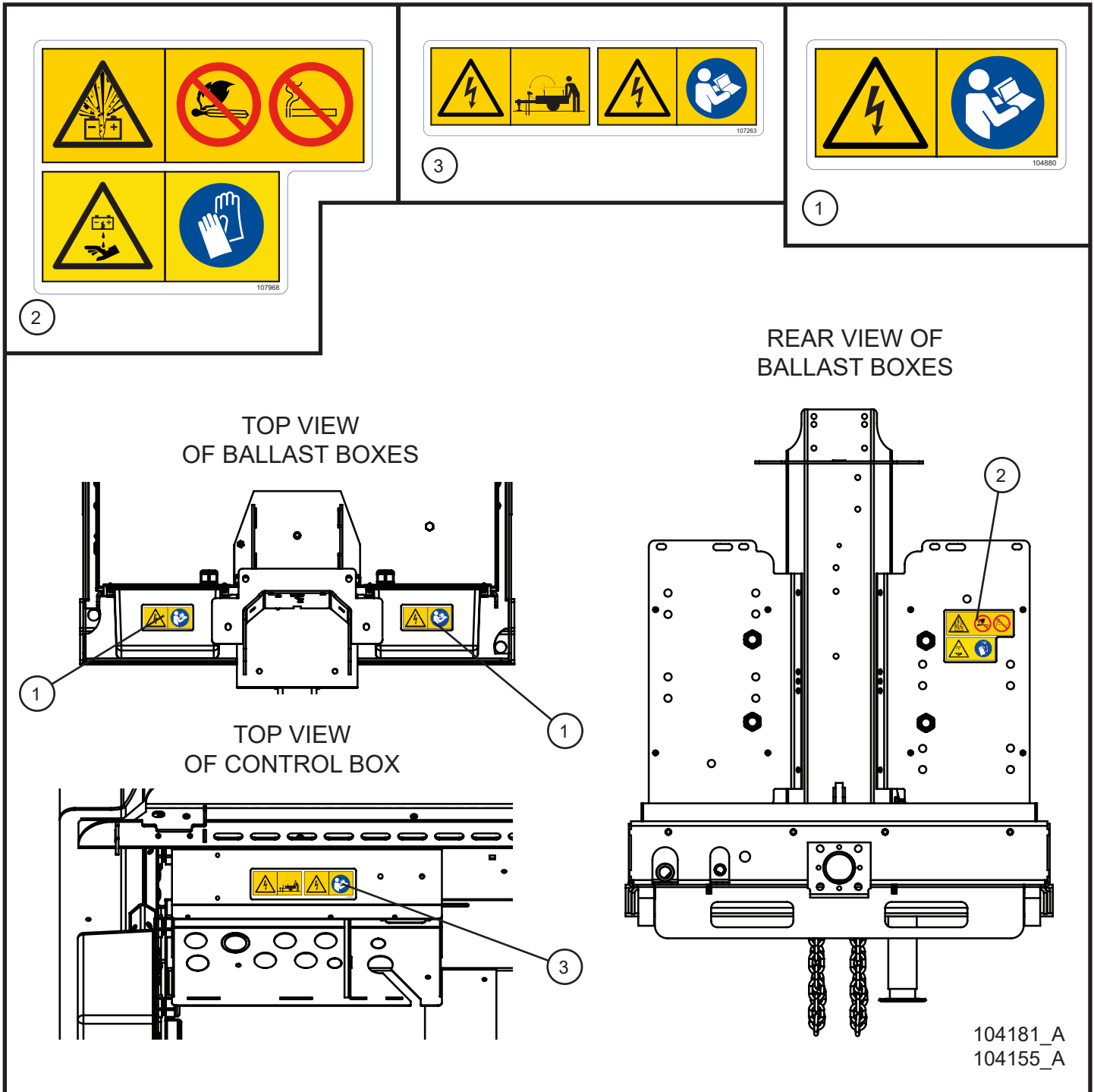
## 14.3 - English Universal Interior Trailer Decals

SN 07-000001 and UP  
SN 08-000001 and UP

Item	Part No.	Part Description	Qty.
1	107251	ELECTRICAL VOLTAGE DANGER DECAL	2
2	108805	BATTERY EXPLOSIVE WARNING DECAL	1
3	109004	ELECTRICAL VOLTAGE/GROUND ROD DANGER DECAL	1

## 14.4 - Wordless Universal Interior Trailer Decals

SN 07-000001 and UP  
SN 08-000001 and UP





# Night-Lite ProII™

---

---

## 14.4 - Wordless Universal Interior Trailer Decals

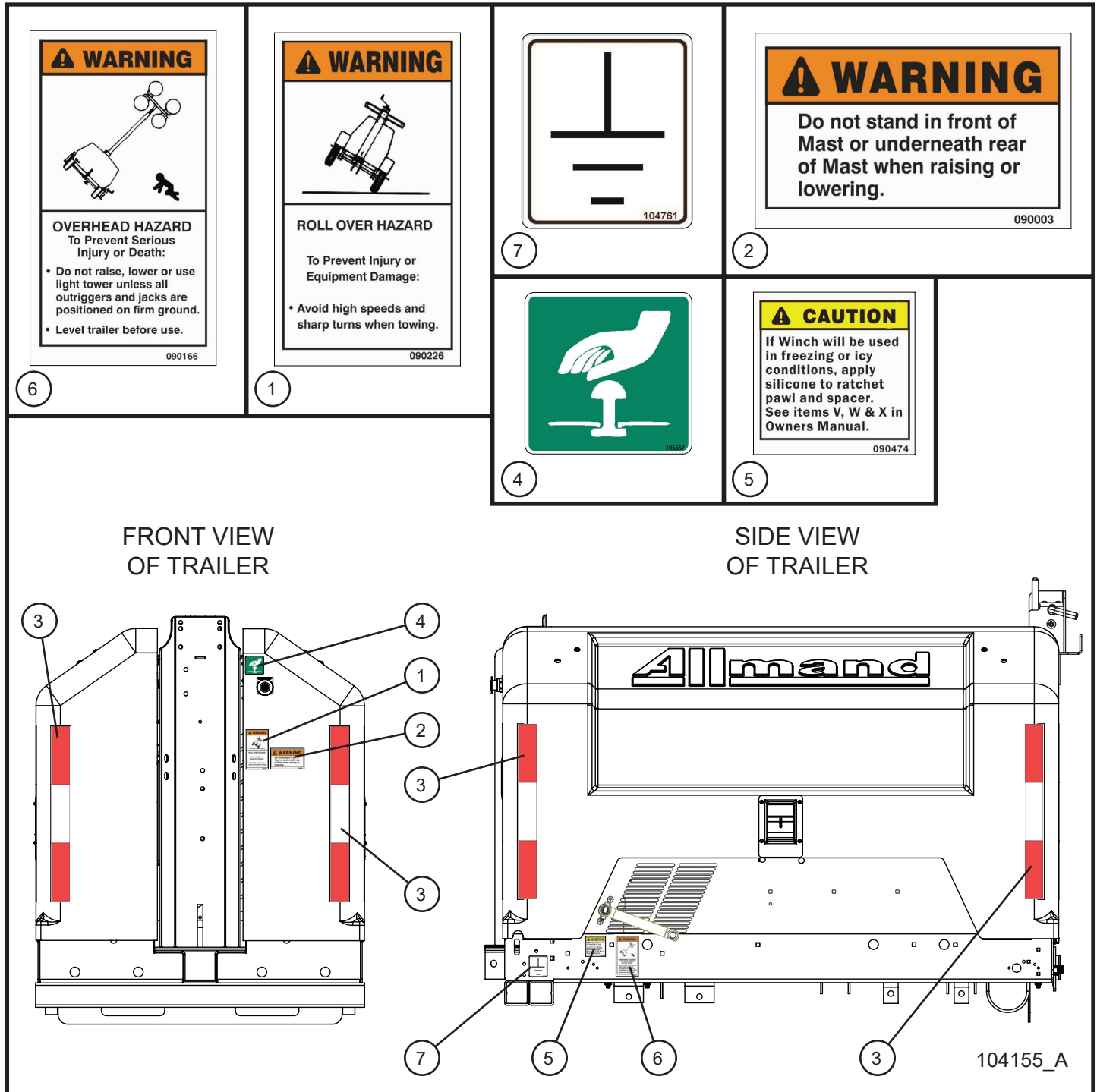
SN 07-000001 and UP

SN 08-000001 and UP

Item	Part No.	Part Description	Qty.
1	104880	WORDLESS HIGH VOLTAGE DECAL	2
2	107968	WORDLESS BATTERY EXPLOSIVE WARNING DECAL	1
3	107263	WORDLESS ELECTRICAL / GROUND ROD DANGER DECAL	1

## 14.5 - Laydown Tower Trailer Old Style Decals (1 of 5)

SN 07-000001 and UP



# Night-Lite ProII™

## 14.5 - Laydown Tower Trailer Old Style Decals (1 of 5)

SN 07-000001 and UP

Item	Part No.	Part Description	Qty.
1	090226	ROLL OVER WARNING DECAL	1
2	090003	DO NOT STAND LAYDOWN TOWER WARNING DECAL	1
3	654004	CONSPICUITY TAPE x 18.0 (OPTION)	6
4	105567	EMERGENCY STOP DECAL (EMERGENCY STOP OPTION ONLY)	1
5	090474	WINCH CAUTION DECAL	1
6	090166	OVERHEAD HAZARD WARNING DECAL	1
7	104761	GROUND DECAL	1

## 14.5 - Laydown Tower Trailer Old Style Decals (2 of 5)

SN 07-000001 and UP

**www.allmand.com** 100919

**MANUFACTURED IN THE USA\***

**WARNING**  
Do not stand in front of Mast or underneath rear of Mast when raising or lowering.  
090003

**ALLMAND ASSURANCE**

**UNLATCHED**  
**LATCHED** 090139

**WARNING**  
Do not stand in front of Mast or underneath rear of Mast when raising or lowering.  
090003

**CAT REAR PANEL**

**KUBOTA REAR PANEL**

104155\_A

# Night-Lite ProII™

## 14.5 - Laydown Tower Trailer Old Style Decals (2 of 5)

SN 07-000001 and UP

Item	Part No.	Part Description	Qty.
1	104750	FLUID CONTAINMENT DRAIN DECAL (FCS TRAY OPTION ONLY)	1
2	104751	ENGINE OIL DRAIN DECAL (FCS TRAY OPTION ONLY)	1
3	654004	CONSPICUITY TAPE x 18.0 (OPTION)	2
4	090139	TOWER LATCH DECAL	1
5	090003	DO NOT STAND LAYDOWN TOWER WARNING DECAL	1
6	105467	MANUFACTURED IN THE USA DECAL	1
7	102088	3 GENERATIONS ALLMAND ASSURANCE DECAL	1
8	100919	WWW.ALLMAND.COM DECAL	1

## 14.5 - Laydown Tower Trailer Old Style Decals (3 of 5)

SN 07-000001 and UP

**SETUP TRAILER AND RAISE TOWER**

**WARNING**

**CHECK FOR OVERHEAD POWER LINES AND OBSTRUCTIONS BEFORE RAISING TOWER.**

- EXTEND BOTH SIDE OUTRIGGERS. LEVEL TRAILER WITH ALL JACKS.
- PULL REAR PIN BACK TO RELEASE MAST FROM MAST SUPPORT.
- TURN CRANK ON SIDE OF TRAILER CLOCKWISE TO RAISE TOWER TO VERTICAL.
- LATCH PIN TO SECURE TOWER.
- TURN CRANK ON MAST CLOCKWISE TO RAISE LIGHTS.
- TURN KNOB TO ALLOW MAST AND LIGHTS TO ROTATE.

**LOWER TOWER AND PREPARE FOR TOWING**

- ROTATE MAST UNTIL WINCH HANDLE POINTS TO FRONT OF TRAILER.
- TURN CRANK ON MAST COUNTERCLOCKWISE TO LOWER LIGHTS TO LOWEST VERTICAL POSITION.
- TURN CRANK ON SIDE OF TRAILER CLOCKWISE UNTIL CABLE IS TIGHT.
- RELEASE LATCH PIN.
- TURN CRANK ON SIDE OF TRAILER TO FOLD MAST DOWN.
- LOCK MAST WITH REAR PULL PIN.
- RAISE JACKS AND SWING INTO TRANSPORT POSITION.
- RETRACT OUTRIGGERS AND SECURE.

FOR PARTS AND SERVICE CONTACT YOUR AUTHORIZED DEALER OR VISIT ALLMAND ON THE WEB AT [www.allmand.com](http://www.allmand.com) OR CALL 1-800-562-1373

103018

**DANGER**

ELECTRICAL SHOCK HAZARD  
Failure to use ground rod could cause severe injury or death.  
Drive ground rod into earth and attach ground wire to grounding lug on front of trailer.

**Allmand**

For parts and service contact your authorized dealer or visit Allmand on the web at [www.allmand.com](http://www.allmand.com) or call 1-800-562-1373

090465

INSIDE LEFT DOOR

104155\_A

# Night-Lite ProII™

---


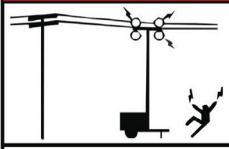

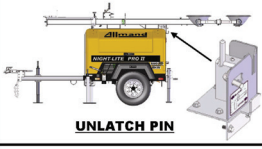
## 14.5 - Laydown Tower Trailer Old Style Decals (3 of 5)

SN 07-000001 and UP

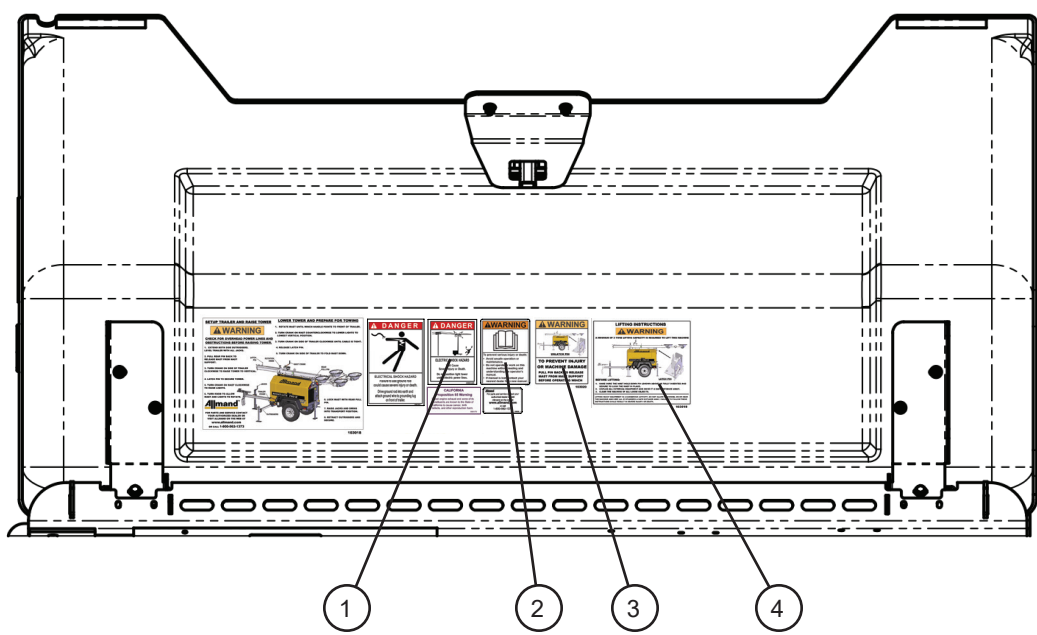
Item	Part No.	Part Description	Qty.
1	103018	LAYDOWN TOWER SETUP DECAL	1
2	090163	ELECTRICAL SHOCK DANGER DECAL	1
3	090179	CALIFORNIA PROPOSITION 65 WARNING DECAL	1
4	090465	PARTS & SERVICE DECAL	1

## 14.5 - Laydown Tower Trailer Old Style Decals (4 of 5)

SN 07-000001 and UP

<div style="text-align: center; font-weight: bold;">LIFTING INSTRUCTIONS</div> <div style="text-align: center; background-color: #FFD700; color: black; padding: 2px;">⚠ WARNING</div> <p>A MINIMUM OF 2 TONS LIFTING CAPACITY IS REQUIRED TO LIFT THIS MACHINE</p>  <p><b>BEFORE LIFTING:</b></p> <ol style="list-style-type: none"> <li>1. MAKE SURE THE MAST HOLD DOWN PIN (SHOWN ABOVE) IS FULLY INSERTED AND SECURE TO LOCK THE MAST IN PLACE.</li> <li>2. UNPLUG ALL EXTERNAL EQUIPMENT AND MOVE IT A SAFE DISTANCE AWAY.</li> <li>3. CLEAR THE MACHINE OF ALL LOOSE OBJECTS.</li> </ol> <p><small>LIFTING HEAVY EQUIPMENT IS A DANGEROUS ACTIVITY. DO NOT ALLOW PERSONNEL ON OR NEAR THE MACHINE AND KEEP ALL BYSTANDERS A SAFE DISTANCE AWAY. FAILURE TO FOLLOW THESE INSTRUCTIONS COULD RESULT IN SEVERE INJURY OR DEATH.</small></p> <p style="text-align: right;"><b>103019</b></p>	<div style="text-align: center; background-color: red; color: white; padding: 2px;">⚠ DANGER</div>  <div style="text-align: center; font-weight: bold;">ELECTRIC SHOCK HAZARD</div> <p style="text-align: center;">Will Cause Severe Injury or Death.</p> <p style="text-align: center;">Do not position light tower under electric power lines.</p> <p style="text-align: right;"><small>090165</small></p>	<div style="text-align: center; background-color: #FFD700; color: black; padding: 2px;">⚠ WARNING</div>  <p style="text-align: center;">To prevent serious injury or death:</p> <ul style="list-style-type: none"> <li>• Avoid unsafe operation or maintenance.</li> <li>• Do not operate or work on this machine without reading and understanding the operator's manual.</li> <li>• If manual is lost, contact your nearest dealer for a new manual.</li> </ul>	<div style="text-align: center; background-color: #FFD700; color: black; padding: 2px;">⚠ WARNING</div>  <div style="text-align: center; font-weight: bold;">UNLATCH PIN</div> <div style="text-align: center; font-weight: bold;">TO PREVENT INJURY OR MACHINE DAMAGE</div> <div style="text-align: center; font-weight: bold;">PULL PIN BACK TO RELEASE MAST FROM MAST SUPPORT BEFORE OPERATING WINCH</div> <p style="text-align: right;"><b>103020</b></p>
④	①	②	③

INSIDE LEFT DOOR



①      ②      ③      ④

104155\_A



# Night-Lite ProII™

---

---

## 14.5 - Laydown Tower Trailer Old Style Decals (4 of 5)

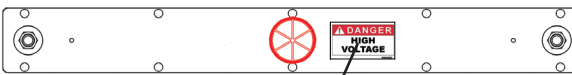
SN 07-000001 and UP

Item	Part No.	Part Description	Qty.
1	090165	ELECTRIC SHOCK HAZARD DANGER DECAL	1
2	090158	OPERATOR'S MANUAL WARNING DECAL	1
3	103020	LAYDOWN TOWER UNLATCH PIN WARNING DECAL	1
4	103019	LAYDOWN TOWER LIFTING INSTRUCTIONS WARNING DECAL	1

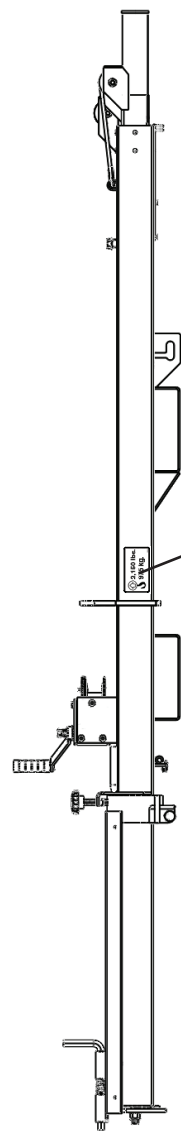
## 14.5 - Laydown Tower Trailer Old Style Decals (5 of 5)

SN 07-000001 and UP

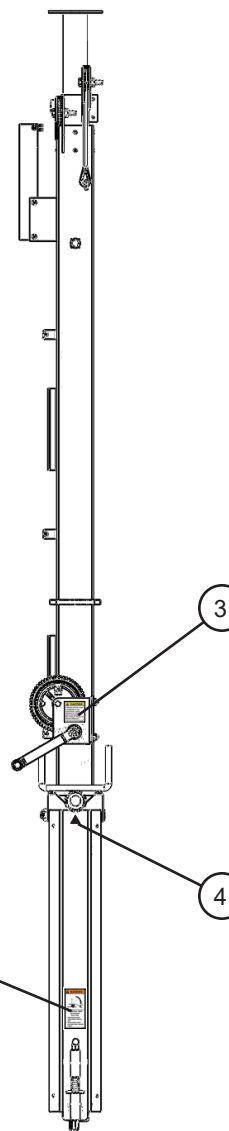
REAR VIEW OF LIGHT BAR




SIDE VIEW OF TOWER




TOP VIEW OF TOWER






5



1




4

**CAUTION**

If Winch will be used in freezing or icy conditions, apply silicone to ratchet pawl and spacer. See items V, W & X in Owners Manual.

090474

3



2

104155\_A

# Night-Lite ProII™

---

## 14.5 - Laydown Tower Trailer Old Style Decals (5 of 5)


SN 07-000001 and UP

Item	Part No.	Part Description	Qty.
1	090002	HIGH VOLTAGE DANGER DECAL	1
2	090164	NON-VERTICAL TOWER WARNING DECAL	1
3	090474	WINCH CAUTION DECAL	1
4	090177	ALIGNMENT ARROW DECAL	1
5	106028	LIFT POINT DECAL	2

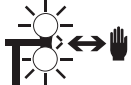
## 14.6 - Laydown Tower Trailer English Decals (1 of 5)

SN 07-000001 and UP

**⚠ WARNING**




Handling light fixtures when they are hot could result in serious injury.



Keep away from light fixtures when illuminated or hot.

108894

**⚠ DANGER**




Entering electrical compartment while equipment is in operation will result in death or serious injury.

Shut down equipment before entering electrical compartment.

107251


**⚠ WARNING**




Performing high speed sharp turns could cause trailer to roll over resulting in death or serious injury.

Slow to a safe speed when performing sharp turns.

**⚠ WARNING**






Failure to follow warnings, instructions, and operator's manual could result in death or serious injury.

Open left door to locate operator's manual. Read and follow operator's manual before operating or servicing this equipment.

108998

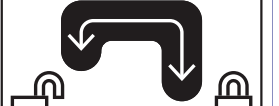
**⚠ WARNING**



Contact with hot exhaust gases and parts could cause serious injury.

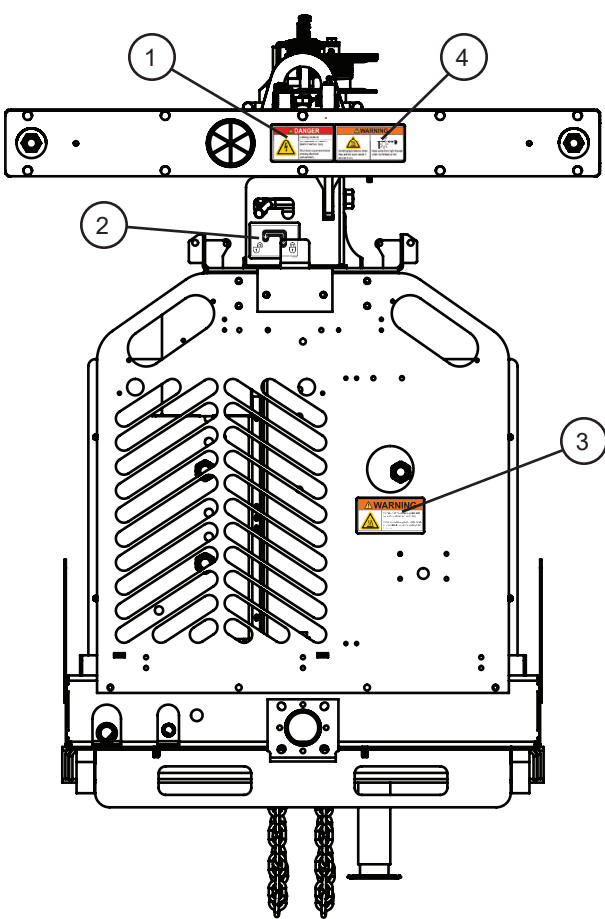
Avoid hot exhaust gases. Keep hands and combustible materials away from hot parts.

107465

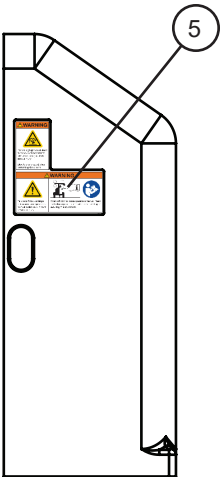


107261

REAR VIEW



FRONT VIEW OF LEFT DOOR



104155\_A

# Night-Lite ProII™

---

---

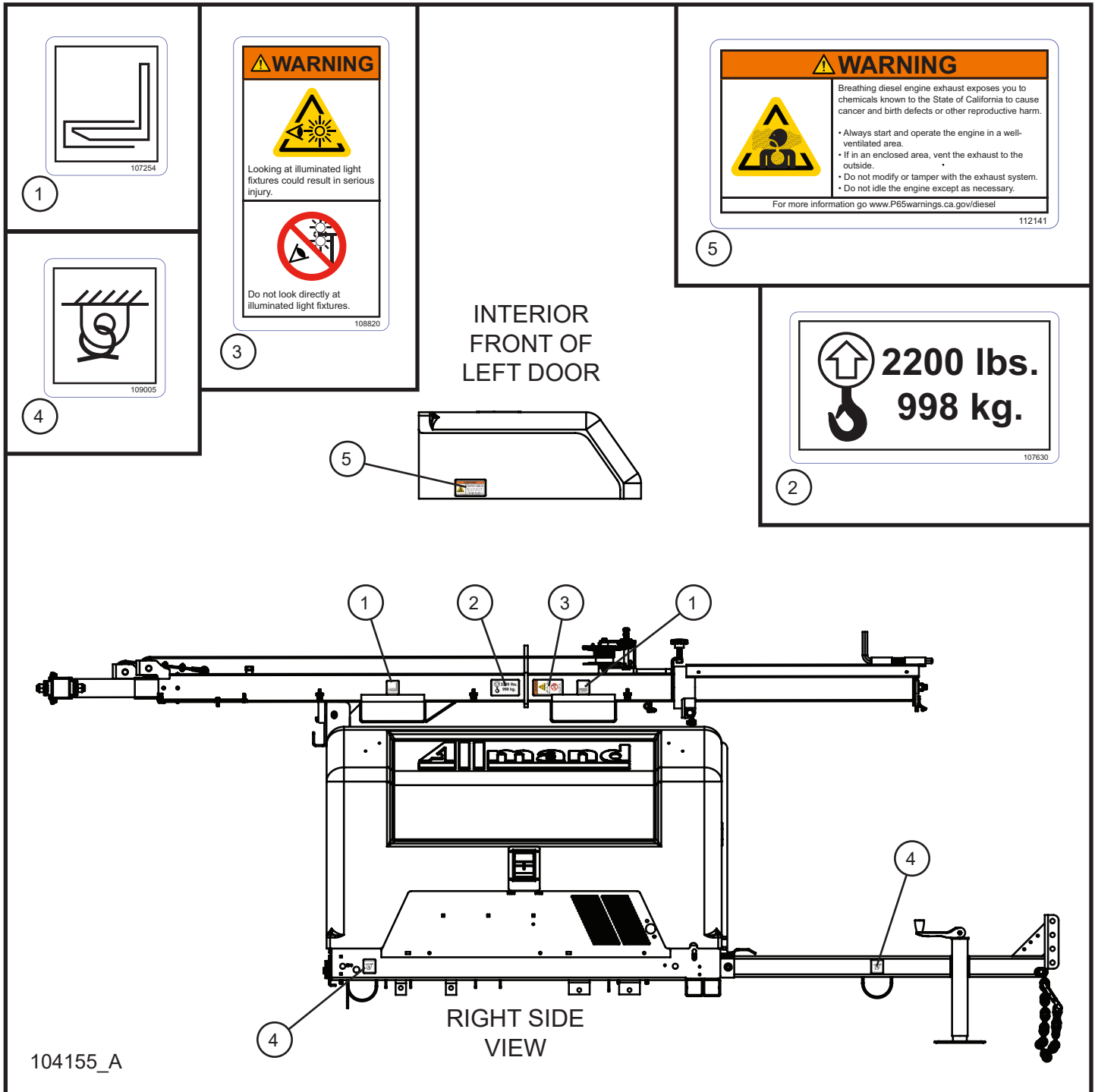
## 14.6 - Laydown Tower Trailer English Decals (1 of 5)

SN 07-000001 and UP

Item	Part No.	Part Description	Qty.
1	107251	ELECTRICAL VOLTAGE DANGER DECAL	3
2	107261	TOP MAST LATCH DECAL	1
3	107465	HOT SURFACE WARNING DECAL	1
4	108994	HOT LIGHT FIXTURE WARNING DECAL	1
5	108998	ROLLOVER/OPERATOR WARNING DECAL	1

## 14.6 - Laydown Tower Trailer English Decals (2 of 5)

SN 07-000001 and UP



# Night-Lite ProII™

---

---

## 14.6 - Laydown Tower Trailer English Decals (2 of 5)

SN 07-000001 and UP

Item	Part No.	Part Description	Qty.
1	107254	FORKLIFT POSITION DECAL	4
2	107630	2200 LBS WEIGHT LIFT DECAL	2
3	108820	ILLUMINATED LIGHT WARNING DECAL	2
4	109005	TIE DOWN POSITION DECAL	4
5	112141	PROPOSITION 65 WARNING DECAL	1

## 14.6 - Laydown Tower Trailer English Decals (3 of 5)

SN 07-000001 and UP

**1** 107254

**2** 107630

**3** 107969

**4** 108818

**5** 108620

**6** 109005

**LEFT SIDE VIEW**

**104155\_A**

**WARNING**

Looking at illuminated light fixtures could result in serious injury.

Do not look directly at illuminated light fixtures.

**2200 lbs.**  
**998 kg.**

**DANGER**

Contacting power lines when raising light tower will result in death or serious injury.

Keep light tower far away from power lines.

**WARNING**

Raising light tower prior to positioning outriggers and lowering jacks could cause machine rollover resulting in death or serious injury.

Position outriggers and lower jacks on a stable surface before raising light tower.

**WARNING**

Failure to lock bottom mast latch before raising tower could allow tower to fall resulting in death or serious injury.

Lock bottom mast latch before raising tower.

**CAUTION**

Snow and ice could cause an uncontrolled condition in which that could result in minor to moderate injury.

Make sure pawl engages gear. Apply silicone to ratchet pawl and spacer.



# Night-Lite ProII™

---

---

## 14.6 - Laydown Tower Trailer English Decals (3 of 5)


SN 07-000001 and UP

Item	Part No.	Part Description	Qty.
1	107254	FORKLIFT POSITION DECAL	4
2	107630	2200 LBS WEIGHT LIFT DECAL	2
3	107969	GROUND POSITION DECAL	1
4	108818	4 PANEL LAYDOWN TOWER DANGER/WARNING DECAL	1
5	108820	ILLUMINATED LIGHT WARNING DECAL	2
6	109005	TIE DOWN POSITION DECAL	2


## 14.6 - Laydown Tower Trailer English Decals (4 of 5)

SN 07-000001 and UP

**WARNING**




Excessive towing speed could result in death or serious injury.



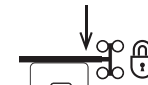
**65 mph (105 km/h) max**

Do not exceed 65mph (105km/h) when towing trailer.

**WARNING**




Failure to secure tower in lowered position could cause light fixtures to detach resulting in death or serious injury.



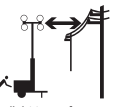
Lock light tower to in lowered position before towing trailer.

108896

**DANGER**




Contacting power lines when raising light tower will result in death or serious injury.




Keep light tower far away from power lines.

**WARNING**




Failure to lock bottom mast latch before raising tower could allow tower to fall resulting in death or serious injury.




Lock bottom mast latch before raising tower.

**CAUTION**

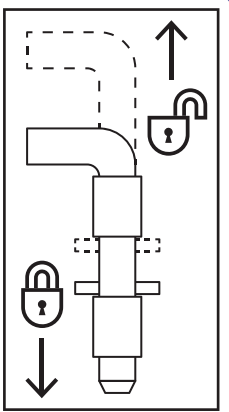


Snow and ice could cause an uncontrolled condition in winch that could result in minor to moderate injury.

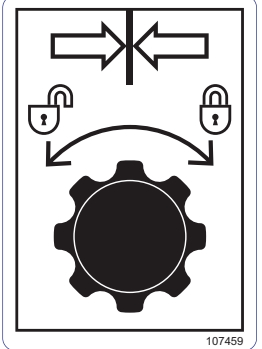


Make sure pawl engages gear. Apply silicone to ratchet pawl and spacer.

108819

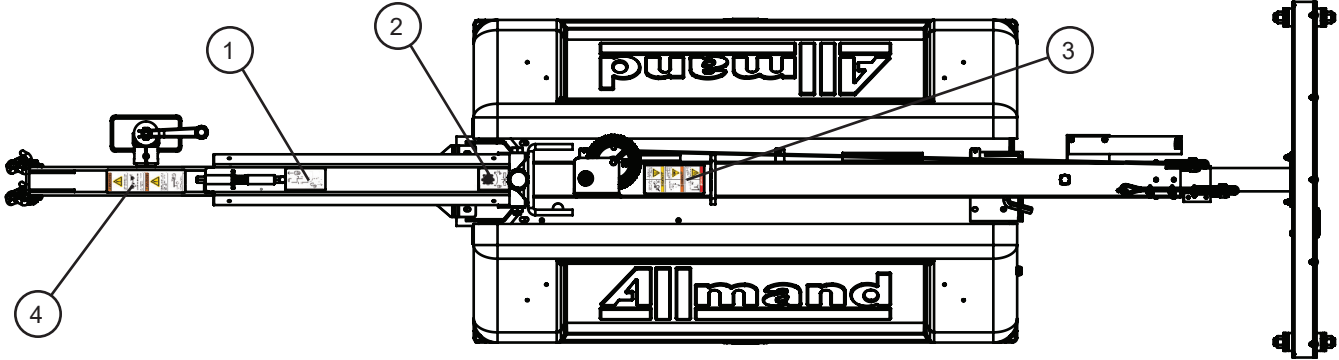


107260



107459

TOP SIDE VIEW



104155\_A

# Night-Lite ProII™

---

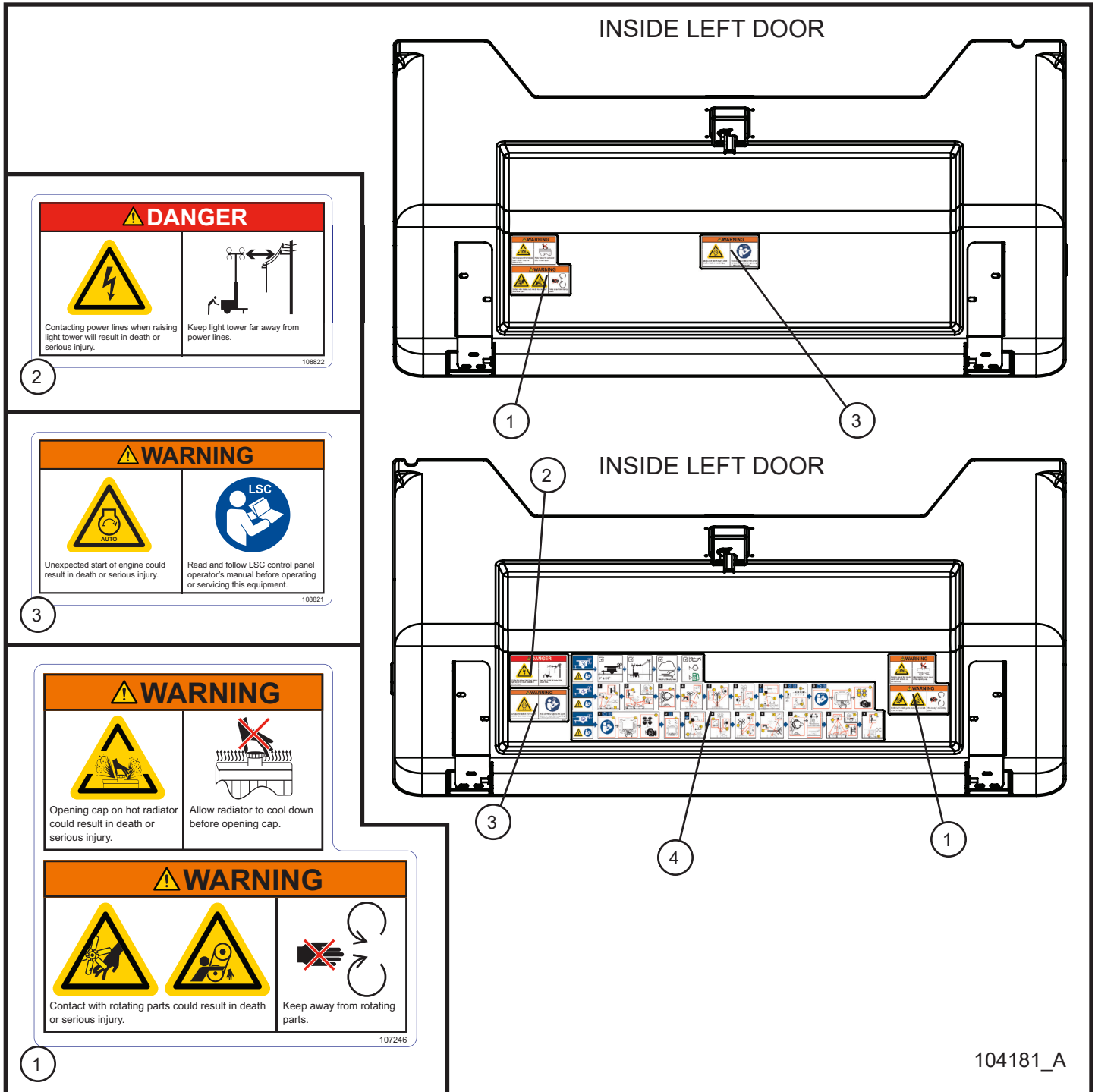
## 14.6 - Laydown Tower Trailer English Decals (4 of 5)

SN 07-000001 and UP

Item	Part No.	Part Description	Qty.
1	107260	BOTTOM MAST LATCH DECAL	1
2	107459	TOWER ALIGNMENT DECAL	1
3	108819	3 PANEL LAYDOWN TOWER DANGER/WARNING DECAL	1
4	108996	LAYDOWN TOWER TOWING WARNING DECAL	1

## 14.6 - Laydown Tower Trailer English Decals (5 of 5)

SN 07-000001 and UP



# Night-Lite ProII™

---

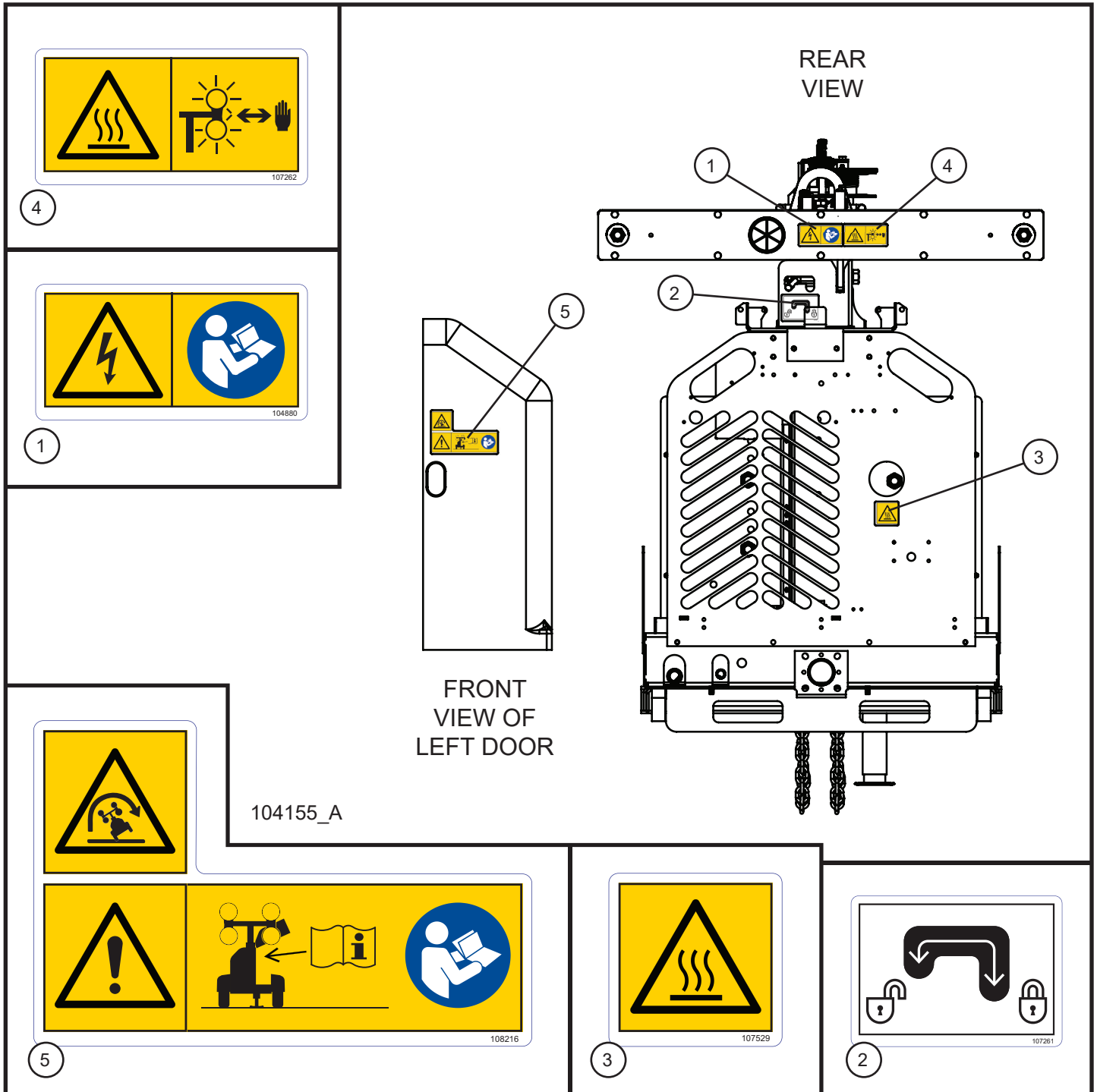
## 14.6 - Laydown Tower Trailer English Decals (5 of 5)

SN 07-000001 and UP

Item	Part No.	Part Description	Qty.
1	107246	RADIATOR / ENTANGLEMENT WARNING DECAL	2
2	108822	POWER LINE DANGER DECAL	1
3	108821	LSC ENGINE DECAL WARNING	2
4	107455	LD SLS/KEY START OPERATOR WORDLESS DECAL	1
	107457	LD LSC OPERATOR WORDLESS DECAL	1

## 14.7 - Laydown Tower Trailer Wordless Decals (1 of 5)

SN 07-000001 and UP



# Night-Lite ProII™

---

---

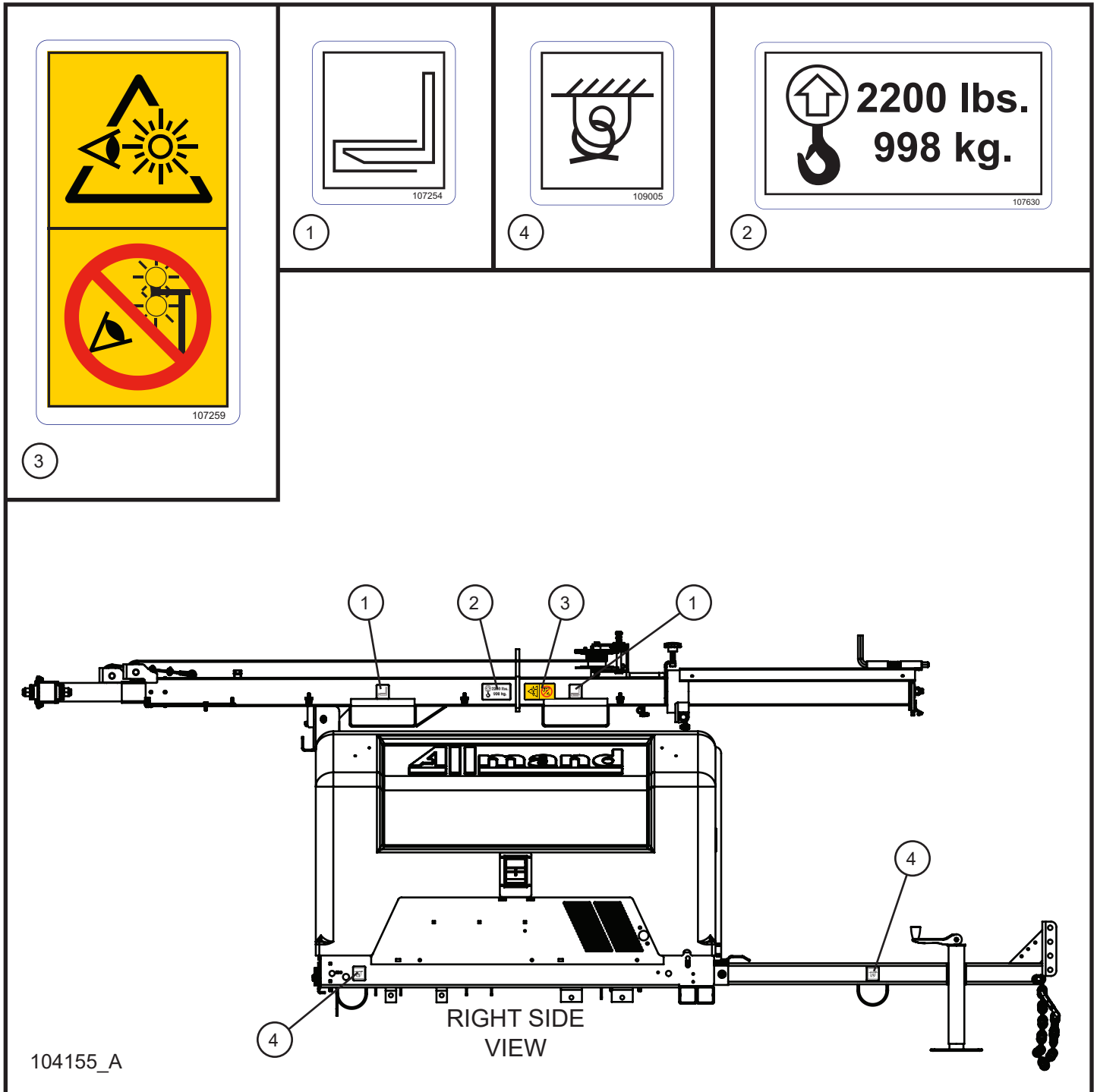
## 14.7 - Laydown Tower Trailer Wordless Decals (1 of 5)

SN 07-000001 and UP

Item	Part No.	Part Description	Qty.
1	104880	WORDLESS HIGH VOLTAGE DECAL	1
2	107261	TOP MAST LATCH DECAL	1
3	107529	WORDLESS HOT SURFACE WARNING DECAL	1
4	107262	WORDLESS HOT LIGHT FIXTURE WARNING DECAL	1
5	108216	WORDLESS ROLLOVER / OPERATOR WARNING DECAL	1

## 14.7 - Laydown Tower Trailer Wordless Decals (2 of 5)

SN 07-000001 and UP





# Night-Lite ProII™

---

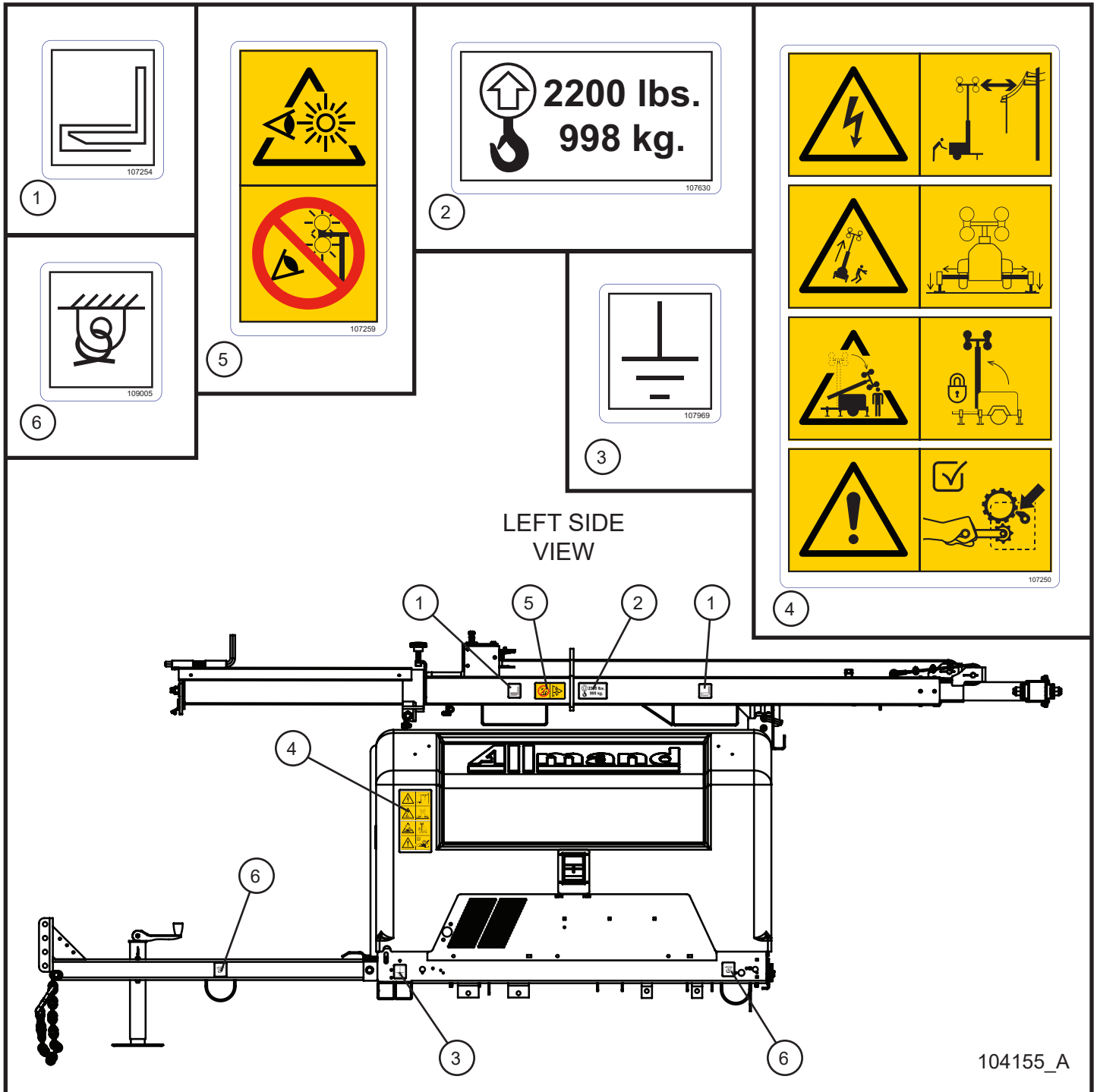
## 14.7 - Laydown Tower Trailer Wordless Decals (2 of 5)

SN 07-000001 and UP

Item	Part No.	Part Description	Qty.
1	107254	FORKLIFT POSITION DECAL	2
2	107630	2200 LBS WEIGHT LIFT DECAL	1
3	107259	WORDLESS ILLUMINATED LIGHT WARNING DECAL	1
4	109005	TIE DOWN POSITION DECAL	2

## 14.7 - Laydown Tower Trailer Wordless Decals (3 of 5)

SN 07-000001 and UP



# Night-Lite ProII™

---

## 14.7 - Laydown Tower Trailer Wordless Decals (3 of 5)

SN 07-000001 and UP

Item	Part No.	Part Description	Qty.
1	107254	FORKLIFT POSITION DECAL	2
2	107630	2200 LBS WEIGHT LIFT DECAL	1
3	107969	GROUND POSITION DECAL	1
4	107250	WORDLESS 4 PANEL LAYDOWN TOWER WARNING DECAL	1
5	107259	WORDLESS ILLUMINATED LIGHT WARNING DECAL	1
6	109005	TIE DOWN POSITION DECAL	2

## 14.7 - Laydown Tower Trailer Wordless Decals (4 of 5)

SN 07-000001 and UP

107452

107451

107260

107459

TOP SIDE VIEW

104155\_A

# Night-Lite ProII™

---

---

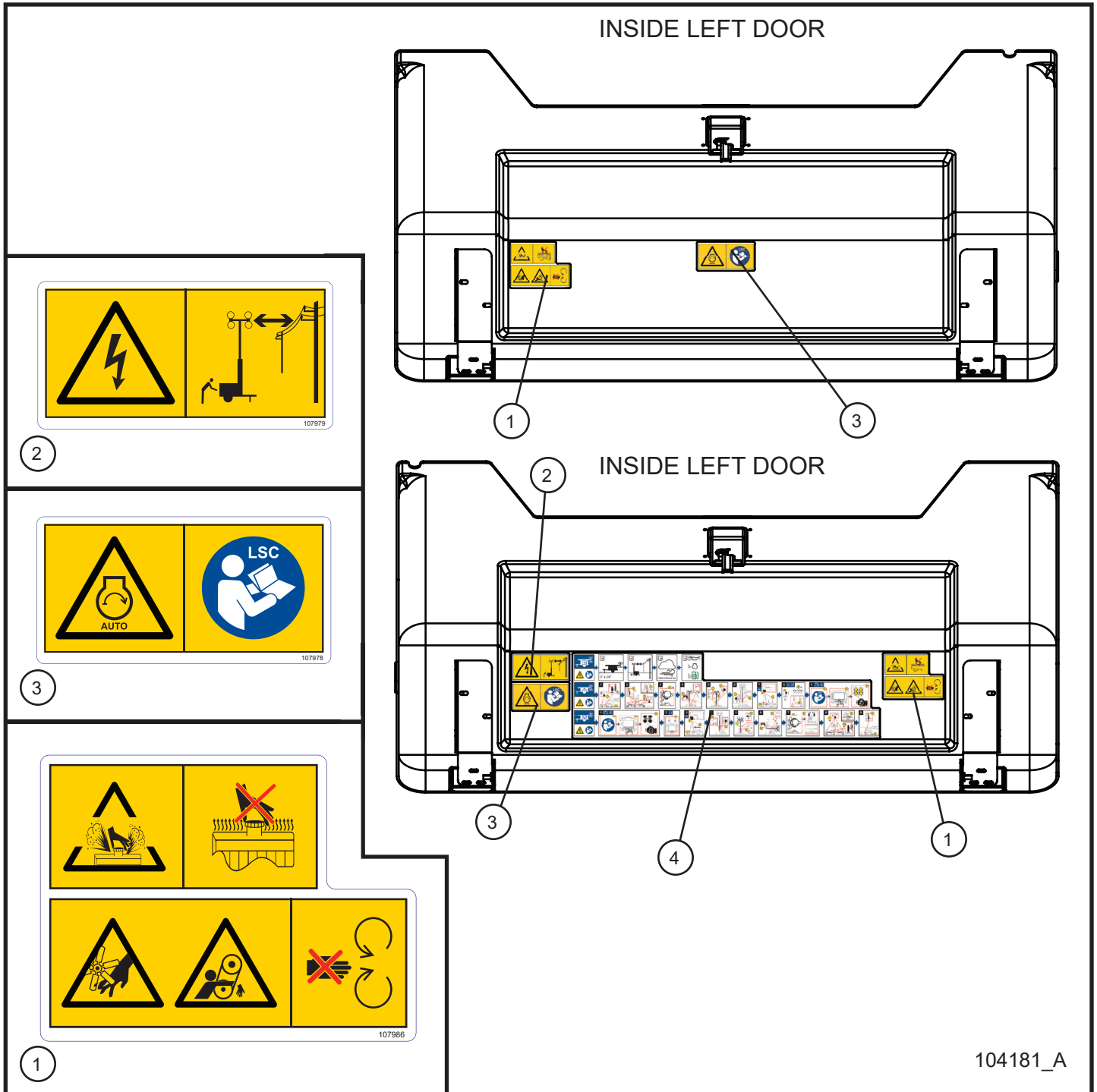
## 14.7 - Laydown Tower Trailer Wordless Decals (4 of 5)

SN 07-000001 and UP

Item	Part No.	Part Description	Qty.
1	107260	BOTTOM MAST LATCH DECAL	1
2	107459	TOWER ALIGNMENT DECAL	1
3	107451	WORDLESS 3 PANEL LAYDOWN TOWER WARNING DECAL	1
4	107452	WORDLESS LAYDOWN TOWER TOWING WARNING DECAL	1

## 14.7 - Laydown Tower Trailer Wordless Decals (5 of 5)

SN 07-000001 and UP



104181\_A

# Night-Lite ProII™

---

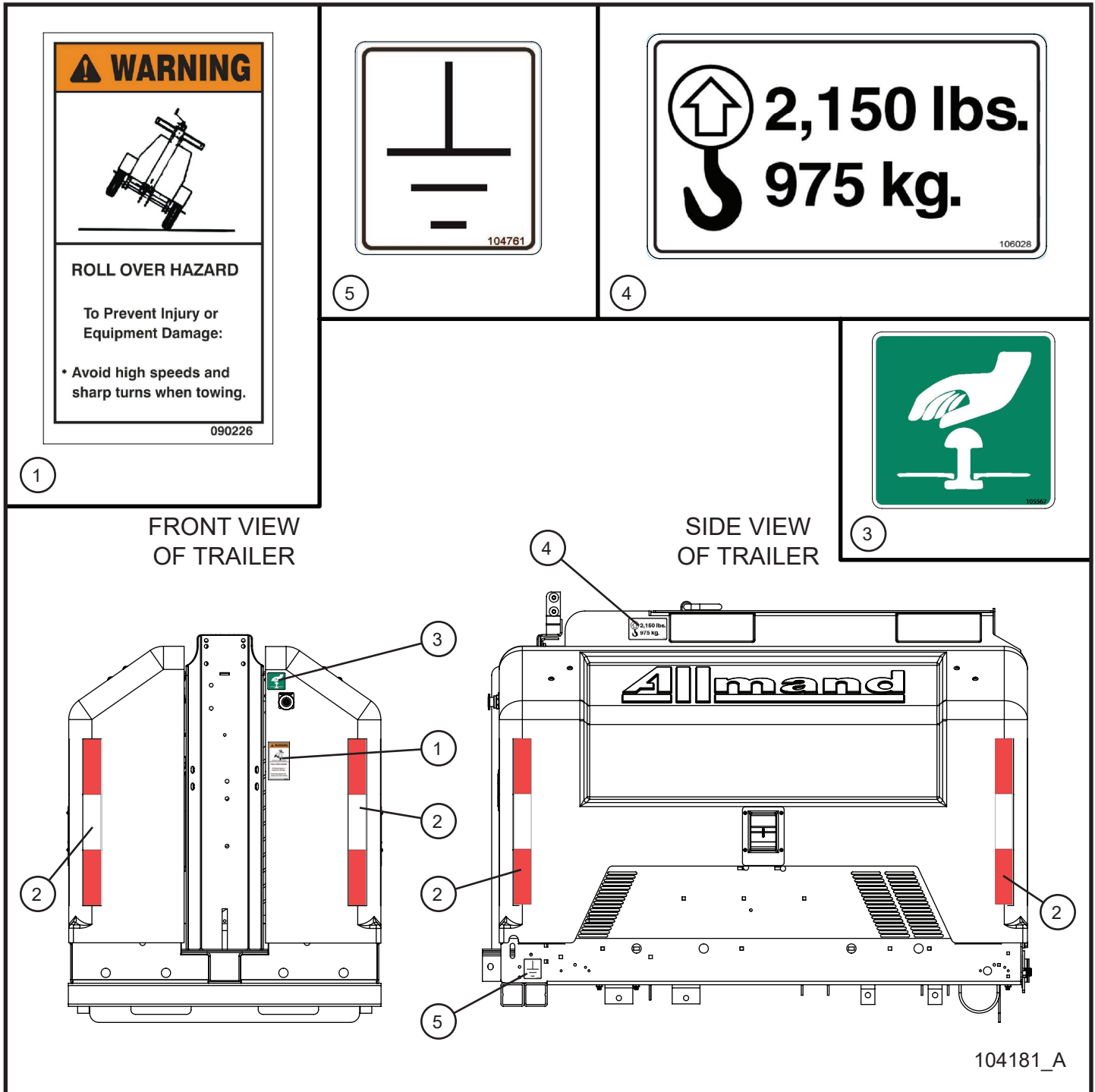
## 14.7 - Laydown Tower Trailer Wordless Decals (5 of 5)

SN 07-000001 and UP

Item	Part No.	Part Description	Qty.
1	107986	WORDLESS RADIATOR / ENTANGLEMENT WARNING DECAL	2
2	107979	WORDLESS POWER LINE DANGER DECAL	1
3	107978	WORDLESS LSC ENGINE DECAL WARNING	2
4	107455	LD SLS/KEY START OPERATOR WORDLESS DECAL	1
	107457	LD LSC OPERATOR WORDLESS DECAL	1

## 14.8 - Vertical Tower Trailer Old Style Decals (1 of 5)

SN 08-000001 and UP





# Night-Lite ProII™

---

---

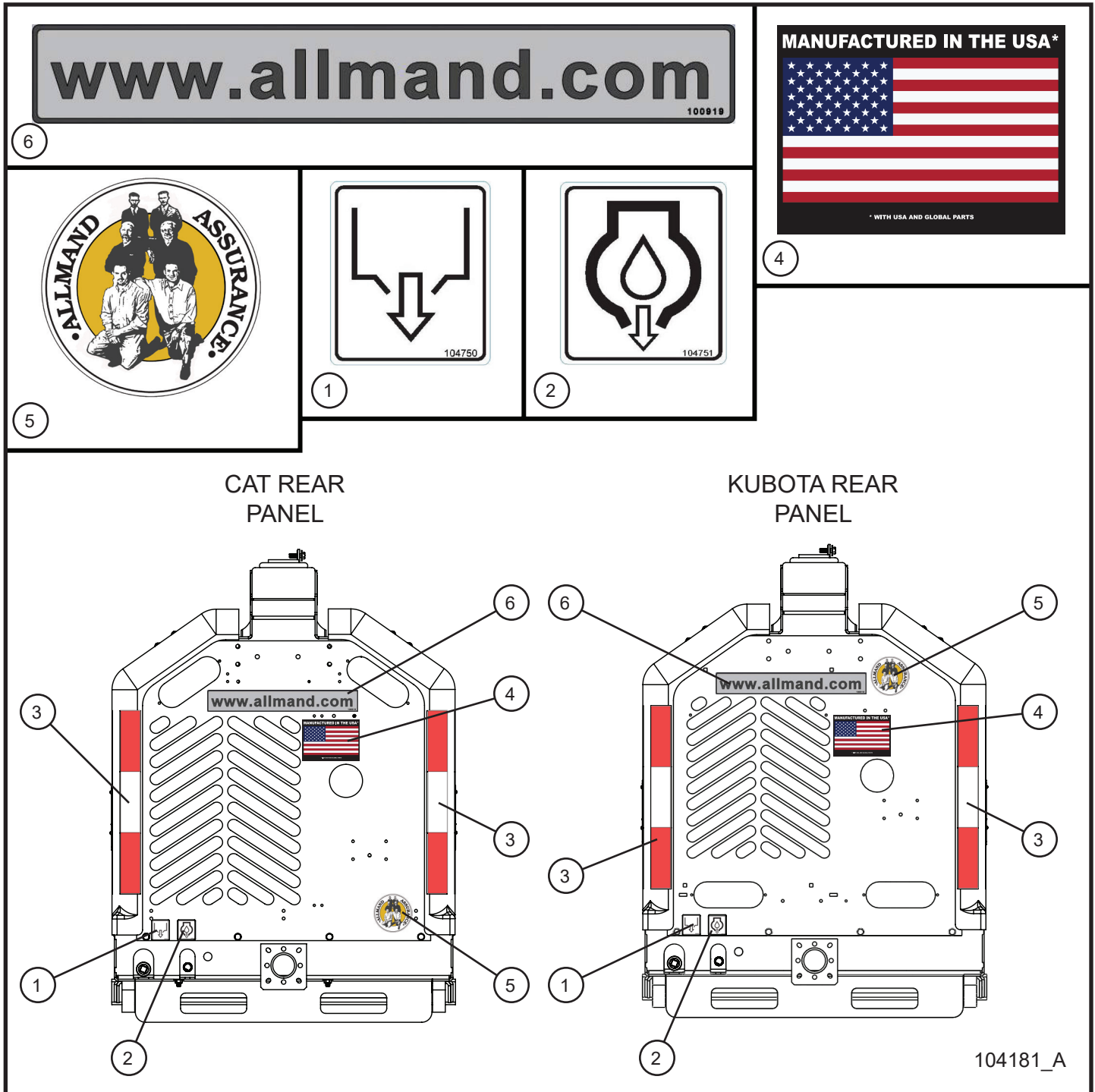
## 14.8 - Vertical Tower Trailer Old Style Decals (1 of 5)

SN 08-000001 and UP

Item	Part No.	Part Description	Qty.
1	090226	ROLL OVER WARNING DECAL	1
2	654004	CONSPICUITY TAPE x 18.0 (OPTION)	6
3	105567	EMERGENCY STOP DECAL (EMERGENCY STOP OPTION ONLY)	1
4	106028	LIFT POINT DECAL	1
5	104761	GROUND DECAL	1

## 14.8 - Vertical Tower Trailer Old Style Decals (2 of 5)

SN 08-000001 and UP



# Night-Lite ProII™

---

## 14.8 - Vertical Tower Trailer Old Style Decals (2 of 5)

SN 08-000001 and UP

Item	Part No.	Part Description	Qty.
1	104750	FLUID CONTAINMENT DRAIN DECAL (FCS TRAY OPTION ONLY)	1
2	104751	ENGINE OIL DRAIN DECAL (FCS TRAY OPTION ONLY)	1
3	654004	CONSPICUITY TAPE x 18.0 (OPTION)	2
4	105467	MANUFACTURED IN THE USA DECAL	1
5	102088	3 GENERATIONS ALLMAND ASSURANCE DECAL	1
6	100919	WWW.ALLMAND.COM DECAL	1

## 14.8 - Vertical Tower Trailer Old Style Decals (3 of 5)

SN 08-000001 and UP

**SETUP TRAILER AND RAISE TOWER**

**WARNING**  
CHECK FOR OVERHEAD POWER LINES AND OBSTRUCTIONS BEFORE RAISING TOWER.

- EXTEND BOTH SIDE OUTRIGGERS. LEVEL TRAILER WITH ALL JACKS.
- RELEASE LIGHT BAR PARK PIN BY PULLING ON RING AND TURNING 90° SO THE PIN REMAINS IN THE RETRACTED POSITION.
- DIRECT LAMPS TOWARD WORK ZONE BY ROTATING LIGHT BAR AND POSITIONING LAMP FIXTURES.
- STAND CLEAR OF TOWER WHEN RAISING AND LOWERING.
- OPERATE TOWER SWITCH UP TO RAISE TOWER TO DESIRED HEIGHT.

**LOWER TOWER AND PREPARE FOR TOWING**

- OPERATE TOWER SWITCH TO LOWER TOWER.
- STAND CLEAR OF TOWER WHEN RAISING AND LOWERING.
- ROTATE LIGHT BAR INTO PARK POSITION (IN LINE WITH TRAILER).
- ENGAGE PARK PIN BY TWISTING ON RING UNTIL THE PLUNGER IS RELEASED AND THE PIN ENGAGES THE HOLE IN THE LIGHT BAR.
- REPOSITION LAMP FIXTURE FOR TRANSPORT BY PULLING THEM DOWN INTO THE LOWEST POSITION AND FACING TOWARD THE CENTER OF THE TRAILER.
- RAISE JACKS AND SWING INTO TRANSPORT POSITION.
- RETRACT OUTRIGGERS AND SECURE.

**Allmand™**

FOR PARTS AND SERVICE CONTACT YOUR AUTHORIZED DEALER OR VISIT ALLMAND ON THE WEB AT [www.allmand.com](http://www.allmand.com) OR CALL 1-800-562-1373

103021

**DANGER**

**ELECTRICAL SHOCK HAZARD**  
Failure to use ground rod could cause severe injury or death.  
Drive ground rod into earth and attach ground wire to grounding lug on front of trailer.

090163

**Allmand**

For parts and service contact your authorized dealer or visit Allmand on the web at [www.allmand.com](http://www.allmand.com) or call 1-800-562-1373

090465

INSIDE LEFT DOOR

104181\_A

# Night-Lite ProII™

---


## 14.8 - Vertical Tower Trailer Old Style Decals (3 of 5)

SN 08-000001 and UP


Item	Part No.	Part Description	Qty.
1	103021	VERTICAL TOWER SETUP DECAL	1
2	090163	ELECTRICAL SHOCK DANGER DECAL	1
3	090179	CALIFORNIA PROPOSITION 65 WARNING DECAL	1
4	090465	PARTS & SERVICE DECAL	1

## 14.8 - Vertical Tower Trailer Old Style Decals (4 of 5)

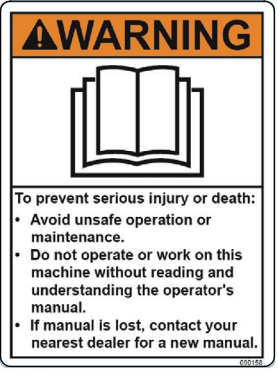
SN 08-000001 and UP




100247



090165

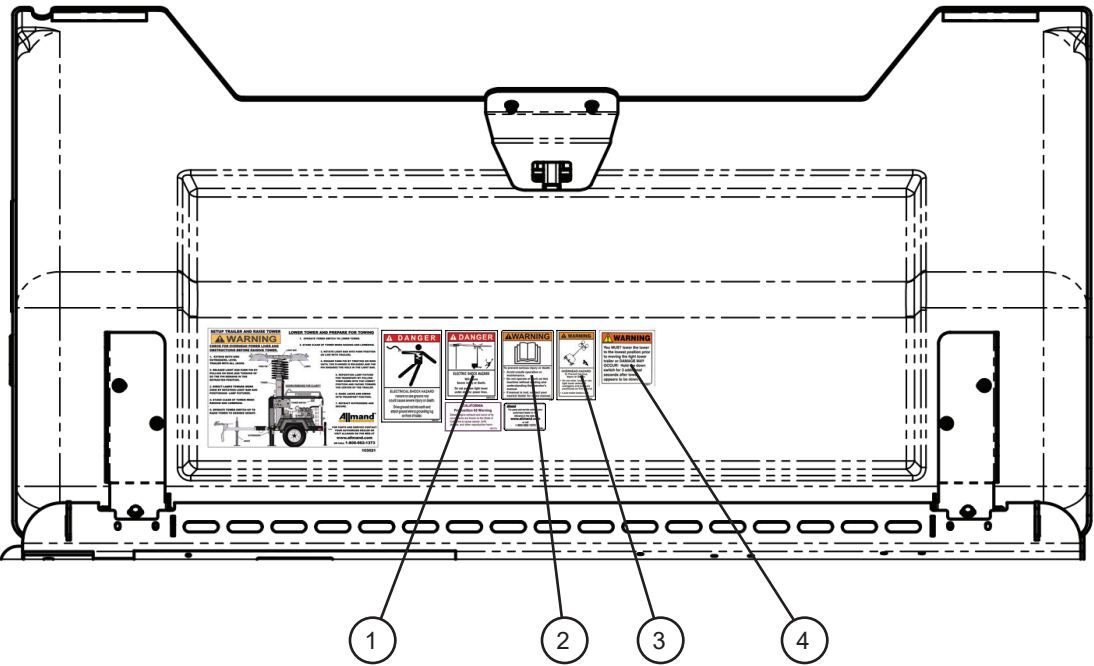


090165



090166

INSIDE LEFT DOOR



104181\_A

# Night-Lite ProII™

---

---

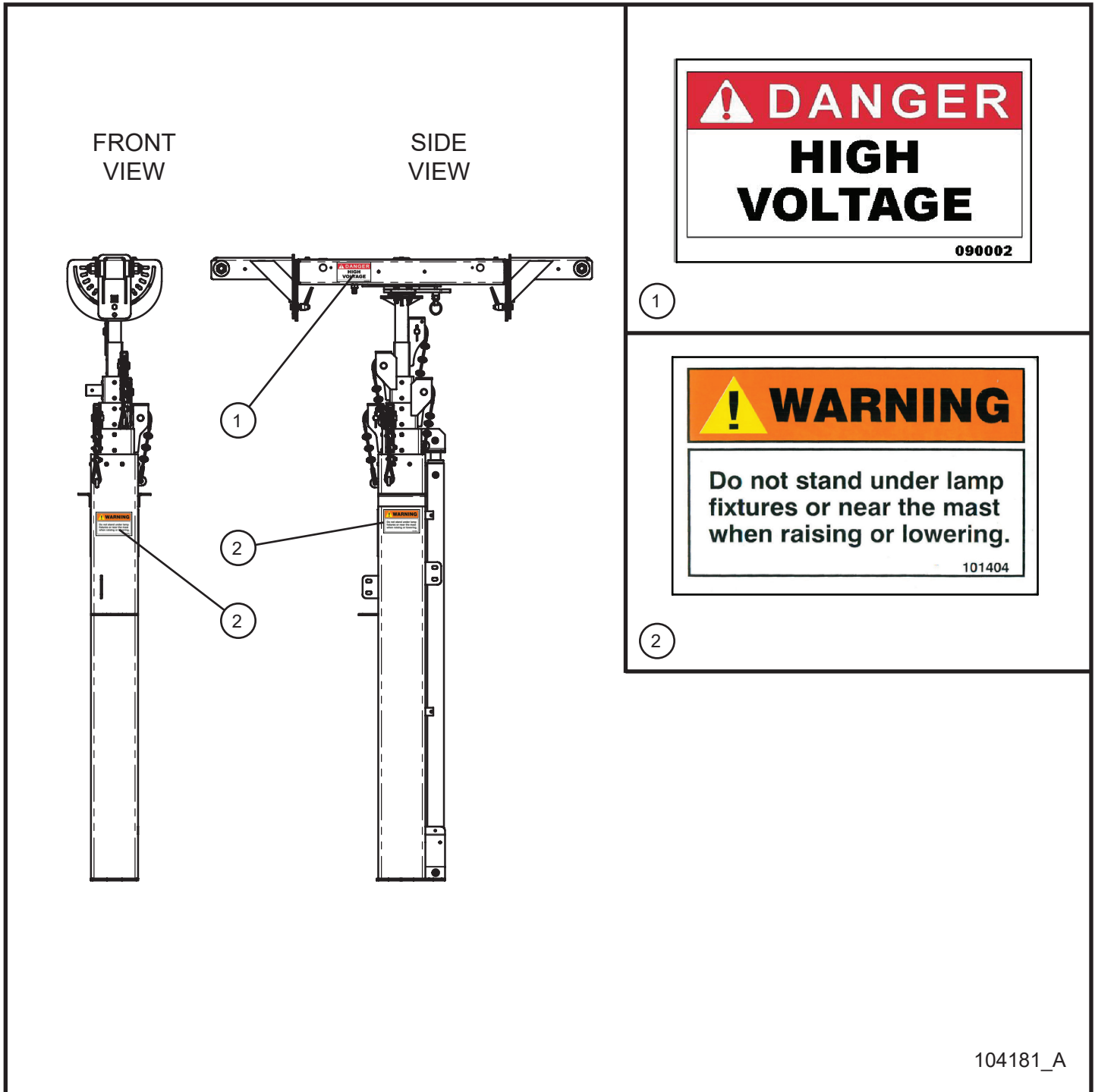
## 14.8 - Vertical Tower Trailer Old Style Decals (4 of 5)

SN 08-000001 and UP

Item	Part No.	Part Description	Qty.
1	090165	ELECTRIC SHOCK HAZARD DANGER DECAL	1
2	090158	OPERATOR'S MANUAL WARNING DECAL	1
3	090166	OVERHEAD HAZARD WARNING DECAL	1
4	100247	TOWER DOWN WARNING DECAL	1

## 14.8 - Vertical Tower Trailer Old Style Decals (5 of 5)

SN 08-000001 and UP





# Night-Lite ProII™

---

---

## 14.8 - Vertical Tower Trailer Old Style Decals (5 of 5)

SN 08-000001 and UP

Item	Part No.	Part Description	Qty.
1	090002	HIGH VOLTAGE DANGER DECAL	1
2	101404	DO NOT STAND UNDER MAST WARNING DECAL	1

## 14.9 - Vertical Tower Trailer English Decals (1 of 4)

SN 08-000001 and UP

<div data-bbox="142 470 521 506"> <p><b>WARNING</b></p> </div> <div data-bbox="196 512 285 583"> </div> <div data-bbox="151 585 324 630"> <p>Standing under light tower mast and fixtures during lowering operation could result in death or serious injury.</p> </div> <div data-bbox="354 512 443 583"> </div> <div data-bbox="336 585 493 630"> <p>Keep bystanders away from light tower during lowering and raising operations.</p> </div> <div data-bbox="142 638 521 674"> <p><b>WARNING</b></p> </div> <div data-bbox="196 680 285 751"> </div> <div data-bbox="151 753 324 798"> <p>Handling light fixtures when they are hot could result in death or serious injury.</p> </div> <div data-bbox="354 680 443 751"> </div> <div data-bbox="336 753 461 798"> <p>Keep clear of light fixtures when illuminated or hot.</p> </div> <div data-bbox="142 806 521 842"> <p><b>WARNING</b></p> </div> <div data-bbox="196 848 285 919"> </div> <div data-bbox="151 921 313 953"> <p>Looking at illuminated light fixtures could result in serious injury.</p> </div> <div data-bbox="354 848 443 919"> </div> <div data-bbox="336 921 493 953"> <p>Do not look directly at illuminated light fixtures.</p> </div> <div data-bbox="121 976 162 1018"> <p>2</p> </div> <div data-bbox="479 966 511 982"> <p>108999</p> </div>	<div data-bbox="617 483 1039 1533"> <p>FRONT VIEW</p> </div>	<div data-bbox="1104 483 1526 1533"> <p>REAR VIEW</p> </div>	
<div data-bbox="142 1073 487 1108"> <p><b>DANGER</b></p> </div> <div data-bbox="162 1129 272 1234"> </div> <div data-bbox="285 1115 466 1184"> <p>Entering electrical compartment while equipment is in operation will result in death or serious injury.</p> </div> <div data-bbox="285 1197 456 1245"> <p>Shut down equipment before entering electrical compartment.</p> </div> <div data-bbox="121 1249 162 1291"> <p>1</p> </div> <div data-bbox="438 1249 470 1266"> <p>107251</p> </div>	<div data-bbox="151 1346 313 1381"> <p><b>WARNING</b></p> </div> <div data-bbox="186 1388 280 1472"> </div> <div data-bbox="151 1474 313 1539"> <p>Performing high speed sharp turns could cause trailer to roll over resulting in death or serious injury.</p> </div> <div data-bbox="151 1545 305 1583"> <p>Slow to a safe speed when performing sharp turns.</p> </div> <div data-bbox="121 1795 162 1837"> <p>3</p> </div> <div data-bbox="386 1497 513 1530"> <p>104181_A</p> </div>	<div data-bbox="678 1598 1006 1633"> <p><b>WARNING</b></p> </div> <div data-bbox="706 1640 816 1738"> </div> <div data-bbox="678 1740 834 1793"> <p>Engine exhaust contains carbon monoxide, a poisonous gas that could cause death or serious injury.</p> </div> <div data-bbox="868 1640 979 1738"> </div> <div data-bbox="841 1740 997 1793"> <p>Run equipment far from windows, doors, and vents. Do not run equipment indoors or in partially enclosed spaces.</p> </div> <div data-bbox="657 1795 698 1837"> <p>4</p> </div> <div data-bbox="966 1795 998 1812"> <p>113940</p> </div>	<div data-bbox="1089 1608 1477 1665"> <p><b>WARNING</b></p> </div> <div data-bbox="1105 1682 1222 1787"> </div> <div data-bbox="1235 1675 1472 1715"> <p>Contact with hot exhaust gases and parts could cause serious injury.</p> </div> <div data-bbox="1235 1728 1484 1787"> <p>Avoid hot exhaust gases. Keep hands and combustible materials away from hot parts.</p> </div> <div data-bbox="1071 1795 1112 1837"> <p>5</p> </div> <div data-bbox="1445 1795 1477 1812"> <p>107465</p> </div>

# Night-Lite ProII™

---

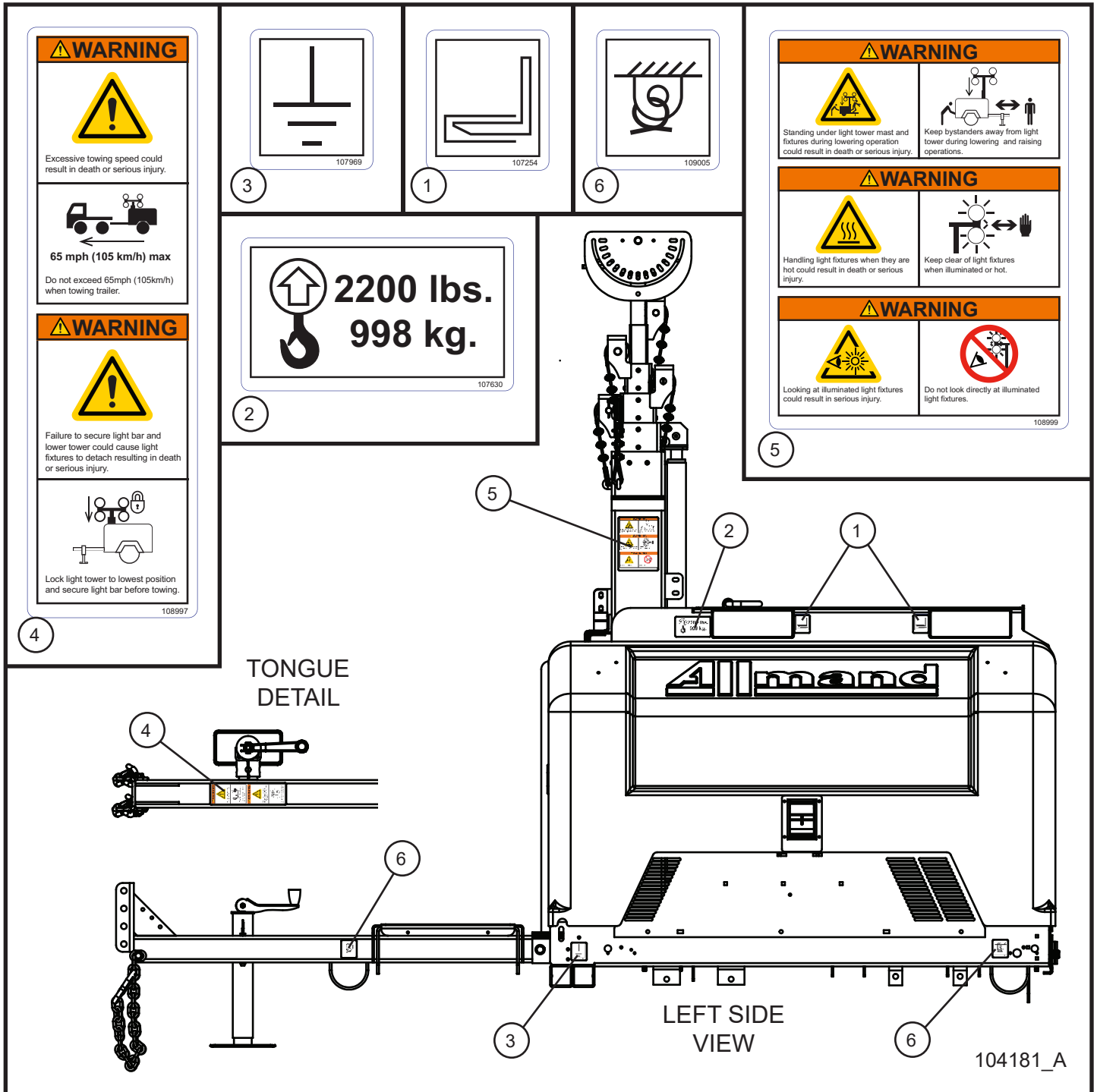
## 14.9 - Vertical Tower Trailer English Decals (1 of 4)

SN 08-000001 and UP

Item	Part No.	Part Description	Qty.
1	107251	ELECTRICAL VOLTAGE DANGER DECAL	2
2	108999	3 PANEL VERTICAL TOWER WARNING DECAL	1
3	108998	ROLLOVER/OPERATOR WARNING DECAL	1
4	113940	EXHAUST WARNING DECAL	1
5	107465	HOT SURFACE WARNING DECAL	1

## 14.9 - Vertical Tower Trailer English Decals (2 of 4)

SN 08-000001 and UP



# Night-Lite ProII™

---

---

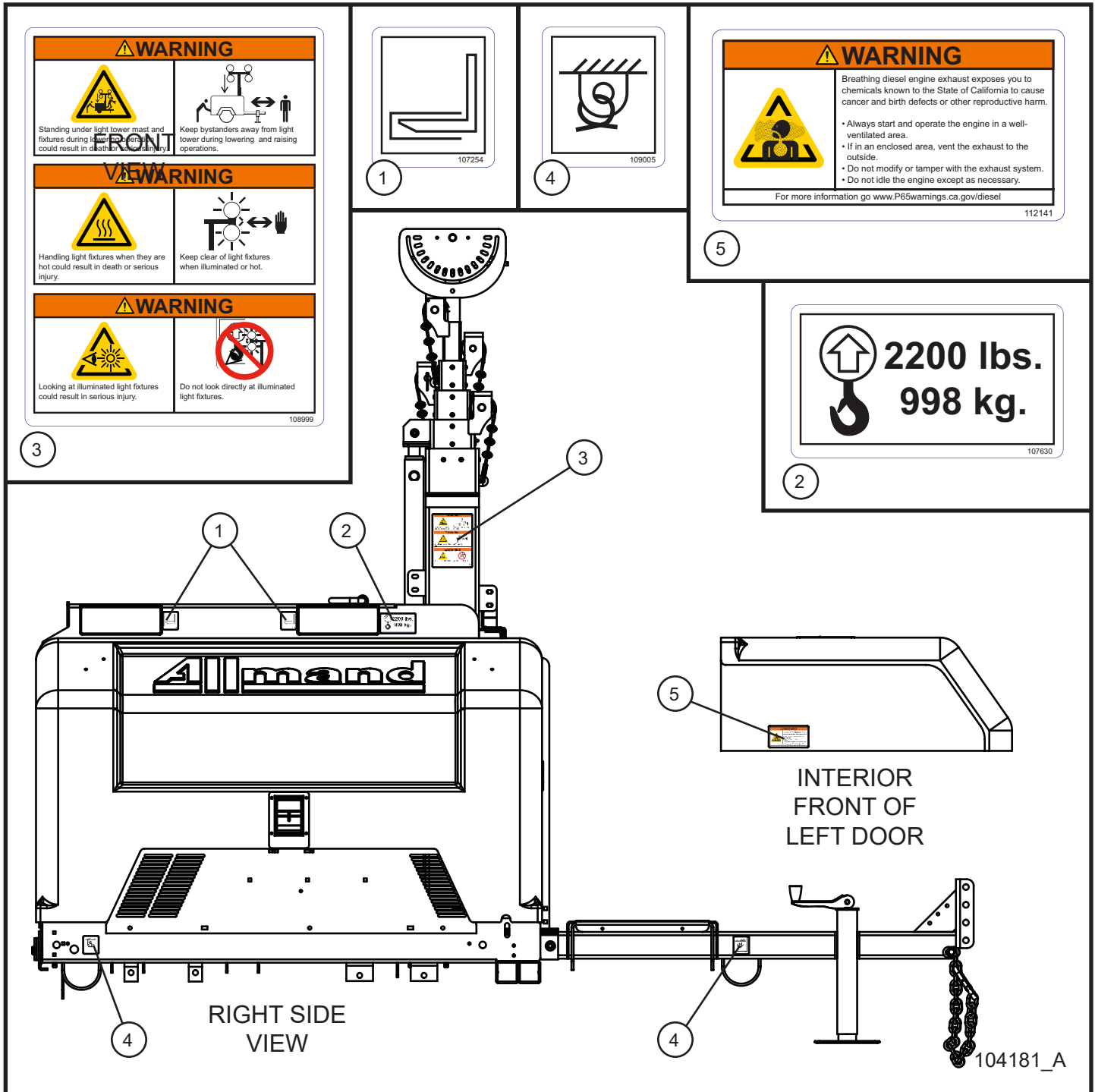
## 14.9 - Vertical Tower Trailer English Decals (2 of 4)

SN 08-000001 and UP

Item	Part No.	Part Description	Qty.
1	107254	FORKLIFT POSITION DECAL	2
2	107630	2200 LBS WEIGHT LIFT DECAL	1
3	107969	GROUND POSITION DECAL	1
4	108997	VERTICAL TOWER TOWING WARNING DECAL	1
5	108999	3 PANEL VERTICAL TOWER WARNING DECAL	1
6	109005	TIE DOWN POSITION DECAL	2

## 14.9 - Vertical Tower Trailer English Decals (3 of 4)

SN 08-000001 and UP



# Night-Lite ProII™

---

## 14.9 - Vertical Tower Trailer English Decals (3 of 4)


SN 08-000001 and UP

Item	Part No.	Part Description	Qty.
1	107254	FORKLIFT POSITION DECAL	2
2	107630	2200 LBS WEIGHT LIFT DECAL	1
3	108999	3 PANEL VERTICAL TOWER WARNING DECAL	1
4	109005	TIE DOWN POSITION DECAL	2
5	112141	PROPOSITION 65 WARNING DECAL	1

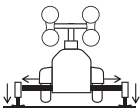
## 14.9 - Vertical Tower Trailer English Decals (4 of 4)

SN 08-000001 and UP

⚠ WARNING




Raising light tower prior to positioning the outriggers and lowering jacks could cause machine rollover resulting in death or serious injury.




Position the outriggers and lower jacks on a stable surface before raising light tower.

10895

⚠ WARNING




Unexpected start of engine could result in death or serious injury.




Read and follow LSC control panel operator's manual before operating or servicing this equipment.

108821

⚠ WARNING





Opening cap on hot radiator could result in death or serious injury.




Allow radiator to cool down before opening cap.

107246

⚠ WARNING


Contact with rotating parts could result in death or serious injury.



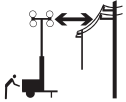
Keep away from rotating parts.

107246

⚠ DANGER



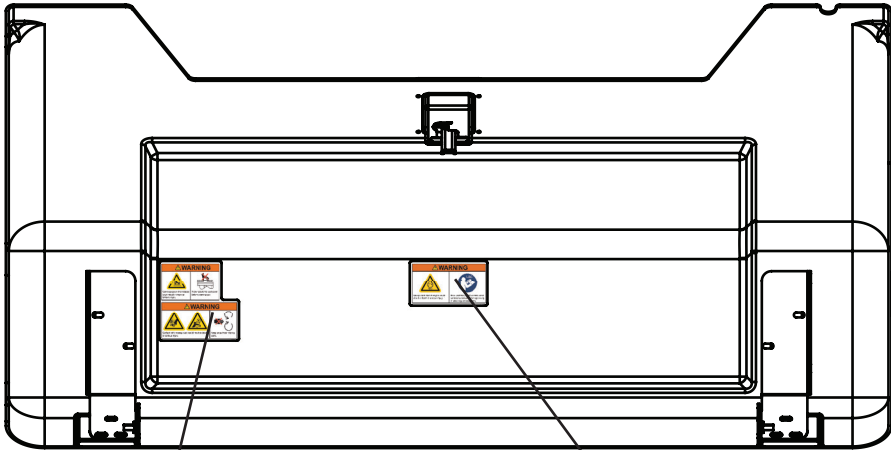
Contacting power lines when raising light tower will result in death or serious injury.



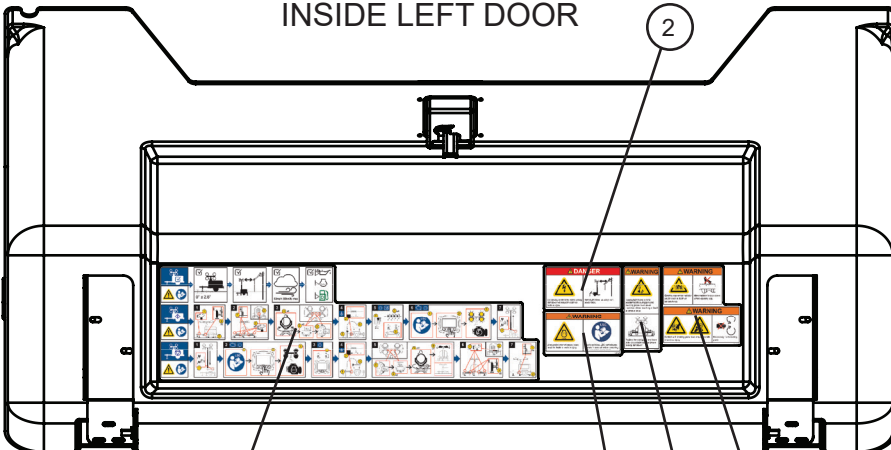
Keep light tower far away from power lines.

108822

INSIDE LEFT DOOR



INSIDE LEFT DOOR



104181\_A



# Night-Lite ProII™

---

## 14.9 - Vertical Tower Trailer English Decals (4 of 4)

SN 08-000001 and UP

Item	Part No.	Part Description	Qty.
1	107246	RADIATOR / ENTANGLEMENT WARNING DECAL	2
2	108822	POWER LINE DANGER DECAL	1
3	108821	LSC ENGINE WARNING DECAL	2
4	108995	OUTRIGGERS WARNING DECAL	1
5	107454	VERT SLS/KEY START OPERATOR WORDLESS DECAL	1
	107456	VERT LSC OPERATOR WORDLESS DECAL	1

## 14.10 - Vertical Tower Trailer Wordless Decals (1 of 4)

SN 08-000001 and UP

107980

113941

108216

FRONT VIEW

REAR VIEW

104880

107529

104181\_A

# Night-Lite ProII™

---

---

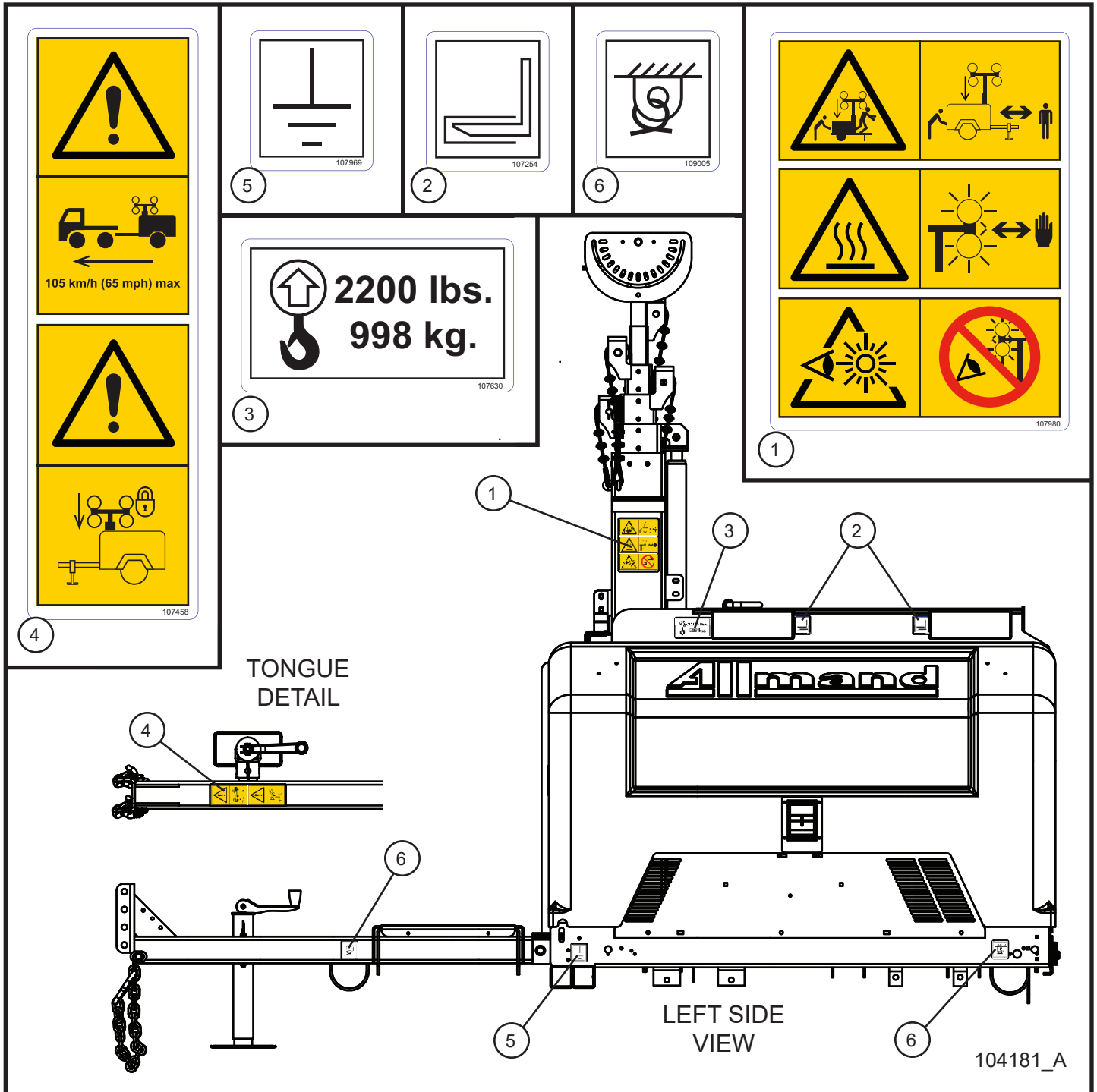
## 14.10 - Vertical Tower Trailer Wordless Decals (1 of 4)

SN 08-000001 and UP

Item	Part No.	Part Description	Qty.
1	104880	WORDLESS HIGH VOLTAGE DECAL	1
2	107980	WORDLESS 3 PANEL VERTICAL TOWER WARNING DECAL	1
3	107529	WORDLESS HOT SURFACE WARNING DECAL	1
4	113941	WORDLESS EXHAUST WARNING DECAL	1
5	108216	WORDLESS ROLLOVER / OPERATOR WARNING DECAL	1

## 14.10 - Vertical Tower Trailer Wordless Decals (2 of 4)

SN 08-000001 and UP



# Night-Lite ProII™

---

---

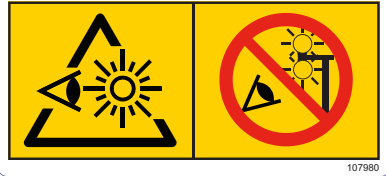
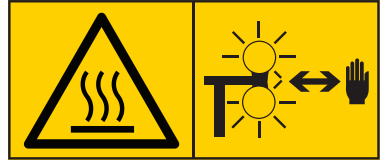
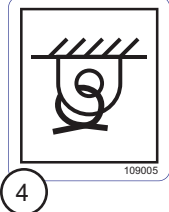
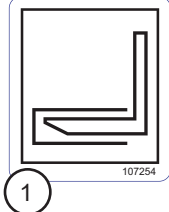
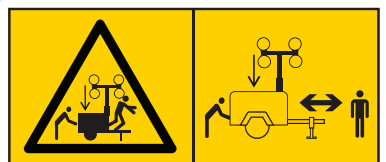
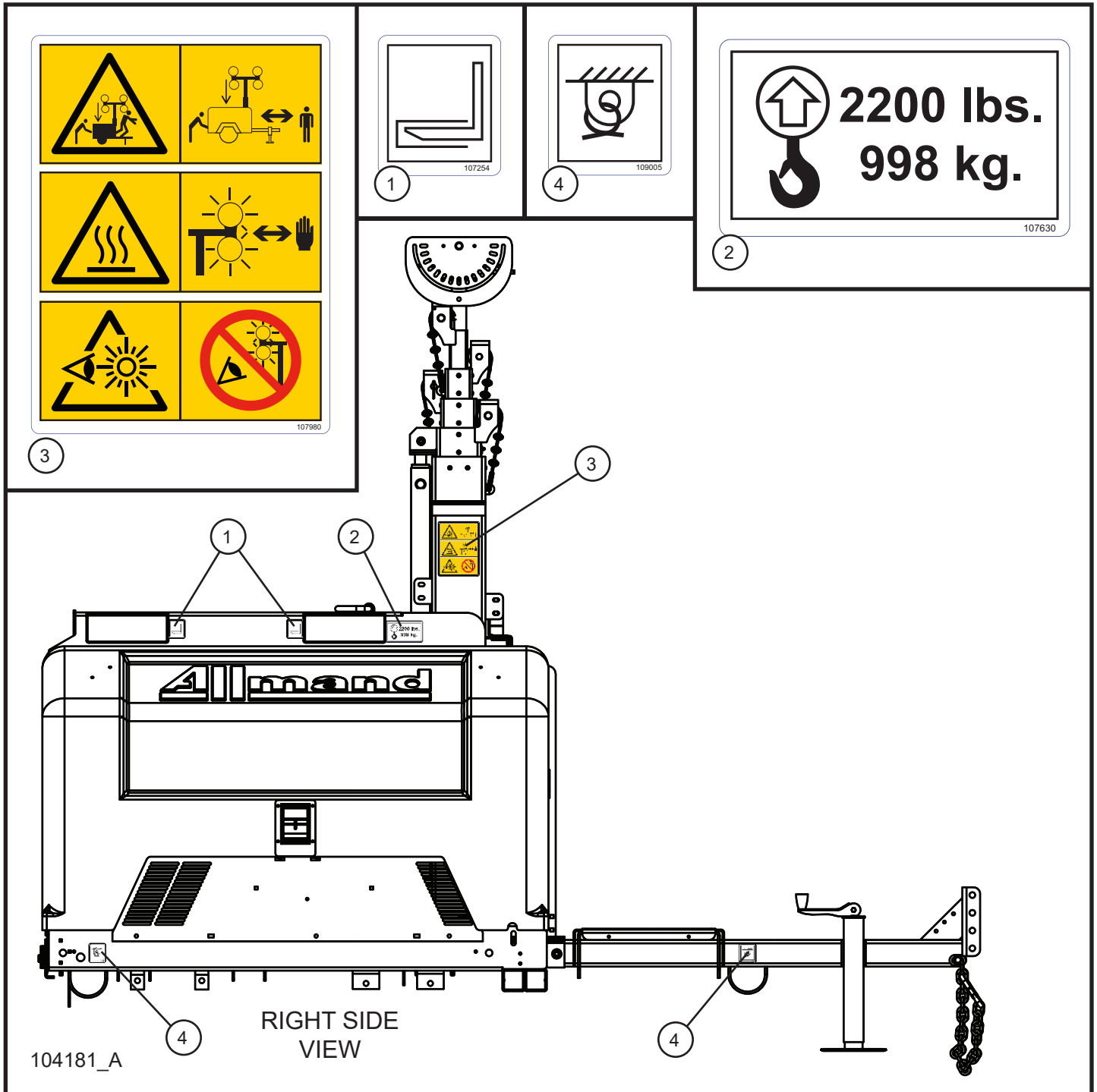
## 14.10 - Vertical Tower Trailer Wordless Decals (2 of 4)

SN 08-000001 and UP

Item	Part No.	Part Description	Qty.
1	107980	WORDLESS 3 PANEL VERTICAL TOWER WARNING DECAL	1
2	107254	FORKLIFT POSITION DECAL	2
3	107630	2200 LBS WEIGHT LIFT DECAL	1
4	107458	WORDLESS VERTICAL TOWER TOWING WARNING DECAL	1
5	107969	GROUND POSITION DECAL	1
6	109005	TIE DOWN POSITION DECAL	2

## 14.10 - Vertical Tower Trailer Wordless Decals (3 of 4)

SN 08-000001 and UP



104181\_A

RIGHT SIDE VIEW

# Night-Lite ProII™

---

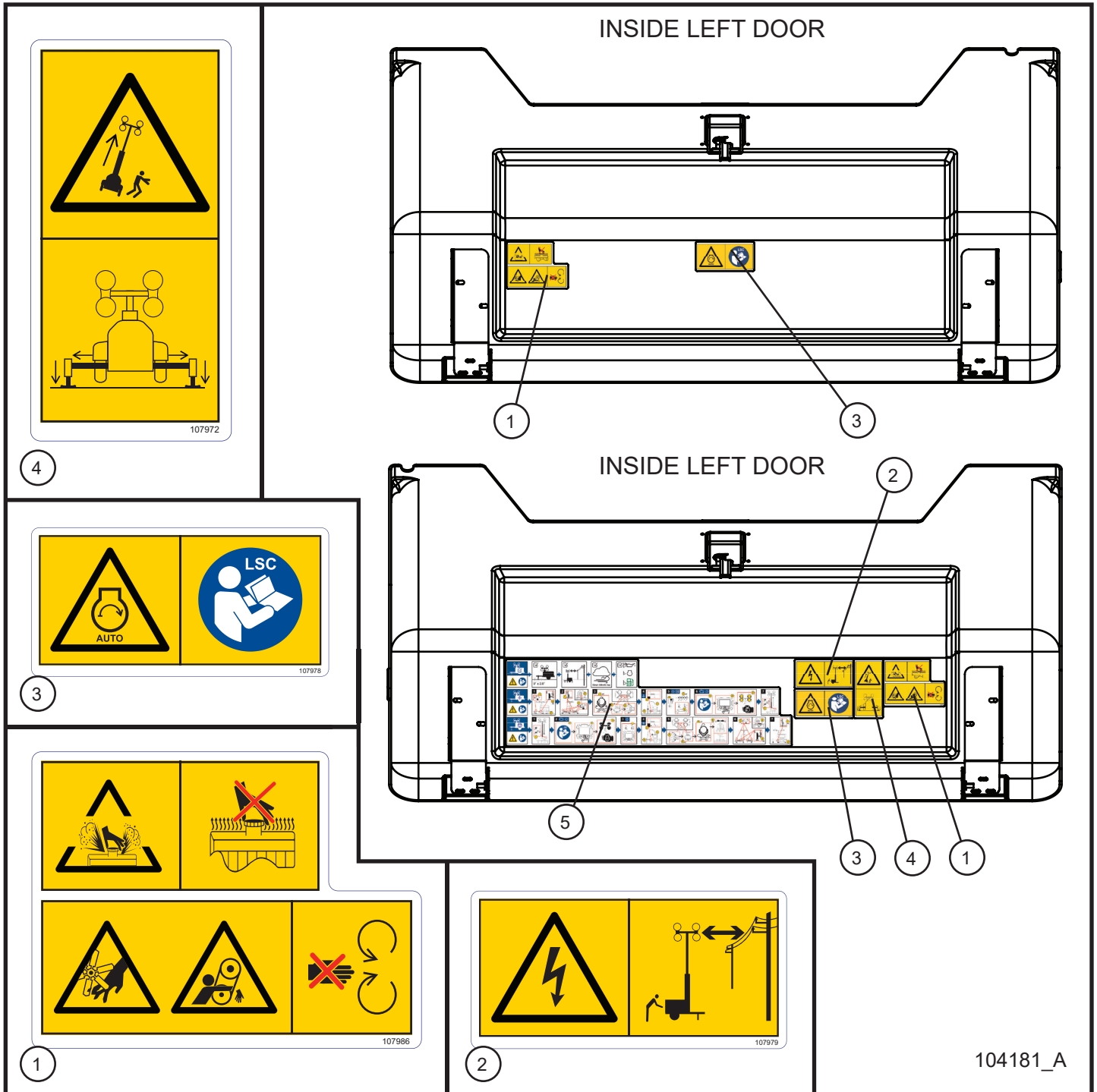
## 14.10 - Vertical Tower Trailer Wordless Decals (3 of 4)

SN 08-000001 and UP

Item	Part No.	Part Description	Qty.
1	107254	FORKLIFT POSITION DECAL	2
2	107630	2200 LBS WEIGHT LIFT DECAL	1
3	107980	WORDLESS 3 PANEL VERTICAL TOWER WARNING DECAL	1
4	109005	TIE DOWN POSITION DECAL	2

## 14.10 - Vertical Tower Trailer Wordless Decals (4 of 4)

SN 08-000001 and UP



104181\_A



# Night-Lite ProII™

---

---

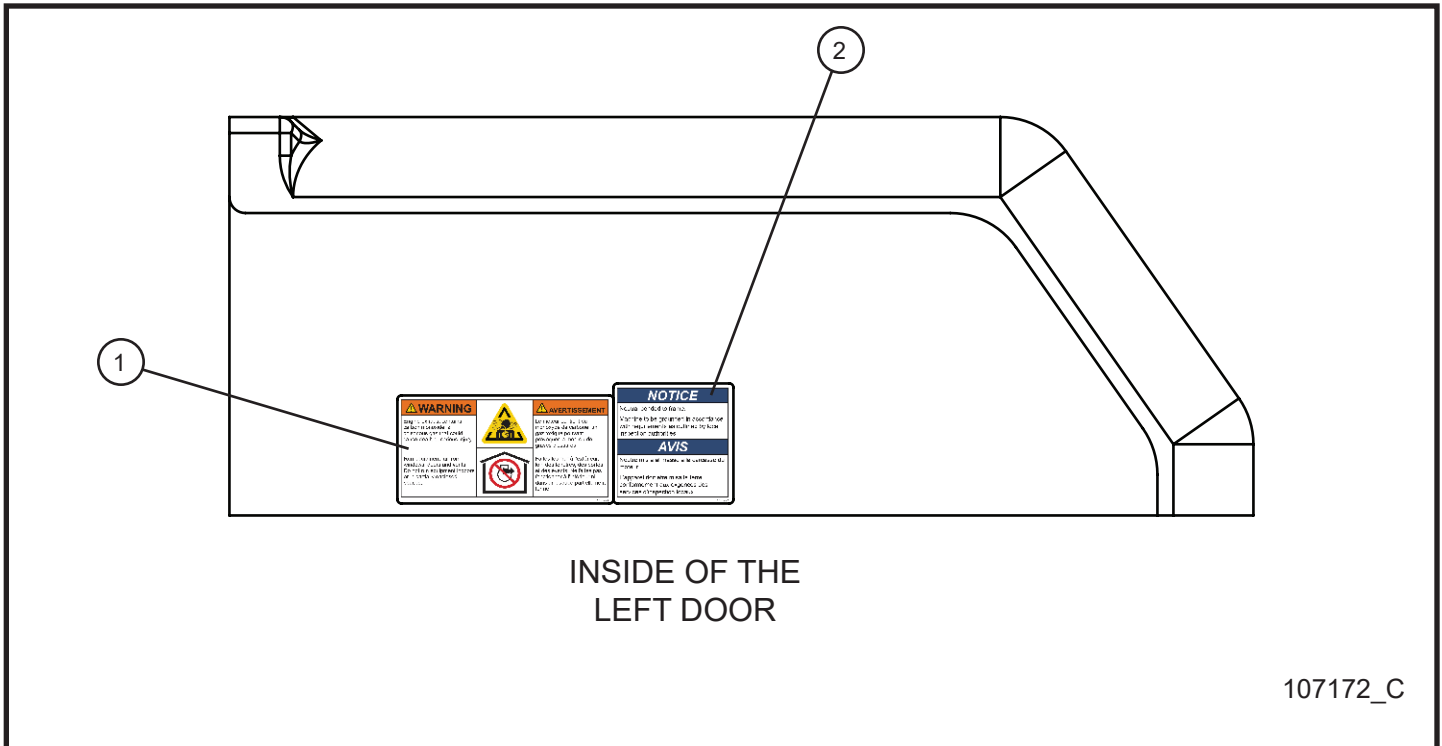
## 14.10 - Vertical Tower Trailer Wordless Decals (4 of 4)

SN 08-000001 and UP

Item	Part No.	Part Description	Qty.
1	107986	WORDLESS RADIATOR / ENTANGLEMENT WARNING DECAL	2
2	107979	WORDLESS POWER LINE DANGER DECAL	1
3	107978	WORDLESS LSC ENGINE WARNING DECAL	2
4	107972	WORDLESS OUTRIGGERS WARNING DECAL	1
5	107454	VERT SLS/KEY START OPERATOR WORDLESS DECAL	1
	107456	VERT LSC OPERATOR WORDLESS DECAL	1



## 14.11 - CSA Decals

SN 08-000001 and UP



<b>NOTICE</b>
Neutral bonded to frame. Machine to be grounded in accordance with requirements as outlined by local inspection authorities.
<b>AVIS</b>
Neutre mis à la masse à la carcasse du moteur. L'appareil doit être mis à la terre conformément aux exigences des services d'inspection locaux.
110362

2

<b>WARNING</b>	<div style="display: flex; flex-direction: column; align-items: center;"> <div style="margin-bottom: 10px;"> <span style="border: 1px solid black; border-radius: 50%; padding: 2px 5px;">1</span>  </div>  </div>	<b>AVERTISSEMENT</b>
Engine exhaust contains carbon monoxide, a poisonous gas that could cause death or serious injury.  Run equipment far from windows, doors and vents. Do not run equipment indoors or in partially enclosed spaces.		Le moteur contient du monoxyde de carbone, un gaz toxique pouvant provoquer la mort ou de graves blessures.  Faites tourner à l'extérieur, loin des fenêtres, des portes et des événements. Ne faites pas fonctionner à l'intérieur ni dans un espace partiellement fermé.
110363		

1

# Night-Lite ProII™

---

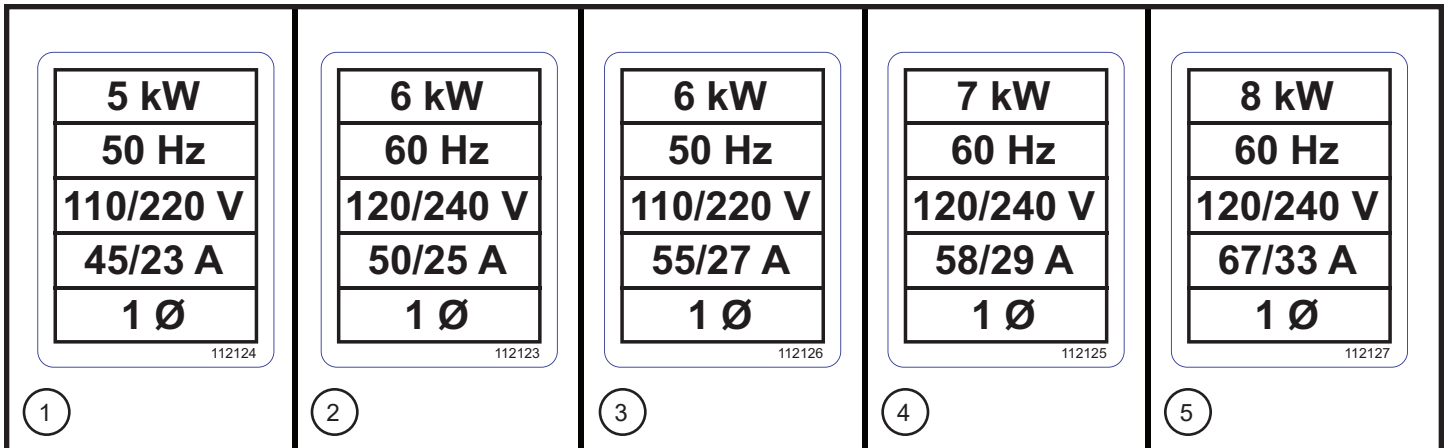
## 14.11 - CSA Decals

SN 08-000001 and UP

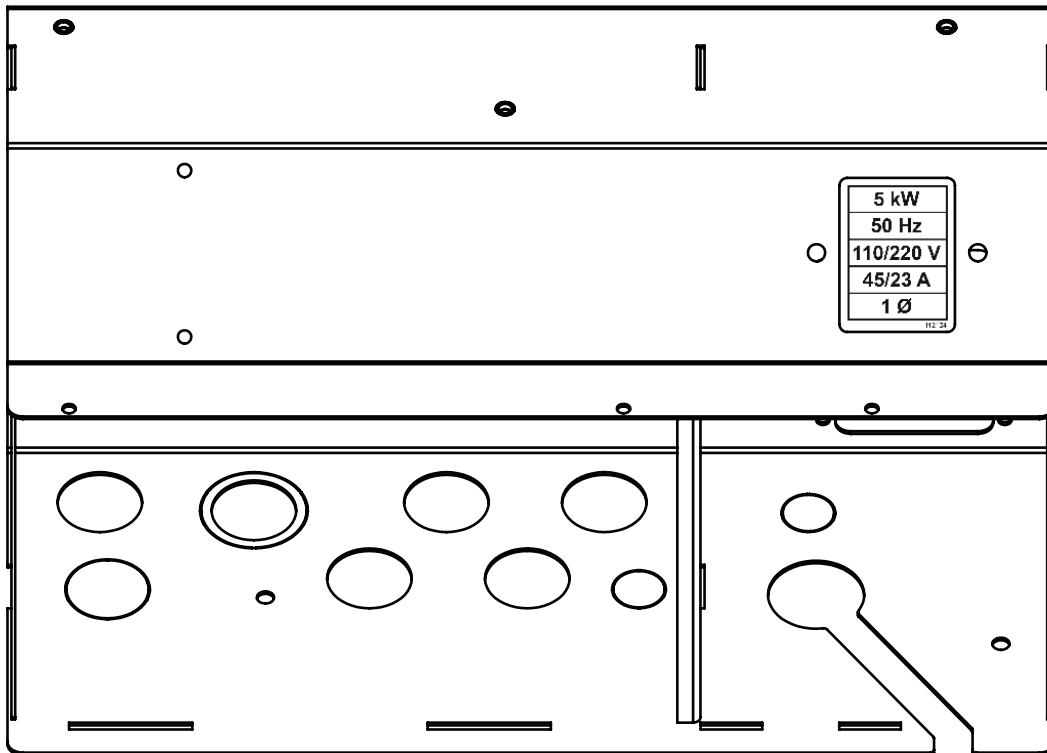
Item	Part No.	Part Description	Qty.
1	110363	DECAL EXHAUST WARNING	1
2	110362	DECAL NEUTRAL / GROUNDED NOTICE	1

## 14.12 - Electrical Information Decals

SN 08-000001 and UP



TOP SIDE OF  
CONTROL BOX



112705\_A  
112706\_A  
112707\_A  
112708\_A  
112709\_A

# Night-Lite ProII™

---

## 14.12 - Electrical Information Decals

SN 08-000001 and UP

Item	Part No.	Part Description	Qty.
1	112124	DECAL ELECTRICAL INFO 5kW 50Hz 1 PHASE	1
2	112123	DECAL ELECTRICAL INFO 6kW 60Hz 1 PHASE	1
3	112126	DECAL ELECTRICAL INFO 6kW 50Hz 1 PHASE	1
4	112125	DECAL ELECTRICAL INFO 7kW 60Hz 1 PHASE	1
5	112127	DECAL ELECTRICAL INFO 8kW 60Hz 1 PHASE	1

## 15.1 - Vertical or Laydown with 60Hz or LED Lighting (1 of 3)

SN 07-000001 and UP  
SN 08-000001 and UP

Item	Part No.	Part Description	Qty.
<b>LED OPTION</b>			
1	105325	LED LAMP	1
2	105677	DRIVER W/TERMINALS	1
<b>1000W HPS 60Hz OPTION</b>			
1	610218	LAMP 1000W HPS	12
2	310118	BALLAST/CAPACITOR 1000W HPS 60HZ	1
3	310119	CAPACITOR ONLY 1000W HPS 26uf 525V	2
<b>1000W 60Hz OPTION</b>			
1	610211	LAMP 1000W BT-37	12
2	310124	BALLAST 1000W 60HZ	1
3	310115	CAPACITOR 1000W 24uf 480V	2
4	650104	SWITCH 25A SINGLE POLE	2
<b>1250W 60Hz OPTION</b>			
1	610221	LAMP 1250W BT-37	12
2	109606	BALLAST/CAPACITOR 1250W 60HZ 120/240V	1
3	100329	CAPACITOR ONLY 1250W 28uf 525V	2
4	106781	SWITCH 15A SINGLE POLE	2
<b>LAMP ASSEMBLY</b>			
1	610212	CERAMIC SOCKET	4
2	610203	GLASS LENS	4
3	610217	LENS GASKET	2
4	610202	LENS CHANNEL SET	2
5	610209	LAMP TIP SUPPORT	4
6	610210	TIP SUPPORT TUBING	4
7	660130P	SOLID MOUNT YOKE	2
8	310434	MALE LAMP LEAD (QUICK DISCONNECT OPTION)	4
9	310414	FEMALE LAMP LEAD (QUICK DISCONNECT OPTION)	1
10	650159	LAMP LEAD (HARD WIRED OPTION)	4

# Night-Lite ProII™

## 15.1 - Vertical or Laydown with 60Hz or LED Lighting (2 of 3)

SN 07-000001 and UP

SN 08-000001 and UP

Item	Part No.	Part Description	Qty.
<b>VERTICAL TOWER</b>			
1	106880	NYCOIL MAST HARNESS	1
2	320185	CABLE STEEL 3/16" X 10'	2
3	104358	HYD POWER UNIT BUCHER	1
4	100236	SOLENOID SWITCH HYD PUMP	1
5	100234	125 AMP FUSE	1
<b>LAYDOWN TOWER</b>			
1	103049	MAST WIRING HARNESS STRAIGHT CORD	2
2	650133	CABLE 3/16" STEEL X 17' 9"	1
3	620076	CABLE 3/16" STEEL X 11'	1
4	320185	CABLE 3/16" STEEL X 10'	1
5	610531	WINCH BRAKE	1
6	620550	LOCKING KNOB	4
<b>GENERAL PARTS</b>			
1	350354	35A 120/240 MAIN BREAKER	1
2	340014	HOUR METER	2
3	104957	RELAY 30A 120V	4
4	340058	GROUND ROD ASSEMBLY	2
5	650387-13	13" TIRE/WHEEL ASSEMBLY	1
6	102089	TONGUE JACK (SNAP RING, TOP CRANK)	1
7	330008	STABILIZER JACK (SNAP RING, TOP CRANK)	2
8	650235	REAR JACK (SNAP RING, SIDE CRANK)	2
9	330014	JACK SNAP RING	4
10	330012	REPLACEMENT JACK HANDLE (TOP CRANK)	3
11	330012A	REPLACEMENT JACK LOCK KIT	4
<b>ATHLON GENERATOR</b>			
1	640158	CAPACITOR 25uf 550V (ATHLON)	2
<b>MARATHON GENERATOR</b>			
1	105100	CAPACITOR 25uf 600V (MARATHON)	2

## 15.1 - Vertical or Laydown with 60Hz or LED Lighting (3 of 3)

SN 07-000001 and UP  
SN 08-000001 and UP

Item	Part No.	Part Description	Qty.
<b>CAT SERVICE PARTS</b>			
1	650304	CAT OIL FILTER	6
2	103155	CAT FUEL FILTER	4
3	102580	CAT AIR FILTER	2
4	108461	CAT C1.1 FILTER KIT (INCLUDES PART NUMBERS 650304, 102580, & 103155)	1
5	104310	KEYSWITCH W/KEYS	1
6	107793	KEYS (PAIR)	1
7	107794	KEY RUBBER BOOT (EACH / REQUIRED WITH 107793)	2
<b>KOHLER SERVICE PARTS</b>			
1	650011	KOHLER OIL FILTER	6
2	650010	KOHLER FUEL FILTER	4
3	650012	KOHLER AIR FILTER	2
4	650832	SWITCH W/KEYS	1
5	650833	KEY (SINGLE)	2
<b>KUBOTA SERVICE PARTS</b>			
1	920743	KUBOTA OIL FILTER	6
2	920745	KUBOTA FUEL FILTER	4
3	650290	KUBOTA AIR FILTER	2
4	108962	KUBOTA FILTER KIT (INCLUDES PART NUMBERS 920745, 920743, & 650290)	1
5	104310	KEYSWITCH W/KEYS	1
6	107793	KEYS (PAIR)	1
7	107794	KEY RUBBER BOOT (EACH / REQUIRED WITH 107793)	2



# Night-Lite ProII™

## 15.2 - Vertical or Laydown with 50Hz Lighting (1 of 3)

SN 07-000001 and UP  
SN 08-000001 and UP

Item	Part No.	Part Description	Qty.
<b>1000W 50Hz OPTION</b>			
1	610211	LAMP 1000W BT-37	12
2	310116A	BALLAST/CAPACITOR 1000W 50HZ	1
3	310115A	CAPACITOR 1000W 26uf	2
4	650104	SWITCH 25A SINGLE POLE	2
<b>LAMP ASSEMBLY</b>			
1	610212	CERAMIC SOCKET	4
2	610203	GLASS LENS	4
3	610217	LENS GASKET	2
4	610202	LENS CHANNEL SET	2
5	610209	LAMP TIP SUPPORT	4
6	610210	TIP SUPPORT TUBING	4
7	660130P	SOLID MOUNT YOKE	2
8	310434	MALE LAMP LEAD (QUICK DISCONNECT OPTION)	4
9	310414	FEMALE LAMP LEAD (QUICK DISCONNECT OPTION)	1
10	650159	LAMP LEAD (HARD WIRED OPTION)	4
<b>VERTICAL TOWER</b>			
1	106880	NYCOIL MAST HARNESS	1
2	320185	CABLE STEEL 3/16" X 10'	2
3	104358	HYD POWER UNIT BUCHER	1
4	100236	SOLENOID SWITCH HYD PUMP	1
5	100234	125 AMP FUSE	1
<b>LAYDOWN TOWER</b>			
1	103049	MAST WIRING HARNESS STRAIGHT CORD	2
2	650133	CABLE 3/16" STEEL X 17' 9"	1
3	620076	CABLE 3/16" STEEL X 11'	1
4	320185	CABLE 3/16" STEEL X 10'	1
5	610531	WINCH BRAKE	1
6	620550	LOCKING KNOB	4

## 15.2 - Vertical or Laydown with 50Hz Lighting (2 of 3)

SN 07-000001 and UP  
SN 08-000001 and UP

Item	Part No.	Part Description	Qty.
<b>GENERAL PARTS</b>			
1	350354	35A 120/240 MAIN BREAKER	1
2	340014	HOUR METER	2
3	104957	RELAY 30A 120V	4
4	340058	GROUND ROD ASSEMBLY	2
5	650387-13	13" TIRE/WHEEL ASSEMBLY	1
6	102089	TONGUE JACK (SNAP RING, TOP CRANK)	1
7	330008	STABILIZER JACK (SNAP RING, TOP CRANK)	2
8	650235	REAR JACK (SNAP RING, SIDE CRANK)	2
9	330014	JACK SNAP RING	4
10	330012	REPLACEMENT JACK HANDLE (TOP CRANK)	3
11	330012A	REPLACEMENT JACK LOCK KIT	4
<b>MARATHON GENERATOR</b>			
1	640152	CAPACITOR 45uf (MARATHON 50HZ)	1
<b>CAT SERVICE PARTS</b>			
1	650304	CAT OIL FILTER	6
2	103155	CAT FUEL FILTER	4
3	102580	CAT AIR FILTER	2
4	108461	CAT C1.1 FILTER KIT (INCLUDES PART NUMBERS 650304, 102580, & 103155)	1
5	104310	KEYSWITCH W/KEYS	1
6	107793	KEYS (PAIR)	1
7	107794	KEY RUBBER BOOT (EACH / REQUIRED WITH 107793)	2
<b>KOHLER SERVICE PARTS</b>			
1	650011	KOHLER OIL FILTER	6
2	650010	KOHLER FUEL FILTER	4
3	650012	KOHLER AIR FILTER	2
4	650832	SWITCH W/KEYS	1
5	650833	KEY (SINGLE)	2

# Night-Lite ProII™

## 15.2 - Vertical or Laydown with 50Hz Lighting (3 of 3)

SN 07-000001 and UP  
SN 08-000001 and UP

Item	Part No.	Part Description	Qty.
<b>KUBOTA SERVICE PARTS</b>			
1	920743	KUBOTA OIL FILTER	6
2	920745	KUBOTA FUEL FILTER	4
3	650290	KUBOTA AIR FILTER	2
4	108962	KUBOTA FILTER KIT (INCLUDES PART NUMBERS 920745, 920743, & 650290)	1
5	104310	KEYSWITCH W/KEYS	1
6	107793	KEYS (PAIR)	1
7	107794	KEY RUBBER BOOT (EACH / REQUIRED WITH 107793)	2

# Allmand™

**BRIGHTER. WARMER. SAFER.**

Allmand Bros., Inc.  
1502 West 4th Avenue  
Holdrege, NE 68949  
phone: (308) 995-4495 • toll free: (800) 562-1373  
fax: (308) 995-5887

[www.allmand.com](http://www.allmand.com)



*Reliability, performance, and integrity since 1938*

13-0267