

en **Parts Manual**
NIGHT-LITE PRO II®

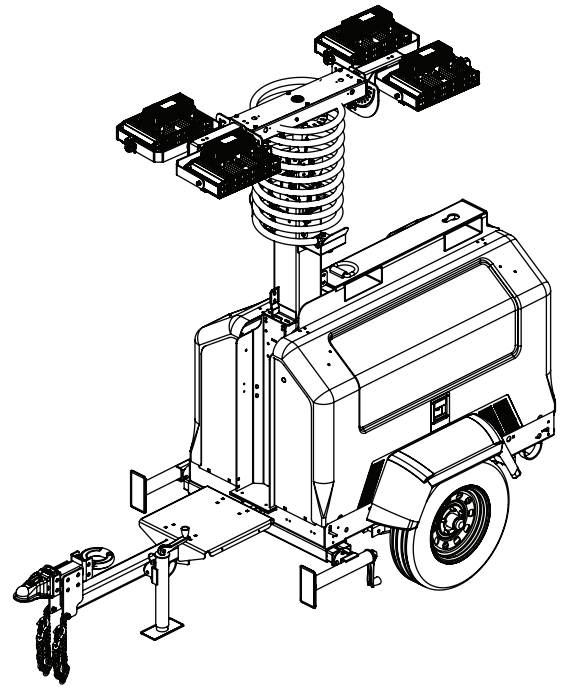
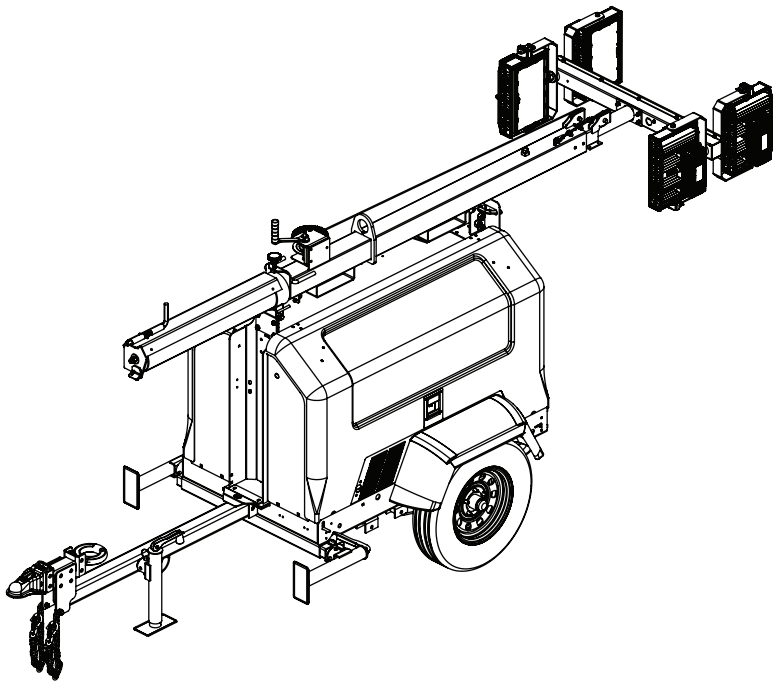


TABLE OF CONTENTS

1.0 AXLE/TONGUE/OUTRIGGERS

Axle Assembly Group	(1.1)
Reversible Tongue	(1.2)
Reversible Tongue Coupler Options	(1.3)
Vertical Tower Tongue Platform	(1.4)
Fenders	(1.5)
Outriggers and Jacks	(1.6)

2.0 TRAILER BASE PARTS

Left Door Group	(2.1)
Right Door Group	(2.2)
Tower Pedestal	(2.3)
CAT/Perkins 1.1 Rear Panel	(2.4)
Kubota Rear Panel	(2.5)
Mobile Platform Rear Panel	(2.6)
FCS Tray Group	(2.7)
Non FCS Group	(2.8)
Manual Canister	(2.9)

3.0 LAYDOWN TOWER GROUP

Laydown Tower Trailer Group	(3.1)
Laydown Tower Parts	(3.2)
Laydown Tower Pivot Section	(3.3)
Laydown Tower Rear Support	(3.4)
Laydown Tower Winch Group	(3.5)
Laydown Tower Light Bar	(3.6)
Laydown Tower Cord Group	(3.7)

NIGHT-LITE PRO II®

TABLE OF CONTENTS

4.0 VERTICAL TOWER GROUP

Vertical Tower Trailer Group	(4.1)
Vertical Tower Parts	(4.2)
Vertical Tower Section 4-Light Round and Light Bar	(4.3)
Vertical Tower Components	(4.4)
Vertical Tower Switch Panel	(4.5)
Vertical Tower 4-Light Nycoil Tower Cord	(4.6)

5.0 LAMP AND BALLAST GROUP

Ballast Box Install Group	(5.1)
1000W 50Hz 120V Ballast Box Assembly	(5.2)
1250W 60Hz 120V Ballast Box Assembly	(5.3)
SHO Lamp Holder Install Group	(5.4)
SHO Lamp Holder Quick Disconnect Install Group	(5.5)
SHO Lamp Holder Assembly Group	(5.6)
SHO Lamp Holder Bulb Options	(5.7)
SMD LED Lamp Install Group	(5.8)
SMD LED Lamp Diffuser	(5.9)

6.0 COMPONENT BOX GROUP

Component Box	(6.1)
SLS Key Start Engine Control	(6.2)
SLS Harness Control Fuse Panel	(6.3)
LSC Start Engine Control	(6.4)
LSC Harness Control Fuse Panel	(6.5)
1-30AMP Twistlock 1-RV 1-GFCI Outlet Package I	(6.6)
1-30AMP Twistlock 1-RV 1-GFCI Outlet Package II	(6.7)
2-30AMP RV 1-GFCI Outlet Package I	(6.8)
2-30AMP RV 1-GFCI Outlet Package II	(6.9)

TABLE OF CONTENTS

6.0 COMPONENT BOX GROUP (CONTINUED)

2-30AMP Twistlock 1-20AMP GFCI Outlet Package	(6.10)
50Hz 2-Schuko Outlet Package	(6.11)
Light Breaker Switches	(6.12)
Zettler Light Relays	(6.13)
Low Level Fuel Module	(6.14)
50Hz CAT C1.1 Engine Voltage Regulator	(6.15)

7.0 ELECTRICAL / ENGINE / FUEL TANK GROUP

Trailer Lighting	(7.1)
Tail Light Covers Option	(7.2)
Ground Rod and Grounding Lug	(7.3)
Emergency Stop	(7.4)
Battery Cables	(7.5)
Battery Disconnect	(7.6)
Fuel Tank FCS Install Group	(7.7)
Fuel Tank Non-FCS Install Group	(7.8)
Fuel Level Sender	(7.9)
Low Fuel Beacon with Fuel Level Sender	(7.10)
Heated Fuel Water Separator	(7.11)
Coolant Recovery Tank	(7.12)
Engine Isolator Mounts	(7.13)
Engine Ground Wire	(7.14)

8.0 CAT/PERKINS ENGINE GROUP

CAT/Perkins 1.1 Engine and Filters	(8.1)
CAT/Perkins 1.1 Engine Assembly Group	(8.2)
CAT/Perkins 1.1 Remote Oil Drain	(8.3)
CAT/Perkins 1.1 Fuel Lines	(8.4)
CAT/Perkins 1.1 Block Heater	(8.5)

NIGHT-LITE PRO II®

TABLE OF CONTENTS

8.0 CAT/PERKINS ENGINE GROUP (CONTINUED)

CAT/Perkins 1.1 Shocker Group	(8.6)
CAT/Perkins 1.1 PacBrake Group	(8.7)
CAT/Perkins 1.1 Cold Front	(8.8)

9.0 KUBOTA ENGINE GROUP

Kubota D1005/1105 Engine and Filters	(9.1)
Kubota D1005/1105 Engine Assembly Group	(9.2)
Kubota D1005/1105 Remote Oil Drain	(9.3)
Kubota D1005/1105 Fuel Lines	(9.4)
Kubota D1005/1105 Block Heater	(9.5)
Kubota D1005/1105 Shocker Group	(9.6)
Kubota D1005/1105 PacBrake Group	(9.7)
Kubota D1005/1105 Cold Front	(9.8)

10.0 GENERATORS AND GENERATOR CORDS

Marathon 6/8kW 50/60Hz Generator	(10.1)
Marathon 10/4 Generator Cord	(10.2)
Marathon 6/4 Generator Cord	(10.3)
Coliseum 6/8kW 50/60Hz Generator	(10.4)
Coliseum 10/4 Generator Cord	(10.5)
Coliseum 6/4 Generator Cord	(10.6)

11.0 DECALS

Branding Decals	(11.1)
Laydown Tower Domestic Decals	(11.2)
Laydown Tower Wordless Decals	(11.3)
Laydown Tower Trailer Left Side Domestic Decals	(11.4)
Laydown Tower Trailer Left Side Wordless Decals	(11.5)
Laydown Tower Trailer Right Side Domestic Decals	(11.6)

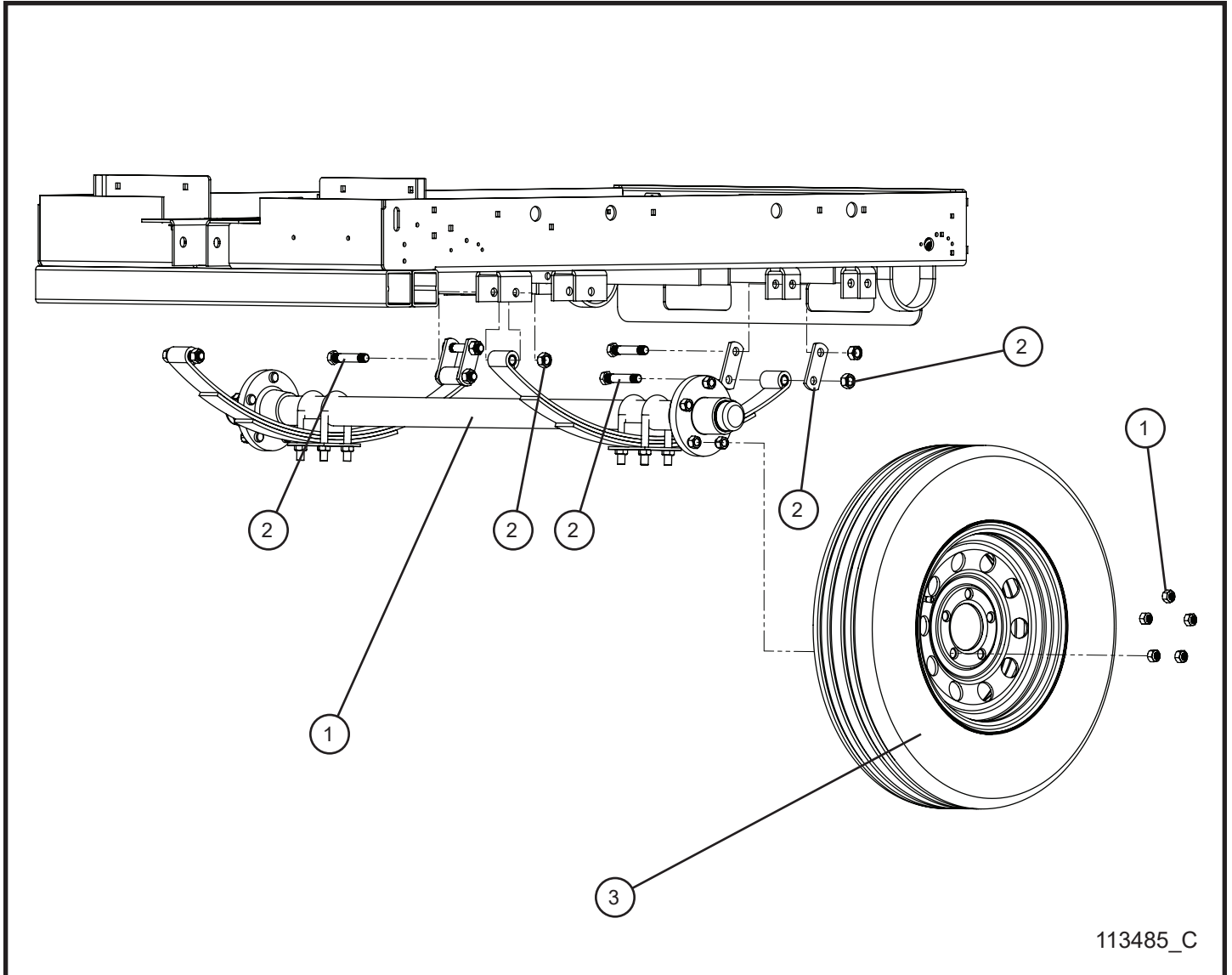
TABLE OF CONTENTS

11.0 DECALS

Laydown Tower Trailer Right / Front Side Wordless Decals	(11.7)
Laydown Tower Trailer Rear Side Domestic Decals	(11.8)
Laydown Tower Trailer Rear Side Wordless Decals	(11.9)
Laydown Tower Trailer Door Interior Domestic Decals	(11.10)
Laydown Tower Trailer Door Interior Wordless Decals	(11.11)
Laydown Tower Trailer Interior Domestic Decals	(11.12)
Laydown Tower Trailer Interior Wordless Decals	(11.13)
Vertical Tower Trailer Left Side Domestic Decals	(11.14)
Vertical Tower Trailer Left Side Wordless Decals	(11.15)
Vertical Tower Trailer Right Side Domestic Decals	(11.16)
Vertical Tower Trailer Right Side Wordless Decals	(11.17)
Vertical Tower Trailer Top Side Domestic Decals	(11.18)
Vertical Tower Trailer Top Side Wordless Decals	(11.19)
Vertical Tower Trailer Rear Side Domestic Decals	(11.20)
Vertical Tower Trailer Rear / Front Side Wordless Decals	(11.21)
Vertical Tower Trailer Door Interior Domestic Decals	(11.22)
Vertical Tower Trailer Door Interior Wordless Decals	(11.23)
Vertical Tower Trailer Interior Domestic Decals	(11.24)
Vertical Tower Trailer Interior Wordless Decals	(11.25)
Trailer Reflector Decals	(11.26)
Electrical Information Decals	(11.27)

NIGHT-LITE PRO II®

1.1 - Axle Assembly Group



113485_C

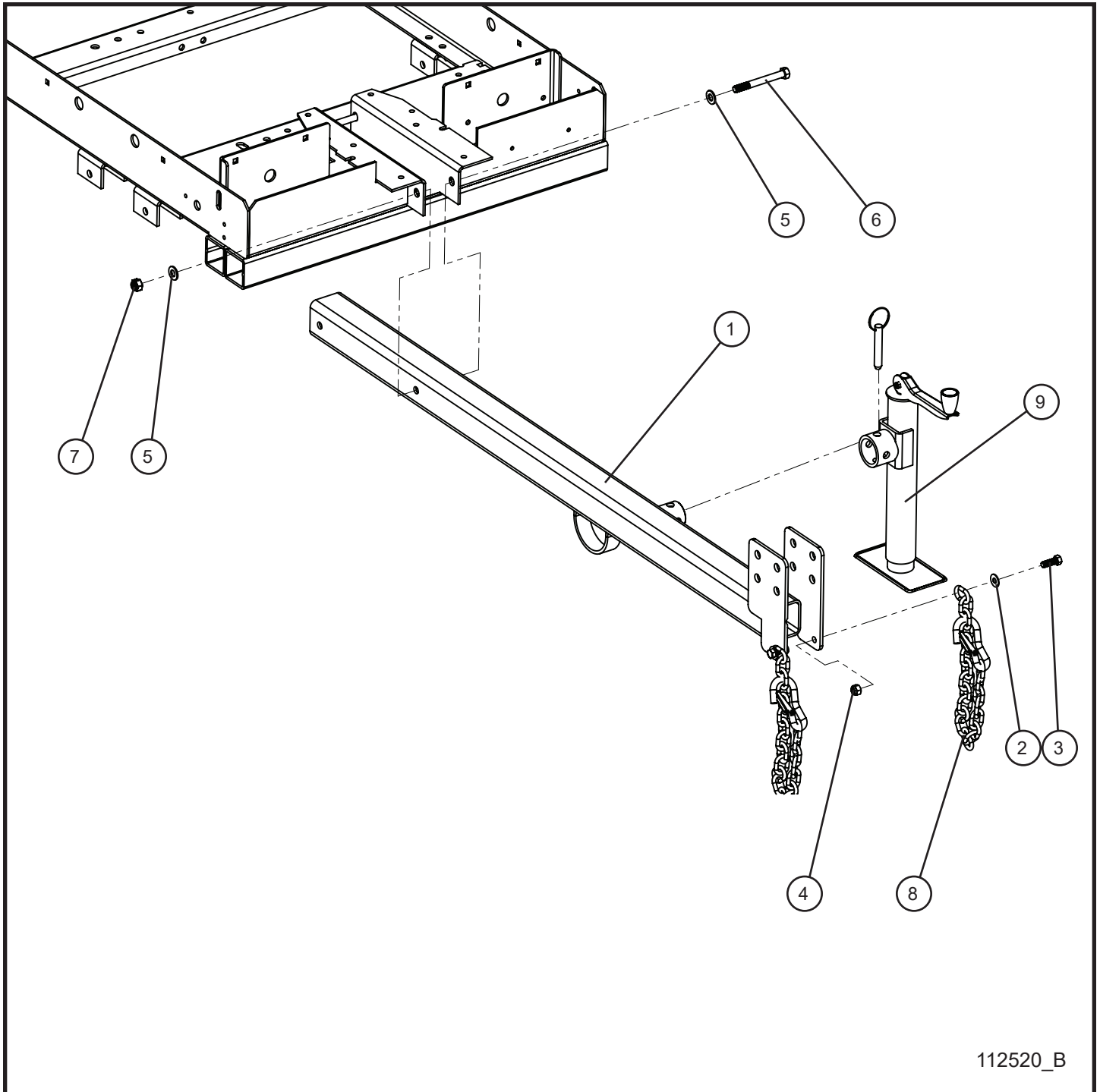
NIGHT-LITE PRO II®

SN 07-003127 and UP
SN 08-005619 and UP

1.1 - Axle Assembly Group

Item	Part No.	Part Description	Qty.
1	114113	AXLE 25.25 SPRING EYE SPACING	1
2	117120	SUSPENSION KIT SINGLE AXLE	1
3	112801	13" TIRE/WHEEL ASSEMBLY	2

1.2 - Reversible Tongue



112520_B

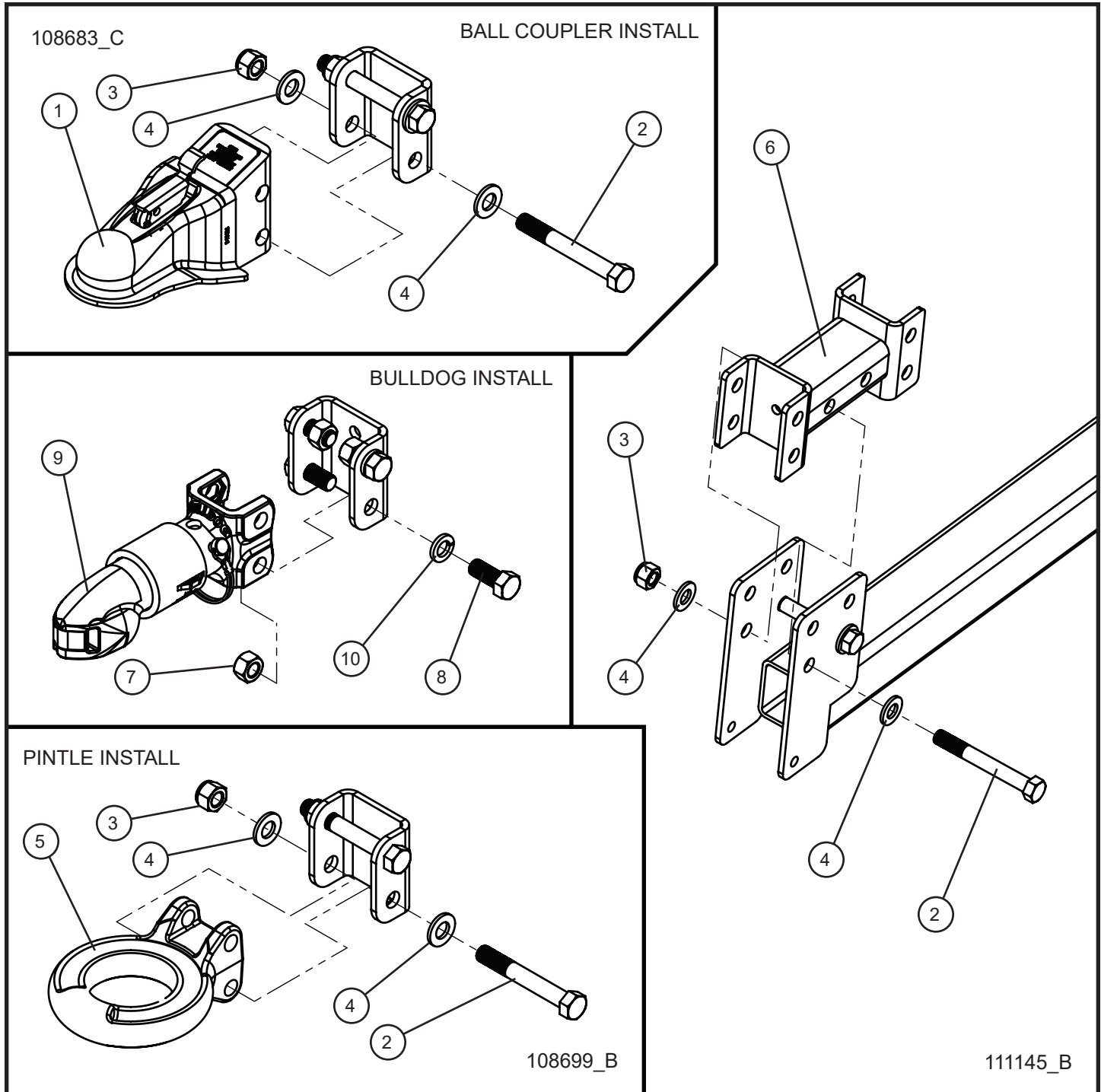
NIGHT-LITE PRO II®

SN 07-003127 and UP
SN 08-005619 and UP

1.2 - Reversible Tongue

Item	Part No.	Part Description	Qty.
1	112376P	ADJUSTABLE TUBE MOUNT TONGUE	1
2	047015	3/8 FLAT WASHER PL	2
3	046159	7/16-14 x 1 1/4 HEX HEAD CS GR5 PL	2
4	044043	7/16-14 NYLOCK HEX NUT PL	2
5	047025	1/2 FLAT WASHER PL	4
6	046225	1/2-13 x 4 1/2 HEX HEAD CS GR5 PL	2
7	044048	1/2-13 NYLOCK HEX NUT PL	2
8	049040	SAFETY CHAIN	2
9	108726	TOP CRANK TUBE MOUNT JACK	1

1.3 - Reversible Tongue Coupler Options



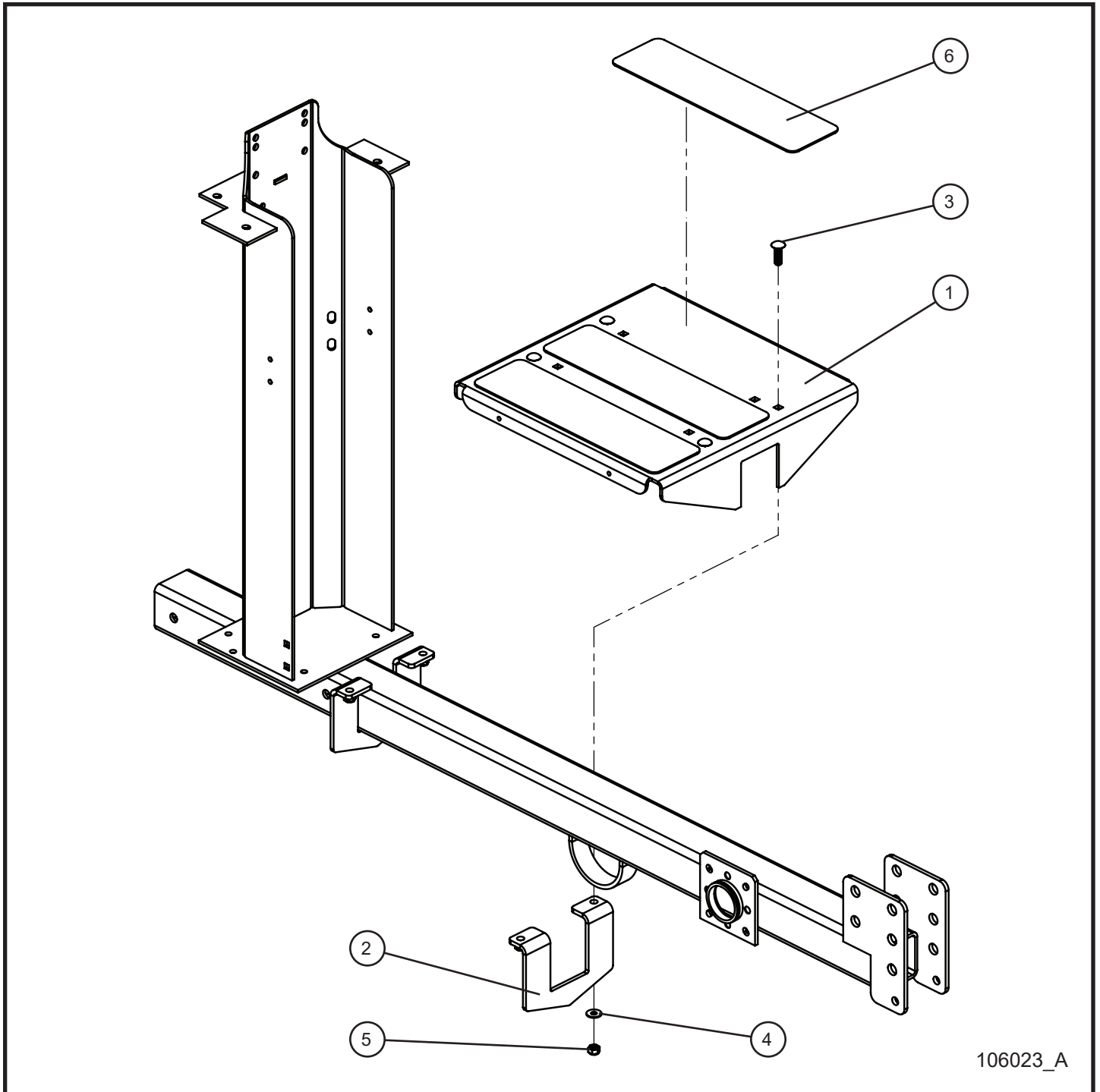
NIGHT-LITE PRO II®

SN 07-003127 and UP
SN 08-005619 and UP

1.3 - Reversible Tongue Coupler Options

Item	Part No.	Part Description	Qty.
1	109977	COUPLER BALL 2.00 ADJUSTABLE STAMPED	1
	109976	COUPLER BALL 2.313 ADJUSTABLE STAMPED	1
2	046255	5/8-11 x 5 HEX HEAD BOLT	4
3	044053	5/8-11 NYLOCK HEX NUT	4
4	047031	5/8 FLAT WASHER	10
5	106720	RING PINTLE 3.00 ADJUSTABLE	1
6	111148P	REVERSIBLE COUPLER TONGUE MOUNT	1
7	044050	5/8-11 HEX NUT	4
8	046245	5/8-11 x 1 1/2 HEX HEAD BOLT	4
9	109978	COUPLER BALL 2.00 BULLDOG HITCH 7,000 LBS	1
	109979	COUPLER BALL 2.313 BULLDOG HITCH 12,500 LBS	1
10	043101	5/8 SPLITLOCK WASHER	4

1.4 - Vertical Tower Tongue Platform



106023_A

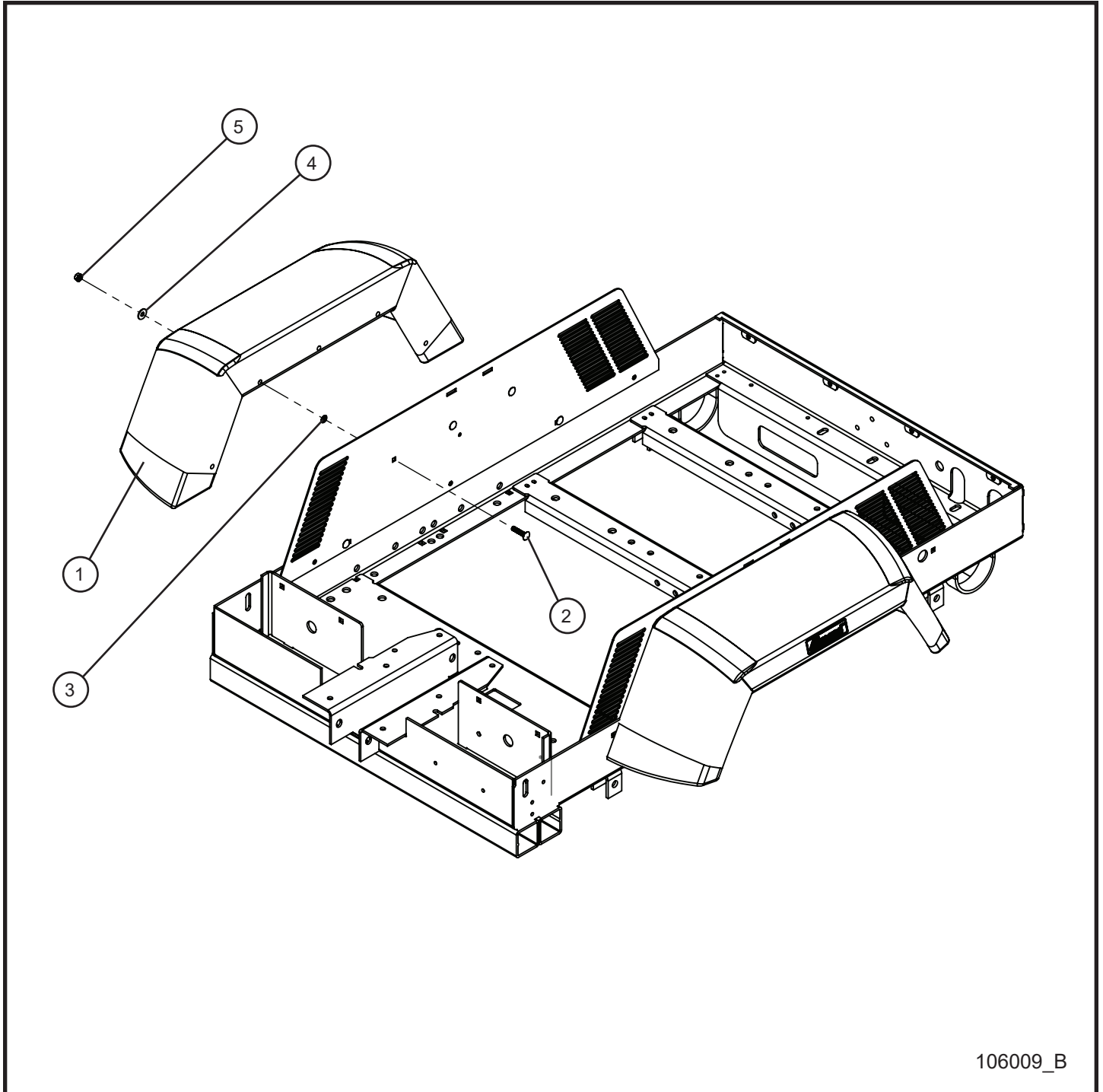
NIGHT-LITE PRO II®

SN 07-003127 and UP
SN 08-005619 and UP

1.4 - Vertical Tower Tongue Platform

Item	Part No.	Part Description	Qty.
1	105330P	STEP PLATFORM	1
2	104406P	ANCHOR STEP	2
3	100670	3/8-16 x 1 1/4 CARRIAGE BOLT	4
4	047010	5/16 FLAT WASHER PL	4
5	044038	3/8-16 NYLOCK HEX NUT PL	4
6	062006	ANTI SKID TAPE DIE CUT	3

1.5 - Fenders



106009_B

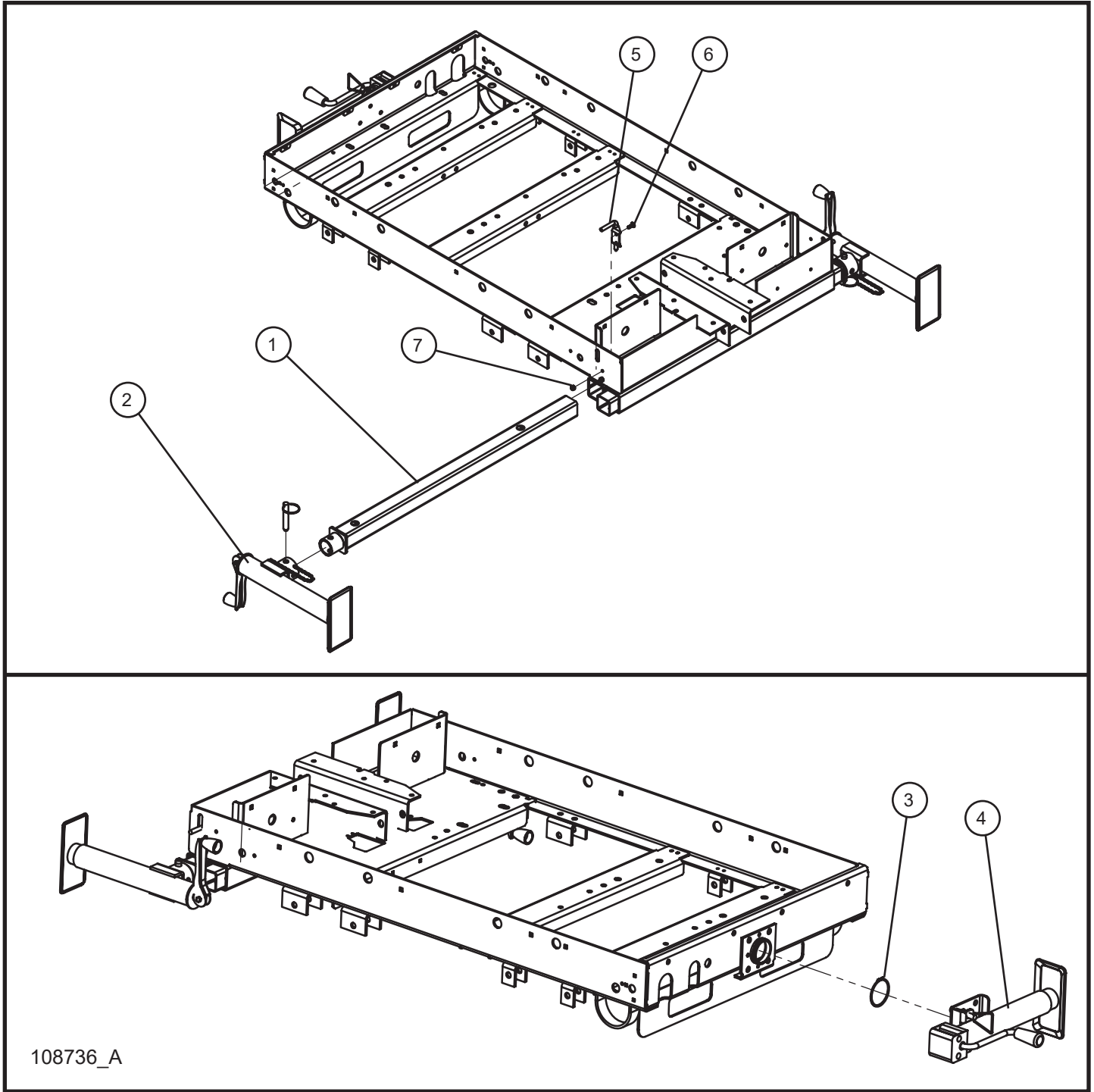
NIGHT-LITE PRO II®

SN 07-003127 and UP
SN 08-005619 and UP

1.5 - Fenders

Item	Part No.	Part Description	Qty.
1	650297	FENDER MOLDED BLACK 13 INCH	2
2	053023	5/16-18 x 1 1/2 CARRIAGE BOLT PL	10
3	045217	5/16 PUSH NUT	10
4	047010	5/16 FLAT WASHER PL	10
5	044031	5/16-18 KEPS HEX NUT PL	10

1.6 - Outriggers and Jacks



108736_A

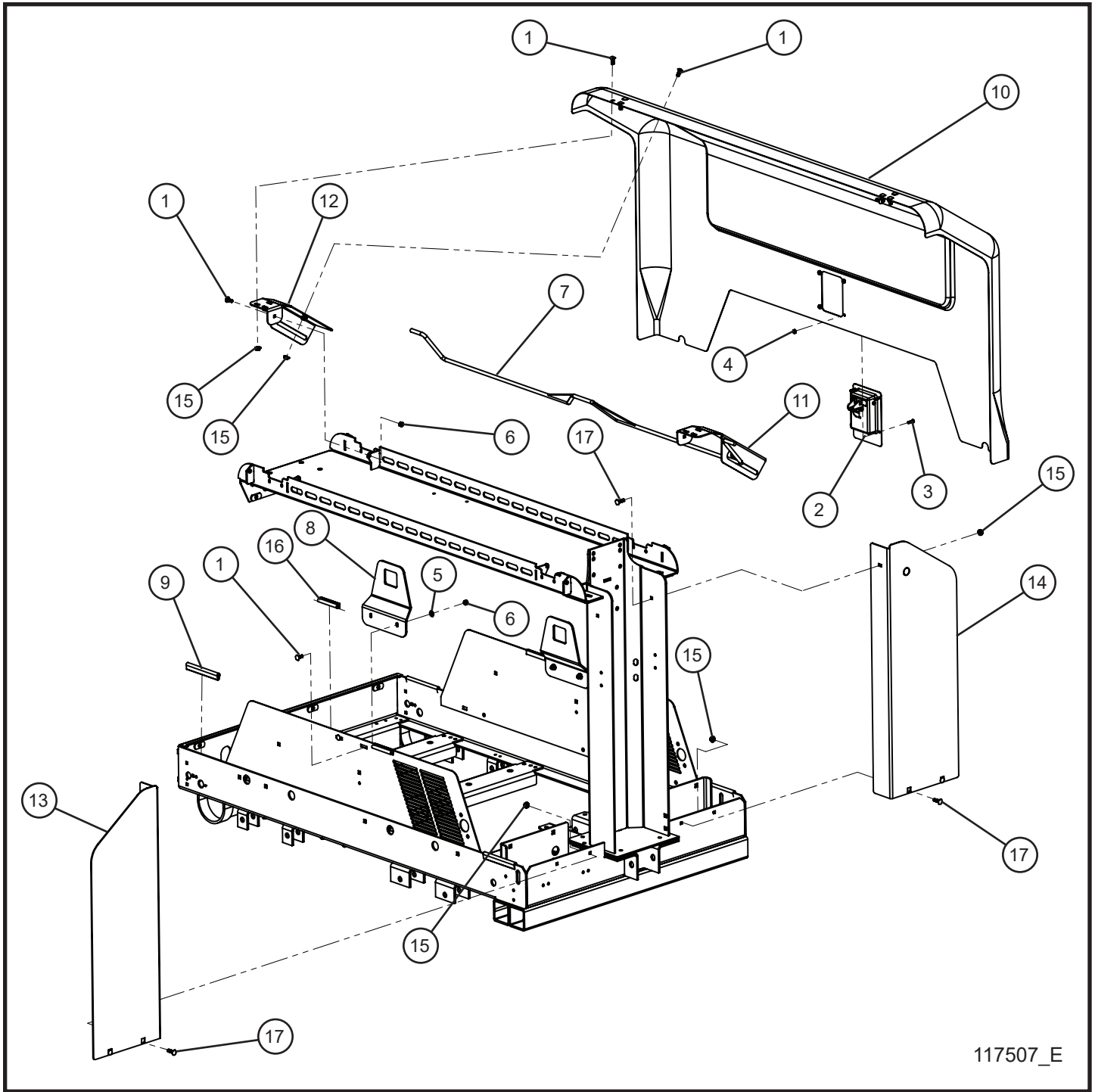
NIGHT-LITE PRO II®

SN 07-003127 and UP
SN 08-005619 and UP

1.6 - Outriggers and Jacks

Item	Part No.	Part Description	Qty.
1	108732P	TUBE MOUNT OUTRIGGER LEFT AND RIGHT	2
2	108726	TOP CRANK JACK TUBE	2
3	330014	2 5/6 XT JACK SNAP RING	1
4	108725	JACK SIDE CRANK	1
5	650723	PIN OUTRIGGER RETENTION RIGHT	2
6	041050	1/4-20 x 3/4 PH-TRUSS HEAD MS SS MACHINE SCREW	4
7	044023	1/4-20 NYLOCK HEX NUT PL	4

2.1 - Left Door Group



117507_E

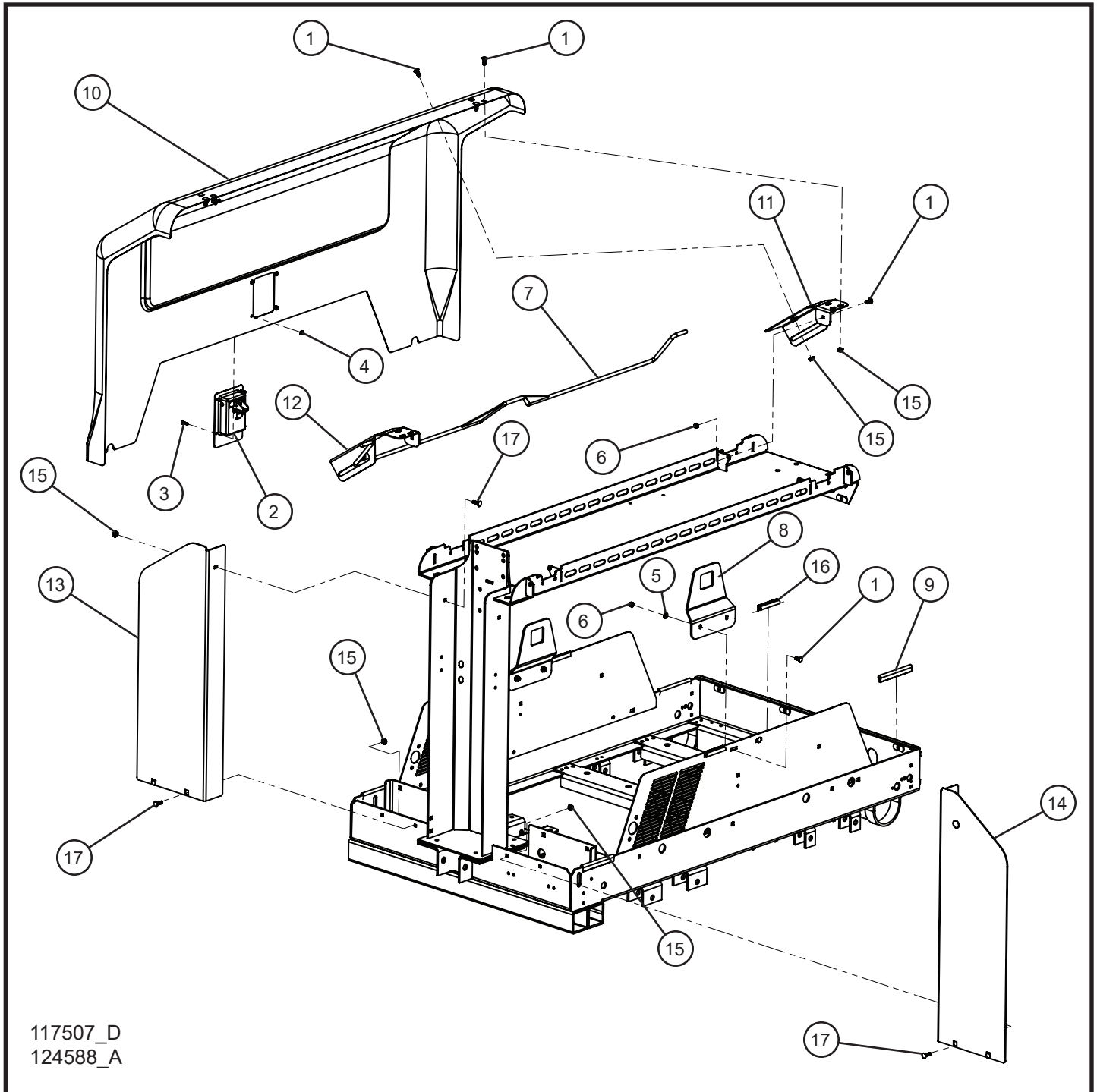
NIGHT-LITE PRO II®

SN 07-003127 and UP
SN 08-005619 and UP

2.1 - Left Door Group

Item	Part No.	Part Description	Qty.
1	053006	1/4-20 X 3/4 CARRIAGE BOLT	28
2	680459	SLAM LATCH	2
3	041027	#10-24 X 3/4 PH-ROUND HEAD MACHINE SCREW	8
4	044018	#10-24 NYLOCK HEX NUT	8
5	047009	1/4 FLAT WASHER	4
6	044023	1/4-20 NYLOCK HEX NUT	8
7	116954	PRO II PROP ROD WITH GUSSET	2
8	105132P	SLAM LATCH CATCH PLATE	2
9	030054	TRIMLOK 3/16 X 3/4 X 5.00 INCHES	4
10	116660P	DOOR PRO II	1
11	117360P	BRACKET RIGHT DOOR HINGE PRO II	1
12	117361P	BRACKET LEFT DOOR HINGE PRO II	1
13	117505P	PRO II FRONT PANEL RIGHT	1
14	117506P	PRO II FRONT PANEL LEFT	1
15	057000	1/4-20 HEX SERRATED FLANGE NUT	26
16	105998	TRIM GASKET SIDE BEAD 1/16 WITH 3/8 BULB x 3 IN.	4
17	100342	1/4-20 X 1 CARRIAGE BOLT	6

2.2 - Right Door Group



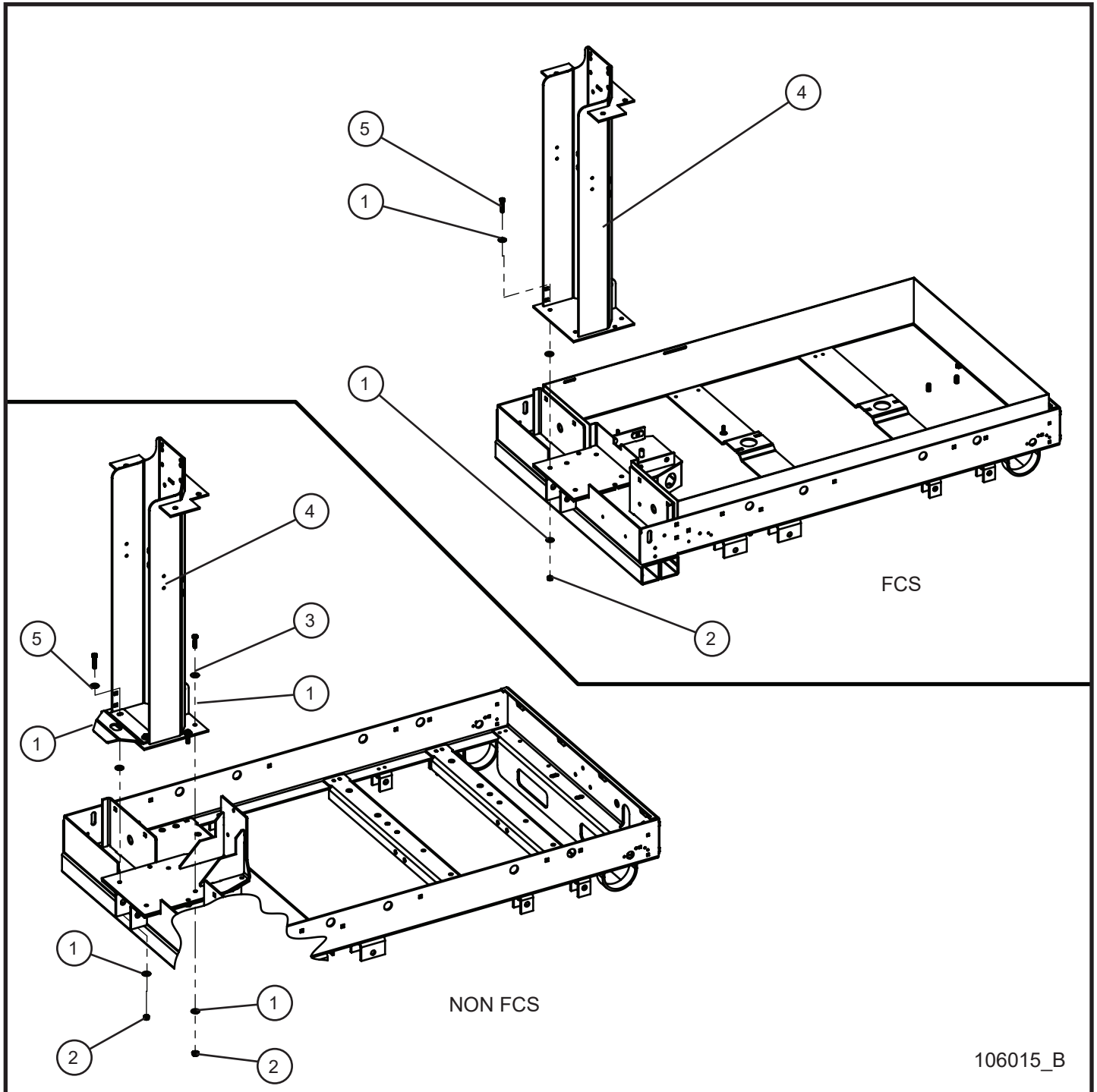
NIGHT-LITE PRO II®

SN 07-003127 and UP
SN 08-005619 and UP

2.2 - Right Door Group

Item	Part No.	Part Description	Qty.
1	053006	1/4-20 X 3/4 CARRIAGE BOLT	28
2	680459	SLAM LATCH	2
3	041027	#10-24 X 3/4 PH-ROUND HEAD MACHINE SCREW	8
4	044018	#10-24 NYLOCK HEX NUT	8
5	047009	1/4 FLAT WASHER	4
6	044023	1/4-20 NYLOCK HEX NUT	8
7	116954	PRO II PROP ROD WITH GUSSET	2
	124587P	PRO II PROP ROD WITH GUSSET ALLMAND MADE	2
8	105132P	SLAM LATCH CATCH PLATE	2
9	030054	TRIMLOK 3/16 X 3/4 X 5.00 INCHES	4
10	116660P	DOOR PRO II	1
11	117360P	BRACKET RIGHT DOOR HINGE PRO II	1
12	117361P	BRACKET LEFT DOOR HINGE PRO II	1
13	117505P	PRO II FRONT PANEL RIGHT	1
14	117506P	PRO II FRONT PANEL LEFT	1
15	057000	1/4-20 HEX SERRATED FLANGE NUT	26
16	105998	TRIM GASKET SIDE BEAD 1/16 WITH 3/8 BULB x 3 IN.	4
17	100342	1/4-20 X 1 CARRIAGE BOLT	6

2.3 - Tower Pedestal



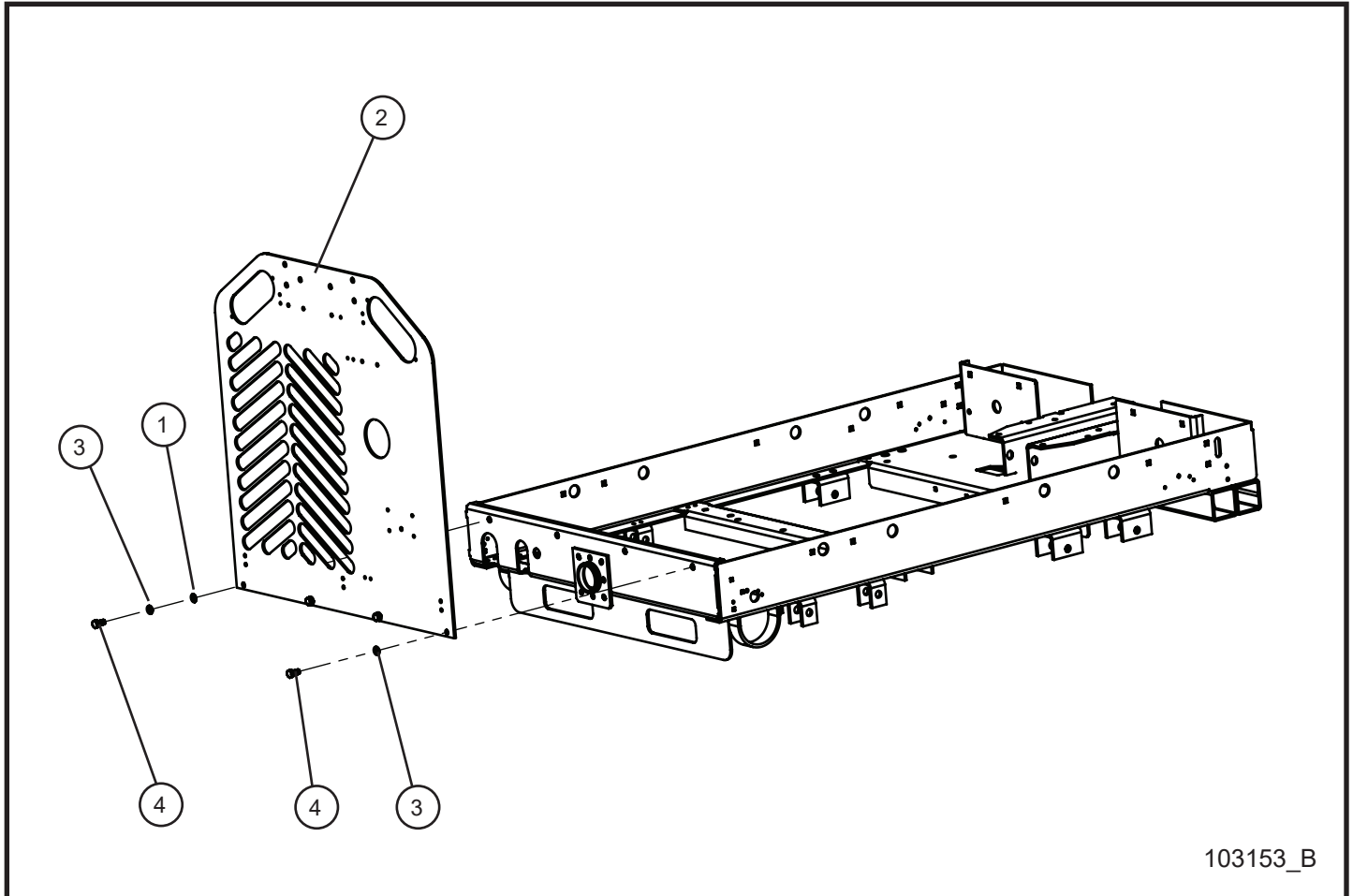
NIGHT-LITE PRO II®

SN 07-003127 and UP
SN 08-005619 and UP

2.3 - Tower Pedestal

Item	Part No.	Part Description	Qty.
1	047010	5/16 FLAT WASHER PL	12
2	044031	5/16-18 KEPS HEX NUT PL	6
3	046055	5/16-18 x 1 1/4 HEX HEAD CS GR5 PL	4
4	103937P	TOWER PEDESTAL	1
5	046060	5/16-18 x 1 1/2 HEX HEAD CS GR5 PL	2

2.4 - CAT/Perkins 1.1 Rear Panel



103153_B

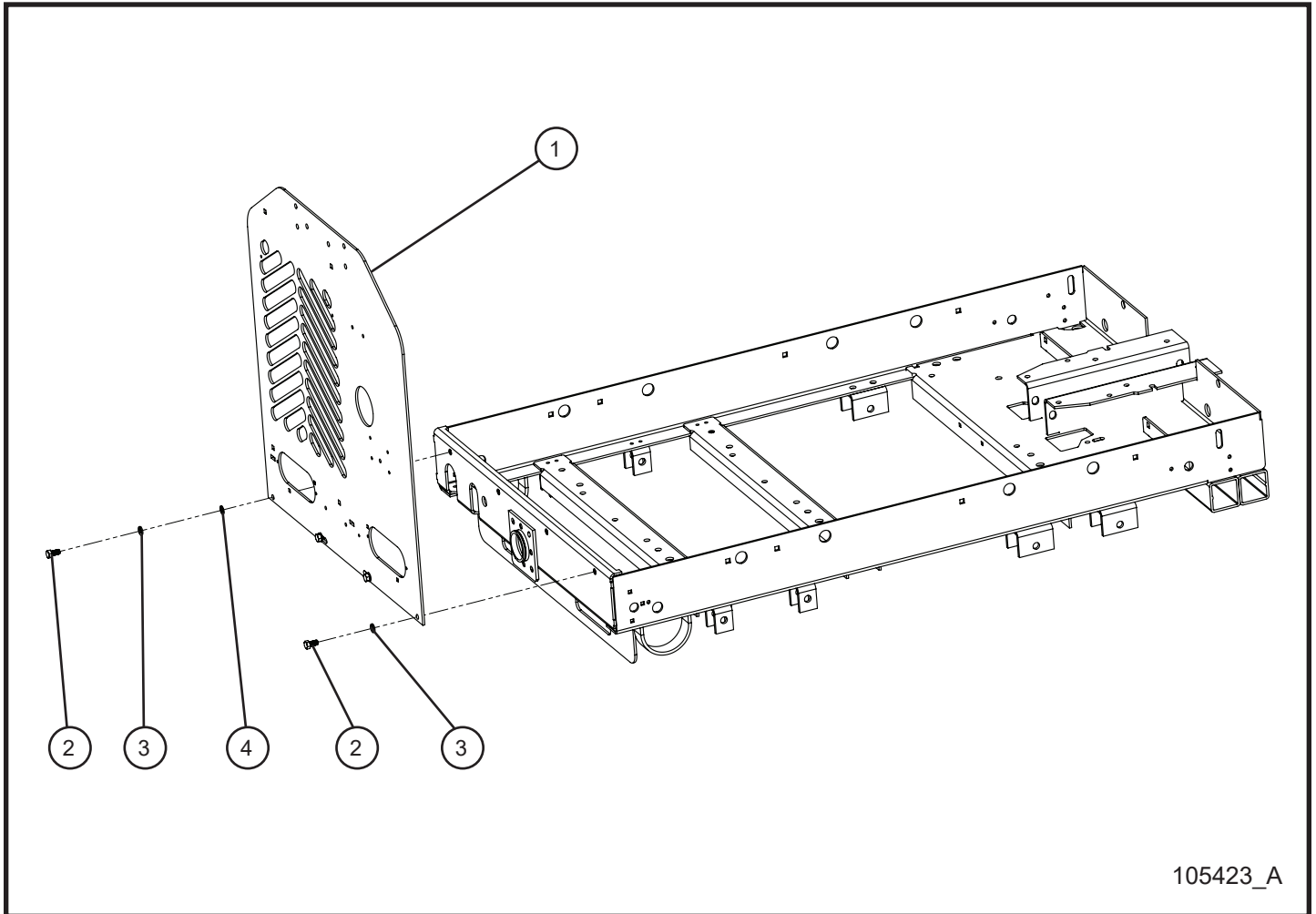
NIGHT-LITE PRO II®

SN 07-003127 and UP
SN 08-005619 and UP

2.4 - CAT/Perkins 1.1 Rear Panel

Item	Part No.	Part Description	Qty.
1	043070	3/8 INTL TOOTH LOCK WASHER PL	1
2	102823P	REAR PANEL UNIVERSAL	1
3	043065	3/8 SPLITLOCK WASHER PL	4
4	046105	3/8-16 x 3/4 HEX HEAD CS GR8 PL	4

2.5 - Kubota Rear Panel



105423_A

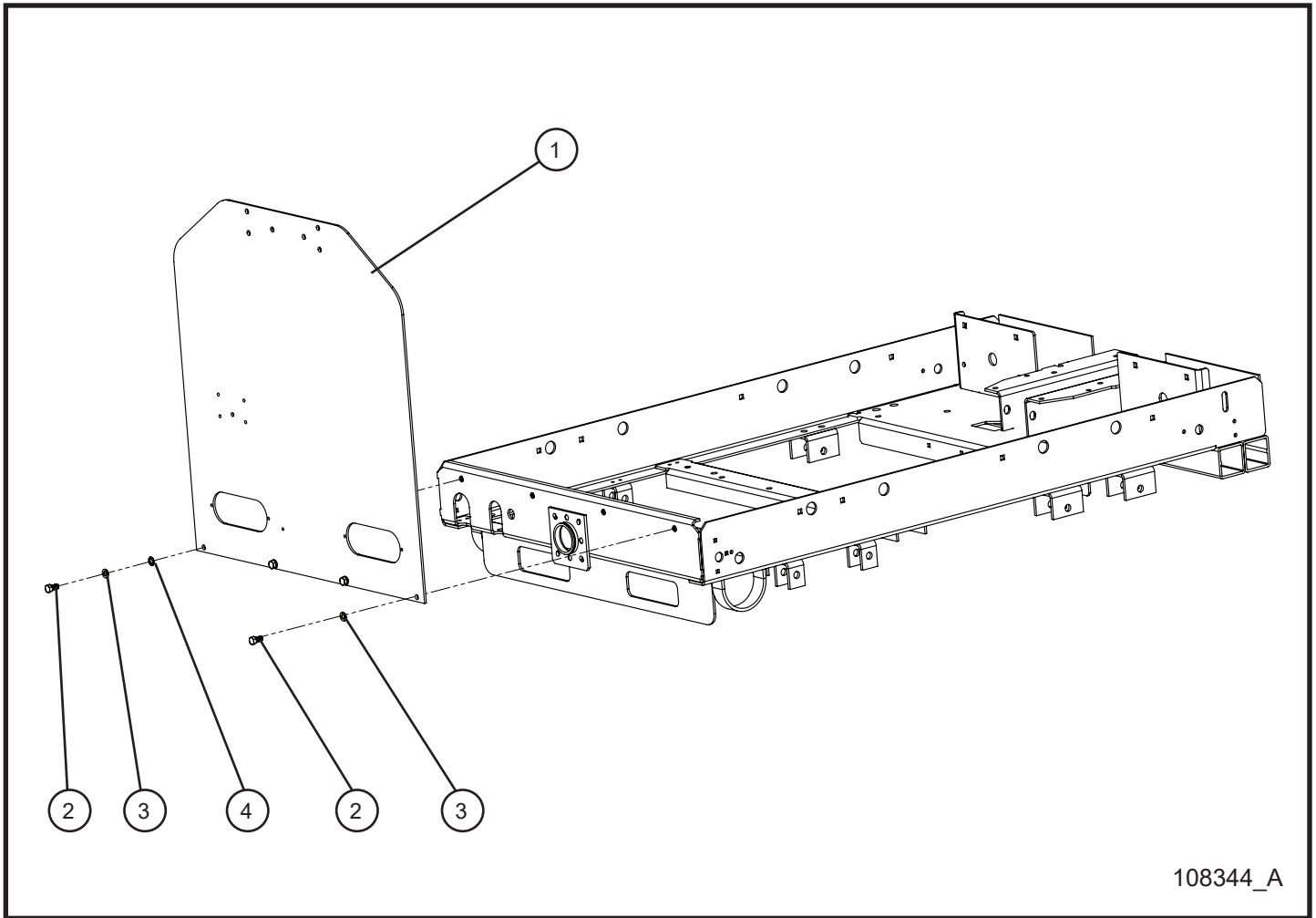
NIGHT-LITE PRO II®

SN 07-003127 and UP
SN 08-005619 and UP

2.5 - Kubota Rear Panel

Item	Part No.	Part Description	Qty.
1	105403P	REAR PANEL (KUBOTA)	1
2	046105	3/8-16 x 3/4 HEX HEAD CS GR8 PL	4
3	043065	3/8 SPLITLOCK WASHER PL	4
4	043070	3/8 INTL TOOTH LOCK WASHER PL	1

2.6 - Mobile Platform Rear Panel



108344_A

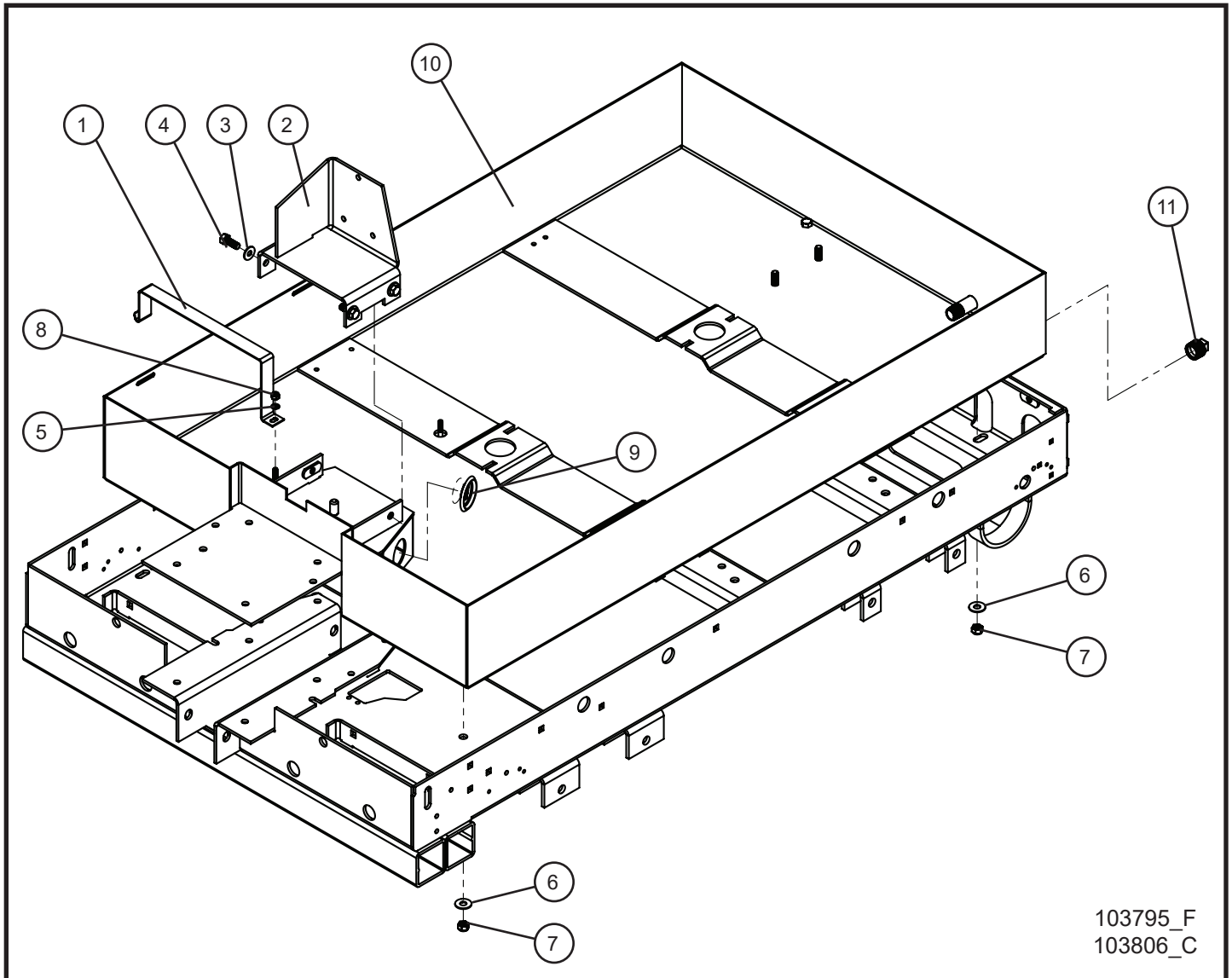
NIGHT-LITE PRO II®

SN 07-003127 and UP
SN 08-005619 and UP

2.6 - Mobile Platform Rear Panel

Item	Part No.	Part Description	Qty.
1	108343P	MOBILE PLATFORM REAR PANEL	1
2	046105	3/8-16 x 3/4 HEX HEAD CS GR8 PL	4
3	043065	3/8 SPLITLOCK WASHER PL	4
4	043070	3/8 INTL TOOTH LOCK WASHER PL	1

2.7 - FCS Tray Group



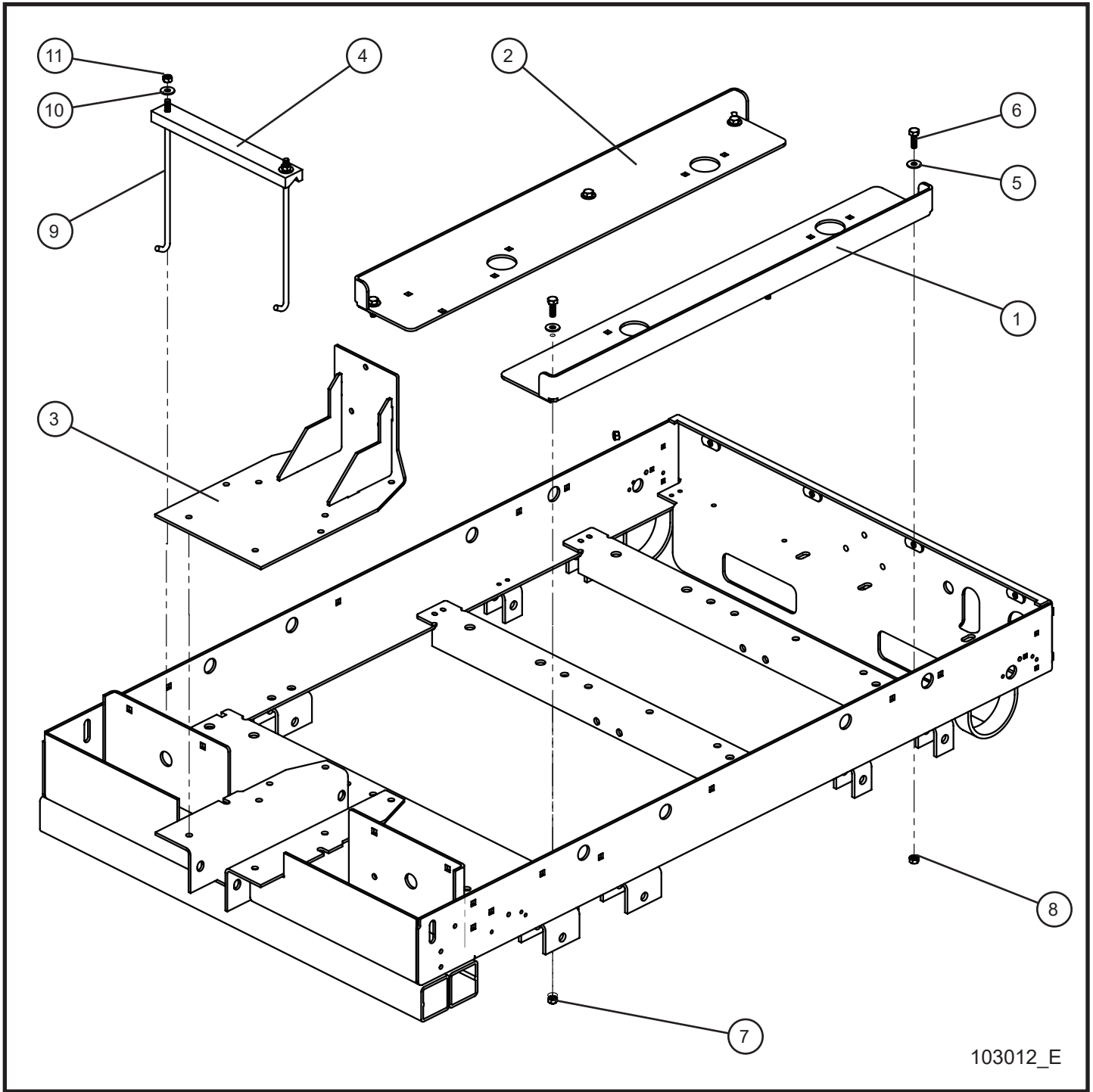
NIGHT-LITE PRO II®

SN 07-003127 and UP
SN 08-005619 and UP

2.7 - FCS Tray Group

Item	Part No.	Part Description	Qty.
1	102820P	BATTERY STRAP	1
2	102770P	FCS TRAY WINCH MOUNT (LAYDOWN TOWER ONLY)	1
3	047010	5/16 FLAT WASHER PL (LAYDOWN TOWER ONLY)	4
4	046110	3/8-16 x 1 HEX HEAD CS GR5 PL (LAYDOWN TOWER ONLY)	4
5	047009	1/4 FLAT WASHER SAE SS	1
6	047015	3/8 FLAT WASHER PL	4
7	044038	3/8-16 NYLOCK HEX NUT PL	4
8	044023	1/4-20 NYLOCK HEX NUT PL	1
9	680878	1 3/4 CAP PLUG	1
10	105755P	JB RADIATOR FCS CONTAINMENT TRAY	1
11	104148	PIPE PLUG 3/4 NPT SQUARE HEAD	1

2.8 - Non-FCS Group



103012_E

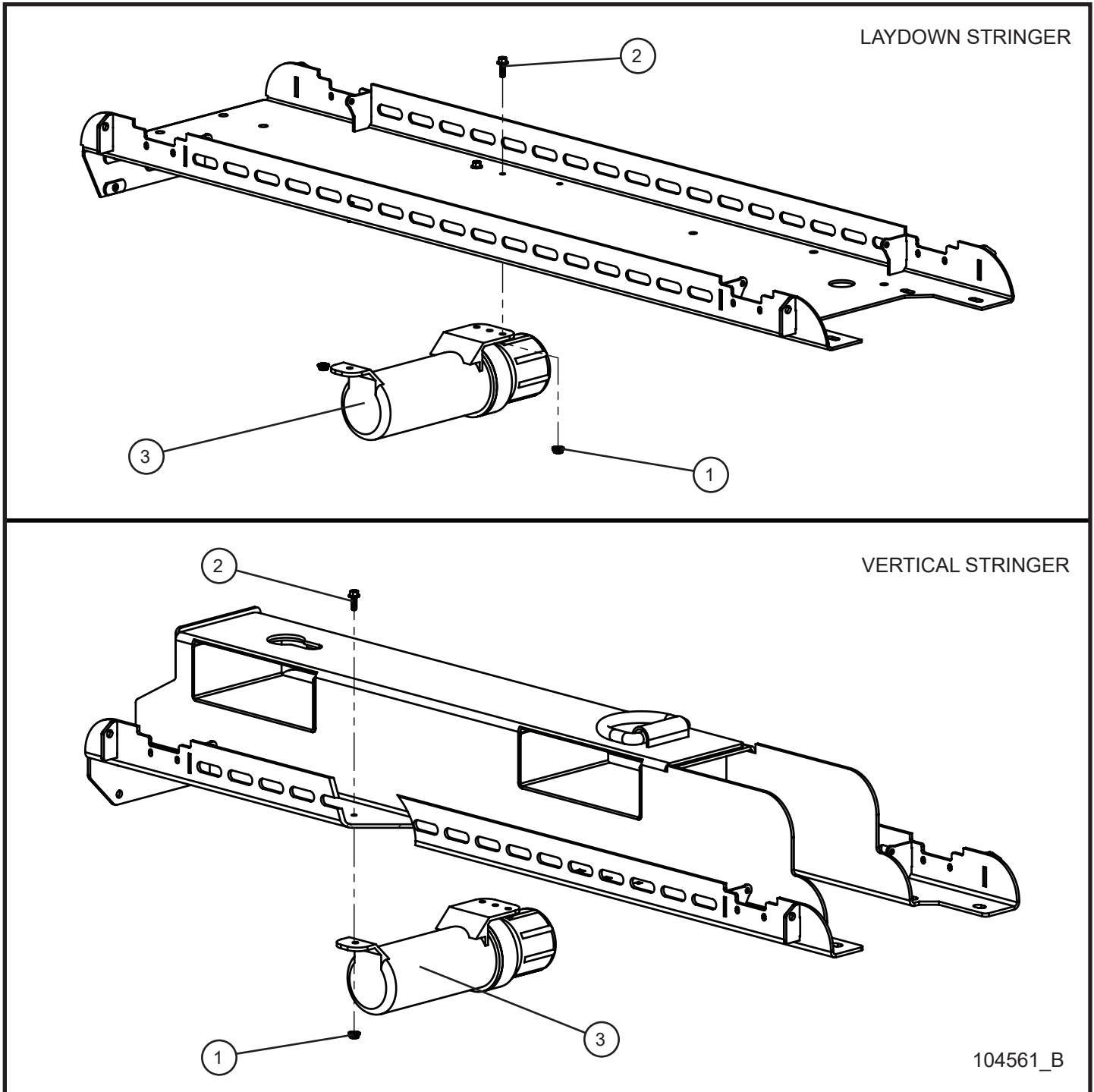
NIGHT-LITE PRO II®

SN 07-003127 and UP
SN 08-005619 and UP

2.8 - Non-FCS Group

Item	Part No.	Part Description	Qty.
1	102793P	LEFT ENGINE RAIL	1
2	102794P	RIGHT ENGINE RAIL	1
3	102842P	LAYDOWN TOWER WINCH MOUNT	1
4	340017	HOLD DOWN BATTERY	1
5	047015	3/18 FLAT WASHER PL	6
6	046115	3/8-16 x 1 1/4 HEX HEAD CS GR5 PL	6
7	044038	3/8-16 NYLOCK HEX NUT PL	5
8	044036	3/8-16 KEPS HEX NUT PL	1
9	433507	5/16-18 J BOLT x 11 ZINC	2
10	047010	5/16 FLAT WASHER PL	2
11	044033	5/16-18 NYLOCK HEX NUT PL	2

2.9 - Manual Canister



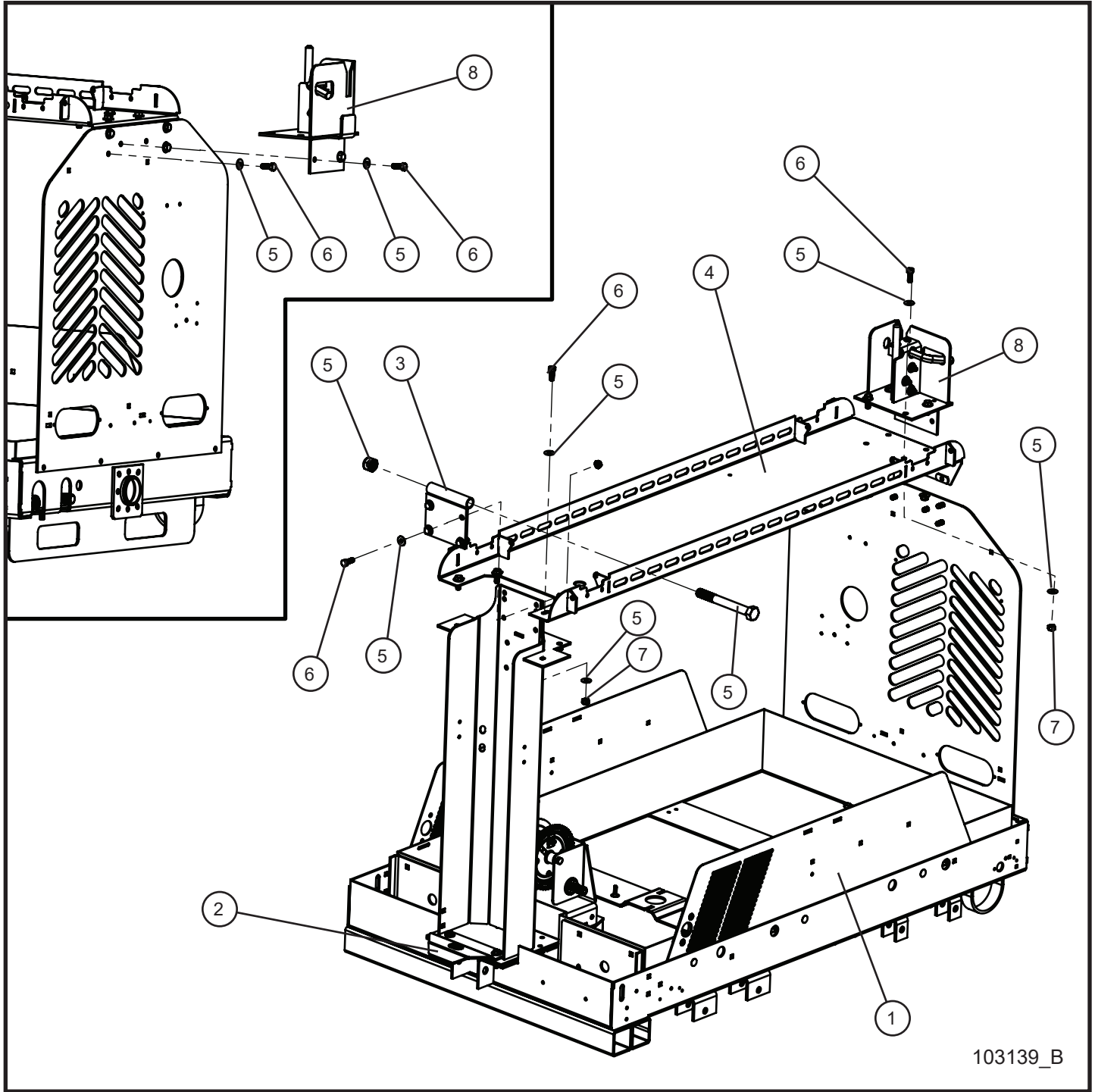
NIGHT-LITE PRO II®

SN 07-003127 and UP
SN 08-005619 and UP

2.9 - Manual Canister

Item	Part No.	Part Description	Qty.
1	057000	1/4-20 HEX SERRATED FLANGE NUT	3
2	056002	1/4-20 x 3/4 HEX SERRATED FLANGE SCREW	3
3	103651	CANISTER PRODUCT MANUAL	1

3.1 - Laydown Tower Trailer Group (1 of 2)



103139_B

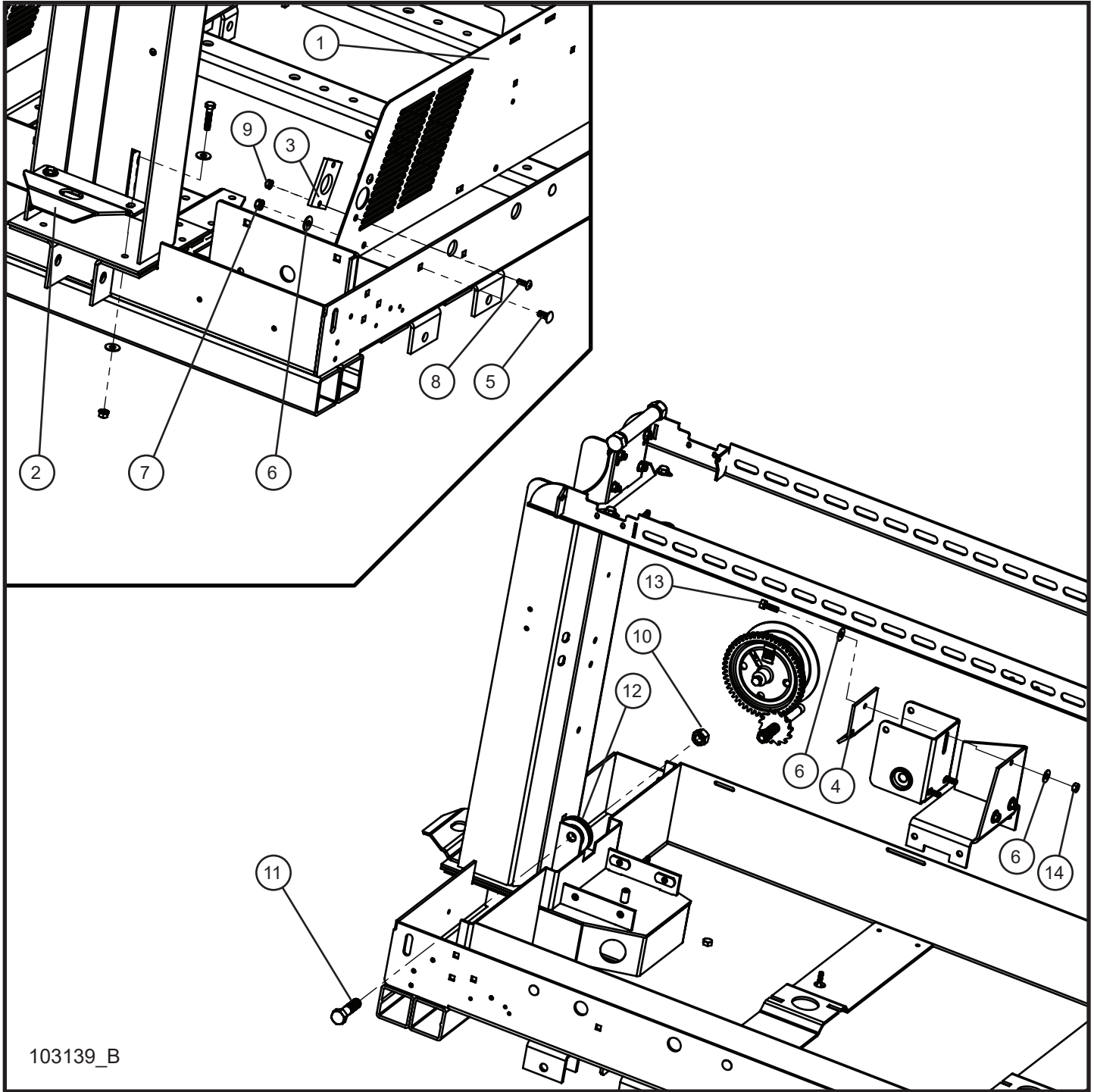
NIGHT-LITE PRO II®

SN 07-003127 and UP
SN 08-005619 and UP

3.1 - Laydown Tower Trailer Group (1 of 2)

Item	Part No.	Part Description	Qty.
1	102765P	LAYDOWN TOWER FENDER MOUNT PANEL	2
2	102839P	PIN CATCH TOWER LOCK	1
3	650111P	WELD BRACKET PIVOT LIGHT TOWER	1
4	105720P	STRINGER LAYDOWN TOWER	1
5	047010	5/16 FLAT WASHER PL	22
6	046115	3/8-16 x 1 1/4 HEX HEAD BOLT	14
7	044038	3/8-16 NYLOCK HEX NUT	8
8	103143	LAYDOWN TOWER REAR SUPPORT GROUP	1
9	046286	3/4-10 X 6 1/2 HEX HEAD BOLT	1
10	044067	3/4-10 JAM TOP LOCK NUT	1

3.1 - Laydown Tower Trailer Group (2 of 2)



NIGHT-LITE PRO II®

SN 07-003127 and UP
SN 08-005619 and UP

3.1 - Laydown Tower Trailer Group (2 of 2)

Item	Part No.	Part Description	Qty.
1	102765P	LAYDOWN TOWER FENDER MOUNT PANEL	2
2	102839P	PIN CATCH TOWER LOCK	1
3	650106	GUIDE BLOCK	1
4	651021P	WINCH CABLE GUIDE	1
5	102081	5/16-18 x 3/4 CARRIAGE BOLT GR5	6
6	047010	5/16 FLAT WASHER PL	12
7	044031	5/16-18 KEPS NEX NUT PL	6
8	041050	1/4-20 x 3/4 PH-TRUSS HEAD MS SS MACHINE SCREW	2
9	044021	1/4-20 KEPS HEX NUT PL	2
10	044050	5/8-11 HEX NUT PL	1
11	046243	5/8-11 x 2 1/2 HEX HEAD CS PL	1
12	100160	2 1/2 PULLEY W/ BALL BEARING	1
13	046050	5/16-18 x 1 HEX HEAD CS GR5 PL	3
14	044030	5/16-18 HEX NUT PL	3

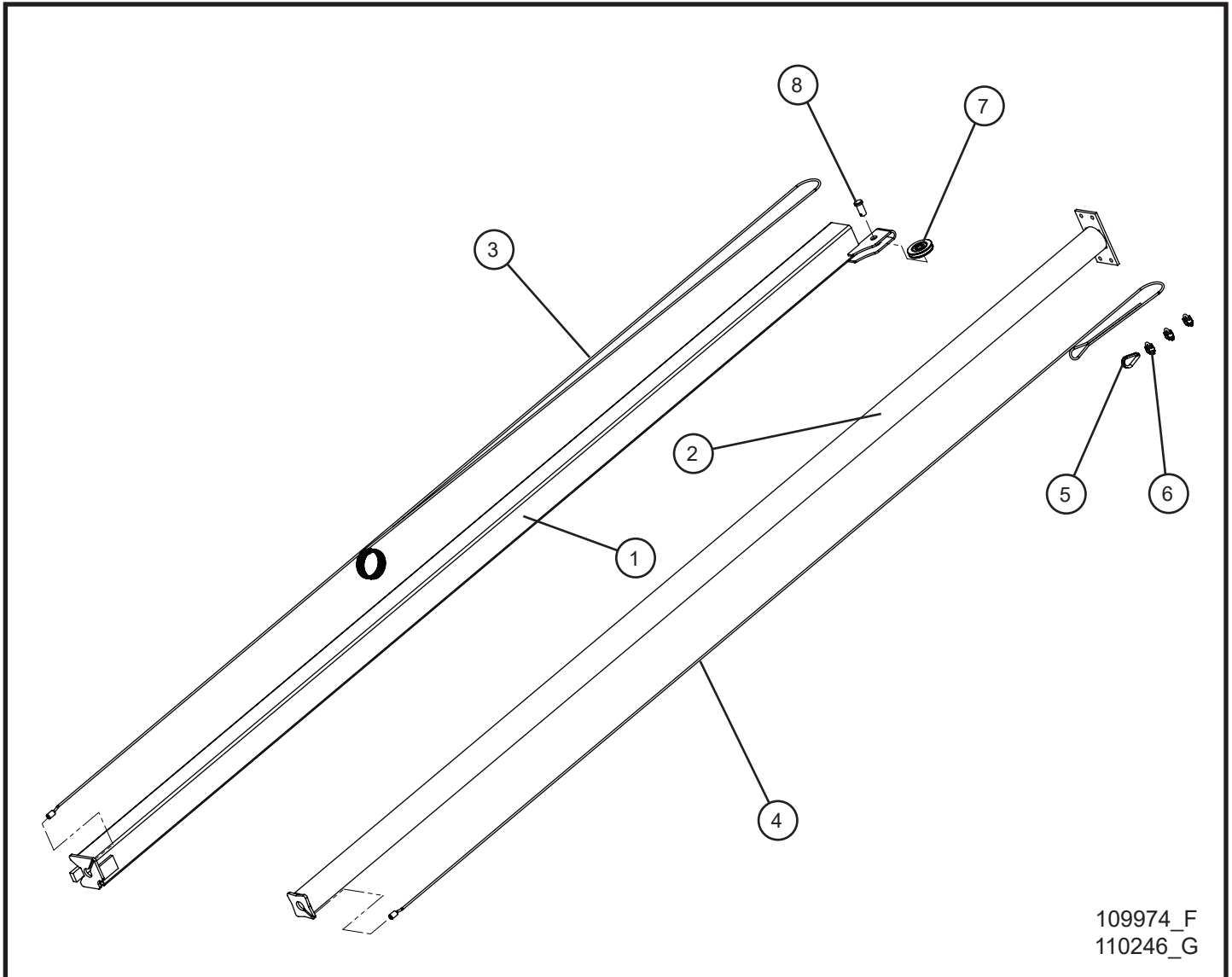
NIGHT-LITE PRO II®

SN 07-003127 and UP
SN 08-005619 and UP

3.2 - Laydown Tower Parts (1 of 2)

Item	Part No.	Part Description	Qty.
1	109973P	4" SECTION LAYDOWN TOWER	1
	115097	GALVANIZED 4" SECTION LAYDOWN TOWER	1
2	320185	CABLE 3/16 STEEL 10'	1
3	102677P	4" TOWER CORD BRACKET	1
4	620550	1/2-13 x 2 1/8 LOCKING KNOB	1
5	650110	.312 TOWER PAD	4
6	041023	#10 x 3/8 PH-ROUND HEAD MS PL	8
7	043100	5/8 INT'L TOOTH LOCK WASHER PL	1
8	046242	5/8-11 x 1 HEX HEAD CS GR5 PL	1
9	310212	#10 CUSH CLAMP 1/4 HOLE	5
10	046015	1/4-20 x 1 HEX HEAD CS GR5 PL	7
11	044023	1/4-20 NYLOCK HEX NUT PL	7
12	630555P	KICKOUT SPRING LAYDOWN	1
13	047030	5/8 FLAT WASHER PL	2
14	044053	5/8-11 NYLOCK HEX NUT PL	1
15	046110	3/8-16 x 1 HEX HEAD CS GR5 PL	2
16	044036	3/8-16 KEPS HEX NUT PL	2
17	100160	2 1/2 PULLEY	1
18	033000	5/8 x 1 SLIC PIN	1
19	045042	COTTER PIN 1/8 X 1 1/2	1
20	103141	LAYDOWN TOWER PIVOT SECTION ASSEMBLY GROUP	1
	103165	GALV LAYDOWN TOWER PIVOT SECTION ASSEMBLY GROUP	1
21	047009	1/4 FLAT WASHER	14

3.2 - Laydown Tower Parts (2 of 2)



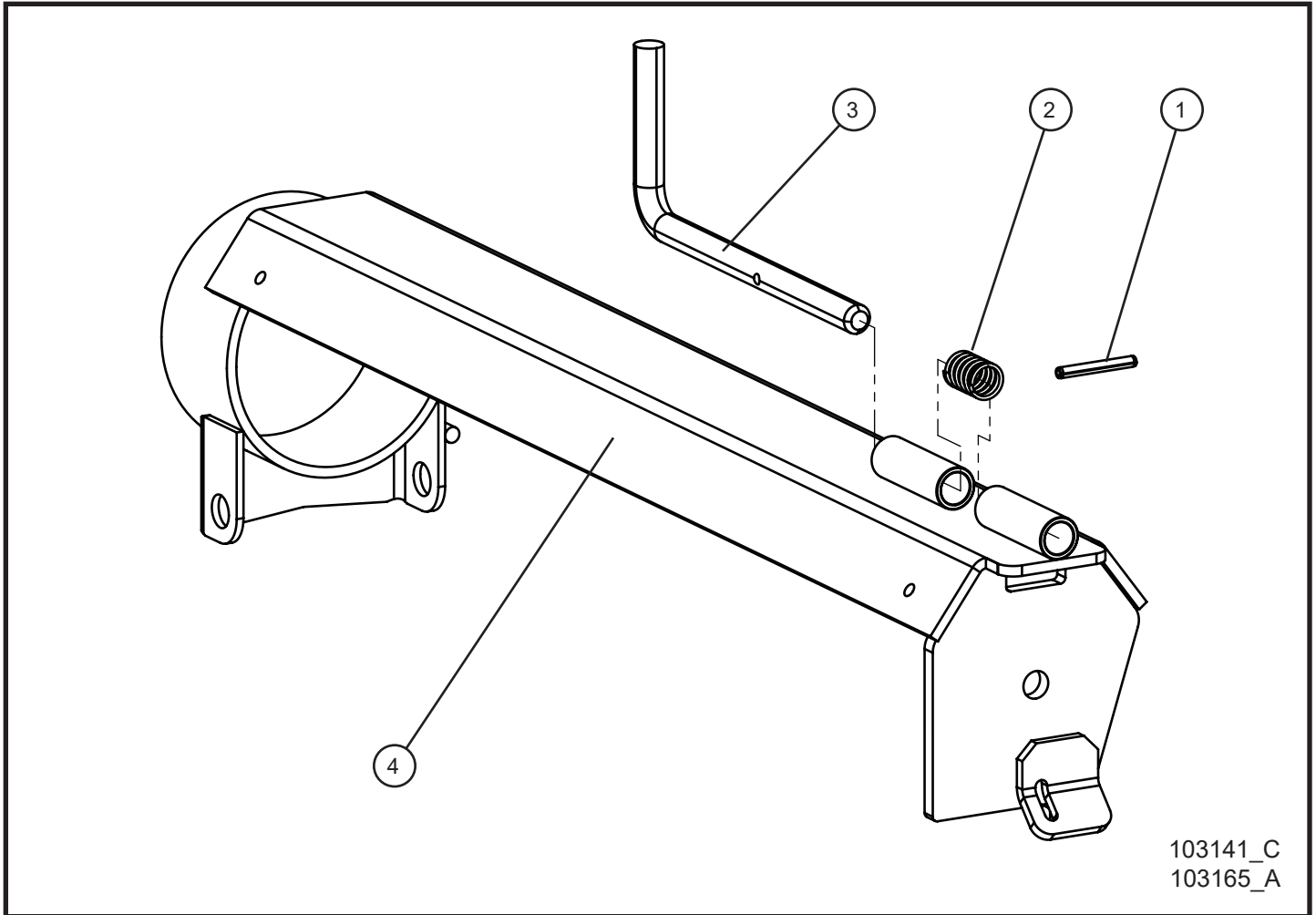
NIGHT-LITE PRO II®

SN 07-003127 and UP
SN 08-005619 and UP

3.2 - Laydown Tower Parts (2 of 2)

Item	Part No.	Part Description	Qty.
1	112728P	3" SECTION LAYDOWN TOWER	1
	115098	GALVANIZED 3" SECTION LAYDOWN TOWER	1
2	352017P	2 5/8" ROUND SECTION LAYDOWN TOWER	1
	115099	GALVANIZED 2 5/8" ROUND SECTION LAYDOWN TOWER	1
3	650133	CABLE 3/16 STEEL 17' 9"	1
4	620076	CABLE 3/16 STEEL 11'	1
5	045040	3/16 CABLE THIMBLE	1
6	620084	1/4 CABLE CLIP	3
7	100160	2 1/2 PULLEY	1
8	033000	5/8 x 1 SLIC PIN	1
NS	045042	COTTER PIN 1/8 X 1 1/2	1

3.3 - Laydown Tower Pivot Section



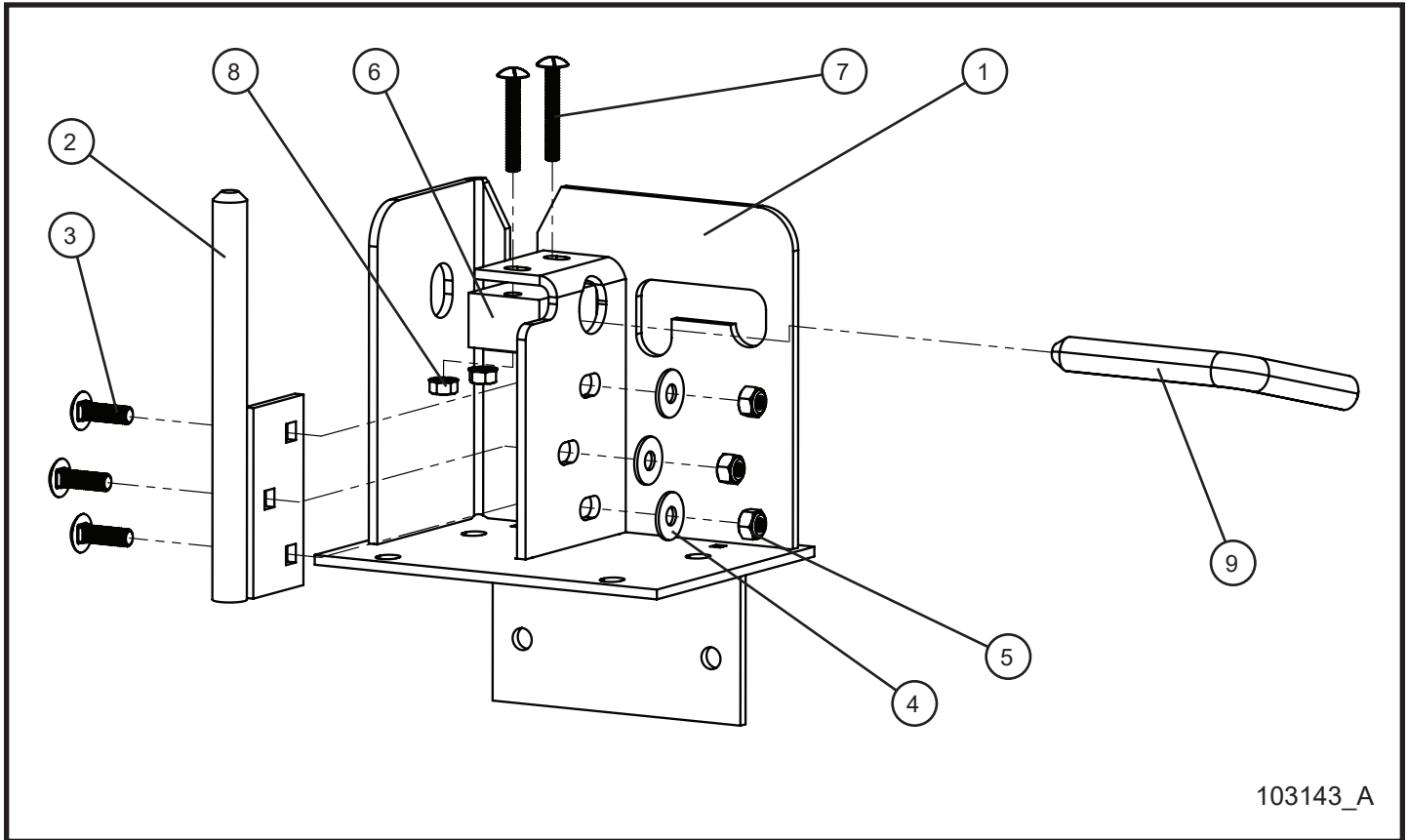
NIGHT-LITE PRO II®

SN 07-003127 and UP
SN 08-005619 and UP

3.3 - Laydown Tower Pivot Section

Item	Part No.	Part Description	Qty.
1	045156	1/4 x 2 SPRING ROLL PIN	1
2	102944	SPRING TOWER LATCH	1
3	330450	LOCKING PIN	1
4	103030P	LAYDOWN TOWER PIVOT	1
	115279	GALVANIZED LAYDOWN TOWER PIVOT	1

3.4 - Laydown Tower Rear Support



103143_A

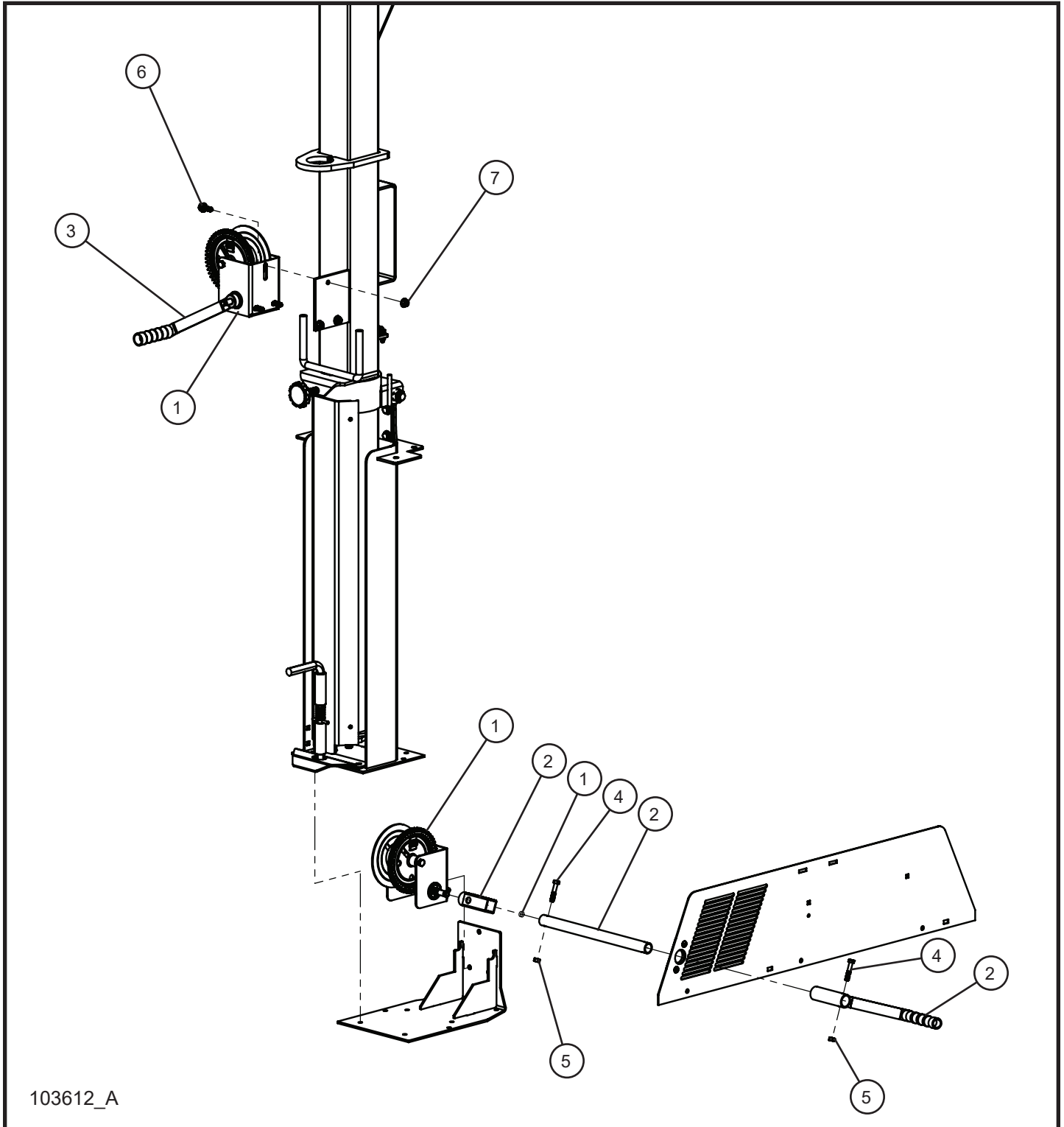
NIGHT-LITE PRO II®

SN 07-003127 and UP
SN 08-005619 and UP

3.4 - Laydown Tower Rear Support

Item	Part No.	Part Description	Qty.
1	103295P	REAR TOWER SUPPORT	1
2	103292P	PIN TOWER SUPPORT	1
3	053020	5/16-18 x 1 CARRIAGE BOLT PL	3
4	047010	5/16 FLAT WASHER PL	3
5	044033	5/16-18 NYLOCK HEX NUT PL	3
6	330430	GUIDE BLOCK OUTRIGGER	1
7	041053	1/4-20 x 1 3/4 PH-TRUSS HEAD MS SS	2
8	044021	1/4-20 KEPS HEX NUT PL	2
9	330455	OUTRIGGER PIN	1

3.5 - Laydown Tower Winch Group



103612_A

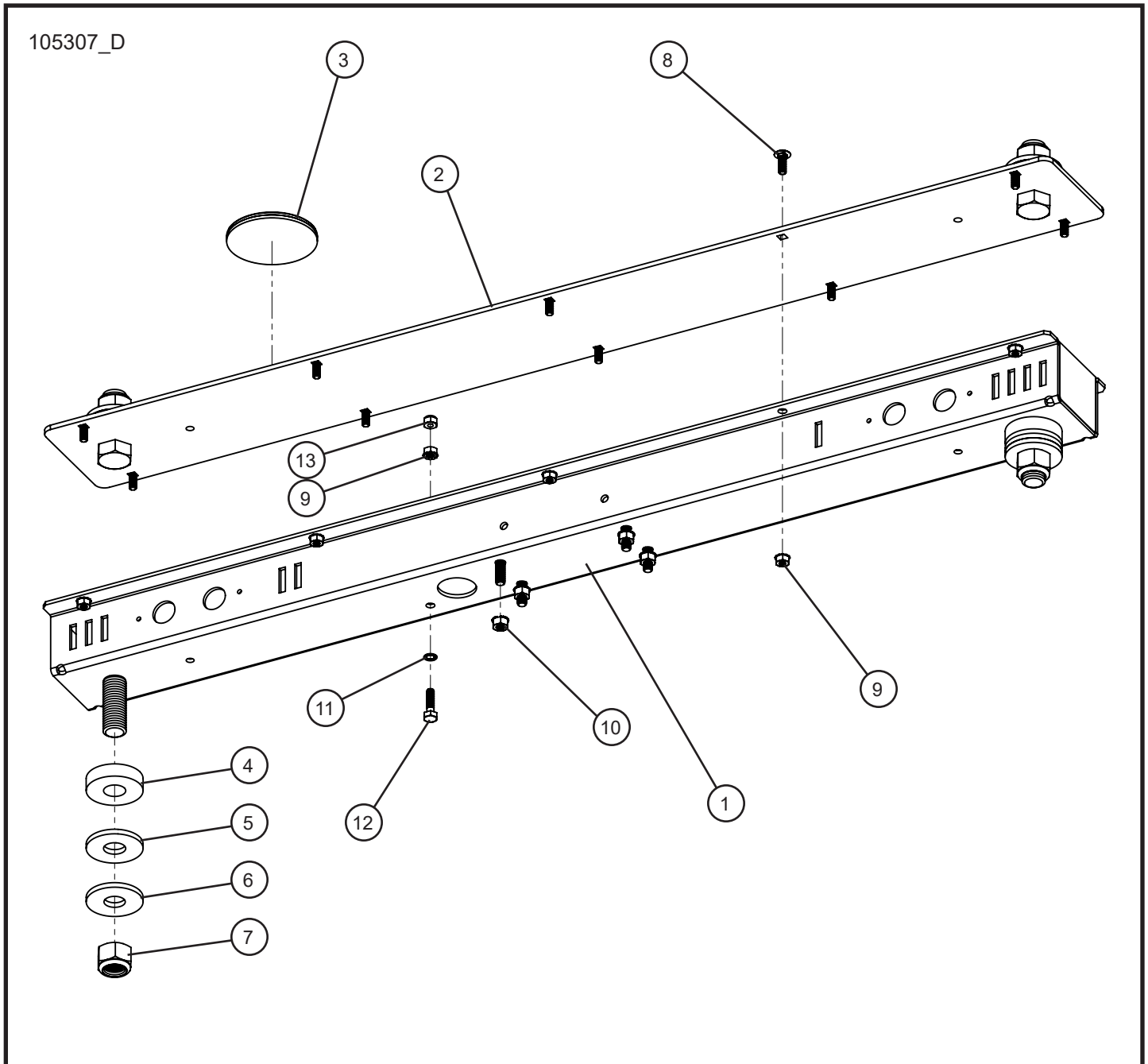
NIGHT-LITE PRO II®

SN 07-003127 and UP
SN 08-005619 and UP

3.5 - Laydown Tower Winch Group

Item	Part No.	Part Description	Qty.
1	610531	DL 1200 LB. WINCH	2
2	102924	STAND-UP WINCH HANDLE KIT	1
3	712032	WINCH HANDLE WINCH DBL 1200	1
4	046065	5/16-18 x 1 3/4 HEX HEAD BOLT	2
5	044030	5/16-18 HEX NUT	2
6	056010	3/8-16 X 1 SERRATED FLANGE HEX SCREW	3
7	057007	3/8-16 HEX NYLOCK FLANGE NUT	3

3.6 - Laydown Tower Light Bar



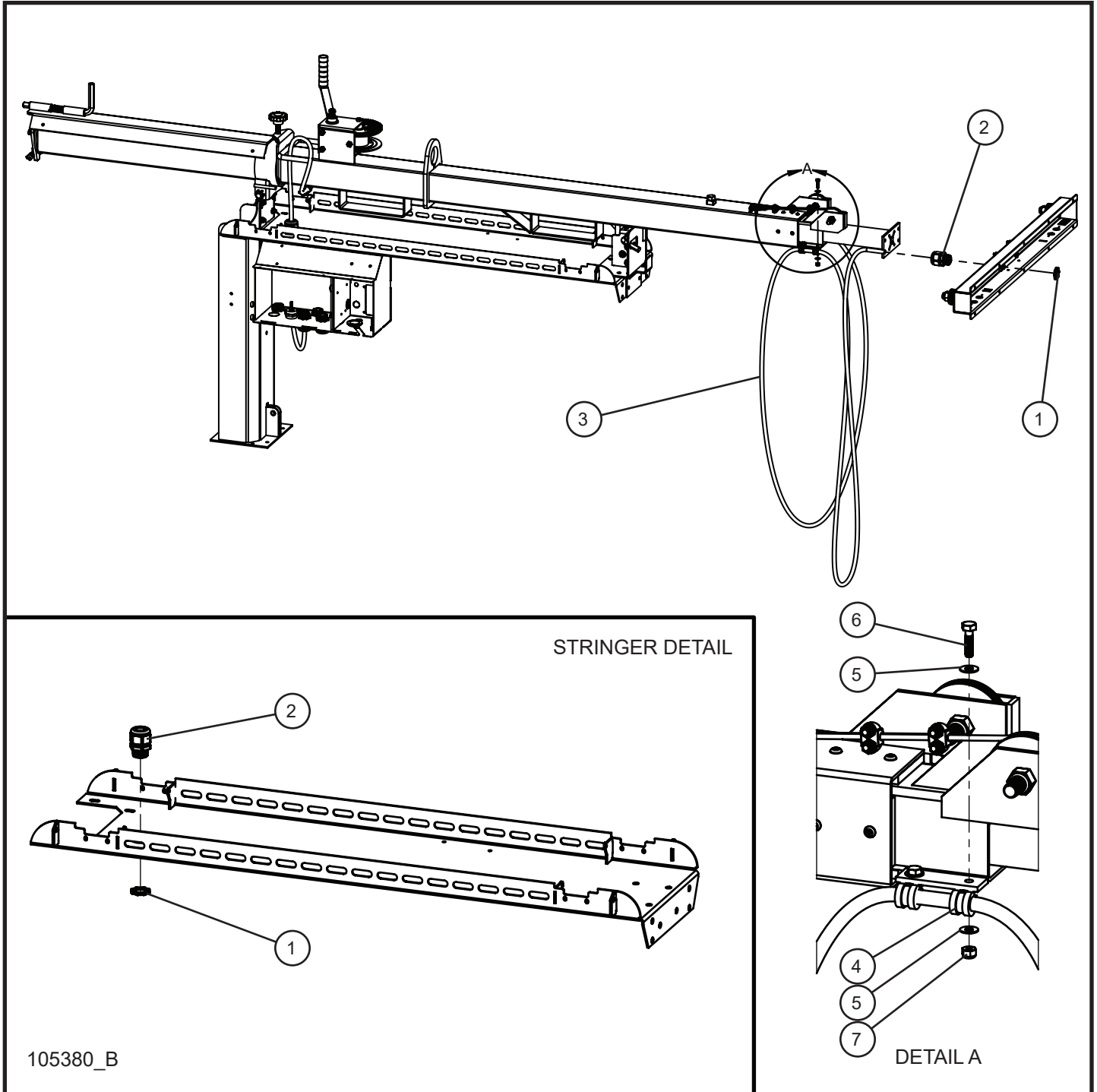
NIGHT-LITE PRO II®

SN 07-003127 and UP
SN 08-005619 and UP

3.6 - Laydown Tower Light Bar

Item	Part No.	Part Description	Qty.
1	113075P	LAYDOWN TOWER LIGHT BAR FRAME	1
2	620537P	COVER LIGHT BAR	1
3	330037	REFLECTOR RED 3"	1
4	101813	.781 x 2 OD x 1/2 HDPE WASHER	4
5	650550	.785 x 2 HDPE WASHER	4
6	047035	3/4 FLAT WASHER	4
7	044058	3/4-10 NYLOCK HEX NUT	4
8	053006	1/4-20 x 3/4 CARRIAGE BOLT	10
9	044021	1/4-20 KEPS HEX NUT	11
10	044031	5/16 -18 KEPS HEX NUT	
11	043050	1/4 INTL TOOTH LOCK WASHER	1
12	046015	1/4-20 X 1 HEX HEAD BOLT	1
13	044023	1/4-20 NYLOCK HEX NUT	1

3.7 - Laydown Tower Cord Group



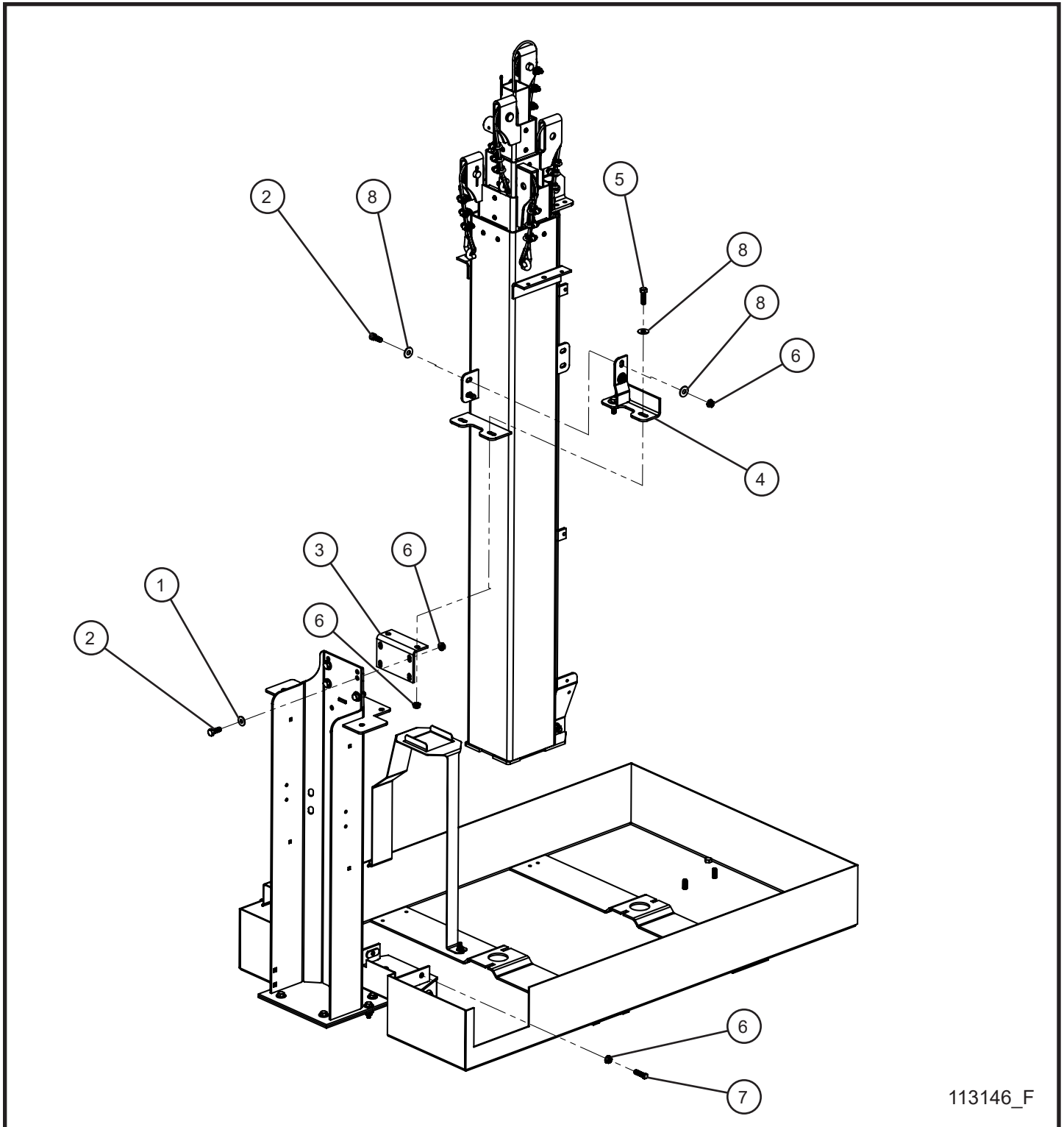
NIGHT-LITE PRO II®

SN 07-003127 and UP
SN 08-005619 and UP

3.7 - Laydown Tower Cord Group

Item	Part No.	Part Description	Qty.
1	022038	1" CORD GRIP NUT	2
2	105627	CORD GRIP 1" NYLON BLACK	2
3	105006	16/8 CSA STRAIGHT CORD MANUAL TOWER	1
	119778	16/8 CSA STRAIGHT LED CORD MANUAL TOWER	1
4	310212	#10 CUSH CLAMP 1/4 HOLE	2
5	047009	1/4 FLAT WASHER SAE SS	4
6	046015	1/4-20 x 1 HEX HEAD CS GR5 PL	2
7	044023	1/4-20 NYLOCK HEX NUT PL	2
NS	105292	SCHEMATIC LIGHT BAR 4 LIGHT 16/8 CORD	1

4.1 - Vertical Tower Trailer Group (1 of 2)



113146_F

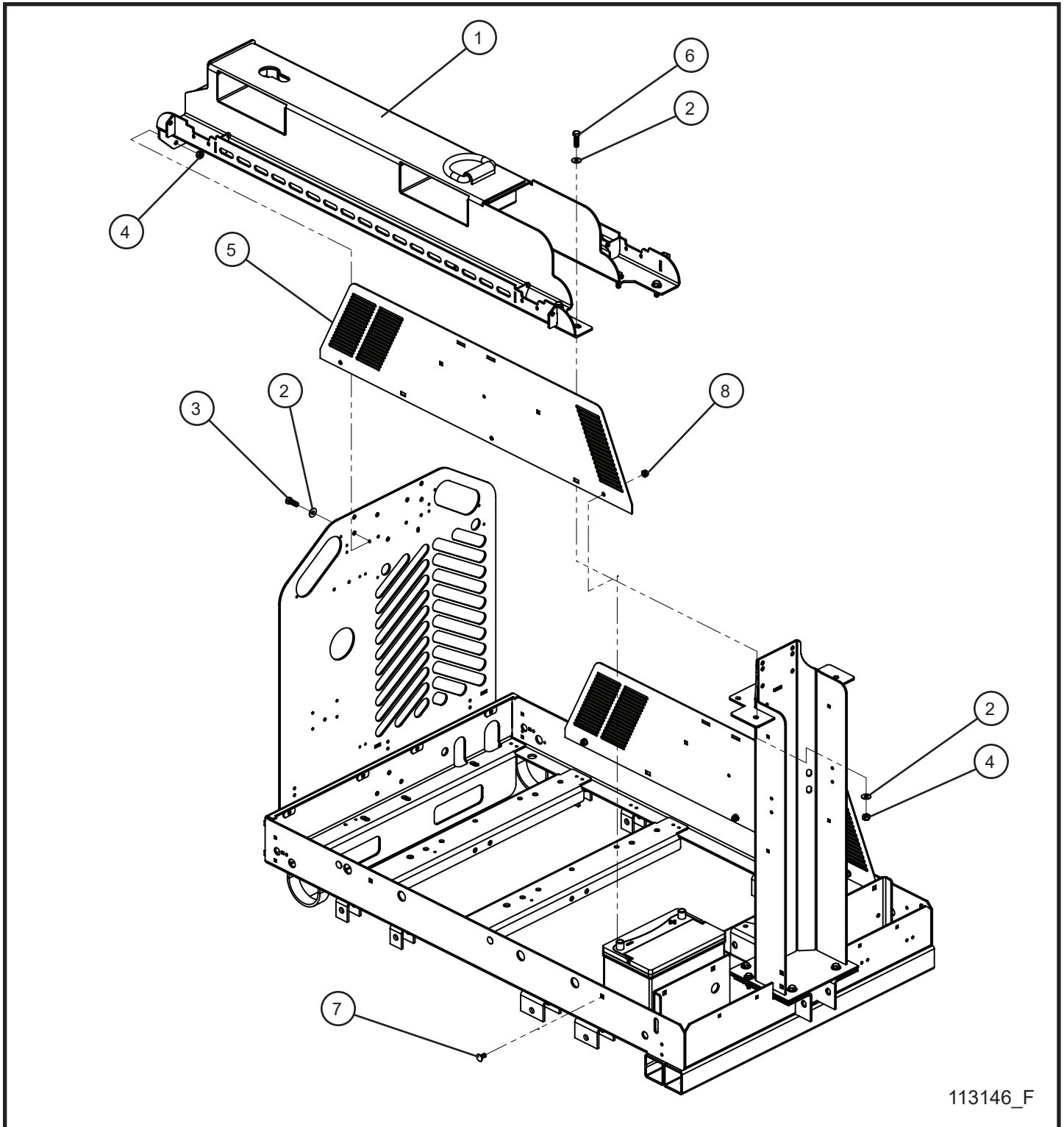
NIGHT-LITE PRO II®

SN 07-003127 and UP
SN 08-005619 and UP

4.1 - Vertical Tower Trailer Group (1 of 2)

Item	Part No.	Part Description	Qty.
1	047010	5/16 FLAT WASHER	16
2	046110	3/8-16 X 1 HEX HEAD BOLT	10
3	102799P	VERTICAL TOWER MOUNT ANGLE	1
4	101410P	VERTICAL TOWER MOUNT REINFORCEMENT	1
5	046115	3/8-16 X 1 1/4 HEX HEAD BOLT	6
6	044036	3/8-16 KEPS HEX NUT PL	10
7	040010	SET SCREW SQ HEAD CUP TIP	4
8	047015	3/8 FLAT WASHER	6

4.1 - Vertical Tower Trailer Group (2 of 2)



113146_F

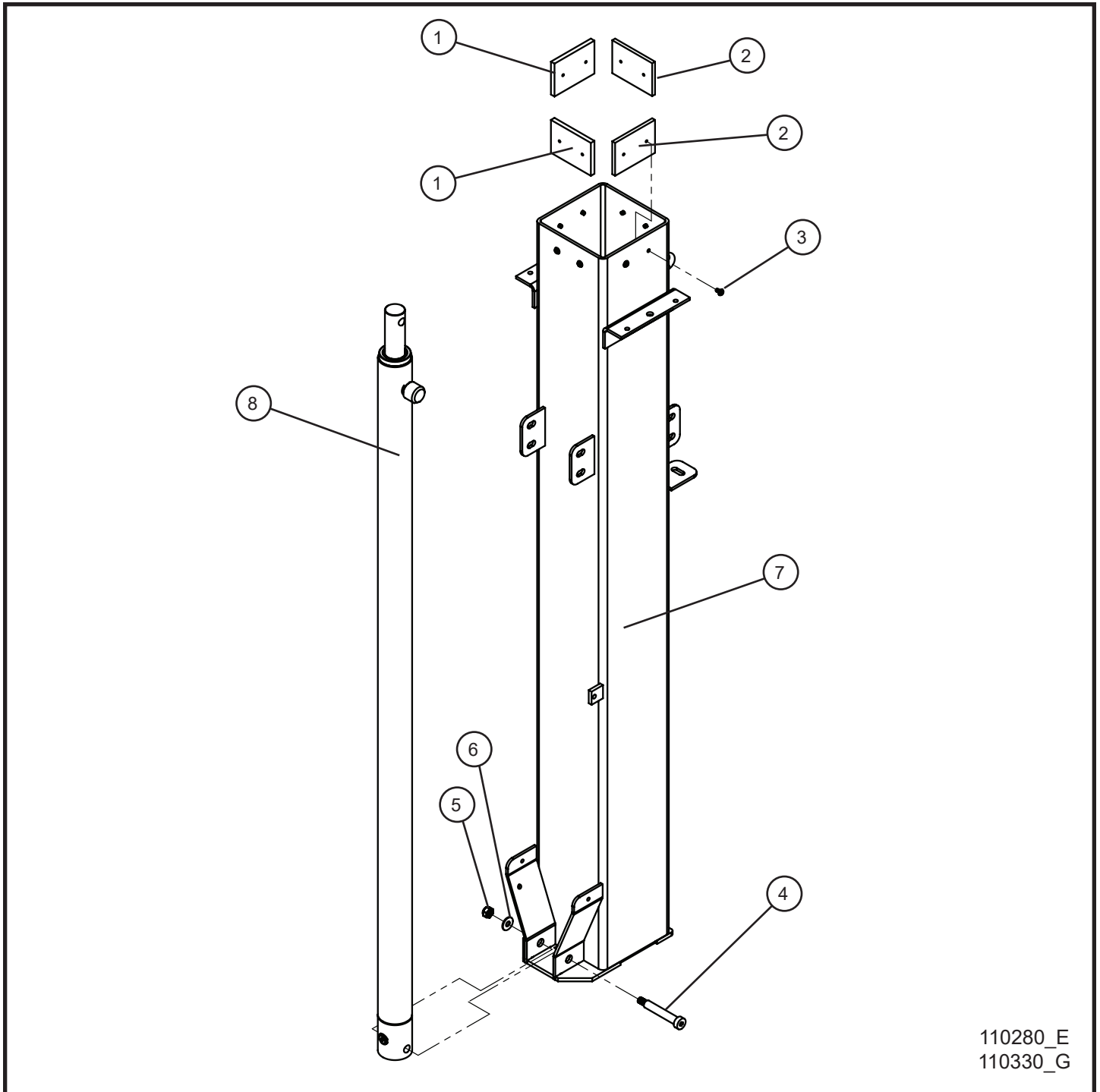
NIGHT-LITE PRO II®

SN 07-003127 and UP
SN 08-005619 and UP

4.1 - Vertical Tower Trailer Group (2 of 2)

Item	Part No.	Part Description	Qty.
1	105133P	LIFT STRINGER NL PRO II V	1
2	047010	5/16 FLAT WASHER	10
3	046110	3/8-16 X 1 HEX HEAD BOLT	10
4	044038	3/8-16 NYLOCK HEX NUT	8
5	102840P	VERTICAL TOWER FENDER MOUNT PANEL	2
6	046115	3/8-16 x 1 1/4 HEX HEAD BOLT	8
7	102081	5/16-18 X 3/4 CARRIAGE BOLT	6
8	044031	5/16 -18 KEPS HEX NUT	6
NS	100859	7/8 ID x 1 1/4 OD GROMMET	1

4.2 - Vertical Tower Parts (1 of 5)



110280_E
110330_G

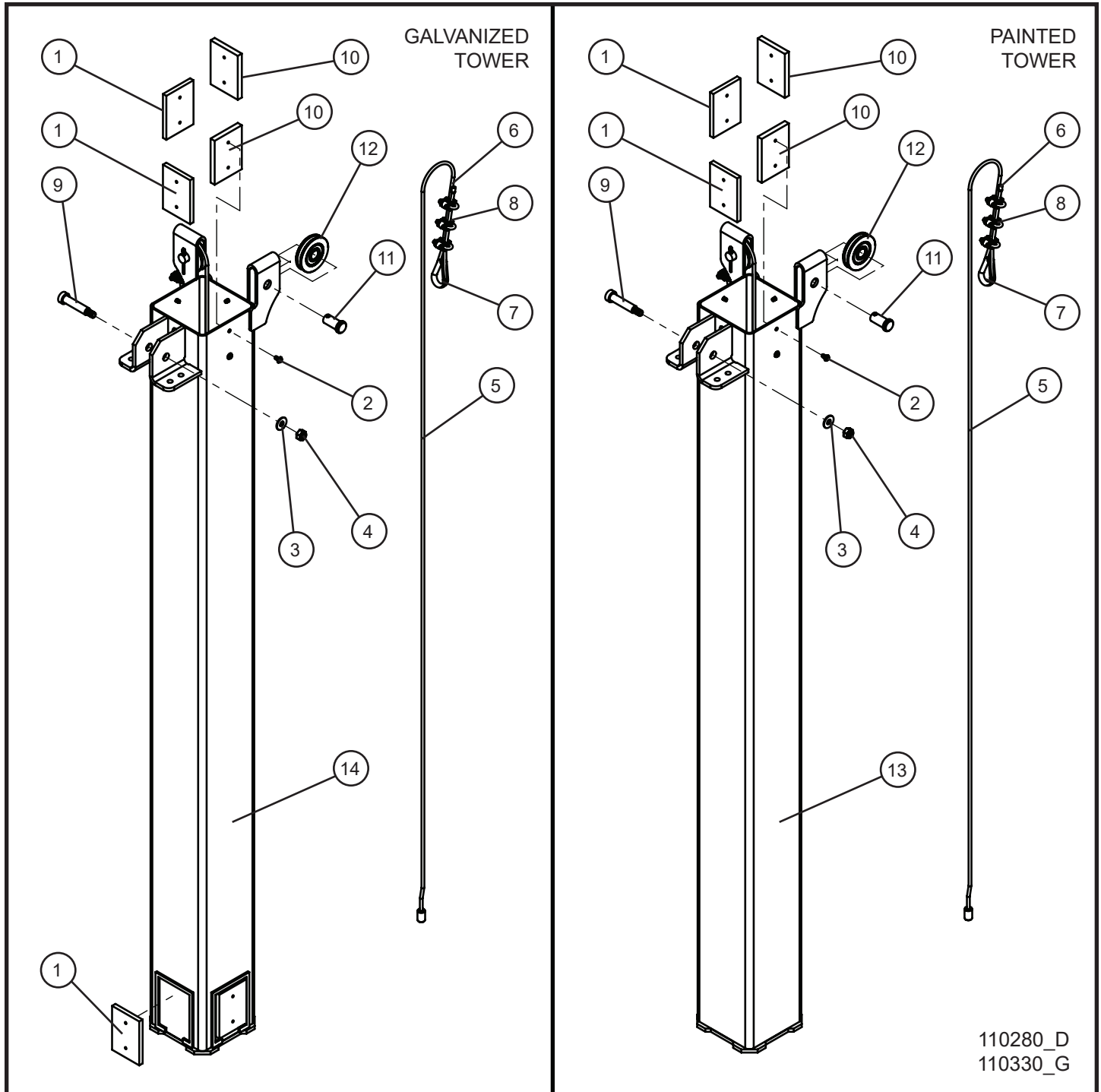
NIGHT-LITE PRO II®

SN 07-003127 and UP
SN 08-005619 and UP

4.2 - Vertical Tower Parts (1 of 5)

Item	Part No.	Part Description	Qty.
1	650110	.312 TOWER PAD	2
2	102954	.250 TOWER PAD	2
3	041023	#10 x 3/8 PH-ROUND HEAD MACHINE SCREW	8
4	101379	1/2 x 2 3/4 (3/8-16 x 5/8) HX-SOCKET HEAD SHOULDER BOLT	1
5	047010	5/16 FLAT WASHER	1
6	044038	3/8-16 NYLOCK HEX NUT	1
7	110282P	6" VERTICAL TOWER SECTION	1
	113090	6" GALVANIZED VERTICAL TOWER SECTION	1
8	106140	VERTICAL TOWER HYDRAULIC CYLINDER	1

4.2 - Vertical Tower Parts (2 of 5)



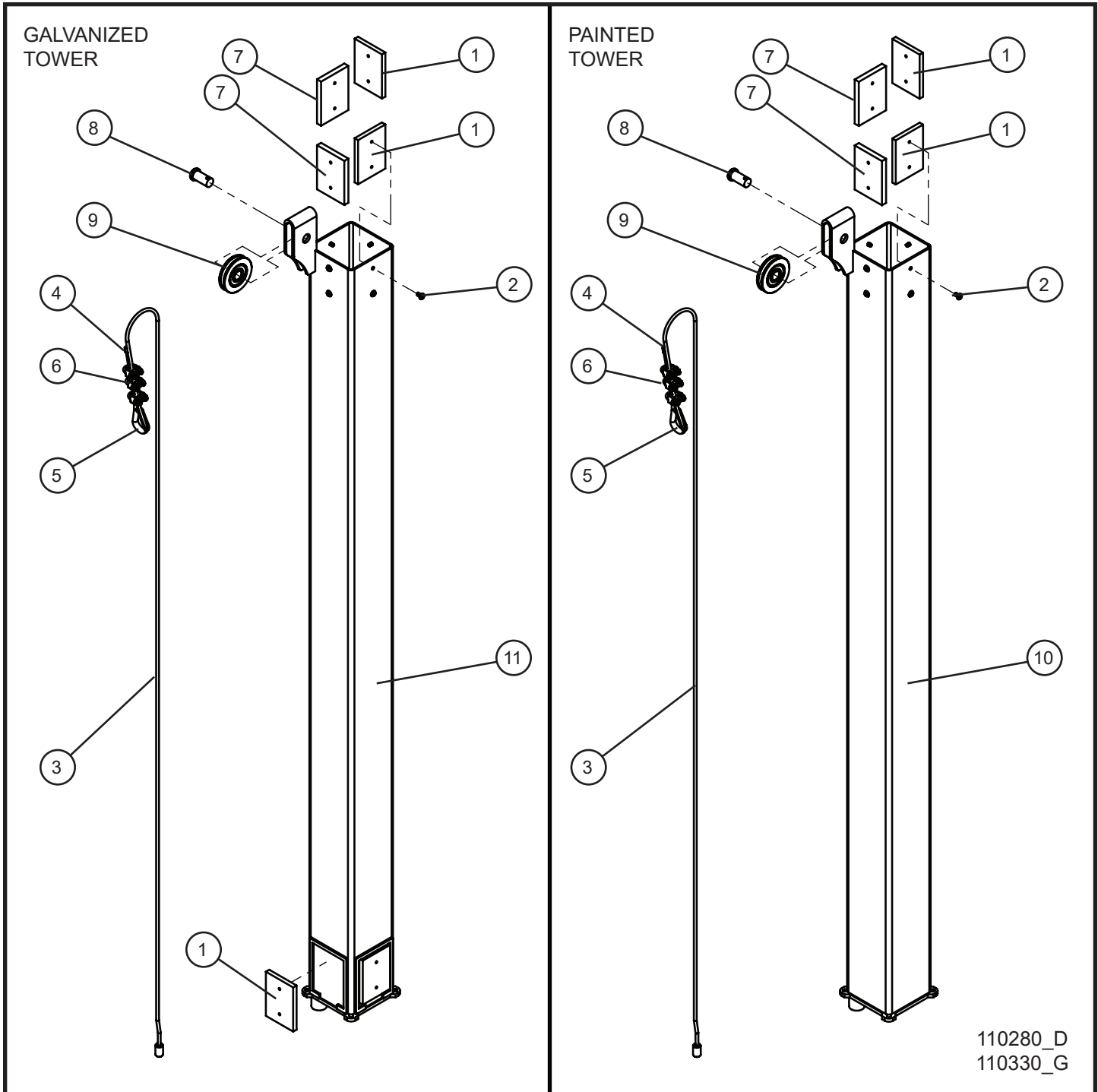
NIGHT-LITE PRO II®

SN 07-003127 and UP
SN 08-005619 and UP

4.2 - Vertical Tower Parts (2 of 5)

Item	Part No.	Part Description	Qty.
1	650110	.312 TOWER PAD	6
2	041023	#10 x 3/8 PH-ROUND HEAD MS PL	8
3	047010	5/16 FLAT WASHER PL	1
4	044038	3/8-16 NYLOCK HEX NUT PL	1
5	320185	STEEL CABLE 3/16 x 10'	2
6	022150	FERRULE 10-12 AWG	2
7	045040	3/16 CABLE THIMBLE 3/16 WIRE ROPE	2
8	620084	3/16 CABLE CLIP	6
9	101378	1/2 x 2 (3/8-16 x 5/8) HX-SOCKET HEAD SHOULDER BOLT	1
10	650109	.375 TOWER PAD	2
11	033000	5/8 x 1 SLIC PIN	5
12	100160	2 1/2 PULLEY BALL BEARING	5
13	110281P	5" VERTICAL TOWER SECTION	1
14	113092	5" GALVANIZED VERTICAL TOWER SECTION	1
NS	045042	COTTER PIN 1/8 X 1 1/2"	2

4.2 - Vertical Tower Parts (3 of 5)



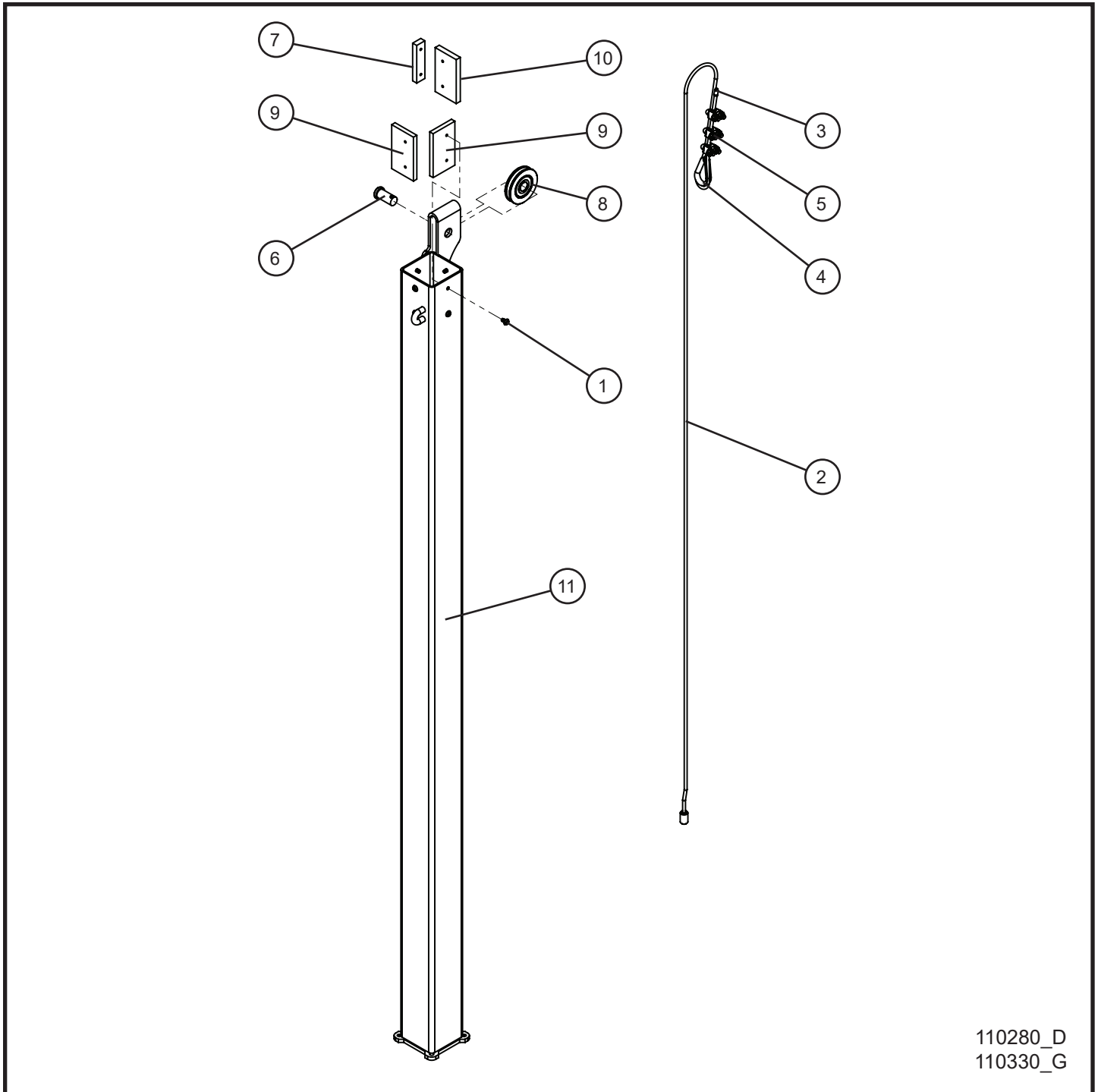
NIGHT-LITE PRO II®

SN 07-003127 and UP
SN 08-005619 and UP

4.2 - Vertical Tower Parts (3 of 5)

Item	Part No.	Part Description	Qty.
1	650110	.312 TOWER PAD	6
2	041023	#10 x 3/8 PH-ROUND HEAD MS PL	8
3	320185	STEEL CABLE 3/16 x 10'	1
4	022150	FERRULE 10-12 AWG	1
5	045040	3/16 CABLE THIMBLE 3/16 WIRE ROPE	1
6	620084	3/16 CABLE CLIP	3
7	650109	.375 TOWER PAD	4
8	033000	5/8 x 1 SLIC PIN	5
9	100160	2 1/2 PULLEY BALL BEARING	5
10	102961P	4" VERTICAL TOWER SECTION	1
11	113093	4" GALVANIZED VERTICAL TOWER SECTION	1
NS	045042	COTTER PIN 1/8 X 1 1/2"	1

4.2 - Vertical Tower Parts (4 of 5)



110280_D
110330_G

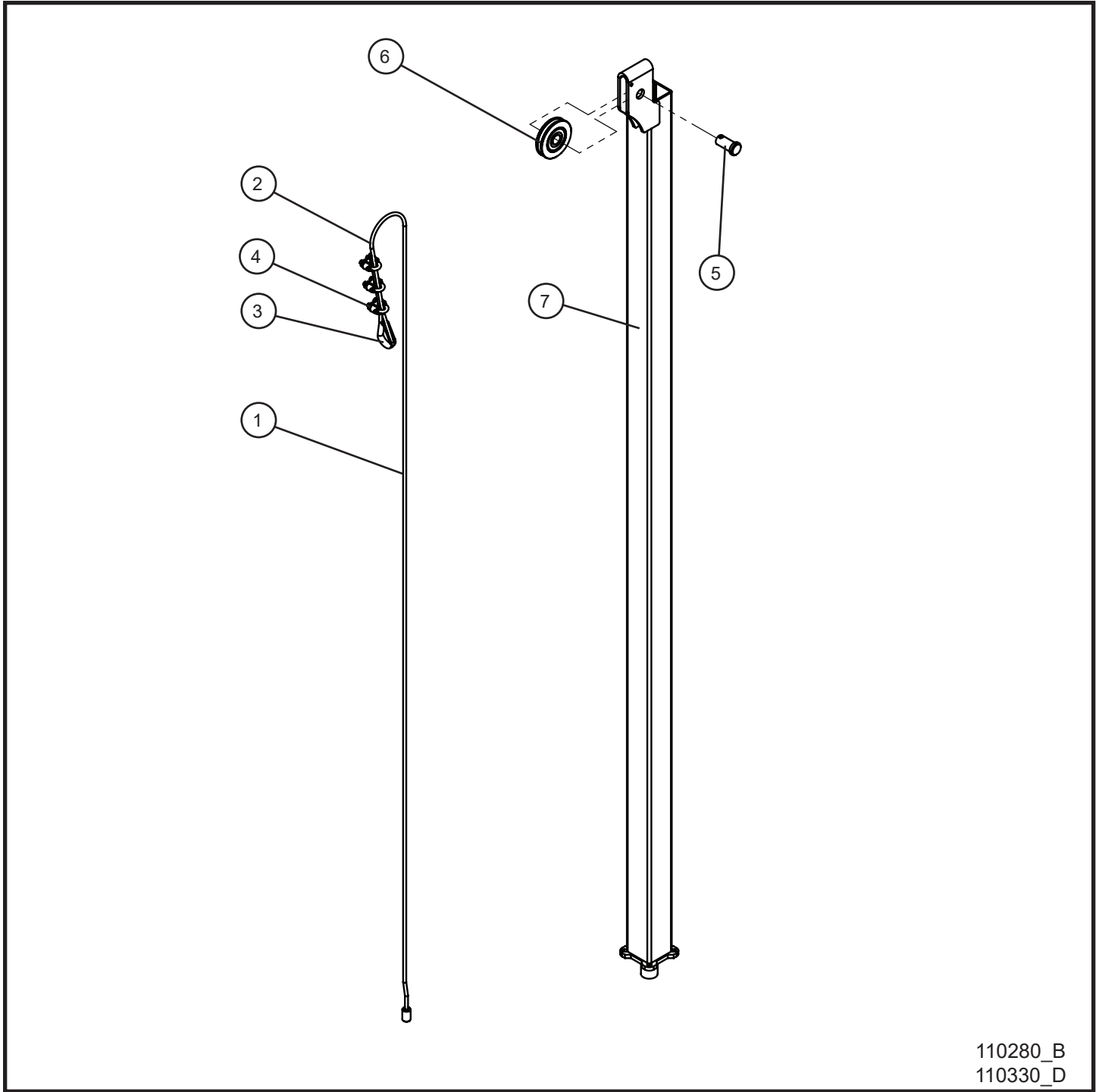
NIGHT-LITE PRO II®

SN 07-003127 and UP
SN 08-005619 and UP

4.2 - Vertical Tower Parts (4 of 5)

Item	Part No.	Part Description	Qty.
1	041023	#10 x 3/8 PH-ROUND HEAD MS PL	8
2	320185	STEEL CABLE 3/16 x 10'	1
3	022150	FERRULE 10-12 AWG	1
4	045040	3/16 CABLE THIMBLE 3/16 WIRE ROPE	1
5	620084	3/16 CABLE CLIP	3
6	033000	5/8 x 1 SLIC PIN	1
7	100062	3/8 UHMW SPACER	1
8	100160	2 1/2 PULLEY BALL BEARING	1
9	352280	PLASTIC TOWER PAD	2
10	100446	3/8 PAD SMALL	1
11	112727P	3" VERTICAL TOWER SECTION	1
	113094	3" GALVANIZED VERTICAL TOWER SECTION	1
NS	045042	COTTER PIN 1/8 X 1 1/2"	1

4.2 - Vertical Tower Parts (5 of 5)



110280_B
110330_D

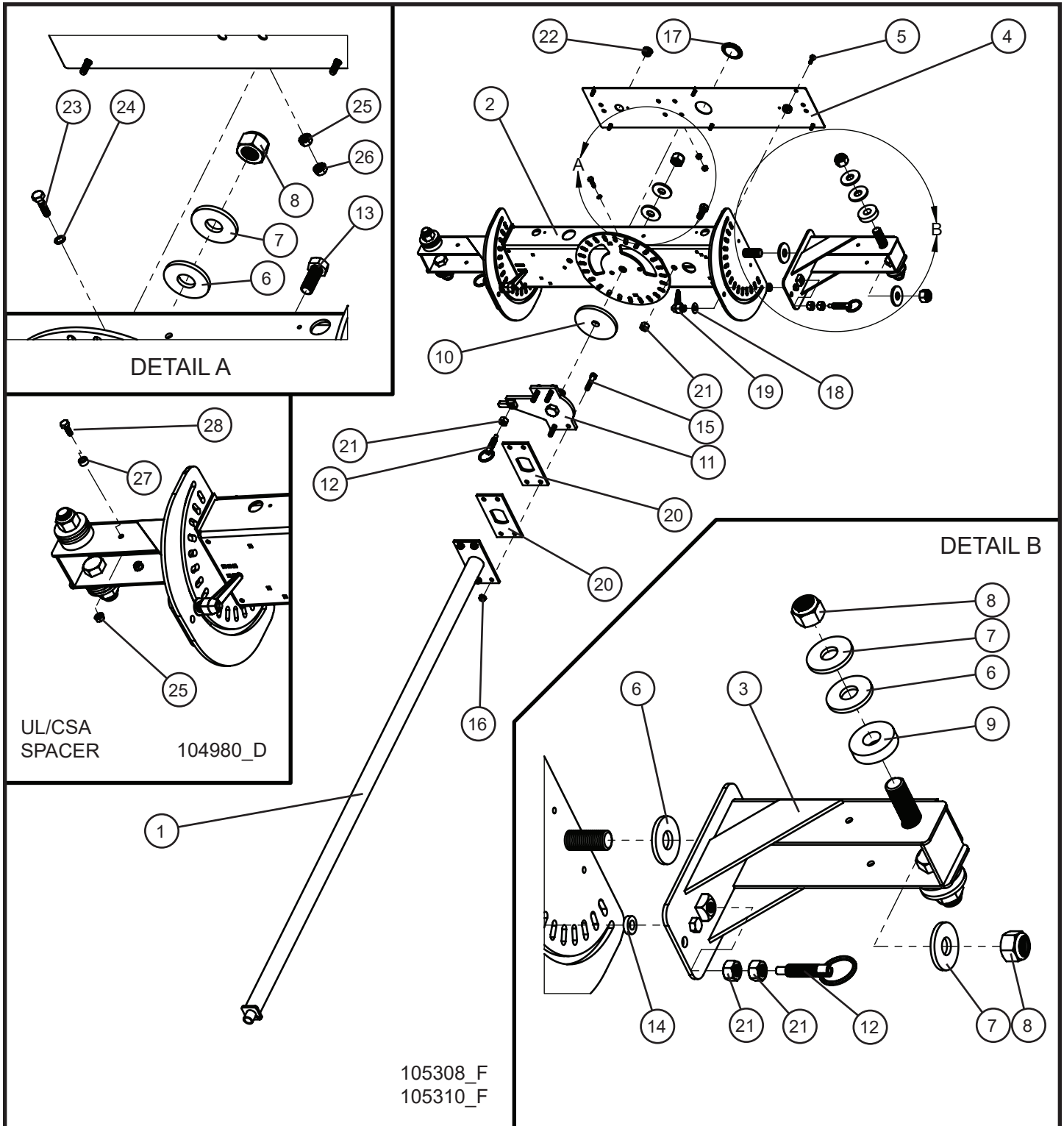
NIGHT-LITE PRO II®

SN 07-003127 and UP
SN 08-005619 and UP

4.2 - Vertical Tower Parts (5 of 5)

Item	Part No.	Part Description	Qty.
1	320185	STEEL CABLE 3/16 x 10'	1
2	022150	FERRULE 10-12 AWG	1
3	045040	3/16 CABLE THIMBLE 3/16 WIRE ROPE	1
4	620084	3/16 CABLE CLIP	3
5	033000	5/8 x 1 SLIC PIN	1
6	100160	2 1/2 PULLEY BALL BEARING	1
7	102968P	2" VERTICAL TOWER SECTION	1
	113099	2" GALVANIZED VERTICAL TOWER SECTION	1
NS	045042	COTTER PIN 1/8 X 1 1/2"	1

4.3 - Vertical Tower Section 4-Light Round and Light Bar



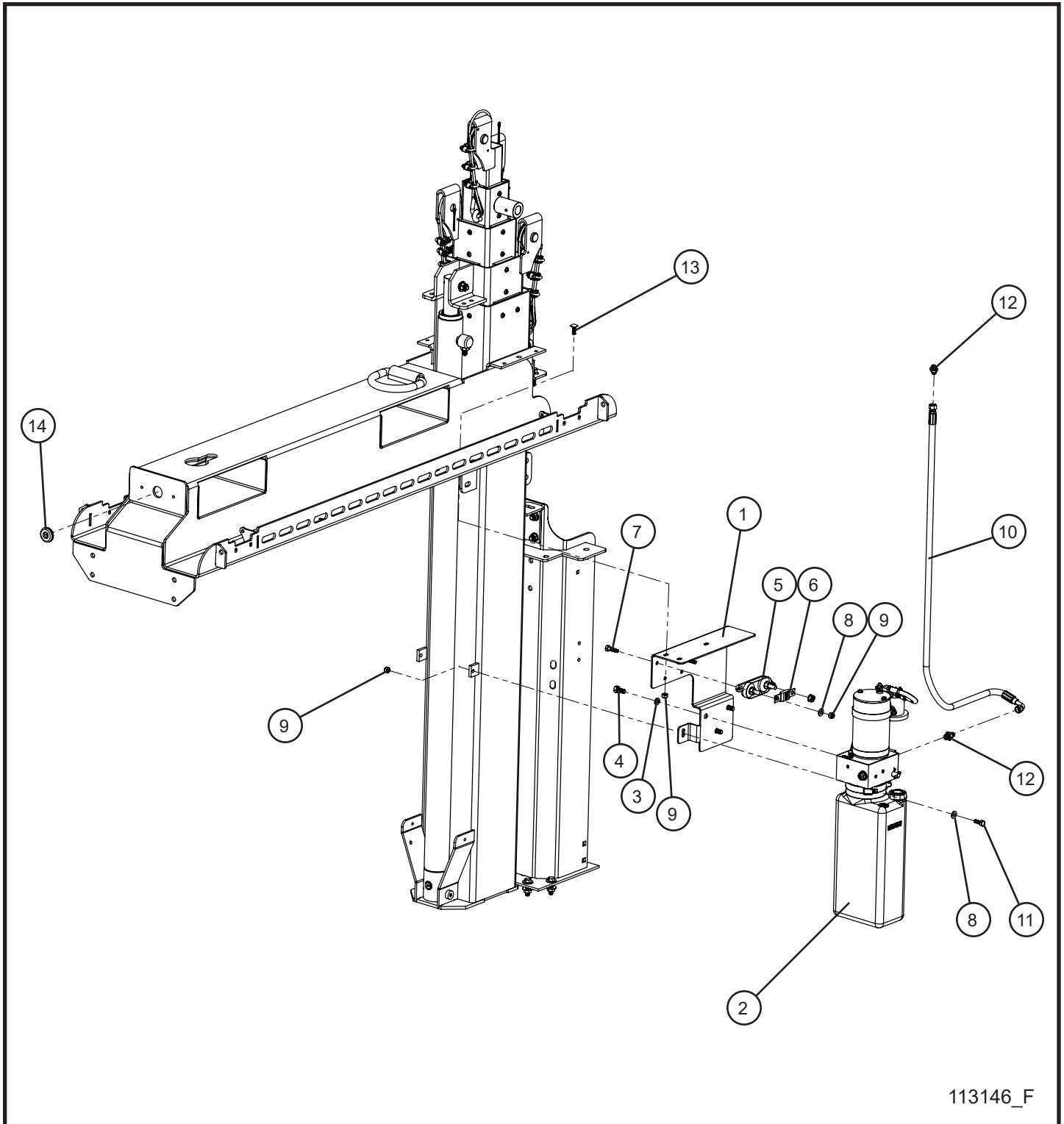
NIGHT-LITE PRO II®

SN 07-003127 and UP
SN 08-005619 and UP

4.3 - Vertical Tower Section 4-Light Round and Light Bar

Item	Part No.	Part Description	Qty.
1	102972P	ROUND TOWER SECTION	1
	113104	ROUND GALVANIZED TOWER SECTION	1
2	105716P	VERTICAL LIGHT BAR WELDMENT	1
	114204P	VERTICAL LIGHT BAR WELDMENT NO CORD REEL	1
3	105363P	BRACKET LAMP ROTATING INDEXING LIGHT BAR	2
4	104063P	COVER LIGHT BAR	1
5	041070	1/4-20 x 3/4 SL-HEX WASHER HEAD MS TP F	6
6	650550	.785" x 2" HDPE WASHER	7
7	047035	3/4 FLAT WASHER	7
8	044058	3/4-10 NYLOCK HEX NUT PL	7
9	101813	.781 ID x 2 OD x 1/2 HDPE WASHER	4
10	100147	UHMW BEARING TOWER ROTATION	1
11	100143P	ROTATION MOUNT	1
12	100148	SPRING LOCK 1/2-13 UNC x 1.4	3
13	046180	1/2-13 X 1 1/4 HEX HEAD CS GR5 PL	1
14	047019	NYLON BUSHING 3/4 OD x .385 ID	2
15	046126	3/8-16 x 1 3/4 HEX HEAD CS GR5 PL	4
16	044036	3/8-16 KEPS HEX NUT PL	4
17	680878	1 3/4 CAPLUG	1
18	047015	3/8 FLAT WASHER PL	2
19	102361	ADJUSTABLE LEVER PUSH BUTTON	2
20	100104P	LIGHT BAR BRACKET	2
21	044045	1/2-13 HEX NUT PL	6
22	711029	7/8 LOCKING HOLE PLUG	2
23	046010	1/4-20 x 1 HEX HEAD CS GR5 PL	1
24	043050	1/4 INT'L TOOTH LOCK WASHER	1
25	044021	1/4-20 KEPS HEX NUT PL	5
26	044023	1/4-20 NYLOCK HEX NUT PL	1
27	104979	UL/CSA CLEARANCE SPACER NYLON UNTHREADED	4
28	046010	1/4-20 x 3/4 HEX HEAD CS GR5 SS	4

4.4 - Vertical Tower Components



113146_F

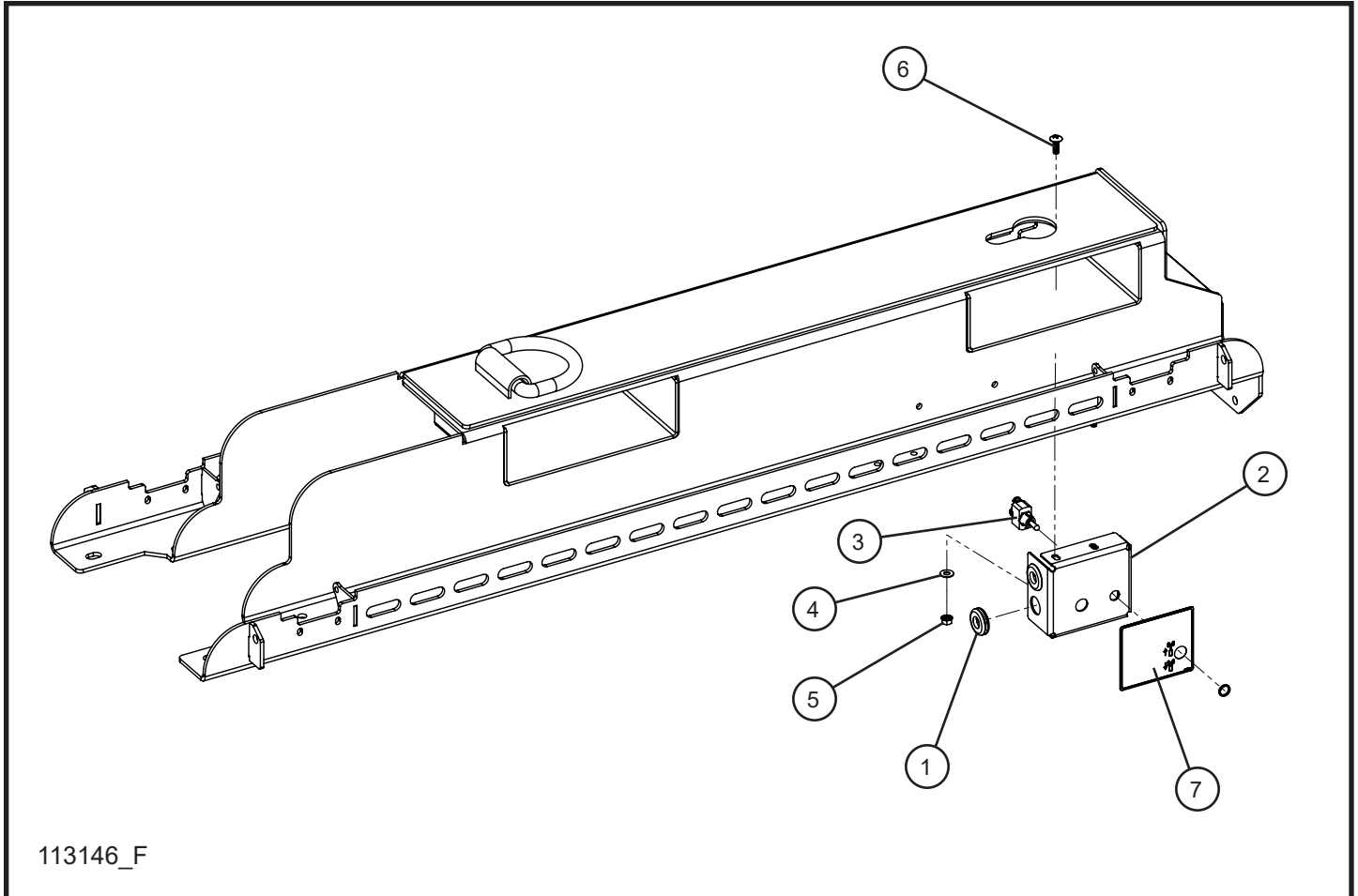
NIGHT-LITE PRO II®

SN 07-003127 and UP
SN 08-005619 and UP

4.4 - Vertical Tower Components

Item	Part No.	Part Description	Qty.
1	104993P	PUMP MOUNT VERTICAL TOWER NL PRO II	1
2	104358	POWER UNIT VERTICAL TOWER BUCHER	1
3	043055	5/16 SPLITLOCK WASHER	3
4	046045	5/16-18 X 3/4 HEX HEAD BOLT	3
5	100235	FUSE HOLDER F AMG FUSE V-SERIES HYD	1
6	100234	125A FUSE LINK BUSS AMG V-SERIES HYD	1
7	046015	1/4-20 X 1 HEX HEAD BOLT	2
8	047005	1/4 FLAT WASHER	3
9	044023	1/4-20 NYLOCK HEX NUT	6
10	101910	HYDRAULIC HOSE 4FJX - 4FJX90S X 41.00	1
11	046010	1/4-20 X 3/4 HEX HEAD BOLT	1
12	923205	STRAIGHT ADAPTER	2
13	053006	1/4-20 X 3/4 CARRIAGE BOLT	3
14	100859	7/8 ID x 1 1/4 OD GROMMET	1

4.5 - Vertical Tower Switch Panel



113146_F

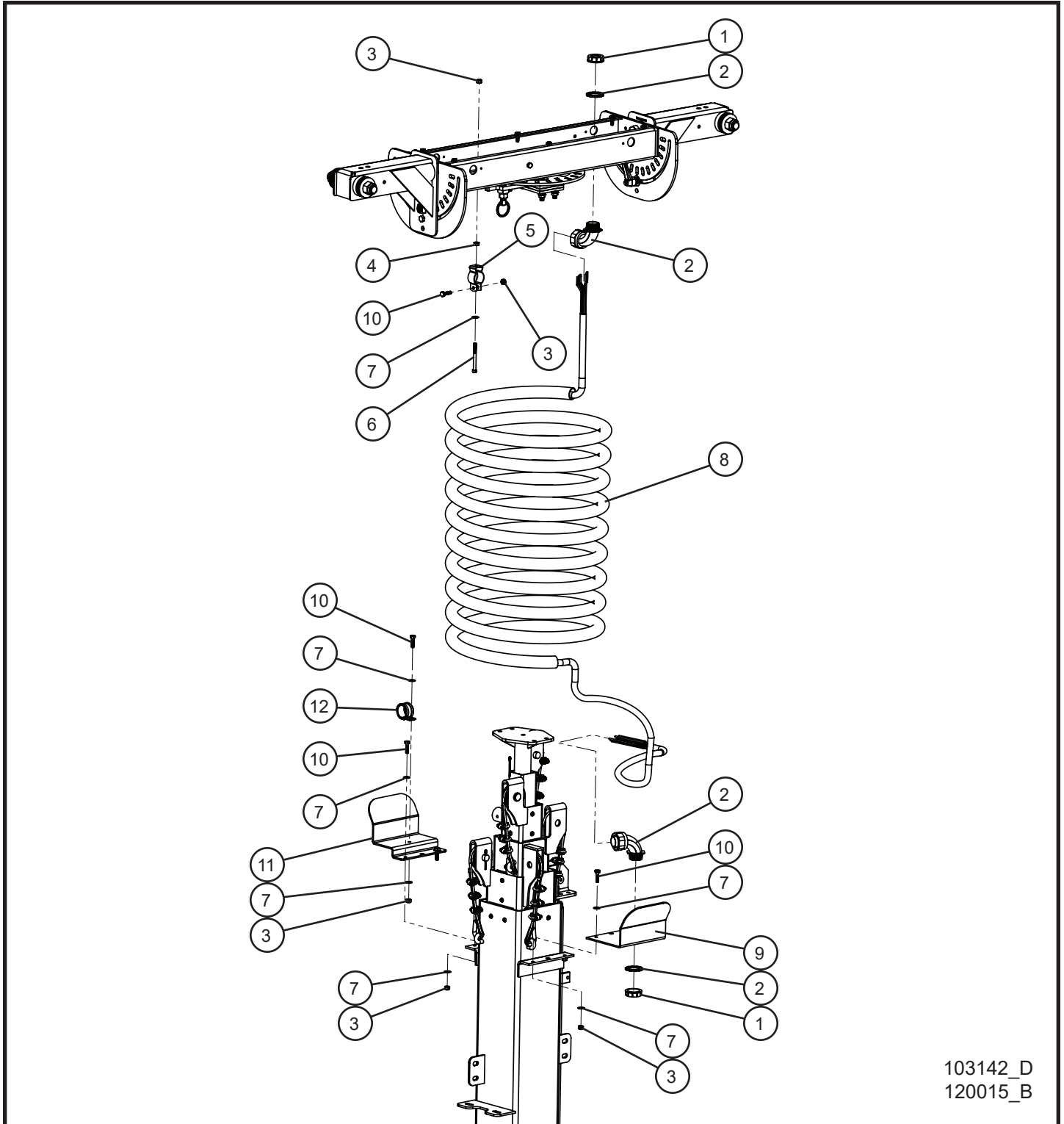
NIGHT-LITE PRO II®

SN 07-003127 and UP
SN 08-005619 and UP

4.5 - Vertical Tower Switch Panel

Item	Part No.	Part Description	Qty.
1	100859	7/8 ID x 1 1/4 OD GROMMET	2
2	102947P	CONTROL BRACKET VERTICAL TOWER NL PRO II V	1
3	102453	TOGGLE SWITCH ON-OFF-ON	1
4	047009	1/4 FLAT WASHER SAE SS	2
5	044021	1/4-20 KEPS HEX NUT PL	2
6	041050	1/4-20 x 3/4 PH-TRUSS HEAD MACHINE SCREW	2
7	105968	VERTICAL TOWER DECAL	1
NS	113148	6 AWG BLACK x 26.00	
NS	113149	6 AWG RED x 30.00	
NS	113142	6 AWG RED x 6.50	
NS	113153	16/2 CORD x 62.00 HYD SWITCH PRO II	1
NS	113154	16 AWG RED x 62.00	1
NS	113143	SCHEMATIC HYD V KEY SWITCH POWERED	1

4.6 - Vertical Tower 4-Light Nycoil Tower Cord



103142_D
120015_B

NIGHT-LITE PRO II®

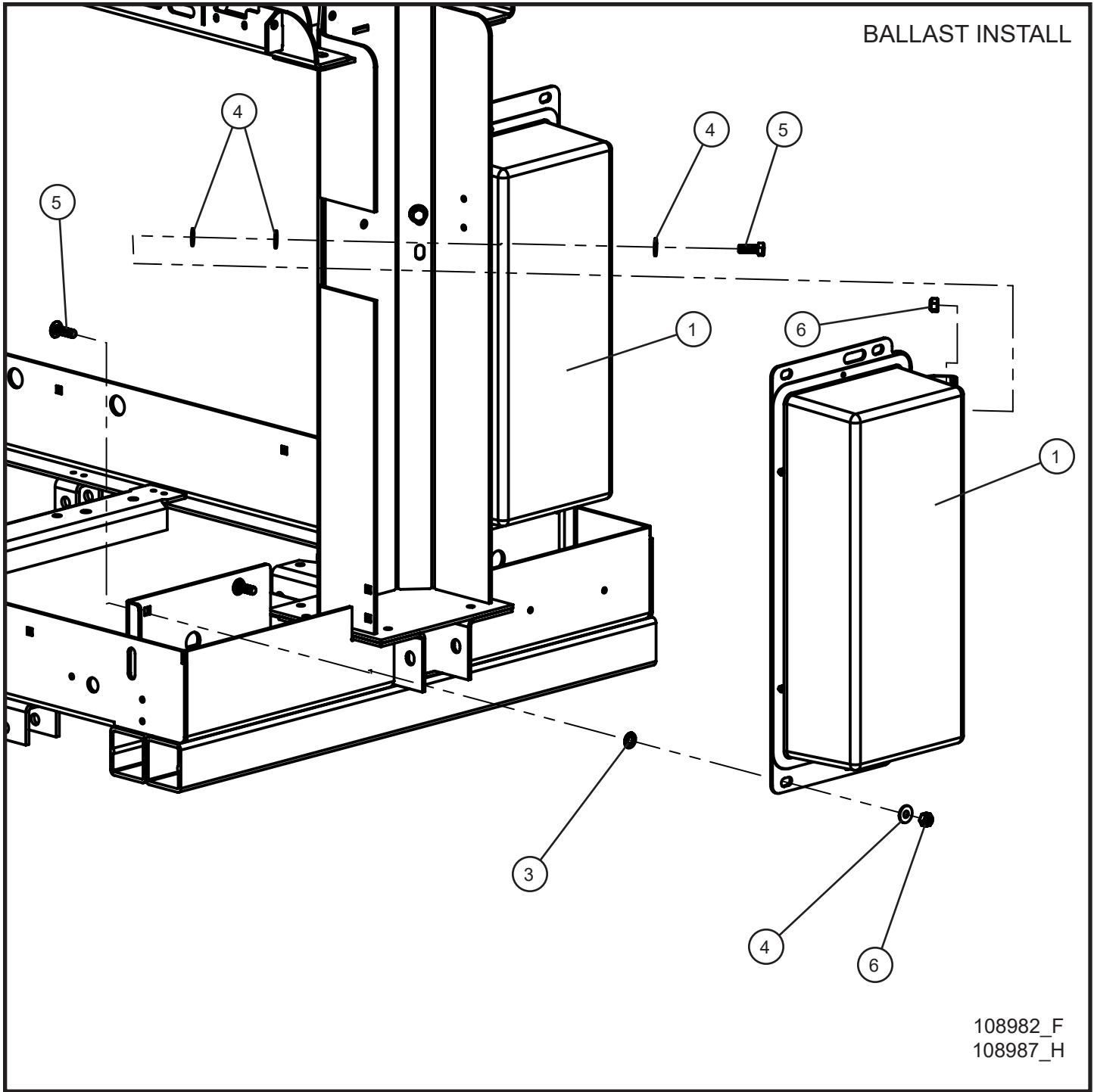
SN 07-003127 and UP
SN 08-005619 and UP

4.6 - Vertical Tower 4-Light Nycoil Tower Cord

Item	Part No.	Part Description	Qty.
1	101672	1" INSULATING BUSHING	2
2	102979	CORD GRIP 90° ELBOW LIQUID TIGHT	2
3	044023	1/4-20 NYLOCK HEX NUT PL	7
4	044021	1/4-20 KEPS HEX NUT PL	1
5	100474	1" CONDUIT CLAMP	1
6	046037	1/4-20 x 2 3/4 HEX HEAD CS GR5 PL	1
7	047009	1/4 FLAT WASHER SAE SS	11
8	106880	NL PRO II 16/8 CORD NYCOIL ASSEMBLY (INCL. 2-102979)	1
	120593	NL PRO II 16/8 SMD LED CORD NYCOIL ASSEMBLY (INCL. 2-102979)	1
9	102977P	CORD GRIP BRACKET	1
10	046015	1/4-20 x 1 HEX HEAD CS GR5 PL	6
11	102978P	NYCOIL CLAMP PLATE	1
12	920366	#16 CUSH CLAMP W/ 3/8 HOLE	1
NS	110106	SCHEMATIC LED LIGHT BAR 4 LIGHT 16/8 CORD	1
NS	105292	SCHEMATIC LIGHT BAR 4 LIGHT 16/8 CORD	1

*NS - NOT SHOWN

5.1 - Ballast Box Install Group



NIGHT-LITE PRO II®

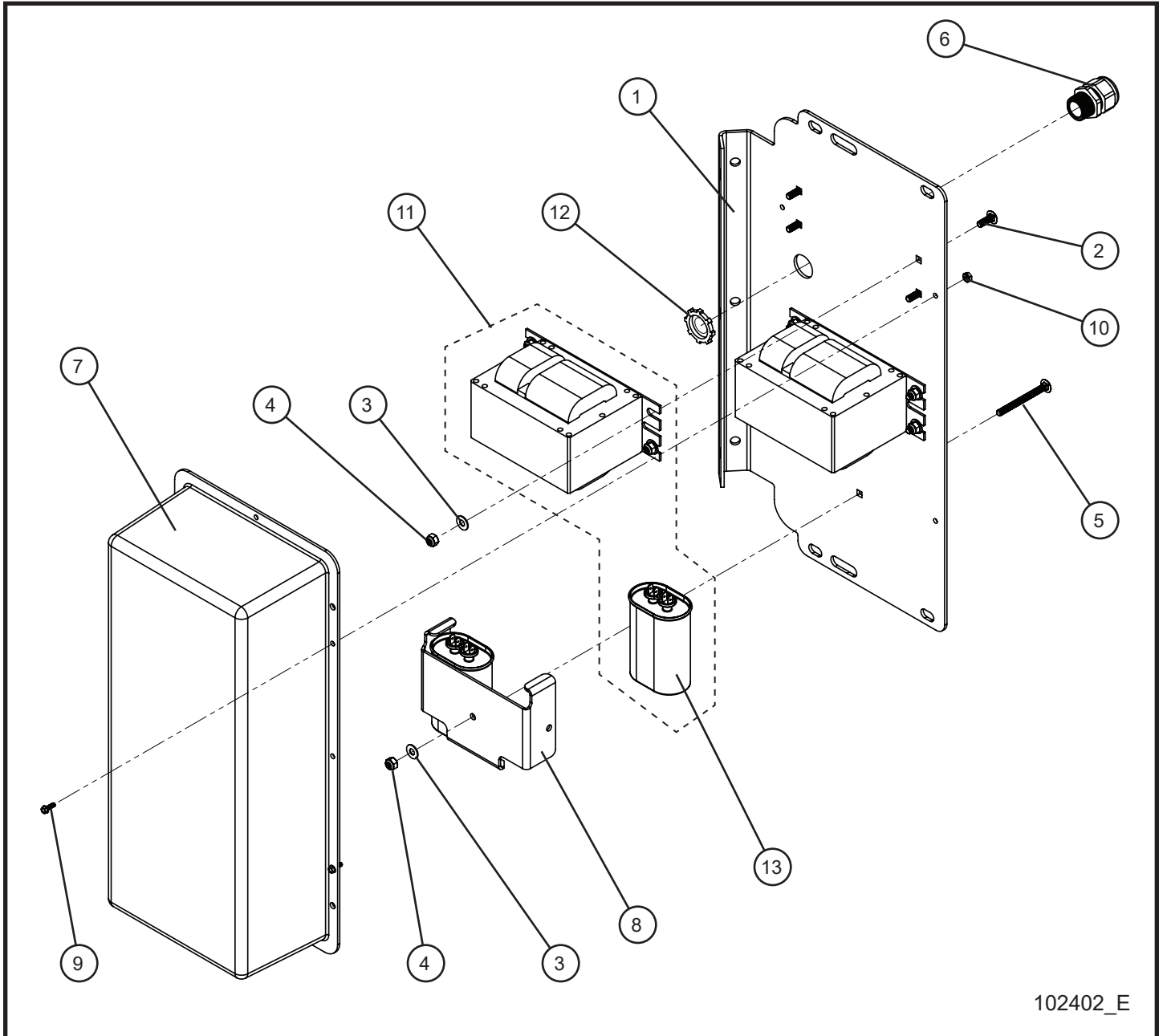
SN 07-003127 and UP
SN 08-005619 and UP

5.1 - Ballast Box Install Group

Item	Part No.	Part Description	Qty.
1	102402	1000W 50Hz 120V BALLAST BOX ASSEMBLY	2
	104481	1250W 60Hz 120V BALLAST BOX ASSEMBLY	2
2	100670	3/8-16 x 1 1/4 CARRIAGE BOLT	4
3	045218	3/8 PUSH NUT	4
4	047010	5/16 FLAT WASHER	10
5	046115	3/8-16 x 1 1/4 HEX HEAD BOLT	2
6	044038	3/8-16 NYLOCK HEX NUT	6
NS	105288	1000W 50Hz 120V BALLAST SCHEMATIC	1
NS	105286	1250W 60Hz 120V BALLAST SCHEMATIC	1

*NS - NOT SHOWN

5.2 - 1000W 50Hz 120V Ballast Box Assembly



102402_E

NIGHT-LITE PRO II®

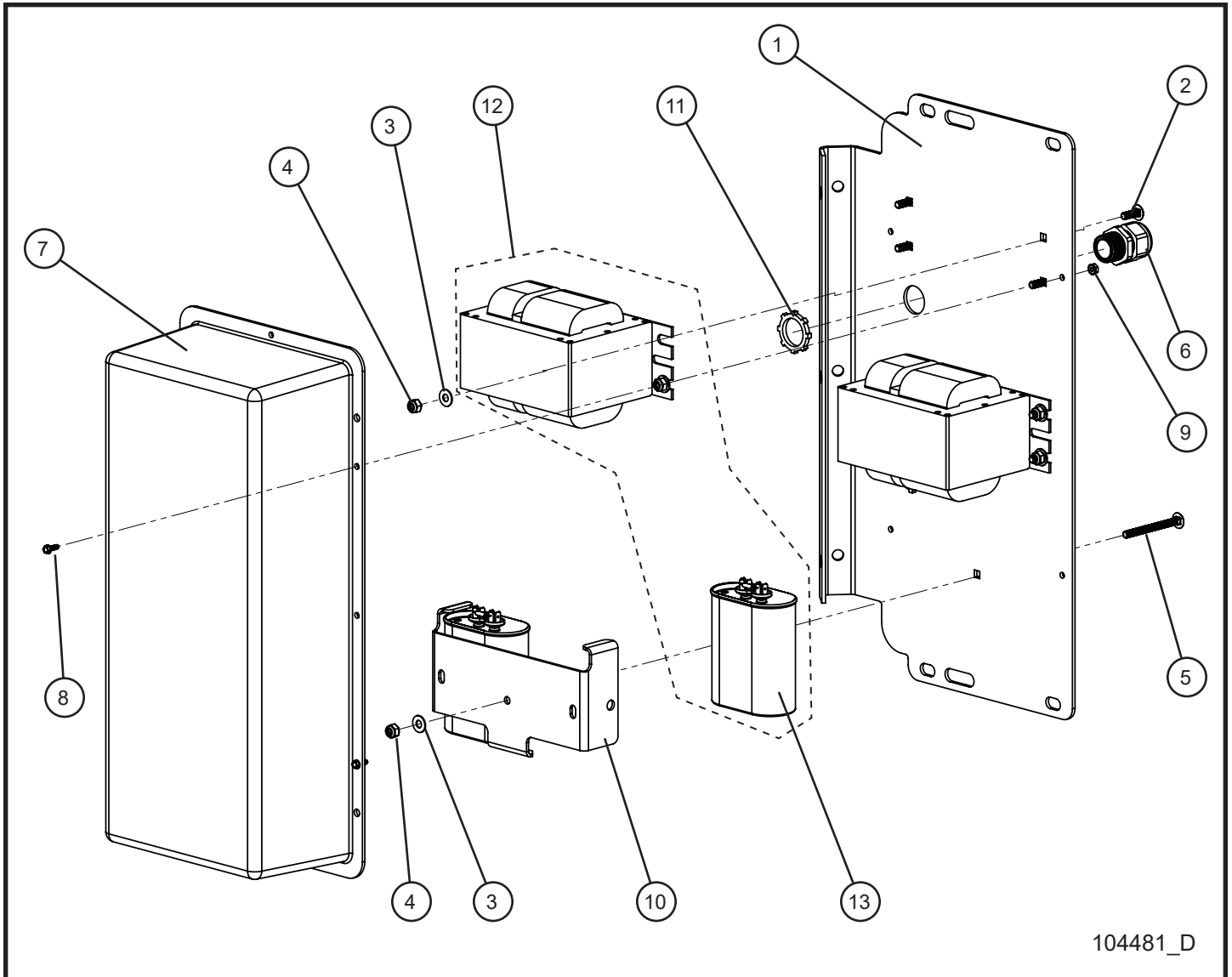
SN 07-003127 and UP
SN 08-005619 and UP

5.2 - 1000W 50Hz 120V Ballast Box Assembly

Item	Part No.	Part Description	Qty.
1	105914P	MOUNT PLATE BALLAST BOX	1
2	053006	1/4-20 x 3/4 CARRIAGE BOLT	8
3	047009	1/4 FLAT WASHER SAE SS	9
4	044023	1/4-20 NYLOCK HEX NUT PL	9
5	100718	1/4-20 x 2 1/4 CARRIAGE BOLT	1
6	105916	GRIP CORD NYLON 3/4	2
7	102752	BALLAST TOP MODULAR BOX	1
8	680608P	TABBED CAPACITOR CLAMP	1
9	041029	#8-32 x 1/2 HEX WASHER HEAD SCREW	4
10	044003	#8-32 NC KEPS NUT	4
11	310116A	BALLAST KIT 1000W 50Hz	2
12	022036	3/4 CORD GRIP NUT	2
13	310115A	CAPACITOR 26UF 60/50Hz 540V	2
NS	105288	SCHEMATIC BALLAST 1000W 50Hz	1

*NS - NOT SHOWN

5.3 - 1250W 60Hz 120V Ballast Box Assembly



104481_D

NIGHT-LITE PRO II®

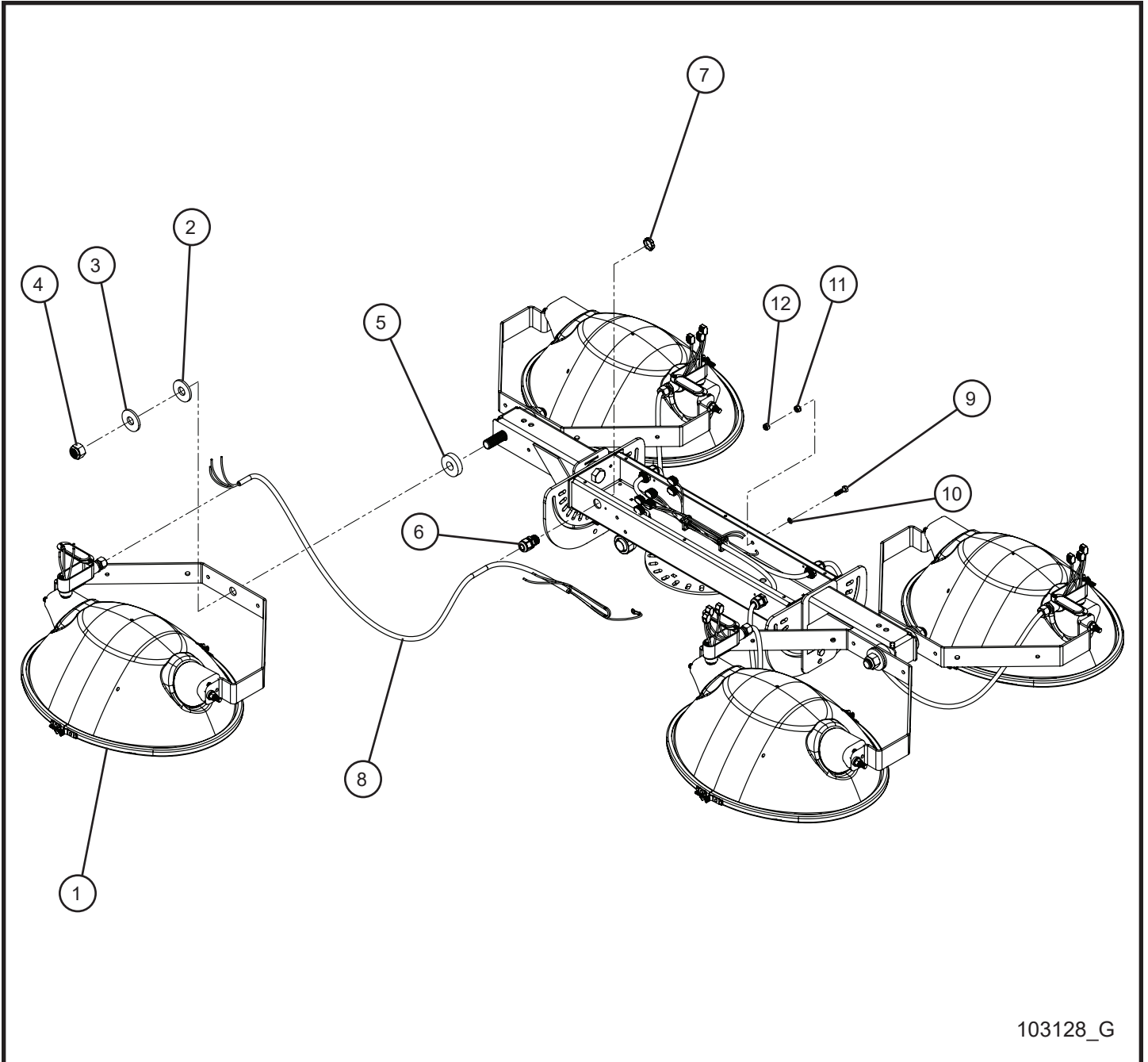
SN 07-003127 and UP
SN 08-005619 and UP

5.3 - 1250W 60Hz 120V Ballast Box Assembly

Item	Part No.	Part Description	Qty.
1	105914P	MOUNT PLATE BALLAST BOX	1
2	053006	1/4-20 x 3/4 CARRIAGE BOLT	8
3	047009	1/4 FLAT WASHER SAE SS	9
4	044023	1/4-20 NYLOCK HEX NUT PL	9
5	100718	1/4-20 x 2 1/4 CARRIAGE BOLT	1
6	105916	GRIP CORD NYLON 3/4	2
7	102752	BALLAST TOP MODULAR BOX	1
8	041029	#8-32 x 1/2 HEX WASHER HEAD SCREW	4
9	044003	#8-32 NC KEPS NUT	4
10	100392P	TABBED CAPACITOR CLAMP	1
11	022036	3/4 CORD GRIP NUT	2
12	109606	BALLAST KIT 1250W 60Hz 120/240V 28uF (INCLUDES 100329)	2
13	100329	CAPACITOR 28uF 1250W	2
NS	105286	SCHEMATIC 60Hz 1250W	1

*NS - NOT SHOWN

5.4 - SHO Lamp Holder Install Group



103128_G

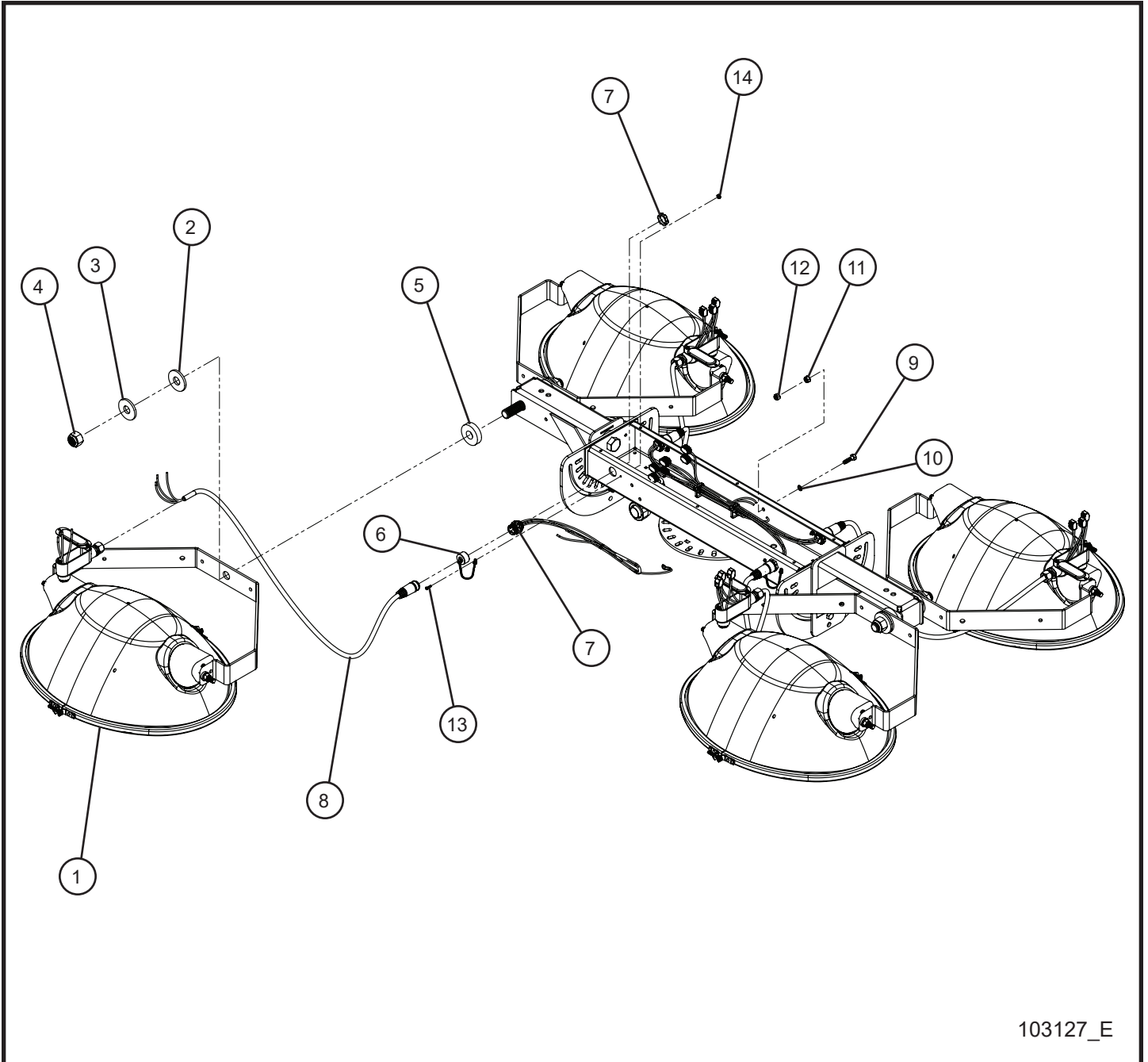
NIGHT-LITE PRO II®

SN 07-003127 and UP
SN 08-005619 and UP

5.4 - SHO Lamp Holder Install Group

Item	Part No.	Part Description	Qty.
1	650147	LAMPHOLDER SHO LIGHT WITH NO LAMP	4
	650144	LAMPHOLDER SHO LIGHT WITH 1000W LAMP	4
	100633	LAMPHOLDER SHO LIGHT WITH 1250W LAMP	4
	105244	LAMPHOLDER CSA/UL SHO LIGHT WITH NO LAMP	4
2	650550	.785" x 2" HDPE WASHER	4
3	047035	3/4 FLAT WASHER	4
4	044058	3/4-10 NYLOCK HEX NUT	4
5	101813	.781 ID x 2 OD x 1/2 HDPE WASHER	4
6	105626	1/2 NYLON BLACK CORD GRIP	4
7	022035	1/2 CORD GRIP NUT	4
8	115000	16/3 HARD WIRED LAMP LEAD CORD	4
9	046015	1/4-20 x 1 HEX HEAD BOLT	1
10	043050	1/4 INTL TOOTHLOCK WASHER	1
11	044021	1/4-20 KEPS HEX NUT	1
12	044023	1/4-20 NYLOCK HEX NUT	1
NS	105294	SOLID WIRED LAMP SCHEMATIC	1

5.5 - SHO Lamp Holder Quick Disconnect Install Group



103127_E

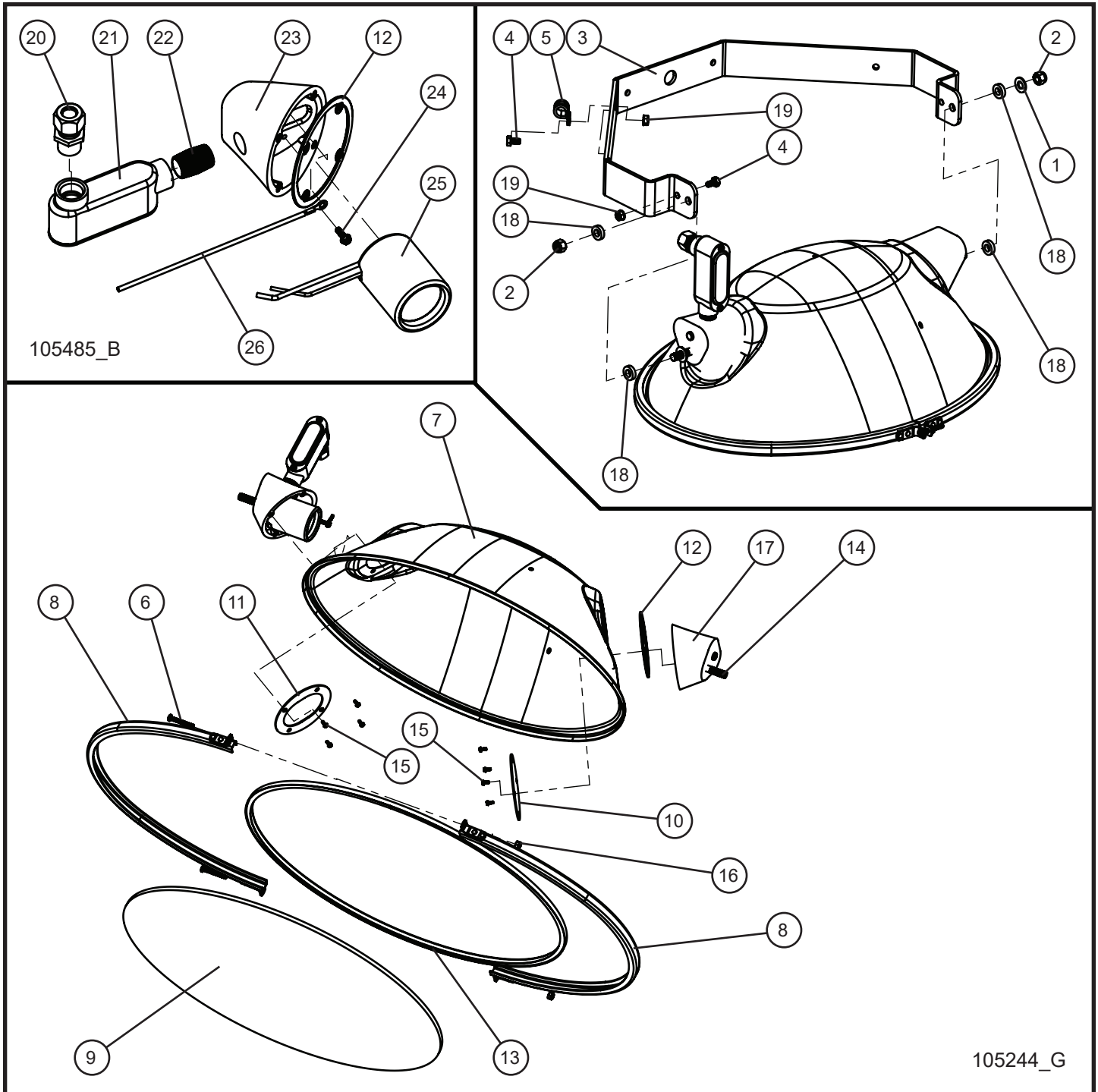
NIGHT-LITE PRO II®

SN 07-003127 and UP
SN 08-005619 and UP

5.5 - SHO Lamp Holder Quick Disconnect Install Group

Item	Part No.	Part Description	Qty.
1	650147	LAMPHOLDER SHO LIGHT WITH NO LAMP	4
	650144	LAMPHOLDER SHO LIGHT WITH 1000W LAMP	4
	100633	LAMPHOLDER SHO LIGHT WITH 1250W LAMP	4
	105244	LAMPHOLDER CSA/UL SHO LIGHT WITH NO LAMP	4
2	650550	.785" x 2" HDPE WASHER	4
3	047035	3/4 FLAT WASHER	4
4	044058	3/4-10 NYLOCK HEX NUT	4
5	101813	.781 ID x 2 OD x 1/2 HDPE WASHER	4
6	310413	LIGHT BAR QUICK DISCONNECT CAP	4
7	115001	HUBBEL FEMALE CONNECTOR CABLE	4
8	310434	HUBBEL MALE CONNECTOR CABLE	4
9	046015	1/4-20 x 1 HEX HEAD BOLT	1
10	043050	1/4 INTL TOOTHLOCK WASHER	1
11	044021	1/4-20 KEPS HEX NUT	1
12	044023	1/4-20 NYLOCK HEX NUT	1
13	100029	#6-32 x 1/2 PH-ROUND HEAD MACHINE SCREW	4
14	044004	#6-32 KEPS HEX NUT	4
NS	105295	QUICK DISCONNECT WIRED LAMP SCHEMATIC	1

5.6 - SHO Lamp Holder Assembly Group



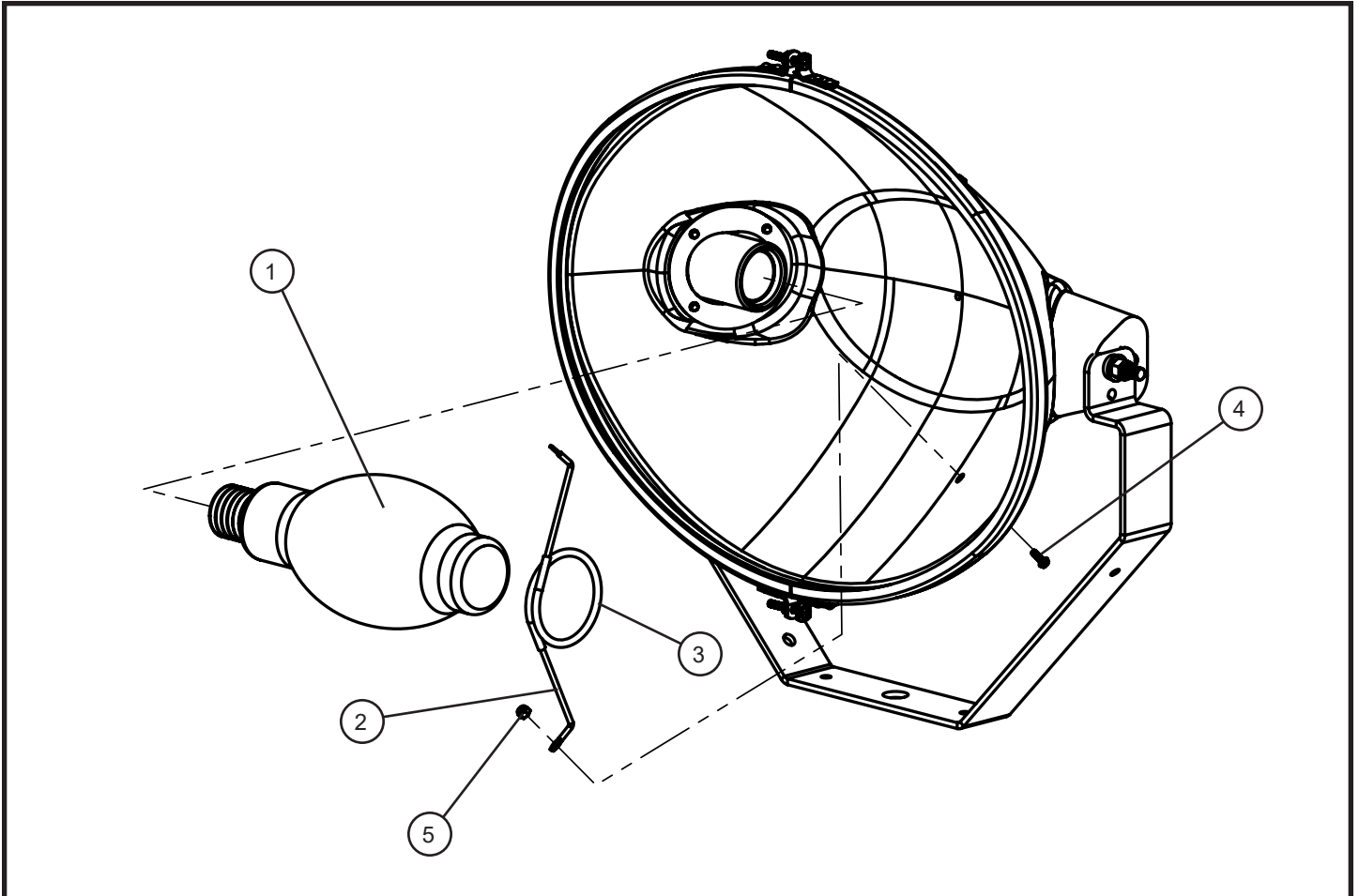
NIGHT-LITE PRO II®

SN 07-003127 and UP
SN 08-005619 and UP

5.6 - SHO Lamp Holder Assembly Group

Item	Part No.	Part Description	Qty.
--	105244	COMPLETE LAMP ASSEMBLY	1
1	047016	3/8 FLAT WASHER	2
2	044037	3/8-24 NYLOCK HEX NUT	2
3	660130	YOKE MOUNT SHO LAMP	1
4	046005	1/4-20 x 1/2 HEX HEAD BOLT	2
5	022018	#8 CUSH CLAMP	1
6	041040	#10-24 x 1 1/2 PH-ROUND HEAD MACHINE SCREW	2
7	610201	REFLECTOR	1
8	610202	LENS CHANNEL SET SHO LIGHT	2
9	610203	GLASS LENS	1
10	610207	INTERIOR COVER PLATE WITHOUT HOLE	1
11	610208	INTERIOR COVER PLATE WITH HOLE	1
12	610213	GASKET SOCKET END CAP	2
13	610217	SILICONE GASKET	1
14	045142	3/8-24 x 3/8-16 x 2 STUD	2
15	041028	#10-24 x 1/2 HEX WASHER HEAD	8
16	044019	#10-24 NYLOCK HEX NUT	2
17	610206	CASTING END SHO	1
18	047019	NYLON BUSHING 3/4 OD x .385 ID	4
19	044021	1/4-20 KEPS HEX NUT	2
20	510007	1/2 CORD GRIP	1
21	610214	ELBOW 1/2 SLB SHO ENTRANCE	1
22	610215	1/2 NPT NIPPLE	1
23	610205	SOCKET CASTING END SHO	1
24	041257	#10-32 x 3/8 SL-HEX WASHER HEAD MS GRND	1
25	610212	CERAMIC SOCKET	1
26	610219	GROUND WIRE LAMPHOLDER SHO ENTRANCE	1

5.7 - SHO Lamp Holder Bulb Options



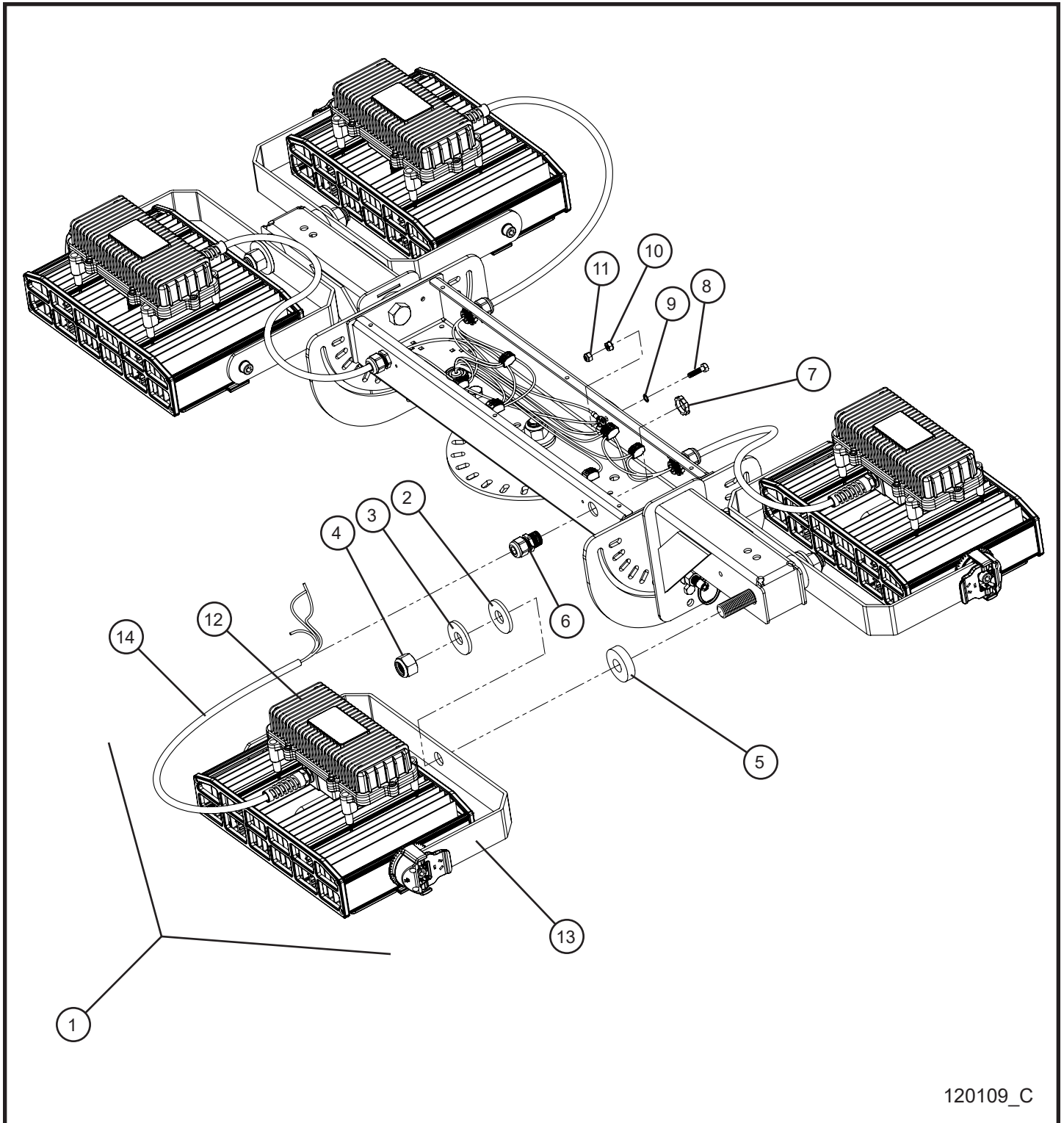
NIGHT-LITE PRO II®

SN 07-003127 and UP
SN 08-005619 and UP

5.7 - SHO Lamp Holder Bulb Options

Item	Part No.	Part Description	Qty.
1	610221	LAMP 1250W BT37 (MH)	1
	610211	LAMP 1000W BT37 (MH)	1
2	610209	SHO LAMP SUPPORT TIP	1
3	610210	12" LAMP SUPPORT FIBERGLASS TUBE	1
4	041200	#8-32 x 1/2 HEX WASHER HEAD	2
5	044013	#8-32 NYLOCK HEX NUT	2

5.8 - SMD LED Lamp Install Group



120109_C

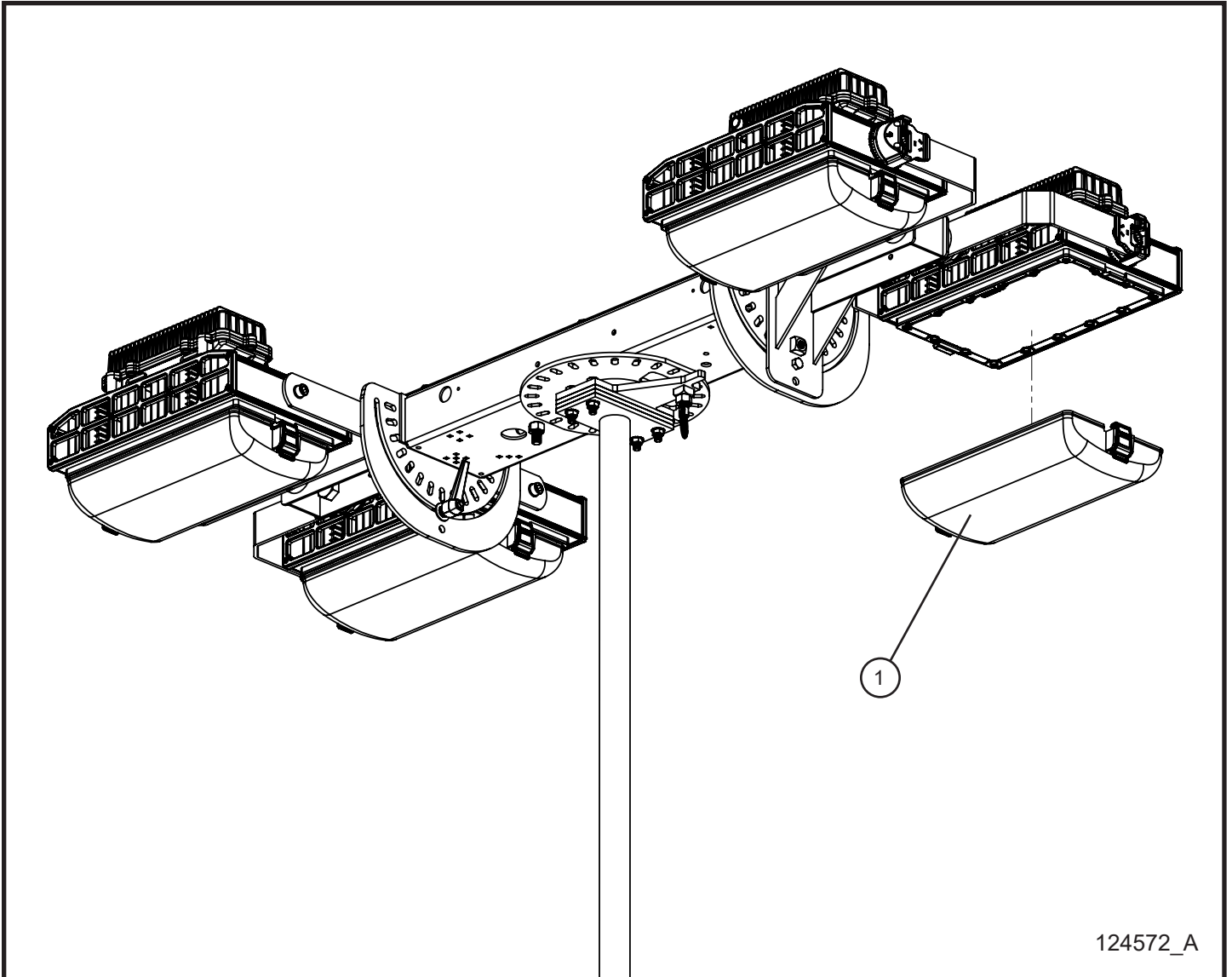
NIGHT-LITE PRO II®

SN 07-003127 and UP
SN 08-005619 and UP

5.8 - SMD LED Lamp Install Group

Item	Part No.	Part Description	Qty.
1	123200	350W SMD KUM1S-350 LED ASSEMBLY	4
2	650550	.785" x 2" HDPE WASHER	4
3	047035	3/4 FLAT WASHER PL	4
4	044058	3/4-10 NYLOCK HEX NUT PL	4
5	101813	.781 ID x 2 OD x 1/2 HDPE WASHER	4
6	105626	1/2 CORD GRIP	4
7	022035	1/2 CORD GRIP NUT	4
8	046015	1/4-20 x 1 HEX HEAD BOLT	1
9	043050	1/4 INTL TOOTHLOCK WASHER	1
10	044021	1/4-20 KEPS HEX NUT	1
11	044023	1/4-20 NYLOCK HEX NUT	1
12	123198	DRIVER KUM1S-350 SMD LED 350W	1
13	123197	YOKE & HARDWARE KIT KUM1S-350	1
14	122483	AC POWER CORD KUH2S-250 AND KUH2S-350	1
NS	105292	SCHEMATIC 4 LIGHT 16/8 CORD 1P OR 208V 3P	1

5.9 - SMD LED Lamp Diffuser



124572_A

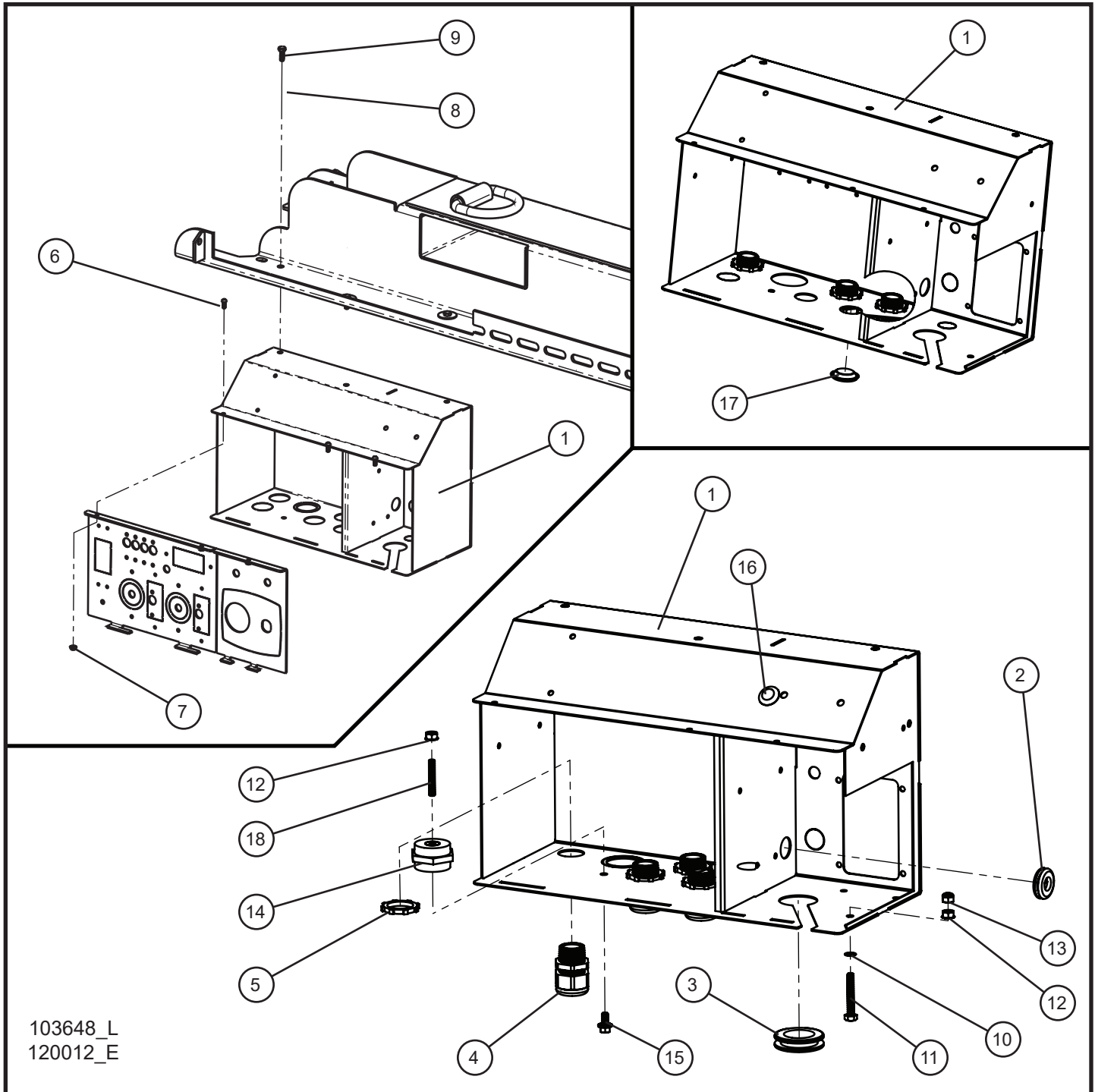
NIGHT-LITE PRO II®

SN 07-003127 and UP
SN 08-005619 and UP

5.9 - Ballast Box Install Group

Item	Part No.	Part Description	Qty.
1	123199	DIFFUSER LED LIGHT KUM1S-350	4

6.1 - Component Box



103648_L
120012_E

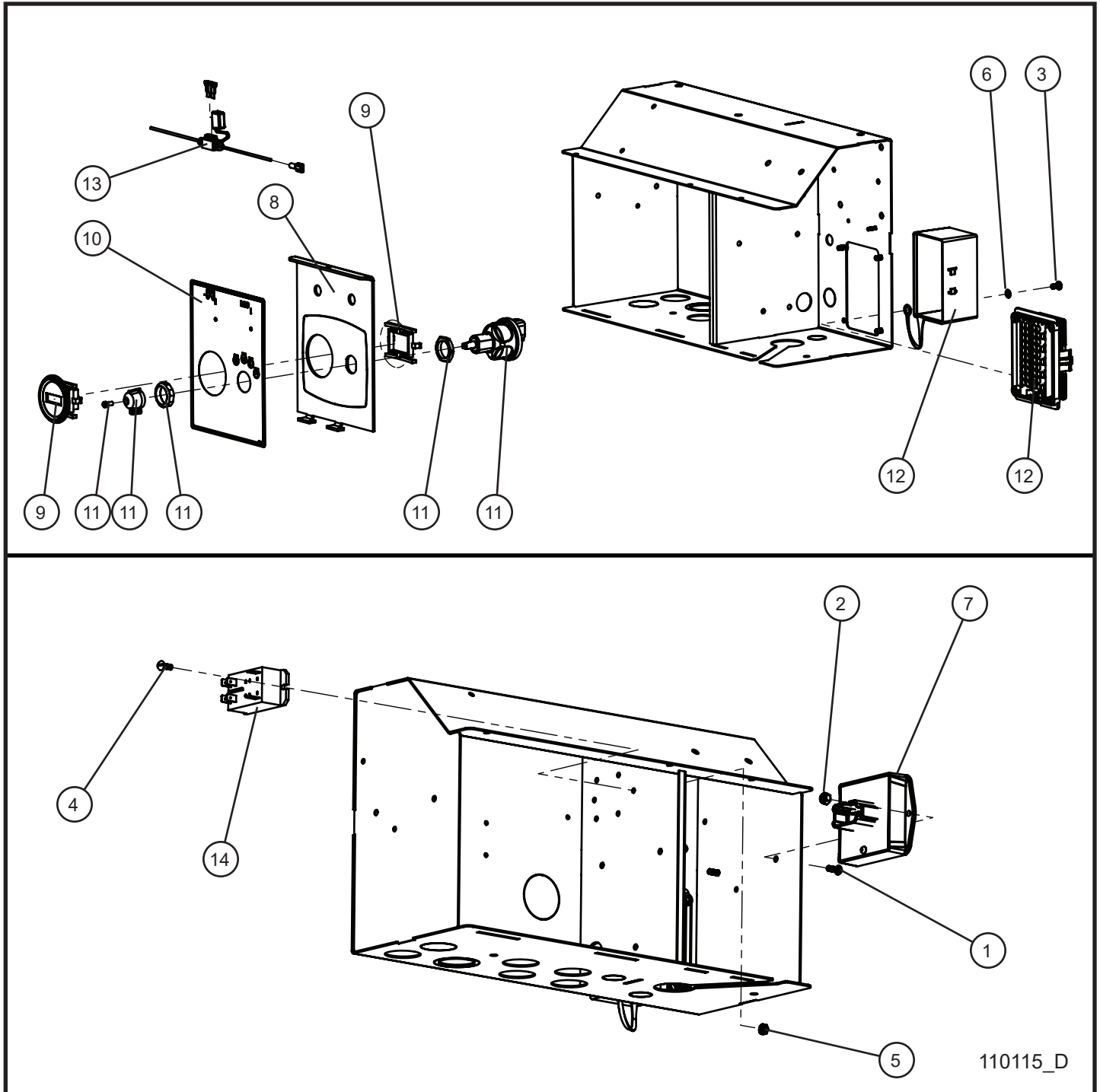
NIGHT-LITE PRO II®

SN 07-003127 and UP
SN 08-005619 and UP

6.1 - Component Box

Item	Part No.	Part Description	Qty.
1	120568P	COMPONENT BOX WELDMENT	1
2	100859	7/8 ID x 1 1/4 OD GROMMET	1
3	650542	1 1/4 ID x 1 1/2 OD GROMMET	1
4	105916	CORD GRIP 3/4" NYLON BLACK	5
5	022036	3/4" CORD GRIP NUT	5
6	041024	#10-24 x 1/2 PH-ROUND HEAD MS SS	3
7	044016	#10-24 KEPS HEX NUT PL	3
8	047007	1/4 x 1 1/4 x .056 FENDER WASHER	3
9	046010	1/4-20 x 3/4 HEX HEAD CS GR5 SS	3
10	043050	1/4 INT'L TOOTH LOCK WASHER	1
11	046029	1/4-20 x 1 3/4 HEX HEAD CS GR5 PL	1
12	044021	1/4-20 KEPS HEX NUT PL	2
13	044023	1/4-20 NYLOCK HEX NUT PL	1
14	106318	LOW VOLTAGE INSULATOR 1-1/4, 1/4-20	1
15	122452	1/4-20 X 1/2 HEX SERRATED FLANGE BOLT W/ THREADLOCK	1
16	433328	CAP PLUG 1/2	1
17	064025	1 1/16 IN. PLASTIC PLUG	1
18	045003	1/4-20 x 1-1/2 STUD PL	1

6.2 - SLS Key Start Engine Control



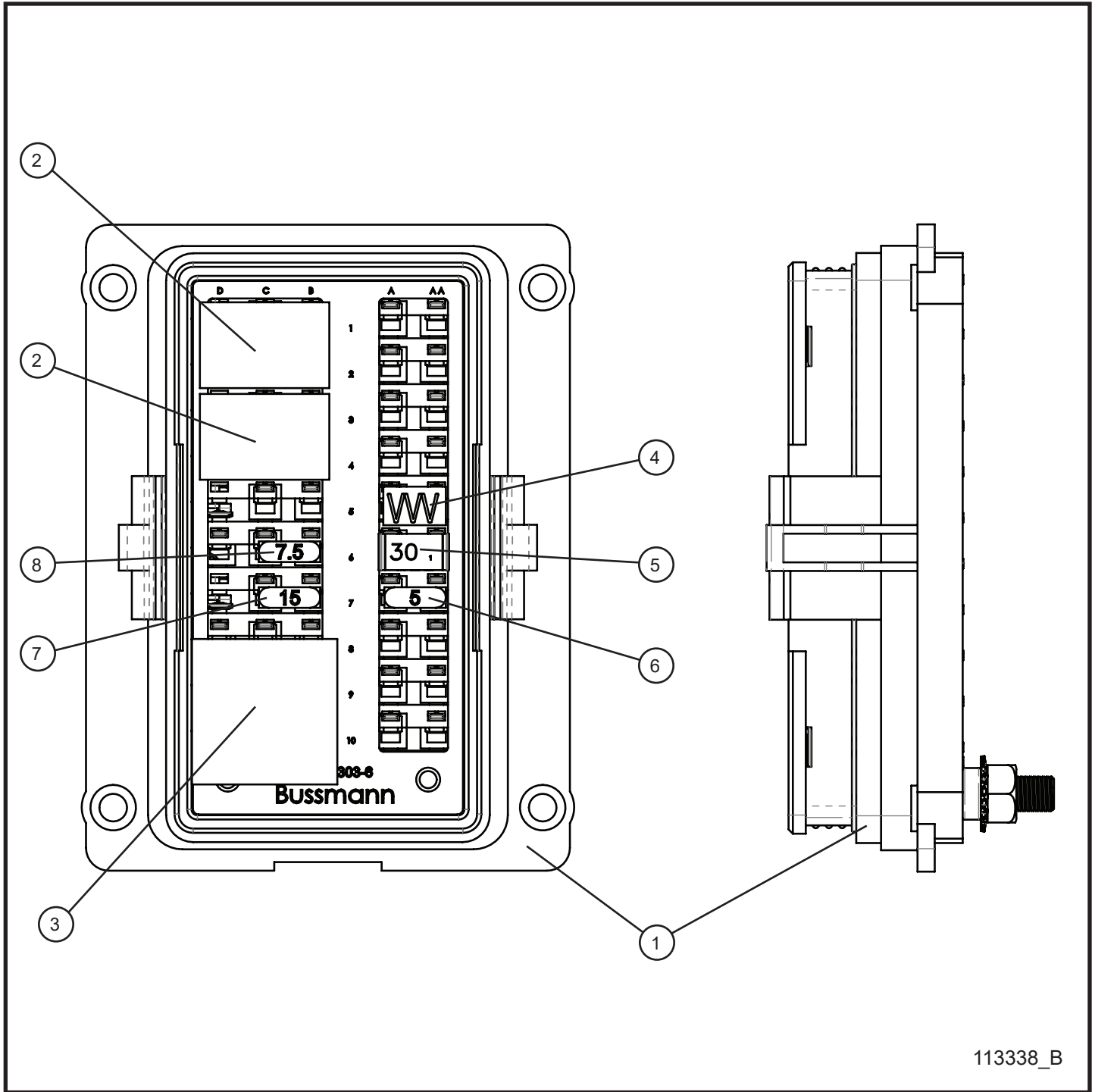
NIGHT-LITE PRO II®

SN 07-003127 and UP
SN 08-005619 and UP

6.2 - SLS Key Start Engine Control

Item	Part No.	Part Description	Qty.
1	041021	#10-24 x 1/2 PH-ROUND HEAD MS PL	2
2	044019	#10-24 NYLOCK HEX NUT SS	2
3	041019	#10-32 x 3/8 PH-ROUND HEAD MS PL	4
4	041013	#8-32 x 1/2 SLOTTED-ROUND HEAD MS PL	2
5	044003	#8-32 NC KEPS NUT	2
6	043017	#10 INTL TOOTH LOCK WASHER	1
7	108053	SLS 1.1 MODULE	1
8	105776P	ENGINE PANEL COMPONENT BOX	1
9	340014	HOUR METER DIGITAL	1
10	103417	DECAL ENGINE CONTROL PANEL	1
11	106273	IGNITION SWITCH LEVER STYLE	1
12	113338	NEW HARNESS SLS CONTROL PANEL	1
13	111211	FUSE HOLDER INLINE BLADE	1
	104990	FUSE BLADE 2 AMP ATO/ATC	1
14	105219	RELAY 30 AMP	1
NS	106890	FUSE HOLDER TO MAIN BREAKER WIRE	1
NS	106891	AC GROUND TO RELAY WIRE	1
NS	106892	DC GROUND TO RELAY WIRE	1
NS	106877	RELAY SCHEMATIC SLS 1.1	1
NS	110123	SLS / KEY START SCHEMATIC	1

6.3 - SLS Harness Control Fuse Panel



113338_B

NIGHT-LITE PRO II®

SN 07-003127 and UP
SN 08-005619 and UP

6.3 - SLS Harness Control Fuse Panel

Item	Part No.	Part Description	Qty.
--	113338	HARNESS SLS CONTROL PANEL COMPLETE	1
1	105199	BUSSMANN 45 PIN BOARD MODULE	1
2	105201	35 AMP SPST RELAY	2
3	105202	50 AMP SPST RELAY	1
4	105204	RESISTOR 68OHM	1
5	105832	CIRCUIT BREAKER 30A	1
6	105843	5A MINI FUSE	1
7	105844	15A MINI FUSE	1
8	105876	7.5A MINI FUSE	1

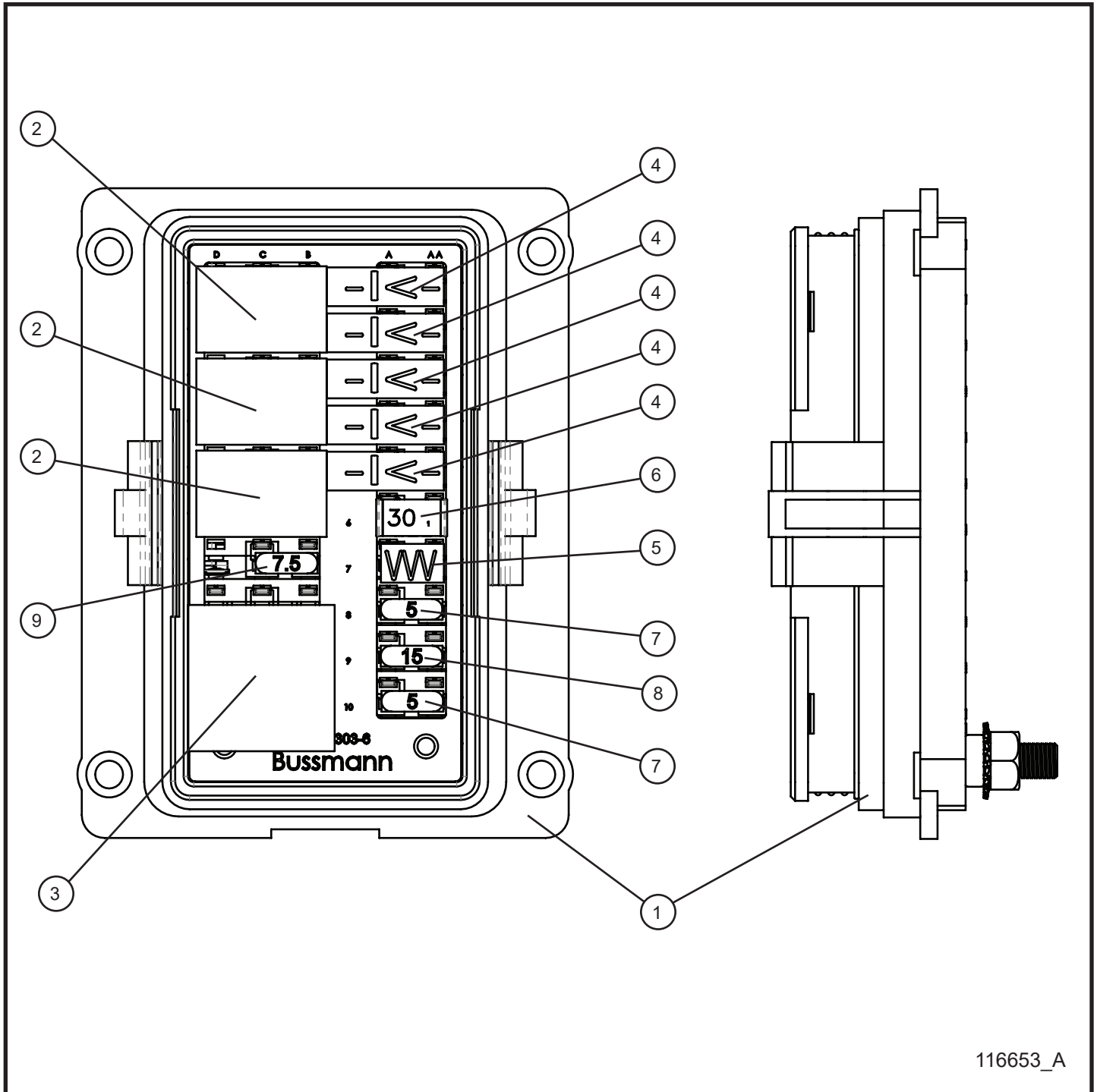
NIGHT-LITE PRO II®

SN 07-003127 and UP
SN 08-005619 and UP

6.4 - LSC Start Engine Control

Item	Part No.	Part Description	Qty.
1	108053	SLS 1.1 MODULE	1
2	105846	ALARM 102 DB	1
3	105776P	ENGINE PANEL COMPONENT BOX	1
4	107404	LSC 2.1 MODULE	1
5	105188P	BRACKET BACK LSC	1
6	103417	DECAL ENGINE CONTROL PANEL	1
7	108057	POWER FILAMENT 266 SERIES	1
8	103864	FUSE HOLDER INLINE BLADE	1
9	104990	FUSE BLADE 2 AMP ATO/ATC	1
10	113541	ROCKER SWITCH SPST ON/OFF	1
11	041021	#10-24 x 1/2 PH-ROUND HEAD MS PL	2
12	044019	#10-24 NYLOCK HEX NUT PL	2
13	041019	#10-32 x 3/8 PH-ROUND HEAD MS PL	4
14	041050	1/4-20 x 3/4 PH-TRUSS HEAD MS SS MACHINE SCREW	2
15	044021	1/4-20 KEPS HEX NUT PL	2
16	047004	#8 FLAT WASHER SAE ZC	2
17	041200	#8-32 x 1/2 HEX WASHER HEAD INDT	2
18	041012	#8-32 x 1/2 SCREW MS PL	2
19	044003	#8-32 NC KEPS NUT	2
20	043017	#10 INTL TOOTH LOCK WASHER	1
21	116653	HARNESS LSC CONTROL PANEL COMPLETE (NO SWITCH)	1
NS	106037	AUTOSTART ALARM WIRE HARNESS	1
NS	113437	117/6.3V TRANSFORMER SCHEMATIC	1
NS	113652	LSC SCHEMATIC	1

6.5 - LSC Harness Control Fuse Panel



116653_A

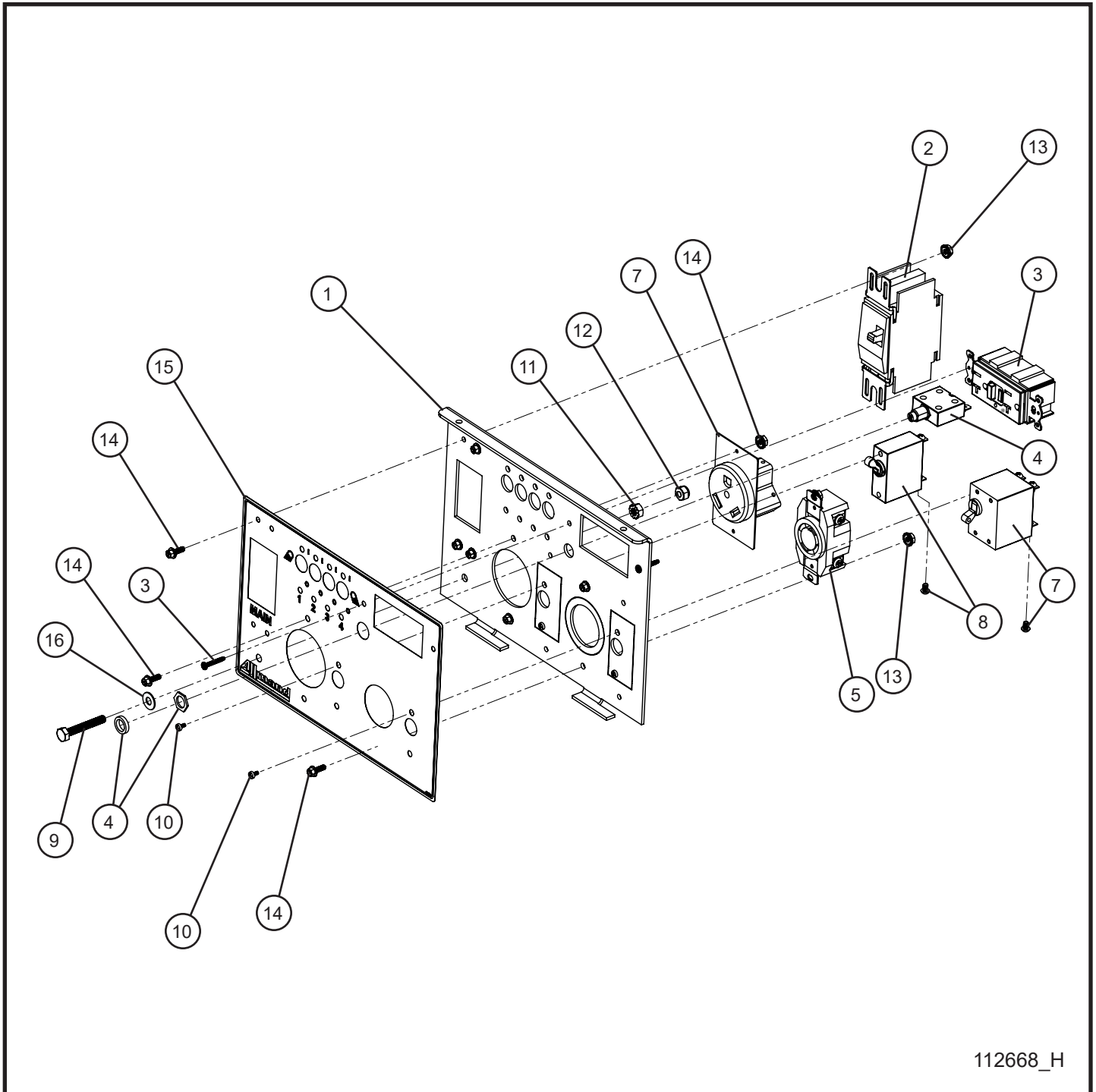
NIGHT-LITE PRO II®

SN 07-003127 and UP
SN 08-005619 and UP

6.5 - LSC Harness Control Fuse Panel

Item	Part No.	Part Description	Qty.
--	116653	HARNESS LSC CONTROL PANEL COMPLETE (NO SWITCH)	1
1	105199	BUSSMANN 45 PIN BOARD MODULE	1
2	105201	35 AMP SPST RELAY	3
3	105202	50 AMP SPST RELAY	1
4	105203	BLOCKING DIODE KEYED	5
5	105204	RESISTOR 68OHM	1
6	105832	CIRCUIT BREAKER 30A	1
7	105843	5A MINI FUSE	2
8	105844	15A MINI FUSE	1
9	105876	7.5A MINI FUSE	1

6.6 - 1-30AMP Twistlock 1-RV 1-GFCI Outlet Package I



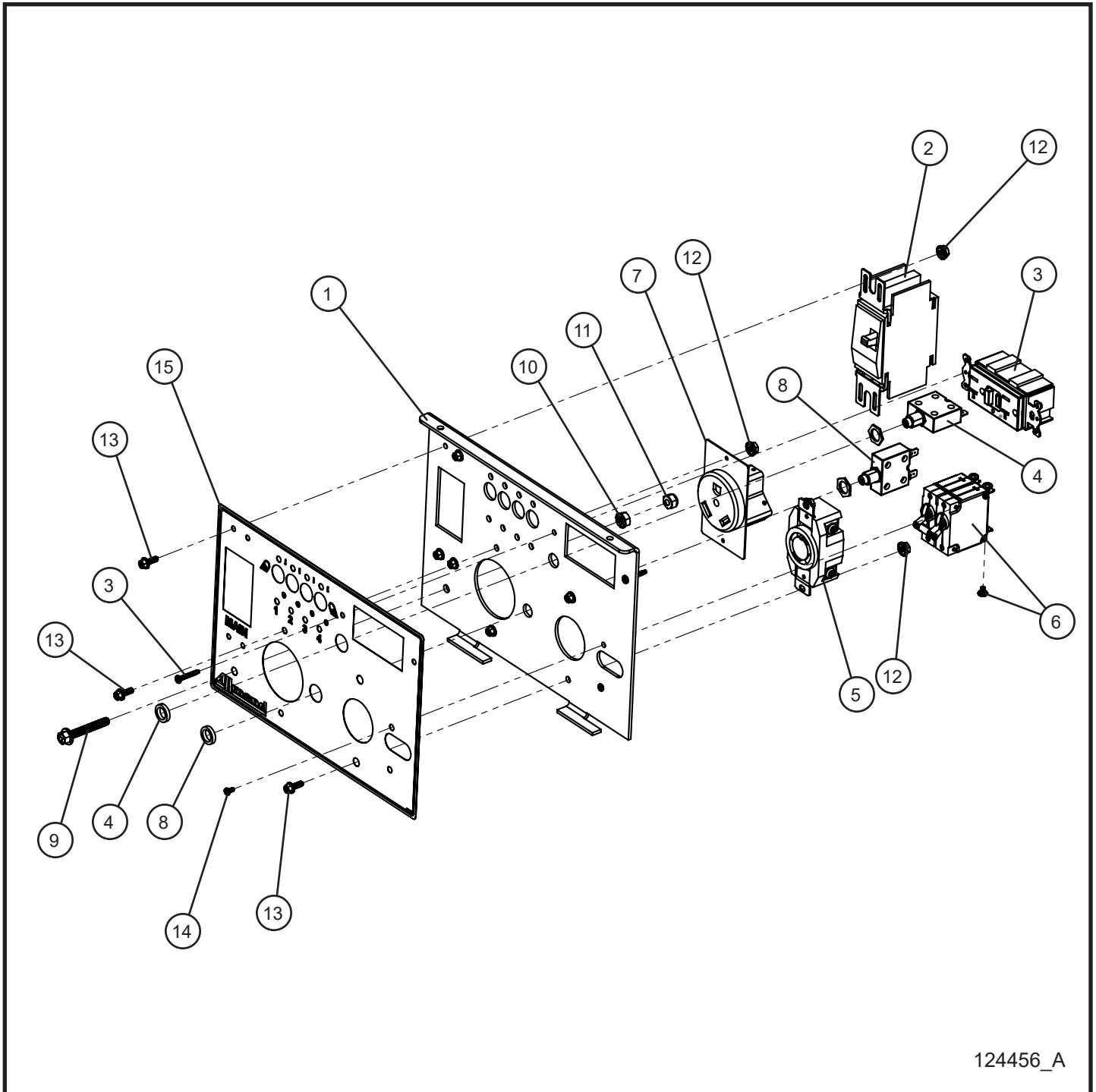
NIGHT-LITE PRO II®

SN 07-003127 and UP
SN 08-005619 and UP

6.6 - 1-30AMP Twistlock 1-RV 1-GFCI Outlet Package I

Item	Part No.	Part Description	Qty.
1	105777P	OUTLET PANEL UNIVERSAL 3	1
2	350354	35 AMP DOUBLE POLE BREAKER	1
3	330499	20 A GFCI RECEPTACLE	1
4	118398	THERMAL CIRCUIT BREAKER 20A PUSH BUTTON	1
5	653102	30A 125-250V TWISTLOCK RECEPTACLE	1
6	330456	30A DPST CIRCUIT BREAKER	1
7	680815	125V 30A OUTLET	1
8	330472	30 AMP SINGLE POLE SWITCH	1
9	046029	1/4-20 x 1 3/4 HEX HEAD CS GR5 PL	1
10	041018	#6-32 x 1/4 PH-ROUND HEAD MS PL	4
11	044021	1/4-20 KEPS NUT PL	1
12	044023	1/4-20 NYLOCK HEX NUT PL	1
13	057003	#8-32 SERRATED FLANGE HEX LOCKNUT	8
14	056006	#8-32 X 1/2 SERRATED FLANGE HEX SCREW	8
15	105771	DECAL BREAKER DOMESTIC OPTIONS	1
16	047009	1/4 FLAT WASHER	1
NS	112669	1-30A RV, 1-20A GFCI, 1-30A 4-PRONG TWISTLOCK SCHEMATIC	1

6.7 - 1-30AMP Twistlock 1-RV 1-GFCI Outlet Package II



124456_A

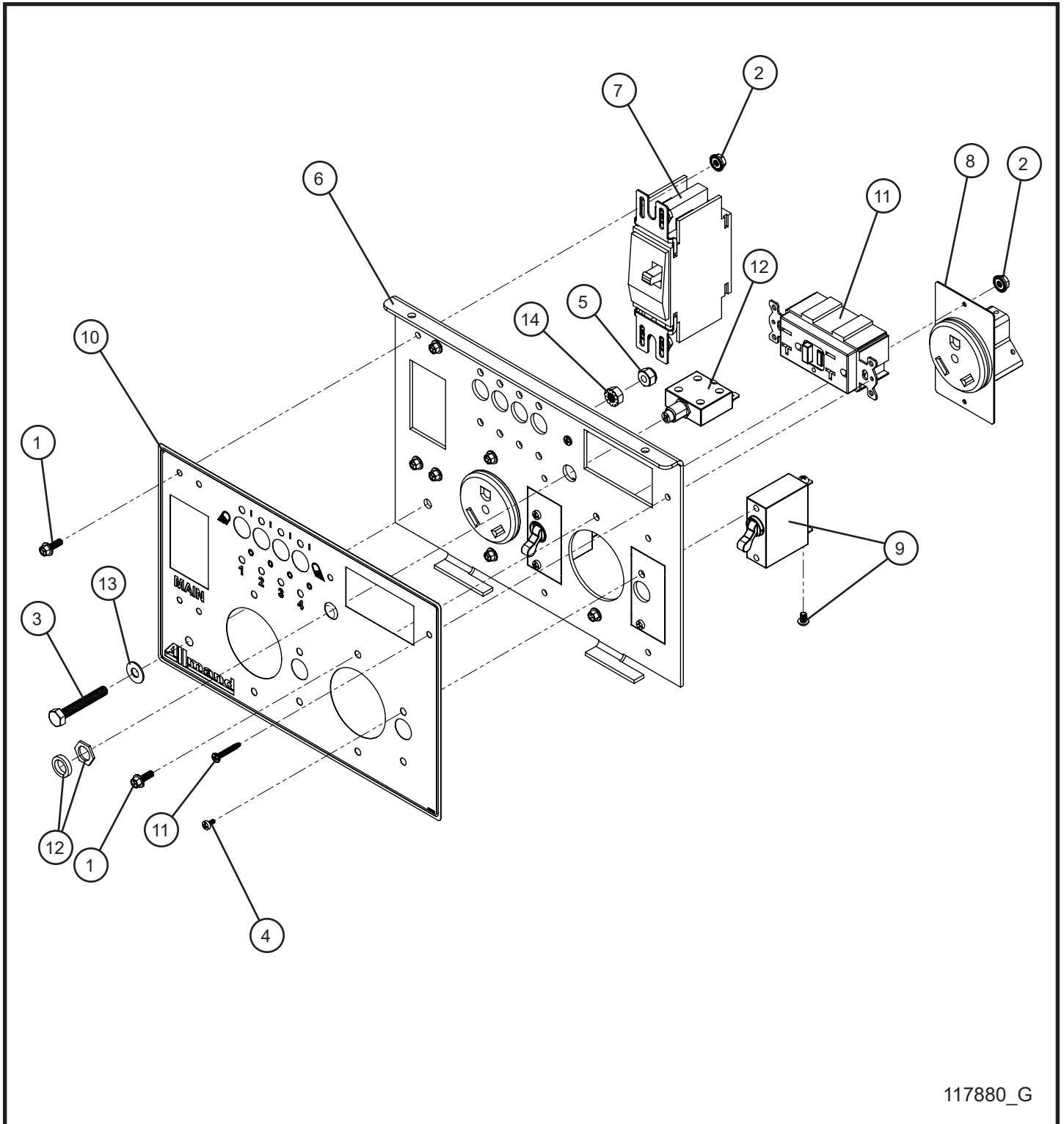
NIGHT-LITE PRO II®

SN 07-003127 and UP
SN 08-005619 and UP

6.7 - 1-30AMP Twistlock 1-RV 1-GFCI Outlet Package II

Item	Part No.	Part Description	Qty.
1	124473P	OUTLET PANEL COMPONENT BOX BSB BREAKER PRO II	1
2	350354	35 AMP DOUBLE POLE BREAKER	1
3	330499	20 A GFCI RECEPTACLE	1
4	118398	THERMAL CIRCUIT BREAKER 20A PUSH BUTTON	1
5	653102	30A 125-250V TWISTLOCK RECEPTACLE	1
6	123260	30AMP DOUBLE POLE CIRCUIT BREAKER	1
7	680815	125V 30A OUTLET	1
8	118662	BREAKER THERMAL PUSH BUTTON 30A 250VAC	1
9	056036	HEX NON-SERRATED FLANGE SCREW 1/4-20 X 1 3/4	1
10	044021	1/4-20 KEPS NUT PL	1
11	044023	1/4-20 NYLOCK HEX NUT PL	1
12	057003	#8-32 SERRATED FLANGE HEX LOCKNUT	8
13	056006	#8-32 X 1/2 SERRATED FLANGE HEX SCREW	8
14	041252	M3 - 0.05MM X 6MM MACHINE SCREW	2
15	105771	DECAL BREAKER DOMESTIC OPTIONS	1
NS	124478	1-30A RV, 1-20A GFCI 1-30A 4-PRONG TL PRO II SCHEMATIC	1

6.8 - 2-30AMP RV 1-GFCI Outlet Package I



117880_G

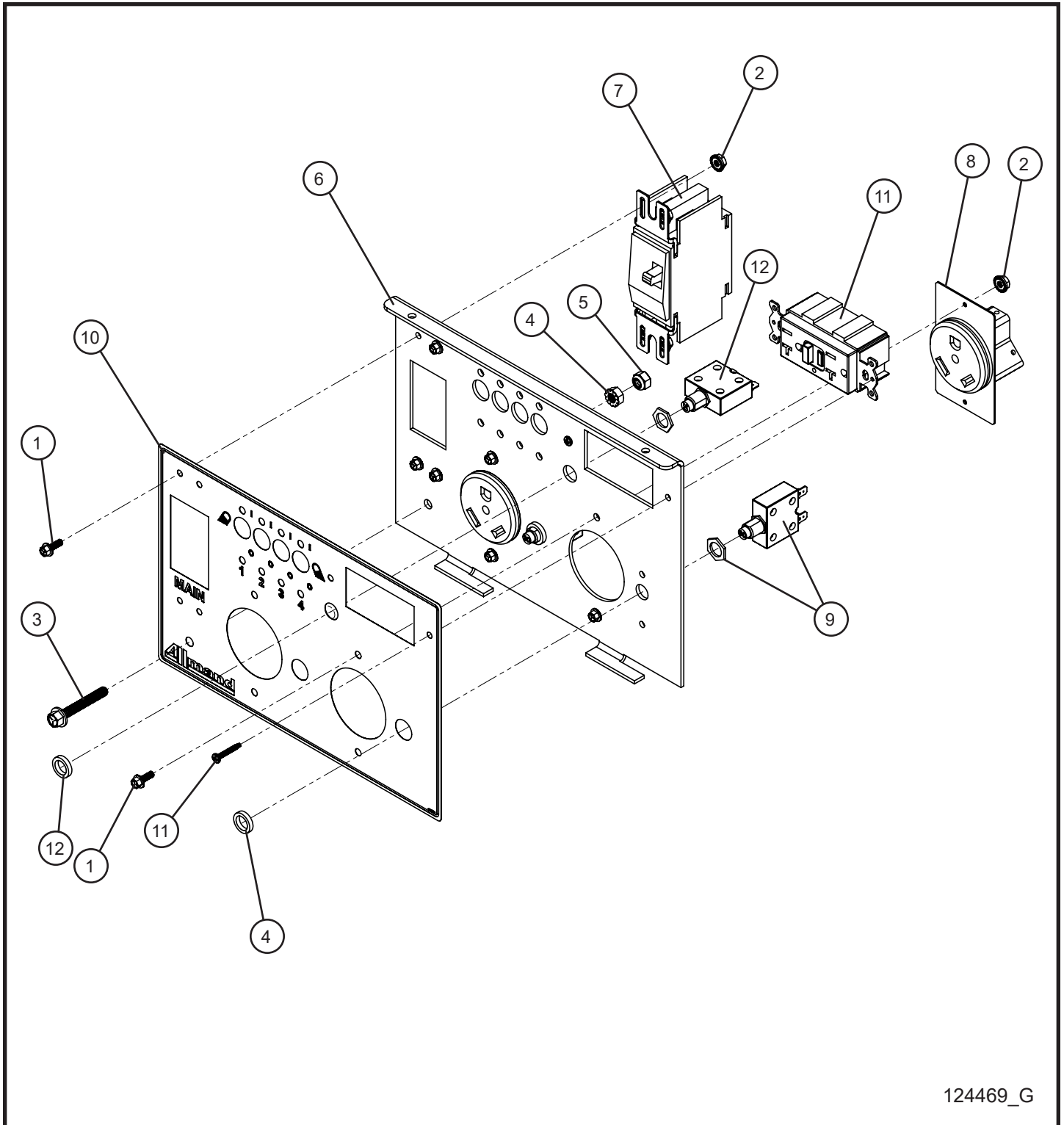
NIGHT-LITE PRO II®

SN 07-003127 and UP
SN 08-005619 and UP

6.8 - 2-30AMP RV 1-GFCI Outlet Package I

Item	Part No.	Part Description	Qty.
1	056006	#8-32 X 1/2 SERRATED FLANGE HEX SCREW	8
2	057003	#8-32 SERRATED FLANGE HEX LOCKNUT	8
3	046029	1/4-20 x 1 3/4 HEX HEAD CS GR5 PL	1
4	041018	#6-32 X 1/4 PH-ROUND HEAD MS PL	4
5	044023	1/4-20 NYLOCK HEX NUT PL	1
6	105777P	OUTLET PANEL UNIVERSAL 3	1
7	350354	35 AMP DOUBLE POLE BREAKER	1
8	680815	125V 30A OUTLET	2
9	330472	30 AMP SINGLE POLE SWITCH	2
10	105771	DECAL BREAKER DOMESTIC OPTIONS	1
11	330499	20 A GFCI RECEPTACLE	1
12	118398	THERMAL CIRCUIT BREAKER 20A PUSH BUTTON	1
13	047009	1/4 FLAT WASHER	1
14	044021	1/4-20 KEPS HEX NUT PL	1
NS	117881	SCHEMATIC 1 GFCI 2 30A RV PRO II	1

6.9 - 2-30AMP RV 1-GFCI Outlet Package II



124469_G

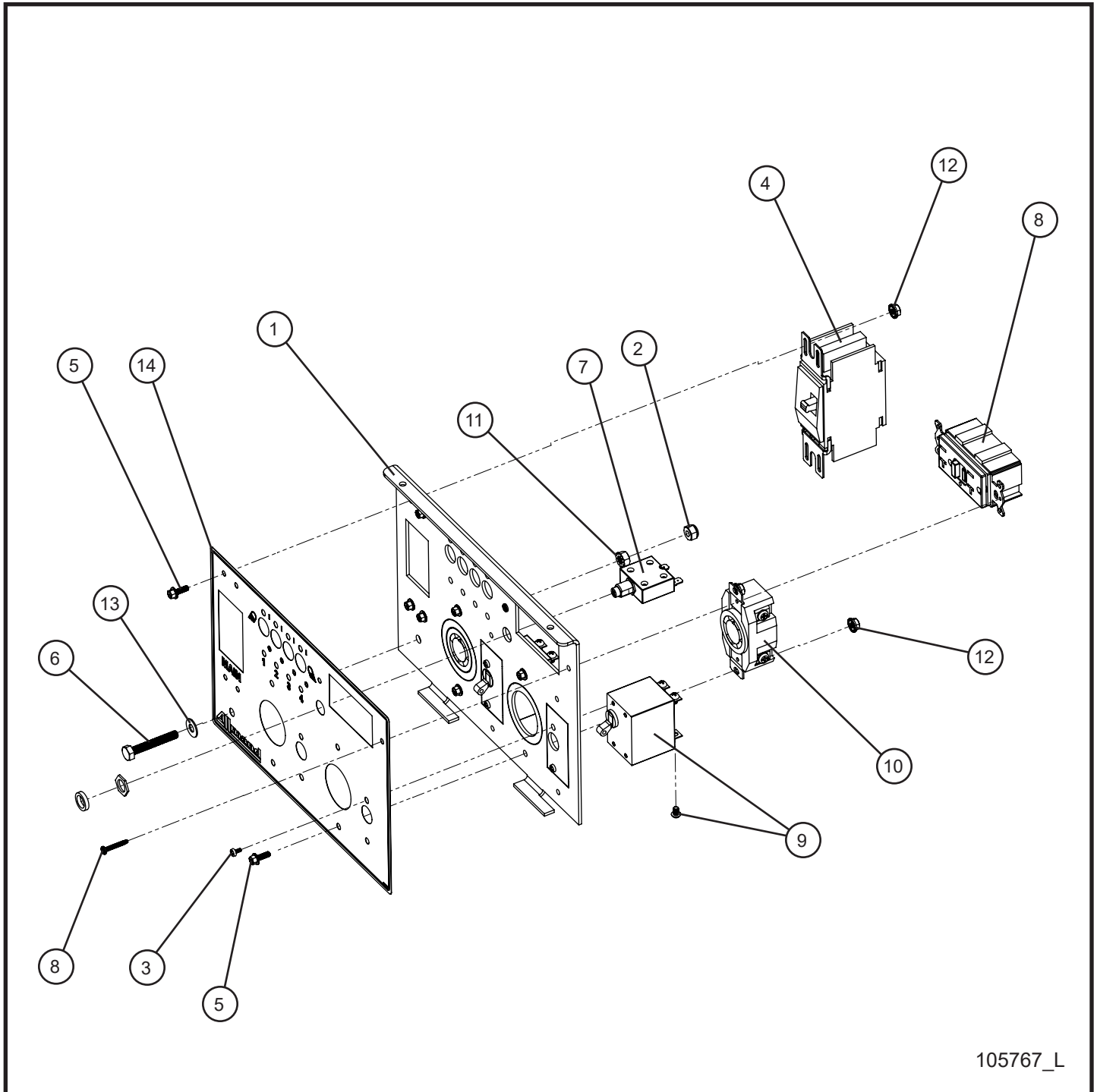
NIGHT-LITE PRO II®

SN 07-003127 and UP
SN 08-005619 and UP

6.9 - 2-30AMP RV 1-GFCI Outlet Package II

Item	Part No.	Part Description	Qty.
1	056006	#8-32 X 1/2 SERRATED FLANGE HEX SCREW	8
2	057003	#8-32 SERRATED FLANGE HEX LOCKNUT	8
3	056036	HEX NON-SERRATED FLANGE SCREW 1/4-20 X 1 3/4	1
4	044021	1/4-20 KEPS HEX NUT PL	1
5	044023	1/4-20 NYLOCK HEX NUT PL	1
6	124473P	OUTLET PANEL COMPONENT BOX BSB BREAKER PRO II	1
7	350354	35 AMP DOUBLE POLE BREAKER	1
8	680815	125V 30A OUTLET	2
9	118662	BREAKER THERMAL PUSH BUTTON 30A 250VAC	2
10	105771	DECAL BREAKER DOMESTIC OPTIONS	1
11	330499	20 A GFCI RECEPTACLE	1
12	118398	THERMAL CIRCUIT BREAKER 20A PUSH BUTTON	1
NS	124479	SCHEMATIC 1 GFCI 2 30A RV PRO II	1

6.10 - 2-30AMP Twistlock 1-20AMP GFCI Outlet Package



105767_L

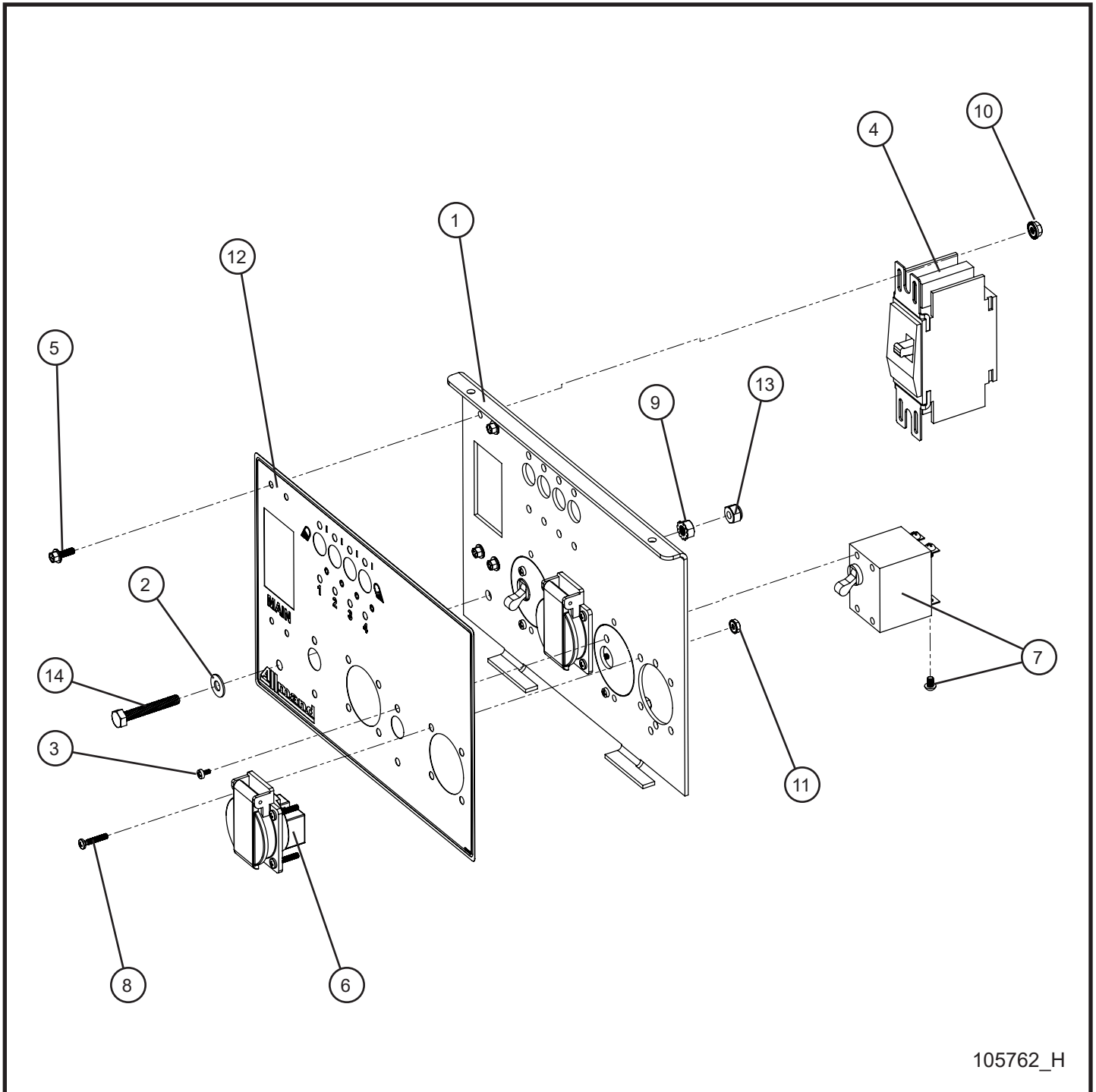
NIGHT-LITE PRO II®

SN 07-003127 and UP
SN 08-005619 and UP

6.10 - 2-30AMP Twistlock 1-20AMP GFCI Outlet Package

Item	Part No.	Part Description	Qty.
1	105777P	OUTLET PANEL UNIVERSAL 3	1
2	044023	1/4-20 NYLOCK HEX NUT PL	1
3	041018	#6-32 x 1/4 PH-ROUND HEAD MS PL	4
4	350354	35 AMP DOUBLE POLE BREAKER	1
5	056006	#8-32 X 1/2 SERRATED FLANGE HEX SCREW	8
6	046029	1/4-20 x 1 3/4 HEX HEAD CS GR5 PL	1
7	118398	THERMAL CIRCUIT BREAKER 20A PUSH BUTTON	1
8	330499	20 A GFCI RECEPTACLE	1
9	330456	30A DPST CIRCUIT BREAKER	2
10	653102	30A 125-250V TWISTLOCK RECEPTACLE	2
11	044021	1/4-20 KEPS NUT PL	2
12	057003	#8-32 SERRATED FLANGE HEX LOCKNUT	8
13	047009	1/4 FLAT WASHER	1
14	105771	DECAL BREAKER DOMESTIC OPTIONS	1
NS	107626	SCHEMATIC 2-30 AMP TWISTLOCKS 1-20A GFCI	1

6.11 - 50Hz 2-Schuko Outlet Package



105762_H

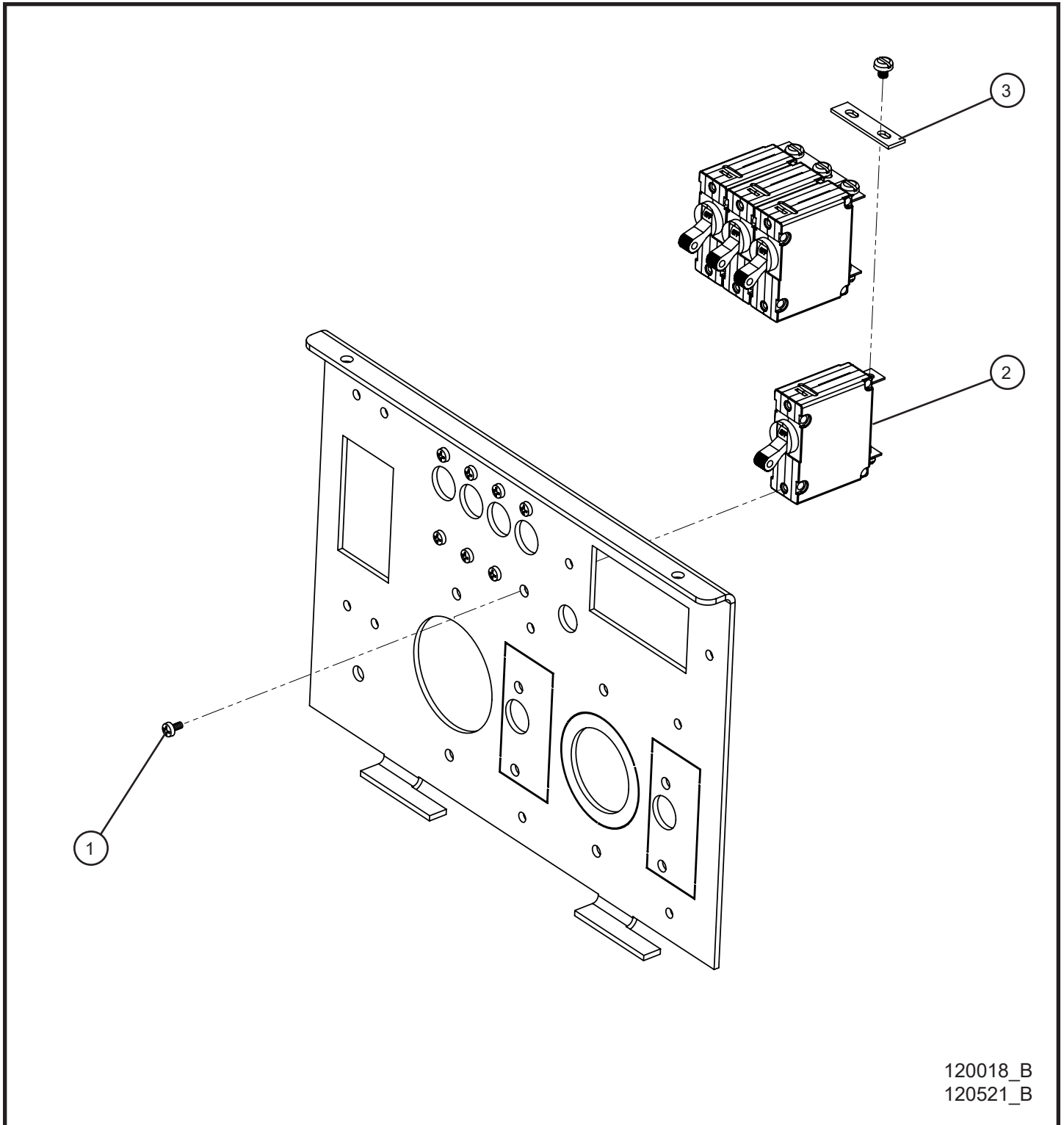
NIGHT-LITE PRO II®

SN 07-003127 and UP
SN 08-005619 and UP

6.11 - 50Hz 2-Schuko Outlet Package

Item	Part No.	Part Description	Qty.
1	105778P	OUTLET PANEL UNIVERSAL 1	1
2	047009	1/4 FLAT WASHER	1
3	041018	#6-32 x 1/4 PH-ROUND HEAD MS PL	12
4	650534	25 AMP 120/240V DPST MAIN BREAKER	1
5	056006	#8-32 X 1/2 SERRATED FLANGE HEX SCREW	4
6	650485	SCHUKO RECEPTACLE	2
7	330459	15A DPST, CARLING SWITCH	2
8	101291	#6-32 x 3/4 PH-PAN HEAD MS ZC	8
9	044021	1/4-20 KEPS HEX NUT PL	1
10	057003	#8-32 SERRATED FLANGE HEX LOCKNUT	4
11	044004	#6-32 KEPS HEX NUT PL	8
12	105771	DECAL BREAKER FOREIGN OPTIONS	1
13	044023	1/4-20 NYLOCK HEX NUT PL	1
14	046029	1/4-20 x 1 3/4 HEX HEAD CS GR5 PL	1
NS	108039	SCHEMATIC 50Hz 2-16A SCHUKO OUTLETS	1

6.12 - Light Breaker Switches



120018_B
120521_B

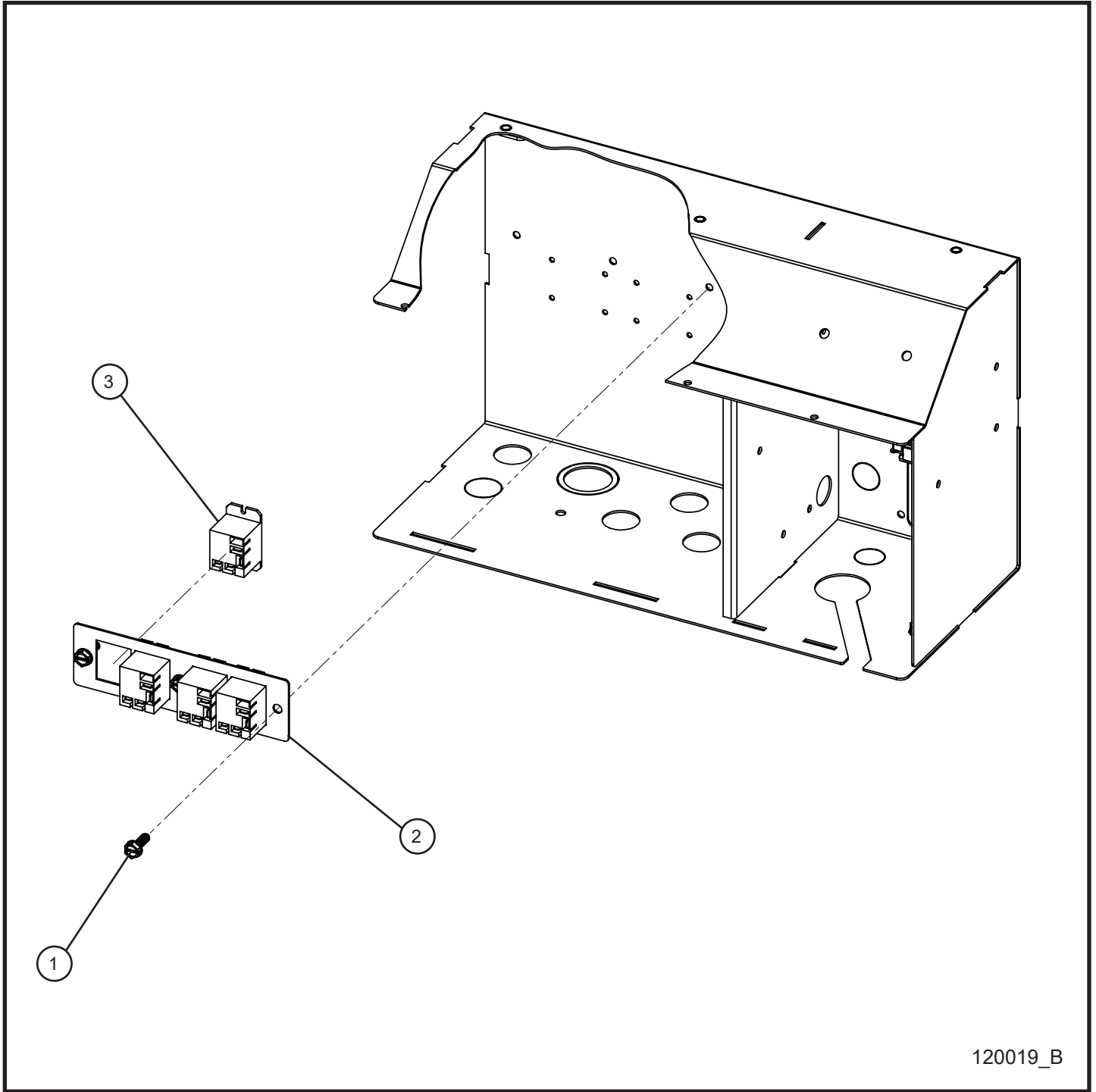
NIGHT-LITE PRO II®

SN 07-003127 and UP
SN 08-005619 and UP

6.12 - Light Breaker Switches

Item	Part No.	Part Description	Qty.
1	041018	#6-32 X 1/4 PH-ROUND HEAD	8
2	330458	15A SPST BREAKER SWITCH	4
	116992	5A SPST BREAKER SWITCH	4
3	620560	SCHEMATIC 4 LIGHT 16/8 CORD 1P OR 208V 3P	2

6.13 - Zettler Light Relays



120019_B

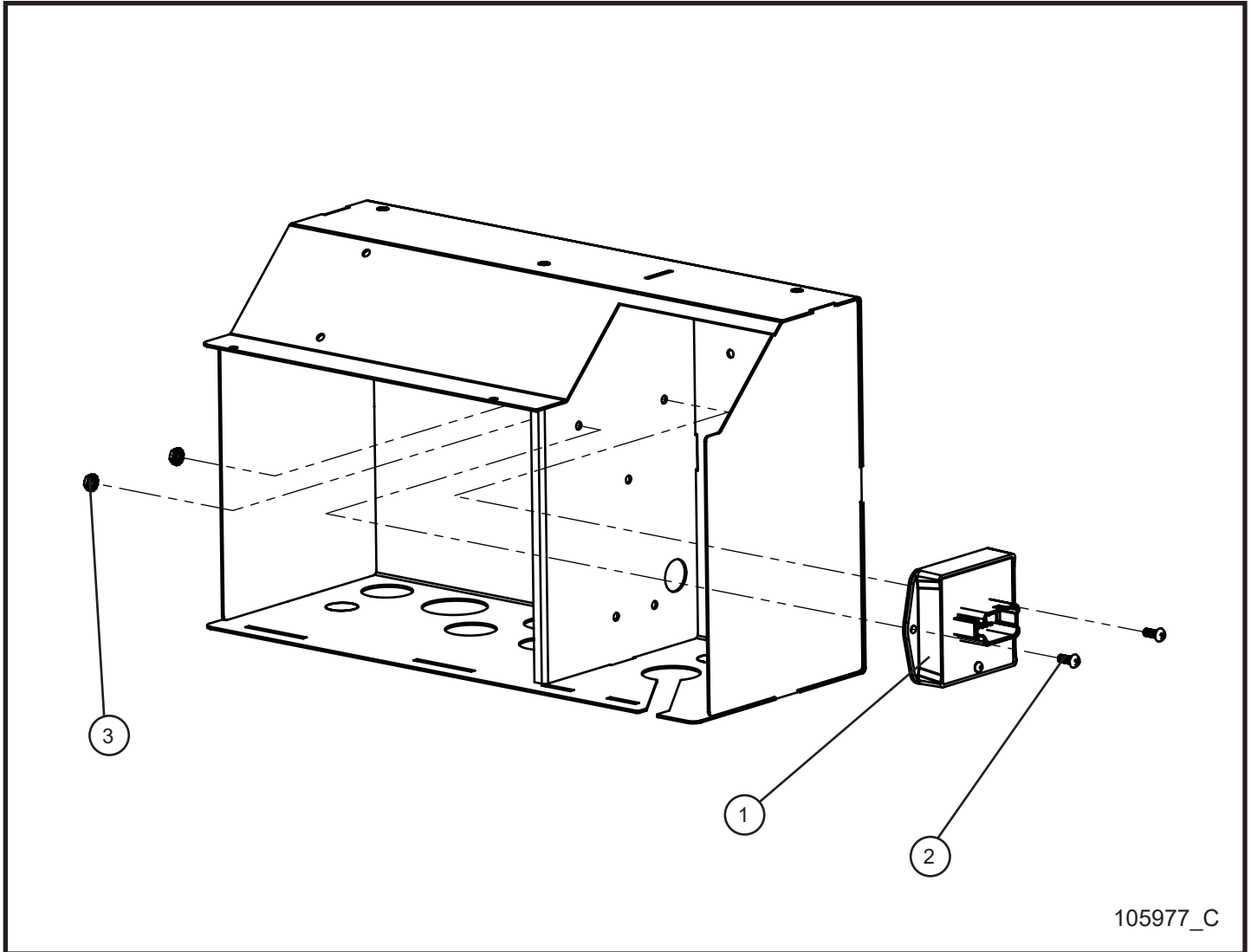
NIGHT-LITE PRO II®

SN 07-003127 and UP
SN 08-005619 and UP

6.13 - Zettler Light Relays

Item	Part No.	Part Description	Qty.
1	041070	1/4-20 X 3/4 SL-HEX WASHER HEAD MACHINE SCREW	3
2	114846P	RELAY BRACKET BREAKER BOX	1
3	104957	RELAY 120 VAC 30 AMP 12-28 VDC CONTROL	4
NS	114826	LIGHT RELAY HARNESS	1
NS	114828	RELAY CONTROL HARNESS	1
NS	113582	SCHEMATIC 4 LIGHTS 4 RELAYS NL PRO II	1
NS	120514	SCHEMATIC 4 LED 4 RELAY NL PRO II	1

6.14 - Low Level Fuel Module



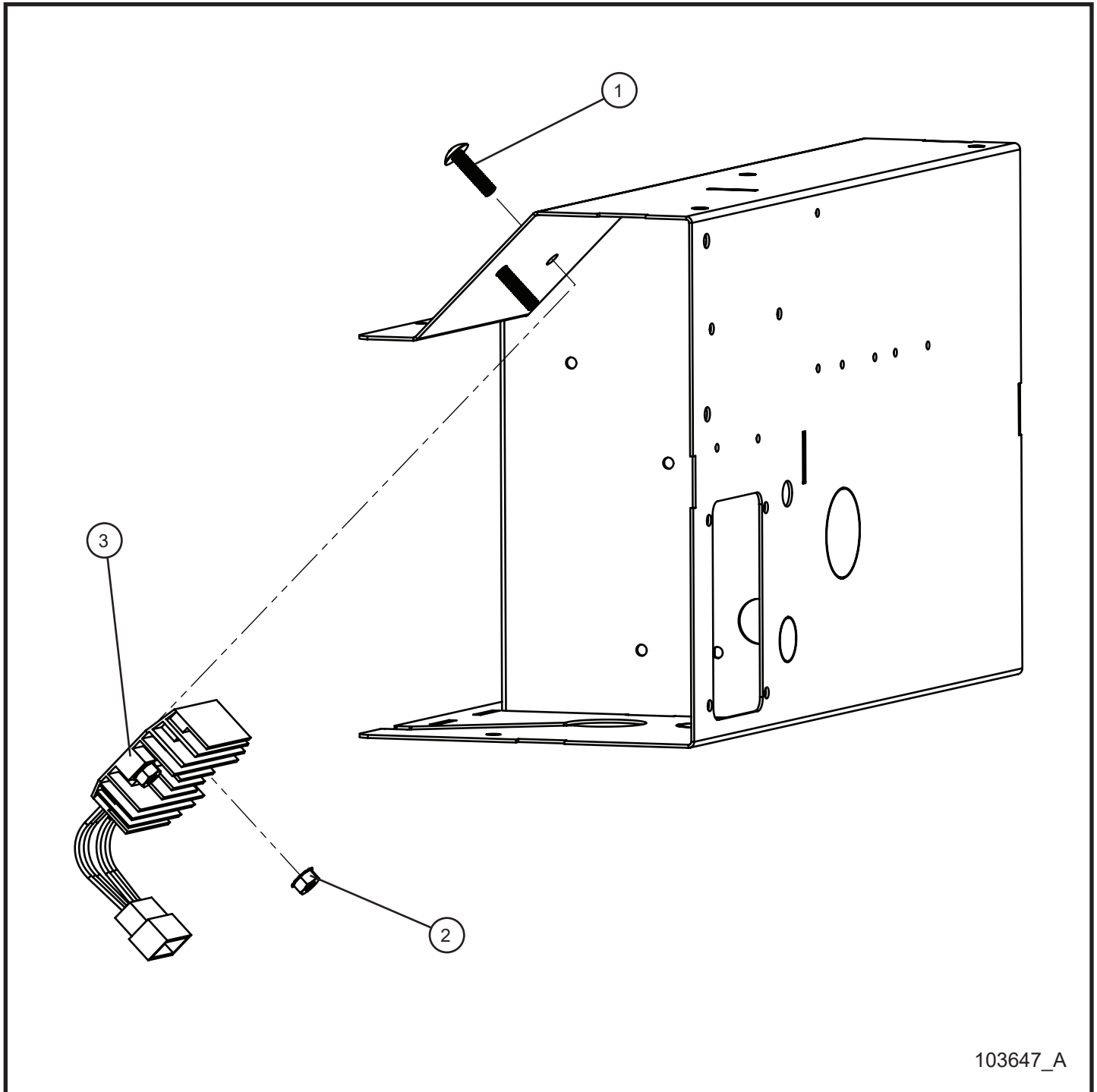
NIGHT-LITE PRO II®

SN 07-003127 and UP
SN 08-005619 and UP

6.14 - Low Level Fuel Module

Item	Part No.	Part Description	Qty.
1	105856	MODULE WITH 5V POWER SUPPLY	1
2	041021	#10-24 x 1/2 PH-ROUND HEAD MS PL	2
3	044018	#10-24 NYLOCK HEX NUT PL	2
NS	105901	LOW FUEL SHUTDOWN WIRE SCHEMATIC	1
NS	105900	WIRE HARNESS LOW FUEL MODULE	1

6.15 - 50Hz CAT C1.1 Engine Voltage Regulator



103647_A

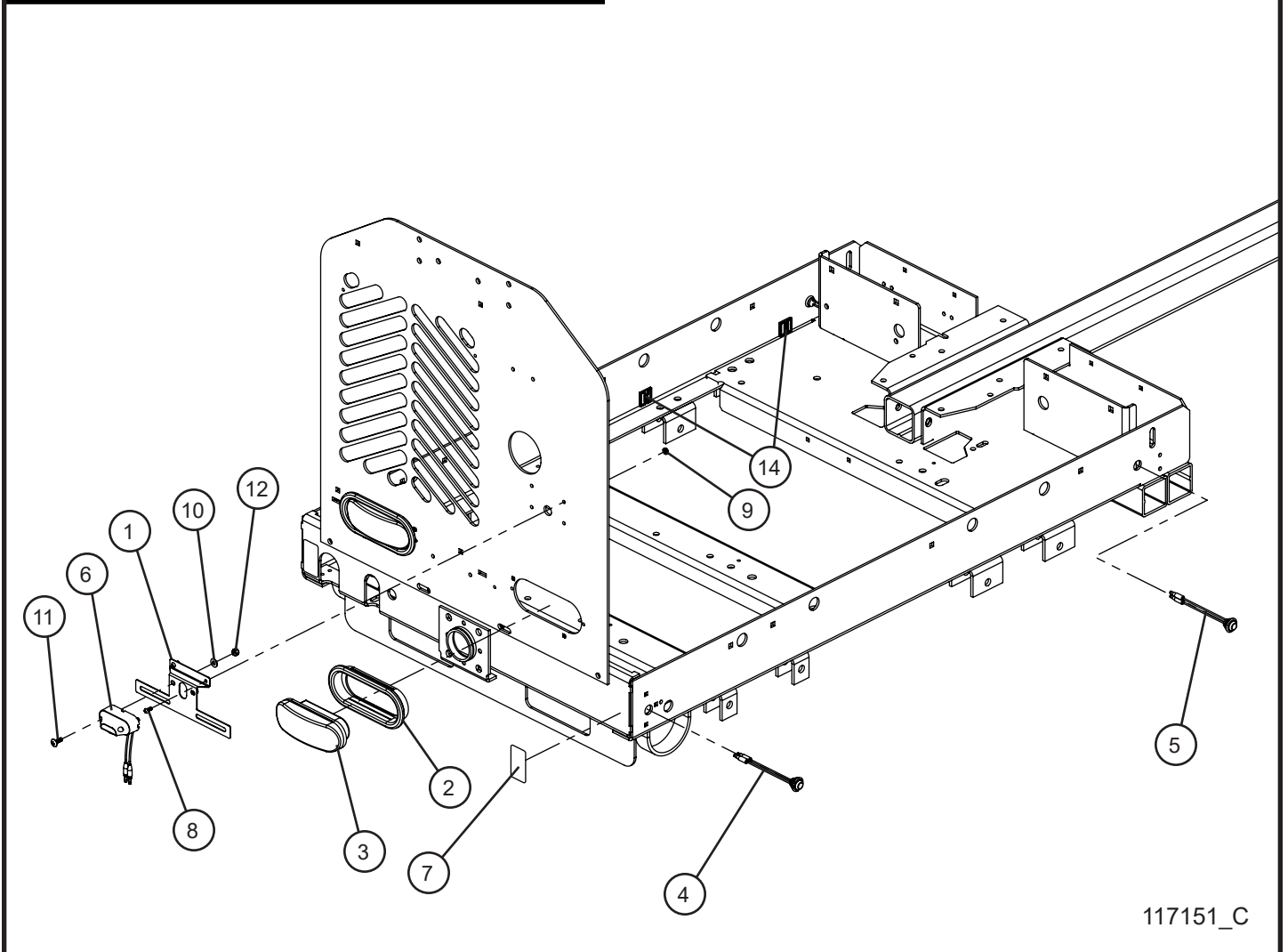
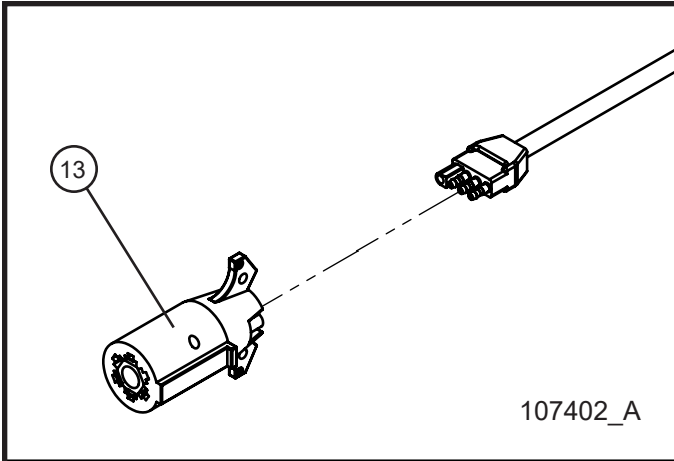
NIGHT-LITE PRO II®

SN 07-003127 and UP
SN 08-005619 and UP

6.15 - 50Hz CAT C1.1 Engine Voltage Regulator

Item	Part No.	Part Description	Qty.
1	041080	1/4-20 x PH-TRUSS HEAD MS SS	2
2	044021	1/4-20 KEPS HEX NUT PL	2
3	650446	VOLTAGE REGULATOR	1
NS	105988	CAT ENGINE VR HARNESS	1
NS	105899	C1.1 VOLTAGE REGULATOR SCHEMATIC	1

7.1 - Trailer Lighting



NIGHT-LITE PRO II®

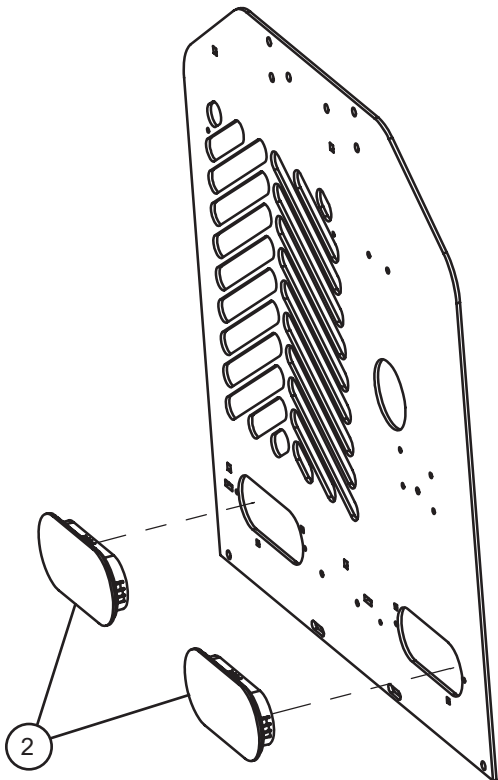
SN 07-003127 and UP
SN 08-005619 and UP

7.1 - Trailer Lighting

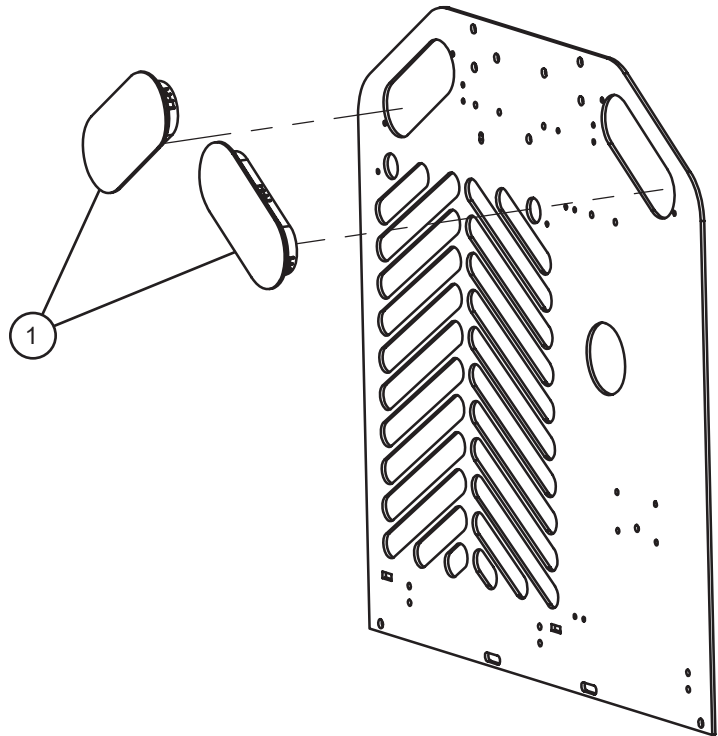
Item	Part No.	Part Description	Qty.
1	105349P	BRACKET LICENSE PLATE LED LIGHT	1
2	102825	GROMMET 6.50 OVAL LAMP	2
3	102721	LED TAIL LAMP	2
4	106211	MARKER LIGHT RED BULLET LED	2
5	106212	MARKER LIGHT AMBER BULLET LED	2
6	115116	LICENSE PLATE LIGHT LED	1
7	115286	REFLECTOR DECAL RED 2.75 X 1.75	4
8	041021	#10-24 X 1/2 PH-ROUND HEAD MACHINE SCREW	2
9	044016	#10-24 KEPS HEX NUT	2
10	047009	1/4 FLAT WASHER	2
11	041050	1/4-20 X 3/4 PH-TRUSS HEAD MACHINE SCREW	2
12	044023	1/4-20 NYLOCK HEX NUT	2
13	107401	7-WAY RV PLUG, BLADE STYLE	1
14	022135	TIE ADHESIVE MOUNT	4
NS	114884	REFLECTOR DECAL AMBER 2.75 X 1.75	2
NS	116381	HARNESS TAIL LIGHT ONE PIECE PRO II	1
NS	107266	SCHEMATIC TAIL LIGHT HARNESS PRO II MLII NL5000	1

7.2 - Tail Light Covers Option

KUBOTA INSTALL



CAT INSTALL



105422_B

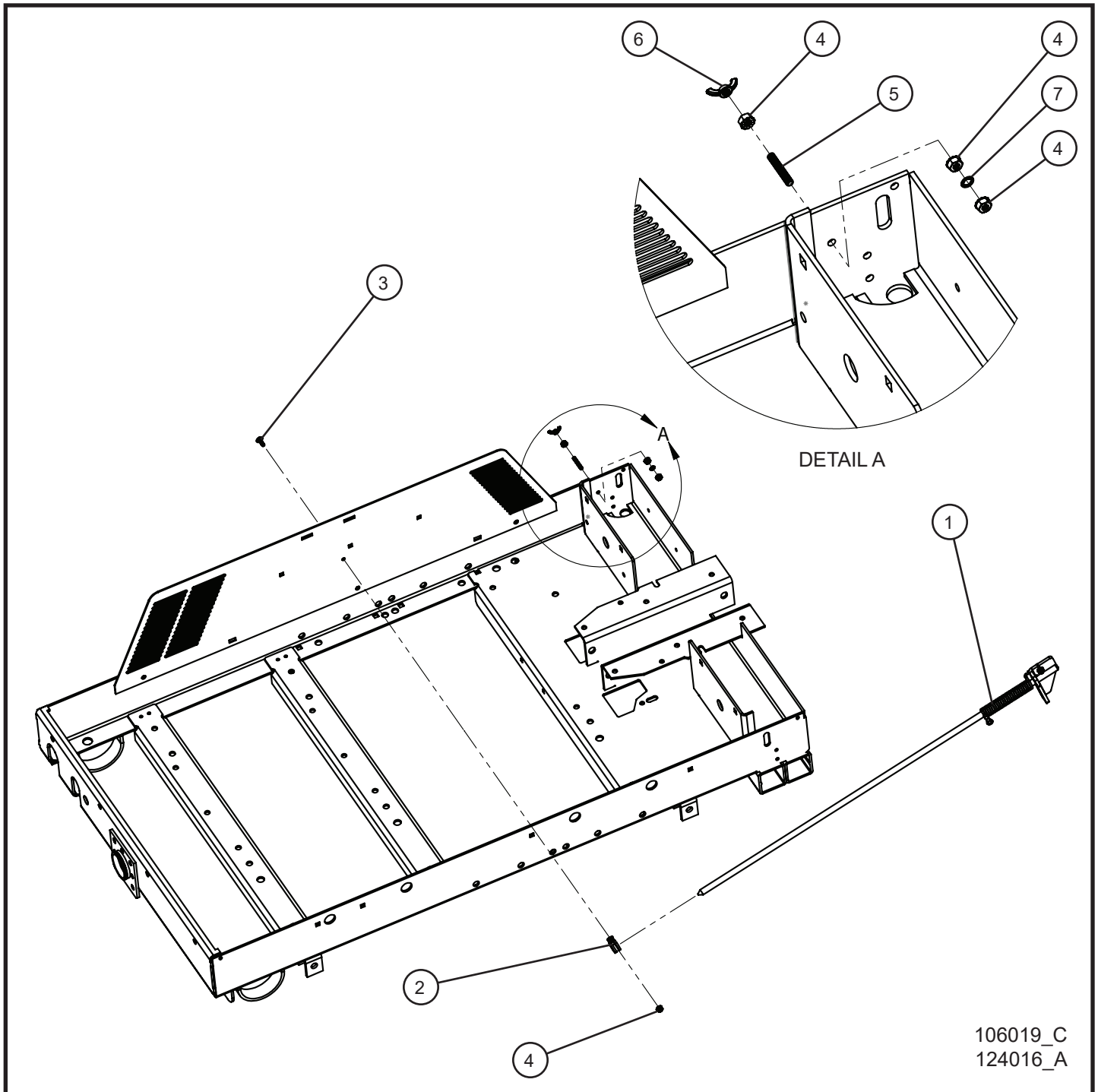
NIGHT-LITE PRO II®

SN 07-003127 and UP
SN 08-005619 and UP

7.2 - Tail Light Covers Option

Item	Part No.	Part Description	Qty.
1	118601	TAILLIGHT PLASTIC FILLER PLUG (SET OF 2)	1

7.3 - Ground Rod and Grounding Lug



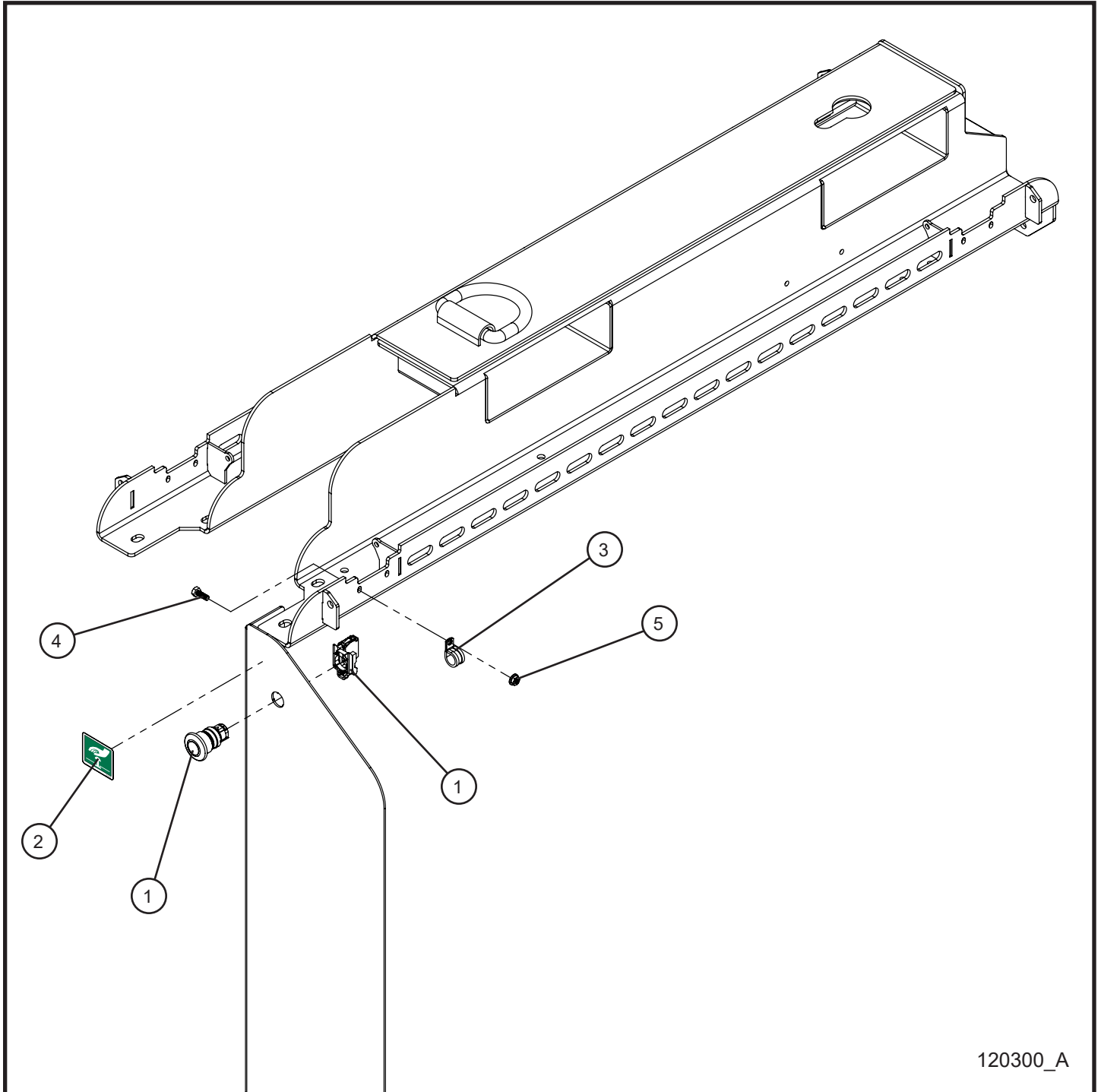
NIGHT-LITE PRO II®

SN 07-003127 and UP
SN 08-005619 and UP

7.3 - Ground Rod and Grounding Lug

Item	Part No.	Part Description	Qty.
1	340058	GROUND ROD ASSEMBLY	1
2	022024	#12 CLAMP CUSH	1
3	041050	1/4-20 x 3/4 PH-TRUSS HEAD MACHINE SCREW	1
4	044021	1/4-20 KEPS HEX NUT PL	4
5	045003	1/4-20 x 1-1/2 STUD PL	1
6	330494	NUT WING 1/4-20 PL	1
7	043050	1/4 INTL TOOTH LOCK WASHER	1
NS	124005	PRO II GROUND WIRE	1

7.4 - Emergency Stop



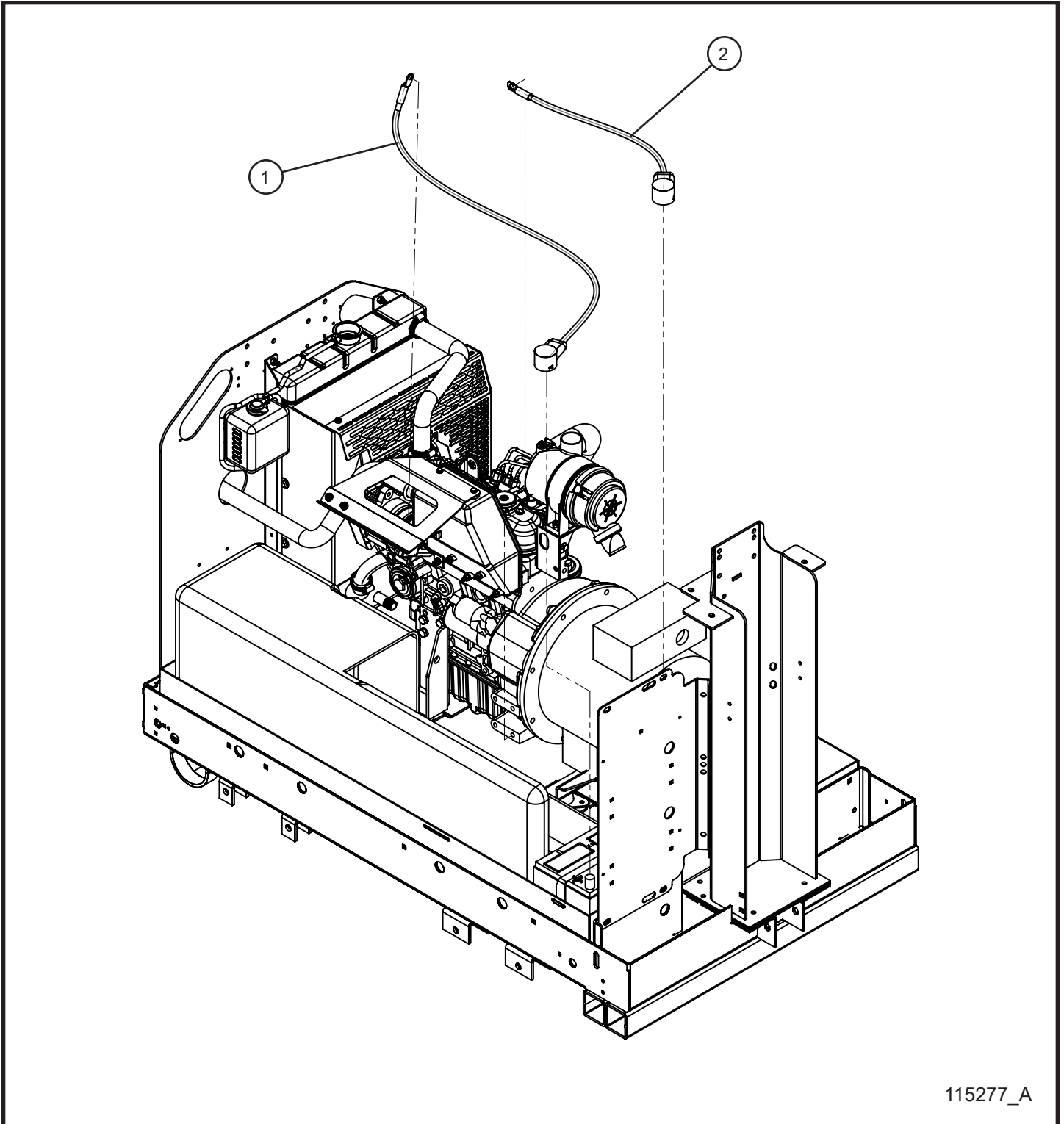
NIGHT-LITE PRO II®

SN 07-003127 and UP
SN 08-005619 and UP

7.4 - Emergency Stop

Item	Part No.	Part Description	Qty.
1	108912	40mm PUSH-PULL EMERGENCY STOP 22mm MOUNTING	1
2	105567	EMERGENCY STOP DECAL	1
3	022021	#10 CUSH CLAMP	1
4	046010	1/4-20 x 3/4 HEX HEAD BOLT	1
5	057000	1/4-20 HEX SERRATED FLANGE NUT	1
NS	108867	SCHEMATIC EMERGENCY STOP	1
NS	105991	WIRE HARNESS E-STOP PRO	1

7.5 - Battery Cables



115277_A

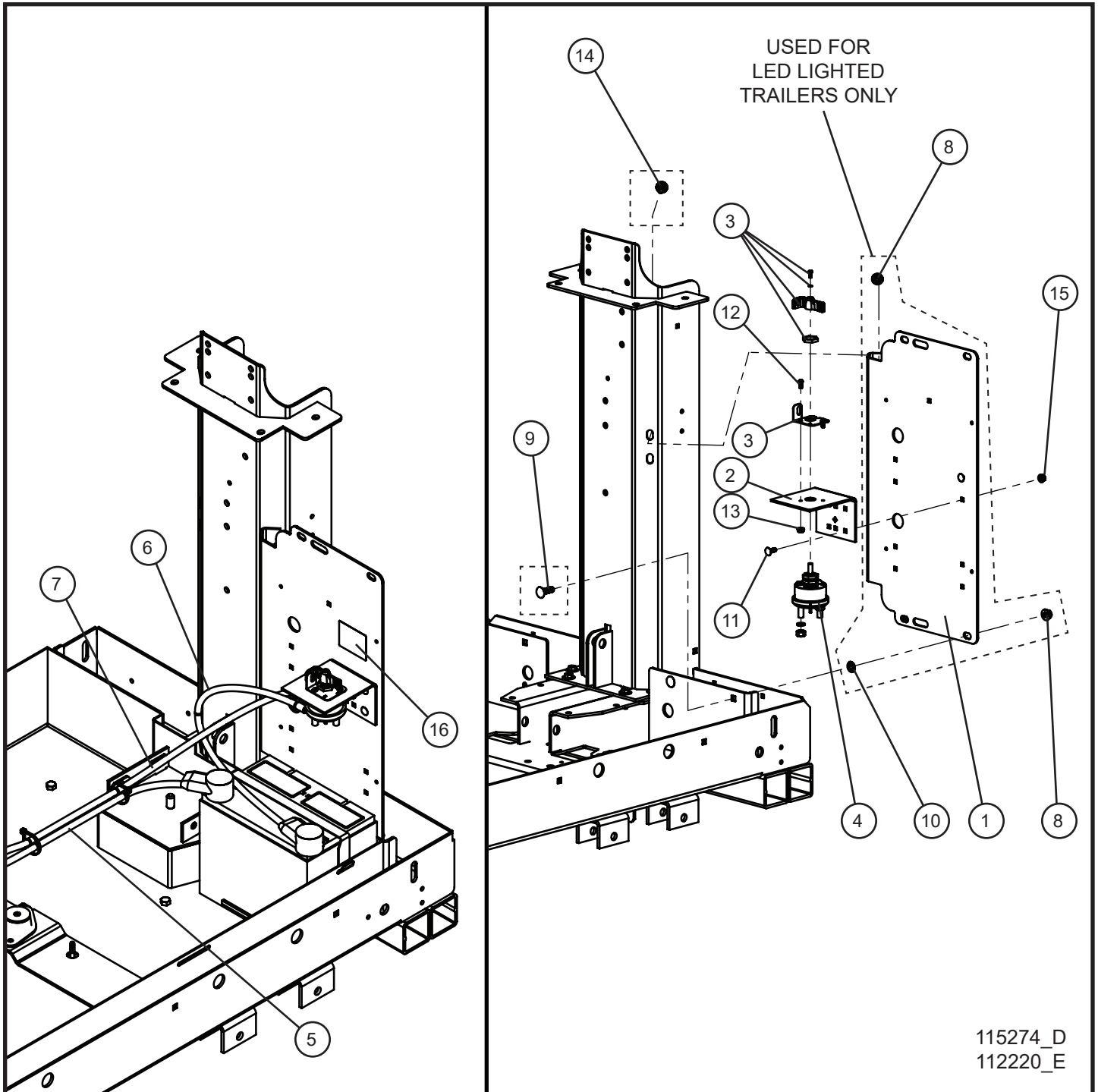
NIGHT-LITE PRO II®

SN 07-003127 and UP
SN 08-005619 and UP

7.5 - Battery Cables

Item	Part No.	Part Description	Qty.
1	113656	BATTERY CABLE RED 2 AWG X 42.00 IN	1
2	027015	BATTERY CABLE BLACK 2 AWG X 27.00 IN	1

7.6 - Battery Disconnect



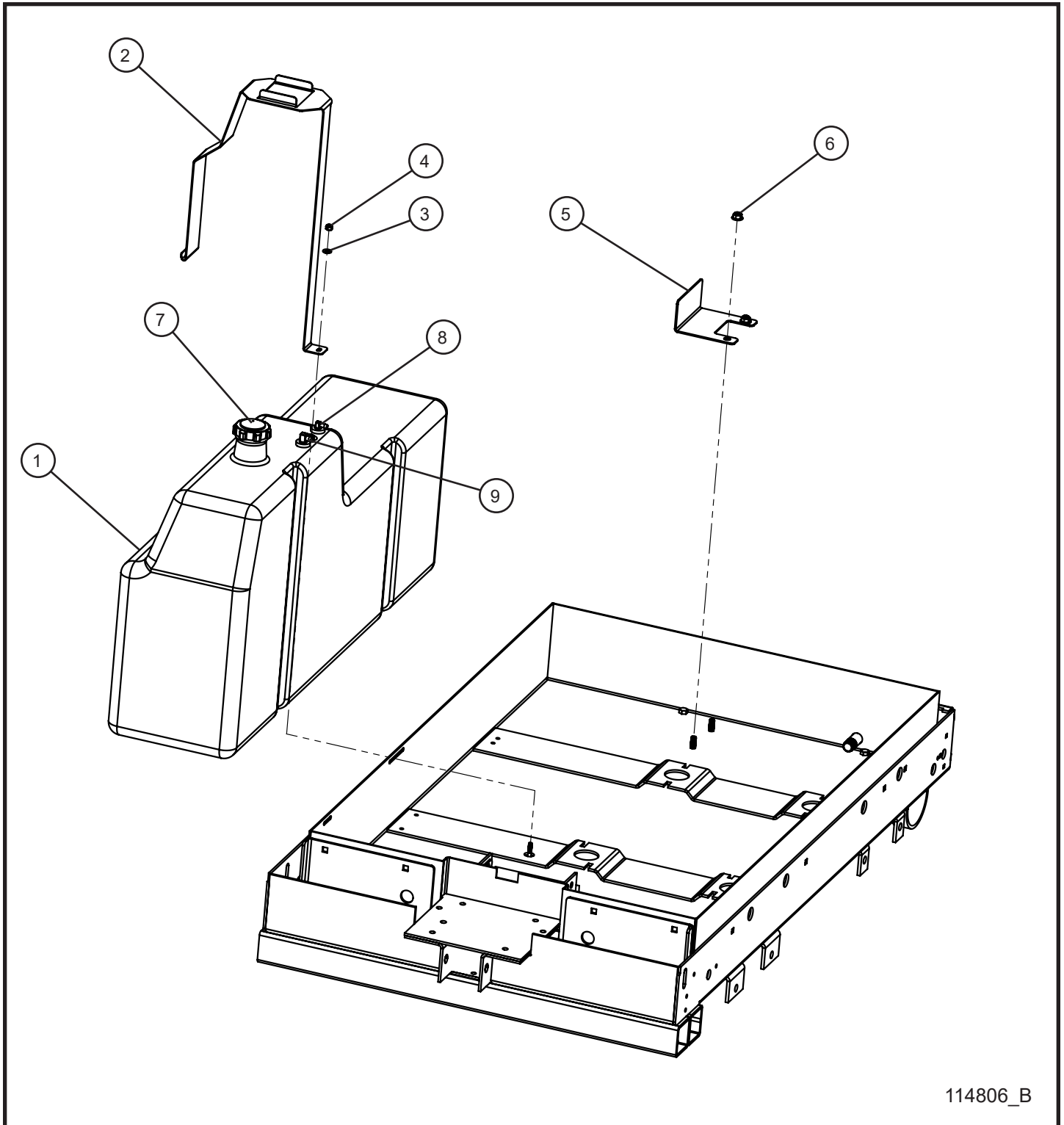
NIGHT-LITE PRO II®

SN 07-003127 and UP
SN 08-005619 and UP

7.6 - Battery Disconnect

Item	Part No.	Part Description	Qty.
1	105914	MOUNT PLATE BALLAST BOX	1
2	104704P	BRACKET BATTERY DISCONNECT	1
3	103483	LOCK OUT BATTERY DISCONNECT	1
4	102534	SWITCH BATTERY DISCONNECT	1
5	113656	BATTERY CABLE RED	1
6	105093	BATTERY CABLE BLACK BATTERY DISCONNECT	1
7	105111	BATTERY DISCONNECT CABLE BLACK x 42.00	1
8	057007	3/8-16 HEX NYLOCK FLANGE NUT	3
9	100670	3/8-16 x 1 1/4 CARRIAGE BOLT	2
10	045218	3/8 PUSH NUT	2
11	053006	1/4-20 x 3/4 CARRIAGE BOLT	2
12	041021	#10-24 x 1/2 PH-ROUND HEAD MACHINE SCREW	2
13	057004	#10-24 SERRATED FLANGE HEX NUT	2
14	056010	3/8-16 X 1 SERRATED FLANGE HEX SCREW	1
15	057001	1/4-20 HEX NYLOCK FLANGE NUT	2
16	104777	DECAL BATTERY DISCONNECT	1
NS	105301	SCHEMATIC BATTERY DISCONNECT	1

7.7 - Fuel Tank FCS Install Group



114806_B

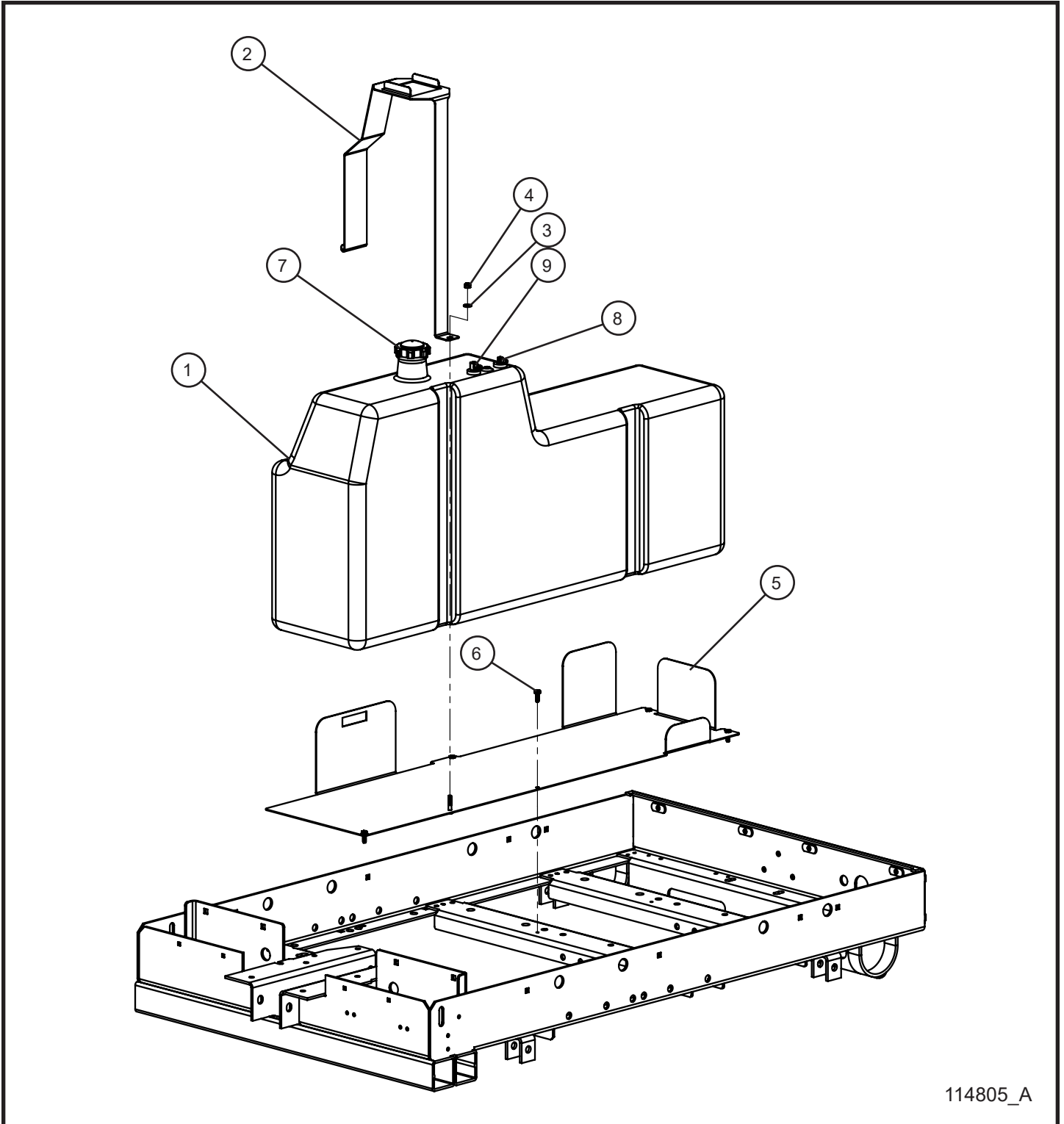
NIGHT-LITE PRO II®

SN 07-003127 and UP
SN 08-005619 and UP

7.7 - Fuel Tank FCS Install Group

Item	Part No.	Part Description	Qty.
1	114804	FUEL TANK 30 GALLON	1
2	102821P	PRO II CONTAINMENT TRAY TANK STRAP	1
3	047005	1/4 FLAT WASHER	1
4	044023	1/4-20 NYLOCK HEX NUT	1
5	103821P	BRACKET SUPPORT FUEL TANK PRO II	1
6	057007	3/8-16 HEX NYLOCK FLANGE NUT	2
7	340027	FUEL CAP 30 GAL FUEL TANK	1
8	113325	DROP TUBE 1/4 HOSE BARB	1
9	106153	FUEL SUCTION TUBE ASSEMBLY	1
NS	340025C	DAPCO GROMMET	2

7.8 - Fuel Tank Non-FCS Install Group



114805_A

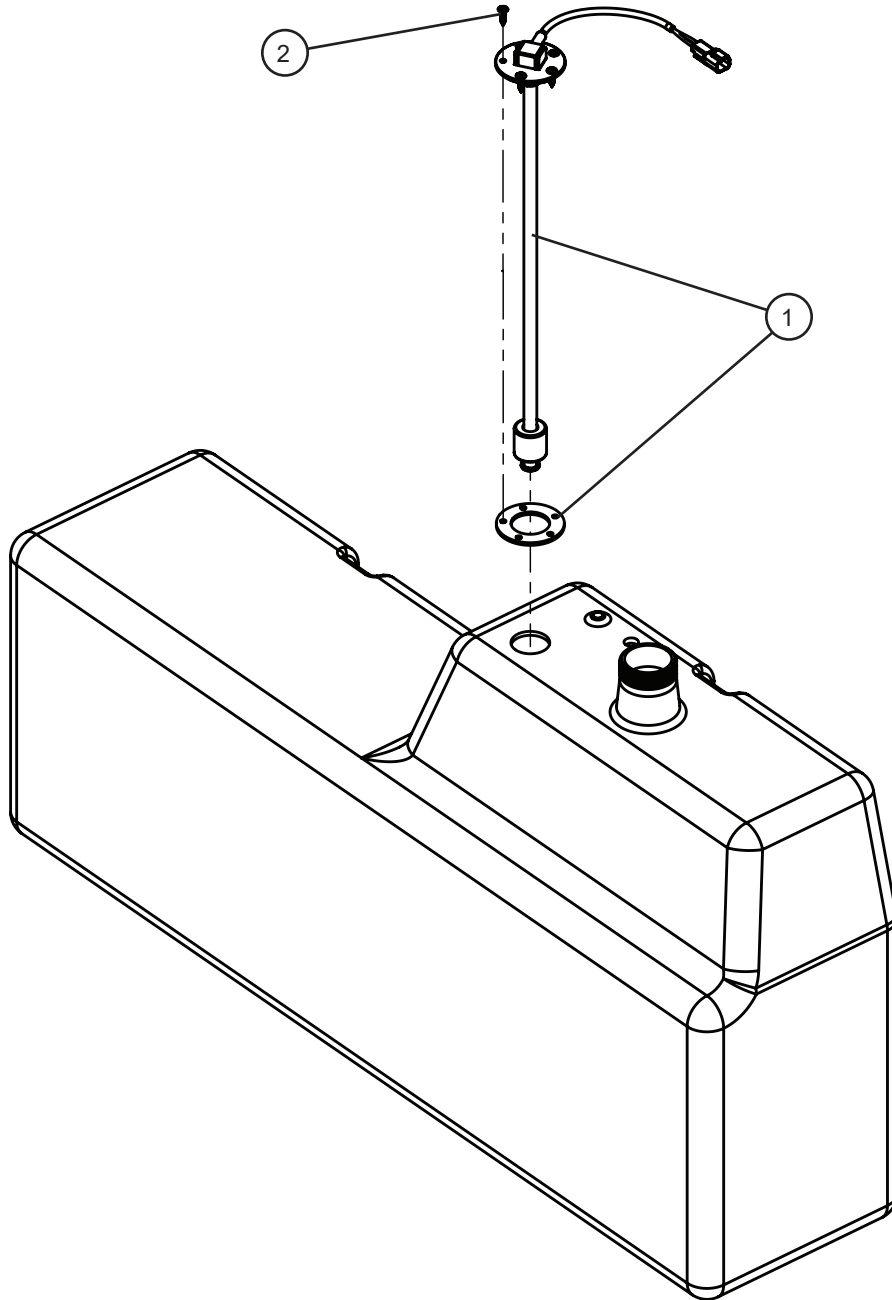
NIGHT-LITE PRO II®

SN 07-003127 and UP
SN 08-005619 and UP

7.8 - Fuel Tank Non-FCS Install Group

Item	Part No.	Part Description	Qty.
1	114804	FUEL TANK 30 GALLON	1
2	102821P	PRO II CONTAINMENT TRAY TANK STRAP	1
3	047005	1/4 FLAT WASHER	1
4	044023	1/4-20 NYLOCK HEX NUT	1
5	113160P	MOUNT FUEL TANK TOP MOUNT	1
6	041070	1/4-20 X 3/4 SL-HEX WASHER HEAD MS	5
7	340027	FUEL CAP 30 GAL FUEL TANK	1
8	113325	DROP TUBE 1/4 HOSE BARB	1
9	106153	FUEL SUCTION TUBE ASSEMBLY	1
NS	340025C	DAPCO GROMMET	2

7.9 - Fuel Level Sender



110085_A

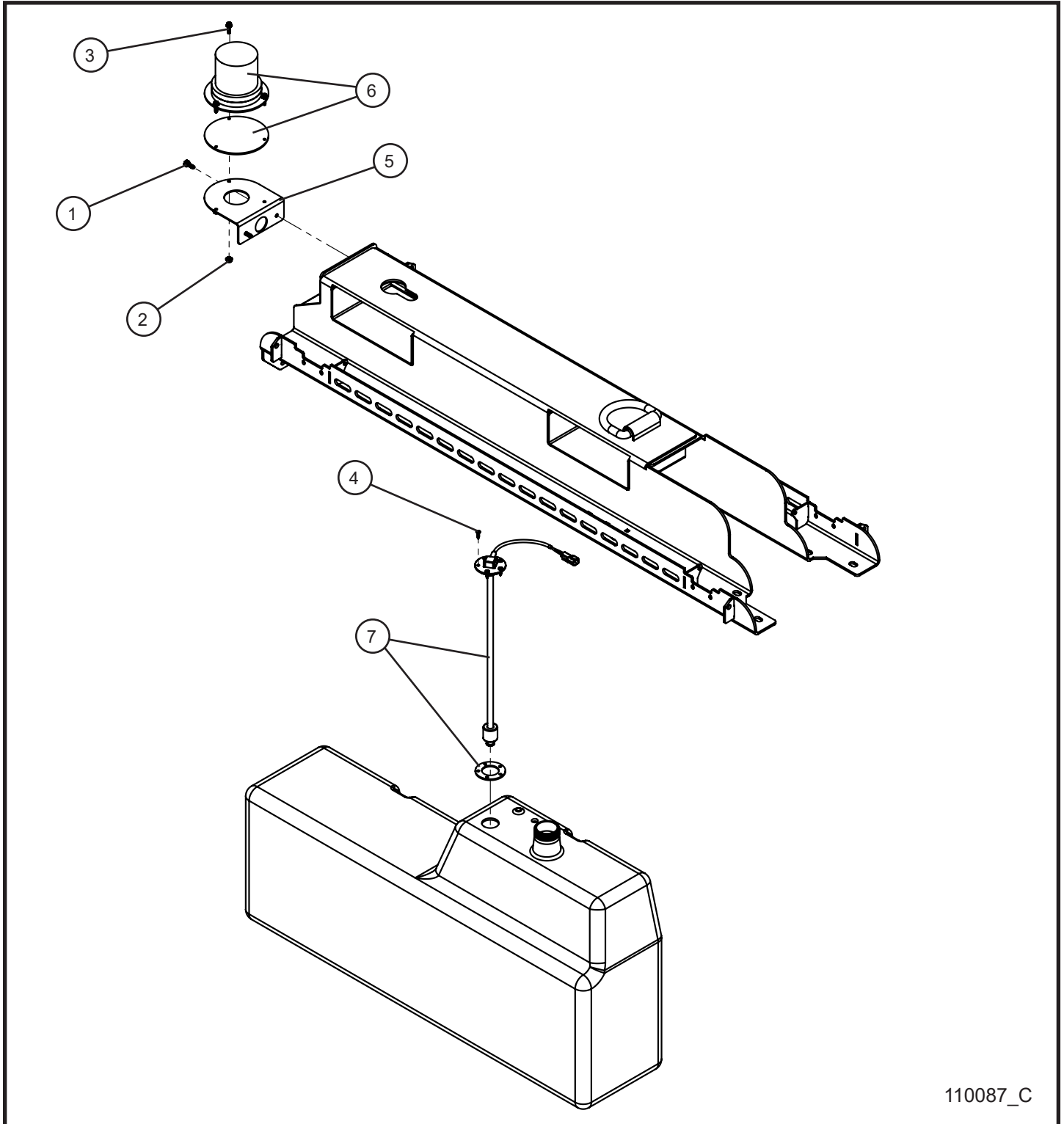
NIGHT-LITE PRO II®

SN 07-003127 and UP
SN 08-005619 and UP

7.9 - Fuel Level Sender

Item	Part No.	Part Description	Qty.
1	110088	VERTICAL SHAFT FUEL LEVEL SENDER	1
2	102556	SCREW #8 x 3/4	5
NS	110090	HARNESS SENDER FUEL LEVEL	1
NS	110089	LOW FUEL SENDER WIRE SCHEMATIC	1

7.10 - Low Fuel Beacon with Fuel Level Sender



110087_C

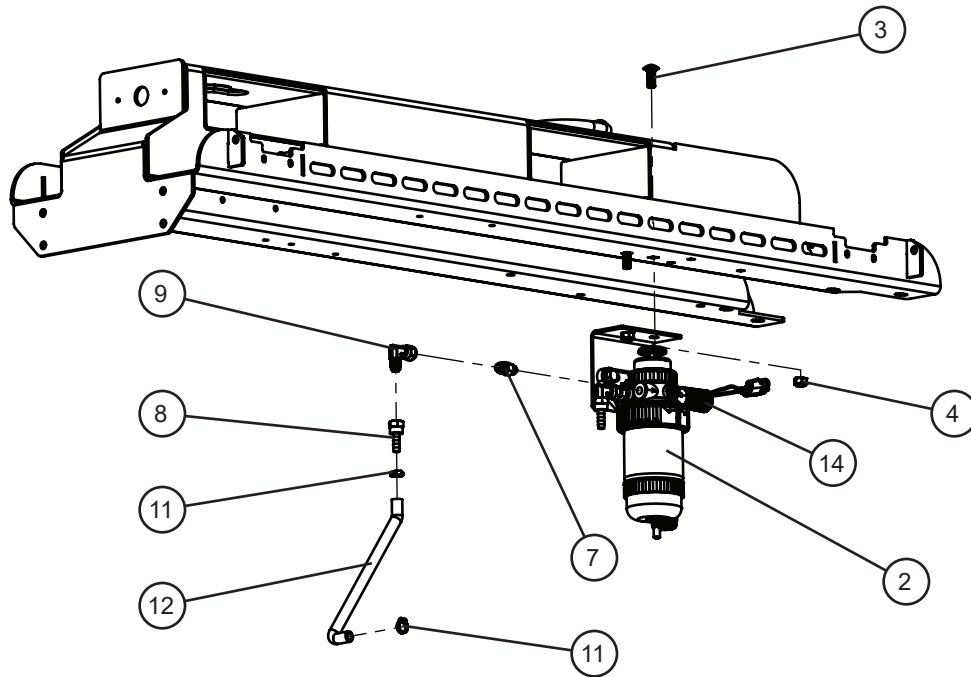
NIGHT-LITE PRO II®

SN 07-003127 and UP
SN 08-005619 and UP

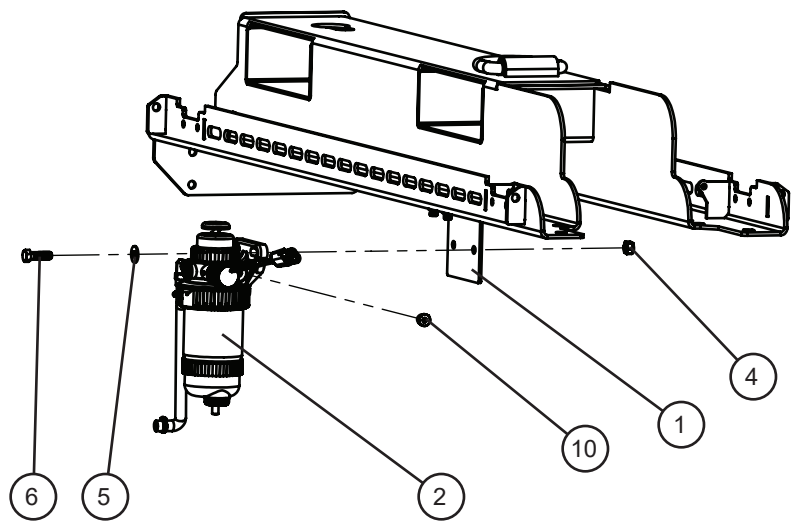
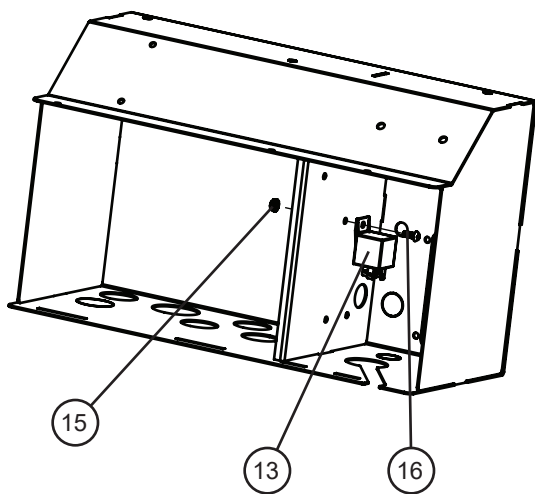
7.10 - Low Fuel Beacon with Fuel Level Sender

Item	Part No.	Part Description	Qty.
1	041070	1/4-20 x 3/4 SL-HEX WASHER HEAD MS TP F	2
2	057004	#10-24 SERRATED FLANGE HEX LOCKNUT	3
3	056005	#10-24 X 3/4 SERRATED FLANGE HEX SCREW	2
4	102556	SCREW #8 x 3/4	5
5	120393P	BRACKET BEACON PRO II	1
6	118615	AMBER STROBE LIGHT	1
7	110088	VERTICAL SHAFT FUEL LEVEL SENDER	1
NS	110090	HARNESS SENDER FUEL LEVEL	1
NS	110089	LOW FUEL SENDER WIRE SCHEMATIC	1
NS	105897	LOW FUEL BEACON SCHEMATIC PRO II	1
NS	106050	LOW FUEL BEACON WIRE HARNESS PRO II	1

7.11 - Heated Fuel Water Separator



COMPONENT BOX



105981_B

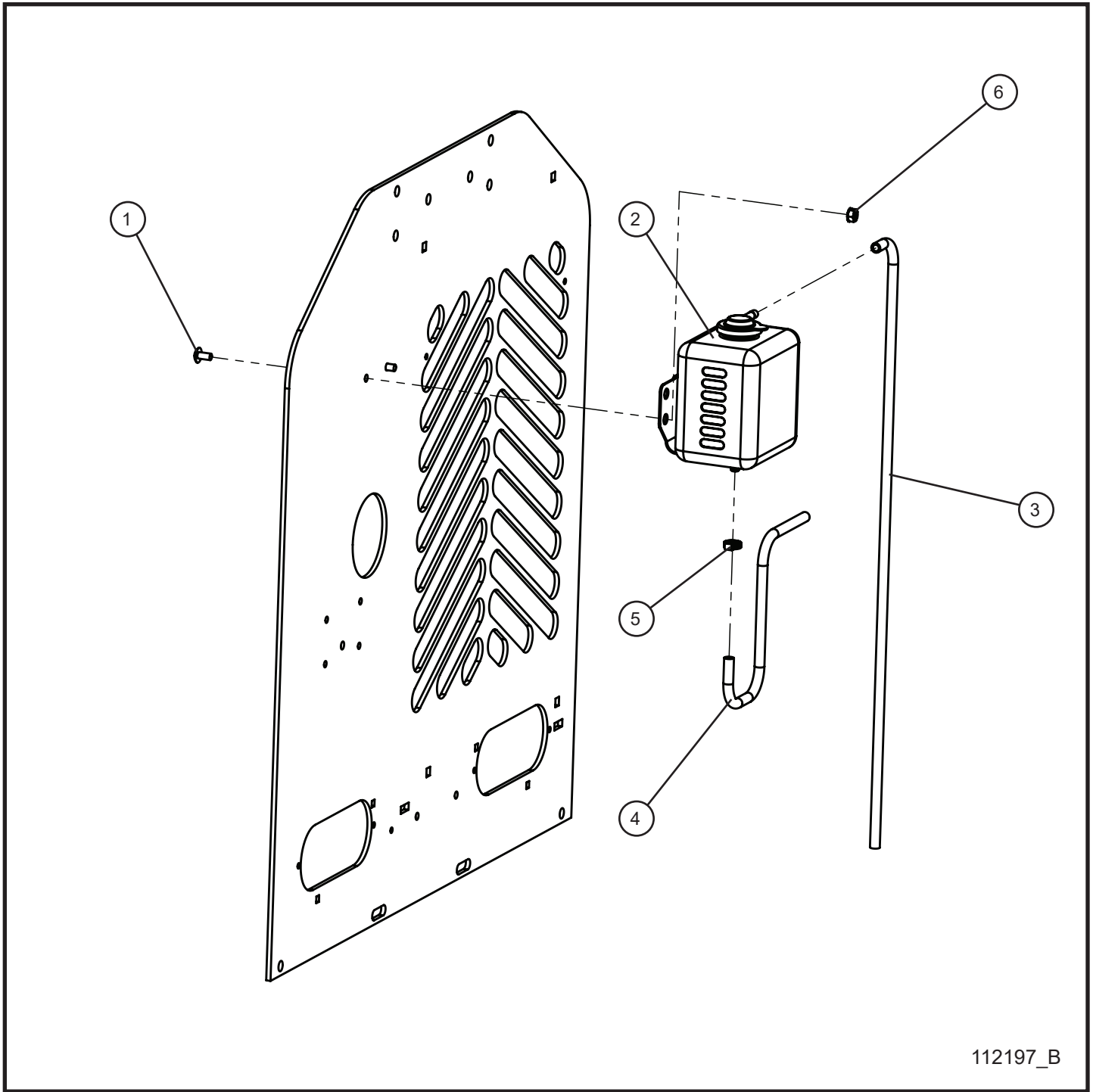
NIGHT-LITE PRO II®

SN 07-003127 and UP
SN 08-005619 and UP

7.11 - Heated Fuel Water Separator

Item	Part No.	Part Description	Qty.
1	103610P	BRACKET WATER SEPARATOR	1
2	118676	HEATER PREFILTER ASSY STANADYNE	1
	118686	REPLACEMENT FILTER ELEMENT	1
3	100670	3/8-16 x 1 1/4 CARRIAGE BOLT PL	2
4	044038	3/8-16 NYLOCK HEX NUT PL	4
5	047010	5/16 FLAT WASHER PL	2
6	046115	3/8-16 x 1 1/4 HEX HEAD CS GR5 PL	2
7	100655	STRAIGHT CONNECTOR	2
8	106030	FITTING HOSE BARB 6 JIC 5/16 BARB	2
9	101263	90° SWIVEL FITTING	2
10	101267	HOLLOW HEX PLUG	1
11	433400	#4 HOSE CLAMP	2
12	081018	HOSE 5/16 FUEL LINE x 11	1
13	104254	RELAY 12V 40AMP	1
14	100613	REPLACEMENT HEATING ELEMENT	1
15	044016	#10-24 KEPS HEX NUT PL	1
16	041021	#10-24 x 1/2 PH-ROUND HEAD MS PL	1
NS	106049	FUEL WATER SEPARATOR HEATER HARNESS PRO II	1
NS	105886	HEATED FUEL WATER SEPARATOR SCHEMATIC	1

7.12 - Coolant Recovery Tank



112197_B

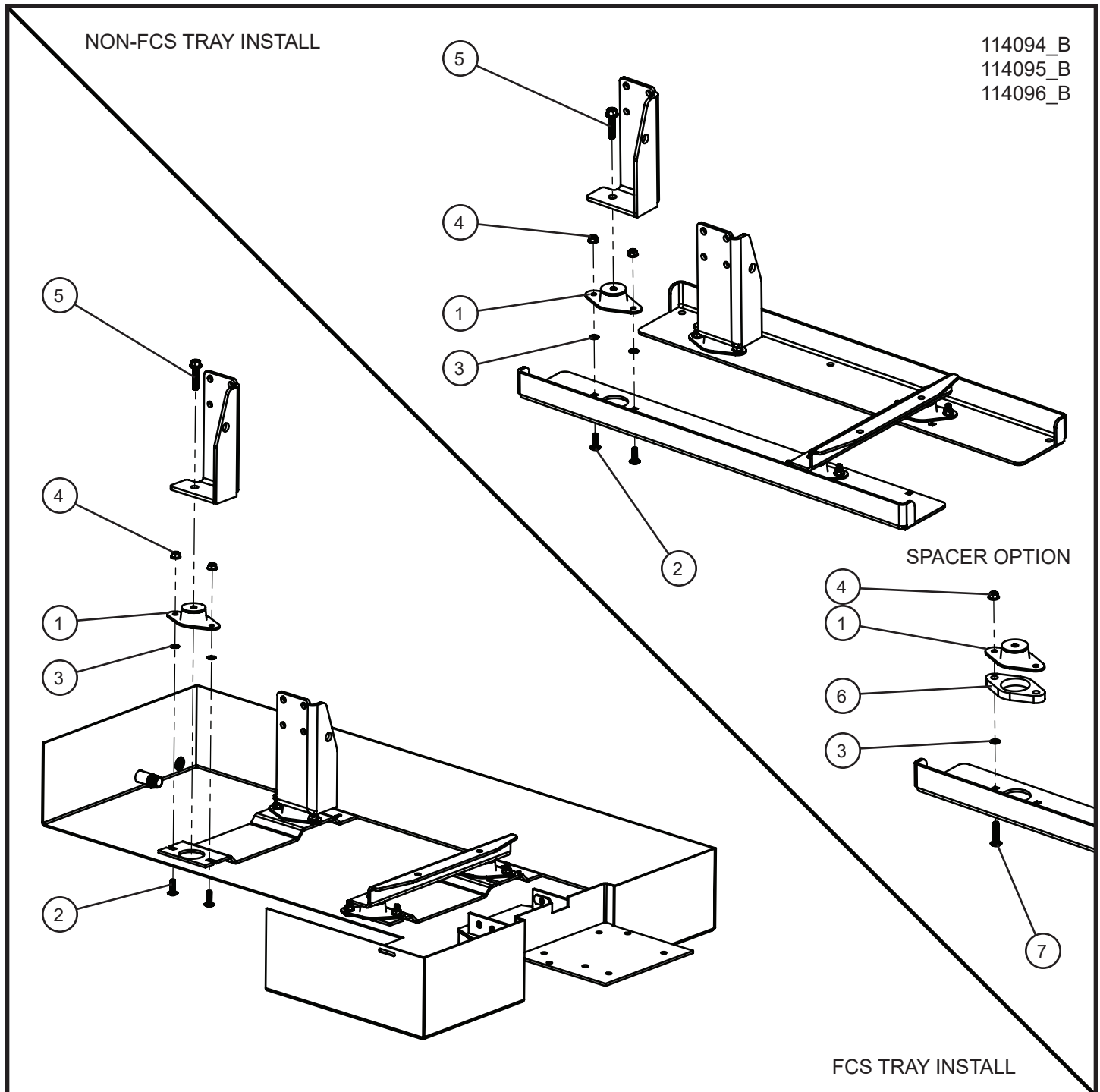
NIGHT-LITE PRO II®

SN 07-003127 and UP
SN 08-005619 and UP

7.12 - Coolant Recovery Tank

Item	Part No.	Part Description	Qty.
1	041078	1/4-20 x 1/2 PH-TRUSS HEAD MS SS	2
2	650027	RESERVOIR WITH BRACKET	1
3	102268	COOLANT HOSE 1/4" x 44.0	1
4	102268	COOLANT HOSE 1/4" x 28.0	1
5	433400	#4 HOSE CLAMP	1
6	044021	1/4-20 KEPS HEX NUT PL	2

7.13 - Engine Isolator Mounts



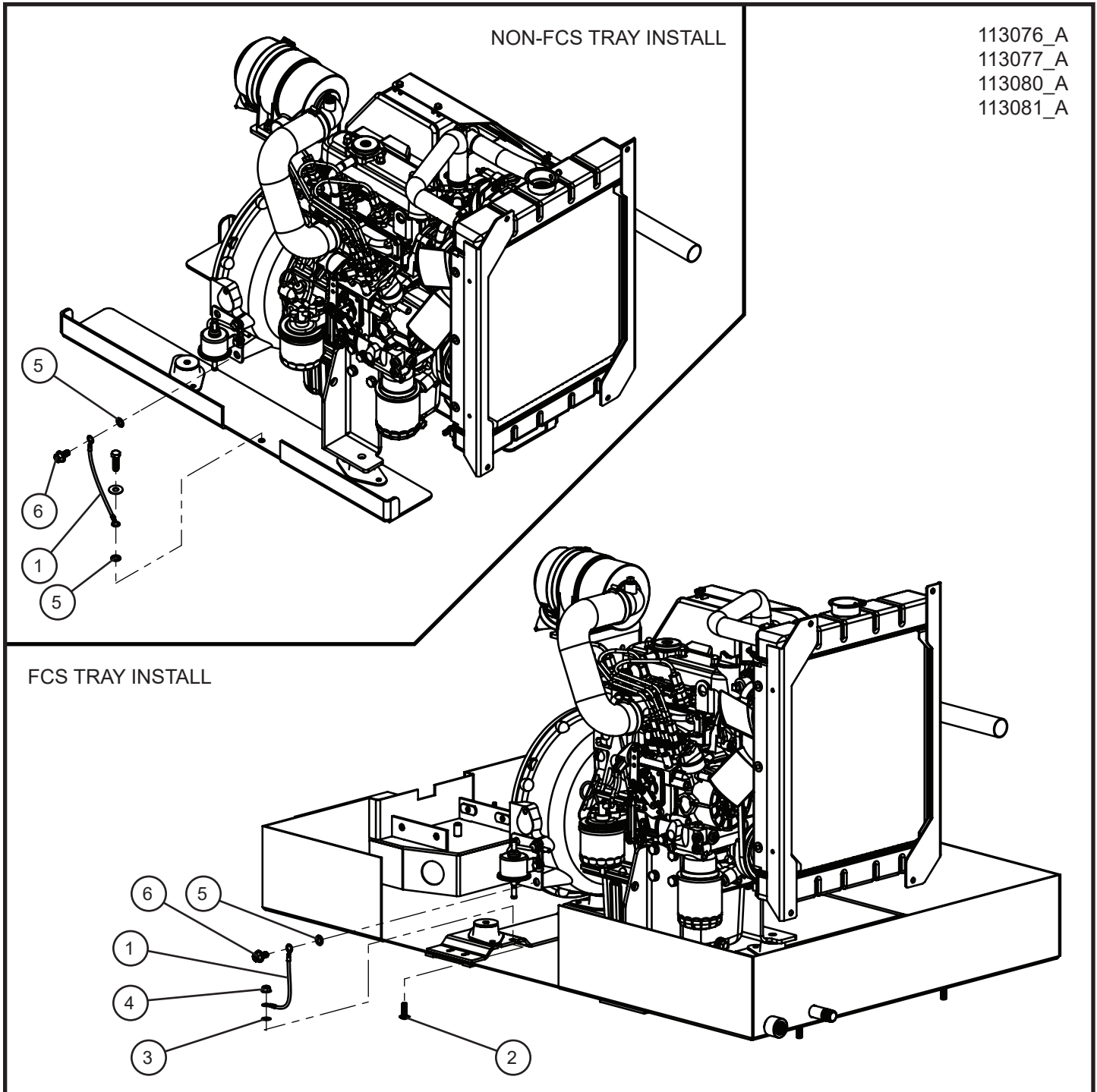
NIGHT-LITE PRO II®

SN 07-003127 and UP
SN 08-005619 and UP

7.13 - Engine Isolator Mounts

Item	Part No.	Part Description	Qty.
1	107028	ENGINE ISOLATOR THREADED MOUNT LIGHT DUTY	4
2	053020	5/16-18 x 1 CARRIAGE BOLT PL	8
3	045217	5/16 PUSH NUT	8
4	057008	5/16-18 HEX NYLOCK FLANGE NUT	8
5	056013	3/8-16 x 1 3/4 SERRATED FLG BOLT WITH THREAD LOCK	4
6	104696P	ENGINE ISOLATOR 1/2" PLATE SPACER	4
7	053023	5/16-18 x 1 1/2 CARRIAGE BOLT PL	4
NS	112724	ENGINE ISOLATOR LIGHT DUTY MOUNTS SERVICE KIT	1

7.14 - Engine Ground Wire



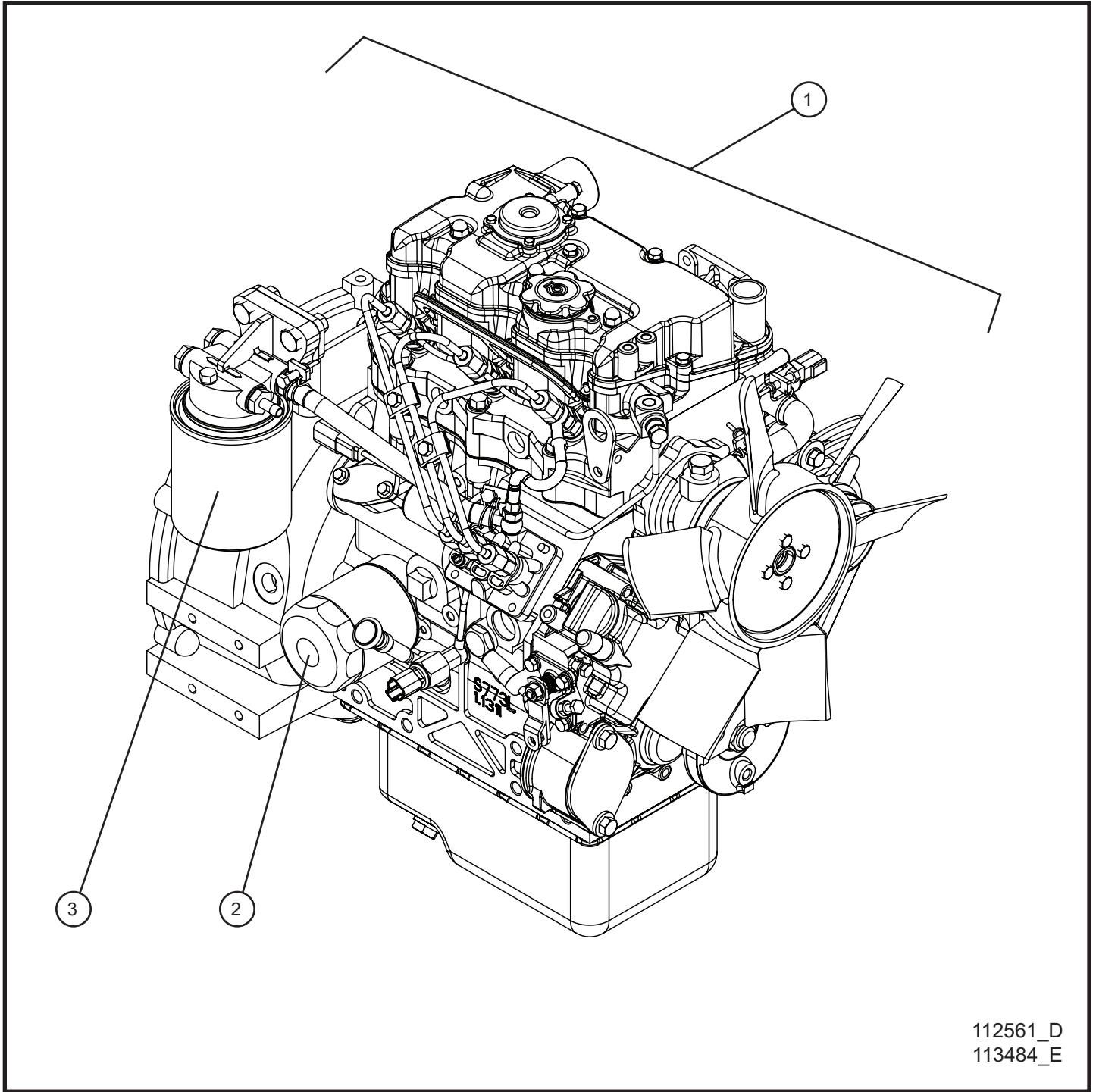
NIGHT-LITE PRO II®

SN 07-003127 and UP
SN 08-005619 and UP

7.14 - Engine Ground Wire

Item	Part No.	Part Description	Qty.
1	114800	GROUND WIRE 10 AWG	1
2	053020	5/16-18 x 1 CARRIAGE BOLT PL	1
3	043060	5/16 INT'L TOOTHLOCK WASHER	1
4	057008	5/16-18 HEX NYLOCK FLANGE NUT	1
5	043070	3/8 INT'L TOOTHLOCK WASHER	2
6	056009	3/8-16 x 3/4 HEX SERRATED FLANGE SCREW	1

8.1 - CAT/Perkins 1.1 Engine and Filters



112561_D
113484_E

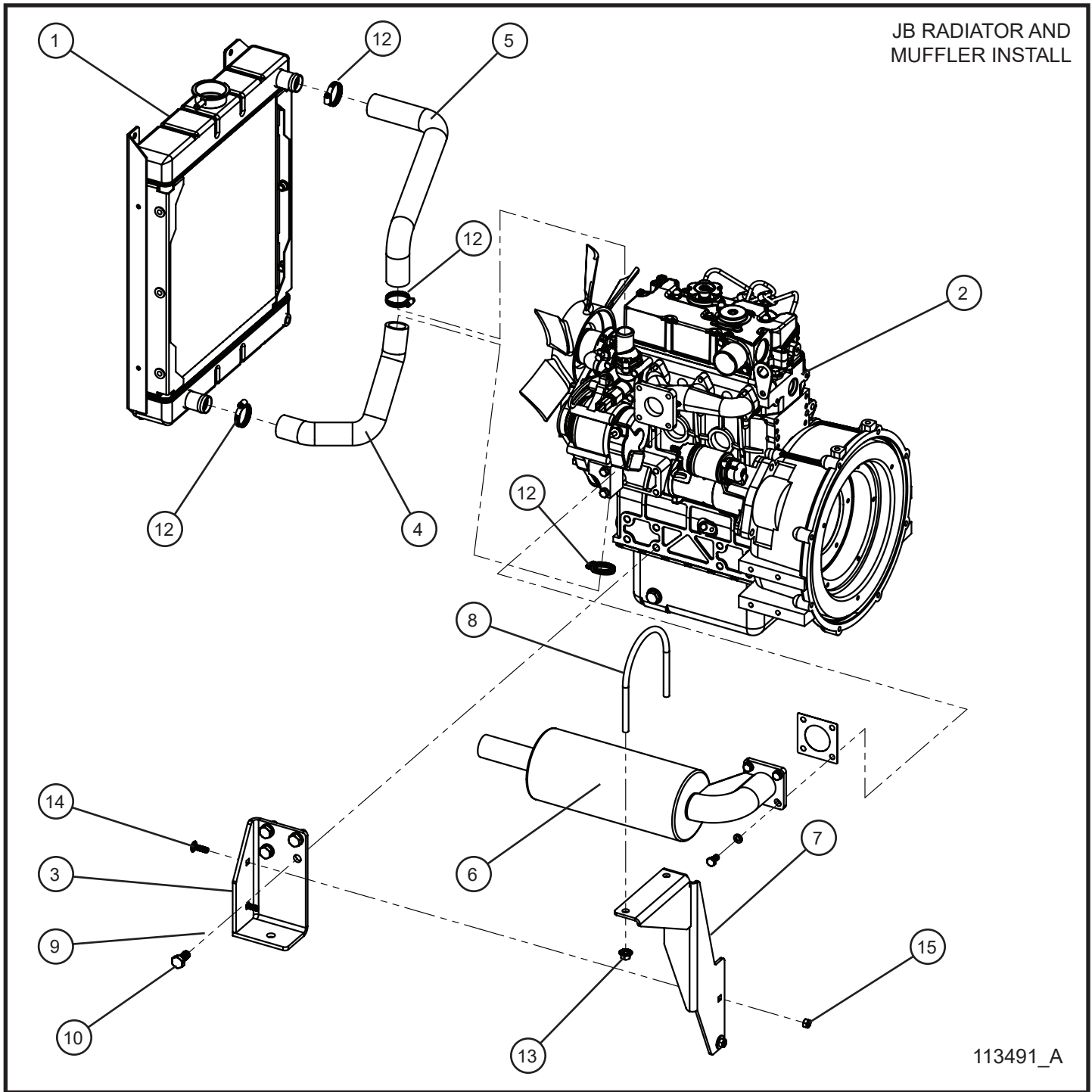
NIGHT-LITE PRO II®

SN 07-003127 and UP
SN 08-005619 and UP

8.1 - CAT/Perkins 1.1 Engine and Filters

Item	Part No.	Part Description	Qty.
1	112561	CAT 1.1L ENGINE	1
	113484	PERKINS 1.1L ENGINE	1
2	650304	CAT 1.1L OIL FILTER	1
	113867	PERKINS 1.1L OIL FILTER	1
3	112464	CAT 1.1L FUEL FILTER	1
	113874	PERKINS 1.1L FUEL FILTER	1
NS	120240	CAT C1.1 (FAN-TO-FLY) FILTER KIT	1
NS	650290	AIR FILTER	1
NS	104795	AIR FILTER SERVICE INDICATOR KIT	1

8.2 - CAT/Perkins 1.1 Engine Assembly Group (1 of 7)



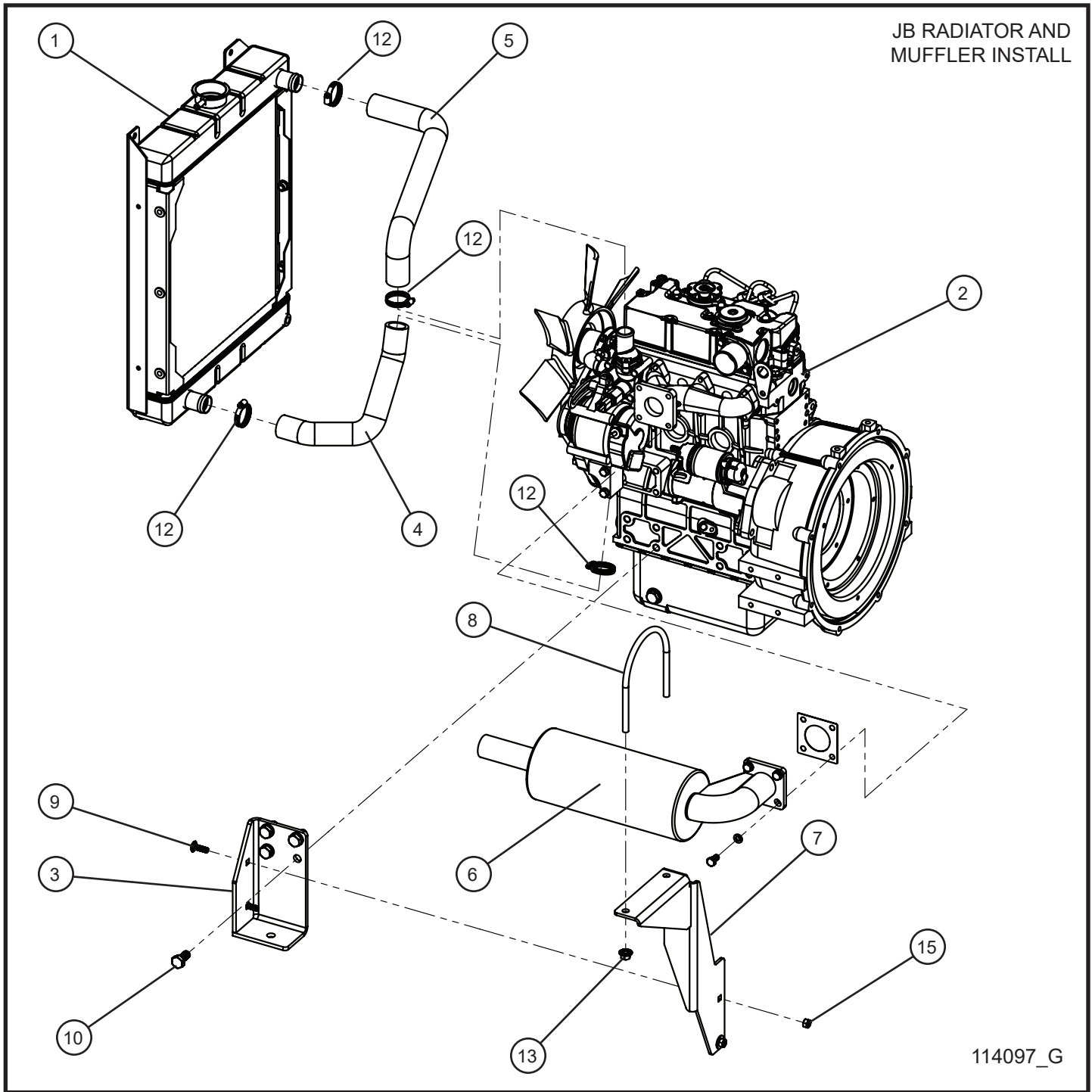
NIGHT-LITE PRO II®

SN 07-003127 and UP
SN 08-005619 and UP

8.2 - CAT/Perkins 1.1 Engine Assembly Group (1 of 7)

Item	Part No.	Part Description	Qty.
1	105393	RADIATOR SMALL ENGINES 1.0L / 1.1L	1
2	112561	CAT 1.1L ENGINE	1
	113484	PERKINS 1.1L ENGINE	1
3	108889P	ENGINE BRACKET LEFT WELDMENT	1
4	113828	CAT C1.1 LOWER RADIATOR HOSE	1
5	113827	CAT C1.1 UPPER RADIATOR HOSE	1
6	104787	CAT C1.1 MUFFLER 4.5 SPOUT	1
7	112309P	MUFFLER BRACKET WELDMENT	1
8	105744	4.75" MUFFLER U-BOLT	1
9	043085	1/2 SPLITLOCK WASHER PL	4
10	042300	M12 x 25mm x 1.25mm HEX HEAD CS GR8.8 PL	4
11	057008	5/16-18 HEX NYLOCK FLANGE NUT	2
12	045034	#16 HOSE CLAMP	4
13	044029	3/8-16 SERRATED FLANGE NUT	2
14	053020	5/16-18 x 1 CARRIAGE BOLT	2
NS	110113	CAT C1.1 ENGINE HARNESS	1
NS	113494	CAT C1.1 40AMP CHARGE CIRCUIT FUSE	1
NS	110112	CAT/PERKINS 1.1L SCHEMATIC	1

8.2 - CAT/Perkins 1.1 Engine Assembly Group (1 of 7)



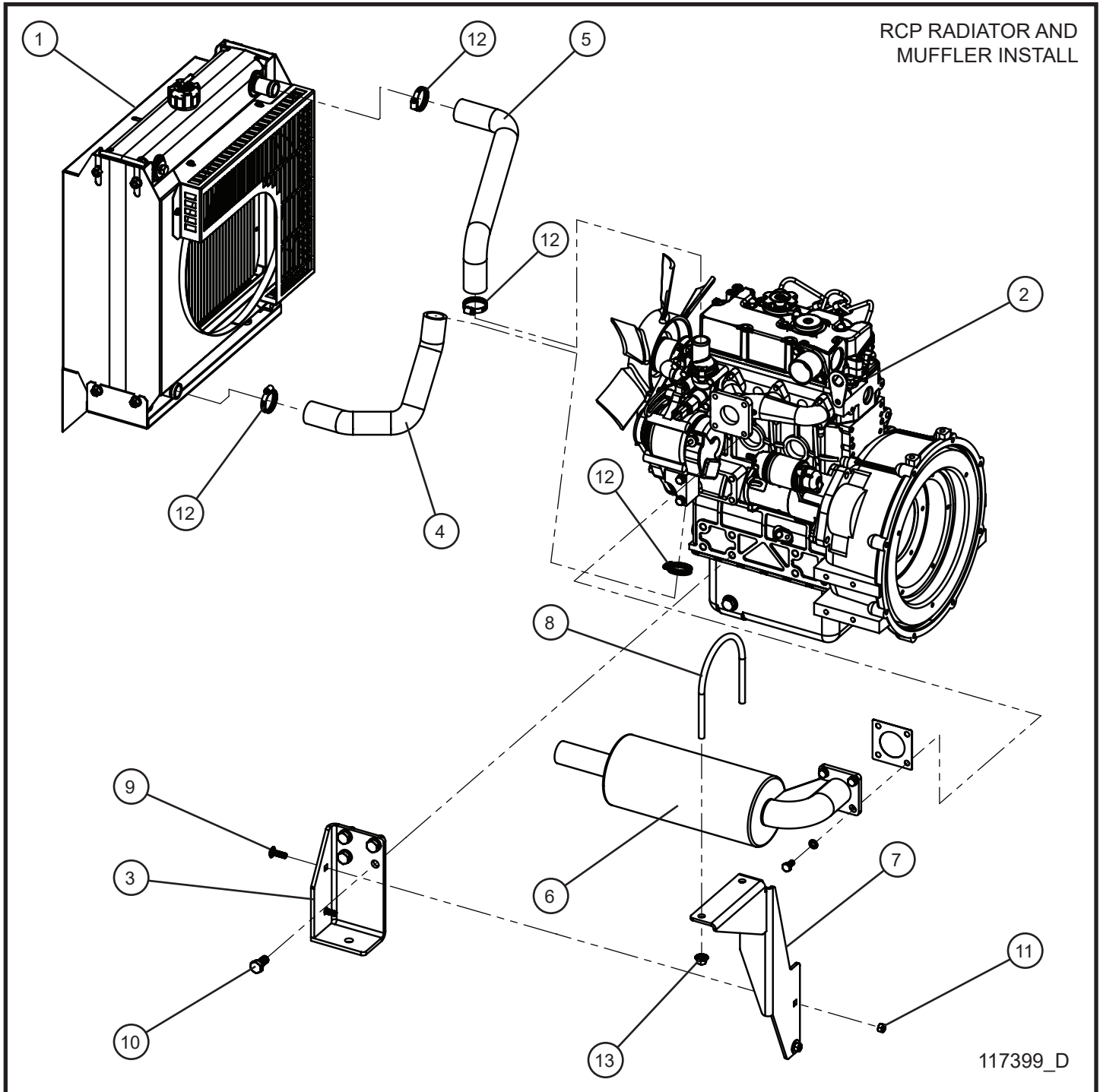
NIGHT-LITE PRO II®

SN 07-003127 and UP
SN 08-005619 and UP

8.2 - CAT/Perkins 1.1 Engine Assembly Group (1 of 7)

Item	Part No.	Part Description	Qty.
1	105393	RADIATOR SMALL ENGINES 1.0L / 1.1L	1
2	113484	CAT/PERKINS 1.1L ENGINE	1
3	108889P	ENGINE BRACKET LEFT WELDMENT	1
4	113828	CAT C1.1 LOWER RADIATOR HOSE	1
5	113827	CAT C1.1 UPPER RADIATOR HOSE	1
6	104787	CAT C1.1 MUFFLER 4.5 SPOUT	1
7	112309P	MUFFLER BRACKET WELDMENT	1
8	105744	4.75" MUFFLER U-BOLT	1
9	053020	5/16-18 x 1 CARRIAGE BOLT	2
10	055004	M12X1.25X25 HEX FLANGE SCREW WITH BLUE THREAD LOCK	4
11	057008	5/16-18 HEX NYLOCK FLANGE NUT	2
12	045034	#16 HOSE CLAMP	4
13	044029	3/8-16 SERRATED FLANGE NUT	2
NS	110113	CAT C1.1 ENGINE HARNESS	1
NS	113494	CAT C1.1 40AMP CHARGE CIRCUIT FUSE	1
NS	110112	CAT/PERKINS 1.1L SCHEMATIC	1

8.2 - CAT/Perkins 1.1 Engine Assembly Group (2 of 7)



NIGHT-LITE PRO II®

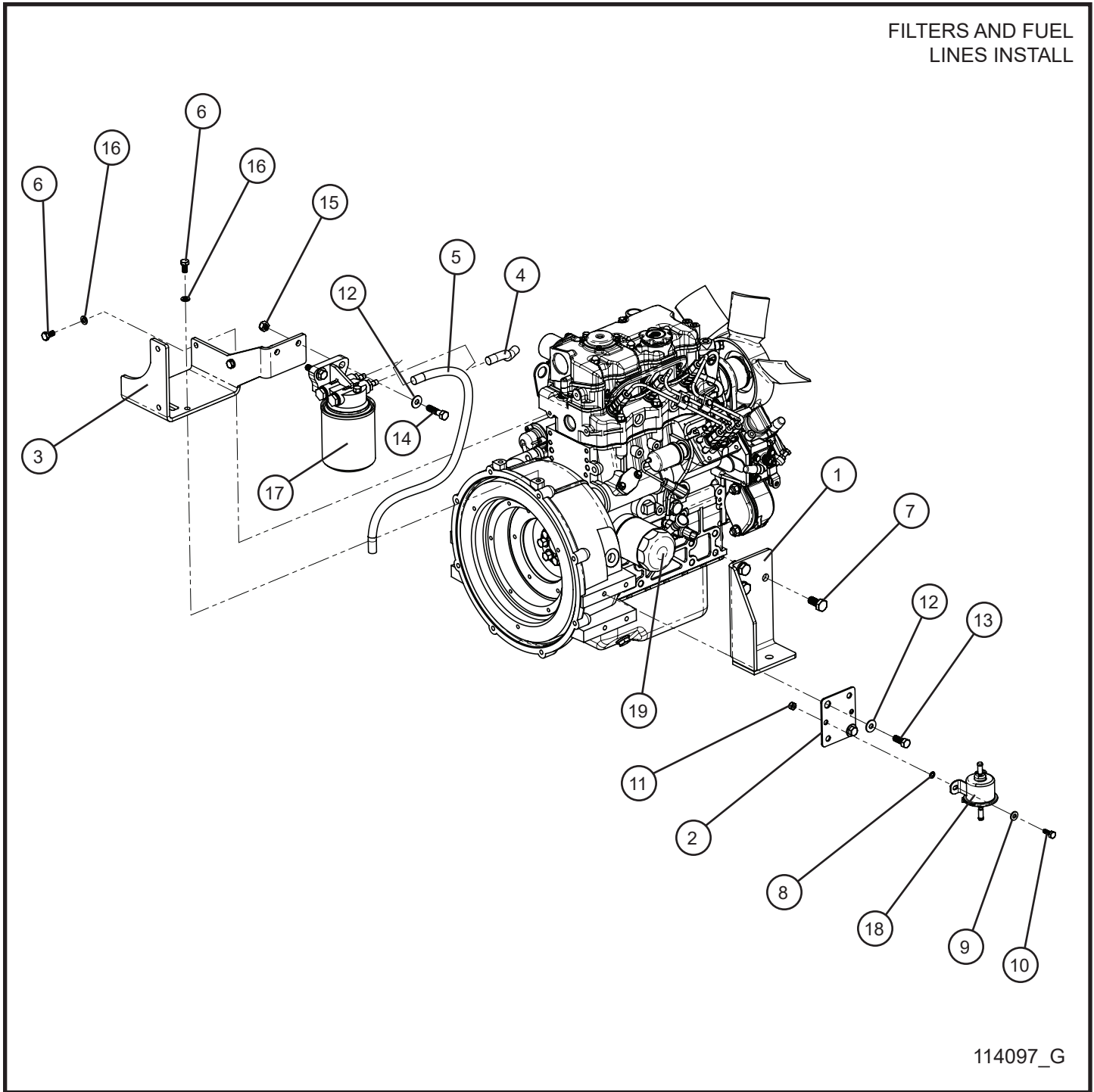
SN 07-003127 and UP
SN 08-005619 and UP

8.2 - CAT/Perkins 1.1 Engine Assembly Group (2 of 7)

Item	Part No.	Part Description	Qty.
1	103422	RCP RADIATOR	1
2	112561	CAT C1.1 ENGINE	1
3	108889P	ENGINE BRACKET LEFT WELDMENT	1
4	113828	CAT C1.1 LOWER RADIATOR HOSE	1
5	113827	CAT C1.1 UPPER RADIATOR HOSE	1
6	104787	CAT C1.1 MUFFLER 4.5 SPOUT	1
7	112309P	MUFFLER BRACKET WELDMENT	1
8	105744	4.75" MUFFLER U-BOLT	1
9	053020	5/16-18 x 1 CARRIAGE BOLT	2
10	055004	M12X1.25X25 HEX FLANGE SCREW WITH BLUE THREAD LOCK	4
11	057008	5/16-18 HEX NYLOCK FLANGE NUT	2
12	045034	#16 HOSE CLAMP	4
13	044029	3/8-16 SERRATED FLANGE NUT	2
NS	102911	RCP RADIATOR KIT	1
NS	110113	CAT C1.1 ENGINE HARNESS	1
NS	113494	CAT C1.1 40AMP CHARGE CIRCUIT FUSE	1
NS	106309	JCASE 40A LITTLE FUSE	1
NS	110112	CAT 1.1L SCHEMATIC	1

8.2 - CAT/Perkins 1.1 Engine Assembly Group (3 of 7)

FILTERS AND FUEL
LINES INSTALL



114097_G

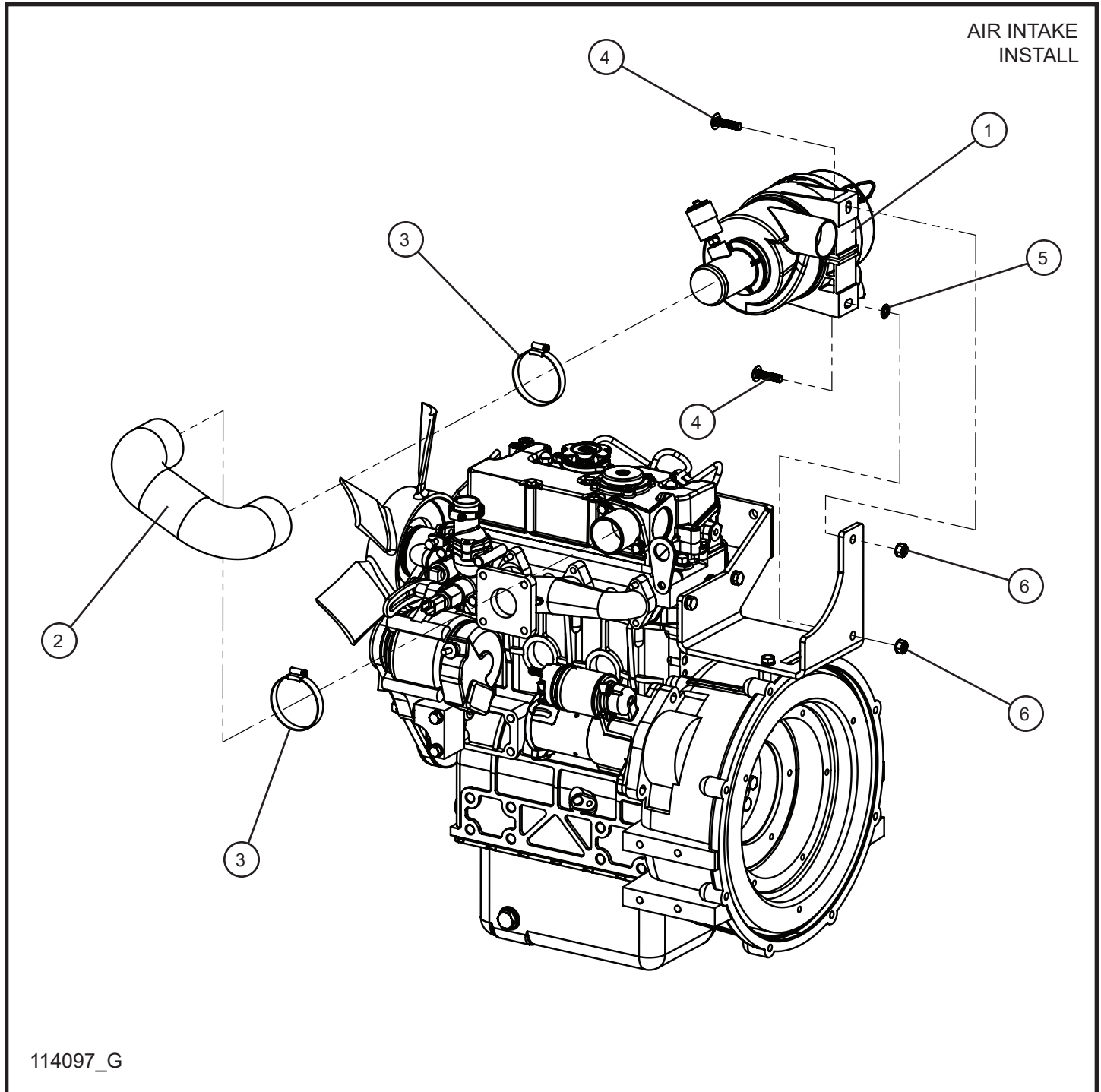
NIGHT-LITE PRO II®

SN 07-003127 and UP
SN 08-005619 and UP

8.2 - CAT/Perkins 1.1 Engine Assembly Group (3 of 7)

Item	Part No.	Part Description	Qty.
1	108891P	ENGINE BRACKET RIGHT WELDMENT	1
2	105402P	FUEL PUMP MOUNT PLATE	1
3	113327P	CAT/PERKINS 1.1L AIR CLEANER MOUNT	1
4	081018	HOSE 5/16" FUEL LINE x 7.0	1
5	081018	HOSE 5/16" FUEL LINE x 20.0	1
6	042027	M8 x 16mm x 1.25mm HEX HEAD CS GR10.9 PL	4
7	055004	M12X1.25X25 HEX FLANGE SCREW WITH BLUE THREAD LOCK	3
8	043051	1/4 INTL TOOTH LOCK WASHER SS	1
9	047005	1/4 FLAT WASHER PL	2
10	102573	1/4-20 x 3/4 HEX HEAD CS GR5 PL	2
11	044023	1/4-20 NYLOCK HEX NUT PL	2
12	047010	5/16 FLAT WASHER PL	13
13	100670	3/8-16 x 1 HEX HEAD CS GR5 PL	3
14	046120	3/8-16 x 1 1/2 HEX HEAD CS GR5 PL	2
15	044038	3/8-16 NYLOCK HEX NUT PL	2
16	043055	5/16 SPLITLOCK WASHER	5
17	112464	CAT 1.1L FUEL FILTER	1
	113874	PERKINS 1.1L FUEL FILTER	1
18	114114	CAT 1.1L FUEL PUMP	1
	114999	PERKINS 1.1L FUEL PUMP	1
19	113635	CAT 1.1L OIL FILTER	1
	113867	PERKINS 1.1L OIL FILTER	1
NS	433400	#4 HOSE CLAMP	4

8.2 - CAT/Perkins 1.1 Engine Assembly Group (4 of 7)



114097_G

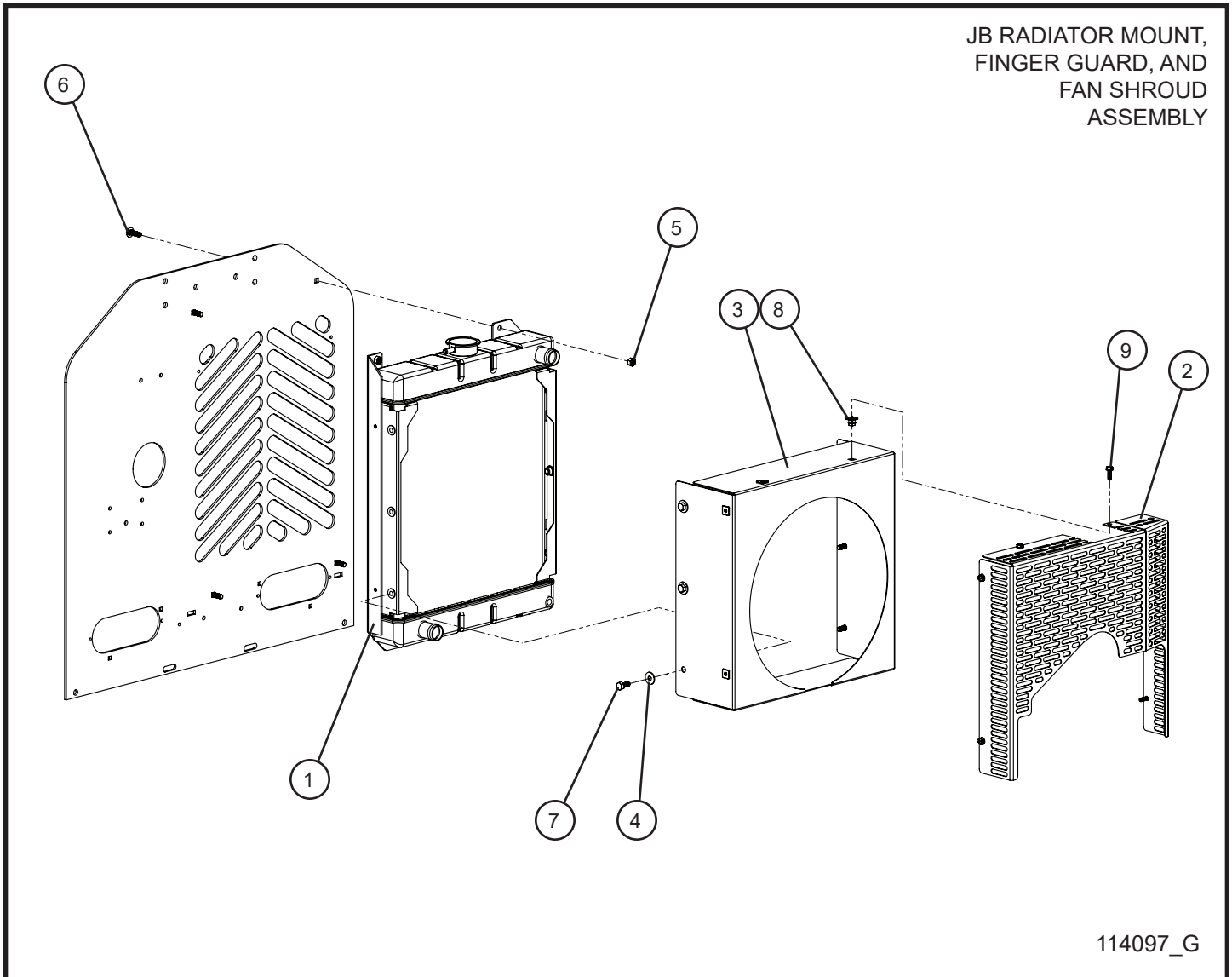
NIGHT-LITE PRO II®

SN 07-003127 and UP
SN 08-005619 and UP

8.2 - CAT/Perkins 1.1 Engine Assembly Group (4 of 7)

Item	Part No.	Part Description	Qty.
1	111568	AIR CLEANER ASSEMBLY STRAIGHT INLET	1
	650290	AIR FILTER	1
	104795	AIR FILTER SERVICE INDICATOR KIT	1
2	113332	AIR INTAKE HOSE SMALL ENGINE	1
3	045038	#32 HOSE CLAMP	2
4	053022	5/16-18 x 1 1/4 CARRIAGE BOLT	2
5	045217	5/16 PUSH NUT	1
6	044031	5/16-18 KEPS HEX NUT PL	2

8.2 - CAT/Perkins 1.1 Engine Assembly Group (5 of 7)



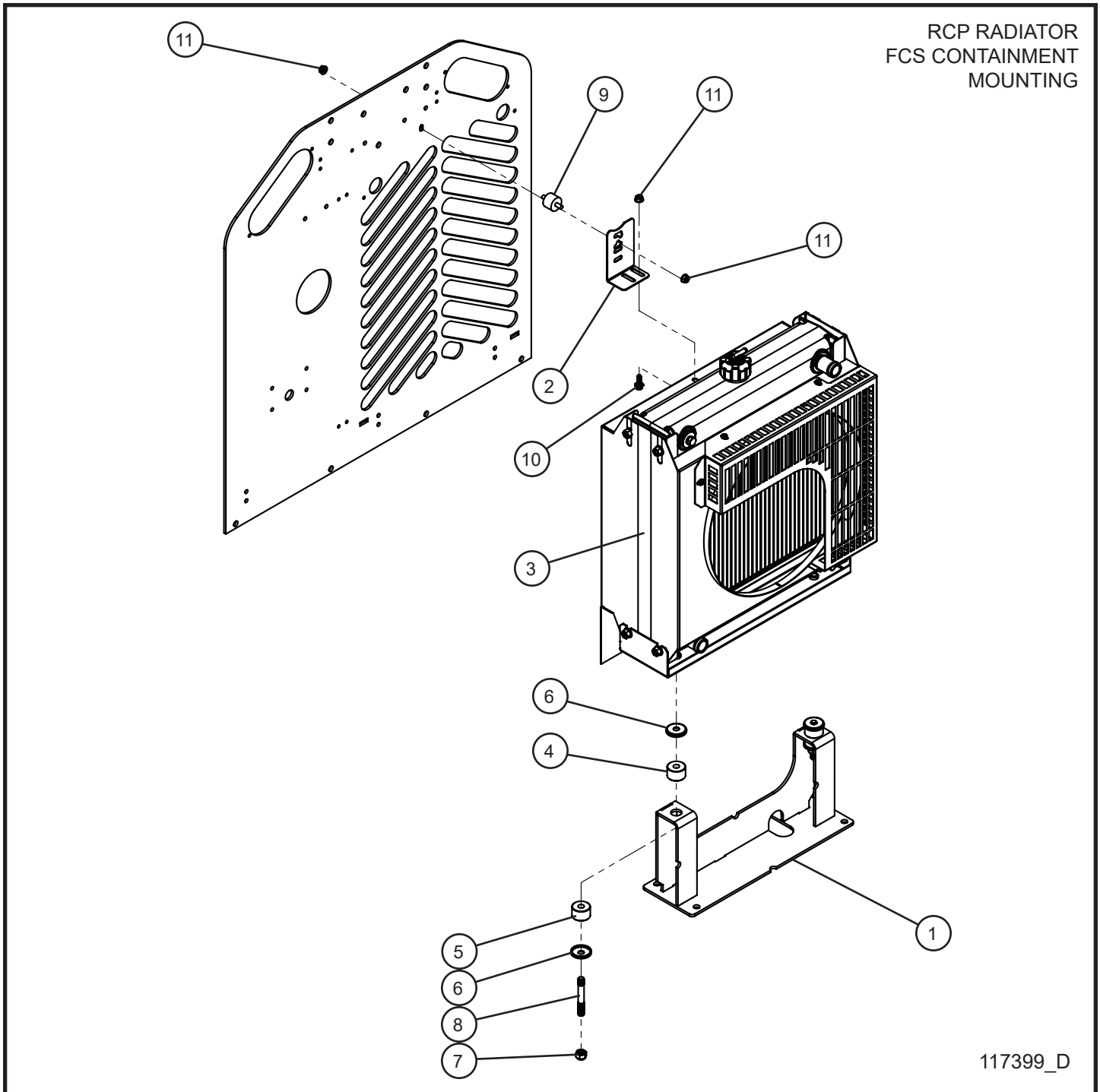
NIGHT-LITE PRO II®

SN 07-003127 and UP
SN 08-005619 and UP

8.2 - CAT/Perkins 1.1 Engine Assembly Group (5 of 7)

Item	Part No.	Part Description	Qty.
1	105393	RADIATOR SMALL ENGINES 1.0L / 1.1L	1
2	108862P	CAT/PERKINS 1.1L FINGER GUARD	1
3	113825P	CAT/PERKINS 1.1L FAN SHROUD	1
4	047010	5/16 FLAT WASHER PL	6
5	044033	5/16-18 NYLOCK HEX NUT PL	4
6	053020	5/16-18 x 1 CARRIAGE BOLT PL	4
7	046045	5/16-18 x 3/4 HEX HEAD CS GR5 PL	6
8	105408	GROMMET DOUBLE SPLIT NUT	6
9	041070	1/4-20 x 3/4 SL-HEX WASHER HEAD MS TP F	6

8.2 - CAT/Perkins 1.1 Engine Assembly Group (6 of 7)



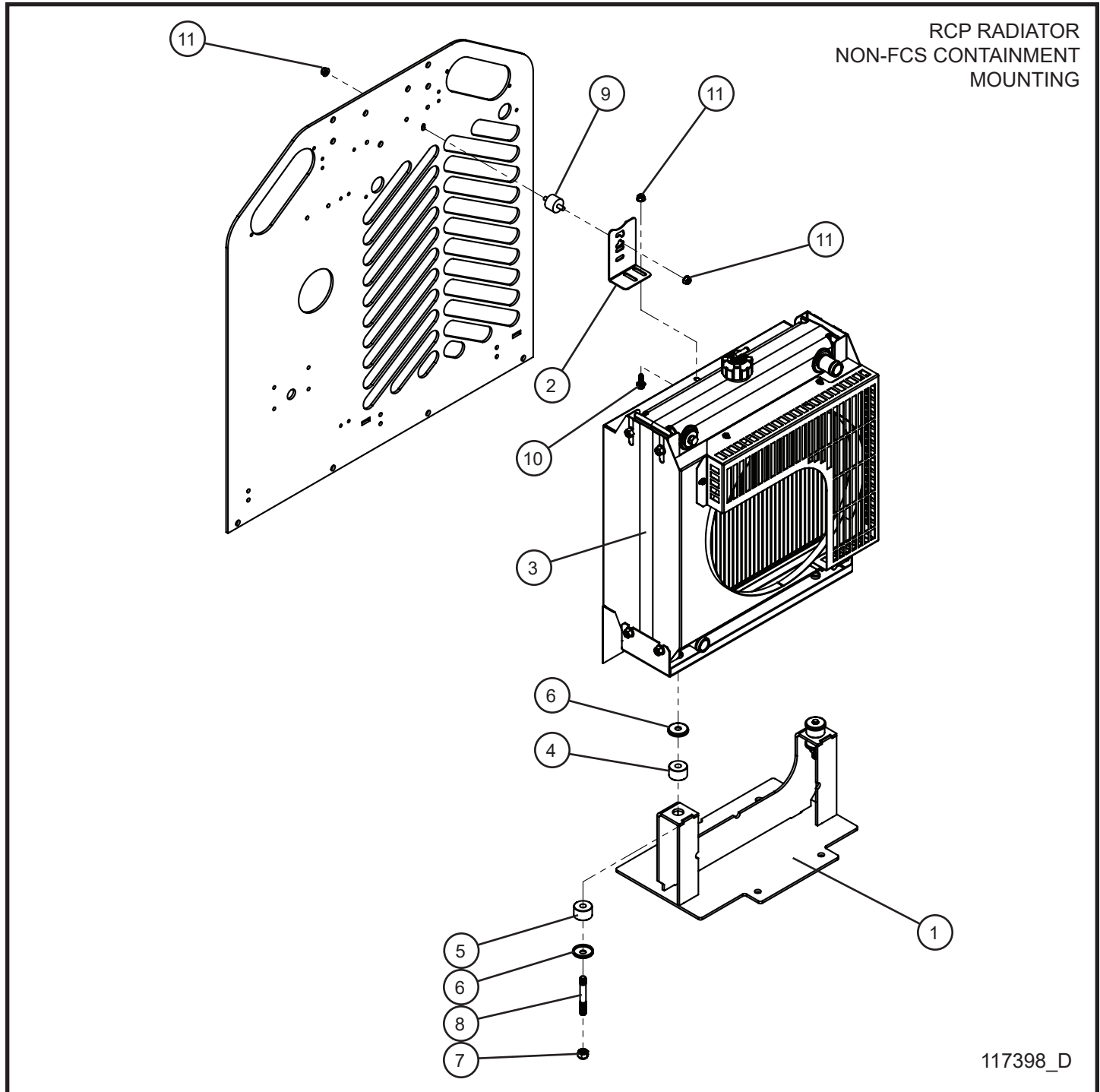
NIGHT-LITE PRO II®

SN 07-003127 and UP
SN 08-005619 and UP

8.2 - CAT/Perkins 1.1 Engine Assembly Group (6 of 7)

Item	Part No.	Part Description	Qty.
1	117395P	PRO II FCS PERKINS/CAT C1.1 RCP RADIATOR MOUNT	1
2	103988P	RCP RADIATOR SHROUD ANGLE BRACKET	1
3	103422	RCP RADIATOR	1
4	116086	RCP RADIATOR RAISED RUBBER ISOLATOR	2
5	116085	RCP RADIATOR RUBBER ISOLATOR	2
6	116087	RCP RADIATOR CUP WASHER	4
7	044129	M10 x 1.5mm NYLOCK NUT	2
8	103425	M10 x 1.5mm STUD BOLT	2
9	330057	BOX MOUNT	1
10	056002	1/4-20 x 3/4 HEX SERRATED FLANGE SCREW	1
11	057001	1/4-20 HEX NYLOCK FLANGE NUT	3
NS	102911	RCP RADIATOR KIT	1

8.2 - CAT/Perkins 1.1 Engine Assembly Group (7 of 7)



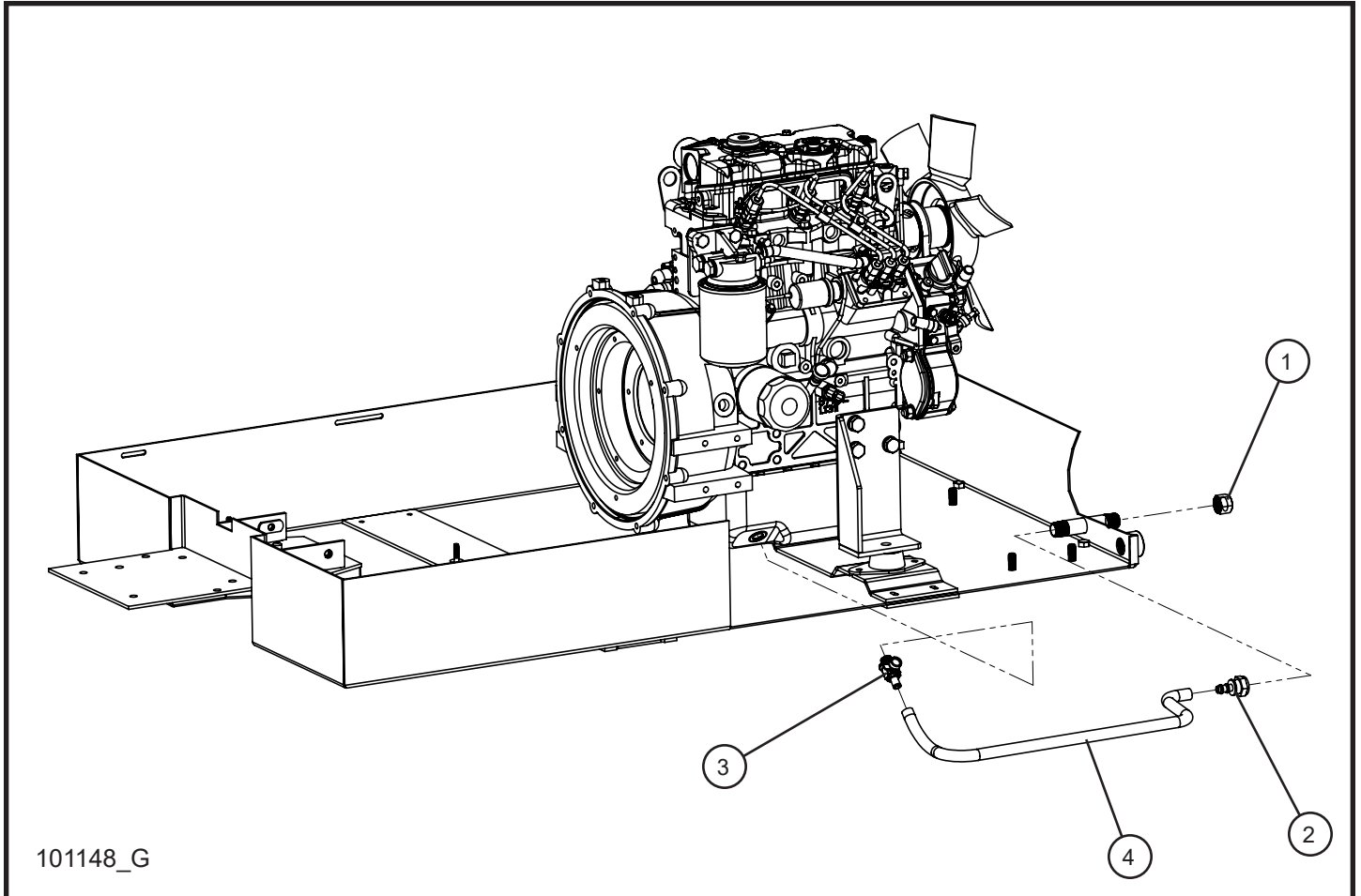
NIGHT-LITE PRO II®

SN 07-003127 and UP
SN 08-005619 and UP

8.2 - CAT/Perkins 1.1 Engine Assembly Group (7 of 7)

Item	Part No.	Part Description	Qty.
1	117391P	PRO II NON-FCS PERKINS/CAT C1.1 RCP RADIATOR MOUNT	1
2	103988P	RCP RADIATOR SHROUD ANGLE BRACKET	1
3	103422	RCP RADIATOR	1
4	116086	RCP RADIATOR RAISED RUBBER ISOLATOR	2
5	116085	RCP RADIATOR RUBBER ISOLATOR	2
6	116087	RCP RADIATOR CUP WASHER	4
7	044129	M10 x 1.5mm NYLOCK NUT	2
8	103425	M10 x 1.5mm STUD BOLT	2
9	330057	BOX MOUNT	1
10	056002	1/4-20 x 3/4 HEX SERRATED FLANGE SCREW	1
11	057001	1/4-20 HEX NYLOCK FLANGE NUT	3
NS	102911	RCP RADIATOR KIT	1

8.3 - CAT/Perkins 1.1 Remote Oil Drain



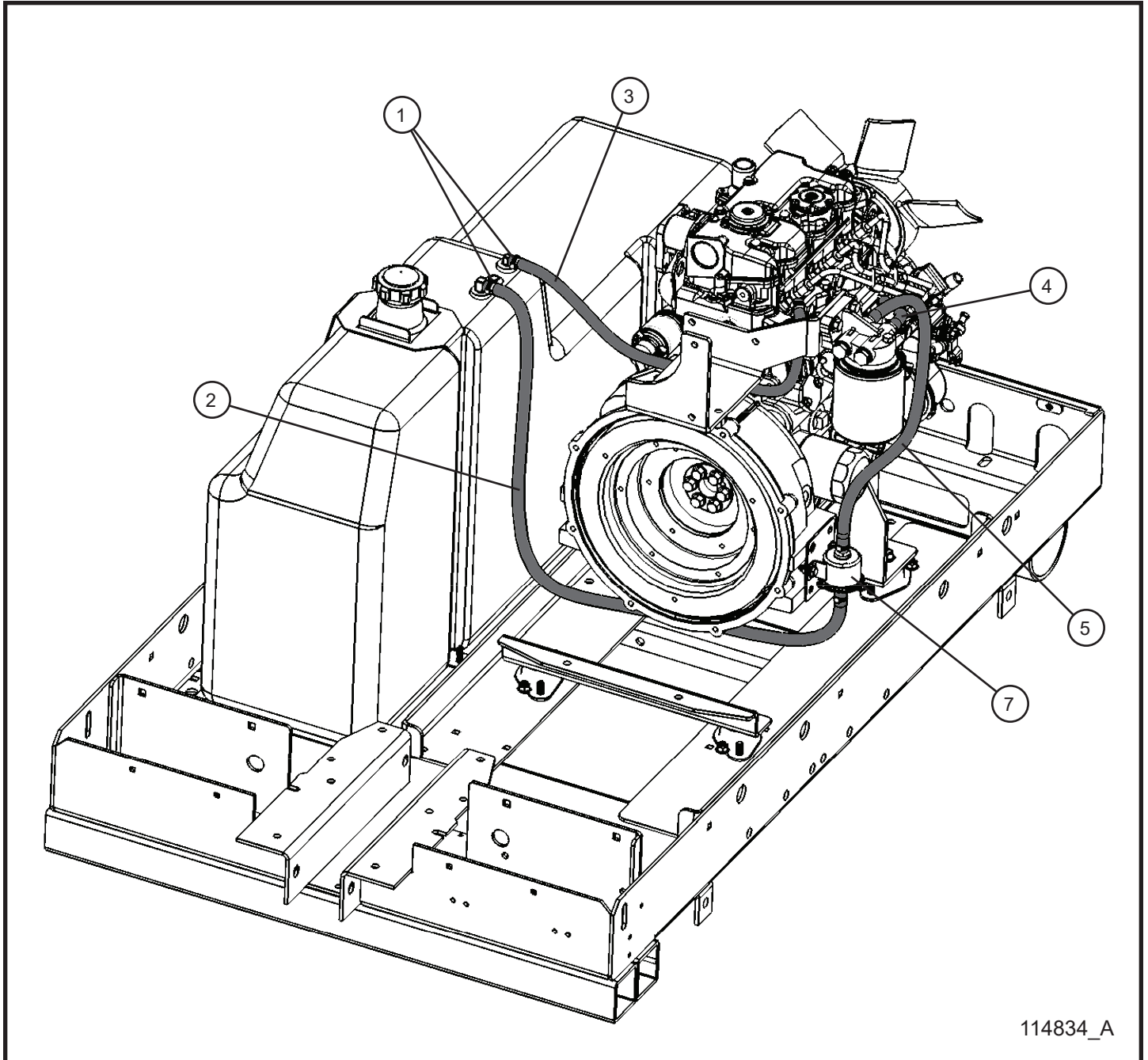
NIGHT-LITE PRO II®

SN 07-003127 and UP
SN 08-005619 and UP

8.3 - CAT/Perkins 1.1 Remote Oil Drain

Item	Part No.	Part Description	Qty.
1	105089	1/2 NPT CAP	1
2	104865	3/8 HOSE X 1/2 NPT BARBED TO FEMALE	1
3	651193	DRAIN VALVE M16 X 1.5 - 3/8 HOSE	1
4	101266	3/8 FUEL HOSE X 23.00	1

8.4 - CAT/Perkins 1.1 Fuel Lines



114834_A

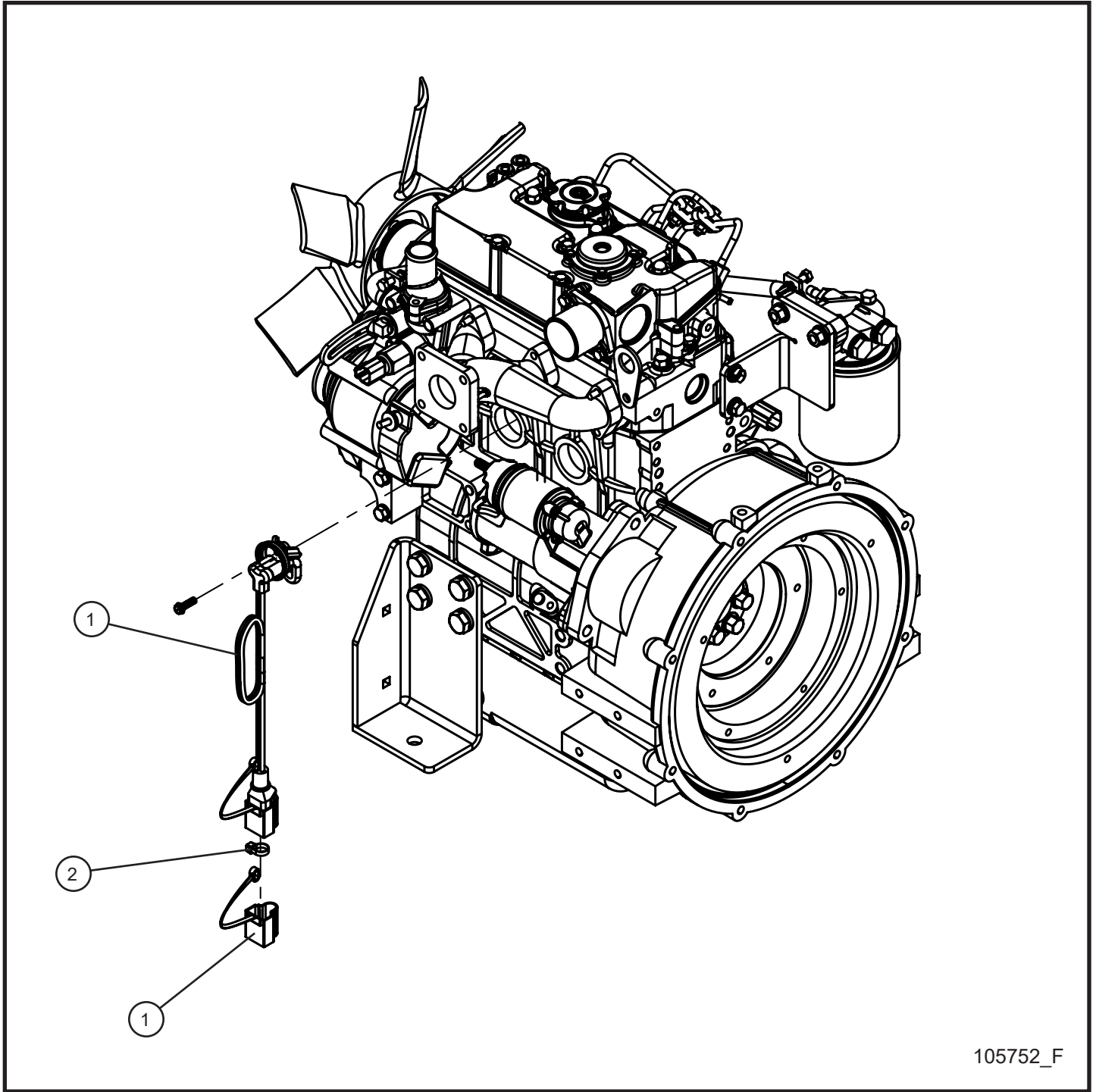
NIGHT-LITE PRO II®

SN 07-003127 and UP
SN 08-005619 and UP

8.4 - CAT/Perkins 1.1 Fuel Lines

Item	Part No.	Part Description	Qty.
1	433400	#4 HOSE CLAMP	4
2	081018	HOSE 5/16 BLACK FUEL LINE X 40.00	1
3	081016	HOSE 1/4 BLACK FUEL LINE X 24.00	2
4	081018	HOSE 5/16 BLACK FUEL LINE x 7.0	1
5	081018	HOSE 5/16 BLACK FUEL LINE x 20.0	1
6	112464	CAT 1.1L FUEL FILTER	1
	113874	PERKINS 1.1L FUEL FILTER	1
7	114114	CAT 1.1L FUEL PUMP	1
	114999	PERKINS 1.1L FUEL PUMP	1

8.5 - CAT/Perkins 1.1 Block Heater



105752_F

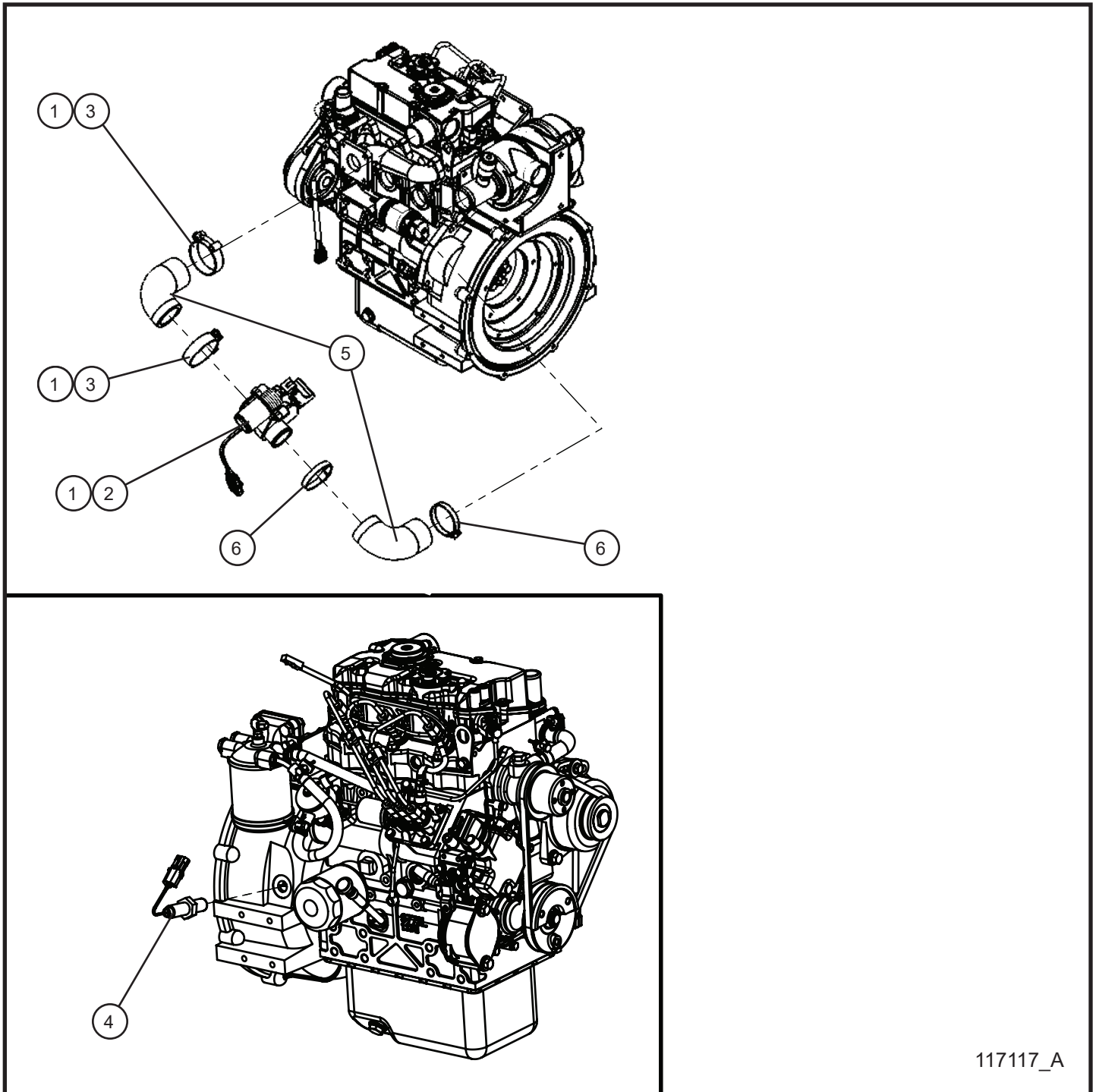
NIGHT-LITE PRO II®

SN 07-003127 and UP
SN 08-005619 and UP

8.5 - CAT/Perkins 1.1 Block Heater

Item	Part No.	Part Description	Qty.
1	651192	BLOCK HEATER CAT C1.1	1
2	068090	CABLE TIE 8"	1

8.6 - CAT/Perkins 1.1 Shocker Group (1 of 2)



117117_A

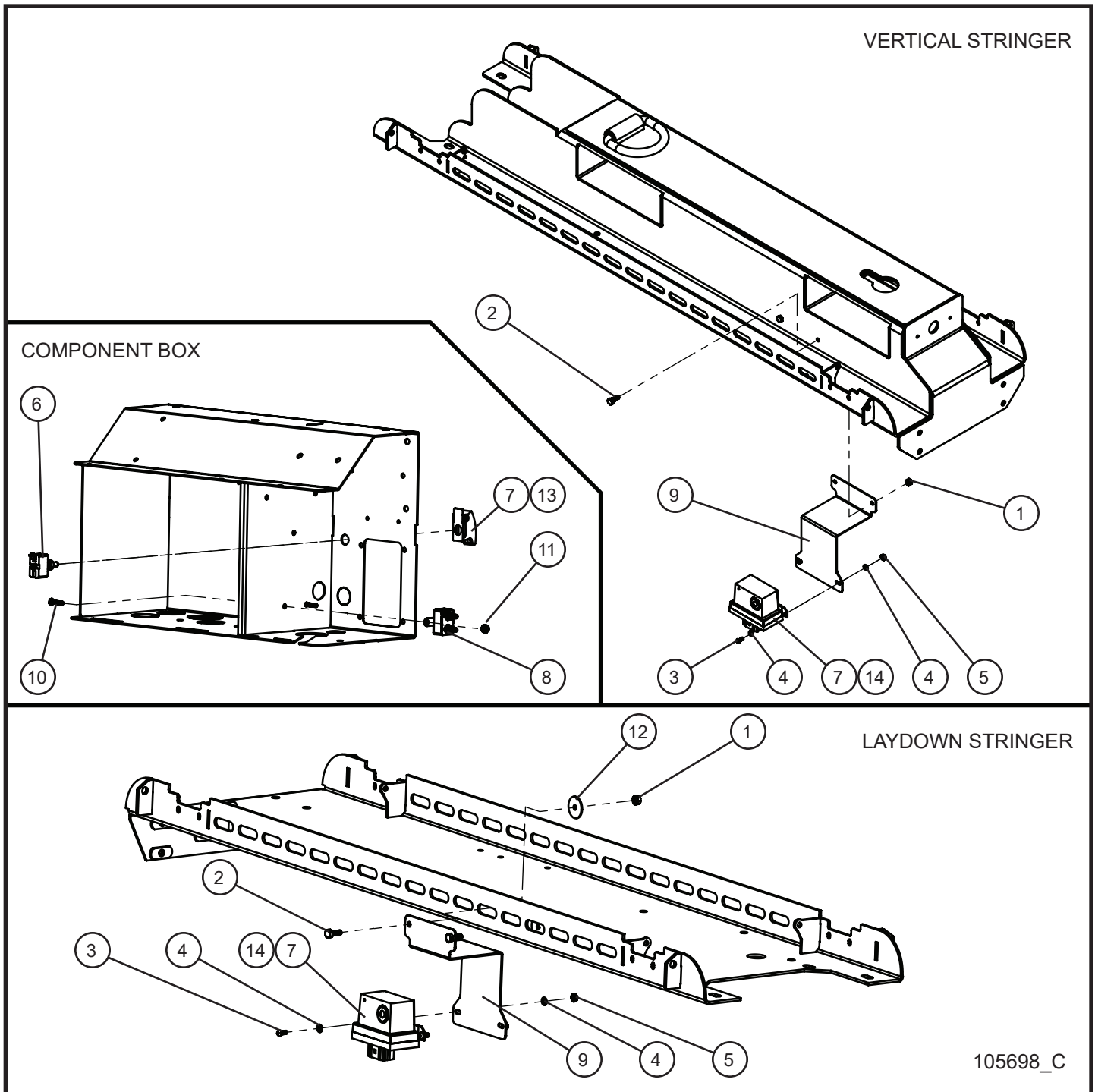
NIGHT-LITE PRO II®

SN 07-003127 and UP
SN 08-005619 and UP

8.6 - CAT/Perkins 1.1 Shocker Group (1 of 2)

Item	Part No.	Part Description	Qty.
1	117303	SHOCKER 1750 VALVE KIT	1
2	117302	VALVE SHOCKER 1750 DELPHI CONNECTOR	1
3	105649	T-BOLT CLAMP 2 INCH STAINLESS STEEL	2
4	105536	RPM SENSORE 18mm x 1.5	1
5	113332	AIR INTAKE HOSE SMALL ENGINE	1
6	045038	#32 HOSE CLAMP	2
NS	105802	HARNESS SHOCKER VALVE	1
NS	105702	SHOCKER SETUP INSTRUCTIONS	1
NS	106156	SCHEMATIC SHOCKER VALVE HARNESS	1

8.6 - CAT/Perkins 1.1 Shocker Group (2 of 2)



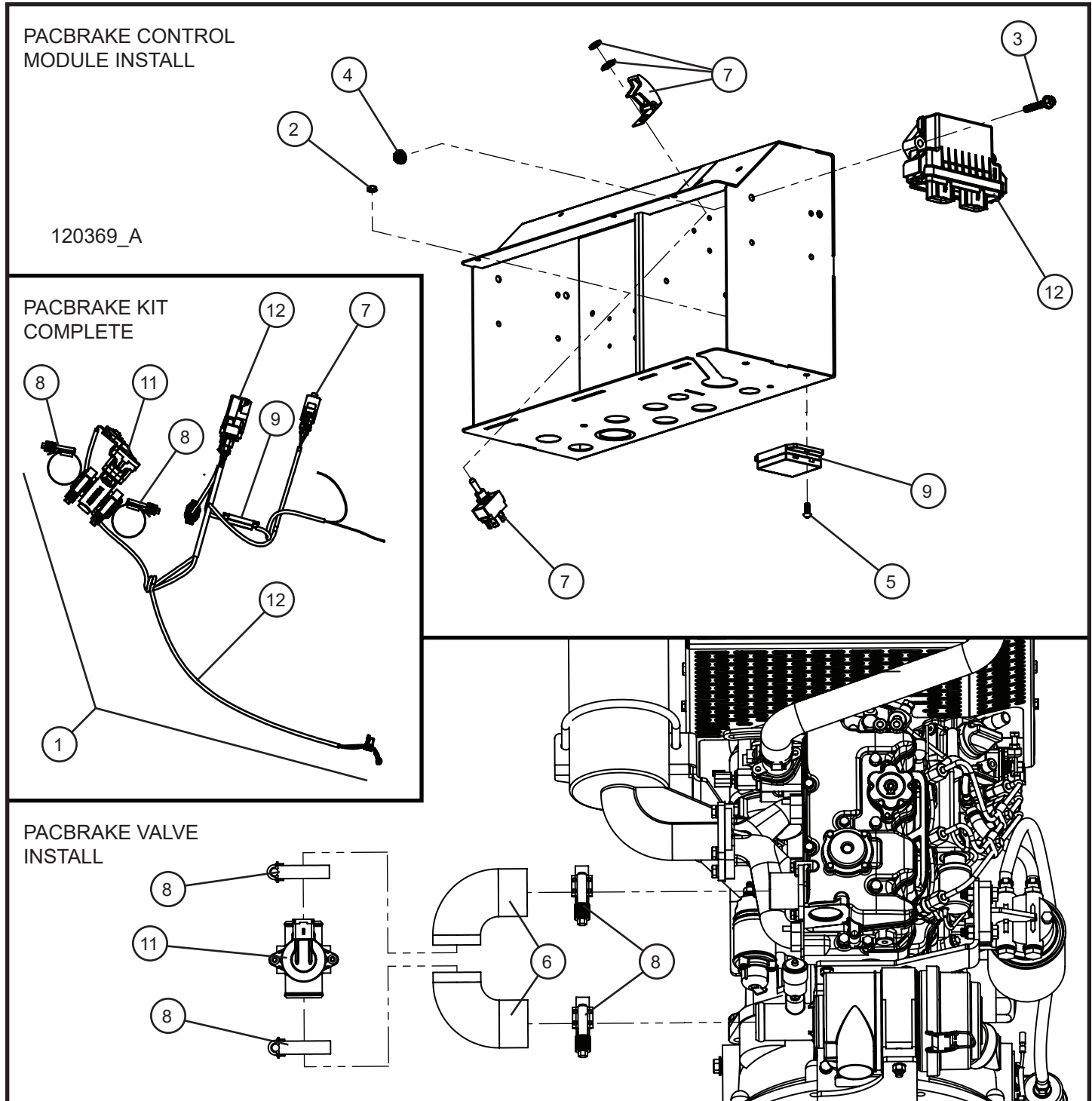
NIGHT-LITE PRO II®

SN 07-003127 and UP
SN 08-005619 and UP

8.6 - CAT/Perkins 1.1 Shocker Group (2 of 2)

Item	Part No.	Part Description	Qty.
1	044023	1/4-20 NYLOCK HEX NUT	2
2	056002	1/4-20 X 3/4 HEX SERRATED FLANGE SCREW	2
3	041021	#10-24 X 1/2 PH-ROUND HEAD	2
4	047070	#10 FLAT WASHER	4
5	044018	#10-24 NYLOCK HEX NUT	2
6	340009	SWITCH 15A 125V	1
7	117303	SHOCKER 1750 VALVE KIT	1
8	105636	20 AMP BREAKER	1
9	105803P	MOUNT SHOCKER CONTROL	1
10	041012	#8-32 x 1/2 SCREW MS PL	2
11	044003	#8-32 NC KEPS NUT	2
12	047007	1/4 x 1 1/4 x .056 FENDER WASHER (LAYDOWN ONLY)	2
13	105645	GUARD TOGGLE SWITCH PASS CONTROLLER	1
14	105692	CONTROLLER SHOCKER R5	1
NS	105802	HARNESS SHOCKER VALVE	1
NS	105702	SHOCKER SETUP INSTRUCTIONS	1
NS	106156	SCHEMATIC SHOCKER VALVE HARNESS	1
NS	100859	7/8 ID X 1 1/4 OD GROMMET	1

8.7 - CAT/Perkins 1.1 PacBrake Group



NIGHT-LITE PRO II®

SN 07-003127 and UP
SN 08-005619 and UP

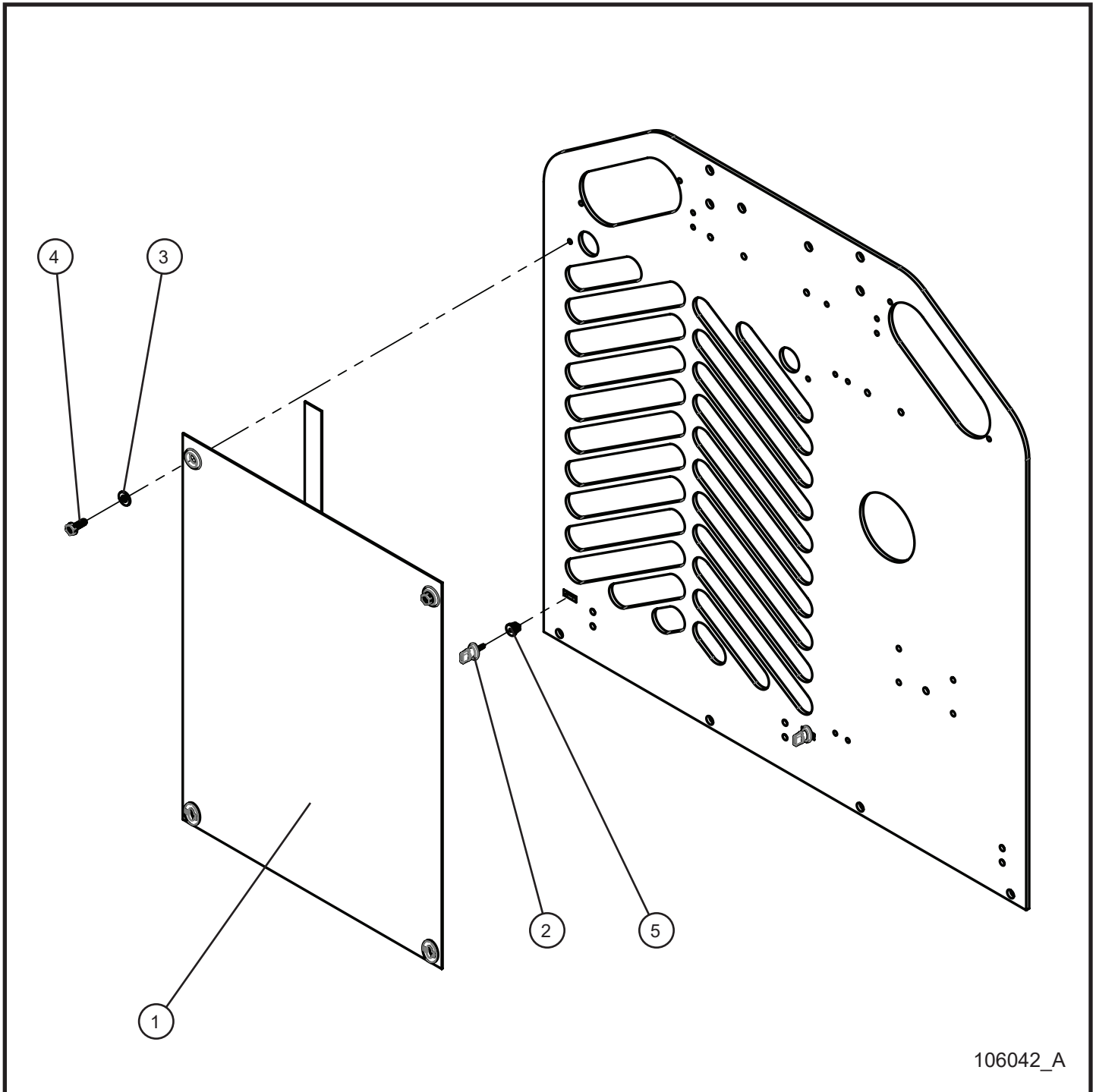
8.7 - CAT/Perkins 1.1 PacBrake Group

Item	Part No.	Part Description	Qty.
1	118632	PACBRAKE 1.75" AIR INTAKE VALVE KIT COMPLETE MAXI-LITE	1
2	044003	#8-32 NC KEPS NUT	2
3	056012	1/4-20 x 1 1/2 SERRATED FLANGE HEX HEAD SCREW	2
4	057000	1/4-20 HEX SERRATED FLANGE NUT	2
5	041012	#8-32 X 1/2 PL SCREW MS	2
6	113332	AIR INTAKE HOSE SMALL ENGINE	1
7	122739	PACBRAKE TOGGLE SWITCH KIT	1
8	122737	PACBRAKE SAE 262 BAND CLAMP	4
9	122731	PACBRAKE AC FREQUENCY WIRE HARNESS MAXI-LITE	1
10	122732	PACBRAKE DC WIRE HARNESS MAXI-LITE	1
11	122735	PACBRAKE 1.75" AIR INTAKE VALVE	1
12	122736	PACBRAKE AIR INTAKE VALVE CONTROL MODULE	1
NS	103864	FUSE HOLDER INLINE BLADE	1
NS	104990	FUSE BLADE 2 AMP ATO/ATC	1
NS	105844	15 AMP MINI FUSE	1
NS	117814	WIRE SCHEMATIC PACBRAKE AIR VALVE	1

NS - Not Shown

* * * - Contact Allmand for more information.

8.8 - CAT/Perkins 1.1 Cold Front



106042_A

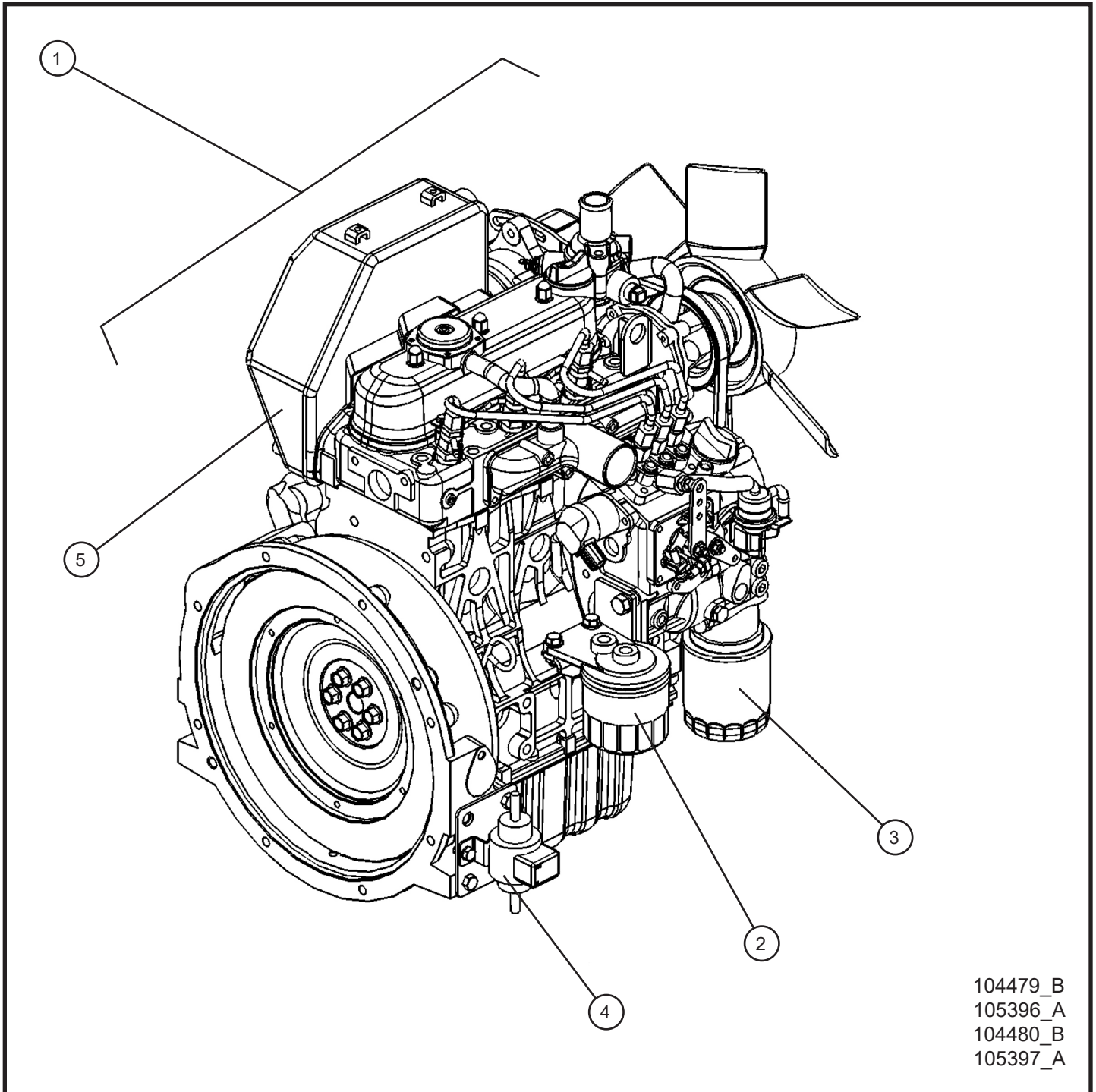
NIGHT-LITE PRO II®

SN 07-003127 and UP
SN 08-005619 and UP

8.8 - CAT/Perkins 1.1 Cold Front

Item	Part No.	Part Description	Qty.
--	106042	COLD FRONT KIT CAT	1
1	106039	COLD FRONT CAT	1
2	106056	TURN BUTTON QUARTER TURNS	2
3	047005	1/4 FLAT WASHER PL	2
4	041070	1/4-20 x 3/4 SL-HEX WASHER HEAD MS TP F	2
5	106052	NYLON NUT	2

9.1 - Kubota D1005/1105 Engine and Filters



104479_B
105396_A
104480_B
105397_A

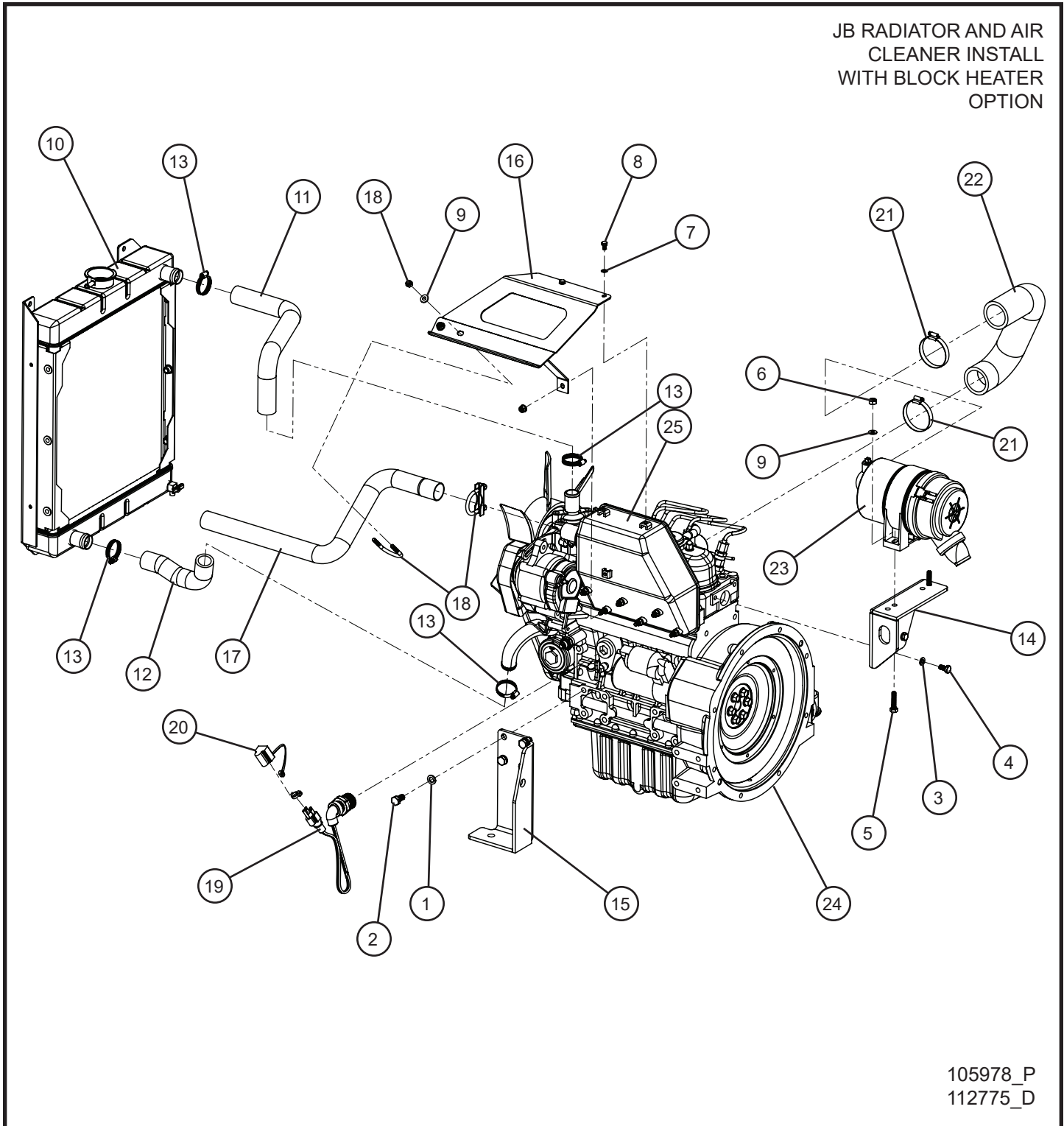
NIGHT-LITE PRO II®

SN 07-003127 and UP
SN 08-005619 and UP

9.1 - Kubota D1005/1105 Engine and Filters

Item	Part No.	Part Description	Qty.
1	104479	ENGINE D1005 NRTC/NTE T4F KUBOTA	1
	105397	ENGINE D1105 NRTC/NTE T4F KUBOTA	1
2	920745	FUEL FILTER	1
3	920743	OIL FILTER	1
4	103331	FUEL PUMP	1
5	352139	BOX MUFFLER	1
NS	650290	AIR FILTER	1
NS	108962	KUBOTA FILTER KIT (INCLUDES PART NUMBERS 920745, 920743, & 650290)	1
NS	340302	HIGH TEMP SWITCH	1
NS	340301	OIL PRESSURE SWITCH	1
NS	920751	FUEL SHUT OFF SOLENOID	1

9.2 - Kubota D1005/1105 Engine Assembly Group (1 of 6)



NIGHT-LITE PRO II®

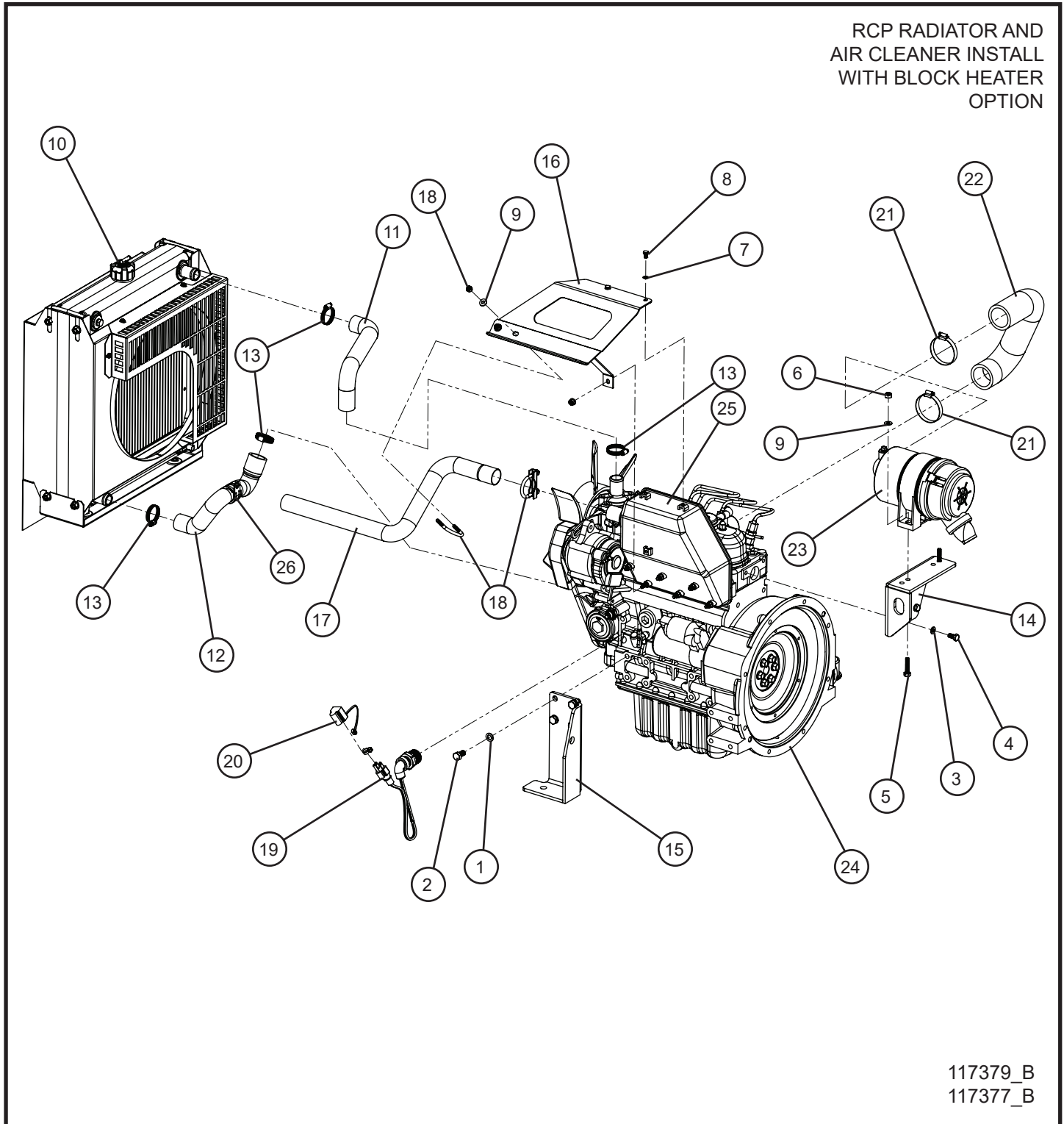
SN 07-003127 and UP
SN 08-005619 and UP

9.2 - Kubota D1005/1105 Engine Assembly Group (1 of 6)

Item	Part No.	Part Description	Qty.
1	042151	M10 SPLIT LOCK WASHER	4
2	042038	M10 x 20mm x 1.25mm HEX HEAD BOLT	4
3	043055	5/16 SPLITLOCK WASHER	2
4	042027	M8 x 16mm x 1.25mm HEX HEAD BOLT	2
5	102127	M8 x 35mm x 1.25mm HEX HEAD BOLT	2
6	042081	M8 x 1.25mm NYLOCK HEX NUT	2
7	043050	1/4 INTL TOOTH LOCK WASHER	2
8	042018	M6 x 10mm x 1.0mm HEX HEAD BOLT	2
9	047005	1/4 FLAT WASHER	4
10	105393	JB RADIATOR SMALL ENGINES 1.0L / 1.1L	1
11	105391	RADIATOR HOSE UPPER KUBOTA	1
12	105392	RADIATOR HOSE LOWER KUBOTA	1
13	045034	#16 HOSE CLAMP	4
14	105800P	MOUNT WELDED AIR FILTER KUBOTA	1
15	103470P	BRACKET ENGINE FOOT RIGHT WELDMENT KUBOTA	1
16	103579P	TAILPIPE MOUNT D1105 NL PRO II	1
17	109800	TAIL PIPE KUBOTA	1
18	713086	1 3/8 MUFFLER CLAMP	2
19	352373	KUBOTA D1005/D1105 BLOCK HEATER	1
20	105995	END COVER 120V CORD	1
21	045038	#32 HOSE CLAMP	2
22	101734	AIR INTAKE HOSE SMALL ENGINES	1
23	650262	AIR CLEANER RADIAL SEAL	1
	650263	MOUNTING BAND AIR CLEANER	1
	650290	DONALDSON AIR FILTER	1
24	104479	ENGINE D1005 NRTC/NTE T4F KUBOTA	1
	105397	ENGINE D1105 NRTC/NTE T4F KUBOTA	1
25	352139	KUBOTA BOX MUFFLER	1
NS	105406	KUBOTA JB RADIATOR KIT	1
NS	108043	KUBOTA ENGINE HARNESS	1
NS	105875	KUBOTA D1005 30AMP FUSE CHARGE CIRCUIT	1
	105872	JCASE 30AMP FUSE	1
NS	112774	KUBOTA D1105 40AMP FUSE CHARGE CIRCUIT	1
	106309	JCASE 40AMP FUSE	1
NS	112776	KUBOTA D1105 40AMP ENGINE HARNESS SCHEMATIC	1
NS	108044	KUBOTA D1005 30AMP ENGINE HARNESS SCHEMATIC	1

9.2 - Kubota D1005/1105 Engine Assembly Group (2 of 6)

RCP RADIATOR AND
AIR CLEANER INSTALL
WITH BLOCK HEATER
OPTION



NIGHT-LITE PRO II®

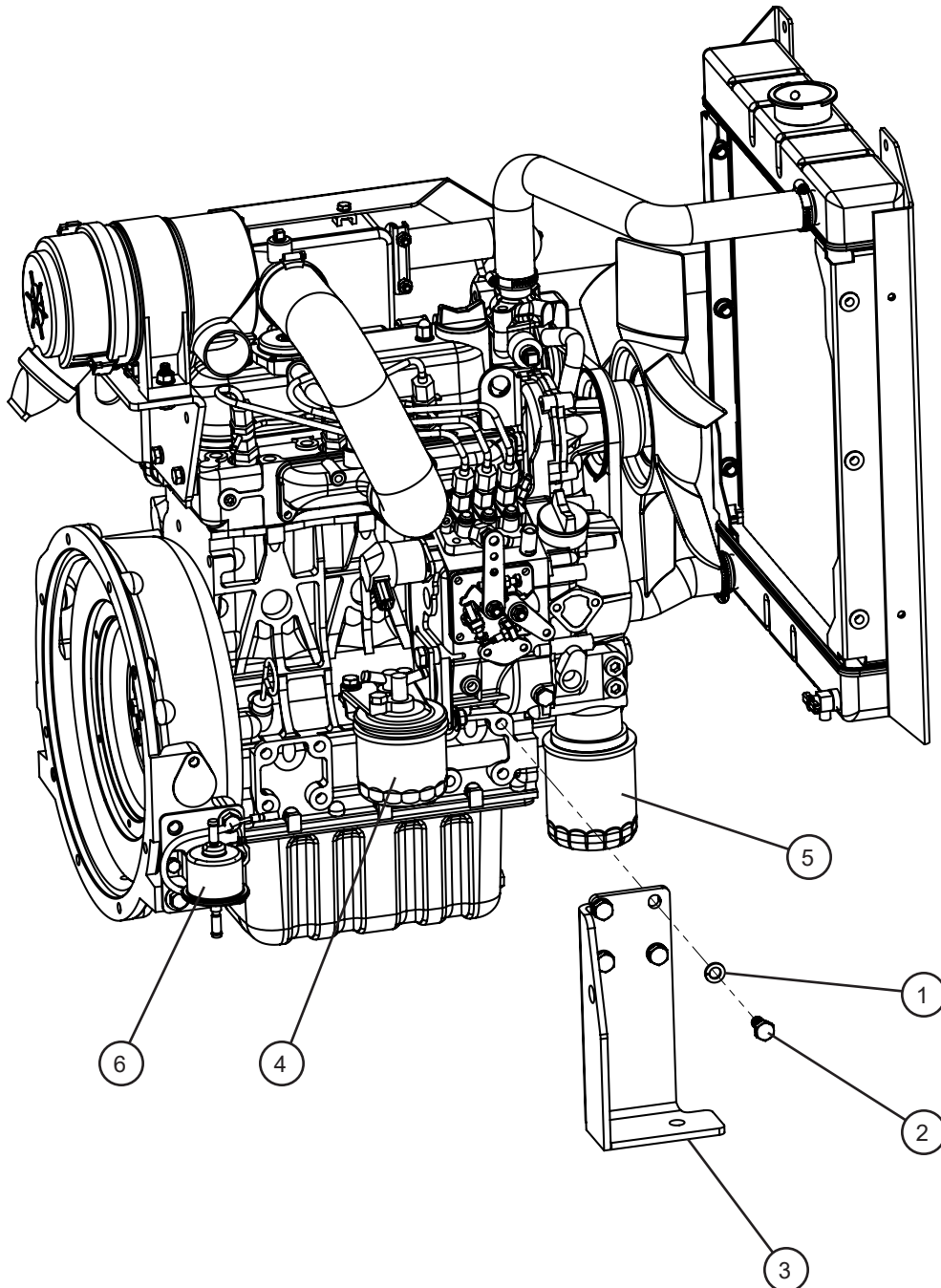
SN 07-003127 and UP
SN 08-005619 and UP

9.2 - Kubota D1005/1105 Engine Assembly Group (2 of 6)

Item	Part No.	Part Description	Qty.
1	042151	M10 SPLIT LOCK WASHER	4
2	042038	M10 x 20mm x 1.25mm HEX HEAD BOLT	4
3	043055	5/16 SPLITLOCK WASHER	2
4	042027	M8 x 16mm x 1.25mm HEX HEAD BOLT	2
5	102127	M8 x 35mm x 1.25mm HEX HEAD BOLT	2
6	042081	M8 x 1.25mm NYLOCK HEX NUT	2
7	043050	1/4 INTL TOOTH LOCK WASHER	2
8	042018	M6 x 10mm x 1.0mm HEX HEAD BOLT	2
9	047005	1/4 FLAT WASHER	4
10	103422	RCP RADIATOR	1
11	103424	RCP RADIATOR HOSE TOP	1
12	103423	RCP RADIATOR HOSE BOTTOM	1
13	045034	#16 HOSE CLAMP	4
14	105800P	MOUNT WELDED AIR FILTER KUBOTA	1
15	103470P	BRACKET ENGINE FOOT RIGHT WELDMENT KUBOTA	1
16	103579P	TAILPIPE MOUNT D1105 NL PRO II	1
17	109800	TAIL PIPE KUBOTA	1
18	713086	1 3/8 MUFFLER CLAMP	2
19	352373	KUBOTA D1005/D1105 BLOCK HEATER	1
20	105995	END COVER 120V CORD	1
21	045038	#32 HOSE CLAMP	2
22	101734	AIR INTAKE HOSE SMALL ENGINES	1
23	650262	AIR CLEANER RADIAL SEAL	1
	650263	MOUNTING BAND AIR CLEANER	1
	650290	DONALDSON AIR FILTER	1
24	105396	ENGINE D1005 NRTC/NTE T4F KUBOTA	1
	105397	ENGINE D1105 NRTC/NTE T4F KUBOTA	1
25	352139	KUBOTA BOX MUFFLER	1
26	103472	#16 CUSH CLAMP	1
NS	103420	KUBOTA RCP RADIATOR HOSE KIT	1
NS	102911	RCP RADIATOR KIT	1
NS	108043	KUBOTA ENGINE HARNESS	1
NS	105875	KUBOTA D1005 30AMP FUSE CHARGE CIRCUIT	1
	105872	JCASE 30AMP FUSE	1
NS	112774	KUBOTA D1105 40AMP FUSE CHARGE CIRCUIT	1
	106309	JCASE 40AMP FUSE	1
NS	112776	KUBOTA D1105 40AMP ENGINE HARNESS SCHEMATIC	1
NS	108044	KUBOTA D1005 30AMP ENGINE HARNESS SCHEMATIC	1

9.2 - Kubota D1005/1105 Engine Assembly Group (3 of 6)

FILTERS AND FUEL
PUMP INSTALL



105978_P
112775_D

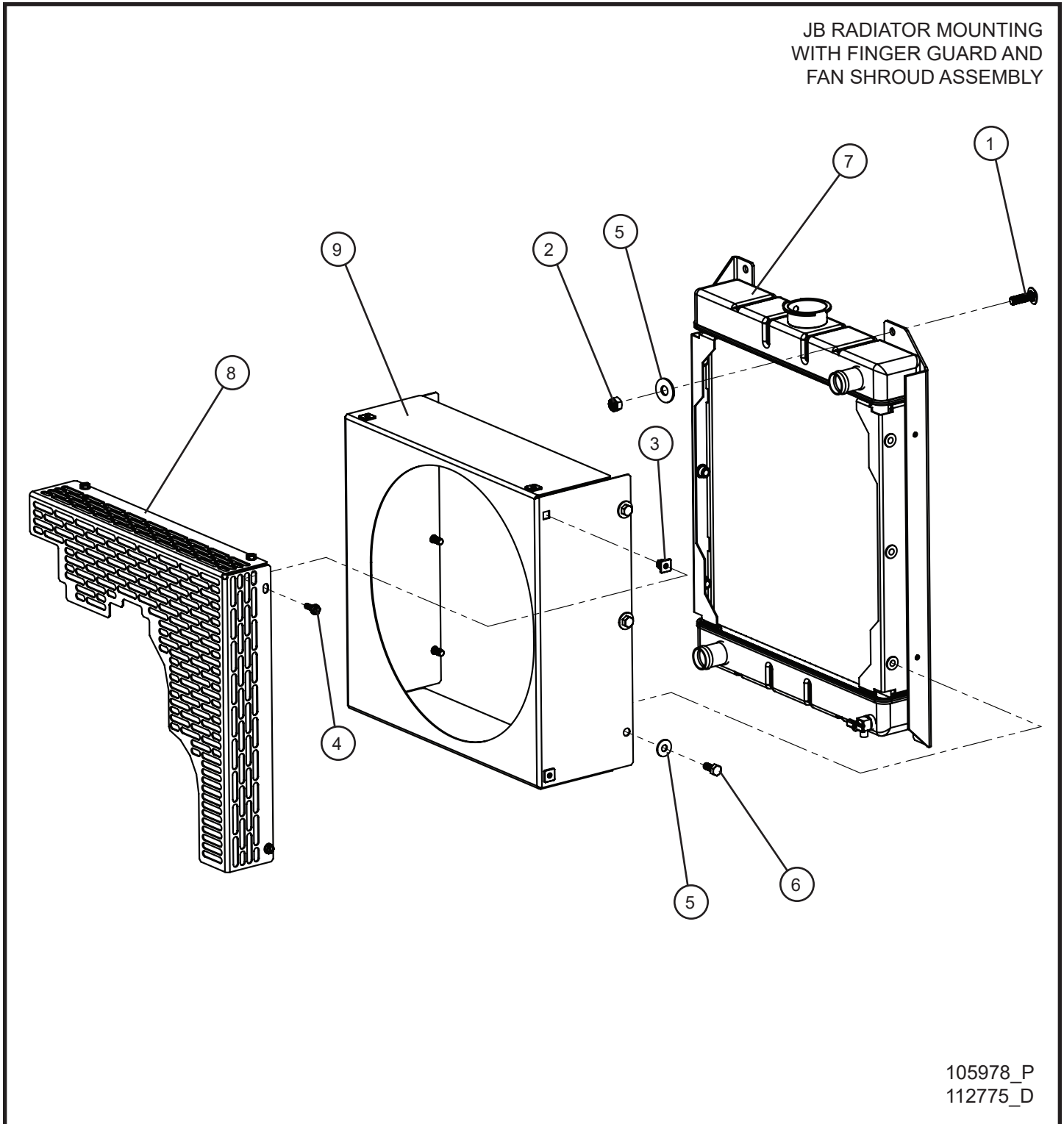
NIGHT-LITE PRO II®

SN 07-003127 and UP
SN 08-005619 and UP

9.2 - Kubota D1005/1105 Engine Assembly Group (3 of 6)

Item	Part No.	Part Description	Qty.
1	042151	M10 SPLIT LOCK WASHER	4
2	042038	M10 x 20mm x 1.25mm HEX HEAD BOLT	4
3	103469P	BRACKET ENGINE FOOT LEFT WELDMENT KUBOTA	1
4	920745	FUEL FILTER	1
5	920743	OIL FILTER	1
6	103331	FUEL PUMP	1
NS	043050	1/4 INTL TOOTH LOCK WASHER	1
NS	108962	KUBOTA AIR, FUEL, AND OIL FILTER KIT	1
NS	340302	HIGH TEMP SWITCH	1
NS	340301	OIL PRESSURE SWITCH	1
NS	920751	FUEL SHUT OFF SOLENOID	1

9.2 - Kubota D1005/1105 Engine Assembly Group (4 of 6)



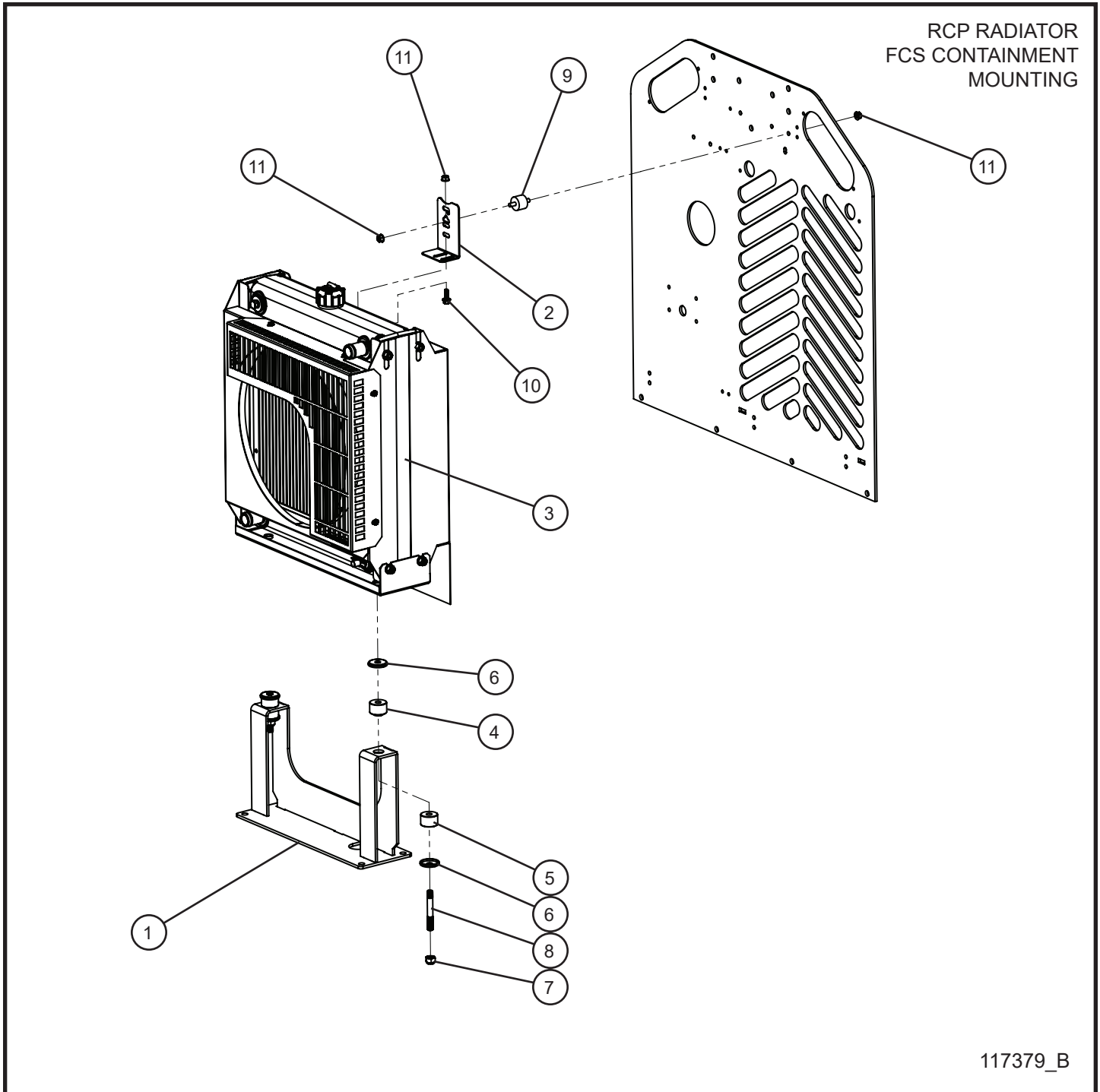
NIGHT-LITE PRO II®

SN 07-003127 and UP
SN 08-005619 and UP

9.2 - Kubota D1005/1105 Engine Assembly Group (4 of 6)

Item	Part No.	Part Description	Qty.
1	053020	5/16-18 CARRIAGE BOLT	4
2	044033	5/16-18 NYLOCK HEX NUT	4
3	105408	GROMMET NUT DOUBLE SPLIT	4
4	041070	1/4-20 x 3/4 SL-HEX WASHER HEAD MACHINE SCREW	4
5	047010	5/16 FLAT WASHER	10
6	046045	5/16-18 x 3/4 HEX HEAD BOLT	6
7	105393	JB RADIATOR SMALL ENGINES 1.0L / 1.1L	1
8	110320P	KUBOTA FINGER GUARD	1
9	105404P	JB RADIATOR FAN SHROUD	1

9.2 - Kubota D1005/1105 Engine Assembly Group (5 of 6)



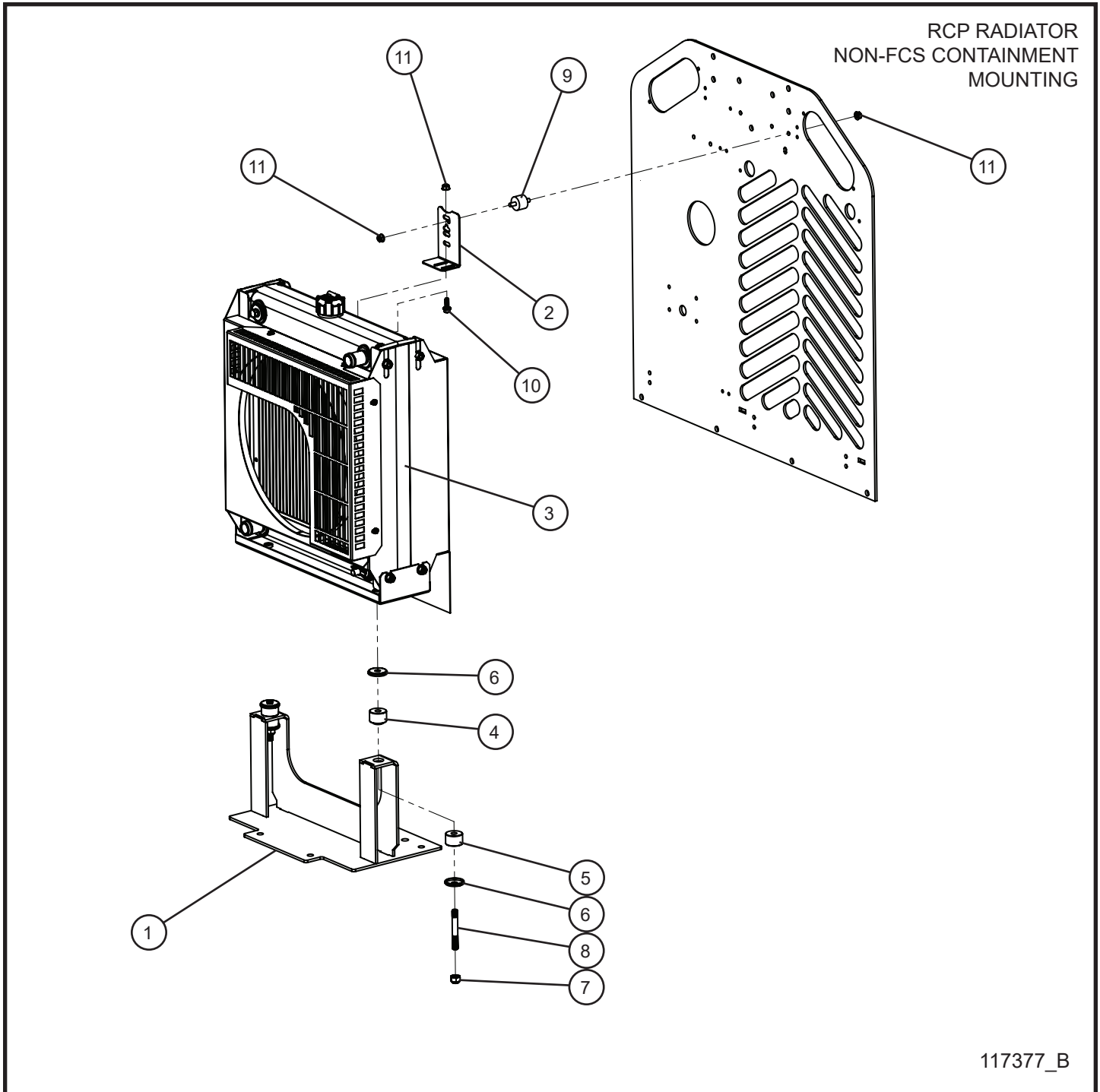
NIGHT-LITE PRO II®

SN 07-003127 and UP
SN 08-005619 and UP

9.2 - Kubota D1005/1105 Engine Assembly Group (5 of 6)

Item	Part No.	Part Description	Qty.
1	104842P	PRO II FCS KUBOTA RCP RADIATOR MOUNT	1
2	103988P	RCP RADIATOR SHROUD ANGLE BRACKET	1
3	103422	RCP RADIATOR	1
4	116086	RCP RADIATOR RAISED RUBBER ISOLATOR	2
5	116085	RCP RADIATOR RUBBER ISOLATOR	2
6	116087	RCP RADIATOR CUP WASHER	4
7	044129	M10 x 1.5mm NYLOCK NUT	2
8	103425	M10 x 1.5mm STUD BOLT	2
9	330057	BOX MOUNT	1
10	056002	1/4-20 x 3/4 HEX SERRATED FLANGE SCREW	1
11	057001	1/4-20 HEX NYLOCK FLANGE NUT	3
NS	102911	RCP RADIATOR KIT	1

9.2 - Kubota D1005/1105 Engine Assembly Group (6 of 6)



117377_B

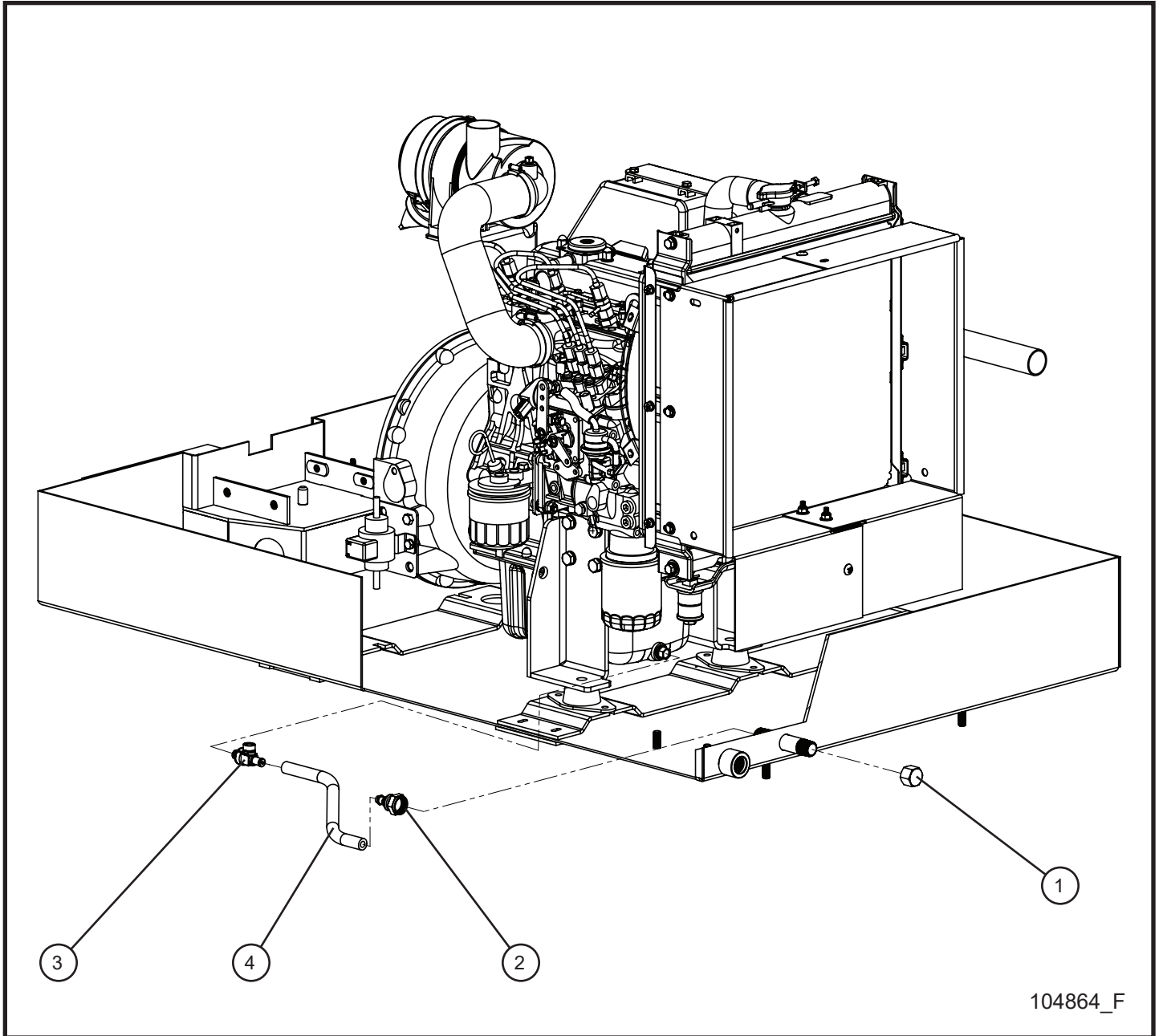
NIGHT-LITE PRO II®

SN 07-003127 and UP
SN 08-005619 and UP

9.2 - Kubota D1005/1105 Engine Assembly Group (6 of 6)

Item	Part No.	Part Description	Qty.
1	103619P	PRO II NON-FCS KUBOTA RCP RADIATOR MOUNT	1
2	103988P	RCP RADIATOR SHROUD ANGLE BRACKET	1
3	103422	RCP RADIATOR	1
4	116086	RCP RADIATOR RAISED RUBBER ISOLATOR	2
5	116085	RCP RADIATOR RUBBER ISOLATOR	2
6	116087	RCP RADIATOR CUP WASHER	4
7	044129	M10 x 1.5mm NYLOCK NUT	2
8	103425	M10 x 1.5mm STUD BOLT	2
9	330057	BOX MOUNT	1
10	056002	1/4-20 x 3/4 HEX SERRATED FLANGE SCREW	1
11	057001	1/4-20 HEX NYLOCK FLANGE NUT	3
NS	102911	RCP RADIATOR KIT	1

9.3 - Kubota D1005/1105 Remote Oil Drain



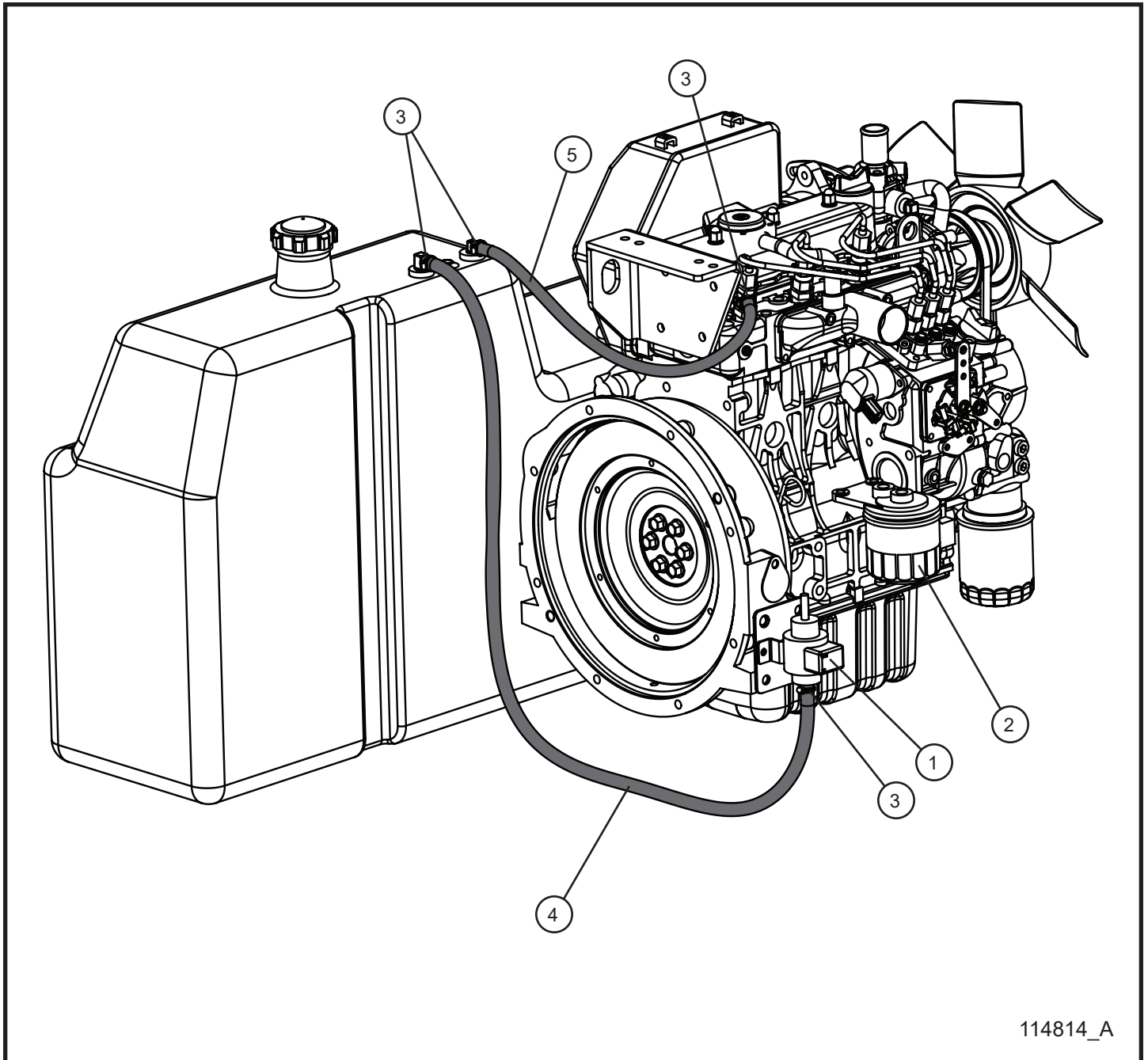
NIGHT-LITE PRO II®

SN 07-003127 and UP
SN 08-005619 and UP

9.3 - Kubota D1005/1105 Remote Oil Drain

Item	Part No.	Part Description	Qty.
1	105089	1/2 NPT BRASS CAP	1
2	104865	3/8 HOSE x 1/2 NPT BARBED TO FEMALE	1
3	848299	DRAIN VALVE M12 X 1.5 - 3/8 HOSE	1
4	101266	3/8 FUEL HOSE X 13.00	1

9.4 - Kubota D1005/1105 Fuel Lines



114814_A

NIGHT-LITE PRO II®

SN 07-003127 and UP
SN 08-005619 and UP

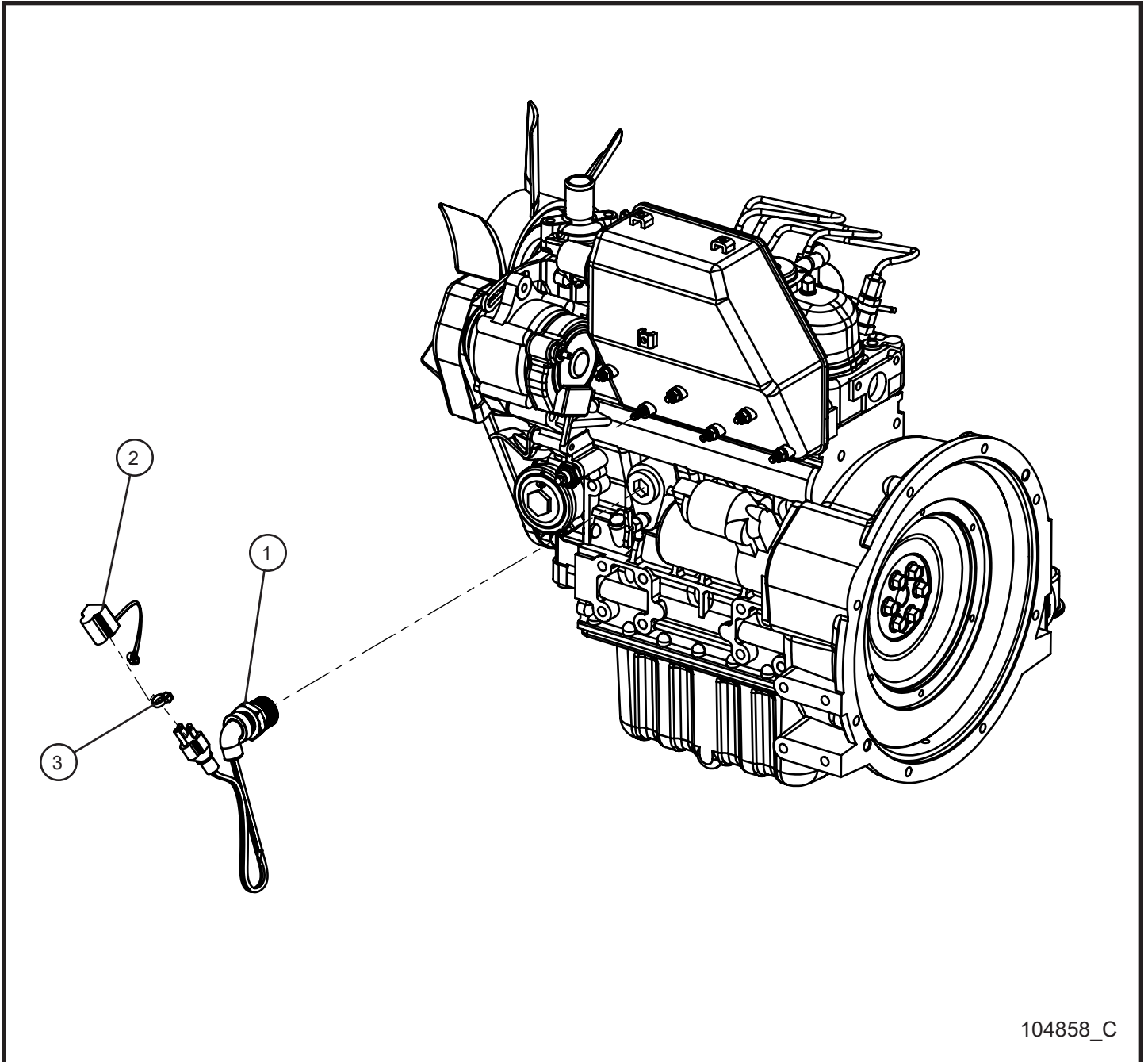
9.4 - Kubota D1005/1105 Fuel Lines

Item	Part No.	Part Description	Qty.
1	103331	FUEL PUMP	1
2	920745	FUEL FILTER	1
3	433400	#4 HOSE CLAMP	4
4	081018	HOSE 5/16 BLACK FUEL LINE X 40.00	1
5	081016	HOSE 1/4 BLACK FUEL LINE X 24.00	1

NS - Not Shown

* * * - Contact Allmand for more information.

9.5 - Kubota D1005/1105 Block Heater



NIGHT-LITE PRO II®

SN 07-003127 and UP
SN 08-005619 and UP

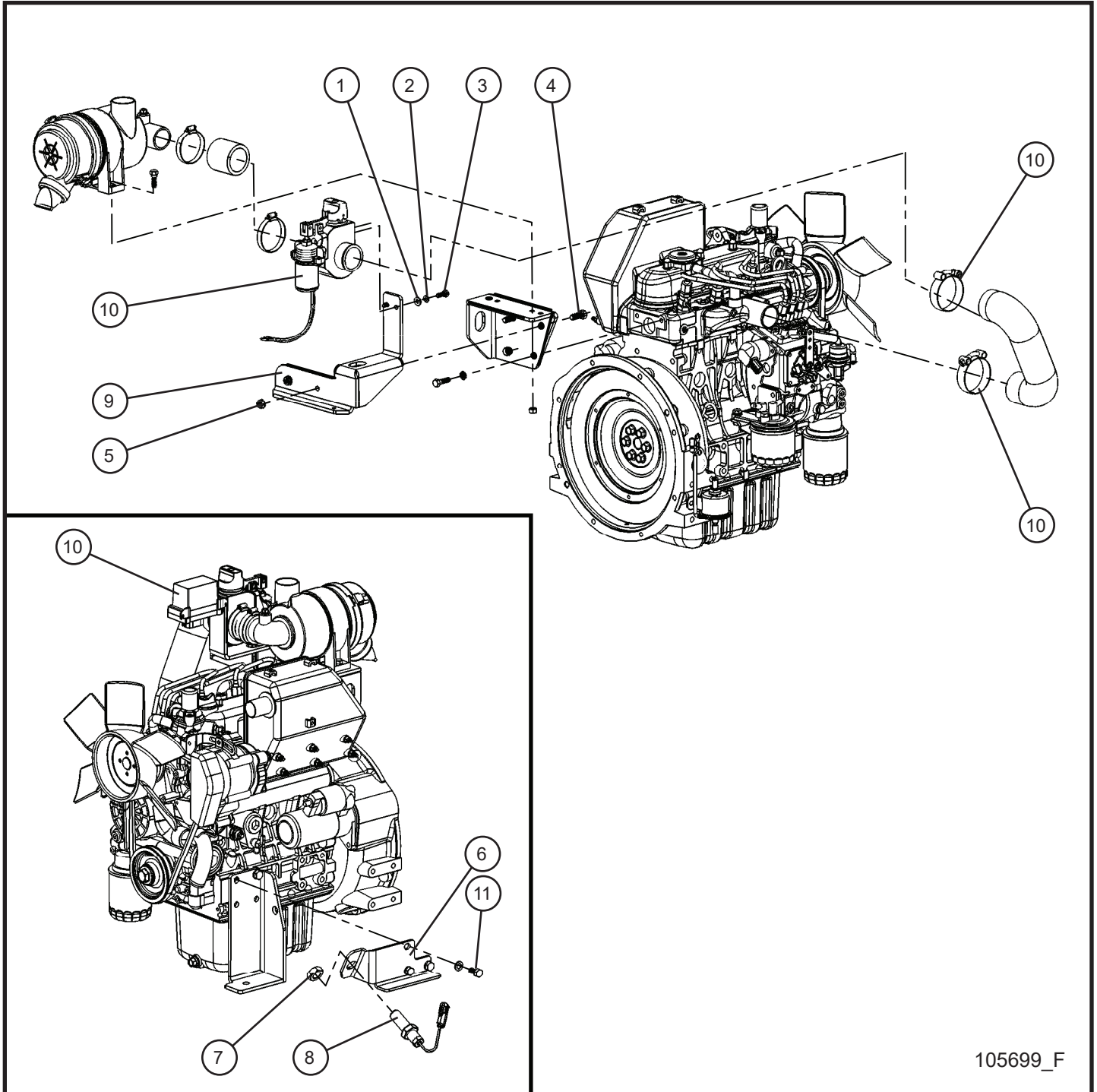
9.5 - Kubota D1005/1105 Block Heater

Item	Part No.	Part Description	Qty.
1	352373	KUBOTA D1005/D1105 BLOCK HEATER	1
2	105995	END COVER 120V CORD	1
3	068090	CABLE TIE 8"	1

NS - Not Shown

* * * - Contact Allmand for more information.

9.6 - Kubota D1005/1105 Shocker Group (1 of 2)



105699_F

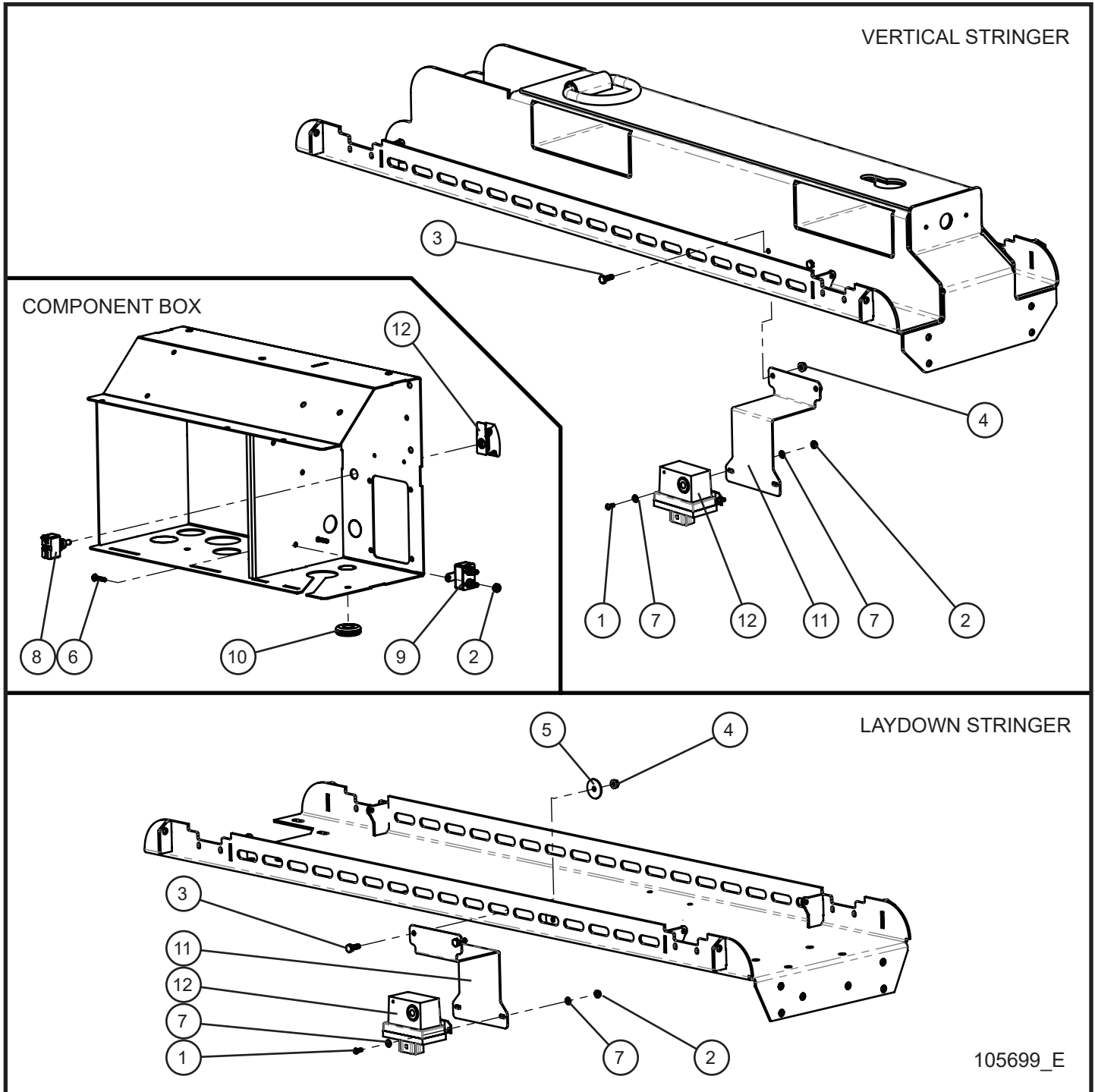
NIGHT-LITE PRO II®

SN 07-003127 and UP
SN 08-005619 and UP

9.6 - Kubota D1005/1105 Shocker Group (1 of 2)

Item	Part No.	Part Description	Qty.
1	047005	1/4 FLAT WASHER PL	2
2	043020	1/4 SPLITLOCK WASHER	2
3	102573	1/4-20 x 3/4 HEX HEAD CS GR5 ZINC	2
4	046110	3/8-16 x 1 HEX HEAD CS GR5 PL	2
5	044036	3/8-16 KEPS HEX NUT PL	2
6	106003P	MAG SENSOR KUBOTA BRACKET	1
7	044059	3/4-16 JAM NUT	1
8	105537	MAGNETIC SENSOR 3/4 x 16 WITH PLUG	1
9	105801P	MOUNT SHOCKER VALVE	1
10	105705	SHOCKER 2" VALVE KIT	1
11	102130	10MM x 1.25MM x 25MM HEX HEAD BOLT	1
NS	106156	SCHEMATIC SHOCKER VALVE HARNESS	1
NS	105802	HARNESS SHOCKER VALVE	1
NS	105702	SHOCKER SETUP INSTRUCTIONS	1

9.6 - Kubota D1005/1105 Shocker Group (2 of 2)



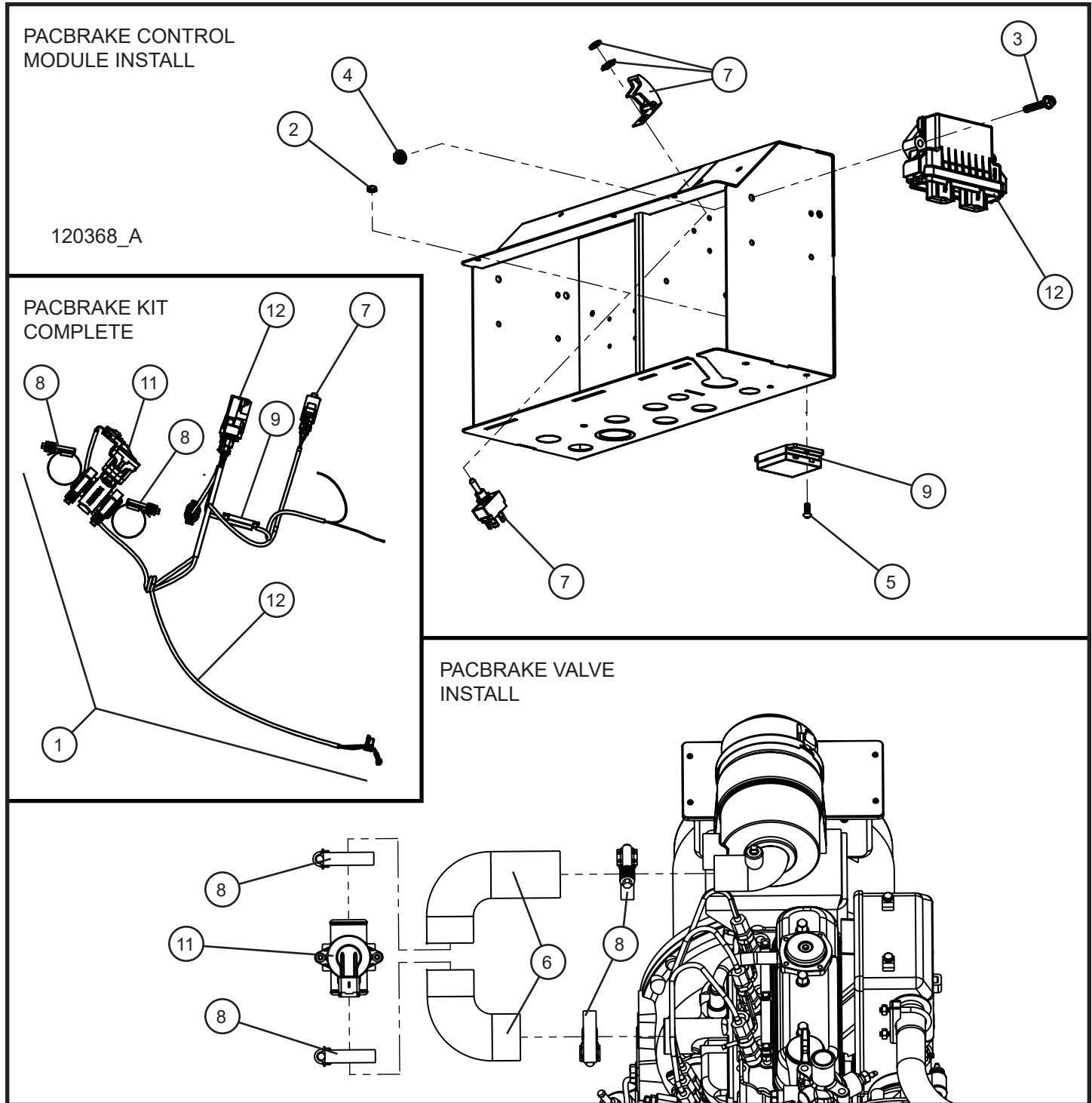
NIGHT-LITE PRO II®

SN 07-003127 and UP
SN 08-005619 and UP

9.6 - Kubota D1005/1105 Shocker Group (2 of 2)

Item	Part No.	Part Description	Qty.
1	041012	#8-32 x 1/2 SCREW MS PL	4
2	044003	#8-32 NC KEPS NUT	4
3	046010	1/4-20 x 3/4 HEX HEAD CS GR5 SS	2
4	044021	1/4-20 KEPS HEX NUT PL	2
5	047007	1/4 x 1 1/4 x .056 FENDER WASHER (LAYDOWN ONLY)	2
6	041201	#8-32 x 3/4 SL-ROUND HEAD MS PL	2
7	047004	#8 FLAT WASHER SAE ZC	8
8	340009	SWITCH 15A 125V	1
9	105636	20 AMP BREAKER	1
10	100859	7/8 ID x 1 1/4 OD GROMMET	1
11	105803P	MOUNT SHOCKER CONTROL	1
12	105705	SHOCKER 2" VALVE KIT	1

9.7 - Kubota D1005/1105 PacBrake Group



NIGHT-LITE PRO II®

SN 07-003127 and UP
SN 08-005619 and UP

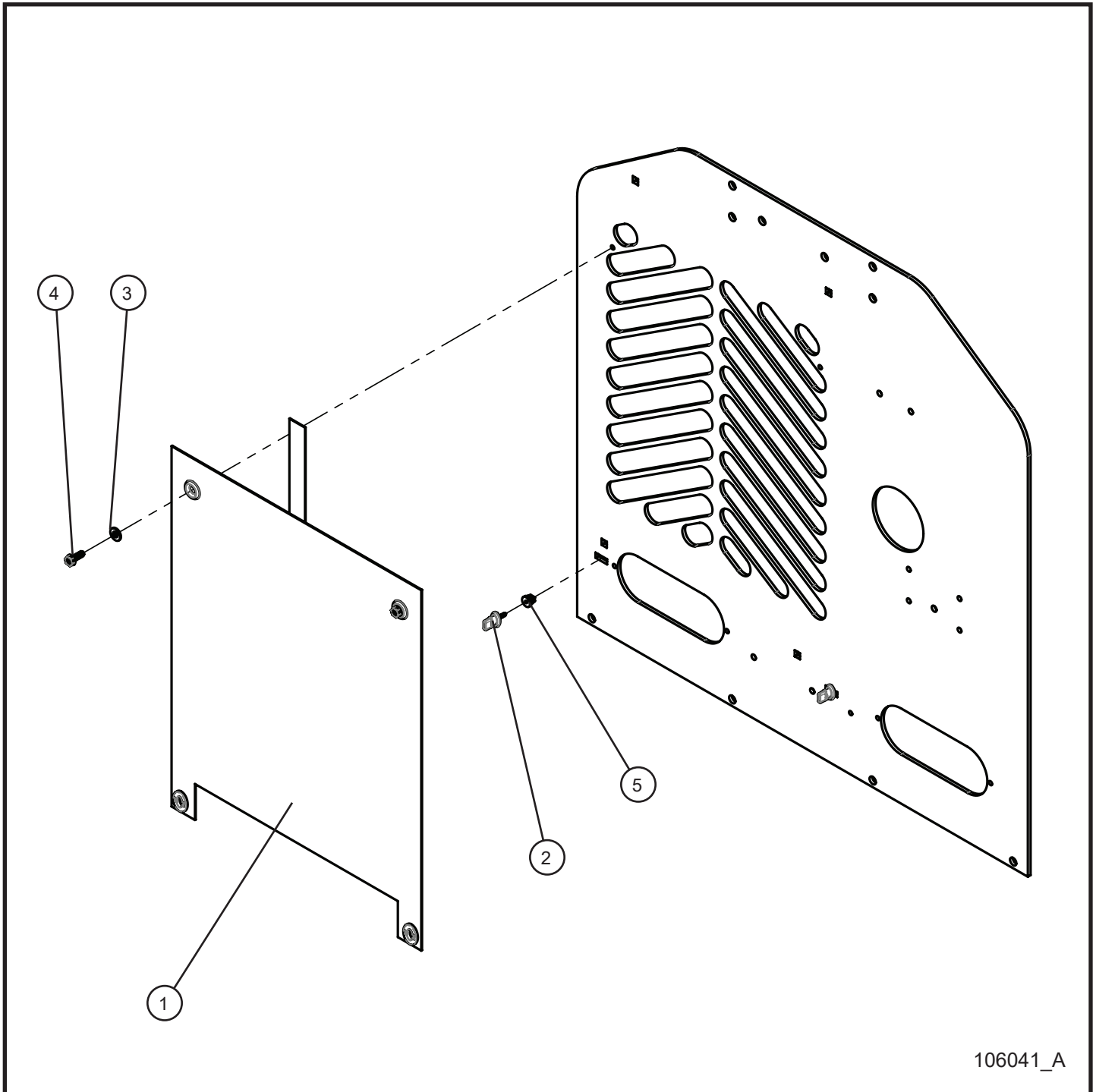
9.7 - Kubota D1005/1105 PacBrake Group

Item	Part No.	Part Description	Qty.
1	118632	PACBRAKE 1.75" AIR INTAKE VALVE KIT COMPLETE NL PRO II	1
2	044003	#8-32 NC KEPS NUT	2
3	056012	1/4-20 x 1 1/2 SERRATED FLANGE HEX HEAD SCREW	2
4	057000	1/4-20 HEX SERRATED FLANGE NUT	2
5	041012	#8-32 X 1/2 PL SCREW MS	2
6	101734	AIR INTAKE HOSE SMALL ENGINES	1
7	122739	PACBRAKE TOGGLE SWITCH KIT	1
8	122737	PACBRAKE SAE 262 BAND CLAMP	4
9	122733	PACBRAKE AC FREQUENCY WIRE HARNESS NL PRO II	1
10	122734	PACBRAKE DC WIRE HARNESS NL PRO II	1
11	122735	PACBRAKE 1.75" AIR INTAKE VALVE	1
12	122736	PACBRAKE AIR INTAKE VALVE CONTROL MODULE	1
NS	103864	FUSE HOLDER INLINE BLADE	1
NS	104990	FUSE BLADE 2 AMP ATO/ATC	1
NS	105844	15 AMP MINI FUSE	1
NS	117814	WIRE SCHEMATIC PACBRAKE AIR VALVE	1

NS - Not Shown

* * * - Contact Allmand for more information.

9.8 - Kubota D1005/1105 Cold Front



106041_A

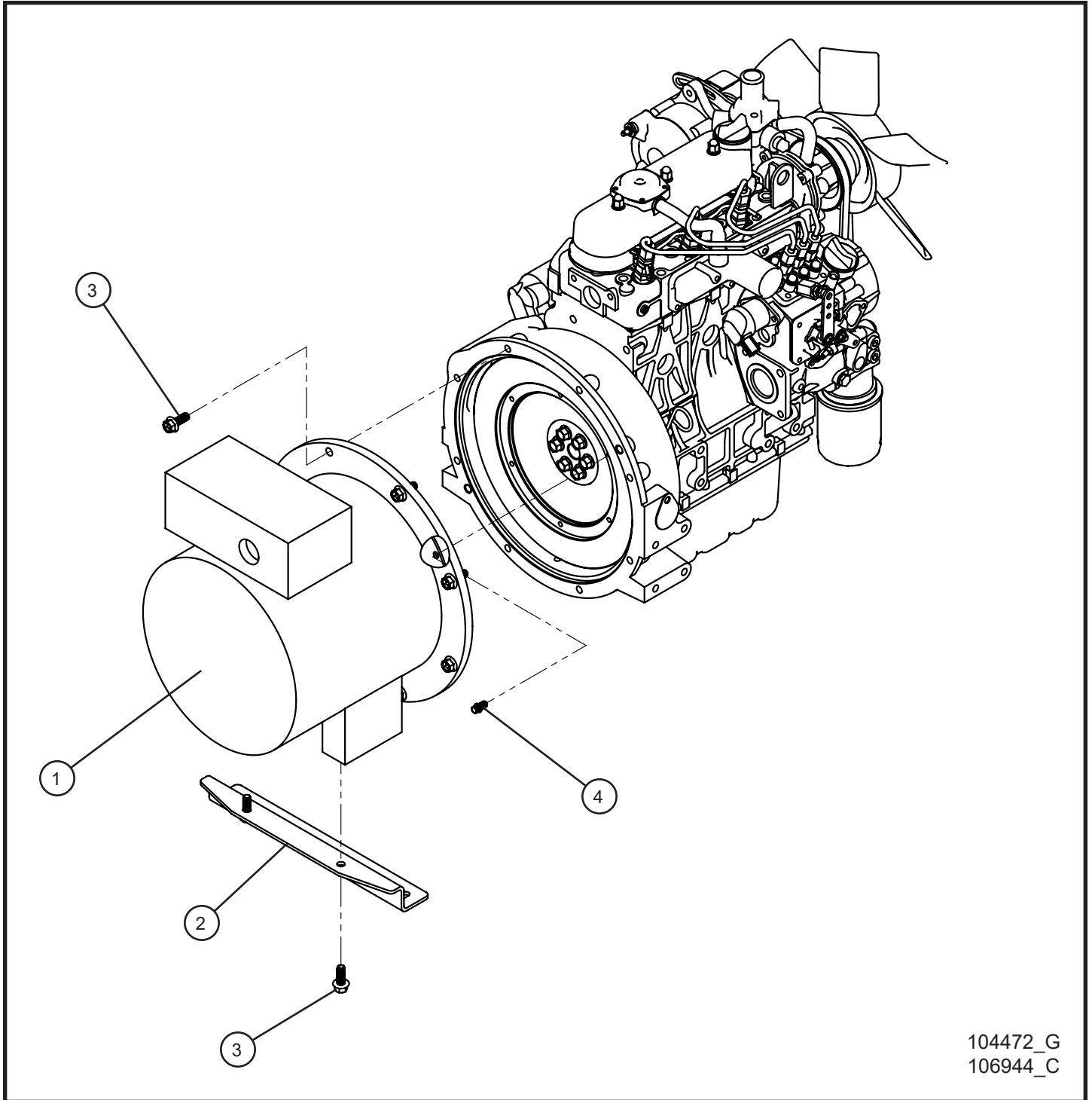
NIGHT-LITE PRO II®

SN 07-003127 and UP
SN 08-005619 and UP

9.8 - Kubota D1005/1105 Cold Front

Item	Part No.	Part Description	Qty.
--	106041	COLD FRONT KIT KUBOTA	1
1	106038	COLD FRONT KUBOTA	1
2	106056	TURN BUTTON QUARTER TURNS	2
3	047005	1/4 FLAT WASHER PL	2
4	041070	1/4-20 x 3/4 SL-HEX WASHER HEAD MS TP F	2
5	106052	NYLON NUT	2

10.1 - Marathon 6/8kW 50/60Hz Generator



NIGHT-LITE PRO II®

SN 07-003127 and UP
SN 08-005619 and UP

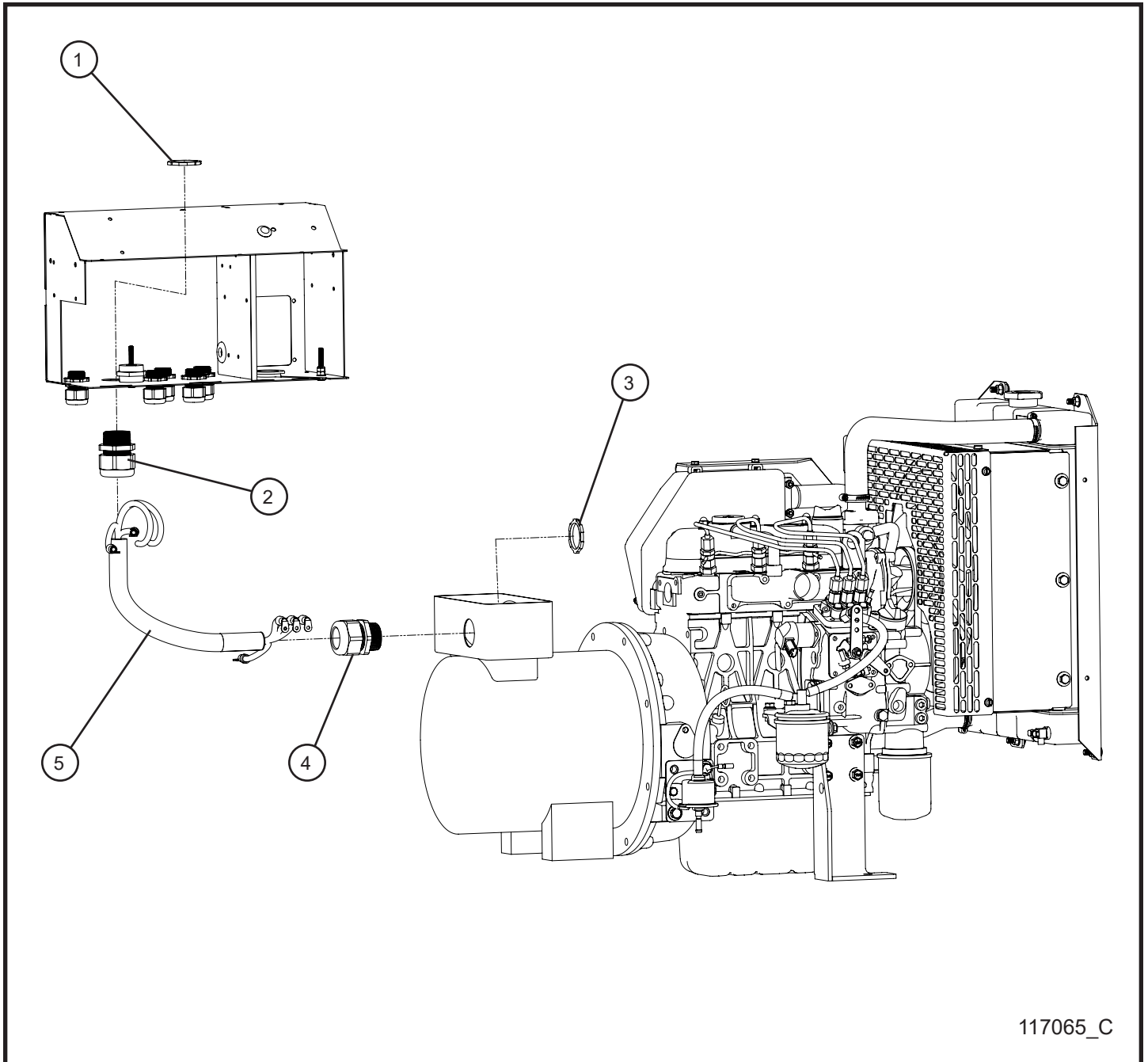
10.1 - Marathon 6/8kW 50/60Hz Generator

Item	Part No.	Part Description	Qty.
1	106920	GENERATOR 50Hz MARATHON 6kW 201 SERIES SAE 5/6.5	1
	101075	GENERATOR 60Hz MARATHON 8kW 201 SERIES SAE 5/6.5	1
2	651012P	BRACKET GEN MOUNT MARATHON 201 SERIES	1
3	056037	3/8-16 X 1 HEX FLANGE SCREW WITH BLUE THREAD LOCK	10
4	046500	5/16-18 X 1/2 12 PT FLANGE SCREW WITH RED THREAD LOCK	6

NS - Not Shown

* * * - Contact Allmand for more information.

10.2 - Marathon 10/4 Generator Cord



NIGHT-LITE PRO II®

SN 07-003127 and UP
SN 08-005619 and UP

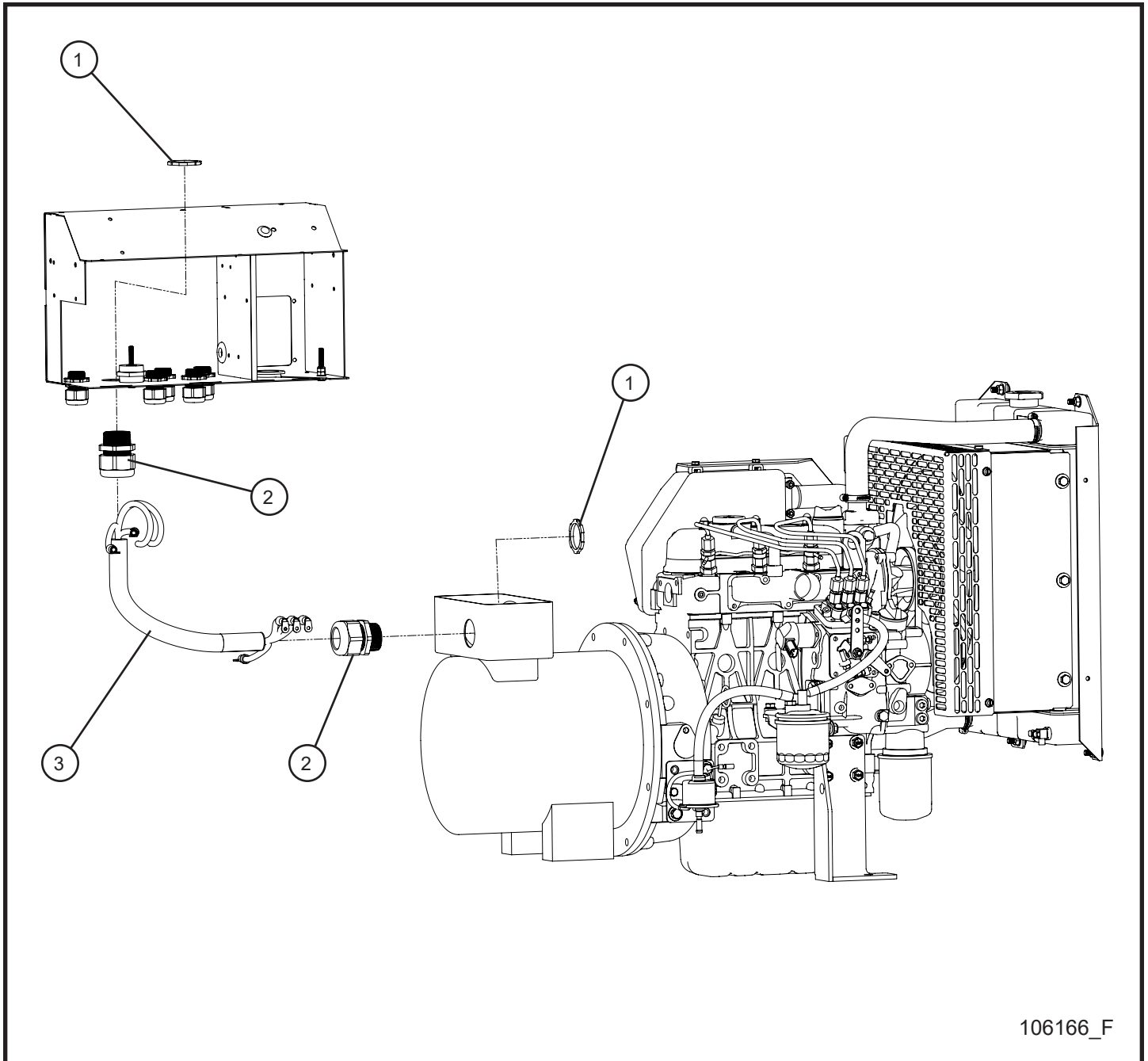
10.2 - Marathon 10/4 Generator Cord

Item	Part No.	Part Description	Qty.
1	022038	1" CORD GRIP NUT	1
2	105627	1" CORD GRIP	1
3	022036	3/4" CORD GRIP NUT	1
4	105916	3/4" CORD GRIP	1
5	114089	10/4 GEN CORD	1
NS	123224	M5 - 0.8 X 12MM HEX HEAD FLANGE BOLT	3
NS	123226	M5 EXTERNAL TOOTH LOCK WASHER	3
NS	108909	SCHEMATIC 10/4 GEN CORD 50/60Hz 6/8kW	1

NS - Not Shown

* * * - Contact Allmand for more information.

10.3 - Marathon 6/4 Generator Cord



NIGHT-LITE PRO II®

SN 07-003127 and UP
SN 08-005619 and UP

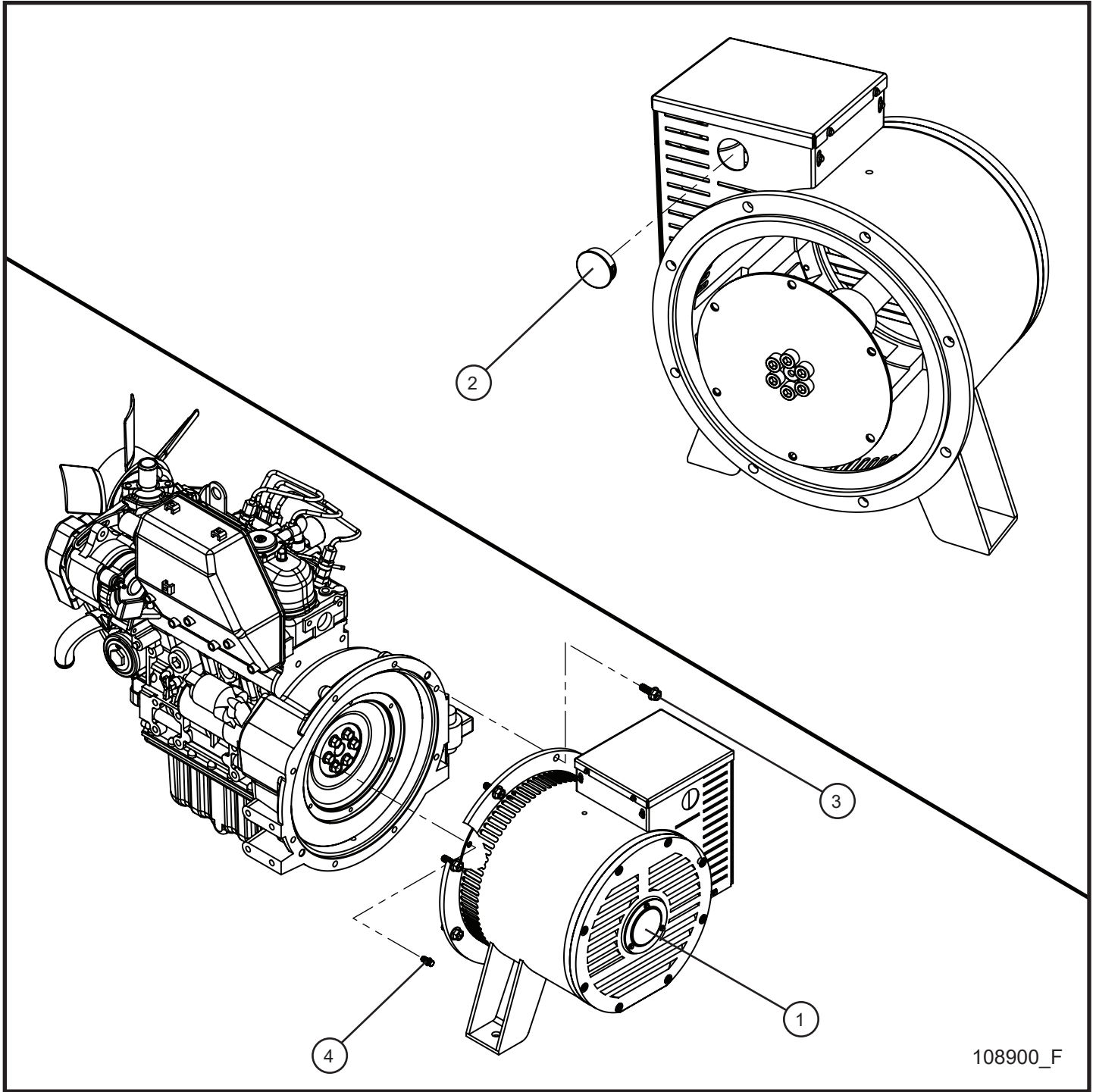
10.3 - Marathon 6/4 Generator Cord

Item	Part No.	Part Description	Qty.
1	350363	1 1/4" CORD GRIP NUT	2
2	105628	1 1/4" CORD GRIP	2
3	650295	GEN CORD 6/4 CSA	1
NS	123224	M5 - 0.8 X 12MM HEX HEAD FLANGE BOLT	3
NS	123226	M5 EXTERNAL TOOTH LOCK WASHER	3
NS	105269	SCHEMATIC 6/4 GEN CORD	1

NS - Not Shown

* * * - Contact Allmand for more information.

10.4 - Coliseum 6/8kW 50/60Hz Generator



108900_F

NIGHT-LITE PRO II®

SN 07-003127 and UP
SN 08-005619 and UP

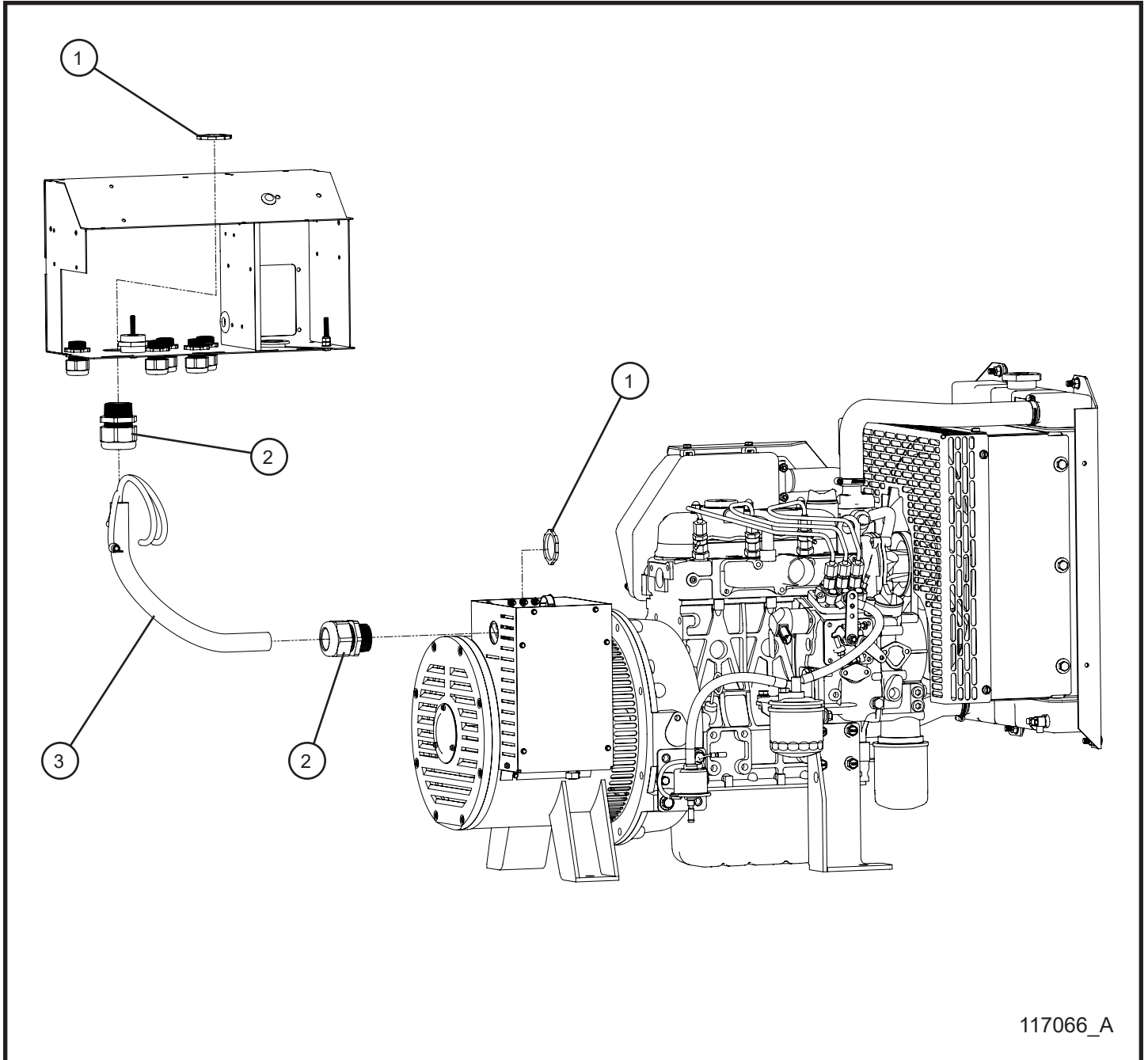
10.4 - Coliseum 6/8kW 50/60Hz Generator

Item	Part No.	Part Description	Qty.
1	108858	GENERATOR 50/60Hz COLISEUM 6/8kW CAP TYPE SAE 5/6.5	1
2	108911	LOCKING DOME PLUG 1.375 IN.	1
3	056037	3/8-16 X 1 HEX FLANGE SCREW WITH BLUE THREAD LOCK	8
4	046500	5/16-18 X 1/2 12 PT FLANGE SCREW WITH RED THREAD LOCK	6

NS - Not Shown

* * * - Contact Allmand for more information.

10.5 - Coliseum 10/4 Generator Cord



NIGHT-LITE PRO II®

SN 07-003127 and UP
SN 08-005619 and UP

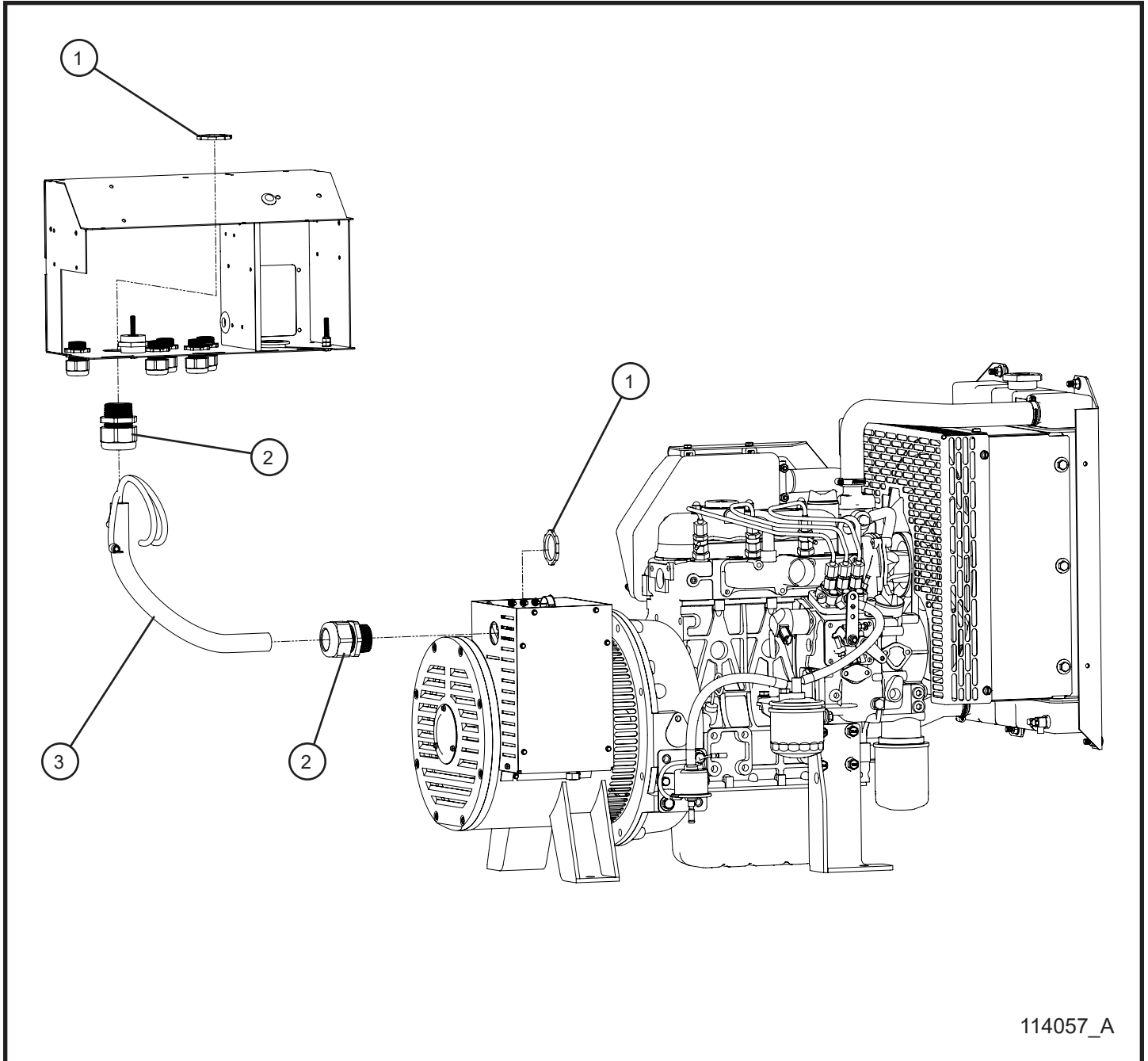
10.5 - Coliseum 10/4 Generator Cord

Item	Part No.	Part Description	Qty.
1	022038	1" CORD GRIP NUT	2
2	105627	1" CORD GRIP	2
3	114089	10/4 GEN CORD	1
NS	108909	SCHEMATIC 10/4 GEN CORD 50/60Hz 6/8kW	1

NS - Not Shown

* * * - Contact Allmand for more information.

10.6 - Coliseum 6/4 Generator Cord



NIGHT-LITE PRO II®

SN 07-003127 and UP
SN 08-005619 and UP

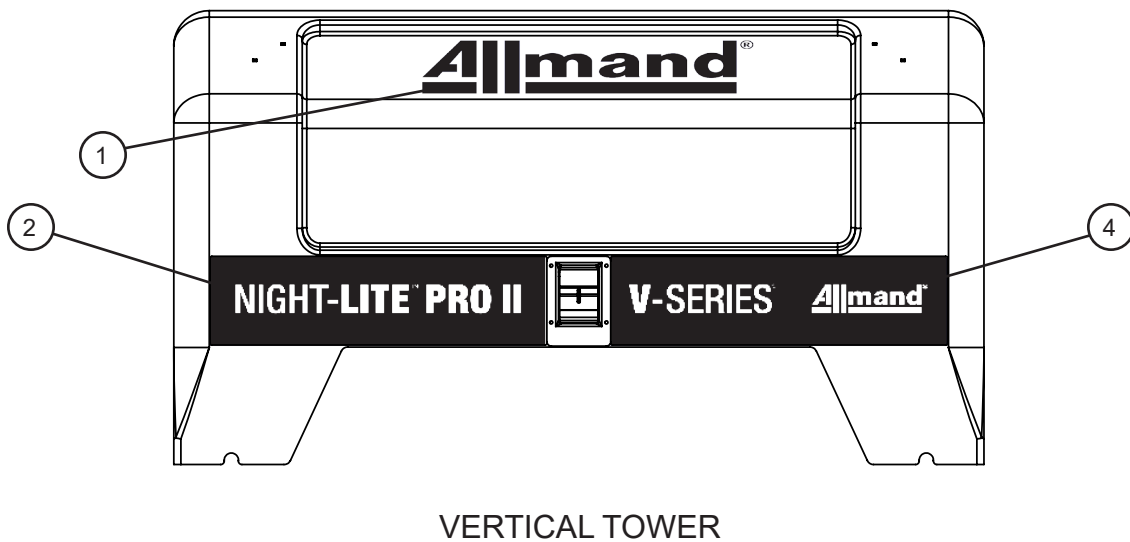
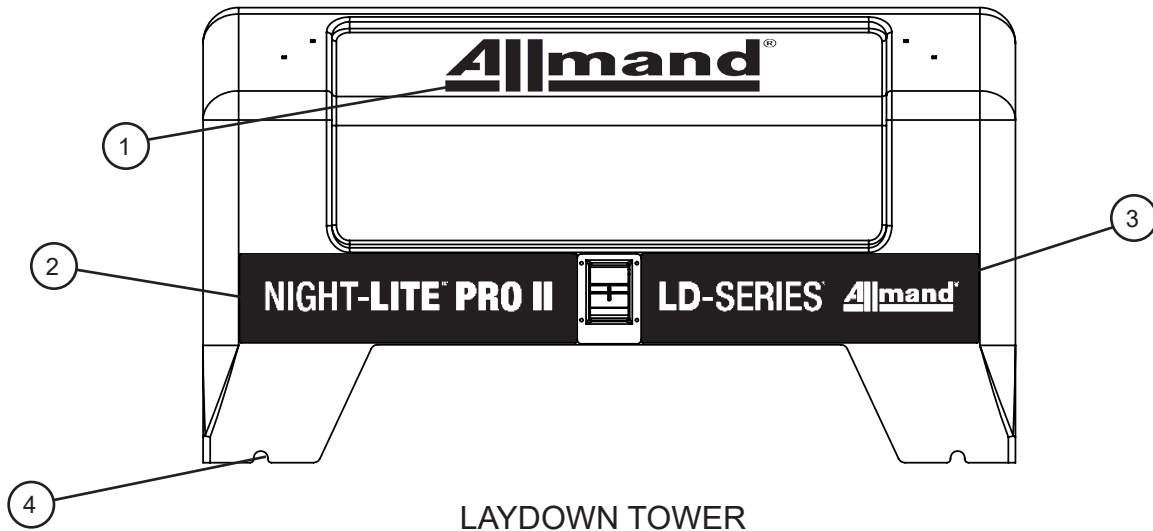
10.6 - Coliseum 6/4 Generator Cord

Item	Part No.	Part Description	Qty.
1	350363	1 1/4" CORD GRIP NUT	1
2	105628	1 1/4" CORD GRIP	1
3	650295	GEN CORD 6/4 CSA	1
NS	105269	SCHEMATIC 6/4 GEN CORD	1

NS - Not Shown

* * * - Contact Allmand for more information.

11.1 - Branding Decals



120311_B
120312_B
124373_A
124374_A






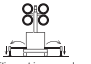


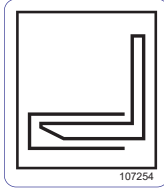
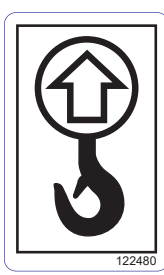
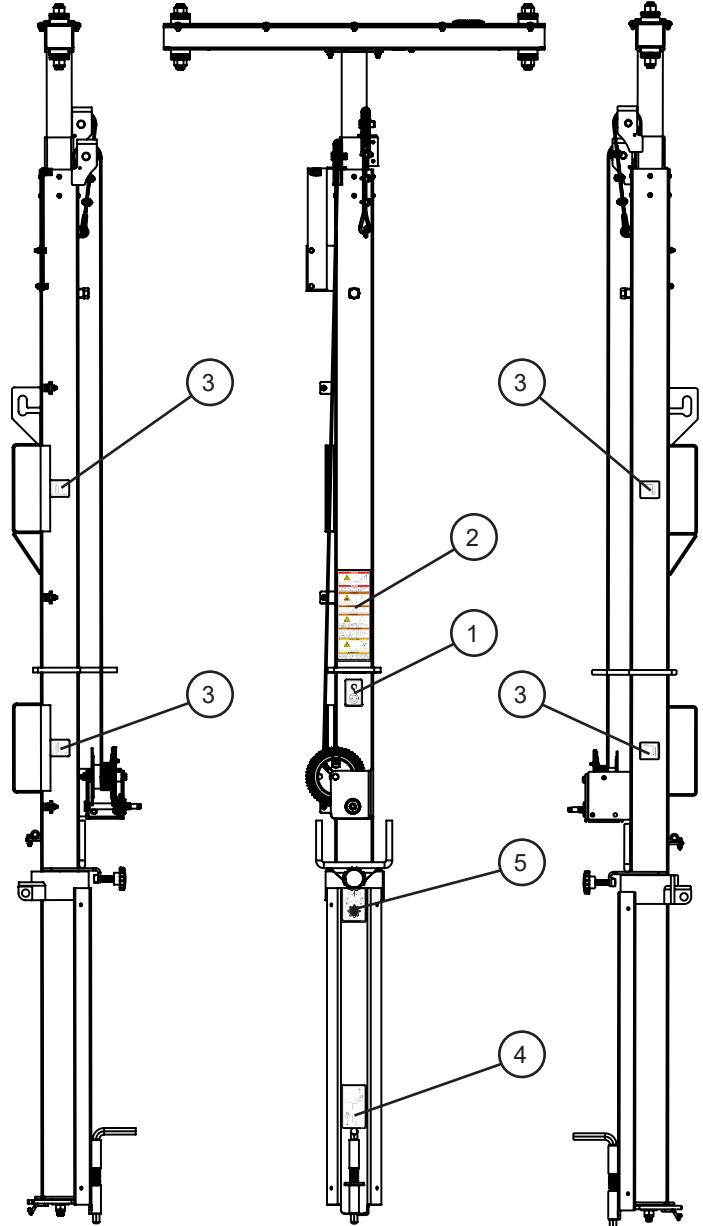
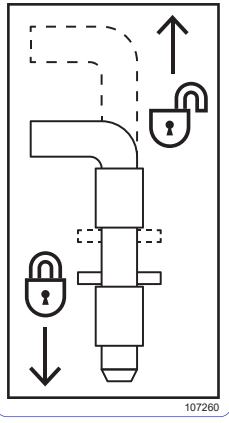
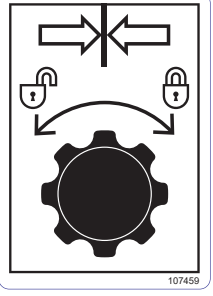
NIGHT-LITE PRO II®

SN 07-003127 and UP
SN 08-005619 and UP

11.1 - Branding Decals

Item	Part No.	Part Description	Qty.
1	118119	DECAL ALLMAND 23.3	2
	118425	DECAL BRANDING ALLMAND-R GOLD-WHITE 23.3 INCH	2
2	118317	DECAL NIGHT-LITE PRO II DOOR STRIPE	2
3	118319	DECAL LD-SERIES PRO II DOOR STRIPE	2
4	118318	DECAL V-SERIES PRO II DOOR STRIPE	2

11.2 - Laydown Tower Domestic Decals

<p>⚠ DANGER</p> <p> Contacting power lines when raising light tower will result in death or serious injury.</p> <p> Keep light tower far away from power lines.</p> <p>⚠ DANGER</p> <p>Le contact avec une ligne électrique lorsque la tour d'éclairage est levée entraînera des blessures graves ou la mort.</p> <p>Tenir la tour d'éclairage éloignée des lignes électriques.</p> <p>⚠ WARNING</p> <p> Failure to lock bottom mast latch before raising tower could allow tower to fall resulting in death or serious injury.</p> <p> Lock bottom mast latch before raising tower.</p> <p>⚠ AVERTISSEMENT</p> <p>L'omission de verrouiller le loquet inférieur du mât avant de soulever la tour pourrait la faire tomber et provoquer la mort ou des blessures graves.</p> <p>Verrouiller le loquet inférieur du mât avant de soulever la tour.</p> <p>⚠ WARNING</p> <p> Raising light tower prior to positioning outriggers and lowering jacks could cause machine rollover resulting in death or serious injury.</p> <p> Position outriggers and lower jacks on a stable surface before raising light tower.</p> <p>⚠ AVERTISSEMENT</p> <p>Le fait de soulever la tour d'éclairage avant de positionner correctement les longérons et sans baisser les vérins sur une surface stable avant de lever la tour d'éclairage.</p> <p>Il faut positionner les longérons et abaisser les vérins sur une surface stable avant de lever la tour d'éclairage.</p> <p>⚠ CAUTION</p> <p> Snow and ice could cause an uncontrolled condition in winch that could result in minor to moderate injury.</p> <p> Make sure pawl engages gear. Apply silicone to ratchet pawl and spacer.</p> <p>Assurez-vous que le cliquet embraye dans l'engrenage. Appliquez du silicone sur le cliquet et la buse d'espacement.</p> <p>122983</p>	<p> 107254</p> <p>3</p> <p> 122480</p> <p>1</p>	
<p>2</p> <p> 107260</p> <p>4</p>	<p> 107459</p> <p>5</p>	<p>RIGHT SIDE TOP SIDE LEFT SIDE</p>

120915_C


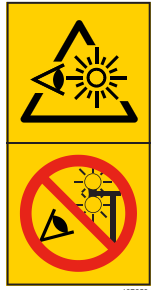
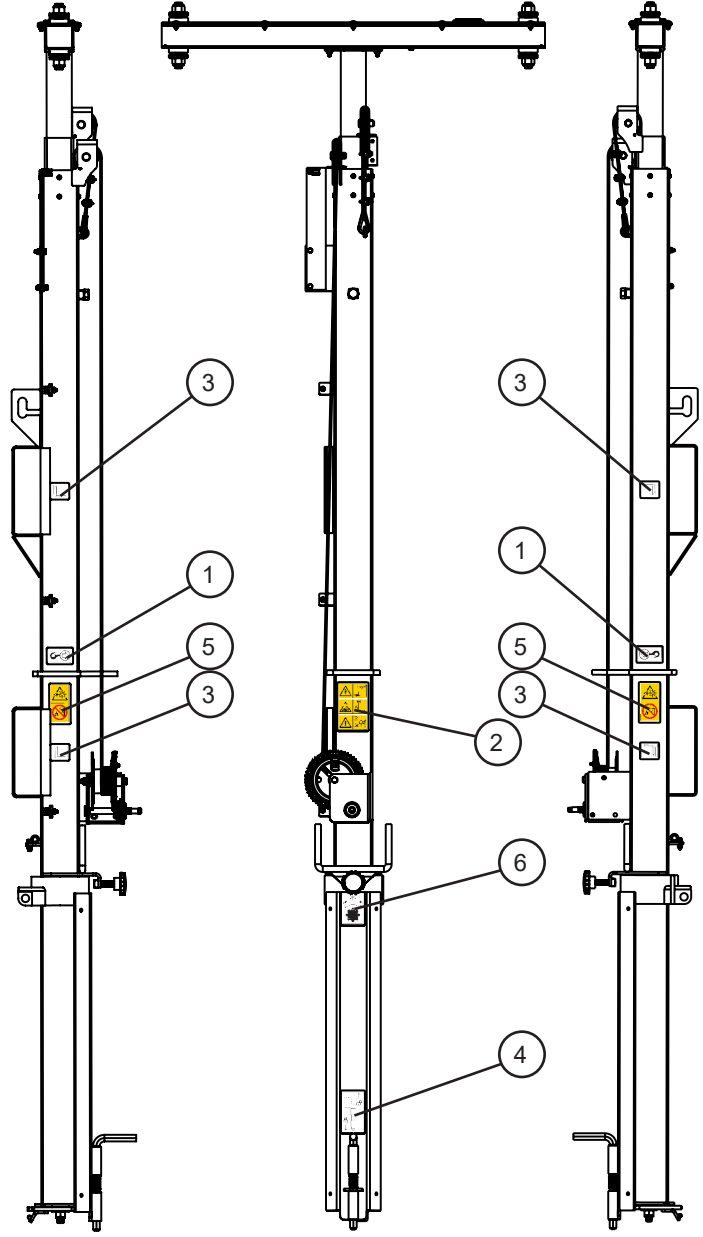
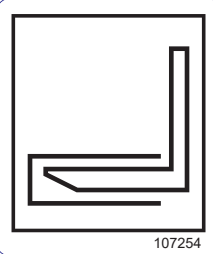
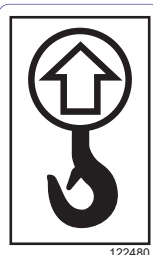
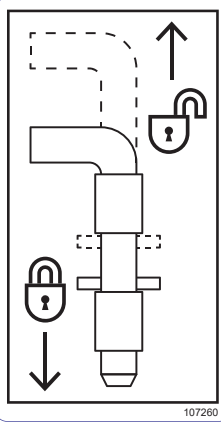
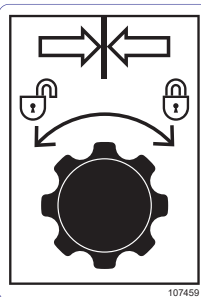
NIGHT-LITE PRO II®

SN 07-003127 and UP
SN 08-005619 and UP

11.2 - Laydown Tower Domestic Decals

Item	Part No.	Part Description	Qty.
1	122480	DECAL LIFT HOOK	1
2	122983	DECAL MULTIPLE WARNING LAYDOWN TOWER	1
3	107254	DECAL FORKLIFT WORDLESS	4
4	107260	DECAL LATCH MAST BOTTOM WORDLESS	1
5	107459	DECAL ALIGNMENT TOWER WORDLESS	1

11.3 - Laydown Tower Wordless Decals

 <p>107451</p> <p>2</p>	 <p>107259</p> <p>5</p>	 <p>RIGHT SIDE</p> <p>TOP SIDE</p> <p>LEFT SIDE</p>
 <p>107254</p> <p>3</p>	 <p>122480</p> <p>1</p>	
 <p>107260</p> <p>4</p>	 <p>107459</p> <p>6</p>	
<p>120915_C</p>		

NIGHT-LITE PRO II®


SN 07-003127 and UP
SN 08-005619 and UP

11.3 - Laydown Tower Wordless Decals


Item	Part No.	Part Description	Qty.
1	122480	DECAL LIFT HOOK	1
2	107451	DECAL TOWER LAYDOWN 3 PANEL WORDLESS	1
3	107254	DECAL FORKLIFT WORDLESS	4
4	107260	DECAL LATCH MAST BOTTOM WORDLESS	1
5	107259	DECAL WARNING ILLUMINATED LIGHT WORDLESS	2
6	107459	DECAL ALIGNMENT TOWER WORDLESS	1

11.4 - Laydown Tower Trailer Left Side Domestic Decals

⚠ DANGER



Contacting power lines when raising light tower will result in death or serious injury.




Keep light tower far away from power lines.

⚠ DANGER


Le contact avec une ligne électrique lorsque la tour d'éclairage est levée entraînera des blessures graves ou la mort.

Tenir la tour d'éclairage éloignée des lignes électriques.

⚠ WARNING



Failure to lock bottom mast latch before raising tower could allow tower to fall resulting in death or serious injury.




Lock bottom mast latch before raising tower.

⚠ AVERTISSEMENT

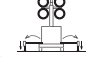
L'omission de verrouiller le loquet inférieur du mât avant de soulever la tour pourrait la faire tomber et provoquer la mort ou des blessures graves.

Verrouiller le loquet inférieur du mât avant de soulever la tour.

⚠ WARNING



Raising light tower prior to positioning outriggers and lowering jacks could cause machine rollover resulting in death or serious injury.




Position outriggers and lower jacks on a stable surface before raising light tower.

⚠ AVERTISSEMENT


Le fait de soulever la tour d'éclairage avant de positionner correctement les longérons et sans baisser les vérins pourrait entraîner le basculement de la machine et provoquer des blessures graves ou la mort.

Il faut positionner les longérons et abaisser les vérins sur une surface stable avant de lever la tour d'éclairage.

⚠ CAUTION



Snow and ice could cause an uncontrolled condition in which that could result in minor to moderate injury.



Make sure pawl engages gear. Apply silicone to ratchet pawl and spacer.

⚠ ATTENTION

La neige et la glace pourraient causer une condition incontrôlée du travail qui pourrait entraîner une blessure mineure à moyenne.

S'assurer que le cliquet embraye dans l'engrenage. Appliquez du silicone sur le cliquet et la bûte d'espacement.

122983

TIRE INFORMATION

The weight of cargo should never exceed 0 kg or 0 lbs.

TIRE	SIZE	COLD TIRE PRESSURE	SEE OWNER'S MANUAL FOR ADDITIONAL INFORMATION
FRONT	ST 175/80R13B	241kPa, 35PSI	
REAR	NONE	NONE	
SPARE	NONE	NONE	

111585

NOTICE

Neutral bonded to frame.

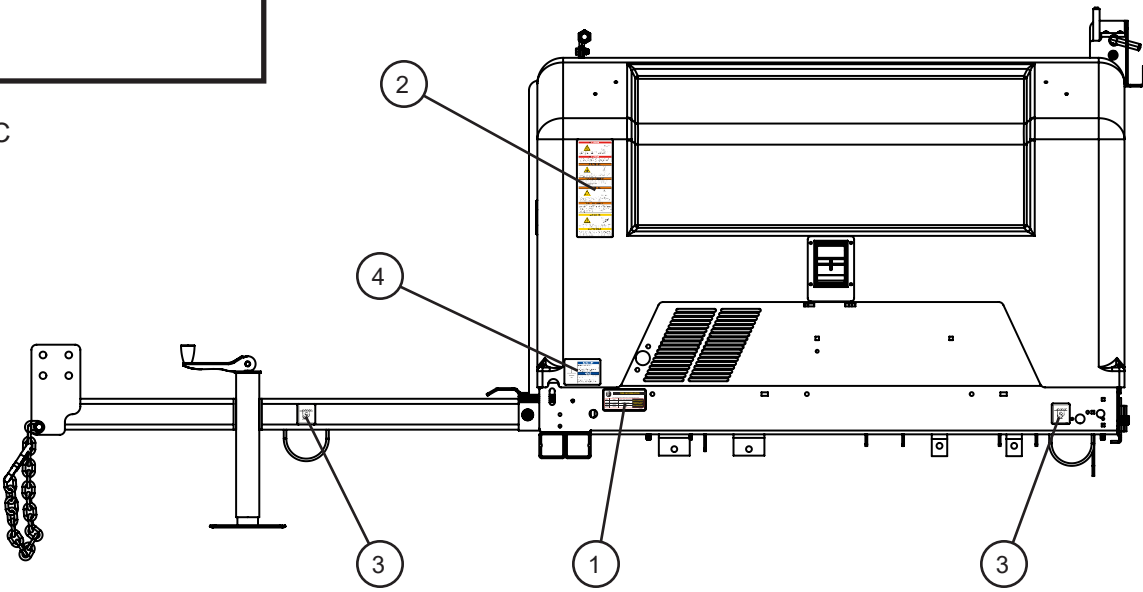
Machine to be grounded in accordance with requirements as outlined by local inspection authorities.

AVIS

Neutre mis à la masse à la carcasse du moteur.

L'appareil doit être mis à terre conformément aux exigences des services d'inspection locaux.

122470



120915_C

NIGHT-LITE PRO II®

SN 07-003127 and UP
SN 08-005619 and UP

11.4 - Laydown Tower Trailer Left Side Domestic Decals

Item	Part No.	Part Description	Qty.
1	111585	DECAL TIRE INFO ST175/80R13	1
2	122983	DECAL MULTIPLE WARNING LAYDOWN TOWER	1
3	109005	DECAL TIE DOWN WORDLESS	2
4	122470	DECAL NOTICE NEUTRAL BONDED & GROUNDED	1

11.5 - Laydown Tower Trailer Left Side Wordless Decals

107250

TIRE INFORMATION

The weight of cargo should never exceed 0 kg or 0 lbs.

TIRE	SIZE	COLD TIRE PRESSURE	SEE OWNER'S MANUAL FOR ADDITIONAL INFORMATION
FRONT	ST 175/80R13B	241kPa, 35PSI	
REAR	NONE	NONE	
SPARE	NONE	NONE	

111585

107969

112201_D

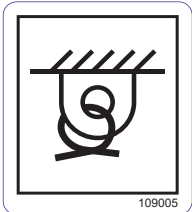
NIGHT-LITE PRO II®

SN 07-003127 and UP
SN 08-005619 and UP

11.5 - Laydown Tower Trailer Left Side Wordless Decals

Item	Part No.	Part Description	Qty.
1	111585	DECAL TIRE INFO ST175/80R13	1
2	107250	DECAL TOWER LAYDOWN 4 PANEL WORDLESS	1
3	109005	DECAL TIE DOWN WORDLESS	2
4	107969	DECAL GROUND WORDLESS	1

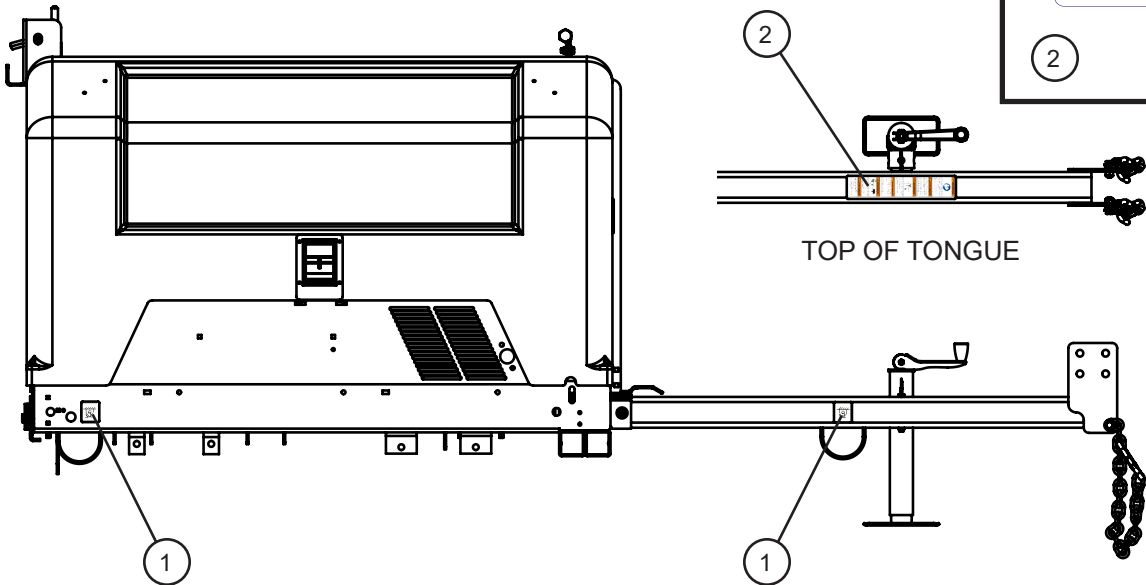
11.6 - Laydown Tower Trailer Right Side Domestic Decals



109005

1


120915_C



TOP OF TONGUE

2

⚠ WARNING




Failure to follow warnings, instructions, and operator's manual could result in death or serious injury.
Read and follow operator's manual before operating or servicing this equipment.

⚠ AVERTISSEMENT

L'omission de respecter les avertissements, les instructions et le manuel de l'utilisateur pourrait entraîner des blessures graves ou la mort.
Lire et suivre le manuel d'utilisation avant de faire fonctionner ou de faire l'entretien de cet équipement.

⚠ WARNING




Failure to lower tower into a secured position before towing could result in death or serious injury.
Lower tower to a secured position before towing.

⚠ AVERTISSEMENT

Ne pas abaisser la tour d'éclairage en position sécurisée au préalable peut provoquer la mort ou des blessures graves.
Abaisser la tour en position sécurisée avant le remorquage.

⚠ WARNING



Excessive towing speed could result in death or serious injury.
Do not exceed 65mph (105km/h) when towing trailer.

⚠ AVERTISSEMENT

Une vitesse de remorquage excessive pourrait entraîner la mort ou de graves blessures.
Ne pas dépasser 105 km/h (65 mi/h) lors du remorquage.

122463

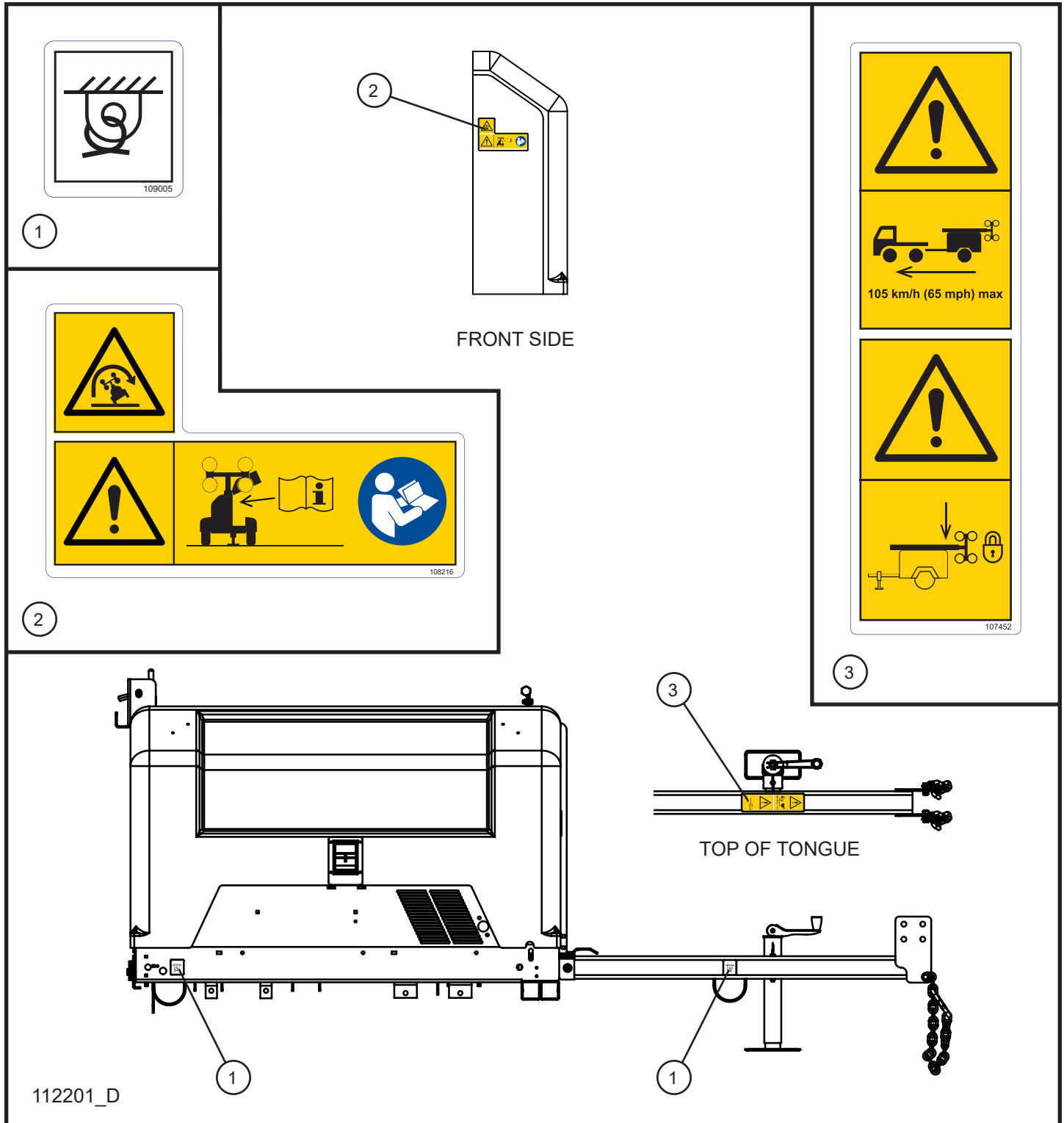
NIGHT-LITE PRO II®

SN 07-003127 and UP
SN 08-005619 and UP

11.6 - Laydown Tower Trailer Right Side Domestic Decals

Item	Part No.	Part Description	Qty.
1	109005	DECAL TIE DOWN WORDLESS	2
2	122463	LIGHT TOWER UNIVERSAL WARNING TONGUE DECAL	1

11.7 - Laydown Tower Trailer Right / Front Side Wordless Decals



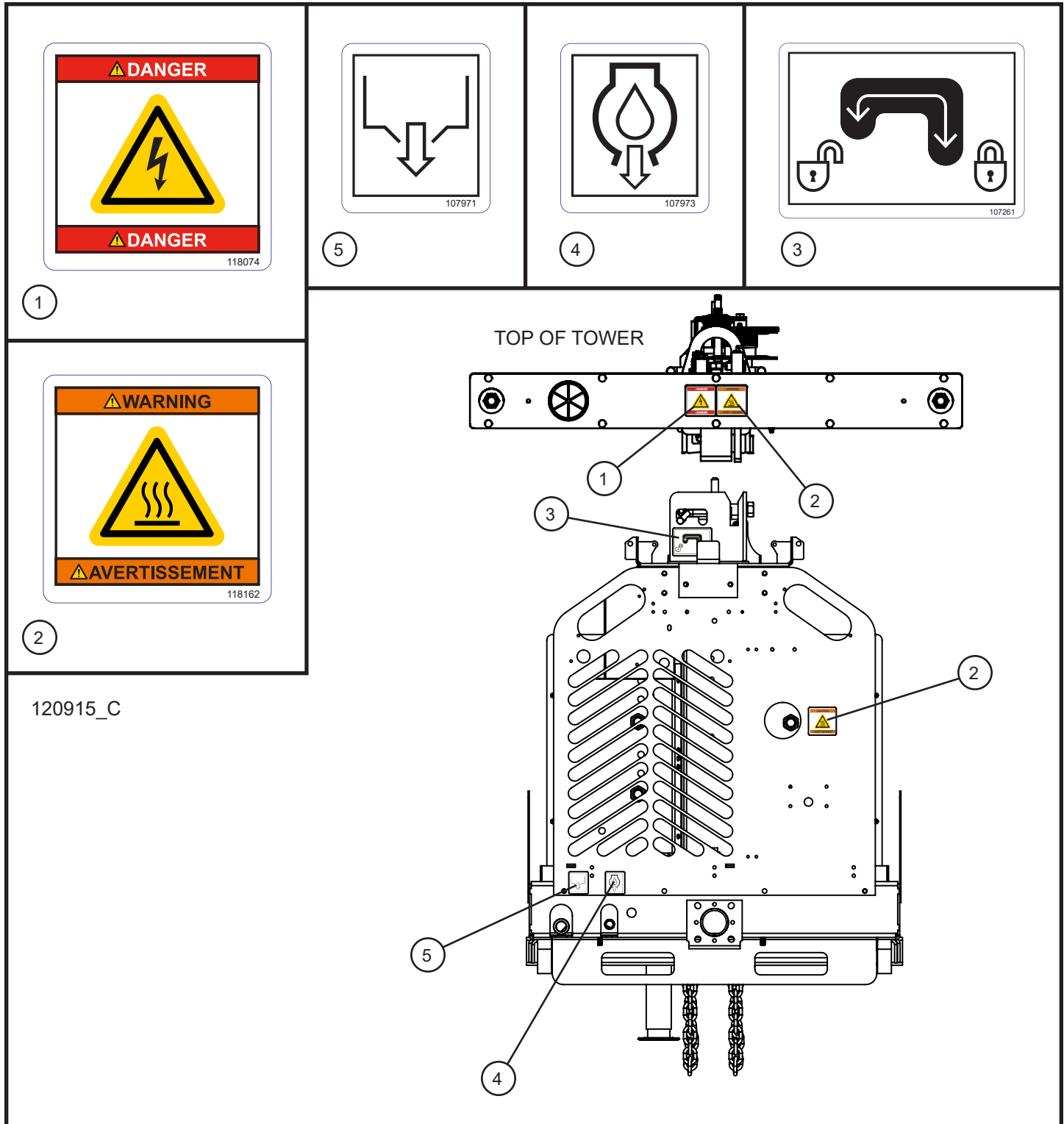
NIGHT-LITE PRO II®

SN 07-003127 and UP
SN 08-005619 and UP

11.7 - Laydown Tower Trailer Right / Front Side Wordless Decals

Item	Part No.	Part Description	Qty.
1	109005	DECAL TIE DOWN WORDLESS	2
2	108216	DECAL WARNING ROLLOVER WORDLESS	1
3	107452	DECAL WARNING TOWING LAYDOWN PRO II WORDLESS	1

11.8 - Laydown Tower Trailer Rear Side Domestic Decals



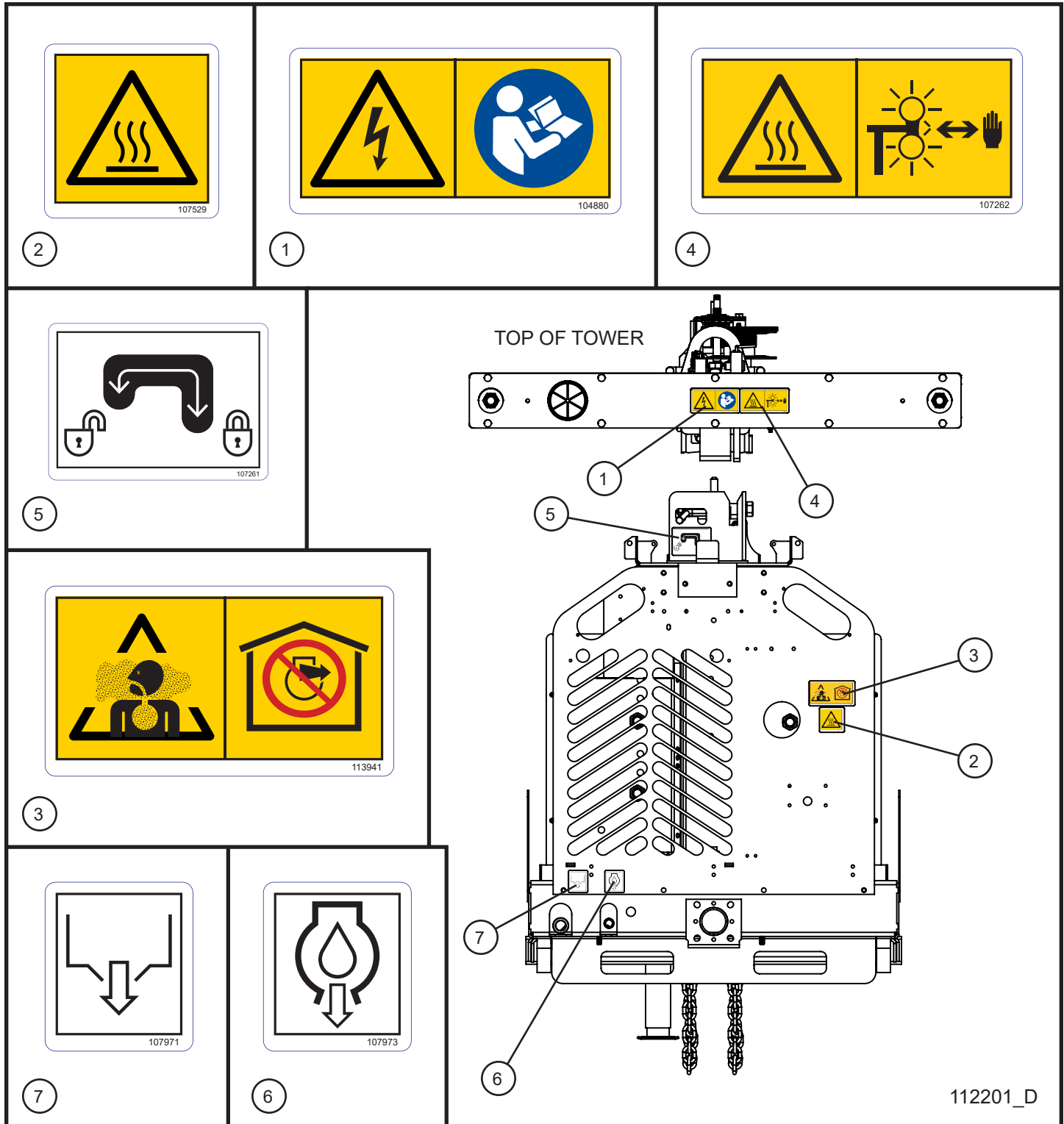
NIGHT-LITE PRO II®

SN 07-003127 and UP
SN 08-005619 and UP

11.8 - Laydown Tower Trailer Rear Side Domestic Decals

Item	Part No.	Part Description	Qty.
1	118074	DECAL BILINGUAL DANGER HAZARDOUS VOLTAGE VERTICAL	1
2	118162	DECAL WARNING HOT SURFACE ENGLISH & FRENCH	2
3	107261	DECAL LATCH MAST TOP WORDLESS	1
4	107973	OIL DRAIN DECAL	1
5	107971	DRAIN FLUID CONTAINMENT DECAL	1

11.9 - Laydown Tower Trailer Rear Side Wordless Decals



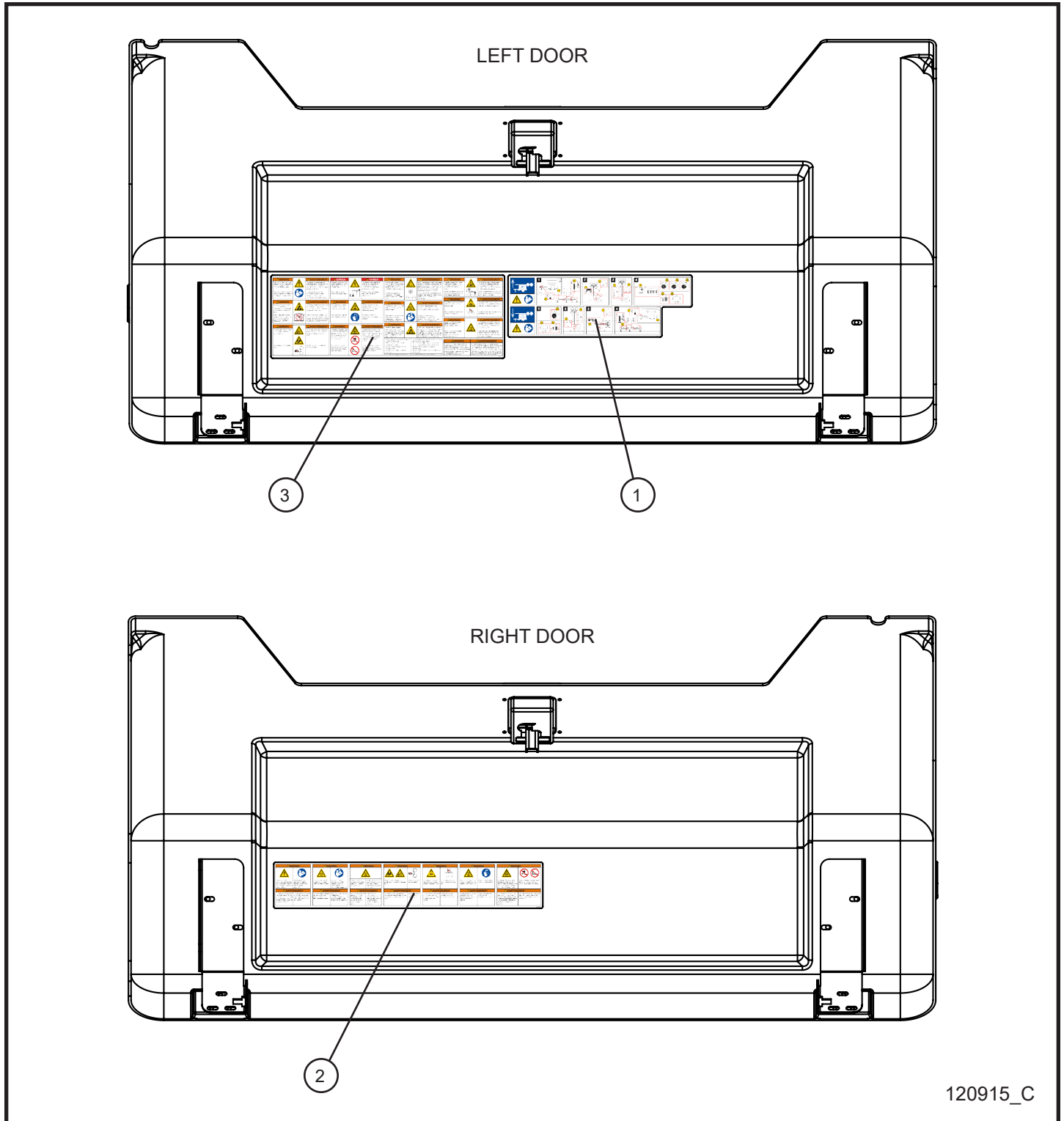
NIGHT-LITE PRO II®

SN 07-003127 and UP
SN 08-005619 and UP

11.9 - Laydown Tower Trailer Rear Side Wordless Decals

Item	Part No.	Part Description	Qty.
1	104880	DECAL WORDLESS HIGH VOLTAGE READ MANUAL	1
2	107529	DECAL WARNING HOT SURFACE WORDLESS	1
3	113941	DECAL EXHAUST WARNING WORDLESS	1
4	107262	DECAL WARNING FIXTURE LIGHT WORDLESS	1
5	107261	DECAL LATCH MAST TOP WORDLESS	1
6	107973	OIL DRAIN DECAL	1
7	107971	DRAIN FLUID CONTAINMENT DECAL	1

11.10 - Laydown Tower Trailer Door Interior Domestic Decals



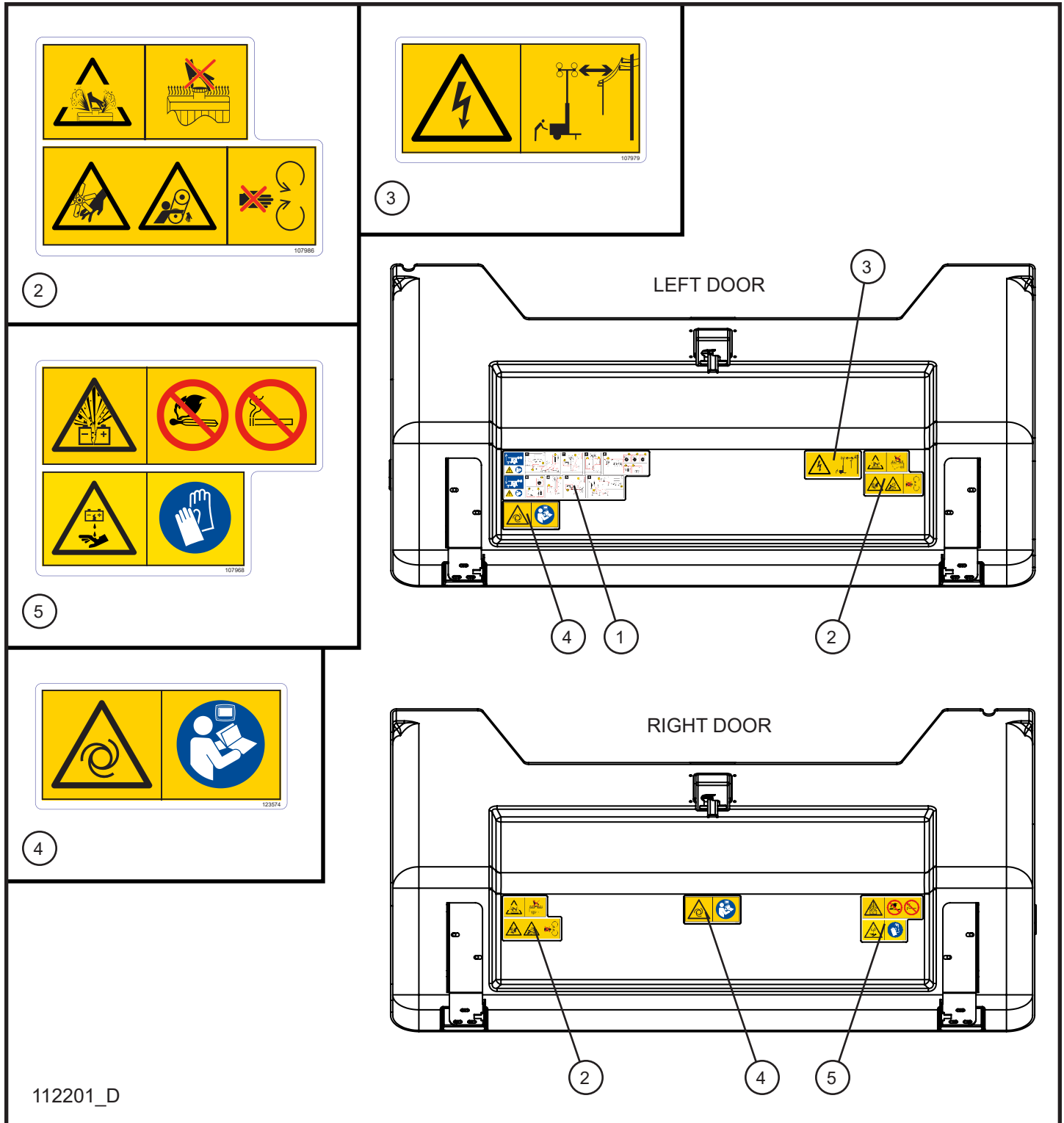
NIGHT-LITE PRO II®

SN 07-003127 and UP
SN 08-005619 and UP

11.10 - Laydown Tower Trailer Door Interior Domestic Decals

Item	Part No.	Part Description	Qty.
1	122984	START INSTRUCTIONS DECAL LAYDOWN TOWER	1
2	122467	DECAL MULTIPLE WARNINGS DOOR	1
3	122468	DECAL ENGINE AREA WARNINGS ENGLISH/FRENCH	1

11.11 - Laydown Tower Trailer Door Interior Wordless Decals



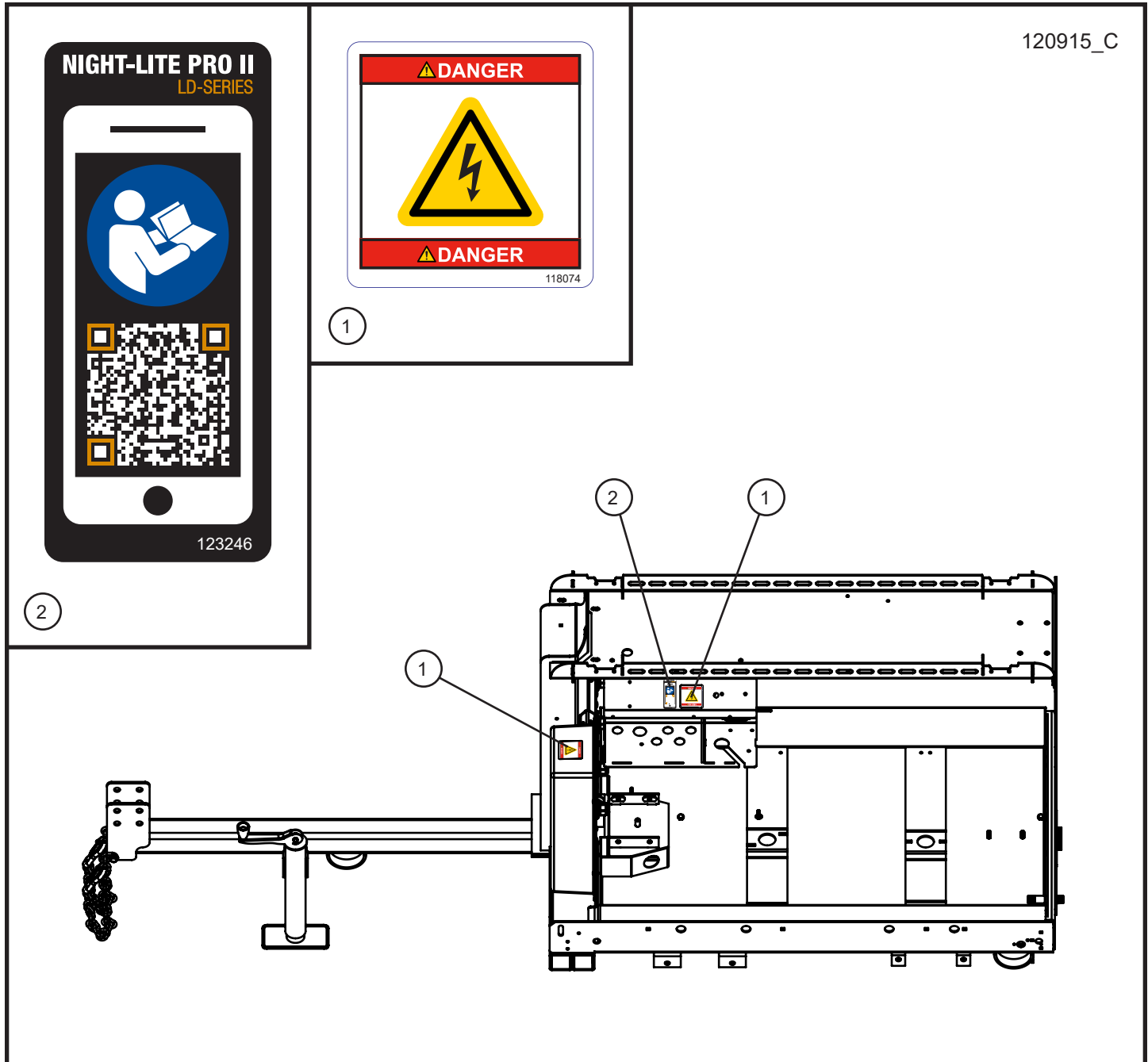
NIGHT-LITE PRO II®

SN 07-003127 and UP
SN 08-005619 and UP

11.11 - Laydown Tower Trailer Door Interior Wordless Decals

Item	Part No.	Part Description	Qty.
1	122984	START INSTRUCTIONS DECAL LAYDOWN TOWER	1
2	107986	DECAL ENTANGLEMENT AND HOT RADIATOR WORDLESS	2
3	107979	DECAL DANGER POWER LINE WORDLESS	1
4	123574	DECAL WARNING AUTOSTART WORDLESS	2
5	107968	DECAL WARNING BATTERY EXPLOSIVE WORDLESS	1

11.12 - Laydown Tower Trailer Interior Domestic Decals



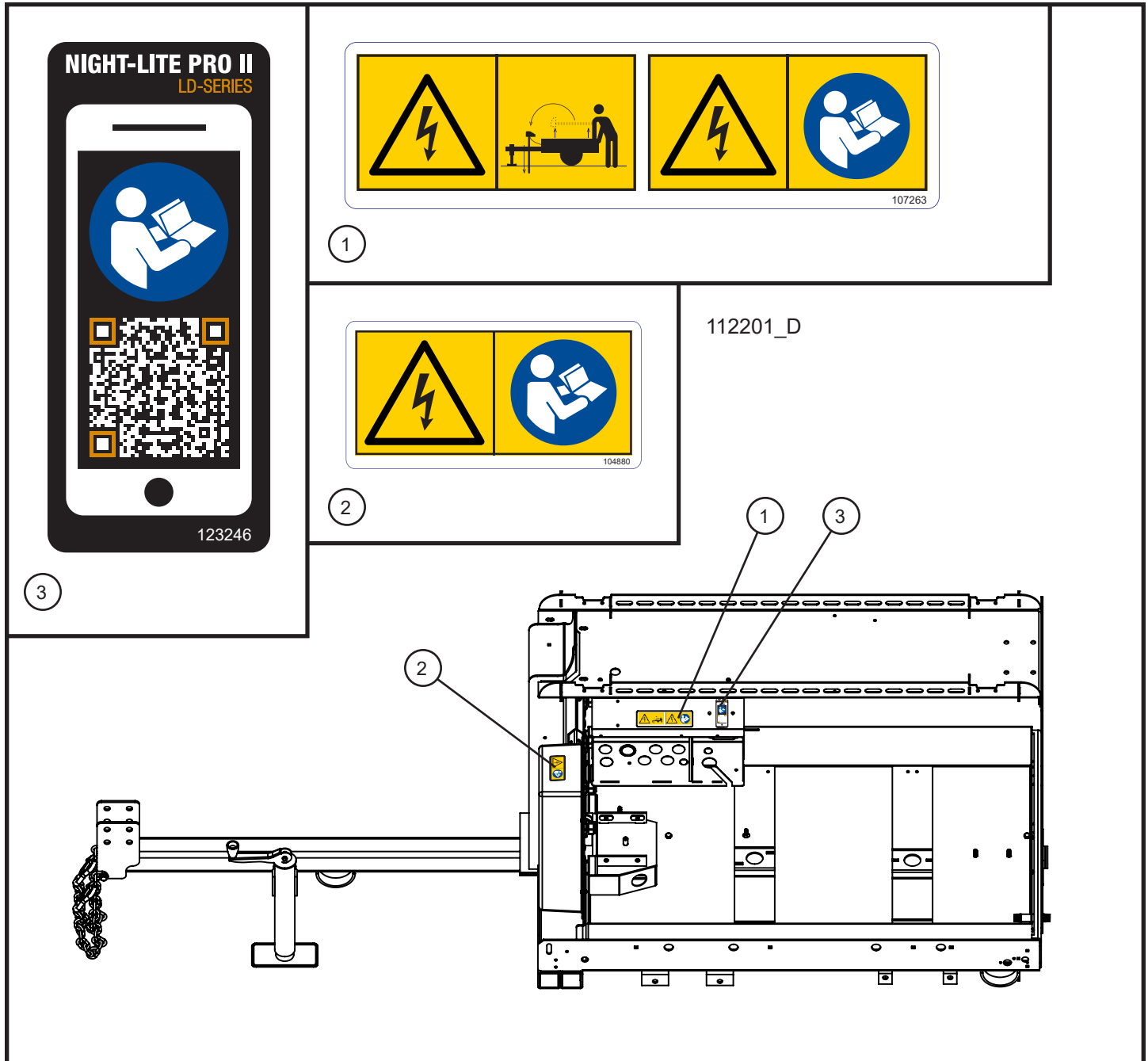
NIGHT-LITE PRO II®

SN 07-003127 and UP
SN 08-005619 and UP

11.12 - Laydown Tower Trailer Door Interior Wordless Decals

Item	Part No.	Part Description	Qty.
1	118074	DECAL BILINGUAL DANGER HAZARDOUS VOLTAGE VERTICAL	3
2	123246	DECAL QR CODE NL PRO II LD-SERIES	1

11.13 - Laydown Tower Trailer Interior Wordless Decals



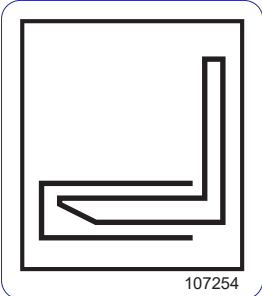
NIGHT-LITE PRO II®

SN 07-003127 and UP
SN 08-005619 and UP


11.13 - Laydown Tower Trailer Interior Wordless Decals

Item	Part No.	Part Description	Qty.
1	107263	DECAL WARNING GROUND ROD WORDLESS	1
2	104880	DECAL WORDLESS HIGH VOLTAGE READ MANUAL	2
3	123246	DECAL QR CODE NL PRO II LD-SERIES	1

11.14 - Vertical Tower Trailer Left Side Domestic Decals



107254




TIRE INFORMATION

The weight of cargo should never exceed 0 kg or 0 lbs.

TIRE	SIZE	COLD TIRE PRESSURE	SEE OWNER'S MANUAL FOR ADDITIONAL INFORMATION
FRONT	ST 175/80R13B	241kPa, 35PSI	
REAR	NONE	NONE	
SPARE	NONE	NONE	

111585



NOTICE

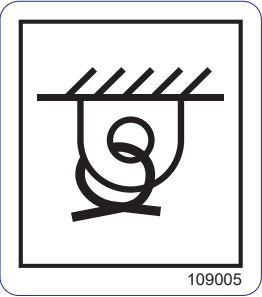
Neutral bonded to frame.
Machine to be grounded in accordance with requirements as outlined by local inspection authorities.

AVIS

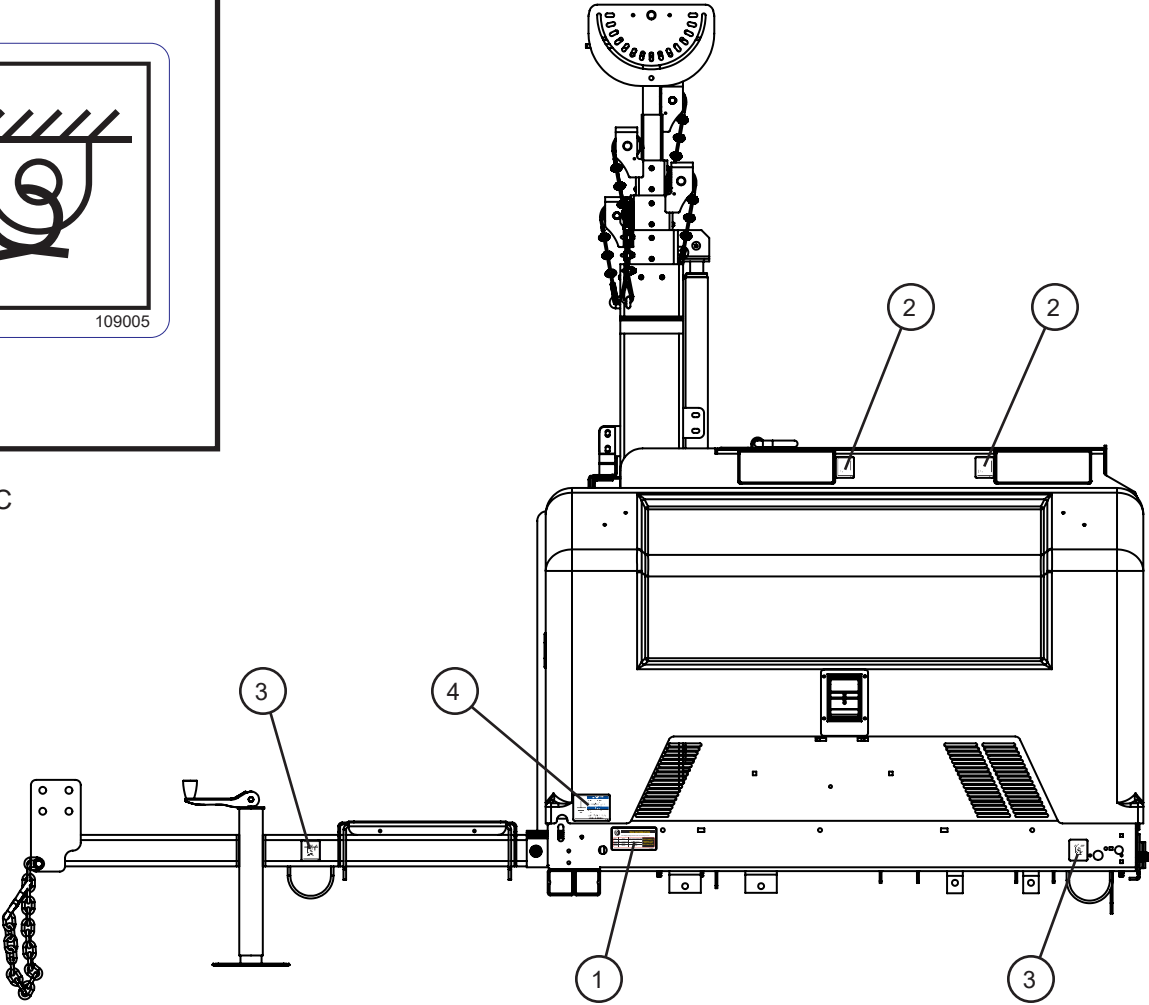
Neutre mis à la masse à la carcasse du moteur.
L'appareil doit être mis à terre conformément aux exigences des services d'inspection locaux.

122470

②
①
④



109005



120916_C

③

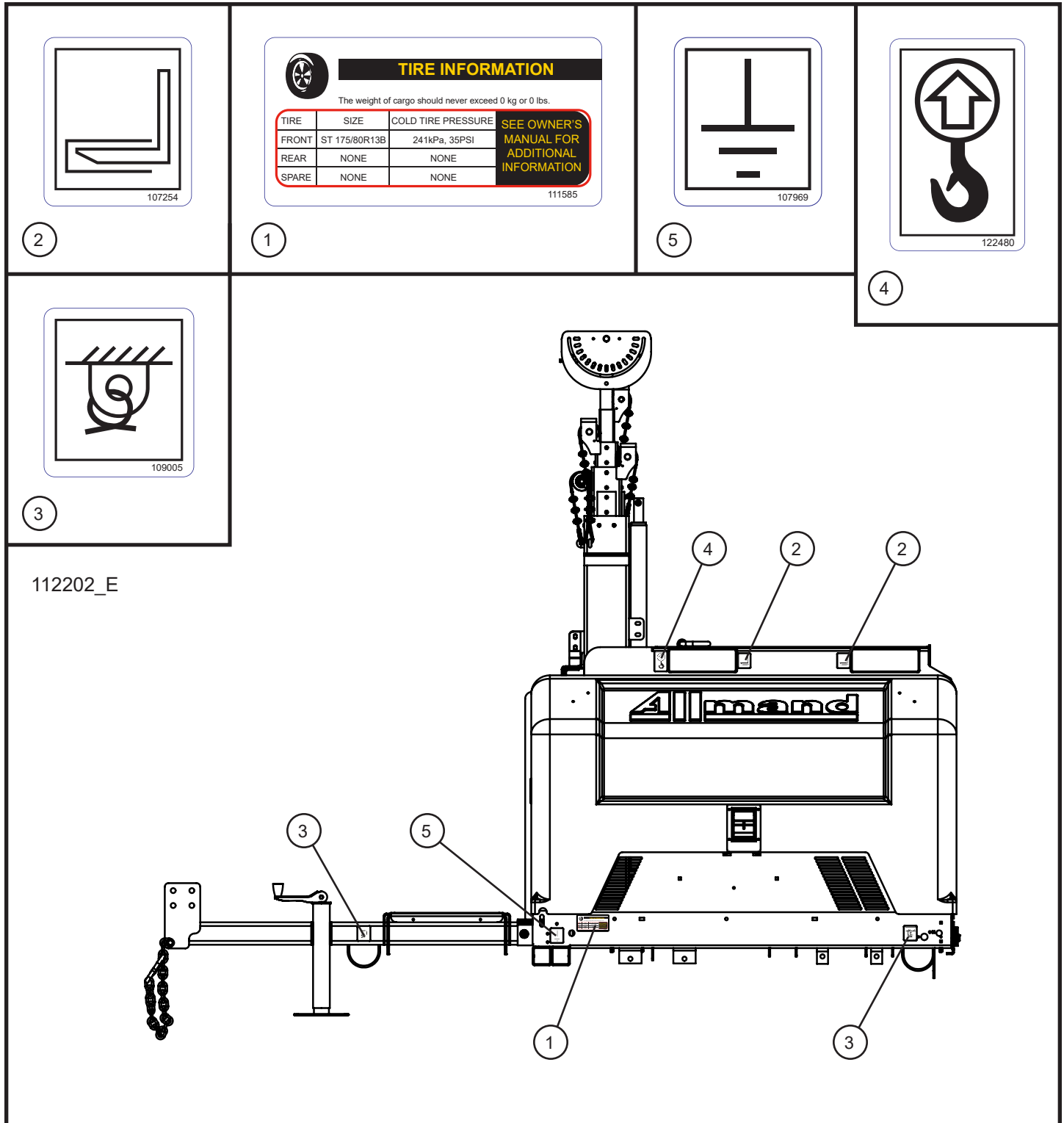
NIGHT-LITE PRO II®

SN 07-003127 and UP
SN 08-005619 and UP

11.14 - Vertical Tower Trailer Left Side Domestic Decals

Item	Part No.	Part Description	Qty.
1	111585	DECAL TIRE INFO ST175/80R13	1
2	107254	DECAL FORKLIFT WORDLESS	2
3	109005	DECAL TIE DOWN WORDLESS	2
4	122470	DECAL NOTICE NEUTRAL BONDED & GROUNDED	1

11.15 - Vertical Tower Trailer Left Side Wordless Decals



NIGHT-LITE PRO II®

SN 07-003127 and UP
SN 08-005619 and UP

11.15 - Vertical Tower Trailer Left Side Wordless Decals

Item	Part No.	Part Description	Qty.
1	111585	DECAL TIRE INFO ST175/80R13	1
2	107254	DECAL FORKLIFT WORDLESS	2
3	109005	DECAL TIE DOWN WORDLESS	2
4	122480	DECAL LIFT HOOK	1
5	107969	DECAL GROUND WORDLESS	1

11.16 - Vertical Tower Trailer Right Side Domestic Decals

<p>⚠ WARNING</p>		<p>⚠ AVERTISSEMENT</p>	<p>107254</p>	<p>109005</p>
<p>Standing under light tower mast and fixtures during lowering operation could result in death or serious injury.</p>		<p>Le fait de se tenir debout sous une tour d'éclairage et de ses accessoires alors qu'elle est abaissée pourrait causer la mort ou des blessures graves.</p>	<p>1</p>	<p>2</p>
<p>Keep bystanders away from light tower during lowering and raising operations.</p>		<p>Tenir les spectateurs à l'écart de la tour d'éclairage pendant qu'on la soulève ou l'abaisse.</p>		
<p>⚠ WARNING</p>		<p>⚠ AVERTISSEMENT</p>		
<p>Handling light fixtures when they are hot could result in death or serious injury.</p>		<p>La manipulation des luminaires alors qu'ils sont chauds pourrait causer la mort ou des blessures graves.</p>		
<p>Keep clear of light fixtures when illuminated or hot.</p>		<p>Restez à l'écart des luminaires lorsqu'ils sont allumés ou chauds.</p>		
<p>⚠ WARNING</p>		<p>⚠ AVERTISSEMENT</p>		
<p>Looking at illuminated light fixtures could result in serious injury.</p>		<p>Regarder des luminaires allumés pourrait provoquer de graves blessures.</p>		
<p>Do not look directly at illuminated light fixtures.</p>		<p>Ne jamais regarder directement des luminaires allumés.</p>		
<p>3</p>				

FRONT OF TOWER

120916_C

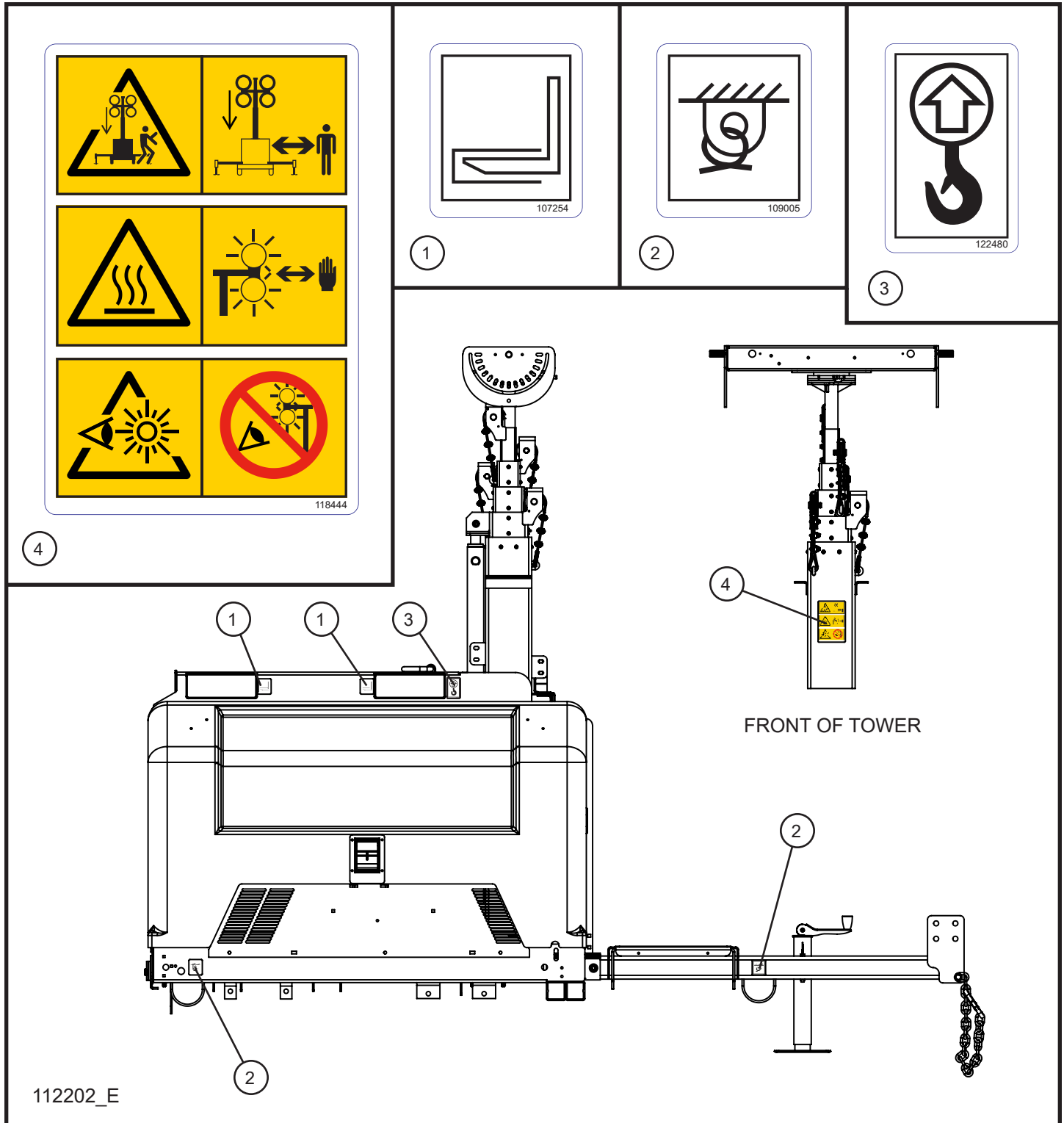
NIGHT-LITE PRO II®

SN 07-003127 and UP
SN 08-005619 and UP

11.16 - Vertical Tower Trailer Right Side Domestic Decals

Item	Part No.	Part Description	Qty.
1	107254	DECAL FORKLIFT WORDLESS	2
2	109005	DECAL TIE DOWN WORDLESS	2
3	122478	VERTICAL TOWER DECAL PRO II/ MAXI II	1

11.17 - Vertical Tower Trailer Right Side Wordless Decals



112202_E

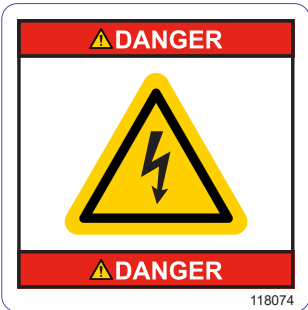
NIGHT-LITE PRO II®

SN 07-003127 and UP
SN 08-005619 and UP

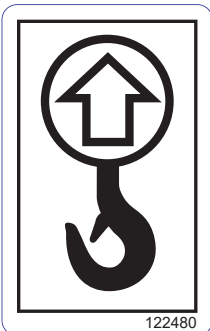
11.17 - Vertical Tower Trailer Right Side Wordless Decals

Item	Part No.	Part Description	Qty.
1	107254	DECAL FORKLIFT WORDLESS	2
2	109005	DECAL TIE DOWN WORDLESS	2
3	122480	DECAL LIFT HOOK	1
4	118444	DECAL WARNING WORDLESS 3 PANEL TOWER	1


11.18 - Vertical Tower Trailer Top Side Domestic Decals



1

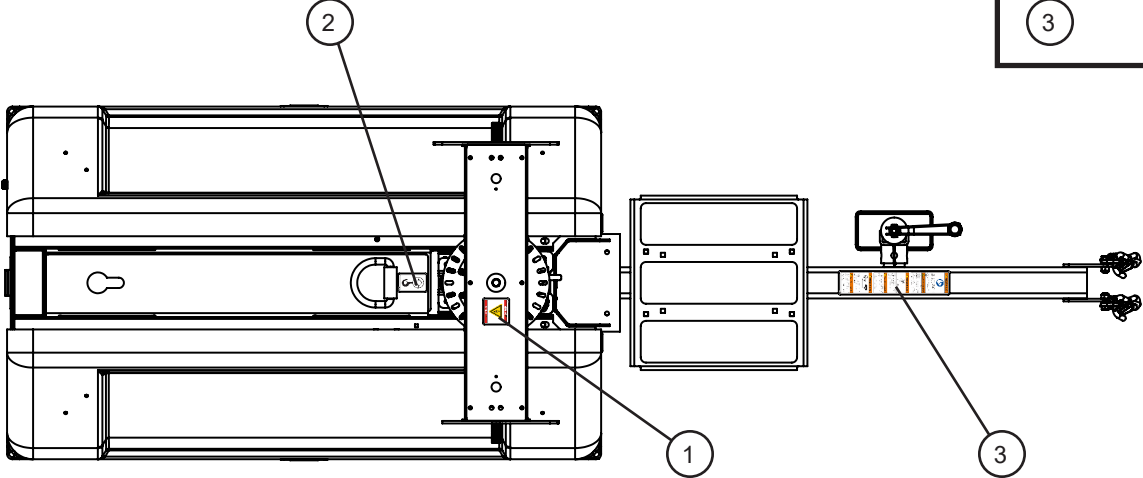


2



3

120916_C



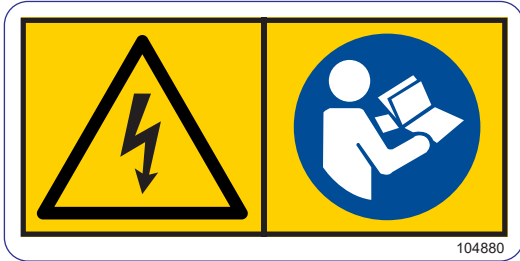
NIGHT-LITE PRO II®

SN 07-003127 and UP
SN 08-005619 and UP

11.18 - Vertical Tower Trailer Top Side Domestic Decals

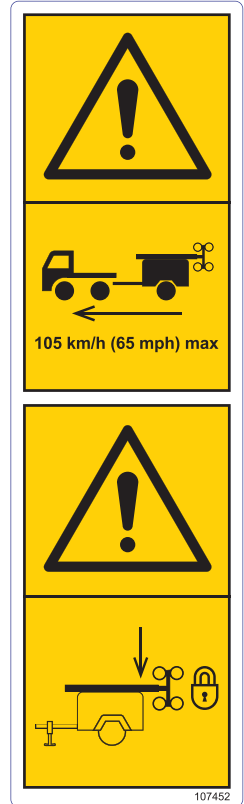
Item	Part No.	Part Description	Qty.
1	118074	DECAL BILINGUAL DANGER HAZARDOUS VOLTAGE VERTICAL	1
2	122480	DECAL LIFT HOOK	1
3	122463	LIGHT TOWER UNIVERSAL WARNING TONGUE DECAL	1

11.19 - Vertical Tower Trailer Top Side Wordless Decals

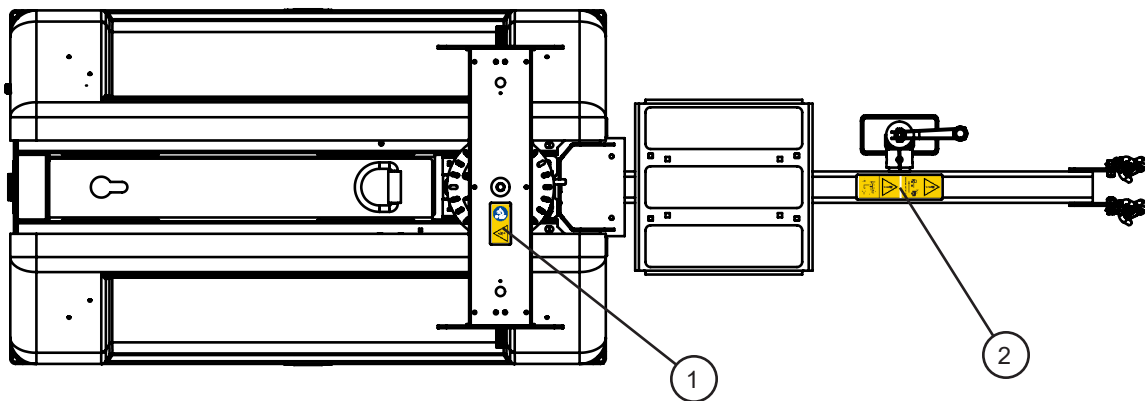


1

112202_E



2



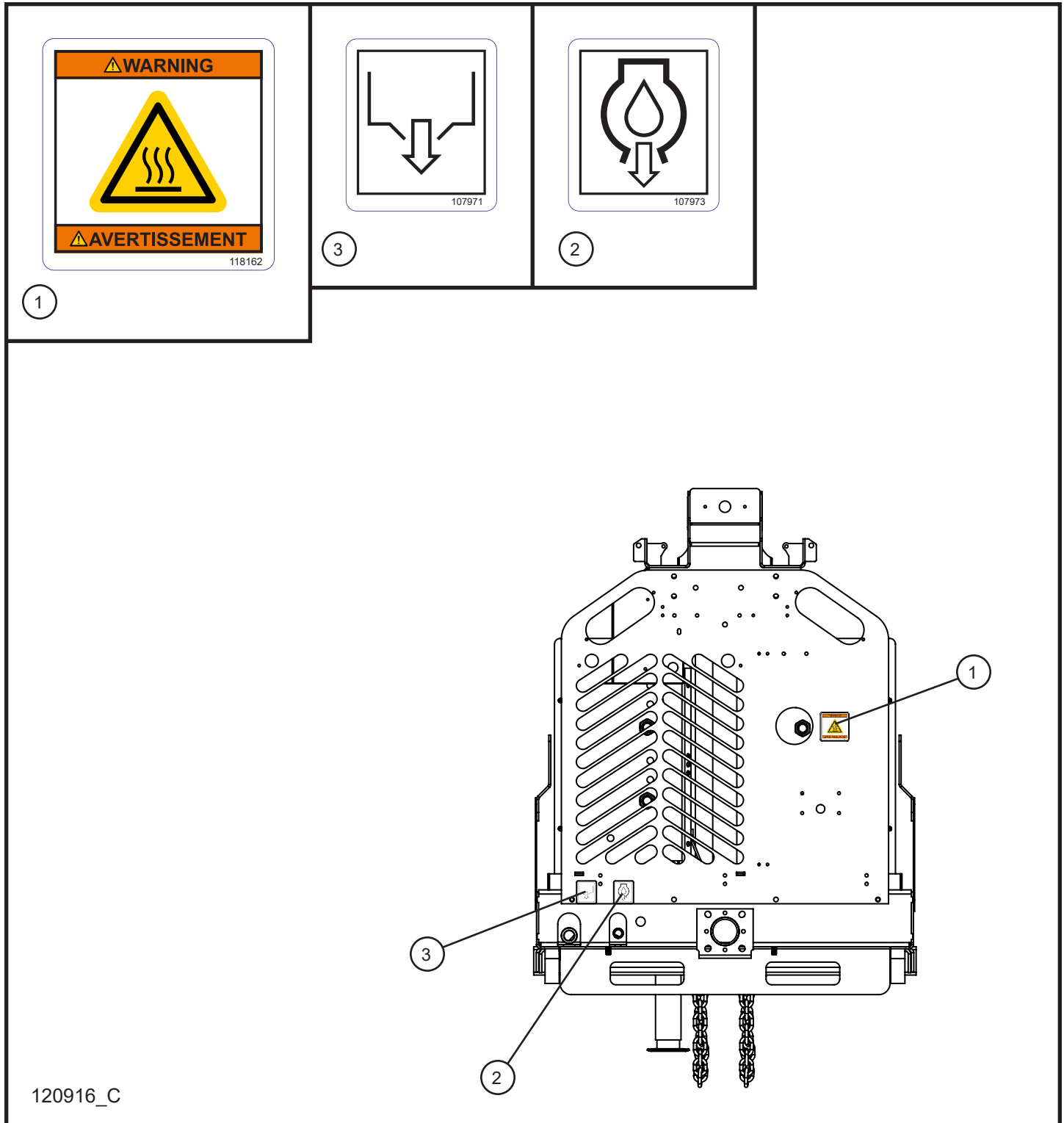
NIGHT-LITE PRO II®

SN 07-003127 and UP
SN 08-005619 and UP

11.19 - Vertical Tower Trailer Top Side Wordless Decals

Item	Part No.	Part Description	Qty.
1	104880	DECAL WORDLESS HIGH VOLTAGE READ MANUAL	1
2	107452	DECAL WARNING TOWING LAYDOWN PRO II WORDLESS	1

11.20 - Vertical Tower Trailer Rear Side Domestic Decals



120916_C

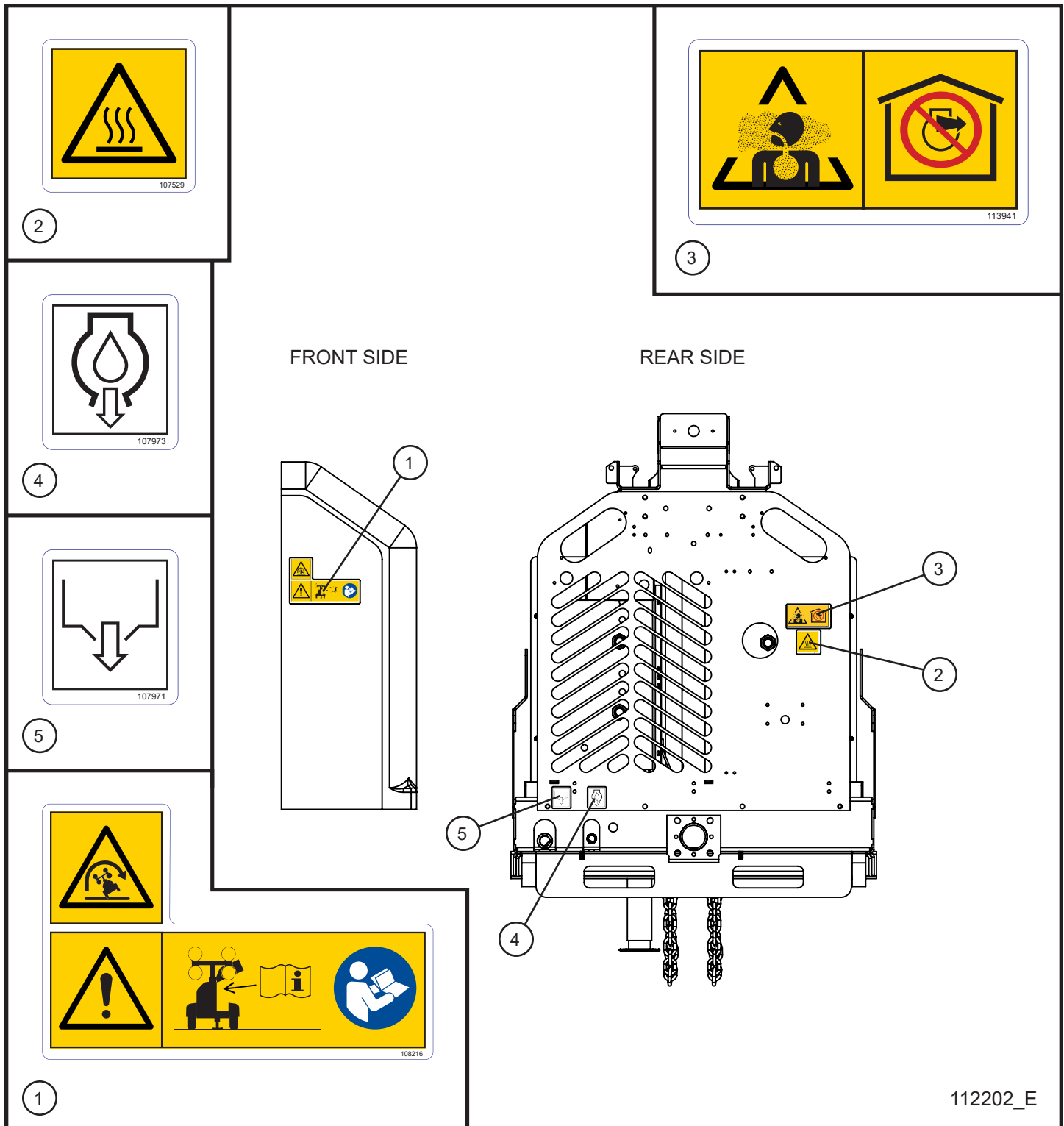
NIGHT-LITE PRO II®

SN 07-003127 and UP
SN 08-005619 and UP

11.20 - Vertical Tower Trailer Rear Side Domestic Decals

Item	Part No.	Part Description	Qty.
1	118162	DECAL WARNING HOT SURFACE ENGLISH & FRENCH	1
2	107973	OIL DRAIN DECAL	1
3	107971	DRAIN FLUID CONTAINMENT DECAL	1

11.21 - Vertical Tower Trailer Rear / Front Side Wordless Decals



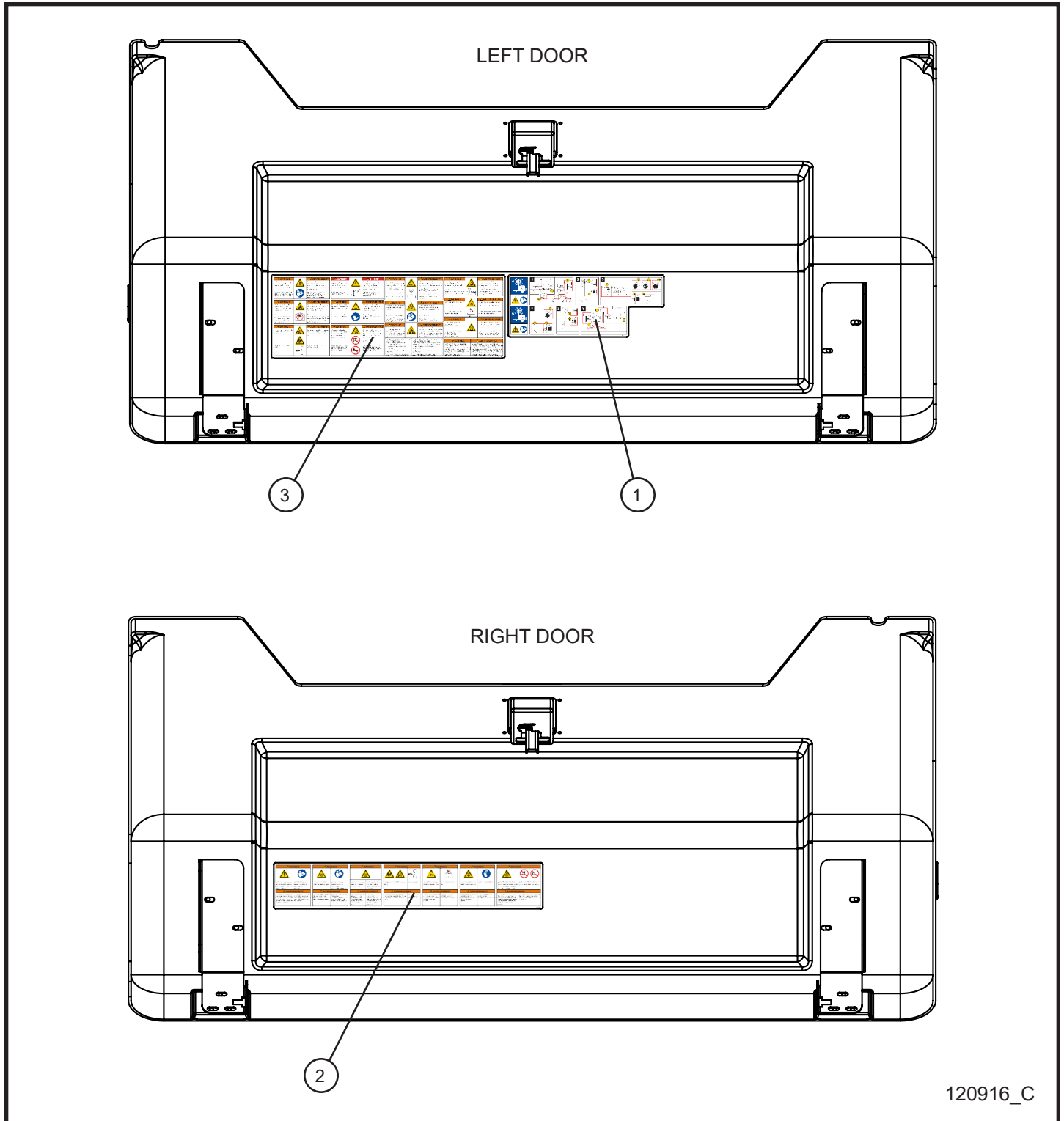
NIGHT-LITE PRO II®

SN 07-003127 and UP
SN 08-005619 and UP

11.21 - Vertical Tower Trailer Rear / Front Side Wordless Decals

Item	Part No.	Part Description	Qty.
1	108216	DECAL WARNING ROLLOVER WORDLESS	1
2	107529	DECAL WARNING HOT SURFACE WORDLESS	1
3	113941	DECAL EXHAUST WARNING WORDLESS	1
4	107973	OIL DRAIN DECAL	1
5	107971	DRAIN FLUID CONTAINMENT DECAL	1

11.22 - Vertical Tower Trailer Door Interior Domestic Decals



120916_C

NIGHT-LITE PRO II®

SN 07-003127 and UP
SN 08-005619 and UP

11.22 - Vertical Tower Trailer Door Interior Domestic Decals

Item	Part No.	Part Description	Qty.
1	122477	START INSTRUCTIONS DECAL	1
2	122467	DECAL MULTIPLE WARNINGS DOOR	1
3	122468	DECAL ENGINE AREA WARNINGS ENGLISH/FRENCH	1

11.23 - Vertical Tower Trailer Door Interior Wordless Decals

107886

2

107878

3

123574

5

107908

6

107972

4

LEFT DOOR

RIGHT DOOR

112202_E

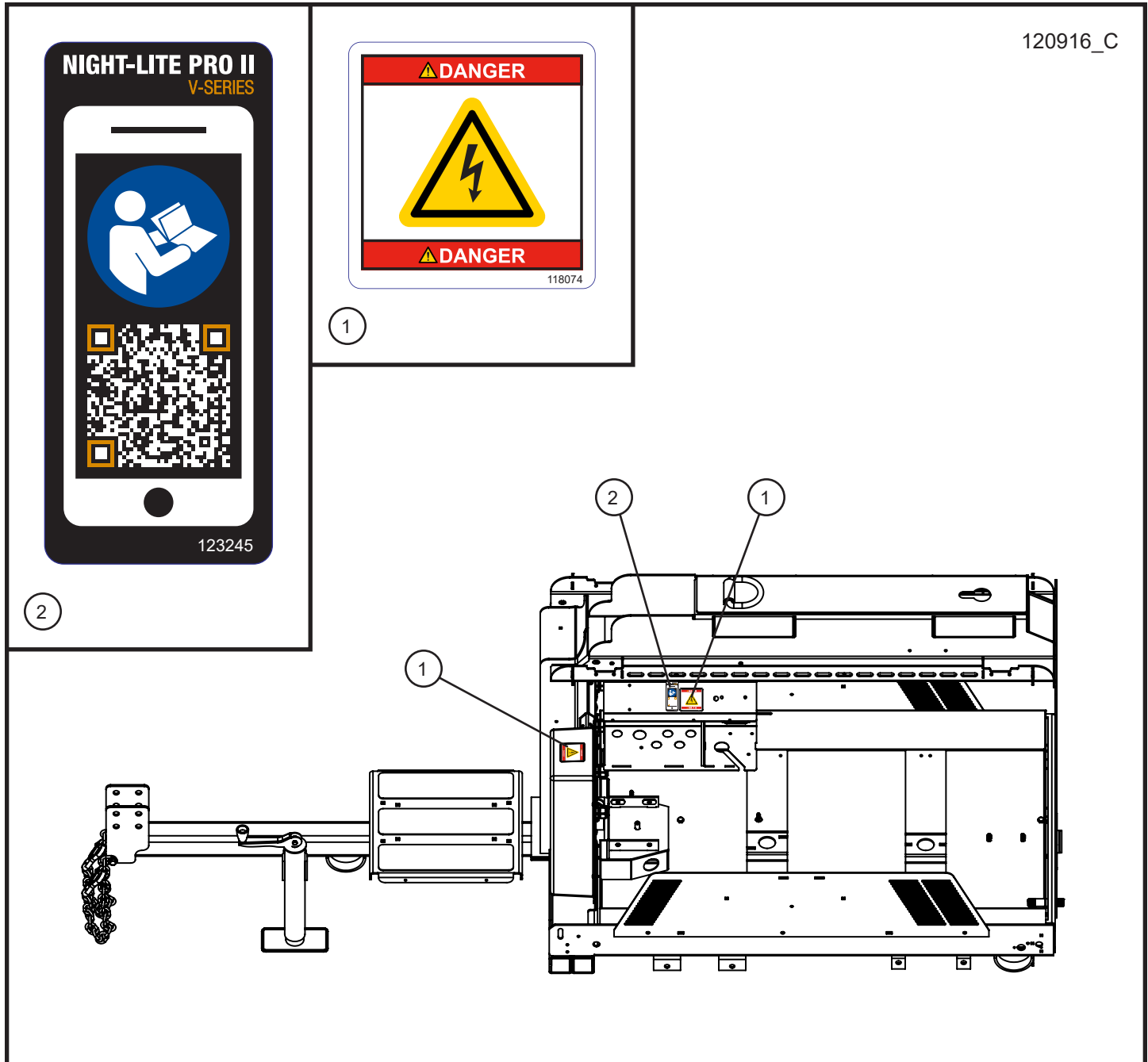
NIGHT-LITE PRO II®

SN 07-003127 and UP
SN 08-005619 and UP

11.23 - Vertical Tower Trailer Door Interior Wordless Decals

Item	Part No.	Part Description	Qty.
1	122477	START INSTRUCTIONS DECAL	1
2	107986	DECAL ENTANGLEMENT AND HOT RADIATOR WORDLESS	2
3	107979	DECAL DANGER POWER LINE WORDLESS	1
4	107972	DECAL WARNING OUTRIGGERS WORDLESS	1
5	123574	DECAL WARNING AUTOSTART WORDLESS	2
6	107968	DECAL WARNING BATTERY EXPLOSIVE WORDLESS	1

11.24 - Vertical Tower Trailer Interior Domestic Decals



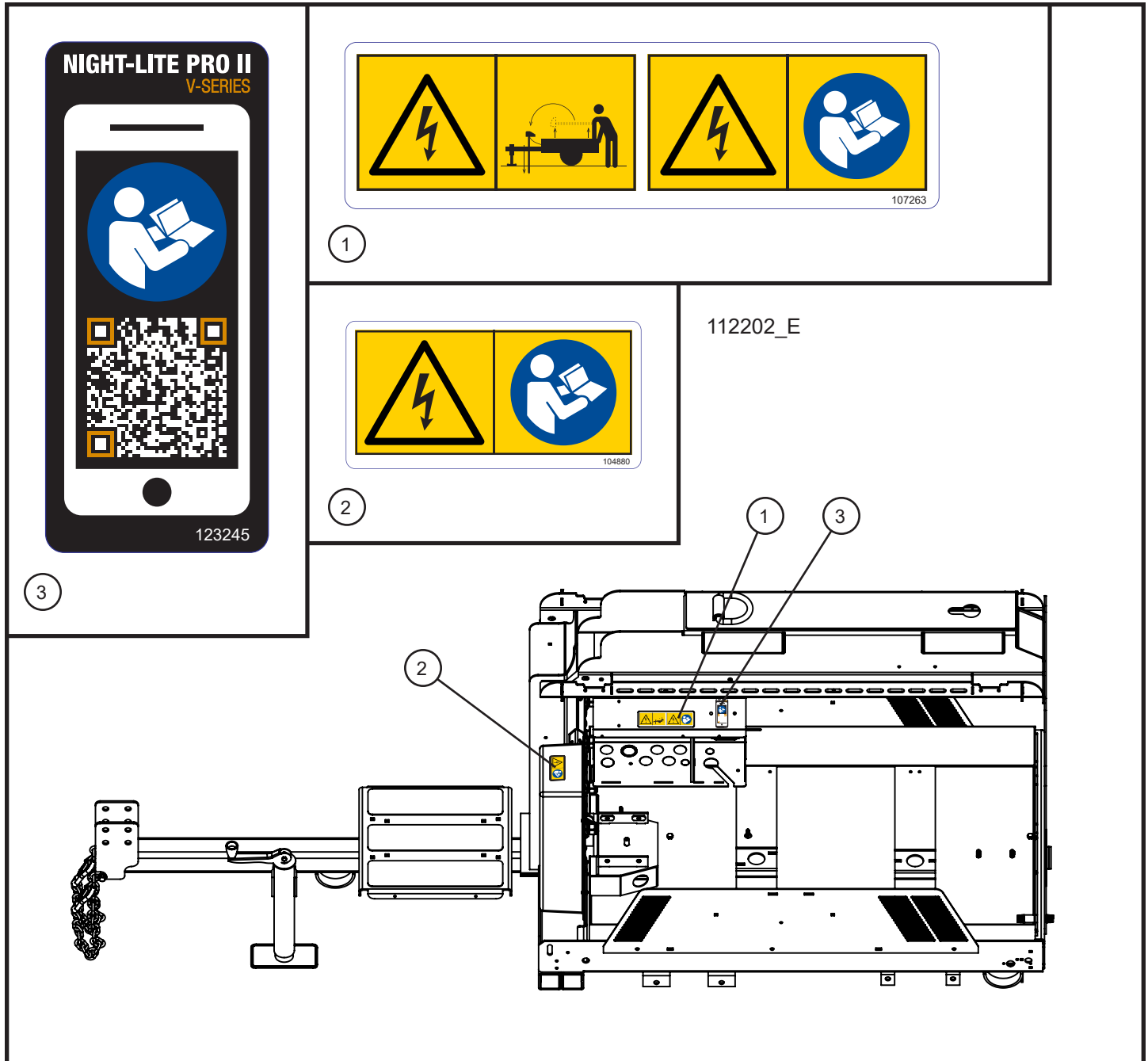
NIGHT-LITE PRO II®

SN 07-003127 and UP
SN 08-005619 and UP

11.24 - Vertical Tower Trailer Interior Domestic Decals

Item	Part No.	Part Description	Qty.
1	118074	DECAL BILINGUAL DANGER HAZARDOUS VOLTAGE VERTICAL	3
2	123245	DECAL QR CODE NL PRO II V-SERIES	1

11.25 - Vertical Tower Trailer Interior Wordless Decals



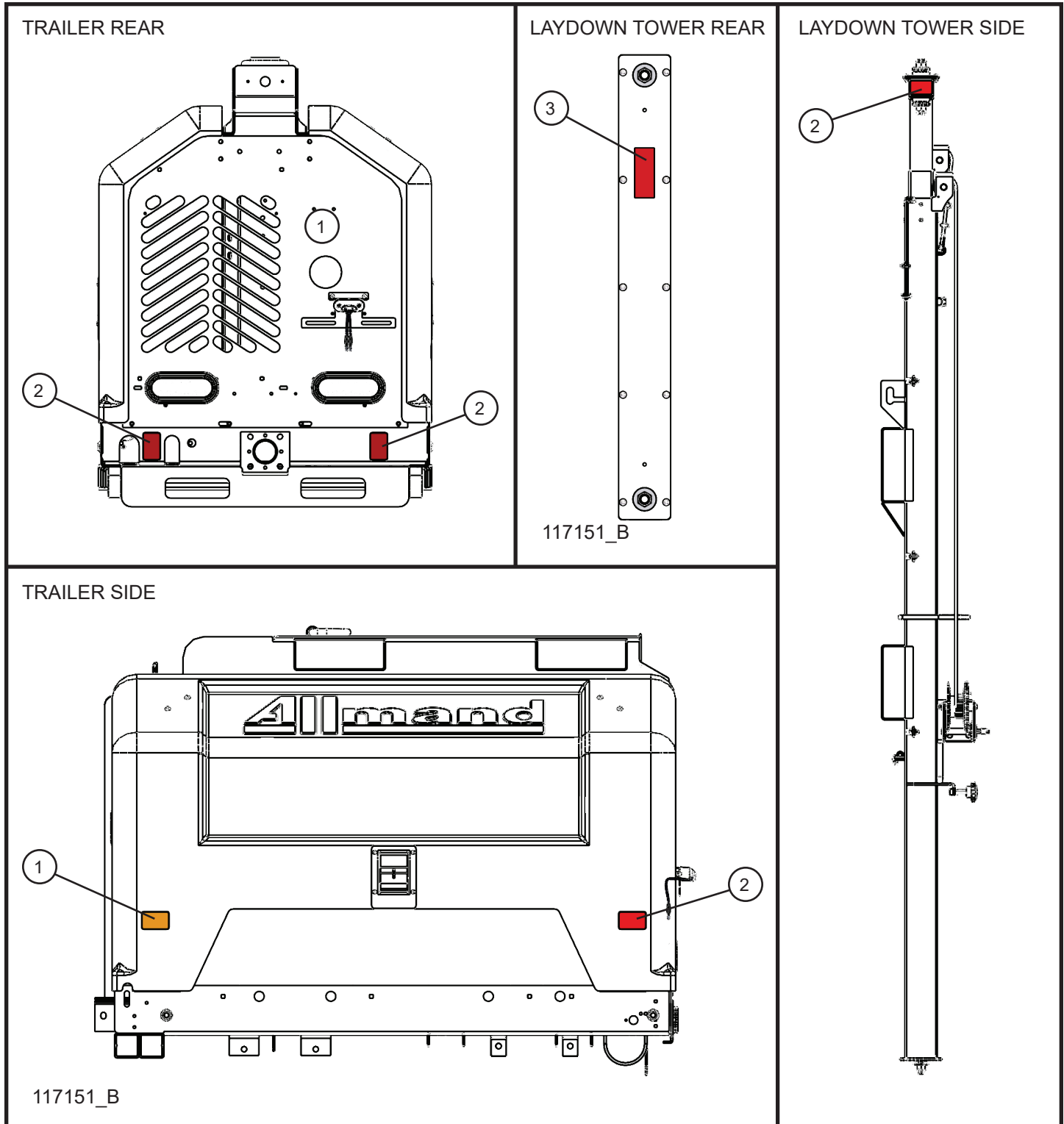
NIGHT-LITE PRO II®

SN 07-003127 and UP
SN 08-005619 and UP

11.25 - Vertical Tower Trailer Interior Wordless Decals

Item	Part No.	Part Description	Qty.
1	107263	DECAL WARNING GROUND ROD WORDLESS	1
2	104880	DECAL WORDLESS HIGH VOLTAGE READ MANUAL	2
3	123245	DECAL QR CODE NL PRO II V-SERIES	1

11.26 - Trailer Reflector Decals



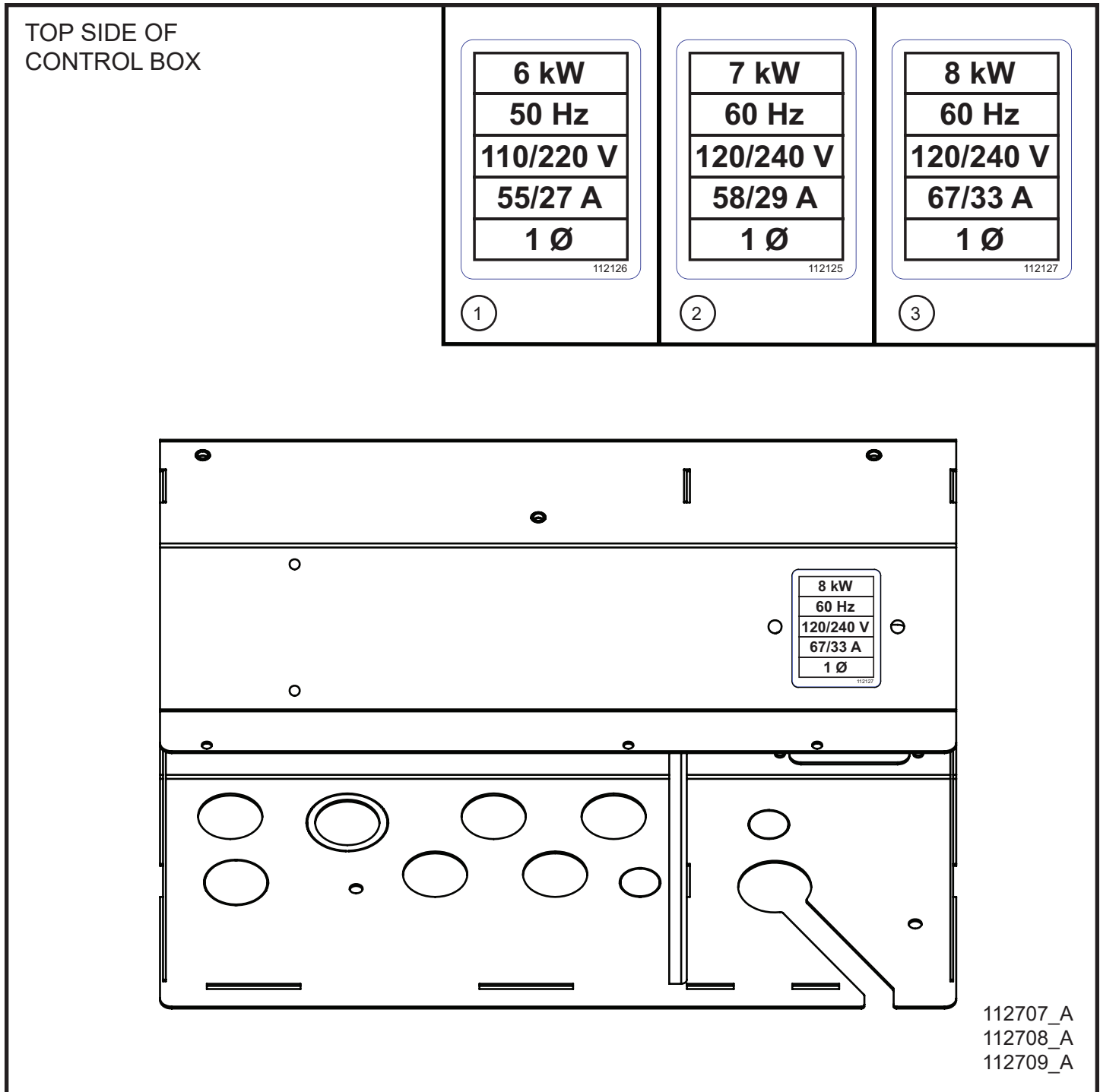
NIGHT-LITE PRO II®

SN 07-003127 and UP
SN 08-005619 and UP

11.26 - Trailer Reflector Decals

Item	Part No.	Part Description	Qty.
1	114884	REFLECTOR DECAL AMBER 2.75 X 1.75	2
2	115286	REFLECTOR DECAL RED 2.75 X 1.75	4
3	114885	REFLECTOR DECAL RED 4.313 X 1.688	1

11.27 - Electrical Information Decals



NIGHT-LITE PRO II®

SN 07-003127 and UP
SN 08-005619 and UP

11.27 - Electrical Information Decals

Item	Part No.	Part Description	Qty.
1	112126	DECAL ELECTRICAL INFO 6kW 50Hz 1 PHASE	1
2	112125	DECAL ELECTRICAL INFO 7kW 60Hz 1 PHASE	1
3	112127	DECAL ELECTRICAL INFO 8kW 60Hz 1 PHASE	1