



en **Parts Manual**
MAXI-HEAT® 1MBTU



TABLE OF CONTENTS

1.0 AXLE/FENDERS/TONGUE

Axle and Wheels	(1.1)
Left Fender with Step Plate	(1.2)
Right Fender	(1.3)
Tongue Group	(1.4)
Electric Brake Breakaway Kit	(1.5)
Tail Lights and Side Marker Lights	(1.6)

2.0 TRAILER BASE PARTS

Lift Bow Assembly Group	(2.1)
Interior Divider Panels	(2.2)
Rear Lower Panel	(2.3)
Right and Left Side Corner Panels	(2.4)
Single Fuel Tank Right Front Side Burner Panel	(2.5)
Multi Fuel Tank/Remote Fuel Right Front Side Burner Panel	(2.6)
Single Poly Fuel Tank Right Rear Side Burner Panel	(2.7)
Single Steel Fuel Tank Right Rear Side Burner Panel	(2.8)
Multi Fuel Tank Right Rear Side Burner Panel	(2.9)
Right Side Burner Doors	(2.10)
Left Side Heater Exhaust Panels	(2.11)
Left Side Heater Exhaust Doors	(2.12)
Front Lower Panels and Door (Duct Box)	(2.13)
Front and Rear Door Mounts with Manual Canister	(2.14)
Front and Rear Doors	(2.15)
Front and Rear Quarter Panels	(2.16)
Roof Panels I	(2.17)
Roof Panels II	(2.18)

MAXI-HEAT® 1MBTU

TABLE OF CONTENTS

3.0 CONTROL BOX AND GENERATOR GROUP

Control Box Install Group	(3.1)
Control Box Door	(3.2)
Control Panel Single Fuel Gauge	(3.3)
Control Panel Triple Fuel Gauge	(3.4)
Remote Thermostat Kit and Panel	(3.5)
Control Box Rear Panel w/ AC Distribution Blocks	(3.6)
DC Distribution Blocks Control Box Install Group	(3.7)
DC Distribution Terminal Blocks	(3.8)
Deep Sea Control Panel Harness Install Group	(3.9)
Deep Sea Control Panel Fuse Box	(3.10)
Heater Electronic Control Unit Install Group	(3.11)
Emergency Stop	(3.12)
8kW Marathon Generator	(3.13)
8kW Marathon Generator Cord Install Group	(3.14)

4.0 ENGINE AND FUEL TANK PARTS

Fluid Containment Group	(4.1)
Single Poly Fuel Tank Group	(4.2)
Single Steel Fuel Tank Group	(4.3)
Triple Poly Fuel Tank Group	(4.4)
Poly Tank Fuel Sender	(4.5)
Steel Tank Fuel Sender	(4.6)
Remote Fuel Option Assembly Group	(4.7)
Remote Fuel Option Side Panel Install Group	(4.8)
Remote Fuel Option Poly Tank Fuel Lines	(4.9)
Remote Fuel Option Steel Tank Fuel Lines	(4.10)
Battery Cables	(4.11)
Battery Disconnect and Cables	(4.12)
Oil Drain Line	(4.13)
Radiator Coolant Reservoir	(4.14)

TABLE OF CONTENTS

5.0 CAT C1.1 ENGINE GROUP

CAT C1.1 Engine Assembly Group	(5.1)
CAT C1.1 Fuel Lines	(5.2)
CAT C1.1 Pacbrake Air Intake Valve Option	(5.3)
CAT C1.1 Ground Wire	(5.4)

6.0 KUBOTA D1105 ENGINE GROUP

Kubota D1105 Engine Assembly Group	(6.1)
Kubota D1105 Fuel Lines	(6.2)
Kubota D1105 Pacbrake Air Intake Valve Option	(6.3)
Kubota D1105 Ground Wire	(6.4)

7.0 MCS MH500 iQ-R HEATER GROUP

MCS MH500 iQ-R Heater Install Group	(7.1)
MCS MH500 iQ-R Heater Assembly Group	(7.2)
MCS MH500 iQ-R Burner Assembly Group	(7.3)
MCS MH500 iQ-R Heater Fuel Separator	(7.4)
MCS MH500 iQ-R Heater Fuel Lines Single Poly Tank	(7.5)
MCS MH500 iQ-R Heater Fuel Lines Single Steel Tank	(7.6)
MCS MH500 iQ-R Heater Fuel Lines Triple Poly Tank	(7.7)
MCS MH500 iQ-R Heater Chimney	(7.8)
MCS MH500 iQ-R Heater Exhaust Shrouds	(7.9)
MCS MH500 iQ-R Heater End Cones and Ducting	(7.10)
MCS MH500 iQ-R Heater Air Inlet Shrouds	(7.11)
MCS MH500 iQ-R Heater Air Recirculation Connections	(7.12)
Adjustable Air Recirculation Connection Assembly Group	(7.13)

8.0 DECAL GROUP

Door Branding Decals	(8.1)
Left Side Decals	(8.2)

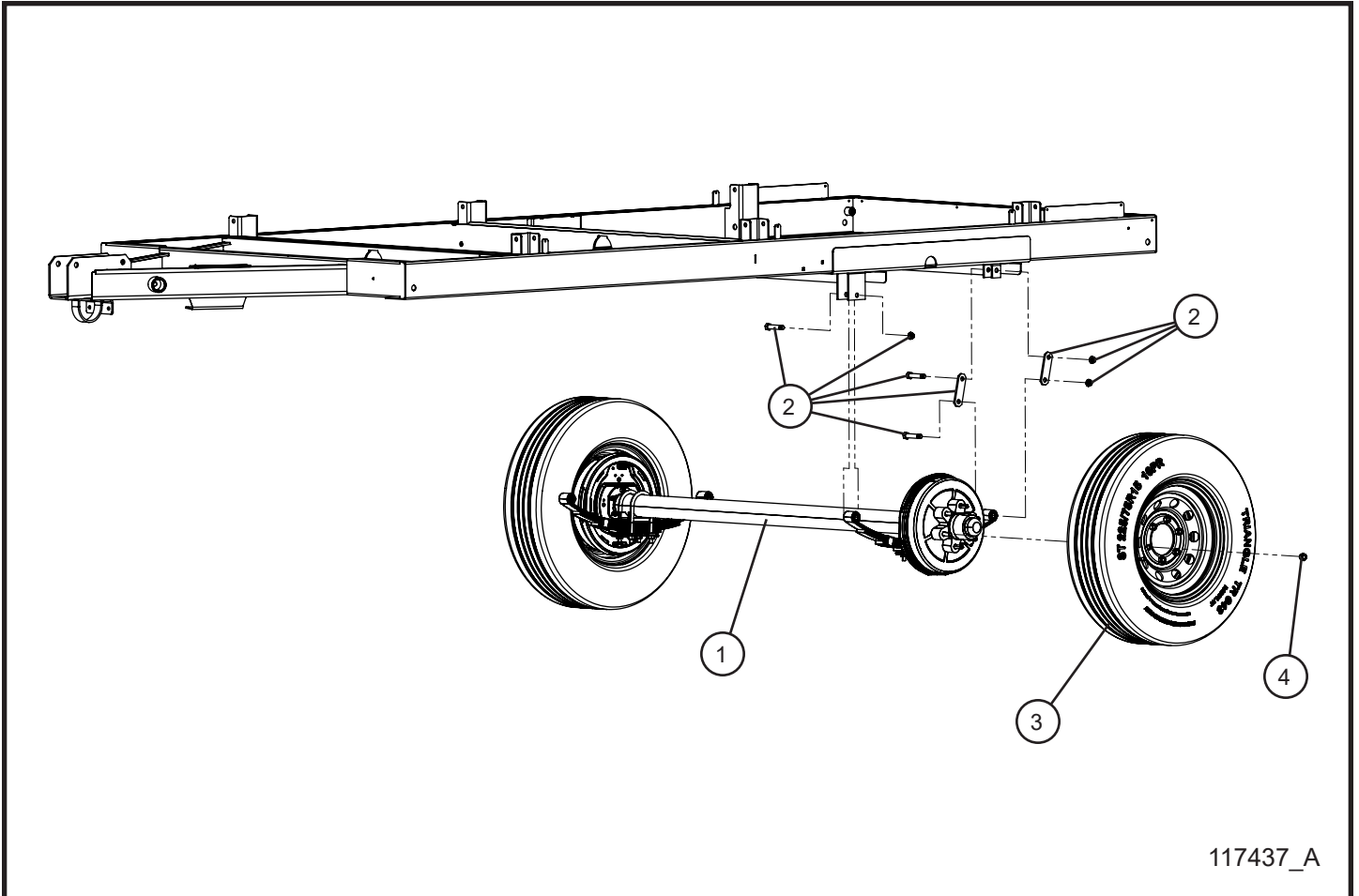
MAXI-HEAT® 1MBTU

TABLE OF CONTENTS

8.0 DECAL GROUP (CONTINUED)

Left Side Rear Quarter Panel English/French Decals	(8.3)
Left Side Rear Quarter Panel Wordless Decals	(8.4)
Right Side English/French Decals	(8.5)
Right Side Wordless Decals	(8.6)
Engine Compartment English/French Decals	(8.7)
Engine Compartment Wordless Decals	(8.8)
Heater Door and Access Panel English/French Decals	(8.9)
Tongue Decals	(8.10)

1.1 - Axle and Wheels



117437_A

MAXI-HEAT® 1MBTU

SN 36-000001 and UP

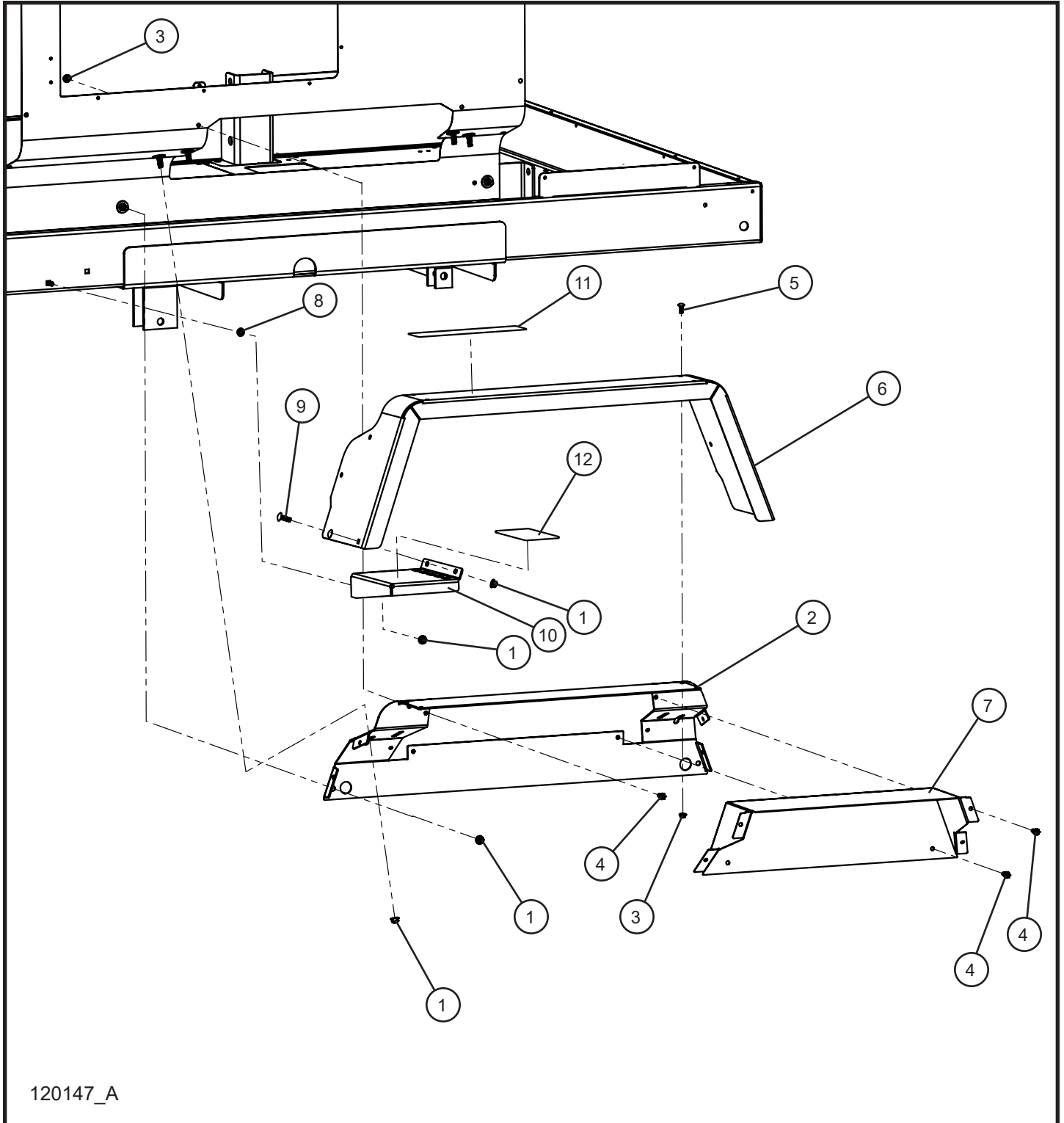
1.1 - Axle and Wheels

Item	Part No.	Part Description	Qty.
1	830007	AXLE ELECTRIC BRAKE 6000 LBS. 70-7/8"/56"	1
2	117120	SINGLE AXLE SUSPENSION KIT	1
3	108296	16" TIRE WHEEL	2
4	032048	1/2-20 LUG NUT PL	12

NS - Not Shown

* * * - Contact Allmand for more information.

1.2 - Left Fender with Step Plate



120147_A

MAXI-HEAT® 1MBTU

SN 36-000001 and UP

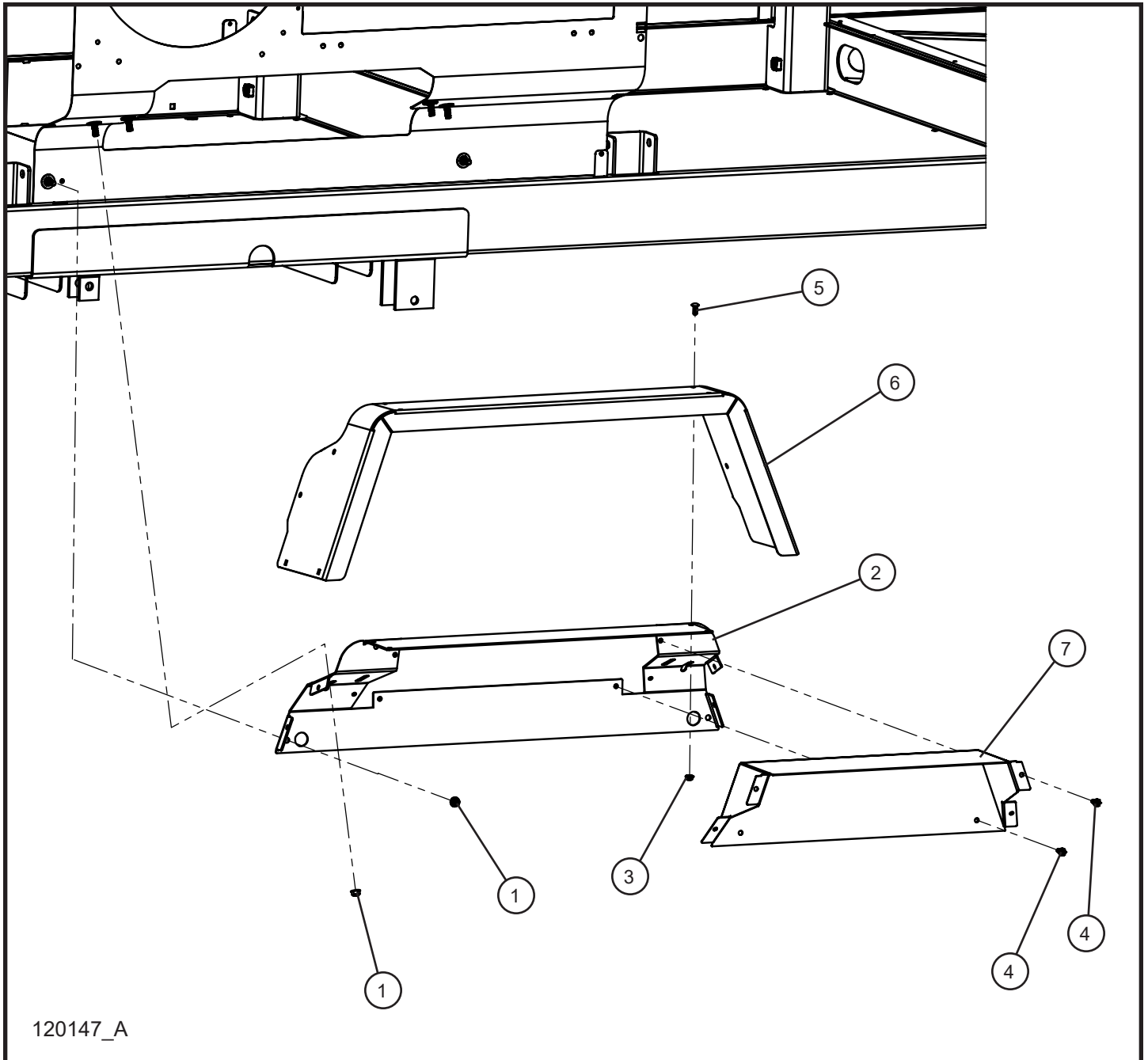
1.2 - Left Fender with Step Plate

Item	Part No.	Part Description	Qty.
1	057008	5/16-18 HEX NYLOCK FLANGE NUT	10
2	119944P	WELDMENT HEATER FENDER INNER	1
3	057000	1/4-20 HEX SERRATED FLANGE NUT	10
4	056019	1/4-20 x 3/4 HEX FLANGE SCREW	8
5	053006	1/4-20 x 3/4 CARRIAGE BOLT	8
6	120269P	WELDMENT HEATER FENDER TOP	1
7	119948P	PANEL FENDER INSIDE	1
8	045217	5/16 PUSH NUT	2
9	053020	5/16-18 x 1 CARRIAGE BOLT	4
10	119947P	PLATE STEP HEATER STEEL FENDER	1
11	062006	4 x 15 ANTI-SKID TAPE DIE CUT PEAL AND STICK	1
12	118435	3 1/2 x 7 1/2 ANTI-SKID TAPE DIE CUT PEAL AND STICK	1

NS - Not Shown

* * * - Contact Allmand for more information.

1.3 - Right Fender



120147_A

MAXI-HEAT® 1MBTU

SN 36-000001 and UP

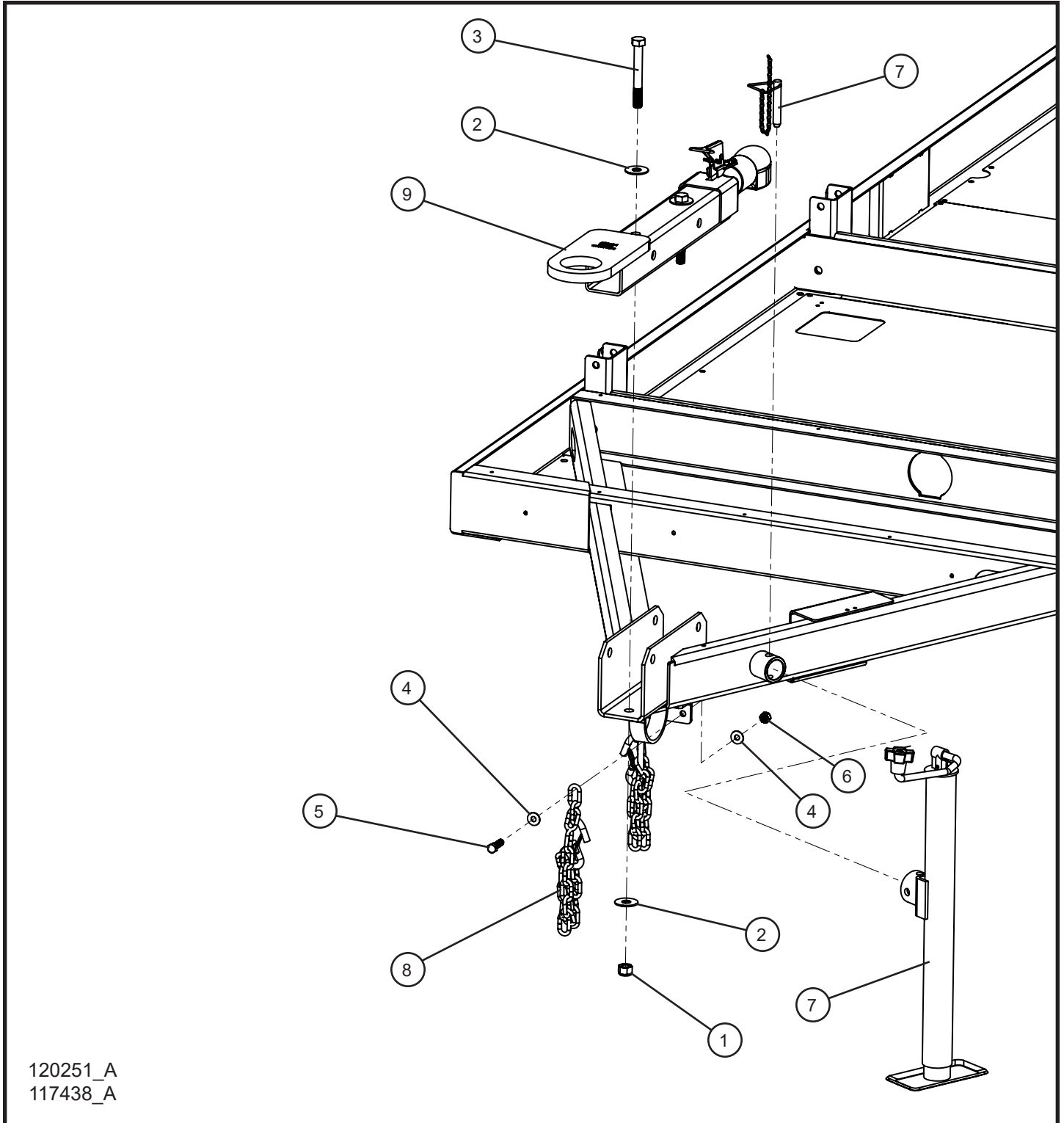
1.3 - Right Fender

Item	Part No.	Part Description	Qty.
1	057008	5/16-18 HEX NYLOCK FLANGE NUT	6
2	119944P	WELDMENT HEATER FENDER INNER	1
3	057000	1/4-20 HEX SERRATED FLANGE NUT	8
4	056019	1/4-20 x 3/4 HEX FLANGE SCREW	6
5	053006	1/4-20 x 3/4 CARRIAGE BOLT	8
6	120269P	WELDMENT HEATER FENDER TOP	1
7	119948P	PANEL FENDER INSIDE	1

NS - Not Shown

* * * - Contact Allmand for more information.

1.4 - Tongue Group



120251_A
117438_A

MAXI-HEAT® 1MBTU

SN 36-000001 and UP

1.4 - Tongue Group

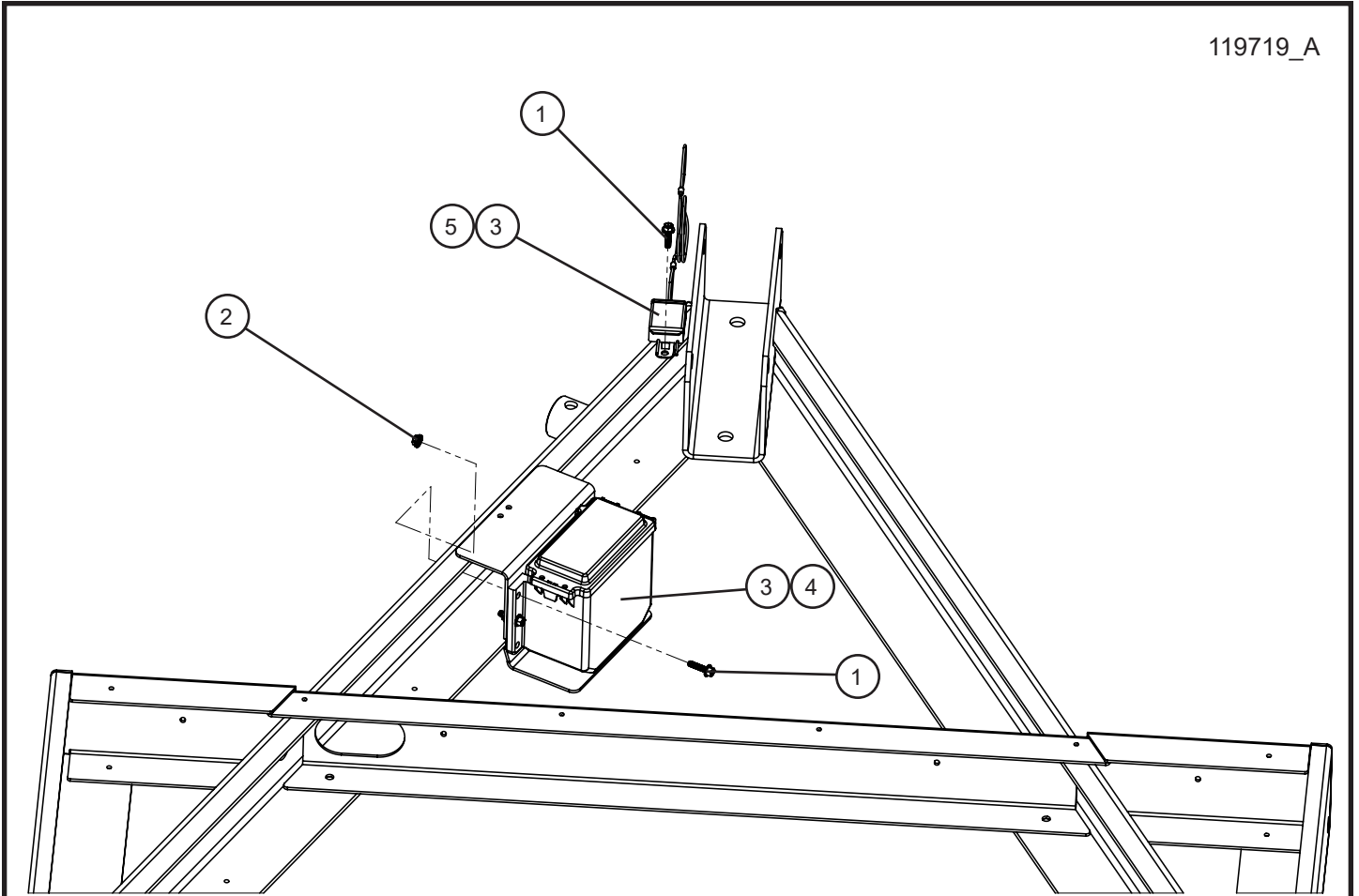
Item	Part No.	Part Description	Qty.
1	044053	5/8-11 NYLOCK HEX NUT PL	2
2	047030	5/8 FLAT WASHER PL	4
3	046255	5/8-11 x 5 HEX HEAD CS GR5 PL	2
4	047015	3/8 FLAT WASHER PL	4
5	046160	7/16-14 x 1 1/2 HEX HEAD CS GR5 PL	2
6	044043	7/16-14 NYLOCK HEX NUT PL	2
7	108727	TOP CRANK TUBE JACK	1
8	049038	SAFETY CHAIN SINGLE CLASS IV	2
9	330016P	HITCH COMBO 2" BULLDOG	1
	102693P	HITCH COMBO 2-5/16" BULLDOG	1

NS - Not Shown

* * * - Contact Allmand for more information.

1.5 - Electric Brake Breakaway Kit

119719_A



MAXI-HEAT® 1MBTU

SN 36-000001 and UP

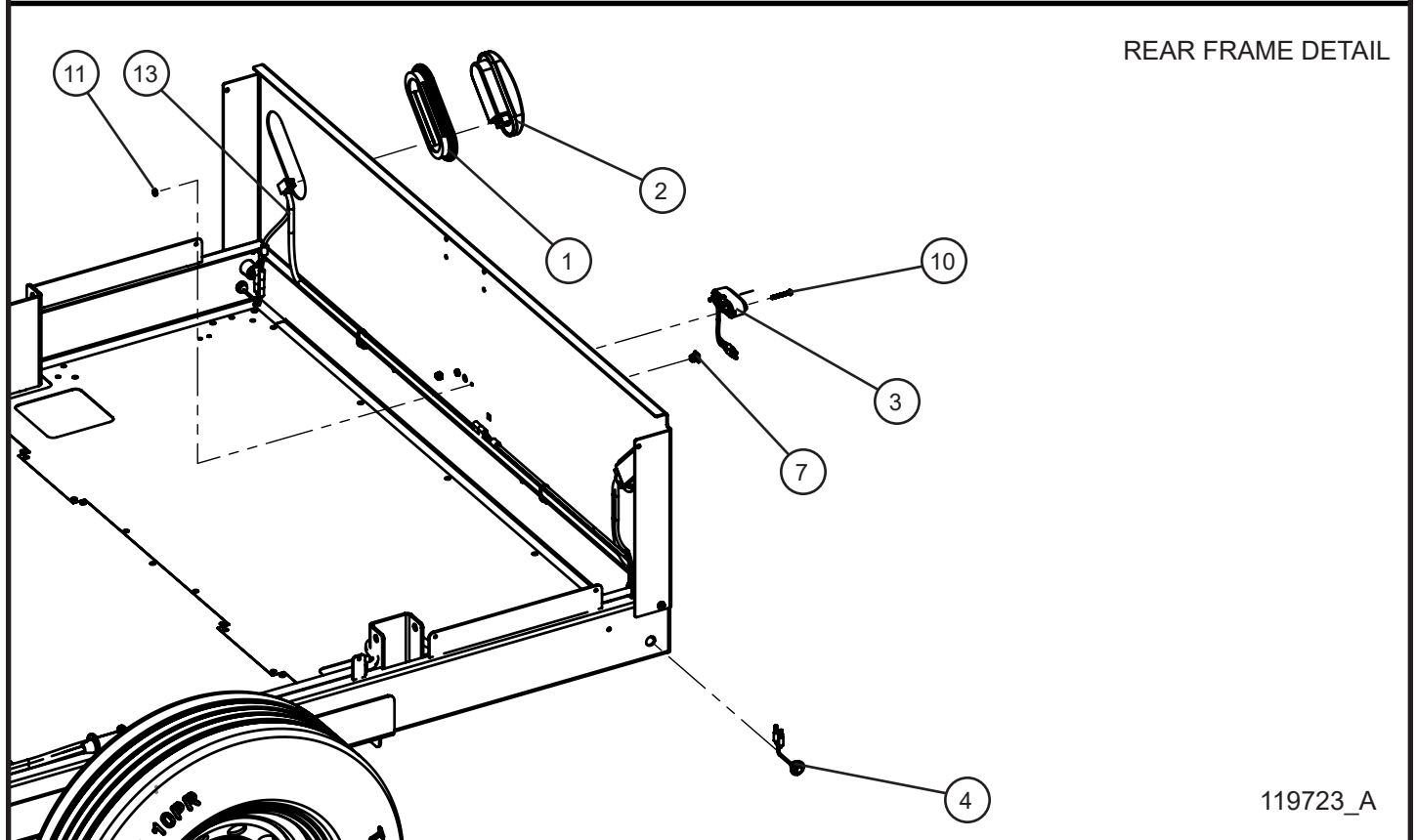
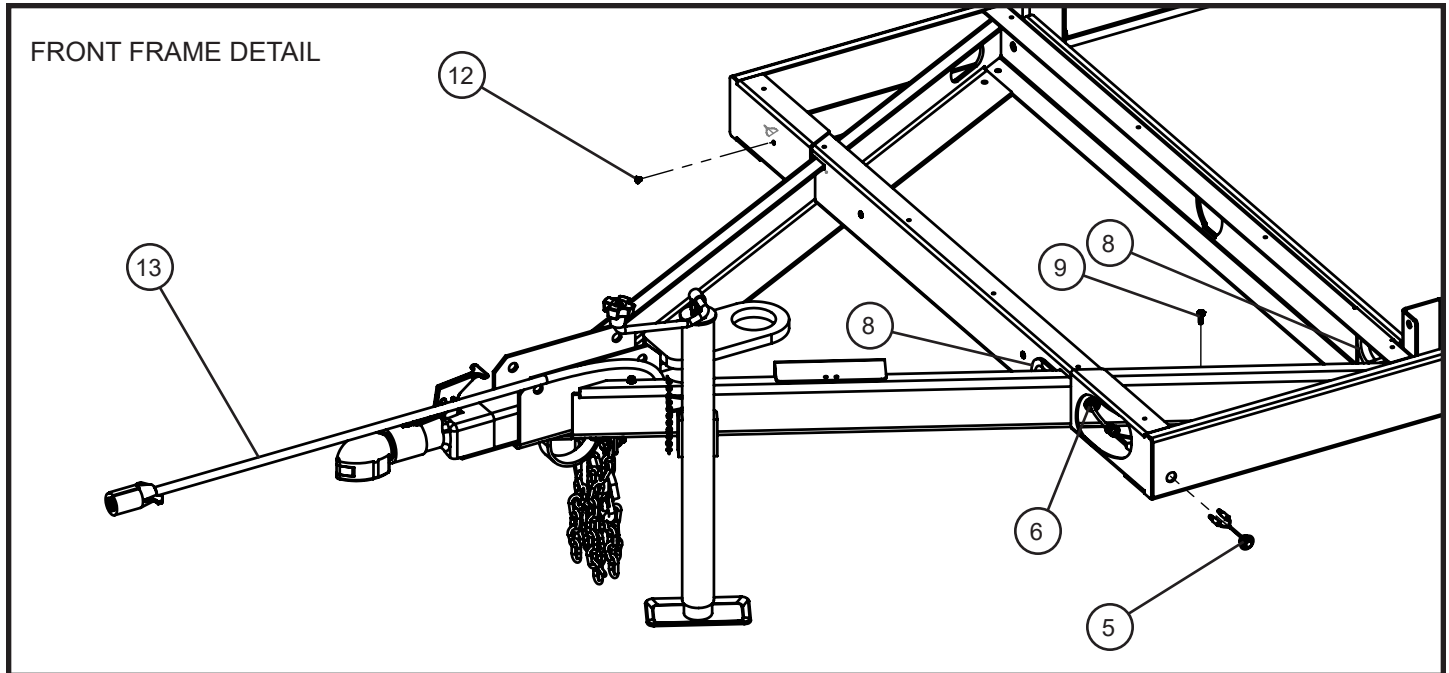
1.5 - Electric Brake Breakaway Kit

Item	Part No.	Part Description	Qty.
1	056017	1/4-20 x 1 HEX SERRATED FLANGE BOLT	5
2	057000	1/4-20 HEX SERRATED FLANGE NUT	4
3	117901	BREAKAWAY KIT ASSEMBLY MAXI-HEAT	1
4	106578	BREAKAWAY KIT ELECTRIC BRAKES	1
5	113065	BREAKAWAY SWITCH AND LANYARD ASSEMBLY	1
NS	105207	4-WAY RECEPTACLE	1
NS	105847	4-WAY RECEPTACLE WEDGELOCK	1
NS	119752	SCHEMATIC TRAILER BREAKAWAY WIRE HARNESS MAXI-HEAT	1

NS - Not Shown

*** - Contact Allmand for more information.

1.6 - Tail Lights and Side Marker Lights



119723_A

MAXI-HEAT® 1MBTU

SN 36-000001 and UP

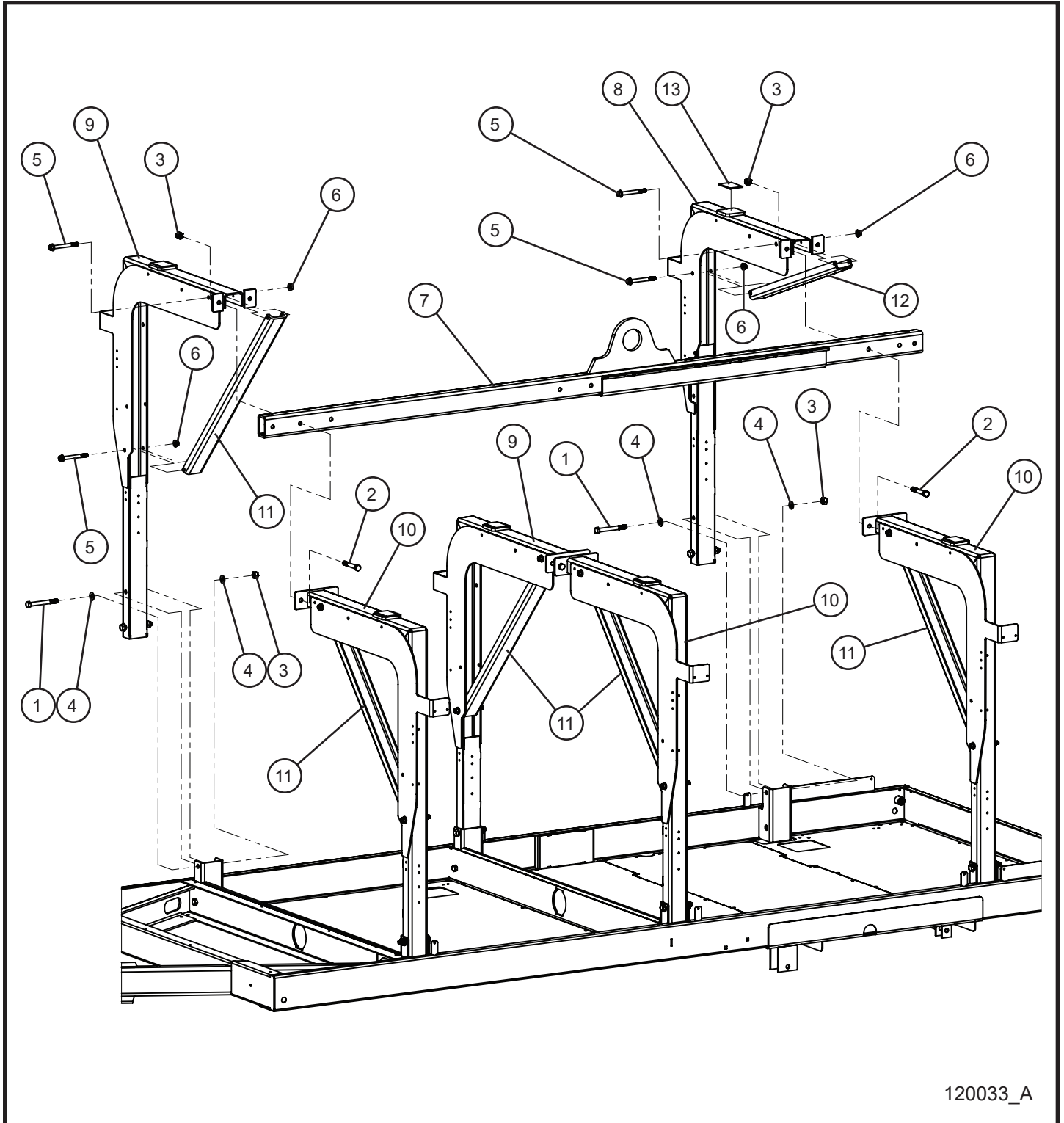
1.6 - Tail Lights and Side Marker Lights

Item	Part No.	Part Description	Qty.
1	102825	GROMMET 6.50 OVAL LAMP	2
2	102721	LED TAIL LIGHT LAMP	2
3	115116	LICENSE PLATE LIGHT LED	1
4	106211	MARKER LIGHT RED BULLET LED	2
5	106212	MARKER LIGHT AMBER BULLET LED	2
6	711028	7/8 RUBBER GROMMET	3
7	105408	GROMMET NUT DOUBLE SPLIT SQUARE HEAD	2
8	100917	GROMMET 3" ID	2
9	041070	1/4-20 x 3/4 SL-HEX WASHER HEAD MACHINE SCREW	5
10	041040	#10-24 x 1 1/2 PH-ROUND HEAD MACHINE SCREW	2
11	044016	#10-24 KEPS HEX NUT	2
12	022137	PUSH BUTTON ZIP TIE MOUNT	4
13	116368	TAIL LIGHT HARNESS 1M HEATER	1
NS	022128	CUSHION CLAMP	1
NS	310212	#10 CUSH CLAMP 1/4 HOLE	2
NS	119751	SCHEMATIC TAIL LIGHT HARNESS MAXI-HEAT	1

NS - Not Shown

* * * - Contact Allmand for more information.

2.1 - Lift Bow Assembly Group



MAXI-HEAT® 1MBTU

SN 36-000001 and UP

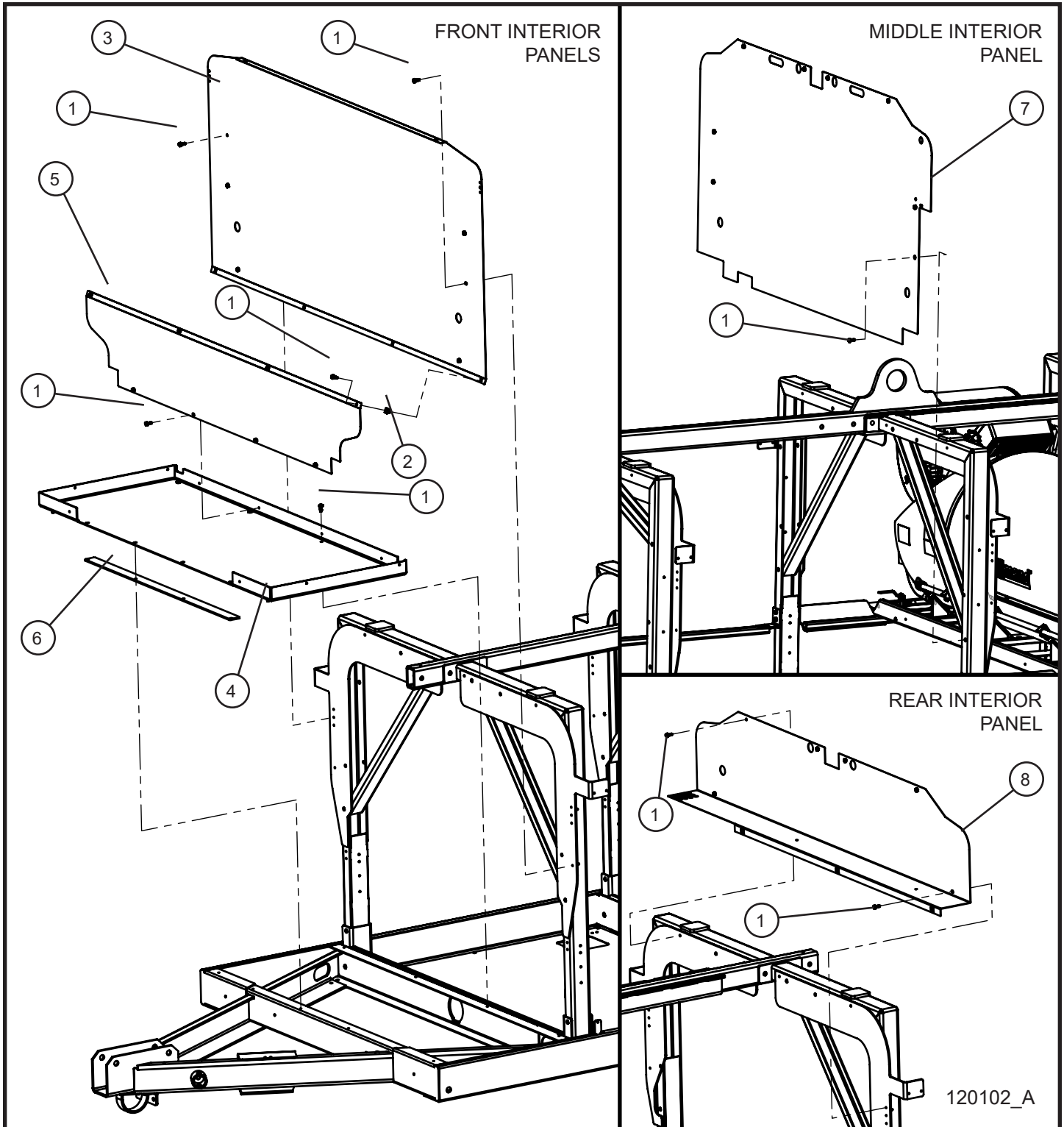
2.1 - Lift Bow Assembly Group

Item	Part No.	Part Description	Qty.
1	046225	1/2-13 x 4 1/2 HEX HEAD BOLT	12
2	046215	1/2-13 x 3 1/2 HEX HEAD BOLT	6
3	044048	1/2-13 NYLOCK HEX NUT	14
4	047025	1/2 FLAT WASHER	16
5	056028	7/16-14 x 4 HEX FLANGE SCREW	12
6	057011	7/16-14 HEX NYLOCK FLANGE NUT	12
7	117217P	WELDMENT LIFT BAR LONG	1
8	120095P	WELDMENT HEATER LIFT BOW RIGHT REAR	1
9	117838P	WELDMENT HEATER LIFT BOW WITH GUSSET RIGHT	2
10	117843P	WELDMENT HEATER LIFT BOW WITH GUSSET LEFT	3
11	117842P	CHANNEL LONG GUSSET LIFT BOW	5
12	120091P	CHANNEL SHORT GUSSET LIFT BOW	1
13	030010	RUBBER SEAL 1/8 x 2 x 3	6

NS - Not Shown

* * * - Contact Allmand for more information.

2.2 - Interior Divider Panels



MAXI-HEAT® 1MBTU

SN 36-000001 and UP

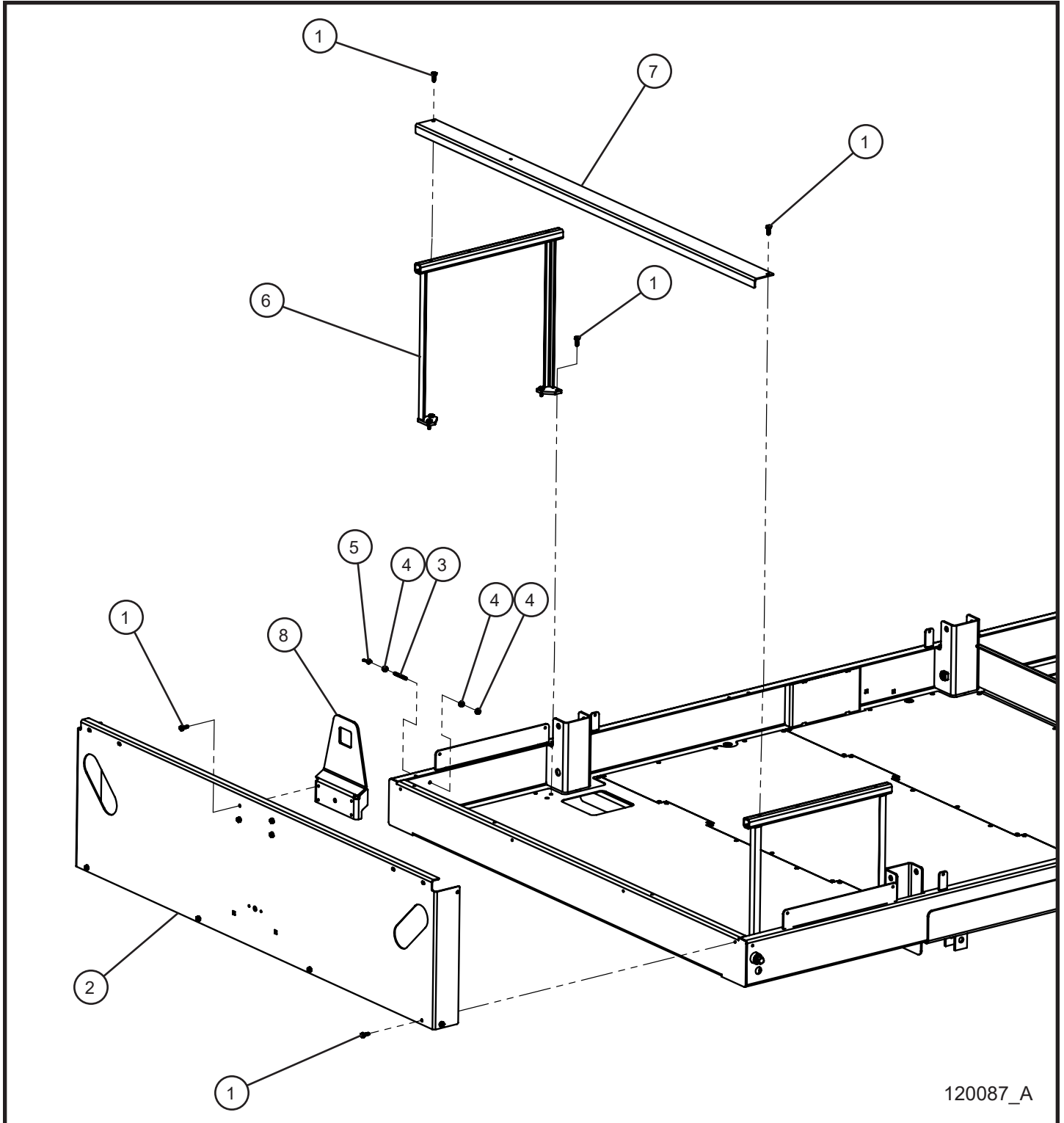
2.2 - Interior Divider Panels

Item	Part No.	Part Description	Qty.
1	041070	1/4-20 x 3/4 SL-HEX WASHER HEAD MACHINE SCREW	34
2	105408	GROMMET NUT DOUBLE SPLIT SQUARE HEAD	4
3	117207P	PANEL HEATER FRONT DIVIDER	1
4	117189P	PLATE BASE FRONT (DUCT BOX)	1
5	117206P	PANEL HEATER FRONT FILLER	1
6	117529P	PLATE DUCT BOX FILLER	1
7	117185P	PANEL DIVIDER	1
8	117227P	PANEL ENGINE DIVIDER TOP	1

NS - Not Shown

* * * - Contact Allmand for more information.

2.3 - Rear Lower Panel



120087_A

MAXI-HEAT® 1MBTU

SN 36-000001 and UP

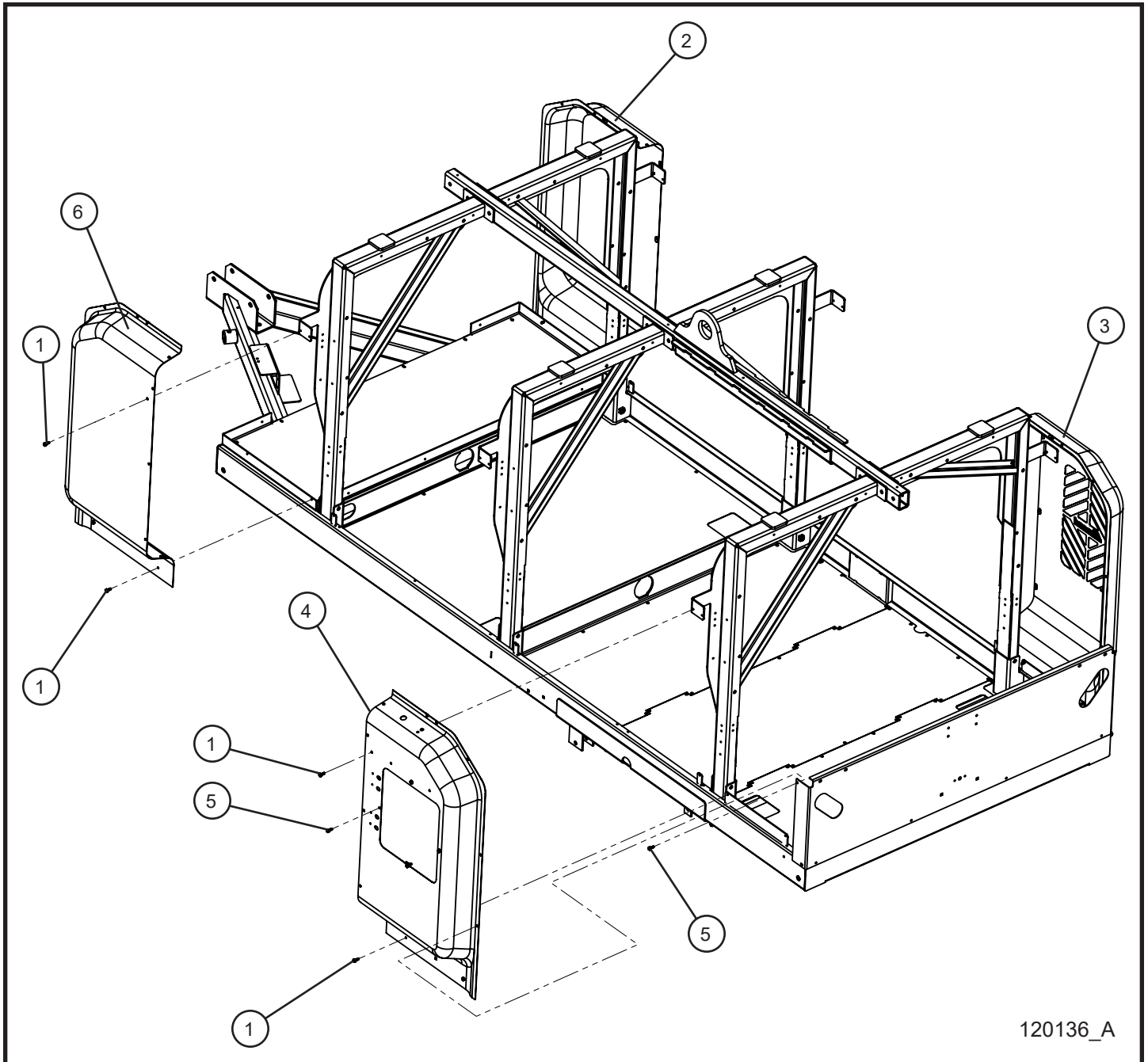
2.3 - Rear Lower Panel

Item	Part No.	Part Description	Qty.
1	041070	1/4-20 x 3/4 SL-HEX WASHER HEAD MACHINE SCREW	20
2	117196P	PANEL REAR HEATER	1
3	045004	1/4-20 x 2 STUD	1
4	044021	1/4-20 KEPS HEX NUT	3
5	330494	1/4-20 WING NUT	1
6	117198P	WELDMENT MOUNT HEATER ENGINE TRAY	2
7	117197P	ANGLE BRACE HEATER ENGINE TRAY MOUNT	1
8	104313P	BRACKET SLAM LATCH	1

NS - Not Shown

* * * - Contact Allmand for more information.

2.4 - Right and Left Side Corner Panels



120136_A

MAXI-HEAT® 1MBTU

SN 36-000001 and UP

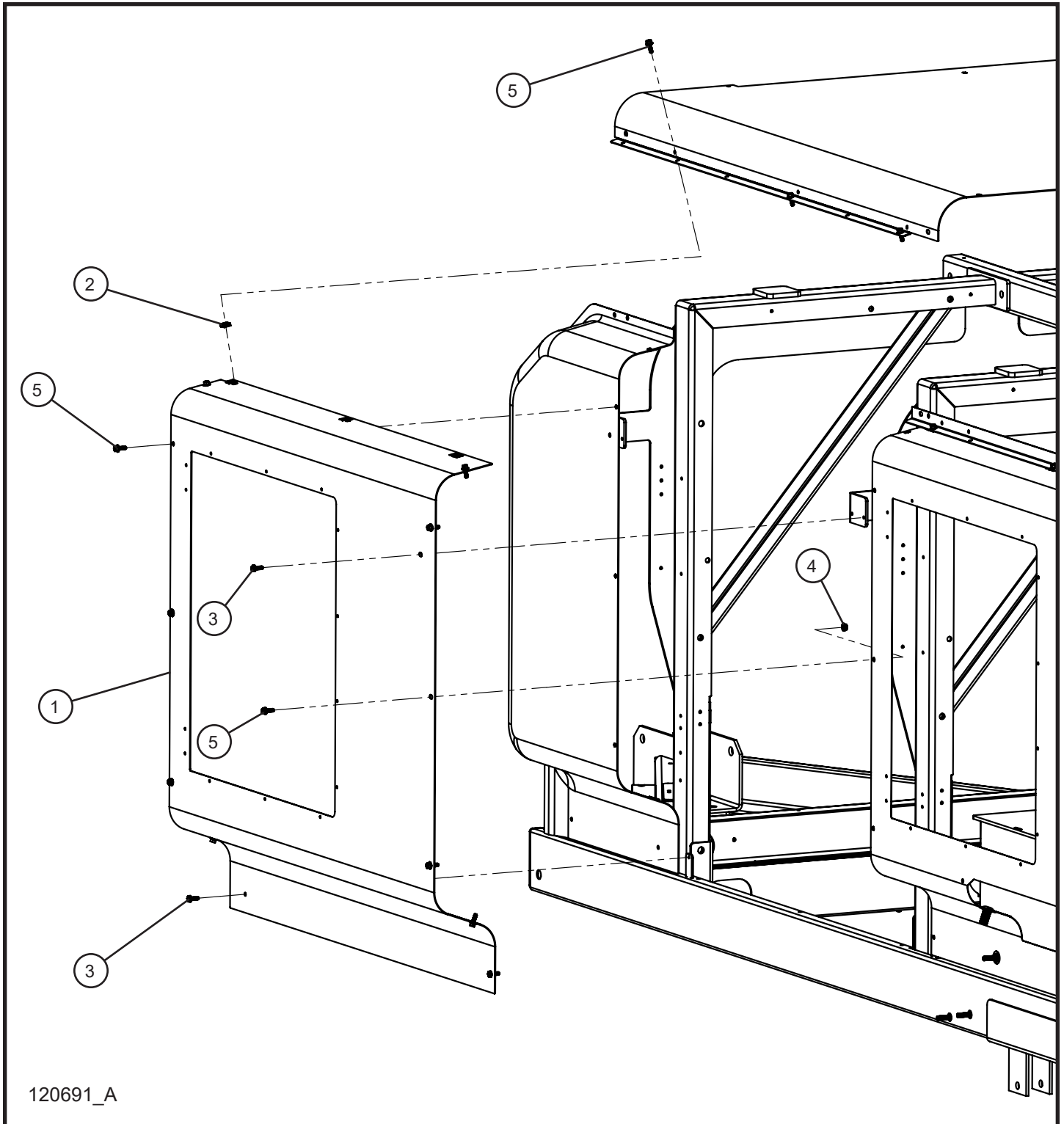
2.4 - Right and Left Side Corner Panels

Item	Part No.	Part Description	Qty.
1	041070	1/4-20 x 3/4 SL-HEX WASHER HEAD MACHINE SCREW	12
2	117526P	PANEL CORNER RIGHT FRONT	1
3	117525P	PANEL CORNER RIGHT REAR	1
4	117522P	PANEL CORNER LEFT REAR	1
5	056019	1/4-20 x 3/4 HEX FLANGE SCREW	6
6	117523P	PANEL CORNER LEFT FRONT	1

NS - Not Shown

*** - Contact Allmand for more information.

2.5 - Single Fuel Tank Right Front Side Burner Panel



120691_A

MAXI-HEAT® 1MBTU

SN 36-000001 and UP

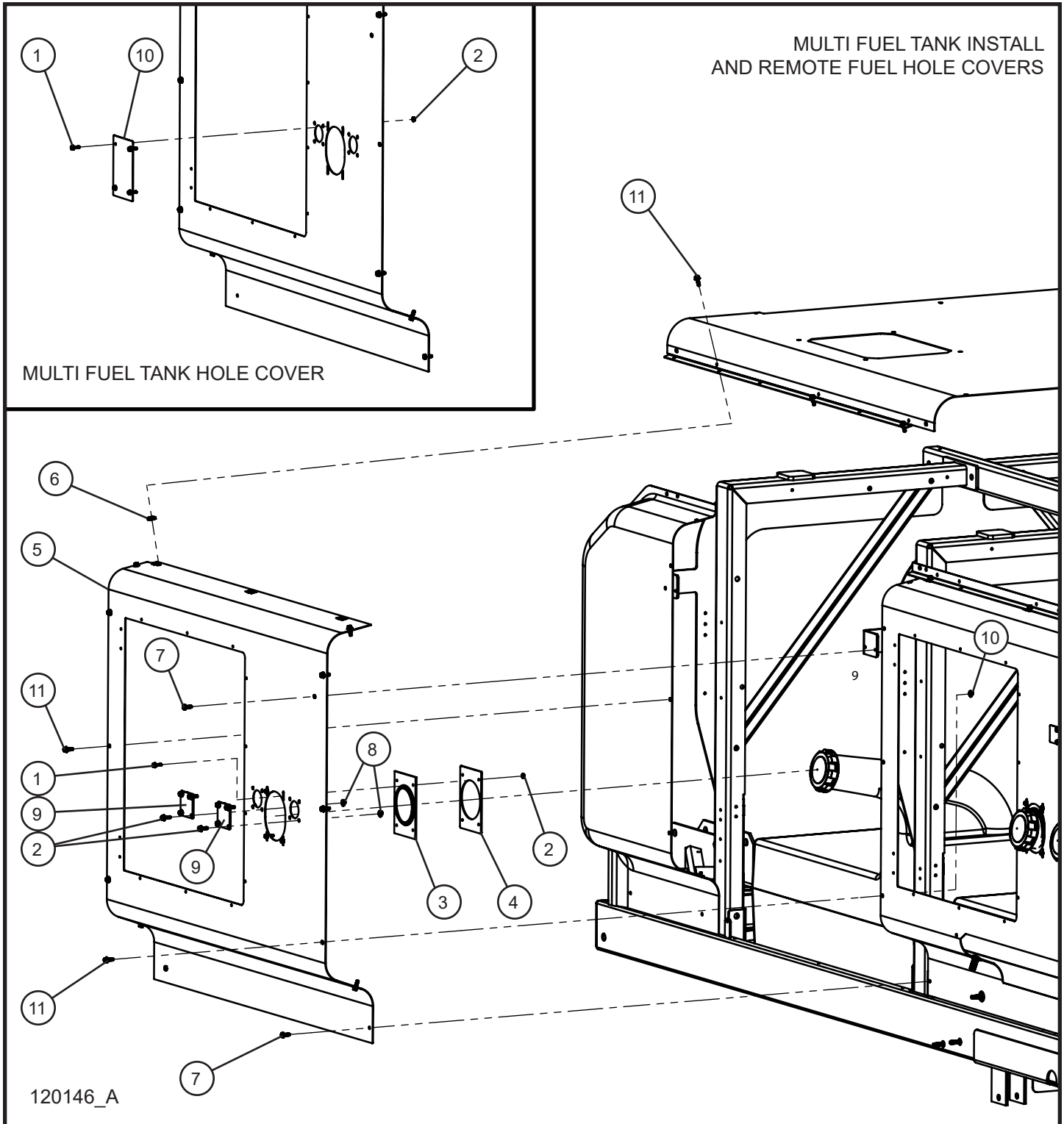
2.5 - Single Fuel Tank Right Front Side Burner Panel

Item	Part No.	Part Description	Qty.
1	120680P	PANEL SIDE BURNER FRONT SINGLE TANK	1
2	045216	1/4-20 TINNEMAN NUT	6
3	041070	1/4-20 x 3/4 SL-HEX WASHER HEAD MACHINE SCREW	4
4	057000	1/4-20 HEX SERRATED FLANGE NUT	5
5	056019	1/4-20 X 3/4 HEX FLANGE SCREW	21

NS - Not Shown

* * * - Contact Allmand for more information.

2.6 - Multi Fuel Tank/Remote Fuel Right Front Side Burner Panel



MAXI-HEAT® 1MBTU

SN 36-000001 and UP

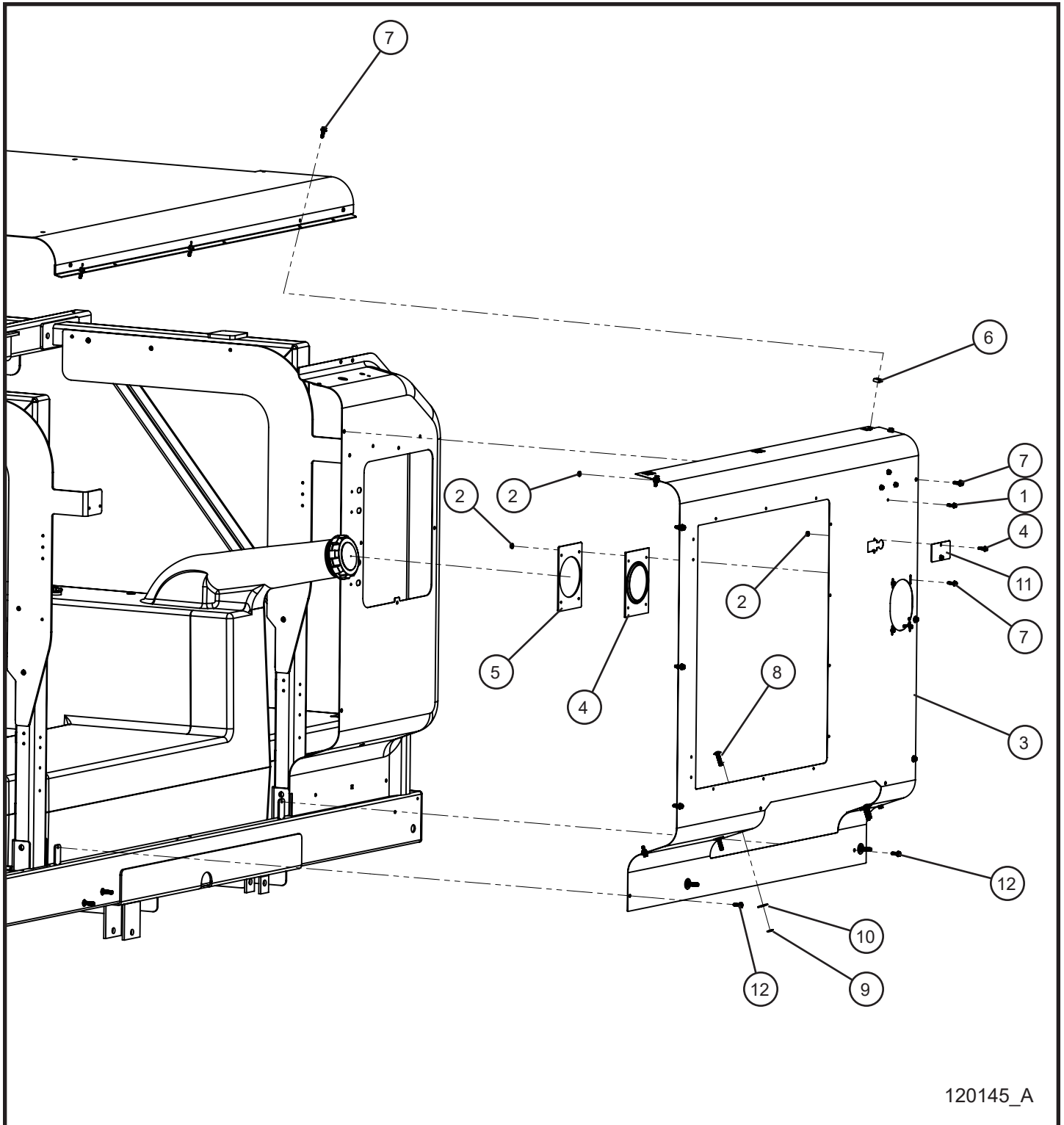
2.6 - Multi Fuel Tank/Remote Fuel Right Front Side Burner Panel

Item	Part No.	Part Description	Qty.
1	056005	#10-24 x 3/4 SERRATED FLANGE HEX SCREW	18
2	044016	#10-24 KEPS HEX NUT	18
3	116365	GASKET RUBBER FUEL FILL NECK	2
4	117278P	PLATE RUBBER BACKING FUEL FILL NECK	2
5	120802P	PANEL SIDE BURNER FRONT MULTI TANK W/REMOTE FUEL	1
6	045216	1/4-20 TINNEMAN NUT	6
7	041070	1/4-20 x 3/4 SL-HEX WASHER HEAD MACHINE SCREW	4
8	057000	1/4-20 HEX SERRATED FLANGE NUT	13
9	120362P	PLATE FILLER	2
10	117536P	PLATE FUEL NECK COVER	1
16	056019	1/4-20 X 3/4 HEX FLANGE SCREW	29

NS - Not Shown

*** - Contact Allmand for more information.

2.7 - Single Poly Fuel Tank Right Rear Side Burner Panel



120145_A

MAXI-HEAT® 1MBTU

SN 36-000001 and UP

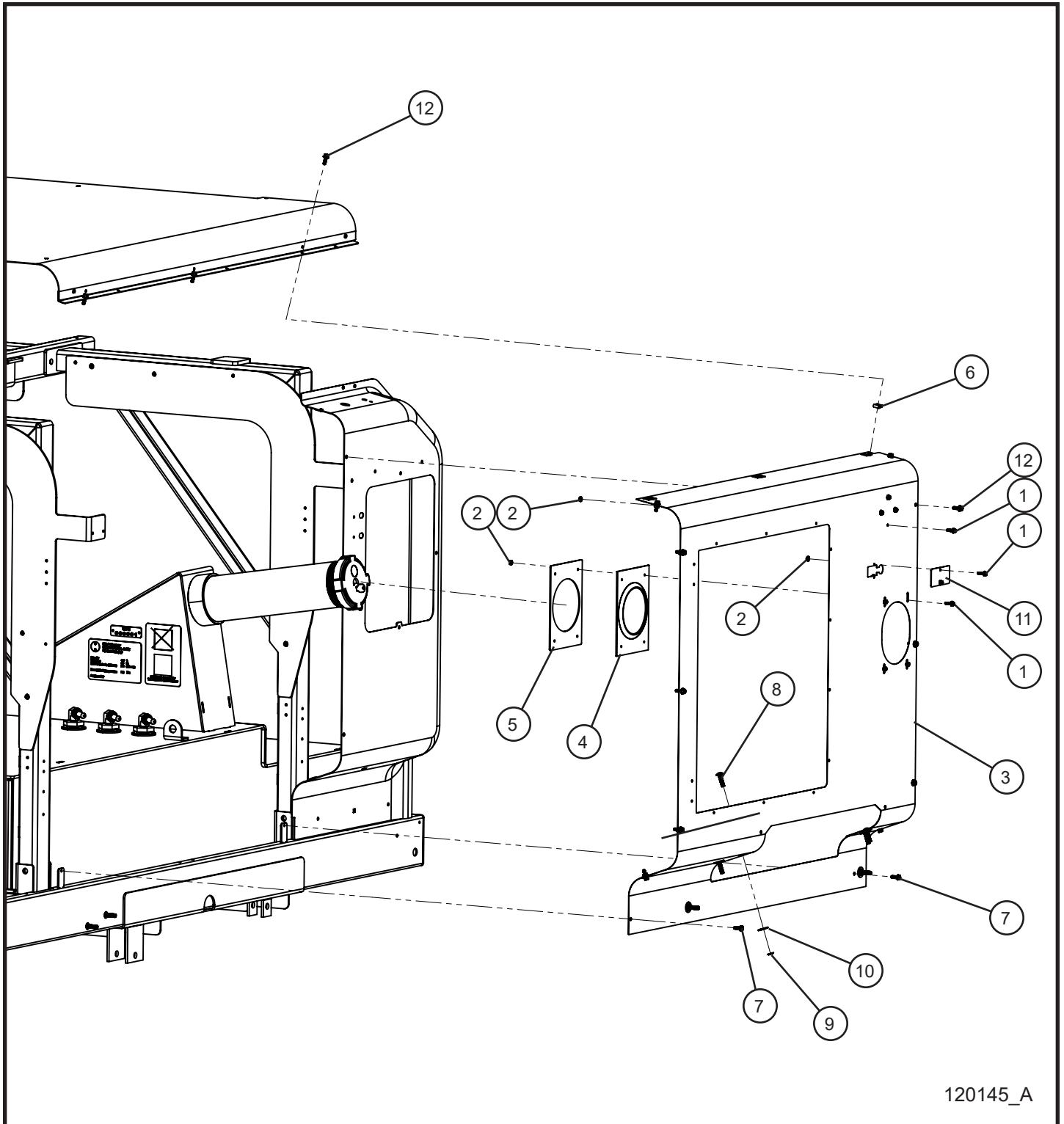
2.7 - Single Poly Fuel Tank Right Rear Side Burner Panel

Item	Part No.	Part Description	Qty.
1	056005	#10-24 x 3/4 SERRATED FLANGE HEX SCREW	18
2	044016	#10-24 KEPS HEX NUT	18
3	117535P	PANEL SIDE BURNER REAR SINGLE TANK 1M BTU HEATER	1
4	116365	GASKET RUBBER FUEL FILL NECK	1
5	117278P	PLATE RUBBER BACKING FUEL FILL NECK	1
6	045216	1/4-20 TINNEMAN NUT	6
7	056019	1/4-20 X 3/4 HEX FLANGE SCREW	21
8	053022	5/16-18 x 1 1/4 CARRIAGE BOLT	6
9	045217	5/16 PUSH NUT	6
10	047015	3/8 FLAT WASHER	6
11	120178P	PLATE BLANK COVER ZTR HOLE	1
12	041070	1/4-20 x 3/4 SL-HEX WASHER HEAD MACHINE SCREW	4

NS - Not Shown

* * * - Contact Allmand for more information.

2.8 - Single Steel Fuel Tank Right Rear Side Burner Panel



120145_A

MAXI-HEAT® 1MBTU

SN 36-000001 and UP

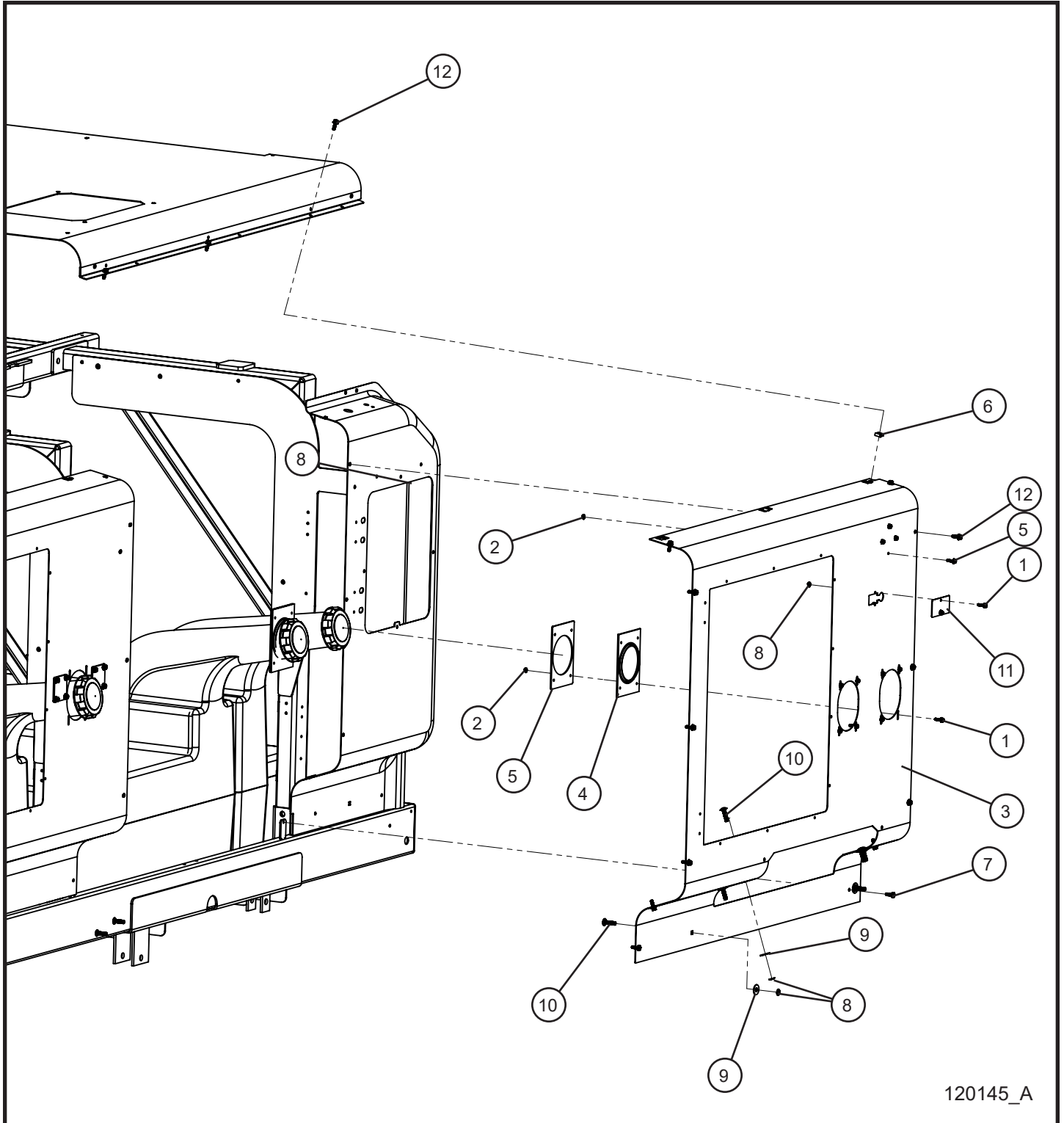
2.8 - Single Steel Fuel Tank Right Rear Side Burner Panel

Item	Part No.	Part Description	Qty.
1	056005	#10-24 x 3/4 SERRATED FLANGE HEX SCREW	12
2	044016	#10-24 KEPS HEX NUT	12
3	120697P	PANEL SIDE BURNER REAR STEEL TANK HEATER	1
4	120696	GASKET RUBBER STEEL TANK FILL NECK	1
5	120695P	PLATE RUBBER BACKING STEEL TANK FILL NECK	1
6	045216	1/4-20 TINNEMAN NUT	6
7	041070	1/4-20 x 3/4 SL-HEX WASHER HEAD MACHINE SCREW	4
8	053022	5/16-18 x 1 1/4 CARRIAGE BOLT	6
9	045217	5/16 PUSH NUT	6
10	047015	3/8 FLAT WASHER	6
11	120178P	PLATE BLANK COVER ZTR HOLE	1
12	056019	1/4-20 X 3/4 HEX FLANGE SCREW	21

NS - Not Shown

* * * - Contact Allmand for more information.

2.9 - Multi Fuel Tank Right Rear Side Burner Panel



120145_A

MAXI-HEAT® 1MBTU

SN 36-000001 and UP

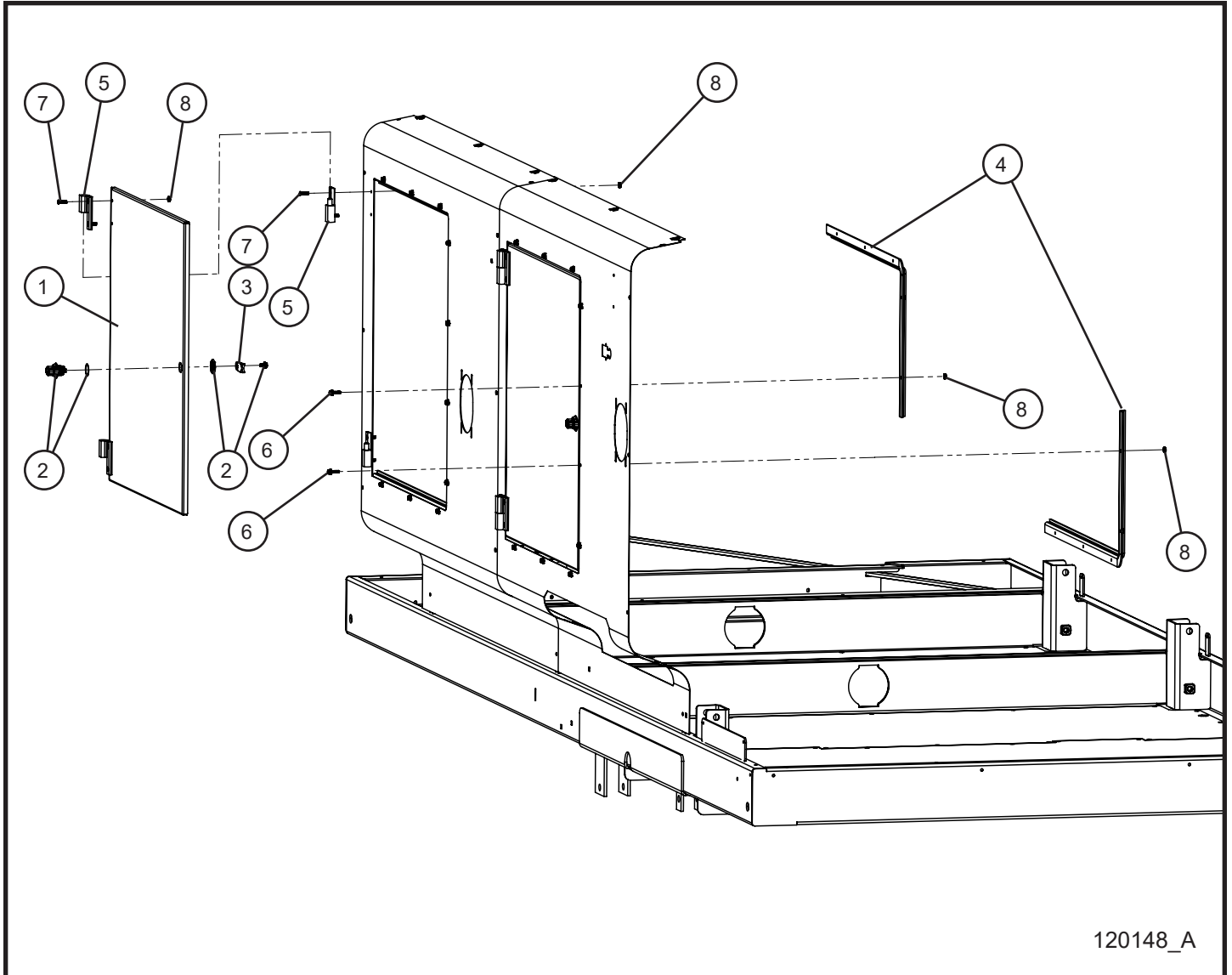
2.9 - Multi Fuel Tank Right Rear Side Burner Panel

Item	Part No.	Part Description	Qty.
1	056005	#10-24 x 3/4 SERRATED FLANGE HEX SCREW	18
2	044016	#10-24 KEPS HEX NUT	18
3	117277P	PANEL SIDE BURNER REAR MULTI TANK 1M BTU HEATER	1
4	116365	GASKET RUBBER FUEL FILL NECK	3
5	117278P	PLATE RUBBER BACKING FUEL FILL NECK	3
6	045216	1/4-20 TINNEMAN NUT	6
7	041070	1/4-20 x 3/4 SL-HEX WASHER HEAD MACHINE SCREW	4
8	045217	5/16 PUSH NUT	6
9	047015	3/8 FLAT WASHER	6
10	053022	5/16-18 x 1 1/4 CARRIAGE BOLT	6
11	120178P	PLATE BLANK COVER ZTR HOLE	1
12	056019	1/4-20 X 3/4 HEX FLANGE SCREW	29

NS - Not Shown

* * * - Contact Allmand for more information.

2.10 - Right Side Burner Doors



MAXI-HEAT® 1MBTU

SN 36-000001 and UP

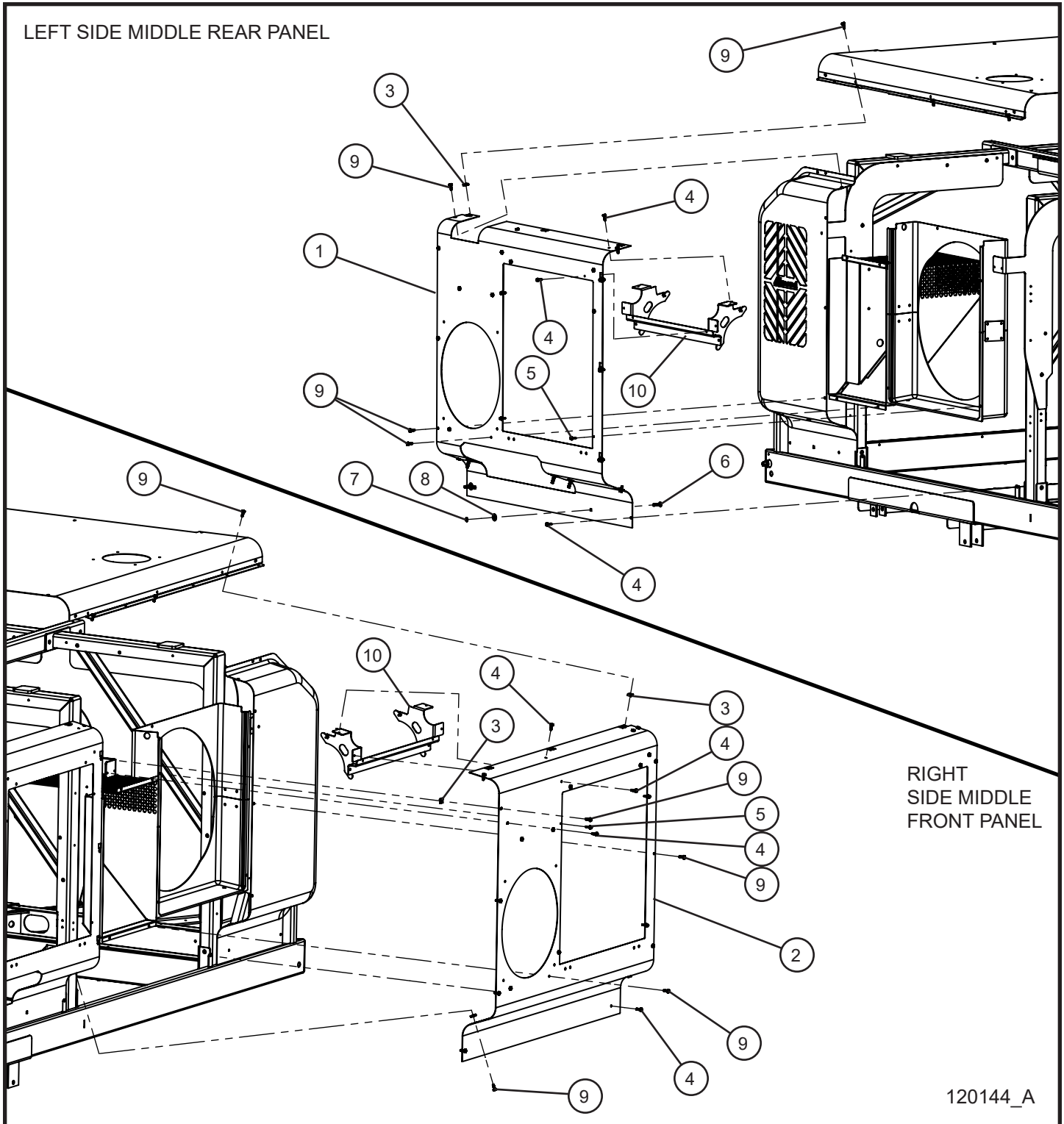
2.10 - Right Side Burner Doors

Item	Part No.	Part Description	Qty.
1	117279P	PANEL DOOR BURNER HEATER	2
2	111481	WINGKNOB PADLOCKABLE BLACK	2
3	111482	LATCH CAM STRAIGHT	2
4	120124	HEATER DOOR TRIM SET	2
5	116148	HINGE REMOVABLE	4
6	056005	#10-24 x 3/4 SERRATED FLANGE HEX SCREW	20
7	041032	#10-24 x 3/4 PHILLIPS FLAT HEAD MACHINE SCREW	16
8	044016	#10-24 KEPS HEX NUT	36

NS - Not Shown

* * * - Contact Allmand for more information.

2.11 - Left Side Heater Exhaust Panels



MAXI-HEAT® 1MBTU

SN 36-000001 and UP

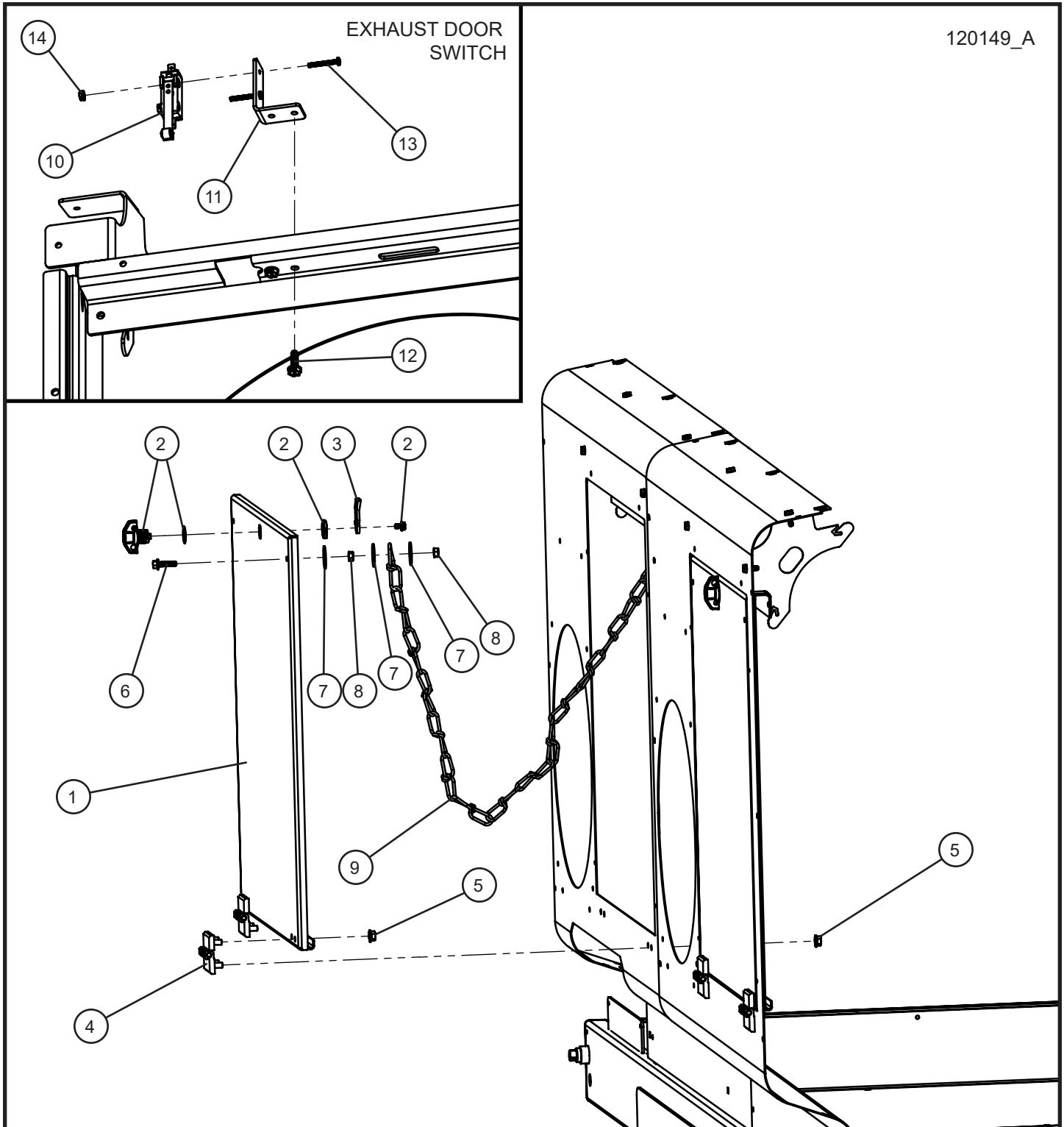
2.11 - Left Side Heater Exhaust Panels

Item	Part No.	Part Description	Qty.
1	117284P	REAR PANEL SIDE EXHAUST 1MBTU HEATER	1
2	117528P	FRONT PANEL SIDE EXHAUST 1MBTU HEATER	1
3	045216	1/4-20 TINNERMAN NUT	10
4	041070	1/4-20 x 3/4 SL-HEX WASHER HEAD MACHINE SCREW	18
5	056005	#10-24 x 3/4 SERRATED FLANGE HEX SCREW	8
6	053022	5/16-18 x 1 1/4 CARRIAGE BOLT	6
7	045217	5/16 PUSH NUT	6
8	047015	3/8 FLAT WASHER	6
9	056019	1/4-20 x 3/4 HEX FLANGE SCREW	27
10	120331P	WELDMENT BRACKET ANGLE CHAIN MOUNT HEATER	2

NS - Not Shown

* * * - Contact Allmand for more information.

2.12 - Left Side Heater Exhaust Doors



MAXI-HEAT® 1MBTU

SN 36-000001 and UP

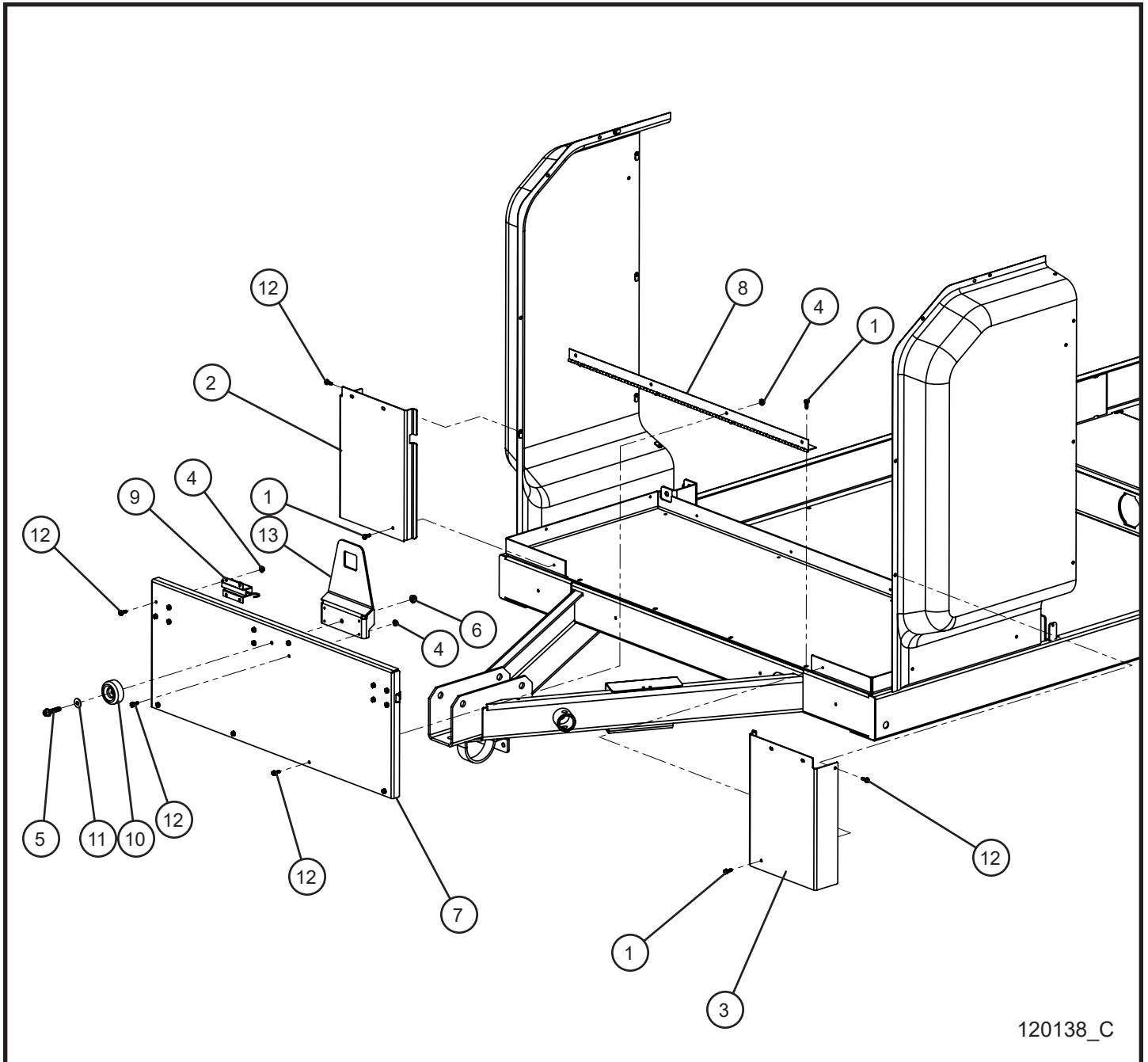
2.12 - Left Side Heater Exhaust Doors

Item	Part No.	Part Description	Qty.
1	117286P	PANEL DOOR EXHAUST HEATER	2
2	111481	WINGKNOB PADLOCKABLE BLACK	2
3	111482	LATCH CAM STRAIGHT	2
4	116986	60mm x 60mm w/ M8 STUDS HINGE	4
5	059000	M8 x 1.25 SERRATED HEX FLANGE NUT	16
6	056017	1/4-20 x 1.00 SERRATED HEX FLANGE BOLT	4
7	047007	1/4 x 1 1/4 x .056 FENDER WASHER	12
8	044021	1/4-20 KEPS HEX NUT	8
9	049016	DOUBLE LOOPED CHAIN x 39.00	4
10	830165	ROCKER SWITCH W/ ROLLOR	2
11	120332P	ROCKER SWITCH HEATER MOUNT	2
12	041070	1/4-20 x 3/4 SL-HEX WASHER HEAD MACHINE SCREW	4
13	041006	#6-32 x 1 1/4 SL-ROUND HEAD MACHINE SCREW	4
14	044004	#6-32 KEPS HEX NUT	4
NS	116714	EXHAUST DOOR SWITCH TO EXHAUST DOOR SWITCH CORD	1
NS	116733	THREE FUEL TANK AND DOOR SWITCH CORDS	1
NS	116730	ONE FUEL TANK AND DOOR SWITCH CORDS	1
NS	119741	SCHEMATIC 3-FUEL TANK 2-DOOR SWITCH MAXI-HEAT	1
NS	119744	SCHEMATIC 1-FUEL TANK 2-DOOR SWITCH MAXI-HEAT	1

NS - Not Shown

* * * - Contact Allmand for more information.

2.13 - Front Lower Panels and Door (Duct Box)



120138_C

MAXI-HEAT® 1MBTU

SN 36-000001 and UP

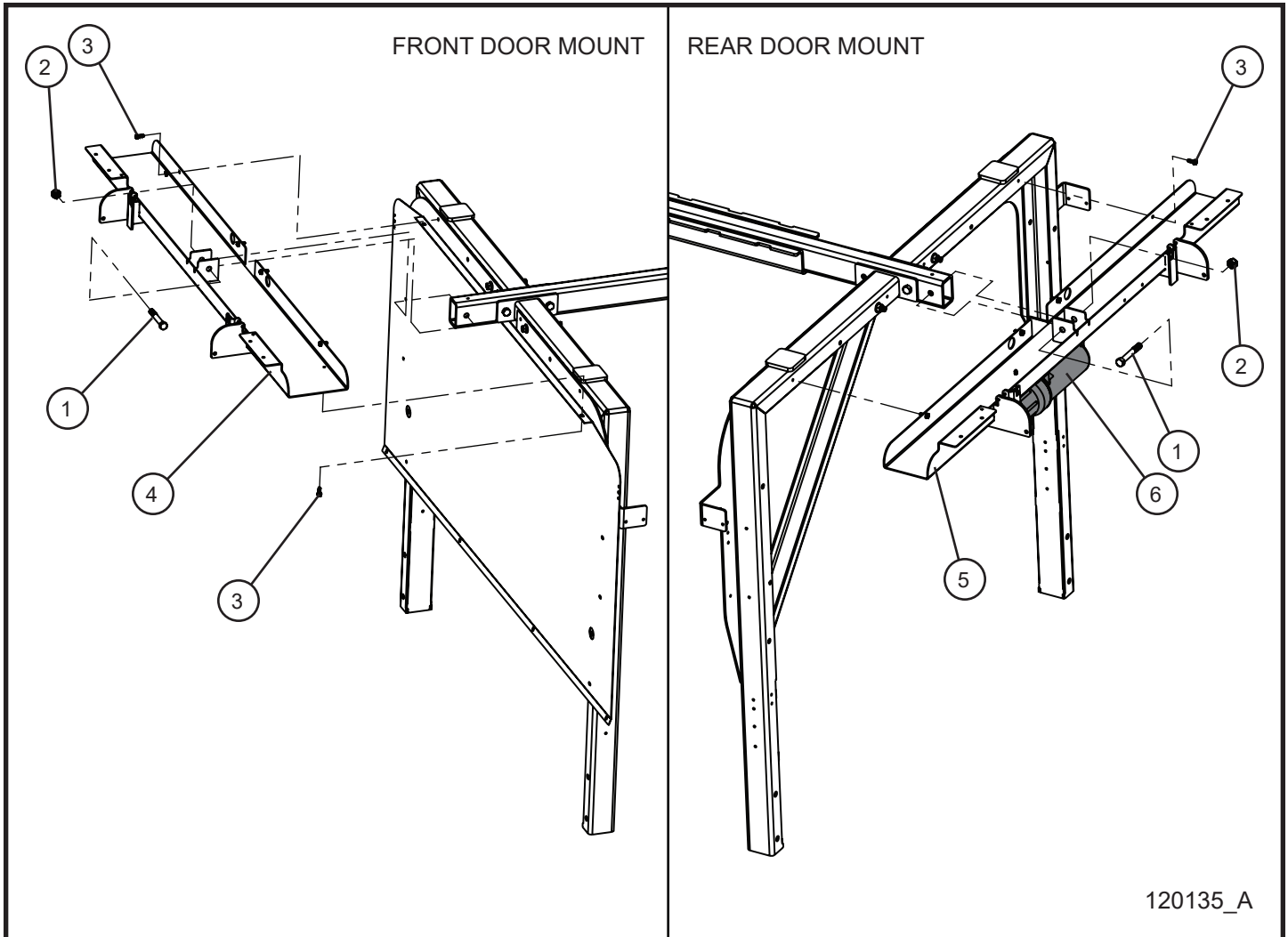
2.13 - Front Lower Panels and Door (Duct Box)

Item	Part No.	Part Description	Qty.
1	041070	1/4-20 x 3/4 SL-HEX WASHER HEAD MACHINE SCREW	6
2	117190P	PANEL RIGHT DUCT BOX	1
3	117191P	PANEL LEFT DUCT BOX	1
4	057000	1/4-20 HEX SERRATED FLANGE NUT	16
5	056013	3/8-16 x 1 3/4 SERRATED FLANGE BOLT	1
6	057007	3/8-16 HEX NYLOCK FLANGE NUT	1
7	117192P	PANEL DOOR DUCT BOX	1
8	116153	PANEL DOOR HINGE	1
9	116151	LATCH SPRING LOADED SLIDE BOT	2
10	711032	RUBBER BUMPER	1
11	047015	3/8 FLAT WASHER	1
12	056019	1/4-20 x 3/4 HEX FLANGE SCREW	18
13	117295P	BRACKET SLAM LATCH HEATER	1

NS - Not Shown

* * * - Contact Allmand for more information.

2.14 - Front and Rear Door Mounts with Manual Canister



MAXI-HEAT® 1MBTU

SN 36-000001 and UP

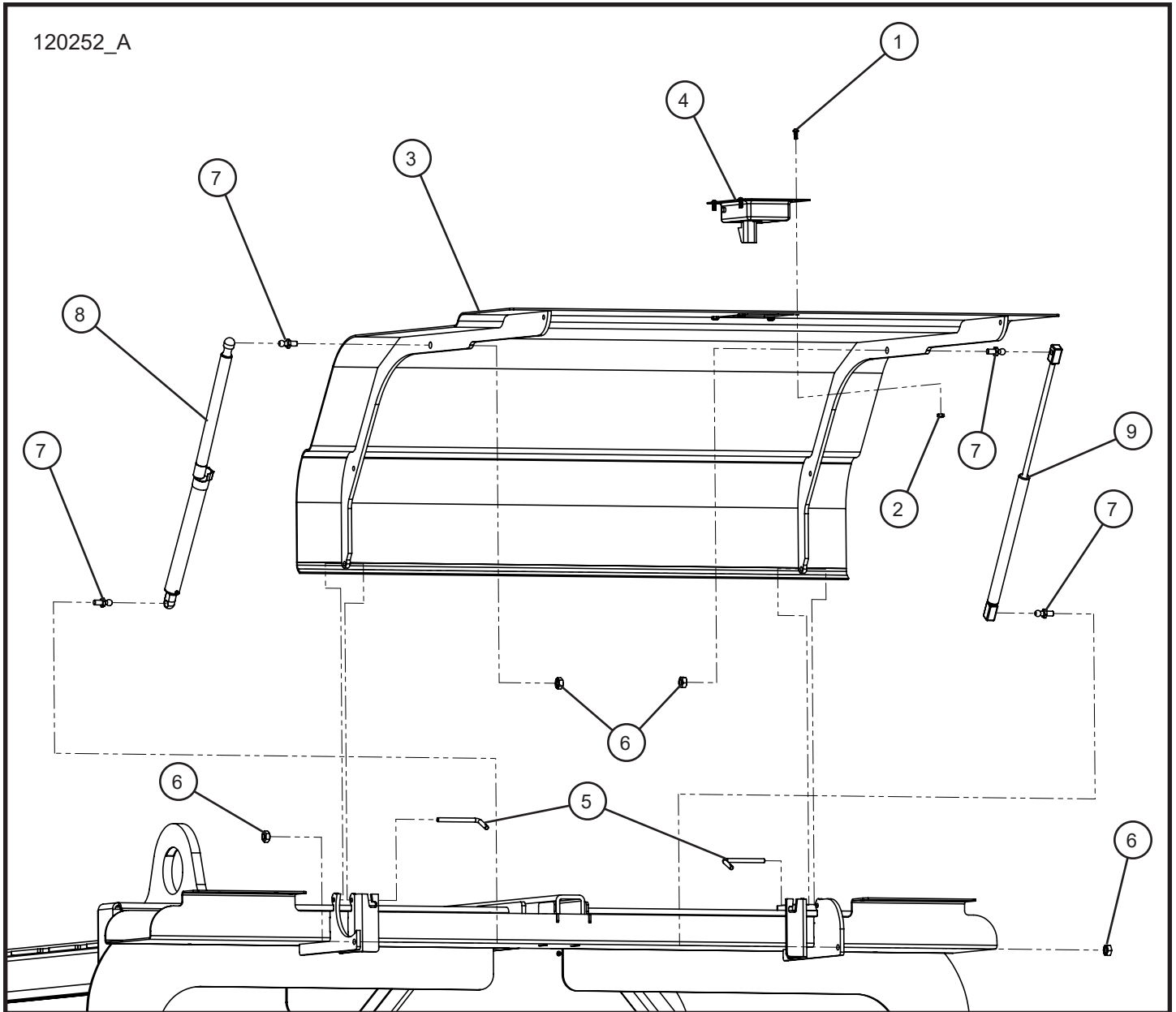
2.14 - Front and Rear Door Mounts with Manual Canister

Item	Part No.	Part Description	Qty.
1	046215	1/2-13 x 3 1/2 HEX HEAD BOLT	2
2	044048	1/2-13 NYLOCK HEX NUT	2
3	041070	1/4-20 x 3/4 SL-HEX WASHER HEAD MACHINE SCREW	13
4	117271P	WELDMENT MOUNT DOOR FRONT HEATER	1
5	117269P	WELDMENT MOUNT DOOR REAR HEATER	1
6	103651	CANISTER PRODUCT MANUAL	1
NS	118306	MAXI-HEAT OPERATORS MANUAL	1
NS	120250	MAXI-HEAT SCHEMATIC MANUAL	1

NS - Not Shown

*** - Contact Allmand for more information.

2.15 - Front and Rear Doors



MAXI-HEAT® 1MBTU

SN 36-000001 and UP

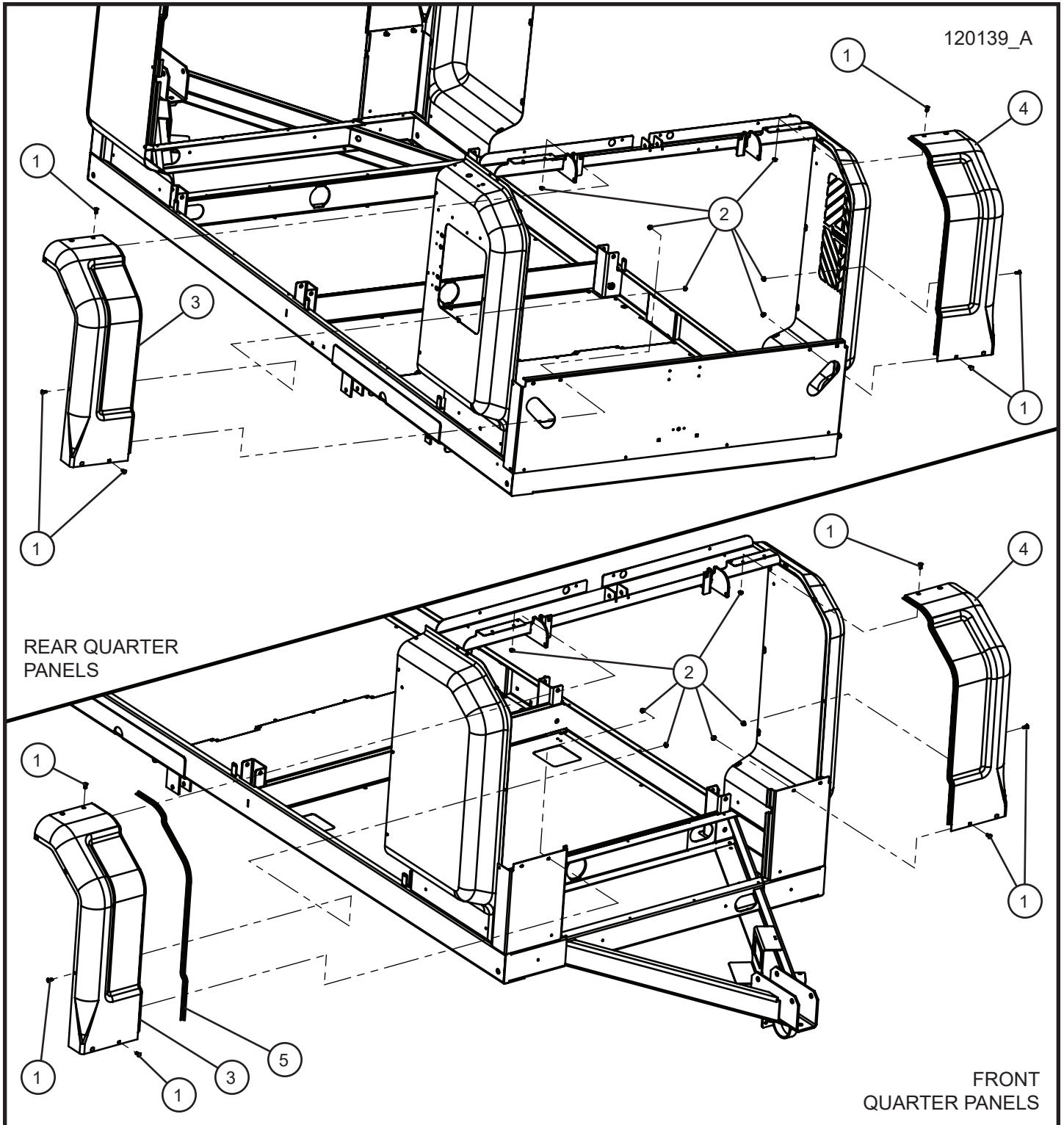
2.15 - Front and Rear Doors

Item	Part No.	Part Description	Qty.
1	041021	#10-24 x 1/2 PH-ROUND HEAD MACHINE SCREW	8
2	044018	#10-24 NYLOCK HEX NUT	8
3	104540P	MAXI II DOOR	2
4	680459	SLAM LATCH	2
5	111456	PIN HINGE	4
6	044090	5/16-18 TOP LOCK HEX NUT	8
7	330437	BALL STUD M10	8
8	105245	CYLINDER GAS SPRING LOCKING	2
9	680813	LIFT SUPPORT	2

NS - Not Shown

* * * - Contact Allmand for more information.

2.16 - Front and Rear Quarter Panels



MAXI-HEAT® 1MBTU

SN 36-000001 and UP

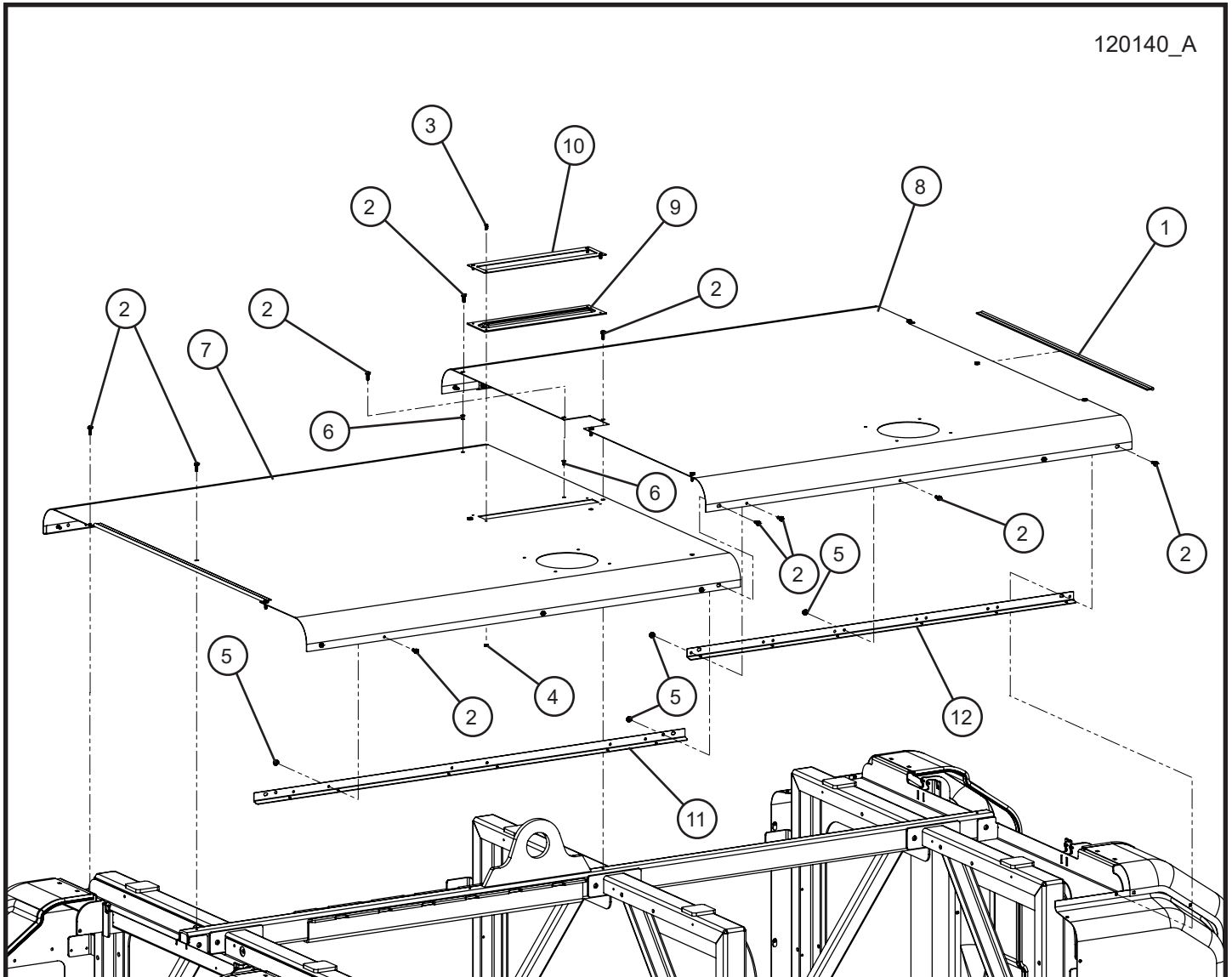
2.16 - Front and Rear Quarter Panels

Item	Part No.	Part Description	Qty.
1	053006	1/4-20 x 3/4 CARRIAGE BOLT	28
2	057000	1/4-20 HEX SERRATED FLANGE NUT	28
3	103643P	PANEL QUARTER LEFT FRONT/RIGHT REAR	2
4	103642P	PANEL QUARTER LEFT REAR/RIGHT FRONT	2
5	105998	TRIM GASKET 1/16 x 41 WITH 3/8 BULB	4

NS - Not Shown

* * * - Contact Allmand for more information.

2.17 - Roof Panels I



MAXI-HEAT® 1MBTU

SN 36-000001 to 36-000216

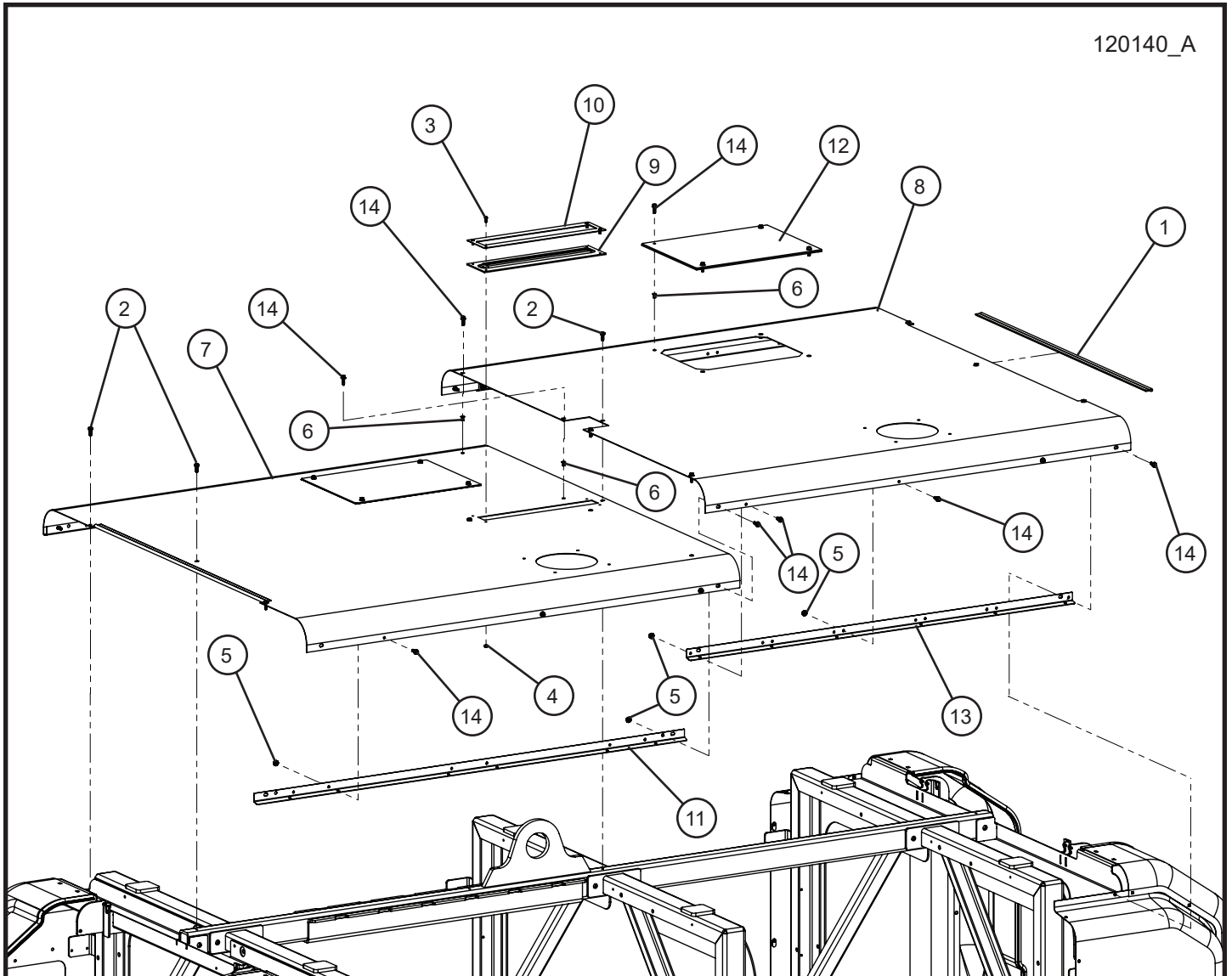
2.17 - Roof Panels I

Item	Part No.	Part Description	Qty.
1	030052	TRIM GASKET END BEAD 1/16 x 38.75 WITH 3/8 BULB	2
2	041070	1/4-20 x 3/4 SL-HEX WASHER HEAD MACHINE SCREW	30
3	041021	#10-24 x 1/2 PH-ROUND HEAD MACHINCE SCREW	4
4	044016	#10-24 KEPS HEX NUT	4
5	057000	1/4-20 HEX SERRATED FLANGE NUT	14
6	118302	1/4-20 RIVNUT HEX	4
7	117232P	PANEL ROOF REAR 1MBTU HEATER	1
8	117233P	PANEL ROOF FRONT 1MBTU HEATER	1
9	116366	GASKET RUBBER LIFT EYE	1
10	120134P	PLATE GASKET PRESSURE LIFT BOW	1
11	117234P	ANGLE DRIP RAIL REAR ROOF PANEL 1MBTU HEATER	2
12	117235P	ANGLE DRIP RAIL FRONT ROOF PANEL 1MBTU HEATER	2

NS - Not Shown

* * * - Contact Allmand for more information.

2.18 - Roof Panels II



MAXI-HEAT® 1MBTU

SN 36-000217 and UP

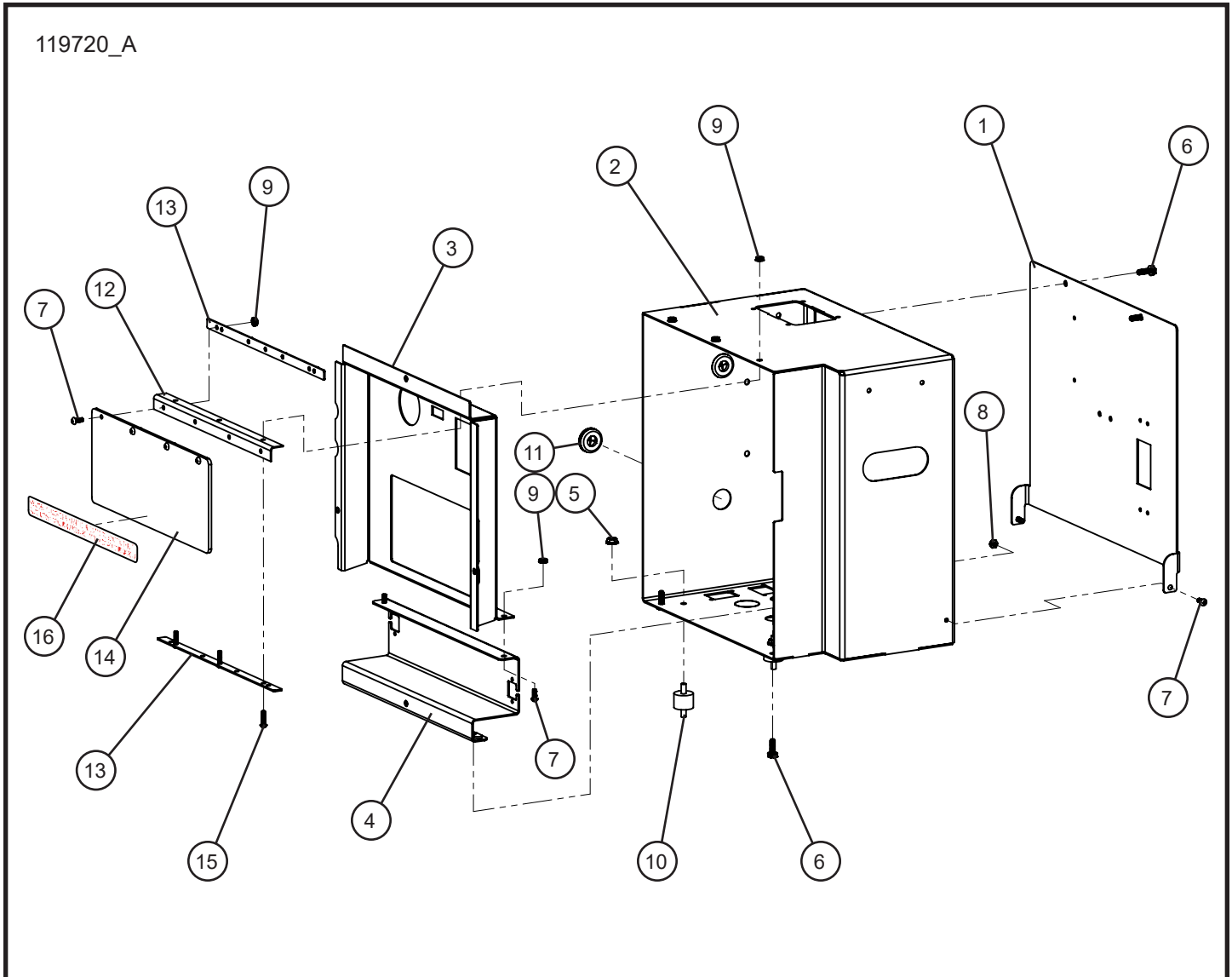
2.18 - Roof Panels II

Item	Part No.	Part Description	Qty.
1	030052	TRIM GASKET END BEAD 1/16 x 38.75 WITH 3/8 BULB	2
2	041070	1/4-20 x 3/4 SL-HEX WASHER HEAD MACHINE SCREW	8
3	041021	#10-24 x 1/2 PH-ROUND HEAD MACHINCE SCREW	4
4	044016	#10-24 KEPS HEX NUT	4
5	057000	1/4-20 HEX SERRATED FLANGE NUT	14
6	118302	1/4-20 RIVNUT HEX	12
7	120833P	PANEL ROOF REAR 1MBTU HEATER W/ ACCESS HOLE	1
8	120834P	PANEL ROOF FRONT 1MBTU HEATER W/ ACCESS HOLE	1
9	116366	GASKET RUBBER LIFT EYE	1
10	120134P	PLATE GASKET PRESSURE LIFT BOW	1
11	117234P	ANGLE DRIP RAIL REAR ROOF PANEL 1MBTU HEATER	2
12	120835P	PANEL MCS CONTROL BOX ACCESS	2
13	117235P	ANGLE DRIP RAIL FRONT ROOF PANEL 1MBTU HEATER	2
14	056019	1/4-20 x 3/4 HEX FLANGE SCREW	30
NS	115259	SEAL 1/8 x 1/2 x 12 1/2 INCHES (FOR ACCESS PANEL)	4
NS	115259	SEAL 1/8 x 1/2 x 15 1/2 INCHES (FOR ACCESS PANEL)	4

NS - Not Shown

*** - Contact Allmand for more information.

3.1 - Control Box Install Group (1 of 2)



MAXI-HEAT® 1MBTU

SN 36-000001 and UP

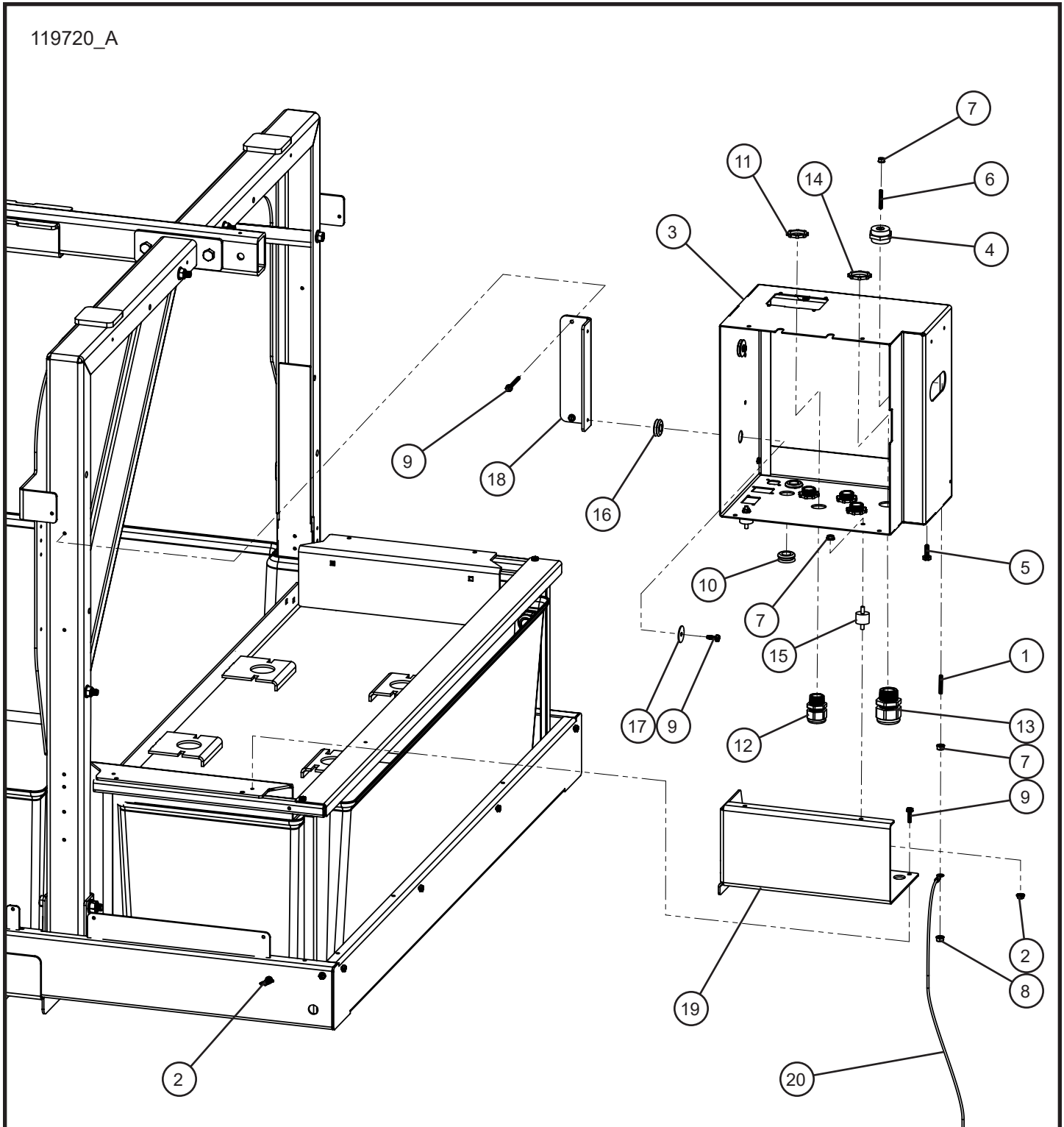
3.1 - Control Box Install Group (1 of 2)

Item	Part No.	Part Description	Qty.
1	117293P	PANEL BREAKER CONTROL BOX	1
2	117543P	WELDMENT CONTROL BOX	1
3	117297P	WELDMENT PANEL MOUNT DISPLAY SCREEN	1
4	117549P	WELDMENT LOWER PANEL MOUNT DISPLAY SCREEN	1
5	057000	1/4-20 HEX SERRATED FLANGE NUT	8
6	041070	1/4-20 x 3/4 SL-HEX WASHER HEAD MACHINE SCREW	11
7	041021	#10-24 x 1/2 PH-ROUND HEAD MACHINE SCREW	8
8	044018	#10-24 NYLOCK HEX NUT	2
9	044016	#10-24 KEPS HEX NUT	9
10	330057	BOX MOUNT RUBBER	2
11	100859	7/8 ID x 1 1/4 OD GROMMET	2
12	118421	HINGE RUBBER HEATER	1
13	120268P	HINGE STRAP COMPONENT BOX HEATER	2
14	118420	WINDOW DEEP SEA COVER	1
15	041027	#10-24 x 3/4 PH-ROUND HEAD MACHINE SCREW	3
16	118426	DECAL ENGINE SHUT DOWN NOTICE	1

NS - Not Shown

* * * - Contact Allmand for more information.

3.1 - Control Box Install Group (2 of 2)



MAXI-HEAT® 1MBTU

SN 36-000001 and UP

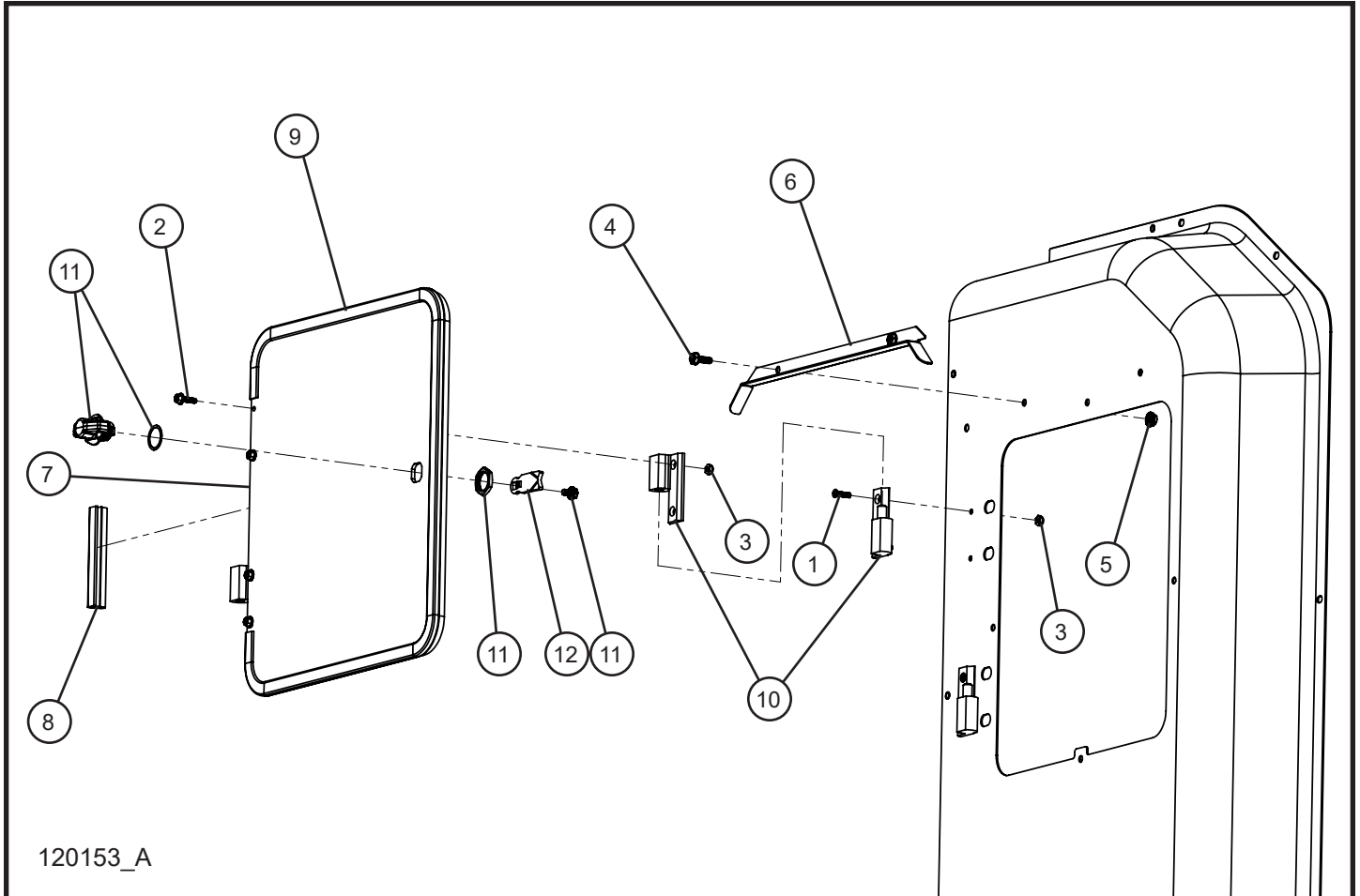
3.1 - Control Box Install Group (2 of 2)

Item	Part No.	Part Description	Qty.
1	045004	1/4-20 x 2 STUD	2
2	330494	1/4-20 WING NUT	1
3	117543P	WELDMENT CONTROL BOX	1
4	106318	1/4-20 x 1-1/4 LOW VOLTAGE INSULATOR	1
5	056001	1/4-20 x 1/2 HEX SERRATED FLANGE SCREW	1
6	045003	1/4-20 x 1 1/2 STUD	1
7	057000	1/4-20 HEX SERRATED FLANGE NUT	8
8	044023	1/4-20 NYLOCK HEX NUT	1
9	041070	1/4-20 x 3/4 SL-HEX WASHER HEAD MACHINE SCREW	7
10	330463	11/16 RUBBER GROMMET	2
11	022036	3/4 CORD GRIP NUT	4
12	105916	3/4 GRIP CORD NYLON	4
13	105628	1 1/4 CORD GRIP	1
14	350363	1 1/4 LOCK NUT	1
15	330057	BOX MOUNT RUBBER	2
16	100859	7/8 ID x 1 1/4 OD GROMMET	2
17	047007	1/4 x 1 1/4 x .056 FENDER WASHER	2
18	120101P	BRACKET ANGLE CONTROL BOX MOUNT	1
19	117231P	WELDMENT BOTTOM MOUNT HEATER CONTROL BOX	1
20	118137	12 AWG GREEN/YELLOW x 24.00	1
NS	044021	1/4-20 KEPS HEX NUT	3

NS - Not Shown

* * * - Contact Allmand for more information.

3.2 - Control Box Door



120153_A

MAXI-HEAT® 1MBTU

SN 36-000001 and UP

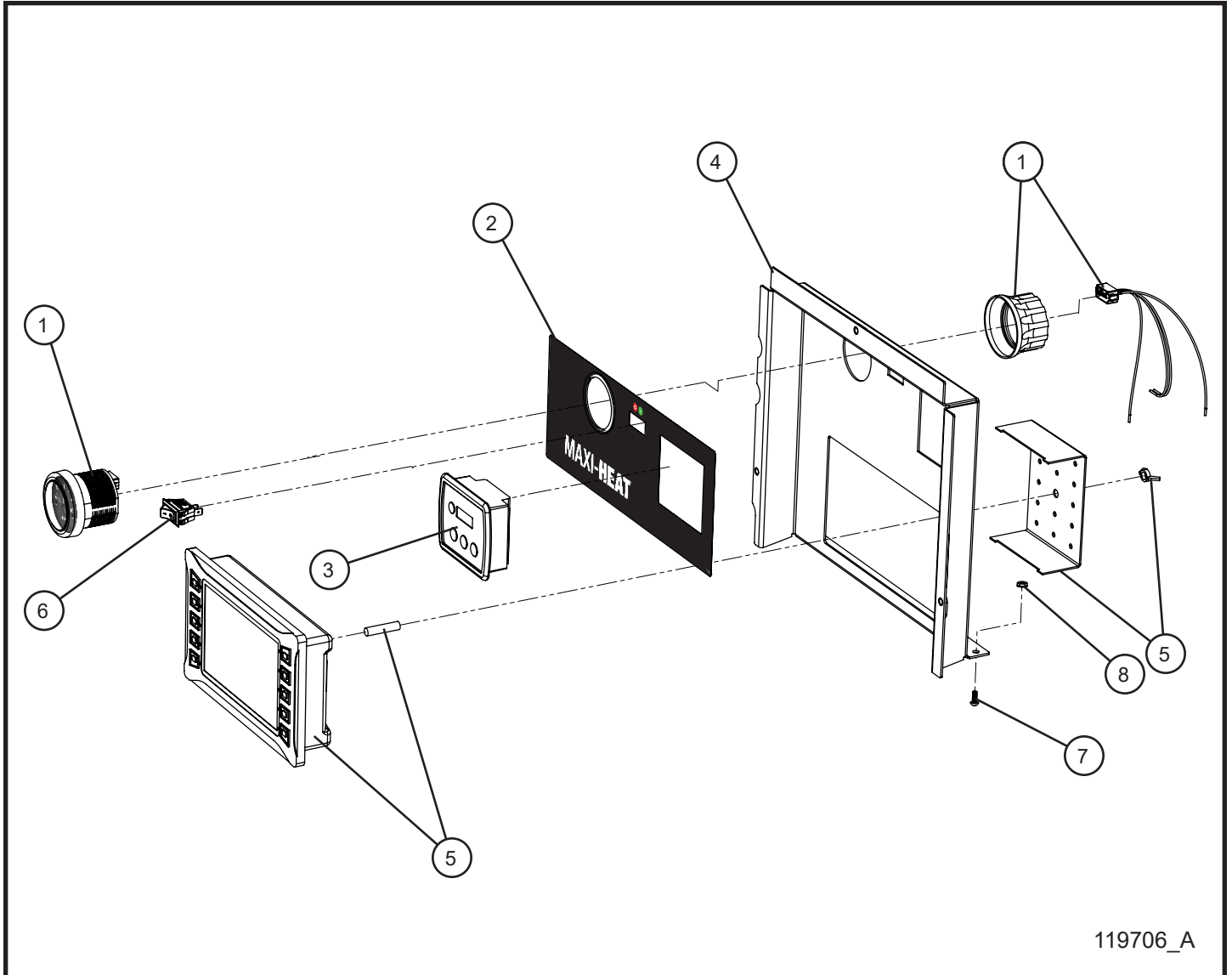
3.2 - Control Box Door

Item	Part No.	Part Description	Qty.
1	041032	#10-24 x 3/4 PHILLIPS-FLAT HEAD MACHINE SCREW	4
2	056005	#10-24 x 3/4 SERRATED FLANGE HEX SCREW	4
3	044018	#10-24 NYLOCK HEX NUT PL	8
4	056019	1/4-20 x 3/4 HEX FLANGE SCREW	2
5	057000	1/4-20 HEX SERRATED FLANGE NUT	2
6	117289P	BRACKET RAIN GUTTER CONTROL BOX DOOR	1
7	116364	DOOR HEAR CONTROL PANEL	1
8	107607	TRIM GASKET SIDE BEAR 3/16 w/ 3/8 BULB x 4.25	1
9	107607	TRIM GASKET SIDE BEAR 3/16 w/ 3/8 BULB x 50.00	1
10	116148	HINGE REMOVEABLE	2
11	111481	WINGKNOB PADLOCKABLE BLACK	1
12	111482	LATCH CAM STRAIGHT	1

NS - Not Shown

* * * - Contact Allmand for more information.

3.3 - Control Panel Single Fuel Gauge



119706_A

MAXI-HEAT® 1MBTU

SN 36-000001 and UP

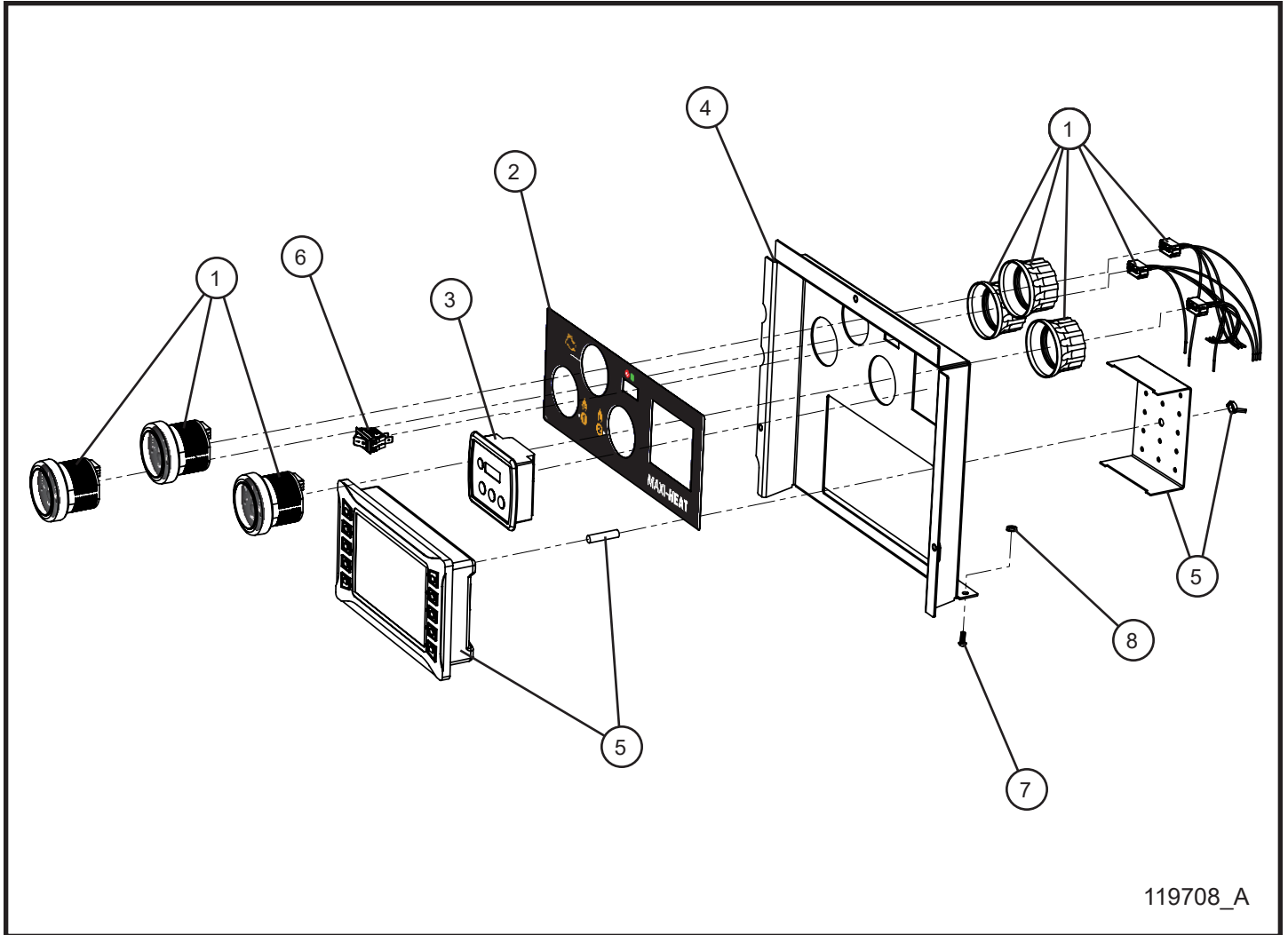
3.3 - Control Panel Single Fuel Gauge

Item	Part No.	Part Description	Qty.
1	116743	FUEL GAUGE WITH BACK LIGHT	1
2	118122	DECAL HEATER 1 GAUGE	1
3	102537	DEEP SEA 3110 CONTROLLER	1
4	117297P	WELDMENT PANEL MOUNT DISPLAY SCREEN	1
5	117238	D-HMI 7" SCREEN	1
6	113541	ROCKER SWITCH SPST ON /OFF	1
7	041021	#10-24 x 1/2 PH-ROUND HEAD MACHINE SCREW	4
8	044016	#10-24 KEPS HEX NUT	4
NS	119746	SCHEMATIC HEATER CONTROL CORD 2 HEATER MAXI-HEAT	1
NS	119735	SCHEMATIC CONTROL PANEL DEEP SEA HARNESS MAXI-HEAT	1
NS	119736	WIRE SCHEMATIC ONE FUEL GAUGE MAXI-HEAT	1

NS - Not Shown

*** - Contact Allmand for more information.

3.4 - Control Panel Triple Fuel Gauge



119708_A

MAXI-HEAT® 1MBTU

SN 36-000001 and UP

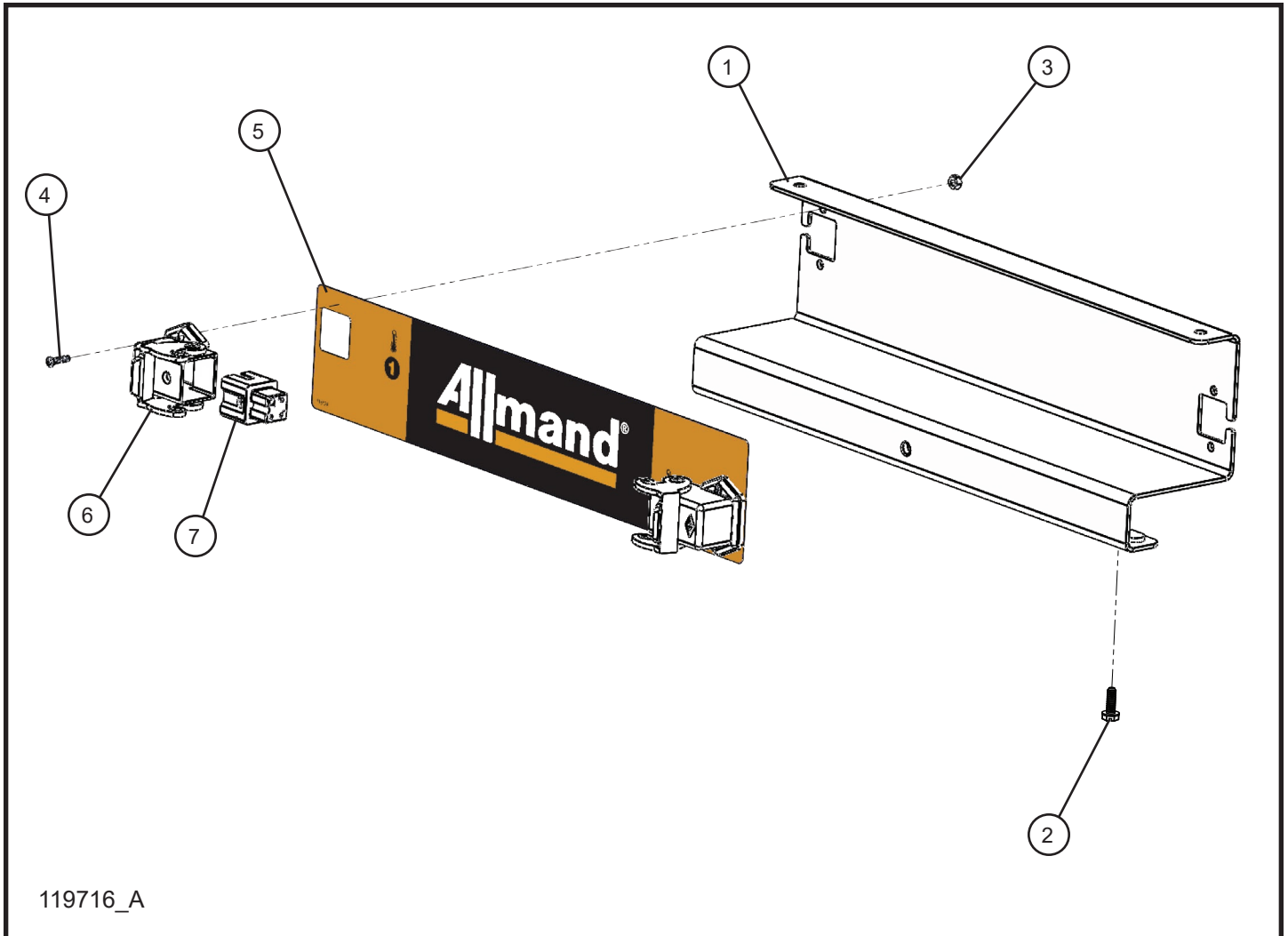
3.4 - Control Panel Triple Fuel Gauge

Item	Part No.	Part Description	Qty.
1	116743	FUEL GAUGE WITH BACK LIGHT	3
2	118120	DECAL HEATER 3 GAUGE	1
3	102537	DEEP SEA 3110 CONTROLLER	1
4	117297P	WELDMENT PANEL MOUNT DISPLAY SCREEN	1
5	117238	D-HMI 7" SCREEN	1
6	113541	ROCKER SWITCH SPST ON /OFF	1
7	041021	#10-24 x 1/2 PH-ROUND HEAD MACHINE SCREW	4
8	044016	#10-24 KEPS HEX NUT	4
NS	119746	SCHEMATIC HEATER CONTROL CORD 2 HEATER MAXI-HEAT	1
NS	119735	SCHEMATIC CONTROL PANEL DEEP SEA HARNESS MAXI-HEAT	1
NS	119738	WIRE SCHEMATIC THREE FUEL GAUGES MAXI-HEAT	1

NS - Not Shown

* * * - Contact Allmand for more information.

3.5 - Remote Thermostat Kit and Panel



MAXI-HEAT® 1MBTU

SN 36-000001 and UP

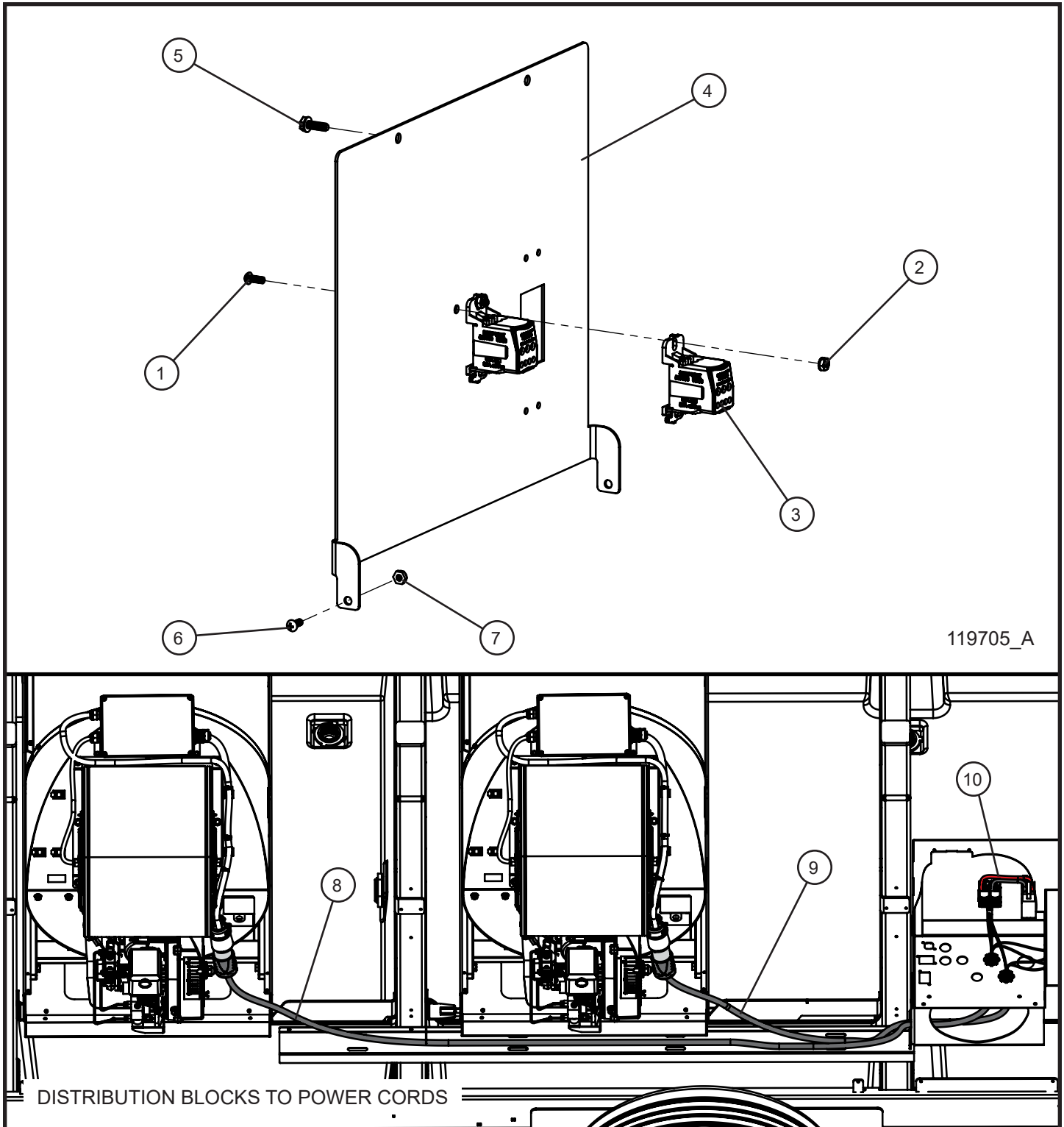
3.5 - Remote Thermostat Kit and Panel

Item	Part No.	Part Description	Qty.
1	117549P	WELDMENT LOWER PANEL MOUNT DISPLAY SCREEN	1
2	041070	1/4-20 x 3/4 SL-HEX WASHER HEAD MACHINE SCREW	2
3	044002	#4-40 NYLOCK HEX NUT	4
4	041260	#4-40 x 1/2 PH-FLAT HEAD MACHINE SCREW	4
5	118124	DECAL HEATER 2 THERMOSTAT	1
6	***	REMOTE THERMOSTAT PLUG	2
7	***	REMOTE THERMOSTAT SOCKET	2
NS	109882	REMOTE THERMOSTAT KIT	
NS	117237	MCS HECU WITH WIRES	1
NS	119746	SCHEMATIC HEATER CONTROL CORD 2 HEATER MAXI-HEAT	1

NS - Not Shown

*** - Contact Allmand for more information.

3.6 - Control Box Rear Panel w/ AC Distribution Blocks



MAXI-HEAT® 1MBTU

SN 36-000001 and UP

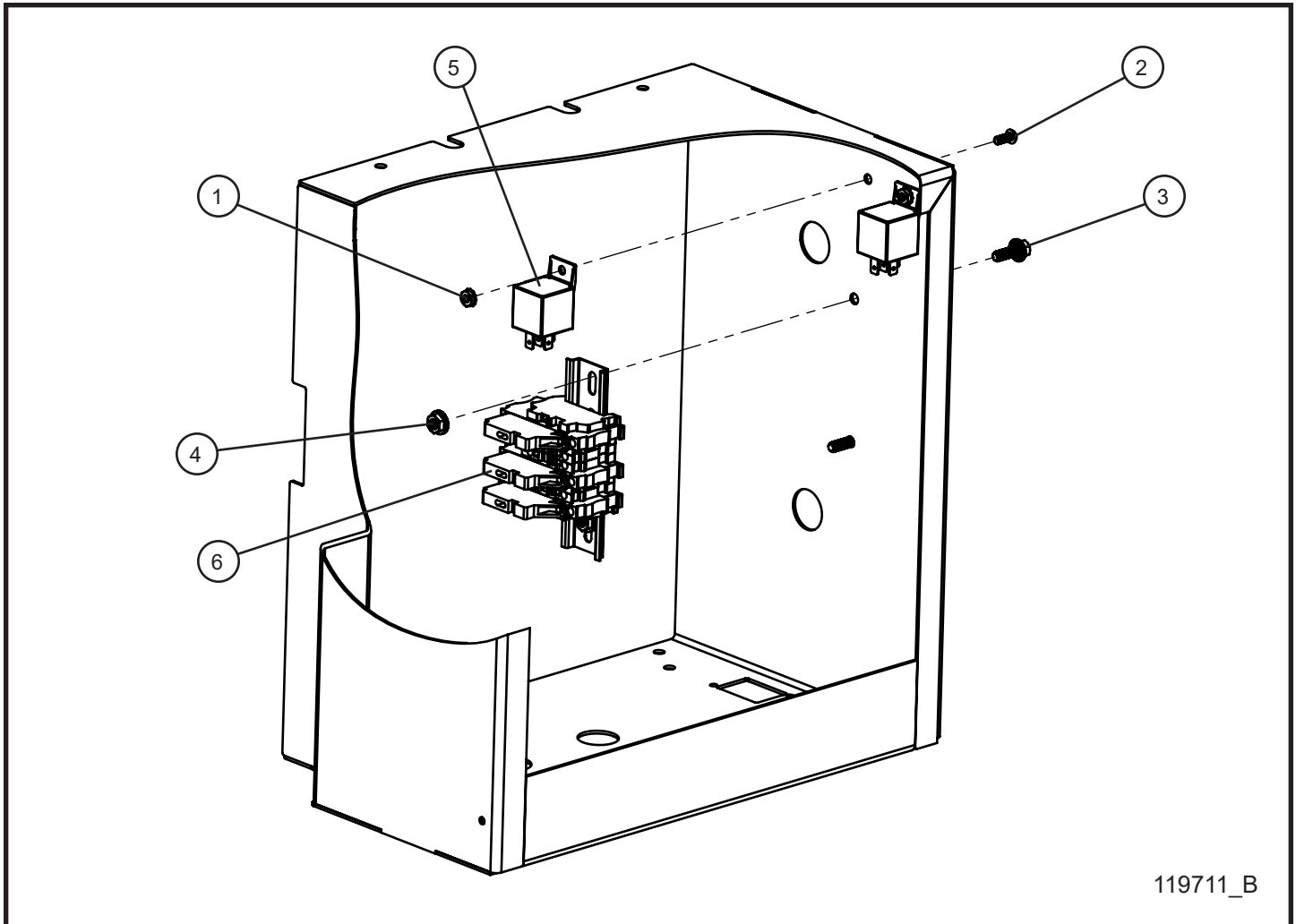
3.6 - Control Box Rear Panel w/ AC Distribution Blocks

Item	Part No.	Part Description	Qty.
1	041012	#8-32 x 1/2 MACHINE SCREW	2
2	044003	#8-32 KEPS HEX NUT	2
3	104779	AC DISTRIBUTION BLOCK ERIFLEX	2
4	117293P	PANEL BREAKER CONTROL BOX	1
5	041070	1/4-20 x 3/4 SL-HEX WASHER HEAD MACHINE SCREW	2
6	041021	#10-24 x 1/2 PH-ROUND HEAD MACHINE SCREW	2
7	044018	#10-24 NYLOCK HEX NUT	2
8	116663	LONG POWER CORD	1
9	116662	SHORT POWER CORD	1
10	116710	DISTRIBUTION BLOCK TO MAIN BREAKER WIRES	1
NS	119750	SCHEMATIC AC DIST BLOCKS TO TWO HEATERS MAXI-HEAT	1

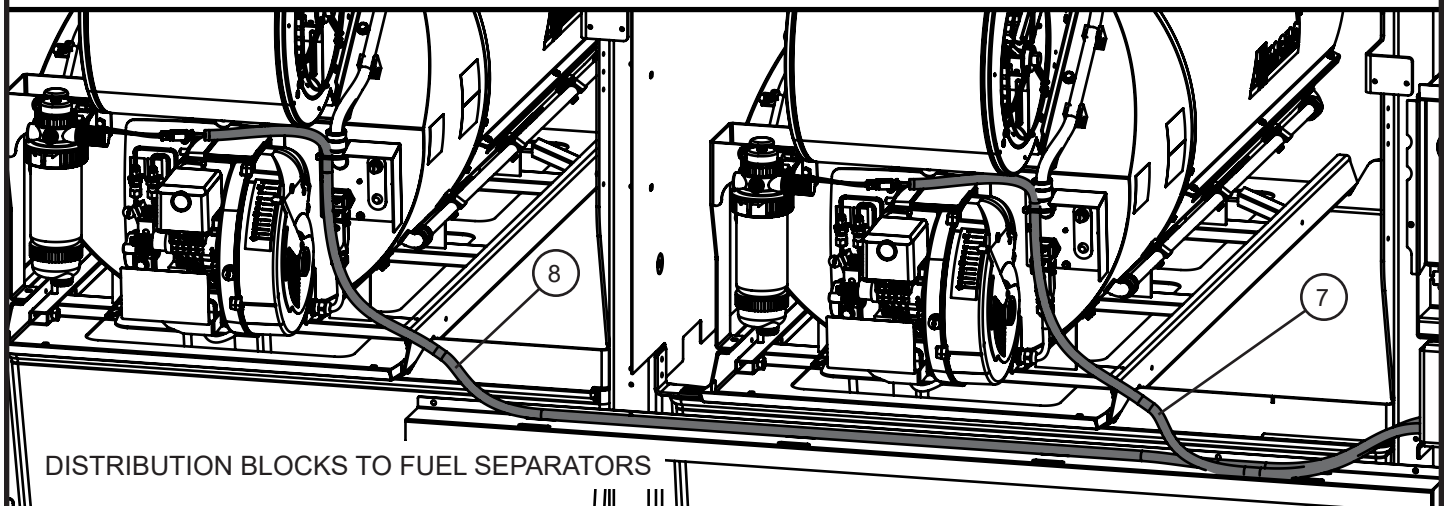
NS - Not Shown

* * * - Contact Allmand for more information.

3.7 - DC Distribution Blocks Control Box Install Group



119711_B



DISTRIBUTION BLOCKS TO FUEL SEPARATORS

MAXI-HEAT® 1MBTU

SN 36-000001 and UP

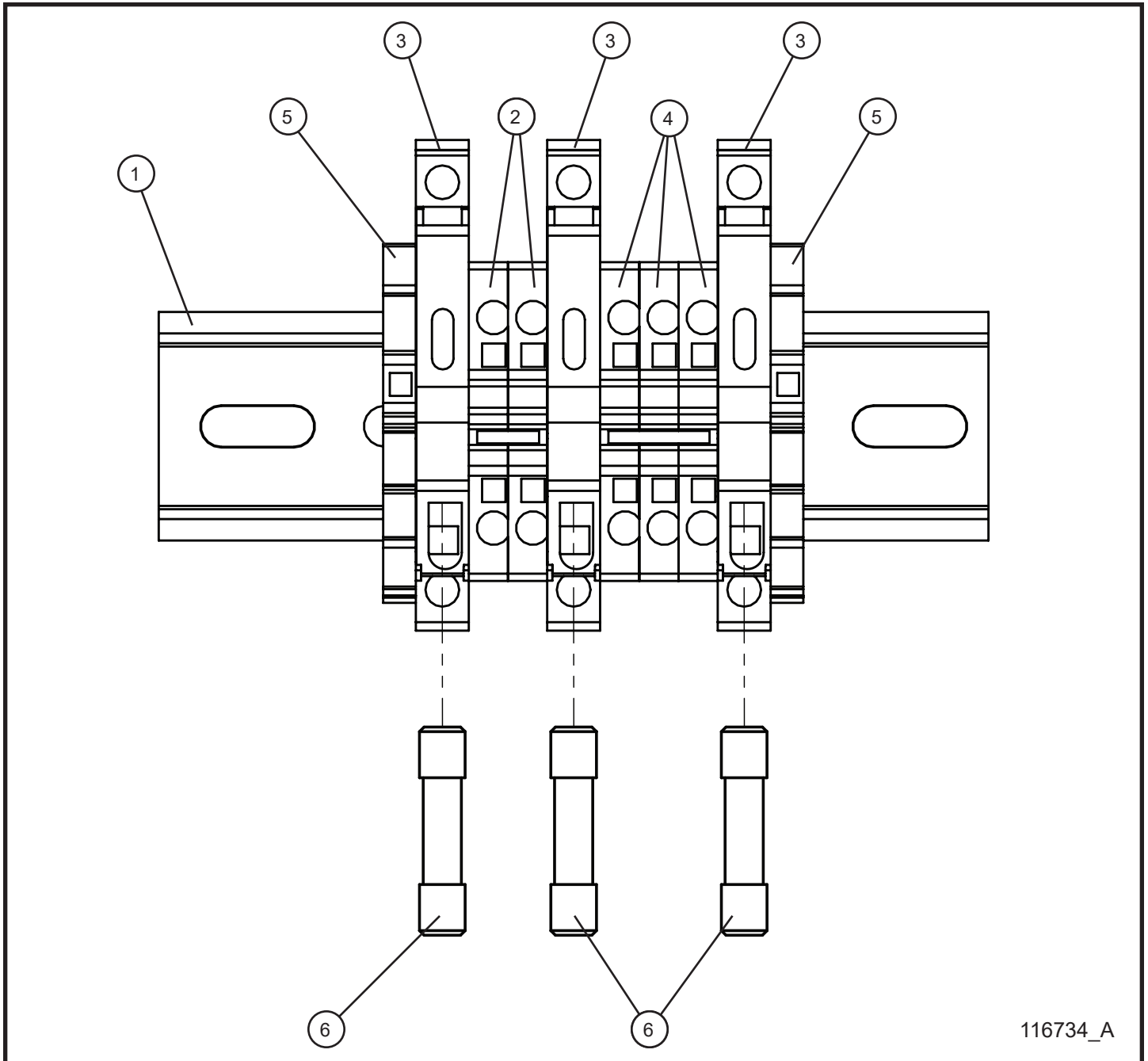
3.7 - DC Distribution Blocks Control Box Install Group

Item	Part No.	Part Description	Qty.
1	044016	#10-24 KEPS HEX NUT	2
2	041021	#10-24 x 1/2 PH-ROUND HEAD MACHINE SCREW	2
3	056019	1/4-20 x 3/4 HEX FLANGE SCREW	2
4	057000	1/4-20 HEX SERRATED FLANGE NUT	2
5	104254	RELAY 12V 40AMP	2
6	116734	DC DISTRIBUTION BLOCK WIRES MAXI-HEAT	1
7	116665	HEATED FUEL WATER SEPARATOR LONG CORD	1
8	116664	HEATED FUEL WATER SEPARATOR SHORT CORD	1
NS	113541	ROCKER SWITCH SPST ON /OFF	1
NS	119739	SCHEMATIC DC DIST BLOCKS TWO HFWS MAXI-HEAT	1

NS - Not Shown

* * * - Contact Allmand for more information.

3.8 - DC Distribution Terminal Blocks



116734_A

MAXI-HEAT® 1MBTU

SN 36-000001 and UP

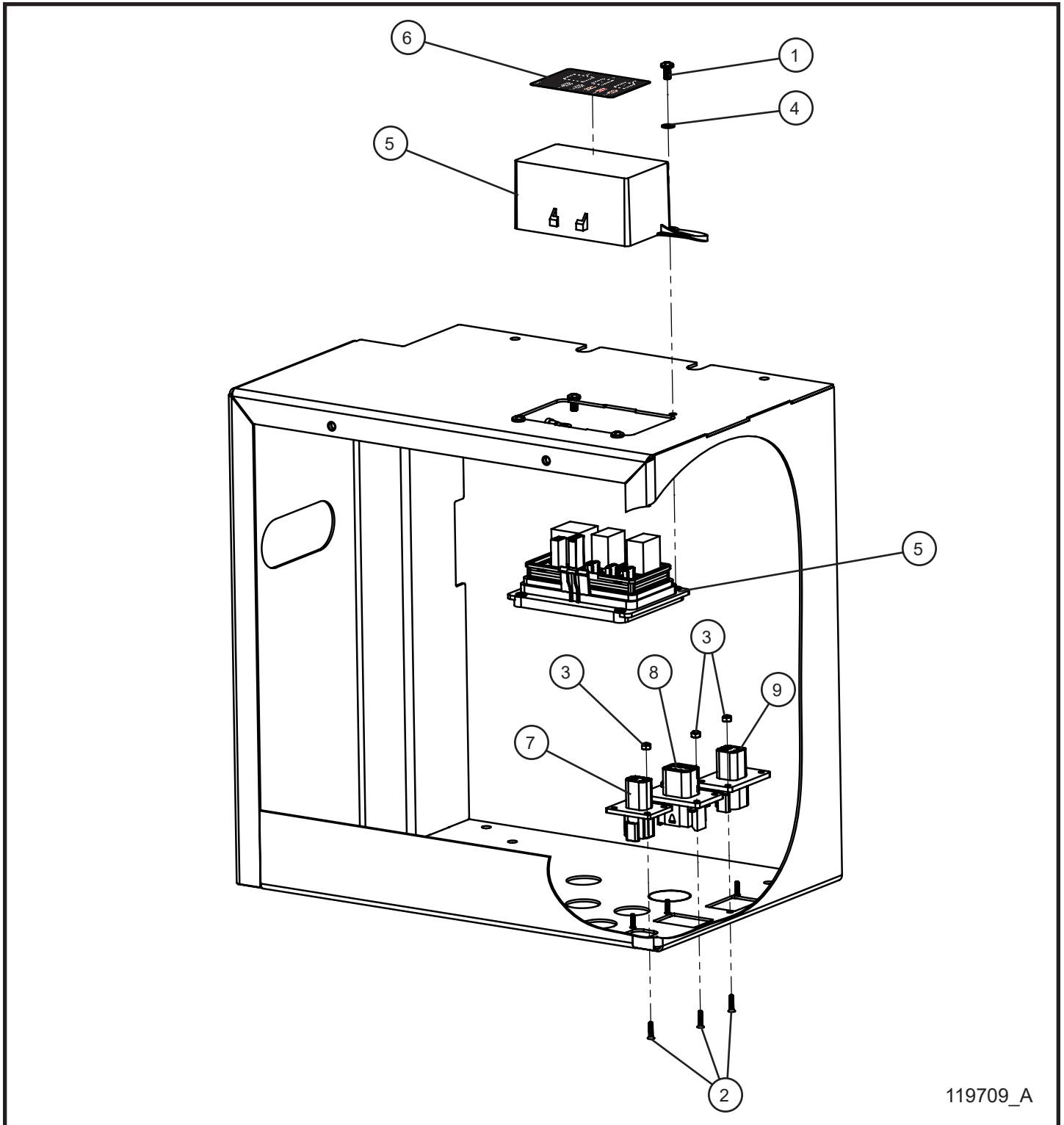
3.8 - DC Distribution Terminal Blocks

Item	Part No.	Part Description	Qty.
--	116734	DC DISTRIBUTION BLOCK WIRES MAXI-HEAT	1
1	114488	DIN RAIL 6.00 INCH	1
2	107369	SPRING TERMINAL BLOCK RED 24-10 AWG	2
3	107540	FUSE TERMINAL BLOCK 24-10 AWG	3
4	107371	SPRING TERMINAL BLOCK BLACK 24-10 AWG	3
5	107377	END STOP 24-10 AWG	2
6	116716	GMA FUSE 10 AMP	3
NS	107378	JUMPER 2 POLE 24-10 AWG	1
NS	107379	JUMPER 3 POLE 24-10 AWG	1

NS - Not Shown

* * * - Contact Allmand for more information.

3.9 - Deep Sea Control Panel Harness Install Group



119709_A

MAXI-HEAT® 1MBTU

SN 36-000001 and UP

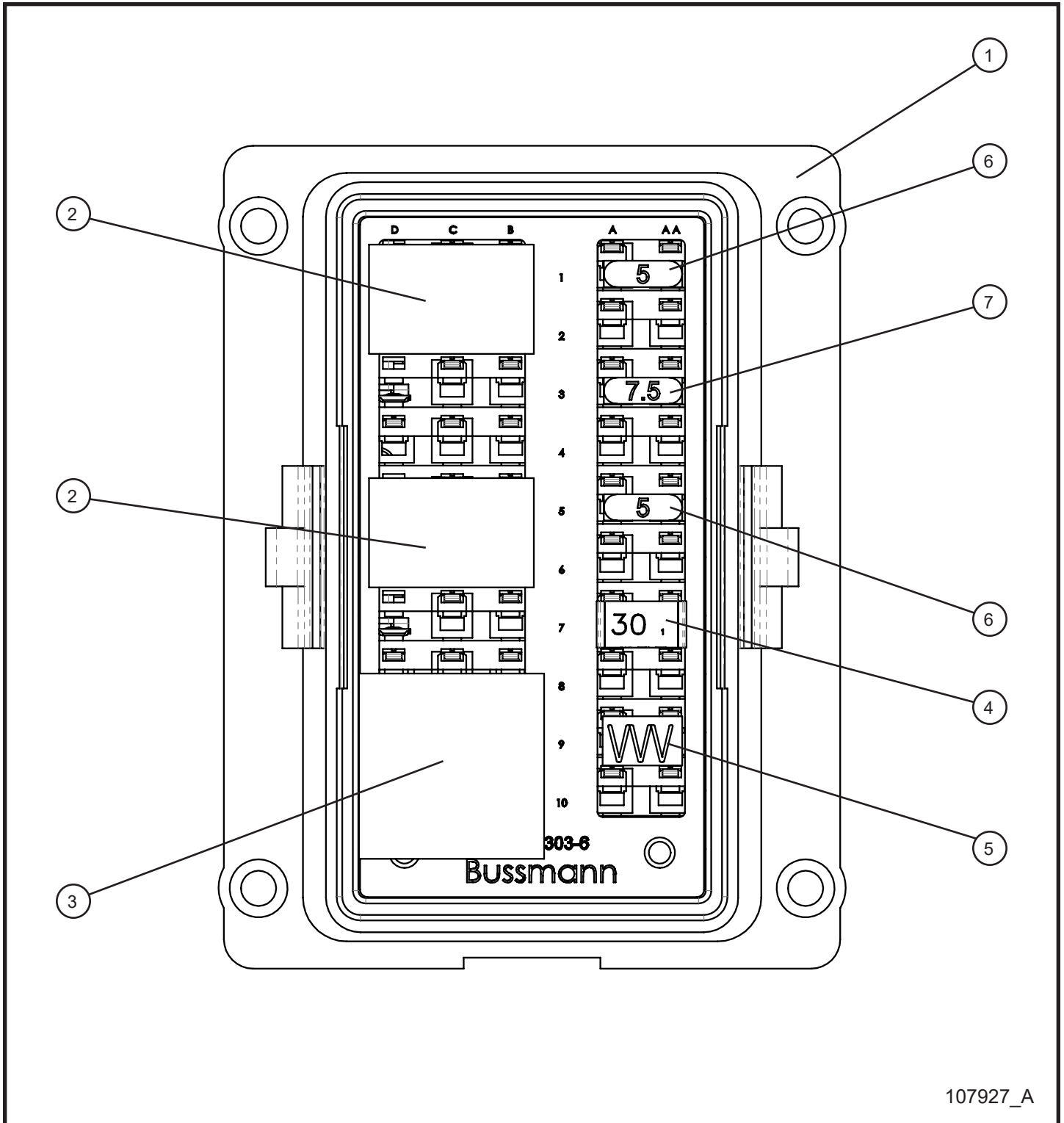
3.9 - Deep Sea Control Panel Harness Install Group

Item	Part No.	Part Description	Qty.
1	041019	#10-32 x 3/8 PH-ROUND HEAD MACHINE SCREW	4
2	041260	#4-40 x 1/2 PH-FLAT HEAD MACHINE SCREW	6
3	044002	#4-40 NYLOCK HEX NUT	6
4	043017	#10 INTL TOOTH LOCK WASHER	1
5	116657	DEEP SEA CONTROL PANEL MAXI-HEAT HARNESS	1
6	118118	DECAL FUSE LOCATION HEATER	1
7	116956	4 WAY FLANGE RECEPTACLE	1
	105847	WEDGELOCK 4-WAY RECEPTACLE	1
8	116957	8 WAY FLANGE RECEPTACLE	1
	105848	WEDGELOCK 8-WAY RECEPTACLE	1
9	116955	6 WAY FLANGE RECEPTACLE	1
	118139	WEDGELOCK 6-WAY RECEPTACLE	1
NS	102537	DEEP SEA 3110 CONTROLLER	1
NS	103864	FUSE HOLDER INLINE BLADE	1
	104990	FUSE BLADE 2 AMP ATO/ATC	1
NS	713002A	DIODE, 6A, 400V, P600G	3
NS	119735	SCHEMATIC CONTROL PANEL DEEP SEA HARNESS MAXI HEAT	1

NS - Not Shown

* * * - Contact Allmand for more information.

3.10 - Deep Sea Control Panel Fuse Box



107927_A

MAXI-HEAT® 1MBTU

SN 36-000001 and UP

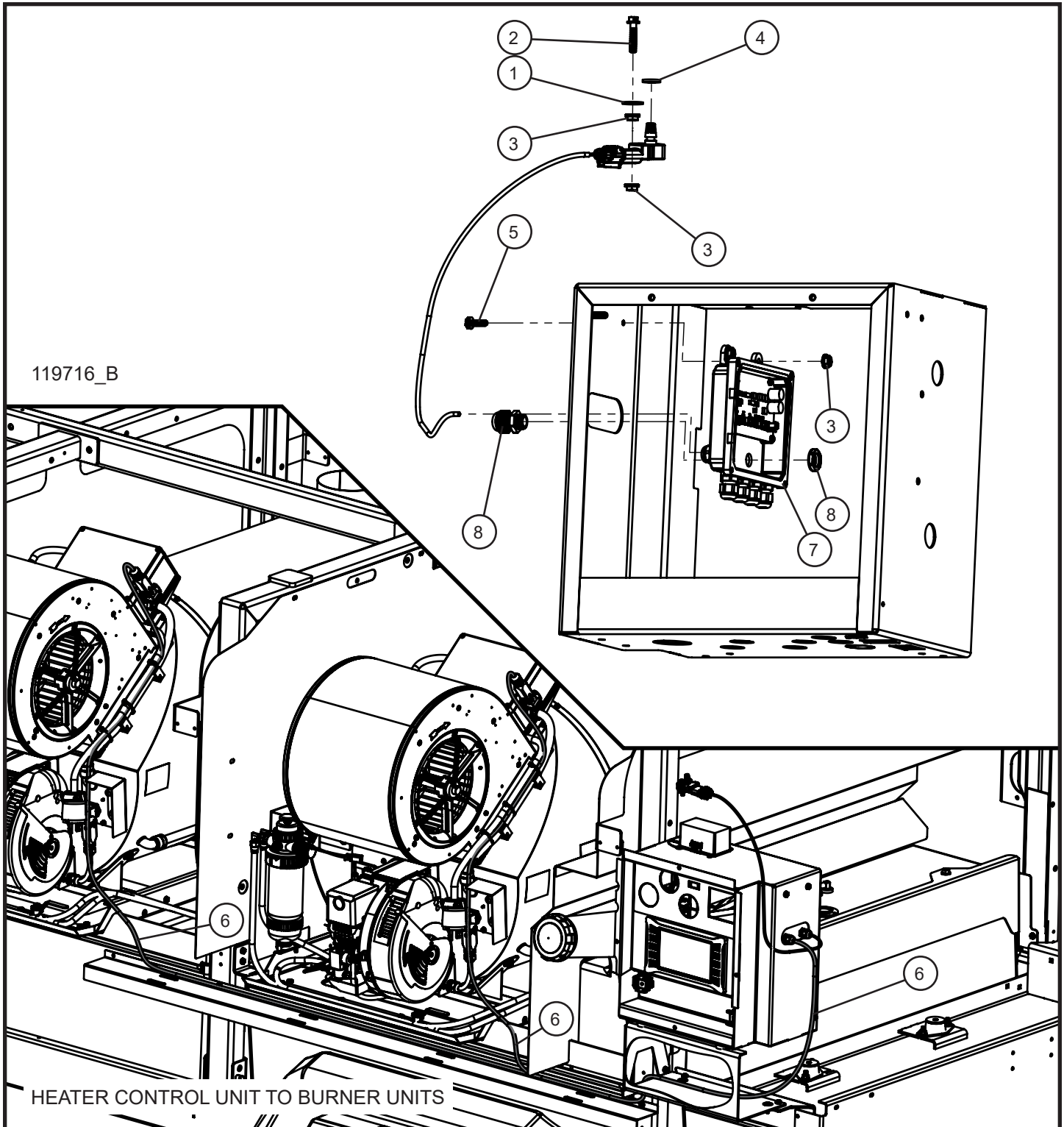
3.10 - Deep Sea Control Panel Fuse Box

Item	Part No.	Part Description	Qty.
--	116657	HARNESS DEEP SEA CONTROL PANEL MAXI-HEAT	1
1	105199	BUSSMANN 45 PIN BOARD MODULE	1
2	105201	35 AMP SPST RELAY	3
3	105202	50 AMP SPST RELAY	1
4	105832	CIRCUIT BREAKER 30A	1
5	105204	RESISTOR 68OHM	1
6	105843	5A MINI FUSE	2
7	105876	7.5A MINI FUSE	1

NS - Not Shown

*** - Contact Allmand for more information.

3.11 - Heater Electronic Control Unit Install Group



MAXI-HEAT® 1MBTU

SN 36-000001 and UP

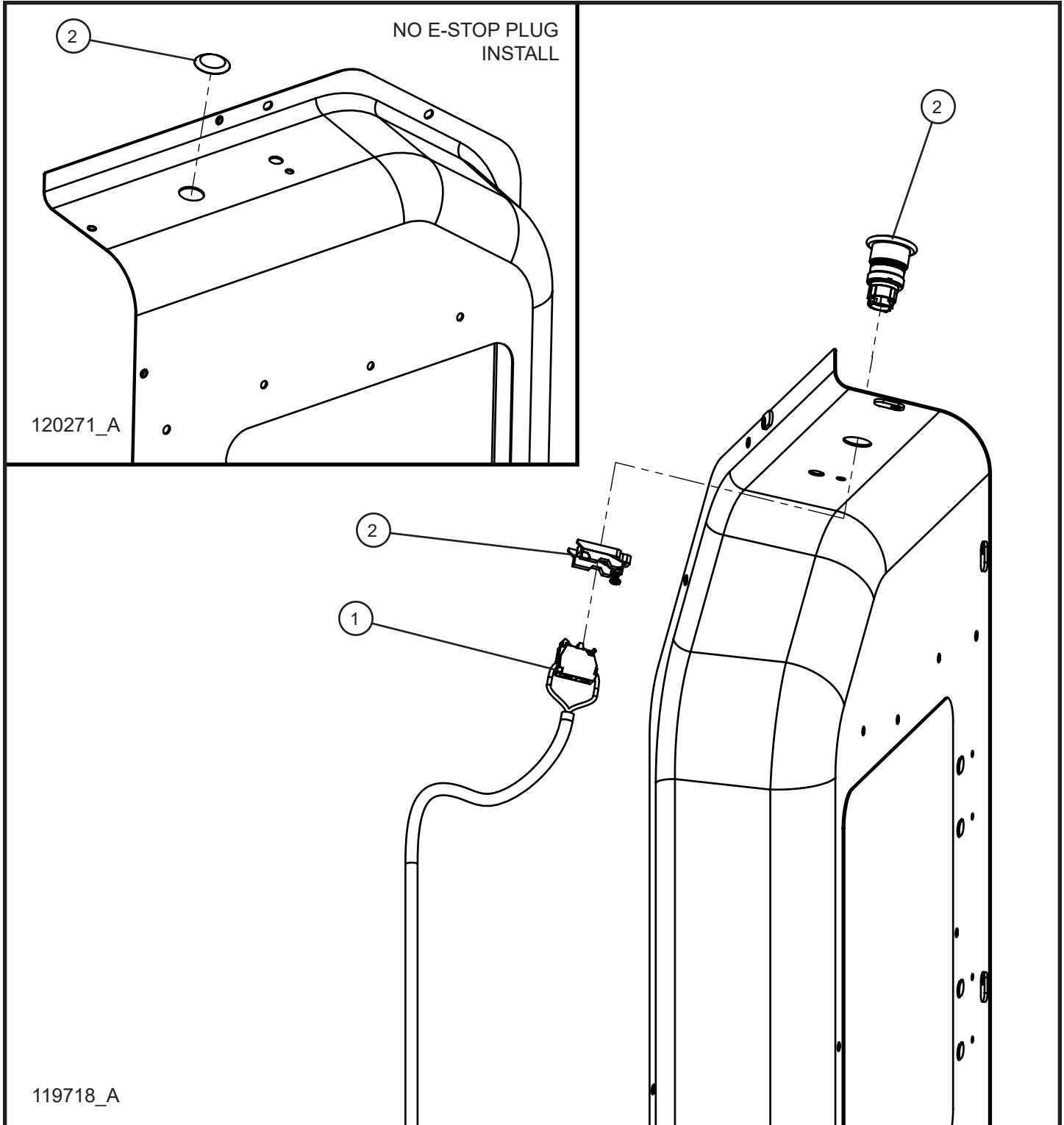
3.11 - Heater Electronic Control Unit Install Group

Item	Part No.	Part Description	Qty.
1	711036	3/8 NYLON WASHER 7/8 OD x .344 ID	1
2	041072	1/4-20 x 1 1/4 SL-HEX WASHER HEAD MACHINE SCREW	1
3	057000	1/4-20 HEX SERRATED FLANGE NUT	4
4	100644	RUBBER WASHER	1
5	056019	1/4-20 x 3/4 HEX FLANGE SCREW	2
6	116729	2 HEATER COMMUNICATION CORD	1
7	117237	MCS HECU WITH WIRES	1
8	118353	CORD GRIP M16 x 1.5 PCG	1
NS	117238	D-HMI 7" SCREEN	1
NS	119746	SCHEMATIC HEATER CONTROL CORD 2 HEATER MAXI-HEAT	1

NS - Not Shown

*** - Contact Allmand for more information.

3.12 - Emergency Stop



MAXI-HEAT® 1MBTU

SN 36-000001 and UP

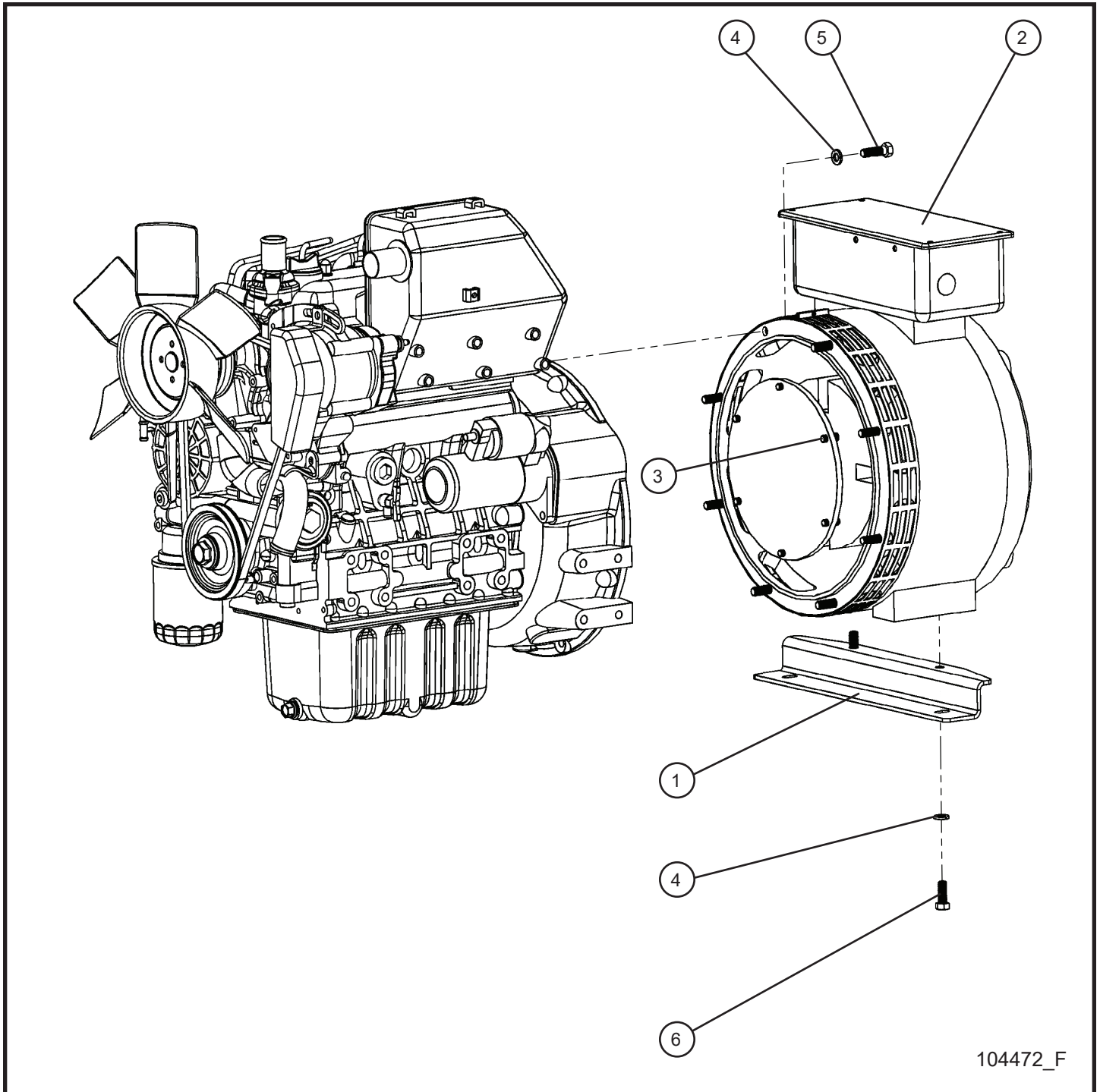
3.12 - Emergency Stop

Item	Part No.	Part Description	Qty.
1	118234	WIRE HARNESS EMERGENCY STOP MAXI-HEAT	1
2	108912	40mm PUSH-PULL EMERGENCY STOP 22mm MOUNTING	1
3	118423	BUTTON PLUG FLUSH-TYPE HEAD 7/8	1
NS	105567	DECAL EMERGENCY STOP	1
NS	119747	SCHEMATIC EMERGENCY STOP MAXI-HEAT	1

NS - Not Shown

* * * - Contact Allmand for more information.

3.13 - 8kW Marathon Generator



104472_F

MAXI-HEAT® 1MBTU

SN 36-000001 and UP

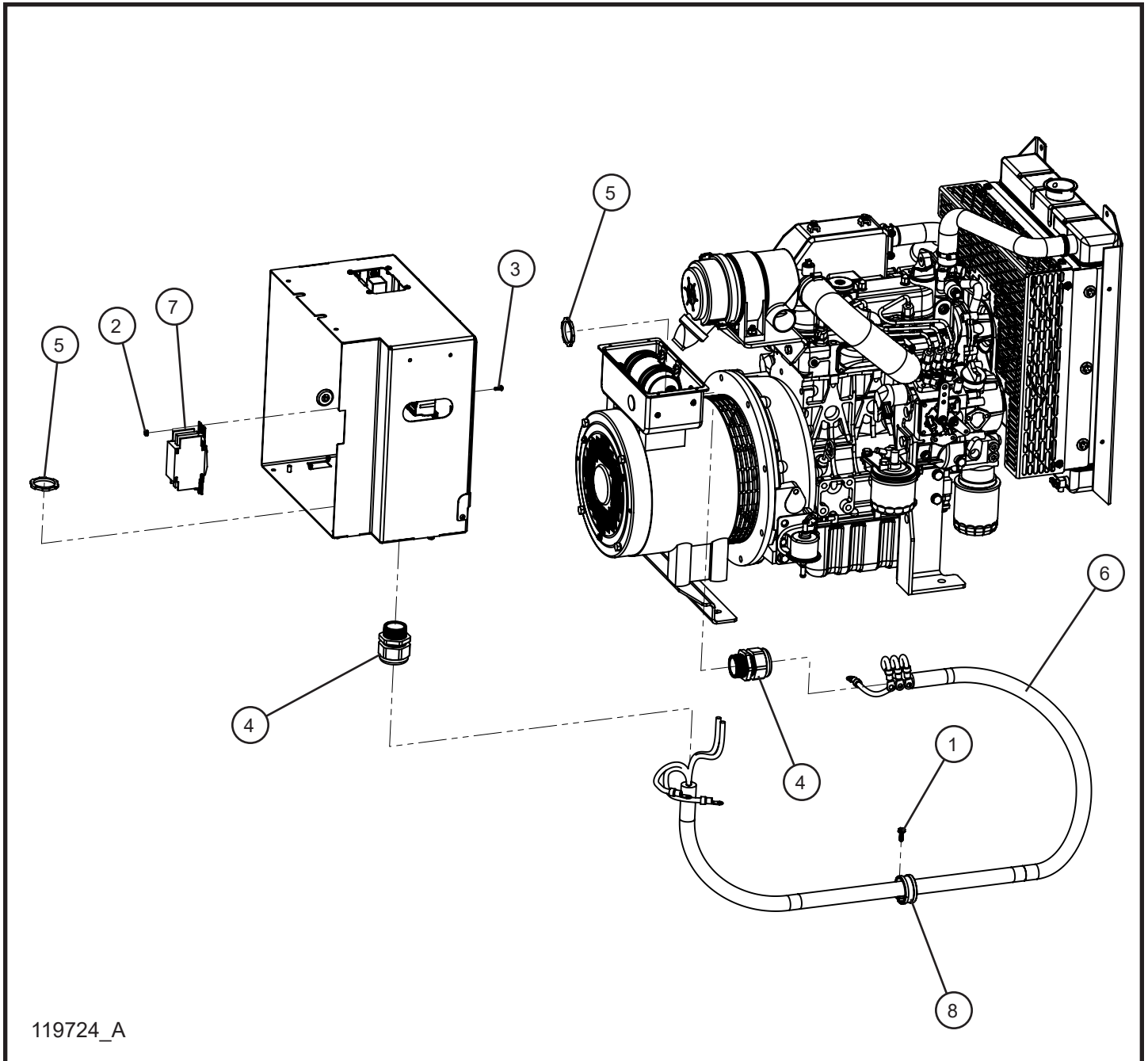
3.13 - 8kW Marathon Generator

Item	Part No.	Part Description	Qty.
1	651012P	GENERATOR MOUNT BRACKET	1
2	101075	GENERATOR MARATHON 8kW 60Hz	1
3	046041	5/16-18 x 1/2 PT FLANGE HEAD BOLT	6
4	043065	3/8 SPLITLOCK WASHER	10
5	046115	3/8-16 x 1 1/4 HEX HEAD BOLT	8
6	046110	3/8-16 x 1 HEX HEAD BOLT	2

NS - Not Shown

*** - Contact Allmand for more information.

3.14 - 8kW Marathon Generator Cord Install Group



MAXI-HEAT® 1MBTU

SN 36-000001 and UP

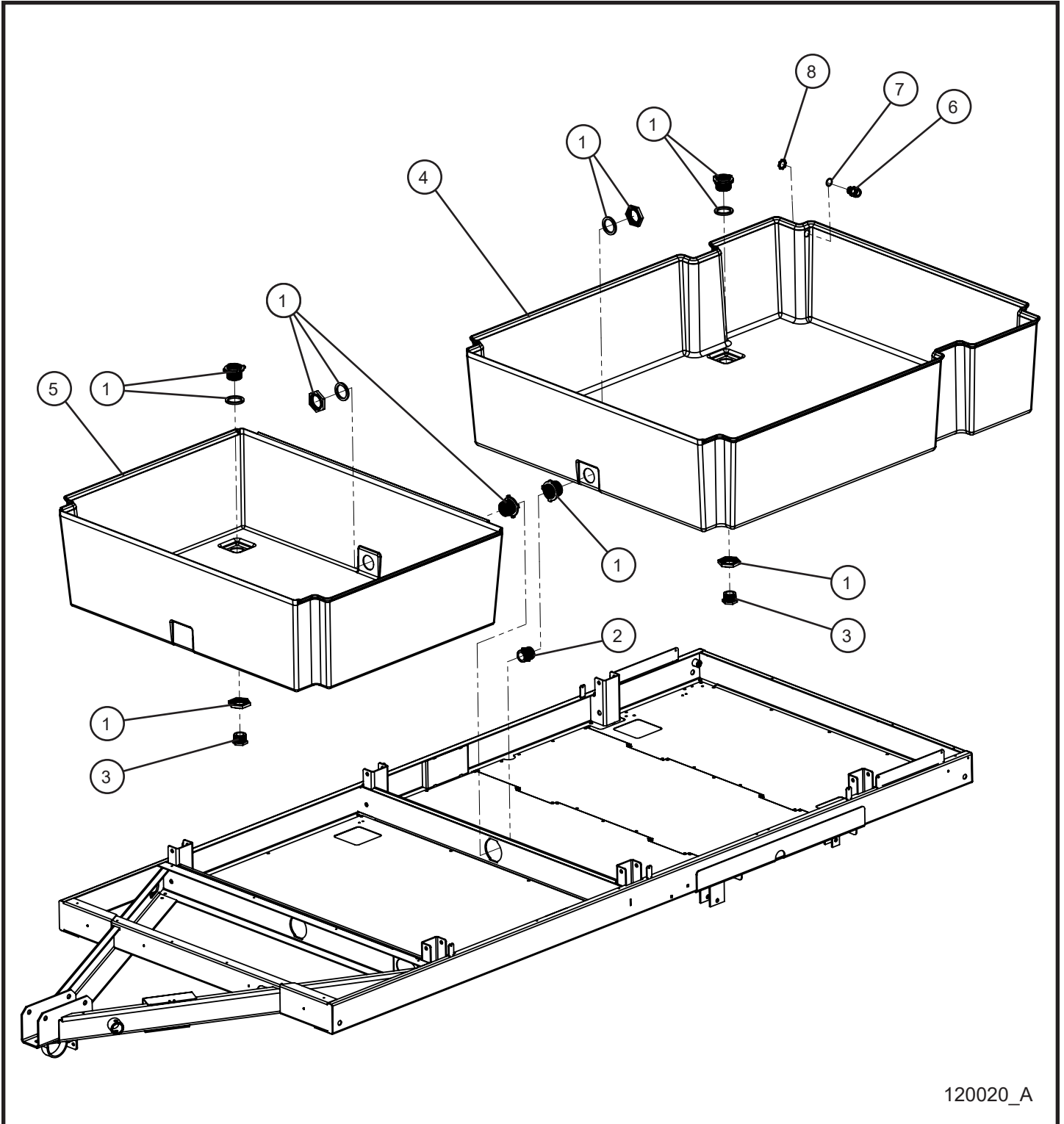
3.14 - 8kW Marathon Generator Cord Install Group

Item	Part No.	Part Description	Qty.
1	041070	1/4-20 x 3/4 SL-HEX WASHER HEAD MACHINE SCREW	1
2	044003	#8-32 NC KEPS NUT	4
3	041012	#8-32 x 1/2 MACHINE SCREW	4
4	105628	1-1/4 CORD GRIP	2
5	350363	1-1/4 LOCKNUT	2
6	116736	8kW 6/4 MAXI-HEAT GENERATOR CORD	1
7	350354	35 AMP DOUBLE POLE BREAKER	1
8	106144	1 1/2 CUSH CLAMP W/ 3/8 HOLE	2
NS	119748	SCHEMATIC GENERATOR CORD 8kW MARATHON MAXI-HEAT	1

NS - Not Shown

* * * - Contact Allmand for more information.

4.1 - Fluid Containment Group



120020_A

MAXI-HEAT® 1MBTU

SN 36-000001 and UP

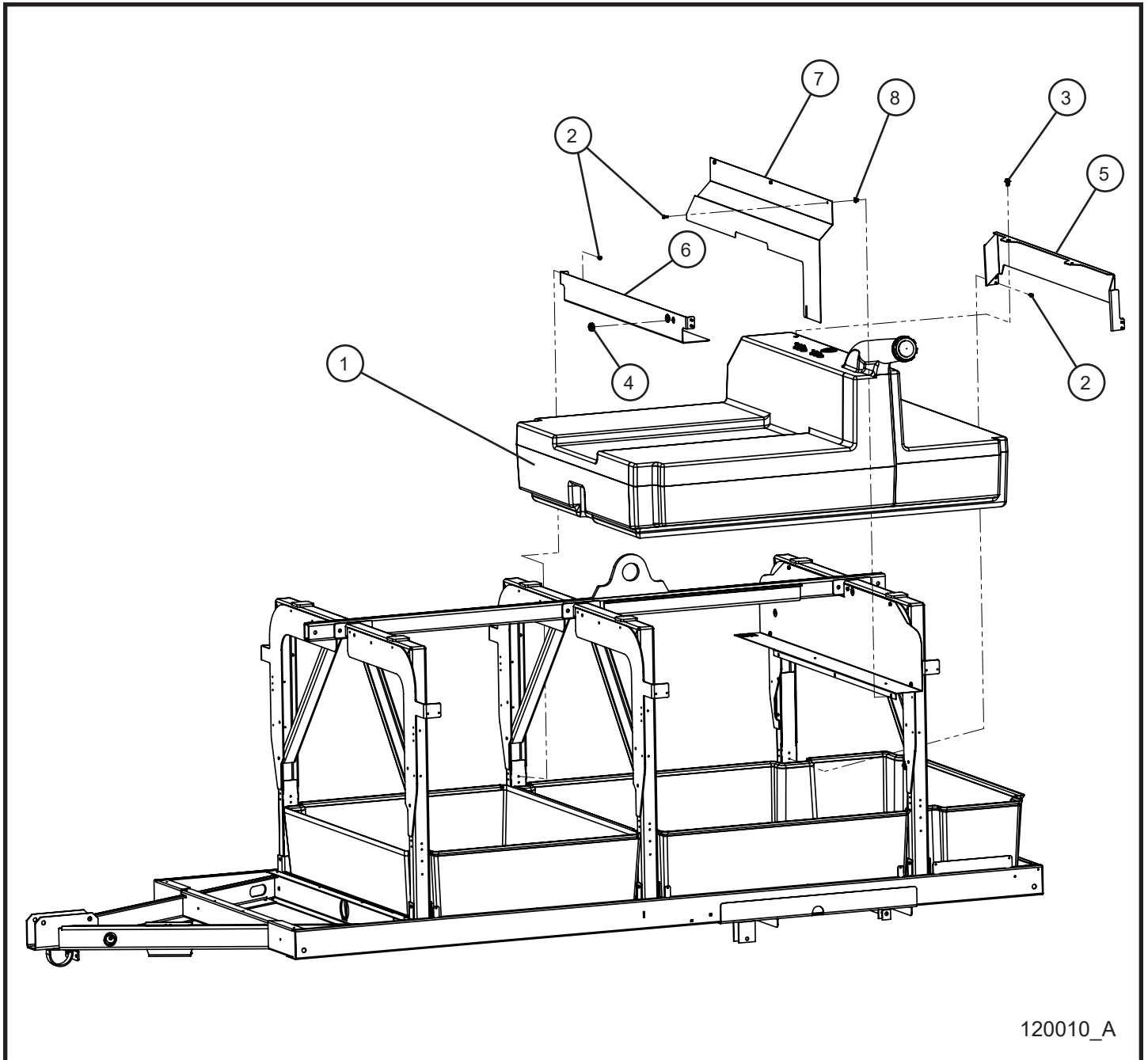
4.1 - Fluid Containment Group

Item	Part No.	Part Description	Qty.
1	111922	1-1/4 TANK FLANGE ASSEMBLY	4
2	116721	1-1/4 PIPE NIPPLE	1
3	111923	TANK FLANGE HEX PLUG	2
4	116690	TRAY CONTAINMENT LARGE CAPACITY	1
5	116047	TRAY CONTAINMENT BURNER FUEL TANK	1
6	105916	3/4 CORD GRIP NYLON	1
7	113650	O-RING	1
8	022036	3/4 CORD GRIP NUT	1

NS - Not Shown

* * * - Contact Allmand for more information.

4.2 - Single Poly Fuel Tank Group



120010_A

MAXI-HEAT® 1MBTU

SN 36-000001 and UP

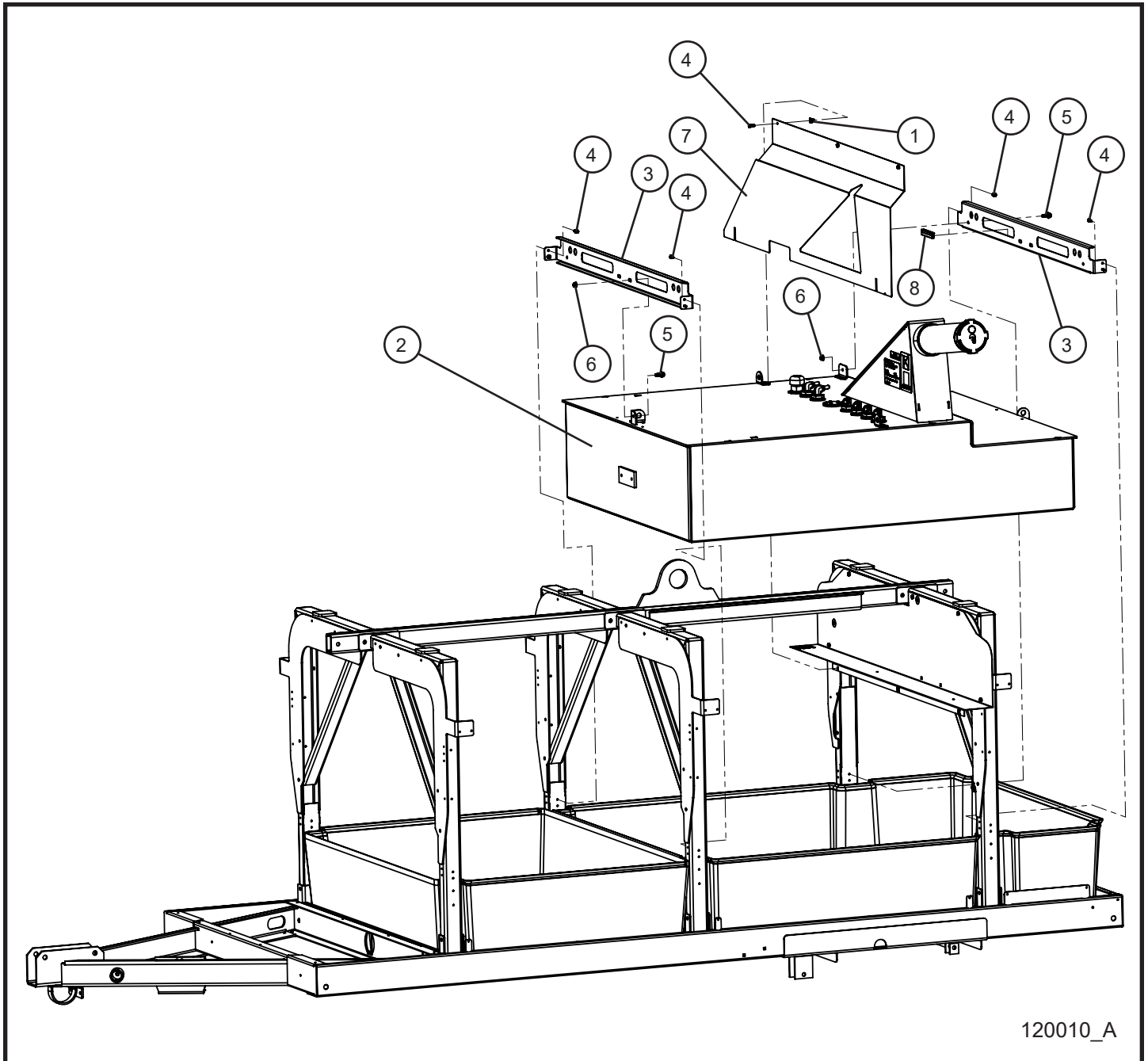
4.2 - Single Poly Fuel Tank Group

Item	Part No.	Part Description	Qty.
1	116685	ASSEMBLY TANK POLYETHYLENE 210 GALLON	1
2	041070	1/4-20 x 3/4 SL-HEX WASHER HEAD MACHINE SCREW	11
3	056009	3/8-16 x 3/4 SERRATED FLANGE HEX SCREW	1
4	330463	11/16 RUBBER GROMMET	2
5	117513P	PLATE FUEL TANK HOLD DOWN REAR SINGLE TANK	1
6	117512P	PLATE FULE TANK HOLD DOWN FRONT SINGLE TANK	1
7	117520P	PANEL ENGINE DIVIDER BOTTOM SINGLE TAN	1
8	105408	GROMMET NUT DOUBLE SPLIT SQUARE HEAD	3

NS - Not Shown

* * * - Contact Allmand for more information.

4.3 - Single Steel Fuel Tank Group



120010_A

MAXI-HEAT® 1MBTU

SN 36-000001 and UP

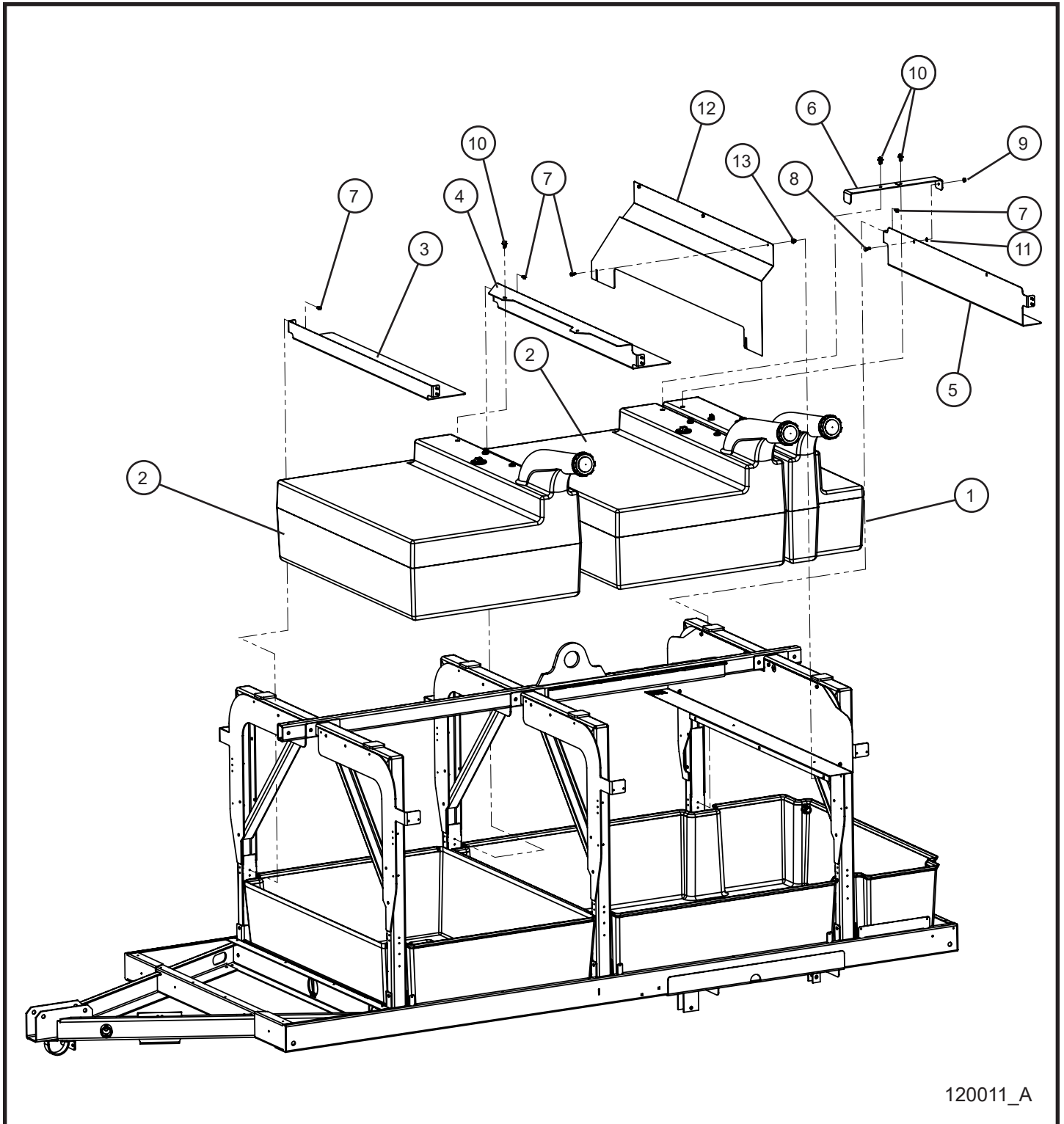
4.3 - Single Steel Fuel Tank Group

Item	Part No.	Part Description	Qty.
1	105408	GROMMET NUT DOUBLE SPLIT SQUARE HEAD	3
2	122009P	TANK FUEL HEATER STEEL DOUBLE WALL 175 GALLONS	1
3	120413P	PLATE HOLD DOWN STEEL TANK	2
4	041070	1/4-20 x 3/4 SL-HEX WASHER HEAD MACHINE SCREW	11
5	056010	3/8-16 x 1 SERRATED FLANGE HEX SCREW	2
6	057007	3/8-16 HEX NYLOCK FLANGE NUT	2
7	120694P	PANEL ENGINE DIVIDER BOTTOM STEEL FUEL TANK	1
8	118301	EDGE TRIM 11mm BULB x 4.0	1

NS - Not Shown

* * * - Contact Allmand for more information.

4.4 - Triple Poly Fuel Tank Group



120011_A

MAXI-HEAT® 1MBTU

SN 36-000001 and UP

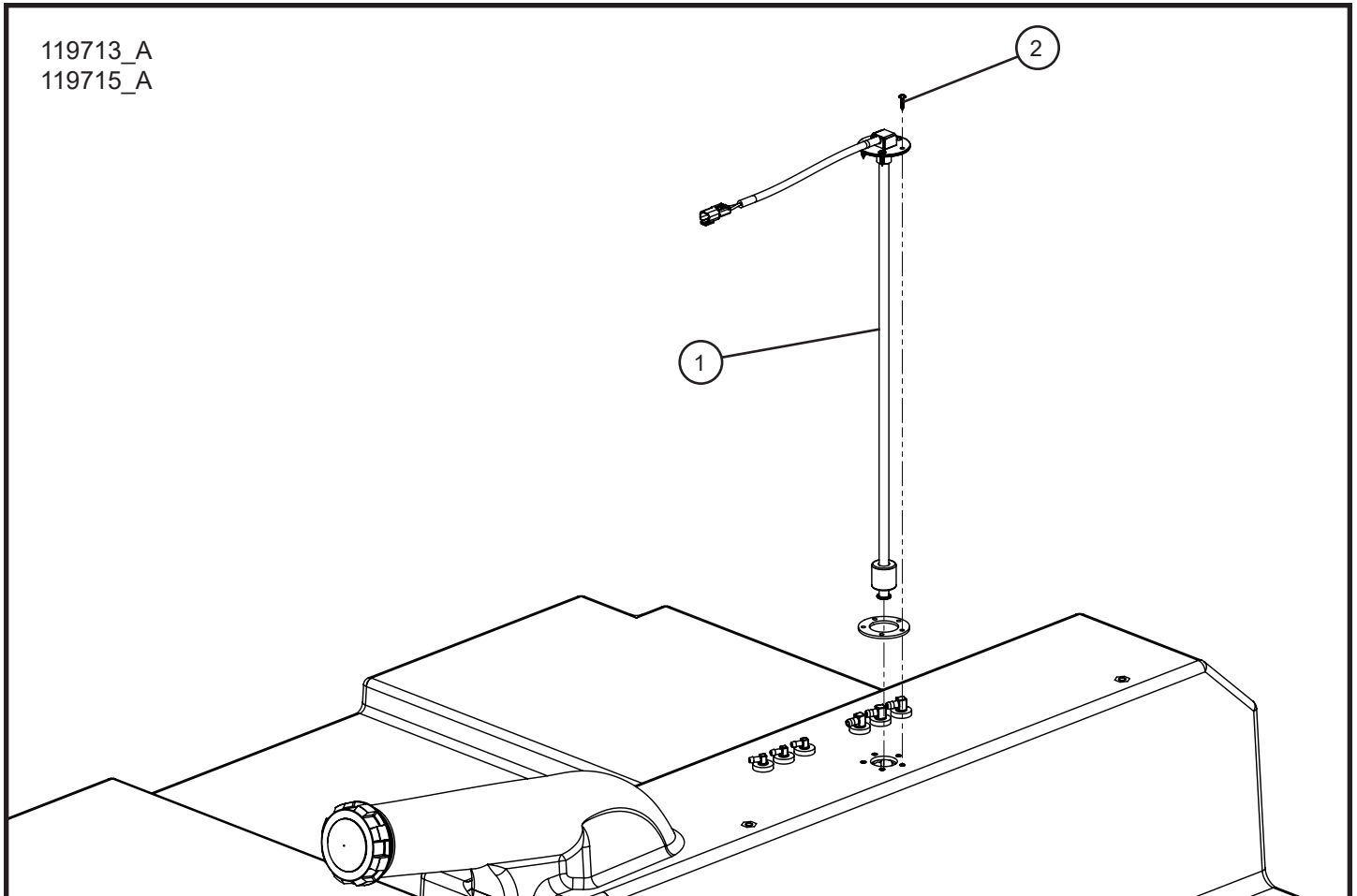
4.4 - Triple Poly Fuel Tank Group

Item	Part No.	Part Description	Qty.
1	116050	TANK ASSEMBLY POLYETHYLENE 50 GALLON	1
2	116051	TANK ASSEMBLY POLYETHYLENE 115 GALLON	2
3	117508P	PLATE FUEL TANK HOLD DOWN FRONT 1MBTU	1
4	117509P	PLATE FUEL TANK HOLD DOWN MIDDLE 1MBTU	1
5	117510P	PLATE FUEL TANK HOLD DOWN REAR 1MBTU	1
6	117511P	PLATE FUEL TANK HOLD DOWN STRAP	1
7	041070	1/4-20 x 3/4 SL-HEX WASHER HEAD MACHINE SCREW	15
8	053020	5/16-18 x 1 CARRIAGE BOLT	1
9	057008	5/16-18 HEX NYLOCK FLANGE NUT	1
10	056009	3/8-16 x 3/4 SERRATED FLANGE HEX SCREW	3
11	045217	5/16 PUSH NUT	1
12	117228P	PANEL ENGINE DIVIDER BOTTOM MULTI FUEL TANK	1
13	105408	GROMMET NUT DOUBLE SPLIT SQUARE HEAD	3

NS - Not Shown

* * * - Contact Allmand for more information.

4.5 - Poly Tank Fuel Sender



MAXI-HEAT® 1MBTU

SN 36-000001 and UP

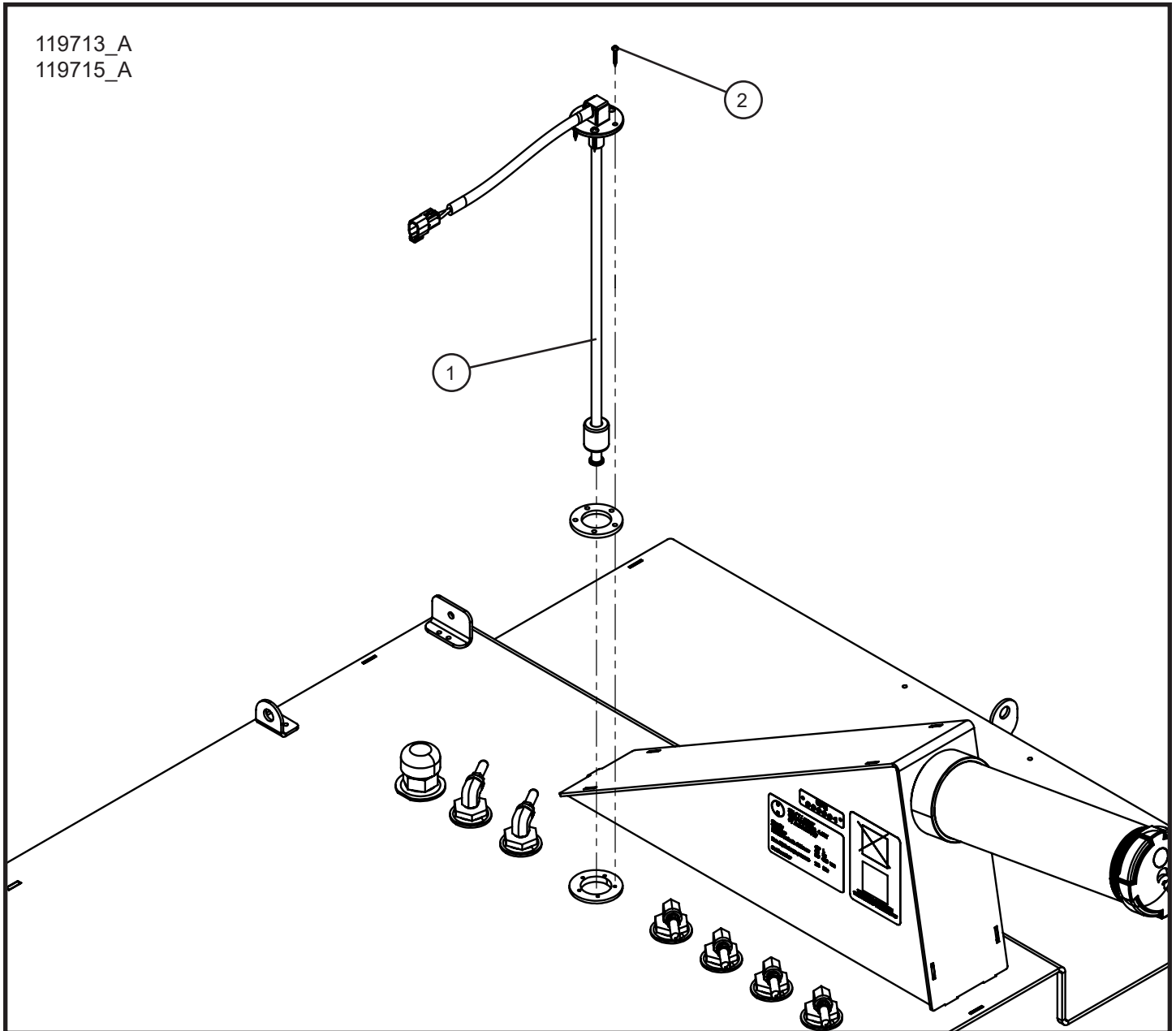
4.5 - Poly Tank Fuel Sender

Item	Part No.	Part Description	Qty.
1	112641	VERTICAL SHAFT FUEL LEVEL SENDER	1
2	102556	SCREW #8 x 3/4	5
NS	116733	THREE FUEL TANK AND DOOR SWITCH CORDS	1
NS	116730	ONE FUEL TANK AND DOOR SWITCH CORDS	1
NS	119741	SCHEMATIC 3-FUEL TANK 2-DOOR SWITCH MAXI-HEAT	1
NS	119744	SCHEMATIC 1-FUEL TANK 2-DOOR SWITCH MAXI-HEAT	1

NS - Not Shown

*** - Contact Allmand for more information.

4.6 - Steel Tank Tank Fuel Sender



MAXI-HEAT® 1MBTU

SN 36-000001 and UP

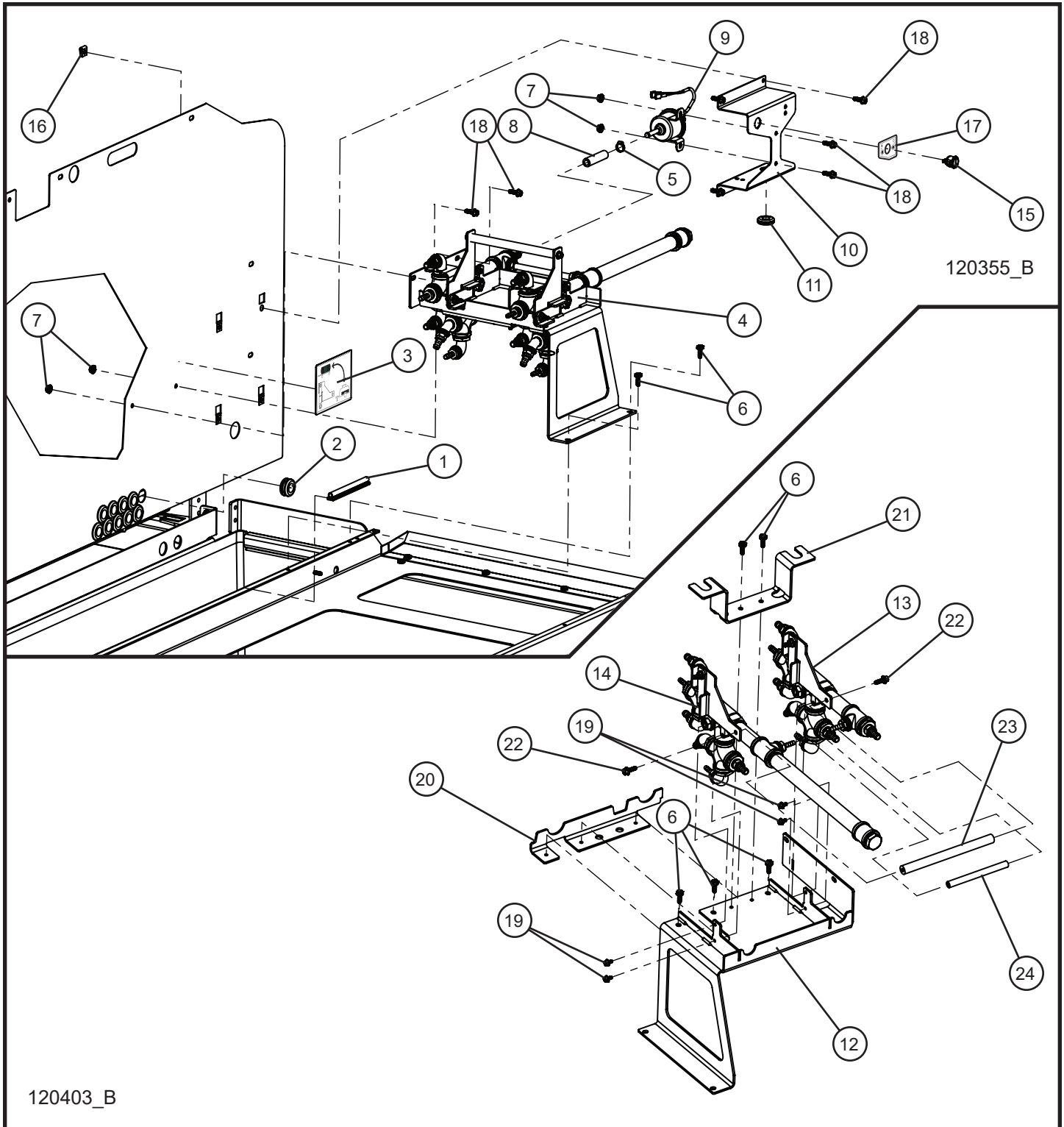
4.6 - Steel Tank Fuel Sender

Item	Part No.	Part Description	Qty.
1	122099	VERTICAL SHAFT FUEL LEVEL SENDER 15 INCHES	1
2	102556	SCREW #8 x 3/4	5
NS	116730	ONE FUEL TANK AND DOOR SWITCH CORDS	1
NS	119744	SCHEMATIC 1-FUEL TANK 2-DOOR SWITCH MAXI-HEAT	1

NS - Not Shown

* * * - Contact Allmand for more information.

4.7 - Remote Fuel Option Assembly Group



MAXI-HEAT® 1MBTU

SN 36-000001 and UP

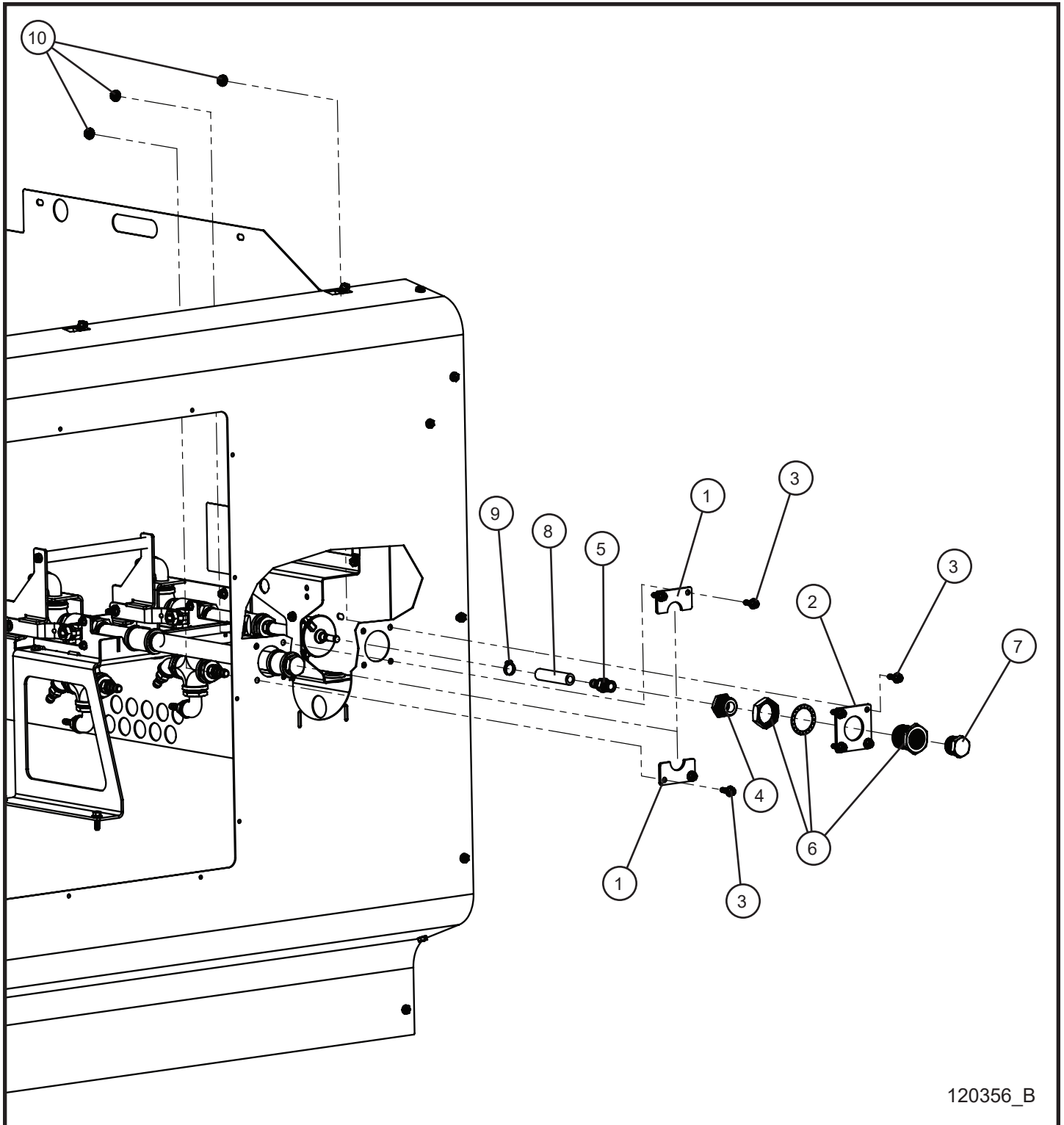
4.7 - Remote Fuel Option Assembly Group

Item	Part No.	Part Description	Qty.
1	105998	TRIM GASKET SIDE BEAD 1/16 WITH 3/8 BULB X 5.0	3
2	330463	11/16 RUBBER GROMMET	10
3	118454	DECAL REMOTE FUEL VALVE DIRECTION	1
4	120403	SUB-ASSEMBLY HEATER REMOTE FUEL VALVE	1
5	433400	#4 HOSE CLAMP	9
6	041070	1/4-20 X 3/4 SL-HEX WASHER HEAD MACHINE SCREW	7
7	057000	1/4-20 HEX SERRATED FLANGE NUT	4
8	101266	HOSE 3/8 SAE 30R7 X 2.5	1
9	120803	FUEL PUMP 12V	1
10	120706P	BRACKET BOOSTER FUEL PUMP MOUNT	1
11	100859	7/8 ID X 1 1/4 OD GROMMET	1
12	120342P	WELDMENT HEATER FUEL CONNECT VALVE MOUNT	1
13	120351	ASSEMBLY HEATER FUEL CONNECT SUPPLY VALVE BODY	1
14	120350	ASSEMBLY HEATER FUEL CONNECT RETURN VALVE BODY	1
15	122052	SWITCH RED ILLUMINATED SPST ROCKER	1
16	045216	1/4-20 TINNEMAN NUT	4
17	122474	DECAL REMOTE FUEL SWITCH	1
18	119741	1/4-20 X 3/4 HEX FLANGE SCREW	8
19	056016	#10-24 X 3/8 SERRATED FLANGE HEX BOLT	4
20	120345P	BRACKET HEATER FUEL CONNECT VALVE SUPPORT	1
21	120346P	BRACKET HEATER FUEL CONNECT VALVE HOLDDOWN	1
22	056019	1/4-20 X 3/4 HEX FLANGE SCREW	2
23	120349P	BAR HEATER REMOTE FUEL CONNECTION VALVE HANDLE	1
24	081016	HOSE 1/4 SAE 30R7 X 5.0	1
NS	122051	HARNESS REMOTE FUEL BOOSTER PUMP	1
NS	122054	WIRE REMOTE FUEL BOOSTER PUMP SWITCH	1
NS	120681	SCHEMATIC FUEL LINE REMOTE FUEL SINGLE TANK HEATER	1

NS - Not Shown

*** - Contact Allmand for more information.

4.8 - Remote Fuel Option Side Panel Install Group



120356_B

MAXI-HEAT® 1MBTU

SN 36-000001 and UP

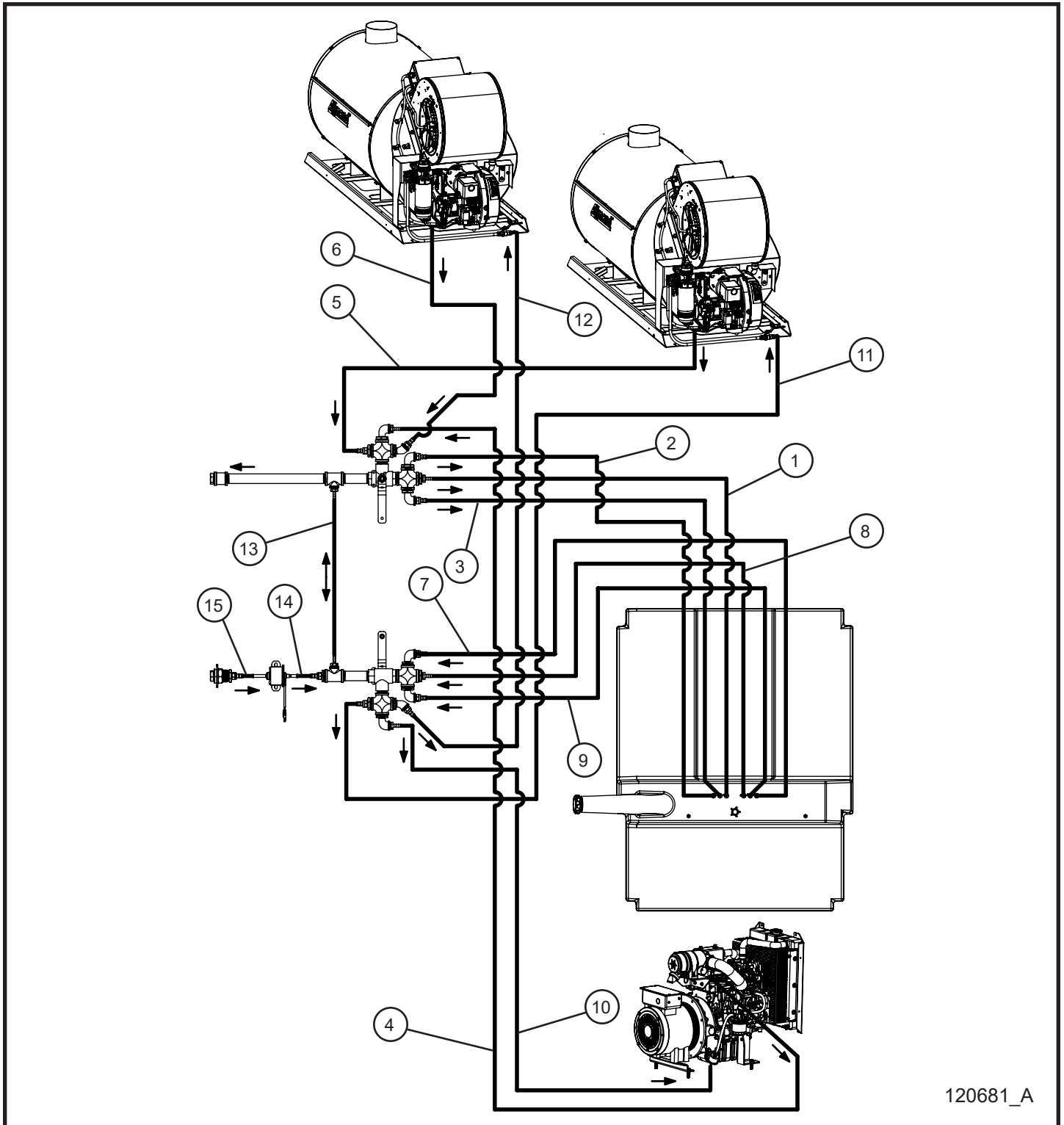
4.8 - Remote Fuel Option Side Panel Install Group

Item	Part No.	Part Description	Qty.
1	120348P	PLATE HEATER FUEL CONNECT PIPE SUPPORT	2
2	120358P	PLATE BULHEAD MOUNT	1
3	056019	1/4-20 X 3/4 HEX FLANGE SCREW	8
4	118457	BRASS TPF REDUCING ADAPTER .75 MNPT - .375 FNPT	1
5	433162	.375 MNPT PUSH-LOK .375 HOSE	1
6	118610	THROUGH-WALL STRAIGHT CONNECTOR .75 FNPT	1
7	118463	BRASS TPF PLUG .75 MNPT	1
8	101266	HOSE 3/8 SAE 30R7 X 3.0	1
9	433400	#4 HOSE CLAMP	1
10	057000	1/4-20 HEX SERRATED FLANGE NUT	8
NS	122090	DECAL REMOTE FUEL CONNECTION	1
NS	107045	LOW SULFUR FUEL DECAL	1
NS	122465	DECAL DIESEL HAZMAT	1

NS - Not Shown

* * * - Contact Allmand for more information.

4.9 - Remote Fuel Option Poly Tank Fuel Lines



120681_A

MAXI-HEAT® 1MBTU

SN 36-000001 and UP

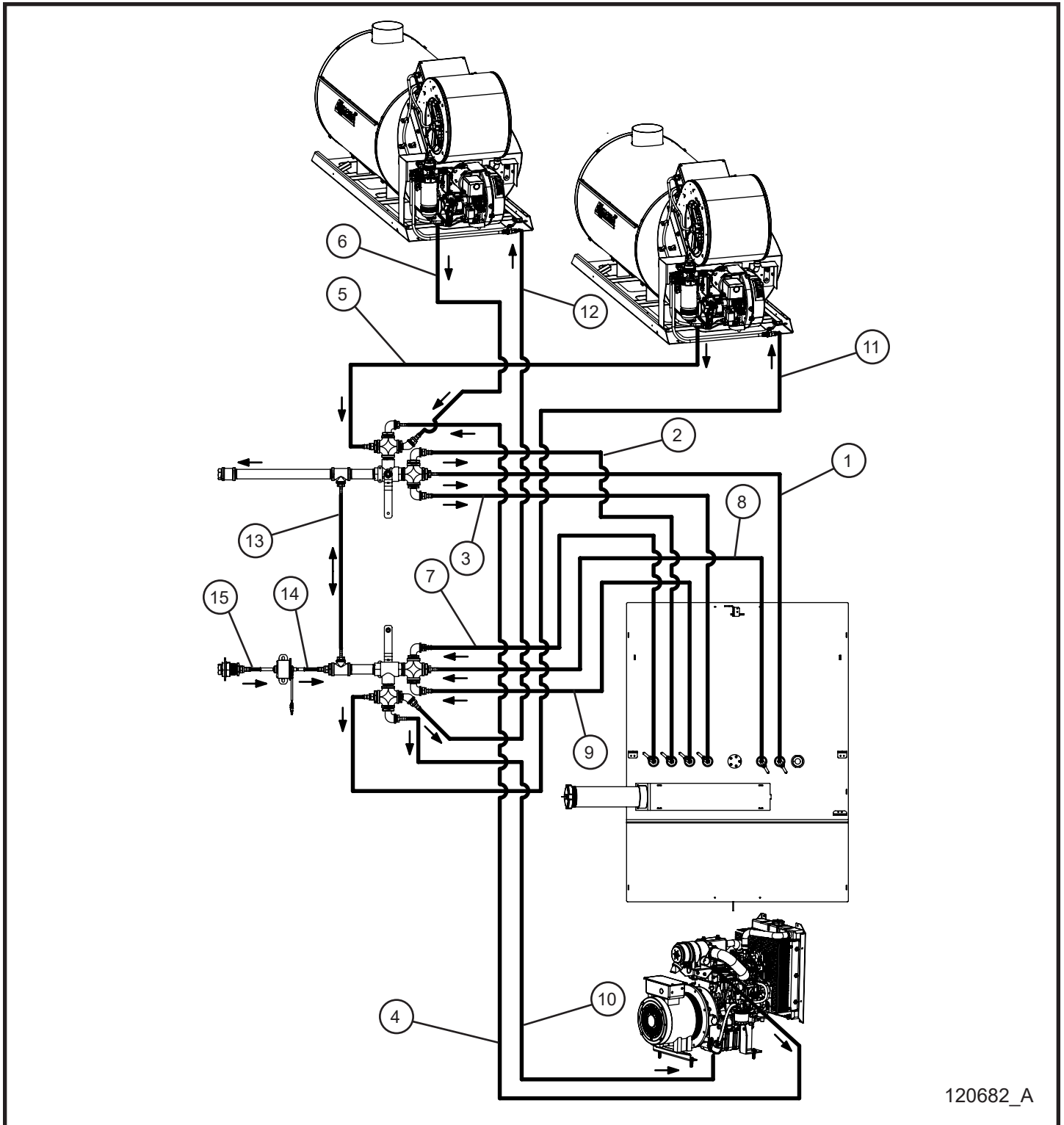
4.9 - Remote Fuel Option Poly Tank Fuel Lines

Item	Part No.	Part Description	Qty.
1	081016	HOSE 1/4 SAE 30R7 X 86.0	1
2	101266	HOSE 3/8 SAE 30R7 X 84.0	1
3	101266	HOSE 3/8 SAE 30R7 X 88.0	1
4	081016	HOSE 1/4 SAE 30R7 X 127.0	1
5	101266	HOSE 3/8 SAE 30R7 X 54.0	1
6	101266	HOSE 3/8 SAE 30R7 X 50.0	1
7	101266	HOSE 3/8 SAE 30R7 X 87.0	1
8	081018	HOSE 5/16 SAE 30R7 X 82.0	1
9	101266	HOSE 3/8 SAE 30R7 X 80.0	1
10	081018	HOSE 5/16 SAE 30R7 X 111.0	1
11	101266	HOSE 3/8 SAE 30R7 X 67.0	1
12	101266	HOSE 3/8 SAE 30R7 X 36.0	1
13	081016	HOSE 1/4 SAE 30R7 X 5.0	1
14	101266	HOSE 3/8 SAE 30R7 X 2.5	1
15	101266	HOSE 3/8 SAE 30R7 X 3.0	1

NS - Not Shown

*** - Contact Allmand for more information.

4.10 - Remote Fuel Option Steel Tank Fuel Lines



120682_A

MAXI-HEAT® 1MBTU

SN 36-000001 and UP

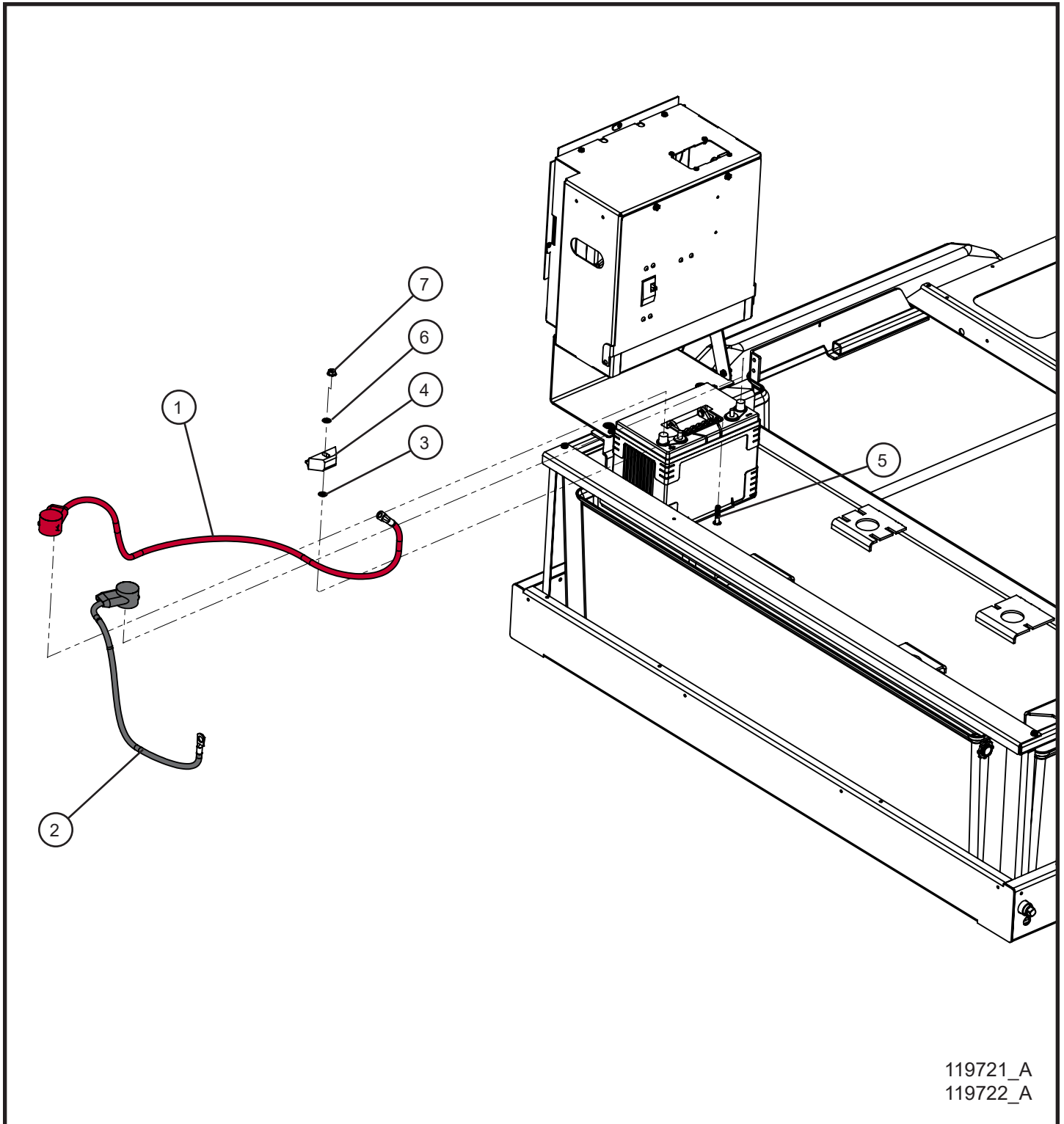
4.10 - Remote Fuel Option Steel Tank Fuel Lines

Item	Part No.	Part Description	Qty.
1	081016	HOSE 1/4 SAE 30R7 X 122.0	1
2	101266	HOSE 3/8 SAE 30R7 X 75.0	1
3	101266	HOSE 3/8 SAE 30R7 X 87.0	1
4	081016	HOSE 1/4 SAE 30R7 X 148.0	1
5	101266	HOSE 3/8 SAE 30R7 X 54.0	1
6	101266	HOSE 3/8 SAE 30R7 X 50.0	1
7	101266	HOSE 3/8 SAE 30R7 X 77.0	1
8	081018	HOSE 5/16 SAE 30R7 X 118.0	1
9	101266	HOSE 3/8 SAE 30R7 X 63.0	1
10	081018	HOSE 5/16 SAE 30R7 X 132.0	1
11	101266	HOSE 3/8 SAE 30R7 X 66.0	1
12	101266	HOSE 3/8 SAE 30R7 X 36.0	1
13	081016	HOSE 1/4 SAE 30R7 X 5.0	1
14	101266	HOSE 3/8 SAE 30R7 X 2.5	1
15	101266	HOSE 3/8 SAE 30R7 X 3.0	1

NS - Not Shown

*** - Contact Allmand for more information.

4.11 - Battery Cables



MAXI-HEAT® 1MBTU

SN 36-000001 and UP

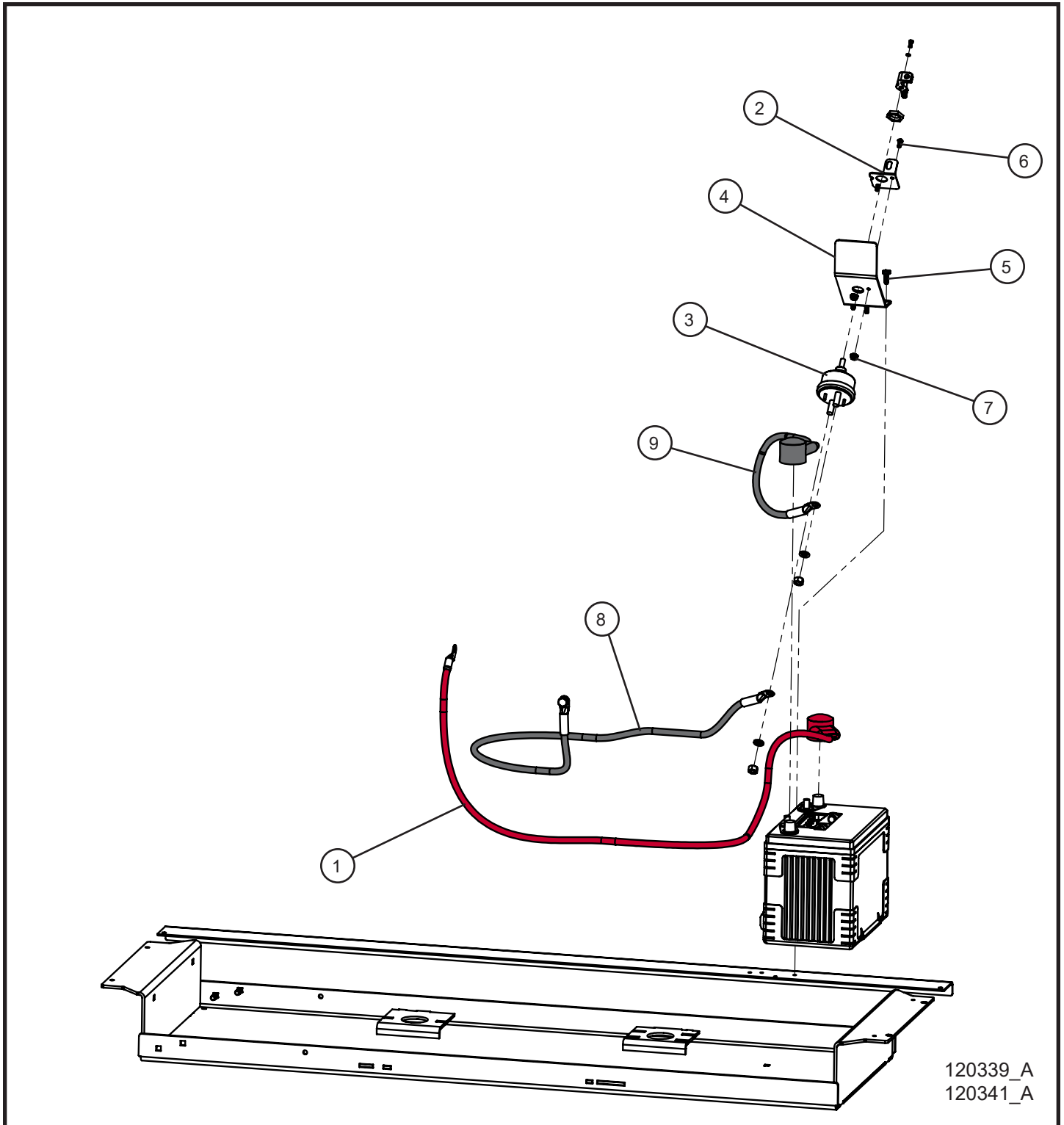
4.11 - Battery Cables

Item	Part No.	Part Description	Qty.
1	113656	BATTERY CABLE RED 2GA x 42.00	1
2	027015	BATTERY CABLE BLACK 2GA x 27.00	1
3	045217	5/16 PUSH NUT	1
4	107115	GM STYLE BATTERY HOLD-DOWN	1
5	053024	5/16-18 x 1 3/4 CARRIAGE BOLT	1
6	047010	5/16 FLAT WASHER	1
7	057006	5/16-18 SERRATED FLANGE NUT	1

NS - Not Shown

* * * - Contact Allmand for more information.

4.12 - Battery Disconnect and Cables



120339_A
120341_A

MAXI-HEAT® 1MBTU

SN 36-000001 and UP

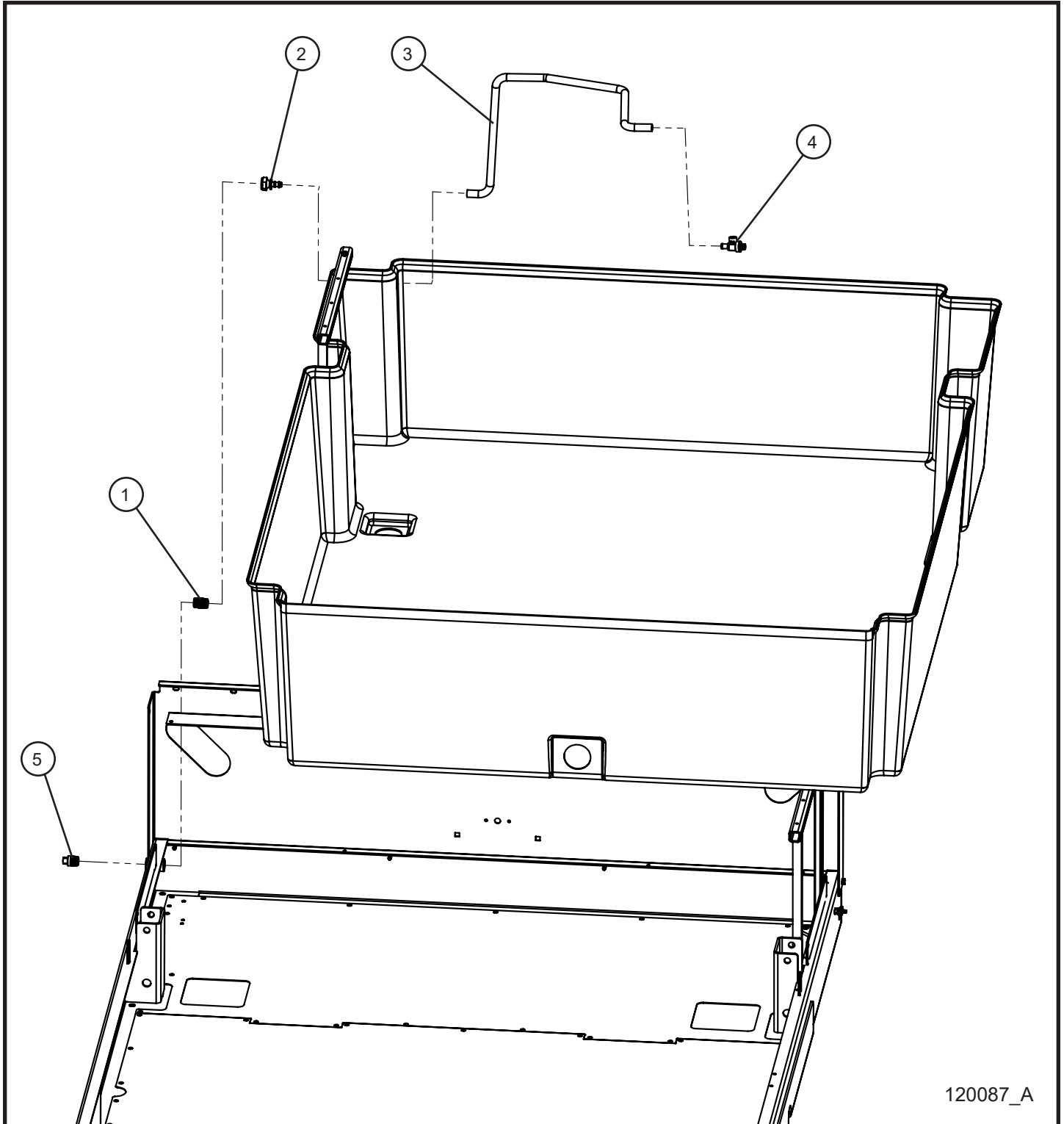
4.12 - Battery Disconnect and Cables

Item	Part No.	Part Description	Qty.
1	113656	BATTERY CABLE RED 2GA x 42.00	1
2	103483	LOCK OUT BATTERY DISCONNECT	1
3	102534	SWITCH BATTERY DISCONNECT 4 TERMINAL	1
4	120277P	MOUNT BATTERY DISCONNECT MAXI-HEAT	1
5	041070	1/4-20 x 3/4 SL-HEX WASHER HEAD MACHINE SCREW	3
6	041021	#10-24 x 1/2 PH-ROUND HEAD MACHINE SCREW	2
7	057004	#10-24 SERRATED FLANGE HEX LOCKNUT	2
8	105111	BATTERY CABLE BLACK x 42.00 BATTERY DISCONNECT	1
9	105093	BATTERY CALBE BLACK BATTERY DISCONNECT	1
NS	046060	5/16-18 x 1 1/2 HEX HEAD BOLT	2
NS	104777	DECAL BATTERY DISCONNECT	1
NS	105301	SCHEMATIC BATTERY DISCONNECT	1

NS - Not Shown

* * * - Contact Allmand for more information.

4.13 - Oil Drain Line



120087_A

MAXI-HEAT® 1MBTU

SN 36-000001 and UP

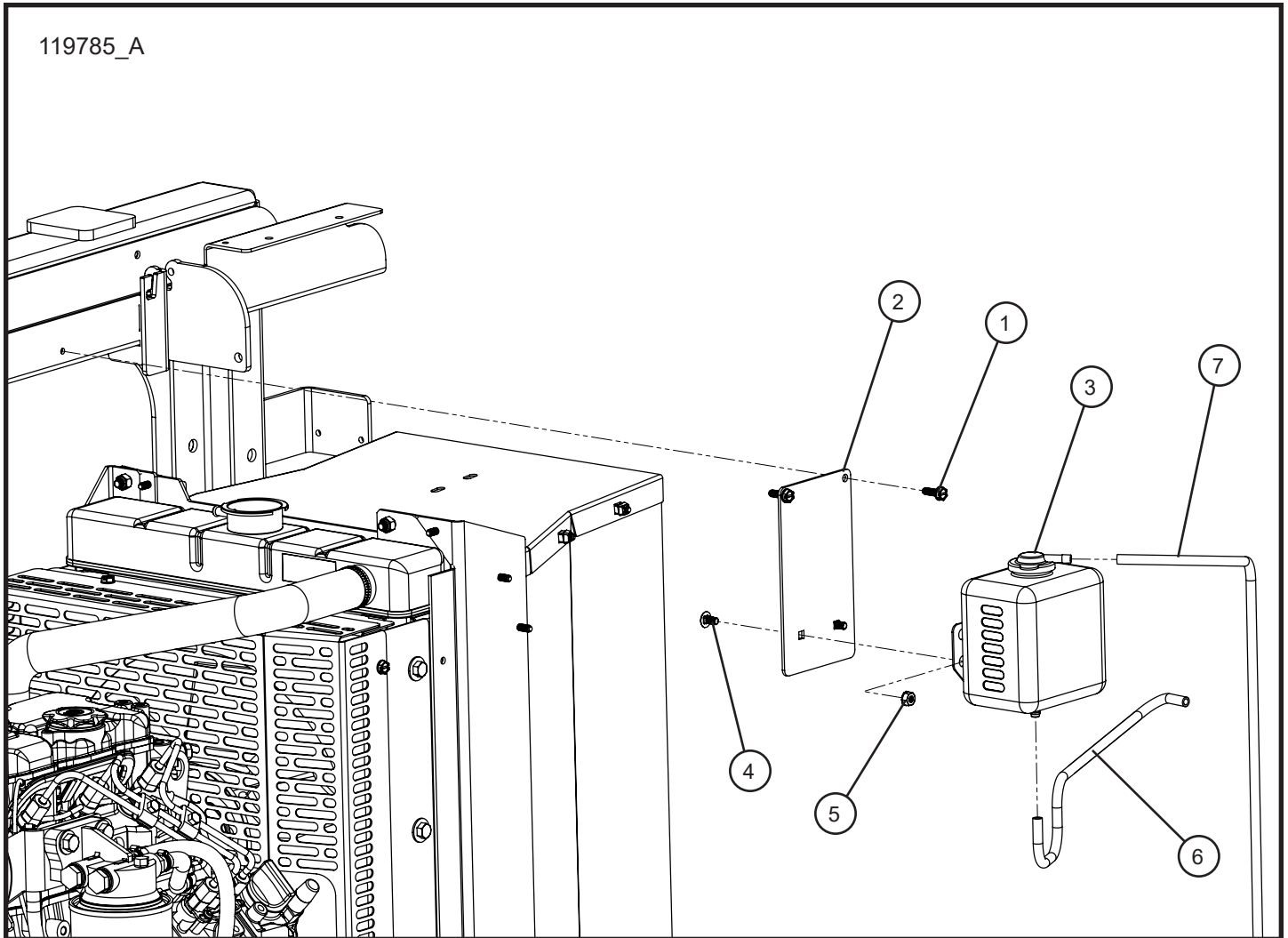
4.13 - Oil Drain Line

Item	Part No.	Part Description	Qty.
1	610215	1/2 NPT NIPPLE	1
2	104865	3/8 HOSE x 1/2 NPT BARB	1
3	081017	3/8 YELLOW FULE LINE HOSE x 40.0	1
4	651193	DRAIN VALVE (CAT C1.1)	1
	848299	DRAIN VALVE (KUBOTA D1105)	1
5	026106	1/2 NPT PLUG	1

NS - Not Shown

* * * - Contact Allmand for more information.

4.14 - Radiator Coolant Reservoir



MAXI-HEAT® 1MBTU

SN 36-000001 and UP

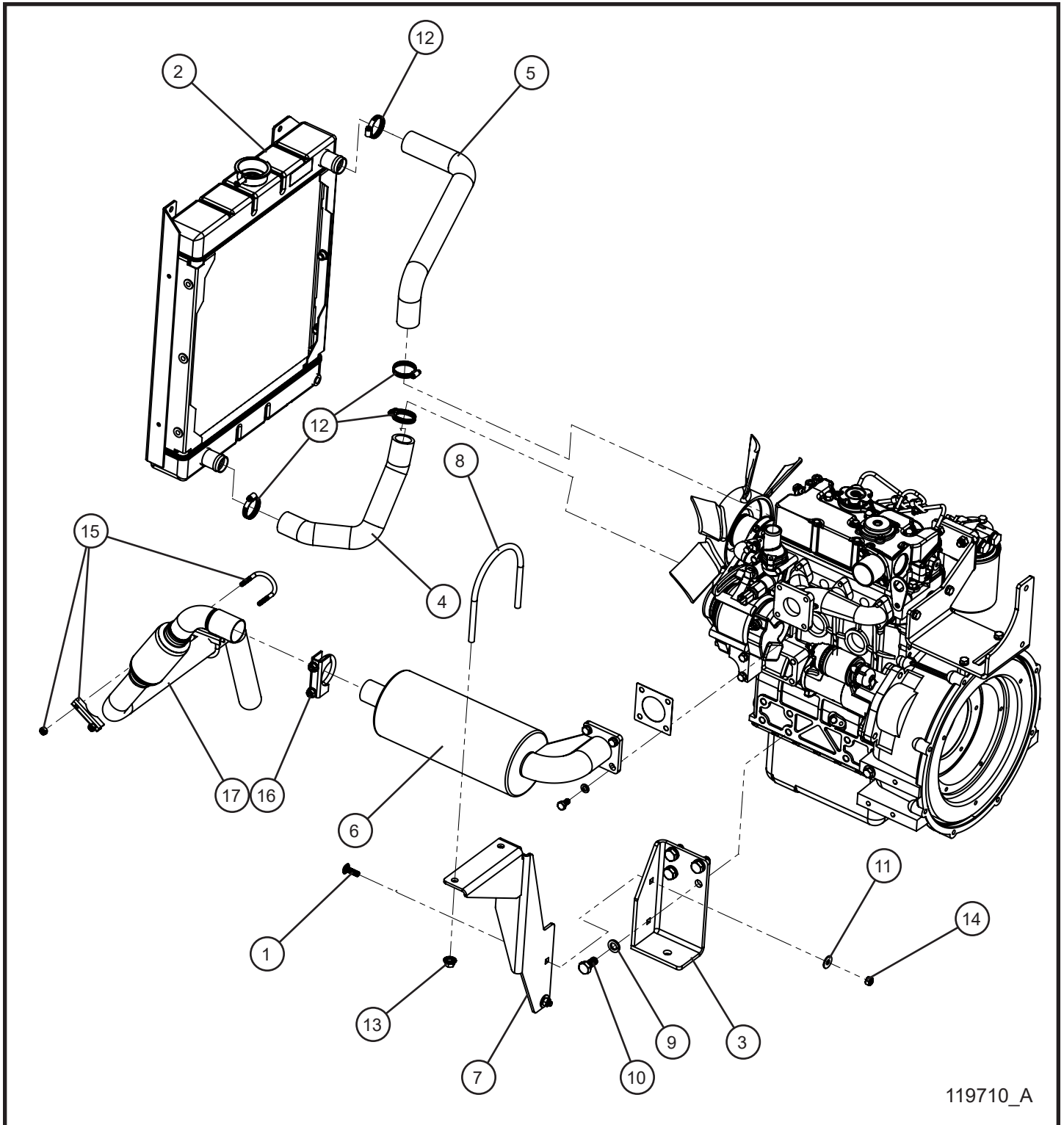
4.14 - Radiator Coolant Reservoir

Item	Part No.	Part Description	Qty.
1	041070	1/4-20 x 3/4 SL-HEX WASHER HEAD MACHINE SCREW	2
2	117835P	PLATE MOUNT COOLANT RESERVOIR	1
3	650027	RESERVOIR COOLANT WITH BRACKET ENGINE	1
4	053005	1/4-20 x 1/2 CARRIAGE BOLT	2
5	057000	1/4-20 HEX SERRATED FLANGE NUT	2
6	102268	1/4 HOSE x 16.00	1
7	102268	1/4 HOSE x 48.00	1

NS - Not Shown

* * * - Contact Allmand for more information.

5.1 - CAT C1.1 Engine Assembly Group (1 of 4)



MAXI-HEAT® 1MBTU

SN 36-000001 and UP

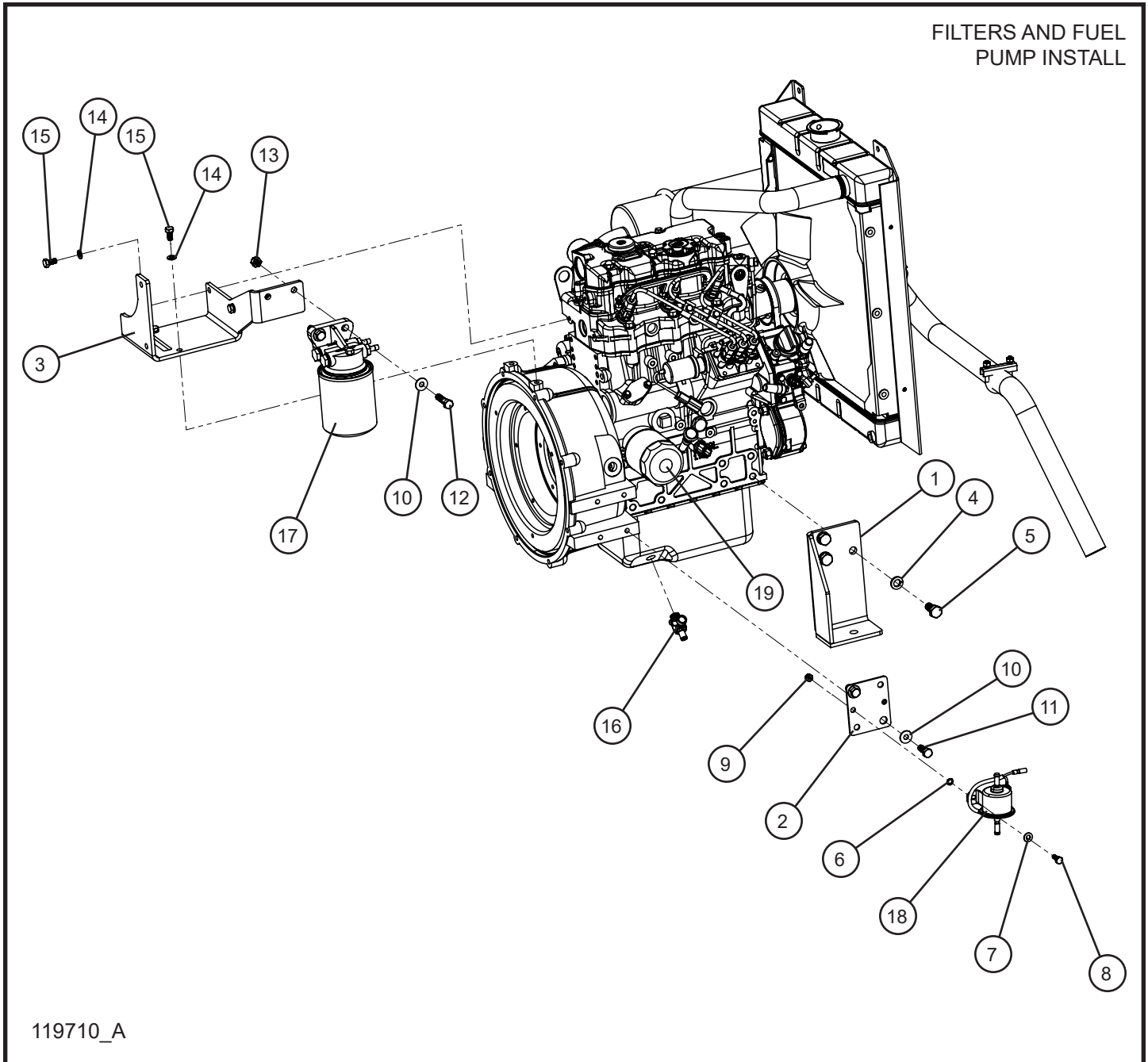
5.1 - CAT C1.1 Engine Assembly Group (1 of 4)

Item	Part No.	Part Description	Qty.
--	112561	CAT C1.1 ENGINE	1
1	053020	5/16-18 x 1 CARRIAGE BOLT	14
2	105393	JB RADIATOR SMALL ENGINES 1.0L / 1.1L	1
3	108889P	ENGINE BRACKET LEFT WELDMENT CAT C1.1	1
4	108751	RADIATOR HOSE LOWER CAT C1.1	1
5	108750	RADIATOR HOSE UPPER CAT C1.1	1
6	114857	MUFFLER NLV CAT C1.1	1
7	112309P	MUFFLER BRACKET WELDMENT CAT C1.1	1
8	105744	4 3/4 MUFFLER U-BOLT	1
9	043085	1/2 SPLITLOCK WASHER	7
10	042300	M12 x 25mm x 1.25mm HEX HEAD CS	7
11	047010	5/16 FLAT WASHER	13
12	045034	#16 CLAMP HOSE	4
13	044029	3/8-16 SERRATED FLANGE NUT	2
14	044033	5/16-18 NYLOCK HEX NUT	8
15	713086	1-3/8 MUFFLER CLAMP	2
16	112211	1-5/8 MUFFLER EXHAUST CLAMP	1
17	118261	PIPE EXHAUST HEATER CAT C1.1	1
NS	119696P	BRACKET EXHAUST PIPE CAT C1.1	1
NS	110113	CAT C1.1 ENGINE HARNESS	1
NS	113494	CAT C1.1 40AMP CHARGE CIRCUIT FUSE	1
NS	106309	JCASE 40A LITTLE FUSE	1
NS	110112	CAT 1.1L SCHEMATIC	1

NS - Not Shown

*** - Contact Allmand for more information.

5.1 - CAT C1.1 Engine Assembly Group (2 of 4)



MAXI-HEAT® 1MBTU

SN 36-000001 and UP

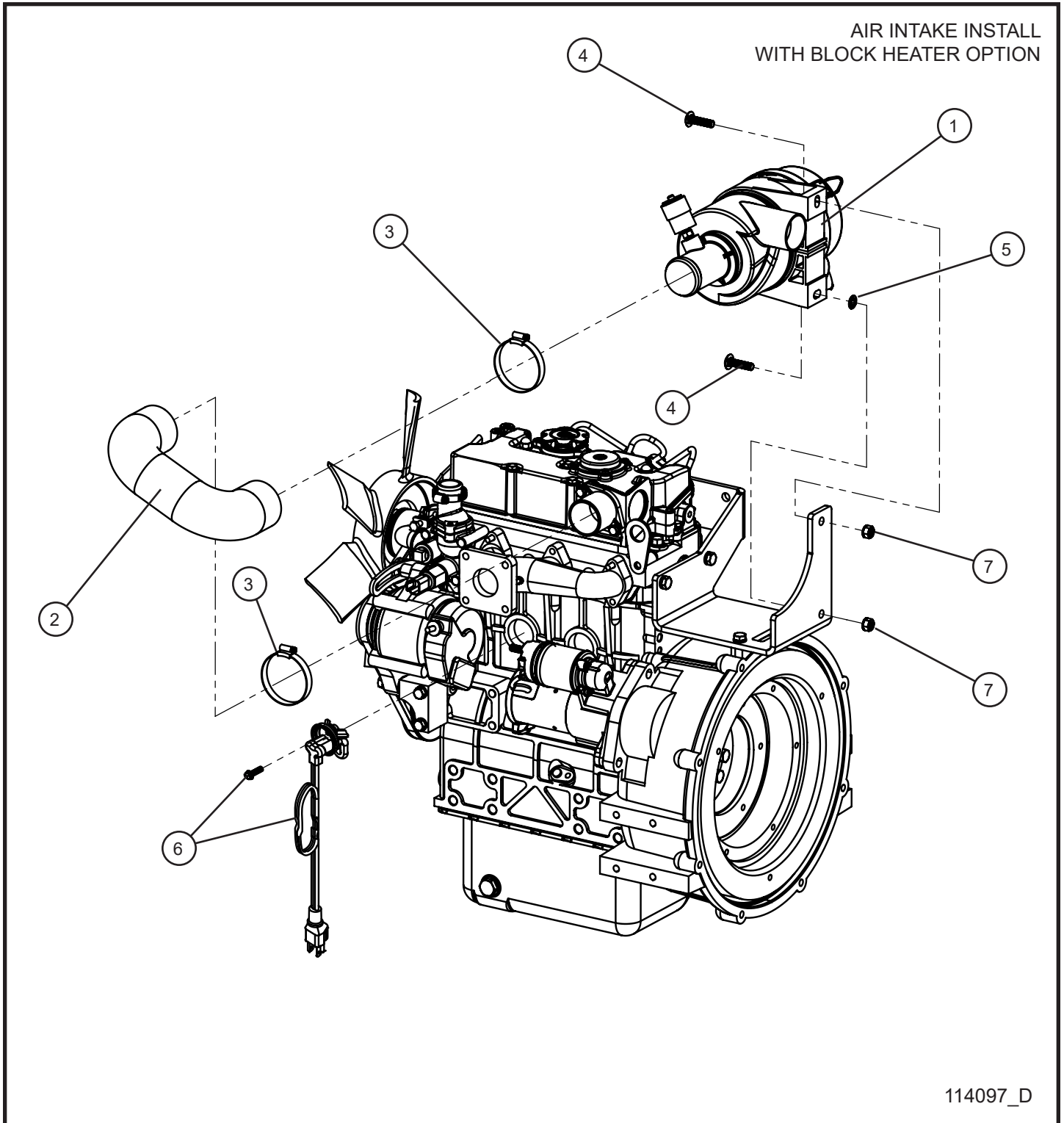
5.1 - CAT C1.1 Engine Assembly Group (2 of 4)

Item	Part No.	Part Description	Qty.
1	108891P	ENGINE BRACKET RIGHT WELDMENT CAT C1.1	1
2	105402P	PLATE MOUNT FUEL PUMP	1
3	113327P	MOUNT AIR CLEANER CAT C1.1	1
4	043085	1/2 SPLITLOCK WASHER	7
5	042300	M12 x 25mm x 1.25mm HEX HEAD CS	7
6	043050	1/4 INTL TOOTHLOCK WASHER	1
7	047005	1/4 FLAT WASHER	2
8	102573	1/4-20 x 3/4 HEX HEAD CS	2
9	044023	1/4-20 NYLOCK HEX NUT	2
10	047010	5/16 FLAT WASHER	13
11	046110	3/8-16 x 1 HEX HEAD CS	3
12	046120	3/8-16 x 1 1/2 HEX HEAD CS	2
13	044038	3/8-16 NYLOCK HEX NUT	2
14	043055	5/16 SPLITLOCK WASHER	5
15	042027	M8 x 16mm x 1.25mm HEX HEAD CS	4
16	651193	DRAIN VALVE	1
17	112464	CAT 1.1L FUEL FILTER	1
18	114114	CAT 1.1L FUEL PUMP	1
19	650304	CAT 1.1L OIL FILTER	1
NS	120547	FILTER KIT 1MBTU CAT 1.1	1

NS - Not Shown

*** - Contact Allmand for more information.

5.1 - CAT C1.1 Engine Assembly Group (3 of 4)



114097_D

MAXI-HEAT® 1MBTU

SN 36-000001 and UP

5.1 - CAT C1.1 Engine Assembly Group (3 of 4)

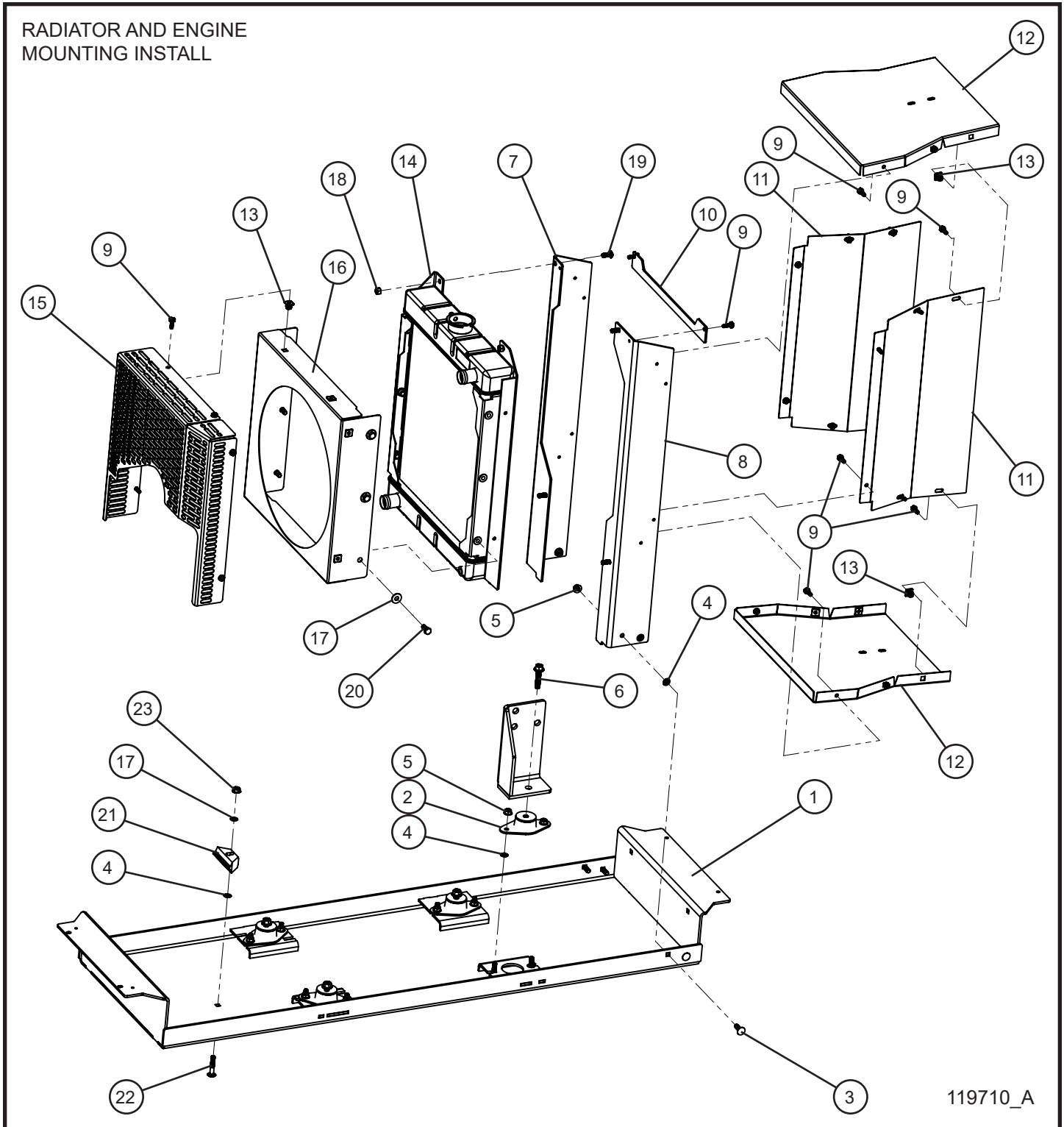
Item	Part No.	Part Description	Qty.
1	111568	AIR CLEANER ASSEMBLY STRAIGHT INLET	1
	650290	AIR FILTER	1
	104795	AIR FILTER SERVICE INDICATOR KIT	1
2	113332	AIR INTAKE HOSE SMALL ENGINE	1
3	045038	#32 HOSE CLAMP	2
4	053022	5/16-18 x 1 1/4 CARRIAGE BOLT	2
5	045217	5/16 PUSH NUT	1
6	651192	BLOCK HEATER CAT C1.1	1
7	044031	5/16-18 KEPS HEX NUT PL	2
NS	120547	FILTER KIT 1MBTU CAT 1.1	1

NS - Not Shown

*** - Contact Allmand for more information.

5.1 - CAT C1.1 Engine Assembly Group (4 of 4)

RADIATOR AND ENGINE MOUNTING INSTALL



119710_A

MAXI-HEAT® 1MBTU

SN 36-000001 and UP

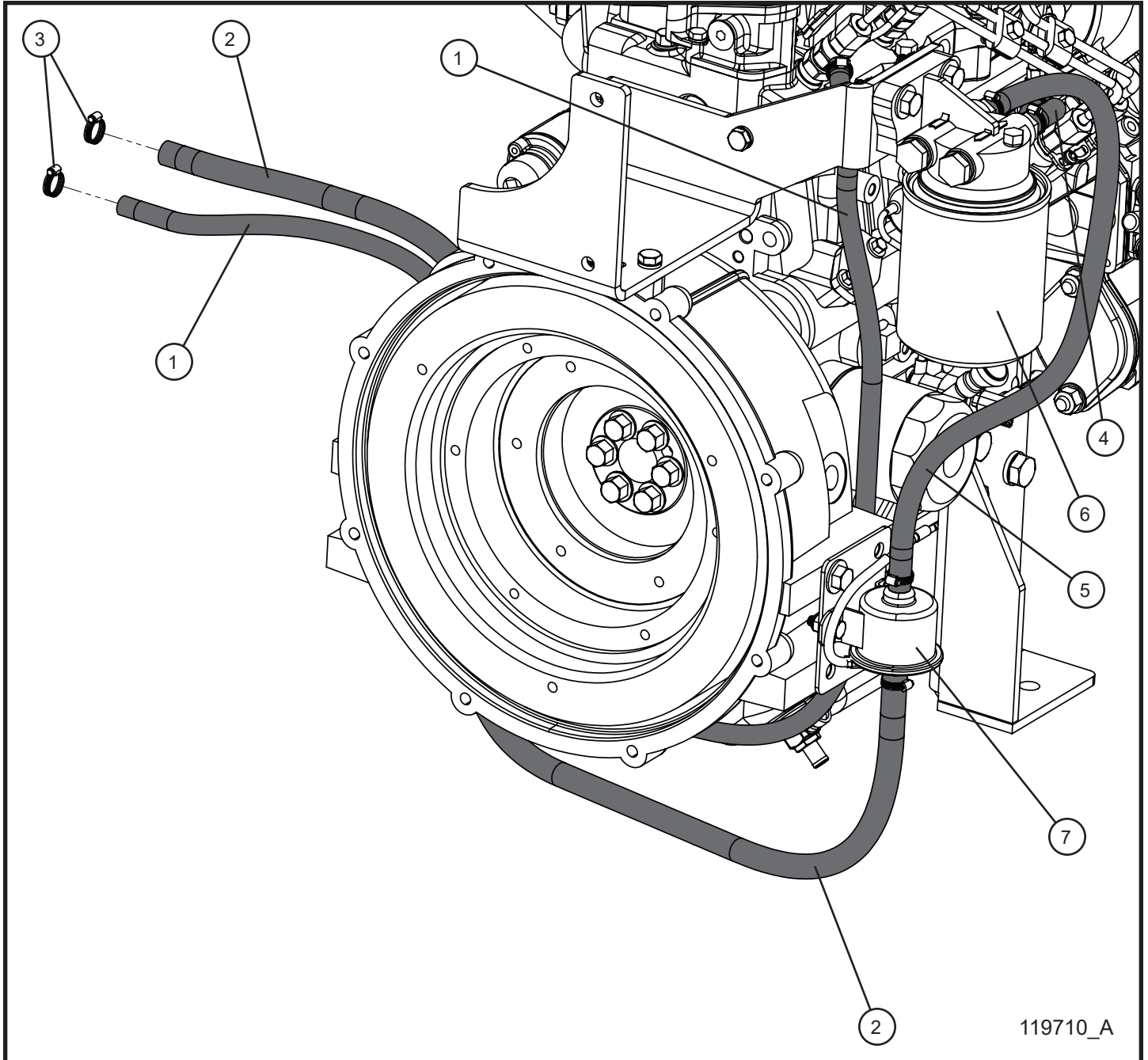
5.1 - CAT C1.1 Engine Assembly Group (4 of 4)

Item	Part No.	Part Description	Qty.
1	114830P	WELMENT ENGINE TRAY HEATER	1
2	107028	ENGINE ISOLATOR LIGHT DUTY MOUNT	4
3	053020	5/16-18 x 1 CARRIAGE BOLT	14
4	045217	5/16 PUSH NUT	14
5	057008	5/16-18 HEX NYLOCK FLANGE NUT	12
6	056013	3/18-16 x 1 3/4 SERRATED FLANGE BOLT	4
7	117223P	BRACKET ANGLE RADIATOR MOUNT LEFT	1
8	117222P	BRACKET ANGLE RADIATOR MOUNT RIGHT	1
9	041070	1/4-20 x 3/4 SL-HEX WASHER HEAD MACHINE SCREW	26
10	117759P	PLATE BRACE RADIATOR SUPPORT	1
11	117578P	PANEL SIDE RADIATOR SHROUD	2
12	117579P	PANEL TOP/BOTTOM RADIATOR SHROUD	2
13	105408	GROMMET NUT DOUBLE SPLIT SQUARE HEAD	12
14	105393	JB RADIATOR SMALL ENGINES 1.0L / 1.1L	1
15	108862P	FINGER GUARD CAT C1.1	1
16	108861P	FAN SHROUD CAT C1.1	1
17	047010	5/16 FLAT WASHER	14
18	044033	5/16-18 NYLOCK HEX NUT	8
19	041071	5/16-18 x 3/4 PHILLIPS HEAD MACHINE SCREW	4
20	046045	5/16-18 x 3/4 HEX HEAD CS	6
21	107115	GM STYLE BATTERY HOLD-DOWN	1
22	053024	5/16-18 x 1 3/4 CARRIAGE BOLT	1
23	057006	5/16-18 SERRRATED FLANGE NUT	1

NS - Not Shown

*** - Contact Allmand for more information.

5.2 - CAT C1.1 Fuel Lines



MAXI-HEAT® 1MBTU

SN 36-000001 and UP

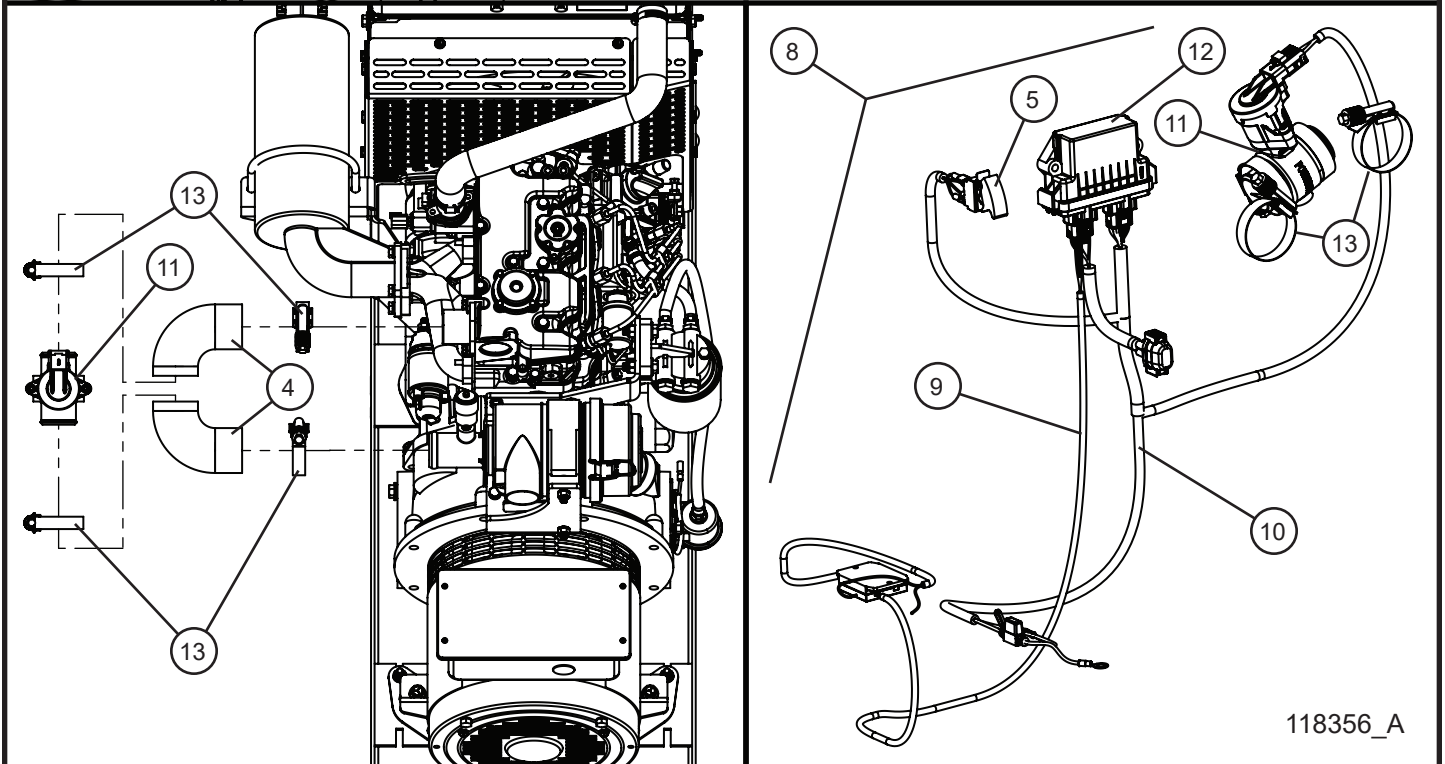
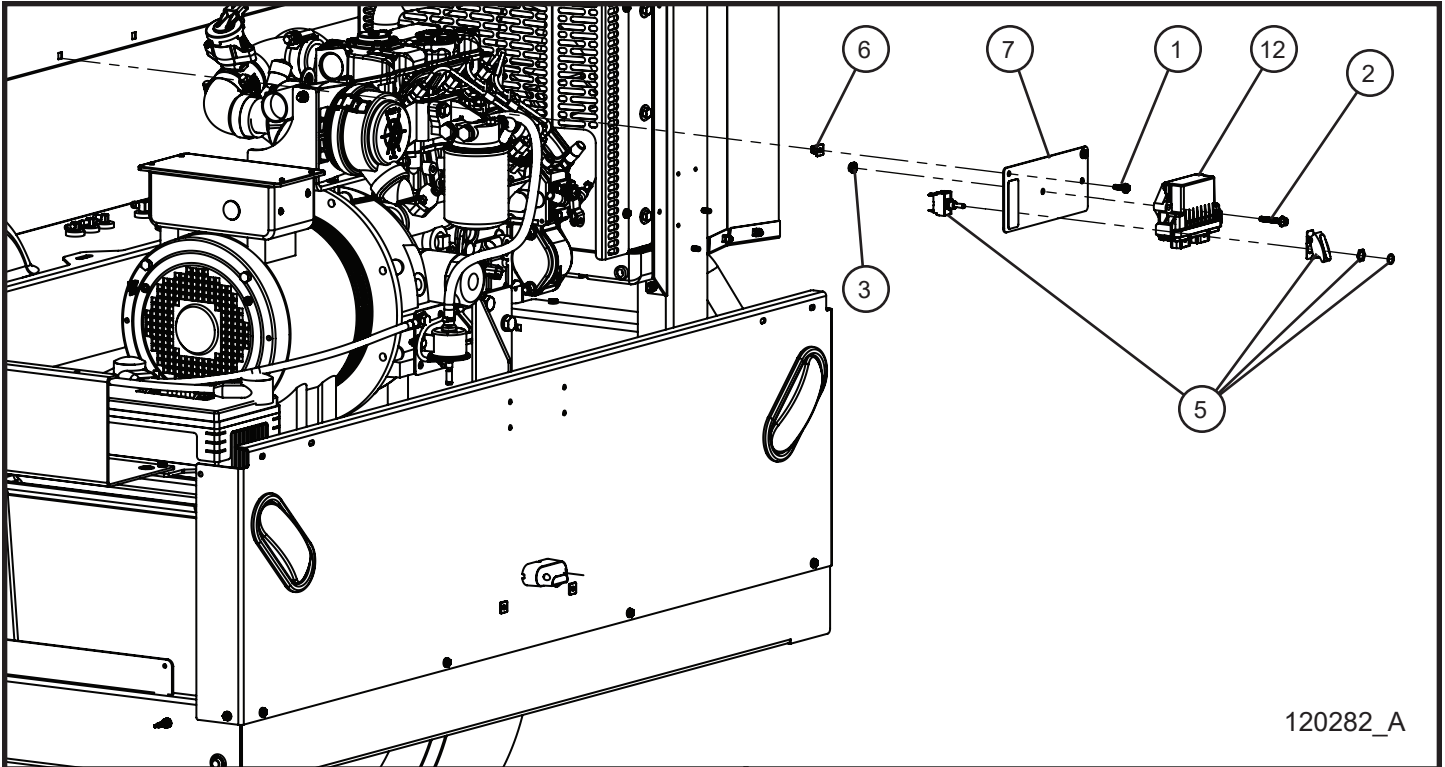
5.2 - CAT C1.1 Fuel Lines

Item	Part No.	Part Description	Qty.
1	081016	HOSE 1/4 BLACK FUEL LINE x 43.00	1
2	081018	HOSE 5/16 BLACK FUEL LINE x 43.00	1
3	433400	#4 HOSE CLAMP	8
4	081018	HOSE 5/16 BLACK FUEL LINE x 7.00	1
5	081018	HOSE 5/16 BLACK FUEL LINE x 20.00	1
6	112464	CAT 1.1L FUEL FILTER	1
7	114114	CAT 1.1L FUEL PUMP	1

NS - Not Shown

* * * - Contact Allmand for more information.

5.3 - CAT C1.1 Pacbrake Air Intake Valve Option



MAXI-HEAT® 1MBTU

SN 36-000001 and UP

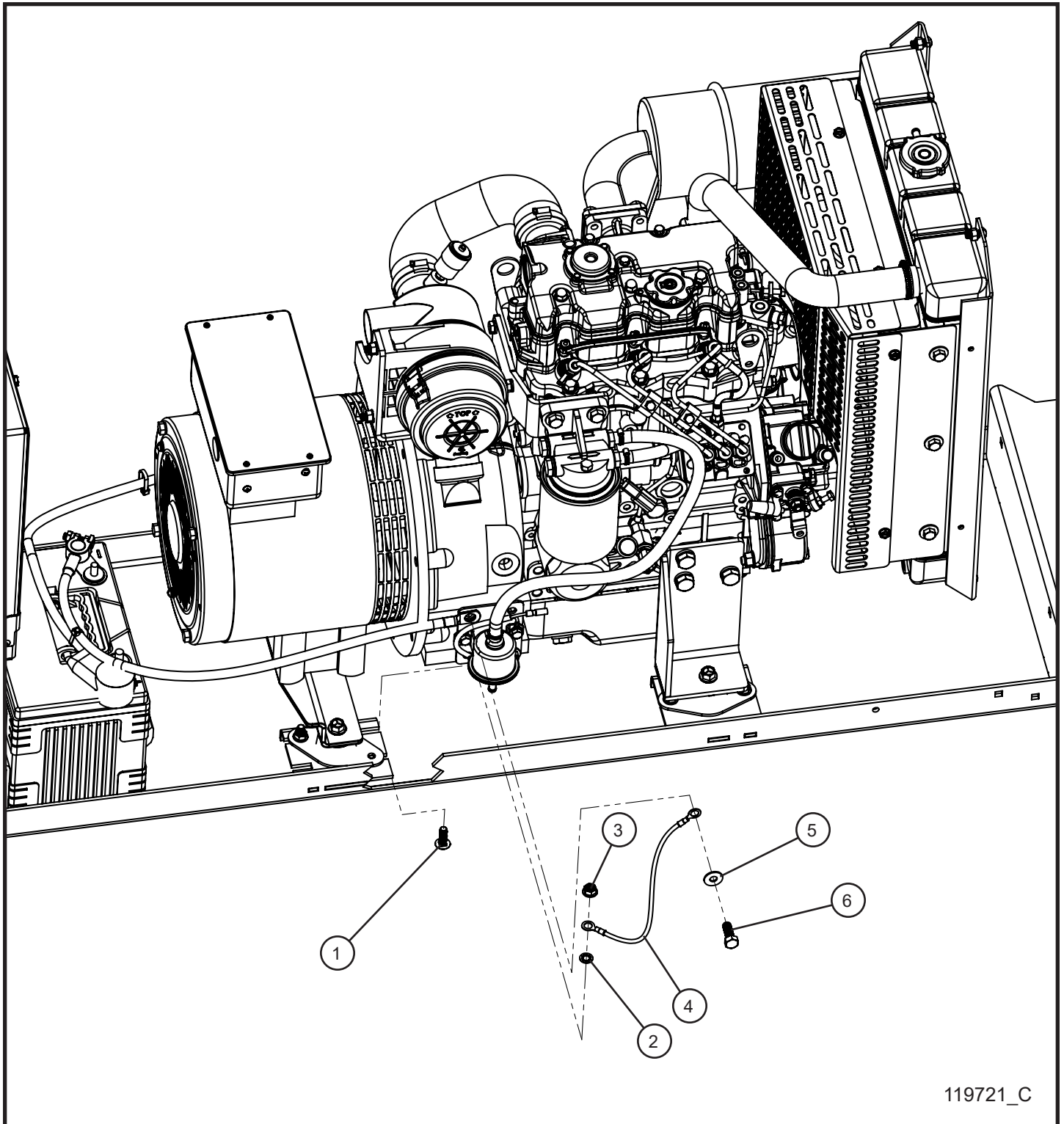
5.3 - CAT C1.1 Pacbrake Air Intake Valve Option

Item	Part No.	Part Description	Qty.
1	041070	1/4-20 x 3/4 SL-HEX WASHER HEAD MACHINE SCREW	2
2	056012	1/4-20 x 1 1/2 SERRATED FLANGE HEX HEAD SCREW	2
3	057000	1/4-20 HEX SERRATED FLANGE NUT	2
4	113332	AIR INTAKE HOSE SMALL ENGINE	1
5	122739	PACBRAKE TOGGLE SWITCH KIT	1
6	105408	GROMMET NUT DOUBLE SPLIT SQUARE HEAD	2
7	120845P	PACBRAKE MOUNTING PLATE MAXI-HEAT	1
8	118356	PACBRAKE 1.75" AIR INTAKE VALVE KIT COMPLETE	1
9	122729	PACBRAKE AC FREQUENCY WIRE HARNESS MAXI-HEAT	1
10	122730	PACBRAKE DC WIRE HARNESS MAXI-HEAT	1
11	122735	PACBRAKE 1.75" AIR INTAKE VALVE	1
12	122736	PACBRAKE AIR INTAKE VALVE CONTROL MODULE	1
13	122737	PACBRAKE SAE 262 BAND CLAMP	4
NS	103864	FUSE HOLDER INLINE BLADE	1
NS	104990	FUSE BLADE 2 AMP ATO/ATC	1
NS	105844	15 AMP MINI FUSE	1
NS	117814	WIRE SCHEMATIC PACBRAKE AIR VALVE	1

NS - Not Shown

* * * - Contact Allmand for more information.

5.4 - CAT C1.1 Ground Wire



119721_C

MAXI-HEAT® 1MBTU

SN 36-000001 and UP

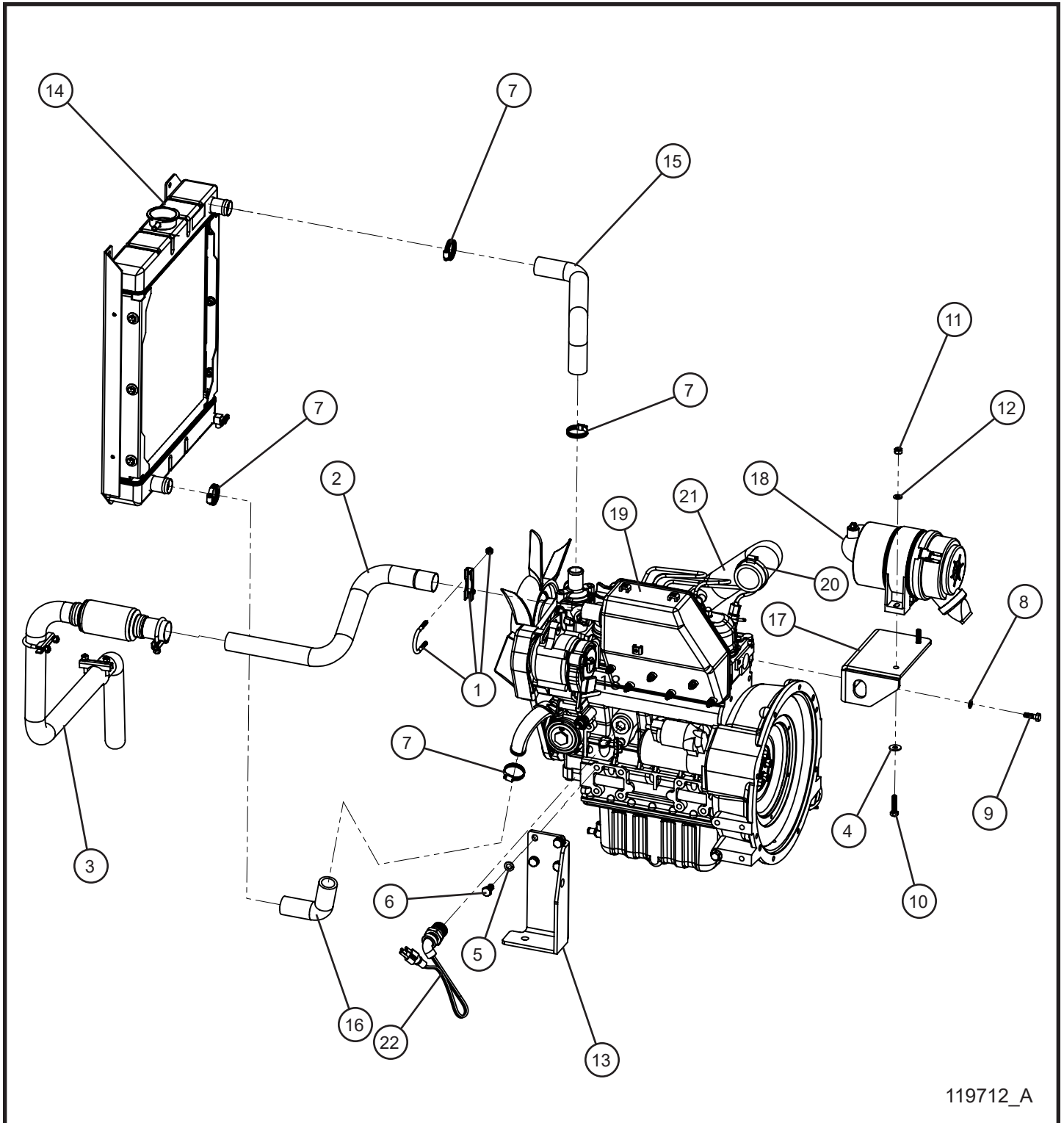
5.4 - CAT C1.1 Ground Wire

Item	Part No.	Part Description	Qty.
1	053020	5/16-18 X 1 CARRIAGE BOLT	1
2	043060	5/16 INTL TOOTH LOCK WASHER	2
3	057008	5/16-18 HEX NYLOCK FLANGE NUT	2
4	114800	GROUND WIRE 10 AWG	1
5	047010	5/16 FLAT WASHER	1
6	046110	3/8-16 x 1 HEX HEAD CS	1

NS - Not Shown

*** - Contact Allmand for more information.

6.1 - Kubota D1105 Engine Assembly Group (1 of 3)



MAXI-HEAT® 1MBTU

SN 36-000001 and UP

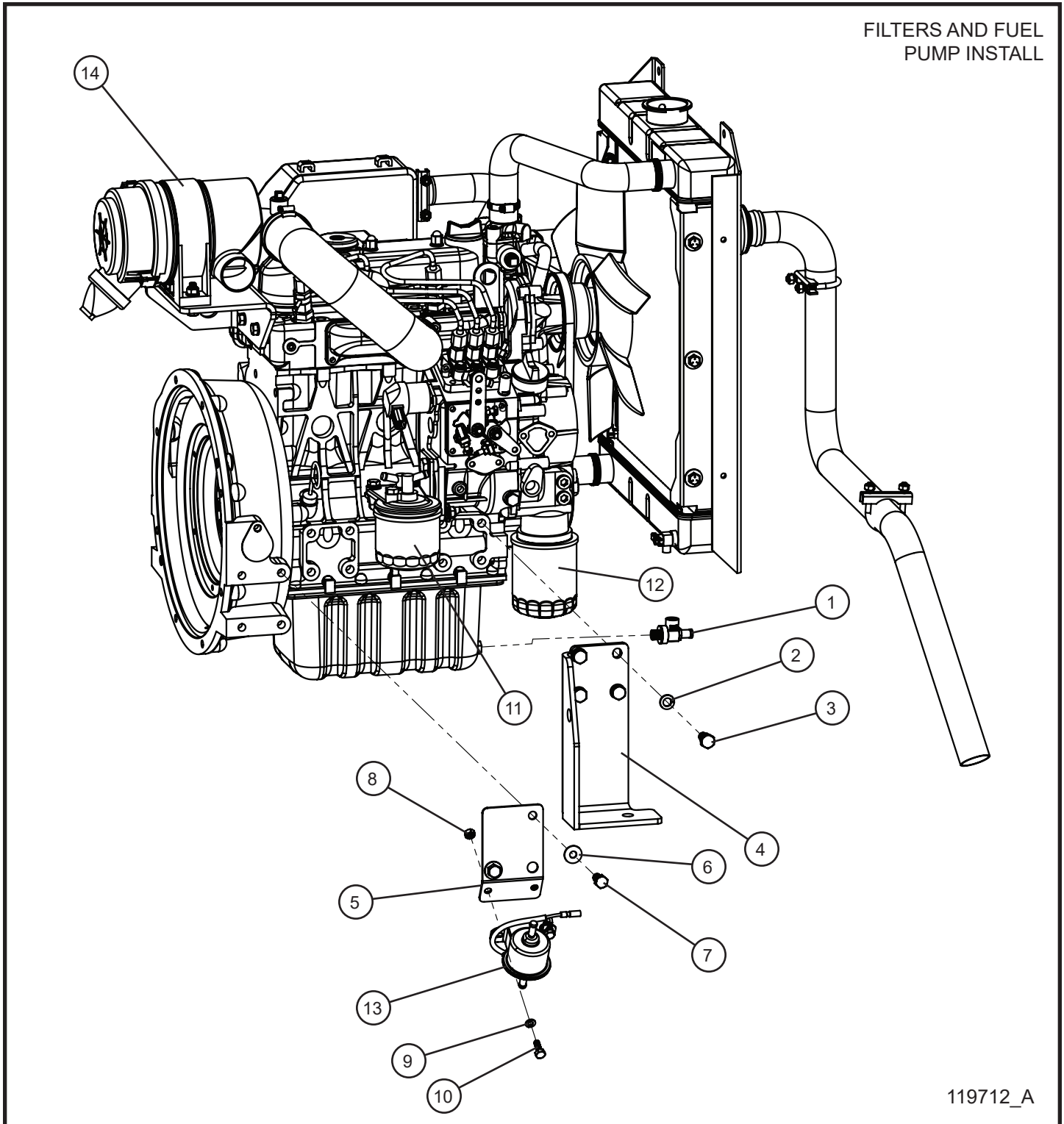
6.1 - Kubota D1105 Engine Assembly Group (1 of 3)

Item	Part No.	Part Description	Qty.
--	105397	ENGINE D1105 NRTC/NTE T4F KUBOTA	1
1	713086	1 3/8 MUFFLER CLAMP	4
2	114858	TAIL PIPE NLV KUBOTA D1005/D1105	1
3	118262	PIPE EXHAUST HEATER KUBOTA ENGINE	1
4	047010	5/16 FLAT WASHER	8
5	042151	M10 SPLIT LOCK WASHER	8
6	042038	M10 x 20mm x 1.25mm HEX HEAD BOLT	4
7	045034	#16 HOSE CLAMP	4
8	102131	M8 SPLIT LOCK WASHER	2
9	042027	M8 x 16mm x 1.25mm HEX HEAD BOLT	2
10	102127	M8 x 35mm x 1.25mm HEX HEAD BOLT	2
11	042081	M8 x 1.25mm NYLOCK HEX NUT	2
12	047005	1/4 FLAT WASHER	4
13	103470P	BRACKET ENGINE FOOT RIGHT WELDMENT KUBOTA	1
14	105393	JB RADIATOR SMALL ENGINES 1.0L / 1.1L	1
15	107119	RADIATOR HOSE UPPER KUBOTA NL5000	1
16	107120	RADIATOR HOSE LOWER KUBOTA NL5000	1
17	107356P	MOUNT WELDED AIR FILTER NL5000	1
18	650262	AIR CLEANER RADIAL SEAL	1
	650263	MOUNTING BAND AIR CLEANER	1
	650290	DONALDSON AIR FILTER	1
19	352139	KUBOTA BOX MUFFLER	1
20	045038	#32 HOSE CLAMP	2
21	101734	AIR INTAKE HOSE SMALL ENGINES	1
22	352373	KUBOTA D1005/D1105 BLOCK HEATER	1
NS	120546	FILTER KIT 1MBTU KUBOTA 1005	1
NS	105875	KUBOTA CHARGE CIRCUIT 30 AMP FUSE	1
	1005872	JCASE 30AMP FUSE	1
NS	108043	ENGINE HARNESS ALL WHITE WIRES KUBOTA 1005/1105	1
NS	112776	SCHEMATIC 40 AMP ENGINE HARNESS KUBOTA D1105	1

NS - Not Shown

*** - Contact Allmand for more information.

6.1 - Kubota D1105 Engine Assembly Group (2 of 3)



119712_A

MAXI-HEAT® 1MBTU

SN 36-000001 and UP

6.1 - Kubota D1105 Engine Assembly Group (2 of 3)

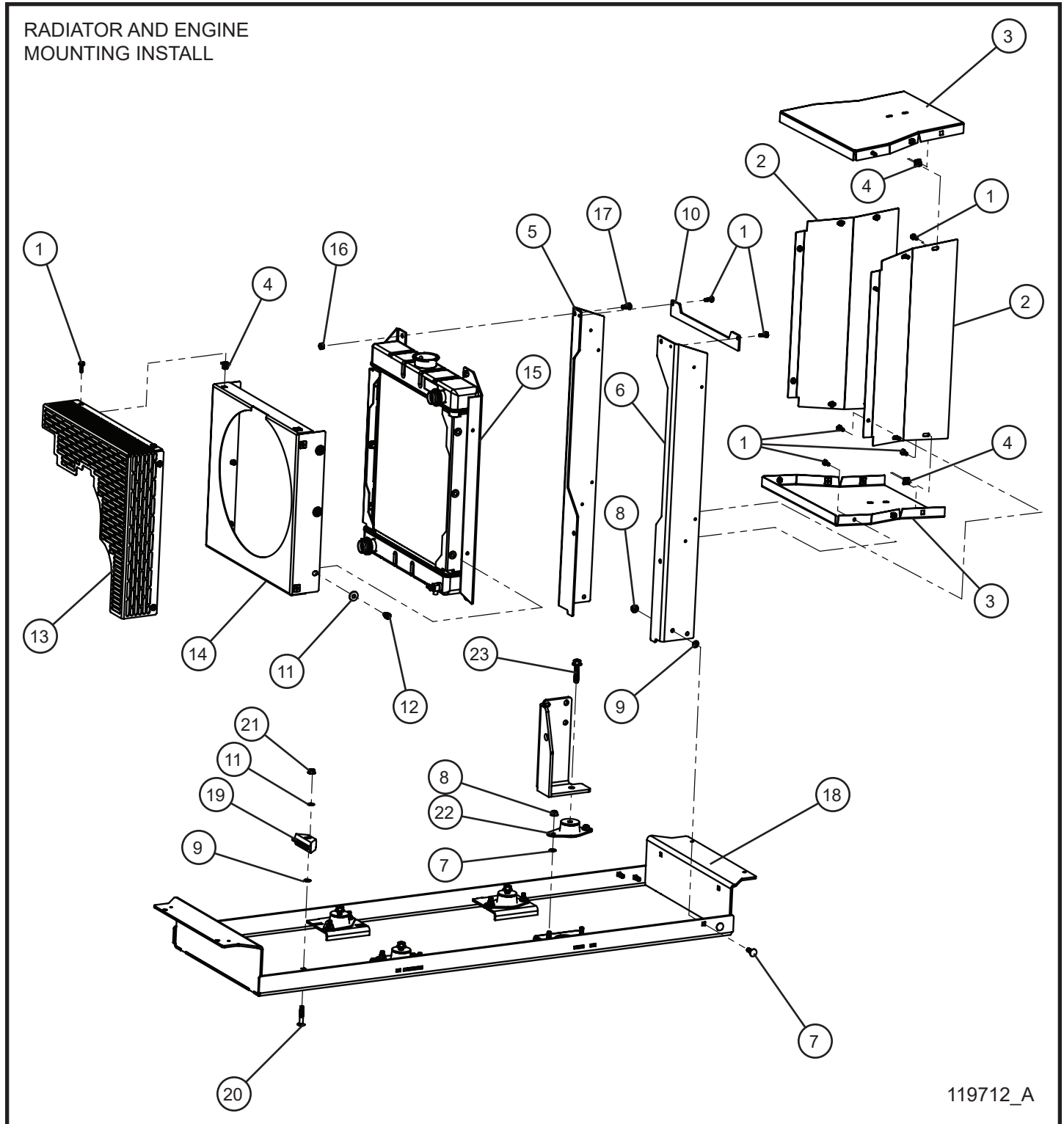
Item	Part No.	Part Description	Qty.
1	848299	DRAIN VALVE	1
2	042151	M10 SPLIT LOCK WASHER	8
3	042038	M10 x 20mm x 1.25mm HEX HEAD BOLT	4
4	103469P	BRACKET ENGINE FOOT LEFT WELDMENT KUBOTA	1
5	119703P	PLATE MOUNT FUEL PUMP HEATER	1
6	047010	5/16 FLAT WASHER	2
7	046105	3/8-16 x 3/4 HEX HEAD CS	2
8	044023	1/4-20 NYLOCK HEX NUT	2
9	043020	1/4 SPLITLOCK WASHER	2
10	046010	1/4-20 x 3/4 HEX HEAD CS	2
11	920745	FUEL FILTER	1
12	920743	OIL FILTER	1
13	103331	FUEL PUMP	1
14	650262	AIR CLEANER RADIAL SEAL	1
	650263	MOUNTING BAND AIR CLEANER	1
	650290	DONALDSON AIR FILTER	1
NS	120546	FILTER KIT 1MBTU KUBOTA 1005	1
NS	340302	HIGH TEMP SWITCH	1
NS	340301	OIL PRESSURE SWITCH	1
NS	920751	FUEL SHUT OFF SOLENOID	1

NS - Not Shown

*** - Contact Allmand for more information.

6.1 - Kubota D1105 Engine Assembly Group (3 of 3)

RADIATOR AND ENGINE MOUNTING INSTALL



119712_A

MAXI-HEAT® 1MBTU

SN 36-000001 and UP

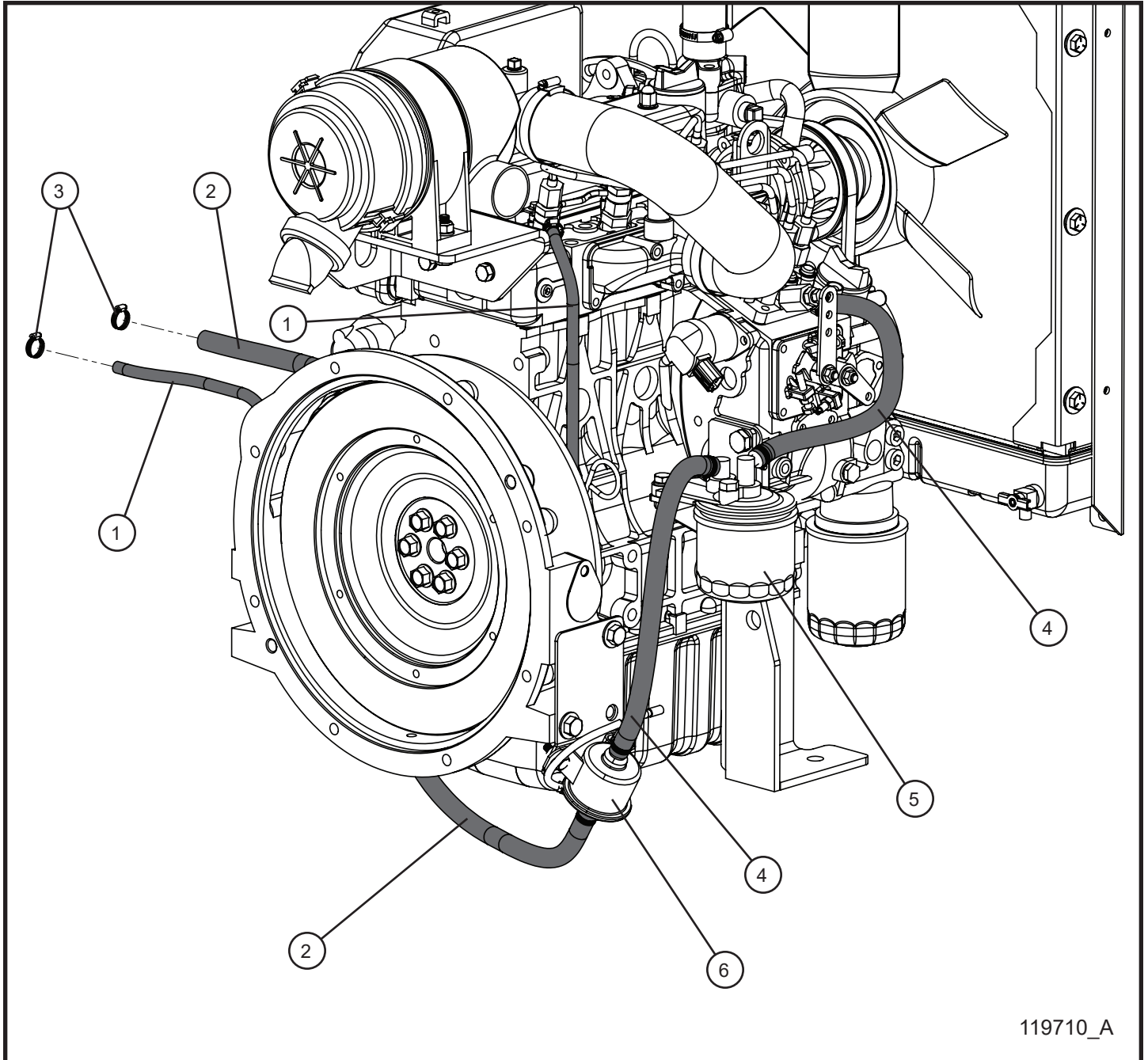
6.1 - Kubota D1105 Engine Assembly Group (3 of 3)

Item	Part No.	Part Description	Qty.
1	041070	1/4-20 x 3/4 SL-HEX WASHER HEAD MACHINE SCREW	24
2	117578P	PANEL SIDE RADIATOR SHROUD	2
3	117579P	PANEL TOP/BOTTOM RADIATOR SHROUD	2
4	105408	GROMMET NUT DOUBLE SPLIT SQUARE HEAD	12
5	117223P	BRACKET ANGLE RADIATOR MOUNT LEFT	1
6	117222P	BRACKET ANGLE RADIATOR MOUNT RIGHT	1
7	053020	5/16-18 x 1 CARRIAGE BOLT	12
8	057008	5/16-18 HEX NYLOCK FLANGE NUT	12
9	045217	5/16 PUSH NUT	13
10	117759P	PLATE BRACE RADIATOR SUPPORT	1
11	047010	5/16 FLAT WASHER	9
12	046045	5/16-18 x 3/4 HEX HEAD	6
13	110318P	KUBOTA FINGER GUARD NL5000	1
14	107184P	FAN SHROUD SHORT JB RADIATOR KUBOTA ENGINE NLV	1
15	105393	JB RADIATOR SMALL ENGINES 1.0L / 1.1L	1
16	044033	5/16-18 NYLOCK HEX NUT	4
17	041071	5/16-18 x 3/4 PHILLIPS HEAD MACHINE SCREW	4
18	114830P	WELMENT ENGINE TRAY HEATER	1
19	107115	GM STYLE BATTERY HOLD DOWN	1
20	053024	5/16-18 x 1 3/4 CARRIAGE BOLT	1
21	057006	5/16-18 SERRATED FLANGE NUT	1
22	107028	ENGINE ISOLATOR LIGHT DUTY MOUNT	4
23	056013	3/8-16 x 1 3/4 SERRATED FLANGE BOLT	4

NS - Not Shown

*** - Contact Allmand for more information.

6.2 - Kubota D1105 Fuel Lines



119710_A

MAXI-HEAT® 1MBTU

SN 36-000001 and UP

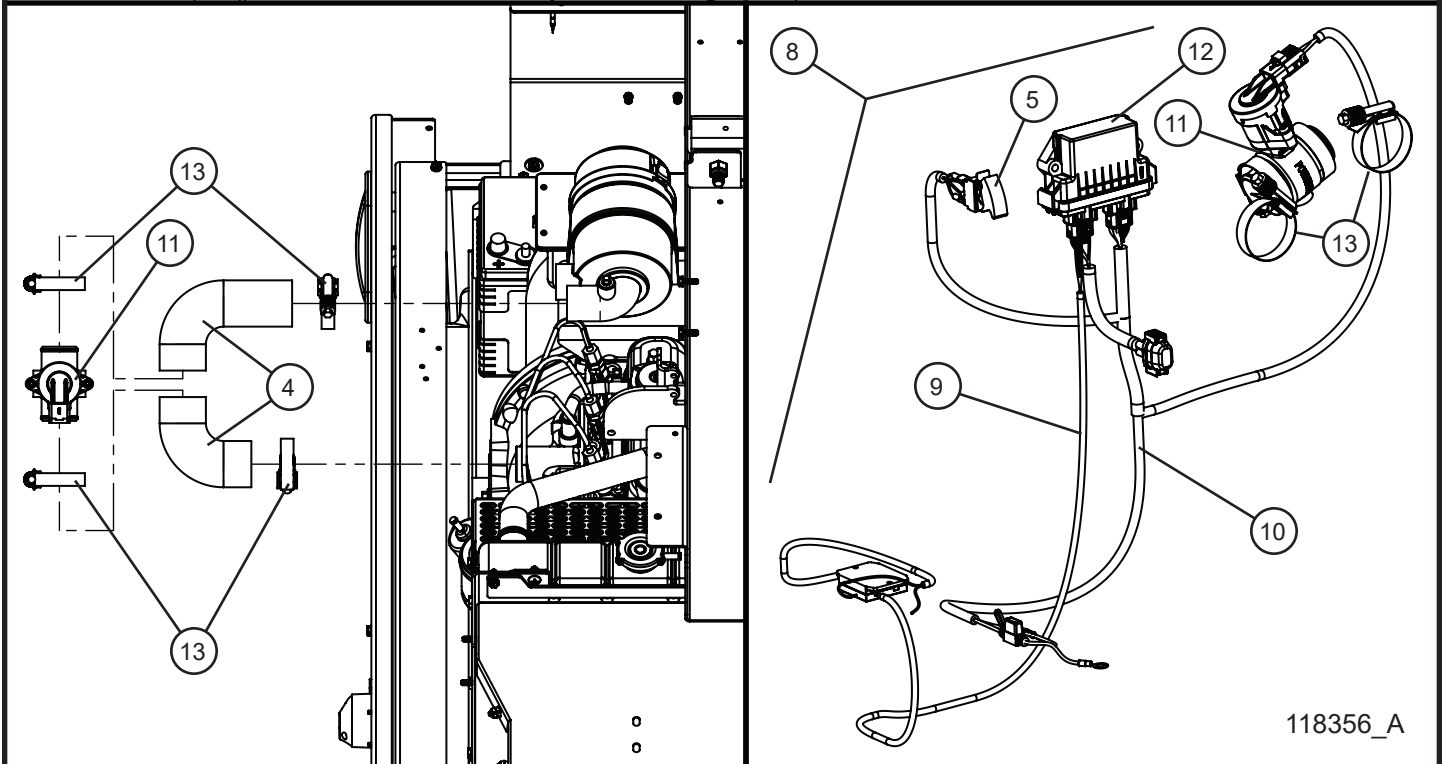
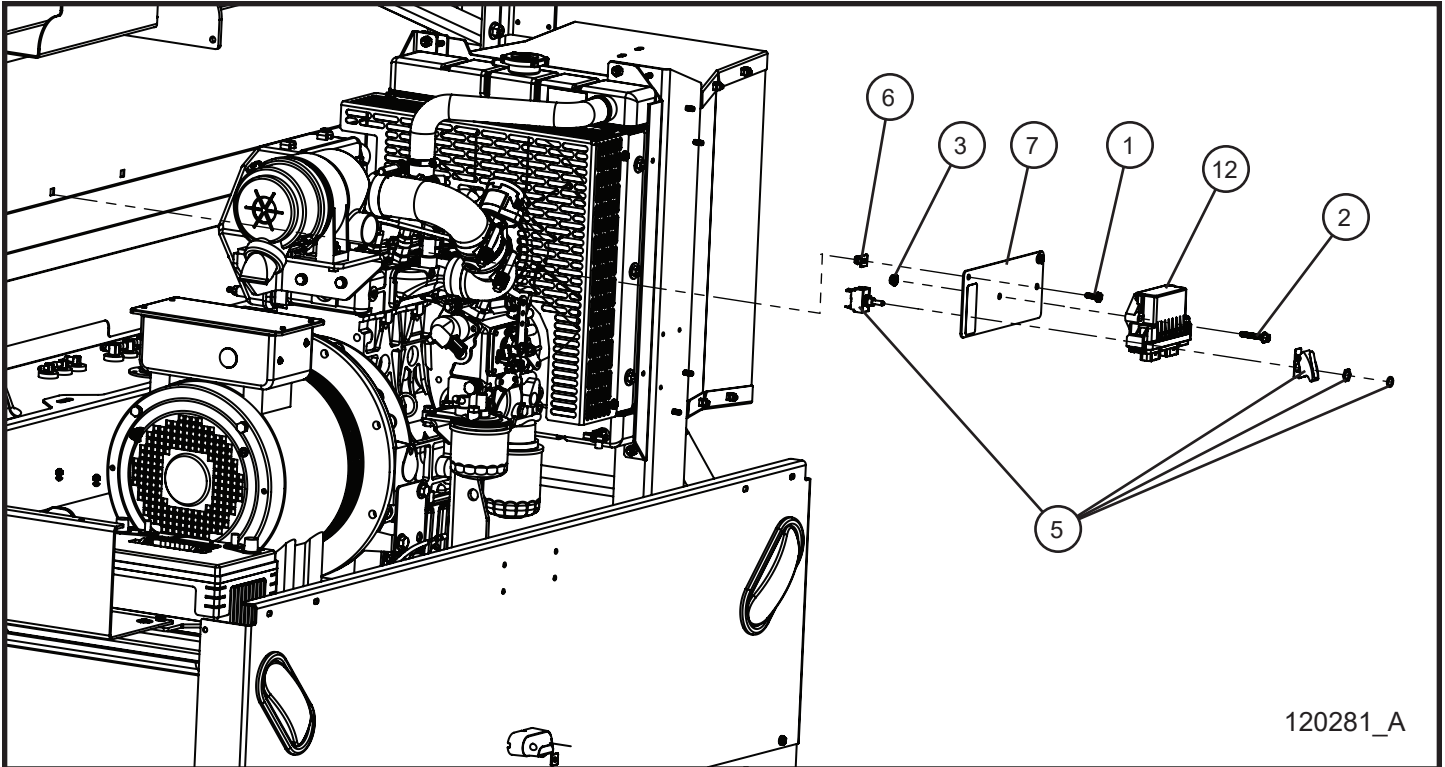
6.2 - Kubota D1105 Fuel Lines

Item	Part No.	Part Description	Qty.
1	081016	HOSE 1/4 BLACK FUEL LINE x 43.00	1
2	081018	HOSE 5/16 BLACK FUEL LINE x 43.00	1
3	433400	#4 HOSE CLAMP	8
4	081018	HOSE 5/16 BLACK FUEL LINE x 13.00	2
5	920745	FUEL FILTER	1
6	103331	FUEL PUMP	1

NS - Not Shown

*** - Contact Allmand for more information.

6.3 - Kubota D1105 Pacbrake Air Intake Valve Option



MAXI-HEAT® 1MBTU

SN 36-000001 and UP

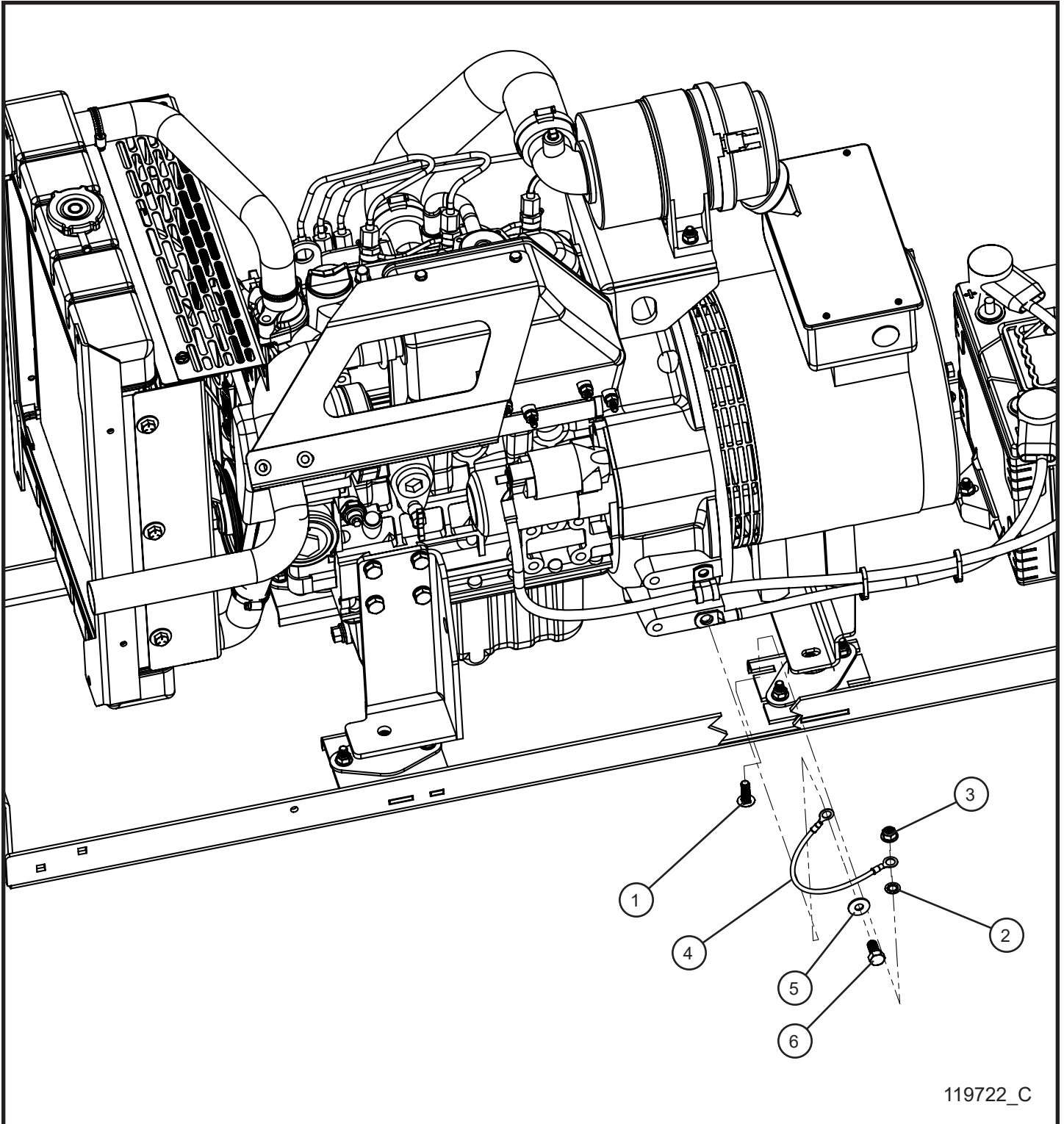
6.3 - Kubota D1105 Pacbrake Air Intake Valve Option

Item	Part No.	Part Description	Qty.
1	041070	1/4-20 x 3/4 SL-HEX WASHER HEAD MACHINE SCREW	2
2	056012	1/4-20 x 1 1/2 SERRATED FLANGE HEX HEAD SCREW	2
3	057000	1/4-20 HEX SERRATED FLANGE NUT	2
4	101734	AIR INTAKE HOSE SMALL ENGINES	1
5	122739	PACBRAKE TOGGLE SWITCH KIT	1
6	105408	GROMMET NUT DOUBLE SPLIT SQUARE HEAD	2
7	120845P	PACBRAKE MOUNTING PLATE MAXI-HEAT	1
8	118356	PACBRAKE 1.75" AIR INTAKE VALVE KIT COMPLETE	1
9	122729	PACBRAKE AC FREQUENCY WIRE HARNESS MAXI-HEAT	1
10	122730	PACBRAKE DC WIRE HARNESS MAXI-HEAT	1
11	122735	PACBRAKE 1.75" AIR INTAKE VALVE	1
12	122736	PACBRAKE AIR INTAKE VALVE CONTROL MODULE	1
13	122737	PACBRAKE SAE 262 BAND CLAMP	4
NS	103864	FUSE HOLDER INLINE BLADE	1
NS	104990	FUSE BLADE 2 AMP ATO/ATC	1
NS	105844	15 AMP MINI FUSE	1
NS	117814	WIRE SCHEMATIC PACBRAKE AIR VALVE	1

NS - Not Shown

* * * - Contact Allmand for more information.

6.4 - Kubota D1105 Ground Wire



MAXI-HEAT® 1MBTU

SN 36-000001 and UP

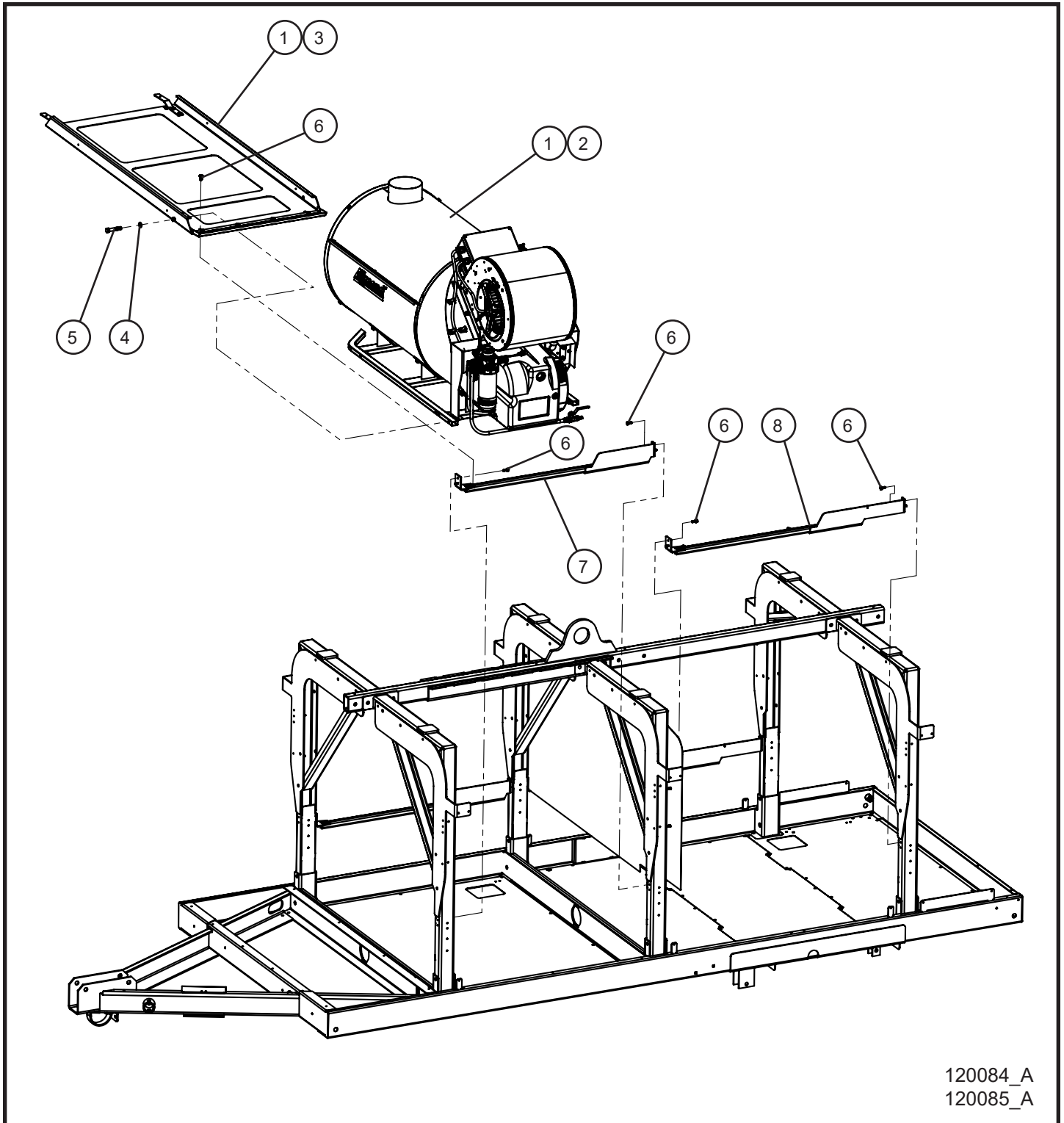
6.4 - Kubota D1105 Ground Wire

Item	Part No.	Part Description	Qty.
1	053020	5/16-18 X 1 CARRIAGE BOLT	1
2	043060	5/16 INTL TOOTH LOCK WASHER	2
3	057008	5/16-18 HEX NYLOCK FLANGE NUT	2
4	114800	GROUND WIRE 10 AWG	1
5	047010	5/16 FLAT WASHER	1
6	046105	3/8-16 X 3/4 HEX HEAD CS	1

NS - Not Shown

*** - Contact Allmand for more information.

7.1 - MCS MH500 iQ-R Heater Install Group



120084_A
120085_A

MAXI-HEAT® 1MBTU

SN 36-000001 and UP

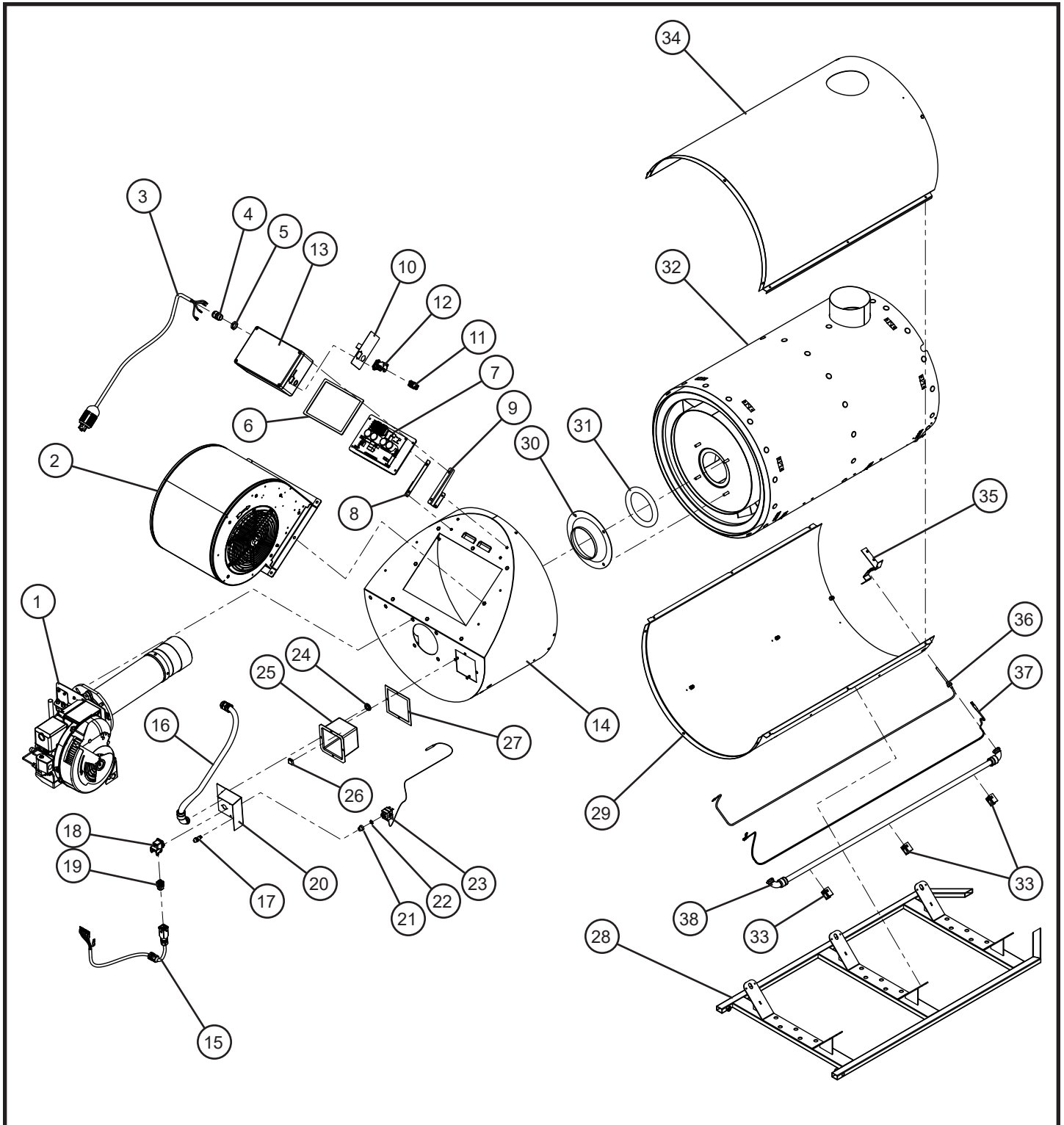
7.1 - MCS MH500 iQ-R Heater Install Group

Item	Part No.	Part Description	Qty.
1	120084	HEATER SUB-ASSEMBLY MCS BV-500R	2
2	105117	MCS MH500 iQ-R HEATER	2
3	117216	RAIL HEATER BURNER	2
4	043065	3/8 SPLITLOCK WASHER	2
5	046130	3/8-16 x 2 HEX HEAD BOLT	2
6	041070	1/4-20 x 3/4 SL-HEX WASHER HEAD MACHINE SCREW	48
7	117211P	WELDMENT RAIL HEATER FRONT BURNER	2
8	117214P	WELDMENT RAIL HEATER REAR BURNER	2

NS - Not Shown

* * * - Contact Allmand for more information.

7.2 - MCS MH500 iQ-R Heater Assembly Group



MAXI-HEAT® 1MBTU

SN 36-000001 and UP

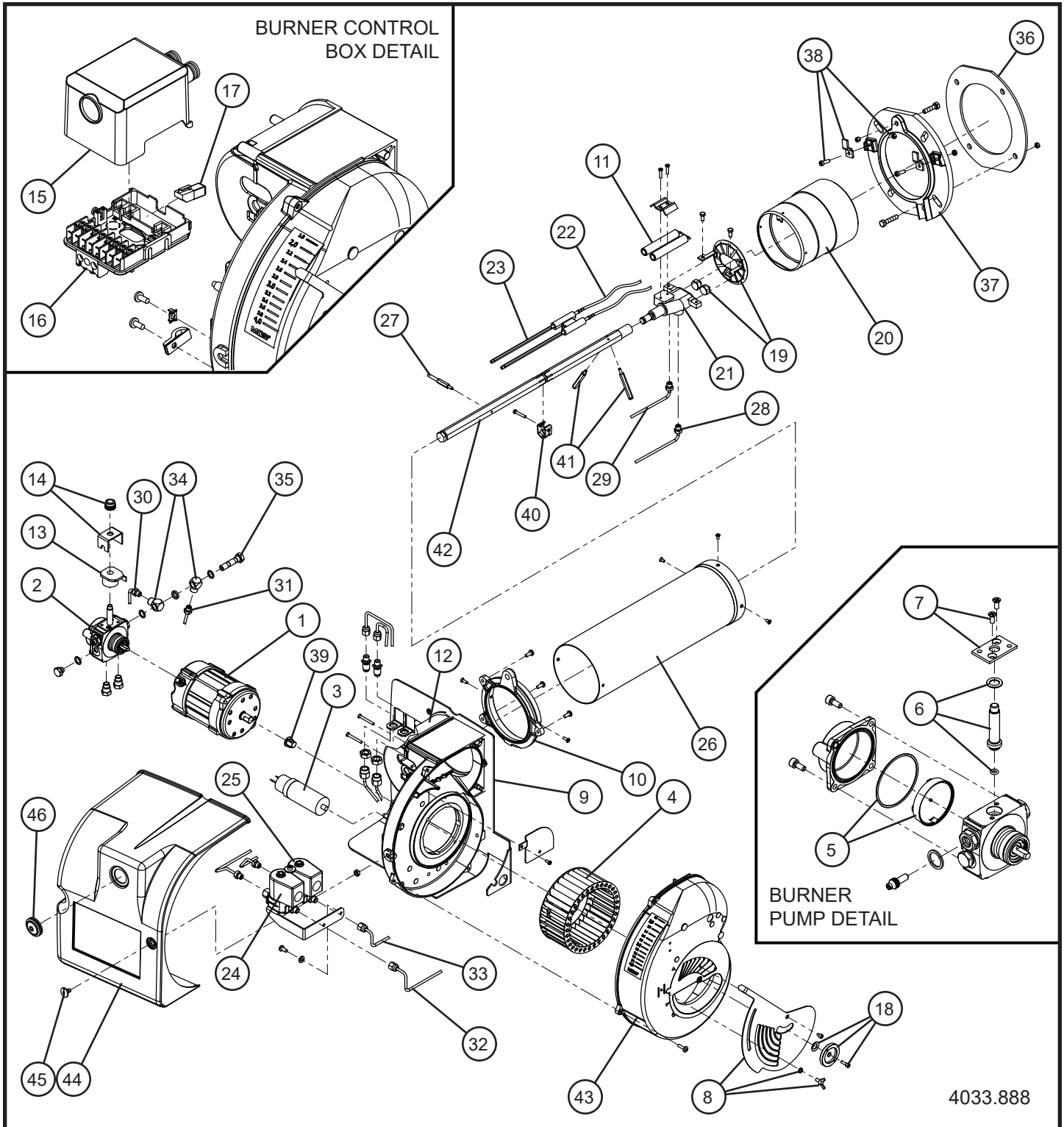
7.2 - MCS MH500 iQ-R Heater Assembly Group

Item	Allmand No.	Part Description	Qty.
1	107191	BURNER COMPLETE ASSEMBLY	1
2	113912	FAN	1
3	113913	POWER CORD	1
4	***	STRAIN RELIEF	1
5	***	NUT	1
6	***	GASKET	1
7	113911	DRIVER	1
8	***	LEFT BRACKET	1
9	***	RIGHT BRACKET	1
10	***	CONTROL PANEL LABEL	1
11	121501	ROOM THERMOSTAT PLUG	1
12	113915	ROOM THERMOSTAT SOCKET	1
13	113914	DRIVER METAL BOX	1
14	***	FAN AND BURNER SUPPORT	1
15	***	BURNER POWER CORD	1
16	***	CONTROL BOX WIRE ASSEMBLY	1
17	***	LED	1
18	***	BURNER CORD SOCKET	1
19	***	BURNER CORD PLUG	1
20	***	CONTROL PANEL BRACKET	1
21	***	SAFETY THERMOSTAT CAP	1
22	***	SAFETY THERMOSTAT NUT	1
23	107210	SAFETY THERMOSTAT	1
24	***	RUBBER RING	1
25	***	PLASTIC BOX	1
26	***	TERMINAL PLUG	1
27	***	GASKET	1
28	***	SUPPORT FRAME	1
29	***	LOWER SHELL	1
30	107190	BURNER METAL FLANGE	1
31	107192	BURNER INSULATION RING	1
32	***	COMBUSTION CHAMBER	1
33	***	PIPE BRACKET	3
34	***	UPPER SHELL	1
35	***	SENSORS BRACKET	1
36	***	NTC TEMPERATURE SENSOR	1
37	107213	THERMOSTAT SENSOR	1
38	***	WIRES PIPE	1

NS - Not Shown

*** - Contact Allmand for more information.

7.3 - MCS MH500 iQ-R Burner Assembly Group



MAXI-HEAT® 1MBTU

SN 36-000001 and UP

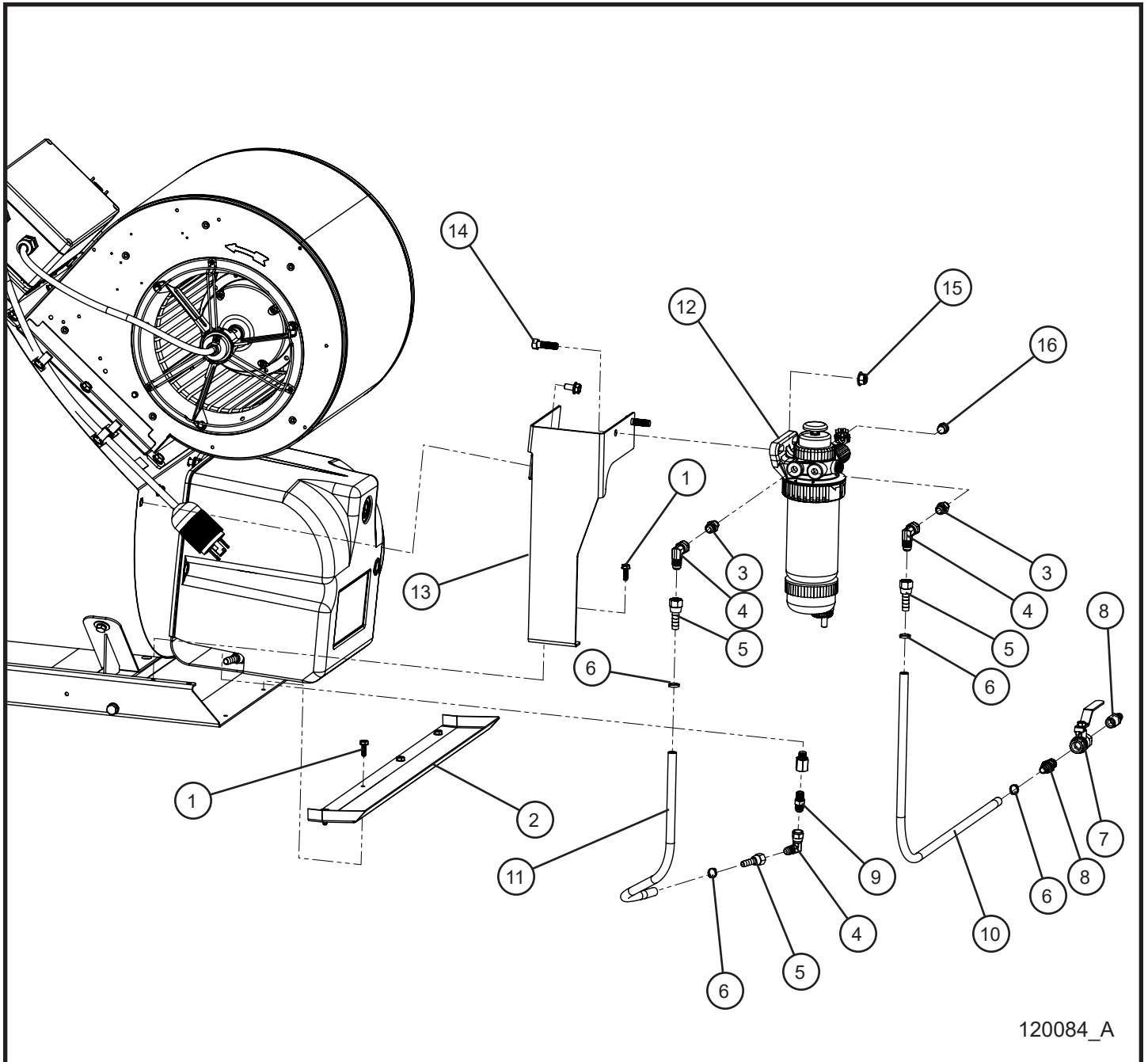
7.3 - MCS MH500 iQ-R Burner Assembly Group

Item	Allmand No.	Part Description	Qty.
1	113881	MOTOR	1
2	107219	PUMP	1
3	113884	CAPACITOR	1
4	113905	FAN	1
5	***	FILTER - O-RING	1
6	***	NEEDLE VALVE	1
7	***	PLATE	1
8	***	AIR DAMPER	1
9	113901	FRONT SHIELD	1
10	***	COLLAR	1
11	113880	ELECTRODE ASSEMBLY	2
12	113898	COVER	1
13	113900	COIL	1
14	113894	SHELL AND KNOB	1
15	110319	CONTROL BOX	1
16	110317	TERMINAL BOARD	1
17	110315	PHOTOCELL	1
18	***	SUPPORT FOR AIR DUMPER	1
19	113889	END RING AND DIFFUSER DISC	1
20	113902	BLAST TUBE	1
21	113890	NOZZLE HOLDER	1
22	121502	ELECTRODE CONNECTION	2
	121502	ELECTRODE CONNECTION	2
23	113886	INSULATOR	2
24	113907	SOLENOID VALVE	1
	113908	SOLENOID VALVE	1
25	107221	NEEDLE VALVE	1
	113908	SOLENOID VALVE	1
26	***	END CONE	1
27	***	U-BOLT	1
28	121503	TUBE	1
29	121504	TUBE	1
30	***	TUBE	1
31	***	TUBE	1
32	***	TUBE	1
33	***	TUBE	1
34	***	CONNECTOR	2
35	***	BAR	1
36	***	GASKET	1
37	***	FLANGE	1
38	***	MAINTENANCE ASSEMBLY	2
39	***	JOINT	1
40	***	ELECTRODE BRACKET	1
41	***	SPACER	2
42	113893	EXTENSION SLIDE BAR	1
43	113887	AIR INTAKE	1
44	113894	BURNER COVER	1
45	***	BURNER COVER SCREW	2
46	***	BURNER COVER MEMBRANE	1
NS	107233	IGNITOR TRANSFORMER COMPLETE (ITEMS 15, 16, & 17)	1
NS	113909	1.50 GPH 60° TYPE H	1
	113910	1.25 GPH 60° TYPE H	1

NS - Not Shown *** - Contact Allmand for more information.

©2021 Briggs & Stratton

7.4 - MCS MH500 iQ-R Heater Fuel Separator



MAXI-HEAT® 1MBTU

SN 36-000001 and UP

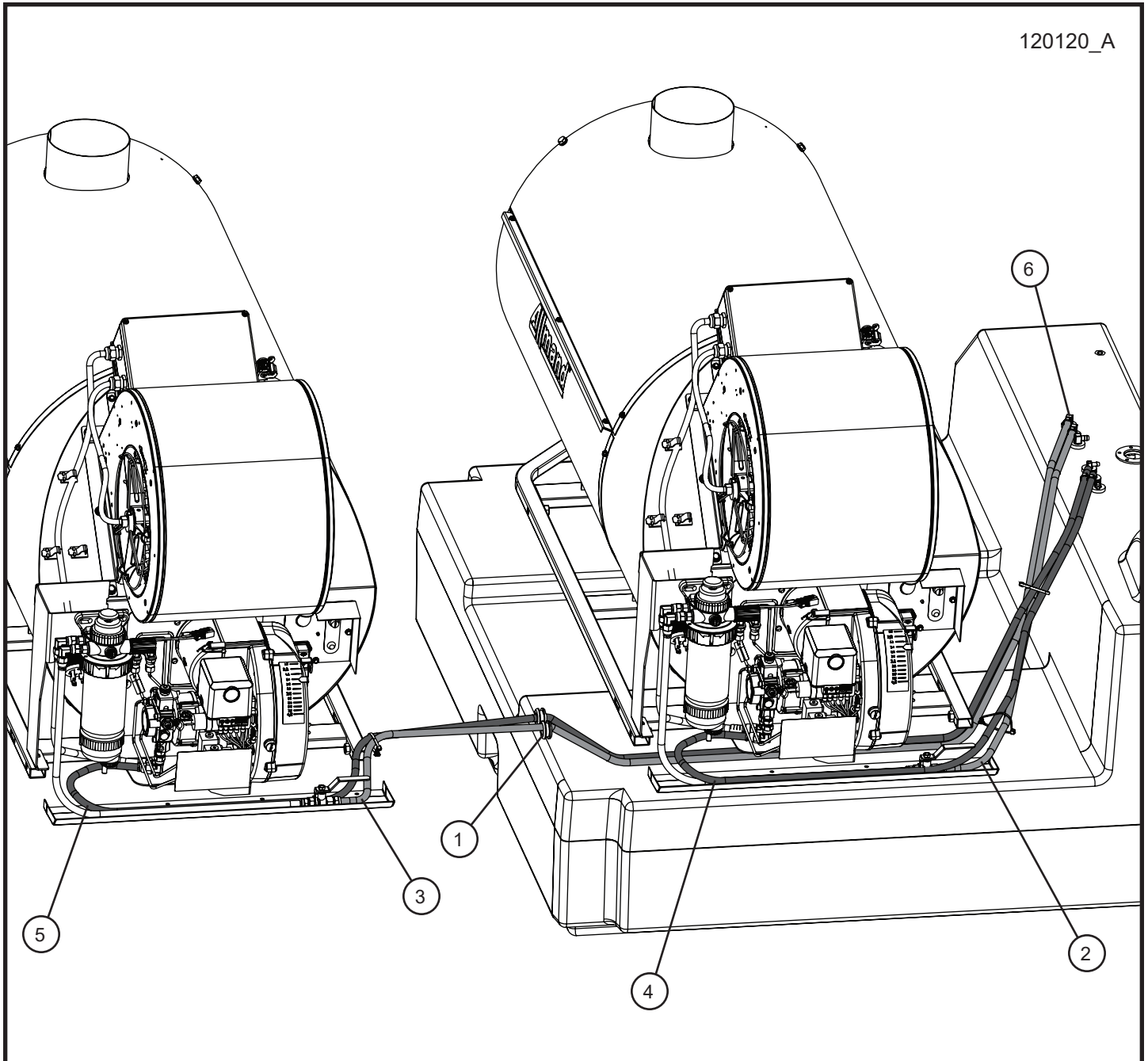
7.4 - MCS MH500 iQ-R Heater Fuel Separator

Item	Part No.	Part Description	Qty.
1	041070	1/4-20 x 3/4 SL-HEX WASHER HEAD MACHINE SCREW	5
2	117264P	TRAY FUEL LINE HEATER	1
3	100655	CONNECTOR STRAIGHT 1/2-20 x -6 JIC	2
4	101263	90° SWIVEL FITTING -6 JIC	4
5	101293	3/8 HOSE BARB x 3/8	4
6	101265	3/8 30R7 HOSE PINCH CLAMP	4
7	101268	3/8 BALL VALVE	1
8	433162	3/8 NPTM PUSH-LOK HOSE BARB	2
9	108251	FITTING ADAPTER	2
10	101266	HOSE 3/8 SAE 30R7 x 28.0	1
11	101266	HOSE 3/8 SAE 30R7 x 17.0	1
12	106727	FUEL/WATER SEPARATOR 35 MICRON W/ HEATER	1
	100613	HEATING ELEMENT	1
	107222	35 MICRON FUEL FILTER	1
13	117518P	BRACKET MOUNT FUEL FILTER	1
14	046115	3/8-16 x 1 1/4 HEX HEAD BOLT	2
15	057007	3/8-16 HEX NYLOCK FLANGE NUT	2
16	101267	1/2-20 PLUG HEX	1
NS	120546	FILTER KIT 1MBTU KUBOTA 1005	1
NS	120547	FILTER KIT 1MBTU CAT C1.1	1

NS - Not Shown

*** - Contact Allmand for more information.

7.5 - MCS MH500 iQ-R Heater Fuel Lines Single Poly Tank



MAXI-HEAT® 1MBTU

SN 36-000001 and UP

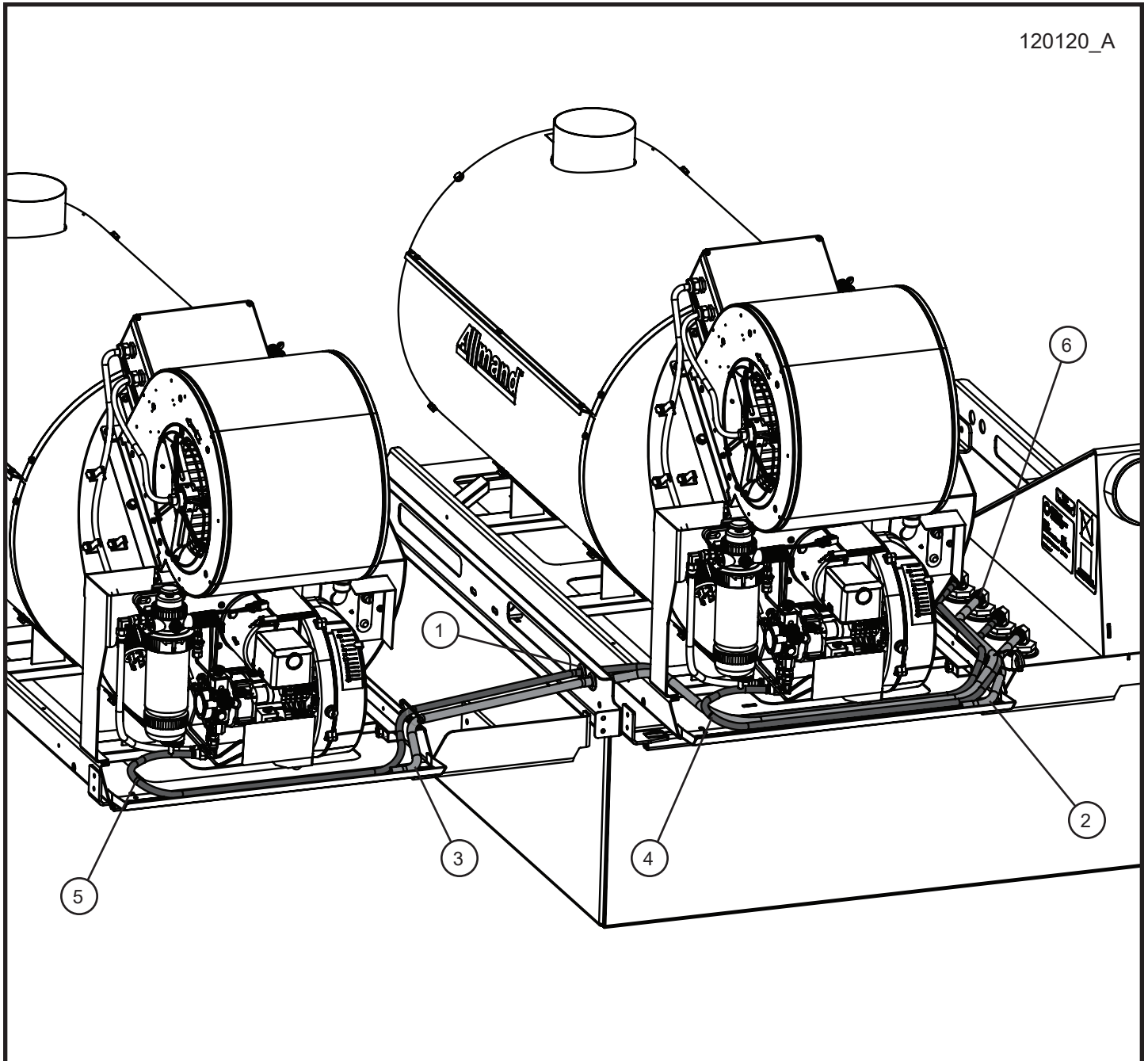
7.5 - MCS MH500 iQ-R Heater Fuel Lines Single Poly Tank

Item	Part No.	Part Description	Qty.
1	330463	11/16 RUBBER GROMMET	2
2	101266	HOSE 3/8 SAE 30R7 x 41.00	1
3	101266	HOSE 3/8 SAE 30R7 x 90.00	1
4	101266	HOSE 3/8 SAE 30R7 x 61.00	1
5	101266	HOSE 3/8 SAE 30R7 x 110.00	1
6	433400	#4 HOSE CLAMP	4

NS - Not Shown

*** - Contact Allmand for more information.

7.6 - MCS MH500 iQ-R Heater Fuel Lines Single Steel Tank



MAXI-HEAT® 1MBTU

SN 36-000001 and UP

7.6 - MCS MH500 iQ-R Heater Fuel Lines Single Steel Tank

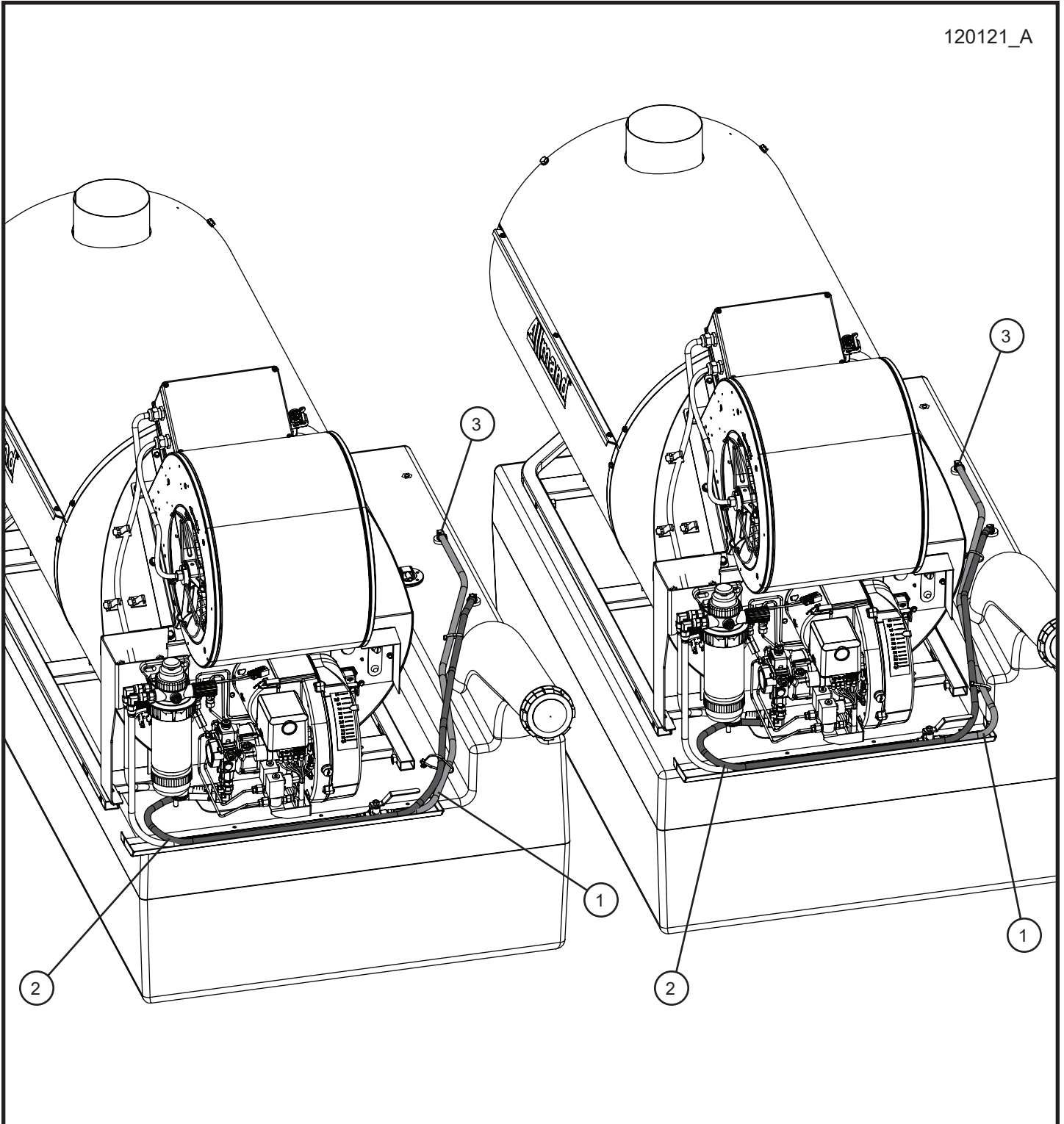
Item	Part No.	Part Description	Qty.
1	330463	11/16 RUBBER GROMMET	2
2	101266	HOSE 3/8 SAE 30R7 x 15.5	1
3	101266	HOSE 3/8 SAE 30R7 x 76.5	1
4	101266	HOSE 3/8 SAE 30R7 x 45.0	1
5	101266	HOSE 3/8 SAE 30R7 x 107.0	1
6	433400	#4 HOSE CLAMP	4

NS - Not Shown

*** - Contact Allmand for more information.

7.7 - MCS MH500 iQ-R Heater Fuel Lines Triple Poly Tank

120121_A



MAXI-HEAT® 1MBTU

SN 36-000001 and UP

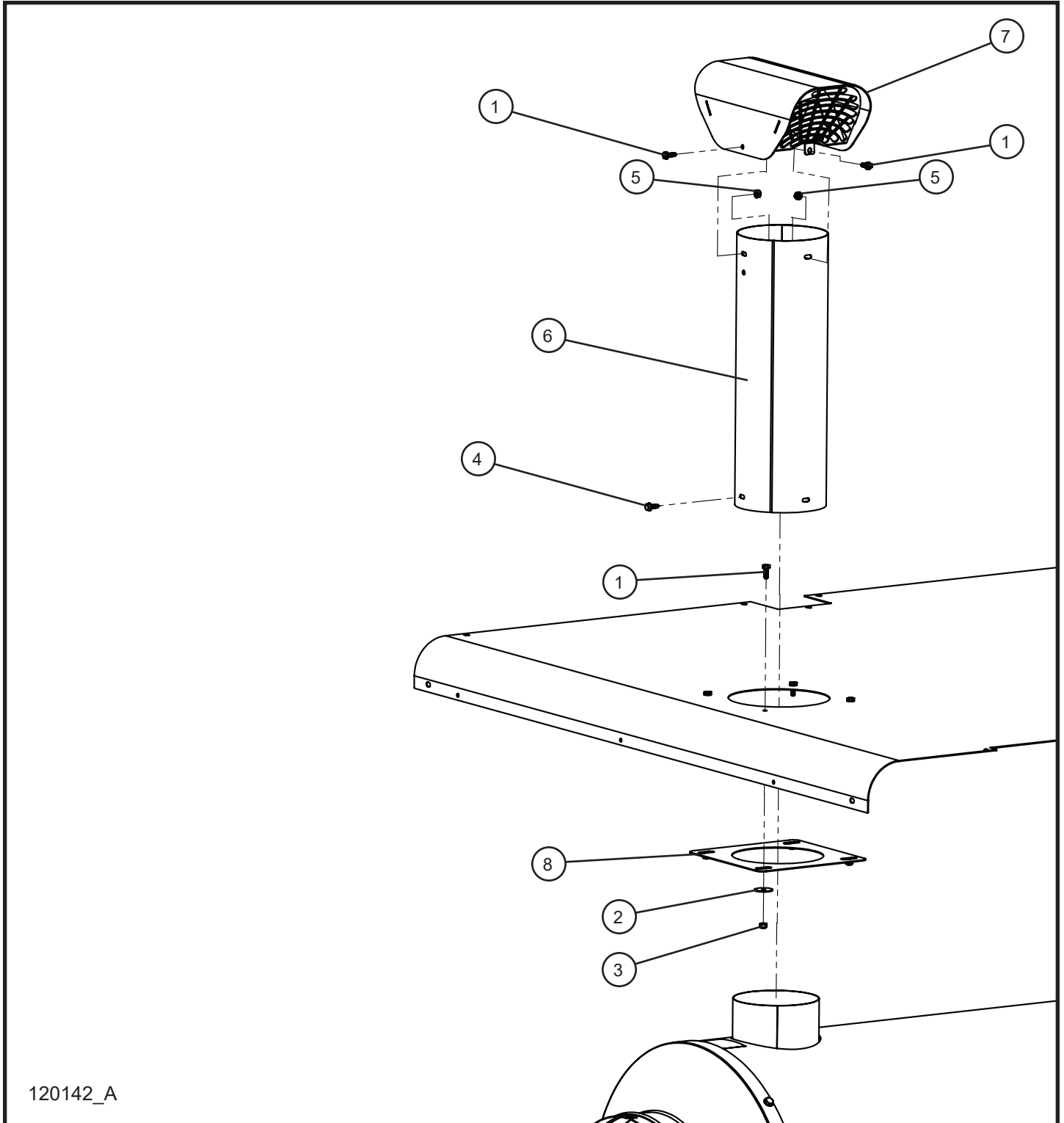
7.7 - MCS MH500 iQ-R Heater Fuel Lines Triple Poly Tank

Item	Part No.	Part Description	Qty.
1	101266	HOSE 3/8 SAE 30R7 x 41.00	2
2	101266	HOSE 3/8 SAE 30R7 x 57.00	2
3	433400	#4 HOSE CLAMP	4

NS - Not Shown

* * * - Contact Allmand for more information.

7.8 - MCS MH500 iQ-R Heater Chimney



120142_A

MAXI-HEAT® 1MBTU

SN 36-000001 and UP

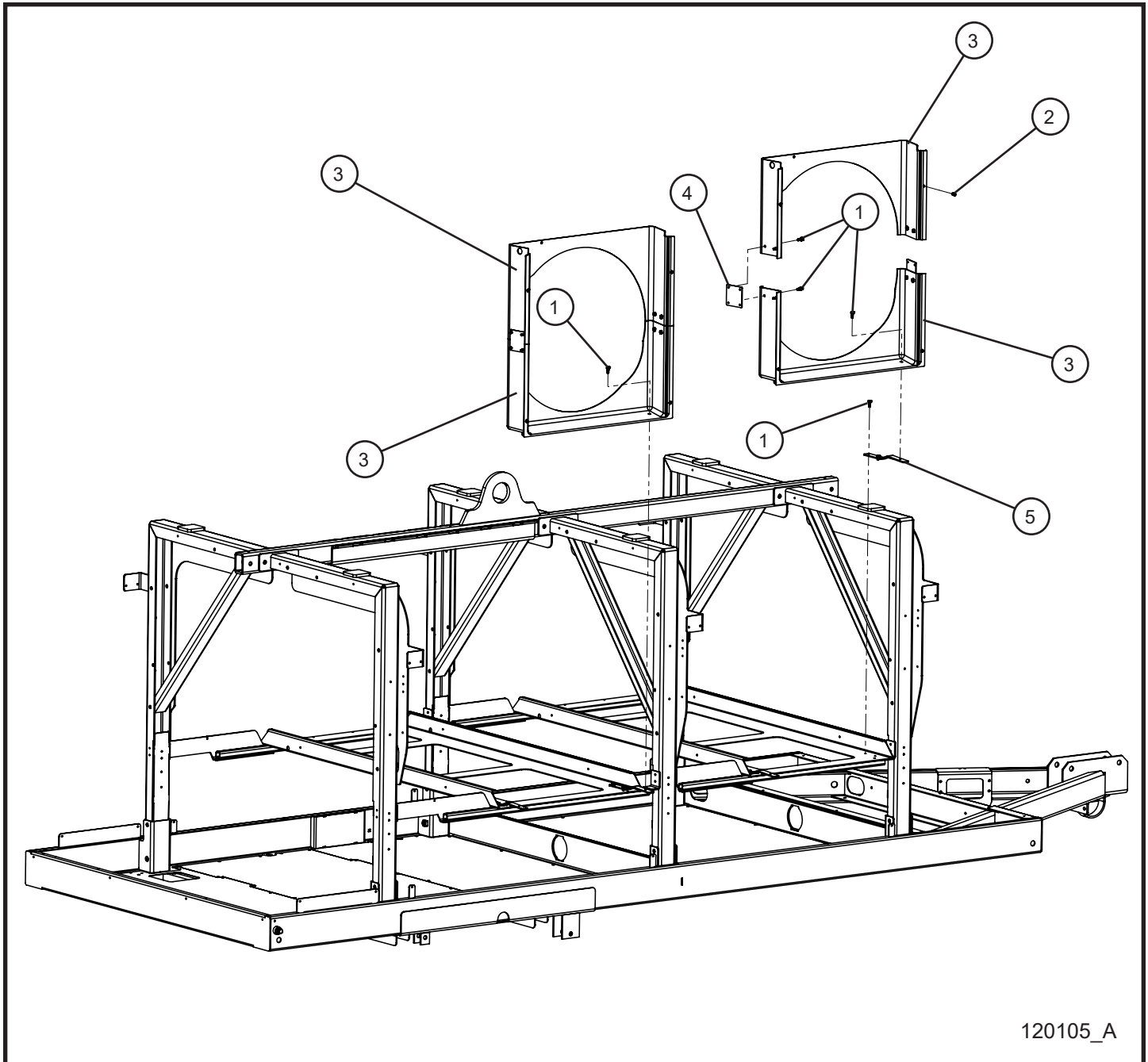
7.8 - MCS MH500 iQ-R Heater Chimney

Item	Part No.	Part Description	Qty.
1	056019	1/4-20 x 3/4 HEX FLANGE SCREW	8
2	047007	1/4 x 1 1/4 x .056 FENDER WASHER	4
3	044023	1/4-20 NYLOCK HEX NUT	4
4	101500	#10-16 HEX WASHER SELF DRILLING SCREW	2
5	044021	1/4-20 KEPS HEX NUT PL	4
6	116147	PIPE CHIMNEY STACK	1
7	116379	CHIMNEY CAP WELDMENT	1
8	108405P	CHIMNEY VENT PLATE	1

NS - Not Shown

*** - Contact Allmand for more information.

7.9 - MCS MH500 iQ-R Heater Exhaust Shrouds



120105_A

MAXI-HEAT® 1MBTU

SN 36-000001 and UP

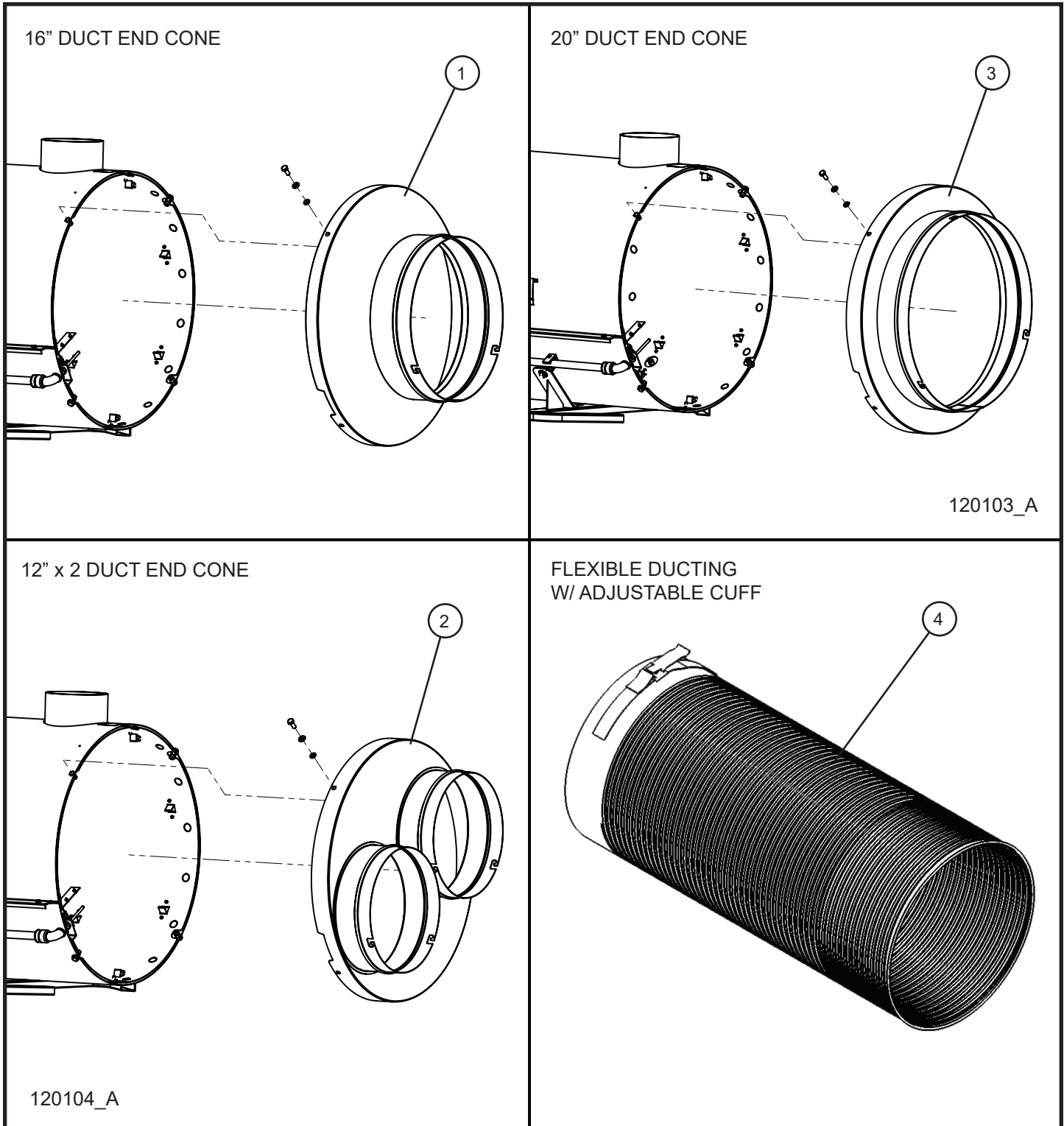
7.9 - MCS MH500 iQ-R Heater Exhaust Shrouds

Item	Part No.	Part Description	Qty.
1	041073	1/4-20 x 1/2 SL-HEX WASHER HEAD MACHINE SCREW	28
2	118305	10-24 UNC LOCKING RIVET NUT	8
3	116140	SHROUD EXHAUST DUCT SET	2
4	117557P	SHROUD EXHAUST SPLICE BRACKET	4
5	117226P	BRACKET SUPPORT EXHAUST SHROUD	4

NS - Not Shown

* * * - Contact Allmand for more information.

7.10 - MCS MH500 iQ-R Heater End Cones and Ducting



MAXI-HEAT® 1MBTU

SN 36-000001 and UP

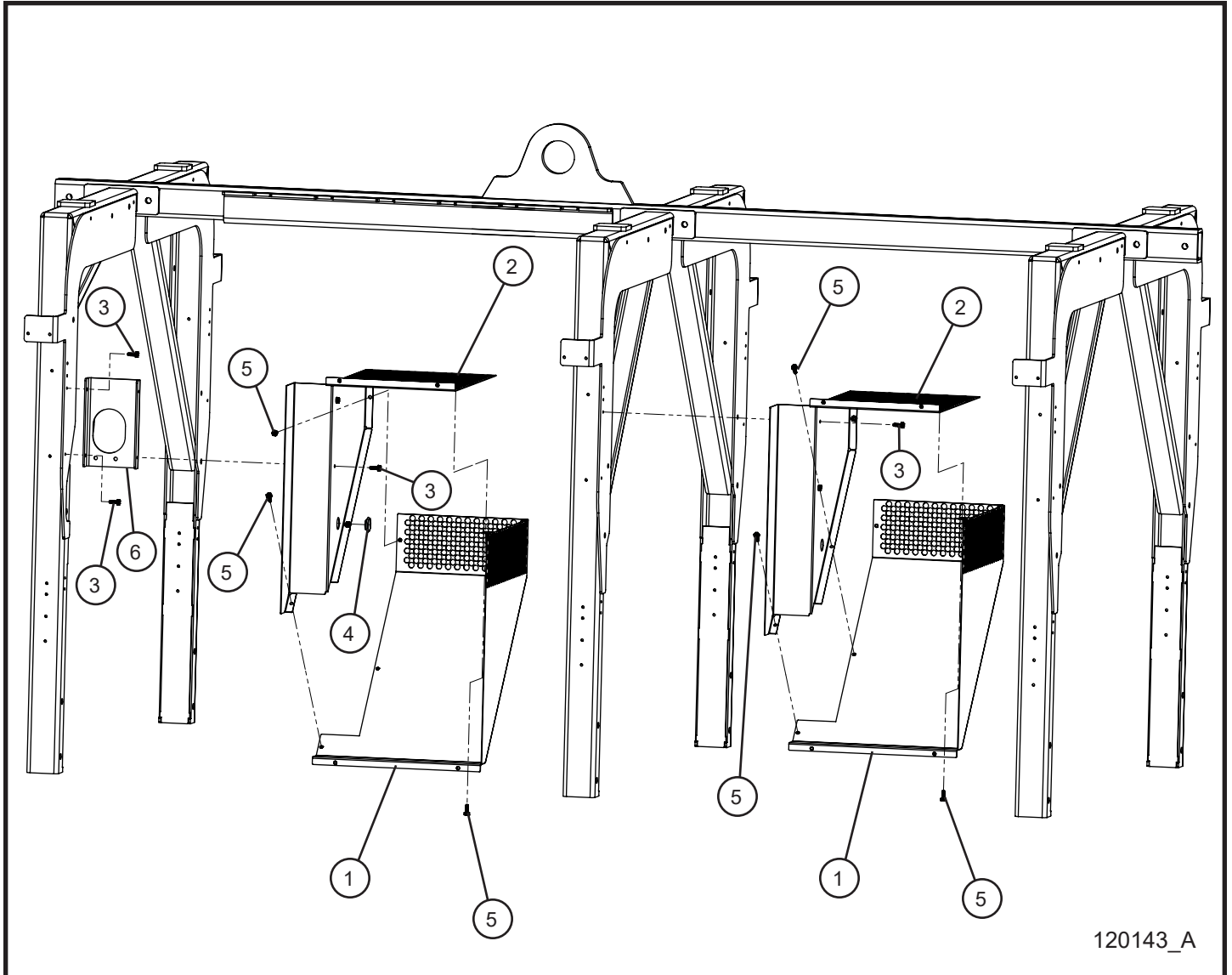
7.10 - MCS MH500 iQ-R Heater End Cones and Ducting

Item	Part No.	Part Description	Qty.
1	106930	16" DUCT END CONE	2
2	106760	12" x 2 DUCT END CONE	2
3	106761	20" DUCT END CONE	2
4	106924	16" x 25' FLEXIBLE DUCTING W/ ADJUSTABLE CUFF	2
	106923	12" x 25' FLEXIBLE DUCTING W/ ADJUSTABLE CUFF	4
	106925	20" x 25' FLEXIBLE DUCTING W/ ADJUSTABLE CUFF	2

NS - Not Shown

* * * - Contact Allmand for more information.

7.11 - MCS MH500 iQ-R Heater Air Inlet Shrouds



MAXI-HEAT® 1MBTU

SN 36-000001 and UP

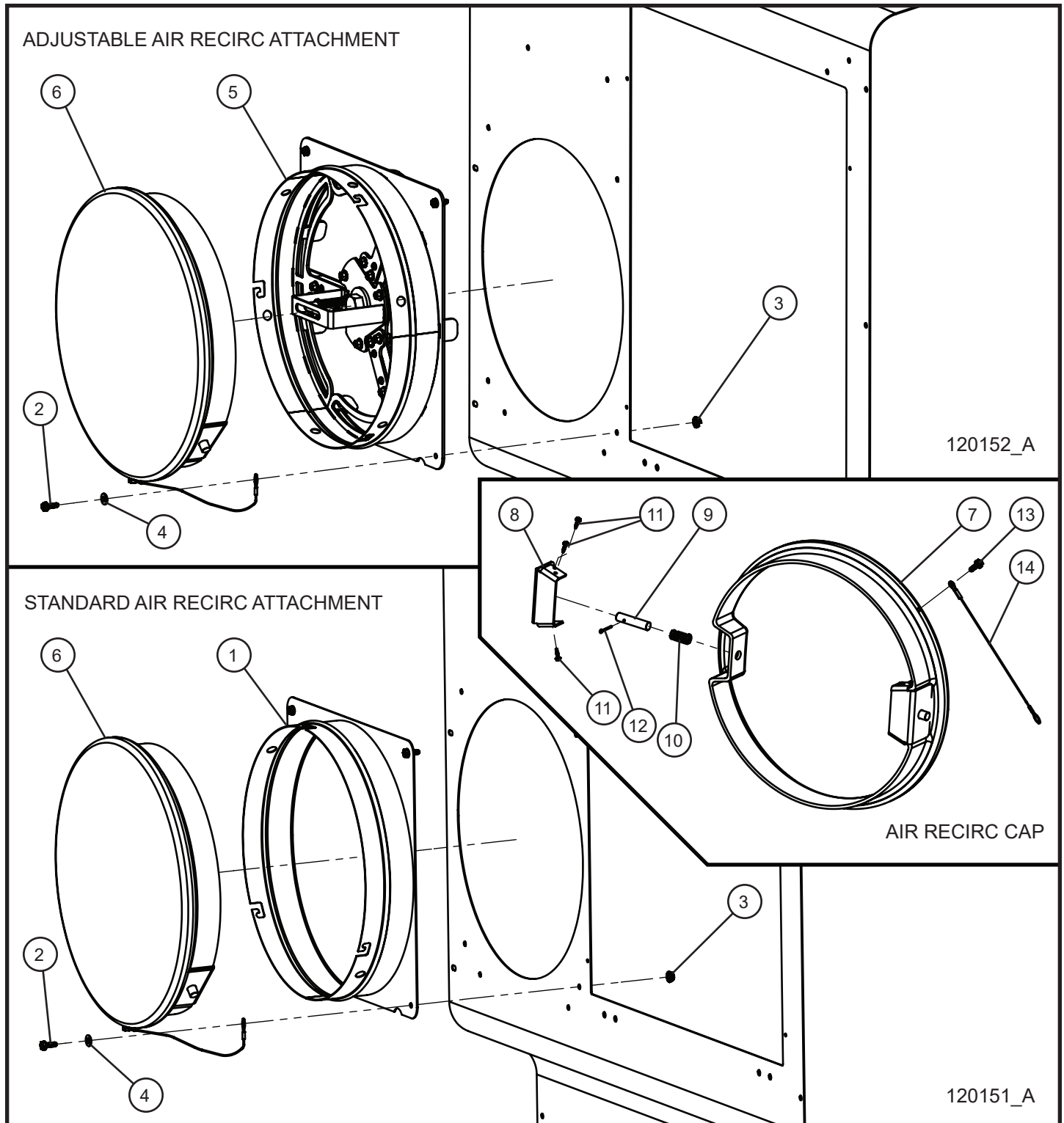
7.11 - MCS MH500 iQ-R Heater Air Inlet Shrouds

Item	Part No.	Part Description	Qty.
1	117280P	WELDMENT AIR DUCT INLET	2
2	117282P	WELDMENT MOUNT SIDE AIR DUCT INLET	2
3	041070	1/4-20 x 3/4 SL-HEX WASHER HEAD MACHINE SCREW	6
4	064025	1 1/16 PLASTIC PLUG	1
5	056019	1/4-20 x 3/4 HEX FLANGE SCREW	8
6	117527P	PLATE MOUNT INLET AIR	1

NS - Not Shown

*** - Contact Allmand for more information.

7.12 - MCS MH500 iQ-R Heater Air Recirculation Connections



MAXI-HEAT® 1MBTU

SN 36-000001 and UP

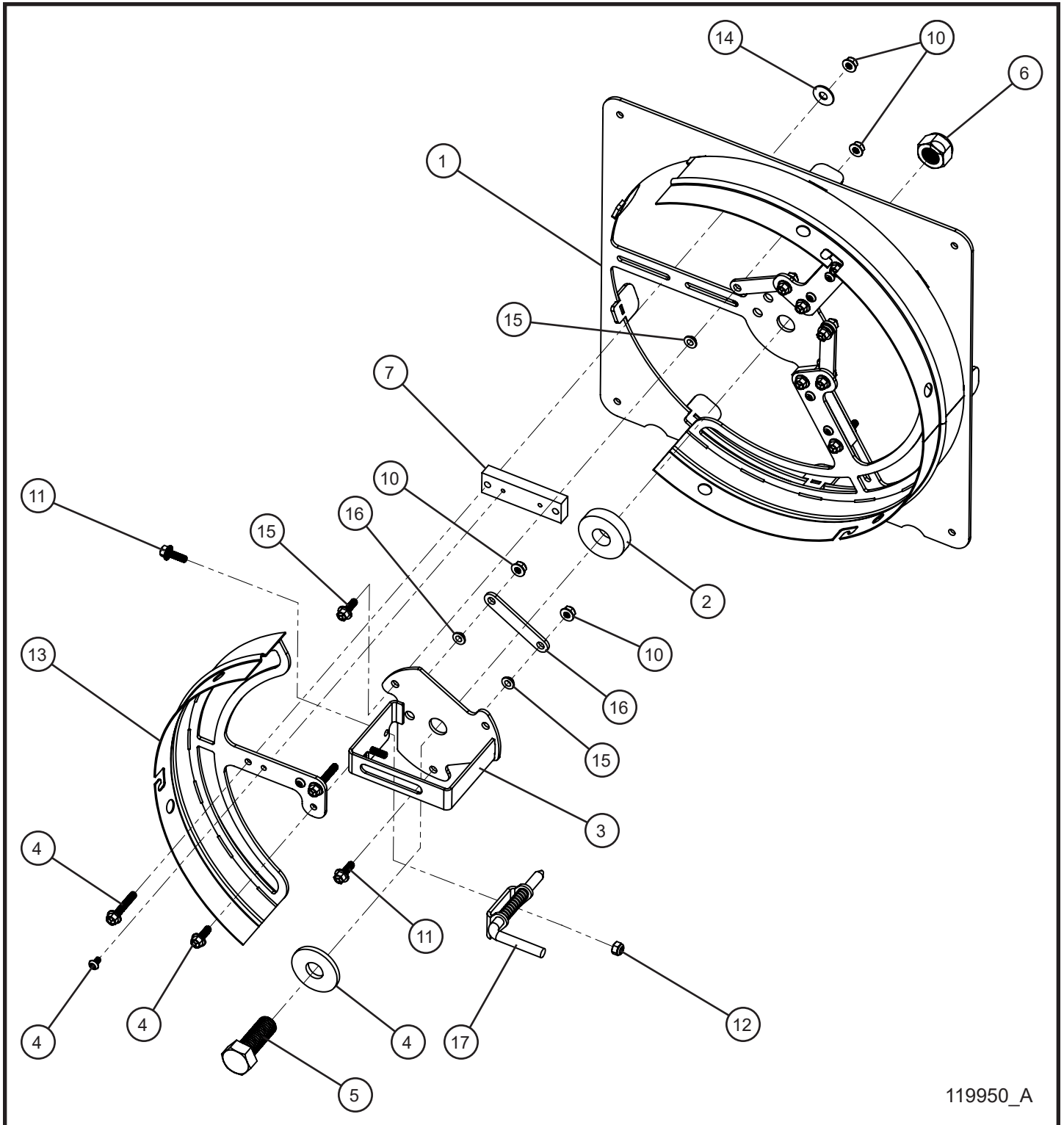
7.12 - MCS MH500 iQ-R Heater Air Recirculation Connections

Item	Part No.	Part Description	Qty.
1	116385P	WELDMENT AIR RECIRC CONNECTION	1
2	056019	1/4-20 x 3/4 HEX FLANGE SCREW	4
3	057000	1/4-20 HEX SERRATED FLANGE NUT	4
4	047005	1/4 FLAT WASHER	1
5	119950	ADJUSTABLE AIR RECIRC CONNECTION ASSEMBLED	1
6	120150	HEATER AIR RECIRCULATION CAP ASSEMBLED	1
7	116124	CAP AIR RECIRCULATION DUCT CONNECTION	1
8	117287P	BRACKET PIN AIR RECIRC CAP	2
9	118357	PIN LOCK SPRING LOADED	2
10	116150	SPRING 5/8 x 1-1/2 x .041	2
11	041015	#8 x 5/8 HEX WASHER HEAD MACHINE SCREW	6
12	045044	COTTER PIN	2
13	041070	1/4-20 x 3/4 SL-HEX WASHER HEAD MACHINE SCREW	1
14	712061	STEEL LANYARD	1

NS - Not Shown

*** - Contact Allmand for more information.

7.13 - Adjustable Air Recirculation Connection Assembly Group



119950_A

MAXI-HEAT® 1MBTU

SN 36-000001 and UP

7.13 - Adjustable Air Recirculation Connection Assembly Group

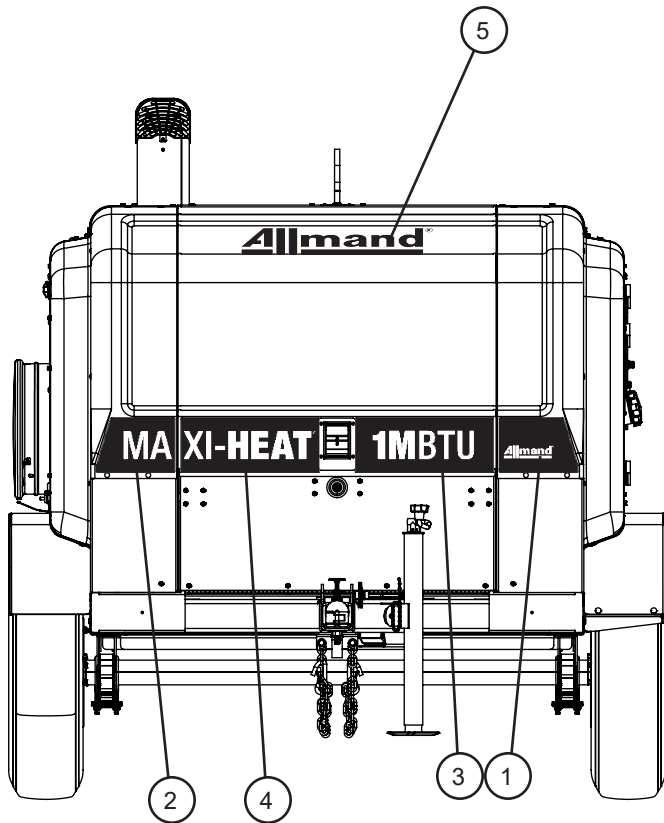
Item	Part No.	Part Description	Qty.
1	119951P	WELDMENT MOUNT AIR RECIRC CONNECTION	1
2	101813	.781 ID x 2 OD x 1/2 HDPE WASHER	1
3	119954P	WELDMENT HANDLE AIR RECIRC CONNECTION	1
4	047035	3/4 FLAT WASHER	1
5	046265	3/4-10 x 2 HEX HEAD BOLT	1
6	044058	3/4-10 NYLOCK HEX NUT	1
7	118365	PAD SLIDE	3
8	041023	#10 x 3/8 PH-ROUND HEAD MACHINE SCREW	6
9	056012	1/4-20 x 1 1/2 SERRATED FLANGE HEX HEAD SCREW	6
10	057001	1/4-20 HEX NYLOCK FLANGE NUT	12
11	056002	1/4-20 x 3/4 HEX SERRATED FLANGE SCREW	8
12	044023	1/4-20 NYLOCK HEX NUT	2
13	119965P	WELDMENT DUCT RING AIR RECIRC CONNECTION	3
14	711036	3/8 NYLON WASHER 7/8 OD x .344 ID	6
15	118364	WASHER NYLON SLEEVE	6
16	119968P	PLATE ARM RECIRC CONNECTION	3
17	650723	RETENSION PIN	1

NS - Not Shown

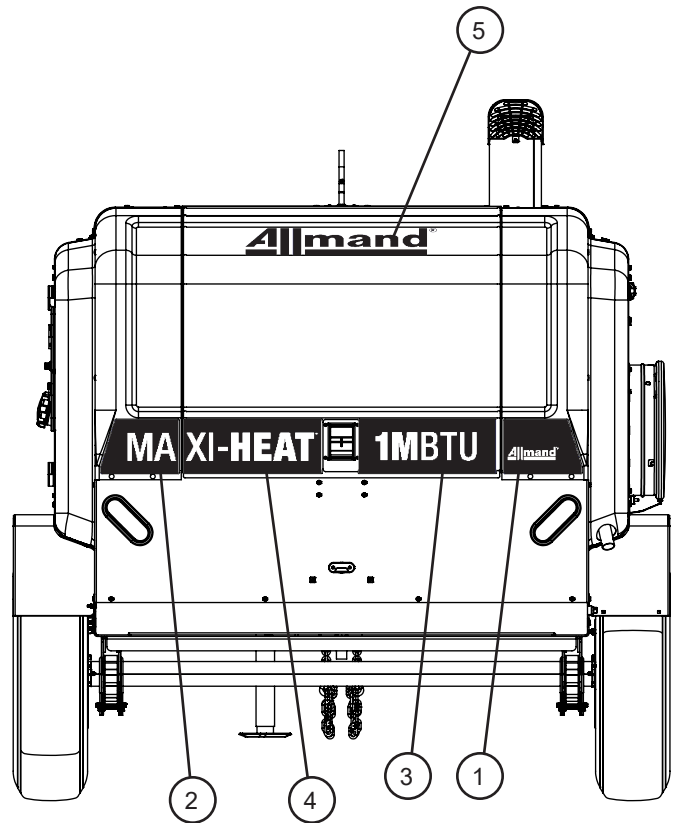
* * * - Contact Allmand for more information.

8.1 - Door Branding Decals

120180_A



FRONT DOOR



REAR DOOR

MAXI-HEAT® 1MBTU

SN 36-000001 and UP

8.1 - Door Branding Decals

Item	Part No.	Part Description	Qty.
1	116067	DECAL BRANDING ALLMAND	2
2	116068	DECAL BRANDING MA	2
3	117762	DECAL BRANDING 1MBTU	2
4	117763	DECAL BRANDING XI-HEAT	2
5	118119	DECAL ALLMAND 23.3 IN.	2

NS - Not Shown

* * * - Contact Allmand for more information.

8.2 - Left Side Decals

<p>1</p>	<p>2</p>	<p>4</p>	<p>9</p>
<p>5</p>	<p>8</p>	<p>3</p>	<p>10</p>

LEFT SIDE

120182_A
120183_A
120184_A

MAXI-HEAT® 1MBTU

SN 36-000001 and UP

8.2 - Left Side Decals

Item	Part No.	Part Description	Qty.
1	107045	LOW SULFUR FUEL DECAL	1
2	118101	DECAL FUEL	2
3	118115	DECAL HEATER 1	1
4	118116	DECAL HEATER 2	1
5	122465	DECAL DIESEL HAZMAT	1
6	114885	REFLECTOR DECAL RED 4.313 x 1.688	1
7	114884	REFLECTOR DECAL AMBER 2.75 x 1.75	1
8	122466	DECAL KEROSENE HAZMAT	1
9	122090	DECAL REMOTE FUEL CONNECTION	1
10	118157	DECAL LIFT POINT HEATER	1

NS - Not Shown * * * - Contact Allmand for more information.

*NOTE: Fuel and hazmat decals on these pages are shown for placement only.

8.3 - Left Side Rear Quarter Panel English/French Decals

120181_A

LEFT SIDE REAR QUARTER PANEL

<p style="text-align: center;">WARNING</p> <p>Failure to follow warnings, instructions, and operator's manual could result in death or serious injury.</p> <p style="text-align: center;">AVERTISSEMENT</p> <p>Ouvrir la porte arrière pour repérer le manuel de l'utilisateur. Lire et suivre le manuel d'utilisation avant de faire fonctionner ou de faire fonctionner de cet équipement.</p>	<p style="text-align: center;">WARNING</p> <p>Operating heater unit around combustible materials may result in fire which could cause death or serious injury.</p> <p style="text-align: center;">AVERTISSEMENT</p> <p>L'utilisation de l'appareil de chauffage autour de matériaux combustibles peut provoquer un incendie qui peut entraîner la mort ou des blessures graves.</p>	<p style="text-align: center;">WARNING</p> <p>Engine exhaust contains carbon monoxide, a poisonous gas that could cause death or serious injury.</p> <p style="text-align: center;">AVERTISSEMENT</p> <p>Le moteur contient du monoxyde de carbone, un gaz toxique pouvant provoquer la mort ou de graves blessures.</p>
<p style="text-align: center;">WARNING</p> <p>Breathing diesel engine exhaust exposes you to chemicals known to the State of California to cause cancer and birth defects or other reproductive harm.</p> <p style="text-align: center;">AVERTISSEMENT</p> <p>L'inspiration de gaz d'échappement du moteur vous expose à des produits chimiques connus selon l'état de Californie pour causer le cancer, des anomalies congénitales ou d'autres effets nuisibles à la reproduction.</p>	<p style="text-align: center;">NOTICE</p> <p>The manufacturer instructions shall remain with the equipment at all times.</p> <p style="text-align: center;">AVIS</p> <p>Les instructions du fabricant doivent être en tout temps conservées avec l'équipement.</p>	

<p style="text-align: center;">STARTING PROCEDURES</p> <ol style="list-style-type: none"> 1. TURN ON ENGINE CONTROLLER TOGGLE SWITCH 2. PRESS THE ENGINE CONTROL GREEN (START) BUTTON - 2X 3. OPEN HEATER EXHAUST DOORS 4. REMOVE AIR INLET CAPS 5. TURN ON HEATER CONTROL PANEL MAIN BREAKER 6. SET AIR SHUTTER TO RECOMMENDED SETTING 7. TURN ON HEATERS MANUAL OR AUTOMATIC 	<p style="text-align: center;">PROCÉDURES DE DÉMARRAGE</p> <ol style="list-style-type: none"> 1. METTRE LE COMMUTATEUR DE LA COMMANDE DU MOTEUR SUR MARCHÉ 2. APPUYER SUR LE BOUTON VERT (DÉMARRAGE) DE LA COMMANDE DU MOTEUR, 2 FOIS 3. OUVRIER LES PORTES D'ÉCHAPPEMENT DU CHAUFFE-MOTEUR 4. RETIRER LES CAPUCHONS D'ADMISSION D'AIR 5. ACTIVER LE DISJONCTEUR DE COMMANDE DE CHAUFFAGE AU PANNEAU 6. RÉGLER L'OBTURATEUR D'AIR AU RÉGLAGE RECOMMANDÉ 7. ACTIVER LES CHAUFFAGES MANUEL OU AUTOMATIQUE
<p style="text-align: center;">SHUTDOWN PROCEDURES</p> <ol style="list-style-type: none"> 1. TURN OFF HEATERS 2. ALLOW HEATERS TO COMPLETE COOL DOWN CYCLE 3. RE-ATTACH AIR INLET CAPS 4. CLOSE HEATER EXHAUST DOORS 5. PRESS ENGINE CONTROLLER RED (STOP) BUTTON 6. TURN OFF ENGINE CONTROLLER TOGGLE SWITCH 	<p style="text-align: center;">PROCÉDURE D'ARRÊT</p> <ol style="list-style-type: none"> 1. ÉTEINDRE LES CHAUFFE-MOTEURS 2. LAISSER LES CHAUFFE-MOTEURS EXÉCUTER UN CYCLE DE REFROIDISSEMENT COMPLET 3. REPOSER LES CAPUCHONS D'ADMISSION D'AIR 4. FERMER LES PORTES D'ÉCHAPPEMENT DU CHAUFFE-MOTEUR 5. APPUYER SUR LE BOUTON ROUGE DE LA COMMANDE DU MOTEUR (ARRÊT) 6. DÉSACTIVER LE COMMUTATEUR DE LA COMMANDE DU MOTEUR

<p style="text-align: center;">NOTICE</p> <p>Neutral bonded to frame.</p> <p style="text-align: center;">AVIS</p> <p>Neutre mis à la masse à la carcasse du moteur.</p>	<p style="text-align: center;">NOTICE</p> <p>The installation of the unit shall be in accordance with the regulations of the authorities having jurisdiction.</p> <p style="text-align: center;">AVIS</p> <p>L'installation de l'unité doit être conforme aux règlements des autorités compétentes.</p>
---	---

MAXI-HEAT® 1MBTU

SN 36-000001 and UP

8.3 - Left Side Rear Quarter Panel English/French Decals

Item	Part No.	Part Description	Qty.
1	118431	DECAL HEATER OPERATIONS	1
2	122473	DECAL MAXI-HEAT MULTIPLE WARNINGS/NOTICE	1
3	122470	DECAL NOTICE NEUTRAL BONDED & GROUNDED	1
NS	105567	DECAL EMERGENCY STOP	1
NS	118426	DECAL ENGINE SHUT DOWN NOTICE	1

NS - Not Shown

* * * - Contact Allmand for more information.

8.4 - Left Side Rear Quarter Panel Wordless Decals

118100

STARTING PROCEDURES	PROCÉDURES DE DÉMARRAGE
1. TURN ON ENGINE CONTROLLER TOGGLE SWITCH	1. METTRE LE COMMUTATEUR DE LA COMMANDE DU MOTEUR SUR MARCHÉ
2. PRESS THE ENGINE CONTROL GREEN (START) BUTTON - 2X	2. APPUYER SUR LE BOUTON VERT (DÉMARRAGE) DE LA COMMANDE DU MOTEUR, 2 FOIS
3. OPEN HEATER EXHAUST DOORS	3. OUVRIR LES PORTES D'ÉCHAPPEMENT DU CHAUFFE-MOTEUR
4. REMOVE AIR INLET CAPS	4. RETIRER LES CAPUCHONS D'ADMISSION D'AIR
5. TURN ON HEATER CONTROL PANEL MAIN BREAKER	5. ACTIVER LE DISJONCTEUR DE COMMANDE DE CHAUFFAGE AU PANNEAU
6. SET AIR SHUTTER TO RECOMMENDED SETTING	6. RÉGLER L'OBTURATEUR D'AIR AU RÉGLAGE RECOMMANDÉ
7. TURN ON HEATERS MANUAL OR AUTOMATIC	7. ACTIVER LES CHAUFFAGES MANUEL OU AUTOMATIQUE
SHUTDOWN PROCEDURES	PROCÉDURE D'ARRÊT
1. TURN OFF HEATERS	1. ÉTEINDRE LES CHAUFFE-MOTEURS
2. ALLOW HEATERS TO COMPLETE COOL DOWN CYCLE	2. LAISSER LES CHAUFFE-MOTEURS EXÉCUTER UN CYCLE DE REFOUÏSSEMENT COMPLET
3. RE-ATTACH AIR INLET CAPS	3. REPOSER LES CAPUCHONS D'ADMISSION D'AIR
4. CLOSE HEATER EXHAUST DOORS	4. FERMER LES PORTES D'ÉCHAPPEMENT DU CHAUFFE-MOTEUR
5. PRESS ENGINE CONTROLLER RED (STOP) BUTTON	5. APPUYER SUR LE BOUTON ROUGE DE LA COMMANDE DU MOTEUR (ARRÊT)
6. TURN OFF ENGINE CONTROLLER TOGGLE SWITCH	6. DÉSACTIVER LE COMMUTATEUR DE LA COMMANDE DU MOTEUR

118431

113941

107969

LEFT SIDE REAR QUARTER PANEL

120185_A

MAXI-HEAT® 1MBTU

SN 36-000001 and UP


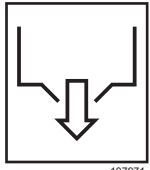

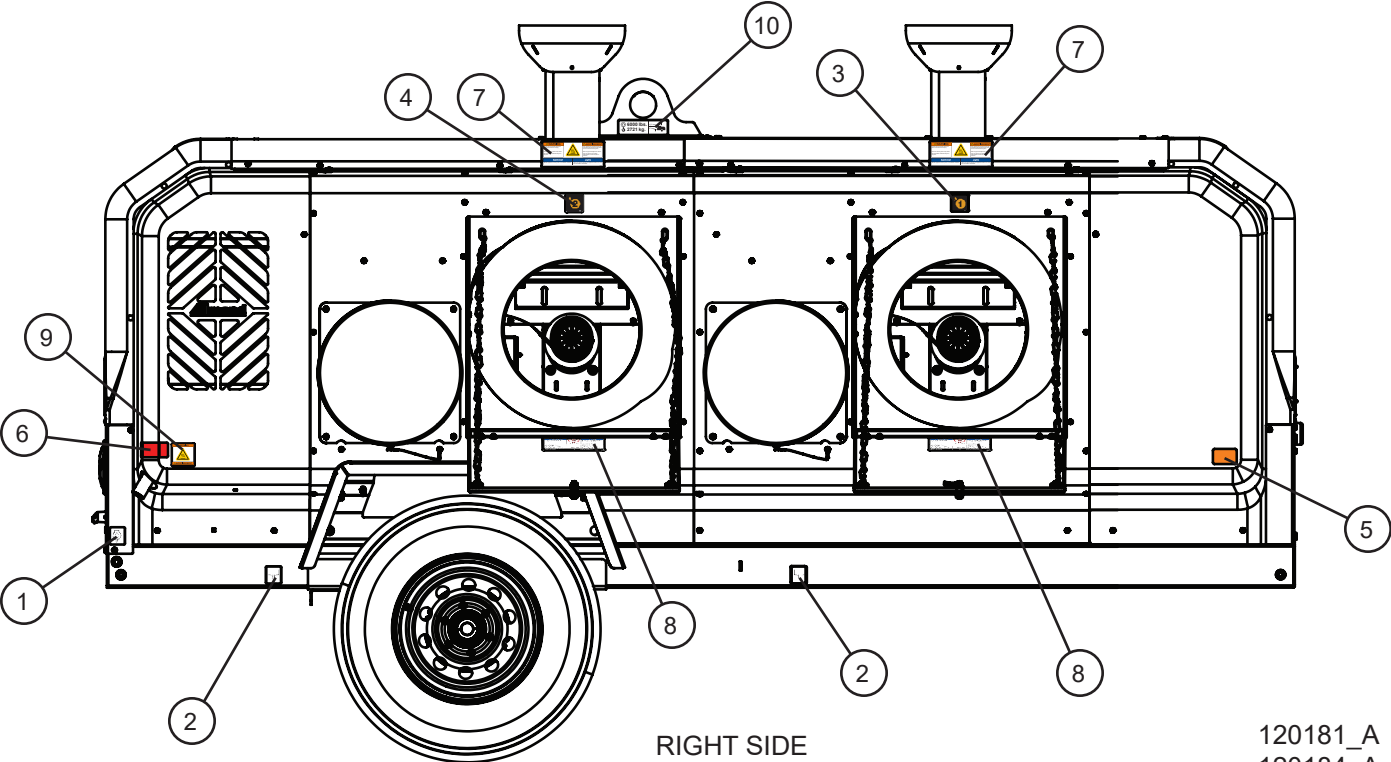
8.4 - Left Side Rear Quarter Panel Wordless Decals

Item	Part No.	Part Description	Qty.
1	113941	WORDLESS EXHAUST WARNING DECAL	1
2	118431	DECAL HEATER OPERATIONS	1
3	118109	DECAL OPERATOR WARNING WORDLESS	1
4	107969	DECAL GROUND WORDLESS	1
NS	105567	DECAL EMERGENCY STOP	1
NS	118426	DECAL ENGINE SHUT DOWN NOTICE	1

NS - Not Shown

*** - Contact Allmand for more information.

8.5 - Right Side English/French Decals

<p>NOTICE Kinks in ducting could cause excessive heat exchanger temperatures resulting in heater or duct damage. Avoid sharp bends and kinks in ducting.</p> <p>AVIS Des problèmes de torsions dans le réseau de ventilation peuvent résulter en températures excessives de l'échangeur thermique, susceptibles d'endommager le chauffage ou le réseau de ventilation. Éviter les coudes aigus et les torsions lors de l'installation du réseau de ventilation.</p> <p>Maximum Pressure: 3.1 inch wc (.77 kPa)</p> <p>Maximum Air Volume: 3,520 cfm (99.7 m³/min)</p> <p>Maximum Temperature of Outlet Air: 300°F (149°C)</p> <p>max ↓</p> <p>max ↓</p> <p>Pression maximale: .77 kPa (3.1 inch wc)</p> <p>Volume d'air maximum: 99.7 m³/min (3,520 cfm)</p> <p>Température de maximale de la sortie d'air: 149°C (300°F)</p> <p>max ↓</p> <p>118115</p>	 <p>107973</p>	 <p>107971</p>	<p>WARNING Contact with hot exhaust gases and parts could cause serious injury. Avoid hot exhaust gases. Keep hands and combustible materials away from hot parts.</p> <p>AVERTISSEMENT Tout contact avec les pièces et les gaz d'échappement chauds pourrait causer la mort ou des blessures graves. Éviter les gaz d'échappement chauds. Tenir les mains et les produits inflammables à l'écart des pièces chaudes.</p> <p>NOTICE Maintain appliance chimney clear of combustible materials.</p> <p>AVIS Veiller à ce que la cheminée de l'appareil soit libre et à l'écart de toute matière combustible.</p> <p>118106</p>
<p>8</p>	<p>1</p>	<p>2</p>	<p>7</p>
<p>↑ 6000 lbs. ↓ 2721 kg.</p> <p>+13° max</p> <p>-5° max</p> <p>118157</p>	<p>1</p> <p>118115</p>	<p>2</p> <p>118116</p>	<p>WARNING</p>  <p>AVERTISSEMENT</p> <p>118162</p>
<p>10</p>	<p>3</p>	<p>4</p>	<p>9</p>
 <p style="text-align: center;">RIGHT SIDE</p> <p style="text-align: right;">120181_A 120184_A</p>			

MAXI-HEAT® 1MBTU

SN 36-000001 and UP

8.5 - Right Side English/French Decals

Item	Part No.	Part Description	Qty.
1	107973	OIL DRAIN DECAL	1
2	107971	DRAIN FLUID CONTAINMENT DECAL	2
3	118115	DECAL HEATER 1	1
4	118116	DECAL HEATER 2	1
5	114884	REFLECTOR DECAL AMBER 2.75 x 1.75	1
6	114885	REFLECTOR DECAL RED 4.313 x 1.688	1
7	118106	DECAL WARNING SURFACE HOT	2
8	118103	DUCT KINK DECAL	2
9	118162	DECAL WARNING HOT SURFACE ENGLISH & FRENCH	1
10	118157	DECAL LIFT POINT HEATER	1

NS - Not Shown

*** - Contact Allmand for more information.

8.6 - Right Side Wordless Decals

The diagram shows the right side of the Maxi-Heat unit with the following callouts:

- 1: Burner area
- 2: Lower chassis/structural element
- 3: Burner area
- 4: Burner area
- 5: Lower chassis/structural element
- 6: Control panel area
- 7: Burner area
- 8: Lower chassis/structural element
- 9: Burner area

The decal kit includes the following items:

- 4**: Decal 118116 (Burner warning, number 2)
- 3**: Decal 118115 (Burner warning, number 1)
- 1**: Decal 107973 (Burner warning symbol)
- 8**: Decal 107528 (Safety and performance specifications: max pressure, max flow, max temperature)
- 7**: Decal 107529 (Warning symbol: heat)
- 2**: Decal 107971 (Burner warning symbol)
- 9**: Decal 118157 (Lifting instructions: 6000 lbs. / 2721 kg., max tilt angles)

RIGHT SIDE

120184_A
120185_A

MAXI-HEAT® 1MBTU

SN 36-000001 and UP


8.6 - Right Side Wordless Decals

Item	Part No.	Part Description	Qty.
1	107973	OIL DRAIN DECAL	1
2	107971	DRAIN FLUID CONTAINMENT DECAL	2
3	118115	DECAL HEATER 1	1
4	118116	DECAL HEATER 2	1
5	114884	REFLECTOR DECAL AMBER 2.75 x 1.75	1
6	114885	REFLECTOR DECAL RED 4.313 x 1.688	1
7	107529	DECAL WARNING SURFACE HOT WORDLESS	3
8	107528	DUCT KINK DECAL WORDLESS	2
9	118157	DECAL LIFT POINT HEATER	1

NS - Not Shown















*** - Contact Allmand for more information.

8.7 - Engine Compartment English/French Decals

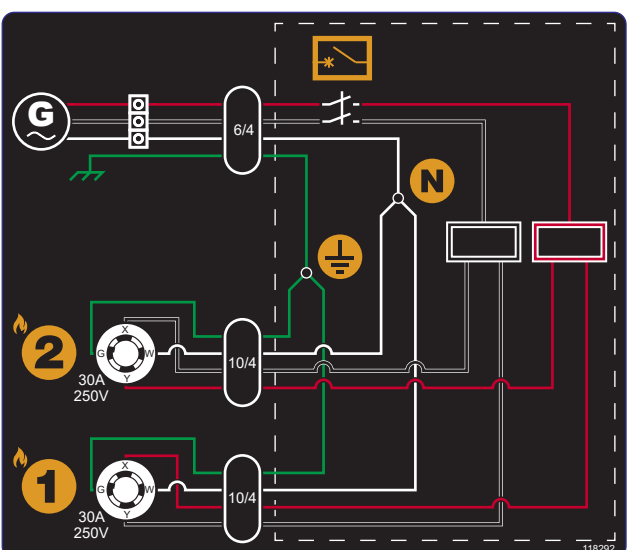


118074

2

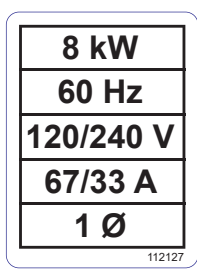
<p>⚠ WARNING</p>  <p>Failure to follow warnings, instructions, and operator's manual could result in death or serious injury.</p>	<p>⚠ WARNING</p>  <p>Read and follow operator's manual before operating or servicing the equipment.</p>	<p>⚠ WARNING</p>  <p>Unattended start of engine could result in death or serious injury.</p>	<p>⚠ WARNING</p>  <p>Read and follow electronic control operator's manual before operating or servicing the equipment.</p>	<p>⚠ WARNING</p>  <p>Correct use of fuel, oil, and other fluids is essential for safe operation. Read the manual for proper use.</p>	<p>⚠ WARNING</p>  <p>Never touch or operate any controls or components unless you are trained and qualified to do so.</p>	<p>⚠ WARNING</p>  <p>Connect with rotating parts could result in death or serious injury.</p>	<p>⚠ WARNING</p>  <p>Keep away from rotating parts.</p>	<p>⚠ WARNING</p>  <p>Opening cap on hot radiator could result in death or serious injury.</p>	<p>⚠ WARNING</p>  <p>Allow radiator to cool down before opening cap.</p>	<p>⚠ WARNING</p>  <p>Exposure to combustion fumes could result in death or serious injury.</p>	<p>⚠ WARNING</p>  <p>Wear protective glasses when handling battery.</p>	<p>⚠ WARNING</p>  <p>Smoking materials, open flames, or other heat sources near the battery could cause explosion resulting in death or serious injury.</p>	<p>⚠ WARNING</p>  <p>Keep smoking materials, open flames and other forms of ignition away from the battery.</p>
<p>⚠ AVERTISSEMENT</p> <p>Échec à suivre les avertissements, les instructions et le manuel de l'utilisateur pourrait entraîner la mort ou des blessures graves ou la mort.</p>	<p>⚠ AVERTISSEMENT</p> <p>Lisez et suivez le manuel d'utilisation avant de faire fonctionner ou de faire réparer des équipements.</p>	<p>⚠ AVERTISSEMENT</p> <p>Le démarrage inattendu du moteur pourrait entraîner la mort ou des blessures graves.</p>	<p>⚠ AVERTISSEMENT</p> <p>Lisez et suivez le manuel d'utilisation du contrôleur électronique avant de faire fonctionner ou de faire réparer des équipements.</p>	<p>⚠ AVERTISSEMENT</p> <p>Utilisez correctement le carburant, l'huile et les autres fluides pour assurer une utilisation sûre de l'équipement.</p>	<p>⚠ AVERTISSEMENT</p> <p>N'essayez jamais de toucher ou d'opérer des commandes ou des composants à moins que vous ne soyez formé et qualifié pour le faire.</p>	<p>⚠ AVERTISSEMENT</p> <p>Connecter avec des pièces en rotation pourrait entraîner la mort ou des blessures graves.</p>	<p>⚠ AVERTISSEMENT</p> <p>Éloignez-vous des pièces en rotation.</p>	<p>⚠ AVERTISSEMENT</p> <p>L'ouverture du bouchon du radiateur sur un radiateur chaud pourrait entraîner la mort ou des blessures graves.</p>	<p>⚠ AVERTISSEMENT</p> <p>Attendez que le radiateur refroidisse avant d'ouvrir le bouchon.</p>	<p>⚠ AVERTISSEMENT</p> <p>Évitez l'exposition à des fumées de combustion.</p>	<p>⚠ AVERTISSEMENT</p> <p>Portez des lunettes de protection lors du maniement de la batterie.</p>	<p>⚠ AVERTISSEMENT</p> <p>Les articles de fumée, les flammes ouverts ou d'autres sources de chaleur près de la batterie pourraient causer une explosion, entraînant la mort ou des blessures graves.</p>	<p>⚠ AVERTISSEMENT</p> <p>Tenez les articles de fumée, les flammes ouverts ou les autres formes d'allumage à l'écart de la batterie.</p>

1



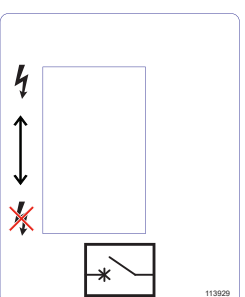
118292

3



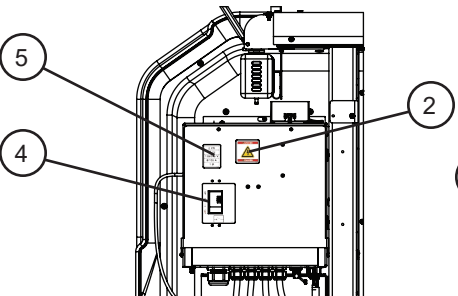
112127

5

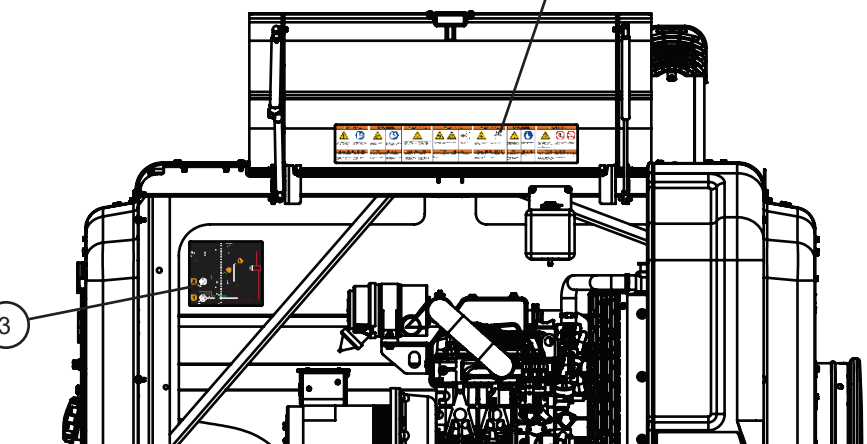


113929

4



BACK OF CONTROL BOX



ENGINE COMPARTMENT

119724_A
120181_A

MAXI-HEAT® 1MBTU

SN 36-000001 and UP

8.7 - Engine Compartment English/French Decals

Item	Part No.	Part Description	Qty.
1	122467	DECAL MULTIPLE WARNINGS DOOR	1
2	118074	DECAL DANGER VOLTAGE ELECTRICAL COMPARTMENT	1
3	118292	DECAL 1MBTU CSA ELECTRICAL	1
4	113929	DECAL MAIN BREAKER ML II	1
5	112127	DECAL ELECTRICAL INFO 8kW 60Hz 1 PHASE	1

NS - Not Shown

* * * - Contact Allmand for more information.

8.8 - Engine Compartment Wordless Decals

4

1

5

3

2

119724_A
120185_A

BACK OF CONTROL BOX

ENGINE COMPARTMENT

MAXI-HEAT® 1MBTU

SN 36-000001 and UP

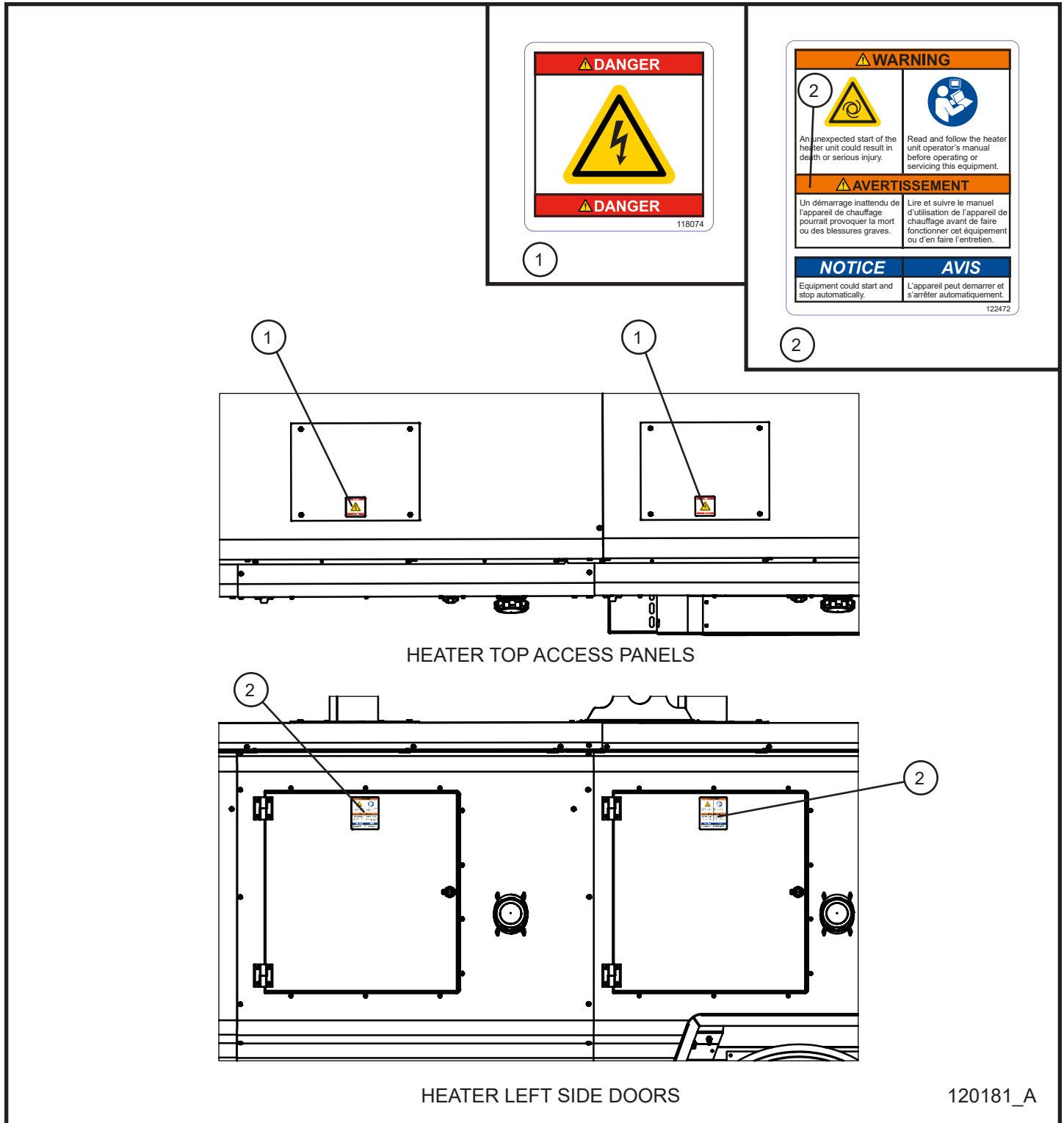
8.8 - Engine Compartment Wordless Decals

Item	Part No.	Part Description	Qty.
1	110310	DECAL WARNING ENGINE-RADIATOR-BATTERY WORDLESS	1
2	104880	DECAL DANGER VOLTAGE ELECTRICAL WORDLESS	1
3	118292	DECAL 1MBTU CSA ELECTRICAL	1
4	113929	DECAL MAIN BREAKER ML II	1
5	112127	DECAL ELECTRICAL INFO 8kW 60Hz 1 PHASE	1

NS - Not Shown

* * * - Contact Allmand for more information.

8.9 - Heater Door and Access Panel English/French Decals



MAXI-HEAT® 1MBTU

SN 36-000001 and UP

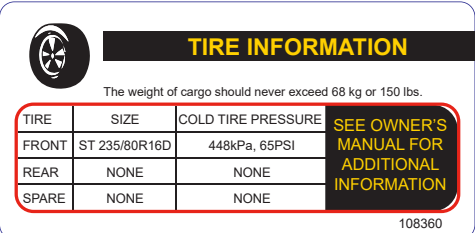
8.9 - Heater Door and Access Panel English/French Decals

Item	Part No.	Part Description	Qty.
1	118074	DECAL DANGER VOLTAGE ELECTRICAL COMPARTMENT	2
2	122472	DECAL WARNING UNEXPECTED START	2

NS - Not Shown

* * * - Contact Allmand for more information.

8.10 - Tongue Decals



TIRE INFORMATION


The weight of cargo should never exceed 68 kg or 150 lbs.

TIRE	SIZE	COLD TIRE PRESSURE	SEE OWNER'S MANUAL FOR ADDITIONAL INFORMATION
FRONT	ST 235/80R16D	448kPa, 65PSI	
REAR	NONE	NONE	
SPARE	NONE	NONE	

108360

NOTICE

Ensure packaged equipment is level prior to operation. Maximum angle of operation $\pm 1.4^\circ$ (determined by manufacturer).

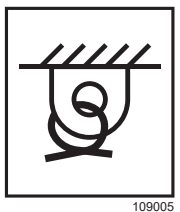


$\pm 1.4^\circ$

AVIS


S'assurer que l'appareil monobloc est de niveau avant de l'utiliser. Angle maximal de fonctionnement $\pm 1,4^\circ$ (déterminé par le fabricant)

122471




109005

120181_A
120184_A
120185_A



118110

WARNING



Excessive towing speed could result in death or serious injury.

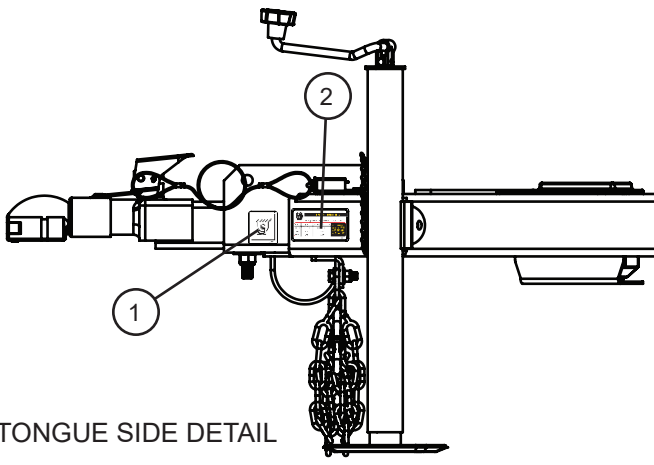
Do not exceed 65mph (105km/h) when towing trailer.

AVERTISSEMENT

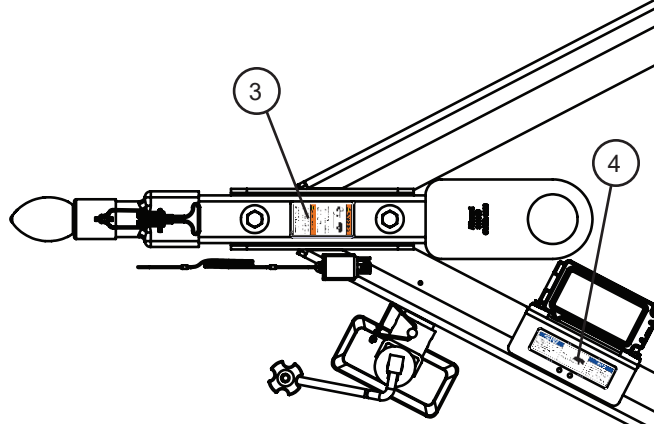
Une vitesse de remorquage excessive pourrait entraîner la mort ou de graves blessures.

Ne pas dépasser 105 km/h (65 mi/h) lors du remorquage.

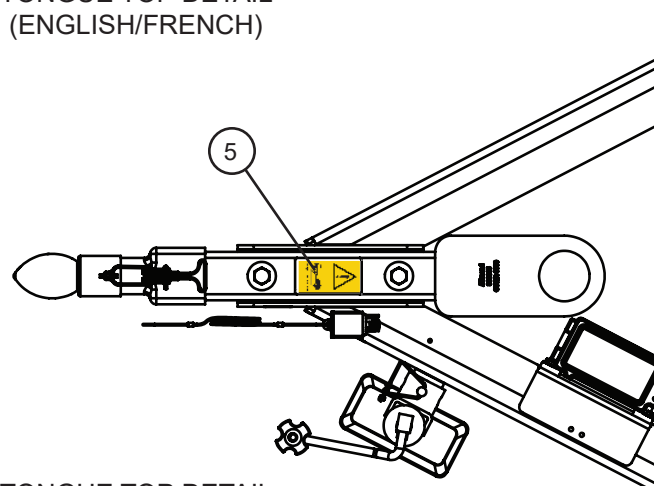
118108



TONGUE SIDE DETAIL



TONGUE TOP DETAIL (ENGLISH/FRENCH)



TONGUE TOP DETAIL (WORDLESS)

MAXI-HEAT® 1MBTU

SN 36-000001 and UP

8.10 - Tongue Decals

Item	Part No.	Part Description	Qty.
1	109005	DECAL TIE DOWN WORDLESS	2
2	108360	DECAL TIRE INFORMATION 16" MH500iQ FCS	1
3	118108	DECAL EXCESSIVE TOW SPEED WARNING ENGLISH/FRENCH	1
4	122471	DECAL LEVEL TRAILER	1
5	118110	EXCESSIVE TOWING SPEED WARNING WORDLESS DECAL	1

NS - Not Shown

* * * - Contact Allmand for more information.

MAXI-HEAT® 1MBTU



**1502 West 4th Avenue
Holdrege, NE 68949**

phone: (308) 995-4495 • toll free: (800) 562-1373

fax: (308) 995-5887

www.allmand.com