

Allmand™

Brighter. Warmer. Safer.

Portable
Industrial
Heaters

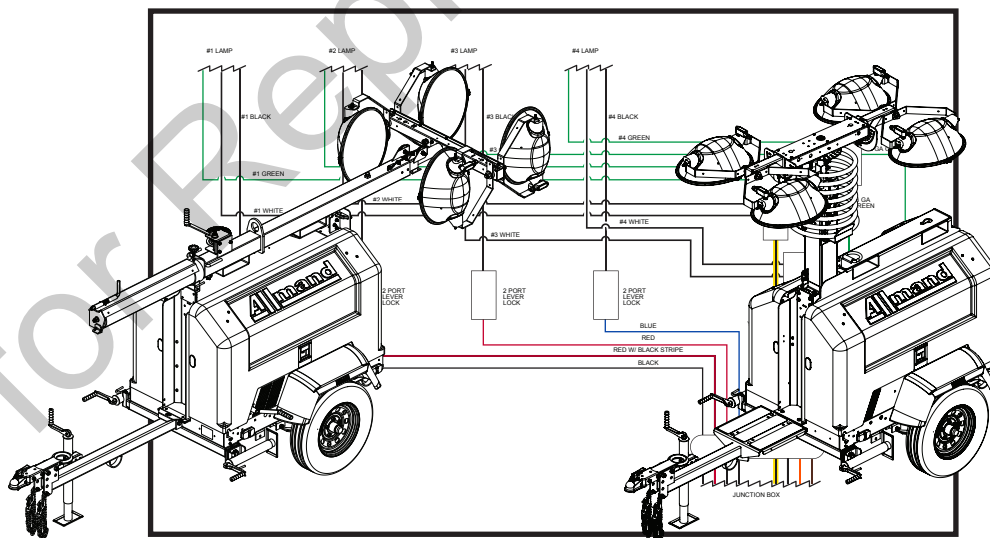
Portable
Light Towers

Portable
Light Stands

Solar Flashing
Arrow Boards



(en) Wire Schematic Manual
50 & 60Hz NIGHT-LITE PRO II™



Copyright © 2016 Allmand Bros., Inc.
Holdrege, NE, USA. All rights reserved.

Part No.: 108811
Revision: A

LIGHT TOWER APP



Reliability, Performance, and Integrity Since 1938

www.allmand.com

TABLE OF CONTENTS

SLS Key Start Schematic (105894)	(1.1)
LSC Schematic (105895)	(1.2)
CAT C1.1 Schematic (105888)	(1.3)
CAT C1.1 Voltage Regulator Schematic (105899)	(1.4)
CAT C1.1 LSC Schematic (105904)	(1.5)
Kubota D1005/1105 Schematic (105893)	(1.6)
Kubota D1005/1105 LSC Schematic (105905)	(1.7)
Shocker Valve Schematic (106156)	(1.8)
Low Fuel Module Schematic (105901)	(1.9)
Low Fuel Beacon Schematic (105897)	(1.10)
Low Fuel Sender Schematic (106341)	(1.11)
Heated Fuel/Water Separator (105886)	(1.12)
4 Light 14/7 Cord Schematic (105291)	(1.13)
4 Light 16/8 Cord Schematic (105292)	(1.14)
4 Light LED Schematic (105713)	(1.15)
4 Light LED Disconnect Schematic (106157)	(1.16)
4 Light Relay Schematic (105898)	(1.17)
1000W 60Hz 120V Ballast Schematic (105287)	(1.18)
1000W 50Hz 120V Ballast Schematic (105289)	(1.19)
1250W 60Hz 120V Ballast Schematic (105286)	(1.20)
Up/Down Momentary Switch Schematic (105935)	(1.21)
Up/Down Momentary Switch w/ Alarm Schematic (105936)	(1.22)
Push Switch Schematic (106154)	(1.23)
Int'l Generator to Lights Schematic (106337)	(1.24)
Int'l Schuko Panel Schematic (105513)	(1.25)
Int'l Tail Light Schematic (105502)	(1.26)
Tail Light Schematic (107266)	(1.27)
Marker Lights Schematic (107267)	(1.28)
Interior Work Light Schematic (105896)	(1.29)
LED Driver 4 Light Schematic (105632)	(1.30)
License Plate LED Lamp Schematic (105350)	(1.31)
SLS 1.1 Relay Addition Schematic (106877)	(1.32)
LSC 2.1 120V Transformer Schematic (106885)	(1.33)

TABLE OF CONTENTS

2-20AMP GFCI Schematic (107599)	(1.34)
1-20AMP GFCI Schematic (107620)	(1.35)
2-30AMP RV Schematic (107624)	(1.36)
1-30AMP RV 1-20AMP GFCI Schematic (107621)	(1.37)
1-30AMP Twistlock 1-20AMP GFCI Schematic (107628)	(1.38)
No Outlet Schematic (107627)	(1.39)
GPS ZTR System Schematic (105345)	(1.40)
Emergency Stop Schematic (105903)	(1.41)
102 Decibel Alarm Schematic (108035)	(1.42)

Not for Reproduction

WIRE SCHEMATIC PAGE CONNECTION TABLE (1 of 4)

Schematic Page	1st Connection Page(s)	2nd Connection Page(s)	3rd Connection Page(s)	4th Connection Page(s)
SLS Key Start Schematic	1.40	1.9, 1.12, and/or 1.29	1.4	1.32
LSC Schematic	1.10	1.33	1.11	1.12 and/or 1.29

Schematic Page	5th Connection Page(s)	6th Connection Page(s)	7th Connection Page(s)	8th Connection Page(s)
SLS Key Start Schematic	1.17	1.3 or 1.6	1.3 or 1.6	1.3, 1.4, and/or 1.6
LSC Schematic	1.4	1.5 or 1.7	1.4, 1.5, and/or 1.7	1.17

Schematic Page	9th Connection Page(s)	10th Connection Page(s)	11th Connection Page(s)	12th Connection Page(s)
LSC Schematic	1.5 or 1.7	1.42	1.4	n/a

Schematic Page	1st Connection Page(s)	2nd Connection Page(s)	3rd Connection Page(s)	4th Connection Page(s)
CAT C1.1 Schematic	1.1 and 1.4	1.11	1.1	1.1
CAT C1.1 Voltage Regulator Schematic	1.3 or 1.5	1.1 or 1.2	n/a	n/a
CAT C1.1 LSC Schematic	1.2 or 1.4	1.11	1.2	1.2
Kubota D1005/1105 Schematic	1.1	1.11	1.1	1.1
Kubota D1005/1105 LSC Schematic	1.2	1.11	1.2	1.2
Shocker Valve Schematic	n/a	n/a	n/a	n/a

Allmand Product

WIRE SCHEMATIC PAGE CONNECTION TABLE (2 of 4)

Schematic Page	1st Connection Page(s)	2nd Connection Page(s)	3rd Connection Page(s)	4th Connection Page(s)
Low Fuel Module Schematic	1.11	1.10	1.1	n/a
Low Fuel Beacon Schematic	1.2 or 1.9	n/a	n/a	n/a
Low Fuel Sender Schematic	1.2, 1.3, or 1.6	n/a	n/a	n/a
Heated Fuel/Water Separator	1.1 or 1.2	n/a	n/a	n/a
4 Light 14/7 Cord Schematic	1.18, 1.19, or 1.20	n/a	n/a	n/a
4 Light 16/8 Cord Schematic	1.18, 1.19, or 1.20	n/a	n/a	n/a
4 Light LED Schematic	1.30	n/a	n/a	n/a
4 Light LED Disconnect Schematic	1.30	n/a	n/a	n/a
4 Light Relay Schematic	1.1 or 1.2	1.18, 1.19, 1.20, or 1.30	1.34, 1.35, 1.36, 1.37, 1.38, or 1.39	n/a
1000W 60Hz 120V Ballast Schematic	1.13, 1.14, or 1.17	n/a	n/a	n/a
1000W 50Hz 120V Ballast Schematic	1.13, 1.14, or 1.17	n/a	n/a	n/a
1250W 60Hz 120V Ballast Schematic	1.13, 1.14, or 1.17	n/a	n/a	n/a
Up/Down Momentary Switch Schematic	1.23	n/a	n/a	n/a
Up/Down Momentary Switch w/ Alarm Schematic	1.23	n/a	n/a	n/a

WIRE SCHEMATIC PAGE CONNECTION TABLE (3 of 4)

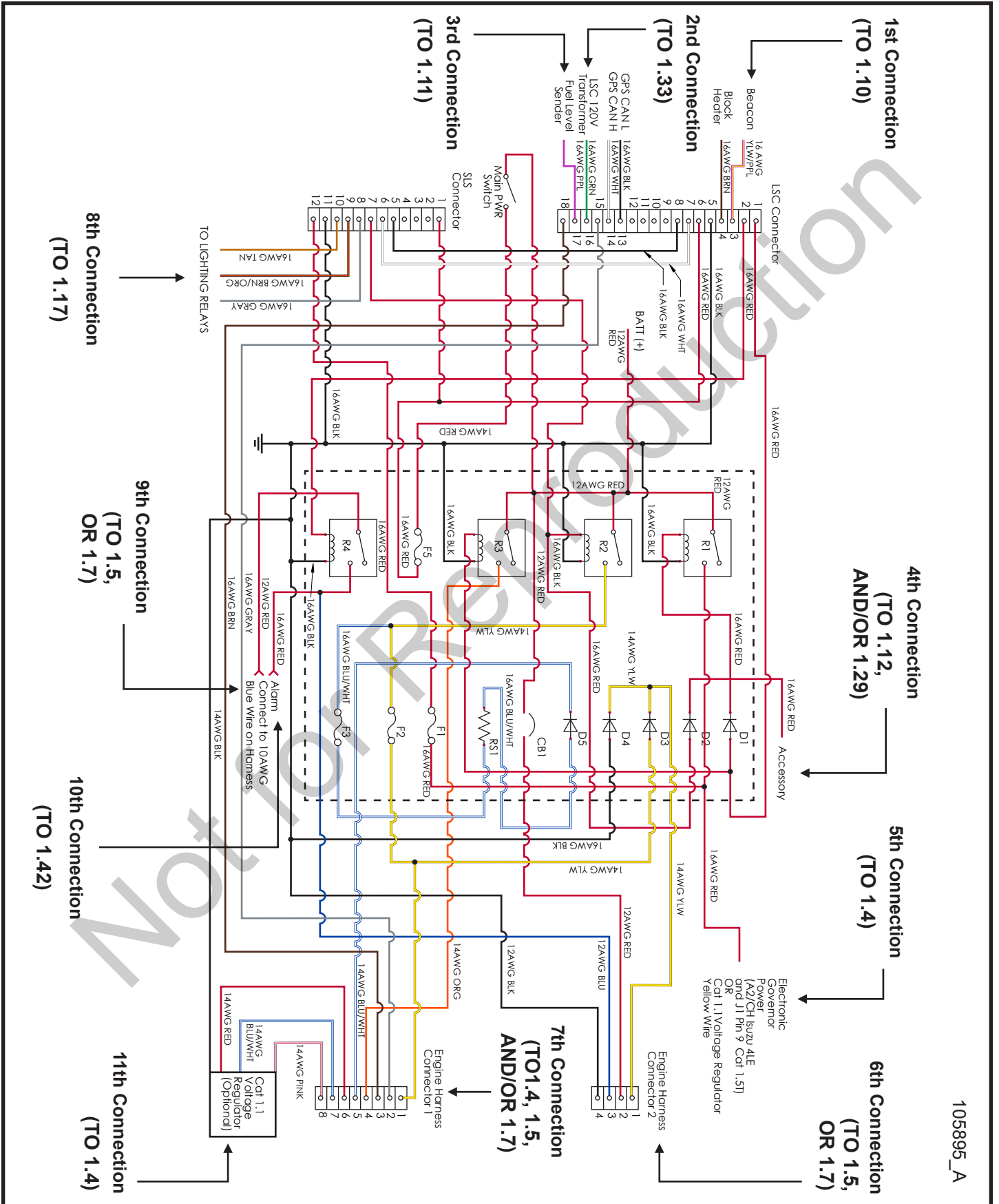
Schematic Page	1st Connection Page(s)	2nd Connection Page(s)	3rd Connection Page(s)	4th Connection Page(s)
Push Switch Schematic	1.21 or 1.22	n/a	n/a	n/a
Int'l Generator to Lights Schematic	1.25	n/a	n/a	n/a
Int'l Schuko Panel Schematic	1.24	n/a	n/a	n/a
Int'l Tail Light Schematic	n/a	n/a	n/a	n/a
Tail Light Schematic	1.31	1.28	n/a	n/a
Marker Lights Schematic	1.27	n/a	n/a	n/a
Interior Work Light Schematic	1.1 or 1.2	n/a	n/a	n/a
LED Driver 4 Light Schematic	1.17	1.15 or 1.16	n/a	n/a
License Plate LED Lamp Schematic	1.27	n/a	n/a	n/a
SLS 1.1 Relay Addition Schematic	1.17, 1.34, 1.35, 1.36, 1.37, 1.38, or 1.39	1.1	n/a	n/a
LSC 2.1 120V Transformer Schematic	1.17, 1.34, 1.35, 1.36, 1.37, 1.38, or 1.39	1.2	n/a	n/a
2-20AMP GFCI Schematic	1.17	n/a	n/a	n/a
1-20AMP GFCI Schematic	1.17	n/a	n/a	n/a
2-30AMP RV Schematic	1.17	n/a	n/a	n/a

Allmand Product

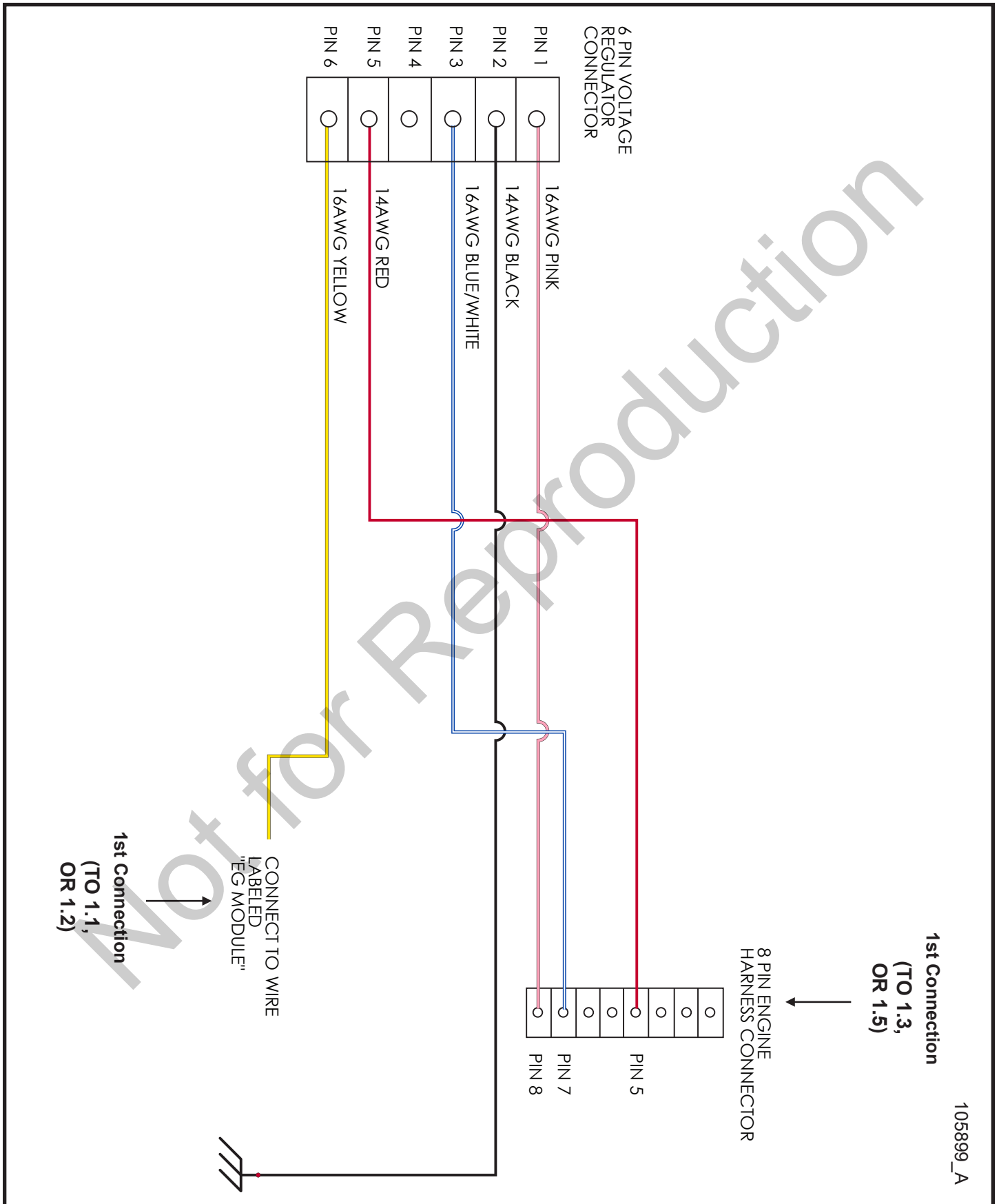
WIRE SCHEMATIC PAGE CONNECTION TABLE (4 of 4)

Schematic Page	1st Connection Page(s)	2nd Connection Page(s)	3rd Connection Page(s)	4th Connection Page(s)
1-30AMP RV 1-20AMP GFCI Schematic	1.17	n/a	n/a	n/a
1-30AMP Twistlock 1-20AMP GFCI Schematic	1.17	n/a	n/a	n/a
No Outlet Schematic	1.17	n/a	n/a	n/a
GPS ZTR System Schematic	1.1	n/a	n/a	n/a
Emergency Stop Schematic	1.3, 1.5, 1.6, or 1.7	n/a	n/a	n/a
102 Decibel Alarm Schematic	1.2	n/a	n/a	n/a

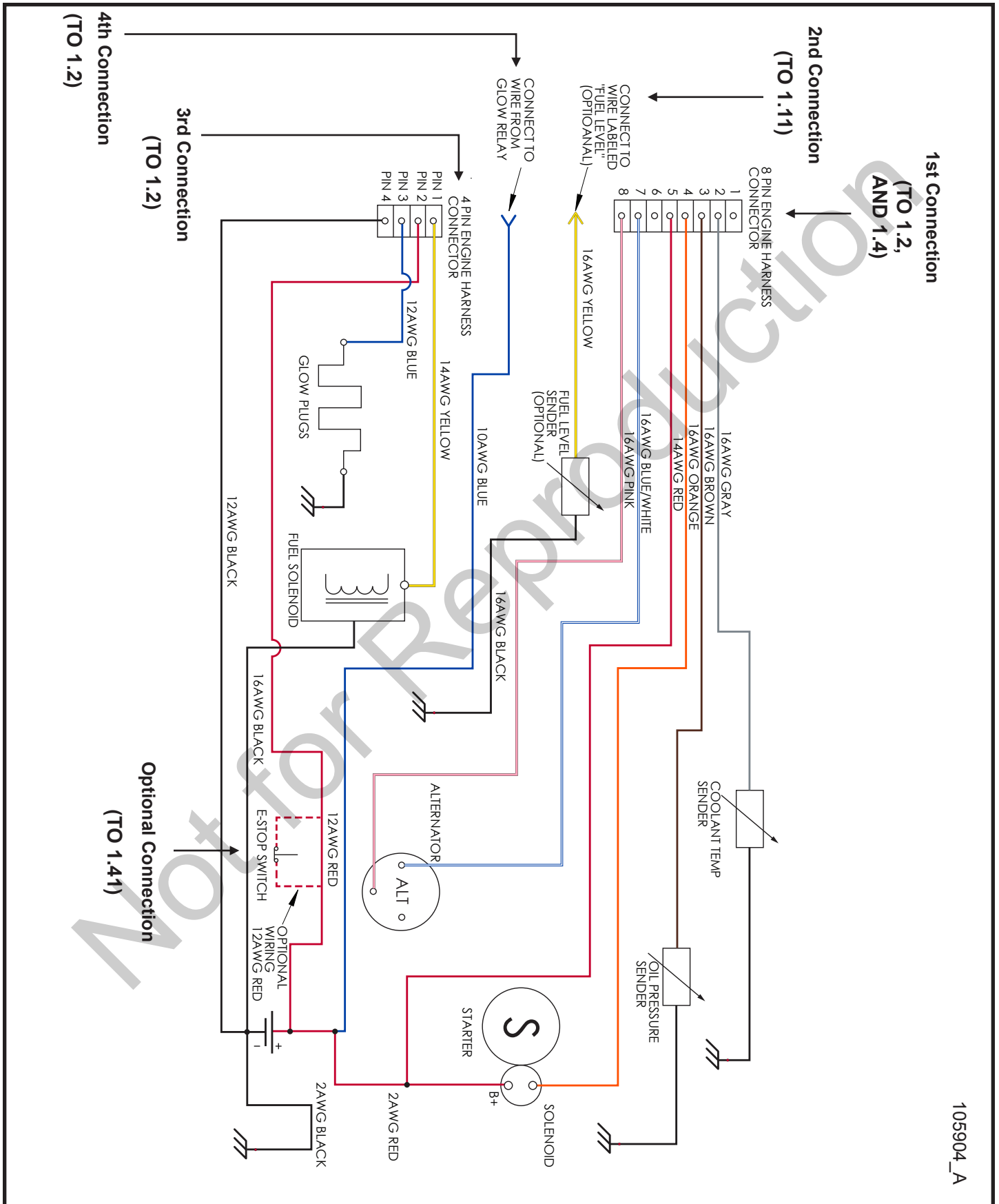
1.2 - LSC Schematic



1.4 - CAT C1.1 Voltage Regulator Schematic

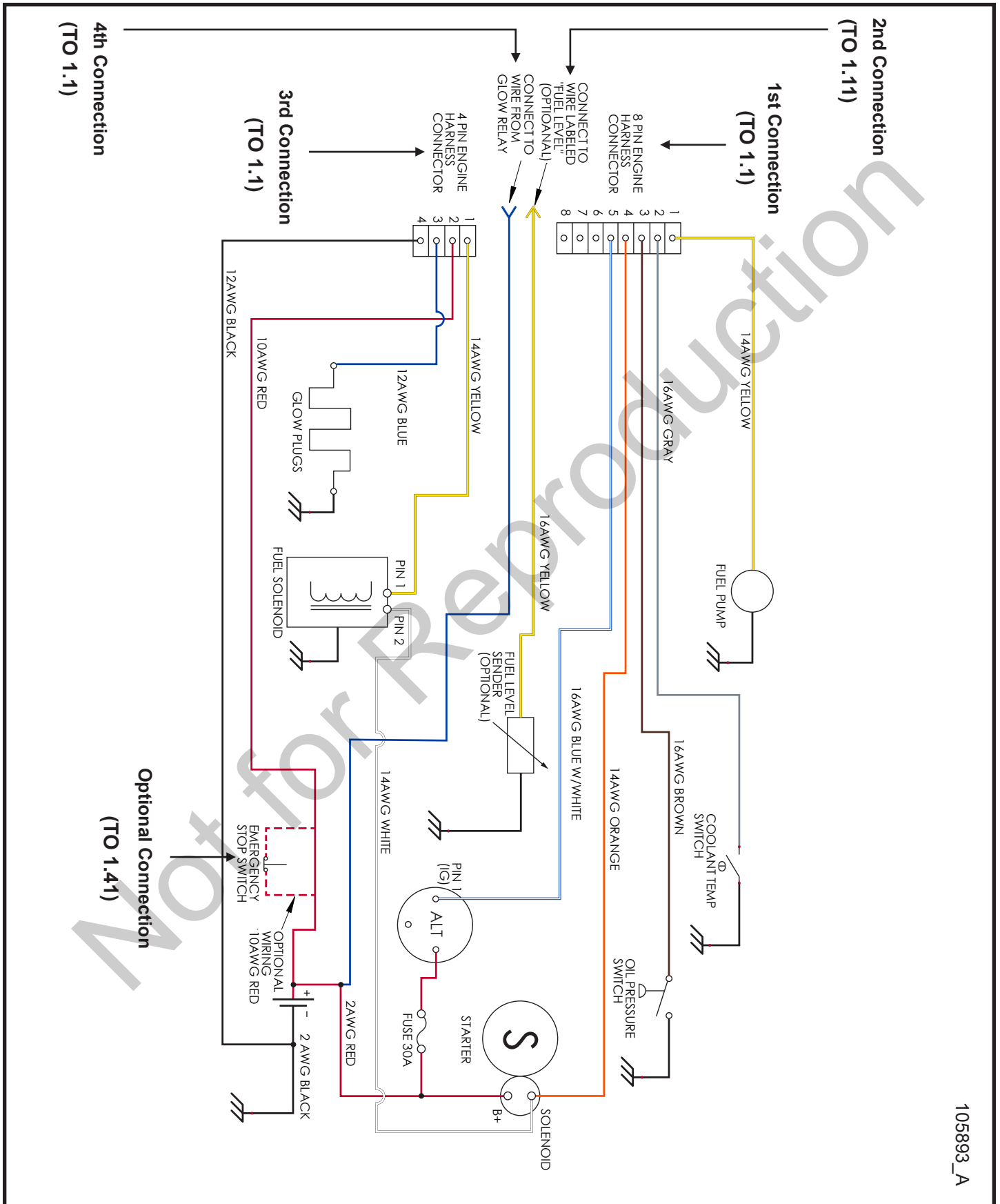


1.5 - CAT C1.1 LSC Schematic



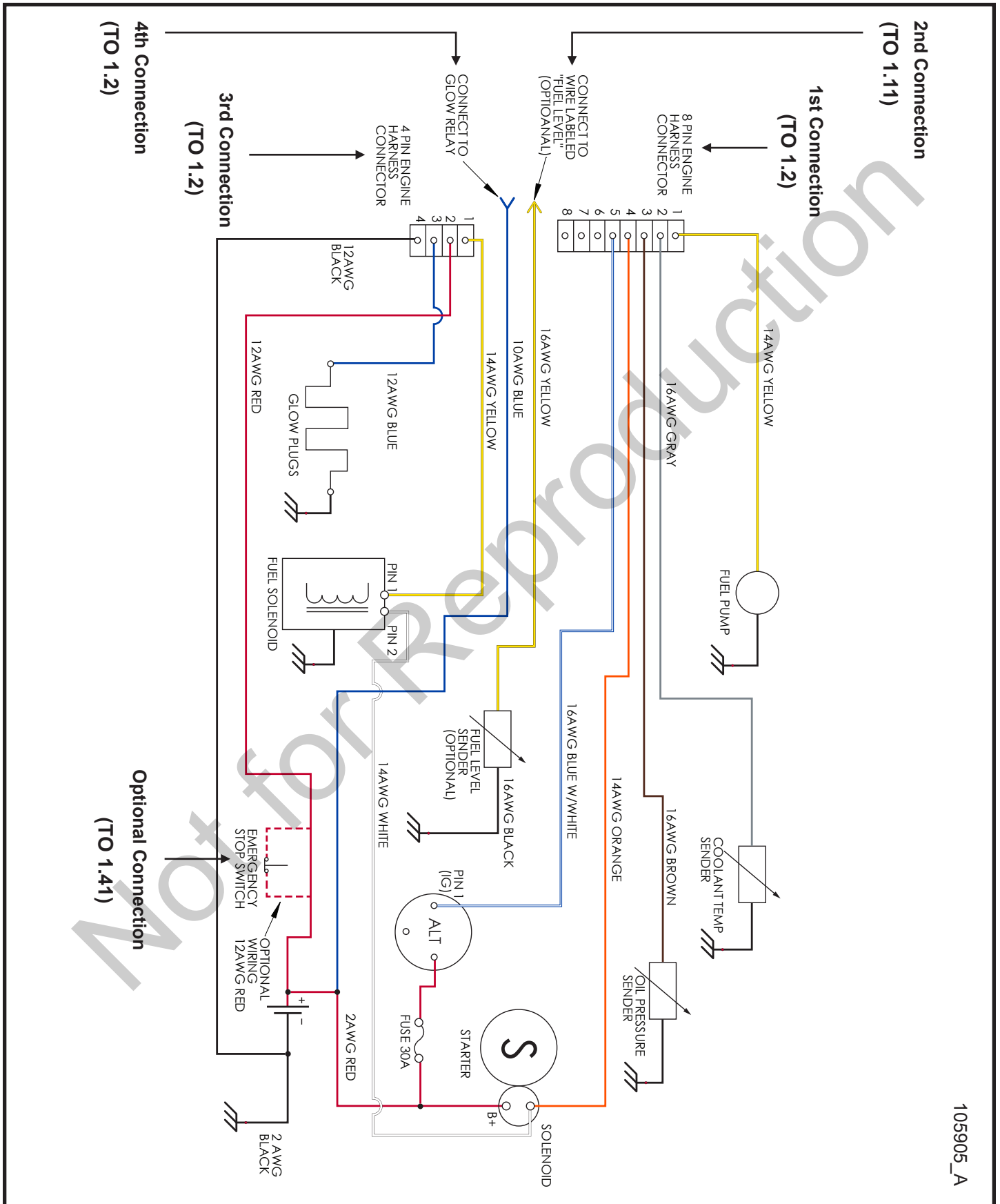
105904_A

1.6 - Kubota D1005/1105 Schematic



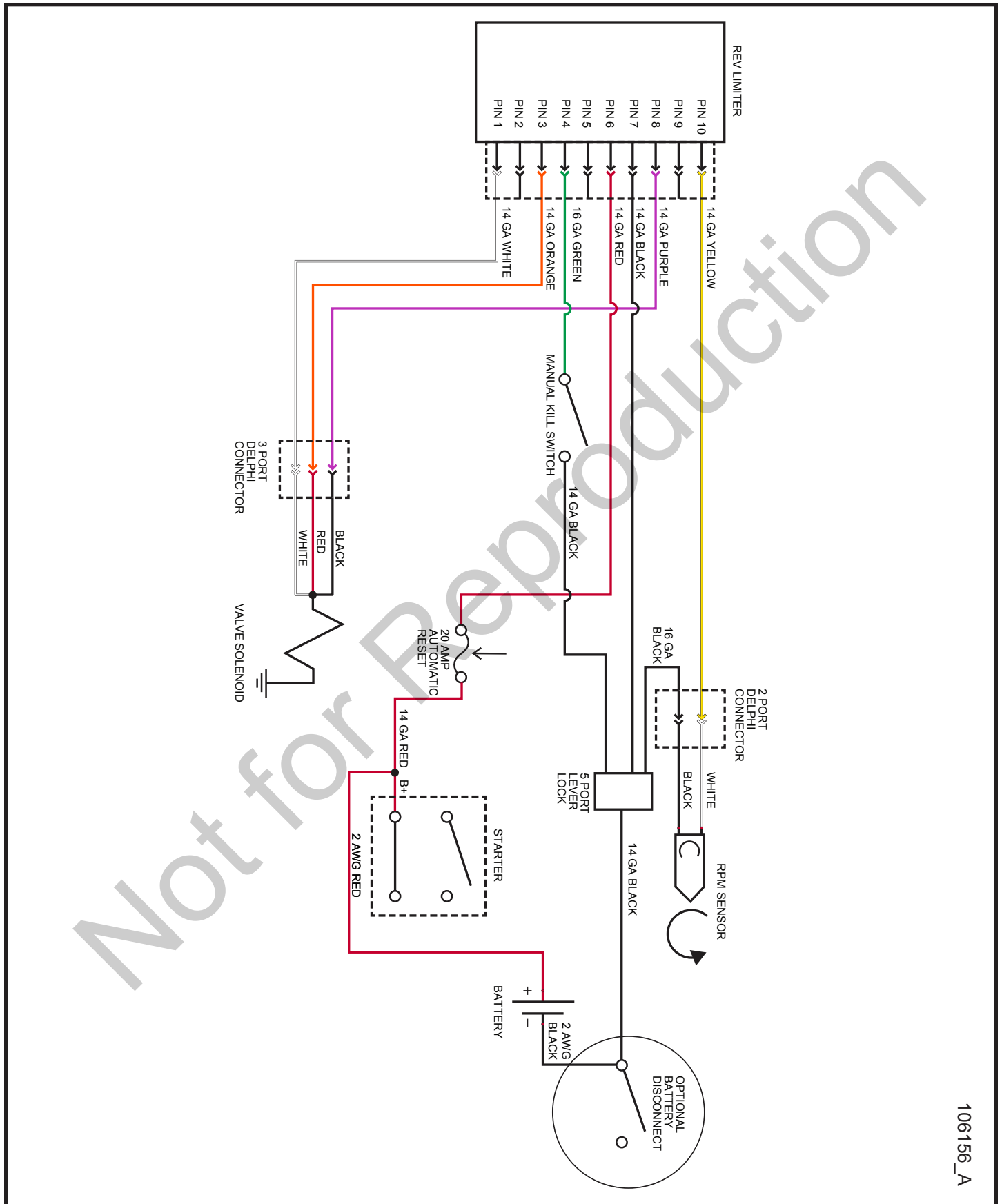
105893_A

1.7 - Kubota D1005/1105 LSC Schematic



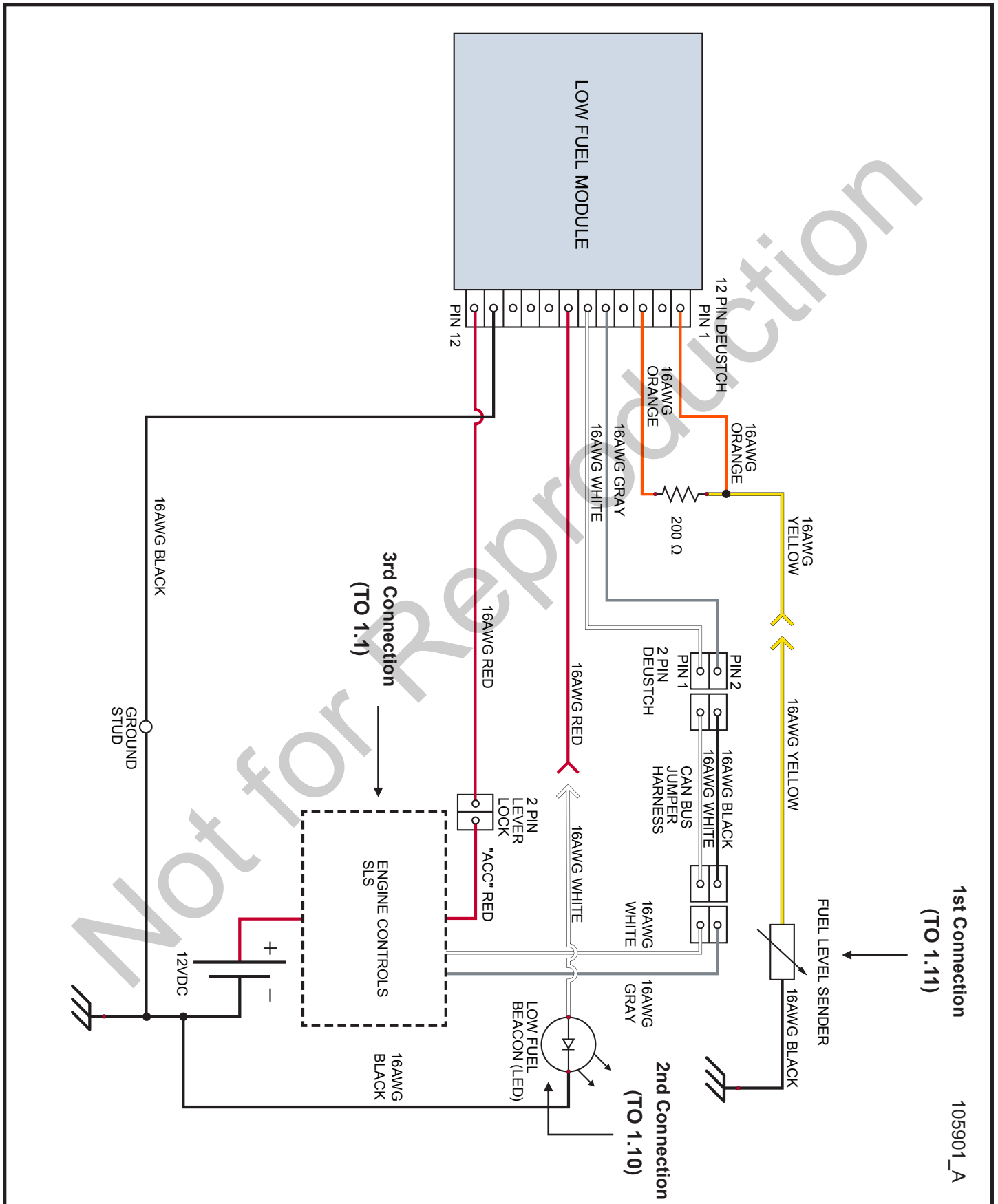
105905_A

1.8 - Shocker Valve Schematic



106156_A

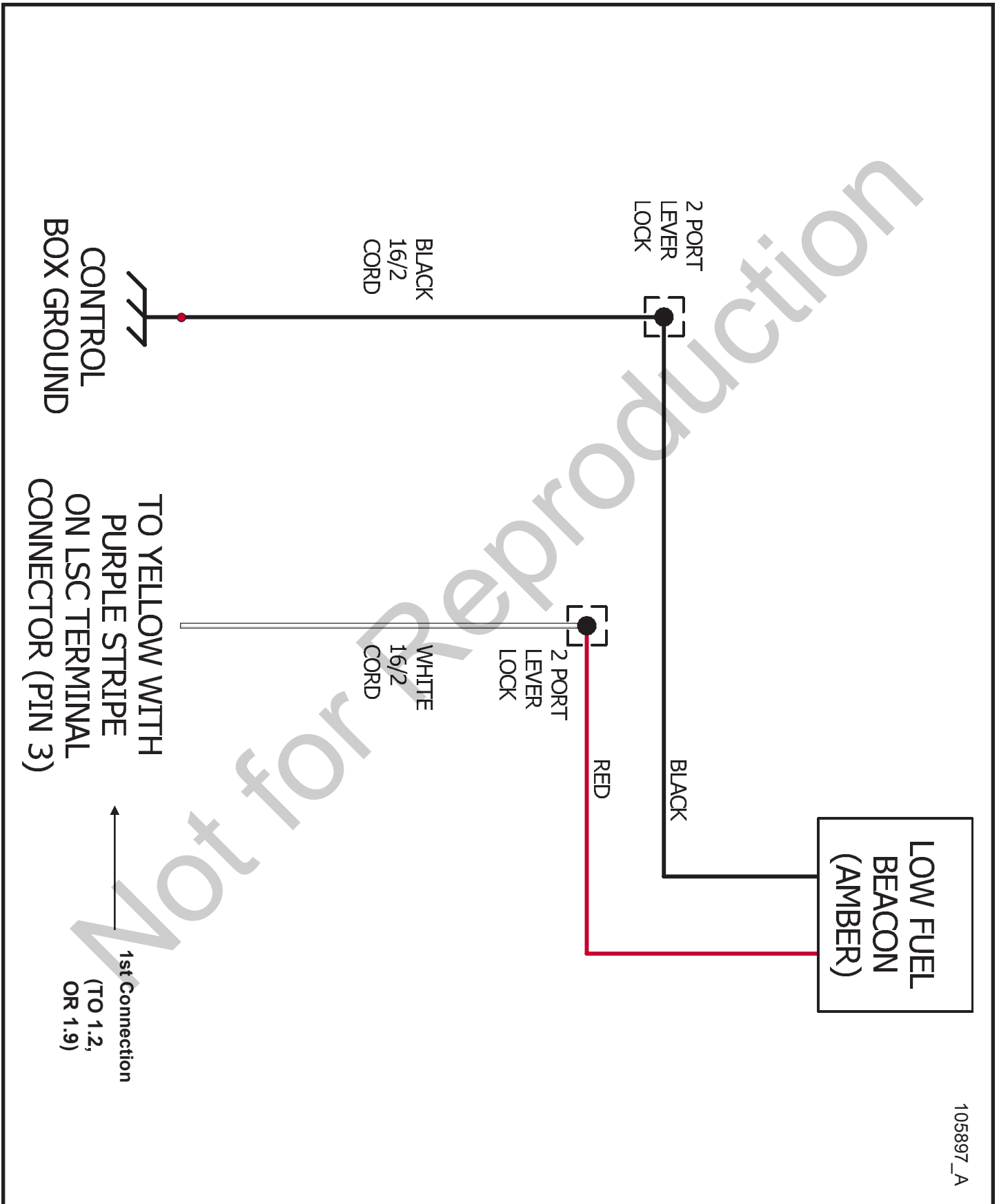
1.9 - Low Fuel Module Schematic



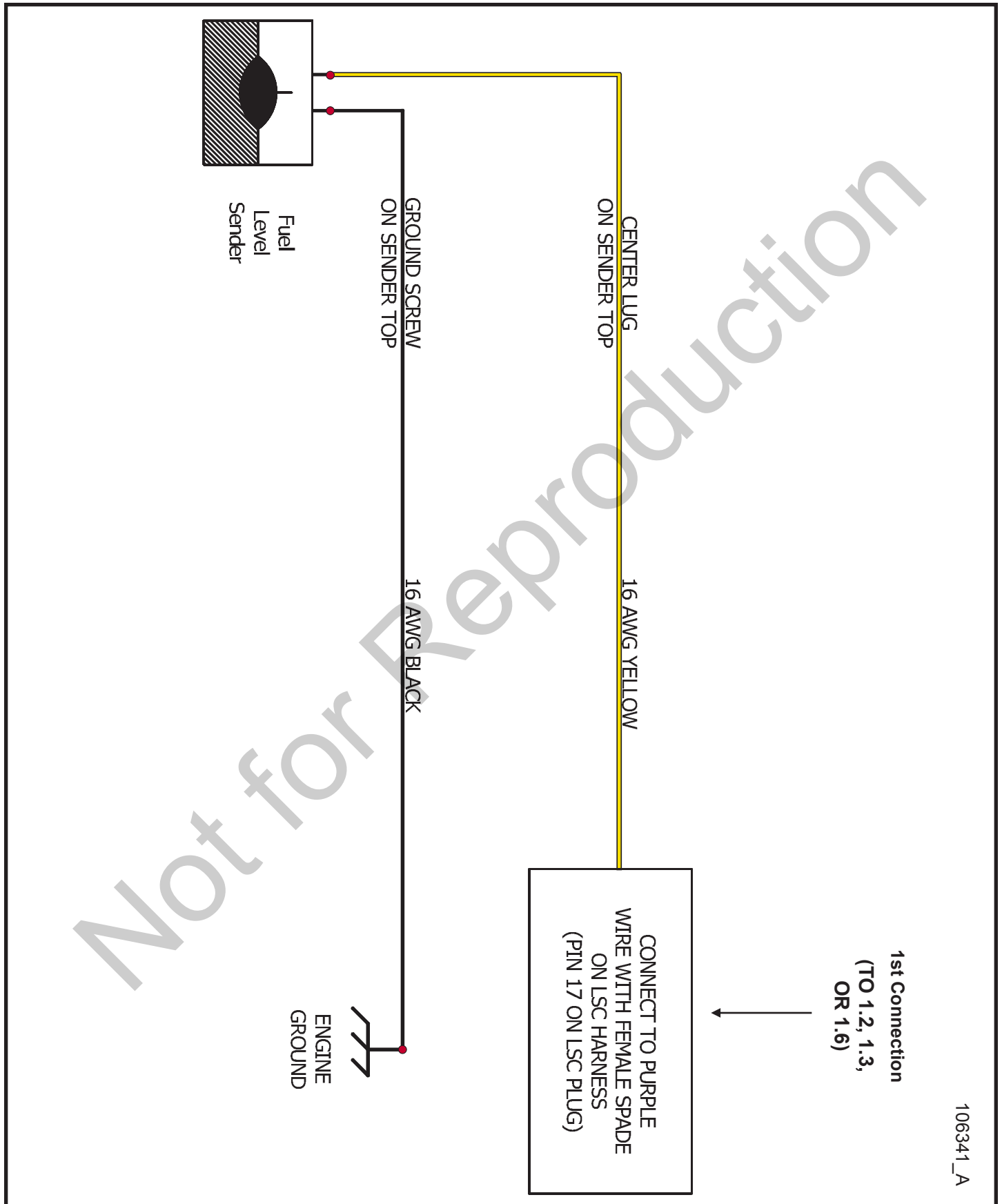
1st Connection
(TO 1.11)

105901_A

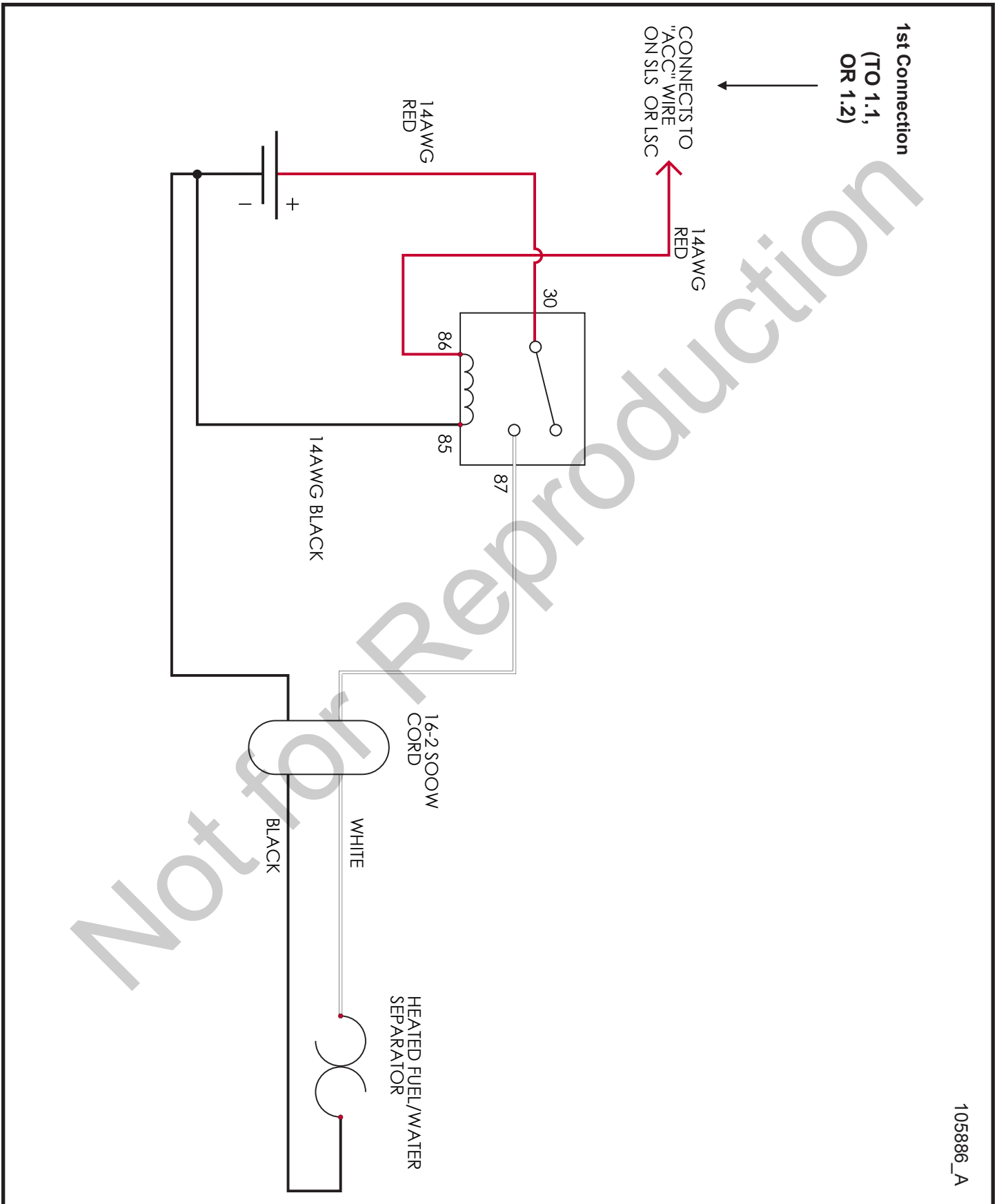
1.10 - Low Fuel Beacon Schematic



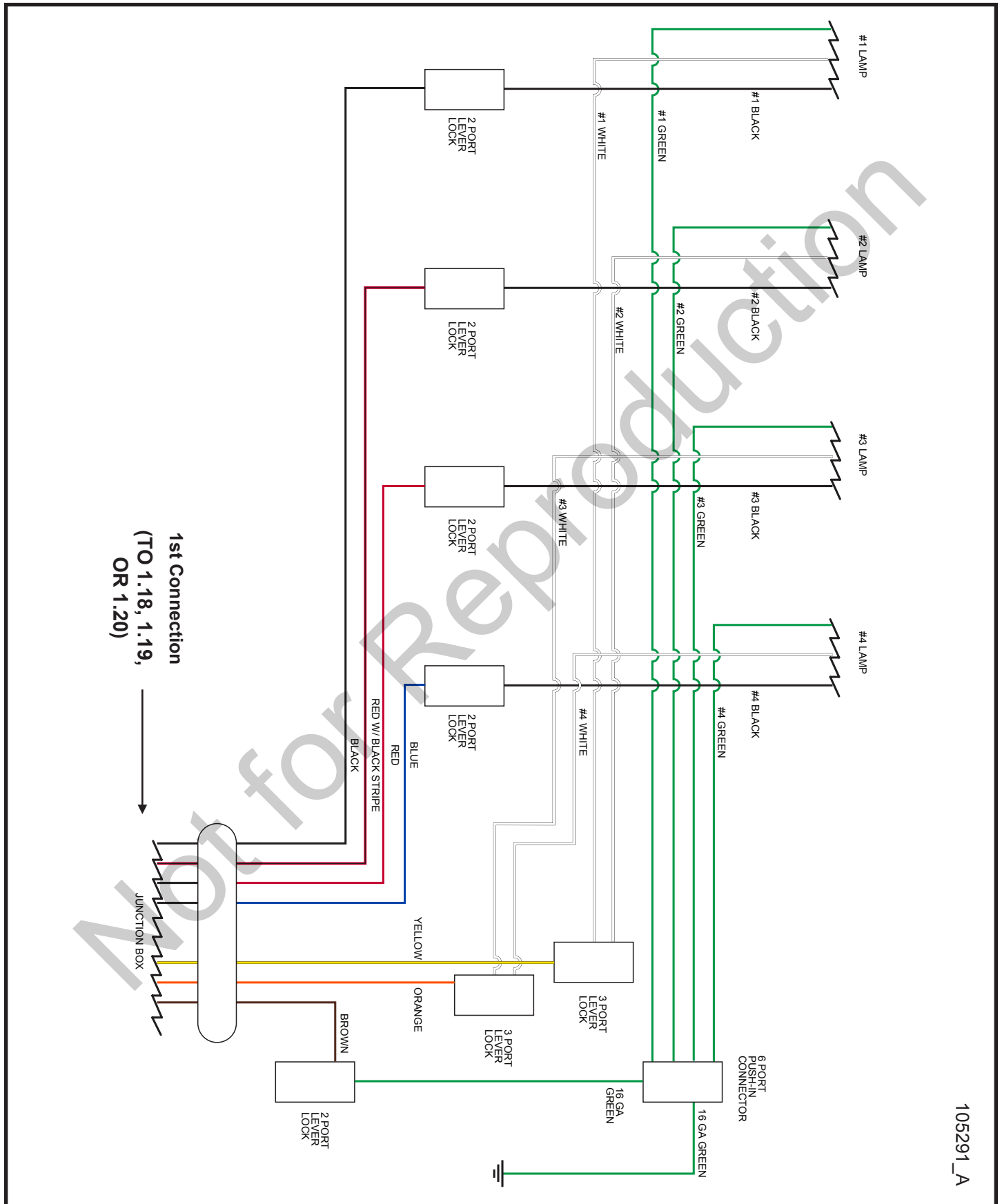
1.11 - Low Fuel Sender Schematic



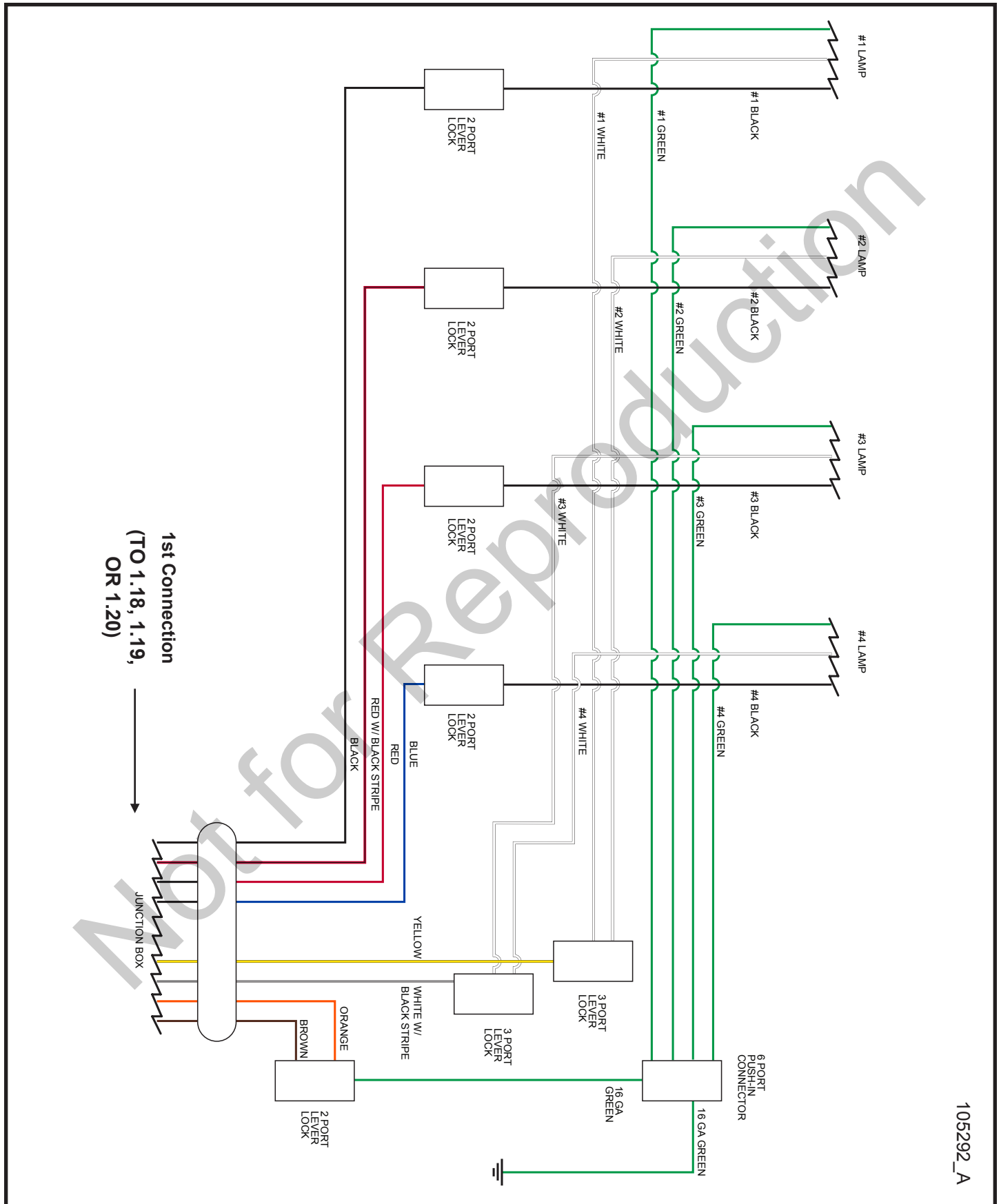
1.12 - Heated Fuel/Water Separator Schematic



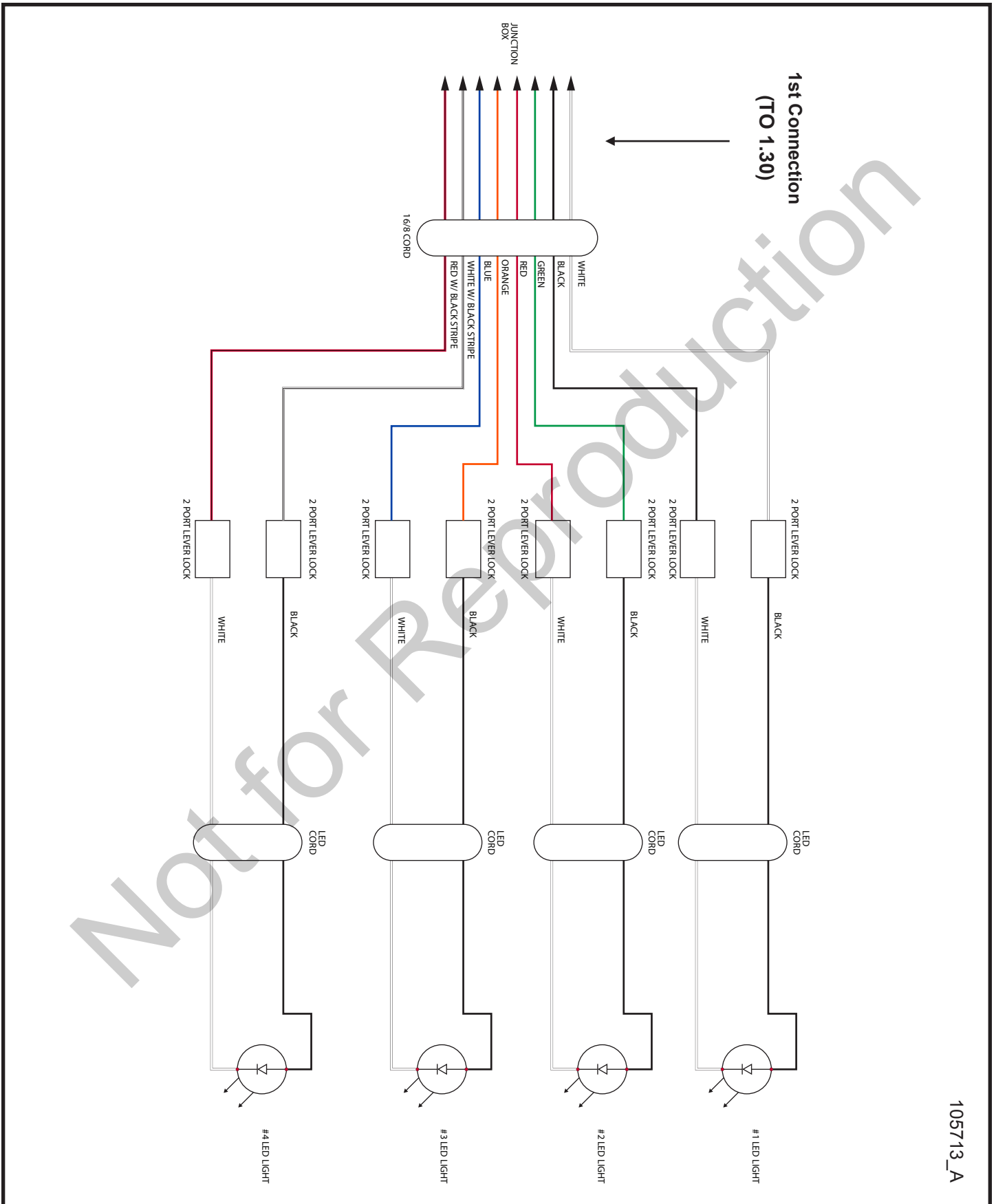
1.13 - 4 Light 14/7 Cord Schematic



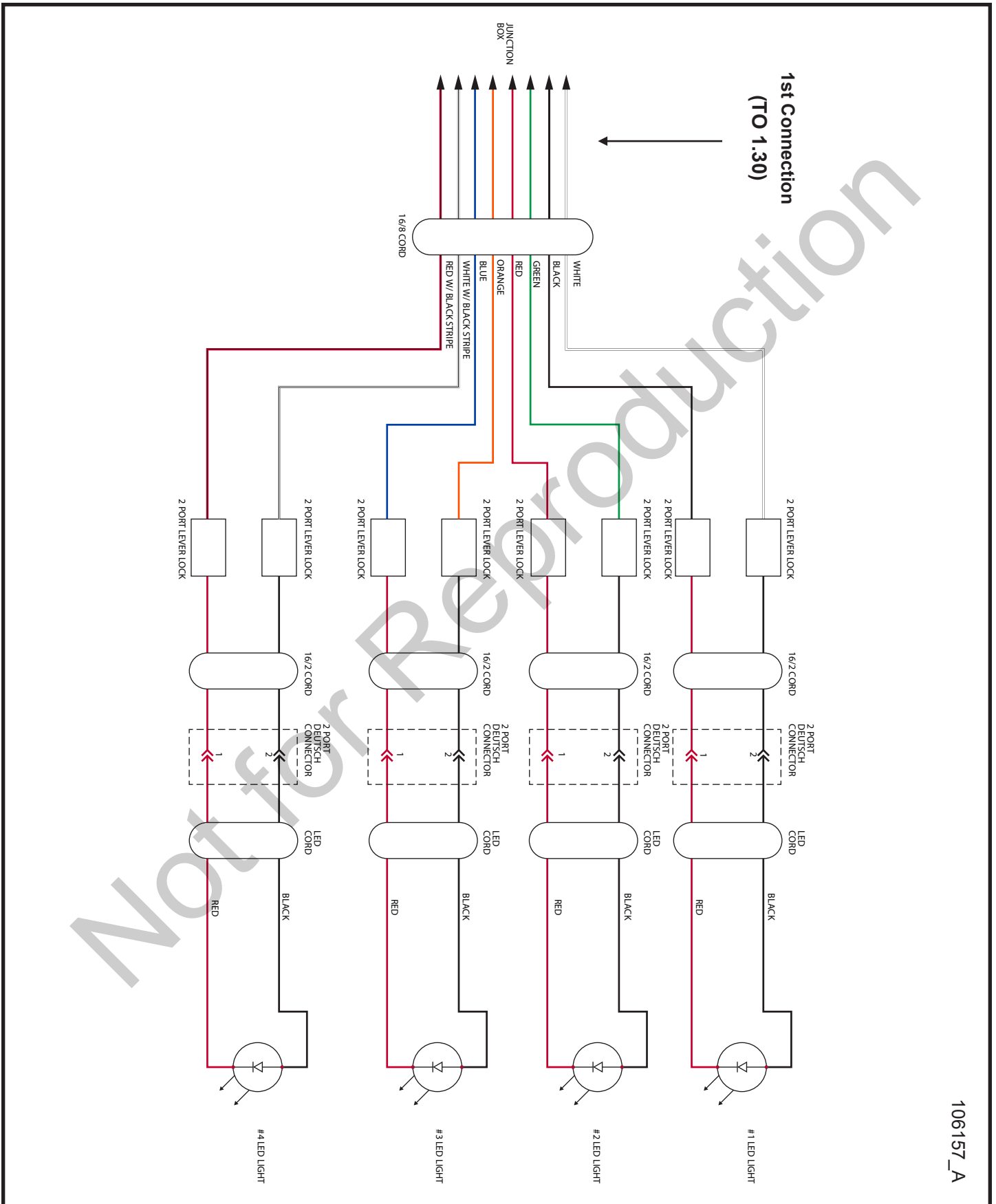
1.14 - 4 Light 16/8 Cord Schematic



1.15 - 4 Light LED Schematic

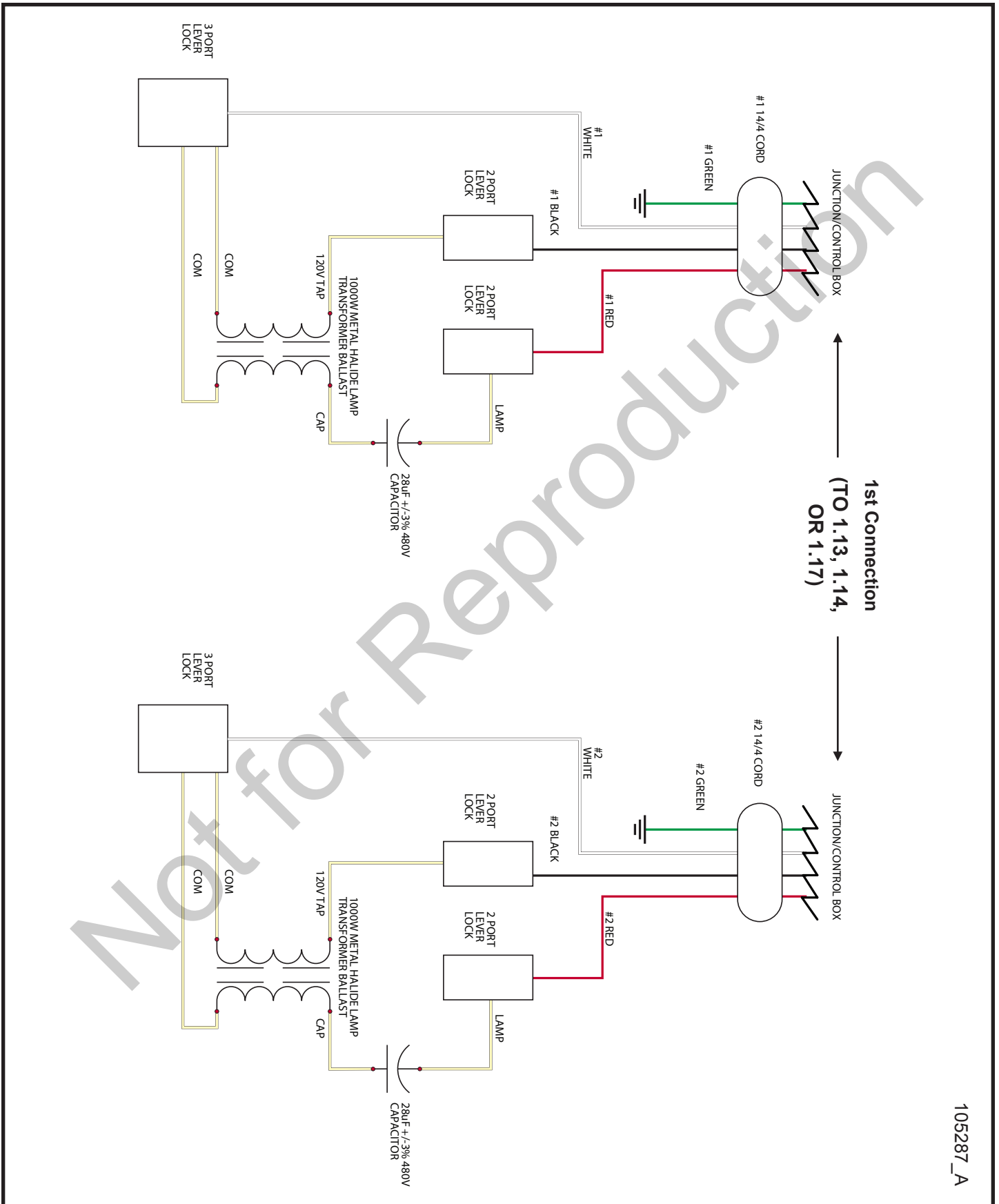


1.16 - 4 Light LED Disconnect Schematic



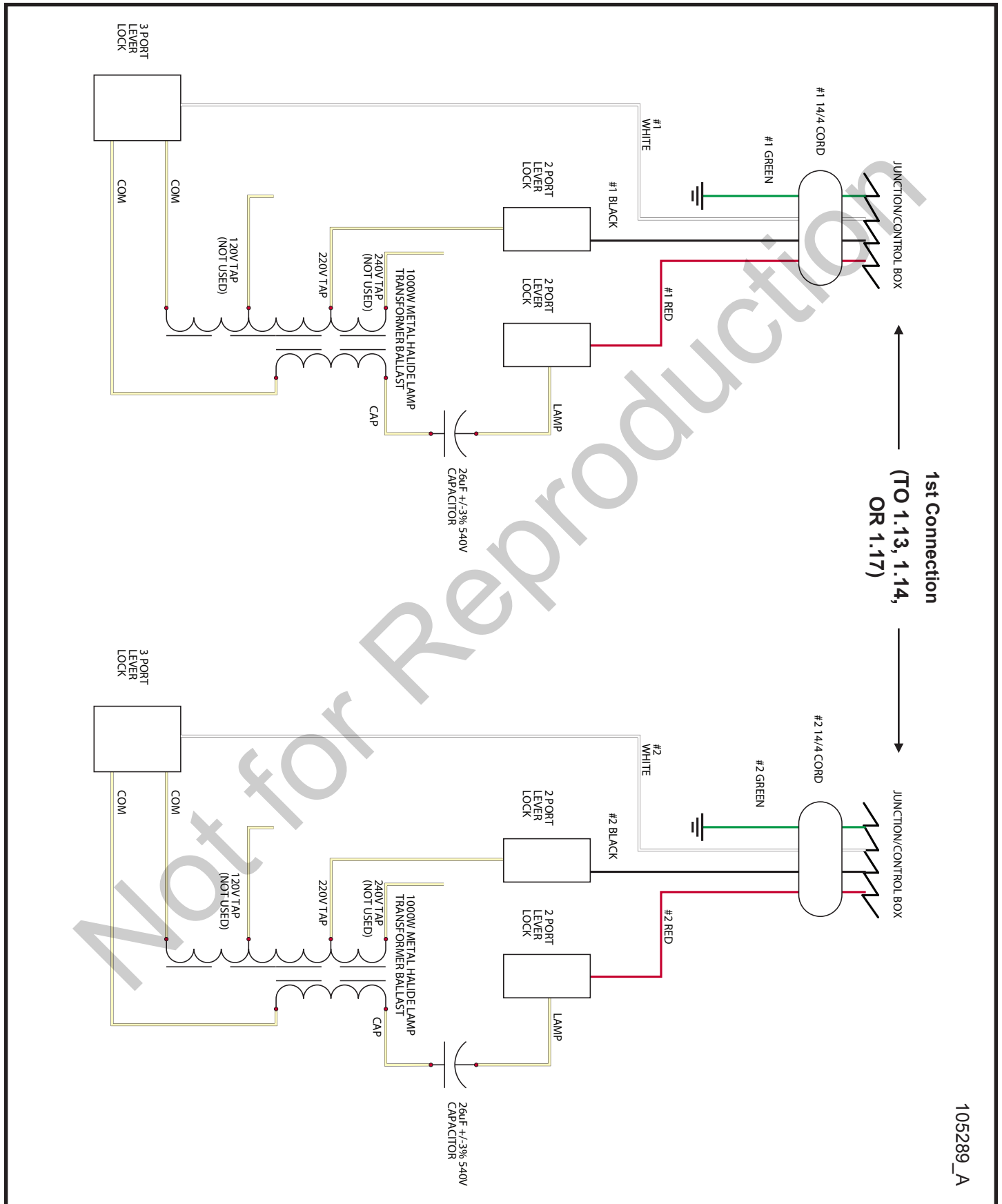
106157_A

1.18 - 1000W 60Hz 120V Ballast Schematic



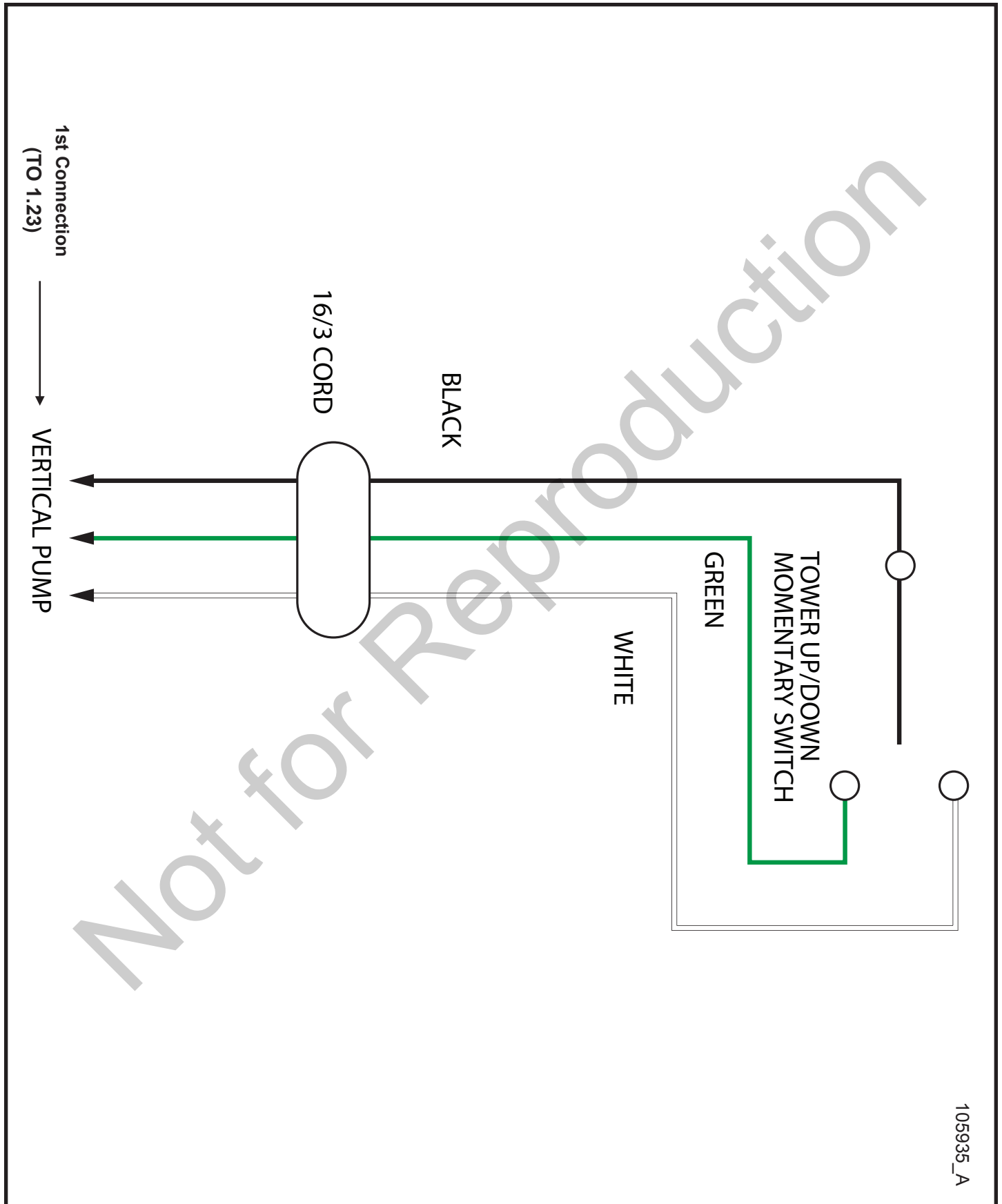
105287_A

1.19 - 1000W 50Hz 120V Ballast Schematic

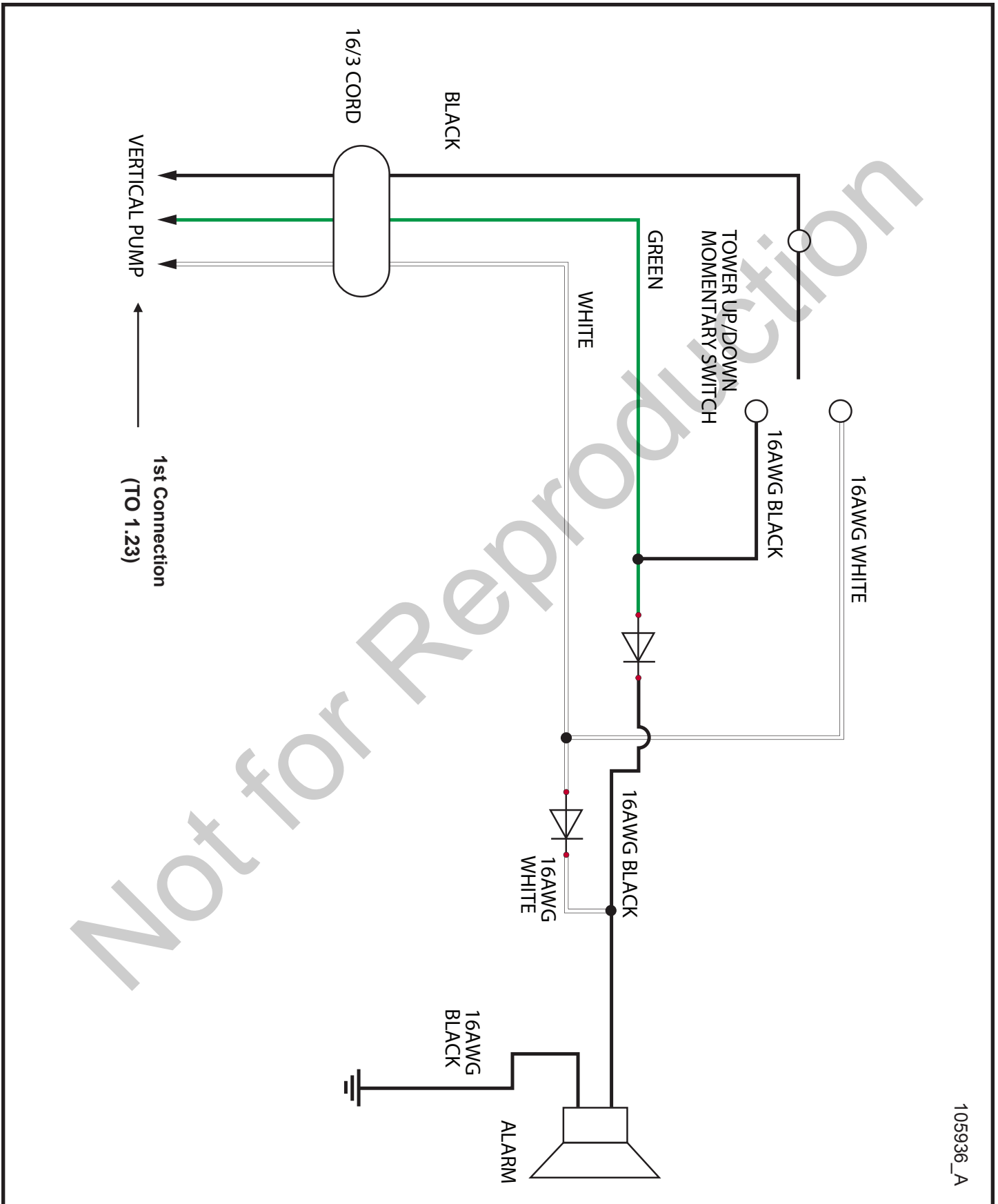


105289_A

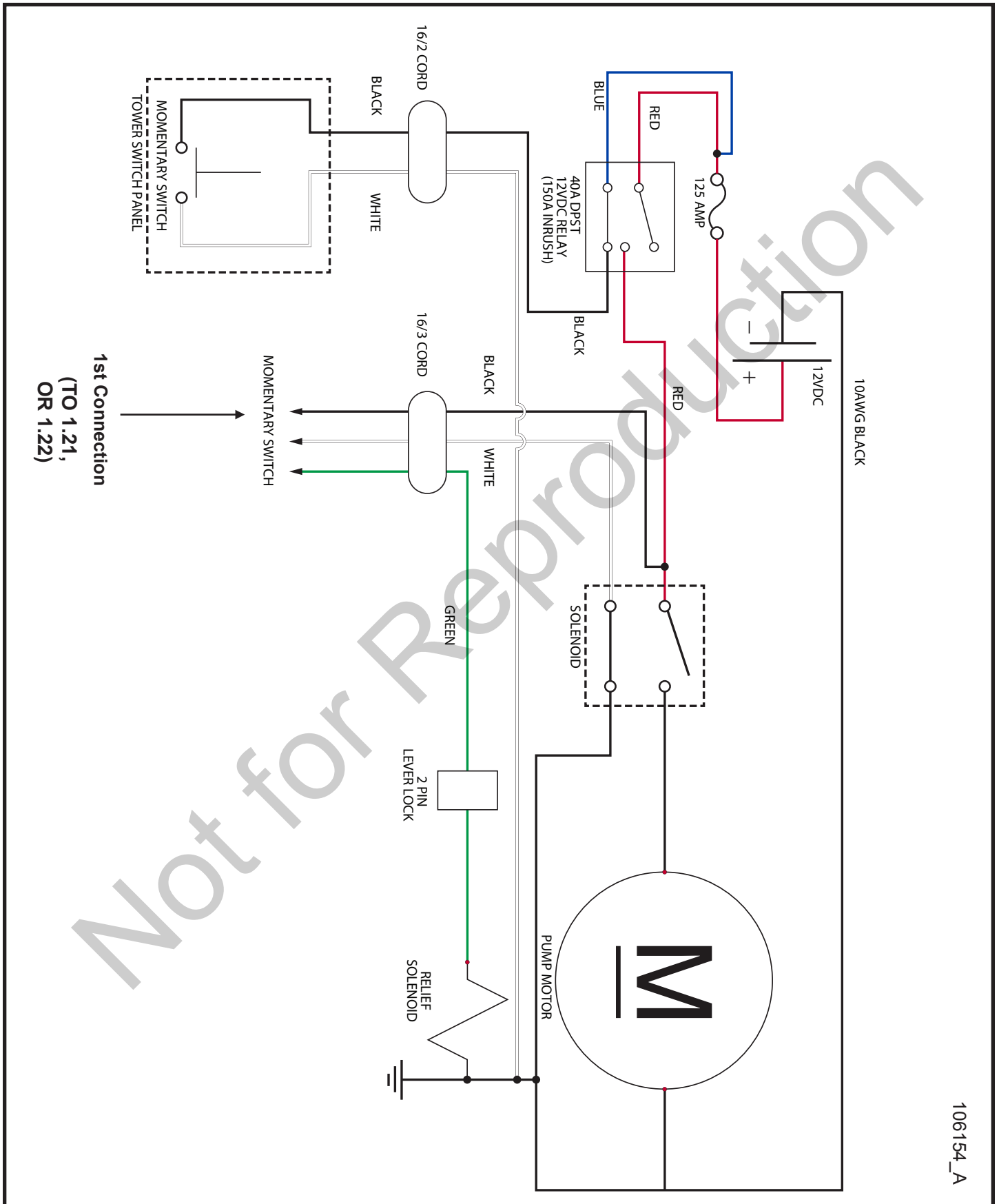
1.21 - Up/Down Momentary Switch Schematic



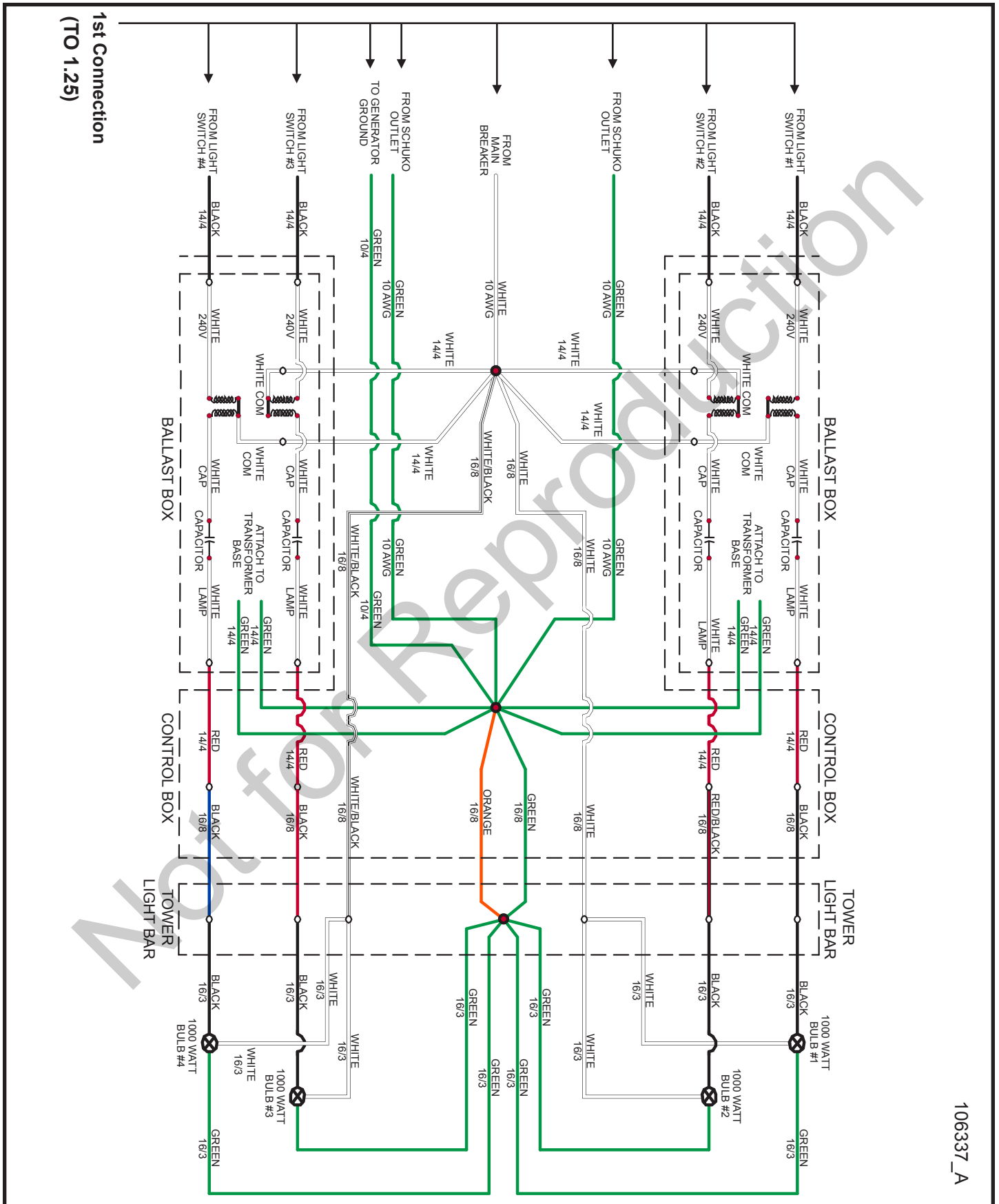
1.22 - Up/Down Momentary Switch w/Alarm Schematic



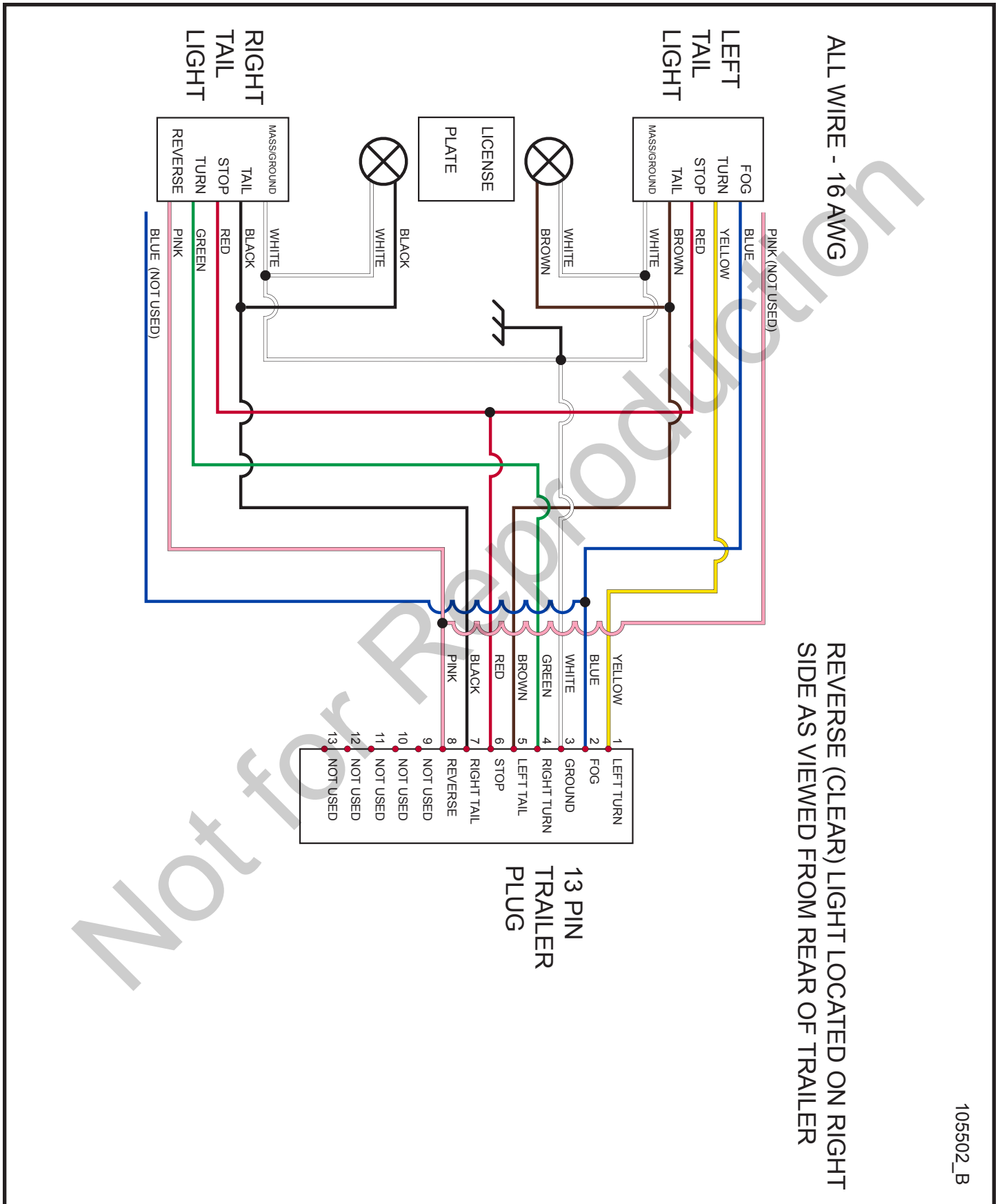
1.23 - Push Switch Schematic



1.24 - Int'l Generator to Light Schematic

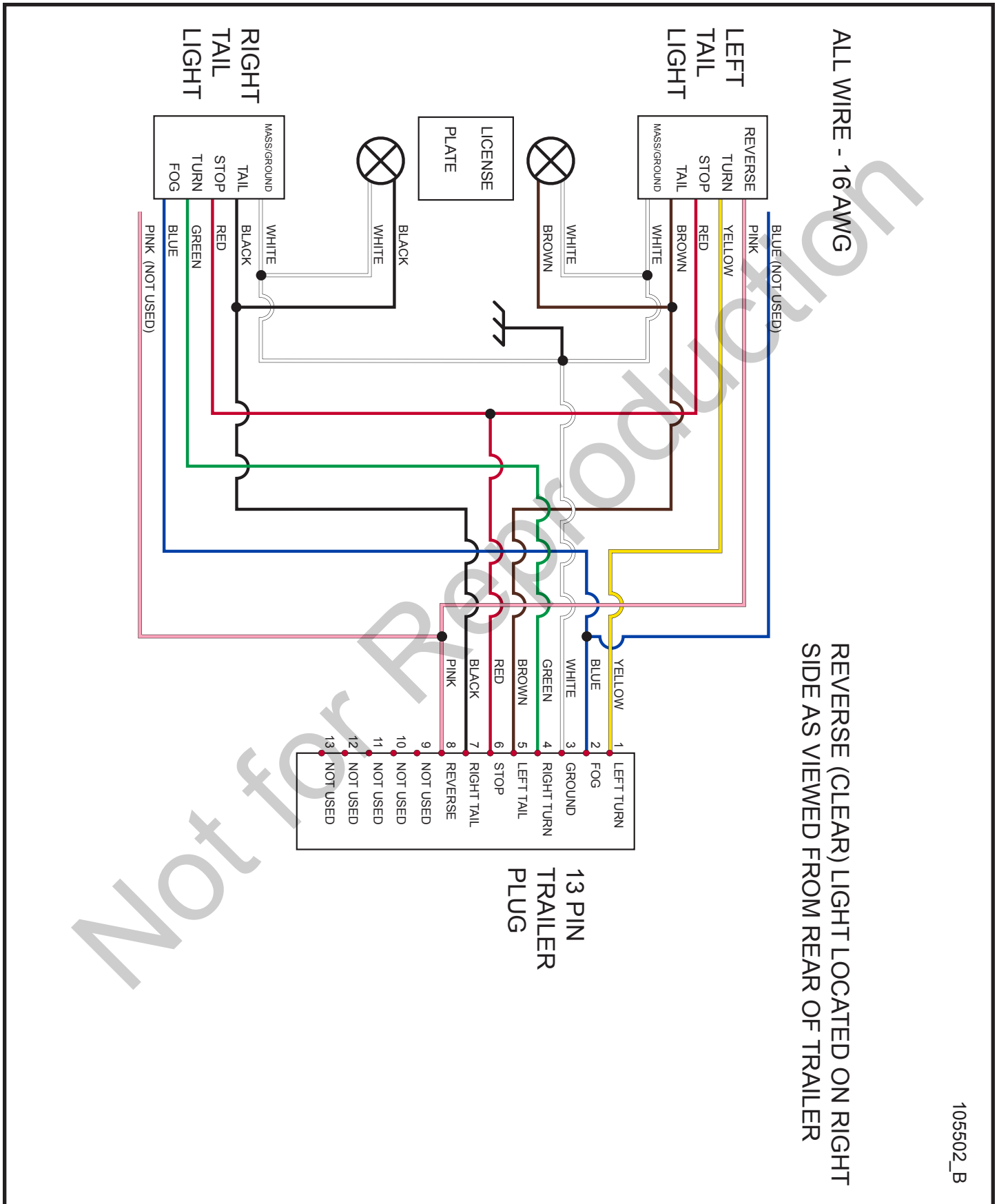


1.26 - Int'l Tail Light Schematic (1 of 2)



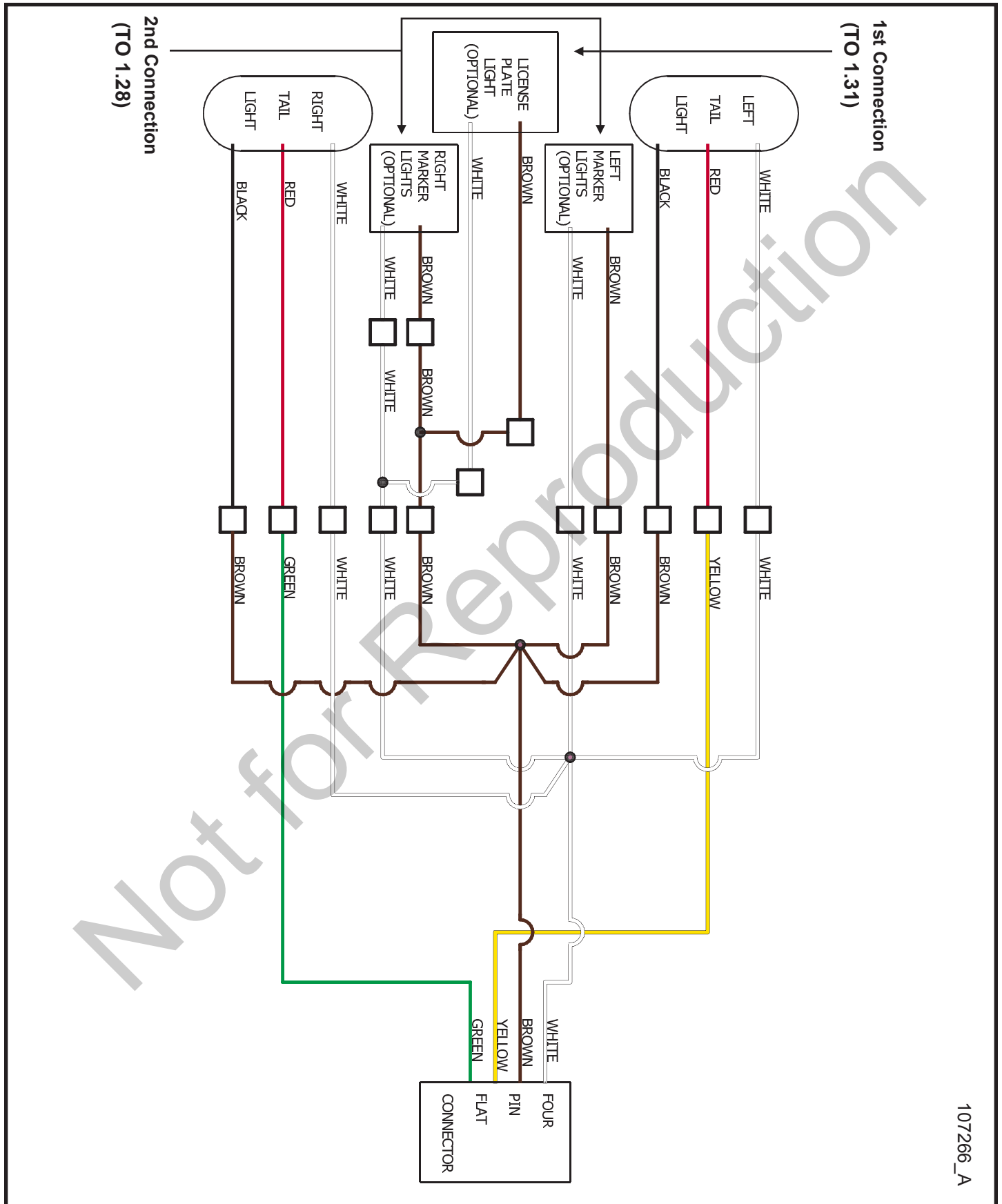
105502_B

1.26 - Int'l Tail Light Schematic (2 of 2)



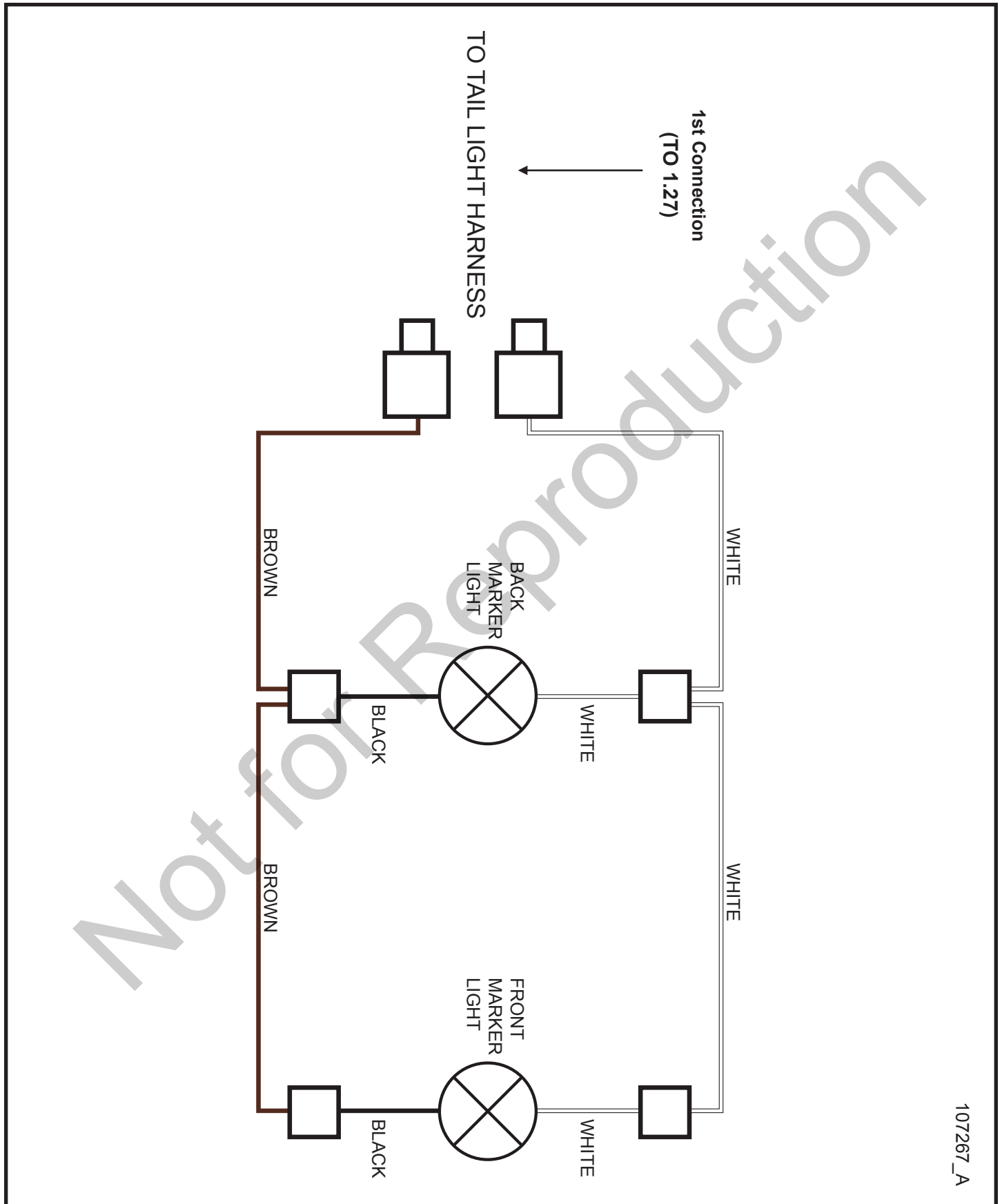
105502_B

1.27 - Tail Light Schematic



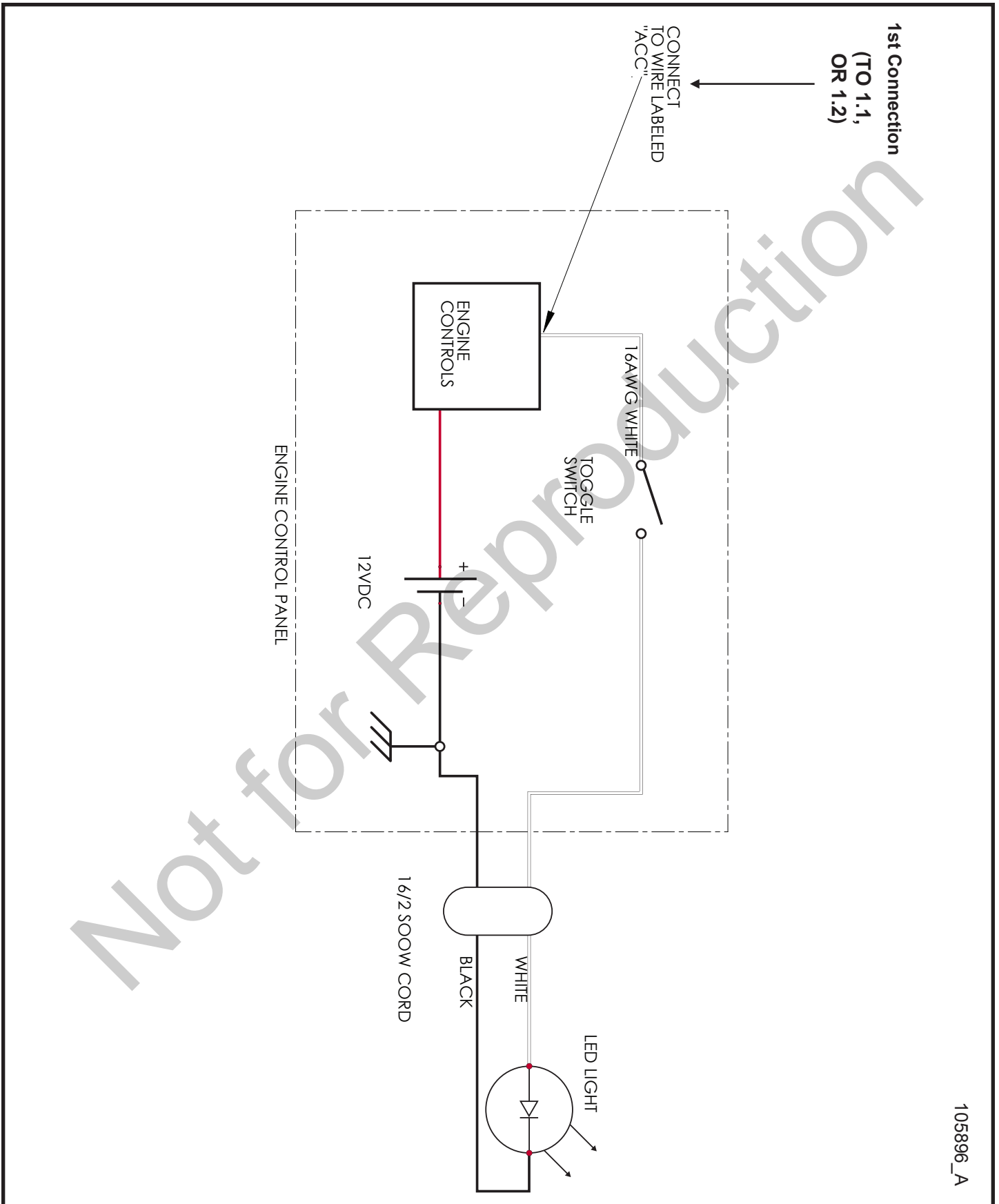
107266_A

1.28 - Marker Lights Schematic

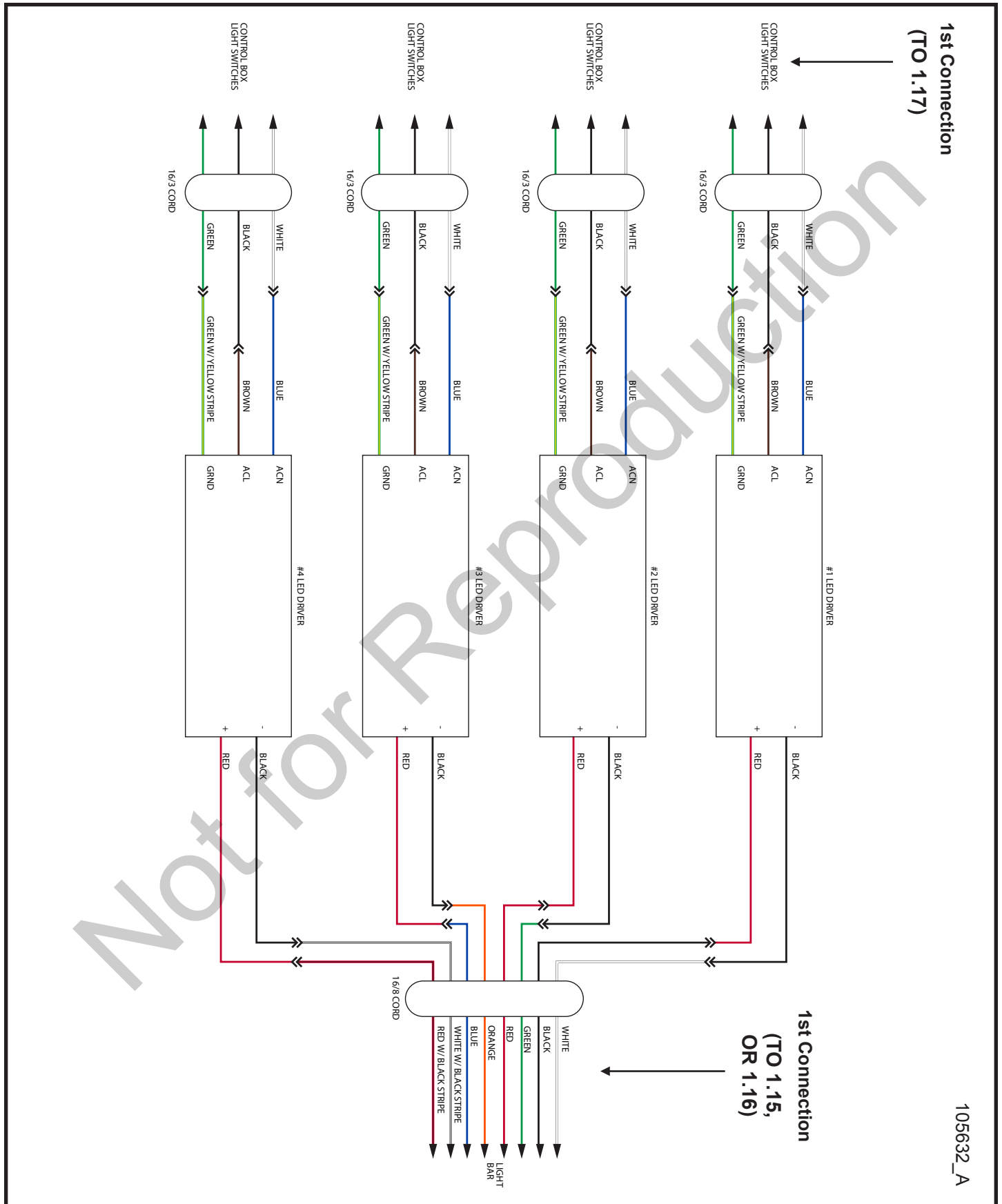


107267_A

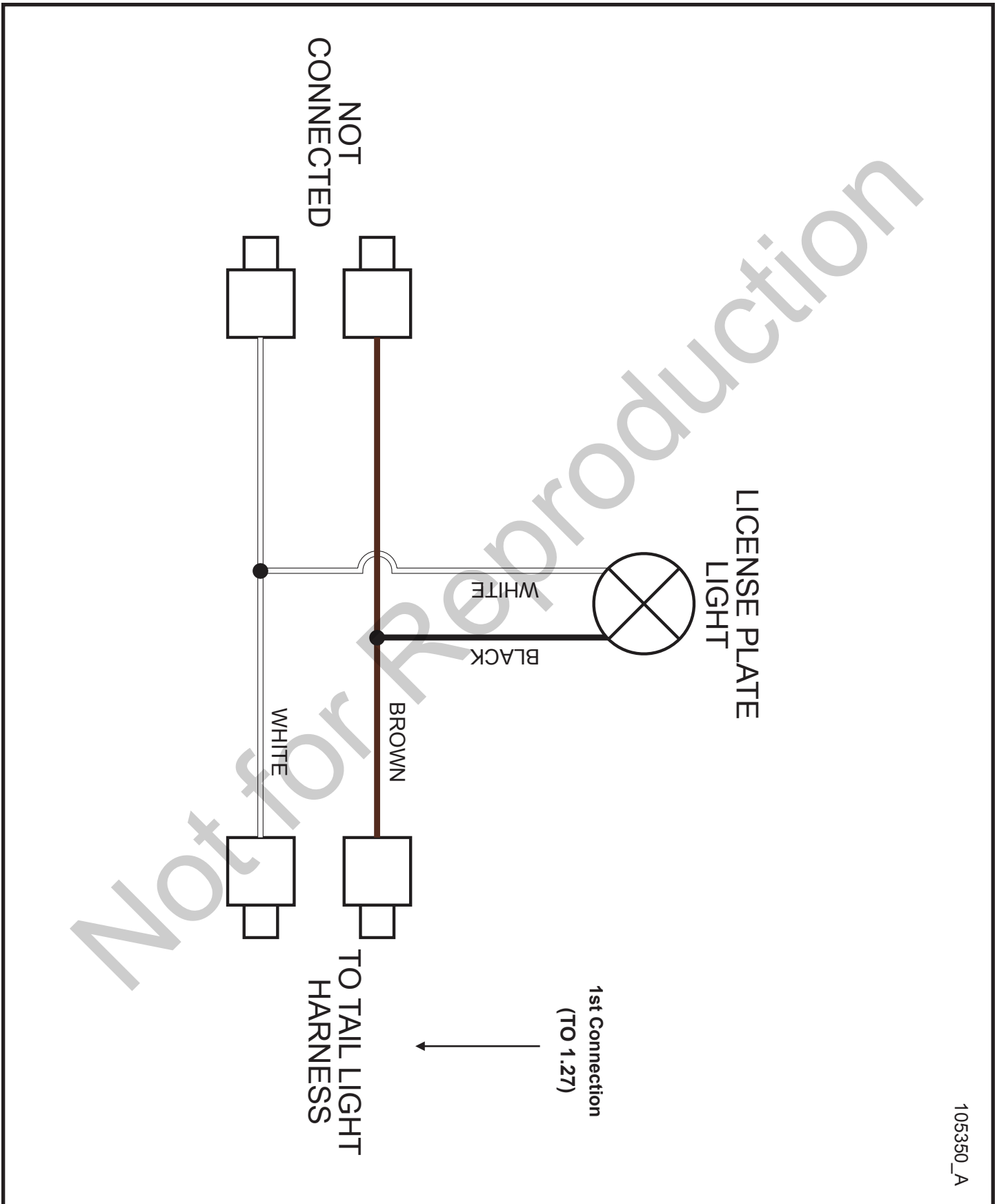
1.29 - Interior Work Light Schematic



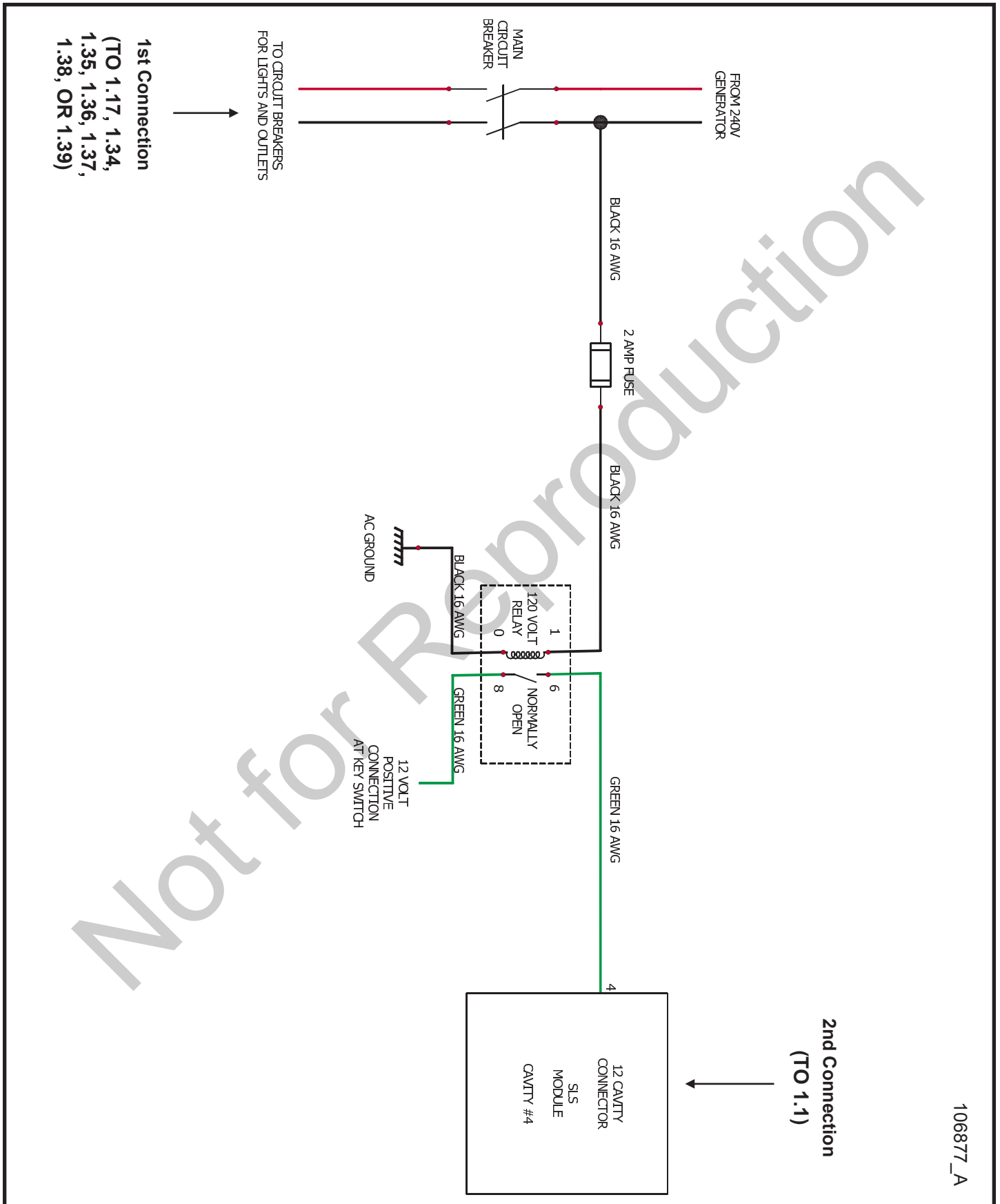
1.30 - LED Driver 4 Light Schematic



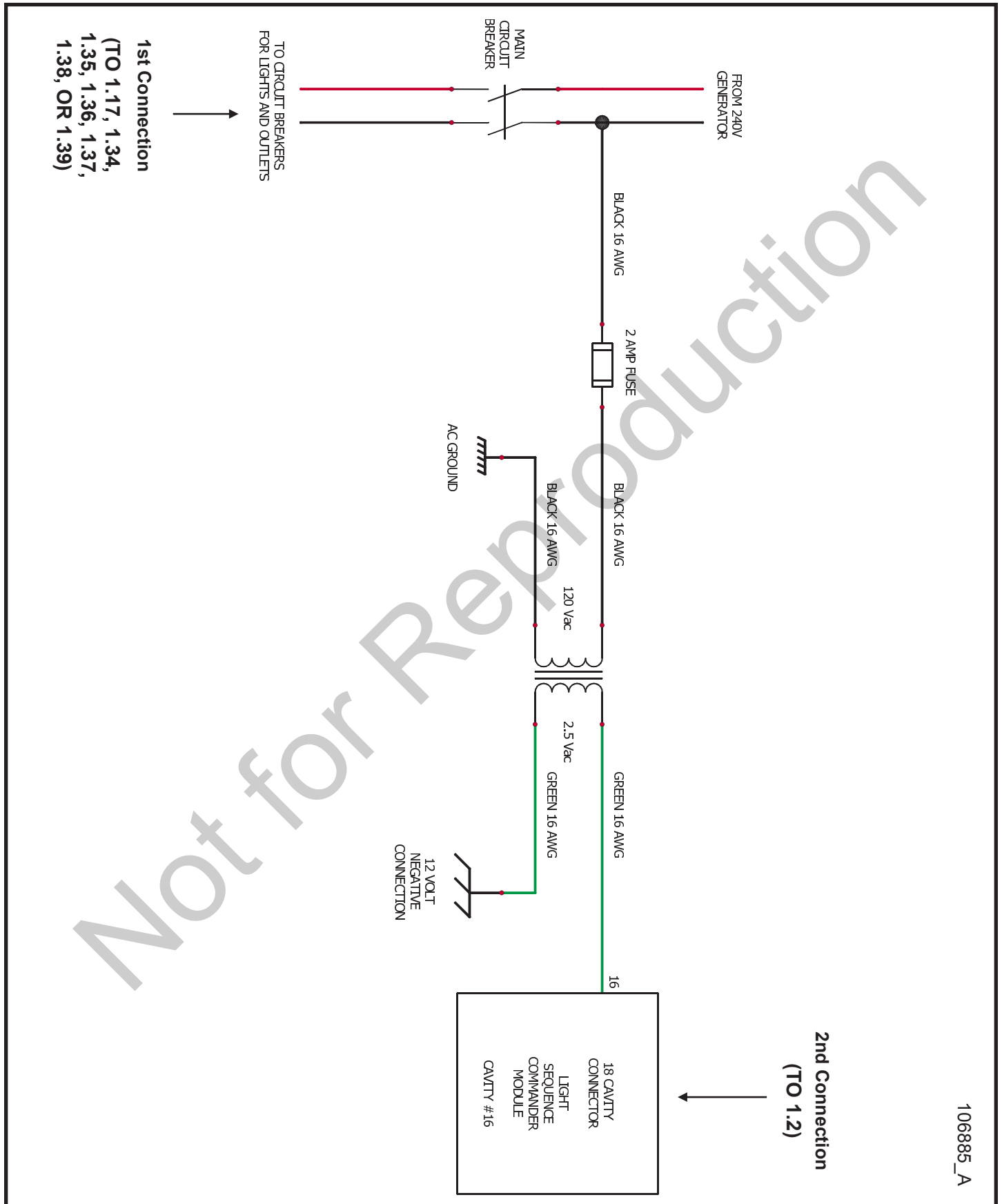
1.31 - License Plate LED Lamp Schematic



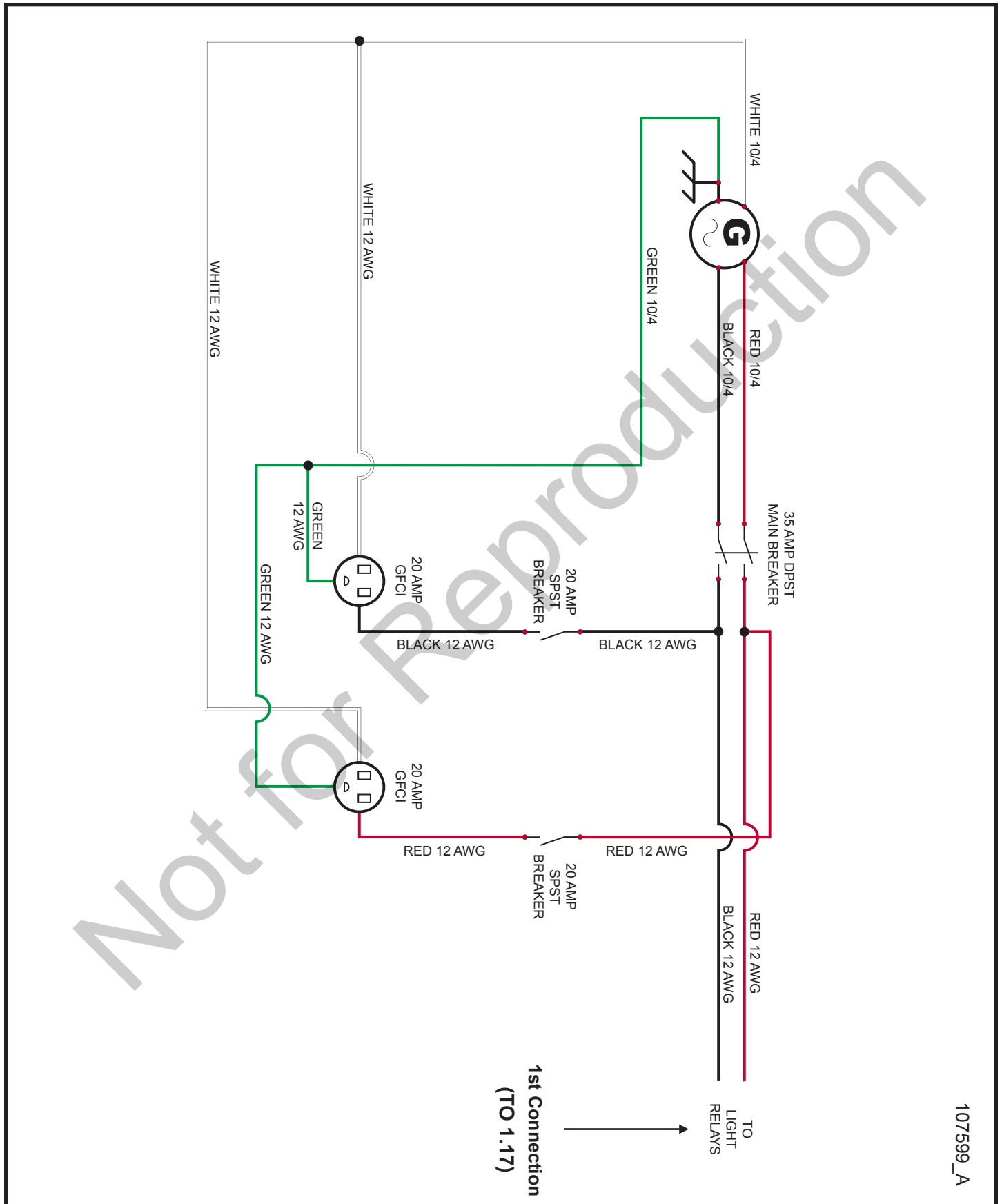
1.32 - SLS 1.1 Relay Addition Schematic



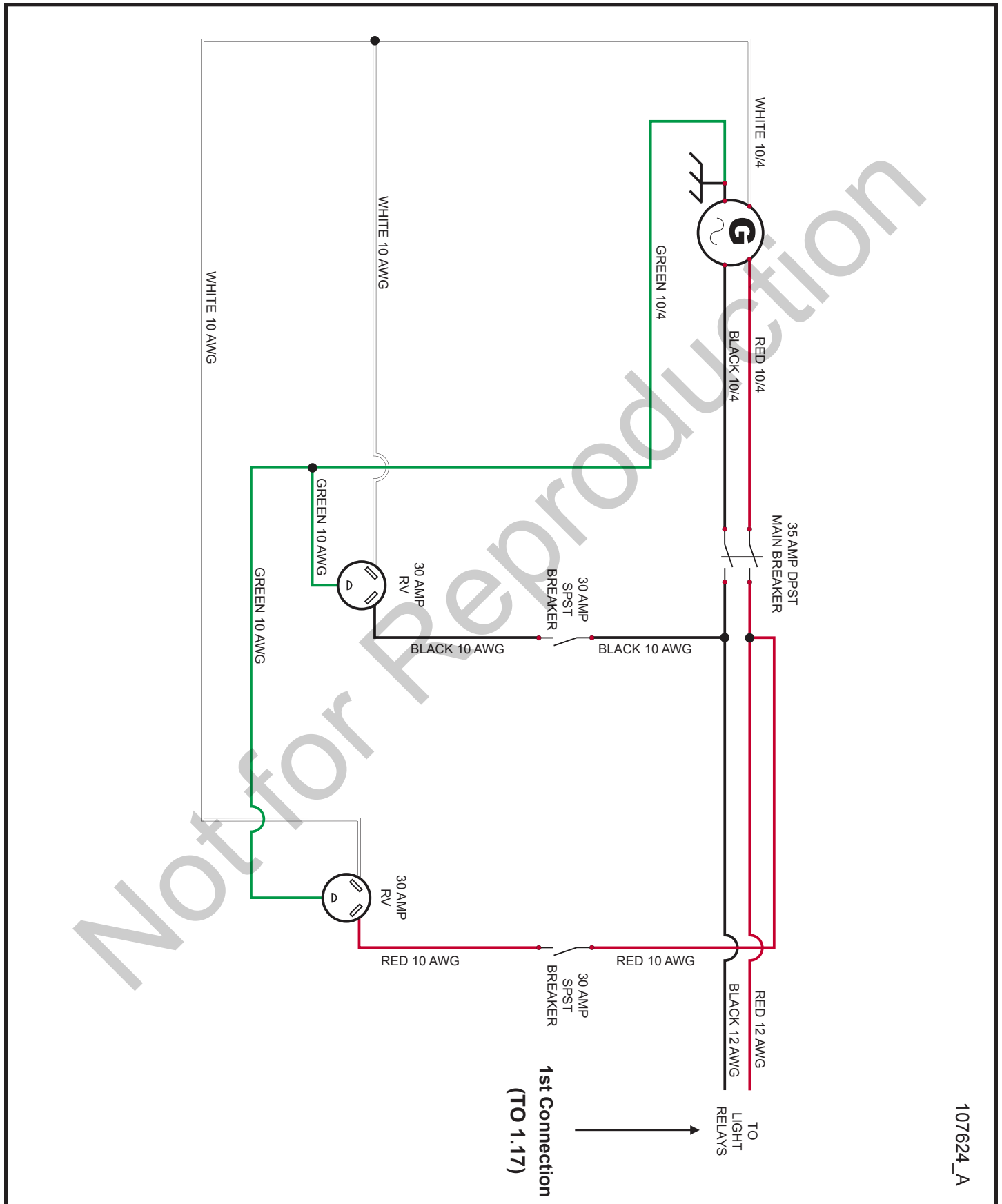
1.33 - LSC 2.1 120V Transformer Schematic



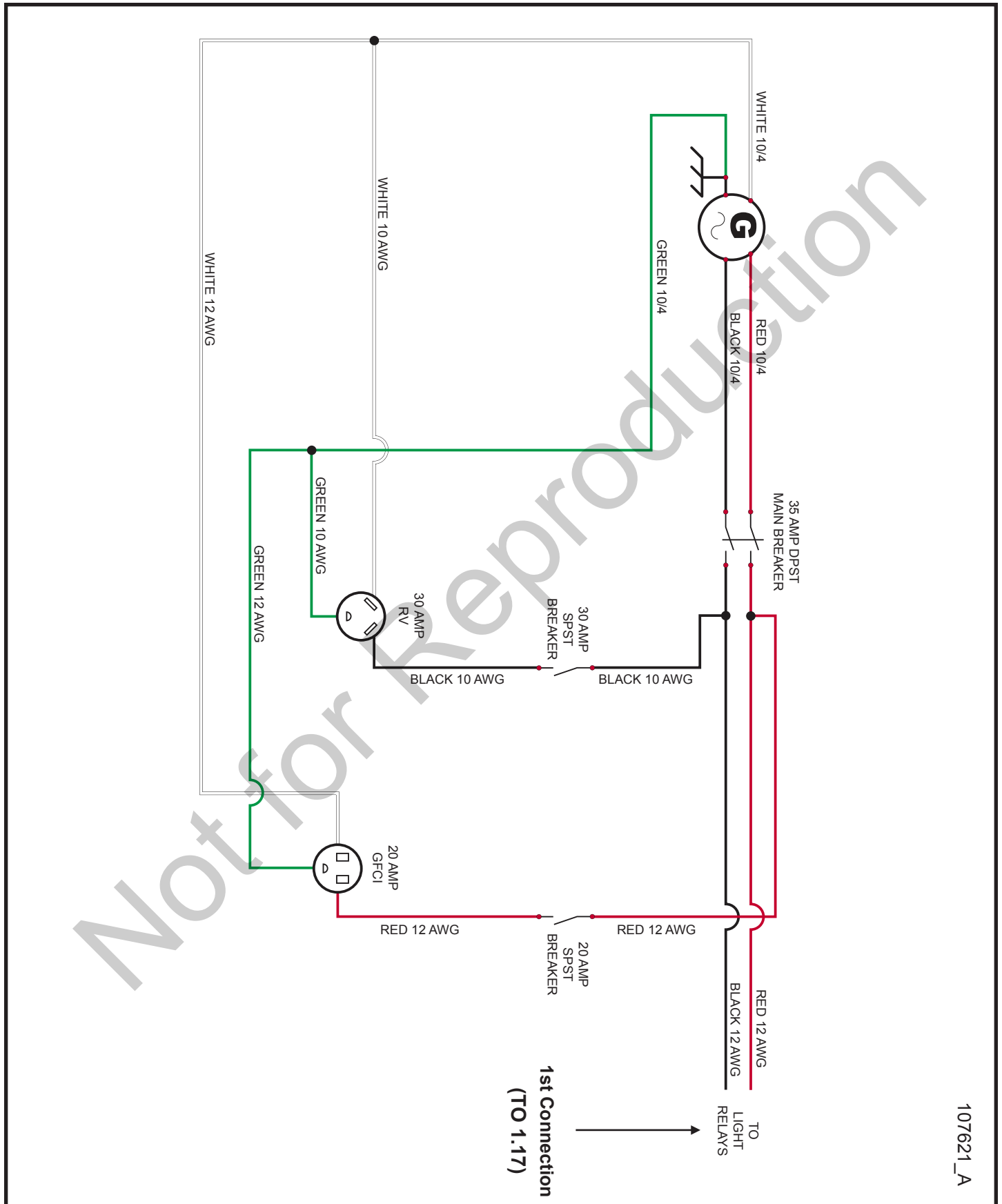
1.34 - 2-20AMP GFCI Schematic



1.36 - 2-30AMP RV Schematic

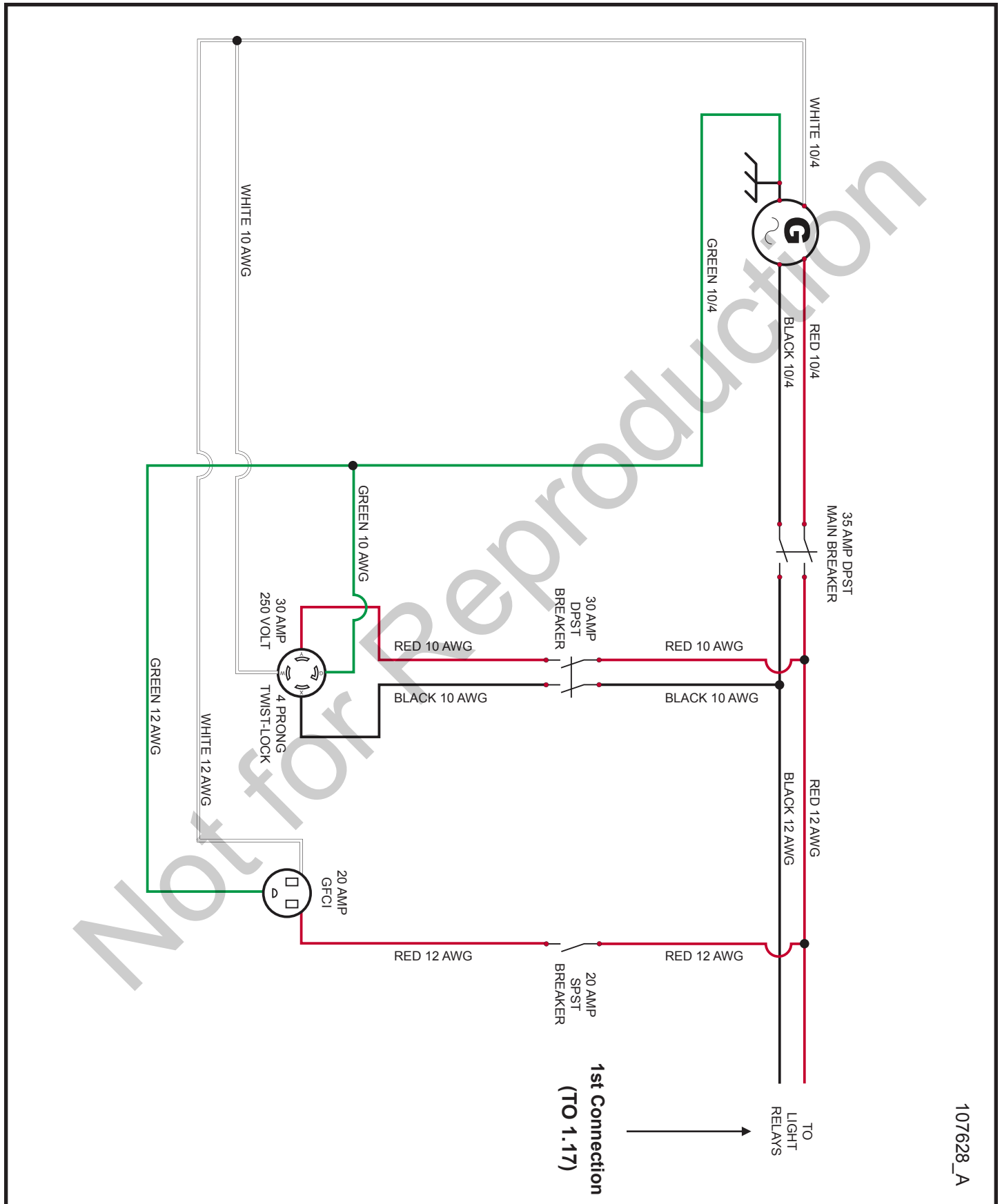


1.37 - 1-30AMP RV 1-20AMP GFCI Schematic

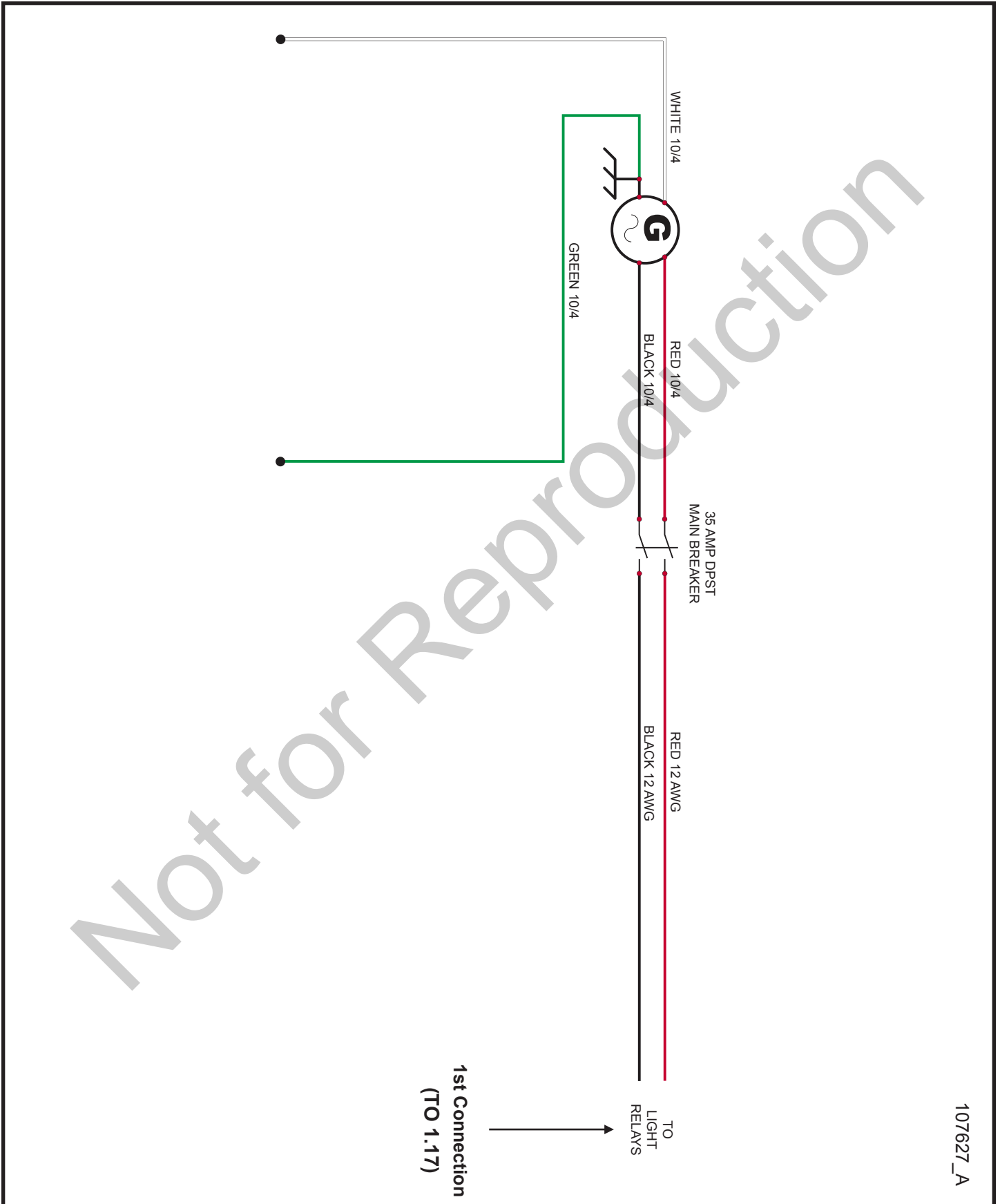


107621_A

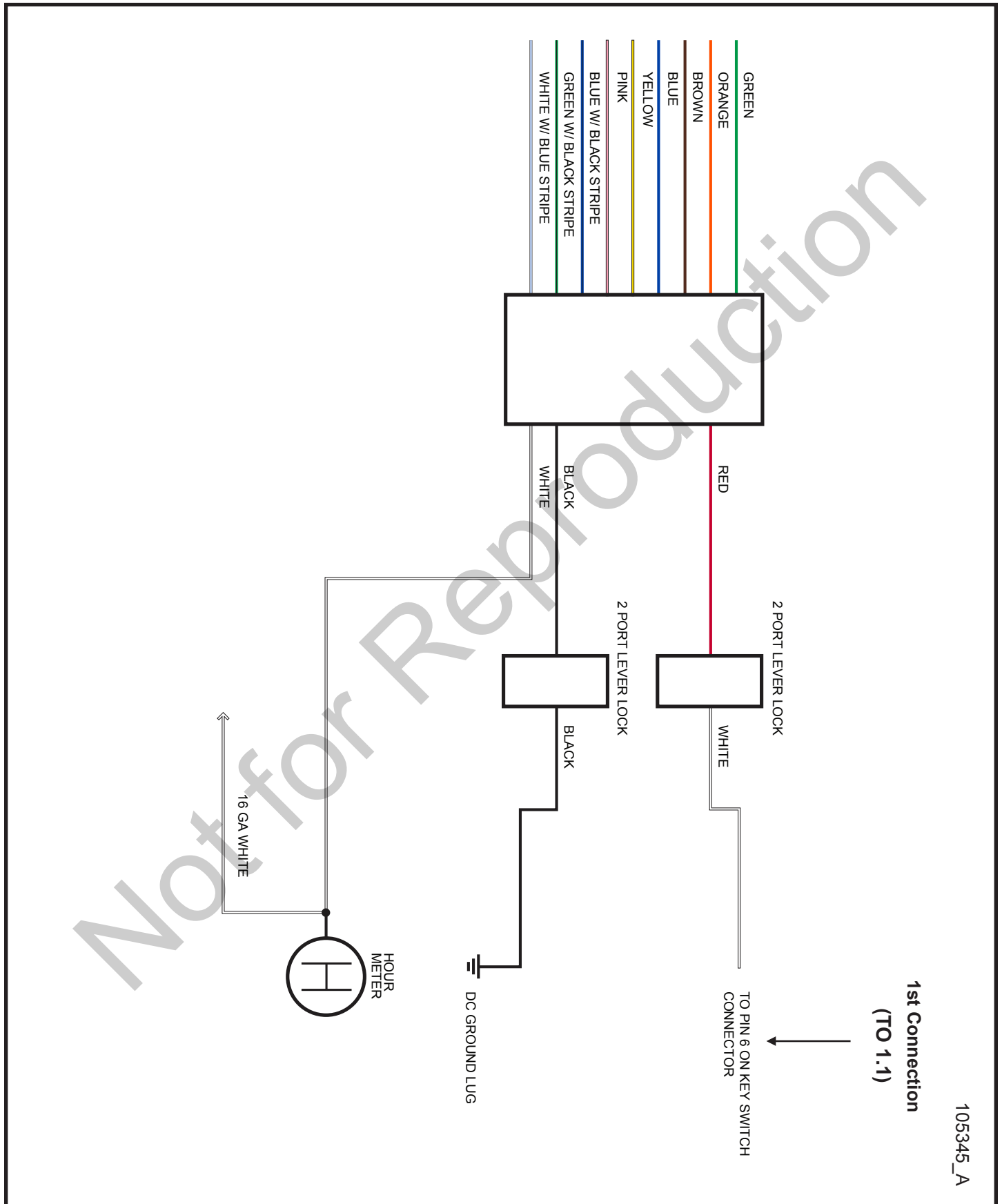
1.38 - 1-30AMP Twistlock 1-20AMP GFCI Schematic



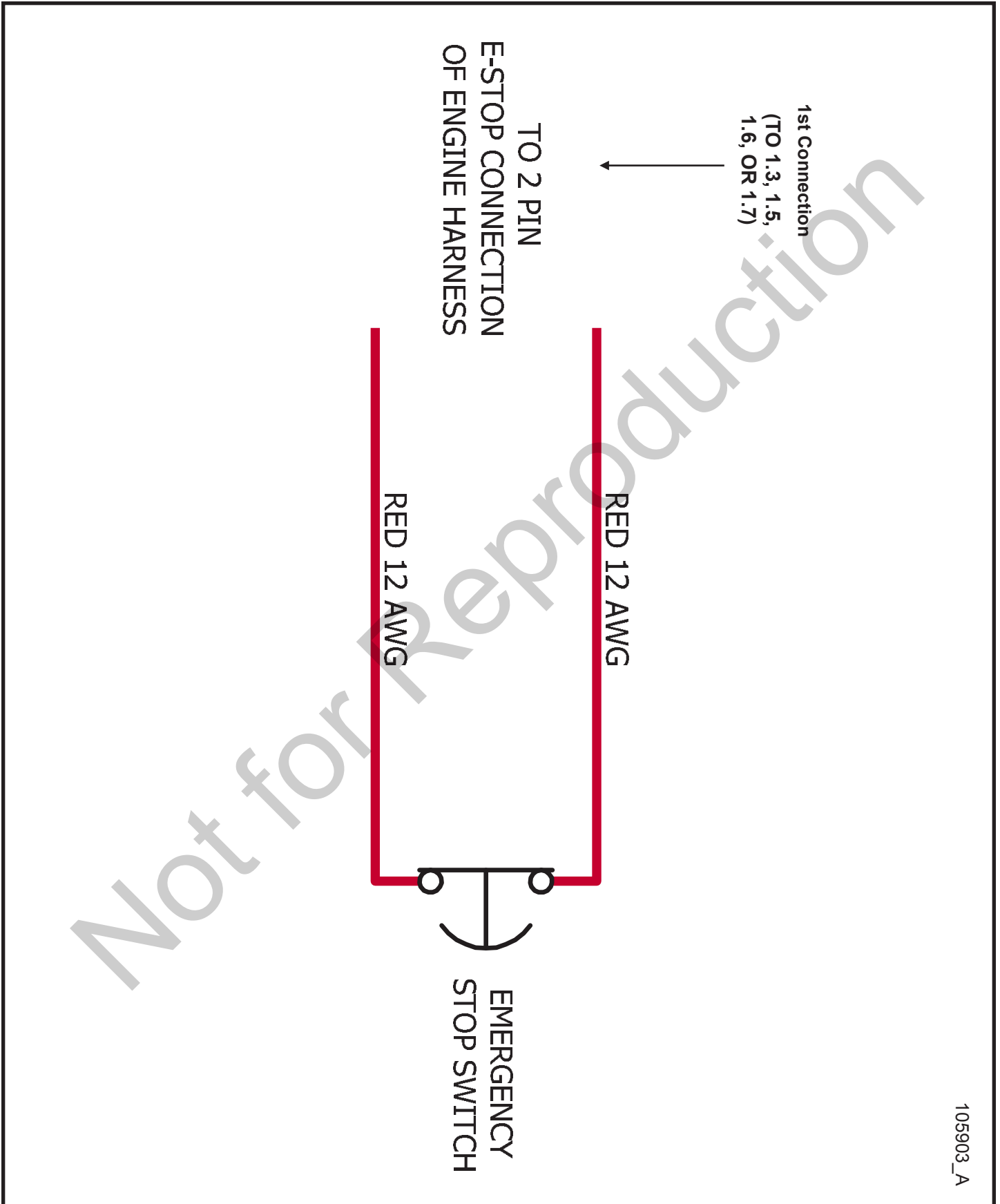
1.39 - No Outlet Schematic



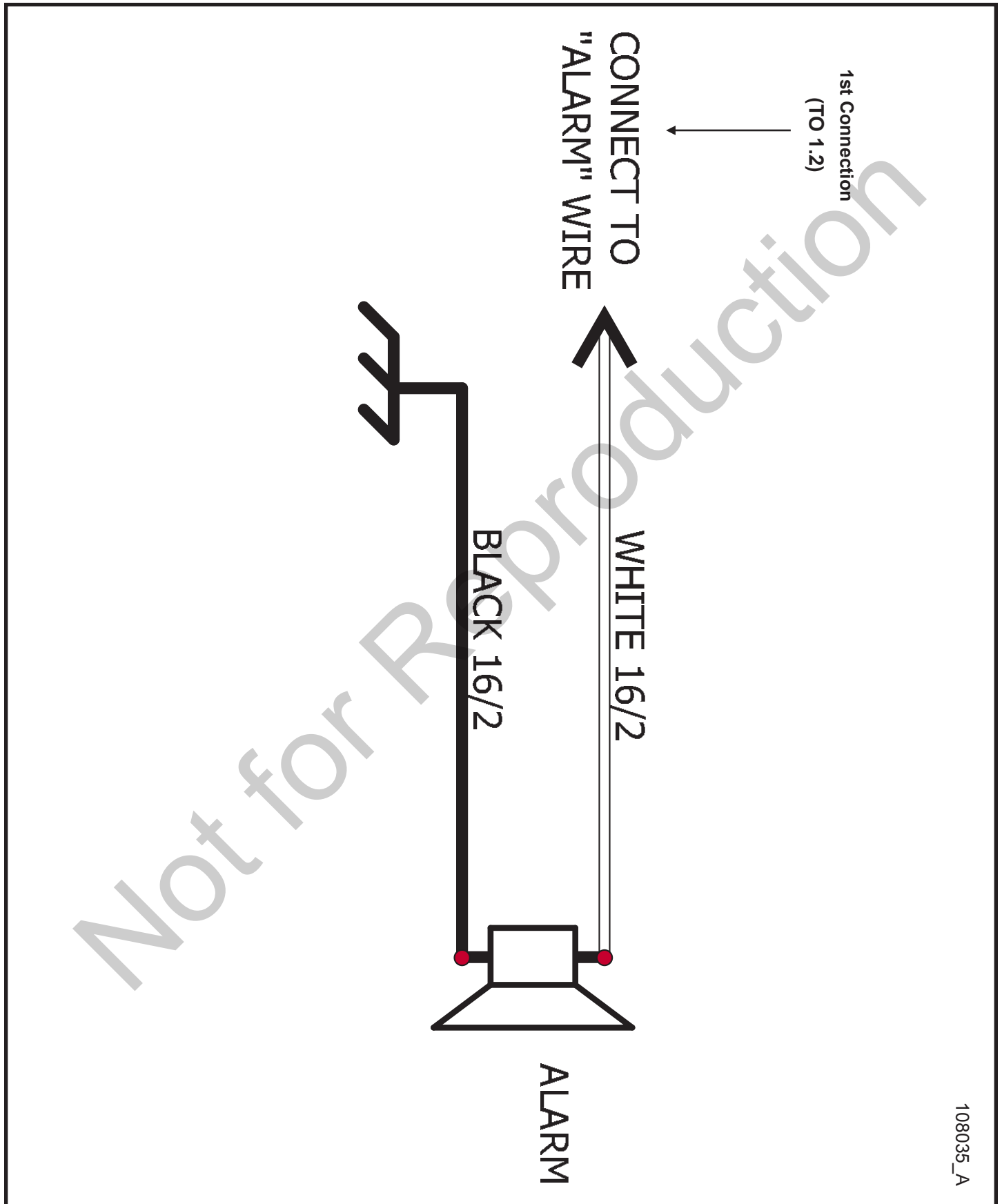
1.40 - GPS ZTR System Schematic



1.41 - Emergency Stop Schematic



1.42 - 102 Decibel Alarm Schematic



Not for Reproduction

PAGE LEFT BLANK
INTENTIONALLY

Allmand™

BRIGHTER. WARMER. SAFER.

Allmand Bros., Inc.
1502 West 4th Avenue
Holdrege, NE 68949
phone: (308) 995-4495 • toll free: (800) 562-1373
fax: (308) 995-5887

www.allmand.com



Reliability, performance, and integrity since 1938

13-0267