

Allmand™

V-Series®
Night-Lite Pro II™
CE Spec

PARTS CATALOG



Part No. 106808

SN 0001PRO2VE15 and UP

PHONE	(308) 995-4495, (800) 562-1373
FAX	(308) 995-5887
PARTS DEPT. FAX	(308) 995-4883
WEB	www.allmand.com



TABLE OF CONTENTS

1.0 AXLE/TONGUE/OUTRIGGERS

AL-CO Frame and Axle Mount	(1.1)
CE Tongue and Axle	(1.2)
CE Vertical Tower Platform	(1.3)
Outriggers and Jacks (1 of 2).....	(1.4)
Outriggers and Jacks (2 of 2).....	(1.5)

2.0 TRAILER BASE PARTS

Fluid Containment Tray	(2.1)
Fuel Tank	(2.2)
FCS Rear Fuel Tank Support	(2.3)
Rear Panel (Kubota)	(2.4)
Rear Panel (CAT)	(2.5)
Vertical Tower Trailer Components (1 of 3)	(2.6)
Vertical Tower Trailer Components (2 of 3)	(2.7)
Vertical Tower Trailer Components (3 of 3)	(2.8)
Manual Canister	(2.9)
Tower Pedestal	(2.10)
Fender	(2.11)
Right Door	(2.12)
Left Door	(2.13)
Sound Attenuation Package	(2.14)

3.0 VERTICAL TOWER GROUP

Vertical Tower Components (1 of 6)	(3.1)
Vertical Tower Components (2 of 6)	(3.2)
Vertical Tower Components (3 of 6)	(3.3)
Vertical Tower Components (4 of 6)	(3.4)
Vertical Tower Components (5 of 6)	(3.5)
Vertical Tower Components (6 of 6)	(3.6)
Vertical Light Bar	(3.7)

Night-Lite Pro II™ CE Spec

TABLE OF CONTENTS

3.0 VERTICAL TOWER GROUP (Continued)

Vertical Tower Hydraulic Pump	(3.8)
Hydraulic Pump Mount	(3.9)
Quick Disconnect Vertical Tower Connector	(3.10)
Hydraulic Pump to Key Switch Relay	(3.11)
Vertical Tower Switch Panel	(3.12)
Nycoil Cord	(3.13)

4.0 BALLAST AND SHO LAMP GROUP

1000W 50Hz Ballast	(4.1)
1000W 50Hz Lamps With Ballast (1 of 2)	(4.2)
1000W 50Hz Lamps With Ballast (2 of 2)	(4.3)
SHO CSA/UL Lampholder	(4.4)
SHO Light Lampholder (1 of 2)	(4.5)
SHO Light Lampholder (2 of 2)	(4.6)
Socket Entrance End Cap	(4.7)
SAF-T Visor	(4.8)
Solid Wired Lamp Connector	(4.9)
Quick Disconnect Lamp Connector	(4.10)

5.0 ELECTRICAL GROUP

Component Box (1 of 2)	(5.1)
Component Box (2 of 2)	(5.2)
Key Start Engine Control	(5.3)
LSC Start Engine Control	(5.4)
50Hz CE Schuko Outlets	(5.5)
4-Light Relay	(5.6)
Low Level Fuel Module	(5.7)
CAT Engine Voltage Regulator	(5.8)
E-Stop	(5.9)
Battery and Battery Cables	(5.10)

TABLE OF CONTENTS

5.0 ELECTRICAL GROUP (Continued)

Kubota Tail Light	(5.11)
CAT Tail Light	(5.12)
Kubota/CAT 13-Pole Tail Light Harness	(5.13)

6.0 ENGINE AND GENERATOR PARTS

Kubota D1005 NRTC/NTE T4 Engine	(6.1)
Kubota Engine Group (1 of 3)	(6.2)
Kubota Engine Group (2 of 3)	(6.3)
Kubota Engine Group (3 of 3)	(6.4)
Kubota Fuel Line	(6.5)
Kubota Remote Oil Drain	(6.6)
Kubota LSC Sending Unit	(6.7)
Caterpillar C1.1 50Hz Engine	(6.8)
Caterpillar C1.1 Engine Group	(6.9)
CAT Fuel Line	(6.10)
CAT Remote Oil Drain	(6.11)
CAT LSC Sending Unit	(6.12)
Radiator Overflow	(6.13)
Engine Isolator Mounts	(6.14)
Engine Ground Strap	(6.15)
6kW 50Hz Marathon Generator	(6.16)
10/3 Generator Cord	(6.17)

7.0 DECAL GROUP

NL Pro II CE Spec Vertical Tower Decals	(7.1)
NL Pro II CE Spec Decals (1 of 3)	(7.2)
NL Pro II CE Spec Decals (2 of 3)	(7.3)
NL Pro II CE Spec Decals (3 of 3)	(7.4)
NL Pro II CE Spec Stripe Decals	(7.5)

Night-Lite Pro II™ CE Spec

TABLE OF CONTENTS

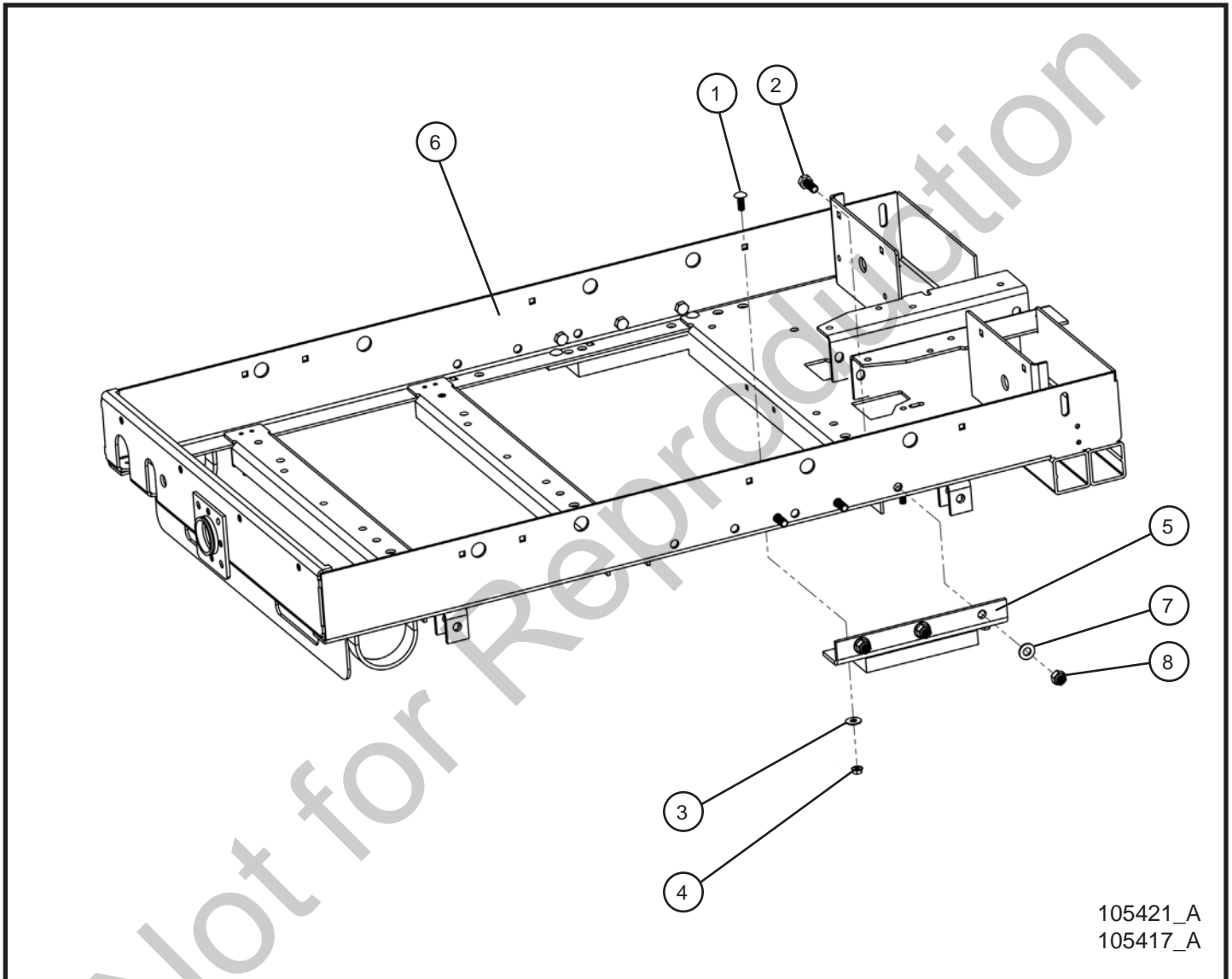
8.0 WIRING SCHEMATICS

AC Wire Schematic Generator to Lights	(8.1)
Wire Schematic Tail Light Harness (1 of 2)	(8.2)
Wire Schematic Tail Light Harness (2 of 2)	(8.3)
Schematic Low Fuel Module	(8.4)
Wire Schematic 4 Lights - 2 Relays	(8.5)
Schematic Vertical Up/Down Momentary Switch	(8.6)
CAT C1.1 Schematic	(8.7)
CAT C1.1 LSC Schematic	(8.8)
CAT C1.1 Voltage Regulator Schematic	(8.9)
Kubota D1005 Schematic	(8.10)
Kubota D1005 LSC Schematic	(8.11)
LSC Schematic	(8.12)
Wire Schematic Two 16 AMP Schuko	(8.13)

Not for Reproduction

1.1 - AL-CO Frame and Axle Mount

SN 0001PRO2VE15 and UP



Night-Lite Pro II™ CE Spec

1.1 - AL-CO Frame and Axle Mount

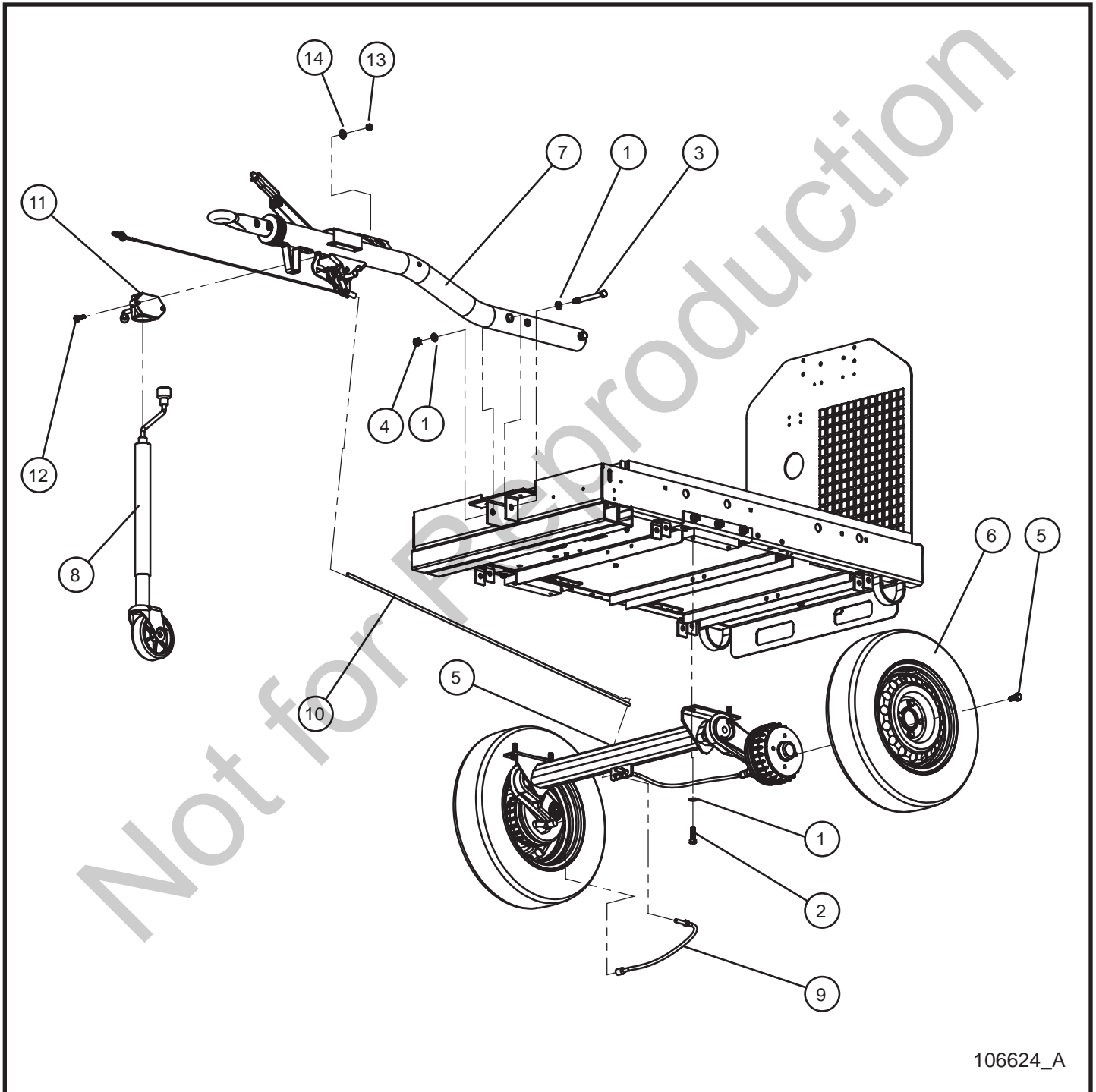
SN 0001PRO2VE15 and UP

Item	Part No.	Part Description	Qty.
1	053028	3/8-16 KEPS HEX NUT PL	4
2	046180	1/2-13 x 1 1/4 HEX HEAD CS GR5 PL	6
3	047015	3/8 FLAT WASHER PL	4
4	044036	3/8-16 KEPS HEX NUT PL	4
5	103286P	AL-CO AXLE MOUNT	2
6	105417P	AL-CO FRAME TRAILER	1
7	047025	1/2 FLAT WASHER PL	6
8	044048	1/2-13 NYLOCK HEX NUT PL	6

Not for Reproduction

1.2 - CE Tongue and Axle

SN 0001PRO2VE15 and UP



106624_A

Night-Lite Pro II™ CE Spec

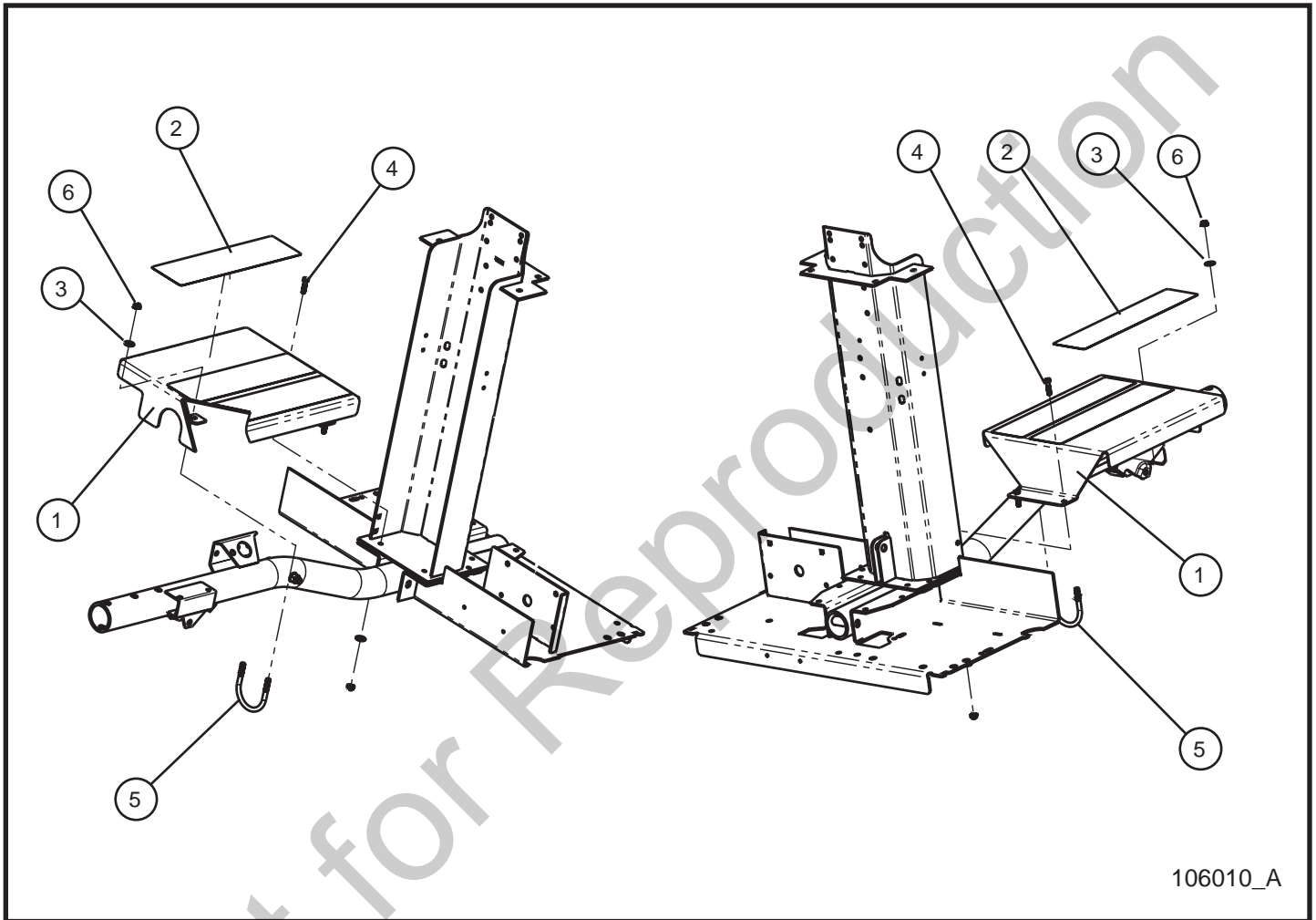
1.2 - CE Tongue and Axle

SN 0001PRO2VE15 and UP

Item	Part No.	Part Description	Qty.
1	042155	M12 FLAT WASHER SAE	8
2	042054	M12 x 1.75 x 40MM HEX HEAD CAP SCREW	4
3	046230	1/2-13 x 5 HEX HEAD CS GR5 PL	2
4	044048	1/2-13 NYLOCK HEX NUT PL	2
--	106021	AL-KO EUROPEAN KIT NL PRO II	1
5	106607	TORSION AXLE 2,000 LB	1
6	106623	WHEEL/TIRE AL-KO AXLE	2
7	106621	TONGUE OVERRUN DEVISE	1
8	106628	JOCKEY WHEEL JACK TOP CRANK	1
9	106624-2	BOWDEN CABLE	2
10	106624-1	BRAKE ROD	1
11	106621-14	JOCKEY WHEEL CLAMP	1
12	042040	M10 x 1.5 x 30MM HEX HEAD CS GR8.8 PL	2
13	047025	1/2 FLAT WASHER PL	2
14	044129	M10 x 1.5MM NYLOCK HEX NUT	2
NS	106027	THREAD LOCK MEDIUM STRENGTH (LOCKTITE)	1

1.3 - CE Vertical Tower Platform

SN 0001PRO2VE15 and UP



Night-Lite Pro II™ CE Spec

1.3 - CE Vertical Tower Platform

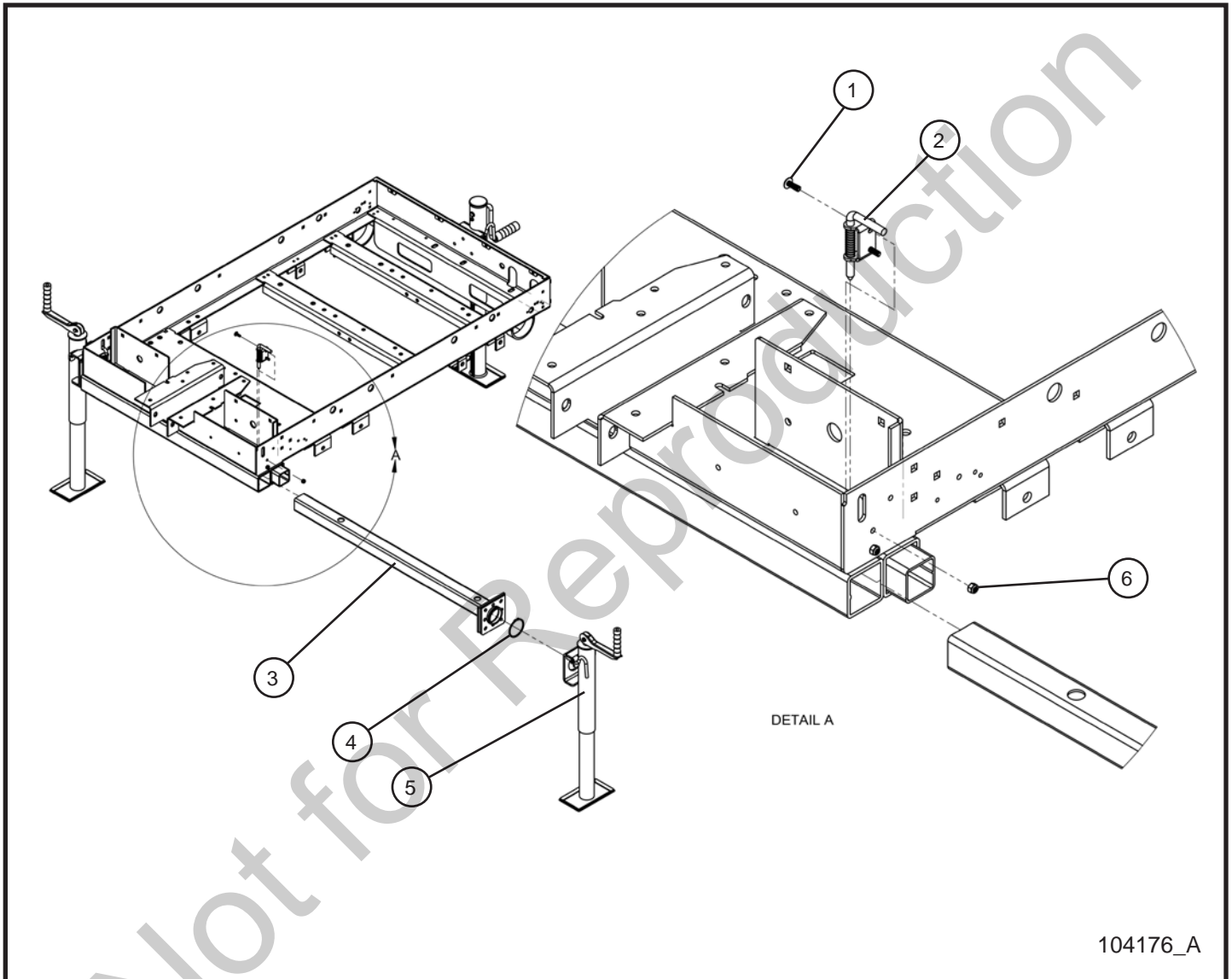
SN 0001PRO2VE15 and UP

Item	Part No.	Part Description	Qty.
1	105538P	WELDMENT PLATFORM INTERNATIONAL PRO II	1
2	062005	ANTI SKID TAPE x 15.5	3
3	047020	7/16 FLAT WASHER	2
4	046055	5/16-18 x 1 1/4 HEX HEAD CS GR5 PL	2
5	045087	3-3/8 x 3/8-16 ZINC PLATED U BOLT	1
6	044036	3/8-16 HEX NUT PL	2

Not for Reproduction

1.4 - Outriggers and Jacks (1 of 2)

SN 0001PRO2VE15 and UP



Night-Lite Pro II™ CE Spec

1.4 - Outriggers and Jacks (1 of 2)

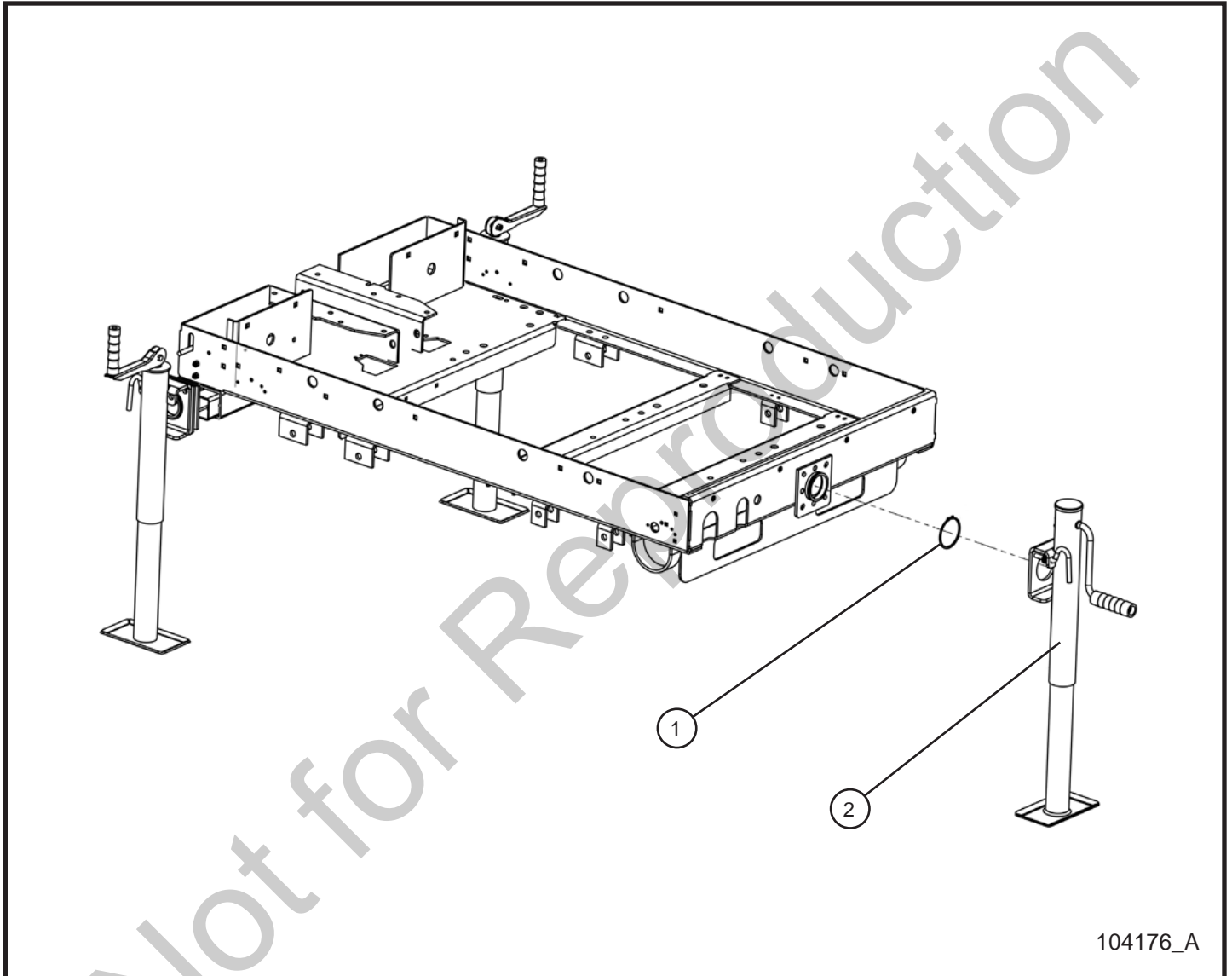
SN 0001PRO2VE15 and UP

Item	Part No.	Part Description	Qty.
1	041050	1/4-20 x 3/4 PH-TRUSS HEAD MS SS MACHINE SCREW	4
2	650723	PIN OUTRIGGER RETENTION	2
3	102809P	NL PRO II OUTRIGGER	2
4	330014	2 5/6 XT JACK SNAP RING	2
5	330008	SHORT JACK TOP CRANK	2
6	044023	1/4-20 NYLOCK HEX HUT PL	4

Not for Reproduction

1.5 - Outriggers and Jacks (2 of 2)

SN 0001PRO2VE15 and UP



Night-Lite Pro II™ CE Spec

1.5 - Outriggers and Jacks (2 of 2)

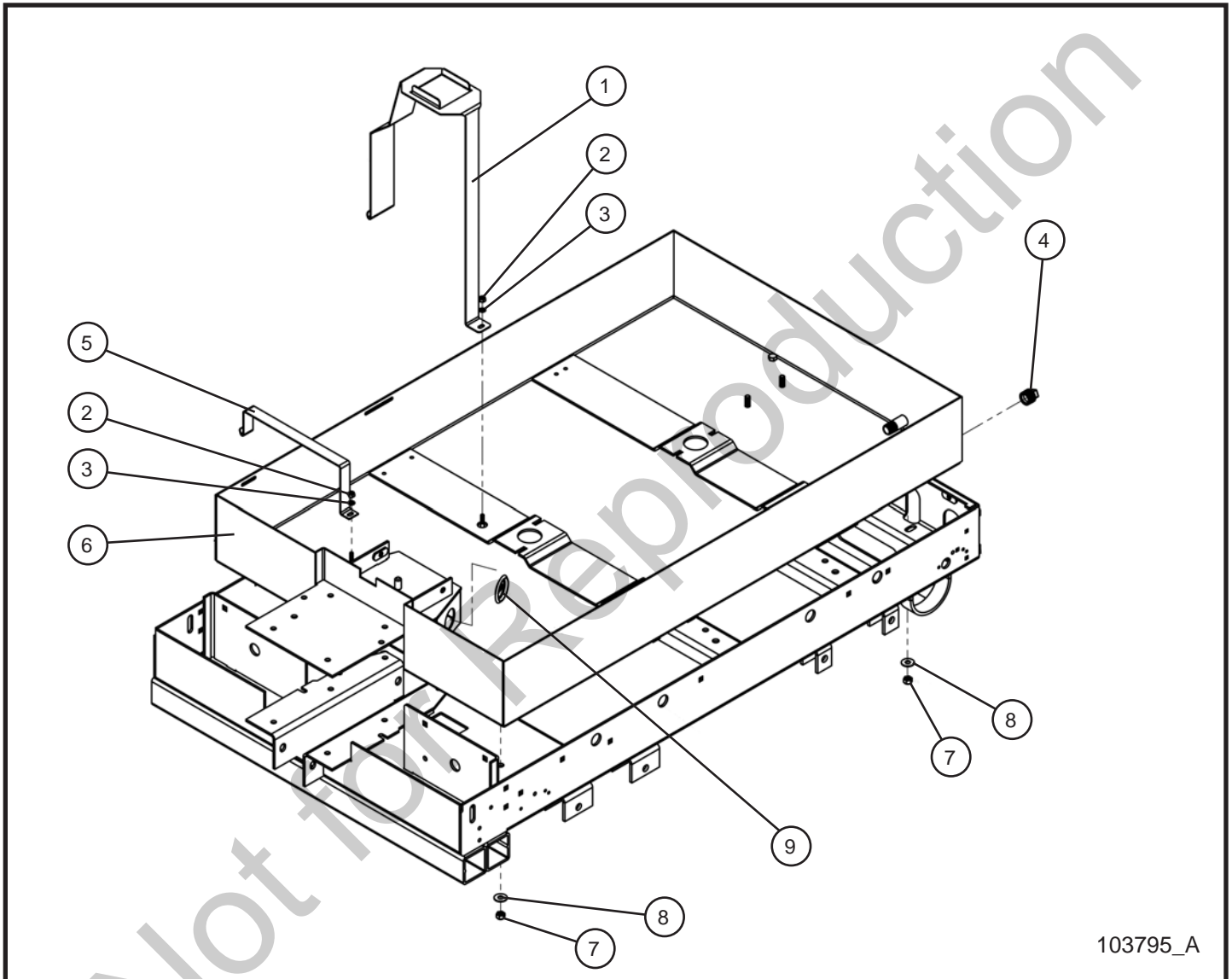
SN 0001PRO2VE15 and UP

Item	Part No.	Part Description	Qty.
1	330014	2 5/6 XT JACK SNAP RING	1
2	650235	JACK SIDE CRANK	1

Not for Reproduction

2.1 - Fluid Containment Tray

SN 0001PRO2VE15 and UP



103795_A

Night-Lite Pro II™ CE Spec

2.1 - Fluid Containment Tray

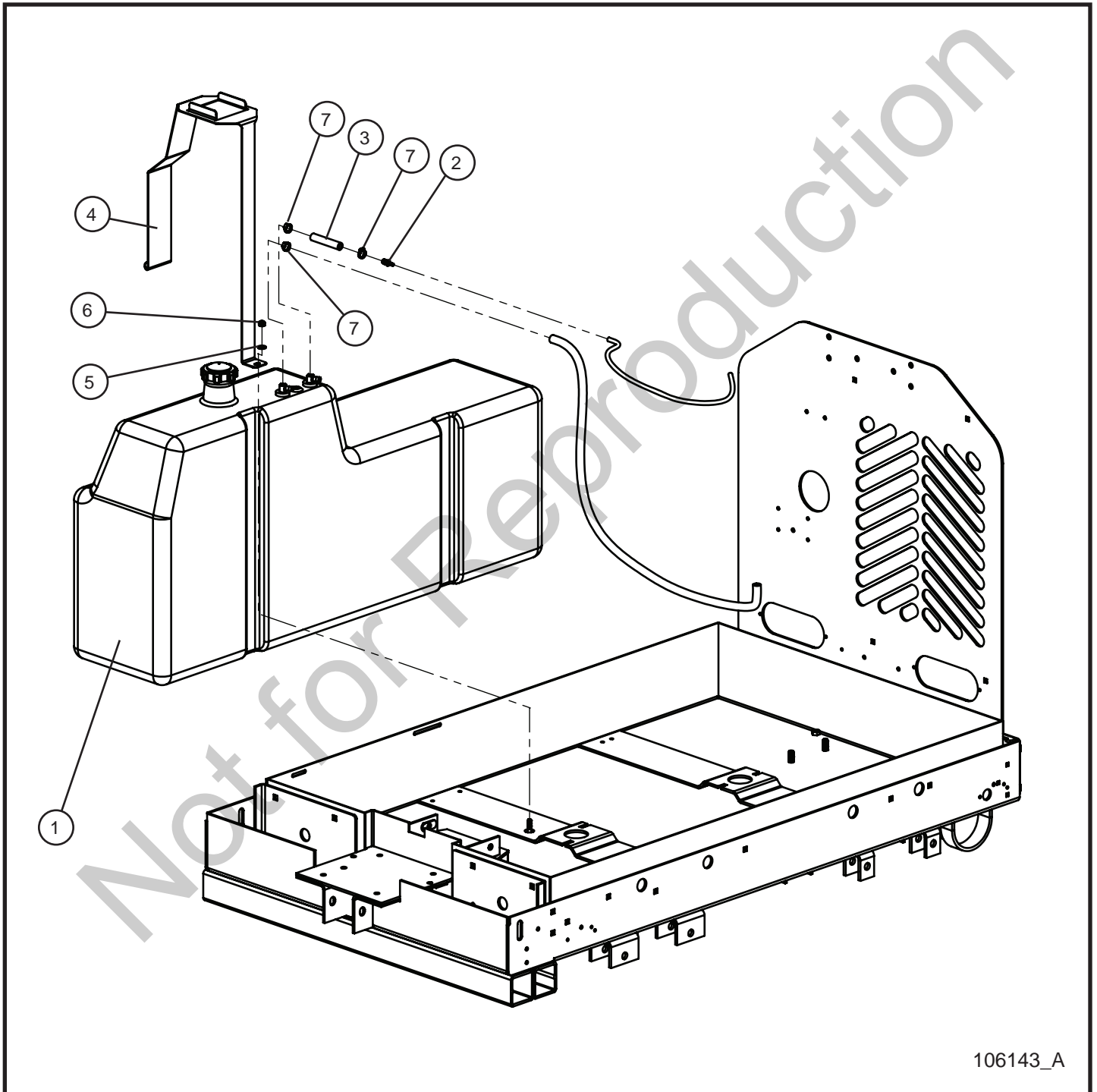
SN 0001PRO2VE15 and UP

Item	Part No.	Part Description	Qty.
1	102821P	TANK STRAP	1
2	044023	1/4-20 NYLOCK HEX NUT PL	2
3	047009	1/4 FLAT WASHER SAE SS	2
4	104148	PIPE PLUG 3/4 NPT	1
5	102820P	BATTERY STRAP	1
6	103991P	CONTAINMENT TRAY	1
7	044038	3/8-16 NYLOCK HEX NUT PL	4
8	047015	3/8 FLAT WASHER PL	4
9	680878	1 3/4 CAPLUG	1

Not for Reproduction

2.2 - Fuel Tank

SN 0001PRO2VE15 and UP



106143_A

Night-Lite Pro II™ CE Spec

2.2 - Fuel Tank

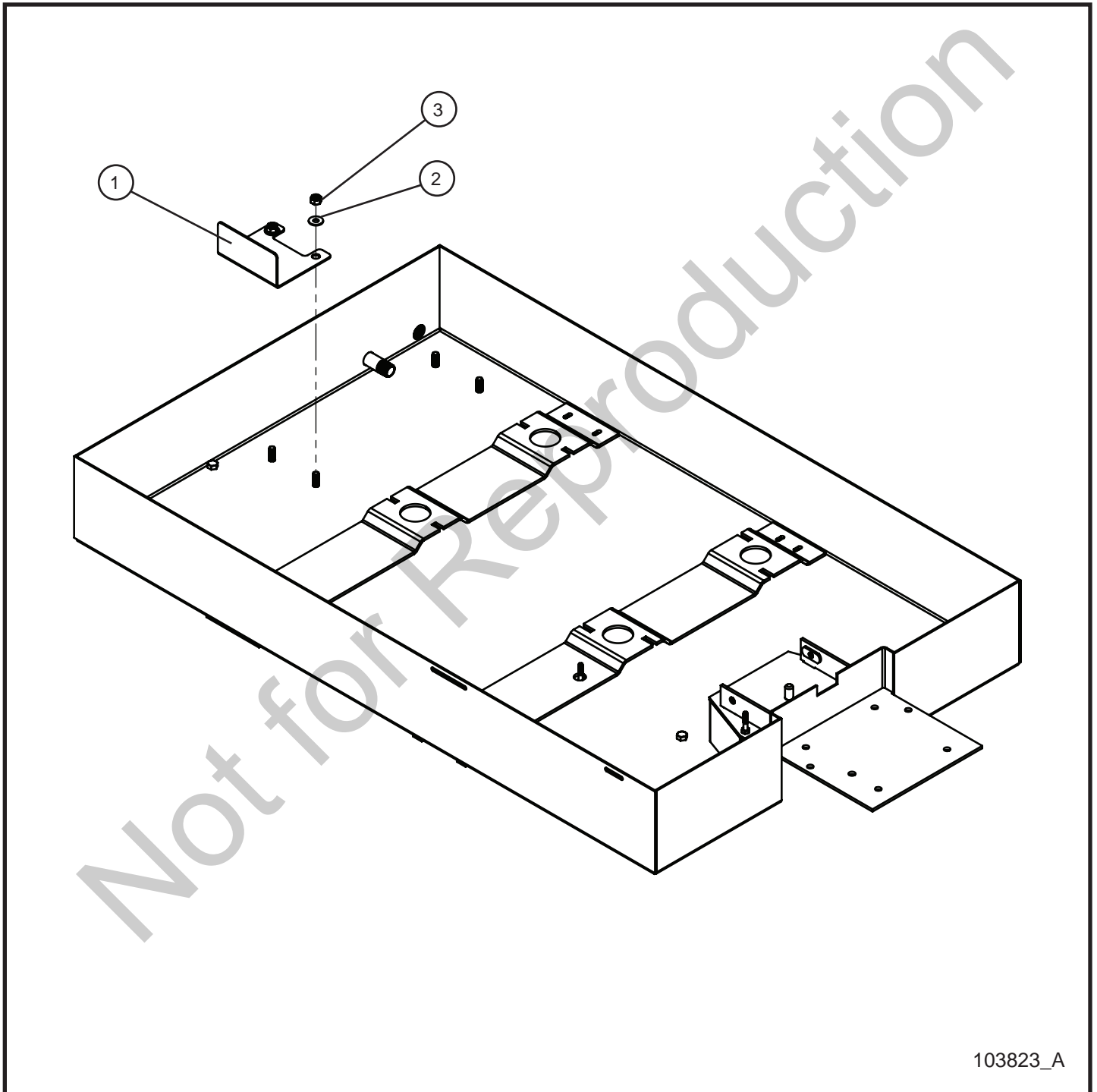
SN 0001PRO2VE15 and UP

Item	Part No.	Part Description	Qty.
1	105482	FUEL TANK 30 GALLON PRO II	1
2	106134	REDUCER FITTING HOSE BARB	1
3	081018	HOSE 5/16" FUEL LINE x 3 INCHES	1
4	102821P	PRO II CONTAINMENT TRAY TANK STRAP	1
5	047005	1/4 FLAT WASHER	1
6	044023	1/4-20 NYLOCK HEX NUT PL	1
7	433400	#4 HOSE CLAMP	3

Not for Reproduction

2.3 - FCS Rear Fuel Tank Support

SN 0001PRO2VE15 and UP



103823_A

Night-Lite Pro II™ CE Spec

2.3 - FCS Rear Fuel Tank Support

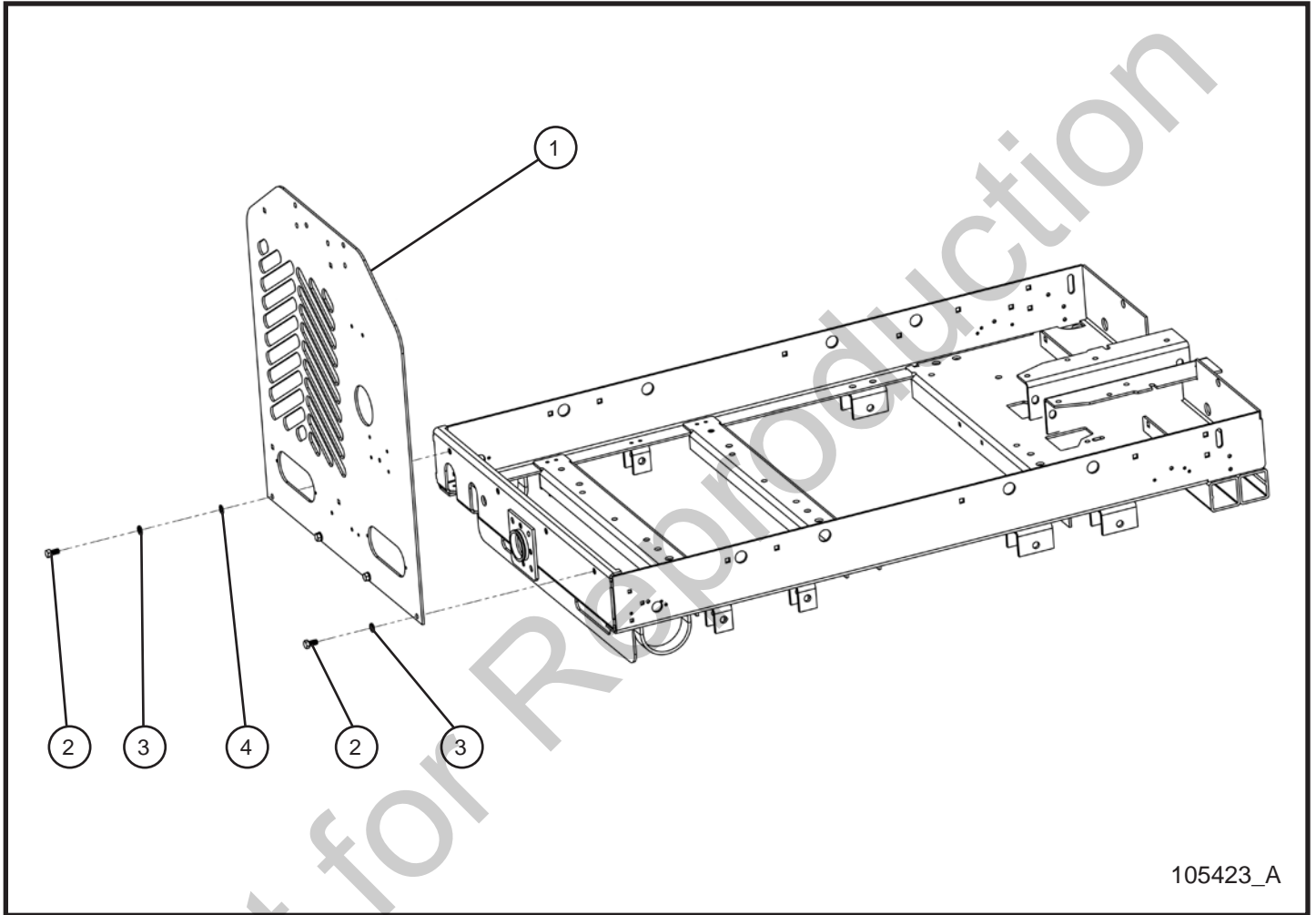
SN 0001PRO2VE15 and UP

Item	Part No.	Part Description	Qty.
1	103821P	BRACKET SUPPORT FUEL TANK PRO II	1
2	047010	5/16 FLAT WASHER PL	2
3	044038	3/8-16 NYLOCK HEX NUT PL	2

Not for Reproduction

2.4 - Rear Panel (Kubota)

SN 0001PRO2VE15 and UP



Night-Lite Pro II™ CE Spec

2.4 - Rear Panel (Kubota)

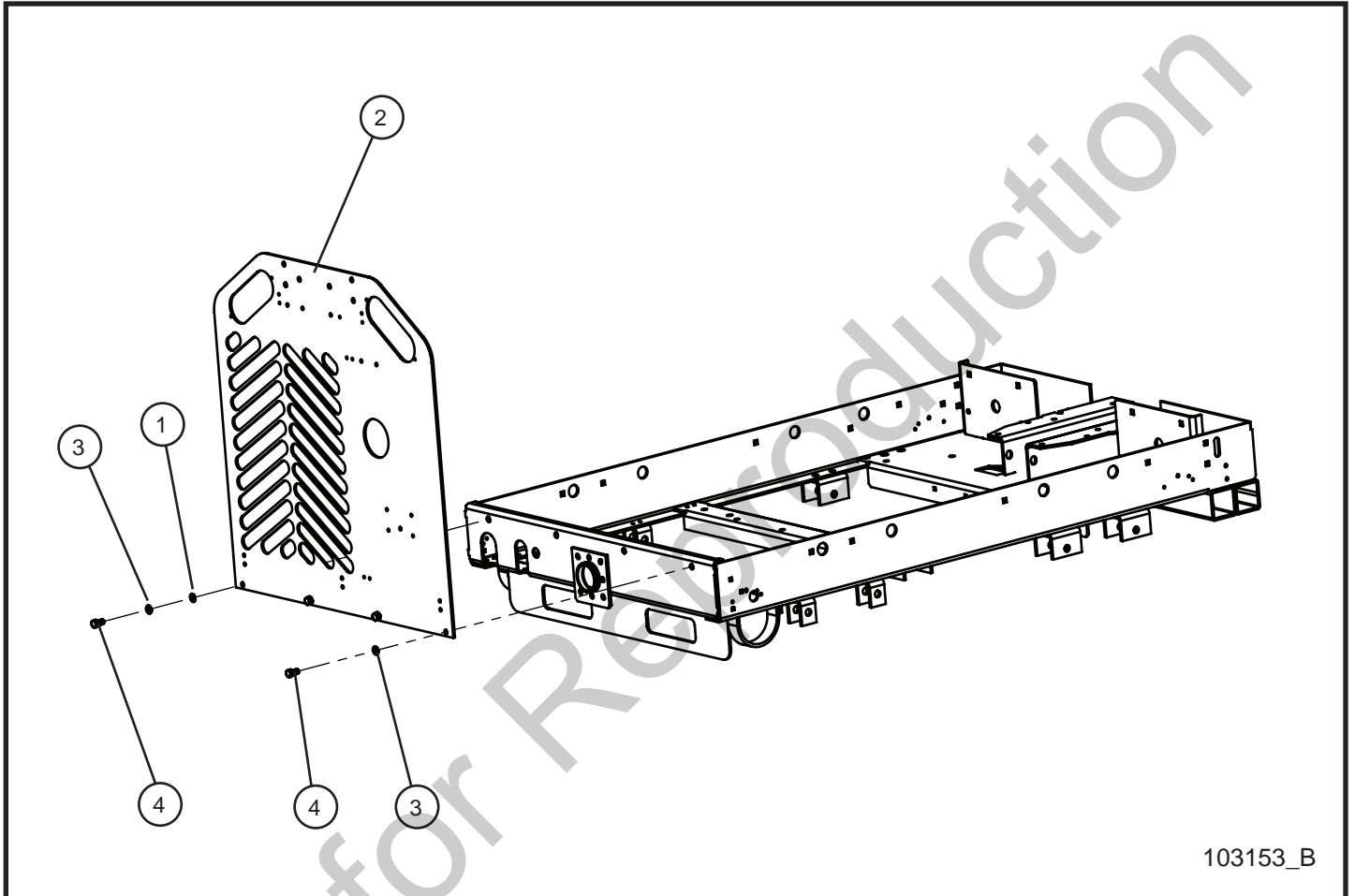
SN 0001PRO2VE15 and UP

Item	Part No.	Part Description	Qty.
1	105403P	REAR PANEL (KUBOTA)	1
2	046105	3/8-16 x 3/4 HEX HEAD CS GR8 PL	4
3	043065	3/8 SPLITLOCK WASHER PL	4
4	043070	3/8 INTL TOOTH LOCK WASHER PL	1

Not for Reproduction

2.5 - Rear Panel (CAT)

SN 0001PRO2VE15 and UP



103153_B

Night-Lite Pro II™ CE Spec

2.5 - Rear Panel (CAT)

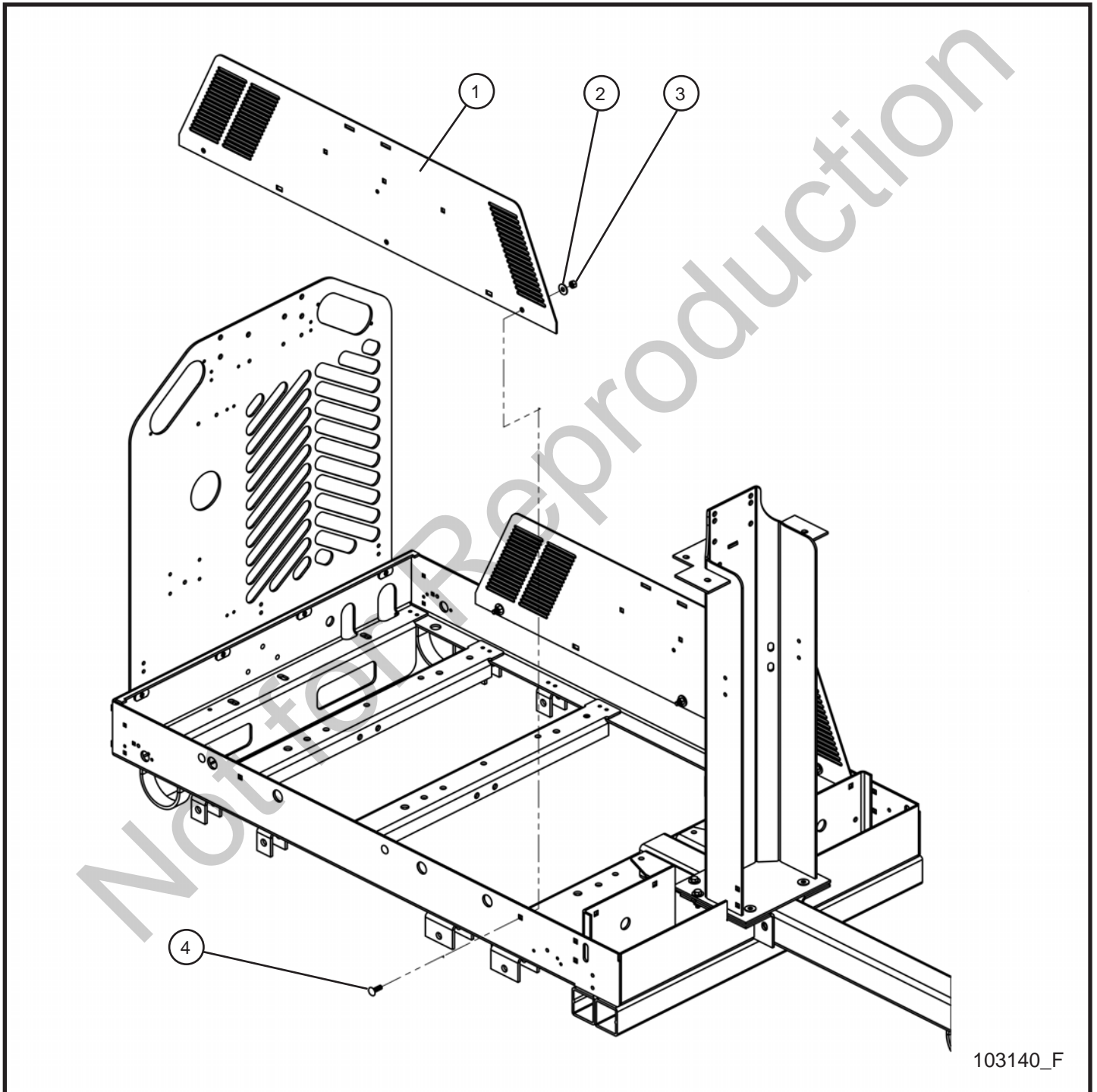
SN 0001PRO2VE15 and UP

Item	Part No.	Part Description	Qty.
1	043070	3/8 INTL TOOTH LOCK WASHER PL	1
2	102823P	REAR PANEL UNIVERSAL	1
3	043065	3/8 SPLITLOCK WASHER PL	4
4	046105	3/8-16 x 3/4 HEX HEAD CS GR8 PL	4

Not for Reproduction

2.6 - Vertical Tower Trailer Components (1 of 3)

SN 0001PRO2VE15 and UP



Night-Lite Pro II™ CE Spec

2.6 - Vertical Tower Trailer Components (1 of 3)

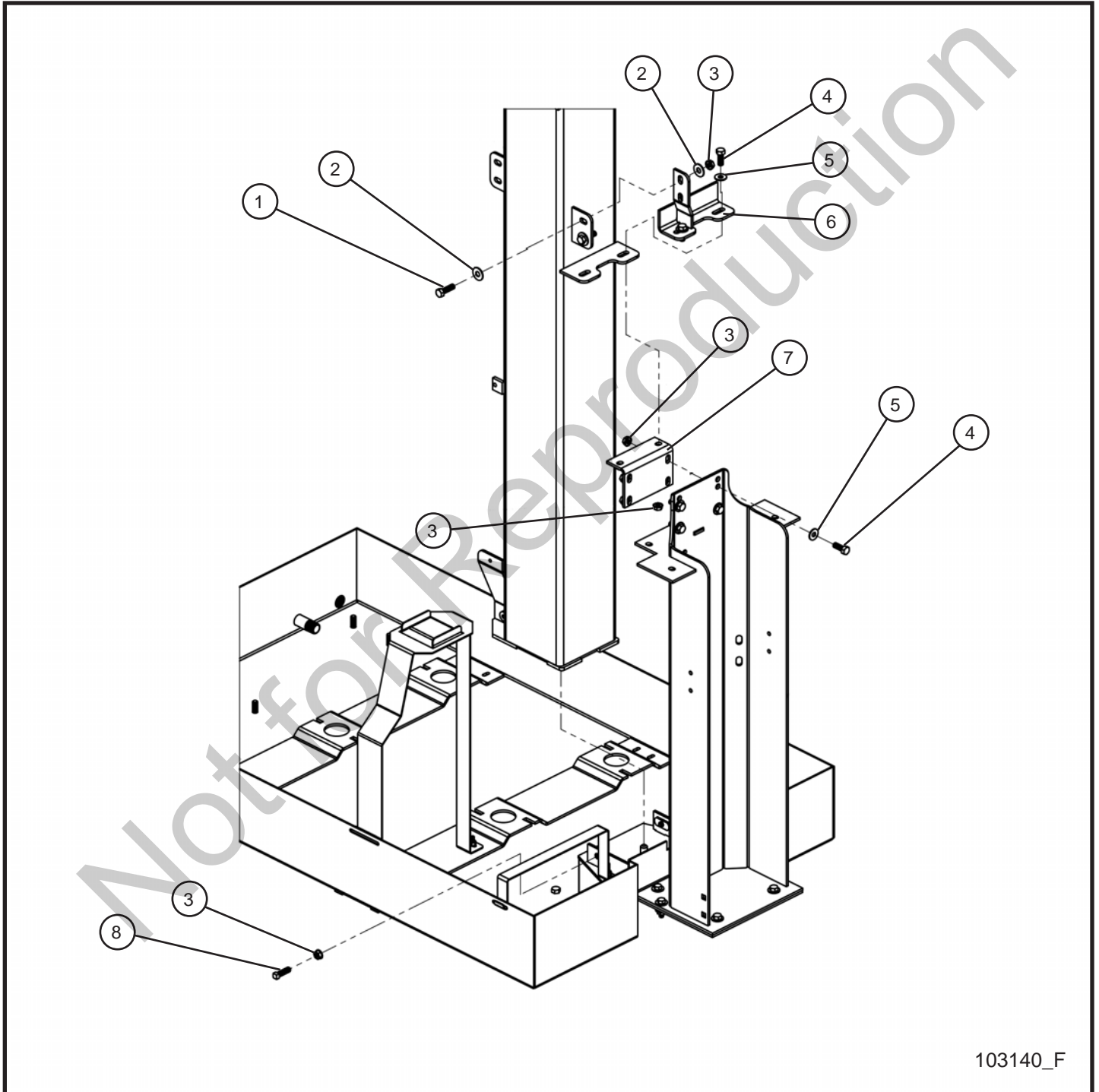
SN 0001PRO2VE15 and UP

Item	Part No.	Part Description	Qty.
1	102840P	VERTICAL TOWER FENDER MOUNT PANEL	2
2	047010	5/16 FLAT WASHER PL	6
3	044030	5/16-18 HEX NUT PL	6
4	053020	5/16-18 x 1 CARRIAGE BOLT PL	6

Not for Reproduction

2.7 - Vertical Tower Trailer Components (2 of 3)

SN 0001PRO2VE15 and UP



103140_F

Night-Lite Pro II™ CE Spec

2.7 - Vertical Tower Trailer Components (2 of 3)

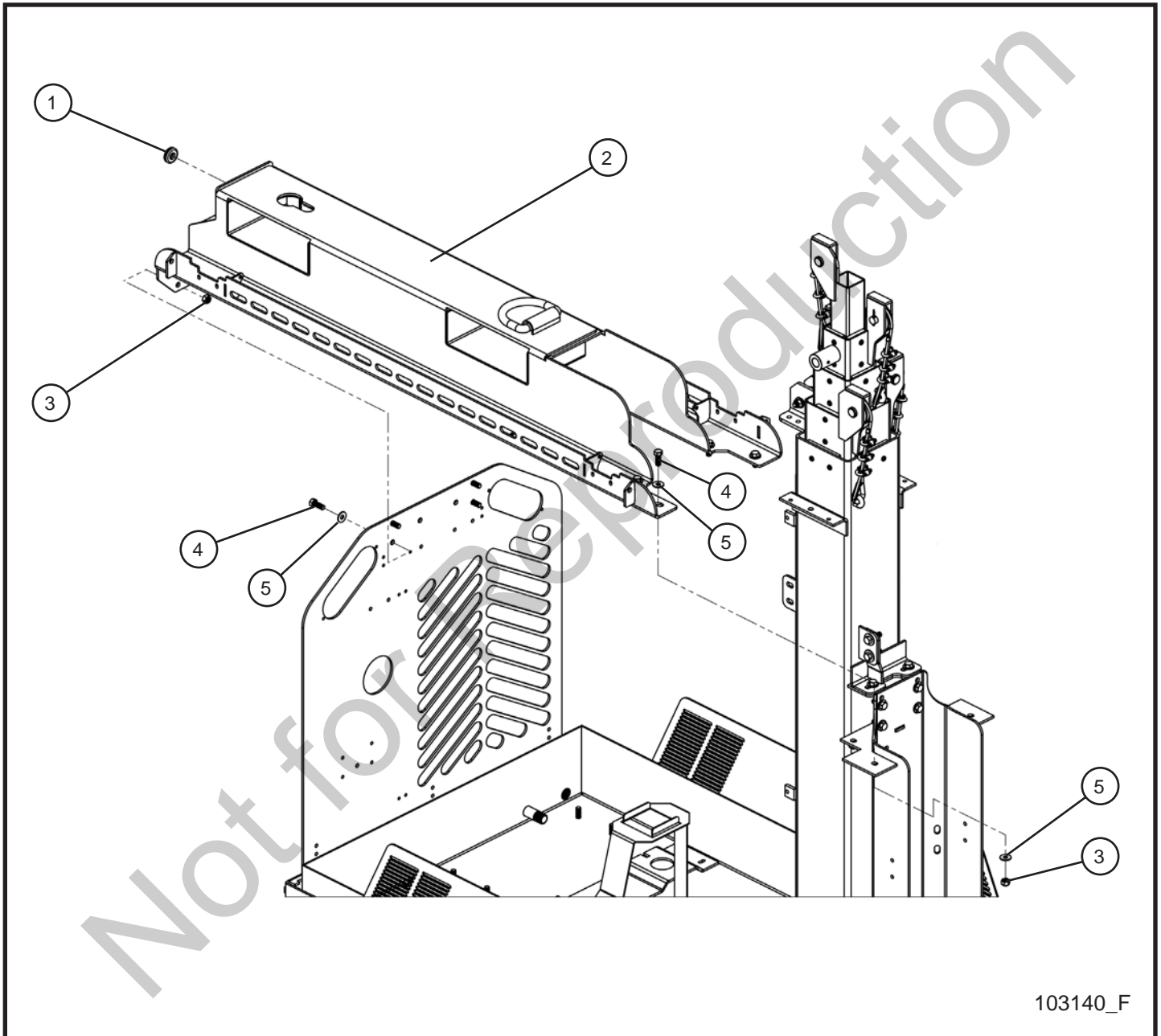
SN 0001PRO2VE15 and UP

Item	Part No.	Part Description	Qty.
1	046115	3/8-16 x 1 1/4 HEX HEAD CS GR5 PL	2
2	047015	3/8 FLAT WASHER PL	4
3	044036	3/8-16 KEPS HEX NUT PL	12
4	046110	3/8-16 x 1 HEX HEAD CS GR5 PL	6
5	047010	5/16 FLAT WASHER PL	6
6	101410P	VERTICAL TOWER MOUNT REINFORCEMENT	1
7	102799P	VERTICAL TOWER MOUNT ANGLE	1
8	040010	SET SCREW SQ HEAD CUP TIP	4

Not for Reproduction

2.8 - Vertical Tower Trailer Components (3 of 3)

SN 0001PRO2VE15 and UP



103140_F

Night-Lite Pro II™ CE Spec

2.8 - Vertical Tower Trailer Components (3 of 3)

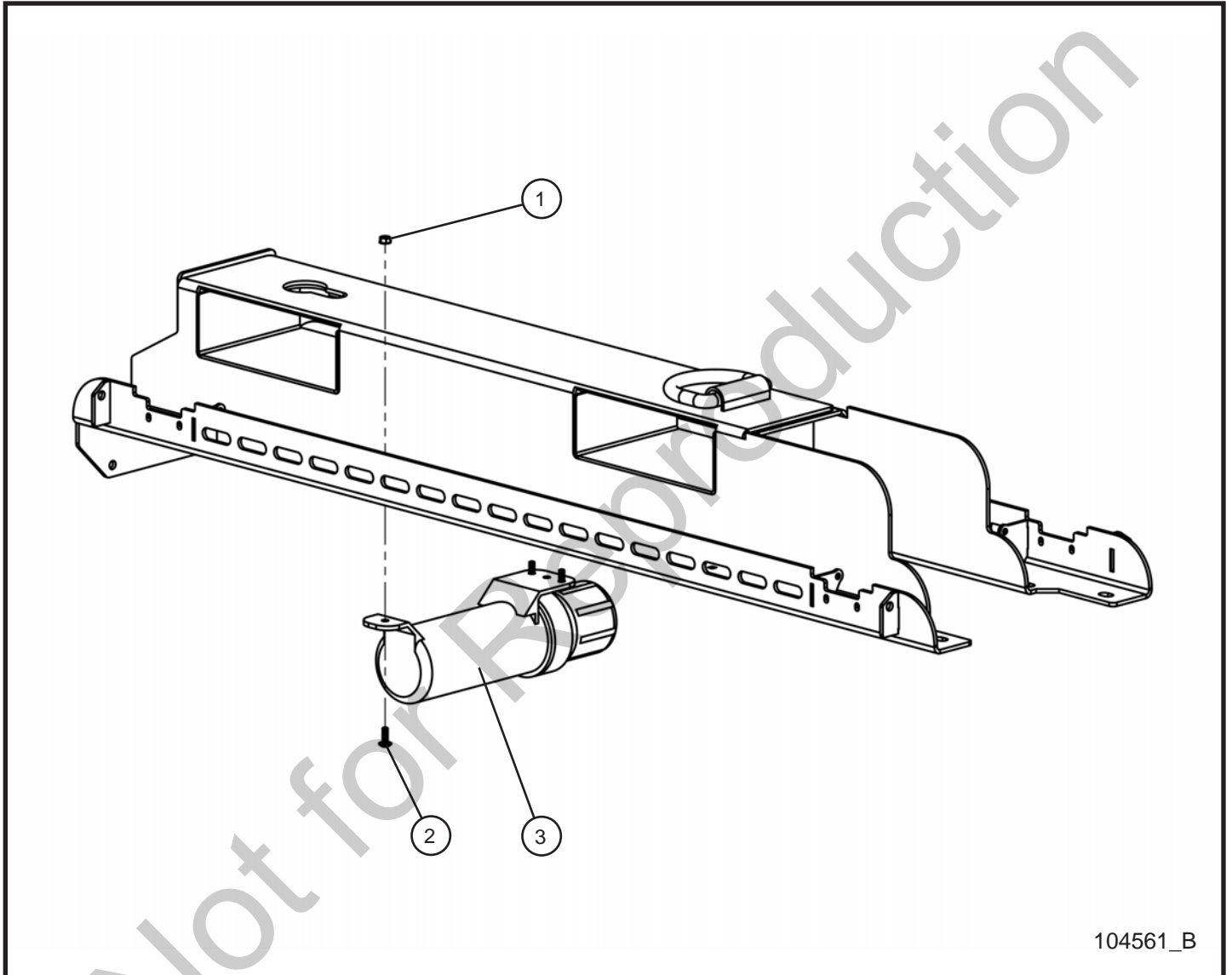
SN 0001PRO2VE15 and UP

Item	Part No.	Part Description	Qty.
1	100859	7/8 ID x 1 1/4 OD GROMMET	1
2	105133P	VERTICAL TOWER STRINGER	1
3	044038	3/8-16 NYLOCK HEX NUT PL	8
4	046110	3/8-16 x 1 HEX HEAD CS GR5 PL	8
5	047010	5/16 FLAT WASHER PL	12

Not for Reproduction

2.9 - Manual Canister

SN 0001PRO2VE15 and UP



104561_B

Night-Lite Pro II™ CE Spec

2.9 - Manual Canister

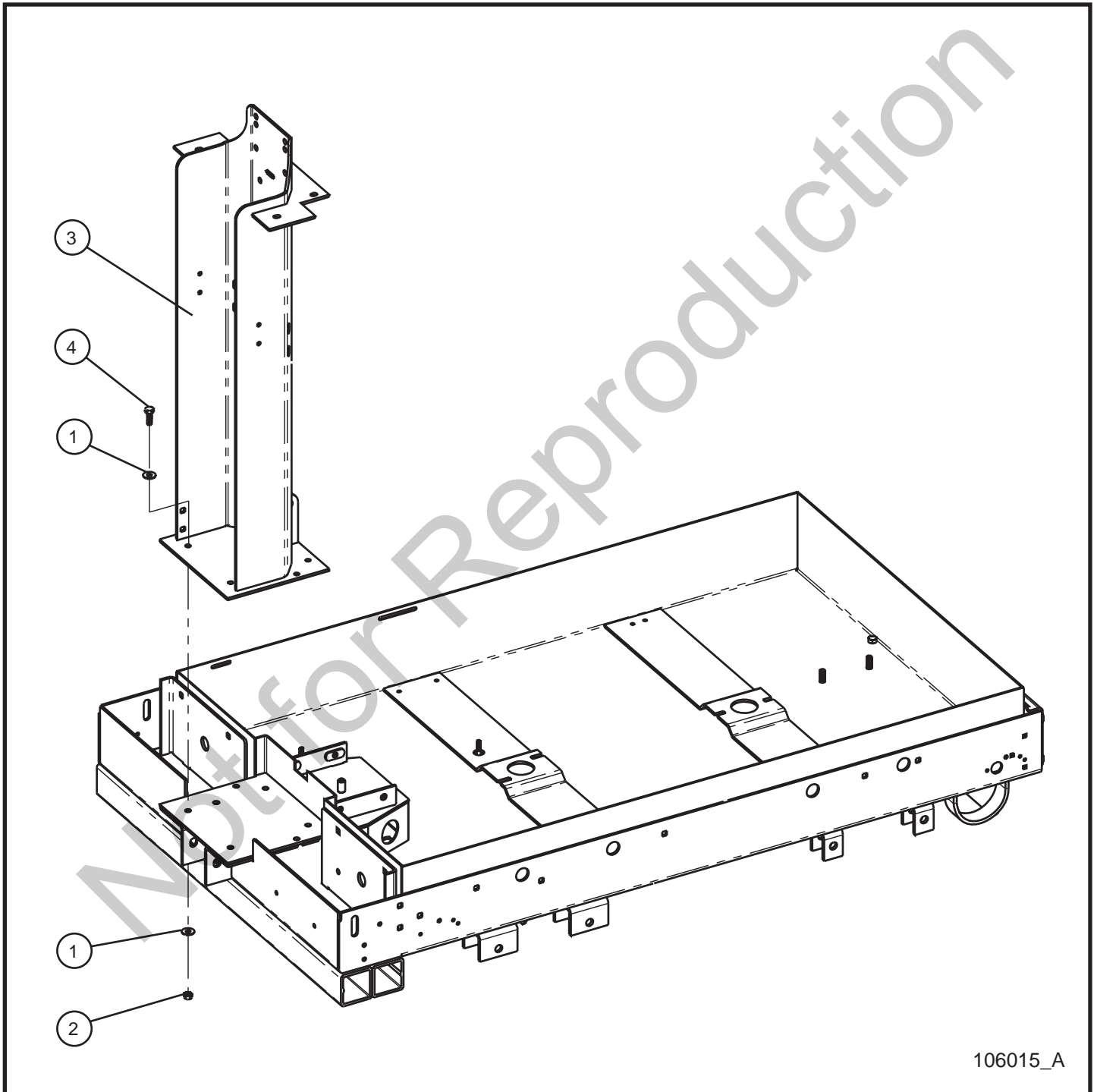
SN 0001PRO2VE15 and UP

Item	Part No.	Part Description	Qty.
1	044021	1/4-20 KEPS HEX NUT PL	3
2	041050	1/4-20 x 3/4 PH-TRUSS HEAD MS SS	3
3	103561	CANISTER PRODUCT MANUAL	1

Not for Reproduction

2.10 - Tower Pedestal

SN 0001PRO2VE15 and UP



Night-Lite Pro II™ CE Spec

2.10 - Tower Pedestal

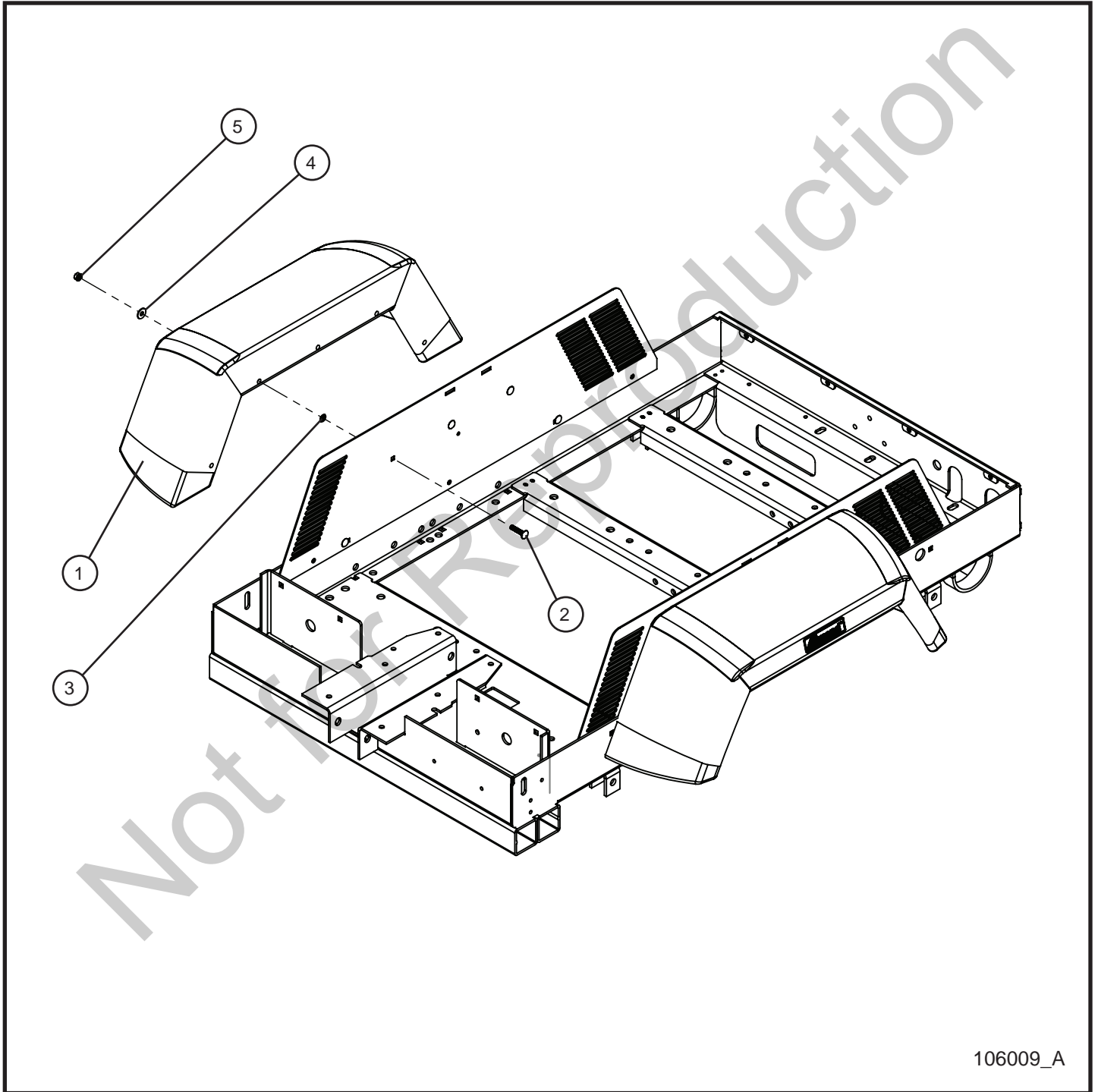
SN 0001PRO2VE15 and UP

Item	Part No.	Part Description	Qty.
1	047010	5/16 FLAT WASHER PL	12
2	044031	5/16-18 KEPS HEX NUT PL	6
3	103937P	TOWER PEDESTAL	1
4	046060	5/16-18 x 1 1/2 HEX HEAD CS GR5 PL	6

Not for Reproduction

2.11 - Fender

SN 0001PRO2VE15 and UP



106009_A

Night-Lite Pro II™ CE Spec

2.11 - Fender

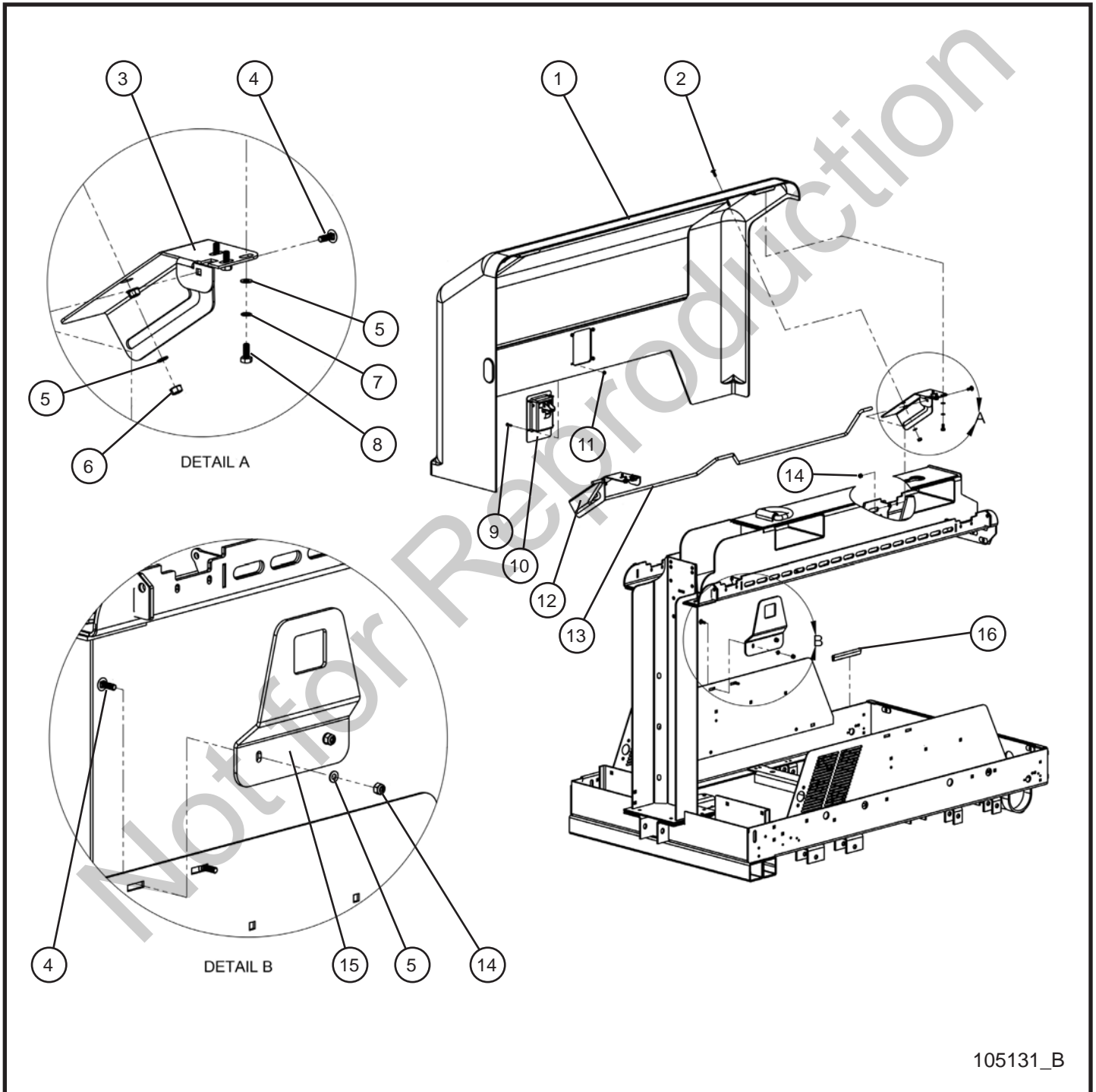
SN 0001PRO2VE15 and UP

Item	Part No.	Part Description	Qty.
1	650297	FENDER MOLDED BLACK 13 INCH	2
2	053023	5/16-18 x 1 1/2 CARRIAGE BOLT PL	10
3	045217	5/16 PUSH NUT	10
4	047010	5/16 FLAT WASHER PL	10
5	044031	5/16-18 KEPS HEX NUT PL	10

Not for Reproduction

2.12 - Right Door

SN 0001PRO2VE15 and UP



105131_B

Night-Lite Pro II™ CE Spec

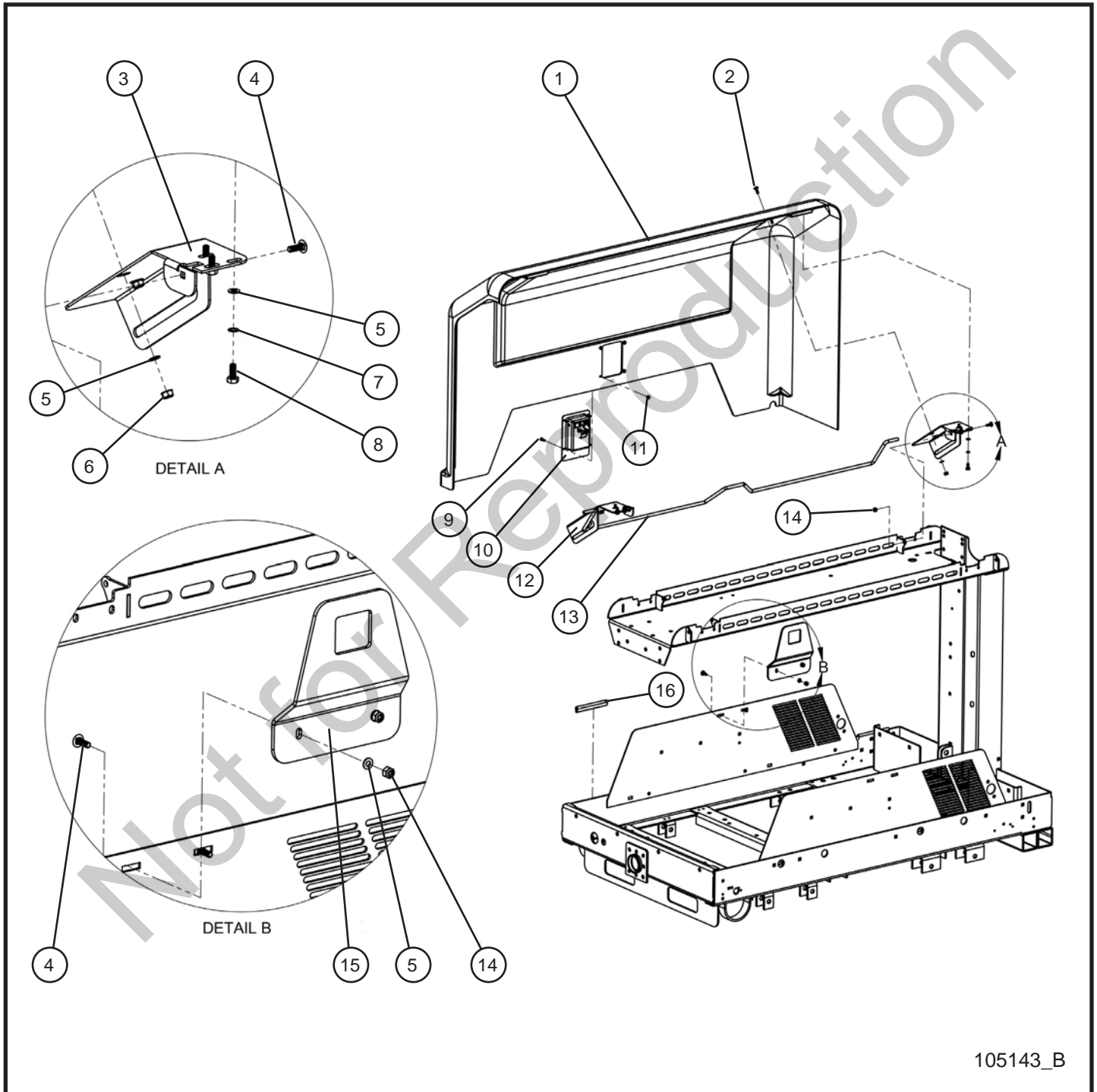
2.12 - Right Door

SN 0001PRO2VE15 and UP

Item	Part No.	Part Description	Qty.
1	105141P	RIGHT PRO II DOOR	1
2	041050	1/4-20 x 3/4 PH-TRUSS HEAD MS SS	4
3	105139P	FRONT HINGE BRACKET PLASTIC DOOR	1
4	053006	1/4-20 x 3/4 CARRIAGE BOLT	4
5	047009	1/4 FLAT WASHER SAE SS	12
6	044021	1/4-20 KEPS HEX NUT PL	4
7	043050	1/4 INTL TOOTH LOCK WASHER	6
8	046006	1/4-20 x 5/8 HEX HEAD CS GR5 PL	6
9	041027	#10-24 x 3/4 PH-ROUND HEAD MS	4
10	680459	SLAM LATCH	1
11	044018	#10-24 NYLOCK HEX NUT PL	4
12	105138P	REAR HINGE BRACKET PLASTIC DOOR	1
13	103047	DOOR PROP	1
14	044023	1/4-20 NYLOCK HEX PL	4
15	105132P	SLAM LATCH CATCH PLATE	1
16	030054	TRIMLOK 3/16 x 3/4, 5 INCH	2

2.13 - Left Door

SN 0001PRO2VE15 and UP



105143_B

Night-Lite Pro II™ CE Spec

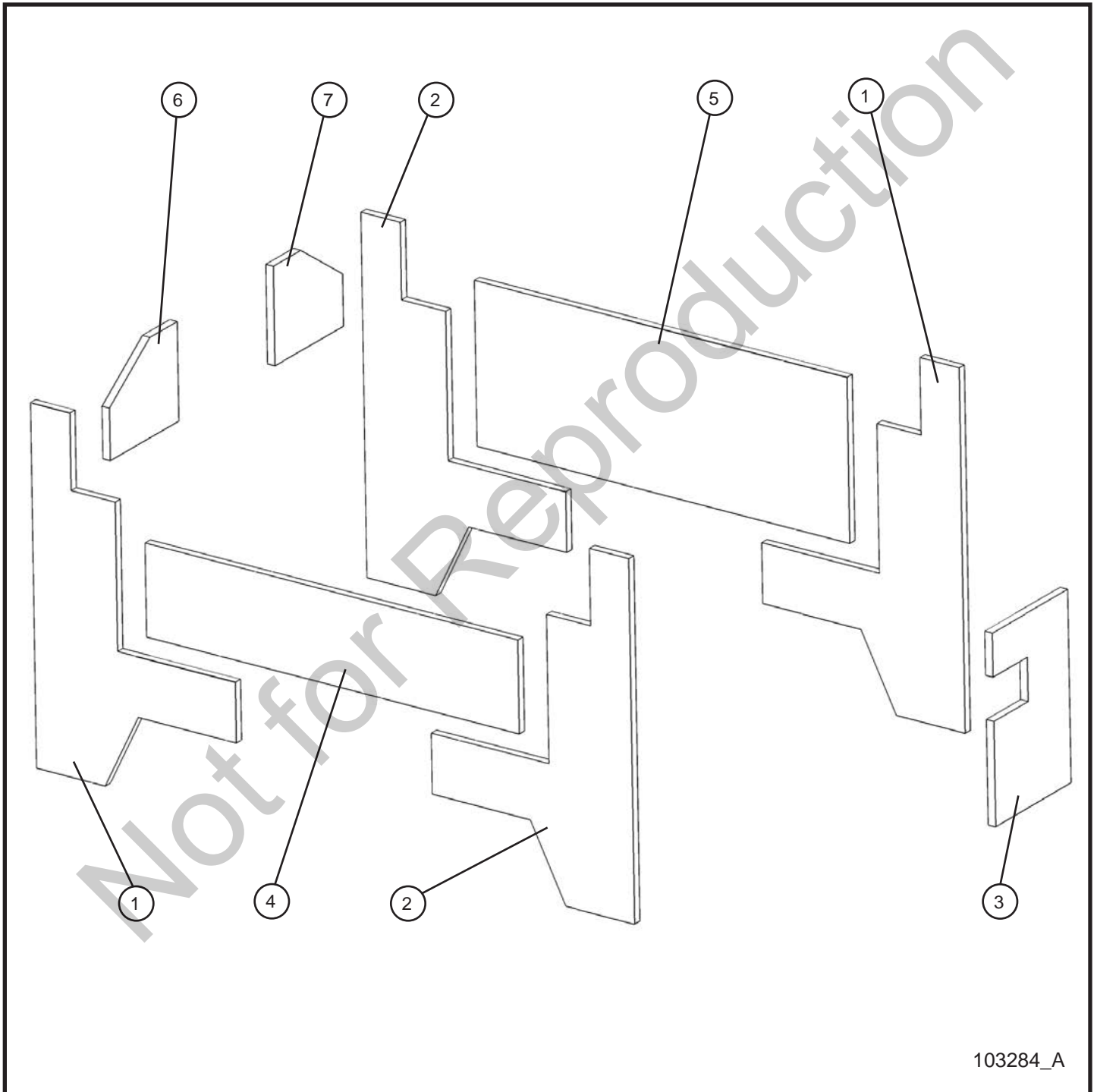
2.13 - Left Door

SN 0001PRO2VE15 and UP

Item	Part No.	Part Description	Qty.
1	105140P	LEFT PRO II DOOR	1
2	041050	1/4-20 x 3/4 PH-TRUSS HEAD MS SS	4
3	105139P	FRONT HINGE BRACKET PLASTIC DOOR	1
4	053006	1/4-20 x 3/4 CARRIAGE BOLT	4
5	047009	1/4 FLAT WASHER SAE SS	12
6	044021	1/4-20 KEPS HEX NUT PL	4
7	043050	1/4 INTL TOOTH LOCK WASHER	6
8	046006	1/4-20 x 5/8 HEX HEAD CS GR5 PL	6
9	041027	#10-24 x 3/4 PH-ROUND HEAD MS	4
10	680459	SLAM LATCH	1
11	044018	#10-24 NYLOCK HEX NUT PL	4
12	105138P	REAR HINGE BRACKET PLASTIC DOOR	1
13	103047	DOOR PROP	1
14	044023	1/4-20 NYLOCK HEX PL	4
15	105132P	SLAM LATCH CATCH PLATE	1
16	030054	TRIMLOK 3/16 x 3/4, 5 INCH	2

2.14 - Sound Attenuation Package

SN 0001PRO2VE15 and UP



103284_A

Night-Lite Pro II™ CE Spec

2.14 - Sound Attenuation Package

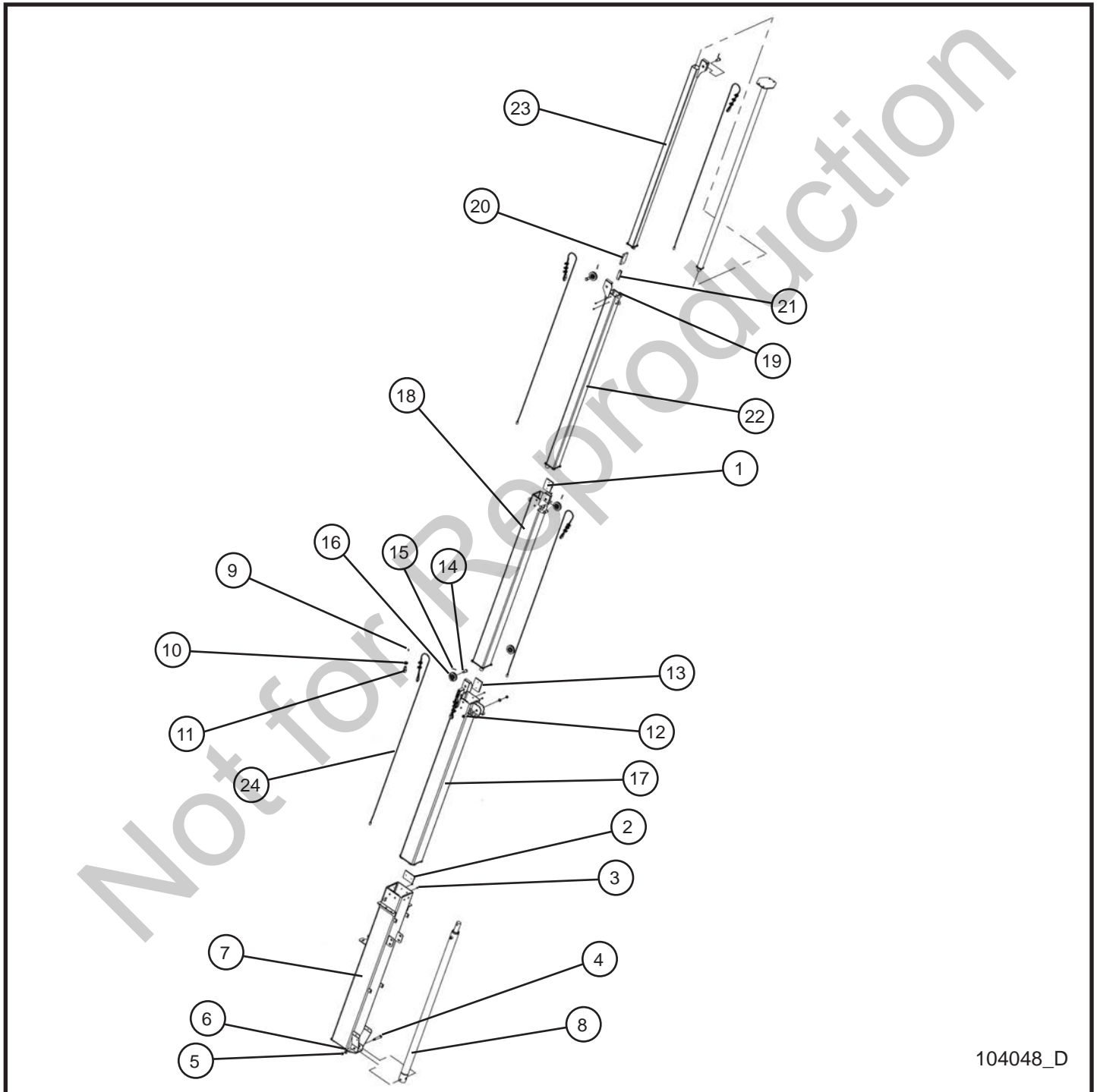
SN 0001PRO2VE15 and UP

Item	Part No.	Part Description	Qty.
1	103277	3/4 POLY ACOUSTICAL FOAM-DOOR HALF 1	2
2	103278	3/4 POLY ACOUSTICAL FOAM-DOOR HALF 2	2
3	103279	3/4 POLY ACOUSTICAL FOAM-REAR PANEL	1
4	103280	3/4 POLY ACOUSTICAL FOAM-LEFT DOOR RECESS	1
5	103281	3/4 POLY ACOUSTICAL FOAM-RIGHT DOOR RECESS	1
6	103282	3/4 POLY ACOUSTICAL FOAM-LEFT DOOR FRONT	1
7	103283	3/4 POLY ACOUSTICAL FOAM-RIGHT DOOR FRONT	1

Not for Reproduction

3.1 - Vertical Tower Components (1 of 6)

SN 0001PRO2VE15 and UP



104048_D

Night-Lite Pro II™ CE Spec

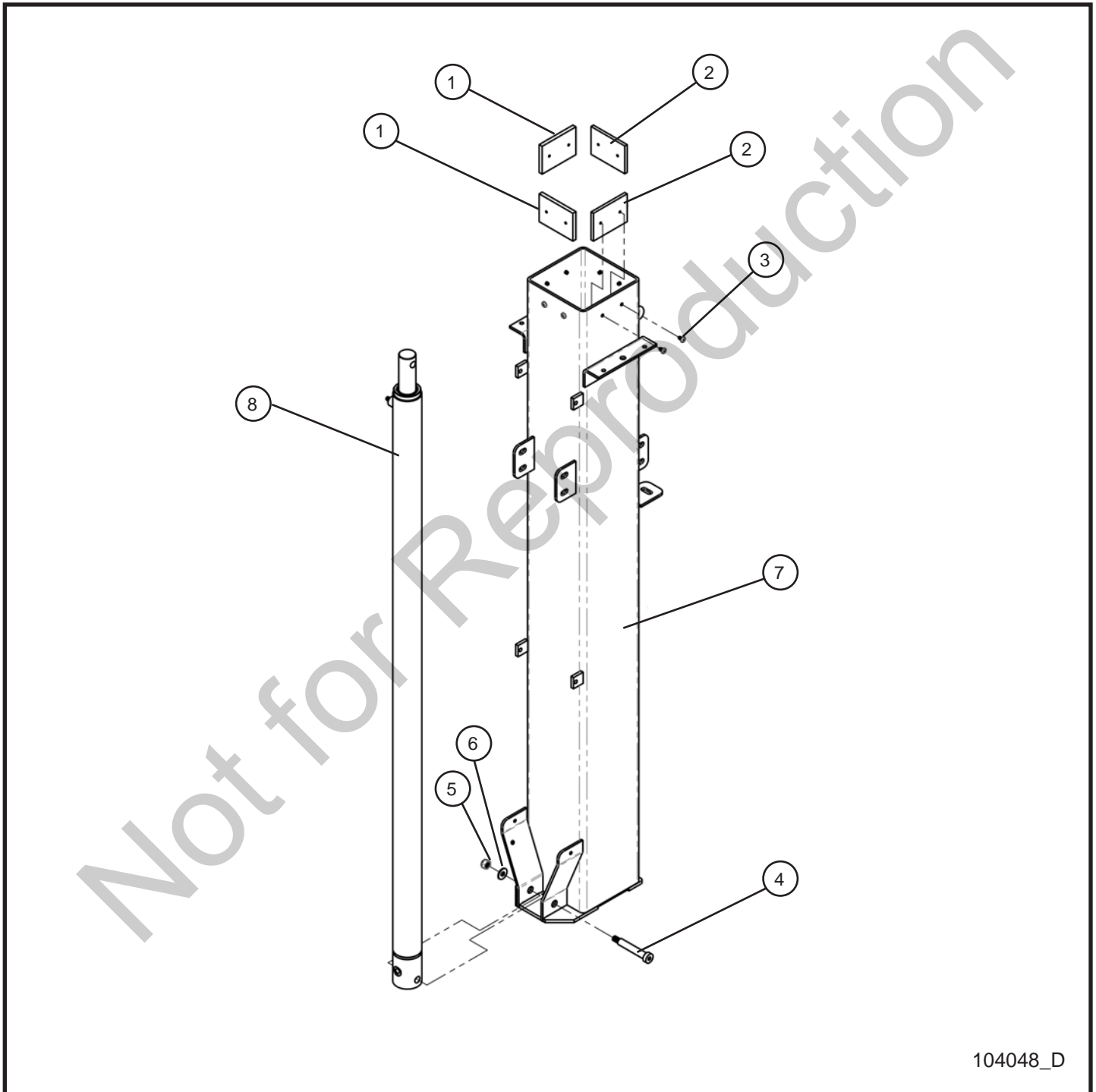
3.1 - Vertical Tower Components (1 of 6)

SN 0001PRO2VE15 and UP

Item	Part No.	Part Description	Qty.
1	650110	.312 TOWER PAD	6
2	102954	.250 TOWER PAD	2
3	041023	#10 x 3/8 PH-ROUND HEAD MS PL	32
4	101379	1/2 x 2 3/4 (3/8-16 x 5/8) HX-SOCKET HEAD SHOULDER BOLT	1
5	047010	5/16 FLAT WASHER PL	2
6	044038	3/8-16 NYLOCK HEX NUT PL	2
7	104036P	6" VERTICAL TOWER 2 SECTION	1
8	109764	VERTICAL TOWER 2 HYDRAULIC CYLINDER	1
9	022150	FERRULE 10-12 AWG	5
10	045040	3/16 CABLE THIMBLE	5
11	620084	3/16 CABLE CLIP	15
12	101378	1/2 x 2 (3/8-16 x 5/8) HX-SOCKET HEAD SHOULDER BOLT	1
13	650109	.375 TOWER PAD	4
14	102906	5/8 x 1 1/4 CLEVIS PIN	5
15	045042	COTTER PIN 1/8 x 1 1/2"	5
16	100160	2 1/2 PULLEY BALL BEARING W/ BALL BEARING	5
17	104037P	VERTICAL TOWER 2 5" SECTION	1
18	102961P	VERTICAL TOWER 2 4" SECTION	1
19	352280	PLASTIC TOWER PAD	2
20	100446	3/8 PAD SMALL	1
21	100062	3/8 UHMW SPACER	1
22	102965P	VERTICAL TOWER 2 CORD REEL 3" SECTION	1
23	102968P	VERTICAL TOWER 2" SECTION	1
24	320185	STEEL CABLE 3/16 x 10'	5

3.2 - Vertical Tower Components (2 of 6)

SN 0001PRO2VE15 and UP



104048_D

Night-Lite Pro II™ CE Spec

3.2 - Vertical Tower Components (2 of 6)

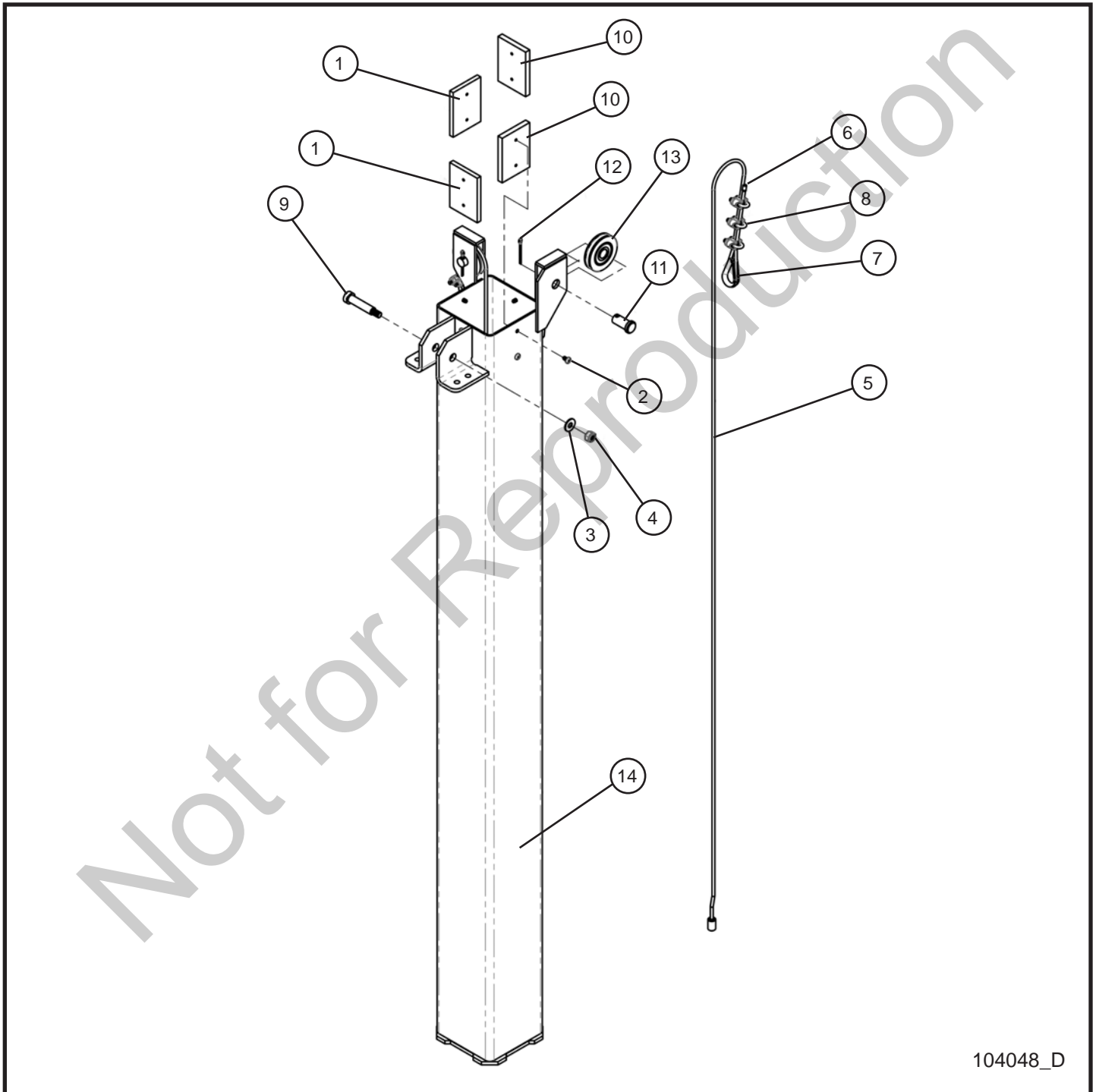
SN 0001PRO2VE15 and UP

Item	Part No.	Part Description	Qty.
1	650110	.312 TOWER PAD	2
2	102954	.250 TOWER PAD	2
3	041023	#10 x 3/8 PH-ROUND HEAD MS PL	8
4	101379	1/2 x 2 3/4 (3/8-16 x 5/8) HX-SOCKET HEAD SHOULDER BOLT	1
5	047010	5/16 FLAT WASHER PL	1
6	044038	3/8-16 NYLOCK HEX NUT PL	1
7	104036P	6" VERTICAL TOWER 2 SECTION	1
8	109764	VERTICAL TOWER 2 HYDRAULIC CYLINDER	1

Not for Reproduction

3.3 - Vertical Tower Components (3 of 6)

SN 0001PRO2VE15 and UP



104048_D

Night-Lite Pro II™ CE Spec

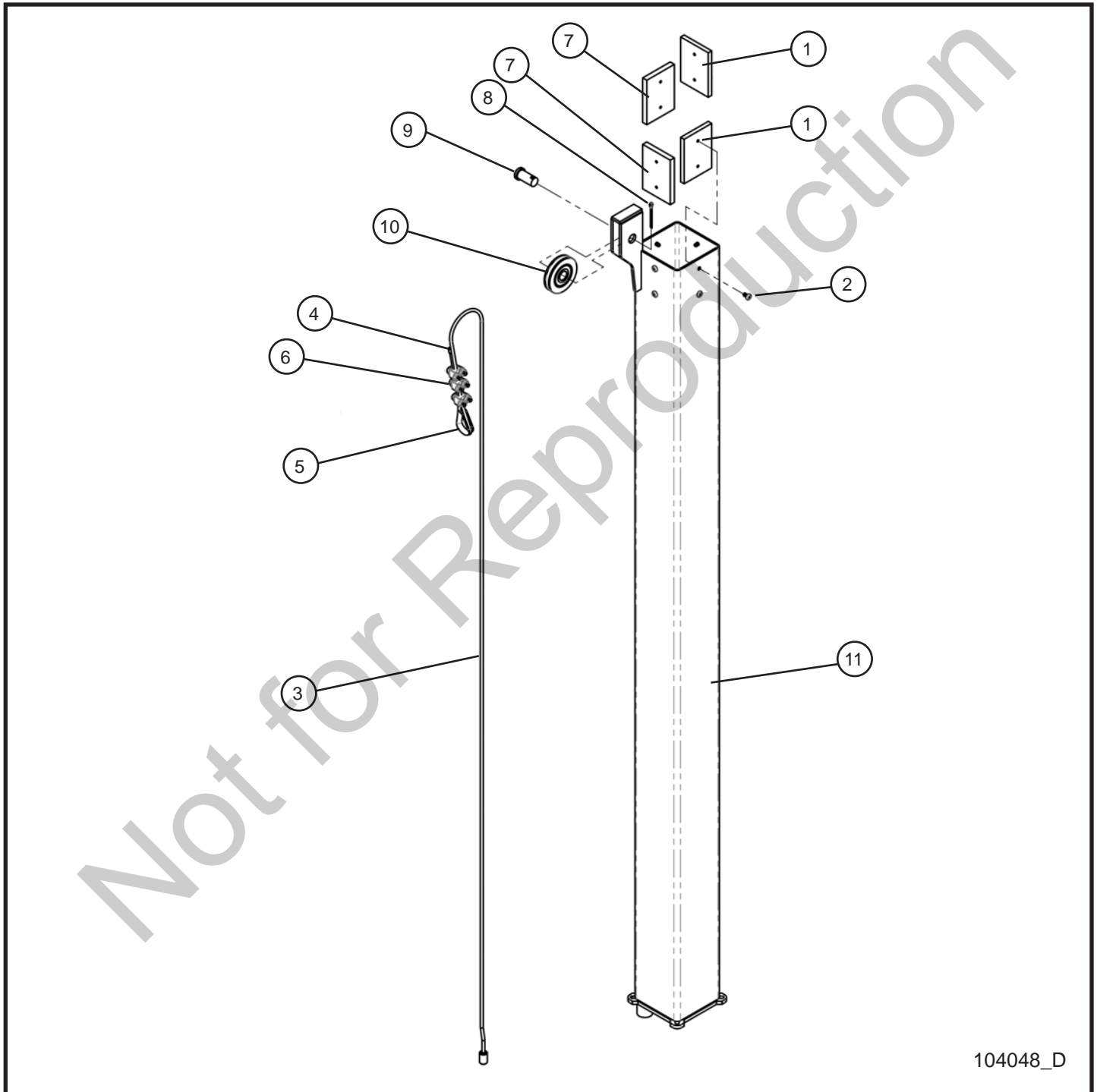
3.3 - Vertical Tower Components (3 of 6)

SN 0001PRO2VE15 and UP

Item	Part No.	Part Description	Qty.
1	650110	.312 TOWER PAD	2
2	041023	#10 x 3/8 PH-ROUND HEAD MS PL	8
3	047010	5/16 FLAT WASHER PL	1
4	044038	3/8-16 NYLOCK HEX NUT PL	1
5	320185	STEEL CABLE 3/16 x 10'	2
6	022150	FERRULE 10-12 AWG	2
7	045040	3/16 CABLE THIMBLE	2
8	620084	1/4 CABLE CLIP	6
9	101378	1/2 x 2 (3/8-16 x 5/8) HX-SOCKET HEAD SHOULDER BOLT	1
10	650109	.375 TOWER PAD	2
11	102906	5/8 x 1 1/4 CLEVIS PIN	2
12	045045	5/32 x 1 1/2 COTTER PIN	2
13	100160	2 1/2 PULLEY BALL BEARING W/ BALL BEARING	2
14	104037P	VERTICAL TOWER 2 5" SECTION	1

3.4 - Vertical Tower Components (4 of 6)

SN 0001PRO2VE15 and UP



104048_D

Night-Lite Pro II™ CE Spec

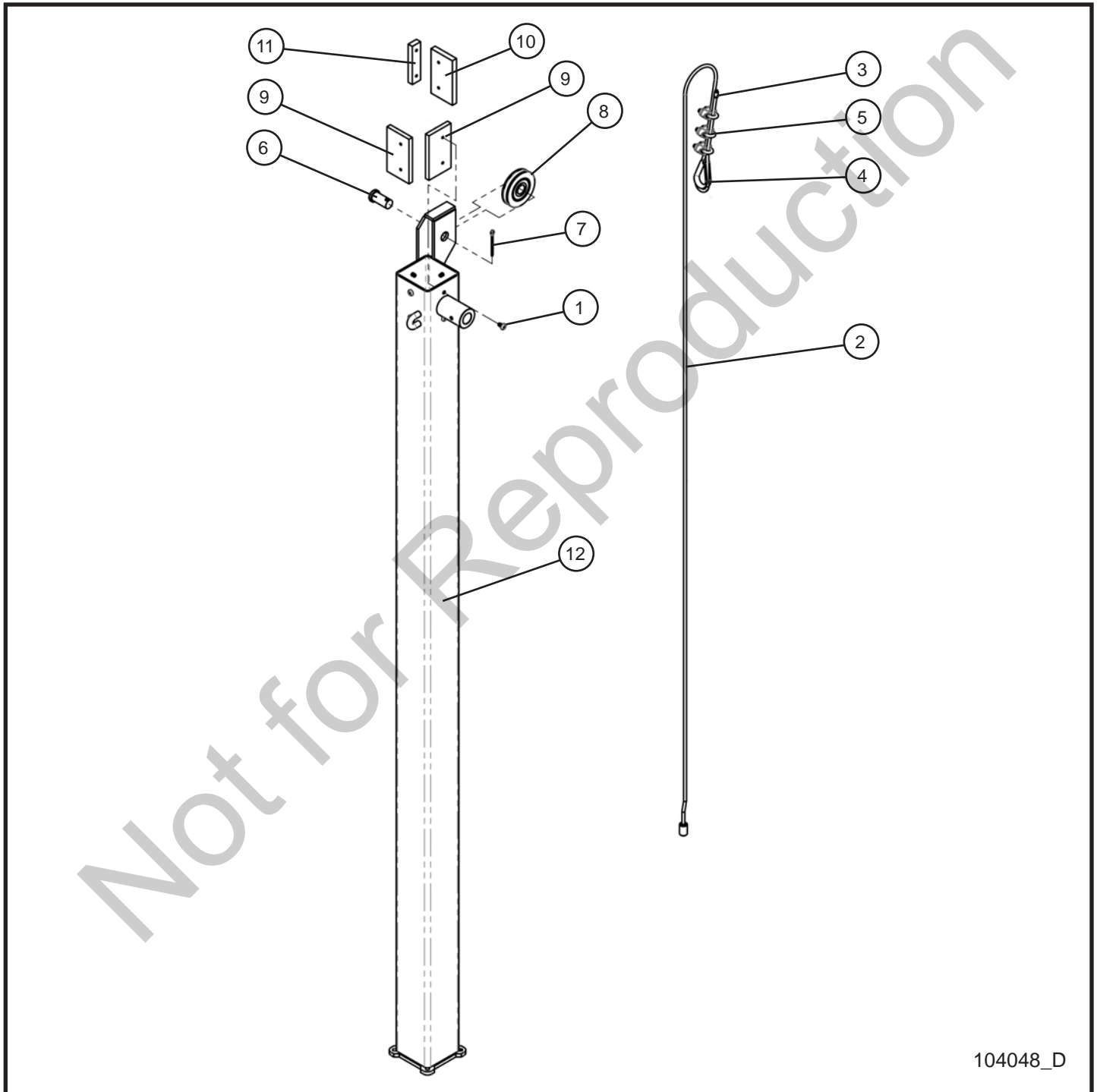
3.4 - Vertical Tower Components (4 of 6)

SN 0001PRO2VE15 and UP

Item	Part No.	Part Description	Qty.
1	650110	.312 TOWER PAD	2
2	041023	#10 x 3/8 PH-ROUND HEAD MS PL	8
3	320185	STEEL CABLE 3/16 x 10'	1
4	022150	FERRULE 10-12 AWG	1
5	045040	3/16 CABLE THIMBLE	1
6	620084	1/4 CABLE CLIP	3
7	650109	.375 TOWER PAD	2
8	102906	5/8 x 1 1/4 CLEVIS PIN	1
9	045045	5/32 x 1 1/2 COTTER PIN	1
10	100160	2 1/2 PULLEY BALL BEARING W/ BALL BEARING	1
11	102961P	VERTICAL TOWER 2 4" SECTION	1

3.5 - Vertical Tower Components (5 of 6)

SN 0001PRO2VE15 and UP



104048_D

Night-Lite Pro II™ CE Spec

3.5 - Vertical Tower Components (5 of 6)

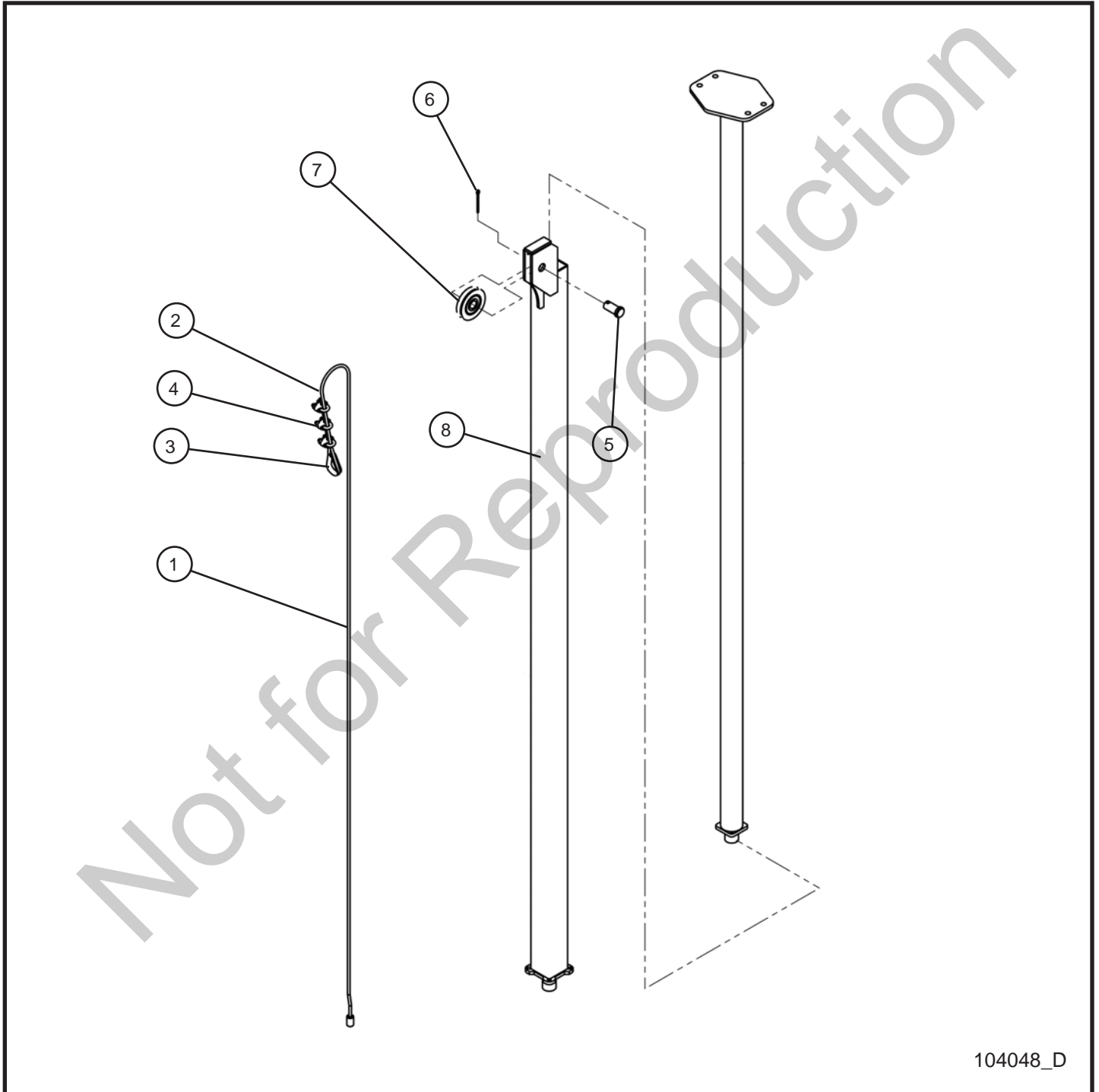
SN 0001PRO2VE15 and UP

Item	Part No.	Part Description	Qty.
1	041023	#10 x 3/8 PH-ROUND HEAD MS PL	8
2	320185	STEEL CABLE 3/16 x 10'	1
3	022150	FERRULE 10-12 AWG	1
4	045040	3/16 CABLE THIMBLE	1
5	620084	1/4 CABLE CLIP	3
6	102906	5/8 x 1 1/4 CLEVIS PIN	1
7	045045	5/32 x 1 1/2 COTTER PIN	1
8	100160	2 1/2 PULLEY BALL BEARING W/ BALL BEARING	1
9	352280	PLASTIC TOWER PAD	2
10	100446	3/8 PAD SMALL	1
11	100062	3/8 UHMW SPACER	1
12	102965P	VERTICAL TOWER 2 3" SECTION	1

Not for Reproduction

3.6 - Vertical Tower Components (6 of 6)

SN 0001PRO2VE15 and UP



104048_D

Night-Lite Pro II™ CE Spec

3.6 - Vertical Tower Components (6 of 6)

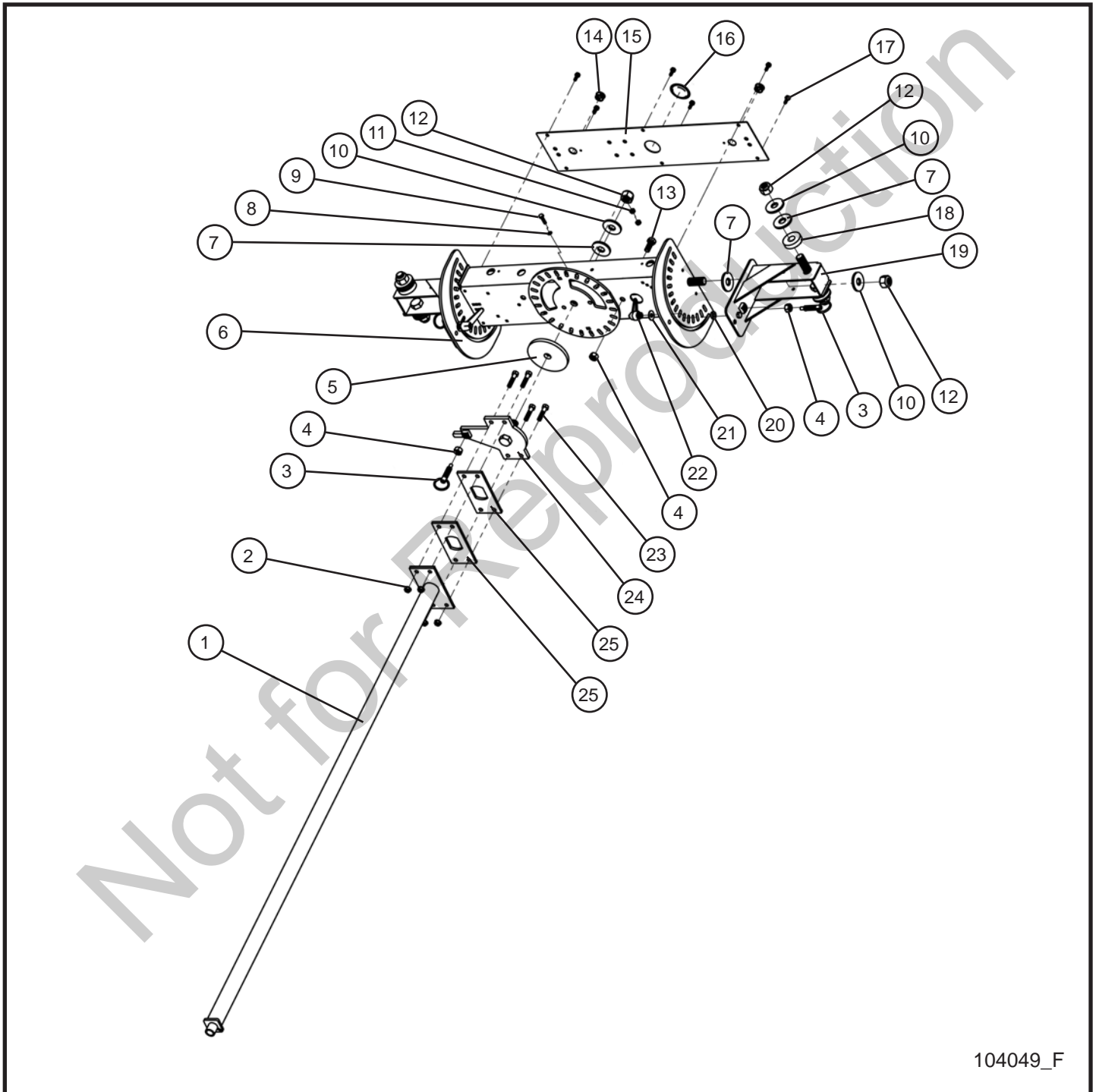
SN 0001PRO2VE15 and UP

Item	Part No.	Part Description	Qty.
1	320185	STEEL CABLE 3/16 x 10'	1
2	022150	FERRULE 10-12 AWG	1
3	045040	3/16 CABLE THIMBLE	1
4	620084	1/4 CABLE CLIP	3
5	102906	5/8 x 1 1/4 CLEVIS PIN	1
6	045045	5/32 x 1 1/2 COTTER PIN	1
7	100160	2 1/2 PULLEY BALL BEARING W/ BALL BEARING	1
8	102968P	VERTICAL TOWER 2 2" SECTION	1

Not for Reproduction

3.7 - Vertical Light Bar

SN 0001PRO2VE15 and UP



104049_F

Night-Lite Pro II™ CE Spec

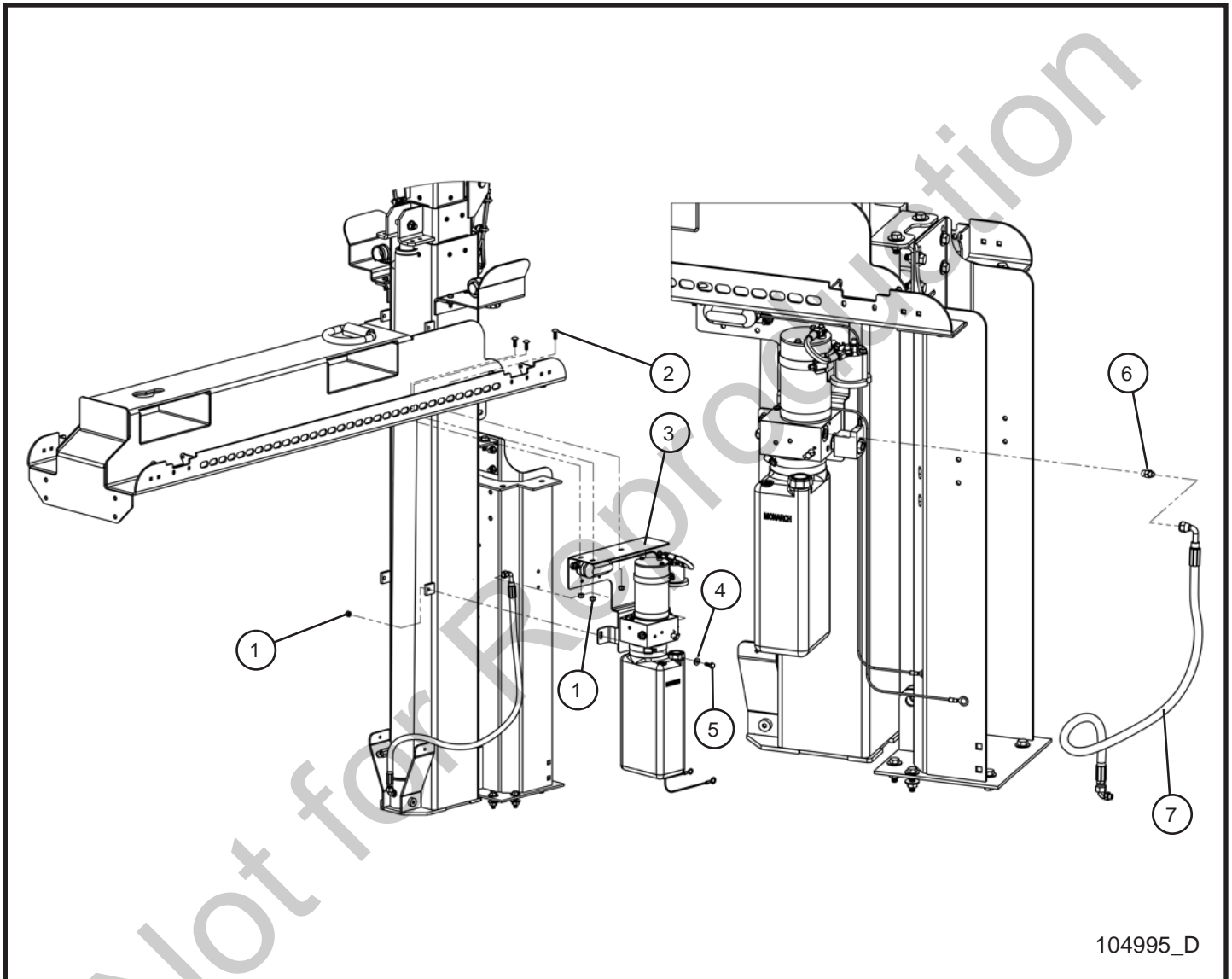
3.7 - Vertical Light Bar

SN 0001PRO2VE15 and UP

Item	Part No.	Part Description	Qty.
1	102972P	ROUND TOWER SECTION	1
2	044045	3/8-16 KEPS HEX NUT PL	4
3	100148	SPRING LOCK 1/2-13 UNC x 1.4	3
4	044045	1/2-13 HEX NUT PL	4
5	100147	UHMW BEARING TOWER ROTATION	1
6	104008P	VERTICAL LIGHT BAR	1
7	650550	.785" x 2" HDPE WASHER	7
8	043050	1/4 INTL TOOTH LOCK WASHER	1
9	046015	1/4-20 x 1 HEX HEAD CS GR5 PL	1
10	047035	3/4 FLAT WASHER PL	7
11	044021	1/4-20 KEPS HEX NUT PL	2
12	044058	3/4-10 NYLOCK HEX NUT PL	7
13	046180	1/2-13 x 1 1/4 HEX HEAD CS GR5 PL	1
14	711029	7/8 LOCKING HOLE PLUG	2
15	104063P	VERTICAL LIGHT BAR COVER	1
16	680878	1 3/4 CAPLUG	1
17	041070	1/4-20 x 3/4 SL-HEX WASHER HEAD MS TP F	6
18	101813	.781 ID x 2 OD x 1/2 HDPE WASHER	4
19	105363P	VERTICAL LIGHT BAR LAMP MOUNT	2
20	047019	NYLON BUSHING 3/4 OD x .385 ID	2
21	047015	3/8 FLAT WASHER PL	2
22	102361	ADJUSTABLE LEVER PUSH BUTTON	2
23	046126	3/8-16 x 1 3/4 HEX HEAD CS GR5 PL	4
24	100143P	ROTATION MOUNT	1
25	100104P	VERTICAL TOWER SPACER BRACKET	2

3.8 - Vertical Tower Hydraulic Pump

SN 0001PRO2VE15 and UP



104995_D

Night-Lite Pro II™ CE Spec

3.8 - Vertical Tower Hydraulic Pump

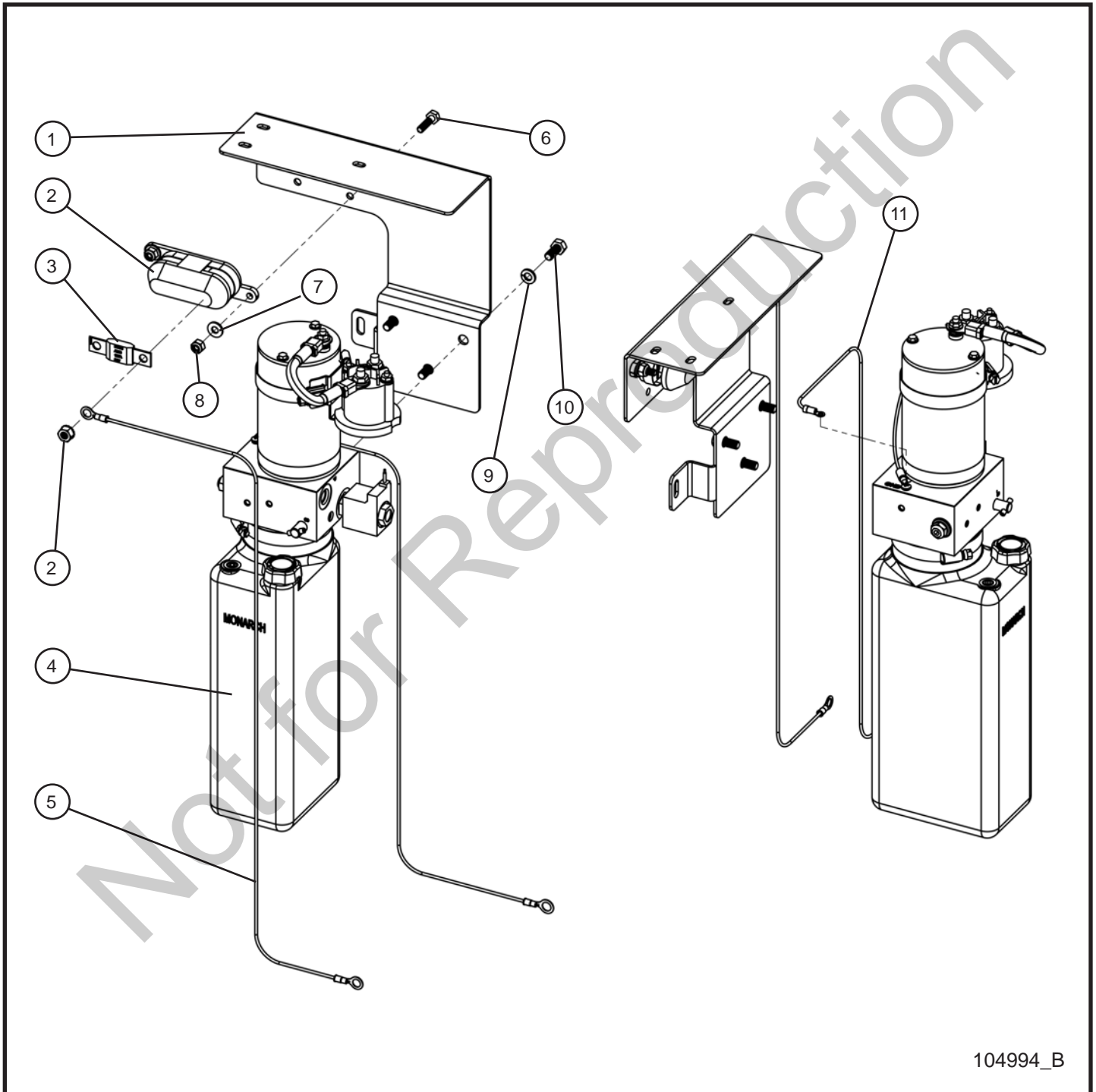
SN 0001PRO2VE15 and UP

Item	Part No.	Part Description	Qty.
1	044023	1/4-20 NYLOCK HEX NUT PL	4
2	053007	1/4-20 x 3/4 CARR BOLT SS	3
3	104994	PUMP W/ MOUNT VERTICAL TOWER NL PRO II	1
4	047005	1/4 FLAT WASHER PL	1
5	046010	1/4-20 x 3/4 HEX HEAD CS GR5 SS	1
6	923205	ADPT HYD FITTING	1
7	101356	HYDRAULIC HOSE V-SERIES	1

Not for Reproduction

3.9 - Hydraulic Pump Mount

SN 0001PRO2VE15 and UP



104994_B

Night-Lite Pro II™ CE Spec

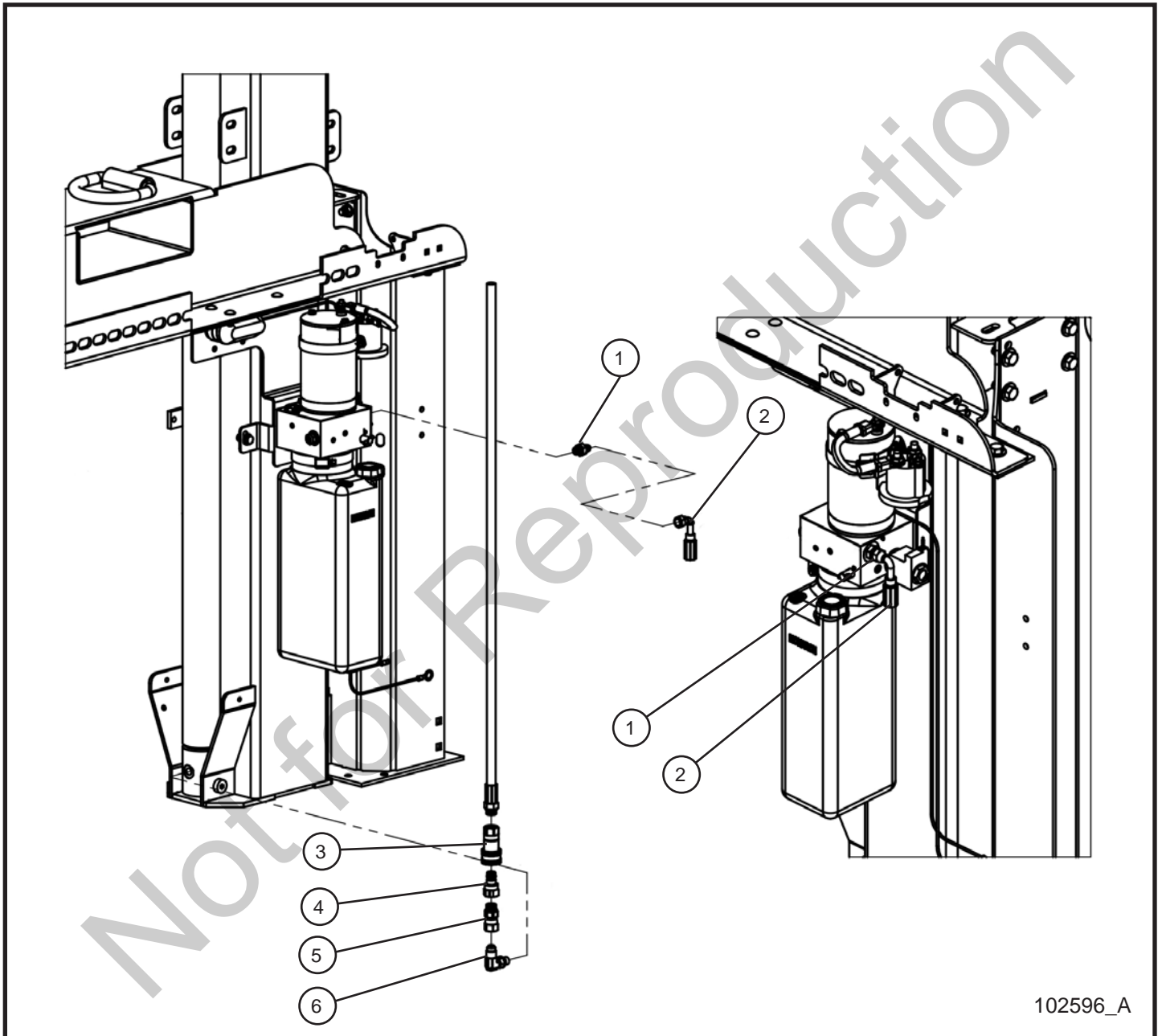
3.9 - Hydraulic Pump Mount

SN 0001PRO2VE15 and UP

Item	Part No.	Part Description	Qty.
1	104993P	PUMP MOUNT VERTICAL	1
2	100235	FUSE HOLDER F AMG FUSE	1
3	100234	125A FUSE LINK BUSS AMG	1
4	104358	POWER UNIT VERTICAL TOWER	1
5	105217	RED WIRE BUCHER HYD PUMP	1
6	046015	1/4-20 x 1 HEX HEAD CS GR5 PL	2
7	047005	1/4 FLAT WASHER PL	2
8	044023	1/4-20 NYLOCK HEX NUT PL	2
9	043055	5/16 SPLITLOCK WASHER	3
10	046045	5/16-18 x 3/4 HEX HEAD CS GR5 PL	3
11	105216	BLACK WIRE BUCHER HYD PUMP	1

3.10 - Quick Disconnect Vertical Tower Connector

SN 0001PRO2VE15 and UP



102596_A

Night-Lite Pro II™ CE Spec

3.10 - Quick Disconnect Vertical Tower Connector

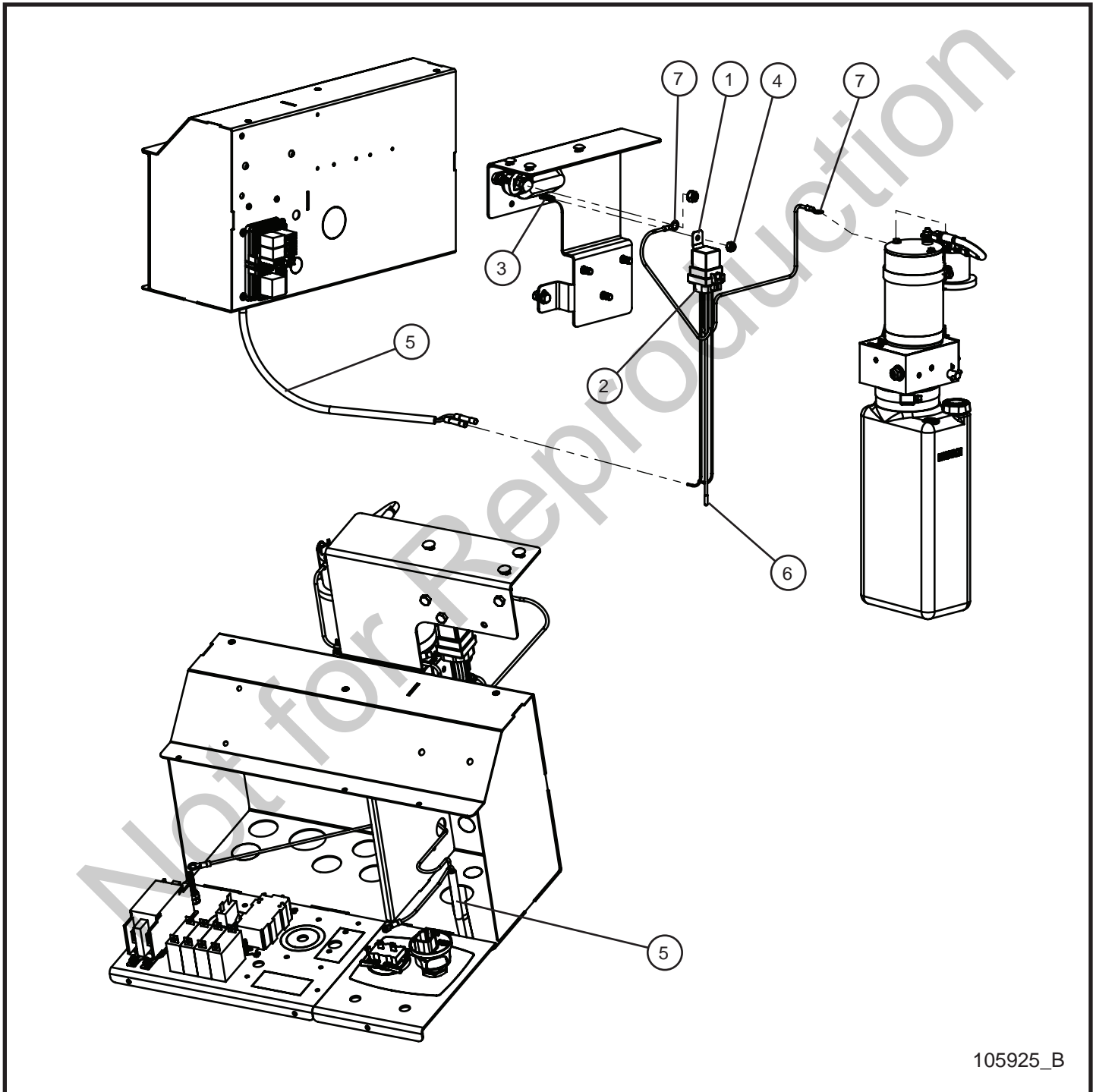
SN 0001PRO2VE15 and UP

Item	Part No.	Part Description	Qty.
1	923205	STRAIGHT THREAD 6400	1
2	109605	PRO V QUICK COUPLER HYDRAULIC HOSE	1
3	109603	1/4 FEMALE QUICK DISCONNECT	1
4	109602	QUICK COUPLING MALE QUICK DISCONNECT	1
5	103272	SWIVEL NUT ADAPTER 6402-06-06	1
6	103273	STRAIGHT THREAD ELBOW 6801/6801R	

Not for Reproduction

3.11 - Hydraulic Pump to Key Switch Relay

SN 0001PRO2VE15 and UP



105925_B

Night-Lite Pro II™ CE Spec

3.11 - Hydraulic Pump to Key Switch Relay

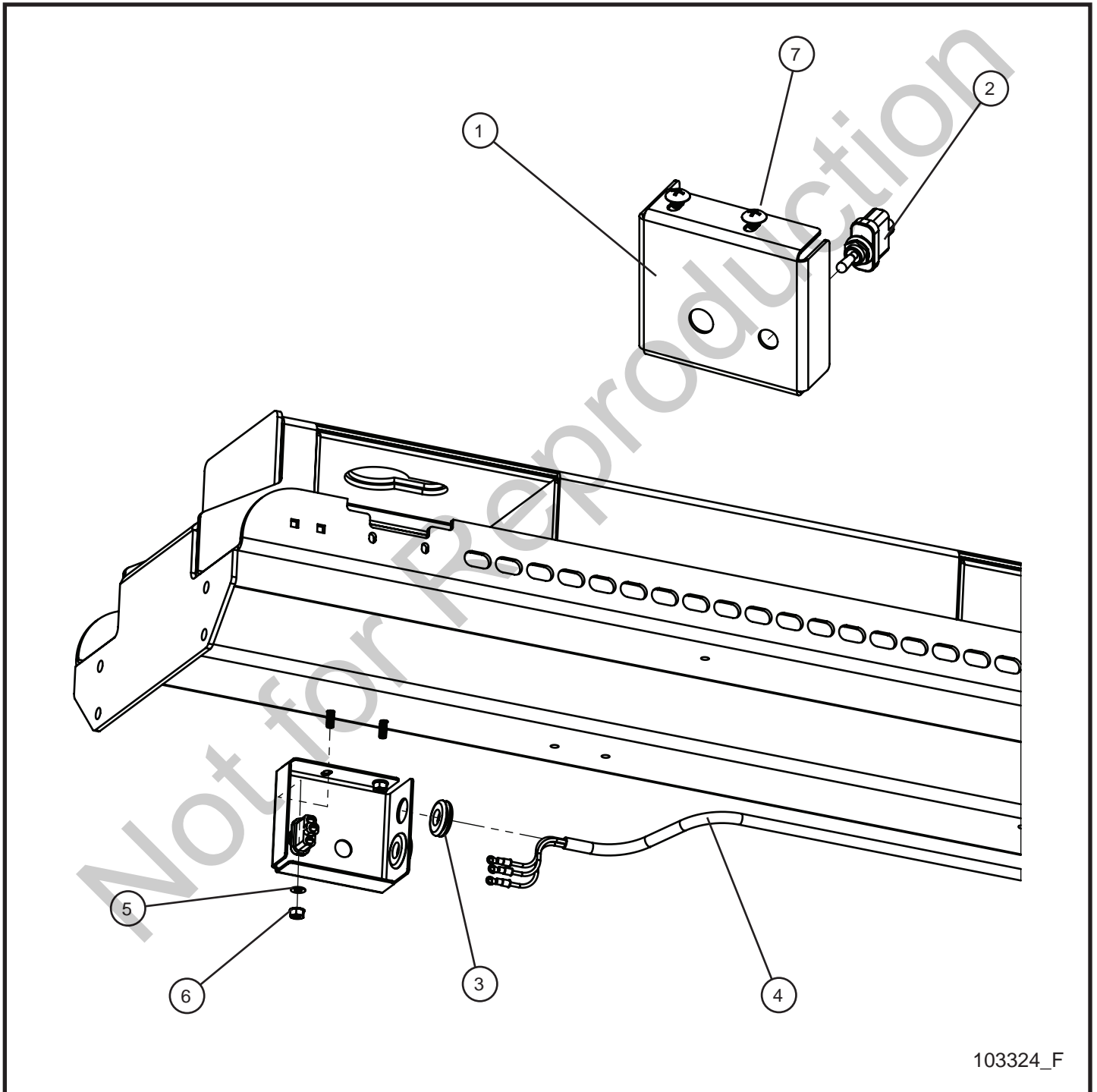
SN 0001PRO2VE15 and UP

Item	Part No.	Part Description	Qty.
1	105173	RELAY 12VDC 150AMP INRUSH	1
2	105174	RELAY BLOCK WEATHER PACK	1
3	046015	1/4-20 x 1 HEX HEAD CS GR5 PL	1
4	044023	1/4-20 NYLOCK HEX NUT PL	1
5	105183	CORD HYDRAULIC RELAY KEY SWITCH NL PRO II	1
6	022244	1/4 HEAT SHRINK x 1.0	1
7	022347	TERM RING 10-12 AWG 5/16	2

Not for Reproduction

3.12 Vertical Tower Switch Panel

SN 0001PRO2VE15 and UP



103324_F

Night-Lite Pro II™ CE Spec

3.12 Vertical Tower Switch Panel

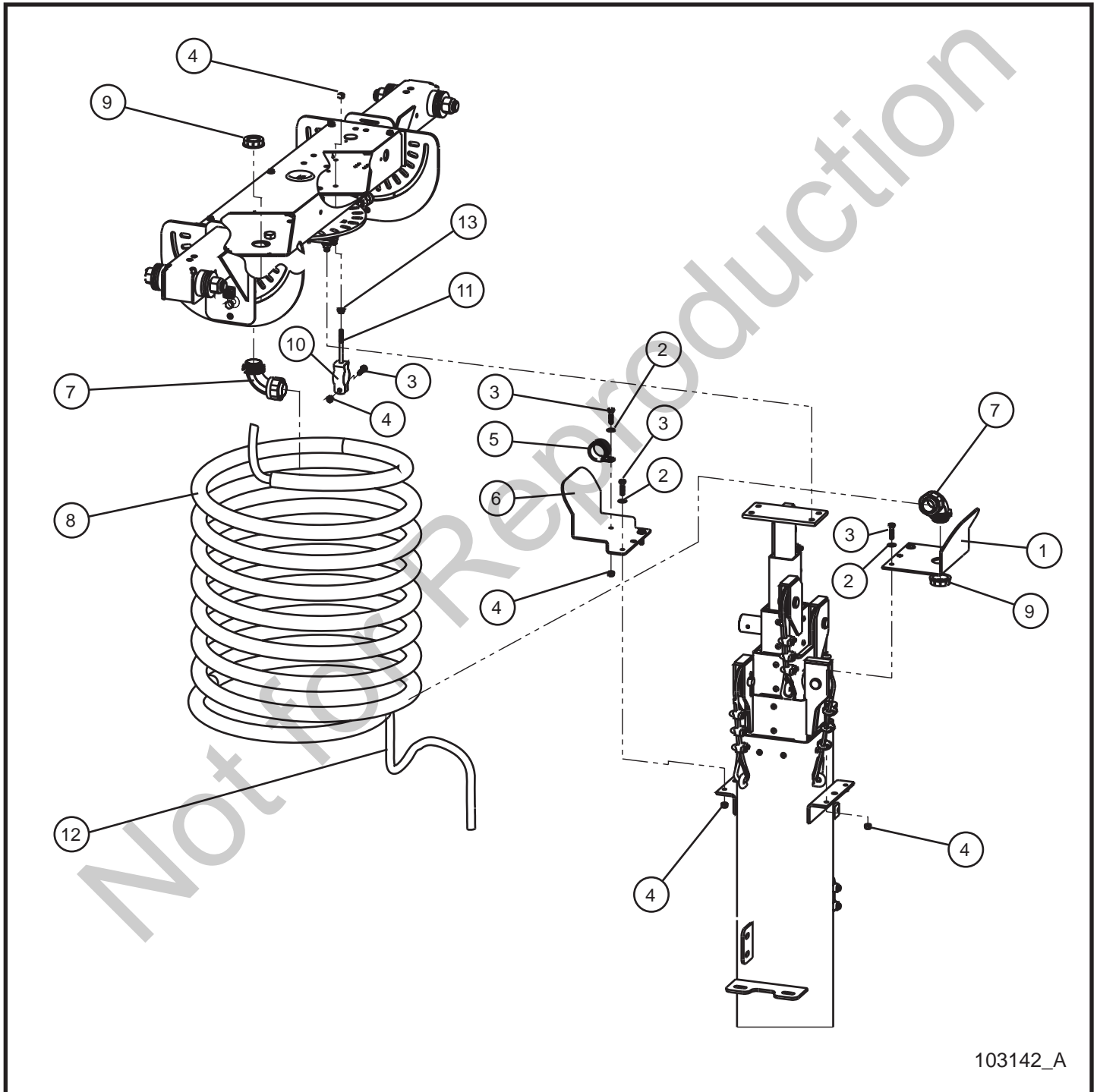
SN 0001PRO2VE15 and UP

Item	Part No.	Part Description	Qty.
1	102947P	CONTROL BRACKET VERTICAL TOWER	1
2	102453	TOGGLE SWITCH SINGLE POLE	1
3	100859	7/8 ID x 1 1/4 OD GROMMET	2
4	105215	SWITCH CORD BUCHER VERTICAL HYDRAULIC	1
5	047009	1/4 FLAT WASHER SAE SS	2
6	044021	1/4-20 KEPS HEX NUT PL	2
7	041050	1/4-20 x 3/4 PH-TRUSS HEAD MS SS MACHINE SCREW	2
NS	105935	SCHEMATIC VERTICAL UP/DOWN MOMENTARY	1

Not for Reproduction

3.13 - Nycoil Cord

SN 0001PRO2VE15 and UP



103142_A

Night-Lite Pro II™ CE Spec

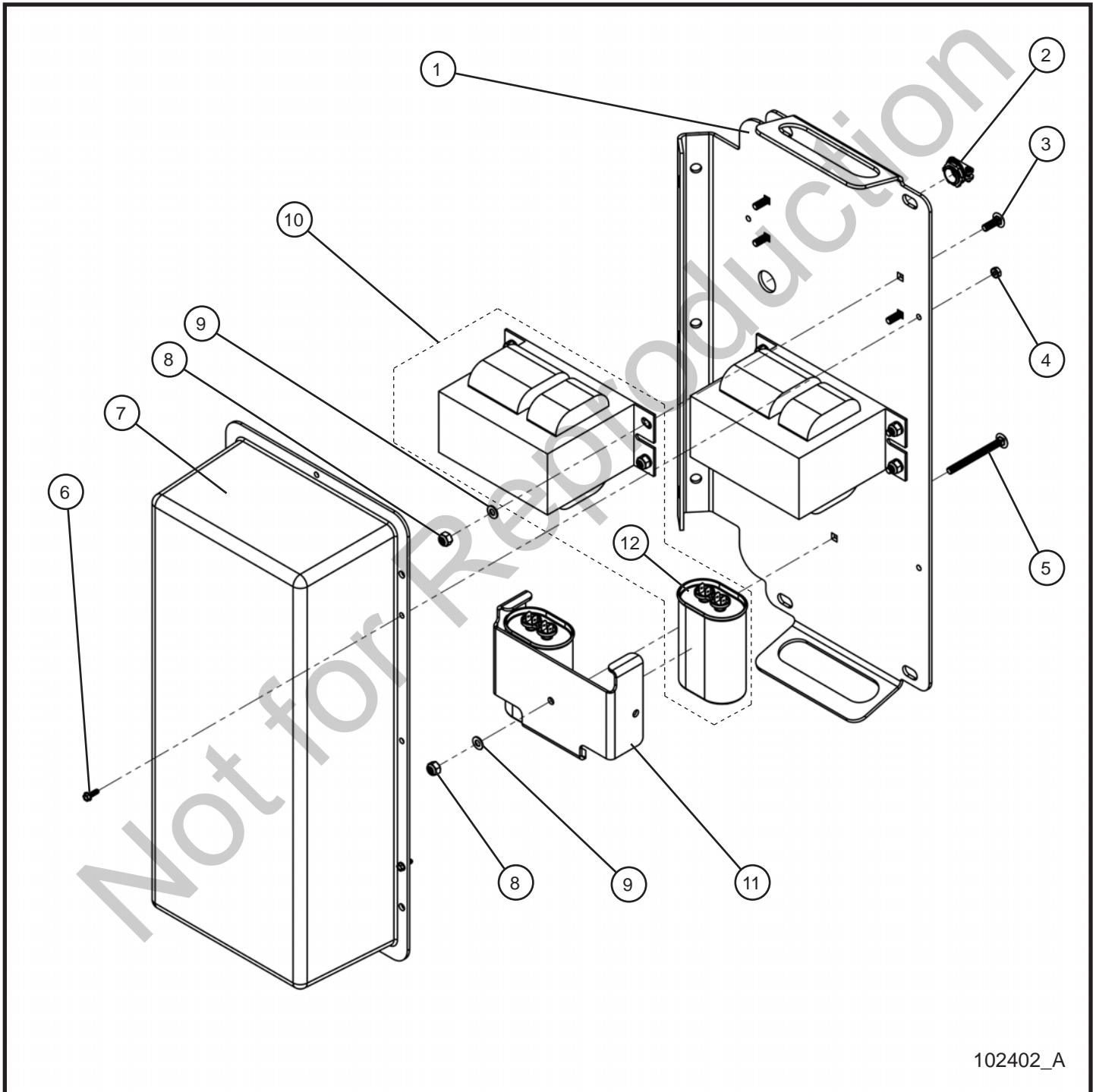
3.13 - Nycoil Cord

SN 0001PRO2VE15 and UP

Item	Part No.	Part Description	Qty.
1	102977P	VT2 CORD GRIP BRACKET	1
2	047009	1/4 FLAT WASHER SAE SS	5
3	046015	1/4-20 x 1 HEX HEAD CS GR5 PL	6
4	044023	1/4-20 NYLOCK HEX NUT PL	7
5	920366	#16 CUSH CLAMP W/ 3/8 HOLE	1
6	102978P	VT2 NYCOIL CLAMP PLATE	1
7	102979	CORD GRIP 90° ELBOW LIQUID TIGHT	2
8	103390	HOSE SELF STORING VT2	1
9	101672	1" INSULATING BUSHING	2
10	100474	1" CONDUIT CLAMP	1
11	046037	1/4-20 x 2 3/4 HEX HEAD CS GR5 PL	1
12	103289	16/8 NYCOIL VERTICAL TOWER	1
13	044021	1/4-20 KEPS HEX NUT PL	1

4.1 - 1000W 50Hz Ballast

SN 0001PRO2VE15 and UP



102402_A

Night-Lite Pro II™ CE Spec

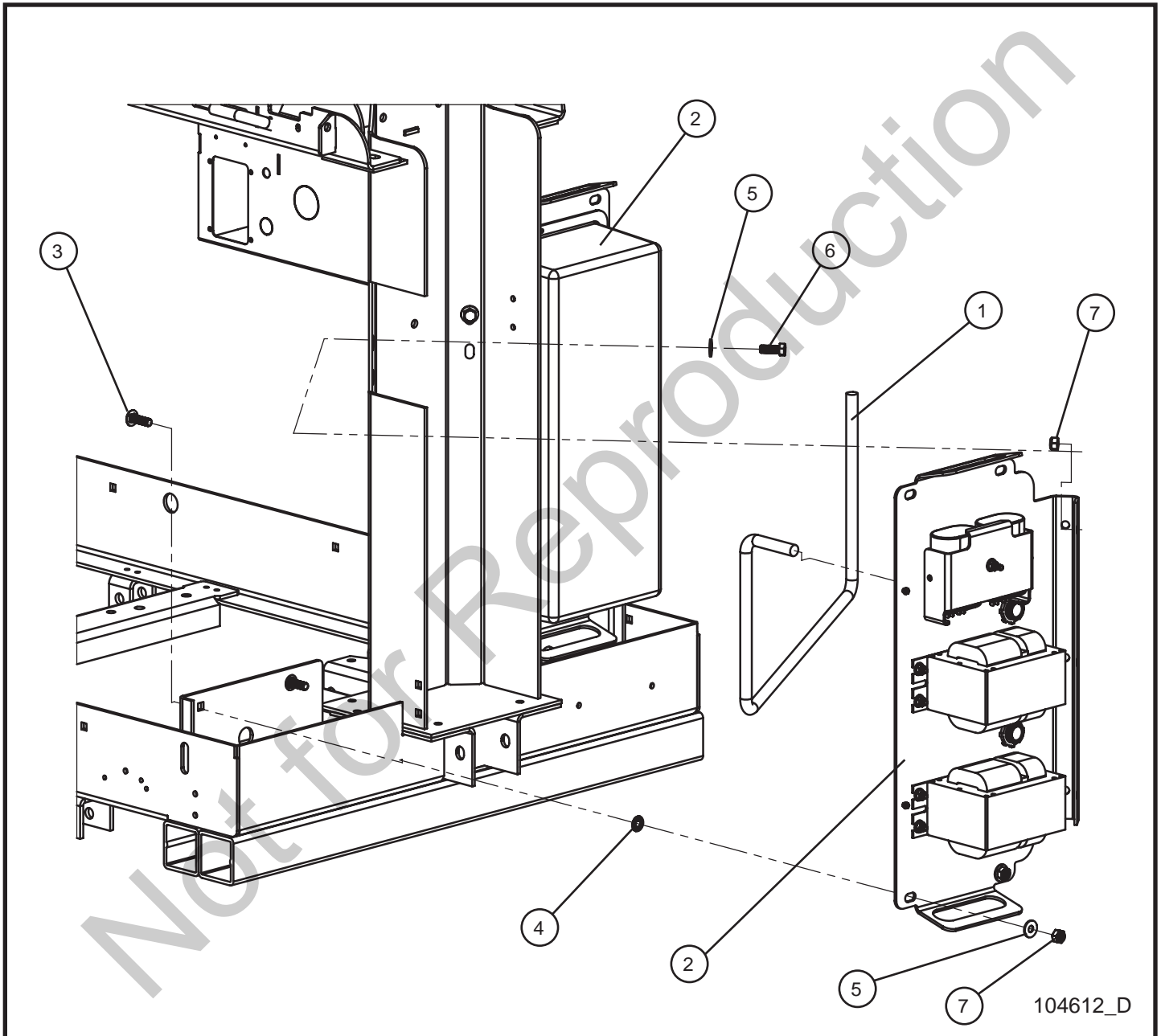
4.1 - 1000W 50Hz Ballast

SN 0001PRO2VE15 and UP

Item	Part No.	Part Description	Qty.
1	103936P	MOUNT PLATE BALLAST BOX	1
2	022020	3/8 2 SCREW CLAMP	2
3	053006	1/4-20 x 3/4 CARRIAGE BOLT	8
4	044003	#8-32 NC KEPS NUT	4
5	100718	1/4-20 x 2 1/4 CARRIAGE BOLT	1
6	041029	#8-32 x 1/2 HEX WASHER HEAD TP F INDT	4
7	102752	TOP, BOX, BALLAST, MODULAR	1
8	044023	1/4-20 NYLOCK HEX NUT PL	9
9	047009	1/4 FLAT WASHER SAE SS	9
10	310116A	1000W 50Hz BALLAST WITH CAPACITOR (includes item 12)	2
11	680608P	TABBED CAPACITOR CLAMP	1
12	310115A	CAPACITOR 26uf - 1000W 50 Hz	2

4.2 - 1000W 50Hz Lamps with Ballast (1 of 2)

SN 0001PRO2VE15 and UP



Night-Lite Pro II™ CE Spec

4.2 - 1000W 50Hz Lamps with Ballast (1 of 2)

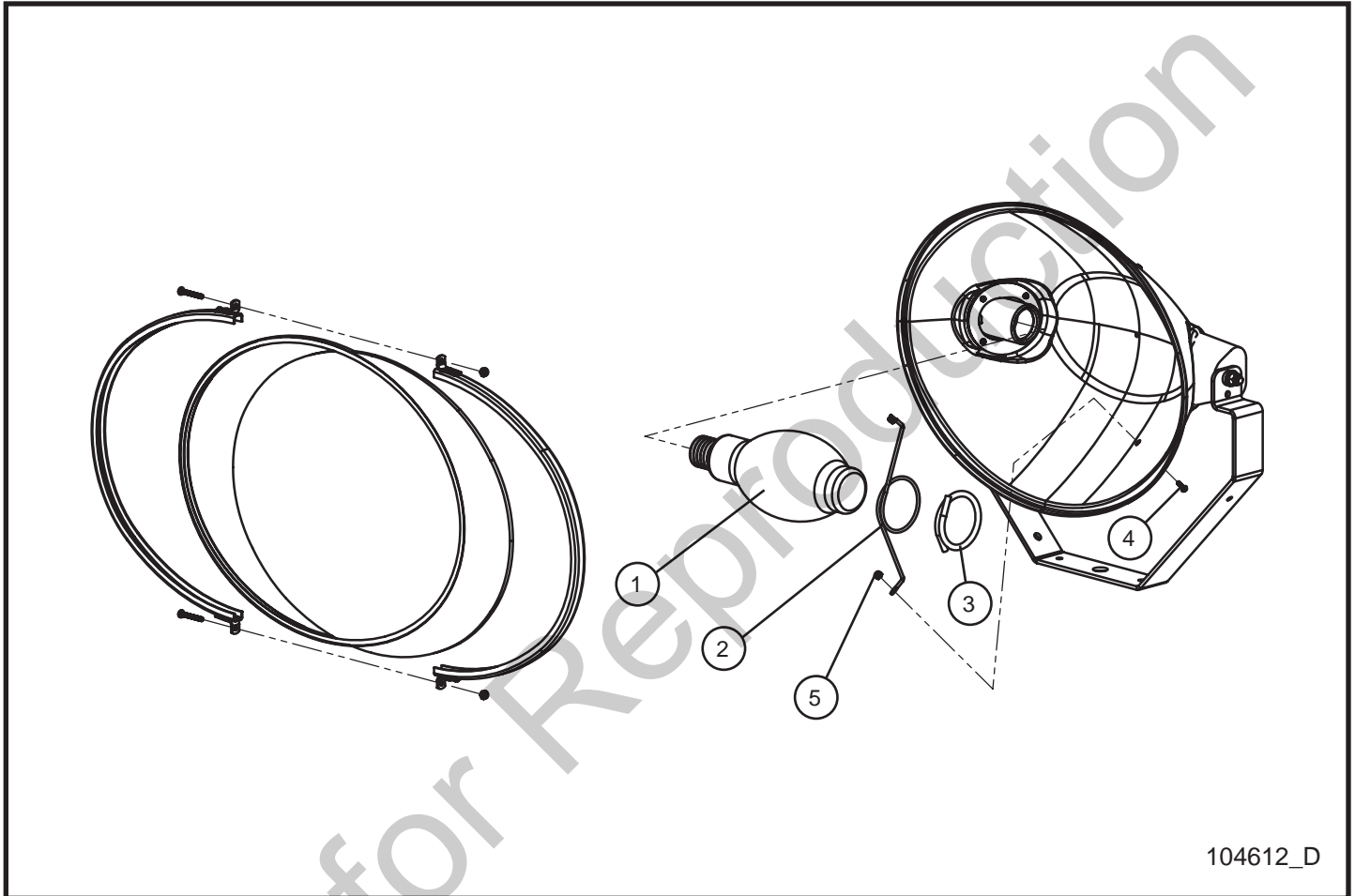
SN 0001PRO2VE15 and UP

Item	Part No.	Part Description	Qty.
1	103624	PRO II BALLAST ASSEMBLY CORD	4
2	102402	1000W 50Hz 220V BALLAST ASSEMBLY	2
3	100670	3/8-16 x 1 1/4 CARRIAGE BOLT	4
4	045218	3/8 PUSH NUT	4
5	047010	5/16 FLAT WASHER PL	8
6	046110	3/8-16 x 1 HEX HEAD CS GR5 PL	4
7	044038	3/8-16 NYLOCK HEX NUT PL	8

Not for Reproduction

4.3 - 1000W 50Hz Lamps with Ballast (2 of 2)

SN 0001PRO2VE15 and UP



104612_D

Night-Lite Pro II™ CE Spec

4.3 - 1000W 50Hz Lamps with Ballast (2 of 2)

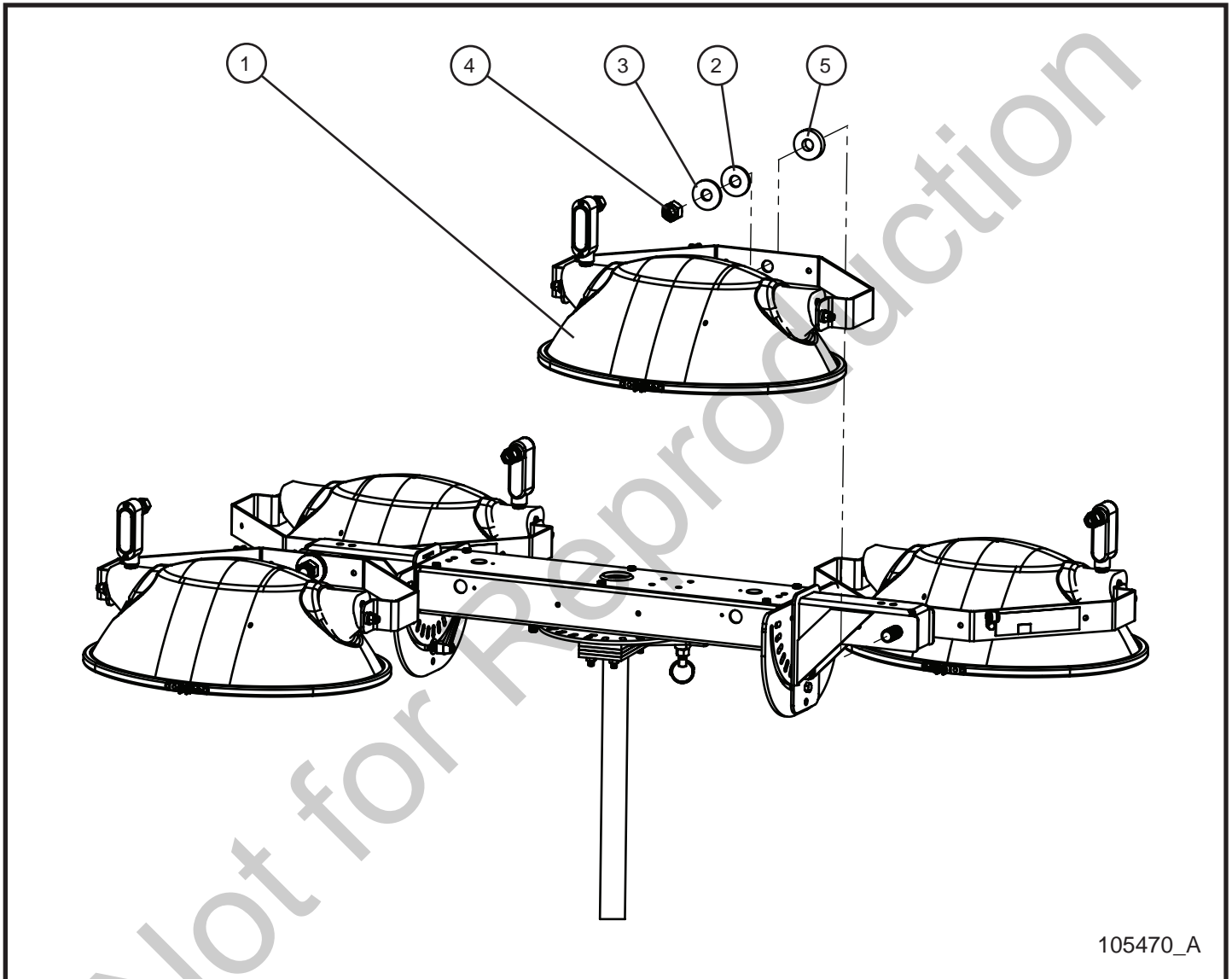
SN 0001PRO2VE15 and UP

Item	Part No.	Part Description	Qty.
1	610211	LAMP 1000W BT37(MH)	4
2	610209	LAMP TIP SUPPORT SHO LAMP	4
3	610210	FIBERGLASS TUBE 12" LAMP SUPPORT	4
4	041200	#8-32 x 1/2 HEX WASHER HEAD INDT	8
5	044013	#8-32 NYLOCK HEX NUT SS	8

Not for Reproduction

4.4 - SHO CSA/UL Lampholder

SN 0001PRO2VE15 and UP



105470_A

Night-Lite Pro II™ CE Spec

4.4 - SHO CSA/UL Lampholder

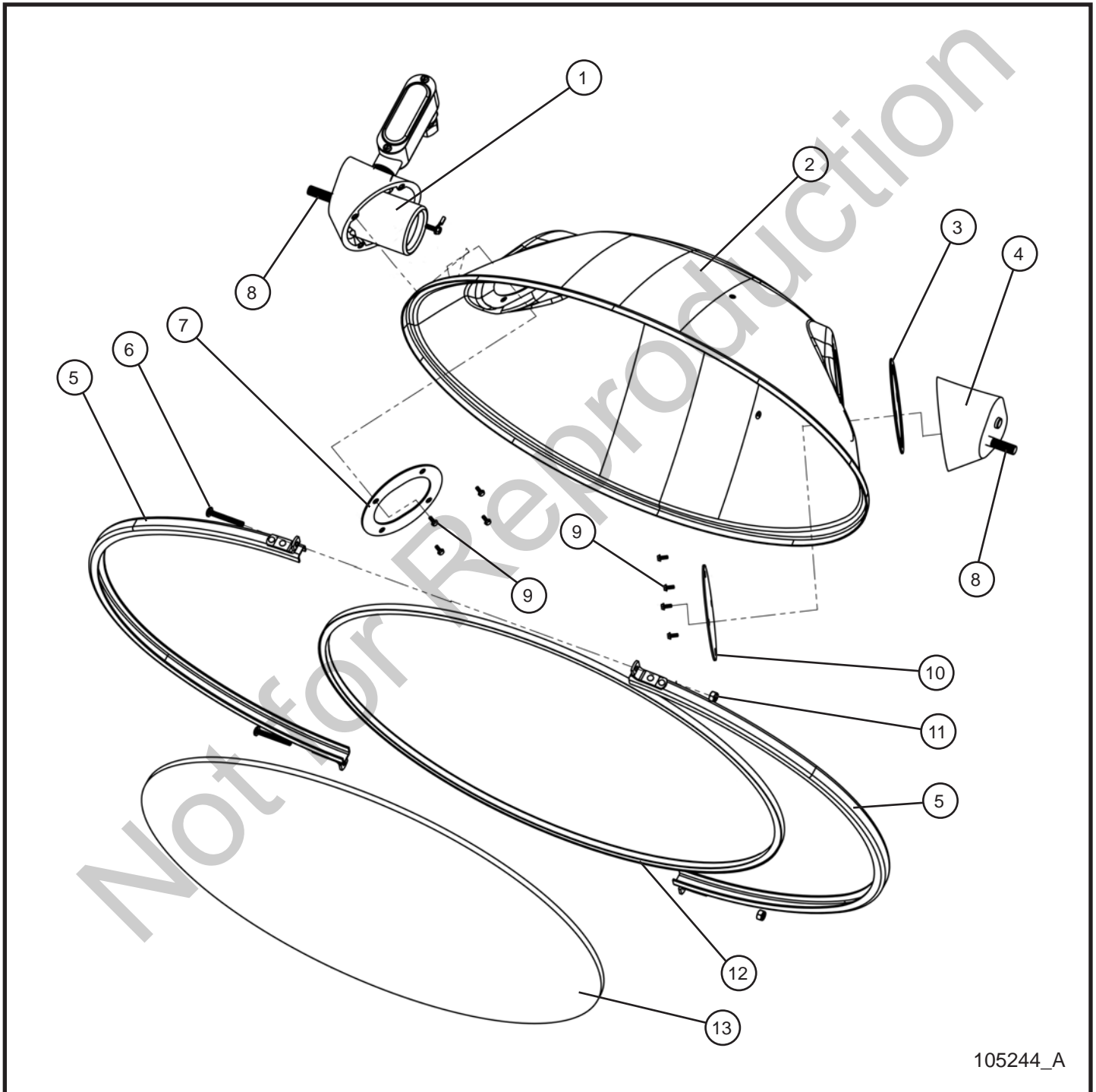
SN 0001PRO2VE15 and UP

Item	Part No.	Part Description	Qty.
1	105244	LAMPHOLDER CSA/UL LIGHT SHO	4
2	650550	.785" x 2" HDPE WASHER	4
3	047035	3/4 FLAT WASHER PL	4
4	044058	3/4-10 NYLOCK HEX NUT PL	4
5	101813	.781 ID x 2 OD x 1/2 HDPE WASHER	4

Not for Reproduction

4.5 - SHO Light Lampholder (1 of 2)

SN 0001PRO2VE15 and UP



105244_A

Night-Lite Pro II™ CE Spec

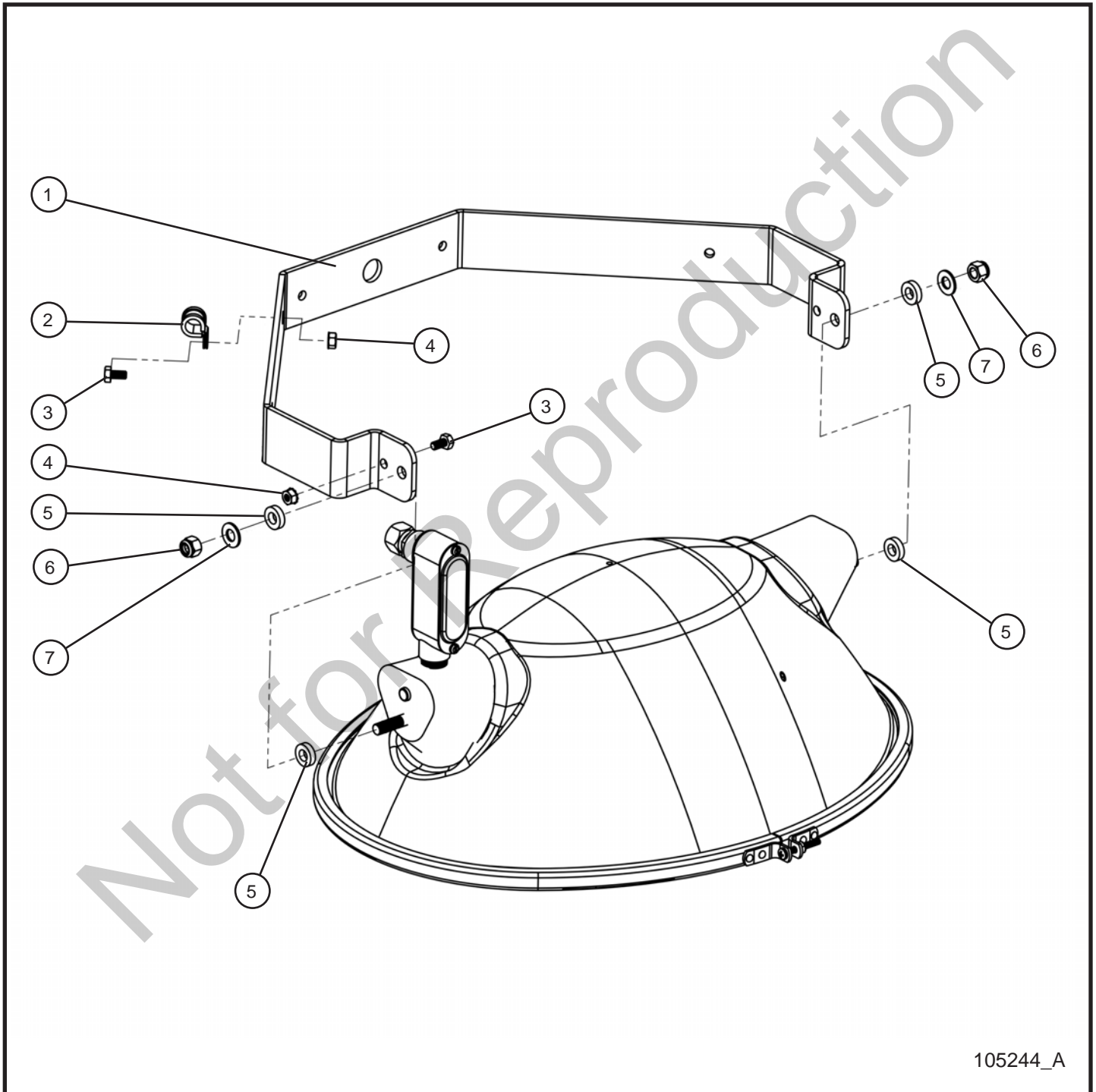
4.5 - SHO Light Lampholder (1 of 2)

SN 0001PRO2VE15 and UP

Item	Part No.	Part Description	Qty.
1	105485	SOCKET ENTRANCE END CAP ASSEMBLY	1
2	610201	REFLECTOR	1
3	610213	GASKET SOCKET END CAP	1
4	610206	CASTING END SHO	1
5	610202	LENS CHANNEL SET SHO LIGHTS	2
6	041040	#10-24 x 1 1/2 PH-ROUND HEAD MS SS	2
7	610208	INTERIOR COVER PLATE WITH HOLE	1
8	045142	3/8-24 x 3/8-16 x 2 STUD	2
9	041028	#10-24 x 1/2 HEX WASHER HEAD INDT	8
10	610207	INTERIOR COVER PLATE WITHOUT HOLE	1
11	044019	#10-24 NYLOCK HEX NUT SS	2
12	610217	SILICONE GASKET	1
13	610203	GLASS LENS	1

4.6 - SHO Light Lampholder (2 of 2)

SN 0001PRO2VE15 and UP



105244_A

Night-Lite Pro II™ CE Spec

4.6 - SHO Light Lampholder (2 of 2)

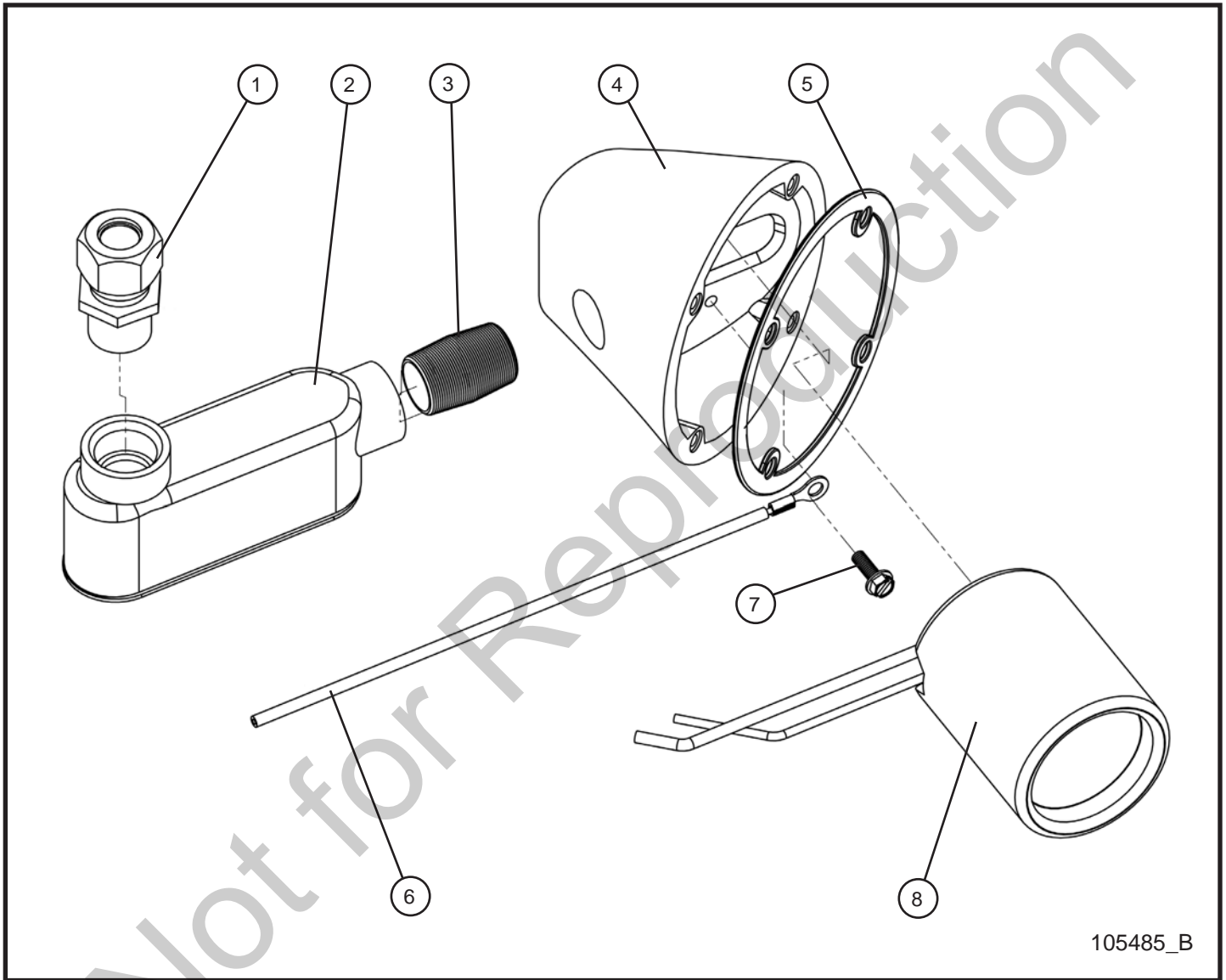
SN 0001PRO2VE15 and UP

Item	Part No.	Part Description	Qty.
1	660130P	YOKE MOUNT SHO LAMP	1
2	022022	#8 CUSH CLAMP 1/4 HOLE	1
3	046005	1/4-20 x 1/2 HEX HEAD CS GR5 PL	2
4	044021	1/4-20 KEPS HEX NUT PL	2
5	047019	NYLON BUSHING 3/4 OD x .385 ID	4
6	044037	3/8-24 NYLOCK HEX NUT PL	2
7	047016	3/8 FLAT WASHER SAE ZINC	2

Not for Reproduction

4.7 - Socket Entrance End Cap

SN 0001PRO2VE15 and UP



Night-Lite Pro II™ CE Spec

4.7 - Socket Entrance End Cap

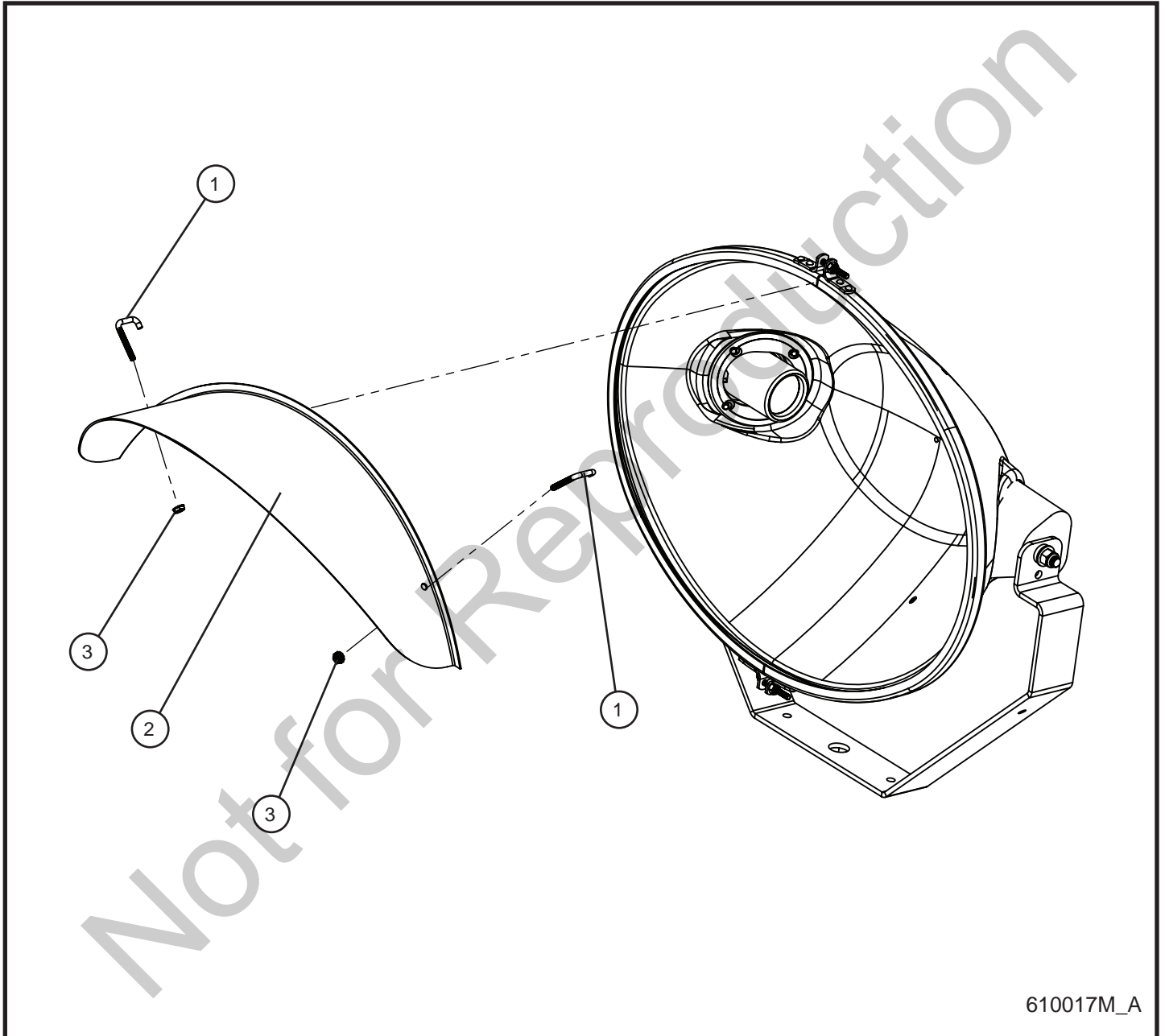
SN 0001PRO2VE15 and UP

Item	Part No.	Part Description	Qty.
1	510007	1/2 CORD GRIP	1
2	610214	ELBOW 1/2 SLB SHO ENTRANCE	1
3	610215	1/2 NPT NIPPLE	1
4	610205	SOCKET CASTING END SHO	1
5	610213	GASKET SOCKET END CAP	1
6	610219	GROUND WIRE LAMPHOLDER SHO ENTRANCE	1
7	041257	#10-32 x 3/8 SL-HEX WASHER HEAD MS GRND	1
8	610212	CERAMIC SOCKET	1

Not for Reproduction

4.8 - SAF-T-Visor

SN 0001PRO2VE15 and UP



Night-Lite Pro II™ CE Spec

4.8 - SAF-T-Visor

SN 0001PRO2VE15 and UP

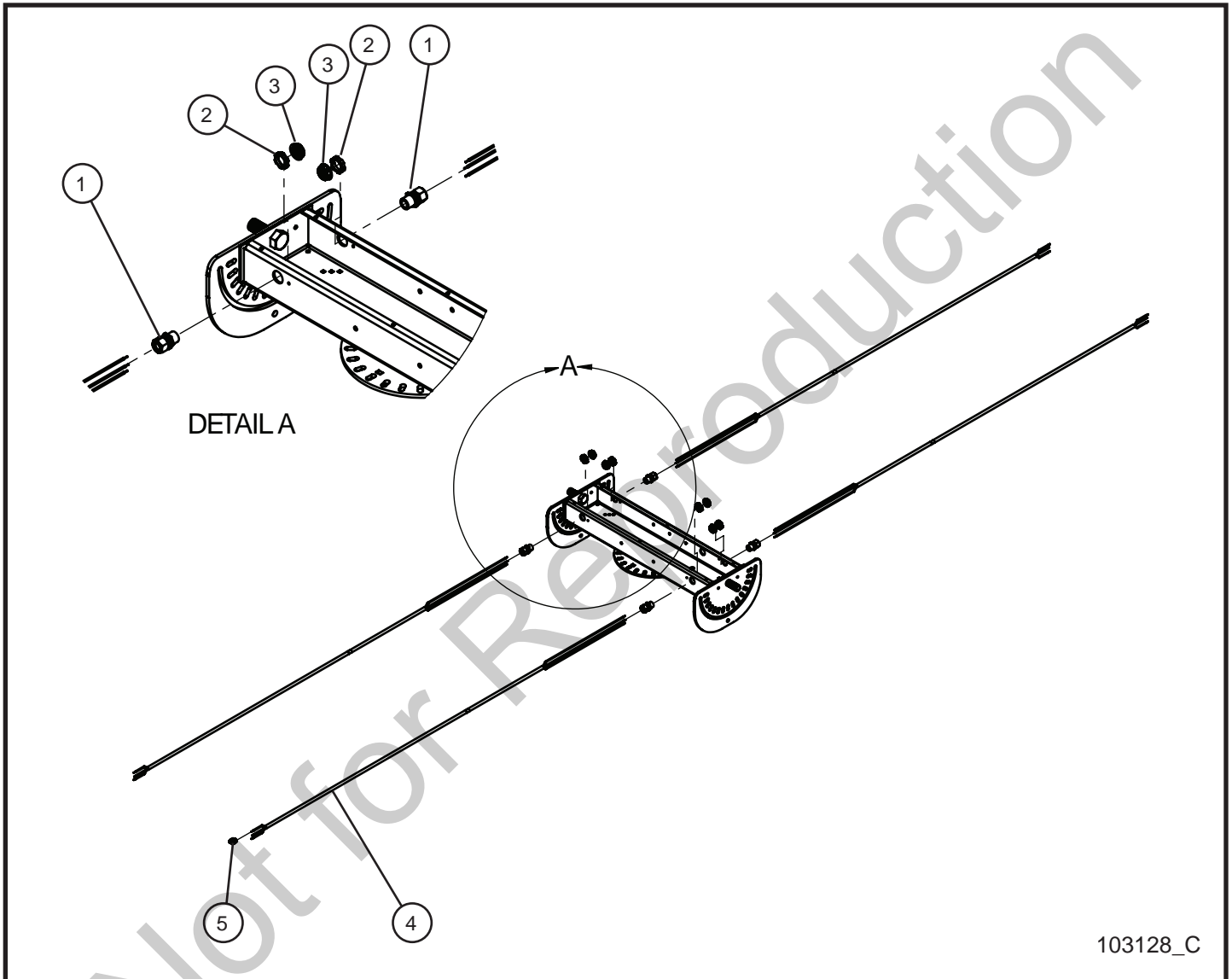
Item	Part No.	Part Description	Qty.
1	045070	#10-24 HOOK SQ BEND BOLT	8
2	610017	SAF-T VISOR SHO LAMP (*SEE NOTE)	4
3	044016	#10-24 KEPS HEX NUT PL	8

*NOTE: SAF-T VISOR MUST BE INSTALLED WITH LIP BETWEEN GASKET AND GLASS LENS.

Not for Reproduction

4.9 - Solid Wired Lamp Connector

SN 0001PRO2VE15 and UP



103128_C

Night-Lite Pro II™ CE Spec

4.9 - Solid Wired Lamp Connector

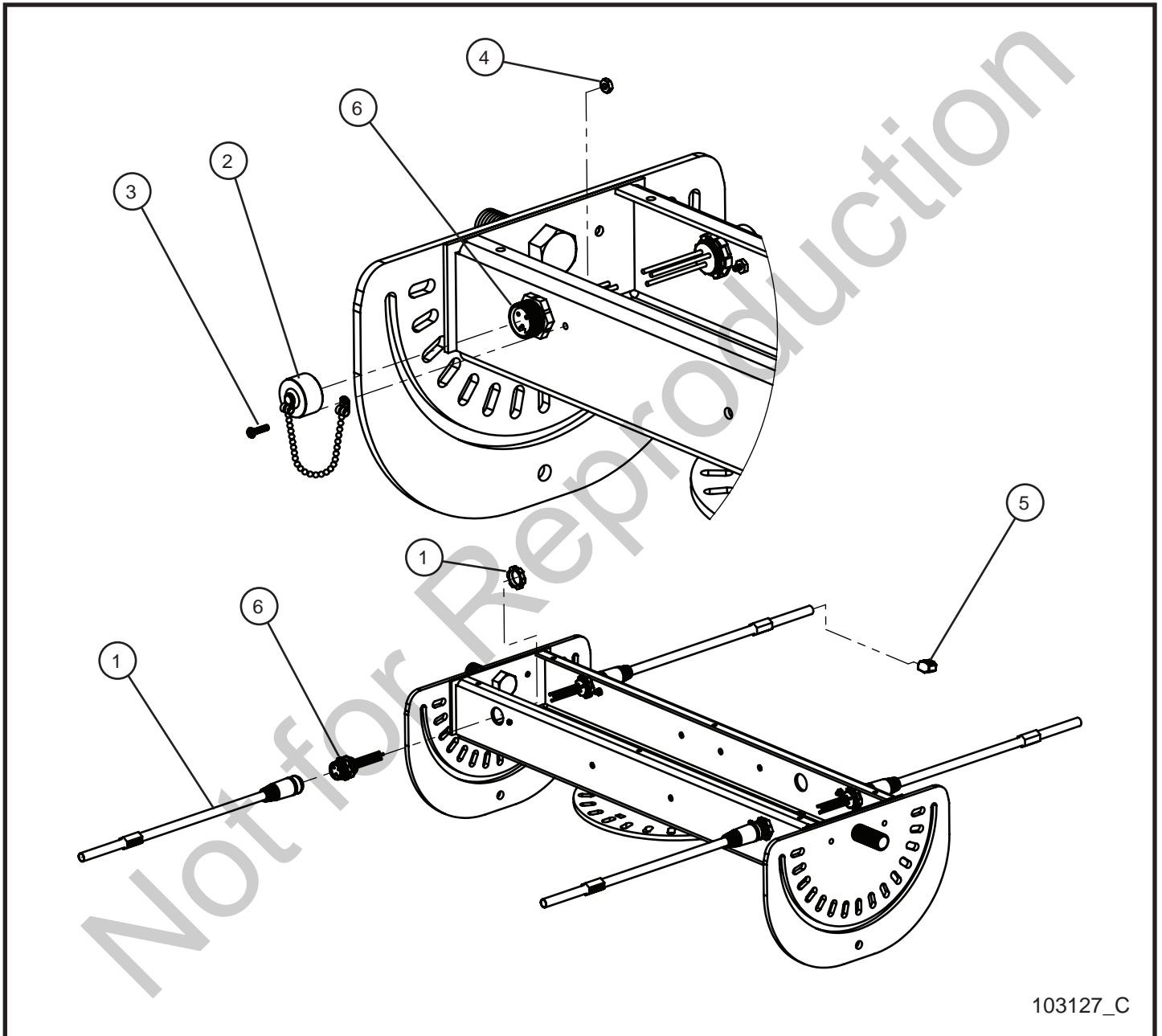
SN 0001PRO2VE15 and UP

Item	Part No.	Part Description	Qty.
1	510007	1/2 CORD GRIP	4
2	022035	1/2 CORD GRIP NUT	4
3	022415	1/2 INSULATING BUSHING THREADED	4
4	650159	CORD ASSEMBLY 16/3 SOOW 68 INCHES	4
5	102624	2 WIRE LEVER LOCK	12

Not for Reproduction

4.10 - Quick Disconnect Lamp Connector

SN 0001PRO2VE15 and UP



103127_C

Night-Lite Pro II™ CE Spec

4.10 - Quick Disconnect Lamp Connector

SN 0001PRO2VE15 and UP

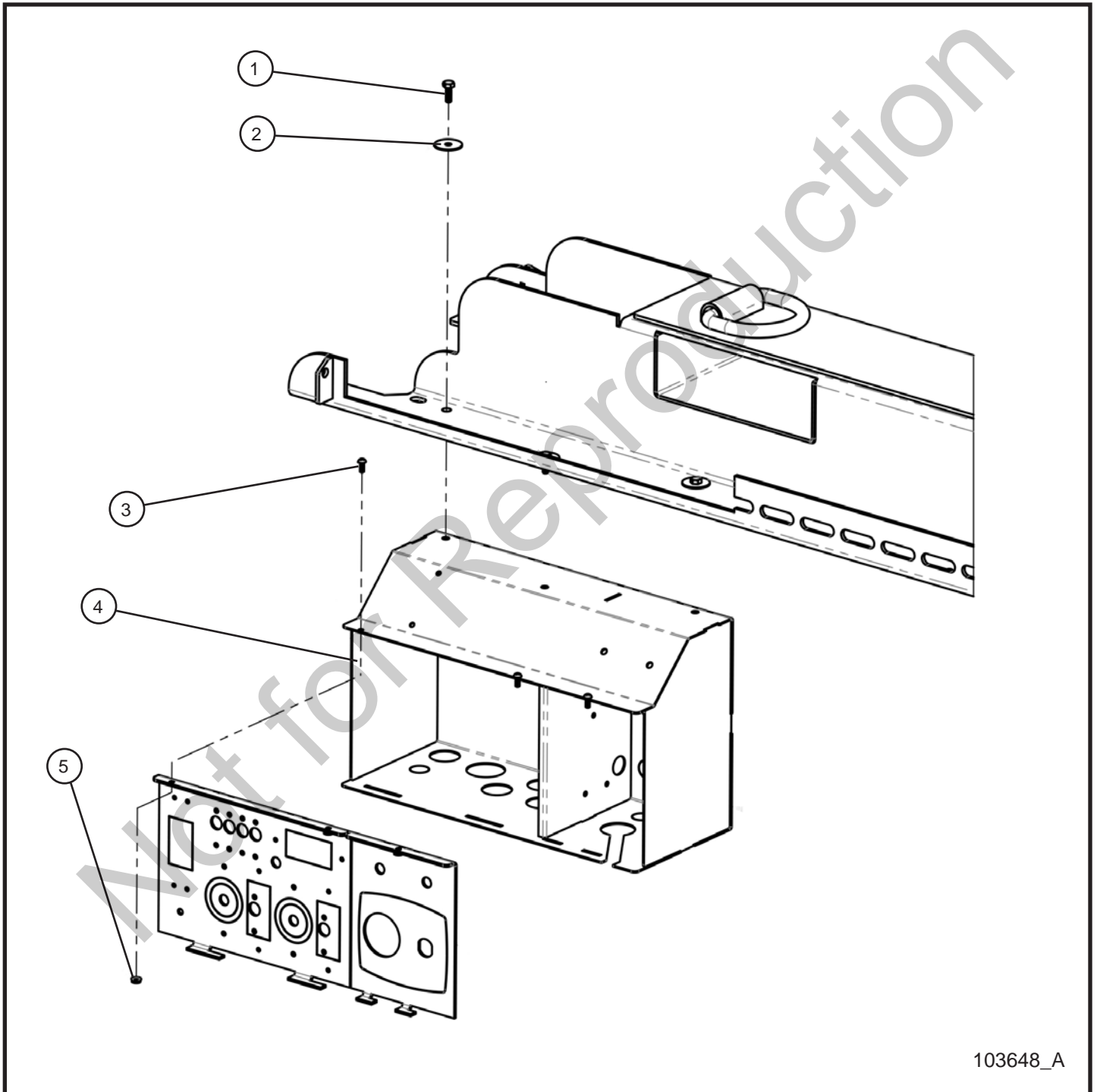
Item	Part No.	Part Description	Qty.
1	310434	MALE CONNECTOR CABLE HUBBEL #HPMS03112	4
2	310413	CAP QUICK DISCONNECT	4
3	100029	#6-32 x 1/2 PH-ROUND HEAD MS PL	4
4	044004	#6-32 KEPS HEX NUT PL	4
5	102624	2 WIRE LEVER LOCK	12
6	310414	QD CONNECTOR FEMALE	4

*NOTE: PARTS CALLED OUT IN SAME NUMBER ARE THE ASSEMBLY OF THAT PART NUMBER.

Not for Reproduction

5.1 - Component Box (1 of 2)

SN 0001PRO2VE15 and UP



103648_A

Night-Lite Pro II™ CE Spec

5.1 - Component Box (1 of 2)

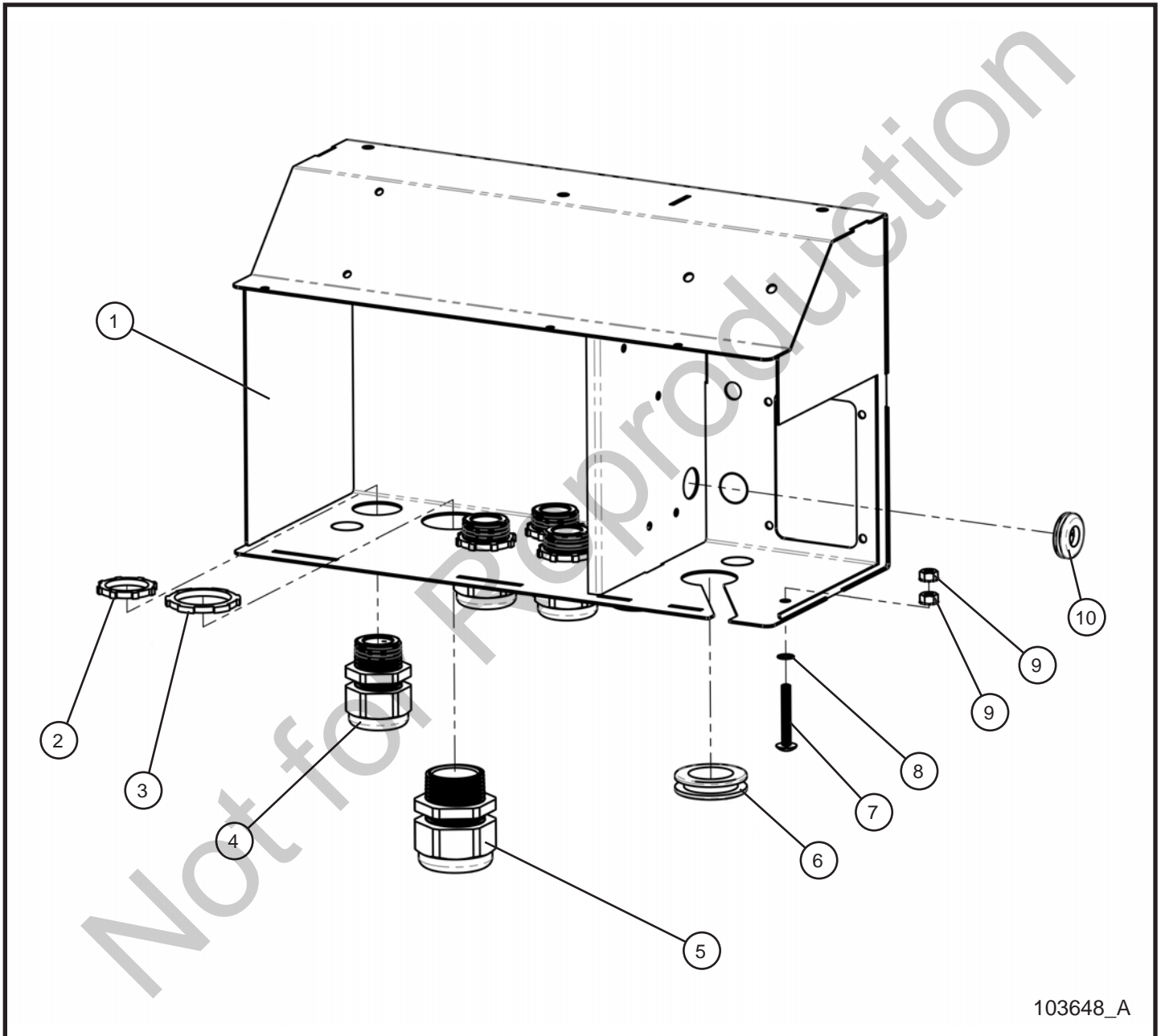
SN 0001PRO2VE15 and UP

Item	Part No.	Part Description	Qty.
1	046010	1/4-20 x 3/4 HEX HEAD CS GR5 SS	3
2	047007	1/4 x 1 1/4 x .056 FENDER WASHER	3
3	041024	#10-24 x 1/2 PH-ROUND HEAD MS SS	3
4	105780P	COMPONENT BOX WELDMENT	1
5	044016	#10-24 KEPS HEX NUT PL	3

Not for Reproduction

5.2 - Component Box (2 of 2)

SN 0001PRO2VE15 and UP



Night-Lite Pro II™ CE Spec

5.2 - Component Box (2 of 2)

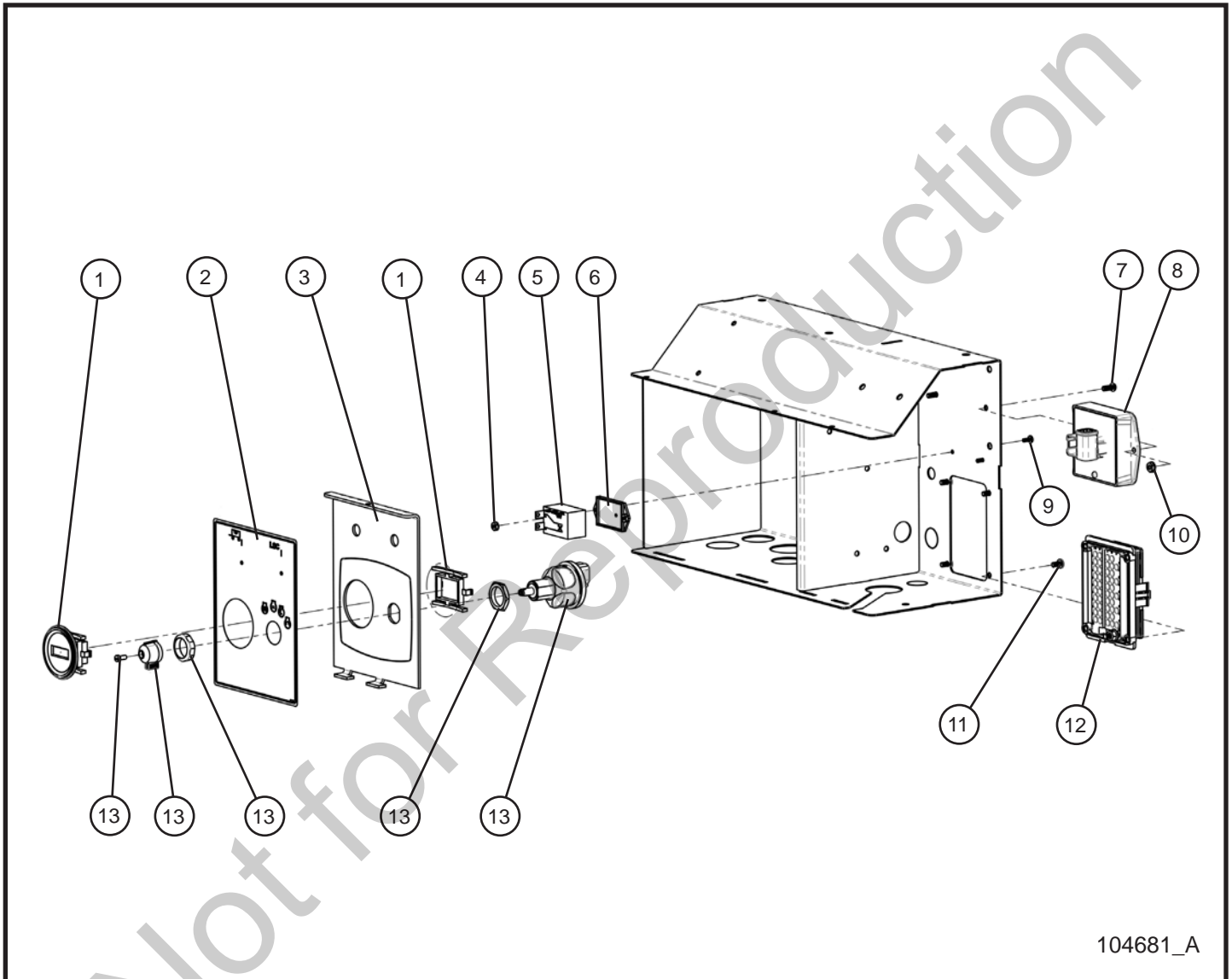
SN 0001PRO2VE15 and UP

Item	Part No.	Part Description	Qty.
1	105780P	COMPONENT BOX WELMENT	1
2	022038	1" CORD GRIP NUT	5
3	350363	1 1/4 LOCK NUT	1
4	105627	CORD GRIP 1" NYLON GRAY	5
5	105628	CORD GRIP 1 1/4" NYLON BLACK	1
6	650542	1 1/4 ID x 1 1/2 OD GROMMET	1
7	041053	1/4-20 x 1 3/4 PH-TRUSS HEAD MS SS	1
8	043050	1/4 INTL TOOTH LOCK WASHER	1
9	044021	1/4-20 KEPS HEX NUT PL	2
10	100859	7/8 ID x 1 1/4 OD GROMMET	1

Not for Reproduction

5.3 - Key Start Engine Control

SN 0001PRO2VE15 and UP



104681_A

Night-Lite Pro II™ CE Spec

5.3 - Key Start Engine Control

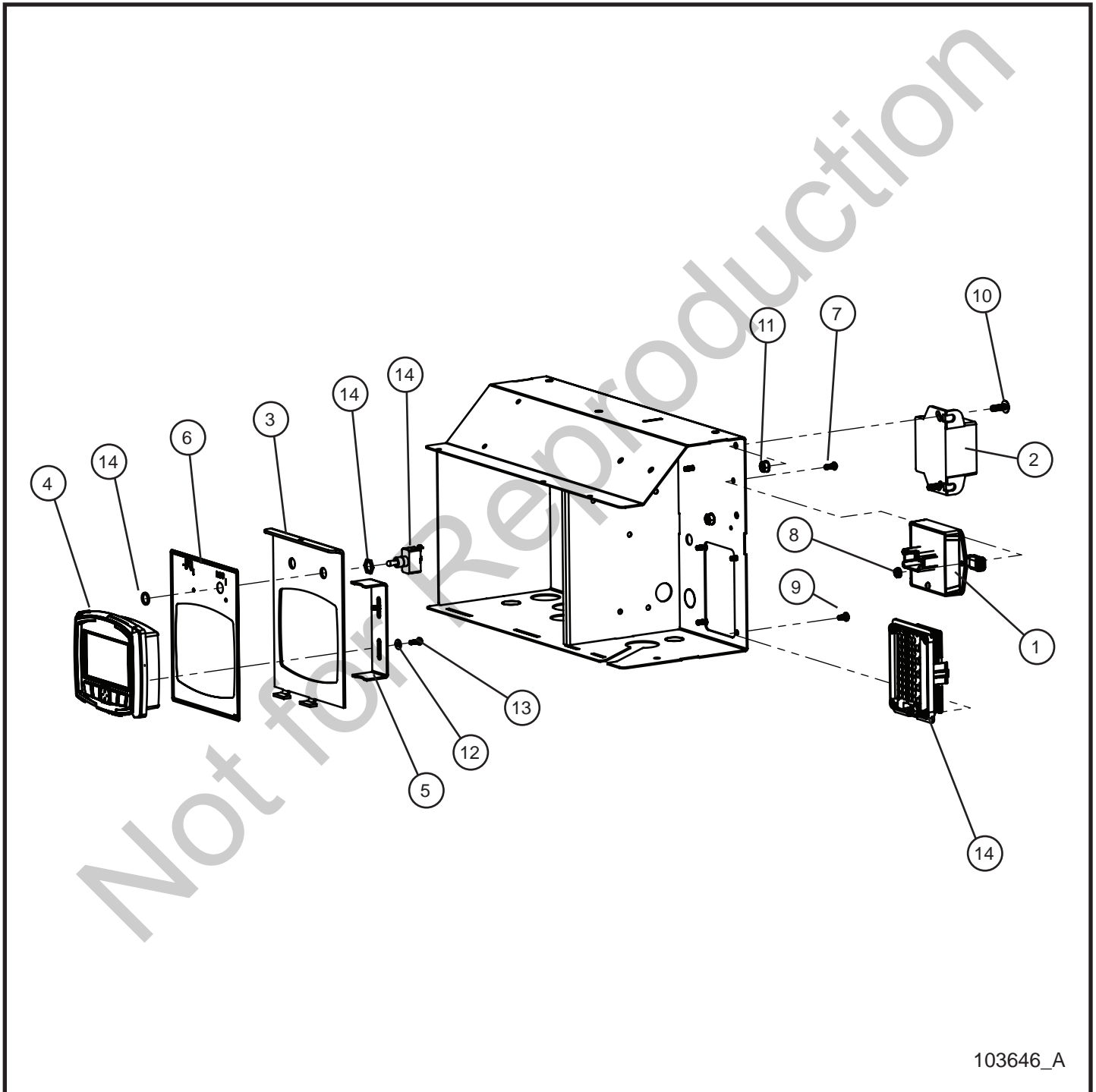
SN 0001PRO2VE15 and UP

Item	Part No.	Part Description	Qty.
1	340014	HOUR METER DIGITAL (*SEE NOTE)	1
2	103417	DECAL ENGINE CONTROL PANEL	1
3	105776P	ENGINE PANEL COMPONENT BOX	1
4	044004	#6-32 KEPS HEX NUT PL	2
5	105845	TIMER RELAY 1 AMP	1
6	105857	MOUNT PANEL TIMER RELAY	1
7	041021	#10-24 x 1/2 PH-ROUND HEAD MS PL	2
8	105855	SLS MODULE	1
9	041017	#6-32 x 3/8 PH-PAN HEAD MS PL	2
10	044016	#10-24 KEPS HEX NUT PL	2
11	041019	#10-32 x 3/8 PH-ROUND HEAD MS PL	4
12	105211	HARNESS SLS CONTROL PANEL	1
13	106273	IGNITION SWITCH LEVER STYLE (*SEE NOTE)	1

*NOTE: PARTS CALLED OUT IN SAME NUMBER ARE THE ASSEMBLY OF THAT PART NUMBER.

5.4 - LSC Start Engine Control

SN 0001PRO2VE15 and UP



Night-Lite Pro II™ CE Spec

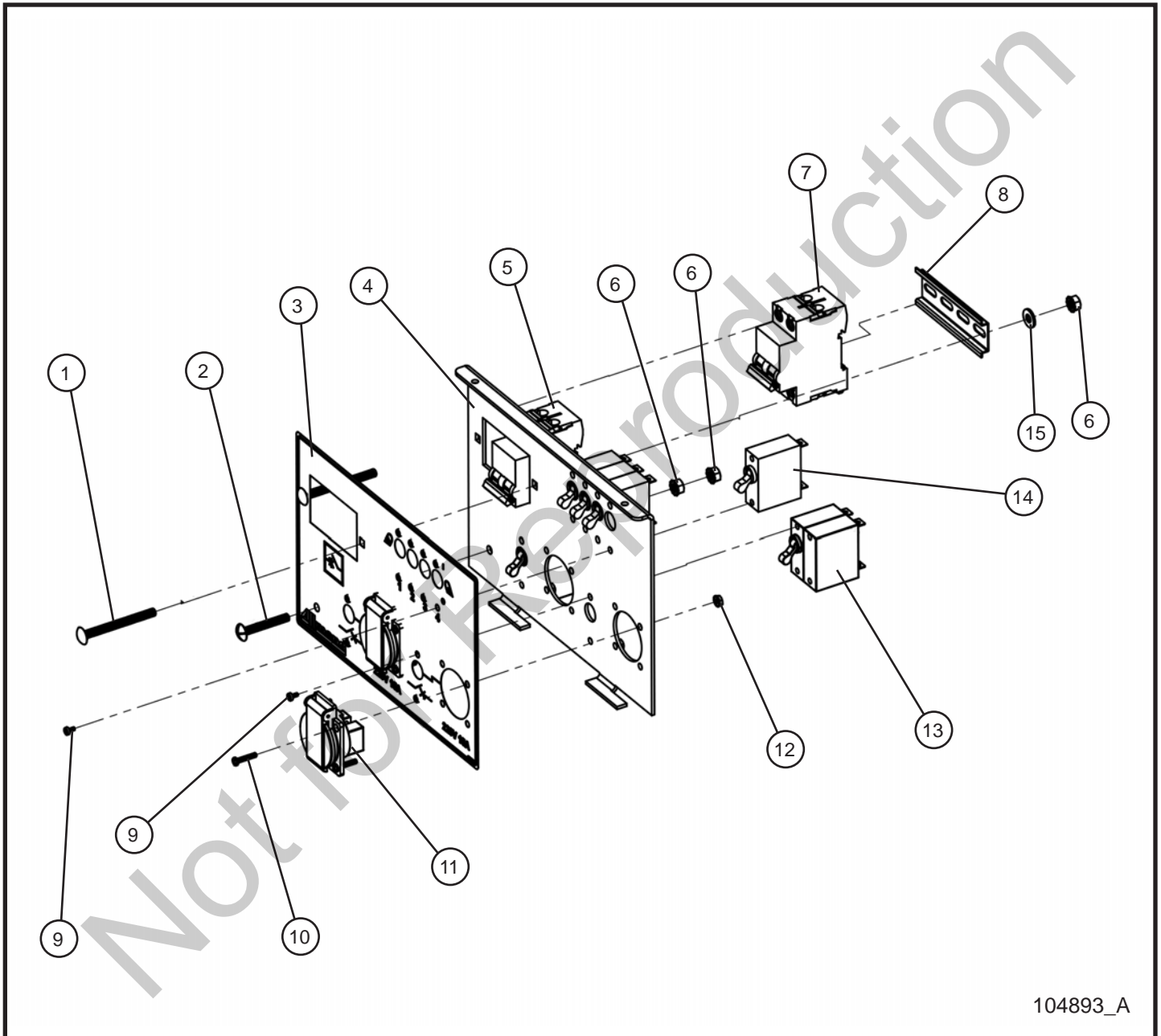
5.4 - LSC Start Engine Control

SN 0001PRO2VE15 and UP

Item	Part No.	Part Description	Qty.
1	105855	SLS MODULE	1
2	105846	ALARM 102 DB	1
3	105776P	ENGINE PANEL COMPONENT BOX	1
4	105854	LSC MODULE	1
5	105188P	BRACKET BACK LSC	1
6	103417	DECAL ENGINE CONTROL PANEL	1
7	041021	#10-24 x 1/2 PH-ROUND HEAD MS PL	2
8	044016	#10-24 KEPS HEX NUT PL	2
9	041019	#10-32 x 3/8 PH-ROUND HEAD MS PL	4
10	041050	1/4-20 x 3/4 PH-TRUSS HEAD MS SS MACHINE SCREW	2
11	044021	1/4-20 KEPS HEX NUT PL	2
12	047004	#8 FLAT WASHER SAE ZC	2
13	041200	#8-32 x 1/2 HEX WASHER HEAD INDT	2
14	105210	HARNESS LSC CONTROL PANEL	1
NS	105895	LSC SCHEMATIC	1
NS	106037	AUTOSTART ALARM WIRE HARNESS	1

5.5 - 50Hz CE Schuko Outlets

SN 0001PRO2VE15 and UP



104893_A

Night-Lite Pro II™ CE Spec

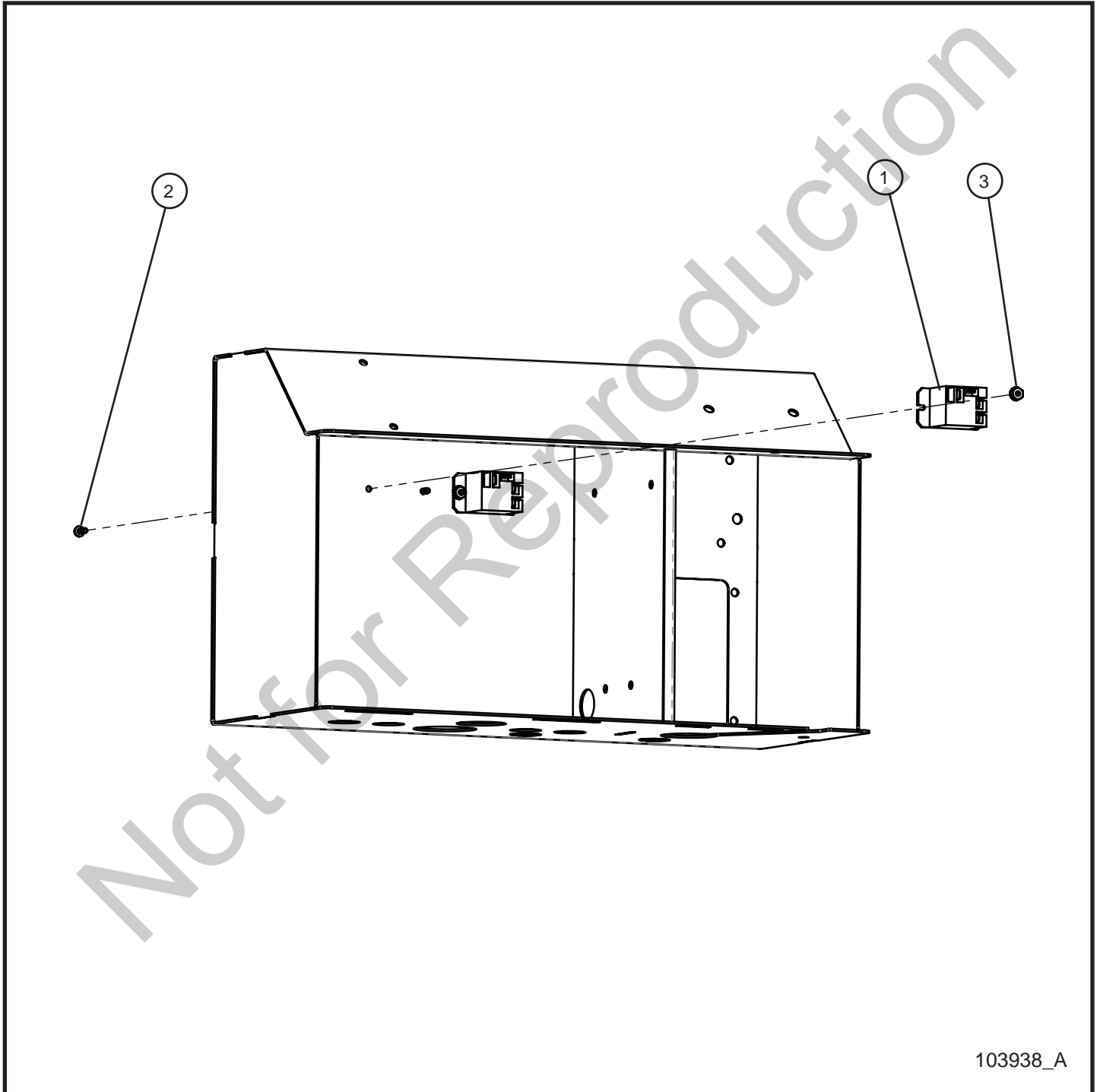
5.5 - 50Hz CE Schuko Outlets

SN 0001PRO2VE15 and UP

Item	Part No.	Part Description	Qty.
1	100718	1/4-20 x 2 1/4 CARRIAGE BOLT	2
2	041053	1/4-20 x 1 3/4 PH-TRUSS HEAD MS SS	1
3	104892	DECAL BREAKER 50Hz SCHUKO CE	1
4	104891P	OUTLET PANEL CE 50Hz SCHUKO	1
5	106609	CIRCUIT PROTECTOR 32A C60H-DC	1
6	044021	1/4-20 KEPS HEX NUT PL	4
7	106610	MODULE EARTH LINK VIGI C60 30 MA	1
8	103476	4" DIN RAIL	1
9	041018	#6-32 x 1/4 PH-ROUND HEAD MS PL	12
10	101291	#6-32 x 3/4 PH-PAN HEAD MS ZC	8
11	650485	SCHUKO RECEPTACLE	2
12	044004	#6-32 KEPS HEX NUT PL	8
13	330459	15A DPST CARLING SWITCH	2
14	330458	15A SPST BREAKER SWITCH	4
15	047005	1/4 FLAT WASHER PL	2

5.6 4-Light Relay

SN 0001PRO2VE15 and UP



103938_A

Night-Lite Pro II™ CE Spec

5.6 4-Light Relay

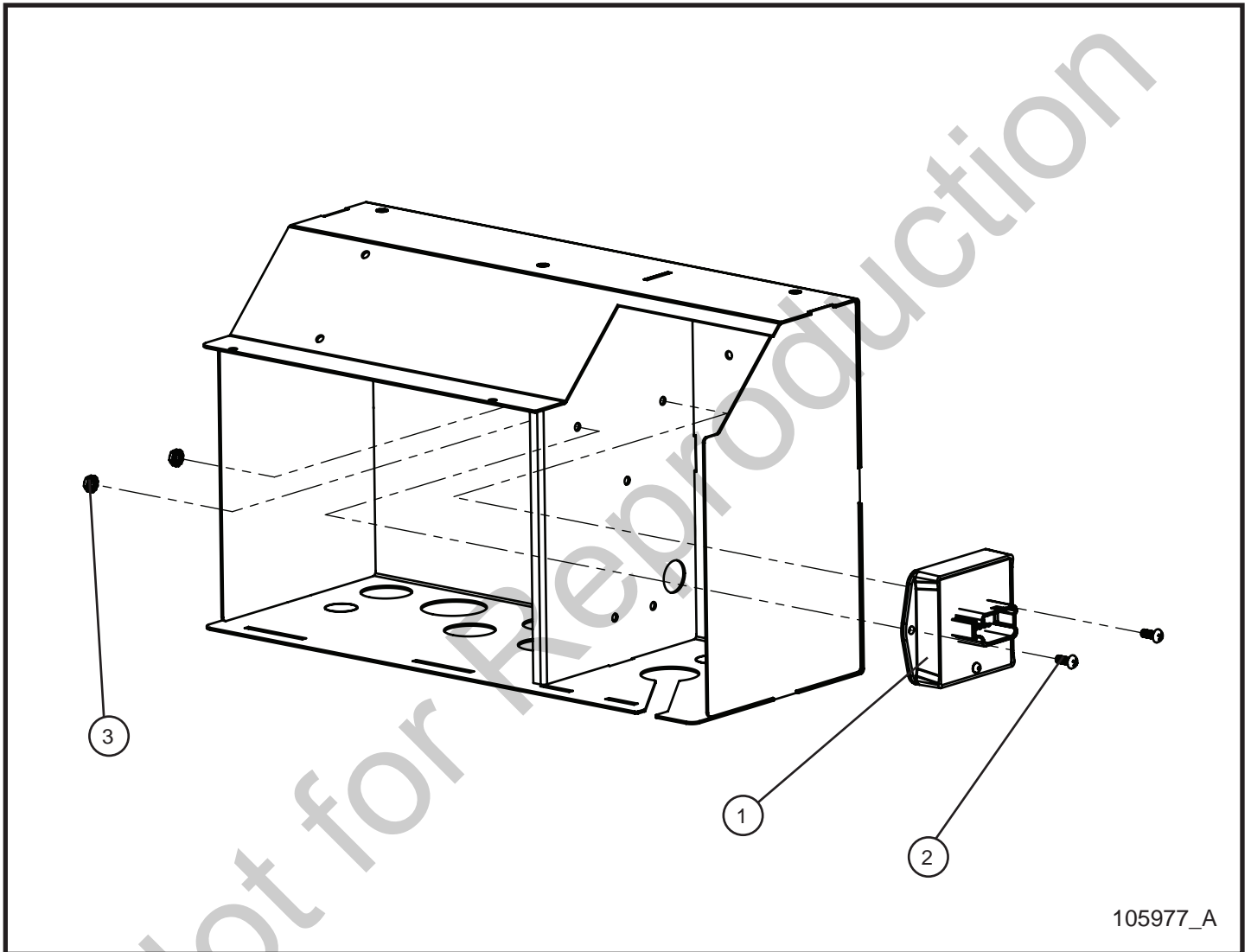
SN 0001PRO2VE15 and UP

Item	Part No.	Part Description	Qty.
1	104957	RELAY 120 VAC 30 AMP 12-28 VDC CONTROL	2
2	041017	#6-32 x 3/8 PH-PAN HEAD MS PL	4
3	044004	#6-32 KEPS NUT PL	4
NS	105898	WIRING SCHEMATIC 4 LIGHT PRO II	1
NS	106081	WIRE HARNESS 4 LIGHT RELAY PRO II	1

Not for Reproduction

5.7 - Low Fuel Level Module

SN 0001PRO2VE15 and UP



105977_A

Night-Lite Pro II™ CE Spec

5.7 - Low Fuel Level Module

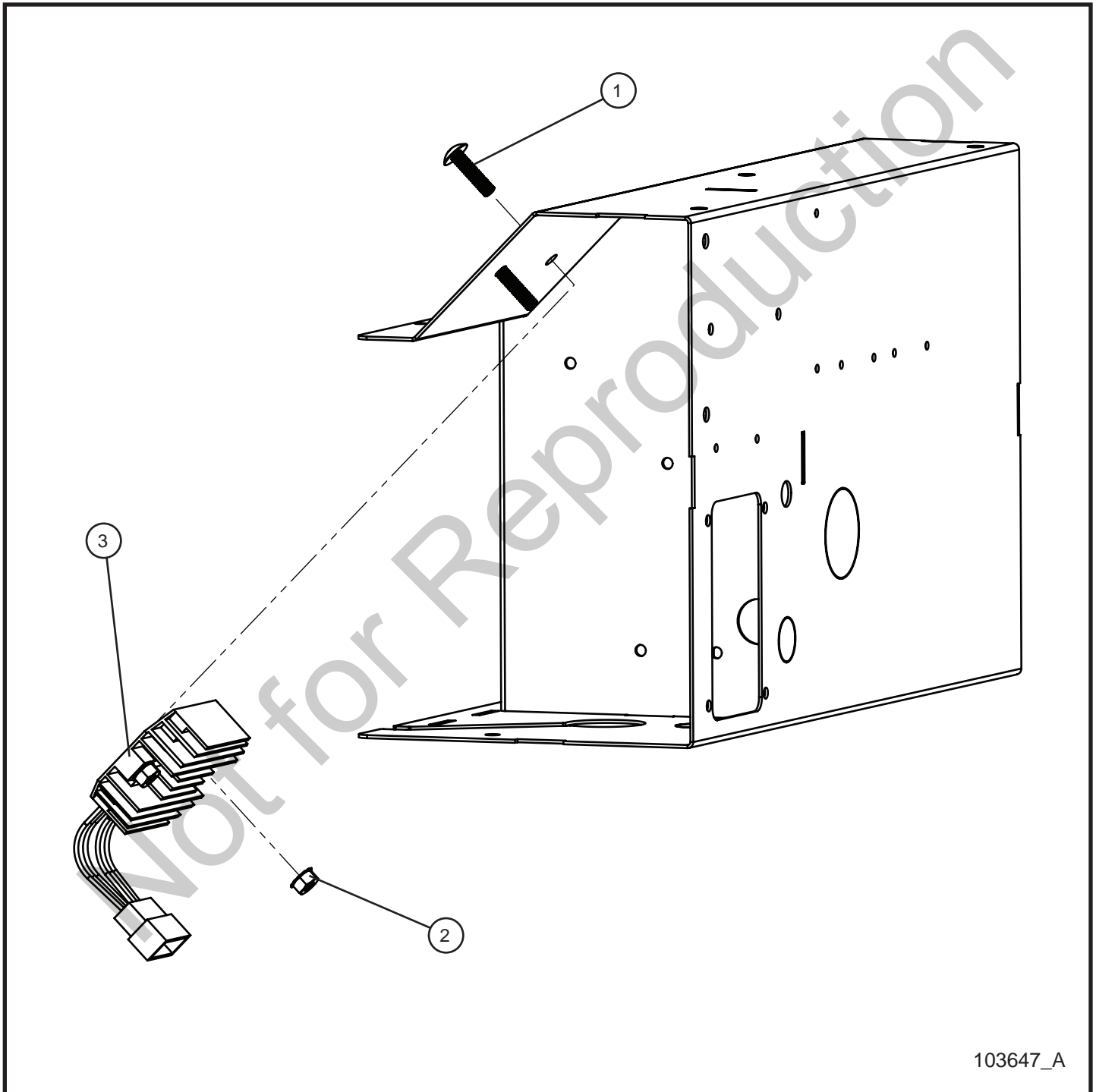
SN 0001PRO2VE15 and UP

Item	Part No.	Part Description	Qty.
1	105856	SLS MODULE WITH 5V POWER SUPPLY	1
2	041021	#10-24 x 1/2 PH-ROUND HEAD MS PL	2
3	044016	#10-24 KEPS HEX NUT PL	2
NS	105901	LOW FUEL SHUTDOWN WIRE SCHEMATIC	1
NS	105900	WIRE HARNESS LOW FUEL MODULE	1

Not for Reproduction

5.8 - CAT Engine Voltage Regulator

SN 0001PRO2VE15 and UP



103647_A

Night-Lite Pro II™ CE Spec

5.8 - CAT Engine Voltage Regulator

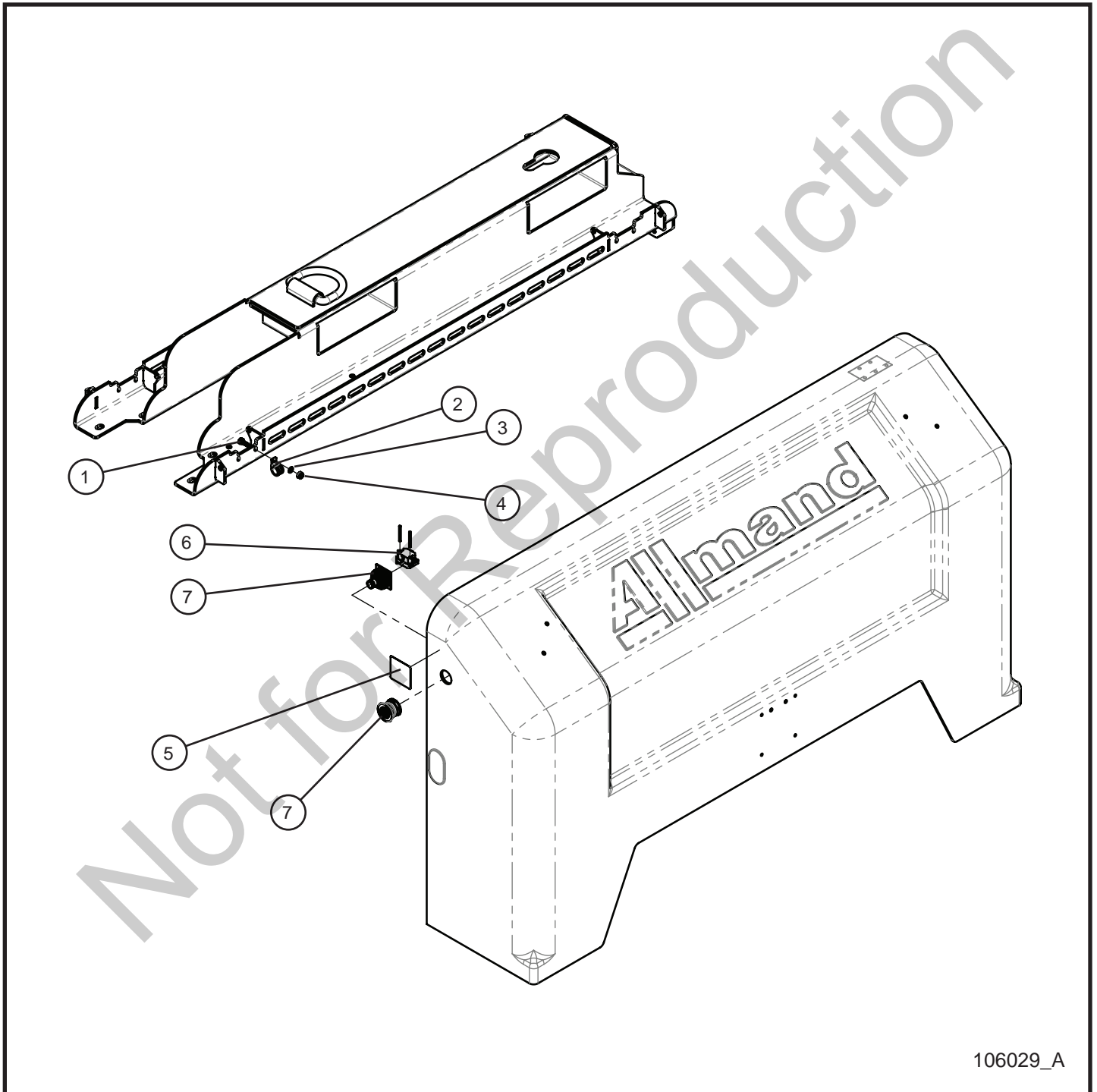
SN 0001PRO2VE15 and UP

Item	Part No.	Part Description	Qty.
1	041080	1/4-20 x PH-TRUSS HEAD MS SS	2
2	044021	1/4-20 KEPS HEX NUT PL	2
3	650446	VOLTAGE REGULATOR	1
NS	105988	CAT ENGINE VR HARNESS	1
NS	105899	C1.1 VOLTAGE REGULATOR SCHEMATIC	1

Not for Reproduction

5.9 - E-Stop

SN 0001PRO2VE15 and UP



106029_A

Night-Lite Pro II™ CE Spec

5.9 - E-Stop

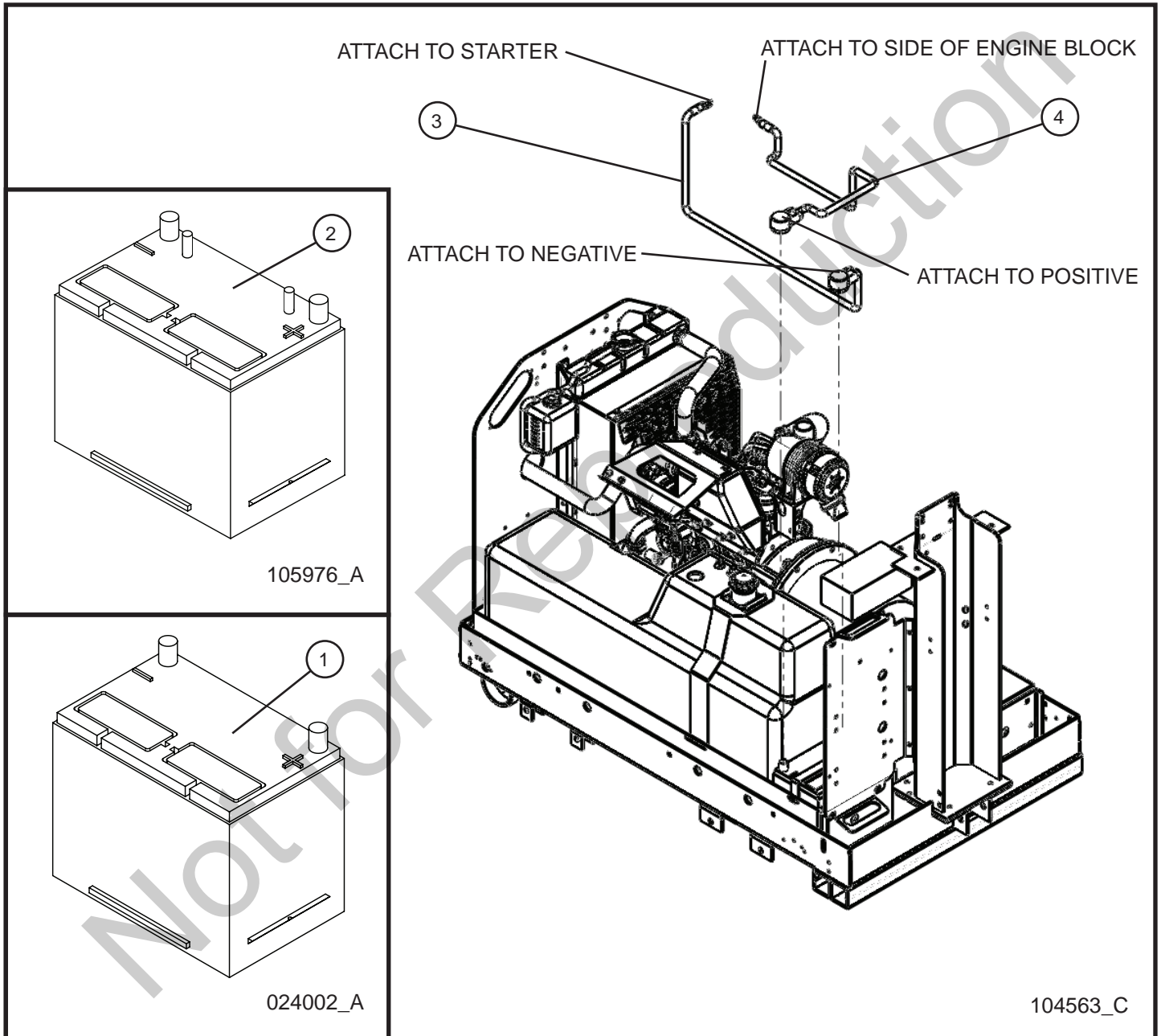
SN 0001PRO2VE15 and UP

Item	Part No.	Part Description	Qty.
1	046010	1/4-20 x 3/4 HEX HEAD CS GR5 SS	1
2	022021	#10 3/8 CLAMP CUSHION	1
3	047009	1/4 FLAT WASHER SAE SS	1
4	044021	1/4-20 KEPS HEX NUT PL	1
5	105567	EMERGENCY STOP DECAL	1
6	650461	CONTACT BLOCK EMERGENCY STOP	1
7	650460	EMERGENCY STOP	1
NS	105991	WIRE HARNESS E-STOP PRO II	1

Not for Reproduction

5.10 - Battery and Battery Cables

SN 0001PRO2VE15 and UP



Night-Lite Pro II™ CE Spec

5.10 - Battery and Battery Cables

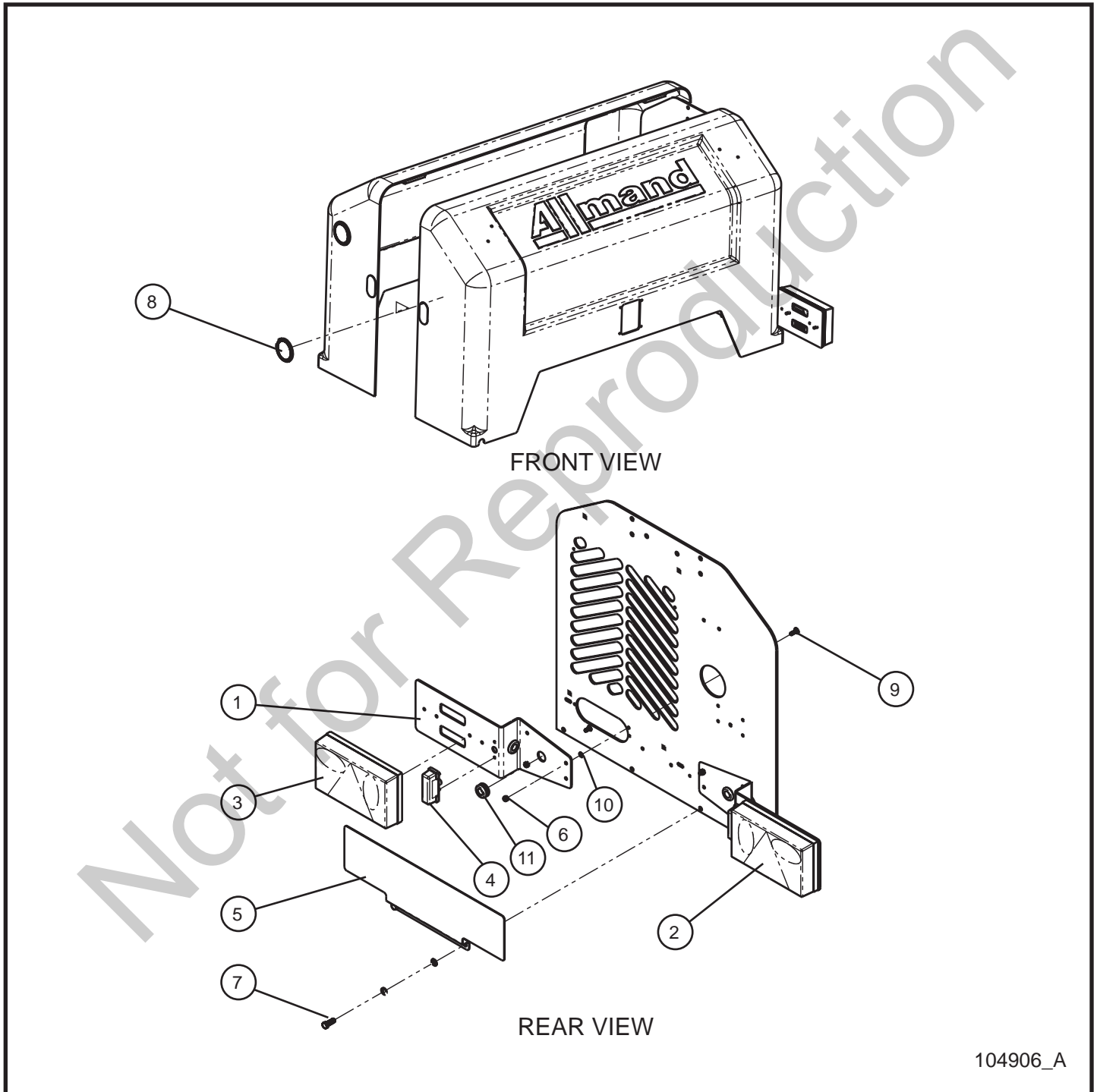
SN 0001PRO2VE15 and UP

Item	Part No.	Part Description	Qty.
1	024002	BATTERY 12 VOLT GROUP	1
2	105976	HEAVY DUTY BATTERY AGM GROUP 24	1
3	713098	BATTERY CABLE BLACK 2GA 36" (NEGATIVE)	1
4	027026	BATTERY CABLE RED 2GA 48" (POSITIVE)	1

Not for Reproduction

5.11 - Kubota Tail Light

SN 0001PRO2VE15 and UP



104906_A

Night-Lite Pro II™ CE Spec

5.11 - Kubota Tail Light

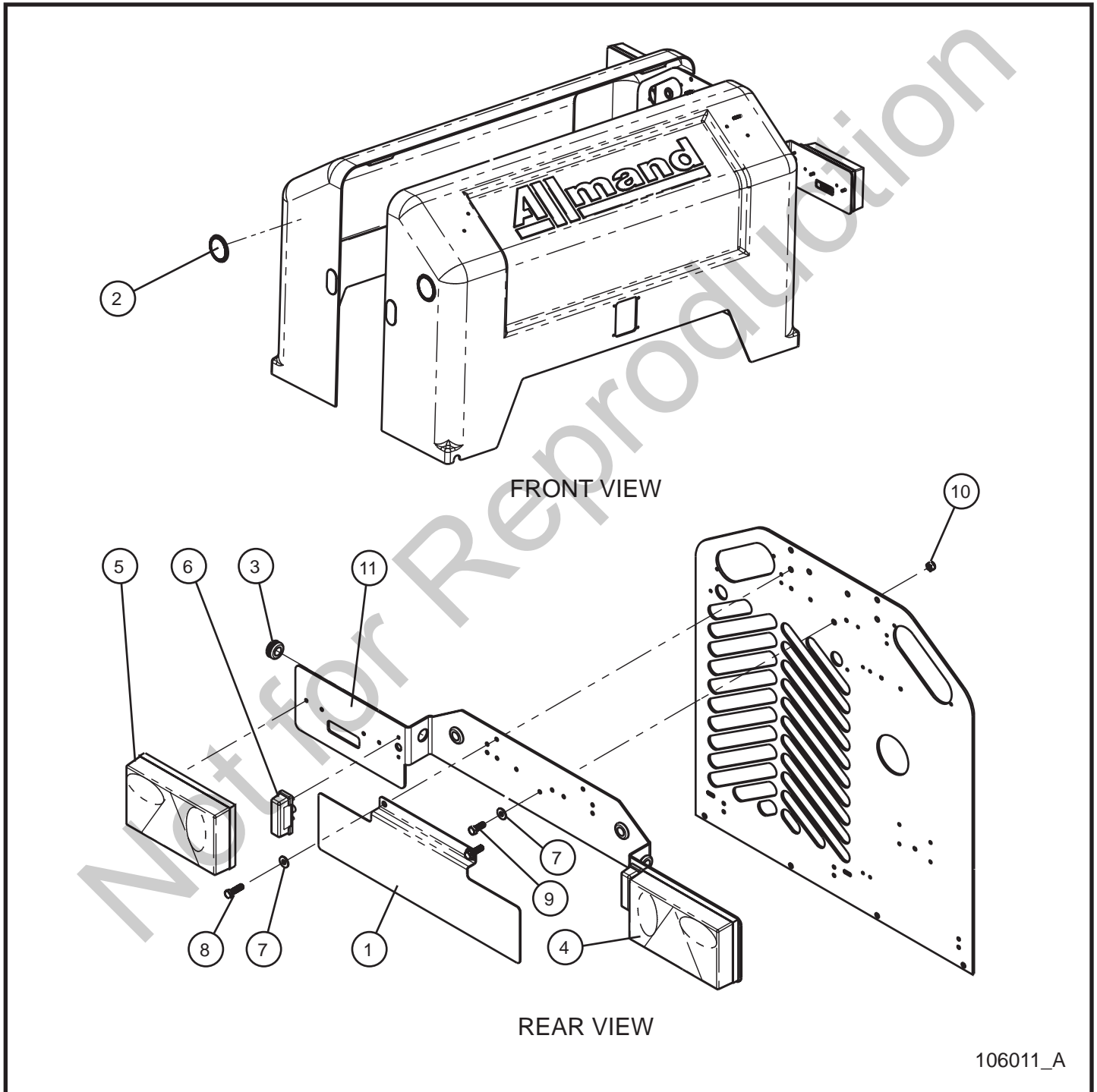
SN 0001PRO2VE15 and UP

Item	Part No.	Part Description	Qty.
1	104913P	BRACKET TAIL LIGHT KUBOTA COBO INTERNATIONAL	2
2	104899	COBO RIGHT TAIL LIGHT WITH BACKUP INCANDESCENT CE	1
3	104900	COBO LEFT TAIL LIGHT WITH FOG LAMP INCANDESCENT CE	1
4	104912	LICENSE PLATE LAMP INCANDESCENT INTERNATIONAL	2
5	104901P	BRACKET LICENSE PLATE INTERNATIONAL	1
6	044023	1/4-20 NYLOCK HEX NUT PL	4
7	046110	3/8-16 x 1 HEX HEAD CS GR5 PL	2
8	105499	REFLECTOR CLEAR INTERNATIONAL	2
9	053006	1/4-20 x 3/4 CARRIAGE BOLT	4
10	101701	1/4 PUSH NUT	4
11	330463	11/16 RUBBER GROMMET	4

Not for Reproduction

5.12 - CAT Tail Light

SN 0001PRO2VE15 and UP



Night-Lite Pro II™ CE Spec

5.12 - CAT Tail Light

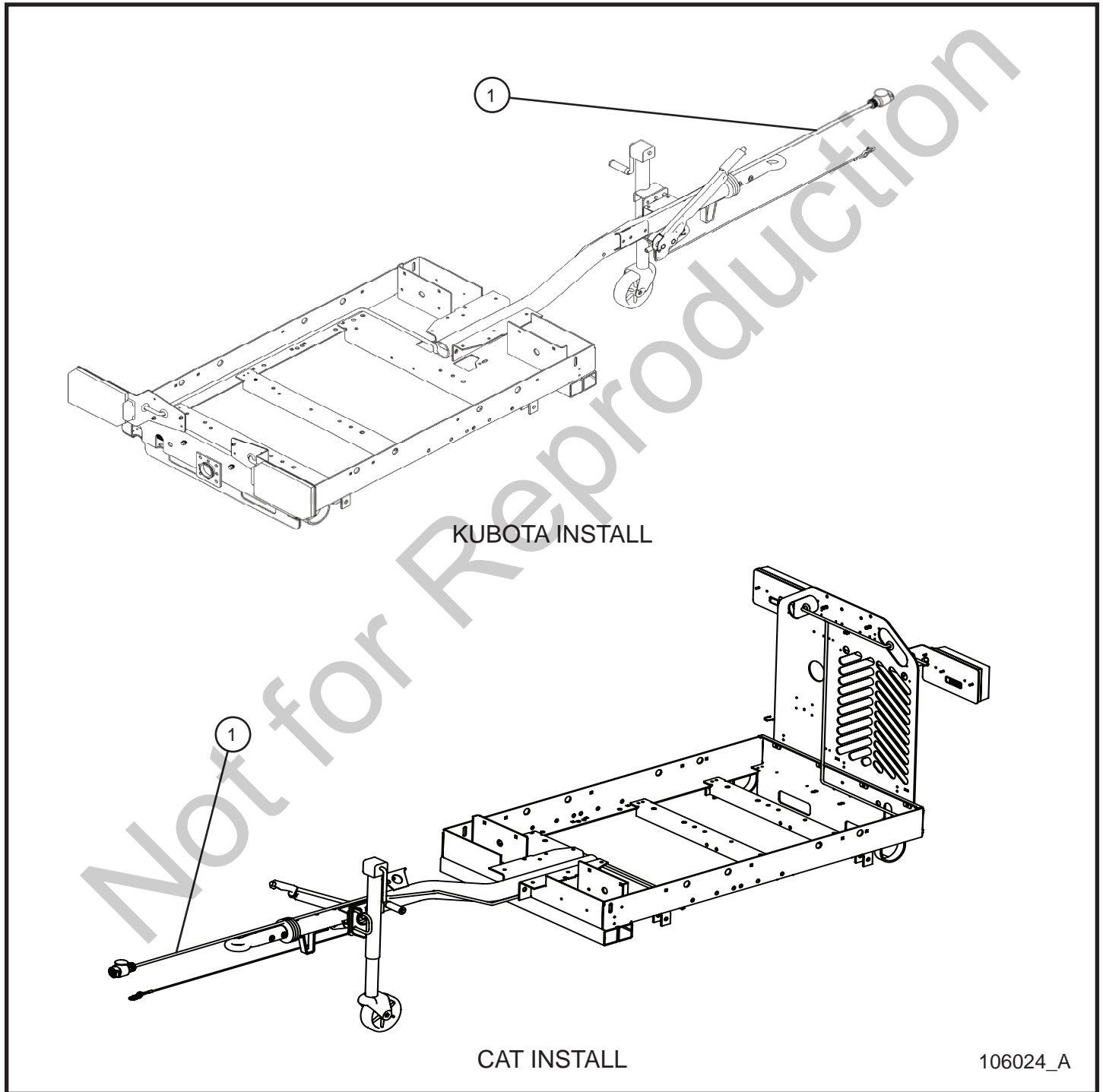
SN 0001PRO2VE15 and UP

Item	Part No.	Part Description	Qty.
1	104901P	BRACKET LICENSE PLATE INTERNATIONAL	1
2	105499	REFLECTOR CLEAR INTERNATIONAL	2
3	330463	11/16 RUBBER GROMMET	4
4	104899	COBO RIGHT TAIL LIGHT WITH BACKUP INCANDESENT CE	1
5	104900	COBO LEFT TAIL LIGHT WITH FOG LAMP INCANDESENT CE	1
6	104912	LICENSE PLATE LAMP INCANDESENT INTERNATIONAL	1
7	047010	5/16 FLAT WASHER PL	3
8	046115	3/8-16 x 1 1/4 HEX HEAD CS GR5 PL	2
9	046110	3/8-16 x 1 HEX HEAD CS GR5 PL	1
10	044038	3/8-16 NYLOCK HEX NUT PL	1
11	106012P	BRACKET TAIL LIGHT CAT COBO INTERNATIONAL	1

Not for Repair Production

5.13 - Kubota/CAT 13-Pole Tail Light Harness

SN 0001PRO2VE15 and UP



Night-Lite Pro II™ CE Spec

5.13 - Kubota/CAT 13-Pole Tail Light Harness

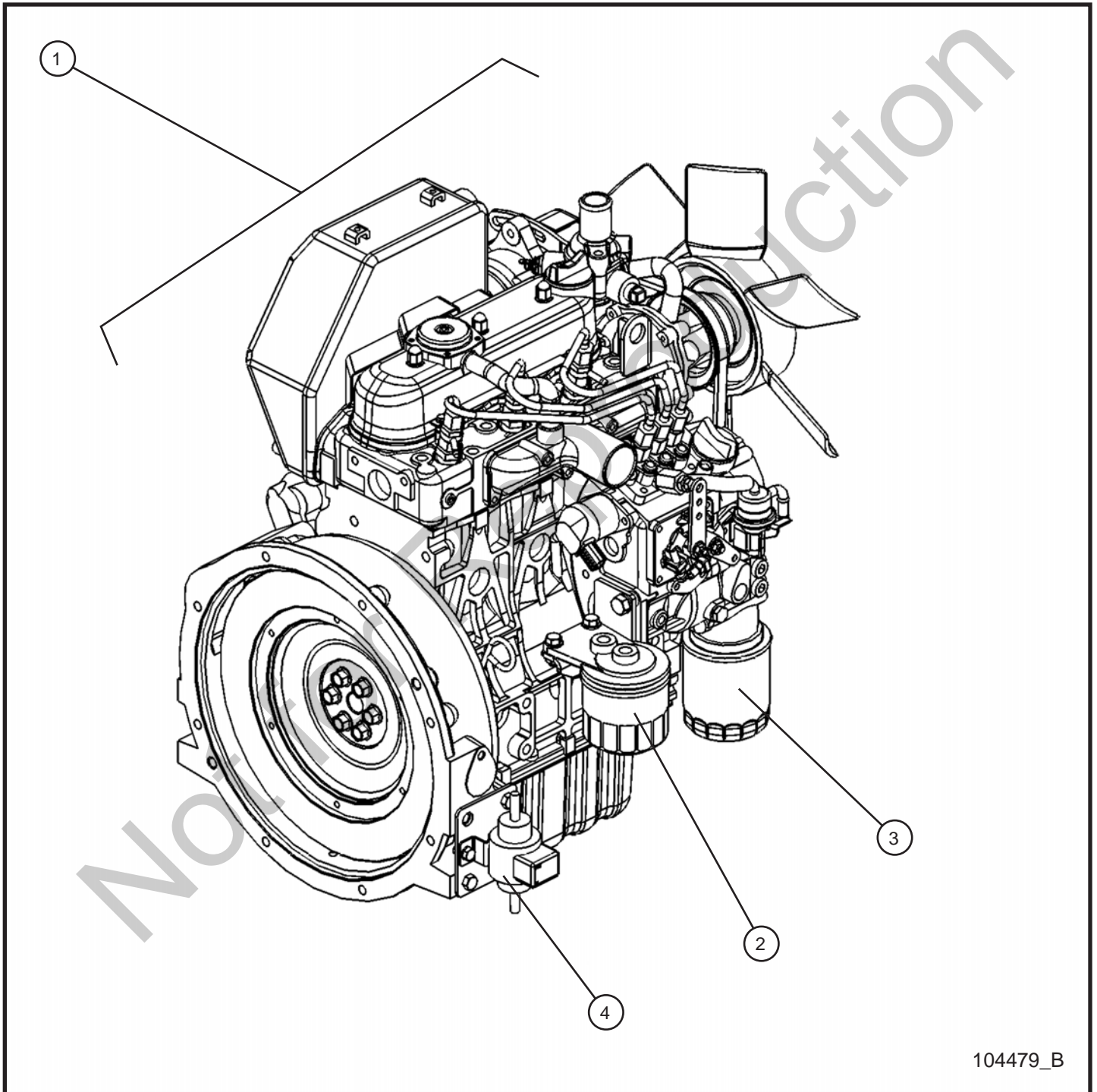
SN 0001PRO2VE15 and UP

Item	Part No.	Part Description	Qty.
1	105500	HARNESS TAIL LIGHT INTERNATIONAL PRO II	1
NS	105502	WIRE SCHEMATIC TAIL LIGHT INTERNATIONAL PRO II	1

Not for Reproduction

6.1 - Kubota D1005 NRTC/NTE T4 Engine

SN 0001PRO2VE15 and UP



104479_B

Night-Lite Pro II™ CE Spec

6.1 - Kubota D1005 NRTC/NTE T4 Engine

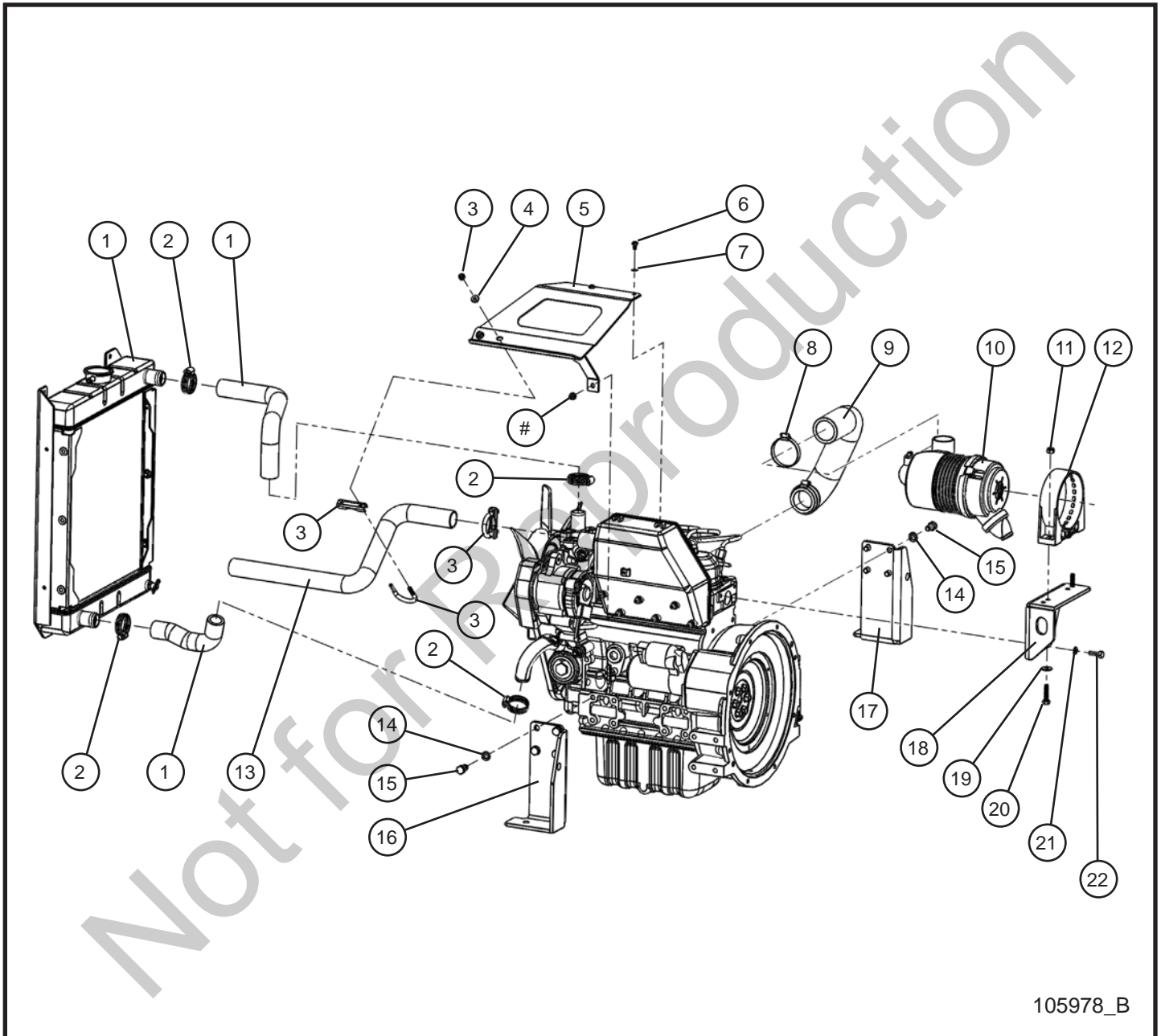
SN 0001PRO2VE15 and UP

Item	Part No.	Part Description	Qty.
1	105936	ENGINE D1005 NRTC/NTE T4 KUBOTA	1
2	920745	FUEL FILTER	1
3	920743	OIL FILTER	1
4	103331	FUEL PUMP	1
NS	920744	AIR FILTER	1

Not for Reproduction

6.2 - Kubota Engine Group (1 of 3)

SN 0001PRO2VE15 and UP



105978_B

Night-Lite Pro II™ CE Spec

6.2 - Kubota Engine Group (1 of 3)

SN 0001PRO2VE15 and UP

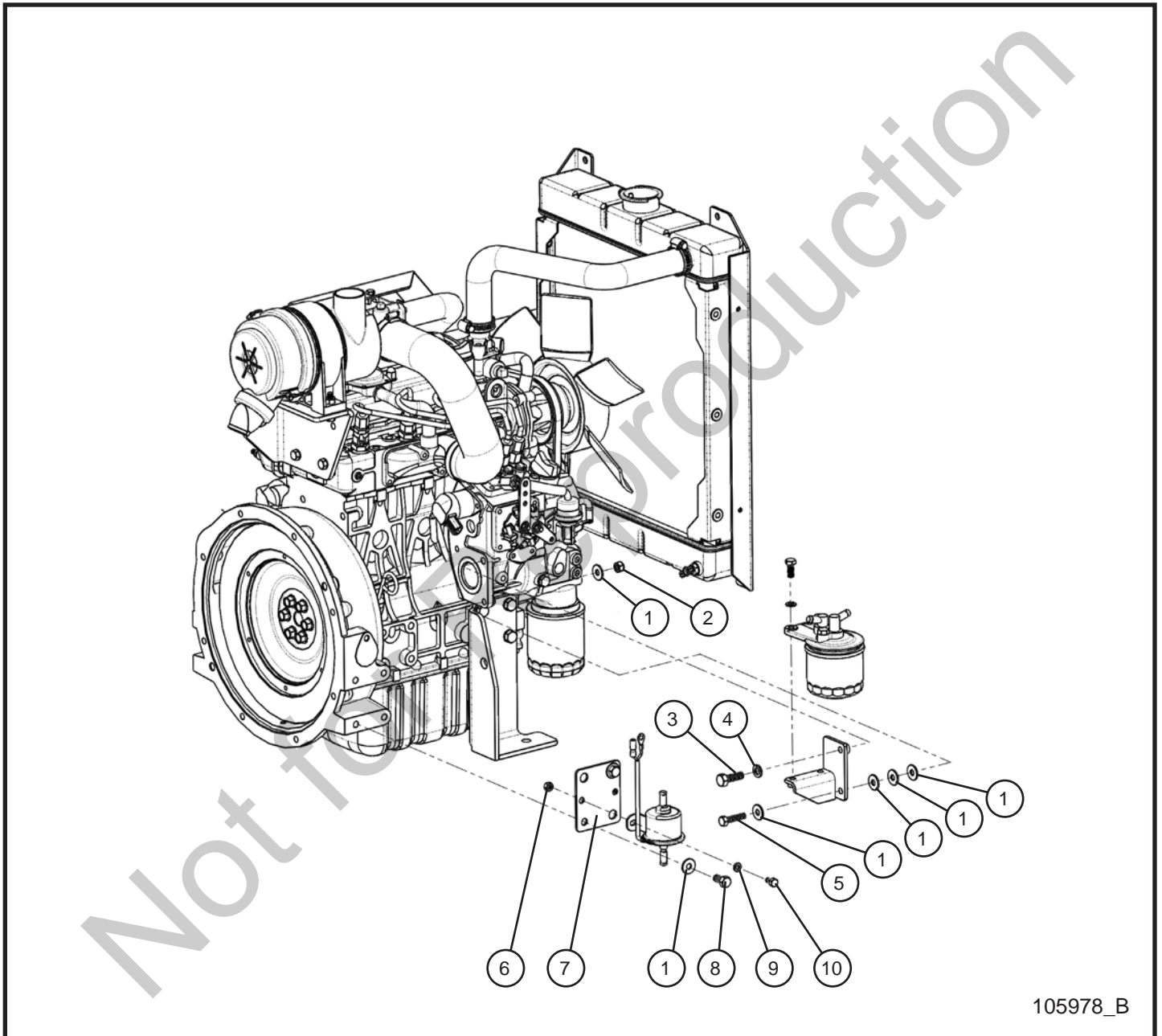
Item	Part No.	Part Description	Qty.
1	105406	RADIATOR KIT JB/KUBOTA (*SEE NOTE)	1
2	045035	#20 HOSE CLAMP	4
3	713086	1 3/8 MUFFLER CLAMP (*SEE NOTE)	2
4	047005	1/4 FLAT WASHER	2
5	103579P	TAILPIPE MOUNT D1105 NL PRO II	1
6	042018	M6 x 1.0MM x 10MM HEX HEAD CS GR 8.8 PL	2
7	043050	1/4 INTL TOOTH LOCK WASHER	2
8	045038	#32 HOSE CLAMP	2
9	101734	AIR CLEANER HOSE KUBOTA D1005/D1105	1
10	650262	AIR CLEANER RADIAL SEAL	1
11	042081	M8 x 1.25MM NYLOCK HEX NUT PL METRIC	2
12	650263	MOUNTING BAND AIR CLEANER	1
13	109800	TAIL PIPE KUBOTA	1
14	042151	M10 SPLIT LOCK WASHER PL	8
15	042038	M10 x 20MM x 1.25MM HEX HEAD CS GR 8.8 PL	8
16	103470P	BRACKET ENGINE FOOT RIGHT WELDMENT KUBOTA	1
17	103469P	BRACKET ENGINE FOOT LEFT WELDMENT KUBOTA	1
18	105800P	MOUNT WELDED AIR FILTER KUBOTA	1
19	047010	5/16 FLAT WASHER PL	2
20	102127	8MM x 35MM x 1.25 HEX GR 8.8 PLATED	2
21	102131	M10 SPLIT LOCK WASHER PL	2
22	042031	M8 x 25MM x 1.25 HEX HEAD CS GR8.8 PL	2
#	--	INCLUDED W/ KUBOTA D1005 NRTC/NTE ENGINE (104479)	--
NS	105193	HARNESS KUBOTA	1
NS	105875	KUBOTA CHARGE CIRCUIT FUSE	1
NS	105893	KUBOTA ENGINE HARNESS SCHEMATIC	1

NS: NOT SHOWN

*NOTE: PARTS CALLED OUT IN SAME NUMBER ARE THE ASSEMBLY OF THAT PART NUMBER.

6.3 - Kubota Engine Group (2 of 3)

SN 0001PRO2VE15 and UP



105978_B

Night-Lite Pro II™ CE Spec

6.3 - Kubota Engine Group (2 of 3)

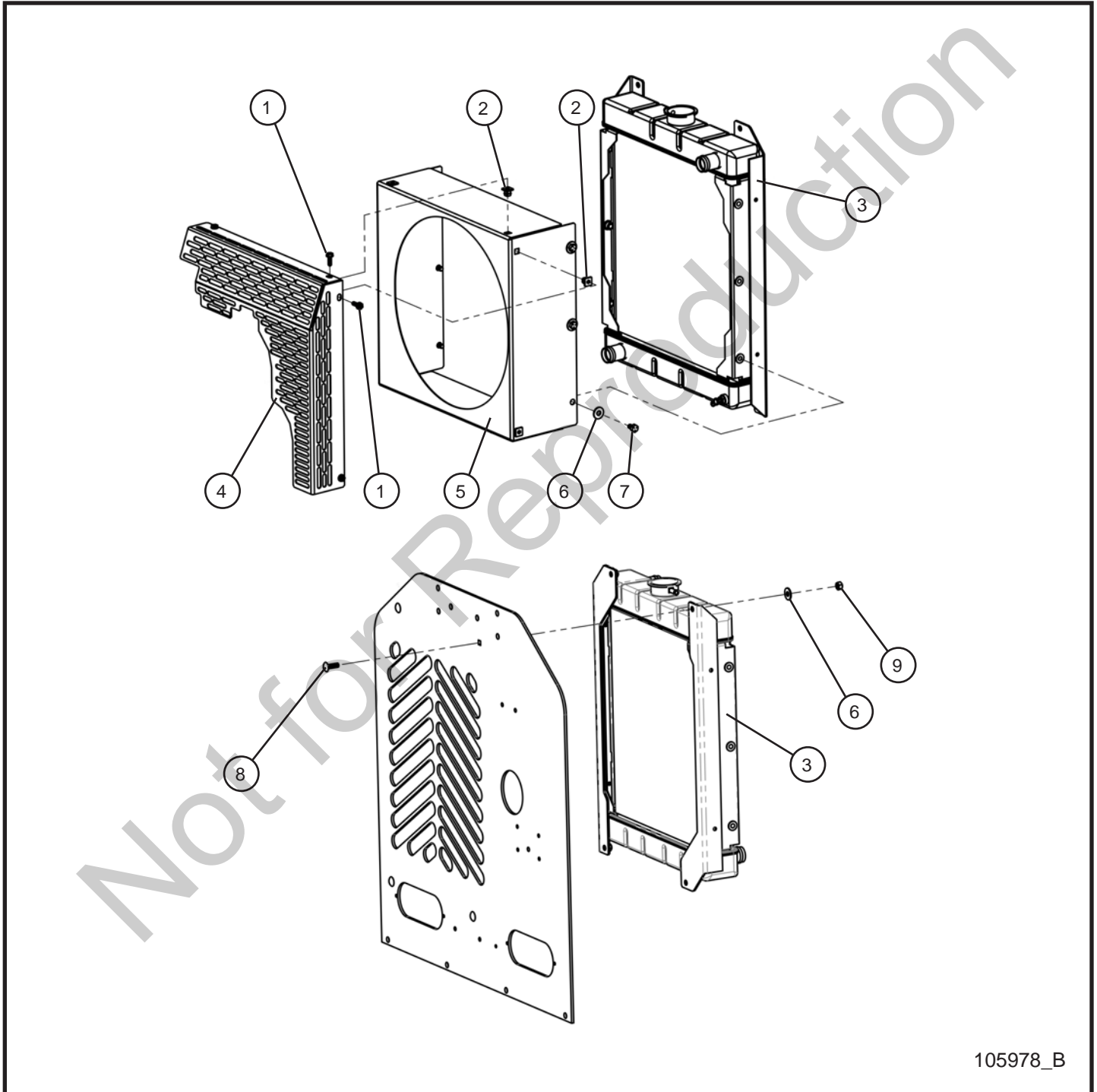
SN 0001PRO2VE15 and UP

Item	Part No.	Part Description	Qty.
1	047010	5/16 FLAT WASHER PL	7
2	042081	M8 x 1.25MM NYLOCK HEX NUT PL METRIC	1
3	102130	10MM x 1.25MM x 25MM	1
4	042151	M10 SPLIT LOCK WASHER PL	1
5	102127	8MM x 35MM x 1.25 HEX GR 8.8 PLATED	1
6	044020	1/4-20 x HEX NUT PL	2
7	105402P	FUEL PUMP MOUNT KUBOTA D1005/D1105	1
8	046105	3/8-16 x 3/4 HEX HEAD CS GR8 PL	2
9	043020	1/4 SPLITLOCK WASHER	2
10	046005	1/4-20 x 1/2 HEX HEAD CS GR5 PL	2

Not for Reproduction

6.4 - Kubota Engine Group (3 of 3)

SN 0001PRO2VE15 and UP



105978_B

Night-Lite Pro II™ CE Spec

6.4 - Kubota Engine Group (3 of 3)

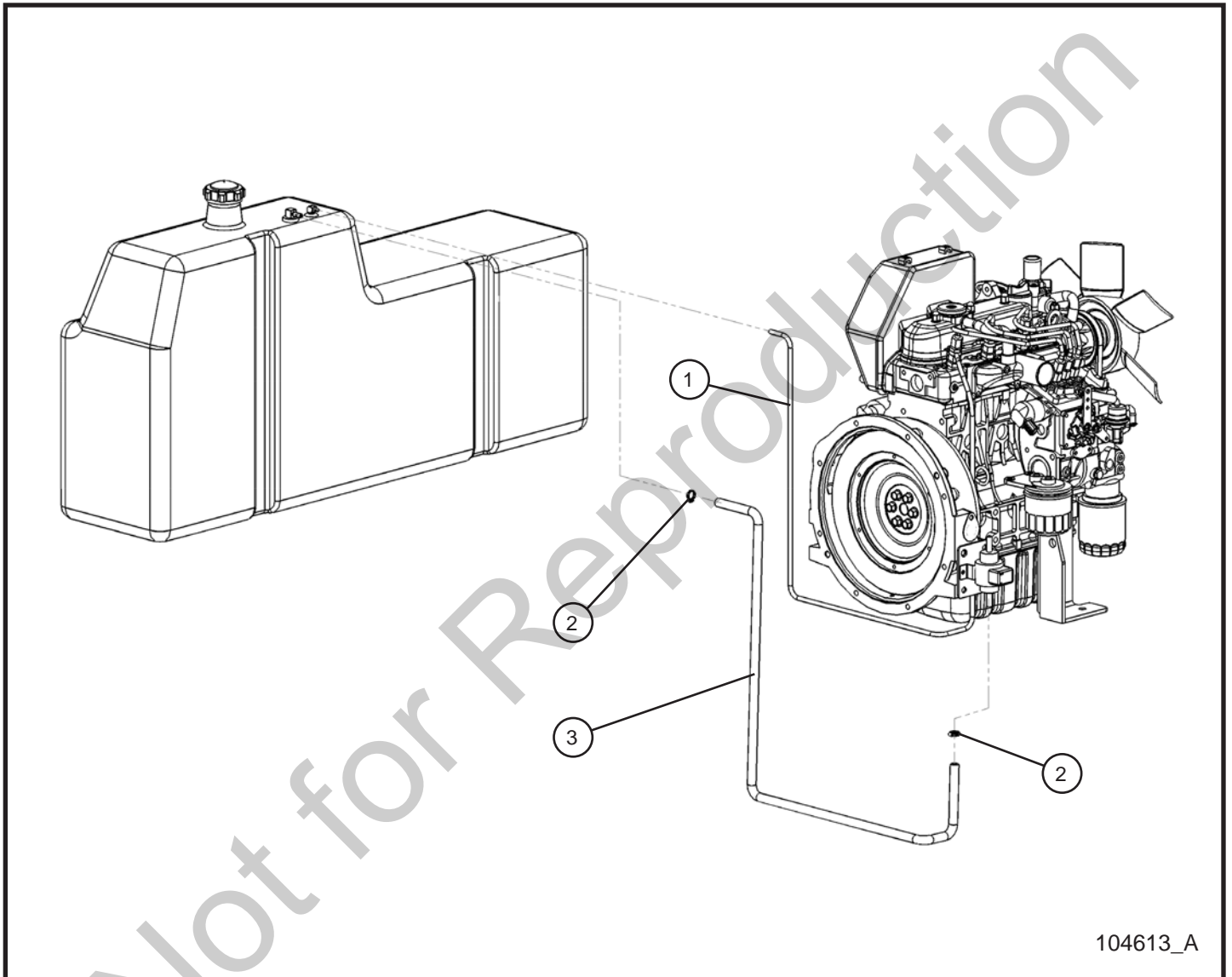
SN 0001PRO2VE15 and UP

Item	Part No.	Part Description	Qty.
1	041070	1/4-20 x 3/4 SL-HEX WASHER HEAD MS TP F	4
2	105408	GROMMET NUT DOUBLE SPLIT	4
3	105406	RADIATOR KIT JB/KUBOTA	1
4	105405P	HAND GUARD JB RADIATOR	1
5	105404P	FAN SHROUD JB RADIATOR	1
6	047010	5/16 FLAT WASHER PL	10
7	046046	5/16-18 x 1/2 HEX HEAD CS GR5 PL	6
8	053020	5/16-18 x 1 CARRIAGE BOLT PL	4
9	044033	5/16-18 NYLOCK HEX NUT PL	4

Not for Reproduction

6.5 - Kubota Fuel Line

SN 0001PRO2VE15 and UP



104613_A

Night-Lite Pro II™ CE Spec

6.5 - Kubota Fuel Line

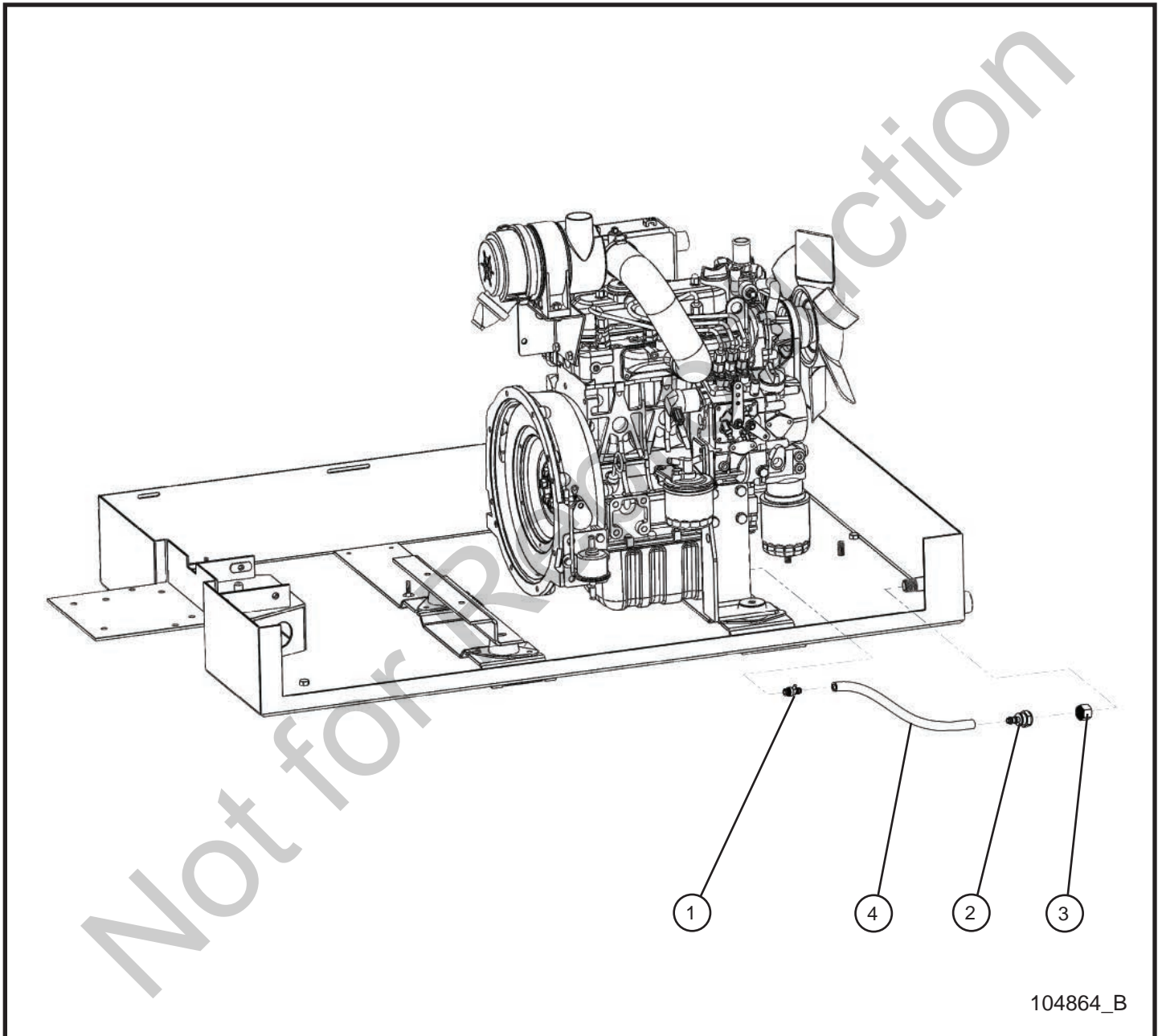
SN 0001PRO2VE15 and UP

Item	Part No.	Part Description	Qty.
1	081005	HOSE 1/4 OD x .035 WALL FUEL LINE x 48.00	1
2	433400	#4 HOSE CLAMP	2
3	081018	HOSE 5/16 FUEL LINE x 40.00	1

Not for Reproduction

6.6 - Kubota Remote Oil Drain

SN 0001PRO2VE15 and UP



104864_B

Night-Lite Pro II™ CE Spec

6.6 - Kubota Remote Oil Drain

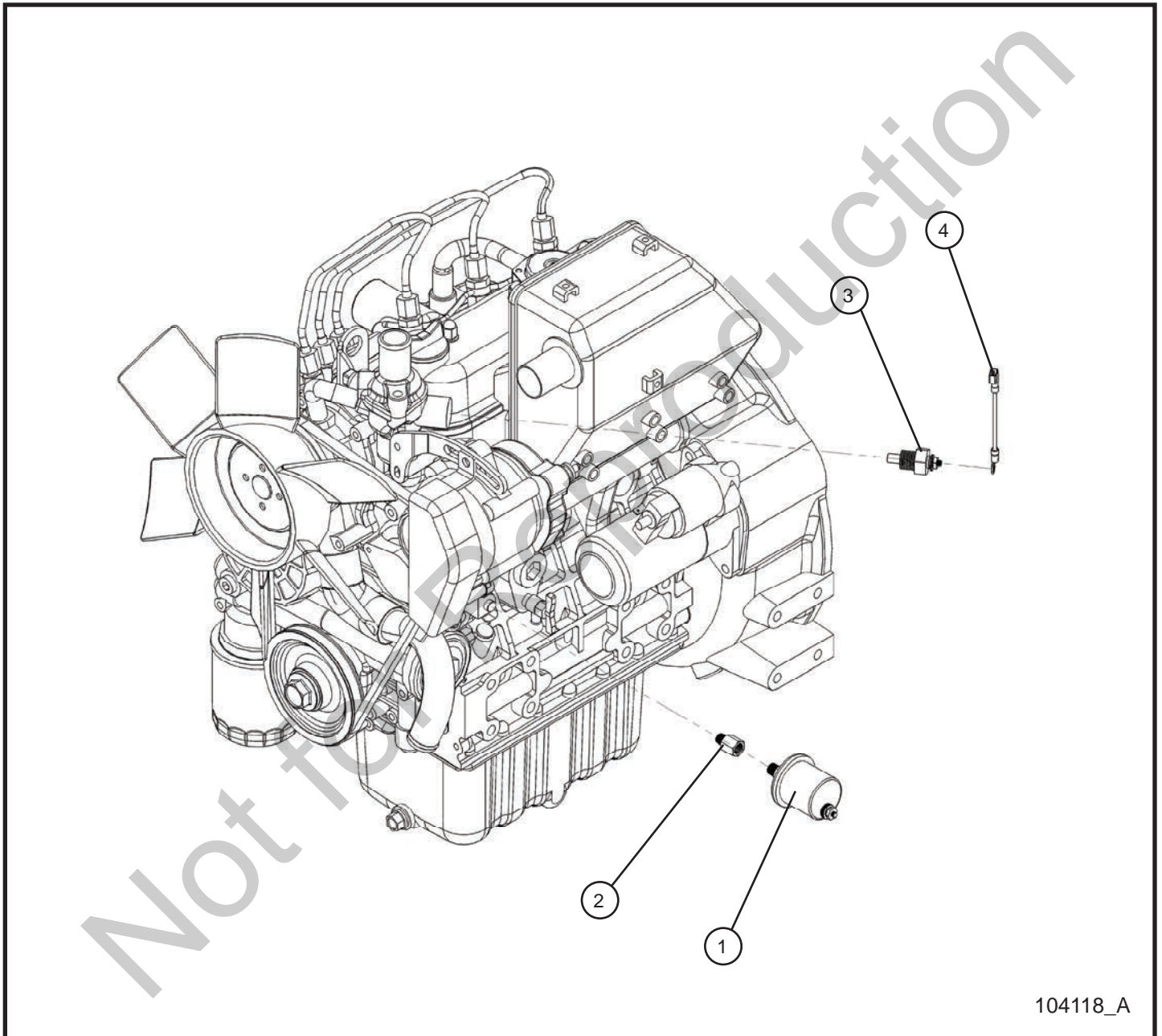
SN 0001PRO2VE15 and UP

Item	Part No.	Part Description	Qty.
1	848299	(FUMOTO) DRAIN VALVE D1105 OIL	1
2	104865	3/8 HOSE x 1/2 NPT BARBED TO FEMALE	1
3	105089	1/2 NPT BRASS CAP	1
4	081017	15" x 3/8 YELLOW FUEL HOSE	1

Not for Reproduction

6.7 - Kubota LSC Sending Unit

SN 0001PRO2VE15 and UP



104118_A

Night-Lite Pro II™ CE Spec

6.7 - Kubota LSC Sending Unit

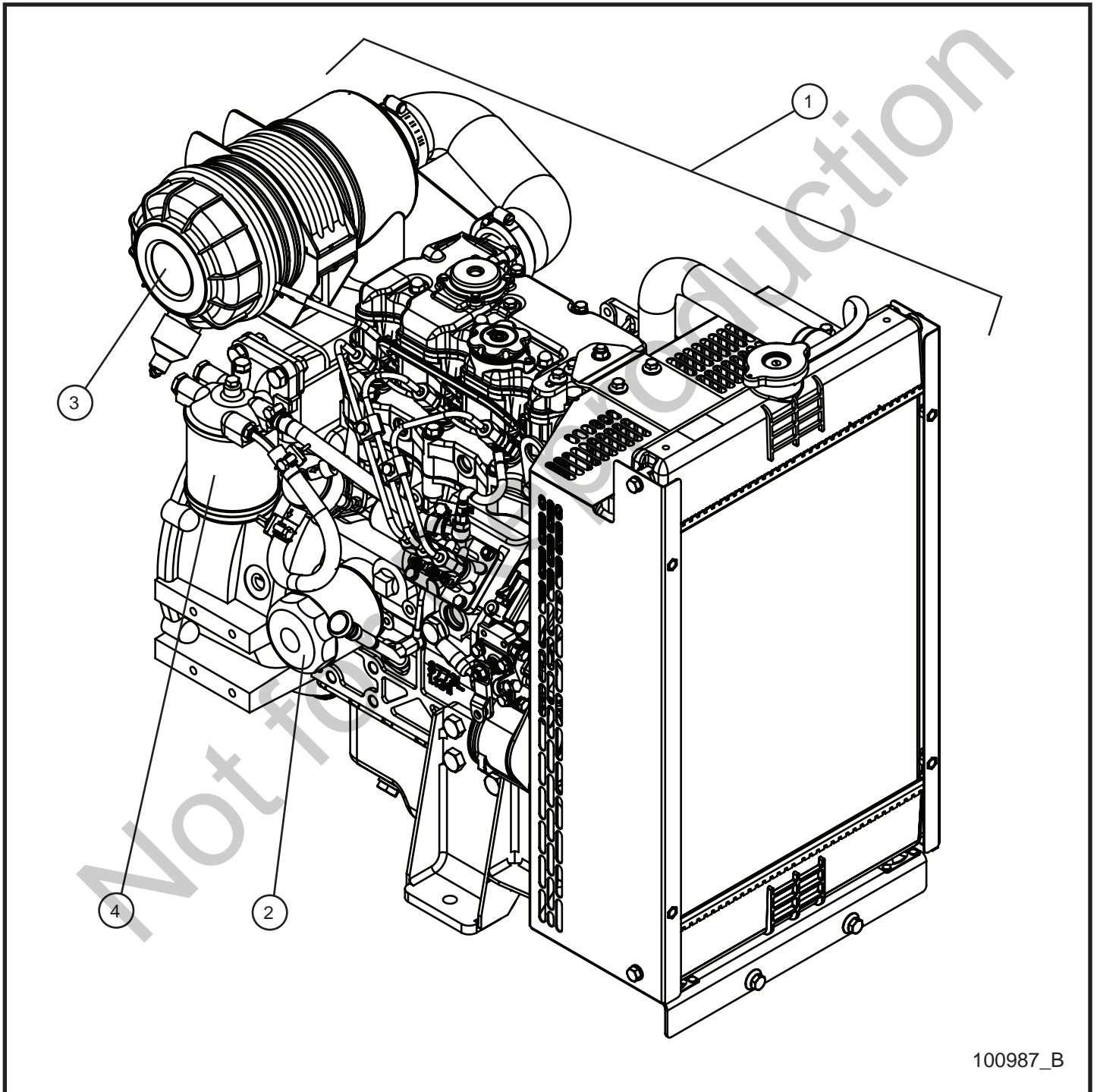
SN 0001PRO2VE15 and UP

Item	Part No.	Part Description	Qty.
1	104019	SENDER OIL PRESSURE	1
2	104558	FITTING ADAPTER 1/8 BSPM x 1/8 NPTF	1
3	104020	SENDER WATER TEMPERATURE	1
4	105883	TEMP JUMPER KUBOTA	1
NS	105905	SCHEMATIC LSC KUBOTA D1005	1

Not for Reproduction

6.8 Caterpillar C1.1 50Hz Engine

SN 0001PRO2VE15 and UP



100987_B

Night-Lite Pro II™ CE Spec

6.8 Caterpillar C1.1 50Hz Engine

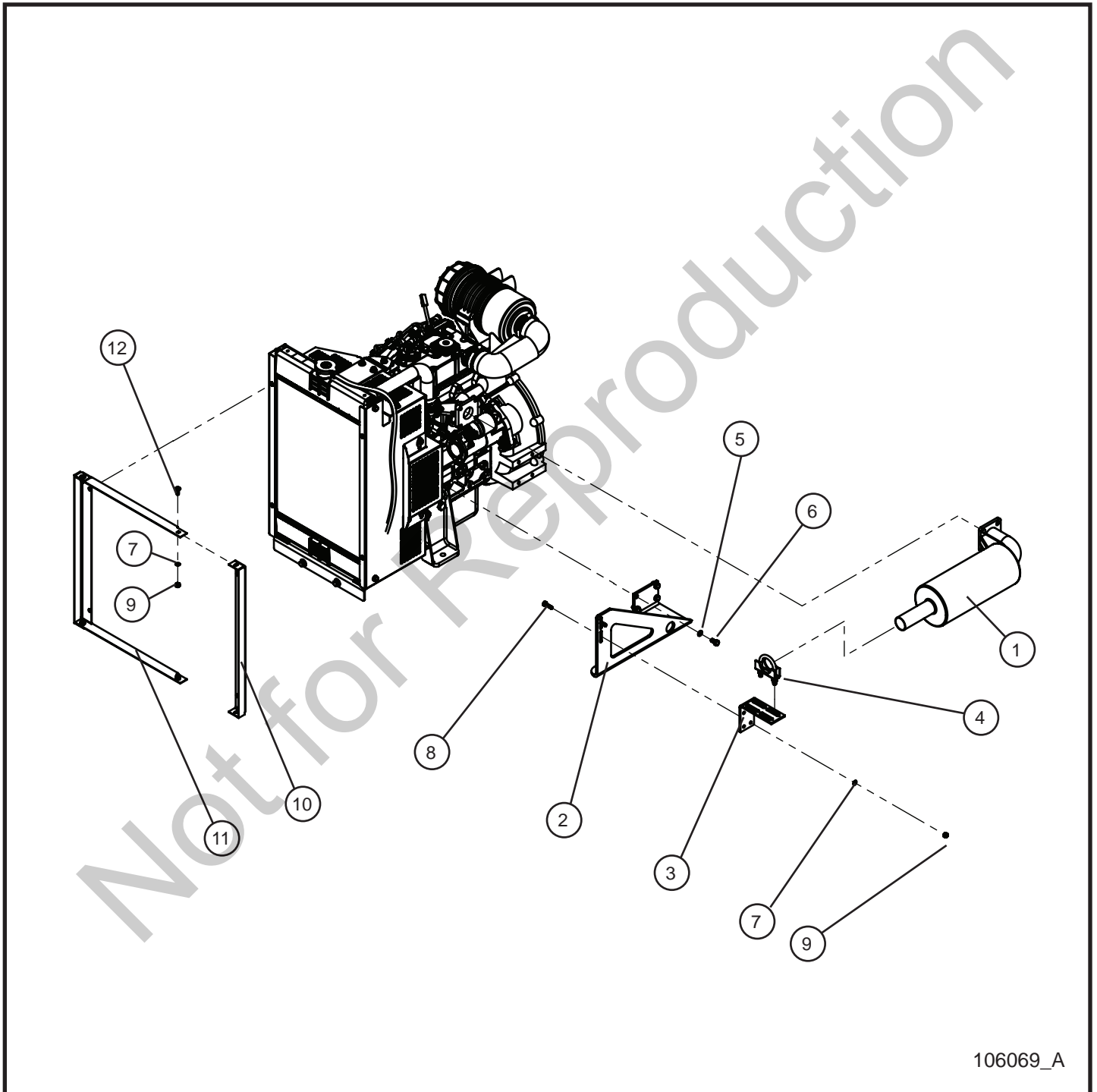
SN 0001PRO2VE15 and UP

Item	Part No.	Part Description	Qty.
1	100987	ENGINE CAT C1.1 50Hz	1
2	650304	OIL FILTER	1
3	102580	AIR FILTER	1
4	103155	FUEL FILTER	1

Not for Reproduction

6.9 - Caterpillar C1.1 Engine Group

SN 0001PRO2VE15 and UP



106069_A

Night-Lite Pro II™ CE Spec

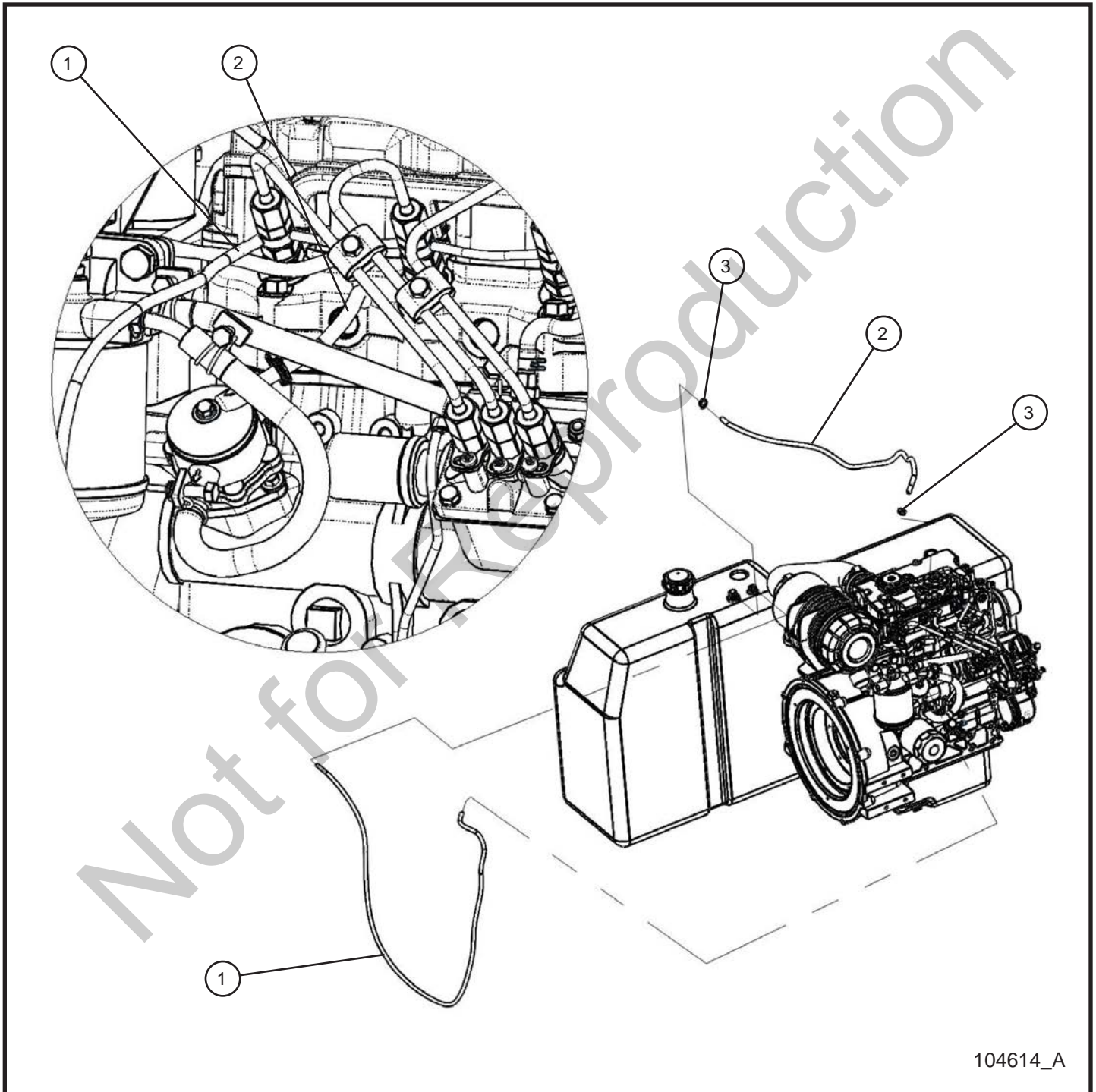
6.9 - Caterpillar C1.1 Engine Group

SN 0001PRO2VE15 and UP

Item	Part No.	Part Description	Qty.
1	104787	MUFFLER CAT C1.1 4.500 SPOUT	1
2	100705P	BRACKET CAT C1.1 MUFFLER	1
3	100706P	MUFFLER BRACKET ADJUSTABLE CAT	1
4	340111	1-1/2 MUFFLER CLAMP	1
5	043055	5/16 SPLITLOCK WASHER	4
6	042027	M8 x 16MM x 1.25 MM HEX HEAD CS GR10.9 PL	4
7	047009	1/4 FLAT WASHER SAE SS	6
8	046015	1/4-20 x 1 HEX HEAD CS GR5 PL	2
9	044023	1/4-20 NYLOCK HEX NUT PL	6
10	102932P	RADIATOR SHROUD SIDE	2
11	102933P	RADIATOR SHROUD CROSS BAR	2
12	041050	1/4-20 x 3/4 PH-TRUSS HEAD MS SS	4
NS	105195	ENGINE HARNESS CAT 1.1	1
NS	105888	WIRING SCHEMATIC C1.1 ENGINE	1
NS	103917	TAG WARRANTY CAT	1

6.10 CAT Fuel Line

SN 0001PRO2VE15 and UP



104614_A

Night-Lite Pro II™ CE Spec

6.10 CAT Fuel Line

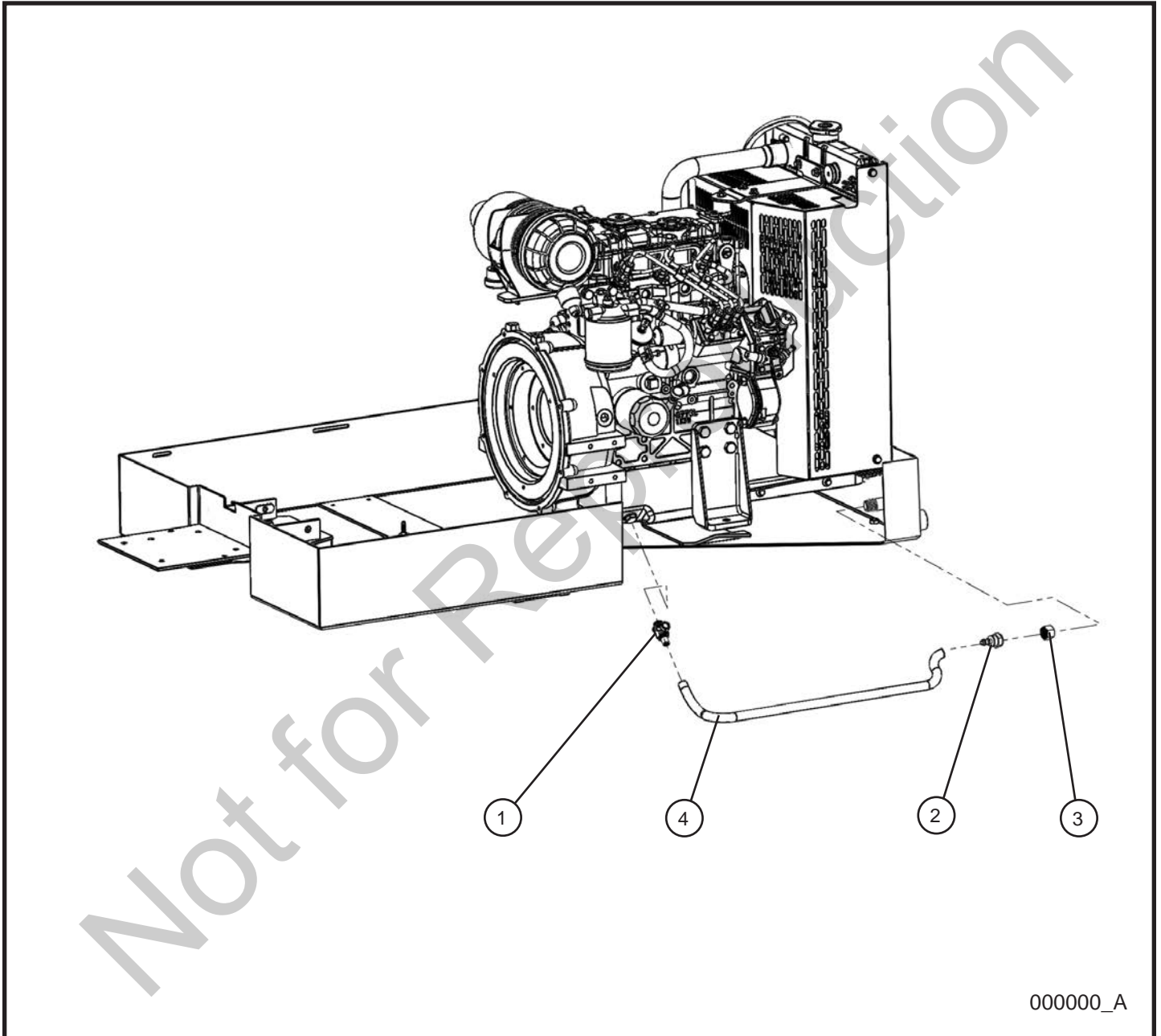
SN 0001PRO2VE15 and UP

Item	Part No.	Part Description	Qty.
1	081005	1/4 FUEL LINE x 48"	1
2	081018	5/16 FUEL LINE x 24"	1
3	433400	#4 HOSE CLAMP	2

Not for Reproduction

6.11 - CAT Remote Oil Drain

SN 0001PRO2VE15 and UP



000000_A

Night-Lite Pro II™ CE Spec

6.11 - CAT Remote Oil Drain

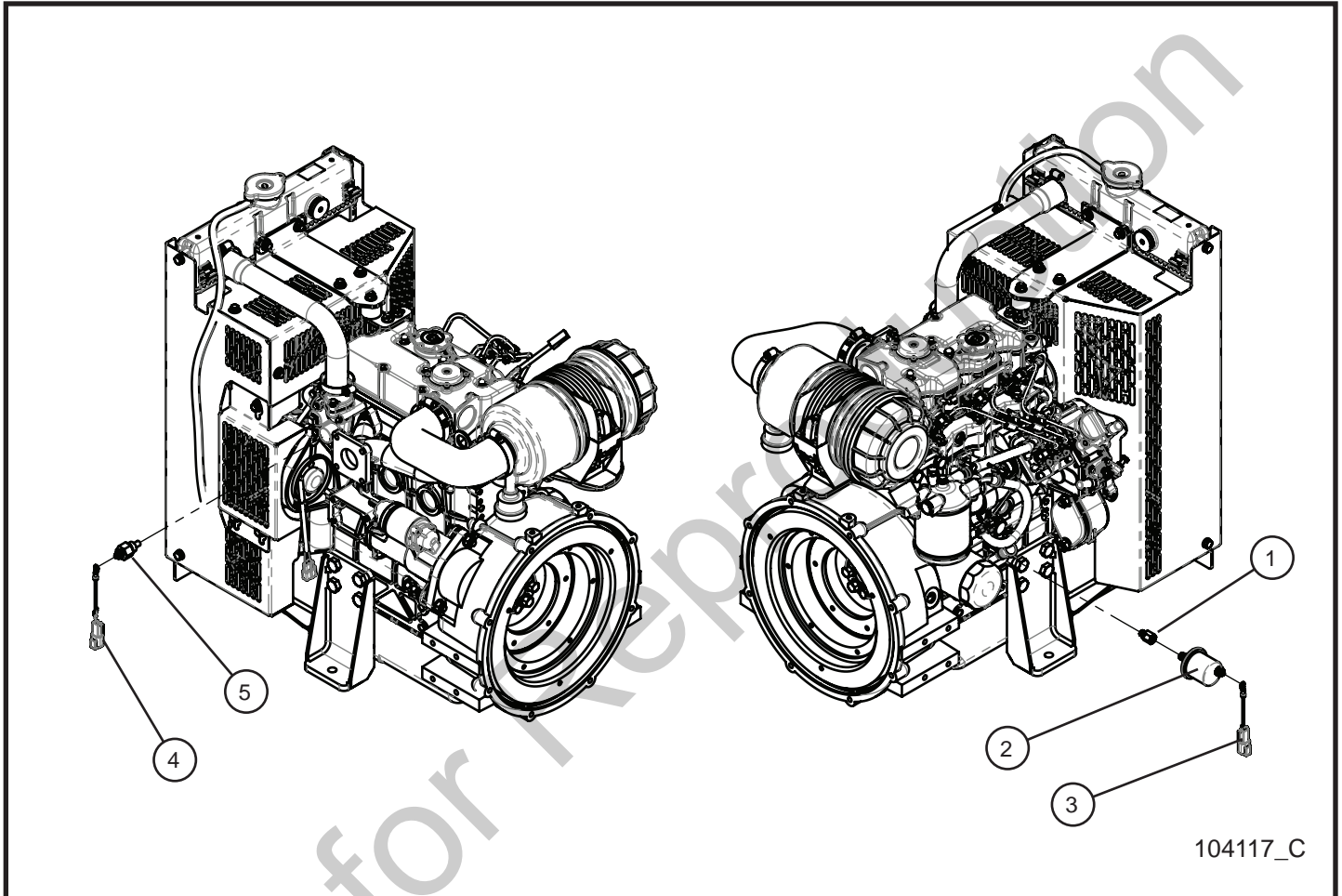
SN 0001PRO2VE15 and UP

Item	Part No.	Part Description	Qty.
1	651193	(FUMOTO) DRAIN VALVE CAT OIL	1
2	104865	3/8 HOSE x 1/2 NPT BARBED TO FEMALE	1
3	105089	1/2 NPT BRASS CAP	1
4	081017	32" x 3/8 YELLOW FUEL HOSE	1

Not for Reproduction

6.12 - CAT LSC Sending Unit

SN 0001PRO2VE15 and UP



Night-Lite Pro II™ CE Spec

6.12 - CAT LSC Sending Unit

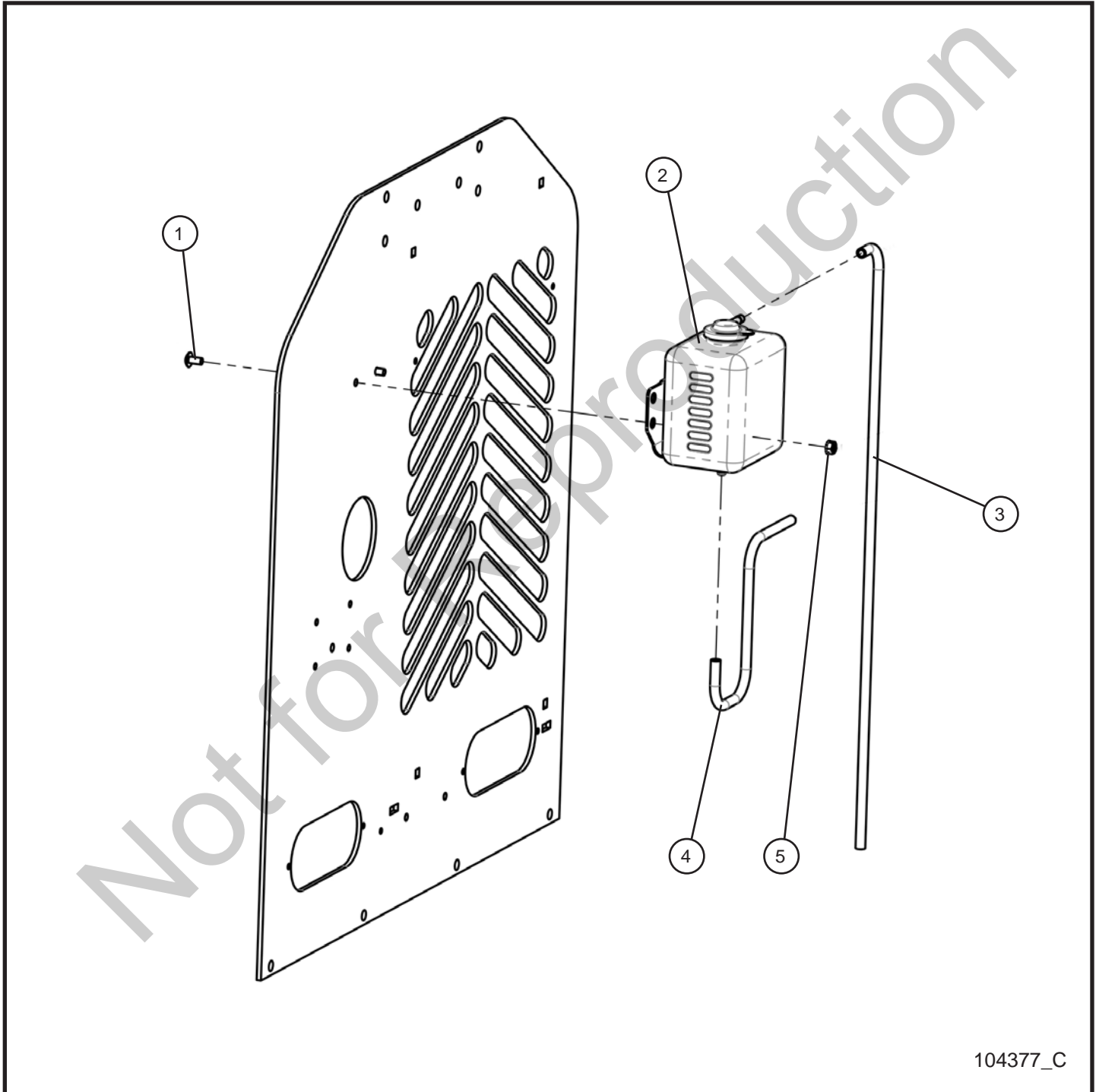
SN 0001PRO2VE15 and UP

Item	Part No.	Part Description	Qty.
1	104558	FITTING ADAPTER 1/8 BSPM x 1/8 NPTF	1
2	104019	SENDER OIL PRESSURE	1
3	105881	OIL JUMPER CAT	1
4	105882	TEMP JUMPER CAT	1
5	650769	SENDER TEMPERATURE M16 x 1.5	1
NS	105904	SCHEMATIC LSC CAT C1.1	1

Not for Reproduction

6.13 - Radiator Overflow

SN 0001PRO2VE15 and UP



104377_C

Night-Lite Pro II™ CE Spec

6.13 - Radiator Overflow

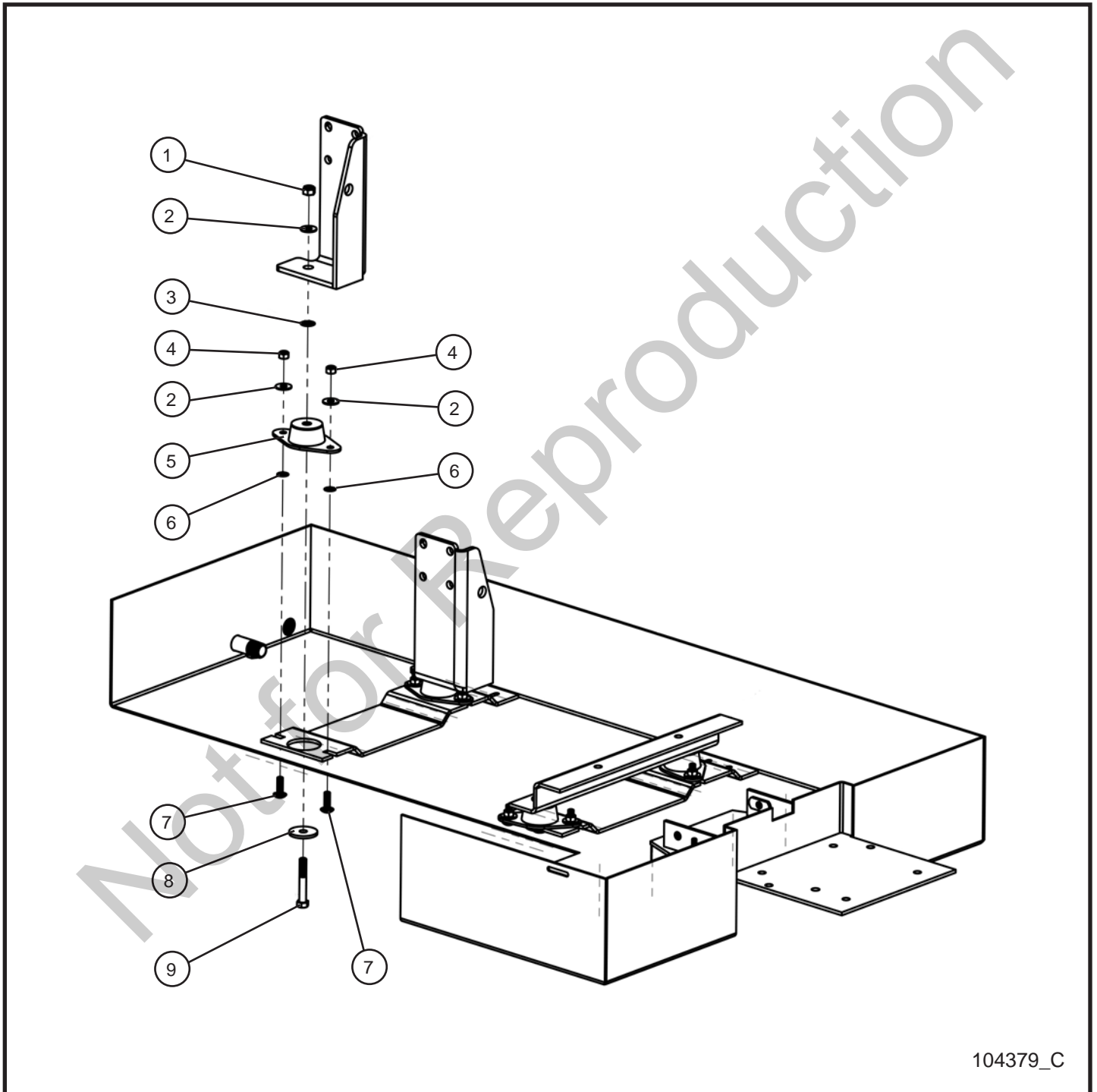
SN 0001PRO2VE15 and UP

Item	Part No.	Part Description	Qty.
1	041078	1/4-20 x 1/2 PH-TRUSS HEAD MS SS	2
2	650027	RESERVOIR WITH BRACKET	1
3	102268	COOLANT HOSE 1/4" x 44.0	1
4	102268	COOLANT HOSE 1/4" x 28.0	1
5	044021	1/4-20 KEPS HEX NUT PL	2

Not for Reproduction

6.14 - Engine Isolator Mounts

SN 0001PRO2VE15 and UP



104379_C

Night-Lite Pro II™ CE Spec

6.14 - Engine Isolator Mounts

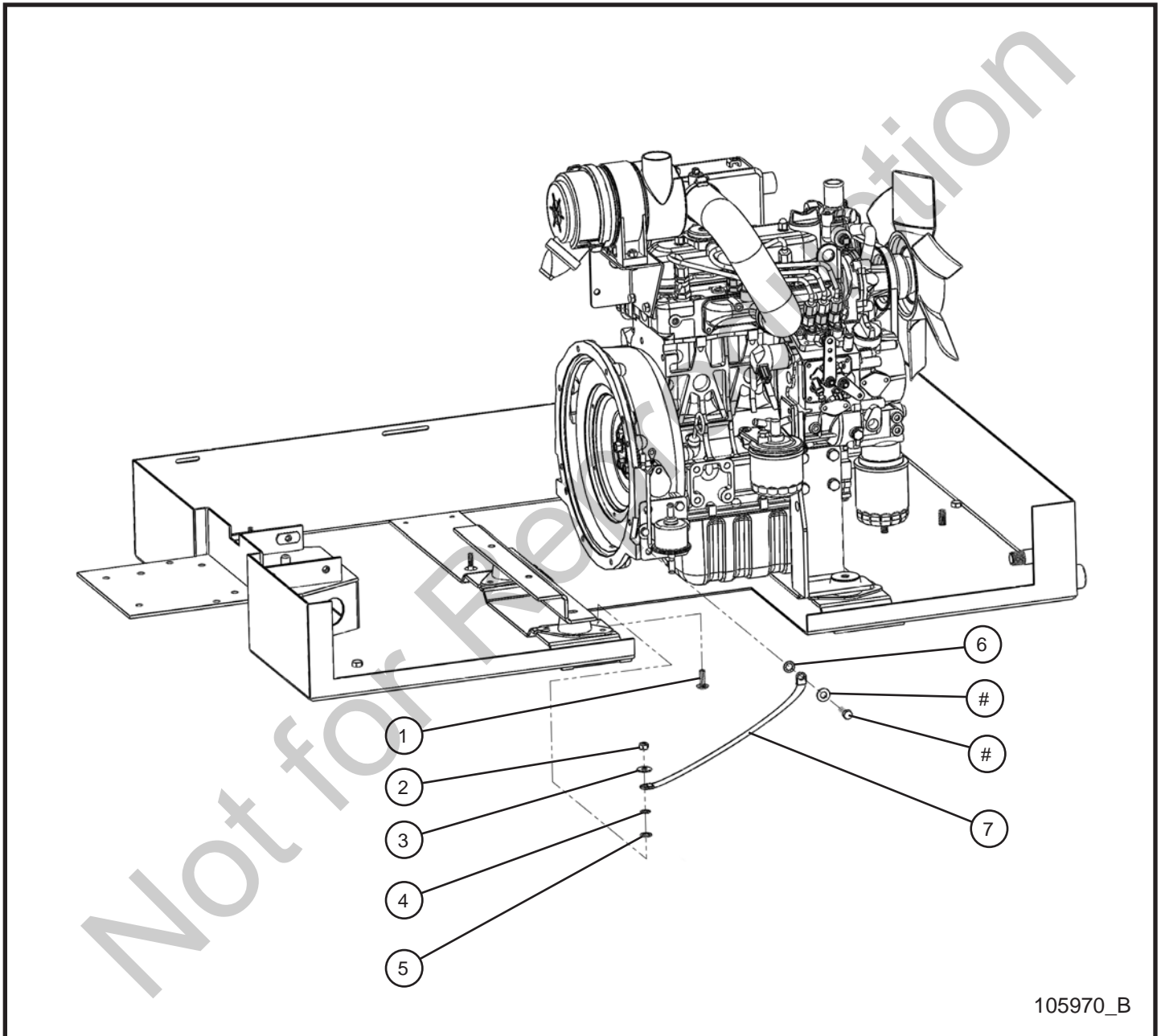
SN 0001PRO2VE15 and UP

Item	Part No.	Part Description	Qty.
1	044038	3/8-16 NYLOCK HEX NUT PL	4
2	047010	5/16 FLAT WASHER PL	12
3	045218	3/8 PUSH NUT	4
4	044033	5/16-18 NYLOCK HEX NUT PL	8
5	650259	ENGINE MOUNT LIGHT DUTY	4
6	045217	5/16 PUSH NUT	8
7	053020	5/16-18 x 1 CARRIAGE BOLT PL	8
8	640565	ENGINE MOUNT WASHER 1.55 OD x .41 ID x .135 THK	4
9	046134	3/8-16 x 2 1/2 HEX HEAD CS GR8 PL	4

Not for Reproduction

6.15 - Engine Ground Strap

SN 0001PRO2VE15 and UP



105970_B

Night-Lite Pro II™ CE Spec

6.15 - Engine Ground Strap

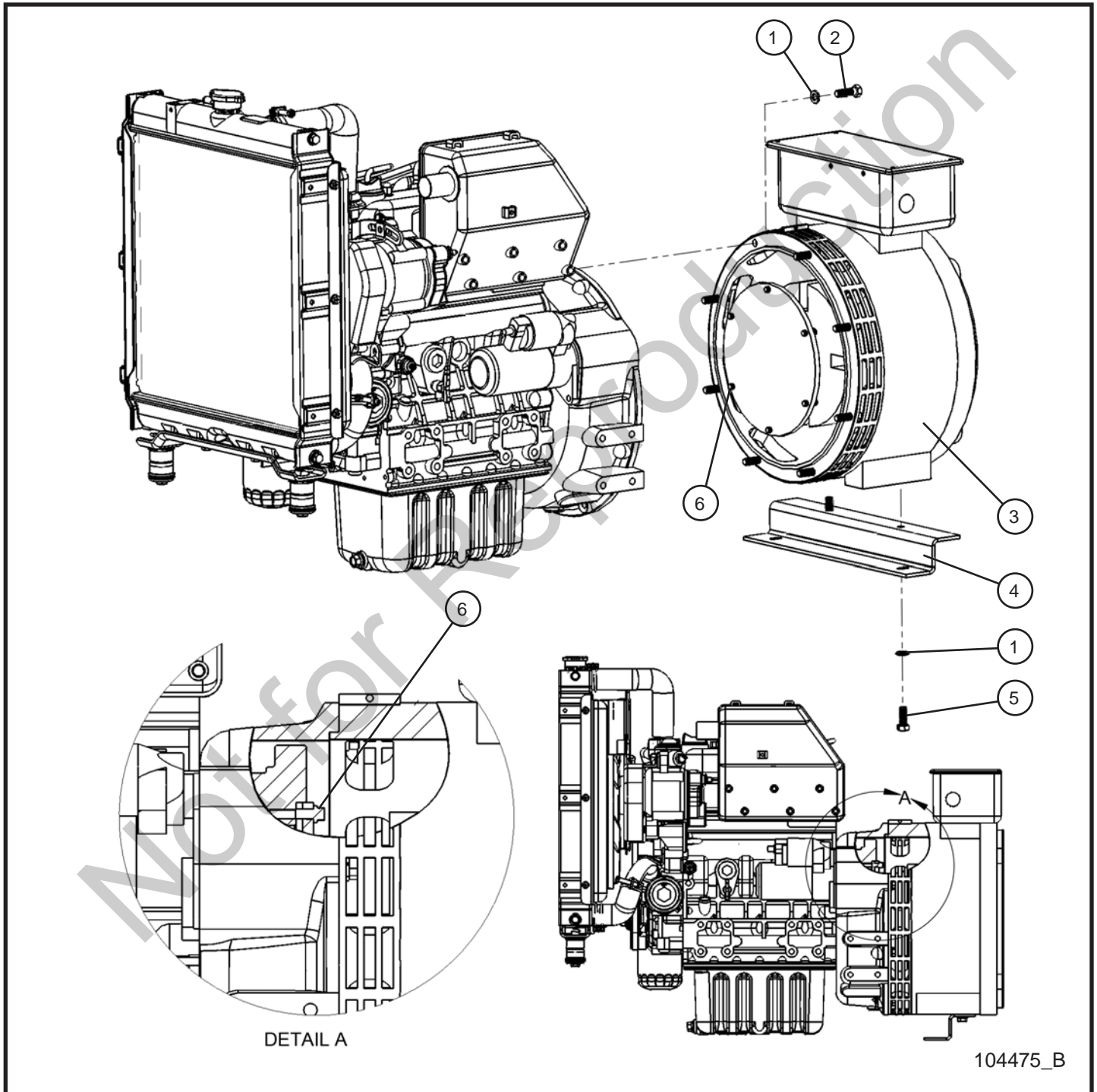
SN 0001PRO2VE15 and UP

Item	Part No.	Part Description	Qty.
1	053020	5/16-18 x 1 CARRIAGE BOLT PL	1
2	044033	5/16-18 NYLOCK HEX NUT PL	1
3	047010	5/16 FLAT WASHER PL	1
4	045217	5/16 PUSH NUT	1
5	043060	5/16 INTL TOOTH LOCK WASHER	1
6	043070	3/8 INTL TOOTH LOCK WASHER	1
7	340105	GROUND STRAP	1
#	--	RE-USE EXISTING HARDWARE FROM ENGINE ASSEMBLY	--

Not for Reproduction

6.16 - 6kW 50Hz Marathon Generator

SN 0001PRO2VE15 and UP



Night-Lite Pro II™ CE Spec

6.16 - 6kW 50Hz Marathon Generator

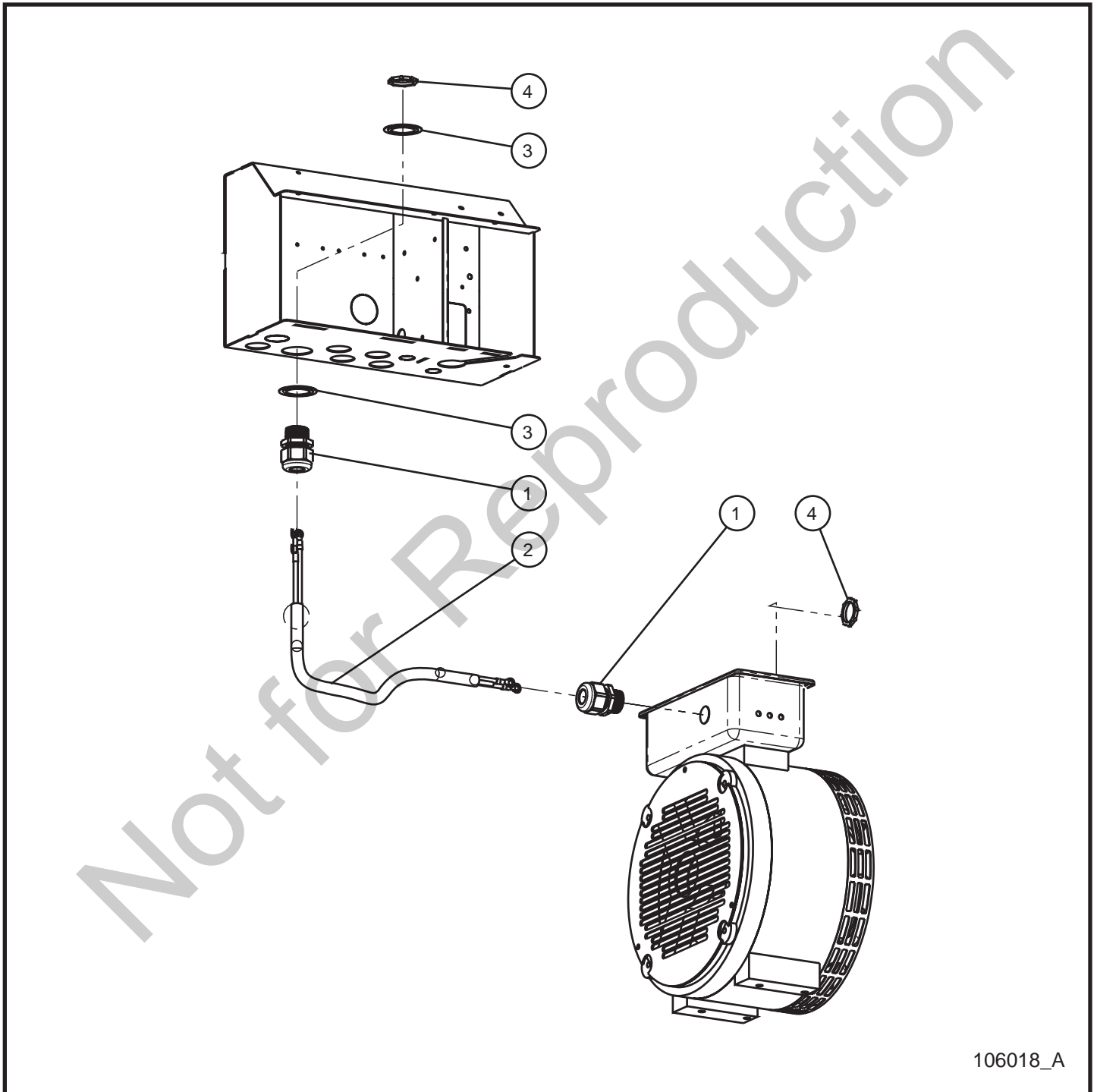
SN 0001PRO2VE15 and UP

Item	Part No.	Part Description	Qty.
1	043065	3/8 SPLITLOCK WASHER PL	10
2	046115	3/8-16 x 1 1/4 HEX HEAD CS GR5 PL	8
3	650286	GENERATOR MARATHON 6kW 50Hz SAE 5/6.5"	1
4	651012P	BRACKET GEN MOUNT MARATHON/ATHLON	1
5	046110	3/8-16 x 1 HEX HEAD CS GR5 PL	2
6	046041	5/16-18 x 1/2" 12 PT FLANGE HEAD BOLT	6

Not for Reproduction

6.17 10/3 Generator Cord

SN 0001PRO2VE15 and UP



106018_A

Night-Lite Pro II™ CE Spec

6.17 10/3 Generator Cord

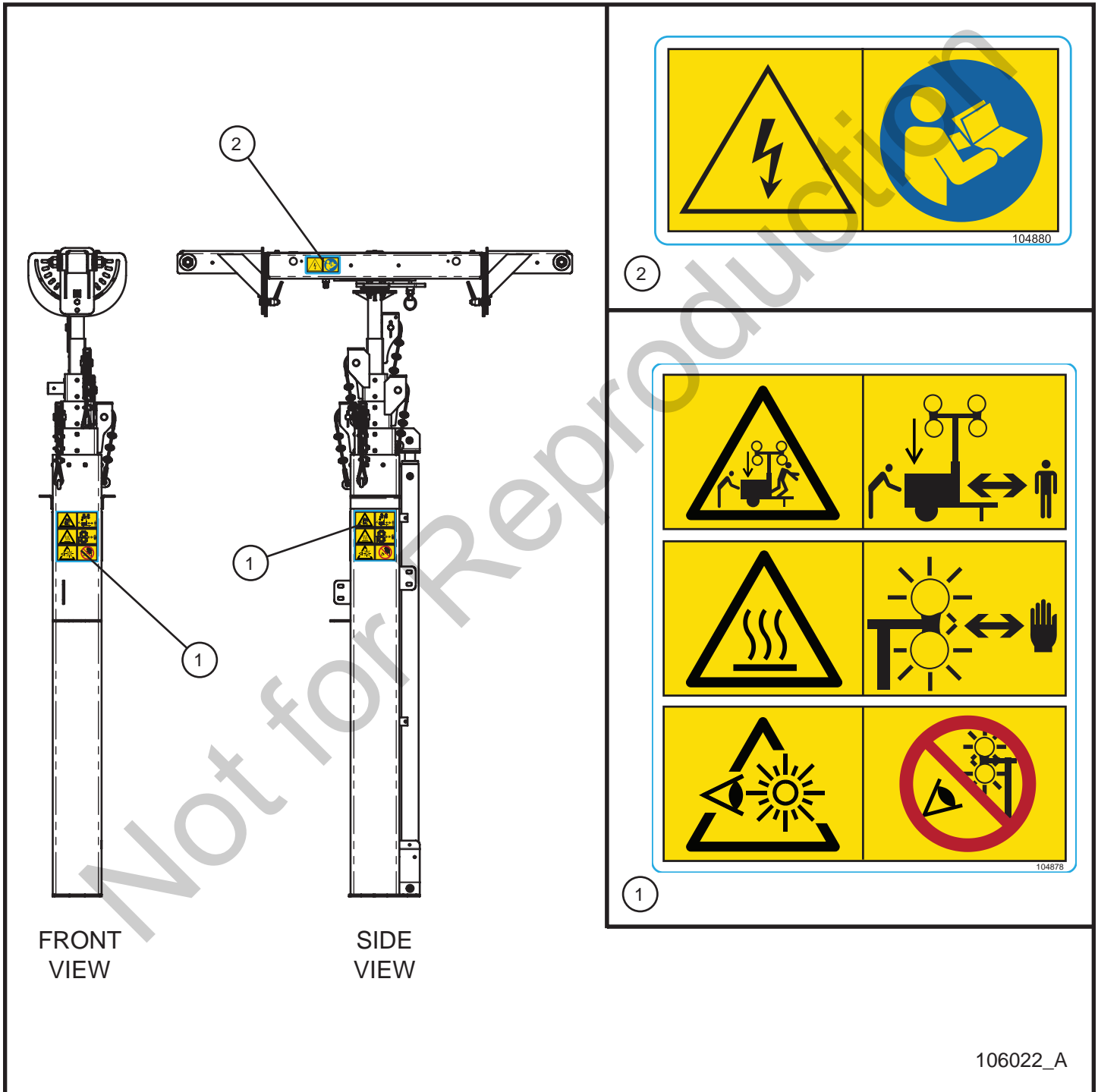
SN 0001PRO2VE15 and UP

Item	Part No.	Part Description	Qty.
1	105627	CORD GRIP 1" NYLON BLACK	2
2	106017	10/3 GENERATOR CORD INTERNATIONAL 6kW PRO II	1
3	022350	1 1/4 TO 1" REDUCING WASHER	2
4	022038	1" CORD GRIP NUT	2
NS	106337	AC WIRE SCHEMATIC GENERATOR TO LIGHTS INT'L PRO II	1

Not for Reproduction

7.1 - NL Pro II CE Spec Vertical Tower Decals

SN 0001PRO2VE15 and UP



Night-Lite Pro II™ CE Spec

7.1 - NL Pro II CE Spec Vertical Tower Decals


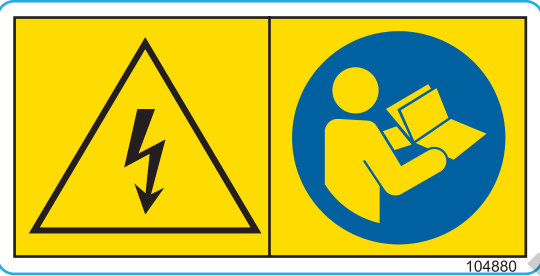


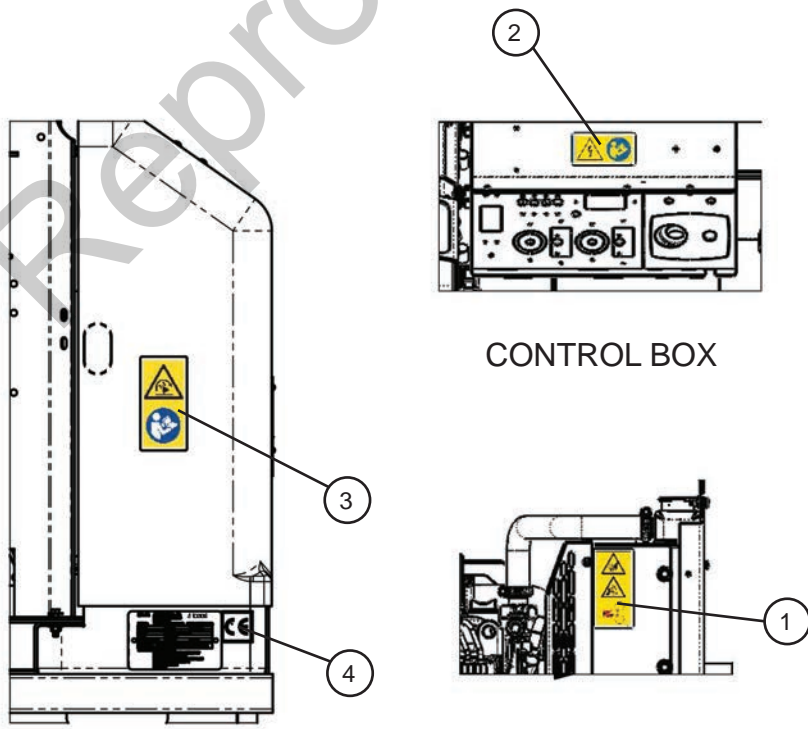
SN 0001PRO2VE15 and UP

Item	Part No.	Part Description	Qty.
1	104878	DECAL TOWER WARNING	3
2	104880	DECAL HIGH VOLTAGE READ	2

Not for Reproduction

7.2 - NL Pro II CE Spec Decals (1 of 3)

SN 0001PRO2VE15 and UP

 <p>104874</p> <p>1</p>	 <p>104880</p> <p>2</p>	 <p>4</p>
 <p>104883</p> <p>3</p>	 <p>FRONT VIEW</p> <p>CONTROL BOX</p> <p>FAN GUARD</p>	

105516_A

Night-Lite Pro II™ CE Spec

7.2 - NL Pro II CE Spec Decals (1 of 3)

SN 0001PRO2VE15 and UP

Item	Part No.	Part Description	Qty.
1	104874	DECAL FAN AND BELT	2
2	104880	DECAL HIGH VOLTAGE READ	1
3	104883	DECAL ROLLOVER WARNING	1
4	090415	DECAL CE MARK	1

Not for Reproduction

7.3 - NL Pro II CE Spec Decals (2 of 3)

SN 0001PRO2VE15 and UP

<p>2</p>	<p>5</p>	
<p>3</p>	<p>1</p>	
<p>INSIDE LEFT DOOR</p> <p>2 3 1 4 5</p>		<p>4</p>

105516_A

Night-Lite Pro II™ CE Spec

7.3 - NL Pro II CE Spec Decals (2 of 3)

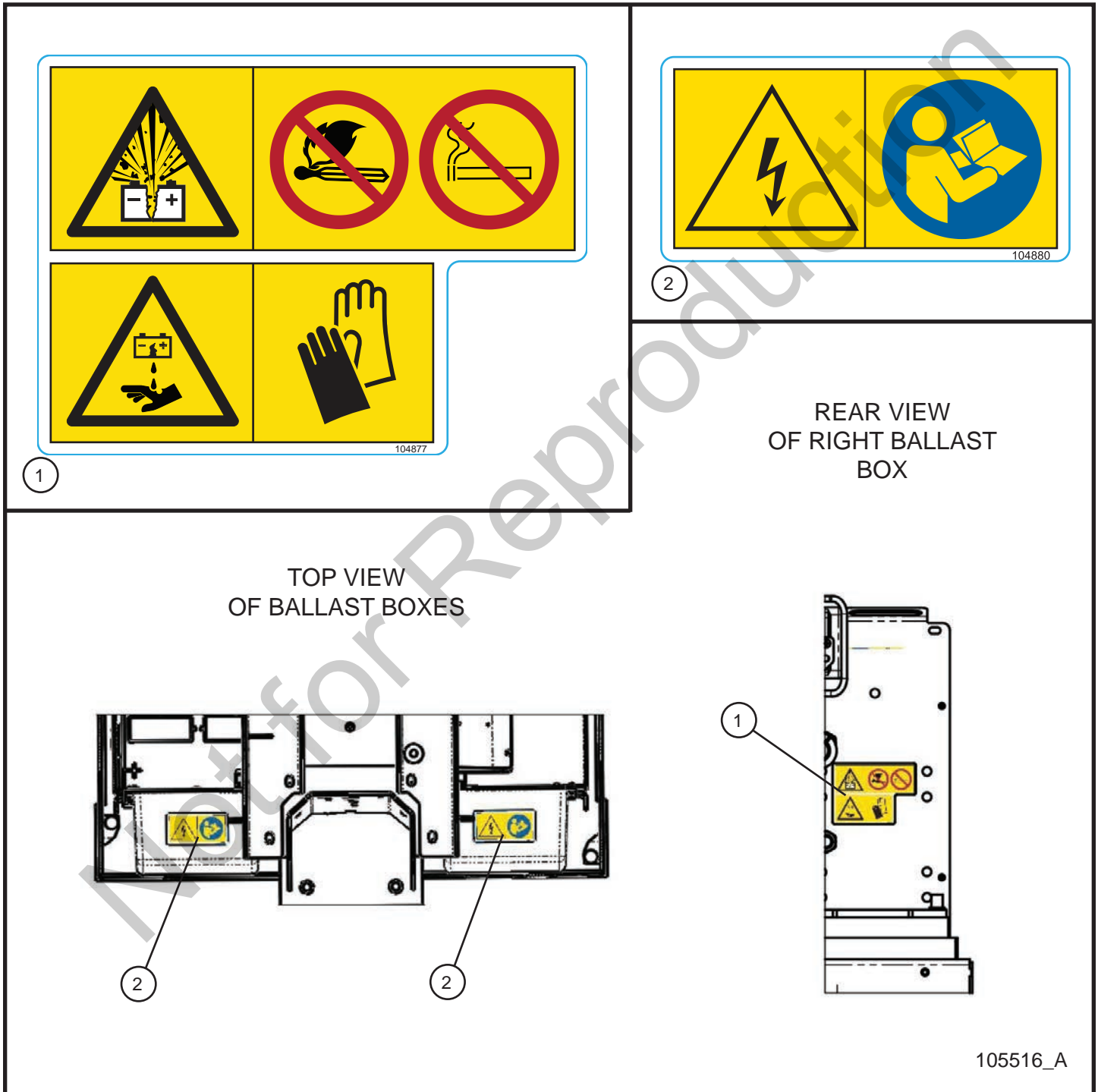
SN 0001PRO2VE15 and UP

Item	Part No.	Part Description	Qty.
1	104876	DECAL POWER LINE WARNING	1
2	104882	DECAL TIP HAZARD	1
3	105507	DECAL AUTO START	1
4	106020	DECAL GUARANTEED PRESSURE INT'L	1
5	105508	DECAL READ MANUAL	1

Not for Reproduction

7.4 - NL Pro II CE Spec Decals (3 of 3)

SN 0001PRO2VE15 and UP



Night-Lite Pro II™ CE Spec

7.4 - NL Pro II CE Spec Decals (3 of 3)

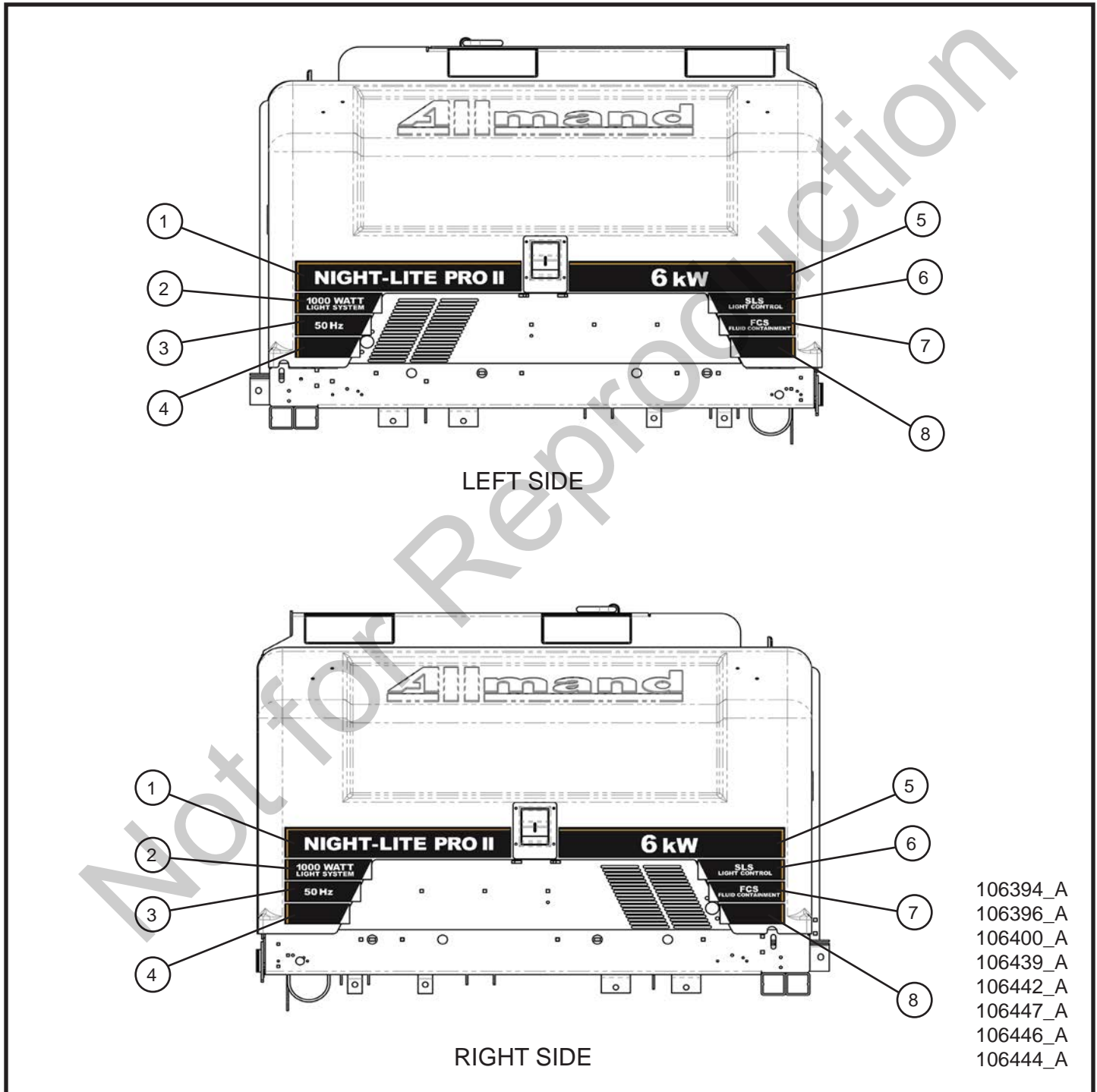
SN 0001PRO2VE15 and UP

Item	Part No.	Part Description	Qty.
1	104877	DECAL BATTERY WARNING	1
2	104880	DECAL HIGH VOLTAGE READ	2

Not for Reproduction

7.5 - NL Pro II CE Spec Stripe Decals

SN 0001PRO2VE15 and UP



Night-Lite Pro II™ CE Spec

7.5 - NL Pro II CE Spec Stripe Decals

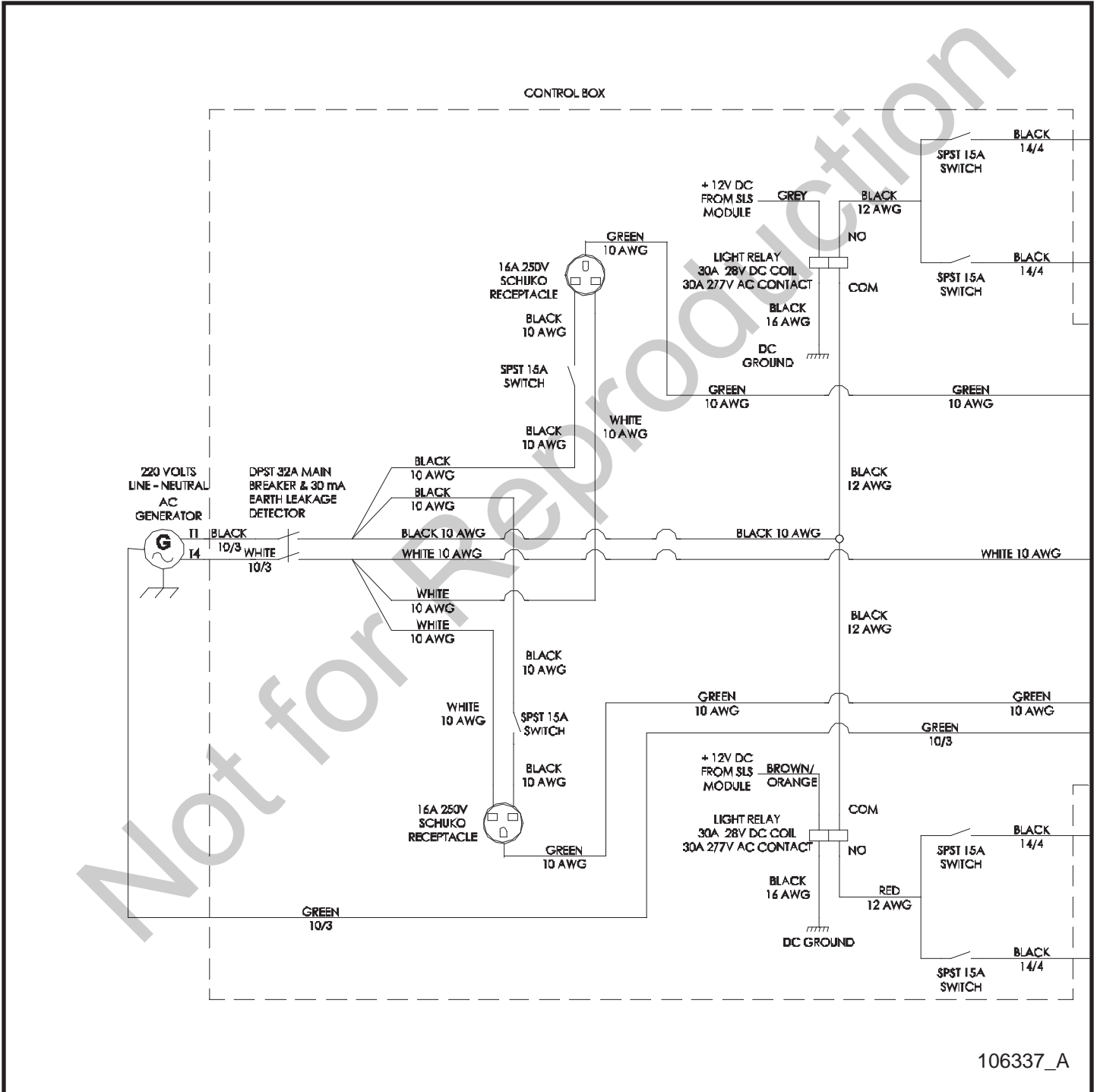
SN 0001PRO2VE15 and UP

Item	Part No.	Part Description	Qty.
1	106374	DECAL NIGHT-LITE DOOR STRIPE	2
2	106376	DECAL 1000 WATT DOOR STRIPE	2
3	106380	DECAL 50 Hz DOOR STRIPE	2
4	106384	DECAL BLANK DOOR STRIPE	2
5	106387	DECAL 6 kW DOOR STRIPE	2
6	106392	DECAL SLS DOOR STRIPE	2
7	106391	DECAL FCS DOOR STRIPE	2
8	106389	DECAL BLANK DOOR STRIPE	2

Not for Reproduction

8.1 - AC Wire Schematic Generator to Lights

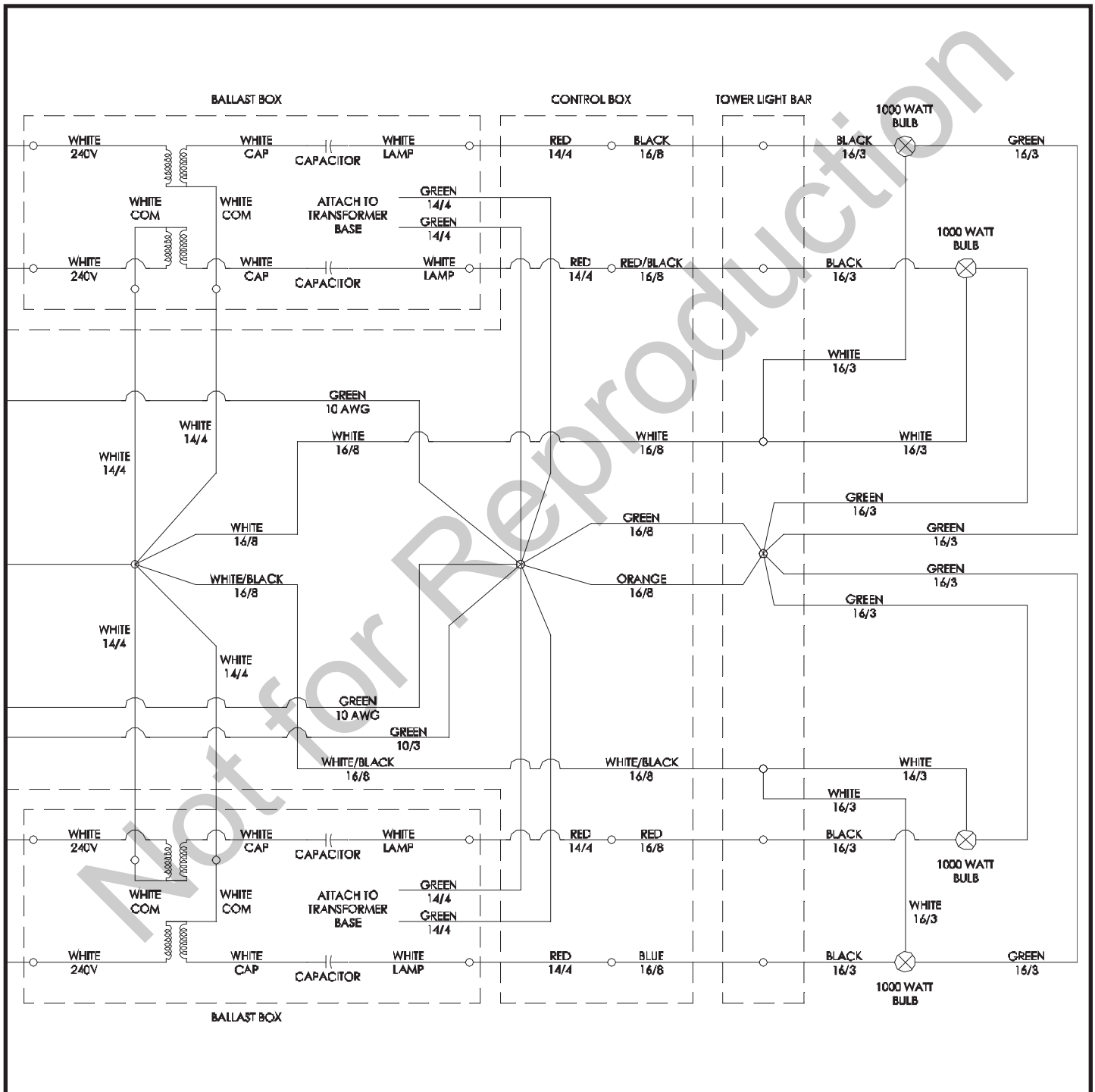
SN 0001PRO2VE15 and UP



Night-Lite Pro II™ CE Spec

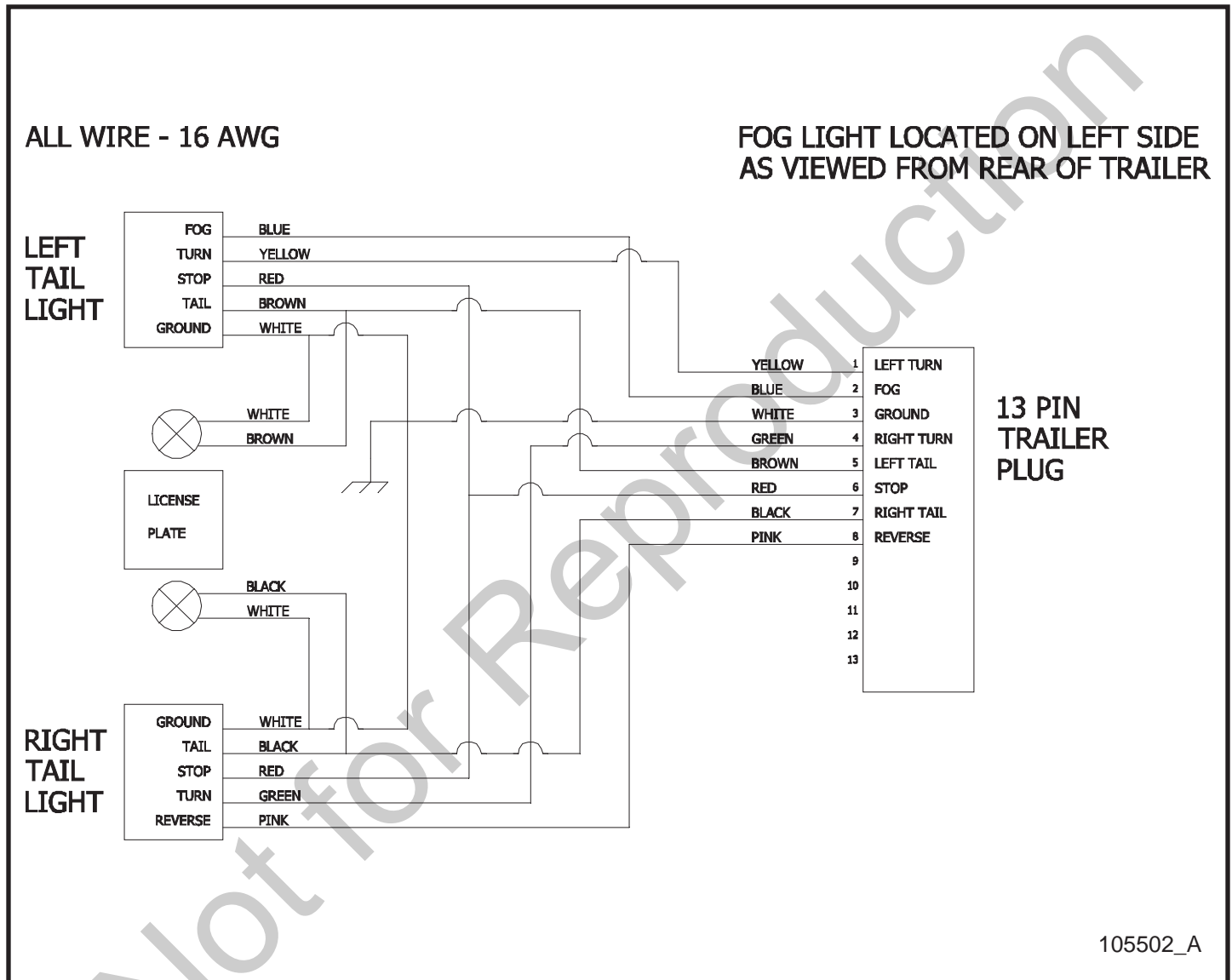
8.1 - AC Wire Schematic Generator to Lights (Cont.)

SN 0001PRO2VE15 and UP



8.2 - Wire Schematic Tail Light Harness (1 of 2)

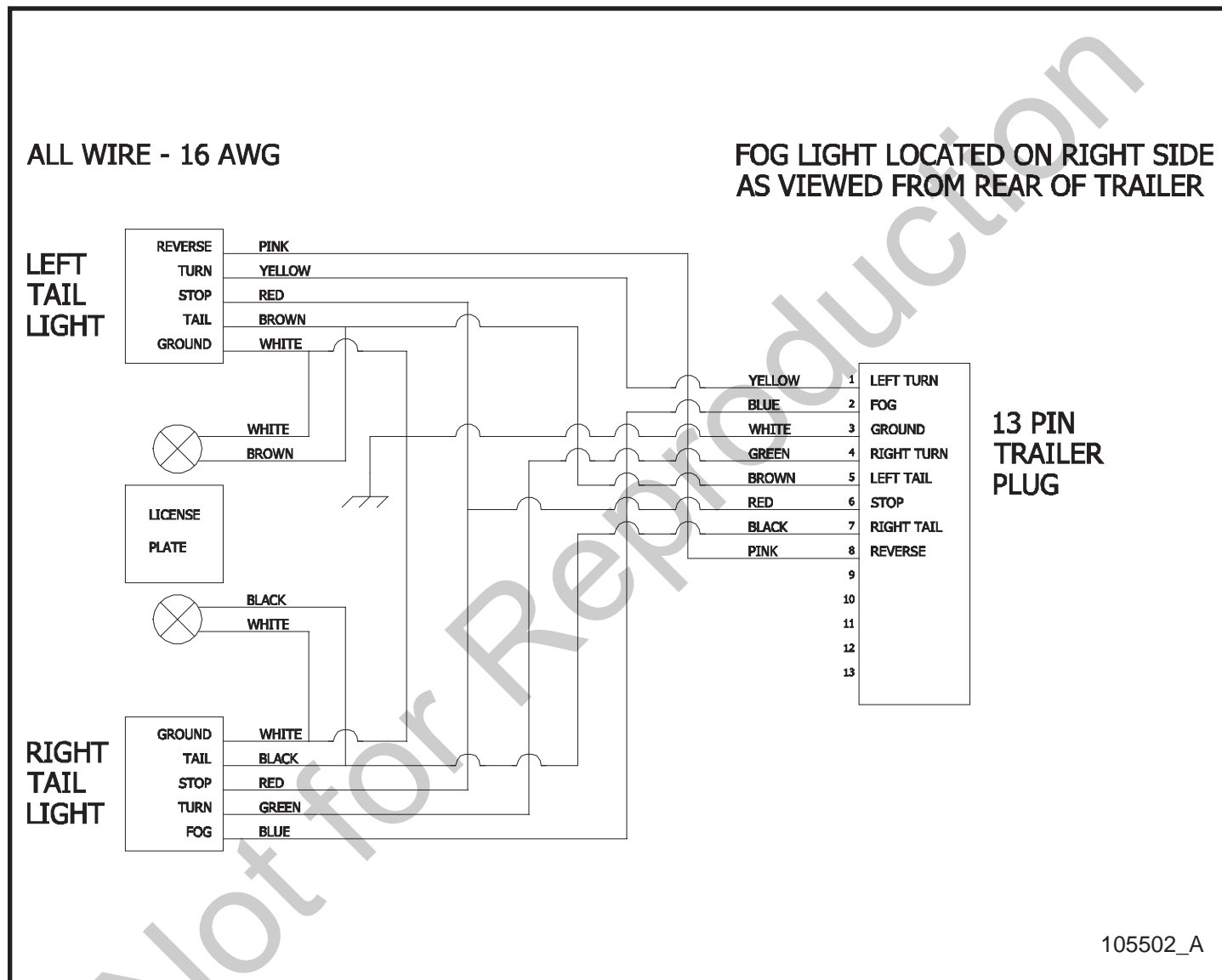
SN 0001PRO2VE15 and UP



Night-Lite Pro II™ CE Spec

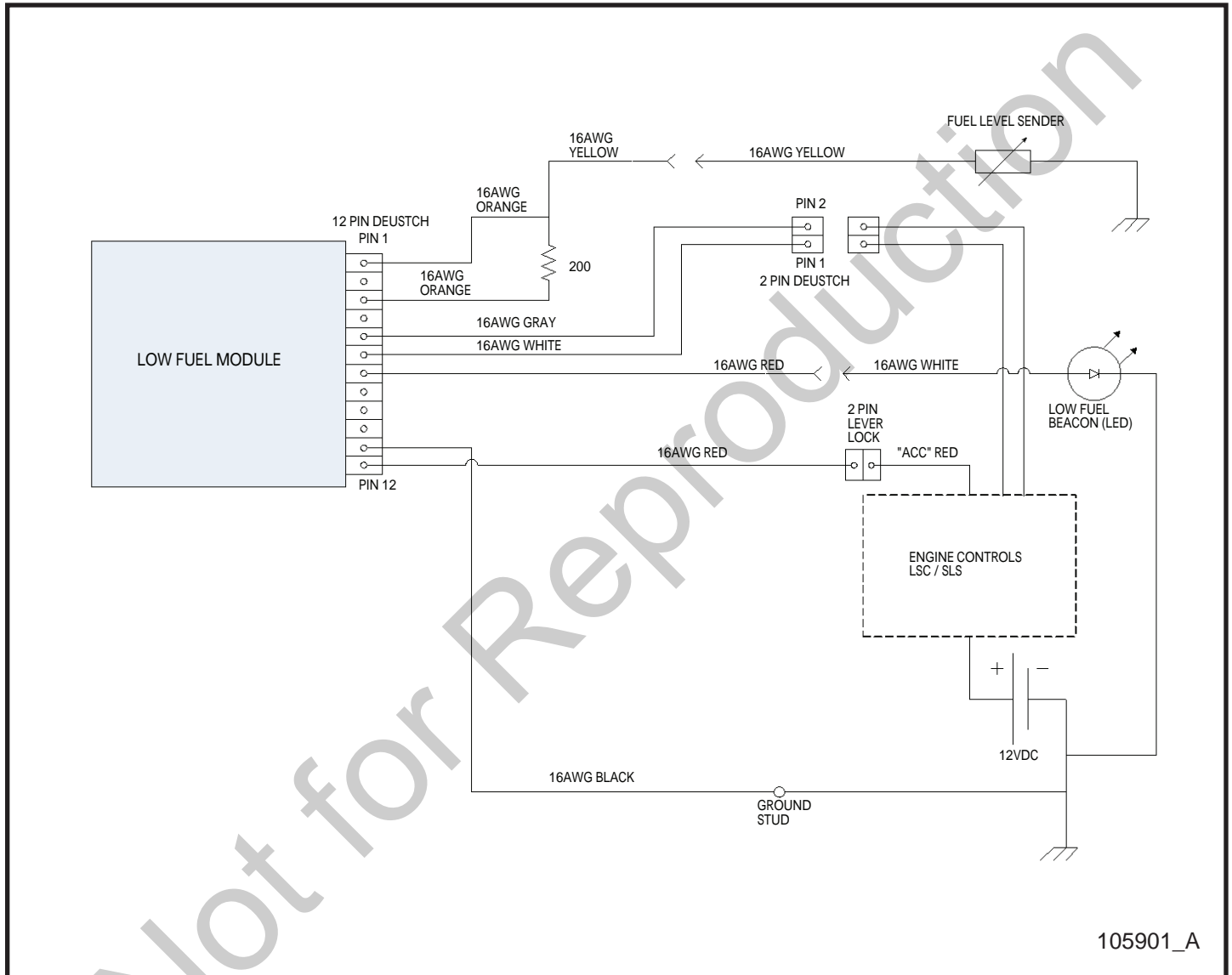
8.3 - Wire Schematic Tail Light Harness (2 of 2)

SN 0001PRO2VE15 and UP



8.4 - Schematic Low Fuel Module

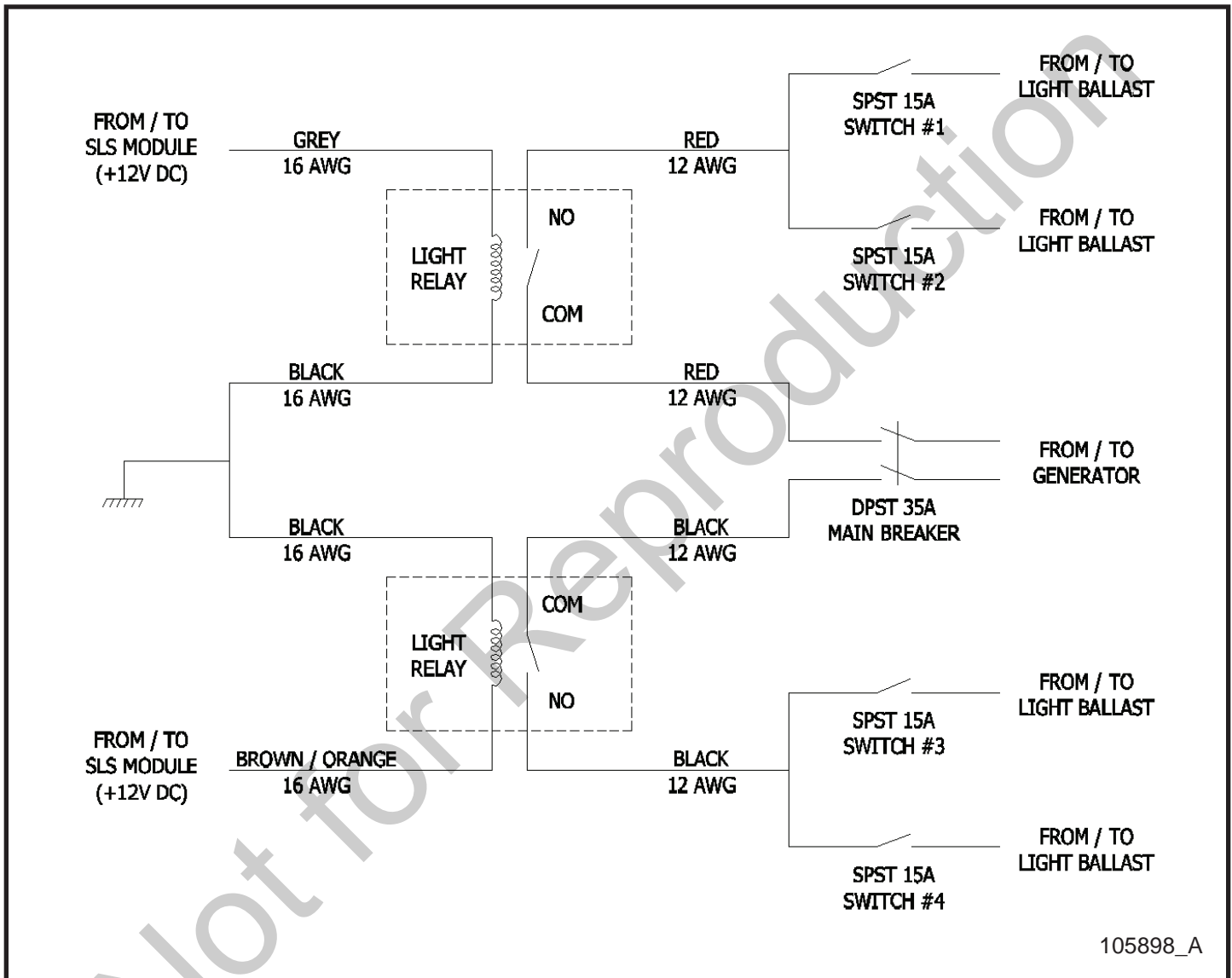
SN 0001PRO2VE15 and UP



Night-Lite Pro II™ CE Spec

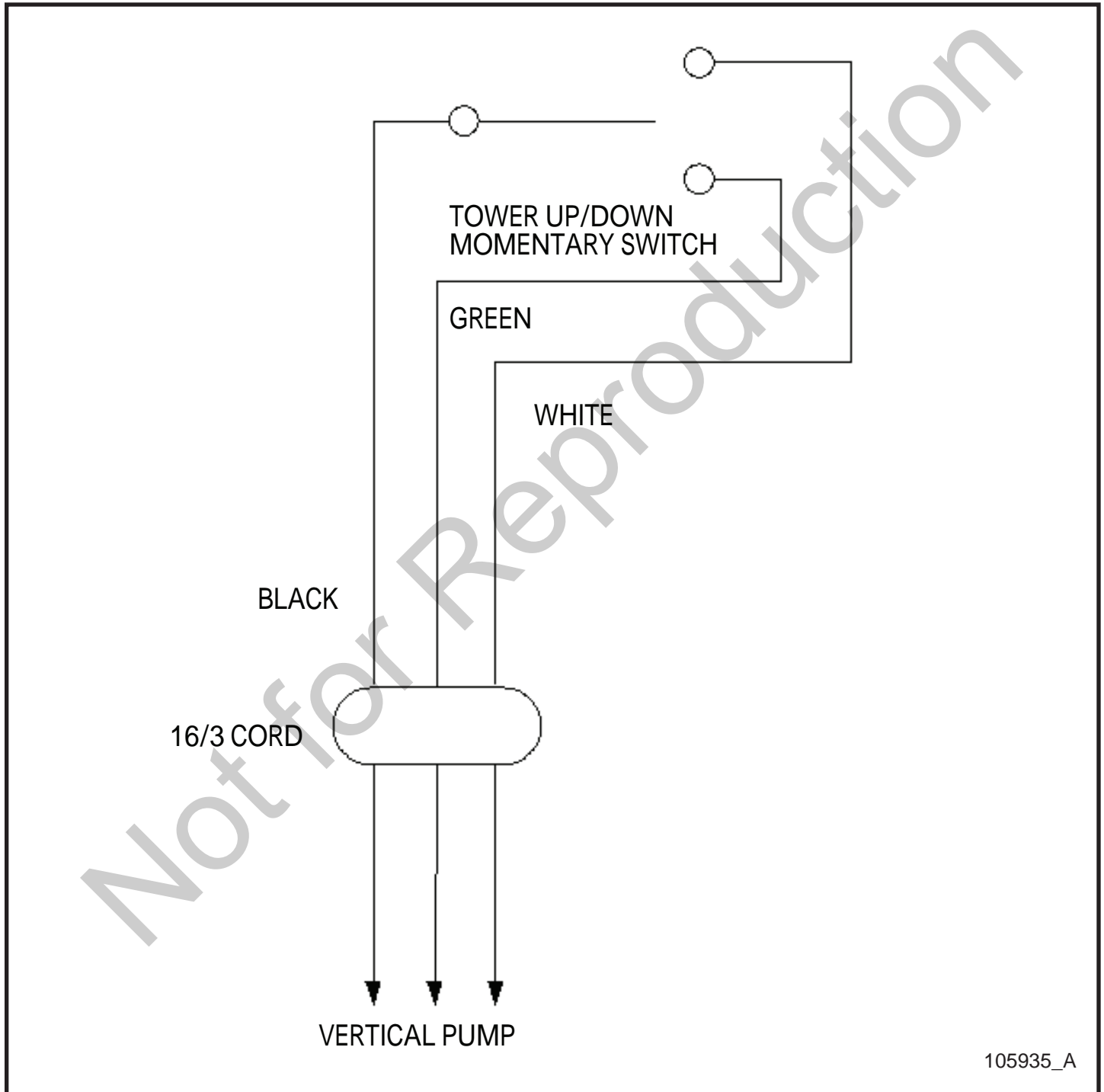
8.5 - Wire Schematic 4 Lights - 2 Relays

SN 0001PRO2VE15 and UP



8.6 - Schematic Vertical Up/Down Momentary Switch

SN 0001PRO2VE15 and UP

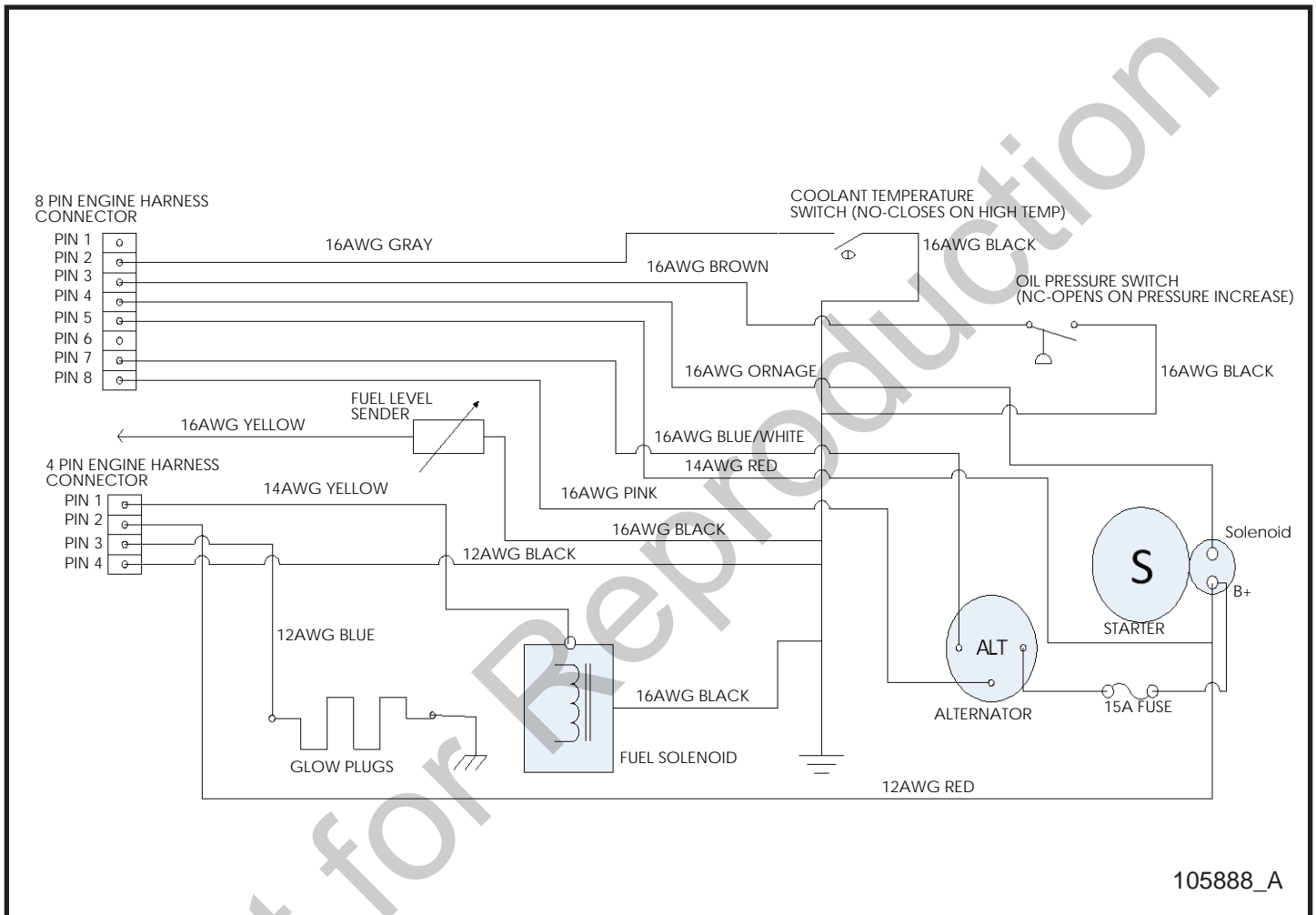


105935_A

Night-Lite Pro II™ CE Spec

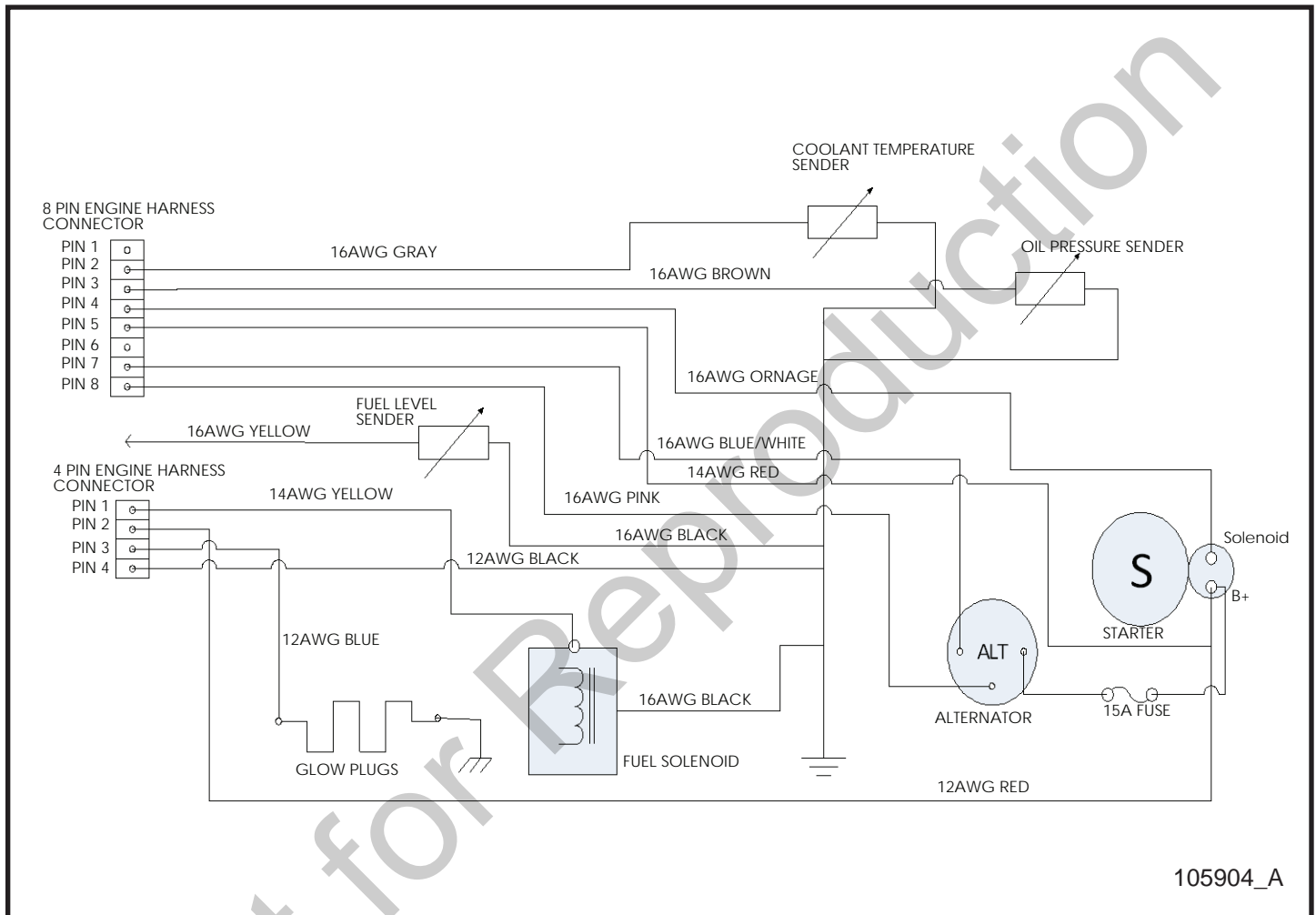
8.7 - CAT C1.1 Schematic

SN 0001PRO2VE15 and UP



8.8 - CAT C1.1 LSC Schematic

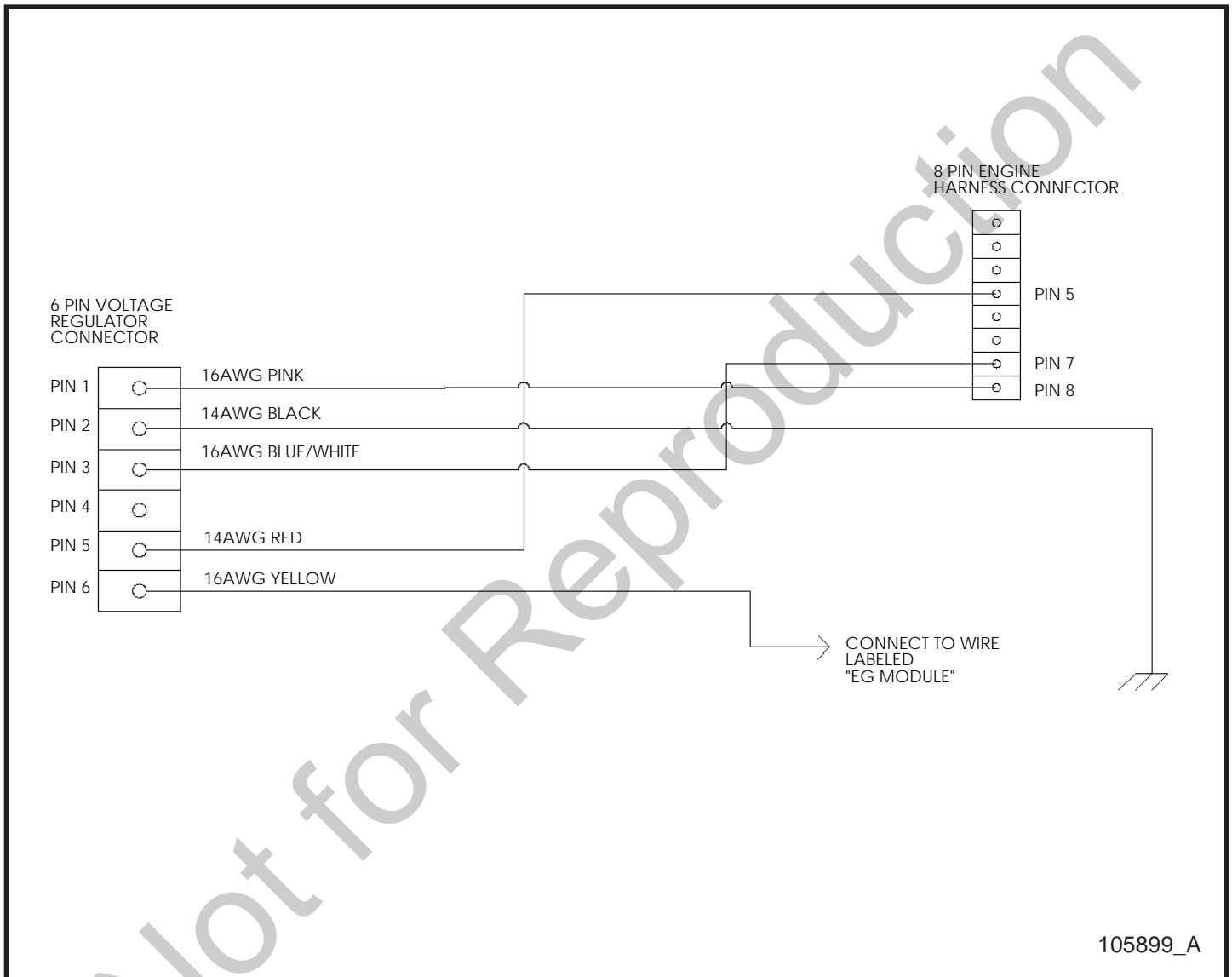
SN 0001PRO2VE15 and UP



Night-Lite Pro II™ CE Spec

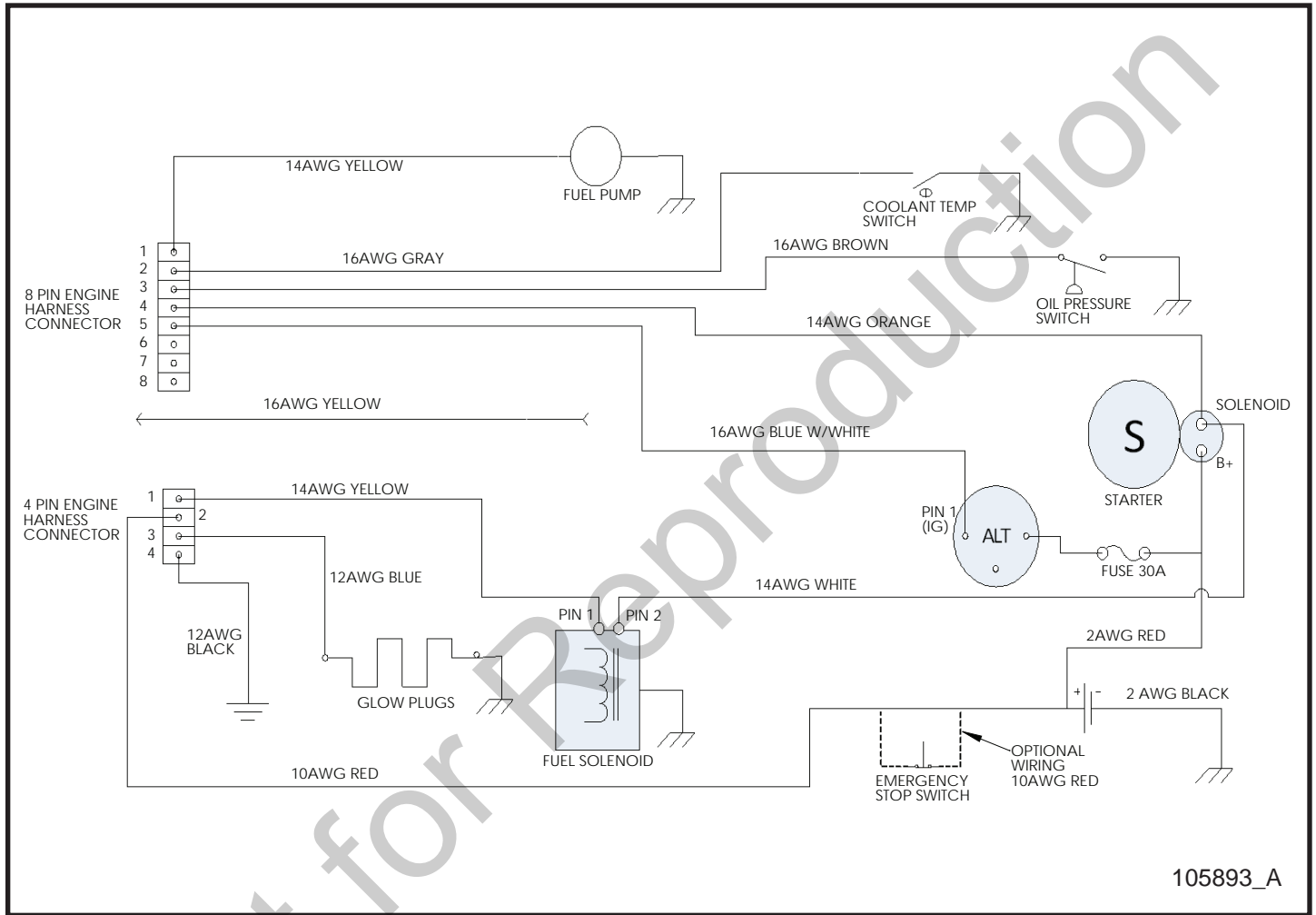
8.9 - CAT C1.1 Voltage Regulator Schematic

SN 0001PRO2VE15 and UP



8.10 - Kubota D1005 Schematic

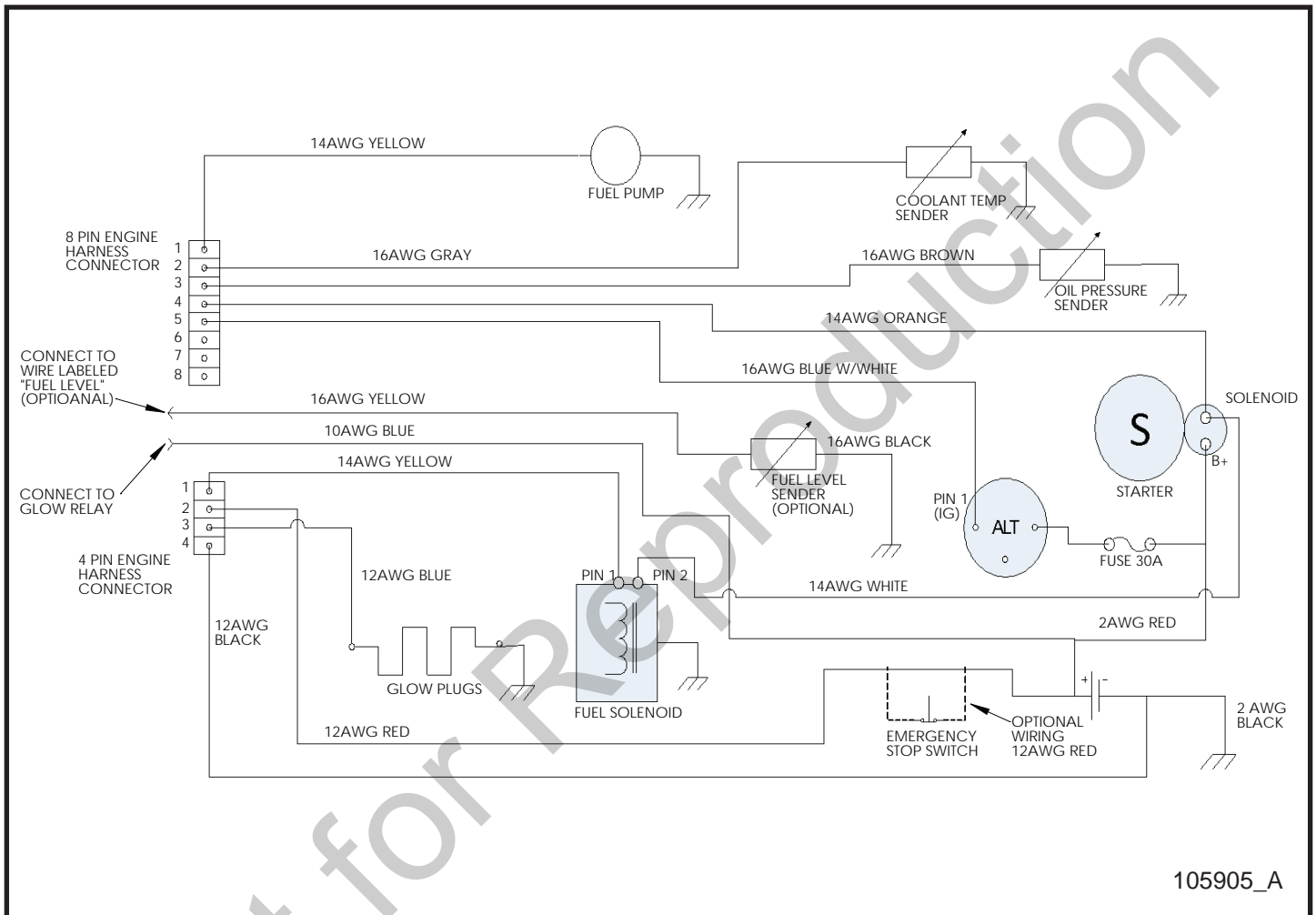
SN 0001PRO2VE15 and UP



Night-Lite Pro II™ CE Spec

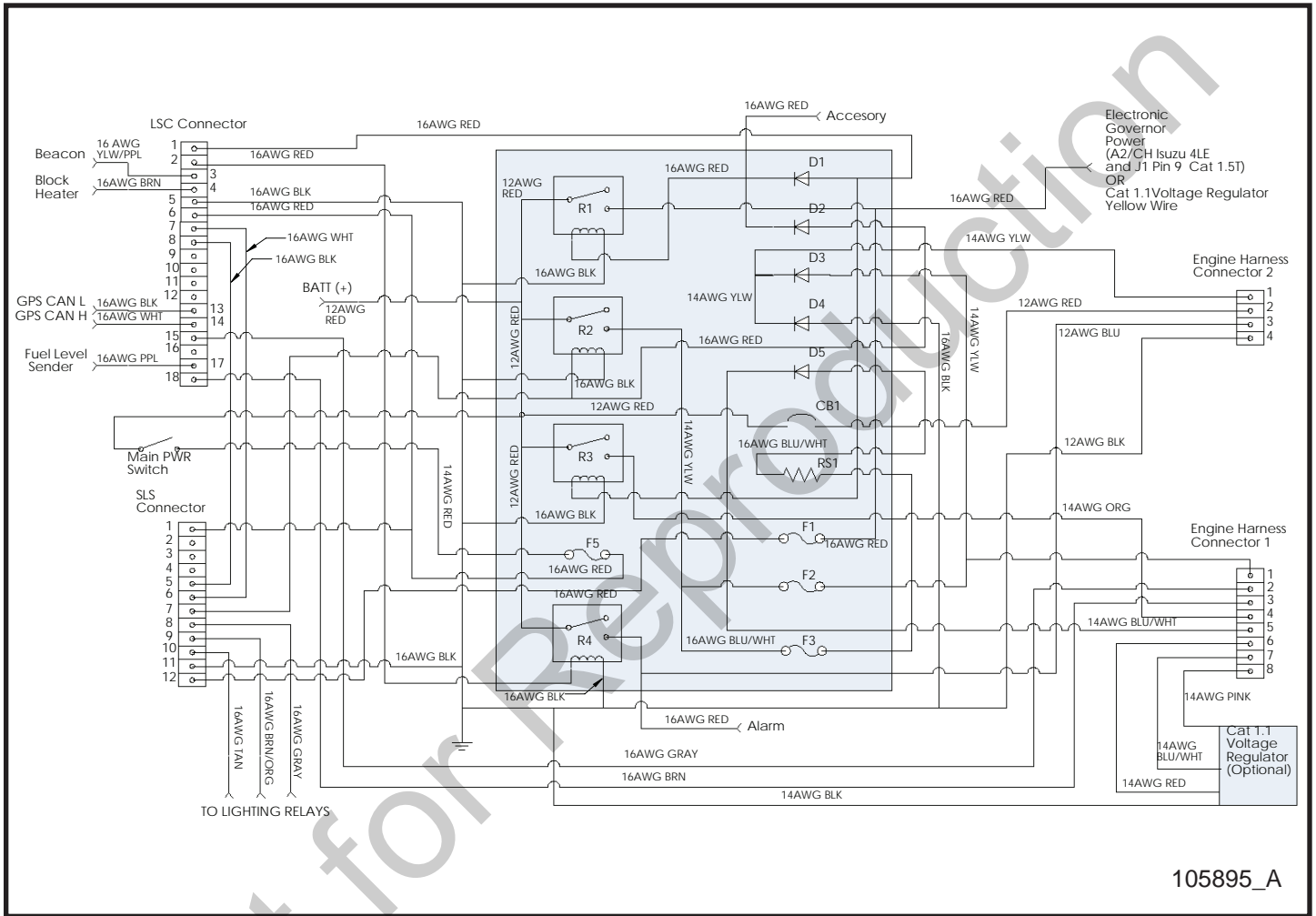
8.11 - Kubota D1005 LSC Schematic

SN 0001PRO2VE15 and UP



8.12 - LSC Schematic

SN 0001PRO2VE15 and UP

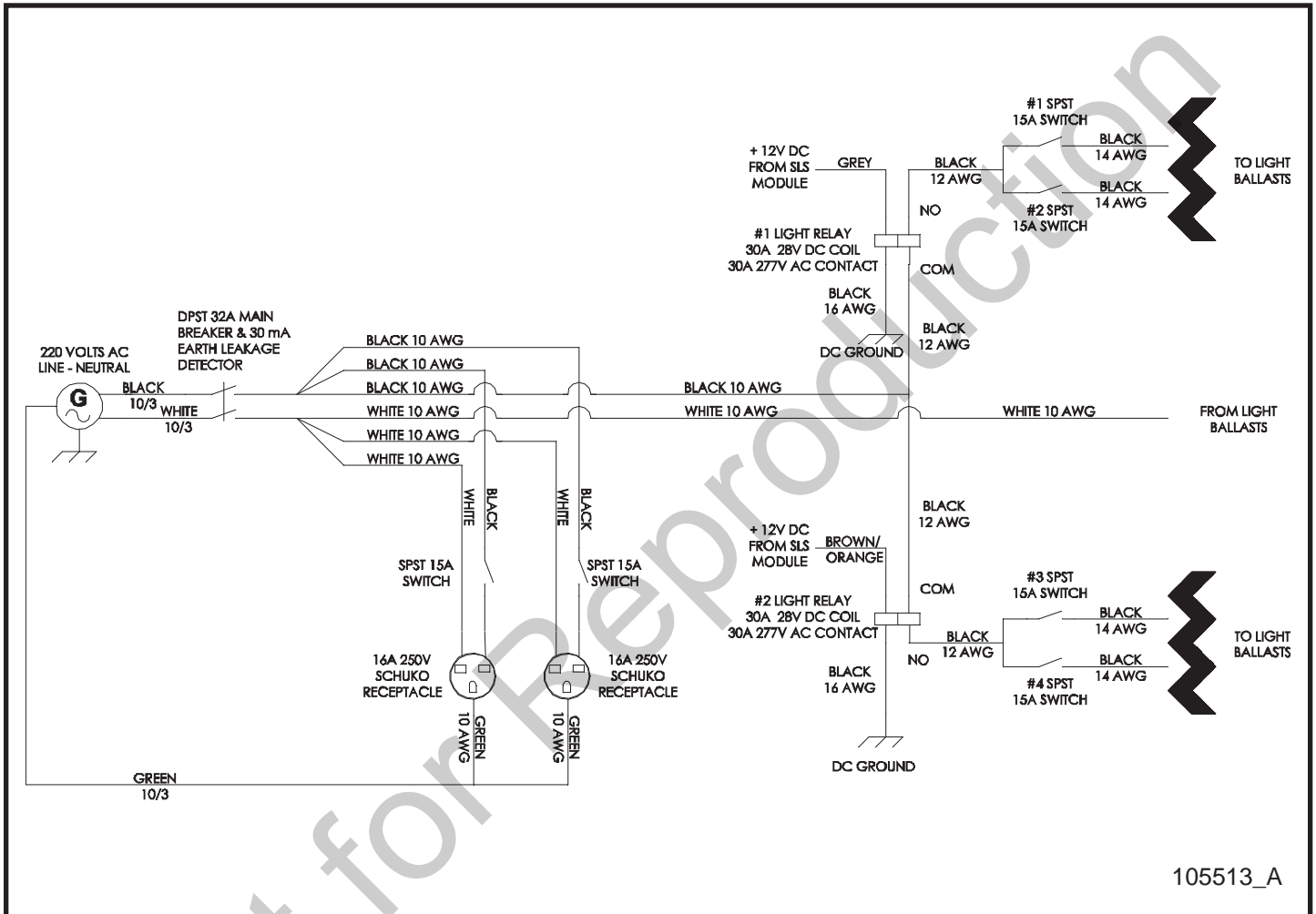


105895_A

Night-Lite Pro II™ CE Spec

8.13 - Wire Schematic Two 16 AMP Schuko

SN 0001PRO2VE15 and UP



Allmand™

BRIGHTER. WARMER. SAFER.

Allmand Bros., Inc.
1502 West 4th Avenue
Holdrege, NE 68949
phone: (308) 995-4495 • toll free: (800) 562-1373
fax: (308) 995-5887

www.allmand.com



Reliability, performance, and integrity since 1938

13-0267