

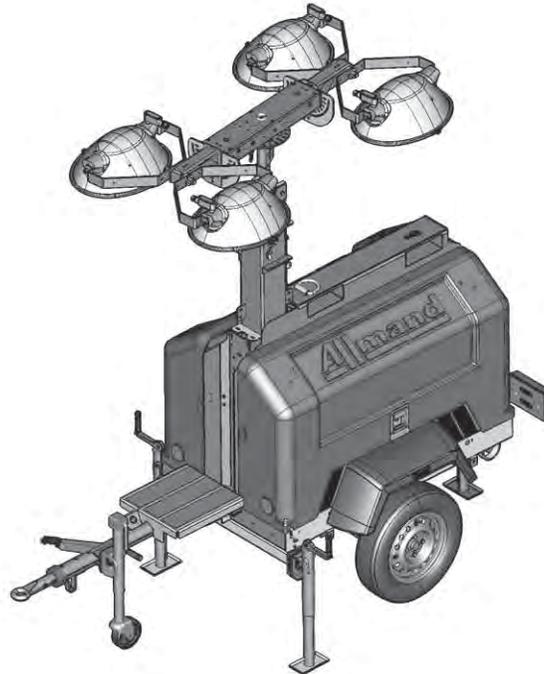


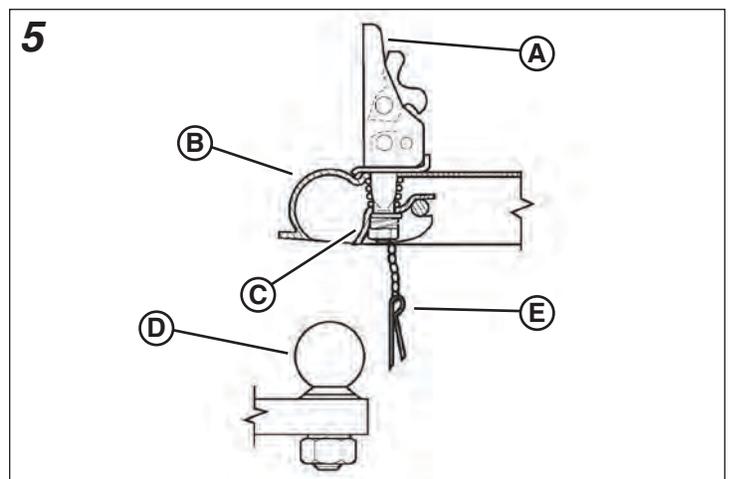
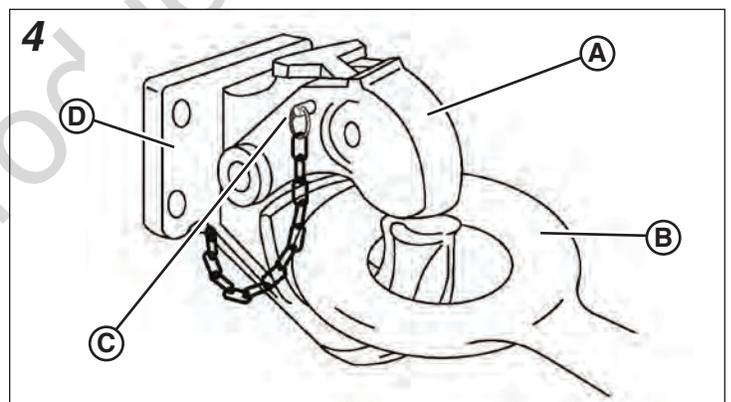
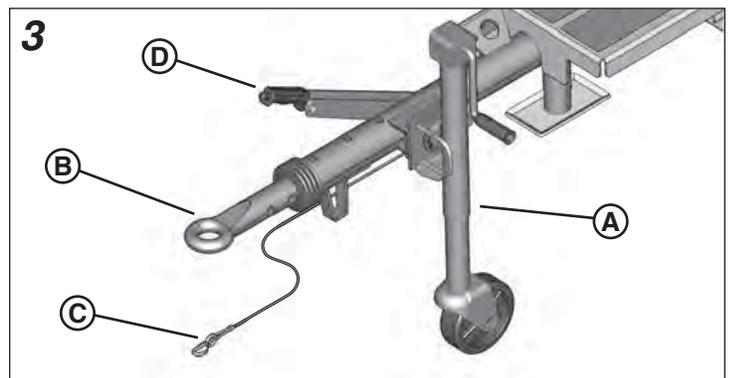
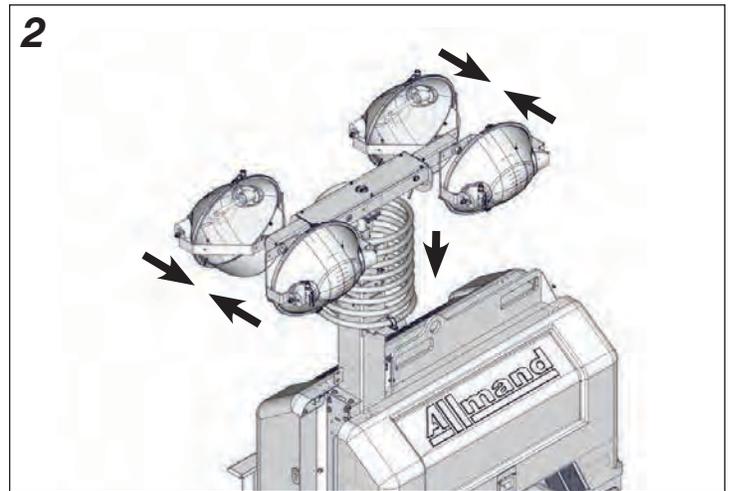
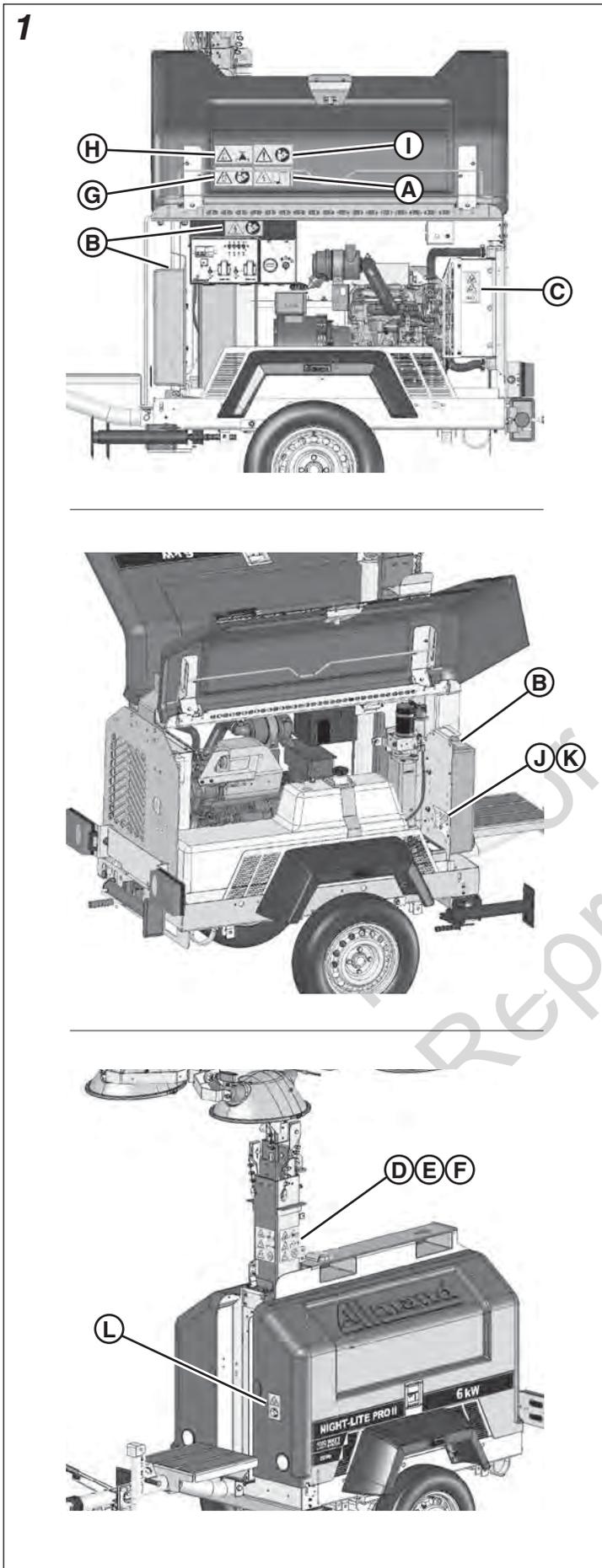
(en) **Operator's Manual  
CE 50 Hz Night-Lite Pro II®**

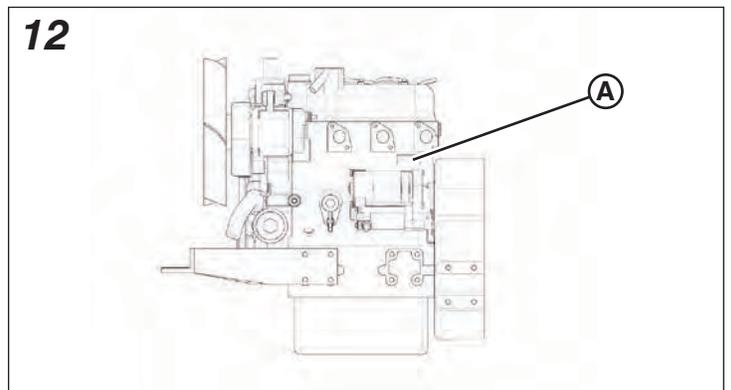
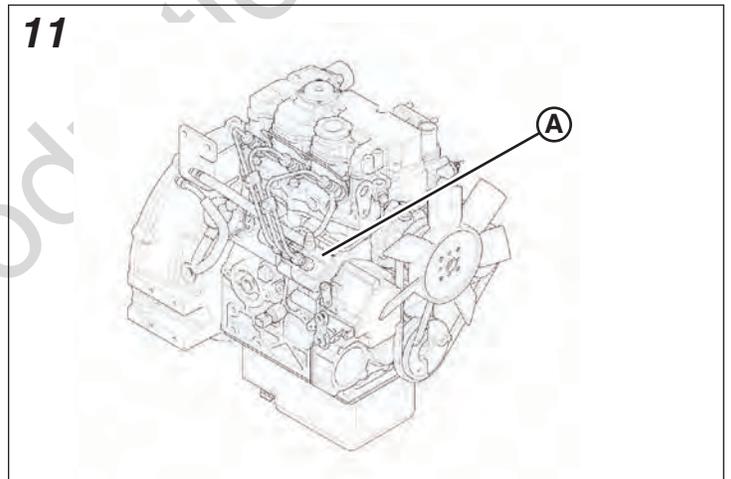
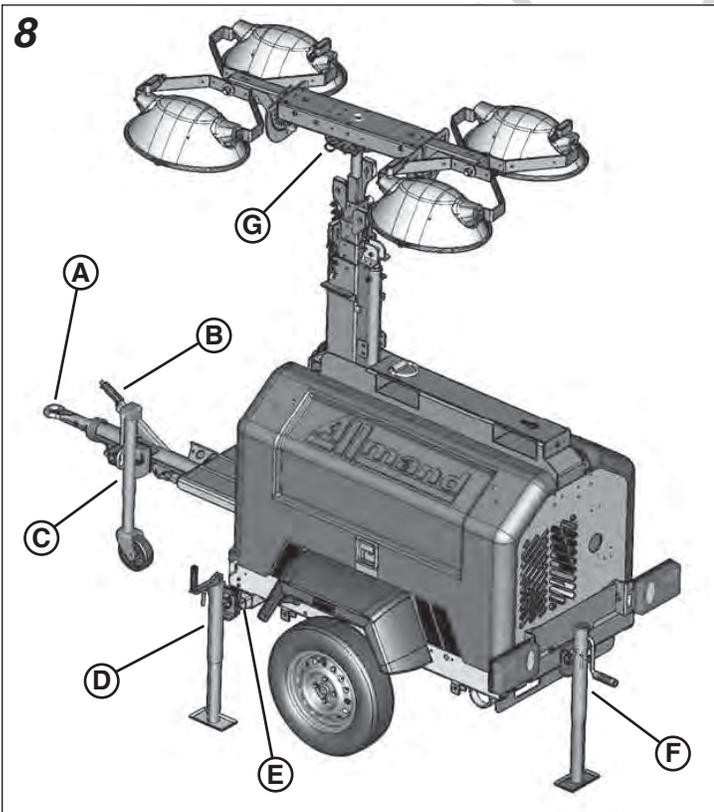
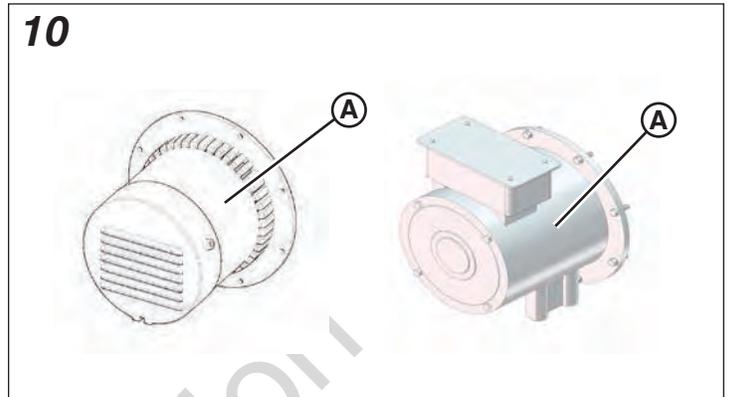
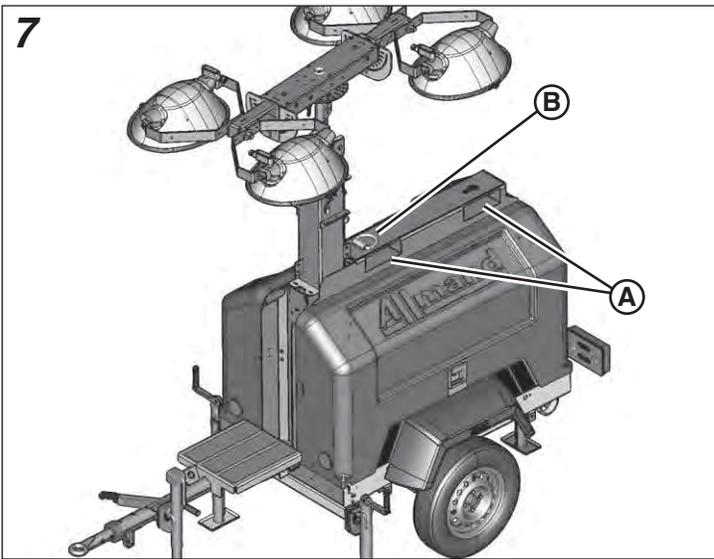
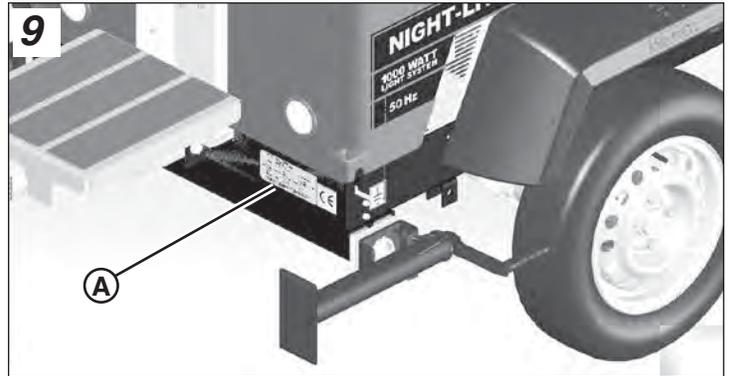
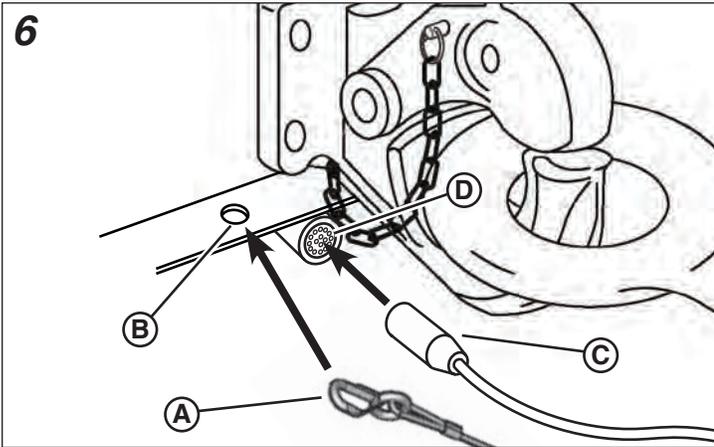
(de) **Bedienungsanleitung  
CE 50 Hz Night-Lite Pro II®**

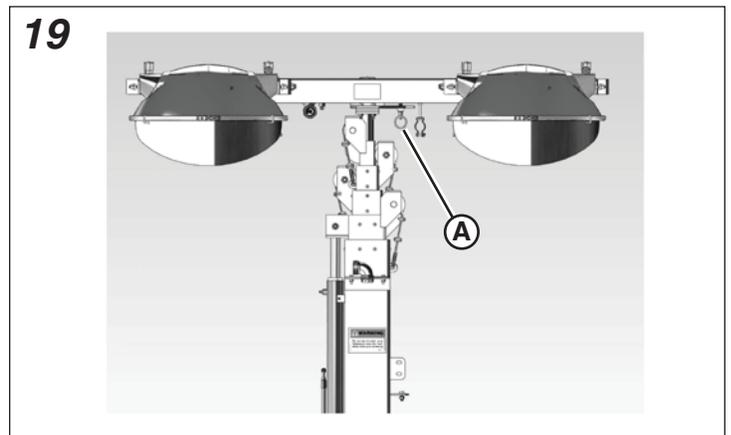
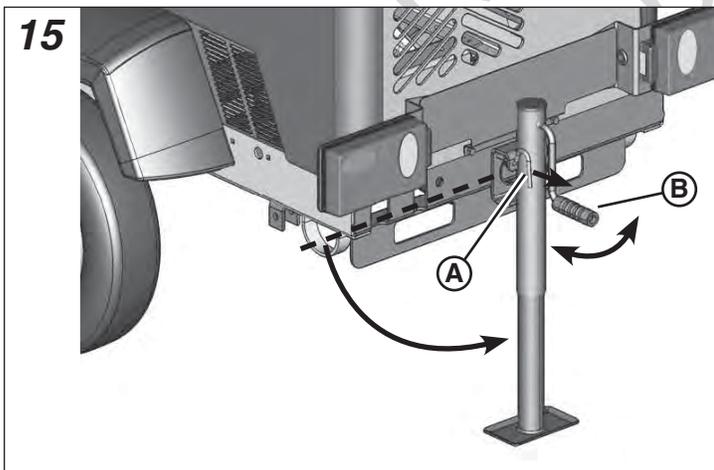
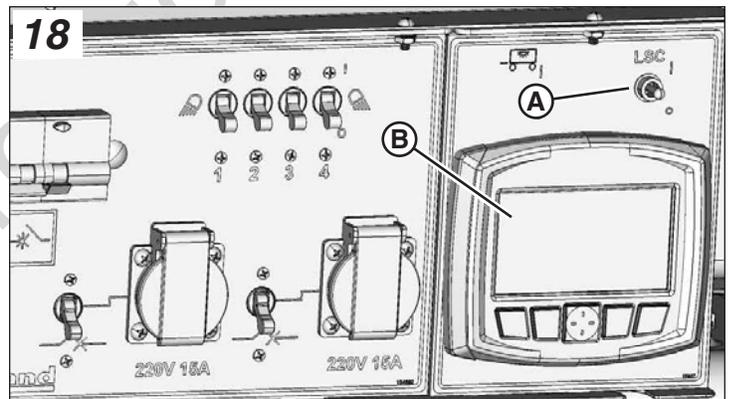
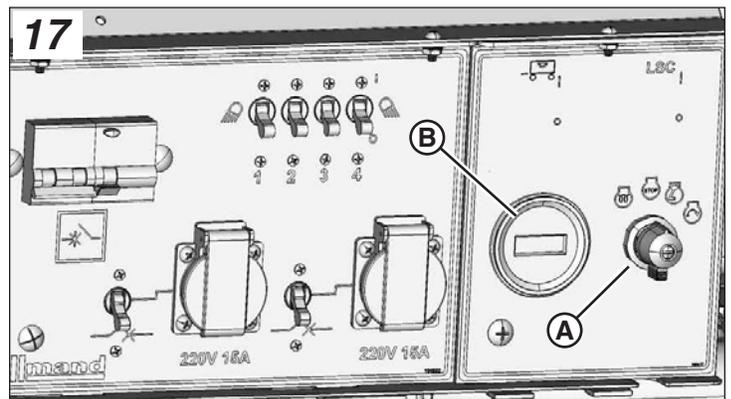
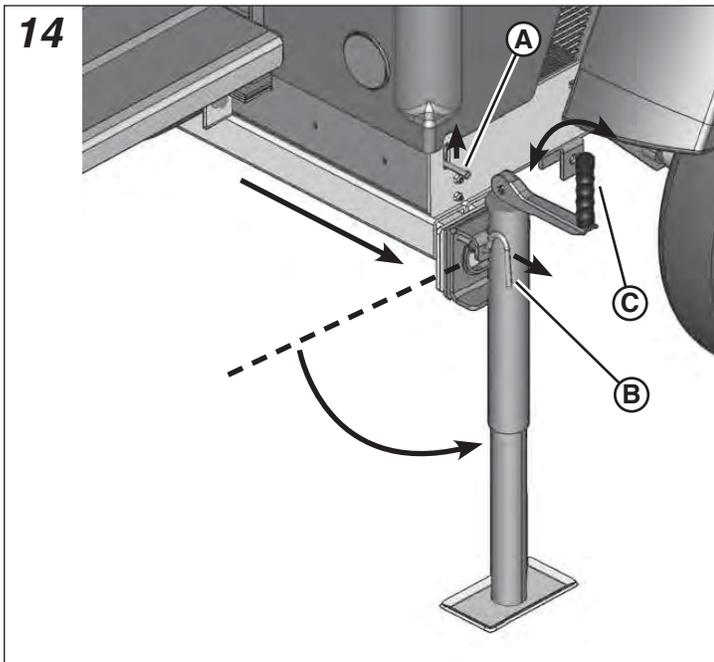
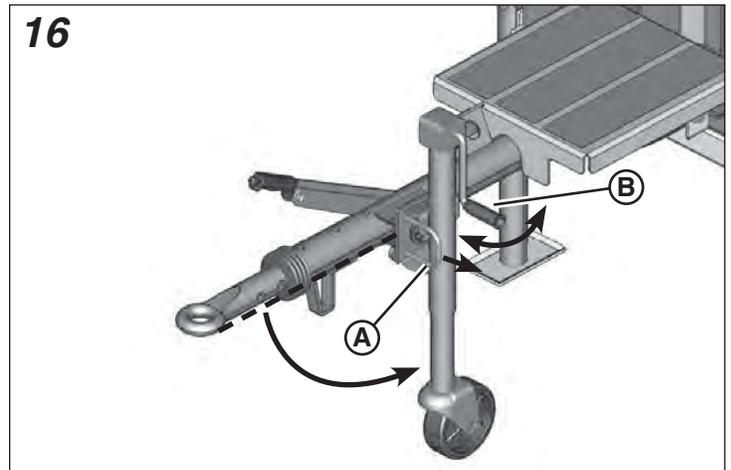
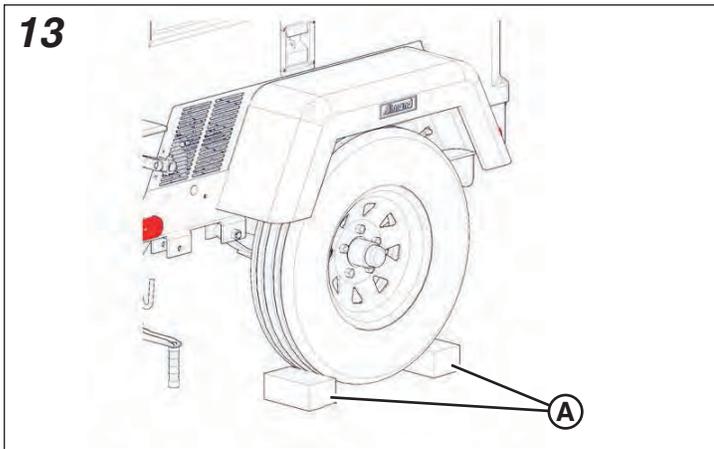
(es) **Manual del operario  
CE 50 Hz Night-Lite Pro II®**

(fr) **Manuel d'utilisation  
CE 50 Hz Night-Lite Pro II®**

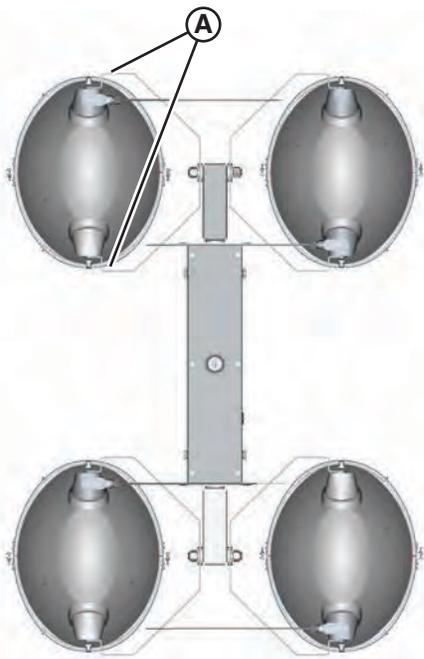




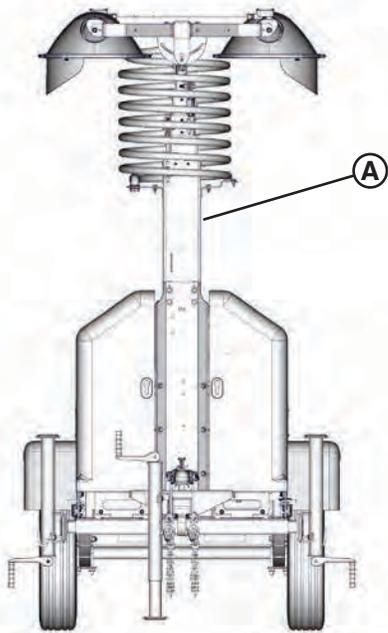




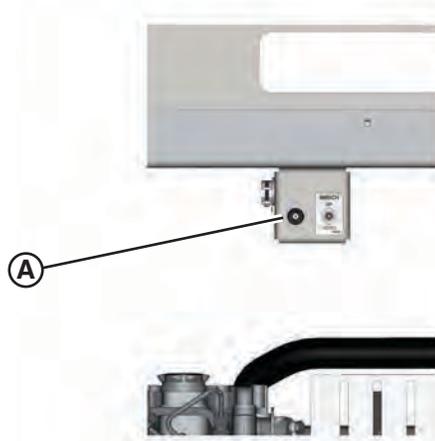
20



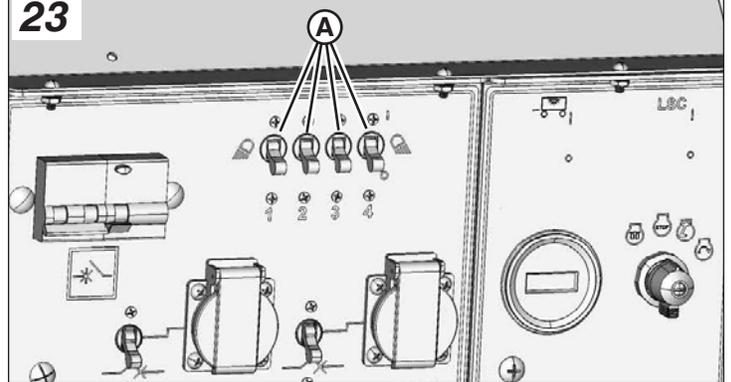
21



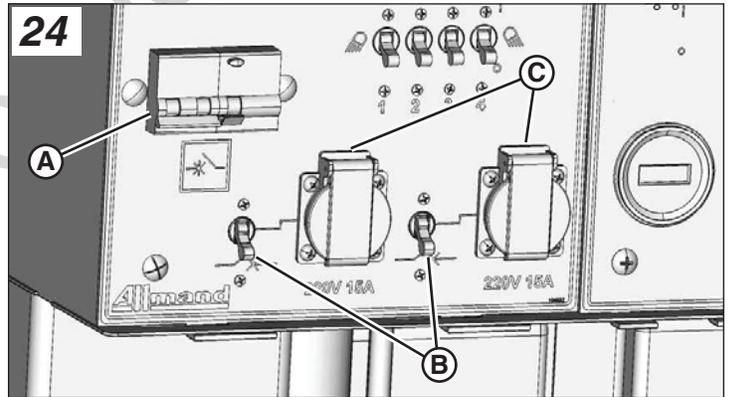
22



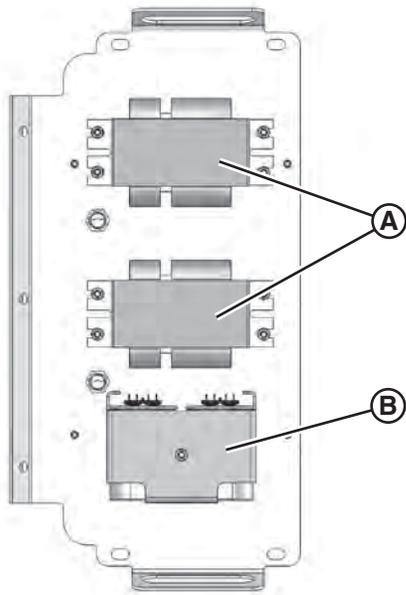
23



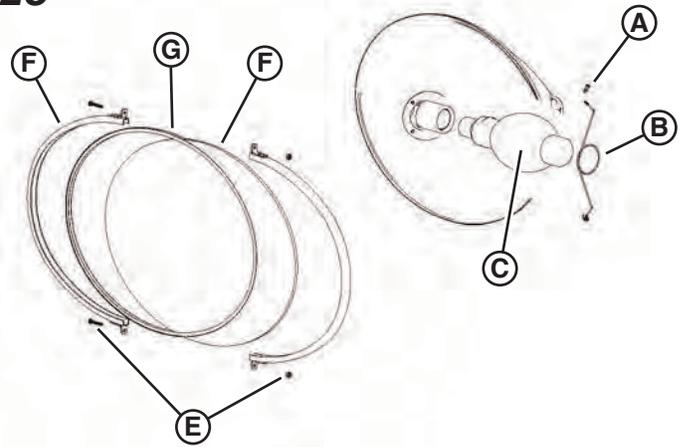
24



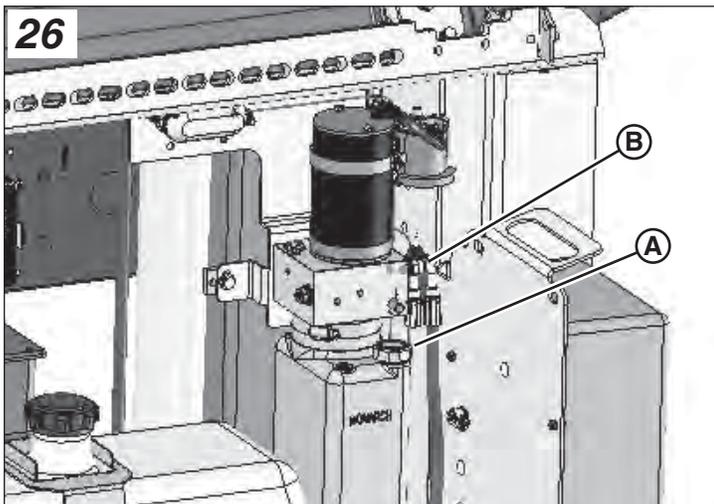
25



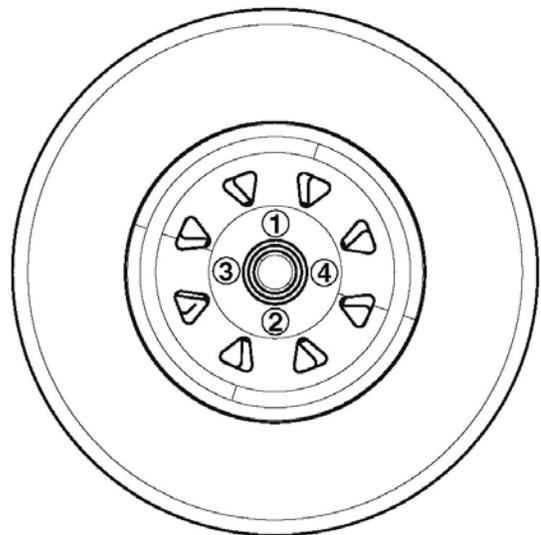
28



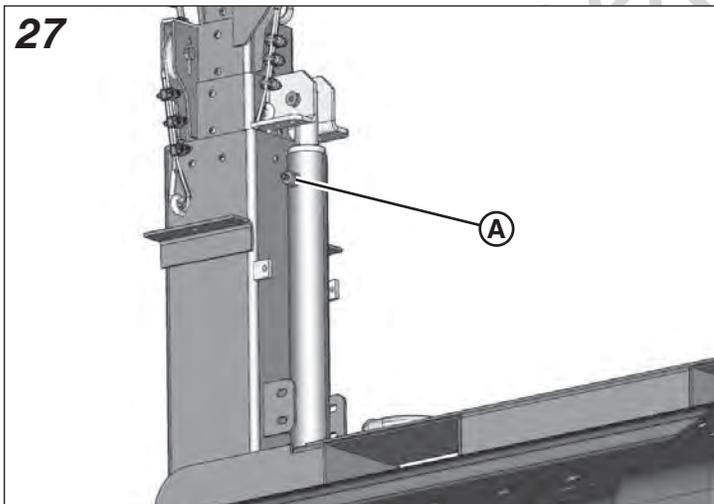
26



29



27



# Record Important Information

Recording the equipment information will help when placing an order for replacement parts and/or decals.

Company Equipment No: \_\_\_\_\_

Unit model No: \_\_\_\_\_

Unit Vin: \_\_\_\_\_

Engine Model No: \_\_\_\_\_ Serial No: \_\_\_\_\_

Generator Model No: \_\_\_\_\_ Serial No: \_\_\_\_\_

Accessories: \_\_\_\_\_

\_\_\_\_\_

\_\_\_\_\_

## Manual Contents:

Introduction .....	7
Safety .....	7
Trailing, Transporting and Lifting .....	11
General Service Information .....	14
Operation .....	16
Maintenance .....	19
Troubleshooting .....	22
Warranty .....	24

## Introduction

### About This Manual

#### TAKE TIME TO READ THIS MANUAL THOROUGHLY

This instruction manual provides necessary instructions for the NIGHT-LITE PRO II light tower.

The information found in this manual is in effect at the time of printing. Allmand Bros Inc. may change contents without notice and without incurring obligation.

Any reference in this manual to left or right shall be determined by looking at the trailer from the rear.

If you are uncertain about any of the information in the manual, contact Allmand service department at +800.562.1373, or contact us through the Allmand website, [www.allmand.com](http://www.allmand.com).

**Save these original instructions for future reference.**



# Products Covered by This Manual

The following products are covered by this manual:

CE 50HZ NIGHT-LITE PRO II

## Safety

### Safety Definitions

Safety statements are one of the primary ways to call your attention to potential hazards. Follow the precautions listed throughout the manual before operation, during operation and during periodic maintenance procedures for your safety, the safety of others and to protect the performance of equipment. Keep the decals from becoming dirty or torn and replace them if they are lost or damaged. Also, if a part needs to be replaced that has a decal attached to it, make sure to order the new part and decal at the same time.



This safety alert symbol appears with most safety statements. It means attention, become alert, your safety is involved! Read and abide by the message that follows the safety alert symbol.

#### **DANGER**

Indicates a hazardous situation which, if not avoided, **will** result in death or serious injury.

#### **WARNING**

Indicates a hazardous situation which, if not avoided, **could** result in death or serious injury.

#### **CAUTION**

Indicates a hazardous situation which, if not avoided, **could** result in minor or serious injury.

#### **NOTICE**

Indicates a situation which can cause damage to the equipment, personal property and/or the environment, or cause the equipment to operate improperly.

#### **NOTE:**

Provides key information to make procedures easier or clearer.

## Safety Precautions

The following section contains general safety precautions and guidelines that must be followed to reduce risk to personal safety. Special safety precautions are listed in specific procedures. Read and understand all of the safety precautions before operating or performing repairs or maintenance.

**DANGER****Electrocution Hazard**

- Always check overhead wires and obstructions before raising or lowering the light tower.
- Always follow the rules or instructions for your worksite and state, province or national electric code for maintaining a safe distance from overhead wires.
- High voltage is present when engine is running. Never attempt to service electrical components while engine is running.
- Do not operate the light tower if the insulation on the electrical cord or other electrical wiring is cut or worn or if bare wires are exposed. Repair or replace damaged wiring before starting the engine.

**WARNING****Unsafe Operation Hazard**

- Never permit anyone to install or operate the equipment without proper training.
- Read and understand this Operator's Manual and the Engine Operator's Manual before operating or servicing the light tower to ensure that safe operating practices and maintenance procedures are followed.
- Safety signs and decals are additional reminders for safe operating and maintenance techniques.

**WARNING****Fall Hazard**

- Never carry riders on the equipment.

**WARNING****Modification Hazard**

- Never modify the equipment without written consent of the manufacturer. Any modification can effect the safe operation of the equipment.

**WARNING****Exposure Hazard**

- Always wear personal protective equipment, including appropriate clothing, gloves, work shoes, and eye and hearing protection, as required by the task at hand.

**WARNING****Rollover Hazard**

- Do not raise, lower or use light tower unless all outriggers and jacks are positioned on firm ground.
- Never move or reposition the light tower while the light tower is extended in the vertical position.

**WARNING****Explosion Hazard**

- Keep the area around the battery well ventilated and keep sparks, open flame and any other form of ignition out of the area.
- Always disconnect the negative (-) battery cable before servicing equipment.
- Only use the starting procedure as described in the Engine Operator's Manual to start the engine.
- Never charge a frozen battery. Always slowly warm the battery to room temperature before charging.

**WARNING****Fire And Explosion Hazard**

- Diesel fuel is flammable and explosive under certain conditions.
- Never use a shop rag to catch fuel.
- Wipe up all spills immediately.
- Never refuel with the engine running.
- Store any containers containing fuel in a well ventilated area, away from any combustibles or sources of ignition.

**WARNING****Exhaust Hazard**

- All internal combustion engines create carbon monoxide gas during operation and special precautions are required to avoid carbon monoxide poisoning.
- Never block windows, vents or other means of ventilation if the equipment is operating in an enclosed area.
- Always ensure that all connections are tightened to specifications after repair is made to the exhaust system.



### WARNING

#### Alcohol And Drug Hazard

- Never operate the light tower while under the influence of alcohol or drugs, or when ill.



### WARNING



#### Entanglement / Sever Hazard

- Always stop the engine before beginning service.
- If the engine must be service while it is operating, remove all jewelry, tie back long hair and keep hands, other body parts and clothing away from moving/rotating parts.
- Verify that all guards and covers are attached properly to the equipment before starting the engine. Do not start the engine if any guards or covers are not properly installed on the equipment.
- Attach a “Do Not Operate” tag near the key switch while performing maintenance on the equipment.



### WARNING

#### Piercing Hazard

- Avoid skin contact with high pressure hydraulic fluid or diesel fuel spray caused by a hydraulic or fuel system leak such as a broken hydraulic hose or fuel injection line. High pressure hydraulic fluid or fuel can penetrate your skin and result in serious injury. If you are exposed to high pressure hydraulic fluid or fuel spray, obtain prompt medical treatment.
- Never check for a hydraulic fluid or fuel leak with your hands. Always use a piece of wood or cardboard.



### WARNING



#### Flying Object Hazard

- Always wear eye protection when cleaning the equipment with compressed air or high pressure water. Dust, flying debris, compressed air, pressurized water or steam may injure your eyes.



### WARNING

#### Coolant Hazard

- Wear eye protection and rubber gloves when handling engine coolant. If contact with the eyes or skin should occur, flush eyes and wash immediately with clean water.



### WARNING



#### Burn Hazard

- Light fixtures and some of the engine surfaces become very hot during operation and shortly after shutdown.
- Keep hands and other body parts away from hot engine surfaces.
- Handle hot components, such as light fixtures, with heat resistant gloves.



### CAUTION

#### Tool Hazard

- Always use tools appropriate for the task at hand and use the correct size tool for loosening or tightening equipment parts.



### CAUTION

#### Slip Hazard

- Immediately clean up any spilled liquid on the shop floor.
- Clean up accumulated dirt and debris on the shop floor at the end of each shift.

#### NOTICE

The statements that follow have NOTICE level issues. Damage to equipment or property can result if not followed.

- Any part which is found defective as a result of inspection or any part whose measured value does not satisfy the standard or limit MUST be replaced.
- Always tighten components to the specified torque. Loose parts can cause equipment damage or cause it to operate improperly.
- Follow the guidelines of governmental agencies for the proper disposal of hazardous materials such as engine oil, diesel fuel and engine coolant.
- Only use replacement parts specified. Other replacement parts may effect warranty coverage.
- Clean all accumulated dirt and debris away from the body of the equipment and its components before you inspect the equipment or perform preventative maintenance procedures or repairs. Operating equipment with accumulated dirt and debris will cause premature wear of equipment components.
- Never dispose of hazardous materials by dumping them into a sewer, on the ground, or into groundwater or waterways.
- Retrieve any tools or parts that may have dropped inside of the equipment to avoid improper equipment operation.

- If any alert indicator illuminates during equipment operation, stop the engine immediately. Determine the cause and repair the problem before continuing to operate the equipment.

## Safety Decals

Before operating your unit, read and understand the safety decals (compare Figure 1 with the table below). The cautions, warnings, and instructions are for your safety. To avoid personal injury or damage to the unit, understand and follow all the decals.

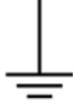
<p><b>A</b> <b>DANGER</b> - Contacting Power Lines. Contacting electric power lines when elevating the light tower will result in death or serious injury. Always maintain a safe distance from power lines when elevating the tower.</p>	
<p><b>B</b> <b>DANGER</b> - Contacting High Voltage Components. Contact with high voltage components will result in death or serious injury. Always read the instructions in the Operator's Manual before servicing high voltage electrical components.</p>	
<p><b>C</b> <b>WARNING</b> - Rotating Parts. Contact with rotating parts could result in death or serious injury. Always keep clear of rotating parts.</p>	
<p><b>D</b> <b>WARNING</b> - Lowering Light Tower. Standing under the light tower when it is being lowered could result in death or serious injury. Always stay clear of the light tower when the tower is being lowered.</p>	
<p><b>E</b> <b>WARNING</b> - Hot Light Fixtures. Handling light fixtures when they are hot could result in death or serious injury. Always keep clear of light fixtures when illuminated or hot.</p>	
<p><b>F</b> <b>WARNING</b> - Bright Lights. Looking at an illuminated light fixture could result in serious injury. Never look directly at an illuminated light fixture.</p>	
<p><b>G</b> <b>WARNING</b> - Automatic Engine Start (models equipped with LSC 2.0 only). Engine may start unexpectedly. To avoid serious injury or death, always read instructions in LSC 2.0 Operator's Manual before servicing engine.</p>	
<p><b>H</b> <b>WARNING</b> - Use Outriggers. Elevating light tower without deploying the outriggers could cause machine to tip over and result in death or serious injury. Always deploy the outriggers on a firm level surface and make sure machine is level before raising the tower.</p>	
<p><b>I</b> <b>WARNING</b> - Read Operator's Manual. Read and understand the Operator's Manual before operating this machine.</p>	
<p><b>J</b> <b>WARNING</b> - Explosive Gases. Explosive gases could result in death or serious injury. Keep open flame and lighted materials away from battery.</p>	

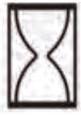
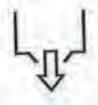
<b>K</b>	<b>WARNING</b> - Corrosive Material. Exposure to corrosive material could result in death or serious injury. Always wear protective gloves when handling battery.	
<b>L</b>	<b>WARNING</b> - Roll Over Hazard. Performing high speed sharp turns could cause trailer to roll over resulting in death or serious injury. Always slow to a safe speed when performing sharp turns.	

 **WARNING**  
If any safety or instructional decals become worn or damaged, and cannot be read, order replacement decals from your dealer.

## Operation Icons

The following table contains operation icons that may be found on the unit, along with the meaning of each icon.

Icon	Meaning	Icon	Meaning
	On (Power)		Trailer Interior Light
	Off (Power)		Earth Ground
	Engine Stop		Circuit Breaker
	Engine Run		Disconnecting Circuit Breaker
	Engine Start		Raise Light Tower
	Engine Preheat		Lower Light Tower

Icon	Meaning	Icon	Meaning
	Hourmeter		Engine Oil Drain
	Worklight		Fluid Containment Drain

## Trailing, Transporting And Lifting

### Preparing The Night-Lite Pro II For Delivery Or Rental

The NIGHT-LITE PRO II light tower requires service as well as proper operation in order to provide the performance and safety it has been designed for. Never deliver or put machine into service with known defects or missing instructions or decals. Always instruct the customer in proper operation and safety procedures as described in this Operator's Manual. Always provide the manual with the equipment for proper and safe operation.

#### Pre-Operation Check List

- Visually inspect the equipment to ensure that all instructions and decals are in place and legible
- Check the hitch assembly and breakaway wire.
- Check the outriggers and jacks to make sure they operate properly.
- Inspect the light assemblies for damage and test for proper operation.
- Inspect the electrical wiring for signs of damage.

 **DANGER**   
**Electrocution Hazard**

- Do not operate the light tower if the insulation on the electrical cords or other electrical wiring is cut or worn, or if bare wires are exposed. Repair or replace damaged wiring before starting the engine.

- Inspect tires to insure good condition and proper inflation.
- Check engine oil, fuel, engine coolant levels and hydraulic fluid level.
- Check to make sure the Light Tower Operator's Manual and Generator Operator's Manual are with the equipment.
- Check to make sure that the hand brake is operational and properly adjusted. See **Operation**.
- Inspect the machine physically for damage and repair if necessary.

*NOTE: See appropriate section of the Engine Operator's Manual and Generator Operator's Manual for additional pre-operation checks.*

After completing the pre-operation check list, operate the tower through a complete operation cycle, following the operating instructions contained in this manual.



#### **WARNING**

##### **Unsafe Operation Hazard**

- Never permit anyone to install or operate the equipment without proper training.

#### **Always Read And Understand The Instructions First.**

Before trailering, transporting or lifting, read **Safety**.

The complete engine and generator set is housed in a lockable enclosure with the frame fabricated from heavy gauge steel mounted on a two-wheel, torsion bar axle.

#### **Before Trailering Or Transporting**

- Lower the light tower and shut down the tower lights and the engine; See **Shutdown – Prepare For Trailering**.
- Visually inspect the trailer and equipment for damage. Repair or replace any components as needed before trailering.
- Check the trailer lights for proper operation.
- Inspect the tires to insure good condition and proper inflation.
- Inspect trailer axle and undercarriage for damage or loose parts.
- Check the hitch assembly and breakaway wire.
- Ensure the outriggers and jacks are properly stowed.
- Clean any spills from inside the trailer fluid containment area that may have occurred during operation.
- Ensure all compartment doors are closed and securely locked.

#### **Shutdown – Prepare for Trailering**

1. With the tower lights off, lower the light tower to the full DOWN position; See **Raising And Lowering The Light Tower**.
2. Turn the engine off. Refer to your Engine Operator's Manual for stopping procedure.

*NOTE: See appropriate section of the Engine Operator Manual and Generator Operator's Manual for additional post – operation and shutdown procedures.*

3. Adjust the light bar and light fixtures for trailering; see **Tower Light – Stowage For Trailering**.

*NOTE: Visually inspect the light mounting brackets and hardware for loose fasteners or damaged brackets. Repair any problems before trailering.*

4. Close, secure and lock all compartment doors.

5. Raise each rear stabilizer jack and rotate into trailering position (horizontal with outrigger bar).

6. Retract each outrigger bar and secure in the stowed position with latch pin.

*NOTE: Be sure each outrigger jack is securely latched in transporting position by installing the outrigger lock pins before transporting.*

7. Connect the trailer to the tow vehicle.

8. Release the hand brake.

#### **Vertical Tower Lights – Stowage for Trailering**

The light bar and fixtures must be stowed before trailering or transporting.



#### **WARNING**



##### **Burn Hazard**

- The light fixtures become extremely hot during use.
- Always use caution and heat-resistant glove when handling the lights or allow the lights to sufficiently cool down before handling.

1. Ensure lights are off and tower is lowered to the full DOWN position; see **Raising And Lowering The Light Tower**.
2. Release the light bar park pin by pulling the ring and turning it 90 degrees so that the pin remains in the retracted position.
3. Rotate the light bar into the trailering / transport park position (in line with the trailer) and engage the park pin by twisting the park pin ring until the plunger is released and the pin engages and locks into the hole in the light bar.
4. Reposition the light fixtures for trailer / transport by pulling them down into the lowest position and face the fixtures toward the center of the trailer. See Figure 2.

*NOTE: If lights are to be removed for trailering / transporting, see **Tower Lights – Removal For Trailering (Optional)**.*

#### **Tower Lights – Removal For Trailering (Optional)**

Your light tower may be equipped with lights that can be removed for trailering / transport or for theft prevention.



#### **WARNING**



##### **Burn Hazard**

- The light fixtures become extremely hot during use.
- Always use caution and heat-resistant glove when handling the lights or allow the lights to sufficiently cool down before handling.

1. Ensure lights are off and tower is lowered to the full **DOWN** position; see **Raising And Lowering The Light Tower**.
2. Disconnect the electrical cord for each light fixture at the light bar.
3. While supporting the light fixture, remove the nut and washer assembly fastening the main fixture bracket and remove each light fixture and bracket.
4. Store each light fixture to avoid any damage during transport.

### Trailer / Towing

Before trailering / towing the light tower trailer, read **Safety** and **Before Trailering Or Transporting**.

#### NOTICE:

Maximum highway speed is 90 km/h (56 mph) and maximum off highway speed is 15km/h (9.5 mph). Do not exceed these limits or damage to light tower may occur.

Trailer Component Identification (Figure 3)

- A. Tongue Jack – Used to raise, lower and level trailer tongue.
- B. Pintle Ring Hitch Coupler - 40mm (1-9/16 inch)
- C. Breakaway Wire – Safety connection to tow vehicle that activates brakes if coupler disconnects.
- D. Hand Brake

### Towing Vehicle and Hitch Considerations

The towing vehicle must be able to safely pull the full trailer load. Never pull a trailer load that exceeds the vehicle's towing capacity; you risk losing control of the trailer and/or vehicle. Before trailering, always check your vehicle owner's manual for maximum towing/trailer load specifications and maximum gross vehicle weight specifications that include the fully loaded trailer.

The vehicle must have a towing hitch that is capable of safely handling the trailering load and tongue weight of the trailer.

### Trailer Brakes

The CE NIGHT-LITE PRO II is equipped with service brakes and a hand brake. The service brakes operate when the light tower trailer is connected to the tow vehicle. When the towing vehicle is braking or traveling downhill, the overrun device acts through the linking components to apply the wheel brakes.

When the towing vehicle is reversing, the overrun device acts through the linking components to begin applying the wheel brakes. However, the backwards rotation of the drum acts on internal components to cancel out the brake effect, allowing the trailer to move backwards.

The hand brake operates by pulling the lever until upright to set the wheel brakes. Note that with the hand brake fully applied, the trailer is able to move backwards up to 25cm (10 inches) until the gas cylinder in the linkage takes effect.



#### WARNING

##### Control Hazard

- A vehicle hitch that is underrated or improperly installed can lead to loss of control of the trailer and/or vehicle.
- Never use a hitch size or rating that does not match the trailer coupler specifications.

### Connecting the Trailer Hitch Coupler and Lights

The trailer is equipped with a 40mm (1-9/16 inch) lunette ring. A trailer coupler for a 50mm (1-31/32 inch) ball hitch is available.

To change the coupler, remove the two bolts and replace the existing coupler with the desired coupler.



#### WARNING

##### Control Hazard

- Ensure the coupler bolts are tightened before trailering.

Typical Lunette Ring Pintle Type Hitch and Coupler (Figure 4)

- A. Latch and Release Lever
- B. Trailer Coupler Lunette Ring
- C. Latch Lever Safety Pin
- D. Vehicle Hitch

Typical Ball Type Hitch and Coupler (Figure 5; if equipped)

- A. Latch and Release Lever
- B. Trailer Coupler Socket
- C. Coupler Clamp
- D. Vehicle Hitch and Ball
- E. Latch Lever Safety Pin

Before trailering, read **Before Trailering Or Transporting**.

1. Connect the tow vehicle hitch to the trailer coupler. Make sure the coupler is securely attached to the tow vehicle's hitch.
2. Connect the breakaway wire (A, Figure 6) to the vehicle's hitch frame (B); this will activate the unit's service brakes in the event the unit accidentally disconnects from the towing vehicle.



#### WARNING

##### Control Hazard

- Attach the breakaway wire properly and securely between the towing vehicle and trailer before trailering.
- Never allow the breakaway wire to drag the ground when trailering.

3. Connect the light connector (C, Figure 6) from the vehicle harness to the trailer socket (D).
4. Ensure there is adequate slack in the harness to prevent from binding or disconnecting when turning.

**NOTICE:**

Do not allow excessive harness slack. The harness can be damaged from scraping the ground.

5. Before trailering, check all lights for proper operation.
6. Release the hand brake.

**Lifting The Light Tower**

The approximate fully loaded weight of the light tower trailer is 820 kg (1807 lbs) when fully fueled.

The NIGHT-LITE PRO II light tower is equipped with top forklift pockets (A, Figure 7) and a lifting eye (B) for lifting or hoisting.



**WARNING**

**Rollover Hazard**

- Before lifting, lower the light tower and shut down the tower lights and the engine; see **Shutdown – Prepare for Trailering**.



**WARNING**

**Crush Hazard**

- Always make sure the lifting device you are using is in good condition and is rated for the maximum capacity of the task to safely lift the light tower trailer.
- Always acquire assistance when using a forklift, crane or hoist and when unloading.
- Only use the lifting eye on the lifting bar to lift or hoist the unit with a hoist or crane.
- Only use shackles or a locking-type hook when lifting.
- Do not stand or walk under the unit when lifted and keep others away.

**Transporting On A Trailer**

When transporting on a truck or trailer, always secure the unit using properly rated tie - down chains or straps connecting the light tower trailer frame to the towing trailer. The operator of the towing vehicle is responsible for securing the load properly.

## General Service Information

### Equipment Identification

Compare Figure 8 with the table below.

Ref	Description
A	40mm (1-9/16 inch) Pintle Hitch (standard)
A	50mm (1-31/32 inch) Ball (not shown - optional)
B	Parking Brake
C	Tongue Jack
D	Outrigger Stabilizer (one each side)
E	Outrigger (shown retracted)
F	Rear Stabilizer
G	Park Pin

### Model And Serial Numbers

Model and serial number information is required for product support and repair parts. The following descriptions show model and serial number locations of the primary components.

**Trailer**

All NIGHT-LITE PRO II trailers have a serial number plate (A, Figure 9) attached to the front panel.

**Generator**

The generator has a serial number plate (A, Figure 10) attached to the side of the housing. The serial number is also stamped into the housing.

**Engine**

The CATERPILLAR® engine has a serial number plate (A, Figure 11) attached on the upper right side of the engine block above the fuel injection pump.

The KUBOTA engine has the serial number stamped on the engine block just below the exhaust manifold (A, Figure 12).

### Specifications (Standard and Optional Features)

*NOTE: Refer to the Engine or Generator Operator's Manual for specific engine or generator specifications.*

**Trailer**

Hitch Coupler	40mm (1-9/16 inch) pintle hitch (standard); 50mm (1-31/32 inch) ball hitch (optional)
Max Road Speed (paved road)	90 km/h (56 mph)
Max Off-Road Speed	16,1 km/h (10 mph)
Number of Axles	1
Axle Rating	907 kg (2000 lb)
Tire Size	155R13C-8PR 90/88Q
Rim Size	4.5J x 13

Cold Tire Inflation Pressure	310 kPa (45 psi)
Door Locks	Standard
Trailer Lights: Stop, Turn and Running	ECC approved
Trailer Light Connector	13-Pin plug
Lifting Eye	Standard
Tie-Down Rings	Standard
Rear Forklift Pockets	Standard
Top Forklift Pockets	Standard
Number of Stabilizers	4
Number of Outrigger Stabilizers	2
Tongue Jack	Standard

#### Light Tower - Vertical

Sections	6
Vertical Tower	Standard
Max Continuous Wind Load	85 km/h (53 mph) - with jacks and outriggers deployed on firm level surface
Light Bar Rotation	360°

#### Overall Dimensions - Vertical Tower

Light Tower Height - Lowered	2,54m (8' 4")
Light Tower Height - Raised	7,9m (25')
Length	2,85m (9' 4")
Width (outriggers retracted)	1,3m (4' 3")
Width (outriggers extended)	2,54m (8' 4")
Dry Weight	790 kg (1740 lb)

#### 50Hz Generators

6 kW	Standard
220VAC Shucko Outlet	Standard
230VAC	Optional

#### Tower Lights

SHO - HD 1000W Metal Halide (lumen rating: 110,000)	Standard 50Hz
Warm-Up Time	2-4 minutes
Re-Start Time	10-15 minutes
Light Fixtures	Standard (sealed for all weather use)
Light Fixture Weight	6,75 kg (15 lb)

#### Engine

Model	Kubota D1005	Kubota D1105	CAT C1.1
Type	Water Cooled 4-Cylinder Diesel		

Bore	76mm (2.99 in)	78mm (3.07 in)	77mm (3.03 in)
Stroke	73,7mm (2.90 in)	78mm (3.09 in)	81mm (3.19 in)
Displacement	1001cc (61.1 cu in)	1123cc (68.5 cu in)	1130cc (69 cu in)
Power @1500rpm (50Hz)	8,2kW (11.0hp)	9,5kW (12.7hp)	8,6kW (11.5hp)
Power Outlet Derating	3% per 1000ft above 360ft 1% per 10° above 70° F		

NOTE: Horsepower ratings are established in accordance with Society of Automotive Engineers Small Engine Test Code - J1349 GROSS

Fuel System	Indirect Injected Diesel		
Starting System	12VDC Negative Ground		
Electrical System	12VDC Negative Ground		
Battery Type	Group 24		
Battery Rating	550 CCA		
Number of Batteries	1		
Compression Ratio	22.1	22.1	23.1
Weight	109kg (204.3 lb)	109kg (204.3 lb)	87kg (191 lbs)
Oil Capacity	5,1L (5.4 qt)	5,1L (5.4 qt)	3,7L (3.9 qt)
Lubrication	Forced Lubrication By Pump		
Oil Filtration	Cartridge Type		
Cooling System	Pressurized radiator forced circulation with water pump		
Low Oil Pressure Shutdown	Standard all engines		
High Engine Temperature Shutdown	Standard all engines		
Glow Plug Cold Start Assist	Standard all engines		
Fuel	For those countries governed by the rules of the European Community (EC), diesel fuels that meet EN590 for Ultra Low Sulfur Diesel (ULSD) are required to be used. Diesel fuels meeting this standard have a maximum sulfur content of 10 mg/kg. Refer to the Engine Operator's Manual for more detailed fuel requirements.		

Engine Oil	Use a high quality engine oil of API (American Petroleum Institute) service class CG-4/CH-4/CI-4. Refer to the Engine Operator's Manual for more detailed engine oil requirements.
Fuel Tank	114 L (30 gal)
Cooling Tank	5.2 L (5.5 qt)
Overflow Reservoir	1.04 L (1.09 qt)

## Optional Accessory Equipment

- Saf - T - Visor
- LSC2.0 Light Sequence Commander
- Heavy Duty Battery (775 CCA)
- Battery Heating Pad
- Engine Block Heater
- Sound Attenuation package
- Quick - Disconnect Lamp Fixtures

## Operation

Before performing any operation procedures, read **Safety**.

### Pre-Operation Setup

#### Work Site Safety Considerations

##### Height

 **DANGER** 

**Electrocution Hazard**

- Always check overhead wires and obstructions before raising or lowering the light tower.
- Always follow the rules or instructions for your worksite and state, province or national electric code for maintaining a safe distance from overhead wires.

##### Ground Surface

 **WARNING**

**Rollover Hazard**

- Rollover Hazard. Do not set up on an incline of more than 2.8° (5% grade) front-to-back and side-to-side.
- Do not position or set up on unlevel or unstable ground. Only set up on smooth, flat and solid ground surfaces.

## Wind

 **WARNING**

**Rollover Hazard**

- Do not operate with the light tower extended in winds exceeding 85 km/h (53 mph).

When the light tower is in the operating position it is located in the middle of a three-point outrigger system for optimum balance and stability. This system was engineered to allow the light tower to remain operational in sustained winds of 85 km/h (53 mph) with the light tower extended to full height and the jacks and outriggers in position on a firm level surface.

### Pre-Operation Check List

Always perform the following checks before traveling to the work site and before operation. Repair or replace any components as required before operation.

*NOTE: See appropriate section of the Engine Operator's Manual and Generator Operator's Manual for additional pre-operation checks.*

After completing the pre-operation check list, operate the light tower through a complete operation cycle.

- Visually inspect the equipment to ensure that all instructions and decals are in place and legible.
- Check the hitch assembly and breakaway wire.
- Check to make sure the hand brake is operational: Pull up on the hand brake lever (B, Figure 8) to set the hand brake and lock the trailer wheels. Press the release button on the end of the hand brake lever and lower the brake lever to release the hand brake.
- Check the outriggers and jacks to make sure they operate properly.
- Inspect the light assemblies for damage and test for proper operation.
- Inspect electrical wiring for signs of damage.

 **DANGER** 

**Electrocution Hazard**

- Do not operate the light tower if the insulation on the electrical cords or other electrical wiring is cut or worn, or if bare wires are exposed.

- Inspect the tires to ensure good condition and proper inflation.
- Check engine oil, fuel, engine coolant levels and hydraulic fluid levels.
- Check to make sure the Light Tower Operator's Manual, Engine Operator' Manual and Generator Operator's Manual are with the equipment.
- Physically inspect the machine for damage and repair if necessary.

## Leveling and Stabilizing the Trailer



### WARNING

#### Rollover Hazard

- Do not set up on unlevel ground. Only set up on smooth, flat and solid ground surfaces.
- Always level the light tower trailer before raising the light tower.

The NIGHT-LITE PRO II must be leveled to 2.8° (5% grade) or less, front-to-back and side-to-side.

1. Position the NIGHT-LITE PRO II on an adequate site; see **Work Site Safety Considerations**.
2. Set the hand brake, and block each wheel on each side with a suitable wheel chock (A, Figure 13).
3. Extend the outrigger stabilizers, and lock in place with the outrigger lock pin (A, Figure 14).
4. Rotate each outrigger stabilizer jack (Figure 14), as well as the rear stabilizer jack (Figure 15) and tongue jack (Figure 16), perpendicular with the ground, and lock each in place with the jack pin (B, Figure 14; A, Figures 15 and 16).
5. Adjust each outrigger stabilizer jack (C, Figure 14), the rear stabilizer jack (B, Figure 15) and the tongue jack (B, Figure 16) to achieve proper leveling.

*NOTE: Turning the handles clockwise will raise the jacks, and counterclockwise will lower the jacks.*



### WARNING

#### Rollover Hazard

- All stabilizer jacks must be supported by a flat, level solid ground surface.

## Engine Operation

Before starting the engine or operating the light tower, read **Safety**.

The Allmand NIGHT-LITE PRO II Series light towers are powered by a diesel engine and generator unit.

### Pre - Start Checks

1. Check the engine oil and add oil if required. Fill the engine with the proper grade of lubricating oil; refer to the Engine Operator's Manual for oil specifications.
2. Check and add diesel fuel as required.
3. Ensure that the air cleaner is firmly attached and air cleaner seals and hose clamps are properly sealed. Air cleaner element should be checked and replaced if necessary.

## Engine Control Panel

### Standard Control Panel

The standard engine control panel consists of the engine start/stop key (A, Figure 17) and hour meter (B).

### LSC 2.0 Control Panel

The LSC 2.0 engine control panel consists of the main panel on/off switch (A, Figure 18), and LSC 2.0 control panel with LCD display (B).

### Starting the Engine

The Starting procedure is different depending on the engine model used. Refer to your Engine Operator's Manual for the starting procedure. For LSC 2.0, refer to the LSC 2.0 Operator's Manual.

### Cold - Weather Starting

The cold - weather starting procedure is different depending on the engine model used. Refer to your Engine Operator's Manual for the cold - starting procedure.

### If Engine has Run Out of Fuel

1. Refill the fuel tank.
2. Refer to your Engine Operator's Manual for the starting procedure.

### Notice:

Do not operate starter for more than 10 seconds without allowing 30 seconds to pass between starting attempts. Possible starter damage could result from excessive heat caused by cranking too long.

### Notice:

If the engine develops sufficient speed to disengage the starter but does not keep running (a false start), the engine rotation must be allowed to come to a complete stop before attempting to restart the engine.

### Notice:

If starter is engaged while the flywheel is rotating, the starter pinion and flywheel ring gear may clash, resulting in damage to the starter or flywheel ring gear.

### Stopping the Engine

The engine stopping procedure may differ depending on the engine model. Refer to your Engine Operator's Manual for engine stopping procedures. For LSC 2.0, refer to the LSC 2.0 Operator's Manual.

### Automatic Engine Shutdown System

The engine is equipped with an automatic engine shutdown system to prevent excessive engine damage in the event of a low oil or overheat condition. For additional information, refer to your Engine Operator's Manual.

### Low Oil Pressure Shutoff

Should a low oil pressure condition occur, the oil pressure sending unit breaks the circuit between the battery and the

fuel solenoid, allowing the spring load to immediately move the fuel control to the shutoff position.

### High Coolant Temperature Shutoff

Should a high coolant temperature condition occur, the temperature sending unit breaks the circuit between the battery and the fuel solenoid, allowing the spring load to immediately move the fuel control to the shutoff position.

### Vertical Tower Light Operation

Before operating the tower lights, read **Safety**.

The vertical light tower is raised and lowered by a hydraulic pump actuating a 6-section telescoping mast.



#### WARNING

##### Rollover Hazard

- Before raising, lowering or operating the tower lights, the trailer must be set up, properly leveled and stabilized: see **Pre-Operation Setup**.



#### WARNING

##### Crush Hazard

- Allow adequate clearance around and above trailer when raising or lowering the light tower.
- Ensure that there are no obstructions or persons near the light tower when raising or lowering the light tower.

## Light Bar and Light Fixture Adjustment

### Lights - Work Site Adjustment

The light bar and light fixtures must be adjusted to the desired work angle before raising the light tower.

With the light tower fully lowered and the lights off, the light bar assembly and light fixtures can be manually rotated into the desired working position.

To adjust the light bar, release the light bar park pin (A, Figure 19) by pulling the ring and turning it 90 degrees so that the pin remains in the retracted position.

With the light bar park pin released, the light bar is designed to be manually rotated with enough resistance so that the bar will stay in the desired position once the operator has directed the lights on the work zone.

If the light bar rotates too easily or does not stay in position, remove the cap plug from the center of the light bar cover and tighten the nut to achieve the desired resistance and replace the cap plug.

To adjust each light fixture, manually swivel each light fixture at its base (A, Figure 20) into the desired working position.

### Lights - Trailering Storage

The light bar and light fixtures must be stowed properly for trailering or transporting. See **Tower Lights - Stowage for Trailering**.

### Raising and Lowering the Hydraulic Light Tower

**NOTE:** The hydraulic actuated light tower (A, Figure 21) uses 12VDC battery power to operate. The light tower may be raised and lowered as needed with the ignition on but without the engine running.

#### Raising

##### NOTICE:

Before raising light tower, visually inspect equipment for damage or wear and repair or replace components as required. Never operate the light tower with damaged or malfunctioning components.

1. Before raising the light tower, adjust the tower lights to the desired work position; see **Light Bar and Light Fixture Adjustment**.
2. If required, start engine. Refer to your Engine Operator's Manual for starting procedure.
3. Turn the lights off; see **Light Control Panel**.
4. Press the light tower hydraulic lift switch (A, Figure 22) up to raise the light tower to the desired height.

#### Lowering

1. If required, start engine. Refer to your Engine Operator's Manual for starting procedure.
2. Turn the lights off; see **Light Control Panel**.
3. Press the tower light hydraulic lift switch (A, Figure 22) down to lower the light tower to the desired height or to the full DOWN position.
4. When tower reaches the bottom, run switch for 3 additional seconds to ensure that the tower is at its lowest possible position.

### Light Control Panel

The four tower light fixtures are protected by four breaker switches (A, Figure 23) located on the light control panel.

The lights are automatically controlled by the sequenced lighting system (SLS). Simply leave the breaker switches in the ON position for automatic light control. However, the breaker switches may be turned OFF for individual light control.

#### Lights On

Start the engine and the lights will sequence on automatically.

Turn one or more light breaker switches (A, Figure 23) to the OFF position for individual light control.

## Lights Off

Turn the engine off, and the lights will shut down automatically.

*NOTE: The lights will turn off a fraction of a second ahead of engine shutdown; this prevents capacitor damage.*

## Shutdown Procedure

### Shutdown - Short period

1. Lower the light tower to the full DOWN position; see **Raising and Lowering the Light Tower**.
2. Turn the engine off. Refer to your Engine Operator's Manual for stopping procedure.

### Shutdown - Long-Term or Prepare for Trailing

See **Long-Term Storage** or **Shutdown - Prepare for Trailing**.

## Auxiliary AC Outlet Operation

Depending on model options, the 220VAC 1-phase control panel is equipped with two 220VAC outlets (C, Figure 24) for powering accessories from the generator. Power is supplied to the outlets only when the engine / generator is running and the main circuit breaker (A) is in the ON position.

Each 220VAC outlet is protected by a 15A circuit breaker (B, Figure 24).

The main circuit breaker (A, Figure 24) is a 32A ELCB circuit breaker.

If any of the outlet circuit breakers trip:

1. Disconnect the load from the outlet.
2. Turn off the tower lights (if used).
3. Correct the excessive load problem and wait 10 minutes to allow the generator to cool down before reconnecting the load.

## Maintenance

Before performing any maintenance procedures, read **Safety**.

Scheduled maintenance prevents unexpected downtime, reduces the number of accidents due to poor equipment performance and helps extend the life of the light tower.

Proper maintenance and care of your light tower and trailer is a must for safe and reliable operation. Use the following maintenance and care guidelines in addition to those scheduled by your shop equipment maintenance schedule.

Where equipment is operated under severe conditions (very dusty, extreme heat or cold, etc.), affected items should be serviced more frequently.

## Engine

Refer to the Engine Operator's Manual for all engine scheduled maintenance procedures.

### Changing and Adding Engine Oil

Use a high - quality engine oil of API (American Petroleum Institute) service class CG-4/CH-4/CI-4. Refer to the Engine Operator's Manual for detailed engine oil specifications and service procedures.

All models are equipped with remote oil drains.

### Engine Filters

Refer to the Engine Operator's Manual for air, oil and fuel filter service procedures.

## Electrical System

### Generator

Refer to the Generator Operator's Manual for all generator schedule maintenance procedures.

### Ballast Panel

The ballast panels are located on the front of the light tower trailer. The ballast panels can be accessed by opening the doors and removing the ballast covers. Each ballast panel contains two tower light lamp ballast (A, Figure 25) and capacitors (B). For additional wiring information, refer to the separate Wire Schematic Manual.



**DANGER**

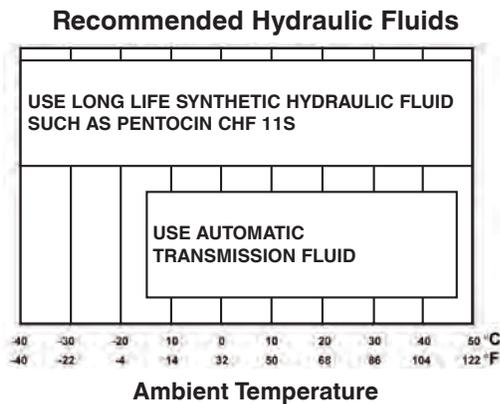


### Electrocution Hazard

- Only qualified electricians should service or perform replacement procedures. Ballast and capacitors are capable of discharging high voltage. Always use appropriate personal safety clothing and gear when servicing electrical components.
- High voltage is present when engine is running. Never attempt to service electrical components while engine is running.
- Do not operate the light tower if the insulation on the electrical wiring is cut or worn, or if bare wires are exposed. Repair or replace damaged wiring before starting the engine.

# Hydraulic Pump

## Hydraulic Oil Specifications



### Adding Hydraulic Oil

Fill the reservoir (Figure 26) with automatic transmission fluid or any clean hydraulic fluid having a viscosity index that is suitable for the climate conditions in which the unit will be operated. Refer to the preceding table.

*NOTE: Standard units are supplied with automatic transmission fluid (ATF), and arctic units are supplied with long life synthetic hydraulic fluid.*

### Priming the Hydraulic Pump

Pumps that have been disassembled for repair, or pumps that have been replaced require proper priming to avoid possible pump failure. A pump is said to be “primed” when the internal portions of the pump are filled with oil and all air has been expelled. To prime the pump:

1. Make sure that the oil reservoir (A, Figure 26) is filled with oil to the full mark.
2. Place a catch pan under the pump to catch excess oil.
3. Loosen the hose end (B, Figure 26) to allow oil and air to escape.
4. Turn on the ignition switch and move the tower raise / lower switch to the “raise” or up position. Do so intermittently, or “jog” the pump. This will expel air and oil through the loosened fitting. Repeat until oil flow is free of air.
5. Re-tighten the hose end. Turn off the ignition switch.
6. Remove the catch pan and dispose of the oil following the guidelines of governmental agencies.
7. Replenish the oil in the reservoir to the full mark.

Once the pump has been primed, the cylinder should be purged of air. To purge the cylinder of air:

1. Make sure that the oil reservoir is filled with oil to the full mark.
2. Clean the bleeder fitting (A, Figure 27) on the upper end of the cylinder barrel.

3. Place a bleeder hose over the end of the bleeder fitting. Place the other end of the bleeder hose in a suitable catch container.
4. Turn on the ignition switch and move the tower raise / lower switch to the “raise” or up position.
5. Open the bleeder fitting. Allow oil and air to bleed out of the cylinder. Close the bleeder when oil flow is free of air.
6. Remove the catch container and the bleeder hose. Dispose of the oil in the catch container following the guidelines of governmental agencies.
7. Move the tower raise / lower switch to the “lower” or down position. Be sure that the tower is fully lowered. Turn off the ignition switch.
8. Replenish the oil in the reservoir to the full mark.

## Light Tower And Lamps

### Changing Lamps

 **WARNING** 

**Burn Hazard**

- The light fixtures become extremely hot during use.
- Always use caution and heat-resistant glove when handling the lights or allow the lights to sufficiently cool down before handling.

1. Turn off the lights and shut off the engine. Allow the bulbs and fixtures to cool.
2. Lower the light tower to full DOWN.
3. Loosen the lens channel screws (E, Figure 28) to allow the removal of the lens channel (F).
4. Remove the silicone gasket (G, Figure 28) and lens (H).
5. Remove the support clip screws (A, Figure 28) and support clip (B).
6. Carefully remove the old lamp (C, Figure 28), and install the correct replacement lamp. See **Specifications**.
7. Clean the reflector (D, Figure 28) and lens.
8. Install the support clip and screws.
9. Install the silicone gasket and lens. Replace if worn or damaged.
10. Install the lens channel and screws.
11. Test the new lamp to ensure proper operation.

### Trailer

Proper maintenance and care of your trailer is a must for safe and reliable operation. Follow these maintenance and care guidelines in addition to those scheduled by your shop equipment maintenance schedule.

## Frame

1. Check the coupler operation and for corrosion or damage; replace as needed.
2. Inspect the lifting bar for corrosion or damage. Replace as needed.
3. Inspect the trailer frame and body panels for rust, nicks and chips. Use the proper touch-up paint to touch up nicks or scratches. Contact your dealer for additional information.
4. Inspect the axle, springs and undercarriage for wear and damage. Replace as needed.
5. Inspect the outrigger bars, front and rear stabilizer jacks and locking mechanisms for proper operation, wear and damage. Replace as needed.

## Grease Points

Use N.G.L.I. consistency #2 high-temperature anti-friction bearing lubricating grease for all trailer mechanical pivot points.

## Trailer Wheels and Tires



### WARNING

#### Towing Hazard

- Never tow the trailer with damaged tires, rims or lug nuts.

1. Check the tires for any cracks, cuts or damage. Repair or replace the damaged tires before towing.
2. Check the air pressure of the trailer tires when cold. See the chart below for axle loads and tire inflation. Never over or underinflate tire.

GVWR	907 kg	2000 lbs
GVWR Front Axle	907 kg	2000 lbs
Tires	155R13C-8PR 90/88Q	
Rims	14.5J x 13	
Cold Tire Inflation	310 kPa	45 psi

3. Check the wheel rims for any cracks or damage.
4. Make sure all the lug bolts are in place. Never tow the trailer with missing or improperly tightened lug bolts.
5. Check that the lug bolts are tightened properly. The correct torque for the lug bolts is 88 Nm (65 lb-ft).
6. When torquing lug bolts, always use a criss-cross pattern (Figure 29).

## Wheel Bearings

The axle is equipped with maintenance-free wheel bearings (greased and sealed for life). No adjustment is necessary. The hub bearing is not protected against water ingress.

The flanged hub nut, located under the dust cap, is used to keep the brake drum in position. If removed it must be replaced with a new flanged nut. The nut should be torqued to  $290 \pm 10$  Nm ( $214 \pm 7.5$  lb-ft). A small amount of mineral grease must be applied to the stub axle thread prior to fitting the new flanged nut. After fitting, the excess grease must be removed.

The rear hexagon cap head bolt **MUST NOT BE DISTURBED** under any circumstances. Interference with this bolt will result in immediate tire wear and damage to the braking system, and **WILL INVALIDATE ALL WARRANTIES**. Should this bolt be disturbed, the toe-in and camber will need to be reset.

In the event of damage to the bearing or drum, replace the drum complete with bearing and circlip. No grease is used in the hub, and no grease should be placed in the dust cap.

## Brakes

Check wheel brake linings for wear every 10,000 km (6200 miles) or every 12 months. Adjust the brakes if necessary. When continuously traveling in hilly regions or traveling long distances, earlier inspection and adjustment may be necessary.

For complete instructions on adjusting the brakes, see the Axle Operator's Manual.

## Trailer Lighting



### WARNING

#### Towing Hazard

- Never tow the trailer with inoperable trailer lights.

Lights are a vital safety feature of your trailer and are also required by state law. Keep the lights in proper working order.

- Check the trailer lights and harness for damage or wear. Repair or replace as needed.
- Ensure the harness is secured to the trailer and does not hang down onto the ground.
- Check the taillight housing assemblies for damage or leaks. Use silicone or rubber sealant to seal the lens or harness, as required, or replace the housing assembly. Electrical grease will help protect the sockets and prevent their corrosion.
- When replacing bulbs, ensure the proper bulb is used and use a small amount of electrical grease in the sockets to prevent corrosion.

For trailer wiring schematic information, refer to the separate Wire Schematic Manual.

## Long-Term Storage

Proper maintenance is required when the light tower and trailer will be stored or removed from operation for long periods of time.

Refer to the Engine Operator's Manual and the Generator Operator's Manual for all engine and generator long-term storage procedures.

1. Lower the light tower to the full DOWN position.
2. Make any repairs necessary to ensure the equipment is fully functional upon recommissioning.
3. Clean and wash the frame and body panels. Apply an anticorrosion coating to all surfaces where applicable.
4. Clean any oil or liquid spills inside the engine compartment.
5. Clean all electrical wiring and components by hand using non-corrosive cleaner.
6. Clean the light tower and light fixture assemblies.
7. Disconnect and remove the battery.
8. Use a suitable cover to protect the light tower and trailer.
9. Properly support the trailer axle on jack stands or other suitable supports to allow the tires to remain off the ground during storage.

## Cleaning

Keeping the light tower clean is important to ensure proper operation. Dirt and dust buildup acts as an insulator and may cause the engine, generator and light assemblies to operate at excessively high temperatures.

Use the following as cleaning guidelines:

- Use caution when using compressed air or water / steam pressure washers. Do not pressure – clean electrical components, as this may damage electrical components.
- Clean the light tower and remove all dust, dirt or other foreign material.
- Inspect and clean the cooling air intake and exhaust louvers of the enclosure. Make sure they are clean. Remove dirt or any buildup that may restrict the cooling air flow.
- Clean the light tower and its components with a damp cloth or sponge.
- Inspect and clean all engine linkages so they operate properly.

## Cleaning and Draining the Trailer Fluid Containment Tray

Allmand NITE LITE PRO II light towers contain a fluid containment tray designed to catch fuel, oil or coolant spills. Should a spill occur, position a suitable container beneath the unit and remove the drain plug. After the fluid has been drained, reinstall the drain plug and dispose of the fluid properly in accordance with governmental guidelines.

## Troubleshooting

Before performing any troubleshooting procedures, read the following safety messages, and read **Safety**.

For engine and generator troubleshooting, see the Engine Operator's Manual and Generator Operator's Manual or contact your dealer.



**DANGER**



### Electrocution Hazard

- Only qualified electricians should service or perform replacement procedures. Ballast and capacitors are capable of discharging high voltage. Always use appropriate personal safety clothing and gear when servicing electrical components.
- High voltage is present when engine is running. Never attempt to service electrical components while engine is running.
- Do not operate the light tower if the insulation on the electrical wiring is cut or worn, or if bare wires are exposed. Repair or replace damaged wiring before starting the engine.

Always follow the electrical component manufacturer specifications for voltage and test procedures.

## Troubleshooting Chart

Problem	Possible Cause
No light (one or more lights)	1. Circuit breakers in the outlet box are not turned on or have tripped.
	2. Lamps are not allowed time to cool after last being lit. You must allow 15 minutes between the time the lights are shut off and the time they are restarted.
	3. The lamp or lamps are burned out or broken.
	4. One or more of the lamps are not screwed in securely.
	5. Plug and socket at light bar not securely pushed together and locked.
	6. The temperature of the ballast is below -29°C (-20°F). The efficiency of the capacitors in the ballast is not enough to ignite the lamps. For operations where the temperature of the ballast falls below -29°C (-20°F), some means of warming the ballast must be used.
	7. Low electrical system voltage.
	8. A loose connection in the back of the lamp socket in the lamp holder.
	9. A circuit breaker or breakers are defective.
	10. A loose connection on the terminal board.
	11. The engine and generator are not running up to speed. (1800 RPM)
	12. A wrong style replacement lamp (requiring a different ballast) has been installed.
	13. Too much power is being drawn from the auxiliary outlets.
	14. Capacitor or transformer has failed.
	15. Corrosion has occurred on the lamp bases.

## ALLMAND BROS. INC. WARRANTY POLICY

### LIMITED WARRANTY

Allmand Bros. Inc. warrants to the original purchaser that, during the warranty period specified below, it will repair or replace at manufacturer's discretion, free of charge, any part that is defective in material or workmanship or both, or to refund the cost of the product if it is determined by the manufacturer that repair or replacement will not return the goods to proper working order or utility. This warranty is effective for and is subject to the time periods and conditions stated below.

**There is no other express warranty. Implied warranties, including those of merchantability or fitness for a particular purpose, are limited to the warranty period listed below, or to the extent permitted by law. Liability for incidental or consequential damages are excluded to the extent exclusion is permitted by law.** Some states or countries do not allow limitations on how long an implied warranty lasts, and some states or countries do not allow the exclusion or limitation of incidental or consequential damages, so the above limitation or exclusion may not apply to you. This warranty gives you specific legal rights and you may also have other rights which vary from state to state or country to country. \*\*

### WARRANTY PERIOD

Product	Warranty	Product	Warranty
Lighting Systems	2 years *	Generator	See Generator Manufacturer's Warranty
1250-Watt Ballast	2 years	Engine	See Engine Manufacturer's Warranty
Arrowboard AB2220	3 years		
Arrowboard AB2400	3 years		
LED Lamps	5 years		
Solar Panels	10 years		
Maxi-Heat	1 year		
Replacement Parts	90 days		

*\* 2nd year - parts only; no labor (only parts manufactured by Allmand Bros. Inc)*

\*\* In Australia – Our goods come with guarantees that cannot be excluded under the Australian Consumer Law. You are entitled to a replacement or refund for a major failure and for compensation for any other reasonably foreseeable loss or damage. You are also entitled to have the goods repaired or replaced if the goods fail to be of acceptable quality and the failure does not amount to a major failure. For warranty service, contact Compressed Air & Power Solutions (CAPS) Australia at 1800 802 697, or on-line at [www.capsaustralia.com.au](http://www.capsaustralia.com.au), or by writing to CAPS Australia, 185 Planet Street, Welshpool, WA 6106.

The warranty begins on the date of original purchase (invoice date). If you do not provide proof of the invoice date at the time warranty service is requested, the manufacturing date of the product will be used to determine the warranty period. The original purchaser is deemed to be the first person or entity that acquires the product for actual use. The warranty does not transfer to subsequent purchasers. Any person or entity holding products for wholesale or retail sale is not considered an original purchaser. However, leasing or using the product beyond normal demonstration purposes is considered to be "actual use" by an original purchaser, and the warranty period will begin on the first date of such use.

Transportation charges on parts or product submitted to the factory for repair or replacement under this warranty shall be borne by the purchaser. If it is subsequently determined that the parts are warrantable, the cost of the transportation charges will be credited back to the purchaser. Air freight for international shipments of replacement parts is not covered under this warranty. The manufacturer shall in no event pay mileage expenses or be responsible for down time or lost revenue.

### ABOUT YOUR WARRANTY

This warranty covers only defects in material or workmanship. It does not cover damage from improper use or abuse, improper maintenance or repair, or normal wear and tear.

**Improper Use and Abuse** – The proper, intended use of the product is described in the Operator's Manual. Using the product in a manner not described in the Operator's Manual or continuing to use the product after it has been damaged will not be covered under this warranty. Warranty coverage also will not be provided if the serial number on the product has been removed, defaced, or altered, or if the product shows evidence of abuse, such as impact damage or water- or chemical-corrosion damage.

**Improper Maintenance or Repair** – This product must be maintained according to the procedures and schedules provided in the Operator's Manual, and serviced or repaired using original equipment parts or equivalent. Damage caused by lack of maintenance or use of non-original parts is not covered by warranty. The warranty does not extend to any failures resulting from unauthorized alterations, modifications, or other changes, or to damage resulting from improper installation, repair, operation, or maintenance. This exclusion does not apply to installations, repairs, or other work performed at the manufacturer's plant or under the manufacturer's direct supervision.

**Normal Wear and Tear** – Like most mechanical devices, this unit is subject to wear even when properly maintained. This warranty does not cover repair when normal use has exhausted the life of a part or the product. Maintenance and wear items such as filters, belts, tires, lamps, batteries, etc. are not covered by warranty, unless the cause of such wear is due to defects in material or workmanship directly related to those items.

**Other Exclusions** – This warranty excludes damages due to accident, abuse, modifications, alterations, improper servicing, or chemical deterioration. Attachments or accessories that were not originally installed in the product are also excluded. This warranty does not include used, reconditioned, second-hand, or demonstration equipment. This warranty also excludes failure due to acts of God and other force majeure events beyond the manufacturer's control.

80013801 (Rev - )

## Wichtige Informationen notieren

Wenn Sie die Maschineninformationen notieren, haben Sie diese bei der Bestellung von Ersatzteilen und/oder Aufklebern/Schildern bereit.

Firmenmaschinen-Nr: \_\_\_\_\_

Datum: \_\_\_\_\_

Verkaufsstelle: \_\_\_\_\_

Motormodell-Nr: \_\_\_\_\_ Seriennummer: \_\_\_\_\_

Generatormodell-Nr: \_\_\_\_\_ Seriennummer: \_\_\_\_\_

Verkaufsstelle: \_\_\_\_\_

## Inhaltsverzeichnis:

Einleitung .....	7
Sicherheit .....	7
Anhängertransport, Transport und Heben.....	11
Allgemeine Wartungsinformationen .....	14
Betrieb .....	16
Wartung .....	19
Fehlersuche und -behebung.....	22
Garantie.....	24

## Einleitung

### Informationen zu dieser Bedienungsanleitung

#### NEHMEN SIE SICH ZEIT, UM DIESE ANLEITUNG GRÜNDLICH ZU LESEN

Diese Bedienungsanleitung enthält die erforderlichen Anweisungen für den Lichtmasten NIGHT-LITE PRO II.

Die Informationen in diesem Handbuch sind zum Zeitpunkt der Drucklegung gültig. Allmand Bros Inc. kann Inhalt ohne Ankündigung oder weitere Verpflichtungen ändern.

Alle Verweise auf „Links“ oder „Rechts“ in dieser Bedienungsanleitung setzen die Blickrichtung auf das Anhängerheck voraus.

Wenn Sie sich über Informationen in dieser Anleitung nicht sicher sind, wenden Sie sich bitte unter +800.562.1373 an die Allmand Wartungsabteilung oder kontaktieren Sie uns über die Allmand-Website, [www.allmand.com](http://www.allmand.com).

**Heben Sie diese Originalanweisungen als Nachschlagewerk auf.**



## Produkte, für die diese Bedienungsanleitung gilt

Die folgenden Produkte sind von diesem Handbuch abgedeckt:  
CE 50HZ NIGHT-LITE PRO II

## Sicherheit

### Sicherheitsdefinitionen

Die Sicherheitshinweise sind eine der Hauptmethoden, mit denen Sie auf potenzielle Gefahren aufmerksam gemacht werden. Befolgen Sie die in dieser Anleitung angegebenen Sicherheitsvorkehrungen vor dem Betrieb und während der regelmäßigen Wartungsarbeiten zu Ihrer eigenen Sicherheit, der Sicherheit von anderen und um die Funktionsweise der Maschine zu schützen. Sorgen Sie dafür, dass Schilder/Aufkleber sauber bleiben, nicht unkenntlich werden und ersetzen Sie sie, falls sie verloren gehen oder beschädigt werden. Wenn ein Teil mit einem angebrachten Schild/Aufkleber ersetzt werden muss, ist das neue Teil gemeinsam mit dem Schild/Aufkleber zu bestellen.



Dieses Sicherheitswarnsymbol wird gemeinsam mit den meisten Sicherheitshinweisen angezeigt. Es bedeutet aufmerksam sein, es geht um Ihre Sicherheit! Lesen und befolgen Sie den Hinweis, der neben dem Sicherheitswarnsymbol angezeigt ist.

#### ⚠ GEFAHR

Weist auf eine Gefahr hin, die zum Tod oder zu schweren Verletzungen **führt**, wenn sie nicht vermieden wird.

#### ⚠ WARNUNG

Weist auf eine Gefahr hin, die zum Tod oder zu schweren Verletzungen führen **könnte**, wenn sie nicht vermieden wird.

#### ⚠ VORSICHT

Weist auf eine Gefahr hin, die zu leichten oder schweren Verletzungen führen **könnte**, wenn sie nicht vermieden wird.

#### HINWEIS

Zeigt eine Situation, bei der es zu Schäden an der Maschine, zu Sachschäden und/oder Umweltschäden kommen kann, bzw. bei der die Maschine unsachgemäß funktionieren kann.

#### HINWEIS:

Enthält wichtige Informationen, um Vorgänge einfacher oder klarer zu machen.

## Sicherheitsvorkehrungen

Der folgende Abschnitt enthält allgemeine Sicherheitsvorkehrungen und Sicherheitsrichtlinien, die befolgt werden müssen, um Risiken für die Sicherheit von Personal zu verringern. Spezielle Sicherheitsvorkehrungen sind in bestimmten Vorgängen angeführt. Lesen Sie alle Sicherheitsvorkehrungen vor dem Betrieb oder vor der Durchführung von Reparaturen oder Wartungsarbeiten gründlich durch.



## GEFAHR



### Stromschlaggefahr

- Stets auf Oberleitungen und Hindernisse prüfen, bevor der Lichtmast angehoben oder abgesenkt wird.
- Stets die Regeln oder Anweisungen für den Arbeitsplatz, das Bundesland, die Provinz und das Land (NEC in den USA) befolgen, um sicheren Abstand zu Oberleitungen einzuhalten.
- Bei laufendem Motor liegt Hochspannung an. Bei laufendem Motor niemals versuchen, elektrische Teile zu warten.
- Den Lichtmast nicht betreiben, wenn die Isolierung der elektrischen Kabel oder anderer Stromkabel geschnitten oder abgenutzt ist oder wenn blanker Draht sichtbar ist. Die beschädigte Verkabelung reparieren oder ersetzen, bevor der Motor angelassen wird.



## WARNUNG

### Gefahren durch unsichere Betriebsweise

- Niemals jemandem das Installieren oder Betreiben der Maschine ohne entsprechende Einschulung gestatten.
- Diese Bedienungsanleitung und die Motor-Bedienungsanleitung lesen, bevor der Lichtmast betrieben oder gewartet wird, um sicherzustellen, dass sichere Bedienungsverfahren und Wartungsverfahren befolgt werden.
- Sicherheitsvorschriften und -schilder sind weitere Erinnerungshilfen für sichere Betriebs- und Wartungstechniken.



## WARNUNG

### Sturzgefahr

- Nie Mitfahrer auf der Maschine zulassen.



## WARNUNG

### Gefahr durch Modifizierungen

- Die Maschine nie ohne die schriftliche Zustimmung des Herstellers modifizieren. Jegliche Modifizierung kann den sicheren Betrieb der Maschine beeinträchtigen.



## WARNUNG

### Expositionsgefahr

- Stets persönliche Schutzausrüstung tragen, einschließlich geeigneter Kleidung, Handschuhe, Arbeitsschuhe und Augen- und Gehörschutz, wenn dies für die jeweiligen Aufgaben erforderlich ist.



## WARNUNG

### Gefahr durch Umkippen

- Den Lichtmast nicht anheben, absenken oder verwenden, wenn nicht alle Stützausleger und Heber auf festem Boden platziert sind.
- Den Lichtmast nicht umstellen oder bewegen, während er in der vertikalen Position ausgefahren ist.



## WARNUNG



### Explosionsgefahr

- Den Bereich um die Batterie gut entlüften und Funken, offene Flammen und andere Zündquellen fernhalten.
- Vor der Wartung der Maschine stets das Minuskabel (-) der Batterie abklemmen.
- Zum Anlassen des Motors nur das in der Motor-Bedienungsanleitung beschriebene Anlassverfahren verwenden.
- Eine eingefrorene Batterie niemals laden. Die Batterie vor dem Laden stets langsam auf Raumtemperatur erwärmen.



## WARNUNG



### Brand- und Explosionsgefahr

- Dieseldieselmotoren sind entzündlich und unter bestimmten Bedingungen explosiv.
- Kraftstoff niemals mit einem Werkstattlappen auffangen.
- Verschüttungen sofort aufwischen.
- Niemals bei laufendem Motor auftanken.
- Kraftstoffbehälter in gut gelüfteten Bereichen abseits von entzündlichen Stoffen oder Zündquellen lagern.



## WARNUNG



### Gefahr durch Abgase

- Alle Verbrennungsmotoren erzeugen während des Betriebs Kohlenmonoxid und es sind spezielle Vorkehrungen erforderlich, um eine Kohlenmonoxidvergiftung zu vermeiden.
- Nie Fenster, Entlüftungen oder andere Entlüftungsmöglichkeiten blockieren, wenn die Maschine in einem geschlossenen Raum betrieben wird.
- Stets sicherstellen, dass alle Anschlüsse nach Reparaturen am Auspuffsystem gemäß Spezifikationen dicht hergestellt wurden.



## WARNUNG

### Gefahr durch Alkohol, Drogen und Medikamente.

- Den Lichtmast nie unter dem Einfluss von Alkohol, Drogen oder Medikamenten betreiben oder wenn Sie krank sind.



## WARNUNG



### Amputationsgefahr – Einziehen!

- Vor Beginn der Wartungsarbeiten stets den Motor abstellen.
- Wenn der Motor im laufenden Zustand gewartet werden muss, allen Schmuck ablegen, langes Haar zurückbinden und Hände und andere Körperteile sowie Kleidung von bewegten/drehenden Teilen fernhalten.
- Sicherstellen, dass alle Schutzvorrichtungen korrekt an der Maschine angebracht sind, bevor der Motor angelassen wird. Den Motor nicht anlassen, wenn Schutzvorrichtungen oder Abdeckungen nicht korrekt auf der Maschine montiert sind.
- Ein Schild „Nicht einschalten“ neben dem Schlüsselschalter anbringen, während an der Maschine Wartungsarbeiten durchgeführt werden.



## WARNUNG

### Durchdringungsgefahr

- Hautkontakt mit Hochdruck-Hydraulikflüssigkeit oder -Dieselkraftstoff vermeiden, die durch ein Leck im Hydraulik- oder Kraftstoffsystem verursacht werden, wie beispielsweise durch einen gerissenen Hydraulikschlauch oder eine Kraftstoffeinspritzleitung. Hochdruck-Hydraulikflüssigkeit oder -Kraftstoff kann die Haut durchdringen und schwere Verletzungen verursachen. Wenn Sie einem Hochdruck-Hydraulikflüssigkeits- oder Kraftstoffstrahl ausgesetzt wurden, sofort medizinische Betreuung aufsuchen.
- Niemals mit den Händen nach einem Hydraulikflüssigkeitsleck oder Kraftstoffleck suchen. Stets ein Stück Holz oder Karton verwenden.



## WARNUNG



### Gefahr durch umhergeschleuderte Gegenstände

- Stets eine Schutzbrille tragen, wenn die Maschine mit Druckluft oder einem Druckwäscher gereinigt wird. Staub, umhergeschleudertes Schmutz, Druckluft, Druckwasser oder Dampf kann Augenverletzungen verursachen.



## WARNUNG

### Gefahr durch Kühlmittel

- Beim Umgang mit Motorkühlmittel eine Schutzbrille und Gummihandschuhe tragen. Bei Kontakt mit den Augen oder mit der Haut die Augen mit Wasser spülen und sofort mit sauberem Wasser waschen.



## WARNUNG



### Verbrennungsgefahr

- Lampengehäuse und einige Motorflächen werden beim Betrieb und kurz nach dem Abschalten sehr heiß.
- Hände und andere Körperteile von heißen Motorflächen fernhalten.
- Heiße Komponenten wie Lampengehäuse nur mit Hitzeschutzhandschuhen anfassen.



## VORSICHT

### Gefahr durch Werkzeuge

- Stets das richtige Werkzeug für die Aufgabe verwenden und ein Werkzeug richtiger Größe zum Lockern oder Festziehen von Maschinenteilen verwenden.



## VORSICHT

### Rutschgefahr

- Verschüttete Flüssigkeit sofort vom Werkstattboden aufwischen.
- Schmutzablagerungen und Unrat am Ende jeder Schicht vom Werkstattboden reinigen.

## HINWEIS

### Die nachfolgenden Angaben haben die Wichtigkeit der Stufe HINWEIS. Bei Nichtbefolgung können Maschinen- und Sachschäden verursacht werden.

- Jedes Teil, das bei einer Inspektion/Überprüfung als defekt festgestellt wird oder dessen Messwert nicht dem Soll- bzw. Grenzwert entspricht, MUSS ersetzt werden.
- Die Komponenten stets mit dem vorgeschriebenen Drehmoment festziehen. Lose Teile können Maschinenschäden verursachen oder zu unsachgemäßem Betrieb führen.
- Die Richtlinien von Regierungsbehörden zur Entsorgung von Gefahrenstoffen wie Motoröl, Dieselkraftstoff und Motorkühlmittel befolgen.
- Nur die vorgeschriebenen Ersatzteile verwenden. Andere Ersatzteile können die Garantiedeckung beeinträchtigen.
- Allen angesammelten Schmutz und Rückstände vom Maschinengehäuse und seinen Komponenten entfernen, bevor die Maschine inspiziert und bevor Wartungsverfahren oder Reparaturen durchgeführt werden. Der Betrieb der Maschine mit Schmutz und Rückständen verursacht frühzeitigen Verschleiß der Maschinenkomponenten.
- Gefahrenstoffe niemals in die Kanalisation, in das Erdreich, in das Grundwasser oder in Gewässer entsorgen.
- Werkzeuge oder Teile entfernen, die in die Maschine gefallen sein könnten, um unsachgemäßen Betrieb zu vermeiden.
- Wenn während des Maschinenbetriebs eine Warnleuchte aufleuchtet, den Motor sofort abstellen. Die Ursache des Problems ermitteln und die Maschine reparieren, bevor die Maschine weiter betrieben wird.

# Sicherheitsaufkleber

Bevor Sie Ihre Einheit bedienen, sollten Sie die Sicherheits- und Hinweisaufkleber lesen und verstehen (vergleichen Sie Abbildung 1 mit der Tabelle unten). Die Warnungen und Hinweise dienen Ihrer Sicherheit. Um Verletzungen oder Schäden an der Maschine zu vermeiden, müssen Sie alle Sicherheitshinweise auf den Schildern verstehen und befolgen.

<p><b>A</b> <b>GEFAHR</b> – Kontakt mit Stromleitungen. Beim Ausfahren des Lichtmasts wird der Kontakt mit Stromleitungen zum Tod oder zu schweren Verletzungen führen. Stets einen sicheren Abstand zu Stromleitungen einhalten, wenn der Lichtmast ausgefahren wird.</p>	
<p><b>B</b> <b>GEFAHR</b> – Kontakt mit Hochspannung führenden Komponenten. Kontakt mit elektrischen Leitern unter Spannung wird schwere oder tödliche Verletzungen verursachen. Vor der Wartung von Hochspannung führenden Komponenten stets die Anweisungen in der Bedienungsanleitung lesen.</p>	
<p><b>C</b> <b>WARNUNG</b> – Rotierende Teile. Kontakt mit rotierenden Teilen kann zu tödlichen oder schweren Verletzungen führen. Stets Abstand von rotierenden Teilen halten.</p>	
<p><b>D</b> <b>WARNUNG</b> – Absenken des Lichtmasts. Der Aufenthalt unter dem Lichtmast, während dieser abgesenkt wird, kann schwere oder tödliche Verletzungen zur Folge haben. Stets Abstand von einem Lichtmast, der abgesenkt wird, halten.</p>	
<p><b>E</b> <b>WARNUNG</b> – Heiße Lampengehäuse. Der Umgang mit heißen Lampengehäusen kann schwere oder tödliche Verletzungen zur Folge haben. Stets Abstand von eingeschalteten oder heißen Lampengehäusen halten.</p>	
<p><b>F</b> <b>WARNUNG</b> – Helles Licht. Direkter Blick in einen eingeschalteten Scheinwerfer kann schwere Verletzungen zur Folge haben. Nie direkt in einen eingeschalteten Scheinwerfer blicken.</p>	
<p><b>G</b> <b>WARNUNG</b> – Automatischer Motorstart (Nur Modelle mit LSC 2.0). Der Motor kann unerwartet starten. Zur Vermeidung von schweren oder tödlichen Verletzungen vor der Motorwartung stets die Anweisungen in der LSC 2.0 Bedienungsanleitung lesen.</p>	
<p><b>H</b> <b>WARNUNG</b> – Stützausleger verwenden. Wenn der Lichtmast angehoben wird ohne die Stützausleger auszufahren und abzusenken, kann die Maschine umkippen und tödliche oder schwere Verletzungen verursachen. Stets die Stützausleger ausfahren und auf stabilen, ebenen Boden absenken und sicherstellen, dass die Maschine waagrecht ist, bevor der Lichtmast angehoben wird.</p>	
<p><b>I</b> <b>WARNUNG</b> – Die Bedienungsanleitung lesen. Vor dem Betrieb dieser Maschine die Bedienungsanleitung lesen.</p>	
<p><b>J</b> <b>WARNUNG</b> – Explosive Gase. Explosive Gase können schwere oder tödliche Verletzungen zur Folge haben. Offene Flammen und brennende Stoffe von der Batterie fernhalten.</p>	
<p><b>K</b> <b>WARNUNG</b> – Korrosives Material. Aussetzung an korrosive Stoffe kann schwere oder tödliche Verletzungen zur Folge haben. Beim Umgang mit der Batterie stets Schutzhandschuhe tragen.</p>	

<b>L</b>	<b>WARNUNG –</b> Umkipppgefahr. Wenn zu schnell durch scharfe Kurven gefahren wird, kann der Anhänger umkippen und tödliche oder schwere Verletzungen verursachen. Bei scharfen Kurven stets auf eine sichere Geschwindigkeit verlangsamen.	
----------	--	---

**! WARNUNG**  
 Ist ein Sicherheits- oder Hinweisaufkleber abgenutzt oder beschädigt und somit unlesbar, bestellen Sie Ersatzschilder von Ihrem Händler.

## Betriebssymbole

Die folgende Tabelle enthält die Betriebssymbole auf der Maschine sowie die Bedeutung der einzelnen Symbole.

Symbol	Bedeutung	Symbol	Bedeutung
	EIN (Strom)		Anhänger-Innenbeleuchtung
○	AUS (Strom)		Erdung
	Motor stoppen		Leistungsschalter
	Betrieb des Motors		Leistungsschalter unterbrechen
	Motor anlassen		Lichtmast heben
	Motor vorglühen		Lichtmast senken
	Betriebsstundenzähler		Motoröl ablassen

Symbol	Bedeutung	Symbol	Bedeutung
	Arbeitsscheinwerfer		Ablass des Flüssigkeitsauffangbehälters

## Anhängertransport, Transport und Heben

### Vorbereitung des Night-Lite Pro II zur Zustellung oder für den Verleih

Der Lichtmast NIGHT-LITE PRO II benötigt Wartung und muss vorschriftsmäßig betrieben werden, um die vorgesehene Leistung zu erbringen und sicher zu funktionieren. Niemals eine Maschine in Betrieb nehmen oder ausliefern, die bekannte Defekte oder fehlende Anweisungen oder Aufkleber/Schilder hat. Den Kunden stets in den vorschriftsmäßigen Betriebs- und Sicherheitsverfahren unterweisen, wie in dieser Bedienungsanleitung beschrieben. Stets das Handbuch mit der Maschine ausliefern, um für vorschriftsmäßigen und sicheren Betrieb zu sorgen.

#### Prüfliste vor der Inbetriebnahme

- Die Maschine einer Sichtprüfung unterziehen, ob alle Anweisungen und Aufkleber/Schilder angebracht und gut lesbar sind.
- Die Anhängervorrichtung und das Sicherungskabel prüfen.
- Die Stützausleger und Heber auf ordnungsgemäße Funktionsweise prüfen.
- Die Scheinwerferbaugruppen auf Schäden und ordnungsgemäße Funktionsweise prüfen.
- Die Verkabelung auf Anzeichen von Schäden prüfen.

**! GEFAHR** 

**Stromschlaggefahr**

- Den Lichtmast nicht betreiben, wenn die Isolierung der elektrischen Kabel oder anderer Stromkabel geschnitten oder abgenutzt ist oder wenn blanker Draht sichtbar ist. Die beschädigte Verkabelung reparieren oder ersetzen, bevor der Motor angelassen wird.

- Den Zustand und Luftdruck der Reifen prüfen.
- Füllstand von Motoröl, Kraftstoff, Motorkühlmittel sowie den Hydraulikflüssigkeitsstand prüfen.
- Prüfen, ob die Lichtmast-Bedienungsanleitung und die Generator-Bedienungsanleitung an der Maschine vorhanden sind.
- Prüfen, ob die Feststellbremse funktionstüchtig und korrekt eingestellt ist. Siehe **Betrieb**.
- Die Maschine auf Schäden untersuchen und solche nach Bedarf reparieren.

*HINWEIS: Im entsprechenden Abschnitt der Motor-Bedienungsanleitung und der Generator-Bedienungsanleitung weitere Prüfungen vor der Inbetriebnahme nachschlagen.*

Nach Abarbeiten der Prüfliste vor der Inbetriebnahme den Lichtmast einen kompletten Betriebszyklus betreiben (die Betriebsanweisungen in diesem Handbuch einhalten).



## WARNUNG

### Gefahren durch unsichere Betriebsweise

- Niemals jemandem das Installieren oder Betreiben der Maschine ohne entsprechende Einschulung gestatten.

### Stets zuerst die Anweisungen lesen und verstehen.

Vor dem Verladen auf einen Anhänger, dem Transport oder Heben **Sicherheit** lesen.

Das gesamte Motor- und Generator-Aggregat befindet sich in einem absperrbaren Gehäuse aus dickwandigem Stahl auf einer Zweiradachse mit Torsionsstab-Federung.

### Vor Verladen auf einen Anhänger oder Transport

- Den Lichtmast absenken und die Lichtmast-Scheinwerfer und den Motor abschalten; Siehe **Abschalten – Vorbereitung zum Verladen auf einen Anhänger**.
- Den Anhänger und die Maschine anhand einer Sichtprüfung auf Schäden untersuchen. Alle Komponenten nach Bedarf reparieren oder ersetzen, bevor die Maschine auf einen Anhänger verladen wird.
- Die Beleuchtung des Anhängers auf ordnungsgemäße Funktionsweise prüfen.
- Den Reifenzustand und den Reifendruck prüfen.
- Die Anhängerachse und den Unterbau auf Schäden oder lose Teile untersuchen.
- Die Anhängervorrichtung und das Sicherungskabel prüfen.
- Sicherstellen, dass die Stützausleger und Heber korrekt verstaut sind.
- Verschüttungen im Anhänger-Flüssigkeitsauffangbereich abwischen, die beim Betrieb entstanden sein könnten.
- Sicherstellen, dass alle Gehäusetüren und -klappen geschlossen und sicher versperert sind.

### Abschalten – Vorbereitung zum Verladen auf einen Anhänger

1. Bei abgeschalteten Lichtmast-Scheinwerfern den Lichtmast ganz **ABSENKEN**; siehe **Heben und Senken des Lichtmasts**.
2. Den Motor abstellen. Zum Abstellverfahren auf die Motor-Bedienungsanleitung Bezug nehmen.

*HINWEIS: Im entsprechenden Abschnitt der Motor-Bedienungsanleitung und der Generator-Bedienungsanleitung weitere Prüfungen nach der Inbetriebnahme und bei der Abschaltung nachschlagen.*

3. Den Lichtmast und die Lampengehäuse für den Anhängertransport einstellen; siehe **Lichtmast – Verstauen für Anhängertransport**.

*HINWEIS: Die Lichtbefestigungshalterungen und Befestigungsteile anhand einer Sichtprüfung auf lockere Befestigungsteile oder beschädigte Halterungen untersuchen. Vorliegende Probleme vor dem Anhängertransport beheben.*

4. Alle Gehäusetüren und -klappen schließen, sichern und versperren.

5. Alle Stützausleger anheben und in die Anhängertransportstellung drehen (horizontal mit Stützauslegerarm).

6. Die Stützauslegerarme einziehen und mit dem Verriegelungsstift in der Verstauposition sichern.

*HINWEIS: Sicherstellen, dass alle Stützausleger sicher in der Transportposition verriegelt sind, indem die Verriegelungsstifte vor dem Transport angebracht werden.*

7. Den Anhänger an das Zugfahrzeug ankopplern.
8. Die Feststellbremse lösen.

### Vertikale Lichtmast-Scheinwerfer – Verstauen für den Anhängertransport

Der Scheinwerferarm und die Lampengehäuse müssen vor dem Anhängertransport oder Transport verstaut werden.



## WARNUNG



### Verbrennungsgefahr

- Die Lampengehäuse werden bei der Verwendung extrem heiß.
- Stets vorsichtig sein und hitzbeständige Handschuhe tragen, wenn die Lampen gehandhabt werden oder die Lampen ausreichend abkühlen lassen, bevor sie gehandhabt werden.

1. Sicherstellen, dass die Scheinwerfer abgeschaltet und der Lichtmast ganz abgesenkt sind; siehe **Heben und Senken des Lichtmasts**.
2. Den Feststellstift des Scheinwerferarms freigegeben, indem am Ring gezogen und dieser um 90 Grad verdreht wird, damit der Stift in der eingezogenen Position bleiben kann.
3. Den Scheinwerferarm in die Anhängertransport/Transport-Feststellposition drehen (parallel zum Anhänger) und den Feststellstift in Eingriff bringen, indem der Ring verdreht wird, bis der Kolben freigegeben wird und der Stift im Loch im Scheinwerferarm eingreift und sich verriegelt.
4. Die Lampengehäuse für den Anhängertransport/Transport nach unten in die tiefste Position bringen. Die Lampengehäuse-Vorderseiten müssen in Richtung Anhängermittte zeigen. Siehe Abbildung 6.

*HINWEIS: Wenn Scheinwerfer für den Anhängertransport/Transport entfernt werden müssen, siehe **Lichtmast-Scheinwerfer – Abbau zum Anhängertransport (Option)**.*

### Lichtmast-Scheinwerfer – Abbau zum Anhängertransport (Option)

Der Lichtmast kann mit Scheinwerfern ausgestattet sein, die zum Anhängertransport/Transport oder als Diebstahlschutz abgebaut werden können.



## WARNUNG



### Verbrennungsgefahr

- Die Lampengehäuse werden bei der Verwendung extrem heiß.
- Stets vorsichtig sein und hitzbeständige Handschuhe tragen, wenn die Lampen gehandhabt werden oder die Lampen ausreichend abkühlen lassen, bevor sie gehandhabt werden.

1. Sicherstellen, dass die Scheinwerfer abgeschaltet und der Lichtmast ganz abgesenkt sind; siehe **Heben und Senken des Lichtmasts**.
2. Die Stromkabel der einzelnen Lampengehäuse am Scheinwerferarm abziehen.
3. Das Lampengehäuse festhalten und die Mutter und Scheibe entfernen, mit denen es an der Scheinwerferhalterung befestigt ist. Alle Lampengehäuse und Halterungen abbauen.
4. Die Lampengehäuse einzeln lagern, um Schäden während des Transports zu vermeiden.

### Anhängertransport / Ziehen

Vor dem Anhängertransport / Ziehen des Lichtmastanhängers **Sicherheit** und **Vor Vor Verladen auf einen Anhänger oder Transport** lesen.

#### HINWEIS:

Die Höchstgeschwindigkeit für den Straßentransport ist 90 km/h und für den Transport auf Naturstraßen 15 km/h. Diese Höchstgeschwindigkeiten nicht überschreiten, da der Lichtmast andernfalls beschädigt werden kann.

Kennzeichnung der Anhängerkomponenten (Abbildung 3)

- A. Anhängerdeichsel-Heber – Dient zum Heben, Senken und Nivellieren der Anhängerdeichsel.
- B. Ring-Anhängerkupplung – 40 mm
- C. Sicherungskabel – Sicherheitverbindung mit dem Zugfahrzeug, die die Bremsen betätigt, falls sich die Anhängerkupplung löst.
- D. Feststellbremse

### Überlegungen zu Zugfahrzeug und Anhängerkupplung

Das Zugfahrzeug muss den komplett beladenen Anhänger sicher ziehen können. Niemals eine Anhängerlast ziehen, die größer als die Schleppkraft des Zugfahrzeugs ist; es könnte die Kontrolle über Anhänger und/oder Fahrzeug verloren werden. Vor dem Anhängertransport stets in der Bedienungsanleitung des Zugfahrzeugs die maximale Anhängerlast nachschlagen und das Fahrzeugbruttogewicht einschließlich voll beladenem Anhänger.

Das Fahrzeug muss eine Anhängerkupplung haben, die die Anhängerlast und das Gewicht der Anhängerkupplung des Anhängers sicher aufnehmen kann.

### Anhängerbremsen

Das Modell CE NIGHT-LITE PRO II ist mit Betriebsbremsen und einer Feststellbremse ausgestattet. Die Betriebsbremsen sind funktionsfähig, wenn der Lichtmast-Anhänger mit einem Zugfahrzeug verbunden ist. Bei Bergabfahrt oder wenn das Zugfahrzeug bremst, beaufschlagt die Überlaufvorrichtung durch geschaltete Komponenten die Radbremsen.

Wenn das Zugfahrzeug reversiert, beaufschlagt die Überlaufvorrichtung durch geschaltete Komponenten die Radbremsen. Die Rückwärtsdrehung der Trommel wirkt jedoch auf Innenbauteile, die die Bremswirkung aufheben, wodurch der Anhänger rückwärts bewegt werden kann.

Die Feststellbremse wird durch Ziehen des Hebels aktiviert, um die Radbremsen in Eingriff zu bringen. Zu beachten: Wenn die Feststellbremse ganz angezogen ist, kann der Anhänger bis zu 25 cm rückwärts bewegt werden, bis der Gaszylinder im Gestänge eingreift.



#### WARNUNG

##### Gefahr des Kontrollverlusts

- Eine Fahrzeuganhängerkupplung, die zu schwach bemessen oder mangelhaft montiert ist, kann zum Verlust der Kontrolle über den Anhänger und/oder das Fahrzeug führen.
- Niemals eine zu kleine Fahrzeug-Anhängerkupplung verwenden oder eine Fahrzeug-Anhängerkupplung, die nicht den Spezifikationen der Anhängerkupplung entspricht.

### Anschließen von Anhängerkupplung und Beleuchtung

Der Anhänger ist mit einem 40-mm-Anhänger-Lünettenring ausgestattet. Es ist eine Anhängerkupplung für eine 50-mm-Kugelnkupplung erhältlich.

Zum Wechseln des Kupplers die zwei Bolzen entfernen und den vorhandenen Kuppler durch den gewünschten ersetzen.



#### WARNUNG

##### Gefahr des Kontrollverlusts

- Vor dem Anhängertransport sicherstellen, dass die Kupplerbolzen festgezogen sind.

Typische Lünettenring-Anhängerkupplung und Kuppler (Abbildung 4)

- A. Verriegelung und Freigabehebel
- B. Anhängerkupplung-Lünettenring
- C. Sicherheitsstift für Verriegelungshebel
- D. Fahrzeug-Anhängerkupplung

Typische Kugelnkupplung und Kuppler (Abbildung 5, falls vorhanden)

- A. Verriegelung und Freigabehebel
- B. Anhängerkupplung-Buchse
- C. Kupplerschelle
- D. Fahrzeug-Anhängerkupplung und Kugelzapfen
- E. Sicherheitsstift für Verriegelungshebel

Vor dem Verladen auf einen Anhänger **Vor Verladen auf einen Anhänger oder Transport** durchlesen.

1. Die Anhängerkupplung des Zugfahrzeugs an die Anhängerkupplung ankoppeln. Sicherstellen, dass der Kuppler sicher an der Anhängerkupplung des Zugfahrzeugs befestigt ist.
2. Das Sicherungskabel (A, Abbildung 6) an den Rahmen der Anhängerkupplung des Fahrzeugs (B) anschließen; dadurch werden die Betriebsbremsen des Anhängers aktiviert, sollte sich der Anhänger versehentlich vom Zugfahrzeug lösen.



#### WARNUNG

##### Gefahr des Kontrollverlusts

- Das Sicherungskabel korrekt und sicher zwischen Zugfahrzeug und Anhänger befestigen, bevor mit dem Anhängertransport begonnen wird.
- Das Sicherungskabel darf beim Anhängertransport niemals am Boden schleifen.

3. Den Beleuchtungs-Steckverbinder (C, Abbildung 6) vom Fahrzeugkabelbaum an die Anhängerbuchse (D) anschließen.
4. Sicherstellen, dass der Kabelbaum ausreichend Spiel hat, damit er in Kurven oder beim Wenden nicht klemmt oder sich löst.

**HINWEIS:**

Nicht zu viel Kabelbaumspiel zulassen. Der Kabelbaum kann beim Schleifen am Boden beschädigt werden.

5. Vor dem Anhängertransport die Funktionsweise aller Beleuchtungselemente prüfen.
6. Die Feststellbremse lösen.

**Heben des Lichtmast**

Das voll beladene Gewicht des Lichtmast-Anhängers beträgt 820 kg (mit vollem Kraftstofftank). Der Lichtmast NIGHT-LITE PRO II ist an der Oberseite mit Gabelstaplertaschen (A, Abbildung 7) und einer Huböse (B) zum Heben oder Heben mit Seilzug ausgestattet.



**WARNUNG**  
**Gefahr durch Umkippen**

- Vor dem Heben den Lichtmast vor absenken und die Lichtmast-Scheinwerfer und den Motor abschalten; Siehe **Abschalten – Vorbereitung zum Verladen auf einen Anhänger.**



**WARNUNG**  
**Quetschungsgefahr**

- Stets sicherstellen, dass die verwendete Hebevorrichtung in gutem Zustand und für das maximale Gewicht beim Heben des Lichtmastanhängers geeignet ist.
- Stets Hilfe anfordern, wenn ein Gabelstapler, Kran oder eine Hebevorrichtung verwendet wird, und beim Abladen.
- Nur die Huböse an der Hebestange verwenden, um die Maschine mit einem Kran oder einer Hebevorrichtung zu heben.
- Nur Schäkel oder einen Haken mit Verriegelung zum Heben verwenden.
- Nicht unter der Maschine stehen oder durchgehen, wenn diese gehoben wird; andere Personen fernhalten.

**Transport auf einem Anhänger**

Beim Transport auf einem Lkw oder Anhänger muss die Maschine stets vorschriftsmäßig festgezurt werden – mit Ketten oder Gurten, die den Lichtmaststrahlen mit dem Zugfahrzeug/Anhänger verbinden. Der Fahrer des Zugfahrzeuges ist dafür verantwortlich, die Last vorschriftsmäßig zu sichern.

# Allgemeine Wartungsinformationen

## Kennzeichnung der Maschinenteile

Vergleichen Sie Abbildung 8 mit der Tabelle unten.

Ref.	Beschreibung
A	40 mm Ring-Anhängerkupplung (Standard)
A	50 mm Kugel (nicht abgebildet – Option)
B	Feststellbremse
C	Anhängerdeichselheber
D	Stützausleger (einer je Seite)
E	Ausleger (eingezogen dargestellt)
F	Hinterer Stabilisator
G	Sicherungsstift

## Modell- und Seriennummern

Modell- und Seriennummern sind für Produkt-Support und Ersatzteile erforderlich. Die folgenden Beschreibungen zeigen die Lage der Modell- und Seriennummer auf den Hauptkomponenten.

**Anhänger**

Alle NIGHT-LITE PRO II Anhänger haben ein Seriennummernschild (A, Abbildung 9) auf der Fronttafel.

**Generator**

Der Generator hat ein Seriennummernschild (A, Abbildung 10) an der Seite des Gehäuses. Die Seriennummer ist auf dem Gehäuse eingestanzt.

**Motor**

Der CATERPILLAR®-Motor hat ein Seriennummernschild (A, Abbildung 11) an der oberen rechten Seite des Motorblocks über der Einspritzpumpe.

Beim KUBOTA-Motor ist die Seriennummer auf dem Motorblock unmittelbar unter dem Auspuffkrümmer (A, Abbildung 12) eingestanzt.

## Technische Daten (standardmäßige und als Wahlausrüstung erhältliche Funktionsmerkmale)

*HINWEIS: Technische Daten für den Motor oder Generator sind in der Bedienungsanleitung des Motors bzw. Generators zu finden.*

**Anhänger**

Anhängerkupplung	40 mm Ring-Anhängerkupplung (Standard); 50 mm Kugel-Anhängerkupplung (Option)
Max. Fahrgeschwindigkeit (asphaltierte Straßen)	90 km/h
Max. Fahrgeschwindigkeit (Naturstraßen)	16,1 km/h
Anzahl Achsen	1
Achsnenntragkraft	907 kg
Reifengröße	155R13C-8PR 90/88Q

Felgenreiße	4.5J x 13
Reifendruck, kalte Reifen	310 kPa (45 psi)
Türverriegelungen	Standard
Anhängerbeleuchtung: Brems-, Blink- und Positionsleuchten	CE-Kennzeichnung
Anhänger-Beleuchtungssteckverbinder	13-poliger Steckverbinder
Huböse	Standard
Festzurringe	Standard
Hintere Gabelstaplertasche	Standard
Obere Gabelstaplertasche	Standard
Anzahl der Stabilisatoren	4
Anzahl Stützausleger	2
Anhängerdeichselheber	Standard

#### Lichtmast – vertikal

Abschnitte	6
Vertikaler Lichtmast	Standard
Max. kontinuierliche Windbelastung	85 km/h – mit Hebern und Auslegern auf fester Oberfläche positioniert
Lichtmast-Drehung	360°

#### Gesamtabmessungen – vertikaler Lichtmast

Lichtmast-Höhe – abgesenkt	2,54 m
Lichtmast-Höhe – angehoben	7,9 m
Länge	2,85 m
Breite (mit eingezogenen Stützauslegern)	1,3 m
Breite (mit ausgefahrenen Stützauslegern)	2,54 m
Trockengewicht	790 kg

#### 50-Hz-Generatoren

6 kW	Standard
220-VAC-Schuckosteckdose	Standard
230 VAC	Option

#### Lichtmast-Scheinwerfer

SHO – HD 1000 W Metallhalid (Lumen-Nennwert: 110.000)	Standard 50 Hz
Aufwärmdauer	2 – 4 Minuten
Wiedereinschaltzeit	10 – 15 Minuten
Lampengehäuse	Standard (versiegelt zwecks Allwettertauglichkeit)
Gewicht der Lampengehäuse	6,75 kg

#### Motor

Modell	Kubota D1005	Kubota D1105	CAT C1.1
Typ	Wassergekühlter 4-Zylinder Diesel		
Bohrung	76 mm	78 mm	77 mm
Hub	73,7 mm	78 mm	81 mm
Hubraum	1001 ccm	1123 ccm	1130 ccm
Leistung bei 1500 U/min (50 Hz)	8,2 kW	9,5 kW	8,6 kW
Leistungsabnahme	3 % pro 304 m über 110 m 1 % pro 5,5° über 21 °C		
HINWEIS: Leistungswerte werden gemäß Society of Automotive Engineers Small Engine Test Code – J1349 GROSS ermittelt			
Kraftstoffsystem	Indirekte Einspritzung Diesel		
Anlassersystem	12 VDC negative Masse		
Elektrik	12 VDC negative Masse		
Batteriekapazität	Gruppe 24		
Batterienennleistung	550 CCA		
Anzahl Batterien	1		
Verdichtungsverhältnis	22,1	22,1	23,1
Gewicht	109 kg	109 kg	87 kg
Ölfassungsvermögen	5,1 l	5,1 l	3,7 l
Schmierung	Zwangsumlaufschmierung (Pumpe)		
Ölfilterung	Patrontyp		
Kühlsystem	Druckbehälterkühler mit Zwangsumlauf durch Wasserpumpe		
Abschaltung bei niedrigem Öldruck	Standard bei allen Motoren		
Abschaltung bei hoher Motortemperatur	Standard bei allen Motoren		
Glühkerzen-Anlasshilfe	Standard bei allen Motoren		
Kraftstoff	In Ländern, die den Regeln der Europäischen Gemeinschaft (EG) unterliegen, müssen Dieselmotoren mit extrem niedrigem Schwefelgehalt (ULSD) verwendet werden. Dieselmotoren, die diese Norm erfüllen, haben einen maximalen Schwefelgehalt von 10 mg/kg. Weitere Einzelheiten zu den Kraftstoffanforderungen sind der Motor-Bedienungsanleitung zu entnehmen.		
Motoröl	Ein hochwertiges Motoröl der API-Serviceklasse (American Petroleum Institute) CG-4/CH-4/CI-4 verwenden. Weitere Einzelheiten zu den Motorölanforderungen sind der Motor-Bedienungsanleitung zu entnehmen.		
Kraftstofftank	114 l		
Kühlmittel tank	5,2 l		
Ausgleichsbehälter	1,04 l		

## Wahlausrüstung

- Saf - T - Visor
- LSC2.0 Light Sequence Commander
- Hochleistungsbatterie (775 CCA)
- Batterieheizpolster
- Motorblockheizung
- Geräuschkämpfungs-Kit
- Schnelltrenn-Lampengehäuseanschlüsse

## Betrieb

Vor Durchführung von Betriebsverfahren muss der Abschnitt **Sicherheit** gelesen werden.

## Vorbereitung für den Betrieb

### Sicherheitsüberlegungen für den Arbeitsort

#### Höhe

 **GEFAHR**   
**Stromschlaggefahr**

- Stets auf Oberleitungen und Blockierungen prüfen, bevor der Lichtmast angehoben oder abgesenkt wird.
- Stets die Regeln oder Anweisungen für den Arbeitsplatz, das Bundesland, die Provinz und das Land (NEC in den USA) befolgen, um sicheren Abstand zu Oberleitungen einzuhalten.

#### Bodenfläche

 **WARNUNG**  
**Gefahr durch Umkippen**

- Gefahr durch Umkippen. Nicht auf Neigungen von mehr als 2,8° (5 %) von vorne nach hinten und Seite zu Seite aufstellen.
- Nicht auf unebenem oder instabilem Boden aufstellen oder abstellen. Nur auf ebenem, flachem und stabilem Boden aufstellen.

## Wind

 **WARNUNG**  
**Gefahr durch Umkippen**

- Den Lichtmast im ausgefahrenen Zustand nicht bei Windgeschwindigkeiten von mehr als 85 km/h betreiben.

Wenn der Lichtmast in der Betriebsstellung ist, befindet sich der Mast in der Mitte des 3-Punkt-Stützauslegersystems und hat optimale Stabilität und Gewichtsverteilung. Dieses System ermöglicht dem

Lichtmasten bis zu einer Dauerbelastung von 85 km/h Windgeschwindigkeit in Betrieb zu bleiben, wenn der Mast auf die volle Höhe ausgefahren ist und die Heber und Stützausleger auf festem Boden ausgefahren und positioniert sind.

### Prüfliste vor der Inbetriebnahme

Vor der Fahrt zum Arbeitsplatz und vor dem Betrieb stets folgende Prüfungen durchführen. Nach Bedarf alle mangelhaften Komponenten vor dem Betrieb reparieren oder ersetzen.

*HINWEIS: Im entsprechenden Abschnitt der Motor-Bedienungsanleitung und der Generator-Bedienungsanleitung weitere Prüfungen vor der Inbetriebnahme nachschlagen.*

Nach Abarbeiten der Prüfliste vor der Inbetriebnahme den Lichtmast einen kompletten Betriebszyklus betreiben.

- Die Maschine einer Sichtprüfung unterziehen, ob alle Anweisungen und Aufkleber/Schilder angebracht und gut lesbar sind.
- Die Anhängervorrichtung und das Sicherungskabel prüfen.
- Prüfen, ob die Feststellbremse funktionstüchtig ist: Den Feststellbremsenhebel (B, Abbildung 8) nach oben ziehen, um die Feststellbremse in Eingriff zu bringen und die Anhängerräder zu blockieren. Die Freigabetaste auf dem Bremshebel drücken und den Hebel absenken, um die Feststellbremse zu lösen.
- Die Stützausleger und Heber auf ordnungsgemäße Funktionsweise prüfen.
- Die Scheinwerferbaugruppen auf Schäden und ordnungsgemäße Funktionsweise prüfen.
- Die Verkabelung auf Anzeichen von Schäden prüfen.

 **GEFAHR**   
**Stromschlaggefahr**

- Den Lichtmast nicht betreiben, wenn die Isolierung der elektrischen Kabel oder anderer Stromkabel geschnitten oder abgenutzt ist oder wenn blanker Draht sichtbar ist.

- Den Reifenzustand und den Reifendruck prüfen.
- Füllstand von Motoröl, Kraftstoff, Motorkühlmittel sowie den Hydraulikflüssigkeitsstand prüfen.
- Prüfen, ob die Lichtmast-, Motor- und Generator-Bedienungsanleitung an der Maschine vorhanden sind.
- Die Maschine auf Schäden untersuchen und solche nach Bedarf reparieren.

## Nivellieren und Stabilisieren des Anhängers



### WARNUNG

#### Gefahr durch Umkippen

- Nicht auf unebenem Boden aufstellen. Nur auf ebenem, flachem und stabilem Boden aufstellen.
- Den Lichtmasten stets nivellieren, bevor er angehoben/ausgefahren wird.

Der NIGHT-LITE PRO II muss auf bis zu 2,8° (5 % Neigung) nivelliert werden – von vorne nach hinten und von Seite zu Seite.

1. Den NIGHT-LITE PRO II an einer geeigneten Stelle aufstellen; siehe **Sicherheitsüberlegungen für den Arbeitsort**.
2. Die Feststellbremse anziehen, beide Räder auf beiden Seiten mit geeigneten Klötzen blockieren (A, Abbildung 13).
3. Die Stützausleger ausfahren und mit dem Stützausleger-Sicherungsstift fixieren (A, Abbildung 14).
4. Die einzelnen Stützauslegerheber (Abbildung 14) sowie den hinteren Stützauslegerheber (Abbildung 15) und den Anhängerdeichselheber (Abbildung 16) in rechtem Winkel zum Boden platzieren und mit den Sicherungsstiften (B, Abbildung 14; A, Abbildungen 15 und 16) fixieren.
5. Die einzelnen Stützauslegerheber (C, Abbildung 14), den hinteren Stützauslegerheber (B, Abbildung 15) und den Anhängerdeichselheber (B, Abbildung 16) verstellen, bis die Maschine nivelliert ist.

*HINWEIS: Drehung eines Griffs nach rechts hebt, Drehung nach links senkt die Stützausleger oder Deichsel.*



### WARNUNG

#### Gefahr durch Umkippen

- Alle Stabilisierungsheber müssen auf flachem, waagrechttem und stabilem Boden aufliegen.

## Motorbetrieb

Vor Inbetriebnahme des Motors oder Betrieb des Lichtmasts den Abschnitt **Sicherheit** lesen.

Der Allmand Lichtmast NIGHT-LITE PRO II wird von einem Dieselmotor und Generator angetrieben.

### Prüfung vor der Inbetriebnahme

1. Den Ölstand kontrollieren und ggf. Öl nachfüllen. Den Motor mit der korrekten Sorte Schmieröl füllen; Angaben zur Ölsorte in der Motor-Bedienungsanleitung nachschlagen.
2. Dieselmotorkraftstoffstand prüfen und nach Bedarf Dieselmotorkraftstoff nachfüllen.
3. Sicherstellen, dass der Luftfilter fest angebracht ist und die Luftfilterdichtungen und Schlauchschellen korrekt abdichten. Der Luftfiltereinsatz muss geprüft und nach Bedarf ersetzt werden.

## Motor-Armaturenbrett

### Standard-Armaturenbrett

Das standardmäßige Motor-Armaturenbrett besteht aus dem Start/Stopp-Schlüssel (A, Abbildung 17) und dem Betriebsstundenzähler (B).

### LSC 2.0 Armaturenbrett

Das LSC 2.0 Motor-Armaturenbrett besteht aus einem Hauptschlüsselschalter (EIN/AUS, A, Abbildung 18) und dem LSC 2.0 Armaturenbrett mit LCD-Anzeige (B).

### Anlassen des Motors

Der Anlassvorgang unterscheidet sich je nach Motormodell. Der Anlassvorgang wird in der Motor-Bedienungsanleitung beschrieben. Für Modell LSC 2.0 auf die LSC 2.0 Bedienungsanleitung Bezug nehmen.

### Anlassen bei kaltem Wetter

Der Anlassvorgang bei kaltem Wetter unterscheidet sich je nach Motormodell. Der Anlassvorgang für kaltes Wetter wird in der Motor-Bedienungsanleitung beschrieben.

### Falls der Kraftstoff ausgegangen ist

1. Den Kraftstofftank auffüllen.
2. Der Anlassvorgang wird in der Motor-Bedienungsanleitung beschrieben.

### Hinweis:

Den Anlasser NICHT länger als jeweils 10 Sekunden lang betätigen. Zwischen Anlassversuchen 30 Sekunden warten. Bei zu langem Ankurbeln kann der Anlasser durch zu hohe Temperaturen beschädigt werden.

### Hinweis:

Wenn sich der Motor ausreichend schnell dreht, um den Anlasser auszukuppeln, aber gleich wieder abstirbt (Fehlstart), muss der Motor komplett zum Stillstand kommen, bevor ein erneuter Anlassversuch unternommen wird.

### Hinweis:

Wenn der Anlasser bei sich drehendem Schwungrad aktiviert wird, können Anlasserritzel und Schwungrad-Zahnkranz kollidieren und den Anlasser oder Schwungrad-Zahnkranz beschädigen.

### Abstellen des Motors

Der Abstellvorgang unterscheidet sich je nach Motormodell. Zum Abstellverfahren für den Motor auf die Motor-Bedienungsanleitung Bezug nehmen. Für Modell LSC 2.0 auf die LSC 2.0 Bedienungsanleitung Bezug nehmen.

### Automatische Motorabstellung

Der Motor ist mit einer automatischen Motorabstellung ausgestattet, die Motorschäden bei niedrigem Ölstand oder bei Überhitzung verhindert. Weitere Informationen sind der Motor-Bedienungsanleitung zu entnehmen.

### Abschaltung bei zu niedrigem Öldruck

Sollte der Öldruck zu niedrig werden, unterbricht der Öldruckgeber den Stromkreis zwischen Batterie und Kraftstoffmagnetventil, wodurch das Kraftstoffregelventil sofort durch Federkraft geschlossen wird.

## Abschaltung bei zu hoher Kühlmitteltemperatur

Sollte die Kühlmitteltemperatur zu hoch werden, unterbricht der Temperaturgeber den Stromkreis zwischen Batterie und Kraftstoffmagnetventil, wodurch das Kraftstoffregelventil sofort durch Federkraft geschlossen wird.

## Betrieb der vertikalen Lichtmast-Scheinwerfer

Vor Inbetriebnahme der Lichtmast-Scheinwerfer Abschnitt **Sicherheit** lesen.

Der vertikale Lichtmast wird von einer Hydraulikpumpe gehoben und gesenkt, die einen Teleskopmast mit 6 Abschnitten betätigt.



### WARNUNG

#### Gefahr durch Umkippen

- Vor dem Anheben, Absenken oder Betrieb der Lichtmast-Scheinwerfer muss der Anhänger ausreichend nivelliert und stabilisiert werden: siehe **Vorbereitung für den Betrieb**.



### WARNUNG

#### Quetschungsgefahr

- Ausreichenden Freiraum um und über dem Anhänger lassen, wenn der Lichtmast angehoben bzw. abgesenkt wird.
- Sicherstellen, dass sich keine Hindernisse oder Personen in der Nähe des Lichtmasts befinden, wenn dieser angehoben oder abgesenkt wird.

## Einstellung von Scheinwerferarm und Lampengehäusen

### Scheinwerfer – Einstellung am Arbeitsplatz

Der Scheinwerferarm und die Lampengehäuse müssen auf den gewünschten Winkel eingestellt werden, bevor der Mast ausgefahren wird.

Wenn der Lichtmast komplett abgesenkt ist und die Scheinwerfer abgeschaltet sind, können Scheinwerferarm und Lampengehäuse manuell in die gewünschte Arbeitsposition gedreht werden.

Zum Einstellen des Scheinwerferarms den Sicherungsstift (A, Abbildung 19) freigeben, indem am Ring gezogen und dieser um 90 Grad gedreht wird, damit der Stift in der eingezogenen Position bleiben kann.

Wenn der Sicherungsstift freigegeben ist, kann der Scheinwerferarm von Hand mit ausreichend Widerstand gedreht werden, damit er nach Ausrichten der Scheinwerfer auf den gewünschten Baustellenbereich von selbst in der gewünschten Position bleibt.

Wenn sich der Scheinwerferarm zu leicht drehen lässt oder seine Position nicht hält, die Verschlusskappe in der Mitte des Scheinwerferarms entfernen und die Mutter festziehen, bis ausreichend Widerstand erhalten wird. Danach die Verschlusskappe wieder anbringen.

Zum Einstellen der einzelnen Lampengehäuse diese am Sockel (A, Abbildung 20) in die gewünschte Arbeitsposition drehen.

## Scheinwerfer – Lagerung des Anhängers

Der Scheinwerferarm und die Lampengehäuse müssen vor dem Anhängertransport oder Transport verstaut werden. Siehe **Lichtmast-Scheinwerfer – Verstauen für den Anhängertransport**.

## Heben und Senken des hydraulischen Lichtmasts

**HINWEIS:** Der hydraulisch betätigte Lichtmast (A, Abbildung 21) benötigt 12-VDC-Batteriestrom zum Betrieb. Der Lichtmast kann nach Bedarf gehoben und gesenkt werden, wenn die Zündung eingeschaltet ist und der Motor nicht läuft.

### Heben

#### HINWEIS:

Vor dem Heben des Lichtmastes muss die Maschine anhand einer Sichtprüfung auf Schäden oder Verschleiß untersucht werden; diese sind nach Bedarf zu reparieren oder durch Komponentenaustausch zu beseitigen. Den Lichtmast niemals mit beschädigten oder defekten Komponenten betreiben.

1. Vor Heben des Lichtmastes die Lichtmast-Scheinwerfer in die gewünschte Arbeitsposition bringen; siehe **Einstellung von Scheinwerferarm und Lampengehäusen**.
2. Falls erforderlich den Motor anlassen. Der Anlassvorgang wird in der Motor-Bedienungsanleitung beschrieben.
3. Die Scheinwerfer ausschalten; siehe **Scheinwerfer-Bedienfeld**.
4. Den Hubschalter für die Lichtmasthydraulik (A, Abbildung 22) nach oben drücken, um den Lichtmast bis zur gewünschten Höhe zu heben.

### Senken

1. Falls erforderlich den Motor anlassen. Der Anlassvorgang wird in der Motor-Bedienungsanleitung beschrieben.
2. Die Scheinwerfer ausschalten; siehe **Scheinwerfer-Bedienfeld**.
3. Den Hubschalter für die Lichtmasthydraulik (A, Abbildung 22) nach unten drücken, um den Lichtmast bis zur untersten Position zu senken.
4. Wenn der Lichtmast den unteren Anschlag erreicht, den Schalter noch weitere 3 Sekunden lang gedrückt halten, damit der Mast auch wirklich in der untersten Position ist.

## Scheinwerfer-Bedienfeld

Die vier Lichtmast-Lampengehäuse sind durch vier Schutzschalter (A, Abbildung 23) auf dem Scheinwerfer-Bedienfeld geschützt.

Die Scheinwerfer werden automatisch durch das Beleuchtungsfolgesystem (SLS) geregelt. Für die automatische Beleuchtungsregelung einfach die Schutzschalter auf EIN gestellt lassen. Die Schutzschalter für die Scheinwerfer können jedoch einzeln auf AUS geschaltet werden.

### Scheinwerfer ein

Den Motor anlassen und die Scheinwerfer werden automatisch der Reihe nach eingeschaltet.

Einen oder mehrere Schutzschalter (A, Abbildung 23) auf AUS stellen, um einzelne Scheinwerfer auszuschalten.

## Scheinwerfer aus

Den Motor abstellen und die Scheinwerfer schalten sich automatisch ab.

*HINWEIS: Die Scheinwerfer schalten sich um Sekundenbruchteile vor dem Motor ab, um Kondensatorschäden zu vermeiden.*

## Abschaltverfahren

### Abschalten – kurzzeitig

1. Den Lichtmast ganz absenken; siehe **Heben und Senken des Lichtmasts**.
2. Den Motor abstellen. Zum Abstellverfahren auf die Motor-Bedienungsanleitung Bezug nehmen.

### Abschalten – langfristig oder als Vorbereitung für den Anhängertransport

Siehe **Langfristige Lagerung** oder **Abschalten – Vorbereitung zum Verladen auf einen Anhänger**.

## Funktionsweise der Zusatzsteckdose

Je nach Modelloptionen verfügt die einphasige 220-VAC-Steuertafel über zwei 220-VAC-Steckdosen (C, Abbildung 24) zur Versorgung von Zubehör durch den Generator. Nur wenn Motor/Generator laufen und der Hauptschalter (A) auf EIN gestellt ist, werden die Steckdosen mit Strom versorgt.

Jede 220-VAC-Steckdose ist durch einen 15-A-Leistungsschalter geschützt (B, Abbildung 24).

Der Hauptleistungsschalter (A, Abbildung 24) ist ein 32-A-ELCB-Leistungsschalter.

Wenn einer der Steckdosen-Leistungsschalter ausgelöst wird:

1. Den Verbraucher von der Steckdose trennen.
2. Die Lichtmast-Scheinwerfer abschalten (falls verwendet).
3. Das Überlastproblem korrigieren und 10 Minuten warten, damit sich der Generator abkühlen kann, bevor der Verbraucher wieder angeschlossen wird.

## Wartung

Vor Durchführung von Wartungsverfahren muss der Abschnitt **Sicherheit** gelesen werden.

Planmäßige Wartung verhindert unplanmäßigen Stillstand, verringert die Anzahl von Unfällen aufgrund von mangelhafter Leistung und hilft die Lebensdauer des Lichtmasts zu verlängern.

Vorschriftsmäßige Wartung und Pflege des Lichtmasts und Anhängers ist für sicheren und zuverlässigen Betrieb unverzichtbar. Zusätzlich zum Wartungsplan der Werkstatt sind die folgenden Richtlinien für Wartung und Pflege anzuwenden.

Wenn Maschinen unter schwierigen Bedingungen betrieben werden (sehr staubig, extreme Hitze oder Kälte usw.), müssen die betroffenen Maschinen häufiger gewartet werden.

## Motor

Alle planmäßigen Wartungsverfahren für den Motor sind der Motor-Bedienungsanleitung zu entnehmen.

### Nachfüllen von Motoröl und Motorölwechsel

Eine hochwertige Motorölsorte verwenden; z. B. API (American Petroleum Institute) Serviceklasse CG-4/CH-4/CI-4. Motoröldata und Wartungsverfahren sind der Motor-Bedienungsanleitung zu entnehmen.

Alle Modelle sind mit Ölabflüssen ausgestattet.

### Motorfilter

Wartungsverfahren für Luft-, Öl- und Kraftstofffilter sind der Motor-Bedienungsanleitung zu entnehmen.

## Elektrik

### Generator

Alle planmäßigen Wartungsverfahren für den Generator sind der Generator-Bedienungsanleitung zu entnehmen.

### Vorschaltgerätafel

Die Vorschaltgerätafeln befinden sich an der Vorderseite des Lichtmastanhängers. Die Vorschaltgerätafeln können durch Öffnen der Türen und Entfernen der Vorschaltgerätabdeckungen erreicht werden. Jede Vorschaltgerätafel enthält zwei Lichtmast-Scheinwerfervorschaltgeräte (A, Abbildung 25) und Kondensatoren (B). Weitere Verdrahtungsinformationen sind im separaten Stromlaufplan-Handbuch zu finden.



**GEFAHR**

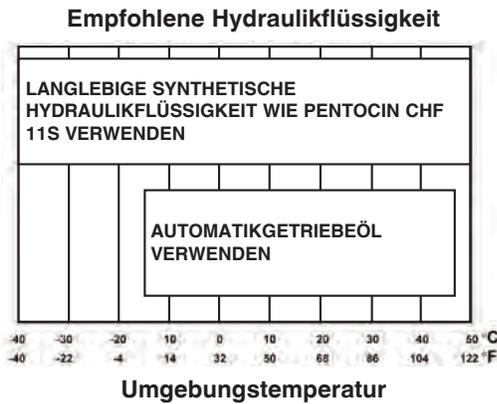


### Stromschlaggefahr

- Nur qualifizierte Elektriker dürfen Wartungs- und Austauschverfahren durchführen. Vorschaltgerät und Kondensatoren können Hochspannung abgeben. Bei der Wartung elektrischer Teile stets geeignete persönliche Schutzkleidung und Schutzausrüstung tragen.
- Bei laufendem Motor liegt Hochspannung an. Bei laufendem Motor niemals versuchen, elektrische Teile zu warten.
- Den Lichtmast nicht betreiben, wenn die Isolierung der elektrischen Kabel geschnitten oder abgenutzt ist oder wenn blanker Draht sichtbar ist. Die beschädigte Verkabelung reparieren oder ersetzen, bevor der Motor angelassen wird.

# Hydraulikpumpe

## Technische Daten für Hydrauliköl



### Nachfüllen von Hydrauliköl

Den Behälter (Abbildung 26) mit Automatikgetriebeflüssigkeit oder einer sauberen Hydraulikflüssigkeit mit einem Viskositätsindex, der für die vorliegenden klimatischen Bedingungen geeignet ist, füllen. Auf die vorstehende Tabelle Bezug nehmen.

*HINWEIS: Standardversionen werden mit Automatikgetriebeflüssigkeit (ATF) geliefert, Maschinen für arktischen Einsatz mit langlebiger synthetischer Hydraulikflüssigkeit.*

### Vorfüllen der Hydraulikpumpe

Pumpen, die zur Reparatur zerlegt wurden, oder Pumpen, die ersetzt wurden, müssen vorgefüllt werden, um einen möglichen Pumpenausfall zu vermeiden. Eine Pumpe ist „vorgefüllt“, wenn die Hohlräume der Pumpe mit Öl gefüllt sind und alle Luft verdrängt wurde. Vorfüllen der Pumpe:

1. Sicherstellen, dass der Ölbehälter (A, Abbildung 26) bis zur Vollmarkierung mit Öl gefüllt ist.
2. Eine Auffangwanne unter die Pumpe stellen, um überschüssiges Öl aufzufangen.
3. Das Schlauchende (B, Abbildung 26) lockern, damit Öl und Luft austreten können.
4. Den Zündschalter einschalten und den Schalter zum Heben/Senken-des Lichtmasts nach oben auf „Heben“ stellen. Dies mehrere Male kurzzeitig wiederholen, um die Pumpe im „Tippbetrieb“ zu betreiben. Dadurch werden Luft und Öl durch den losen Anschluss herausgedrückt. Wiederholen, bis der Ölstrom luftlos ist.
5. Das Schlauchende wieder festziehen. Den Zündschalter ausschalten.
6. Die Auffangwanne entfernen und das Öl gemäß behördlichen Vorschriften entsorgen.
7. Öl bis zur Vollmarkierung in den Öltank füllen.

Nach dem Vorfüllen der Pumpe muss der Zylinder entlüftet werden. Entlüften des Zylinders:

1. Sicherstellen, dass der Ölbehälter bis zur Vollmarkierung mit Öl gefüllt ist.
2. Den Entlüftungsanschluss (A, Abbildung 27) am oberen Ende des Zylindermantels reinigen.

3. Einen Entlüftungsschlauch über das Ende des Entlüftungsanschlusses stülpen. Das andere Ende des Entlüftungsschlauchs in einen geeigneten Auffangbehälter hängen.
4. Den Zündschalter einschalten und den Schalter zum Heben/Senken-des Lichtmasts nach oben auf „Heben“ stellen.
5. Den Entlüftungsanschluss öffnen. Öl und Luft aus dem Zylinder ausdringen lassen. Den Entlüftungsanschluss schließen, wenn das Öl keine Luftbläschen mehr enthält.
6. Die Auffangwanne und den Entlüftungsschlauch entfernen. Das Öl in der Auffangwanne gemäß behördlichen Vorschriften entsorgen.
7. Den Schalter zum Heben/Senken-des Lichtmasts nach unten auf „Senken“ stellen. Sicherstellen, dass der Mast vollständig abgesenkt wurde. Den Zündschalter ausschalten.
8. Öl bis zur Vollmarkierung in den Öltank füllen.

## Lichtmast und Scheinwerfer

### Wechseln der Lampen



**WARNUNG**



#### Verbrennungsgefahr

- Die Lampengehäuse werden bei der Verwendung extrem heiß.
- Stets vorsichtig sein und hitzbeständige Handschuhe tragen, wenn die Lampen gehandhabt werden oder die Lampen ausreichend abkühlen lassen, bevor sie gehandhabt werden.

1. Die Scheinwerfer abschalten und den Motor abstellen. Warten, bis die Lampen und Lampengehäuse abgekühlt sind.
2. Den Lichtmast vollständig absenken.
3. Die Streuscheibenrillenschrauben (E, Abbildung 28) lockern, damit die Streuscheibenrille (F) entnommen werden kann.
4. Die Silikondichtung (G, Abbildung 28) und die Streuscheibe (H) entnehmen.
5. Die Spannklammerschrauben (A, Abbildung 28) und die Spannklammer (B) entfernen.
6. Die alte Lampe (C, Abbildung 28) behutsam entnehmen und die korrekte Ersatzlampe einbauen. Siehe **Technische Daten**.
7. Den Reflektor (D, Abbildung 28) und die Streuscheibe reinigen.
8. Die Spannklammer und Schrauben montieren.
9. Die Silikondichtung und Streuscheibe einbauen. Austauschen, falls sie beschädigt oder abgenutzt ist.
10. Die Streuscheibenrille und die Schrauben anbringen.
11. Den neuen Scheinwerfer testen, um vorschriftsmäßige Funktionsweise zu gewährleisten.

## Anhänger

Vorschriftsmäßige Wartung und Pflege des Anhängers ist für sicheren und zuverlässigen Betrieb unverzichtbar. Zusätzlich zum Wartungsplan der Werkstatt sind die folgenden Richtlinien für Wartung und Pflege anzuwenden.

## Rahmen

1. Die Funktionsweise der Kupplung prüfen und die Kupplung auf Korrosion oder Schäden untersuchen und nach Bedarf ersetzen.
2. Die Hubstange auf Korrosion und Schäden untersuchen. Nach Bedarf ersetzen.
3. Den Anhängerrahmen und die Karosserieverkleidungen auf Rost, Kratzer und ausgeschlagene Stellen prüfen. Kerben und Kratzer mit geeignetem Lack ausbessern. Weitere Informationen erhalten Sie von Ihrem Händler.
4. Achse, Federn und Unterbau auf Verschleiß und Schäden untersuchen. Nach Bedarf ersetzen.
5. Stützausleger, vordere und hintere Stabilisierungsheber und Verriegelungsmechanismen auf korrekte Funktionsweise, Verschleiß und Schäden untersuchen. Nach Bedarf ersetzen.

## Schmierstellen

Für alle mechanische Gelenkstellen des Anhängers muss reibungssames N.G.L.I. Hochtemperaturlagerfett der Zusammensetzung Nr. #2 verwendet werden.

## Anhängerräder und -reifen



### WARNUNG

#### Gefahr durch Abschleppen

- Den Anhänger nie mit beschädigten Reifen, Felgen oder Radmuttern ziehen.

1. Die Reifen auf Schnitte, Risse oder Schäden untersuchen. Beschädigte Reifen vor dem Ziehen des Anhängers reparieren oder ersetzen.
2. Den Luftdruck der Anhängerreifen in kaltem Zustand prüfen. Die Tabelle unten enthält die Achslasten und Reifendruckwerte. Die Reifen nicht zu stark oder zu schwach aufpumpen.

Zulässiges Gesamtgewicht	907 kg	
Zulässiges Gesamtgewicht, Vorderachse	907 kg	
Reifen	155R13C-8PR 90/88Q	
Felgen	14.5J x 13	
Reifendruck, kalt	310 kPa	45 psi

3. Die Radfelgen auf Risse oder Schäden untersuchen.
4. Sicherstellen, dass alle Radbolzen angebracht sind. Den Anhänger nie mit fehlenden oder falschen festgezogenen Radbolzen ziehen.
5. Prüfen, ob die Radbolzen sicher festgezogen sind. Das korrekte Anzugsmoment der Radbolzen ist 88 Nm.
6. Beim Festziehen der Radbolzen stets über Kreuz arbeiten (Abbildung 29).

## Radlager

Die Achse ist mit wartungsfreien Radlagern (lebensdauer geschmiert) ausgestattet. Es ist keine Nachstellung erforderlich. Das Nabenlager ist nicht gegen das Eindringen von Wasser geschützt.

Die Nabenmutter mit Flansch befindet sich unter der Staubschutzkappe und hält die Bremstrommel in ihrer Einbauposition. Wenn sie ausgebaut wird, muss sie durch eine neue Flanshmutter ersetzt werden. Die Mutter muss mit einem Drehmoment von  $290 \pm 10$  Nm festgezogen werden. Eine kleine Menge mineralisches Schmierfett muss auf das Achsgewinde aufgetragen werden, bevor die neue Flanshmutter angebracht wird. Nach dem Aufsetzen der Mutter überschüssiges Schmierfett entfernen.

Der hintere Sechskantbolzen DARF unter keinen Umständen GELOCKERT ODER VERÄNDERT WERDEN. Wenn dieser Bolzen verändert wird, führt dies zu sofortiger Reifenabnutzung und Schäden an den Bremsen und ALLE GARANTIEEN WERDEN UNGÜLTIG. Sollte dieser Bolzen verändert werden, müssen Vorspur und Radsturz neu eingestellt werden.

Sollte das Lager oder die Trommel beschädigt werden, müssen Trommel mitsamt Lager und Sicherungsring ersetzt werden. In der Nabe wird kein Fett verwendet und in die Staubschutzkappe darf kein Fett gegeben werden.

## Bremsen

Die Radbremsbeläge alle 10.000 km oder alle 12 Monate auf Verschleiß untersuchen. Die Bremsen nach Bedarf einstellen. Wenn laufend in hügeligem Gelände gefahren wird oder lange Strecken zurückgelegt werden, kann eine frühere Untersuchung und Einstellung erforderlich sein.

Vollständige Anweisungen zur Einstellung der Bremsen sind der Achsen-Bedienungsanleitung zu entnehmen.

## Anhängerbeleuchtung



### WARNUNG

#### Gefahr durch Abschleppen

- Den Anhänger nie mit funktionsunfähiger Anhängerbeleuchtung ziehen.

Leuchten sind eine wichtige Sicherheitsfunktion des Anhängers und sind in der Straßenverkehrsordnung vorgeschrieben. Die Beleuchtung muss in einwandfreiem Zustand gehalten werden.

- Die Anhängerbeleuchtung und den Kabelbaum auf Schäden und Verschleiß untersuchen. Nach Bedarf ersetzen oder reparieren.
- Sicherstellen, dass der Kabelbaum sicher am Anhänger befestigt ist und nicht am Boden schleift.
- Das Schlussleuchtengehäuse auf Schäden und Undichtheit untersuchen. Die Streuscheibe oder den Kabelbaum nach Bedarf mit Silikon- oder Kautschukdichtmittel abdichten oder die Gehäusebaugruppe ersetzen. Elektrikfett hilft die Fassungen zu schützen und verhindert deren Korrosion.
- Beim Ersetzen von Glühbirnen ist sicherzustellen, dass die richtige Glühbirne verwendet wird; ein wenig Elektrikfett auf die Fassung auftragen, um Korrosion zu verhindern.

Verdrahtungsinformationen zum Anhänger sind im separaten Stromlaufplan-Handbuch zu finden.

## Langfristige Lagerung

Korrekte Wartung ist erforderlich, wenn Lichtmast und Anhänger langfristig gelagert oder außer Betrieb genommen werden.

Verfahren für die langfristige Lagerung von Motor und Generator sind der Motor- und Generator-Bedienungsanleitung zu entnehmen.

1. Den Lichtmast vollständig absenken.
2. Erforderliche Reparaturen durchführen, um sicherzustellen, dass die Maschine bei der Wiederinbetriebnahme funktionsfähig ist.
3. Rahmen und Karosserieverkleidungen reinigen und waschen. Korrosionsschutzmittel auf alle Flächen auftragen, die dies erfordern.
4. Verschüttetes Öl oder verschüttete Flüssigkeit im Motorraum reinigen.
5. Alle elektrischen Verdrahtungen und elektrischen Komponenten mit nicht korrodierendem Reinigungsmittel reinigen.
6. Den Lichtmasten und die Lampengehäuse-Baugruppen reinigen.
7. Die Batterie abklemmen und entfernen.
8. Lichtmast und Anhänger mit einer geeigneten Plane/ Abdeckung schützen.
9. Die Anhängerachse auf Ständern oder anderen geeigneten Klötzen abstützen, damit während der Lagerung das Gewicht von den Reifen entlastet wird und die Reifen vom Boden abgehoben sind.

## Reinigung

Für vorschriftsmäßigen Betrieb ist es wichtig, den Lichtmast sauber zu halten. Schmutz- und Staubablagerungen wirken als Isolierung und können zu extrem hohen Betriebstemperaturen für Motor, Generator und Scheinwerfer-Baugruppen führen.

Bei der Reinigung wie folgt vorgehen:

- Bei Verwendung von Druckluft oder Druckwasser/ Dampfdruckwäschern vorsichtig arbeiten. Elektrische Komponenten nicht druckreinigen, da sie dadurch beschädigt werden können.
- Den Lichtmast reinigen und allen Staub, Schmutz und alle Fremdstoffe entfernen.
- Den Kühlluft einlass und die Auslassöffnungen des Gehäuses untersuchen und reinigen. Sicherstellen, dass sie sauber sind. Schmutz oder Ablagerungen entfernen, die den Kühlluftstrom behindern könnten.
- Den Lichtmast und seine Komponenten mit einem feuchten Tuch oder Schwamm reinigen.
- Alle Motorgestänge untersuchen und reinigen, damit sie einwandfrei funktionieren.

### Reinigung und Entleeren der Anhänger-Flüssigkeitsauffangwanne

Allmand NITE LITE PRO II Lichtmasten enthalten eine Flüssigkeitsauffangwanne, die verschütteten Kraftstoff oder verschüttetes Öl und Kühlmittel aufnehmen können. Sollte es zu einer Verschüttung kommen, muss ein geeigneter Behälter unter die Maschine gestellt und die Ablassschraube entfernt werden. Nach Ablassen der Flüssigkeit die Ablassschraube wieder anbringen und die Flüssigkeit gemäß behördlicher Vorschriften entsorgen.

## Fehlersuche und -behebung

Vor Durchführung von Fehlersuchverfahren müssen die folgenden Sicherheitshinweise und der Abschnitt **Sicherheit** gelesen werden.

Zur Fehlersuche am Motor und Generator in der Motor-Bedienungsanleitung und der Generator-Bedienungsanleitung nachschlagen oder den örtlichen Händler verständigen.



**GEFAHR**



### Stromschlaggefahr

- Nur qualifizierte Elektriker dürfen Wartungs- und Austauschverfahren durchführen. Vorschaltgerät und Kondensatoren können Hochspannung abgeben. Bei der Wartung elektrischer Teile stets geeignete persönliche Schutzkleidung und Schutzausrüstung tragen.
- Bei laufendem Motor liegt Hochspannung an. Bei laufendem Motor niemals versuchen, elektrische Teile zu warten.
- Den Lichtmast nicht betreiben, wenn die Isolierung der elektrischen Kabel geschnitten oder abgenutzt ist oder wenn blanker Draht sichtbar ist. Die beschädigte Verkabelung reparieren oder ersetzen, bevor der Motor angelassen wird.

Stets die Spezifikationen des Herstellers der elektrischen Komponenten für Spannungswerte und Prüfverfahren befolgen.

**Tabelle zur Fehlersuche und -behebung**

<b>Problem</b>	<b>Mögliche Ursache</b>
Kein Licht (eine oder mehrere Scheinwerfer)	1. Leistungsschalter im Steckdosenkasten sind nicht eingeschaltet oder wurden ausgelöst.
	2. Scheinwerfer haben sich seit dem letzten Einschalten nicht ausreichend lang abgekühlt. Zwischen Abschalten und erneutem Einschalten der Scheinwerfer muss mindestens 15 Minuten Zeit vergehen.
	3. Scheinwerfer sind ausgebrannt oder defekt.
	4. Ein oder mehrere Scheinwerfer sind nicht korrekt eingedreht.
	5. Stecker und Buchse an Scheinwerferarm sind nicht sicher zusammengedrückt und arretiert.
	6. Die Temperatur des Vorschaltgeräts liegt unter $-29\text{ }^{\circ}\text{C}$ . Der Wirkungsgrad der Kondensatoren im Vorschaltgerät reicht nicht aus, um die Lampen zu zünden. Wenn die Temperatur des Vorschaltgeräts unter $-29\text{ }^{\circ}\text{C}$ abfällt, muss eine Vorrichtung zum Erwärmen des Vorschaltgeräts verwendet werden.
	7. Niedrige Spannung im elektrischen System.
	8. Eine lockere Verbindung an der Rückseite der Lampenfassung im Scheinwerferhalter.
	9. Ein Leistungsschalter oder Trennschalter ist defekt.
	10. Lose Verbindung auf Klemmenleiste.
	11. Motor und Generator laufen nicht mit der erforderlichen Drehzahl. (1800 U/min)
	12. Ersatzscheinwerfer des falschen Typs (erfordert anderes Vorschaltgerät) wurde installiert.
	13. An den Zusatzsteckdosen wird zuviel Strom abgegeben.
	14. Kondensator oder Transformator ist ausgefallen.
	15. Korrosion an Lampenfassungen.

## ALLMAND BROS. INC. GARANTIEPOLICE

### INGESCHRÄNKTE GARANTIE

Allmand Bros. Inc. garantiert dem Originalkäufer, dass alle Teile mit Material- und/oder Fertigungsmängeln während des unten definierten Garantiezeitraums nach Ermessen des Herstellers kostenlos repariert oder ersetzt werden, oder dass die Kosten des Produktes rückerstattet werden, sollte der Hersteller bestimmen, dass eine Reparatur bzw. ein Austausch die Waren nicht in einen ordnungsgemäßen Betriebszustand bringen oder nutzbar machen kann. Diese Garantie ist für die Zeiträume und unter den unten genannten Bedingungen wirksam.

**Es besteht keine andere ausdrückliche Garantie. Implizierte Garantien, einschließlich der der allgemeinen Gebrauchstauglichkeit und Eignung für einen bestimmten Zweck, sind auf den unten definierten Garantiezeitraum oder auf den gesetzlich zugelassenen Umfang beschränkt. Die Haftbarkeit für Folge- oder Begleitschäden ist soweit ausgeschlossen, wie gesetzlich zulässig.** In einigen Staaten ist die Dauer der implizierten Garantie bzw. die Beschränkung von Folge- oder Begleitschäden nicht zulässig, daher könnte die oben genannte Beschränkung oder Ausnahme eventuell nicht auf Sie zutreffen. Durch diese Garantie erhalten Sie spezielle Rechte, und von einem Staat zum anderen können Sie außerdem andere, von Land zu Land variierende Rechte haben. \*\*

### GARANTIEZEITRAUM

Produkt	Garantie	Produkt	Garantie
Beleuchtungssysteme	2 Jahre *	Generator	Siehe Garantie des Generatorherstellers
1250-W-Vorschaltgerät	2 Jahre	Motor	Siehe Garantie des Motorherstellers
Arrowboard AB2220	3 Jahre		
Arrowboard AB2400	3 Jahre		
LED-Leuchten	5 Jahre		
Solarkollektoren	10 Jahre		
Maxi-Heat	1 Jahr		
Ersatzteile	90 Tage		

\* 2. Jahr – nur Ersatzteile, keine Arbeitskosten (nur von Allmand Bros. Inc. hergestellte Ersatzteile)

\*\* Australien – Unsere Waren sind durch Garantien gedeckt, die unter dem australischen Konsumentenschutzgesetz nicht ausgeschlossen werden können. Bei erheblichen Mängeln haben Sie Anspruch auf Ersatz oder Erstattung sowie auf Schadensersatz bei weiteren angemessen vorhersehbaren Verlusten oder Schäden. Darüber hinaus haben Sie Anspruch auf Reparatur oder Ersatz der Waren, falls diese nicht die zu erwartende Qualität aufweisen und der Defekt keinen erheblichen Fehler darstellt. Bei Garantiefragen wenden Sie sich bitte an Compressed Air & Power Solutions (CAPS) Australia unter 1800 802 697, oder online oder [www.capsaustralia.com.au](http://www.capsaustralia.com.au) oder schriftlich an CAPS Australia, 185 Planet Street, Welshpool, WA 6106.

Der Garantiezeitraum beginnt mit dem Kaufdatum (Rechnungsdatum). Wenn Sie bei einer erforderlichen Garantieleistung keinen Rechnungsdatumbelag vorlegen, aus dem das Kaufdatum hervorgeht, wird das Herstellungsdatum des Produktes zur Festlegung des Garantiezeitraums herangezogen. Der Originalkäufer ist die erste Person oder Entität, die das Produkt für tatsächliche Verwendung erwirbt. Die Garantie lässt sich nicht auf nachfolgende Käufer übertragen. Jede Person oder Entität, die Produkte für den Großhandel oder Einzelverkauf lagert, wird nicht als Originalkäufer klassifiziert. Das Vermieten oder Verwenden des Produktes, das über normale Vorführungszwecke hinaus geht, wird jedoch als tatsächliche Verwendung durch einen Originalkäufer klassifiziert, und der Garantiezeitraum beginnt am ersten Tag einer solchen Verwendung.

Die Transportkosten für Teile oder Produkte, die unter dieser Garantie zur Reparatur oder zum Austausch eingesandt wurden, müssen vom Käufer getragen werden. Wenn nachträglich ermittelt wird, dass die Teile von der Garantie gedeckt sind, werden die Transportgebühren dem Käufer rückerstattet. Luftfracht für internationale Lieferungen der Ersatzteile sind von dieser Garantie nicht gedeckt. Der Hersteller wird in keinem Fall Kilometergeld zahlen und ist in keinem Fall verantwortlich für Stillstandszeit oder Umsatzverluste.

### ÜBER DIESE GARANTIE

Diese Garantie erstreckt sich ausschließlich auf Material- und Verarbeitungsmängel. Sie deckt keine durch unsachgemäße Verwendung oder Missbrauch des Gerätes, unsachgemäße Wartung oder Reparatur, normale Abnutzung und Verschleiß entstandenen Schäden ab.

**Falscher Einsatz und Missbrauch** - Der korrekte, vorgesehene Einsatz des Produktes ist in der Betriebsanleitung angeführt. Die Verwendung des Produktes auf eine Weise, die in der Betriebsanleitung nicht beschrieben ist, oder die Verwendung des Produktes nach Beschädigung macht diese Garantie ungültig. Eine Garantieleistung ist ausgeschlossen, wenn die Seriennummer des Produktes entfernt, unleserlich gemacht oder verändert wurde oder wenn das Produkt Anzeichen von Missbrauch aufweist, wie Schäden durch äußere Einwirkung oder Korrosionsschäden durch Wasser bzw. Chemikalien.

**Unsachgemäße Wartung oder Reparatur** – Dieses Produkt muss gemäß den in der Betriebsanleitung angegebenen Verfahren und Terminen gewartet und unter Verwendung von Originalersatzteilen oder gleichwertigen Ersatzteilen repariert werden. Durch fehlende Wartung oder die Verwendung von Nicht-Original-Ersatzteilen verursachte Schäden sind durch die Garantie nicht abgedeckt. Die Garantie deckt keine Ausfälle durch nicht genehmigte Veränderungen, Modifizierungen oder andere Änderungen oder von Schäden aufgrund von unvorschriftsmäßiger Installation, Reparatur, Wartung oder unvorschriftsmäßigem Betrieb ab. Dieser Ausschluss gilt nicht für Installationen, Reparaturen oder andere Arbeiten, die im Herstellerwerk oder unter direkter Beaufsichtigung durch den Hersteller durchgeführt wurden.

**Normale Abnutzung** – Wie alle mechanischen Geräte unterliegt diese Maschine der normalen Abnutzung, selbst wenn sie ordnungsgemäß gewartet wird. Diese Garantie deckt keine Reparaturen ab, wenn Teile oder die gesamte Maschine durch den normalen Gebrauch verschliffen sind. Wartungs- und Verschleißteile, wie Filter, Riemen, Reifen, Lampen, Batterien usw., sind nicht von der Garantie abgedeckt, es sei denn, die Verschleißursache ist auf Material- oder Verarbeitungsmängel in Bezug auf diese Teile zurückzuführen.

**Weitere Ausschlüsse** – Schäden, die durch Unfälle, Missbrauch, Umbauten, Änderungen, eine unsachgemäße Wartung, durch Einfrieren oder eine Zustandsverschlechterung durch Chemikalien verursacht wurden, sind nicht abgedeckt. Anbaugeräte oder Zubehör, die nicht ursprünglich im Produkt installiert waren, sind von der Gewährleistung ausgenommen. Diese Garantie deckt keine gebrauchten, überarbeiteten, aus zweiter Hand stammenden oder Ausstellungsgaräte ab. Diese Garantie schließt Schäden aus, die auf Naturgewalten zurückzuführen sind und sich der Kontrolle durch den Hersteller entziehen.

80013801 (Rev - )

## Registre la información importante

Registrar la información del equipo le ayudará cuando realice pedidos de piezas de repuesto o calcomanías.

N.º de equipo de la empresa: \_\_\_\_\_

N.º de modelo de la unidad: \_\_\_\_\_

VIN de la unidad: \_\_\_\_\_

N.º de modelo del motor: \_\_\_\_\_ N.º de serie: \_\_\_\_\_

N.º de modelo del generador: \_\_\_\_\_ N.º de serie: \_\_\_\_\_

Accesorios: \_\_\_\_\_

## Contenido del manual:

Introducción.....	7
Seguridad.....	7
Remolcado, transporte y elevación .....	11
Información general de mantenimiento .....	14
Operación.....	16
Mantenimiento.....	19
Resolución de problemas .....	22
Garantía.....	24

## Introducción

### Acerca de este manual

#### TÓMESE EL TIEMPO DE LEER COMPLETAMENTE ESTE MANUAL

Este manual de instrucciones proporciona las instrucciones necesarias para la torre de iluminación NIGHT-LITE PRO II.

La información que encuentre en este manual está vigente a partir del momento de la impresión. Allmand Bros Inc. puede cambiar los contenidos sin previo aviso si se ve en la obligación.

Toda referencia "hacia la derecha" o "hacia la izquierda" que se haga en este manual, deberá determinarse mirando el remolque desde la parte posterior.

Si no está seguro acerca de la información de este manual, comuníquese con el Departamento de Mantenimiento de Allmand al +800.562.1373, o bien, comuníquese con nosotros en el sitio web de Allmand, [www.allmand.com](http://www.allmand.com).

Conserve estas instrucciones originales para consulta futura.



## Productos cubiertos por este manual

Los siguientes productos se cubren en este manual:

CE 50HZ NIGHT-LITE PRO II

## Seguridad

### Definiciones de seguridad

Las declaraciones de seguridad son una de las primeras maneras de llamar su atención con respecto a los peligros potenciales. Por su seguridad, la seguridad de los demás y para proteger el rendimiento del equipo, siga las precauciones que se indican en todo el manual antes de la operación, durante la operación y durante los procedimientos de mantenimiento periódico. Evite que las calcomanías se ensucien o se rompan, y reemplácelas si se pierden o se dañan. Además, si se deben cambiar las piezas que tienen una calcomanía, asegúrese de pedir la pieza nueva y la calcomanía al mismo tiempo.



Este símbolo de alerta de seguridad aparece en la mayoría de las declaraciones de seguridad. Significa atención, esté alerta, su seguridad está involucrada. Lea y obedezca el mensaje a continuación del símbolo de alerta de seguridad.



#### PELIGRO

Indica una situación peligrosa que, si no se evita, provocará la muerte o lesiones graves.



#### ADVERTENCIA

Indica una situación peligrosa que, si no se evita, podría provocar la muerte o lesiones graves.



#### PRECAUCIÓN

Indica una situación peligrosa que, si no se evita, podría provocar lesiones leves o graves.

#### AVISO

Indica una situación que puede provocar daños a los equipos, a la propiedad personal o al ambiente, o que puede provocar que el equipo funcione indebidamente.

#### NOTA:

Proporciona información clave para facilitar o clarificar los procedimientos.

## Precauciones de seguridad

La siguiente sección contiene precauciones y pautas generales de seguridad que se deben obedecer para reducir el riesgo para la seguridad personal. Las precauciones especiales de seguridad se indican en procedimientos específicos. Lea y comprenda todas las precauciones de seguridad antes de operar o realizar reparaciones o mantenimiento.



## PELIGRO



### Peligro de electrocución

- Siempre revise los cables aéreos y las obstrucciones antes de subir o bajar la torre de iluminación.
- Siempre siga las reglas o instrucciones de su lugar de trabajo y el código eléctrico estatal, provincial o nacional, para mantener una distancia segura desde los cables aéreos.
- Cuando el motor está en funcionamiento se produce un alto voltaje. Nunca intente dar mantenimiento a los componentes eléctricos mientras el motor esté en funcionamiento.
- No haga funcionar la torre de iluminación si el aislamiento en el cable eléctrico u otro cableado eléctrico presenta cortes o desgaste o bien, si hay cables desnudos expuestos. Repare o reemplace el cableado dañado antes de arrancar el motor.



## ADVERTENCIA

### Peligro de operación no segura

- Nunca permita que alguien instale u opere el equipo si no cuenta con la capacitación adecuada.
- Lea y comprenda este manual del operario y el Manual del operario del motor, antes de hacer funcionar o dar mantenimiento a la torre de iluminación, para garantizar que se sigan los procedimientos de mantenimiento y prácticas de operación seguros.
- Las calcomanías y señales de seguridad son recordatorios adicionales para las técnicas de mantenimiento y operación seguras.



## ADVERTENCIA

### Peligro de caídas

- Nunca transporte pasajeros en el equipo.



## ADVERTENCIA

### Peligro de modificación

- Nunca modifique el equipo sin el consentimiento por escrito del fabricante. Cualquier modificación puede afectar la operación segura de equipo.



## ADVERTENCIA

### Peligro de exposición

- Siempre use equipo de protección personal, lo que incluye ropa adecuada, guantes, zapatos de trabajo, protección auditiva y ocular, según lo requiera la tarea en cuestión.



## ADVERTENCIA

### Peligro de vuelco

- No suba, baje ni utilice la torre de iluminación salvo que todos los balancines y gatos estén posicionados sobre suelo firme.
- Nunca mueva ni reubique la torre de iluminación mientras esta se encuentre extendida en posición vertical.



## ADVERTENCIA



### Peligro de explosión

- Mantenga el área alrededor de la batería bien ventilada y lejos de chispas, llamas abiertas y cualquier otra forma de encendido.
- Siempre desconecte el cable negativo (-) de la batería antes de realizar mantenimiento al equipo.
- Solo utilice el procedimiento de arranque como se describe en el Manual del operario del motor para hacer partir este último.
- Nunca cargue una batería congelada. Siempre caliente lentamente la batería a temperatura ambiente antes cargarla.



## ADVERTENCIA



### Peligro de incendio y explosión

- El combustible diésel es inflamable y explosivo en determinadas condiciones.
- Nunca use un trapo de taller para recoger el combustible.
- Limpie inmediatamente los derrames.
- Nunca recargue el combustible con el motor en funcionamiento.
- Almacene todos los recipientes con combustible en un área bien ventilada, lejos de cualquier fuente de encendido o combustibles.



## ADVERTENCIA



### Peligro de escape

- Todos los motores de combustión interna generan gases de monóxido de carbono durante el funcionamiento, por lo que se requieren precauciones especiales para evitar envenenamientos por dicha sustancia.
- Nunca bloquee las ventanas, ventilaciones u otros medios de ventilación, si el equipo está en funcionamiento dentro de un área cerrada.
- Siempre asegúrese de que todas las conexiones estén apretadas conforme a las especificaciones después de realizar reparaciones en el sistema de escape.



### ADVERTENCIA

#### Peligro por uso bajo la influencia de alcohol y drogas

- Nunca opere la torre de iluminación bajo la influencia del alcohol o las drogas o si se encuentra enfermo.



### ADVERTENCIA



#### Peligro de enredo o corte

- Siempre detenga el motor antes de comenzar el mantenimiento.
- Si se debe dar mantenimiento al motor mientras está en funcionamiento, quítese todas las joyas, recójase el cabello largo y mantenga las manos, otras partes del cuerpo y la ropa lejos de las piezas móviles o giratorias.
- Verifique que todas las protecciones y cubiertas estén instaladas correctamente en el equipo, antes de arrancar el motor. No arranque el motor si alguna protección o cubierta no está instalada correctamente en el equipo.
- Instale una etiqueta "No operar" junto a la llave de contacto mientras realiza tareas de mantenimiento en el equipo.



### ADVERTENCIA

#### Peligro de perforación

- Evite el contacto de la piel con líquidos hidráulicos a alta presión o pulverizaciones de combustible diésel provocados por filtraciones en el sistema de combustible o hidráulico, como por ejemplo una manguera hidráulica o una tubería de inyección de combustible rotas. El combustible o líquido hidráulico a alta presión puede penetrar su piel y provocar lesiones graves. Si se ve expuesto a pulverizaciones de combustible o líquido hidráulico a alta presión, consiga tratamiento médico oportunamente.
- Nunca revise las filtraciones de combustible o líquido hidráulico con las manos. Siempre utilice un trozo de madera o cartón.



### ADVERTENCIA



#### Peligro de objetos expulsados

- Siempre use protección ocular cuando limpie el equipo con aire comprimido o agua a alta presión. El polvo, los desechos expulsados, el aire comprimido, el agua o el vapor presurizados pueden causar lesiones en sus ojos.



### ADVERTENCIA

#### Peligro de contacto con refrigerante

- Use protección ocular y guantes de goma cuando manipule el refrigerante del motor. Si este entra en contacto con los ojos o la piel, enjuague los ojos y lave inmediatamente con agua limpia.



### ADVERTENCIA



#### Peligro de quemaduras

- Las luminarias y algunas superficies del motor pueden calentarse mucho durante el funcionamiento y brevemente después del apagado.
- Mantenga las manos y otras partes del cuerpo alejadas de las superficies calientes del motor.
- Manipule los componentes calientes, como las luminarias, con guantes resistentes al calor.



### PRECAUCIÓN

#### Peligro de herramientas

- Siempre utilice las herramientas adecuadas para la tarea en cuestión y use el tamaño de herramienta correcto para aflojar o apretar las piezas del equipo.



### PRECAUCIÓN

#### Peligro de deslizamiento

- Limpie inmediatamente todos los líquidos derramados sobre el piso del taller.
- Limpie la suciedad y los desechos acumulados sobre el piso del taller al término de cada turno.

### AVISO

Las siguientes declaraciones contienen problemas de nivel de AVISO. Se pueden producir daños en los equipos o en la propiedad si no se acatan.

- Se DEBE reemplazar toda pieza que se compruebe que está defectuosa a raíz de una inspección, o cualquier pieza cuyo valor medido no satisfaga la norma o el límite.
- Siempre apriete los componentes con la torsión especificada. Las piezas sueltas pueden provocar daños en los equipos o causar que funcionen indebidamente.
- Obedezca las pautas de las agencias gubernamentales para la eliminación adecuada de materiales peligrosos, como aceite de motor, combustible diésel y refrigerante de motor.
- Solo use las piezas de repuesto que se especifican. Otras piezas de repuesto pueden afectar la cobertura de la garantía.
- Limpie toda la suciedad y los residuos acumulados del cuerpo del equipo y sus componentes antes de inspeccionarlo o de realizar procedimientos de mantenimiento preventivo o reparaciones. Operar los equipos con suciedad o residuos acumulados provocará el desgaste prematuro de los componentes del equipo.
- Nunca elimine materiales peligrosos arrojándolos en la alcantarilla, en la tierra o en vías fluviales o aguas subterráneas.
- Saque todas las herramientas o piezas que pueda haber dejado caer en el interior del equipo para evitar un funcionamiento indebido del mismo.

- Si cualquier indicador de alerta se enciende durante el funcionamiento del equipo, detenga el motor inmediatamente. Determine la causa y repare el problema antes de continuar con la operación del equipo.

## Calcomanías de seguridad

Antes de operar la unidad, lea y comprenda las calcomanías de seguridad (compare la Figura 1 con la tabla a continuación). Las precauciones, advertencias e instrucciones son para su seguridad. Para evitar lesiones corporales o daños a la unidad, comprenda y obedezca todas las calcomanías.

<p><b>A PELIGRO:</b> Contacto con líneas de alta tensión. El contacto con las líneas de alta tensión cuando suba la torre de iluminación, provocará la muerte o lesiones graves. Siempre mantenga una distancia de seguridad desde las líneas de alta tensión cuando suba la torre de iluminación.</p>	
<p><b>B PELIGRO:</b> Contacto con componentes de alto voltaje. El contacto con componentes de alto voltaje provocará la muerte o lesiones graves. Siempre lea las instrucciones incluidas en el manual del operario, antes de realizar mantenimiento a los componentes eléctricos de alto voltaje.</p>	
<p><b>C ADVERTENCIA:</b> Piezas giratorias. El contacto con las piezas giratorias puede provocar la muerte o lesiones graves. Siempre manténgase alejado de las piezas giratorias.</p>	
<p><b>D ADVERTENCIA:</b> Bajada de la torre de iluminación. Permanecer debajo de la torre de iluminación cuando esta se esté bajando, puede provocar la muerte o lesiones graves. Siempre manténgase alejado de la torre de iluminación cuando esta se esté bajando.</p>	

<p><b>E ADVERTENCIA:</b> Luminarias calientes. La manipulación de las luminarias cuando estén calientes, puede provocar la muerte o lesiones graves. Siempre manténgase alejado de las luminarias cuando estén encendidas o calientes.</p>	
<p><b>F ADVERTENCIA:</b> Luces brillantes. Mirar una luminaria encendida puede provocar lesiones graves. Nunca mire directamente una luminaria encendida.</p>	
<p><b>G ADVERTENCIA:</b> Arranque automático del motor (solo modelos equipados con LSC 2.0). El motor puede arrancar repentinamente. Para evitar lesiones graves o la muerte, siempre lea las instrucciones incluidas en el Manual del operario de LSC 2.0, antes de realizar el mantenimiento del motor.</p>	
<p><b>H ADVERTENCIA:</b> Utilice balancines. La elevación de la torre de iluminación sin desplegar los balancines, puede provocar que la máquina se vuelque y cause la muerte o lesiones graves. Siempre despliegue los balancines sobre una superficie nivelada y firme y asegúrese de que la máquina esté nivelada, antes de subir la torre.</p>	
<p><b>I ADVERTENCIA:</b> Lea el manual del operario. Lea y comprenda el Manual del operario antes de utilizar esta máquina.</p>	
<p><b>J ADVERTENCIA:</b> Gases explosivos. Los gases explosivos pueden provocar la muerte o lesiones graves. Mantenga la batería lejos de llamas abiertas y materiales encendidos.</p>	

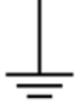
<b>K</b>	<b>ADVERTENCIA:</b> Material corrosivo. La exposición a materiales corrosivos puede provocar lesiones graves o la muerte. Siempre use guantes de protección cuando manipule la batería.	
<b>L</b>	<b>ADVERTENCIA:</b> Peligro de vuelco. Realizar virajes cerrados a alta velocidad puede provocar que el remolque se vuelque y causar la muerte o lesiones graves. Siempre disminuya la velocidad a un nivel seguro cuando realice virajes cerrados.	

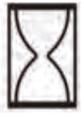
**ADVERTENCIA**

Si alguna calcomanía de seguridad o de instrucciones se desgasta o daña y no puede leerse, pida calcomanías de reemplazo a su distribuidor local.

## Iconos de funcionamiento

La tabla a continuación contiene iconos de funcionamiento que se pueden encontrar en la unidad, junto con el significado de cada icono.

Icono	Significado	Icono	Significado
	Encendido (alimentación)		Luz interior del remolque
	Apagado (alimentación)		Conexión a tierra
	Detención del motor		Disyuntor
	Marcha del motor		Disyuntor de desconexión
	Arranque del motor		Elevar torre de iluminación
	Pre calentamiento del motor		Bajar torre de iluminación

Icono	Significado	Icono	Significado
	Contador horario		Drenaje del aceite del motor
	Luz de trabajo		Drenaje de contención de líquidos

## Remolcado, transporte y elevación

### Preparación de Night-Lite Pro II para entrega o alquiler

La torre de iluminación NIGHT-LITE PRO II necesita mantenimiento, además una operación adecuada, con el fin de proporcionar el rendimiento y la seguridad para los que se diseñó. Nunca entregue la máquina ni la ponga en servicio si tiene defectos conocidos o si faltan instrucciones o calcomanías. Siempre dé instrucciones al cliente acerca del funcionamiento y los procedimientos de seguridad adecuados, según se describe en este Manual de operario. Siempre proporcione el manual con el equipo para una operación adecuada y segura.

#### Lista de verificación previa a la operación

- Inspeccione visualmente el equipo para garantizar que todas las instrucciones y calcomanías estén en su lugar y sean legibles
- Revise el conjunto de enganche y el cable de separación.
- Revise los balancines y gatos para asegurarse de que funcionen adecuadamente.
- Inspeccione los conjuntos de luces para ver si tienen daños y pruébelos para comprobar que funcionen adecuadamente.
- Inspeccione el cableado eléctrico en busca de señales de daño.

**PELIGRO**

**Peligro de electrocución**

- No haga funcionar la torre de iluminación si el aislamiento en los cables eléctricos u otro cableado eléctrico presenta cortes o desgaste o bien, si hay cables desnudos expuestos. Repare o reemplace el cableado dañado antes de arrancar el motor.

- Inspeccione los neumáticos para asegurarse de que estén en buenas condiciones y bien inflados.
- Revise los niveles de aceite del motor, combustible, refrigerante del motor y líquido hidráulico.
- Compruebe que el Manual del operario de la torre de iluminación y el Manual del operario del generador estén con los equipos.
- Compruebe que el freno de mano esté en funcionamiento y que esté correctamente ajustado. Consulte Operación.
- Inspeccione físicamente la máquina en busca de daños y repare si es necesario.

**NOTA:** Consulte la sección adecuada del Manual del operario del motor y el Manual del operario del generador para conocer verificaciones previas al funcionamiento adicionales.

Después de completar la lista de verificación previa a la operación, realice un ciclo completo de operación con la torre de acuerdo a las instrucciones de operación contenidas en este manual.



#### ADVERTENCIA

##### Peligro de operación no segura

- Nunca permita que alguien instale u opere el equipo si no cuenta con la capacitación adecuada.

#### Siempre lea y comprenda las instrucciones primero.

Antes de remolcar, transportar o elevar, lea la sección Seguridad.

El motor completo y el grupo electrógeno se encuentran en una caja que se puede cerrar con llave, con un armazón fabricado de acero de calibre grueso y montado en un eje de barra de torsión de dos ruedas.

#### Antes de remolcar o transportar

- Baje la torre de iluminación y apague las luces y el motor de la torre; consulte Apagado: Preparación para el remolcado.
- Inspeccione visualmente el remolque y el equipo en busca de daños. Repare o reemplace los componentes según sea necesario antes de remolcar.
- Revise que las luces del remolque funcionen correctamente.
- Inspeccione los neumáticos para asegurarse de que estén en buenas condiciones y bien inflados.
- Inspeccione el eje y el bastidor del en busca de daños o piezas sueltas.
- Revise el conjunto de enganche y el cable de separación.
- Asegúrese de que los balancines y los gatos estén almacenados correctamente.
- Limpie los derrames en el interior del área de contención de líquido del remolque que se puedan haber producido durante la operación.
- Asegúrese de que todas las puertas de los compartimientos estén cerradas y bloqueadas firmemente.

#### Apagado: Preparación para el remolcado

1. Con las luces de la torre apagadas, baje la torre de iluminación hasta la posición ABAJO total; consulte Elevación y bajada de la torre de iluminación.
2. Apague el motor. Consulte el Manual del operario del motor para conocer los procedimientos de detención.

**NOTA:** Consulte la sección adecuada del Manual del operario del motor y el Manual del operario del generador para conocer procedimientos adicionales de apagado y posteriores a la operación.

3. Ajuste la barra de luz y las luminarias para el remolcado; consulte **Luz de la torre: Almacenaje para el remolcado.**

**NOTA:** Inspeccione visualmente los soportes de montaje de la luz y las piezas, en busca de sujetadores sueltos o soportes dañados. Repare todos los problemas antes de remolcar.

4. Cierre, fije y bloquee todas las puertas de los compartimientos.

5. Eleve cada gato estabilizador posterior y gírelos a la posición de remolcado (horizontales con la barra de balancín).
6. Retraiga cada barra de balancín y fíjela en la posición de almacenaje con un pasador de seguro.

**NOTA:** Asegúrese de que cada gato estabilizador esté firmemente asegurado en posición de transporte mediante la instalación de los pasadores de bloqueo del balancín antes del transporte.

7. Conecte el remolque al vehículo remolcador.
8. Suelte el freno de mano.

#### Luces verticales de la torre: Almacenaje para el remolcado

La barra de luces y las luminarias deben estar almacenadas antes de remolcar o transportar.



#### ADVERTENCIA



##### Peligro de quemaduras

- Las luminarias se calientan mucho durante su uso.
- Siempre tenga precaución y use guantes resistentes al calor cuando manipule las luces o bien, permita que estas se enfríen antes de manipularlas.

1. Asegúrese de que las luces estén apagadas y que la torre esté en la posición ABAJO total; consulte **Elevación y bajada de la torre de iluminación.**
2. Para soltar el pasador de estacionamiento de la barra de luces, tire del anillo y gírelo en 90 grados, de modo que el pasador permanezca en posición retraída.
3. Gire la barra de luces a la posición de estacionamiento para remolcado o transporte (en línea con el remolque) y enganche el pasador de estacionamiento girando el anillo del pasador de estacionamiento hasta que el émbolo se suelte y el pasador se enganche y se bloquee en el orificio de la barra de luces.
4. Para cambiar la posición de las luminarias para remolcar o transportarlas, muévalas a la posición más baja y orientelas hacia el centro del remolque. Consulte la Figura 2.

**NOTA:** Si se retirarán las luces para el remolcado o transporte, consulte Luces de la torre: Retiro para remolcado (opcional).

#### Luces de la torre: Retiro para remolcado (opcional)

Es posible que su torre de iluminación esté equipada con luces que se pueden retirar para el remolcado o transporte o para evitar robos.



#### ADVERTENCIA



##### Peligro de quemaduras

- Las luminarias se calientan mucho durante su uso.
- Siempre tenga precaución y use guantes resistentes al calor cuando manipule las luces o bien, permita que estas se enfríen antes de manipularlas.

1. Asegúrese de que las luces estén apagadas y que la torre esté en la posición ABAJO total; consulte **Elevación y bajada de la torre de iluminación**.
2. Desconecte el cable eléctrico para cada luminaria de la barra de iluminación.
3. Mientras afirma la luminaria, retire el conjunto de tuerca y arandela que fija el soporte principal y retire cada luminaria y cada soporte.
4. Guarde todas las luminarias para evitar que se dañen durante el transporte.

### Remolcado o arrastre

Antes de remolcar o arrastrar el remolque de la torre de iluminación, lea la sección Seguridad y Antes de remolcar o transportar.

#### AVISO:

La velocidad máxima en carretera es de 90 km/h y la velocidad máxima fuera de carretera es de 15 km/h. No exceda estos límites o se pueden producir daños a la torre de iluminación.

Identificación de componentes del remolque (Figura 3)

- A. Gato para remolque: Se usa para elevar, bajar y nivelar la lengua del remolque.
- B. Anillo de clavija para acoplamiento de enganche: 40 mm
- C. Cable de separación: Conexión de seguridad hacia el vehículo remolcador que activa los frenos si se desconecta el acoplamiento.
- D. Freno de mano

### Vehículo remolcador y consideraciones de enganche

El vehículo remolcador debe ser capaz de tirar de la carga total del remolque de manera segura. Nunca tire de la carga de un remolque que exceda la capacidad de remolcado del vehículo; se arriesga a perder el control del remolque o del vehículo. Antes de remolcar, siempre revise el manual del propietario del vehículo para conocer las especificaciones de carga máxima de remolcado o arrastre y las especificaciones de peso bruto máximo del vehículo que incluyen el remolque con carga total.

El vehículo debe tener un enganche de remolque que sea capaz de manipular de manera segura la carga de remolcado y el peso de la lengua del remolque.

### Frenos del remolque

El modelo CE NIGHT-LITE PRO II está equipado con frenos de servicio y un freno de mano. Los frenos de servicio funcionan cuando el remolque de la torre de iluminación está conectado al vehículo remolcador. Cuando el vehículo remolcador frena o se desplaza cuesta abajo, el dispositivo de arrastre del motor actúa a través de los componentes de conexión para aplicar los frenos de las ruedas.

Cuando el vehículo remolcador se desplaza marcha atrás, el dispositivo de arrastre del motor actúa a través de los componentes de conexión para comenzar a aplicar los frenos de las ruedas. Sin embargo, la rotación hacia atrás del tambor actúa sobre los componentes internos para cancelar el efecto de frenado, lo que permite que el remolque se mueva hacia atrás.

Para operar el freno de mano, tire de la palanca hasta que esté en posición vertical para poner los frenos de las ruedas. Tenga en cuenta que, con el freno de mano completamente aplicado, el remolque se podrá mover hacia atrás hasta 25 cm hasta que el cilindro de gas de la unión empiece a tener efecto.



#### ADVERTENCIA

##### Peligro de mando

- Un enganche de vehículo de baja clasificación o que está mal instalado, puede producir la pérdida de mando del remolque o vehículo.
- Nunca utilice un tamaño o una clasificación de enganche que no coincida con las especificaciones del acoplador del remolque.

### Conexión del acoplamiento de enganche del remolque y las luces

El remolque está equipado con un argollón de contera de 40 mm. Está disponible un acoplamiento de remolque para un enganche de bola de 50 mm.

Para cambiar el acoplamiento, retire los dos pernos y reemplace el acoplamiento existente por el acoplamiento deseado.



#### ADVERTENCIA

##### Peligro de mando

- Asegúrese de que los pernos del acoplador estén apretados antes de realizar el remolque.

Enganche y acoplamiento típicos de tipo argollón de contera y clavija (Figura 4)

- A. Palanca de enganche y liberación
- B. Argollón de contera de acoplamiento para remolque
- C. Pasador de seguridad de la palanca de enganche
- D. Enganche del vehículo

Enganche y acoplamiento típicos de tipo bola (Figura 5, si está equipado)

- A. Palanca de enganche y liberación
- B. Encastre del acoplamiento del remolque
- C. Abrazadera del acoplamiento
- D. Enganche y bola del vehículo
- E. Pasador de seguridad de la palanca de enganche

Antes de remolcar, lea la sección Antes de remolcar o transportar.

1. Conecte el enganche del vehículo remolcador al acoplamiento del remolque. Asegúrese de que el acoplamiento esté firmemente conectado en el enganche del vehículo remolcador.
2. Conecte el cable de separación (A, Figura 6) al armazón de enganche del vehículo (B); esto activará los frenos de servicio de la unidad en caso de que la unidad se desconecte accidentalmente del vehículo remolcador.



#### ADVERTENCIA

##### Peligro de mando

- Instale firme y correctamente el cable de separación entre el vehículo remolcador y el remolque antes de realizar el remolcado.
- Nunca permita que el cable de separación se arrastre sobre el suelo al realizar el remolcado.

3. Conecte el conector de la luz (C, Figura 6) del haz de cables del vehículo al enchufe del remolque (D).
4. Asegúrese de que haya suficiente holgura en el haz de cables para evitar que se atasque o se desconecte cuando realice virajes.

**AVISO:**

No permita que haya holgura excesiva en el haz de cables. El haz de cables se puede dañar al rasparse contra el suelo.

5. Antes de remolcar, revise que todas las luces estén funcionando correctamente.
6. Suelte el freno de mano.

**Elevación de la torre de iluminación**

El peso aproximado de carga total del remolque de la torre de iluminación es de 820 kg cuando está llena de combustible.

La torre de iluminación NIGHT-LITE PRO II está equipada con cavidades superiores para carretilla elevadora (A, Figura 7) y un cáncamo de elevación (B) para elevación o izado.



**ADVERTENCIA**

**Peligro de vuelco**

- Antes de levantar o bajar la torre de iluminación y apagar sus luces y el motor, consulte Detención: Preparación para el remolcado.



**ADVERTENCIA**

**Peligro de aplastamiento**

- Siempre asegúrese de que el dispositivo de levantamiento que use esté en buenas condiciones y esté clasificado para la máxima capacidad de la tarea, para levantar de manera segura el remolque de la torre de iluminación.
- Siempre obtenga ayuda cuando use una carretilla elevadora, una grúa o un polipasto o bien, cuando realice la descarga.
- Solo use el cáncamo de elevación en la barra de elevación para levantar o elevar la unidad con un polipasto o una grúa.
- Solo use grilletes o un gancho tipo bloqueo cuando realice el levantamiento.
- No se pare ni camine debajo de la unidad cuando esté levantada y mantenga a las otras personas alejadas.

**Transporte en un remolque**

Cuando transporte en un camión o remolque, siempre fije la unidad con cadenas o correas de sujeción con clasificación correcta que conecte el armazón del remolque de la torre de iluminación al vehículo remolcador. El operador del vehículo remolcador es responsable por fijar la carga adecuadamente.

## Información general de mantenimiento

### Identificación de los equipos

Compare la Figura 8 con la tabla a continuación.

Ref.	Descripción
A	Enganche de clavija de 40 mm (estándar)
A	Bola de 50 mm (no se muestra; opcional)
B	Freno de estacionamiento
C	Gato de la lengua de remolque
D	Estabilizador del balancín (uno en cada lado)
E	Balancín (se muestra retraído)
F	Estabilizador posterior
G	Pasador de estacionamiento

### Números de modelo y de serie

La información de números de modelo y serie es necesaria para la asistencia de producto y las piezas de reparación. Las siguientes descripciones muestran las ubicaciones de los números de modelo y de serie de los componentes principales.

**Remolque**

Todos los remolques NIGHT-LITE PRO II tienen una placa con el número de serie (A, Figura 9) adjunta al panel delantero.

**Generador**

El generador tiene una placa de número de serie (A, Figura 10) adjunta al lado de la carcasa. El número de serie también está estampado en la carcasa.

**Motor**

El motor CATERPILLAR® tiene una placa de número de serie (A, Figura 11) adjunta en el lado derecho del bloque motor, sobre la bomba de inyección de combustible

El motor KUBOTA tiene el número de serie estampado en el bloque motor, justo abajo del múltiple de escape (A, Figura 12).

### Especificaciones (características estándar y opcionales)

*NOTA: Consulte el Manual del operario del motor o el generador para conocer especificaciones del motor o el generador.*

**Remolque**

Acoplamiento de enganche	Enganche de clavija de 40 mm (estándar); enganche de bola de 50 mm (opcional)
Velocidad máxima en carretera (camino pavimentado)	90 km/h
Velocidad máxima fuera de carretera	16,1 km/h
Cantidad de ejes	1
Clasificación de ejes	907 kg
Tamaño de neumático	155R13C-8PR 90/88Q
Tamaño del aro	4.5J x 13

Presión de inflado de neumáticos fríos	310 kPa
Bloqueos de puerta	Estándar
Luces del remolque Detención, viraje y funcionamiento	Aprobado por ECC
Conector de luces del remolque	Enchufe de 13 clavijas
Cáncamo de elevación	Estándar
Anillos de sujeción	Estándar
Cavidades posteriores para carretilla elevadora	Estándar
Cavidades superiores para carretilla elevadora	Estándar
Cantidad de estabilizadores	4
Cantidad de estabilizadores del balancín	2
Gato de la lengua de remolque	Estándar

#### Torre de iluminación: Vertical

Secciones	6
Torre vertical	Estándar
Carga de viento continua máxima	85 km/h; con los gatos y balancines desplegados en una superficie firme
Rotación de la barra de luces	360°

#### Dimensiones generales: Torre vertical

Altura de la torre de iluminación: bajada	2,54 m
Altura de la torre de iluminación: elevada	7,9 m
Longitud	2,85 m
Ancho (balancines retraídos)	1,3 m
Ancho (balancines extendidos)	2,54 m
Peso seco	790 kg

#### Generadores de 50 Hz

6 kW	Estándar
Tomacorrientes Shucko 220 V CA	Estándar
230 V CA	Opcional

#### Luces de la torre

SHO - HD 1000W Haluro metálico (clasificación de lúmenes: 110.000)	Estándar 50 Hz
Tiempo de calentamiento	2 a 4 minutos
Tiempo de reinicio	10 a 15 minutos
Luminarias	Estándar (selladas para uso en cualquier clima)
Peso de la luminaria	6,75 kg

#### Motor

Modelo	Kubota D1005	Kubota D1105	CAT C1.1
--------	--------------	--------------	----------

Tipo	Diésel, de 4 cilindros, enfriado por agua		
Diámetro interno	76 mm	78 mm	77 mm
Recorrido	73,7 mm	78 mm	81 mm
Desplazamiento	1001 cc	1123 cc	1130 cc
Potencia a 1500 rpm	8,2 kW	9,5 kW	8,6 kW
Reducción de potencial del tomacorriente	3 % por 305 m sobre 110 m 1 % por -12° sobre 21 °C		
NOTA: Las clasificaciones de potencia se establecen de acuerdo con el Código de prueba de motores pequeños de la Sociedad de Ingenieros Automotrices - J1349 GROSS			
Sistema de combustible	Diésel de inyección indirecta		
Sistema de arranque	Tierra negativa de 12 V CC		
Sistema eléctrico	Tierra negativa de 12 V CC		
Tipo de batería	Grupo 24		
Clasificación de la batería	550 CCA		
Cantidad de baterías	1		
Relación de compresión	22.1	22.1	23.1
Peso	109 kg	109 kg	87 kg
Capacidad de aceite	5,1 L	5,1 L	3,7 L
Lubricación	Lubricación forzada con bomba		
Filtración de aceite	Tipo de cartucho		
Sistema de enfriamiento	Circulación forzada de radiador presurizado con bomba de agua		
Apagado por baja presión de aceite	Estándar en todos los motores		
Apagado por alta temperatura del motor	Estándar en todos los motores		
Bujía incandescente para asistencia de arranque en frío	Estándar en todos los motores		
Combustible	Para todos aquellos países regidos por las reglas de la Comunidad Europea (CE), se exige el uso de combustibles diésel que cumplan con la norma EN590 para diésel ultra bajo en azufre (ULSD). Los combustibles diésel que cumplan con esta norma tienen un contenido de azufre máximo de 10 mg/kg. Consulte el Manual del operario del motor para conocer requisitos de combustible más detallados.		

Aceite del motor	Use un aceite de motor de alta calidad de clase de servicio API (Instituto Estadounidense de Petróleo) CG-4/CH-4/CI-4. Consulte el Manual del operario del motor para conocer requisitos de aceite del motor más detallados.
Depósito de combustible	114 L
Depósito de enfriamiento	5,2 L
Depósito de desborde	1,04 L

## Equipo auxiliar opcional

- Visera - Saf - T
- Controlador de secuencias de luces LSC2.0
- Batería de servicio pesado (775 CCA)
- Almohadilla de calefacción de batería
- Calentador de bloque del motor
- Paquete de atenuación acústica
- Luminarias de desconexión rápida

## Operación

Lea la sección Seguridad antes de realizar cualquier procedimiento de operación.

## Preparación previa a la operación

### Consideraciones de seguridad del lugar de trabajo

#### Altura

 **PELIGRO** 

**Peligro de electrocución**

- Siempre revise los cables aéreos y las obstrucciones antes de subir o bajar la torre de iluminación.
- Siempre siga las reglas o instrucciones de su lugar de trabajo y el código eléctrico estatal, provincial o nacional, para mantener una distancia segura desde los cables aéreos.

#### Superficie del suelo

 **ADVERTENCIA**

**Peligro de vuelco**

- Peligro de vuelco. No instale en una superficie inclinada de más de 2,8 ° (5 % de grado), desde la parte delantera a la trasera y de lado a lado.
- No coloque ni instale la unidad en un suelo inestable o desnivelado. Solo instale sobre superficies con suelos sólidos, planos y uniformes.

#### Viento

 **ADVERTENCIA**

**Peligro de vuelco**

- No haga funcionar la unidad con la torre de iluminación extendida en condiciones de vientos superiores a 85 km/h.

Cuando la torre de iluminación está en posición de funcionamiento, se encuentra en el medio de un sistema de balancín de tres puntos, para brindar una estabilidad y un equilibrio óptimos. Este sistema se diseñó para permitir que la torre de iluminación permanezca funcional en vientos sostenidos de 85 km/h con la torre de iluminación extendida hasta la altura total y los gatos y balancines en su posición sobre una superficie nivelada y firme.

#### Lista de verificación previa a la operación

Siempre realice las siguientes verificaciones antes de trasladarse al lugar de trabajo y antes de la operación. Repare o reemplace todos los componentes según sea necesario antes de la operación.

*NOTA: Consulte la sección correspondiente del Manual del operario del motor y el Manual del operario del generador, para conocer las verificaciones adicionales previas a la operación.*

Después de completar la lista de verificación previa a la operación, haga funcionar la torre de iluminación durante un ciclo de funcionamiento completo.

- Inspeccione visualmente el equipo para asegurarse de que todas las instrucciones y calcomanías estén en su lugar y sean visibles.
- Revise el conjunto de enganche y el cable de separación.
- Revise para asegurarse de que el freno de mano esté funcional: Tire de la palanca del freno de mano (B, Figura 8) hacia arriba para ajustarla y bloquear las ruedas del remolque. Presione el botón de liberación en el extremo de la palanca del freno de mano y baje dicha palanca para liberar el freno de mano.
- Revise los balancines y gatos para asegurarse de que funcionen adecuadamente.
- Inspeccione los conjuntos de luces para ver si tienen daños y pruébelos para comprobar que funcionen adecuadamente.
- Inspeccione el cableado eléctrico en busca de señales de daño.

 **PELIGRO** 

**Peligro de electrocución**

- No haga funcionar la torre de iluminación si el aislamiento en los cables eléctricos u otro cableado eléctrico presenta cortes o desgaste o bien, si hay cables desnudos expuestos.

- Inspeccione los neumáticos para asegurarse de que estén en buenas condiciones y bien inflados.
- Revise los niveles del líquido hidráulico, refrigerante del motor, combustible y aceite del motor.
- Compruebe que el Manual del operario de la torre de iluminación, el Manual del operario del motor y el Manual del operario del generador estén con los equipos.
- Inspeccione físicamente si la máquina presenta daños y repárela si es necesario.

## Nivelación y estabilización del remolque



### ADVERTENCIA

#### Peligro de vuelco

- No instale la unidad en un suelo desnivelado. Solo instale sobre superficies con suelos sólidos, planos y uniformes.
- Siempre nivele el remolque de la torre de iluminación antes de levantar esta última.

La unidad NIGHT-LITE PRO II debe estar nivelada a 2,8° (5 % de grado) o menos, desde la parte delantera a la trasera y de lado a lado.

1. Coloque la unidad NIGHT-LITE PRO II en un lugar adecuado, consulte las Consideraciones de seguridad del lugar de trabajo.
2. Ajuste el freno de mano y bloquee las ruedas de cada lado con una cuña para ruedas adecuada (A, Figura 13).
3. Extienda los estabilizadores del balancín y bloquee en su lugar con el pasador de bloqueo del balancín (A, Figura 14).
4. Gire cada gato del estabilizador del balancín (Figura 14) y el gato del estabilizador trasero (Figura 15) y el gato de la lengua de remolque (Figura 16), de forma perpendicular al suelo. Fije cada uno de estos con el pasador de bloqueo (B, Figura 14; A, Figuras 15 y 16).
5. Ajuste cada gato del estabilizador del balancín (C, Figura 14), el gato del estabilizador trasero (B, Figura 15) y el gato de la lengua de remolque (B, Figura 16) para obtener una nivelación adecuada.

*NOTA: Si gira los mangos en el sentido de las agujas del reloj, se levantarán los gatos y, si se giran en el sentido contrario al de las agujas del reloj, estos se bajarán.*



### ADVERTENCIA

#### Peligro de vuelco

- Todos los gatos del estabilizador deben estar afirmados en una superficie de suelo sólido, nivelado plano.

## Funcionamiento del motor

Lea la sección Seguridad antes de arrancar el motor o de hacer funcionar la torre de iluminación.

Las torres de iluminación NIGHT-LITE PRO serie II de Allmand tienen accionamiento por motor diésel y una unidad de generador.

### Verificaciones previas al arranque

1. Revise el aceite del motor y agregue aceite según sea necesario. Llene el motor con el aceite lubricante del grado adecuado; consulte el Manual del operario del motor para conocer las especificaciones del aceite.
2. Revise y agregue combustible diésel según sea necesario.
3. Asegúrese de que el filtro de aire esté firmemente instalado y de que sus sellos y las abrazaderas de la manguera estén sellados correctamente. El elemento del filtro de aire se debe revisar y reemplazar si es necesario.

## Panel de mando del motor

### Panel de mando estándar

El panel de mando estándar del motor consta de la llave de arranque y detención del motor (A, Figura 17) y un contador horario (B).

### Panel de mando LSC 2.0

El panel de mando del motor LSC 2.0 consta de un interruptor de encendido y apagado del panel principal (A, Figura 18) y un panel de mando LSC 2.0 con pantalla LCD (B).

### Arranque del motor

El procedimiento de arranque varía según el modelo de motor que se use. Consulte el Manual del operario del motor para obtener información acerca del procedimiento de arranque. En el caso de LSC 2.0, consulte el Manual del operario de LSC 2.0.

### Arranque en climas fríos

El procedimiento de arranque en climas fríos varía según el modelo de motor que se use. Consulte el Manual del operario del motor para obtener información acerca del procedimiento de arranque en frío.

### Si se acabó el combustible del motor

1. Rellene el depósito de combustible.
2. Consulte el Manual del operario del motor para obtener información acerca del procedimiento de arranque.

### Aviso:

No haga funcionar el motor de arranque durante más de 10 segundos, sin dejar que transcurran 30 segundos entre los intentos de arranque. Se pueden producir daños en el motor de arranque por el exceso de calor que se genera durante un arranque demasiado prolongado.

### Aviso:

Si el motor genera suficiente velocidad para desconectar el motor de arranque, pero no se mantiene en funcionamiento (un arranque falso), se debe dejar que la rotación del motor se detenga completamente antes de intentar volver a arrancar el motor.

### Aviso:

Si el motor de arranque se conecta mientras el volante está girando, el piñón del motor de arranque y el engranaje de anillo del volante pueden chocar y provocar daños en dicho engranaje o en el motor de arranque.

### Detención del motor

El procedimiento de detención del motor puede variar según el modelo del motor. Consulte el Manual del operario del motor para obtener información acerca de los procedimientos de detención del motor. En el caso de LSC 2.0, consulte el Manual del operario de LSC 2.0.

### Sistema de apagado automático del motor

El motor está equipado con un sistema de apagado automático del motor para evitar daños excesivos en este último, en el caso de una condición de sobrecalentamiento o bajo nivel de aceite. Consulte el Manual del operario del motor para obtener información adicional.

### Cierre por baja presión del aceite

Si se produce una condición de baja presión del aceite, la unidad de envío de presión de aceite interrumpe el circuito entre la batería y el solenoide de combustible, lo que hace que el apriete por resorte mueva inmediatamente el mando de combustible hasta la posición de cierre.

## Cierre por alta temperatura del refrigerante

Si se produce una condición de alta temperatura del refrigerante, la unidad de envío de temperatura del refrigerante interrumpe el circuito entre la batería y el solenoide de combustible, lo que hace que el apriete por resorte mueva inmediatamente el mando de combustible hasta la posición de cierre.

## Operación de las luces de la torre vertical

Lea la sección Seguridad antes de hacer funcionar las luces de la torre.

La torre de iluminación vertical se sube y baja mediante una bomba hidráulica, que acciona un mástil telescópico de 6 secciones.



### ADVERTENCIA

#### Peligro de vuelco

- Antes de subir, bajar u operar las luces de la torre, el remolque debe estar correctamente instalado, nivelado y estabilizado: consulte Preparación previa a la operación.



### ADVERTENCIA

#### Peligro de aplastamiento

- Deje un espacio libre adecuado alrededor y sobre el remolque, cuando suba o baje la torre de iluminación.
- Asegúrese de que no haya obstrucciones ni personas cerca de la torre de iluminación cuando suba o baje esta última.

## Ajuste de barra de luces y de luminarias

### Luces: Ajuste en el lugar de trabajo

La barra de luces y las luminarias se deben ajustar en el ángulo de trabajo deseado, antes de levantar la torre de iluminación.

Con la torre de iluminación completamente abajo y las luces apagadas, el conjunto de barra de luces y las luminarias se pueden girar manualmente hacia la posición de trabajo deseada.

Para ajustar la barra de luces, libere el pasador de bloqueo de esta (A, Figura 19), tire del anillo y gírelo en 90 grados, para que el pasador quede en la posición retraída.

Con el pasador de bloqueo de la barra de luces liberado, esta barra está diseñada para que se pueda girar manualmente con una resistencia suficiente como para que se mantenga en la posición deseada, después de que el operario haya dirigido las luces hacia la zona de trabajo.

Si la barra de luces se gira con demasiada facilidad o no permanece en posición, quite el tapón del centro de la cubierta de la barra de luces y apriete la tuerca hasta obtener la resistencia deseada y vuelva a instalar el tapón.

Para ajustar cada luminaria, gire manualmente cada una de estas en su base (A, Figura 20), hacia la posición de trabajo deseada.

## Luces: Almacenamiento para remolcado

La barra de luces y las luminarias se deben almacenar correctamente para el transporte o remolcado. Consulte Luces verticales de la torre: Almacenaje para el remolcado

## Elevación y bajada de la torre de iluminación hidráulica

*NOTA: La torre de iluminación con accionamiento hidráulico (A, Figura 21) utiliza una batería de 12 V CC para funcionar. Se puede subir y bajar la torre de iluminación según sea necesario con el encendido activado, pero sin que el motor esté en funcionamiento.*

### Elevación

#### AVISO:

Antes de subir la torre de iluminación, inspeccione visualmente si hay daños o desgaste en el equipo y repare o reemplace los componentes según se requiera. Nunca haga funcionar la torre de iluminación con componentes dañados o que funcionen mal.

1. Antes de subir la torre de iluminación, ajuste las luces de la torre en la posición de trabajo deseada; consulte Ajuste de barra de luces y de luminarias.
2. Si se requiere, arranque el motor. Consulte el Manual del operario del motor para obtener información acerca del procedimiento de arranque.
3. Apague las luces, consulte Panel de mando de las luces.
4. Presione hacia arriba el interruptor de elevación hidráulica de la torre de iluminación (A, Figura 22), para subir dicha torre hasta la altura deseada.

### Bajada

1. Si se requiere, arranque el motor. Consulte el Manual del operario del motor para obtener información acerca del procedimiento de arranque.
2. Apague las luces, consulte Panel de mando de las luces.
3. Presione hacia abajo el interruptor de elevación hidráulica de la torre de iluminación (A, Figura 22), para bajar dicha torre hasta la altura deseada o hasta la posición completamente ABAJO.
4. Cuando la torre llegue a la parte inferior presione el interruptor durante 3 segundos más, para asegurarse de que esta haya llegado hasta la posición más baja posible.

### Panel de mando de las luces

Las cuatro luminarias de la torre están protegidas por cuatro interruptores (A, Figura 23), ubicados en el panel de mando de las luces.

Las luces se controlan automáticamente por medio del sistema de iluminación secuenciado (SLS, por sus siglas en inglés). Simplemente deje los interruptores en la posición ENCENDIDO para obtener un mando automático de las luces. Sin embargo, los interruptores se pueden apagar para un obtener un mando individual de las luces.

### Luces encendidas

Arranque el motor y las luces se encenderán secuencialmente de forma automática.

Gire uno o más interruptores de las luces (A, Figura 23) hasta la posición APAGADO, para obtener un mando individual de las luces.

## Luces apagadas

Detenga el motor y las luces se apagarán de forma automática.

*NOTA: Las luces se apagarán una fracción de segundo antes del apagado del motor; esto evita los daños en el condensador.*

## Procedimiento de apagado:

### Apagado: Periodo breve

1. Baje la torre de iluminación hasta la posición completamente ABAJO; consulte Elevación y bajada de la torre de iluminación.
2. Apague el motor. Consulte el Manual del operario del motor para conocer los procedimientos de detención.

### Apagado: Periodo prolongado o preparación para el remolcado

Consulte Almacenamiento o apagado durante un periodo prolongado: Preparación para el remolcado.

## Operación del tomacorriente de CA auxiliar

Según las opciones del modelo, el panel de mando monofásico de 220 V CA está equipado con dos tomacorrientes de 220 V CA (C, Figura 24), para la alimentación de los accesorios desde el generador. La alimentación se suministra hacia los tomacorrientes cuando el motor o generador están en funcionamiento y el disyuntor principal (A) se encuentra en la posición ENCENDIDO.

Cada tomacorriente de 220 V CA está protegido con un disyuntor de 15 A (B, Figura 24).

El disyuntor principal (A, Figura 24) es un dispositivo de tipo ELCB de 32 A.

Si se dispara cualquiera de los disyuntores de los tomacorrientes:

1. Desconecte la carga desde el tomacorriente.
2. Apague las luces (si se utilizan).
3. Corrija el problema de exceso de carga y espere 10 minutos para permitir que el generador se enfríe, antes de volver a conectar la carga.

## Mantenimiento

Lea la sección Seguridad antes de realizar cualquier procedimiento de mantenimiento.

El mantenimiento programado evita los tiempos de inactividad imprevistos, reduce la cantidad de accidentes debido al rendimiento deficiente del equipo y ayuda a prolongar la vida útil de la torre de iluminación.

Un mantenimiento y cuidado adecuados de la torre de iluminación y el remolque constituyen requisitos fundamentales para una operación segura y confiable. Utilice las siguientes pautas de cuidado y mantenimiento junto con las planificadas por el programa de mantenimiento de equipos de su taller.

Cuando el equipo se haga funcionar en condiciones severas (muy polvorientas, calor o frío extremo), los elementos afectados deben recibir mantenimiento con mayor frecuencia.

## Motor

Consulte el Manual del operario del motor para obtener información acerca de los procedimientos de mantenimiento programado del motor.

### Cambio y adición de aceite del motor

Use un aceite para motor de alta calidad de clase de servicio API (Instituto Estadounidense del Petróleo) CG-4/CH-4/CI-4. Consulte el Manual del operario del motor para obtener especificaciones de aceite del motor y procedimientos de servicio detallados.

Todos los modelos están equipados con drenajes de aceite remotos.

### Filtros del motor

Consulte el Manual del operario del motor para obtener información acerca de los procedimientos de servicio del filtro de combustible, aceite y aire.

## Sistema eléctrico

### Generador

Consulte el Manual del operario del generador para obtener información acerca de todos los procedimientos de mantenimiento programado del generador.

### Panel del equilibrador

Los paneles del equilibrador están ubicados en la parte delantera del remolque de la torre de iluminación. Para acceder a los paneles del equilibrador, se pueden abrir las puertas y retirar las cubiertas del equilibrador. Cada uno de estos paneles contiene dos equilibradores de lámpara de la torre de iluminación (A, Figura 25) y condensadores (B). Consulte el Manual esquemático del cableado separado, para obtener información adicional acerca del cableado.



**PELIGRO**

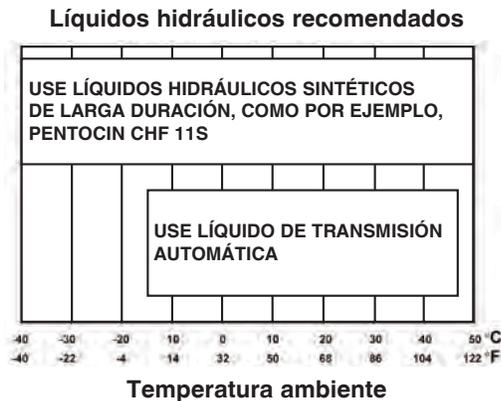


### Peligro de electrocución

- Solo electricistas calificados deben realizar el mantenimiento o los procedimientos de reemplazo. El equilibrador y los condensadores tienen la capacidad de descargar alto voltaje. Siempre use ropa y equipos de seguridad personal adecuados, cuando realice el mantenimiento de los componentes eléctricos.
- Cuando el motor está en funcionamiento se produce un alto voltaje. Nunca intente dar mantenimiento a los componentes eléctricos mientras el motor esté en funcionamiento.
- No haga funcionar la torre de iluminación si el aislamiento en el cableado eléctrico presenta cortes o desgaste o bien, si hay cables desnudos expuestos. Repare o reemplace el cableado dañado antes de arrancar el motor.

# Bomba hidráulica

## Especificaciones del aceite hidráulico



### Adición del aceite hidráulico

Llene el depósito (Figura 26) con líquido de transmisión automática o cualquier líquido hidráulico limpio, que tenga un índice de viscosidad adecuado para las condiciones climáticas en las que se va a hacer funcionar la unidad. Consulte la tabla anterior.

*NOTA: Las unidades estándar se proporcionan con líquido de transmisión automática (ATF, por sus siglas en inglés) y las unidades árticas se entregan con líquido hidráulico sintético de larga duración.*

### Cebado de la bomba hidráulica

Las bombas que se desarmaron para reparación o que se hayan reemplazado, requieren un cebado adecuado para evitar posibles fallas de las mismas. Se dice que una bomba está "cebada" cuando sus partes internas están llenas de aceite y se ha expulsado el aire. Para cebar la bomba:

1. Asegúrese de que el depósito de aceite (A, Figura 26) esté lleno de aceite hasta la marca de llenado.
2. Coloque una bandeja captadora debajo de la bomba para recolectar el exceso de aceite.
3. Afloje el extremo de la manguera (B, Figura 26) para permitir la salida del aire y el aceite.
4. Encienda el interruptor de encendido y mueva el interruptor de elevación o bajada de la torre hasta la posición "elevación" o hacia arriba. Hágalo de manera intermitente o "mueva" la bomba. Esto expulsará el aire y aceite a través adaptador que se soltó. Repita hasta que el flujo de aceite no tenga aire.
5. Vuelva a apretar el extremo de la manguera. Apague el interruptor de encendido.
6. Retire la bandeja captadora y elimine el aceite según las pautas de las agencias gubernamentales.
7. Rellene el aceite en el depósito hasta la marca de llenado.

Después de cebar la bomba, se debe purgar el aire del cilindro. Para purgar el aire del cilindro:

1. Asegúrese de que el depósito de aceite esté lleno de aceite hasta la marca de llenado.
2. Limpie el adaptador de purga (A, Figura 27) en el extremo superior del barril del cilindro.

3. Coloque una manguera de purga sobre el extremo del adaptador de purga. Coloque el otro extremo de la manguera de purga en un recipiente captador adecuado.
4. Encienda el interruptor de encendido y mueva el interruptor de elevación o bajada de la torre hasta la posición "elevación" o hacia arriba.
5. Abra el adaptador de purga. Permita que el aceite y aire se purguen del cilindro. Cierre el purgador cuando el flujo de aceite no tenga aire.
6. Retire el recipiente captador y la manguera de purga. Elimine el aceite del recipiente captador según las pautas de las agencias gubernamentales.
7. Mueva el interruptor de elevación o bajada de la torre hasta la posición "bajada" o hacia abajo. Asegúrese de que la torre esté completamente abajo. Apague el interruptor de encendido.
8. Rellene el aceite en el depósito hasta la marca de llenado.

## Lámparas y torre de iluminación

### Cambio de las lámparas

 **ADVERTENCIA** 

**Peligro de quemaduras**

- Las luminarias se calientan mucho durante su uso.
- Siempre tenga precaución y use guantes resistentes al calor cuando manipule las luces o bien, permita que estas se enfríen antes de manipularlas.

1. Apague las luces y el motor. Deje que las luminarias y las bombillas se enfríen.
2. Baje la torre de iluminación hasta la posición completamente ABAJO.
3. Afloje los tornillos del canal de la lente (E, Figura 28) para permitir la extracción del canal (F).
4. Quite la empaquetadura de silicona (G, Figura 28) y la lente (H).
5. Quite los tornillos del sujetador de soporte (A, Figura 28) y el sujetador de soporte (B).
6. Quite con cuidado la lámpara antigua (C, Figura 28) e instale la lámpara de repuesto correcta. Consulte Especificaciones.
7. Limpie el reflector (D, Figura 28) y la lente.
8. Instale el sujetador de soporte y los tornillos.
9. Instale la empaquetadura de silicona y las lentes. Cámbiela si está desgastada o dañada.
10. Instale el canal de la lente y los tornillos.
11. Pruebe la nueva lámpara para asegurarse de que funcione bien.

## Remolque

Un mantenimiento y cuidado adecuados del remolque constituyen requisitos fundamentales para una operación segura y confiable. Siga estas pautas de cuidado y mantenimiento junto con las planificadas por el programa de mantenimiento de equipos de su taller.

## Armazón

1. Revise el funcionamiento del acoplador y si presenta corrosión o daños; reemplace según sea necesario.
2. Inspeccione si la barra de elevación presenta corrosión o daños. Reemplace según sea necesario.
3. Inspeccione si los paneles de la carrocería y el armazón del remolque presentan óxido, mellas y picaduras. Utilice la pintura para retoques correcta para retocar las mellas y rayas. Póngase en contacto con su distribuidor para obtener información adicional.
4. Inspeccione si el eje, los muelles y el bastidor presentan desgaste y daños. Reemplace según sea necesario.
5. Inspeccione si las barras del balancín, los gatos estabilizadores delanteros y posteriores, y los mecanismos de bloqueo presentan desgaste y daños y verifique que funcionen bien. Reemplace según sea necesario.

## Puntos de engrase

Utilice grasa de lubricación de cojinetes antifricción para alta temperatura con consistencia N.G.L.I. N.º 2, para todos los puntos mecánicos de giro del remolque.

## Ruedas y neumáticos del remolque



### ADVERTENCIA

#### Peligro de remolque

- Nunca arrastre el remolque con tuercas de orejeta, llantas y neumáticos dañados.

1. Revise si los neumáticos presentan grietas, cortes o daños. Repare o reemplace los neumáticos dañados antes de remolcar.
2. Revise la presión de aire de los neumáticos del remolque cuando estén fríos. Consulte la siguiente tabla para conocer las cargas del eje y el inflado de los neumáticos. Nunca infle los neumáticos por encima o por debajo de los valores especificados.

GVWR	907 kg	2000 lb
GVWR eje delantero	907 kg	2000 lb
Neumáticos	155R13C-8PR 90/88Q	
Llantas	14.5J x 13	
Inflado de los neumáticos en frío	310 kPa	45 psi

3. Revise si las llantas de las ruedas presentan grietas o daños.
4. Asegúrese de que todos los pernos de orejeta estén en su lugar. Nunca mueva el remolque si faltan pernos de orejeta o si estos no están bien apretados.
5. Revise que los pernos de orejeta estén bien apretados. La torsión correcta para los pernos de orejeta es 88 Nm.
6. Cuando apriete los pernos de orejeta, siempre utilice un patrón entrecruzado (Figura 29).

## Cojinetes de las ruedas

El eje está equipado con cojinetes de rueda que no requieren mantenimiento (engrasados y sellados de por vida). No se necesitan ajustes. El cojinete del cubo no tiene protección contra el ingreso de agua.

La tuerca embridada del cubo, que está debajo de la tapa antipolvo, se utiliza para mantener el tambor del freno en su posición. Si se retira, se debe reemplazar por una nueva tuerca embridada. La tuerca se debe apretar a  $290 \pm 10$  Nm. Se debe aplicar una pequeña cantidad de grasa mineral en la rosca del eje de mangueta, antes de ajustar la nueva tuerca embridada. Después del ajuste, debe retirar el exceso de grasa.

El perno de cabeza hexagonal posterior **NO SE DEBE ALTERAR** bajo ninguna circunstancia. La alteración de este perno producirá el desgaste inmediato del neumático y daños en el sistema de frenos e **INVALIDARÁ TODAS LAS GARANTÍAS**. Si este perno se altera, se debe restablecer la inclinación y convergencia de las ruedas delanteras.

Si se producen daños en el cojinete o tambor, reemplace todo el tambor con el cojinete y el resorte circular. No se utiliza grasa en el cubo, como tampoco se debe aplicar grasa en la tapa antipolvo.

## Frenos

Revise si hay desgaste en los revestimientos de los frenos de las ruedas cada 10.000 km o cada 12 meses. Ajuste los frenos si es necesario. Cuando se desplace continuamente en regiones empinadas o recorra largas distancias, es posible que deba realizar inspecciones y ajustes con anterioridad.

Consulte el Manual del operario del eje para obtener instrucciones completas para el ajuste de los frenos.

## Iluminación del remolque



### ADVERTENCIA

#### Peligro de remolque

- Nunca arrastre el remolque si las luces de este último no funcionan.

Las luces son una característica de seguridad fundamental de su remolque, así como también, son elementos obligatorios que exigen las leyes estatales. Mantenga las luces en buenas condiciones de funcionamiento.

- Revise si el arnés y las luces del remolque presentan daños o desgaste. Repare o reemplace según sea necesario.
- Asegúrese de que el arnés esté fijado al remolque y que no quede colgando sobre el suelo.
- Revise si los conjuntos de carcasa de las luces traseras presentan daños o filtraciones. Utilice un sellador de caucho o silicona para sellar la lente o el arnés, según se requiera, o bien, reemplace el conjunto de arnés. La grasa eléctrica ayuda a proteger los portalámparas y evitar su corrosión.
- Cuando reemplace las bombillas, asegúrese de utilizar las bombillas correctas y utilice una pequeña cantidad de grasa eléctrica en los portalámparas evitar su corrosión.

Consulte el Manual esquemático del cableado separado, para obtener información del esquema de cableado del remolque.

## Almacenaje durante periodos prolongados

Se requiere un mantenimiento adecuado cuando el remolque y la torre de iluminación se vayan a almacenar o sacar de funcionamiento durante periodos prolongados.

Consulte el Manual del operario del motor y el Manual del operario del generador, para conocer todos los procedimientos para el almacenamiento del motor y generador durante periodos prolongados.

1. Baje la torre de iluminación hasta la posición completamente ABAJO.
2. Realice todas las reparaciones necesarias para garantizar que el equipo esté completamente funcional cuando se realice la nueva puesta en servicio.
3. Limpie y lave el armazón y los paneles de la carrocería. Aplique una capa de anticorrosivo en todas las superficies donde corresponda.
4. Limpie todos los derrames de aceite o líquido al interior del compartimiento del motor.
5. Limpie todos los componentes y el cableado eléctrico manualmente, con un limpiador no corrosivo.
6. Limpie la torre de iluminación y los conjuntos de luminarias.
7. Desconecte y retire la batería.
8. Utilice una cubierta adecuada para proteger el remolque y la torre de iluminación.
9. Apoye correctamente el eje del remolque sobre soportes regulables u otras bases adecuadas, para permitir que los neumáticos permanezcan despegados del suelo durante el almacenamiento.

## Limpieza

El mantenimiento de la limpieza del remolque es importante para garantizar un funcionamiento correcto. La acumulación de polvo y suciedad actúa como un aislante y puede provocar que el motor, el generador y los conjuntos de iluminación funcionen a temperaturas excesivamente altas.

Utilice las siguientes indicaciones como pautas de limpieza:

- Tenga precaución al utilizar lavadoras de vapor o agua a presión o de aire comprimido. No lave a presión los componentes eléctricos, ya que esto puede dañarlos.
- Limpie la torre de iluminación y elimine todo el polvo, la suciedad y cualquier material extraño.
- Inspeccione y limpie las celosías de escape y admisión de aire de enfriamiento de la caja. Asegúrese de que estén limpias. Elimine la suciedad o cualquier acumulación que pueda restringir el flujo del aire de enfriamiento.
- Limpie la torre de iluminación y sus componentes con una esponja o un paño húmedo.
- Inspeccione y limpie todos los mecanismos articulados del motor para que funcionen correctamente.

### Limpieza y drenaje de la bandeja de contención de líquidos del remolque

Las torres de iluminación NITE LITE PRO II de Allmand incluyen una bandeja de contención de líquidos, diseñada para recolectar derrames de refrigerante, aceite y combustible. Si se produce un derrame, coloque un recipiente adecuado debajo de la unidad y saque el tapón de drenaje. Después de que se drene el líquido, vuelva a instalar el tapón de drenaje y elimine el líquido correctamente conforme a las pautas gubernamentales.

## Resolución de problemas

Antes de realizar cualquier procedimiento de solución de problemas, lea la sección Seguridad y los siguientes mensajes de seguridad.

En el caso de solución de problemas del motor y generador, consulte el Manual del operario del motor y el Manual del operario del generador o bien, póngase en contacto con su distribuidor.



**PELIGRO**



### Peligro de electrocución

- Solo electricistas calificados deben realizar el mantenimiento o los procedimientos de reemplazo. El equilibrador y los condensadores tienen la capacidad de descargar alto voltaje. Siempre use ropa y equipos de seguridad personal adecuados, cuando realice el mantenimiento de los componentes eléctricos.
- Cuando el motor está en funcionamiento se produce un alto voltaje. Nunca intente dar mantenimiento a los componentes eléctricos mientras el motor esté en funcionamiento.
- No haga funcionar la torre de iluminación si el aislamiento en el cableado eléctrico presenta cortes o desgaste o bien, si hay cables desnudos expuestos. Repare o reemplace el cableado dañado antes de arrancar el motor.

Siempre siga las especificaciones del fabricante del componente eléctrico, en el caso del voltaje y los procedimientos de prueba.

**Tabla de solución de problemas**

<b>Problema</b>	<b>Posible causa</b>
Sin iluminación (una o más luces)	1. Los disyuntores en la caja de toma de corriente no están encendidos o se dispararon.
	2. No se dio el tiempo adecuado para que las lámparas se enfriaran después de que se encendieron por última vez. Debe dejar que transcurran 15 minutos entre el apagado de las luces y el momento en que se vuelven a encender.
	3. Las lámparas están quemadas o rotas.
	4. Una o más lámparas no están atornilladas firmemente.
	5. El enchufe y el receptáculo en la barra de iluminación no están unidos y bloqueados firmemente.
	6. La temperatura del equilibrador es inferior a -29 °C. La eficiencia de los condensadores en el equilibrador no es suficiente para encender las lámparas. En el caso de las operaciones donde la temperatura del equilibrador disminuya a menos de -29 °C, se deben utilizar medios de calefacción para el equilibrador.
	7. Bajo voltaje del sistema eléctrico.
	8. Existe una conexión suelta en la parte posterior del portalámparas en el soporte de la lámpara.
	9. Uno o más disyuntores están defectuosos.
	10. Existe una conexión suelta en el tablero de bornes.
	11. El motor y el generador no funcionan en su velocidad normal. (1800 RPM)
	12. Se instaló una lámpara de repuesto del tipo incorrecto (requiere un equilibrador distinto).
	13. Se está consumiendo mucha alimentación desde los tomacorrientes auxiliares.
	14. Se produjo la falla del condensador o transformador.
	15. Las bases de las lámparas tienen corrosión.

## ALLMAND BROS. INC. POLÍTICA DE GARANTÍA

### GARANTÍA LIMITADA

Allmand Bros. Inc. garantiza al comprador original que, durante el período de garantía especificado a continuación, reparará o reemplazará a criterio del fabricante, sin costo, todas las piezas con defectos de materiales, mano de obra o ambos, o bien, reembolsará el costo del producto si el fabricante determina que la reparación o el reemplazo no devolverá los bienes a una buena condición de funcionamiento o utilidad. Esta garantía se mantiene vigente durante los períodos de tiempo indicados a continuación y está sujeta a dichos períodos y a las condiciones que se indican a continuación.

**No existe ninguna otra garantía expresa. Las garantías implícitas, incluidas las de comerciabilidad e idoneidad para una finalidad específica, están limitadas al período de garantía mencionado a continuación, o en la medida que lo permita la ley. La responsabilidad por daños incidentales o indirectos queda excluida en la medida que dicha exclusión esté permitida por ley.** Algunos estados o países no contemplan limitaciones en cuanto a la duración de una garantía implícita, y otros estados o países no permiten la exclusión o limitación de daños incidentales o indirectos, en cuyo caso la limitación y la exclusión anteriores pueden no ser aplicables a usted. Esta garantía le otorga determinados derechos legales y es posible que tenga otros derechos que pueden variar de un país o estado a otro. \*\*

### PERÍODO DE GARANTÍA

Producto	Garantía	Producto	Garantía
Sistemas de iluminación	2 años*	Generador	Consulte la garantía del fabricante del generador
Equilibrador de 1250 W	2 años	Motor	Consulte la garantía del fabricante del motor
Flecha de tránsito AB2220	3 años		
Flecha de tránsito AB2400	3 años		
Lámparas LED	5 años		
Paneles solares	10 años		
Maxi-Heat	1 año		
Piezas de repuesto	90 días		

\* 2.º año: Solo piezas; no incluye mano de obra (solo piezas fabricadas por Allmand Bros. Inc)

\*\* En Australia: Nuestros productos vienen con garantías que no se pueden excluir bajo la Ley de Consumidores Australianos. Usted tiene derecho a un reemplazo o a un reembolso por una avería mayor y a compensación por cualquier otra pérdida o daño razonablemente previsible. También tiene derecho a una reparación o reemplazo de productos si estos no son de una calidad aceptable y la avería no asciende a una avería mayor. Para obtener servicio de garantía, póngase en contacto con Compressed Air & Power Solutions (CAPS) Australia al 1800 802 697, o en línea, en [www.capsaustralia.com.au](http://www.capsaustralia.com.au), o bien, escriba a CAPS Australia, 185 Planet Street, Welshpool, WA 6106.

La garantía comienza en la fecha de la compra original (fecha de la factura). Si no aporta constancia de la fecha de la factura al solicitar el servicio de garantía, se tomará la fecha de fabricación del producto para determinar el período de garantía. Se considera que el comprador original es la primera persona o entidad que adquiere el producto para su uso real. La garantía no se transfiere a compradores posteriores. No se considerará un comprador original a ninguna persona o entidad que tenga productos para la venta al por mayor o al por menor. Sin embargo, el alquiler o el uso de este producto para fines distintos a los fines de demostración se considera "uso real" por parte del comprador original y el período de garantía comenzará a partir de la primera fecha de dicho uso.

El comprador será responsable de pagar los gastos de transporte de los productos o piezas enviados a la fábrica para reparación o reemplazo conforme a esta garantía. Si se determina posteriormente que las piezas cuentan con garantía, los gastos de transporte se reembolsarán al comprador. El transporte aéreo de envíos internacionales de piezas de repuesto no está cubierto por esta garantía. En ningún caso, el fabricante deberá pagar gastos de kilometraje ni será responsable por el tiempo de inactividad o ingresos perdidos.

### ACERCA DE SU GARANTÍA

Esta garantía solamente cubre defectos de materiales y mano de obra. No cubre los daños ocasionados por uso no adecuado o maltrato, mantenimiento o reparaciones inadecuados, ni por desgaste normal.

**Uso inadecuado y maltrato:** El uso adecuado, para el cual está diseñado este producto se describe en el Manual del operario. Usar el producto de una manera que no esté descrita en el Manual del operario o usar el producto después de que ha sido dañado anulará su garantía. No habrá cobertura de garantía si se ha retirado el número de serie del producto o este ha sido alterado o modificado de cualquier manera, o si el producto muestra evidencia de maltrato tal como daño por impacto o daño por corrosión por agua o química.

**Mantenimiento o reparación inadecuados:** Este producto debe recibir mantenimiento según los procedimientos y programas provistos en el Manual del operario, y se le debe realizar mantenimiento o reparación con piezas originales del equipo o equivalentes. Los daños causados por la falta de mantenimiento o el uso de piezas no originales no están cubiertos por la garantía. La garantía no se extiende a fallas producidas por alteraciones, modificaciones u otros cambios no autorizados, o por los daños producidos por una instalación, reparación, operación o mantenimiento inadecuados. Esta exclusión no se aplica a instalaciones, reparaciones u otros trabajos realizados en la planta del fabricante o bajo supervisión directa del mismo.

**Desgaste normal:** Al igual que la mayoría de los dispositivos mecánicos, esta unidad está sujeta a desgaste, incluso si se ha realizado un mantenimiento adecuado. Esta garantía no cubre las reparaciones cuando el uso normal haya agotado la vida útil de una pieza o del equipo. El mantenimiento y los elementos de desgaste como filtros, correas, neumáticos, lámparas, baterías, etc., no están cubiertos por la garantía, a menos que la causa de dicho desgaste sea debido a defectos de materiales o mano de obra directamente relacionados con dichos elementos.

**Otras exclusiones:** Esta garantía no cubre los daños debido a accidentes, maltrato, modificaciones, alteraciones, mantenimiento inadecuado o deterioro químico. También se excluyen los accesorios que no vienen instalados originalmente en el producto. Esta garantía no incluye equipos usados, reacondicionados, de segunda mano o de demostración. Esta garantía excluye las fallas por casos fortuitos y otros casos de fuerza mayor que el fabricante no puede controlar.

80013801 (Mod. - )

# Noter les informations importantes Produits couverts par ce manuel

Noter les informations de l'équipement pour permettre de passer plus facilement une commande de pièces de rechange ou d'étiquettes autocollantes.

N° de fabricant de l'équipement : \_\_\_\_\_

N° de modèle : \_\_\_\_\_

NIV : \_\_\_\_\_

N° de modèle du moteur : \_\_\_\_\_ N° de série : \_\_\_\_\_

N° de modèle de générateur : \_\_\_\_\_ N° de série : \_\_\_\_\_

Accessoires : \_\_\_\_\_

\_\_\_\_\_

\_\_\_\_\_

## Contenu du contenu :

Introduction .....	7
Sécurité .....	7
Remorquage, transport et levage .....	11
Informations d'ordre général pour l'entretien et les réparations.....	14
Fonctionnement .....	16
Entretien.....	19
Dépannage.....	22
Garantie.....	24

## Introduction

### À propos de ce manuel

#### PRENDRE LE TEMPS DE LIRE ATTENTIVEMENT CE MANUEL

Ce manuel d'instructions fournit les instructions nécessaires pour la tour d'éclairage NIGHT-LITE PRO II.

Les informations qui se trouvent dans ce manuel étaient valides au moment de l'impression. Allmand Bros Inc. peut en modifier le contenu sans préavis et sans encourir d'obligations.

Toute indication dans ce manuel de la gauche ou de la droite a été déterminée en regardant la remorque de l'arrière.

Si vous avez des doutes sur la moindre information contenue dans le manuel, contactez le service entretien et réparation au +800.562.1373 ou contactez-nous en visitant le site Web Allmand, [www.allmand.com](http://www.allmand.com).

**Conserver ces instructions d'origine pour référence future.**



Les produits suivants sont couverts dans ce manuel :

CE 50HZ NIGHT-LITE PRO II

## Sécurité

### Définitions concernant la sécurité

Les consignes de sécurité représentent le moyen principal d'attirer votre attention sur des risques potentiels. Pour votre sécurité, celle des autres et pour protéger le rendement de votre équipement, suivre les précautions insérées dans tout le manuel avant l'utilisation, pendant l'utilisation et pendant les procédures d'entretien périodique. Empêcher les étiquettes autocollantes de devenir sales ou de se déchirer et les remplacer si elles sont perdues ou endommagées. Par ailleurs, si une pièce doit être remplacée et si une étiquette autocollante est apposée dessus, assurez-vous de commander en même temps la pièce neuve et son étiquette autocollante.



Ce symbole d'alerte de sécurité accompagne la plupart des consignes de sécurité. Il veut dire qu'il faut faire attention, qu'il faut être vigilant : votre sécurité est en jeu ! Lire et se conformer au message qui suit le symbole d'alerte de sécurité.

#### **DANGER**

Indique une situation dangereuse qui, si elle n'est pas évitée, **entraînera** la mort ou de blessures graves.

#### **AVERTISSEMENT**

Indique une situation dangereuse qui, si elle n'est pas évitée, **pourrait** entraîner la mort ou de blessures graves.

#### **ATTENTION**

Indique une situation dangereuse qui, si elle n'est pas évitée, **pourrait** entraîner des blessures mineures ou graves.

#### **AVIS**

Indique une situation qui peut endommager l'équipement, des biens ou l'environnement ou empêcher l'équipement de fonctionner correctement.

#### **REMARQUE :**

Fournit des informations majeures pour rendre les procédures plus faciles ou plus claires.

## Mesures de sécurité

La section suivante contient des mesures de sécurité d'ordre général et des directives qui doivent être suivies pour réduire les risques menaçant la sécurité personnelle. Les mesures de sécurité spéciales sont énumérées dans les procédures spécifiques. Lire et comprendre toutes les mesures de sécurité avant d'utiliser le matériel ou d'effectuer des travaux d'entretien ou des réparations.

**DANGER****Risque d'électrocution**

- Toujours vérifier la présence éventuelle de fils électriques aériens ou d'obstacles avant de lever ou d'abaisser la tour d'éclairage.
- Pour s'assurer de maintenir une distance de sécurité entre la machine et les fils aériens électriques, toujours suivre les règles et les instructions du chantier et le code de l'électricité du pays, de la région ou de la localité.
- Quand le moteur tourne, il génère une tension élevée. Ne jamais tenter d'intervenir sur des composants électriques quand le moteur tourne.
- Ne pas utiliser la tour d'éclairage si l'isolation du cordon électrique ou d'autres fils électriques est endommagée ou usée ou si du fil est dénudé. Réparer ou remplacer le câblage endommagé avant de démarrer le moteur.

**AVERTISSEMENT****Risque d'utilisation dangereuse**

- Ne jamais laisser quiconque installer ou utiliser l'équipement sans formation adéquate.
- Pour s'assurer que les bonnes pratiques d'utilisation et les bonnes procédures de maintenance sont suivies, lire et comprendre ce manuel d'utilisation et le manuel d'utilisation du moteur avant d'utiliser la tour d'éclairage ou d'intervenir dessus.
- Les panneaux et étiquettes autocollantes de sécurité sont des invitations supplémentaires à faire appel à des techniques d'utilisation et de maintenance sans danger.

**AVERTISSEMENT****Risque de chute**

- Ne jamais transporter des personnes sur l'équipement.

**AVERTISSEMENT****Dangers liés aux modifications**

- Ne jamais modifier l'équipement sans le consentement écrit du fabricant. Toute modification peut affecter l'utilisation sans danger de l'équipement.

**AVERTISSEMENT****Dangers liés à une exposition sans protection**

- Toujours porter l'équipement de protection individuelle, notamment des vêtements appropriés, des gants, des chaussures de travail et des protections des yeux et de l'ouïe, nécessité par les tâches à accomplir.

**AVERTISSEMENT****Danger de renversement**

- Ne pas lever, abaisser ou utiliser la tour d'éclairage à moins que toutes les béquilles et tous les vérins soient placés sur un sol stable.
- Ne jamais déplacer ou repositionner la tour d'éclairage quand elle est déployée en position verticale.

**AVERTISSEMENT****Danger d'explosion**

- Maintenir la zone autour de la batterie bien ventilée et maintenir les étincelles, les flammes nues et toute autre forme de combustion en dehors de la zone.
- Toujours débrancher le câble négatif (-) de la batterie avant d'intervenir sur l'équipement.
- Pour démarrer le moteur, utiliser uniquement la procédure de démarrage comme elle est décrite dans le manuel d'utilisation du moteur.
- Ne jamais charger une batterie gelée. Avant de la charger, toujours réchauffer lentement la batterie jusqu'à ce qu'elle atteigne sa température normale de service.

**AVERTISSEMENT****Danger d'incendie et d'explosion**

- Le carburant diesel est inflammable et explosif dans certaines conditions.
- Ne jamais utiliser un chiffon industriel pour récupérer du carburant.
- Essuyer immédiatement tout déversement.
- Ne jamais ajouter de carburant quand le moteur tourne.
- Ranger tous les récipients contenant du carburant dans une zone bien ventilée, à bonne distance de tout combustible et de toute source d'inflammation.

**AVERTISSEMENT****Dangers liés aux gaz d'échappement**

- Tous les moteurs à combustion interne dégagent du monoxyde de carbone quand ils tournent et des précautions spéciales sont nécessaires pour éviter une intoxication oxy-carbonée.
- Ne jamais bloquer les fenêtres, les ouvertures d'aération ou d'autres moyens de ventilation si l'équipement est utilisé dans une zone confinée.
- Après toute réparation effectuée sur le système d'échappement, toujours s'assurer que tous les branchements sont serrés selon les spécifications.



## AVERTISSEMENT

### Dangers liés à la consommation d'alcool ou de drogue

- Ne pas utiliser la tour d'éclairage sous l'emprise de l'alcool ou de drogues, ou si l'on est malade.



## AVERTISSEMENT



### Danger d'enchevêtrement/arrachement

- Toujours arrêter le moteur avant d'entreprendre une réparation.
- Si le moteur doit être réparé ou entretenu pendant qu'il tourne, retirer tous les bijoux, nouer les cheveux longs en arrière et maintenir les mains, les autres parties du corps et les vêtements à bonne distance des pièces en mouvement ou en rotation.
- Avant de démarrer l'équipement, vérifier que toutes les protections et tous les couvercles sont correctement attachés à la machine. Ne pas démarrer le moteur si toutes les protections et tous les couvercles ne sont pas correctement montés sur l'équipement.
- Pendant toute opération de maintenance sur l'équipement, attacher une étiquette « Ne pas utiliser » près de la serrure à contacts.



## AVERTISSEMENT

### Danger de pénétration

- Éviter le contact avec la peau de fluides hydrauliques à haute pression ou les éclaboussures de carburant diesel causées par une fuite du circuit d'alimentation, par exemple après rupture d'un tuyau hydraulique ou d'une conduite d'injection de carburant. Le fluide hydraulique ou le carburant à haute pression peut pénétrer dans la peau et être à l'origine de graves blessures. Après exposition à un fluide hydraulique ou du carburant à haute pression, consulter immédiatement un médecin.
- Ne jamais rechercher une fuite de fluide hydraulique ou de carburant en utilisant les mains. Toujours utiliser un morceau de bois ou de carton.



## AVERTISSEMENT



### Dangers liés aux objets volants

- Pour nettoyer l'équipement en utilisant de l'air comprimé ou de l'eau à haute pression, toujours porter une protection oculaire. La poussière, les débris volants, l'air comprimé, l'eau sous pression ou la vapeur peuvent blesser les yeux.



## AVERTISSEMENT

### Dangers liés au liquide de refroidissement

- Pour manipuler le liquide de refroidissement du moteur, porter une protection oculaire et des gants en caoutchouc. En cas de contact avec les yeux ou la peau, rincer les yeux et laver immédiatement à l'eau propre.



## AVERTISSEMENT



### Risque de brûlure

- Les phares et certaines surfaces du moteur deviennent très chauds pendant l'utilisation de la machine et brièvement après son arrêt.
- Maintenir les mains et les autres parties du corps à bonne distance des surfaces chaudes du moteur.
- Manipuler les composants chauds, par exemple les phares, en utilisant des gants antichaleur.



## ATTENTION

### Dangers dus aux outils

- Toujours utiliser les outils appropriés pour la tâche à effectuer et utiliser un outil à la bonne dimension pour desserrer ou serrer les pièces de l'équipement.



## ATTENTION

### Risque de glissade

- Nettoyer immédiatement tout déversement de liquide sur le sol de l'atelier.
- À la fin de chaque poste, nettoyer la saleté et les débris accumulés sur le sol de l'atelier.

## AVIS

**Les consignes qui suivent ont valeur d'AVIS. L'équipement ou des biens peuvent être endommagés si elles ne sont pas suivies.**

- Toute pièce constatée comme étant défectueuse suite à une inspection ou toute pièce dont les caractéristiques mesurées ne répondent pas à la norme ou sont hors limite DOIT être remplacée.
- Toujours serrer les composants au couple spécifié. Les pièces desserrées peuvent endommager l'équipement ou l'empêcher de fonctionner normalement.
- Suivre les directives des organismes publics pour éliminer de façon appropriée les matières dangereuses, par exemple l'huile moteur, le carburant diesel et le liquide de refroidissement de moteur.
- Utiliser uniquement les pièces de rechange spécifiées. Les autres pièces de rechange peuvent affecter la validité de la garantie.
- Avant d'inspecter le matériel ou d'exécuter une procédure de maintenance préventive ou de réparations, nettoyer toute accumulation de saleté ou de débris sur la carrosserie de l'équipement et de ses composants. L'utilisation de l'équipement sur lequel de la poussière et des débris se sont accumulés entraînera l'usure prématurée des composants de l'équipement.
- Ne jamais éliminer des matières dangereuses en les déchargeant dans un égout, sur le sol ou dans des voies d'eau souterraines ou en surface.
- Pour éviter le mauvais fonctionnement de l'équipement, récupérer tous les outils ou pièces qui ont pu tomber à l'intérieur.

- Si un témoin d'alerte s'allume pendant l'utilisation de l'équipement, arrêter immédiatement le moteur. Déterminer la cause du problème et réparer avant de continuer à utiliser l'équipement.

## Étiquettes de sécurité

Avant d'utiliser votre machine, lire et comprendre les étiquettes autocollantes de sécurité (comparer la Figure 1 avec le tableau ci-dessous). Les précautions, les avertissements et les instructions sont pour votre sécurité. Pour éviter tout dommage corporel ou d'endommager la machine, comprendre et suivre toutes les instructions des étiquettes autocollantes.

<p><b>A</b> <b>DANGER</b> - Contact avec des lignes électriques. Tout contact avec des lignes électriques pendant le déploiement de la tour d'éclairage entraînera de graves blessures, voire même fatales. Quand on déploie la tour, toujours maintenir une distance sécuritaire entre la tour et des lignes électriques.</p>	
<p><b>B</b> <b>DANGER</b> - Contact avec des composants sous haute tension. Tout contact avec des composants sous haute tension entraînera de graves blessures, voire même fatales. Avant d'intervenir sur des composants électriques à haute tension, toujours lire les instructions dans le manuel d'utilisation.</p>	
<p><b>C</b> <b>AVERTISSEMENT</b> - Pièces rotatives. Tout contact avec des pièces en rotation pourrait entraîner de graves blessures, voire même fatales. Toujours se tenir à bonne distance de pièces en rotation.</p>	
<p><b>D</b> <b>AVERTISSEMENT</b> - Abaissement de la tour d'éclairage. Se tenir debout sous la tour d'éclairage quand on l'abaisse pourrait entraîner de graves blessures, voire même fatales. Toujours rester à bonne distance de la tour d'éclairage quand on l'abaisse.</p>	

<p><b>E</b> <b>AVERTISSEMENT</b> - Phares chauds. La manipulation des phares quand ils sont chauds pourrait entraîner de graves blessures, voire même fatales. Toujours se tenir à bonne distance des phares quand ils sont allumés ou chauds.</p>	
<p><b>F</b> <b>AVERTISSEMENT</b> - Phares très lumineux. Regarder les phares quand ils sont allumés pourrait entraîner de graves blessures. Ne jamais regarder directement un phare allumé.</p>	
<p><b>G</b> <b>AVERTISSEMENT</b> - Démarrage automatique du moteur (uniquement sur les modèles équipés du LSC 2.0). Le moteur peut démarrer de manière inattendue. Pour éviter de graves blessures, voire même fatales, toujours lire les instructions dans le manuel d'utilisation du LSC 2.0 avant d'intervenir sur le moteur.</p>	
<p><b>H</b> <b>AVERTISSEMENT</b> - Utiliser les béquilles. Lever la tour d'éclairage sans déployer les béquilles peut entraîner le renversement de la machine et être à l'origine de graves blessures, voire même fatales. Toujours déployer les béquilles sur une surface plane et stable et s'assurer que la machine est à niveau avant de lever la tour.</p>	
<p><b>I</b> <b>AVERTISSEMENT</b> - Lire le manuel d'utilisation. Avant d'utiliser cette machine, lire et comprendre le manuel d'utilisation.</p>	
<p><b>J</b> <b>AVERTISSEMENT</b> - Gaz explosifs. Des gaz explosifs peuvent entraîner de graves blessures, voire même fatales. Maintenir les flammes nues et les matières enflammées à bonne distance de la batterie.</p>	

<b>K</b>	<b>AVERTISSEMENT</b> - Matières corrosives. Toute exposition à des matières corrosives pourrait entraîner de graves blessures, voire même fatales. Toujours porter des gants de protection pour manipuler la batterie.	
<b>L</b>	<b>AVERTISSEMENT</b> - Danger de renversement. Prendre des virages serrés à grande vitesse pourrait faire renverser la remorque et être à l'origine de graves blessures, voire même fatales. Toujours ralentir et prendre les virages serrés à une vitesse ne posant aucun danger.	

 **AVERTISSEMENT**

Si des étiquettes autocollantes de sécurité ou éducatives sont usées ou endommagées et deviennent illisibles, commander des étiquettes de rechange auprès de votre revendeur.

## Îcônes de fonctionnement

Le tableau suivant contient des icônes de fonctionnement pouvant se trouver sur la machine, ainsi que la signification de chaque icône.

Pictogramme	Signification	Pictogramme	Signification
	Allumé		Lampe intérieure de la remorque
	Éteint		Mise à la terre
	Arrêt du moteur		Coupe-circuit
	Moteur en marche		Coupe-circuit sectionneur
	Démarrage du moteur		Lever la tour d'éclairage
	Préchauffage de moteur		Abaisser la tour d'éclairage

Pictogramme	Signification	Pictogramme	Signification
	Compteur horaire		Vidange d'huile moteur
	Phare de travail		Vidange de confinement de fluide

## Remorquage, transport et levage

### Préparation du Night-Lite Pro II pour sa livraison ou sa location

Pour fournir le rendement et la sécurité pour lesquels elle a été conçue, la tour d'éclairage NIGHT-LITE PRO II nécessite d'être entretenue et utilisée de façon appropriée. Ne jamais livrer la machine ou la mettre en service si elle a des défauts connus ou s'il manque des instructions ou des étiquettes autocollantes. Toujours fournir au client les instructions sur l'utilisation appropriée et les procédures de sécurité comme le décrit ce manuel d'utilisation. Toujours fournir le manuel avec l'équipement pour assurer un fonctionnement approprié et sans danger.

#### Liste de contrôle avant la mise en marche

- Inspecter visuellement l'équipement pour s'assurer que toutes les instructions et toutes les étiquettes autocollantes sont en place et lisibles.
- Vérifier l'ensemble attelage et le câble de rupture d'attelage.
- Vérifier les béquilles et les vérins pour s'assurer de leur bon fonctionnement.
- Inspecter les boîtiers d'éclairage pour vérifier qu'ils ne sont pas endommagés et tester leur bon fonctionnement.
- Inspecter le câblage électrique pour vérifier s'ils ne présentent pas des signes d'endommagement.

 **DANGER** 

**Risque d'électrocution**

- Ne pas utiliser la tour d'éclairage si l'isolation du cordon électrique ou d'autres fils électriques est endommagée ou usée ou si du fil est dénudé. Réparer ou remplacer le câblage endommagé avant de démarrer le moteur.

- Inspecter les pneus pour vérifier qu'ils sont en bon état et qu'ils sont gonflés de manière appropriée.
- Vérifier les niveaux d'huile moteur, de carburant et de liquide de refroidissement du moteur et le niveau de fluide hydraulique.
- Vérifier et s'assurer que le manuel d'utilisation de la tour d'éclairage et le manuel d'utilisation du générateur accompagnent l'équipement.
- Vérifier et s'assurer que le frein à main fonctionne bien et qu'il est réglé de façon appropriée. Voir **Fonctionnement**.
- Inspecter physiquement la machine pour vérifier qu'elle n'est pas endommagée et réparer au besoin.

**REMARQUE :** Pour les vérifications supplémentaires avant la mise en marche, voir la section appropriée du manuel d'utilisation du moteur et le manuel d'utilisation du générateur.

Après avoir terminé le pointage de la liste de contrôle avant la mise en marche, utiliser la tour pendant un cycle de service complet en suivant les consignes d'utilisation contenues dans ce manuel.



#### AVERTISSEMENT

##### Risque d'utilisation dangereuse

- Ne jamais laisser quiconque installer ou utiliser l'équipement sans formation adéquate.

#### Toujours lire et comprendre d'abord les instructions.

Avant toute opération de remorquage, de transport ou de levage, lire **Sécurité**.

L'ensemble complet du moteur et du générateur est logé dans une armoire verrouillable, le cadre du châssis étant en acier épais et monté sur un essieu deux roues à barre de torsion.

#### Avant le remorquage ou le transport

- Abaisser la tour d'éclairage et éteindre les phares de la tour et le moteur ; voir **Arrêt – préparation au remorquage**.
- Inspecter visuellement la remorque et l'équipement pour vérifier qu'ils ne sont pas endommagés. Au besoin, réparer ou remplacer tous les composants avant le remorquage.
- Vérifier le bon fonctionnement des feux de la remorque.
- Inspecter les pneus pour vérifier qu'ils sont en bon état et qu'ils sont gonflés de manière appropriée.
- Inspecter l'essieu de la remorque et le train roulant pour vérifier qu'ils ne sont pas endommagés ou que des pièces ne sont pas desserrées.
- Vérifier l'ensemble attelage et le câble de rupture d'attelage.
- S'assurer que les béquilles et les vérins sont correctement arrimés.
- Nettoyer tous les déversements pouvant s'être produits à l'intérieur de la zone de confinement des fluides de la remorque pendant l'utilisation.
- S'assurer que toutes les portes du compartiment sont fermées et verrouillées.

#### Arrêt – Se préparer au remorquage

1. Les phares de la tour éteints, abaisser à fond la tour d'éclairage jusqu'à ce qu'elle soit complètement en bas ; voir **Levage et abaissement de la tour d'éclairage**.
2. Arrêter le moteur. Se reporter au manuel d'utilisation du moteur pour des informations sur la procédure d'arrêt.

**REMARQUE :** Pour les procédures complémentaires d'après utilisation et d'arrêt, voir la section appropriée du manuel d'utilisation du moteur et du manuel d'utilisation du générateur.

3. Régler la barre d'éclairage et les phares pour le remorquage ; voir **Arrimage des phares de la tour pour le remorquage**.

**REMARQUE :** Inspecter visuellement les supports de fixation des phares ainsi que la visserie pour vérifier que les attaches ne sont pas desserrées et que les supports ne sont pas endommagés. Réparer tout problème avant le remorquage.

4. Fermer, attacher et verrouiller toutes les portes du compartiment.

5. Lever chaque pied de bigue arrière et les faire pivoter pour les placer en position de remorquage (à l'horizontale avec la barre de béquilles).

6. Rentrer chaque barre de béquilles et les attacher en position d'arrimage à l'aide d'une goupille de verrouillage.

**REMARQUE :** S'assurer que chaque vérin de béquille est verrouillé en position de transport en posant les goupilles de verrouillage des béquilles avant le transport.

7. Atteler la remorque au véhicule remorqueur.

8. Relâcher le frein à main.

#### Arrimage des phares de tour verticaux pour le remorquage

La barre d'éclairage et les phares doivent être arrimés avant le remorquage ou le transport.



#### AVERTISSEMENT



##### Risque de brûlure

- Les phares deviennent extrêmement chauds pendant l'utilisation.
- Toujours faire preuve de précaution et porter des gants anti-chaleur pour manipuler les phares ou prévoir suffisamment de temps pour que les phares se refroidissent avant de les manipuler.

1. S'assurer que les phares sont éteints et que la tour est abaissée à fond jusqu'à ce qu'elle soit complètement en bas ; voir **Levage et abaissement de la tour d'éclairage**.
2. Relâcher la goupille de stationnement de barre d'éclairage en tirant l'anneau et en la faisant tourner de 90 degrés pour que la goupille reste en position rentrée.
3. Faire tourner la barre d'éclairage pour la placer en position de stationnement pour remorquage/transport (alignée avec la remorque) et engager la goupille de stationnement en tordant la bague de la goupille de stationnement jusqu'à ce que le piston plongeur soit relâché et que la goupille s'engage et se verrouille dans le trou de la barre d'éclairage.
4. Replacer les phares pour le remorquage /transport dans leur position la plus basse en les tirant vers le bas et les orienter vers le centre de la remorque. Voir Figure 2.

**REMARQUE :** Si des phares doivent être retirés pour le remorquage/transport, voir **Phares de la tour – dépose pour remorquage (facultatif)**.

#### Phares de la tour – dépose pour remorquage (facultatif)

La tour d'éclairage peut être équipée de phares pouvant être déposés pour le remorquage/transport ou pour les protéger contre le vol.



#### AVERTISSEMENT



##### Risque de brûlure

- Les phares deviennent extrêmement chauds pendant l'utilisation.
- Toujours faire preuve de précaution et porter des gants anti-chaleur pour manipuler les phares ou prévoir suffisamment de temps pour que les phares se refroidissent avant de les manipuler.

1. S'assurer que les phares sont éteints et que la tour est abaissée à fond jusqu'à ce qu'elle soit complètement en bas ; voir **Levage et abaissement de la tour d'éclairage**.
2. Débrancher le cordon électrique pour chaque phare, au niveau de la barre d'éclairage.
3. Tout en soutenant le phare, retirer l'ensemble écrou et rondelle attachant le support principal de phare et déposer chaque phare et chaque support.
4. Ranger chaque phare pour éviter de les endommager pendant le transport.

## Remorquage

Avant de remorquer la remorque de tour d'éclairage, lire **Sécurité et Avant le remorquage ou le transport**.

### AVIS :

La vitesse maximum sur route est de 90 km/h (56 mi/h) et la vitesse maximum hors route est de 15 km/h (9,5 mi/h). Ne pas dépasser ces limites, sinon la tour d'éclairage pourrait être endommagée.

Identification des composants de la remorque (Figure 3)

- A. Vérin de languette : utilisée pour lever, abaisser et mettre à niveau la languette de remorque.
- B. Dispositif d'attelage pour anneau d'attelage : 40 mm (1-9/16 po)
- C. Câble de rupture d'attelage : branchement de sécurité au véhicule remorqueur qui active le frein si le dispositif d'attelage se détache.
- D. Frein à main

## Considérations sur le véhicule remorqueur et l'attelage

Le véhicule remorqueur doit être capable de tracter sans danger la remorque à pleine charge. Ne jamais tracter une charge qui est supérieure à la capacité de remorquage du véhicule : il y a risque de perdre le contrôle de la remorque et/ou du véhicule. Avant le remorquage, toujours vérifier le manuel d'utilisation du véhicule pour les spécifications de charge maximum en remorquage et les spécifications de poids nominal brut maximum du véhicule qui incluent la remorque à pleine charge.

Le véhicule doit être équipé d'un attelage capable de traiter sans danger la charge de remorquage et le poids de la languette de la remorque.

## Freins de remorque

La CE NIGHT-LITE PRO II est équipée de freins de service et d'un frein à main. Les freins à main peuvent être activés quand la remorque de la tour d'éclairage est attelée au véhicule remorqueur. Quand le véhicule remorqueur freine ou descend une côte, le dispositif de freinage par inertie agit à travers les composants de l'attelage pour activer les freins de roue.

Quand le véhicule remorqueur est en marche arrière, le dispositif de freinage par inertie agit à travers les composants de l'attelage pour commencer à activer les freins de roue. Toutefois, la rotation en sens inverse du tambour agit sur les composants internes pour annuler l'effet de freinage en permettant à la remorque de se déplacer en marche arrière.

Le frein à main fonctionne en tirant le levier jusqu'à ce qu'il soit en position verticale pour serrer les freins de roue. À noter que lorsque le frein à main est complètement activé, la remorque est capable de se déplacer en marche arrière de 25 cm (10 po) jusqu'à ce que le vérin à gaz dans l'attelage agisse.



### AVERTISSEMENT

#### Risque de perte de contrôle

- L'attelage d'un véhicule excessivement chargé ou mal installé peut être à l'origine d'une perte de contrôle de la remorque et/ou du véhicule.
- Ne jamais utiliser un attelage dont la dimension ou la capacité ne correspond pas aux spécifications du dispositif d'attelage de la remorque.

## Attache du dispositif d'attelage de remorque et des feux

La remorque est équipée d'un anneau d'accrochage de 40 mm (1-9/16 po). Un dispositif d'attelage de remorque pour une rotule d'attelage de 50 mm (1-31/32 po) est disponible.

Pour changer le dispositif d'attelage, retirer les deux boulons et remplacer le dispositif d'attelage existant par le dispositif d'attelage voulu.



### AVERTISSEMENT

#### Risque de perte de contrôle

- Avant le remorquage, s'assurer que les boulons du dispositif d'attelage sont bien serrés.

Dispositif d'attelage et attelage typiques de type anneau d'accrochage (Figure 4)

- A. Levier de verrouillage et de déverrouillage
- B. Anneau d'accrochage de dispositif d'attelage de remorque
- C. Goupille de sécurité de levier de verrouillage
- D. Attelage de véhicule

Dispositif d'attelage et attelage typiques de type rotule (Figure 5, si la machine en est équipée)

- A. Levier de verrouillage et de déverrouillage
- B. Douille de dispositif d'attelage de remorque
- C. Bride de dispositif d'attelage
- D. Attelage et rotule de véhicule
- E. Goupille de sécurité de levier de verrouillage

Avant le remorquage, lire **Avant le remorquage ou le transport**.

1. Attacher l'attelage du véhicule remorqueur au dispositif d'attelage de la remorque. S'assurer que le dispositif d'attelage est solidement attaché à l'attelage du véhicule remorqueur.
2. Attacher le câble de rupture d'attelage (A, Figure 6) au cadre d'attelage (B) du véhicule ; ceci activera les freins de service de la machine au cas où la machine se détacherait accidentellement du véhicule remorqueur.



### AVERTISSEMENT

#### Risque de perte de contrôle

- Avant le remorquage, attacher correctement et solidement le câble de rupture d'attelage entre le véhicule remorqueur et la remorque.
- Ne jamais laisser le câble de rupture d'attelage traîner sur le sol pendant le remorquage.

3. Brancher le connecteur de feux (C, Figure 6) du faisceau du véhicule dans la prise (D) de la remorque.
4. S'assurer qu'il y a suffisamment de jeu dans le faisceau pour éviter qu'il se torde ou se débranche dans les virages.

#### AVIS :

Le jeu du faisceau ne doit pas être excessif. Le faisceau peut être endommagé en raclant le sol.

5. Avant le remorquage, vérifier le bon fonctionnement des feux.
6. Relâcher le frein à main.

#### Levage de la tour d'éclairage

Le poids approximatif de la tour d'éclairage à pleine charge est de 820 kg (1 807 lb).

La tour d'éclairage NIGHT-LITE PRO II est équipée de passages de fourche supérieurs (A, Figure 7) et d'un œilleton de levage (B) pour le levage ou le treuillage.



#### AVERTISSEMENT

##### Danger de renversement

- Avant de lever, d'abaisser la tour d'éclairage et éteindre les phares de la tour et le moteur; voir **Arrêt – se préparer au remorquage**.



#### AVERTISSEMENT

##### Danger de lésion par écrasement ou coupure

- Pour lever sans danger la remorque de la tour d'éclairage, toujours s'assurer que le dispositif de levage utilisé est en bon état et prévu pour la capacité maximum de la tâche à accomplir.
- Toujours demander de l'aide lors de l'utilisation d'un chariot élévateur à fourche, d'une grue ou d'un treuil et lors de déchargement.
- Pour lever ou treuiller la machine à l'aide d'un treuil ou d'une grue, utiliser uniquement l'œilleton de levage sur la barre de levage.
- Pour le levage, utiliser uniquement des maillons d'attache ou un crochet verrouillable.
- Ne pas se tenir debout ou marcher sous la machine quand elle est levée et maintenir les autres personnes à bonne distance.

#### Transport sur une remorque

Pour le transport sur un camion ou une remorque, toujours attacher la machine en utilisant des chaînes d'arrimage ou des sangles suffisamment solides reliant le châssis de la remorque de la tour d'éclairage à la remorque tractée. Il incombe à l'utilisateur du véhicule remorqueur d'attacher convenablement la charge.

## Informations d'ordre général pour l'entretien et les réparations

### Identification de l'équipement

Comparer la Figure 8 avec le tableau ci-dessous.

Réf	Description
A	Anneau d'attelage (standard) de 40 mm (1-9/16 po)
A	Rotule (non illustrée, facultative) de 50 mm (1-31/32 po)
B	Frein de stationnement
C	Vérin de languette
D	Béquille (de chaque côté)
E	Béquille (rentré, sur l'illustration)
F	Stabilisateur arrière
G	Goupille de stationnement

### Numéros de modèle et de série

Les numéros de modèle et de série sont exigés pour l'assistance technique et les pièces de rechange. Les descriptions suivantes indiquent l'emplacement des numéros de modèle et de série des composants principaux.

#### Remorque

Toutes les remorques NIGHT-LITE PRO II ont une plaque pour le numéro de série (A, Figure 9) attachée au panneau avant.

#### Générateur

Le générateur a une plaque pour le numéro de série (A, Figure 10) attaché sur le flanc du caisson. Le numéro de série est également estampé dans le caisson.

#### Moteur

Le moteur CATERPILLAR® a une plaque pour le numéro de série (A, Figure 11) attachée sur le flanc supérieur droit du bloc-moteur, au-dessus de la pompe d'injection.

Le numéro de série du moteur KUBOTA est estampé sur le bloc-moteur, juste en dessous de la tubulure d'échappement (A, Figure 12).

### Spécifications (caractéristiques standard et en option)

**REMARQUE :** Pour les caractéristiques spécifiques du moteur ou du générateur, se reporter au manuel d'utilisation du moteur ou du générateur.

#### Remorque

Dispositif d'attelage	Anneau d'attelage (en série) de 40 mm (1-9/16 po) ; rotule d'attelage (en option) de 50 mm (1-31/32 po)
Vitesse maximum sur route (revêtue)	90 km/h (56 mi/h)
Vitesse maximum hors route	16,1 km/h (10 mi/h)
Nombre d'essieux	1
Capacité des essieux	907 kg (2 000 lb)
Dimensions des pneus	155R13C-8PR 90/88Q

Taille des jantes	4,5J x 13
Pression de gonflage des pneus à froid	310 kPa (45 psi)
Serrures de portes	Standard
Feux de la remorque : stop, clignotants, position	Homologué ECC
Connecteur des feux de la remorque	Prise 13 broches
Œilleton de levage	Standard
Anneaux d'arrimage	Standard
Passages de fourche arrière	Standard
Passages de fourche supérieurs	Standard
Nombre de stabilisateurs	4
Nombre de stabilisateurs à béquille	2
Vérin de languette	Standard

#### Tour d'éclairage - verticale

Sections	6
Tour verticale	Standard
Charge continue maximum due au vent	85 km/h (53 mi/h) - avec vérins et béquilles déployés sur une surface plane et stable
Rotation de la barre d'éclairage	360SDgr

#### Dimensions hors tout - tour verticale

Hauteur de la tour d'éclairage - abaissée	2,54 m (8 pi 4 po)
Hauteur de la tour d'éclairage - levée	7,9 m (25 pi)
Longueur	2,85m (9 pi 4 po)
Largeur (béquilles rentrées)	1,3m (4 pi 3 po)
Largeur (béquilles déployées)	2,54m (8 pi 4 po)
Poids à sec	790 kg (1 740 lb)

#### Générateurs 50 Hz

6 kW	Standard
Sortie Shucko 220 VCA	Standard
230 VCA	Soupape de Changement deCO2 en Option

#### Phares de la tour

Aux halogénures 1 000 W HD - SHO (lumens prévus: 110 000)	Standard 50 Hz
Temps de chauffe	De 2 à 4 minutes
Temps de redémarrage	De 10 à 15 minutes
Phares	Standard (hermétiques pour utilisation tout temps)
Poids des phares	6,75 kg (15 lb)

#### Moteur

Modèle	Kubota D1005	Kubota D1105	CAT C1.1
Type	Diesel 4 cylindres, refroidi par liquide		

Alésage	76 mm (2,99 po)	78 mm (3,07 po)	77 mm (3,03 po)
Temps du moteur	73,7 mm (2,90 po)	78 mm (3,09 po)	81 mm (3,19 po)
Cylindrée	1 001 cm <sup>3</sup> (61,1 po <sup>3</sup> )	1 123 cm <sup>3</sup> (68,5 po <sup>3</sup> )	1 130 cm <sup>3</sup> (69 po <sup>3</sup> )
Puissance à 1 500 tr/min (50 Hz)	8,2 kW (11,0 HP)	9,5 kW (12,7 HP)	8,6 kW (11,5 HP)
Déclassement de prise d'alimentation	3 % par 1 000 pi au-dessus de 360 pi 1% par 10° au-dessus de 70° F		
REMARQUE : Les puissances nominales brutes en chevaux-vapeur sont établies conformément au Code J1349 GROSS (Society of Automotive Engineers) pour les petits moteurs			
Circuit d'alimentation	Diesel à préchambre		
Système de démarrage	Mise à la terre négative 12 VDC		
Circuit électrique	Mise à la terre négative 12 VDC		
Type de batterie	Group 24		
Caractéristique de batterie	550 CCA		
Nombre de batteries	1		
Taux de compression	22,1	22,1	23,1
Poids	109 kg (204,3 lb)	109 kg (204,3 lb)	87 kg (191 lb)
Capacité du réservoir d'huile	5,1 l (5,4 pte)	5,1 l (5,4 pte)	3,7 l (3,9 pte)
Lubrification	Lubrification forcée par pompe		
Filtration d'huile	Type de cartouche		
Système de refroidissement	Circulation forcée par radiateur sous pression avec pompe à eau		
Arrêt dû à une faible pression d'huile	Standard tous moteurs		
Arrêt dû à la température élevée du moteur	Standard tous moteurs		
Démarrage à froid assisté par bougie de préchauffage	Standard tous moteurs		
Carburant	Pour les pays régis par les règles de la Communauté Européenne (CE), les carburants diesel qui répondent à la norme EN590 pour les carburants diesel à très faible teneur en soufre (DTFTS) doivent être utilisés. Les carburants diesel répondant à cette norme ont une teneur minimum de soufre de 10 mg/kg. Se reporter au manuel d'utilisation du moteur pour plus de détails sur les exigences en matière de moteur.		

Huile de moteur	Utiliser une huile moteur de bonne qualité de catégorie API (American Petroleum Institute) CG-4/CH-4/CI-4. Se reporter au manuel d'utilisation du moteur pour plus de détails sur les exigences en matière d'huile moteur.
Réservoir de carburant	114 L (30 gal)
Réservoir de refroidissement	5,2 L (5,5 pte)
Vase d'expansion	1,04 L (1,09 pte)

## Accessoire en option de l'équipement

- Saf - T - Visor
- Commande de séquence d'éclairage LSC2.0
- Batterie grande capacité (775 ADF)
- Coussin chauffant de batterie
- Réchauffeur de bloc-moteur
- Kit d'affaiblissement acoustique
- Phares à débranchement rapide

## Fonctionnement

Avant d'effectuer la moindre procédure d'utilisation, lire **Sécurité**.

### Installation avant mise en marche

Considérations relatives à la sécurité sur le chantier

#### Hauteur


**DANGER**


**Risque d'électrocution**

- Toujours vérifier la présence éventuelle de fils électriques aériens ou d'obstacles avant de lever ou d'abaisser la tour d'éclairage.
- Pour s'assurer de maintenir une distance de sécurité entre la machine et les fils aériens électriques, toujours suivre les règles et les instructions du chantier et le code de l'électricité du pays, de la région ou de la localité.

#### Surface du sol


**AVERTISSEMENT**

**Danger de renversement**

- Danger de renversement Ne pas installer la machine sur une pente de plus de 2,8° (5 % de déclivité), longitudinalement et transversalement.
- Ne pas positionner ou installer la machine sur un sol instable ou qui n'est pas parfaitement horizontal. Installer uniquement la machine sur des surfaces lisses, plates et fermes.

#### Vent


**AVERTISSEMENT**

**Danger de renversement**

- Ne pas utiliser la tour d'éclairage déployée quand la vitesse du vent est supérieure à 85 km/h (53 mi/h).

Quand la tour d'éclairage est en position d'utilisation, elle se situe au milieu d'un système de béquilles à trois points pour un équilibre et une stabilité optimums. Ce système a été mis au point pour permettre

à la tour d'éclairage de rester opérationnelle par vent soutenu de 85 km/h (53 mi/h), la tour d'éclairage étant déployée sur toute sa hauteur et les vérins et les béquilles étant placés sur une surface plane et stable.

#### Liste de contrôle avant la mise en marche

Toujours effectuer les vérifications suivantes avant de se déplacer vers le chantier et avant utilisation. Au besoin, réparer ou remplacer tous les composants avant utilisation.

*REMARQUE : Pour les vérifications supplémentaires avant la mise en marche, voir la section appropriée du manuel d'utilisation du moteur et le manuel d'utilisation du générateur.*

Après avoir terminé le pointage de la liste de contrôle avant la mise en marche, utiliser la tour d'éclairage pendant un cycle de service complet.

- Inspecter visuellement l'équipement pour s'assurer que toutes les instructions et toutes les étiquettes autocollantes sont en place et lisibles.
- Vérifier l'ensemble attelage et le câble de rupture d'attelage.
- Vérifier et s'assurer que le frein à main fonctionne bien : Tirer le levier de frein à main (B, Figure 8) pour serrer le frein à main et bloquer les roues de la remorque. Appuyer sur le bouton de déblocage à l'extrémité du levier de frein à main et abaisser le levier pour desserrer le frein à main.
- Vérifier les béquilles et les vérins pour s'assurer de leur bon fonctionnement.
- Inspecter les boîtiers d'éclairage pour vérifier qu'ils ne sont pas endommagés et tester leur bon fonctionnement.
- Inspecter le câblage électrique pour vérifier s'ils ne présentent pas des signes d'endommagement.


**DANGER**


**Risque d'électrocution**

- Ne pas utiliser la tour d'éclairage si l'isolation du cordon électrique ou d'autres fils électriques est endommagée ou usée ou si du fil est dénudé.

- Inspecter les pneus pour vérifier qu'ils sont en bon état et qu'ils sont gonflés de manière appropriée.
- Vérifier les niveaux d'huile moteur, de carburant et de liquide de refroidissement du moteur et le niveau de fluide hydraulique.
- Vérifier et s'assurer que le manuel d'utilisation de la tour d'éclairage et le manuel d'utilisation du générateur accompagnent l'équipement.
- Inspecter physiquement la machine pour vérifier qu'elle n'est pas endommagée et réparer au besoin.

## Mise à niveau et stabilisation de la remorque



### AVERTISSEMENT

#### Danger de renversement

- Ne pas installer la machine sur un sol qui n'est pas parfaitement horizontal. Installer uniquement la machine sur des surfaces lisses, plates et fermes.
- Avant de lever la tour d'éclairage, toujours mettre à niveau la remorque de la tour d'éclairage.

La NIGHT-LITE PRO II doit être à niveau sur des pentes de moins de 2,8° (5 % de déclivité), longitudinalement et transversalement.

1. Positionner la NIGHT-LITE PRO II sur un site adéquat ; voir **Considérations relatives à la sécurité sur le chantier.**
2. Serrer le frein à main et bloquer chaque roue de chaque côté à l'aide d'une cale de roue adaptée (A, Figure 13).
3. Déployer les stabilisateurs à béquille et les verrouiller une fois en place à l'aide d'une goupille de blocage de béquille (A, Figure 14).
4. Faire tourner chaque vérin de stabilisateur à béquille (Figure 14) ainsi que le vérin du stabilisateur arrière (Figure 15) et le vérin de languette (Figure 16), perpendiculairement au sol, et les verrouiller une fois en place à l'aide d'une goupille de vérin (B, Figure 14 ; A, Figures 15 et 16).
5. Pour effectuer la mise à niveau appropriée, régler chaque vérin de stabilisateur à béquille (C, Figure 14), le vérin du stabilisateur arrière (B, Figure 15) et le vérin de languette (B, Figure 16).

*REMARQUE : En faisant tourner les poignées dans le sens des aiguilles d'une montre, on relève les vérins et on les abaisse en faisant tourner les poignées dans le sens contraire des aiguilles d'une montre.*



### AVERTISSEMENT

#### Danger de renversement

- Tous les vérins des stabilisateurs doivent reposer sur une surface plate, plane et ferme.

## Fonctionnement du moteur

Avant de démarrer le moteur ou d'utiliser la tour d'éclairage, lire **Sécurité.**

Les tours d'éclairage Allmand de la série NIGHT-LITE PRO II sont alimentées par un moteur diesel et par un groupe électrogène.

### Vérification avant démarrage

1. Vérifier l'huile du moteur et ajouter de l'huile au besoin. Remplir le moteur d'une huile de graissage de qualité appropriée ; se reporter au manuel d'utilisation du moteur pour les spécifications relatives aux lubrifiants.
2. Vérifier et ajouter au besoin du carburant diesel.
3. S'assurer que le filtre à air est solidement attaché et que les joints de filtre à air et les colliers de durite sont bien serrés. L'élément de filtre à air doit être vérifié et remplacé au besoin.

## Tableau de commande du moteur

### Tableau de commande standard

Le tableau de commande standard du moteur se compose d'une clé marche/arrêt (A, Figure 17) et d'un compteur d'heures (B).

### Tableaux de commande LSC 2.0

Le tableau de commande du moteur LSC 2.0 se compose d'un interrupteur marche-arrêt (A, Figure 18) sur le tableau principal et du tableau de commande LSC 2.0 avec afficheur à cristaux liquides (B).

### Démarrage du moteur

La procédure de démarrage est différente selon le modèle de moteur utilisé. Se reporter au manuel d'utilisation du moteur pour des informations sur la procédure de démarrage. Pour le LSC 2.0, se reporter au manuel d'utilisation du LSC 2.0.

### Démarrage par temps froid

La procédure de démarrage par temps froid est différente selon le modèle de moteur utilisé. Se reporter au manuel d'utilisation du moteur pour des informations sur la procédure de démarrage à froid.

### Si le moteur est à court de carburant

1. Remplir le réservoir de carburant.
2. Se reporter au manuel d'utilisation du moteur pour des informations sur la procédure de démarrage.

### Remarque :

Ne pas utiliser le démarreur pendant plus de 10 secondes et laisser 30 secondes entre chaque tentative de démarrage. Le démarreur peut être endommagé par la chaleur excessive dégagée en lançant le moteur trop longtemps.

### Remarque :

Si le moteur développe un régime suffisant pour relâcher le démarreur, mais ne continue pas à tourner (faux démarrage), il faut laisser la rotation du moteur s'arrêter complètement avant d'essayer de redémarrer le moteur.

### Remarque :

Si le démarreur est engagé pendant que le volant moteur tourne, le pignon de démarreur et la couronne du volant moteur peuvent s'opposer, ce qui endommagera le démarreur ou la couronne du volant moteur.

### Pour arrêter le moteur

La procédure d'arrêt de moteur peut varier selon le modèle de moteur utilisé. Se reporter au manuel d'utilisation du moteur pour les procédures d'arrêt du moteur. Pour le LSC 2.0, se reporter au manuel d'utilisation du LSC 2.0.

### Système d'arrêt automatique du moteur

Le moteur est équipé d'un système d'arrêt automatique du moteur pour éviter qu'il soit excessivement endommagé en cas de faible niveau d'huile ou de surchauffe. Pour des informations complémentaires, se reporter au manuel d'utilisation du moteur.

### Arrêt dû à une faible pression d'huile

Si des conditions de faible pression d'huile se présentent, le transmetteur de pression d'huile coupe le circuit entre la batterie et le solénoïde de carburant en permettant à la charge du ressort de déplacer immédiatement la commande de carburant sur la position d'arrêt.

## Arrêt dû à la température élevée du liquide de refroidissement

Si des conditions de température élevée de liquide de refroidissement se présentent, le transducteur de température coupe le circuit entre la batterie et le solénoïde de carburant en permettant à la charge du ressort de déplacer immédiatement la commande de carburant sur la position d'arrêt.

## Utilisation des phares de la tour verticale

Avant d'utiliser les phares de la tour, lire **Sécurité**.

La tour d'éclairage verticale est levée et abaissée par une pompe hydraulique actionnant un mât télescopique en 6 parties.



### AVERTISSEMENT

#### Danger de renversement

- Avant de lever, d'abaisser ou d'utiliser les phares de la tour, la remorque doit être installée, correctement mise à niveau et stabilisée : voir **Installation avant mise en marche**.



### AVERTISSEMENT

#### Danger de lésion par écrasement ou coupure

- Avant de lever ou d'abaisser la tour d'éclairage, prévoir un dégagement adéquat autour et au-dessus de la remorque.
- S'assurer qu'il n'y a aucun obstacle ou aucune personne près de la tour d'éclairage quand on la lève ou on l'abaisse.

## Réglage des phares et de la barre d'éclairage

### Phares : réglage sur le chantier

La barre d'éclairage et les phares doivent être réglés sur l'angle de travail souhaité avant de lever la tour d'éclairage.

La tour d'éclairage étant complètement abaissée et les phares éteints, l'ensemble barre d'éclairage et les phares peuvent être tournés manuellement et placés dans la position de travail souhaitée.

Pour régler la barre d'éclairage, relâcher la goupille de stationnement de barre d'éclairage (A, Figure 19) en tirant l'anneau et en le faisant tourner de 90 degrés pour que la goupille reste en position rentrée.

Quand la goupille de stationnement de barre d'éclairage est retirée, la barre d'éclairage est conçue pour être tournée manuellement avec suffisamment de résistance pour que la barre reste dans la position souhaitée une fois que l'utilisateur a orienté les phares sur la zone de travail.

Si la barre d'éclairage tourne trop facilement ou ne reste pas en position, retirer le capuchon protecteur du centre du couvercle de la barre d'éclairage et serre l'écrou pour obtenir la résistance souhaitée, puis replacer le capuchon protecteur.

Pour régler chaque phare, faire pivoter manuellement chaque phare au niveau de son socle (A, Figure 20) pour le placer dans la position de travail souhaitée.

## Phares – Remisage du remorquage

La barre d'éclairage et les phares doivent être convenablement arrimés avant le remorquage ou le transport. Voir **Phares de tour – arrimage pour le remorquage**.

## Levage et abaissement de la tour d'éclairage hydraulique

**REMARQUE :** La tour d'éclairage hydraulique (A, Figure 21) utilise la puissance d'une batterie de 12 VDC. La tour d'éclairage peut être levée ou abaissée au besoin quand le contact est mis, mais sans que le moteur tourne.

### Levage

#### AVIS :

Avant de lever la tour d'éclairage, inspecter visuellement l'équipement pour vérifier s'il n'est pas endommagé ou usé et réparer ou remplacer les composants le cas échéant. Ne jamais utiliser la tour d'éclairage si des composants sont endommagés ou fonctionnent mal.

1. Avant de lever la tour d'éclairage, régler les phares de la tour sur la position de travail souhaitée ; voir **Réglage de la barre d'éclairage et des phares**.
2. Au besoin, démarrer le moteur. Se reporter au manuel d'utilisation du moteur pour des informations sur la procédure de démarrage.
3. Éteindre les phares ; voir **Tableau de commande des phares**.
4. Appuyer sur le haut de l'interrupteur de levage hydraulique de la tour d'éclairage (A, Figure 22) pour lever la tour d'éclairage à la hauteur voulue.

### Abaissement

1. Au besoin, démarrer le moteur. Se reporter au manuel d'utilisation du moteur pour des informations sur la procédure de démarrage.
2. Éteindre les phares ; voir **Tableau de commande des phares**.
3. Appuyer sur le bas de l'interrupteur de levage hydraulique (A, Figure 22) pour abaisser la tour d'éclairage à la hauteur voulue ou sur la position complètement ABAISSÉE.
4. Quand la tour atteint la position complètement abaissée, continuer à appuyer sur l'interrupteur pendant 3 secondes supplémentaires pour s'assurer que la tour est sur sa position la plus basse possible.

### Tableau de commande des phares

Les quatre phares de la tour sont protégés par quatre disjoncteurs de surcharge (A, Figure 23) situés sur le tableau de commande des phares.

Les phares sont automatiquement contrôlés par le système d'éclairage séquentiel. Laisser simplement les disjoncteurs de surcharge sur la position ON (OUVERT) pour que l'éclairage soit commandé automatiquement. Toutefois, les disjoncteurs de surcharge peuvent être sur la position OFF (FERMÉ) pour commander individuellement chaque phare.

### Voyants allumés

Démarrer le moteur et les phares s'allumeront séquentiellement et automatiquement.

Pour commander individuellement chaque phare, mettre un ou plusieurs disjoncteurs de surcharge des phares (A, Figure 23) sur la position OFF (FERMÉ).

### Extinction des phares

Couper le moteur et les phares s'éteindront automatiquement.

*REMARQUE : Les phares s'éteindront une fraction de seconde avant l'arrêt du moteur, ce qui évite d'endommager les condensateurs.*

## Procédure d'arrêt

### Arrêt pour une brève période

1. Abaisser à fond la tour d'éclairage jusqu'à ce qu'elle soit complètement en bas ; voir **Lever et abaisser la tour d'éclairage**.
2. Couper le moteur. Se reporter au manuel d'utilisation du moteur pour des informations sur la procédure d'arrêt.

### Arrêt de longue durée ou pour préparer le remorquage

Voir **Remisage de longue durée** ou **Arrêt – préparation pour le remorquage**.

## Utilisation des sorties auxiliaires courant alternatif

En fonction des options du modèle, le tableau de commande monophasé 220 VCA est équipé de deux prises 220 VCA (C, Figure 24) pour alimenter des accessoires du générateur. Les prises sont sous tension uniquement quand le moteur/générateur tourne et quand le coupe-circuit principal (A) est sur la position ON (OUVERT).

Chaque prise 220 VCA est protégée par un coupe-circuit de 15 A (B, Figure 24).

Le coupe-circuit principal (A, Figure 24) est un coupe-circuit de mise à la terre de 32 A.

Si un des coupe-circuits de prise disjoncte :

1. Débrancher la charge de la prise.
2. Éteindre les phares de la tour (s'ils sont allumés).
3. Corriger le problème de surcharge et patienter 10 minutes pour laisser le générateur se refroidir avant de rebrancher la charge.

## Entretien

Avant d'effectuer la moindre procédure d'entretien, lire **Sécurité**.

La maintenance systématique empêche les temps d'indisponibilité inattendus, réduit le nombre des accidents dus au rendement médiocre de l'équipement et prolonge la durée de vie de la tour d'éclairage.

Le bon entretien de la tour d'éclairage et de la remorque est indispensable pour une utilisation fiable et sans danger. Utiliser les consignes d'entretien et de maintenance suivantes en complément de celles programmées par l'atelier de maintenance de l'équipement.

Quand l'équipement est utilisé dans des conditions difficiles (forte poussière, chaleur ou froid extrême, etc.), les pièces affectées doivent être entretenues plus fréquemment.

## Moteur

Se reporter au manuel d'utilisation du moteur pour les procédures de maintenance systématique du moteur.

### Changement et adjonction d'huile moteur

Utiliser une huile moteur de bonne qualité de catégorie API (American Petroleum Institute) CG-4/CH-4/CI-4. Se reporter au manuel d'utilisation du moteur pour plus de détails sur les spécifications relatives aux lubrifiants pour le moteur.

Tous les modèles sont équipés de retours d'huile à distance.

### Filtres du moteur

Se reporter au manuel d'utilisation du moteur pour plus de détails sur les procédures d'entretien des filtres à air, à huile et à carburant.

## Circuit électrique

### Générateur

Pour toutes les procédures de maintenance systématique du générateur, se reporter au manuel d'utilisation du générateur.

### Tableau de ballasts

Les tableaux de ballasts sont situés à l'avant de la remorque de la tour d'éclairage. On accède aux tableaux de ballasts en ouvrant les portes et en retirant le couvercle des ballasts. Chaque tableau de ballast contient deux ballasts de phare de tour (A, Figure 25) et des condensateurs (B). Pour d'autres informations sur le câblage, se reporter au manuel des schémas de câblage.



**DANGER**

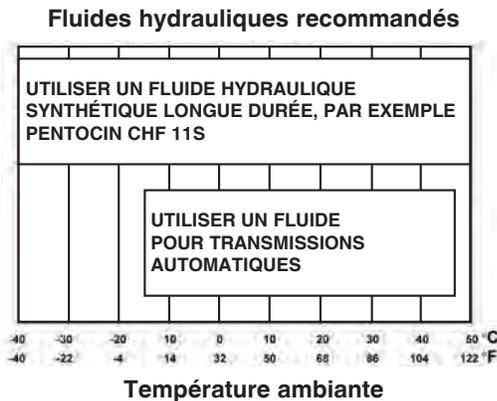


### Risque d'électrocution

- Seuls des électriciens qualifiés doivent réparer ou entretenir la machine ou exécuter les procédures de remplacement. Le ballast et les condensateurs sont capables de décharger une tension élevée. Pour intervenir sur des composants électriques, toujours utiliser des vêtements et un équipement de sécurité appropriés.
- Quand le moteur tourne, il génère une tension élevée. Ne jamais tenter d'intervenir sur des composants électriques quand le moteur tourne.
- Ne pas utiliser la tour d'éclairage si l'isolation du câblage électrique est endommagée ou usée ou si du fil est dénudé. Réparer ou remplacer le câblage endommagé avant de démarrer le moteur.

# Pompe hydraulique

## Spécifications de l'huile hydraulique



### Adjonction d'huile hydraulique

Remplir le réservoir (Figure 26) de liquide pour transmission automatique ou de tout autre fluide hydraulique propre ayant un indice de viscosité qui est adapté aux conditions climatiques de la région dans laquelle la machine est utilisée. Se reporter au tableau précédent.

*REMARQUE : Les unités standard sont fournies pour le liquide pour transmission automatique et les unités arctiques sont fournies pour les fluides hydrauliques synthétiques longue durée.*

### Amorçage de la pompe hydraulique

Les pompes qui ont été démontées pour être réparées ou les pompes qui ont été remplacées nécessitent d'être convenablement amorcées pour éviter qu'elles tombent en panne. On dit qu'une pompe est « amorcée » quand les parties internes de la pompe sont remplies d'huile et que l'air a été totalement expulsé. Pour amorcer la pompe :

1. S'assurer que le réservoir d'huile (A, Figure 26) est rempli d'huile jusqu'à la marque FULL (PLEIN).
2. Placer un bac à huile sous la pompe pour récupérer l'huile en excès.
3. Desserrer l'extrémité de la durite (B, Figure 26) pour laisser l'huile et l'air s'échapper.
4. Ouvrir l'interrupteur d'allumage et amener l'interrupteur de levage/abaissement de la tour sur la position UP (levage). Répéter cette opération de façon intermittente ou faire tourner la pompe « par à-coups ». Ceci expulsera l'air et l'huile à travers le raccord desserré. Répéter jusqu'à ce que le débit d'huile est exempt d'air.
5. Resserrer l'extrémité de la durite. Fermer l'interrupteur d'allumage.
6. Retirer le bac à huile et éliminer l'huile en suivant les directives des organismes publics.
7. Ajouter de l'huile dans le réservoir jusqu'à la marque FULL (PLEIN).

Une fois que la pompe a été amorcée, l'air du cylindre doit être purgé. Pour purger l'air du cylindre :

1. S'assurer que le réservoir d'huile est rempli jusqu'à la marque FULL (PLEIN).
2. Nettoyer le raccord purgeur (A, Figure 27) sur l'extrémité supérieure du fût de cylindre.

3. Placer un tuyau purgeur sur l'extrémité du raccord purgeur. Placer l'autre extrémité du tuyau purgeur dans un récipient de récupération adapté.
4. Ouvrir l'interrupteur d'allumage et amener l'interrupteur de levage/abaissement de la tour sur la position UP (levage).
5. Ouvrir le raccord purgeur. Laisser l'huile et l'air s'échapper du cylindre. Fermer le purgeur quand le débit d'huile est exempt d'air.
6. Retirer le récipient de récupération et le tuyau purgeur. Éliminer l'huile du récipient de récupération en suivant les directives des organismes publics.
7. Amener l'interrupteur de levage/abaissement de la tour sur la position DOWN (BAS). S'assurer que la tour est complètement abaissée. Fermer l'interrupteur d'allumage.
8. Ajouter de l'huile dans le réservoir jusqu'à la marque FULL (PLEIN).

## Tour d'éclairage et ampoules

### Changement d'ampoules



#### AVERTISSEMENT



#### Risque de brûlure

- Les phares deviennent extrêmement chauds pendant l'utilisation.
- Toujours faire preuve de précaution et porter des gants anti-chaud pour manipuler les phares ou prévoir suffisamment de temps pour que les phares se refroidissent avant de les manipuler.

1. Éteindre les phares et couper le moteur. Laisser les ampoules et les phares se refroidir.
2. Abaisser complètement la tour d'éclairage.
3. Desserrer les vis des rainures de lentille (E, Figure 28) pour pouvoir retirer la lentille de la rainure.
4. Retirer le joint statique en silicone (G, Figure 28) et la lentille (H).
5. Retirer les vis de l'agrafe (A, Figure 28) et l'agrafe (B).
6. Retirer soigneusement l'ampoule (C, Figure 28) et poser l'ampoule de rechange appropriée. Voir **Spécifications**.
7. Nettoyer le réflecteur (D, Figure 28) et la lentille.
8. Poser l'agrafe et les vis.
9. Poser le joint statique en silicone et la lentille. Les remplacer s'ils sont usés ou endommagés.
10. Poser la rainure de lentille et les vis.
11. Tester la nouvelle ampoule pour s'assurer de son bon fonctionnement.

### Remarque

L'entretien et la maintenance de la remorque sont indispensables pour une utilisation fiable et sans danger. Suivre ces consignes d'entretien et de maintenance en complément de celles programmées par l'atelier de maintenance de l'équipement.

## Cadre

1. Inspecter le dispositif d'attelage pour vérifier son bon fonctionnement et s'il est corrodé ou endommagé ; le remplacer au besoin.
2. Inspecter la barre de levage pour vérifier si elle est corrodée ou endommagée. La remplacer au besoin.
3. Inspecter le châssis et les tôles de carrosserie de la remorque pour vérifier la présence éventuelle de rouille, d'entailles ou d'ébréchures. Utiliser une peinture appropriée pour retoucher les entailles et les éraflures. Pour de plus amples informations, contacter un concessionnaire.
4. Inspecter l'essieu, les ressorts et le train roulant pour vérifier qu'ils ne sont ni usés ni endommagés. La remplacer au besoin.
5. Inspecter les barres des béquilles, les vérins des stabilisateurs avant et arrière et les mécanismes de verrouillage pour vérifier leur bon fonctionnement et qu'ils ne sont ni usés ni endommagés. La remplacer au besoin.

## Points de graissage

Utiliser une graisse lubrifiante pour paliers à roulement haute température n° 2 de qualité N.L.G.I. pour tous les points de pivotement mécaniques de la remorque.

## Roues et pneus de remorque



### AVERTISSEMENT

#### Dangers dus au remorquage

- Ne jamais remorquer la remorque si les pneus, les jantes ou les écrous de roue sont endommagés

1. Inspecter les pneus pour vérifier la présence éventuelle de fissures, d'entailles ou s'ils sont endommagés. Avant le remorquage, remplacer ou réparer immédiatement les pneus endommagés
2. Vérifier la pression à froid des pneus de la remorque. Voir le tableau ci-dessous pour les charges par essieu et le gonflage des pneus. Ne jamais gonfler un pneu insuffisamment ou excessivement.

PNBV	907 kg	2 000 lb
PNBV essieu avant	907 kg	2 000 lb
Pneus	155R13C-8PR 90/88Q	
Jantes	14,5J x 13	
Pression du pneu à froid	310 kPa	45 psi

3. Inspecter la jante des roues pour vérifier la présence éventuelle de fissures ou si elles sont endommagées.
4. S'assurer que tous les boulons de moyeu sont en place. Ne jamais remorquer la remorque si des boulons de moyeu manquent ou sont mal serrés.
5. Vérifier que les boulons de moyeu sont correctement serrés. Le couple de serrage approprié pour les boulons de moyeu est de 88 N.m (65 lb-pi).
6. Lors du serrage des boulons de moyeu, toujours serrer en croisant (Figure 29).

## Roulements de roue

L'essieu est équipé de roulements de roue ne demandant aucun entretien (ils sont graissés et étanches à vie). Aucun réglage n'est

nécessaire. Le roulement de moyeu n'est pas protégé contre les infiltrations d'eau.

L'écrou à embase de moyeu, situé sous le bouchon anti-poussière, est utilisé pour maintenir en position le tambour de frein. Si on le dépose, il doit être remplacé par un nouvel écrou à embase. L'écrou doit être serré à  $290 \pm 10$  Nm ( $214 \pm 7,5$  lb-pi). Une petite quantité de graisse minérale doit être appliquée sur le filetage du demi-essieu avant de poser le nouvel écrou à embase. Après l'avoir posé, la graisse en excès doit être retirée.

Le boulon à tête hexagonale NE DOIT ÊTRE NI VISSÉ NI DÉVISSÉ, quelles que soient les circonstances. Toute interférence avec ce boulon entraînerait l'usure immédiate des pneus, endommagerait le système de freinage et ANNULERAIT TOUTES LES GARANTIES. Si ce boulon est vissé ou dévissé, le pincement et le carrossage doivent être réglés.

En cas d'endommagement du roulement ou du tambour, remplacer complètement et en même temps le tambour, le roulement et l'anneau de retenue. Aucune graisse n'est utilisée dans le moyeu et aucune graisse ne doit être placée dans le bouchon anti-poussière.

## Freins

Inspecter les garnitures de frein de roue tous les 10 000 km (6 200 miles) ou tous les 12 mois pour vérifier leur usure. Régler au besoin les freins. Si les déplacements se font dans des régions montagneuses ou sur de longues distances, il peut s'avérer nécessaire de procéder plus tôt à l'inspection et au réglage.

Pour des instructions complètes sur le réglage des freins, voir le manuel d'utilisation des essieux.

## Éclairage de la remorque



### AVERTISSEMENT

#### Dangers dus au remorquage

- Ne jamais remorquer la remorque si les feux de la remorque ne fonctionnent pas.

Les feux sont absolument nécessaires pour la sécurité de la remorque et sont également exigés par la loi. Maintenir les feux en bon ordre de marche.

- Inspecter les feux et le faisceau de la remorque pour vérifier s'ils sont endommagés ou usés. Réparer ou remplacer selon le besoin.
- S'assurer que le faisceau est solidement attaché à la remorque et ne pend pas sur le sol.
- Inspecter les boîtiers de feu rouge arrière pour vérifier s'ils ont endommagés ou usés. Utiliser au besoin des enduits d'étanchéité pour joint en silicone ou en caoutchouc pour étanchéifier les lentilles ou le faisceau, sinon remplacer le boîtier. La graisse électrique protégera mieux les douilles et empêchera leur corrosion.
- Lors du remplacement des ampoules, s'assurer que l'ampoule de rechange est appropriée et utiliser une petite quantité de graisse électrique dans les douilles pour empêcher leur corrosion.

Pour d'autres informations sur le câblage de la remorque, se reporter au manuel des schémas de câblage, distinct de celui-ci.

## Remisage de longue durée

Il est nécessaire de procéder à un entretien particulier quand la tour d'éclairage et la remorque doivent être remisées ou inutilisées pendant une longue période.

Pour toutes les procédures de remisage de longue durée du moteur et du générateur, se reporter au manuel d'utilisation du moteur et au manuel d'utilisation du générateur.

1. Abaisser complètement la tour d'éclairage.
2. Procéder aux réparations nécessaires pour s'assurer que l'équipement soit totalement opérationnel dès sa remise en service.
3. Nettoyer et laver le cadre de châssis et les tôles de carrosserie. Appliquer au besoin un revêtement anticorrosion sur toutes les surfaces.
4. Nettoyer tous les déversements d'huile ou de liquide à l'intérieur du compartiment moteur.
5. Nettoyer tout le câblage électrique et tous les composants à la main et en utilisant un produit nettoyant non corrosif.
6. Nettoyer la tour d'éclairage et les boîtiers de phare.
7. Débrancher et retirer la batterie.
8. Utiliser une housse adaptée pour protéger la tour d'éclairage et la remorque.
9. Pour permettre aux pneus de rester au-dessus du sol pendant le remisage, soutenir convenablement l'essieu de la remorque à l'aide de chandelles ou d'autres supports adaptés.

## Nettoyage

Il est important de maintenir propre la tour d'éclairage pour s'assurer de son bon fonctionnement. La saleté et la poussière qui s'accumulent agissent comme un isolant et peuvent forcer le moteur, le générateur et l'éclairage à fonctionner à des températures excessivement élevées.

Suivre les consignes de nettoyage suivantes :

- Faire preuve de vigilance lors de l'utilisation de nettoyeurs à eau ou à vapeur sous pression et à air comprimé. Ne pas nettoyer sous pression les composants électriques, car ils pourraient être endommagés.
- Nettoyer la tour d'éclairage et retirer toute la poussière, la saleté ou d'autres matières étrangères.
- Inspecter et nettoyer la prise d'air de refroidissement et les fentes d'évacuation de l'armoire. S'assurer qu'elles sont propres. Retirer la saleté et toute accumulation pouvant restreindre le débit d'air de refroidissement.
- Nettoyer la tour d'éclairage et ses composants à l'aide d'un chiffon ou d'une éponge humide.
- Inspecter et nettoyer toute la tringlerie du moteur pour qu'elle fonctionne correctement.

### Nettoyage et vidange du plateau de confinement des fluides de la remorque

Les tours d'éclairage NIGHT-LITE PRO II Allmand sont équipés d'un plateau de confinement des fluides destiné à récupérer les déversements de carburant, d'huile ou de liquide de refroidissement. Si un déversement se produit, placer un récipient adapté sous la machine et retirer le bouchon de vidange. Une fois que le fluide est vidangé, replacer le bouchon de vidange et éliminer

le fluide de façon appropriée et conformément aux directives des organismes publics.

## Dépannage

Avant d'effectuer la moindre procédure de dépannage, lire les messages de sécurité et lire **Sécurité**.

Pour le dépannage du moteur et du générateur, se reporter au manuel d'utilisation du moteur et au manuel d'utilisation du générateur ou contacter un concessionnaire.



### Risque d'électrocution

- Seuls des électriciens qualifiés doivent réparer ou entretenir la machine ou exécuter les procédures de remplacement. Le ballast et les condensateurs sont capables de décharger une tension élevée. Pour intervenir sur des composants électriques, toujours utiliser des vêtements et un équipement de sécurité appropriés.
- Quand le moteur tourne, il génère une tension élevée. Ne jamais tenter d'intervenir sur des composants électriques quand le moteur tourne.
- Ne pas utiliser la tour d'éclairage si l'isolation du câblage électrique est endommagée ou usée ou si du fil est dénudé. Réparer ou remplacer le câblage endommagé avant de démarrer le moteur.

Pour la tension et les procédures de test, toujours suivre les spécifications des fabricants de composants électriques.

## Tableau de dépannage

Problème	Cause possible
Aucun éclairage (un ou plusieurs phares)	1. Les coupe-circuits dans la boîte à prises ne sont pas ouverts ou ont disjoncté.
	2. Les ampoules n'ont pas eu le temps de refroidir après avoir été éteintes pour la dernière fois. Il faut prévoir 15 minutes entre le moment où les phares sont éteints et le moment où ils sont rallumés.
	3. La ou les ampoules sont grillées ou cassées.
	4. Une ou plusieurs ampoules ne sont pas correctement vissées.
	5. La prise et la douille au niveau de la barre d'éclairage ne sont pas correctement enfoncées l'une dans l'autre et verrouillées.
	6. La température du ballast est inférieure à -29 °C (-20 °F). L'efficacité des condensateurs dans le ballast n'est pas suffisante pour allumer les ampoules. Pour les utilisations où la température du ballast tombe en dessous de -29 °C (-20 °F), il faut trouver moyen de réchauffer le ballast.
	7. Faible tension du système électrique.
	8. Connexion lâche au dos de la douille de l'ampoule dans le porte-ampoule.
	9. Un ou plusieurs coupe-circuits sont défectueux.
	10. Connexion lâche sur la plaque à bornes.
	11. Le moteur et le générateur ne tournent pas au bon régime (1 800 tr/min).
	12. Une ampoule de rechange de mauvais type (nécessitant un ballast différent) a été posée.
	13. Trop de courant tiré des prises auxiliaires.
	14. Un condensateur ou un transformateur est en panne.
	15. Le socle des phares est corrodé

## ALLMAND BROS. INC. POLITIQUE DE GARANTIE

### GARANTIE LIMITÉE

Allmand Bros. Inc. garantit à l'acheteur d'origine que, pendant la période de garantie spécifiée ci-dessous, elle réparera ou remplacera à la discrétion du fabricant, gratuitement, toute pièce présentant un vice de fabrication ou de matière, ou les deux à la fois, ou remboursera le coût du produit s'il est déterminé par le fabricant qu'une réparation ou qu'un remplacement ne pourra pas remettre le produit en bon ordre de marche ou de service. La présente garantie court sur les périodes énoncées ci-dessous et elle est sous réserve des conditions énoncées ci-dessous.

**Il n'existe aucune autre garantie expresse. Les garanties implicites, y compris celles de qualité marchande et d'adaptation à un emploi particulier, sont limitées à la période mentionnée ci-après ou conformément à ce qui est prévu par la loi. Les responsabilités pour des dommages accessoires et indirects sont exclues dans la mesure où l'exclusion est autorisée par la loi.** Certains États ou pays ne permettent pas les limitations de durée de la garantie implicite. Certains États ou pays n'autorisent pas l'exclusion ou limitation de dommages consécutifs ou indirects. Dans ce cas la limitation ci-dessus ne s'applique pas à votre cas. La présente garantie vous offre des droits juridiques spécifiques et il se peut que vous ayez d'autres droits qui varient d'une juridiction à une autre, ou de pays à pays. \*\*

### PÉRIODE DE GARANTIE

Produit	Garantie	Produit	Garantie
Systèmes d'éclairage	2 ans *	Générateur	Voir la garantie du fabricant du générateur
Ballast de 1 250 W	2 ans	Moteur	Voir la garantie du fabricant du moteur
Arrowboard AB2220	3 ans		
Arrowboard AB2400	3 ans		
Phares DEL	5 ans		
Panneaux solaires	10 ans		
Maxi-Heat	1 an		
Pièces de rechange	90 jours		

*\* 2<sup>e</sup> année – pièces uniquement ; aucune main-d'oeuvre (uniquement les pièces fabriquées par Allmand Bros. Inc)*

\*\* En Australie — Nos produits sont livrés avec des garanties qui ne peuvent pas être exclues au titre de l'Australian Consumer Law. Vous avez le droit à un remplacement ou à un remboursement en cas de panne majeure et à titre de compensation pour toute autre perte ou dommage raisonnablement prévisible. Vous avez également le droit de faire réparer ou remplacer les produits s'ils ne sont pas de qualité acceptable et si la panne n'équivaut pas à une panne majeure. Pour toute réparation ou tout remplacement couverts par la garantie, contactez Compressed Air & Power Solutions (CAPS) en Australie au 1800 802 697, allez sur le site [www.capsaustralia.com.au](http://www.capsaustralia.com.au) ou écrivez à CAPS Australia, 185 Planet Street, Welshpool, WA 6106.

La garantie prend effet à la date de l'achat d'origine (date de facture). Si vous ne pouvez pas fournir la preuve de la date de facture au moment de faire une demande se rapportant à la garantie, la date de fabrication du produit sera utilisée pour déterminer la période de garantie. L'acheteur d'origine est réputé être la première personne physique ou morale ayant acquis le produit pour l'utiliser réellement. La garantie ne se transmet pas aux acheteurs ultérieurs. Toute personne physique ou morale détenant des produits pour la revente en gros ou au détail n'est pas considérée comme acheteur d'origine. Toutefois, la location ou l'utilisation du produit à des fins dépassant la notion de démonstration normale est considérée comme étant une « utilisation réelle » par l'acheteur d'origine, et la période de garantie commencera à la date de cette première utilisation.

Les frais de transport des pièces ou du produit soumis au fabricant pour réparation ou remplacement devront, au titre de la présente garantie, être réglés par l'acheteur. S'il est déterminé ultérieurement que les pièces sont couvertes par la garantie, les frais de transport seront crédités à l'acheteur. Le transport aérien pour les expéditions internationales des pièces de rechange n'est pas couvert au titre de la présente garantie. En aucun cas le fabricant ne devra régler les frais de trajet ou ne saurait être tenu responsable du temps d'indisponibilité ou des pertes de revenu.

### À PROPOS DE LA GARANTIE

La présente garantie couvre uniquement les vices de matière ou de fabrication. Elle ne couvre pas les dommages causés par une utilisation impropre ou à mauvais escient, un entretien ou des réparations inappropriés, l'usure normale.

**Utilisation impropre ou à mauvais escient** – L'utilisation d'origine et appropriée de ce produit est décrite dans le manuel d'utilisation. L'utilisation de la machine de façon autre que celle décrite dans le manuel d'utilisation ou après qu'elle ait été endommagée n'est pas couverte au titre de la présente garantie. Vous ne pourrez non plus vous prévaloir de la garantie si le numéro de série sur la machine a été effacé, trafiqué ou altéré, ou si la machine présente des preuves d'utilisation à mauvais escient, par exemple des dommages dus à des coups ou à de la corrosion par l'eau ou des produits chimiques.

**Entretien ou réparations inappropriés** – Le présent produit doit être entretenu conformément aux procédures et aux intervalles de maintenance indiqués dans le manuel d'utilisation ; l'entretien et les réparations doivent être effectués en utilisant des pièces d'origine ou équivalentes. Les dommages causés par un manque d'entretien ou par l'utilisation de pièces n'étant pas d'origine ne sont pas couverts par la garantie. La garantie ne s'étend pas aux pannes consécutives à des altérations, des modifications ou d'autres changements non autorisés, ou aux dommages résultant d'une installation, de réparations, d'une utilisation ou d'un entretien inappropriés. Cette exclusion ne s'applique pas aux installations, réparations ou autres travaux effectués dans l'usine du fabricant ou sous la supervision directe du fabricant.

**Usure normale** – Comme la plupart des appareils mécaniques, malgré un bon entretien, cette machine est sujette à une usure. La présente garantie ne couvre pas les réparations lorsque la durée de vie d'une pièce ou de la machine s'est achevée après une utilisation normale. Les pièces d'usure, par exemple les filtres, les courroies, les pneus, les phares, les batteries, etc., ne sont pas couvertes par la garantie, à moins que la cause de ladite usure soit due à des vices de matière ou de fabrication affectant directement ces pièces.

**Autres exclusions** – La présente garantie exclut les dommages causés par un accident, une utilisation à mauvais escient, une modification, une altération, un mauvais entretien ou toute détérioration provoquée par des produits chimiques. Les accessoires qui n'ont pas été posés à l'origine dans la machine sont également exclus. La présente garantie exclut le matériel utilisé, remis en état, de seconde main ou de démonstration. La présente garantie ne couvre pas les pannes dues à des catastrophes naturelles ou à d'autres cas de force majeure hors du contrôle du fabricant.

80013801 (Rev -)

Not for  
Reproduction

Not for  
Reproduction