

Allmand™

TLB Series

TLB 535 ESL



TLB 220

TLB 325

TLB 425 ESL

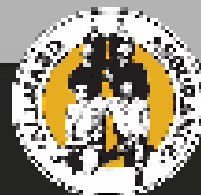
TLB 535 ESL

TLB 6235 ESL

- Equipped with Allmand ESL 10' backhoe for great performance and long life
- Servo controlled hydrostat provides smooth operation, reduced pedal effort and no creep
- Planetary rear axle provides durability and increased power to the wheels

Strong Past. Dynamic Future.

Reliability, performance,
and integrity since 1938



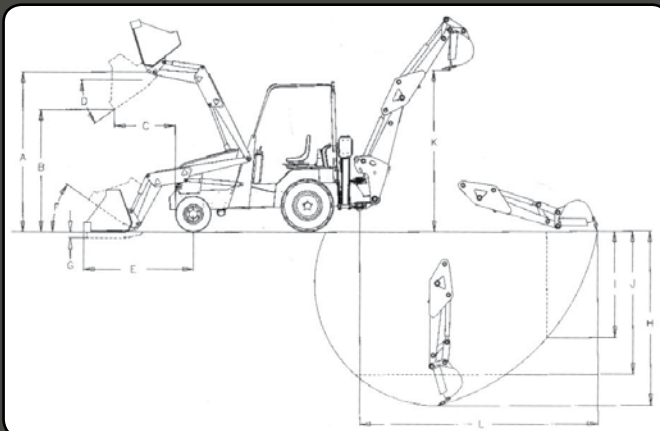
SPECIFICATIONS

Engine:	Isuzu 3CD1, 33 hp, liquid-cooled diesel
Transmission:	Eaton servo-controlled hydrostatic (65 hp rated)
Drive Motor:	Axial piston motor
Power Steering:	Load-sensing hydraulic steering with balanced steering cylinder
Differential:	Comer off-highway, planetary, limited slip
Speed Range:	0 to 5.5 mph (0 to 8.8 km/h)
Aux. Hyd. Output:	8 gpm @ 2,400 psi
Tires:	Front: 23 x 10.5-12 Rear: 31 x 15.5-15
Capacities:	Fuel: 12 gal. (45.5 L) Hydraulic oil: 12 gal. (45.5 L)
Loader:	Single-lever joystick with bucket float Bucket Capacity: 1/2 cu. yd. (.5 cu. m) Breakout force: 3,400 lbs. (1,542 kg) Lift Capacity: 2,100 lbs. (952 kg)
Brakes:	Hydrostatic service brake Hand applied parking brake
Backhoe:	ESL design Digging force: 6,000 lbs. (2722 kg) @ bucket 2,511 lbs. (1139 kg) @ dipper Digging depth: 9 ft. 11 in. (3.05 m) 9 ft. 7 in. (2.95 m) 2 ft. flat bottom Buckets: 12 in. (30.5 cm) 16 in. (std) (40.6 cm) 18 in. (45.7 cm) 24 in. (61 cm) 36 in. (91.4 cm) 180-degree swing arc with cushioned swing cylinders Steel grouser pads Stabilizers extend to 10 in. (25.4 cm) below grade



WORKING RANGE

- A. Maximum lift height (bucket pivot): 90 in. (2.3 m)
- B. Clearance with bucket dumped: 71 in. (1.8 m)
- C. Reach @ maximum height: 30 in. (76.2 cm)
- D. Bucket dump angle: 30 degrees
- E. Reach @ grade: 49.5 in. (1.7 m)
- F. Bucket rollback angle: 30 degrees
- G. Loader digging depth: 3.3 in. (8.3 cm)
- H. Backhoe digging depth: 9 ft. 11 in. (3.0 m)
9 ft. 7 in. (2.9 m) 2 ft. flat bottom
- I. Straight wall digging depth: 5 ft. 5 in. (1.7 m)
- J. Digging depth (8 ft. flat bottom): 8 ft. 9 in. (2.7 m)
- K. Maximum loading height: 7 ft. 8 in. (2.3 m)
- L. Reach from swing post: 12 ft. 7 in. (3.8 m)



DIMENSIONS

Length:	17 ft. 7 in. (5.5 m)
Height:	84.5 in. (2.1 m) ROPS
Width:	56 in. (1.4 m)
Wheelbase:	65 in. (1.7 m)
Bucket width:	56 in. (1.4 m)
Ground clearance:	11 in. (27.9 cm)
Transportation	
Length:	13 ft. 11 in. (4.2 m)
Weight:	4,690 lbs. (2,127 kg)

