

Allmand™

TLB Series

TLB 220



TLB 220

TLB 225

TLB 325

TLB 425 ESL

TLB 535 ESL

TLB 6235 ESL

- Equipped with Allmand 7.5' backhoe for maximum performance in tight digging areas
- Cast iron hydrostat provides quiet operation, internal centering spring eliminates creep
- Load-sensing steering consumes no horsepower unless steering wheel is being turned

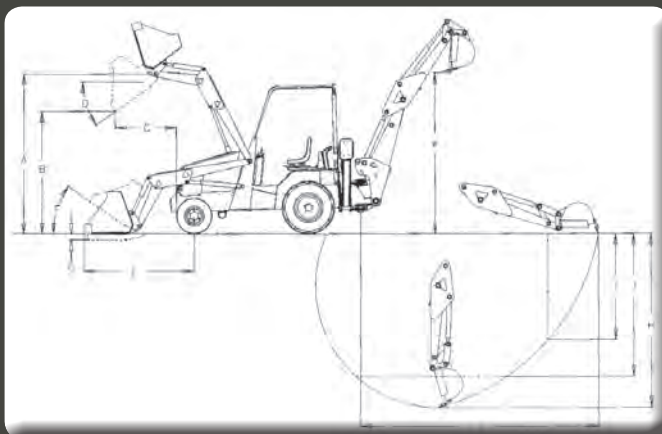
Strong Past. Dynamic Future.

*Reliability, performance,
and integrity since 1938*



SPECIFICATIONS

Engine:	Kohler CH20S, 20 hp, air-cooled gasoline
Transmission:	Bondioli hydrostatic
Drive Motor:	Parker TF Series
Power Steering:	Load-sensing hydraulic steering with balanced steering cylinder
Differential:	Limited slip
Speed Range:	0 to 5.5 mph (0 to 8.8 km/h)
Aux. Hyd. Output:	6 gpm @ 2,400 psi
Tires:	Front: 23 x 8.5-12 (std.) 23 x 10.5-12 (optional) Rear: 31 x 15.5-15
Capacities:	Fuel 12 gal. (45.5 L) Hydraulic oil: 10 gal. (38 L)
Loader:	Single-lever joystick with bucket float Bucket Capacity: 1/3 cu. yd. (.25 cu. m) Breakout force: 2,600 lbs. (1,170 kg) Lift Capacity: 1,700 lbs. (765 kg)
Brakes:	Hydrostatic service brake Hand applied parking brake
Backhoe:	Digging force: 2,875 lbs. (1,294 kg) @ bucket 2,265 lbs. (1,019 kg) @ dipper Digging depth: 8 ft. 4 in. (2.54 m) 7 ft. 6 in. (2.3 m) 2 ft. flat bottom Buckets: 9 in. (23 cm), 12 in. (30.5 cm) 16 in. (std.) (40.6 cm) 18 in. (45.7 cm), 24 in. (61 cm) 36 in. (91.4 cm) 180-degree swing arc with cushioned swing cylinders Steel grouser pads Stabilizers extend to 10 in. (25.4 cm) below grade



WORKING RANGE

- A. Maximum lift height (bucket pivot): 90 in. (2.3 m)
- B. Clearance with bucket dumped: 76 in. (1.9 m)
- C. Reach @ maximum height: 30 in. (76.2 cm)
- D. Bucket dump angle: 25 degrees
- E. Reach @ grade: 54 in. (1.4 m)
- F. Bucket rollback angle: 40 degrees
- G. Loader digging depth: 4 in. (10.2 cm)
- H. Backhoe digging depth: 8 ft. 4 in. (2.54 m)
7 ft. 6 in. (2.3 m) 2 ft. flat bottom
- I. Straight wall digging depth: 4 ft. 1 in. (1.24 m)
- J. Digging depth (8 ft. flat bottom): 5 ft. 8 in. (1.7 m)
- K. Maximum loading height: 5 ft. 6 in. (1.7 m)
- L. Reach from swing post: 9 ft. 11 in. (3.0 m)

DIMENSIONS

Length:	16 ft. (4.87 m)
Height:	82.5 in. (2.1 m) ROPS
Width:	56 in. (1.4 m)
Wheelbase:	65 in. (1.7 m)
Bucket width:	56 in. (1.4 m)
Ground clearance:	9 in. (22.9 cm)
Transportation Length:	12 ft. 10 in. (3.9 m)
Weight:	3,115 lbs. (1,406 kg)

