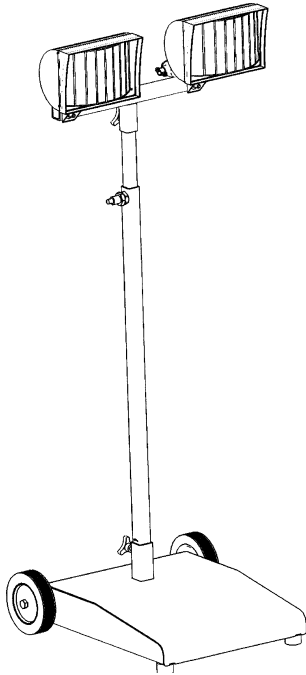
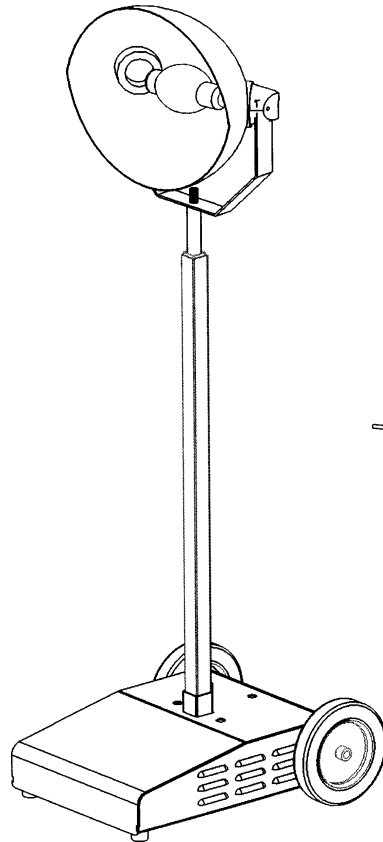


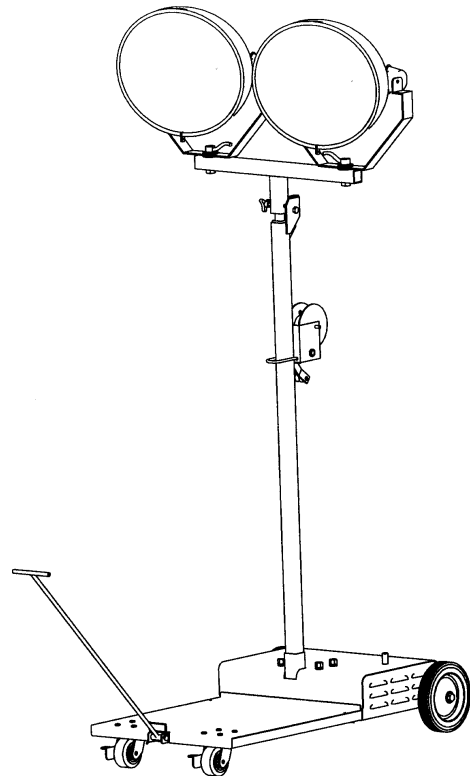
**OPERATOR'S AND PARTS MANUAL  
PAL 1000Q2, PAL 1250W2, and PAL 2500W4  
PORTABLE LIGHTING PRODUCTS**



**PAL 1000Q2**



**PAL 1250W2**



**PAL 2500W4**



**OPERATOR'S AND PARTS MANUAL**  
**PAL 1250W2 AND PAL 2500W4**

**ALLMAND BROS. INC**  
**P.O. BOX 888**  
**HOLDREGE, NE 68949**

**PHONE: 308/995-4495, 800/562-1373**  
**ALLMAND FAX: 308/995-5887**  
**ALLMAND PARTS FAX: 308/995-4883**

 **PORT-A-LITE PRODUCTS**

# PRODUCT DESCRIPTION AND FEATURES

The **Allmand PORT-A-LITE** line of affordable HID lighting provides increased jobsite safety and productivity in a wide range of applications.

**Allmand PORT-A-LITE** products are built tough for years of trouble-free use. The exclusive “parallel” lamp fixtures hold the bulb in the optimum horizontal position. The insulated lamp supports isolate the bulb from damaging vibration. Average bulb life exceeds 12,000 hours of use.

## **Product Features:**

- **Sturdy welded steel frames**
- **Shock-mounted bulbs**
- **Allmand exclusive SHO parallel lamp fixtures** are the most compact and efficient HID floodlight fixtures available.
- **A 1000-watt SHO lamp** illuminates more area than ten 1000-watt quartz light stands using one 120V outlet per fixture.
- **Safe, non-metallic NEMA 4X enclosure** for high voltage ballast components
- **High-quality cords**
- **Worldwide & domestic voltages**
- **Heavy-duty ball-bearing wheels**
- **Durable plated inner towers** for long life and good appearance

## **AVAILABLE MODELS**

### **PAL 1000W2/1250W2:**

Single 1000 or 1250 watt SHO fixture 120V/ 9.2A  
Most compact HID light cart available  
Fixture stores on base  
Light adjusts in all directions without tools.  
103 lbs. Overall tower height of 10 ft.

### **PAL 1500W2:**

Single 1500 watt full-size Allmand parallel fixture, 120V/ 14A  
Durable, “Gold Standard” plated telescoping tower, stores on base  
Proven durability in 25 years of construction and rental service  
155 lbs. Overall tower height of 10 ft.

### **PAL 2500W4**

Two 2500 watt SHO fixtures 120V/ 9.2A  
Heavy-Duty generator cart  
Swivel casters and “no flat,” semi-pneumatic, 10” ball bearing wheels  
Easy-to-apply “castor-lock” brake system  
Single winch-up tower  
Wide-platform generator base  
201 lbs. Overall tower height of 12.5 ft.

# OPERATIONAL AND SAFETY DECALS



DISCONNECT ALL POWER BEFORE SERVICING. FAILURE TO FOLLOW ALL SAFETY INSTRUCTIONS CAN RESULT IN SERIOUS PERSONAL INJURY OR DEATH. INSTALL AND GROUND PER LOCAL AND NATIONAL CODES. CONSULT QUALIFIED PERSONNEL WITH QUESTIONS.

DANGER HIGH VOLTAGE  
PART NO. DD-332



LIGHT IDENTIFICATION DECAL  
PART NO. DD-333



ON-OFF DECAL  
PART NO. DD-335



GROUND LUG LOCATION  
PART NO. DD-133

# OPERATION AND SAFETY INSTRUCTIONS

## OPERATION PROCEDURES:

To remove fixture from storage on base and attach fixture to mast prior to use:

- 1) Remove safety pin retaining fixture to base and remove fixture from storage position.
- 2) Set fixture on top of mast aligning holes in mast and fixture mounting tube.
- 3) Re-install safety pin to attach fixture to mast.
- 4) Connect male three-pin connector on cord from light fixture to female three-pin receptacle on cord from ballast box mounted on base of unit.

To raise tower to desired height on EFL-1:

- 1) Pull out the pin located at top of tower base.
- 2) Extend tower to desired height.
- 3) Retain height by allowing the pin to drop into one of three holes in the tower to retain the tower at the desired height.

To operate fixture:

- 1) Plug base unit into wall socket or generator using cord attached to ballast box.
- 2) Using the On/Off switch located on the ballast box, move switch to ON position
- 3) Light will begin illuminating after brief warm-up period.

**NOTE:** Remember to wait approximately 15 minutes after shutdown of light before attempting to turn the light fixture on again. The bulb and fixture need this cool-down time before it can be re-illuminated.

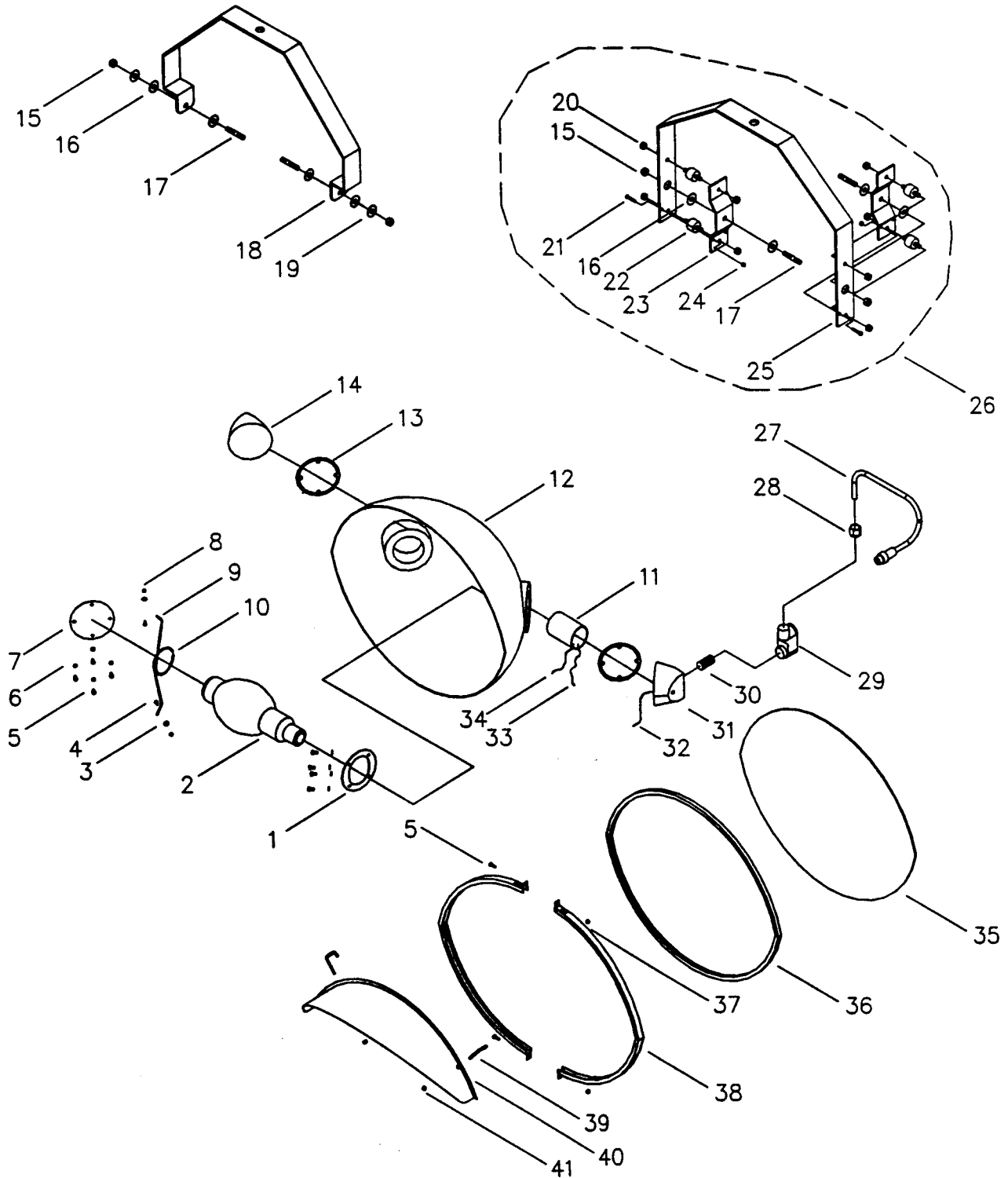
## SAFETY WARNINGS:

- 1) This light product uses high voltage to perform its functions. See **DANGER HIGH VOLTAGE** decal on page four for necessary electrical safety information.
- 2) Be sure to keep the base level before elevating tower. If the base is not level, the entire unit could become unstable and prone to tipping when extending the tower .

# ASSEMBLY PARTS AND ACCESSORIES

## SHO 1000 METALLIC VAPOR LAMP ASSEMBLY

(Used on PAL 1000W2 and PAL 2000W4)



# ASSEMBLY PARTS AND ACCESSORIES

## SHO 1000 METALLIC VAPOR LAMP ASSEMBLY PARTS

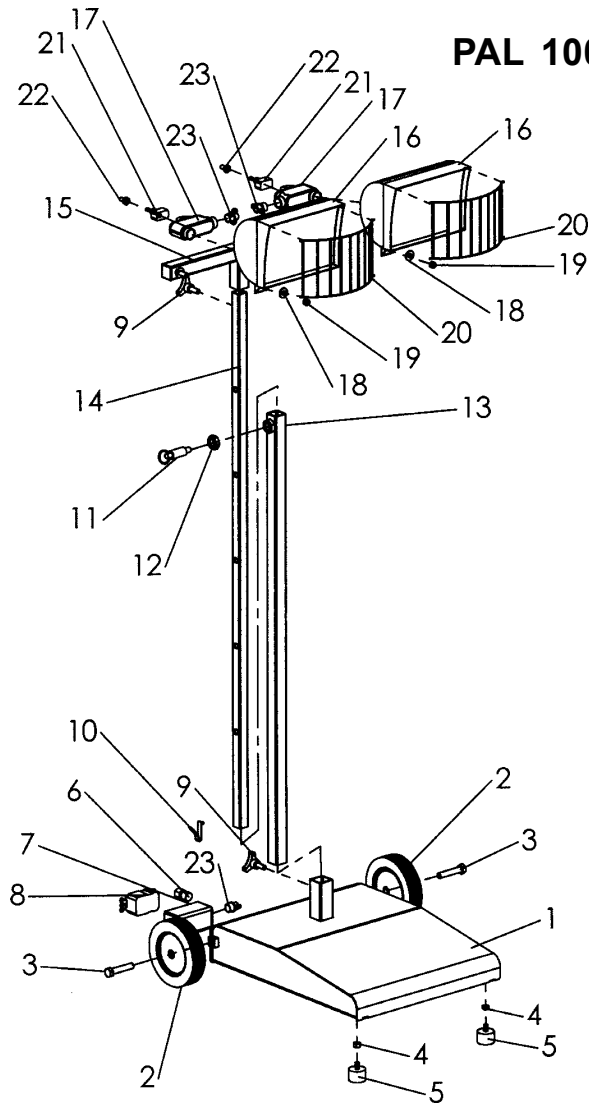
(Used on PAL 1000W2 and PAL 2000W4)

| NO | PART NO | DESCRIPTION  |
|----|---------|--|
| NS | 610250  | LAMP HOLDER ASS'Y WITH YOKE AND LAMP (SOLID MT.)             |
| NS | 610251  | LAMP HOLDER ASS'Y WITH YOKE AND NO LAMP (SOLID MT.)          |
| NS | 610252  | LAMP HOLDER ASSEMBLY WITH NO YOKE OR LAMP                    |
| NS | 610255  | LAMP HOLDER ASSEMBLY W/YOKE, LAMP AND CUSHIONS (CUSHION MT.) |
| NS | 610253  | LAMP HOLDER ASSEMBLY W/ YOKE AND CUSHIONSNO LAMP (CUSH MT.)  |
| 1  | 610208  | ALUMINUM RING  |
| 2  | 610211  | LAMP BT-37   |
| NS | 610218  | LAMP (HIGH PRESSURE SODIUM)                                  |
| 3  | **      | 8-32 WASHER (STAINLESS STEEL)                                |
| 4  | **      | 8-32 X 1/2 HEX HEAD BOLT (STAINLESS STEEL)                   |
| 5  | **      | 10- 24 X 1/2 HEX HEAD BOLT (STAINLESS STEEL)                 |
| 6  | **      | #10 INTERNAL TOOTH WASHER                                    |
| 7  | 610207  | ALUMINUM PLATE   |
| 8  | **      | 8-32 NYLON LOCK NUT (STAINLESS STEEL)                        |
| 9  | 610209  | LAMP TIP SUPPORT   |
| 10 | 610210  | LAMP TIP SUPPORT TUBE  |
| 11 | 610212  | CERAMIC SOCKET   |
| 12 | 610201  | REFLECTOR  |
| 13 | 610213  | END HOUSING GASKET   |
| 14 | 610206  | RH SOLID END CASTING   |
| 15 | **      | 3/8-24 NYLON LOCK NUT (STAINLESS STEEL)                      |
| 16 | FW01 9  | .75 OD x .385 ID x .20 NYLON WASHER                          |
| 17 | HD142   | 3/8 - 24 NF X 3/8 - 16 NC X 2" STUD                          |
| 18 | 660130  | SOLID MOUNT YOKE   |
| 19 | **      | 3/8 SAE WASHER   |
| 20 | **      | 5/16 - 18 KEPS NUT   |
| 21 | **      | 10 - 24 X 1 1/2 HEX HEAD BOLT                                |
| 22 | 610260  | RUBBER SHOCK MOUNT SHO 1000                                  |
| 23 | 610235  | SHO CUSHION MOUNT PLATE                                      |
| 24 | **      | 10-24 NYLON LOCK NUT   |
| 25 | 610234  | SHO 1000 CUSHION MOUNT YOKE                                  |
| 26 | 610236  | SHO 1000 CUSHION MOUNT YOKE ASSEMBLY                         |
| 27 | 310434  | LAMP CONNECTOR AND LEAD                                      |
| 28 | 510007  | 1/2" CORD GRIP   |
| 29 | 610214  | 1/2" SLB ENTRANCE ELBOW                                      |
| 30 | 610215  | 1/2" CONDUIT NIPPLE  |
| 31 | 610205  | LH SOCKET END CASTING  |
| 32 | ~       | GREEN HEAT TEMP WIRE   |
| 33 | ~       | BLACK HEAT TEMP WIRE   |
| 34 | ~       | WHITE HEAT TEMP WIRE   |
| 35 | 610203  | LENS   |
| 36 | 610217  | LENS GASKET (SILICONE)                                       |
| 37 | **      | 10-24 NYLON LOCK NUT (STAINLESS STEEL)                       |
| 38 | 610202  | LENS CHANNEL SET   |
| 39 | HD070   | 10-24 SQ BD HOOK BOLT  |
| 40 | 610017  | SHO 1000 LIGHT VISOR   |
| 41 | **      | 10-24 KEPS NUT   |

LEGEND: NS= Not Shown  
 \*\* = Purchase locally

# ASSEMBLY PARTS AND ACCESSORIES

## PAL 1000Q2 ASSEMBLY

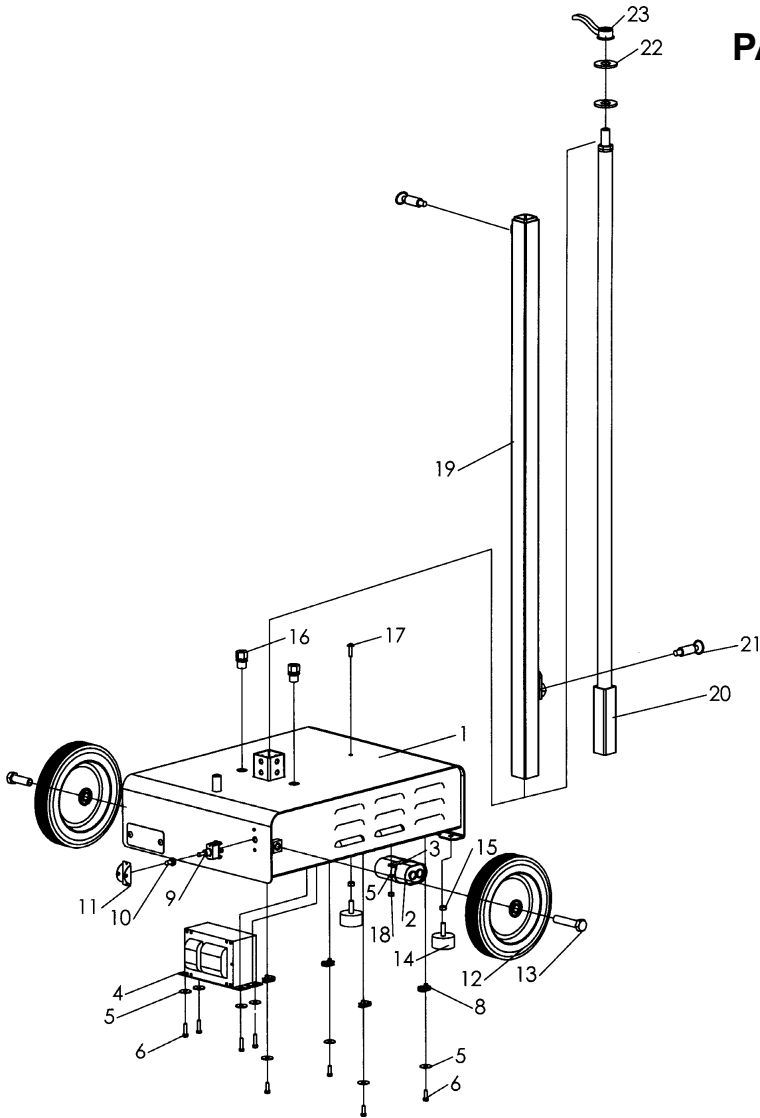


| NO | REQ'D | PART NO | DESCRIPTION   |
|----|-------|---------|---|
| 1  | 1     | 530452  | PAL 1000Q2 BASE   |
| 2  | 2     | 530448  | 6" WHEEL  |
| 3  | 2     | 046214  | 1/2-13 X 2-3/4 HEX BOLT                                       |
| 4  | 1     | 044031  | 5/16-18 KEPS NUT  |
| 5  | 2     | 713578  | RUBBER BUMPER   |
| 6  | 1     | 510007  | CORD GRIP   |
| 7  | 1     | 530462  | OUTLET BOX  |
| 8  | 1     | 630132A | RECEPTACLE 15AGFCI  |
| 9  | 2     | 530463  | LOCK KNOB   |
| 10 | 1     | 530464  | SPRING LOCK   |
| 11 | 1     | 530140  | LARGE PULL PIN  |
| 12 | 1     | 530443  | 1-1/2" SPLIT RING   |
| 13 | 1     | 530456  | OUTSIDE MAST  |
| 14 | 1     | 530540  | INSIDE MAST   |
| 15 | 1     | 530467  | LIGHT BAR   |
| 16 | 2     | 530449  | LIGHT FIXTURE ONLY  |
| 17 | 2     | 022165  | SERVICE ELBOWS  |
| 18 | 4     | 047010  | 5/16" FLAT WASHER   |
| 19 | 2     | 044033  | 5/16-18 NYLOCK NUT  |
| 20 | 2     | 530539  | SCREEN GUARD  |
| 21 | 2     | 530123  | SWITCH 20A TOGGLE   |
| 22 | 2     | 530124  | BOOT SWITCH COVER   |
| 23 | 3     | 022020  | 2 SCREW CORD GRIP   |
| NS | 1     | 022164  | LIGHT CORD  |
| NS | 1     | 530126  | LIGHT CORD  |
| NS | 1     | 530461  | 1000W QUARTZ LIGHT BAR ASSEMBLY COMPLETE (INCLUDES #9, 15-23) |

LEGEND: NS = Not Shown

# ASSEMBLY PARTS AND ACCESSORIES

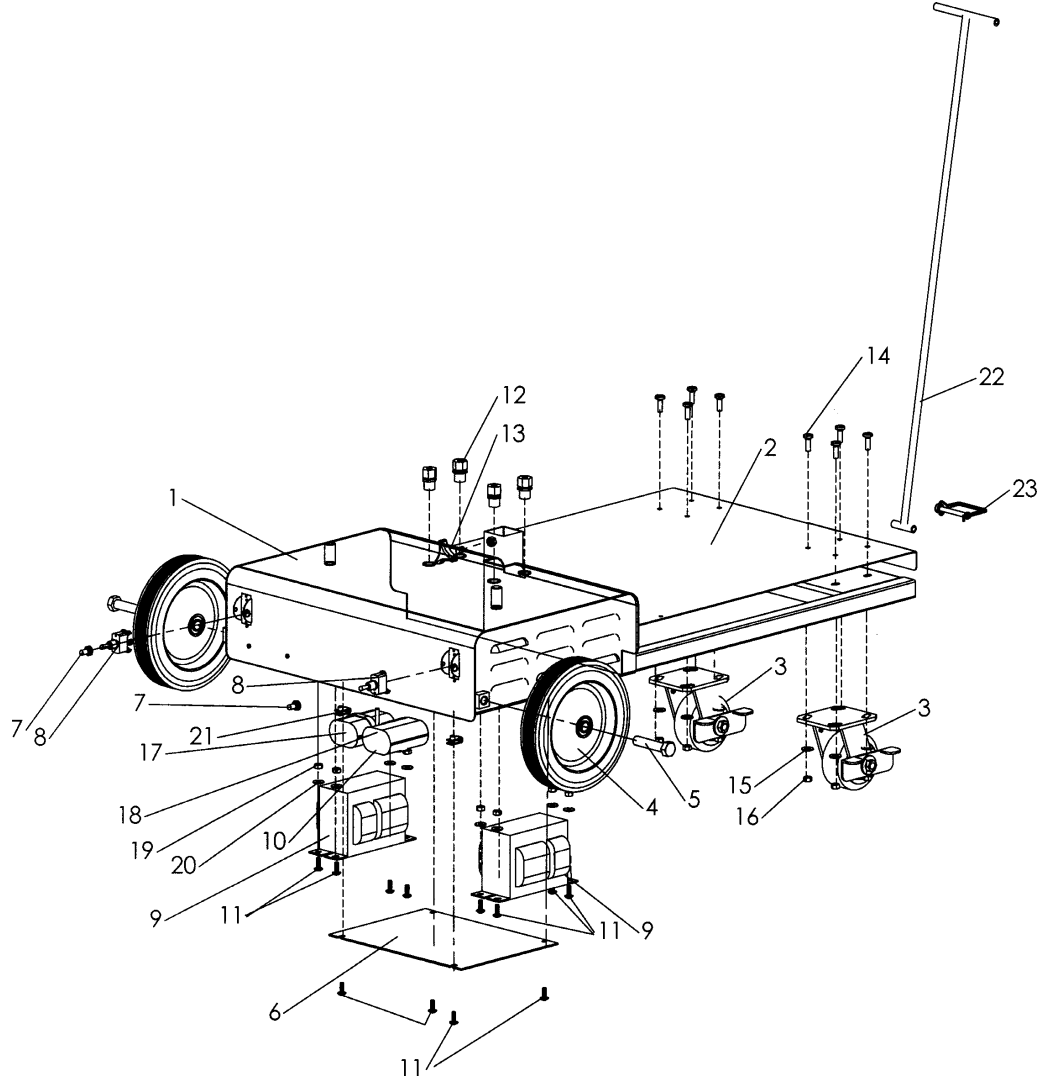
## PAL 1250W2 ASSEMBLY



| NO | REQ'D | PART NO | DESCRIPTION                                  |
|----|-------|---------|--|
| 1  | 1     | 530400  | 1250 BASE                                    |
| 2  | 1     | 310391  | CAPACITOR 28UF 480 VOLT                      |
| 3  | 1     | 026026  | CUSHION CLAMP FOR CAPACITOR                  |
| 4  | 1     | 310116  | TRANSFORMER                                  |
| 5  | 8     | 047005  | 1/4 FLAT WASHER                              |
| 6  | 8     | 046010  | 1/4-20 X 3/4 BOLT                            |
| 7  | 1     | 530404  | BASE BOTTOM COVER                            |
| 8  | 4     | 045216  | TINNERMAN NUT                                |
| 9  | 1     | 530123  | 20A TOGGLE SWITCH                            |
| 10 | 1     | 530124  | BOOT SWITCH COVER                            |
| 11 | 1     | 530125  | SWITCH GUARD                                 |
| 12 | 2     | 530128  | WHEEL 10 X 1-3/4 WITH BEARING                |
| 13 | 2     | 046244  | 5/8-11 X 3 BOLT                              |
| 14 | 2     | 713578  | RUBBER BUMPER                                |
| 15 | 2     | 044031  | 5/16-18 KEPS NUT                             |
| 16 | 2     | 510007  | CORD GRIP                                    |
| 17 | 1     | 041080  | 1/4-20 X 1 TRUSS HEAD PHILLIPS MACHINE SCREW |
| 18 | 1     | 044023  | 1/4-20 NYLOCK NUT                            |
| 19 | 1     | 530359  | OUTSIDE MAST                                 |
| 20 | 1     | 530361  | INSIDE MAST                                  |
| 21 | 2     | 530140  | PULL PIN LARGE                               |
| 22 | 2     | 650550  | HDPE WASHER 3/16 X2 OD                       |
| 23 | 1     | 630728  | SHO HANDLE NUT                               |
| NS | 4     | 330057  | RUBBER ISOLATOR MOUNT FOR TRANSFORMER        |
| NS | 1     | 530127  | 9' SECONDARY CORD                            |
| NS | 1     | 530136  | CORD ADAPTER                                 |
| NS | 1     | 530126  | 6' PRIMARY CORD                              |

# ASSEMBLY PARTS AND ACCESSORIES

## PAL 2500W4 BASE ASSEMBLY

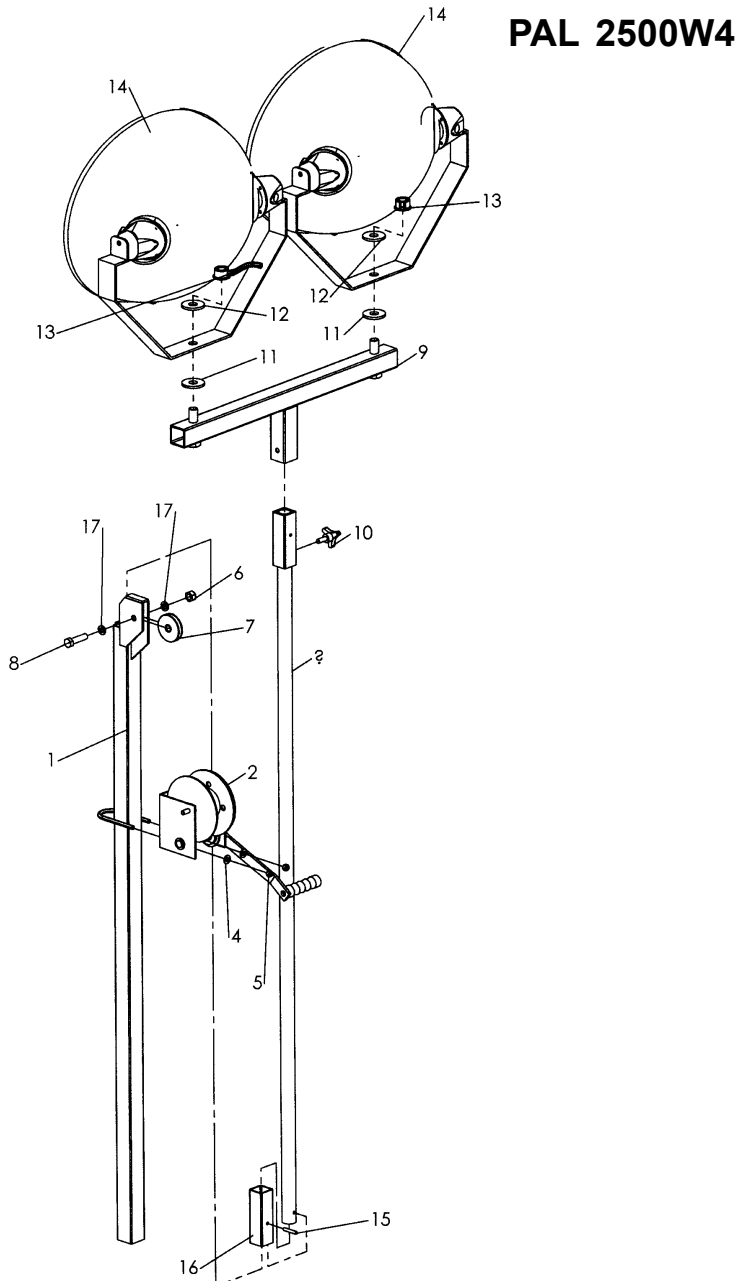


| NO | REQ'D | PART NO | DESCRIPTION                            |
|----|-------|---------|--|
| 1  | 1     | 530501  | BASE ASSEMBLY                          |
| 2  | 1     | 530506  | PLATFORM                               |
| 3  | 2     | 530336  | CASTER W/BRAKES                        |
| 4  | 2     | 530128  | WHEEL 10" X 1 3/4"                     |
| 5  | 2     | 046244  | BOLT 5/8-11 X 3 GRADE 5                |
| 6  | 1     | 530508  | BASE BOTTOM COVER                      |
| 7  | 2     | 530124  | BOOT SWITCH COVER                      |
| 8  | 2     | 530123  | SWITCH 20A TOGGLE                      |
| 9  | 2     | 310116  | TRANSFORMER AND CAPACITOR MTV          |
| 10 | 2     | 310391  | CAPACITOR 28 UF 480 VOLT               |
| 11 | 12    | 041080  | TRUSS HEAD PHILLIPS SCREW 1/4-20 X 3/4 |
| 12 | 4     | 510007  | CORD GRIP                              |
| 13 | 1     | 530463  | KNOB                                   |
| 14 | 8     | 053022  | BOLT CARRIAGE 5/16-18 X 1-1/4 GRADE 5  |
| 15 | 8     | 047015  | WASHER FLAT 3/8"                       |
| 16 | 10    | 044031  | NUT HEX 5/16-18 KEPS PLATED            |
| 17 | 2     | 022026  | CAPACITOR CLAMP                        |
| 18 | 1     | 041043  | BOLT 1/4-20 X 1 3/4 GRADE 5            |
| 19 | 8     | 044023  | NUT HEX 1/4-20 KEPS PLATED             |
| 20 | 22    | 047005  | WASHER FLAT 1/4"                       |
| 21 | 4     | 045216  | NUT, TINNEMAN 1/4"                     |
| 22 | 1     | 530522  | HANDLE ASSEMBLY                        |
| 23 | 1     | 712007  | PIN SAFETY 3/8 X 2-3/4                 |
| NS | 2     | 530125  | SWITCH GUARD                           |
| NS | 8     | 330057  | RUBBER ISOLATOR MOUNT FOR TRANSFORMER  |

LEGEND: NS = Not Shown

# ASSEMBLY PARTS AND ACCESSORIES

## PAL 2500W4 TOWER ASSEMBLY

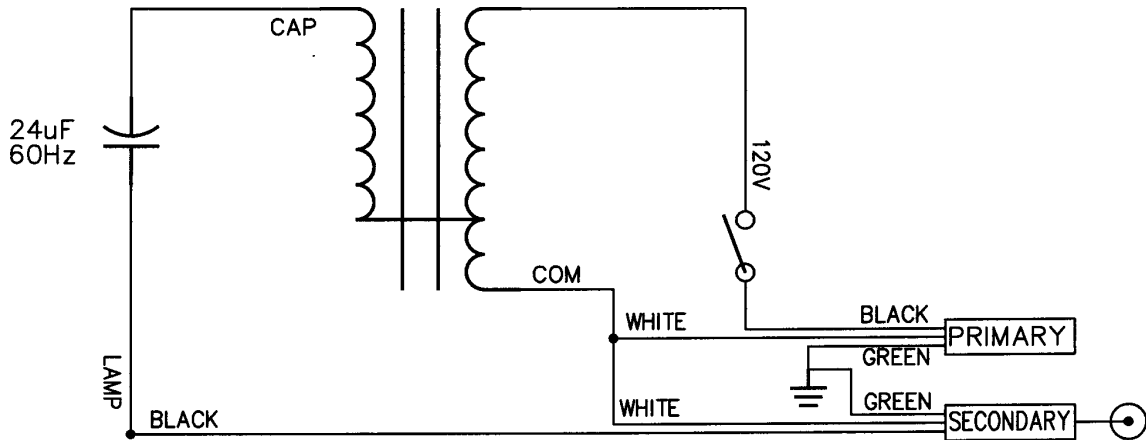


| NO | REQ'D | PART NO | DESCRIPTION                     |
|----|-------|---------|---------------------------------|
| 1  | 1     | 530514  | MAST OUTSIDE                    |
| 2  | 1     | 530509  | MAST INSIDE                     |
| 3  | 1     | 530337  | BRAKE WINCH                     |
| 4  | 2     | 047010  | WASHER FLAT 5/16"               |
| 5  | 2     | 044033  | 5/16-18 NYLOCK NUT              |
| 6  | 1     | 044048  | 1/2-13 NYLOCK NUT               |
| 7  | 1     | 320112  | PULLEY 2.5" WITH BUSHING        |
| 8  | 1     | 046200  | 1/2-13 X 2-1/4 HEX BOLT         |
| 9  | 1     | 530430  | LIGHT BAR                       |
| 10 | 1     | 530463  | LOCK KNOB                       |
| 11 | 2     | 650550  | HDPE WASHER                     |
| 12 | 2     | 047035  | 3/4" FLAT WASHER                |
| 13 | 1     | 630728  | SHO HANDLE NUT                  |
| 14 | 2     | 650144  | SHO FIXTURE WITH YOKE AND LAMPS |
| 15 | 1     | 045145  | 1/4 X 1-1/2 PLATED ROLL PIN     |
| NS | 1     | 320185  | 3/16" X 10' STEEL CABLE         |
| 16 | 1     | 530511  | INSIDE MAST GUIDE               |
| 17 | 2     | 042155  | 12MM SAE FLAT WASHER            |
| NS | 1     | 530127  | 9' SECONDARY CORD               |
| NS | 1     | 530136  | CORD ADAPTER                    |
| NS | 1     | 530126  | 6' PRIMARY CORD                 |

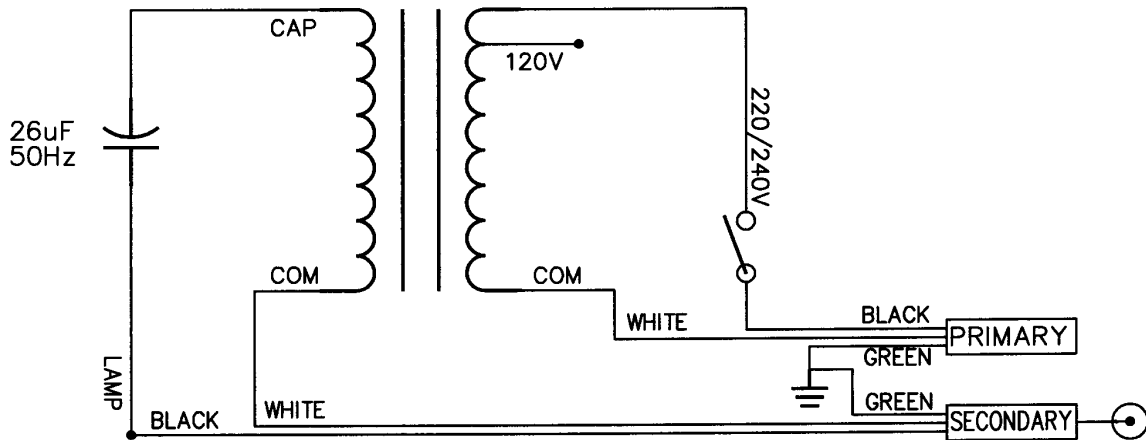
# ELECTRICAL SCHEMATICS

## PORT-A-LITE PRODUCTS

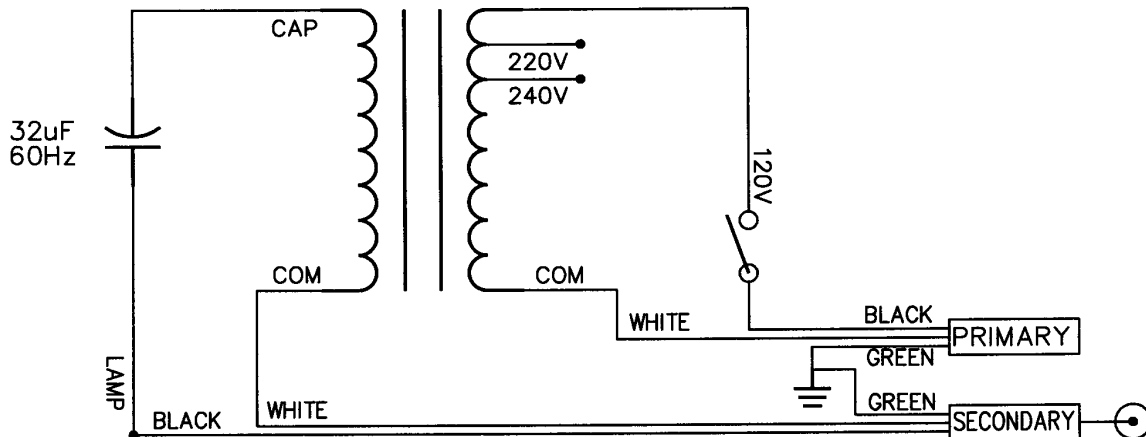
### PAL 1000W and 2000W 60 Hz



### PAL 1000W and 2000W 50 Hz



### PAL 1500W 60 Hz



**LIMITED WARRANTY**  
**PAL 1000W2, PAL 1250W2, PAL 1500W2, AND PAL 2000W2**

**ALLMAND**  
**LIMITED WARRANTY**

**THIS WARRANTY IS IN LIEU OF ALL OTHER WARRANTIES, EXPRESS OR IMPLIED INCLUDING WARRANTIES OF MERCHANTABILITY OR OF FITNESS FOR PURPOSE, AND ANY EXCEPTIONS ARE DESCRIBED IN THE PUBLISHED LIMITED WARRANTY ADDENDUM, AVAILABLE UPON REQUEST.**

**COMPONENTS, SUB-ASSEMBLIES AND DEVICES MANUFACTURED BY OTHER MANUFACTURERS ARE NOT COVERED BY THIS WARRANTY AND ALL WARRANTY INFORMATION FROM SUCH OTHER MANUFACTURERS IS PROVIDED WITHIN OR ACCOMPANY THESE GOODS.**

Subject to the foregoing, the manufacturer, Allmand Bros. Inc., hereby warrants all equipment manufactured by Allmand Bros. Inc. to be free from defects in material and workmanship for a period of one (1) year after delivery to the original purchaser, or eighteen (18) months after shipment from the factory, whichever comes first. Additionally, Allmand Bros. Inc., hereby warrants all replacement parts supplied by Allmand Bros. Inc. to be free from defects in material and workmanship for a period of 90 days after date of invoice. Delivery shall be deemed for the purposes of this warranty to have occurred no later than five days following the date of sale agreement or invoice unless the purchase agreement or invoice specifically states a later delivery date in which case such delivery date shall control. The original purchaser shall be deemed to be a person who places the goods or products in actual use, and any person holding such goods solely for wholesale or retail sale purposes shall not constitute an original purchaser. PROVIDED, any leasing of these goods or other use beyond normal demonstration of same shall be deemed to be a use by an original purchaser and all warranty periods shall commence at the time of such use. During the warranty period any defective goods or parts hereof shall be repaired or replaced at manufacturer's discretion. In the event it is necessary to return such goods or parts to the factory, all transportation charges shall be prepaid. The manufacturer shall in no event pay mileage expenses, but will warrant outbound ground freight.

The obligations of the manufacturer is solely to repair or replace defective goods or parts or to refund the cost of the same if it is determined by the manufacturer that repair or replacement will not return the goods to proper working order or utility. **THE REMEDIES SET FORTH HEREIN ARE EXCLUSIVE AND MANUFACTURER SHALL NOT BE LIABLE FOR SPECIAL, INDIRECT OR CONSEQUENTIAL DAMAGES. THE OBLIGATIONS OF THE MANUFACTURER HEREUNDER SHALL IN NO WAY EXCEED THE PRICE OF THE EQUIPMENT OR PART UPON WHICH SUCH LIABILITY IS BASED.**

The warranty shall not extend to tires, lamps and batteries or parts which have been altered, changed, damaged or improperly installed, repaired, operated or maintained. Provided, this exclusion shall not apply to installations, repairs or other work done at the manufacturer's plant or under direct manufacturer's supervision. The Operator's Manual, to the extent covered therein, is deemed to set forth the proper procedures for operation, repair, installation and maintenance of these goods.

No representative, dealer or distributor of the company is authorized to make any changes or exceptions to this warranty unless expressly authorized in writing from the manufacturer. All warranty claims must be filed within forty-five (45) days of the failure.

**ALLMAND BROS. INC., 1502 W 4<sup>TH</sup> AVENUE, P.O. BOX 888, HOLDREGE, NE 68949 (308) 995-4495**

ALLMAND LIMITED WARRANTY 1 YR/7.02.01

