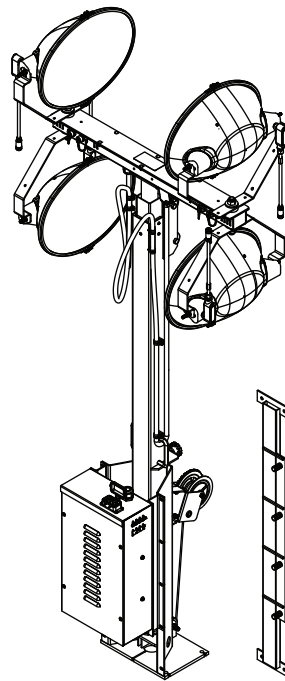


# Allmand™

**Brighter. Warmer. Safer.**



(en) **Parts & Wire Schematic Manual**  
**SHED-LITE™**



Copyright © 2016 Allmand Bros., Inc.  
Holdrege, NE, USA. All rights reserved.

Part No.: 109003  
Revision: A

**Portable  
Industrial  
Heaters**

**Portable  
Light Towers**

**Portable  
Light Stands**

**Solar Flashing  
Arrow Boards**

LIGHT TOWER APP



**Reliability, Performance, and Integrity Since 1938**

**www.allmand.com**

## TABLE OF CONTENTS

### 1.0 TOWER ASSEMBLY GROUP

Tower Assembly Parts .....	(1.1)
Tower Support Base .....	(1.2)
4" Tower Section .....	(1.3)
3" Tower Section .....	(1.4)
Round Tower Section with Light Bar .....	(1.5)

### 2.0 BALLAST AND LAMP GROUP

Ballast Box Assembly Group .....	(2.1)
1250W Lamp Assembly Group .....	(2.2)
Lampholder Assembly Group .....	(2.3)

### 3.0 DECALS

Shed-Lite Decal Group .....	(3.1)
-----------------------------	-------

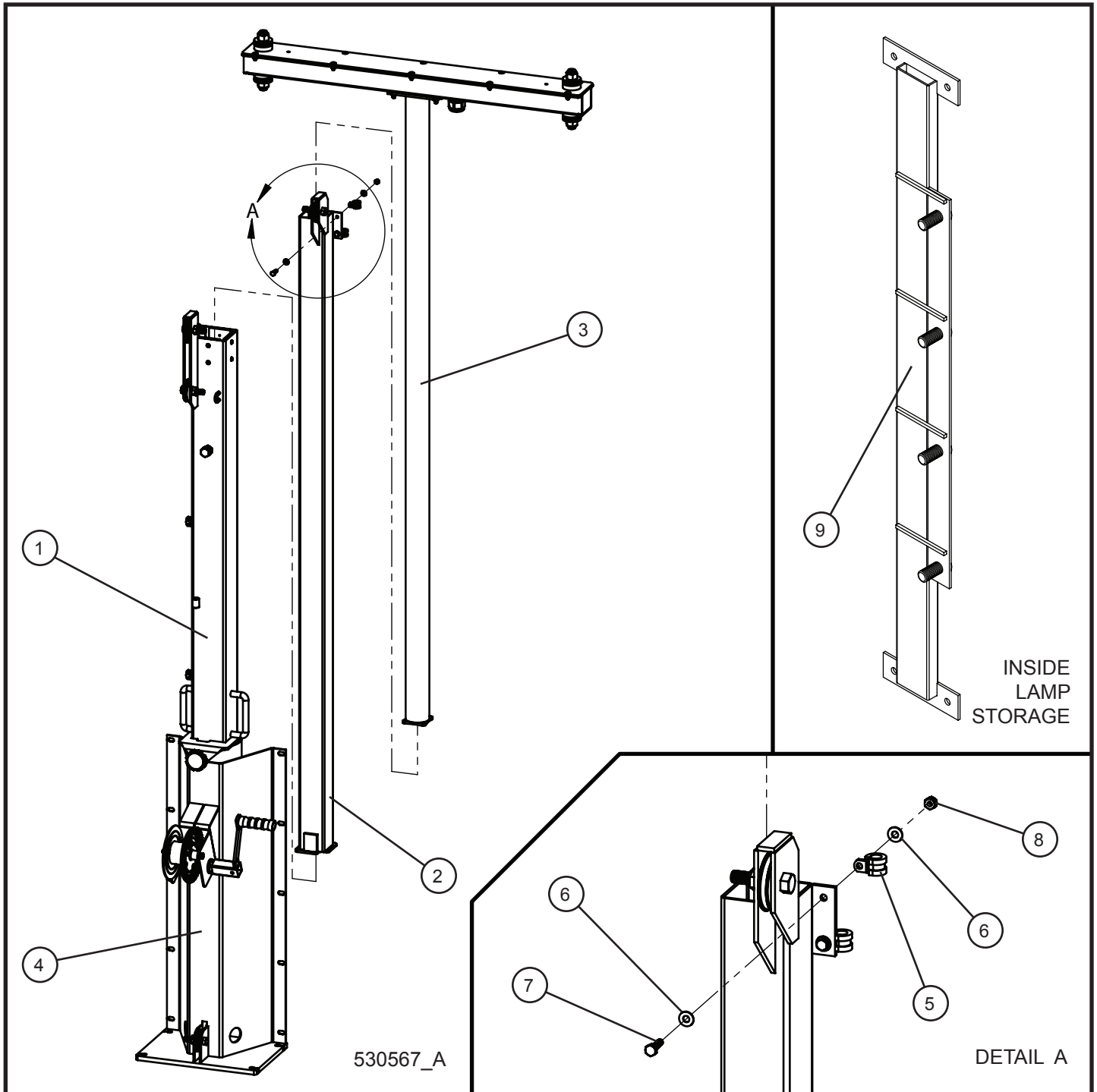
### 4.0 WIRING SCHEMATICS

Shed-Lite Tower Schematic .....	(4.1)
Shed-Lite Ballast Box Schematic .....	(4.2)

PAGE LEFT BLANK  
INTENTIONALLY

## 1.1 - Tower Assembly Parts (1 of 3)

SN 05-000001 and UP



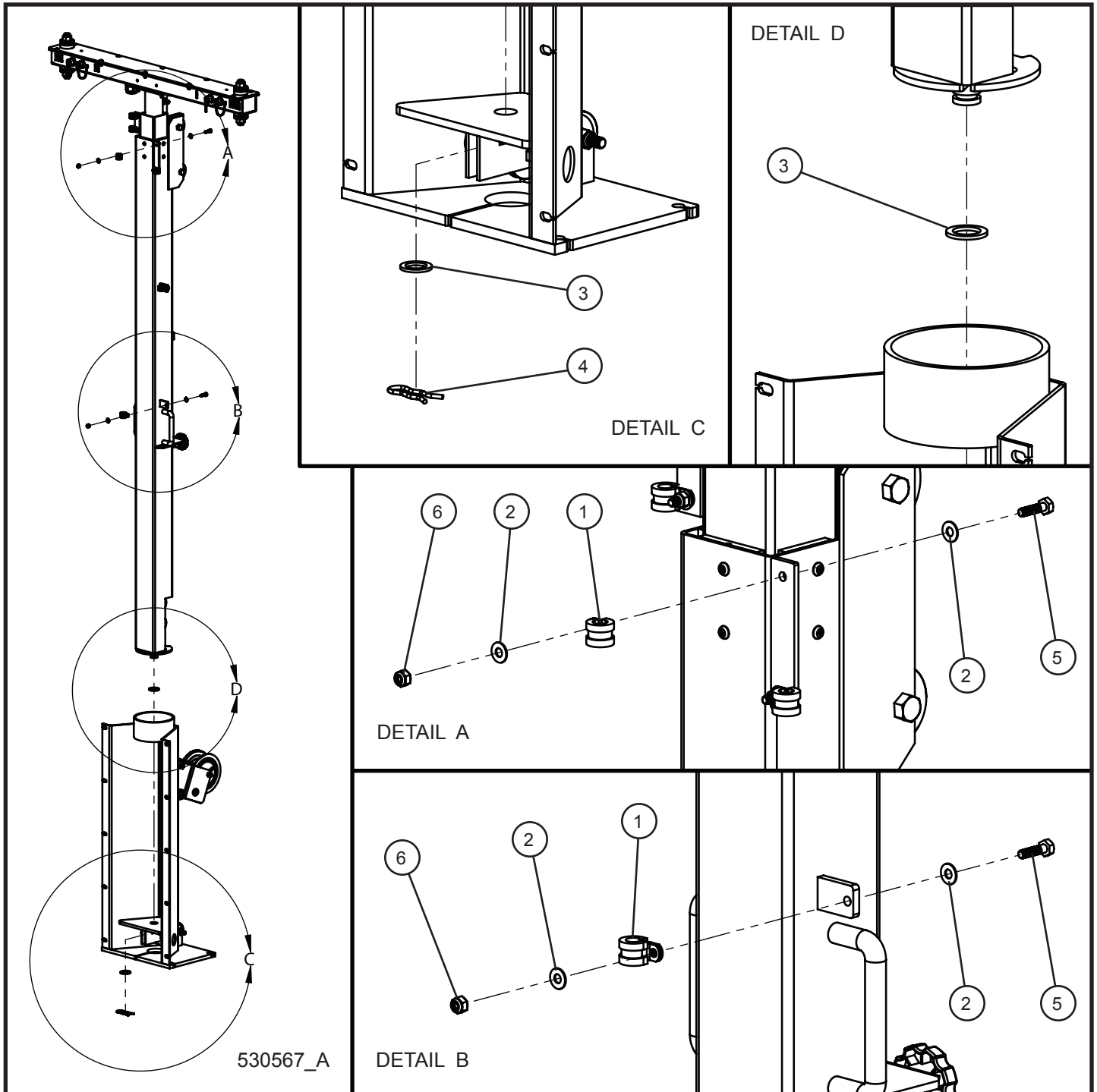
## 1.1 - Tower Assembly Parts (1 of 3)

SN 05-000001 and UP

Item	Part No.	Part Description	Qty.
1	530568	4" TOWER SHED LITE	1
2	530569	3" TOWER SHED LITE	1
3	105591	ROUND TOWER SHED LITE WITH LIGHT BAR	1
4	530572	TOWER SUPPORT SHED LITE	1
5	310212	#10 CUSH CLAMP 1/4 HOLE	2
6	047009	1/4 FLAT WASHER SAE SS	4
7	046015	1/4-20 x 1 HEX HEAD CS GR5 PL	2
8	044023	1/4-20 NYLOCK HEX NUT PL	2
9	530562P	SHED LITE INSIDE LAMP STORAGE	1
10	108831	SHED LITE TOWER SCHEMATIC	1

## 1.1 - Tower Assembly Parts (2 of 3)

SN 05-000001 and UP



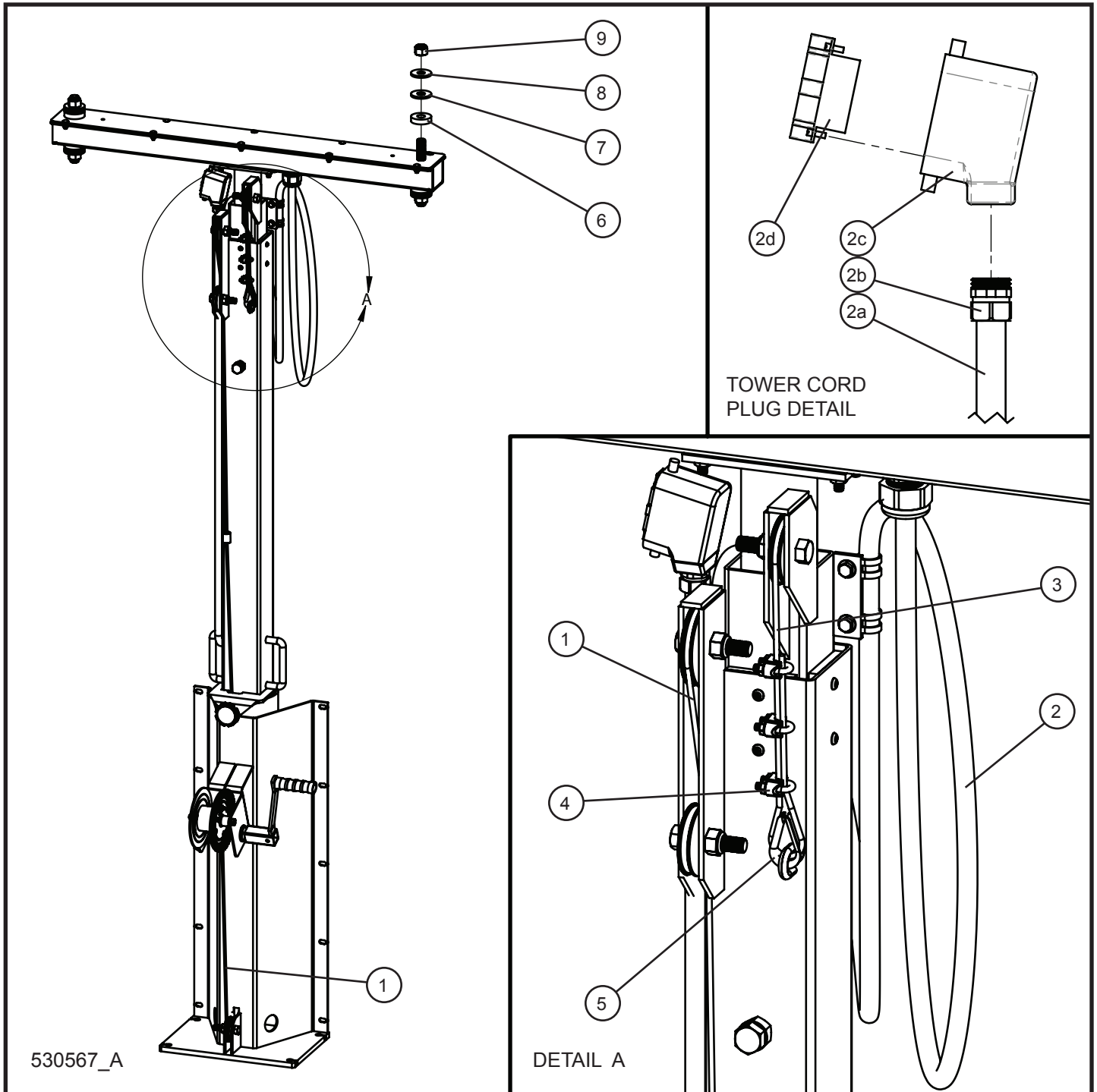
**1.1 - Tower Assembly Parts (2 of 3)**

SN 05-000001 and UP

Item	Part No.	Part Description	Qty.
1	310212	#10 CUSH CLAMP 1/4 HOLE	4
2	047009	1/4 FLAT WASHER SAE SS	8
3	047055	1" ID NARROW RIM PLATED MACHINE BUSHING	2
4	620545	3/4" HAIR PIN CLIP PLATED	1
5	046015	1/4-20 x 1 HEX HEAD CS GR5 PL	4
6	044023	1/4-20 NYLOCK HEX NUT PL	4

## 1.1 - Tower Assembly Parts (3 of 3)

SN 05-000001 and UP



530567\_A

DETAIL A



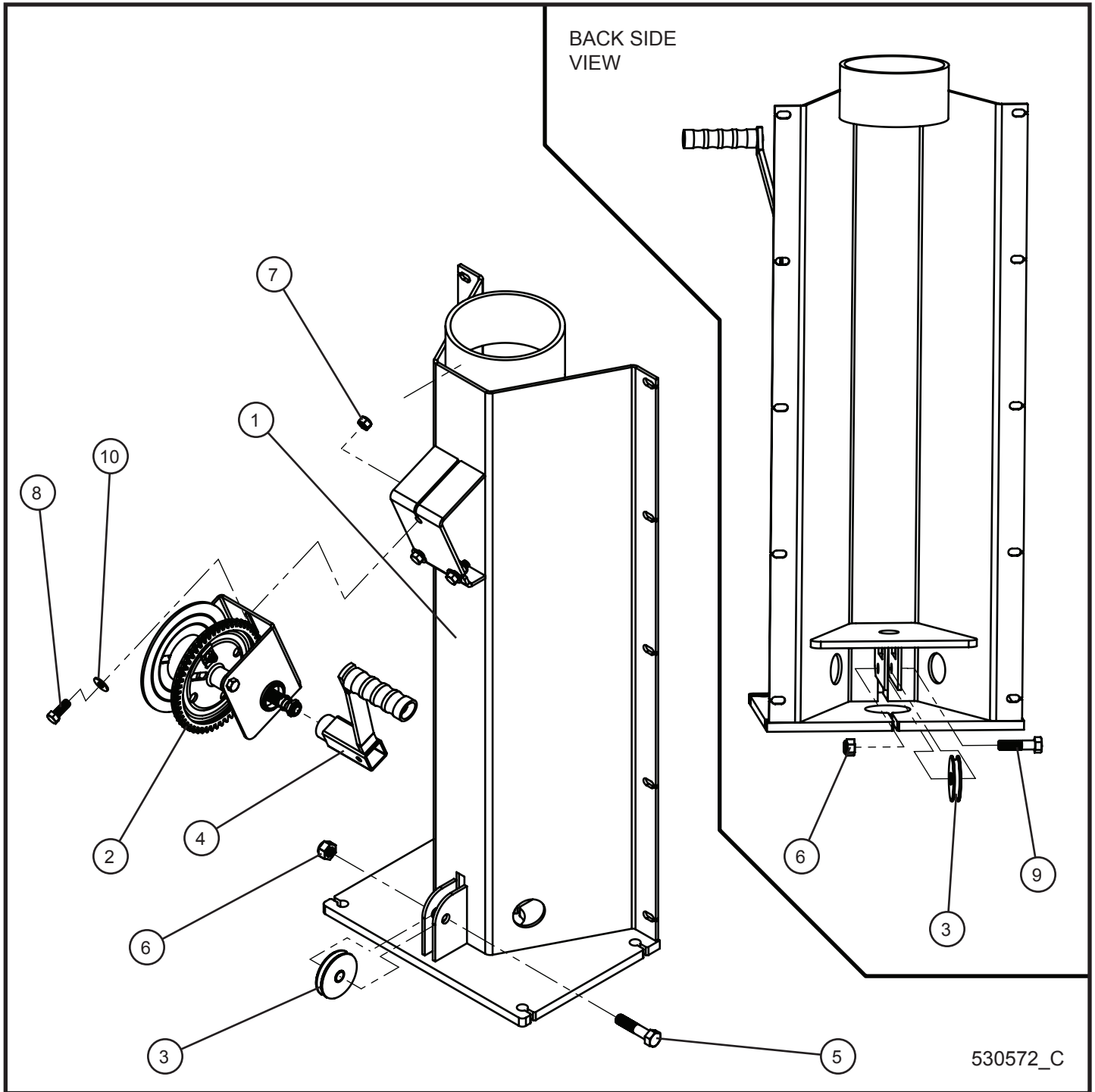
## 1.1 - Tower Assembly Parts (3 of 3)

SN 05-000001 and UP

Item	Part No.	Part Description	Qty.
1	650133	CABLE ASSEMBLY	1
2	530571	TOWER CORD MANUAL STRAIGHT SHED LITE	1
2a	020280	14/7 CORD x 276.00	1
2b	530580	CORD GRIP SEAL UNIVERSAL	1
2c	530579	HOOD SIDE ENTRY	1
2d	530576	MULTI WIRE TERMINAL MALE	1
3	320185	CABLE 3/16 STEEL 10'	1
4	620084	3/16 CABLE CLIP	3
5	045040	3/16 CABLE THIMBLE	1
6	101813	.781 ID x 2 OD x 1/2 HDPE WASHER	4
7	650550	.785 x 2 HDPE WASHER	4
8	047035	3/4 FLAT WASHER PL	4
9	044058	3/4-10 NYLOCK HEX NUT PL	4

## 1.2 - Tower Support Base

SN 05-000001 and UP



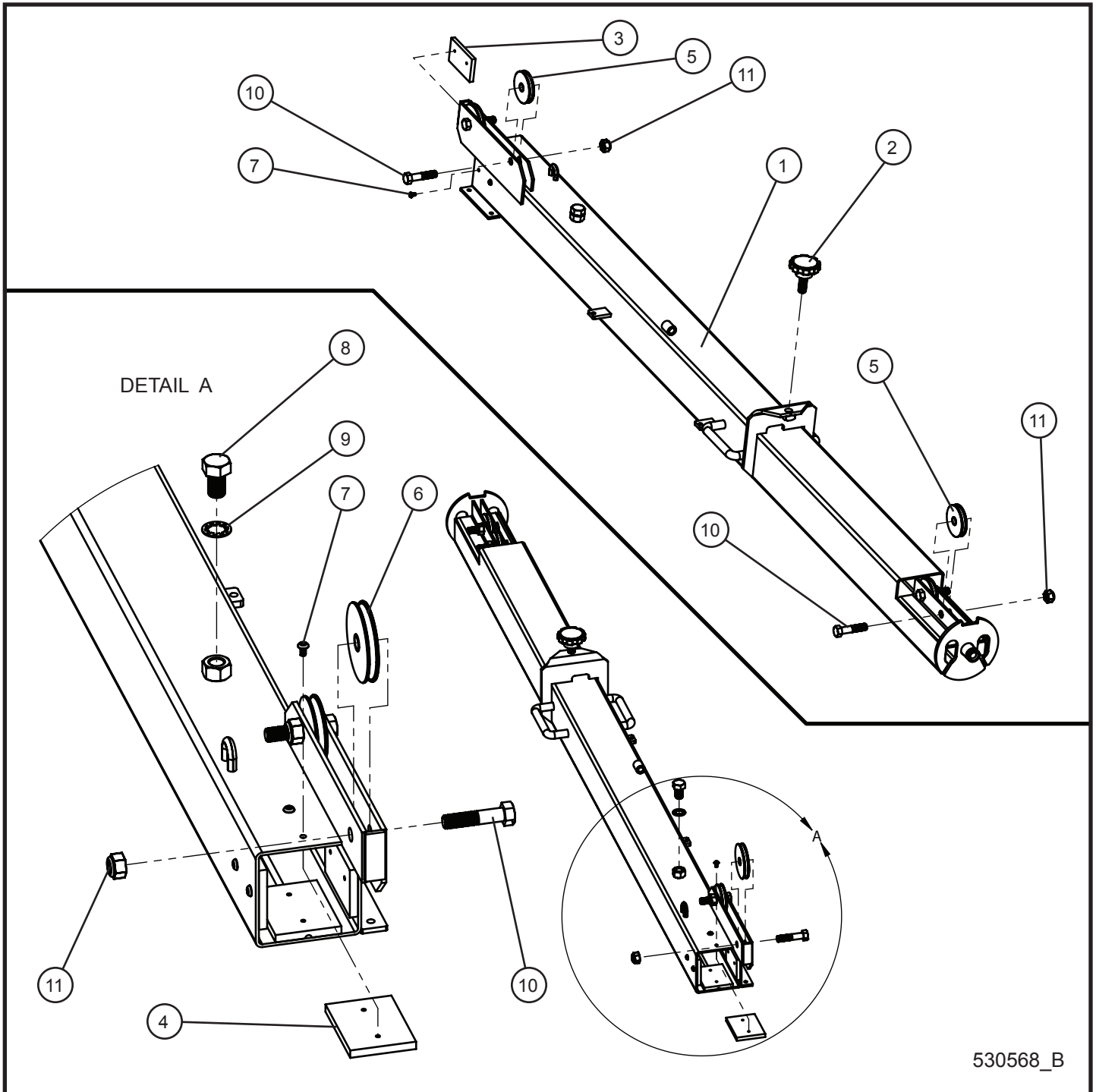
## 1.2 - Tower Support Base

SN 05-000001 and UP

Item	Part No.	Part Description	Qty.
1	530553P	SHED LITE TOWER SUPPORT	1
2	610531	DL 1200 LB. WINCH	1
3	320112	2-1/2 PULLEY W/ BUSHING	2
4	530575	SL SHORT WINCH HANDLE	1
5	046200	1/2-13 x 2 1/4 HEX HEAD CS GR5 PL	1
6	044048	1/2-13 NYLOCK HEX NUT PL	2
7	044038	3/8-16 NYLOCK HEX NUT PL	3
8	046110	3/8-16 x 1 HEX HEAD CS GR5 PL	3
9	046195	1/2-13 x 2 HEX HEAD CS GR8 PL	1
10	047010	5/16 FLAT WASHER PL	3

## 1.3 - 4" Tower Section

SN 05-000001 and UP



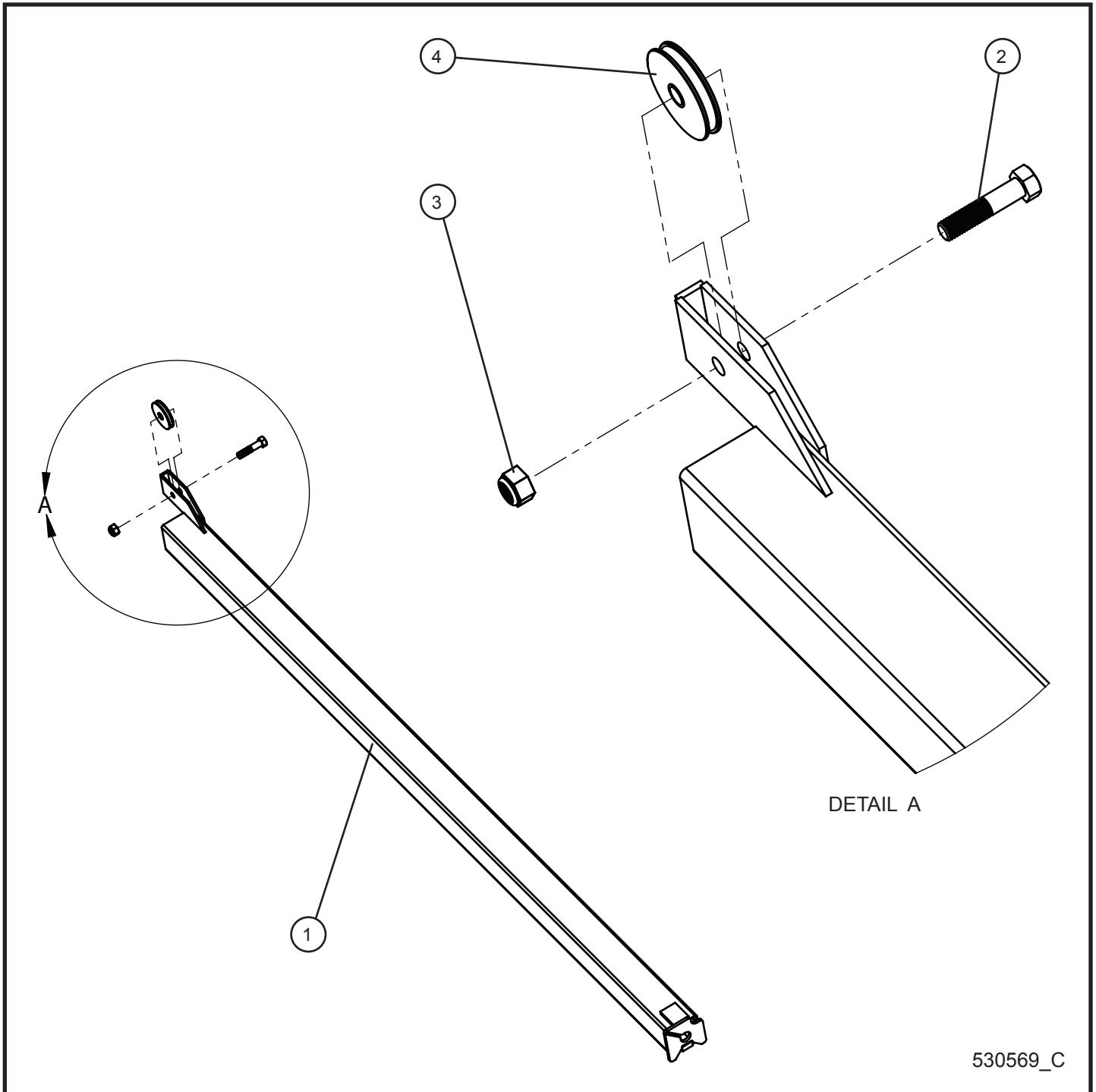
## 1.3 - 4" Tower Section

SN 05-000001 and UP

Item	Part No.	Part Description	Qty.
1	530550P	SHED LITE 4" TOWER SECTION	1
2	620550	LOCKING KNOB	1
3	352280	PLASTIC TOWER PAD	1
4	650110	.312 TOWER PAD	3
5	320112	2-1/2 PULLEY W/ BUSHING	3
6	320110	PULLEY 3 OD W/ BUSHING	1
7	041023	#10 x 3/8 PH-ROUND HEAD MS PL	8
8	046242	5/8-11 x 1 HEX HEAD CS GR5 PL	1
9	043100	5/8 INTL TOOTH LOCK WASHER PL	1
10	046200	1/2-13 x 2 1/4 HEX HEAD CS GR5 PL	4
11	044048	1/2-13 NYLOCK HEX NUT PL	4

## 1.4 - 3" Tower Section

SN 05-000001 and UP



530569\_C

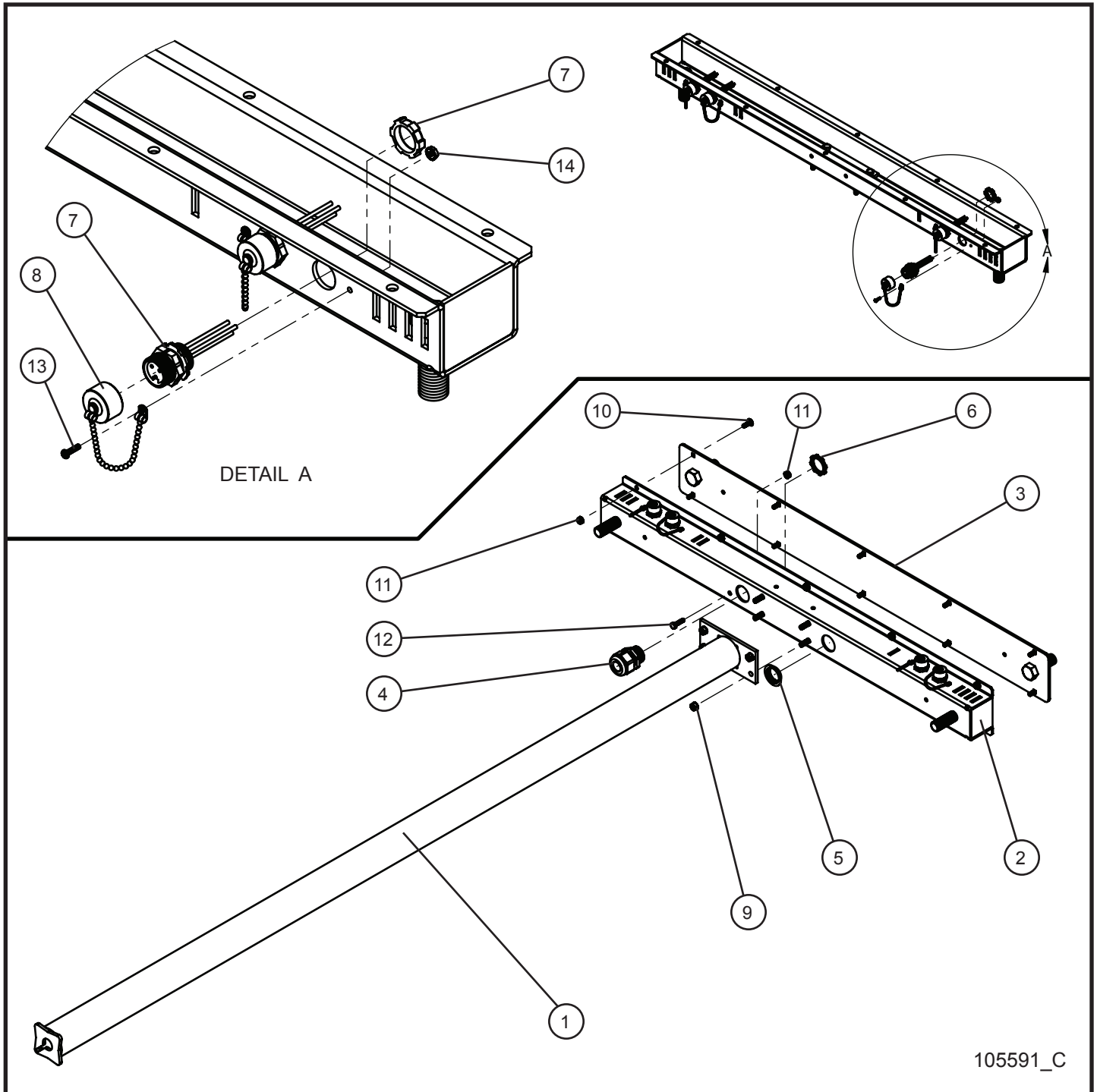
**1.4 - 3" Tower Section**

SN 05-000001 and UP

Item	Part No.	Part Description	Qty.
1	530551P	SHED LITE 3" TOWER SECTION	1
2	046200	1/2-13 x 2 1/4 HEX HEAD CS GR5 PL	1
3	044048	1/2-13 NYLOCK HEX NUT PL	1
4	320112	2-1/2 PULLEY W/ BUSHING	1

## 1.5 - Round Tower Section with Light Bar

SN 05-000001 and UP



105591\_C



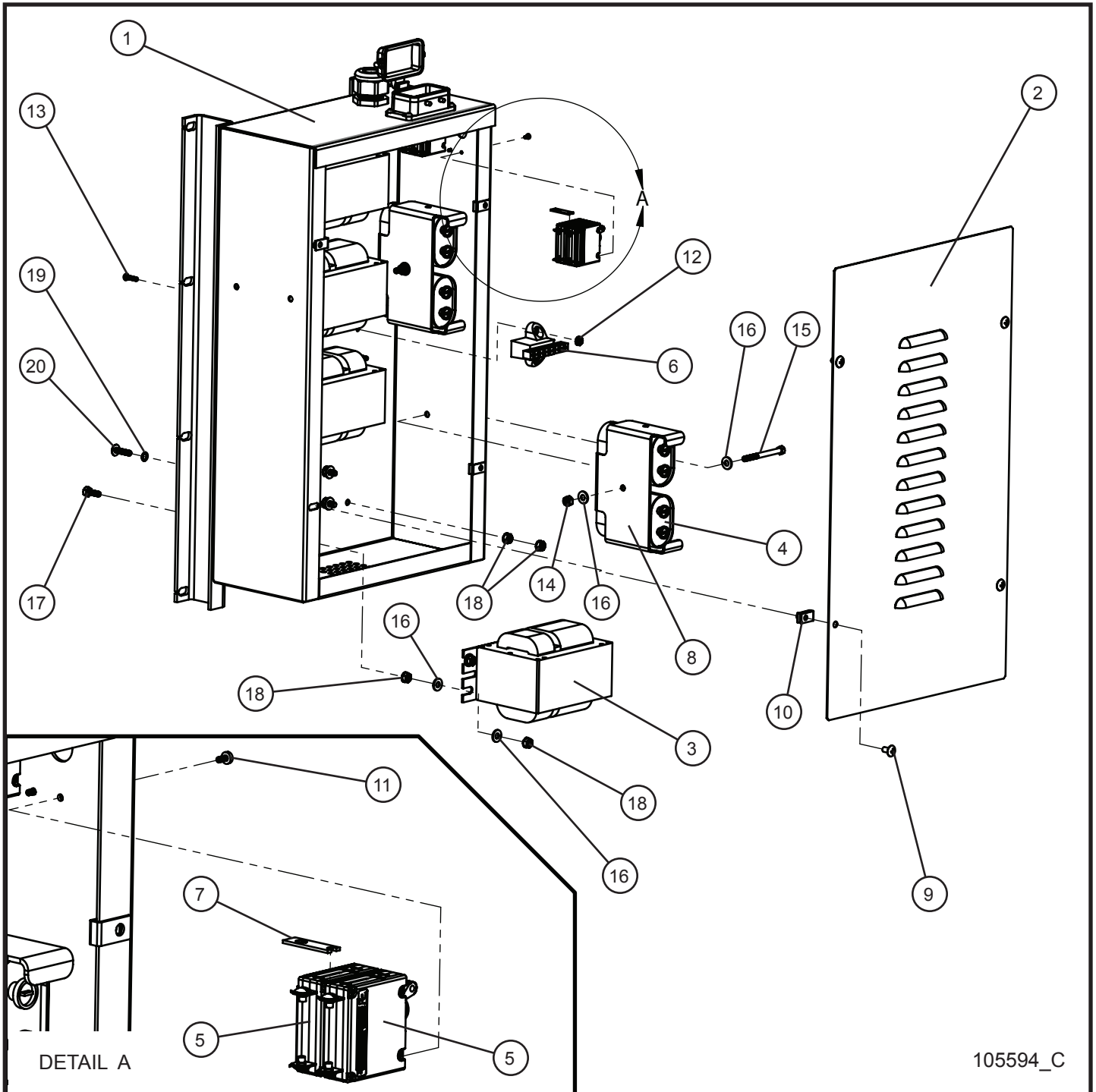
**1.5 - Round Tower Section with Light Bar**

SN 05-000001 and UP

Item	Part No.	Part Description	Qty.
1	530552P	SHED LITE ROUND TOWER SECTION	1
2	105718P	LIGHT BAR WITH NYLON CORD GRIP HOLES	1
3	620537P	COVER LIGHT BAR	1
4	105627	CORD GRIP 1" NYLON BLACK	1
5	064040	1 3/8 CAP PLUG	1
6	022038	1" CORD GRIP NUT	1
7	310414	QD CONNECTOR FEMALE	4
8	310413	CAP QUICK DISCONNECT	4
9	044031	5/16-18 KEPS HEX NUT PL	4
10	053006	1/4-20 x 3/4 CARRIAGE BOLT	10
11	044021	1/4-20 KEPS HEX NUT PL	11
12	046015	1/4-20 x 1 HEX HEAD CS GR5 PL	1
13	100029	#6-32 x 1/2 PH-ROUND HEAD MS PL	4
14	044004	#6-32 KEPS HEX NUT PL	4

## 2.1 - Ballast Box Assembly Group (1 of 2)

SN 05-000001 and UP



105594\_C

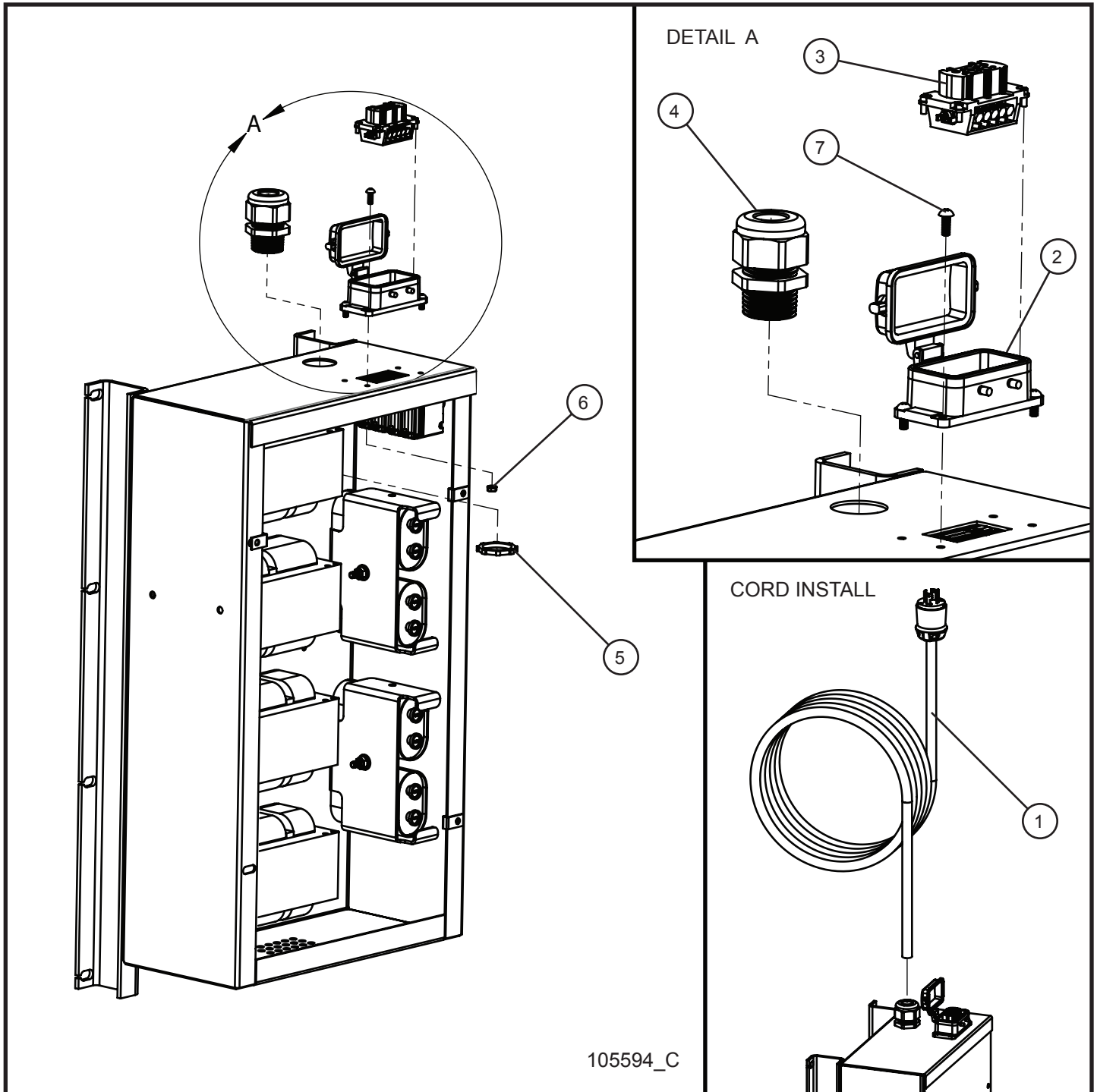
**2.1 - Ballast Box Assembly Group (1 of 2)**

SN 05-000001 and UP

Item	Part No.	Part Description	Qty.
1	105922P	BALLAST BOX NYLON CORD GRIP	1
2	530433P	COVER BALLAST BOX	1
3	310124	BALLAST 1000W 60Hz 120V	4
4	310391	28 uF CAPACTIOR	4
5	106781	CIRCUIT BREAKER 15 AMP	4
6	530581	TERMINAL BLOCK	1
7	620560	BUSS BAR	2
8	680608P	TABBED CAPACITOR CLAMP	2
9	041078	1/4-20 x 1/2 PH-TRUSS HEAD MS SS	4
10	044106	1/4-20 TINNERMAN NUT	4
11	041018	#6-32 x 1/4 PH-ROUND HEAD MS PL	8
12	044016	#10-24 KEPS HEX NUT PL	2
13	041027	#10-24 x 3/4 PH-ROUND HEAD MS	2
14	044023	1/4-20 NYLOCK HEX NUT PL	2
15	046037	1/4-20 x 2 3/4 HEX HEAD CS GR5 PL	2
16	047005	1/4 FLAT WASHER PL	36
17	046010	1/4-20 x 3/4 HEX HEAD CS GR5 PL	16
18	044021	1/4-20 KEPS HEX NUT PL	34
19	043050	1/4 INTL TOOTH LOCK WASHER	1
20	041080	1/4-20 x 1 PH-TRUSS HEAD MS SS	1
21	108796	SCHEMATIC BALLAST SHED-LITE	1

## 2.1 - Ballast Box Assembly Group (2 of 2)

SN 05-000001 and UP



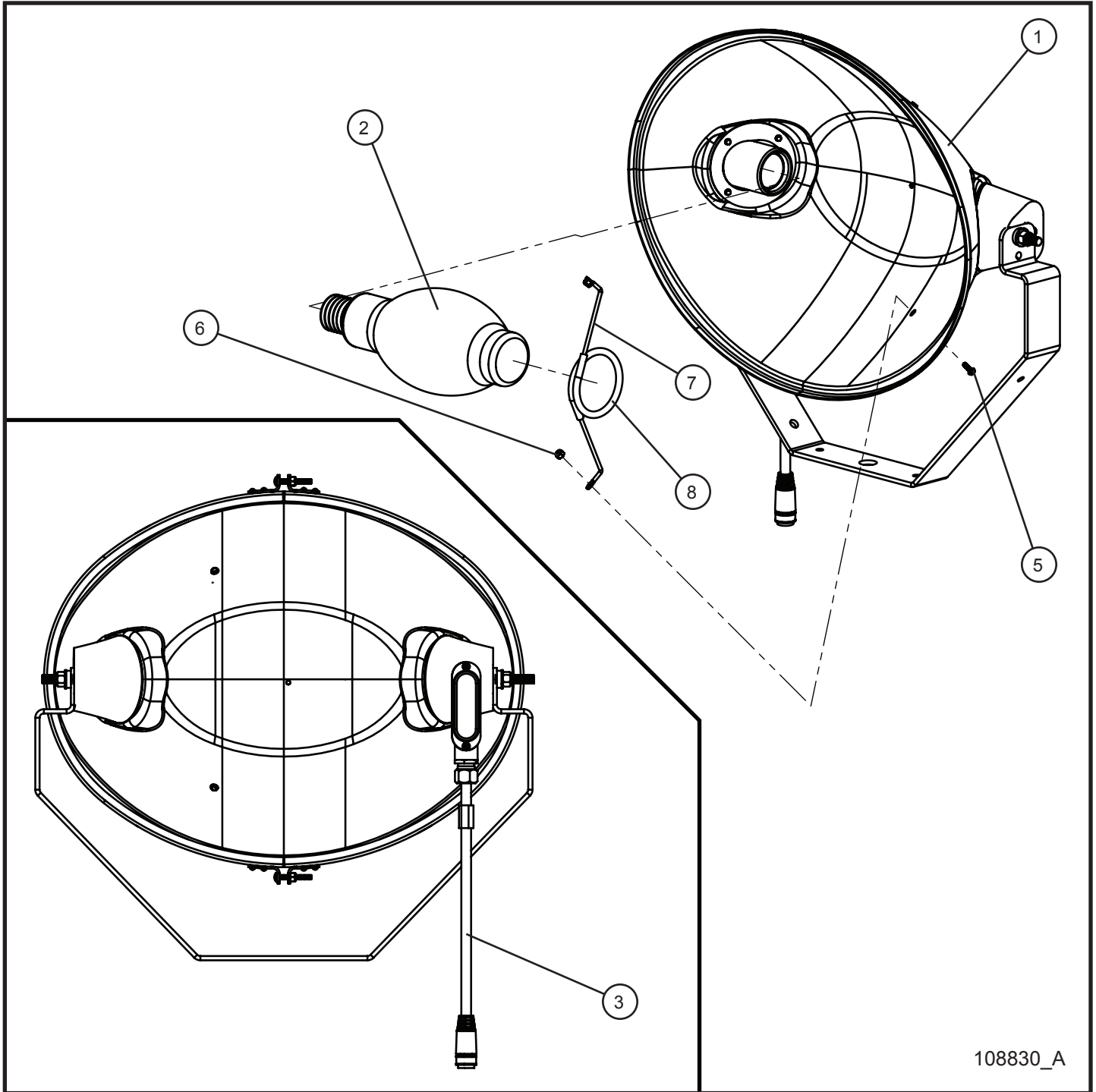
**2.1 - Ballast Box Assembly Group (2 of 2)**

SN 05-000001 and UP

Item	Part No.	Part Description	Qty.
1	105460	POWER CORD 10/4 SHED-LITE	1
2	530582	FEMALE TERMINAL COVER	1
3	530577	TERM SCREW FEMALE	1
4	105627	CORD GRIP 1" NYLON BLACK	1
5	022038	1" CORD GRIP NUT	1
6	044003	#8-32 NC KEPS NUT	4
7	041012	SCREW MS #8-32 x 1/2 PL	4

## 2.2 - 1250W Lamp Assembly Group

SN 05-000001 and UP



108830\_A

---

---

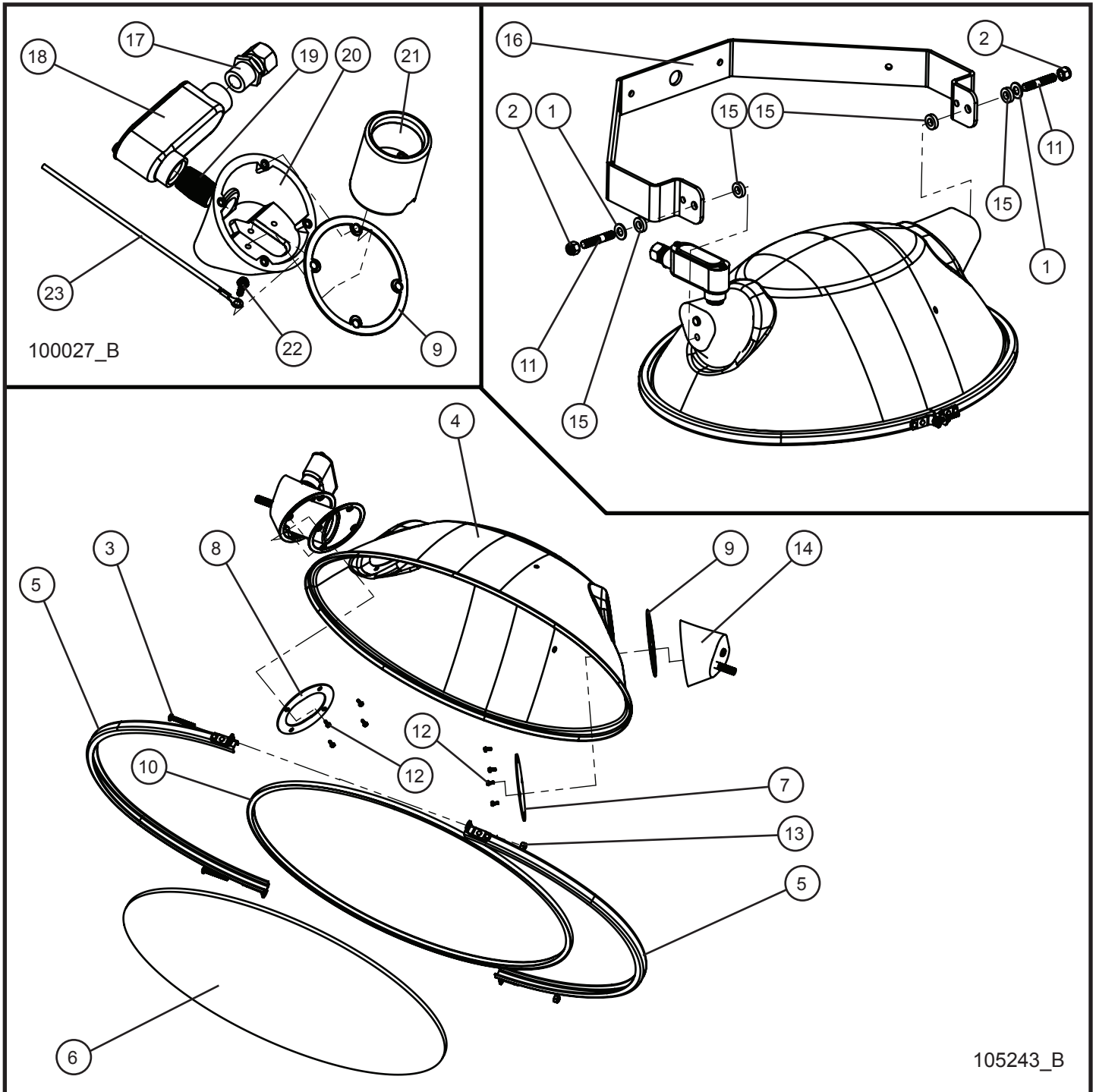
## 2.2 - 1250W Lamp Assembly Group

SN 05-000001 and UP

Item	Part No.	Part Description	Qty.
--	108830	1250W LAMP COMPLETE ASSEMBLY	1
1	650147	LAMPHOLDER SHO ASSEMBLED	1
2	610221	LAMP 1250W BT37 (MH)	1
3	310434	MALE CONNECTOR CABLE MINI QUICK	1
4	102624	2 WIRE LEVER LOCK (NOT SHOWN)	3
5	041200	#8-32 x 1/2 HEX WASHER HEAD INDT	2
6	044013	#8-32 NYLOCK HEX NUT SS	2
7	610209	SUPPORT TIP LAMP SHO	1
8	610210	FIBERGLASS TUBE 12" LAMP SUPPORT	1

## 2.3 - Lampholder Assembly Group

SN 05-000001 and UP





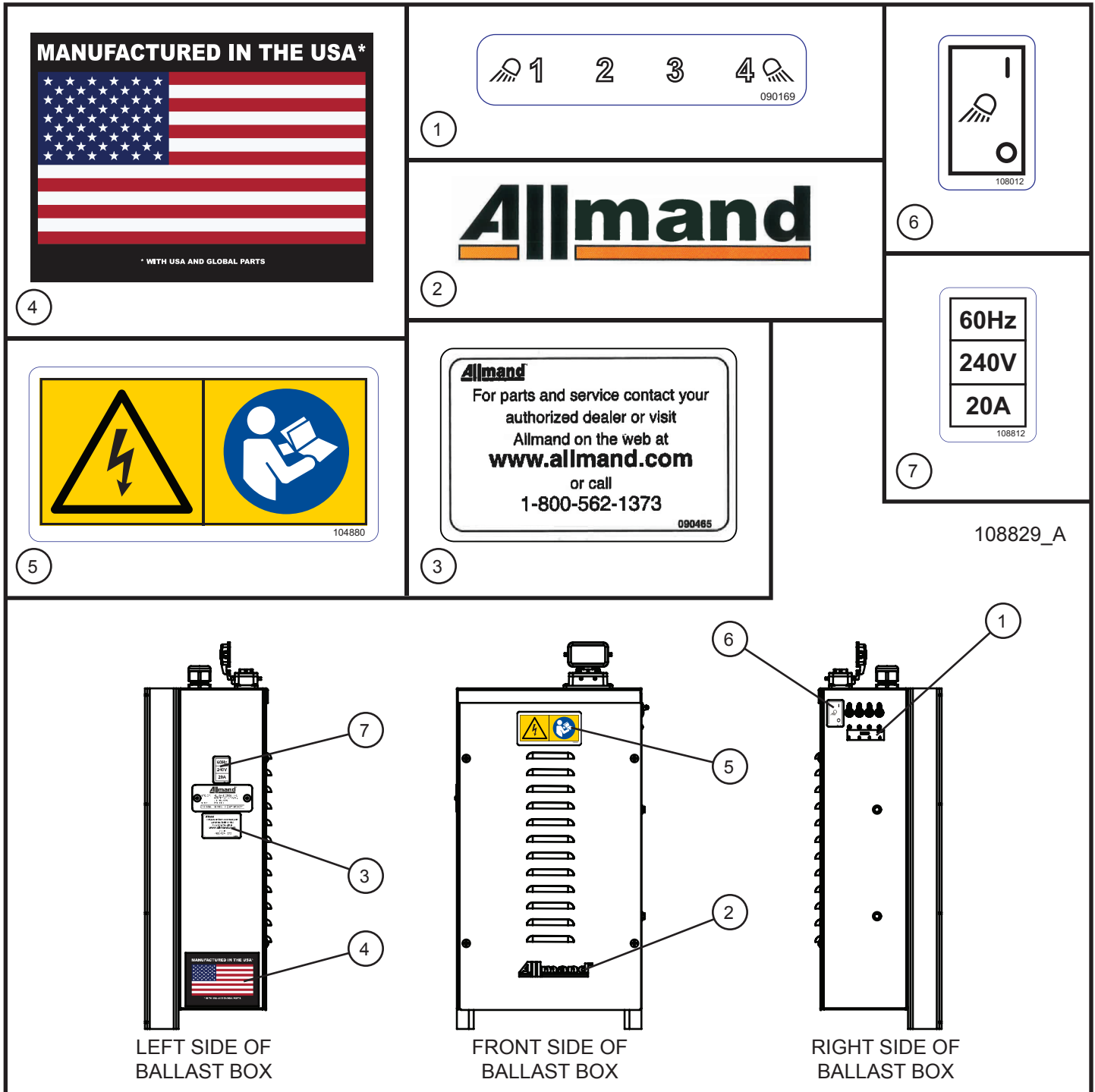
## 2.3 - Lampholder Assembly Group

SN 05-000001 and UP

Item	Part No.	Part Description	Qty.
1	047016	3/8 FLAT WASHER SAE ZINC	2
2	044037	3/8-24 NYLOCK HEX NUT PL	2
3	041040	#10-24 x 1 1/2 PH-ROUND HEAD MS SS	2
4	610201	REFLECTOR	1
5	610202	LENS CHANNEL SET SHO LIGHTS	2
6	610203F	LENS GLASS FROSTED	1
7	610207	INTERIOR COVER PLATE WITHOUT HOLE	1
8	610208	INTERIOR COVER PLATE WITH HOLE	1
9	610213	GASKET SOCKET END CAP	2
10	610217	SILICONE GASKET	1
11	045142	3/8-24 x 3/8-16 x 2 STUD	2
12	041028	#10-24 x 1/2 HEX WASHER HEAD INDT	8
13	044019	#10-24 NYLOCK HEX NUT SS	2
14	610206	CASTING END SHO	1
15	047019	NYLON BUSHING 3/4 OD x .385 ID	4
16	660130P	YOKE MOUNT SHO LAMP	1
17	510007	1/2 CORD GRIP	1
18	610214	ELBOW 1/2 SLB SHO ENTRANCE	1
19	610215	1/2 NPT NIPPLE	1
20	610205	SOCKET CASTING END SHO	1
21	610212	CERAMIC SOCKET	1
22	041257	#10-32 x 3/8 SL-HEX WASHER HEAD MS GROUND	1
23	610219	GROUND WIRE LAMPHOLDER SHO ENTRANCE	1

## 3.1 - Shed-Lite Decal Group (1 of 2)

SN 05-000001 and UP



**3.1 - Shed-Lite Decal Group (1 of 2)**

SN 05-000001 and UP

Item	Part No.	Part Description	Qty.
1	090169	LIGHT LABELING DECAL	1
2	090270	5 1/2 ALLMAND DECAL GOLD STANDARD	1
3	090465	PARTS & SERVICE DECAL	1
4	105467	MANUFACTURED IN THE USA	1
5	104880	WORDLESS ELECTRICAL WARNING DECAL	2
6	108012	DECAL ON-OFF WORDLESS	1
7	108812	DECAL ELECTRICAL SPECIFICATIONS	1

## 3.1 - Shed-Lite Decal Group (2 of 2)

SN 05-000001 and UP

**TOP OF LIGHT BAR**

**FRONT OF TOWER SUPPORT**

**SIDE OF TOWER SUPPORT**

108829\_A

107459

107532

104880

108013

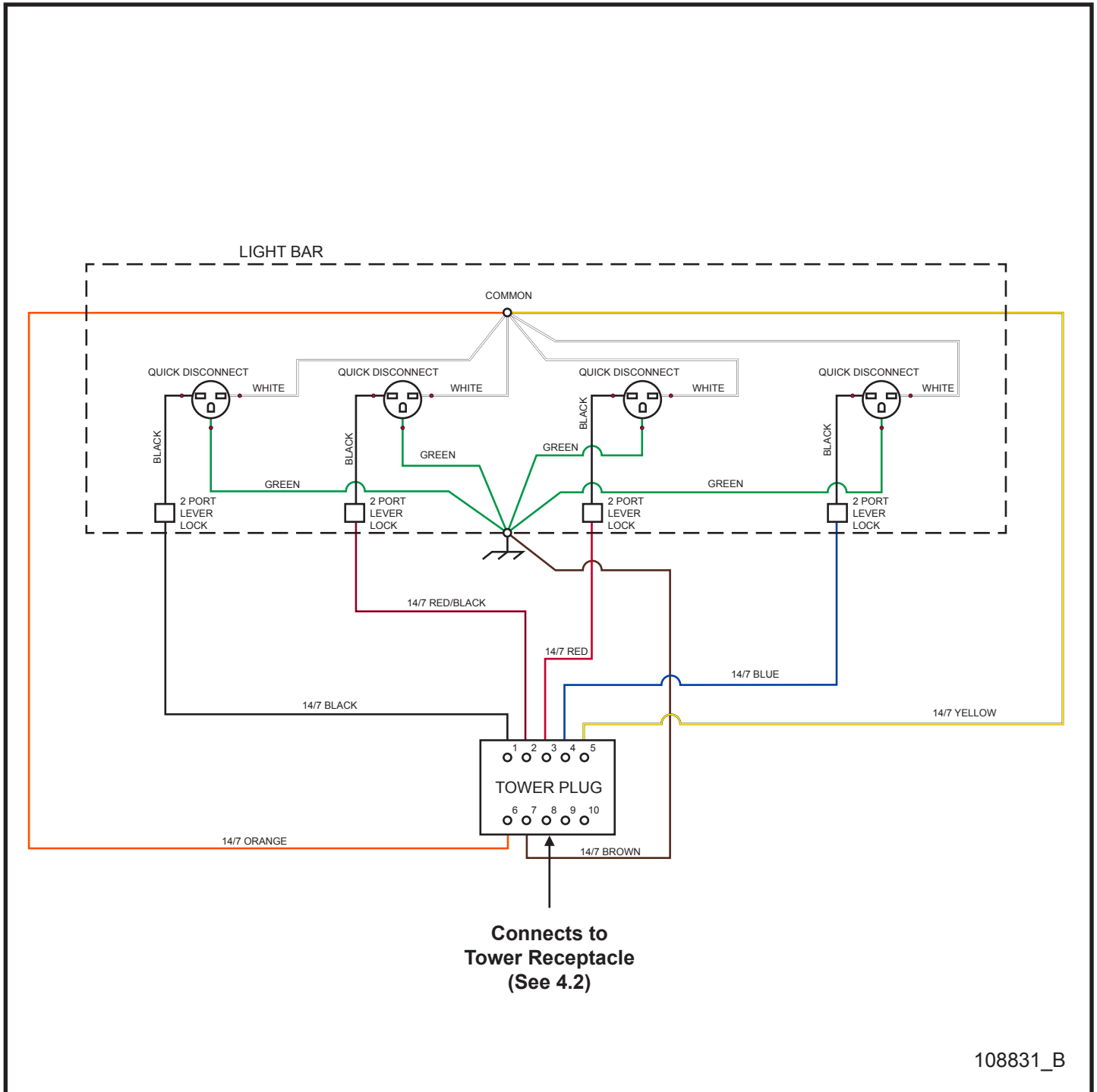
**3.1 - Shed-Lite Decal Group (2 of 2)**

SN 05-000001 and UP

Item	Part No.	Part Description	Qty.
1	104880	WORDLESS ELECTRICAL WARNING DECAL	1
2	107459	ARTWORK ROTATION LOCK	1
3	107532	CAUTION WINCH WORDLESS ARTWORK	1
4	108013	DECAL WORDLESS HOT LAMP-NO LOOK	1

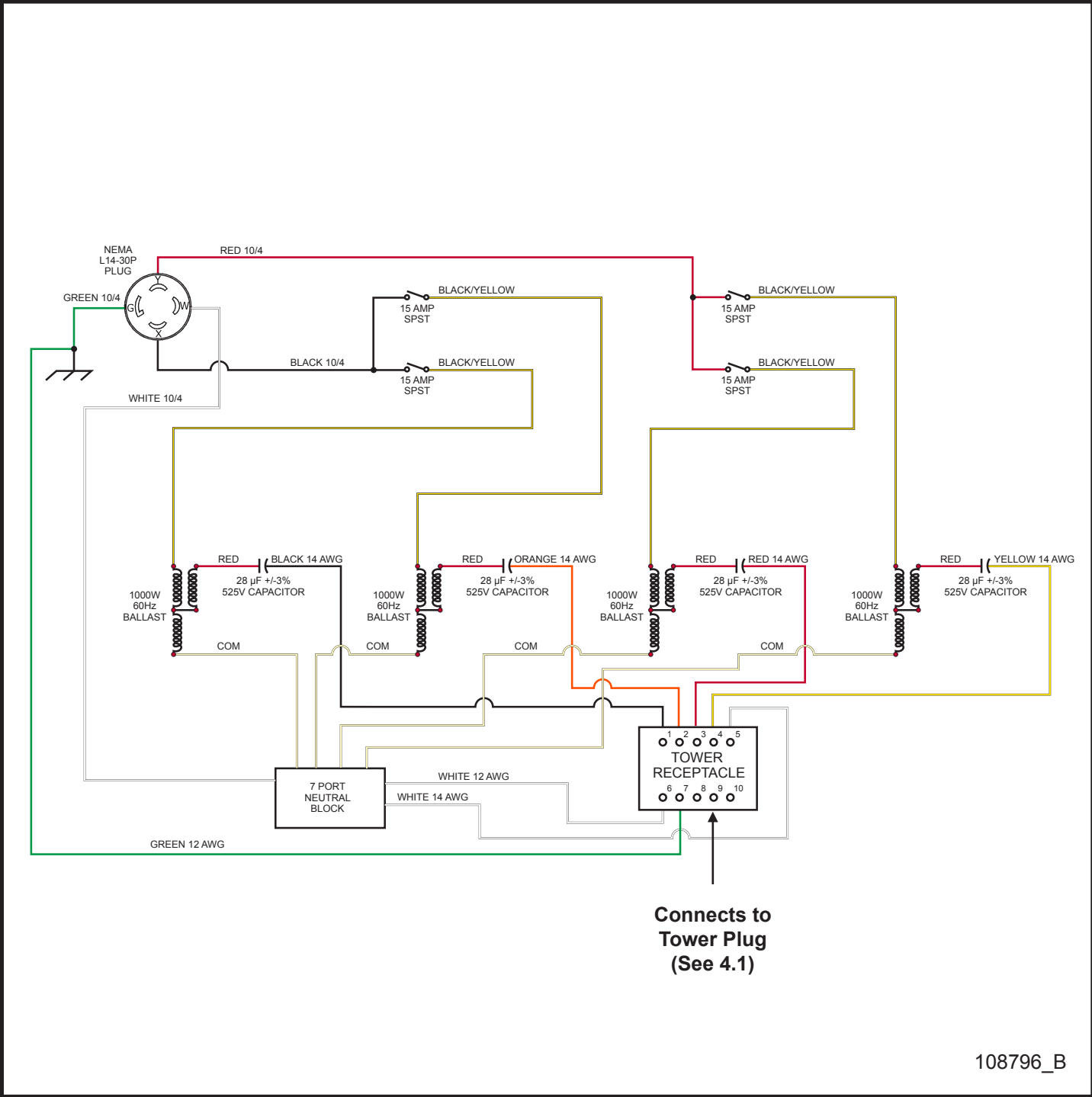
## 4.1 - Shed-Lite Tower Cord Schematic

SN 05-000001 and UP



### 4.2 - Shed-Lite Ballast Box Schematic

SN 05-000001 and UP



108796\_B

# Allmand™

**BRIGHTER. WARMER. SAFER.**

Allmand Bros., Inc.  
1502 West 4th Avenue  
Holdrege, NE 68949  
phone: (308) 995-4495 • toll free: (800) 562-1373  
fax: (308) 995-5887

[www.allmand.com](http://www.allmand.com)



*Reliability, performance, and integrity since 1938*

13-0267