

(en) **Parts & Schematic Manual**
PORT-A-LITE®
Single and Dual Lamp LED

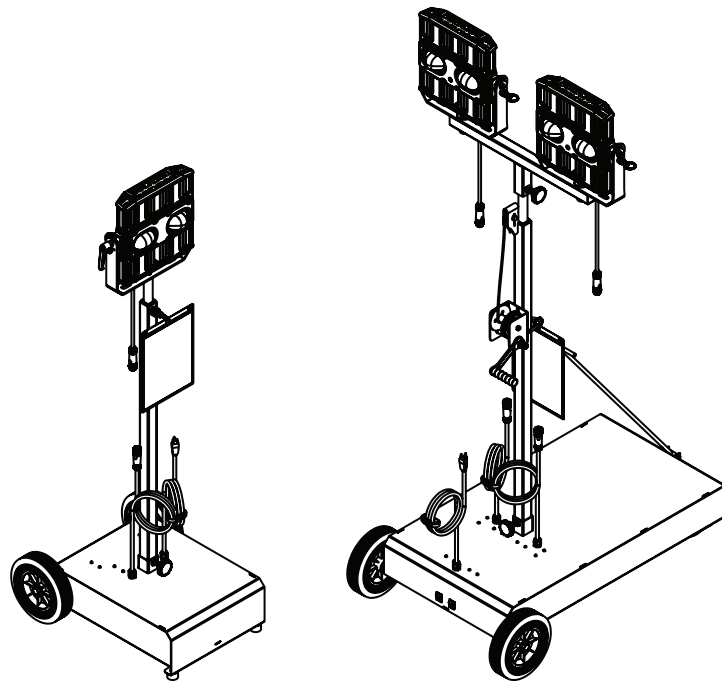


TABLE OF CONTENTS

1.0 PORT-A-LITE SINGLE LAMP LED ASSEMBLY GROUP

Single Lamp LED Base Assembly Group	(1.1)
Single Lamp LED Mast Assembly Group	(1.2)

2.0 PORT-A-LITE DUAL LAMP LED ASSEMBLY GROUP

Dual Lamp LED Base Assembly Group	(2.1)
Dual Lamp LED Outer Mast Assembly Group	(2.2)
Dual Lamp LED Inner Mast Assembly Group	(2.3)

3.0 DECALS

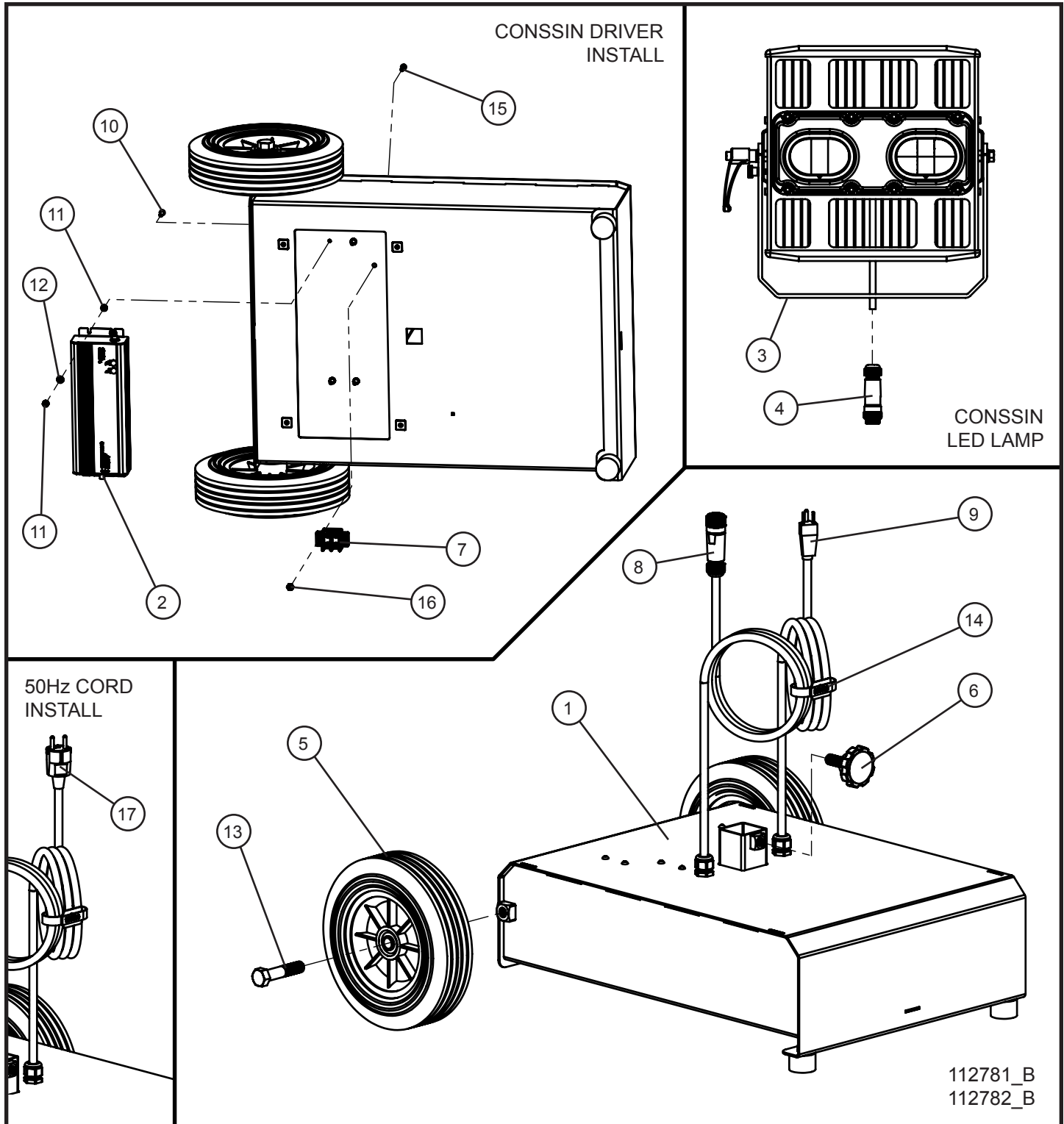
English Single Lamp LED Decal Group	(3.1)
Wordless Single Lamp LED Decal Group	(3.2)
English Dual Lamp LED Decal Group	(3.3)
Wordless Dual Lamp LED Decal Group	(3.2)

4.0 WIRING SCHEMATICS

Single Lamp LED 60Hz Schematic	(4.1)
Single Lamp LED 50Hz Schematic	(4.2)
Dual Lamp LED 60Hz Schematic	(4.3)
Dual Lamp LED 50Hz Schematic	(4.4)

PAGE LEFT BLANK
INTENTIONALLY

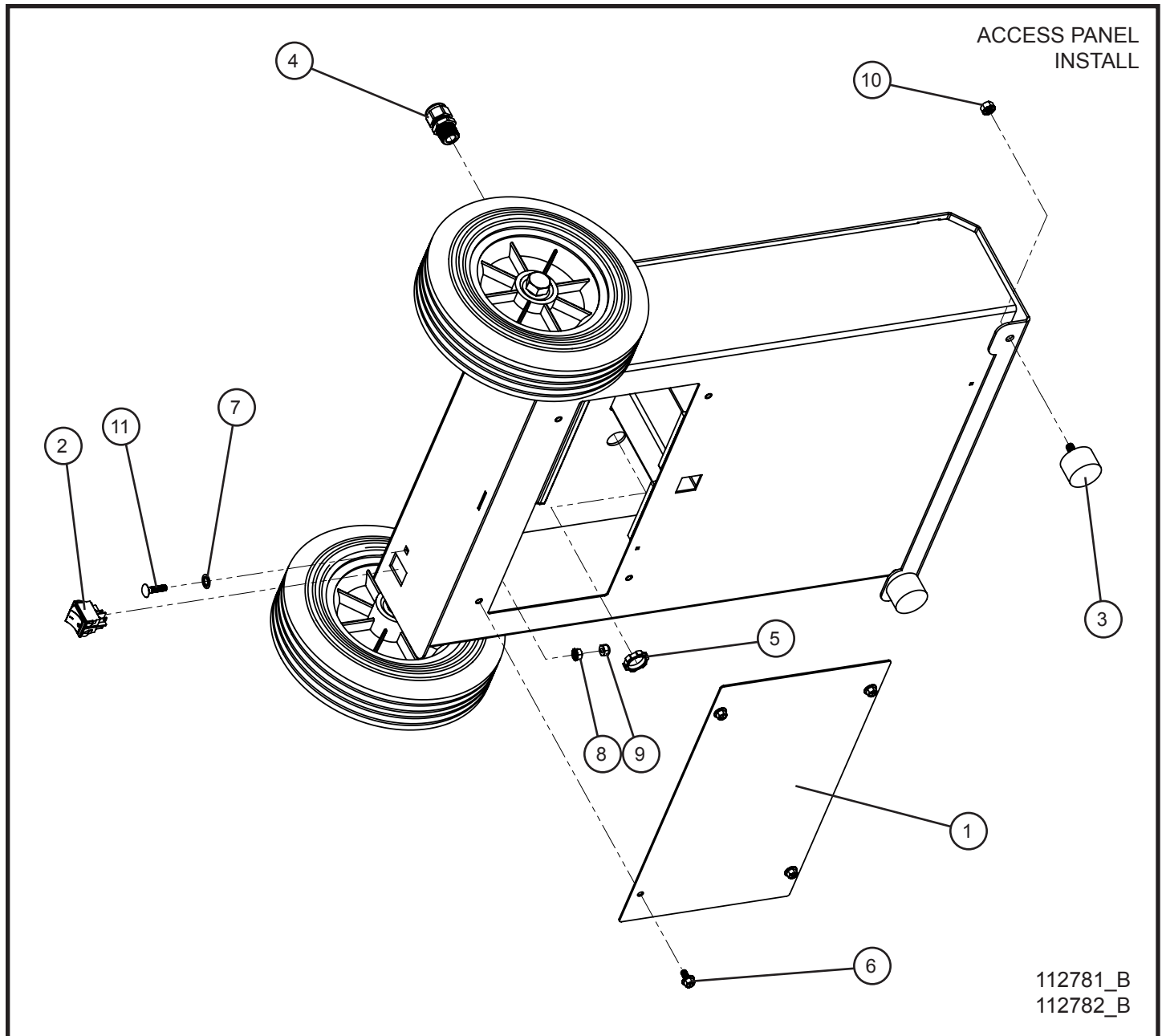
1.1 - Single Lamp LED Base Assembly Group (1 of 2)



1.1 - Single Lamp LED Base Assembly Group (1 of 2)

Item	Part No.	Part Description	Qty.
1	112785P	BASE WELDMENT CONSSIN	1
2	112783	PORT-A-LITE DRIVER ASSEMBLY	1
3	111451	CONSSIN KUEM2-320 LED LIGHT	1
4	112800	MALE 4 PIN QUICK CONNECT	1
5	530128	10" x 1 3/4 WHEEL	2
6	620550	1/2-13 LOCKING KNOB	1
7	106729	SCREW TERMINAL BLOCK 2 GANG	1
8	112792	FEMALE 4 PIN QUICK CONNECT CORD ASSEMBLY	1
9	112793	60Hz 14/3 PRIMARY CORD	1
10	041203	#8-32 x 3/4 SCREW	4
11	044003	#8-32 KEPS NUT	8
12	047004	#8 FLAT WASHER	4
13	046244	5/8-11 x 3 HEX HEAD CS GR5 PL	2
14	068098	VELCRO TIE CABLE	1
15	041027	#10-24 x 3/4 PHILLIPS ROUND HEAD MACHINE SCREW	4
16	044018	#10-24 NYLOCK HEX NUT	4
17	112794	50Hz 14/3 PRIMARY CORD	1
NS	114104	YOKE, BRACKETS, AND HARDWARE CONSSIN KIT	1
NS	112790	SCHEMATIC SINGLE PAL 60Hz BASE	1
NS	112791	SCHEMATIC SINGLE PAL 50Hz BASE	1

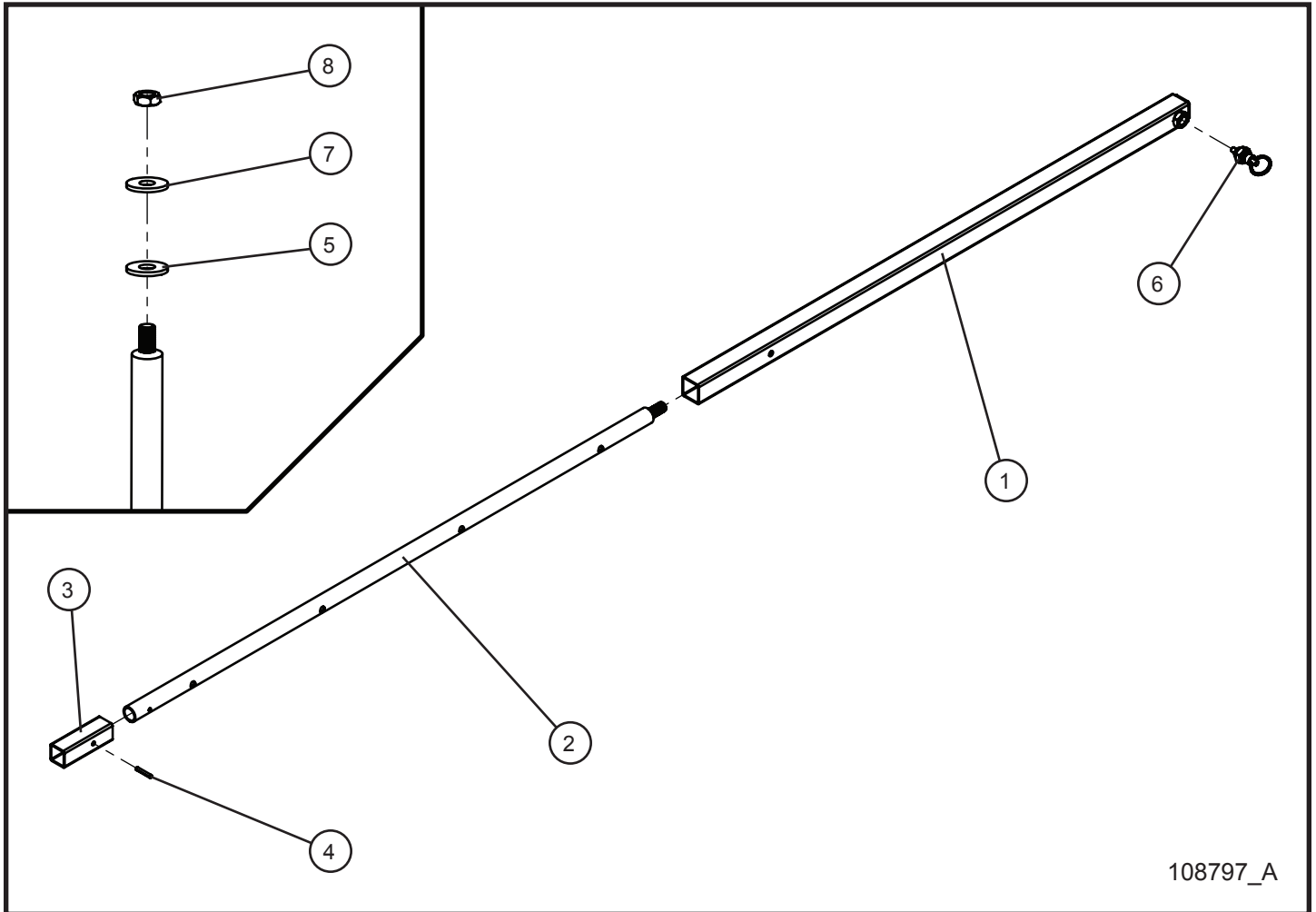
1.1 - Single Lamp LED Base Assembly Group (2 of 2)



1.1 - Single Lamp LED Base Assembly Group (2 of 2)

Item	Part No.	Part Description	Qty.
1	112784P	ACCESS COVER CONSSIN	1
2	112789	DOUBLE POLE ROCKER SWITCH	1
3	713578	RUBBER BUMPER	2
4	105626	CORD GRIP 1/2" NYLON BLACK	2
5	022035	1/2 CORD GRIP NUT	2
6	056001	1/4-20 x 1/2 HEX SERRATED FLANGE SCREW	4
7	043060	5/16 INTERNAL TOOTH LOCK WASHER	1
8	044021	1/4-20 KEPS HEX NUT	1
9	044023	1/4-20 NYLOCK HEX NUT	1
10	044031	5/16-18 KEPS HEX NUT	2
11	100342	1/4-20 x 1 CARRIAGE BOLT	1

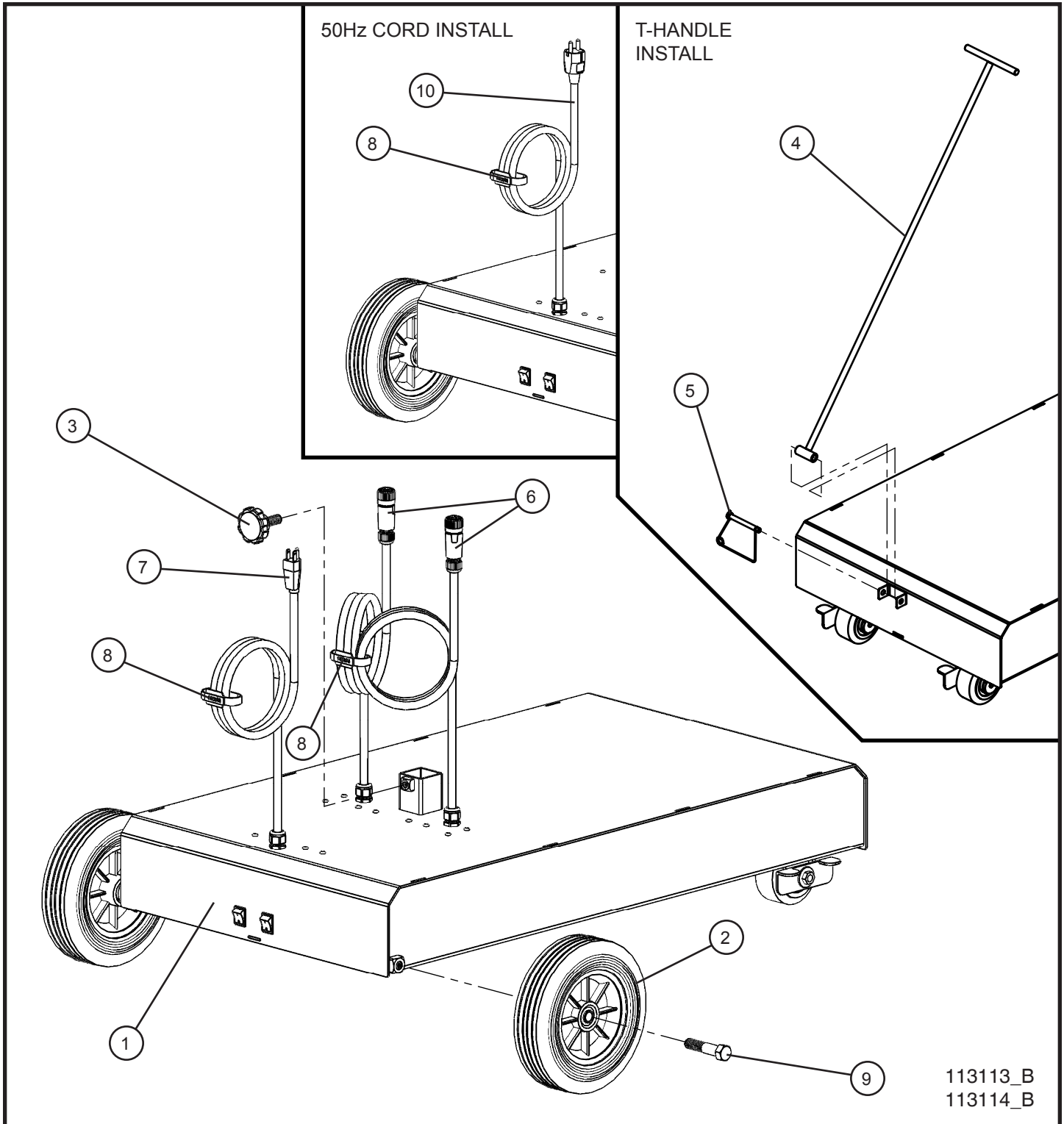
1.2 - Single Lamp LED Mast Assembly Group



1.2 - Single Lamp LED Mast Assembly Group

Item	Part No.	Part Description	Qty.
1	530405P	OUTER MAST WELDMENT	1
2	530361P	INNER MAST WELDMENT	1
3	530511P	GUIDE TUBE INNER MAST	1
4	045145	1/4 x 1 1/2 SPRING ROLL PIN PL	1
5	650550	.785" x 2" HDPE WASHER	1
6	530409	SPRING PIN LATCH ASSEMBLY	1
7	047035	3/4 FLAT WASHER	1
8	044059	3/4-16 JAM NUT	1

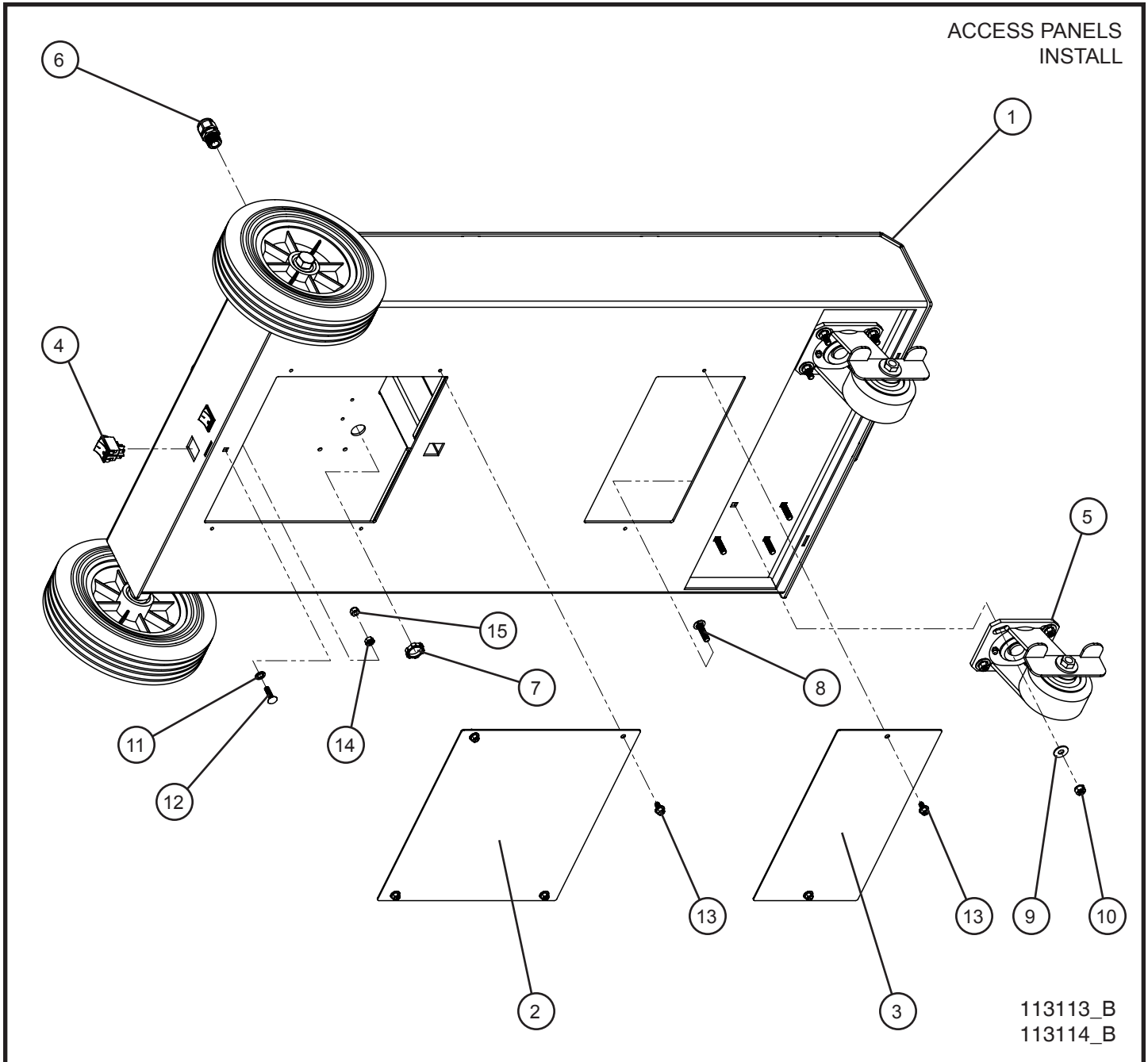
2.1 - Dual Lamp LED Base Assembly Group (1 of 3)



2.1 - Dual Lamp LED Base Assembly Group (1 of 3)

Item	Part No.	Part Description	Qty.
1	113115P	BASE WELDMENT CONSSIN	1
2	530128	10" x 1 3/4 WHEEL	2
3	620550	1/2-13 LOCKING KNOB	1
4	530522P	T-HANDLE WELDMENT	1
5	712017	LOCK PIN SNAP	1
6	112792	FEMALE 4 PIN QUICK CONNECT CORD ASSEMBLY	2
7	113121	60Hz 14/3 PRIMARY CORD	1
8	068098	VELCRO TIE CABLE	2
9	046244	5/8-11 x 3 HEX HEAD CS GR5 PL	2
10	113122	50Hz 14/3 PRIMARY CORD	1
NS	113119	SCHEMATIC DUAL PAL 60Hz BASE	1
NS	113120	SCHEMATIC DUAL PAL 50Hz BASE	1

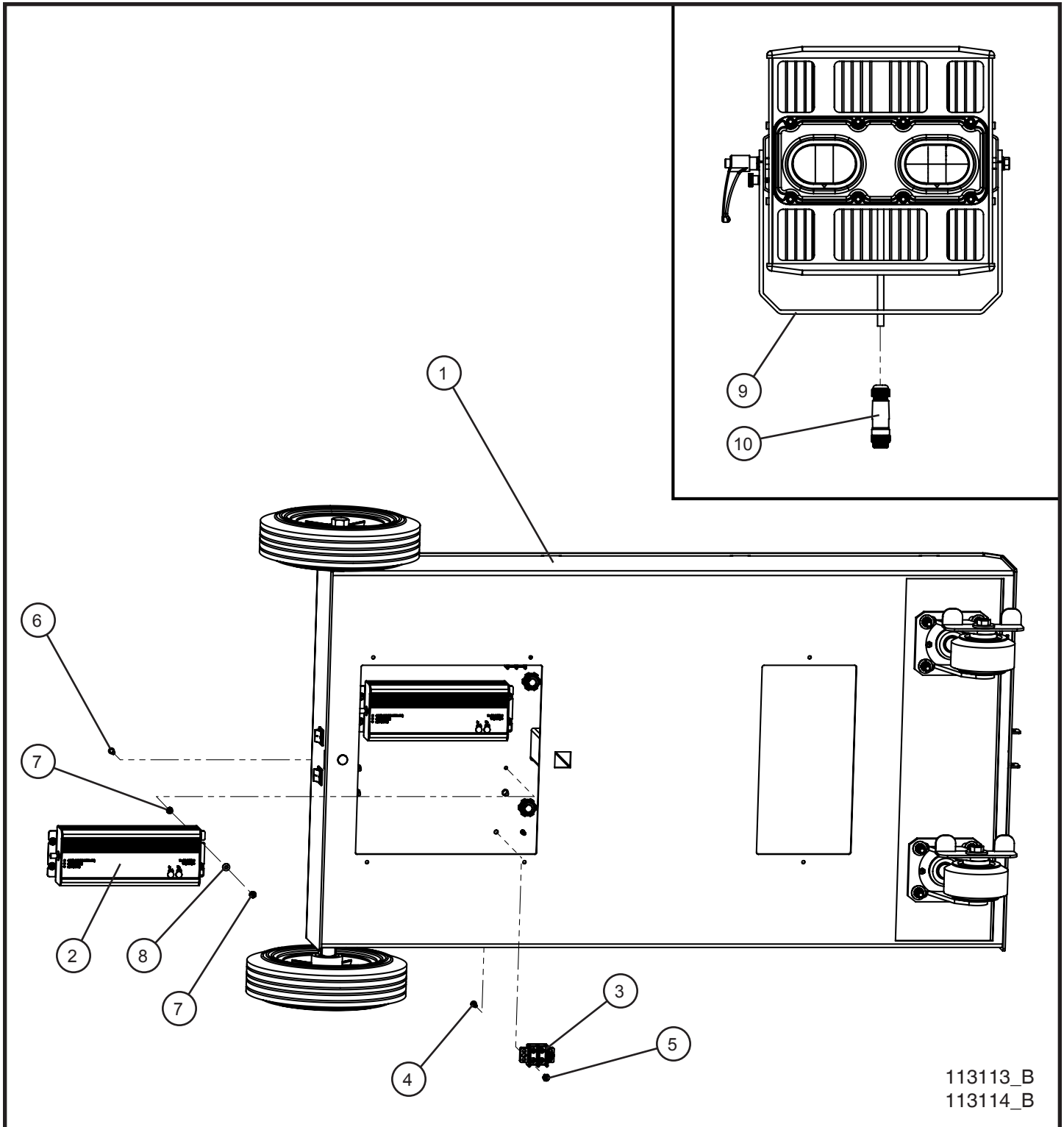
2.1 - Dual Lamp LED Base Assembly Group (2 of 3)



2.1 - Dual Lamp LED Base Assembly Group (2 of 3)

Item	Part No.	Part Description	Qty.
1	113115P	BASE WELDMENT CONSSIN	1
2	113125P	CONSSIN ACCESS COVER	1
3	113070P	CONSSIN ACCESS COVER SMALL	1
4	112789	DOUBLE POLE ROCKER SWITCH	2
5	530336	CASTER W/ BRAKES	2
6	105626	CORD GRIP 1/2" NYLON BLACK	3
7	022035	1/2 CORD GRIP NUT	3
8	053022	5/16-18 x 1 1/4 CARRIAGE BOLT	8
9	047010	5/16 FLAT WASHER	8
10	044031	5/16-18 KEPS HEX NUT	8
11	043060	5/16 INTERNAL TOOTH LOCK WASHER	1
12	100342	1/4-20 x 1 CARRIAGE BOLT	1
13	056001	1/4-20 x 1/2 HEX SERRATED FLANGE SCREW	6
14	044021	1/4-20 KEPS HEX NUT	1
15	044023	1/4-20 NYLOCK HEX NUT	1

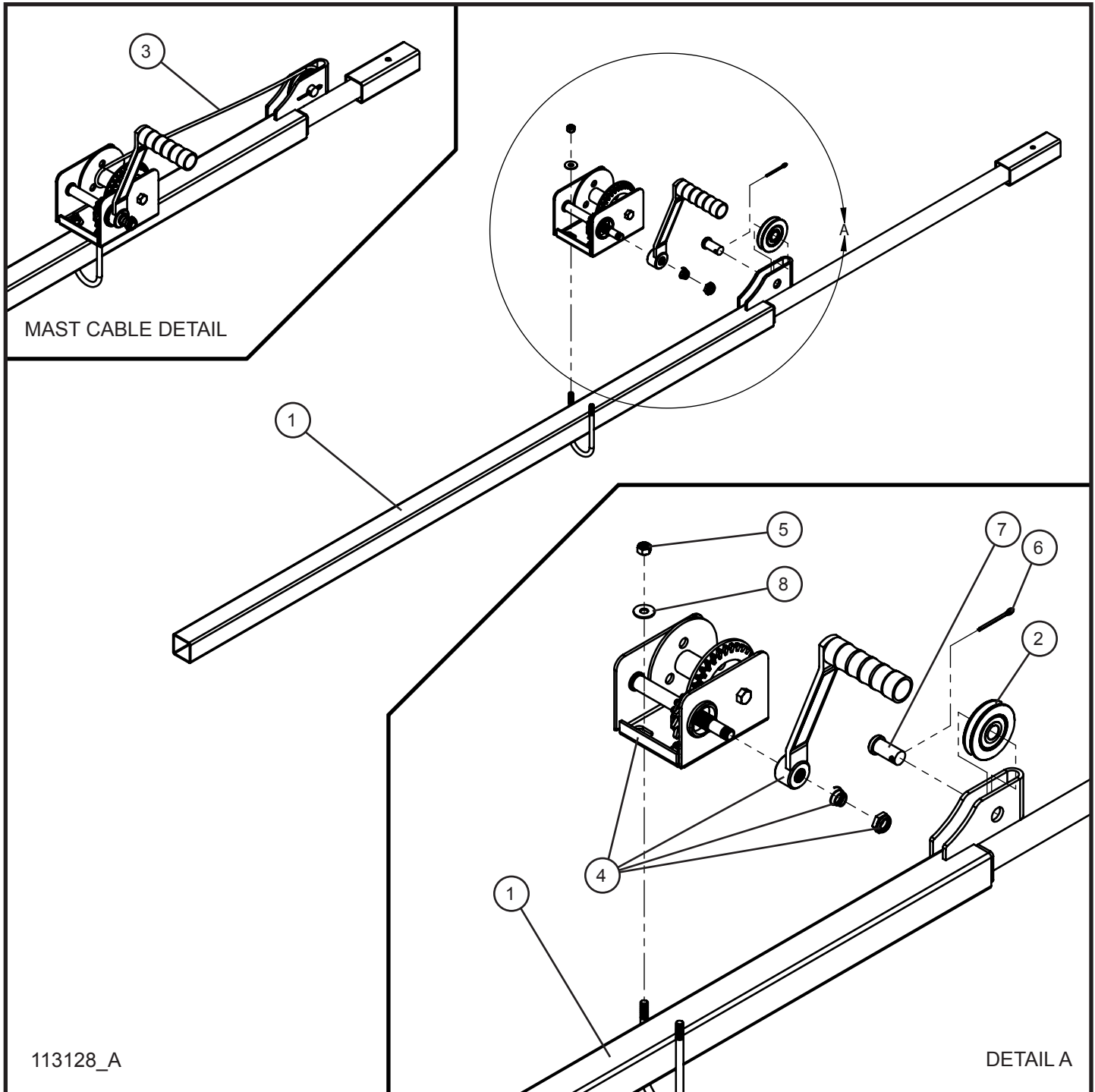
2.1 - Dual Lamp LED Base Assembly Group (3 of 3)



2.1 - Dual Lamp LED Base Assembly Group (3 of 3)

Item	Part No.	Part Description	Qty.
1	113115P	BASE WELDMENT CONSSIN	1
2	112783	PORT-A-LITE DRIVER ASSEMBLY	2
3	106729	SCREW TERMINAL BLOCK 2 GANG	2
4	041027	#10-24 x 3/4 PHILLIPS ROUND HEAD MACHINE SCREW	4
5	044018	#10-24 NYLOCK HEX NUT	4
6	041203	#8-32 x 3/4 SCREW	8
7	044003	#8-32 KEPS NUT	16
8	047004	#8 FLAT WASHER	8
9	111451	CONSSIN KUEM2-320 LED LIGHT	1
10	112800	MALE 4 PIN QUICK CONNECT	2
NS	114104	YOKE, BRACKETS, AND HARDWARE CONSSIN KIT	1
NS	113119	SCHEMATIC DUAL PAL 60Hz BASE	1
NS	113120	SCHEMATIC DUAL PAL 50Hz BASE	1

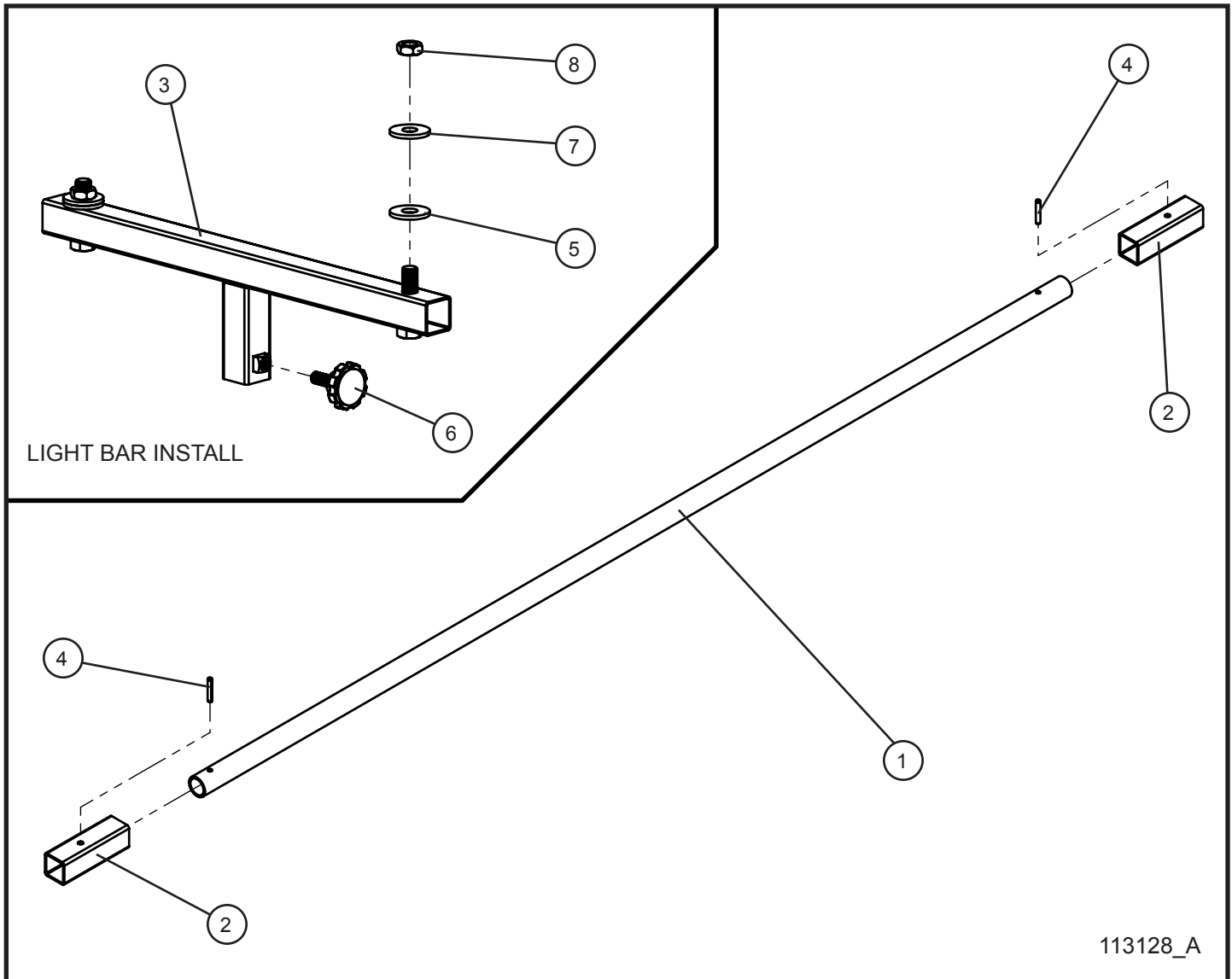
2.2 - Dual Lamp LED Outer Mast Assembly Group



2.2 - Dual Lamp LED Outer Mast Assembly Group

Item	Part No.	Part Description	Qty.
1	113127P	OUTER MAST WELDMENT	1
2	100160	2-1/2 PULLEY	1
3	320185	CABLE 3/16 STEEL 10'	1
4	530337	WINCH DLB 350	1
5	044033	5/16-18 NYLOCK HEX NUT PL	2
6	045042	1/8 x 1 1/2" COTTER PIN	1
7	102906	5/8 x 1 1/4 CLEVIS PIN	1
8	047010	5/16 FLAT WASHER PL	2

2.3 - Dual Lamp LED Inner Mast Assembly Group



2.3 - Dual Lamp LED Inner Mast Assembly Group

Item	Part No.	Part Description	Qty.
1	530510P	INNER MAST TUBE	1
2	530511P	GUIDE TUBE INNER MAST	2
3	108980P	1/2-13 LOCKING KNOB LIGHT BAR WELDMENT PAL	1
4	045145	1/4 x 1 1/2 SPRING ROLL PIN PL	2
5	650550	.785" x 2" HDPE WASHER	2
6	620550	LOCKING KNOB	1
7	047035	3/4 FLAT WASHER	2
8	044059	3/4-16 JAM NUT	2

3.1 - English Single Lamp LED Decal Group (1 of 2)

WARNING

Handling light fixtures when they are hot could result in serious injury.

Keep away from light fixtures when illuminated or hot.

WARNING

Looking at illuminated light fixtures could result in serious injury.

Do not look directly at illuminated light fixtures.

108014

112779_A
112780_A

	17 lb (8 kg)
	17 lb (8 kg)
	77 lb (34 kg)

108806

5

LEFT SIDE DETAIL

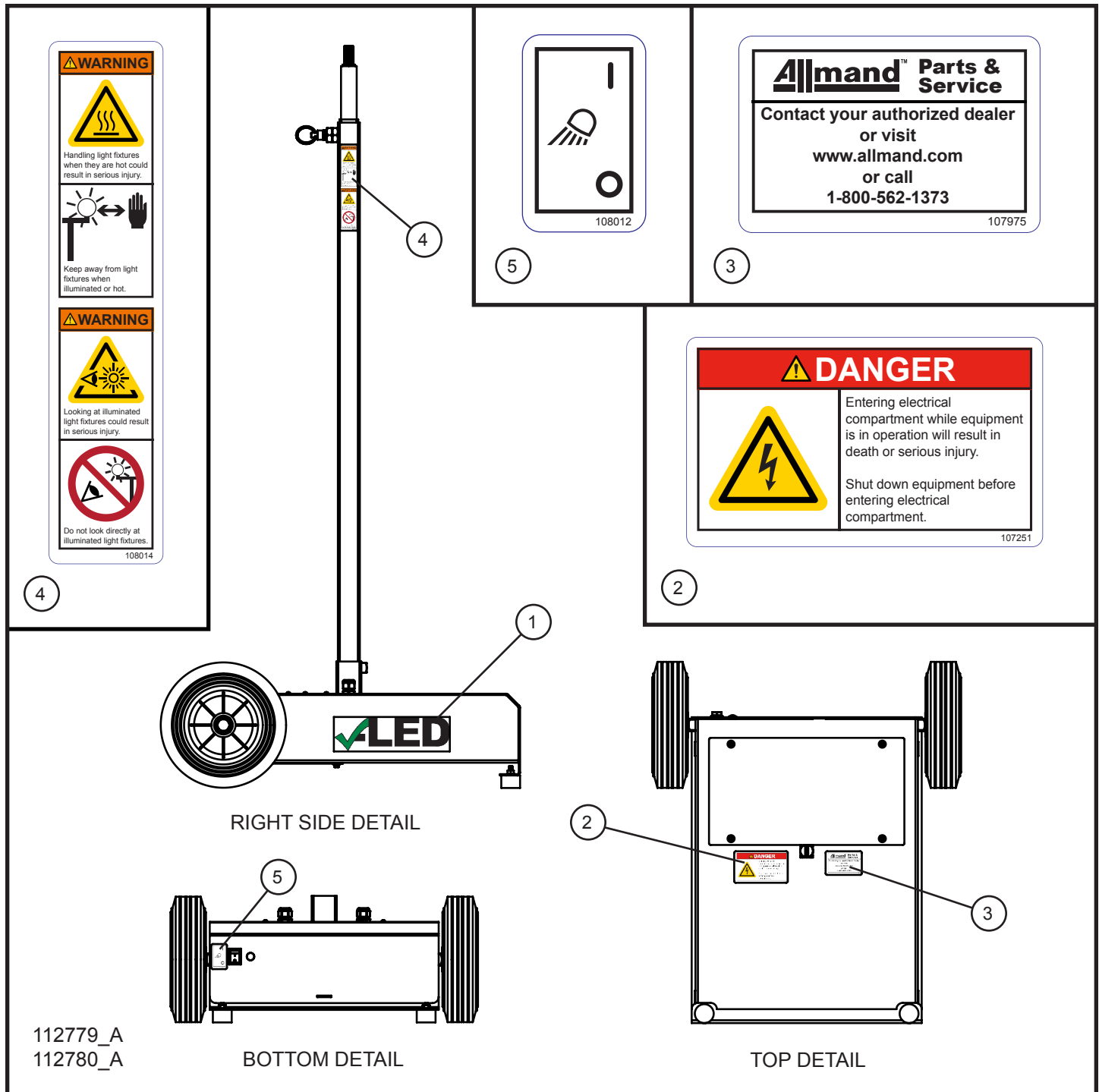
BOTTOM DETAIL

TOP DETAIL

3.1 - English Single Lamp LED Decal Group (1 of 2)

Item	Part No.	Part Description	Qty.
1	103689	CHECK LED DECAL	1
2	108014	DECAL LAMP WARNING	1
3	108800	DECAL 60Hz ELECTRICAL SPECIFICATIONS	1
4	112795	DECAL ALLMAND BRAND	1
5	108806	DECAL WEIGHT PAL LED SINGLE LAMP	1
6	112145	DECAL OPERATION PAL LED SINGLE LAMP	1
7	112796	DECAL ALLMAND PAL LED SINGLE LAMP BRAND	1

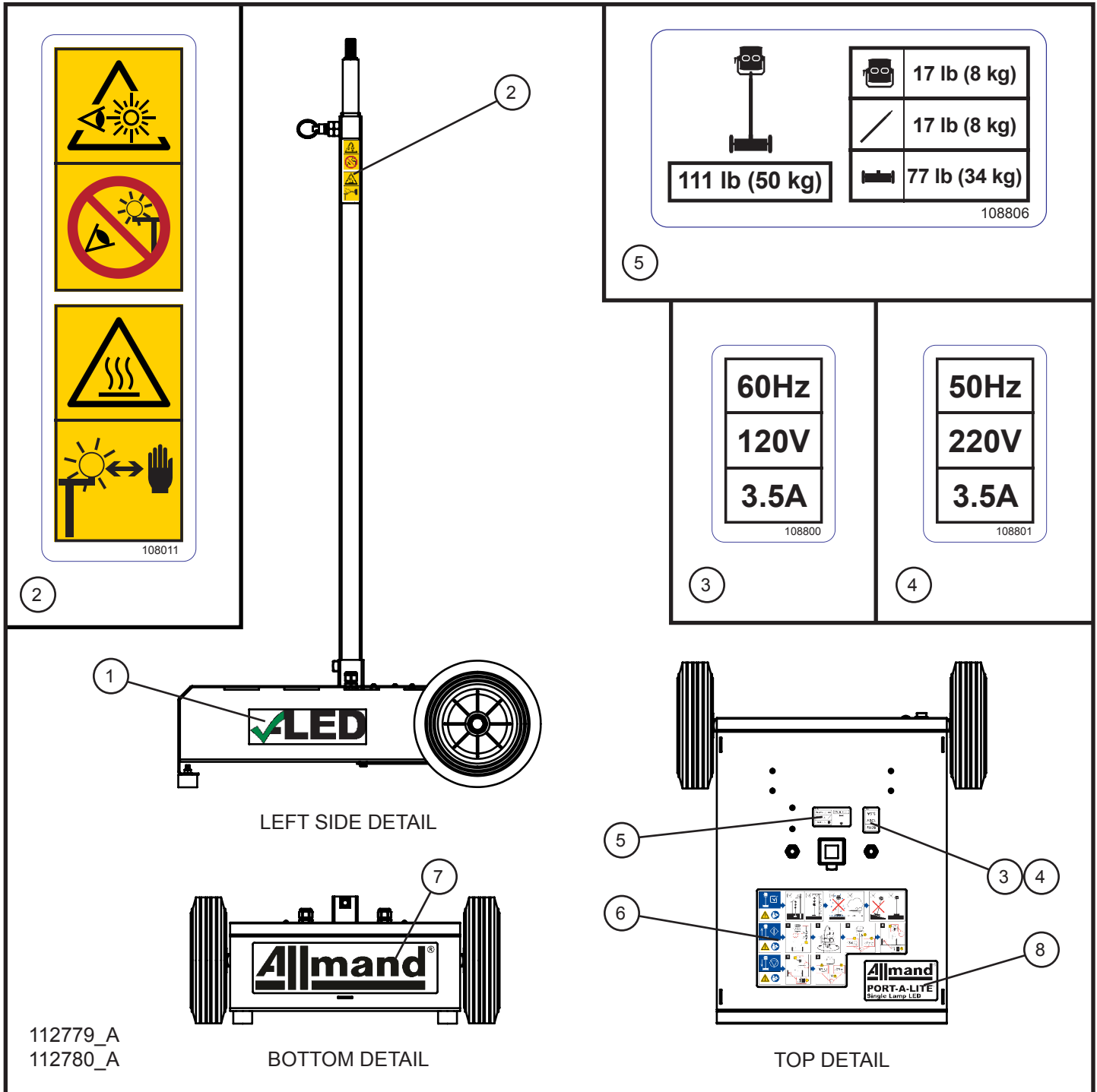
3.1 - English Single Lamp LED Decal Group (2 of 2)



3.1 - English Single Lamp LED Decal Group (2 of 2)

Item	Part No.	Part Description	Qty.
1	103689	CHECK LED DECAL	1
2	107251	DECAL DANGER HIGH VOLTAGE	1
3	107975	PARTS & SERVICE DECAL	1
4	108014	DECAL LAMP WARNING	1
5	108012	DECAL ON-OFF WORDLESS	1

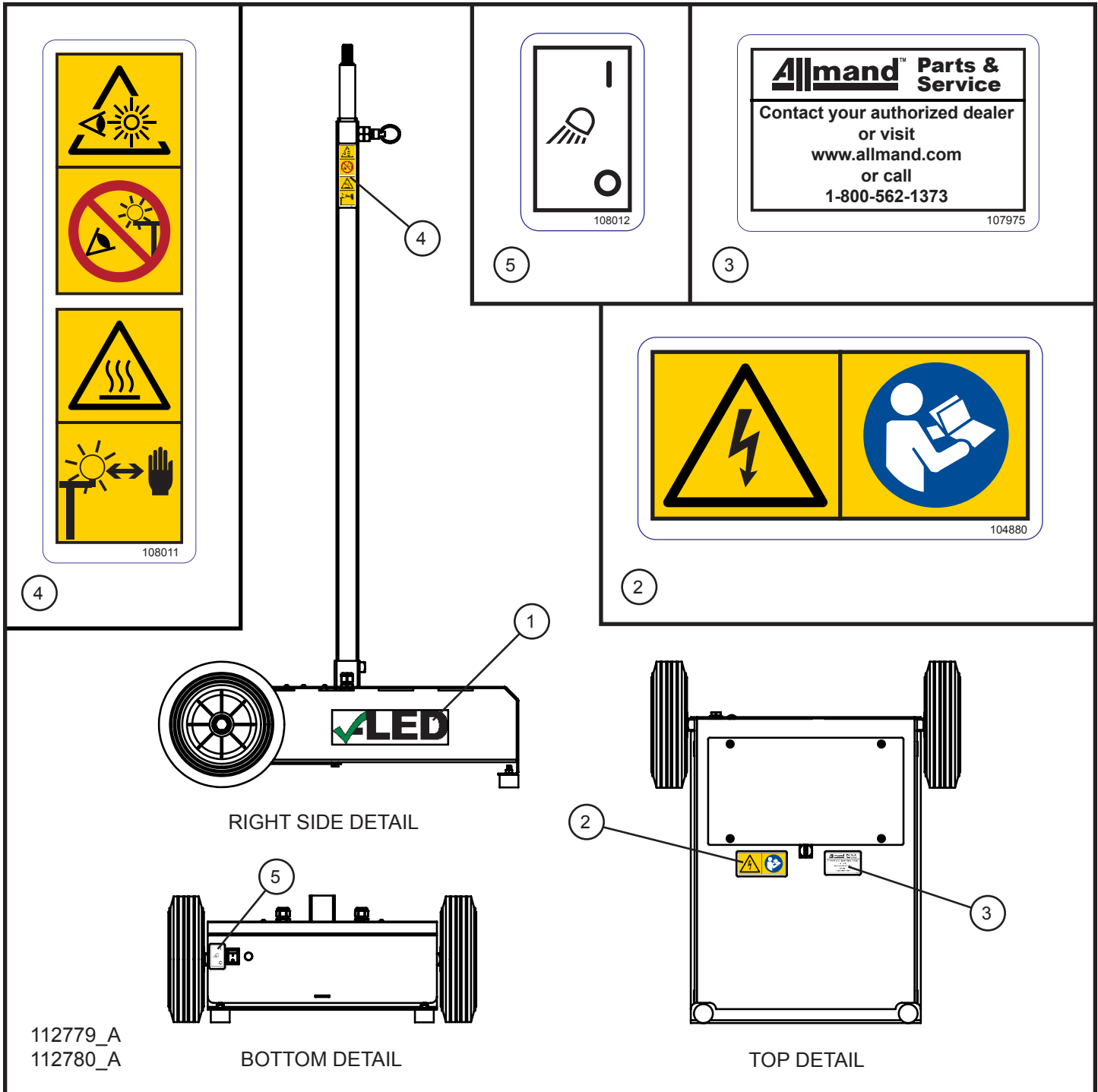
3.2 - Wordless Single Lamp LED Decal Group (1 of 2)



3.2 - Wordless Single Lamp LED Decal Group (1 of 2)

Item	Part No.	Part Description	Qty.
1	103689	CHECK LED DECAL	1
2	108011	DECAL LAMP WARNING WORDLESS	1
3	108800	DECAL 60Hz ELECTRICAL SPECIFICATIONS	1
4	108801	DECAL 50Hz ELECTRICAL SPECIFICATIONS	1
5	108806	DECAL WEIGHT PAL LED SINGLE LAMP	1
6	112145	DECAL OPERATION PAL LED SINGLE LAMP	1
7	112795	DECAL ALLMAND BRAND	1
8	112796	DECAL ALLMAND PAL LED SINGLE LAMP BRAND	1


3.2 - Wordless Single Lamp LED Decal Group (2 of 2)



3.2 - Wordless Single Lamp LED Decal Group (2 of 2)

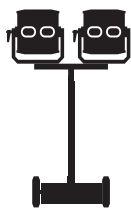




Item	Part No.	Part Description	Qty.
1	103689	CHECK LED DECAL	1
2	104880	DECAL WORDLESS HIGH VOLTAGE	1
3	107975	PARTS & SERVICE DECAL	1
4	108011	DECAL LAMP WARNING WORDLESS	1
5	108012	DECAL ON-OFF WORDLESS	1

3.3 - English Dual Lamp LED Decal Group (1 of 3)



090147

1

	 17 lb (8 kg)
	7 lb (3 kg)
	30 lb (14 kg)
	153 lb (69 kg)

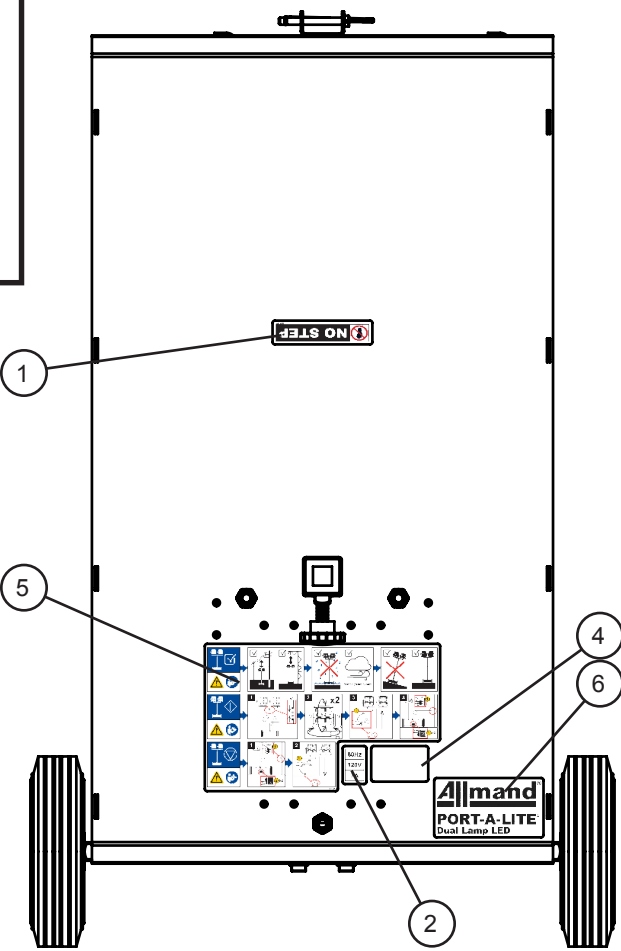
113936

4

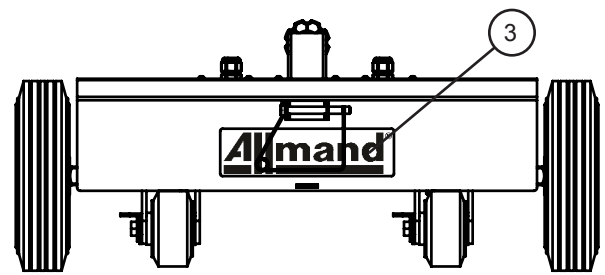
60Hz
120V
3.5A

108800

2



TOP DETAIL



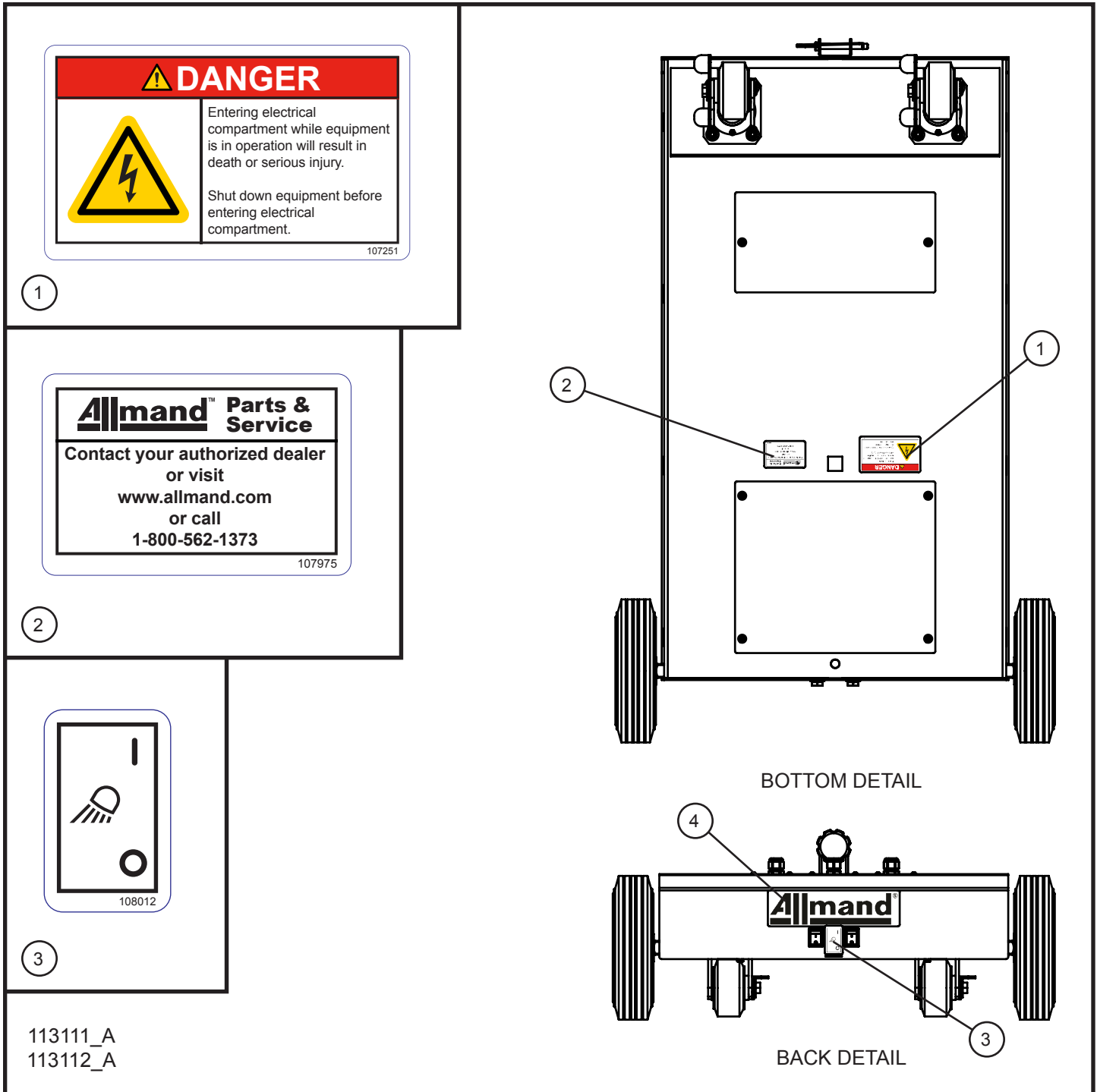
FRONT DETAIL

113111_A
113112_A

3.3 - English Dual Lamp LED Decal Group (1 of 3)

Item	Part No.	Part Description	Qty.
1	090147	NO STEP DECAL	1
2	108803	DECAL 60Hz ELECTRICAL SPECIFICATIONS	1
3	113130	DECAL ALLMAND BRAND	1
4	113936	DECAL WEIGHT PAL LED DUAL LAMP	1
5	112146	DECAL OPERATION PAL LED DUAL LAMP	1
6	113129	DECAL ALLMAND PAL LED DUAL LAMP BRAND	1

3.3 - English Dual Lamp LED Decal Group (2 of 3)




3.3 - English Dual Lamp LED Decal Group (2 of 3)

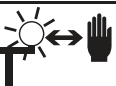
Item	Part No.	Part Description	Qty.
1	107251	DECAL DANGER HIGH VOLTAGE	1
2	107975	PARTS & SERVICE DECAL	1
3	108012	DECAL ON-OFF WORDLESS	1
4	113130	DECAL ALLMAND BRAND	1

3.3 - English Dual Lamp LED Decal Group (3 of 3)

WARNING




Handling light fixtures when they are hot could result in serious injury.




Keep away from light fixtures when illuminated or hot.

WARNING

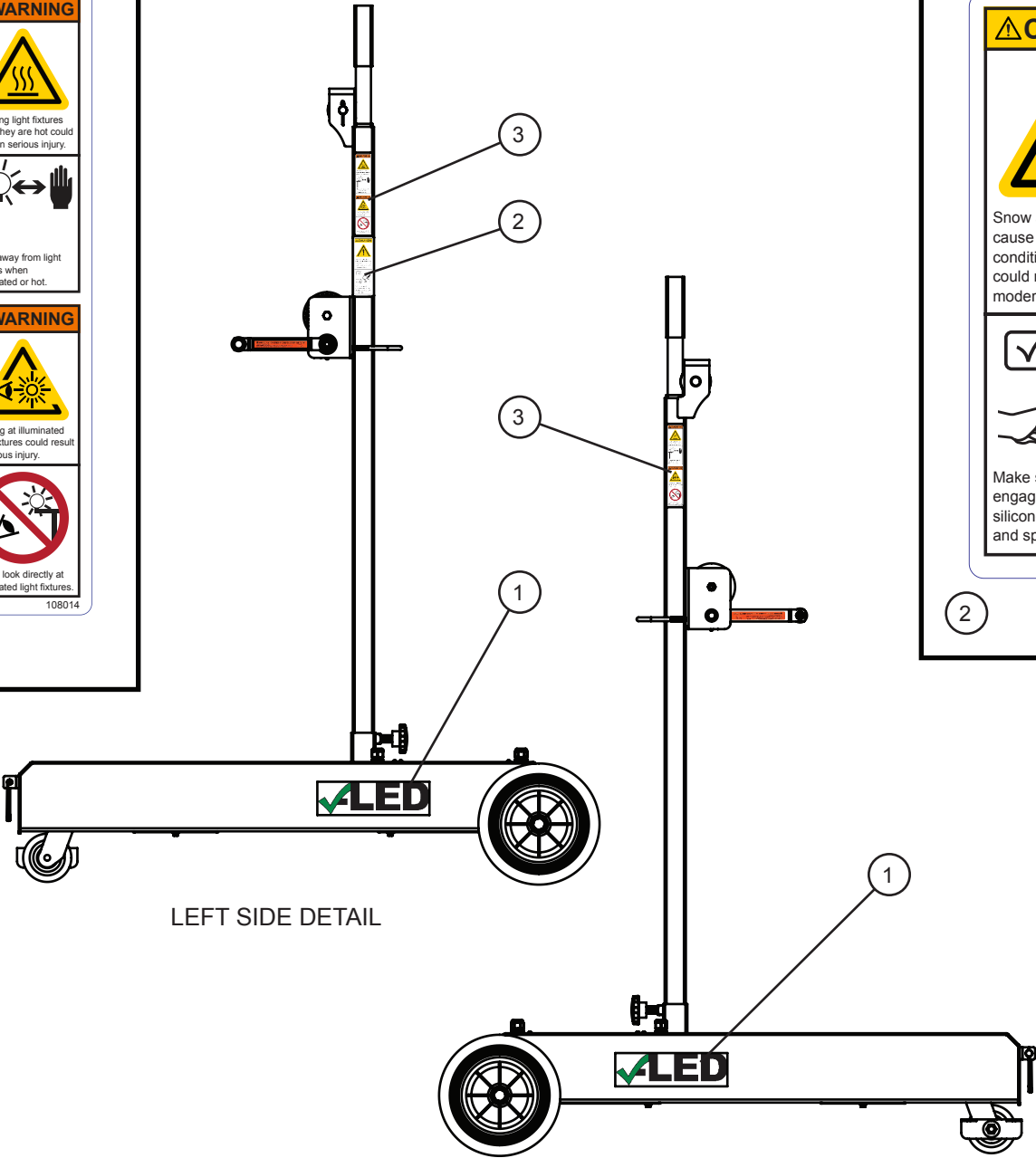


Looking at illuminated light fixtures could result in serious injury.



Do not look directly at illuminated light fixtures.


108014



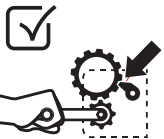
LEFT SIDE DETAIL

RIGHT SIDE DETAIL

CAUTION



Snow and ice could cause an uncontrolled condition in winch that could result in minor to moderate injury.



Make sure pawl engages gear. Apply silicone to ratchet pawl and spacer.

107965

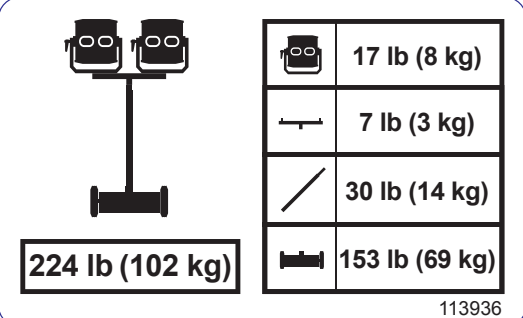
113111_A
113112_A

RIGHT SIDE DETAIL

3.3 - English Dual Lamp LED Decal Group (3 of 3)

Item	Part No.	Part Description	Qty.
1	103689	CHECK LED DECAL	2
2	107965	DECAL WINCH CAUTION	1
3	108014	DECAL LAMP WARNING	2

3.4 - Wordless Dual Lamp LED Decal Group (1 of 3)



	17 lb (8 kg)
	7 lb (3 kg)
	30 lb (14 kg)
	153 lb (69 kg)

113936

60Hz

120V

3.5A


108800

50Hz

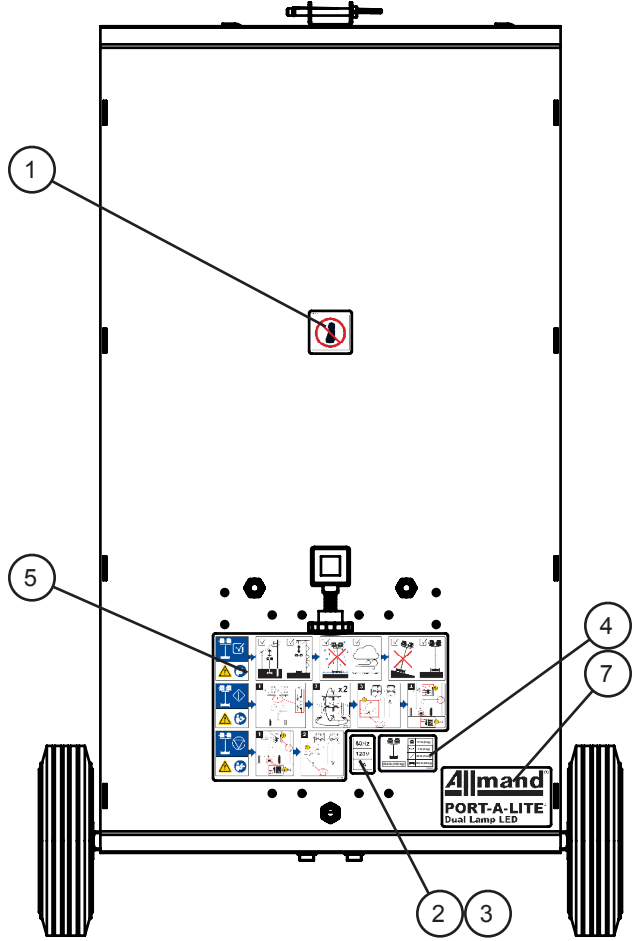
220V

3.5A

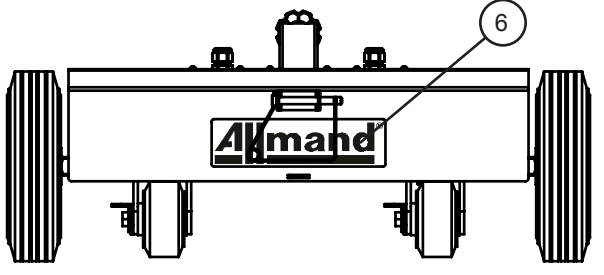
108801



107522



TOP DETAIL



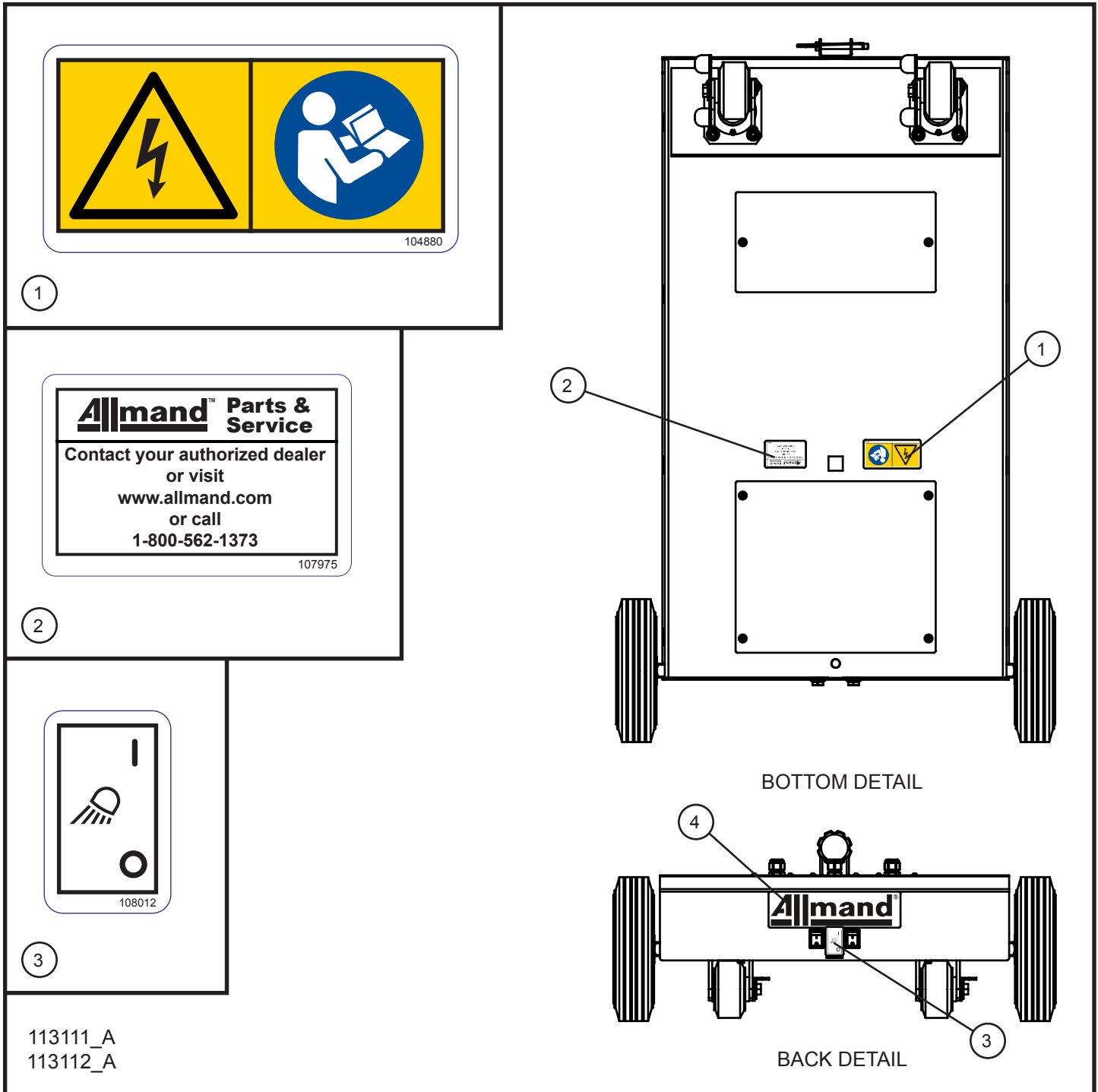
FRONT DETAIL

113111_A
113112_A

3.4 - Wordless Dual Lamp LED Decal Group (1 of 3)

Item	Part No.	Part Description	Qty.
1	107522	NO STEP WORDLESS DECAL	1
2	108803	DECAL 60Hz ELECTRICAL SPECIFICATIONS	1
3	108802	DECAL 50Hz ELECTRICAL SPECIFICATIONS	1
4	113936	DECAL WEIGHT PAL LED DUAL LAMP	1
5	112146	DECAL OPERATION PAL LED DUAL LAMP	1
6	113130	DECAL ALLMAND BRAND	1
7	113129	DECAL ALLMAND PAL LED DUAL LAMP BRAND	1

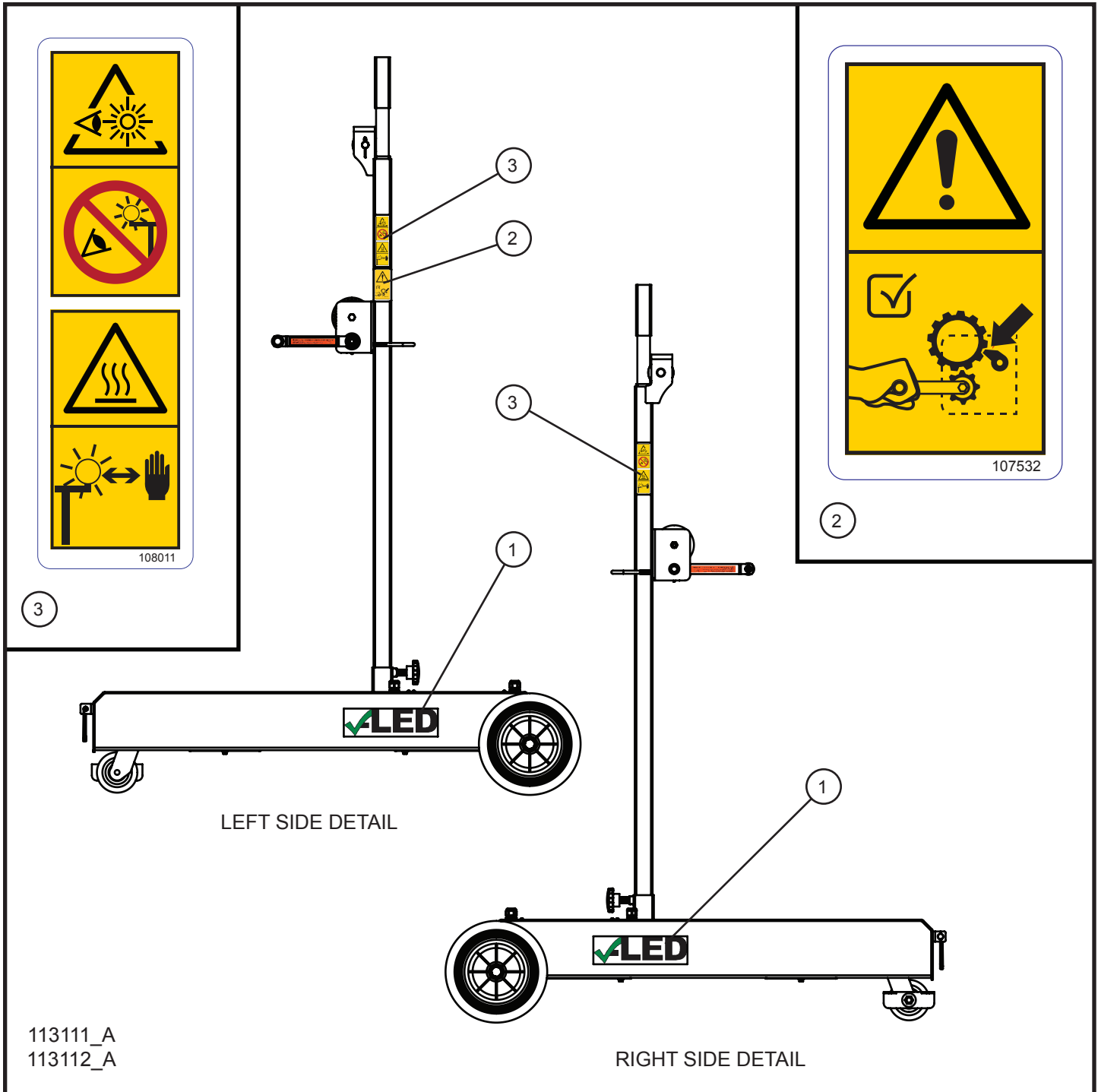
3.4 - Wordless Dual Lamp LED Decal Group (2 of 3)



3.4 - Wordless Dual Lamp LED Decal Group (2 of 3)

Item	Part No.	Part Description	Qty.
1	104880	DECAL WORDLESS HIGH VOLTAGE	1
2	107975	PARTS & SERVICE DECAL	1
3	108012	DECAL ON-OFF WORDLESS	1
4	113130	DECAL ALLMAND BRAND	1

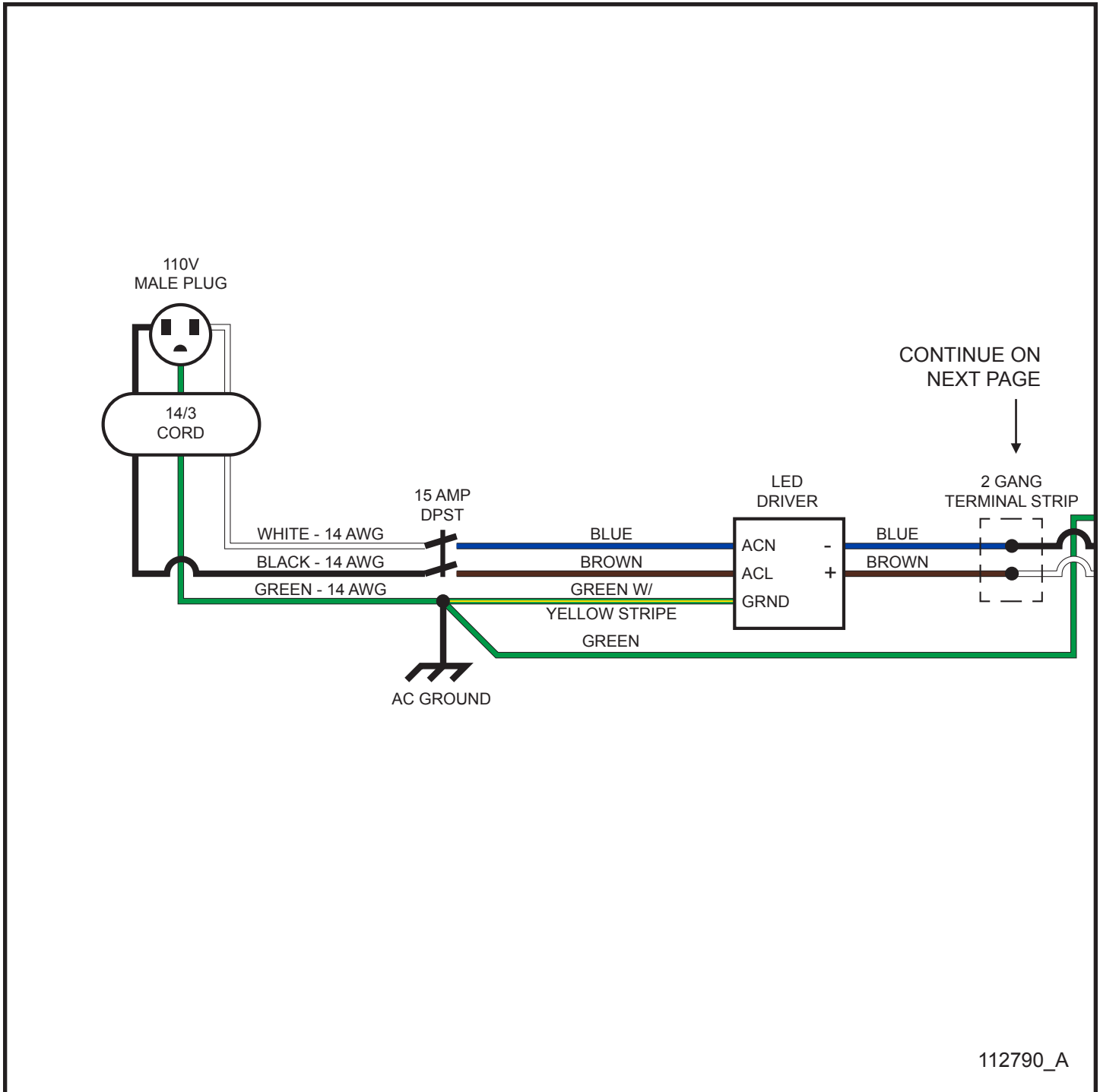
3.4 - Wordless Dual Lamp LED Decal Group (3 of 3)



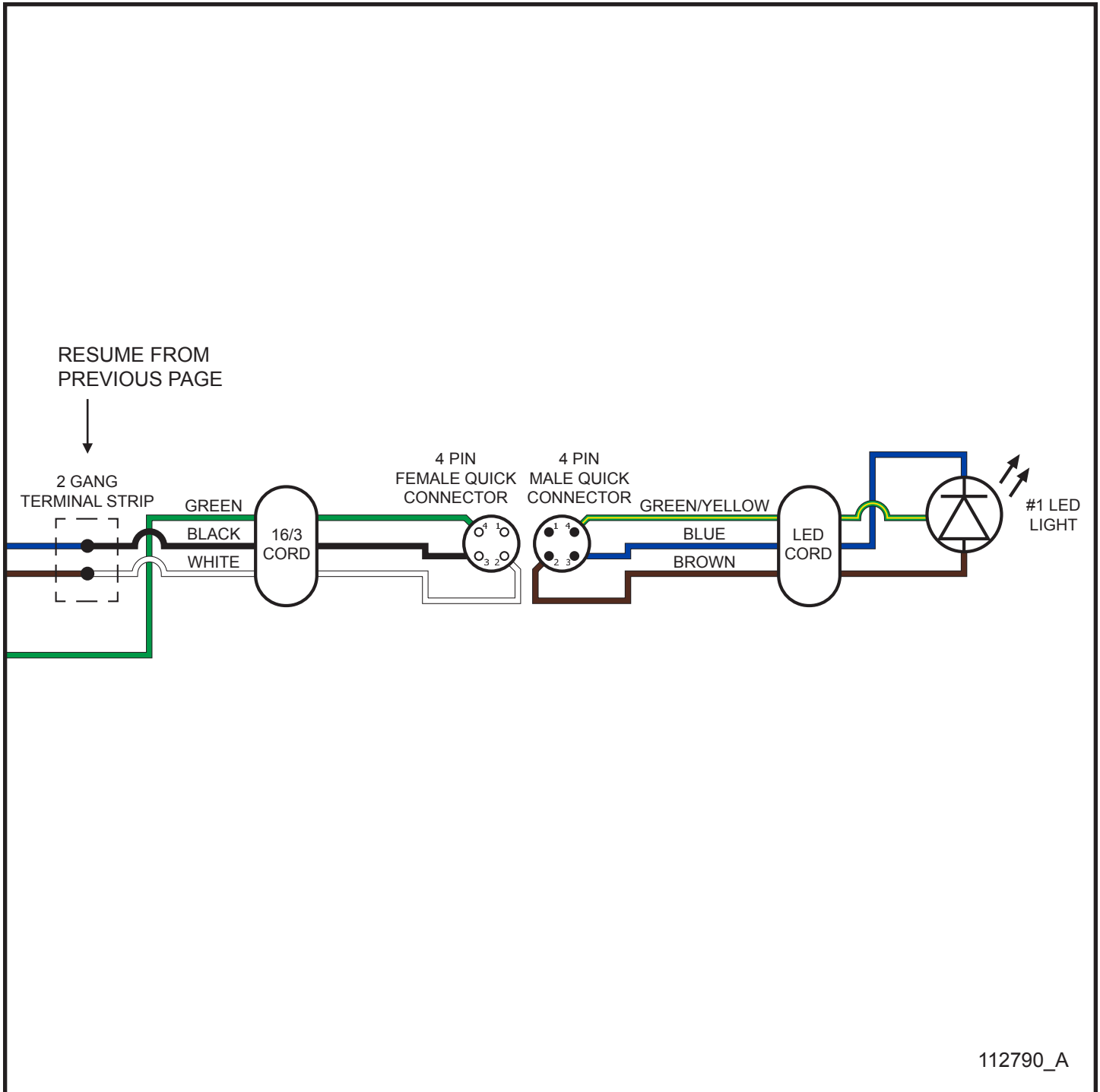
3.4 - Wordless Dual Lamp LED Decal Group (3 of 3)

Item	Part No.	Part Description	Qty.
1	103689	CHECK LED DECAL	2
2	107532	DECAL WINCH CAUTION WORDLESS	1
3	108011	DECAL LAMP WARNING WORDLESS	2

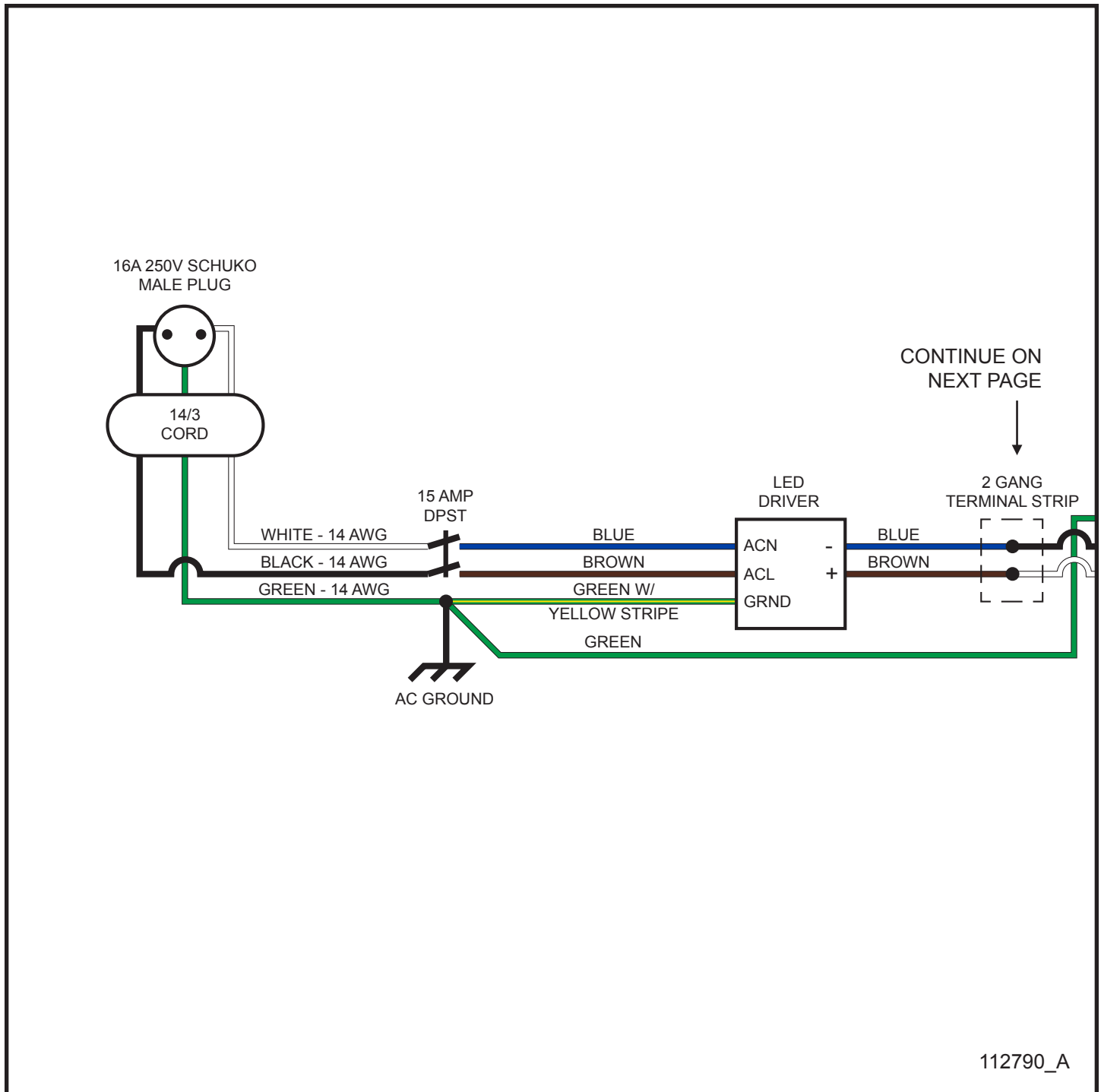
4.1 - Single Lamp LED 60Hz Schematic (1 of 2)



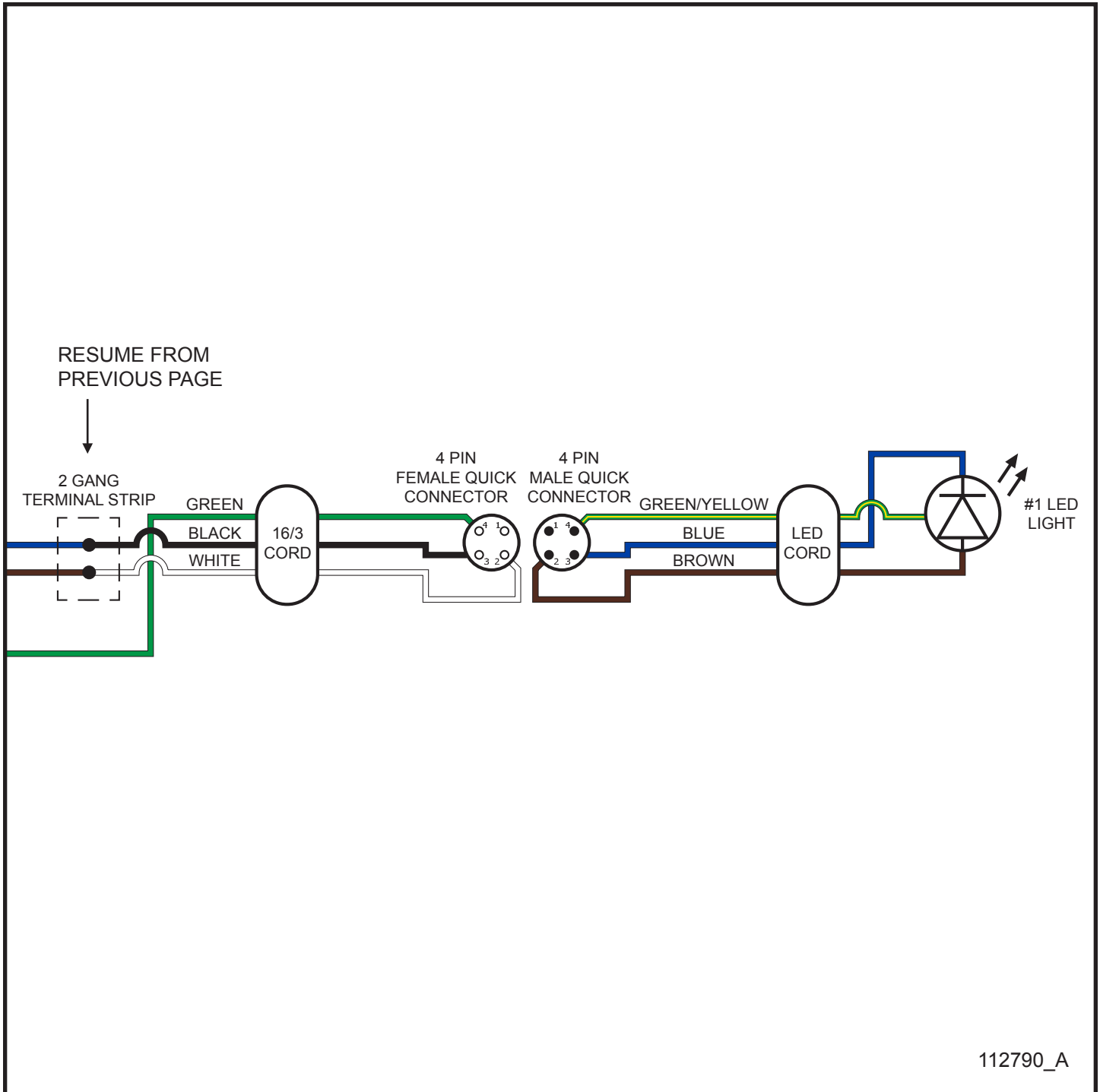
4.1 - Single Lamp LED 60Hz Schematic (2 of 2)



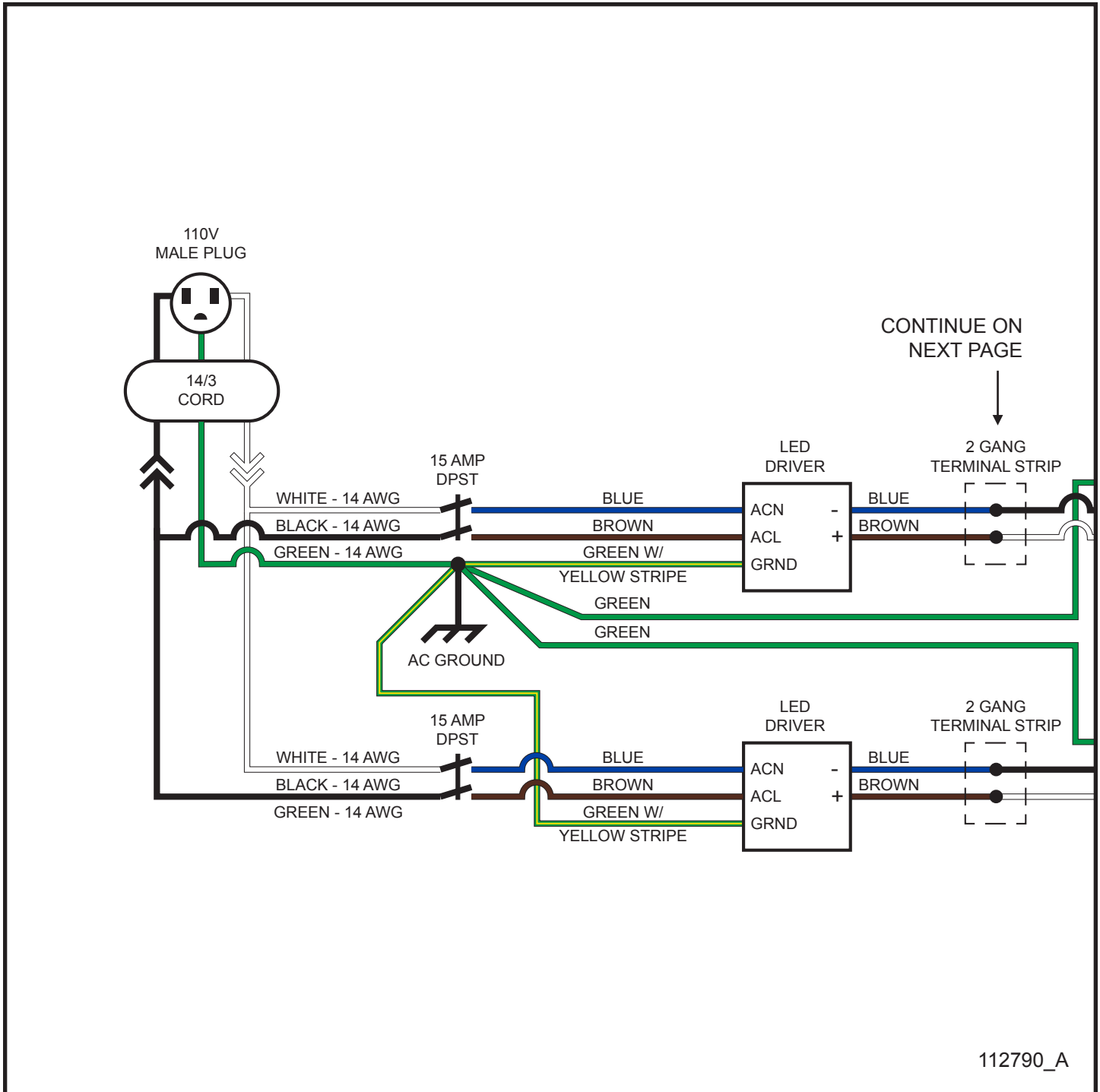
4.2 - Single Lamp LED 50Hz Schematic (1 of 2)



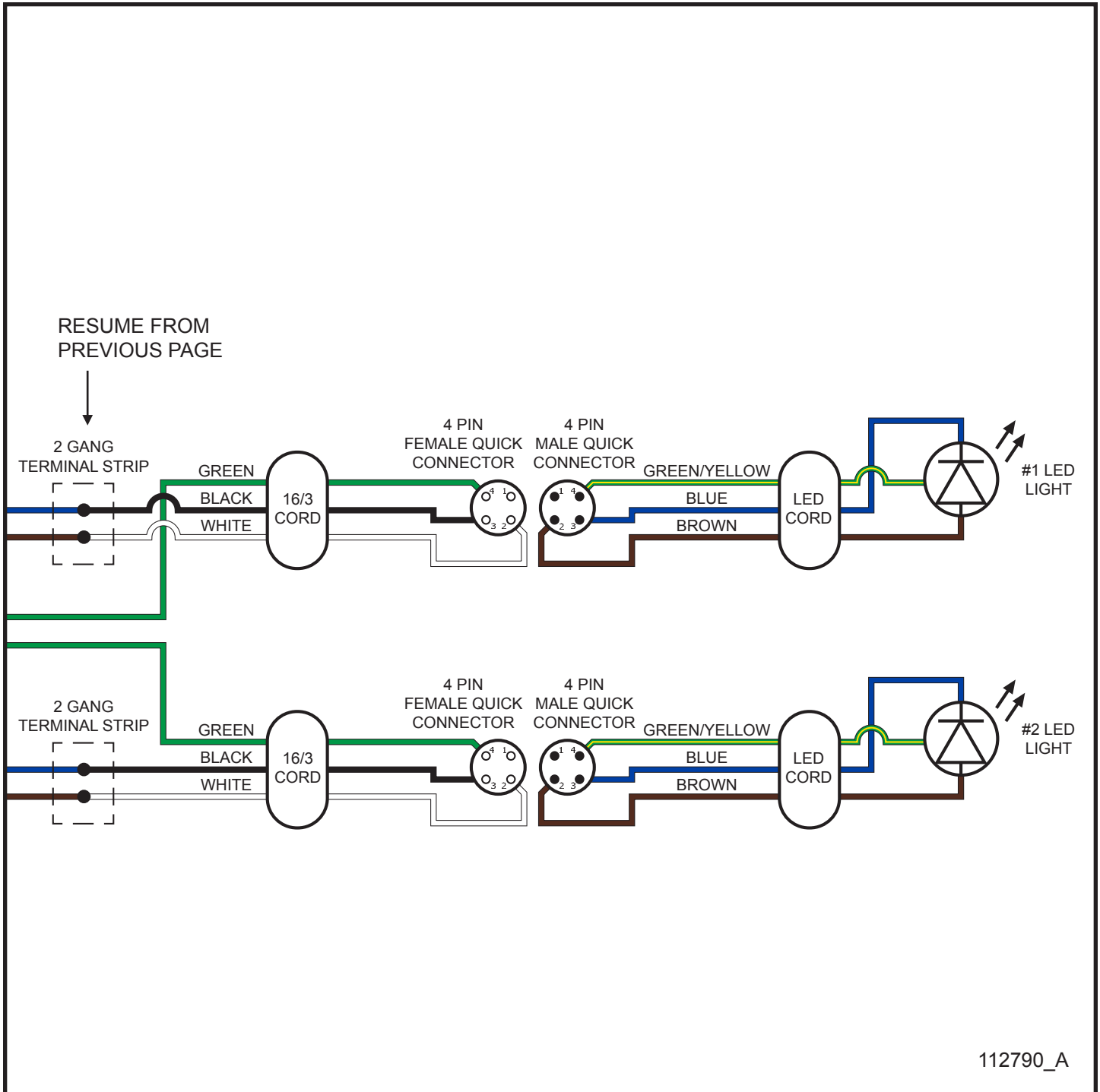
4.2 - Single Lamp LED 50Hz Schematic (2 of 2)



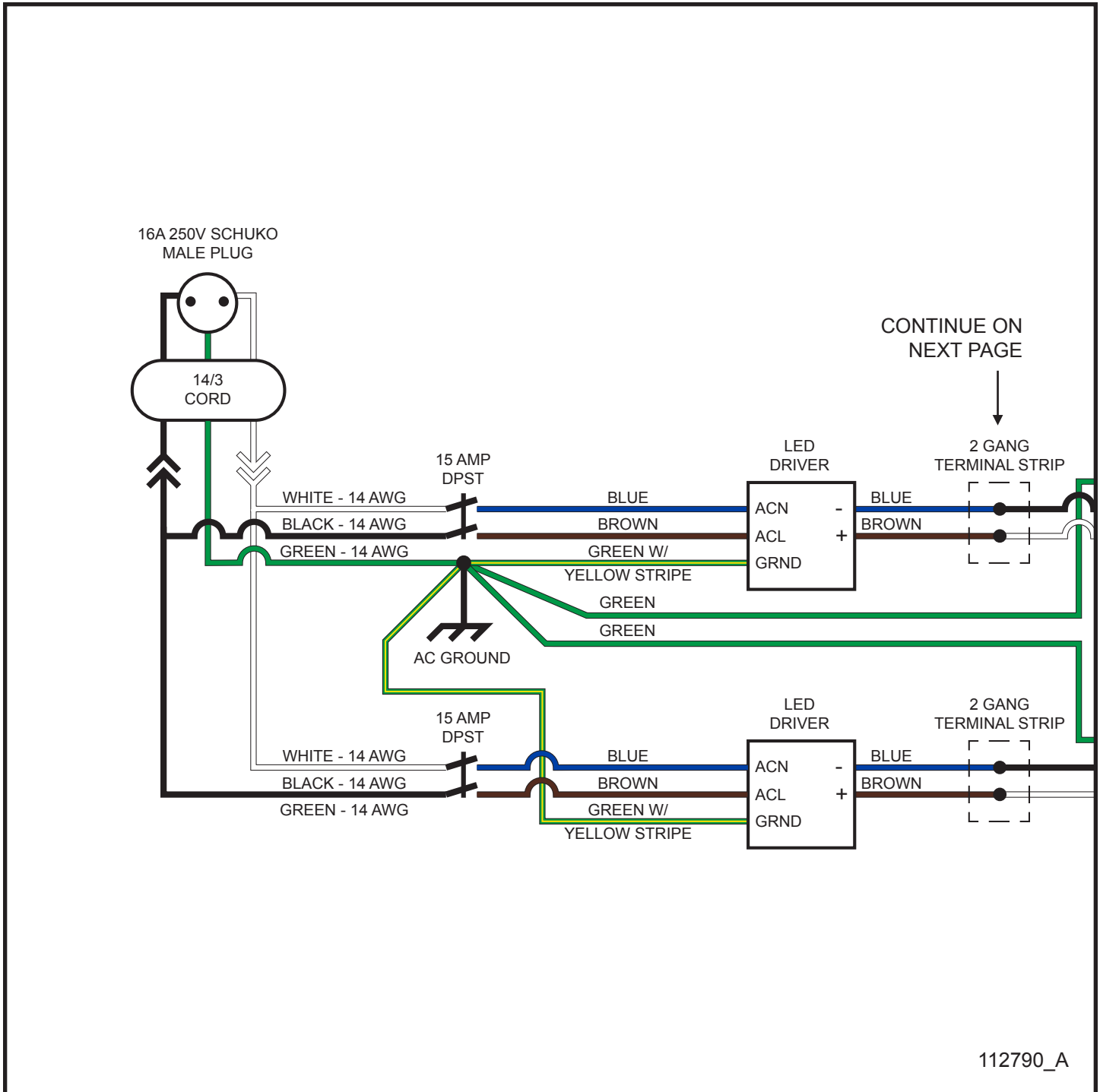
4.3 - Dual Lamp LED 60Hz Schematic (1 of 2)



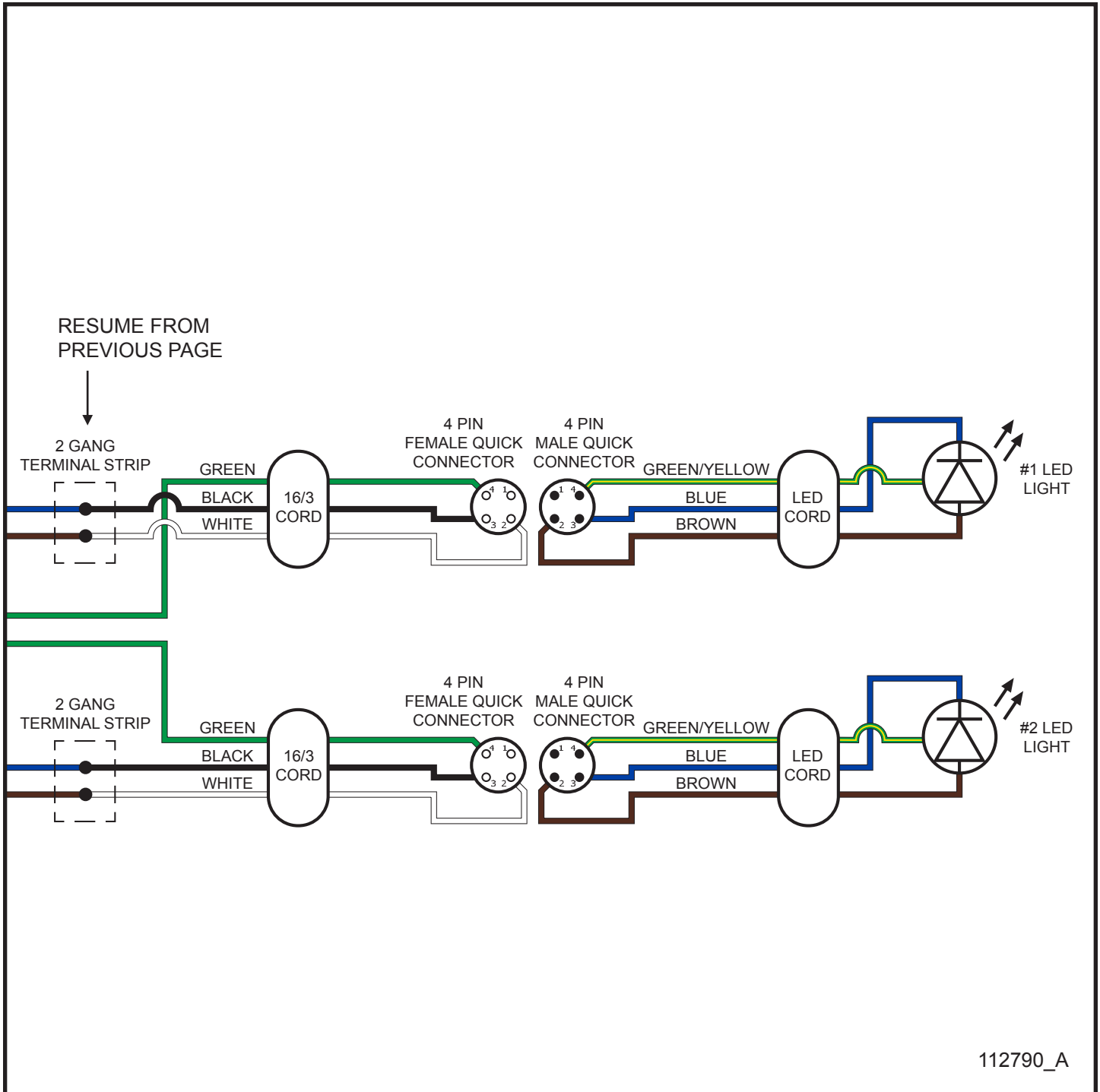
4.3 - Dual Lamp LED 60Hz Schematic (2 of 2)



4.4 - Dual Lamp LED 50Hz Schematic (1 of 2)



4.4 - Dual Lamp LED 50Hz Schematic (2 of 2)



Port-A-Lite®

Allmand®

**1502 West 4th Avenue
Holdrege, NE 68949**

phone: (308) 995-4495 • toll free: (800) 562-1373

fax: (308) 995-5887

www.allmand.com