



en **Parts Manual**
NIGHT-LITE™ GR-SERIES
Liquid-Cooled 3kW



TABLE OF CONTENTS

1.0 TRAILER BASE PARTS

Axle and Wheels	(1.1)
Fenders	(1.2)
Tongue	(1.3)
Tongue Coupler Options	(1.4)
Outriggers	(1.5)
Enclosure Base Parts I	(1.6)
Enclosure Base Parts II	(1.7)
Lift Bow	(1.8)
Manual Canister	(1.9)

2.0 TOWER GROUP

Tower Pedestal	(2.1)
Manual Winch Tower Section 1	(2.2)
Electric Winch Tower Section 1	(2.3)
Tower Section 2	(2.4)
Tower Section 3	(2.5)
Tower Round Section and Light Bar	(2.6)

3.0 ELECTRICAL AND LIGHTING GROUP

Control Box Interior and Install Group	(3.1)
Control Box Deep Sea Controller and Light Switches I	(3.2)
Control Box Deep Sea Controller and Light Switches II	(3.3)
Control Box (60Hz) Main Breaker and GFCI Group	(3.4)
Electric Winch Tower Switch and Breaker I	(3.5)
Electric Winch Tower Switch and Breaker II	(3.6)
Emergency Stop Button	(3.7)
Teledyne Tower Cord	(3.8)
Philatron Tower Cord	(3.9)
350W LED Lighting	(3.10)

NIGHT-LITE™ GR-SERIES

TABLE OF CONTENTS

3.0 ELECTRICAL AND LIGHTING GROUP (CONTINUED)

350W LED Light Diffuser	(3.11)
250W LED Lighting	(3.12)
250W LED Light Diffuser	(3.13)
Trailer Lighting	(3.14)

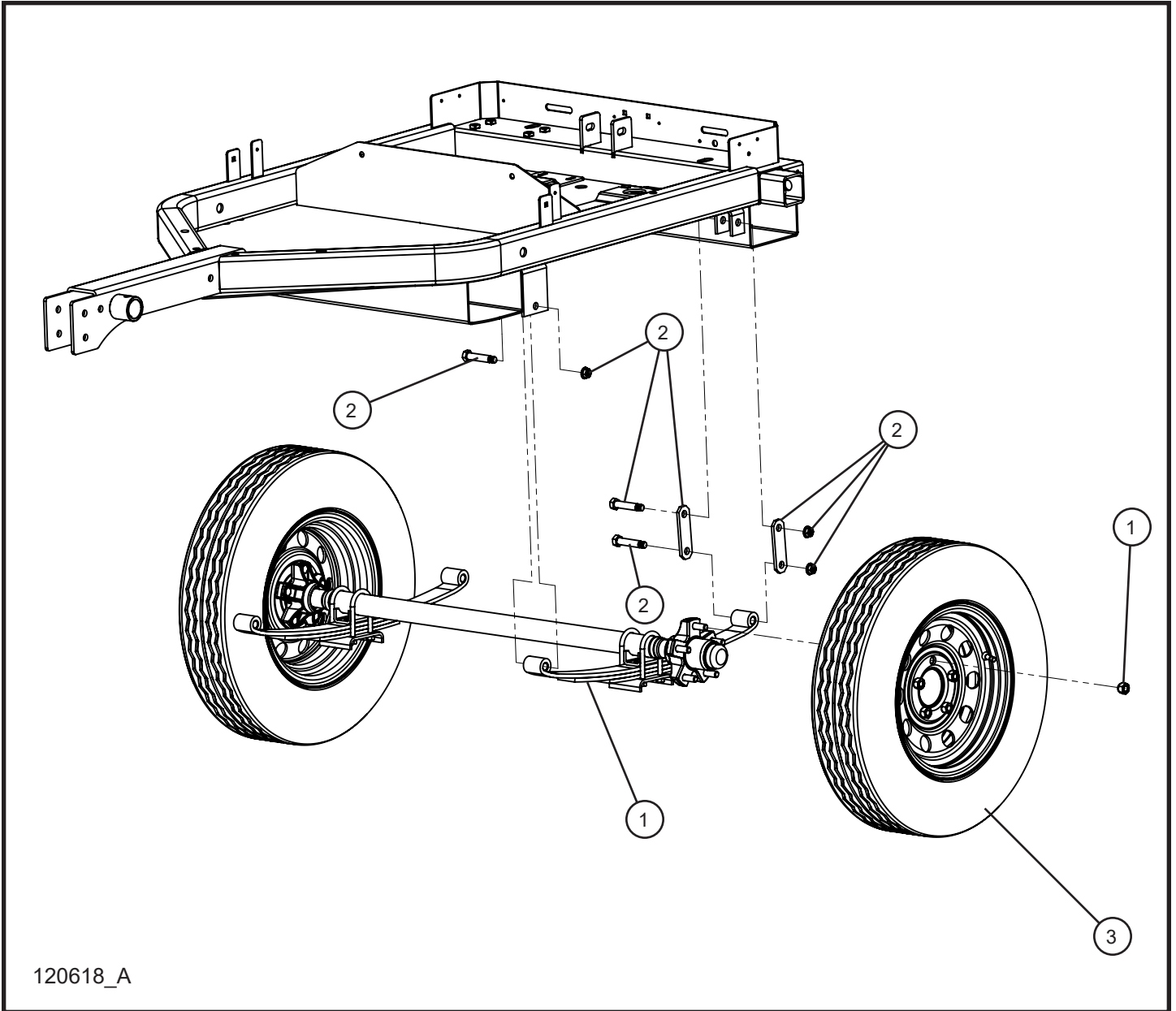
4.0 ENGINE AND GENERATOR GROUP

Kubota Z482 Diesel Engine	(4.1)
Coolant Reservoir Tank Replacement	(4.2)
Remote Oil Drain	(4.3)
Engine and Generator Mounting	(4.4)
Linz 4.3kW 60Hz Generator	(4.5)
10/3 Generator Cord	(4.6)
Fuel Tank	(4.7)
Fuel Lines	(4.8)
Heater Fuel Water Separator	(4.9)
Battery Group	(4.10)

5.0 DECALS

Right Side Decals	(5.1)
Left Side Decals	(5.2)
Front Side Decals	(5.3)
Rear Side Decals I	(5.4)
Rear Side Decals II	(5.5)
Top View Decals	(5.6)
Door Interior Decals I	(5.7)
Door Interior Decals II	(5.8)

1.1 - Axle and Wheels



120618_A

NIGHT-LITE™ GR-SERIES

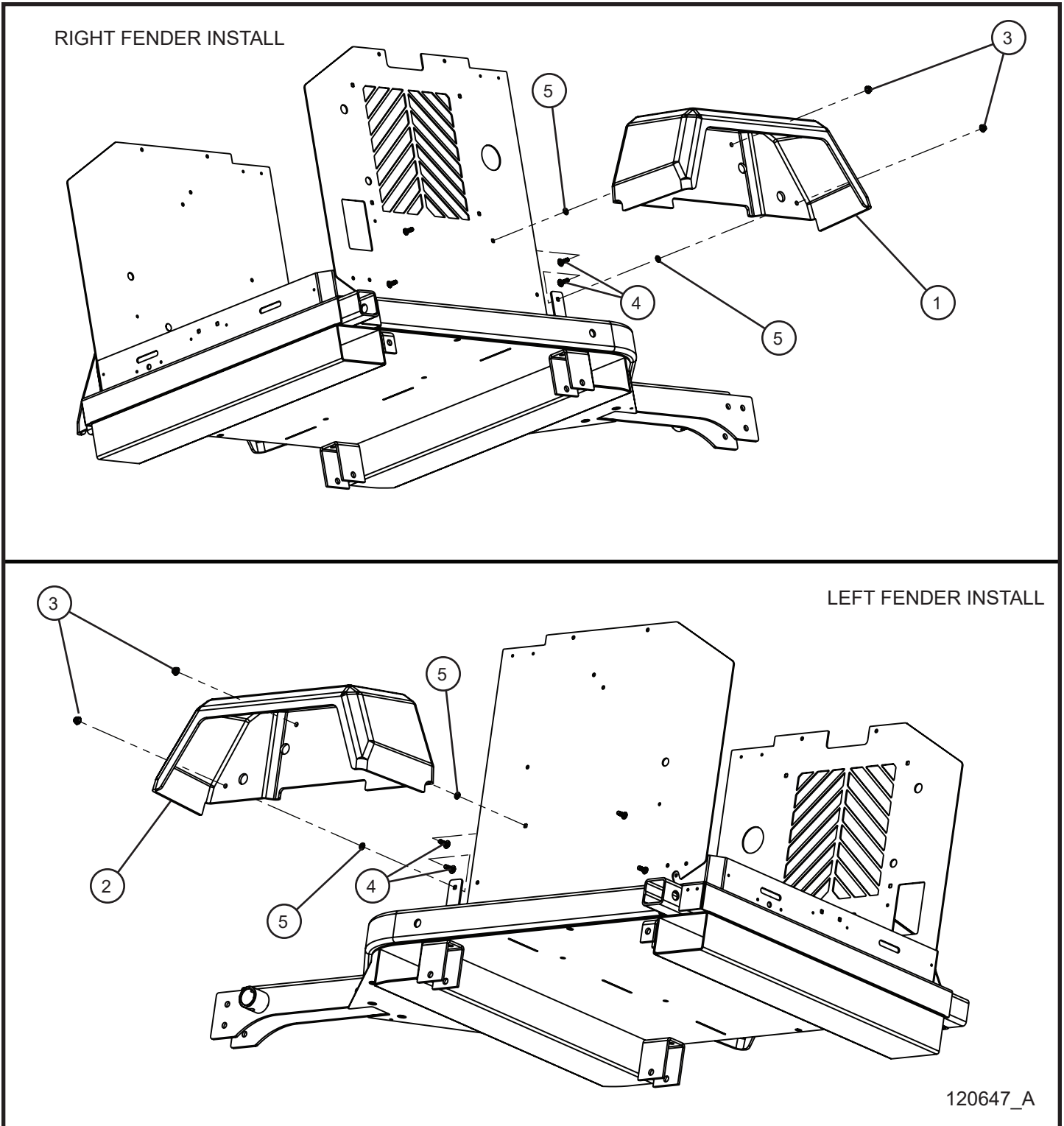
SN 37-000001 and UP

1.1 - Axle and Wheels

Item	Part No.	Part Description	Qty.
1	114113	NIGHT-LITE PRO II & GR-SERIES LIQUID-COOLED AXLE	1
2	117120	SINGLE AXLE SUSPENSION KIT	1
3	112801	13" RADIAL WHEEL/TIRE ASSEMBLY	2

*NS - NOT SHOWN

1.2 - Fenders



120647_A

NIGHT-LITE™ GR-SERIES

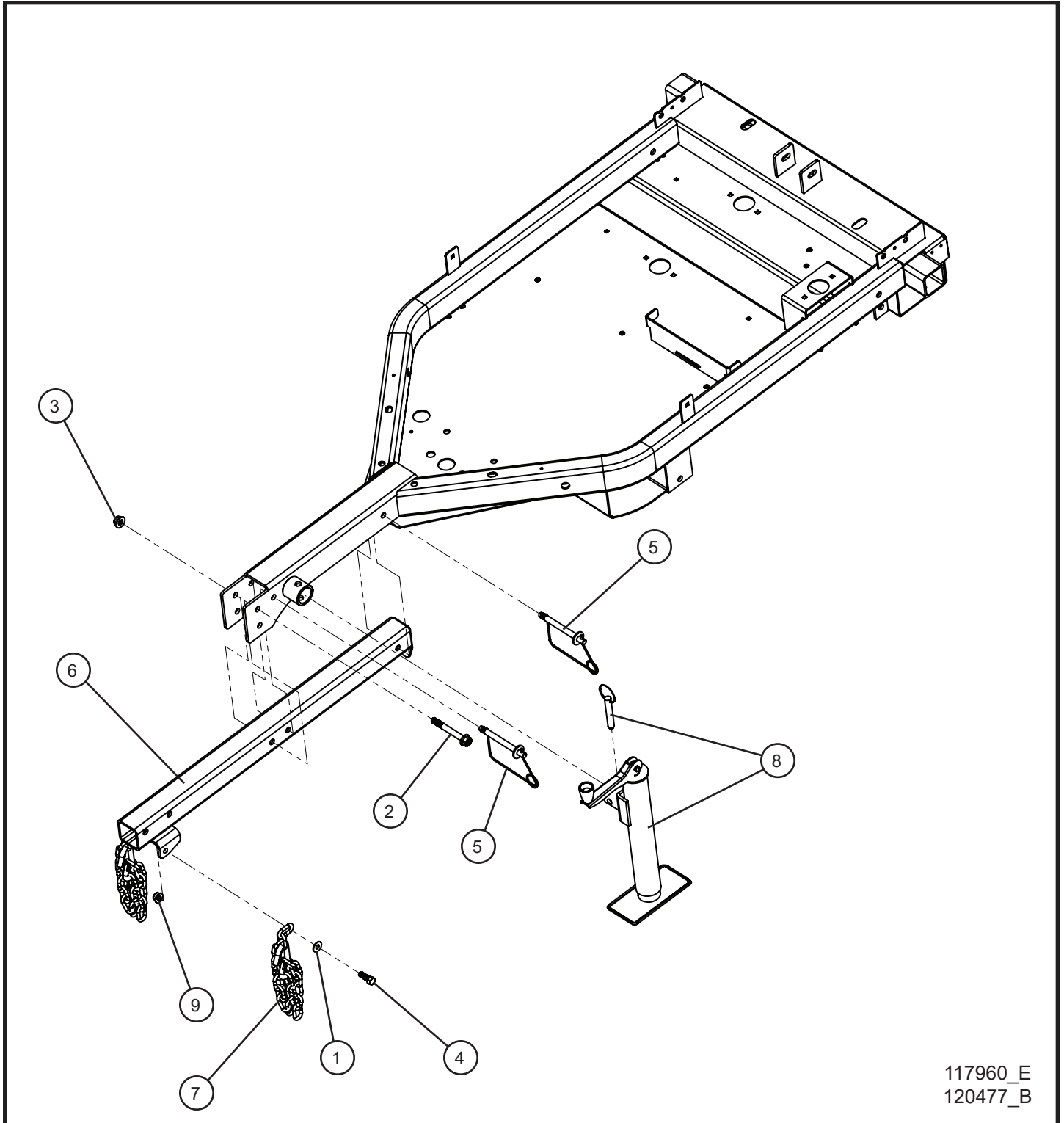
SN 37-000001 and UP

1.2 - Fenders

Item	Part No.	Part Description	Qty.
1	118337	13 INCH RIGHT FENDER NL GR-SERIES	1
2	118338	13 INCH LEFT FENDER NL GR-SERIES	1
3	057006	5/16-18 SERRATED FLANGE NUT	8
4	053020	5/16-18 x 1 CARRIAGE BOLT	8
5	045217	5/16 PUSH NUT	8

*NS - NOT SHOWN

1.3 - Tongue



117960_E
120477_B

NIGHT-LITE™ GR-SERIES

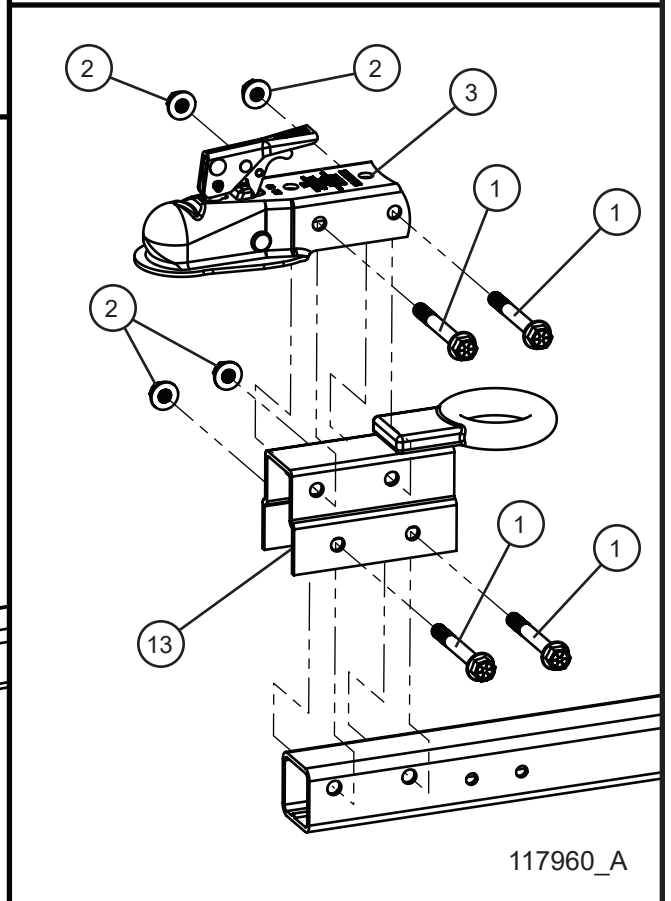
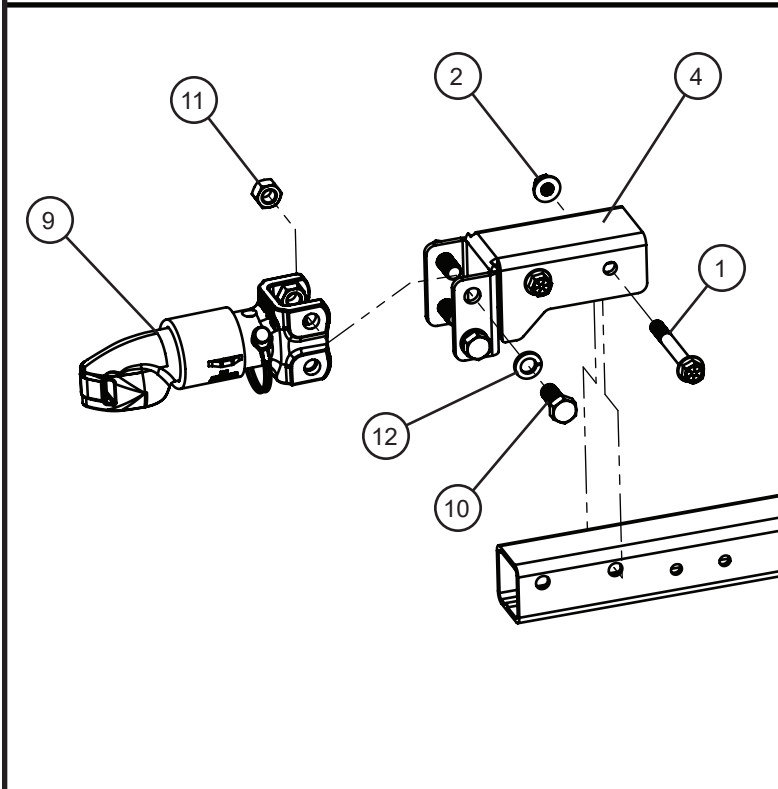
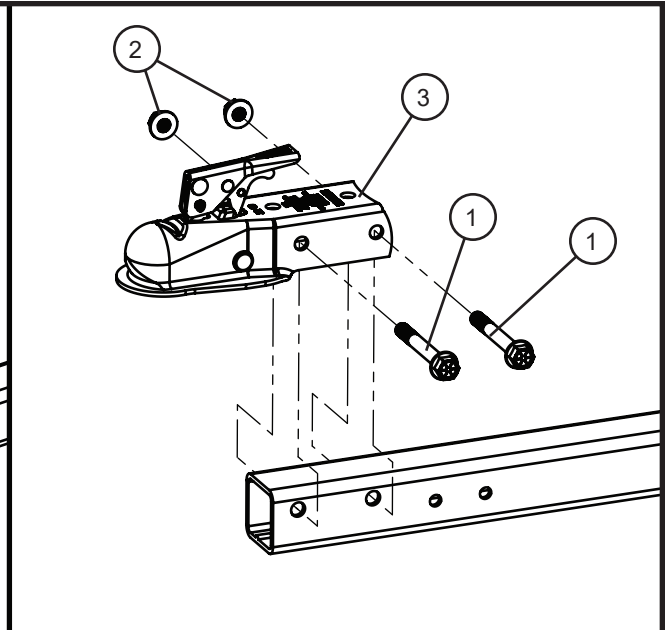
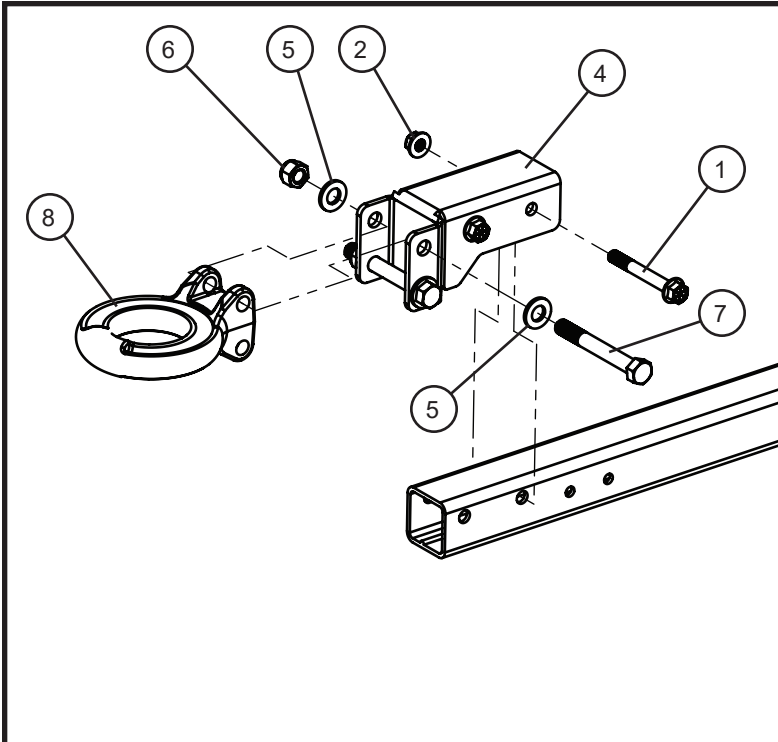
SN 37-000001 and UP

1.3 - Tongue

Item	Part No.	Part Description	Qty.
1	047015	3/8 FLAT WASHER	2
2	056025	1/2-13 x 4 HEX FLANGE SCREW	1
3	057009	1/2-13 NYLOCK FLANGE NUT	1
4	046159	7/16-14 X 1 1/4 HEX HEAD	2
5	116374	1/2 x 4 SNAP LOCK PIN W/ WIRE COIL & 1 1/4 WASHER	2
6	117553P	TONGUE WELDMENT NL GR-SERIES	1
7	049040	27 IN. CLASS III TOW CHAIN (STANDARD)	2
	049038	36 IN. CLASS IV TOW CHAIN (BULLDOG & LUNETTE OPTIONS)	2
8	108726	TOP CRANK TUBE JACK	1
9	057011	7/16-14 HEX NYLOCK FLANGE NUT	2

*NS - NOT SHOWN

1.4 - Tongue Coupler Options



117960_A

NIGHT-LITE™ GR-SERIES

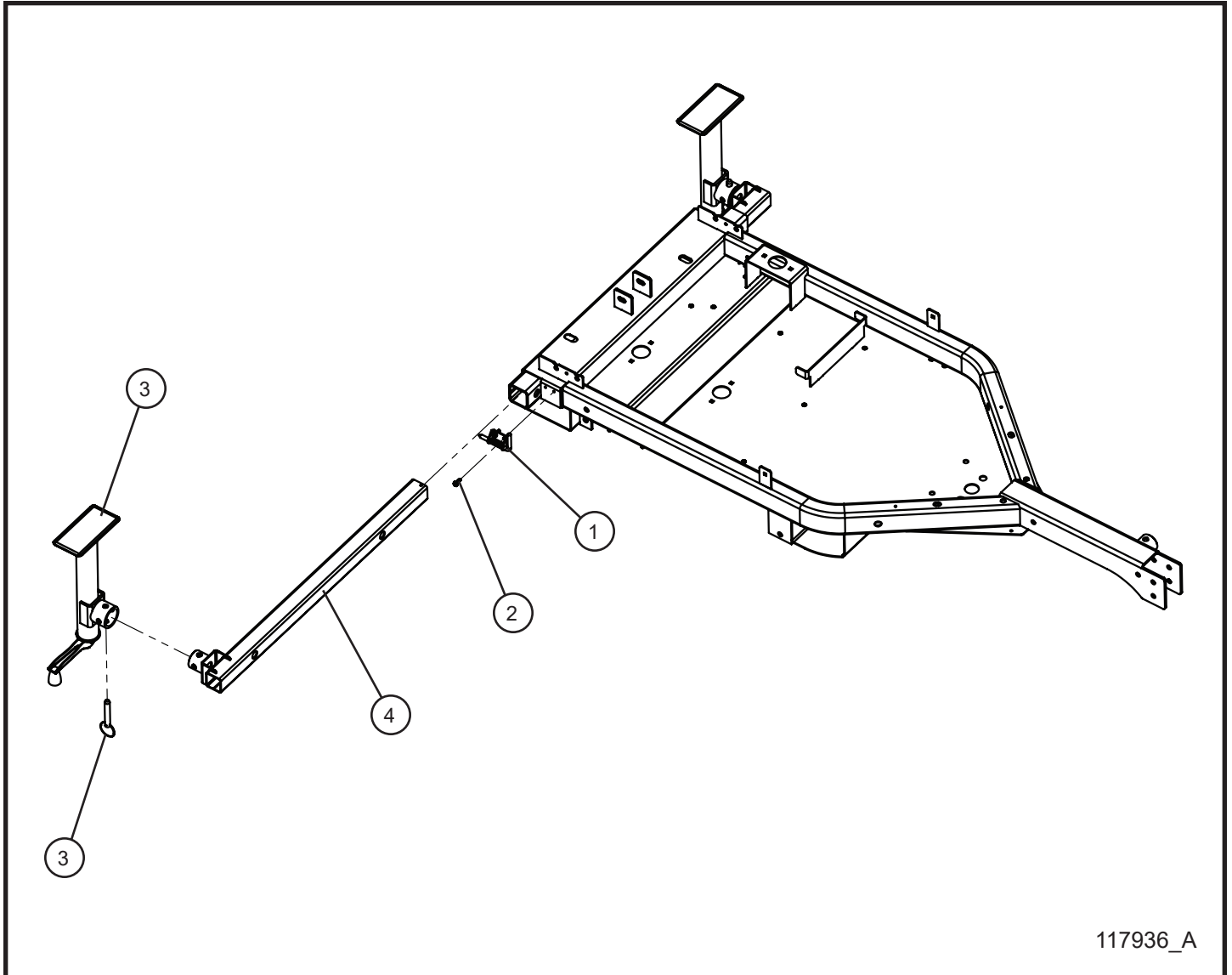
SN 37-000001 and UP

1.4 - Tongue Coupler Options

Item	Part No.	Part Description	Qty.
1	056025	1/2-13 x 4 HEX FLANGE SCREW	3
2	057009	1/2-13 NYLOCK FLANGE NUT	3
3	116989	2 INCH BALL COUPLER CLASS II 3500LBS 2.5 INCH TONGUE	1
4	118666	COUPLER MOUNT UNIVERSAL 2.5 INCH TONGUE	1
5	047031	5/8 FLAT WASHER	4
6	044053	5/8-11 NYLOCK HEX NUT	2
7	046255	5/8-11 x 5 HEX HEAD	2
8	106720	PINTLE RING 3.0 ADJUSTABLE	1
9	109978	COUPLER 2.00 BALL BULLDOG 7000 LBS ADJUSTABLE	1
10	046245	5/8-11 x 1 1/2 BOLT	4
11	044050	5/8-11 HEX NUT	4
12	043101	5/8 SPLIT LOCK WASHER	4
13	118667	REVERSIBLE COUPLER MOUNT 2-1/2" TONGUE W/ 2-1/2" RING	1

*NS - NOT SHOWN

1.5 - Outriggers



117936_A

NIGHT-LITE™ GR-SERIES

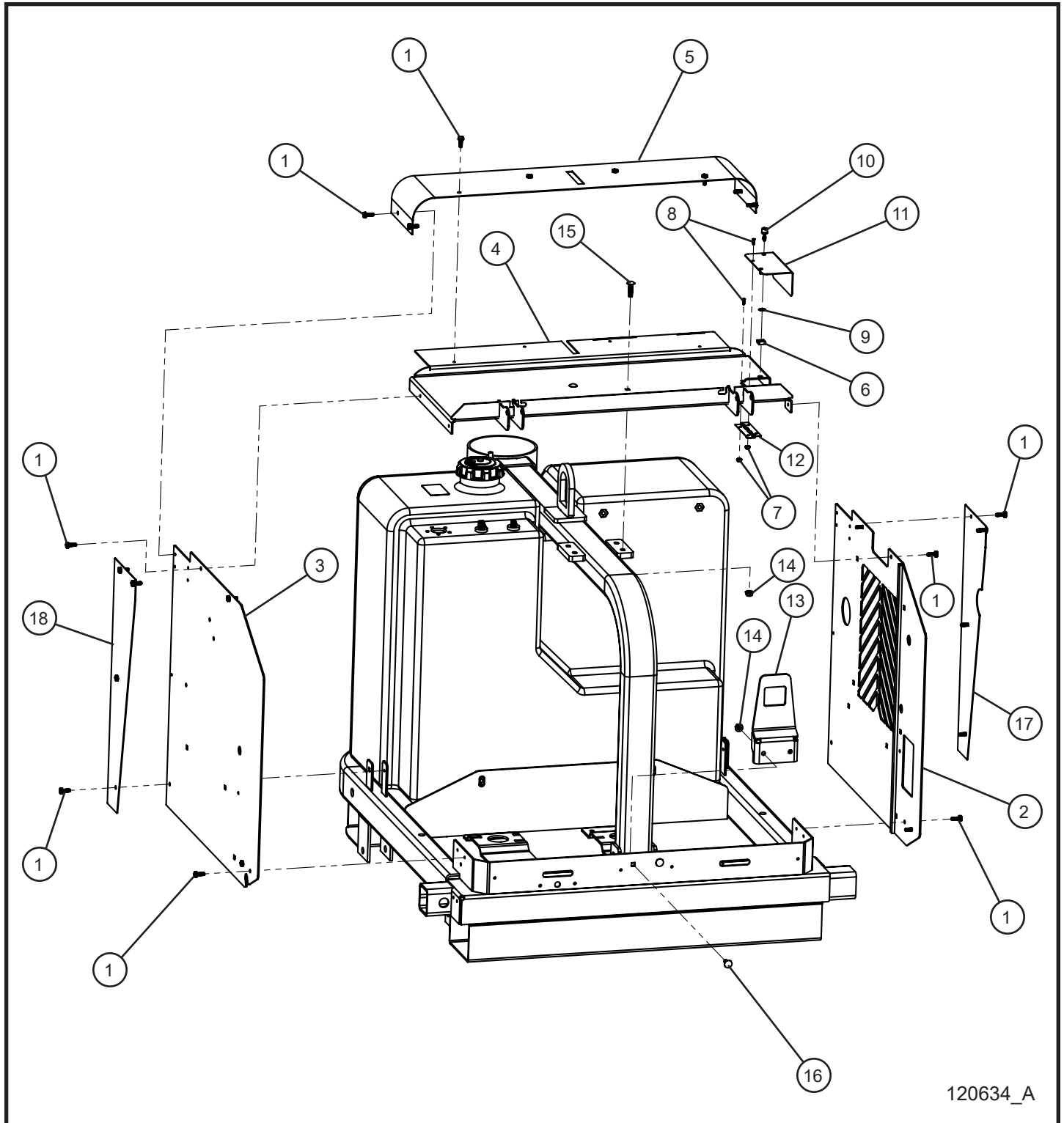
SN 37-000001 and UP

1.5 - Outriggers

Item	Part No.	Part Description	Qty.
1	650723	RETENSION PIN	2
2	041070	1/4-20 x 3/4 SLOTTED HEX WASHER HEAD	4
3	108726	TOP CRANK TUBE JACK	2
4	117748P	OUTRIGGER WELDMENT ROAD SIDE NL GR-SERIES	2

*NS - NOT SHOWN

1.6 - Enclosure Base Parts I (1 of 2)



120634_A

NIGHT-LITE™ GR-SERIES

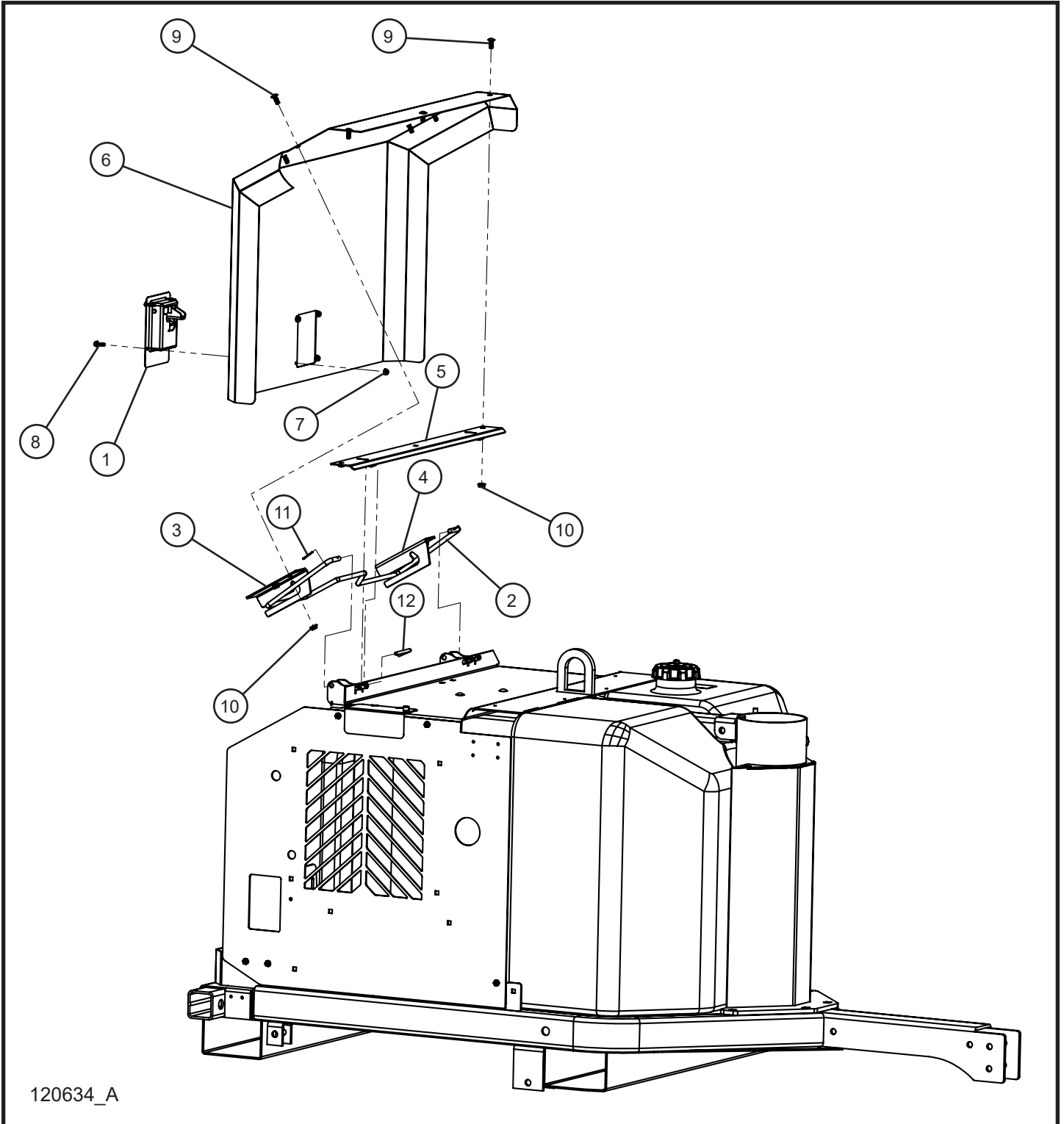
SN 37-000001 to 37-004464

1.6 - Enclosure Base Parts I (1 of 2)

Item	Part No.	Part Description	Qty.
1	041070	1/4-20 x 3/4 SLOTTED HEX WASHER HEAD	20
2	120420P	PANEL CURBSIDE NIGHT-LITE GR-SERIES LIQUID-COOLED	1
3	120421P	PANEL ROADSIDE NIGHT-LITE GR-SERIES LIQUID-COOLED	1
4	117967P	STRINGER WELDMENT NLGR LIQUID-COOLED	1
5	120448P	STRINGER FRONT COVER NLGR LIQUID-COOLED	1
6	045216	1/4-20 TINNEMAN NUT	1
7	057005	#6-32 SERRATED FLANGE HEX NUT	4
8	041259	#6-32 X 1/2 PH-FLAT HEAD MACHINE SCREW	4
9	115243	RETAINER PUSH ON	1
10	115244	KNOB KNURLED FAST THREAD	1
11	120446P	RADIATOR CAP ACCESS PANEL NLGR LIQUID-COOLED	1
12	045023	HINGE CONTROLLER COVER	1
13	120449P	BRACKET SLAM LATCH NLGR LC	1
14	057008	5/16-18 HEX NYLOCK FLANGE NUT	4
15	053022	5/16-18 X 1 1/4 CARRIAGE BOLT	2
16	102081	5/16-18 X 3/4 CARRIAGE BOLT	2
17	120451P	PANEL CURBSIDE TRIM NLGR LIQUID-COOLED	1
18	120452P	PANEL CURBSIDE TRIM NLGR LIQUID-COOLED	1
NS	056009	3/8-16 X 3/4 HEX FLANGE SCREW	2
NS	115260	SEAL 1/4 x 1/2 x 25.25	1

*NS - NOT SHOWN

1.6 - Enclosure Base Parts I (2 of 2)



NIGHT-LITE™ GR-SERIES

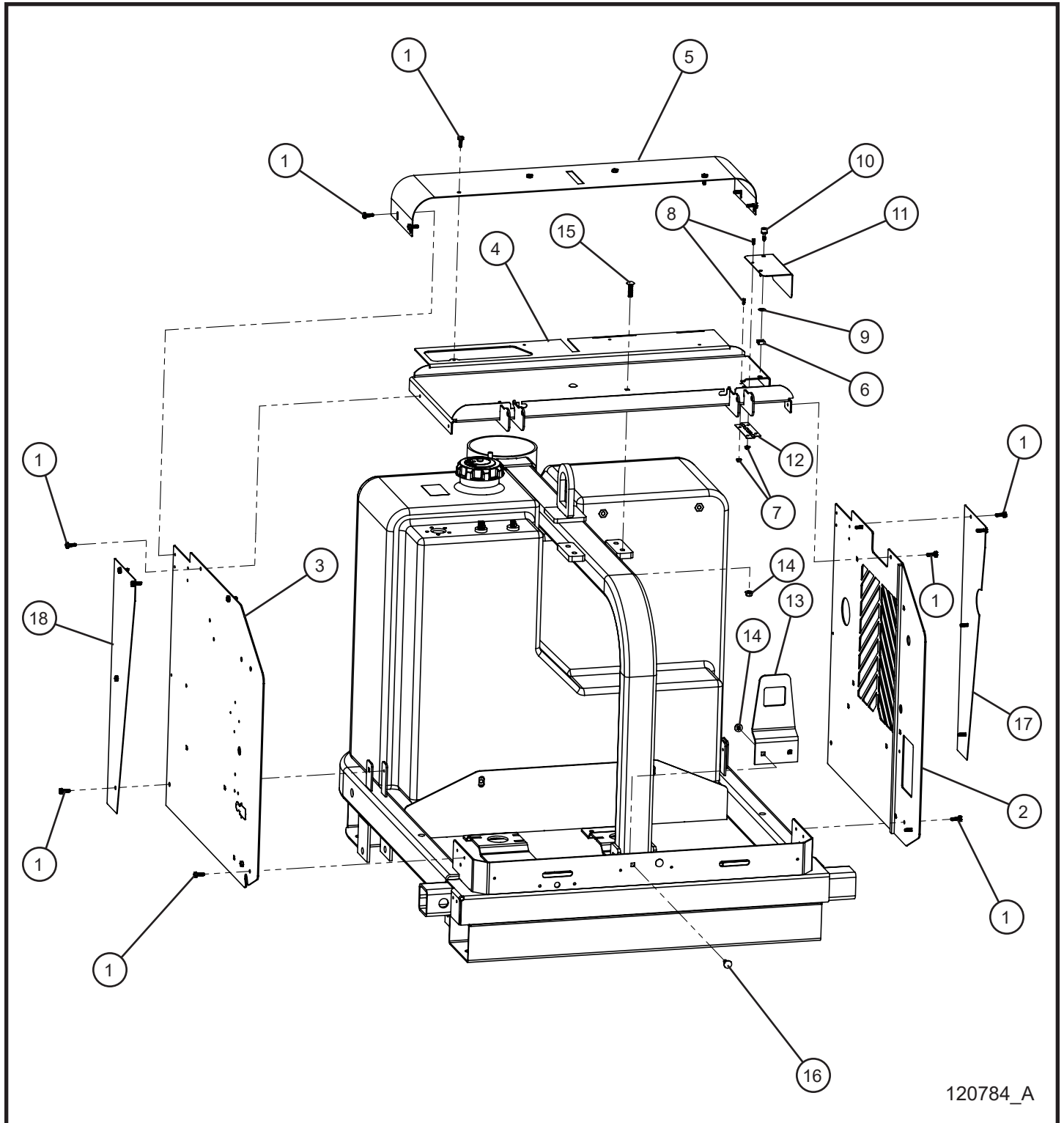
SN 37-000001 to 37-004464

1.6 - Enclosure Base Parts I (2 of 2)

Item	Part No.	Part Description	Qty.
1	680459	SLAM LATCH	1
2	115306	DOOR PROP ROD NLV & NLGR LC	1
3	120460P	BRACKET RIGHT DOOR HINGE MOUNT NLGR LC	1
4	120459P	BRACKET LEFT DOOR HINGE MOUNT NLGR LC	1
5	120439P	WELDMENT HINGE COVER REAR NLGR LC	1
6	120442P	REAR DOOR WELDMENT NLGR LC	1
7	057010	#10-24 HEX NYLOCK FLANGE NUT	4
8	056005	#10-24 X 3/4 SERRATED FLANGE HEX SCREW	4
9	053006	1/4-20 X 3/4 CARRIAGE BOLT	7
10	057000	1/4-20 HEX SERRATED FLANGE NUT	7
11	045041	5/64 x 1 COTTER PIN	2
12	111456	PIN HINGE	2
NS	115259	SEAL 1/8 x 1/2 x 29.25	1

*NS - NOT SHOWN

1.7 - Enclosure Base Parts II (1 of 2)



120784_A

NIGHT-LITE™ GR-SERIES

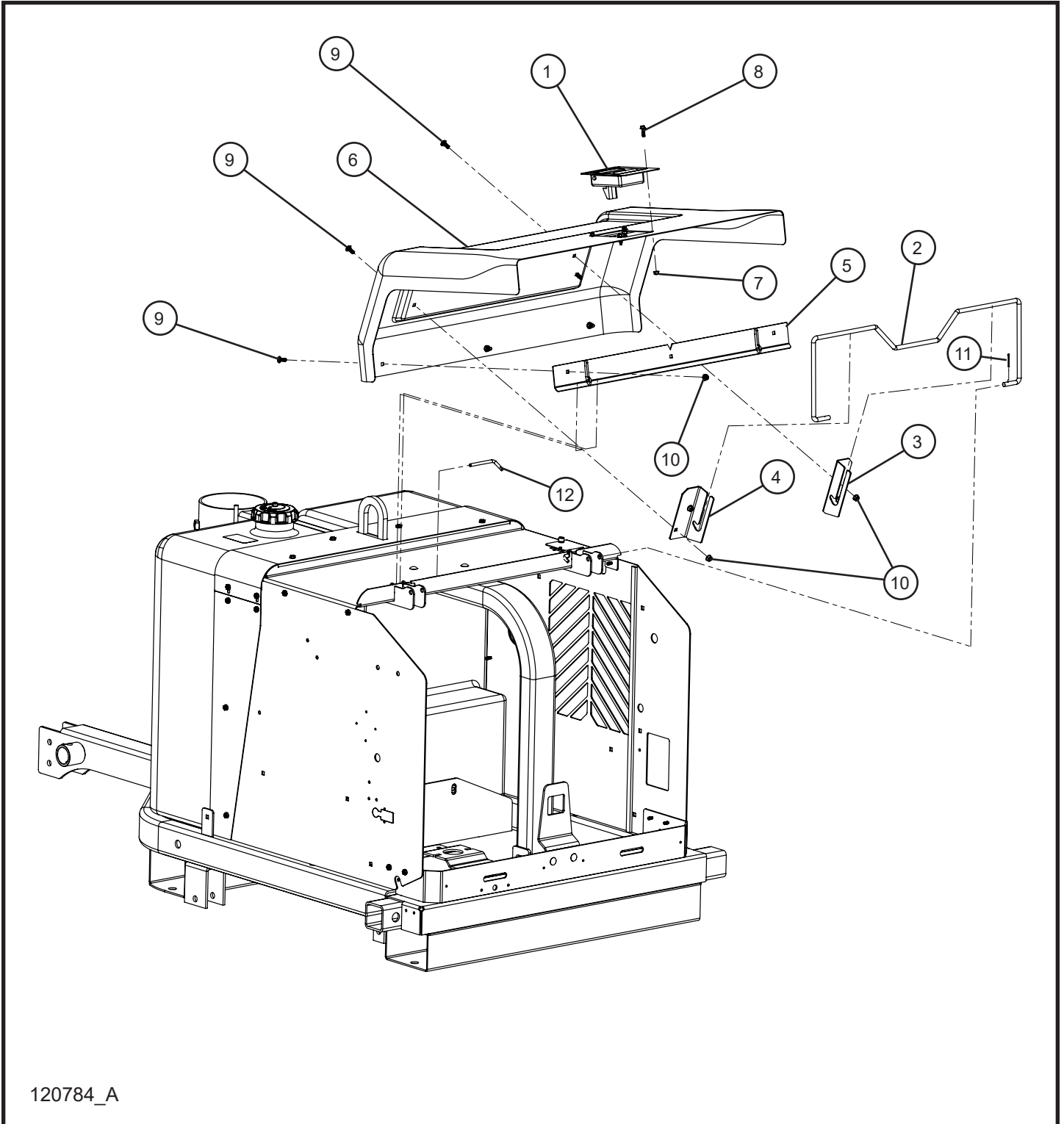
SN 37-000001 to 37-004464

1.7 - Enclosure Base Parts II (1 of 2)

Item	Part No.	Part Description	Qty.
1	041070	1/4-20 x 3/4 SLOTTED HEX WASHER HEAD	20
2	120420P	PANEL CURBSIDE NIGHT-LITE GR-SERIES LIQUID-COOLED	1
3	120421P	PANEL ROADSIDE NIGHT-LITE GR-SERIES LIQUID-COOLED	1
4	120457P	STRINGER WELDMENT NLGR LIQUID-COOLED STAMPED DOOR	1
5	120463P	STRINGER FRONT COVER NLGR LIQUID-COOLED	1
6	045216	1/4-20 TINNEMAN NUT	1
7	057005	#6-32 SERRATED FLANGE HEX NUT	4
8	041259	#6-32 X 1/2 PH-FLAT HEAD MACHINE SCREW	4
9	115243	RETAINER PUSH ON	1
10	115244	KNOB KNURLED FAST THREAD	1
11	120446P	RADIATOR CAP ACCESS PANEL NLGR LIQUID-COOLED	1
12	045023	HINGE CONTROLLER COVER	1
13	120449P	BRACKET SLAM LATCH NLGR LC	1
14	057008	5/16-18 HEX NYLOCK FLANGE NUT	4
15	053022	5/16-18 X 1 1/4 CARRIAGE BOLT	2
16	102081	5/16-18 X 3/4 CARRIAGE BOLT	2
17	120451P	PANEL CURBSIDE TRIM NLGR LIQUID-COOLED	1
18	120452P	PANEL CURBSIDE TRIM NLGR LIQUID-COOLED	1
NS	056009	3/8-16 X 3/4 HEX FLANGE SCREW	2
NS	115260	SEAL 1/4 x 1/2 x 25.25	1

*NS - NOT SHOWN

1.7 - Enclosure Base Parts II (2 of 2)



120784_A

NIGHT-LITE™ GR-SERIES

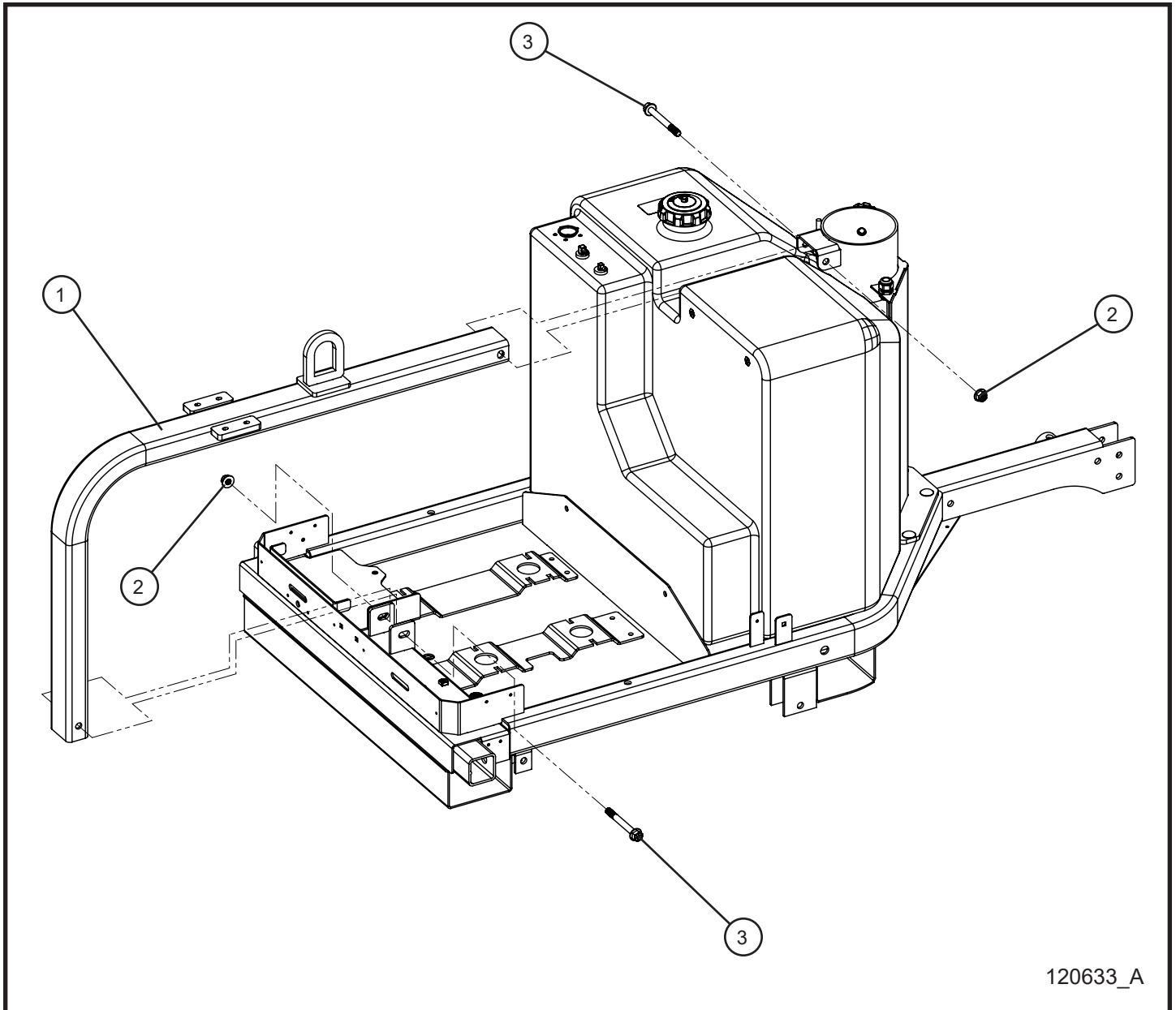
SN 37-000001 to 37-004464

1.7 - Enclosure Base Parts II (2 of 2)

Item	Part No.	Part Description	Qty.
1	680459	SLAM LATCH	1
2	115306	DOOR PROP ROD NLV & NLGR LC	1
3	120460P	BRACKET RIGHT DOOR HINGE MOUNT NLGR LC	1
4	120459P	BRACKET LEFT DOOR HINGE MOUNT NLGR LC	1
5	120453P	WELDMENT HINGE COVER REAR NLGR LC	1
6	118168P	COVER REAR DOOR STAMPED NLGR LC	1
7	057010	#10-24 HEX NYLOCK FLANGE NUT	4
8	056005	#10-24 X 3/4 SERRATED FLANGE HEX SCREW	4
9	053006	1/4-20 X 3/4 CARRIAGE BOLT	7
10	057001	1/4-20 HEX NYLOCK FLANGE NUT	7
11	045041	5/64 x 1 COTTER PIN	2
12	111456	PIN HINGE	2
NS	115260	SEAL 1/4 X 1/2 X 25.25	1

*NS - NOT SHOWN

1.8 - Lift Bow



120633_A

NIGHT-LITE™ GR-SERIES

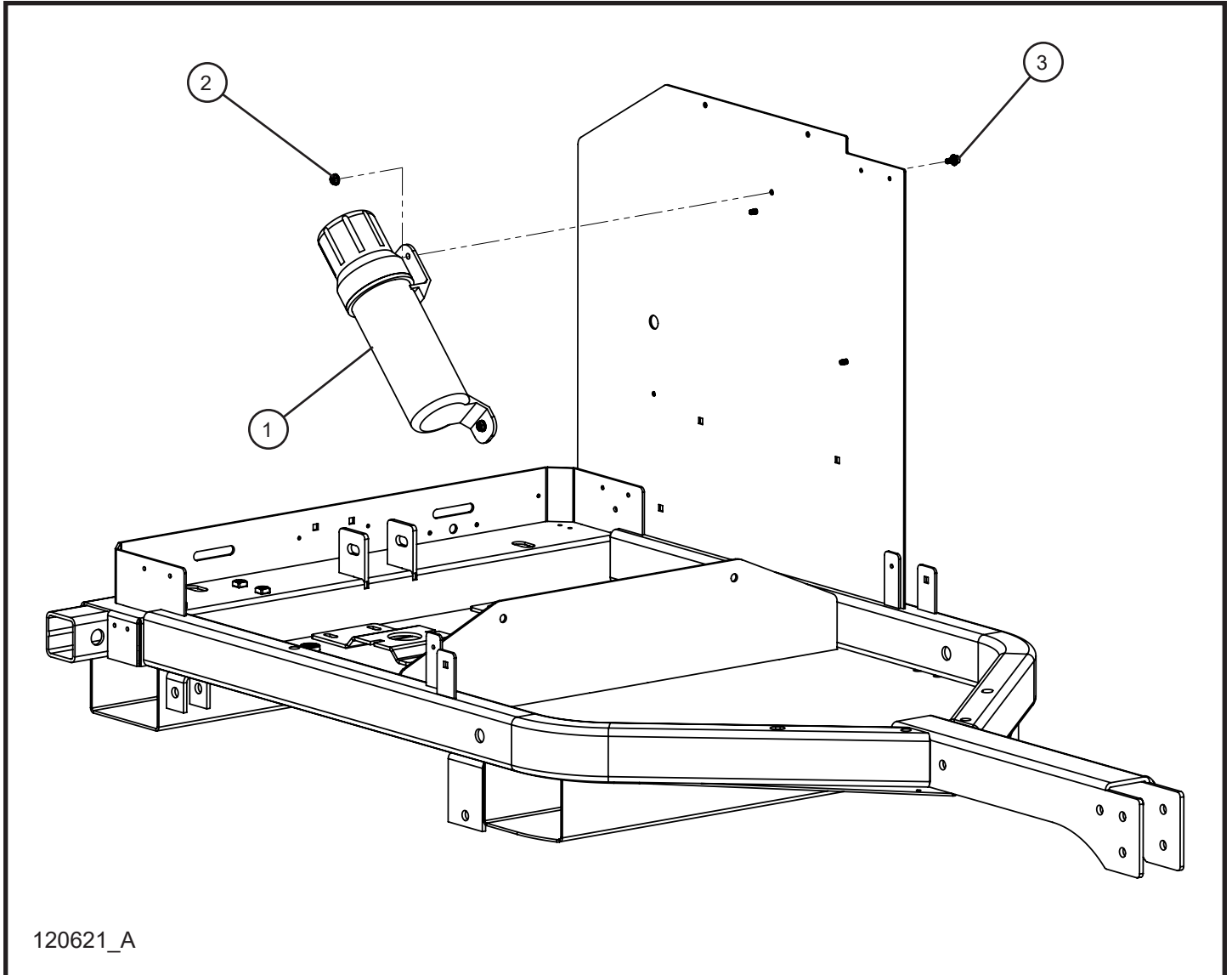
SN 37-000001 and UP

1.8 - Lift Bow

Item	Part No.	Part Description	Qty.
1	120419P	LIFT BOW NIGHT-LITE GR-SERIES LIQUID-COOLED	1
2	057009	1/2-13 NYLOCK FLANGE NUT	2
3	056026	1/2-13 X 4 1/2 HEX FLANGE SCREW	2

*NS - NOT SHOWN

1.9 - Manual Canister



120621_A

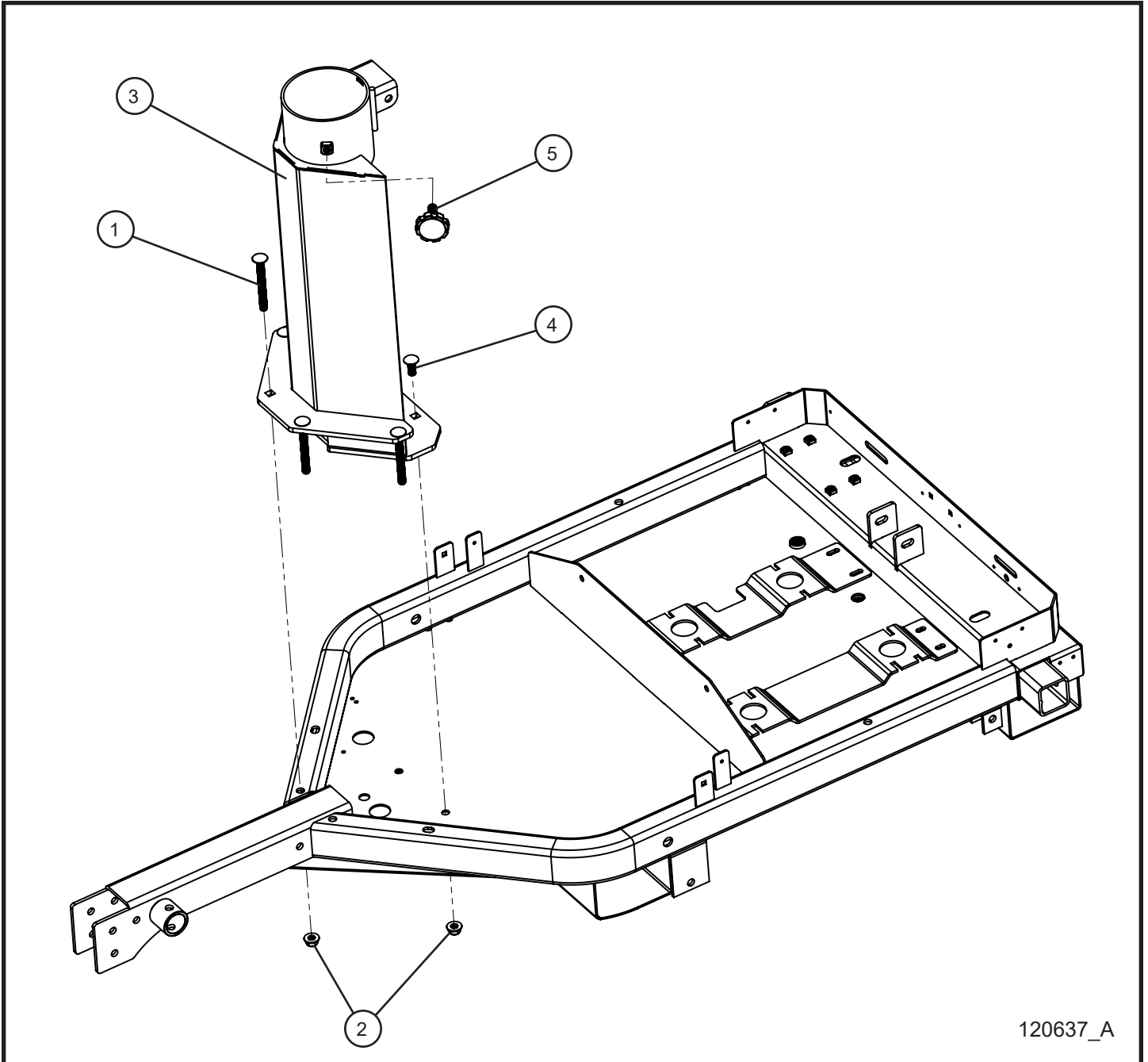
NIGHT-LITE™ GR-SERIES

SN 37-000001 and UP

1.9 - Manual Canister

Item	Part No.	Part Description	Qty.
1	103651	PRODUCT MANUAL CANISTER	1
2	057000	1/4-20 HEX SERRATED FLANGE NUT	3
3	056040	1/4-20 X 5/8 HEX FLANGE SCREW	3
NS	120250	NIGHT-LITE GR-SERIES SCHEMATIC MANUAL	1
NS	122018	DSE L401 MKII CONTROLLER OPERATOR MANUAL	1
NS	118656	NIGHT-LITE GR-SERIES AIR COOLED OPERATOR MANUAL	1

2.1 - Tower Pedestal



120637_A

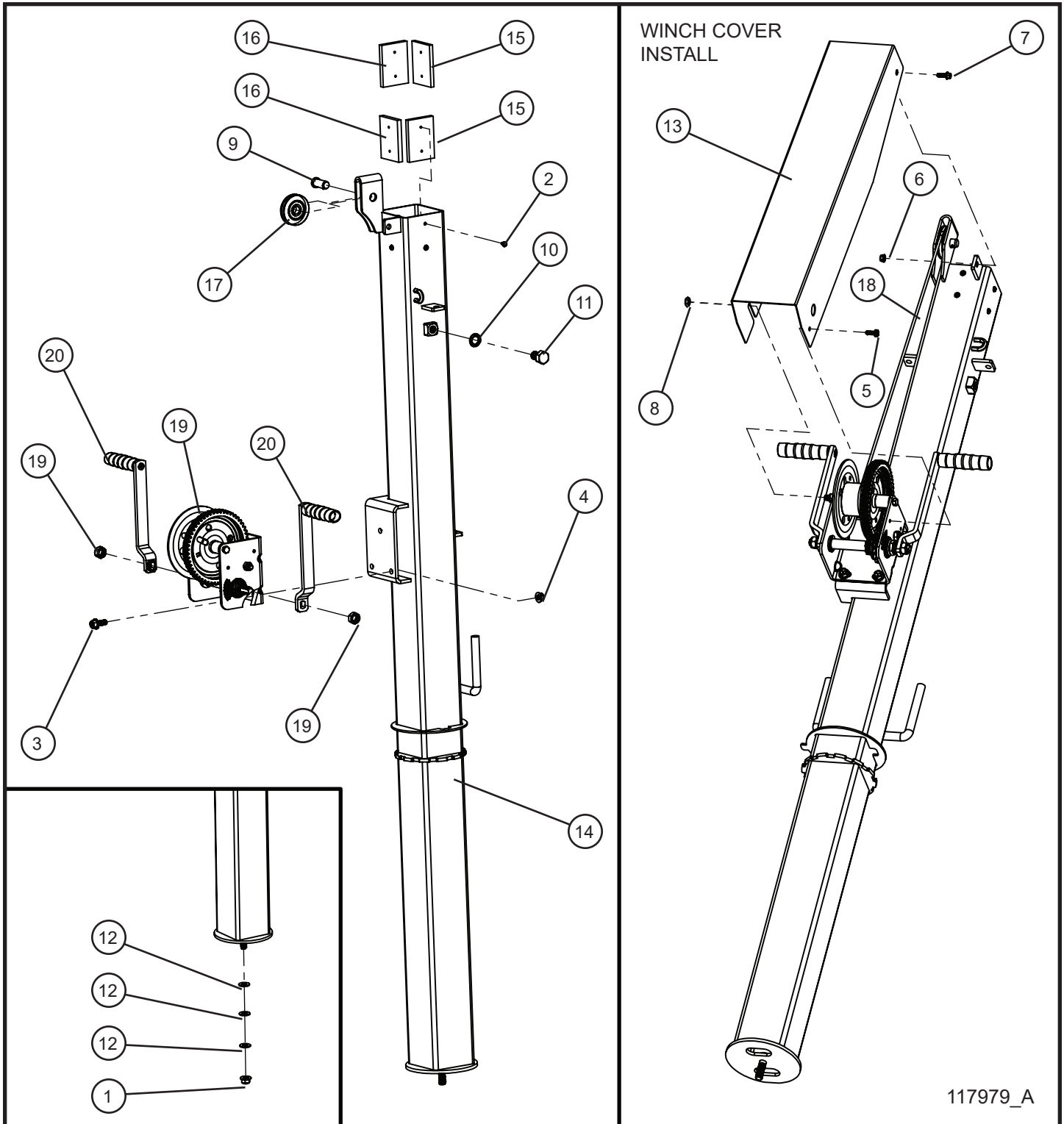
NIGHT-LITE™ GR-SERIES

SN 37-000001 and UP

2.1 - Tower Pedestal

Item	Part No.	Part Description	Qty.
1	053051	1/2-13 X 4 1/2 CARRIAGE BOLT	4
2	057009	1/2-13 NYLOCK FLANGE NUT	6
3	120416P	PEDESTAL WELDMENT NL-GR SERIES LIQUID-COOLED	1
4	053050	1/2-13 X 1 1/4 CARRIAGE BOLT	2
5	620550	LOCKING KNOB	1

2.2 - Manual Winch Tower Section 1



117979_A

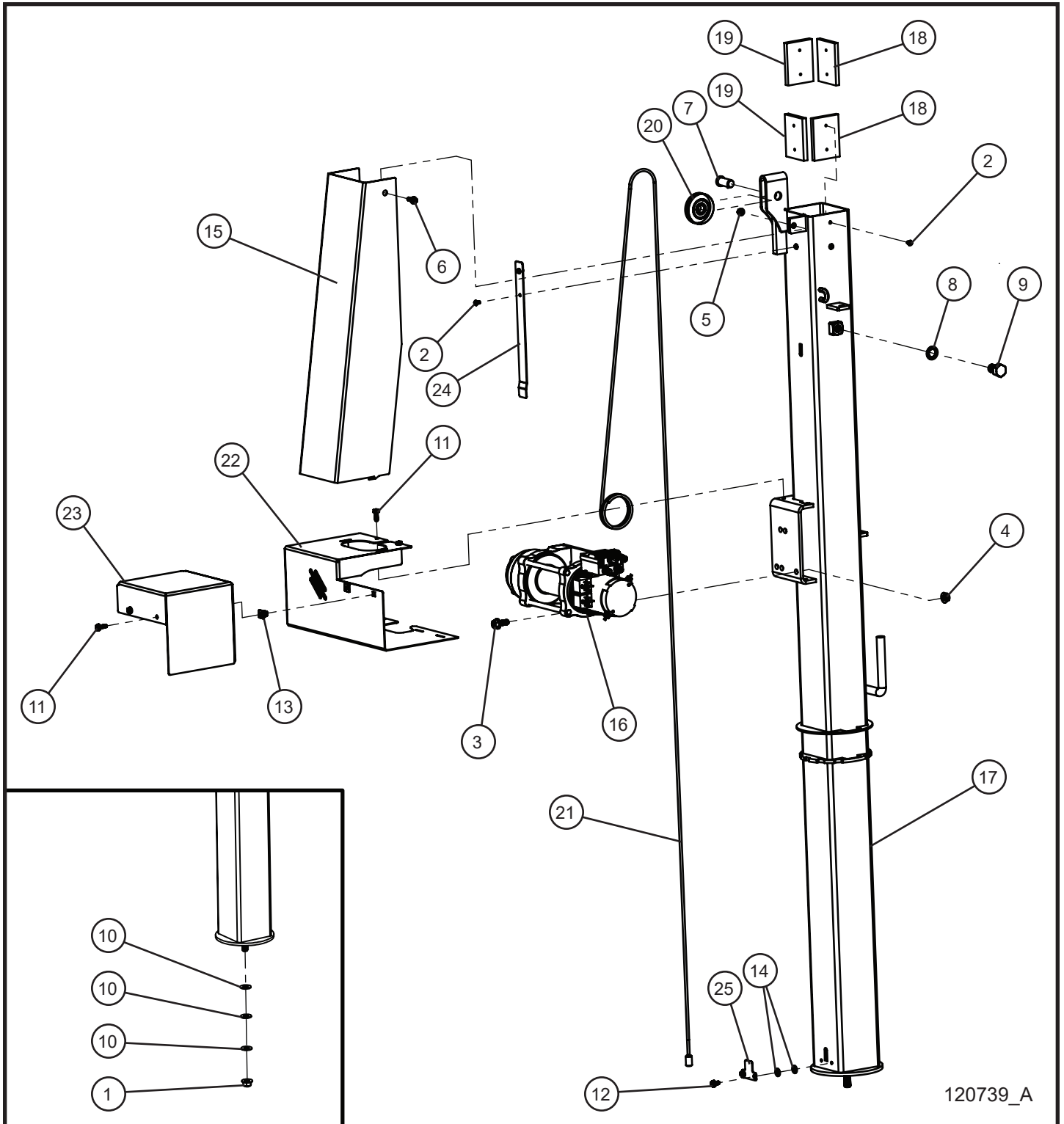
NIGHT-LITE™ GR-SERIES

SN 37-000001 and UP

2.2 - Manual Winch Tower Section 1

Item	Part No.	Part Description	Qty.
1	057009	1/2-13 NYLOCK FLANGE NUT	1
2	041023	#10 x 3/8 PH-ROUND HEAD	8
3	056010	3/8-16 x 1 SERRATED FLANGE HEX SCREW	3
4	057007	3/8-16 HEX NYLOCK FLANGE NUT	3
5	041070	1/4-20 x 3/4 SLOTTED HEX WASHER HEAD	3
6	057001	1/4-20 HEX NYLOCK FLANGE NUT	1
7	056019	1/4-20 x 3/4HEX FLANGE SCREW	1
8	044041	3/8-16 HEX JAM NUT	1
9	033000	5/8 x 1 SLIC PIN	3
10	043100	5/8 INTL TOOTHLOCK WASHER PL	1
11	046242	5/8-11 x HEX HEAD CS GR5 PL	1
12	047025	1/2 FLAT WASHER	3
13	117776P	MANUAL WINCH CABLE COVER NL-GR SERIES	1
14	120415P	WELDMENT TOWER 4 INCH SECTION NL-GR SERIES	1
15	650110	.312 TOWER PAD	2
16	650109	.375 TOWER PAD	2
17	100160	2 1/2 PULLEY BALL BEARING	1
18	620076	TOP CABLE MANUAL PRO	1
19	116985	WINCH BRAKE 1500 LB DUAL HANDLE WINCH ONLY	1
20	113618	HANDLE SMALL OFFSET DUAL HANDLE WINCH	2
NS	045042	COTTER PIN 1/8 X 1 1/2"	1

2.3 - Electric Winch Tower Section 1



120739_A

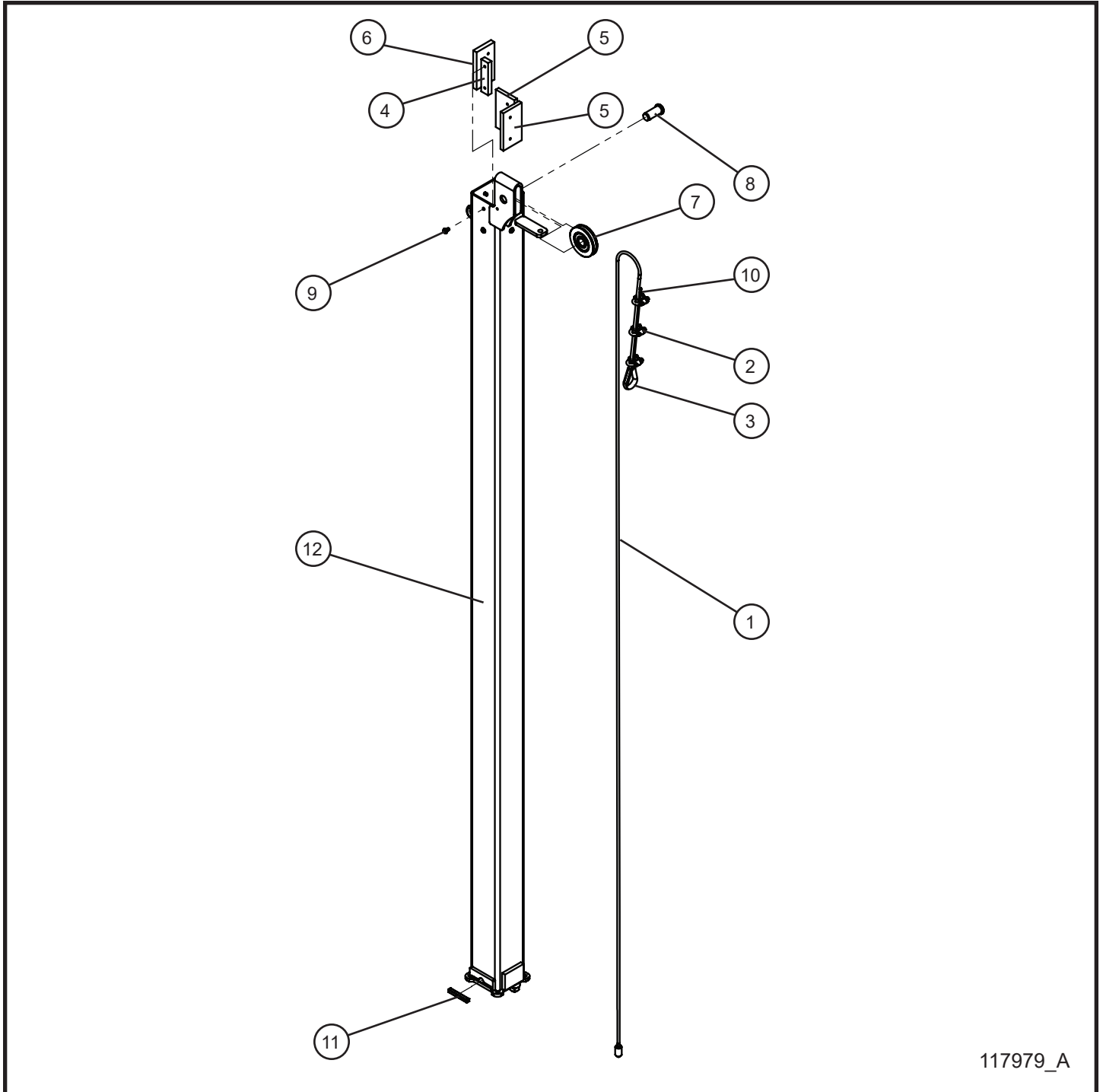
NIGHT-LITE™ GR-SERIES

SN 37-000001 and UP

2.3 - Electric Winch Tower Section 1

Item	Part No.	Part Description	Qty.
1	057009	1/2-13 NYLOCK FLANGE NUT	1
2	041023	#10 x 3/8 PH-ROUND HEAD	8
3	056010	3/8-16 x 1 SERRATED FLANGE HEX SCREW	3
4	057007	3/8-16 HEX NYLOCK FLANGE NUT	3
5	057001	1/4-20 HEX NYLOCK FLANGE NUT	1
6	056019	1/4-20 x 3/4HEX FLANGE SCREW	1
7	033000	5/8 x 1 SLIC PIN	3
8	043100	5/8 INTL TOOTHLOCK WASHER PL	1
9	046242	5/8-11 x HEX HEAD CS GR5 PL	1
10	047025	1/2 FLAT WASHER	3
11	041070	1/4-20 x 3/4 SLOTTED HEX WASHER HEAD	3
12	041073	1/4-20 x 1/2 SLOTTED HEX WASHER HEAD	3
13	105408	GROMMET NUT DOUBLE SPLIT SQUARE HEAD	2
14	047005	1/4 FLAT WASHER	4
15	124028P	COVER ELECTRIC WINCH CABLE NLGR LC	1
16	120922	ELECTRIC WINCH UNIVERSAL SUB-ASSEMBLY NLGR	1
	116699	SH 1000 ELECTRIC WINCH	1
	122487	ELECTRIC WINCH HARNESS SH1000 NLGR	1
17	120415P	WELDMENT TOWER 4 INCH SECTION NL-GR SERIES	1
18	650110	.312 TOWER PAD	2
19	650109	.375 TOWER PAD	2
20	100160	2 1/2 PULLEY BALL BEARING	1
21	620076	TOP CABLE MANUAL PRO	1
22	124027P	COVER ELECTRIC WINCH NLGR LC	1
23	120842P	COVER ELECTRIC WINCH MOTOR NLGR LC	1
24	120480P	BRACKET TOP LIMIT SWITCH E-WINCH NLGR LC	1
25	120481P	BRACKET LOWER LIMIT SWITCH E-WINCH NLGR LC	1
NS	104431	RELAY 12V 40 AMPS	2
NS	115328	12V RELAY CONTACTOR DC66P	1
NS	120927	SCHEMATIC SH1000 ELECTRIC WINCH NLGR	1
NS	045042	COTTER PIN 1/8 X 1 1/2"	1

2.4 - Tower Section 2



117979_A

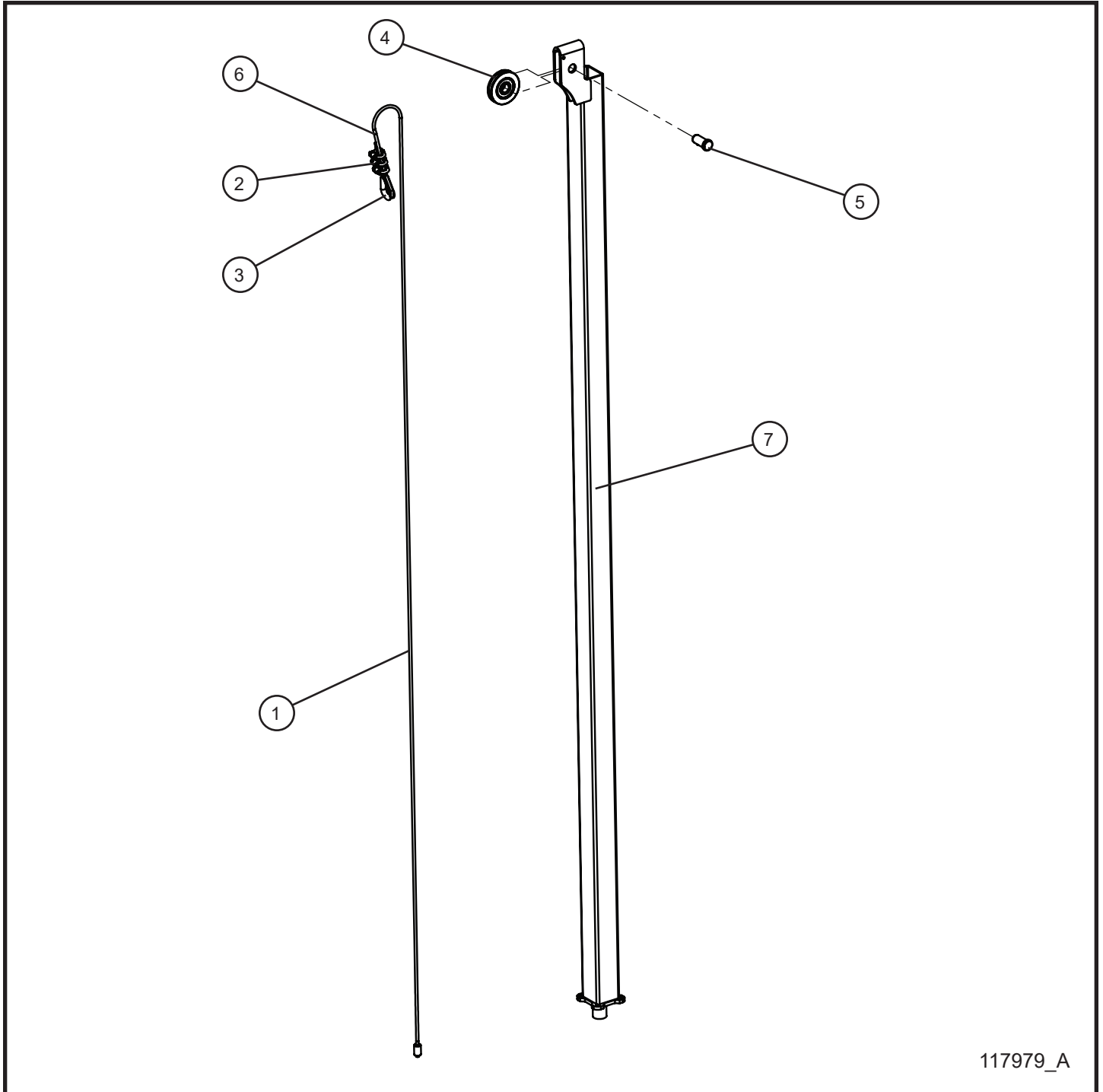
NIGHT-LITE™ GR-SERIES

SN 37-000001 and UP

2.4 - Tower Section 2

Item	Part No.	Part Description	Qty.
1	320185	WINCH CABLE MANUAL TOWER	1
2	620084	3/16 CABLE CLIP	3
3	045040	3/16 CABLE THIMBLE 3/16 WIRE ROPE	1
4	100062	3/8 UHMW SPACER	1
5	352280	PLASTIC TOWER PAD	2
6	100446	3/8 PAD SMALL	1
7	100160	2 1/2 PULLEY BALL BEARING	1
8	033000	5/8 x 1 SLIC PIN	1
9	041023	#10 x 3/8 PH-ROUND HEAD MS PL	8
10	022150	FERRULE 10-12 AWG	1
11	109988	MAGNET 1/4" X 1/4" X 2" (FOR ELECTRIC WINCH TOWERS)	1
12	120525	WELDMENT TOWER 3 INCH SECTION NLGR GALVINIZED	1
	117092P	WELDMENT TOWER 3 INCH SECTION NL-GR SERIES	1
NS	045042	COTTER PIN 1/8 X 1 1/2"	1

2.5 - Tower Section 3



117979_A

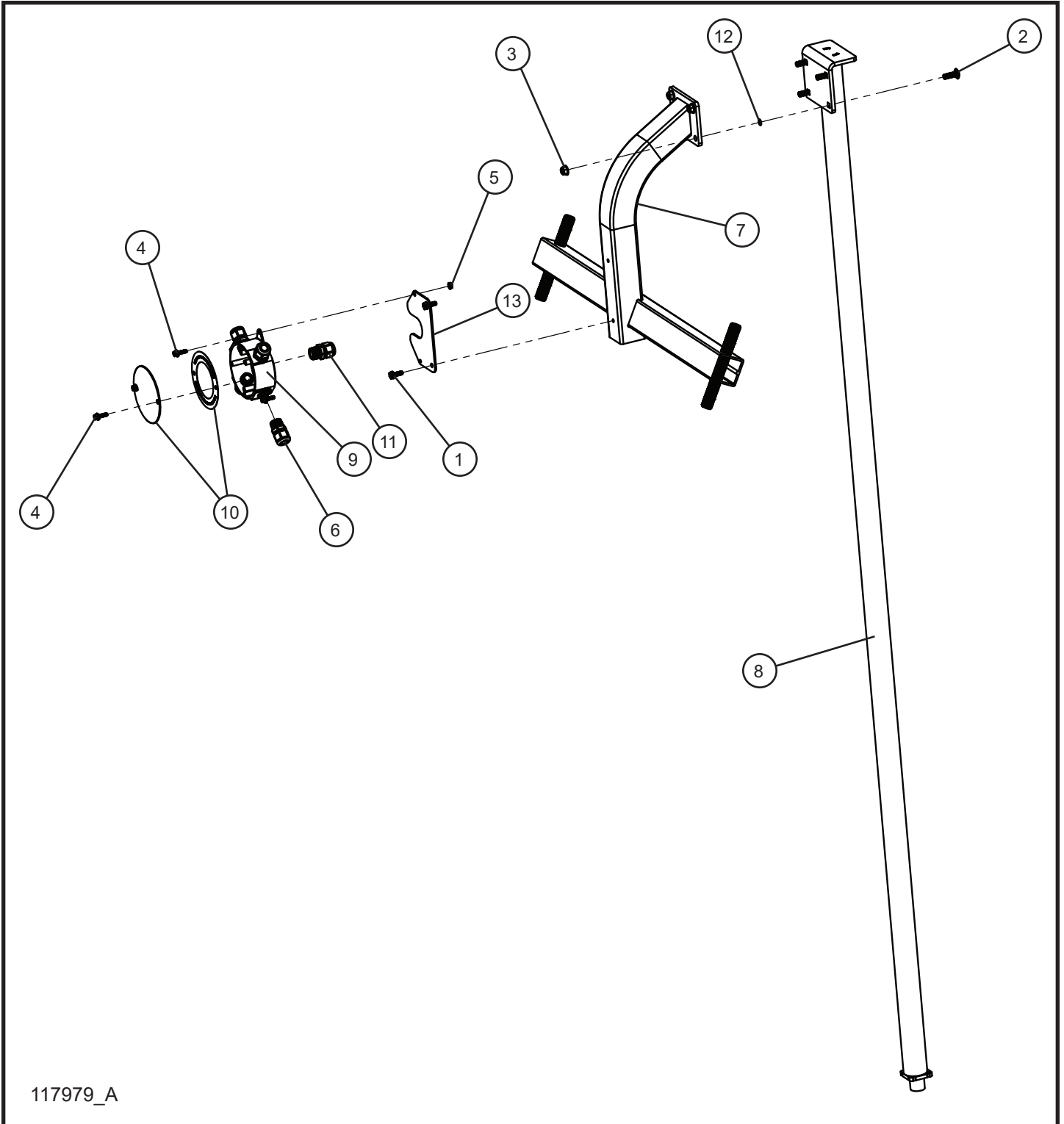
NIGHT-LITE™ GR-SERIES

SN 37-000001 and UP

2.5 - Tower Section 3

Item	Part No.	Part Description	Qty.
1	320185	WINCH CABLE MANUAL TOWER	1
2	620084	3/16 CABLE CLIP	3
3	045040	3/16 CABLE THIMBLE 3/16 WIRE ROPE	1
4	100160	2 1/2 PULLEY BALL BEARING	1
5	033000	5/8 x 1 SLIC PIN	1
6	022150	FERRULE 10-12 AWG	1
7	120526	WELDMENT TOWER 2 INCH SECTION NLGR GALVINIZED	1
	117093P	WELDMENT TOWER 2 INCH SECTION NL-GR SERIES	1
NS	045042	COTTER PIN 1/8 X 1 1/2"	1

2.6 - Tower Round Section and Light Bar



117979_A

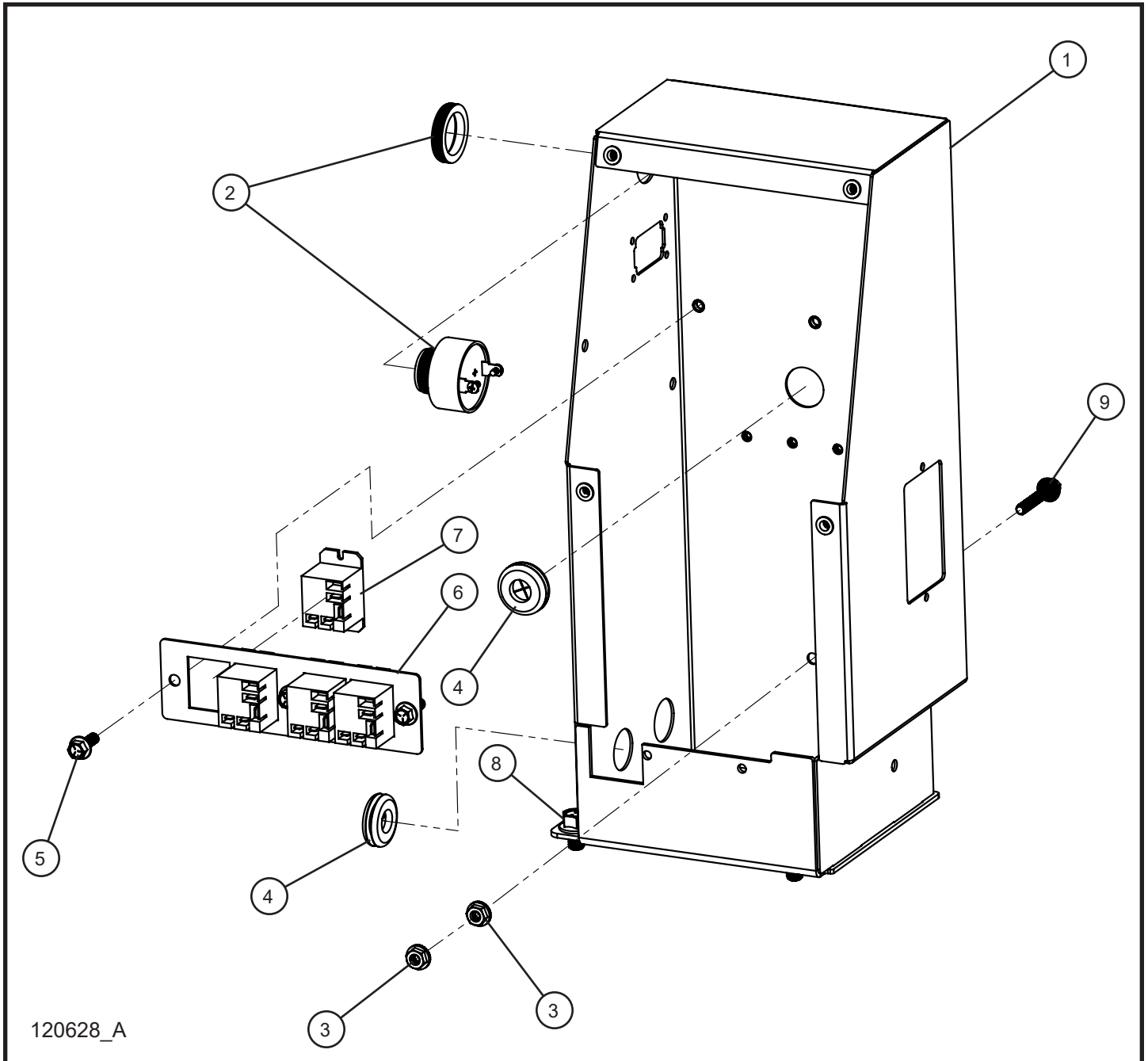
NIGHT-LITE™ GR-SERIES

SN 37-000001 and UP

2.6 - Tower Round Section and Light Bar

Item	Part No.	Part Description	Qty.
1	041070	1/4-20 x 3/4 SLOTTED HEX WASHER HEAD	3
2	053020	5/16-18 x 1 CARRIAGE BOLT	4
3	057008	5/16-18 HEX NYLOCK FLANGE NUT	4
4	056005	#10-24 x 3/4 SERRATED FLANGE HEX SCREW	4
5	057010	#10-24 HEX NYLOCK FLANGE NUT	2
6	105626	1/2 CORD GRIP	4
7	117770P	LIGHT BAR WELDMENT NL-GR SERIES	1
8	117094P	WELDMENT TOWER ROUND SECTION NL-GR SERIES	1
9	118127	WEATHERTIGHT OUTLET BOX	1
10	118128	WEATHERTIGHT LID OUTLET BOX	1
11	114886	1/2 CORD GRIP	1
12	045217	5/16 PUSH NUT	4
13	117768P	MOUNT PLATE JUNCTION BOX	1

3.1 - Control Box Interior and Install Group



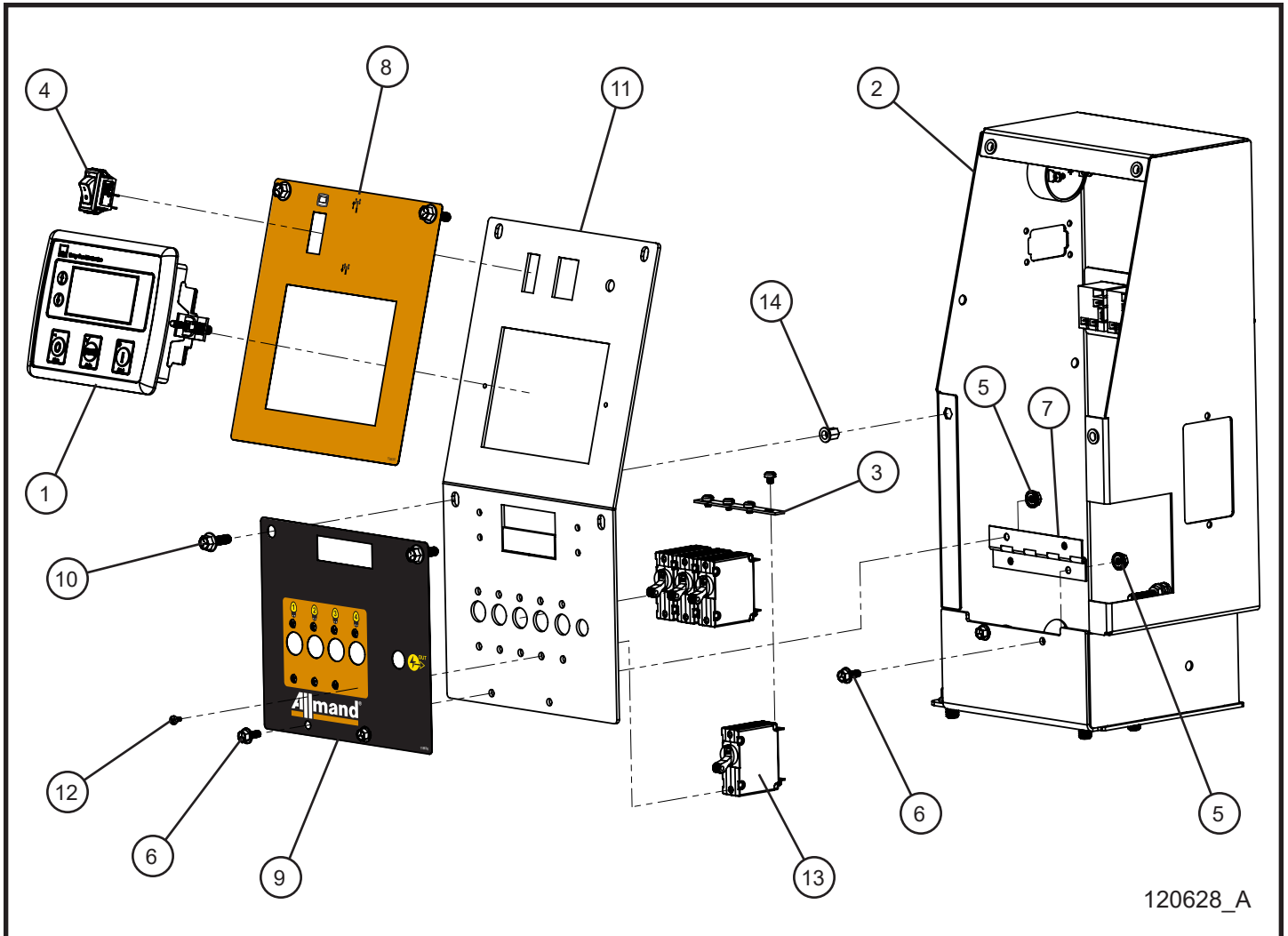
NIGHT-LITE™ GR-SERIES

SN 37-000001 and UP

3.1 - Control Box Interior and Install Group

Item	Part No.	Part Description	Qty.
1	120434P	CONTROL BOX WELDMENT NL GR-SERIES LIQUID-COOLED	1
2	118086	AUDIBLE ALARM PANEL MOUNT	1
3	057000	1/4-20 HEX SERRATED FLANGE NUT	2
4	100859	7/8 ID x 1 1/4 OD GROMMET	2
5	056019	1/4-20 x 3/4 HEX FLANGE SCREW	7
6	114846P	RELAY BRACKET BREAKER BOX	1
7	104957	RELAY 120VAC 30AMP 12-28 VDC CONTROL	4
8	056033	3/8-16 x 1/2 HEX FLANGE SCREW	4
9	056012	1/4-20 x 1 1/2 HEX SERRATED FLANGE SCREW	1
NS	105844	15A MINI FUSE	1
NS	102571	2A 250V FUSE	2
NS	105039	5A 32V BLADE FUSE	2
NS	103865	10A 32V BLADE FUSE	1
NS	103866	15A 32V BLADE FUSE	1
NS	120529	SCHEMATIC DEEP SEA LSC NL GR-SERIES LIQUID-COOLED	1
NS	118585	HARNESS CONTROL BOX DEEP SEA NLGR LC	1

3.2 - Control Box Deep Sea Controller and Light Switches I



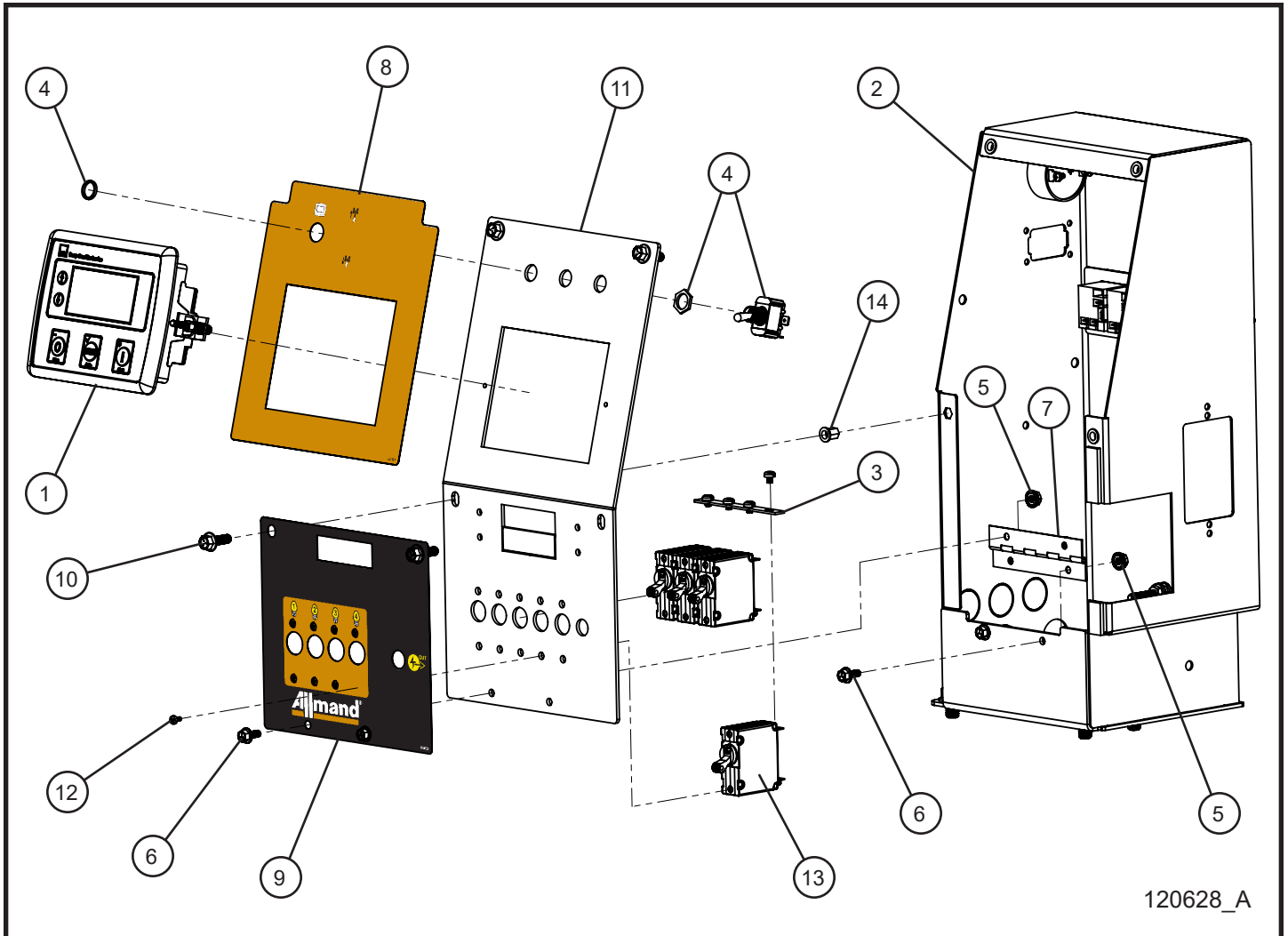
NIGHT-LITE™ GR-SERIES

SN 37-000001 and UP

3.2 - Control Box Deep Sea Controller and Light Switches I

Item	Part No.	Part Description	Qty.
1	110154	DSE L401 MK II CONTROL MODULE	1
2	120434P	CONTROL BOX WELDMENT NL GR-SERIES LIQUID-COOLED	1
3	022425	BUSS BAR 4 SLOT	1
4	113541	ROCKER SWITCH SPDT ON / OFF	1
5	057004	#10-24 SERRATED FLANGE HEX LOCKNUT	2
6	056022	#10-24 x 1/2 SERRATED FLANGE HEX SCREW	2
7	045023	HINGE CONTROLLER COVER	1
8	118635	DECAL ENGINE CONTROL PANEL NLGR LC	1
9	118636	DECAL BREAKER PANEL NLGR LC	1
10	056019	1/4-20 x 3/4 HEX FLANGE SCREW	7
11	120435P	CONTROL PANEL NL GR-SERIES LIQUID-COOLED	1
12	041018	#6-32 x 1/4 PH-ROUND HEAD	8
13	116992	5 AMP SPST BREAKER SWITCH	4
14	118302	1/4-20 RIVNUT HEX	4
NS	115259	SEAL 1/8 x 1/2 x 5.625	1
NS	105844	15A MINI FUSE	1
NS	102571	2A 250V FUSE	2
NS	105039	5A 32V BLADE FUSE	2
NS	103865	10A 32V BLADE FUSE	1
NS	103866	15A 32V BLADE FUSE	1
NS	120529	SCHEMATIC DEEP SEA LSC NL GR-SERIES LIQUID-COOLED	1
NS	120828	SCHEMATIC DEEP SEA NLGR LIQUID-COOLED INTERNATIONAL	1
NS	118585	HARNESS CONTROL BOX DEEP SEA NLGR LC	1

3.3 - Control Box Deep Sea Controller and Light Switches II



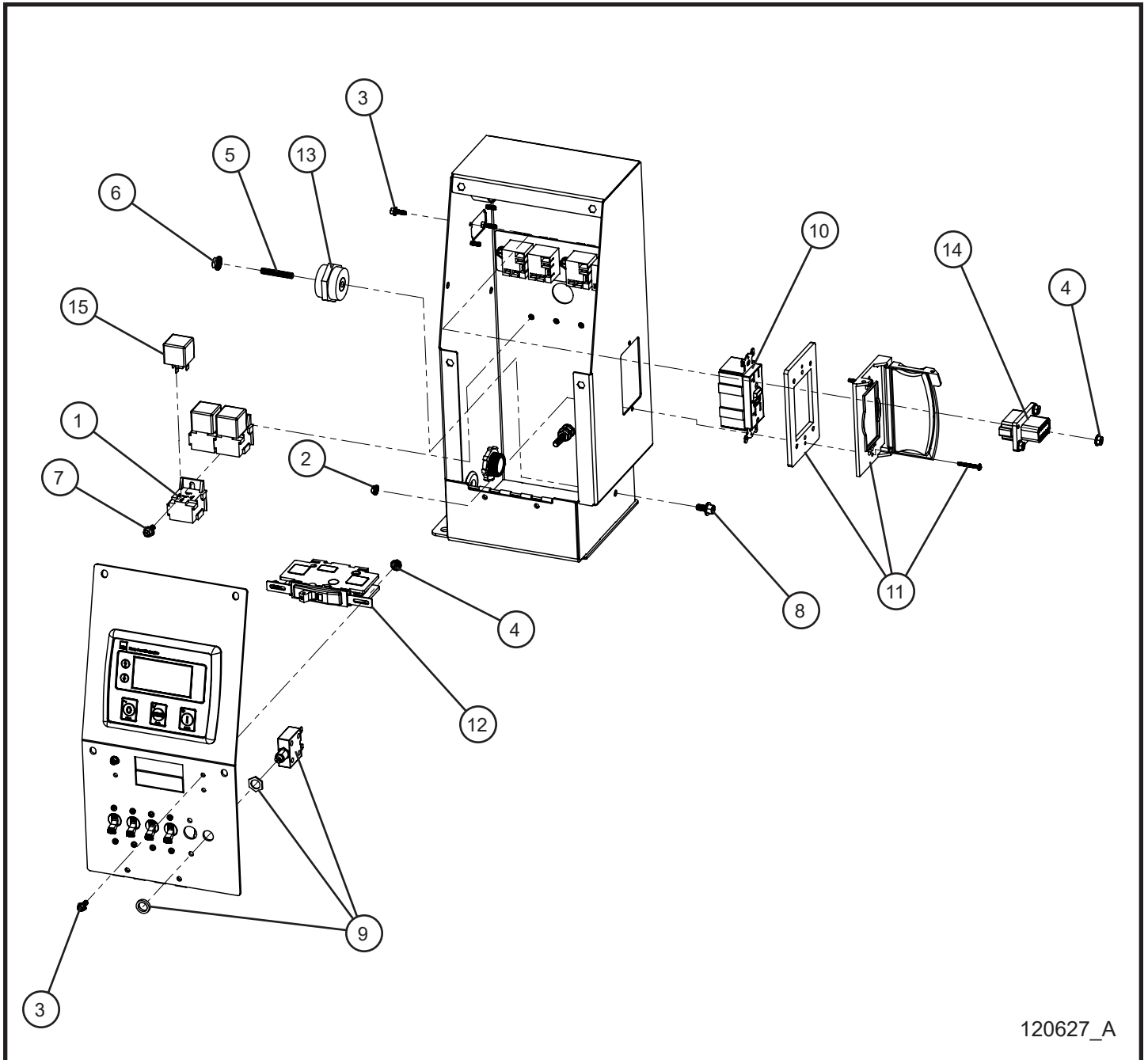
NIGHT-LITE™ GR-SERIES

SN 37-000001 and UP

3.3 - Control Box Deep Sea Controller and Light Switches II

Item	Part No.	Part Description	Qty.
1	110154	DSE L401 MK II CONTROL MODULE	1
2	120434P	CONTROL BOX WELDMENT NL GR-SERIES LIQUID-COOLED	1
3	022425	BUSS BAR 4 SLOT	1
4	123157	TOGGLE SWITCH SPST ON-OFF	1
5	057004	#10-24 SERRATED FLANGE HEX LOCKNUT	2
6	056022	#10-24 x 1/2 SERRATED FLANGE HEX SCREW	2
7	045023	HINGE CONTROLLER COVER	1
8	123566	DECAL NLGR LC 3KW TOGGLE SWITCH CONTROL PANEL	1
9	118636	DECAL BREAKER PANEL NLGR LC	1
10	056019	1/4-20 x 3/4 HEX FLANGE SCREW	7
11	124543P	PANEL CONTROL NLGR LC 3KW TOGGLE SWITCH	1
12	041018	#6-32 x 1/4 PH-ROUND HEAD	8
13	116992	5 AMP SPST BREAKER SWITCH	4
14	118302	1/4-20 RIVNUT HEX	4
NS	115259	SEAL 1/8 x 1/2 x 5.625	1
NS	105844	15A MINI FUSE	1
NS	102571	2A 250V FUSE	2
NS	105039	5A 32V BLADE FUSE	2
NS	103865	10A 32V BLADE FUSE	1
NS	103866	15A 32V BLADE FUSE	1
NS	120529	SCHEMATIC DEEP SEA LSC NL GR-SERIES LIQUID-COOLED	1
NS	120828	SCHEMATIC DEEP SEA NLGR LIQUID-COOLED INTERNATIONAL	1
NS	118585	HARNESS CONTROL BOX DEEP SEA NLGR LC	1

3.4 - Control Box Main Breaker and GFCI Group



120627_A

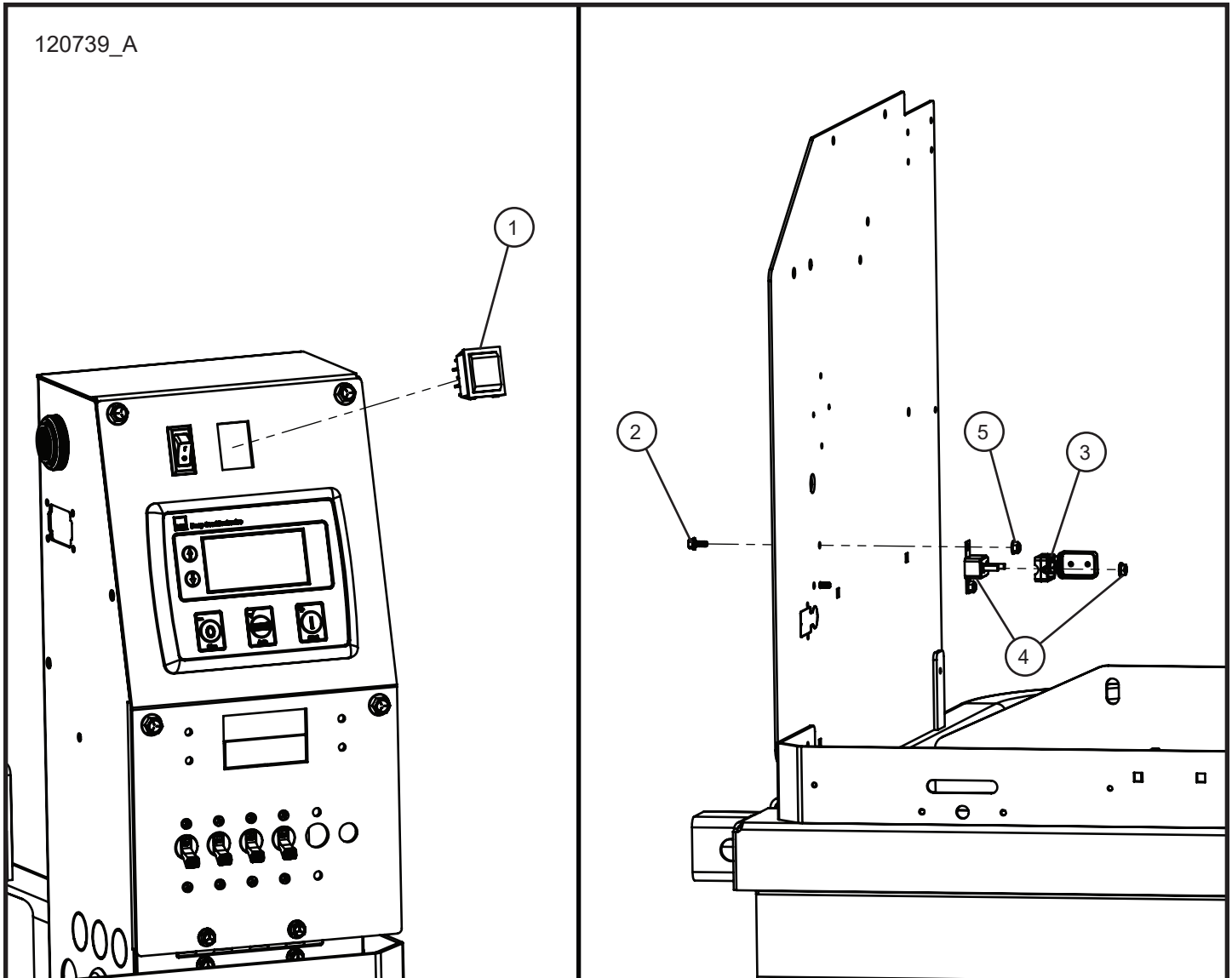
NIGHT-LITE™ GR-SERIES

SN 37-000001 and UP

3.4 - Control Box Main Breaker and GFCI Group

Item	Part No.	Part Description	Qty.
1	118230	SINGLE RELAY BLOCK WITH MOUNTING TAB	3
2	057005	#6-32 SERRATED FLANGE HEX NUT	2
3	056006	#8-32 x 1/2 HEX SERRATED FLANGE SCREW	6
4	057003	#8-32 HEX SERRATED FLANGE LOCKNUT	6
5	122454	1/4-20 X 1-1/2 STUD W/ THREAD LOCK	1
6	057000	1/4-20 HEX SERRATED FLANGE NUT	1
7	056022	#10-24 x 1/2 HEX SERRATED FLANGE SCREW	3
8	122452	1/4-20 X 1/2 HEX SERRATED FLANGE BOLT W/ THREAD LOCK	1
9	118396	20A THERMAL PUSH BUTTON CIRCUIT BREAKER	1
10	330499	20 AMP RECEPTACLE GFCI	1
11	112278	COVER WEATHERPROOF HORIZONTAL	1
12	116997	25A 120/240V SPDT MAIN BREAKER	1
13	106318	LOW VOLTAGE INSULATOR 1-1/4", 1/4-20	1
14	118614	12 PIN DEUTSCH PANEL MOUNT RECEPTACLE	1
	118617	12 PIN WEDGELOCK RECEPTACLE	1
15	118231	30/40 AMP 12V PLUG IN RELAY	3
NS	118469	BREAKER AND GFCI OUTLET NLGR AIR-COOLED WIRE KIT	1
NS	105844	15A MINI FUSE	1
NS	102571	2A 250V FUSE	2
NS	105039	5A 32V BLADE FUSE	2
NS	103865	10A 32V BLADE FUSE	1
NS	103866	15A 32V BLADE FUSE	1
NS	124036	SCHEMATIC DEEP SEA NLGR LC 3KW	1
NS	118585	HARNESS CONTROL BOX DEEP SEA NLGR LC	1

3.5 - Electric Winch Tower Switch and Breaker I



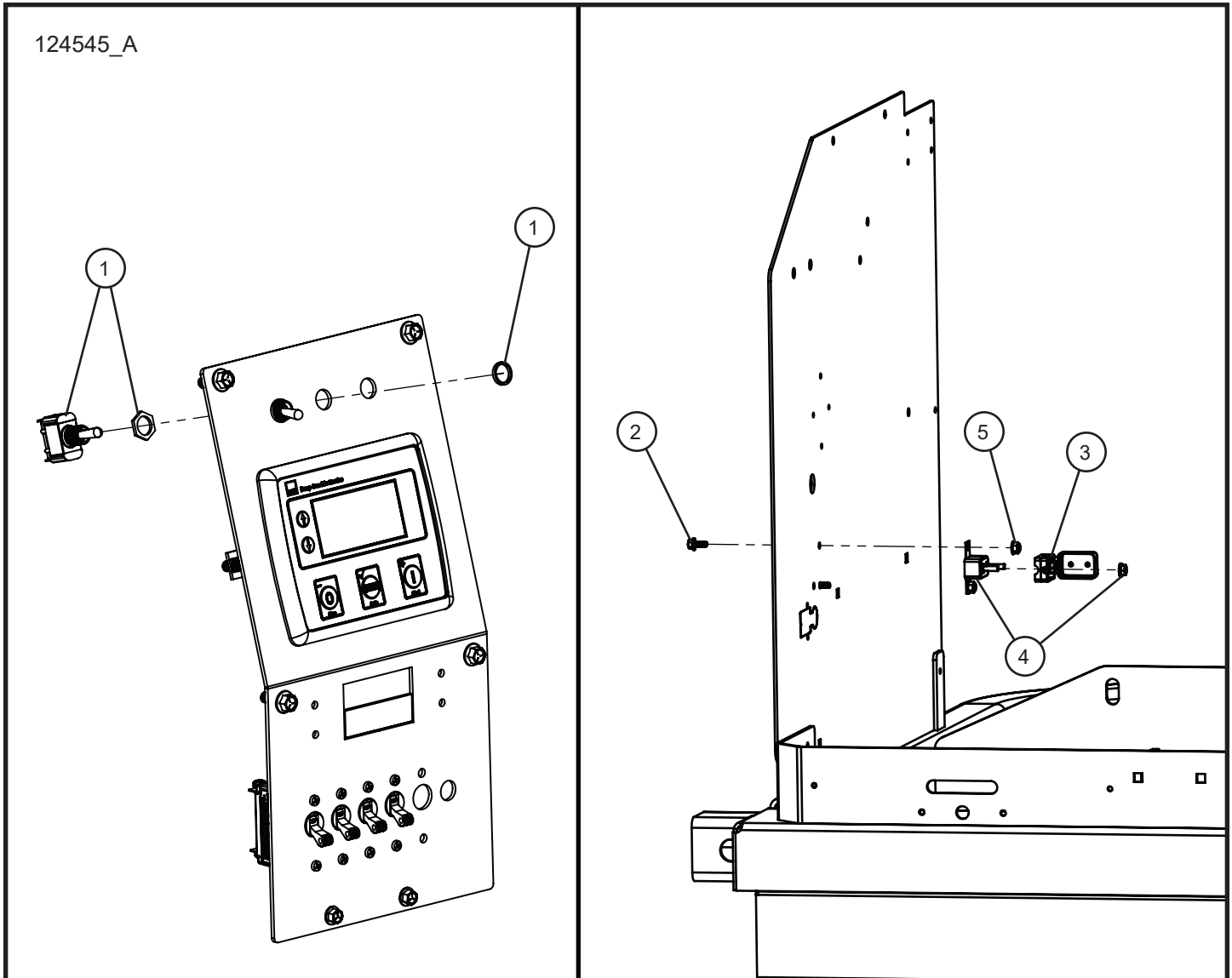
NIGHT-LITE™ GR-SERIES

SN 37-000001 and UP

3.5 - Electric Winch Tower Switch and Breaker I

Item	Part No.	Part Description	Qty.
1	113542	ROCKER SWITCH DPDT ON-OFF-ON	1
2	056022	#10-24 X 1/2 SERRATED FLANGE HEX SCREW	2
3	102698	RED BOOT CIRCUIT BREAKER	1
4	122982	50 AMP SHORTSTOP BREAKER WITH MOUNTING BRACKET	1
5	057004	#10-24 SERRATED FLANGE HEX LOCKNUT	2
NS	120922	ELECTRIC WINCH UNIVERSAL SUB-ASSEMBLY NLGR	1
	116699	SH 1000 ELECTRIC WINCH	1
	122487	ELECTRIC WINCH HARNESS SH1000 NLGR	1
NS	120927	SCHEMATIC SH1000 ELECTRIC WINCH NLGR	1

3.6 - Electric Winch Tower Switch and Breaker II



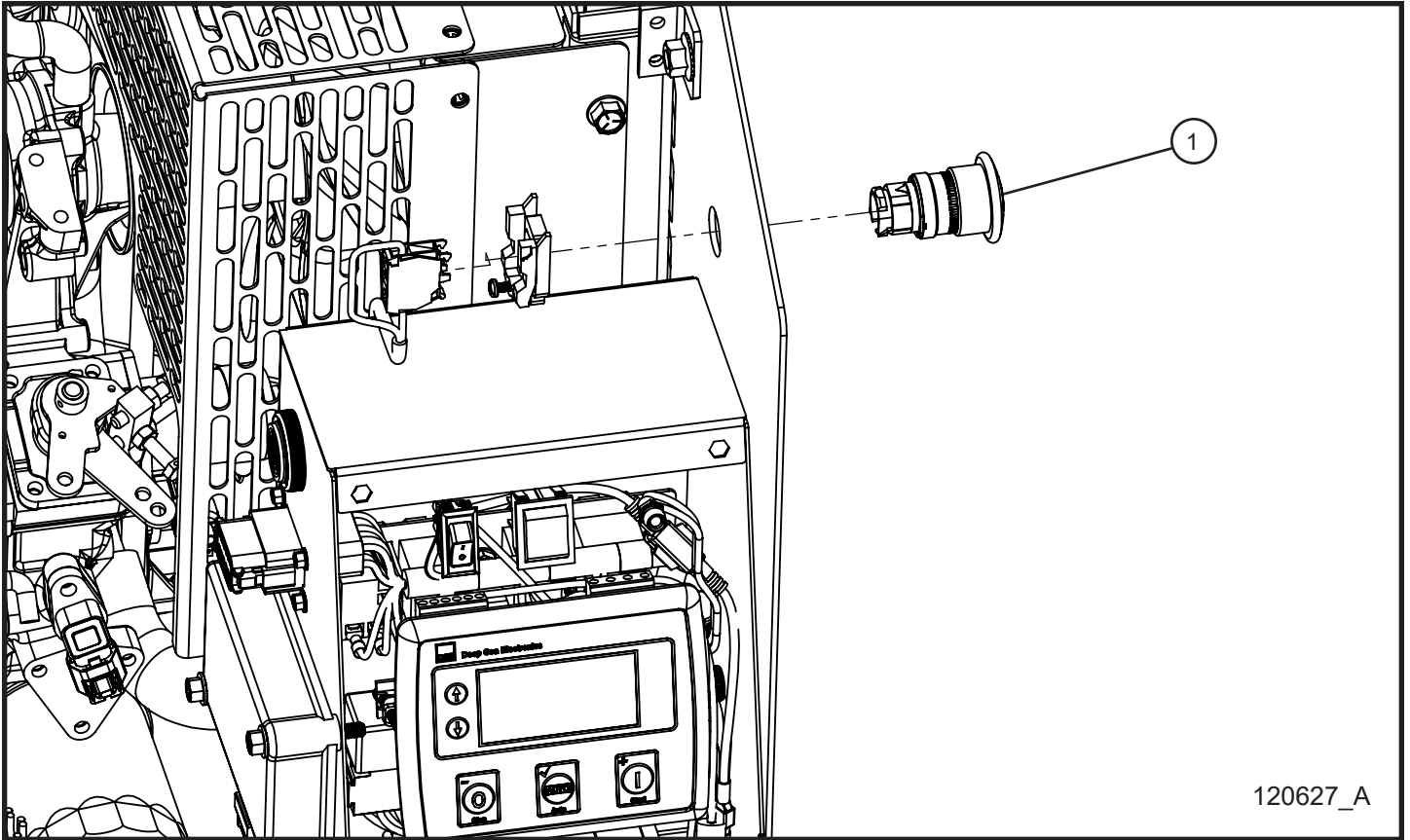
NIGHT-LITE™ GR-SERIES

SN 37-000001 and UP

3.6 - Electric Winch Tower Switch and Breaker II

Item	Part No.	Part Description	Qty.
1	123158	TOGGLE SWITCH SPDT (ON)-OFF-(ON)	1
2	056022	#10-24 X 1/2 SERRATED FLANGE HEX SCREW	2
3	102698	RED BOOT CIRCUIT BREAKER	1
4	122982	50 AMP SHORTSTOP BREAKER WITH MOUNTING BRACKET	1
5	057004	#10-24 SERRATED FLANGE HEX LOCKNUT	2
NS	120922	ELECTRIC WINCH UNIVERSAL SUB-ASSEMBLY NLGR	1
	116699	SH 1000 ELECTRIC WINCH	1
	122487	ELECTRIC WINCH HARNESS SH1000 NLGR	1
NS	120927	SCHEMATIC SH1000 ELECTRIC WINCH NLGR	1

3.7 - Emergency Stop Button



120627_A

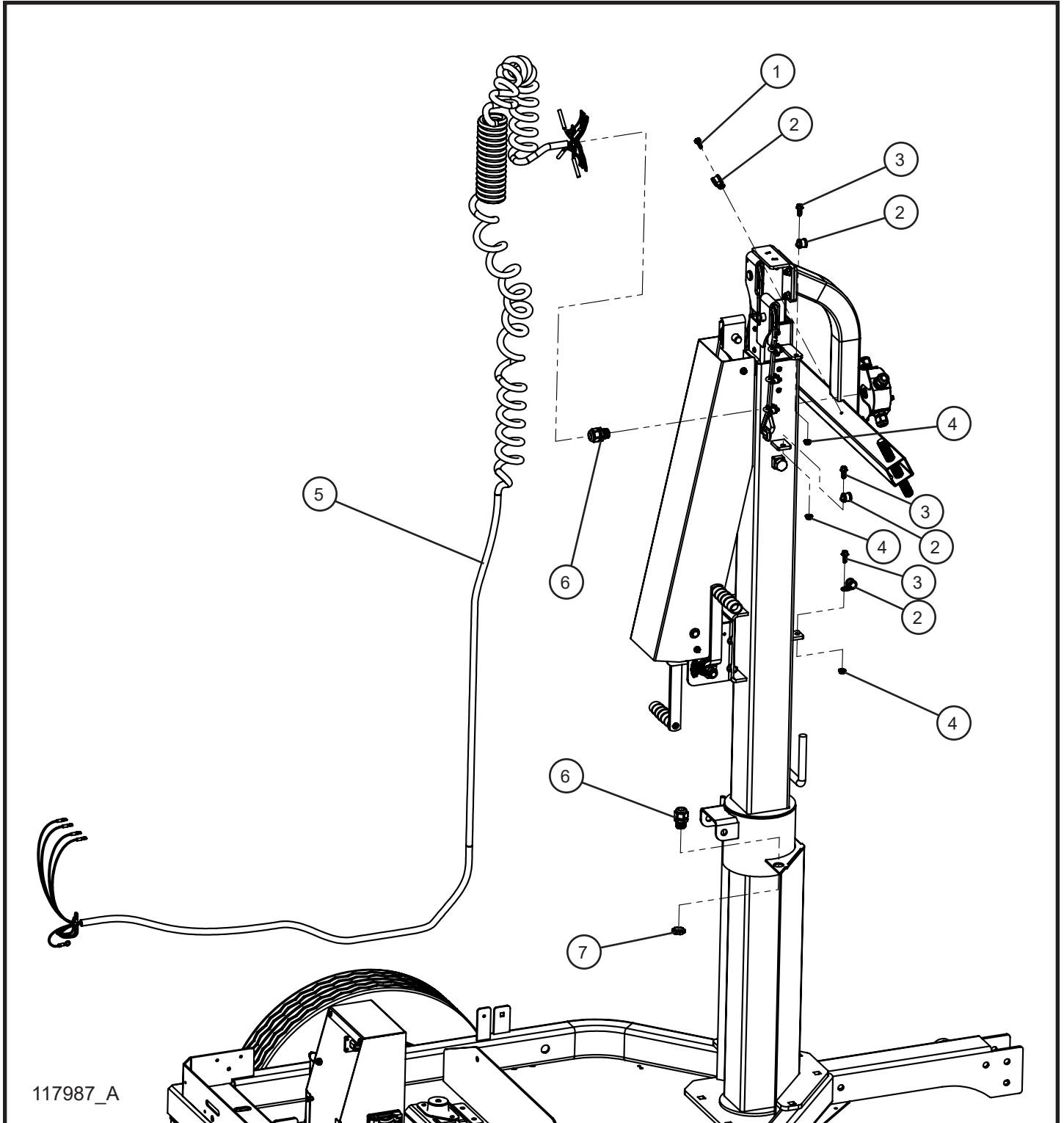
NIGHT-LITE™ GR-SERIES

SN 37-000001 and UP

3.7 - Emergency Stop Button

Item	Part No.	Part Description	Qty.
1	108912	PUSH-PULL EMERGENCY STOP 40mm W/ 22mm MOUNTING	1
NS	120529	SCHEMATIC DEEP SEA LSC NL GR-SERIES LIQUID-COOLED	1
NS	120528	SCHEMATIC KUBOTA Z482 NLGR LIQUID-COOLED	1
NS	118584	HARNESS ENGINE NLGR LC	1
NS	120828	SCHEMATIC DEEP SEA NLGR LIQUID-COOLED INTERNATIONAL	1
NS	118585	HARNESS CONTROL BOX DEEP SEA NLGR LC	1

3.8 - Teledyne Tower Cord



117987_A

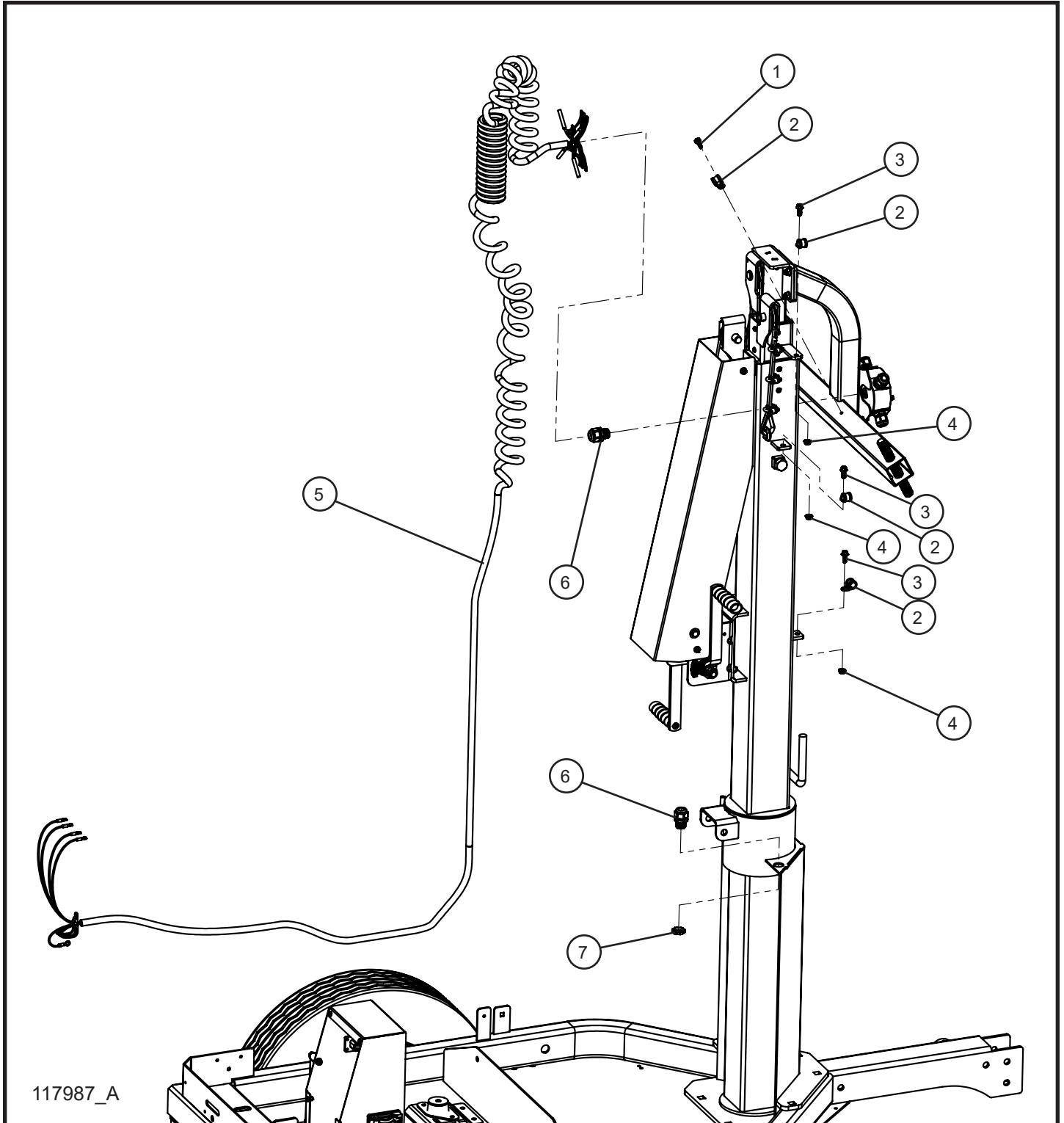
NIGHT-LITE™ GR-SERIES

SN 37-000001 and UP

3.8 - Teledyne Tower Cord

Item	Part No.	Part Description	Qty.
1	041070	1/4-20 x 3/4 SLOTTED HEX WASHER HEAD MACHINE SCREW	1
2	022022	#8 CUSH CLAMP 1/4 HOLE	4
3	056002	1/4-20 x 3/4 HEX SERRATED FLANGE SCREW	3
4	057000	1/4-20 HEX SERRATED FLANGE NUT	3
5	117988	TOWER CORD ASSEMBLY NL GR-SERIES AIR-COOLED	1
6	114886	CORD GRIP 1/2" NYLON BLACK	3
7	022035	1/2 CORD GRIP NUT	2
NS	102624	2 TERMINAL PORT LEVER LOCK	4
NS	102622	5 TERMINAL PORT LEVER LOCK	2
NS	102623	3 TERMINAL PORT LEVER LOCK	2
NS	120531	SCHEMATIC 16/8 TOWER CORD NLGR LIQUID-COOLED	1
NS	120830	SCHEMATIC 16/8 TOWER CORD NLGR LIQUID-COOLED INT'L	1
NS	118136	16 AWG GROUND GREEN WIRE x 3.00	1

3.9 - Philatron Tower Cord



117987_A

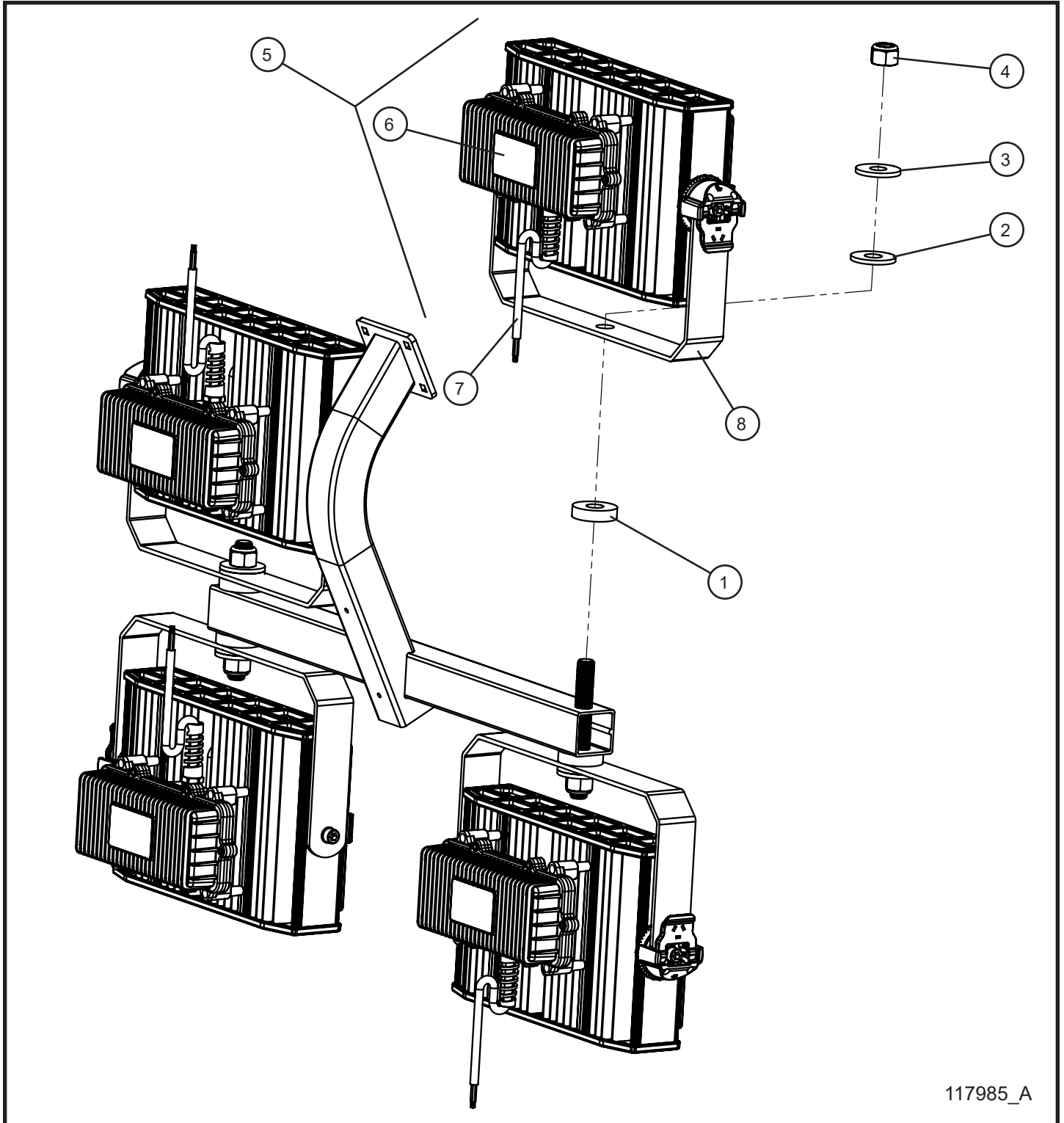
NIGHT-LITE™ GR-SERIES

SN 37-000001 and UP

3.9 - Philatron Tower Cord

Item	Part No.	Part Description	Qty.
1	041070	1/4-20 x 3/4 SLOTTED HEX WASHER HEAD MACHINE SCREW	1
2	022016	#6 CUSH CLAMP	4
3	056002	1/4-20 x 3/4 HEX SERRATED FLANGE SCREW	3
4	057000	1/4-20 HEX SERRATED FLANGE NUT	3
5	124522	PHILATRON TOWER CORD ASSEMBLY NL GR-SERIES	1
6	114886	CORD GRIP 1/2" NYLON BLACK	3
7	022035	1/2 CORD GRIP NUT	2
NS	102624	2 TERMINAL PORT LEVER LOCK	4
NS	102622	5 TERMINAL PORT LEVER LOCK	2
NS	120531	SCHEMATIC 16/8 TOWER CORD NLGR LIQUID-COOLED	1
NS	118136	16 AWG GROUND GREEN WIRE x 3.00	1

3.10 - 350W LED Lighting



117985_A

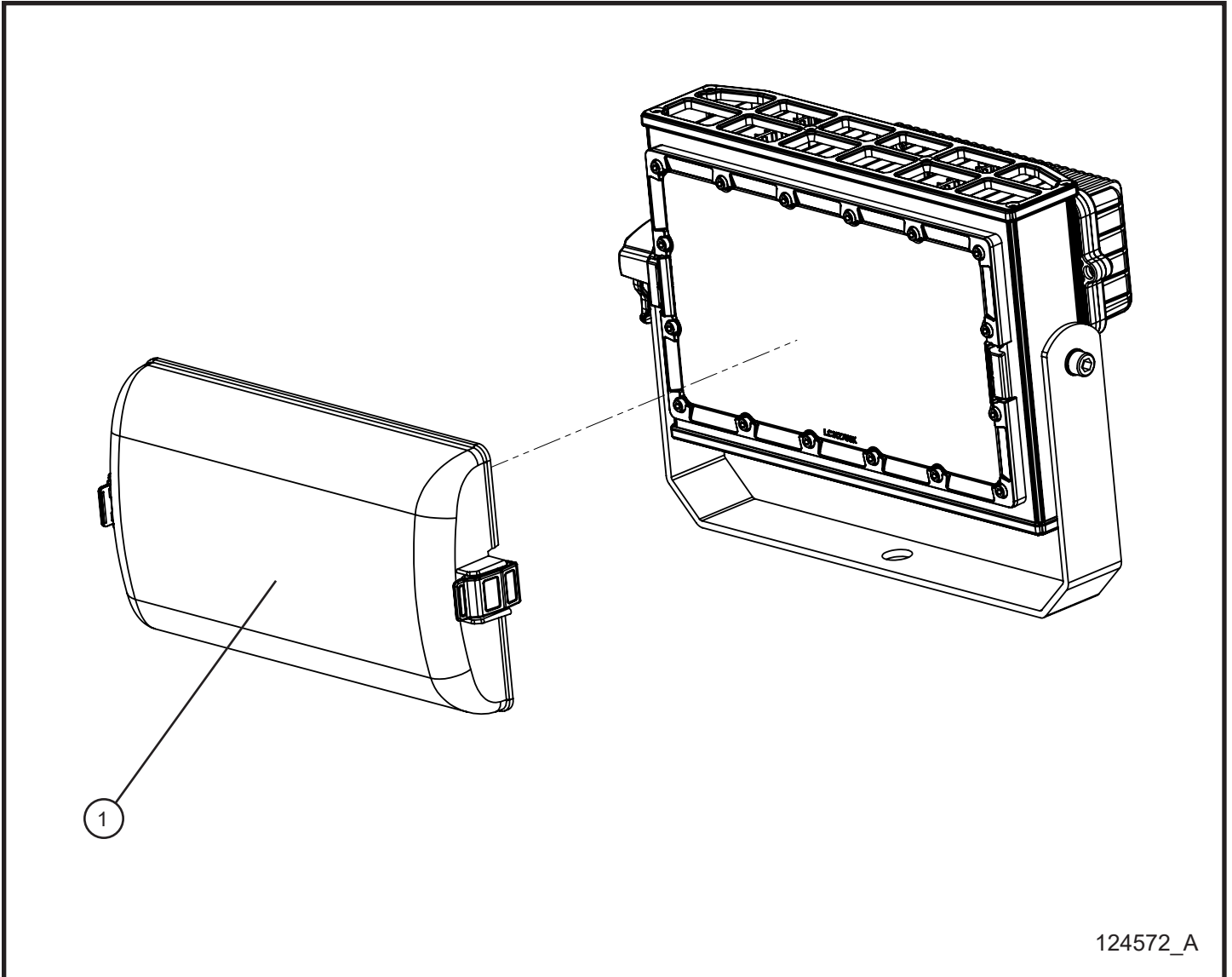
NIGHT-LITE™ GR-SERIES

SN 37-000001 and UP

3.10 - 350W LED Lighting

Item	Part No.	Part Description	Qty.
1	101813	.781 ID x 2 OD x 1/2 HDPE WASHER	4
2	650550	.785" x 2" HDPE WASHER	4
3	047035	3/4 FLAT WASHER	4
4	044058	3/4-10 NYLOCK HEX NUT PL	4
5	123200	LIGHT LED SMD KUM1S-350 350W COMPLETE	4
6	123198	DRIVER KUM1S-350 SMD LED 350W	1
7	122483	AC POWER CORD KUH2S-250/350 & KUM1S-250/350	1
8	123197	KUM1S-350 YOKE AND HARDWARE KIT	1

3.11 - 350W LED Light Diffuser



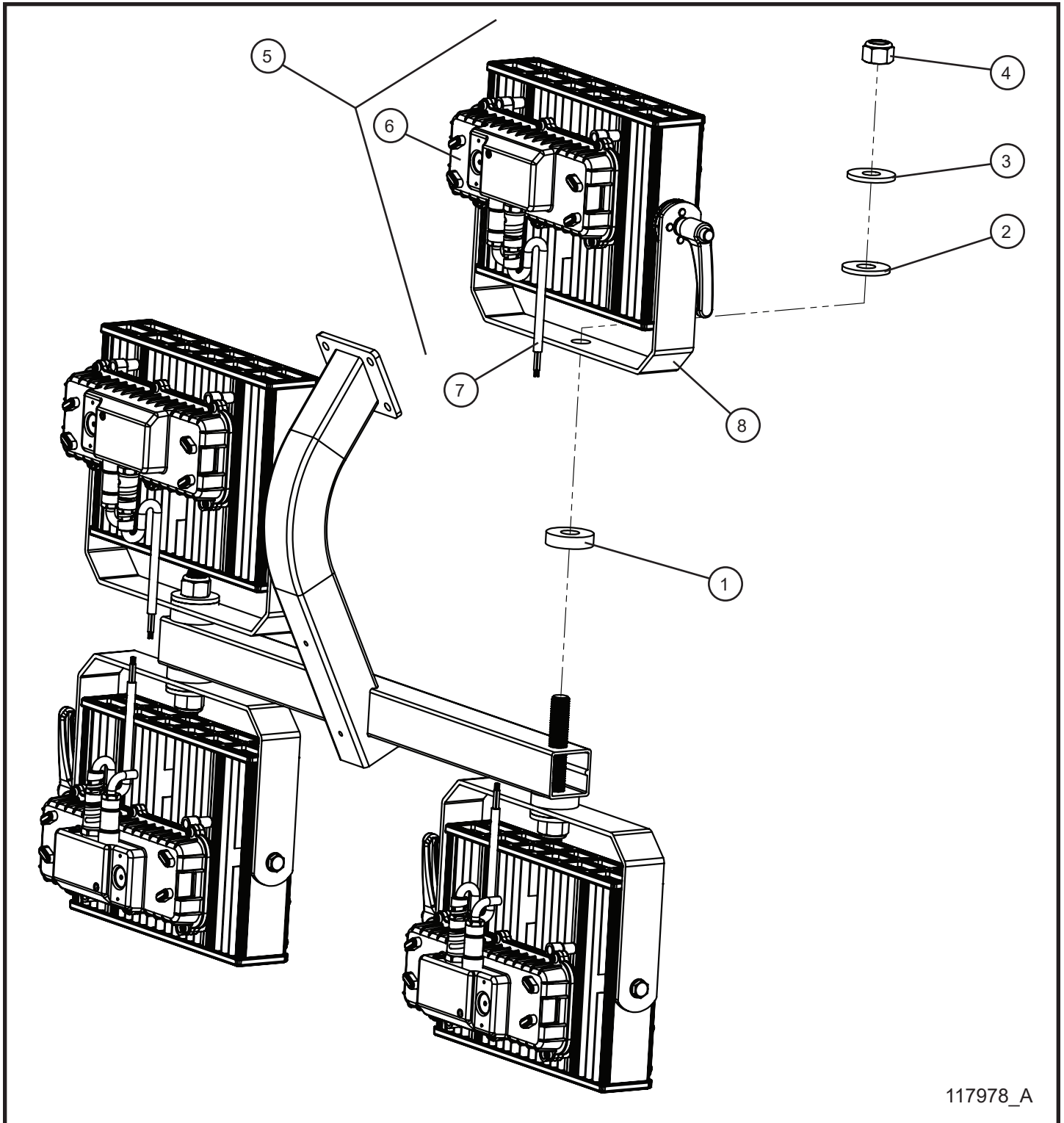
NIGHT-LITE™ GR-SERIES

SN 37-000001 and UP

3.11 - 350W LED Light Diffuser

Item	Part No.	Part Description	Qty.
1	123199	DIFFUSER LED LIGHT KUM1S-350	1

3.12 - 250W LED Lighting



117978_A

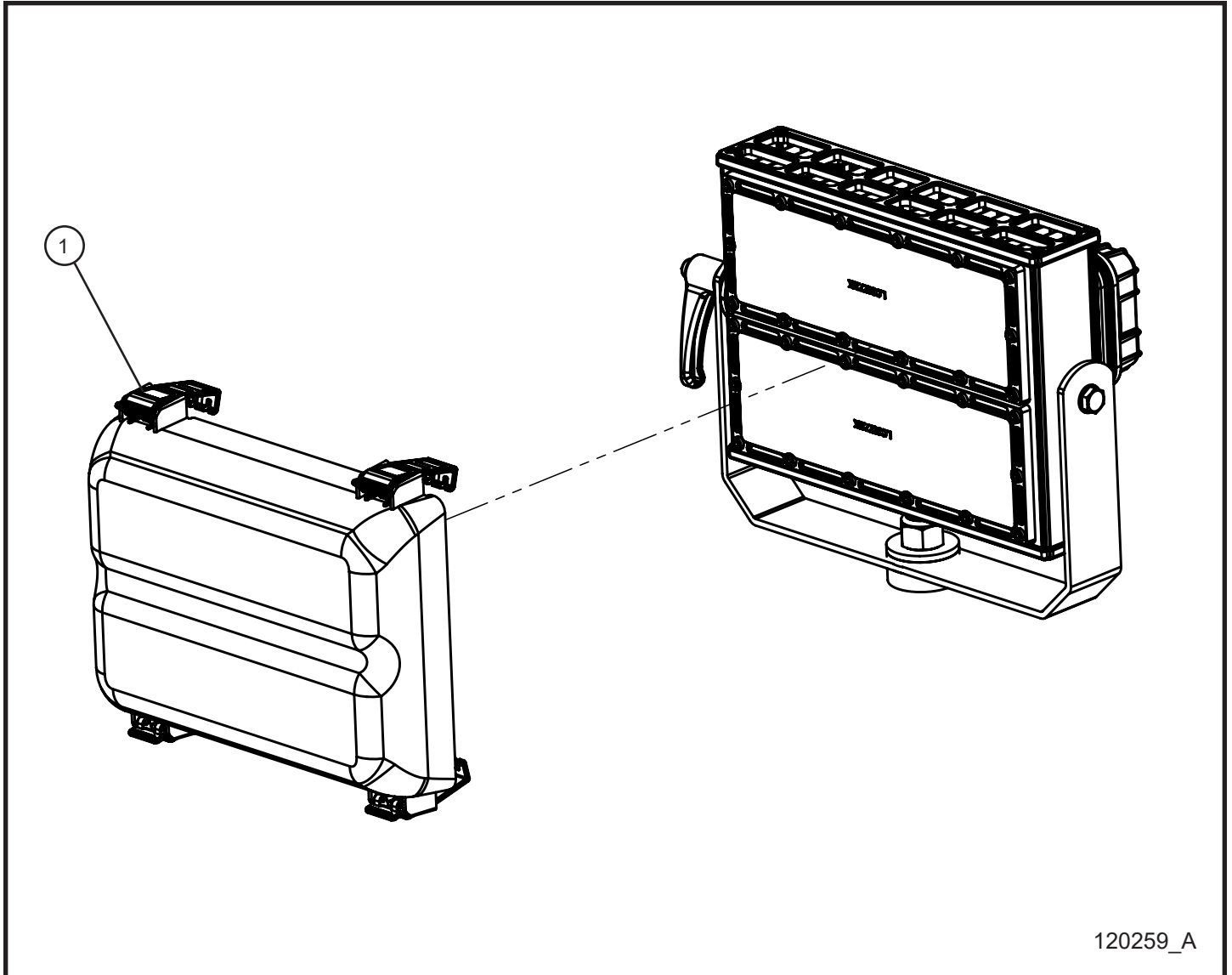
NIGHT-LITE™ GR-SERIES

SN 37-000001 and UP

3.12 - 250W LED Lighting

Item	Part No.	Part Description	Qty.
1	101813	.781 ID x 2 OD x 1/2 HDPE WASHER	4
2	650550	.785" x 2" HDPE WASHER	4
3	047035	3/4 FLAT WASHER	4
4	044058	3/4-10 NYLOCK HEX NUT PL	4
5	116980	LIGHT LED SMD 250W	4
6	122481	DRIVER KUH2S 350 SMD LED 250W	1
7	122483	AC POWER CORD KUH2S-250 AND KUH2S-350	1
8	122484	KUH2S-250 YOKE AND HARDWARE KIT	1

3.13 - 250W LED Light Diffuser



NIGHT-LITE™ GR-SERIES

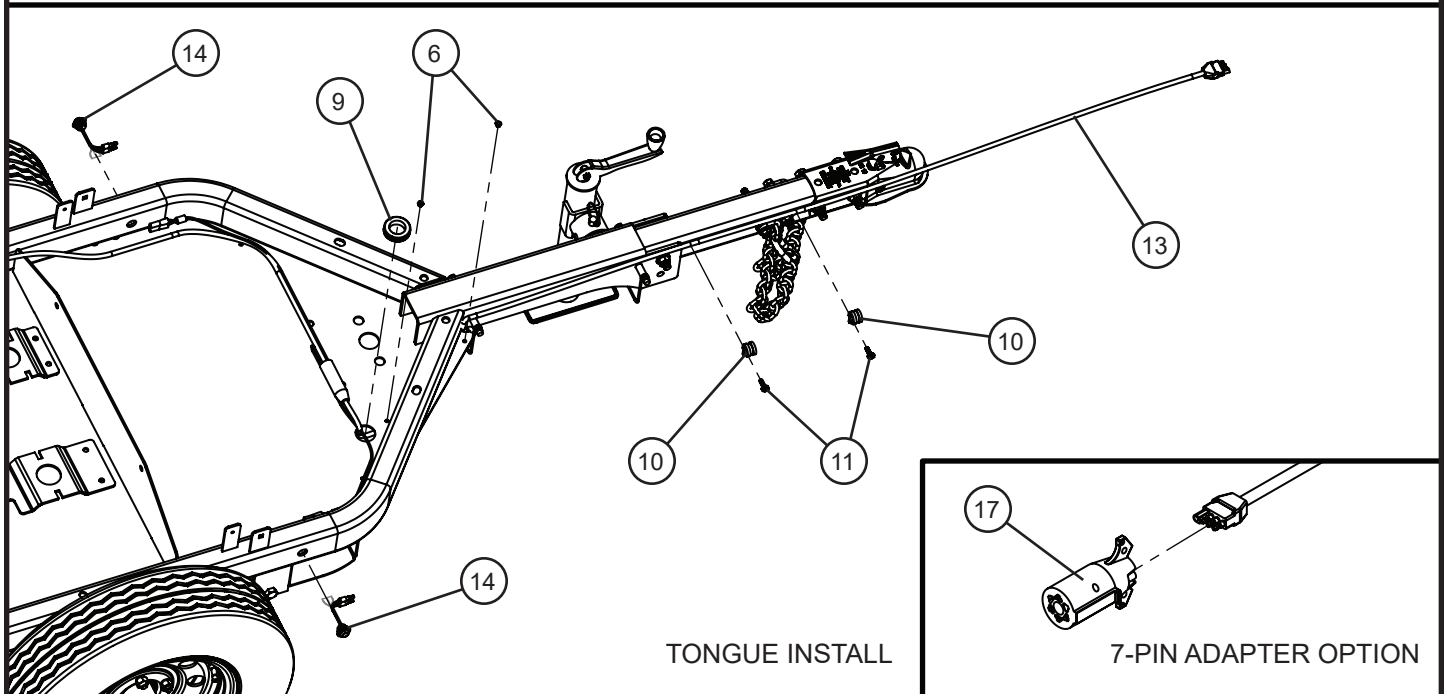
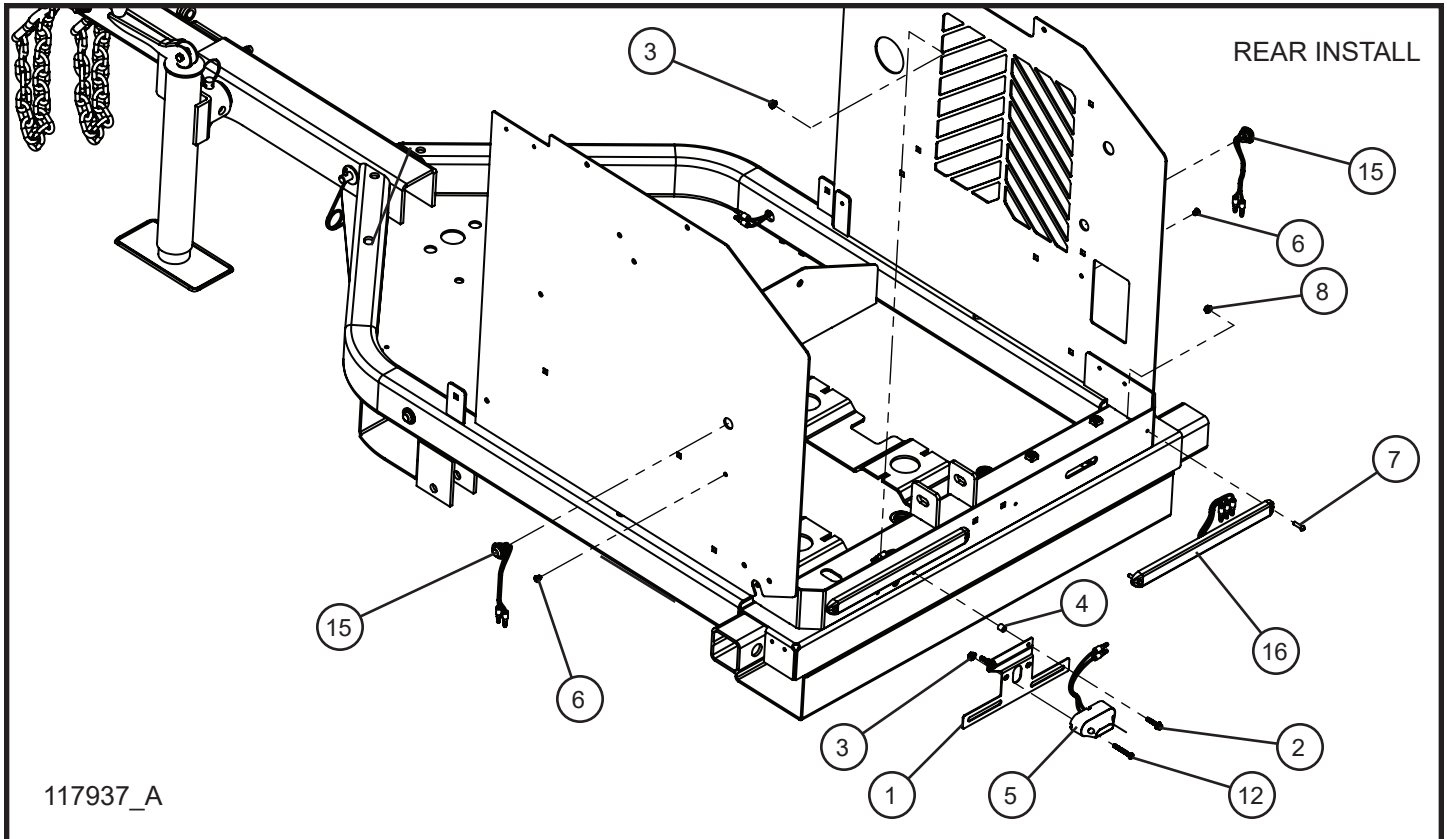
SN 37-000001 and UP

3.13 - 250W LED Light Diffuser

Item	Part No.	Part Description	Qty.
1	118418	DIFFUSER COVER LIGHT LED SMD 250W	1

*NS - NOT SHOWN

3.14 - Trailer Lighting



NIGHT-LITE™ GR-SERIES

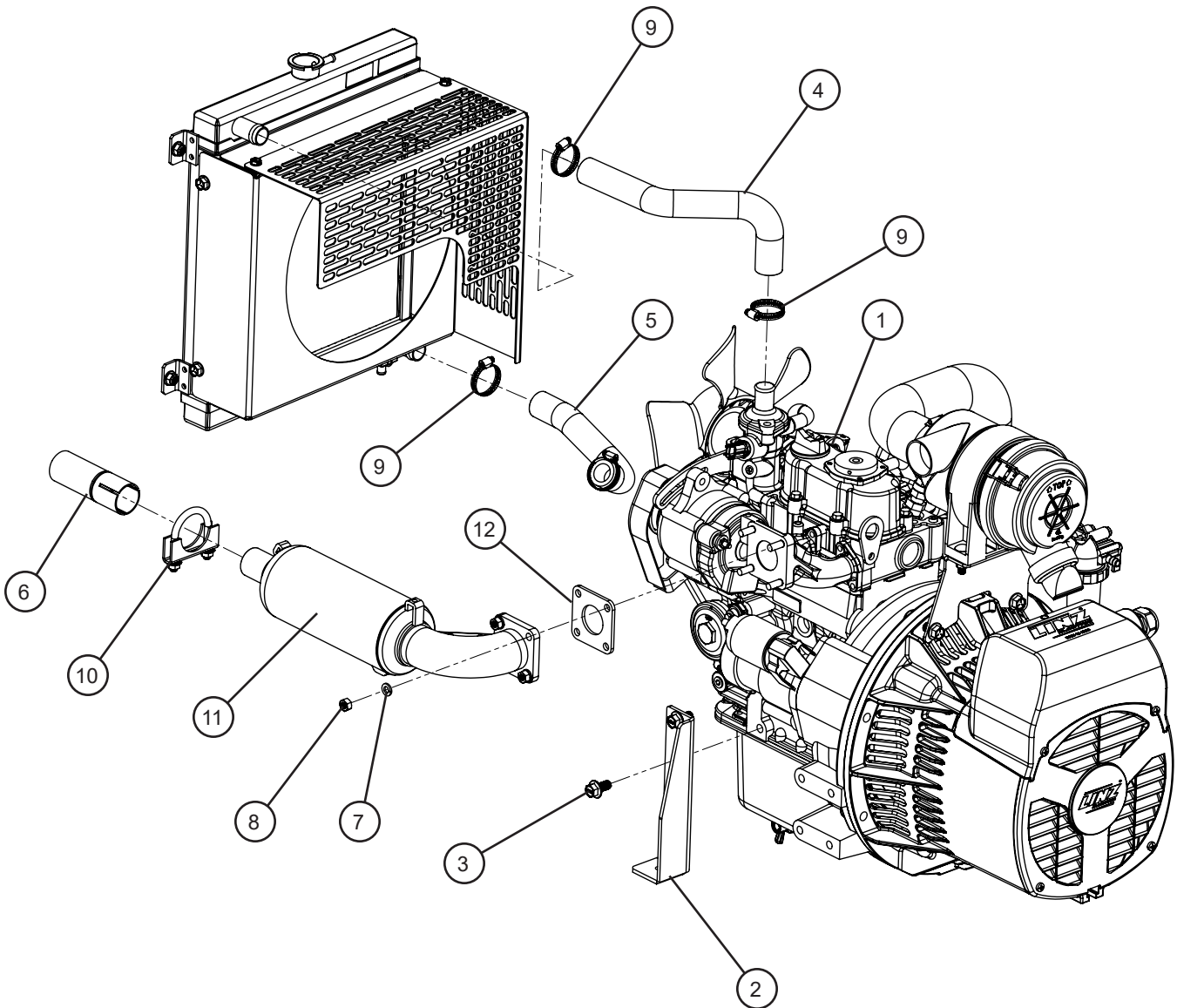
SN 37-000001 and UP

3.14 - Trailer Lighting

Item	Part No.	Part Description	Qty.
1	105349P	BRACKET LICENSE PLATE LED LIGHT	1
2	056034	#10-24 x 1 SERRATED FLANGE HEX SCREW	2
3	057004	#10-24 SERRATED FLANGE HEX LOCKNUT	4
4	022180	SPACER RICOHO	2
5	115116	LICENSE PLATE LIGHT LED	1
6	022137	PUSH BUTTON	4
7	041203	#8-32 x 3/4 SCREW	4
8	057003	#8-32 SERRATED FLANGE HEX LOCKNUT	4
9	650542	1 1/4 ID x 1 1/2 OD GROMMET	1
10	022014	#10 CUSHION CLAMP	2
11	041070	1/4 x 3/4 SL-HEX WASHER HEAD	4
12	041040	#10-24 x 1 1/2 PH-ROUND HEAD	2
13	118583	TAIL LIGHT HARNESS NL GR-SERIES LIQUID-COOLED	1
14	106212	MARKER LIGHT AMBER BULLET LED	2
15	106211	MARKER LIGHT RED BULLET LED	2
16	118090	TAIL LIGHT THIN LINE SURFACE MOUNT	2
17	107401	ADAPTER 7-WAY BLADE TO 4 POLE FLAT	1
NS	114884	REFLECTOR DECAL AMBER 2.75 x 1.75	2
NS	114885	REFLECTOR DECAL RED 4.3125 x 1.6875	2
NS	120533	SCHEMATIC TAIL LIGHT HARNESS NLGR LIQUID-COOLED	1

4.1 - Kubota Z482 Diesel Engine (1 of 3)

ENGINE INSTALL



120623_A

NIGHT-LITE™ GR-SERIES

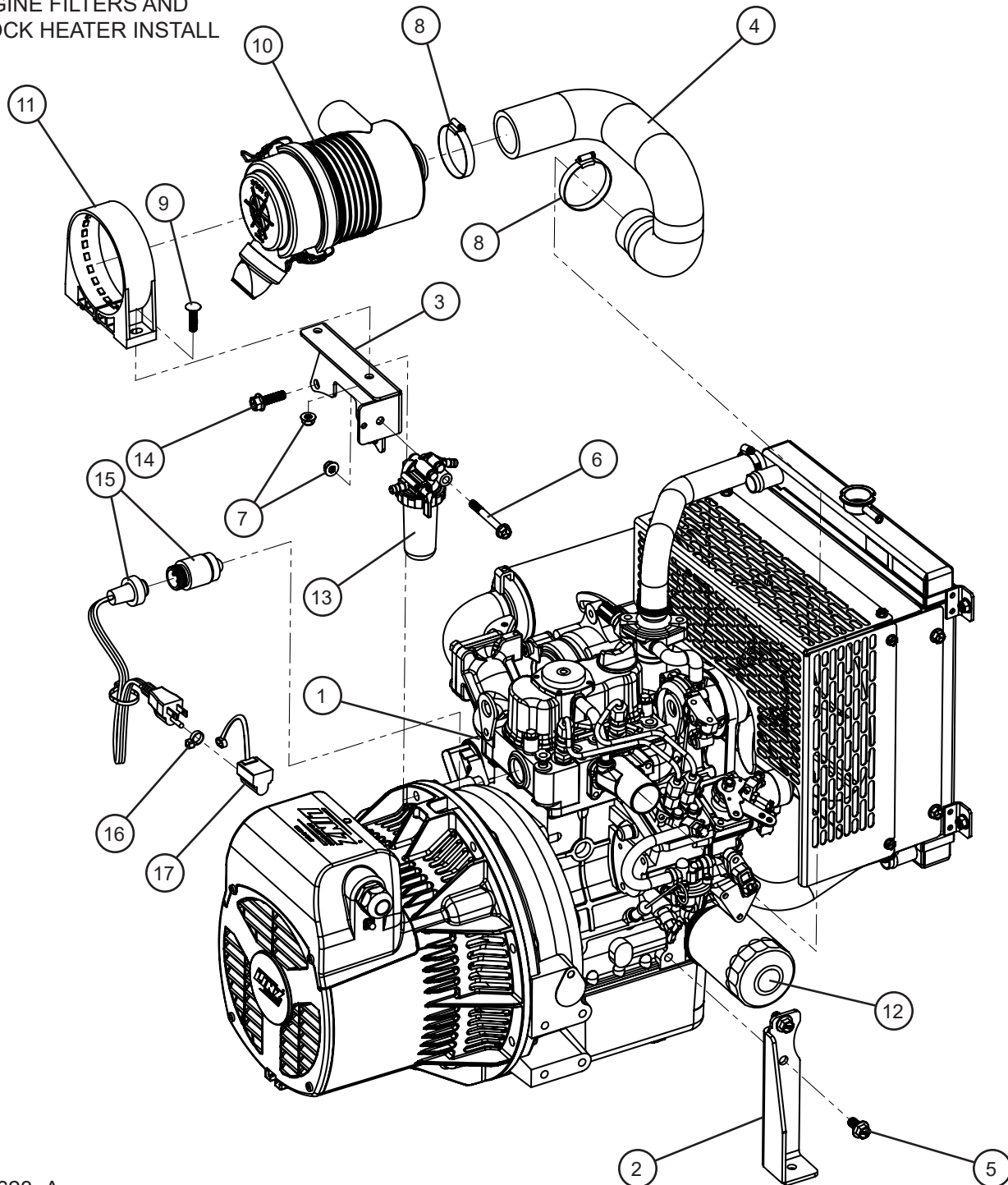
SN 37-000001 and UP

4.1 - Kubota Z482 Diesel Engine (1 of 3)

Item	Part No.	Part Description	Qty.
1	118399	ENGINE KUBOTA Z482 EGOV	1
2	120650P	ENGINE MOUNT LEFT WELDMENT KUBOTA Z482	1
3	055002	M10 x 1.25 x 20 HEX FLANGE SCREW	4
4	118649	HOSE RADIATOR UPPER KUBOTA Z482	1
5	118650	HOSE RADIATOR LOWER KUBOTA Z482	1
6	118397	TAILPIPE EXHAUST KUBOTA Z482	1
7	043055	5/16 SPLITLOCK WASHER	4
8	042082	M8 X 1.25MM HEX NUT	4
9	045034	#16 CLAMP HOSE	4
10	112211	CLAMP MUFFLER 1-5/8 EXHAUST 1-5/8 EXHAUST	1
11	118382	MUFFLER	1
12	118383	MUFFLER GASKET	1
NS	120586	KUBOTA Z482 30 AMP CHARGE CIRCUIT FUSE	1
	107929	30A MINI FUSE	1
NS	118380	OIL FILTER	1
NS	650290	AIR FILTER	1
NS	118381	FUEL FILTER	1
NS	105844	15A MINI FUSE	1
NS	120528	SCHEMATIC KUBOTA Z482 NLGR LIQUID-COOLED	1
NS	118584	ENGINE HARNESS NLGR LC	1

4.1 - Kubota Z482 Diesel Engine (2 of 3)

ENGINE FILTERS AND
BLOCK HEATER INSTALL



120623_A

NIGHT-LITE™ GR-SERIES

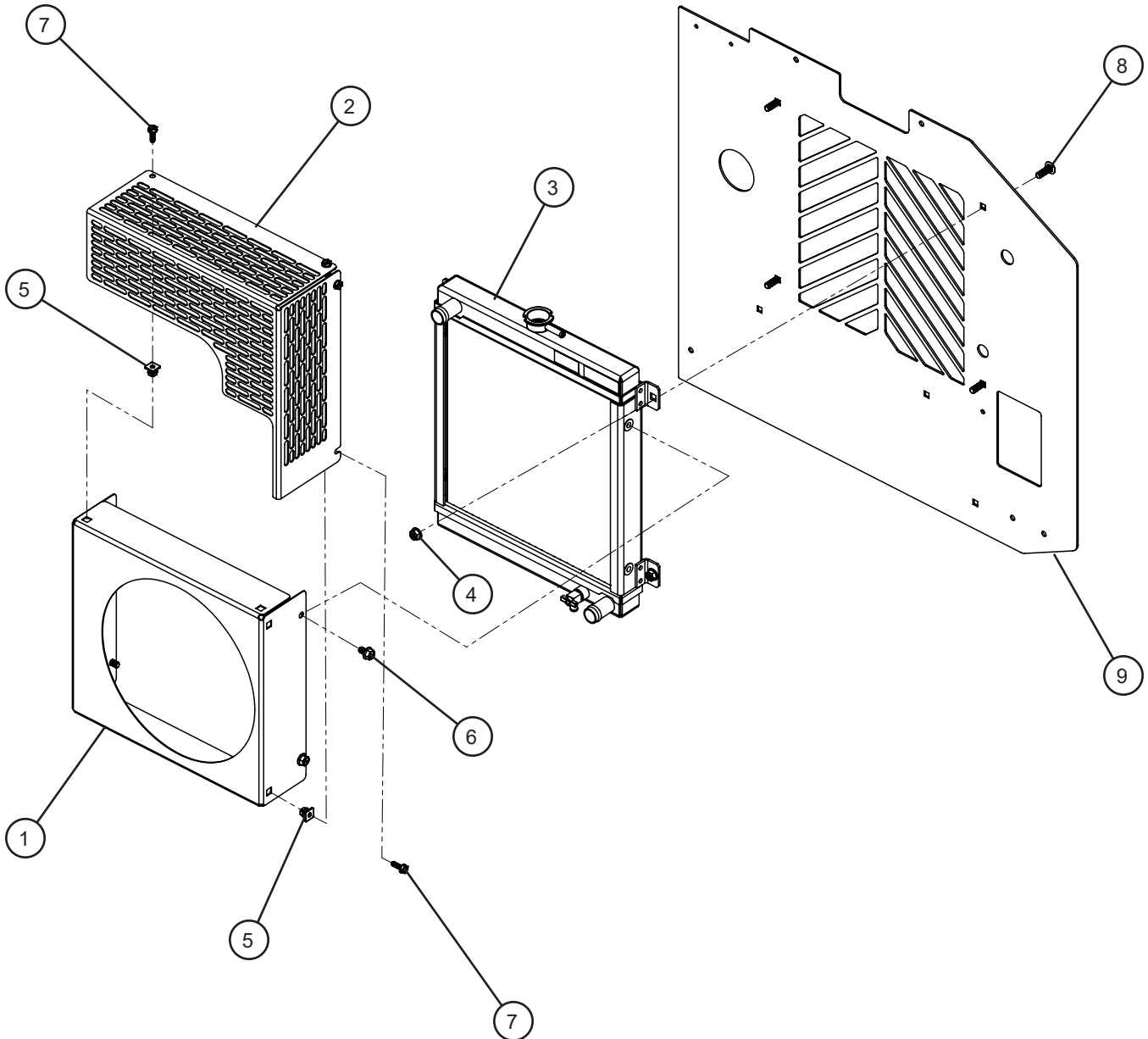
SN 37-000001 and UP

4.1 - Kubota Z482 Diesel Engine (2 of 3)

Item	Part No.	Part Description	Qty.
1	118399	ENGINE KUBOTA Z482 EGOV	1
2	117941P	ENGINE MOUNT RIGHT WELDMENT KUBOTA Z482	1
3	117722P	AIR CLEANER MOUNT KUBOTA Z482	1
4	118390	HOSE AIR INTAKE KUBOTA Z482	1
5	055002	M10 x 1.25 x 20 HEX FLANGE SCREW	4
6	056032	5/16-18 x 2-3/4 HEX FLANGE SCREW	1
7	057008	5/16-18 HEX NYLOCK FLANGE NUT	3
8	045038	#32 HOSE CLAMP	2
9	056035	5/16-18 X 1 1/4 HEX FLANGE SCREW	2
10	650262	AIR CLEANER RADIAL SEAL	1
	650290	AIR FILTER	1
11	650263	MOUNTING BAND AIR CLEANER	1
12	118380	OIL FILTER	1
13	118381	FUEL FILTER	1
14	056031	3/8-16 x 1-1/4 HEX FLANGE SCREW	2
15	118330	BLOCK HEATER IMMERSION 30MM 400W 120V	1
16	068090	7" BLACK CABLE TIE	2
17	105995	END COVER 120 VOLT CORD	1
NS	120586	KUBOTA Z482 30 AMP CHARGE CIRCUIT FUSE	1
	107929	30A MINI FUSE	1
NS	118382	MUFFLER	1
NS	118383	MUFFLER GASKET	1
NS	105844	15A MINI FUSE	1
NS	120528	SCHEMATIC KUBOTA Z482 NLGR LIQUID-COOLED	1
NS	118584	ENGINE HARNESS NLGR LC	1

4.1 - Kubota Z482 Diesel Engine (3 of 3)

RADIATOR INSTALL



120623_A

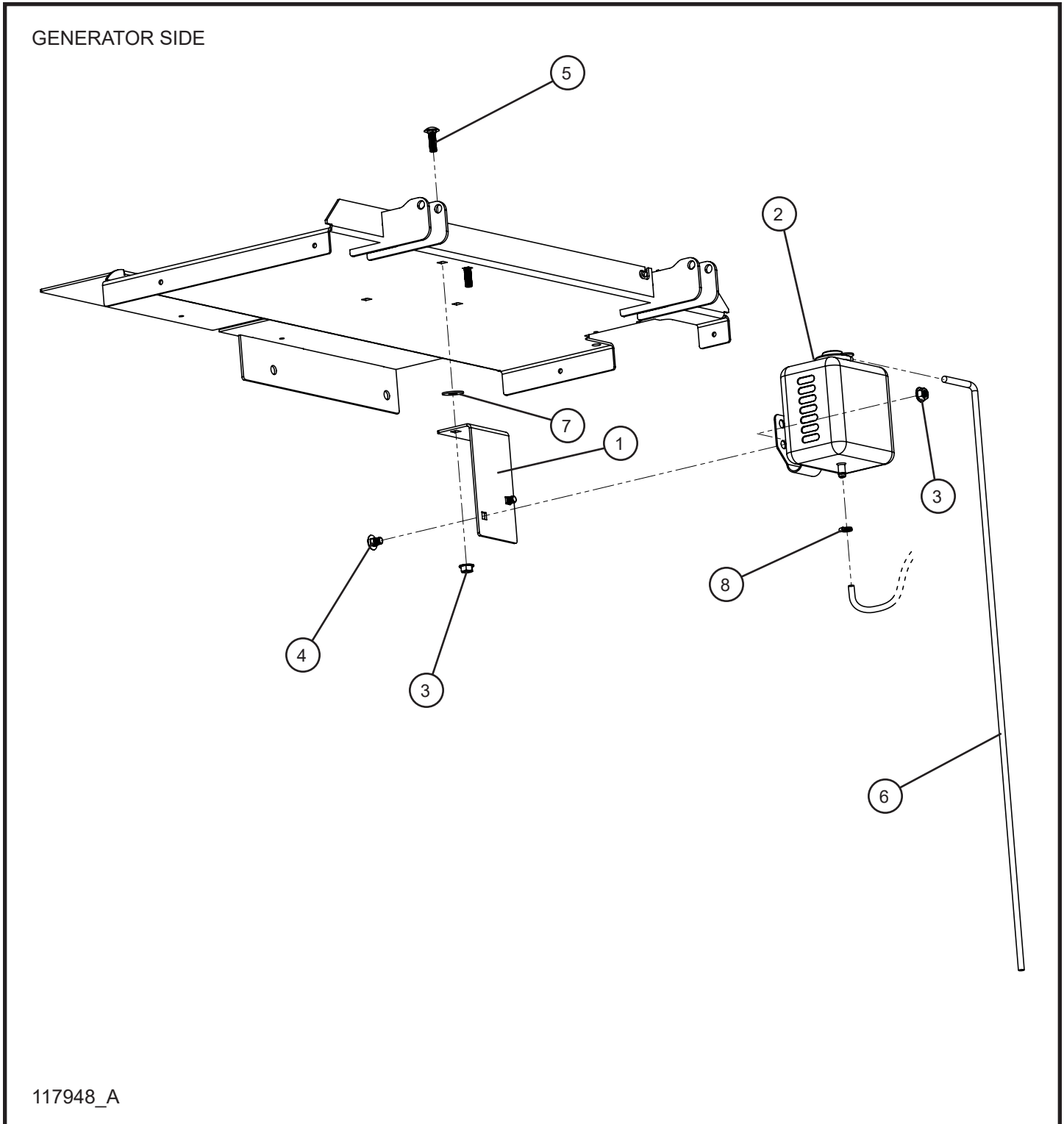
NIGHT-LITE™ GR-SERIES

SN 37-000001 and UP

4.1 - Kubota Z482 Diesel Engine (3 of 3)

Item	Part No.	Part Description	Qty.
1	120417P	SHROUD FAN KUBOTA Z482	1
2	120418P	GUARD FINGER KUBOTA Z482	1
3	118394	RADIATOR KUBOTA Z482	1
4	057008	5/16-18 HEX NYLOCK FLANGE NUT	4
5	105408	GROMMET NUT DOUBLE SPLIT SQUARE HEAD	4
6	056030	5/16-18 x 1/2 HEX FLANGE SCREW	4
7	041070	1/4-20 X 3/4 SL-HEX WASHER HEAD MS TP F	4
8	053020	5/16-18 X 1 CARRIAGE BOLT PL	4
9	120420P	PANEL CURBSIDE NIGHT-LITE GR-SERIES LIQUID-COOLED	1

4.2 - Coolant Reservoir Tank Replacement



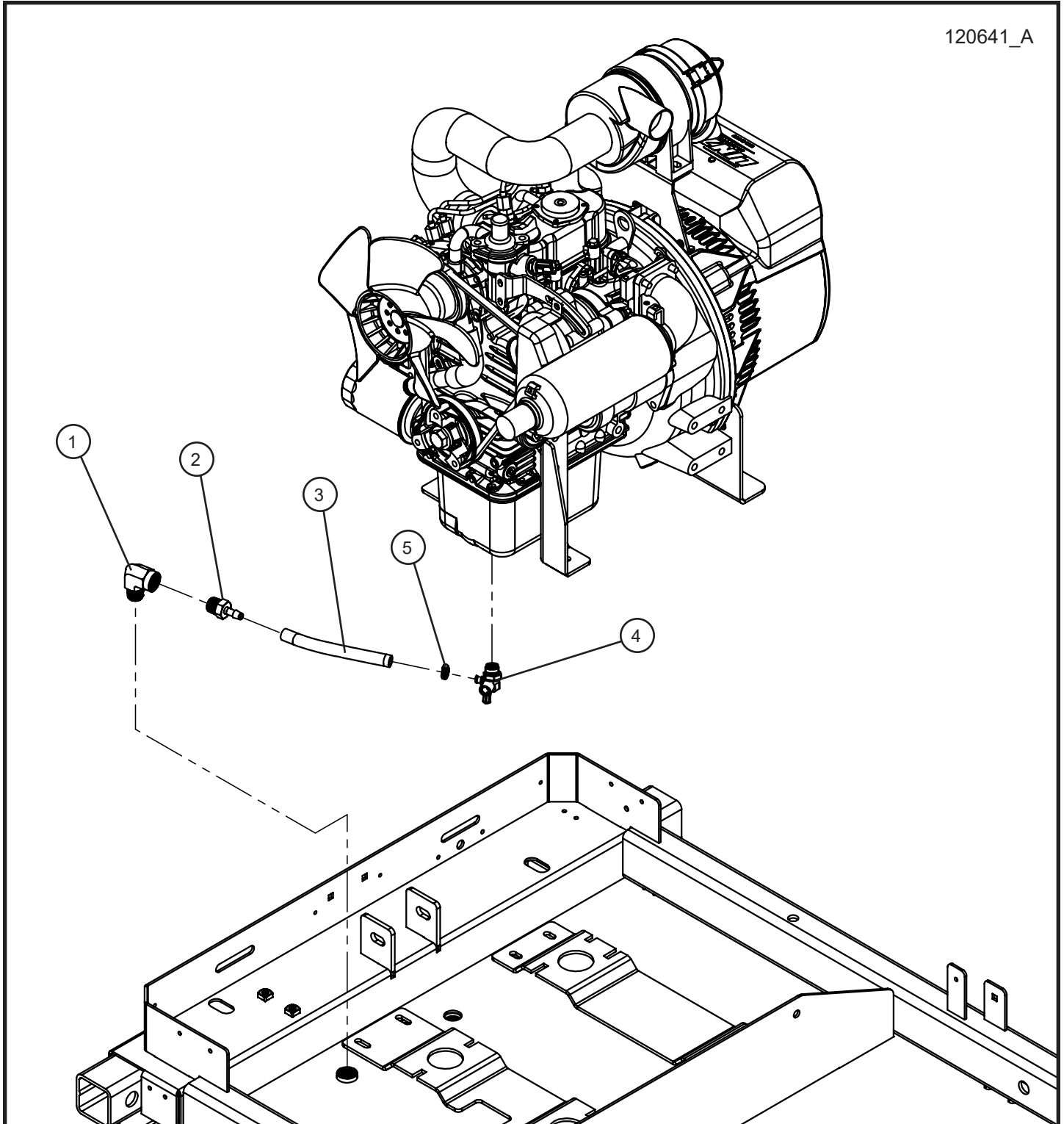
NIGHT-LITE™ GR-SERIES

SN 37-000001 and UP

4.2 - Coolant Reservoir Tank Replacement

Item	Part No.	Part Description	Qty.
1	120651P	COOLANT RESERVOIR MOUNTING BRACKET	1
2	650027	COOLANT RESERVOIR WITH BRACKET	1
3	057006	5/16-18 SERRATED FLANGE NUT	4
4	056030	5/16-18 x 1/2 HEX FLANGE SCREW	2
5	053020	5/16-18 x 1 CARRIAGE BOLT	2
6	102268	1/4 x 29.00 COOLANT HOSE	1
7	047015	3/8 FLAT WASHER	2
8	433400	#4 HOSE CLAMP	1

4.3 - Remote Oil Drain



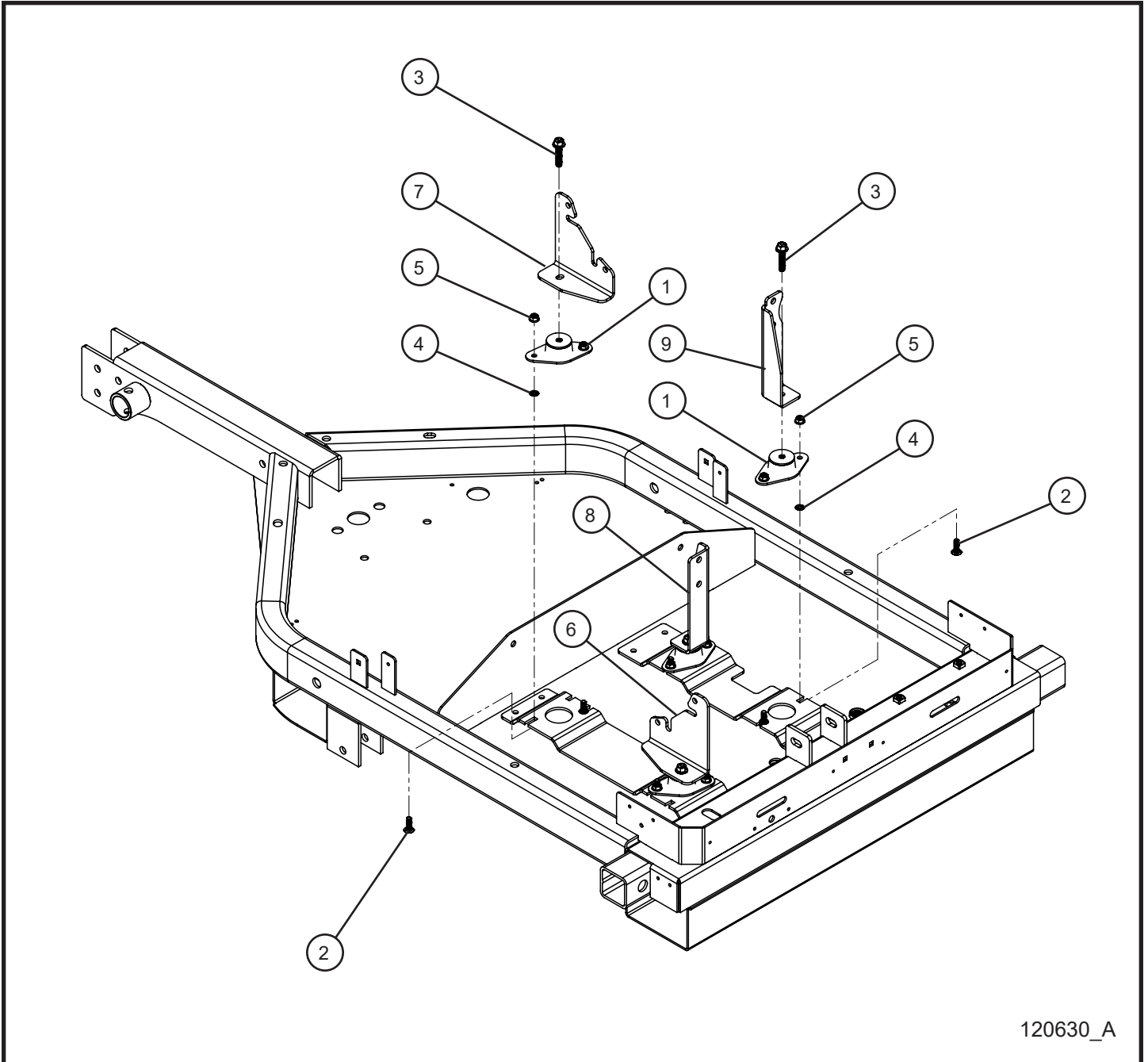
NIGHT-LITE™ GR-SERIES

SN 37-000001 and UP

4.3 - Remote Oil Drain

Item	Part No.	Part Description	Qty.
1	118336	1/2 NPT MALE x 1/2 NPT FEMALE 90° STEEL ELBOW	1
2	104381	1/2 NPT - 3/8 HOSE BARB FITTING	1
3	101266	3/8 x 11.00 SAE 30R7 HOSE	1
4	118332	M22 x 1.5 90° OIL DRAIN VALVE	1
5	433400	#4 HOSE CLAMP	1

4.4 - Engine and Generator Mounting



120630_A

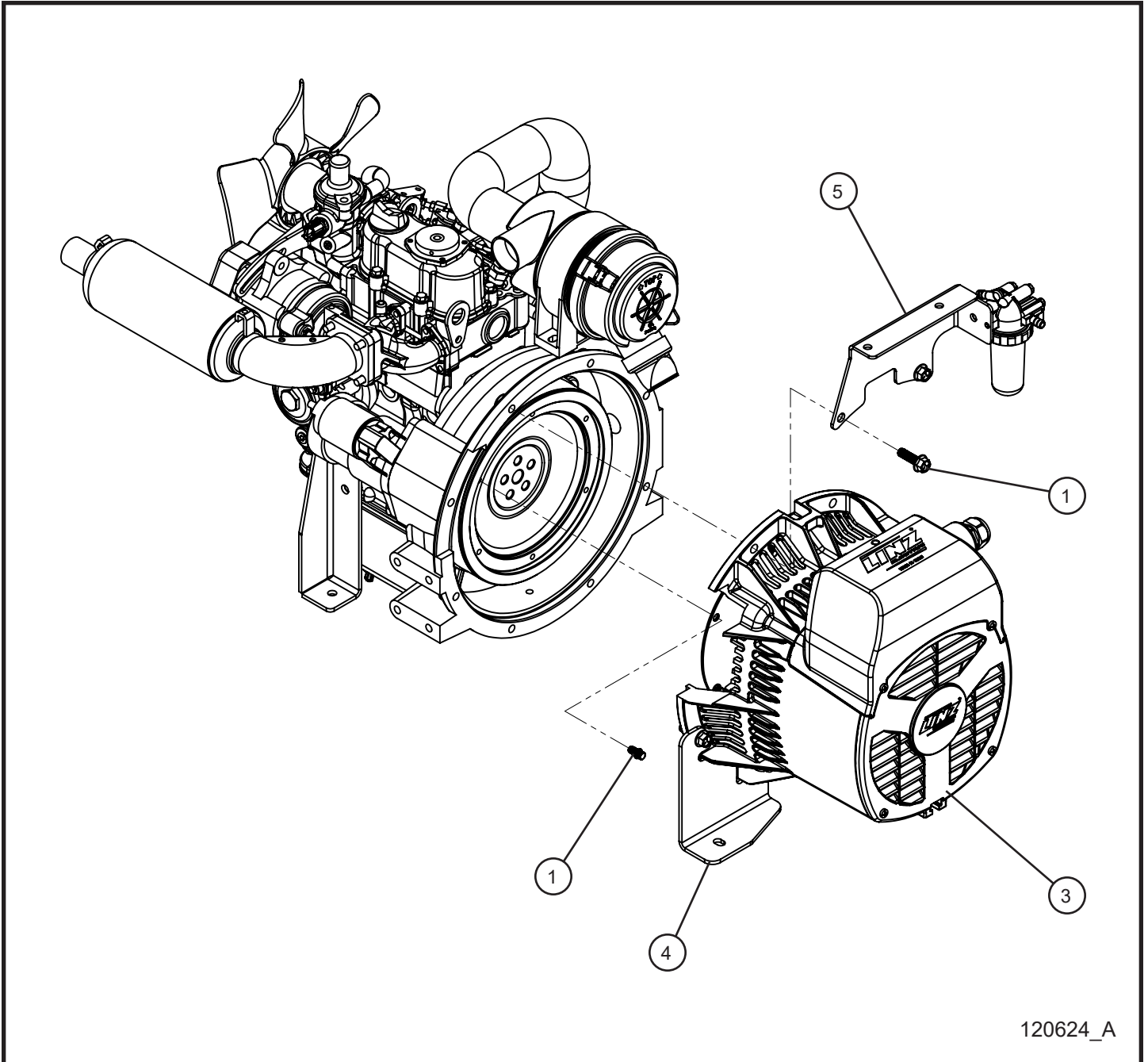
NIGHT-LITE™ GR-SERIES

SN 37-000001 and UP

4.4 - Engine and Generator Mounting

Item	Part No.	Part Description	Qty.
1	107028	LIGHT DUTY ENGINE ISOLATOR MOUNT	4
2	053020	5/16-18 x 1 CARRIAGE BOLT	8
3	056013	3/8-16 x 1.75 SERRATED FLANGE BOLT	4
4	045217	5/16 PUSH NUT	8
5	057008	5/16-18 HEX NYLOCK FLANGE NUT	8
6	117957P	RIGHT GENERATOR MOUNT NLGR LIQUID-COOLED	1
7	117942P	LEFT GENERATOR MOUNT NLGR LIQUID-COOLED	1
8	117969P	ENGINE MOUNT LEFT WELDMENT KUBOTA Z482	1
9	117941P	ENGINE MOUNT RIGHT WELDMENT KUBOTA Z482	1

4.5 - Linz 4.3kW 60Hz Generator



120624_A

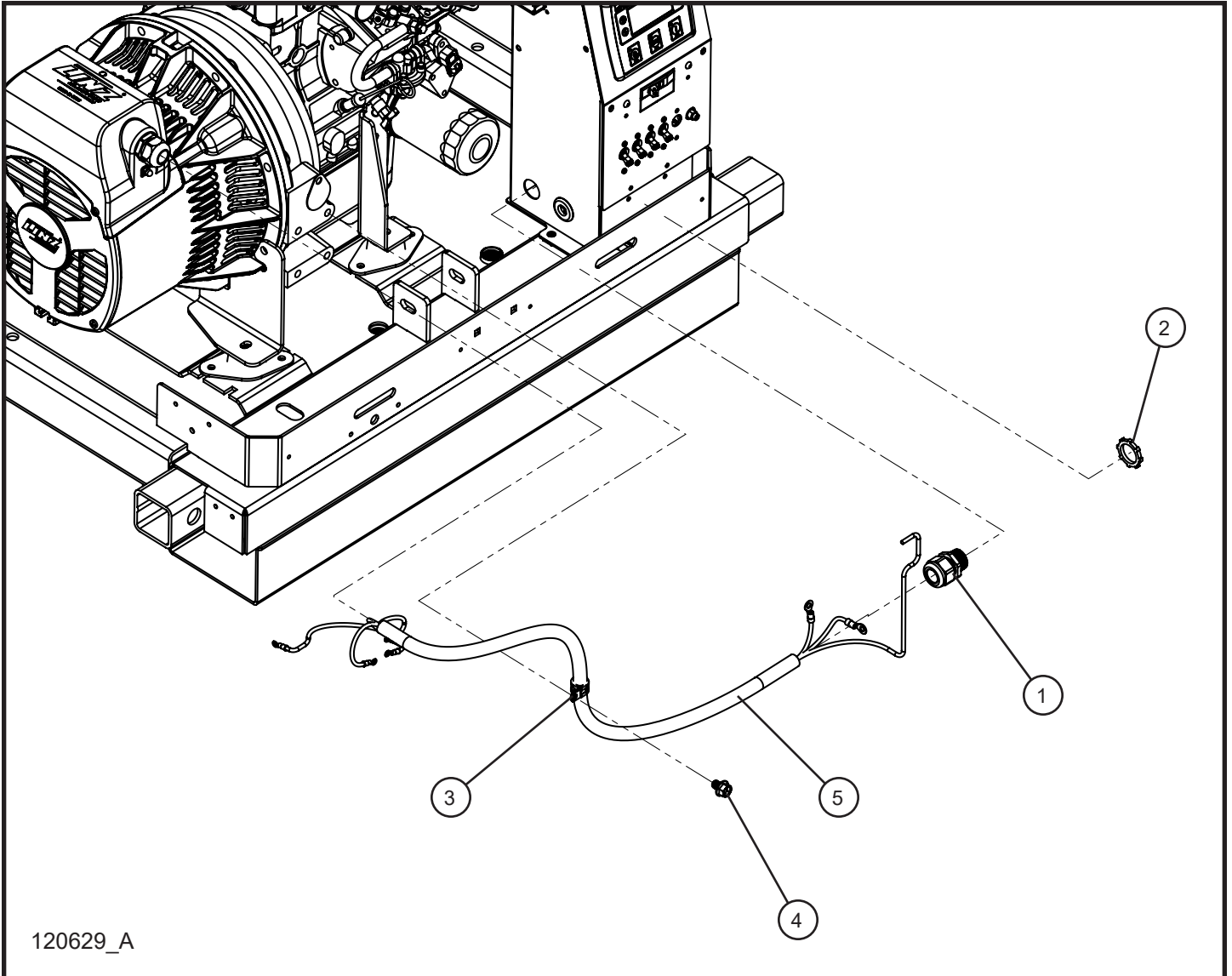
NIGHT-LITE™ GR-SERIES

SN 37-000001 and UP

4.5 - Linz 4.3kW 60Hz Generator

Item	Part No.	Part Description	Qty.
1	056031	3/8-16 x 1-1/4 HEX FLANGE SCREW	8
2	118331	GENERATOR LINZ 4.3kW 60Hz 4 POLE	1
3	117722P	AIR CLEANER MOUNT KUBOTA Z482	1
4	117942P	LEFT GENERATOR MOUNT NLGR LIQUID-COOLED	1
5	046500	5/16-18 x 1/2 12 PT FLANGE SCREW	6
NS	123262	M5 X 20MM TORX HEAD THREAD FORMING BOLT	4
NS	118384	CAPACITOR	1
NS	118385	DIODES	1
NS	117957P	RIGHT GENERATOR MOUNT NLGR LIQUID-COOLED	1

4.6 - 10/3 Generator Cord



120629_A

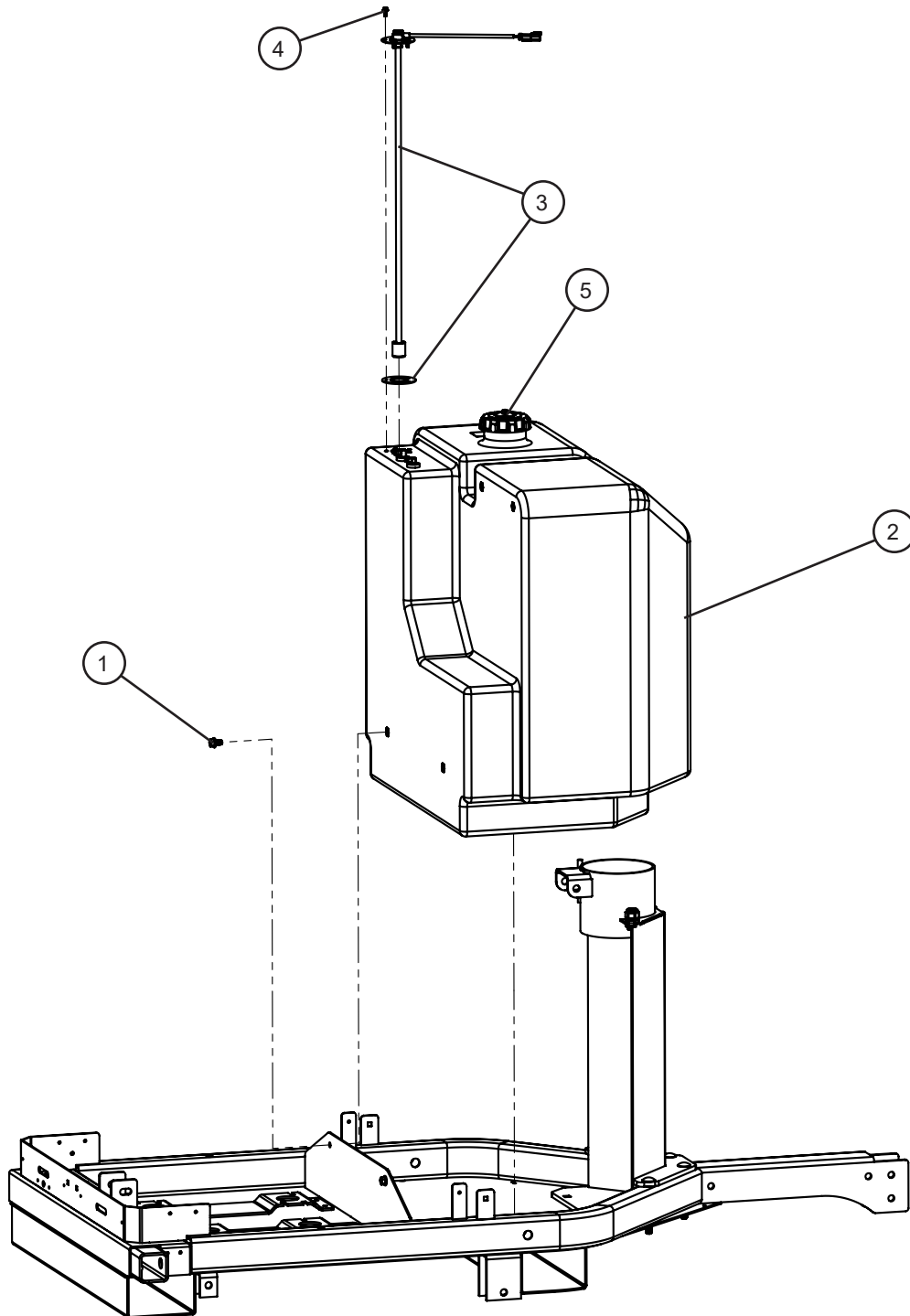
NIGHT-LITE™ GR-SERIES

SN 37-000001 and UP

4.6 - 10/3 Generator Cord

Item	Part No.	Part Description	Qty.
1	105916	3/4 NYLON CORD GRIP	1
2	022036	3/4 CORD GRIP NUT	1
3	022021	#10 CUSHION CLAMP	1
4	056033	3/8-16 x 1/2 HEX FLANGE SCREW	1
5	118657	10/3 GENERATOR CORD LINZ NLGR LIQUID-COOLED	1
NS	120532	SCHEMATIC 10/3 GENERATOR CORD NLGR LIQUID-COOLED	1

4.7 - Fuel Tank



120622_A

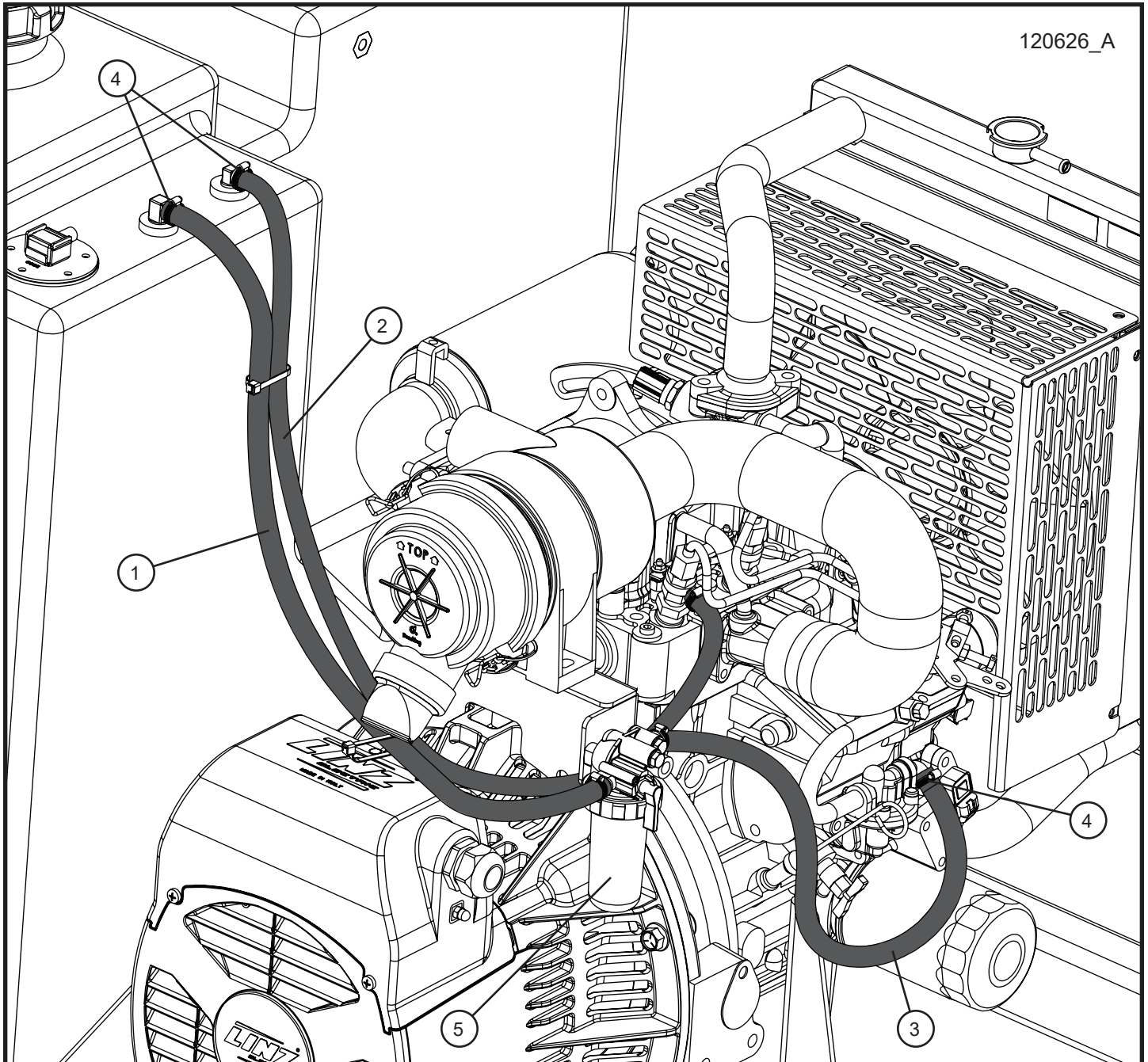
NIGHT-LITE™ GR-SERIES

SN 37-000001 and UP

4.7 - Fuel Tank

Item	Part No.	Part Description	Qty.
1	056009	3/8-16 X 3/4 HEX FLANGE SCREW	2
2	118673	FUEL TANK ASSEMBLY NLGR LIQUID-COOLED	1
3	118151	27 INCH VERTICAL FUEL LEVEL SENDER	1
4	056022	#10-24 x 1/2 SERRATED FLANGE HEX SCREW	5
5	116136	FUEL CAP	1

4.8 - Fuel Lines



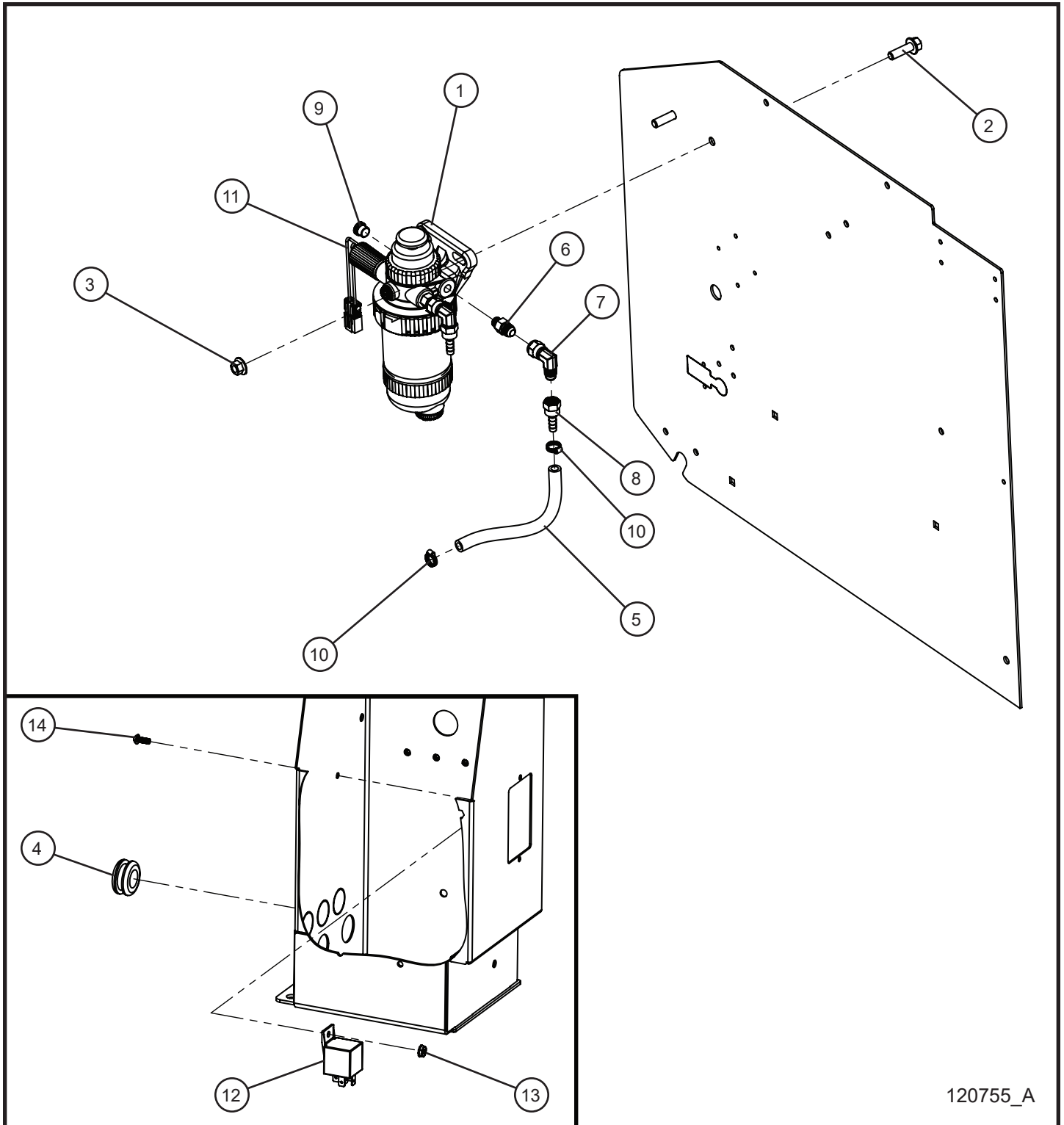
NIGHT-LITE™ GR-SERIES

SN 37-000001 and UP

4.8 - Fuel Lines

Item	Part No.	Part Description	Qty.
1	081018	5/16" HOSE FUEL LINE x 29.00	1
2	081016	1/4" BLACK FUEL LINE x 34.00	1
3	081018	5/16" HOSE FUEL LINE x 31.00	1
4	433400	#4 HOSE CLAMP	6
5	118381	FUEL FILTER	1

4.9 - Heated Fuel Water Separator



120755_A

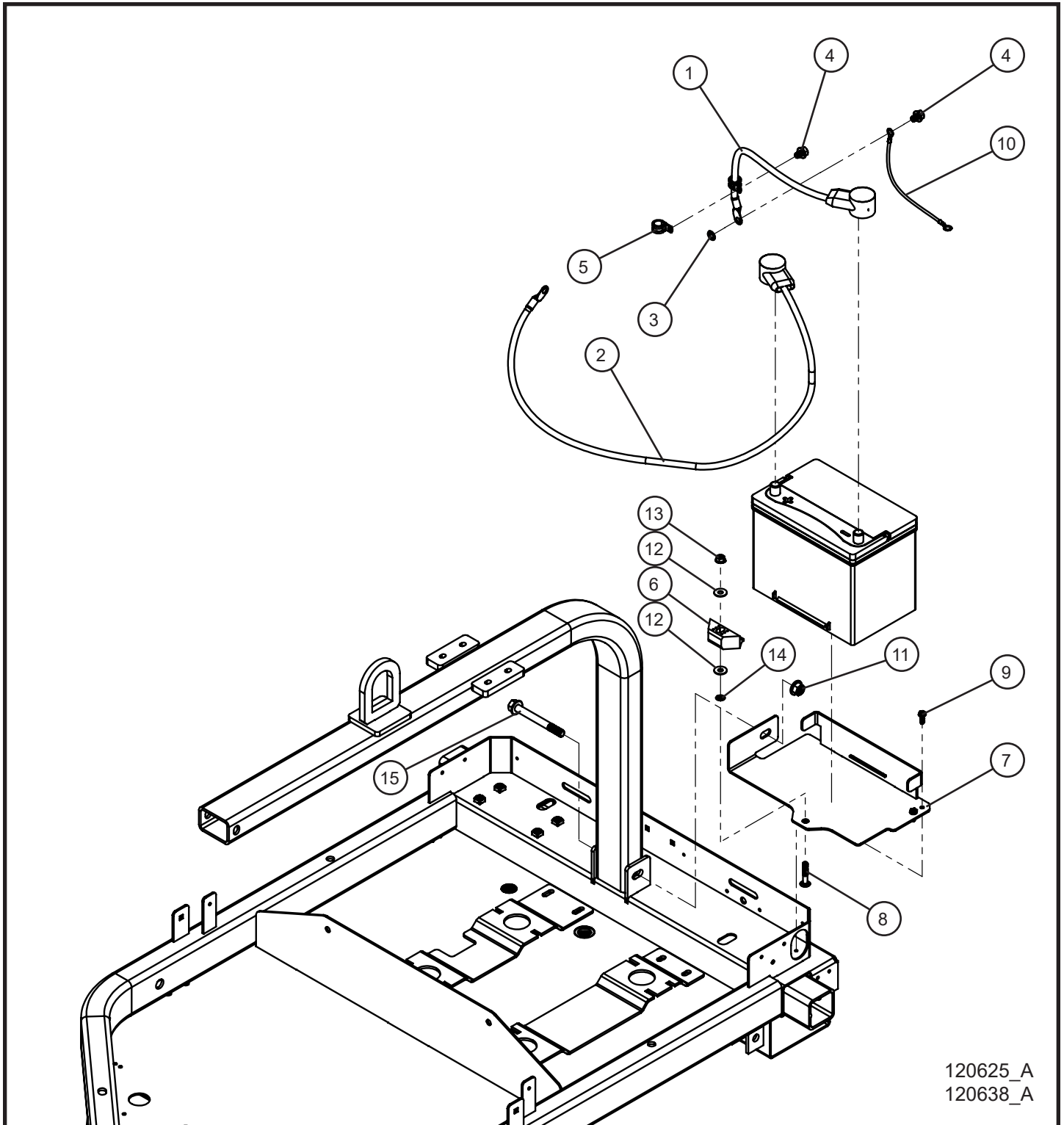
NIGHT-LITE™ GR-SERIES

SN 37-000001 and UP

4.9 - Heated Fuel Water Separator

Item	Part No.	Part Description	Qty.
1	118676	HEATED 50 MICRON FUEL/WATER SEPARATOR	1
	118686	REPLACEMENT FILTER ELEMENT	1
2	056000	3/8-16 X 1 1/4 SERRATED FLANGE HEX SCREW	2
3	044029	3/8-16 SERRATED FLANGE NUT	2
4	330463	11/16 RUBBER GROMMET	1
5	081018	HOSE 5/16" FUEL LINE X 7.00	1
6	100655	CONNECTOR STRAIGHT 1/2-20 X -6 JIC	2
7	101263	FITTING 90° SWIVEL -6 JIC	2
8	106030	FITTING HOSE BARB -6 JIC -5/16 BARB	2
9	101267	PLUG HEX 1/2-20	1
10	433400	#4 HOSE CLAMP	2
11	100613	HEATING ELEMENT	1
12	104254	RELAY 12V 40AMP	1
13	044016	#10-24 KEPS HEX NUT	1
14	041021	#10-24 X 1/2 PH-ROUND HEAD MACHINE SCREW	1
NS	102622	CONNECTOR BLOCK 5 TERMINAL LEVERS	1
NS	123114	HEATED FUEL/WATER SEPARATOR HARNESS NLGR LC 3KW	1
NS	124021	SCHEMATIC HEATED FUEL WATER SEPARATOR NLGR LC 3KW	1

4.10 - Battery Group



120625_A
120638_A

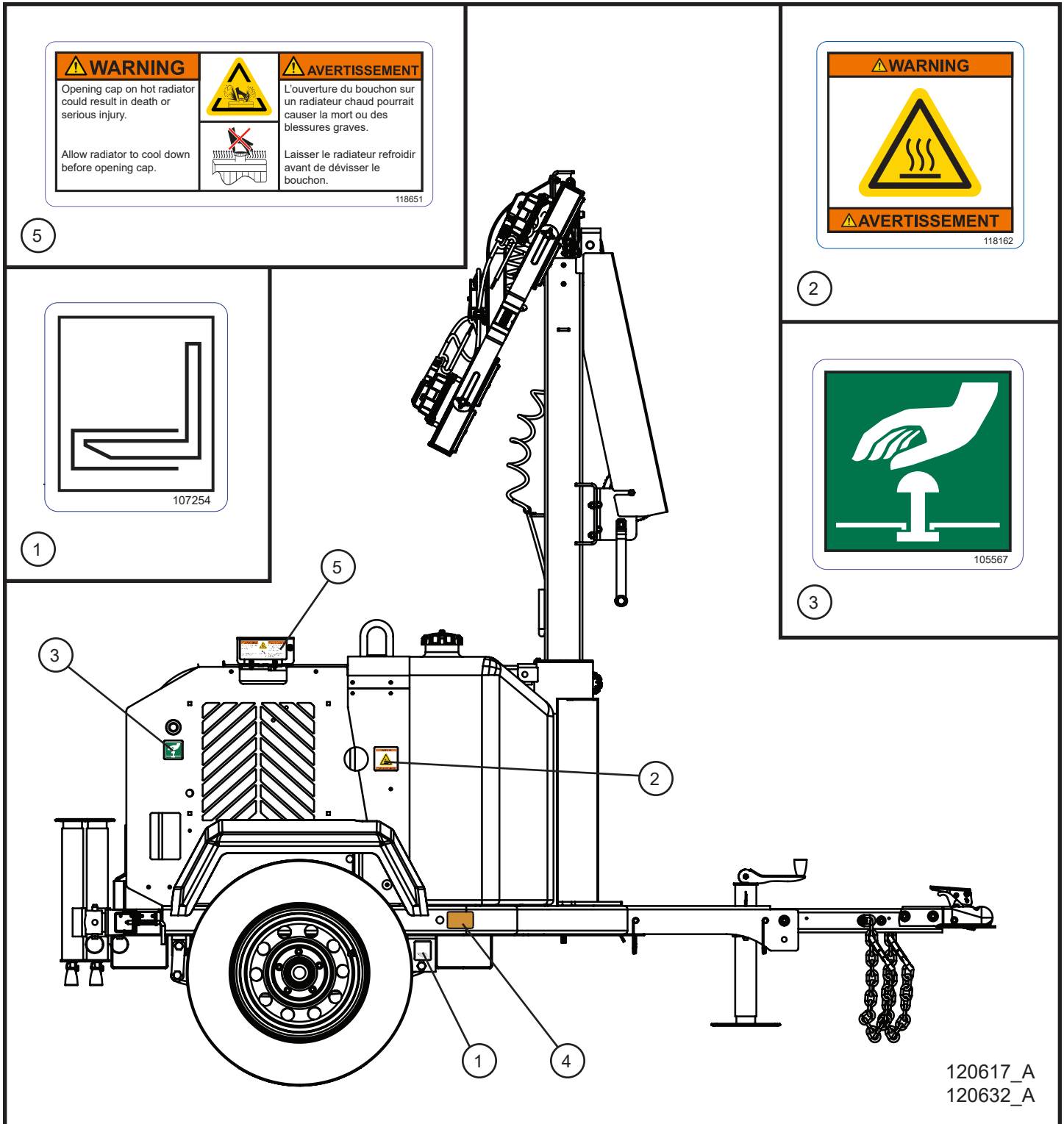
NIGHT-LITE™ GR-SERIES

SN 37-000001 and UP

4.10 - Battery Group

Item	Part No.	Part Description	Qty.
1	110373	BATTERY CABLE NEGATIVE BLACK 2AWG x 16.00 .375 EYE	1
2	113656	BATTERY CABLE POSITIVE RED 2AWG x 42.00 .375 EYE	1
3	043070	3/8 INTL TOOTHLOCK WASHER	1
4	056033	3/8-16 x 1/2 HEX FLANGE SCREW	2
5	022021	#10 CUSHION CLAMP	2
6	107115	BATTERY HOLD DOWN	1
7	120424P	BATTERY WELDMENT TRAY NLGR LIQUID-COOLED	1
8	053024	5//16-18 x 1 3/4 CARRIAGE BOLT	1
9	041070	1/4-20 x 3/4 SL-HEX WASHER HEAD MACHINE SCREW	2
10	114800	10 AWG GROUND WIRE	1
11	057009	1/2-13 NYLOCK FLANGE NUT	1
12	047015	3/8 FLAT WASHER	2
13	057006	5/16-18 SERRATED FLANGE NUT	1
14	045217	5/16 PUSH NUT	1
15	056026	1/2-13 X 4 1/2 HEX FLANGE SCREW	1

5.1 - Right Side Decals



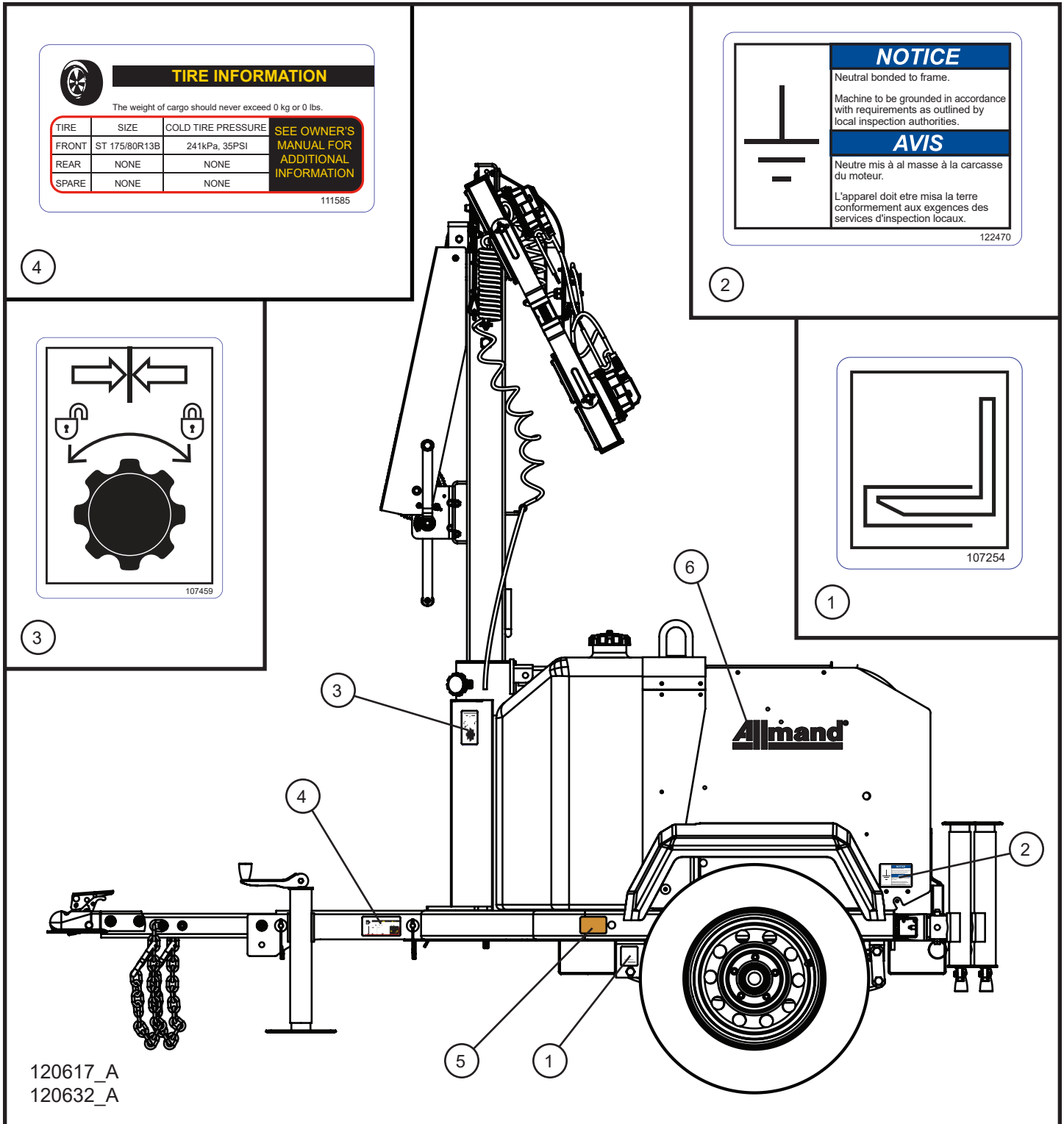
NIGHT-LITE™ GR-SERIES

SN 37-000001 and UP

5.1 - Right Side Decals

Item	Part No.	Part Description	Qty.
1	107254	FORKLIFT DECAL	1
2	118162	DECAL WARNING HOT SURFACE ENGLISH & FRENCH	1
3	105567	DECAL EMERGENCY STOP	1
4	114884	REFLECTOR DECAL AMBER 2.75 x 1.75	1
5	118651	DECAL RADIATOR WARNING	1

5.2 - Left Side Decals



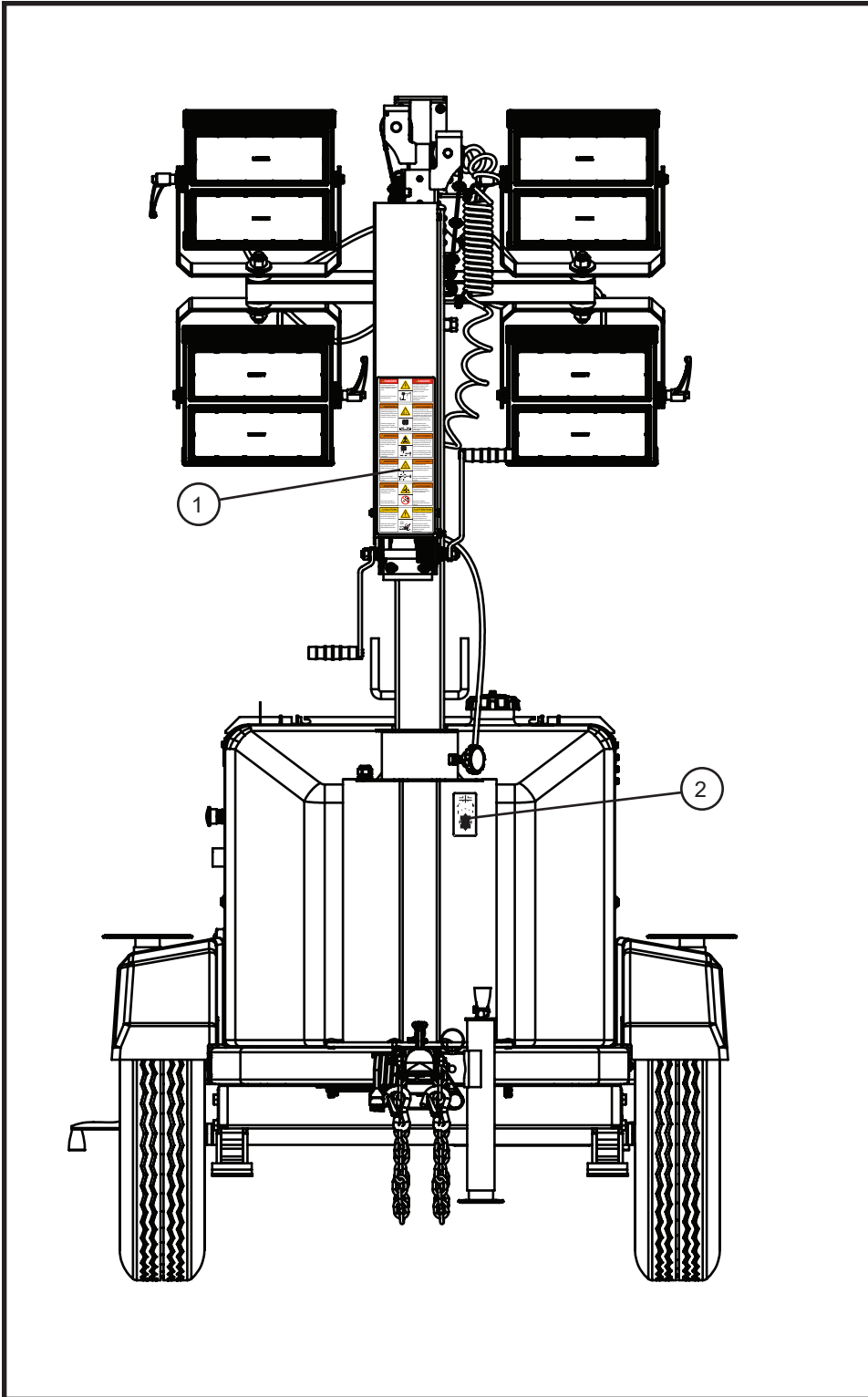
NIGHT-LITE™ GR-SERIES

SN 37-000001 and UP

5.2 - Left Side Decals

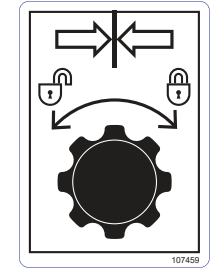
Item	Part No.	Part Description	Qty.
1	107254	FORKLIFT DECAL	1
2	122470	DECAL NOTICE NEUTRAL BONDED & GROUNDED	1
3	107459	TOWER ALIGNMENT DECAL	1
4	111585	DECAL TIRE INFO ST175/80R13 LD-B 35 PSI 0 LB CARGO	1
5	114884	REFLECTOR DECAL AMBER 2.75 x 1.75	1
6	118226	DECAL BRANDING ALLMAND-R BLACK 12 INCH	1
	118229	DECAL BRANDING ALLMAND-R GOLD-WHITE 12 INCH	1

5.3 - Front Side Decals



<p>⚠ DANGER</p> <p>Contacting power lines when raising light tower will result in death or serious injury.</p> <p>Keep light tower far away from power lines.</p>		<p>⚠ DANGER</p> <p>Le contact avec une ligne électrique lorsque la tour d'éclairage est levée entraînera des blessures graves ou la mort.</p> <p>Tenir la tour d'éclairage éloignée des lignes électriques.</p>
<p>⚠ WARNING</p> <p>Raising light tower prior to positioning outriggers and lowering jacks could cause machine rollover resulting in death or serious injury.</p> <p>Position outriggers and lower jacks on a stable surface before raising light tower.</p>		<p>⚠ AVERTISSEMENT</p> <p>Le fait de soulever la tour d'éclairage avant de positionner correctement les longérons et abaisser les vérins pourrait entraîner le basculement de la machine et provoquer des blessures graves ou la mort.</p> <p>Il faut positionner les longérons et abaisser les vérins sur une surface stable avant de lever la tour d'éclairage.</p>
<p>⚠ WARNING</p> <p>Standing under light tower mast and fixtures during lowering operation could result in death or serious injury.</p> <p>Keep bystanders away from light tower during lowering and raising operations.</p>		<p>⚠ AVERTISSEMENT</p> <p>Le fait de se tenir debout sous une tour d'éclairage et de ses accessoires alors qu'elle est abaissée pourrait causer la mort ou des blessures graves.</p> <p>Tenir les spectateurs à l'écart de la tour d'éclairage pendant qu'on la souève ou l'abaisse.</p>
<p>⚠ WARNING</p> <p>Handling light fixtures when they are hot could result in death or serious injury.</p> <p>Keep clear of light fixtures when illuminated or hot.</p>		<p>⚠ AVERTISSEMENT</p> <p>La manipulation des luminaires alors qu'ils sont chauds pourrait causer la mort ou des blessures graves.</p> <p>Restez à l'écart des luminaires lorsqu'ils sont allumés ou chauds.</p>
<p>⚠ WARNING</p> <p>Looking at illuminated light fixtures could result in serious injury.</p> <p>Do not look directly at illuminated light fixtures.</p>		<p>⚠ AVERTISSEMENT</p> <p>Regarder des luminaires allumés pourrait provoquer de graves blessures.</p> <p>Ne jamais regarder directement des luminaires allumés.</p>
<p>⚠ CAUTION</p> <p>Snow and ice could cause an uncontrolled condition in winch that could result in minor to moderate injury.</p> <p>Make sure pawl engages gear. Apply silicone to ratchet pawl and spacer.</p>		<p>⚠ ATTENTION</p> <p>La neige et la glace pourraient causer une condition incontrôlée du treuil qui pourrait entraîner une blessure mineure à moyenne.</p> <p>S'assurer que le cliquet embraye dans l'engrenage. Appliquer du silicone sur le cliquet et la butée d'espacement.</p>

1



120732_A

2

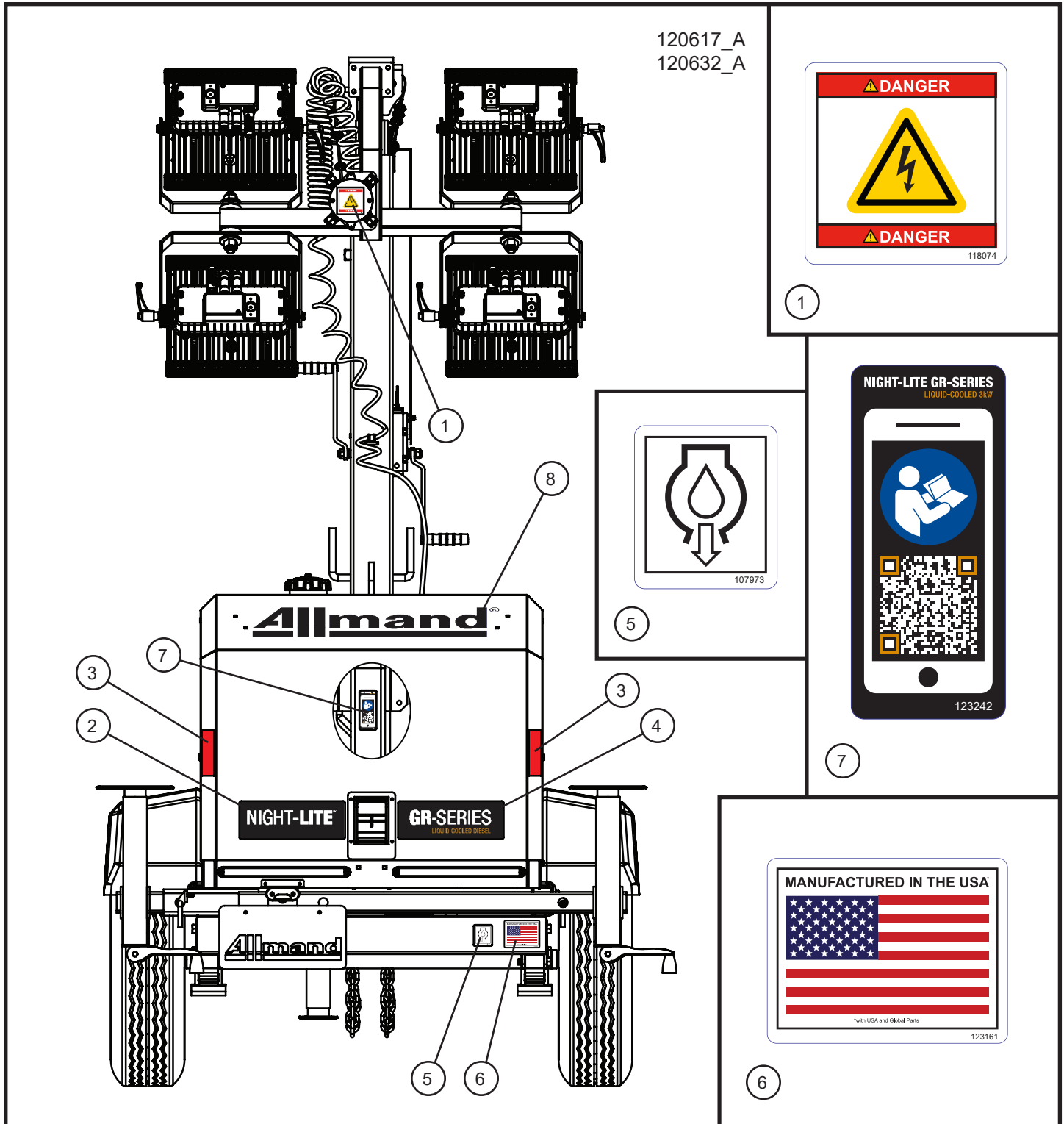
NIGHT-LITE™ GR-SERIES

SN 37-000001 and UP

5.3 - Front Side Decals

Item	Part No.	Part Description	Qty.
1	122479	VERTICAL TOWER DECAL NLV/NLGR	1
2	107459	TOWER ALIGNMENT DECAL	1

5.4 - Rear Side Decals I



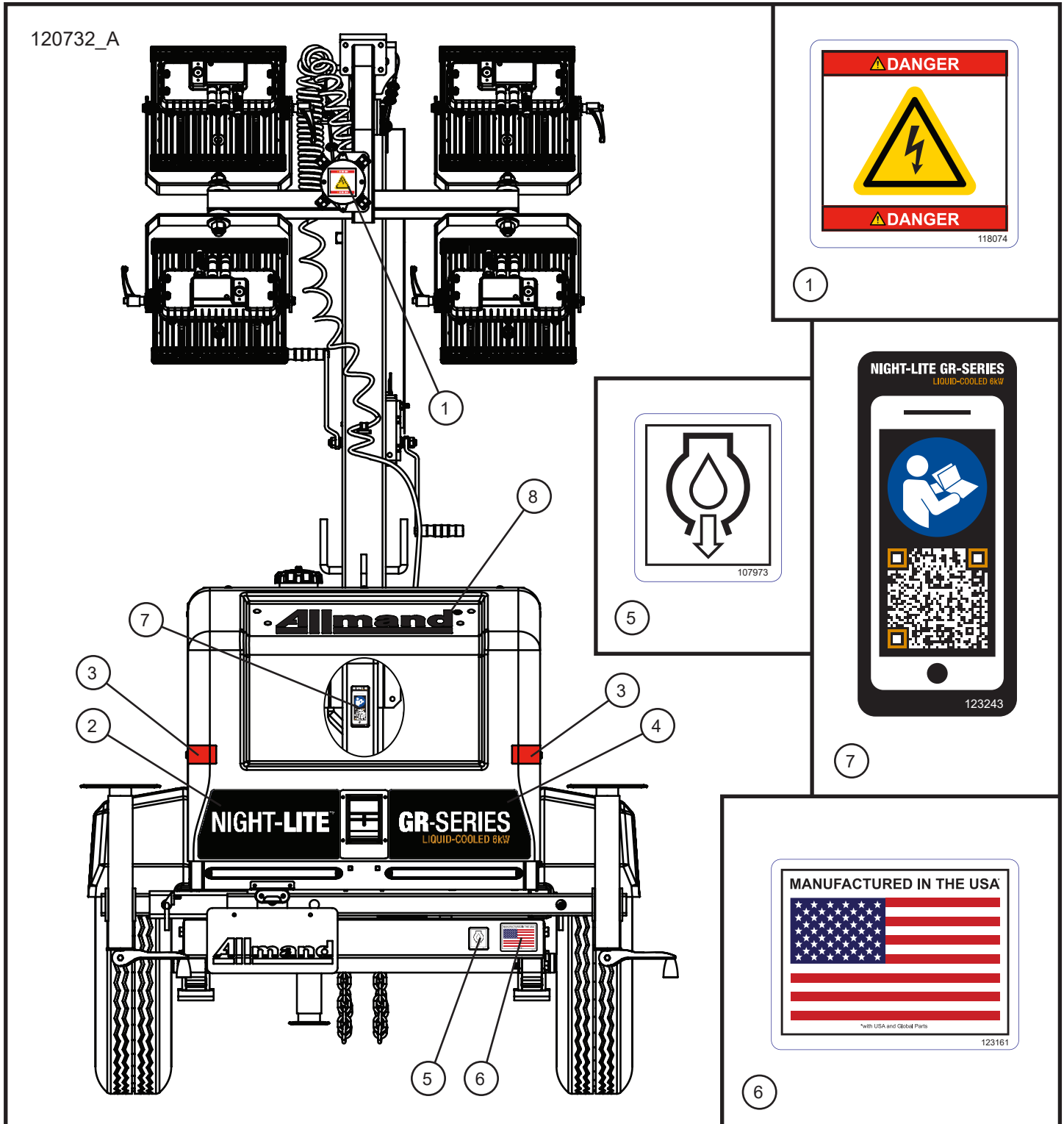
NIGHT-LITE™ GR-SERIES

SN 37-000001 to 37-004464

5.4 - Rear Side Decals I

Item	Part No.	Part Description	Qty.
1	118074	HAZARDOUS VOLTAGE BILINGUAL DANGER DECAL	1
2	118223	DECAL BRANDING NIGHT-LITE NL-GR	1
3	114885	REFLECTOR DECAL RED 4.313 x 1.688	2
4	118447	DECAL BRANDING LIQUID-COOLED NL-GR DIESEL	1
5	107973	DECAL OIL DRAIN	1
6	123161	DECAL MANUFACTURED IN USA	1
7	123242	DECAL QR CODE NIGHT-LITE GR-SERIES LIQUID-COOLED 3kW	1
8	118119	DECAL BRANDING ALLMAND-R BLACK 23.3 INCH	1
	118425	DECAL BRANDING ALLMAND-R GOLD-WHITE 23.3 INCH	1

5.5 - Rear Side Decals II



NIGHT-LITE™ GR-SERIES

SN 37-004465 and UP

5.5 - Rear Side Decals II

Item	Part No.	Part Description	Qty.
1	118074	HAZARDOUS VOLTAGE BILINGUAL DANGER DECAL	1
2	122970	DECAL BRANDING NIGHT-LITE	1
3	114885	REFLECTOR DECAL RED 4.313 x 1.688	2
4	122969	DECAL BRANDING NLGR LIQUID-COOLED 3kW	1
5	107973	DECAL OIL DRAIN	1
6	123161	DECAL MANUFACTURED IN USA	1
7	123243	DECAL QR CODE NIGHT-LITE GR-SERIES LIQUID-COOLED 6kW	1
8	118119	DECAL BRANDING ALLMAND-R BLACK 23.3 INCH	1
	118425	DECAL BRANDING ALLMAND-R GOLD-WHITE 23.3 INCH	1

5.6 - Top View Decals

⚠ DANGER

⚠ DANGER

118074

2 TOP SIDE OF CONTROL BOX

107254

4

122480

1

120617_A
120640_A

⚠ WARNING

Failure to follow warnings, instructions, and operator's manual could result in death or serious injury.

Read and follow operator's manual before operating or servicing this equipment.

⚠ AVERTISSEMENT

L'omission de respecter les avertissements, les instructions et le manuel de l'utilisateur pourrait entraîner des blessures graves ou la mort.

Lire et suivre le manuel d'utilisation avant de faire fonctionner ou de faire l'entretien de cet équipement.

⚠ WARNING

Failure to lower tower into a secured position before towing could result in death or serious injury.

Lower tower to a secured position before towing.

⚠ AVERTISSEMENT

Ne pas abaisser la tour d'éclairage en position sécurisée au préalable peut provoquer la mort ou des blessures graves.

Abaisser la tour en position sécurisée avant le remorquage.

⚠ WARNING

Excessive towing speed could result in death or serious injury.

Do not exceed 65mph (105km/h) when towing trailer.

⚠ AVERTISSEMENT

Une vitesse de remorquage excessive pourrait entraîner la mort ou de graves blessures.

Ne pas dépasser 105 km/h (65 mi/h) lors du remorquage.

122463

3

kW	3.0
A	25
V	120
Hz/RPM	60/1800
PHASE	1
INS. CLASS	H
MAX AMB	120°F/49°C
PF	1.0

118653

5 TOP SIDE OF CONTROL BOX

NIGHT-LITE™ GR-SERIES

SN 37-000001 and UP

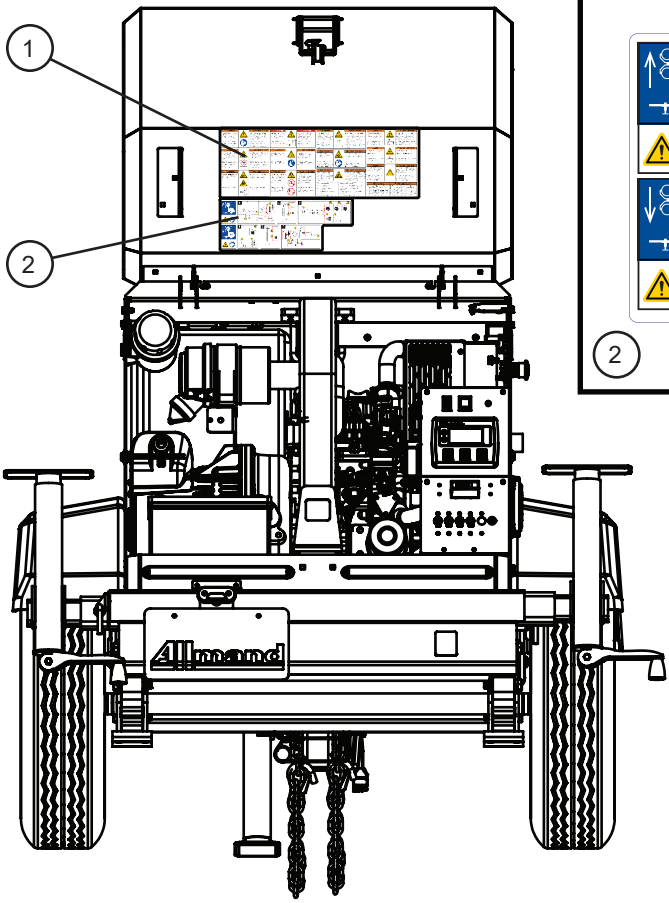
5.6 - Top View Decals

Item	Part No.	Part Description	Qty.
1	122480	LIFT DECAL	1
2	118074	HAZARDOUS VOLTAGE BILINGUAL DANGER DECAL	1
3	122463	LIGHT TOWER UNIVERSAL WARNING TONGUE DECAL	1
4	107254	FORKLIFT DECAL	2
5	118227	DECAL ELEC INFO 3.0kW 60Hz 1800RPM 120V 25A 1 PHASE	1

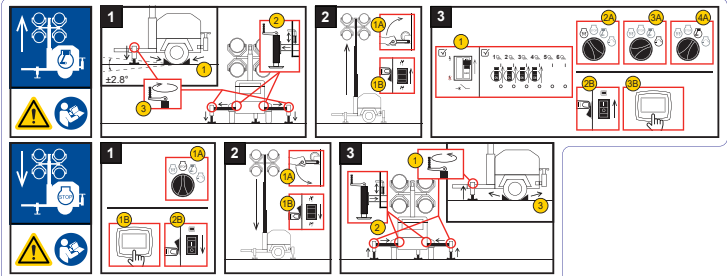
5.7 - Door Interior Decals I

<p>⚠ WARNING</p> <p>Failure to follow warnings, instructions, and operator's manual could result in death or serious injury.</p> <p>Read and follow operator's manual before operating or servicing this equipment.</p>		<p>⚠ AVERTISSEMENT</p> <p>L'omission de respecter les avertissements, les instructions et le manuel de l'utilisateur pourrait entraîner des blessures graves ou la mort.</p> <p>Lire et suivre le manuel d'utilisation avant de faire fonctionner ou de faire l'entretien de cet équipement.</p>	<p>⚠ DANGER</p> <p>Contacting power lines when raising light tower will result in death or serious injury.</p> <p>Keep light tower far away from power lines.</p>		<p>⚠ DANGER</p> <p>Le contact avec une ligne électrique lorsque la tour d'éclairage est levée entraînera des blessures graves ou la mort.</p> <p>Tenir la tour d'éclairage éloignée des lignes électriques.</p>	<p>⚠ WARNING</p> <p>Raising light tower prior to positioning outriggers and lowering jacks could cause machine rollover resulting in death or serious injury.</p> <p>Position outriggers and lower jacks on a stable surface before raising light tower.</p>		<p>⚠ AVERTISSEMENT</p> <p>Le fait de soulever la tour d'éclairage avant de positionner correctement les longérons et sans baisser les vérins pourrait entraîner le basculement de la machine et provoquer des blessures graves ou la mort.</p> <p>Il faut positionner les longérons et baisser les vérins sur une surface stable avant de lever la tour d'éclairage.</p>	<p>⚠ WARNING</p> <p>Standing under light tower mast and fixtures during lowering operation could result in death or serious injury.</p> <p>Keep bystanders away from light tower during lowering and raising operations.</p>		<p>⚠ AVERTISSEMENT</p> <p>Le fait de se tenir debout sous une tour d'éclairage et de ses accessoires alors qu'elle est abaissée pourrait causer la mort ou des blessures graves.</p> <p>Tenir les spectateurs à l'écart de la tour d'éclairage pendant qu'on la souève ou l'abaisse.</p>
<p>⚠ WARNING</p> <p>Engine exhaust contains carbon monoxide, a poisonous gas that could cause death or serious injury.</p> <p>Run equipment far from windows, doors and vents. Do not run equipment indoors or in partially enclosed spaces.</p>		<p>⚠ AVERTISSEMENT</p> <p>Le moteur contient du monoxyde de carbone, un gaz toxique pouvant provoquer la mort ou de graves blessures.</p> <p>Faites tourner à l'extérieur, loin des fenêtres, des portes et des vents. Ne faites pas fonctionner à l'intérieur ni dans un espace partiellement fermé.</p>	<p>⚠ WARNING</p> <p>Exposure to corrosive material could result in death or serious injury.</p> <p>Wear protective gloves when handling battery.</p>		<p>⚠ AVERTISSEMENT</p> <p>Toute exposition à des produits corrosifs pourrait causer la mort ou des blessures graves.</p> <p>Porter des gants de protection en manipulant la batterie.</p>	<p>⚠ WARNING</p> <p>Unexpected start of engine could result in death or serious injury.</p> <p>Read and follow electronic controller operator's manual before operating or servicing this equipment.</p>		<p>⚠ AVERTISSEMENT</p> <p>Le démarrage inattendu du moteur pourrait provoquer la mort ou des blessures graves.</p> <p>Lire et suivre le manuel d'utilisation du contrôleur électronique avant d'utiliser ou de réparer cet équipement.</p>	<p>⚠ WARNING</p> <p>Opening cap on hot radiator could result in death or serious injury.</p> <p>Allow radiator to cool down before opening cap.</p>		<p>⚠ AVERTISSEMENT</p> <p>L'ouverture du bouchon sur un radiateur chaud pourrait causer la mort ou des blessures graves.</p> <p>Laisser le radiateur refroidir avant de dévisser le bouchon.</p>
<p>⚠ WARNING</p> <p>Contact with rotating parts could result in death or serious injury.</p> <p>Keep away from rotating parts.</p>		<p>⚠ AVERTISSEMENT</p> <p>Le contact avec des pièces en mouvement pourrait résulter en de graves blessures voire la mort.</p> <p>Se tenir à l'écart des pièces en mouvement.</p>	<p>⚠ WARNING</p> <p>Smoking materials, open flames, or other forms of ignition near the battery could cause explosion resulting in death or serious injury.</p> <p>Keep smoking materials, open flames, and other forms of ignition away from the battery.</p>		<p>⚠ AVERTISSEMENT</p> <p>Les articles de fumeur, les flammes nues ou d'autres formes d'allumage près de la batterie pourraient causer une explosion, causant la mort ou des blessures graves.</p> <p>Tenir les articles de fumeur, les flammes nues ou les autres formes d'allumage à l'écart de la batterie.</p>	<p>⚠ WARNING</p> <p>Breathing diesel engine exhaust exposes you to chemicals known to the State of California to cause cancer and birth defects or other reproductive harm.</p> <ul style="list-style-type: none"> Always start and operate the engine in a well-ventilated area. If in an enclosed area, vent the exhaust to the outside. Do not modify or tamper with the exhaust system. Do not idle the engine except as necessary. <p>www.PBSWarnings.ca.gov/diesel</p>		<p>⚠ AVERTISSEMENT</p> <p>L'inspiration de gaz d'échappement du moteur vous expose à des produits chimiques connus selon l'État de Californie pour causer le cancer, des anomalies congénitales ou d'autres effets nuisibles à la reproduction.</p> <ul style="list-style-type: none"> Toujours démarmer et faire fonctionner le moteur dans un endroit bien ventilé. Si le moteur est utilisé dans un espace fermé, ventiler les gaz d'échappement à l'extérieur. Ne pas modifier ni altérer le système d'échappement. Ne pas mettre le moteur au ralenti sauf en cas de nécessité. <p>www.PBSWarnings.ca.gov/diesel</p>	<p>⚠ WARNING</p> <p>Contact with hot exhaust gases and parts could cause serious injury.</p> <p>Avoid hot exhaust gases. Keep hands and combustible materials away from hot parts.</p>		<p>⚠ AVERTISSEMENT</p> <p>Tout contact avec les pièces et les gaz d'échappement chauds pourrait causer la mort ou des blessures graves.</p> <p>Éviter les gaz d'échappement chauds. Tenir les mains et les produits inflammables à l'écart des pièces chaudes.</p>
<p>⚠ WARNING</p> <p>Operation of this equipment may create sparks that can start fires around dry vegetation. A spark arrester may be required. The operator should contact local fire agencies for laws or regulations relating to fire prevention requirements.</p>		<p>⚠ AVERTISSEMENT</p> <p>Le fonctionnement de cet appareil peut provoquer des étincelles qui peuvent enflammer de la végétation sèche environnante. Un pare-étincelles peut être requis. L'opérateur doit communiquer avec le service d'incendie local pour connaître les lois ou les règlements régissant la prévention des incendies.</p>									

1



2



120913_A

NIGHT-LITE™ GR-SERIES

SN 37-000001 to 37-004464

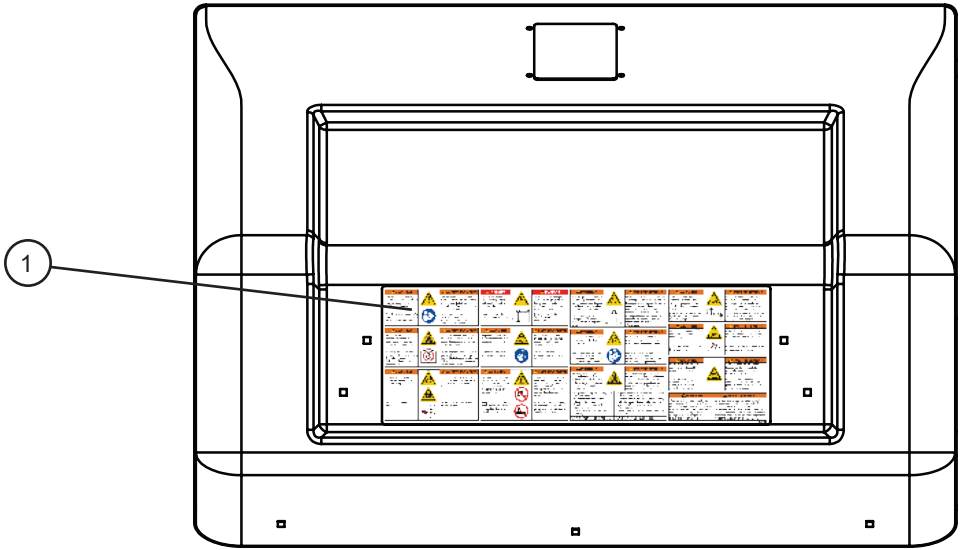
5.7 - Door Interior Decals I

Item	Part No.	Part Description	Qty.
1	122468	DECAL ENGINE AREA WARNINGS ENGLISH/FRENCH	1
2	122477	START INSTRUCTIONS DECAL	1

5.8 - Door Interior Decals II

<p>⚠ WARNING</p> <p>Failure to follow warnings, instructions, and operator's manual could result in death or serious injury.</p> <p>Read and follow operator's manual before operating or servicing this equipment.</p>		<p>⚠ AVERTISSEMENT</p> <p>L'omission de respecter les avertissements, les instructions et le manuel de l'utilisateur pourrait entraîner des blessures graves ou la mort.</p> <p>Lire et suivre le manuel d'utilisation avant de faire fonctionner ou de faire l'entretien de cet équipement.</p>	<p>⚠ DANGER</p> <p>Contacting power lines when raising light tower will result in death or serious injury.</p> <p>Keep light tower far away from power lines.</p>		<p>⚠ DANGER</p> <p>Le contact avec une ligne électrique lorsque la tour d'éclairage est levée entraînera des blessures graves ou la mort.</p> <p>Tenir la tour d'éclairage éloignée des lignes électriques.</p>	<p>⚠ WARNING</p> <p>Raising light tower prior to positioning outriggers and lowering jacks could cause machine rollover resulting in death or serious injury.</p> <p>Position outriggers and lower jacks on a stable surface before raising light tower.</p>		<p>⚠ AVERTISSEMENT</p> <p>Le fait de soulever la tour d'éclairage avant de positionner correctement les longérons et sans baisser les vérins pourrait entraîner le basculement de la machine et provoquer des blessures graves ou la mort.</p> <p>Il faut positionner les longérons et baisser les vérins sur une surface stable avant de lever la tour d'éclairage.</p>	<p>⚠ WARNING</p> <p>Standing under light tower mast and fixtures during lowering operation could result in death or serious injury.</p> <p>Keep bystanders away from light tower during lowering and raising operations.</p>		<p>⚠ AVERTISSEMENT</p> <p>Le fait de se tenir debout sous une tour d'éclairage et de ses accessoires alors qu'elle est abaissée pourrait causer la mort ou des blessures graves.</p> <p>Tenir les spectateurs à l'écart de la tour d'éclairage pendant qu'on la soulève ou l'abaisse.</p>
<p>⚠ WARNING</p> <p>Engine exhaust contains carbon monoxide, a poisonous gas that could cause death or serious injury.</p> <p>Run equipment far from windows, doors and vents. Do not run equipment indoors or in partially enclosed spaces.</p>		<p>⚠ AVERTISSEMENT</p> <p>Le moteur contient du monoxyde de carbone, un gaz toxique pouvant provoquer la mort ou de graves blessures.</p> <p>Faites tourner à l'extérieur, loin des fenêtres, des portes et des vents. Ne faites pas fonctionner à l'intérieur ni dans un espace partiellement fermé.</p>	<p>⚠ WARNING</p> <p>Exposure to corrosive material could result in death or serious injury.</p> <p>Wear protective gloves when handling battery.</p>		<p>⚠ AVERTISSEMENT</p> <p>Toute exposition à des produits corrosifs pourrait causer la mort ou des blessures graves.</p> <p>Porter des gants de protection en manipulant la batterie.</p>	<p>⚠ WARNING</p> <p>Unexpected start of engine could result in death or serious injury.</p> <p>Read and follow electronic controller operator's manual before operating or servicing this equipment.</p>		<p>⚠ AVERTISSEMENT</p> <p>Le démarrage inattendu du moteur pourrait provoquer la mort ou des blessures graves.</p> <p>Lire et suivre le manuel d'utilisation du contrôleur électronique avant d'utiliser ou de réparer cet équipement.</p>	<p>⚠ WARNING</p> <p>Opening cap on hot radiator could result in death or serious injury.</p> <p>Allow radiator to cool down before opening cap.</p>		<p>⚠ AVERTISSEMENT</p> <p>L'ouverture du bouchon sur un radiateur chaud pourrait causer la mort ou des blessures graves.</p> <p>Laisser le radiateur refroidir avant de dévisser le bouchon.</p>
<p>⚠ WARNING</p> <p>Contact with rotating parts could result in death or serious injury.</p> <p>Keep away from rotating parts.</p>		<p>⚠ AVERTISSEMENT</p> <p>Le contact avec des pièces en mouvement pourrait résulter en de graves blessures voire la mort.</p> <p>Se tenir à l'écart des pièces en mouvement.</p>	<p>⚠ WARNING</p> <p>Smoking materials, open flames, or other forms of ignition near the battery could cause explosion resulting in death or serious injury.</p> <p>Keep smoking materials, open flames, and other forms of ignition away from the battery.</p>		<p>⚠ AVERTISSEMENT</p> <p>Les articles de fumeur, les flammes nues ou d'autres formes d'allumage près de la batterie pourraient causer une explosion, causant la mort ou des blessures graves.</p> <p>Tenir les articles de fumeur, les flammes nues ou les autres formes d'allumage à l'écart de la batterie.</p>	<p>⚠ WARNING</p> <p>Breathing diesel engine exhaust exposes you to chemicals known to the State of California to cause cancer and birth defects or other reproductive harm.</p> <ul style="list-style-type: none"> • Always start and operate the engine in a well-ventilated area. • If in an enclosed area, vent the exhaust to the outside. • Do not modify or tamper with the exhaust system. • Do not idle the engine except as necessary. <p>www.P65Warnings.ca.gov/diesel</p>		<p>⚠ AVERTISSEMENT</p> <p>L'inspiration de gaz d'échappement du moteur vous expose à des produits chimiques connus selon l'État de Californie pour causer le cancer, des anomalies congénitales ou d'autres effets nuisibles à la reproduction.</p> <ul style="list-style-type: none"> • Toujours démarrer et faire fonctionner le moteur dans un endroit bien ventilé. • Si le moteur est utilisé dans un espace fermé, ventiler les gaz d'échappement à l'extérieur. • Ne pas modifier ni abîmer le système d'échappement. • Ne pas mettre le moteur au ralenti sauf en cas de nécessité. <p>www.P65Warnings.ca.gov/diesel</p>	<p>⚠ WARNING</p> <p>Contact with hot exhaust gases and parts could cause serious injury.</p> <p>Avoid hot exhaust gases. Keep hands and combustible materials away from hot parts.</p>		<p>⚠ AVERTISSEMENT</p> <p>Tout contact avec les pièces et les gaz d'échappement chauds pourrait causer la mort ou des blessures graves.</p> <p>Éviter les gaz d'échappement chauds. Tenir les mains et les produits inflammables à l'écart des pièces chaudes.</p>
<p>⚠ WARNING</p> <p>Operation of this equipment may create sparks that can start fires around dry vegetation. A spark arrester may be required. The operator should contact local fire agencies for laws or regulations relating to fire prevention requirements.</p>		<p>⚠ AVERTISSEMENT</p> <p>Le fonctionnement de cet appareil peut provoquer des étincelles qui peuvent enflammer de la végétation sèche environnante. Un pare-étincelles peut être requis. L'opérateur doit communiquer avec le service d'incendie local pour connaître les lois ou les règlements régissant la prévention des incendies.</p>									

1



120732_A

NIGHT-LITE™ GR-SERIES

SN 37-004465 and UP

5.8 - Door Interior Decals II

Item	Part No.	Part Description	Qty.
1	122468	DECAL ENGINE AREA WARNINGS ENGLISH/FRENCH	1

NIGHT-LITE™ GR-SERIES



1502 West 4th Avenue
Holdrege, NE 68949

phone: (308) 995-4495 • toll free: (800) 562-1373

fax: (308) 995-5887

www.allmand.com