



en Schematic Manual
NIGHT-LITE™ GR-SERIES

TABLE OF CONTENTS

1.0 NIGHT-LITE™ GR-SERIES CHAIN SCHEMATICS

Tail Light Harness NL GR-Series Chain Schematic (118377)(1.1)

16/8 Tower Cord NL GR-Series Chain Schematic (118375)(1.2)

Control System Wiring Schematic (117742)(1.3)

16/8 Tower Cord NL GR-Series Chain International Schematic (120506)(1.4)

Control System Wiring International Schematic (120507)(1.5)

2.0 NIGHT-LITE™ GR-SERIES AIR-COOLED SCHEMATICS

Tail Light Harness NL GR-Series Air-Cooled Schematic (118378)(2.1)

16/8 Tower Cord NLGR Air-Cooled KUH2S LED Schematic (118374)(2.2)

16/8 Tower Cord NLGR Air-Cooled KUM1S LED Schematic (124602)(2.3)

Deep Sea Harness NLGR Air-Cooled Schematic (118376)(2.4)

Deep Sea Harness NLGR Air-Cooled International Schematic (120504)(2.5)

Yanmar Engine Harness Schematic (118379)(2.6)

10/4 Generator Cord Schematic (118373)(2.7)

16/8 Tower Cord NLGR Air-Cooled KUH2S LED Int'l Schematic (120505)(2.8)

16/8 Tower Cord NLGR Air-Cooled KUM1S LED Int'l Schematic (120602)(2.9)

International Generator Cord Schematic (120503)(2.10)

3.0 NIGHT-LITE™ GR-SERIES LIQUID-COOLED 3kW SCHEMATICS

Tail Light Harness NL GR-Series Liquid-Cooled Schematic (120533)(3.1)

16/8 Tower Cord NLGR LC 3kW KUH2S Schematic (120531)(3.2)

16/8 Tower Cord NLGR LC 3kW KUM1S Schematic (124602)(3.3)

NIGHT-LITE™ GR-SERIES

3.0 NIGHT-LITE™ GR-SERIES LIQUID-COOLED 3kW SCHEMATICS (Continued)

Kubota Z482 Engine Harness Schematic (120528)	(3.4)
Deep Sea Harness NLGR LC 3kW Schematic (124036)	(3.5)
10/3 Generator Cord Schematic (120532)	(3.6)
Light Relays and GFCI NLGR LC 3kW Schematic (120530)	(3.7)
Heated Fuel Water Separator Schematic (124021)	(3.8)
SH1000 Electric Winch NLGR Schematic (120927)	(3.9)

4.0 NIGHT-LITE™ GR-SERIES LIQUID-COOLED 6kW SCHEMATICS

Tail Light Harness NL GR-Series Liquid-Cooled Schematic (120533)	(4.1)
16/8 Tower Cord NLGR LC 3kW KUH2S Schematic (120531)	(4.2)
16/8 Tower Cord NLGR LC 3kW KUM1S Schematic (124062)	(4.3)
Kubota D1005 Engine Harness Schematic (108044)	(4.4)
CAT/Perkins 1.1 Engine Harness Schematic (110112)	(4.5)
Deep Sea Harness NLGR LC 6kW Schematic (120904)	(4.6)
8/4 Generator Cord Schematic (120908)	(4.7)
Light Relays and Outlets NLGR LC 6kW Schematic (120905)	(4.8)
Heated Fuel Water Separator Schematic (124021)	(4.9)
SH1000 Electric Winch NLGR Schematic (120927)	(4.10)

NIGHT-LITE™ GR-SERIES CHAIN CONNECTION TABLE

Schematic Page	1st Connection Page(s)	2nd Connection Page(s)	3rd Connection Page(s)	4th Connection Page(s)
Tail Light Harness NL GR-Series Chain Schematic (1.1)	n/a	n/a	n/a	n/a
16/8 Tower Cord NL GR-Series Chain Schematic (1.2)	(1.3-1st)	(1.3-2nd)	(1.3-3rd)	n/a
Control System Wiring Schematic (1.3)	(1.2-1st)	(1.2-2nd)	(1.2-3rd)	n/a
16/8 Tower Cord NL GR-Series Chain International Schematic (1.4)	(1.5-1st)	(1.5-2nd)	(1.5-3rd)	n/a
Control System Wiring International Schematic (1.5)	(1.4-1st)	(1.4-2nd)	(1.4-3rd)	n/a

NIGHT-LITE™ GR-SERIES AIR-COOLED CONNECTION TABLE

Schematic Page	1st Connection Page(s)	2nd Connection Page(s)	3rd Connection Page(s)	4th Connection Page(s)
Tail Light Harness NL GR-Series Air-Cooled Diesel Schematic (2.1)	n/a	n/a	n/a	n/a
16/8 Tower Cord NLGR Air-Cooled KUH2S LED Schematic (2.2)	(2.4 or 2.10-4th)	n/a	n/a	n/a
16/8 Tower Cord NLGR Air-Cooled KUM1S LED Schematic (2.3)	(2.4 or 2.10-4th)	n/a	n/a	n/a
Deep Sea Harness NLGR Air-Cooled Schematic (2.4)	(2.6-1st)	(2.6-2nd)	(2.6-3rd)	(2.2 or 2.3-1st)

NIGHT-LITE™ GR-SERIES

NIGHT-LITE™ GR-SERIES AIR-COOLED CONNECTION TABLE (Continued)

Schematic Page	1st Connection Page(s)	2nd Connection Page(s)	3rd Connection Page(s)	4th Connection Page(s)
Deep Sea Harness NLGR Air-Cooled International Schematic (2.5)	(2.6-1st)	(2.6-2nd)	(2.6-3rd)	(2.8 or 2.9-1st)

Schematic Page	5th Connection Page(s)	6th Connection Page(s)	7th Connection Page(s)	8th Connection Page(s)
Deep Sea Harness NLGR Air-Cooled Schematic (2.4)	(2.7-1st)	n/a	n/a	n/a
Deep Sea Harness NLGR Air-Cooled International Schematic (2.5)	(2.8 or 2.9-1st)	(2.11-1st)	n/a	n/a

Schematic Page	1st Connection Page(s)	2nd Connection Page(s)	3rd Connection Page(s)	4th Connection Page(s)
Yanmar Engine Harness Schematic (2.6)	(2.4, 2.5, or 2.10-1st)	(2.4, 2.5, or 2.10-2nd)	(2.4, 2.5, or 2.10-3rd)	n/a
10/4 Generator Cord Schematic (2.7)	(2.4 or 2.10-5th)	n/a	n/a	n/a
16/8 Tower Cord NLGR Air-Cooled KUH2S LED International Schematic (2.8)	(2.5-4th)	(2.5-5th)	n/a	n/a
16/8 Tower Cord NLGR Air-Cooled KUM1S LED International Schematic (2.9)	(2.5-4th)	(2.5-5th)	n/a	n/a
Deep Sea Harness NLGR Air-Cooled Schematic Twistlock (2.10)	(2.6-1st)	(2.6-2nd)	(2.6-3rd)	(2.2 or 2.3-1st)

NIGHT-LITE™ GR-SERIES AIR-COOLED CONNECTION TABLE (Continued)

Schematic Page	5th Connection Page(s)	6th Connection Page(s)	7th Connection Page(s)	8th Connection Page(s)
Deep Sea Harness NLGR Air-Cooled Twistlock Schematic (2.10)	(2.7-1st)	n/a	n/a	n/a

Schematic Page	1st Connection Page(s)	2nd Connection Page(s)	3rd Connection Page(s)	4th Connection Page(s)
International Generator Cord Schematic (2.11)	(2.5-6th)	n/a	n/a	n/a

NIGHT-LITE™ GR-SERIES LIQUID-COOLED 3kW CONNECTION TABLE

Schematic Page	1st Connection Page(s)	2nd Connection Page(s)	3rd Connection Page(s)	4th Connection Page(s)
Tail Light Harness NL GR-Series Liquid Cooled Schematic (3.1)	n/a	n/a	n/a	n/a
16/8 Tower Cord NLGR LC 3kW KUH2S LED Schematic Schematic (3.2)	(3.5-2nd)	n/a	n/a	n/a
16/8 Tower Cord NLGR LC 3kW KUM1S LED Schematic Schematic (3.3)	(3.5-2nd)	n/a	n/a	n/a
Kubota Z482 Engine Harness Schematic (3.4)	(3.5-1st)	n/a	n/a	n/a
Deep Sea Harness NLGR LC 3kW Schematic (3.5)	(3.4-1st)	(3.2 or 3.3-1st)	(3.6-1st)	(3.7-1st)

NIGHT-LITE™ GR-SERIES

NIGHT-LITE™ GR-SERIES LC 3kW CONNECTION TABLE (Continued)

Schematic Page	5th Connection Page(s)	6th Connection Page(s)	7th Connection Page(s)	8th Connection Page(s)
Deep Sea Harness NLGR LC 3kW Schematic (3.5)	(3.8-1st)	(3.9-1st)	n/a	n/a

Schematic Page	1st Connection Page(s)	2nd Connection Page(s)	3rd Connection Page(s)	4th Connection Page(s)
10/3 Generator Cord Schematic (3.6)	(3.5-3rd or 3.7-2nd)	n/a	n/a	n/a
Light Relays and GFCI NLGR LC 3kW Schematic (3.7)	(3.5-4th)	(3.6-1st)	n/a	n/a
Heated Fuel Water Separator Schematic (3.8)	(3.5-5th)	n/a	n/a	n/a
SH1000 Electric Winch NLGR Schematic (3.9)	(3.5-6th)	n/a	n/a	n/a

NIGHT-LITE™ GR-SERIES LIQUID-COOLED 6kW CONNECTION TABLE

Schematic Page	1st Connection Page(s)	2nd Connection Page(s)	3rd Connection Page(s)	4th Connection Page(s)
Tail Light Harness NL GR-Series Liquid Cooled Schematic (4.1)	n/a	n/a	n/a	n/a
16/8 Tower Cord NLGR LC 3kW KUH2S LED Schematic Schematic (4.2)	(4.6-5th)	n/a	n/a	n/a

NIGHT-LITE™ GR-SERIES LC 6kW CONNECTION TABLE (Continued)

Schematic Page	1st Connection Page(s)	2nd Connection Page(s)	3rd Connection Page(s)	4th Connection Page(s)
16/8 Tower Cord NLGR LC 3kW KUM1S LED Schematic Schematic (4.3)	(4.6-5th)	n/a	n/a	n/a
Kubota D1005 Engine Harness Schematic (4.4)	(4.6-1st)	(4.6-2nd)	(4.6-3rd)	(4.6-4th)
CAT/Perkins 1.1 Engine Harness Schematic (4.5)	(4.6-1st)	(4.6-2nd)	(4.6-3rd)	(4.6-4th)
Deep Sea Harness NLGR LC 6kW Schematic (4.6)	(4.4 or 4.5-1st)	(4.4 or 4.5-2nd)	(4.4 or 4.5-3rd)	(4.4 or 4.5-4th)

Schematic Page	5th Connection Page(s)	6th Connection Page(s)	7th Connection Page(s)	8th Connection Page(s)
Deep Sea Harness NLGR LC 6kW Schematic (4.6)	(4.2 or 4.3-1st)	(4.7-1st)	(4.9-1st)	(4.10-1st)

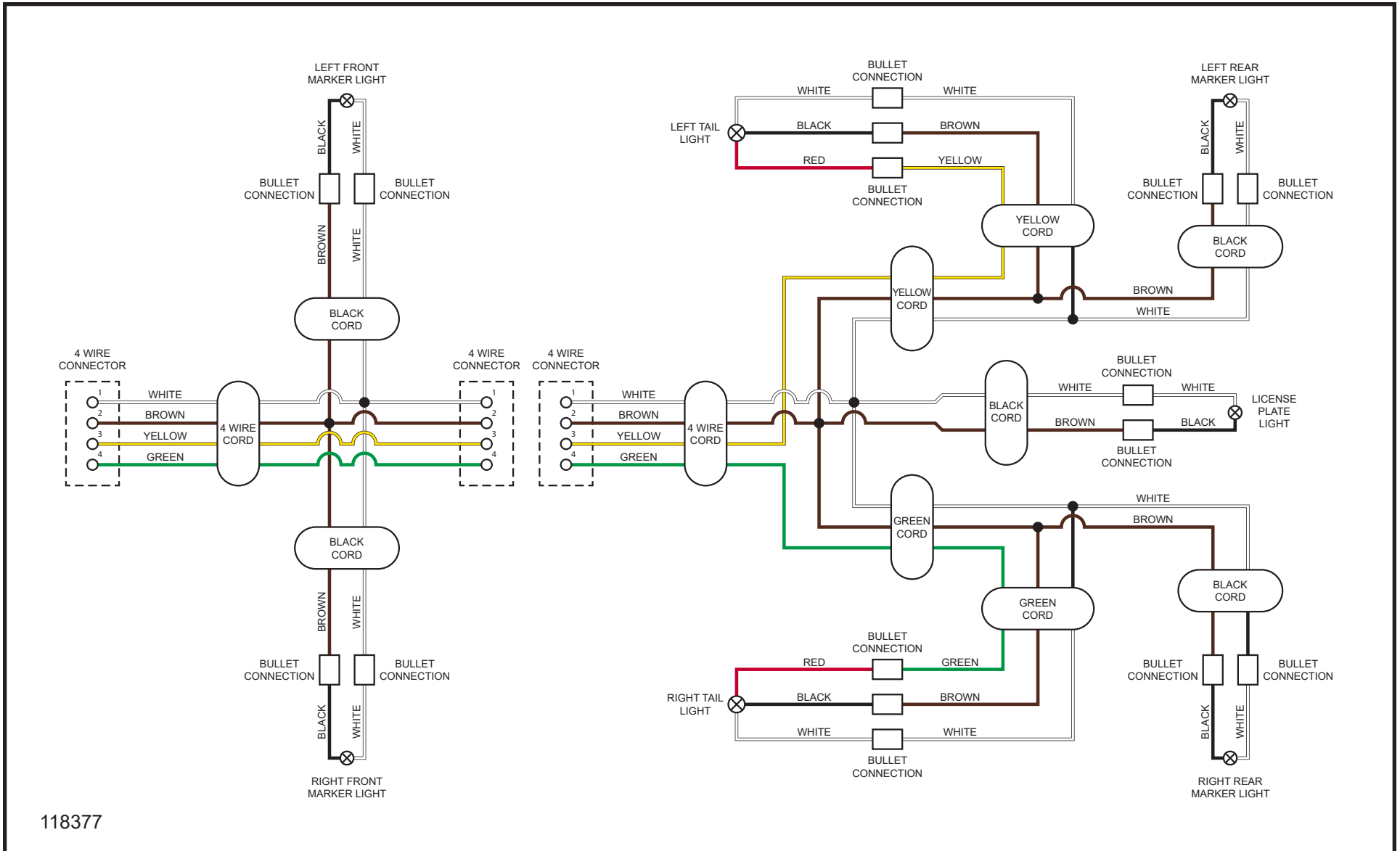
Schematic Page	9th Connection Page(s)	10th Connection Page(s)	11th Connection Page(s)	12th Connection Page(s)
Deep Sea Harness NLGR LC 6kW Schematic (4.6)	(4.8-1st)	n/a	n/a	n/a

NIGHT-LITE™ GR-SERIES

NIGHT-LITE™ GR-SERIES LC 6kW CONNECTION TABLE (Continued)

Schematic Page	1st Connection Page(s)	2nd Connection Page(s)	3rd Connection Page(s)	4th Connection Page(s)
8/4 Generator Cord Schematic (4.7)	(4.6-6th or 4.8-2nd)	n/a	n/a	n/a
Light Relays and Outlets NLGR LC 6kW Schematic (4.8)	(4.6-9th)	(4.7-1st)	n/a	n/a
Heated Fuel Water Separator Schematic (4.9)	(4.6-7th)	n/a	n/a	n/a
SH1000 Electric Winch NLGR Schematic (4.10)	(4.6-8th)	n/a	n/a	n/a

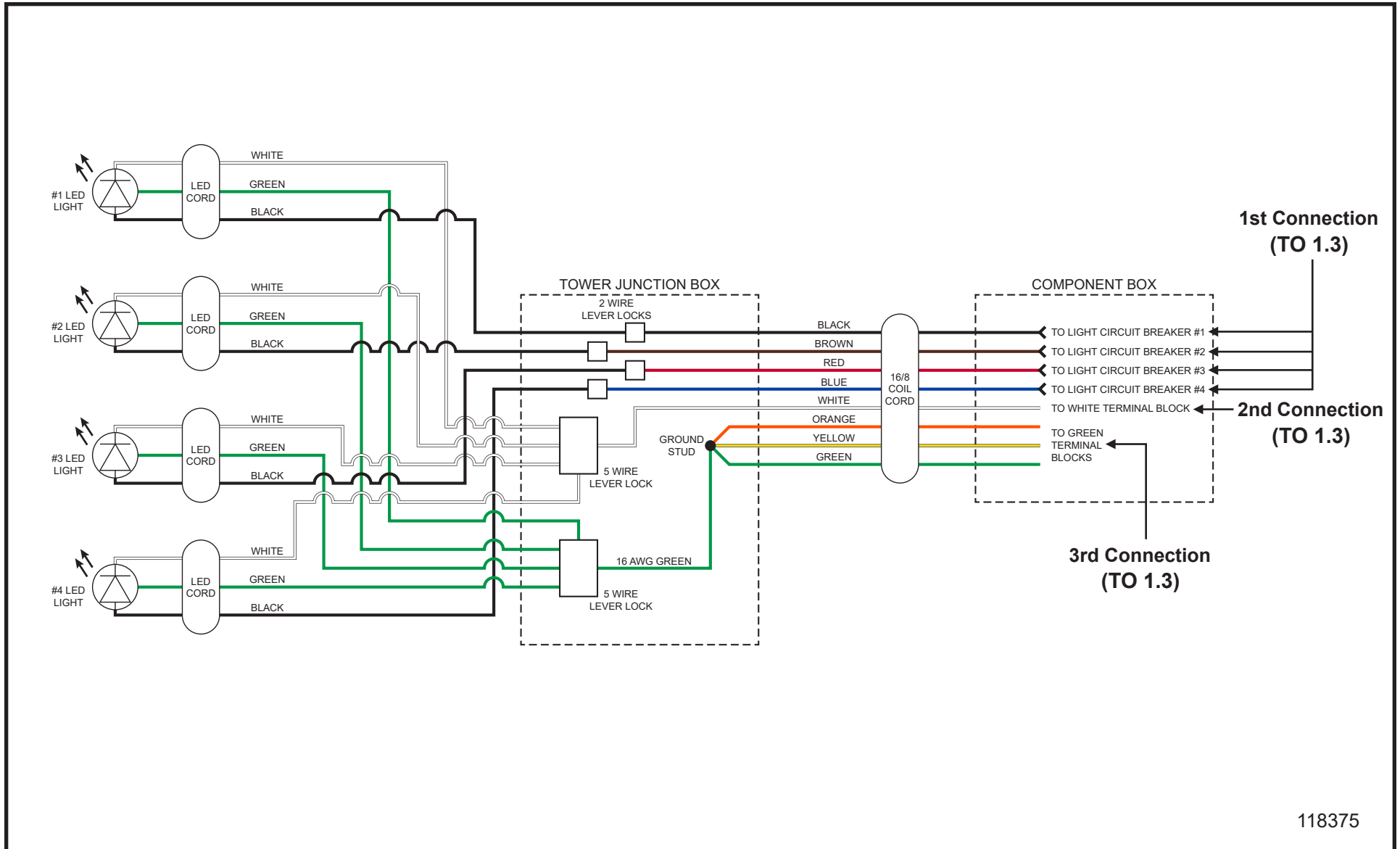
1.1 - Tail Light Harness NL GR-Series Chain Schematic



118377

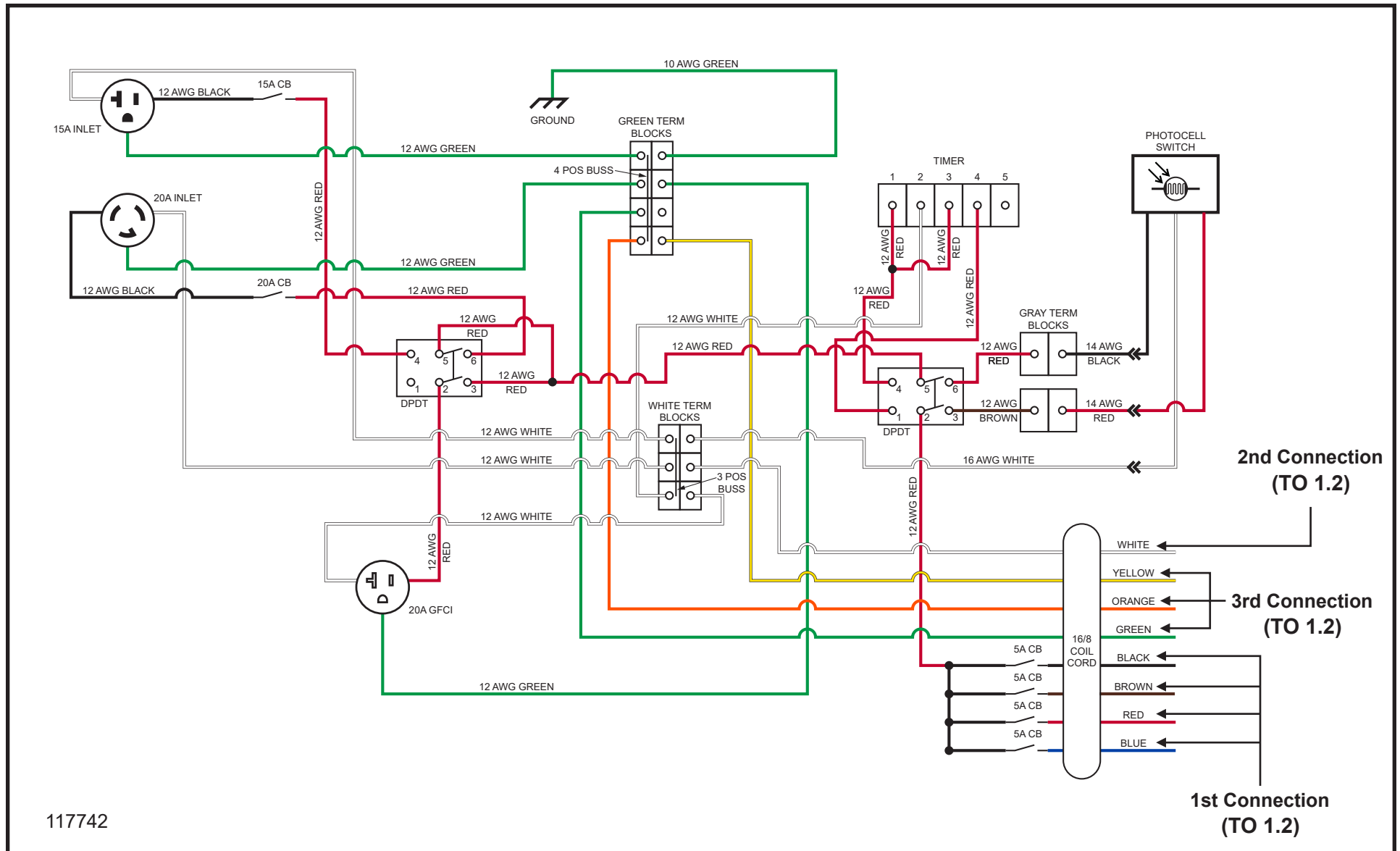
NIGHT-LITE™ GR-SERIES

1.2 - 16/8 Tower Cord NL GR-Series Chain Schematic



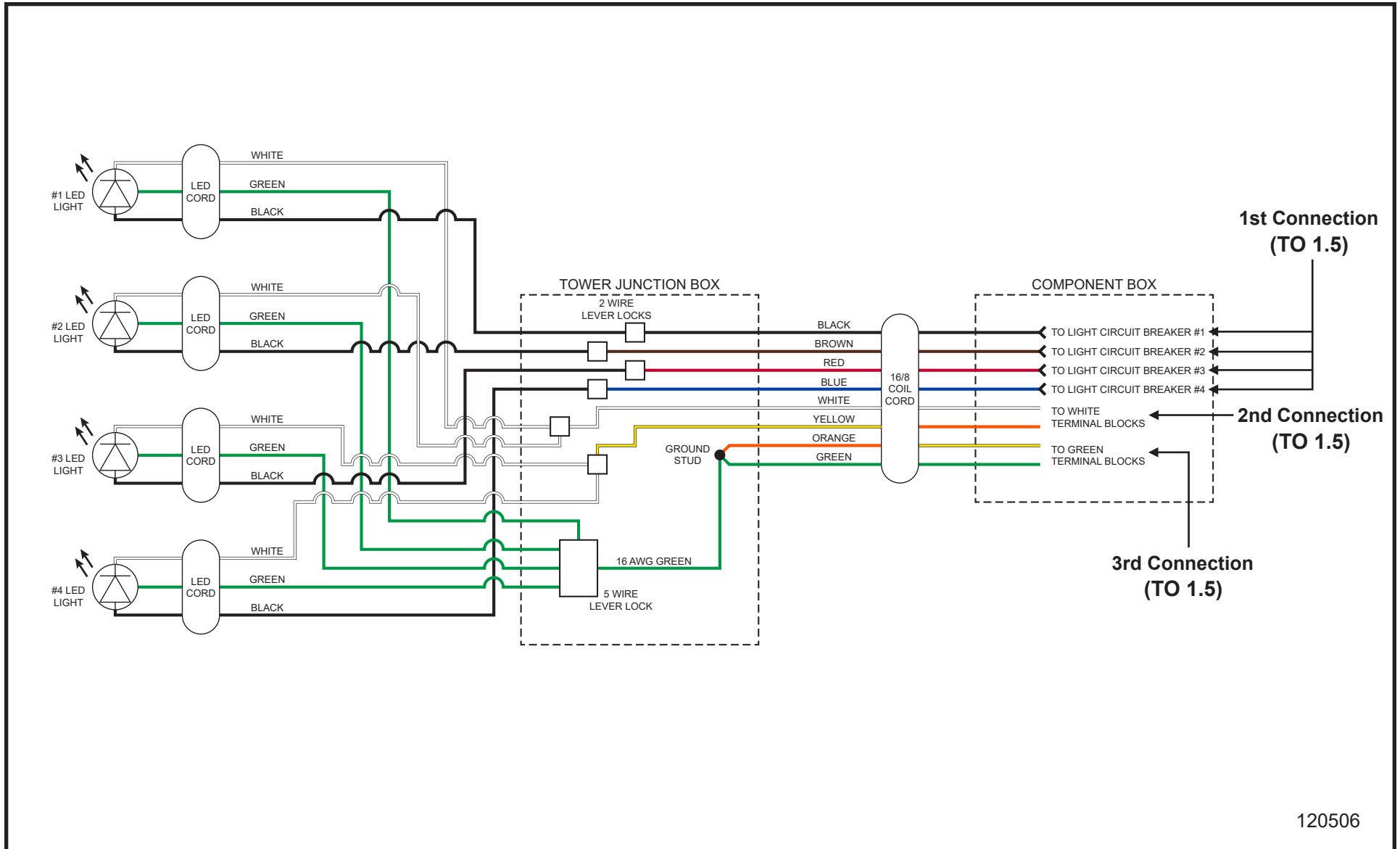
118375

1.3 - Control System Wiring Schematic

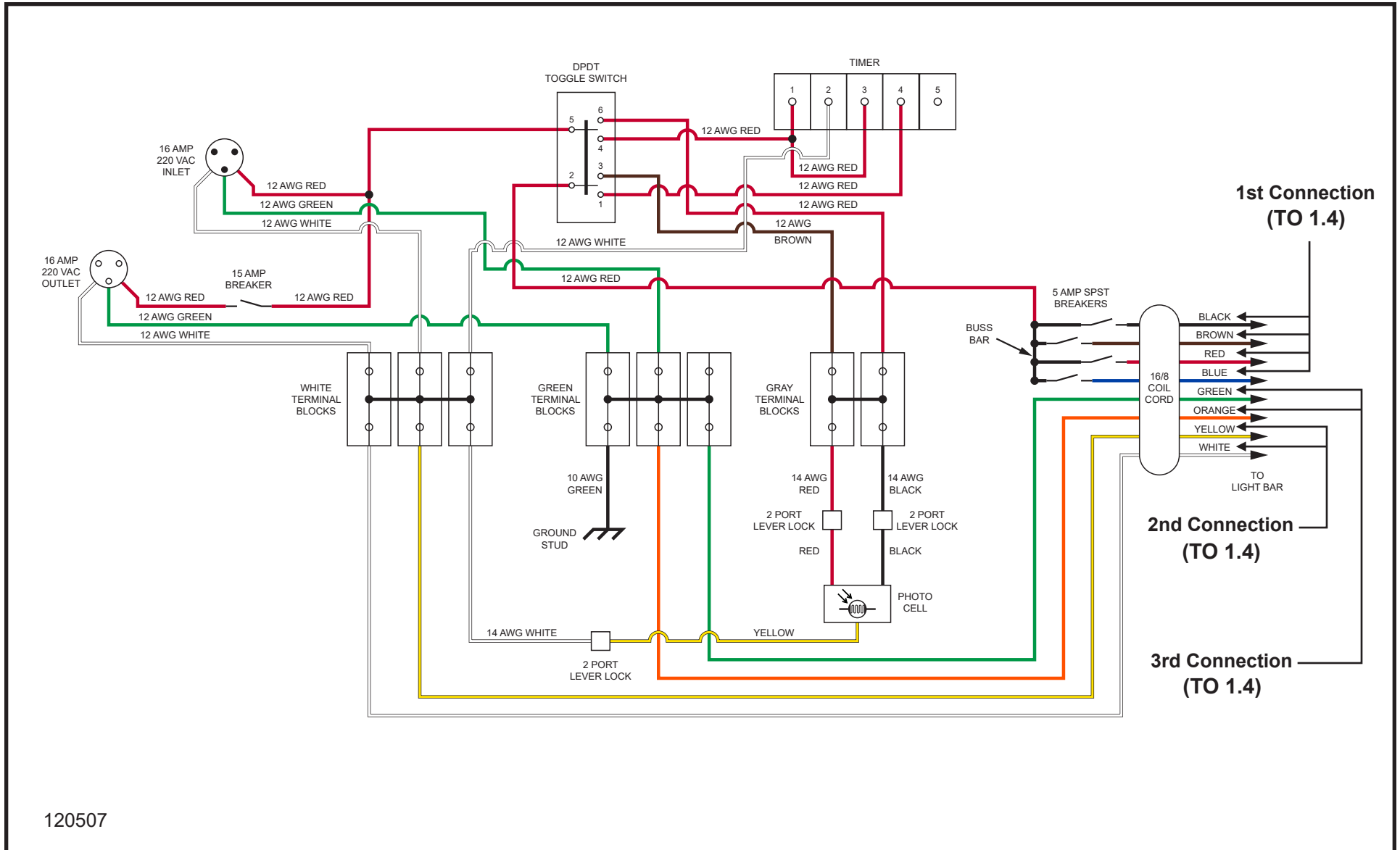


NIGHT-LITE™ GR-SERIES

1.4 - 16/8 Tower Cord NL GR-Series Chain International Schematic



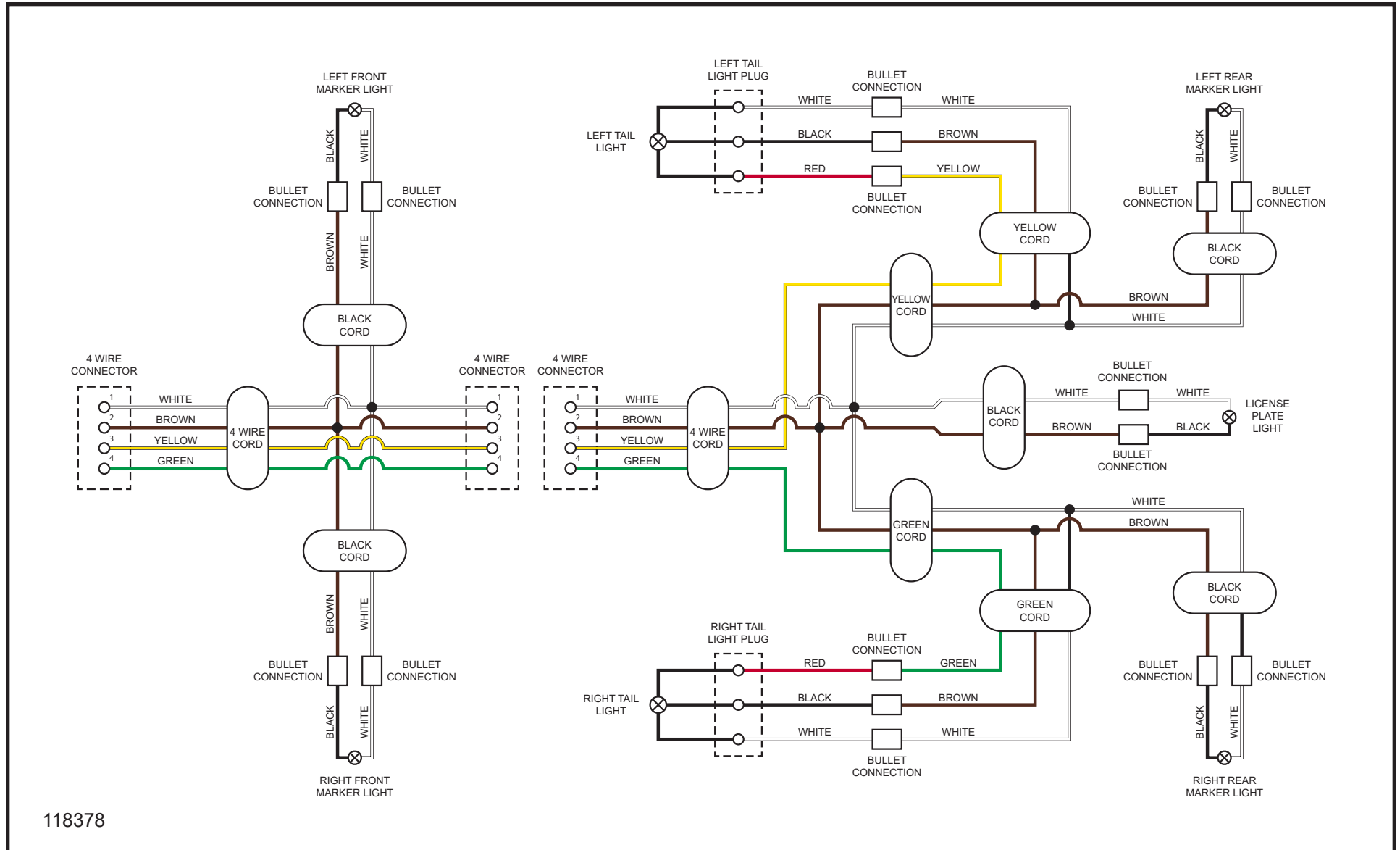
1.5 - Control System Wiring International Schematic



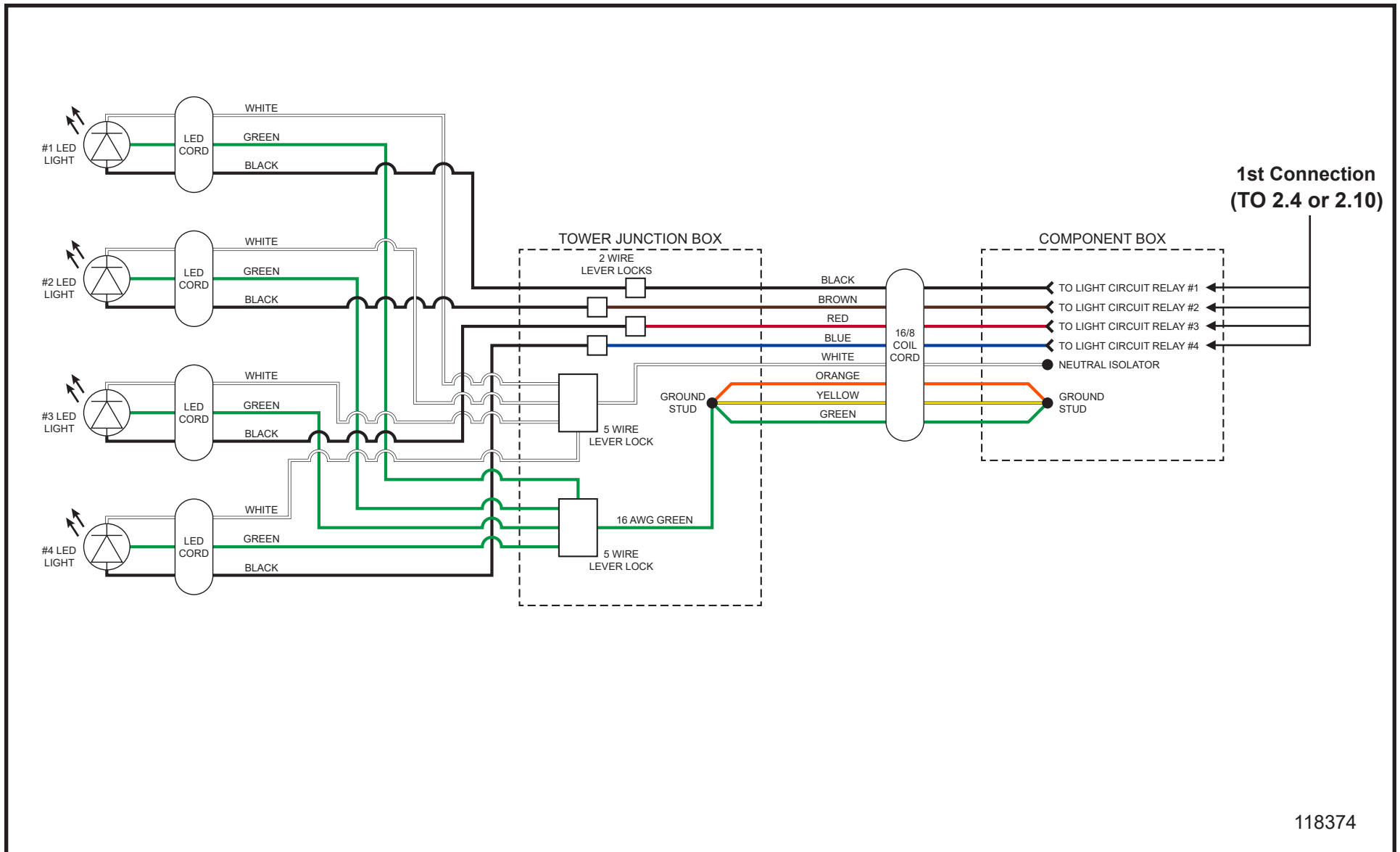
120507

NIGHT-LITE™ GR-SERIES

2.1 - Tail Light Harness NL GR-Series Air-Cooled Schematic



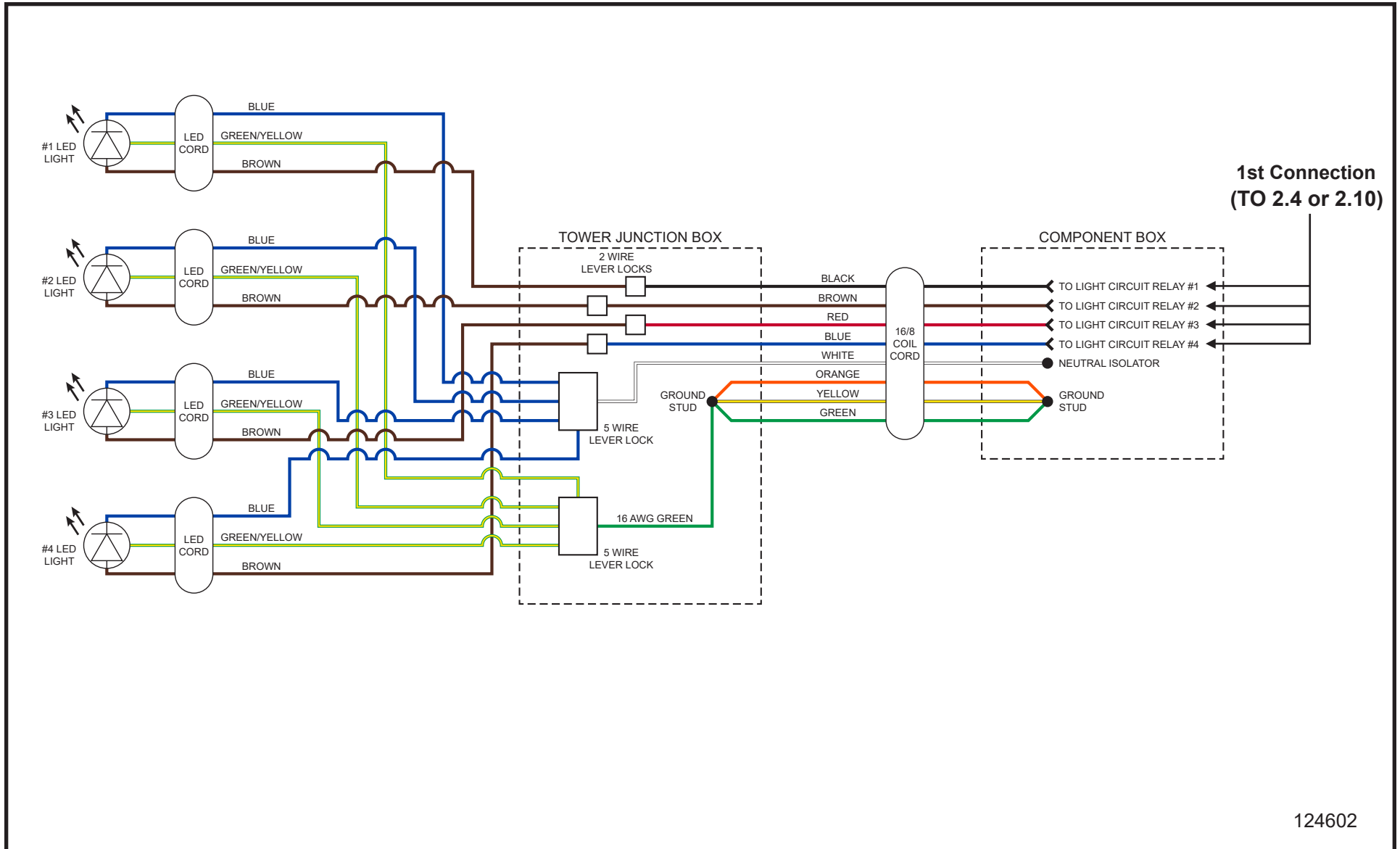
2.2 - 16/8 Tower Cord NLGR Air-Cooled KUH2S LED Schematic



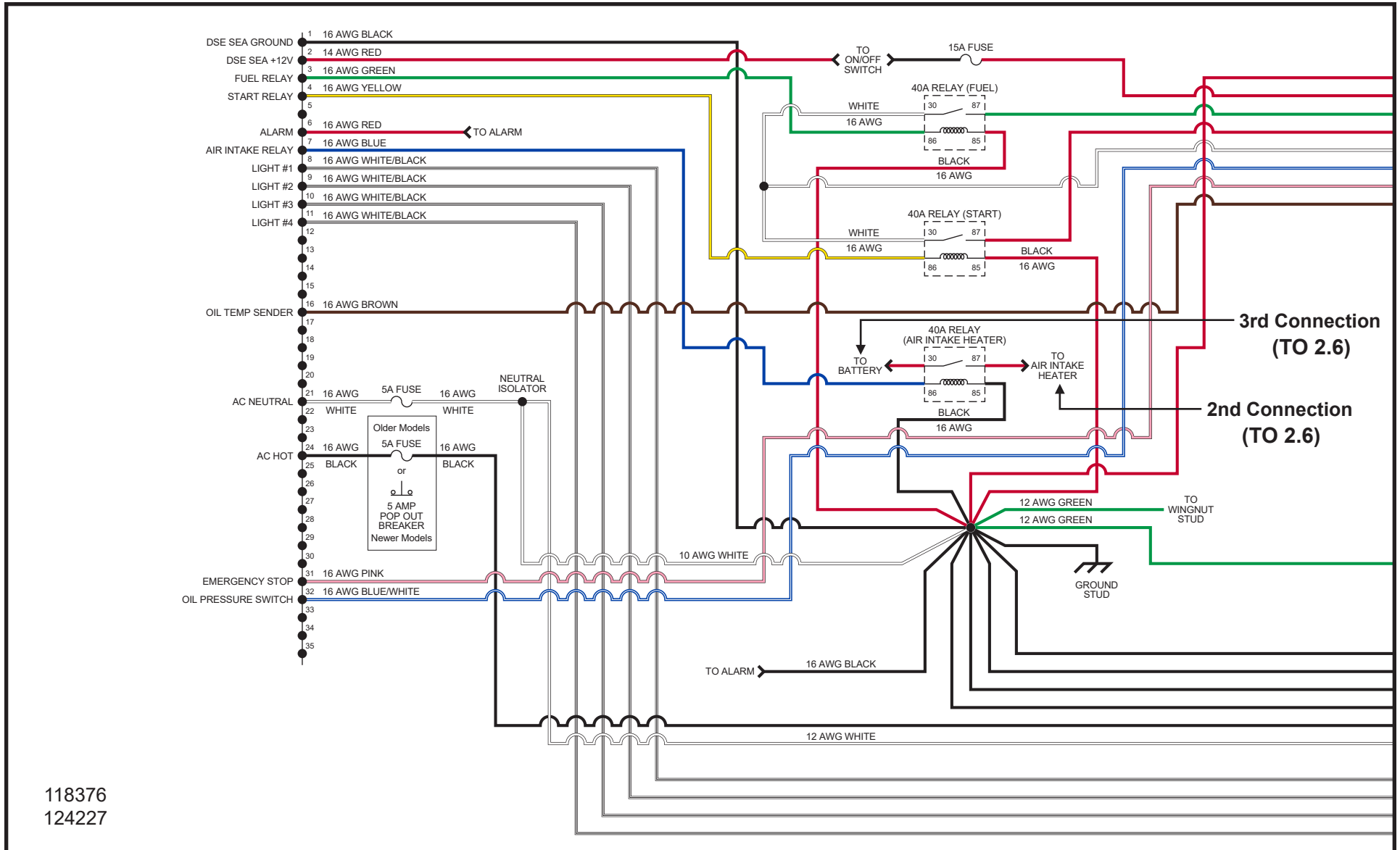
118374

NIGHT-LITE™ GR-SERIES

2.3 - 16/8 Tower Cord NLGR Air-Cooled KUM1S LED Schematic

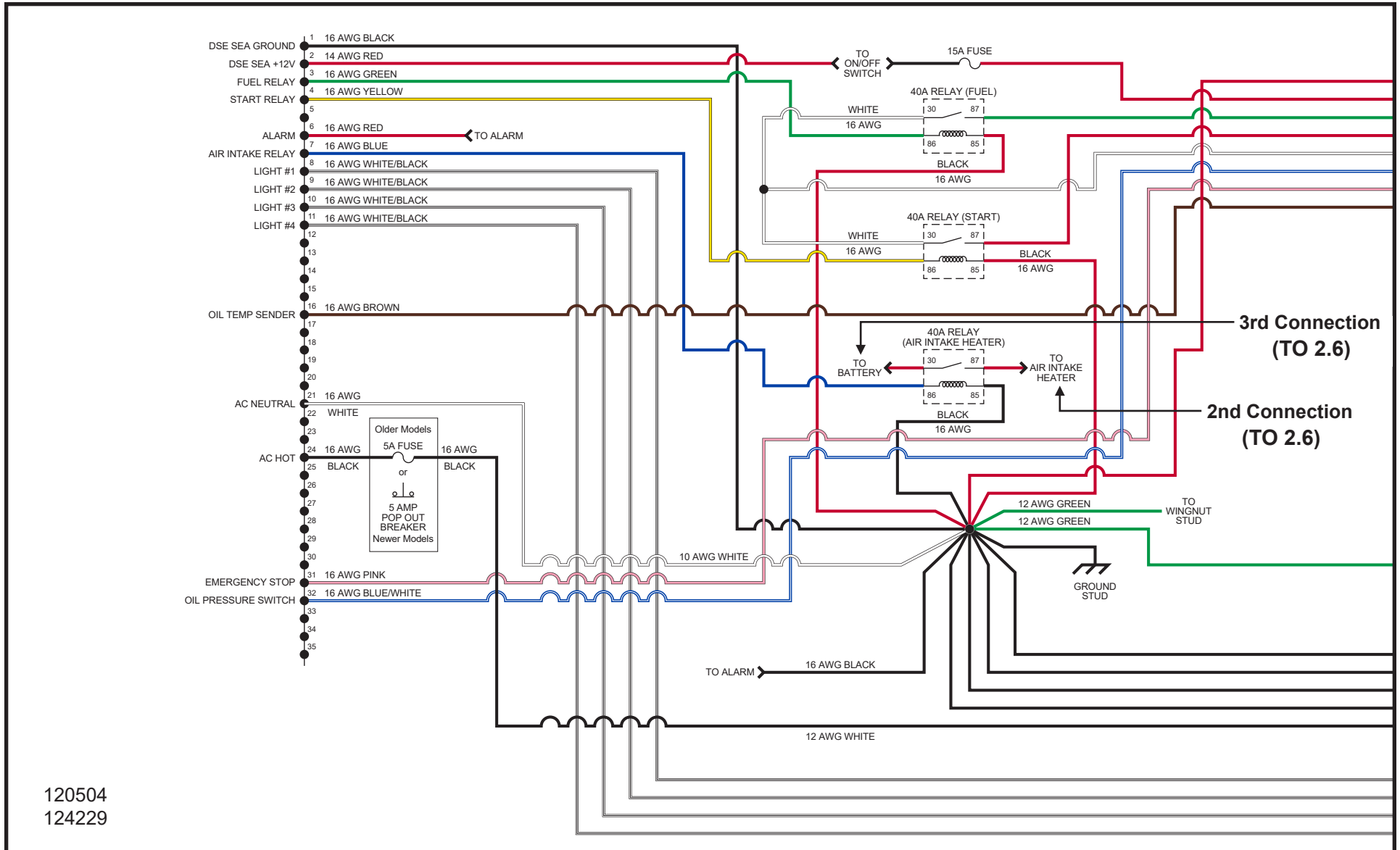


2.4 - Deep Sea Harness NLGR Air-Cooled Schematic (1 of 2)



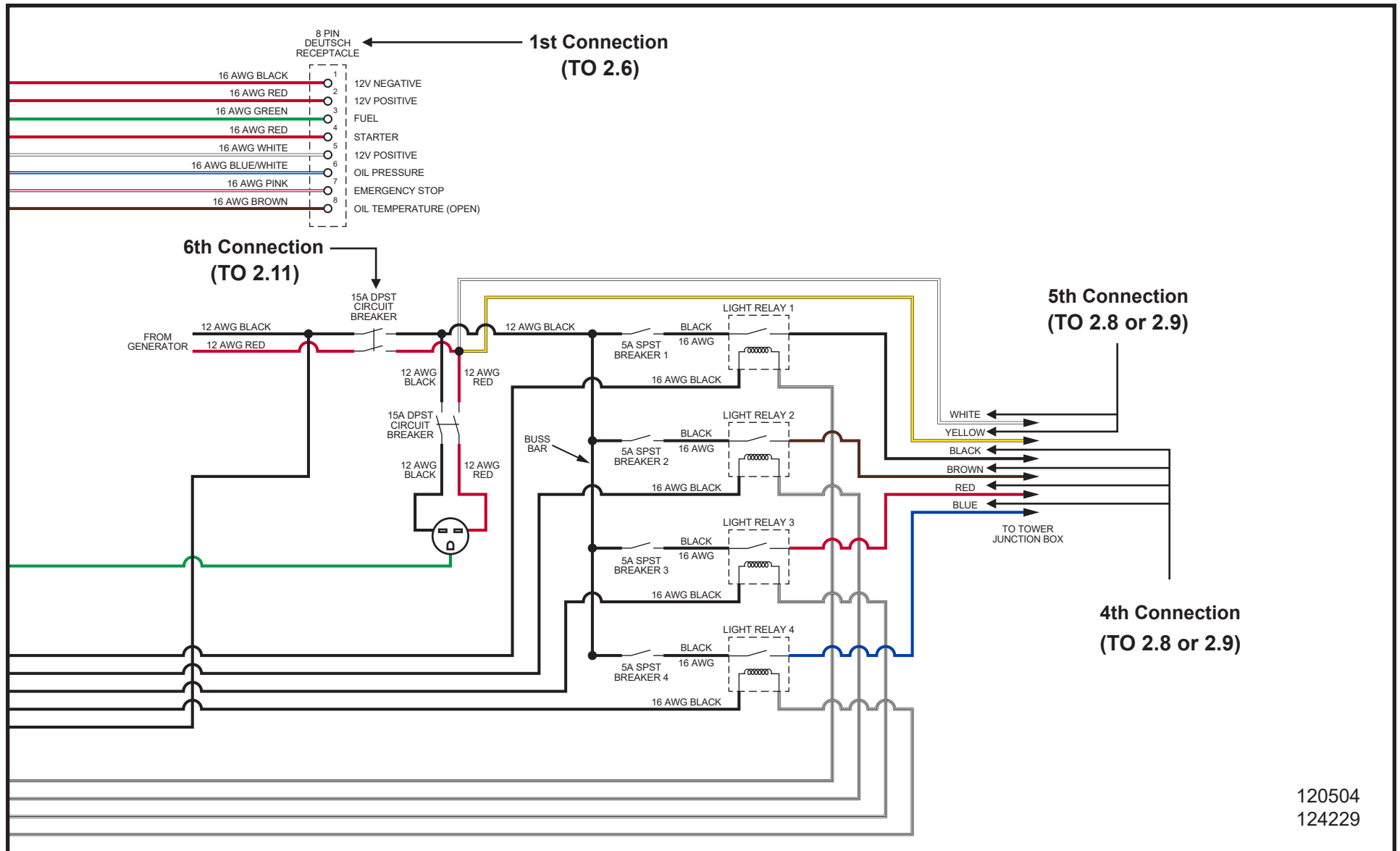
118376
124227

2.5 - Deep Sea Harness NLGR Air-Cooled International Schematic (1 of 2)

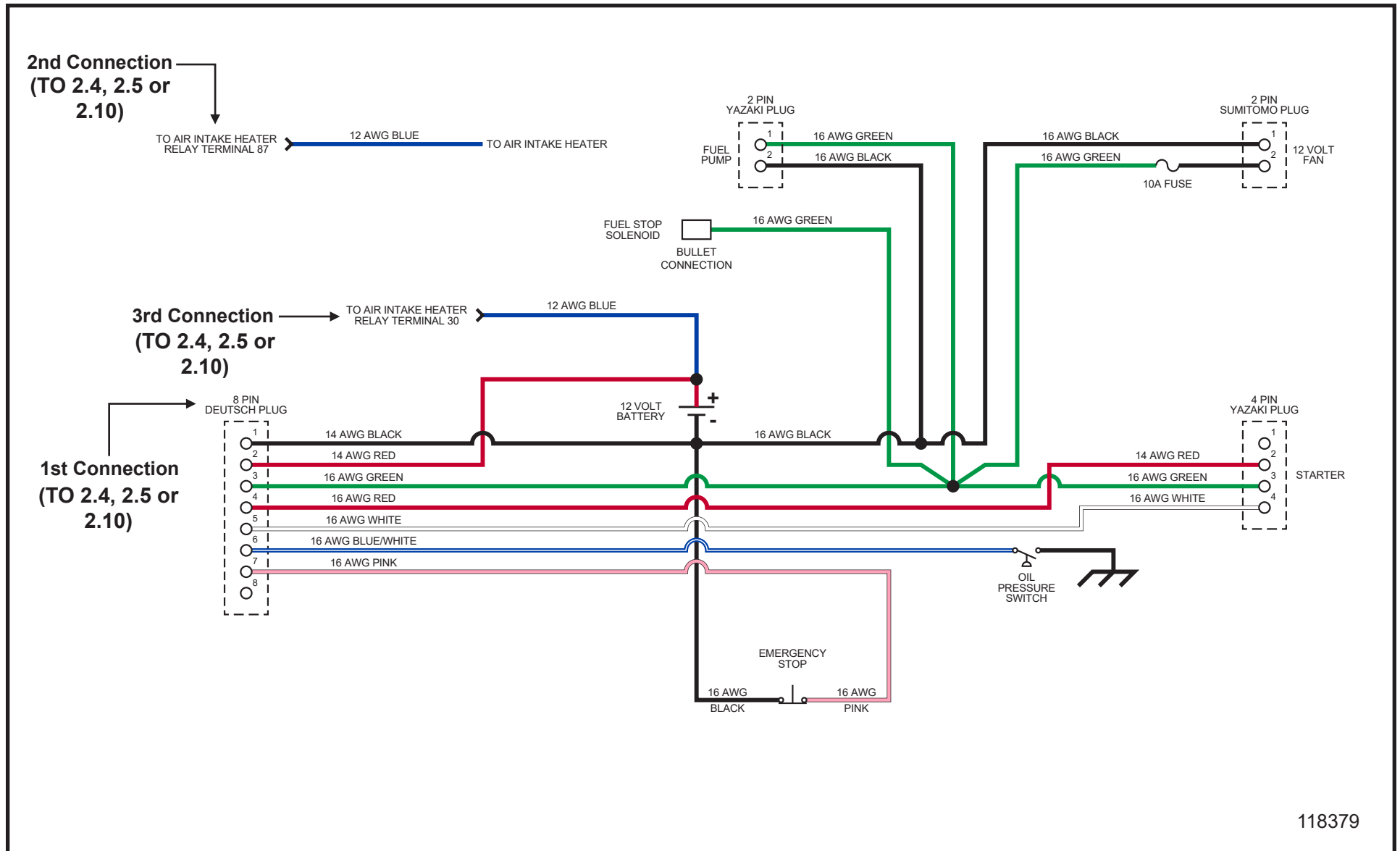


NIGHT-LITE™ GR-SERIES

2.5 - Deep Sea Harness NLGR Air-Cooled International Schematic (1 of 2)



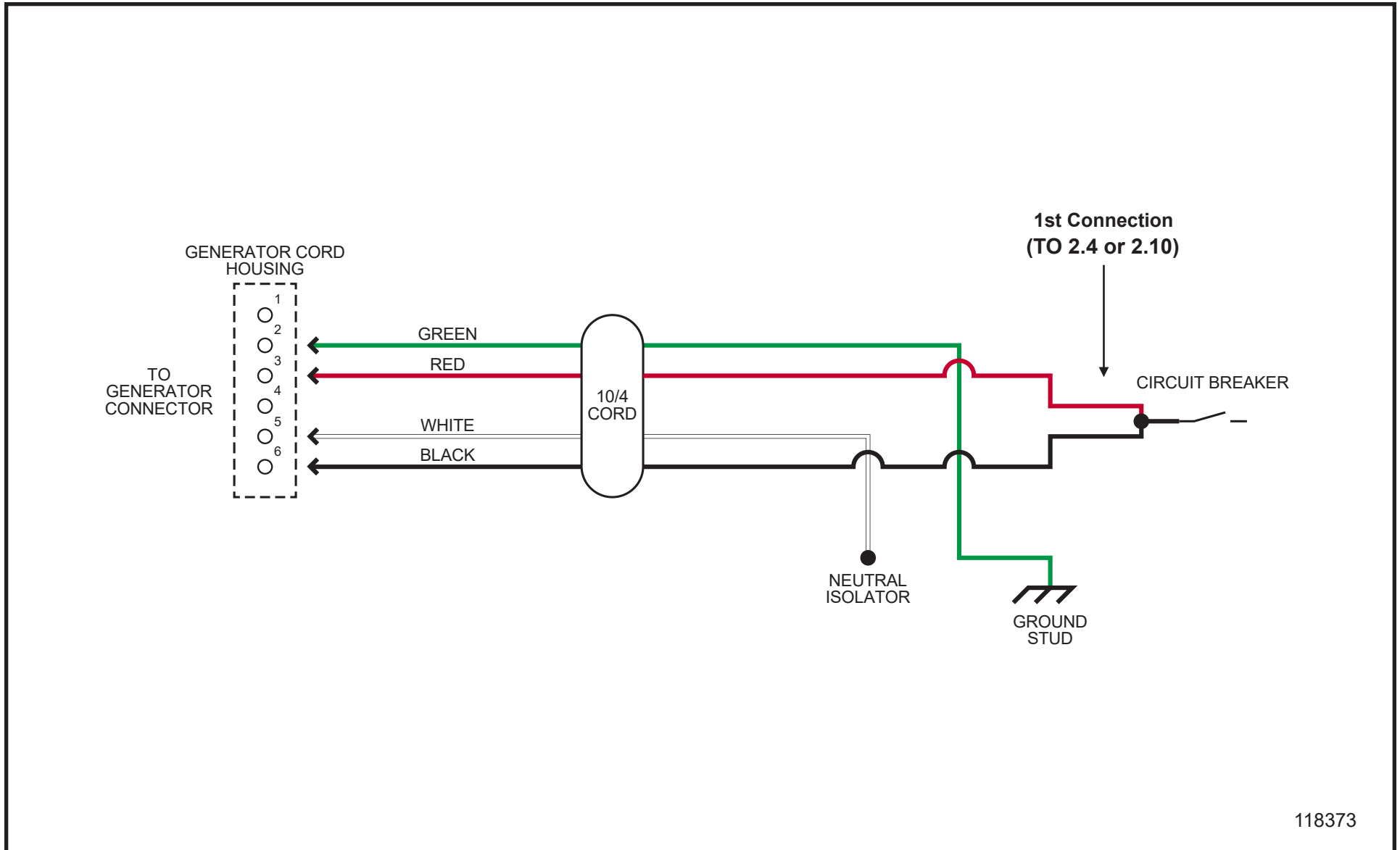
2.6 - Yanmar Engine Harness Schematic



118379

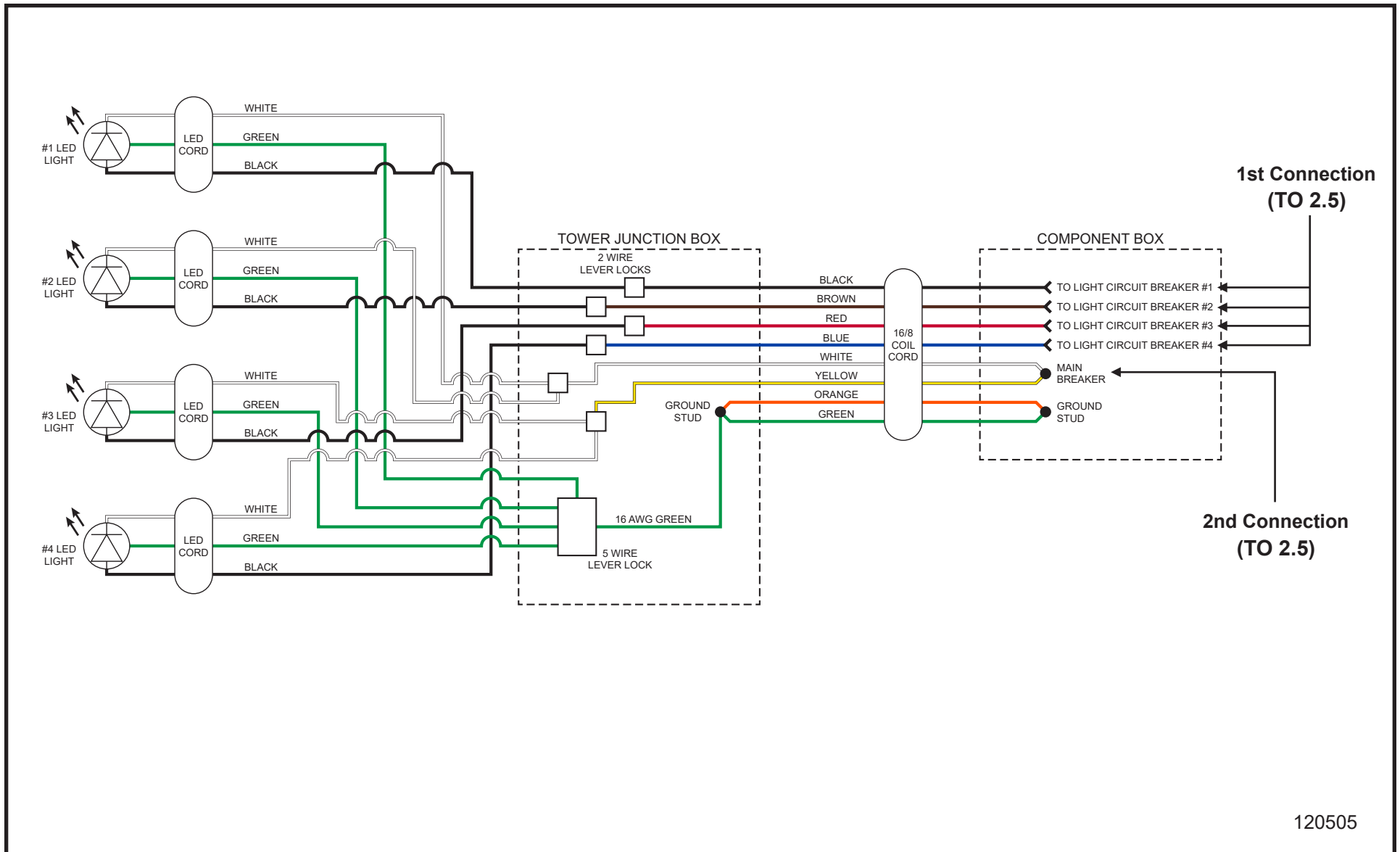
NIGHT-LITE™ GR-SERIES

2.7 - 10/4 Generator Cord Schematic



118373

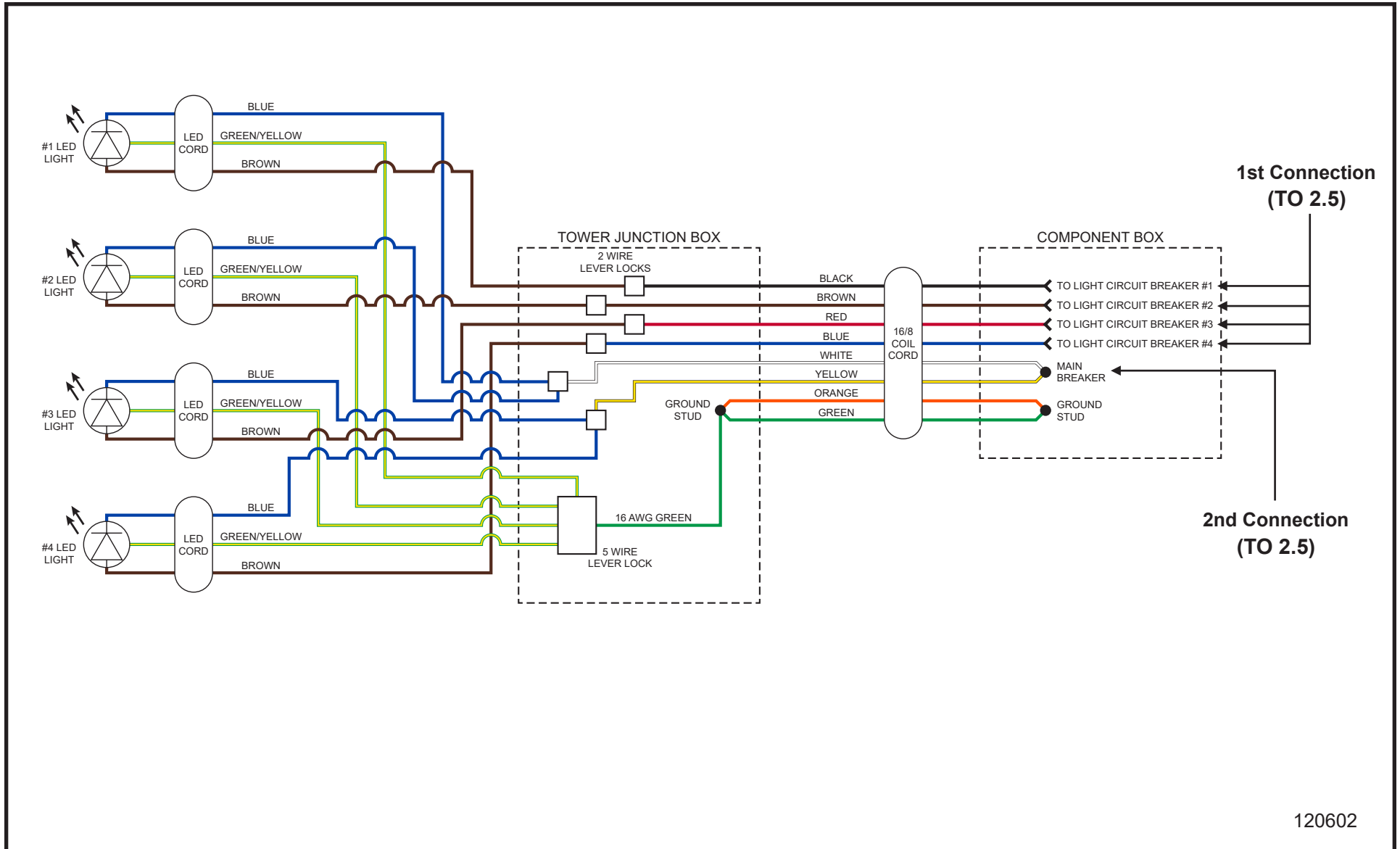
2.8 - 16/8 Tower Cord NLGR Air-Cooled KUH2S LED Int'l Schematic



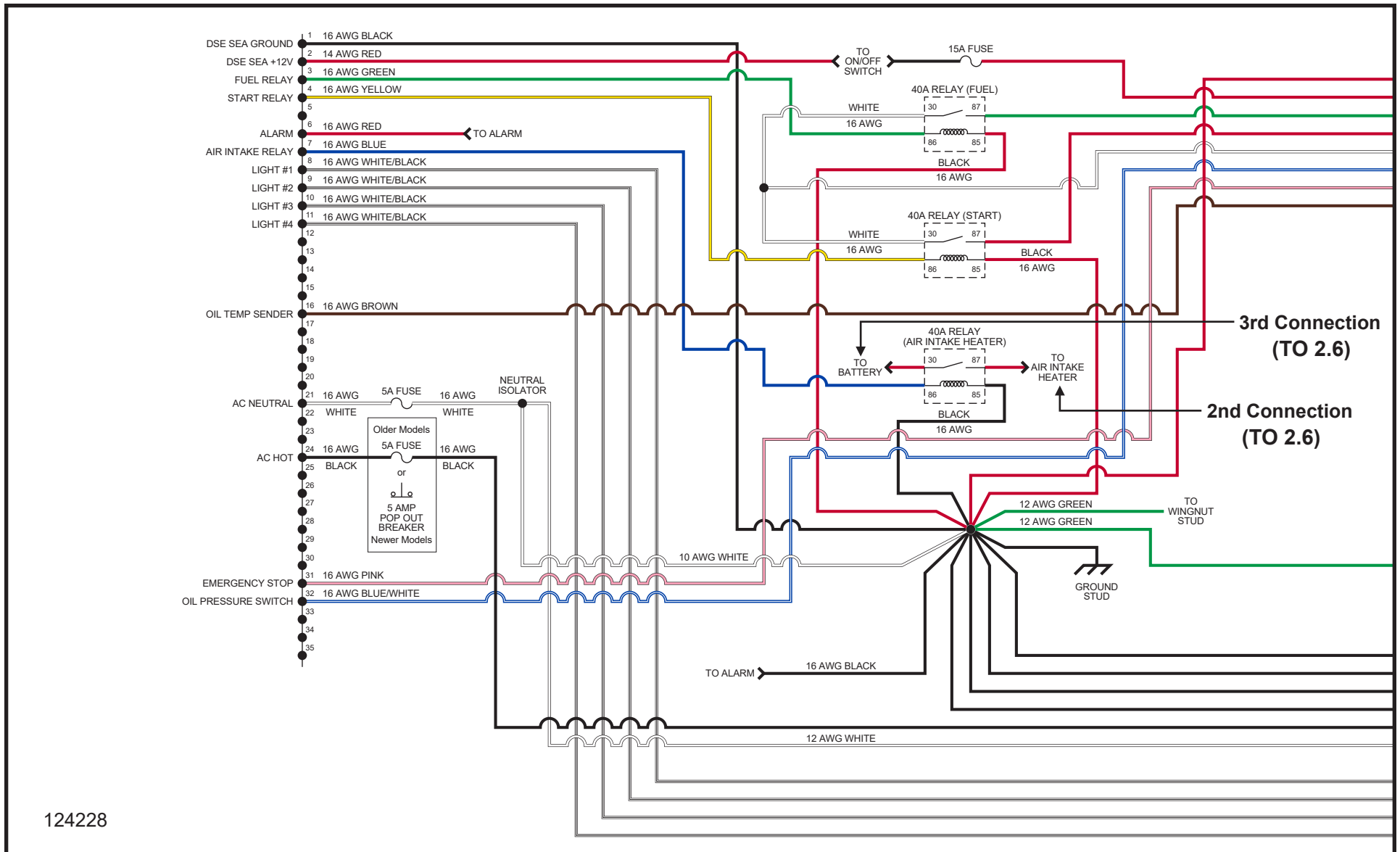
120505

NIGHT-LITE™ GR-SERIES

2.9 - 16/8 Tower Cord NLGR Air-Cooled KUM1S LED Int'l Schematic



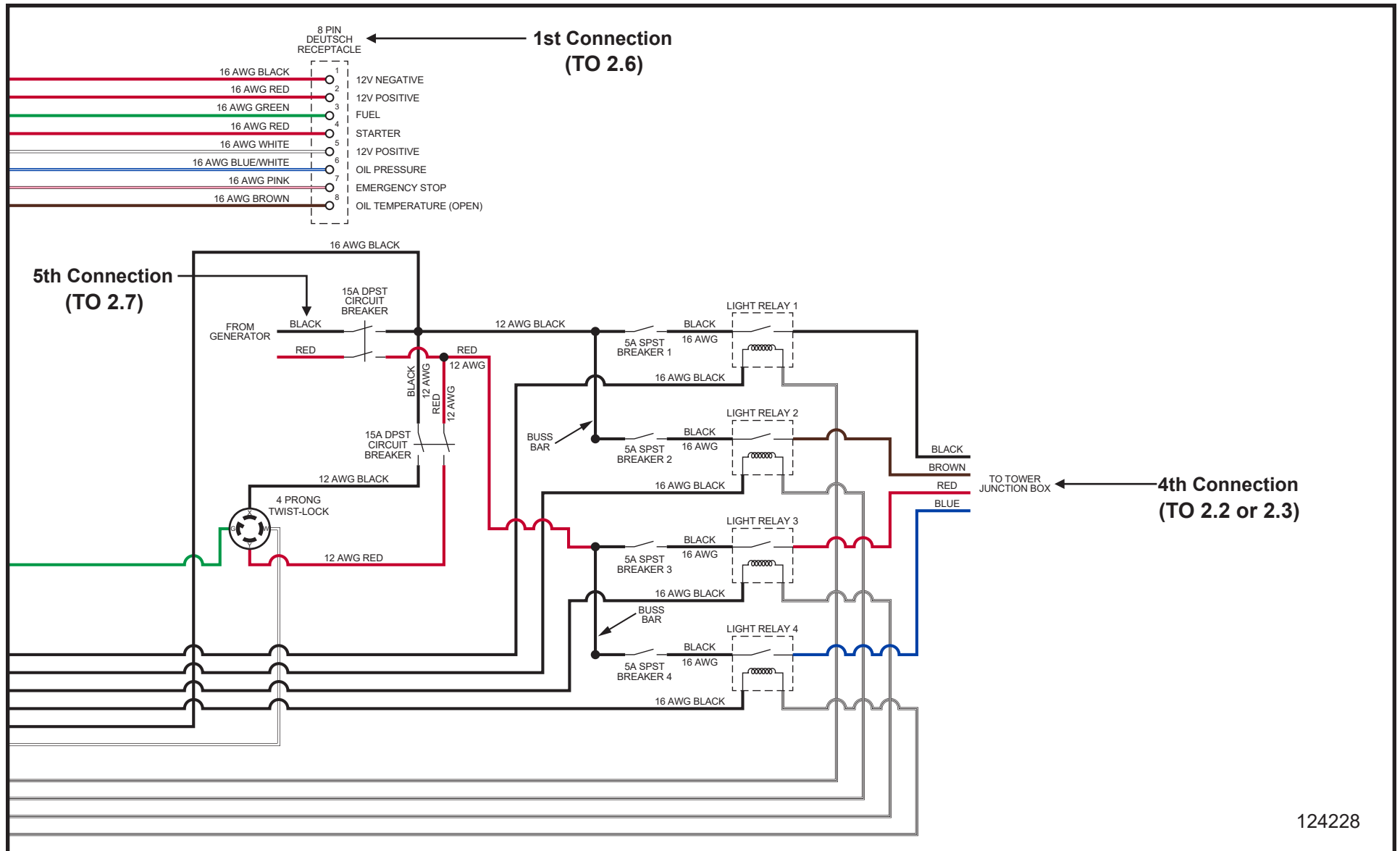
2.4 - Deep Sea Harness NLGR Air-Cooled Twistlock Schematic (1 of 2)



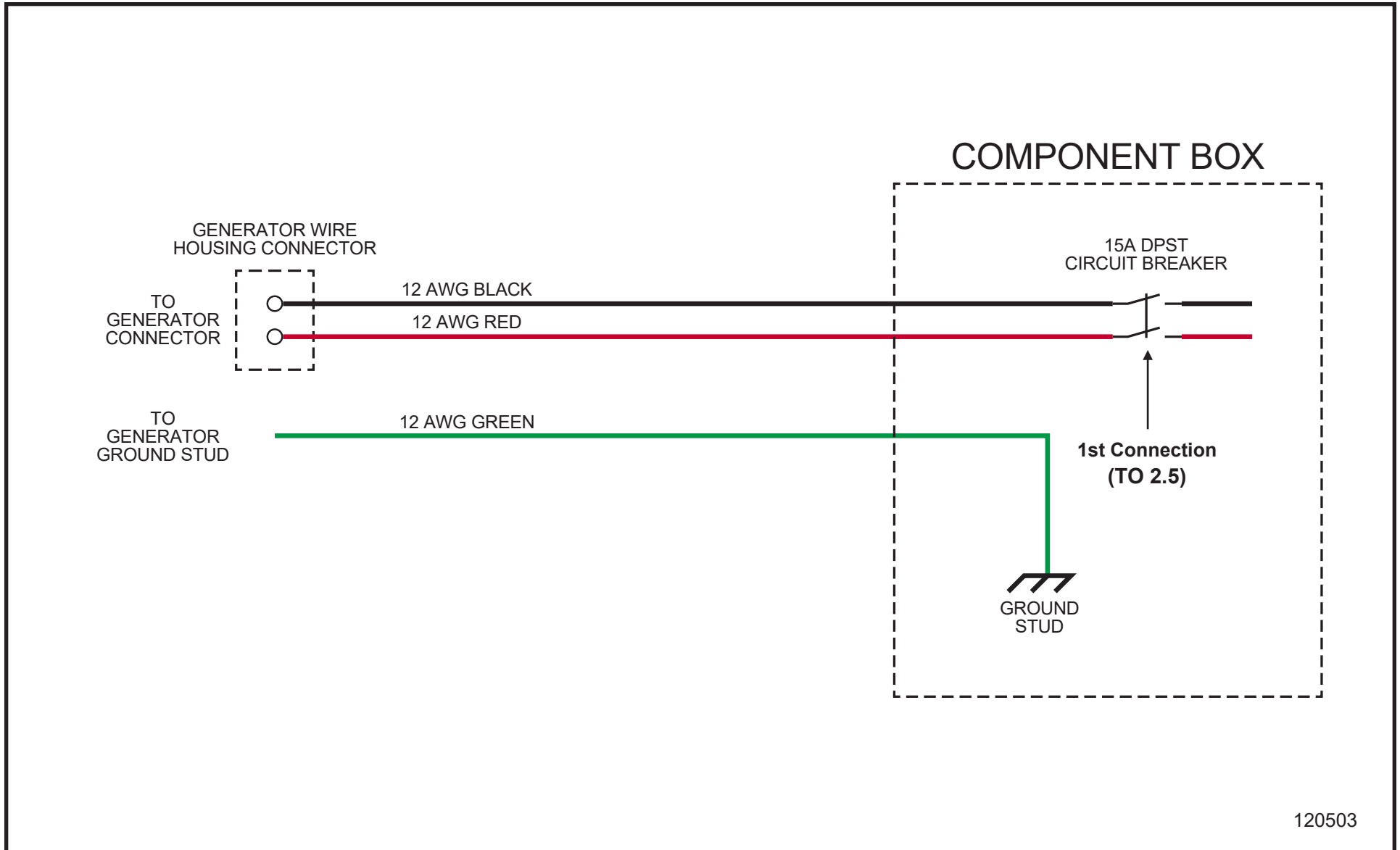
124228

NIGHT-LITE™ GR-SERIES

2.4 - Deep Sea Harness NLGR Air-Cooled Twistlock Schematic (2 of 2)

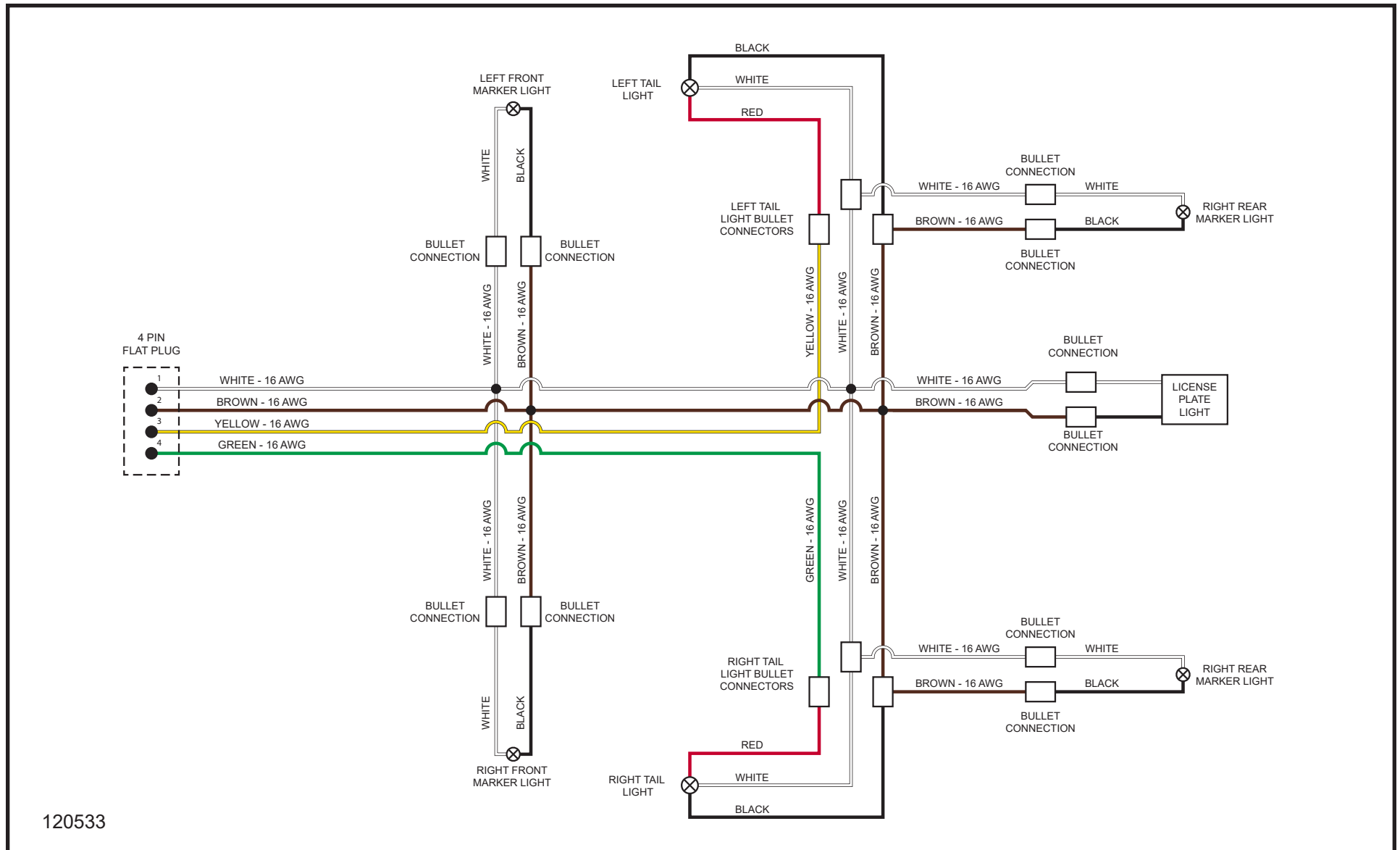


2.11 - International Generator Cord Schematic



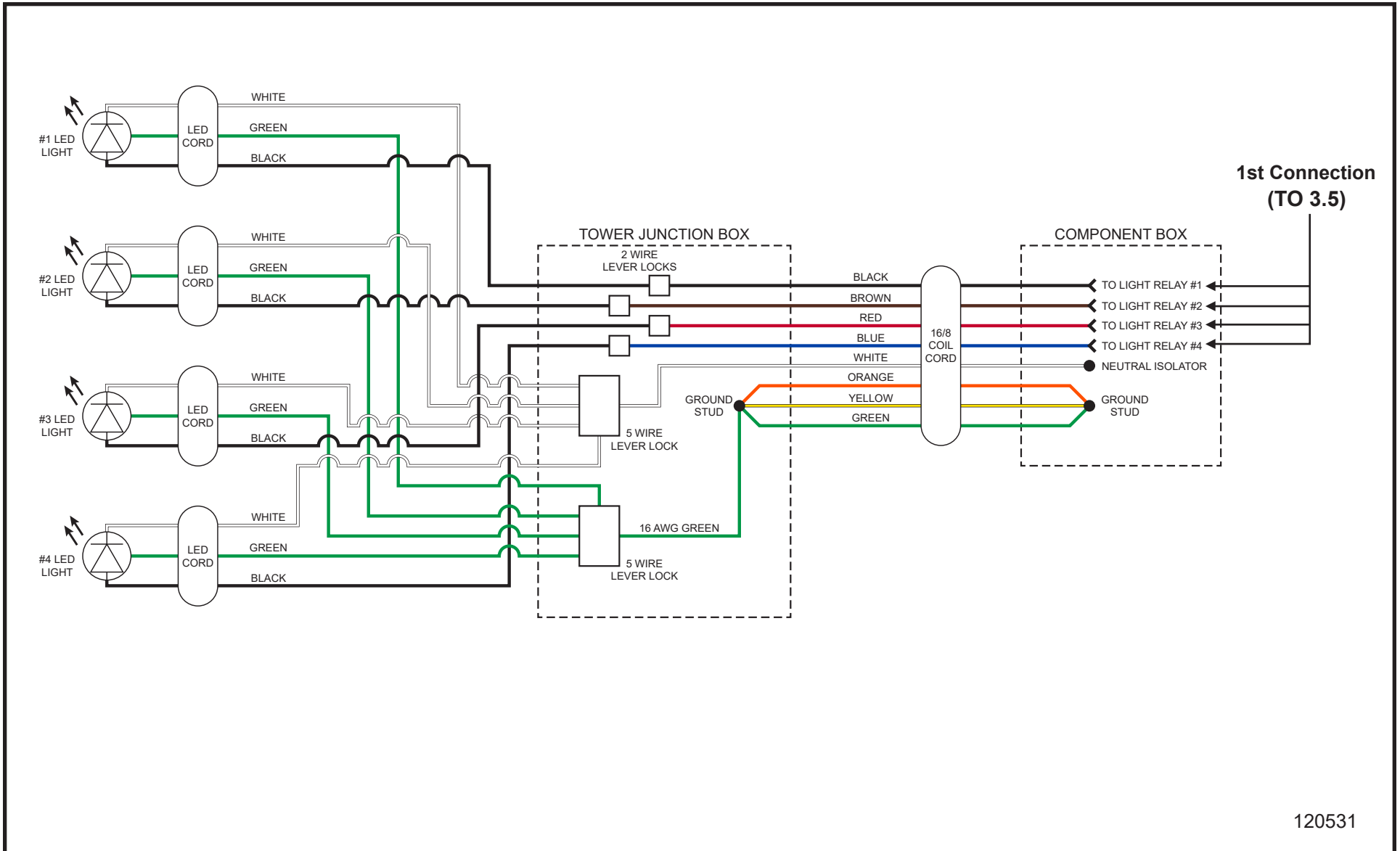
NIGHT-LITE™ GR-SERIES

3.1 - Tail Light Harness NL GR-Series Liquid-Cooled Schematic



120533

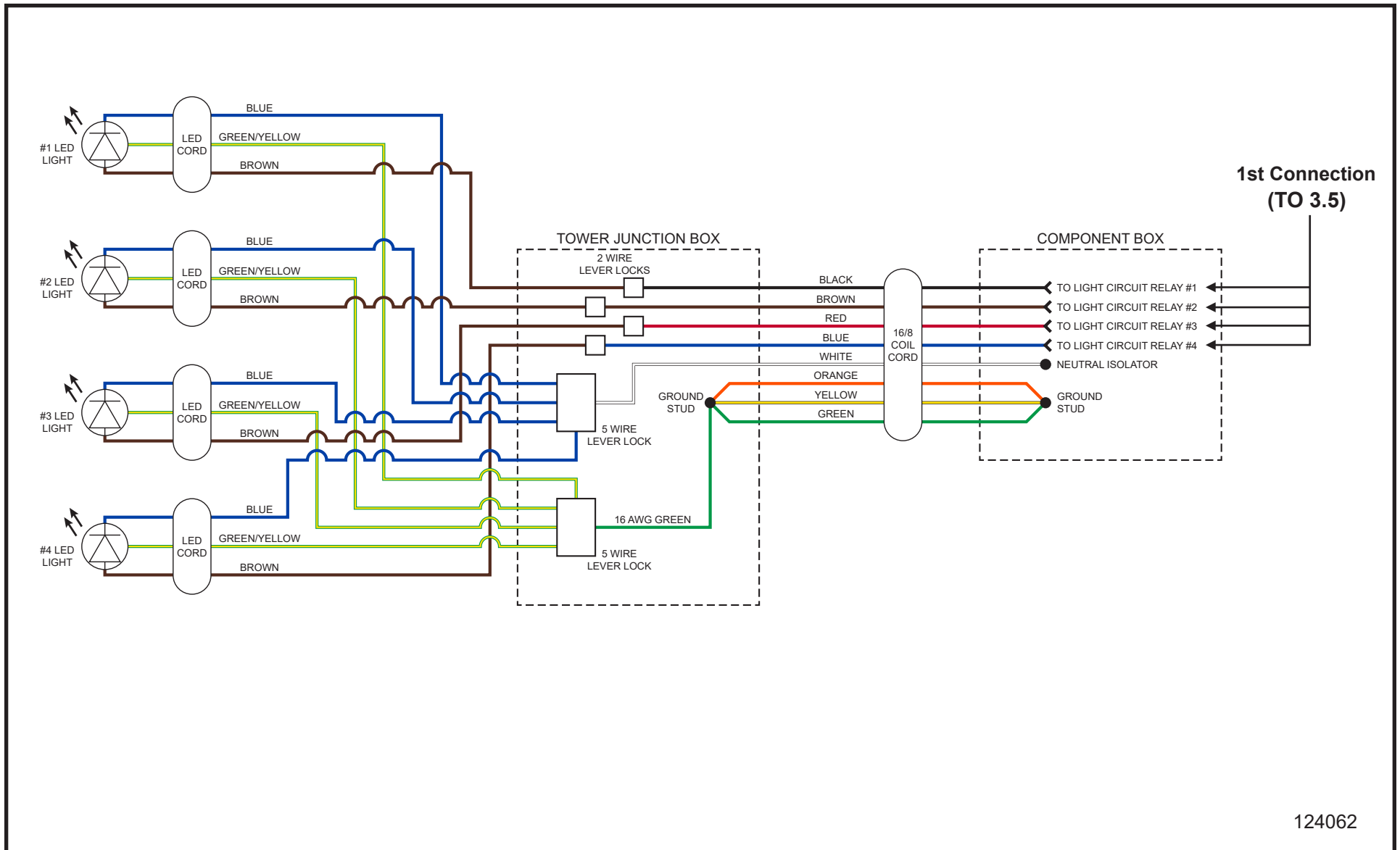
3.2 - 16/8 Tower Cord NLGR LC 3kW KUH2S LED Schematic



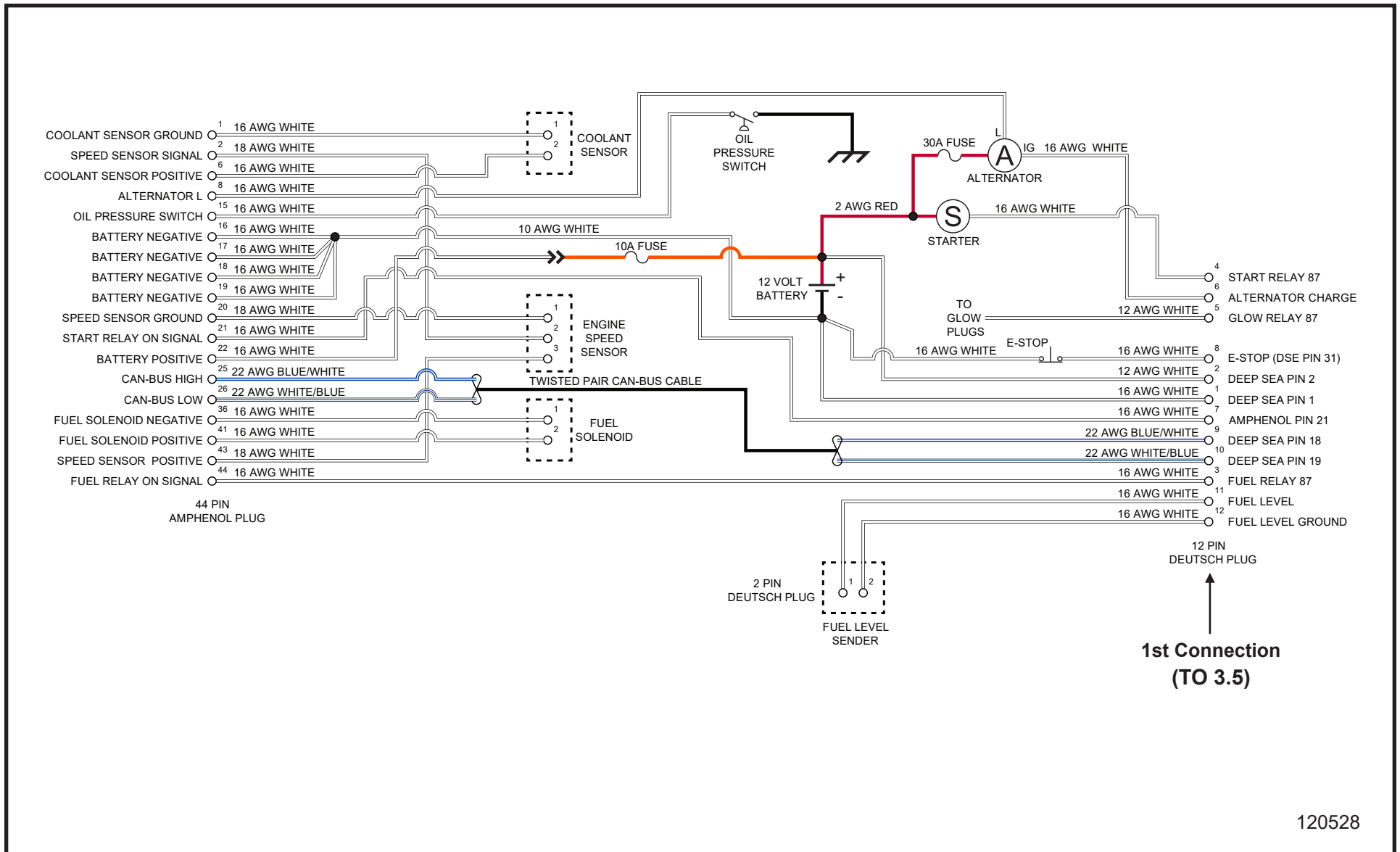
120531

NIGHT-LITE™ GR-SERIES

3.3 - 16/8 Tower Cord NLGR LC 3kW KUM1S LED Schematic



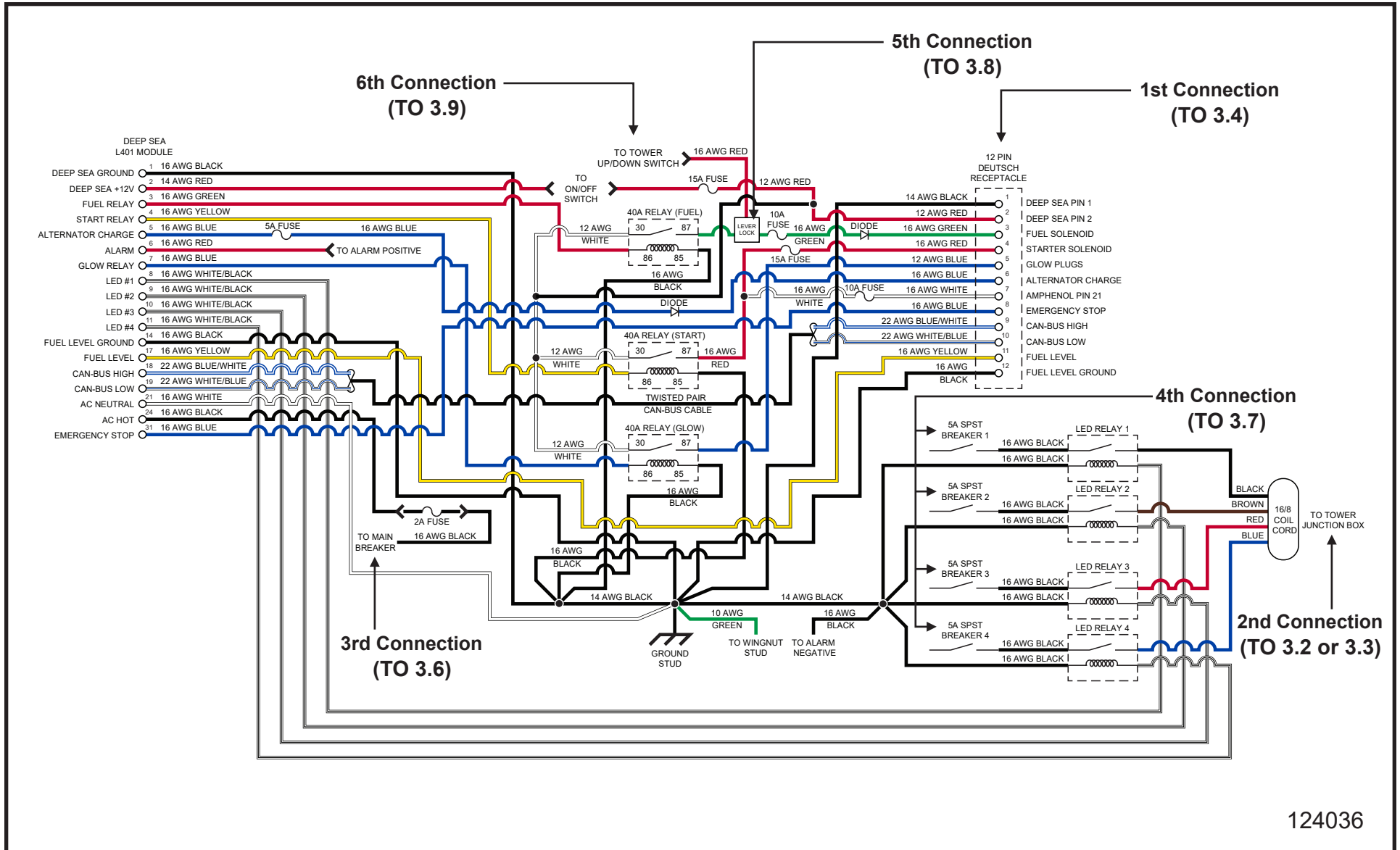
3.4 - Kubota Z482 Engine Harness Schematic



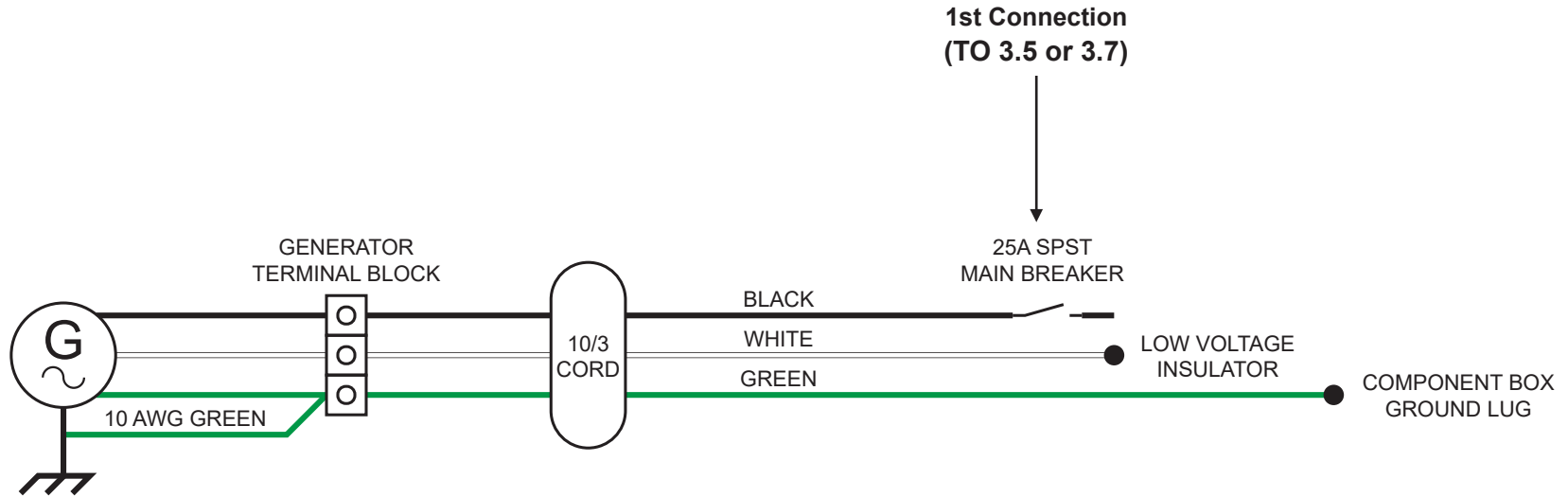
120528

NIGHT-LITE™ GR-SERIES

3.5 - Deep Sea Harness NLGR LC 3kW Schematic



3.6 - 10/3 Generator Cord Schematic

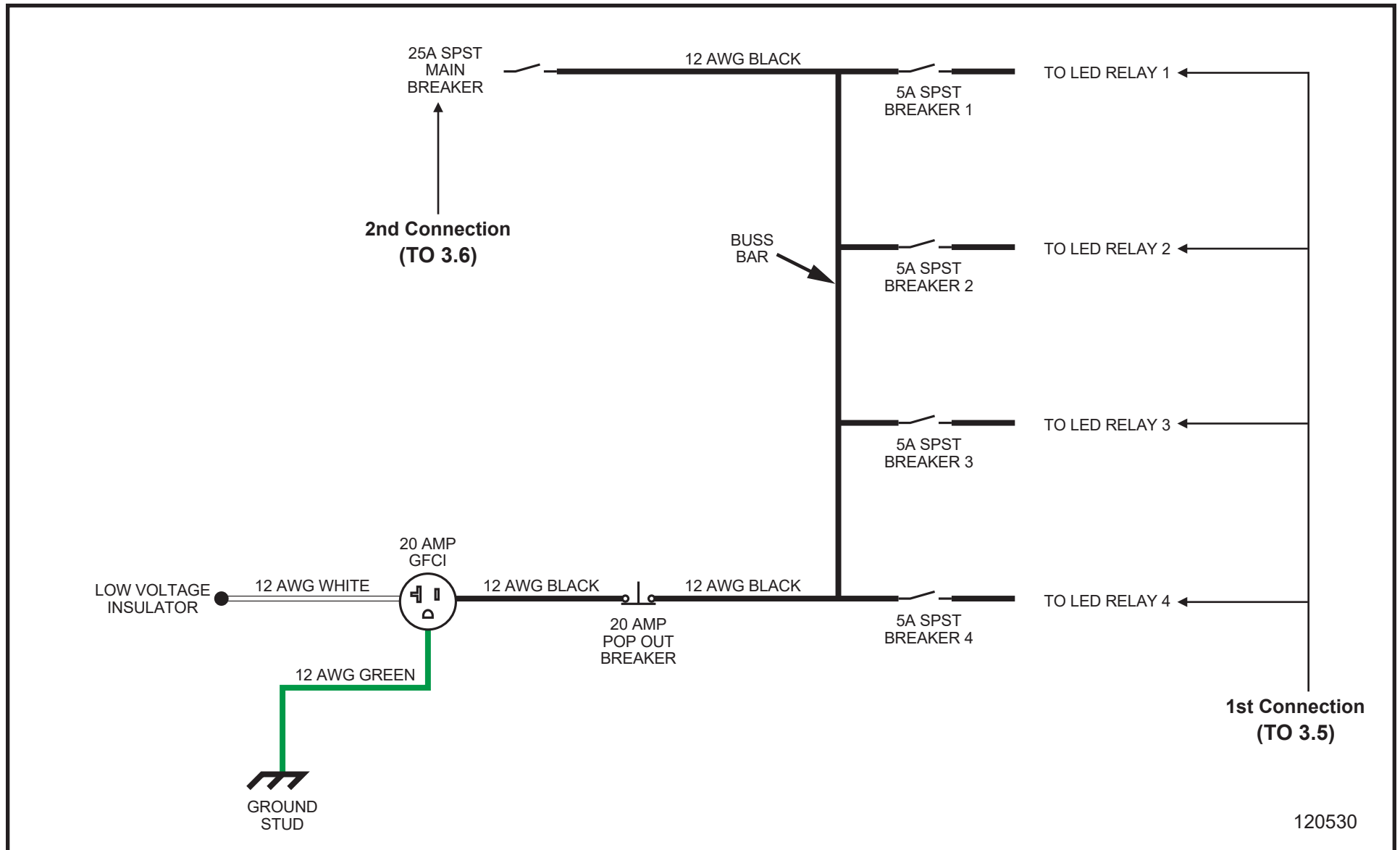


GENERATOR TERMINAL BLOCK CONNECTIONS	
10/3 CORD WIRE COLOR	LINZ 60 Hz
WHITE	1 & 3
BLACK	2 & 4
GREEN	GROUND

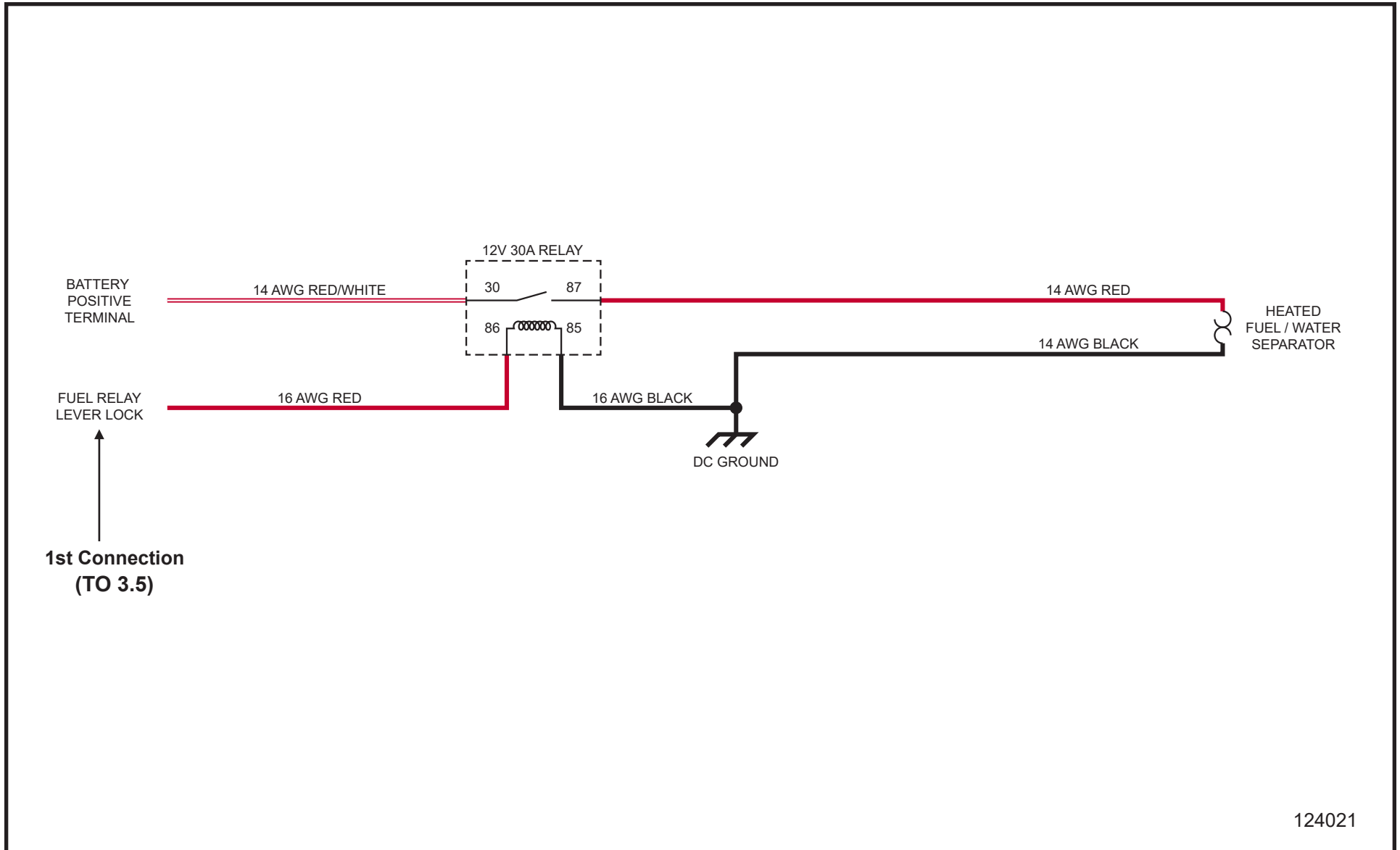
120532

NIGHT-LITE™ GR-SERIES

3.7 - Light Relays and GFCI NLGR LC 3kW Schematic



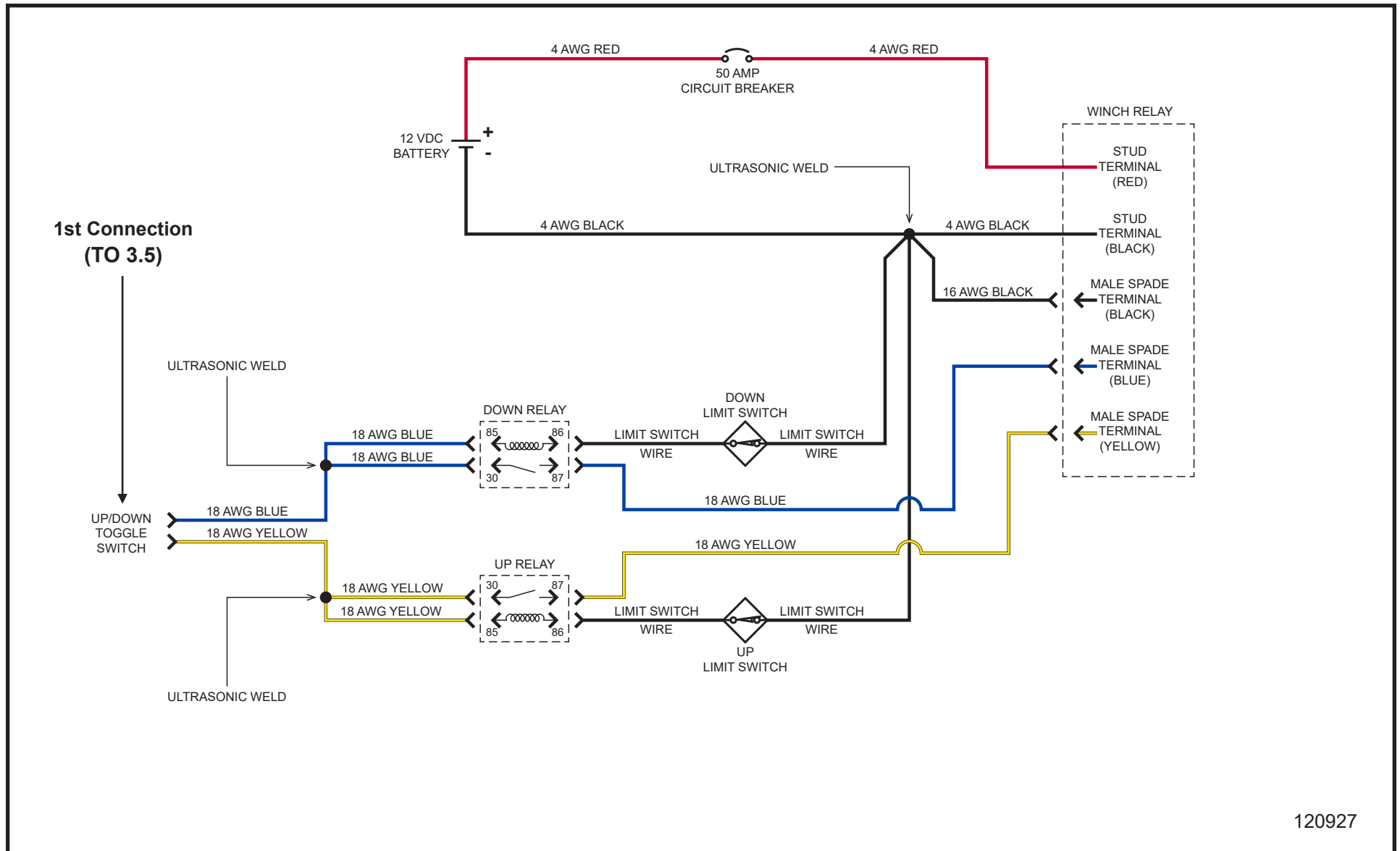
3.8 - Heated Fuel Water Separator Schematic



124021

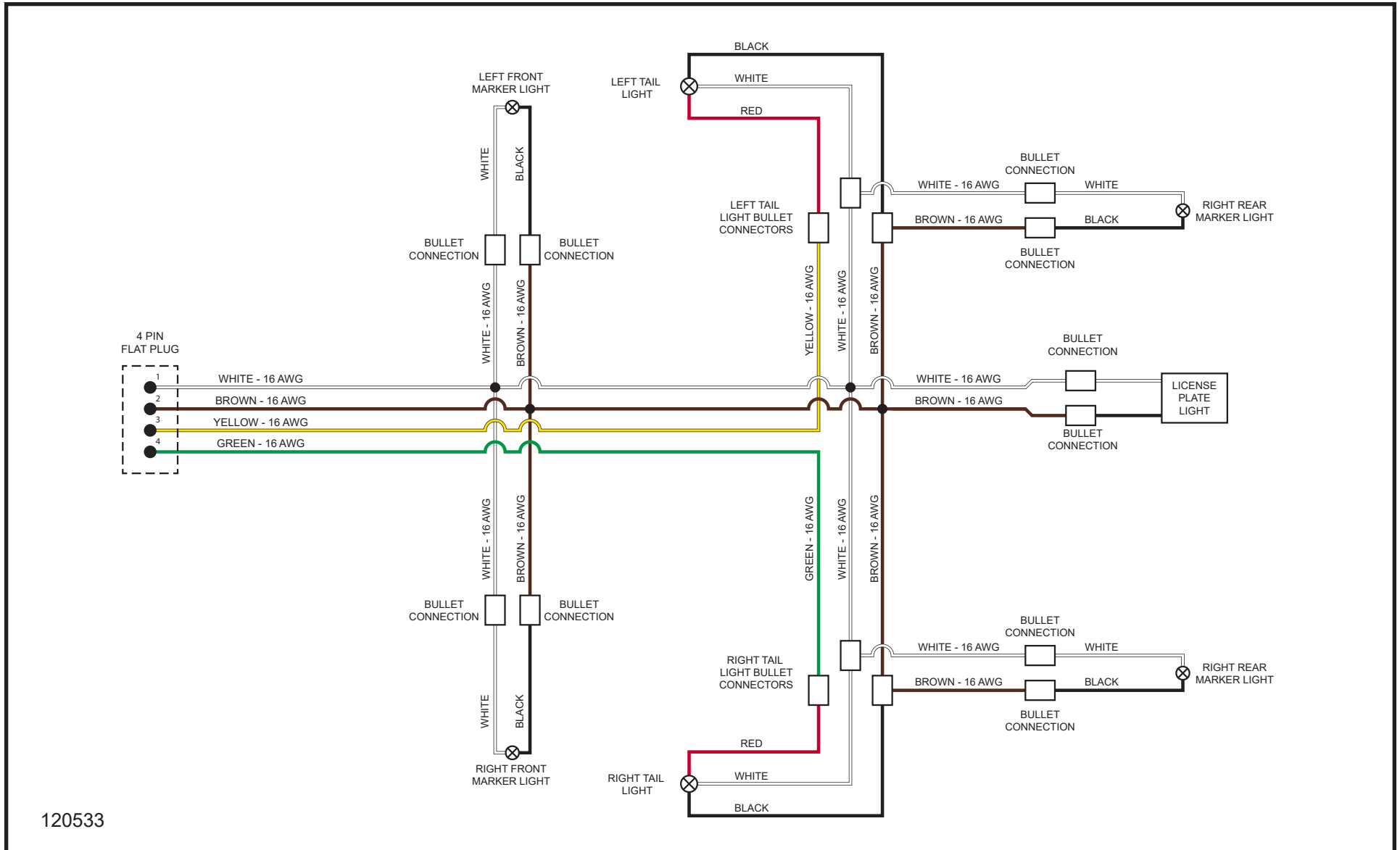
NIGHT-LITE™ GR-SERIES

3.9 - SH1000 Electric Winch NLGR Schematic



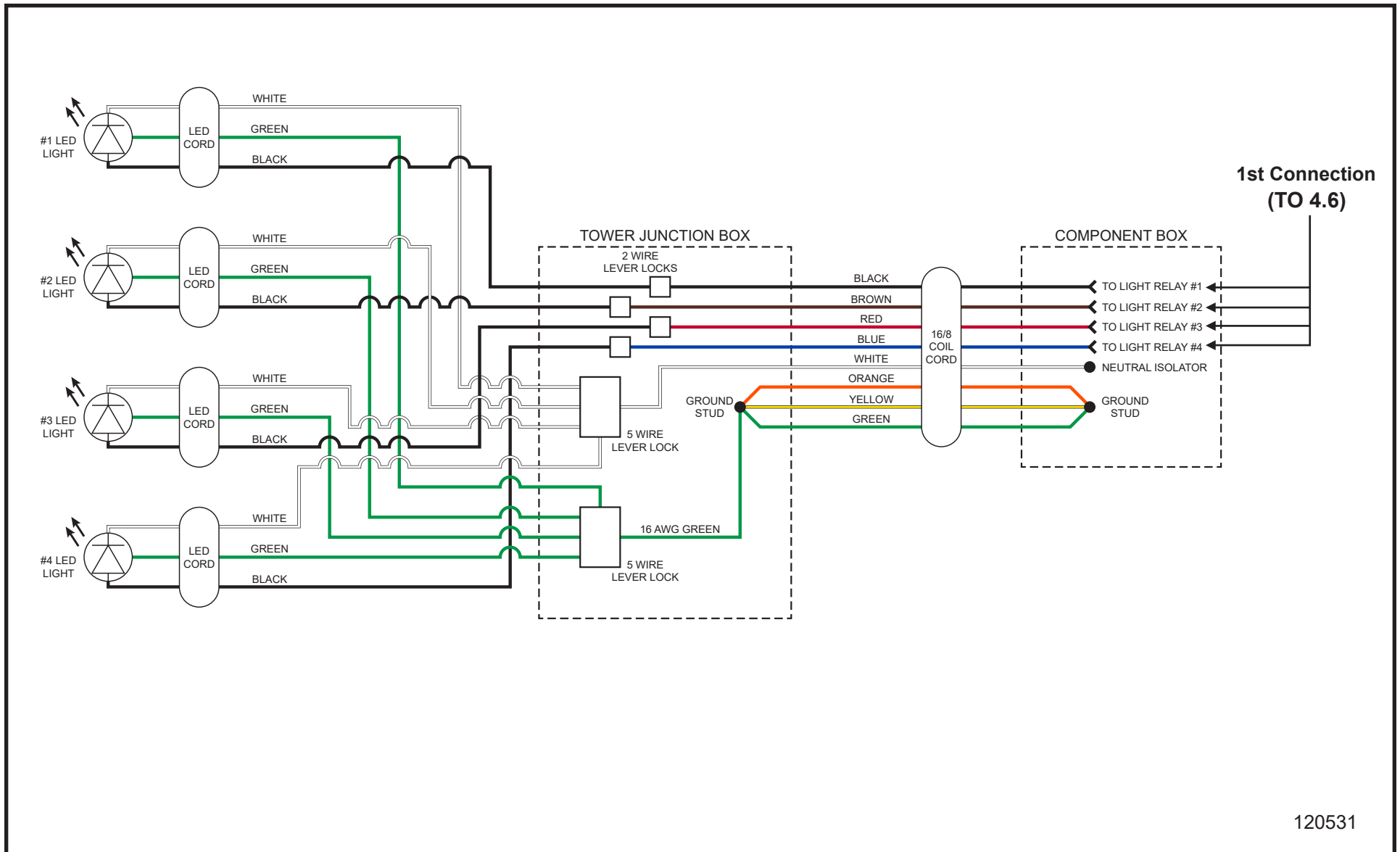
120927

4.1 - Tail Light Harness NL GR-Series Liquid-Cooled Schematic

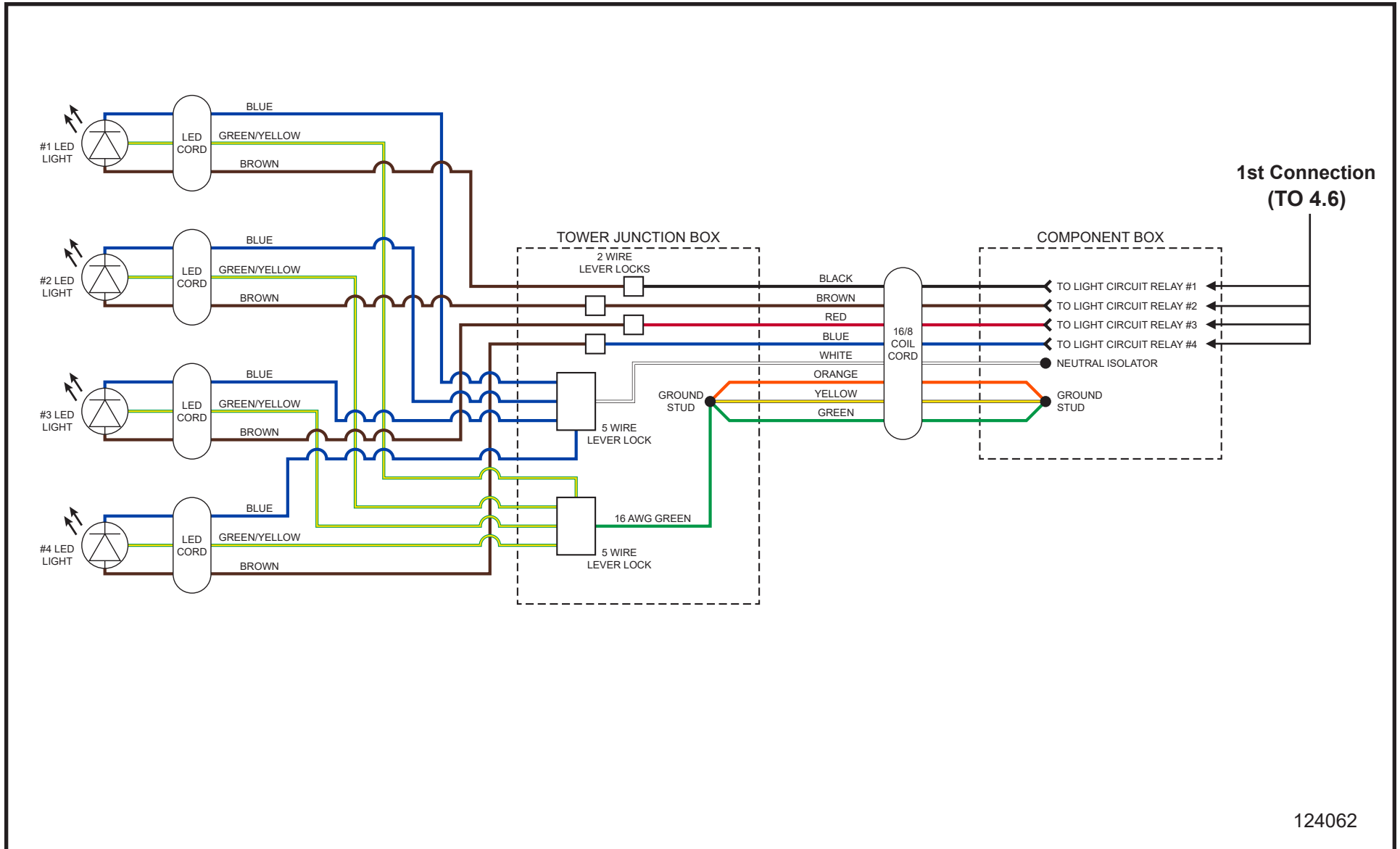


NIGHT-LITE™ GR-SERIES

4.2 - 16/8 Tower Cord NLGR LC 3kW KUH2S LED Schematic



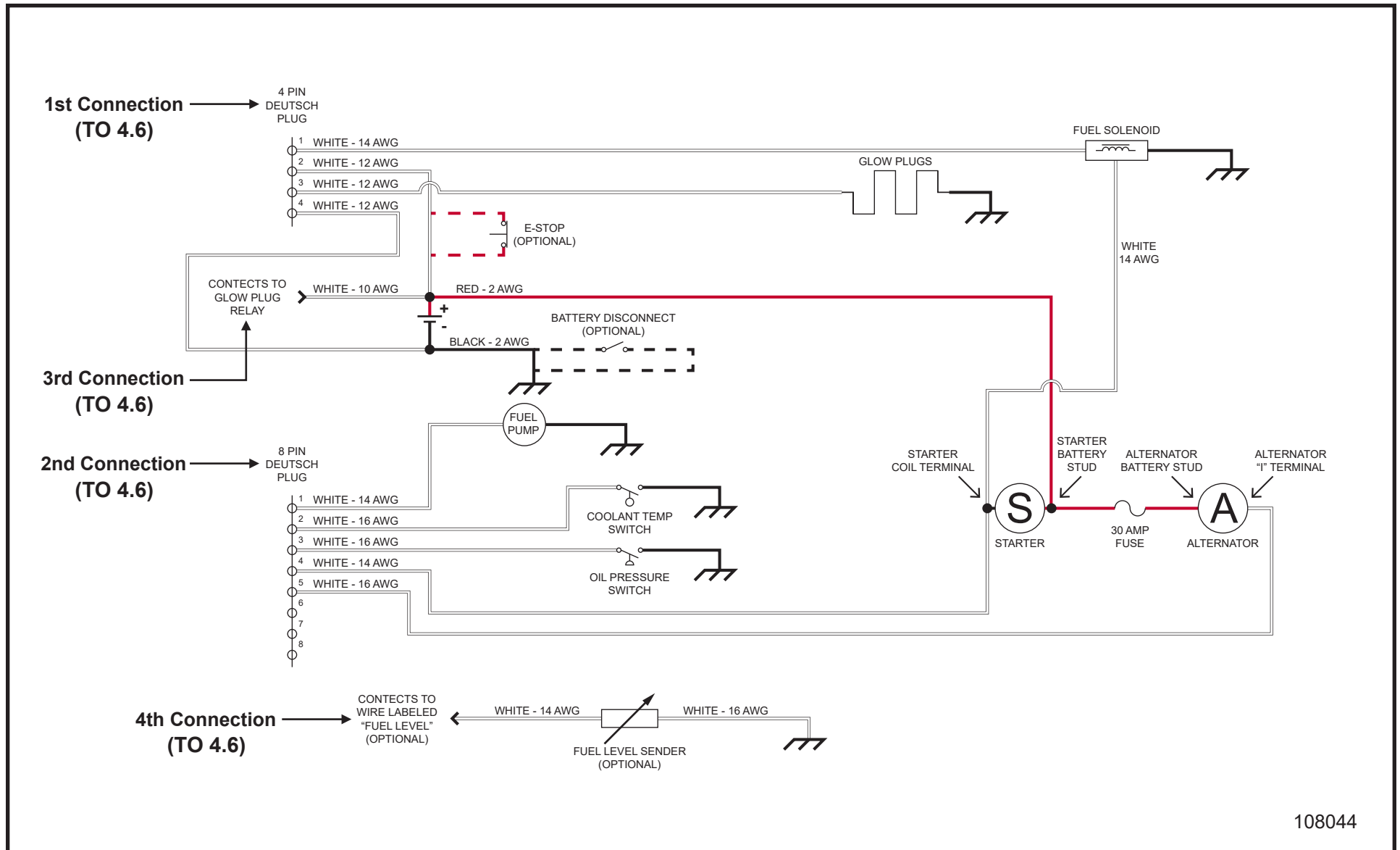
4.3 - 16/8 Tower Cord NLGR LC 3kW KUH2S LED Schematic



124062

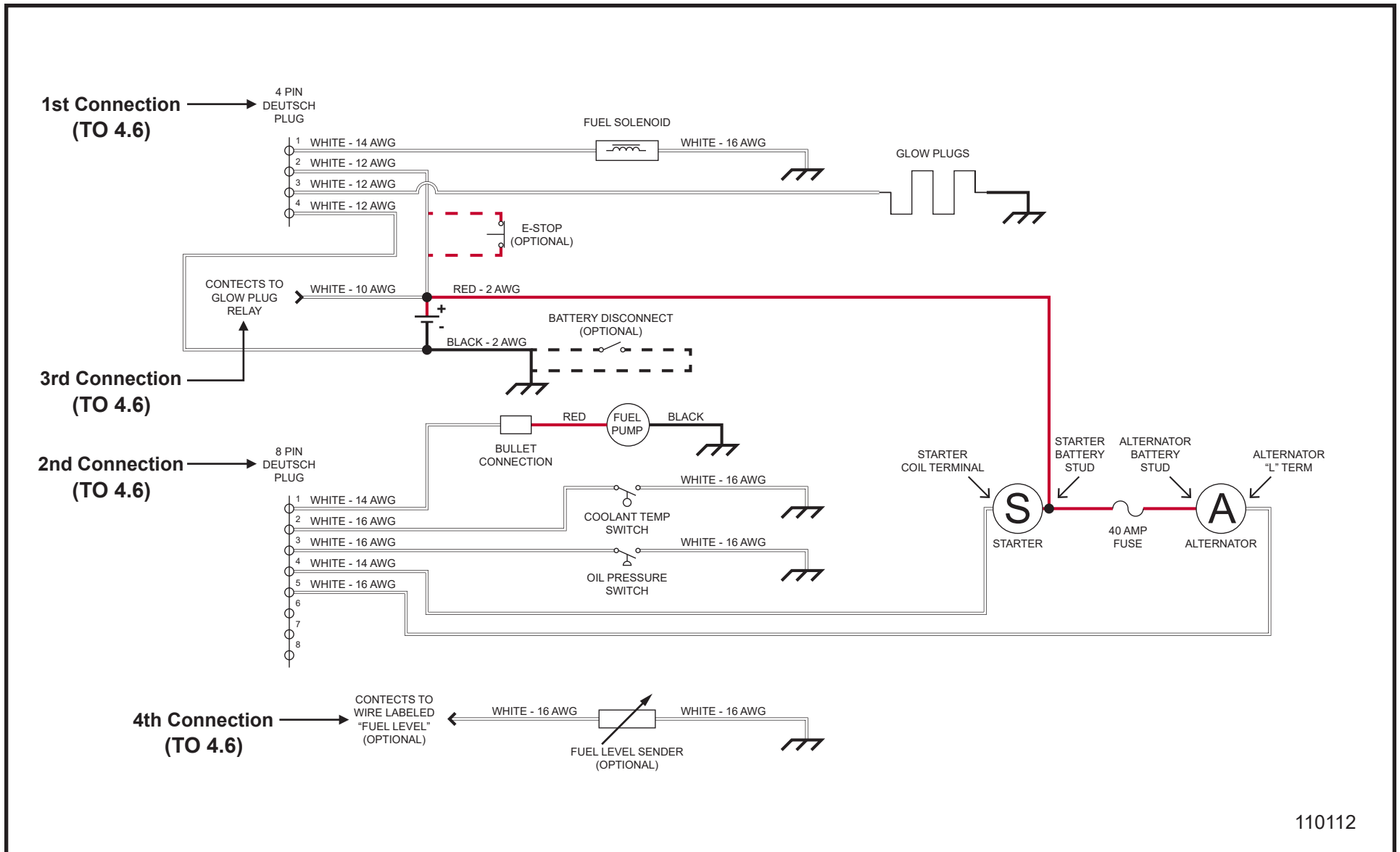
NIGHT-LITE™ GR-SERIES

4.4 - Kubota D1005 Engine Harness Schematic



108044

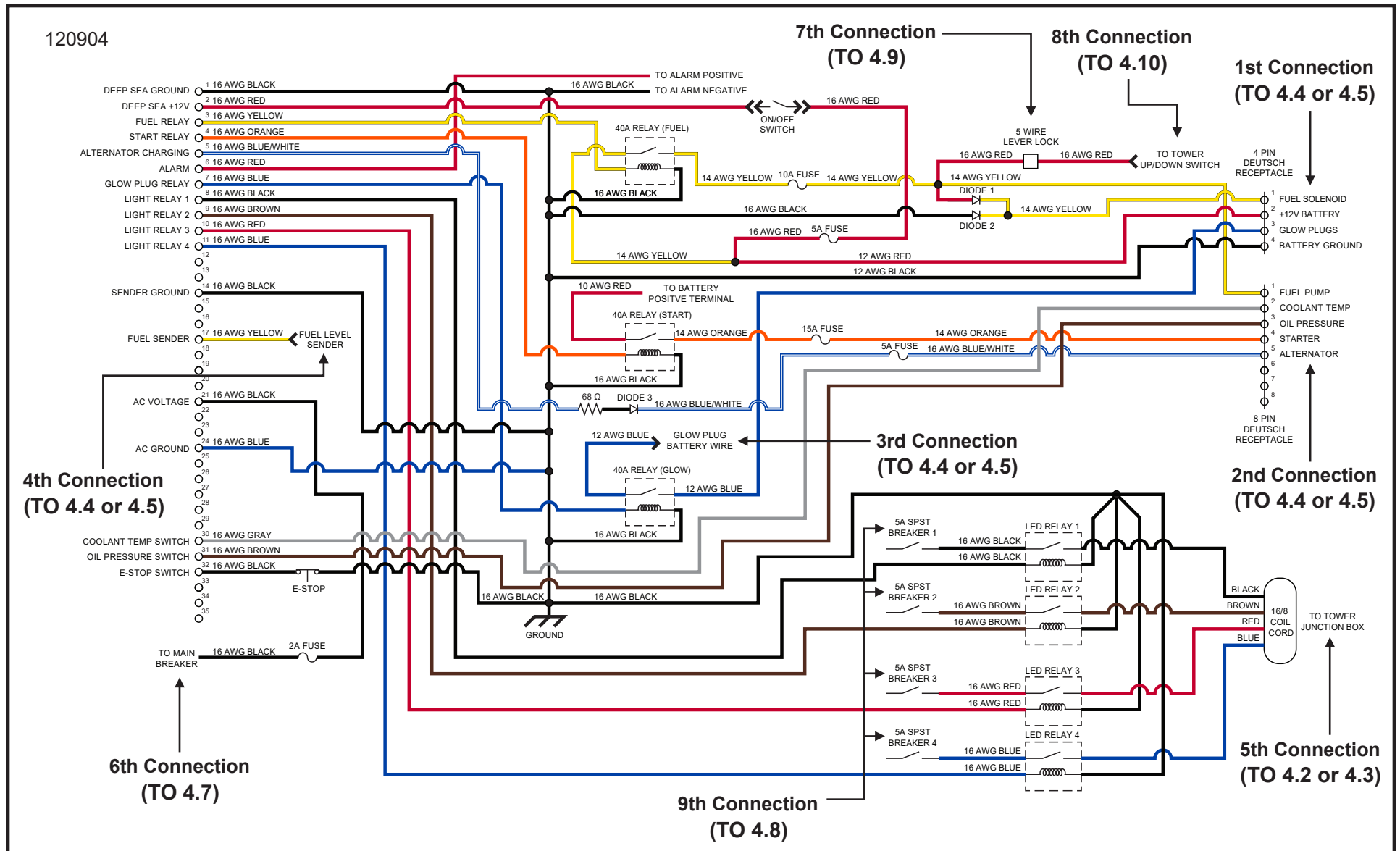
4.5 - CAT/Perkins 1.1 Engine Harness Schematic



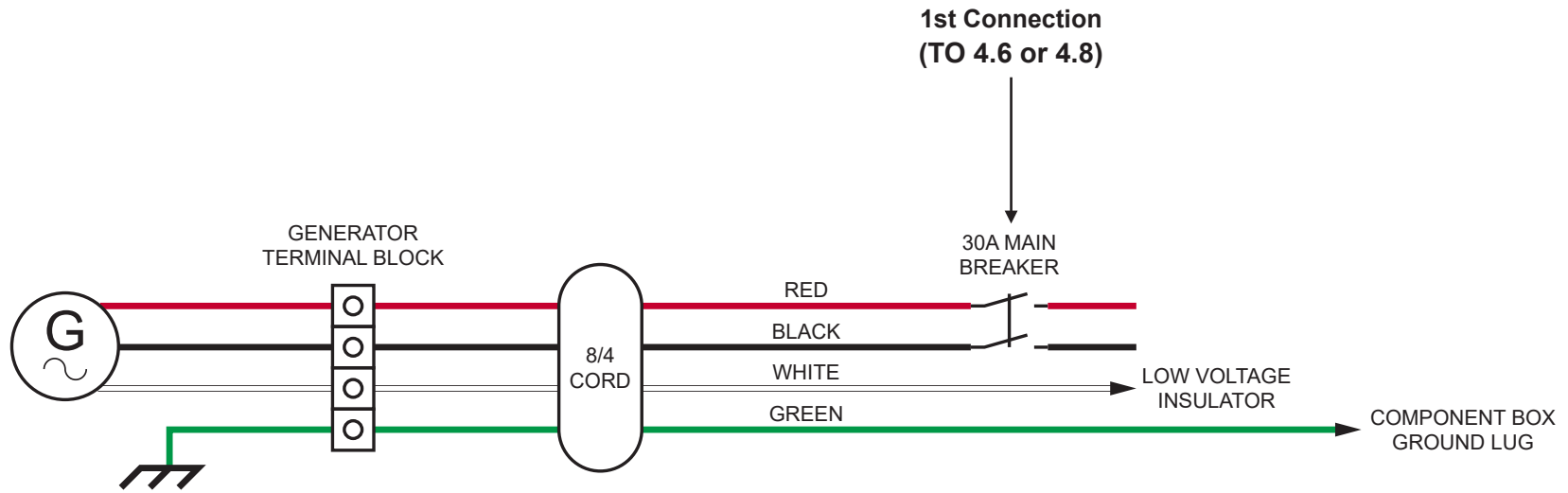
110112

NIGHT-LITE™ GR-SERIES

4.6 - Deep Sea Harness NLGR LC 6kW Schematic



4.7 - 8/4 Generator Cord Schematic

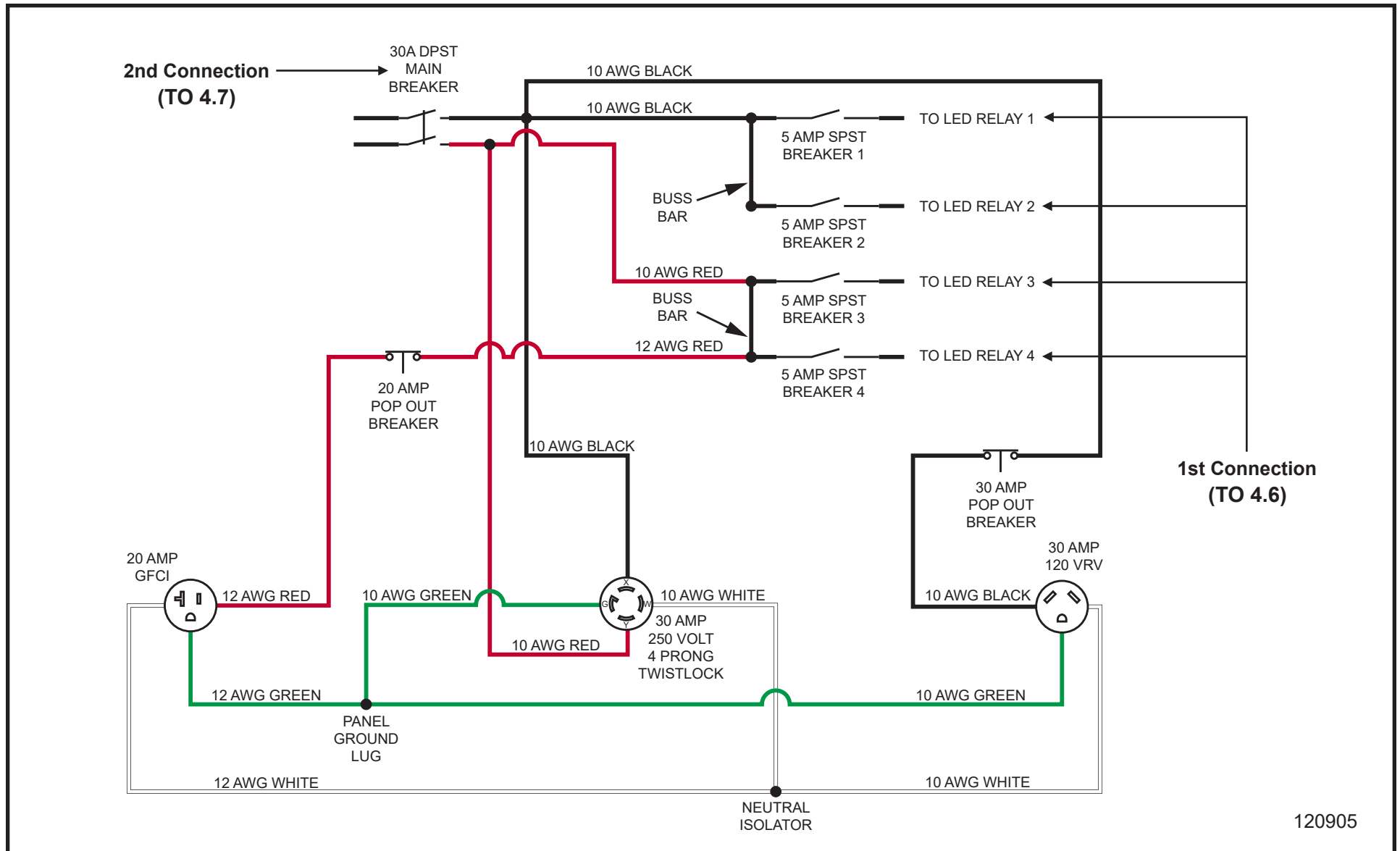


GENERATOR TERMINAL BLOCK CONNECTIONS	
8/4 CORD WIRE	MARATHON 50/60 Hz
RED	3
WHITE	2
BLACK	1
GREEN	GROUND STUD

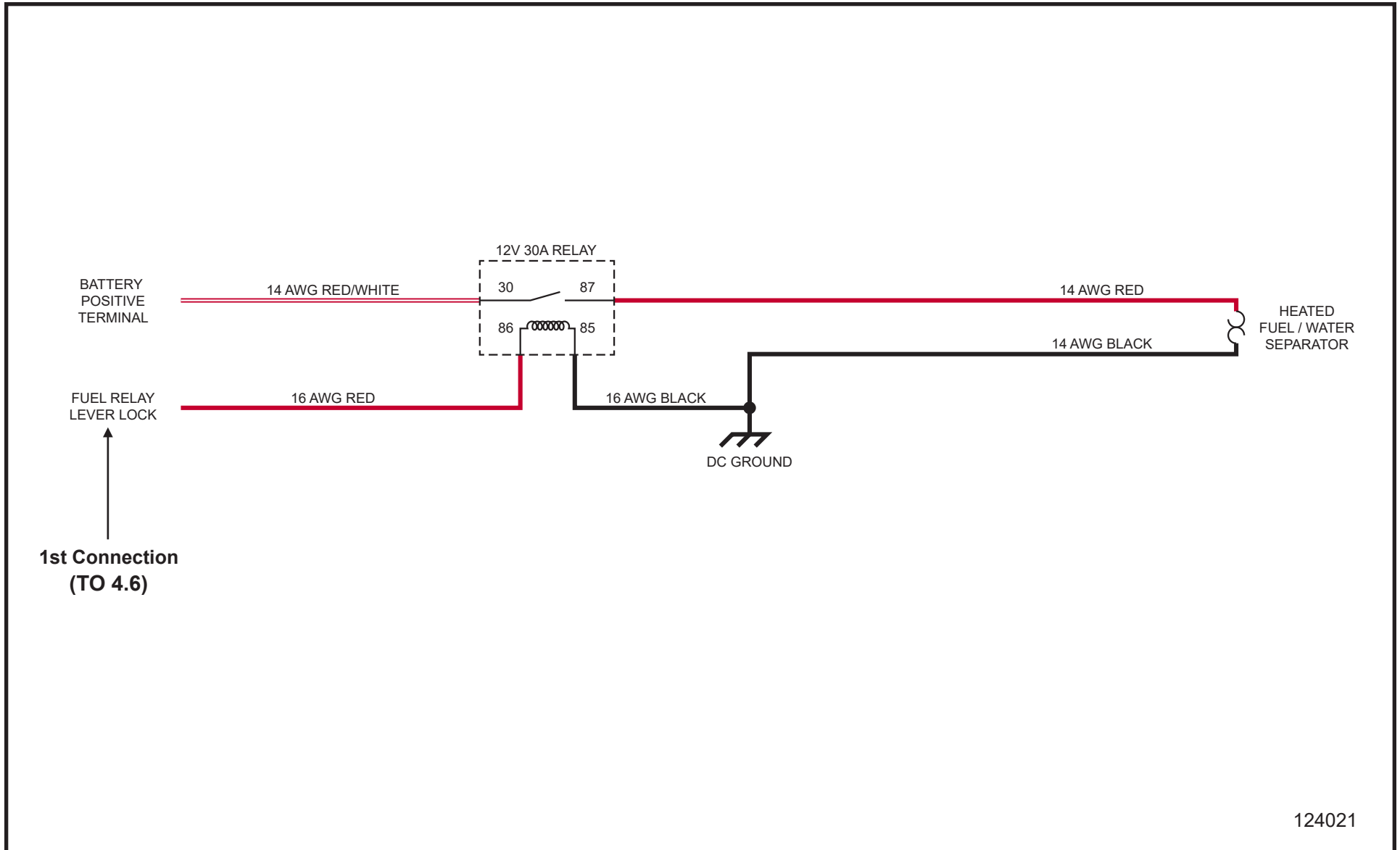
120908

NIGHT-LITE™ GR-SERIES

4.8 - Light Relays and GFCI NLGR LC 6kW Schematic



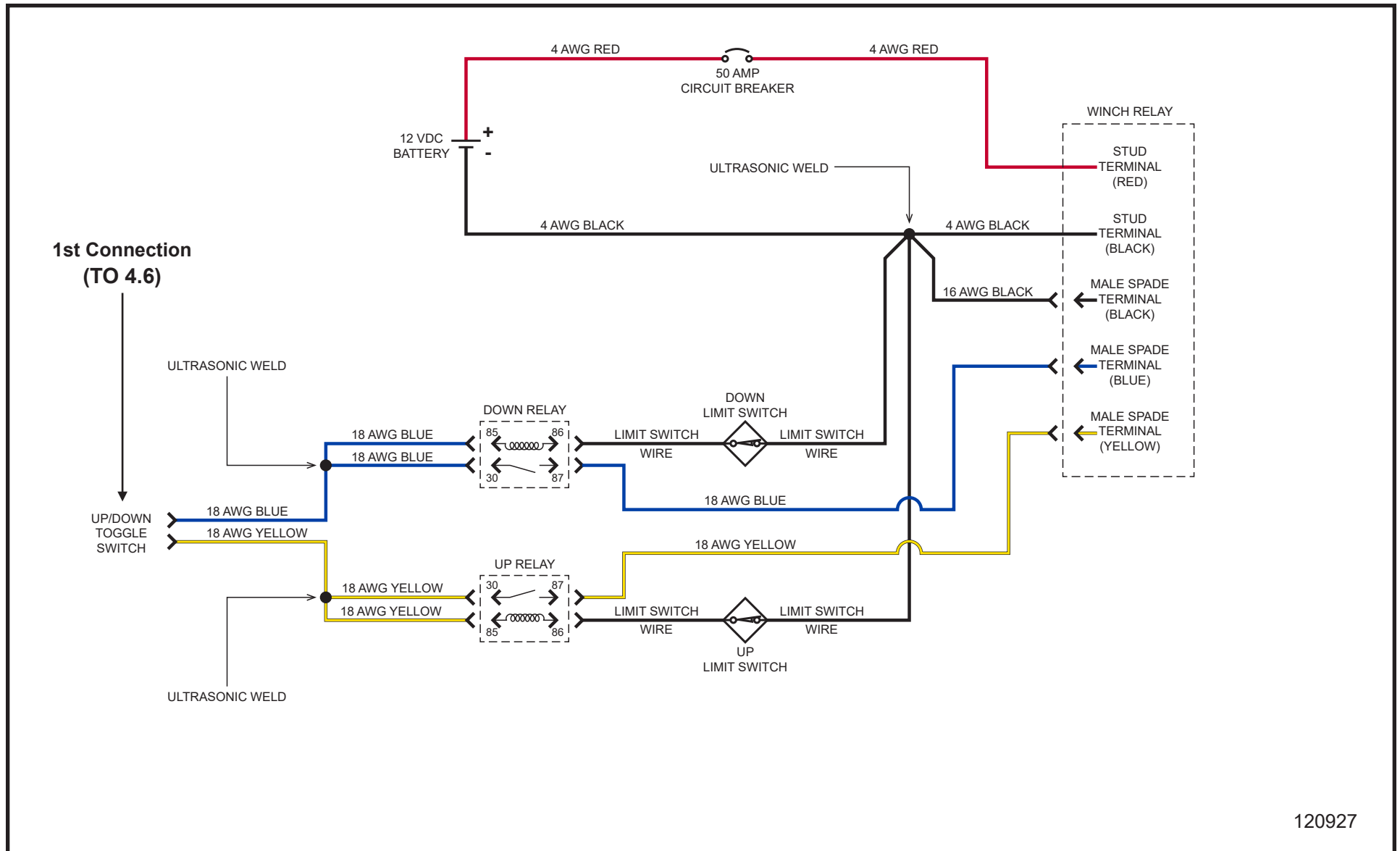
4.9 - Heated Fuel Water Separator Schematic



124021

NIGHT-LITE™ GR-SERIES

4.10 - SH1000 Electric Winch NLGR Schematic



120927

NIGHT-LITE™ GR-SERIES



1502 West 4th Avenue
Holdrege, NE 68949

phone: (308) 995-4495 • toll free: (800) 562-1373
fax: (308) 995-5887

www.allmand.com