

# Allmand™

Brighter. Warmer. Safer.

Portable  
Industrial  
Heaters

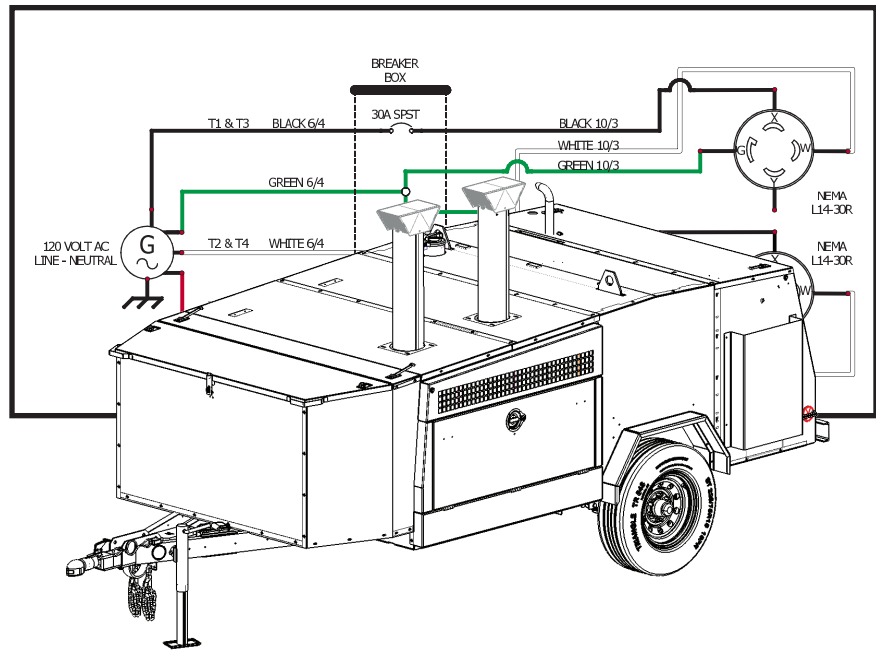
Portable  
Light Towers

Portable  
Light Stands

Solar Flashing  
Arrow Boards



en Wire Schematic Manual  
MAXI-HEAT® MH500iQ™



Copyright © 2016 Allmand Bros., Inc.  
Holdrege, NE, USA. All rights reserved.

Part No.: 108808  
Revision: A

LIGHT TOWER APP



Reliability, Performance, and Integrity Since 1938

[www.allmand.com](http://www.allmand.com)

## TABLE OF CONTENTS

Generator to Plug-In Wire Schematic .....	(1.1)
Plug-In Enclosure Wire Schematic .....	(1.2)
12V Work Lights Wire Schematic .....	(1.3)
CAT C1.5 Wire Schematic .....	(1.4)
Isuzu 3CE1 Wire Schematic .....	(1.5)
Fuel Level Senders Poly Tank Wire Schematic .....	(1.6)
Fuel Level Sender Steel Tank Wire Schematic .....	(1.7)
GPS ZTR System Wire Schematic .....	(1.8)
Shocker Valve Harness Wire Schematic .....	(1.9)
Tail Light Harness Wire Schematic .....	(1.10)
License Plate Lamp Wire Schematic .....	(1.11)

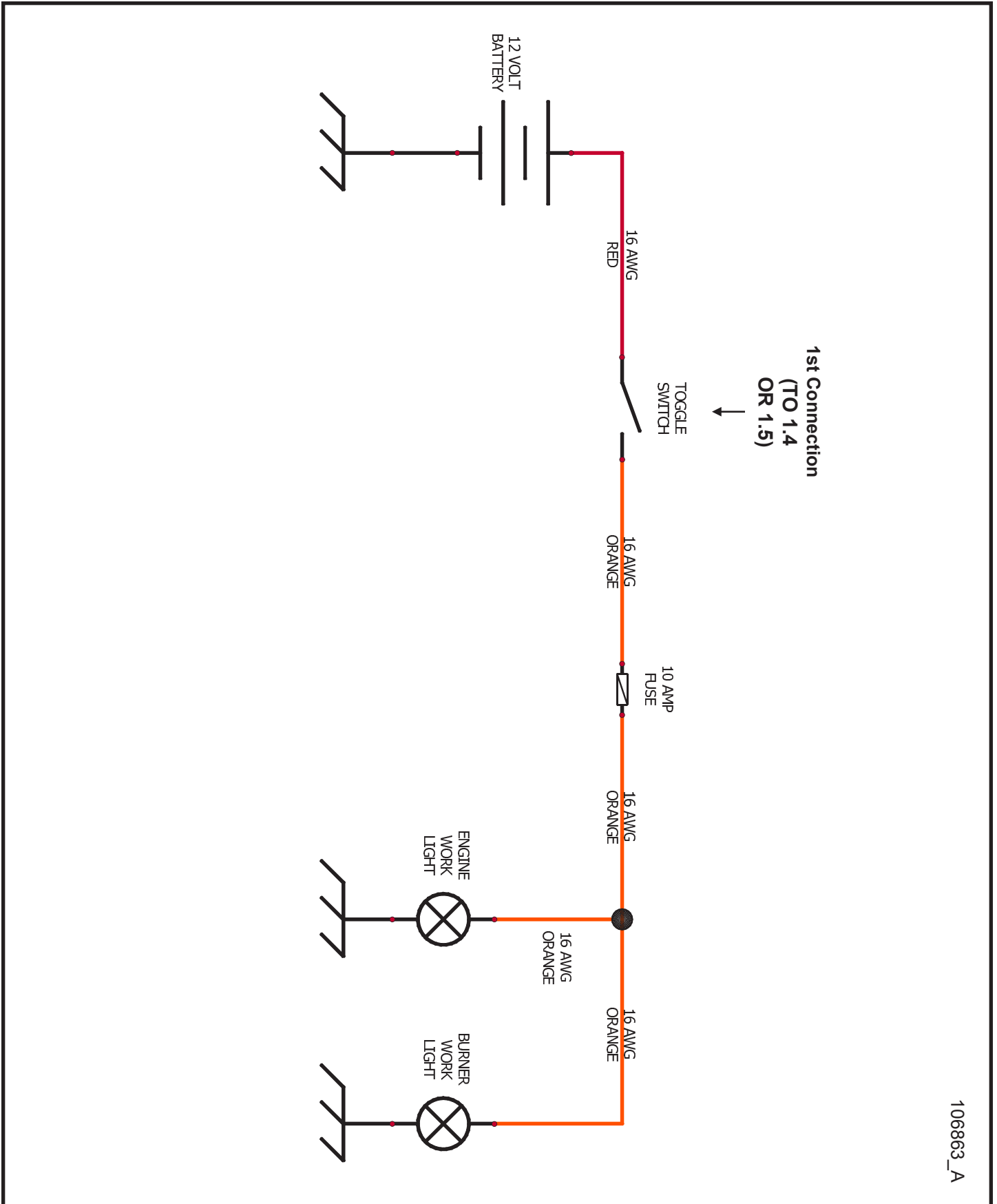
## WIRE SCHEMATIC PAGE CONNECTION TABLE

Schematic Page	1st Connection Page(s)	2nd Connection Page(s)	3rd Connection Page(s)	4th Connection Page(s)
Generator to Plug-In Wire Schematic (1.1)	1.2	n/a	n/a	n/a
Plug-In Enclosure Wire Schematic (1.2)	1.1	n/a	n/a	n/a
12V Work Lights Wire Schematic (1.3)	1.4 or 1.5	n/a	n/a	n/a
CAT C1.5 Wire Schematic (1.4)	1.3	1.6, 1.7, or 1.9	1.8	n/a
Isuzu 3CE1 Wire Schematic (1.5)	1.3	1.6, 1.7, or 1.9	1.8	n/a
Fuel Level Senders Poly Tank Wire Schematic (1.6)	1.4 or 1.5	n/a	n/a	n/a
Fuel Level Sender Steel Tank Wire Schematic (1.7)	1.4 or 1.5	n/a	n/a	n/a
GPS ZTR System Wire Schematic (1.8)	1.4 or 1.5	n/a	n/a	n/a
Shocker Valve Harness Wire Schematic (1.9)	1.4 or 1.5	n/a	n/a	n/a
Tail Light Harness Wire Schematic (1.10)	1.11	n/a	n/a	n/a
License Plate Lamp Wire Schematic (1.11)	1.10	n/a	n/a	n/a





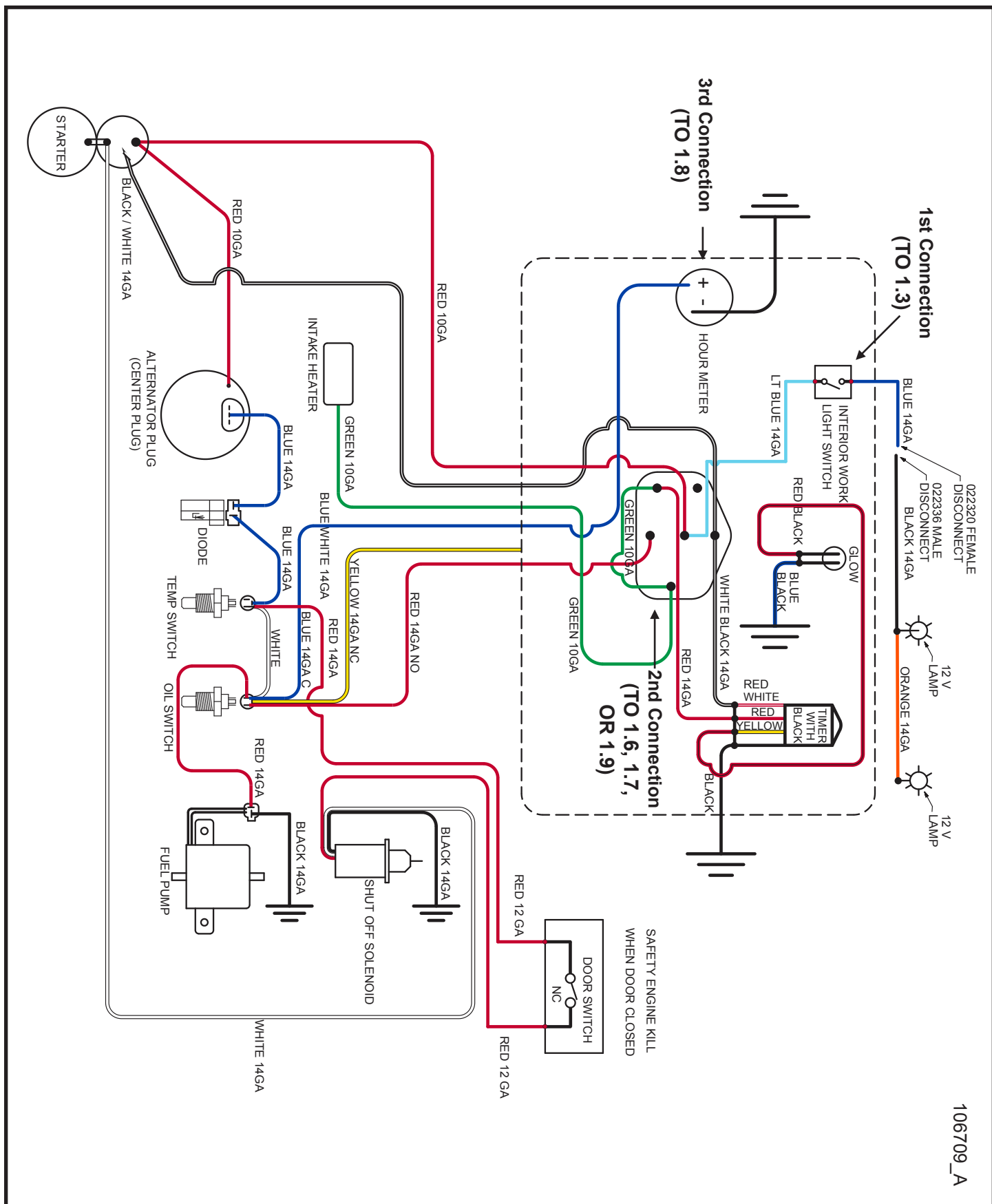
## 1.3 - 12V Work Lights Wire Schematic



106863\_A



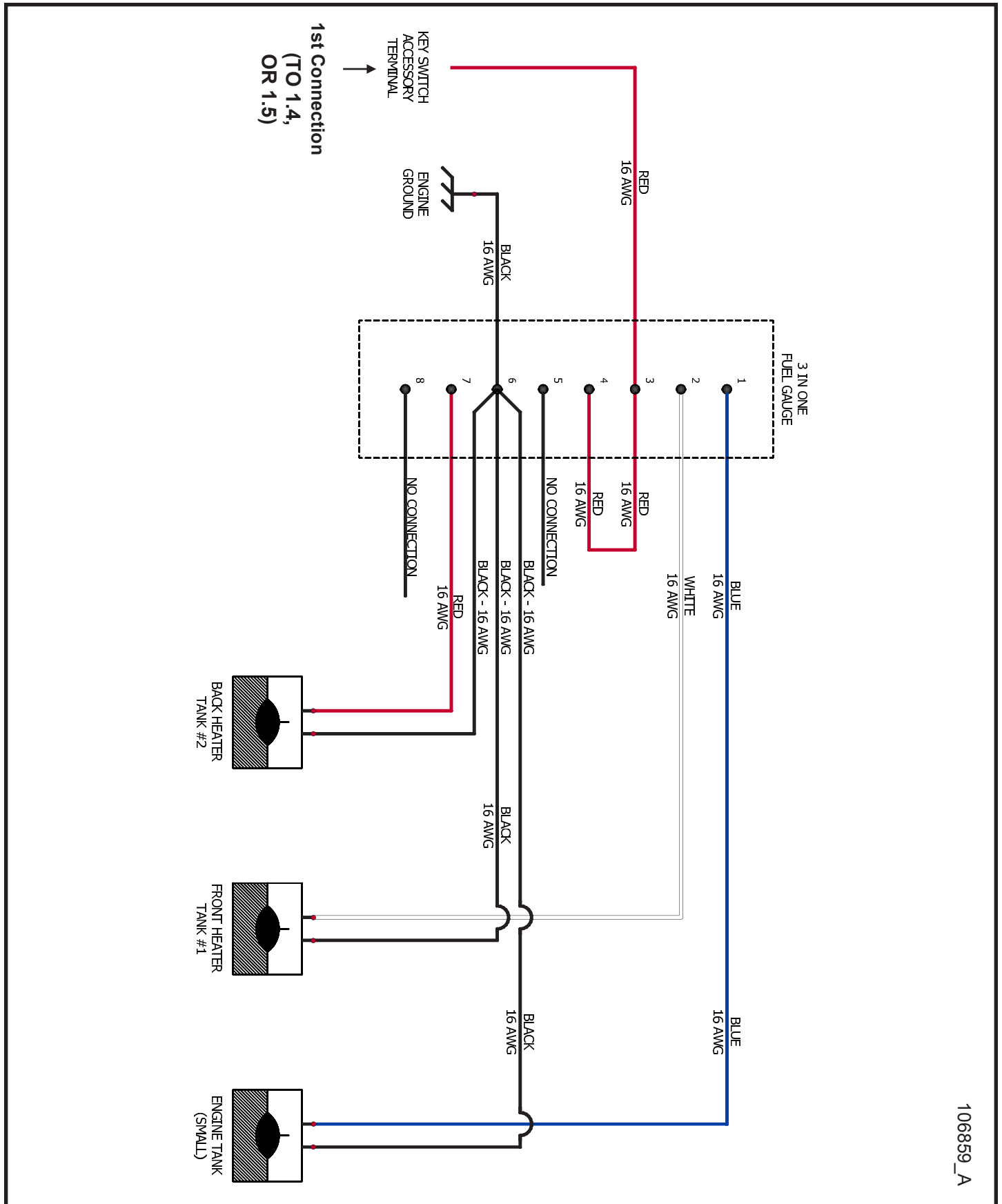
## 1.5 - Isuzu 3CE1 Wire Schematic



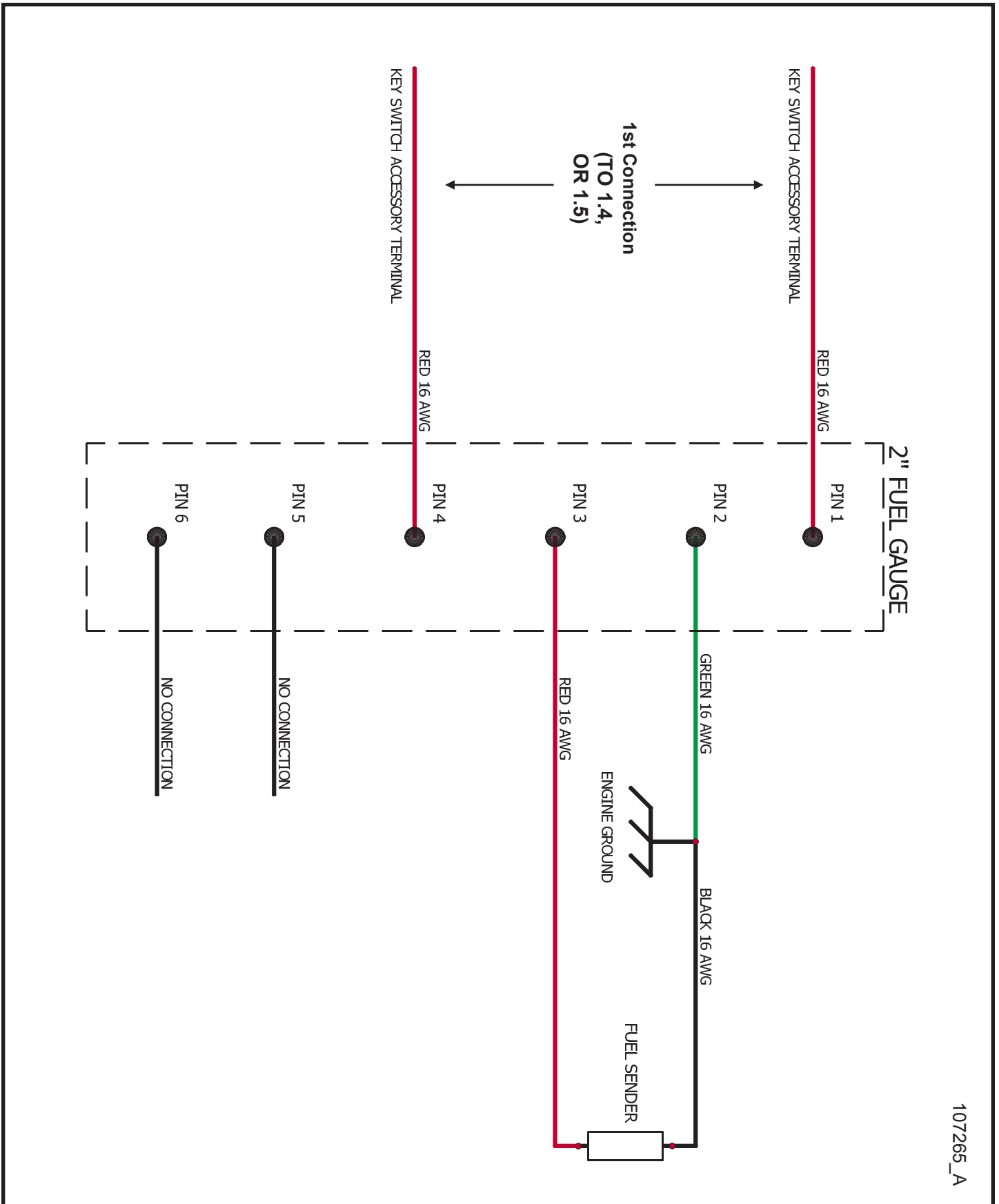
106709\_A



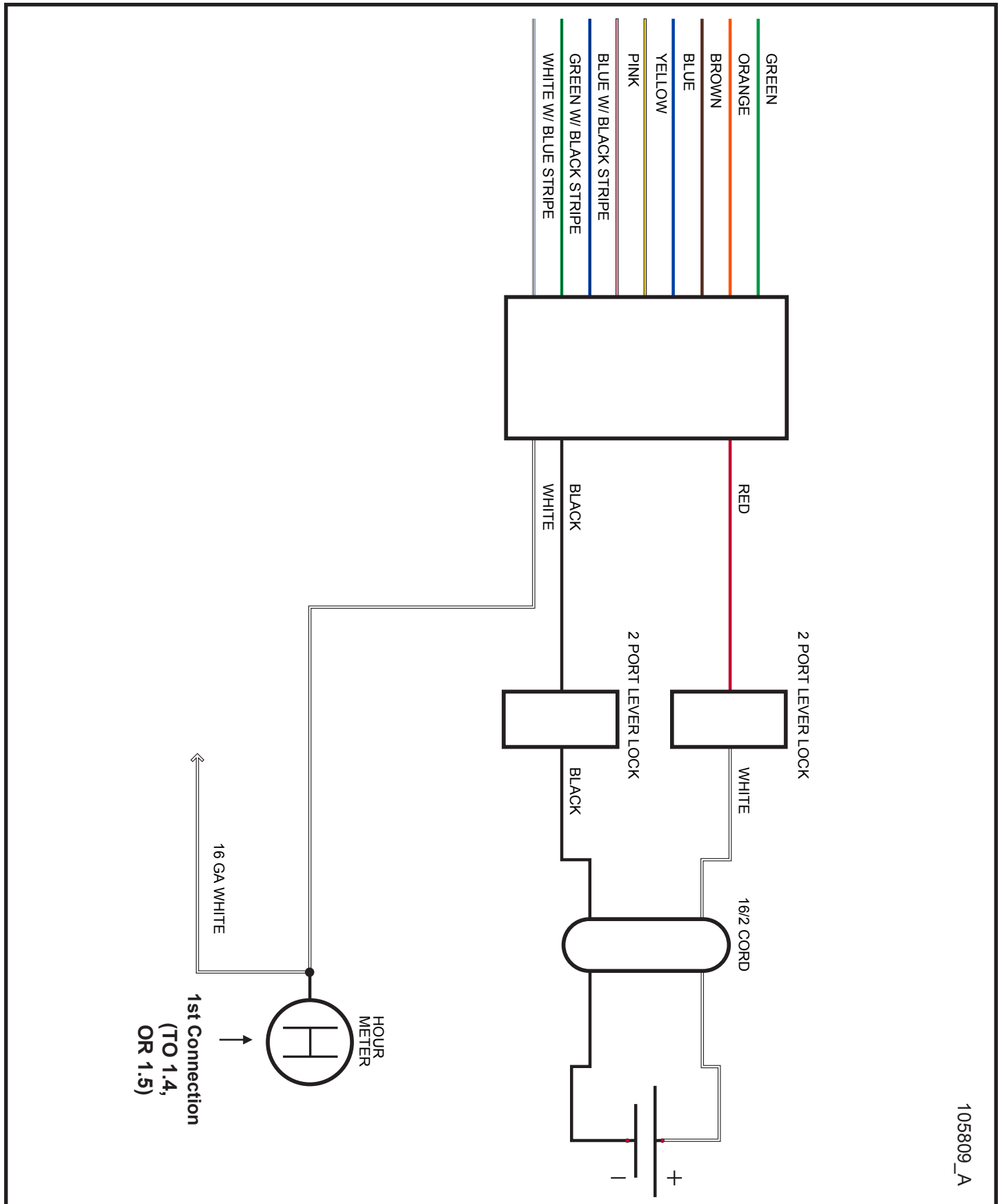
## 1.6 - Fuel Level Senders Poly Tank Wire Schematic



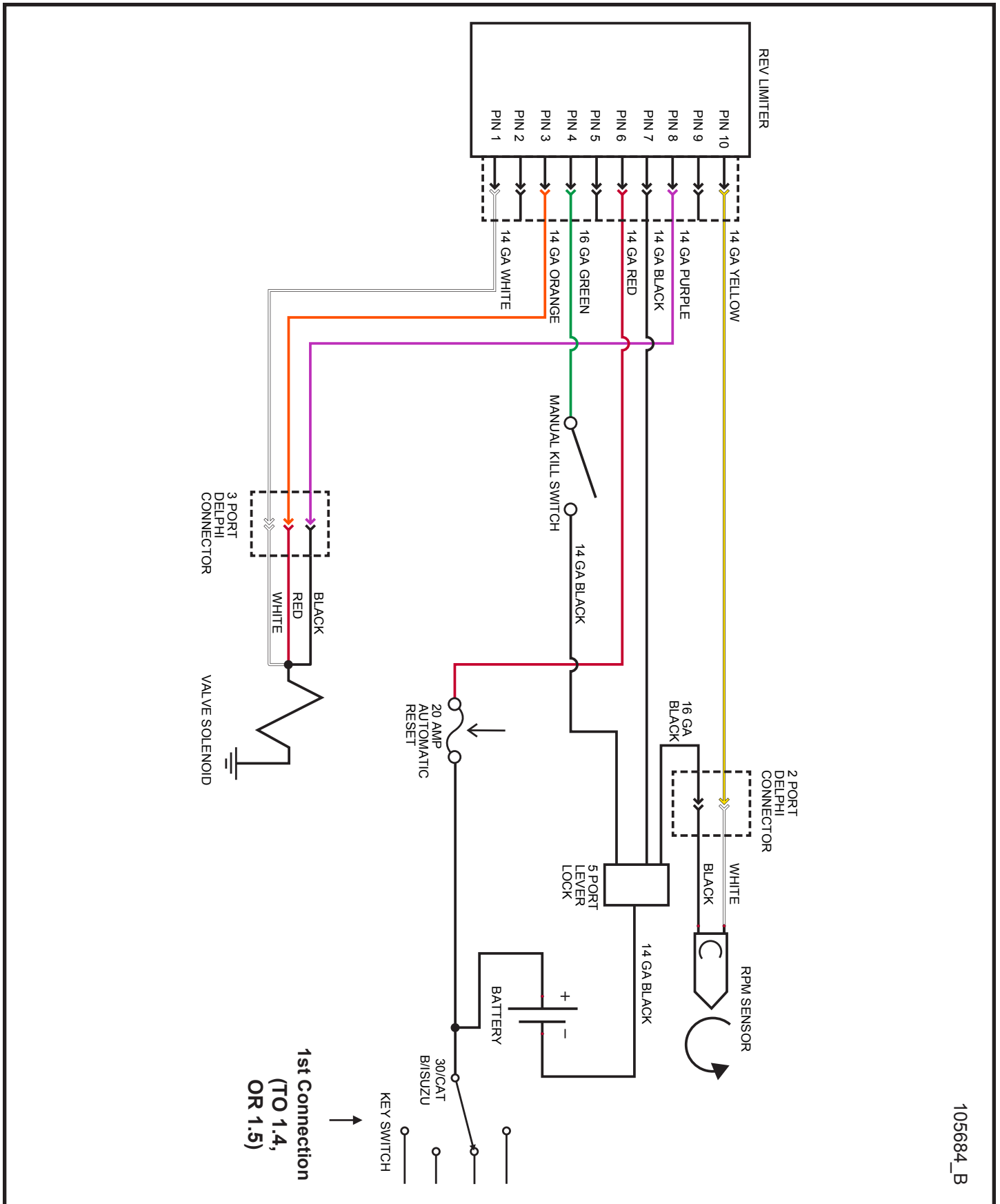
## 1.7 - Fuel Level Sender Steel Tank Wire Schematic



## 1.8 - GPS ZTR System Wire Schematic

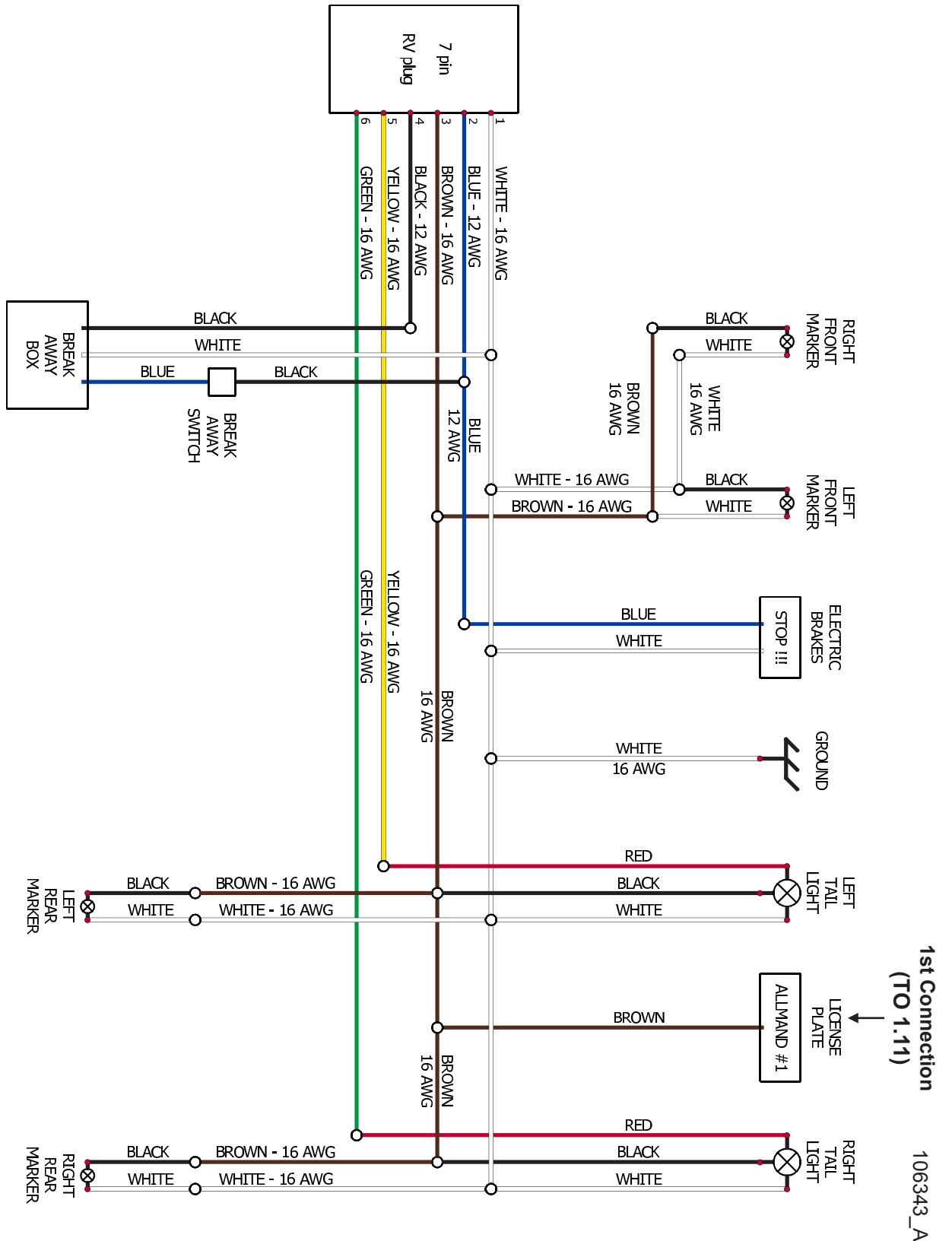


## 1.9 - Shocker Valve Harness Wire Schematic

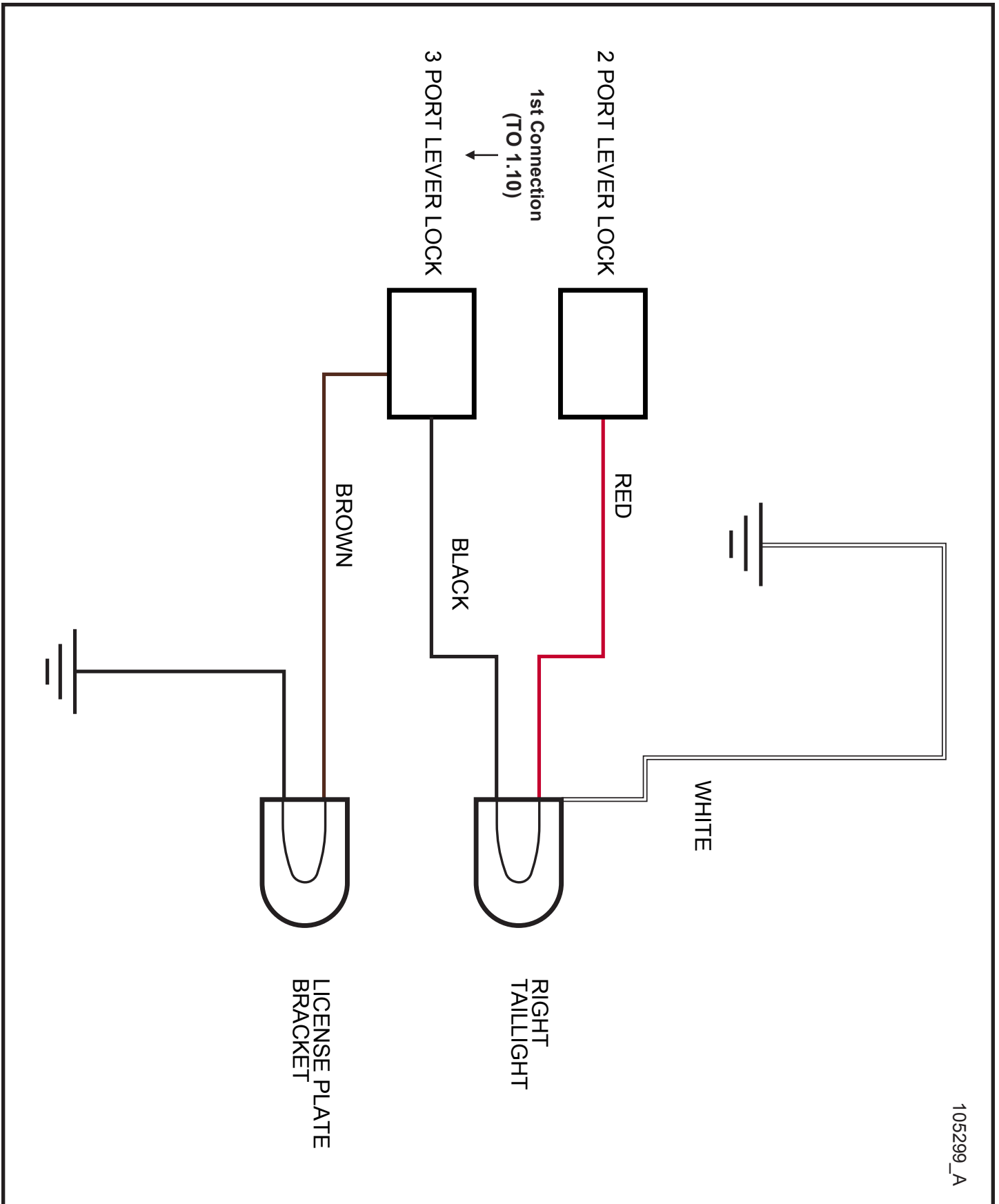


## 1.10 - Tail Light Harness Wire Schematic

NOTE - IF WIRE GAUGE IS NOT SHOWN, WIRE IS SUPPLIED WITH THE COMPONENT



## 1.11 - License Plate Lamp Wire Schematic



PAGE LEFT BLANK  
INTENTIONALLY

# Allmand™

**BRIGHTER. WARMER. SAFER.**

Allmand Bros., Inc.  
1502 West 4th Avenue  
Holdrege, NE 68949  
phone: (308) 995-4495 • toll free: (800) 562-1373  
fax: (308) 995-5887

[www.allmand.com](http://www.allmand.com)



*Reliability, performance, and integrity since 1938*

13-0267