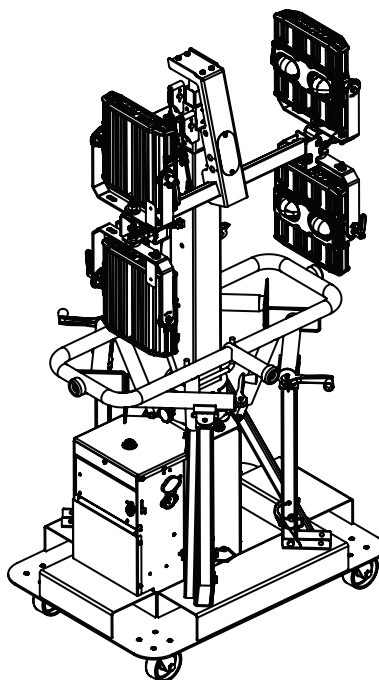




en **Parts Manual**  
**NIGHT-LITE™ E-SERIES**



## TABLE OF CONTENTS

### 1.0 TOWER BASE GROUP

Outriggers .....	(1.1)
Tube Handle and Casters .....	(1.2)
Tower Base Pedestal and Covers .....	(1.3)

### 2.0 TOWER GROUP

C1000 Electric Winch Vertical Tower Section 1 .....	(2.1)
SH 1000 Electric Winch Vertical Tower Section 1 .....	(2.2)
Manual Winch Vertical Tower Section 1 .....	(2.3)
Vertical Tower Section 2 .....	(2.4)
Vertical Tower Section 3 .....	(2.5)
Vertical Tower Section 4 .....	(2.6)
Vertical Tower Round Section and Rotational Light Bar .....	(2.7)
Vertical Tower Round Section and Fixed Light Bar .....	(2.8)

### 3.0 ELECTRICAL AND LIGHTING GROUP

Electric Winch Component Box .....	(3.1)
Manual Winch Component Box .....	(3.2)
Rotational Light Bar Cord Grips, Tower Cord, and LED Lighting .....	(3.3)
Conssin KUEM2-320 320W LED Light Diffuser .....	(3.4)
Fixed Light Bar Tower Cord and LED Lighting .....	(3.5)
250W SMD LED Light Diffuser .....	(3.6)

### 4.0 DECALS

Control Box Front and Door English Decals .....	(4.1)
Outlet Side and Rotational Light Bar English Decals .....	(4.2)
Opposite Side and Winch Cable Cover English Decals .....	(4.3)
Top View English Decals .....	(4.4)
Control Box Front and Door Bilngual Decals .....	(4.5)

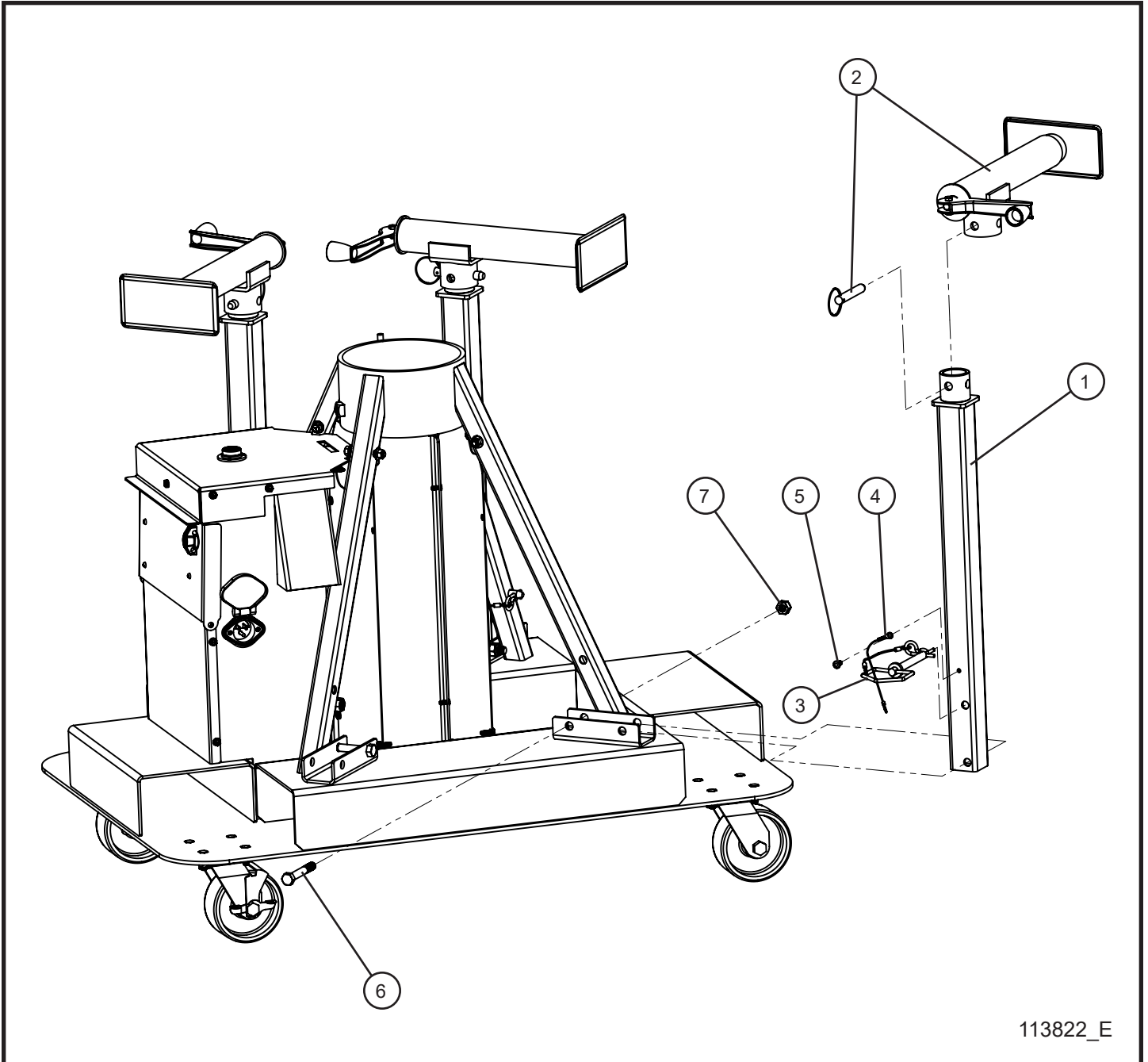
# NIGHT-LITE™ E-SERIES

## TABLE OF CONTENTS

### 4.0 DECALS (CONTINUED)

Outlet Side and Fixed Light Bar Bilingual Decals .....	(4.6)
Opposite Side and Winch Cable Cover Bilingual Decals .....	(4.7)
Top View Bilingual Decals .....	(4.8)
Manual Winch Bilingual Decals .....	(4.9)

## 1.1 - Outriggers



113822\_E

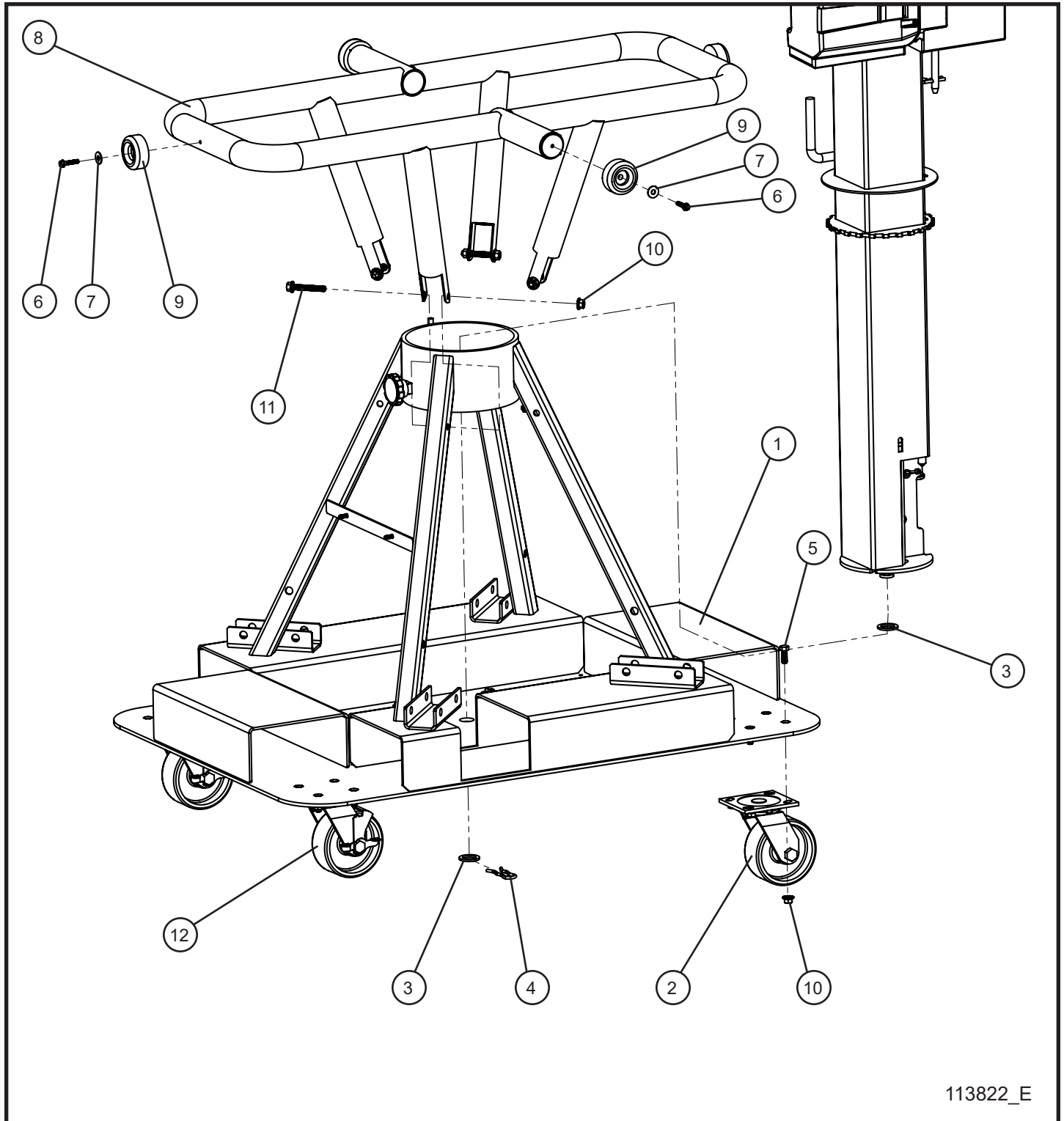
# NIGHT-LITE™ E-SERIES

SN 45-000001 and UP

## 1.1 - Outriggers

Item	Part No.	Part Description	Qty.
1	112350P	OUTRIGGER WELDMENT NLE	4
2	108726	TOP CRANK TUBE MOUNT JACK	4
3	107385	HITCH PIN	4
4	712061	STEEL LANYARD SAFETY PIN	4
5	045118	1/4 x 1/2 RIVET	4
6	046215	1/2-13 x 3 1/2 HEX HEAD	4
7	044048	1/2-13 NYLOCK HEX NUT	4

## 1.2 - Tube Handle and Casters



113822\_E

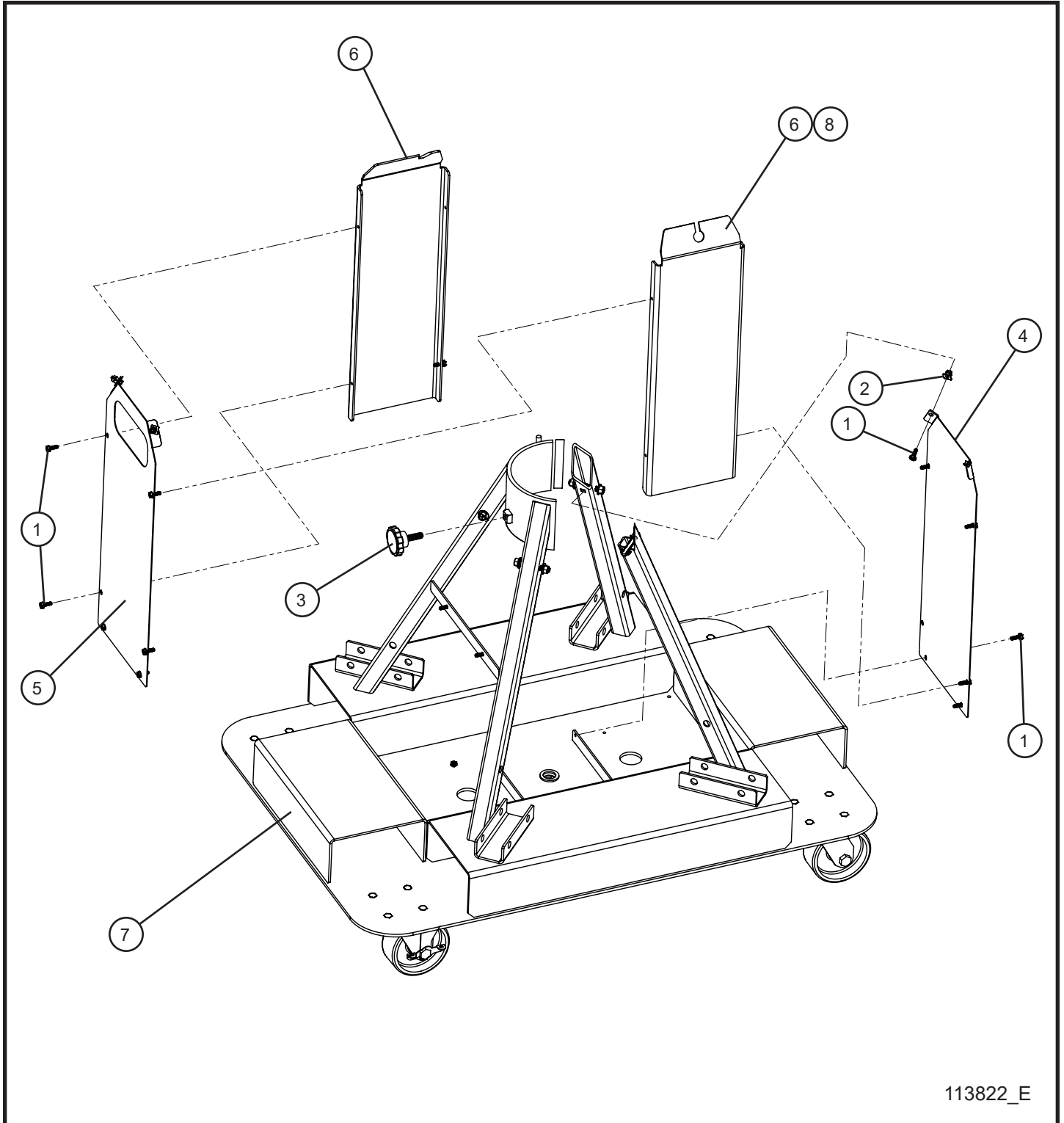
# NIGHT-LITE™ E-SERIES

SN 45-000001 and UP

## 1.2 - Tube Handle and Casters

Item	Part No.	Part Description	Qty.
1	112344P	FRAME BASE	1
2	113331	5 INCH CASTER SEALED BEARINGS	2
3	047055	1" ID NARROW RIM PLATED MACHINE BUSHING	2
4	620545	3/4 HAIR PIN CLIP PLATED	1
5	046110	3/8-16 x 1 HEX HEAD	16
6	041072	1/4-20 x 1 1/4 SLOTTED HEX WASHER HEAD	4
7	047010	5/16 FLAT WASHER	4
8	113374P	TUBE HANDLE WELDMENT	1
9	711032	BUMPER RUBBER SIGN REST	4
10	044029	3/8-16 SERRATED FLANGE NUT	20
11	056011	3/8-16 x 2 1/2 SERRATED FLANGE HEX HEAD SCREW	4
12	114848	5 INCH BRAKE CASTER SEALED BEARING	2

## 1.3 - Tower Base Pedestal and Covers



113822\_E



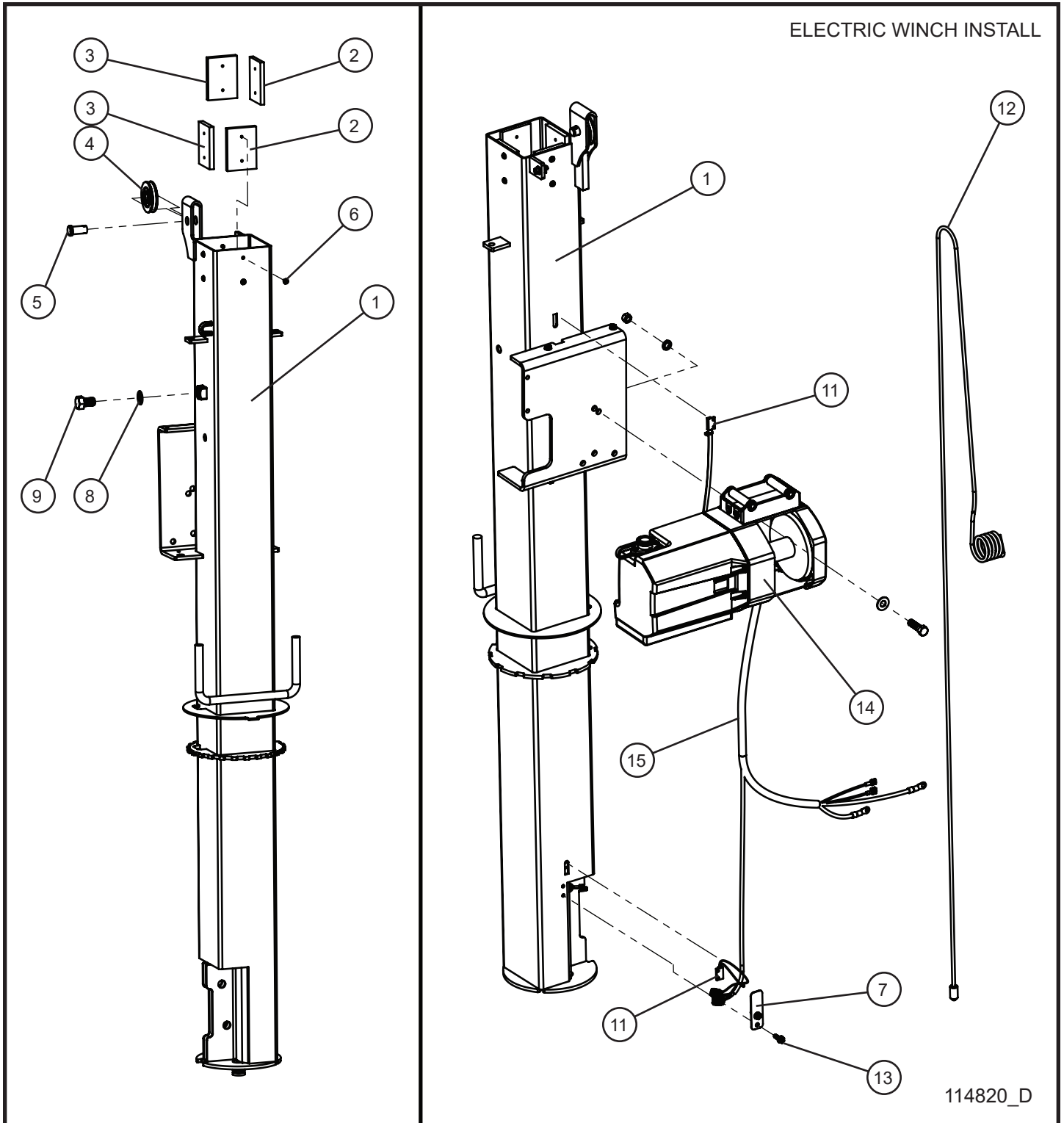
# NIGHT-LITE™ E-SERIES

SN 45-000001 and UP

## 1.3 - Tower Base Pedestal and Covers

Item	Part No.	Part Description	Qty.
1	041070	1/4-20 x 3/4 SLOTTED HEX WASHER HEAD	20
2	105408	GROMMET NUT DOUBLE SPLIT	4
3	620550	LOCKING KNOB	1
4	113270P	BACK COVER TOWER PEDESTAL	1
5	113269P	FRONT COVER TOWER PEDESTAL	1
6	113272P	SIDE COVER TOWER PEDESTAL (QTY 1 ELECTRIC WINCH)	2
7	112344P	FRAME BASE	1
8	113271P	CORD SIDE COVER TOWER PEDESTAL (ELECTRIC WINCH)	1
NS	118053	2 1/4 ID x 3 OD GROMMET	1

## 2.1 - C1000 Electric Winch Vertical Tower Section 1 (1 of 2)



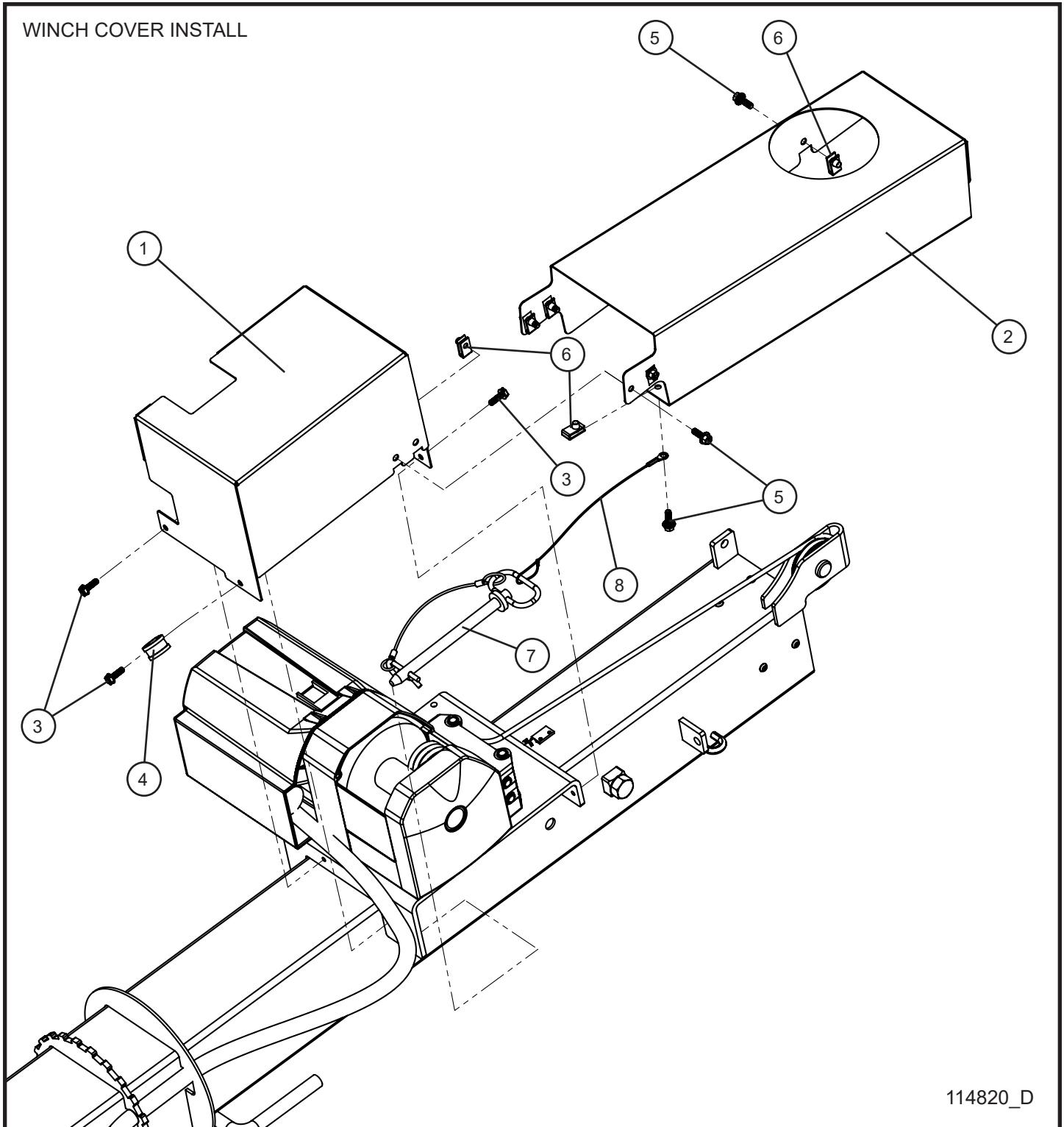
# NIGHT-LITE™ E-SERIES

SN 45-000001 and UP

## 2.1 - C1000 Electric Winch Vertical Tower Section 1 (1 of 2)

Item	Part No.	Part Description	Qty.
1	111086P	ELECTRIC WINCH TOWER 5 INCH SECTION	1
2	650110	.312 TOWER PAD	2
3	650109	.375 TOWER PAD	2
4	100160	2 1/2 PULLEY BALL BEARING	1
5	033000	5/8 x 1 SLIC PIN	1
6	041023	#10 x 3/8 PH-ROUND HEAD MS PL	8
7	115136P	LOWER LIMIT SWITCH HOLD DOWN	1
8	043100	5/8 INTL TOOTHLOCK WASHER PL	1
9	046242	5/8-11 x HEX HEAD CS GR5 PL	1
11	109993	MAGNETIC LIMIT SWITCH	1
12	109998	ELECTRIC WINCH CABLE	1
13	041070	1/4-20 x 3/4 SLOTTED HEX WASHER HEAD	2
14	114869	ELECTRIC WINCH ASSEMBLY	1
	109992	ELECTRIC WINCH C1000 (WINCH ONLY)	1
15	114860	NLE /NLV ELECTRIC WINCH HARNESS	1
NS	112290	50AMP SHORT SHOP BREAKER	1
NS	115148	MOUNTING HARDWARE	1
NS	115322	FILLER BLOCK	1
NS	115323	M4 x 0.7 x 8mm SCREW-STPH	1
NS	115324	8-16 x 1/2 BLACK SCREW	1
NS	115325	TYPE 6 W/S BRK CONTACTOR ASSY	1
NS	115326	MOTOR COVER	1
NS	115327	SET CUP POINT SCREW	1
NS	115328	12V DC66P CONTACTOR RELAY	1
NS	116380	M6-1.0 SPACER TERMINAL SOLENOID	1
NS	117470	NLE ELECTRIC WINCH C1000 SCHEMATIC	1

## 2.1 - C1000 Electric Winch Vertical Tower Section 1 (2 of 2)



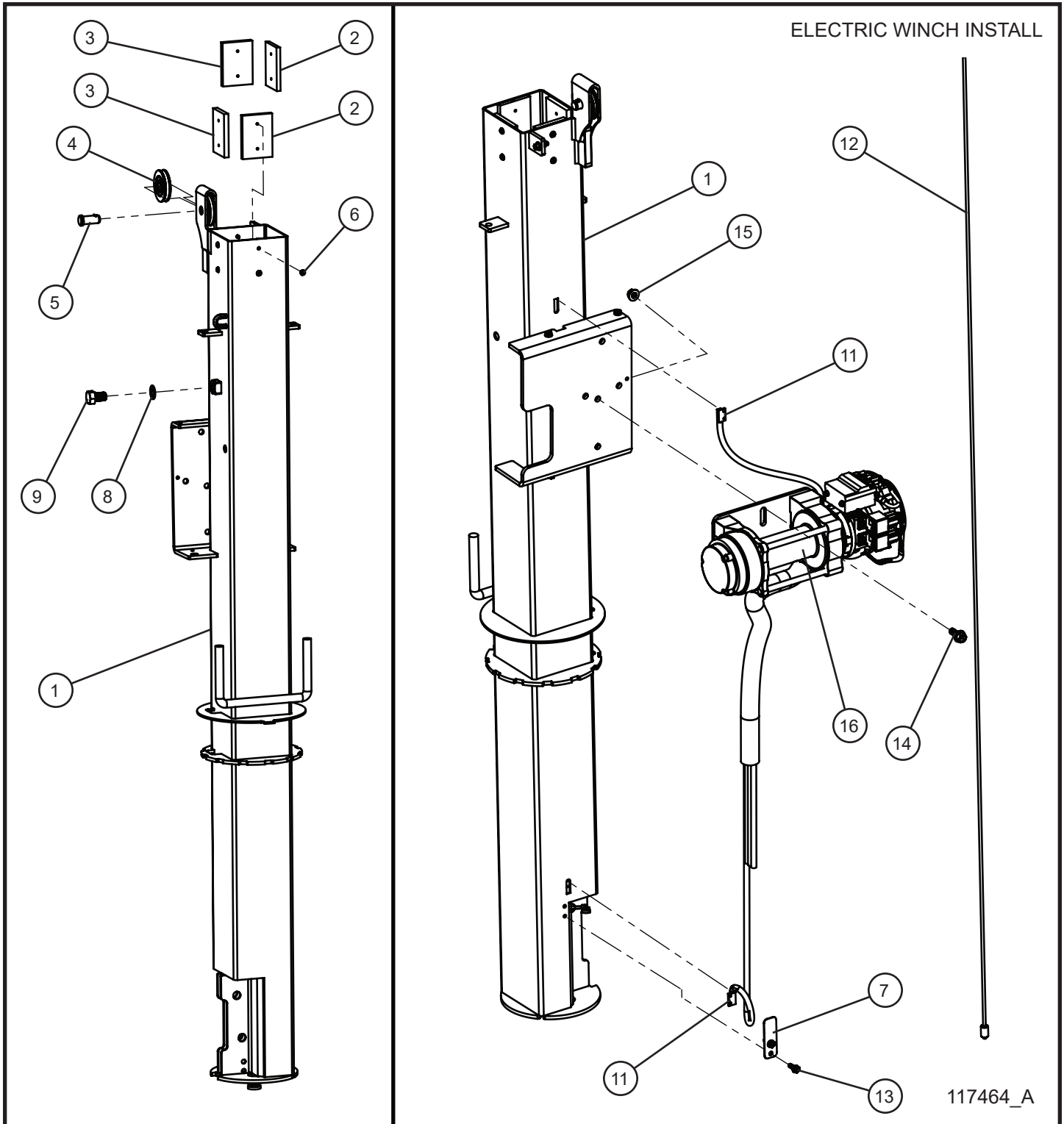
# NIGHT-LITE™ E-SERIES

SN 45-000001 and UP

## 2.1 - C1000 Electric Winch Vertical Tower Section 1 (2 of 2)

Item	Part No.	Part Description	Qty.
1	110214P	ELECTRIC WINCH COVER PLATE	1
2	113174P	ELECTRIC WINCH CABLE COVER	1
3	041070	1/4-20 x 3/4 SLOTTED HEX WASHER HEAD	4
4	022024	#12 CUSHION CLAMP	1
5	056002	1/4-20 x 3/4 HEX SERRATED FLANGE SCREW	6
6	044106	1/4-20 EXTRUDED U NUT	6
7	113336	6-1/2 INCH HITCH PIN	1
8	712061	STEEL LANYARD SAFETY PIN	1

## 2.2 - SH 1000 Electric Winch Vertical Tower Section 1 (1 of 2)



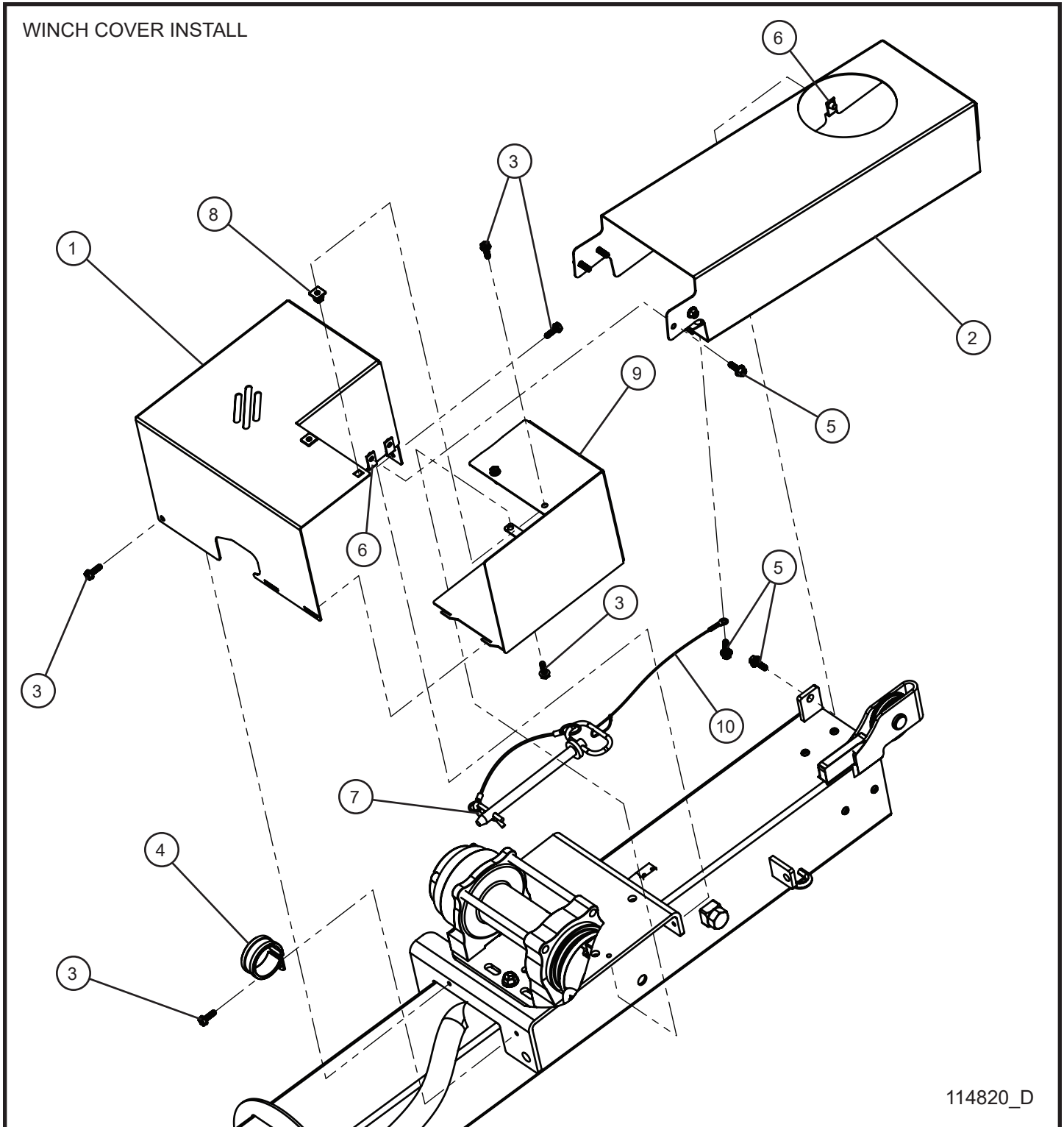
# NIGHT-LITE™ E-SERIES

SN 45-000001 and UP

## 2.2 - SH 1000 Electric Winch Vertical Tower Section 1 (1 of 2)

Item	Part No.	Part Description	Qty.
1	111086P	ELECTRIC WINCH TOWER 5 INCH SECTION	1
2	650110	.312 TOWER PAD	2
3	650109	.375 TOWER PAD	2
4	100160	2 1/2 PULLEY BALL BEARING	1
5	033000	5/8 x 1 SLIC PIN	1
6	041023	#10 x 3/8 PH-ROUND HEAD MS PL	8
7	115136P	LOWER LIMIT SWITCH HOLD DOWN	1
8	043100	5/8 INTL TOOTHLOCK WASHER PL	1
9	046242	5/8-11 x HEX HEAD CS GR5 PL	1
11	109993	MAGNETIC LIMIT SWITCH	2
12	620076	TOP CABLE	1
13	041070	1/4-20 x 3/4 SLOTTED HEX WASHER HEAD	2
14	056010	3/8-16 x 1 SERRATED FLANGE HEX SCREW	2
15	057007	3/8-16 HEX NYLOCK FLANGE NUT	2
16	117467	ELECTRIC WINCH ASSEMBLY	1
	116699	ELECTRIC WINCH SH 1000 (WINCH ONLY)	1
NS	116672	ELECTRIC WINCH SH 1000 HARNESS	1
NS	104431	12V 40AMP RELAY	2
NS	115328	12V DC66P CONTACTOR RELAY	1
NS	117538	NLE SH 1000 ELECTRIC WINCH SCHEMATIC	1

## 2.2 - SH 1000 Electric Winch Vertical Tower Section 1 (2 of 2)





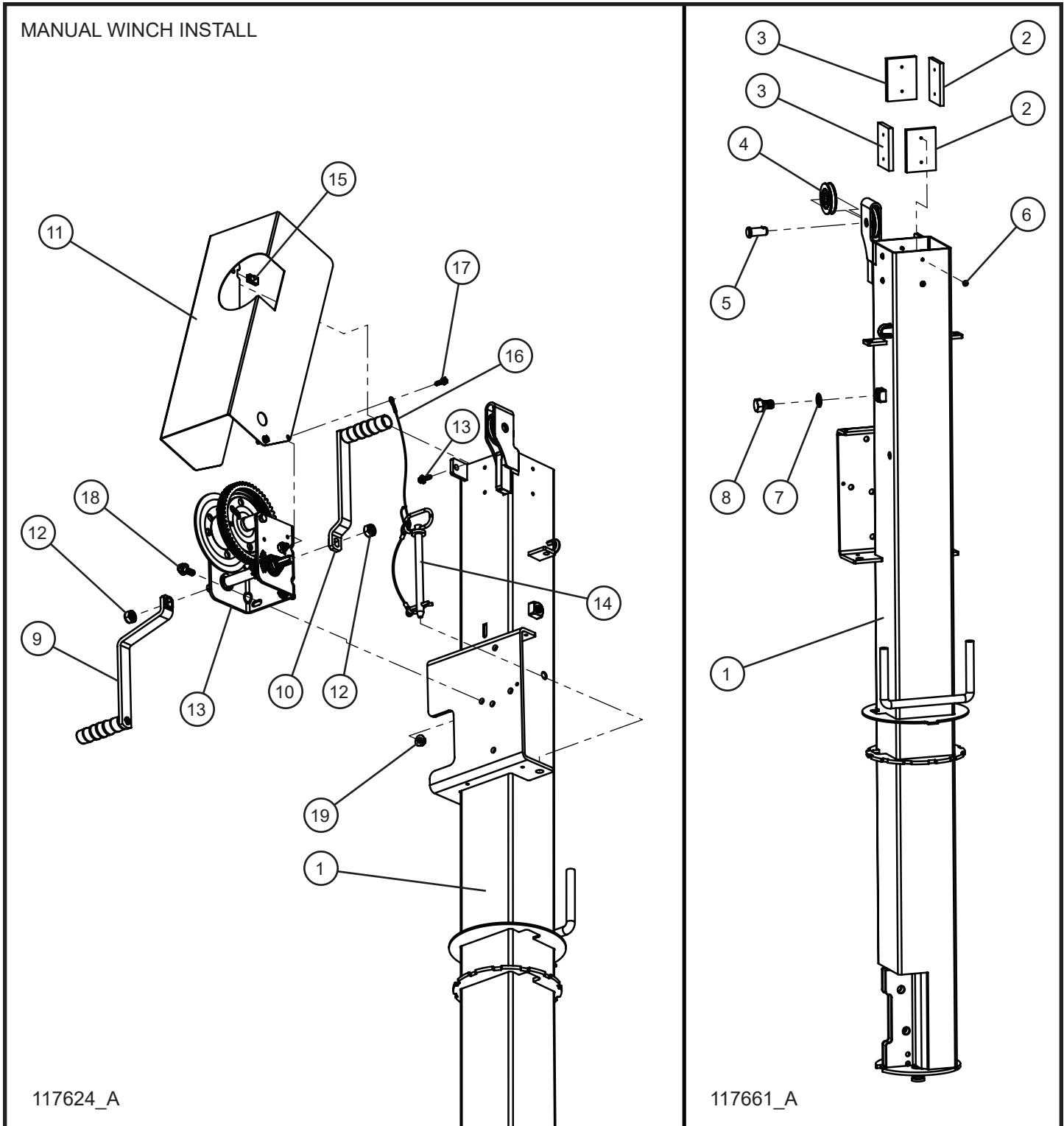
# NIGHT-LITE™ E-SERIES

SN 45-000001 and UP

## 2.2 - SH 1000 Electric Winch Vertical Tower Section 1 (2 of 2)

Item	Part No.	Part Description	Qty.
1	117299P	SH 1000 ELECTRIC WINCH COVER PLATE	1
2	113174P	ELECTRIC WINCH CABLE COVER	1
3	041070	1/4-20 x 3/4 SLOTTED HEX WASHER HEAD	7
4	106144	#2013 CUSHION CLAMP	1
5	056002	1/4-20 x 3/4 HEX SERRATED FLANGE SCREW	6
6	044106	1/4-20 EXTRUDED U NUT	6
7	113336	6-1/2 INCH HITCH PIN	1
8	105408	SQUARE HEAD DOUBLE SPLIT GROMMET NUT	2
9	117466P	WINCH ELECTRICAL BOX TOP COVER	1
10	712061	STEEL LANYARD SAFETY PIN	1

## 2.3 - Manual Winch Vertical Tower Section 1



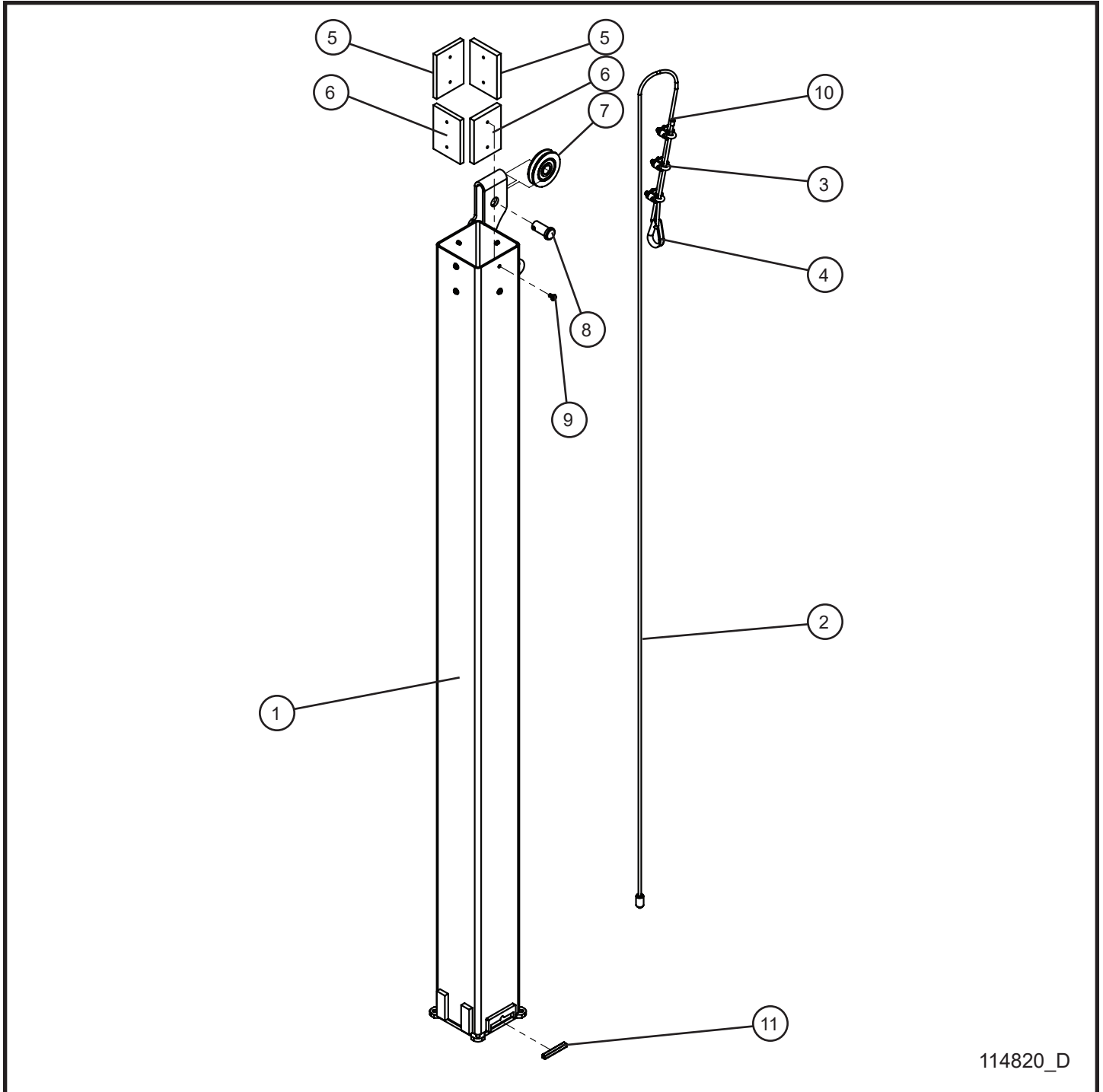
# NIGHT-LITE™ E-SERIES

SN 45-000001 and UP

## 2.3 - Manual Winch Vertical Tower Section 1

Item	Part No.	Part Description	Qty.
1	111086P	ELECTRIC WINCH TOWER 5 INCH SECTION	1
2	650110	.312 TOWER PAD	2
3	650109	.375 TOWER PAD	2
4	100160	2 1/2 PULLEY BALL BEARING	1
5	033000	5/8 x 1 SLIC PIN	1
6	041023	#10 x 3/8 PH-ROUND HEAD MS PL	8
7	043100	5/8 INTL TOOTHLOCK WASHER PL	1
8	046242	5/8-11 x HEX HEAD CS GR5 PL	1
9	113617	HANDLE LARGE OFFSET DUAL HANDLE WINCH	1
10	113618	HANDLE SMALL OFFSET DUAL HANDLE WINCH	1
11	117620P	NIGHT-LITE E-SERIES MANUAL WINCH CABLE SHIELD	1
12	116985	WINCH BRAKE 1500 LB DUAL HANDLE WINCH ONLY	1
13	056002	1/4-20 x 3/4 HEX SERRATED FLANGE SCREW	1
14	113336	6-1/2 INCH HITCH PIN	1
15	044106	1/4-20 NUT U EXTRUDED	1
16	712061	STEEL LANYARD	1
17	041070	1/4-20 x 3/4 SL-HEX WASHER HEAD MACHINE SCREW	2
18	056010	3/8-16 x 1 HEX SERRATED FLANGE SCREW	3
19	057007	3/8-16 HEX NYLOCK FLANGE NUT	3
NS	620076	TOP CABLE MANUAL PRO	1

## 2.4 - Vertical Tower Section 2



114820\_D

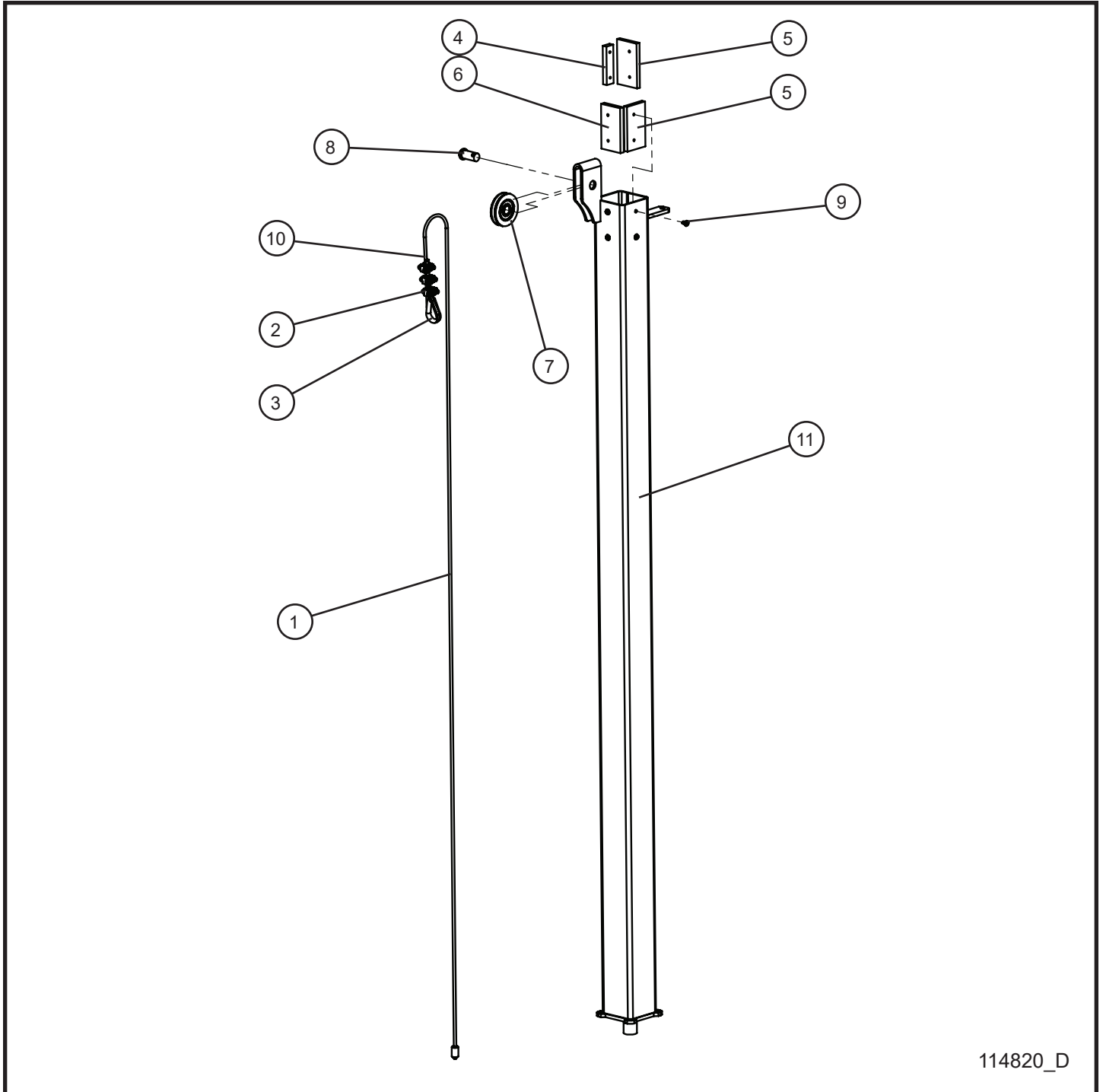
# NIGHT-LITE™ E-SERIES

SN 45-000001 and UP

## 2.4 - Vertical Tower Section 2

Item	Part No.	Part Description	Qty.
1	110352P	TOWER WELDMENT 4 INCH SECTION	1
2	320185	CABLE 3/16 STEEL 10'	1
3	620084	3/16 CABLE CLIP	3
4	045040	3/16 CABLE THIMBLE 3/16 WIRE ROPE	1
5	650110	.312 TOWER PAD	2
6	650109	.375 TOWER PAD	2
7	100160	2 1/2 PULLEY BALL BEARING	1
8	033000	5/8 x 1 SLIC PIN	1
9	041023	#10 x 3/8 PH-ROUND HEAD MS PL	8
10	022150	FERRULE 10-12 AWG	1
11	109988	MAGNET 1/4 x 1/4 x 2	1

## 2.5 - Vertical Tower Section 3



114820\_D

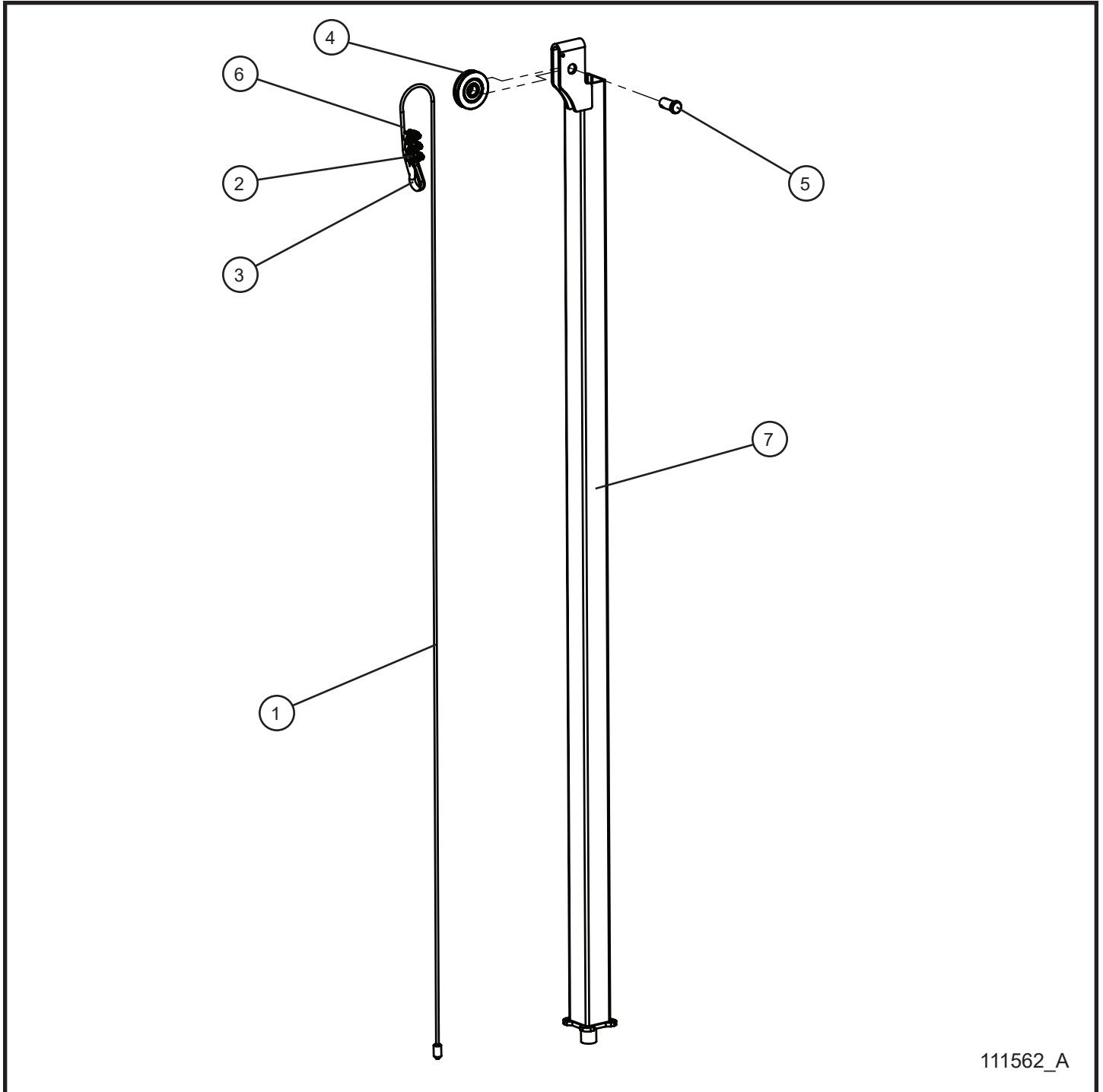
# NIGHT-LITE™ E-SERIES

SN 45-000001 and UP

## 2.5 - Vertical Tower Section 3

Item	Part No.	Part Description	Qty.
1	320185	CABLE 3/16 STEEL 10'	1
2	620084	3/16 CABLE CLIP	3
3	045040	3/16 CABLE THIMBLE 3/16 WIRE ROPE	1
4	100062	3/8 UHMW SPACER	1
5	352280	PLASTIC TOWER PAD	2
6	100446	3/8 PAD SMALL	1
7	100160	2 1/2 PULLEY BALL BEARING	1
8	033000	5/8 x 1 SLIC PIN	1
9	041023	#10 x 3/8 PH-ROUND HEAD MS PL	8
10	022150	FERRULE 10-12 AWG	1
11	110353P	TOWER WELDMENT 3 INCH SECTION	1

## 2.6 - Vertical Tower Section 4



111562\_A



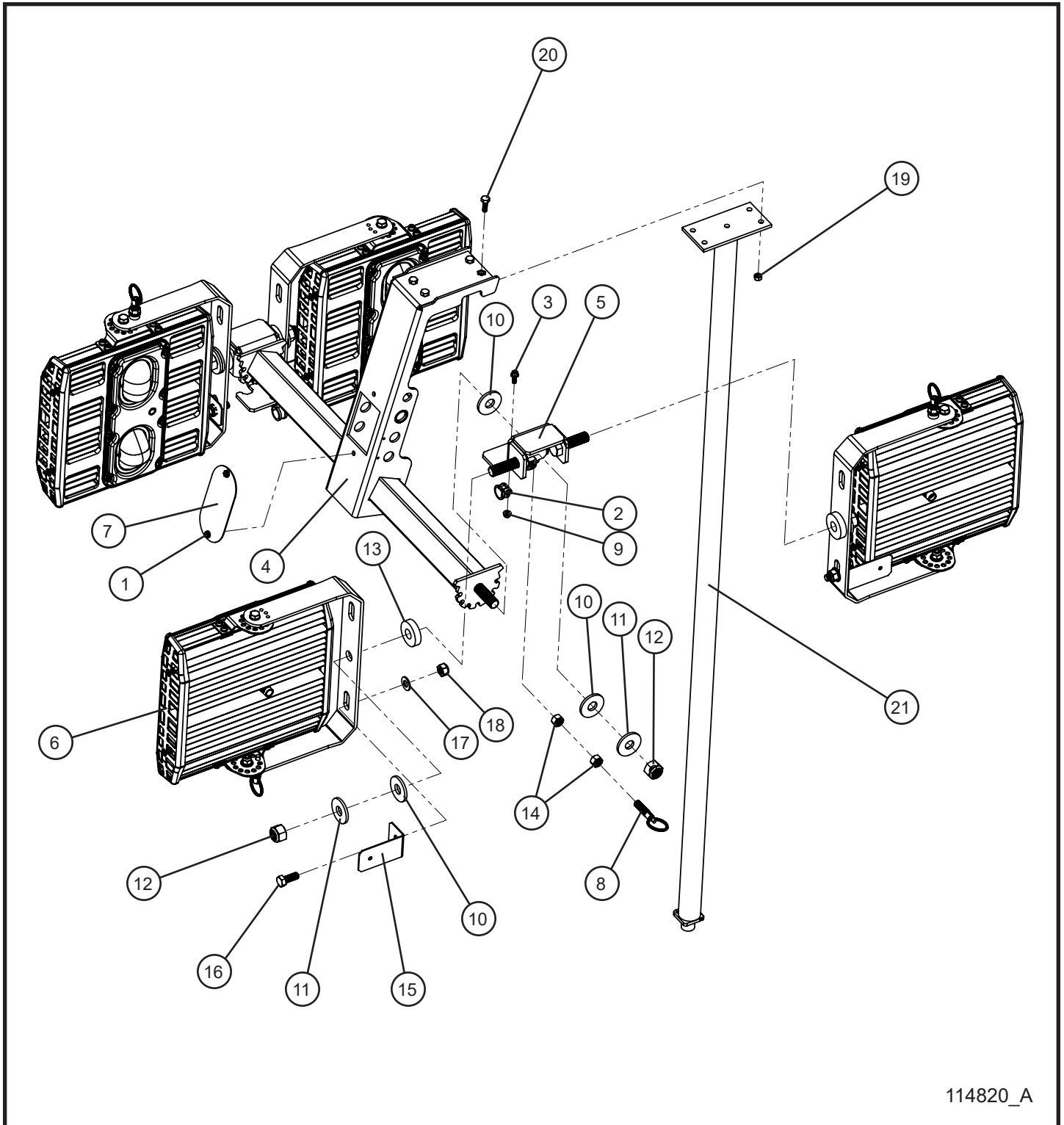
# NIGHT-LITE™ E-SERIES

SN 45-000001 and UP

## 2.6 - Vertical Tower Section 4

Item	Part No.	Part Description	Qty.
1	320185	CABLE 3/16 STEEL 10'	1
2	620084	3/16 CABLE CLIP	3
3	045040	3/16 CABLE THIMBLE 3/16 WIRE ROPE	1
4	100160	2 1/2 PULLEY BALL BEARING	1
5	033000	5/8 x 1 SLIC PIN	1
6	022150	FERRULE 10-12 AWG	1
7	110355P	TOWER WELDMENT 2 INCH SECTION	1

## 2.7 - Vertical Tower Round Section and Rotational Light Bar



114820\_A

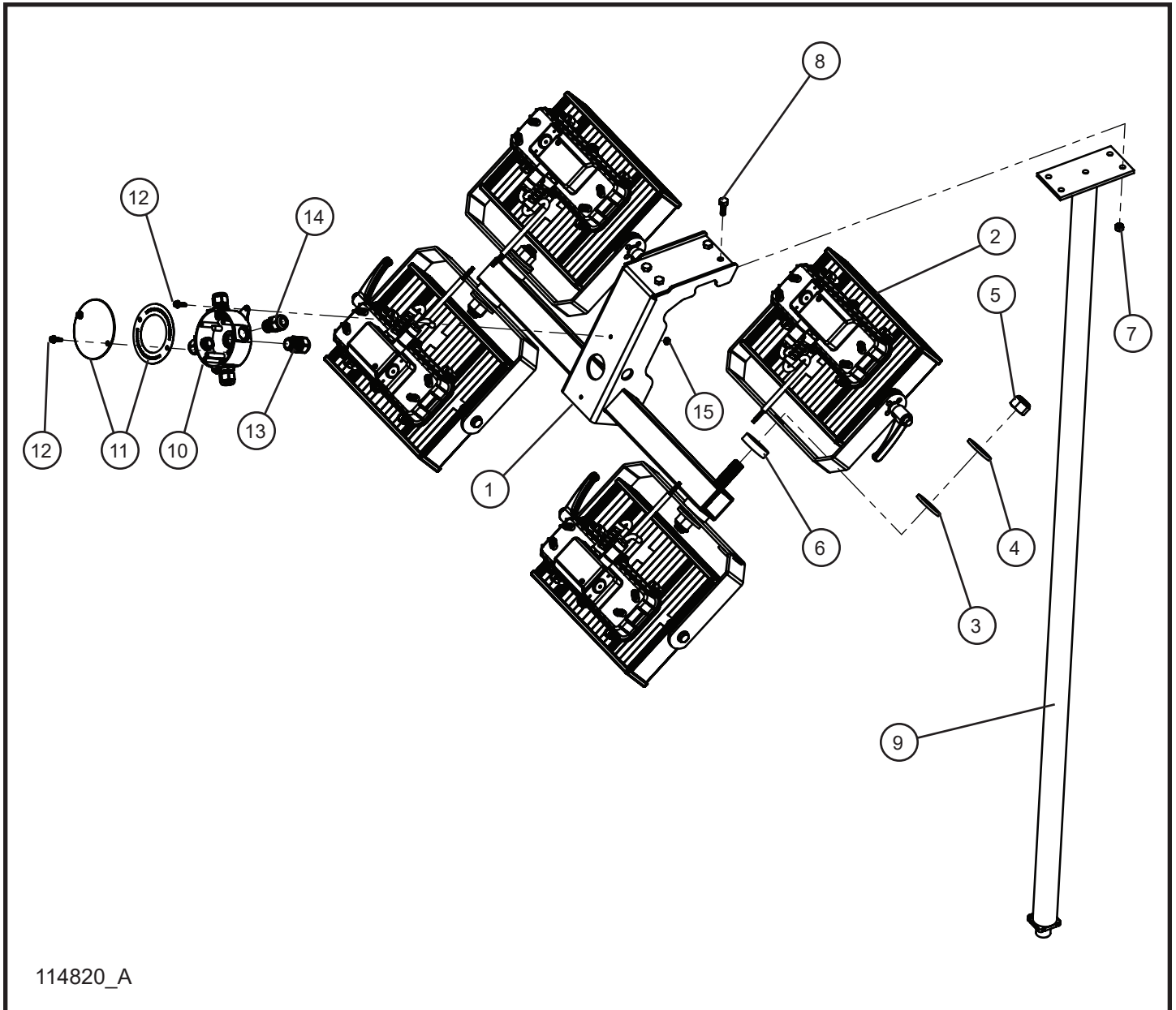
# NIGHT-LITE™ E-SERIES

SN 45-000001 and UP

## 2.7 - Vertical Tower Round Section and Rotational Light Bar

Item	Part No.	Part Description	Qty.
1	041070	1/4-20 x 3/4 SLOTTED HEX WASHER HEAD	2
2	022024	#12 CUSHION CLAMP	2
3	056002	1/4-20 x 3/4 HEX SERRATED FLANGE SCREW	2
4	112352P	LIGHT BAR WELDMENT	1
5	112354P	LIGHT BAR ROTATION MOUNT WELDMENT	2
6	114075	CONSSIN KUEM2-320 ALLMAND LED LIGHT	4
7	108933P	LIGHT BAR FRONT COVER	1
8	100148	SPRING LOCK 1/2-13 UNC x 1.4	2
9	057001	1/4-20 HEX NYLOCK FLANGE NUT	2
10	650550	.785" x 2" HDPE WASHER	8
11	047035	3/4 FLAT WASHER	6
12	044058	3/4-10 NYLOCK HEX NUT PL	6
13	101813	.781 ID x 2 OD x 1/2 HDPE WASHER	4
14	044045	1/2-13 HEX NUT PL	4
15	111975P	LED CONSSIN CSA STOP	4
16	046180	1/2-13 x 1 1/4 HEX HEAD CS GR5 PL	4
17	047025	1/2 FLAT WASHER PL	4
18	044048	1/2-13 NYLOCK HEX NUT PL	4
19	044033	5/16-18 NYLOCK HEX NUT PL	4
20	046050	5/16-18 x 1 HEX HEAD	4
21	110357P	WELDMENT TOWER ROUND SECTION	1

## 2.8 - Vertical Tower Round Section and Fixed Light Bar



114820\_A

# NIGHT-LITE™ E-SERIES

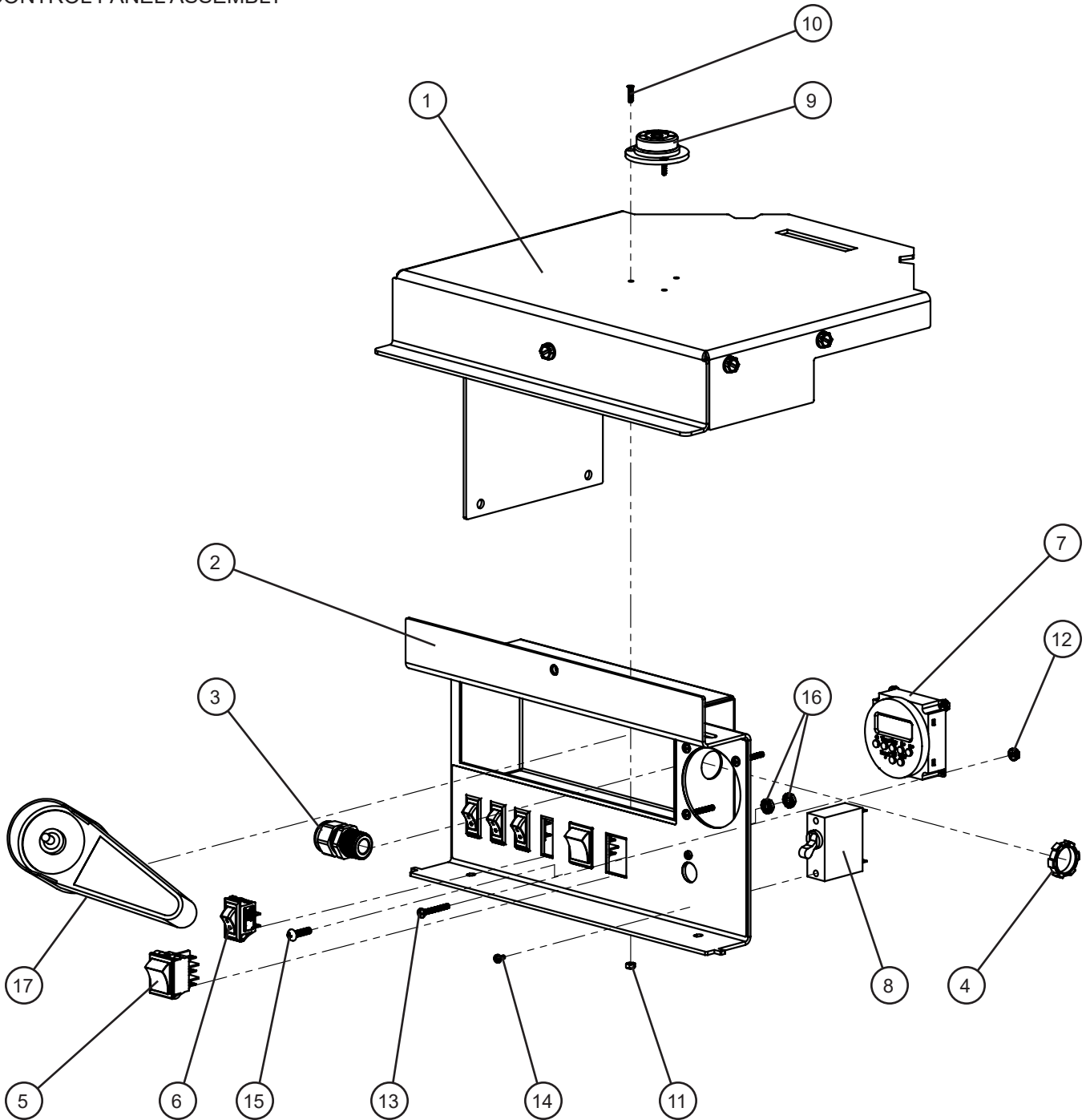
SN 45-000001 and UP

## 2.8 - Vertical Tower Round Section and Fixed Light Bar

Item	Part No.	Part Description	Qty.
1	117634P	LIGHT BAR WELDMENT LED	1
2	116980	LIGHT LED SMD 250W	4
3	650550	.785" x 2" HDPE WASHER	8
4	047035	3/4 FLAT WASHER	6
5	044058	3/4-10 NYLOCK HEX NUT PL	6
6	101813	.781 ID x 2 OD x 1/2 HDPE WASHER	4
7	044033	5/16-18 NYLOCK HEX NUT PL	4
8	046050	5/16-18 x 1 HEX HEAD	4
9	110357P	WELDMENT TOWER ROUND SECTION	1
10	118127	WEATHERTIGHT OUTLET BOX	1
11	118128	WEATHERTIGHT LID OUTLET BOX	1
12	056005	#10-24 x 3/4 HEX HEAD SCREW	4
13	114886	1/2" CORD GRIP	1
14	105626	1/2" CORD GRIP	4
15	044016	#10-24 KEPS HEX NUT	2

## 3.1 - Electric Winch Component Box (1 of 3)

### CONTROL PANEL ASSEMBLY



117339\_C

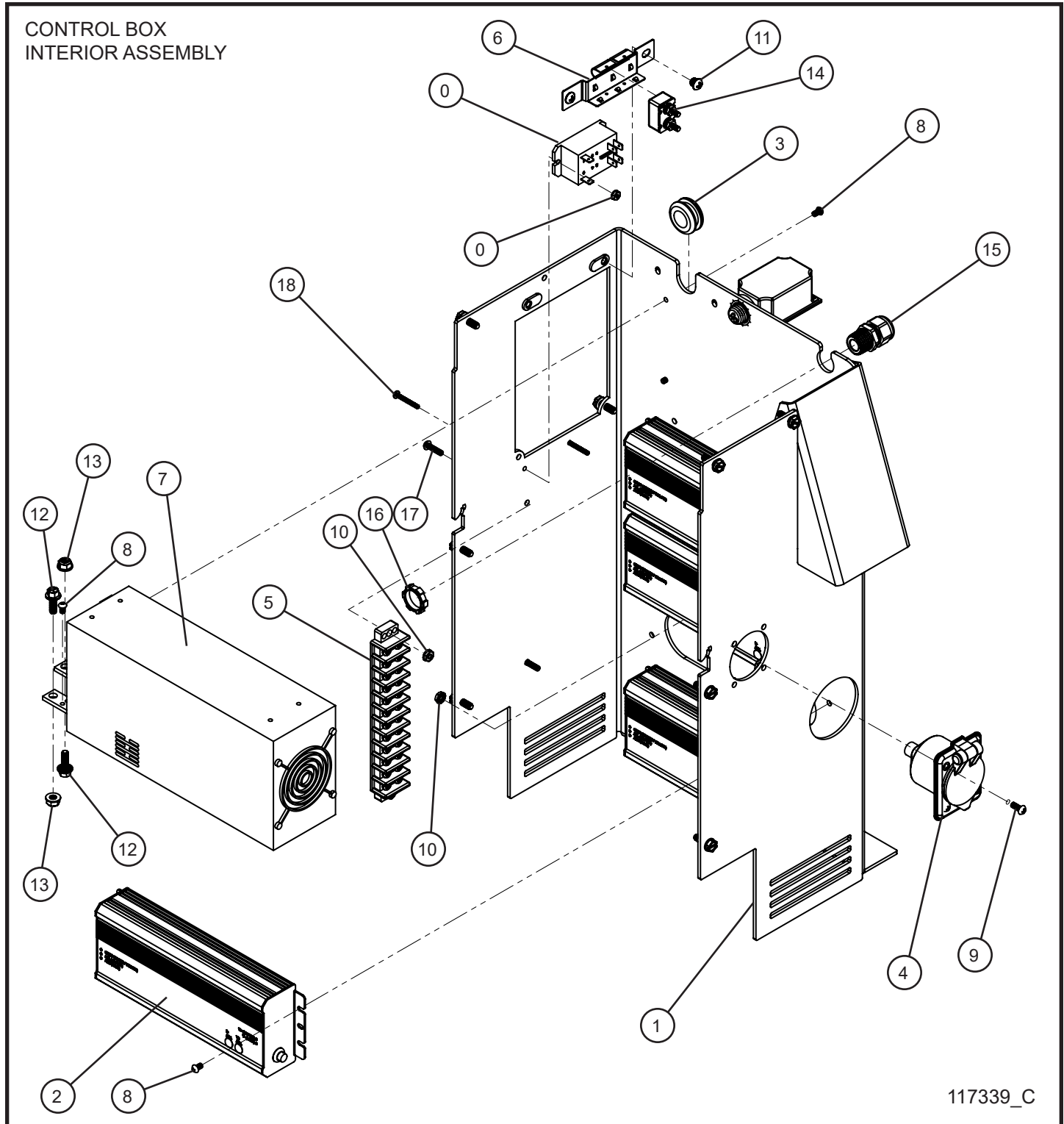
# NIGHT-LITE™ E-SERIES

SN 45-000001 and UP

## 3.1 - Electric Winch Component Box (1 of 3)

Item	Part No.	Part Description	Qty.
1	114494P	TOP COVER CORNER SEAL	1
2	114493P	PANEL WELDMENT	1
3	105626	1/2 CORD GRIP NYLON BLACK	1
4	022035	1/2 CORD GRIP NUT	1
5	113553	ROCKER SWITCH DPDT ON-ON CONCAVE	2
6	113541	ROCKER SWITCH SPST ON-OFF	4
7	113639	120V AC TIMER PROGRAMMABLE	1
8	330458	15A SPST BREAKER SWITCH	1
9	113335	BULLSEYE LEVEL	1
10	041260	#4-40 x 1/2 PH-FLAT HEAD MACHINE SCREW	3
11	044002	#4-40 NYLOCK HEX NUT	3
12	044004	#6-32 KEPS HEX NUT	4
13	041003	#6-32 x 1 1/4 SL-ROUND HEAD MACHINE SCREW	4
14	041018	#6-32 x 1/4 PH-ROUND HEAD MACHINE SCREW	2
15	041027	#10-24 x 3/4 PH-ROUND HEAD MACHINE SCREW	1
16	044016	#10-24 KEPS HEX NUT	2
17	117345	ELECTRIC WINCH HANDHELD CONTROL	1
NS	117469	DRIVER AC SIDE SCHEMATIC	1
NS	114212	DRIVER DC SIDE SCHEMATIC	1
NS	117468	FRONT PANEL SCHEMATIC	1
NS	116666	MAIN HARNESS DC WINCH NLE	1

## 3.1 - Electric Winch Component Box (2 of 3)



117339\_C



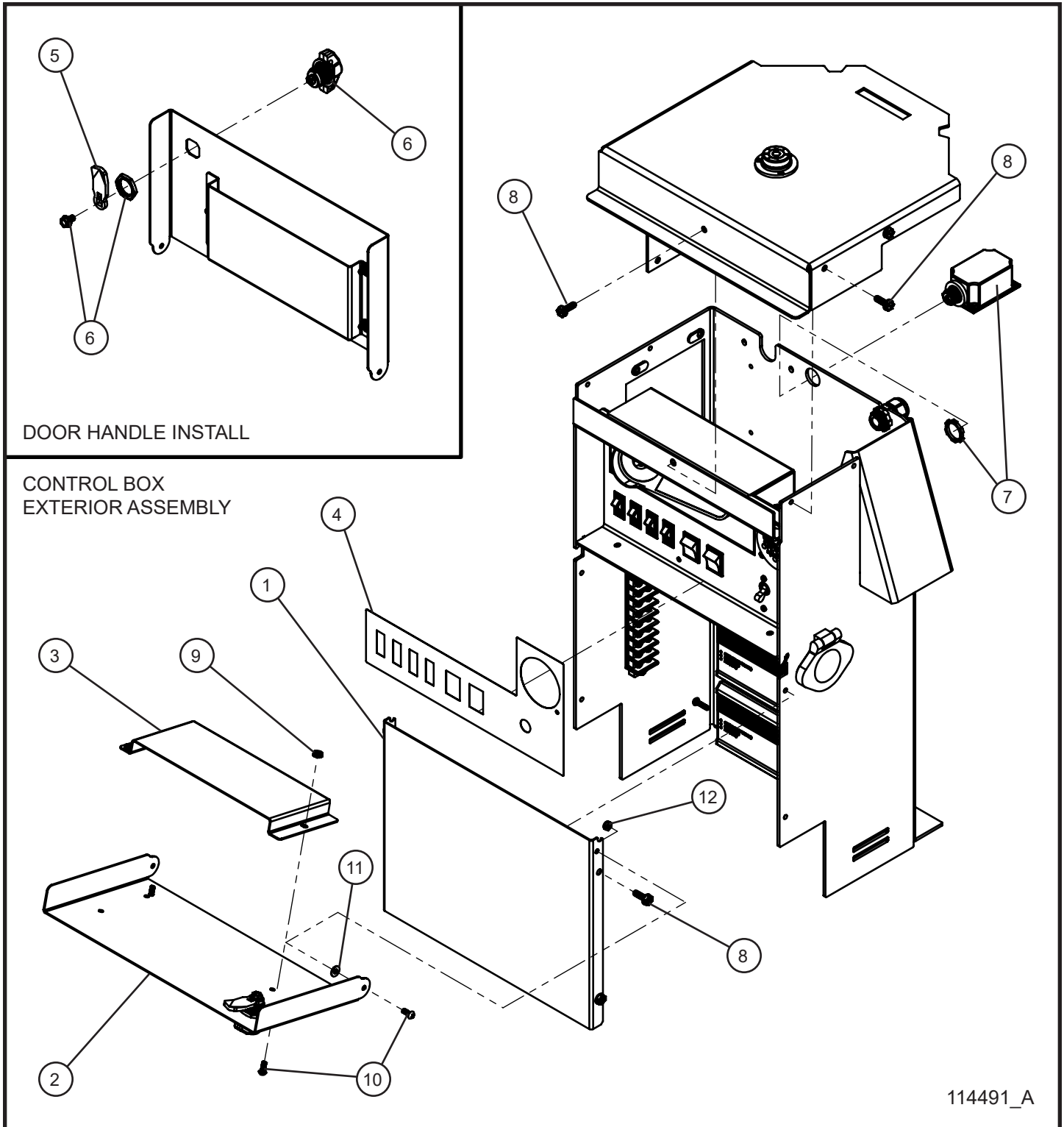
# NIGHT-LITE™ E-SERIES

SN 45-000001 and UP

## 3.1 - Electric Winch Component Box (2 of 3)

Item	Part No.	Part Description	Qty.
1	117341P	NLE COMPONENT BOX WELDMENT	1
2	113646	CONSSIN LED DRIVER ASSEMBLY	4
3	330463	11/16 RUBBER GROMMET	1
4	117348	NLE RECESSED PLUG ASSEMBLY	1
5	106734	SCREW TERMINAL BLOCK 12 GANG	1
6	112292	SHORT STOP BRACKET	1
7	114823	POWER OUTPUT RSP-1500-12 MEANWELL	1
8	041090	M4 x 8 PHILLIPS MACHINE SCREW	17
9	041021	#10-24 x 1/2 PH-ROUND HEAD MACHINE SCREW	4
10	044016	#10-24 KEPS HEX NUT	6
11	041065	1/4-20 x 1/4 PH-ROUND HEAD MACHINE SCREW	2
12	056002	1/4-20 x 3/4 HEX SERRATED FLANGE SCREW	2
13	057001	1/4-20 HEX NYLOCK FLANGE NUT	2
14	112290	50AMP 12V SHORT STOP CIRCUIT BREAKER	1
15	105626	1/2 CORD GRIP NYLON BLACK	1
16	022035	1/2 CORD GRIP NUT	1
17	041027	#10-24 x 3/4 PH-ROUND HEAD MACHINE SCREW	2
18	041003	#6-32 x 1 1/4 SL-ROUND HEAD MACHINE SCREW	2
19	044004	#6-32 KEPS HEX NUT	2
20	105219	30AMP RELAY	1
NS	105837	DEUTSCH/MOLEX 8-WAY PLUG WEDGELOCK	1
NS	105833	DEUTSCH/MOLEX 8-WAY PLUG	1
NS	117469	DRIVER AC SIDE SCHEMATIC	1
NS	114212	DRIVER DC SIDE SCHEMATIC	1
NS	117468	FRONT PANEL SCHEMATIC	1
NS	116666	MAIN HARNESS DC WINCH NLE	1

## 3.1 - Electric Winch Component Box (3 of 3)



114491\_A

# NIGHT-LITE™ E-SERIES

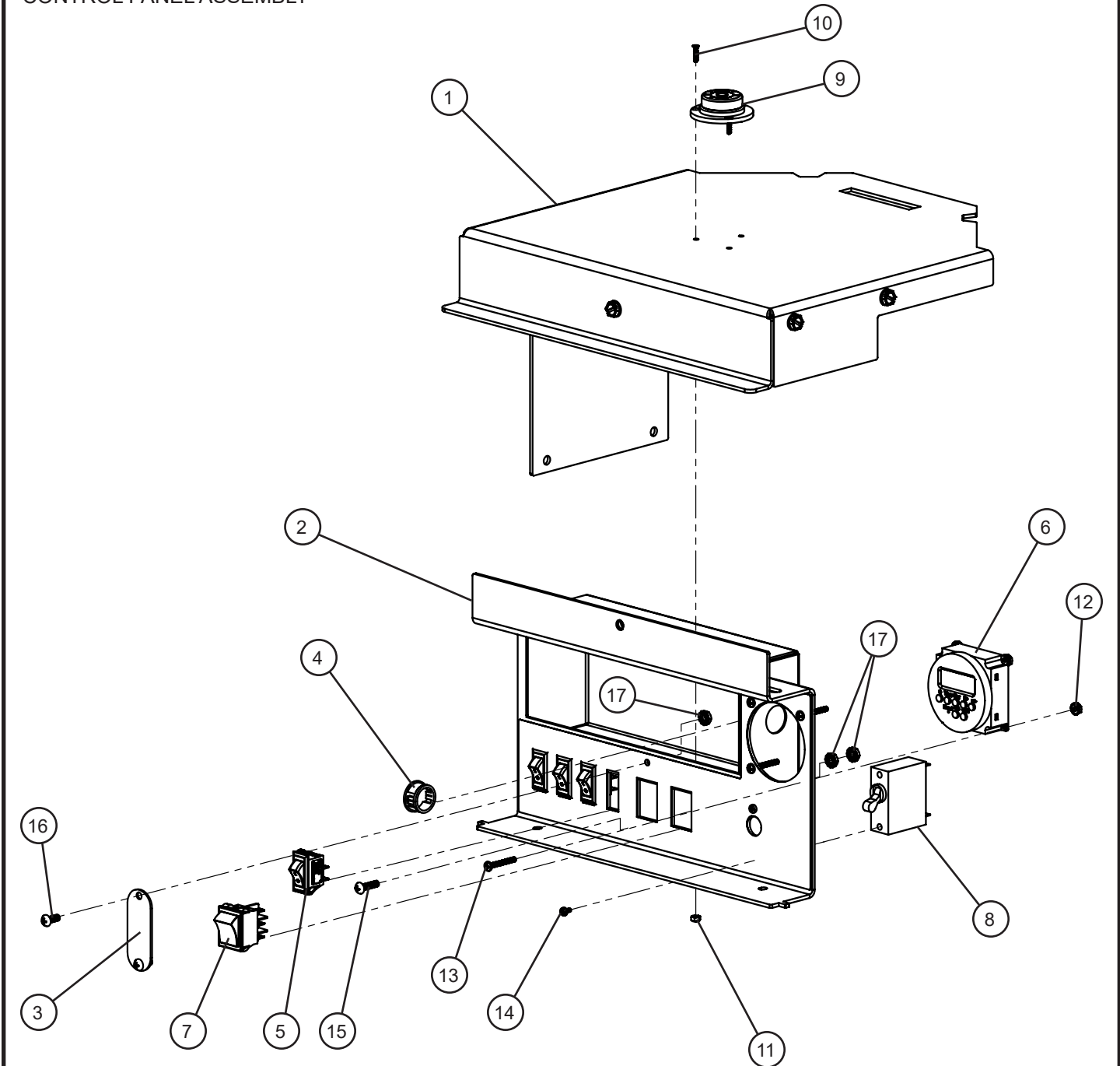
SN 45-000001 and UP

## 3.1 - Electric Winch Component Box (3 of 3)

Item	Part No.	Part Description	Qty.
1	114492P	LOWER PANEL CONTROL BOX	1
2	114496P	CONTROL BOX DOOR PANEL	1
3	114067P	USER MANUAL DOOR HOLDER	1
4	112144	CONTROL PANEL STANDARD DECAL	1
5	111482	LATCH CAM STRAIGHT	1
6	111481	WINGKNOB PADLOCKABLE	1
7	117346	WEATHERPROOF PHOTOCONTROL	1
8	041070	1/4-20 x 3/4 SLOTTED HEX WASHER HEAD MACHINE SCREW	10
9	044016	#10-24 KEPS HEX NUT	9
10	041021	#10-24 x 1/2 PH-ROUND HEAD MACHINE SCREW	5
11	047003	#10 FLAT WASHER	2
12	044018	#10-24 NYLOCK HEX NUT	2
NS	030052	TRIMLOK END BEAK x 1.50	1

## 3.2 - Manual Winch Component Box (1 of 3)

### CONTROL PANEL ASSEMBLY



117625\_A

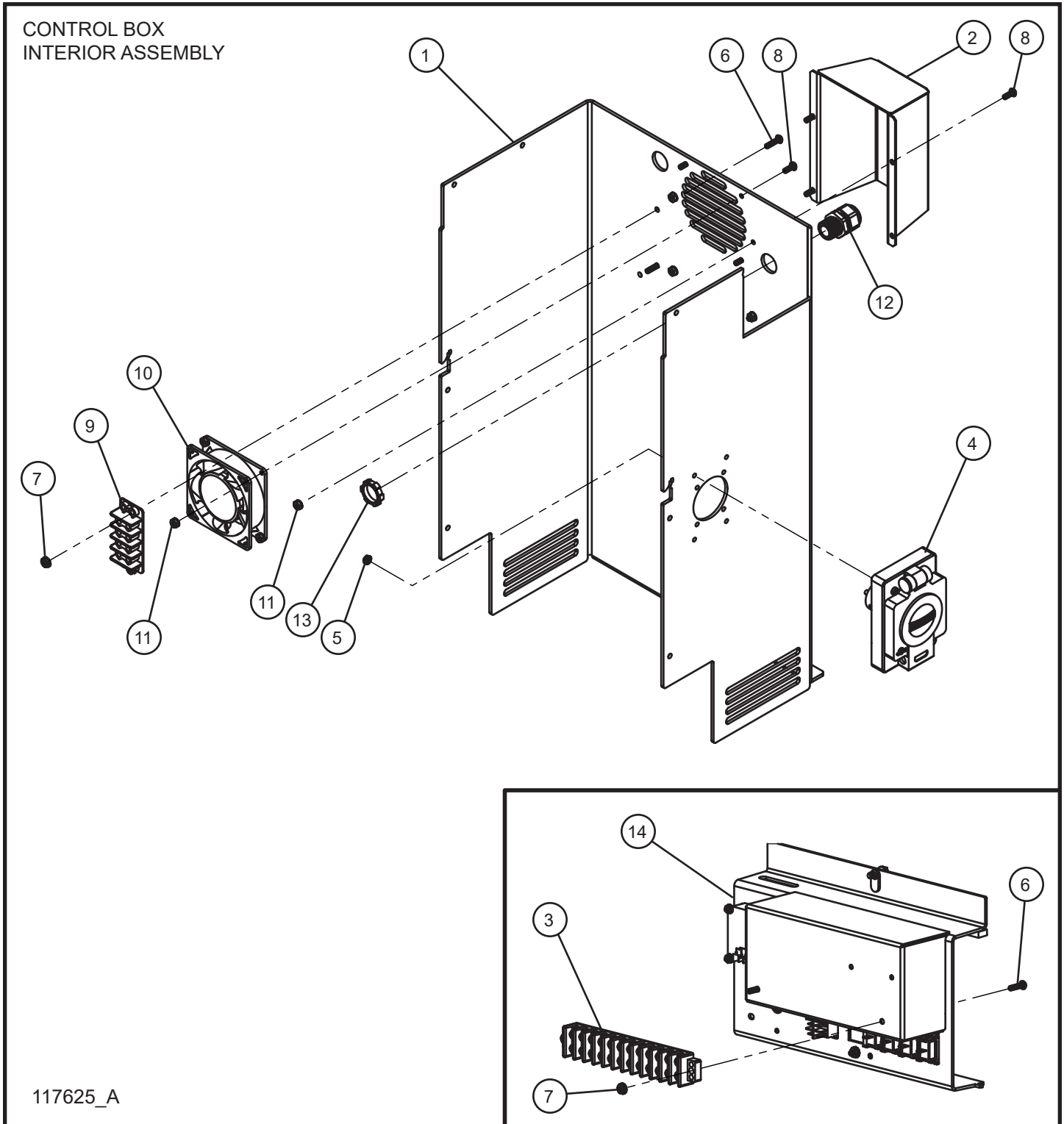
# NIGHT-LITE™ E-SERIES

SN 45-000001 and UP

## 3.2 - Manual Winch Component Box (1 of 3)

Item	Part No.	Part Description	Qty.
1	117687P	TOP COVER CORNER SEAL WELDMENT NLE	1
2	114493P	PANEL WELDMENT	1
3	117616P	SWITCH COVER MANUAL WINCH NLE	1
4	711029	7/8 LOCKING HOLE PLUG	1
5	113541	ROCKER SWITCH SPST ON-OFF	4
6	113639	120V AC TIMER PROGRAMMABLE	1
7	113553	ROCKER SWITCH DPDT ON-ON CONCAVE	1
8	330458	15A SPST BREAKER SWITCH	1
9	113335	BULLSEYE LEVEL	1
10	041260	#4-40 x 1/2 PH-FLAT HEAD MACHINE SCREW	3
11	044002	#4-40 NYLOCK HEX NUT	3
12	044004	#6-32 KEPS HEX NUT	4
13	041003	#6-32 x 1 1/4 SL-ROUND HEAD MACHINE SCREW	4
14	041018	#6-32 x 1/4 PH-ROUND HEAD MACHINE SCREW	2
15	041027	#10-24 x 3/4 PH-ROUND HEAD MACHINE SCREW	1
16	041021	#10-24 x 1/2 PH-ROUND HEAD MACHINE SCREW	2
17	044016	#10-24 KEPS HEX NUT	4
NS	115260	1/4 x 1/2 x 12.88 SEAL	1
NS	117701	NLE FRONT PANEL MANUAL WINCH SCHEMATIC	1
NS	117692	NLE DRIVER AC SIDE SCHEMATIC	1
NS	116666	MAIN HARNESS DC WINCH NLE	1

## 3.2 - Manual Winch Component Box (2 of 3)



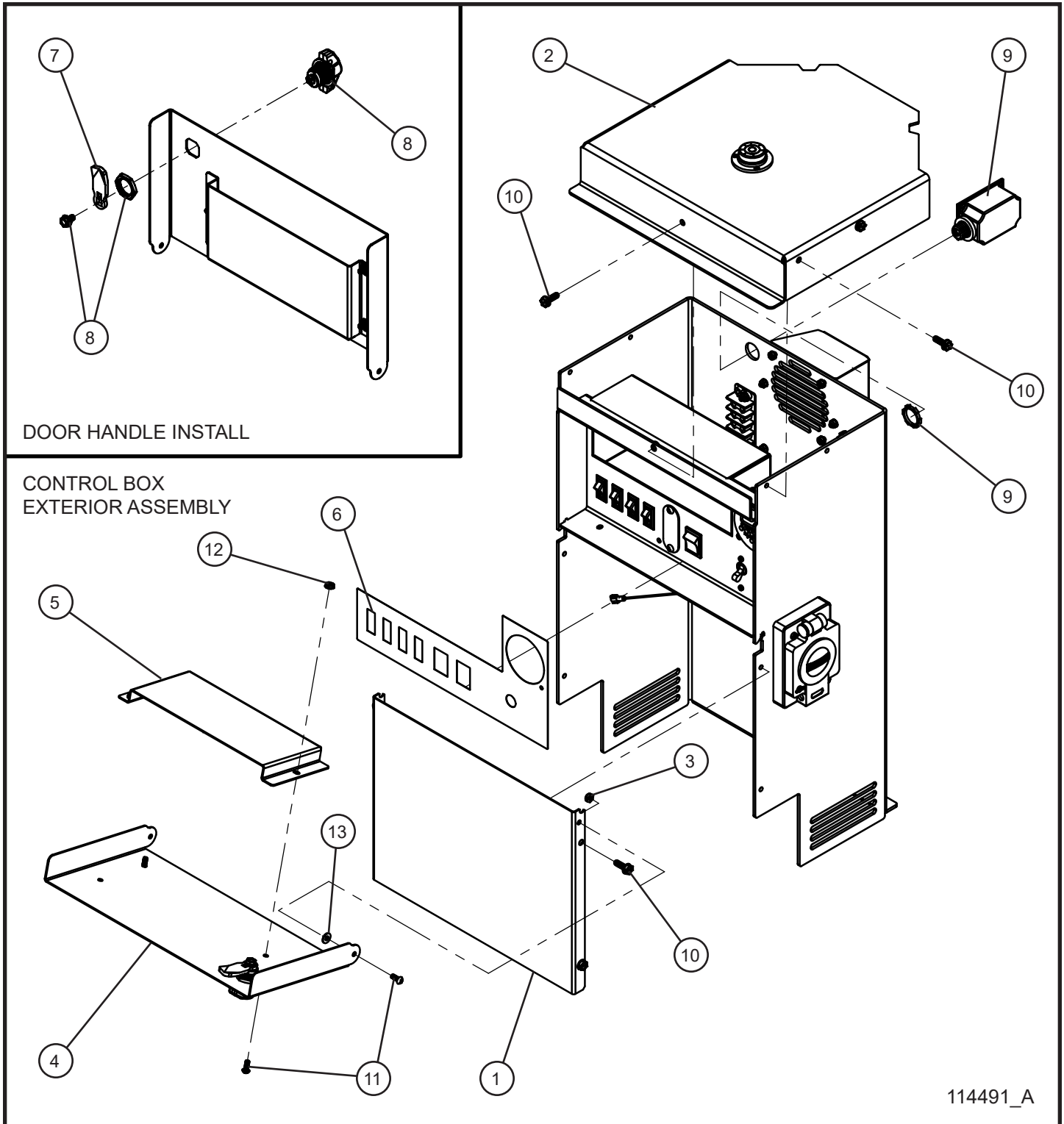
# NIGHT-LITE™ E-SERIES

SN 45-000001 and UP

## 3.2 - Manual Winch Component Box (2 of 3)

Item	Part No.	Part Description	Qty.
1	117614	COMPONENT BOX MANUAL WINCH NLE	1
2	117615P	FAN SHIELD MANUAL WINCH NLE	1
3	106734	SCREW TERMINAL BLOCK 12 GANG	1
4	117690	RECESSED PLUG CORD ASSEMBLY	1
5	044004	#6-32 KEPS HEX NUT	4
6	041027	#10-24 x 3/4 PH-ROUND HEAD MACHINE SCREW	5
7	044016	#10-24 KEPS HEX NUT	11
8	041012	#8-32 x 1/2 SCREW	7
9	106730	SCREW TERMINAL BLOCK 4 GANG	1
10	117610	AC BALL BEARING 27 CFM FAN	1
11	044003	#8-32 KEPS NUT	7
12	114886	1/2 CORD GRIP	1
13	022035	1/2 CORD GRIP NUT	1
14	114493P	PANEL WELDMENT	1
NS	117626	FAN CORD SUB-ASSEMBLY	1
NS	117701	NLE FRONT PANEL MANUAL WINCH SCHEMATIC	1
NS	117692	NLE DRIVER AC SIDE SCHEMATIC	1
NS	116666	MAIN HARNESS DC WINCH NLE	1

## 3.2 - Manual Winch Component Box (3 of 3)



114491\_A



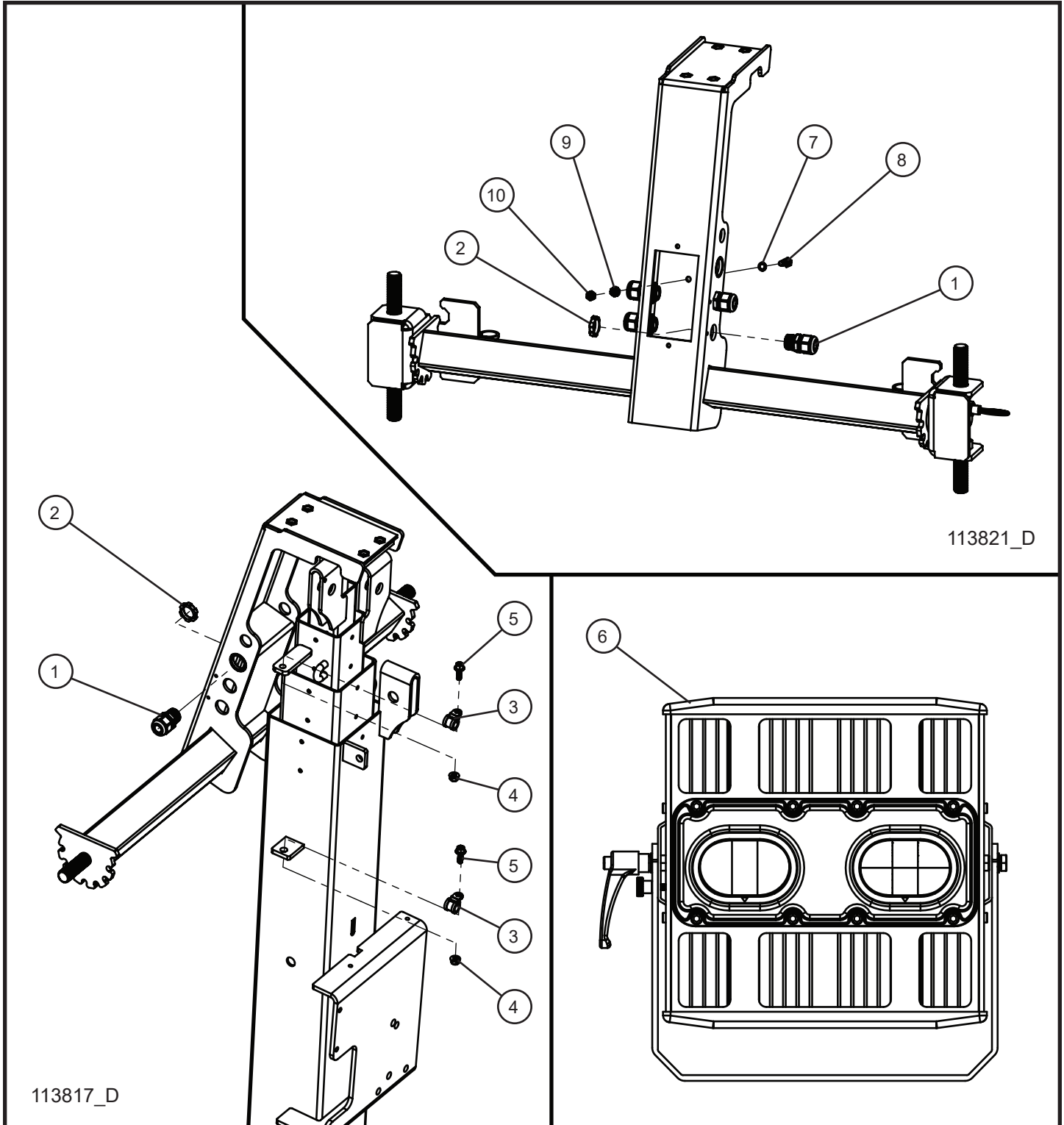
# NIGHT-LITE™ E-SERIES

SN 45-000001 and UP

## 3.2 - Manual Winch Component Box (3 of 3)

Item	Part No.	Part Description	Qty.
1	114492P	LOWER PANEL CONTROL BOX	1
2	117687P	TOP COVER CORNER SEAL WELDMENT NLE	1
3	044018	#10-24 NYLOCK HEX NUT	2
4	114496P	CONTROL BOX DOOR PANEL	1
5	114067P	USER MANUAL DOOR HOLDER	1
6	112144	CONTROL PANEL STANDARD DECAL	1
7	111482	LATCH CAM STRAIGHT	1
8	111481	WINGKNOB PADLOCKABLE	1
9	117346	WEATHERPROOF PHOTOCONTROL	1
10	041070	1/4-20 x 3/4 SLOTTED HEX WASHER HEAD MACHINE SCREW	10
11	041021	#10-24 x 1/2 PH-ROUND HEAD MACHINE SCREW	7
12	044016	#10-24 KEPS HEX NUT	11
13	047003	#10 FLAT WASHER	2
NS	117701	NLE FRONT PANEL MANUAL WINCH SCHEMATIC	1
NS	117692	NLE DRIVER AC SIDE SCHEMATIC	1
NS	116666	MAIN HARNESS DC WINCH NLE	1

## 3.3 - Rotational Light Bar Cord Grips, Tower Cord, and LED Lighting



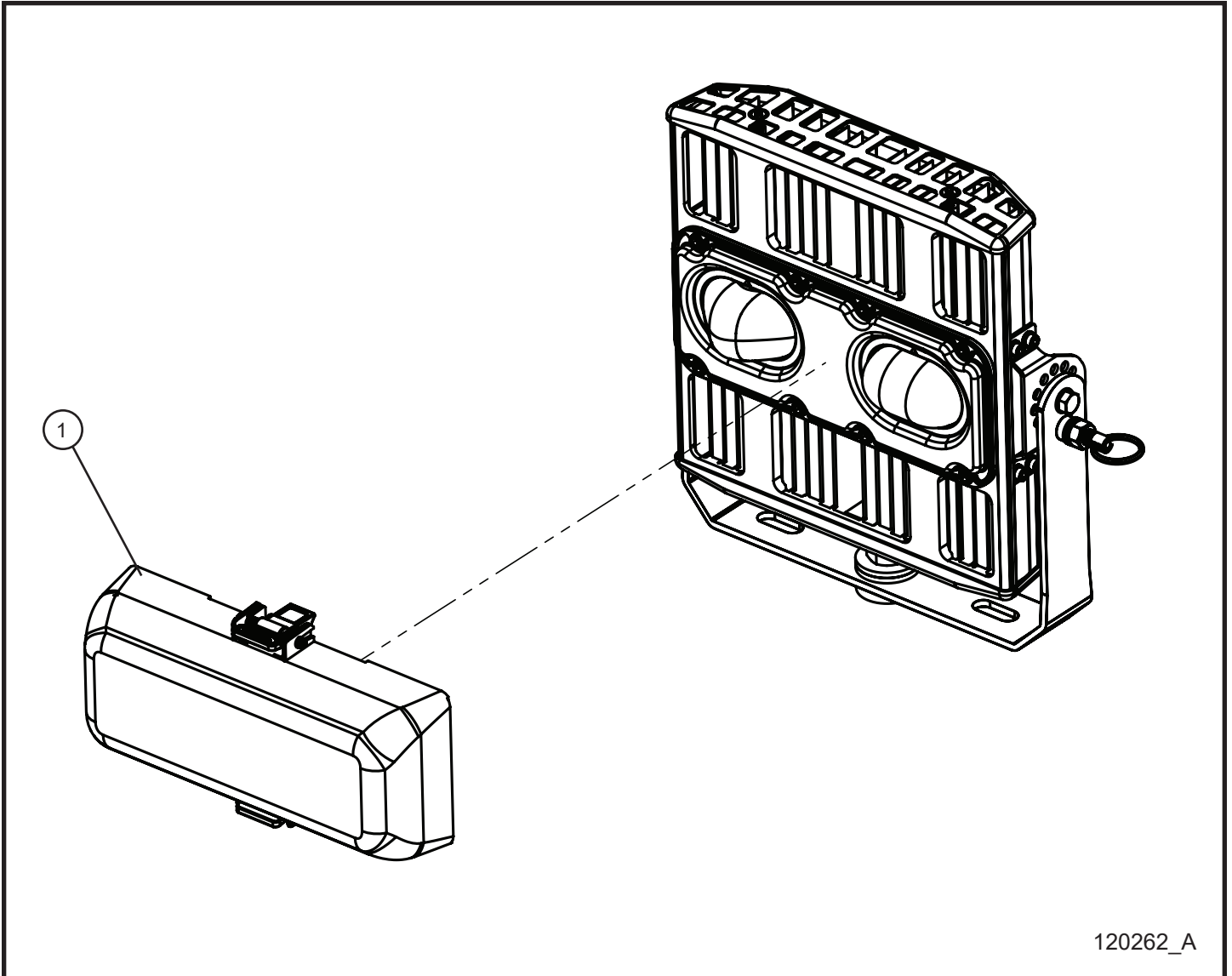
# NIGHT-LITE™ E-SERIES

SN 45-000001 and UP

## 3.3 - Rotational Light Bar Cord Grips, Tower Cord, and LED Lighting

Item	Part No.	Part Description	Qty.
1	114886	CORD GRIP 1/2" NYLON BLACK	5
2	022035	1/2 CORD GRIP NUT	5
3	022022	#8 CUSH CLAMP 1/4 HOLE	2
4	057001	1/4-20 HEX NYLOCK FLANGE NUT	2
5	056002	1/4-20 x 3/4 HEX SERRATED FLANGE SCREW	2
6	114075	CONSSIN KUEM2-320 ALLMAND LED LIGHT	4
7	043050	1/4 INTL TOOTHLOCK WASHER	1
8	046015	1/4-20 x 1 HEX HEAD CAP SCREW	1
9	044021	1/4-20 KEPS HEX NUT	1
10	044023	1/4-20 NYLOCK HEX NUT	1
NS	114104	YOKE, BRACKETS, AND HARDWARE CONSSIN KIT	1
NS	117424	TOWER CORD ASSEMBLY	1
NS	114821	SCHEMATIC LED LIGHT BAR	1

## 3.4 - Conssin KUEM2-320 320W LED Light Diffuser



# NIGHT-LITE™ E-SERIES

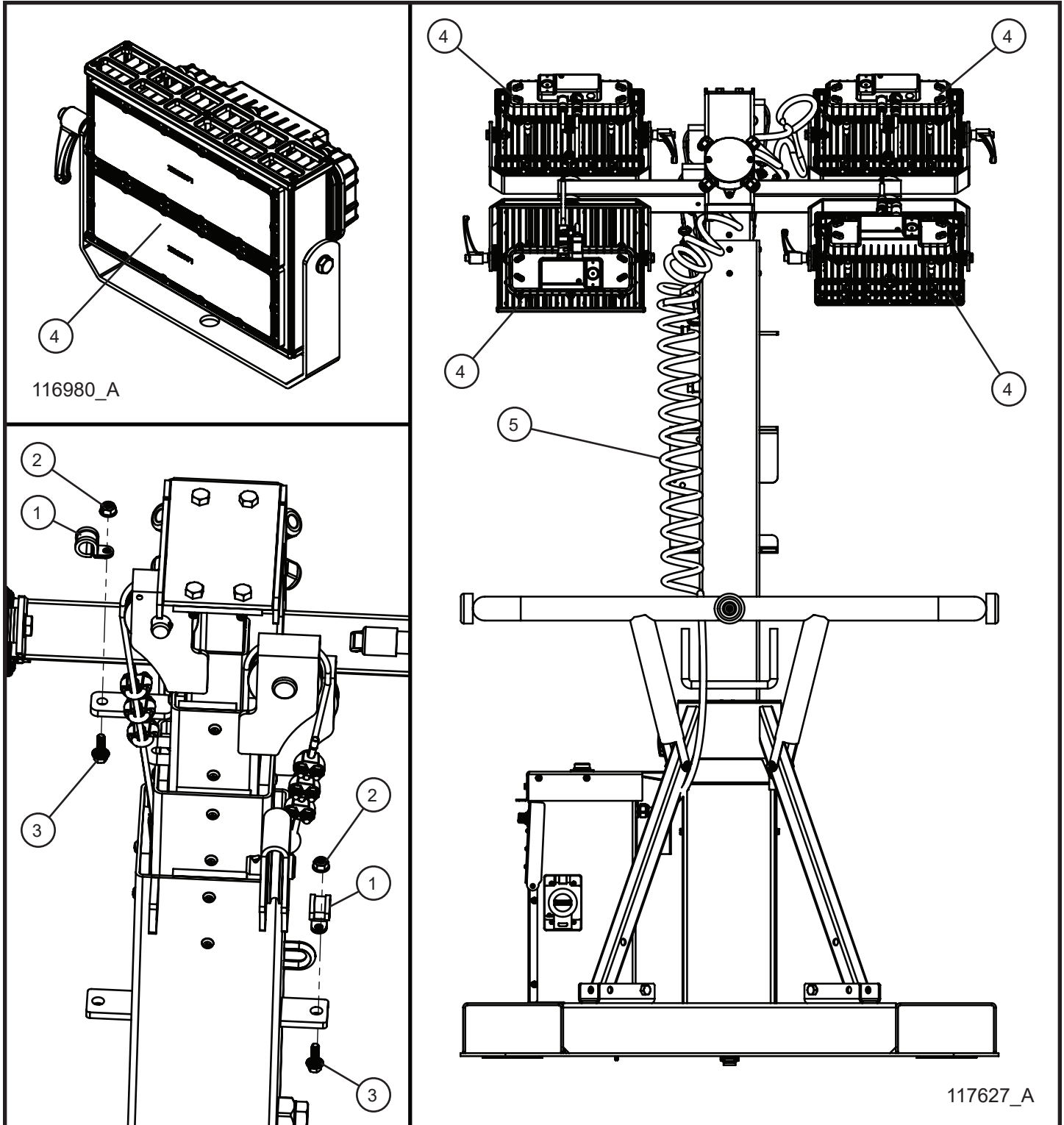
SN 45-000001 and UP

## 3.4 - Conssin KUEM2-320 320W LED Light Diffuser

Item	Part No.	Part Description	Qty.
1	118419	DIFFUSER COVER LIGHT LED COB 320W	1

\*NS - NOT SHOWN

## 3.5 - Fixed Light Bar Tower Cord and LED Lighting



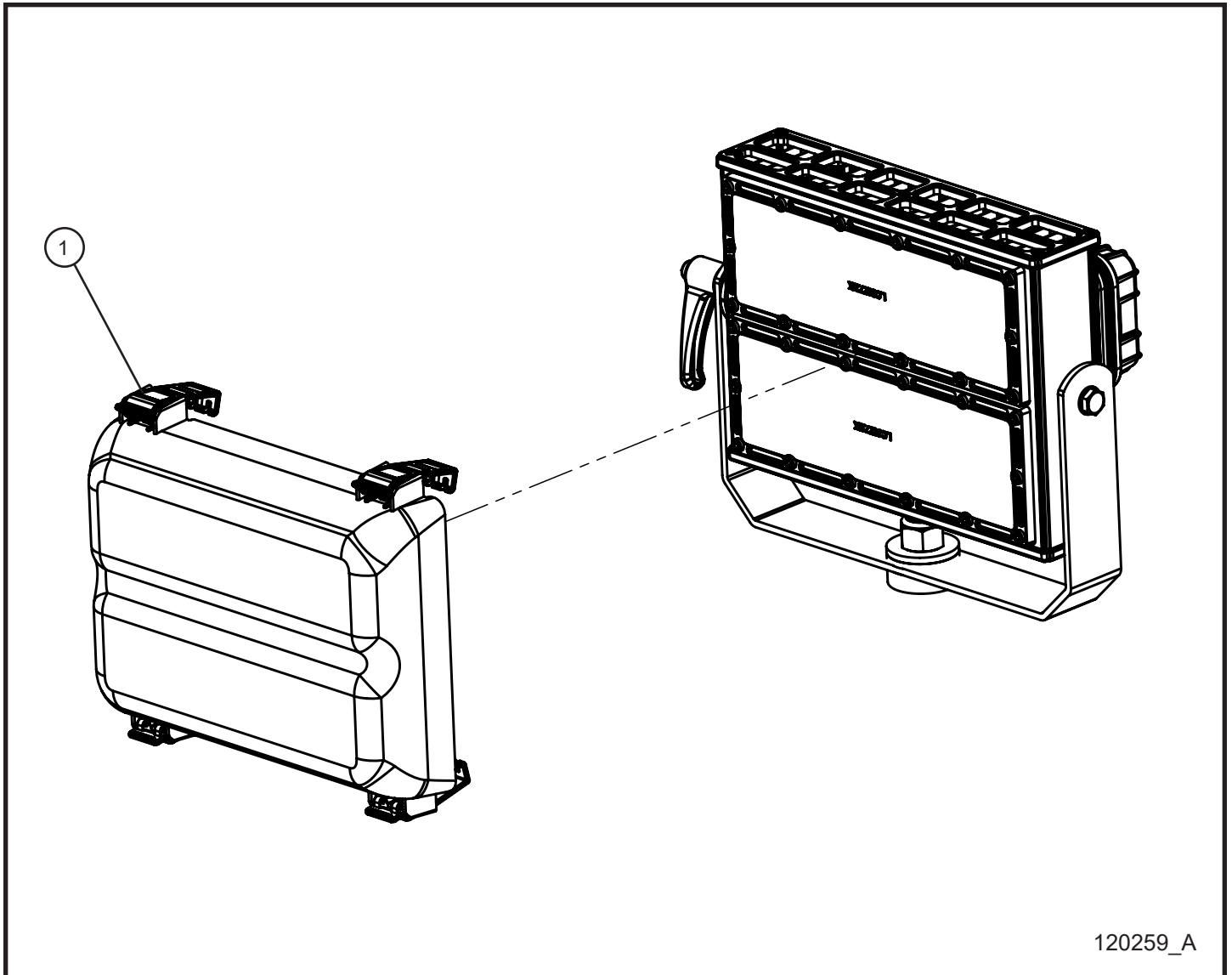
# NIGHT-LITE™ E-SERIES

SN 45-000001 and UP

## 3.5 - Fixed Light Bar Tower Cord and LED Lighting

Item	Part No.	Part Description	Qty.
1	022022	#8 CUSH CLAMP 1/4 HOLE	2
2	057001	1/4-20 HEX NYLOCK FLANGE NUT	2
3	056002	1/4-20 x 3/4 HEX SERRATED FLANGE SCREW	2
4	116980	CONSSIN SMD 250W LED LIGHT	4
5	117628	TOWER CORD ASSEMBLY NLE	1
NS	119611	SCHEMATIC LED LIGHT BAR	1

## 3.6 - 250W SMD LED Light Diffuser



120259\_A



# NIGHT-LITE™ E-SERIES

SN 45-000001 and UP

## 3.6 - 250W SMD LED Light Diffuser

Item	Part No.	Part Description	Qty.
1	118418	DIFFUSER COVER LIGHT LED SMD 250W	1

\*NS - NOT SHOWN

## 4.1 - Control Box Front and Door English Decals

112169

112153

CONTROL BOX FRONT

DOOR INTERIOR

DOOR EXTERIOR

113824\_A

# NIGHT-LITE™ E-SERIES

SN 45-000001 and UP

## 4.1 - Control Box Front and Door English Decals

Item	Part No.	Part Description	Qty.
1	113933	NLE ALLMAND DIE-CUT BASE DECAL	1
2	112153	INTERIOR NLE DOOR WARNING DECAL	1
3	112169	OPERATOR WARNING DECAL	1
4	112144	CONTROL PANEL STANDARD DECAL	1

## 4.2 - Outlet Side and Rotational Light Bar English Decals

**60Hz**

**110V**

**15A**

112158

ROTATIONAL LIGHT BAR

TOWER BASE/CONTROL BOX OUTLET SIDE

107459

**DANGER**

Entering electrical compartment while equipment is in operation will result in death or serious injury.

Shut down equipment before entering electrical compartment.

109011

**WARNING**

Standing under light tower mast and fixtures during lowering operation could result in death or serious injury.

Keep bystanders away from light tower during lowering and raising operations.

**WARNING**

Handling light fixtures when they are hot could result in death or serious injury.

Keep clear of light fixtures when illuminated or hot.

**WARNING**

Looking at illuminated light fixtures could result in serious injury.

Do not look directly at illuminated light fixtures.

112148

112154

113824\_C

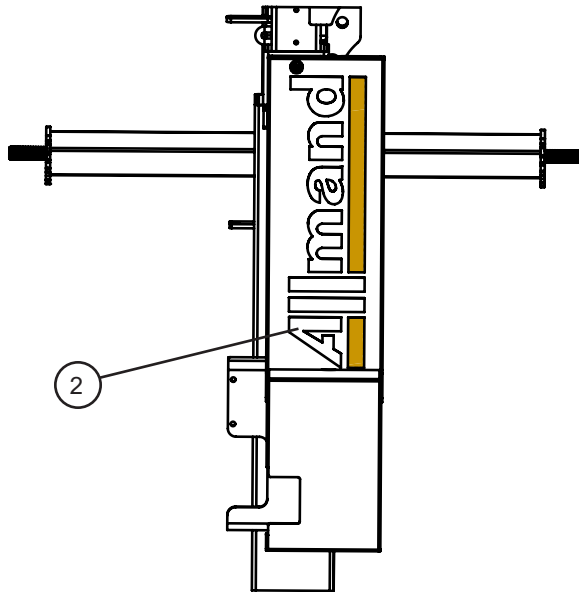
# NIGHT-LITE™ E-SERIES

SN 45-000001 and UP

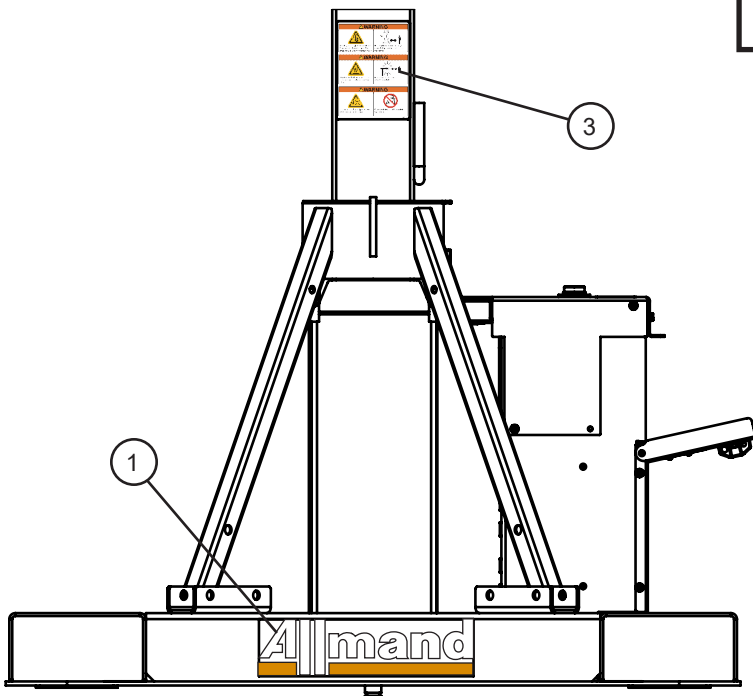
## 4.2 - Outlet Side and Rotational Light Bar English Decals

Item	Part No.	Part Description	Qty.
1	107459	TOWER ALIGNMENT DECAL	1
2	112134	ALLMAND WHITE BRANDING DECAL	1
3	112158	60Hz ELECTRICAL SPECIFICATIONS DECAL	1
4	112154	NLE OUTLET DECAL	1
5	112148	NLE 3 PANEL TOWER WARNING DECAL	1
6	109011	VERTICAL HAZARDOUS VOLTAGE DECAL	1

## 4.3 - Opposite Side and Winch Cable Cover English Decals



WINCH CABLE COVER



TOWER BASE OPPOSITE SIDE



112148

3

113824\_C

# NIGHT-LITE™ E-SERIES

SN 45-000001 and UP

## 4.3 - Opposite Side and Winch Cable Cover English Decals

Item	Part No.	Part Description	Qty.
1	112134	ALLMAND WHITE BRANDING DECAL	1
2	113932	NLE ALLMAND MAST DECAL	1
3	112148	NLE 3 PANEL TOWER WARNING DECAL	1

## 4.4 - Top View English Decals

112171

107254

TOWER BASE TOP VIEW

113824\_C



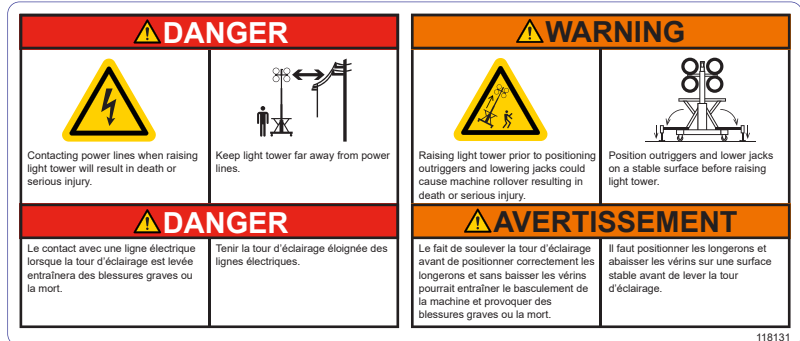
# NIGHT-LITE™ E-SERIES

SN 45-000001 and UP

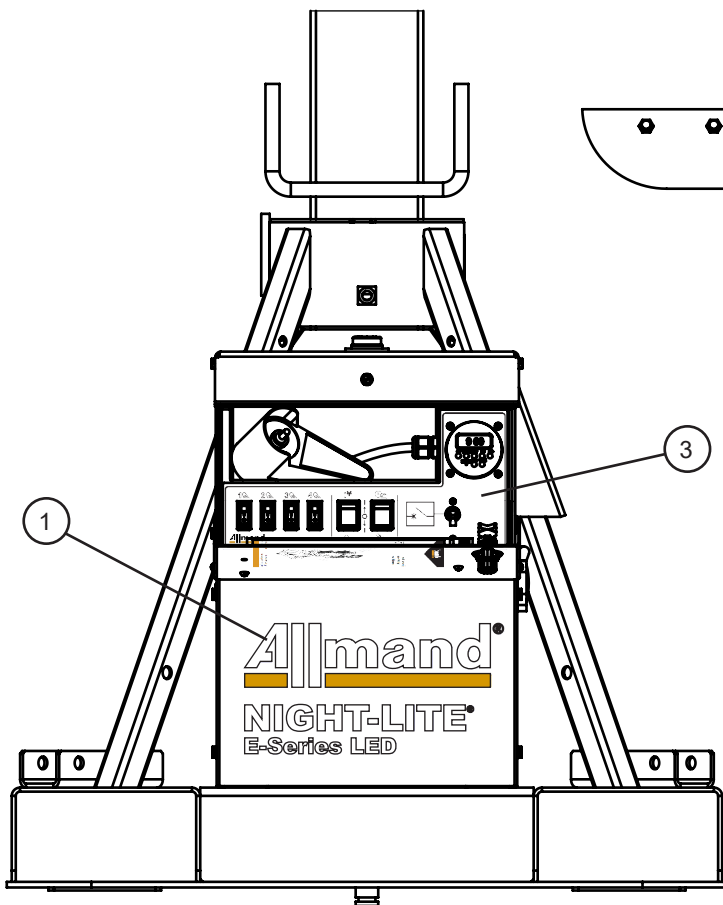
## 4.4 - Top View English Decals

Item	Part No.	Part Description	Qty.
1	113933	NLE ALLMAND DIE-CUT BASE DECAL	1
2	107254	FORKLIFT DECAL	4
3	112171	WORDLESS NLE SETUP INSTRUCTIONS DECAL	1

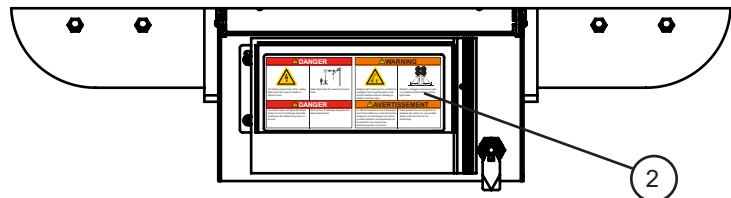
## 4.5 - Control Box Front and Door Bilingual Decals



2



CONTROL BOX FRONT



DOOR INTERIOR  
ELECTRIC WINCH DECAL

2

117663\_A

# NIGHT-LITE™ E-SERIES

SN 45-000001 and UP

## 4.5 - Control Box Front and Door Bilingual Decals

Item	Part No.	Part Description	Qty.
1	113933	NLE ALLMAND DIE-CUT BASE DECAL	1
2	118131	ELECTRIC WINCH NLE WARNING BILINGUAL DECAL	1
3	112144	CONTROL PANEL STANDARD DECAL	1

## 4.6 - Outlet Side and Fixed Light Bar Bilingual Decals

**3** ELECTRIC WINCH


60Hz  
110V  
15A  
112158

**3** MANUAL WINCH

60Hz  
120V  
8.5A  
118134

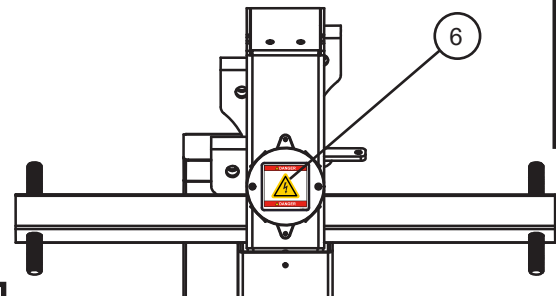
**6**

**DANGER**



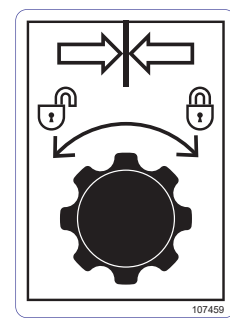
**DANGER**

118074



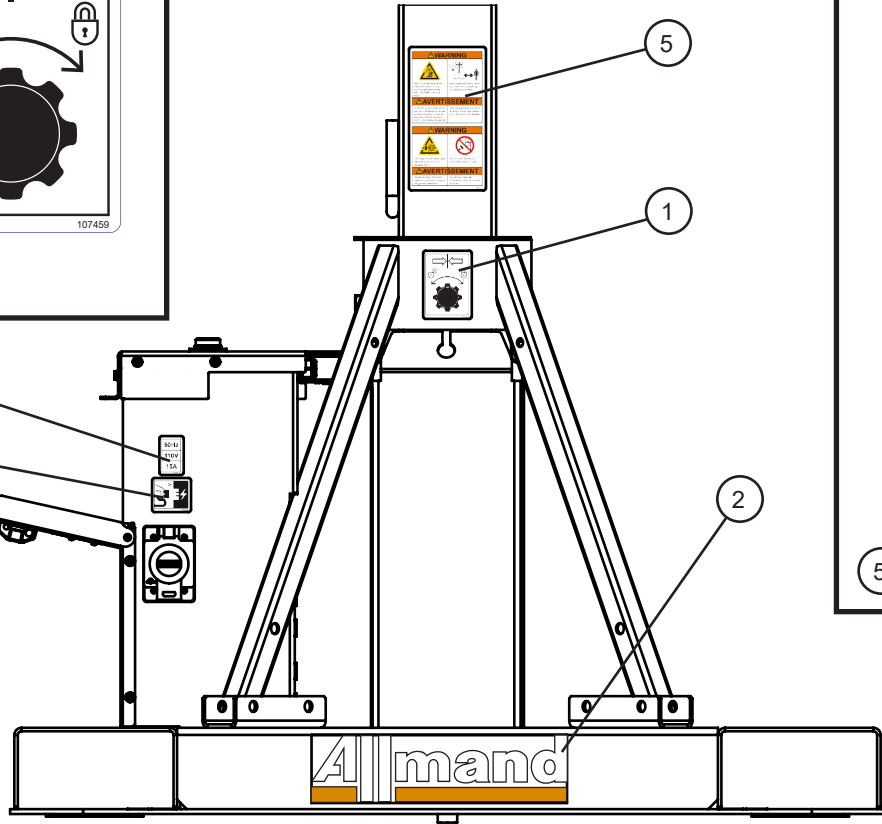
ROTATIONAL LIGHT BAR

**1**



107459


**5**



113824\_C

**5**

**WARNING**




Standing under light tower mast and fixtures during lowering operation could result in death or serious injury.

**AVERTISSEMENT**

Le fait de se tenir debout sous une tour d'éclairage et de ses accessoires alors qu'elle est abaissée pourrait causer la mort ou des blessures graves.

Tenir les spectateurs à l'écart de la tour d'éclairage pendant qu'on la souève ou l'abaisse.

**WARNING**



Looking at illuminated light fixtures could result in serious injury.

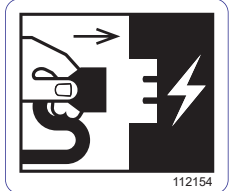
**AVERTISSEMENT**

Regarder des luminaires allumés pourrait provoquer de graves blessures.

Ne jamais regarder directement des luminaires allumés.

11392/6

**4**



112154

TOWER BASE/CONTROL BOX OUTLET SIDE

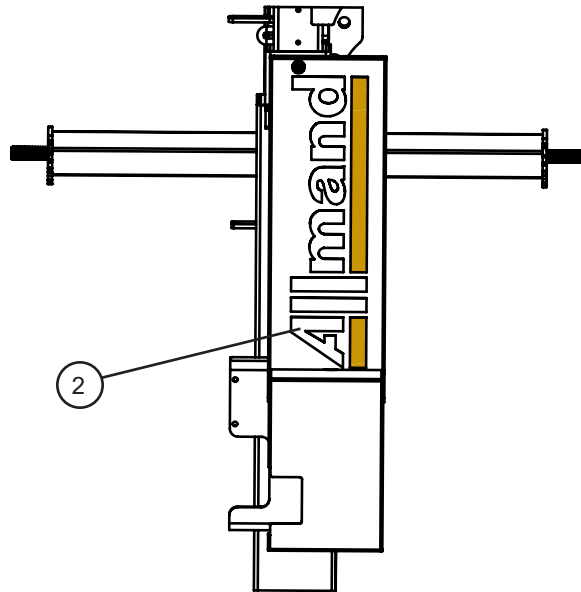
# NIGHT-LITE™ E-SERIES

SN 45-000001 and UP

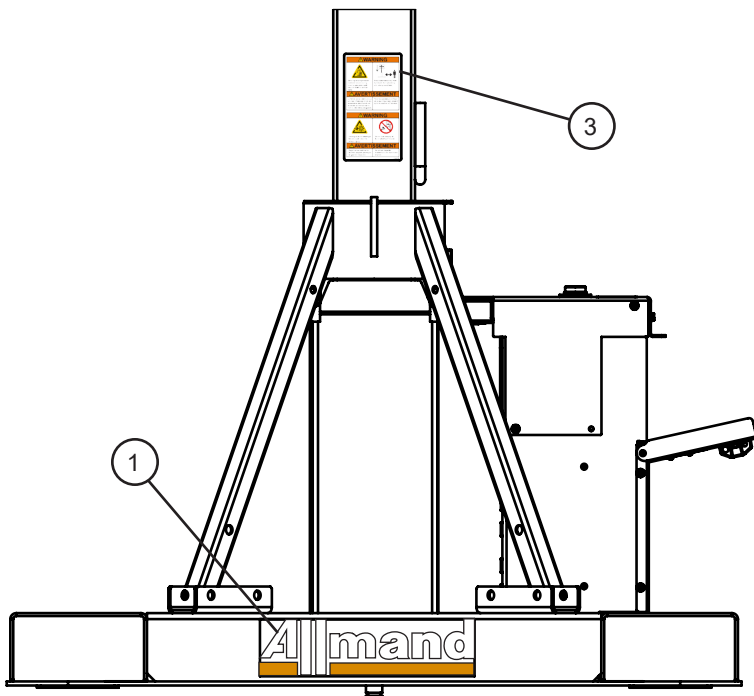
## 4.6 - Outlet Side and Fixed Light Bar Bilingual Decals

Item	Part No.	Part Description	Qty.
1	107459	TOWER ALIGNMENT DECAL	1
2	112134	ALLMAND WHITE BRANDING DECAL	1
3	112158	60Hz ELECTRICAL SPECIFICATIONS DECAL (ELECTRIC WINCH)	1
	118134	60Hz ELECTRICAL SPECIFICATIONS DECAL (MANUAL WINCH)	1
4	112154	NLE OUTLET DECAL	1
5	118076	NLE 2 PANEL TOWER BILINGUAL WARNING DECAL	1
6	118074	HAZARDOUS VOLTAGE BILINGUAL DANGER DECAL	1

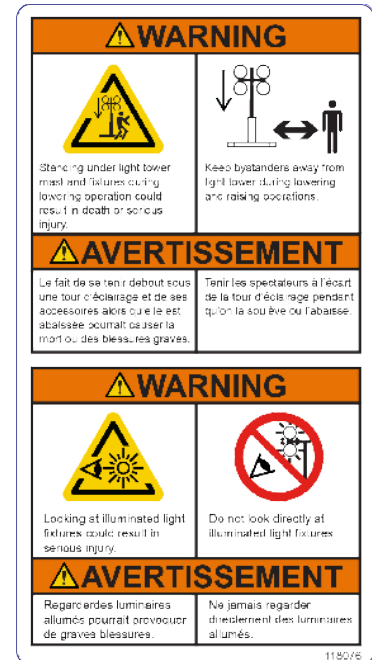
## 4.7 - Opposite Side and Winch Cable Cover Bilingual Decals



WINCH CABLE COVER



TOWER BASE OPPOSITE SIDE



3

113824\_C

# NIGHT-LITE™ E-SERIES

SN 45-000001 and UP

## 4.7 - Opposite Side and Winch Cable Cover Bilingual Decals

Item	Part No.	Part Description	Qty.
1	112134	ALLMAND WHITE BRANDING DECAL	1
2	113932	NLE ALLMAND MAST DECAL	1
3	118076	NLE 2 PANEL TOWER BILINGUAL WARNING DECAL	1

## 4.8 - Top View Bilingual Decals

112171

107254

②

**⚠ WARNING**

Cancer and Reproductive Harm  
www.P65warnings.ca.gov

**⚠ AVERTISSEMENT**

Cancer et Troubles de l'Appareil  
Reproducteur  
www.P65warnings.ca.gov

118161

③

113824\_C

TOWER BASE  
TOP VIEW

②

<p><b>⚠ DANGER</b></p> <p>Entering electrical compartment while equipment is in operation will result in death or serious injury.</p> <p>Unplug equipment before entering electrical compartment.</p>	
<p><b>⚠ DANGER</b></p> <p>Le fait d'entrer dans le compartiment électrique tandis que l'équipement est utilisé causera la mort ou des blessures graves.</p> <p>Débrancher l'équipement avant d'entrer dans le compartiment électrique.</p>	

**⚠ WARNING**

	<p>Failure to follow warnings, instructions, and operator's manual could result in death or serious injury.</p>	
--	---	--

Open door on control box to locate operator's manual. Read and follow operator's manual before operating or servicing this equipment or serious injury.

**⚠ AVERTISSEMENT**

	<p>L'omission de respecter les avertissements, les instructions et le manuel de l'utilisateur peut entraîner des blessures graves ou la mort.</p>	
--	---	--

Ouvrir la porte sur la boîte de commande pour trouver le manuel de l'utilisateur. Lire et suivre le manuel d'utilisation avant de faire fonctionner cet équipement ou d'en faire l'entretien.

118077

③

④

⑤



# NIGHT-LITE™ E-SERIES

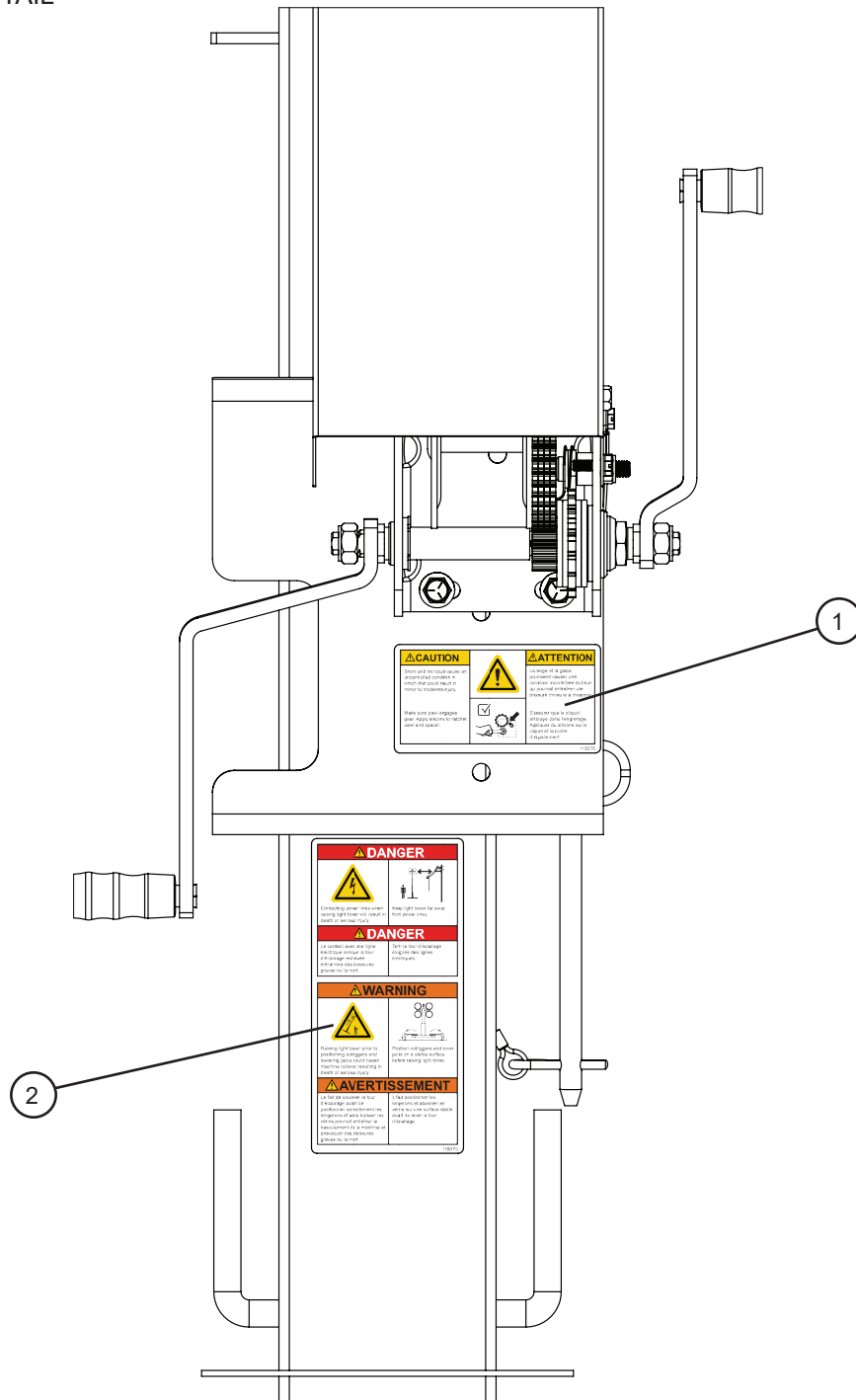
SN 45-000001 and UP

## 4.8 - Top View Bilingual Decals

Item	Part No.	Part Description	Qty.
1	113933	NLE ALLMAND DIE-CUT BASE DECAL	1
2	107254	FORKLIFT DECAL	4
3	118161	CALIFORNIA PROP 65 BASIC BILINGUAL WARNING DECAL	1
4	118077	OWNERS MANUAL BILINGUAL WARNING DECAL	1
5	112171	WORDLESS NLE SETUP INSTRUCTIONS DECAL	1

## 4.9 - Manual Winch Bilingual Decals

MANUAL WINCH DETAIL



117624\_C

# NIGHT-LITE™ E-SERIES

SN 45-000001 and UP

## 4.9 - Manual Winch Bilingual Decals

Item	Part No.	Part Description	Qty.
1	118078	BILINGUAL ICY WINCH CAUTION DECAL	1
2	118075	BILINGUAL MANUAL WINCH WARNING DECAL	1

# NIGHT-LITE™ E-SERIES



1502 West 4th Avenue  
Holdrege, NE 68949

phone: (308) 995-4495 • toll free: (800) 562-1373

fax: (308) 995-5887

[www.allmand.com](http://www.allmand.com)