



**(en) Parts Manual**  
**NIGHT-LITE™ GR-Series Liquid-Cooled 6kW**

## TABLE OF CONTENTS

### 1.0 TRAILER BASE PARTS

Axle and Wheels .....	(1.1)
Fenders .....	(1.2)
Tongue .....	(1.3)
Tongue Coupler Options .....	(1.4)
Outriggers .....	(1.5)
Enclosure Side Panels .....	(1.6)
Enclosure Roof Panels I (Formed Door) .....	(1.7)
Enclosure Roof Panels II (Stamped Door) .....	(1.8)
Enclosure Door I (Formed Door) .....	(1.9)
Enclosure Door II (Stamped Door) .....	(1.10)
Lift Bow .....	(1.11)
Manual Canister .....	(1.12)

### 2.0 TOWER GROUP

Tower Pedestal .....	(2.1)
Manual Winch Tower Section 1 .....	(2.2)
Electric Winch Tower Section 1 .....	(2.3)
Tower Section 2 .....	(2.4)
Tower Section 3 .....	(2.5)
Tower Round Section and Light Bar .....	(2.6)

### 3.0 ELECTRICAL AND LIGHTING GROUP

Control Box Interior and E-Stop Group .....	(3.1)
Control Box Deep Sea Controller and Light Switches I .....	(3.2)
Control Box Deep Sea Controller and Light Switches II .....	(3.3)
Control Box Main Breaker and GFCI Group .....	(3.4)
Electric Winch Tower Switch and Breaker I .....	(3.5)
Electric Winch Tower Switch and Breaker II .....	(3.6)
Teledyne Tower Cord .....	(3.7)
Philatron Tower Cord .....	(3.8)

# NIGHT-LITE™ GR-SERIES

## TABLE OF CONTENTS

### 3.0 ELECTRICAL AND LIGHTING GROUP

350W LED Lighting .....	(3.9)
350W LED Light Diffuser .....	(3.10)
250W LED Lighting .....	(3.11)
250W LED Light Diffuser .....	(3.12)
Trailer Lighting .....	(3.13)

### 4.0 ENGINE AND GENERATOR GROUP

Coolant Reservoir Tank .....	(4.1)
Fuel Tank .....	(4.2)
Battery Group .....	(4.3)
Engine and Generator Mounting .....	(4.4)
Marathon 6kW 60Hz 201 Series Generator .....	(4.5)
10/4 Generator Cord .....	(4.6)

### 5.0 KUBOTA ENGINE GROUP

Kubota D1005 Diesel Engine .....	(5.1)
Kubota D1005 Remote Oil Drain .....	(5.2)

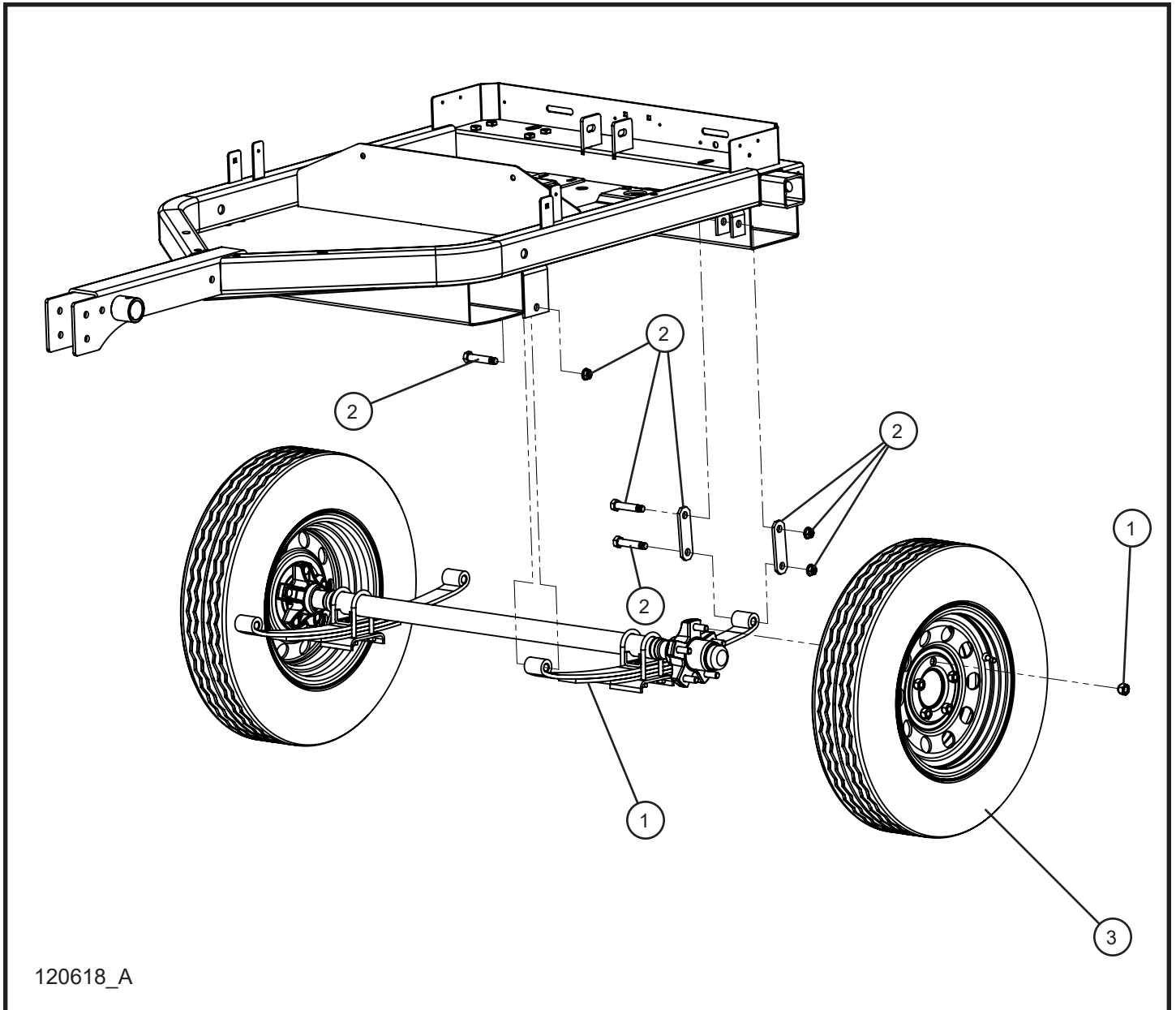
### 6.0 CAT ENGINE GROUP

CAT C1.1 Diesel Engine .....	(6.1)
CAT C1.1 Remote Oil Drain .....	(6.2)

### 7.0 DECALS

Right Side Decals .....	(7.1)
Left Side Decals .....	(7.2)
Front Side Decals .....	(7.3)
Rear Side Decals .....	(7.4)
Top View Decals .....	(7.5)
Door Interior Decal .....	(7.6)

## 1.1 - Axle and Wheels



120618\_A

# NIGHT-LITE™ GR-SERIES

SN 47-000001 and UP

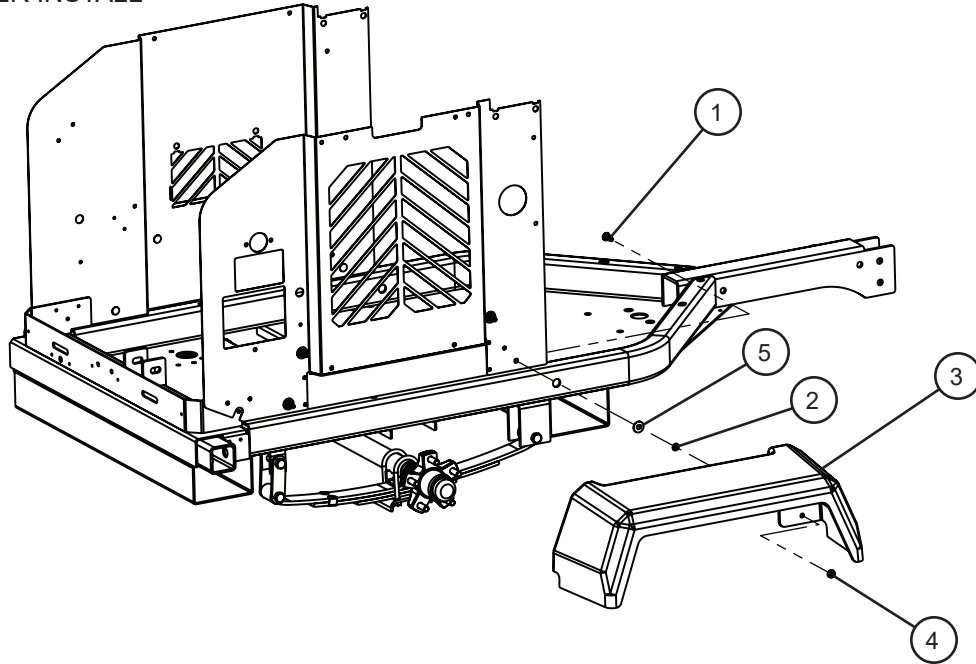
## 1.1 - Axle and Wheels

Item	Part No.	Part Description	Qty.
1	114113	NIGHT-LITE PRO II & GR-SERIES LIQUID-COOLED AXLE	1
2	117120	SINGLE AXLE SUSPENSION KIT	1
3	112801	13" RADIAL WHEEL/TIRE ASSEMBLY	2

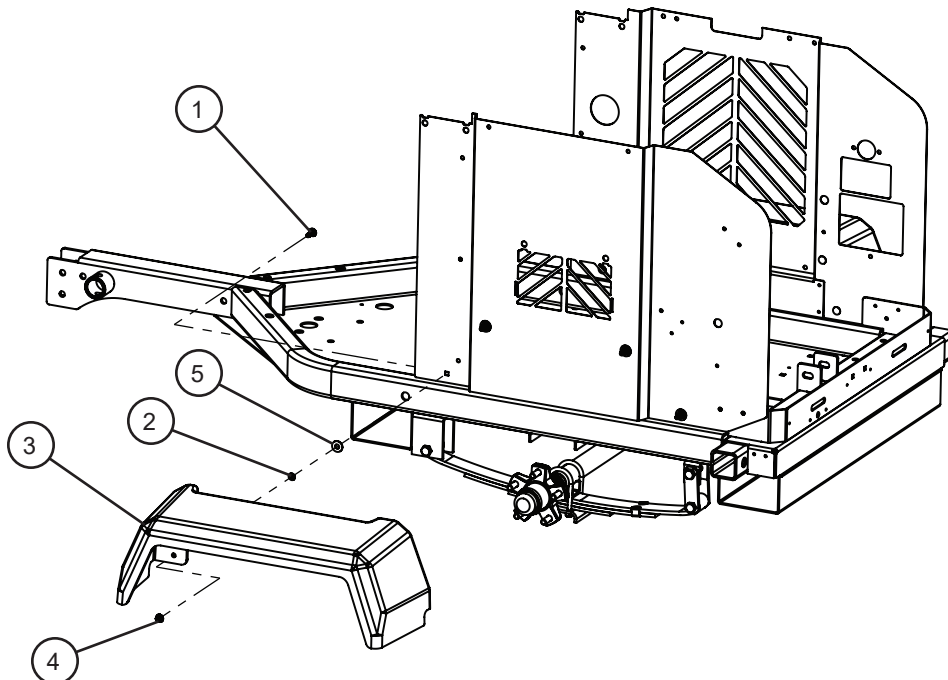
\*NS - NOT SHOWN

## 1.2 - Fenders

RIGHT FENDER INSTALL



LEFT FENDER INSTALL



120730\_A

# NIGHT-LITE™ GR-SERIES

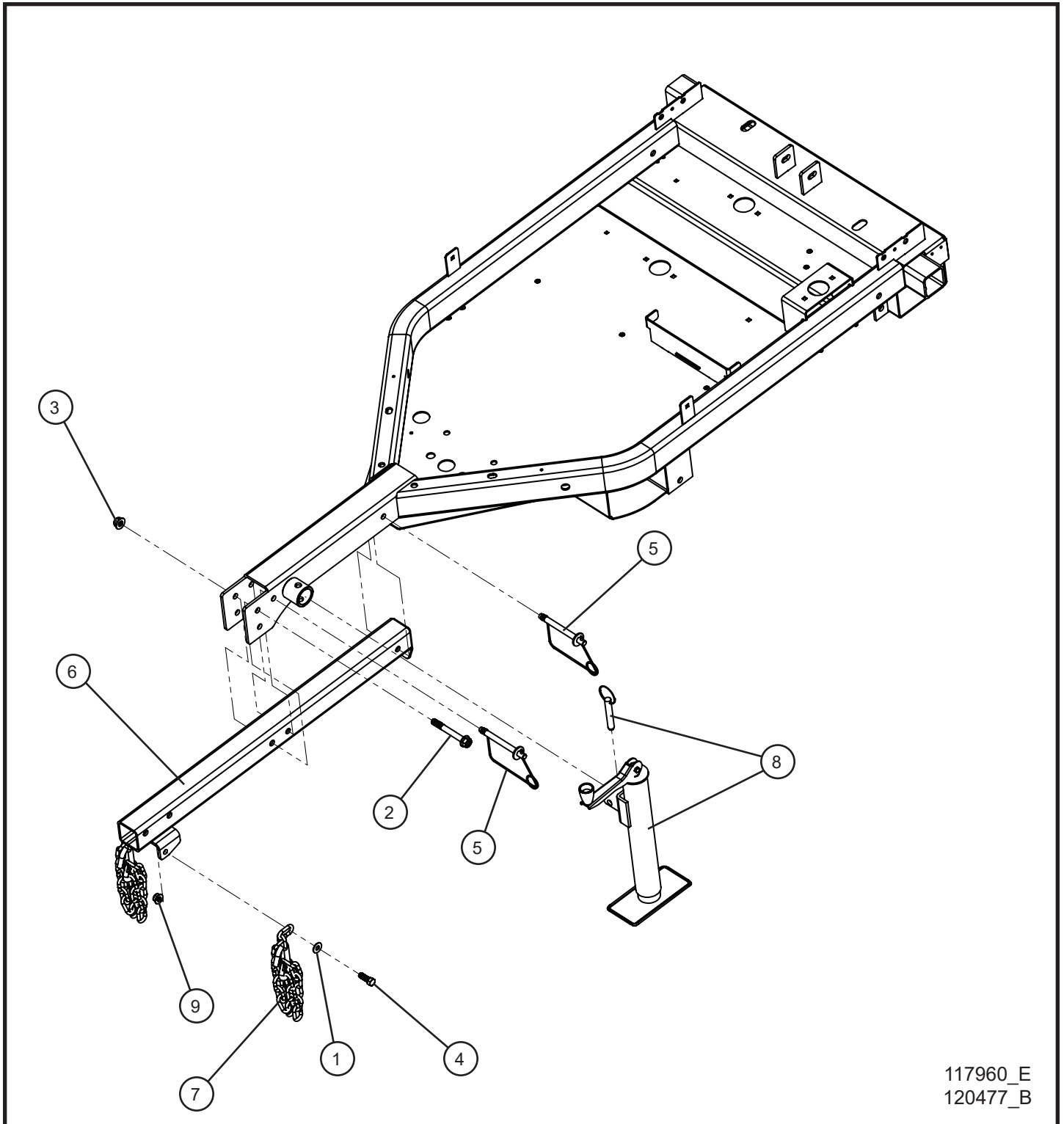
SN 47-000001 and UP

## 1.2 - Fenders

Item	Part No.	Part Description	Qty.
1	053020	5/16-18 x 1 CARRIAGE BOLT	8
2	045217	5/16 PUSH NUT	8
3	118386	FENDER 13 INCH NLGR LC 6kW	2
4	057006	5/16-18 SERRATED FLANGE NUT	8
5	047015	3/8 FLAT WASHER	8

\*NS - NOT SHOWN

## 1.3 - Tongue



117960\_E  
120477\_B



# NIGHT-LITE™ GR-SERIES

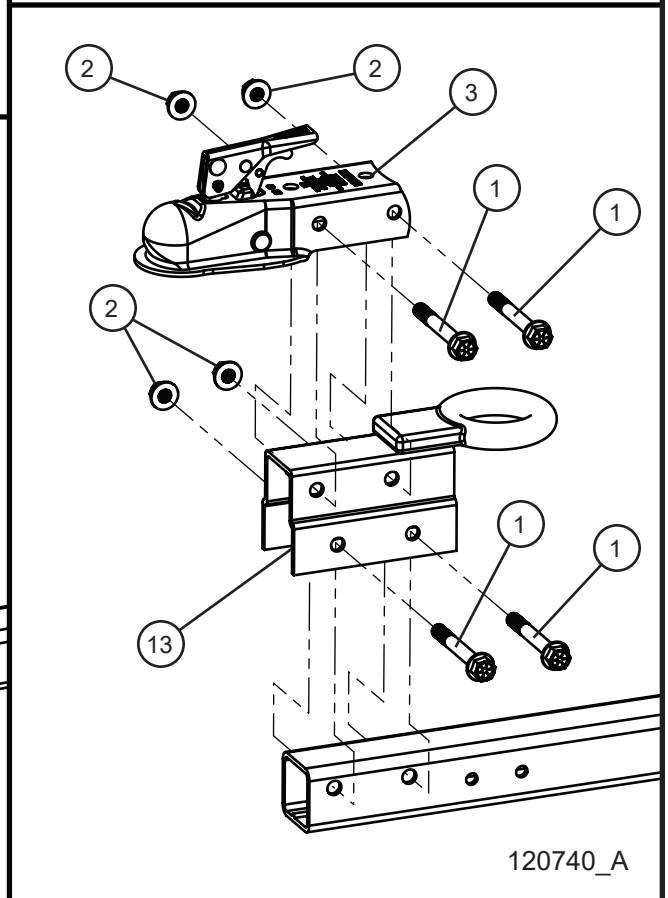
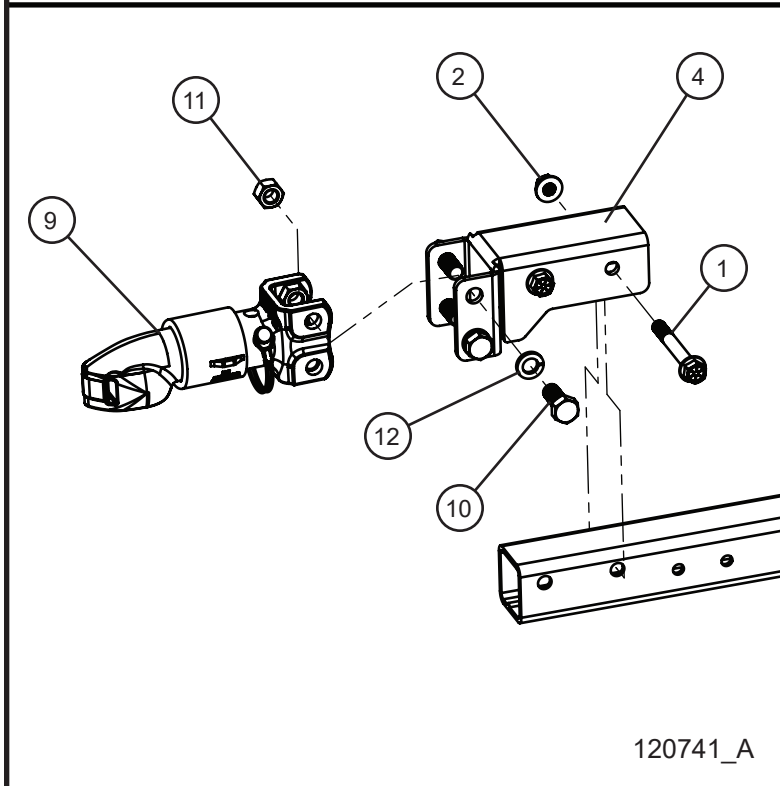
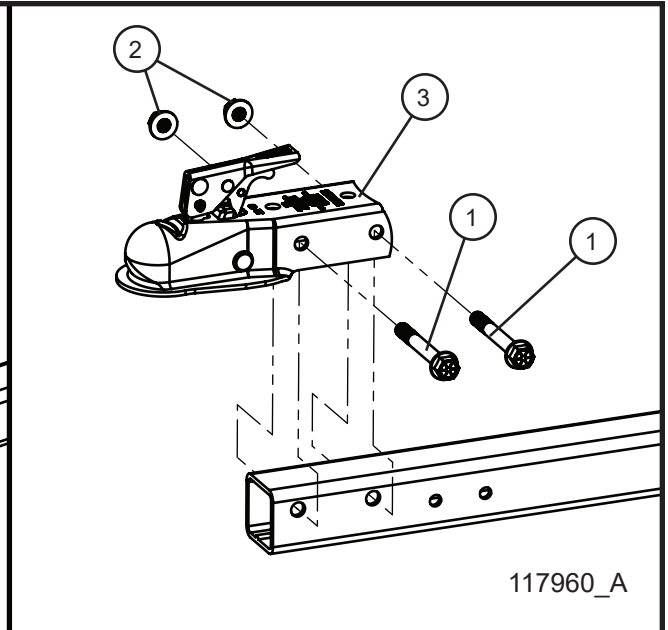
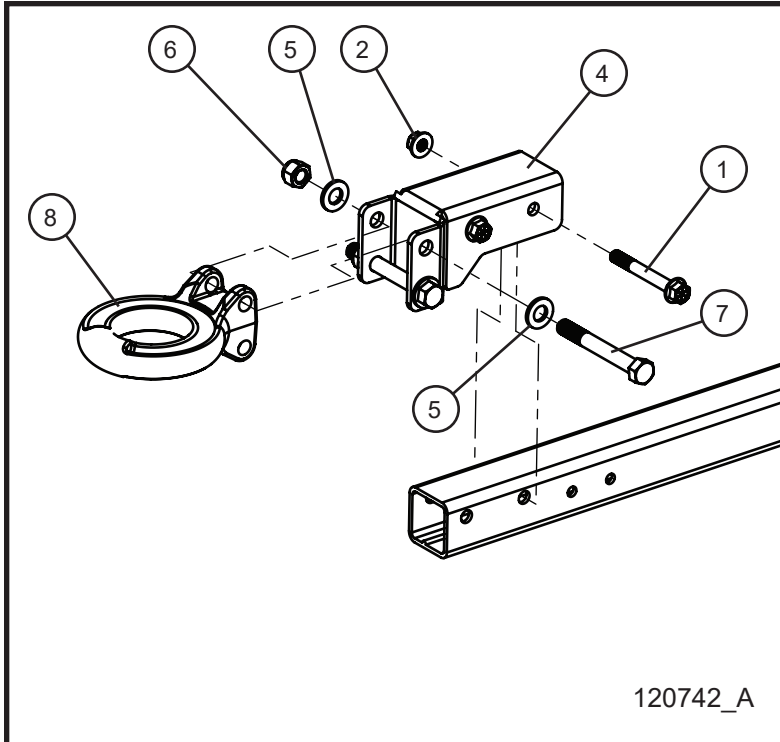
SN 47-000001 and UP

## 1.3 - Tongue

Item	Part No.	Part Description	Qty.
1	047015	3/8 FLAT WASHER	2
2	056025	1/2-13 x 4 HEX FLANGE SCREW	1
3	057009	1/2-13 NYLOCK FLANGE NUT	1
4	046159	7/16-14 X 1 1/4 HEX HEAD	2
5	116374	1/2 x 4 SNAP LOCK PIN W/ WIRE COIL & 1 1/4 WASHER	2
6	117553P	TONGUE WELDMENT NL GR-SERIES	1
7	049040	27 IN. CLASS III TOW CHAIN (STANDARD)	2
	049038	36 IN. CLASS IV TOW CHAIN (BULLDOG & LUNETTE OPTIONS)	2
8	108726	TOP CRANK TUBE JACK	1
9	057011	7/16-14 HEX NYLOCK FLANGE NUT	2

\*NS - NOT SHOWN

## 1.4 - Tongue Coupler Options



# NIGHT-LITE™ GR-SERIES

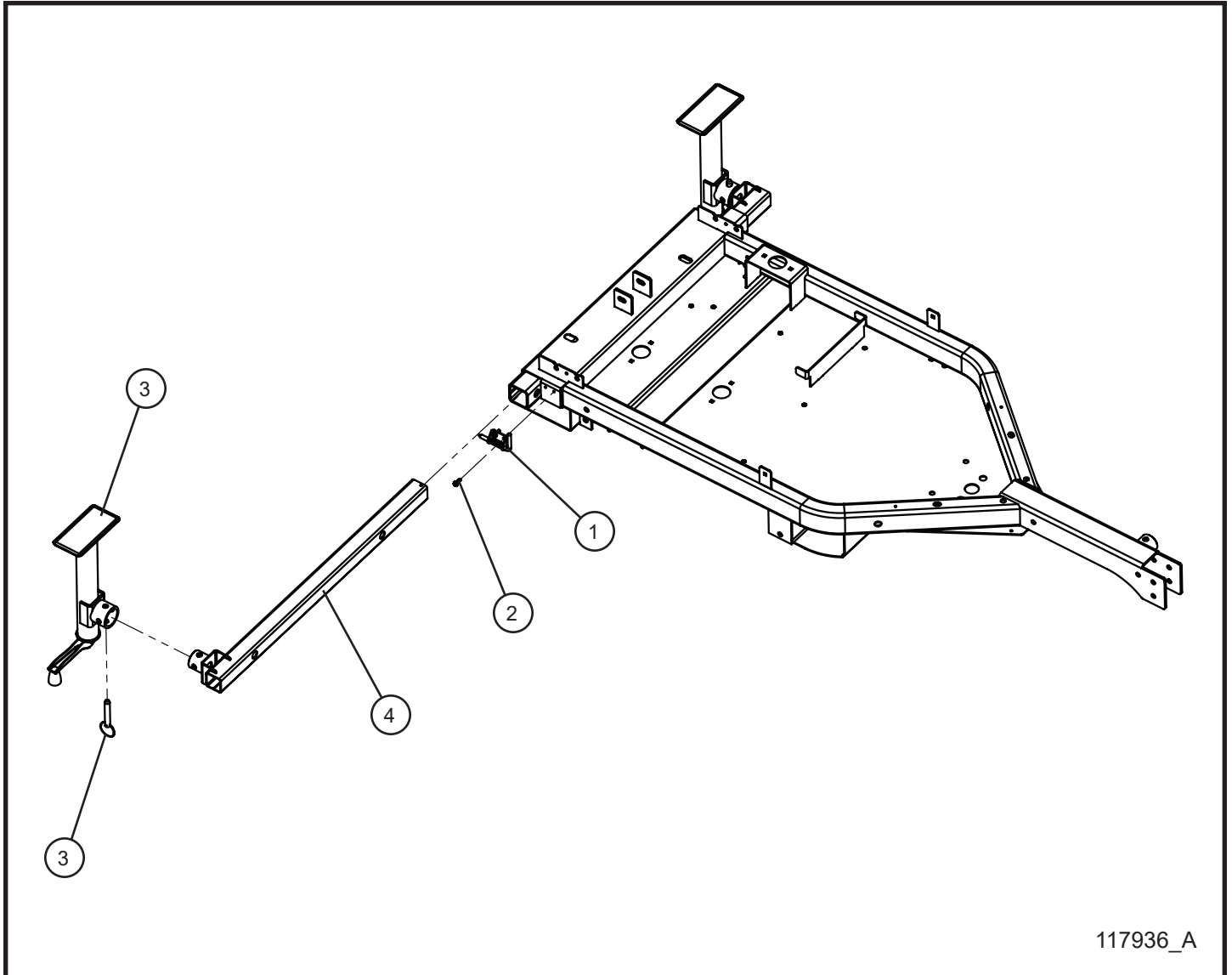
SN 47-000001 and UP

## 1.4 - Tongue Coupler Options

Item	Part No.	Part Description	Qty.
1	056025	1/2-13 x 4 HEX FLANGE SCREW	3
2	057009	1/2-13 NYLOCK FLANGE NUT	3
3	116989	2 INCH BALL COUPLER CLASS II 3500LBS 2.5 INCH TONGUE	1
4	118666	COUPLER MOUNT UNIVERSAL 2.5 INCH TONGUE	1
5	047031	5/8 FLAT WASHER	4
6	044053	5/8-11 NYLOCK HEX NUT	2
7	046255	5/8-11 x 5 HEX HEAD	2
8	106720	PINTLE RING 3.0 ADJUSTABLE	1
9	109978	COUPLER 2.00 BALL BULLDOG 7000 LBS ADJUSTABLE	1
10	046245	5/8-11 x 1 1/2 BOLT	4
11	044050	5/8-11 HEX NUT	4
12	043101	5/8 SPLIT LOCK WASHER	4
13	118667	REVERSIBLE COUPLER MOUNT 2-1/2" TONGUE W/ 2-1/2" RING	1

\*NS - NOT SHOWN

## 1.5 - Outriggers



117936\_A

# NIGHT-LITE™ GR-SERIES

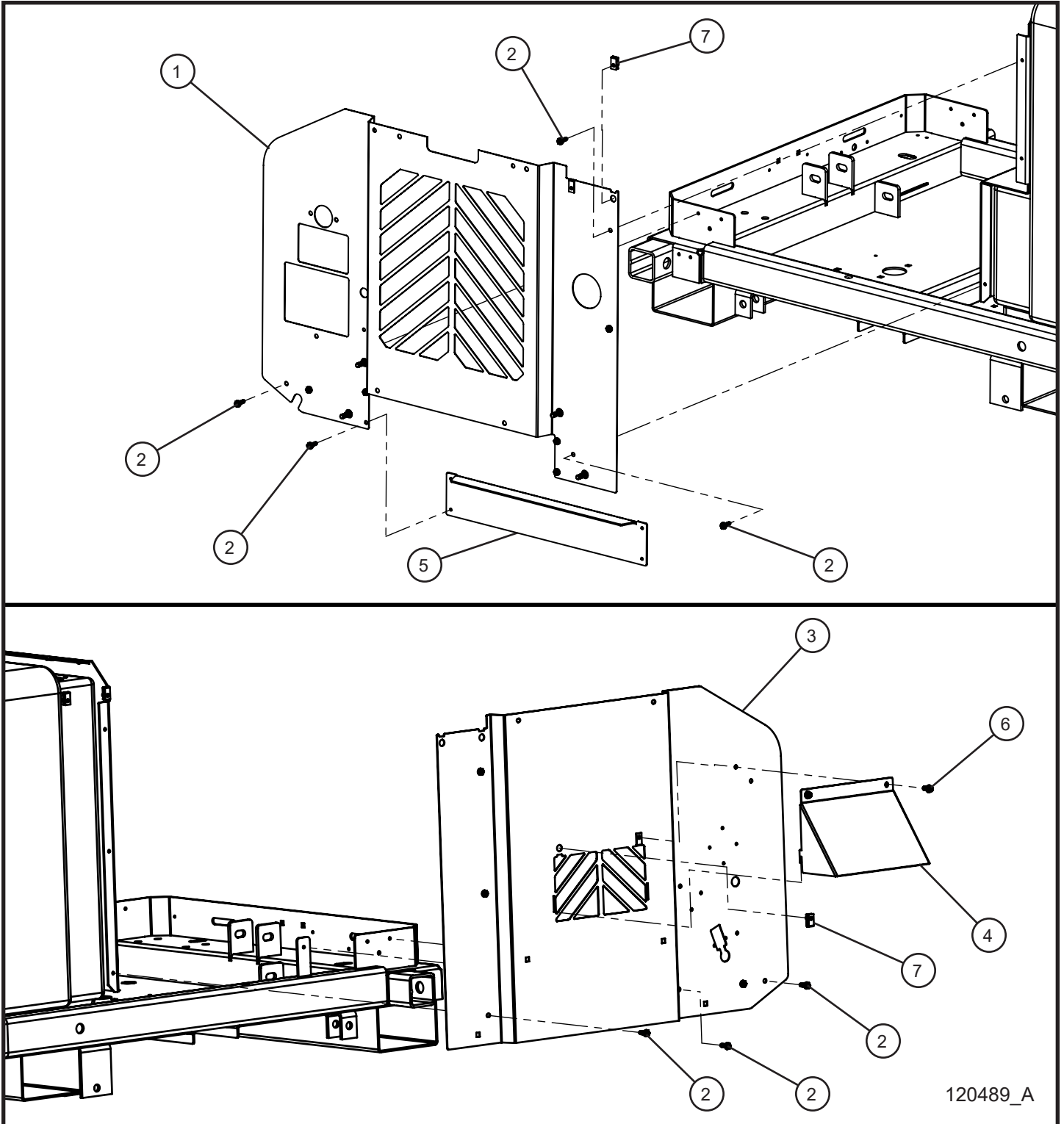
SN 47-000001 and UP

## 1.5 - Outriggers

Item	Part No.	Part Description	Qty.
1	650723	RETENSION PIN	2
2	041070	1/4-20 x 3/4 SLOTTED HEX WASHER HEAD	4
3	108726	TOP CRANK TUBE JACK	2
4	117748P	OUTRIGGER WELDMENT ROAD SIDE NL GR-SERIES	2

\*NS - NOT SHOWN

## 1.6 - Enclosure Side Panels



120489\_A

# NIGHT-LITE™ GR-SERIES

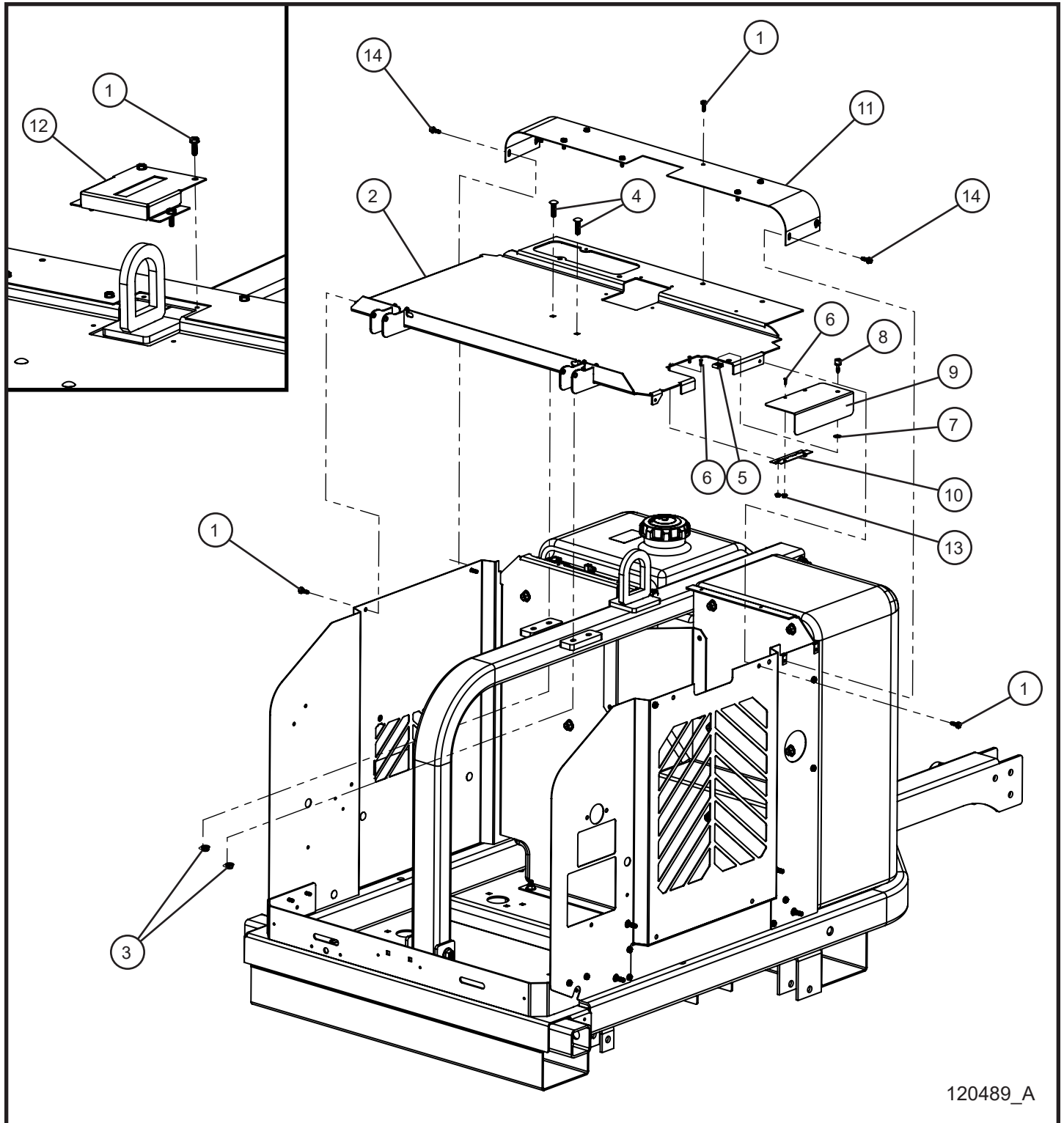
SN 47-000001 and UP

## 1.6 - Enclosure Side Panels

Item	Part No.	Part Description	Qty.
1	120461P	PANEL CURBSIDE NLGR LC 6kW	1
2	041070	1/4-20 x 3/4 SLOTTED HEX WASHER HEAD	28
3	120462P	PANEL ROADSIDE NLGR LC 6kW	1
4	120438P	COVER AIR INTAKE NLGR LC	1
5	120466P	CURBSIDE INNER FENDER NLGR LC 6kW	1
6	056040	1/4-20 X 5/8 HEX FLANGE SCREW	2
7	044106	NUT U EXTRUDED 1/4-20	6

\*NS - NOT SHOWN

## 1.7 - Enclosure Roof Panels I (Formed Door)



120489\_A



# NIGHT-LITE™ GR-SERIES

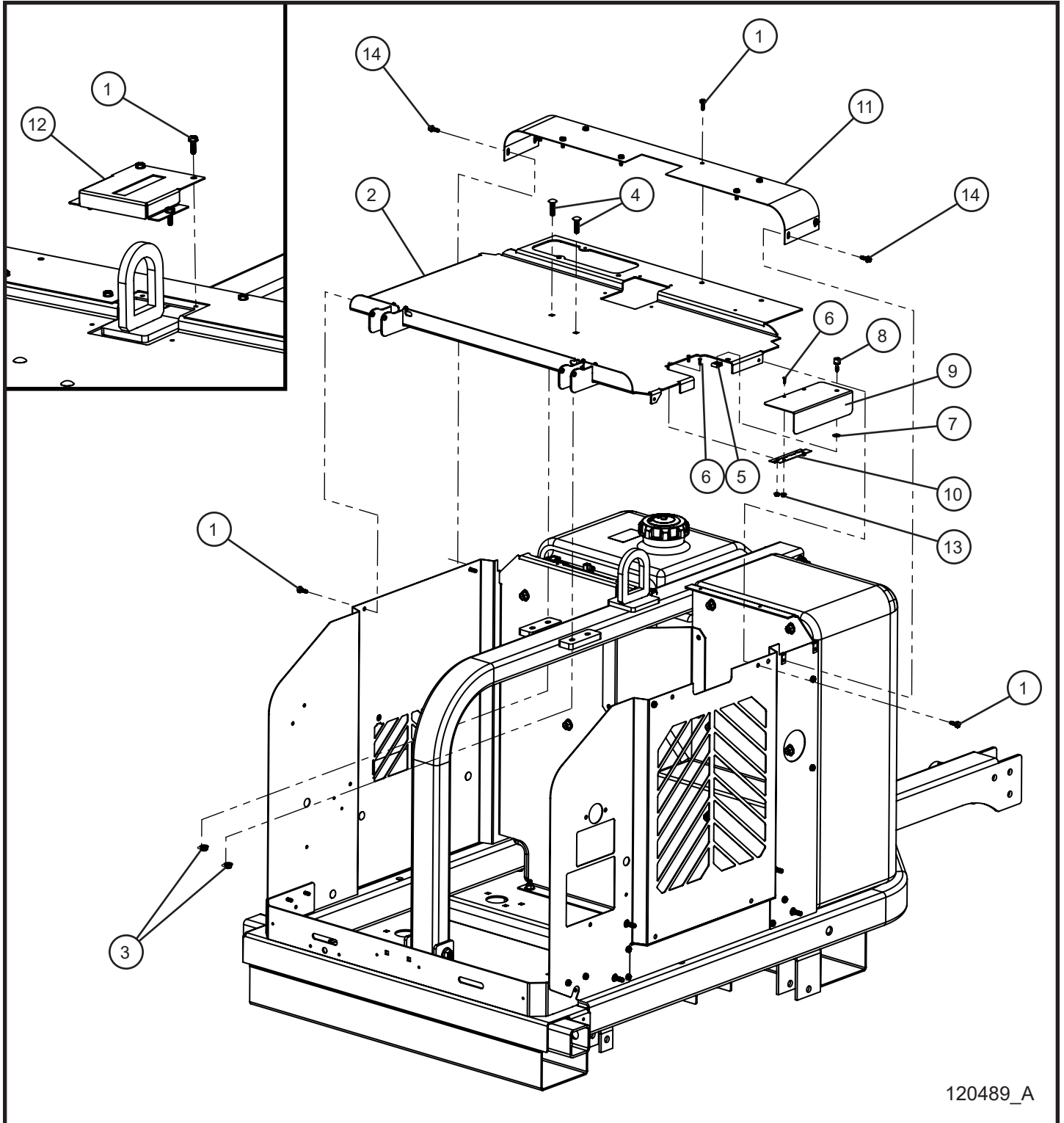
SN 47-000001 to 47-002563

## 1.7 - Enclosure Roof Panels I (Formed Door)

Item	Part No.	Part Description	Qty.
1	041070	1/4-20 x 3/4 SLOTTED HEX WASHER HEAD	28
2	120468P	STRINGER WELDMENT FORMED DOOR NLGR LC 6kW	1
3	057008	5/16-18 HEX NYLOCK FLANGE NUT	4
4	053022	5/16-18 X 1 1/4 CARRIAGE BOLT	2
5	045216	1/4-20 TINNERMAN NUT	1
6	041259	#6-32 X 1/2 PH-FLAT HEAD MACHINE SCREW	4
7	115243	RETAINER PUSH ON	1
8	115244	KNOB KNURLED FAST THREAD	1
9	120482P	PANEL RADIATOR CAP ACCESS NLGR LC	1
10	045023	HINGE CONTROLLER COVER	1
11	120470P	COVER STRINGER FRONT NLGR LC 6kW	1
12	120471P	COVER LIFT HOOK NLGR LC 6kW	1
13	057005	#6-32 SERRATED FLANGE HEX NUT	4
14	056019	1/4-20 X 3/4 HEX FLANGE SCREW	4

\*NS - NOT SHOWN

## 1.8 - Enclosure Roof Panels II (Stamped Door)



120489\_A

# NIGHT-LITE™ GR-SERIES

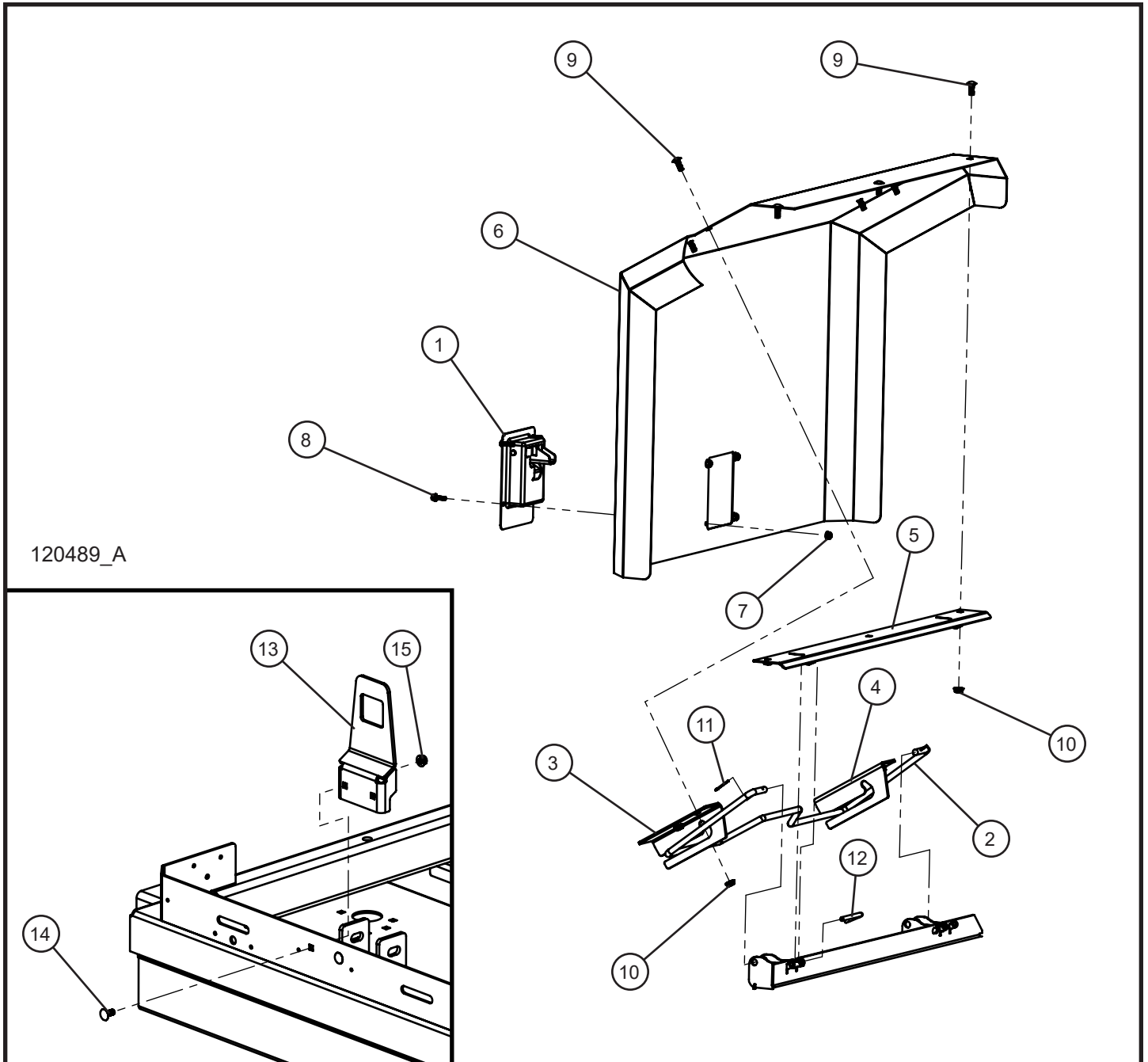
SN 47-002564 and UP

## 1.8 - Enclosure Roof Panels II (Stamped Door)

Item	Part No.	Part Description	Qty.
1	041070	1/4-20 x 3/4 SLOTTED HEX WASHER HEAD	28
2	120491P	STRINGER WELDMENT STAMPED DOOR NLGR LC 6kW	1
3	057008	5/16-18 HEX NYLOCK FLANGE NUT	4
4	053022	5/16-18 X 1 1/4 CARRIAGE BOLT	2
5	045216	1/4-20 TINNERMAN NUT	1
6	041259	#6-32 X 1/2 PH-FLAT HEAD MACHINE SCREW	4
7	115243	RETAINER PUSH ON	1
8	115244	KNOB KNURLED FAST THREAD	1
9	120482P	PANEL RADIATOR CAP ACCESS NLGR LC	1
10	045023	HINGE CONTROLLER COVER	1
11	120470P	COVER STRINGER FRONT NLGR LC 6kW	1
12	120471P	COVER LIFT HOOK NLGR LC 6kW	1
13	057005	#6-32 SERRATED FLANGE HEX NUT	4
14	056019	1/4-20 X 3/4 HEX FLANGE SCREW	4

\*NS - NOT SHOWN

## 1.9 - Enclosure Door I (Formed Door)



# NIGHT-LITE™ GR-SERIES

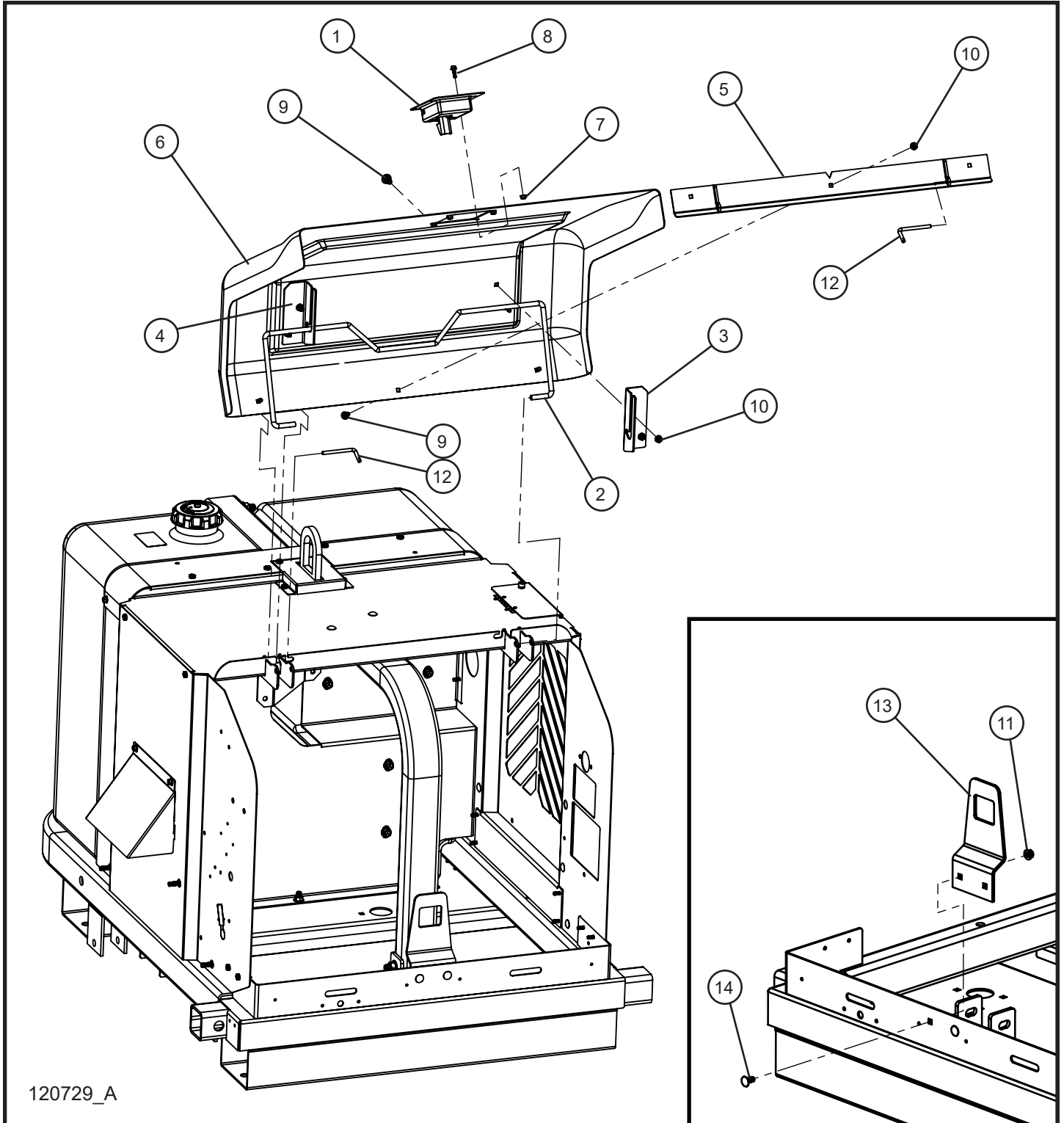
SN 47-000001 and UP

## 1.9 - Enclosure Door I (Formed Door)

Item	Part No.	Part Description	Qty.
1	680459	SLAM LATCH	1
2	115306	DOOR PROP ROD NLV & NLGR LC	1
3	120460P	BRACKET RIGHT DOOR HINGE MOUNT NLGR LC	1
4	120459P	BRACKET LEFT DOOR HINGE MOUNT NLGR LC	1
5	120439P	WELDMENT HINGE COVER REAR NLGR LC	1
6	120442P	REAR DOOR WELDMENT NLGR LC	1
7	057010	#10-24 HEX NYLOCK FLANGE NUT	4
8	056005	#10-24 X 3/4 SERRATED FLANGE HEX SCREW	4
9	053006	1/4-20 X 3/4 CARRIAGE BOLT	7
10	057000	1/4-20 HEX SERRATED FLANGE NUT	7
11	045041	5/64 x 1 COTTER PIN	2
12	111456	PIN HINGE	2
13	120449P	BRACKET SLAM LATCH NLGR LC	1
14	102081	5/16-18 X 3/4 CARRIAGE BOLT	2
15	057008	5/16-18 HEX NYLOCK FLANGE NUT	2

\*NS - NOT SHOWN

## 1.10 - Enclosure Door II (Stamped Door)



120729\_A

# NIGHT-LITE™ GR-SERIES

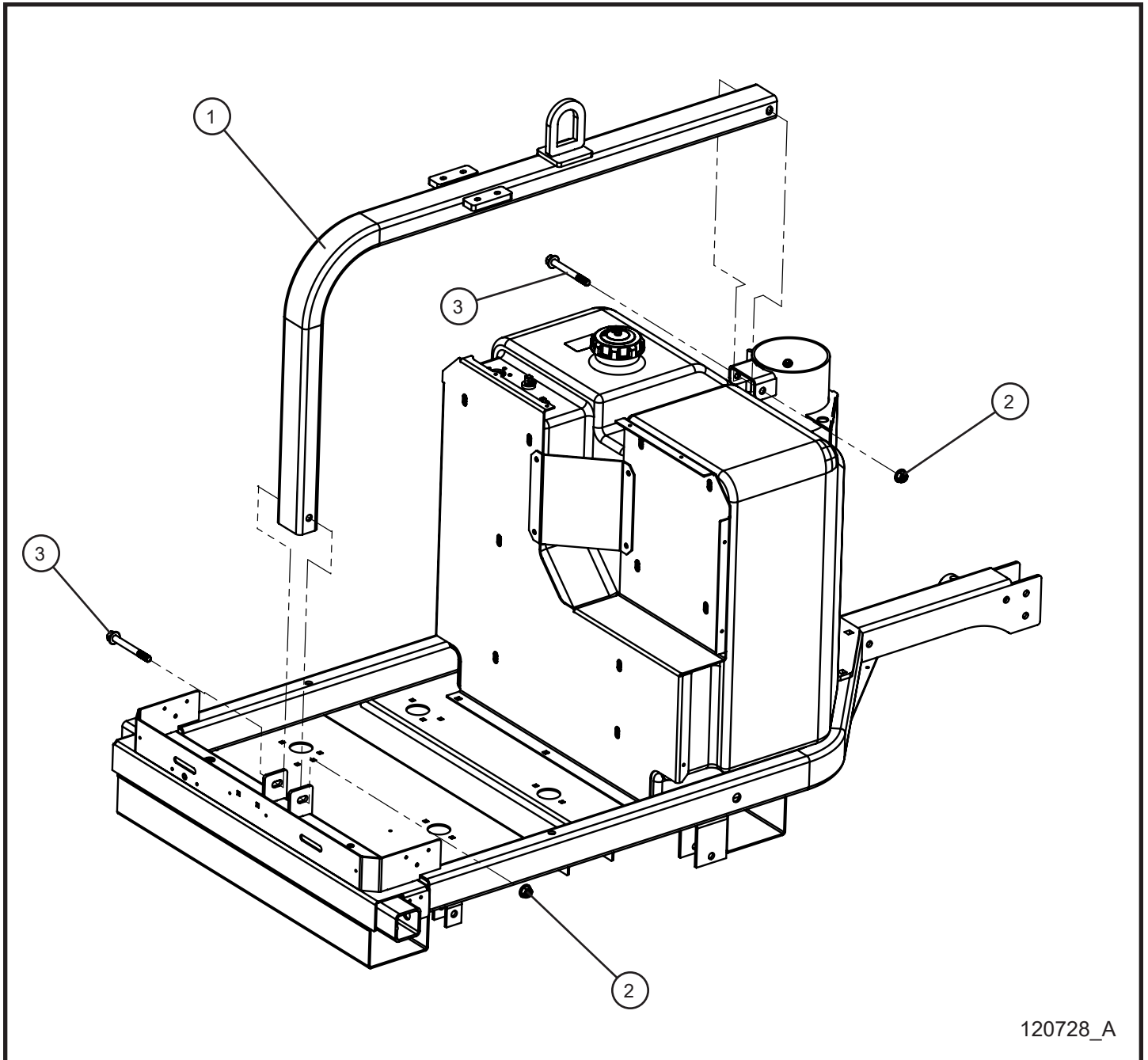
SN 47-000001 and UP

## 1.10 - Enclosure Door II (Stamped Door)

Item	Part No.	Part Description	Qty.
1	680459	SLAM LATCH	1
2	115306	DOOR PROP ROD NLV & NLGR LC	1
3	120460P	BRACKET RIGHT DOOR HINGE MOUNT NLGR LC	1
4	120459P	BRACKET LEFT DOOR HINGE MOUNT NLGR LC	1
5	120453P	WELDMENT HINGE COVER REAR NLGR LC	1
6	118168P	REAR DOOR STAMPED NLGR LC	1
7	057010	#10-24 HEX NYLOCK FLANGE NUT	4
8	056005	#10-24 X 3/4 SERRATED FLANGE HEX SCREW	4
9	053006	1/4-20 X 3/4 CARRIAGE BOLT	7
10	057000	1/4-20 HEX SERRATED FLANGE NUT	7
11	057008	5/16-18 HEX NYLOCK FLANGE NUT	2
12	111456	PIN HINGE	2
13	120449P	BRACKET SLAM LATCH NLGR LC	1
14	102081	5/16-18 X 3/4 CARRIAGE BOLT	2
NS	045041	5/64 x 1 COTTER PIN	2

\*NS - NOT SHOWN

## 1.11 - Lift Bow



120728\_A



# NIGHT-LITE™ GR-SERIES

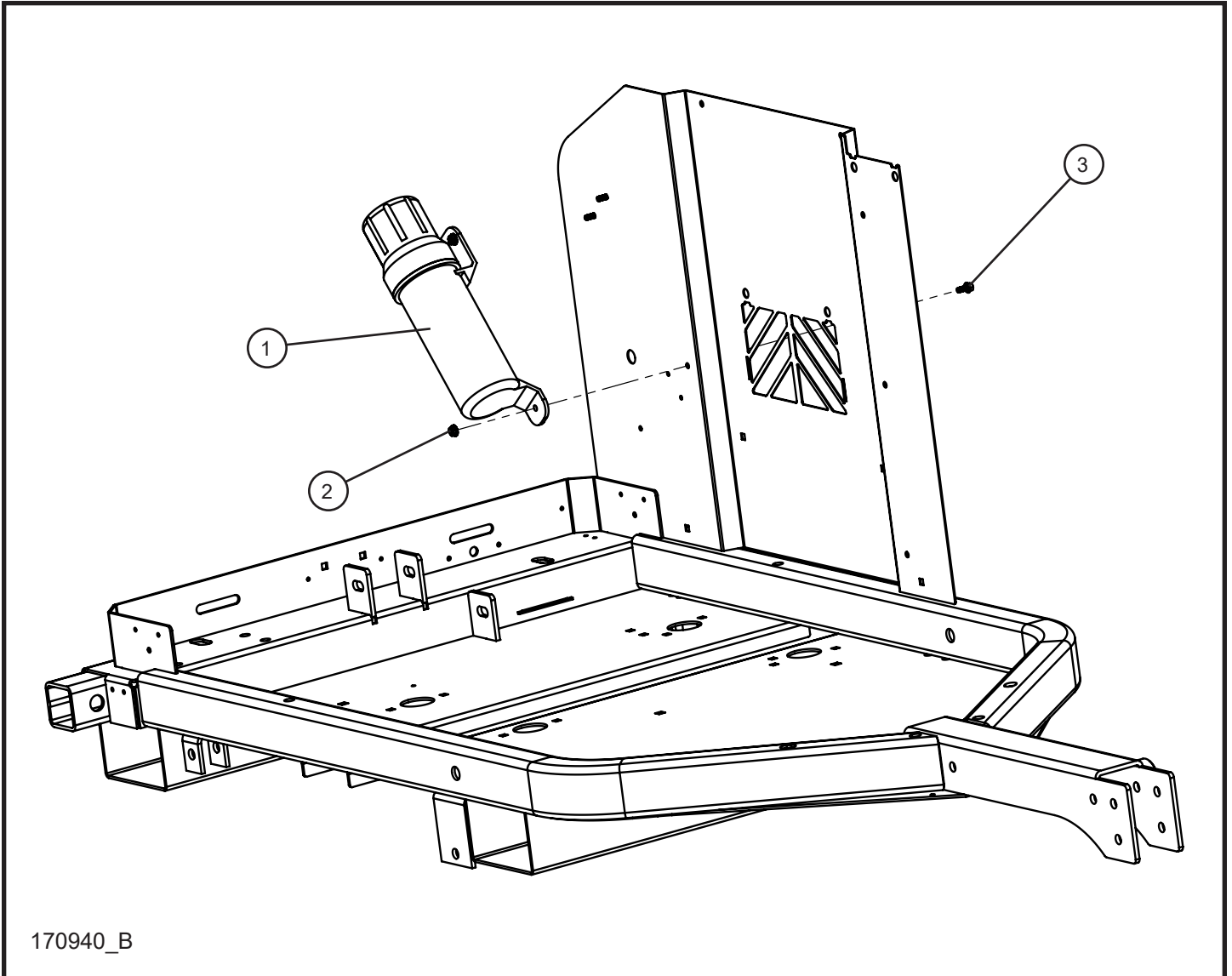
SN 47-000001 and UP

## 1.11 - Lift Bow

Item	Part No.	Part Description	Qty.
1	117728P	LIFT BOW WELDMENT NLGR LC 6kW	1
2	057009	1/2-13 NYLOCK FLANGE NUT	2
3	056026	1/2-13 X 4 1/2 HEX FLANGE SCREW	2

\*NS - NOT SHOWN

## 1.12 - Manual Canister



170940\_B

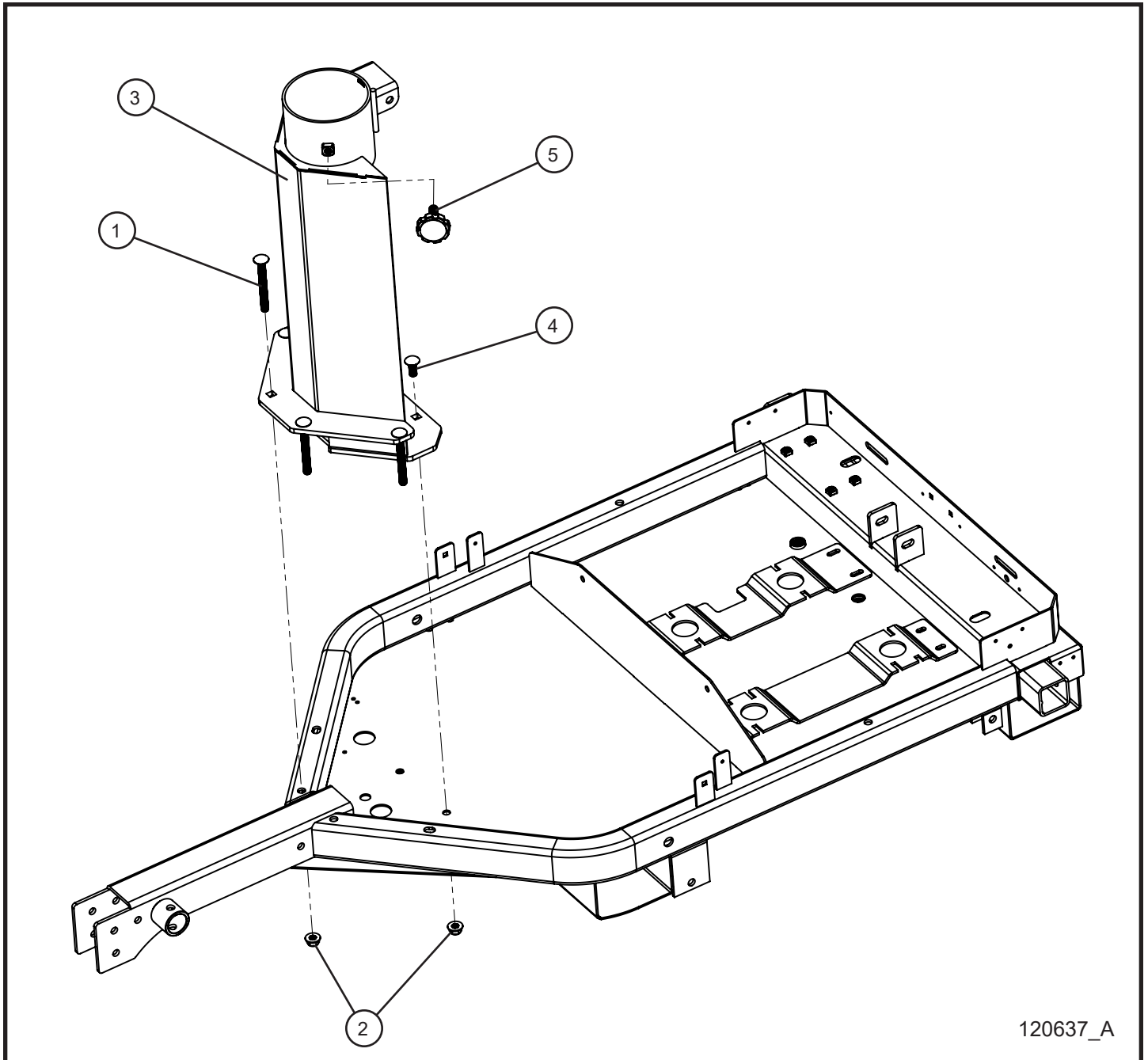
# NIGHT-LITE™ GR-SERIES

SN 47-000001 and UP

## 1.12 - Manual Canister

Item	Part No.	Part Description	Qty.
1	103651	PRODUCT MANUAL CANISTER	1
2	057000	1/4-20 HEX SERRATED FLANGE NUT	3
3	056040	1/4-20 x 5/8 HEX FLANGE SCREW	3
NS	120250	NIGHT-LITE GR-SERIES SCHEMATIC MANUAL	1
NS	122018	DSE L401 MKII CONTROLLER OPERATOR MANUAL	1
NS	122986	NIGHT-LITE GR-SERIES LC 6kW OPERATOR MANUAL	1

## 2.1 - Tower Pedestal



120637\_A

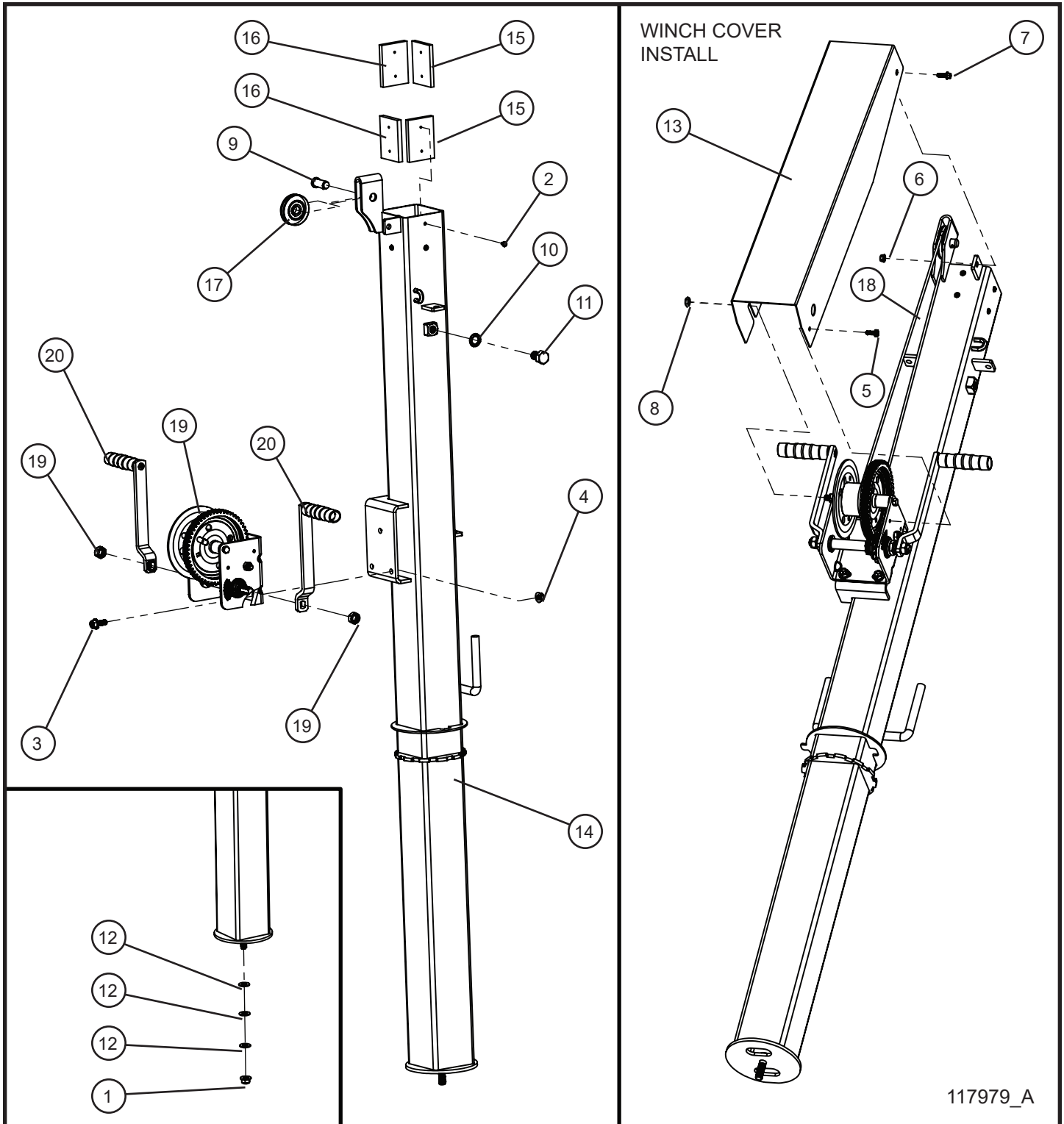
# NIGHT-LITE™ GR-SERIES

SN 47-000001 and UP

## 2.1 - Tower Pedestal

Item	Part No.	Part Description	Qty.
1	053051	1/2-13 X 4 1/2 CARRIAGE BOLT	4
2	057009	1/2-13 NYLOCK FLANGE NUT	6
3	120416P	PEDESTAL WELDMENT NL-GR SERIES LIQUID-COOLED	1
4	053050	1/2-13 X 1 1/4 CARRIAGE BOLT	2
5	620550	LOCKING KNOB	1

## 2.2 - Manual Winch Tower Section 1



117979\_A

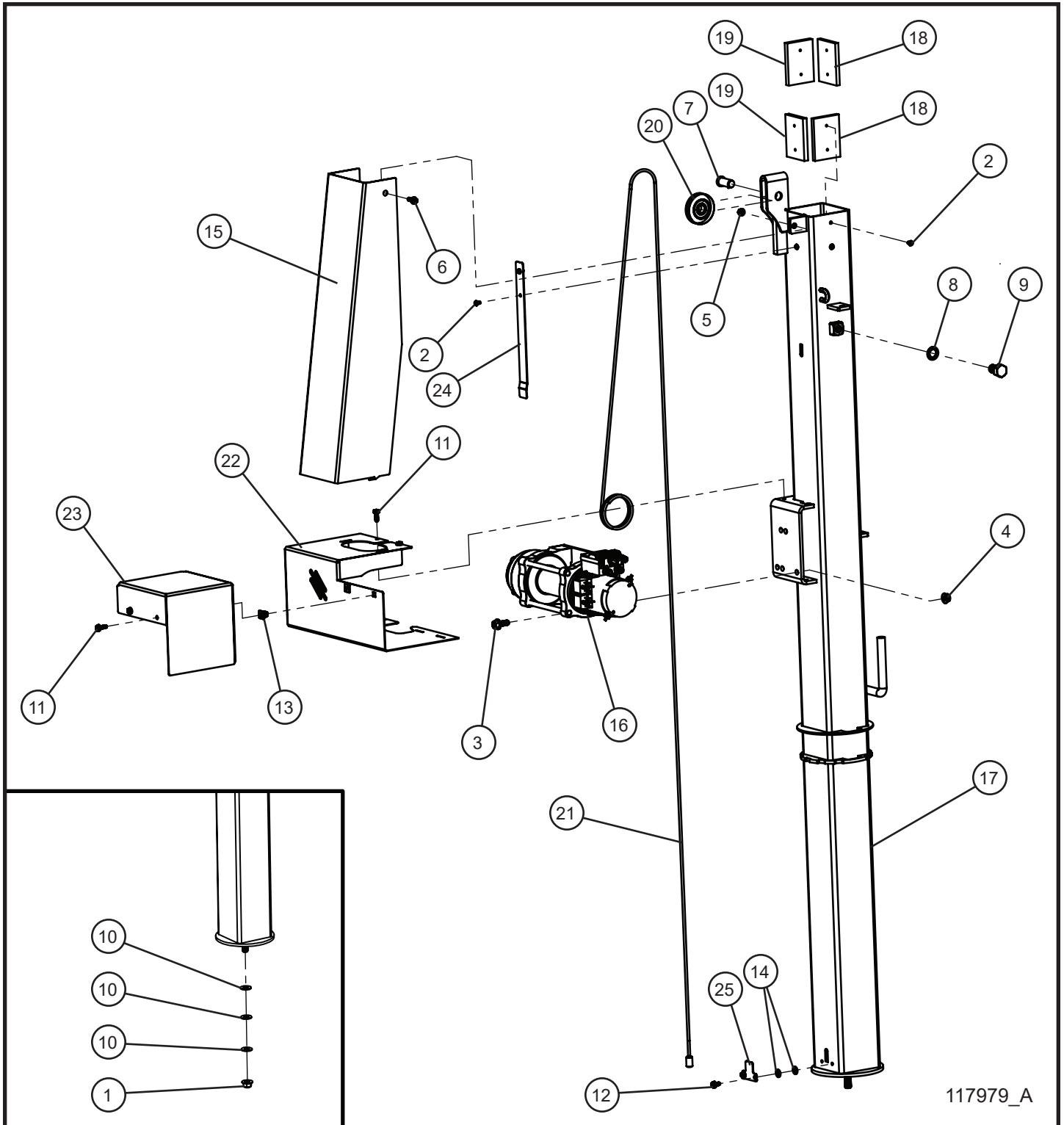
# NIGHT-LITE™ GR-SERIES

SN 47-000001 and UP

## 2.2 - Manual Winch Tower Section 1

Item	Part No.	Part Description	Qty.
1	057009	1/2-13 NYLOCK FLANGE NUT	1
2	041023	#10 x 3/8 PH-ROUND HEAD	8
3	056010	3/8-16 x 1 SERRATED FLANGE HEX SCREW	3
4	057007	3/8-16 HEX NYLOCK FLANGE NUT	3
5	041070	1/4-20 x 3/4 SLOTTED HEX WASHER HEAD	3
6	057001	1/4-20 HEX NYLOCK FLANGE NUT	1
7	056019	1/4-20 x 3/4HEX FLANGE SCREW	1
8	044041	3/8-16 HEX JAM NUT	1
9	033000	5/8 x 1 SLIC PIN	3
10	043100	5/8 INTL TOOTHLOCK WASHER PL	1
11	046242	5/8-11 x HEX HEAD CS GR5 PL	1
12	047025	1/2 FLAT WASHER	3
13	117776P	MANUAL WINCH CABLE COVER NL-GR SERIES	1
14	120415P	WELDMENT TOWER 4 INCH SECTION NL-GR SERIES	1
15	650110	.312 TOWER PAD	2
16	650109	.375 TOWER PAD	2
17	100160	2 1/2 PULLEY BALL BEARING	1
18	620076	TOP CABLE MANUAL PRO	1
19	116985	WINCH BRAKE 1500 LB DUAL HANDLE WINCH ONLY	1
20	113618	HANDLE SMALL OFFSET DUAL HANDLE WINCH	2
NS	045042	COTTER PIN 1/8 X 1 1/2"	1

## 2.3 - Electric Winch Tower Section 1



117979\_A



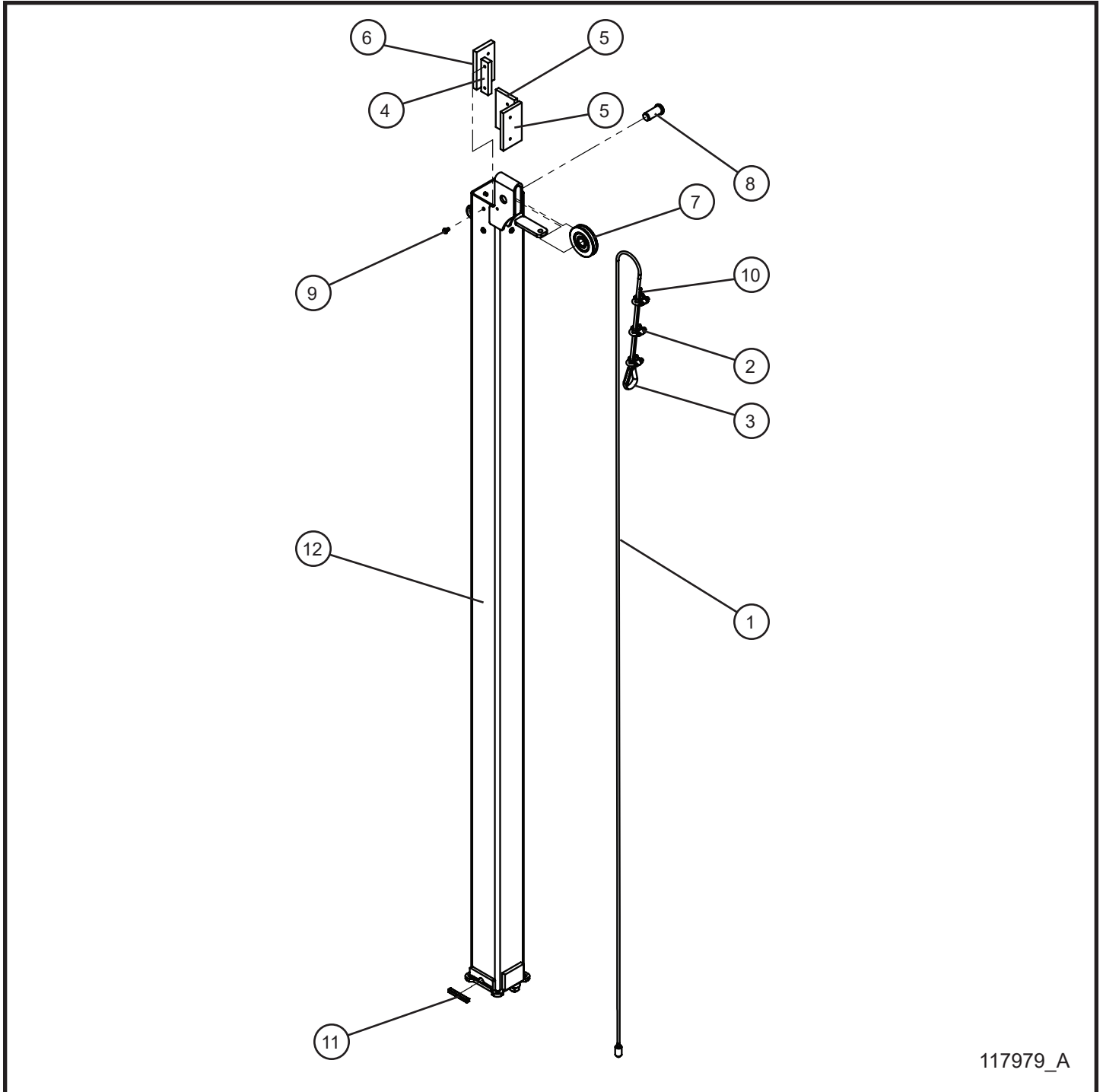
# NIGHT-LITE™ GR-SERIES

SN 47-000001 and UP

## 2.3 - Electric Winch Tower Section 1

Item	Part No.	Part Description	Qty.
1	057009	1/2-13 NYLOCK FLANGE NUT	1
2	041023	#10 x 3/8 PH-ROUND HEAD	8
3	056010	3/8-16 x 1 SERRATED FLANGE HEX SCREW	3
4	057007	3/8-16 HEX NYLOCK FLANGE NUT	3
5	057001	1/4-20 HEX NYLOCK FLANGE NUT	1
6	056019	1/4-20 x 3/4HEX FLANGE SCREW	1
7	033000	5/8 x 1 SLIC PIN	3
8	043100	5/8 INTL TOOTHLOCK WASHER PL	1
9	046242	5/8-11 x HEX HEAD CS GR5 PL	1
10	047025	1/2 FLAT WASHER	3
11	041070	1/4-20 x 3/4 SLOTTED HEX WASHER HEAD	3
12	041073	1/4-20 x 1/2 SLOTTED HEX WASHER HEAD	3
13	105408	GROMMET NUT DOUBLE SPLIT SQUARE HEAD	2
14	047005	1/4 FLAT WASHER	4
15	124028P	COVER ELECTRIC WINCH CABLE NLGR LC	1
16	120922	ELECTRIC WINCH UNIVERSAL SUB-ASSEMBLY NLGR	1
	116699	SH 1000 ELECTRIC WINCH	1
	122487	ELECTRIC WINCH HARNESS SH1000 NLGR	1
17	120415P	WELDMENT TOWER 4 INCH SECTION NL-GR SERIES	1
18	650110	.312 TOWER PAD	2
19	650109	.375 TOWER PAD	2
20	100160	2 1/2 PULLEY BALL BEARING	1
21	620076	TOP CABLE MANUAL PRO	1
22	124027P	COVER ELECTRIC WINCH NLGR LC	1
23	120842P	COVER ELECTRIC WINCH MOTOR NLGR LC	1
24	120480P	BRACKET TOP LIMIT SWITCH E-WINCH NLGR LC	1
25	120481P	BRACKET LOWER LIMIT SWITCH E-WINCH NLGR LC	1
NS	104431	RELAY 12V 40 AMPS	2
NS	115328	12V RELAY CONTACTOR DC66P	1
NS	120927	SCHEMATIC SH1000 ELECTRIC WINCH NLGR	1
NS	045042	COTTER PIN 1/8 X 1 1/2"	1

## 2.4 - Tower Section 2



117979\_A

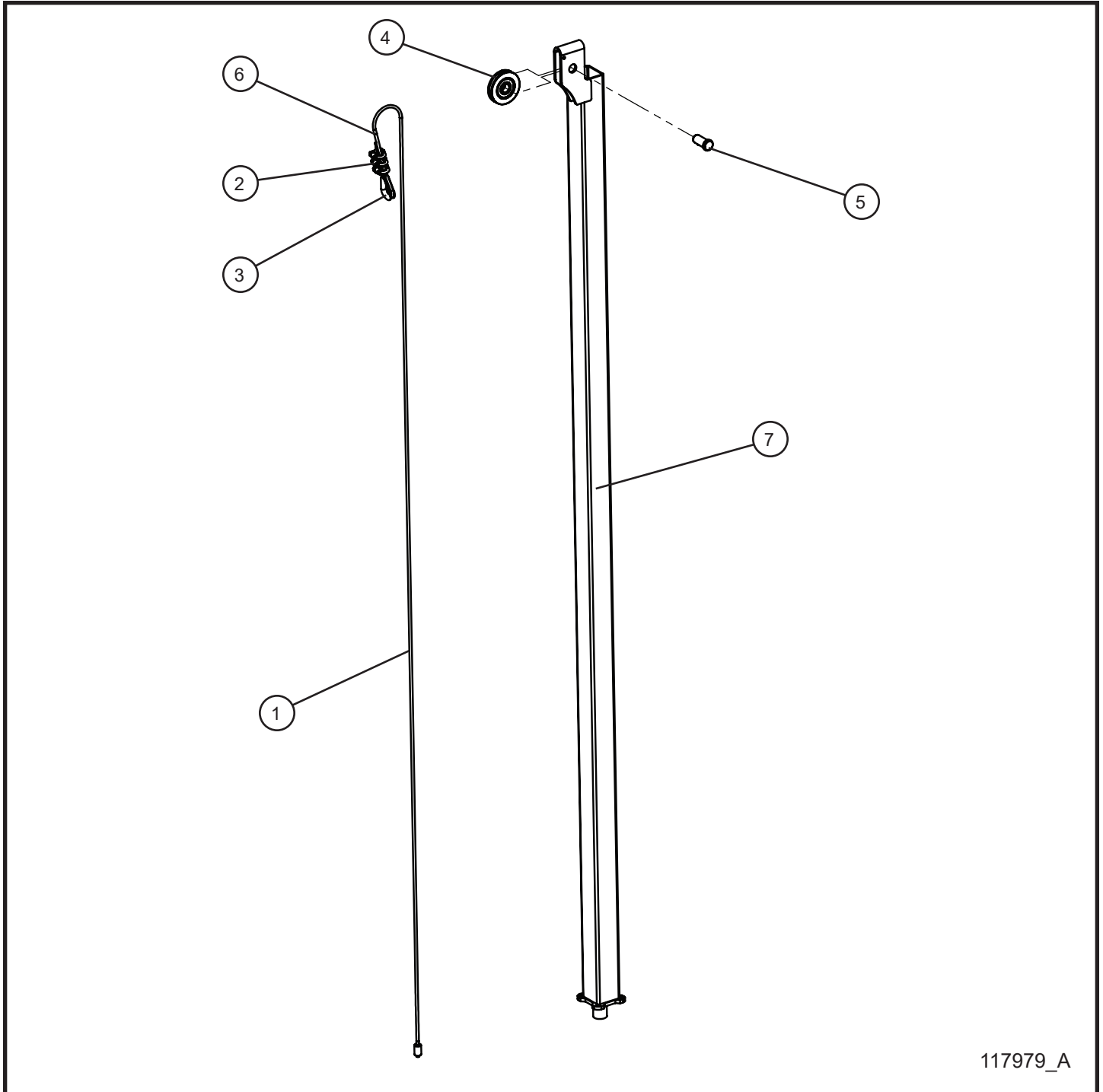
# NIGHT-LITE™ GR-SERIES

SN 47-000001 and UP

## 2.4 - Tower Section 2

Item	Part No.	Part Description	Qty.
1	320185	WINCH CABLE MANUAL TOWER	1
2	620084	3/16 CABLE CLIP	3
3	045040	3/16 CABLE THIMBLE 3/16 WIRE ROPE	1
4	100062	3/8 UHMW SPACER	1
5	352280	PLASTIC TOWER PAD	2
6	100446	3/8 PAD SMALL	1
7	100160	2 1/2 PULLEY BALL BEARING	1
8	033000	5/8 x 1 SLIC PIN	1
9	041023	#10 x 3/8 PH-ROUND HEAD MS PL	8
10	022150	FERRULE 10-12 AWG	1
11	109988	MAGNET 1/4" X 1/4" X 2" (FOR ELECTRIC WINCH TOWERS)	1
12	120525	WELDMENT TOWER 3 INCH SECTION NLGR GALVINIZED	1
	117092P	WELDMENT TOWER 3 INCH SECTION NL-GR SERIES	1
NS	045042	COTTER PIN 1/8 X 1 1/2"	1

## 2.5 - Tower Section 3



117979\_A

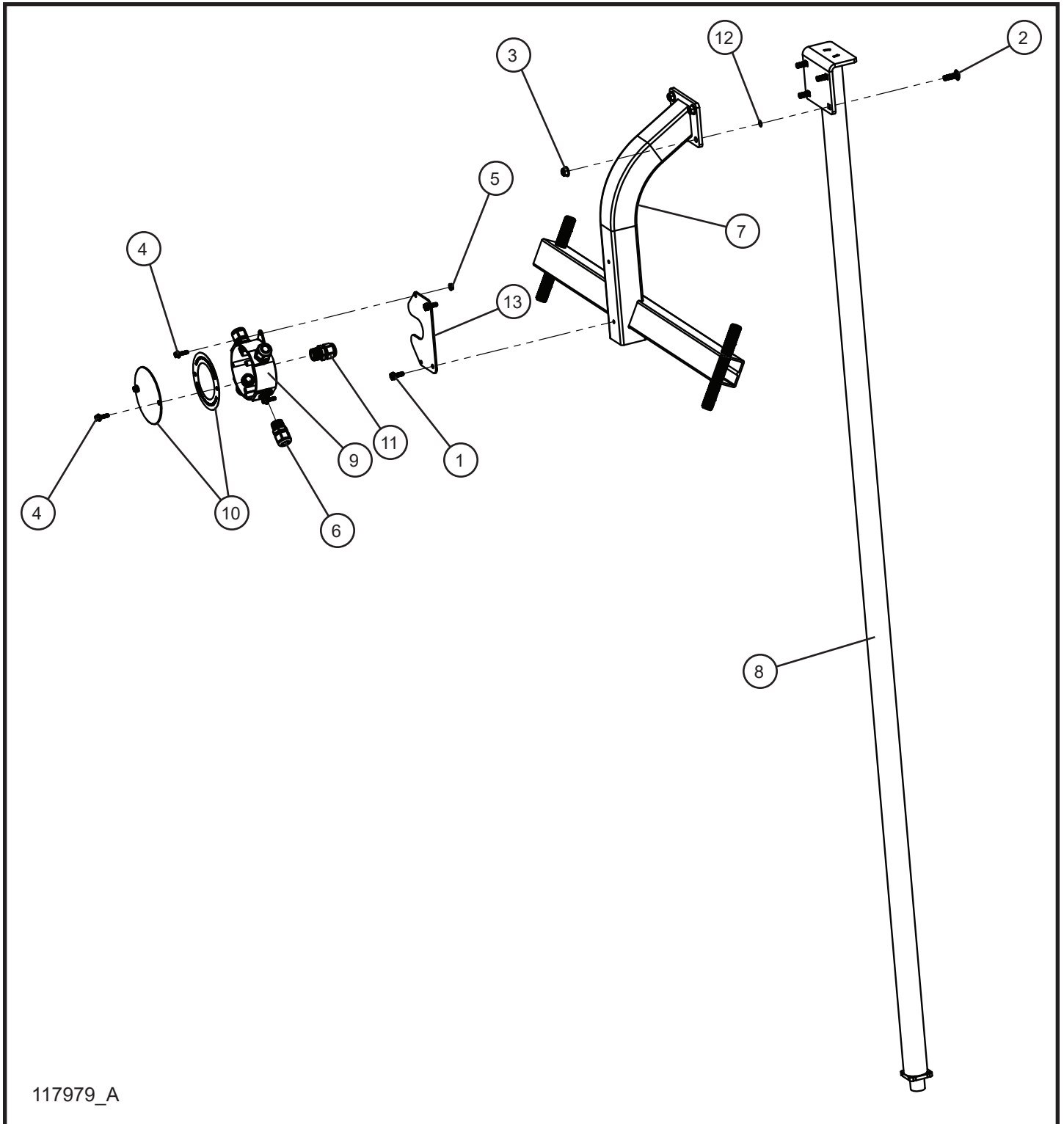
# NIGHT-LITE™ GR-SERIES

SN 47-000001 and UP

## 2.5 - Tower Section 3

Item	Part No.	Part Description	Qty.
1	320185	WINCH CABLE MANUAL TOWER	1
2	620084	3/16 CABLE CLIP	3
3	045040	3/16 CABLE THIMBLE 3/16 WIRE ROPE	1
4	100160	2 1/2 PULLEY BALL BEARING	1
5	033000	5/8 x 1 SLIC PIN	1
6	022150	FERRULE 10-12 AWG	1
7	120526	WELDMENT TOWER 2 INCH SECTION NLGR GALVINIZED	1
	117093P	WELDMENT TOWER 2 INCH SECTION NL-GR SERIES	1
NS	045042	COTTER PIN 1/8 X 1 1/2"	1

## 2.6 - Tower Round Section and Light Bar



117979\_A

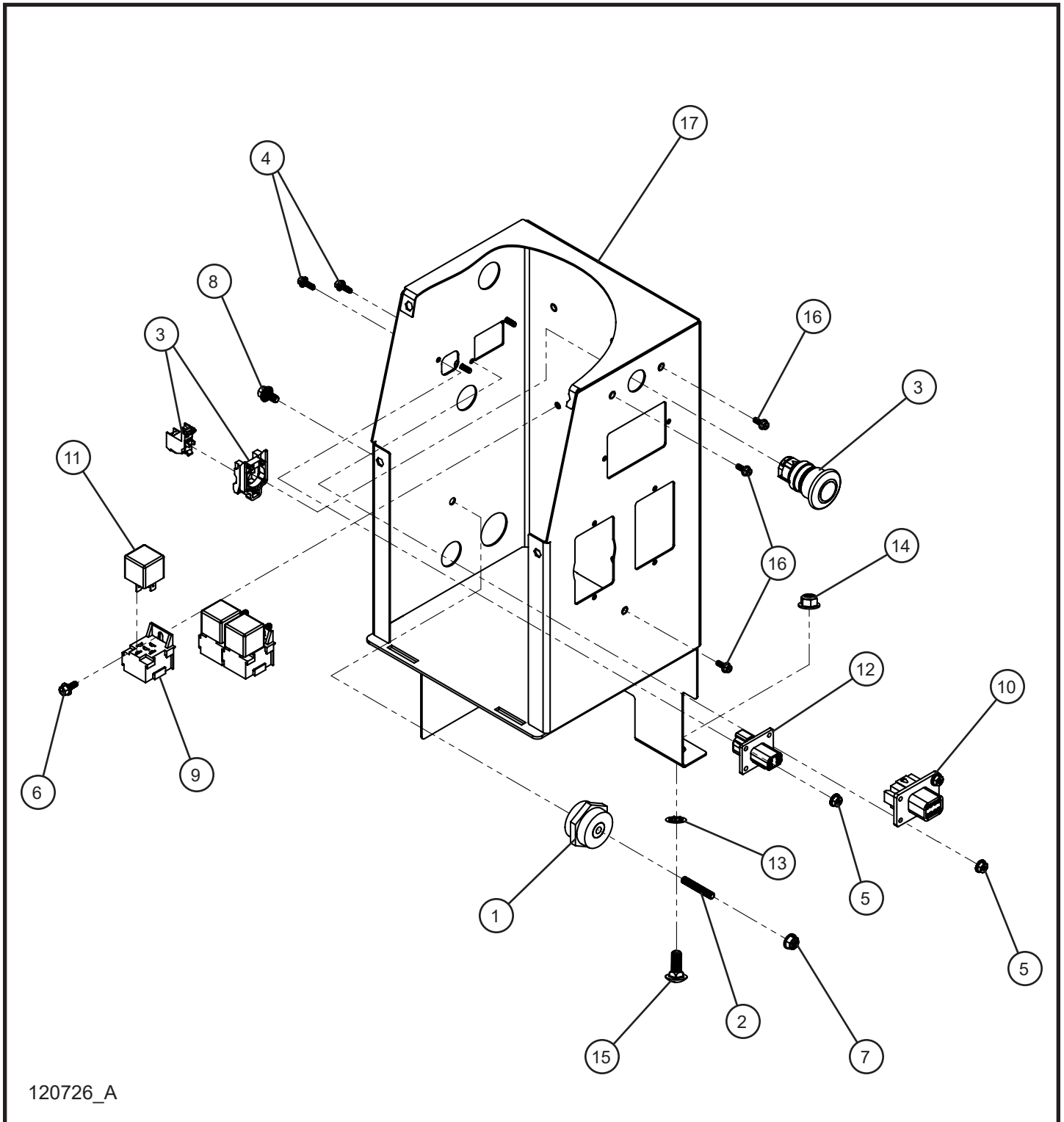
# NIGHT-LITE™ GR-SERIES

SN 47-000001 and UP

## 2.6 - Tower Round Section and Light Bar

Item	Part No.	Part Description	Qty.
1	041070	1/4-20 x 3/4 SLOTTED HEX WASHER HEAD	3
2	053020	5/16-18 x 1 CARRIAGE BOLT	4
3	057008	5/16-18 HEX NYLOCK FLANGE NUT	4
4	056005	#10-24 x 3/4 SERRATED FLANGE HEX SCREW	4
5	057010	#10-24 HEX NYLOCK FLANGE NUT	2
6	105626	1/2 CORD GRIP	4
7	117770P	LIGHT BAR WELDMENT NL-GR SERIES	1
8	117094P	WELDMENT TOWER ROUND SECTION NL-GR SERIES	1
9	118127	WEATHERTIGHT OUTLET BOX	1
10	118128	WEATHERTIGHT LID OUTLET BOX	1
11	114886	1/2 CORD GRIP	1
12	045217	5/16 PUSH NUT	4
13	117768P	MOUNT PLATE JUNCTION BOX	1

## 3.1 - Control Box Interior and E-Stop Group



120726\_A



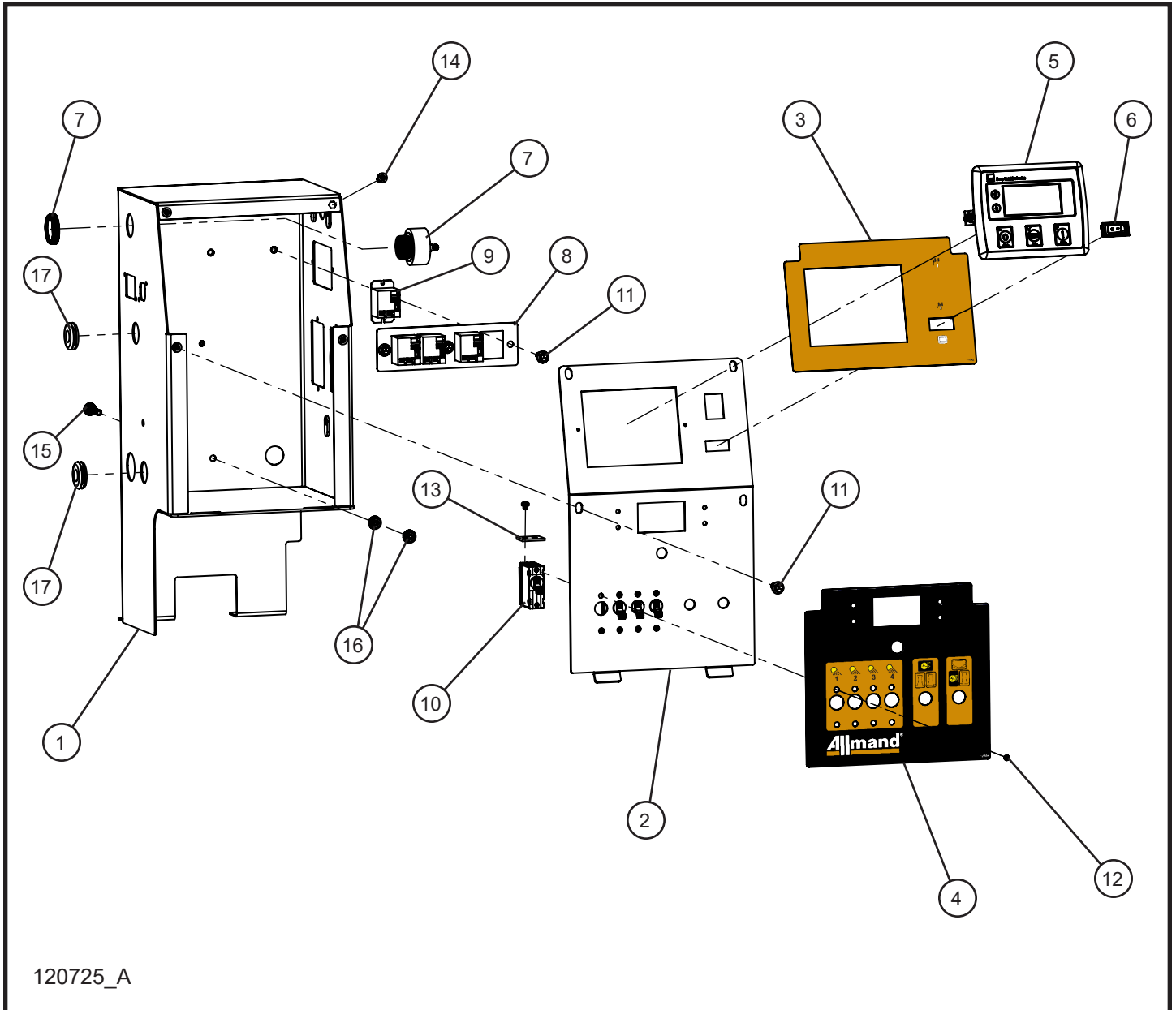
# NIGHT-LITE™ GR-SERIES

SN 47-000001 and UP

## 3.1 - Control Box Interior and E-Stop Group

Item	Part No.	Part Description	Qty.
1	106318	LOW VOLTAGE INSULATOR 1-1/4", 1/4-20	1
2	045003	1/4-20 x 1-1/2 STUD	1
3	108912	PUSH-PULL EMERGENCY STOP 40mm W/ 22mm MOUNTING	1
4	056006	#8-32 x 1/2 HEX SERRATED FLANGE SCREW	8
5	057003	#8-32 HEX SERRATED FLANGE LOCKNUT	8
6	056022	#10-24 x 1/2 HEX SERRATED FLANGE SCREW	3
7	057001	1/4 - 20 HEX NYLOCK FLANGE NUT	1
8	056001	1/4-20 x 1/2 HEX SERRATED FLANGE SCREW	1
9	118230	SINGLE RELAY BLOCK WITH MOUNTING TAB	3
10	116957	8 PIN DEUTSCH PANEL MOUNT RECEPTACLE	1
	105848	8 PIN WEDGELOCK RECEPTACLE	1
11	118231	30/40 AMP 12V PLUG IN RELAY	3
12	116956	4 PIN DEUTSCH PANEL MOUNT RECEPTACLE	1
	105847	4 PIN WEDGELOCK RECEPTACLE	1
13	045218	3/8 PUSH NUT	2
14	057007	3/8-16 HEX NYLOCK FLANGE NUT	2
15	053032	3/8-16 X 1 CARRIAGE BOLT PL	2
16	056019	1/4-20 x 3/4 HEX FLANGE SCREW	3
17	120495P	BOX CONTROL WELDMENT NLGR LC 6kW	1
NS	122461	DEEP SEA WIRE HARNESS NLGR LC BB	1
NS	122749	OUTLET WIRE HARNESS NLGR 6KW	1
NS	713002A	DIODE, 6A, 400V, P600G	3
NS	101285	3W 68 OHM RESISTOR	1
NS	105039	5A 32V BLADE FUSE	2
NS	103865	10A 32V BLADE FUSE	1
NS	103866	15A 32V BLADE FUSE	1
NS	120904	SCHEMATIC DEEP SEA LSC NLGR LC 6KW	1
NS	120905	WIRE SCHEMATIC OUTLET WIRING NLGR LC 6KW	1

## 3.2 - Control Box Deep Sea Controller and Light Switches I



120725\_A

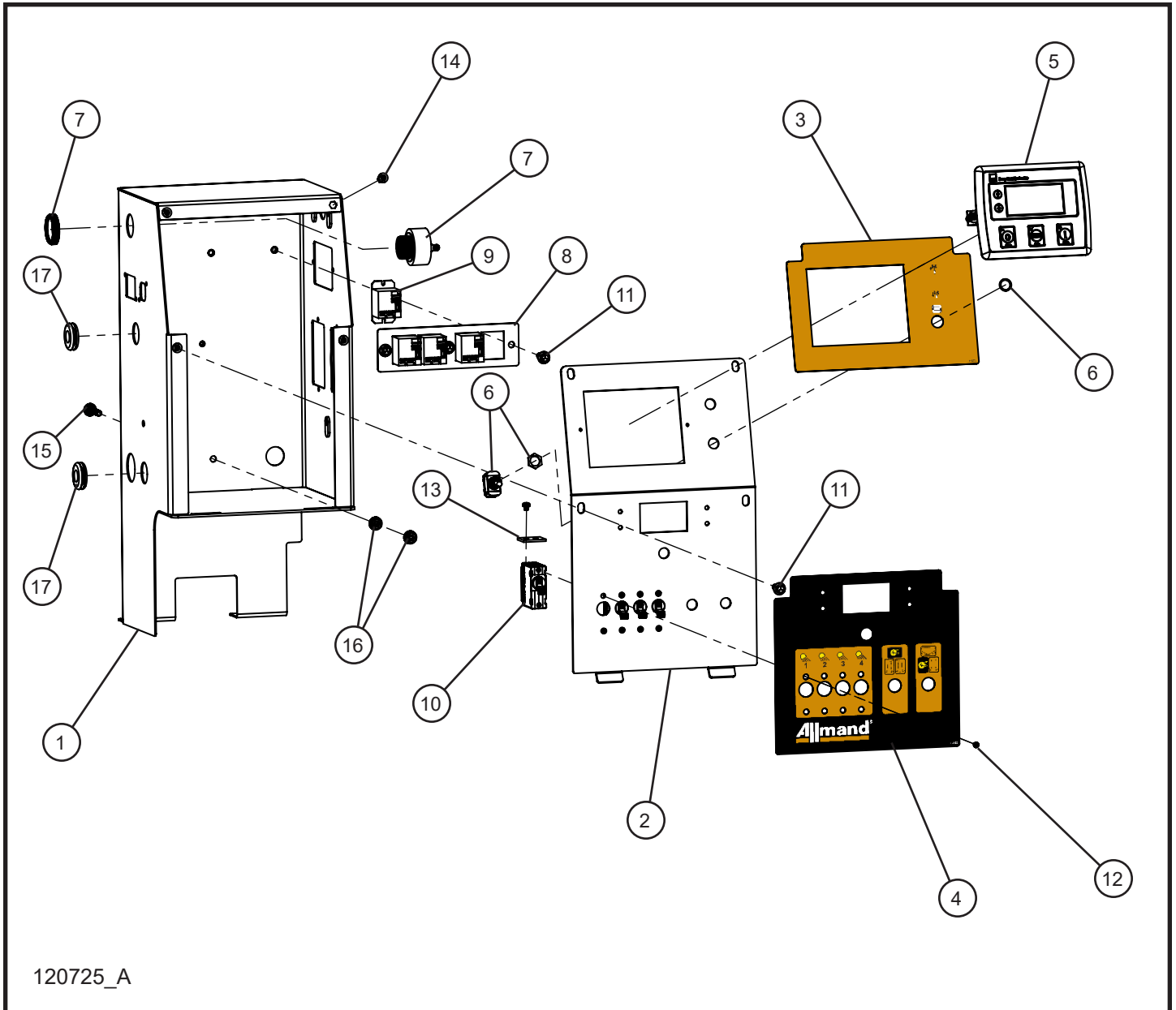
# NIGHT-LITE™ GR-SERIES

SN 47-000001 to 47-003278

## 3.2 - Control Box Deep Sea Controller and Light Switches I

Item	Part No.	Part Description	Qty.
1	120495P	BOX CONTROL WELDMENT NLGR LC 6kW	1
2	120492P	CONTROL PANEL NLGR LC 6kW	1
3	122958	DECAL NLGR LC 6kW CONTROL PANEL	1
4	122959	DECAL NLGR LC 6kW BREAKER PANEL	1
5	110154	DSE L401 MK II CONTROL MODULE	1
6	113541	ROCKER SWITCH SPDT ON / OFF	1
7	118086	AUDIBLE ALARM PANEL MOUNT	1
8	114846P	RELAY BRACKET BREAKER BOX	1
9	104957	RELAY 120VAC 30AMP 12-28 VDC CONTROL	4
10	116992	5 AMP SPST BREAKER SWITCH	4
11	056019	1/4-20 x 3/4 HEX FLANGE SCREW	7
12	041018	#6-32 X 1/4 PH-ROUND HEAD MS PL	8
13	620560	BUSS BAR 2 POSITION	2
14	118302	1/4-20 RIVNUT HEX	4
15	056012	1/4-20 x 1 1/2 HEX SERRATED FLANGE SCREW	1
16	057000	1/4-20 HEX SERRATED FLANGE NUT	2
17	100859	7/8 ID x 1 1/4 OD GROMMET	2
NS	122461	DEEP SEA WIRE HARNESS NLGR LC BB	1
NS	122749	OUTLET WIRE HARNESS NLGR 6KW	1
NS	713002A	DIODE, 6A, 400V, P600G	3
NS	101285	3W 68 OHM RESISTOR	1
NS	105039	5A 32V BLADE FUSE	2
NS	103865	10A 32V BLADE FUSE	1
NS	103866	15A 32V BLADE FUSE	1
NS	120904	SCHEMATIC DEEP SEA LSC NLGR LC 6KW	1
NS	120905	WIRE SCHEMATIC OUTLET WIRING NLGR LC 6KW	1

## 3.3 - Control Box Deep Sea Controller and Light Switches II



120725\_A

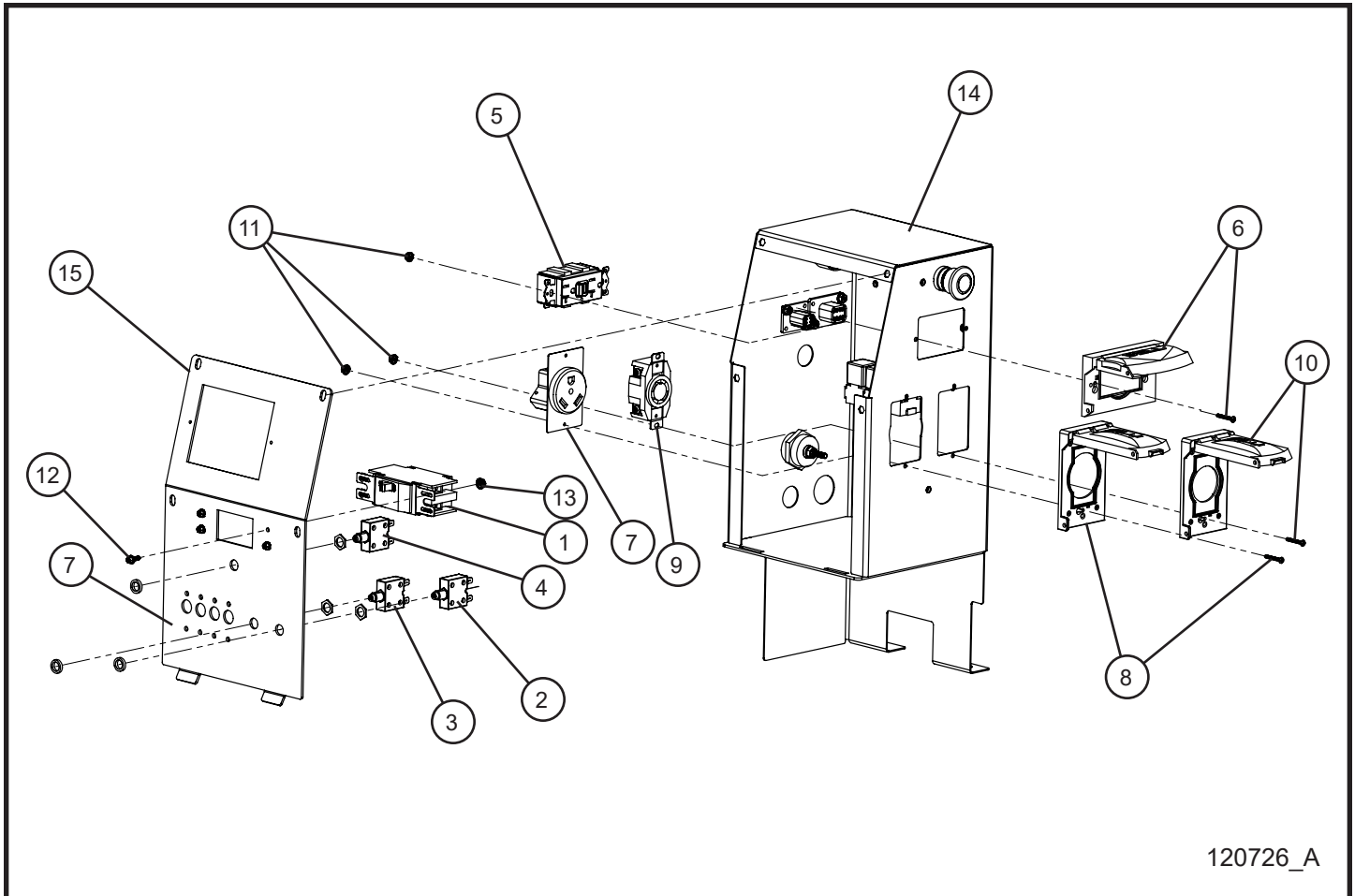
# NIGHT-LITE™ GR-SERIES

SN 47-003279 and UP

## 3.3 - Control Box Deep Sea Controller and Light Switches II

Item	Part No.	Part Description	Qty.
1	120495P	BOX CONTROL WELDMENT NLGR LC 6kW	1
2	124541P	CONTROL PANEL NLGR LC 6kW TOGGLE SWITCH	1
3	123565	DECAL NLGR LC 6kW TOGGLE SWITCH CONTROL PANEL	1
4	122959	DECAL NLGR LC 6kW BREAKER PANEL	1
5	110154	DSE L401 MK II CONTROL MODULE	1
6	123157	TOGGLE SWITCH SPST ON-OFF	1
7	118086	AUDIBLE ALARM PANEL MOUNT	1
8	114846P	RELAY BRACKET BREAKER BOX	1
9	104957	RELAY 120VAC 30AMP 12-28 VDC CONTROL	4
10	116992	5 AMP SPST BREAKER SWITCH	4
11	056019	1/4-20 x 3/4 HEX FLANGE SCREW	7
12	041018	#6-32 X 1/4 PH-ROUND HEAD MS PL	8
13	620560	BUSS BAR 2 POSITION	2
14	118302	1/4-20 RIVNUT HEX	4
15	056012	1/4-20 x 1 1/2 HEX SERRATED FLANGE SCREW	1
16	057000	1/4-20 HEX SERRATED FLANGE NUT	2
17	100859	7/8 ID x 1 1/4 OD GROMMET	2
NS	122461	DEEP SEA WIRE HARNESS NLGR LC BB	1
NS	122749	OUTLET WIRE HARNESS NLGR 6KW	1
NS	713002A	DIODE, 6A, 400V, P600G	3
NS	101285	3W 68 OHM RESISTOR	1
NS	105039	5A 32V BLADE FUSE	2
NS	103865	10A 32V BLADE FUSE	1
NS	103866	15A 32V BLADE FUSE	1
NS	120904	SCHEMATIC DEEP SEA LSC NLGR LC 6KW	1
NS	120905	WIRE SCHEMATIC OUTLET WIRING NLGR LC 6KW	1

## 3.4 - Control Box Main Breaker and GFCI Group



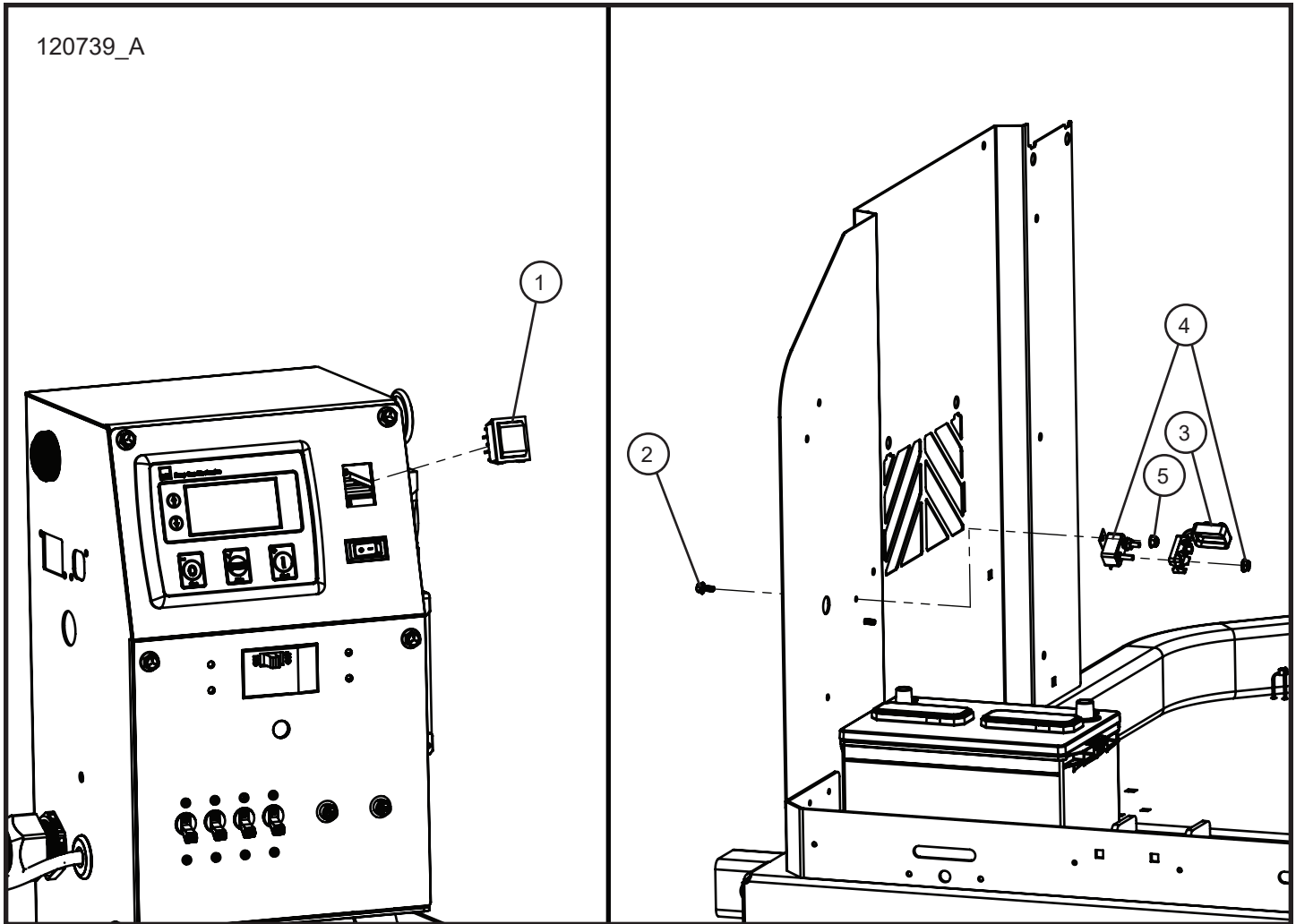
# NIGHT-LITE™ GR-SERIES

SN 47-000001 and UP

## 3.4 - Control Box Main Breaker and GFCI Group

Item	Part No.	Part Description	Qty.
1	104434	30 AMP QOU230 BREAKER	1
2	118662	BREAKER THERMAL PUSH BUTTON 30A 250VAC	1
3	118398	BREAKER THERMAL PUSH BUTTON 20A CSA APPROVED	1
4	118665	BREAKER THERMAL PUSH BUTTON 5A CSA APPROVED	1
5	330499	20 AMP RECEPTACLE GFCI	1
6	112278	COVER WEATHERPROOF HORIZONTAL UNIVERSAL	1
7	680815	30A 125V RV OUTLET	1
8	113241	COVER WEATHERPROOF VERTICAL UNIVERSAL	1
9	653102	30A 125-250V TWISTLOCK RECEPTACLE	1
10	113839	COVER WEATHERPROOF VERTICAL UNIVERSAL	1
11	057005	#6-32 SERRATED FLANGE HEX NUT	6
12	056006	#8-32 x 1/2 HEX SERRATED FLANGE SCREW	8
13	057003	#8-32 HEX SERRATED FLANGE LOCKNUT	8
14	120495P	BOX CONTROL WELDMENT NLGR LC 6kW	1
15	120492P	CONTROL PANEL NLGR LC 6kW	1
NS	122461	DEEP SEA WIRE HARNESS NLGR LC BB	1
NS	122749	OUTLET WIRE HARNESS NLGR 6KW	1
NS	713002A	DIODE, 6A, 400V, P600G	3
NS	101285	3W 68 OHM RESISTOR	1
NS	105039	5A 32V BLADE FUSE	2
NS	103865	10A 32V BLADE FUSE	1
NS	103866	15A 32V BLADE FUSE	1
NS	120904	SCHEMATIC DEEP SEA LSC NLGR LC 6KW	1
NS	120905	WIRE SCHEMATIC OUTLET WIRING NLGR LC 6KW	1

## 3.5 - Electric Winch Tower Switch and Breaker I





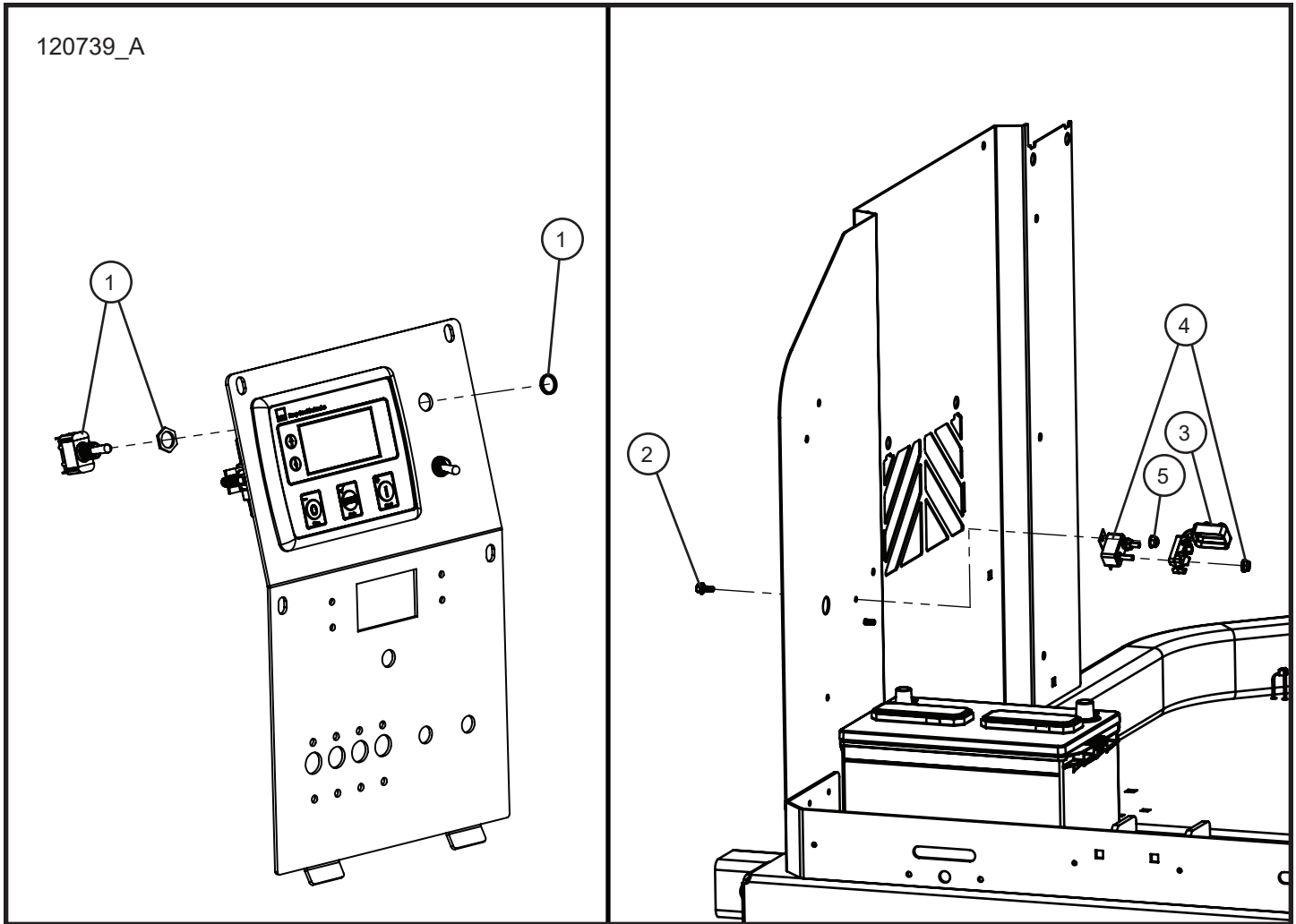
# NIGHT-LITE™ GR-SERIES

SN 47-000001 to 47-003278

## 3.5 - Electric Winch Tower Switch and Breaker

Item	Part No.	Part Description	Qty.
1	113542	ROCKER SWITCH DPDT ON-OFF-ON	1
2	056022	#10-24 X 1/2 SERRATED FLANGE HEX SCREW	2
3	102698	RED BOOT CIRCUIT BREAKER	1
4	122982	50 AMP SHORTSTOP BREAKER WITH MOUNTING BRACKET	1
5	057010	#10-24 HEX NYLOCK FLANGE NUT	2
NS	120922	ELECTRIC WINCH UNIVERSAL SUB-ASSEMBLY NLGR	1
	116699	SH 1000 ELECTRIC WINCH	1
	122487	ELECTRIC WINCH HARNESS SH1000 NLGR	1
NS	120927	SCHEMATIC SH1000 ELECTRIC WINCH NLGR	1

## 3.6 - Electric Winch Tower Switch and Breaker II



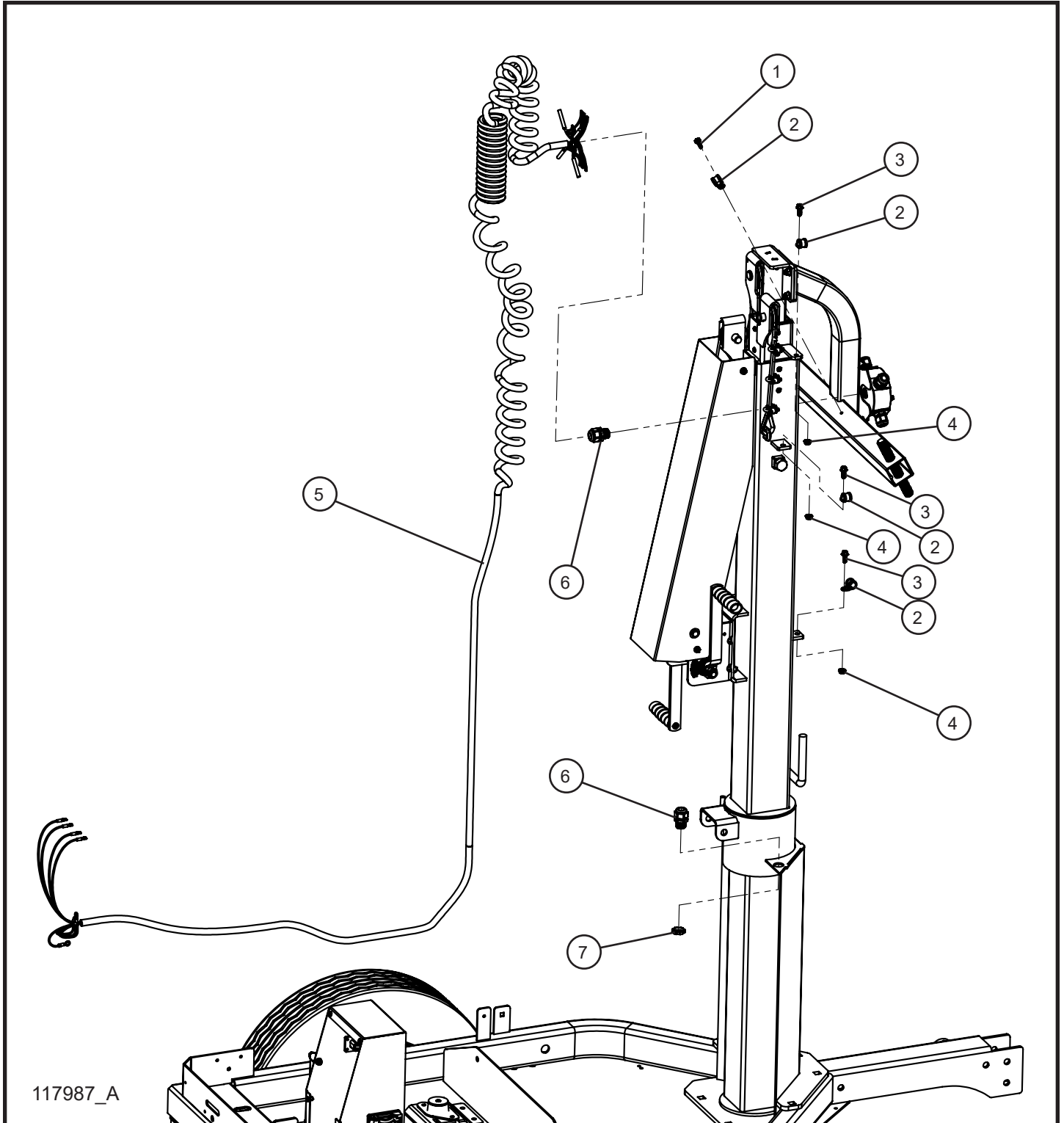
# NIGHT-LITE™ GR-SERIES

SN 47-003279 and UP

## 3.6 - Electric Winch Tower Switch and Breaker II

Item	Part No.	Part Description	Qty.
1	113542	ROCKER SWITCH DPDT ON-OFF-ON	1
2	056022	#10-24 X 1/2 SERRATED FLANGE HEX SCREW	2
3	102698	RED BOOT CIRCUIT BREAKER	1
4	122982	50 AMP SHORTSTOP BREAKER WITH MOUNTING BRACKET	1
5	057010	#10-24 HEX NYLOCK FLANGE NUT	2
NS	120922	ELECTRIC WINCH UNIVERSAL SUB-ASSEMBLY NLGR	1
	116699	SH 1000 ELECTRIC WINCH	1
	122487	ELECTRIC WINCH HARNESS SH1000 NLGR	1
NS	120927	SCHEMATIC SH1000 ELECTRIC WINCH NLGR	1

## 3.7 - Teledyne Tower Cord



117987\_A

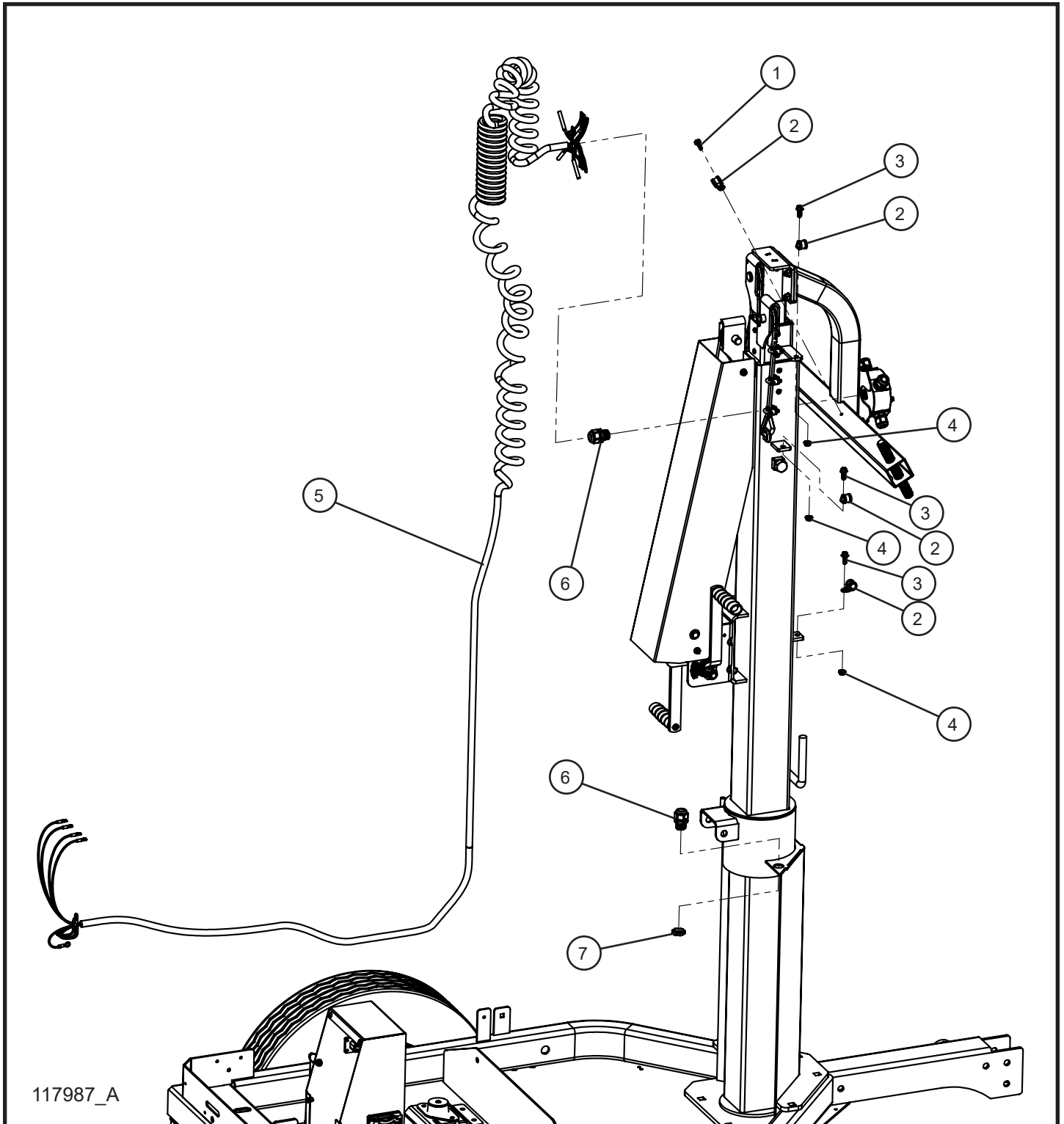
# NIGHT-LITE™ GR-SERIES

SN 47-000001 and UP

## 3.7 - Teledyne Tower Cord

Item	Part No.	Part Description	Qty.
1	041070	1/4-20 x 3/4 SLOTTED HEX WASHER HEAD MACHINE SCREW	1
2	022022	#8 CUSH CLAMP 1/4 HOLE	4
3	056002	1/4-20 x 3/4 HEX SERRATED FLANGE SCREW	3
4	057000	1/4-20 HEX SERRATED FLANGE NUT	3
5	117988	TOWER CORD ASSEMBLY NL GR-SERIES AIR-COOLED	1
6	114886	CORD GRIP 1/2" NYLON BLACK	3
7	022035	1/2 CORD GRIP NUT	2
NS	102624	2 TERMINAL PORT LEVER LOCK	4
NS	102622	5 TERMINAL PORT LEVER LOCK	2
NS	120531	SCHEMATIC 16/8 TOWER CORD NLGR LIQUID-COOLED	1
NS	118136	16 AWG GROUND GREEN WIRE x 3.00	1

## 3.8 - Philatron Tower Cord



117987\_A

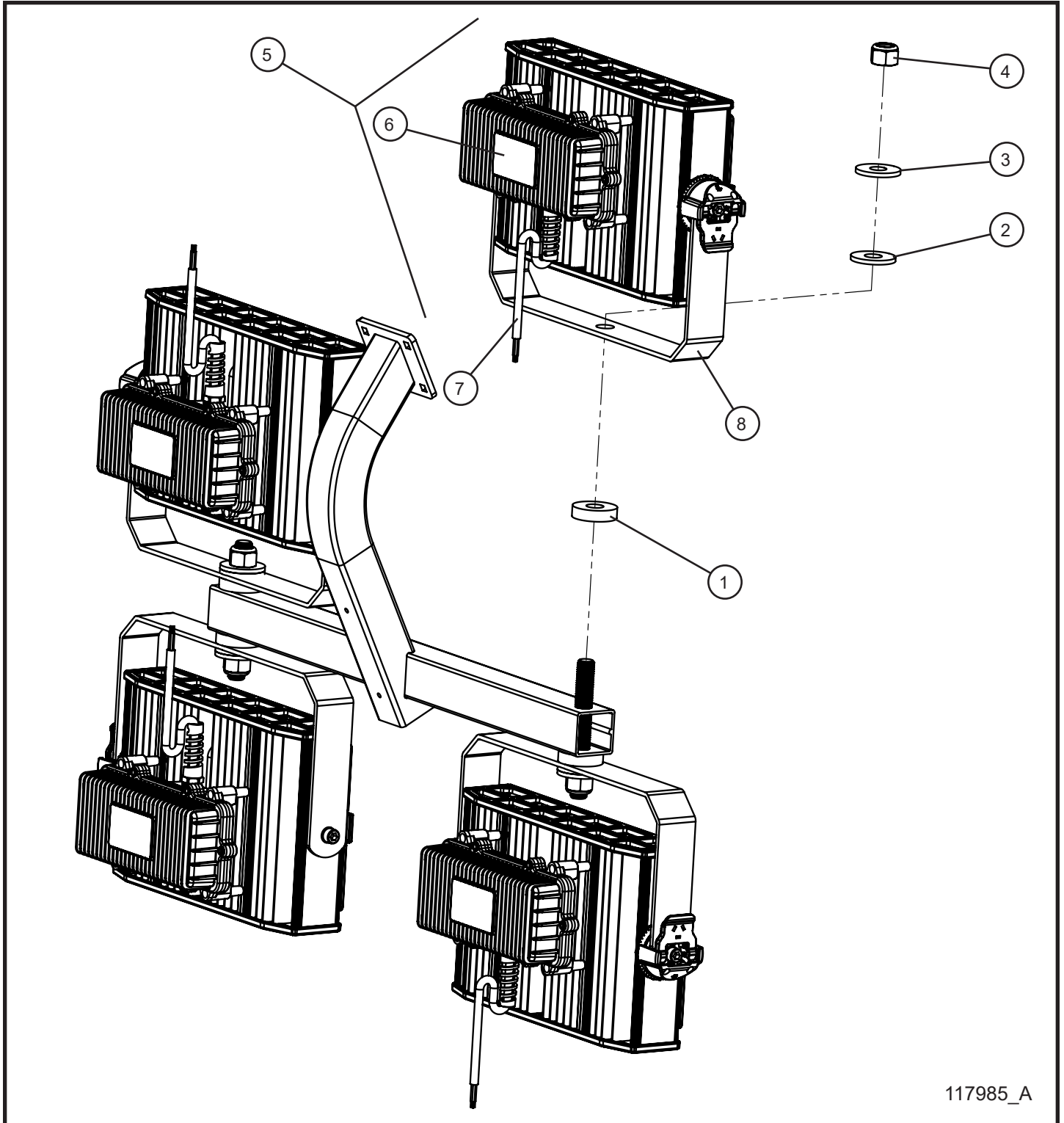
# NIGHT-LITE™ GR-SERIES

SN 47-000001 and UP

## 3.8 - Philatron Tower Cord

Item	Part No.	Part Description	Qty.
1	041070	1/4-20 x 3/4 SLOTTED HEX WASHER HEAD MACHINE SCREW	1
2	022016	#6 CUSH CLAMP	4
3	056002	1/4-20 x 3/4 HEX SERRATED FLANGE SCREW	3
4	057000	1/4-20 HEX SERRATED FLANGE NUT	3
5	124522	TOWER CORD ASSEMBLY NL GR-SERIES AIR-COOLED	1
6	114886	CORD GRIP 1/2" NYLON BLACK	3
7	022035	1/2 CORD GRIP NUT	2
NS	102624	2 TERMINAL PORT LEVER LOCK	4
NS	102622	5 TERMINAL PORT LEVER LOCK	2
NS	120531	SCHEMATIC 16/8 TOWER CORD NLGR LIQUID-COOLED	1
NS	118136	16 AWG GROUND GREEN WIRE x 3.00	1

## 3.9 - 350W LED Lighting



117985\_A



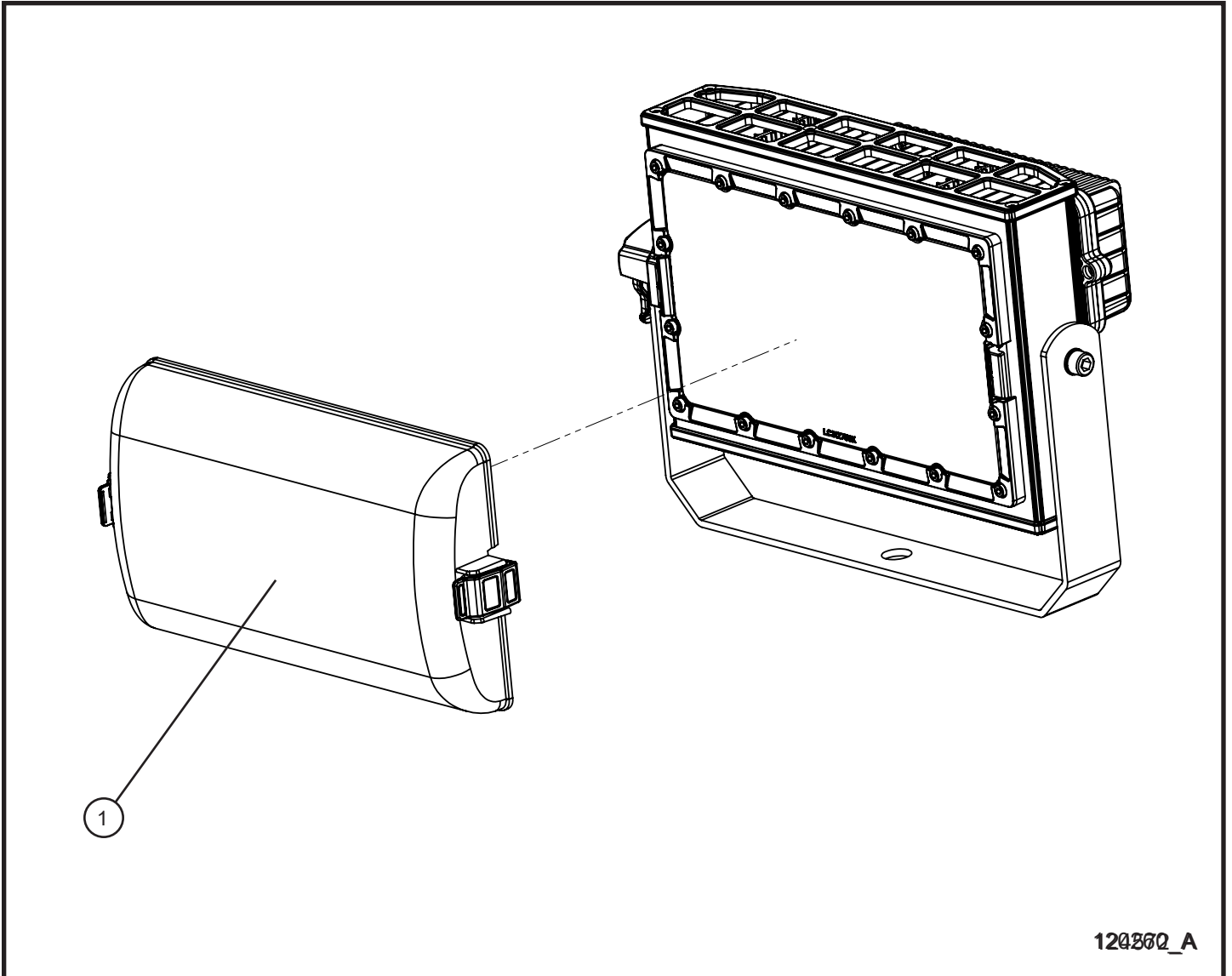
# NIGHT-LITE™ GR-SERIES

SN 47-000001 and UP

## 3.9 - 350W LED Lighting

Item	Part No.	Part Description	Qty.
1	101813	.781 ID x 2 OD x 1/2 HDPE WASHER	4
2	650550	.785" x 2" HDPE WASHER	4
3	047035	3/4 FLAT WASHER	4
4	044058	3/4-10 NYLOCK HEX NUT PL	4
5	123200	LIGHT LED SMD KUM1S-350 350W COMPLETE	4
6	123198	DRIVER KUM1S-350 SMD LED 350W	1
7	122483	AC POWER CORD KUH2S-250/350 & KUM1S-250/350	1
8	123197	KUM1S-350 YOKE AND HARDWARE KIT	1

## 3.10 - 350W LED Light Diffuser



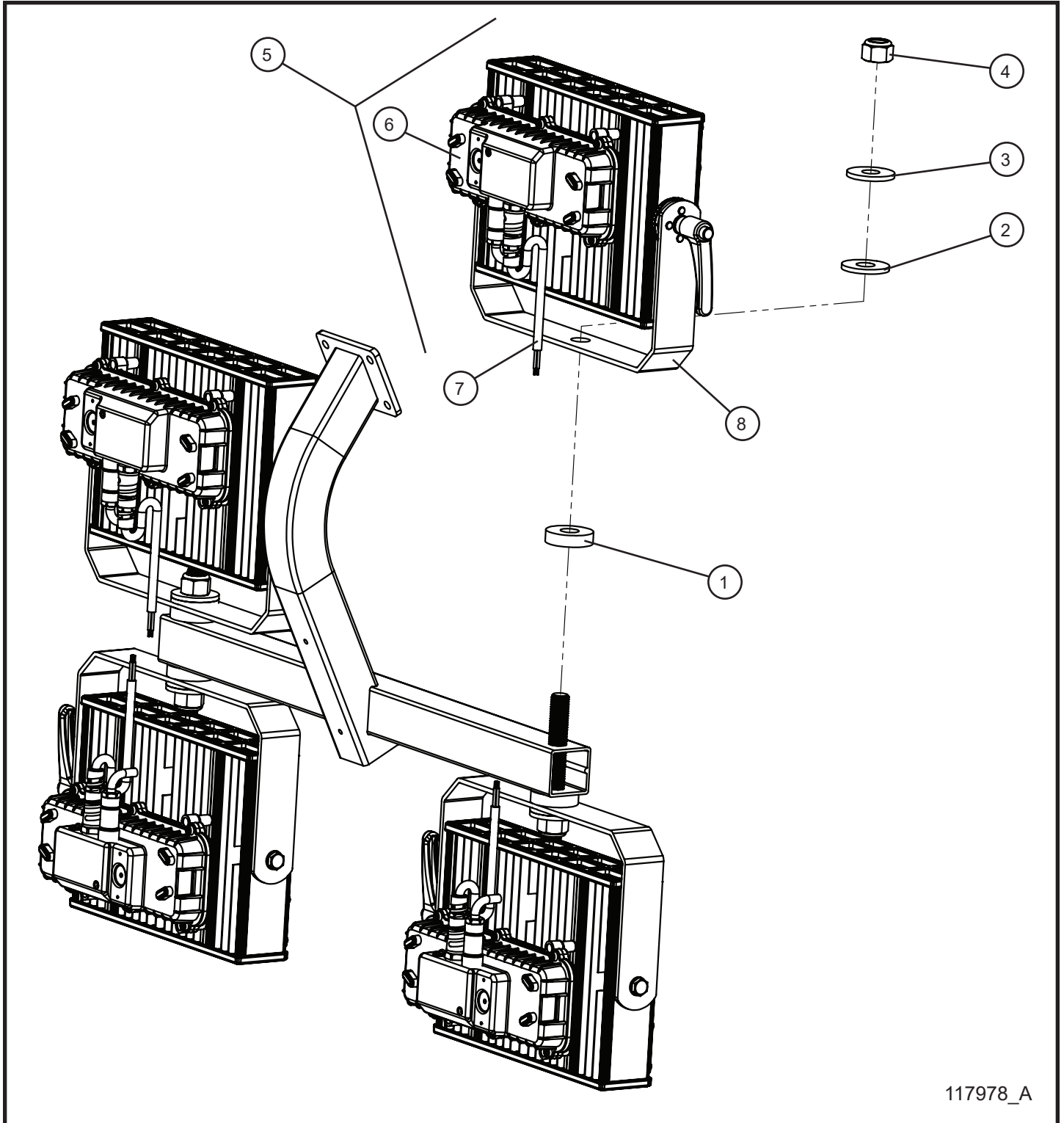
# NIGHT-LITE™ GR-SERIES

SN 47-000001 and UP

## 3.10 - 350W LED Light Diffuser

Item	Part No.	Part Description	Qty.
1	123199	DIFFUSER LED LIGHT KUM1S-350	1

## 3.11 - 250W LED Lighting



117978\_A

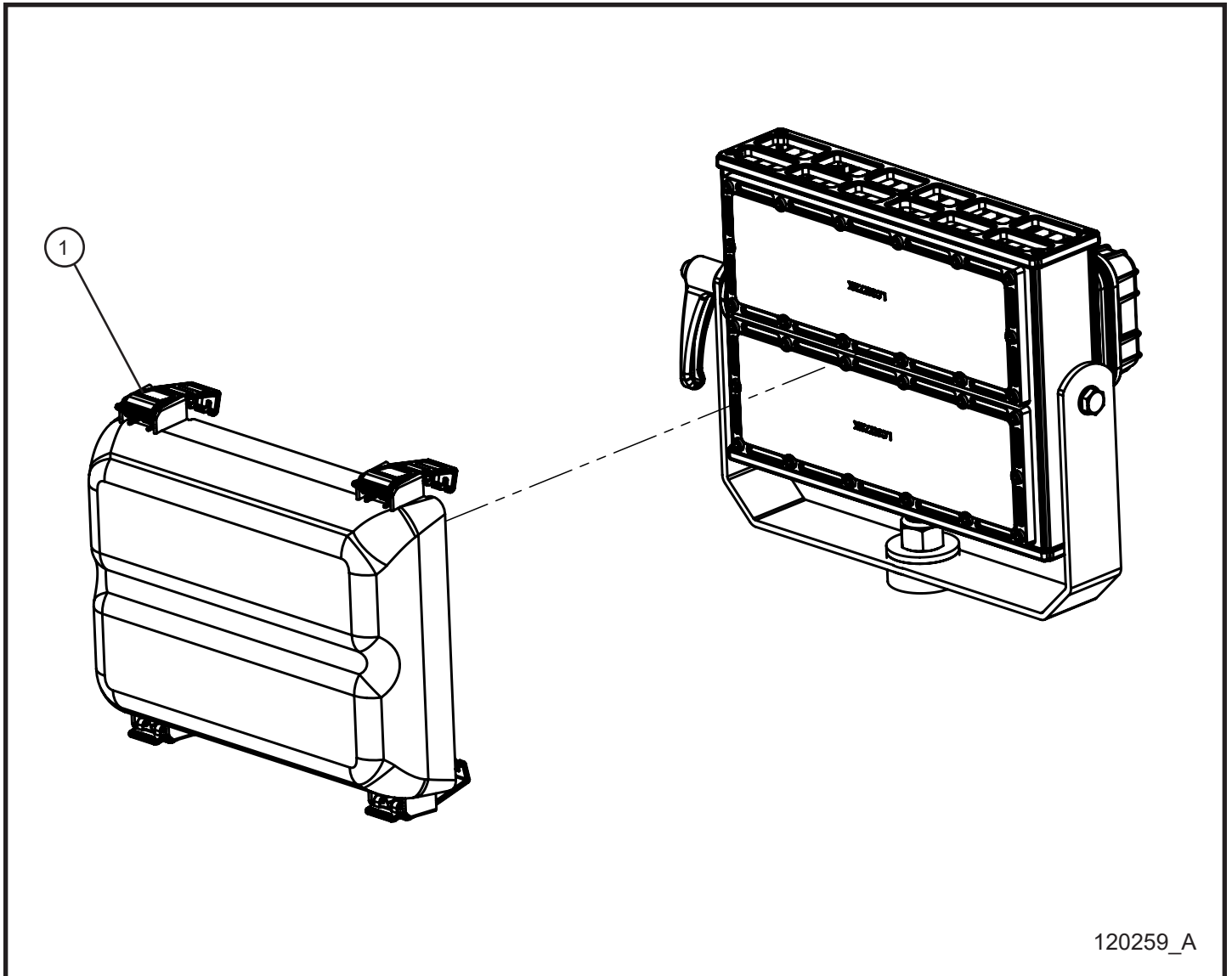
# NIGHT-LITE™ GR-SERIES

SN 47-000001 and UP

## 3.11 - 250W LED Lighting

Item	Part No.	Part Description	Qty.
1	101813	.781 ID x 2 OD x 1/2 HDPE WASHER	4
2	650550	.785" x 2" HDPE WASHER	4
3	047035	3/4 FLAT WASHER	4
4	044058	3/4-10 NYLOCK HEX NUT PL	4
5	116980	LIGHT LED SMD 250W	4
6	122481	DRIVER KUH2S 350 SMD LED 250W	1
7	122483	AC POWER CORD KUH2S-250 AND KUH2S-350	1
8	122484	KUH2S-250 YOKE AND HARDWARE KIT	1

## 3.12 - 250W LED Light Diffuser



# NIGHT-LITE™ GR-SERIES

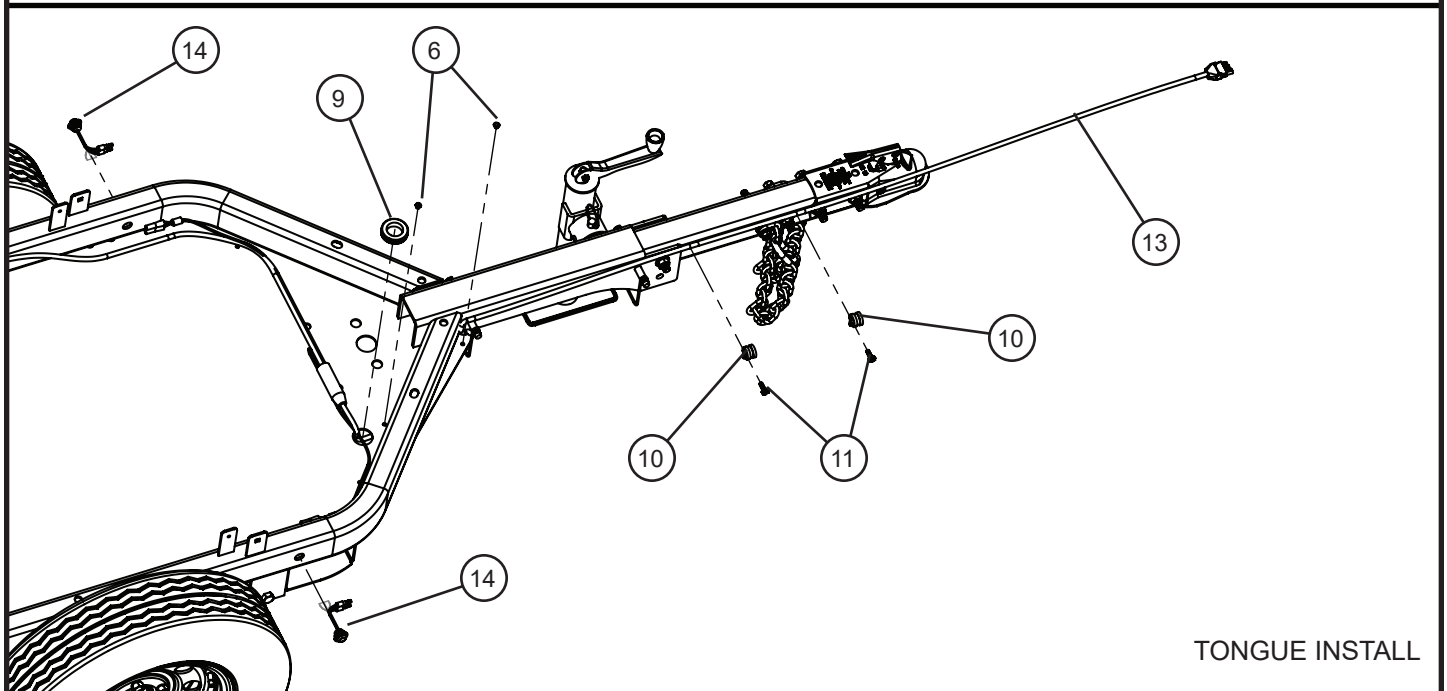
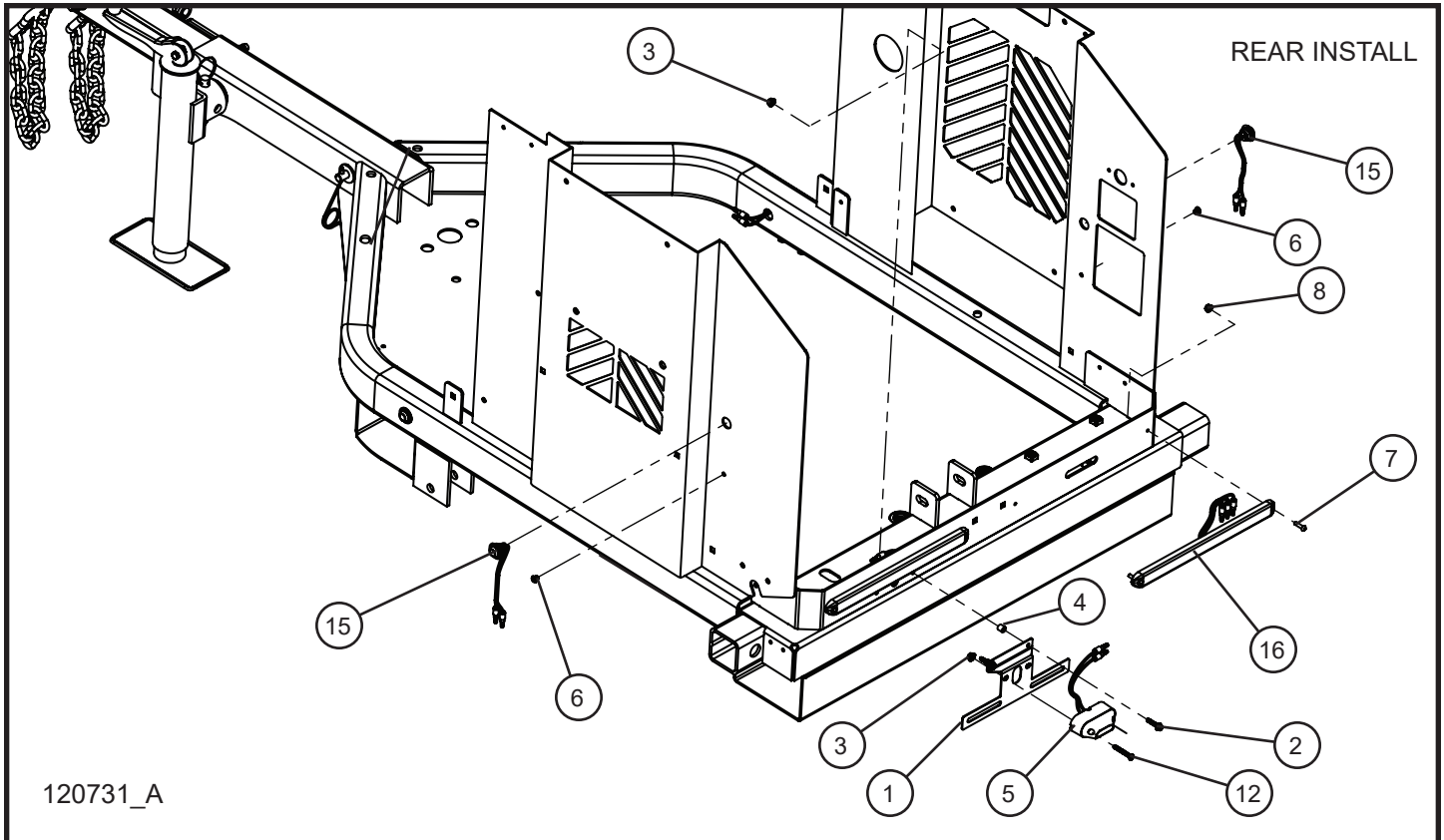
SN 47-000001 and UP

## 3.12 - 250W LED Light Diffuser

Item	Part No.	Part Description	Qty.
1	118418	DIFFUSER COVER LIGHT LED SMD 250W	1

\*NS - NOT SHOWN

## 3.13 - Trailer Lighting





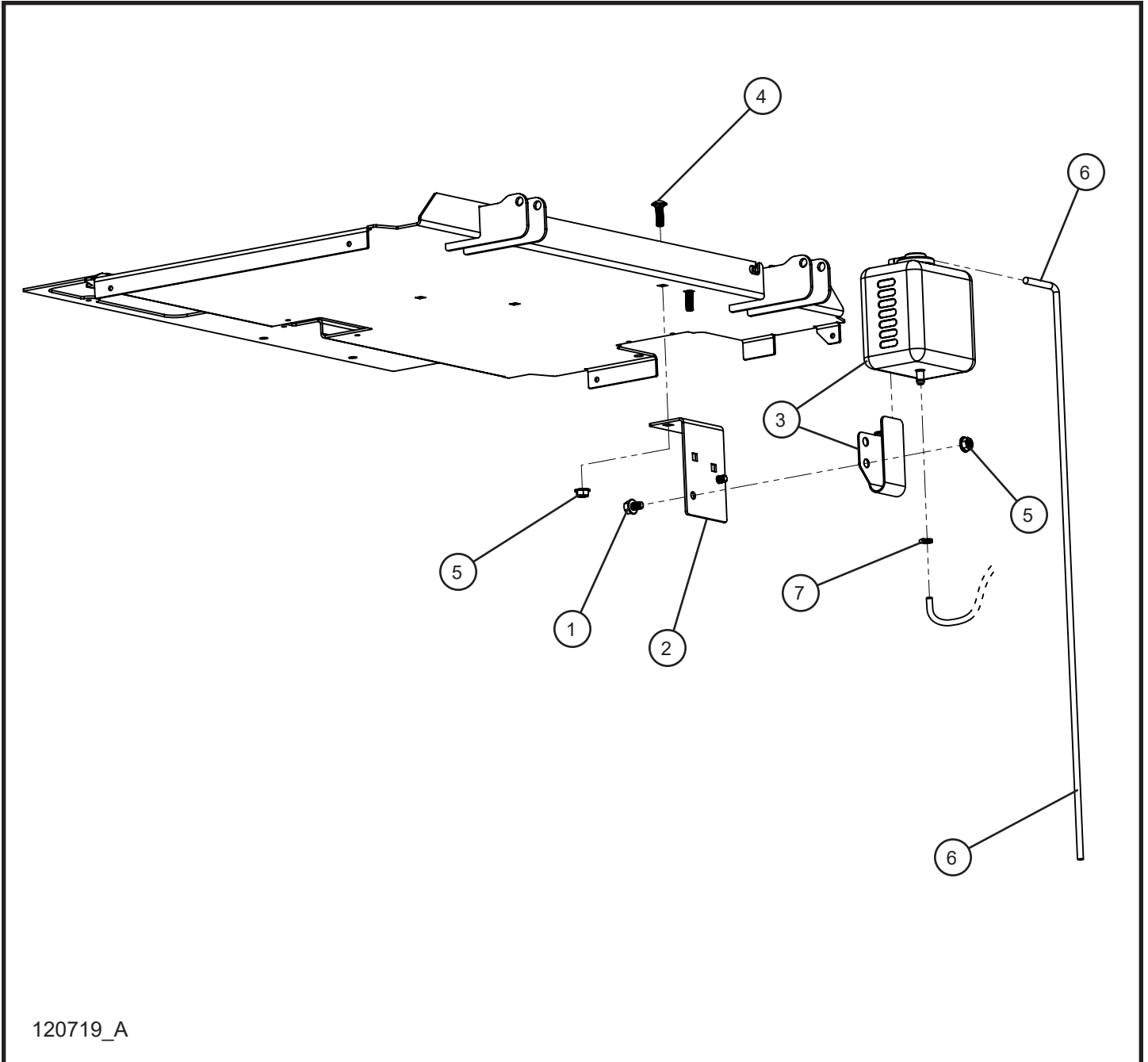
# NIGHT-LITE™ GR-SERIES

SN 47-000001 and UP

## 3.13 - Trailer Lighting

Item	Part No.	Part Description	Qty.
1	105349P	BRACKET LICENSE PLATE LED LIGHT	1
2	056034	#10-24 x 1 SERRATED FLANGE HEX SCREW	2
3	057004	#10-24 SERRATED FLANGE HEX LOCKNUT	4
4	022180	SPACER RICOHO	2
5	115116	LICENSE PLATE LIGHT LED	1
6	022137	PUSH BUTTON	4
7	041203	#8-32 x 3/4 SCREW	4
8	057003	#8-32 SERRATED FLANGE HEX LOCKNUT	4
9	650542	1 1/4 ID x 1 1/2 OD GROMMET	1
10	022014	#10 CUSHION CLAMP	2
11	041070	1/4 x 3/4 SL-HEX WASHER HEAD	4
12	041040	#10-24 x 1 1/2 PH-ROUND HEAD	2
13	118583	TAIL LIGHT HARNESS NL GR-SERIES LIQUID-COOLED	1
14	106212	MARKER LIGHT AMBER BULLET LED	2
15	106211	MARKER LIGHT RED BULLET LED	2
16	118090	TAIL LIGHT THIN LINE SURFACE MOUNT	2
NS	114884	REFLECTOR DECAL AMBER 2.75 x 1.75	2
NS	114885	REFLECTOR DECAL RED 4.3125 x 1.6875	2
NS	120533	SCHEMATIC TAIL LIGHT HARNESS NLGR LIQUID-COOLED	1

## 4.1 - Coolant Reservoir Tank



120719\_A

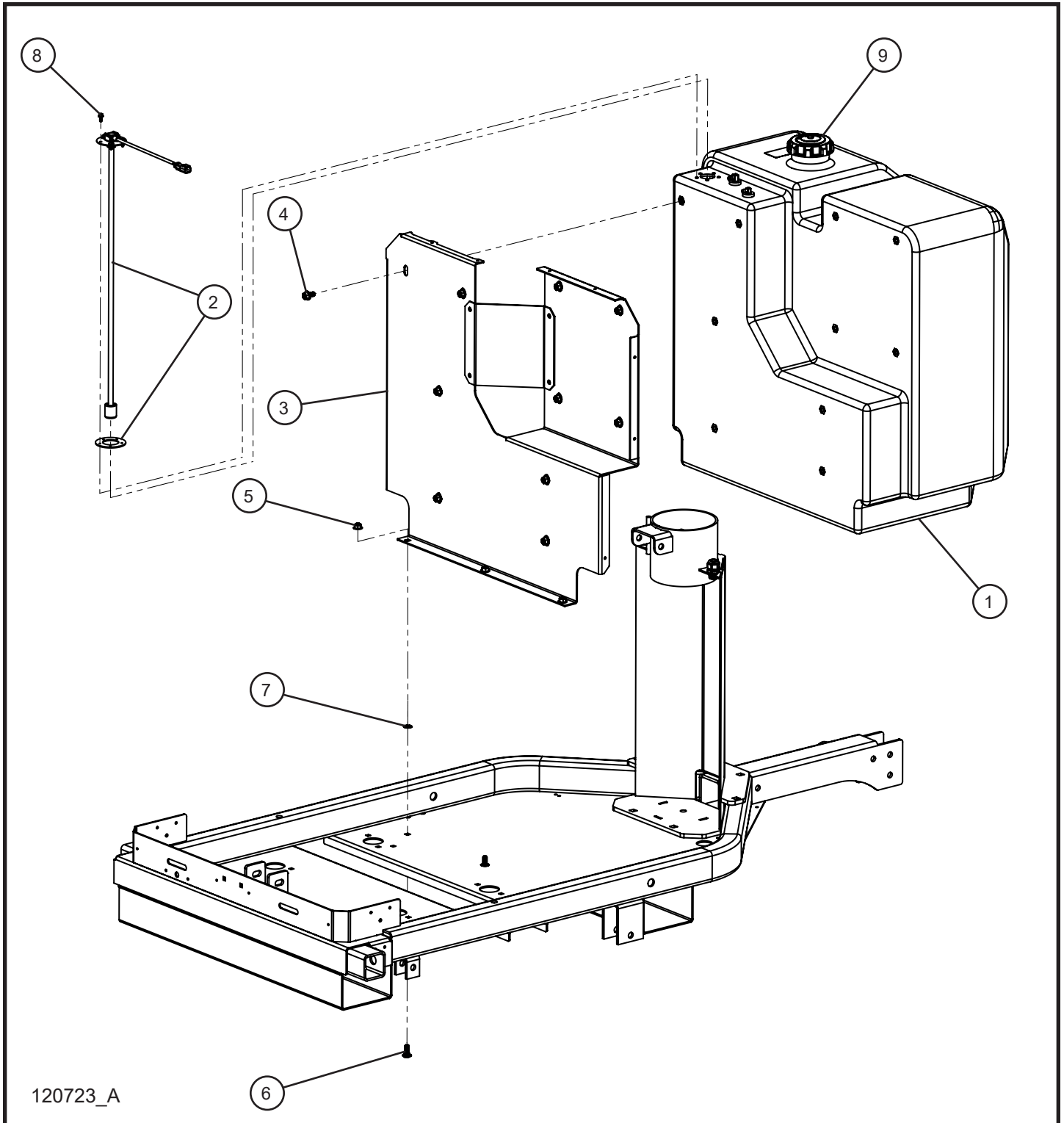
# NIGHT-LITE™ GR-SERIES

SN 47-000001 and UP

## 4.1 - Coolant Reservoir Tank

Item	Part No.	Part Description	Qty.
1	056030	5/16-18 x 1/2 HEX FLANGE SCREW	2
2	120651P	COOLANT RESERVOIR MOUNTING BRACKET	1
3	650027	COOLANT RESERVOIR WITH BRACKET	1
4	053020	5/16-18 x 1 CARRIAGE BOLT	2
5	057006	5/16-18 SERRATED FLANGE NUT	4
6	102268	1/4 x 29.00 COOLANT HOSE	1
7	433400	#4 HOSE CLAMP	1

## 4.2 - Fuel Tank



120723\_A

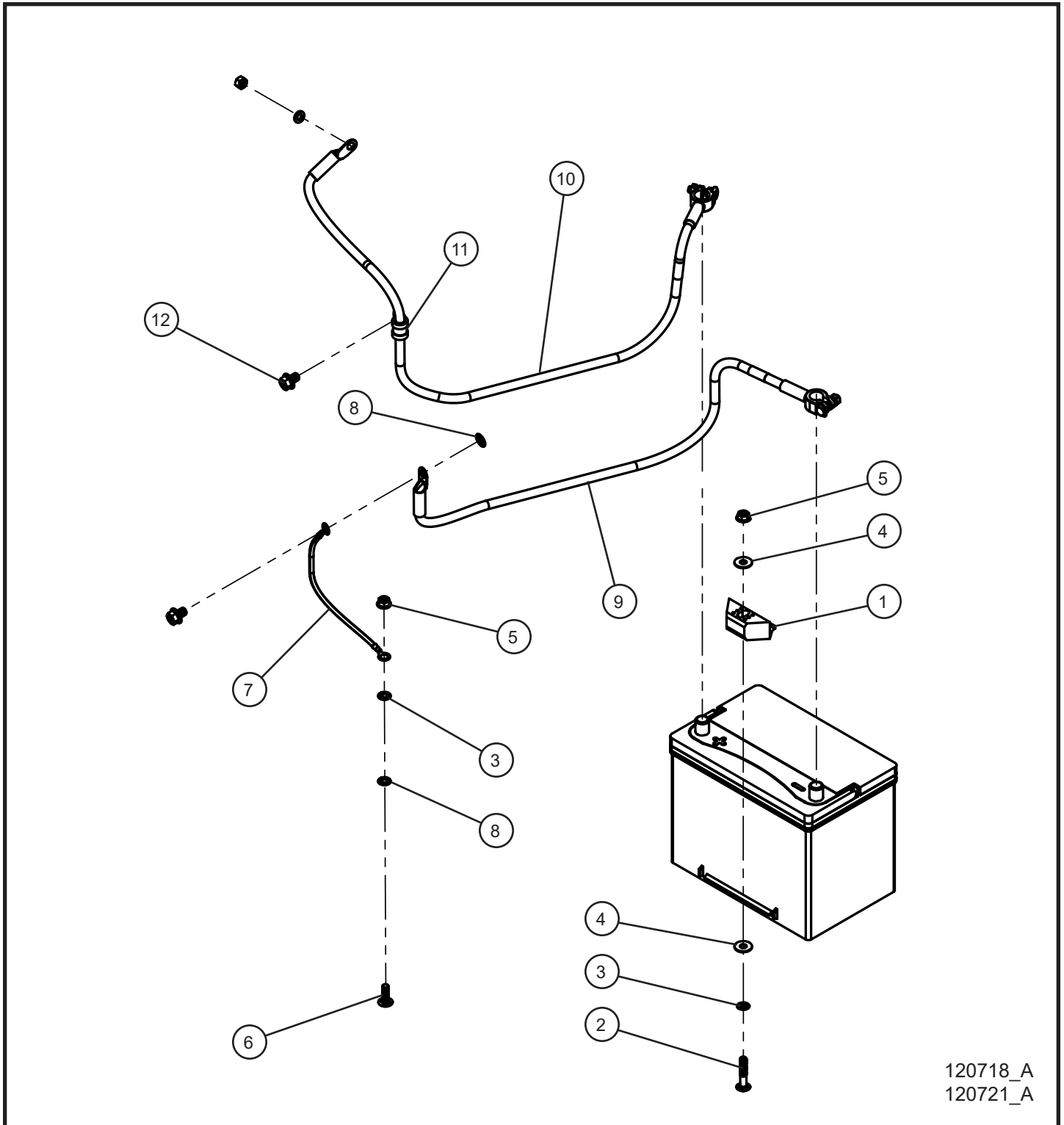
# NIGHT-LITE™ GR-SERIES

SN 47-000001 and UP

## 4.2 - Fuel Tank

Item	Part No.	Part Description	Qty.
1	118673	FUEL TANK ASSEMBLY NLGR LIQUID-COOLED	1
2	118151	27 INCH VERTICAL FUEL LEVEL SENDER	1
3	120473P	BULKHEAD FUEL TANK NLGR LC 6kW	1
4	056009	3/8-16 X 3/4 SERRATED FLANGE HEX SCREW	10
5	057007	3/8-16 HEX NYLOCK FLANGE NUT	3
6	053032	3/8-16 X 1 CARRIAGE BOLT	3
7	045218	3/8 PUSH NUT	3
8	056022	#10-24 x 1/2 SERRATED FLANGE HEX SCREW	5
9	116136	FUEL CAP	1
NS	110090	HARNESS SENDER FUEL LEVEL	1
NS	081018	HOSE 5/16 SAE 30R7 X 52.0 (SUPPLY LINE)	1
NS	081016	HOSE 1/4 SAE 30R7 X 40.0 (RETURN LINE)	1
NS	043070	3/8 INTL TOOTH LOCK WASHER PL	1
NS	056021	3/8-16 X 5/8 HEX FLANGE SCREW	1
NS	433400	#4 HOSE CLAMP	4

## 4.3 - Battery Group



120718\_A  
120721\_A

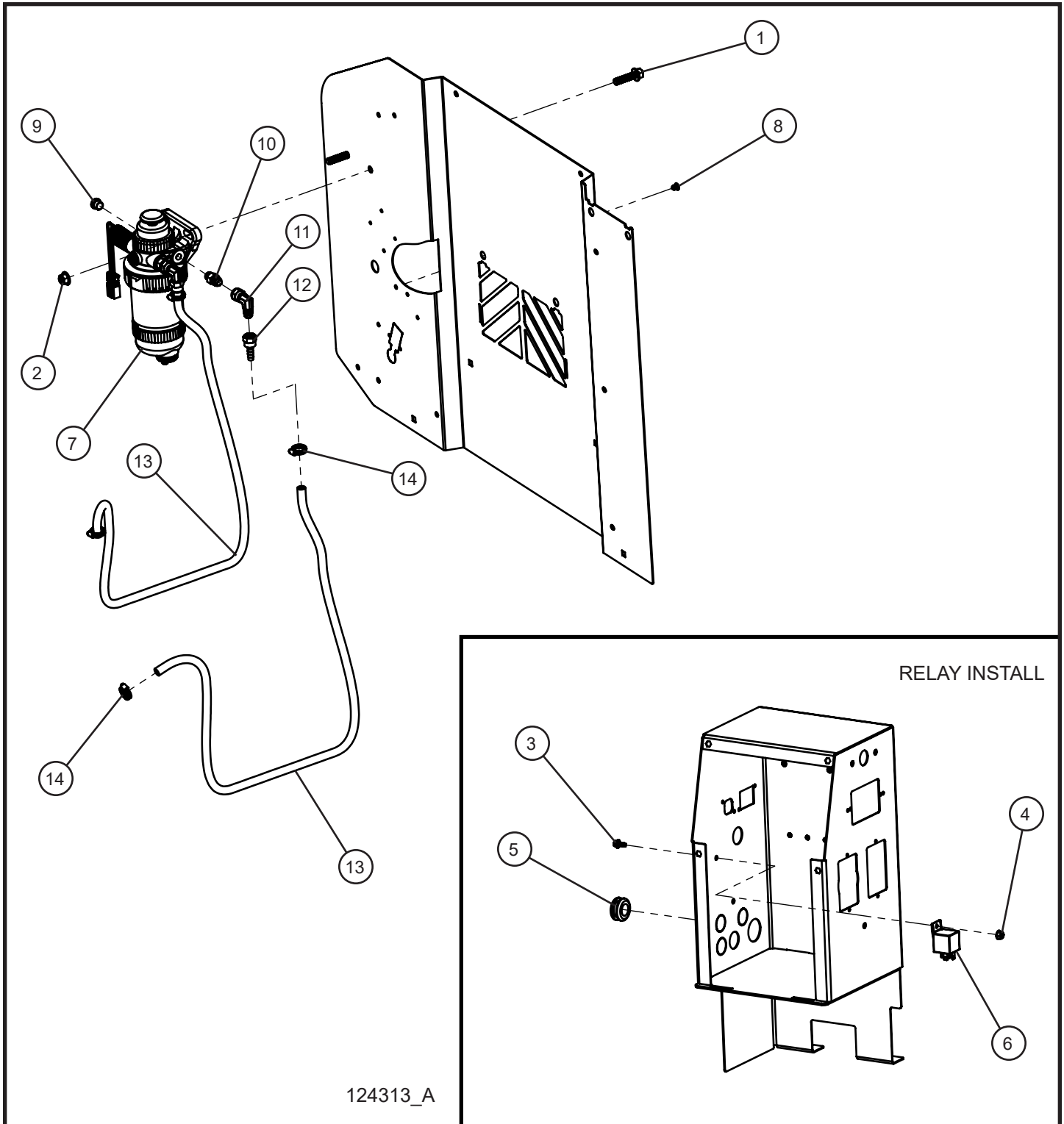
# NIGHT-LITE™ GR-SERIES

SN 47-000001 and UP

## 4.3 - Battery Group

Item	Part No.	Part Description	Qty.
1	107115	BATTERY HOLD DOWN	1
2	053024	5//16-18 x 1 3/4 CARRIAGE BOLT	1
3	045217	5/16 PUSH NUT	2
4	047010	5/16 FLAT WASHER	2
5	057008	5/16-18 HEX NYLOCK FLANGE NUT	2
6	053020	5/16-18 X 1 CARRIAGE BOLT	1
7	114800	10 AWG GROUND WIRE	1
8	043070	3/8 INTL TOOTHLOCK WASHER	1
9	027015	BATTERY CABLE NEGATIVE BLACK 2AWG x 27.00 .375 EYE	1
10	113656	BATTERY CABLE POSITIVE RED 2AWG x 42.00 .375 EYE	1
11	022018	#8 CUSH CLAMP	1
12	056021	3/8-16 x 5/8 HEX FLANGE SCREW	1

## 4.4 - Heated Fuel Water Separator



124313\_A



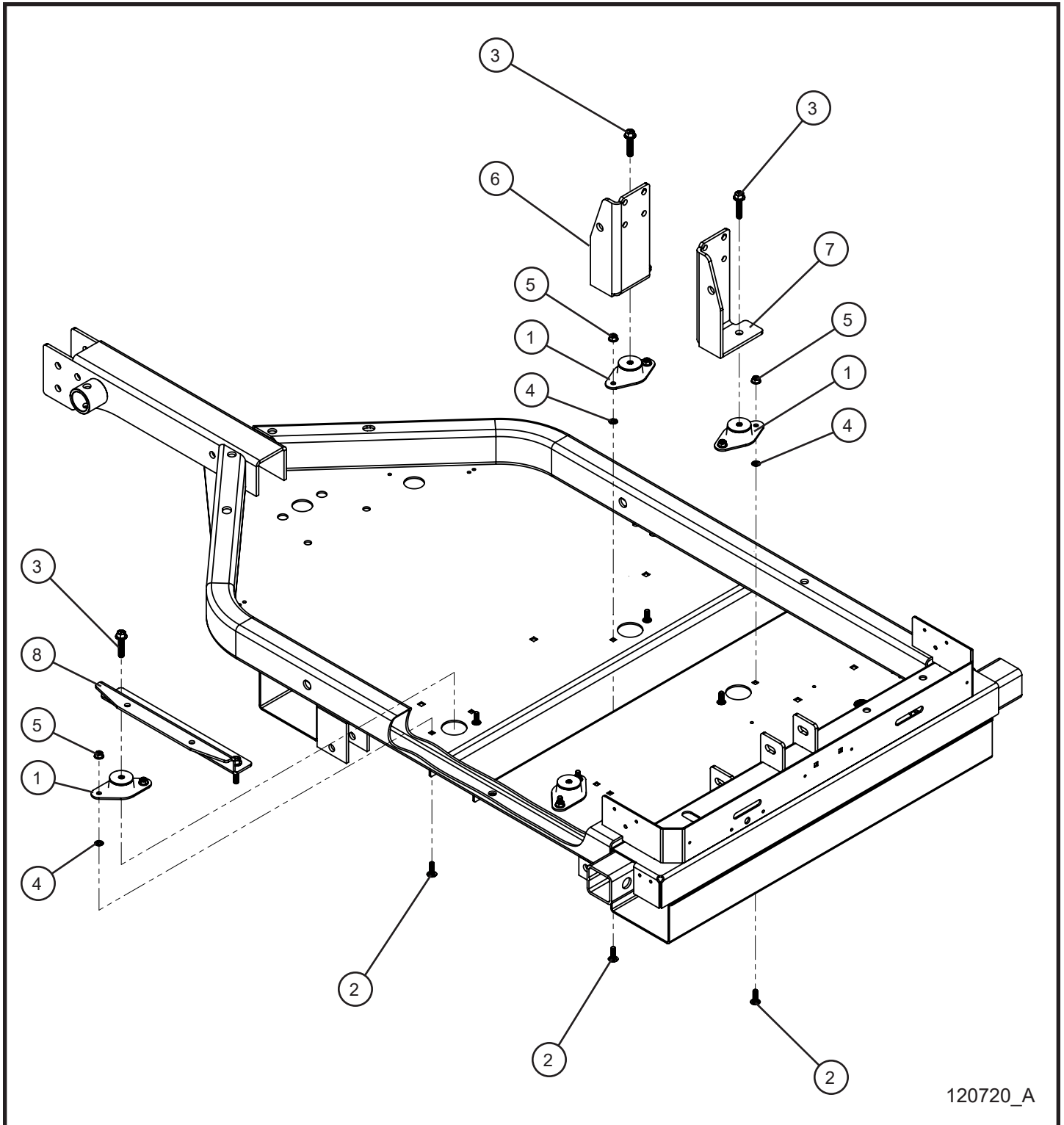
# NIGHT-LITE™ GR-SERIES

SN 47-000001 and UP

## 4.4 - Heated Fuel Water Separator

Item	Part No.	Part Description	Qty.
1	056015	3/8-16 X 1 1/2 HEX FLANGE SCREW	2
2	057007	3/8-16 HEX NYLOCK FLANGE NUT	2
3	056022	#10-24 X 1/2 SERRATED FLANGE HEX SCREW	1
4	057010	#10-24 HEX NYLOC FLANGE NUT	1
5	330463	11/16 RUBBER GROMMET	1
6	104254	RELAY 12V 40AMP	1
7	118676	HEATER PREFILTER ASSY STANADYNE	1
	118686	REPLACEMENT FILTER ELEMENT	1
	100613	HEATING ELEMENT	1
8	022137	PUSH BUTTON ZIP TIE MOUNT	1
9	101267	PLUG HEX 1/2-20	1
10	100655	CONNECTOR STRAIGHT 1/2-20 X -6 JIC	2
11	101263	FITTING 90° SWIVEL -6 JIC	2
12	106030	FITTING HOSE BARB -6 JIC -5/16 BARB	2
13	081018	HOSE 5/16 SAE 30R7 X 40.0	2
14	433400	#4 HOSE CLAMP	4
NS	068090	8" BLACK CABLE TIE	3
NS	123114	HEATED FUEL/WATER SEPARATOR HARNESS NLGR	1
NS	124021	SCHEMATIC HEATED FUEL WATER SEPARATOR NLGR	1

## 4.4 - Engine and Generator Mounting



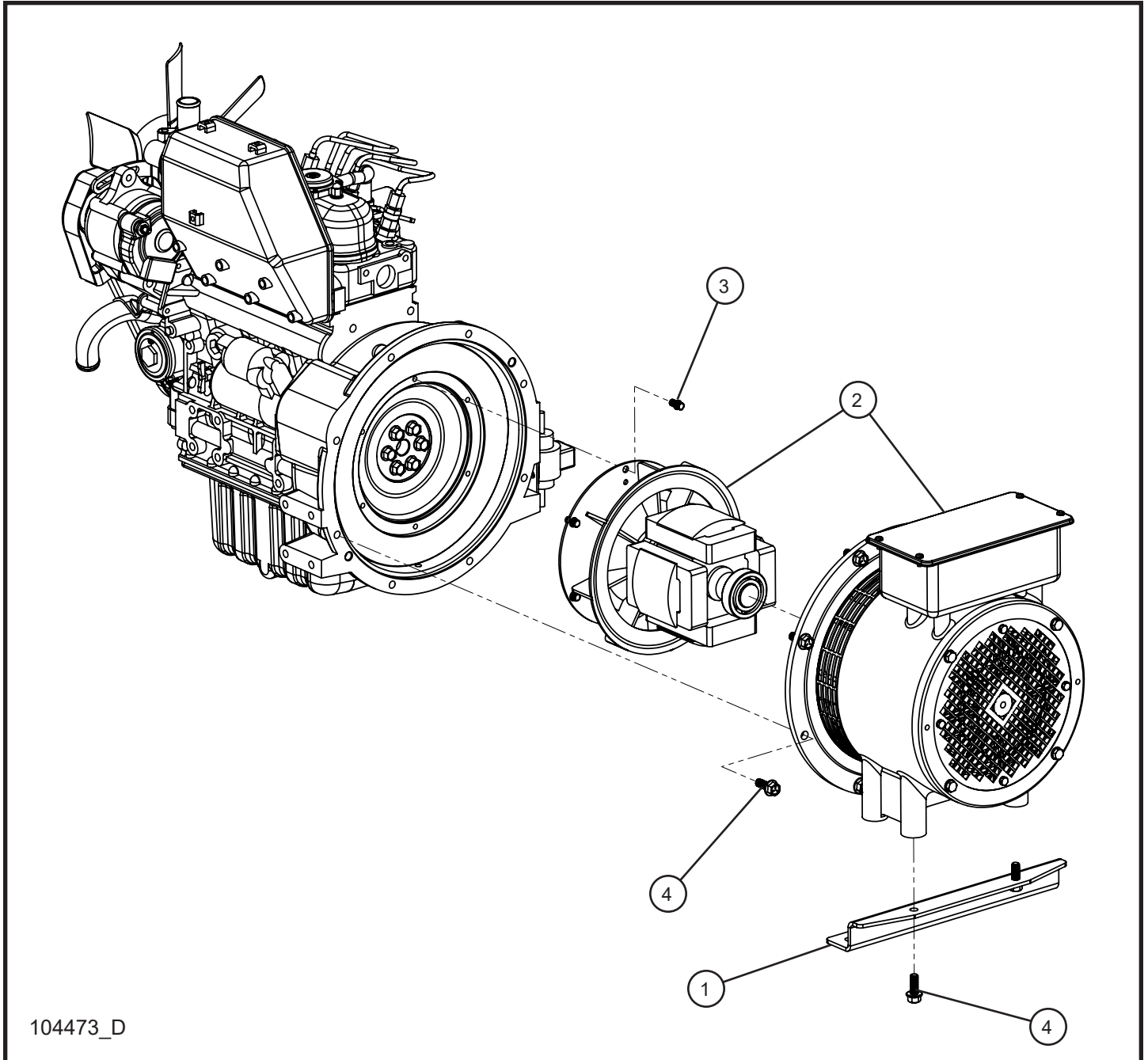
# NIGHT-LITE™ GR-SERIES

SN 47-000001 and UP

## 4.4 - Engine and Generator Mounting

Item	Part No.	Part Description	Qty.
1	107028	LIGHT DUTY ENGINE ISOLATOR MOUNT	4
2	053020	5/16-18 x 1 CARRIAGE BOLT	8
3	056013	3/8-16 x 1.75 SERRATED FLANGE BOLT	4
4	045217	5/16 PUSH NUT	8
5	057008	5/16-18 HEX NYLOCK FLANGE NUT	8
6	103470P	BRACKET ENGINE FOOT RIGHT WELDMENT KUBOTA	1
7	103469P	BRACKET ENGINE FOOT LEFT WELDMENT KUBOTA	1
8	651012P	BRACKET GEN MOUNT MARATHON 201 SERIES	1
NS	108891P	ENGINE BRACKET RIGHT WELDMENT CAT 1.1L	1
NS	108889P	ENGINE BRACKET LEFT WELDMENT CAT 1.1L	1

## 4.5 - Marathon 6kW 60Hz 201 Series Generator



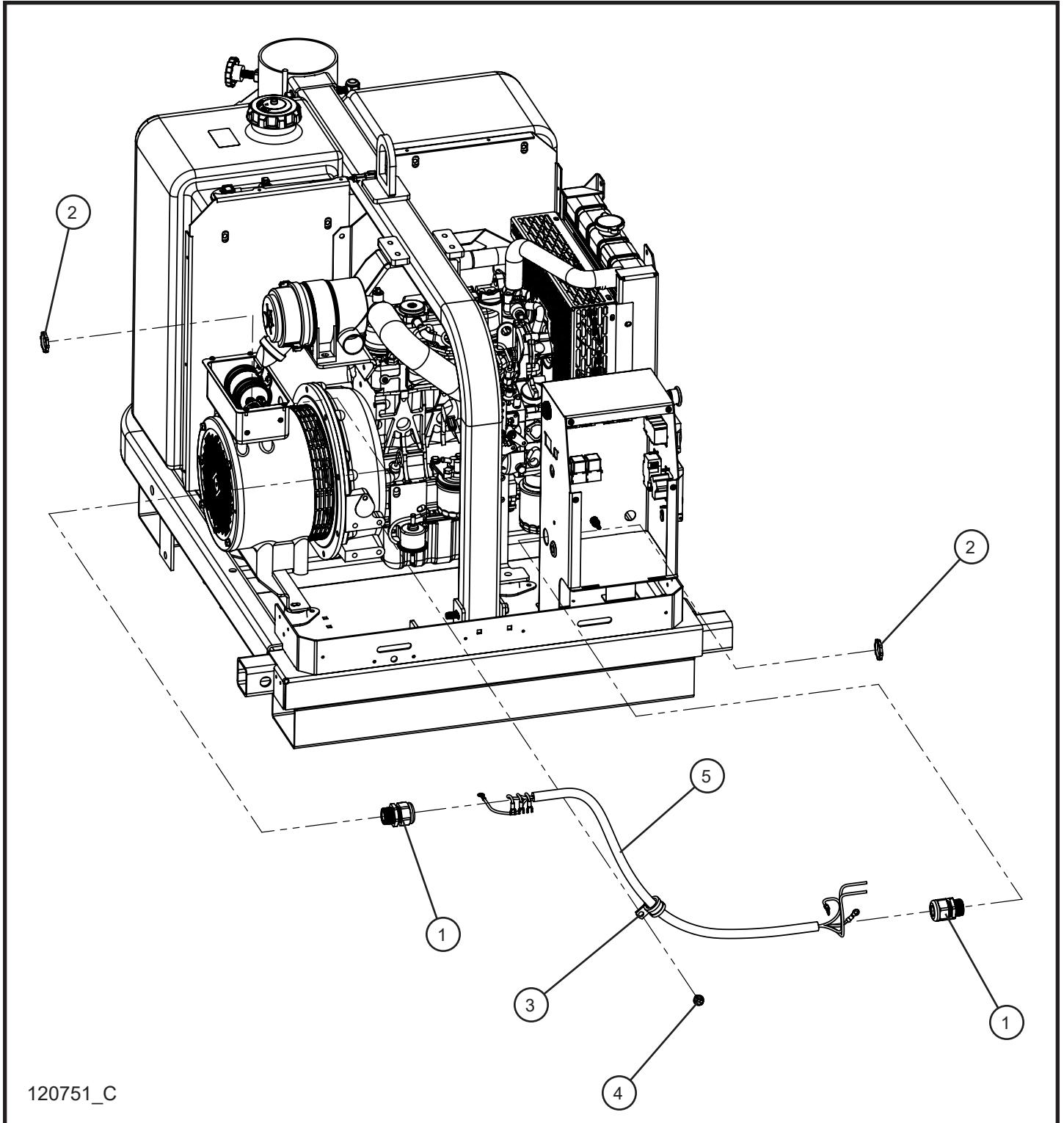
# NIGHT-LITE™ GR-SERIES

SN 47-000001 and UP

## 4.5 - Marathon 6kW 60Hz 201 Series Generator

Item	Part No.	Part Description	Qty.
1	651012P	BRACKET GEN MOUNT MARATHON 201 SERIES	1
2	118339	GENERATOR MARATHON 2/6 kW 45/60 Hz 201 SERIES SAE 5/6.5	1
3	046500	5/16-18 X 1/2 12 PT FLANGE SCREW WITH RED THREAD LOCK	6
4	056037	3/8-16 X 1 HEX FLANGE SCREW WITH BLUE THREAD LOCK	10
NS	123104	CAPACITOR, 30 $\mu$ F, 450V	1

## 4.6 - 10/4 Generator Cord



120751\_C

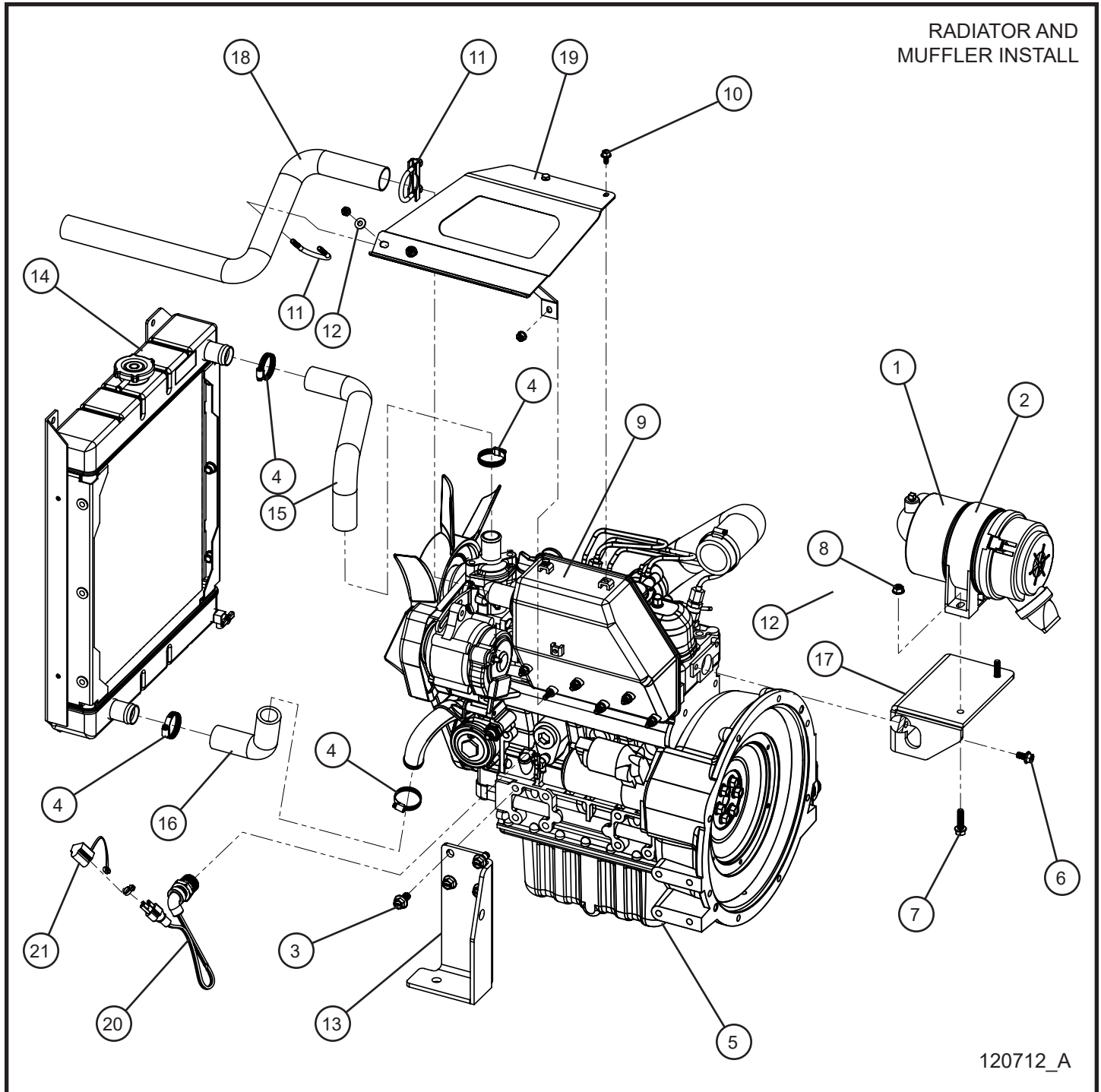
# NIGHT-LITE™ GR-SERIES

SN 47-000001 and UP

## 4.6 - 10/4 Generator Cord

Item	Part No.	Part Description	Qty.
1	118663	1" NYLON CORD GRIP	1
2	022038	1" CORD GRIP NUT	1
3	022083	#16 CUSHION CLAMP	1
4	056021	3/8-16 x 5/8 HEX FLANGE SCREW	1
5	122965	GENERATOR CORD NLGR 8/4	1
NS	120908	WIRE SCHEMATIC GENERATOR CORD NLGR LC 6KW	1

## 5.1 - Kubota D1005 Diesel Engine (1 of 3)





# NIGHT-LITE™ GR-SERIES

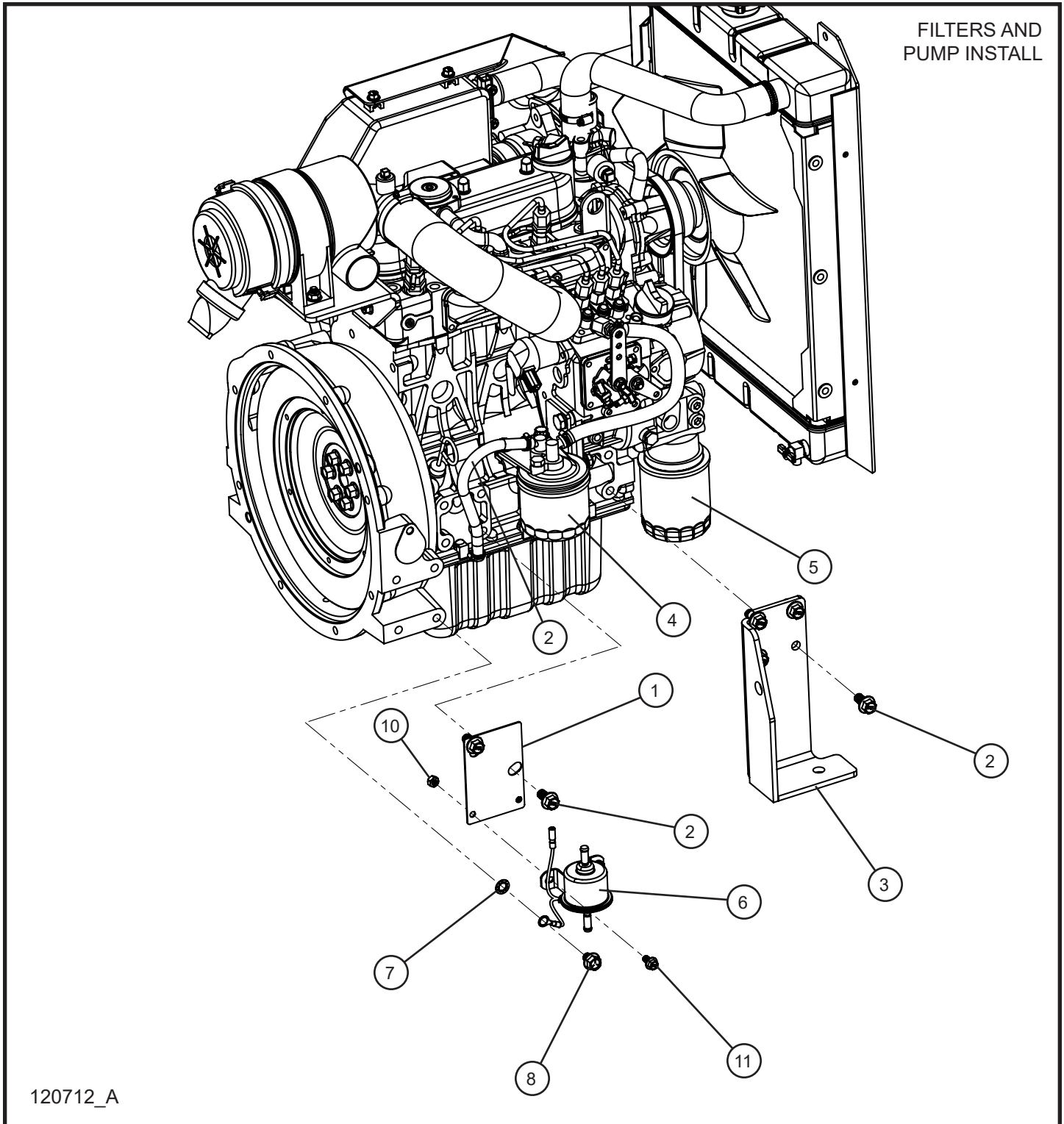
SN 47-000001 and UP

## 5.1 - Kubota D1005 Diesel Engine (1 of 3)

Item	Part No.	Part Description	Qty.
1	650262	AIR CLEANER RADIAL SEAL	1
	650290	AIR FILTER	1
2	650263	MOUNTING BAND AIR CLEANER	1
3	055002	M10 x 20MM x 1.25MM HEX FLANGE SCREW	4
4	045034	#16 HOSE CLAMP	4
5	104479	ENGINE D1005 NRTC/NTE KUBOTA	1
	105397	ENGINE D1105 NRTC/NTE KUBOTA	1
6	055003	M8 x 16MM x 1.25 HEX FLANGE SCREW	2
7	056035	5/16-18 X 1 1/4 HEX FLANGE SCREW	2
8	057008	5/16-18 HEX NYLOCK FLANGE NUT	2
9	352139	BOX MUFFLER	1
10	056003	M6 x 1.0MM x 12MM SERRATED FLANGE HEX BOLT	2
11	713086	1 3/8 MUFFLER CLAMP	2
12	047005	1/4 FLAT WASHER	4
13	103470P	BRACKET ENGINE FOOT RIGHT WELDMENT KUBOTA	1
14	105393	RADIATOR KUBOTA	1
15	107119	RADIATOR HOSE UPPER KUBOTA	1
16	107120	RADIATOR HOSE LOWER KUBOTA	1
17	107356P	MOUNT WELDED AIR FILTER	1
18	114858	TAIL PIPE NLV KUBOTA	1
19	103579P	TAILPIPE MOUNT D1105 NL PRO II	1
20	352373	KUBOTA D1005/D1105 BLOCK HEATER	1
21	105995	END COVER 120V CORD	1
NS	045038	#32 HOSE CLAMP	2
NS	101734	AIR CLEANER HOSE KUBOTA D1005/D1105	1
NS	107347	RADIATOR KIT KUBOTA (INCLUDES PART NUMBERS 105393, 107119, & 107120)	1
NS	105990	NON E-STOP JUMPER ASSEMBLY	1
NS	108043	HARNESS KUBOTA	1
NS	107929	30 AMP CHARGE CIRCUIT FUSE	1
	105872	30A MINI FUSE	1
NS	112774	KUBOTA D1105 CHARGE CIRCUIT FUSE	1
	106309	FUSE JCASE® 40A	1
NS	112776	SCHEMATIC 40 AMP ENGINE HARNESS KUBOTA D1105	1
NS	108044	SCHEMATIC 30 AMP ENGINE HARNESS KUBOTA D1005	1

\*NS - NOT SHOWN

## 5.1 - Kubota D1005 Diesel Engine (2 of 3)



# NIGHT-LITE™ GR-SERIES

SN 47-000001 and UP

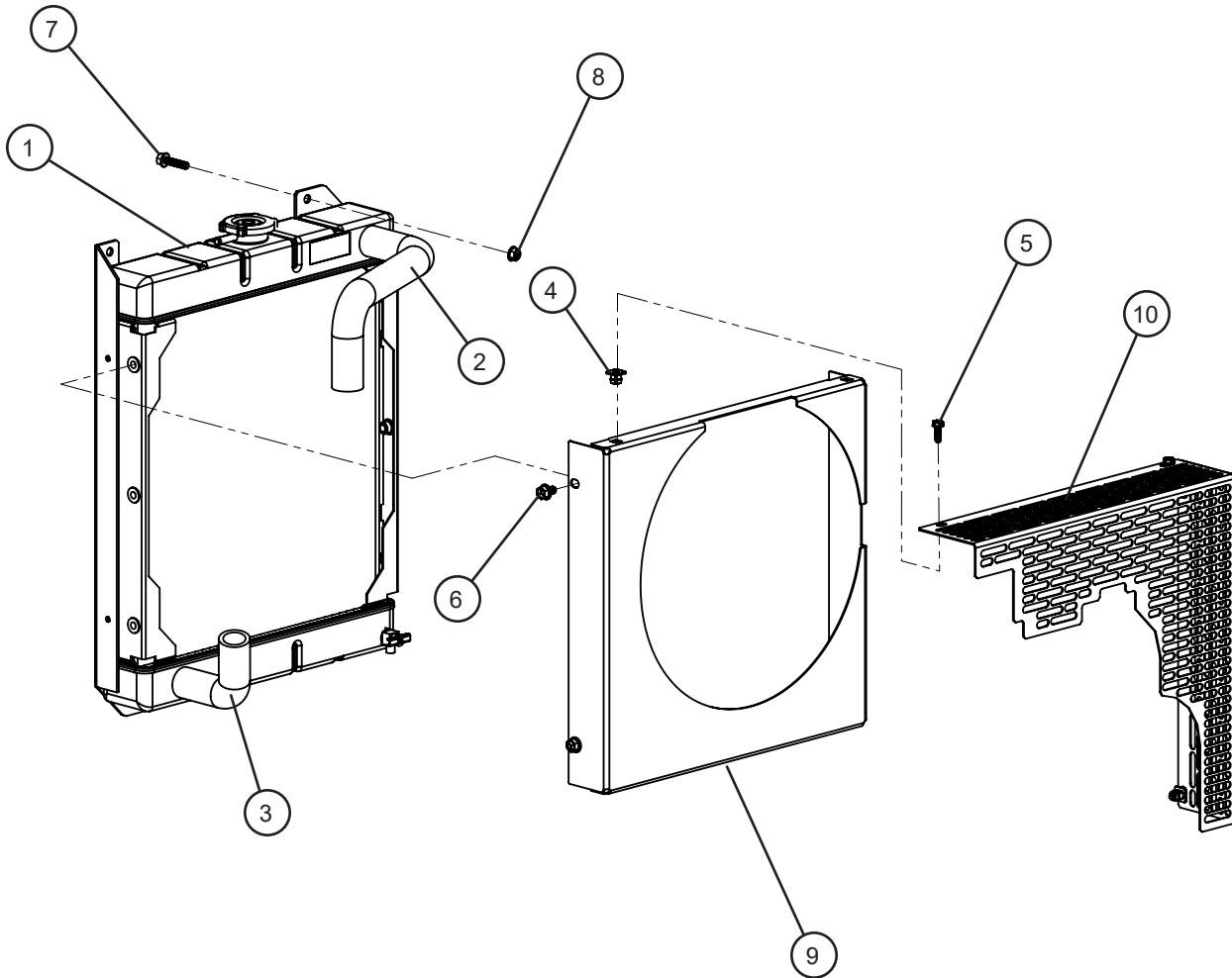
## 5.1 - Kubota D1005 Diesel Engine (2 of 3)

Item	Part No.	Part Description	Qty.
1	120476P	PLATE MOUNT FUEL PUMP KUBOTA & CAT	4
2	055002	M10 x 20MM x 1.25MM HEX FLANGE SCREW	6
3	103469P	BRACKET ENGINE FOOT LEFT WELDMENT KUBOTA	1
4	920745	FUEL FILTER	1
5	920743	OIL FILTER	1
6	103331	FUEL PUMP	1
7	043070	3/8 INTL TOOTH LOCK WASHER	1
8	056021	3/8-16 X 5/8 HEX FLANGE SCREW	1
9	081018	HOSE 5/16 SAE 30R7 X 9.0	1
10	057001	1/4-20 HEX NYLOCK FLANGE NUT	2
11	056019	1/4-20 X 3/4 HEX FLANGE SCREW	2
NS	081018	HOSE 5/16 SAE 30R7 X 52.0 (SUPPLY LINE)	1
NS	081016	HOSE 1/4 SAE 30R7 X 40.0 (RETURN LINE)	1
NS	433400	#4 HOSE CLAMP	6
NS	108962	KUBOTA FILTER KIT (INCLUDES PART NUMBERS 920745, 920743, & 650290)	1
NS	340302	HIGH TEMP SWITCH	1
NS	340301	OIL PRESSURE SWITCH	1
NS	920751	FUEL SHUT OFF SOLENOID	1

\*NS - NOT SHOWN

## 5.1 - Kubota D1005 Diesel Engine (3 of 3)

### RADIATOR INSTALL



120712\_A

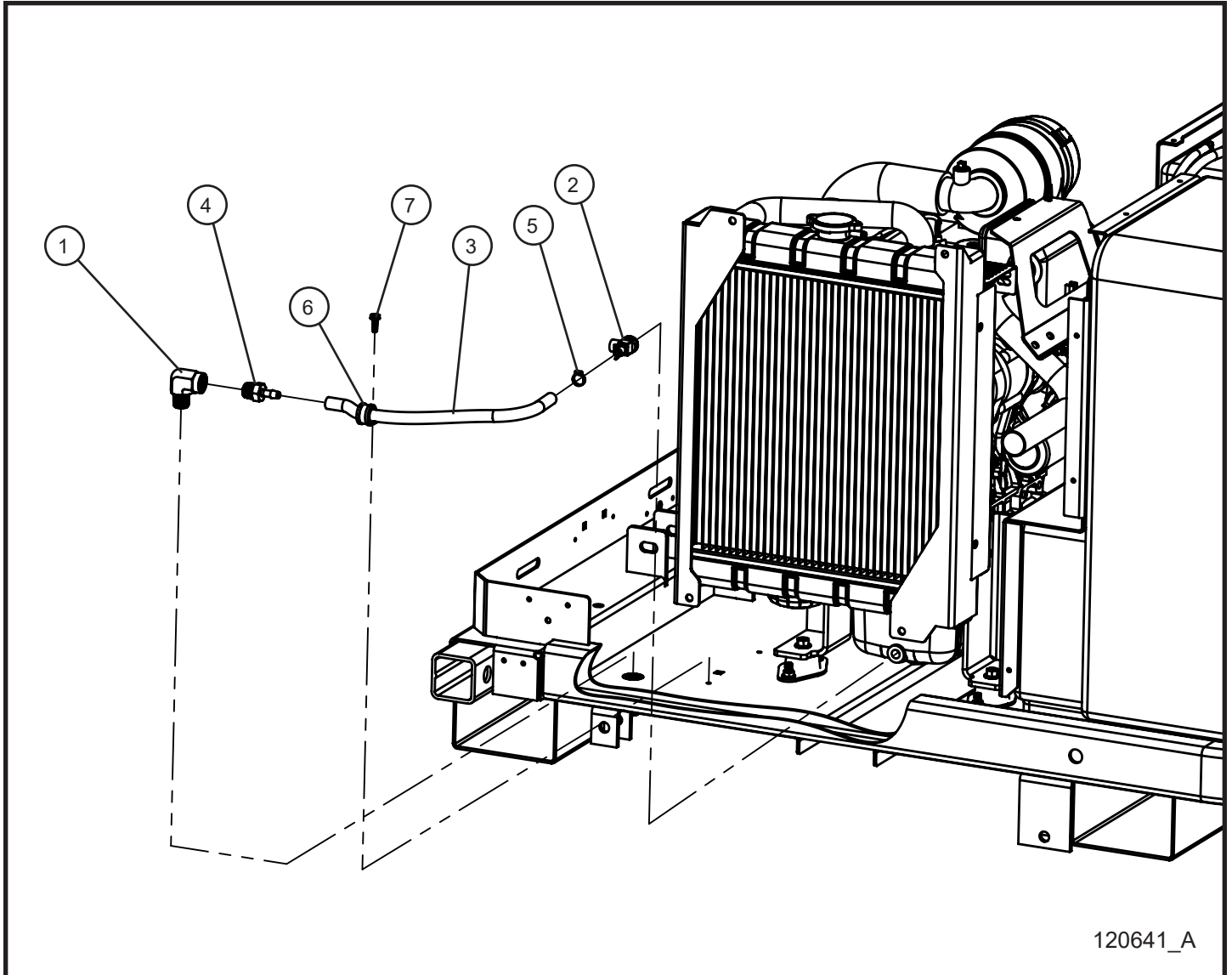
# NIGHT-LITE™ GR-SERIES

SN 47-000001 and UP

## 5.1 - Kubota D1005 Diesel Engine (3 of 3)

Item	Part No.	Part Description	Qty.
1	105393	RADIATOR KUBOTA	1
2	107119	RADIATOR HOSE UPPER KUBOTA	1
3	107120	RADIATOR HOSE LOWER KUBOTA	1
4	105408	GROMMET NUT DOUBLE SPLIT SQUARE HEAD	4
5	041070	1/4-20 X 3/4 SL-HEX WASHER HEAD MS TP F	4
6	056030	5/16-18 x 1/2 HEX FLANGE SCREW	4
7	056038	5/16-18 X 3/4 HEX FLANGE SCREW	4
8	057008	5/16-18 HEX NYLOCK FLANGE NUT	4
9	120475P	FAN SHROUD KUBOTA D1005 NLGR LC 6kW	1
10	110318P	GUARD FINGER KUBOTA D1005	1

## 5.2 - Kubota D1005 Remote Oil Drain



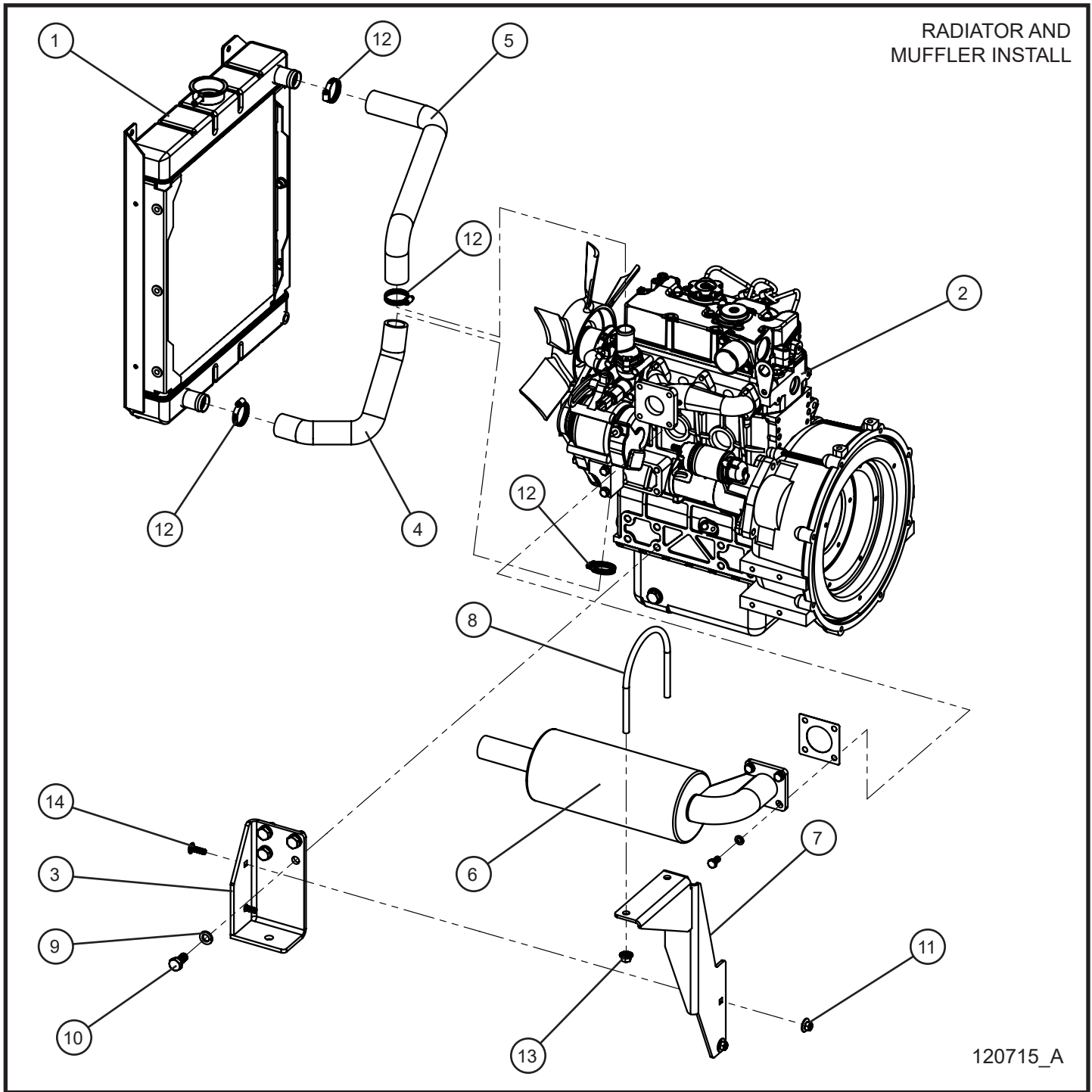
# NIGHT-LITE™ GR-SERIES

SN 47-000001 and UP

## 5.2 - Kubota D1005 Remote Oil Drain

Item	Part No.	Part Description	Qty.
1	118336	1/2 NPT MALE x 1/2 NPT FEMALE 90° STEEL ELBOW	1
2	848299	DRAIN VALVE M12 X 1.5 - 3/8 HOSE	1
3	101266	3/8 x 14.00 SAE 30R7 HOSE	1
4	104381	1/2 NPT - 3/8 HOSE BARB FITTING	1
5	433400	#4 HOSE CLAMP	1
6	022024	#12 CUSHION CLAMP	1
7	041070	1/4-20 X 3/4 SL-HEX WASHER HEAD	1

## 6.1 - CAT C1.1 Diesel Engine (1 of 4)





# NIGHT-LITE™ GR-SERIES

SN 47-000001 and UP

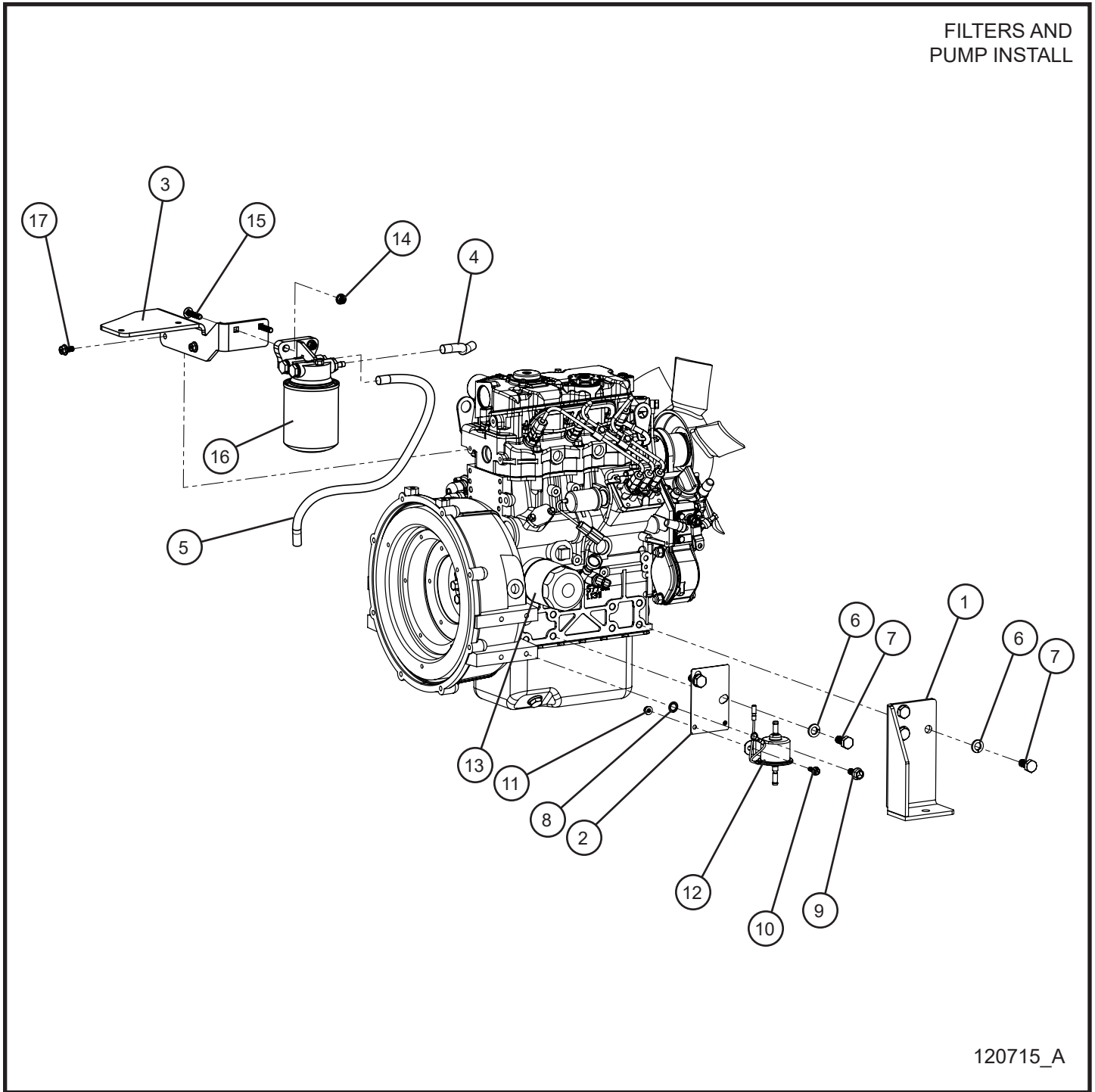
## 6.1 - CAT C1.1 Diesel Engine (1 of 4)

Item	Part No.	Part Description	Qty.
1	105393	RADIATOR SMALL ENGINES 1.0L / 1.1L	1
2	112561	CAT/PERKINS 1.1L ENGINE	1
3	108889P	ENGINE BRACKET LEFT WELDMENT	1
4	108751	CAT C1.1 LOWER RADIATOR HOSE	1
5	108750	CAT C1.1 UPPER RADIATOR HOSE	1
6	118664	MUFFLER CAT C1.1 NLGR LC 6kW	1
7	112309P	MUFFLER BRACKET WELDMENT	1
8	105744	4.75" MUFFLER U-BOLT	1
9	043085	1/2 SPLITLOCK WASHER PL	4
10	042300	M12 x 25mm x 1.25mm HEX HEAD CS GR8.8 PL	4
11	057008	5/16-18 HEX NYLOCK FLANGE NUT	2
12	045034	#16 HOSE CLAMP	4
13	044029	3/8-16 SERRATED FLANGE NUT	2
14	053020	5/16-18 x 1 CARRIAGE BOLT	2
NS	110113	CAT C1.1 ENGINE HARNESS	1
NS	113494	CAT C1.1 40AMP CHARGE CIRCUIT FUSE	1
NS	110112	CAT/PERKINS 1.1L SCHEMATIC	1

\*NS - NOT SHOWN

## 6.1 - CAT C1.1 Diesel Engine (2 of 4)

FILTERS AND  
PUMP INSTALL



120715\_A

# NIGHT-LITE™ GR-SERIES

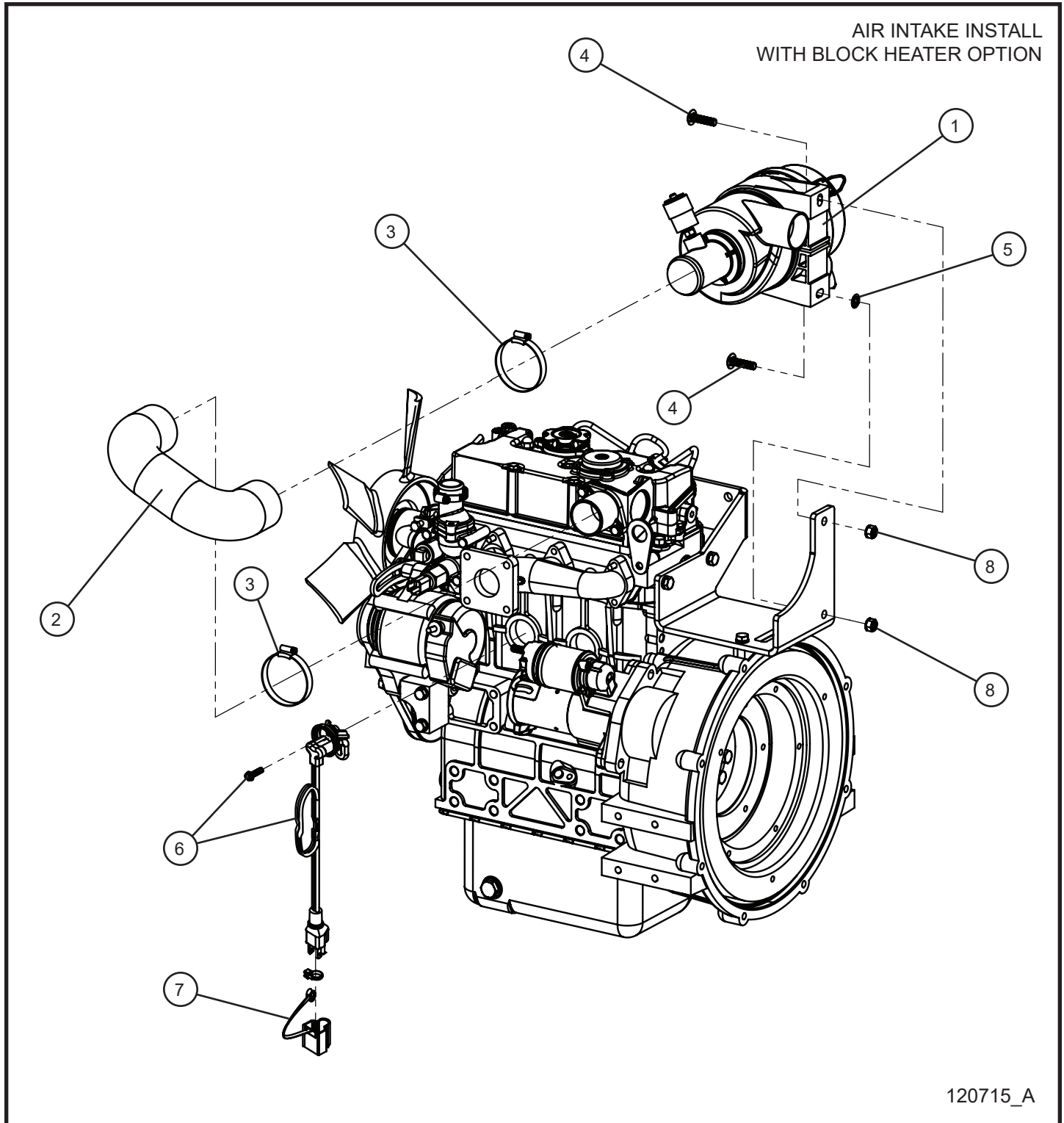
SN 47-000001 and UP

## 6.1 - CAT C1.1 Diesel Engine (2 of 4)

Item	Part No.	Part Description	Qty.
1	108891P	ENGINE BRACKET RIGHT WELDMENT	1
2	120476P	PLATE MOUNT FUEL PUMP KUBOTA & CAT	1
3	120774P	BRACKET AIR CLEANER MOUNT CAT/PERKINS 1.1L	1
4	081018	HOSE 5/16" FUEL LINE x 7.0	1
5	081018	HOSE 5/16" FUEL LINE x 20.0	1
6	043085	1/2 SPLITLOCK WASHER PL	5
7	042300	M12 x 25mm x 1.25mm HEX HEAD CS GR8.8 PL	5
8	043070	3/8 INTL TOOTH LOCK WASHER	1
9	056021	3/8-16 X 5/8 HEX FLANGE SCREW	1
10	056019	1/4-20 X 3/4 HEX FLANGE SCREW	2
11	057001	1/4 - 20 HEX NYLOCK FLANGE NUT	2
12	103331	FUEL PUMP	1
13	113635	CAT 1.1L OIL FILTER	1
14	057008	5/16-18 HEX NYLOCK FLANGE NUT	2
15	053023	5/16-18 X 1 1/2 CARRIAGE BOLT PL	2
16	112464	CAT 1.1L FUEL FILTER	1
17	055003	M8 x 16mm x 1.25mm HEX FLANGE SCREW	4
NS	081018	HOSE 5/16 SAE 30R7 X 52.0 (SUPPLY LINE)	1
NS	081016	HOSE 1/4 SAE 30R7 X 40.0 (RETURN LINE)	1
NS	433400	#4 HOSE CLAMP	4

\*NS - NOT SHOWN

## 6.1 - CAT C1.1 Diesel Engine (3 of 4)



120715\_A

# NIGHT-LITE™ GR-SERIES

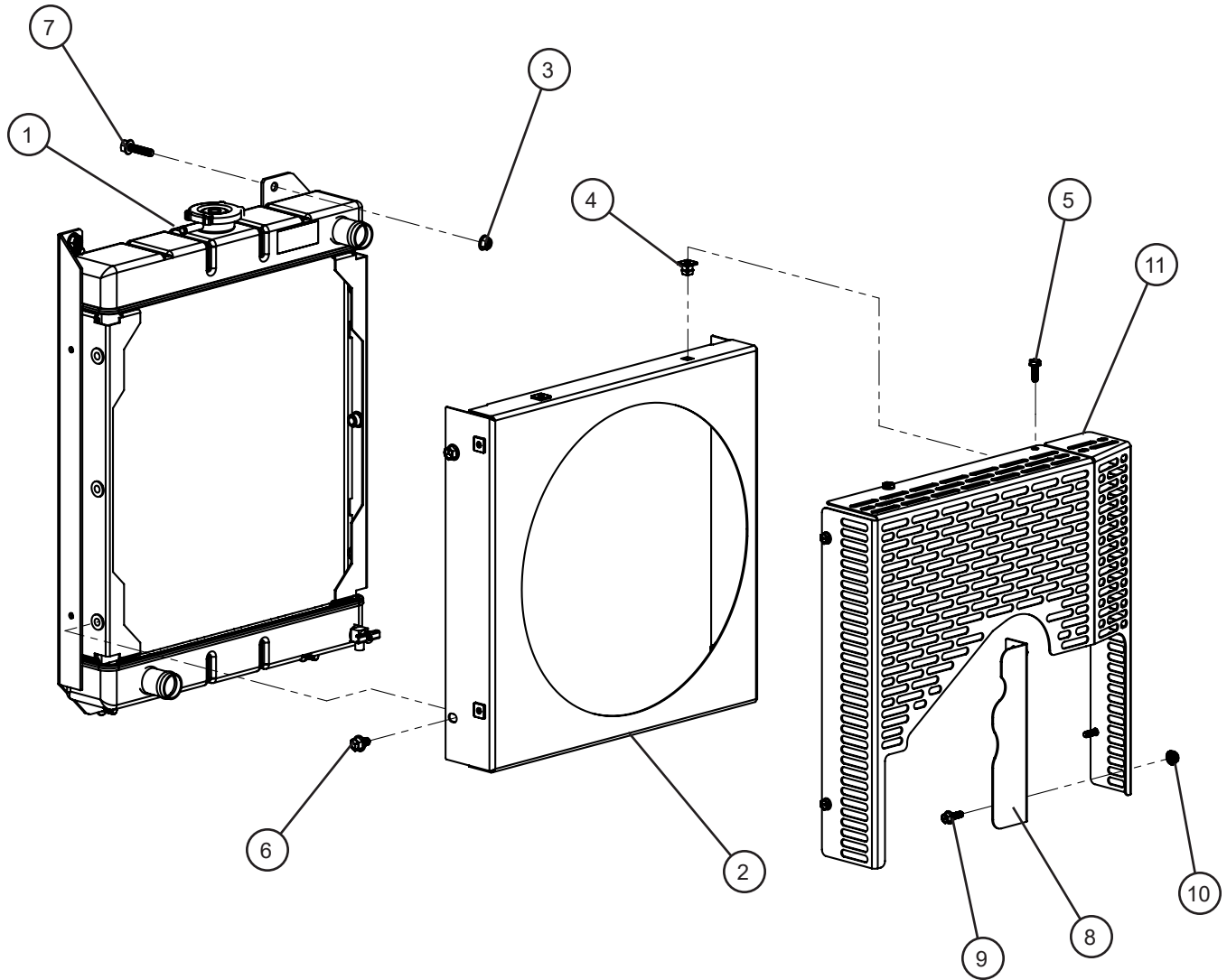
SN 47-000001 and UP

## 6.1 - CAT C1.1 Diesel Engine (3 of 4)

Item	Part No.	Part Description	Qty.
1	111568	AIR CLEANER ASSEMBLY STRAIGHT INLET	1
	650290	AIR FILTER	1
	104795	AIR FILTER SERVICE INDICATOR KIT	1
2	113332	AIR INTAKE HOSE SMALL ENGINE	1
3	045038	#32 HOSE CLAMP	2
4	053022	5/16-18 x 1 1/4 CARRIAGE BOLT	2
5	045217	5/16 PUSH NUT	1
6	651192	BLOCK HEATER CAT C1.1	1
7	105995	END COVER 120 VOLT CORD	1
8	057006	5/16-18 SERRATED FLANGE NUT	2

## 6.1 - CAT C1.1 Diesel Engine (4 of 4)

### RADIATOR INSTALL



120712\_C

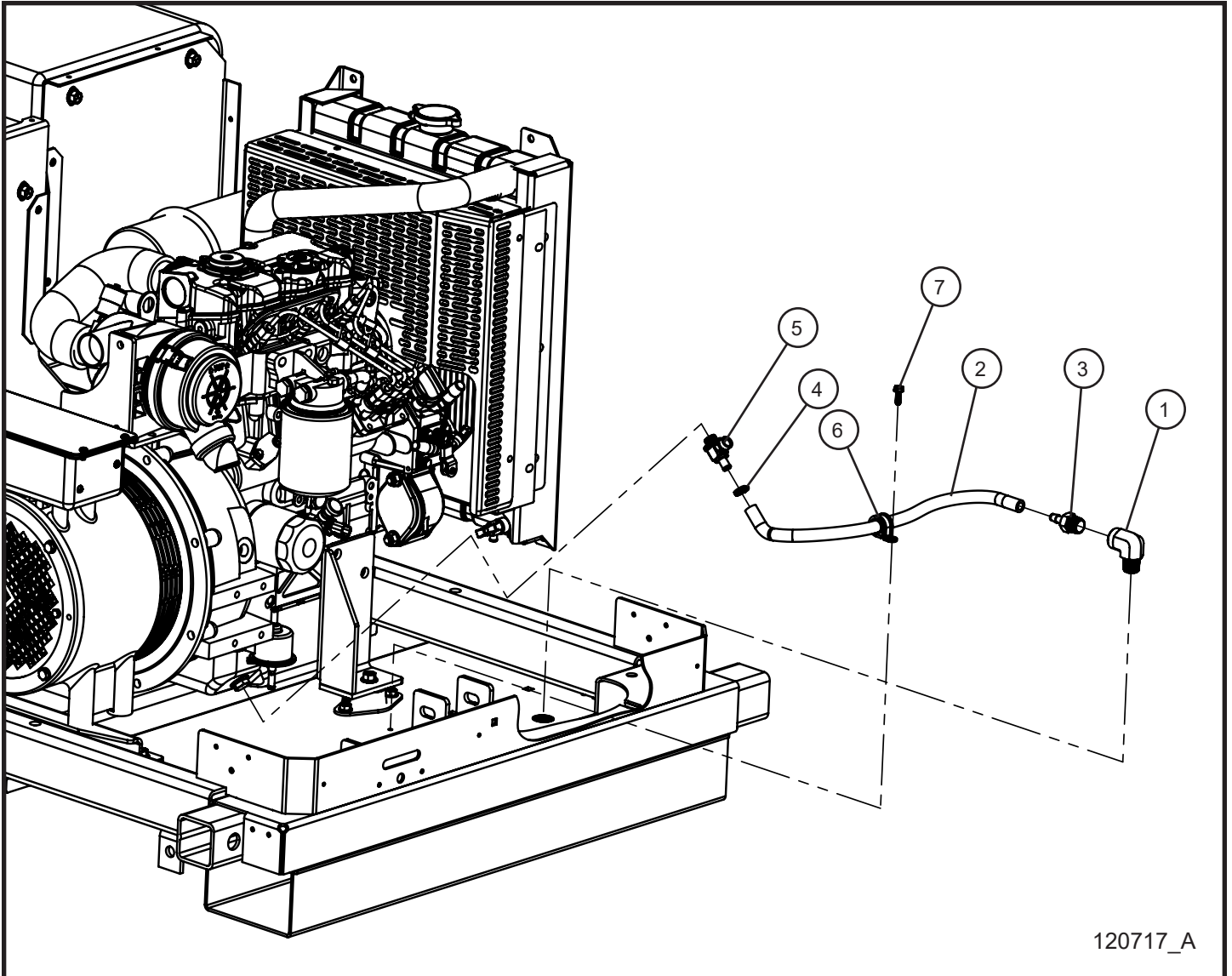
# NIGHT-LITE™ GR-SERIES

SN 47-000001 and UP

## 6.1 - CAT C1.1 Diesel Engine (4 of 4)

Item	Part No.	Part Description	Qty.
1	105393	RADIATOR SMALL ENGINES 1.0L / 1.1L	1
2	120478P	FAN SHROUD CAT C1.1 NLGR LC 6kW	1
3	057008	5/16-18 HEX NYLOCK FLANGE NUT	4
4	105408	GROMMET NUT DOUBLE SPLIT SQUARE HEAD	4
5	041070	1/4-20 X 3/4 SL-HEX WASHER HEAD MS TP F	4
6	056030	5/16-18 x 1/2 HEX FLANGE SCREW	4
7	056038	5/16-18 X 3/4 HEX FLANGE SCREW	4
8	120979P	CAT C1.1 FINGER GUARD BRACKET	1
9	056019	1/4-20 X 3/4 HEX FLANGE SCREW	2
10	057000	1/4-20 HEX SERRATED FLANGE NUT	2
11	108862P	GUARD FINGER CAT/PERKINS 1.1L	1

## 6.2 - CAT C1.1 Remote Oil Drain





# NIGHT-LITE™ GR-SERIES

SN 47-000001 and UP

## 6.2 - CAT C1.1 Remote Oil Drain

Item	Part No.	Part Description	Qty.
1	118336	1/2 NPT MALE x 1/2 NPT FEMALE 90° STEEL ELBOW	1
2	101266	3/8 x 18.00 SAE 30R7 HOSE	1
3	104381	1/2 NPT - 3/8 HOSE BARB FITTING	1
4	433400	#4 HOSE CLAMP	1
5	651193	DRAIN VALVE M16 X 1.5 - 3/8 HOSE	1
6	022024	#12 CUSHION CLAMP	1
7	041070	1/4-20 X 3/4 SL-HEX WASHER HEAD	1

## 7.1 - Right Side Decals

<p><b>⚠ WARNING</b></p> <p>Opening cap on hot radiator could result in death or serious injury.</p> <p>Allow radiator to cool down before opening cap.</p>		<p><b>⚠ AVERTISSEMENT</b></p> <p>L'ouverture du bouchon sur un radiateur chaud pourrait causer la mort ou des blessures graves.</p> <p>Laisser le radiateur refroidir avant de dévisser le bouchon.</p>
--	--	---

118651

6

	<p><b>NOTICE</b></p> <p>Neutral bonded to frame.</p> <p>Machine to be grounded in accordance with requirements as outlined by local inspection authorities.</p> <p><b>AVIS</b></p> <p>Neutre mis à la masse à la carcasse du moteur.</p> <p>L'appareil doit être mis à la terre conformément aux exigences des services d'inspection locaux.</p>
--	--

122470

5

2

3

2

118162

107254

1

105567

3

120732\_A


# NIGHT-LITE™ GR-SERIES

SN 47-000001 and UP

## 7.1 - Right Side Decals

Item	Part No.	Part Description	Qty.
1	107254	FORKLIFT DECAL	1
2	118162	DECAL WARNING HOT SURFACE ENGLISH & FRENCH	1
3	105567	DECAL EMERGENCY STOP	1
4	114884	REFLECTOR DECAL AMBER 2.75 x 1.75	1
5	122470	DECAL NOTICE NEUTRAL BONDED & GROUNDED	1
6	118651	DECAL RADIATOR WARNING	1
NS	114885	REFLECTOR DECAL RED 4.313 x 1.688	1

## 7.2 - Left Side Decals

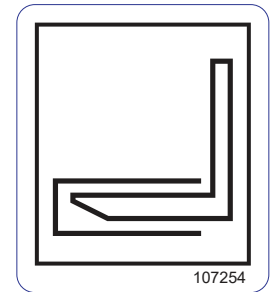


**TIRE INFORMATION**

The weight of cargo should never exceed 0 kg or 0 lbs.

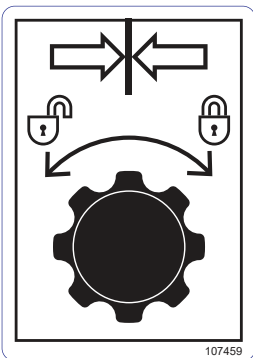
TIRE	SIZE	COLD TIRE PRESSURE	<b>SEE OWNER'S MANUAL FOR ADDITIONAL INFORMATION</b>
FRONT	ST 175/80R13B	241kPa, 35PSI	
REAR	NONE	NONE	
SPARE	NONE	NONE	

111585

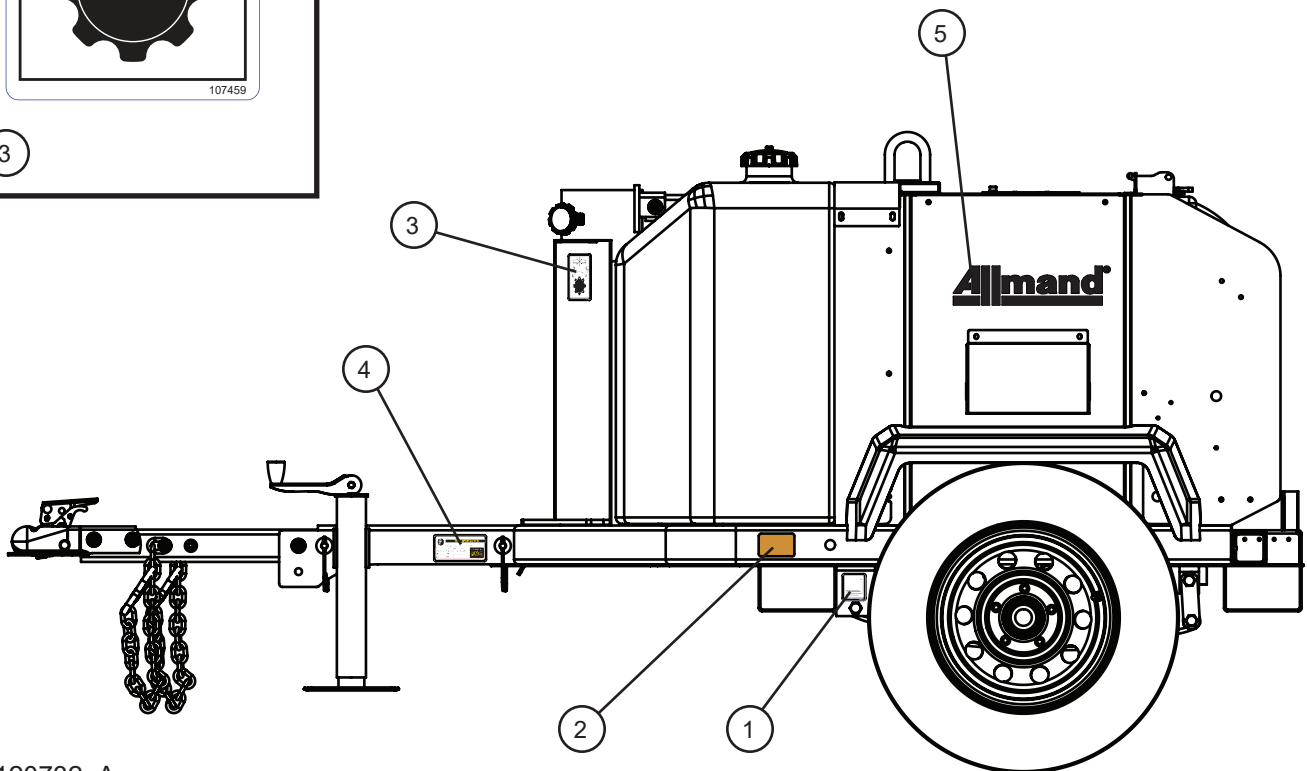


4

1



3



120732\_A

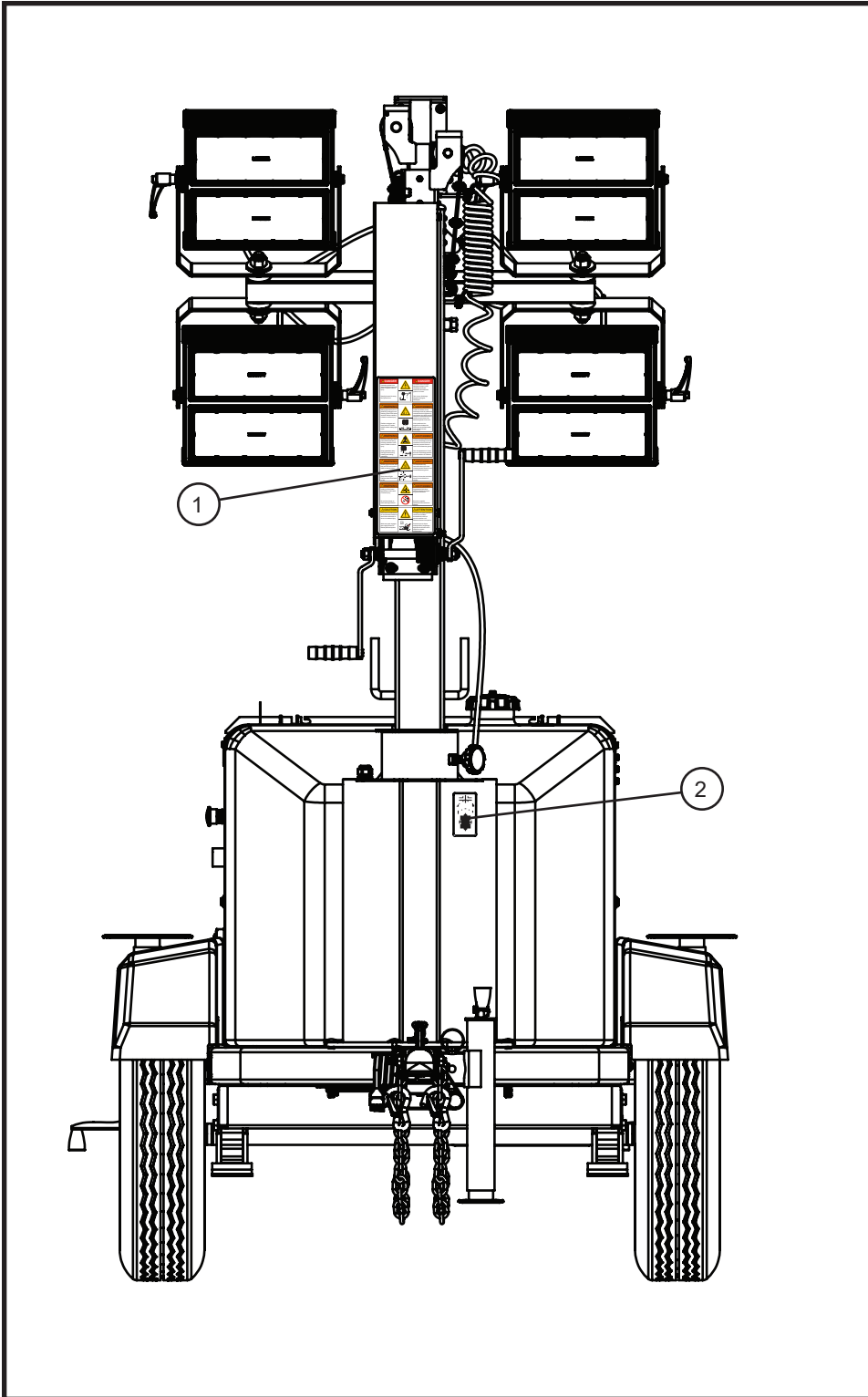
# NIGHT-LITE™ GR-SERIES

SN 47-000001 and UP

## 7.2 - Left Side Decals

Item	Part No.	Part Description	Qty.
1	107254	FORKLIFT DECAL	1
2	114884	REFLECTOR DECAL AMBER 2.75 x 1.75	1
3	107459	TOWER ALIGNMENT DECAL	1
4	111585	DECAL TIRE INFO ST175/80R13 LD-B 35 PSI 0 LB CARGO	1
5	118229	DECAL BRANDING ALLMAND-R GOLD-WHITE 12 INCH	1
	118226	DECAL BRANDING ALLMAND-R BLACK 12 INCH	1
NS	114885	REFLECTOR DECAL RED 4.313 x 1.688	1

## 7.3 - Front Side Decals



<p><b>⚠ DANGER</b></p> <p>Contacting power lines when raising light tower will result in death or serious injury.</p> <p>Keep light tower far away from power lines.</p>		<p><b>⚠ DANGER</b></p> <p>Le contact avec une ligne électrique lorsque la tour d'éclairage est levée entraînera des blessures graves ou la mort.</p> <p>Tenir la tour d'éclairage éloignée des lignes électriques.</p>
<p><b>⚠ WARNING</b></p> <p>Raising light tower prior to positioning outriggers and lowering jacks could cause machine rollover resulting in death or serious injury.</p> <p>Position outriggers and lower jacks on a stable surface before raising light tower.</p>		<p><b>⚠ AVERTISSEMENT</b></p> <p>Le fait de soulever la tour d'éclairage avant de positionner correctement les longérons et abaisser les vérins pourrait entraîner le basculement de la machine et provoquer des blessures graves ou la mort.</p> <p>Il faut positionner les longérons et abaisser les vérins sur une surface stable avant de lever la tour d'éclairage.</p>
<p><b>⚠ WARNING</b></p> <p>Standing under light tower mast and fixtures during lowering operation could result in death or serious injury.</p> <p>Keep bystanders away from light tower during lowering and raising operations.</p>		<p><b>⚠ AVERTISSEMENT</b></p> <p>Le fait de se tenir debout sous une tour d'éclairage et de ses accessoires alors qu'elle est abaissée pourrait causer la mort ou des blessures graves.</p> <p>Tenir les spectateurs à l'écart de la tour d'éclairage pendant qu'on la souève ou l'abaisse.</p>
<p><b>⚠ WARNING</b></p> <p>Handling light fixtures when they are hot could result in death or serious injury.</p> <p>Keep clear of light fixtures when illuminated or hot.</p>		<p><b>⚠ AVERTISSEMENT</b></p> <p>La manipulation des luminaires alors qu'ils sont chauds pourrait causer la mort ou des blessures graves.</p> <p>Restez à l'écart des luminaires lorsqu'ils sont allumés ou chauds.</p>
<p><b>⚠ WARNING</b></p> <p>Looking at illuminated light fixtures could result in serious injury.</p> <p>Do not look directly at illuminated light fixtures.</p>		<p><b>⚠ AVERTISSEMENT</b></p> <p>Regarder des luminaires allumés pourrait provoquer de graves blessures.</p> <p>Ne jamais regarder directement des luminaires allumés.</p>
<p><b>⚠ CAUTION</b></p> <p>Snow and ice could cause an uncontrolled condition in winch that could result in minor to moderate injury.</p> <p>Make sure pawl engages gear. Apply silicone to ratchet pawl and spacer.</p>		<p><b>⚠ ATTENTION</b></p> <p>La neige et la glace pourraient causer une condition incontrôlée du treuil qui pourrait entraîner une blessure mineure à moyenne.</p> <p>S'assurer que le cliquet embraye dans l'engrenage. Appliquer du silicone sur le cliquet et la butée d'espacement.</p>

120732\_A

107459

# NIGHT-LITE™ GR-SERIES

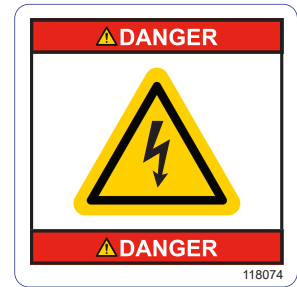
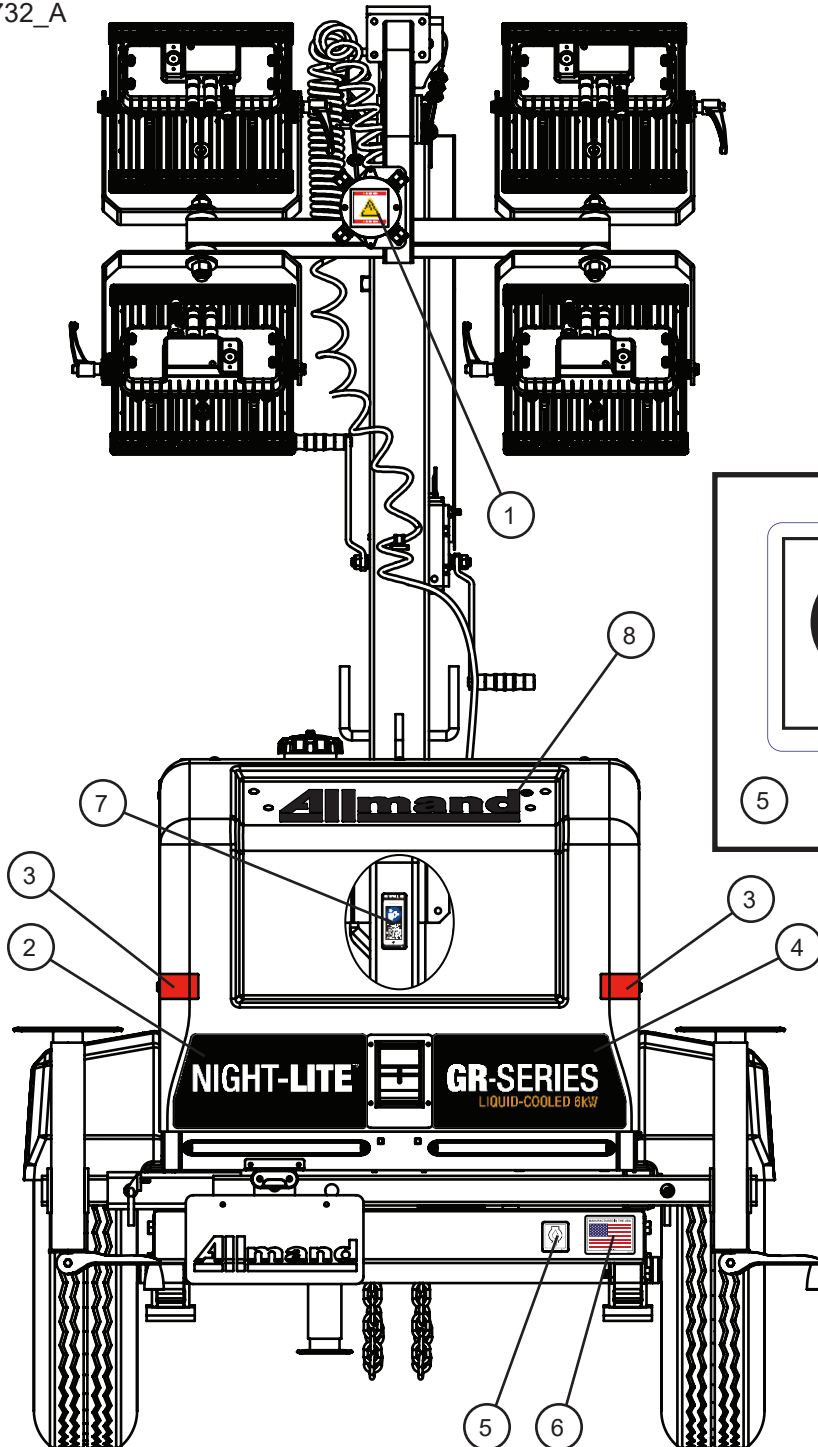
SN 47-000001 and UP

## 7.3 - Front Side Decals

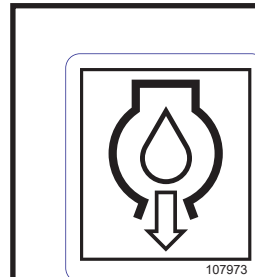
Item	Part No.	Part Description	Qty.
1	122479	VERTICAL TOWER DECAL NLV/NLGR	1
2	107459	TOWER ALIGNMENT DECAL	1

## 7.4 - Rear Side Decals

120732\_A



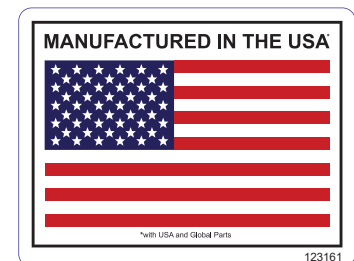
1



5



7



6



# NIGHT-LITE™ GR-SERIES

SN 47-000001 and UP

## 7.4 - Rear Side Decals

Item	Part No.	Part Description	Qty.
1	118074	HAZARDOUS VOLTAGE BILINGUAL DANGER DECAL	1
2	118223	DECAL BRANDING NIGHT-LITE NL-GR	1
3	114885	REFLECTOR DECAL RED 4.313 x 1.688	2
4	118447	DECAL BRANDING LIQUID-COOLED NL-GR DIESEL	1
5	107973	DECAL OIL DRAIN	1
6	123161	DECAL MANUFACTURED IN USA	1
7	123243	DECAL QR CODE NIGHT-LITE GR-SERIES LIQUID-COOLED 6kW	1
8	118119	DECAL BRANDING ALLMAND-R BLACK 23.3 INCH	1
	118425	DECAL BRANDING ALLMAND-R GOLD-WHITE 23.3 INCH	1

## 7.5 - Top View Decals

118074

**⚠ DANGER**

**⚠ DANGER**

120732\_A

122480

**⚠ WARNING**

Failure to follow warnings, instructions, and operator's manual could result in death or serious injury.  
Read and follow operator's manual before operating or servicing this equipment.

**⚠ AVERTISSEMENT**

L'omission de respecter les avertissements, les instructions et le manuel de l'utilisateur pourrait entraîner des blessures graves ou la mort.  
Lire et suivre le manuel d'utilisation avant de faire fonctionner ou de faire l'entretien de cet équipement.

**⚠ WARNING**

Failure to lower tower into a secured position before towing could result in death or serious injury.  
Lower tower to a secured position before towing.

**⚠ AVERTISSEMENT**

Ne pas abaisser la tour d'éclairage en position sécurisée au préalable peut provoquer la mort ou des blessures graves.  
Abaisser la tour en position sécurisée avant le remorquage.

**⚠ WARNING**

Excessive towing speed could result in death or serious injury.  
Do not exceed 65mph (105km/h) when towing trailer.

**⚠ AVERTISSEMENT**

Une vitesse de remorquage excessive pourrait entraîner la mort ou de graves blessures.  
Ne pas dépasser 105 km/h (65 mi/h) lors du remorquage.

122463

kW	6.0
A	50/25
V	120/240
Hz/RPM	60/1800
PHASE	1
INS. CLASS	F @ 40°C AMB
PF	1.0

122499

# NIGHT-LITE™ GR-SERIES

SN 47-000001 and UP

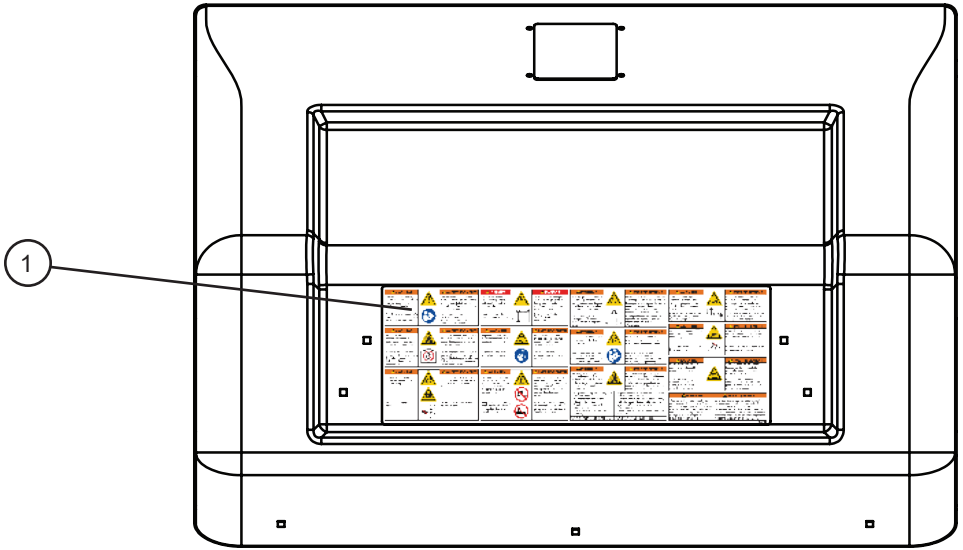
## 7.5 - Top View Decals

Item	Part No.	Part Description	Qty.
1	122480	LIFT DECAL	1
2	118074	HAZARDOUS VOLTAGE BILINGUAL DANGER DECAL	1
3	122463	LIGHT TOWER UNIVERSAL WARNING TONGUE DECAL	1
4	107254	FORKLIFT DECAL	2
5	122499	DECAL ELEC INFO 6.0kW 60Hz 1800RPM 120V 25A 1 PHASE	1

## 7.6 - Door Interior Decal

<p><b>⚠ WARNING</b></p> <p>Failure to follow warnings, instructions, and operator's manual could result in death or serious injury.</p> <p>Read and follow operator's manual before operating or servicing this equipment.</p>		<p><b>⚠ AVERTISSEMENT</b></p> <p>L'omission de respecter les avertissements, les instructions et le manuel de l'utilisateur pourrait entraîner des blessures graves ou la mort.</p> <p>Lire et suivre le manuel d'utilisation avant de faire fonctionner ou de faire l'entretien de cet équipement.</p>	<p><b>⚠ DANGER</b></p> <p>Contacting power lines when raising light tower will result in death or serious injury.</p> <p>Keep light tower far away from power lines.</p>		<p><b>⚠ DANGER</b></p> <p>Le contact avec une ligne électrique lorsque la tour d'éclairage est levée entraînera des blessures graves ou la mort.</p> <p>Tenir la tour d'éclairage éloignée des lignes électriques.</p>	<p><b>⚠ WARNING</b></p> <p>Raising light tower prior to positioning outriggers and lowering jacks could cause machine rollover resulting in death or serious injury.</p> <p>Position outriggers and lower jacks on a stable surface before raising light tower.</p>		<p><b>⚠ AVERTISSEMENT</b></p> <p>Le fait de soulever la tour d'éclairage avant de positionner correctement les longérons et sans baisser les vérins pourrait entraîner le basculement de la machine et provoquer des blessures graves ou la mort.</p> <p>Il faut positionner les longérons et baisser les vérins sur une surface stable avant de lever la tour d'éclairage.</p>	<p><b>⚠ WARNING</b></p> <p>Standing under light tower mast and fixtures during lowering operation could result in death or serious injury.</p> <p>Keep bystanders away from light tower during lowering and raising operations.</p>		<p><b>⚠ AVERTISSEMENT</b></p> <p>Le fait de se tenir debout sous une tour d'éclairage et de ses accessoires alors qu'elle est abaissée pourrait causer la mort ou des blessures graves.</p> <p>Tenir les spectateurs à l'écart de la tour d'éclairage pendant qu'on la soulève ou l'abaisse.</p>
<p><b>⚠ WARNING</b></p> <p>Engine exhaust contains carbon monoxide, a poisonous gas that could cause death or serious injury.</p> <p>Run equipment far from windows, doors and vents. Do not run equipment indoors or in partially enclosed spaces.</p>		<p><b>⚠ AVERTISSEMENT</b></p> <p>Le moteur contient du monoxyde de carbone, un gaz toxique pouvant provoquer la mort ou de graves blessures.</p> <p>Faites tourner à l'extérieur, loin des fenêtres, des portes et des vents. Ne faites pas fonctionner à l'intérieur ni dans un espace partiellement fermé.</p>	<p><b>⚠ WARNING</b></p> <p>Exposure to corrosive material could result in death or serious injury.</p> <p>Wear protective gloves when handling battery.</p>		<p><b>⚠ AVERTISSEMENT</b></p> <p>Toute exposition à des produits corrosifs pourrait causer la mort ou des blessures graves.</p> <p>Porter des gants de protection en manipulant la batterie.</p>	<p><b>⚠ WARNING</b></p> <p>Unexpected start of engine could result in death or serious injury.</p> <p>Read and follow electronic controller operator's manual before operating or servicing this equipment.</p>		<p><b>⚠ AVERTISSEMENT</b></p> <p>Le démarrage inattendu du moteur pourrait provoquer la mort ou des blessures graves.</p> <p>Lire et suivre le manuel d'utilisation du contrôleur électronique avant d'utiliser ou de réparer cet équipement.</p>	<p><b>⚠ WARNING</b></p> <p>Opening cap on hot radiator could result in death or serious injury.</p> <p>Allow radiator to cool down before opening cap.</p>		<p><b>⚠ AVERTISSEMENT</b></p> <p>L'ouverture du bouchon sur un radiateur chaud pourrait causer la mort ou des blessures graves.</p> <p>Laisser le radiateur refroidir avant de dévisser le bouchon.</p>
<p><b>⚠ WARNING</b></p> <p>Contact with rotating parts could result in death or serious injury.</p> <p>Keep away from rotating parts.</p>		<p><b>⚠ AVERTISSEMENT</b></p> <p>Le contact avec des pièces en mouvement pourrait résulter en de graves blessures voire la mort.</p> <p>Se tenir à l'écart des pièces en mouvement.</p>	<p><b>⚠ WARNING</b></p> <p>Smoking materials, open flames, or other forms of ignition near the battery could cause explosion resulting in death or serious injury.</p> <p>Keep smoking materials, open flames, and other forms of ignition away from the battery.</p>		<p><b>⚠ AVERTISSEMENT</b></p> <p>Les articles de fumeur, les flammes nues ou d'autres formes d'allumage près de la batterie pourraient causer une explosion, causant la mort ou des blessures graves.</p> <p>Tenir les articles de fumeur, les flammes nues ou les autres formes d'allumage à l'écart de la batterie.</p>	<p><b>⚠ WARNING</b></p> <p>Breathing diesel engine exhaust exposes you to chemicals known to the State of California to cause cancer and birth defects or other reproductive harm.</p> <ul style="list-style-type: none"> <li>• Always start and operate the engine in a well-ventilated area.</li> <li>• If in an enclosed area, vent the exhaust to the outside.</li> <li>• Do not modify or tamper with the exhaust system.</li> <li>• Do not idle the engine except as necessary.</li> </ul> <p><a href="http://www.P65Warnings.ca.gov/diesel">www.P65Warnings.ca.gov/diesel</a></p>		<p><b>⚠ AVERTISSEMENT</b></p> <p>L'inspiration de gaz d'échappement du moteur vous expose à des produits chimiques connus selon l'État de Californie pour causer le cancer, des anomalies congénitales ou d'autres effets nuisibles à la reproduction.</p> <ul style="list-style-type: none"> <li>• Toujours démarrer et faire fonctionner le moteur dans un endroit bien ventilé.</li> <li>• Si le moteur est utilisé dans un espace fermé, ventiler les gaz d'échappement à l'extérieur.</li> <li>• Ne pas modifier ni abîmer le système d'échappement.</li> <li>• Ne pas mettre le moteur au ralenti sauf en cas de nécessité.</li> </ul> <p><a href="http://www.P65Warnings.ca.gov/diesel">www.P65Warnings.ca.gov/diesel</a></p>	<p><b>⚠ WARNING</b></p> <p>Contact with hot exhaust gases and parts could cause serious injury.</p> <p>Avoid hot exhaust gases. Keep hands and combustible materials away from hot parts.</p>		<p><b>⚠ AVERTISSEMENT</b></p> <p>Tout contact avec les pièces et les gaz d'échappement chauds pourrait causer la mort ou des blessures graves.</p> <p>Éviter les gaz d'échappement chauds. Tenir les mains et les produits inflammables à l'écart des pièces chaudes.</p>
<p><b>⚠ WARNING</b></p> <p>Operation of this equipment may create sparks that can start fires around dry vegetation. A spark arrester may be required. The operator should contact local fire agencies for laws or regulations relating to fire prevention requirements.</p>		<p><b>⚠ AVERTISSEMENT</b></p> <p>Le fonctionnement de cet appareil peut provoquer des étincelles qui peuvent enflammer la végétation sèche environnante. Un pare-étincelles peut être requis. L'opérateur doit communiquer avec le service d'incendie local pour connaître les lois ou les règlements régissant la prévention des incendies.</p>									

1



120732\_A

# NIGHT-LITE™ GR-SERIES

SN 47-000001 and UP

## 7.6 - Door Interior Decal

Item	Part No.	Part Description	Qty.
1	122468	DECAL ENGINE AREA WARNINGS ENGLISH/FRENCH	1

# NIGHT-LITE™ GR-SERIES



1502 West 4th Avenue  
Holdrege, NE 68949

phone: (308) 995-4495 • toll free: (800) 562-1373

fax: (308) 995-5887

[www.allmand.com](http://www.allmand.com)