

**(en) Schematic Manual
NIGHT-LITE PRO II[®]**

TABLE OF CONTENTS

Tail Light Harness Schematic (107266)	(1.1)
4-Light SHO 16/8 Cord Light Bar Schematic (105292)	(1.2)
4-Light LED 16/8 Cord Light Bar Schematic (110106)	(1.3)
Hydraulic Vertical Key Switch/LSC Powered Schematic (113143)	(1.4)
1000W 60Hz 120V HPS Ballast Schematic (105184)	(1.5)
1000W 50Hz 120V Ballast Schematic (105288)	(1.6)
1000W 50Hz 220V Ballast Schematic (105289)	(1.7)
1250W 60Hz 120V Ballast Schematic (105286)	(1.8)
Solid Wired SHO Lamp Schematic (105294)	(1.9)
Quick Disconnect SHO Lamp Schematic (105295)	(1.10)
SLS / Key Start Schematic (110123)	(1.11)
LSC / SLS Schematic (113652)	(1.12)
SLS Relay Schematic (106877)	(1.13)
LSC 2.1 Transformer Schematic (113437)	(1.14)
1-30A RV, 1-20A GFCI, 1-30A 4-Prong Twistlock Schematic (112669 & 124478)	(1.15)
1-GFCI, 2-30A RV PRO II Schematic (117881 & 124479)	(1.16)
2-30 AMP Twistlocks 1-20A GFCI Schematic (107626)	(1.17)
50Hz 2-16A Schuko Outlets Schematic (108039)	(1.18)
4 Lights 4 Relays NL Pro II Schematic (113582)	(1.19)
4 LED Lights 4 Relays NL Pro II Schematic (120514)	(1.20)
Low Fuel Shutdown Wire Schematic (105901)	(1.21)
C1.1 Voltage Regulator Schematic (105899)	(1.22)
Emergency Stop Schematic (108867)	(1.23)
Low Fuel Sender Schematic (110089)	(1.24)
Low Fuel Beacon Schematic (105897)	(1.25)
Heated Fuel Water Separator Schematic (124757)	(1.26)

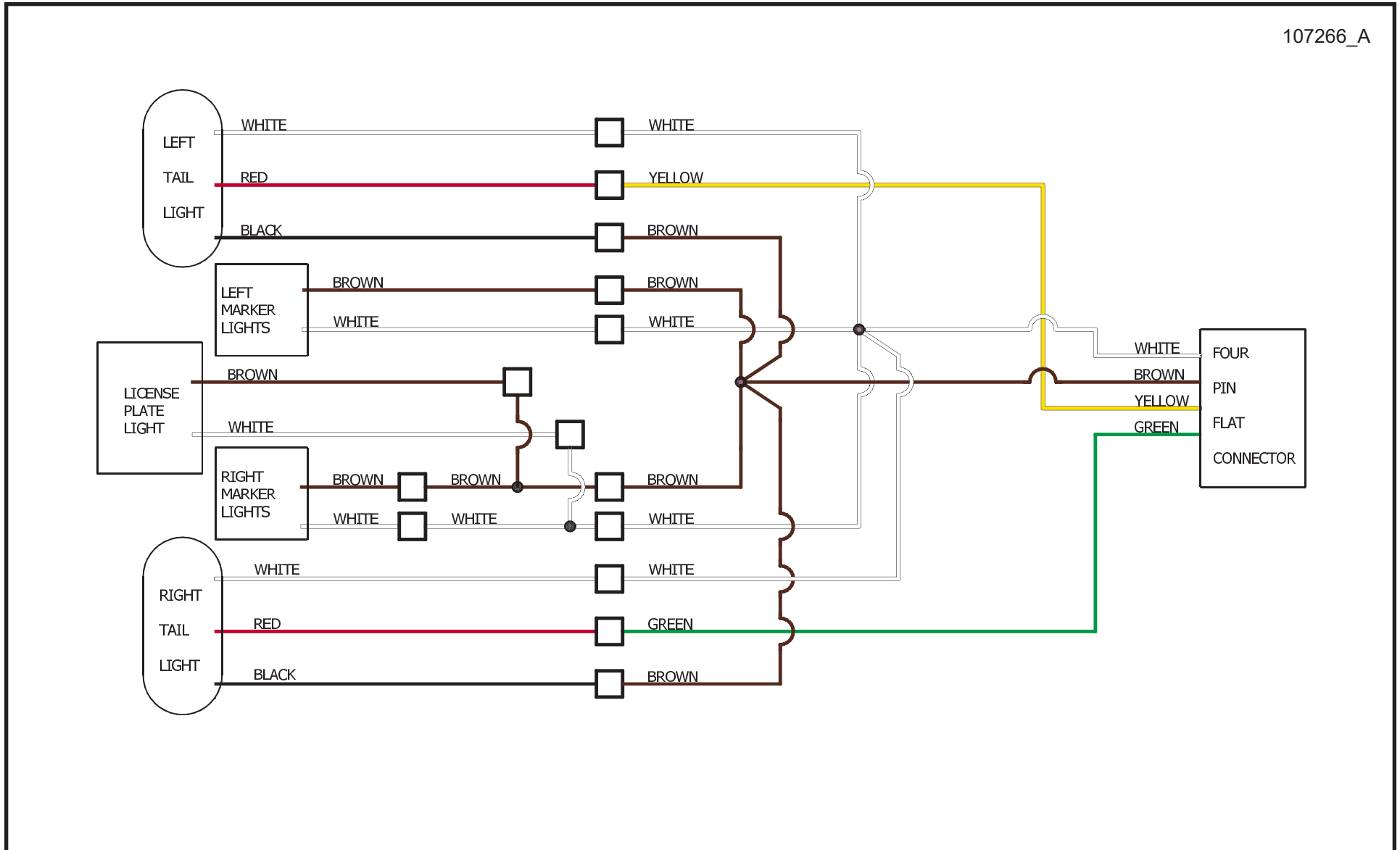
Night-Lite Pro II®

TABLE OF CONTENTS

CAT/Perkins 1.1L Harness Schematic (110112)	(1.27)
Kubota D1005 Engine Harness Schematic (108044)	(1.28)
Kubota D1105 Engine Harness Schematic (112776)	(1.29)
Shocker Valve Harness Schematic (106156)	(1.30)
PacBrake Air Valve Harness Schematic (117814)	(1.31)
6/4 Generator Cord Schematic (105269)	(1.32)
10/4 Generator Cord Schematic (108909)	(1.33)

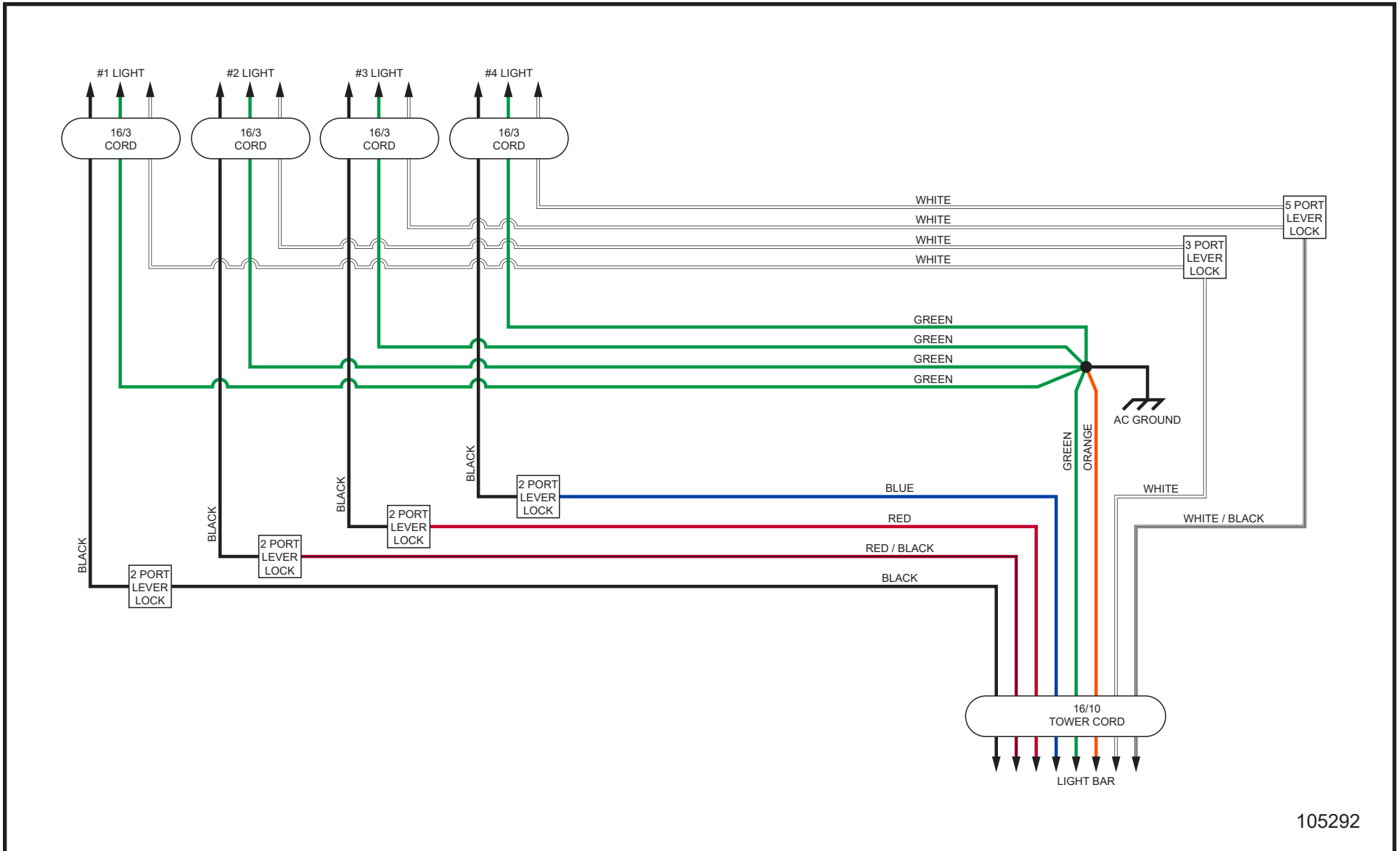
1.1 - Tail Light Harness Schematic

107266_A

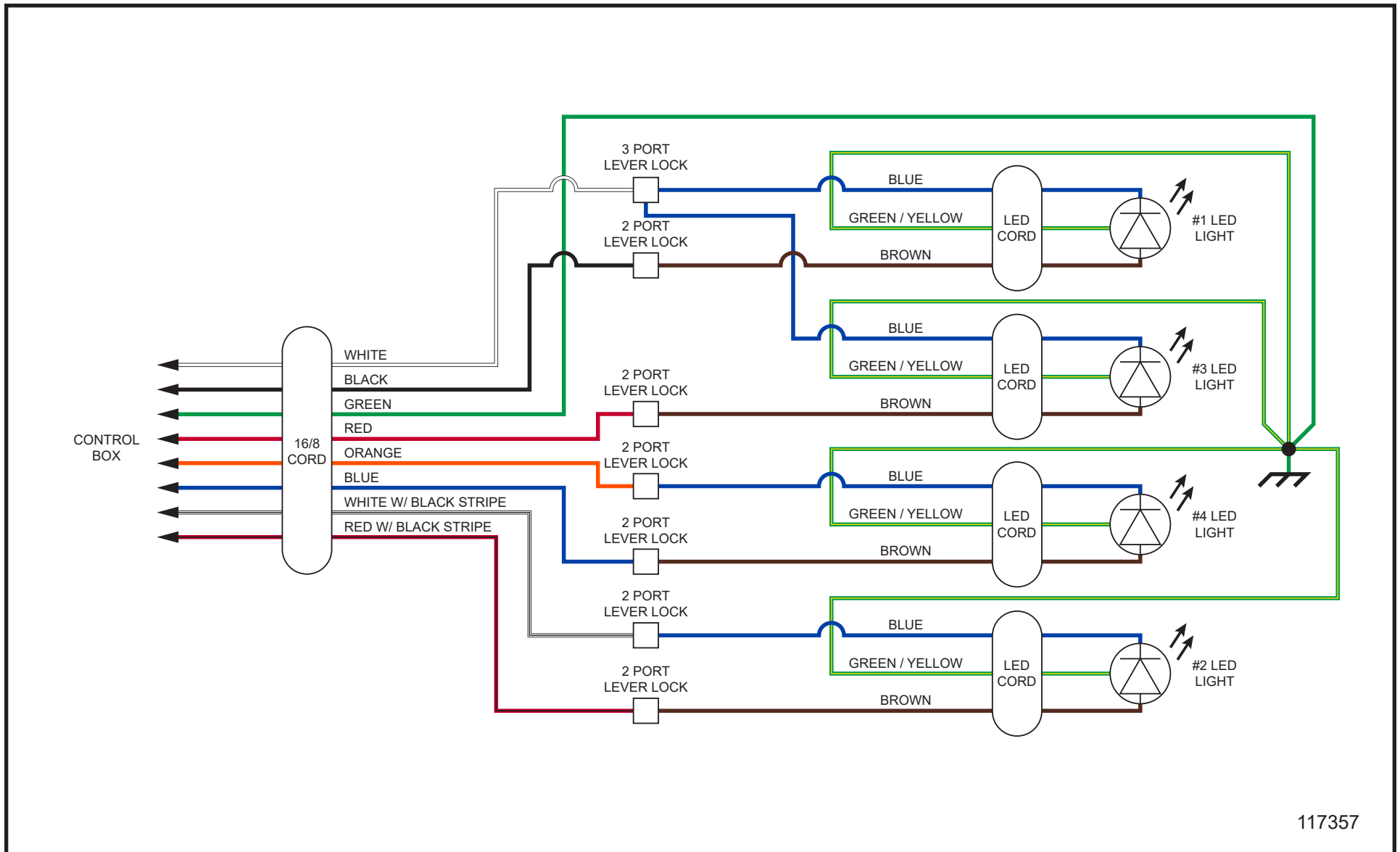


Night-Lite Pro II®

1.2 - 4-Light SHO 16/8 Cord Light Bar Schematic



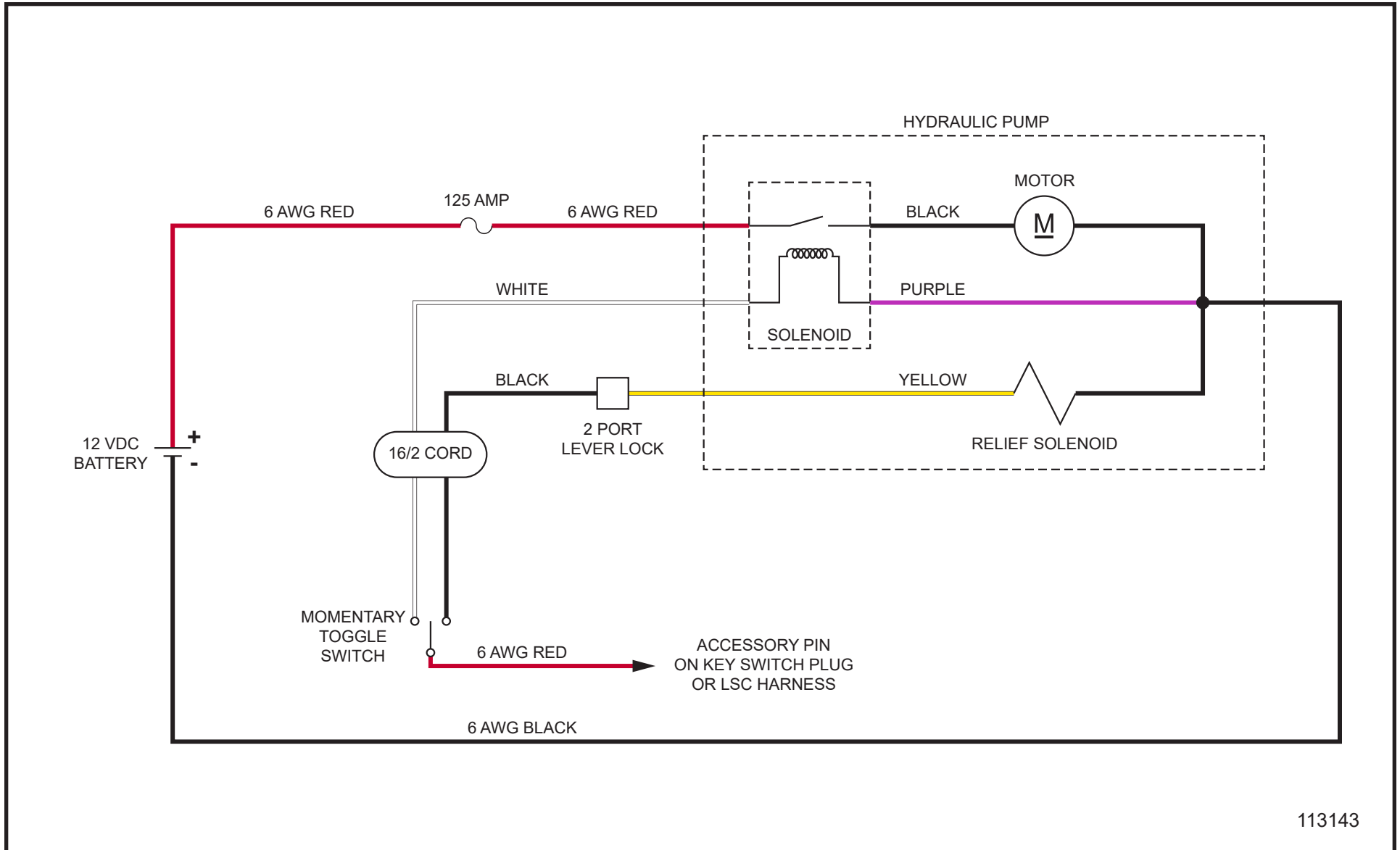
1.3 - 4-Light LED 16/8 Cord Light Bar Schematic



117357

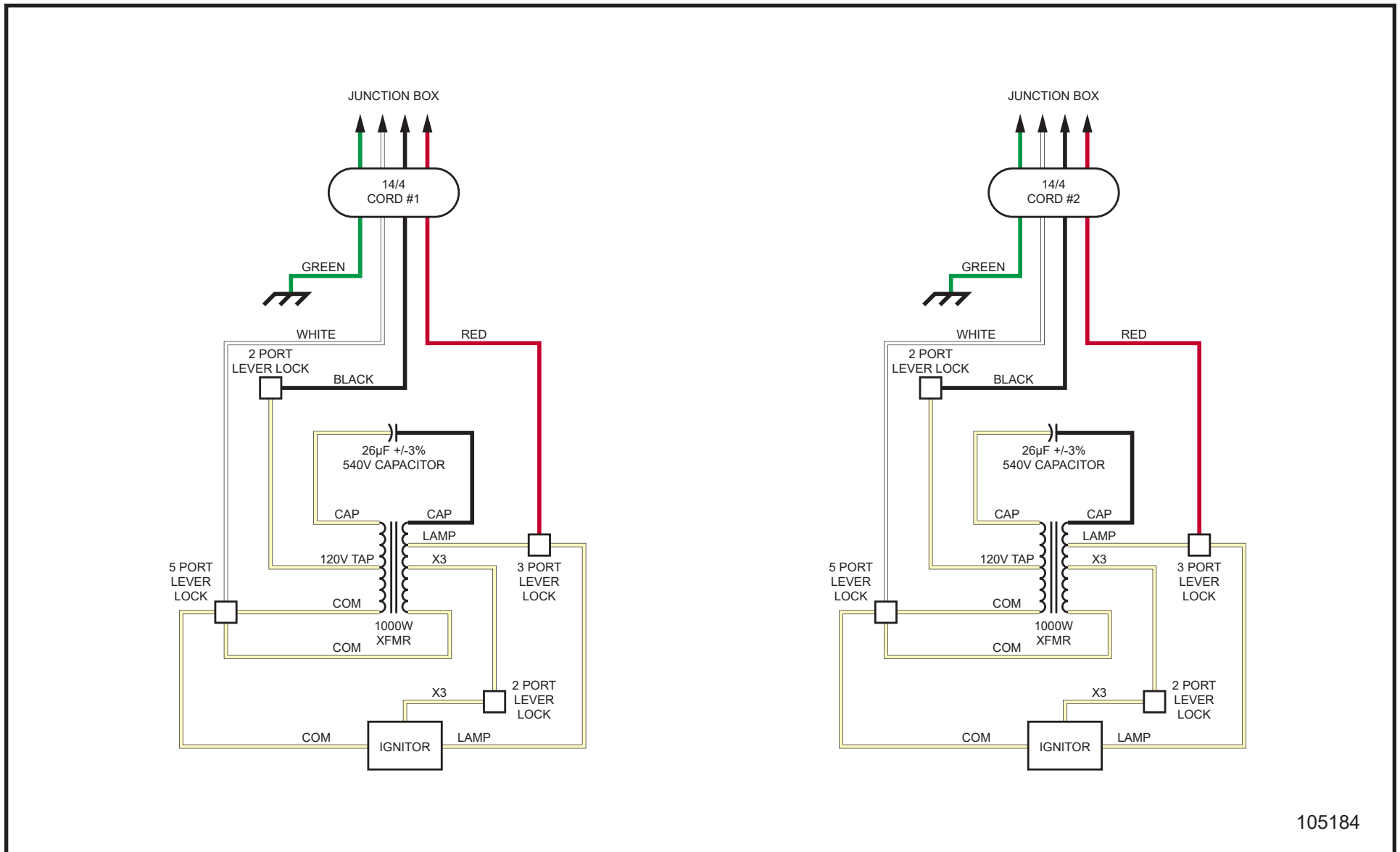
Night-Lite Pro II®

1.4 - Hydraulic Vertical Key Switch/LSC Powered Schematic



113143

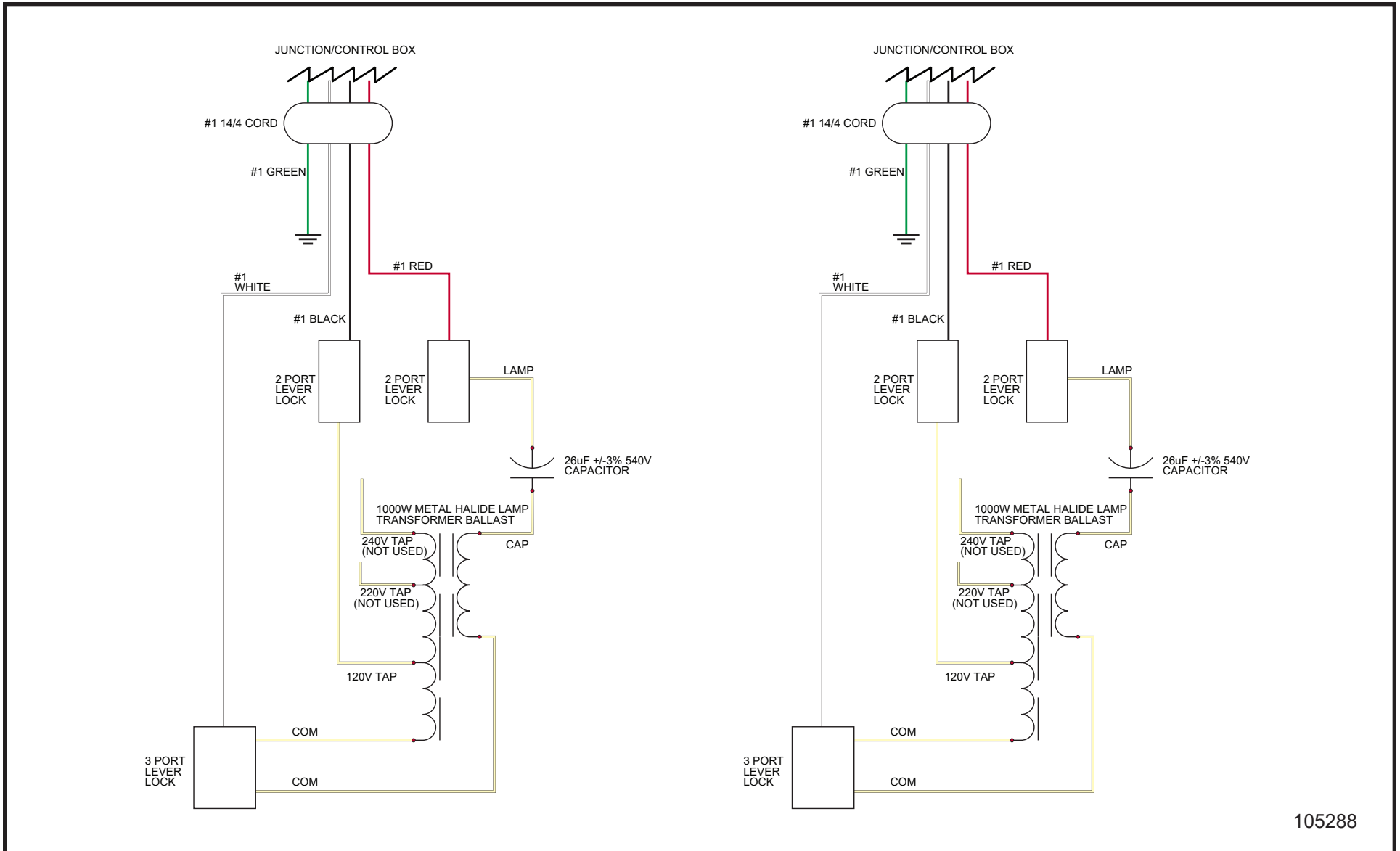
1.5 - 1000W 60Hz 120V HPS Ballast Schematic



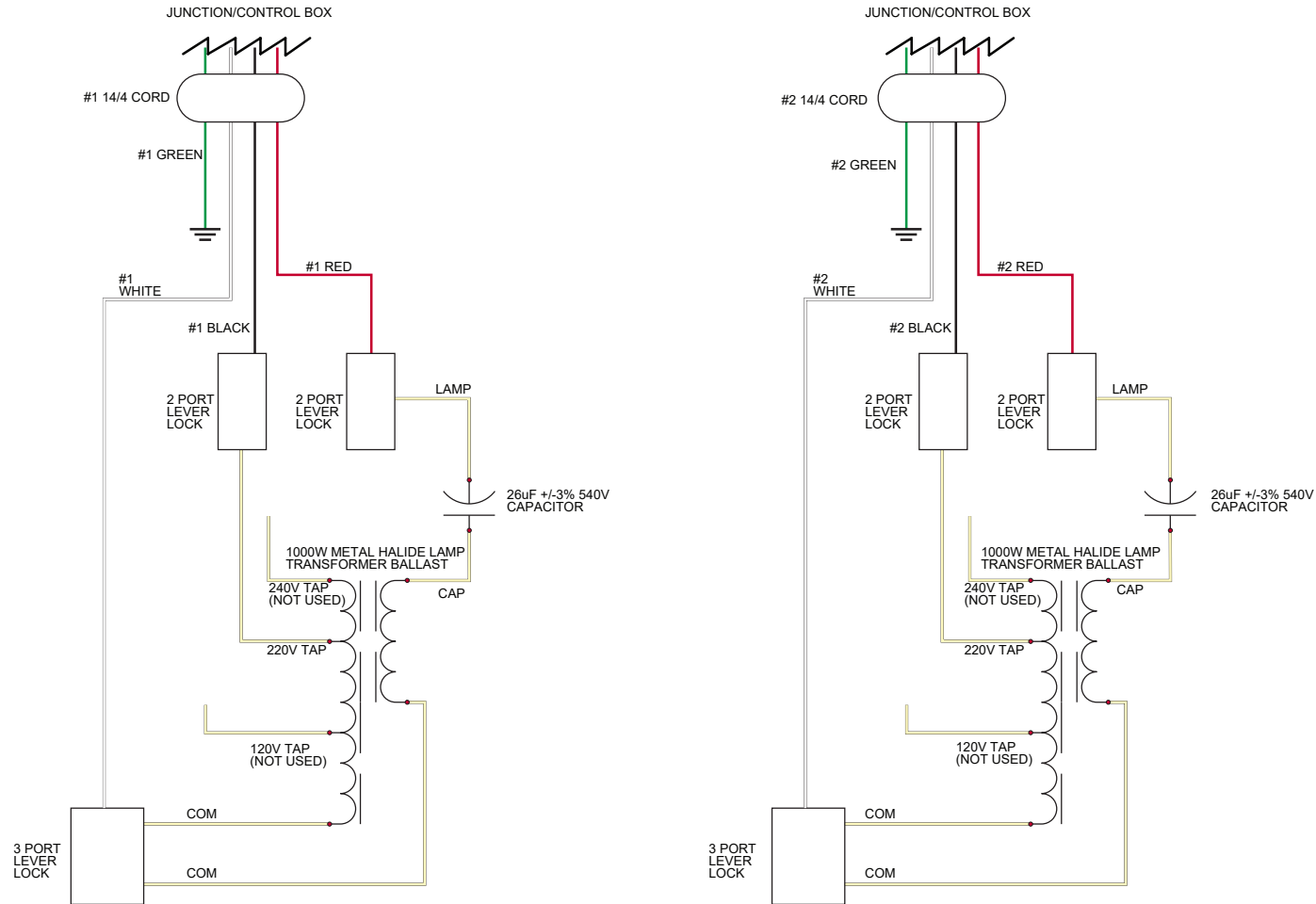
105184

Night-Lite Pro II®

1.6 - 1000W 50Hz 120V Ballast Schematic



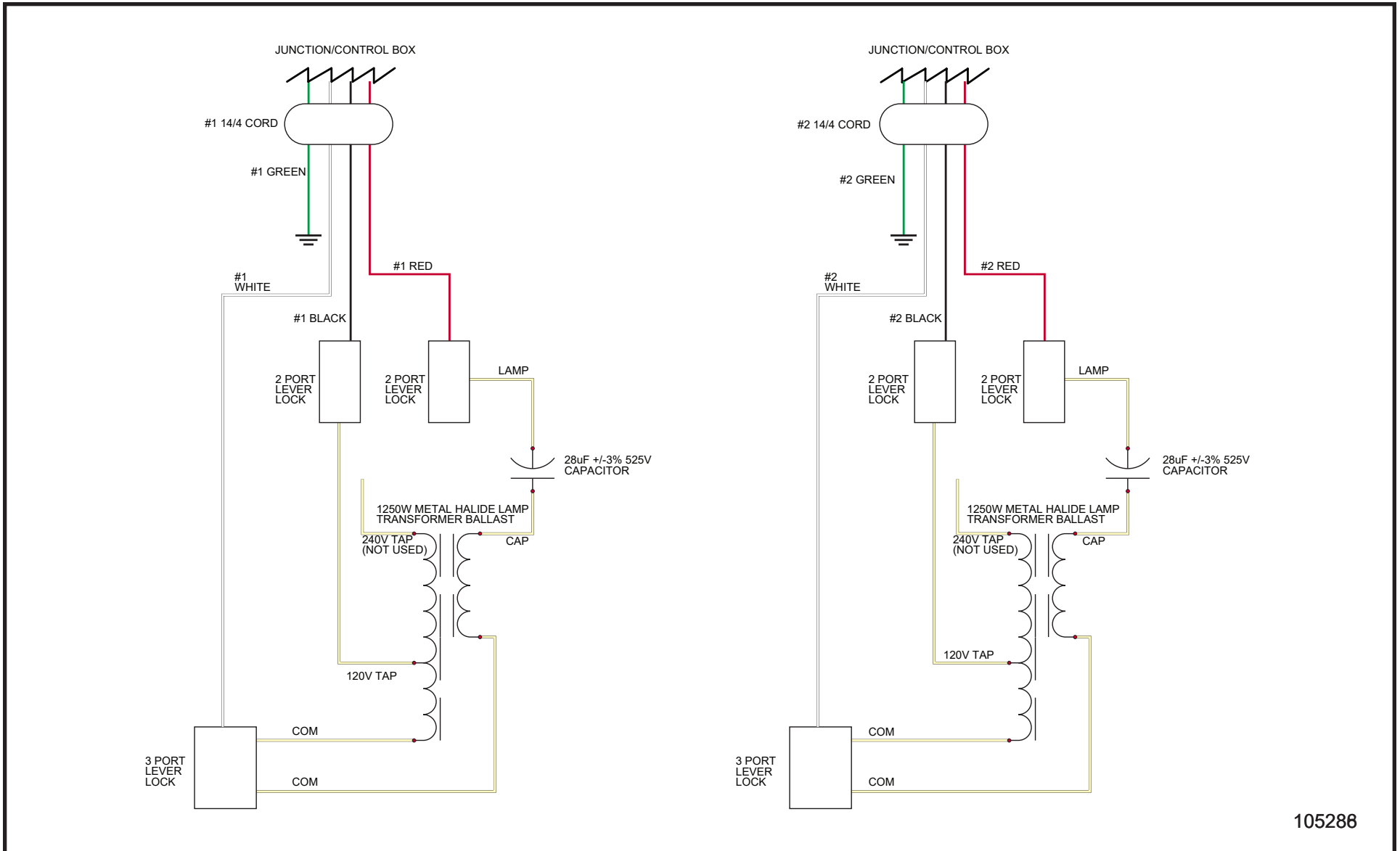
1.7 - 1000W 50Hz 220V Ballast Schematic



105289

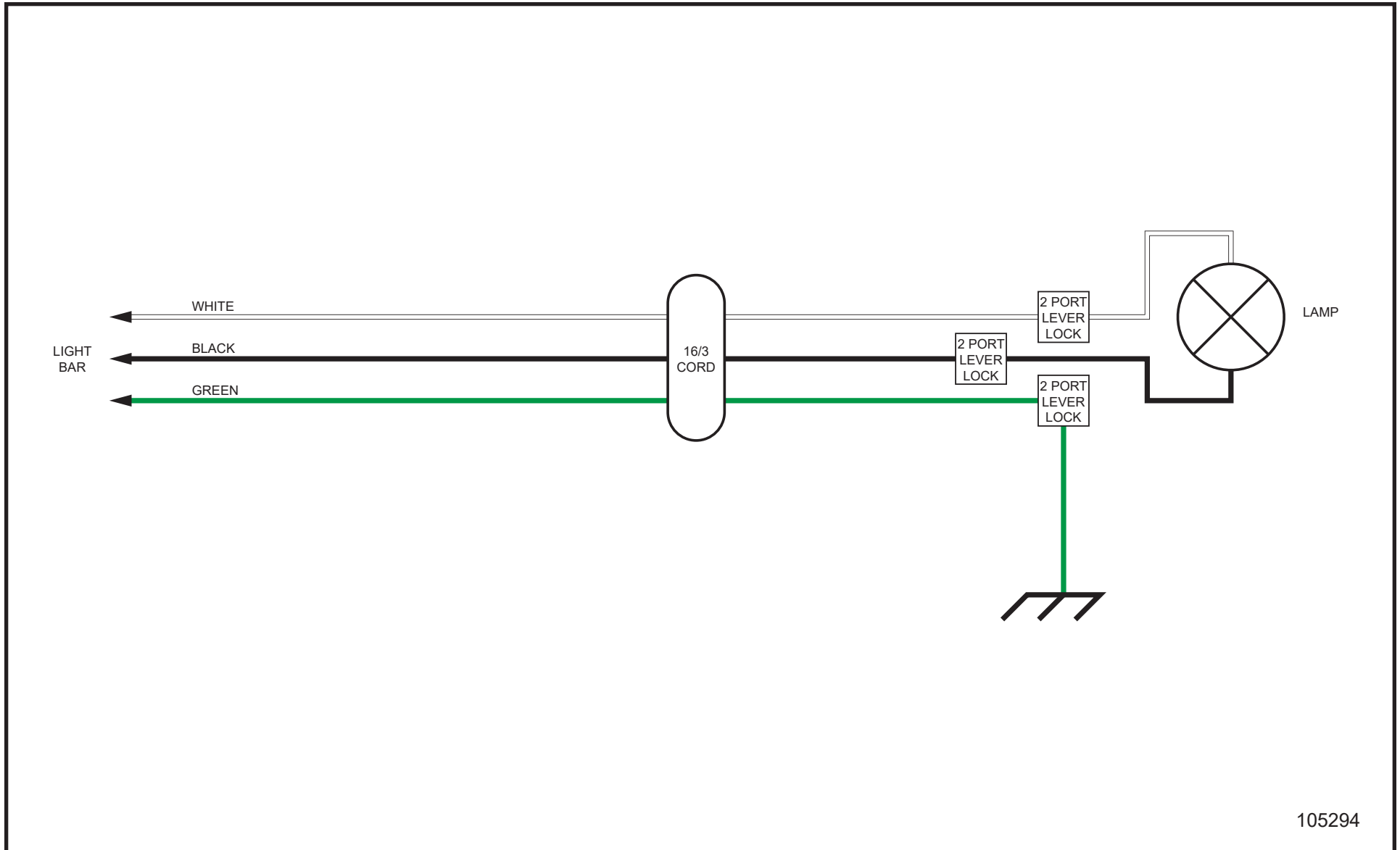
Night-Lite Pro II®

1.8 - 1250W 60Hz 120V Ballast Schematic



105288

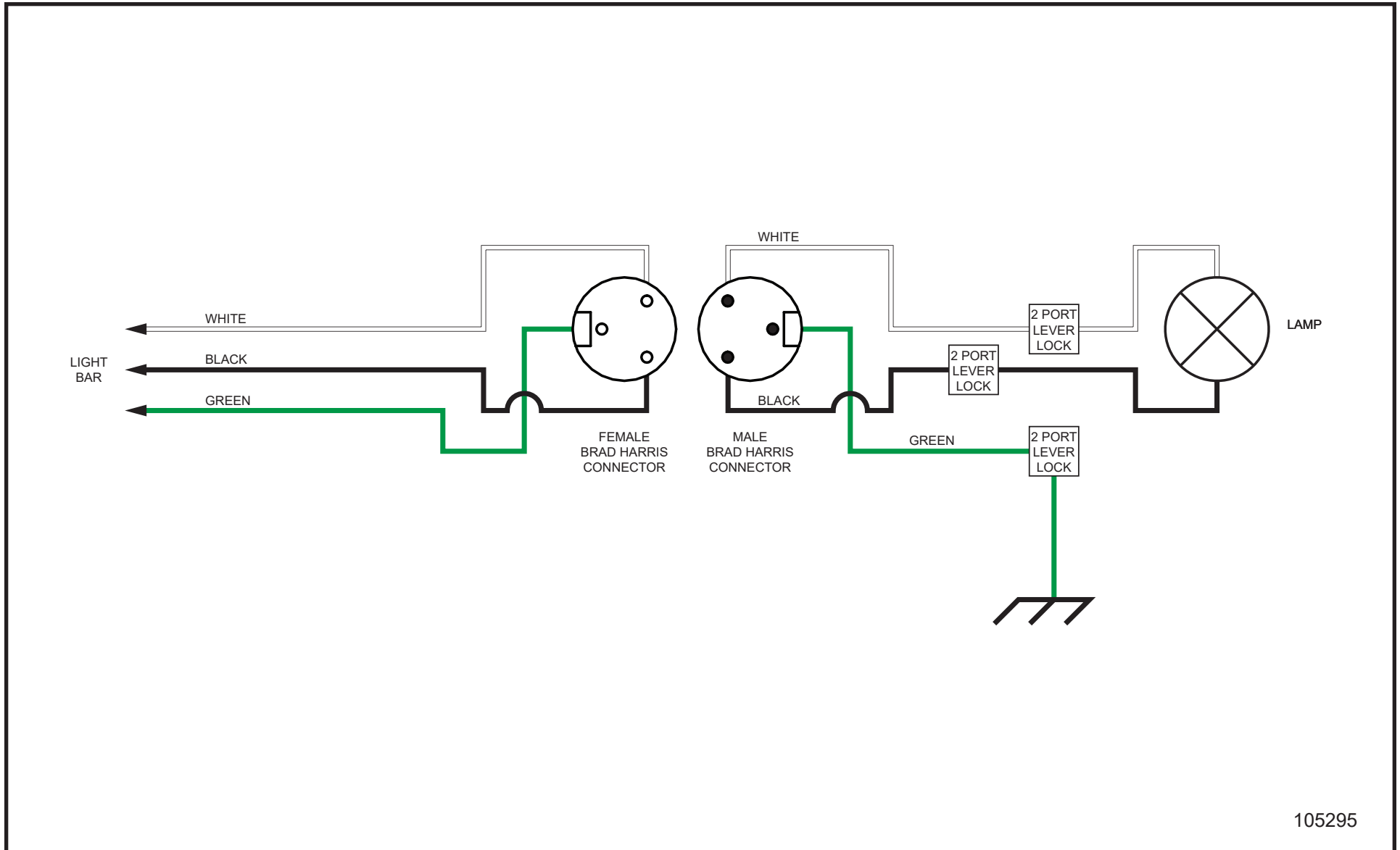
1.9 - Solid Wired SHO Lamp Schematic



105294

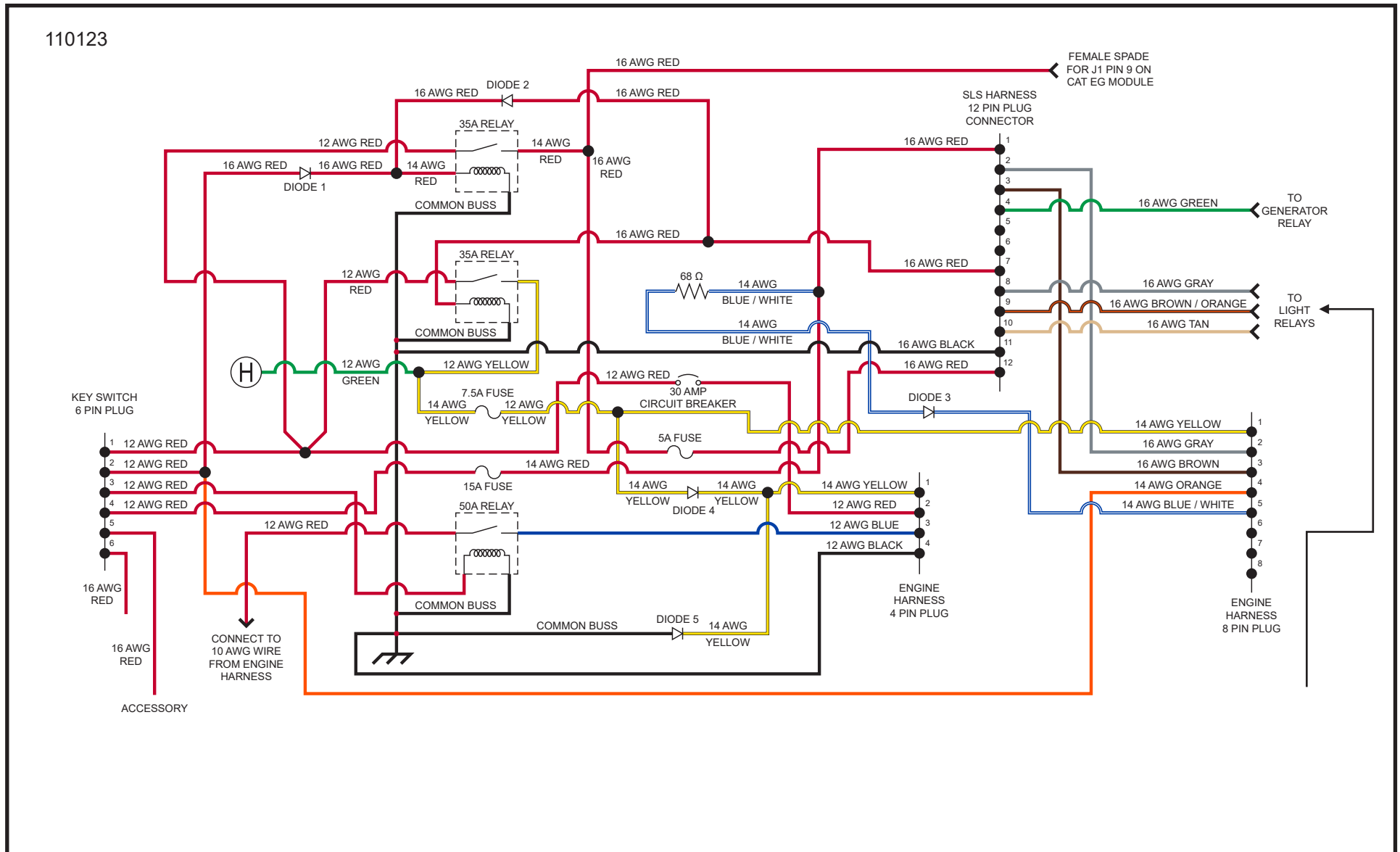
Night-Lite Pro II®

1.10 - Quick Disconnect SHO Lamp Schematic



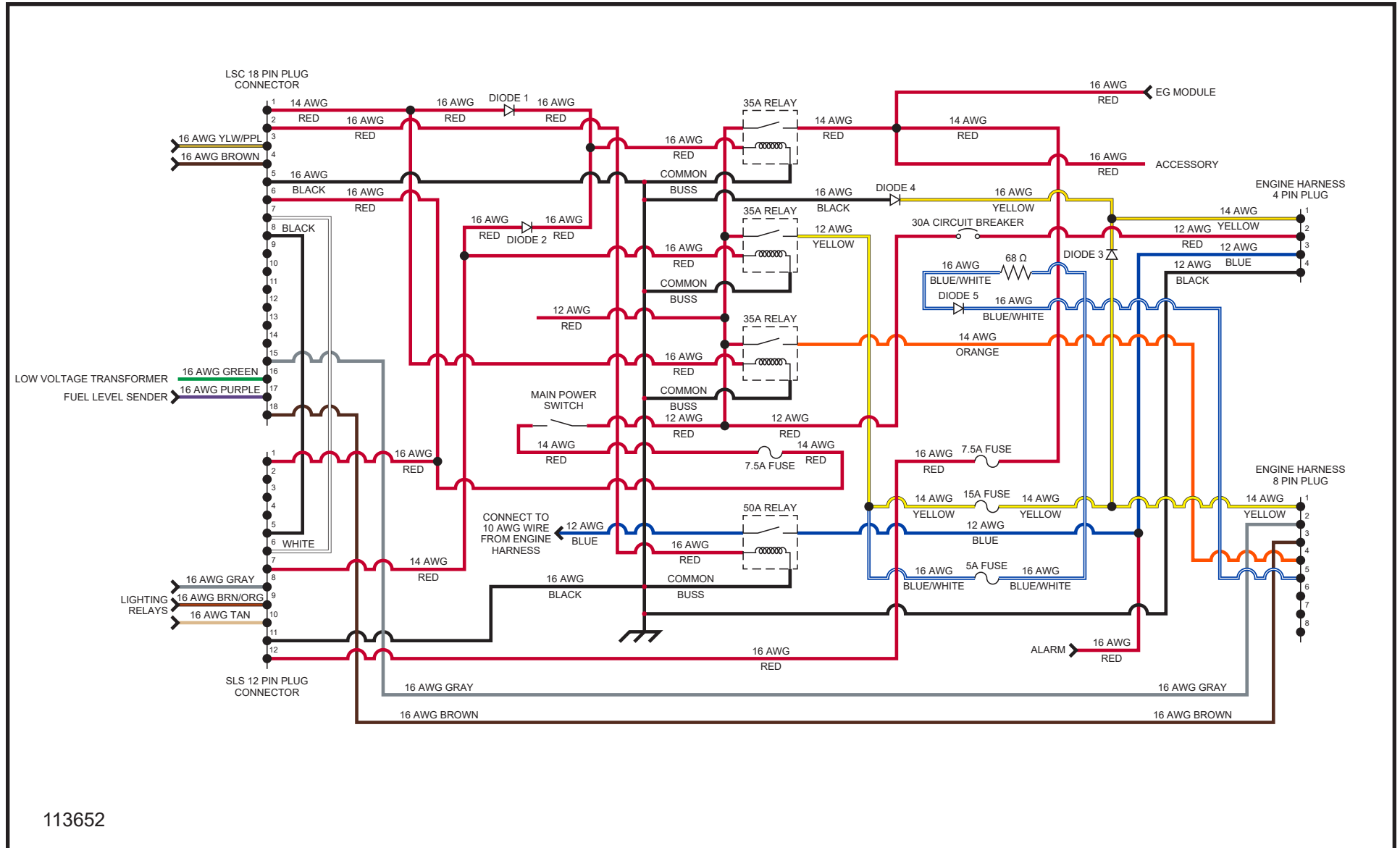
105295

1.11 - SLS / Key Start Schematic



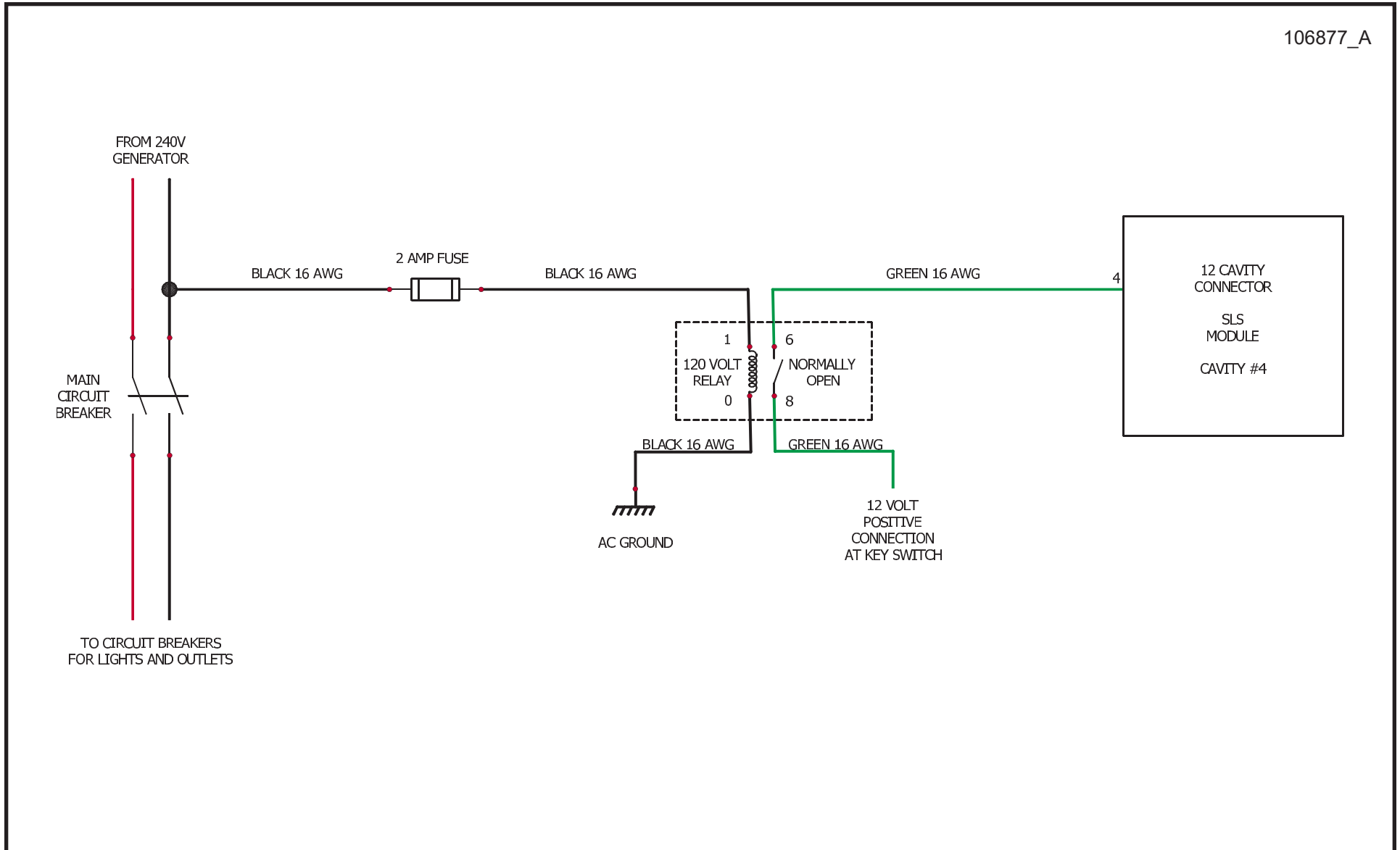
Night-Lite Pro II®

1.12 - LSC / SLS Schematic



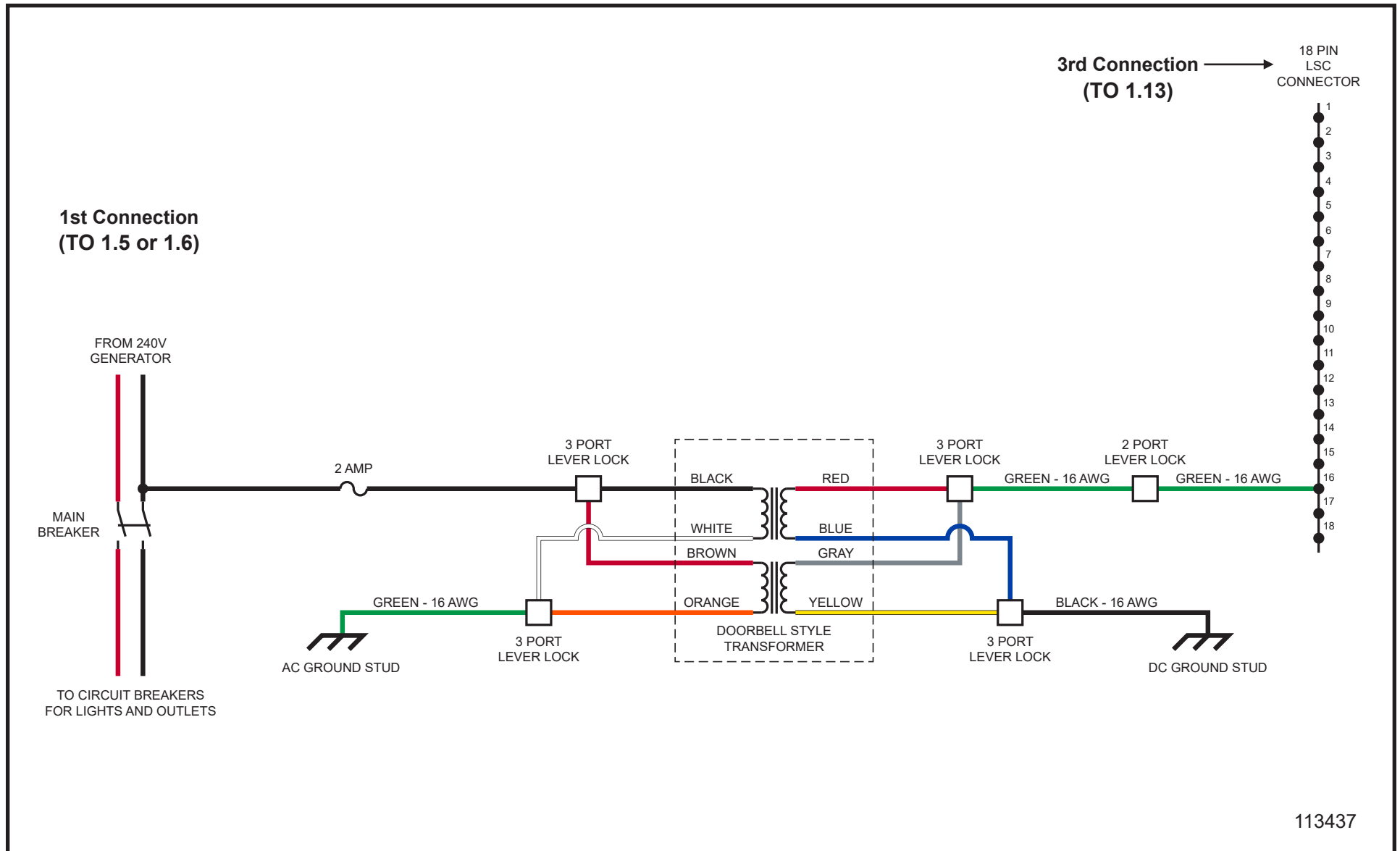
113652

1.13 - SLS Relay Schematic



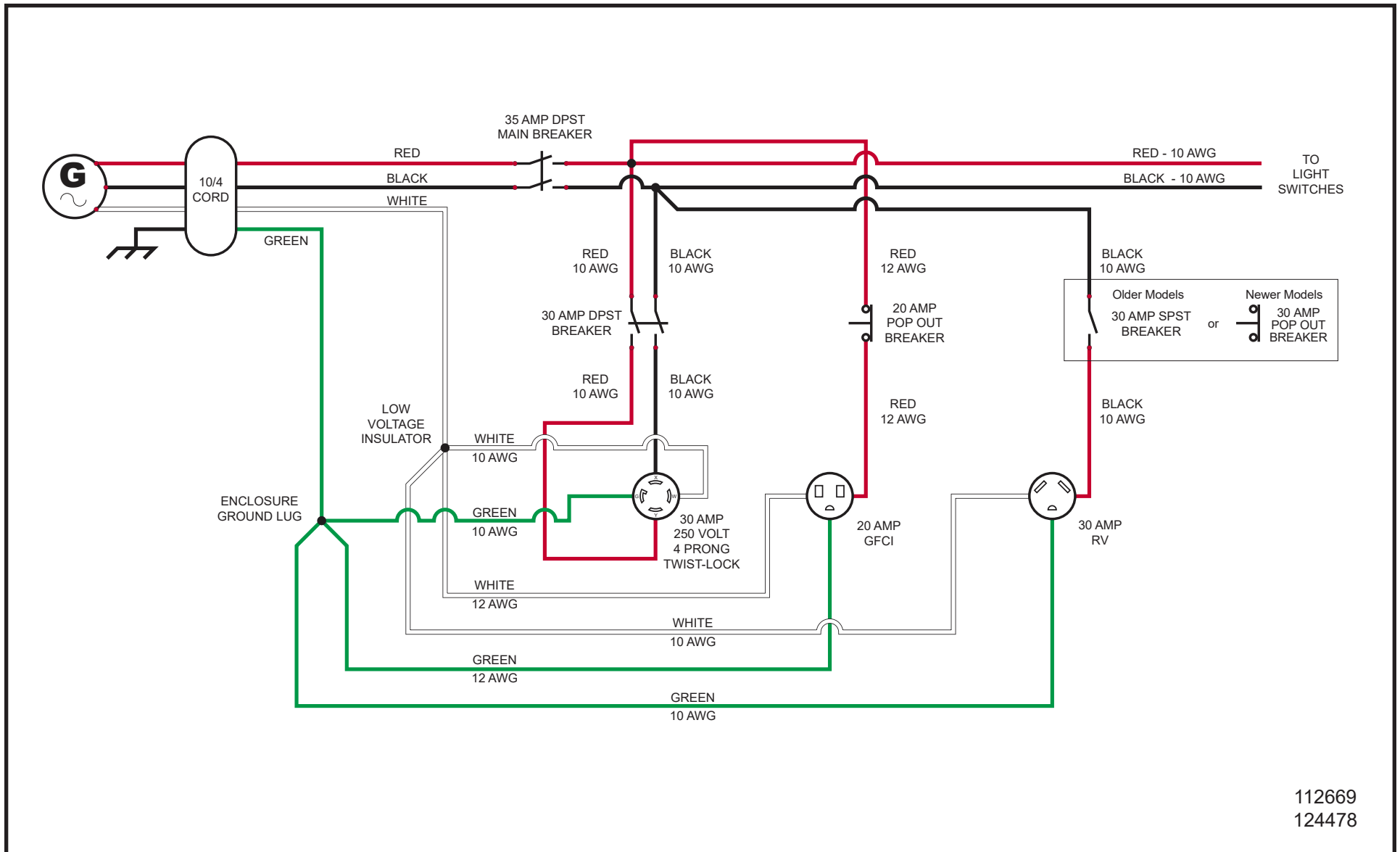
Night-Lite Pro II®

1.14 - LSC 2.1 Transformer Schematic



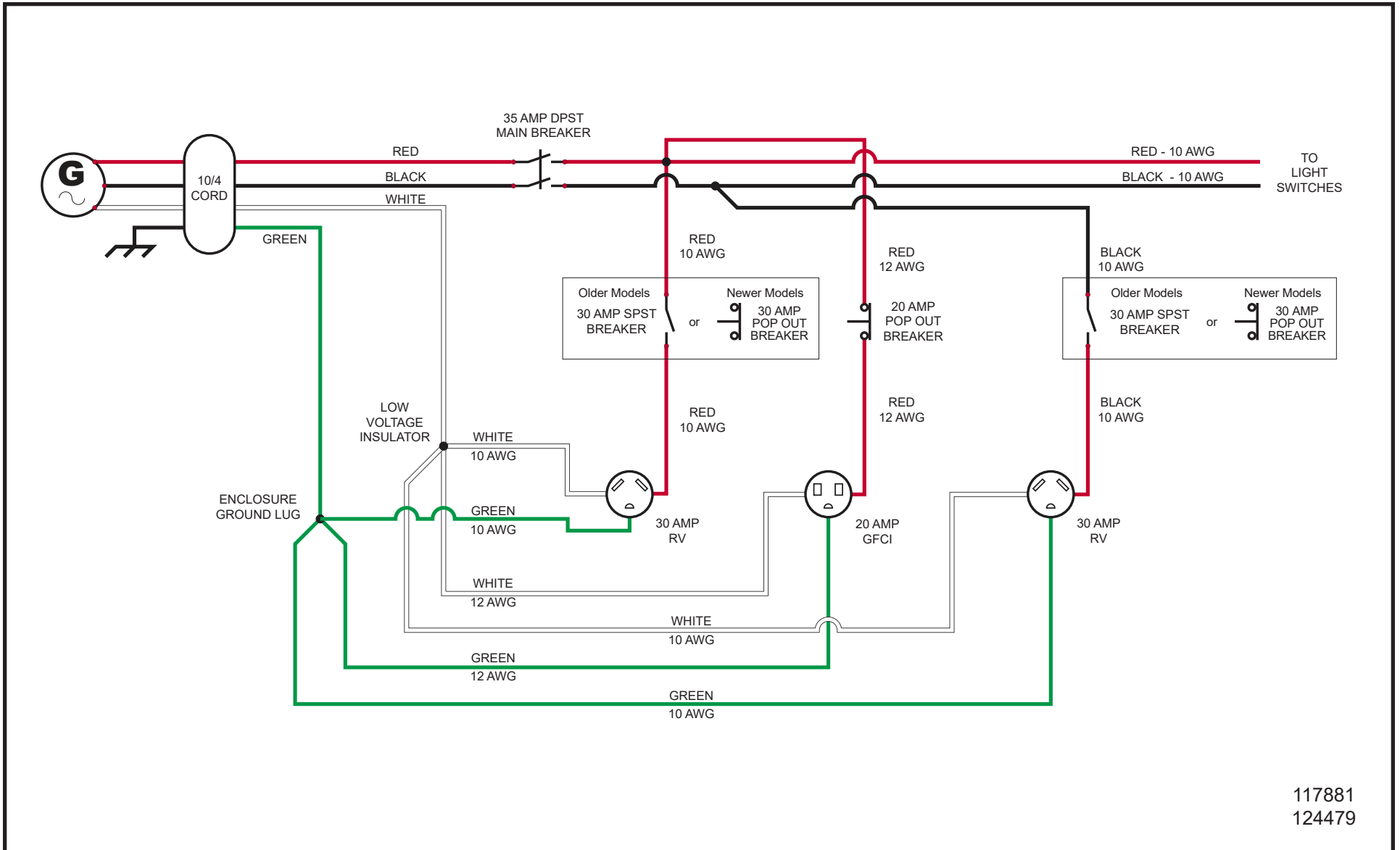
113437

1.15 - 1-30A RV, 1-20A GFCI, 1-30A 4-Prong Twistlock Schematic



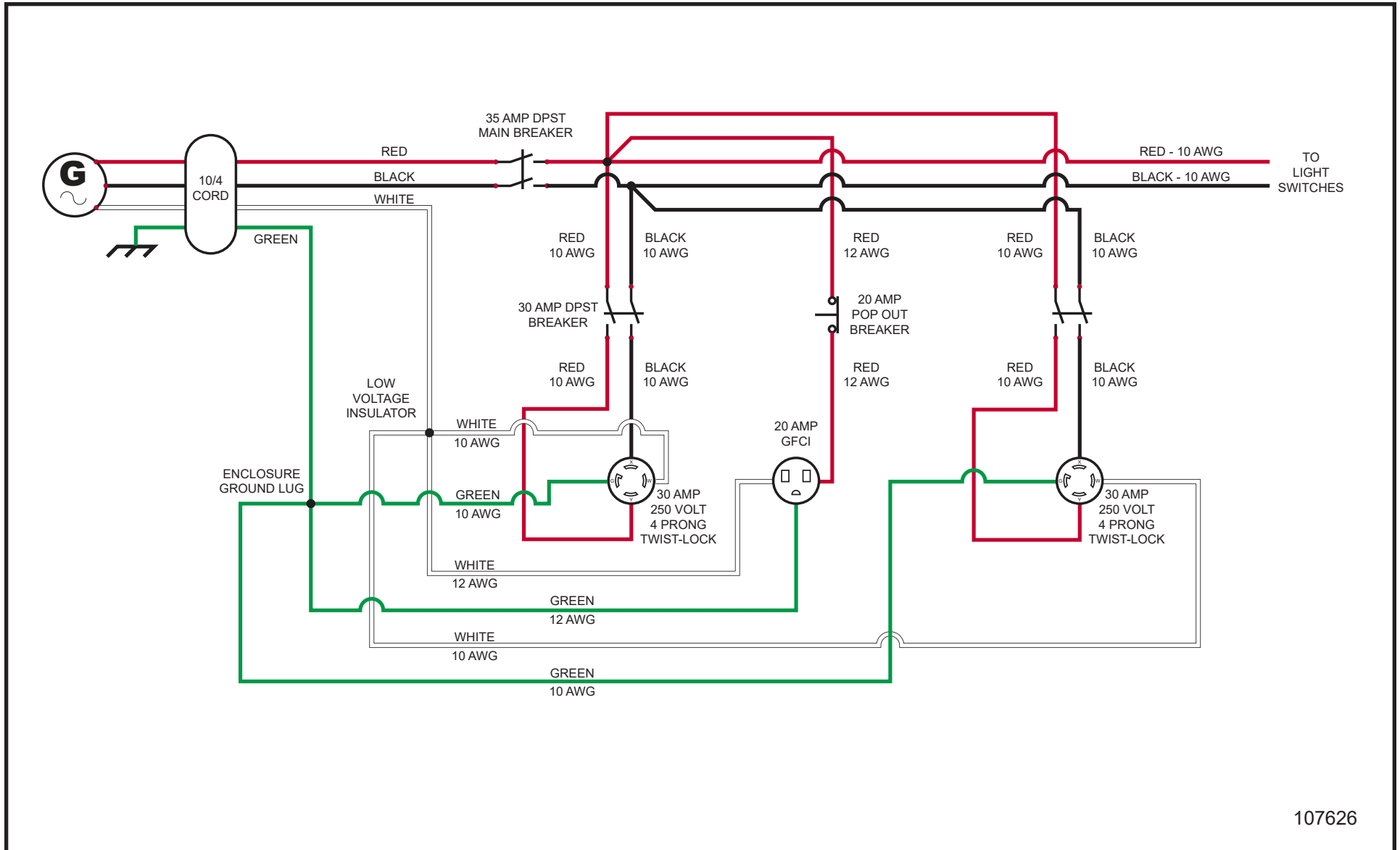
Night-Lite Pro II®

1.16 - 1-GFCI, 2-30A RV PRO II Schematic



117881
124479

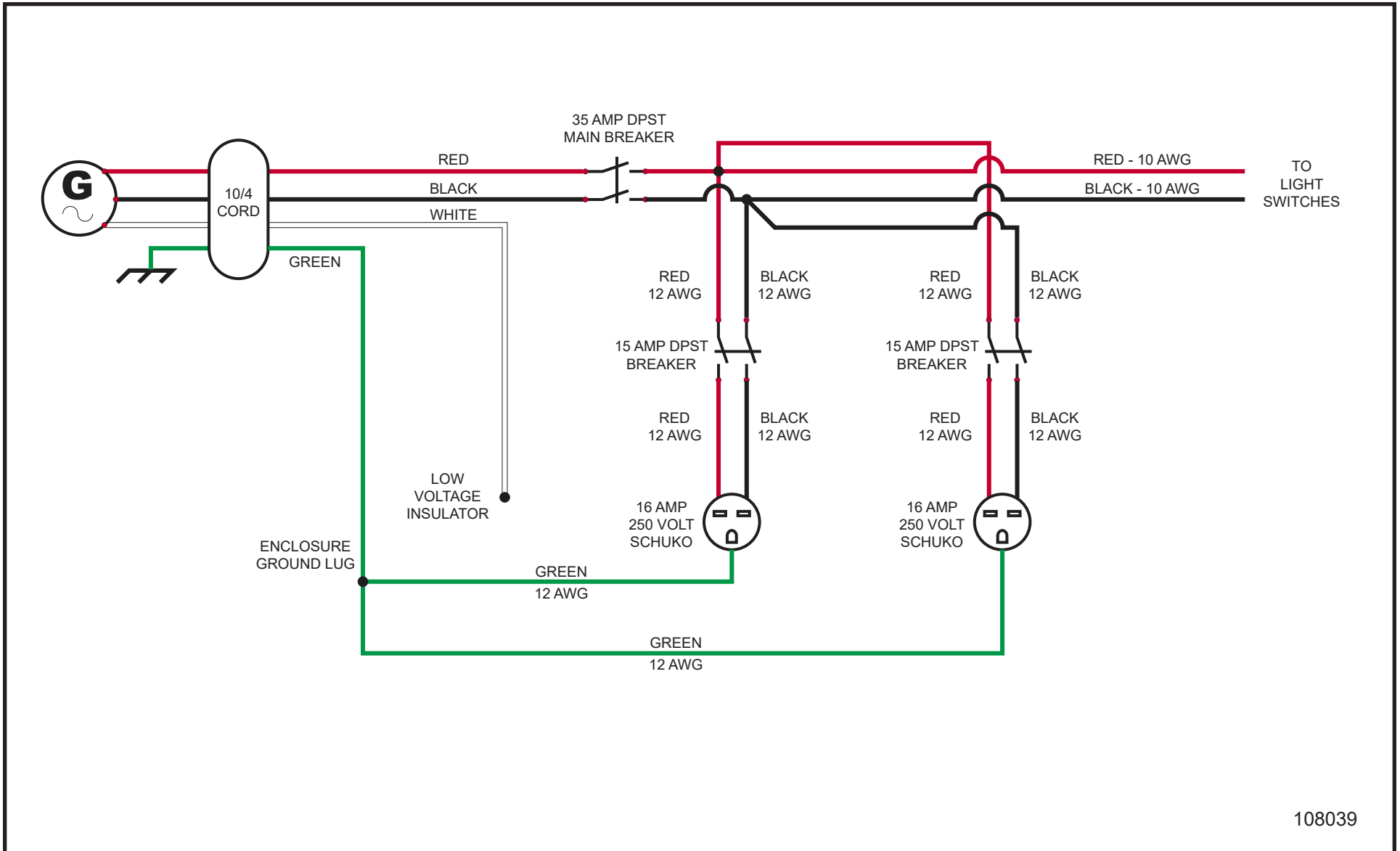
1.17 - 2-30 AMP Twistlocks 1-20A GFCI Schematic



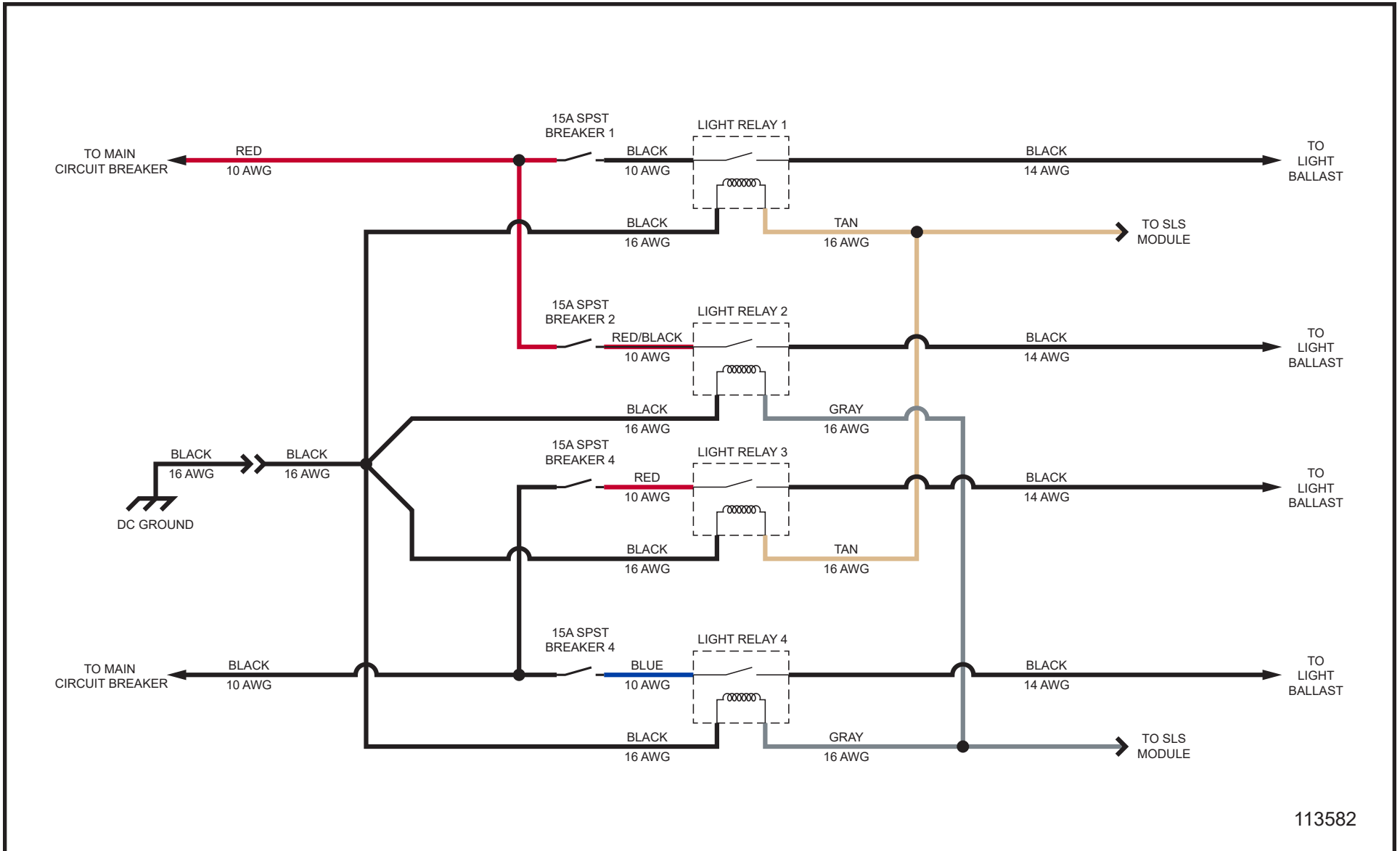
107626

Night-Lite Pro II®

1.18 - 50Hz 2-16A Schuko Outlets Schematic



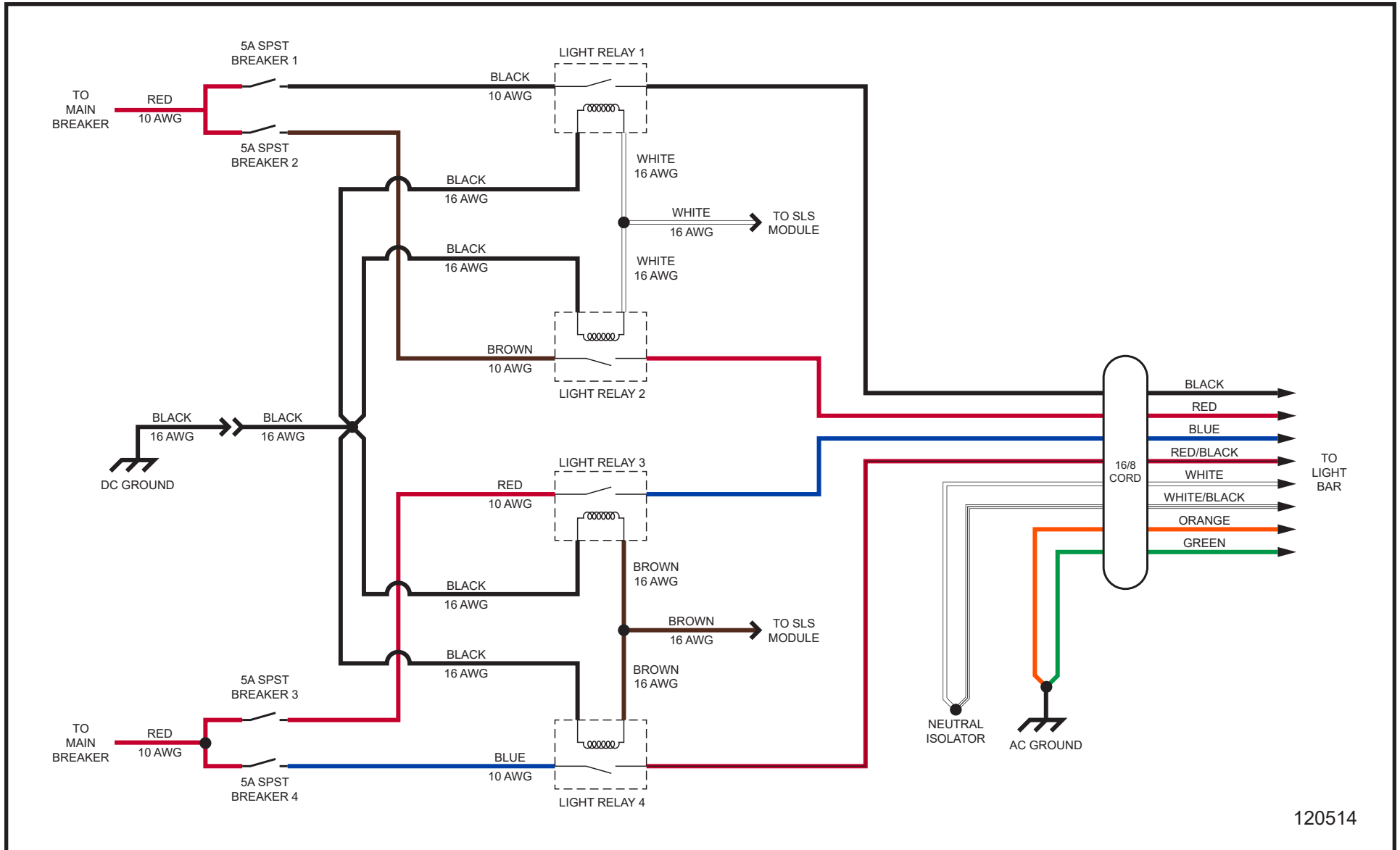
1.19 - 4 Lights 4 Relays NL Pro II Schematic



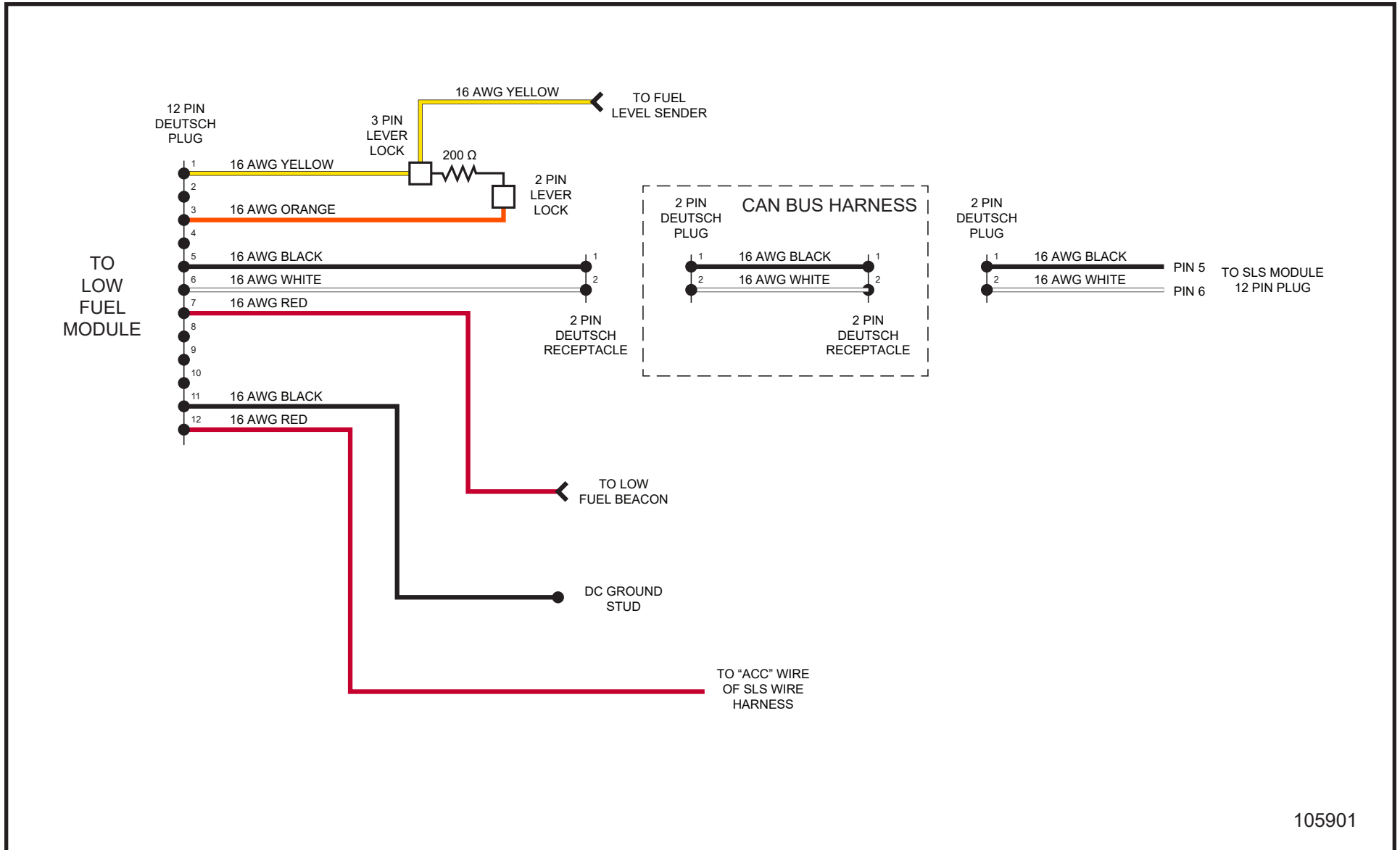
113582

Night-Lite Pro II®

1.20 - 4 LED Lights 4 Relays NL Pro II Schematic



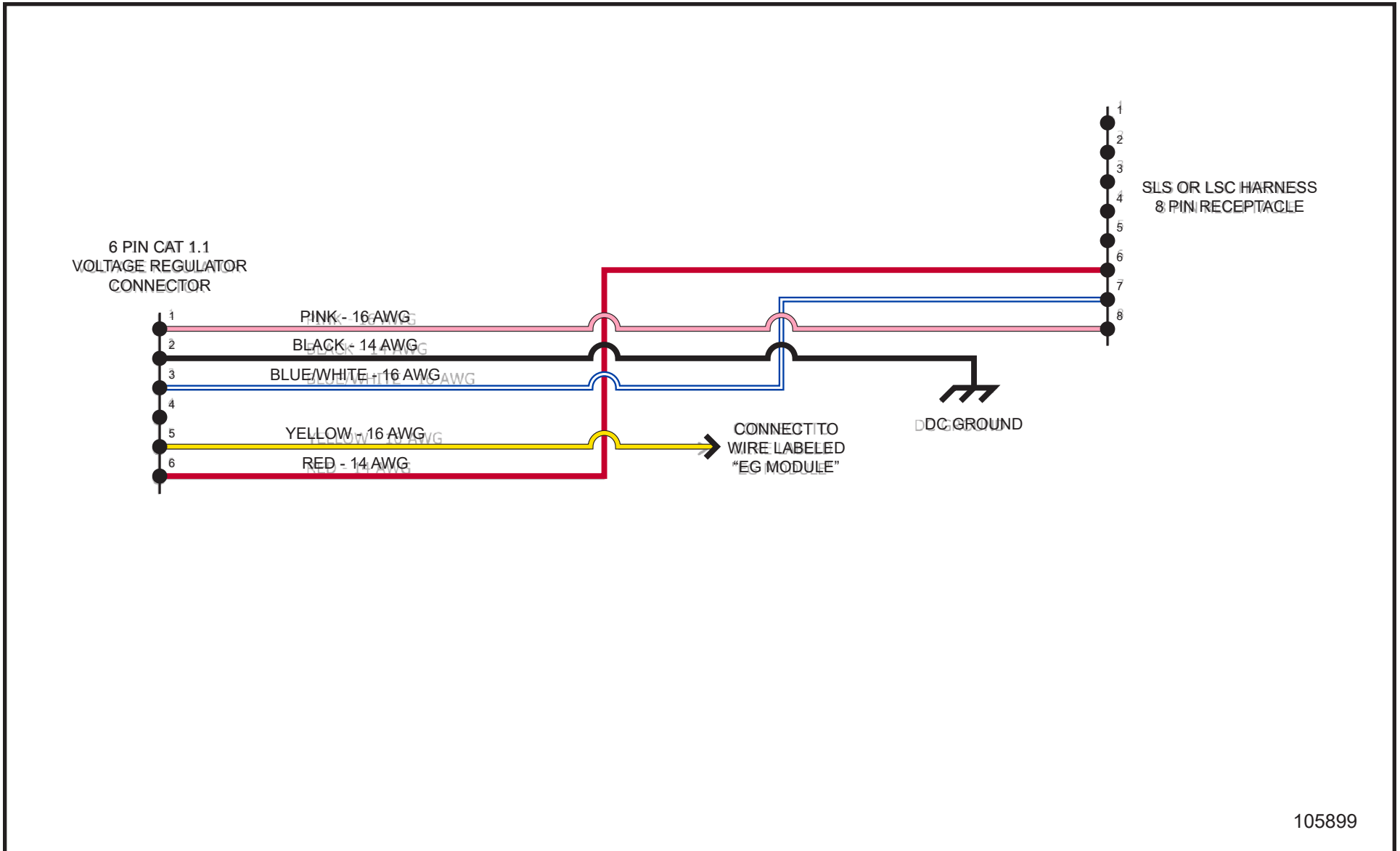
1.21 - Low Fuel Shutdown Wire Schematic



105901

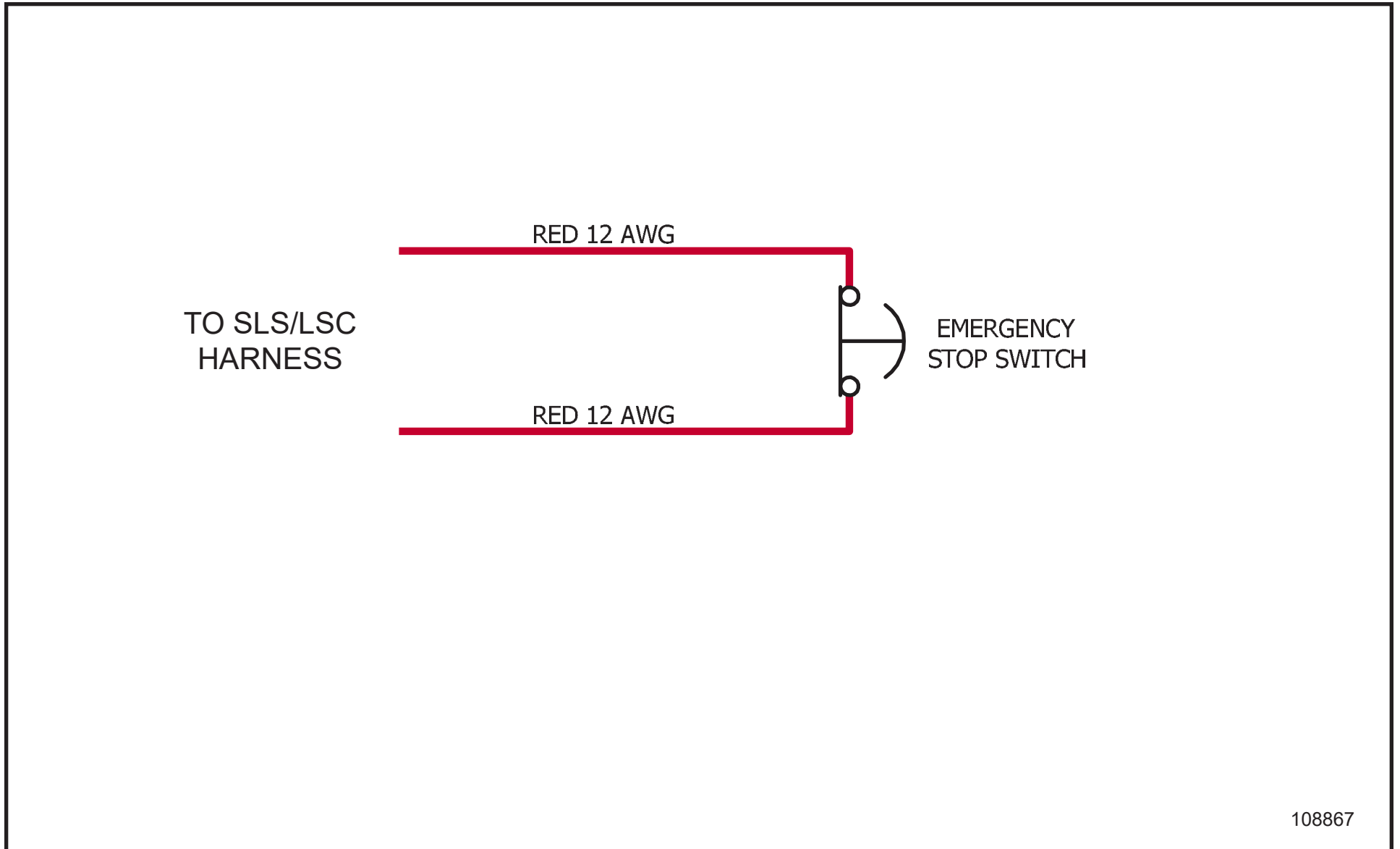
Night-Lite Pro II®

1.22 - C1.1 Voltage Regulator Schematic



105899

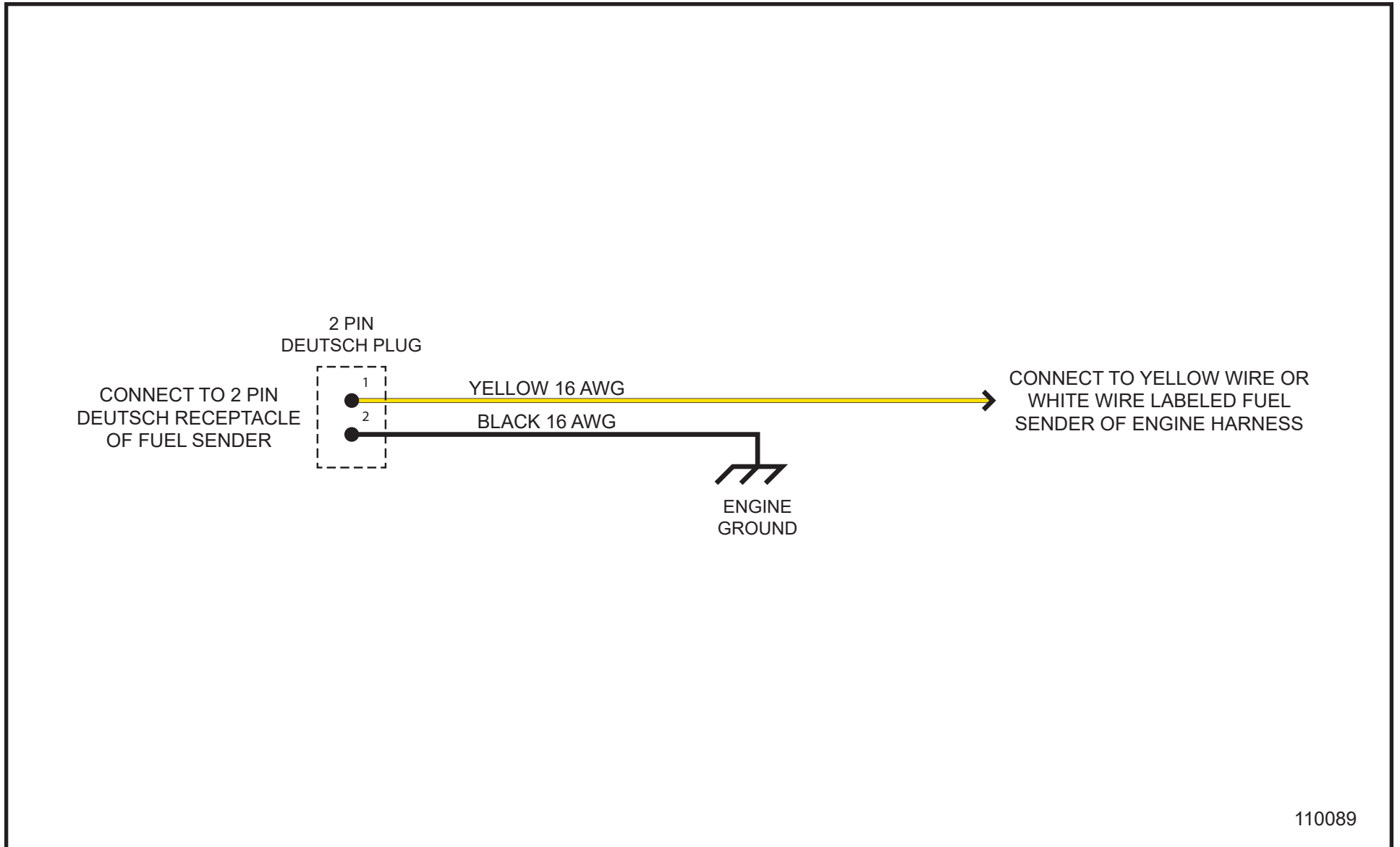
1.23 - Emergency Stop Schematic



108867

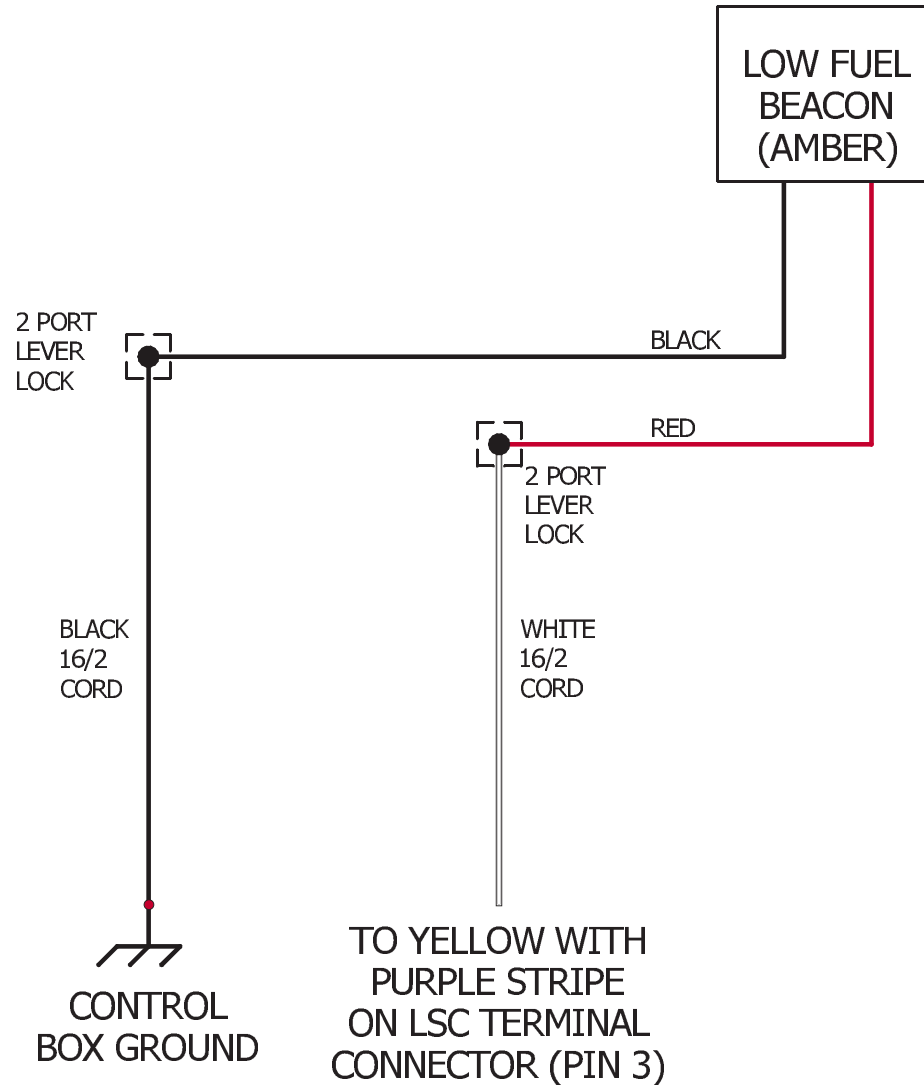
Night-Lite Pro II®

1.24 - Low Fuel Sender Schematic



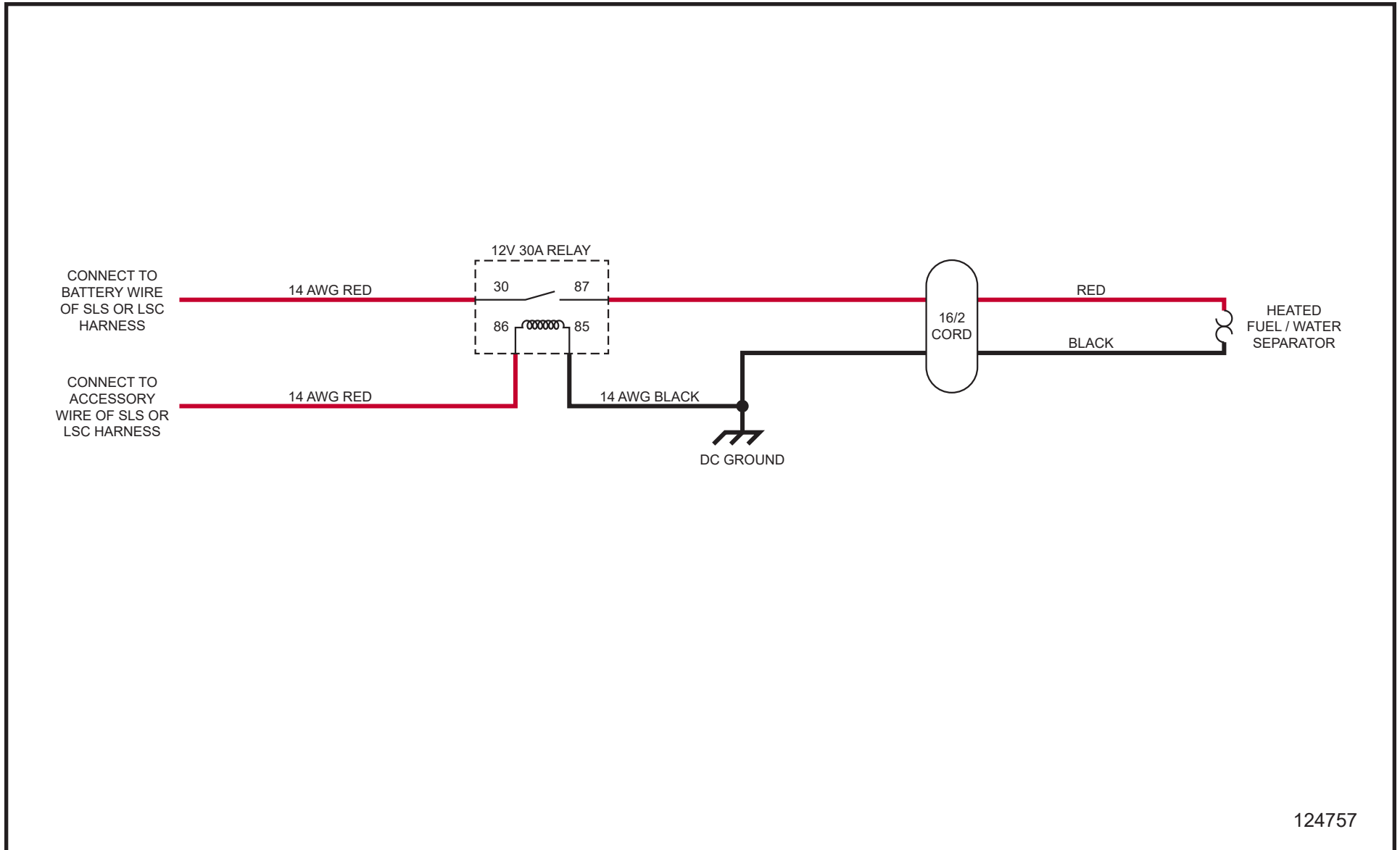
1.25 - Low Fuel Beacon Schematic

105897

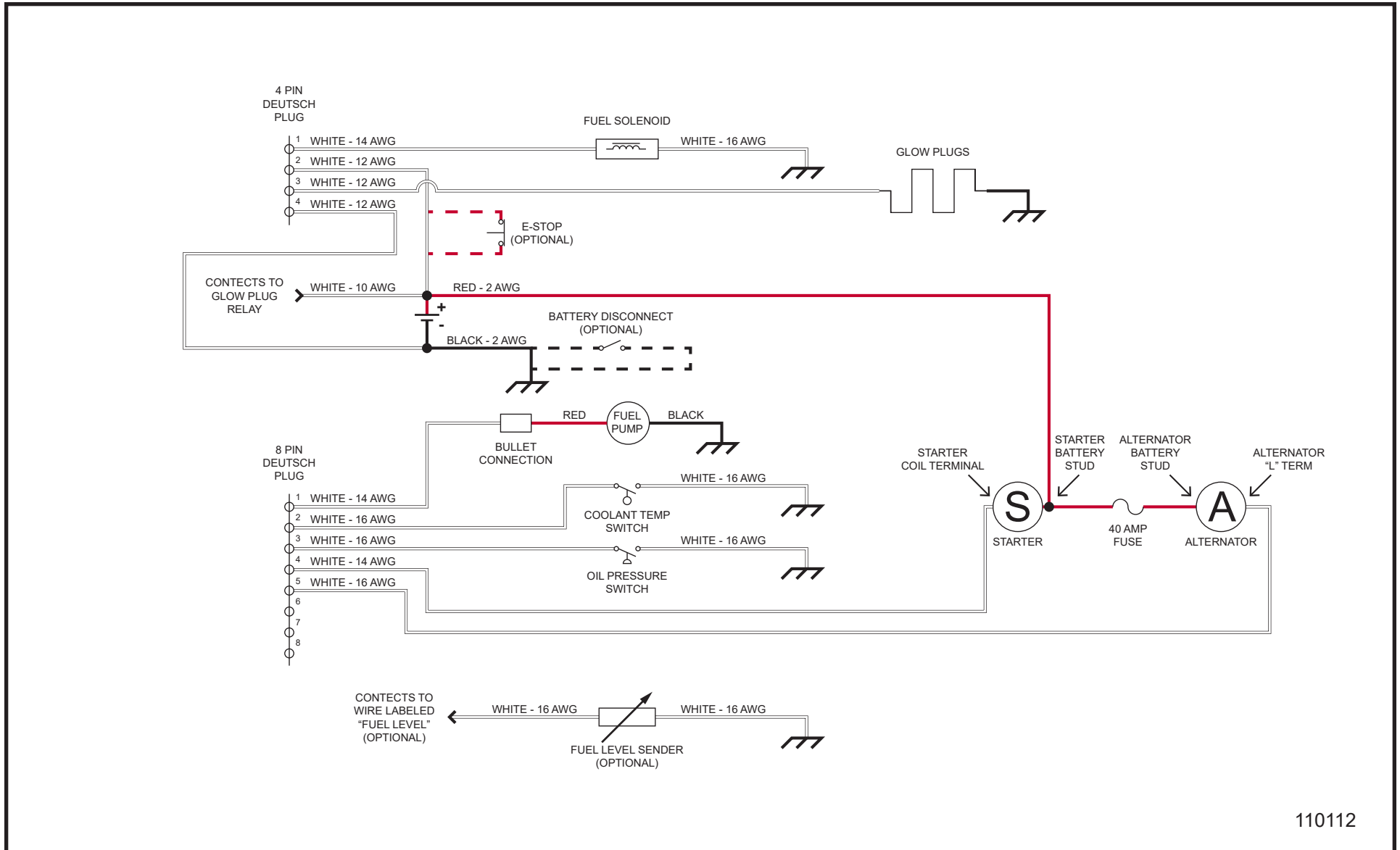


Night-Lite Pro II®

1.26 - Heated Fuel Water Separator Schematic



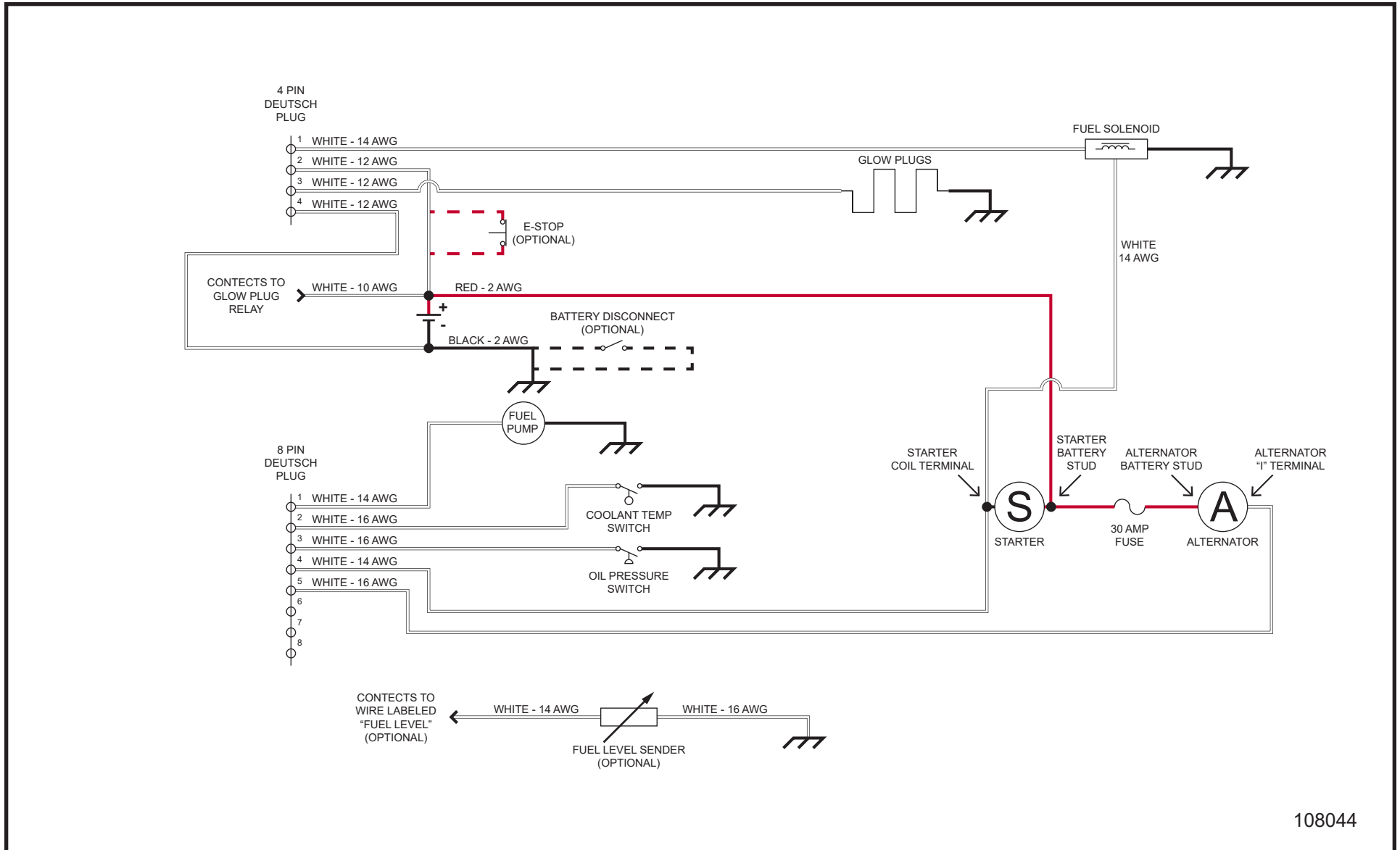
1.27 - CAT/Perkins 1.1L Harness Schematic



110112

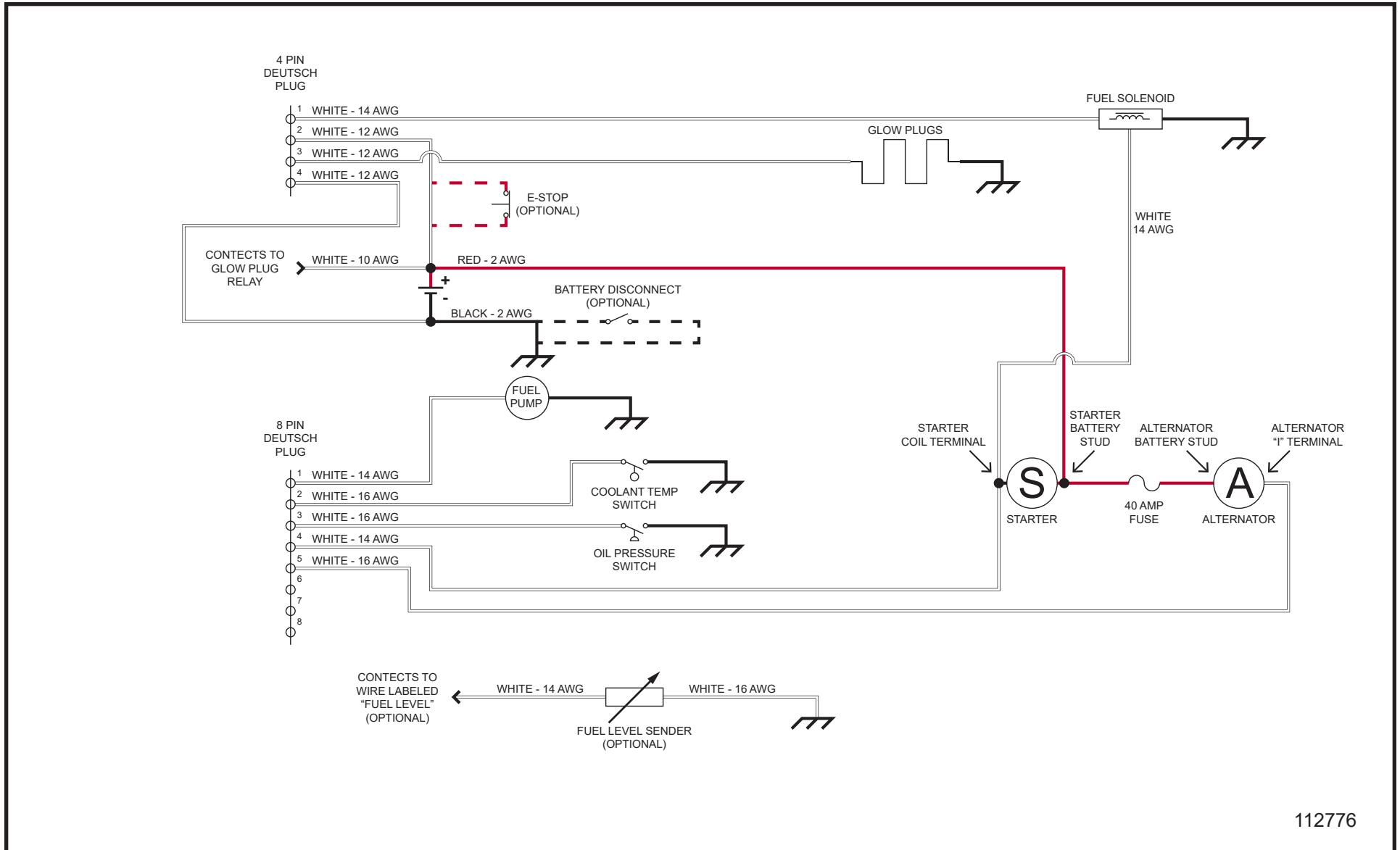
Night-Lite Pro II®

1.28 - Kubota D1005 Engine Harness Schematic



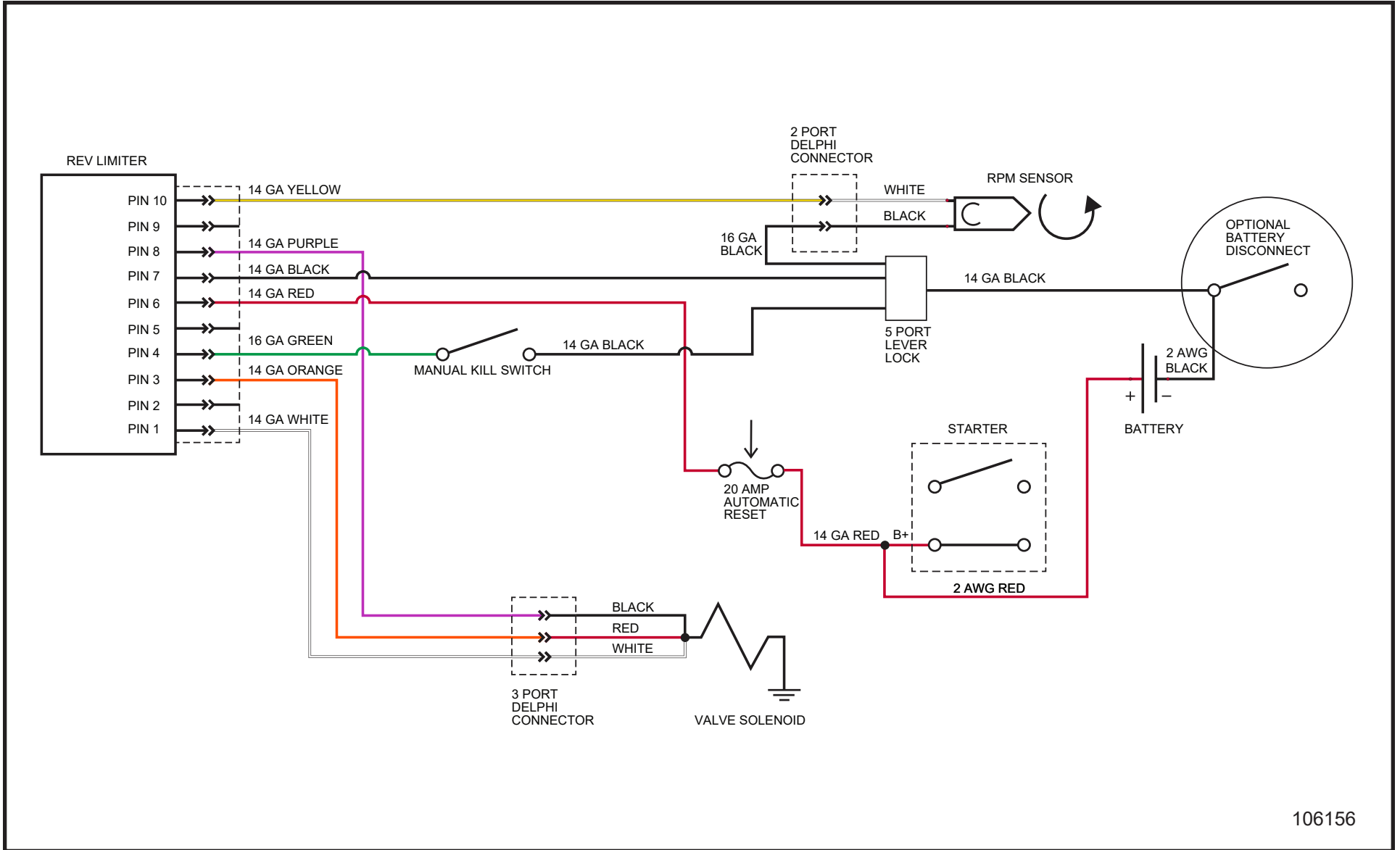
108044

1.29 - Kubota D1105 Engine Harness Schematic



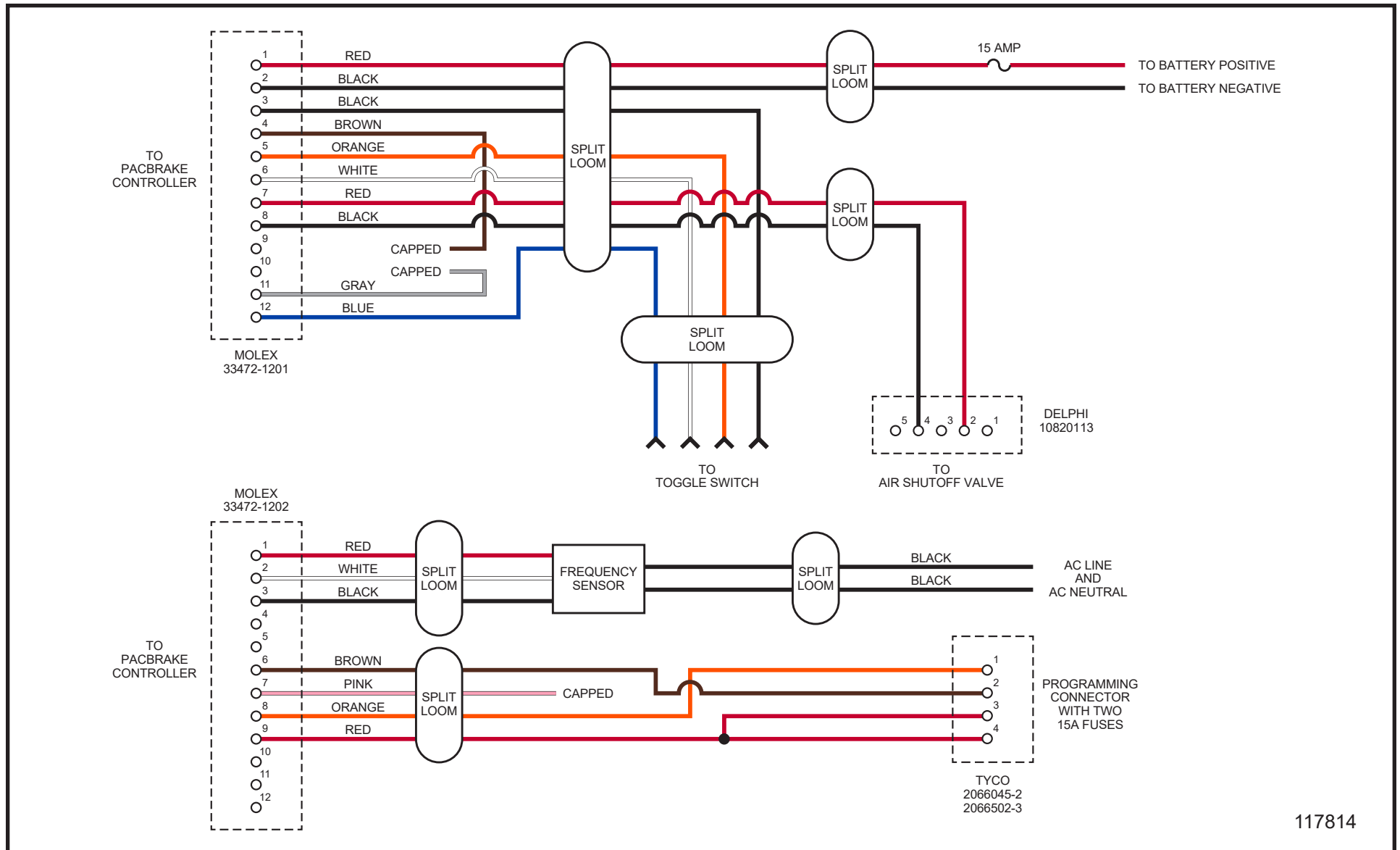
Night-Lite Pro II®

1.30 - Shocker Valve Harness Schematic



106156

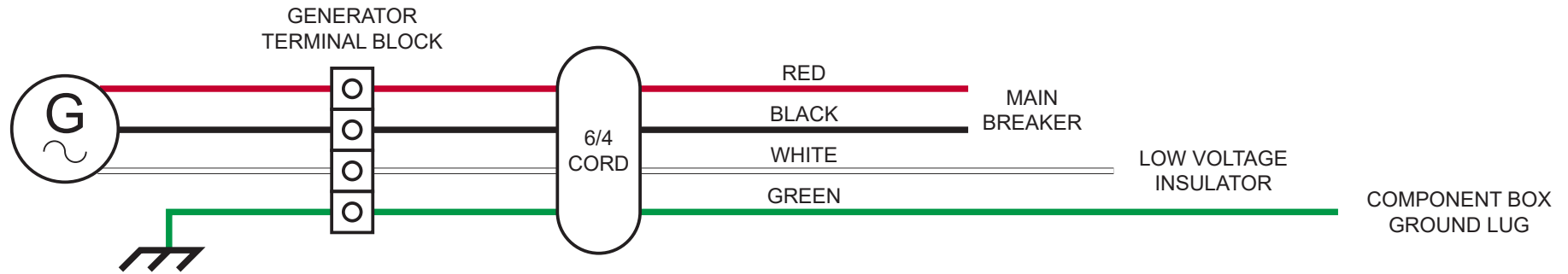
1.31 - PacBrake Air Valve Harness Schematic



117814

Night-Lite Pro II®

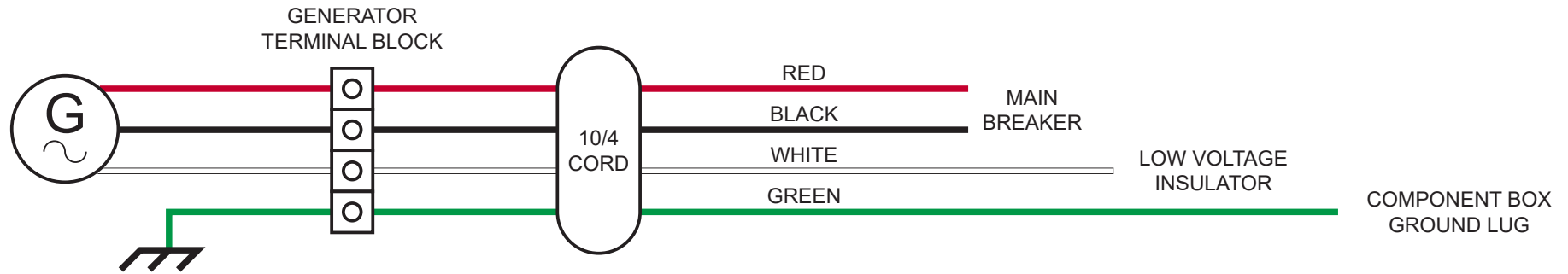
1.32 - 6/4 Generator Cord Schematic



GENERATOR TERMINAL BLOCK CONNECTIONS				
6/4 CORD WIRE	MARATHON 50/60 Hz	ATHLON 50/60 Hz	COLISEUM 60 Hz	COLISEUM 50 Hz
RED	3	L1	11	11
WHITE	2	L2	33	33
BLACK	1	L3	44	66
GREEN	GROUND STUD	GROUND STUD	22	55

105269

1.33 - 10/4 Generator Cord Schematic



GENERATOR TERMINAL BLOCK CONNECTIONS				
10/4 CORD WIRE	MARATHON 50/60 Hz	ATHLON 50/60 Hz	COLISEUM 60 Hz	COLISEUM 50 Hz
RED	3	L1	11	11
WHITE	2	L2	33	33
BLACK	1	L3	44	66
GREEN	GROUND STUD	GROUND STUD	22	55

108909

Night-Lite Pro II®

Night-Lite Pro II®



1502 West 4th Avenue
Holdrege, NE 68949

phone: (308) 995-4495 • toll free: (800) 562-1373
fax: (308) 995-5887

www.allmand.com