

Allmand™

Brighter. Warmer. Safer.



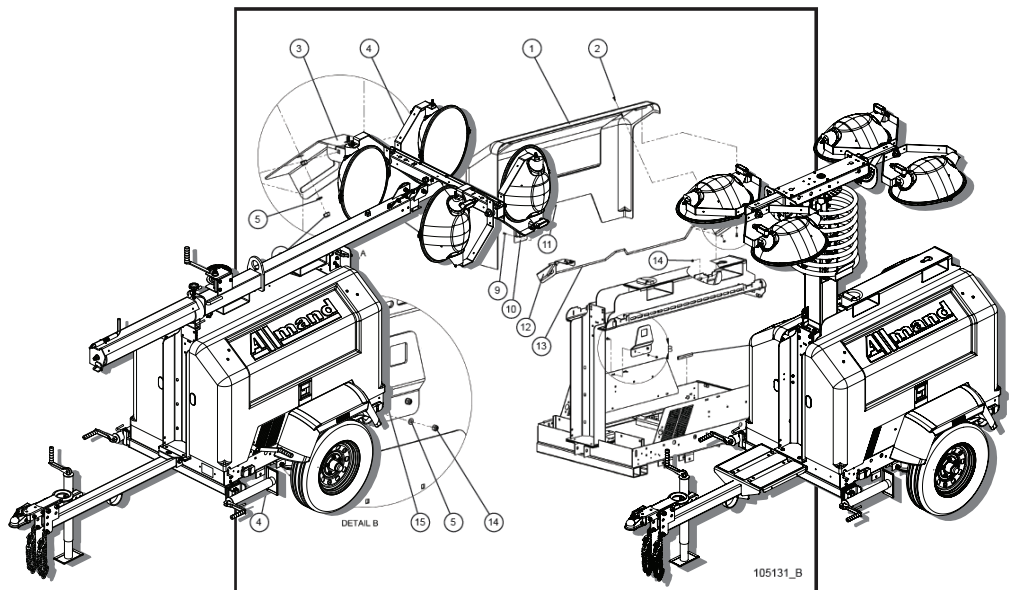
en Parts Manual
50 & 60Hz NIGHT-LITE PRO II™

Portable
Industrial
Heaters

Portable
Light Towers

Portable
Light Stands

Solar Flashing
Arrow Boards



Copyright © 2016 Allmand Bros., Inc.
Holdrege, NE, USA. All rights reserved.

Part No.: 107518
Revision: C

LIGHT TOWER APP



Reliability, Performance, and Integrity Since 1938

www.allmand.com

TABLE OF CONTENTS

1.0 FRAME/AXLE/TONGUE/OUTRIGGERS

Universal Frame and Axle	(1.1)
Universal Frame 25.25 Axle Eye Spacing and 25.25 Axle	(1.2)
Universal Frame and Hydraulic Brake Axle	(1.3)
AL-CO Frame and Axle Mount	(1.4)
AL-CO Tongue and Axle	(1.5)
AL-CO Tongue Platform	(1.6)
Removeable Tongue	(1.7)
Coupler and Pintle Group	(1.8)
Bulldog Hitch Options	(1.9)
Croft Ball Coupler	(1.10)
Removeable Tongue Platform	(1.11)
Foldable Tongue	(1.12)
Australian Tongue and Coupler	(1.13)
Adjustable Tongue	(1.14)
Outriggers and Jacks	(1.15)
Wheel Chock Block	(1.16)

2.0 TRAILER BASE PARTS

Left Door	(2.1)
Right Door	(2.2)
Left Door w/ Cord Opening	(2.3)
Right Door w/ Cord Opening	(2.4)
Cord Opening Hooks	(2.5)
Sound Attenuation Package	(2.6)
Tower Pedestal	(2.7)
CAT Rear Panel	(2.8)
Kubota Rear Panel	(2.9)
Mobile Platform Rear Panel	(2.10)
FCS Tray Group	(2.11)
Non FCS Group	(2.12)
Fender	(2.13)

TABLE OF CONTENTS

2.0 TRAILER BASE PARTS (CONTINUED)

Manual Canister	(2.14)
Fire Extinguisher Bracket	(2.15)

3.0 LAYDOWN TOWER GROUP

Laydown Tower Trailer Group	(3.1)
Laydown Tower Parts	(3.2)
Laydown Tower Light Bar	(3.3)
Laydown Tower Pivot Group	(3.4)
Laydown Tower Pivot Section	(3.5)
Laydown Tower Rear Support	(3.6)
Laydown Tower Winch Group	(3.7)
Laydown Tower 16/8 Cord Reel Group	(3.8)
Laydown Tower 14/7 Cord Group	(3.9)
Laydown Tower 16/8 Cord Group	(3.10)

4.0 VERTICAL TOWER GROUP

Vertical Tower Trailer Group	(4.1)
Vertical Tower Parts	(4.2)
Vertical Tower Galvanized Parts	(4.3)
Vertical Tower Light Bar	(4.4)
Vertical Tower Go Green LED Light Bar	(4.5)
Vertical Tower Hydraulic Pump w/ Bottom Port Cylinder	(4.6)
Vertical Tower Hydraulic Pump w/ Top Port Cylinder	(4.7)
Vertical Tower Hydraulic Pump Mount	(4.8)
Vertical Tower Bottom Port Cylinder Quick Disconnect	(4.9)
Vertical Tower Top Port Cylinder Cap and Plug	(4.10)
Vertical Tower Pump-Key Switch Relay	(4.11)
Vertical Tower Switch Panel	(4.12)
Vertical Tower Momentary Switch Panel w/ Relay	(4.13)
Vertical Tower Switch Panel w/ Alarm	(4.14)
Vertical Tower 16/8 Nycoil Cord Group	(4.13)
Vertical Tower 16/8 Cord Reel Group	(4.14)

TABLE OF CONTENTS

5.0 LAMP AND BALLAST GROUP

1000W HPS Lamps with 60Hz 120V Ballast Boxes	(5.1)
1000W HPS 60Hz 120V Ballast Box Assembly	(5.2)
1250W Lamps with 60Hz 120V Ballasts	(5.3)
1250W 60Hz 120V Ballast Box Assembly	(5.4)
1000W Lamps with 60Hz 120V Ballasts Boxes	(5.5)
1000W 60Hz 120V Ballast Box Assembly	(5.6)
1000W Lamps with 50Hz 220V Ballast Boxes	(5.7)
1000W 50Hz 220V Ballast Box Assembly	(5.8)
LED 4 Driver Install Group	(5.9)
LED 4 Driver Assembly	(5.10)
No Lamps with Non Ballast Box Assembly	(5.11)
SHO Light Fixtures	(5.12)
SHO Light Assembly Group	(5.13)
LED Light Fixtures and LED Assembly Group	(5.14)
SHO Light SAF-T-Visor	(5.15)
SHO Light SFR Safety Lanyards	(5.16)
LED Light SFR Safety Lanyards	(5.17)
SHO Light Solid Wired Lamp Connector	(5.18)
SHO Light Quick Disconnect Lamp Connector	(5.19)
LED Light Solid Wired Lamp Connector	(5.20)
LED Light Quick Disconnect Lamp Connector	(5.21)

6.0 COMPONENT BOX GROUP

Component Box	(6.1)
2-20AMP GFCI Outlet Package	(6.2)
2-20AMP GFCI Outlet UL489 Package	(6.3)
50Hz Schuko Outlet Package	(6.4)
2-10AMP Outlet Package Australian	(6.5)
1-20AMP GFCI Outlet Package	(6.6)
1-20AMP GFCI Outlet UL489 Package	(6.7)
1-30AMP RV 1-20AMP GFCI Outlet Package	(6.8)
1-30AMP RV 1-20AMP GFCI Outlet UL489 Package	(6.9)

TABLE OF CONTENTS

6.0 COMPONENT BOX GROUP (CONTINUED)

2-30AMP RV Outlet Package	(6.10)
2-30AMP RV Outlet UL489 Package	(6.11)
2-30AMP Twistlock 1-20AMP GFCI Outlet Package	(6.12)
No Outlet Package	(6.13)
No Outlet UL489 Package	(6.14)
1-30AMP Twistlock 1-GFCI Outlet Package	(6.15)
1-30AMP Twistlock 1-GFCI Outlet UL489 Package	(6.16)
50Hz CE Outlet Package	(6.17)
50Hz Africa Outlet Package	(6.18)
50Hz Schuko International Outlet Package	(6.19)
50AMP Auxiliary Outlet	(6.20)
Key Start Engine Control	(6.21)
LSC Start Engine Control	(6.22)
Kohler Start Engine Control	(6.23)
4-Light Relay	(6.24)
Low Level Fuel Module	(6.25)
CAT Engine Voltage Regulator	(6.26)

7.0 ELECTRICAL GROUP

Oval Taillight	(7.1)
LED Taillight	(7.2)
No Taillight Cover	(7.3)
CAT International Taillight	(7.4)
Kubota International Taillight	(7.5)
CAT 4-PIN Taillight Harness	(7.6)
CAT 4-PIN 2 Piece Taillight Harness	(7.7)
Kubota 4-PIN Taillight Harness	(7.8)
Kubota 4-PIN 2 Piece Taillight Harness	(7.9)
7-Pole Plug Adapter	(7.10)
International Taillight Harness	(7.11)
Ground Rod	(7.12)
Ground Rod 4 AWG Wire	(7.13)

TABLE OF CONTENTS

7.0 ELECTRICAL GROUP (CONTINUED)

Emergency Stop	(7.14)
Emergency Stop Kohler	(7.15)
VIN Package	(7.16)
LED VIN Package	(7.17)
License Plate Bracket with Lamp	(7.18)
License Plate Bracket with LED Lamp	(7.19)
Low Fuel Beacon	(7.20)
Interior LED Light	(7.21)

8.0 BATTERY/FUEL TANK/UNIVERSAL ENGINE PARTS

Battery and Battery Cables	(8.1)
Kohler Battery Cables	(8.2)
Battery Blanket	(8.3)
Battery Negative Pole Disconnect	(8.4)
FCS Fuel Tank Group	(8.5)
Non FCS Fuel Tank Group	(8.6)
Fuel Sender	(8.7)
CAT Fuel Line Kit	(8.8)
Kubota and Mitsubishi Fuel Line Kit	(8.9)
Fuel Water Separator	(8.10)
Fuel Water Separator CAT 1.1 50Hz Marathon	(8.11)
Fuel Water Separator Heated	(8.12)
Engine Isolator Mounts	(8.13)
Engine Isolator Threaded Mounts	(8.14)
CAT and Kubota Engine Ground Strap	(8.15)
Mitsubishi Engine Ground Strap	(8.16)
Coolant Recovery Tank	(8.17)

9.0 CAT ENGINE GROUP

CAT C1.1 Engine and Filters	(9.1)
CAT C1.1 Engine Assembly Group	(9.2)

TABLE OF CONTENTS

9.0 CAT ENGINE GROUP (CONTINUED)

CAT C1.1 Remote Oil Drain and Fumoto Valve	(9.3)
CAT C1.1 LSC Sending Unit	(9.4)
CAT C1.1 Block Heater	(9.5)
CAT C1.1 Shocker Group	(9.6)
CAT C1.1 Cold Front	(9.7)

10.0 KUBOTA ENGINE GROUP

Kubota Engine and Filters	(10.1)
Kubota Engine Assembly Group	(10.2)
Kubota Remote Oil Drain and Fumoto Valve	(10.3)
Kubota LSC Sending Unit	(10.4)
Kubota Block Heater	(10.5)
Kubota Shocker Group	(10.6)
Kubota Cold Front	(10.7)

11.0 KOHLER ENGINE GROUP

Kohler Engine and Filters	(11.1)
Kohler Engine Assembly Group	(11.2)
Kohler Remote Oil Drain and Fumoto Valve	(11.3)
Kohler Block Heater	(11.4)

12.0 MITSUBISHI ENGINE GROUP

Mitsubishi Engine and Filters	(12.1)
Mitsubishi Engine Assembly Group	(12.2)
Mitsubishi Remote Oil Drain and Fumoto Valve	(12.3)

13.0 GENERATORS AND GENERATOR CORDS

Marathon 6kW 50Hz Generator	(13.1)
Marathon 6kW 50Hz 201 Series Generator	(13.2)
Marathon 8kW 60Hz Generator	(13.3)

TABLE OF CONTENTS

13.0 GENERATORS AND GENERATOR CORDS (CONTINUED)

Marathon 8kW 60Hz AVR Generator	(13.4)
Athlon 8kW 60Hz Generator	(13.5)
10/4 Generator Cord	(13.6)
10/3 International Generator Cord	(13.7)
6/4 CSA Generator Cord	(13.8)
50 AMP Disconnect Generator Cord	(13.9)
30 AMP Disconnect Generator Cord	(13.10)

14.0 DECALS

Door Stripe Decals	(14.1)
Universal Trailer Decals	(14.2)
Laydown Tower Trailer Front and Side Decals	(14.3)
Laydown Tower Trailer Rear Decals	(14.4)
Laydown Tower Trailer Door Interior Decals	(14.5)
Laydown Tower Decals	(14.6)
Vertical Tower Trailer Front and Side Decals	(14.7)
Vertical Tower Trailer Rear Decals	(14.8)
Vertical Tower Trailer Door Interior Decals	(14.9)
Vertical Tower Decals	(14.10)

15.0 RECOMMENDED SPARE PARTS LIST TABLES

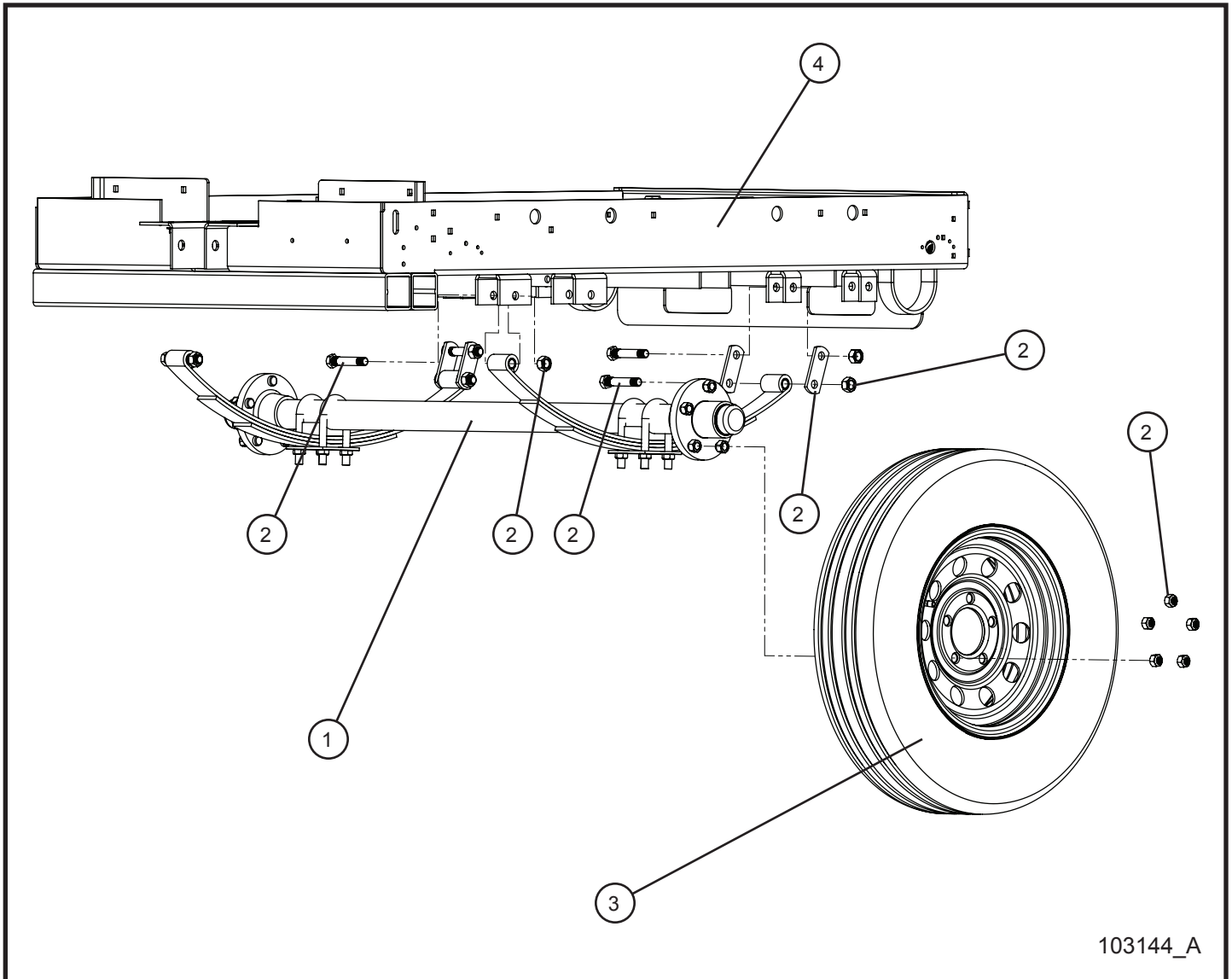
Vertical or Laydown with 60Hz or LED Lighting	(15.1)
Vertical or Laydown with 50Hz Lighting	(15.2)

Night-Lite ProII™

PAGE LEFT BLANK
INTENTIONALLY

1.1 - Universal Frame and Axle

SN 0001PRO215 to 0782PRO215
SN 0001PRO2V15 to 1595PRO2V15



103144_A

Night-Lite ProII™

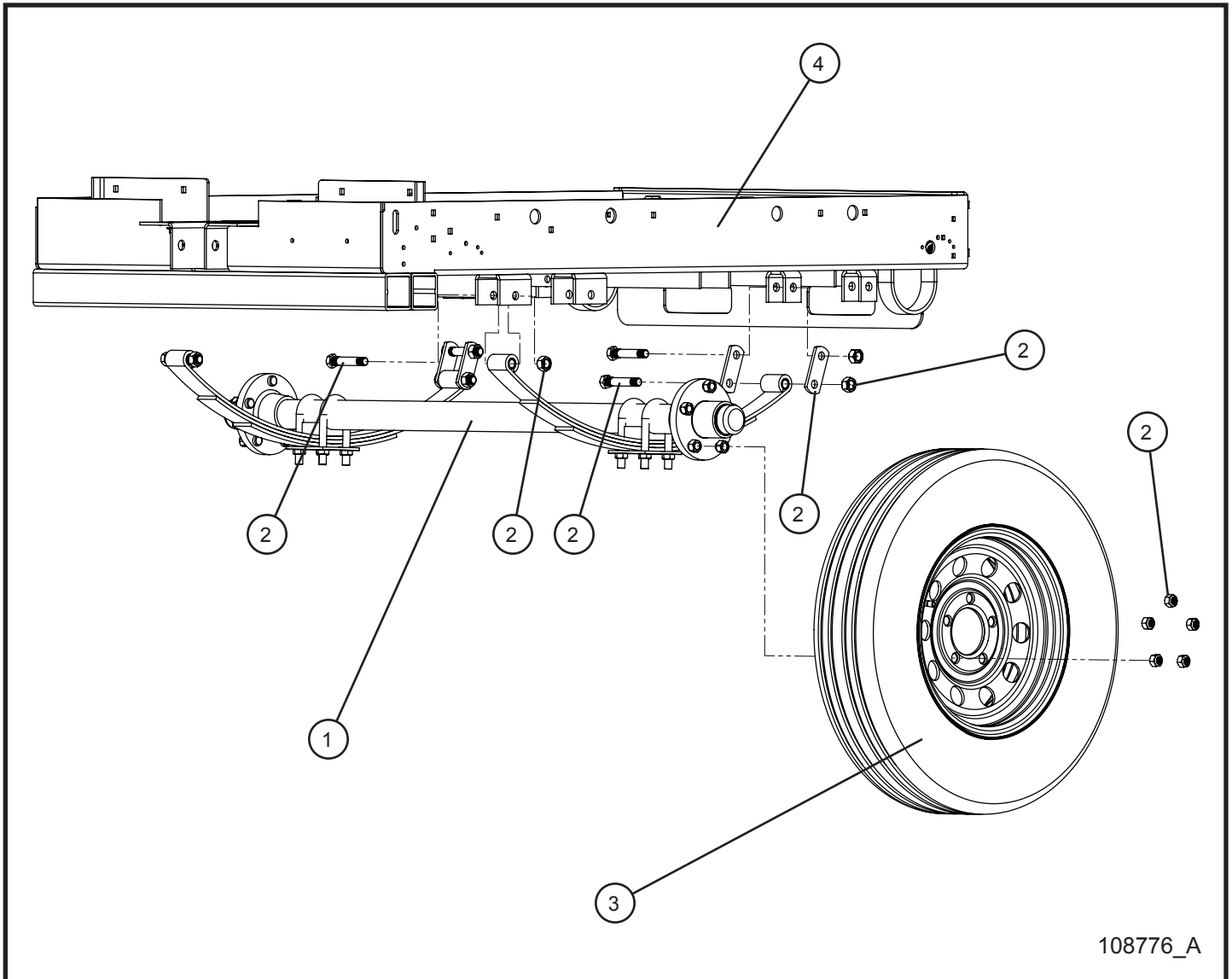
1.1 - Universal Frame and Axle

SN 0001PRO215 to 0782PRO215
SN 0001PRO2V15 to 1595PRO2V15

Item	Part No.	Part Description	Qty.
1	114486	AXLE 13" HUBS	1
2	102105	AXLE HARDWARE KIT	1
3	650387-13	13" TIRE/WHEEL ASSEMBLY	2
4	104114P	UNIVERSAL PRO II FRAME	1

1.2 - Universal Frame 25.25 Axle Eye Spacing and 25.25 Axle

SN 0783PRO215 and UP
SN 1596PRO2V15 and UP



108776_A

Night-Lite ProII™

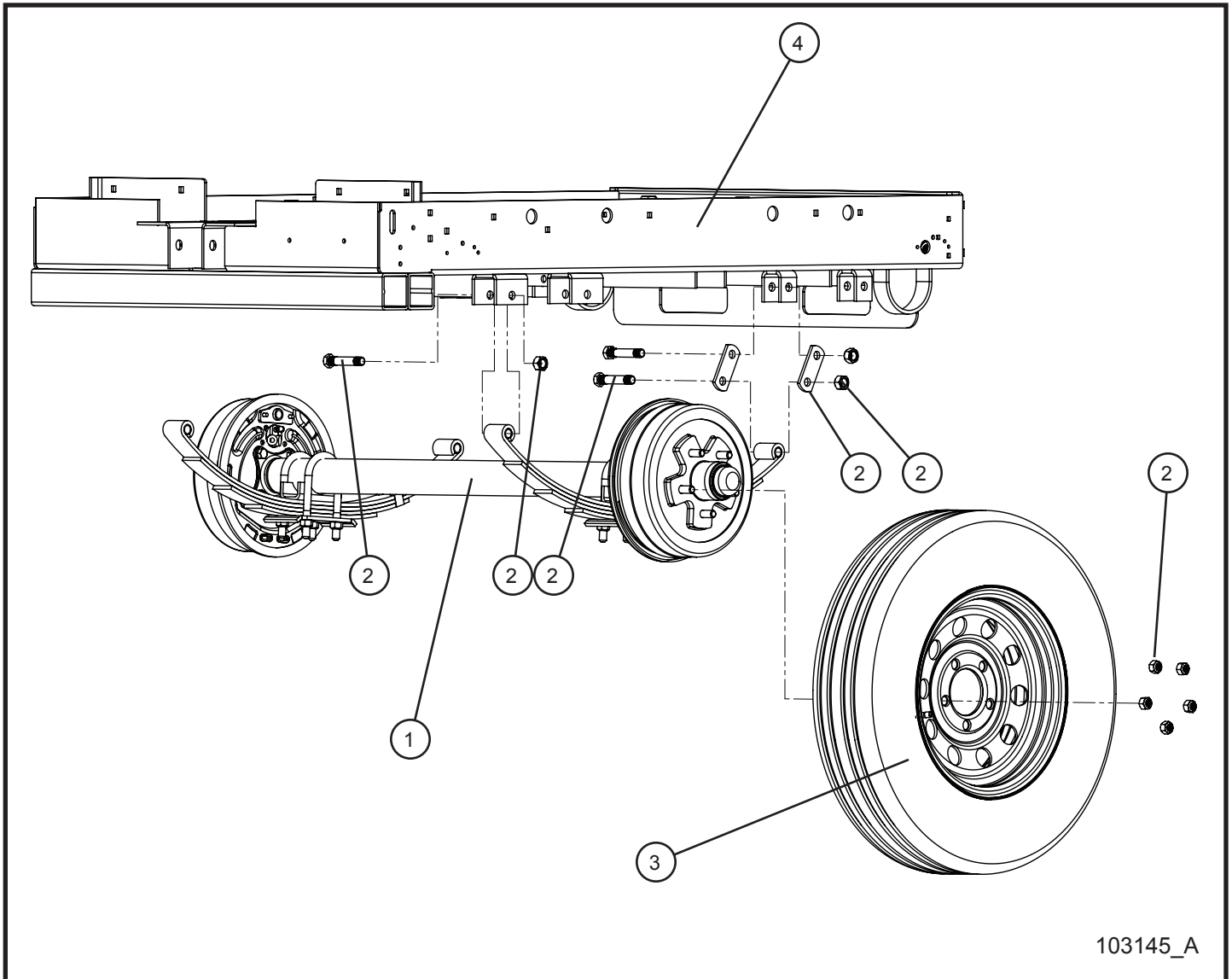
1.2 - Universal Frame 25.25 Axle Eye Spacing and 25.25 Axle

SN 0783PRO215 and UP
SN 1596PRO2V15 and UP

Item	Part No.	Part Description	Qty.
1	108237	AXLE 25.25 SPRING EYE SPACING	1
2	102105	AXLE HARDWARE KIT	1
3	650387-13	13" TIRE/WHEEL ASSEMBLY	2
4	108775P	UNIVERSAL PRO II FRAME	1

1.3 - Universal Frame and Hydraulic Brake Axle

SN 0001PRO215 and UP
SN 0001PRO2V15 and UP



103145_A

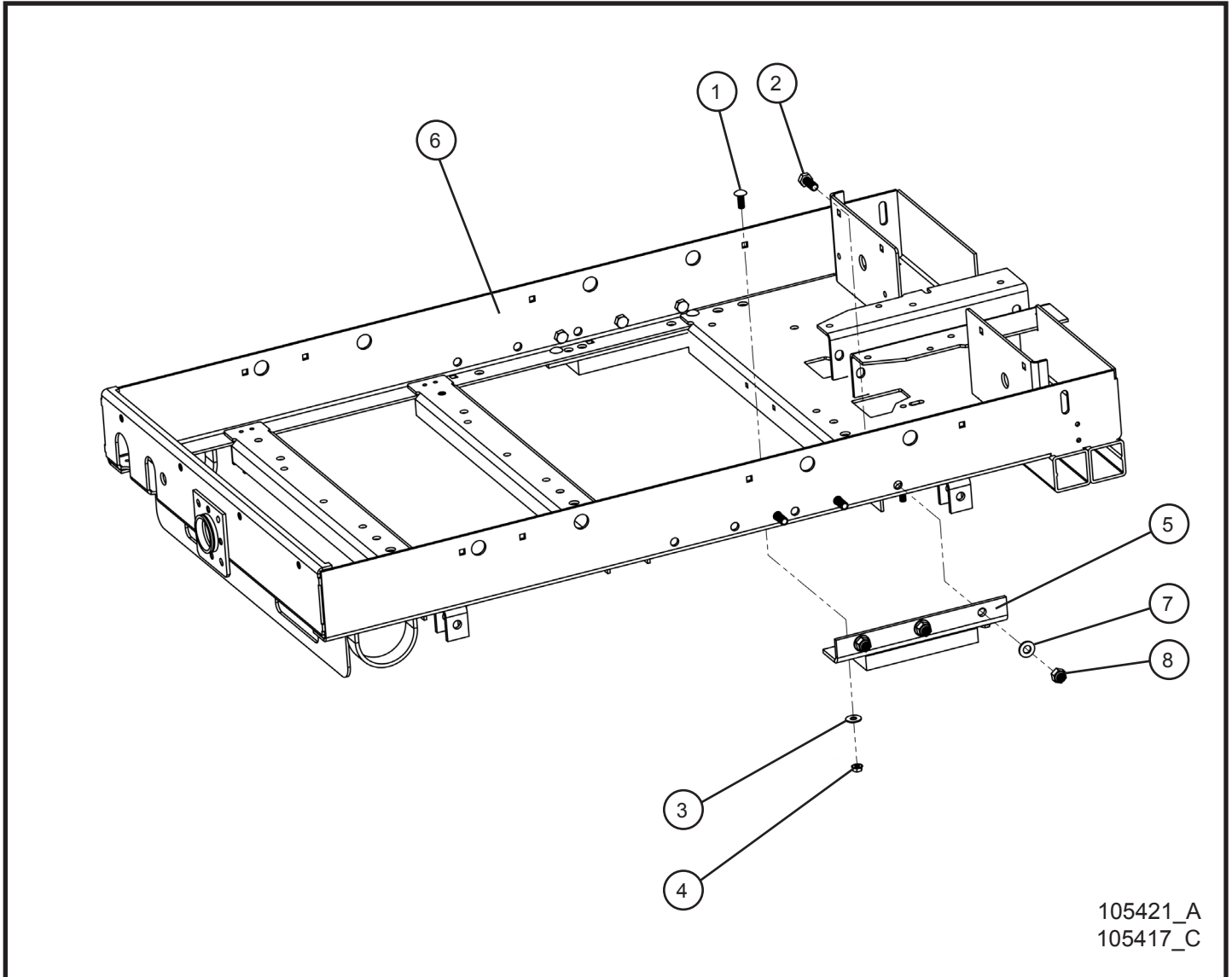
Night-Lite ProII™

1.3 - Universal Frame and Hydraulic Brake Axle

SN 0001PRO215 and UP
SN 0001PRO2V15 and UP

Item	Part No.	Part Description	Qty.
1	650183	HYDRAULIC BRAKE AXLE 3500LB NLPRO II	1
2	102105	AXLE HARDWARE KIT	1
3	650387-13	13" TIRE/WHEEL ASSEMBLY	2
4	104114P	UNIVERSAL PRO II FRAME	1
NS	330025A	HYDRAULIC AXLE LINE KIT	1

1.4 - AL-CO Frame and Axle Mount

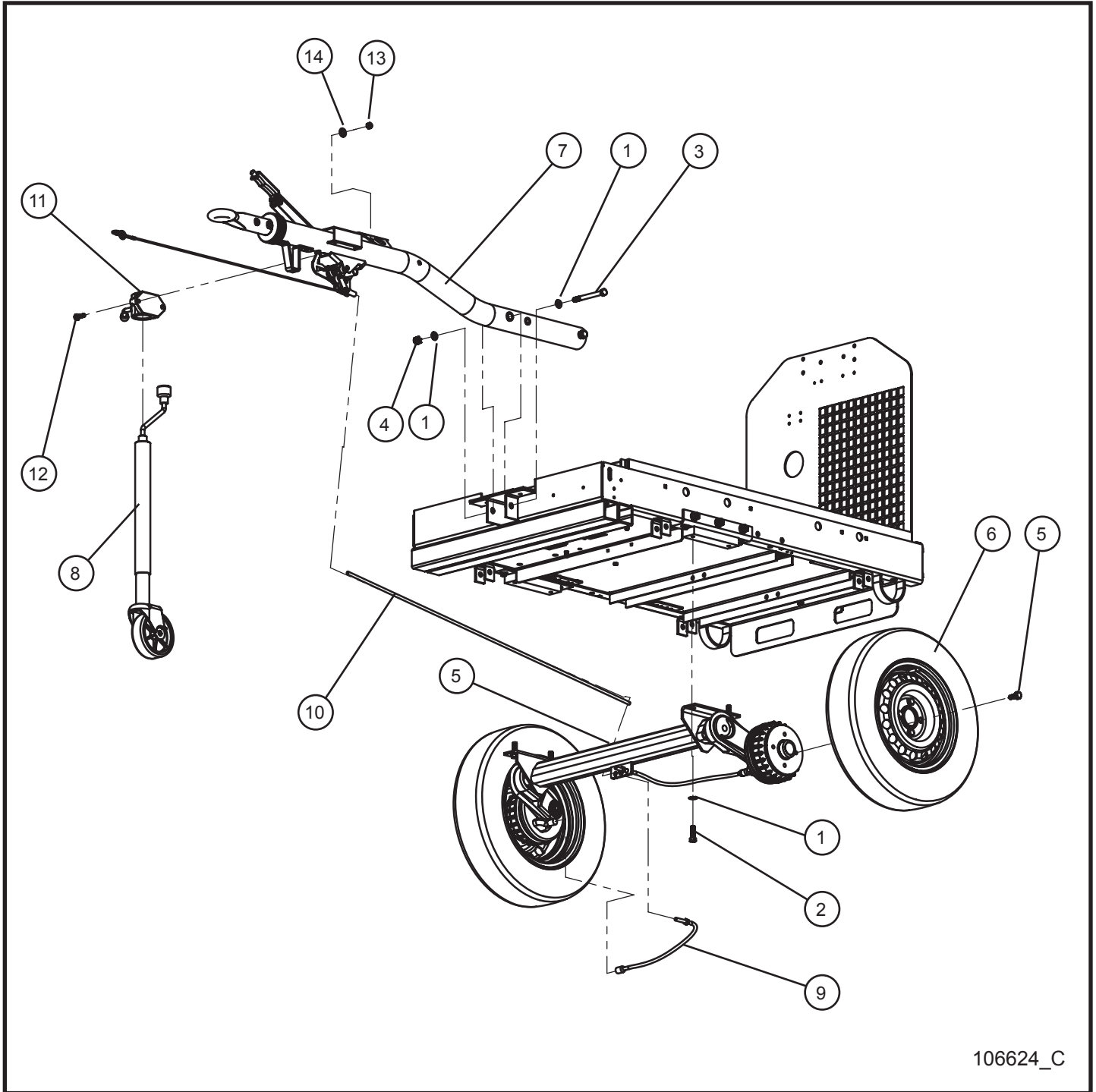


Night-Lite ProII™

1.4 - AL-CO Frame and Axle Mount

Item	Part No.	Part Description	Qty.
1	100670	3/8-16 x 1 1/4 CARRIAGE BOLT	4
2	046180	1/2-13 x 1 1/4 HEX HEAD CS GR5 PL	6
3	047015	3/8 FLAT WASHER PL	4
4	044036	3/8-16 KEPS HEX NUT PL	4
5	103286P	AL-CO AXLE MOUNT	2
6	105417P	AL-CO FRAME TRAILER	1
7	047025	1/2 FLAT WASHER PL	6
8	044048	1/2-13 NYLOCK HEX NUT PL	6

1.5 - AL-CO Tongue and Axle



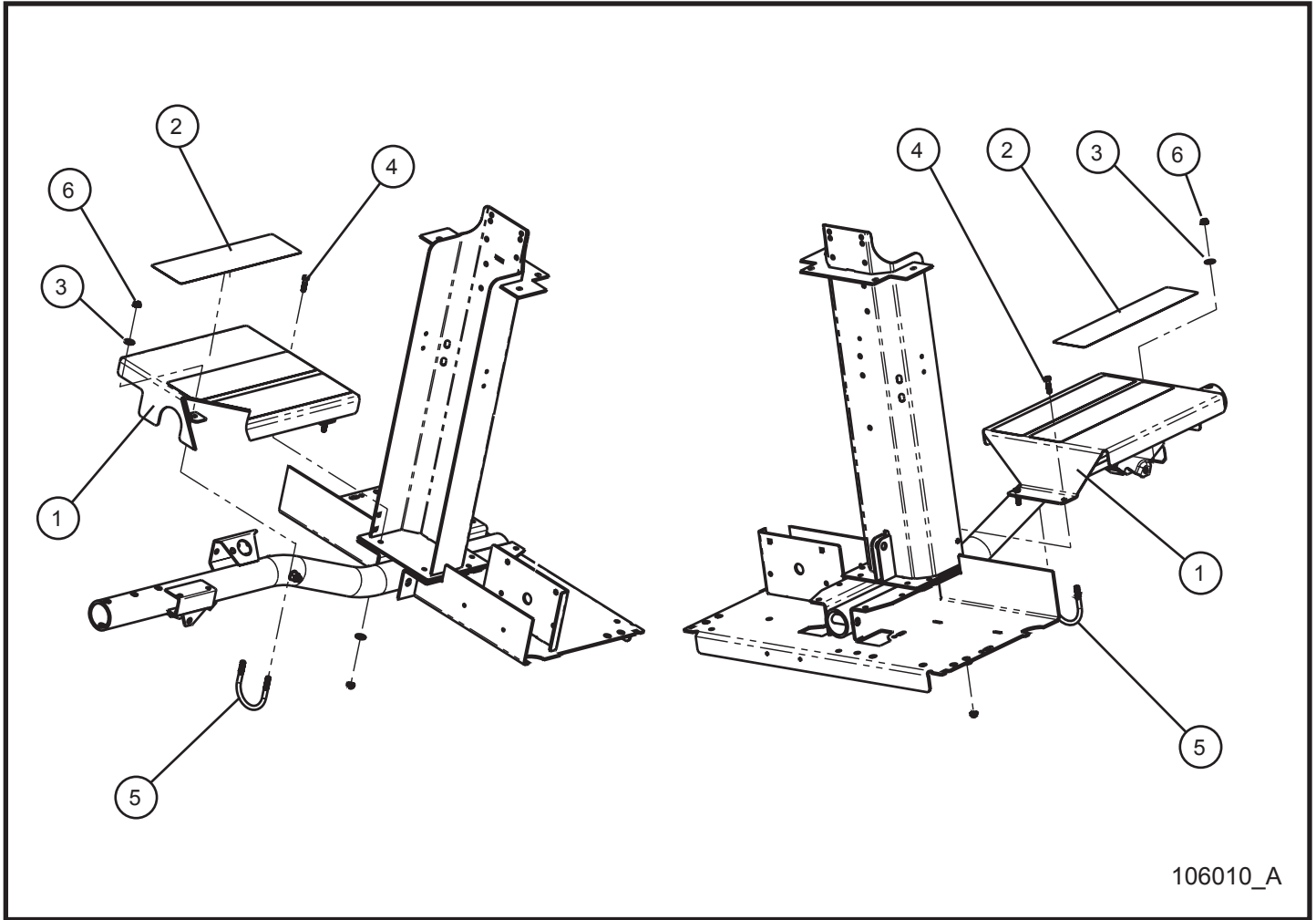
106624_C

Night-Lite ProII™

1.5 - AL-CO Tongue and Axle

Item	Part No.	Part Description	Qty.
1	042155	M12 FLAT WASHER SAE	8
2	042054	M12 x 1.75 x 40MM HEX HEAD CAP SCREW	4
3	046230	1/2-13 x 5 HEX HEAD CS GR5 PL	2
4	044048	1/2-13 NYLOCK HEX NUT PL	2
--	106021	AL-KO EUROPEAN KIT NL PRO II	1
5	106607	TORSION AXLE 2,000 LB	1
6	106623	WHEEL/TIRE AL-KO AXLE	2
7	106621	TONGUE OVERRUN DEVISE	1
8	106628	JOCKEY WHEEL JACK TOP CRANK	1
9	106624-2	BOWDEN CABLE	2
10	106624-1	BRAKE ROD	1
11	106621-14	JOCKEY WHEEL CLAMP	1
12	042040	M10 x 1.5 x 30MM HEX HEAD CS GR8.8 PL	2
13	047025	1/2 FLAT WASHER PL	2
14	044129	M10 x 1.5MM NYLOCK HEX NUT	2
NS	106027	THREAD LOCK MEDIUM STRENGTH (LOCKTITE)	1

1.6 - AL-CO Tongue Platform



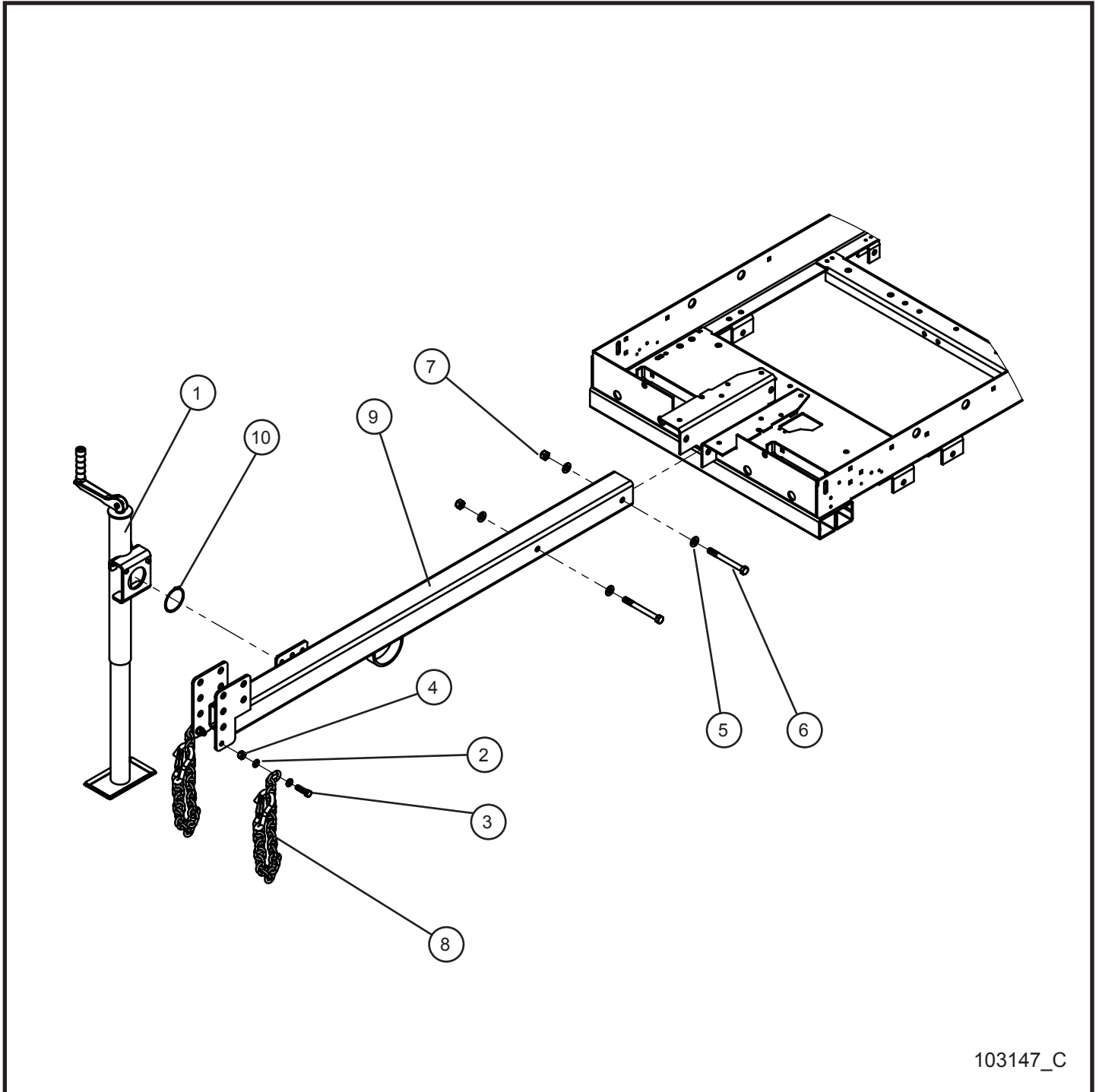
Night-Lite ProII™

1.6 - AL-CO Tongue Platform

Item	Part No.	Part Description	Qty.
1	105538P	WELDMENT PLATFORM INTERNATIONAL PRO II	1
2	062005	ANTI SKID TAPE x 15.5	3
3	047020	7/16 FLAT WASHER	2
4	046055	5/16-18 x 1 1/4 HEX HEAD CS GR5 PL	2
5	045087	3-3/8 x 3/8-16 ZINC PLATED U BOLT	1
6	044036	3/8-16 HEX NUT PL	2

1.7 - Removeable Tongue

SN 0001PRO215 and UP
SN 0001PRO2V15 and UP



103147_C

Night-Lite ProII™

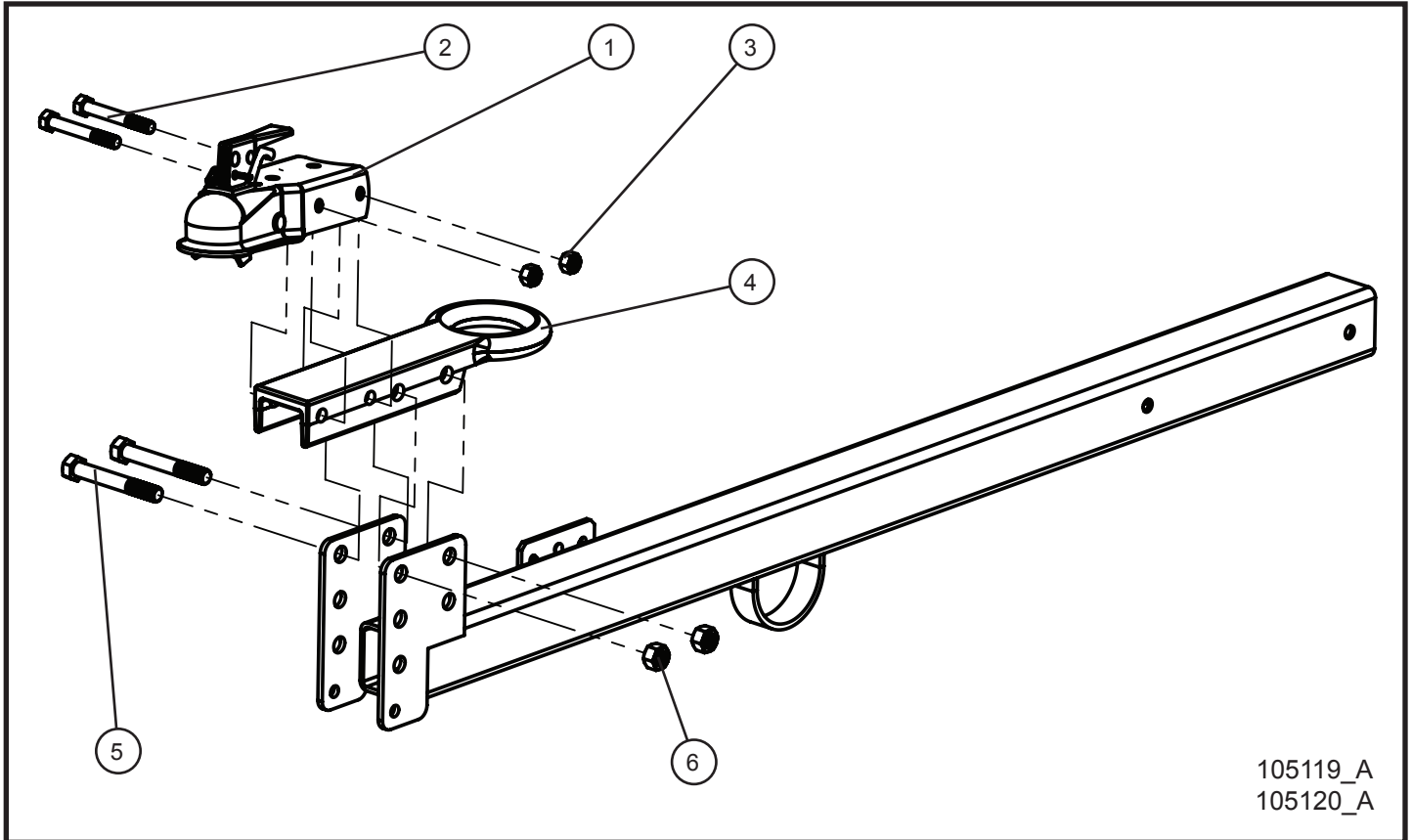
1.7 - Removeable Tongue

SN 0001PRO215 and UP
SN 0001PRO2V15 and UP

Item	Part No.	Part Description	Qty.
1	102089	TOP CRANK JACK SNAP RING	1
2	047075	7/16 FLAT WASHER SAE ZC	4
3	046160	7/16-14 x 1 1/2 HEX HEAD CS GR5 PL	2
4	044043	7/16-14 NYLOCK HEX NUT PL	2
5	047025	1/2 FLAT WASHER PL	4
6	046230	1/2-13 x 5 HEX HEAD CS GR5 PL	2
7	044048	1/2-13 NYLOCK HEX NUT PL	2
8	049040	SAFETY CHAIN	2
9	650398P	TONGUE	1
10	330014	2 5/6 XT JACK SNAP RING	1

1.8 - Coupler and Pintle Group

SN 0001PRO215 and UP
SN 0001PRO2V15 and UP



105119_A
105120_A

Night-Lite ProII™

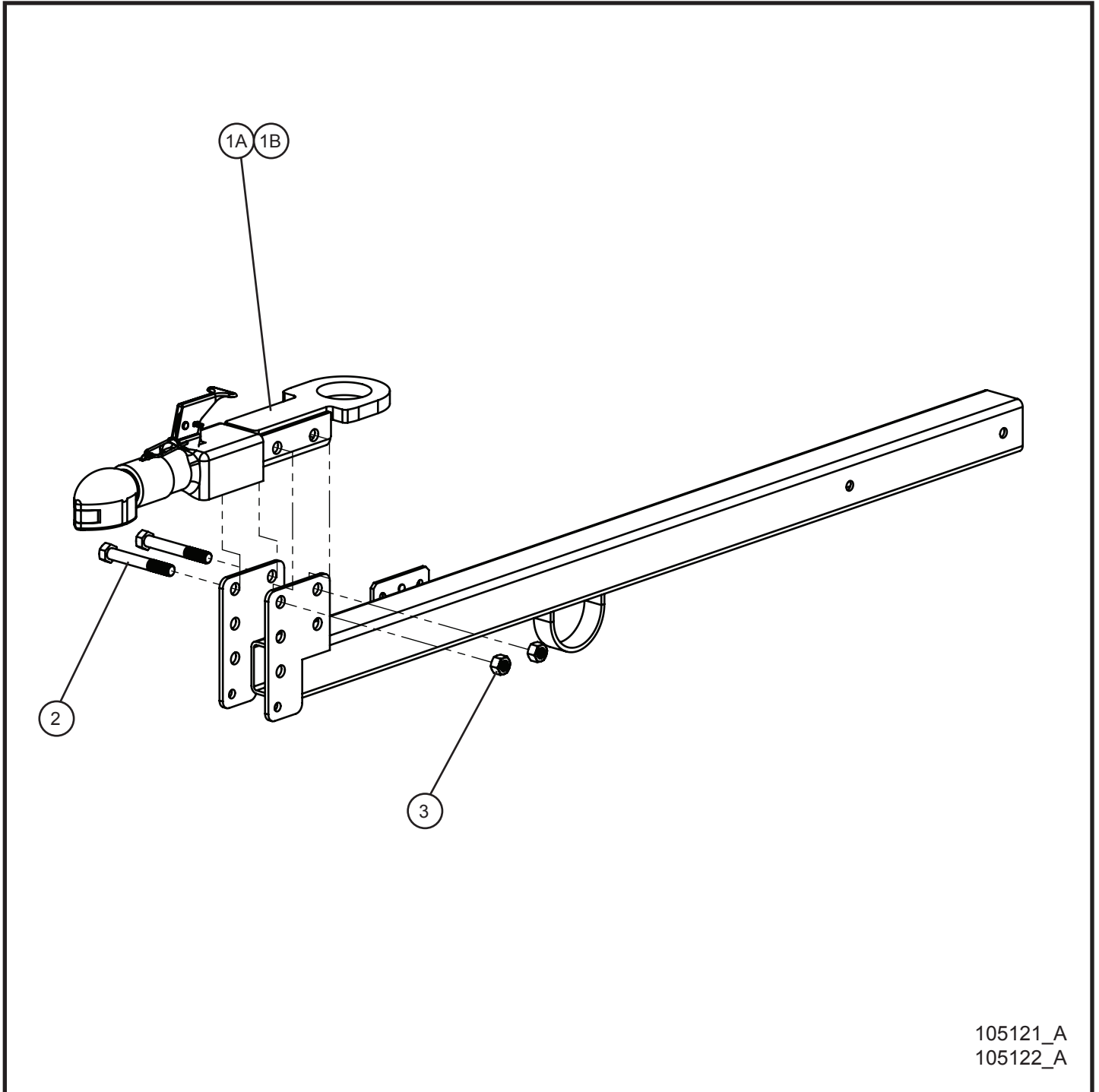
1.8 - Coupler and Pintle Group

SN 0001PRO215 and UP
SN 0001PRO2V15 and UP

Item	Part No.	Part Description	Qty.
1	712021	2" BALL SAE CLASS 2 3500 LBS	1
2	046220	1/2-13 x 4 HEX HEAD CS GR5 PL	2
3	044062	1/2-13 TOPLOCK HEX NUT PL	2
4	712540-13	PINTLE HITCH DUCTILE IRON	1
5	046250	5/8-11 x 4 1/2 HEX HEAD CS GR5 PL	2
6	044061	5/8-11 TOPLOCK HEX NUT PL	2

1.9 - Bulldog Hitch Options

SN 0001PRO215 and UP
SN 0001PRO2V15 and UP



105121_A
105122_A

Night-Lite ProII™

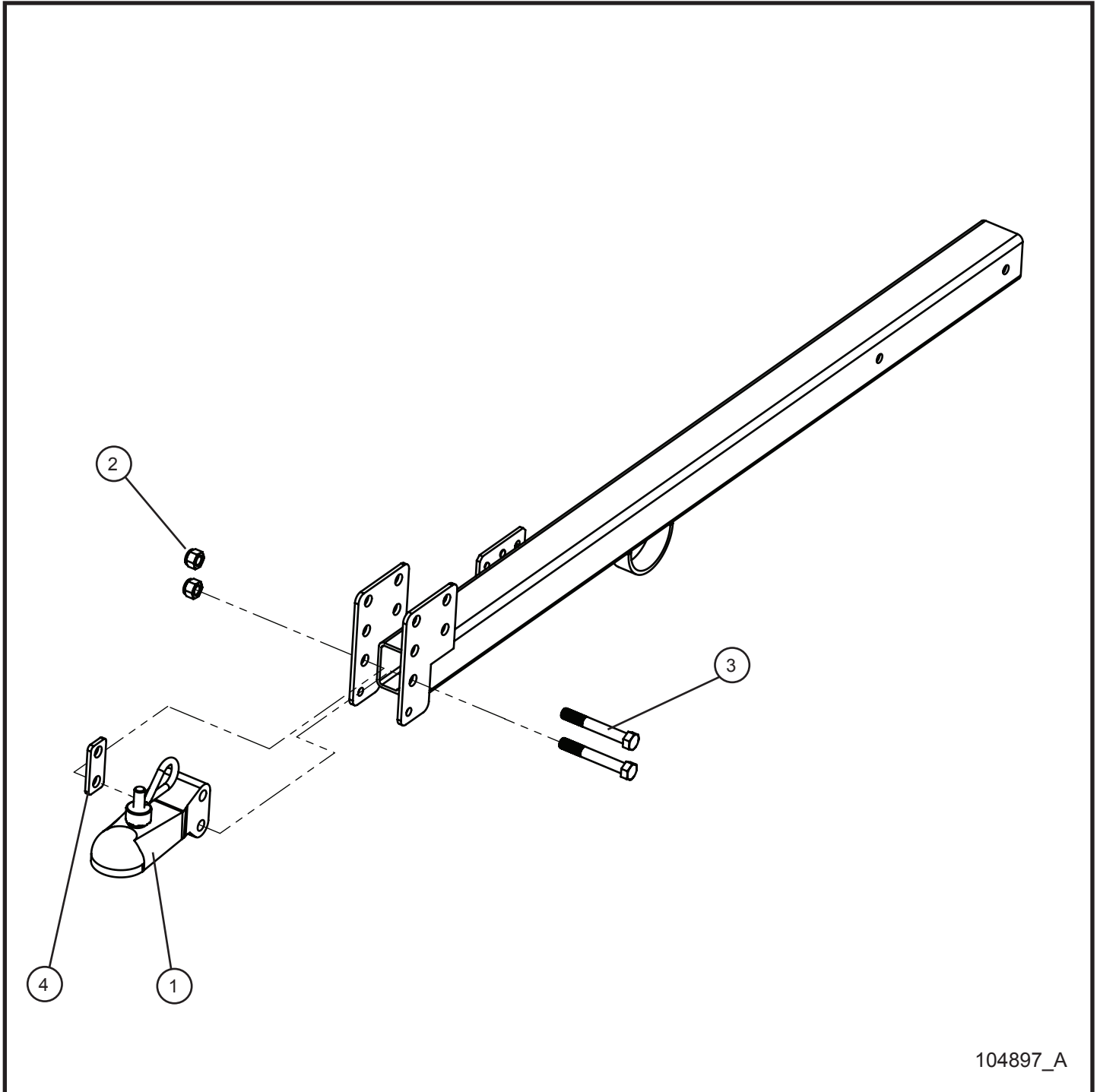
1.9 - Bulldog Hitch Options

SN 0001PRO215 and UP
SN 0001PRO2V15 and UP

Item	Part No.	Part Description	Qty.
1A	300775P	2" HITCH PINTLE COMBO	1
1B	680489P	2 5/16 HITCH PINTLE COMBO	1
2	046250	5/8-11 x 4 1/2 HEX HEAD CS GR5 PL	2
3	044061	5/8-11 TOPLOCK HEX NUT PL	2

1.10 - Croft Ball Coupler

SN 0001PRO215 and UP
SN 0001PRO2V15 and UP



104897_A

Night-Lite ProII™

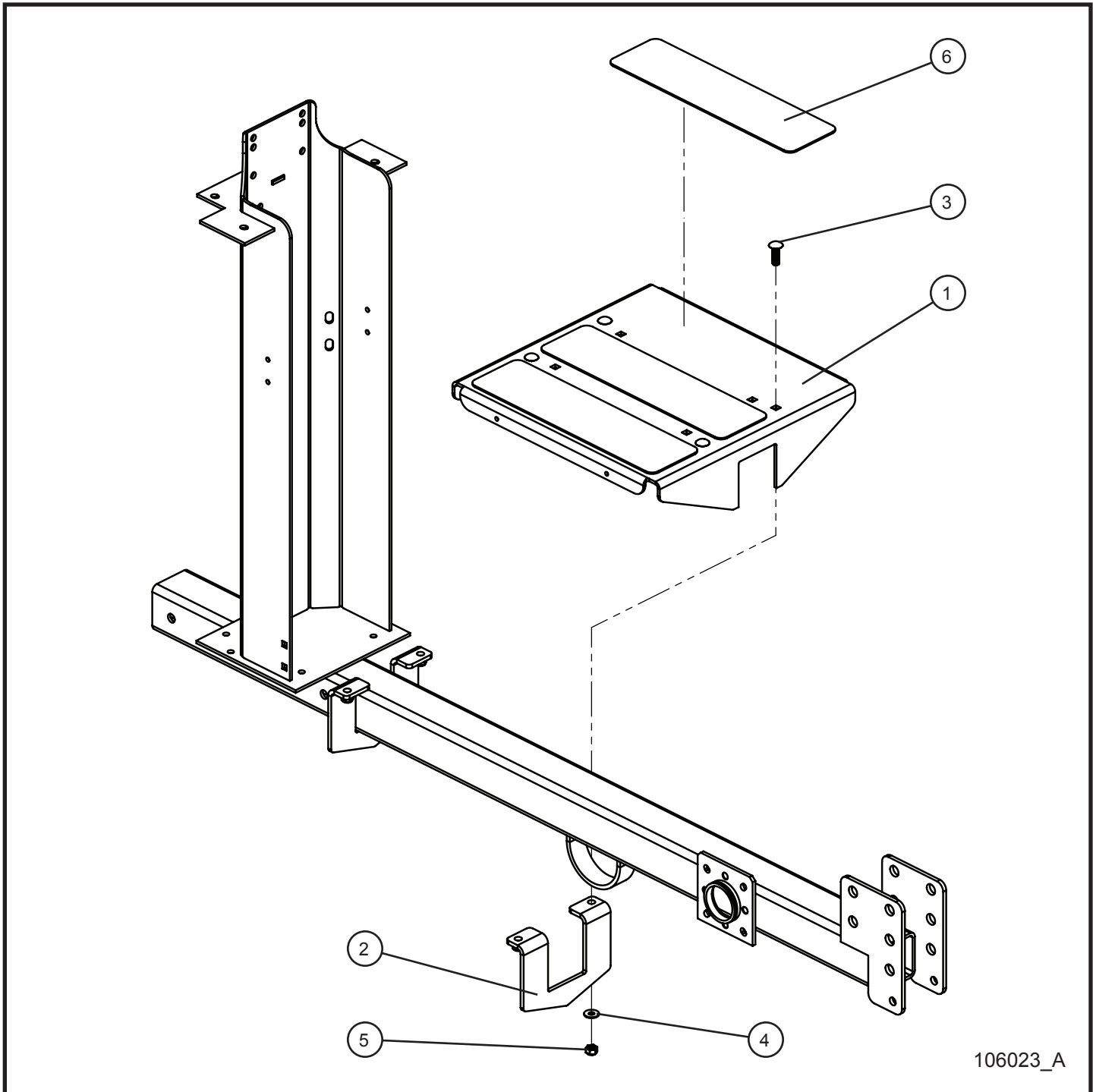
1.10 - Croft Ball Coupler

SN 0001PRO215 and UP
SN 0001PRO2V15 and UP

Item	Part No.	Part Description	Qty.
1	104894	2" BALL COUPLER CROFT AH3	1
2	044053	5/8-11 NYLOCK HEX NUT PL	2
3	046250	5/8-11 x 4 1/2 HEX HEAD CS GR5 PL	2
4	104898	5/8 FLAT WASHER	1

1.11 - Removeable Tongue Platform

SN 0001PRO2V15 and UP



106023_A

Night-Lite ProII™

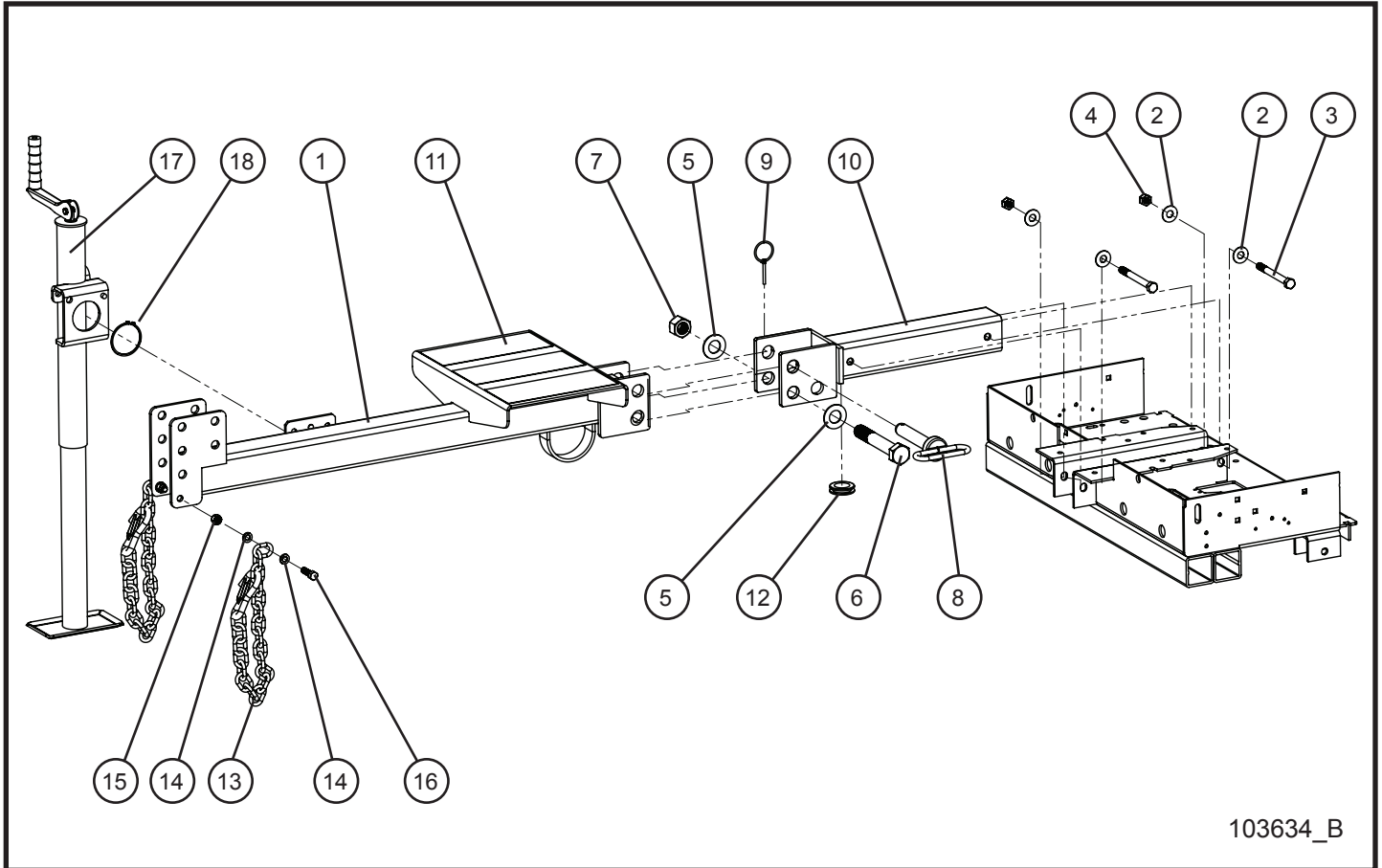
1.11 - Removeable Tongue Platform

SN 0001PRO2V15 and UP

Item	Part No.	Part Description	Qty.
1	105330P	STEP PLATFORM	1
2	104406P	ANCHOR STEP	2
3	100670	3/8-16 x 1 1/4 CARRIAGE BOLT	4
4	047010	5/16 FLAT WASHER PL	4
5	044038	3/8-16 NYLOCK HEX NUT PL	4
6	062006	ANTI SKID TAPE DIE CUT	3

1.12 - Foldable Tongue

SN 0001PRO2V15 and UP



103634_B

Night-Lite ProII™

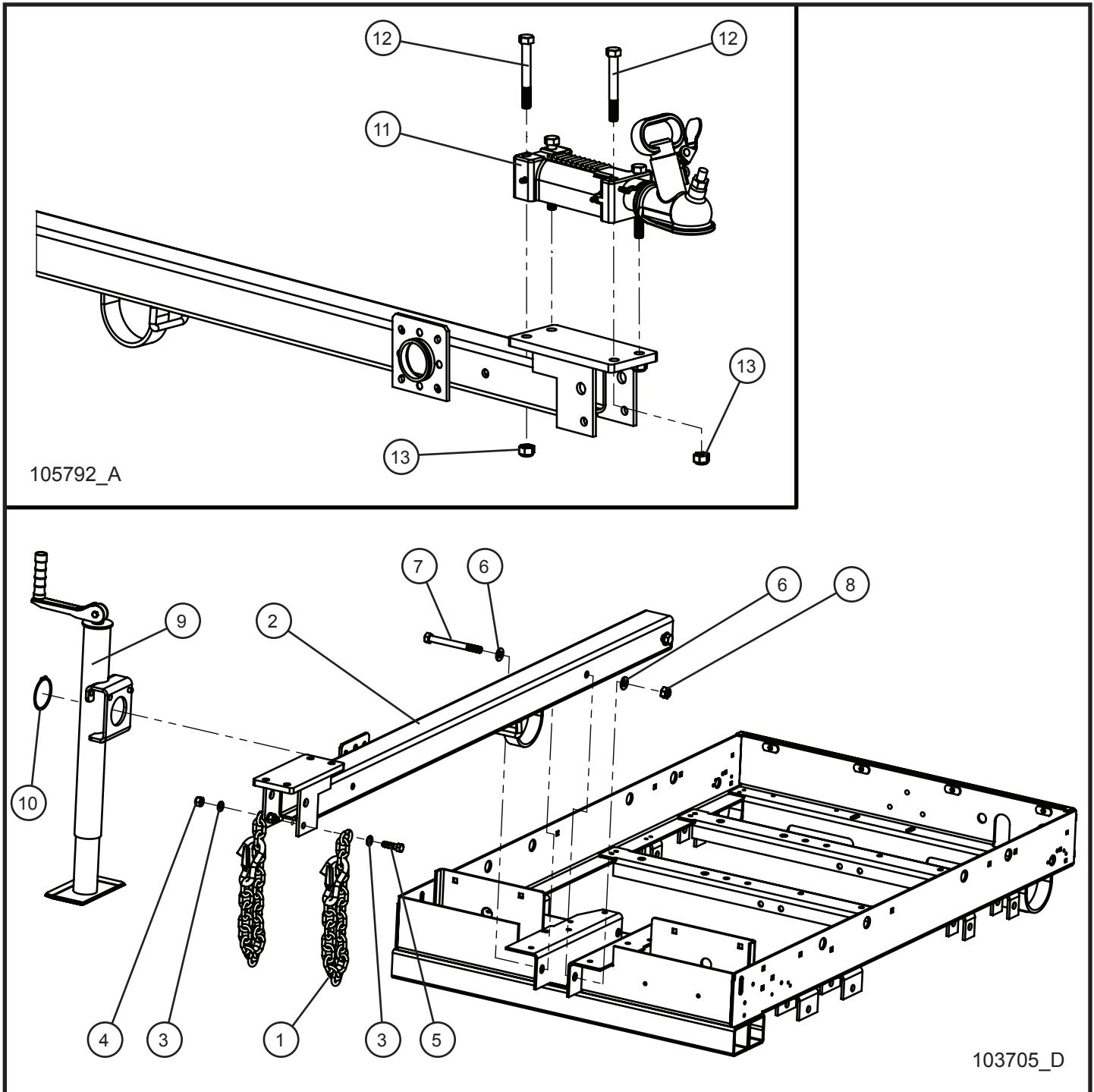
1.12 - Foldable Tongue

SN 0001PRO2V15 and UP

Item	Part No.	Part Description	Qty.
1	103629P	FOLDABLE TONGUE	1
2	047028	1/2 FLAT WASHER HDND PL	4
3	046230	1/2-13 x 5 HEX HEAD CS GR5 PL	2
4	044048	1/2-13 NYLOCK HEX NUT PL	2
5	047040	1 FLAT WASHER ZC	2
6	046290	1-8 x 6 1/2 HEX HEAD GR8 ZC	1
7	044070	1-8 NYLOCK HEX NUT GR8 ZC	1
8	103633	LOCK PIN	1
9	045140	SNAP-RING PIN	1
10	103630P	FOLDABLE TONGUE MOUNT	1
11	062005	ANTI-SKID TAPE	3
12	650542	1 1/4 ID x 1 1/2 OD GROMMET	1
13	049040	SAFETY CHAIN	2
14	047075	7/16 FLAT WASHER SAE ZC	4
15	044043	7/16-14 NYLOCK HEX NUT PL	2
16	046160	7/16-14 x 1 1/2 HEX HEAD CS GR5 PL	2
17	102089	TOP CRANK JACK	1
18	330014	2 5/6 XT JACK SNAP RING	1

1.13 - Australian Tongue and Coupler

SN 0001PRO215 and UP
SN 0001PRO2V15 and UP



Night-Lite ProII™

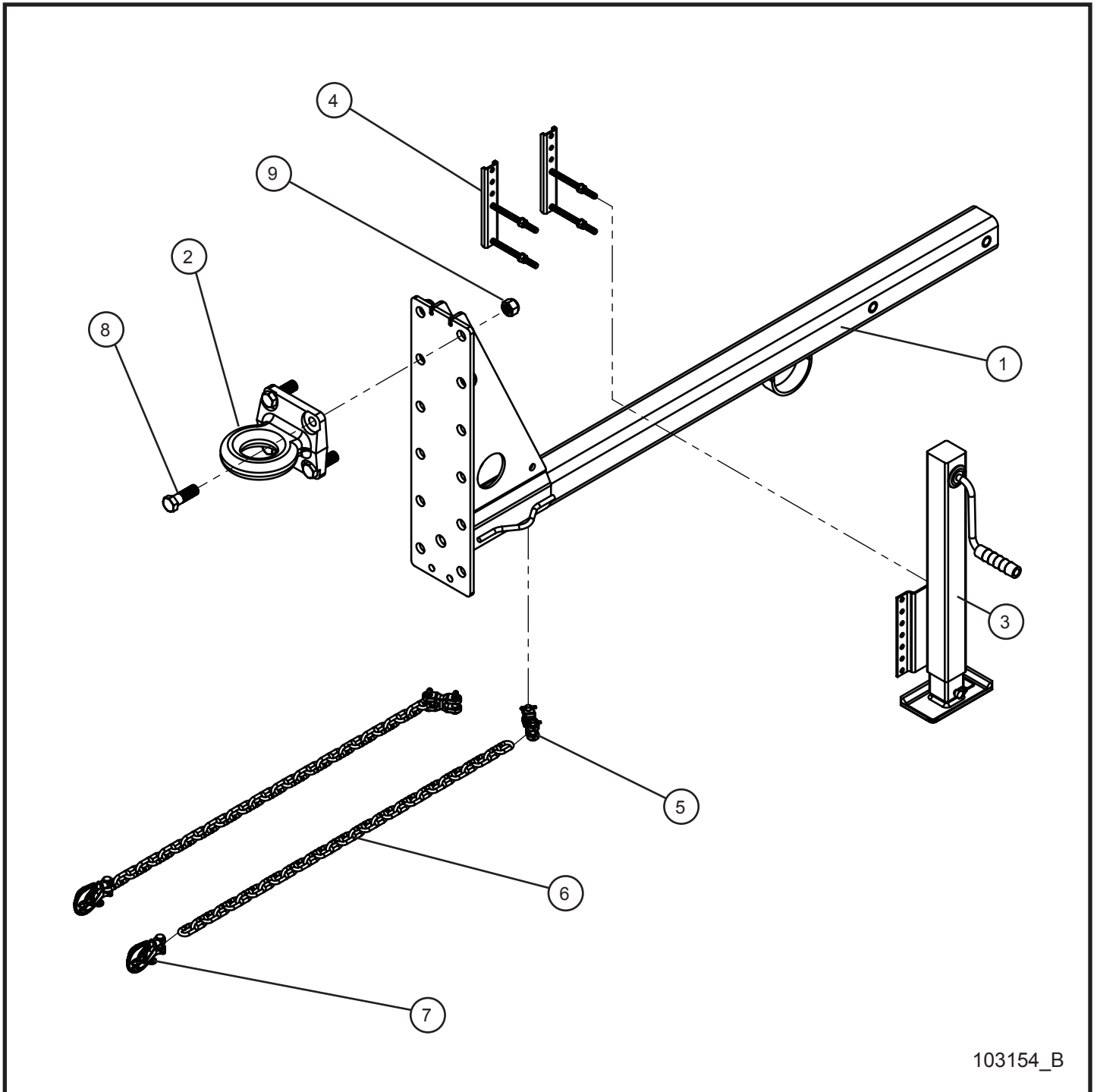
1.13 - Australian Tongue and Coupler

SN 0001PRO215 and UP
SN 0001PRO2V15 and UP

Item	Part No.	Part Description	Qty.
1	049040	SAFETY CHAIN	2
2	102864P	PRO SE POWER TONGUE WELDMENT	1
3	047075	7/16 FLAT WASHER SAE ZC	4
4	044043	7/16-14 NYLOCK HEX NUT PL	2
5	046160	7/16-14 x 1 1/2 HEX HEAD CS GR5 PL	2
6	047025	1/2 FLAT WASHER PL	4
7	046230	1/2-13 x 5 HEX CS GR5 PL	2
8	044048	1/2-13 NYLOCK HEX NUT PL	2
9	102089	TOP CRANK JACK SNAP RING	1
10	330014	2 5/6 XT JACK SNAP RING	1
11	C103486	COUPLING O/R 3/4 HYD TB A0105	1
12	C103493	1/2"-20 x 4" GRADE 8 HEX BOLT	4
13	C103495	1/2"-20 NYLON INSERT HEX NUT	4

1.14 - Adjustable Tongue

SN 0001PRO215 and UP
SN 0001PRO2V15 and UP



103154_B

Night-Lite ProII™

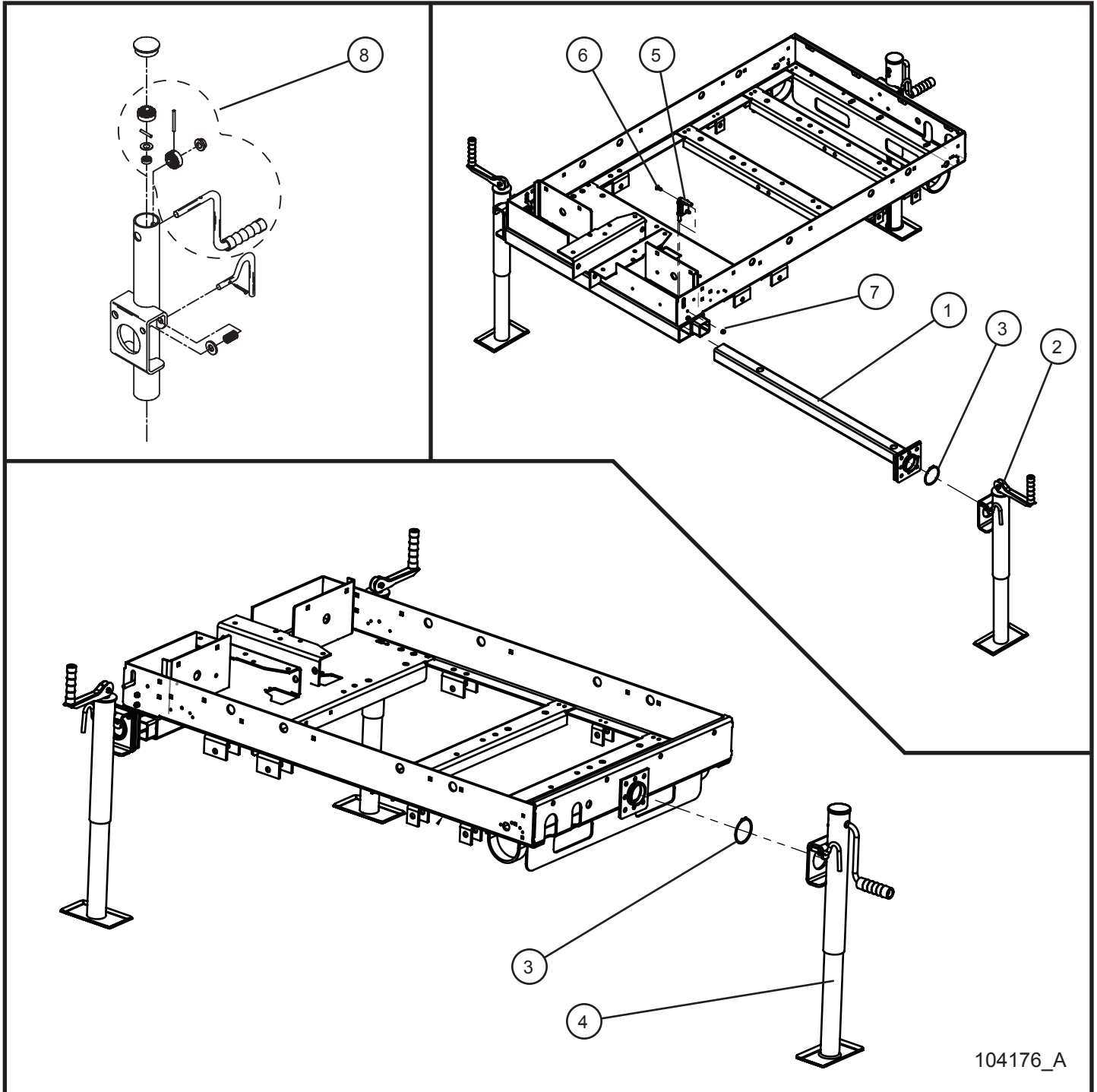
1.14 - Adjustable Tongue

SN 0001PRO215 and UP
SN 0001PRO2V15 and UP

Item	Part No.	Part Description	Qty.
1	102669P	ADJUSTABLE TONGUE 5 POSITION	1
2	102661	3 INCH ID PINTLE DROP FORGED STEEL	1
3	103893	SIDE CRANK JACK TONGUE MOUNT	1
4	103894	HARDWARE KIT DROP LEG JACK	1
5	103891	DOUBLE CLEVIS 4,700 LB CHAIN ANCHOR	2
6	103912	36 INCH CHAIN 5/16 GRADE 70	2
7	103902	CLEVIS GRAB HOOK W/ SAFETY PIN	2
8	046263	3/4-10 x 2 1/2 HEX HEAD CS GR5 PL	4
9	044058	3/4-10 NYLOCK HEX NUT PL	4

1.15 - Outriggers and Jacks

SN 0001PRO215 and UP
SN 0001PRO2V15 and UP



104176_A

Night-Lite ProII™

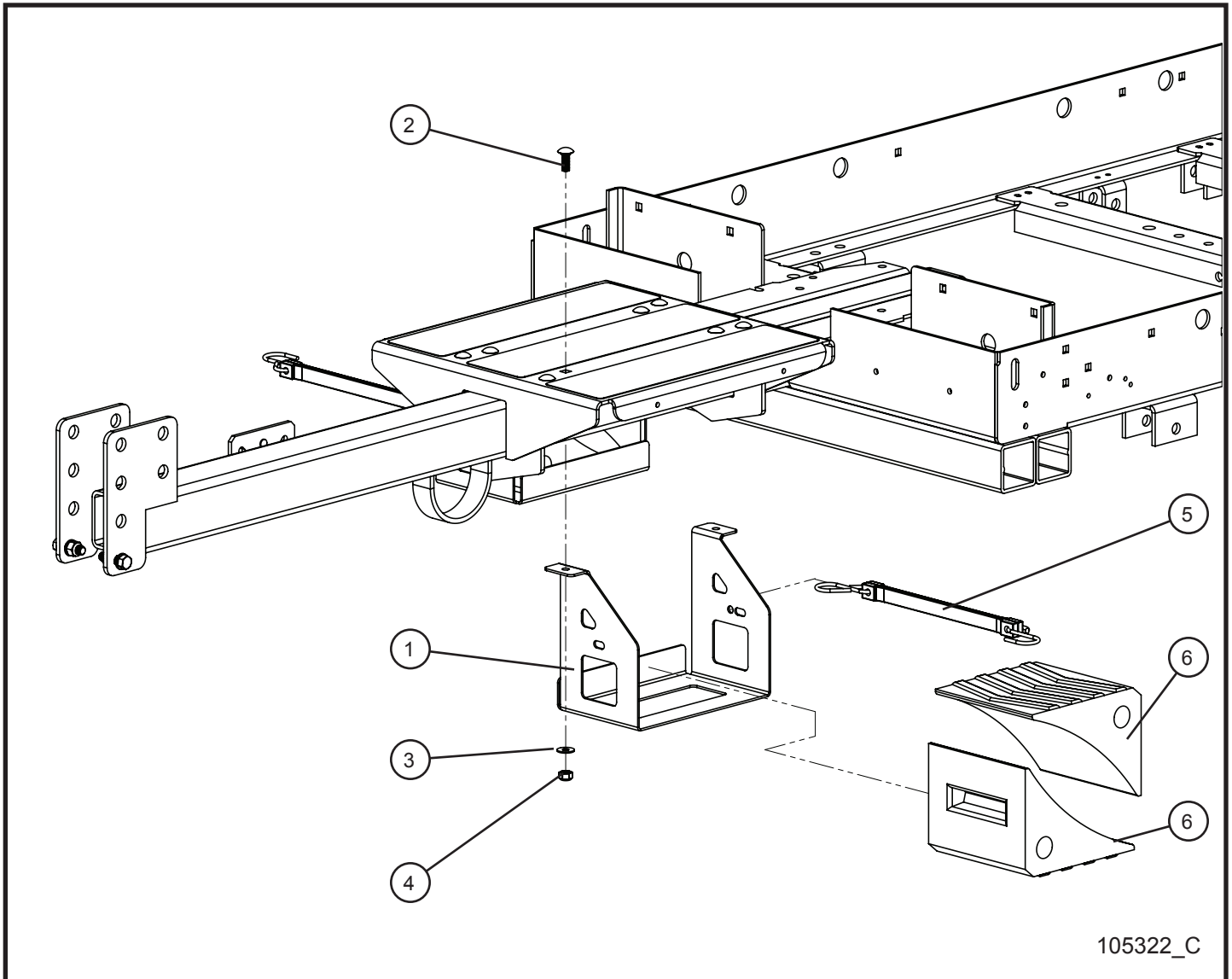
1.15 - Outriggers and Jacks

SN 0001PRO215 and UP
SN 0001PRO2V15 and UP

Item	Part No.	Part Description	Qty.
1	102809P	WELDMENT, OUTRIGGER LEFT AND RIGHT	2
2	330008	SHORT JACK TOP CRANK	2
3	330014	2 5/6 XT JACK SNAP RING	3
4	650235	JACK SIDE CRANK	1
5	650723	PIN OUTRIGGER RETENTION RIGHT	2
6	041050	1/4-20 x 3/4 PH-TRUSS HEAD MS SS MACHINE SCREW	4
7	044023	1/4-20 NYLOCK HEX NUT PL	4
8	107299	JACK SIDE CRANK HANDLE AND GEAR KIT	1

1.16 - Wheel Chock Block

SN 0001PRO2V15 and UP



Night-Lite ProII™

1.16 - Wheel Chock Block

SN 0001PRO2V15 and UP

Item	Part No.	Part Description	Qty.
1	106404P	MOUNT CHOCK BLOCK	2
2	053028	3/8-16 x 1 CARRIAGE BOLT	4
3	047010	5/16 FLAT WASHER	4
4	044038	3/8-16 NYLOCK HEX NUT PL	4
5	103625	14" RUBBER STRAP	2
6	104031	WHEEL CHOCK BLOCK	4

Night-Lite ProII™

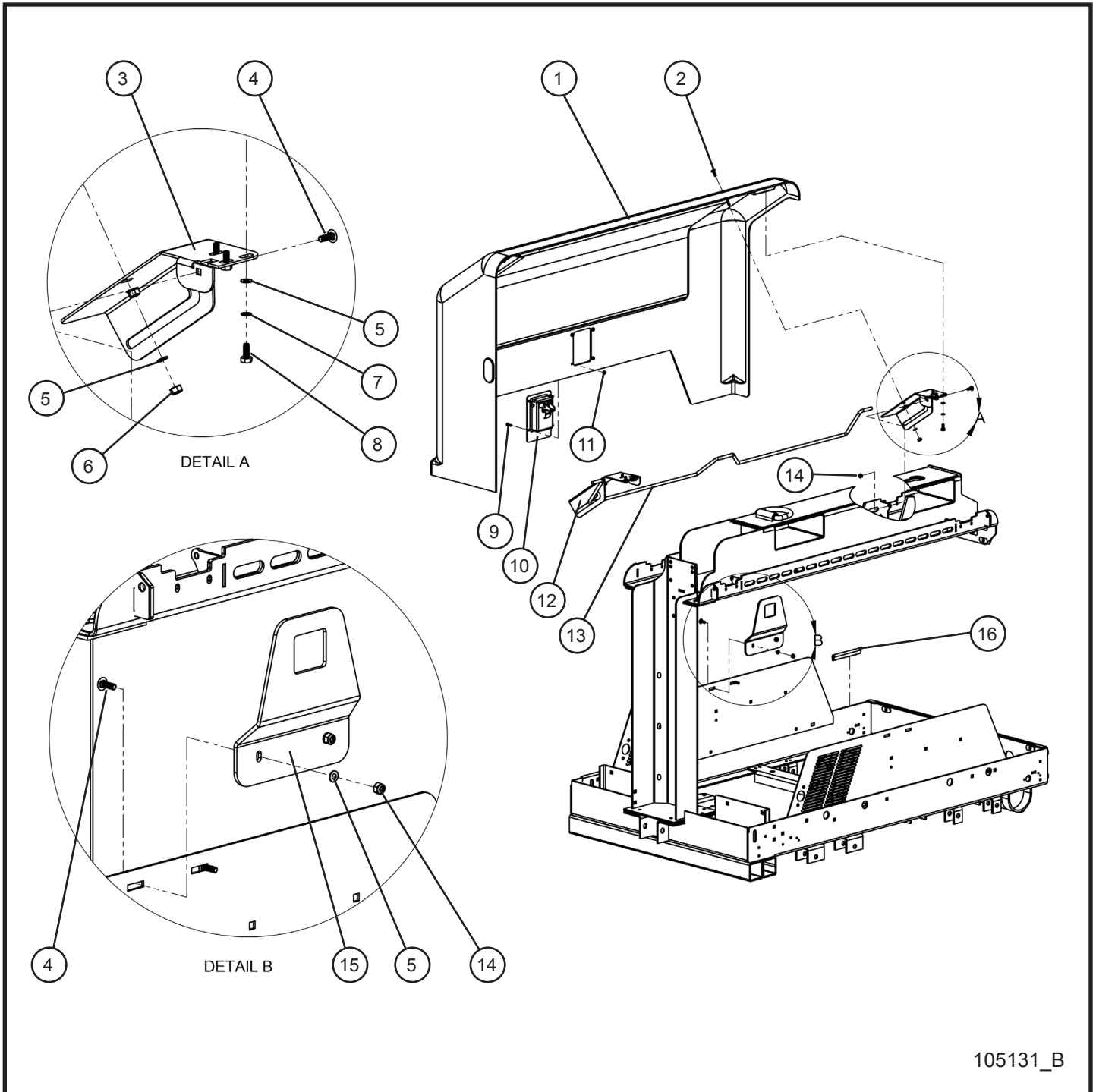
2.1 - Left Door Group

SN 0001PRO215 and UP
SN 0001PRO2V15 and UP

Item	Part No.	Part Description	Qty.
1	105140P	LEFT PRO II DOOR	1
2	041050	1/4-20 x 3/4 PH-TRUSS HEAD MS SS	4
3	105139P	FRONT HINGE BRACKET PLASTIC DOOR	1
4	053006	1/4-20 x 3/4 CARRIAGE BOLT	4
5	047009	1/4 FLAT WASHER SAE SS	12
6	044021	1/4-20 KEPS HEX NUT PL	4
7	043050	1/4 INTL TOOTH LOCK WASHER	6
8	046006	1/4-20 x 5/8 HEX HEAD CS GR5 PL	6
9	041027	#10-24 x 3/4 PH-ROUND HEAD MS	4
10	680459	SLAM LATCH	1
11	044018	#10-24 NYLOCK HEX NUT PL	4
12	105138P	REAR HINGE BRACKET PLASTIC DOOR	1
13	103047	DOOR PROP	1
14	044023	1/4-20 NYLOCK HEX PL	4
15	105132P	SLAM LATCH CATCH PLATE	1
16	030054	TRIMLOK 3/16 x 3/4, 5 INCH	2

2.2 - Right Door Group

SN 0001PRO215 and UP
SN 0001PRO2V15 and UP



105131_B

Night-Lite ProII™

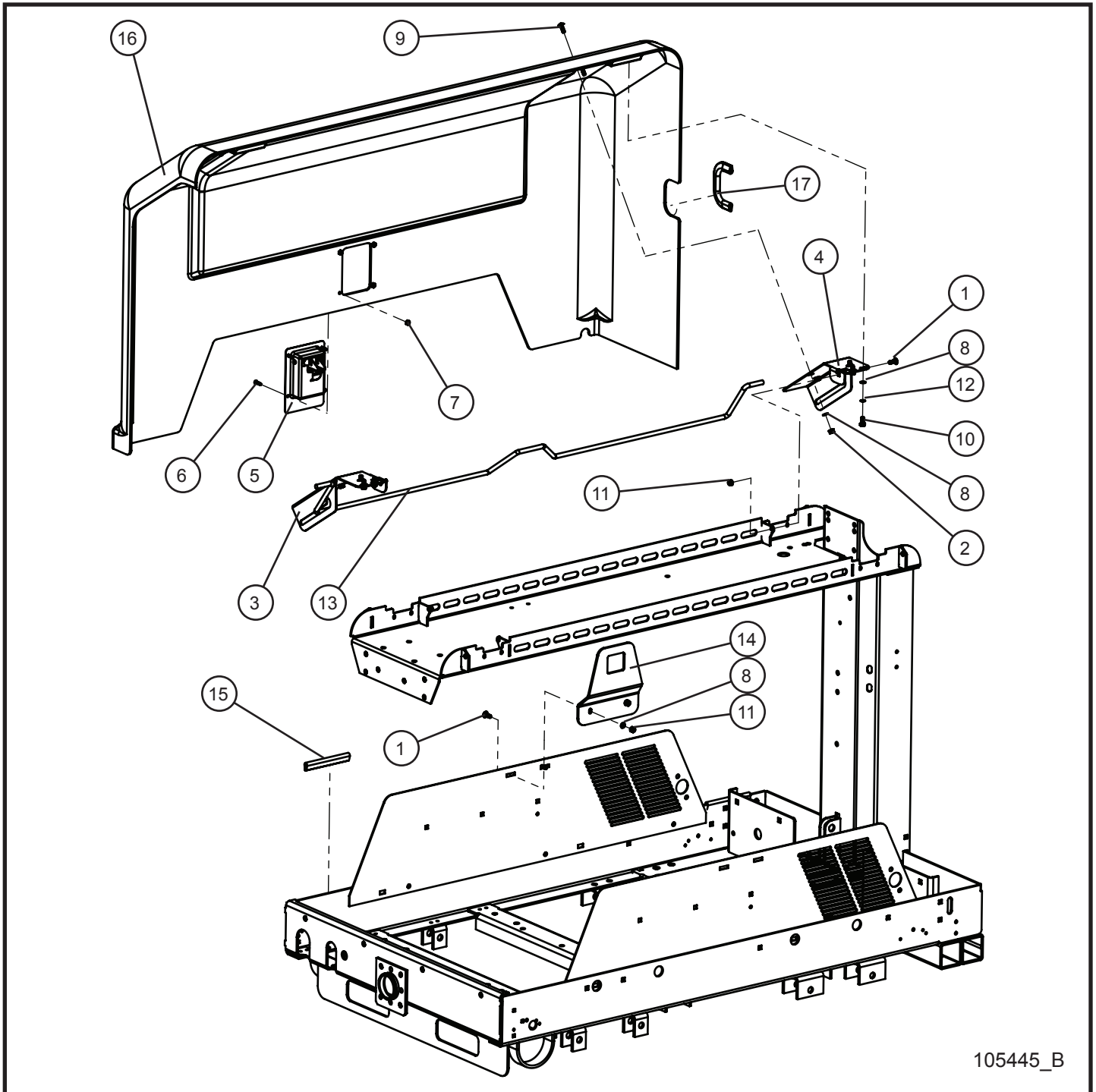
2.2 - Right Door Group

SN 0001PRO215 and UP
SN 0001PRO2V15 and UP

Item	Part No.	Part Description	Qty.
1	105141P	RIGHT PRO II DOOR	1
2	041050	1/4-20 x 3/4 PH-TRUSS HEAD MS SS	4
3	105139P	FRONT HINGE BRACKET PLASTIC DOOR	1
4	053006	1/4-20 x 3/4 CARRIAGE BOLT	4
5	047009	1/4 FLAT WASHER SAE SS	12
6	044021	1/4-20 KEPS HEX NUT PL	4
7	043050	1/4 INTL TOOTH LOCK WASHER	6
8	046006	1/4-20 x 5/8 HEX HEAD CS GR5 PL	6
9	041027	#10-24 x 3/4 PH-ROUND HEAD MS	4
10	680459	SLAM LATCH	1
11	044018	#10-24 NYLOCK HEX NUT PL	4
12	105138P	REAR HINGE BRACKET PLASTIC DOOR	1
13	103047	DOOR PROP	1
14	044023	1/4-20 NYLOCK HEX PL	4
15	105132P	SLAM LATCH CATCH PLATE	1
16	030054	TRIMLOK 3/16 x 3/4, 5 INCH	2

2.3 - Left Door w/ Cord Opening

SN 0001PRO215 and UP
SN 0001PRO2V15 and UP



Night-Lite ProII™

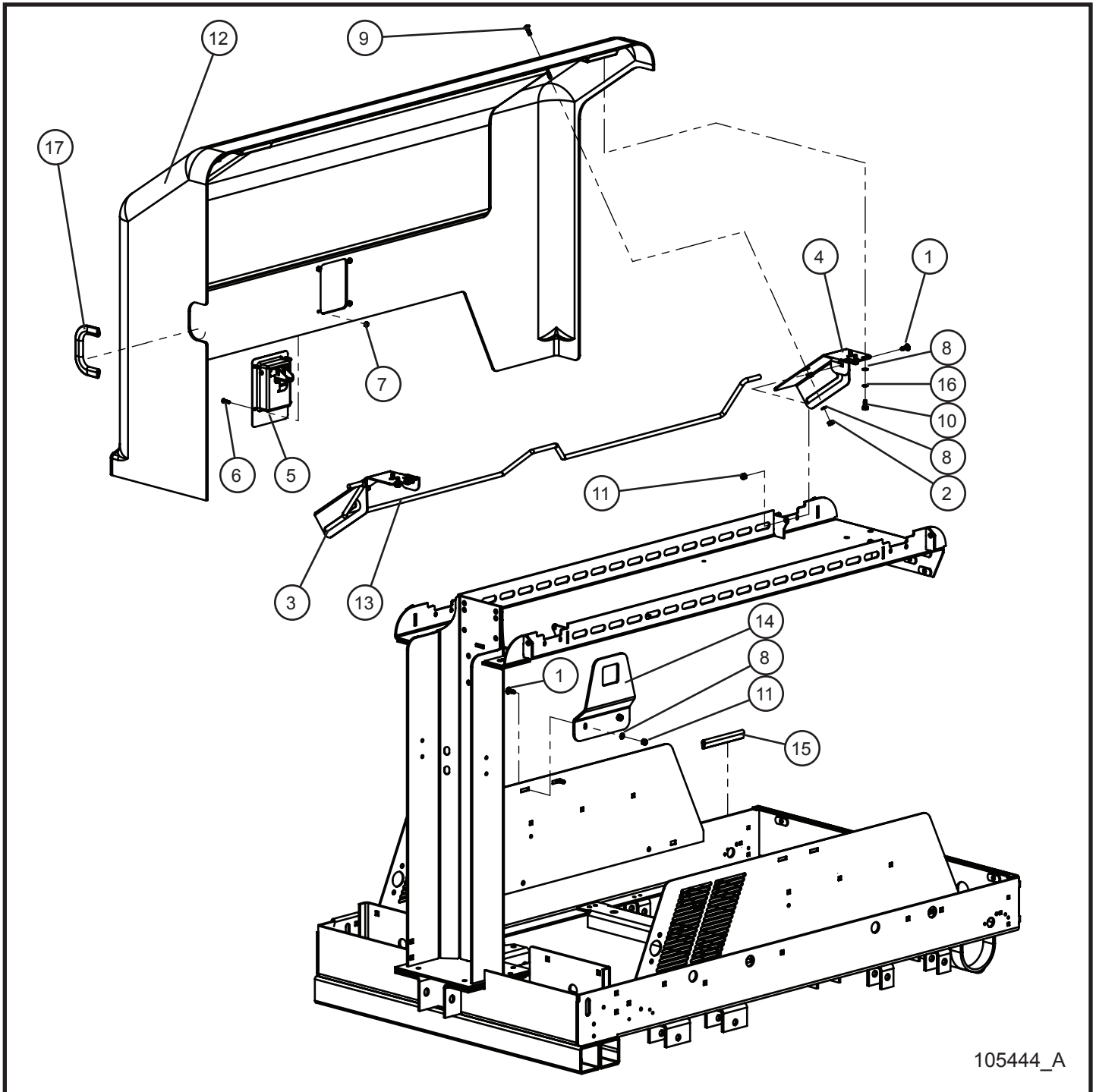
2.3 - Left Door w/ Cord Opening

SN 0001PRO215 and UP
SN 0001PRO2V15 and UP

Item	Part No.	Part Description	Qty.
1	053006	1/4-20 x 3/4 CARRIAGE BOLT	4
2	044021	1/4-20 KEPS HEX NUT PL	4
3	105138P	BRACKET HINGE FRONT PLASTIC DOOR	1
4	105139P	BRACKET HINGE REAR PLASTIC DOOR	1
5	680459	SLAM LATCH	1
6	041027	#10-24 x 3/4 PH-ROUND HEAD MS	4
7	044018	#10-24 NYLOCK HEX NUT PL	4
8	047009	1/4 FLAT WASHER SAE SS	12
9	041050	1/4-20 x 3/4 PH-TRUSS HEAD MS SS	4
10	046006	1/4-20 x 5/8 HEX HEAD CS GR5 PL	6
11	044023	1/4-20 NYLOCK HEX NUT PL	4
12	043050	1/4 INT'L TOOTH LOCK WASHER	6
13	103047	DOOR PROP	1
14	105132P	CATCH PLATE SLAM LATCH	1
15	030054	TRIMLOCK 3/16 x 3/4 x 5 INCH	2
16	105333P	LEFT DOOR W/ CORD OPENING	1
17	030054	TRIMLOCK 3/16 x 3/4 x 7 INCH	1

2.4 - Right Door w/ Cord Opening

SN 0001PRO215 and UP
SN 0001PRO2V15 and UP



105444_A

Night-Lite ProII™

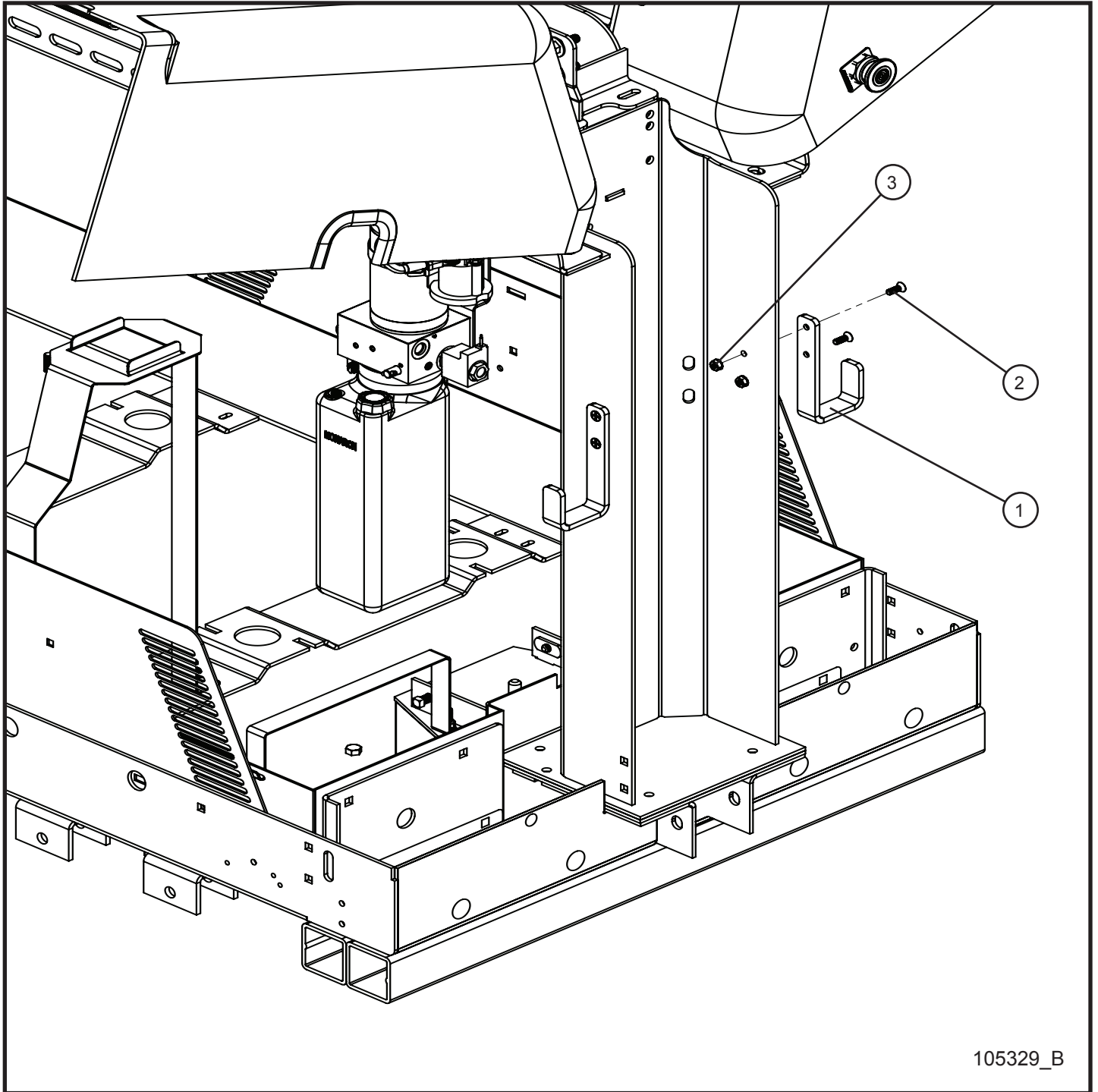
2.4 - Right Door w/ Cord Opening

SN 0001PRO215 and UP
SN 0001PRO2V15 and UP

Item	Part No.	Part Description	Qty.
1	053006	1/4-20 x 3/4 CARRIAGE BOLT	4
2	044021	1/4-20 KEPS HEX NUT PL	4
3	105138P	BRACKET HINGE FRONT PLASTIC DOOR	1
4	105139P	BRACKET HINGE REAR PLASTIC DOOR	1
5	680459	SLAM LATCH	1
6	041027	#10-24 x 3/4 PH-ROUND HEAD MS	4
7	044018	#10-24 NYLOCK HEX NUT PL	4
8	047009	1/4 FLAT WASHER SAE SS	12
9	041050	1/4-20 x 3/4 PH-TRUSS HEAD MS SS	4
10	046006	1/4-20 x 5/8 HEX HEAD CS GR5 PL	6
11	044023	1/4-20 NYLOCK	4
12	105332P	RIGHT DOOR W/ CORD OPENING	1
13	103047	DOOR PROP	1
14	105132P	CATCH PLATE SLAM LATCH	1
15	030054	TRIMLOCK 3/16 x 3/4 x 5 INCH	2
16	043050	1/4 INT'L TOOTH LOCK WASHER	6
17	030054	TRIMLOCK 3/16 x 3/4 x 7 INCH	1

2.5 - Cord Opening Hooks

SN 0001PRO215 and UP
SN 0001PRO2V15 and UP



105329_B

Night-Lite ProII™

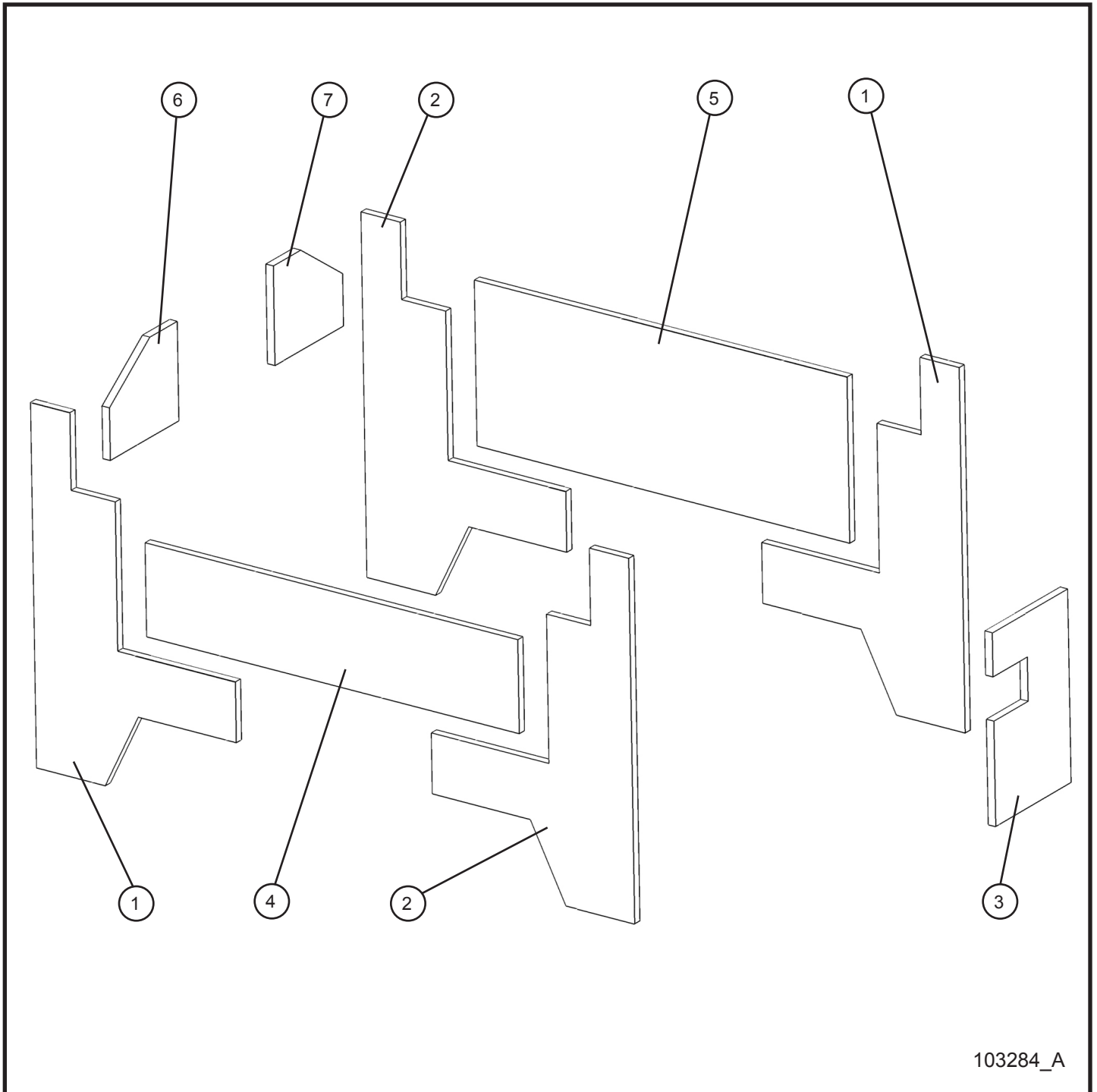
2.5 - Cord Opening Hooks

SN 0001PRO215 and UP
SN 0001PRO2V15 and UP

Item	Part No.	Part Description	Qty.
1	105323P	HOOK CORD	2
2	041047	1/4-20 x 3/4 PH-FLAT HEAD MS PL	4
3	044021	1/4-20 KEPS HEX NUT PL	4

2.6 - Sound Attenuation Package

SN 0001PRO215 and UP
SN 0001PRO2V15 and UP



103284_A

Night-Lite ProII™

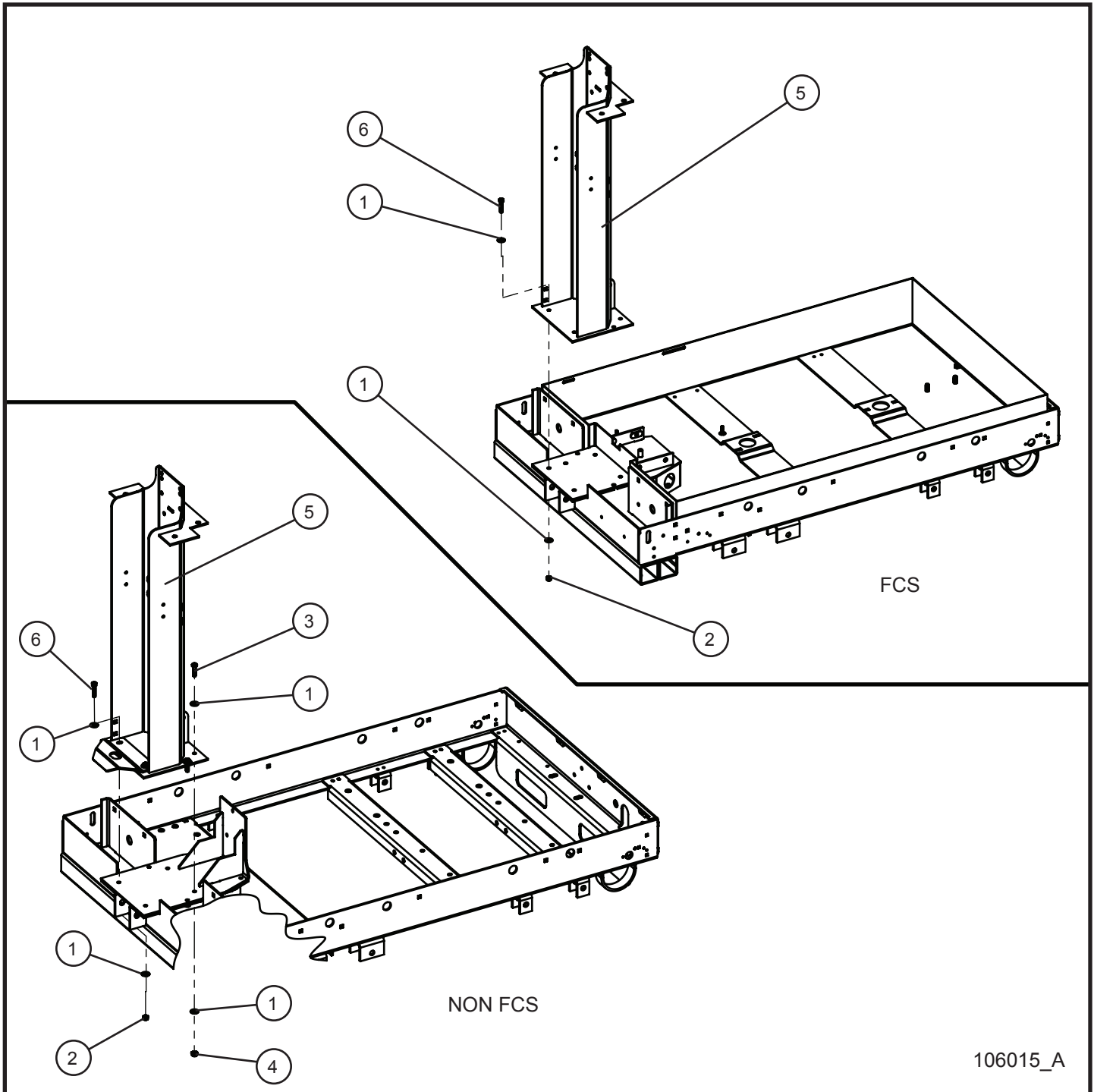
2.6 - Sound Attenuation Package

SN 0001PRO215 and UP
SN 0001PRO2V15 and UP

Item	Part No.	Part Description	Qty.
1	103277	3/4 POLY ACOUSTICAL FOAM-DOOR HALF 1	2
2	103278	3/4 POLY ACOUSTICAL FOAM-DOOR HALF 2	2
3	103279	3/4 POLY ACOUSTICAL FOAM-REAR PANEL	1
4	103280	3/4 POLY ACOUSTICAL FOAM-LEFT DOOR RECESS	1
5	103281	3/4 POLY ACOUSTICAL FOAM-RIGHT DOOR RECESS	1
6	103282	3/4 POLY ACOUSTICAL FOAM-LEFT DOOR FRONT	1
7	103283	3/4 POLY ACOUSTICAL FOAM-RIGHT DOOR FRONT	1

2.7 - Tower Pedestal

SN 0001PRO215 and UP
SN 0001PRO2V15 and UP



Night-Lite ProII™

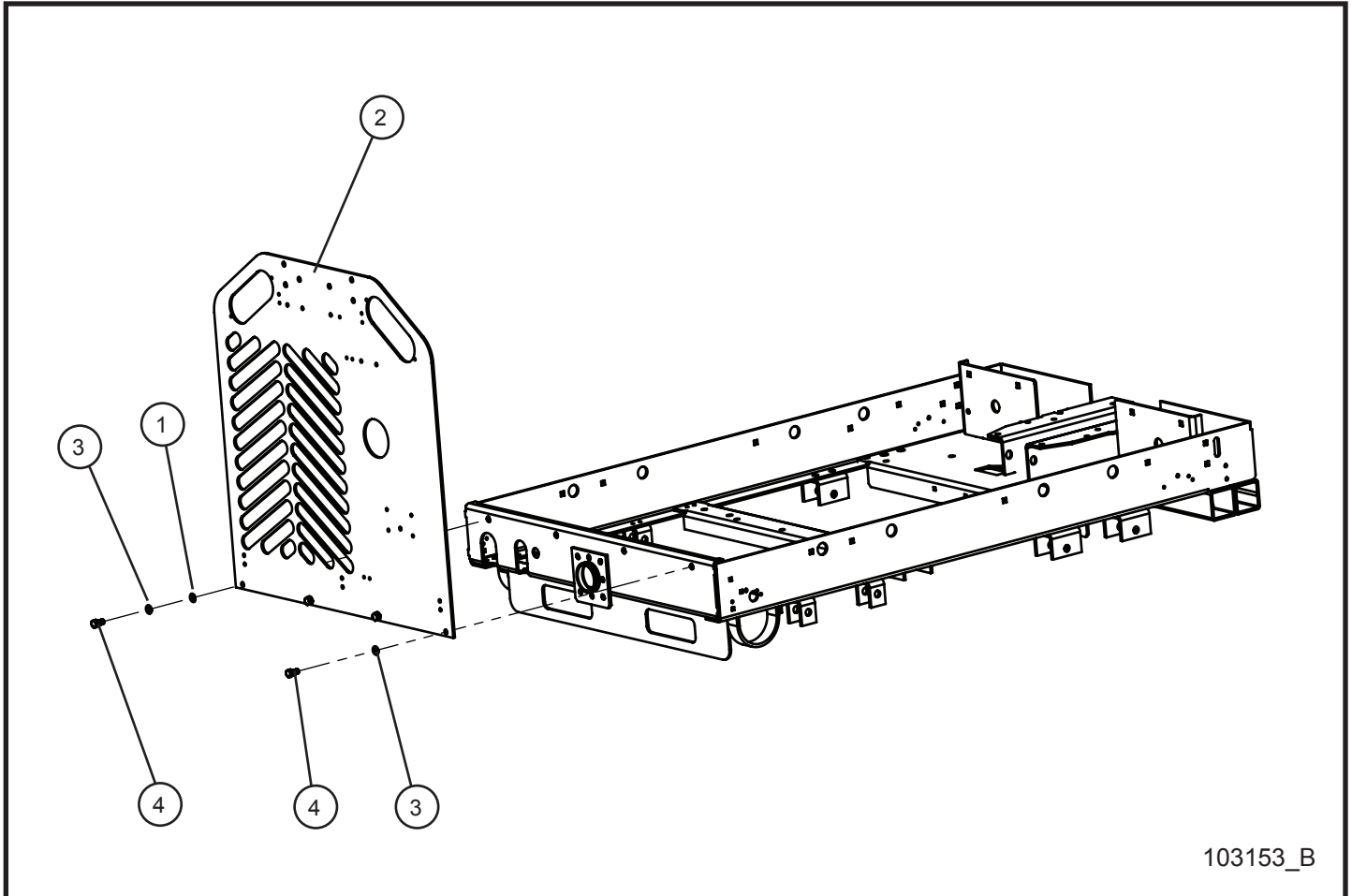
2.7 - Tower Pedestal

SN 0001PRO215 and UP
SN 0001PRO2V15 and UP

Item	Part No.	Part Description	Qty.
1	047010	5/16 FLAT WASHER PL	12
2	044031	5/16-18 KEPS HEX NUT PL	2
3	046055	5/16-18 x 1 1/4 HEX HEAD CS GR5 PL	4
4	044036	3/8-16 KEPS HEX NUT PL	4
5	103937P	TOWER PEDESTAL	1
6	046060	5/16-18 x 1 1/2 HEX HEAD CS GR5 PL	2

2.8 - CAT Rear Panel

SN 0001PRO215 and UP
SN 0001PRO2V15 and UP



103153_B

Night-Lite ProII™

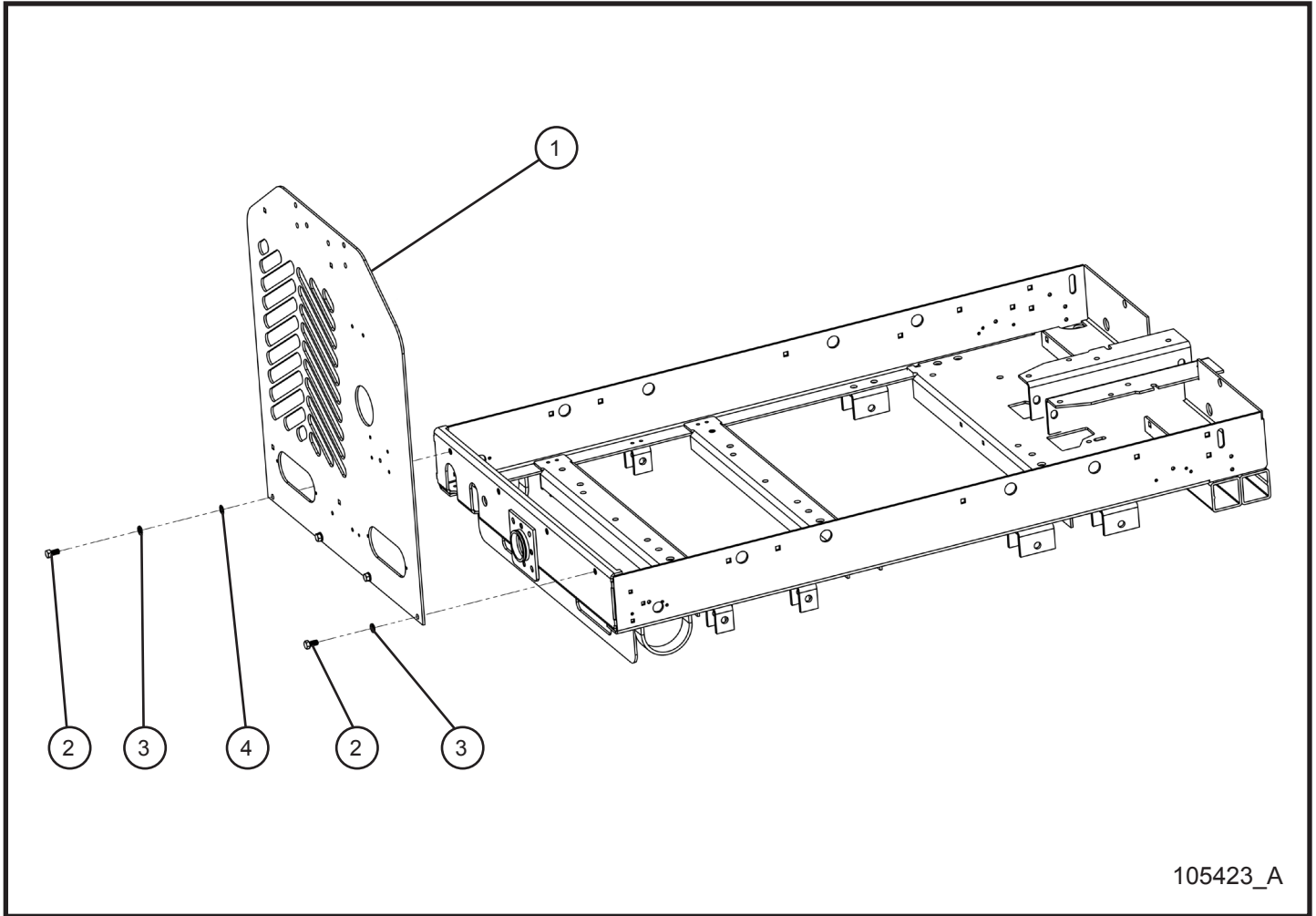
2.8 - CAT Rear Panel

SN 0001PRO215 and UP
SN 0001PRO2V15 and UP

Item	Part No.	Part Description	Qty.
1	043070	3/8 INTL TOOTH LOCK WASHER PL	1
2	102823P	REAR PANEL UNIVERSAL	1
3	043065	3/8 SPLITLOCK WASHER PL	4
4	046105	3/8-16 x 3/4 HEX HEAD CS GR8 PL	4

2.9 - Kubota Rear Panel

SN 0001PRO215 and UP
SN 0001PRO2V15 and UP



105423_A

Night-Lite ProII™

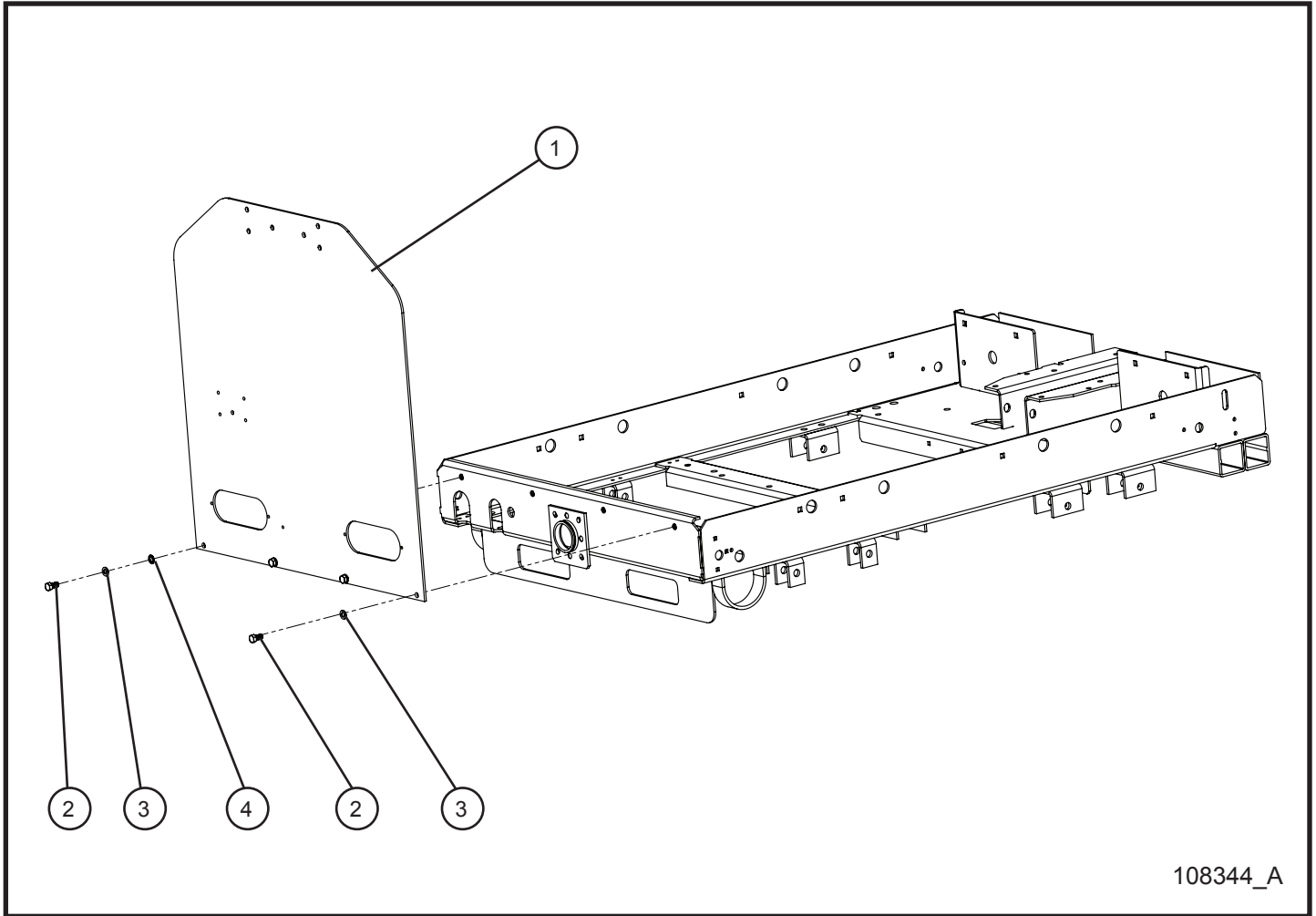
2.9 - Kubota Rear Panel

SN 0001PRO215 and UP
SN 0001PRO2V15 and UP

Item	Part No.	Part Description	Qty.
1	105403P	REAR PANEL (KUBOTA)	1
2	046105	3/8-16 x 3/4 HEX HEAD CS GR8 PL	4
3	043065	3/8 SPLITLOCK WASHER PL	4
4	043070	3/8 INTL TOOTH LOCK WASHER PL	1

2.10 - Mobile Platform Rear Panel

SN 0001PRO215 and UP
SN 0001PRO2V15 and UP



108344_A

Night-Lite ProII™

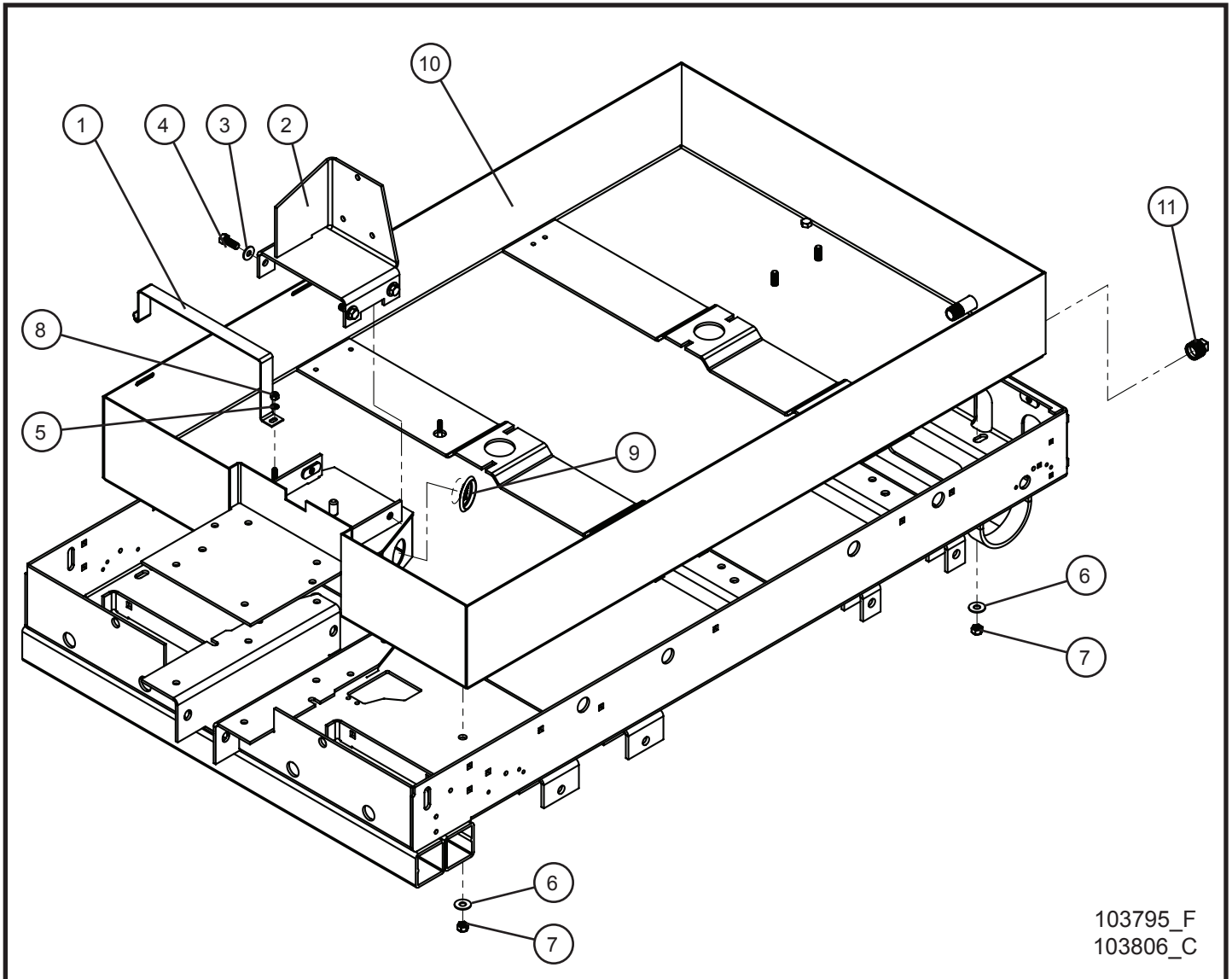
2.10 - Mobile Platform Rear Panel

SN 0001PRO215 and UP
SN 0001PRO2V15 and UP

Item	Part No.	Part Description	Qty.
1	108343P	MOBILE PLATFORM REAR PANEL	1
2	046105	3/8-16 x 3/4 HEX HEAD CS GR8 PL	4
3	043065	3/8 SPLITLOCK WASHER PL	4
4	043070	3/8 INTL TOOTH LOCK WASHER PL	1

2.11 - FCS Tray Group

SN 0001PRO215 and UP
SN 0001PRO2V15 and UP



Night-Lite ProII™

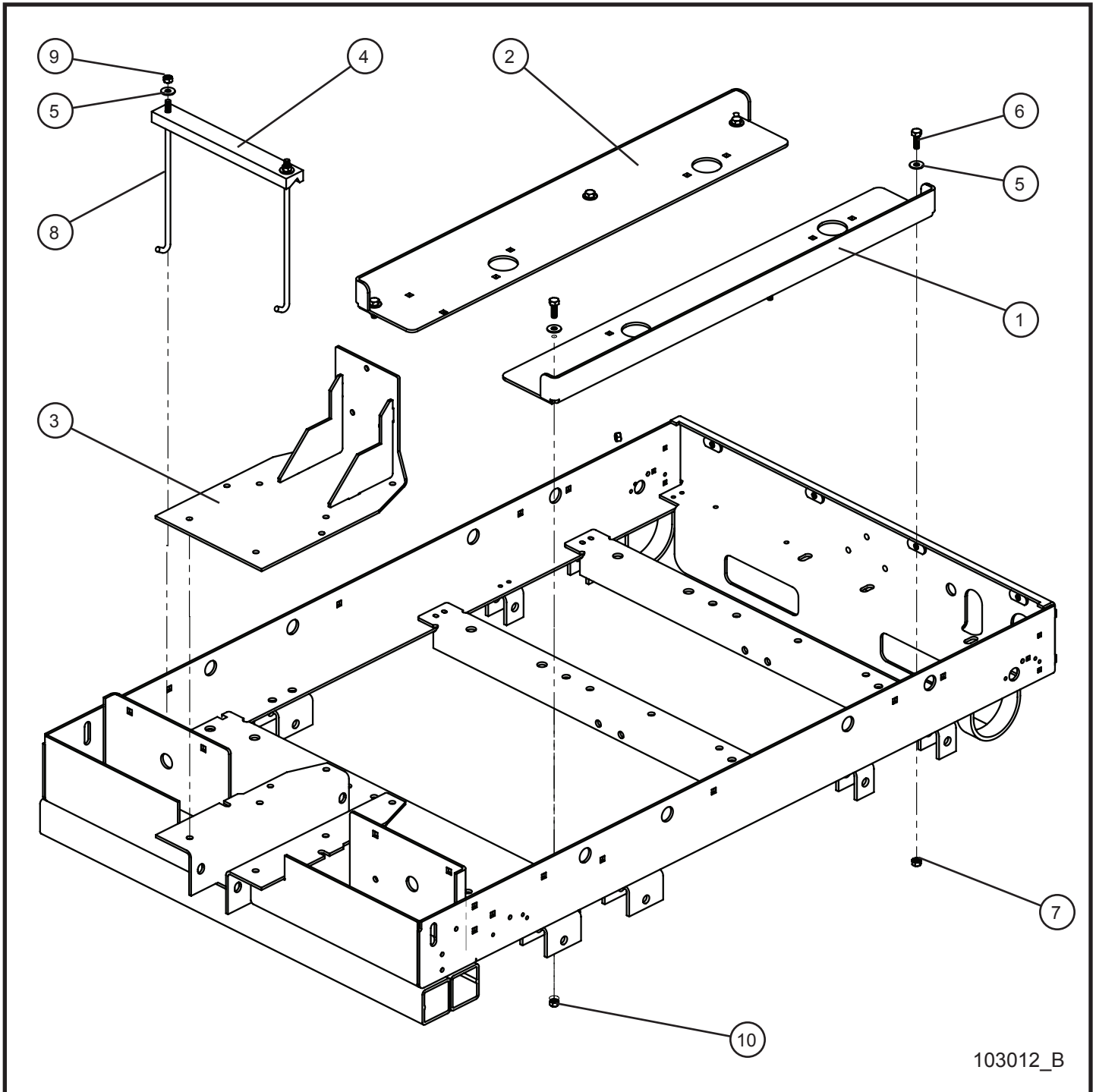
2.11 - FCS Tray Group

SN 0001PRO215 and UP
SN 0001PRO2V15 and UP

Item	Part No.	Part Description	Qty.
1	102820P	BATTERY STRAP	1
2	102770P	FCS TRAY WINCH MOUNT (LAYDOWN TOWER ONLY)	1
3	047010	5/16 FLAT WASHER PL (LAYDOWN TOWER ONLY)	4
4	046110	3/8-16 x 1 HEX HEAD CS GR5 PL (LAYDOWN TOWER ONLY)	4
5	047009	1/4 FLAT WASHER SAE SS	1
6	047015	3/8 FLAT WASHER PL	4
7	044038	3/8-16 NYLOCK HEX NUT PL	4
8	044023	1/4-20 NYLOCK HEX NUT PL	1
9	680878	1 3/4 CAP PLUG	1
10	103991P	FCS CONTAINMENT TRAY	1
	105755P	JB RADIATOR FCS CONTAINMENT TRAY	1
11	104148	PIPE PLUG 3/4 NPT SQUARE HEAD	1

2.12 - Non FCS Group

SN 0001PRO215 and UP



103012_B

Night-Lite ProII™

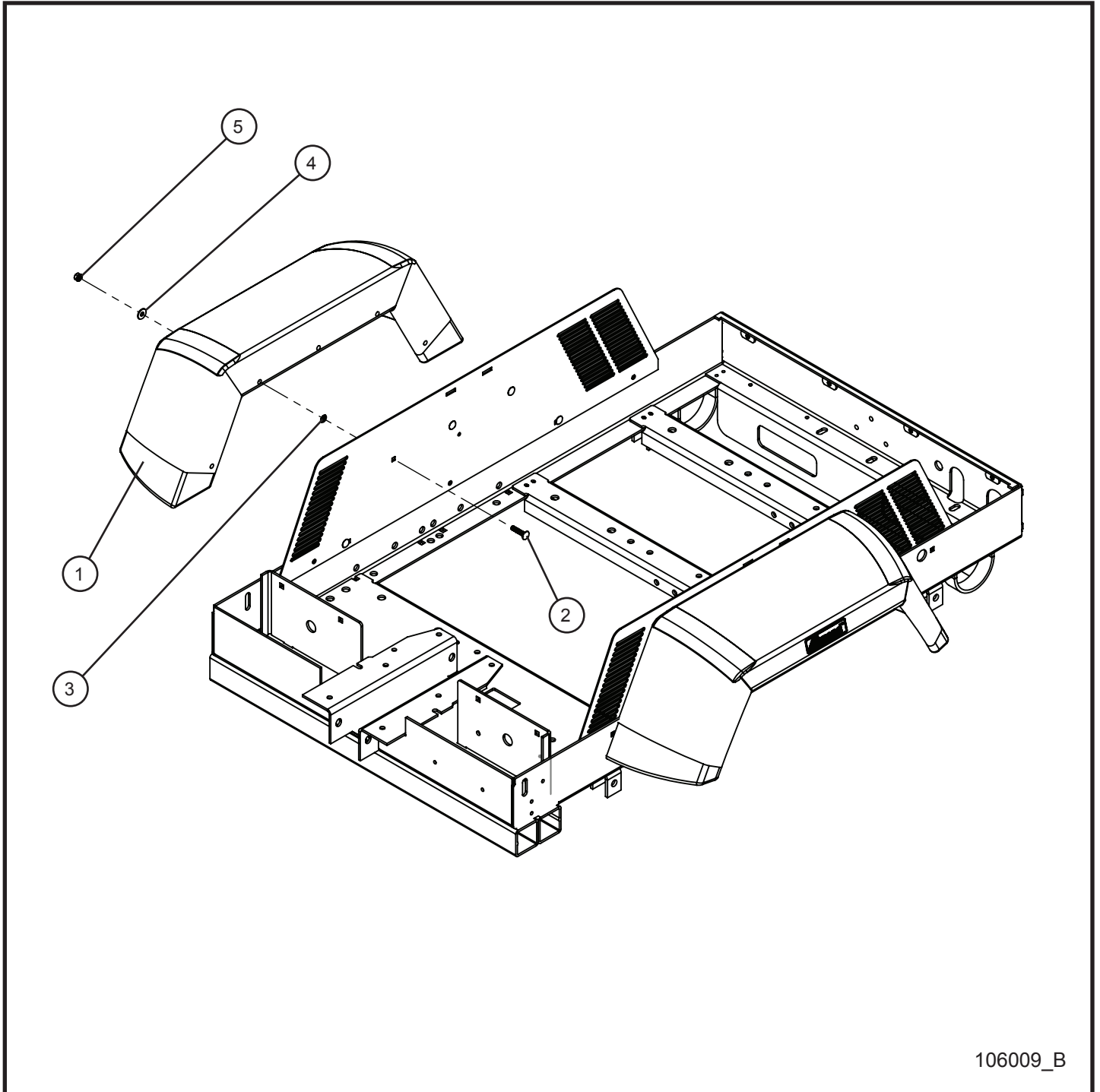
2.12 - Non FCS Group

SN 0001PRO215 and UP

Item	Part No.	Part Description	Qty.
1	102793P	LEFT ENGINE RAIL	1
2	102794P	RIGHT ENGINE RAIL	1
3	102842P	LAYDOWN TOWER WINCH MOUNT	1
4	340017	HOLD DOWN BATTERY	1
5	047010	5/16 FLAT WASHER PL	8
6	046050	5/16-18 x 1 HEX HEAD CS GR5 PL	6
7	044031	5/16-18 KEPS HEX NUT PL	1
8	433507	5/16-18 J BOLT x 11 ZINC	2
9	044030	5/16-18 HEX NUT PL	2
10	044033	5/16-18 NYLOCK HEX NUT PL	5

2.13 - Fender

SN 0001PRO215 and UP
SN 0001PRO2V15 and UP



106009_B

Night-Lite ProII™

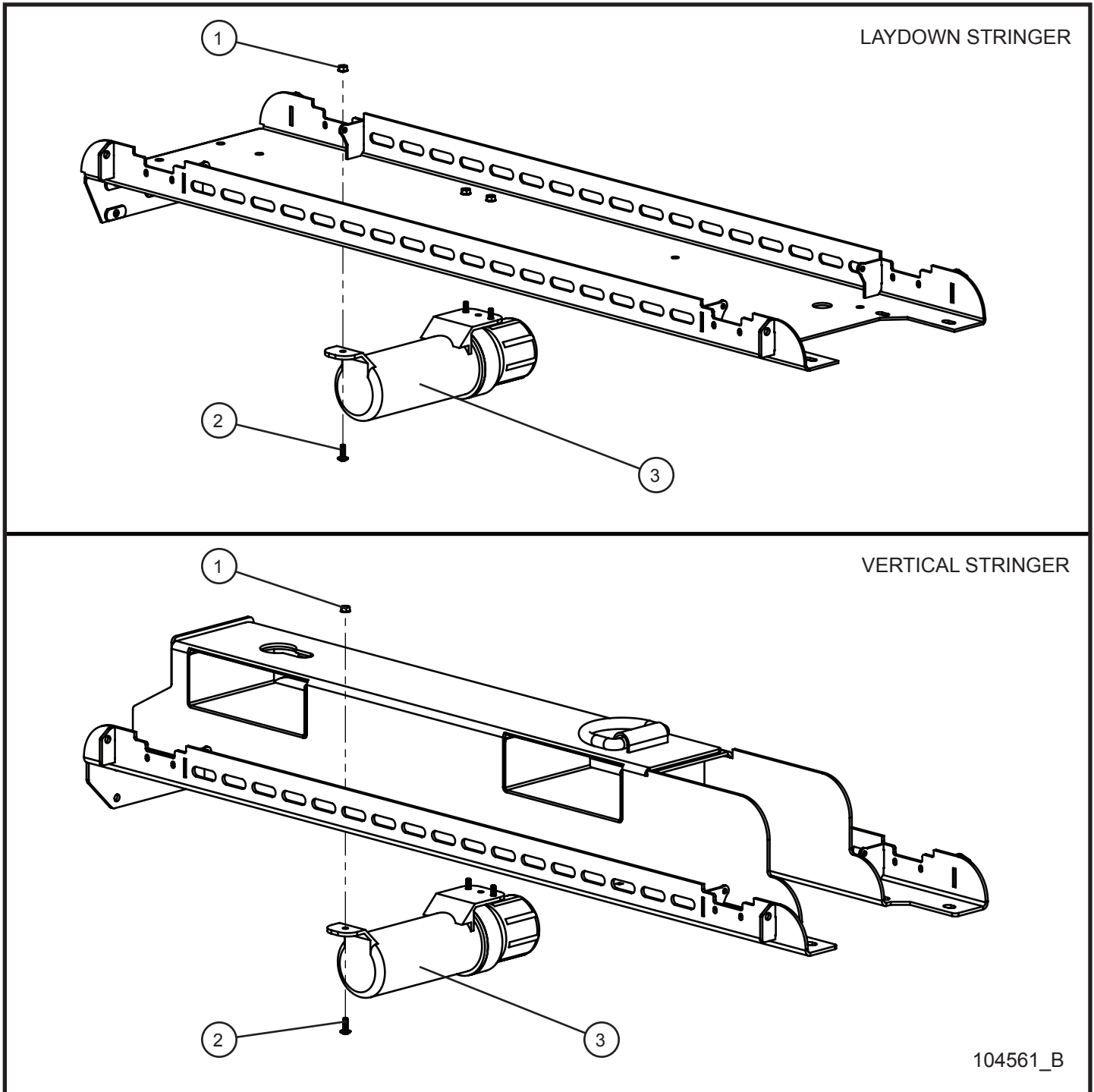
2.13 - Fender

SN 0001PRO215 and UP
SN 0001PRO2V15 and UP

Item	Part No.	Part Description	Qty.
1	650297	FENDER MOLDED BLACK 13 INCH	2
2	053023	5/16-18 x 1 1/2 CARRIAGE BOLT PL	10
3	045217	5/16 PUSH NUT	10
4	047010	5/16 FLAT WASHER PL	10
5	044031	5/16-18 KEPS HEX NUT PL	10

2.14 - Manual Canister

SN 0001PRO215 and UP
SN 0001PRO2V15 and UP



Night-Lite ProII™

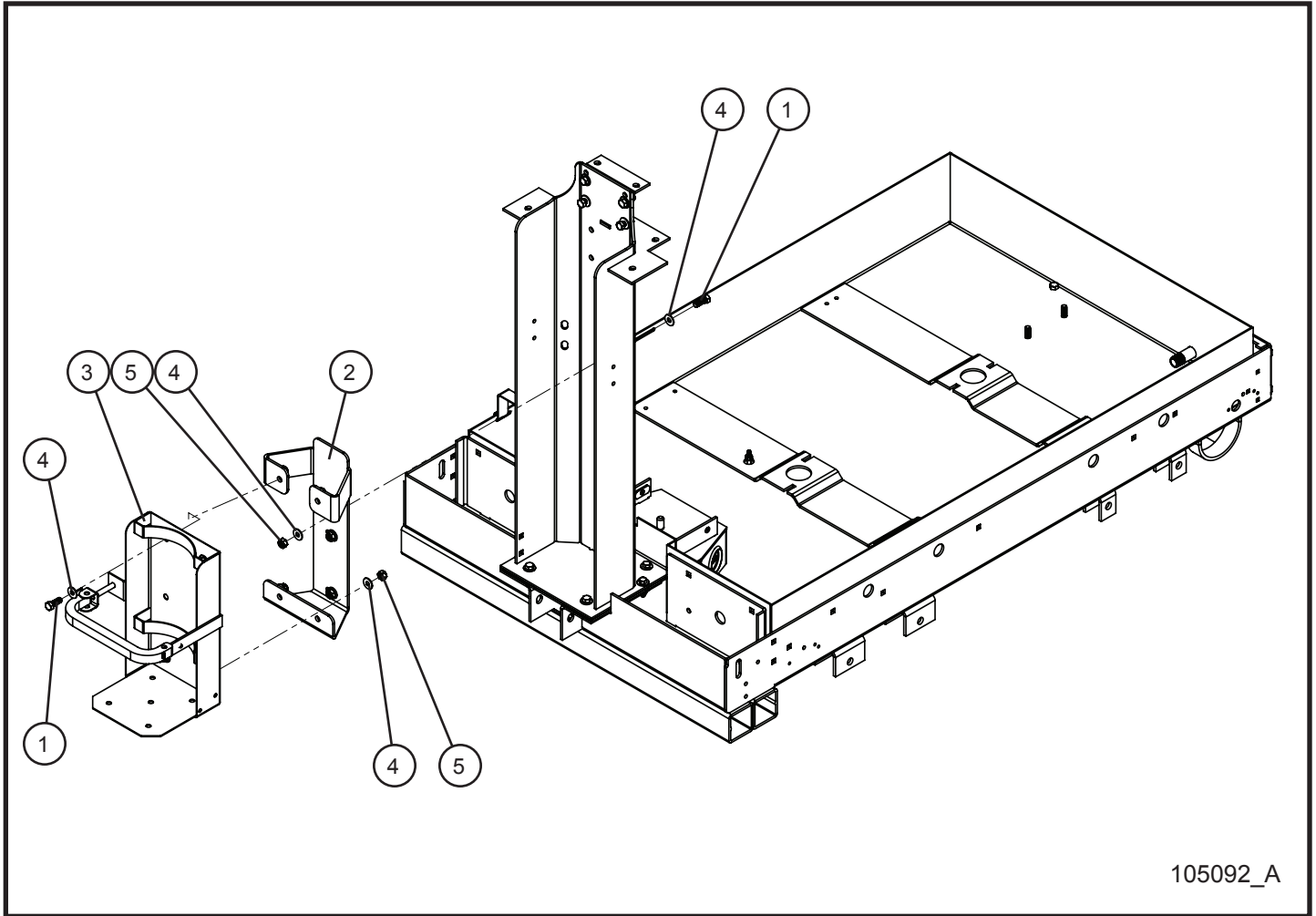
2.14 - Manual Canister

SN 0001PRO215 and UP
SN 0001PRO2V15 and UP

Item	Part No.	Part Description	Qty.
1	044021	1/4-20 KEPS HEX NUT PL	3
2	041050	1/4-20 x 3/4 PH-TRUSS HEAD MS SS	3
3	103651	CANISTER PRODUCT MANUAL	1

2.15 - Fire Extinguisher Bracket

SN 0001PRO2V15 and UP



105092_A

Night-Lite ProII™

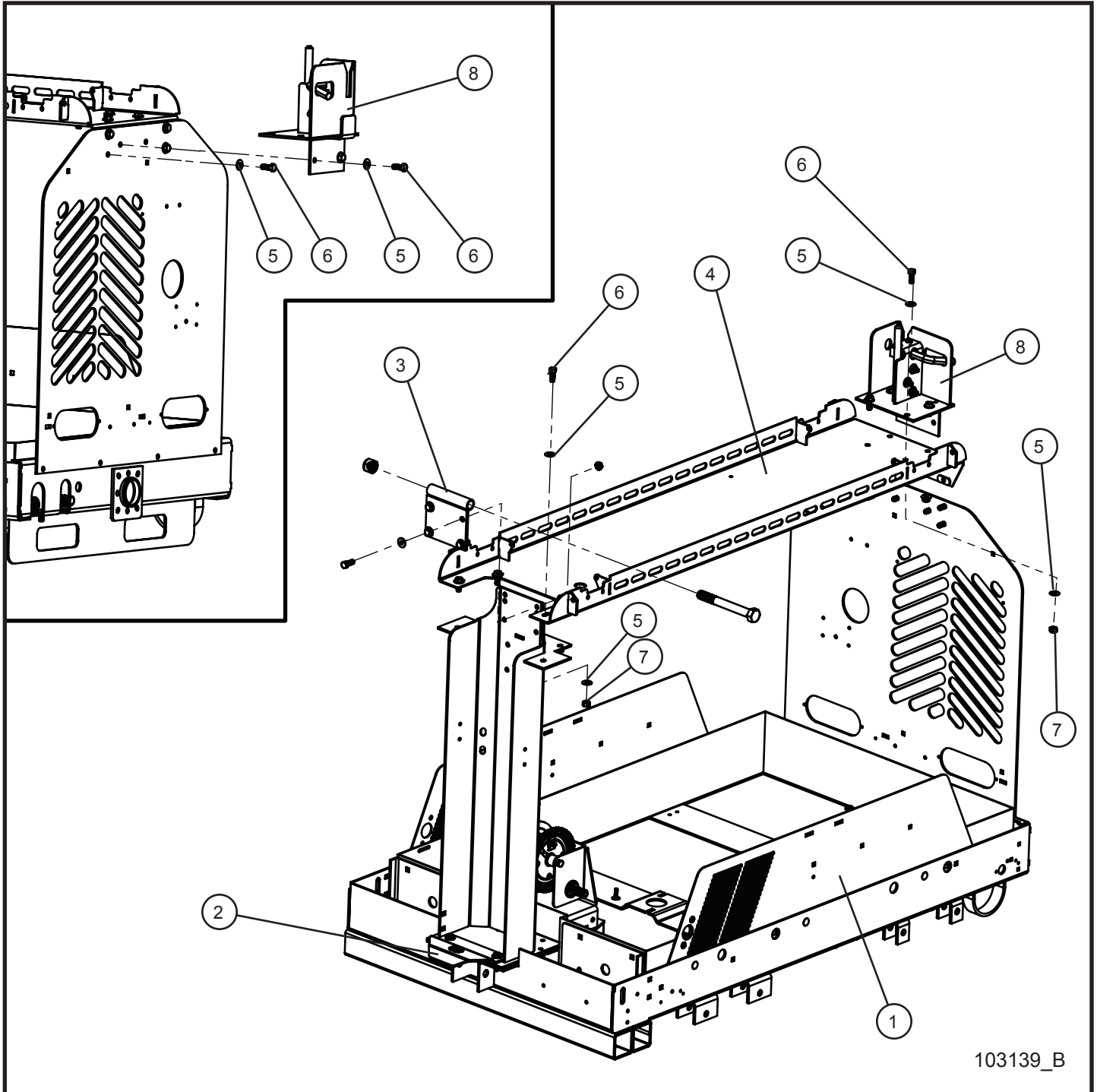
2.15 - Fire Extinguisher Bracket

SN 0001PRO2V15 and UP

Item	Part No.	Part Description	Qty.
1	046110	3/8-16 x 1 HEX HEAD CS GR5 PL	7
2	105090P	MOUNT BRACKET FIRE EXTINGUISHER	1
3	109725	BRACKET EXTINGUISHER FIRE HD	1
4	047010	5/16 FLAT WASHER PL	14
5	044038	3/8-16 NYLOCK HEX NUT PL	7
6	105522	FIRE EXTINGUISHER (NOT SHOWN)	1

3.1 - Laydown Tower Trailer Group (1 of 2)

SN 0001PRO215 and UP



Night-Lite ProII™

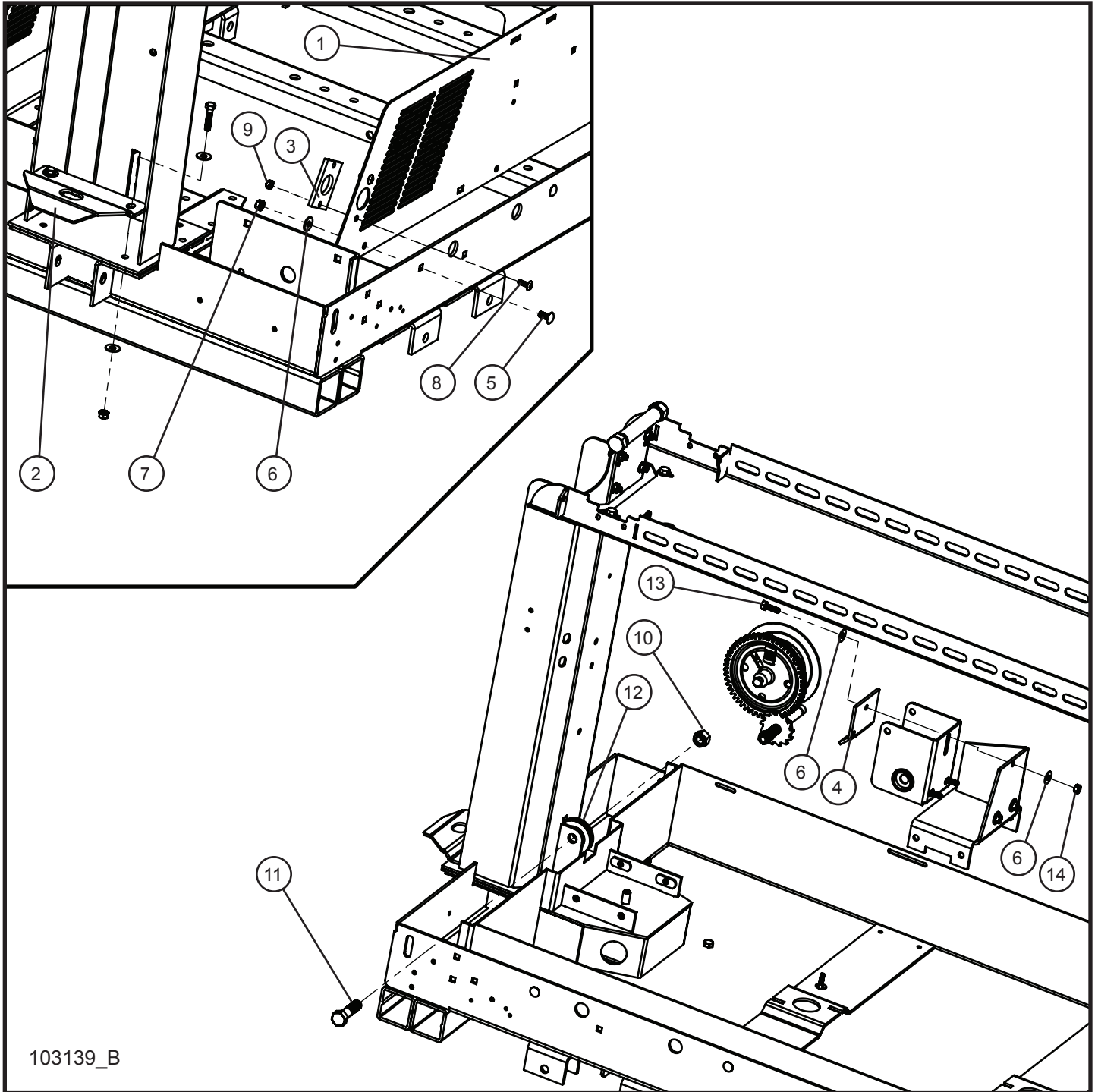
3.1 - Laydown Tower Trailer Group (1 of 2)

SN 0001PRO215 and UP

Item	Part No.	Part Description	Qty.
1	102765P	LAYDOWN TOWER FENDER MOUNT PANEL	2
2	102839P	PIN CATCH TOWER LOCK	1
3	104410	LAYDOWN TOWER PIVOT GROUP	1
4	105135P	STRINGER LAYDOWN TOWER	1
5	047010	5/16 FLAT WASHER PL	22
6	046110	3/8-16 x 1 HEX HEAD CS GR5 PL	14
7	044038	3/8-16 NYLOCK NEX NUT PL	8
8	103143	LAYDOWN TOWER REAR SUPPORT GROUP	1

3.1 - Laydown Tower Trailer Group (2 of 2)

SN 0001PRO215 and UP



103139_B

Night-Lite ProII™

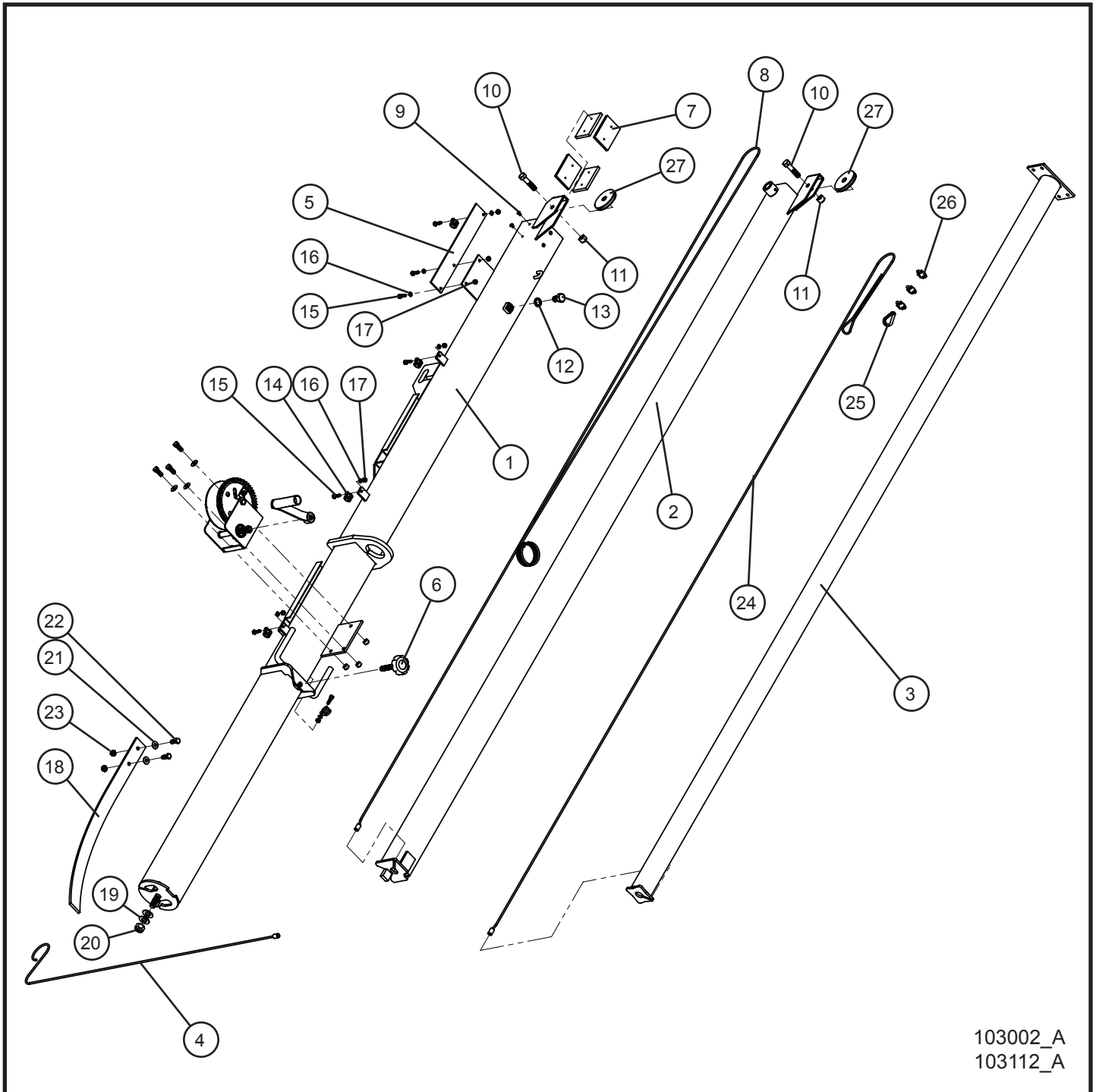
3.1 - Laydown Tower Trailer Group (2 of 2)

SN 0001PRO215 and UP

Item	Part No.	Part Description	Qty.
1	102765P	LAYDOWN TOWER FENDER MOUNT PANEL	2
2	102839P	PIN CATCH TOWER LOCK	1
3	650106	GUIDE BLOCK	1
4	651021P	WINCH CABLE GUIDE	1
5	102081	5/16-18 x 3/4 CARRIAGE BOLT GR5	6
6	047010	5/16 FLAT WASHER PL	12
7	044031	5/16-18 KEPS NEX NUT PL	6
8	041050	1/4-20 x 3/4 PH-TRUSS HEAD MS SS MACHINE SCREW	2
9	044021	1/4-20 KEPS HEX NUT PL	2
10	044050	5/8-11 HEX NUT PL	1
11	046243	5/8-11 x 2 1/2 HEX HEAD CS PL	1
12	100160	2 1/2 PULLEY W/ BALL BEARING	1
13	046050	5/16-18 x 1 HEX HEAD CS GR5 PL	3
14	044030	5/16-18 HEX NUT PL	3

3.2 - Laydown Tower Parts

SN 0001PRO215 and UP



103002_A
103112_A

Night-Lite ProII™

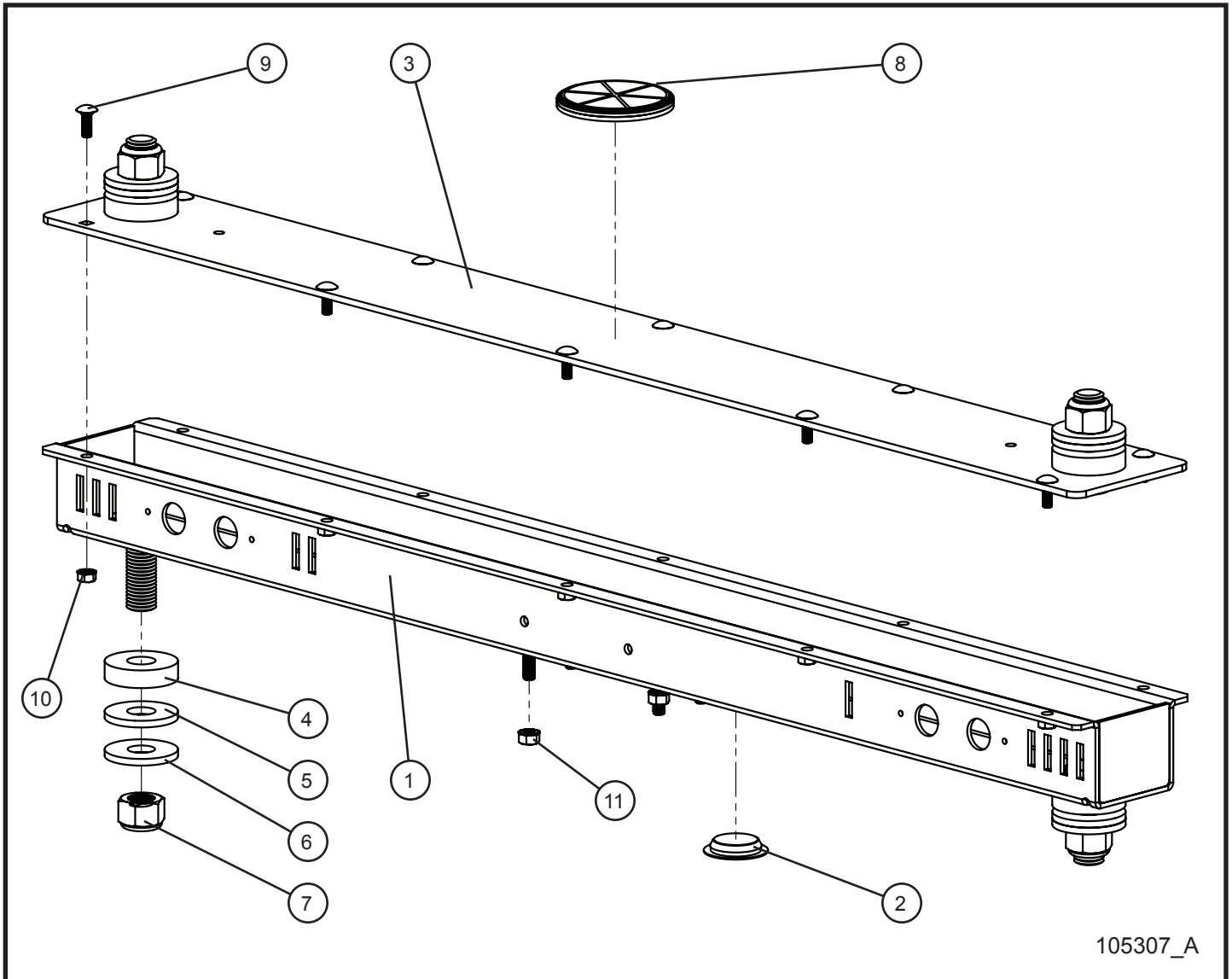
3.2 - Laydown Tower Parts

SN 0001PRO215 and UP

Item	Part No.	Part Description	Qty.
1	102943P	4" SECTION LAYDOWN TOWER	1
	102943-20	4" SECTION LAYDOWN TOWER (GALVANIZED)	
2	680180P	3" SECTION LAYDOWN TOWER	1
	680180-20	3" SECTION LAYDOWN TOWER (GALVANIZED)	
3	352017P	2 5/8" ROUND SECTION LAYDOWN TOWER	1
	352017-20	2 5/8" ROUND SECTION LAYDOWN TOWER (GALVANIZED)	
4	320185	CABLE 3/16 STEEL 10'	1
5	102677P	4" TOWER CORD BRACKET	1
6	620550	1/2-13 x 2 1/8 LOCKING KNOB	1
7	650110	.312 TOWER PAD	4
8	650133	CABLE 3/16 STEEL 17' 9"	1
9	041023	#10 x 3/8 PH-ROUND HEAD MS PL	8
10	046200	1/2-13 x 2 1/4 HEX HEAD CS GR5 PL	2
11	044048	1/2-13 NYLOCK HEX NUT PL	2
12	043100	5/8 INT'L TOOTH LOCK WASHER PL	1
13	046242	5/8-11 x 1 HEX HEAD CS GR5 PL	1
14	310212	#10 CUSH CLAMP 1/4 HOLE	5
15	046015	1/4-20 x 1 HEX HEAD CS GR5 PL	7
16	047009	1/4 FLAT WASHER SAE SS	7
17	044023	1/4-20 NYLOCK HEX NUT PL	7
18	630555P	KICKOUT SPRING LAYDOWN	1
19	047030	5/8 FLAT WASHER PL	2
20	044053	5/8-11 NYLOCK HEX NUT PL	1
21	047010	5/16 FLAT WASHER PL	2
22	046110	3/8-16 x 1 HEX HEAD CS GR5 PL	2
23	044036	3/8-16 KEPS HEX NUT PL	2
24	620076	CABLE 3/16 STEEL 11'	1
25	045040	3/16 CABLE THIMBLE	1
26	620084	1/4 CABLE CLIP	3
27	320110	PULLEY 3 OD W/ BUSHING	2

3.3 - Laydown Tower Light Bar

SN 0001PRO215 and UP



105307_A

Night-Lite ProII™

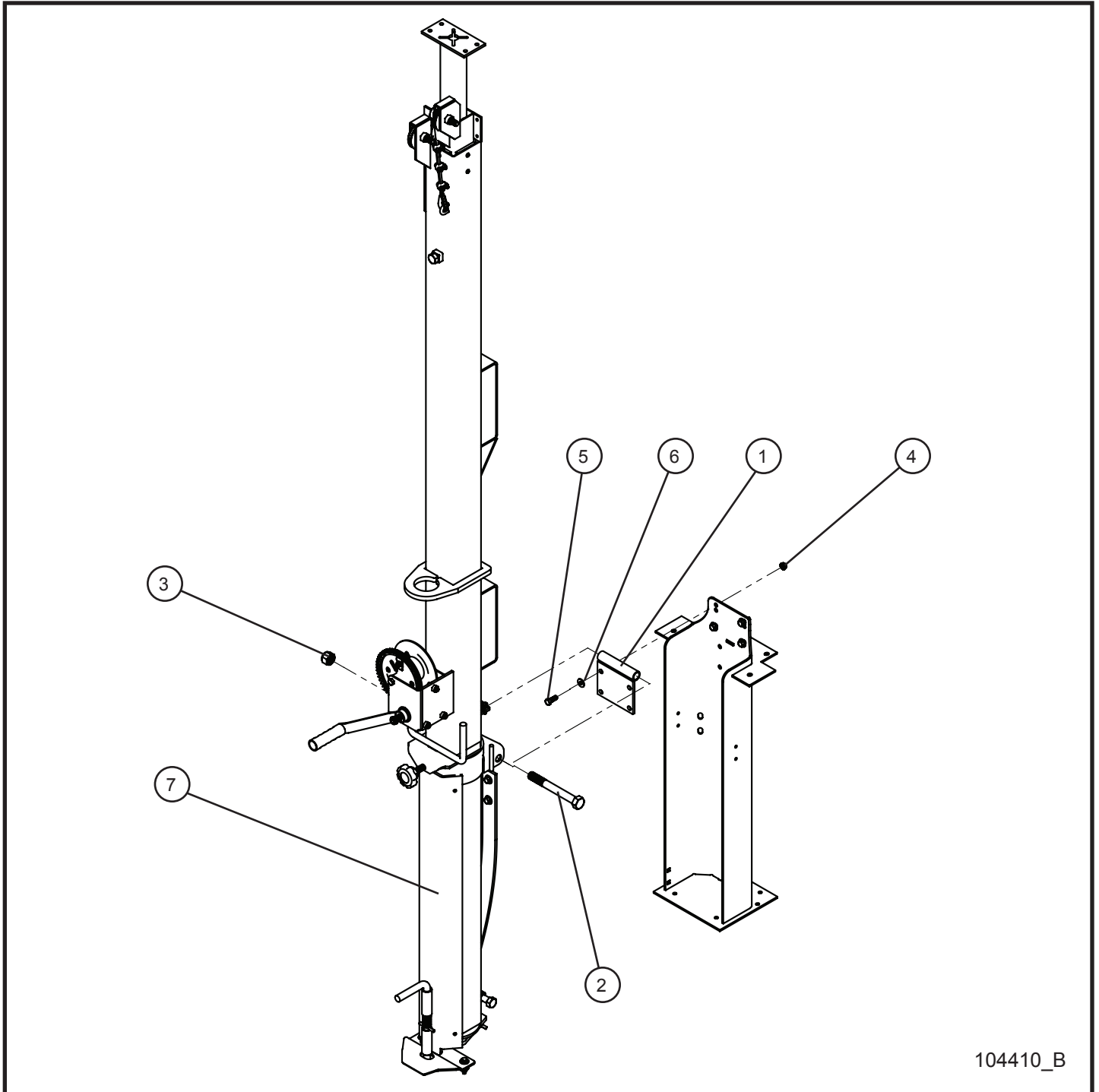
3.3 - Laydown Tower Light Bar

SN 0001PRO215 and UP

Item	Part No.	Part Description	Qty.
1	105718P	FRAME LIGHT BAR NYLON CORD GRIP	1
2	064040	1 3/8 CAP PLUG	1
3	620537P	COVER LIGHT BAR	1
4	101813	.781 x 2 OD x 1/2 HDPE WASHER	4
5	650550	.785 x 2 HDPE WASHER	4
6	047035	3/4 FLAT WASHER PL	4
7	044121	3/4-10 NYLOCK HEX NUT SS	4
8	330037	REFLECTOR RED 3"	1
9	053006	1/4-20 x 3/4 CARRIAGE BOLT	10
10	044021	1/4-20 KEPS HEX NUT PL	10
11	044031	5/16-18 KEPS HEX NUT PL	4

3.4 - Laydown Tower Pivot Group

SN 0001PRO215 and UP



104410_B

Night-Lite ProII™

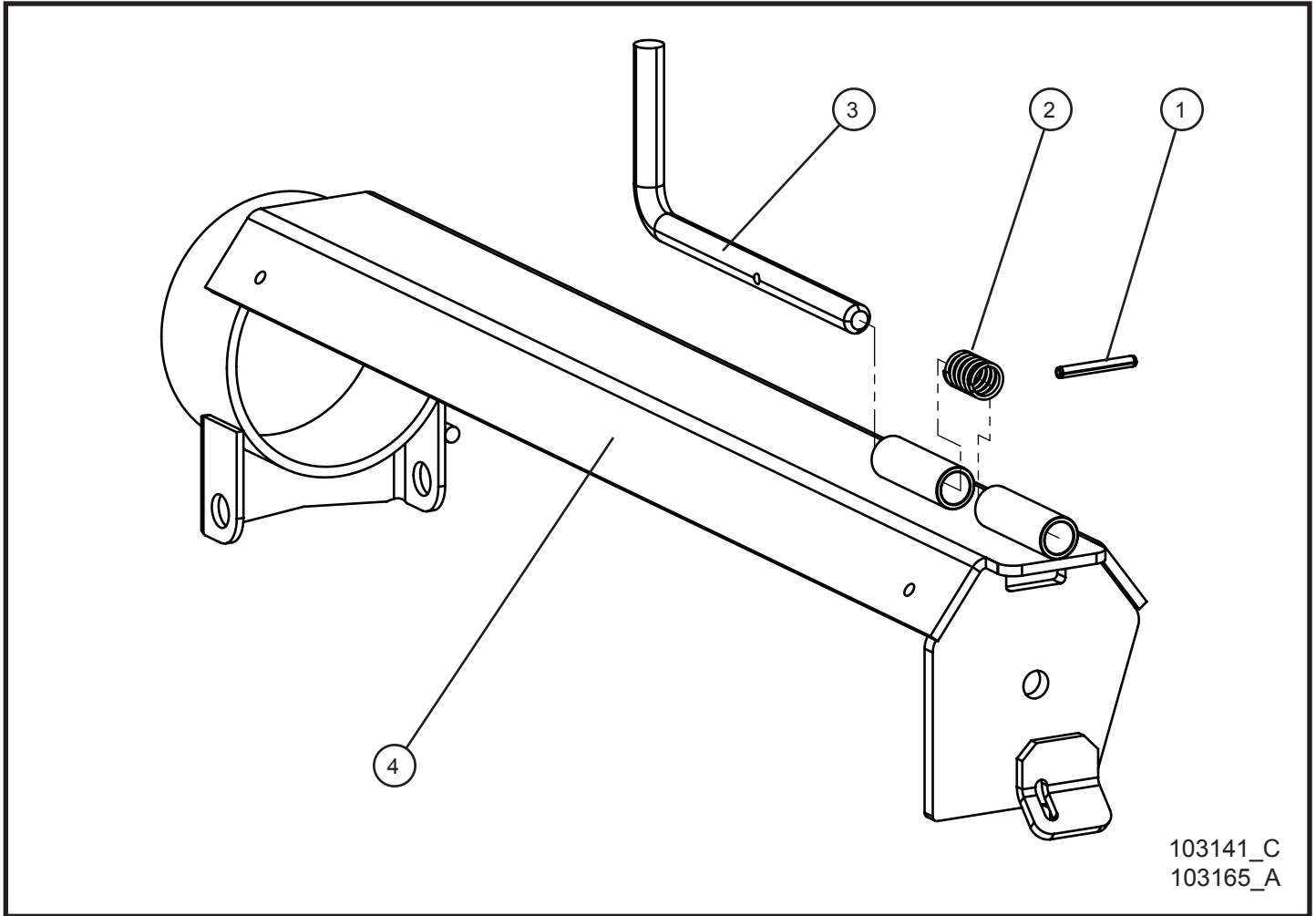
3.4 - Laydown Tower Pivot Group

SN 0001PRO215 and UP

Item	Part No.	Part Description	Qty.
1	650111P	WELD BRACKET PIVOT	1
2	046286	3/4-10 x 6 1/2 HEX HEAD CS GR5 PL	1
3	044067	3/4-10 JAM TOP LOCK NUT PL	1
4	044036	3/8-16 KEPS HEX NUT PL	4
5	046110	3/8-16 x 1 HEX HEAD CS GR5 PL	4
6	047010	5/16 FLAT WASHER PL	8
7	103141	LAYDOWN TOWER PIVOT SECTION	1
	103165	LAYDOWN TOWER PIVOT SECTION (GALVANIZED)	1

3.5 - Laydown Tower Pivot Section

SN 0001PRO215 and UP



Night-Lite ProII™

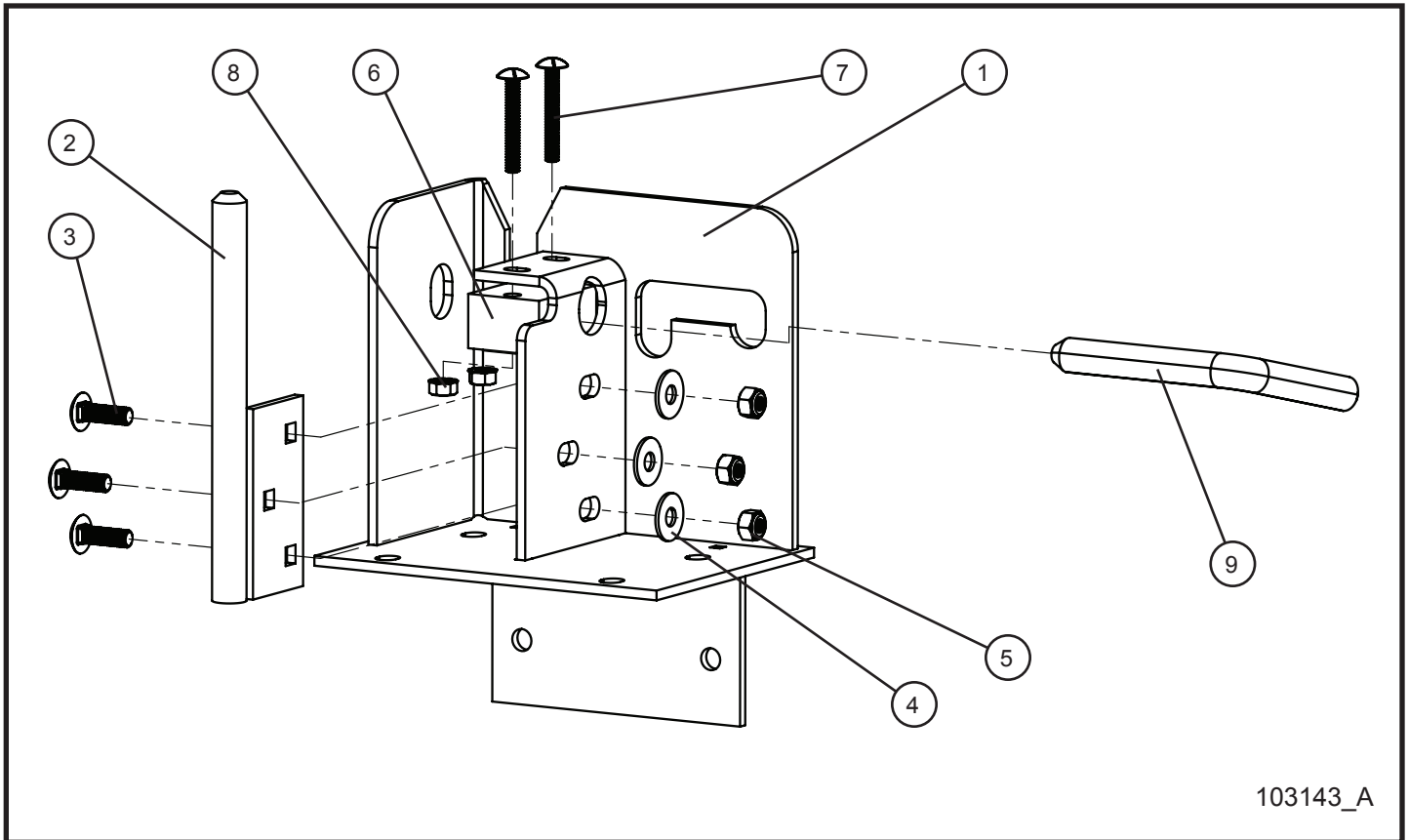
3.5 - Laydown Tower Pivot Section

SN 0001PRO215 and UP

Item	Part No.	Part Description	Qty.
1	045156	1/4 x 2 SPRING ROLL PIN	1
2	102944	SPRING TOWER LATCH	1
3	330450	LOCKING PIN	1
4	103030P	LAYDOWN TOWER PIVOT	1
	103030-20	LAYDOWN TOWER PIVOT (GALVANIZED)	1

3.6 - Laydown Tower Rear Support

SN 0001PRO215 and UP



Night-Lite ProII™

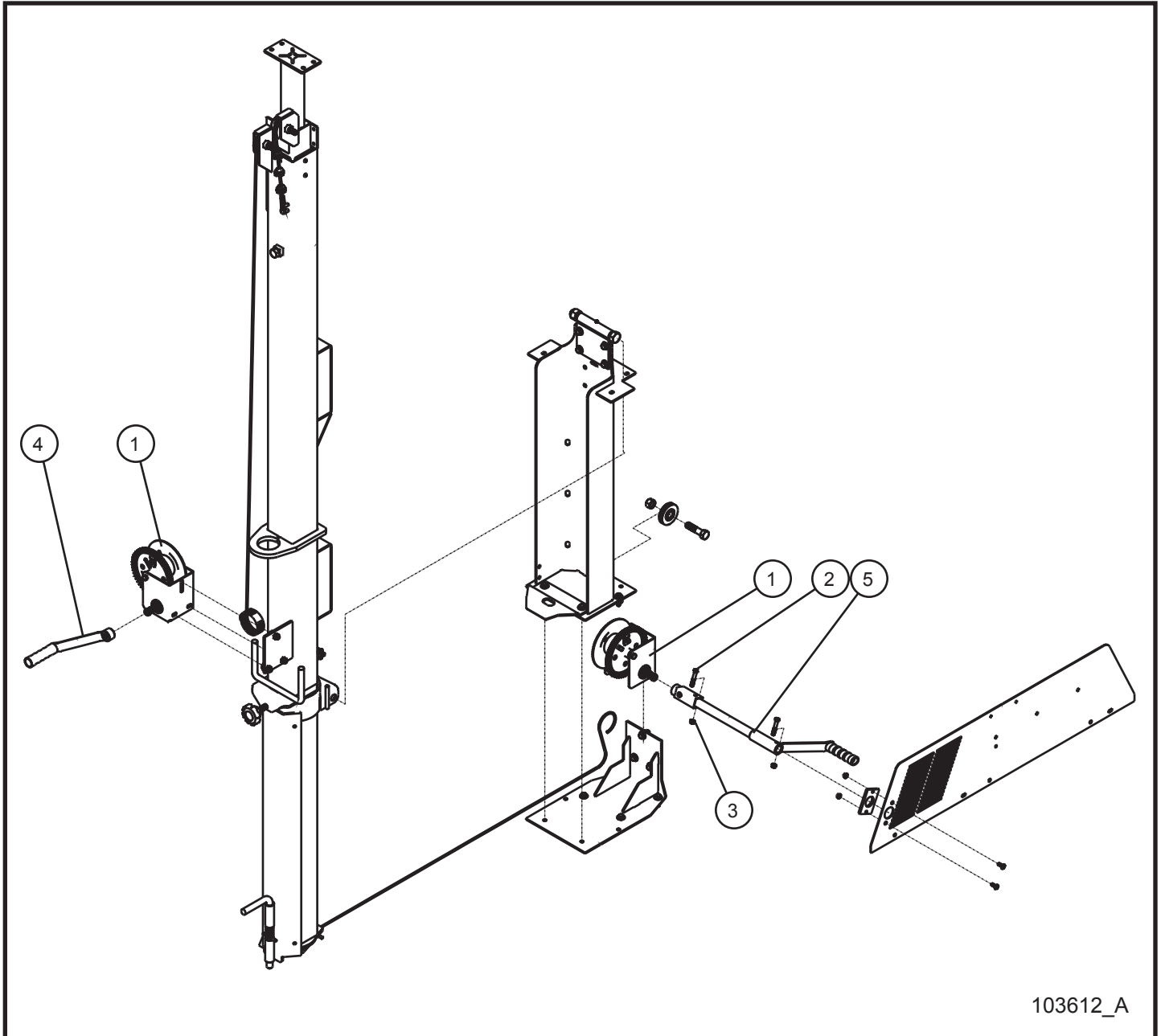
3.6 - Laydown Tower Rear Support

SN 0001PRO215 and UP

Item	Part No.	Part Description	Qty.
1	103295P	REAR TOWER SUPPORT	1
2	103292P	PIN TOWER SUPPORT	1
3	053020	5/16-18 x 1 CARRIAGE BOLT PL	3
4	047010	5/16 FLAT WASHER PL	3
5	044033	5/16-18 NYLOCK HEX NUT PL	3
6	330430	GUIDE BLOCK OUTRIGGER	1
7	041053	1/4-20 x 1 3/4 PH-TRUSS HEAD MS SS	2
8	044021	1/4-20 KEPS HEX NUT PL	2
9	330455	OUTRIGGER PIN	1

3.7 - Laydown Tower Winch Group

SN 0001PRO215 and UP



103612_A

Night-Lite ProII™

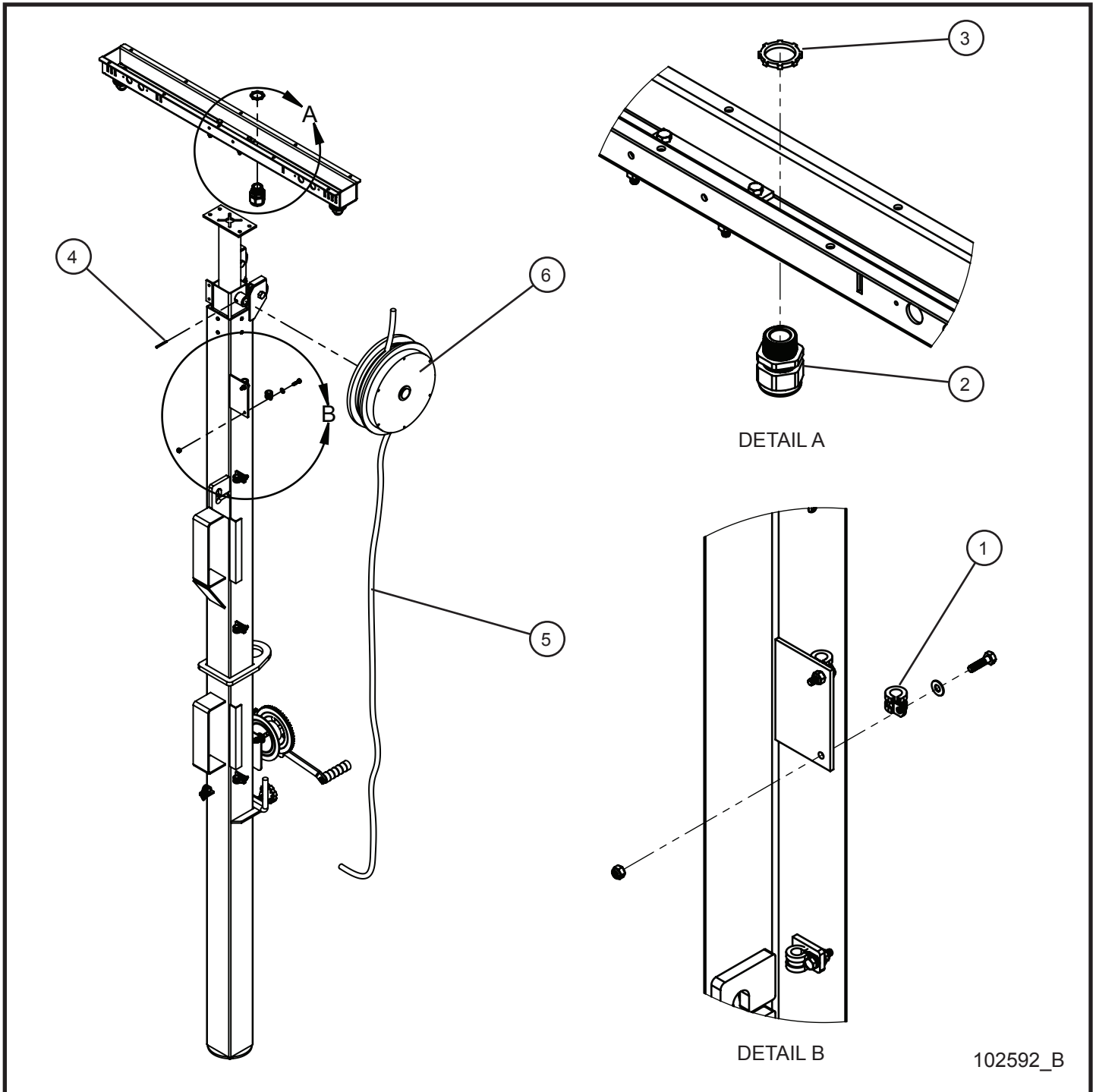
3.7 - Laydown Tower Winch Group

SN 0001PRO215 and UP

Item	Part No.	Part Description	Qty.
1	610531	DL 1200 LB. WINCH	2
2	046065	5/16-18 x 1 3/4 HEX HEAD CS GR5 PL	2
3	044030	5/16-18 HEX NUT PL	2
4	712032	WINCH HANDLE	1
5	102924	STAND-UP WINCH HANDLE	1

3.8 - Laydown Tower 16/8 Cord Reel Group

SN 0001PRO215 and UP



Night-Lite ProII™

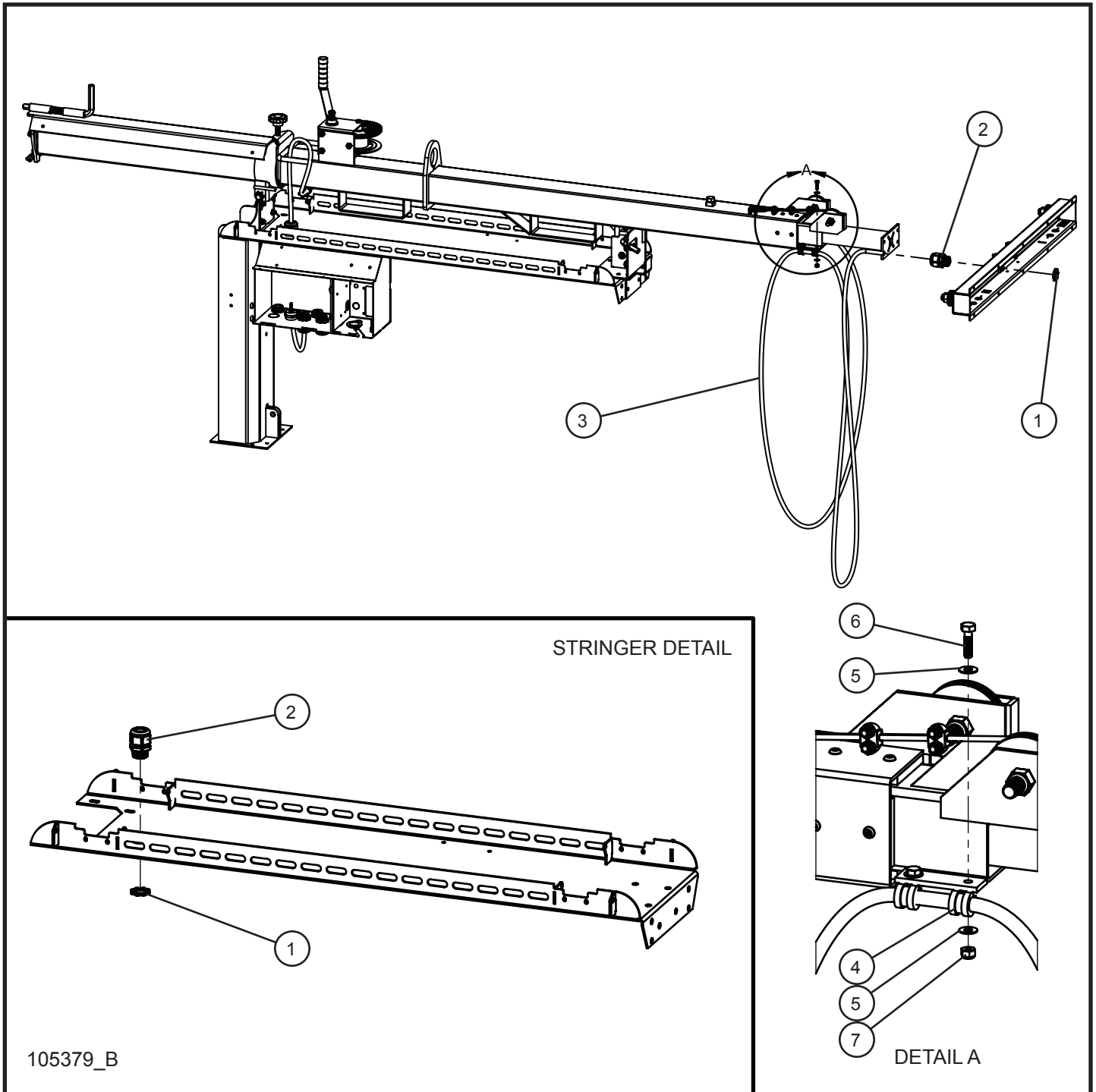
3.8 - Laydown Tower 16/8 Cord Reel Group

SN 0001PRO215 and UP

Item	Part No.	Part Description	Qty.
1	310212	#10 CUSH CLAMP 1/4 HOLE	1
2	105627	CORD GRIP 1" NYLON BLACK	1
3	022038	1" CORD GRIP NUT	1
4	320453	3/16 x 1 3/4 SPRING ROLL PIN	1
5	103080	16/8 CORD REEL MANUAL TOWER	1
6	320410P	CORD REEL	1
7	105292	SCHEMATIC LIGHT BAR 4 LIGHT 16/8 CORD	1

3.9 - Laydown Tower 14/7 Cord Group

SN 0001PRO215 and UP



Night-Lite ProII™

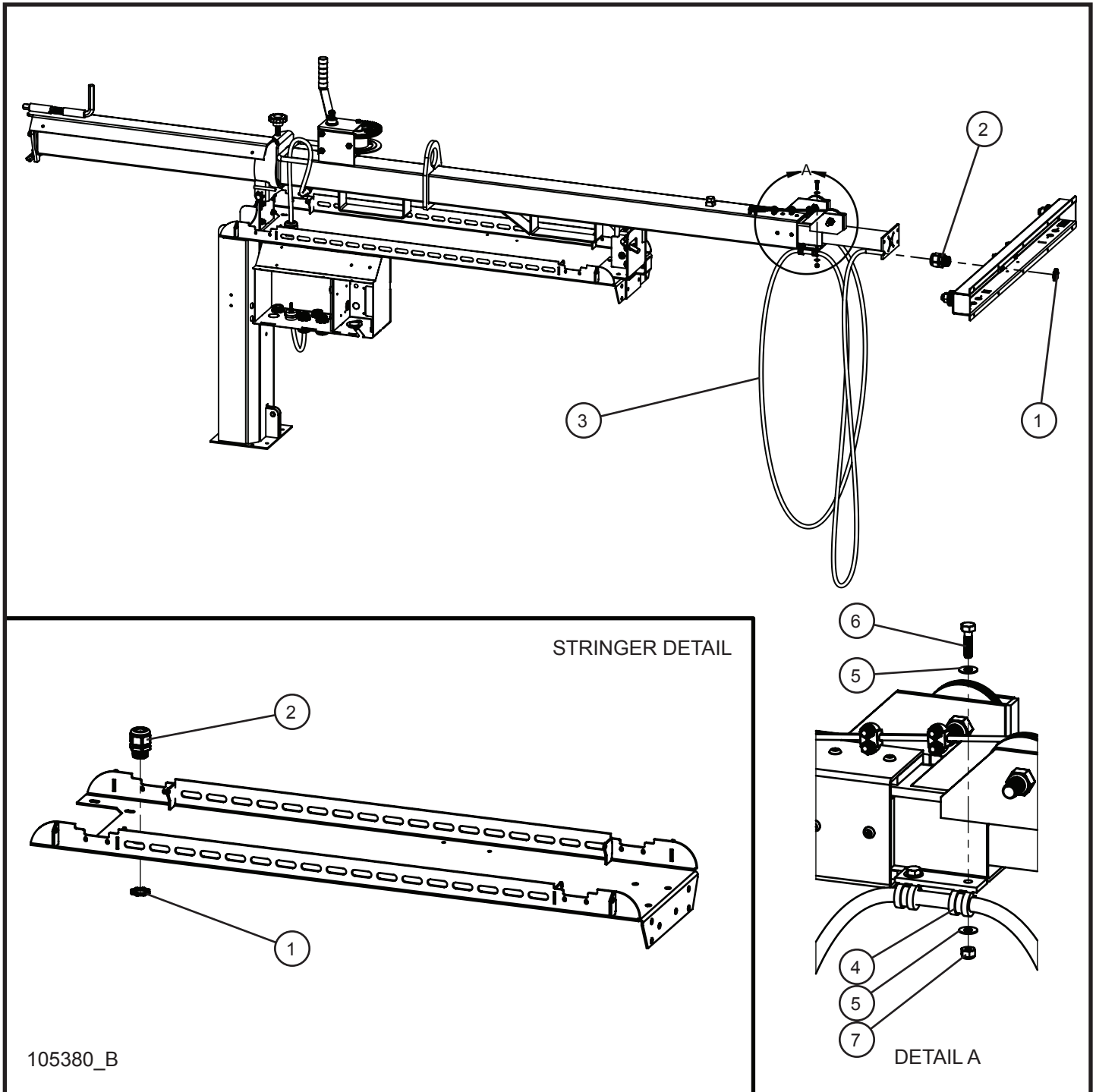
3.9 - Laydown Tower 14/7 Cord Group

SN 0001PRO215 and UP

Item	Part No.	Part Description	Qty.
1	022038	1" CORD GRIP NUT	2
2	105627	CORD GRIP 1" NYLON BLACK	2
3	103049	14/7 STRAIGHT CORD MANUAL TOWER	1
4	310212	#10 CUSH CLAMP 1/4 HOLE	2
5	047009	1/4 FLAT WASHER SAE SS	4
6	046015	1/4-20 x 1 HEX HEAD CS GR5 PL	2
7	044023	1/4-20 NYLOCK HEX NUT PL	2
8	105291	SCHEMATIC LIGHT BAR 4 LIGHT 14/7 CORD	1

3.10 - Laydown Tower 16/8 Cord Group

SN 0001PRO215 and UP



105380_B

Night-Lite ProII™

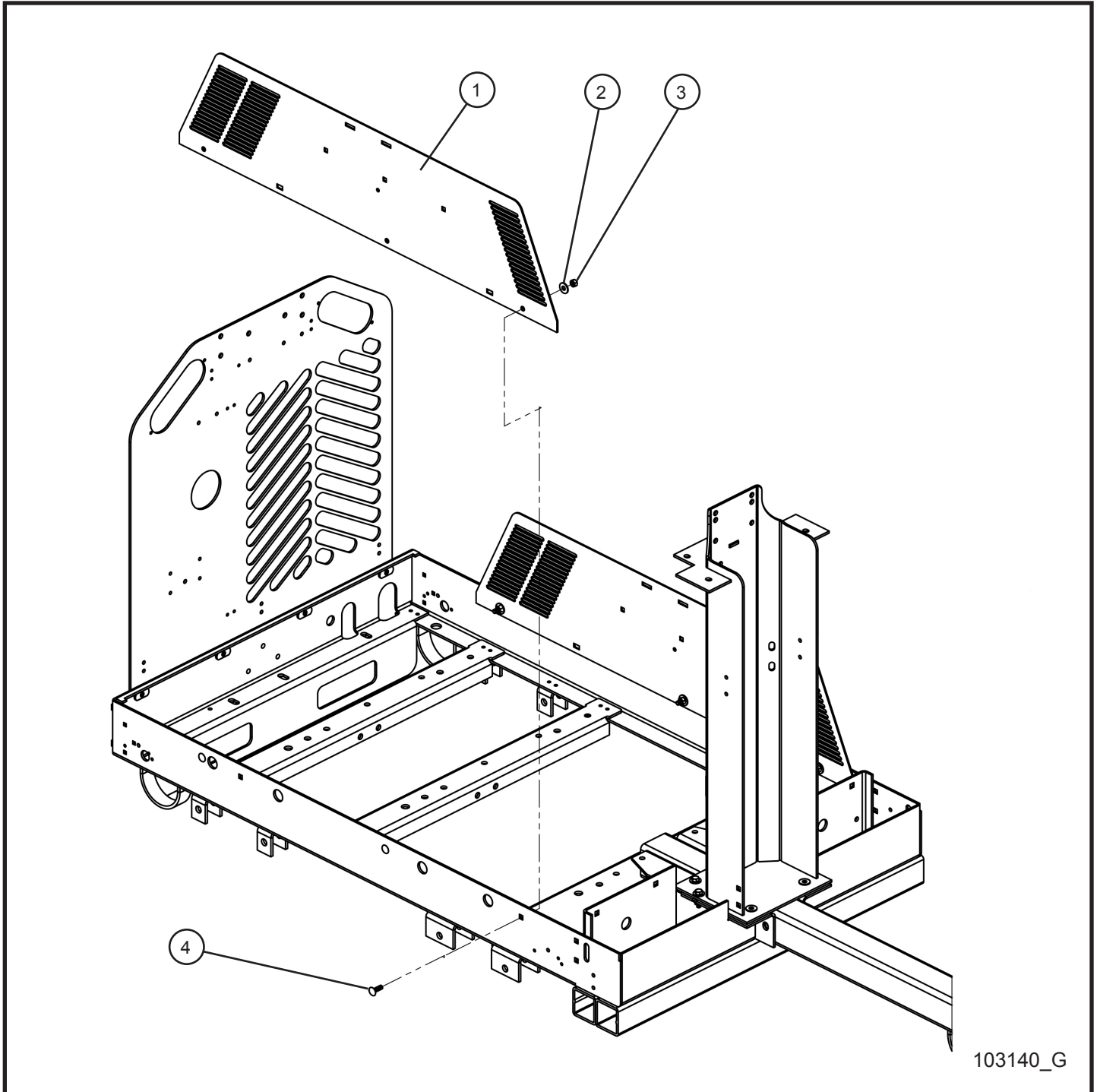
3.10 - Laydown Tower 16/8 Cord Group

SN 0001PRO215 and UP

Item	Part No.	Part Description	Qty.
1	022038	1" CORD GRIP NUT	2
2	105627	CORD GRIP 1" NYLON BLACK	2
3	105006	16/8 CSA STRAIGHT CORD MANUAL TOWER	1
	105679	16/8 CSA STRAIGHT LED CORD MANUAL TOWER	1
4	310212	#10 CUSH CLAMP 1/4 HOLE	2
5	047009	1/4 FLAT WASHER SAE SS	4
6	046015	1/4-20 x 1 HEX HEAD CS GR5 PL	2
7	044023	1/4-20 NYLOCK HEX NUT PL	2
8	105292	SCHEMATIC LIGHT BAR 4 LIGHT 16/8 CORD	1

4.1 - Vertical Tower Trailer Group (1 of 3)

SN 0001PRO2V15 and UP



103140_G

Night-Lite ProII™

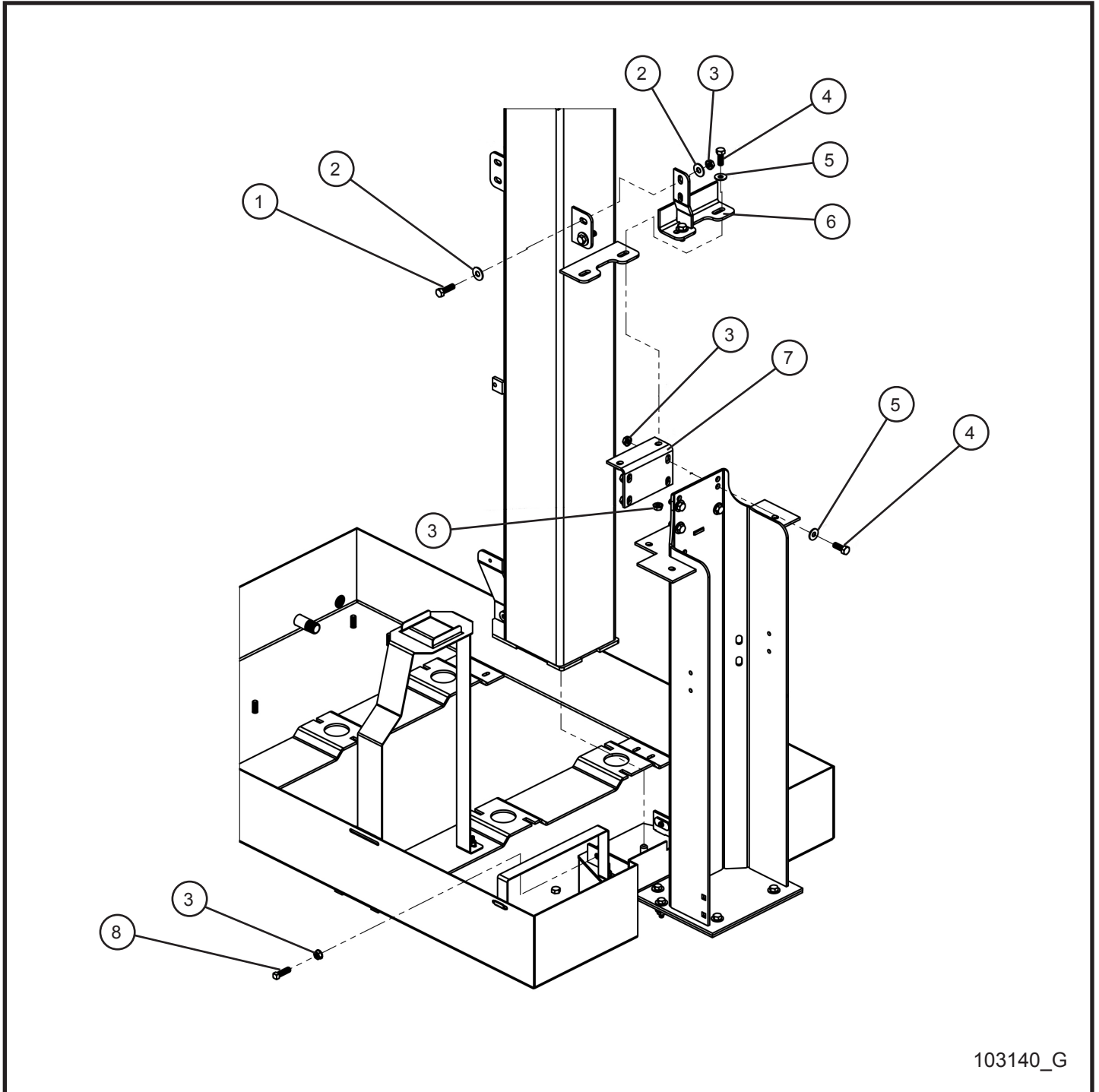
4.1 - Vertical Tower Trailer Group (1 of 3)

SN 0001PRO2V15 and UP

Item	Part No.	Part Description	Qty.
1	102840P	VERTICAL TOWER FENDER MOUNT PANEL	2
2	047010	5/16 FLAT WASHER PL	6
3	044030	5/16-18 HEX NUT PL	6
4	053020	5/16-18 x 1 CARRIAGE BOLT PL	6

4.1 - Vertical Tower Trailer Group (2 of 3)

SN 0001PRO2V15 and UP



103140_G

Night-Lite ProII™

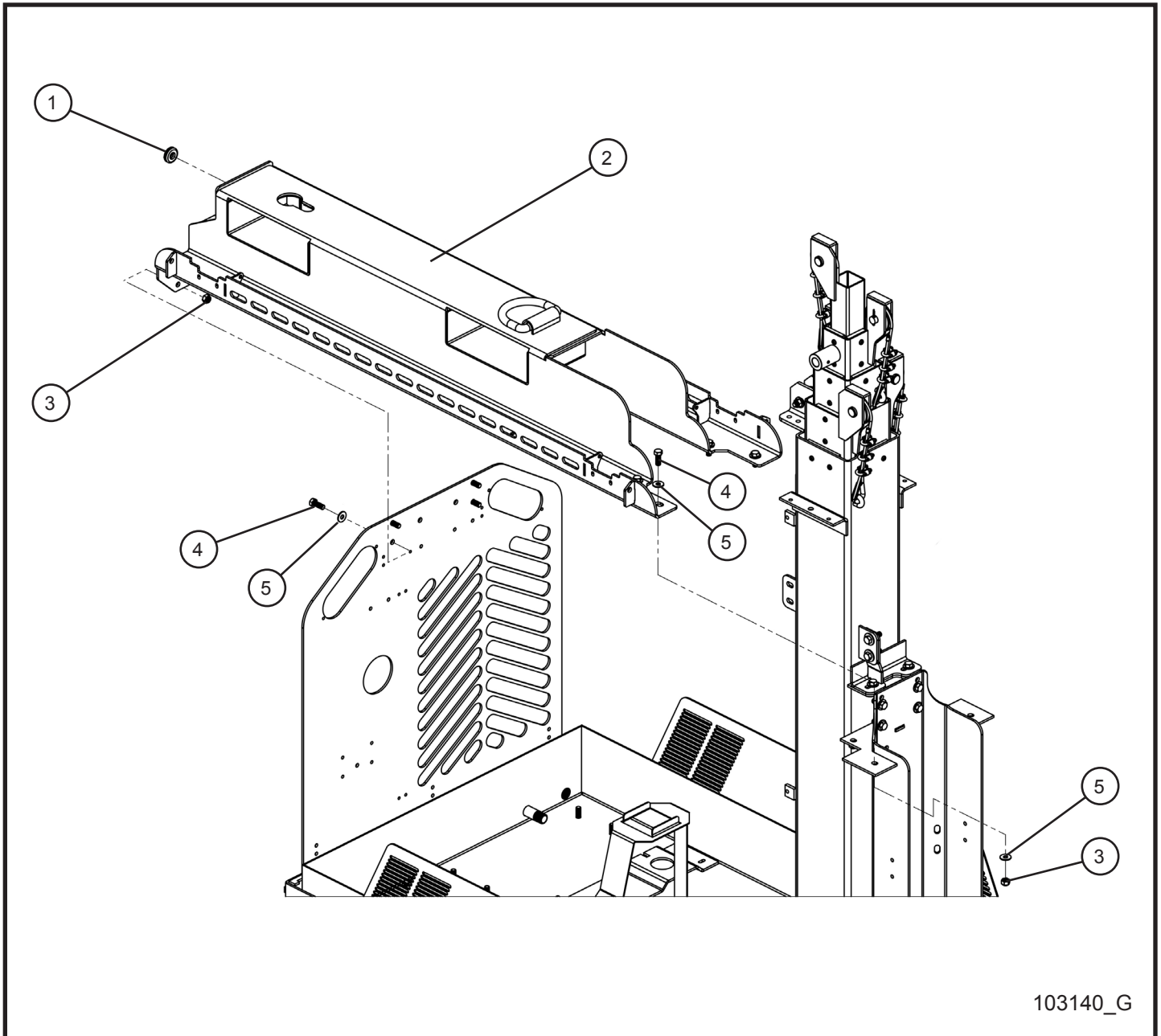
4.1 - Vertical Tower Trailer Group (2 of 3)

SN 0001PRO2V15 and UP

Item	Part No.	Part Description	Qty.
1	046115	3/8-16 x 1 1/4 HEX HEAD CS GR5 PL	2
2	047015	3/8 FLAT WASHER PL	4
3	044036	3/8-16 KEPS HEX NUT PL	12
4	046110	3/8-16 x 1 HEX HEAD CS GR5 PL	6
5	047010	5/16 FLAT WASHER PL	6
6	101410P	VERTICAL TOWER MOUNT REINFORCEMENT	1
7	102799P	VERTICAL TOWER MOUNT ANGLE	1
8	040010	SET SCREW SQ HEAD CUP TIP	4

4.1 - Vertical Tower Trailer Group (3 of 3)

SN 0001PRO2V15 and UP



Night-Lite ProII™

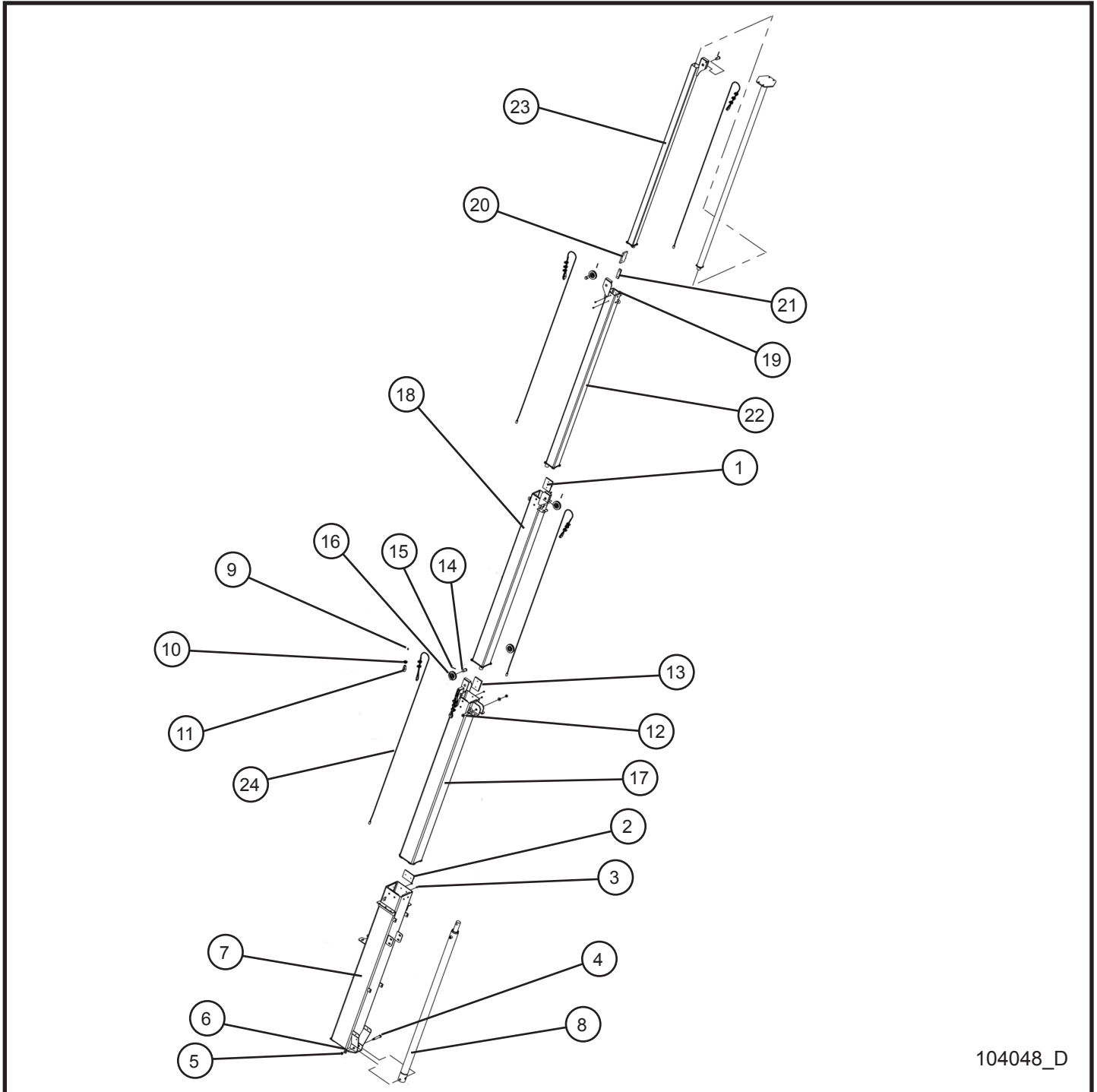
4.1 - Vertical Tower Trailer Group (3 of 3)

SN 0001PRO2V15 and UP

Item	Part No.	Part Description	Qty.
1	100859	7/8 ID x 1 1/4 OD GROMMET	1
2	105133P	VERTICAL TOWER STRINGER	1
3	044038	3/8-16 NYLOCK HEX NUT PL	8
4	046110	3/8-16 x 1 HEX HEAD CS GR5 PL	8
5	047010	5/16 FLAT WASHER PL	12

4.2 - Vertical Tower Parts (1 of 6)

SN 0001PRO2V15 and UP



104048_D

Night-Lite ProII™

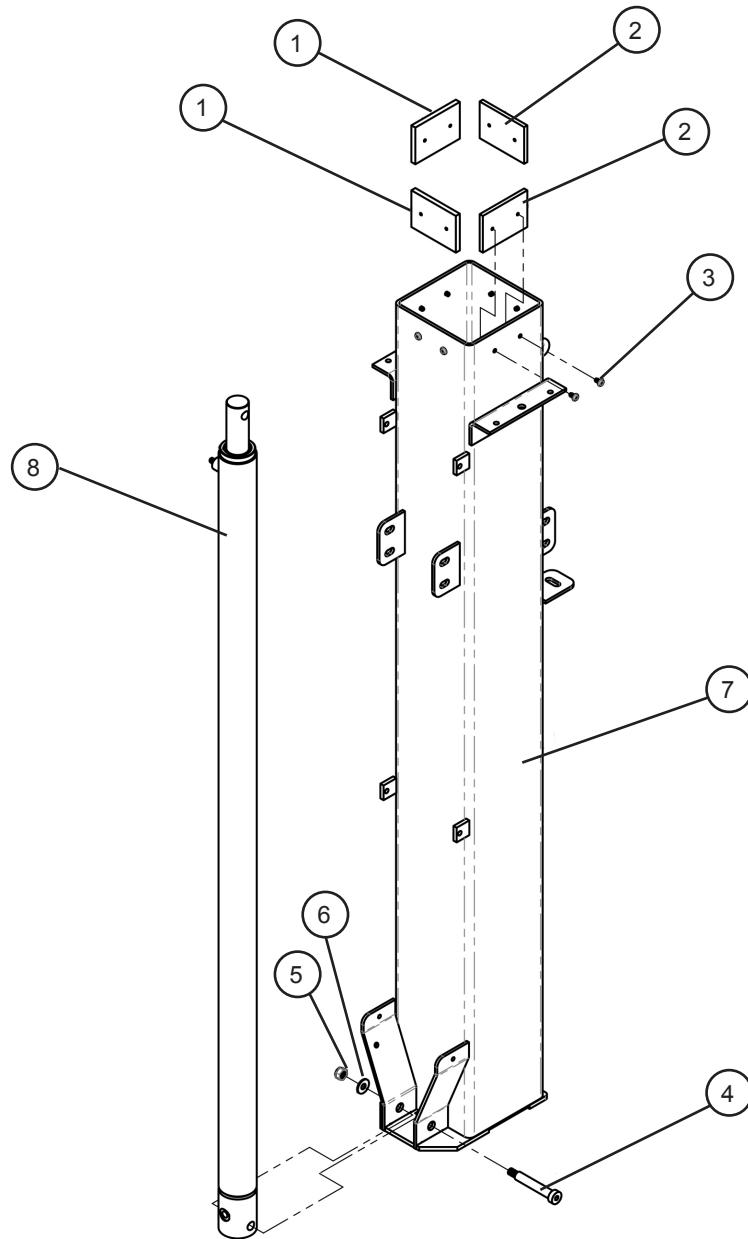
4.2 - Vertical Tower Parts (1 of 6)

SN 0001PRO2V15 and UP

Item	Part No.	Part Description	Qty.
1	650110	.312 TOWER PAD	6
2	102954	.250 TOWER PAD	2
3	041023	#10 x 3/8 PH-ROUND HEAD MS PL	32
4	101379	1/2 x 2 3/4 (3/8-16 x 5/8) HX-SOCKET HEAD SHOULDER BOLT	1
5	047010	5/16 FLAT WASHER PL	2
6	044038	3/8-16 NYLOCK HEX NUT PL	2
7	104036P	6" VERTICAL TOWER 2 SECTION	1
8	106140	VERTICAL TOWER TOP PORT HYDRAULIC CYLINDER	1
	109764	VERTICAL TOWER 2 HYDRAULIC CYLINDER	1
9	022150	FERRULE 10-12 AWG	5
10	045040	3/16 CABLE THIMBLE	5
11	620084	3/16 CABLE CLIP	15
12	101378	1/2 x 2 (3/8-16 x 5/8) HX-SOCKET HEAD SHOULDER BOLT	1
13	650109	.375 TOWER PAD	4
14	102906	5/8 x 1 1/4 CLEVIS PIN	5
15	045042	COTTER PIN 1/8 x 1 1/2"	5
16	100160	2 1/2 PULLEY BALL BEARING W/ BALL BEARING	5
17	104037P	VERTICAL TOWER 2 5" SECTION	1
18	102961P	VERTICAL TOWER 2 4" SECTION	1
19	352280	PLASTIC TOWER PAD	2
20	100446	3/8 PAD SMALL	1
21	100062	3/8 UHMW SPACER	1
22	102965P	VERTICAL TOWER 2 CORD REEL 3" SECTION	1
23	102968P	VERTICAL TOWER 2" SECTION	1
24	320185	STEEL CABLE 3/16 x 10'	5

4.2 - Vertical Tower Parts (2 of 6)

SN 0001PRO2V15 and UP



104048_D

Night-Lite ProII™

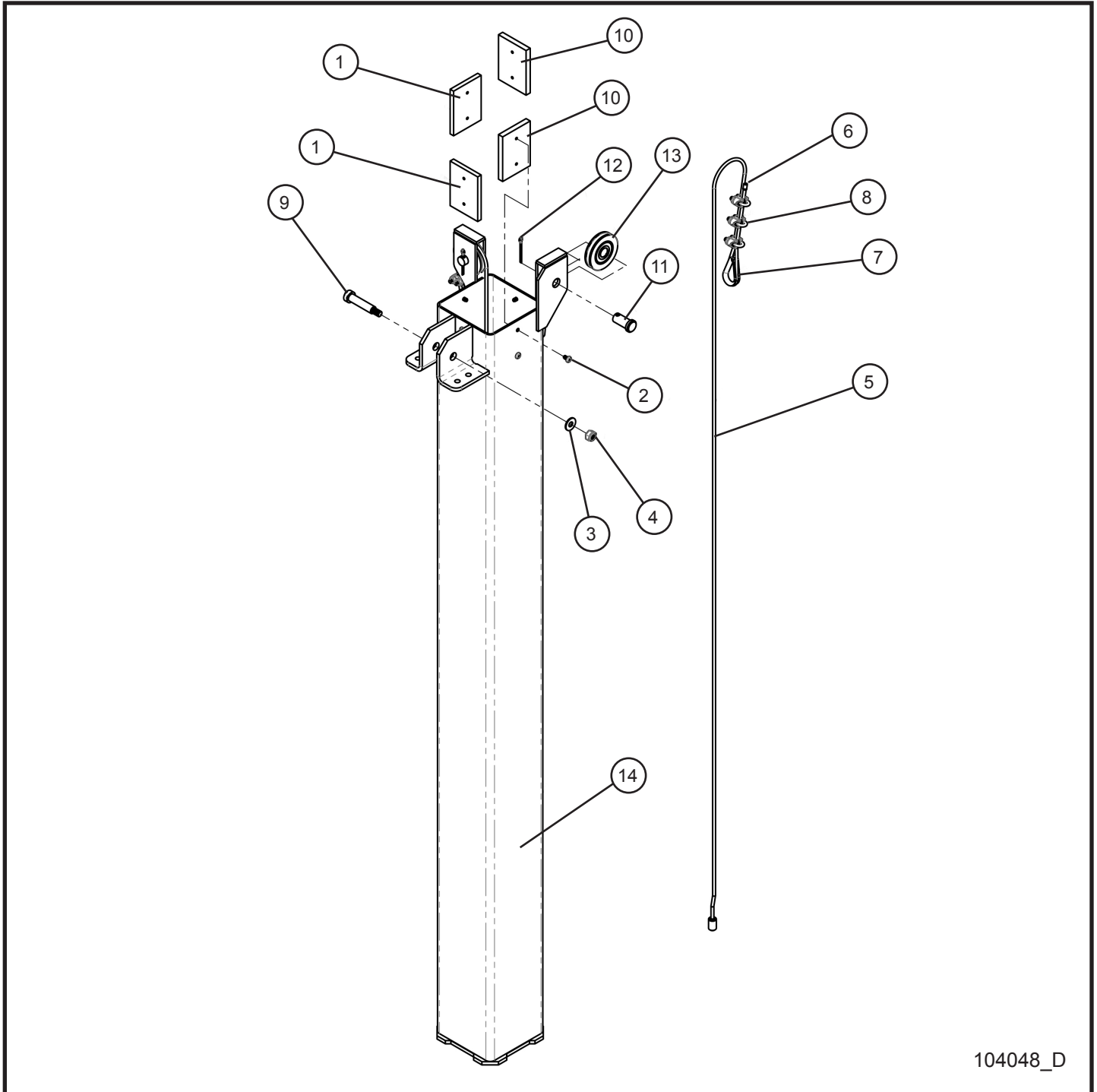
4.2 - Vertical Tower Parts (2 of 6)

SN 0001PRO2V15 and UP

Item	Part No.	Part Description	Qty.
1	650110	.312 TOWER PAD	2
2	102954	.250 TOWER PAD	2
3	041023	#10 x 3/8 PH-ROUND HEAD MS PL	8
4	101379	1/2 x 2 3/4 (3/8-16 x 5/8) HX-SOCKET HEAD SHOULDER BOLT	1
5	047010	5/16 FLAT WASHER PL	1
6	044038	3/8-16 NYLOCK HEX NUT PL	1
7	104036P	6" VERTICAL TOWER 2 SECTION	1
8	106140	VERTICAL TOWER TOP PORT HYDRAULIC CYLINDER	1
	109764	VERTICAL TOWER 2 HYDRAULIC CYLINDER	1

4.2 - Vertical Tower Parts (3 of 6)

SN 0001PRO2V15 and UP



104048_D

Night-Lite ProII™

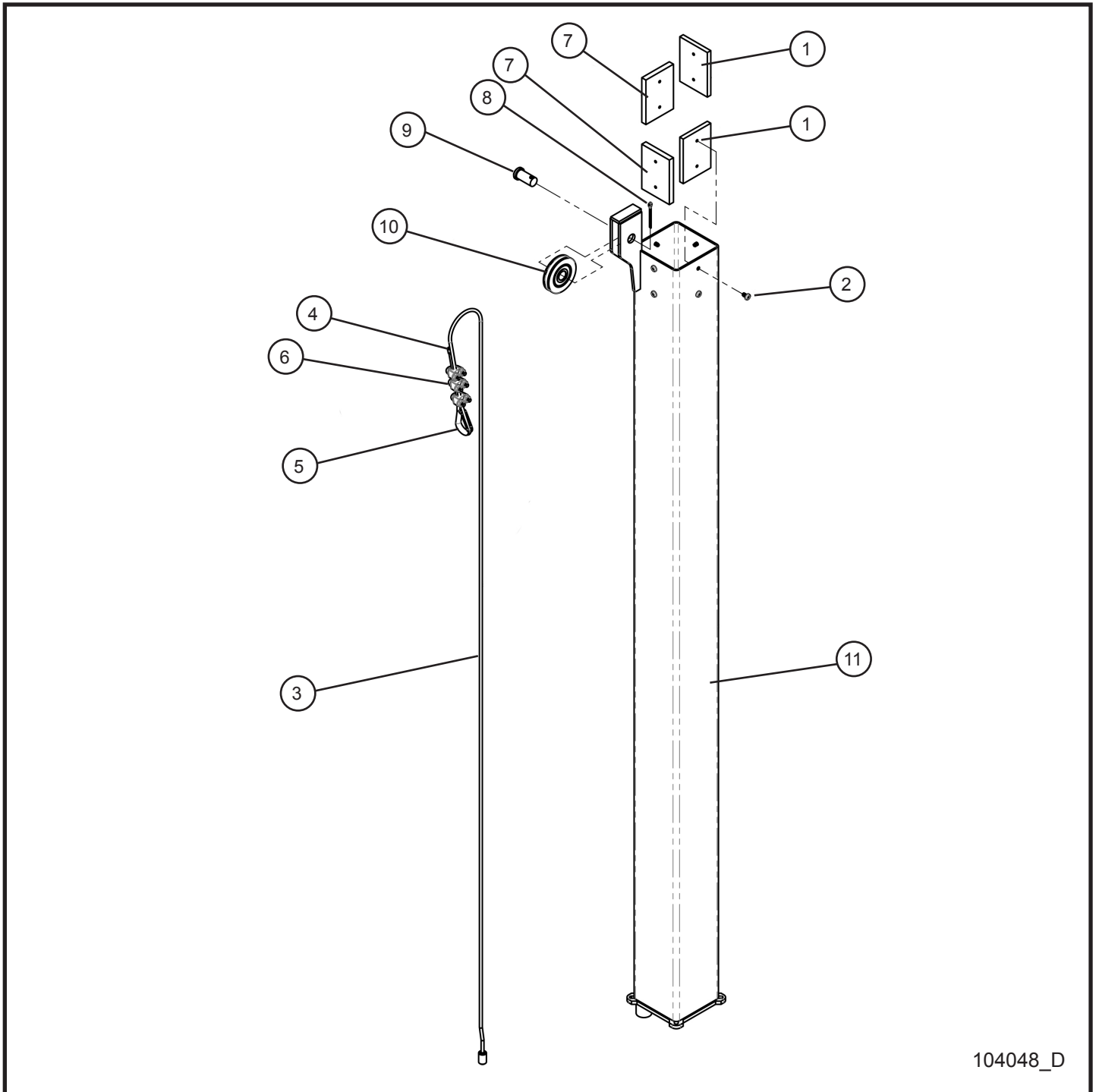
4.2 - Vertical Tower Parts (3 of 6)

SN 0001PRO2V15 and UP

Item	Part No.	Part Description	Qty.
1	650110	.312 TOWER PAD	2
2	041023	#10 x 3/8 PH-ROUND HEAD MS PL	8
3	047010	5/16 FLAT WASHER PL	1
4	044038	3/8-16 NYLOCK HEX NUT PL	1
5	320185	STEEL CABLE 3/16 x 10'	2
6	022150	FERRULE 10-12 AWG	2
7	045040	3/16 CABLE THIMBLE	2
8	620084	1/4 CABLE CLIP	6
9	101378	1/2 x 2 (3/8-16 x 5/8) HX-SOCKET HEAD SHOULDER BOLT	1
10	650109	.375 TOWER PAD	2
11	102906	5/8 x 1 1/4 CLEVIS PIN	2
12	045045	5/32 x 1 1/2 COTTER PIN	2
13	100160	2 1/2 PULLEY BALL BEARING W/ BALL BEARING	2
14	104037P	VERTICAL TOWER 2 5" SECTION	1

4.2 - Vertical Tower Parts (4 of 6)

SN 0001PRO2V15 and UP



104048_D

Night-Lite ProII™

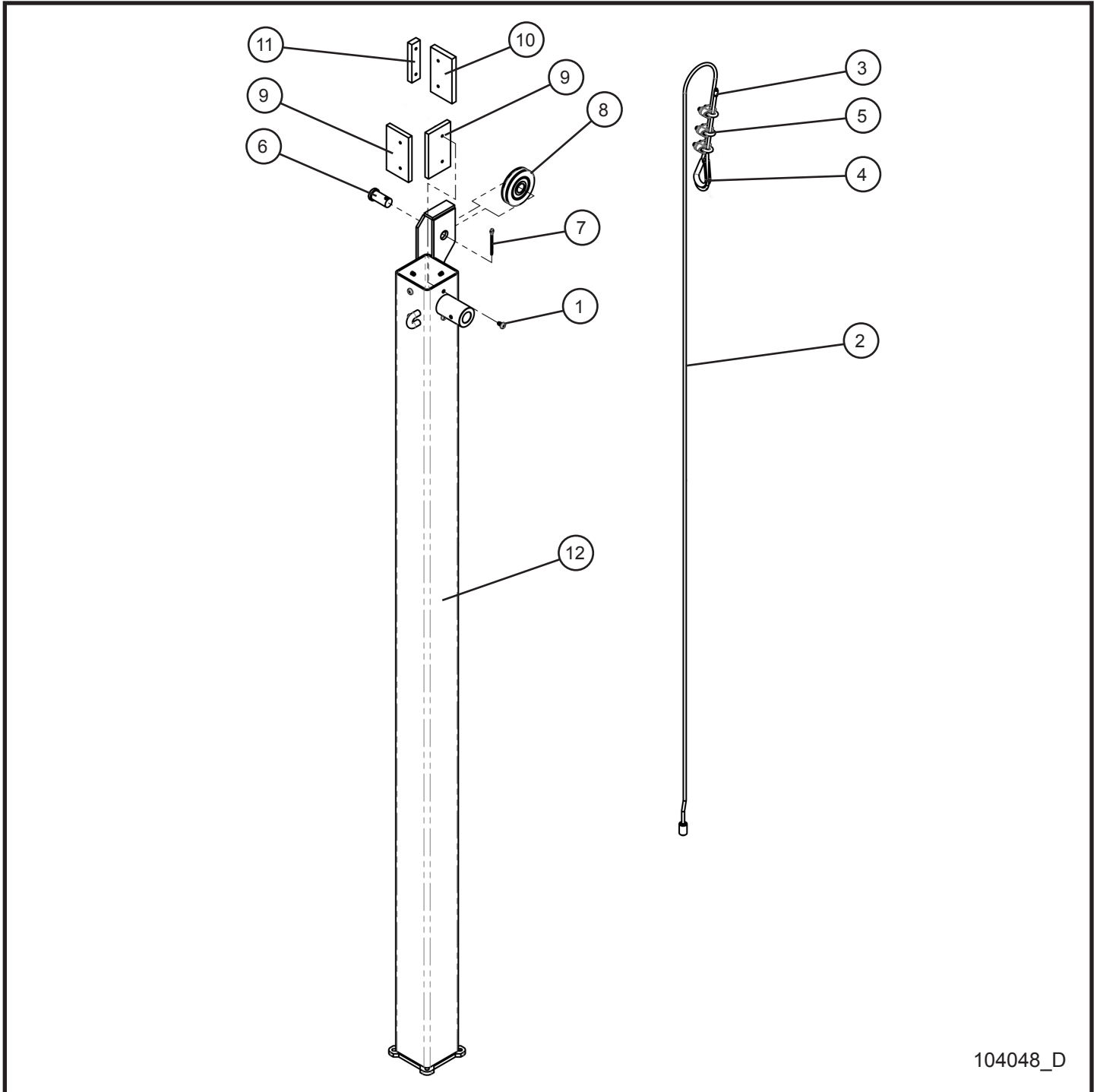
4.2 - Vertical Tower Parts (4 of 6)

SN 0001PRO2V15 and UP

Item	Part No.	Part Description	Qty.
1	650110	.312 TOWER PAD	2
2	041023	#10 x 3/8 PH-ROUND HEAD MS PL	8
3	320185	STEEL CABLE 3/16 x 10'	1
4	022150	FERRULE 10-12 AWG	1
5	045040	3/16 CABLE THIMBLE	1
6	620084	1/4 CABLE CLIP	3
7	650109	.375 TOWER PAD	2
8	102906	5/8 x 1 1/4 CLEVIS PIN	1
9	045045	5/32 x 1 1/2 COTTER PIN	1
10	100160	2 1/2 PULLEY BALL BEARING W/ BALL BEARING	1
11	102961P	VERTICAL TOWER 2 4" SECTION	1

4.2 - Vertical Tower Parts (5 of 6)

SN 0001PRO2V15 and UP



104048_D

Night-Lite ProII™

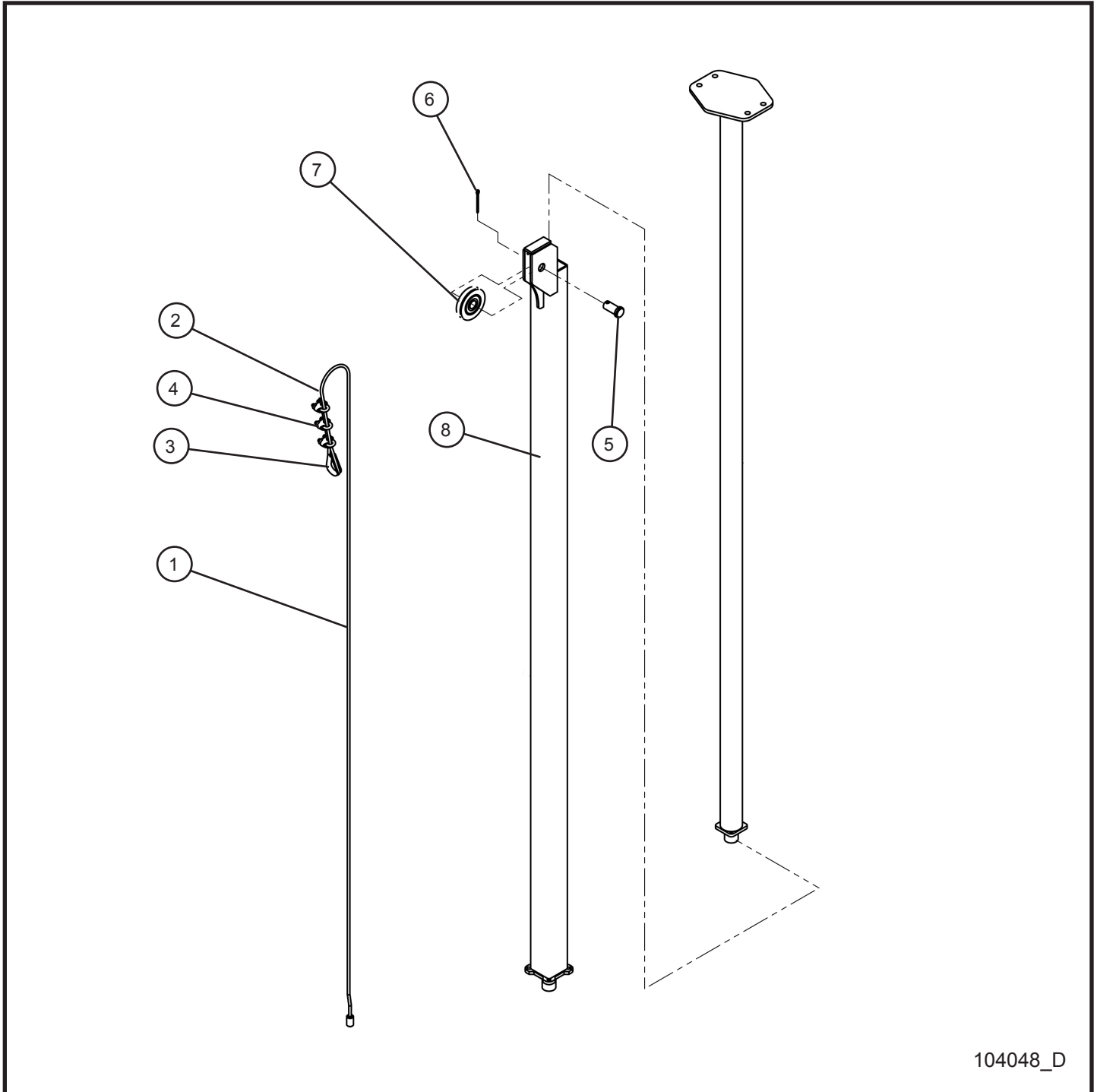
4.2 - Vertical Tower Parts (5 of 6)

SN 0001PRO2V15 and UP

Item	Part No.	Part Description	Qty.
1	041023	#10 x 3/8 PH-ROUND HEAD MS PL	8
2	320185	STEEL CABLE 3/16 x 10'	1
3	022150	FERRULE 10-12 AWG	1
4	045040	3/16 CABLE THIMBLE	1
5	620084	1/4 CABLE CLIP	3
6	102906	5/8 x 1 1/4 CLEVIS PIN	1
7	045045	5/32 x 1 1/2 COTTER PIN	1
8	100160	2 1/2 PULLEY BALL BEARING W/ BALL BEARING	1
9	352280	PLASTIC TOWER PAD	2
10	100446	3/8 PAD SMALL	1
11	100062	3/8 UHMW SPACER	1
12	102965P	VERTICAL TOWER 2 3" SECTION	1

4.2 - Vertical Tower Parts (6 of 6)

SN 0001PRO2V15 and UP



104048_D

Night-Lite ProII™

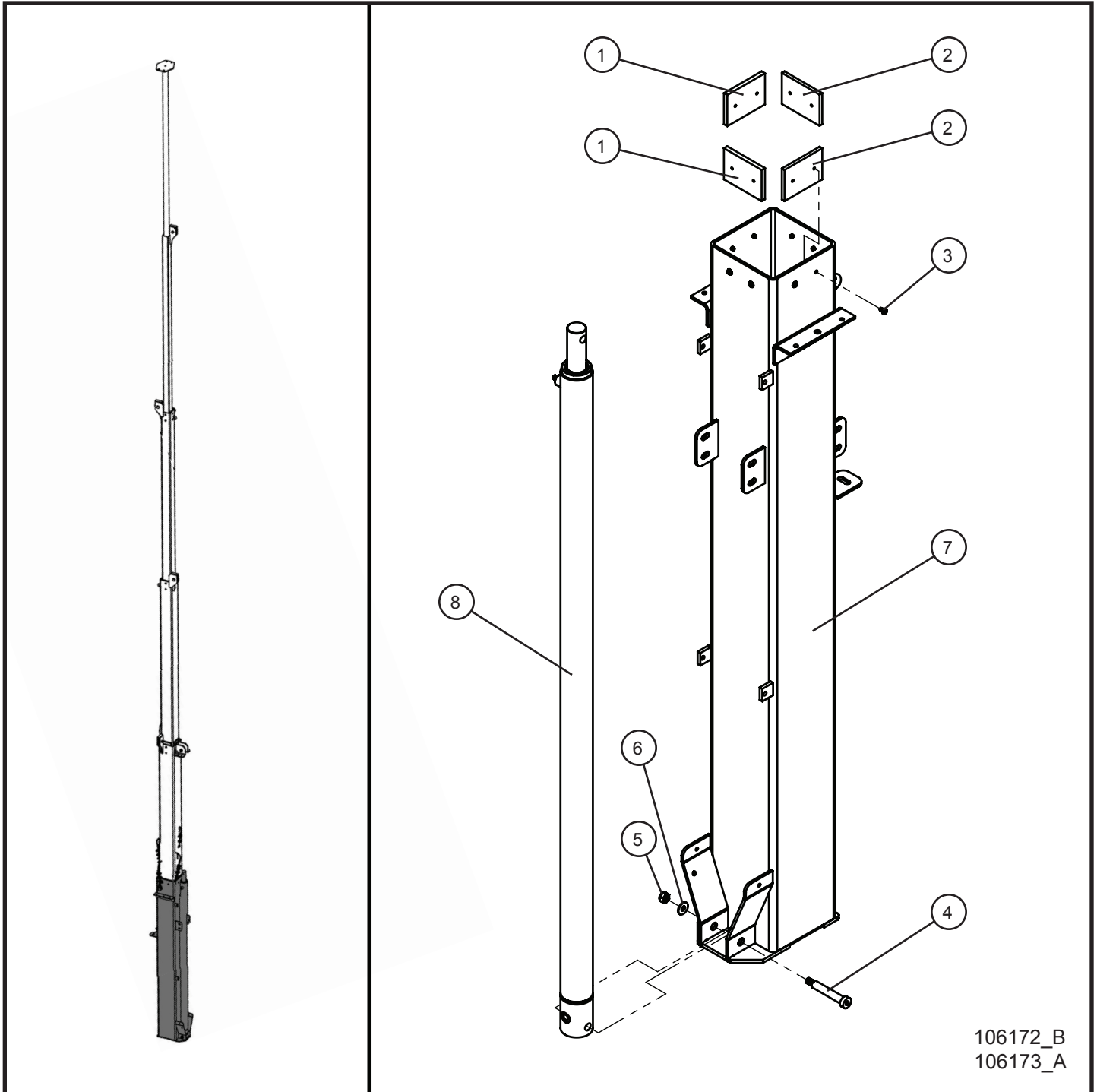
4.2 - Vertical Tower Parts (6 of 6)

SN 0001PRO2V15 and UP

Item	Part No.	Part Description	Qty.
1	320185	STEEL CABLE 3/16 x 10'	1
2	022150	FERRULE 10-12 AWG	1
3	045040	3/16 CABLE THIMBLE	1
4	620084	1/4 CABLE CLIP	3
5	102906	5/8 x 1 1/4 CLEVIS PIN	1
6	045045	5/32 x 1 1/2 COTTER PIN	1
7	100160	2 1/2 PULLEY BALL BEARING W/ BALL BEARING	1
8	102968P	VERTICAL TOWER 2 2" SECTION	1

4.3 - Vertical Tower Galvanized Parts (1 of 5)

SN 0001PRO2V15 and UP



106172_B
106173_A

Night-Lite ProII™

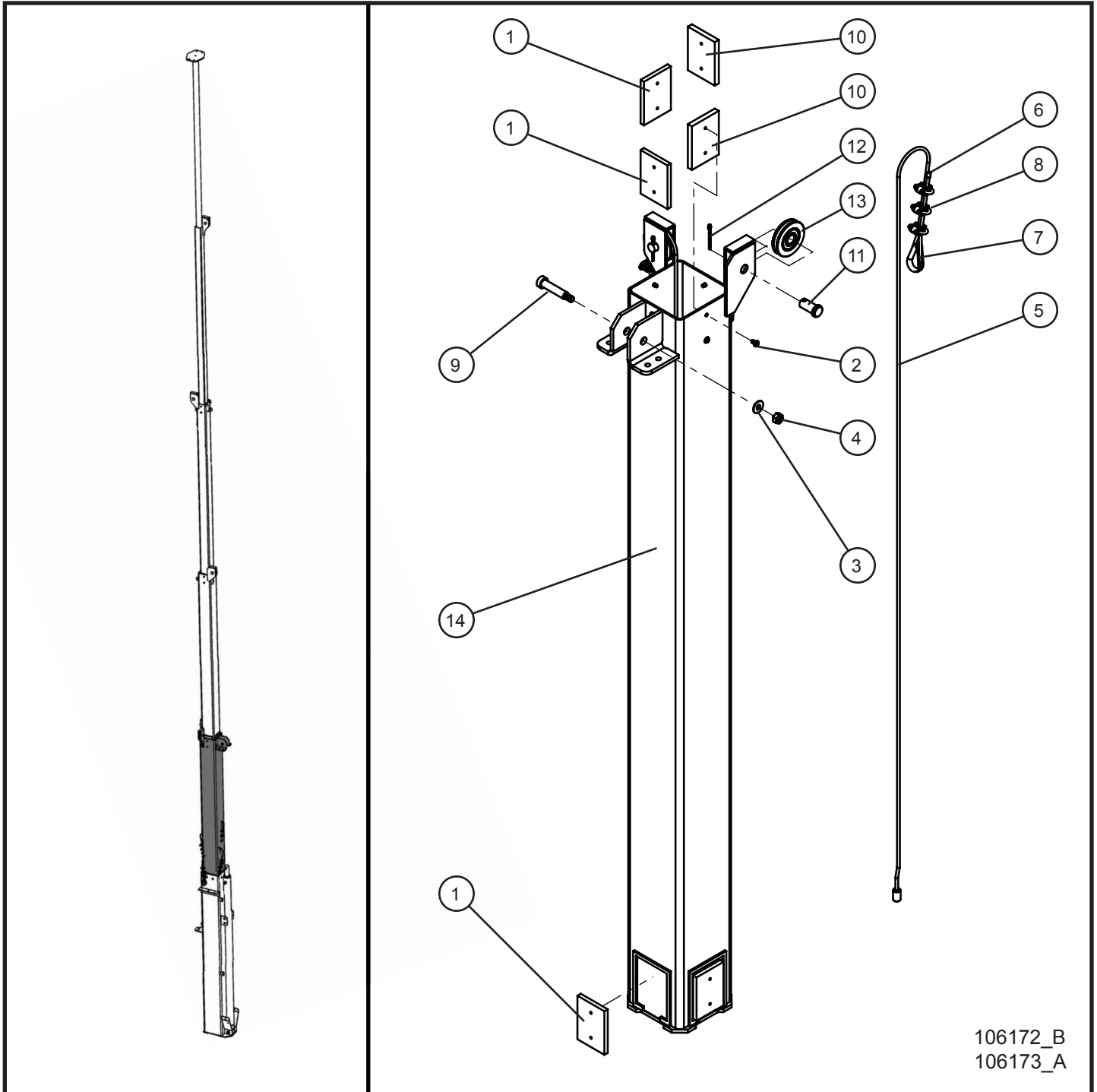
4.3 - Vertical Tower Galvanized Parts (1 of 5)

SN 0001PRO2V15 and UP

Item	Part No.	Part Description	Qty.
1	650110	.312 TOWER PAD	2
2	102954	.250 TOWER PAD	2
3	041023	#10 x 3/8 PH-ROUND HEAD MS PL	8
4	101379	1/2 x 2 3/4 (3/8-16 x 5/8) HX-SOCKET HEAD SHOULDER BOLT	1
5	047010	5/16 FLAT WASHER PL	1
6	044038	3/8-16 NYLOCK HEX NUT PL	1
7	104036-20	6" GALVANIZED VERTICAL TOWER SECTION	1
8	106140	VERTICAL TOWER TOP PORT HYDRAULIC CYLINDER	1
	109764	VERTICAL TOWER HYDRAULIC CYLINDER	1

4.3 - Vertical Tower Galvanized Parts (2 of 5)

SN 0001PRO2V15 and UP



106172_B
106173_A

Night-Lite ProII™

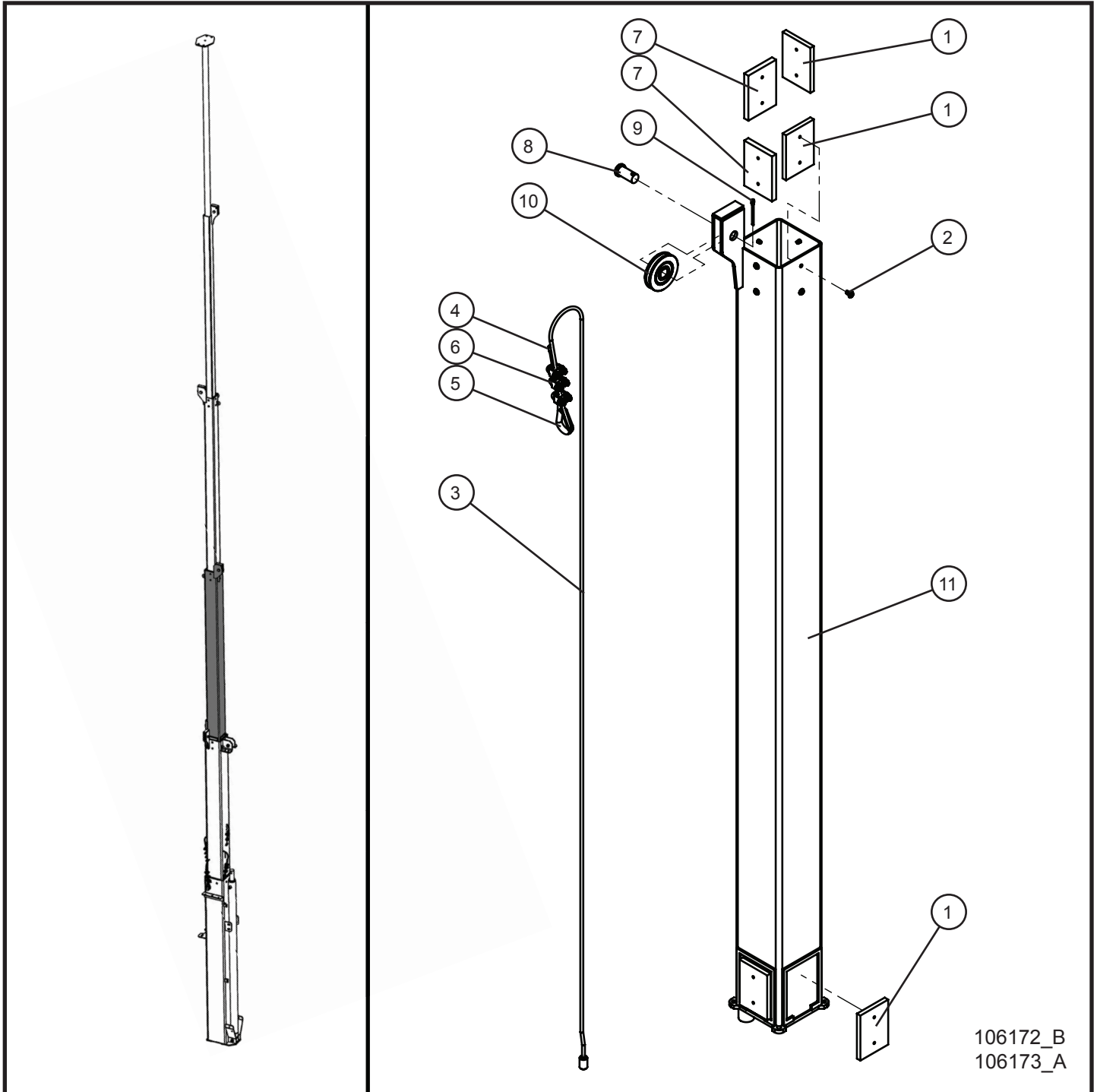
4.3 - Vertical Tower Galvanized Parts (2 of 5)

SN 0001PRO2V15 and UP

Item	Part No.	Part Description	Qty.
1	650110	.312 TOWER PAD	6
2	041023	#10 x 3/8 PH-ROUND HEAD MS PL	8
3	047010	5/16 FLAT WASHER PL	1
4	044038	3/8-16 NYLOCK HEX NUT PL	1
5	320185	STEEL CABLE 3/16 x 10'	2
6	022150	FERRULE 10-12 AWG	2
7	045040	3/16 CABLE THIMBLE 3/16 WIRE ROPE	2
8	620084	3/16 CABLE CLIP	6
9	101378	1/2 x 2 (3/8-16 x 5/8) HX-SOCKET HEAD SHOULDER BOLT	1
10	650109	.375 TOWER PAD	4
11	102906	5/8 x 1 1/4 CLEVIS PIN	5
12	045042	COTTER PIN 1/8 x 1 1/2	5
13	100160	2 1/2 PULLEY BALL BEARING	5
14	106171-20	5" GALVANIZED VERTICAL TOWER SECTION	1

4.3 - Vertical Tower Galvanized Parts (3 of 5)

SN 0001PRO2V15 and UP



106172_B
106173_A

Night-Lite ProII™

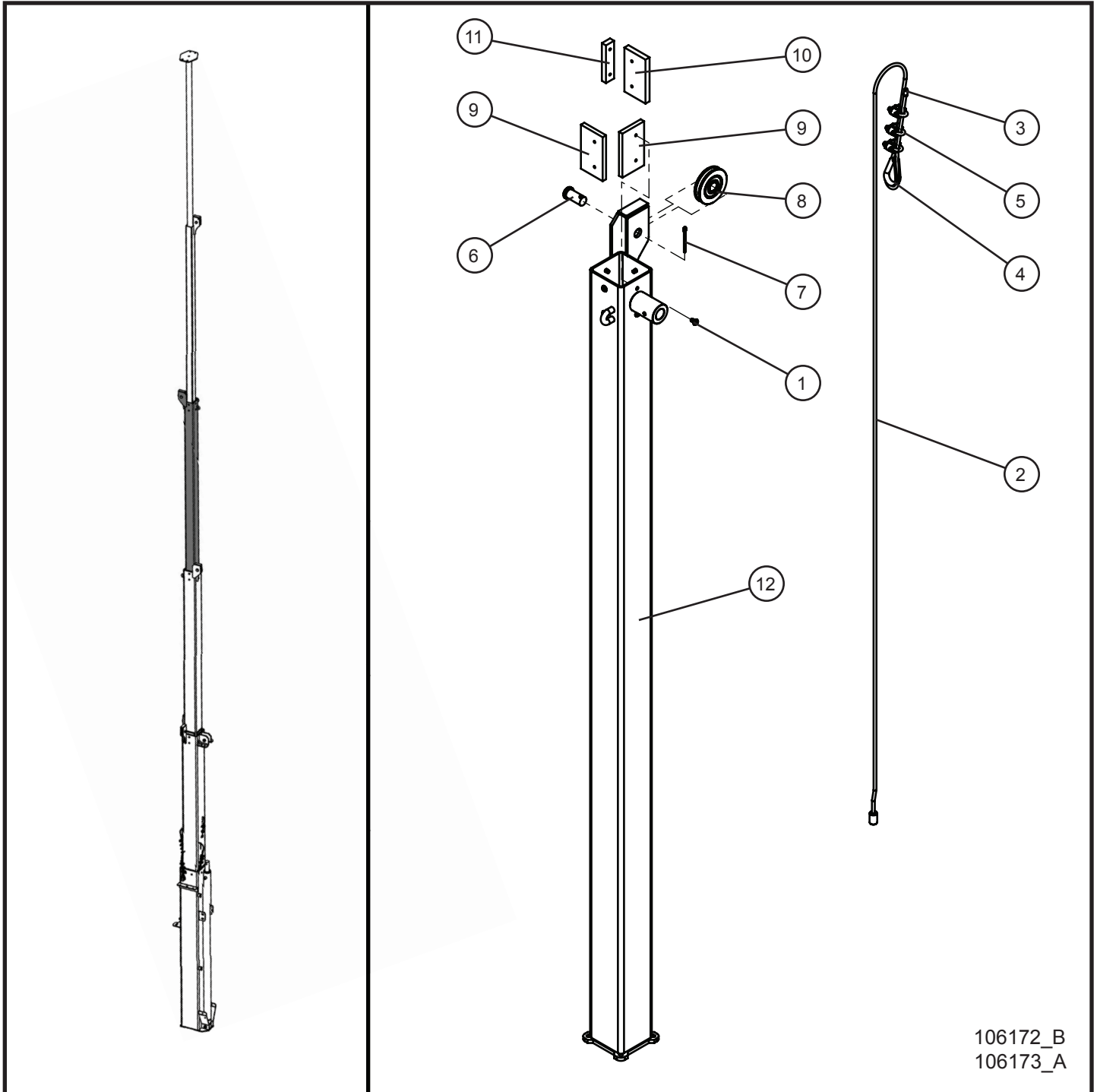
4.3 - Vertical Tower Galvanized Parts (3 of 5)

SN 0001PRO2V15 and UP

Item	Part No.	Part Description	Qty.
1	650110	.312 TOWER PAD	6
2	041023	#10 x 3/8 PH-ROUND HEAD MS PL	8
3	320185	STEEL CABLE 3/16 x 10'	1
4	022150	FERRULE 10-12 AWG	1
5	045040	3/16 CABLE THIMBLE 3/16 WIRE ROPE	1
6	620084	3/16 CABLE CLIP	3
7	650109	.375 TOWER PAD	4
8	102906	5/8 x 1 1/4 CLEVIS PIN	5
9	045042	COTTER PIN 1/8 x 1 1/2	5
10	100160	2 1/2 PULLEY BALL BEARING	5
11	106170-20	4" GALVANIZED VERTICAL TOWER SECTION	1

4.3 - Vertical Tower Galvanized Parts (4 of 5)

SN 0001PRO2V15 and UP



106172_B
106173_A

Night-Lite ProII™

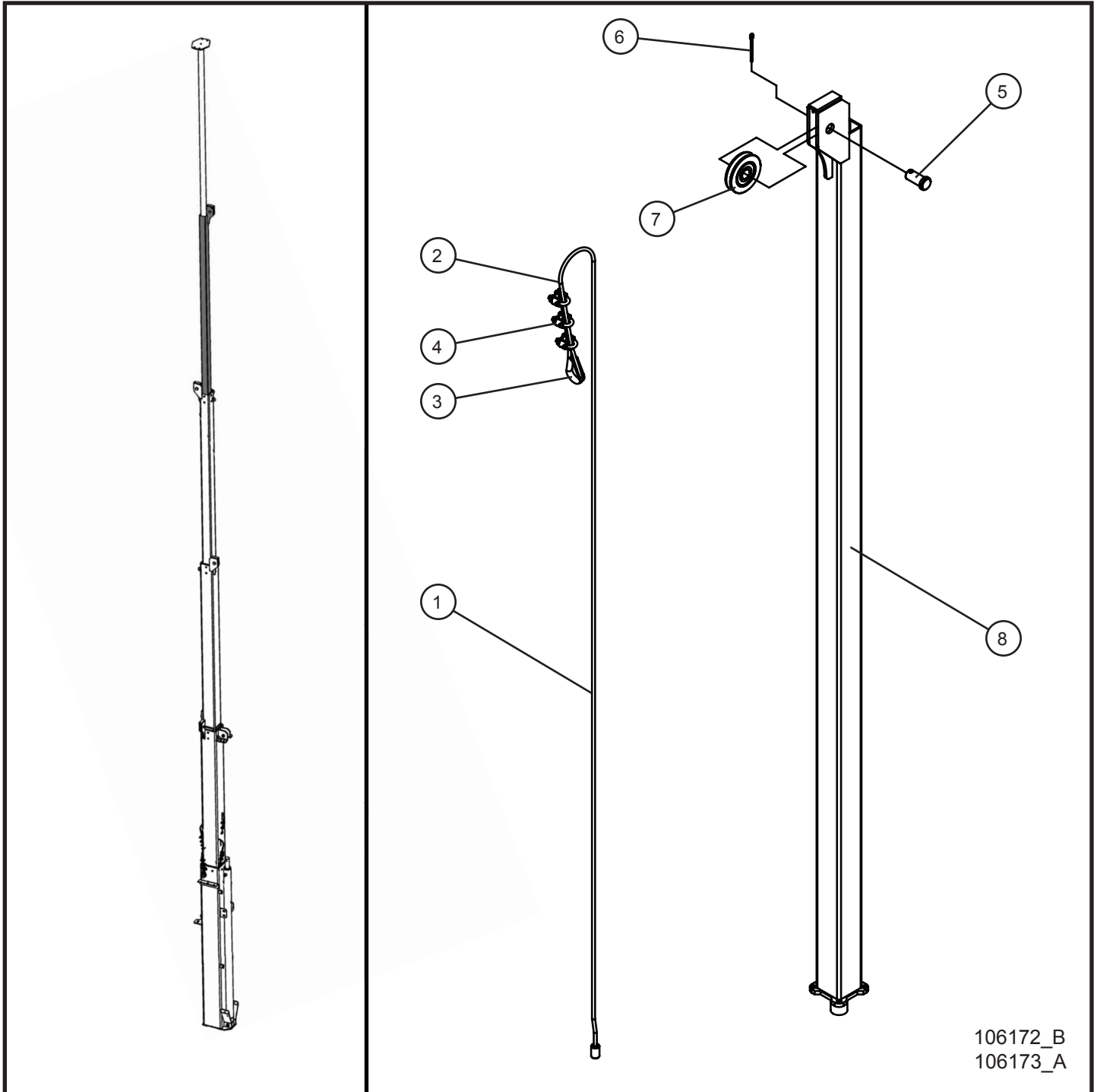
4.3 - Vertical Tower Galvanized Parts (4 of 5)

SN 0001PRO2V15 and UP

Item	Part No.	Part Description	Qty.
1	041023	#10 x 3/8 PH-ROUND HEAD MS PL	8
2	320185	STEEL CABLE 3/16 x 10'	1
3	022150	FERRULE 10-12 AWG	1
4	045040	3/16 CABLE THIMBLE 3/16 WIRE ROPE	1
5	620084	3/16 CABLE CLIP	3
6	102906	5/8 x 1 1/4 CLEVIS PIN	1
7	045042	COTTER PIN 1/8 x 1 1/2	1
8	100160	2 1/2 PULLEY BALL BEARING	1
9	352280	PLASTIC TOWER PAD	2
10	100446	3/8 PAD SMALL	1
11	100062	3/8 UHMW SPACER	1
12	102965-20	3" GALVANIZED VERTICAL TOWER SECTION	1

4.3 - Vertical Tower Galvanized Parts (5 of 5)

SN 0001PRO2V15 and UP



Night-Lite ProII™

4.3 - Vertical Tower Galvanized Parts (5 of 5)

SN 0001PRO2V15 and UP

Item	Part No.	Part Description	Qty.
1	320185	STEEL CABLE 3/16 x 10'	1
2	022150	FERRULE 10-12 AWG	1
3	045040	3/16 CABLE THIMBLE 3/16 WIRE ROPE	1
4	620084	3/16 CABLE CLIP	3
5	102906	5/8 x 1 1/4 CLEVIS PIN	1
6	045042	COTTER PIN 1/8 x 1 1/2	1
7	100160	2 1/2 PULLEY BALL BEARING	1
8	102968-20	2" GALVANIZED VERTICAL TOWER SECTION	1

Night-Lite ProII™

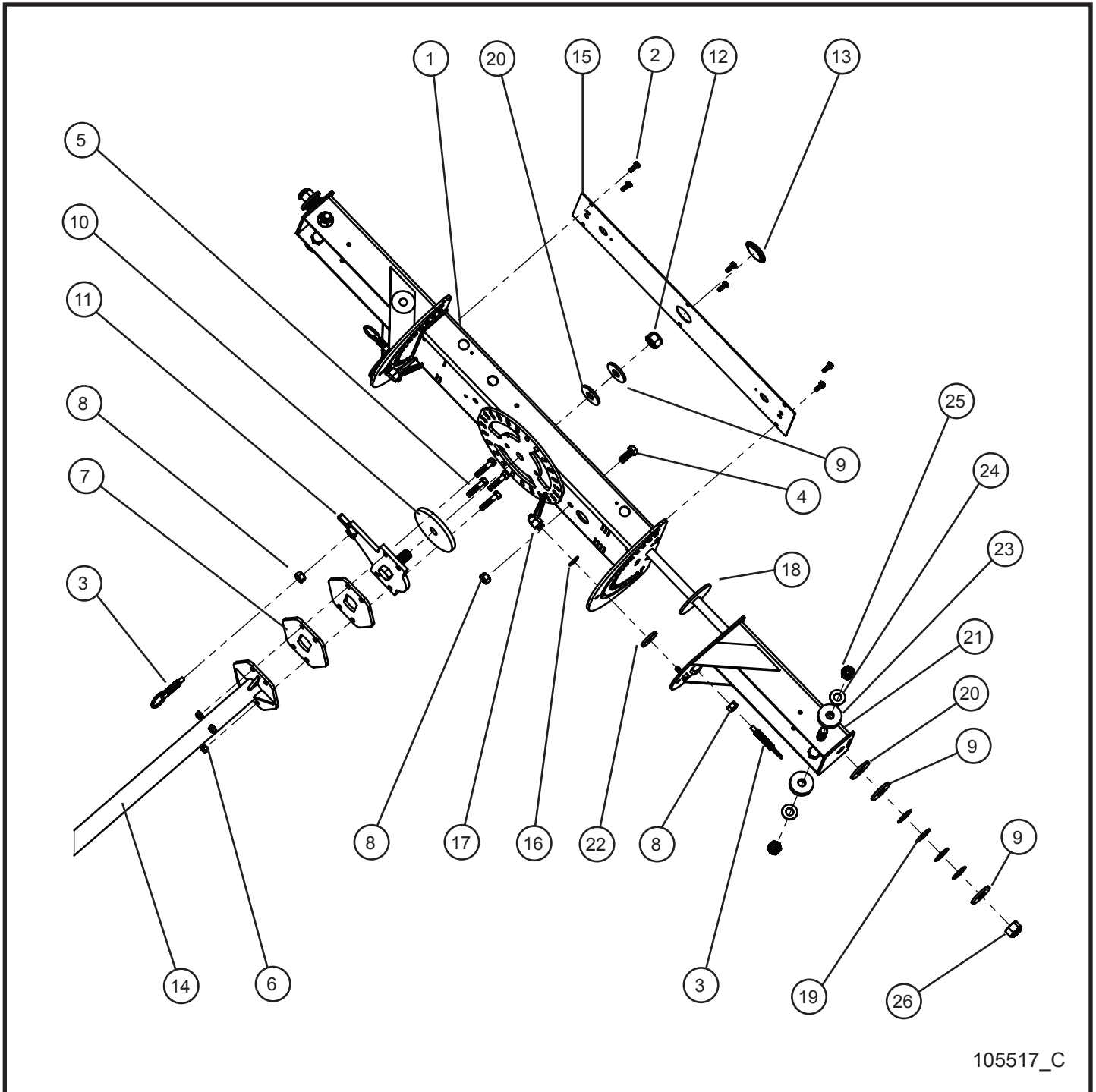
4.4 - Vertical Tower Light Bar

SN 0001PRO2V15 and UP

Item	Part No.	Part Description	Qty.
1	102972P	ROUND TOWER SECTION	1
	102972-20	ROUND GALVANIZED TOWER SECTION	1
2	105716P	VERTICAL LIGHT BAR WELDMENT	1
3	105363P	BRACKET LAMP ROTATING INDEXING LIGHT BAR	2
4	104063P	COVER LIGHT BAR	1
5	041070	1/4-20 x 3/4 SL-HEX WASHER HEAD MS TP F	6
6	650550	.785" x 2" HDPE WASHER	7
7	047035	3/4 FLAT WASHER	7
8	044058	3/4-10 NYLOCK HEX NUT PL	7
9	101813	.781 ID x 2 OD x 1/2 HDPE WASHER	4
10	100147	UHMW BEARING TOWER ROTATION	1
11	100143P	ROTATION MOUNT	1
12	100148	SPRING LOCK 1/2-13 UNC x 1.4	3
13	046180	1/2-13 X 1 1/4 HEX HEAD CS GR5 PL	1
14	047019	NYLON BUSHING 3/4 OD x .385 ID	2
15	046126	3/8-16 x 1 3/4 HEX HEAD CS GR5 PL	4
16	044036	3/8-16 KEPS HEX NUT PL	4
17	680878	1 3/4 CAPPLUG	1
18	047015	3/8 FLAT WASHER PL	2
19	102361	ADJUSTABLE LEVER PUSH BUTTON	2
20	100104P	LIGHT BAR BRACKET	2
21	044045	1/2-13 HEX NUT PL	6
22	711029	7/8 LOCKING HOLE PLUG	2
23	046010	1/4-20 x 1 HEX HEAD CS GR5 PL	1
24	043050	1/4 INT'L TOOTH LOCK WASHER	1
25	044021	1/4-20 KEPS HEX NUT PL	2

4.5 - Vertical Tower Go Green LED Light Bar

SN 0001PRO2V15 and UP



Night-Lite ProII™

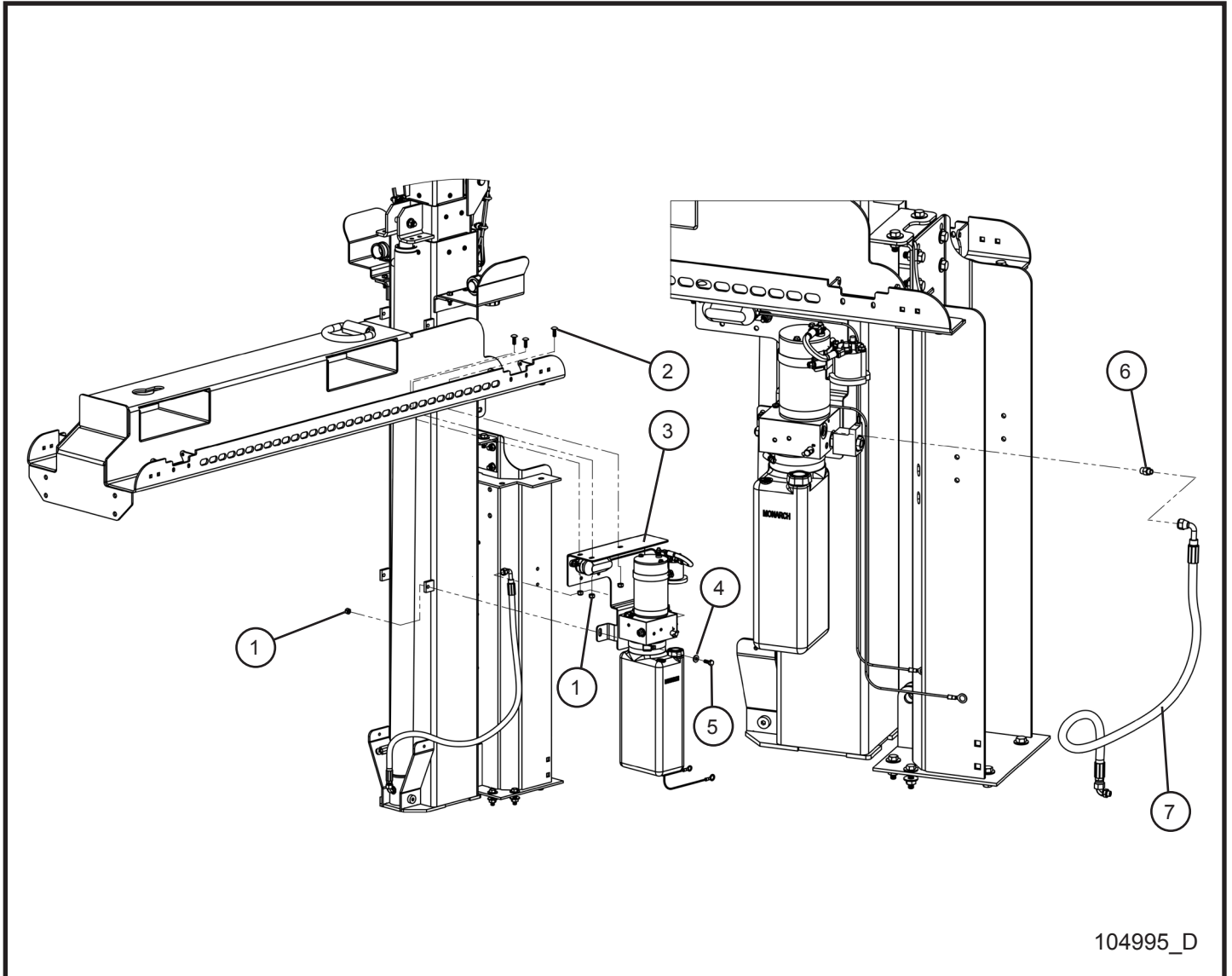
4.5 - Vertical Tower Go Green LED Light Bar

SN 0001PRO2V15 and UP

Item	Part No.	Part Description	Qty.
1	105503	GO GREEN LED LIGHT BAR	1
2	041070	1/4-20 x 3/4 SL-HEX WASHER MEAD MS TP F	6
3	100148	SPRING LOCK 1/2-13 UNC x 1.4	3
4	046180	1/2-13 x 1 1/4 HEX HEAD CS GR5 PL	1
5	046126	3/8-16 x 1 3/4 HEX HEAD CS GR5 PL	4
6	044036	3/8-16 KEPS HEX NUT PL	4
7	105501P	LIGHT BAR SPACER BRACKET	2
8	044045	1/2-13 HEX NUT PL	4
9	047035	3/4 FLAT WASHER PL	5
10	100147	UHMW BEARING TOWER ROTATION	1
11	100143P	ROTATION MOUNT	1
12	044058	3/4-NYLOCK HEX NUT PL	1
13	680878	1 3/4 CAPLUG	1
14	104053P	ROUND SECTION OPTION	1
15	104063P	LIGHT BAR COVER	1
16	047015	3/8 FLAT WASHER PL	2
17	102361	ADJUSTABLE LEVER PUSH BUTTON	2
18	105492	THRUST BUSHING	2
19	105494	BELLVILLE WASHER .75 I.D.	8
20	650550	.785" x 2" HDPE WASHER	3
21	105514P	ROTATION BRACKET LED WELDMENT	2
22	105518	THRUST BUSHING, LEVER LOCK	2
23	105496	THRUST BUSHING, HDPE 2"	4
24	047030	5/8 FLAT WASHER PL	4
25	044053	5/8-11 NYLOCK HEX NUT PL	4
26	044066	3/4-16 NYLOCK HEX NUT PL	2

4.6 - Vertical Tower Hydraulic Pump w/Bottom Port Cylinder

SN 0001PRO2V15 and UP



Night-Lite ProII™

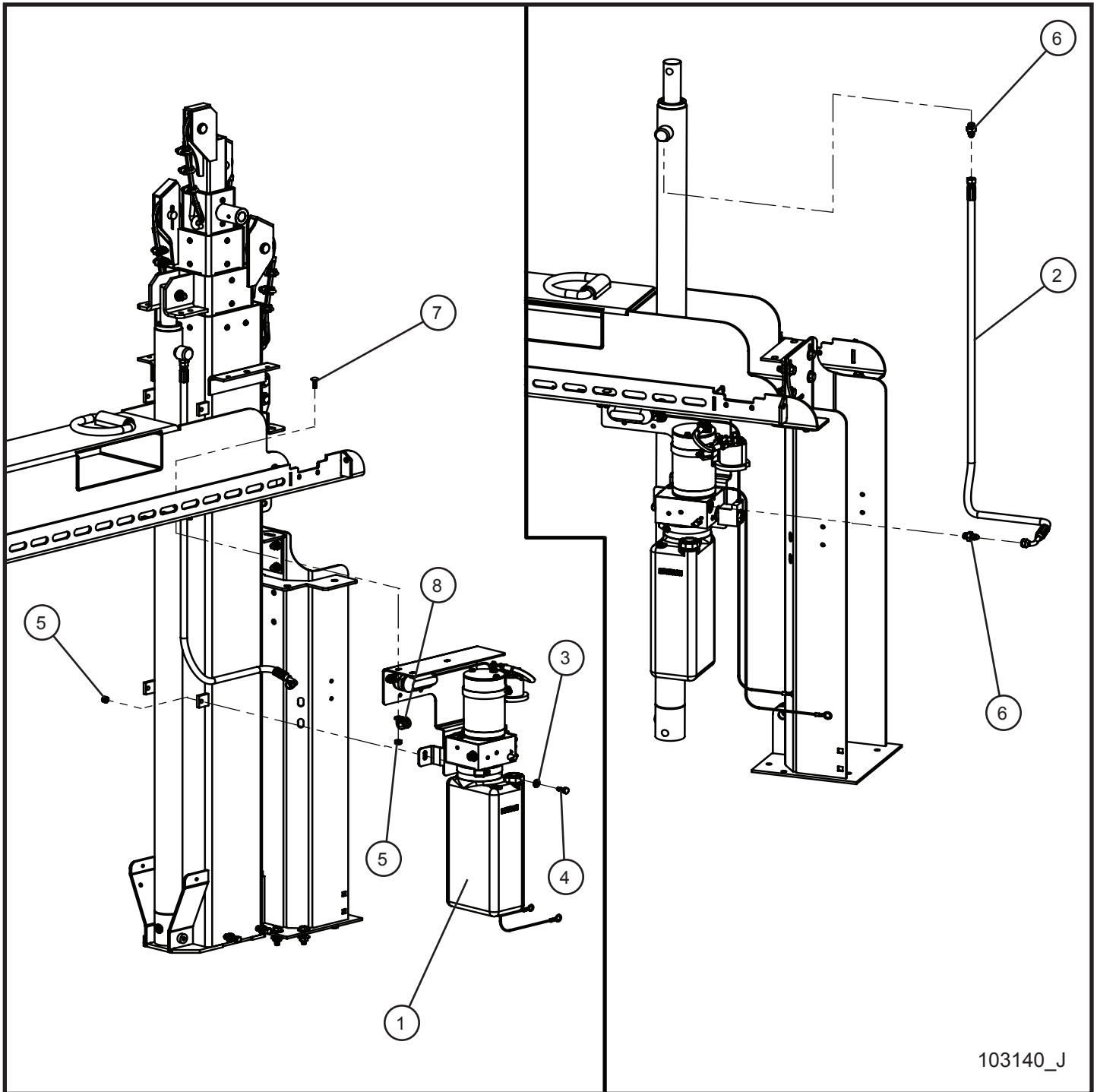
4.6 - Vertical Tower Hydraulic Pump w/Bottom Port Cylinder

SN 0001PRO2V15 and UP

Item	Part No.	Part Description	Qty.
1	044023	1/4-20 NYLOCK HEX NUT PL	4
2	053007	1/4-20 x 3/4 CARR BOLT SS	3
3	104994	PUMP W/ MOUNT VERTICAL TOWER NL PRO II	1
4	047005	1/4 FLAT WASHER PL	1
5	046010	1/4-20 x 3/4 HEX HEAD CS GR5 SS	1
6	923205	ADPT HYD FITTING	1
7	101356	HYDRAULIC HOSE V-SERIES	1

4.7 - Vertical Tower Hydraulic Pump w/Top Port Cylinder

SN 0001PRO2V15 and UP



103140_J

Night-Lite ProII™

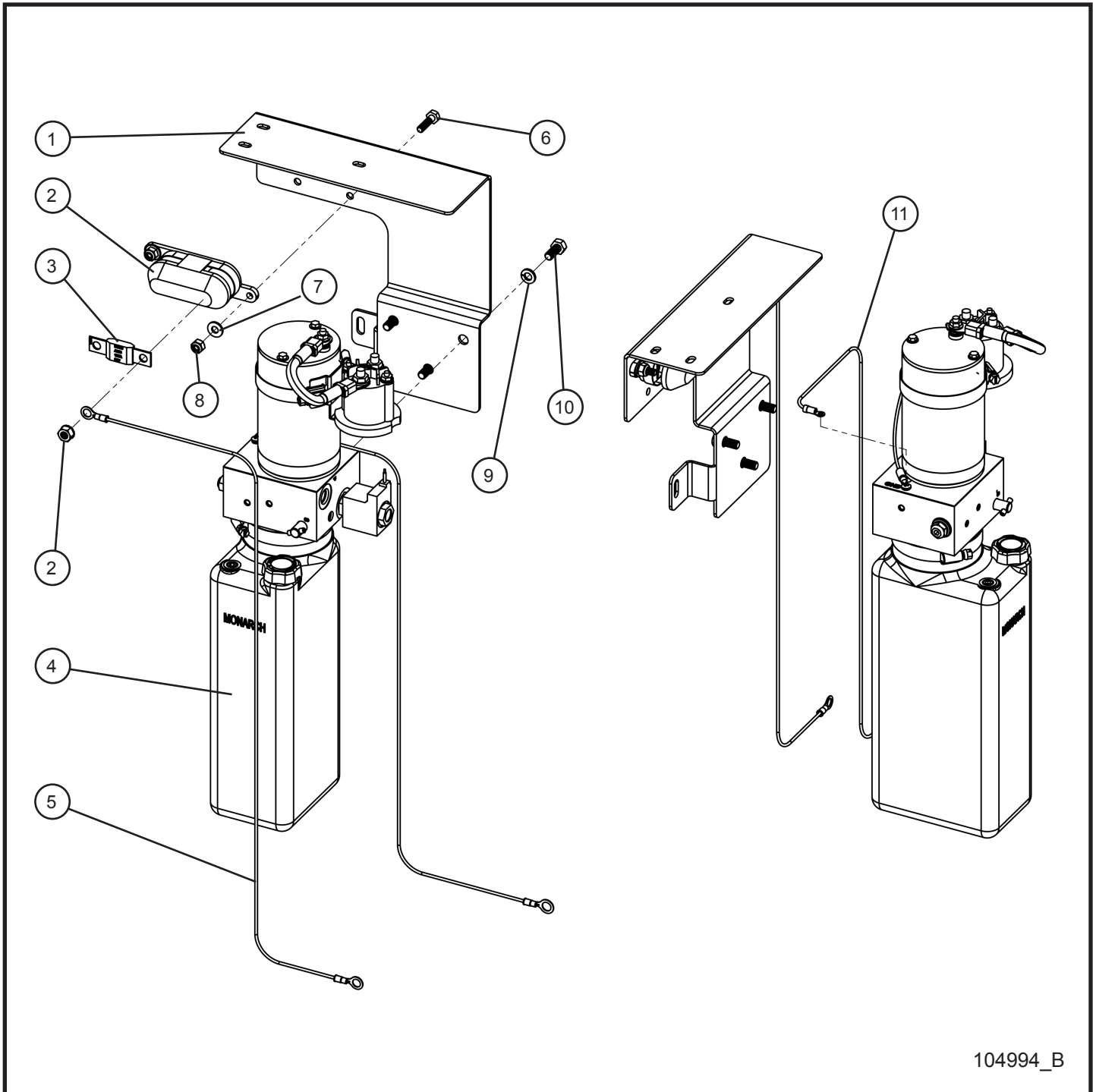
4.7 - Vertical Tower Hydraulic Pump w/Top Port Cylinder

SN 0001PRO2V15 and UP

Item	Part No.	Part Description	Qty.
1	104994	PUMP W/ MOUNT VERTICAL TOWER NL PRO II	1
2	101910	HYDRAULIC HOSE - 41" MAXI HYD V-SERIES	1
3	047005	1/4 FLAT WASHER PL	1
4	046010	1/4-20 x 3/4 HEX HEAD CS GR5 SS	1
5	044023	1/4-20 NYLOCK HEX NUT PL	4
6	923205	ADPT HYD FITTING	2
7	053007	1/4-20 x 3/4 CARR BOLT SS	3
8	310212	#10 CUSH CLAMP 1/4 HOLE	1

4.8 - Vertical Tower Hydraulic Pump Mount

SN 0001PRO2V15 and UP



104994_B

Night-Lite ProII™

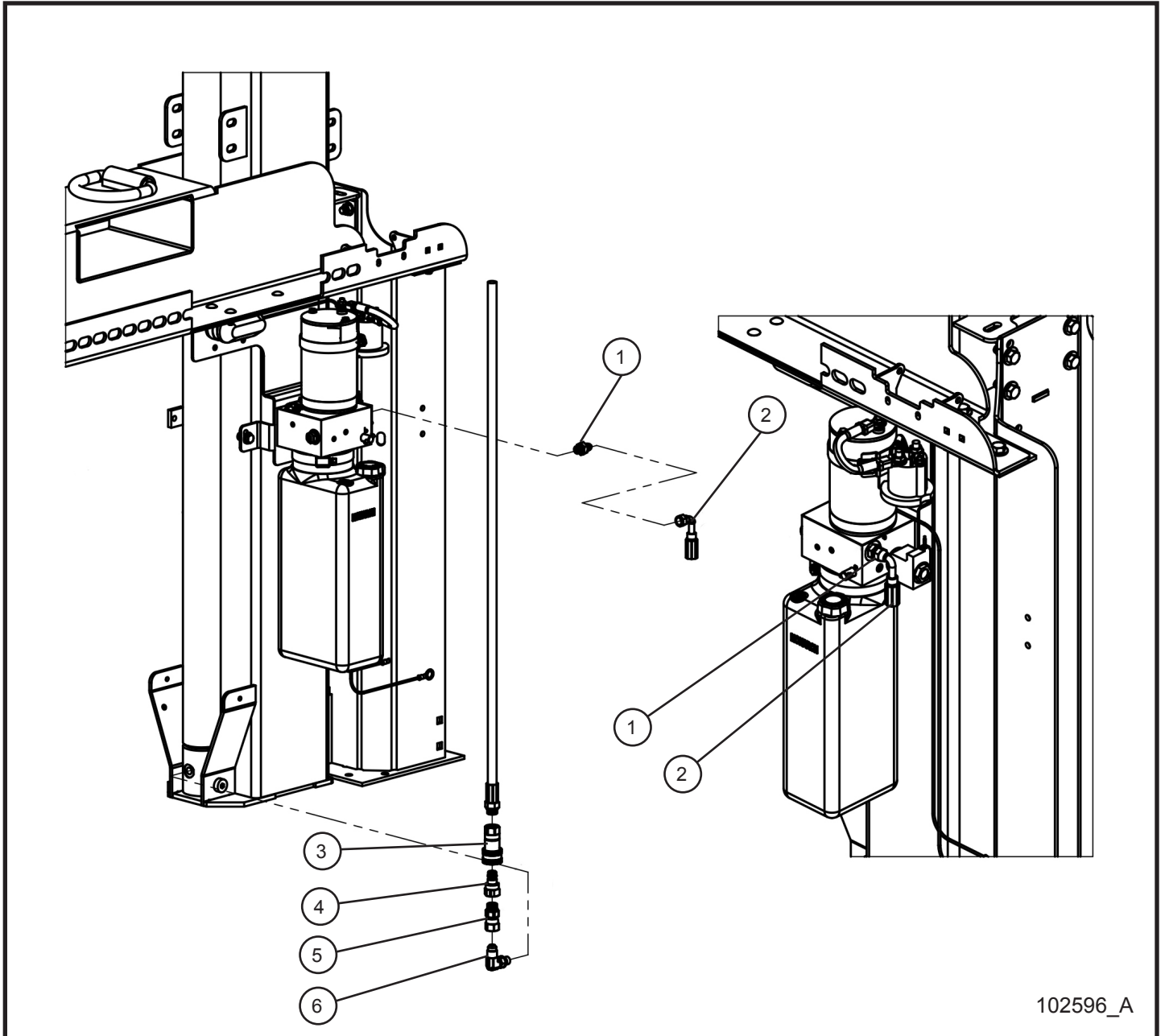
4.8 - Vertical Tower Hydraulic Pump Mount

SN 0001PRO2V15 and UP

Item	Part No.	Part Description	Qty.
1	104993P	PUMP MOUNT VERTICAL	1
2	100235	FUSE HOLDER F AMG FUSE	1
3	100234	125A FUSE LINK BUSS AMG	1
4	104358	POWER UNIT VERTICAL TOWER	1
5	105217	RED WIRE BUCHER HYD PUMP	1
6	046015	1/4-20 x 1 HEX HEAD CS GR5 PL	2
7	047005	1/4 FLAT WASHER PL	2
8	044023	1/4-20 NYLOCK HEX NUT PL	2
9	043055	5/16 SPLITLOCK WASHER	3
10	046045	5/16-18 x 3/4 HEX HEAD CS GR5 PL	3
11	105216	BLACK WIRE BUCHER HYD PUMP	1

4.9 - Vertical Tower Bottom Port Cylinder Quick Disconnect

SN 0001PRO2V15 and UP



102596_A

Night-Lite ProII™

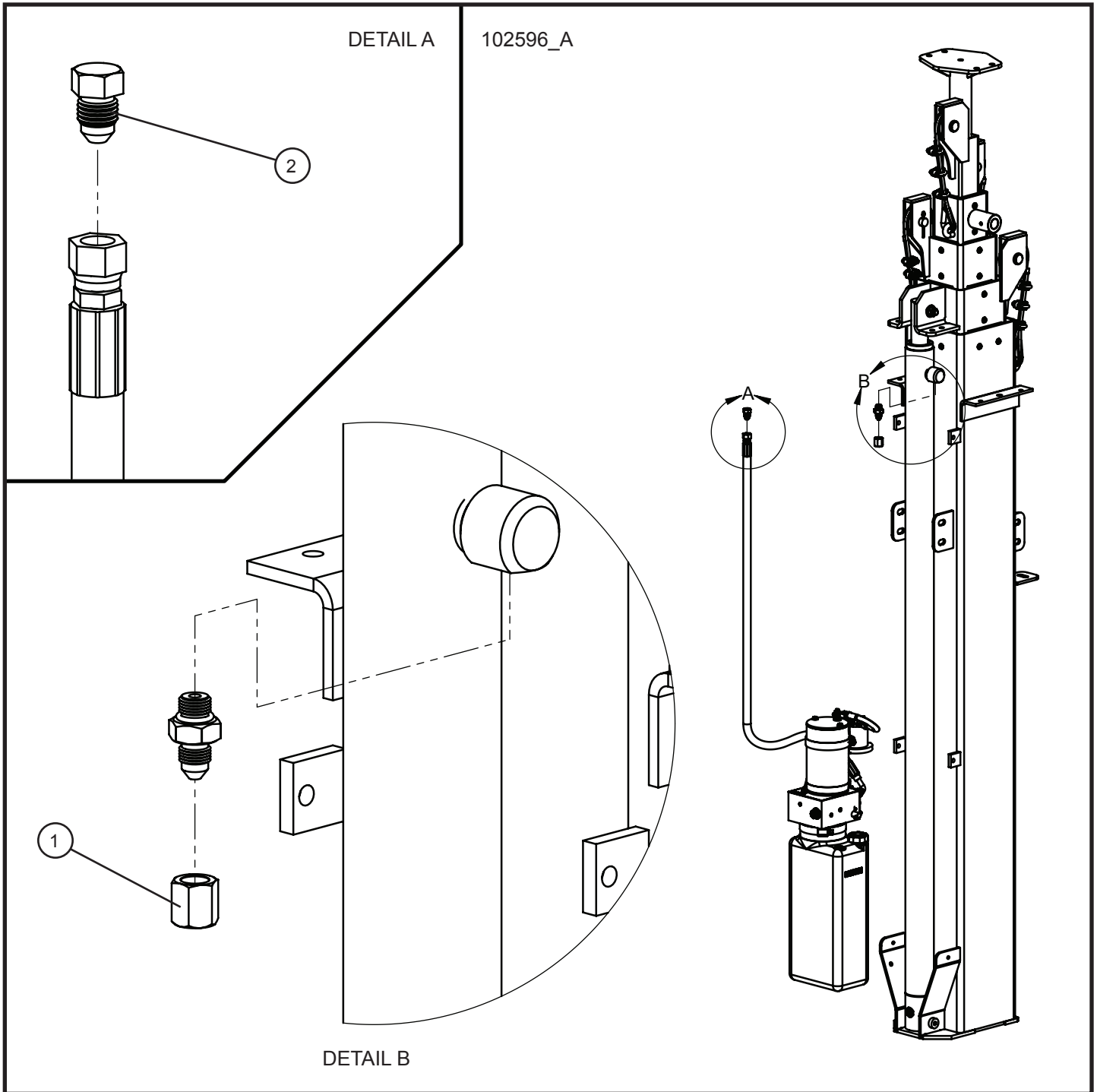
4.9 - Vertical Tower Bottom Port Cylinder Quick Disconnect

SN 0001PRO2V15 and UP

Item	Part No.	Part Description	Qty.
1	923205	STRAIGHT THREAD 6400	1
2	109605	PRO V QUICK COUPLER HYDRAULIC HOSE	1
3	109603	1/4 FEMALE QUICK DISCONNECT	1
4	109602	QUICK COUPLING MALE QUICK DISCONNECT	1
5	103272	SWIVEL NUT ADAPTER 6402-06-06	1
6	103273	STRAIGHT THREAD ELBOW 6801/6801R	1

4.10 - Vertical Tower Top Port Cylinder Cap and Plug

SN 0001PRO2V15 and UP



Night-Lite ProII™

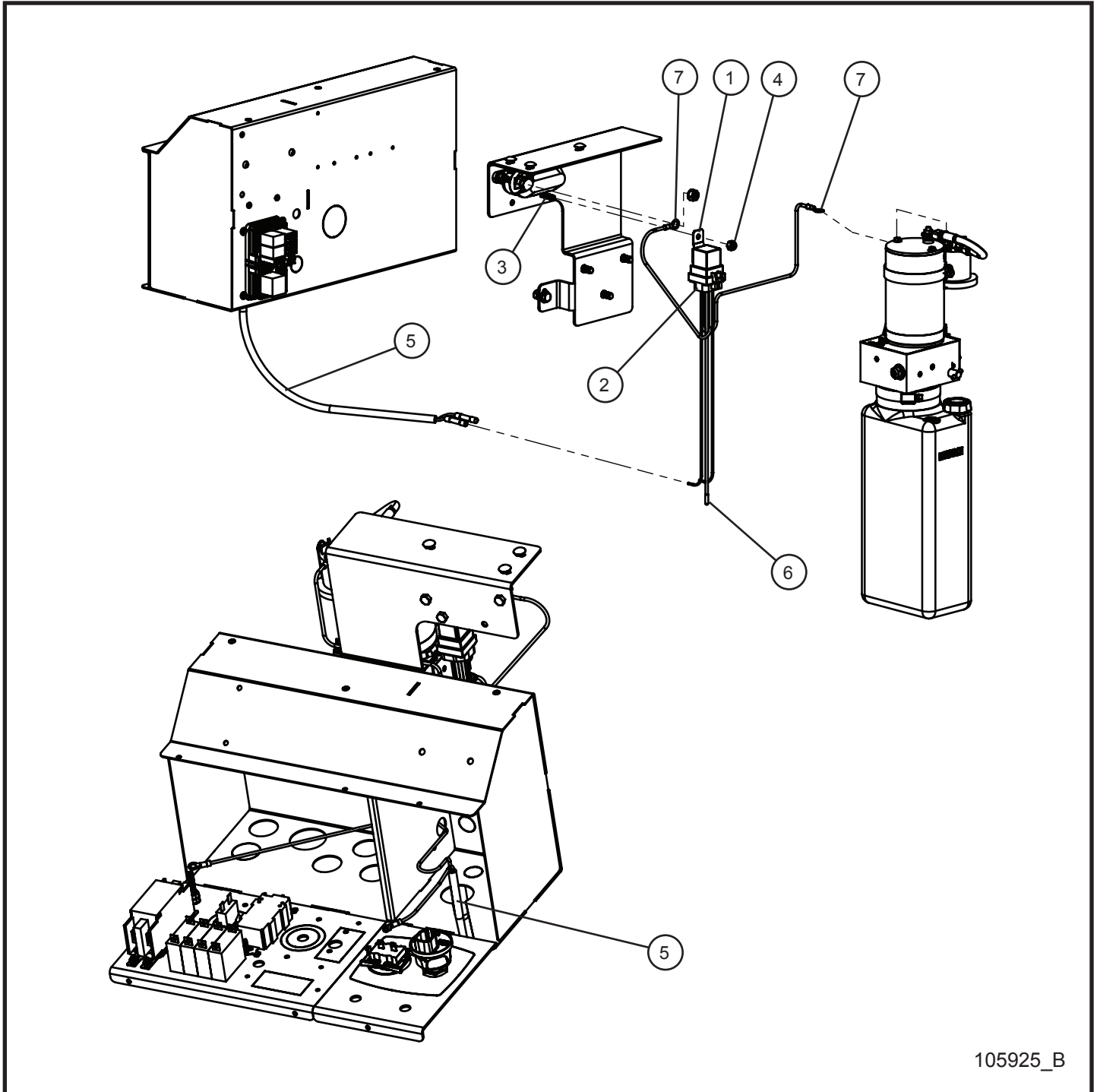
4.10 - Vertical Tower Top Port Cylinder Cap and Plug

SN 0001PRO2V15 and UP

Item	Part No.	Part Description	Qty.
1	102467	CAP JIC #4 VERTICAL TOWER	1
2	102468	PLUG JIC #4 VERTICAL TOWER	1

4.11 - Vertical Tower Pump-Key Switch Relay

SN 0001PRO2V15 and UP



105925_B

Night-Lite ProII™

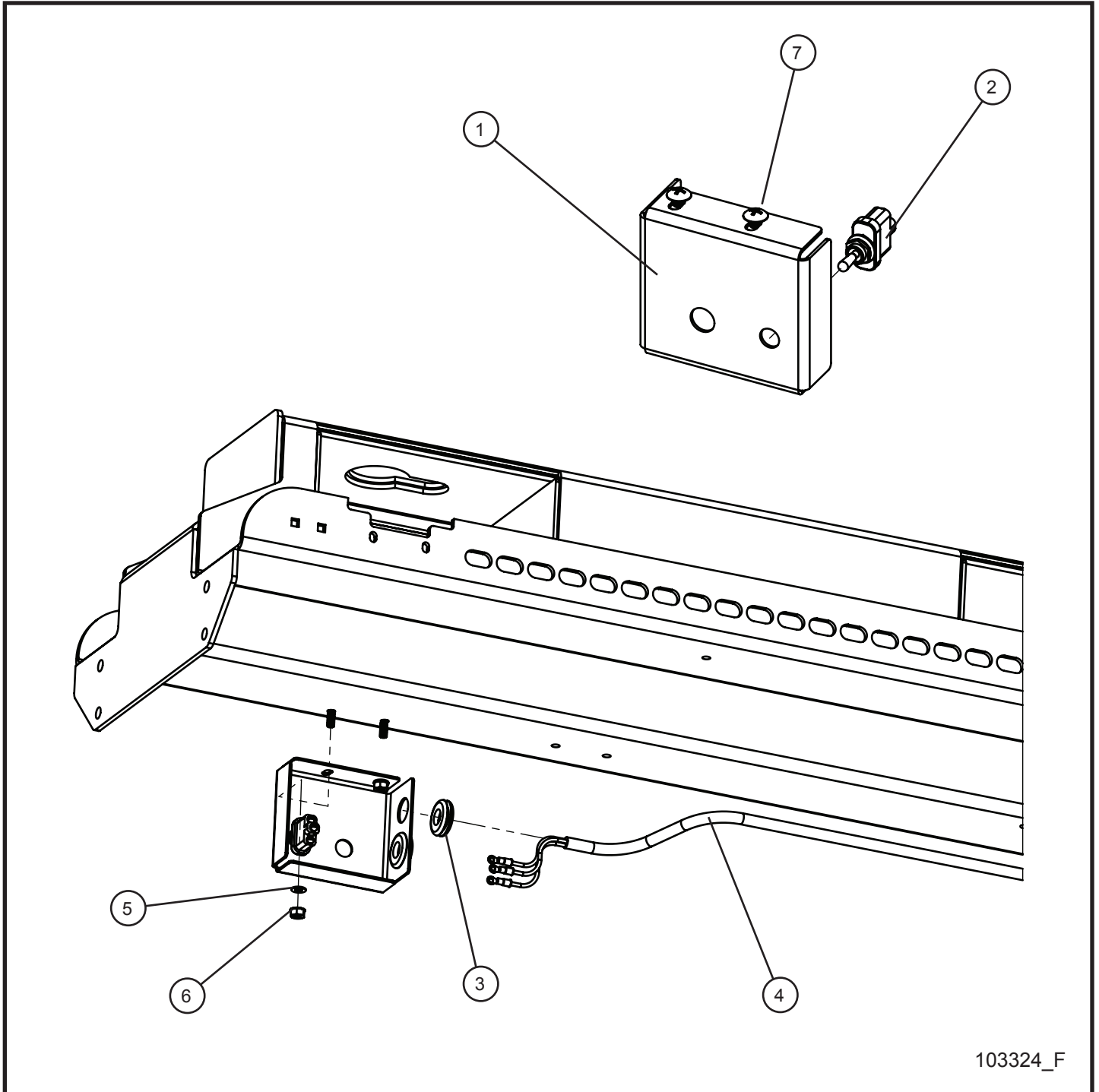
4.11 - Vertical Tower Pump-Key Switch Relay

SN 0001PRO2V15 and UP

Item	Part No.	Part Description	Qty.
1	105173	RELAY 12VDC 150AMP INRUSH	1
2	105174	RELAY BLOCK WEATHER PACK	1
3	046015	1/4-20 x 1 HEX HEAD CS GR5 PL	1
4	044023	1/4-20 NYLOCK HEX NUT PL	1
5	105183	CORD HYDRAULIC RELAY KEY SWITCH NL PRO II	1
6	022244	1/4 HEAT SHRINK x 1.0	1
7	022347	TERM RING 10-12 AWG 5/16	2

4.12 - Vertical Tower Switch Panel

SN 0001PRO2V15 and UP



103324_F

Night-Lite ProII™

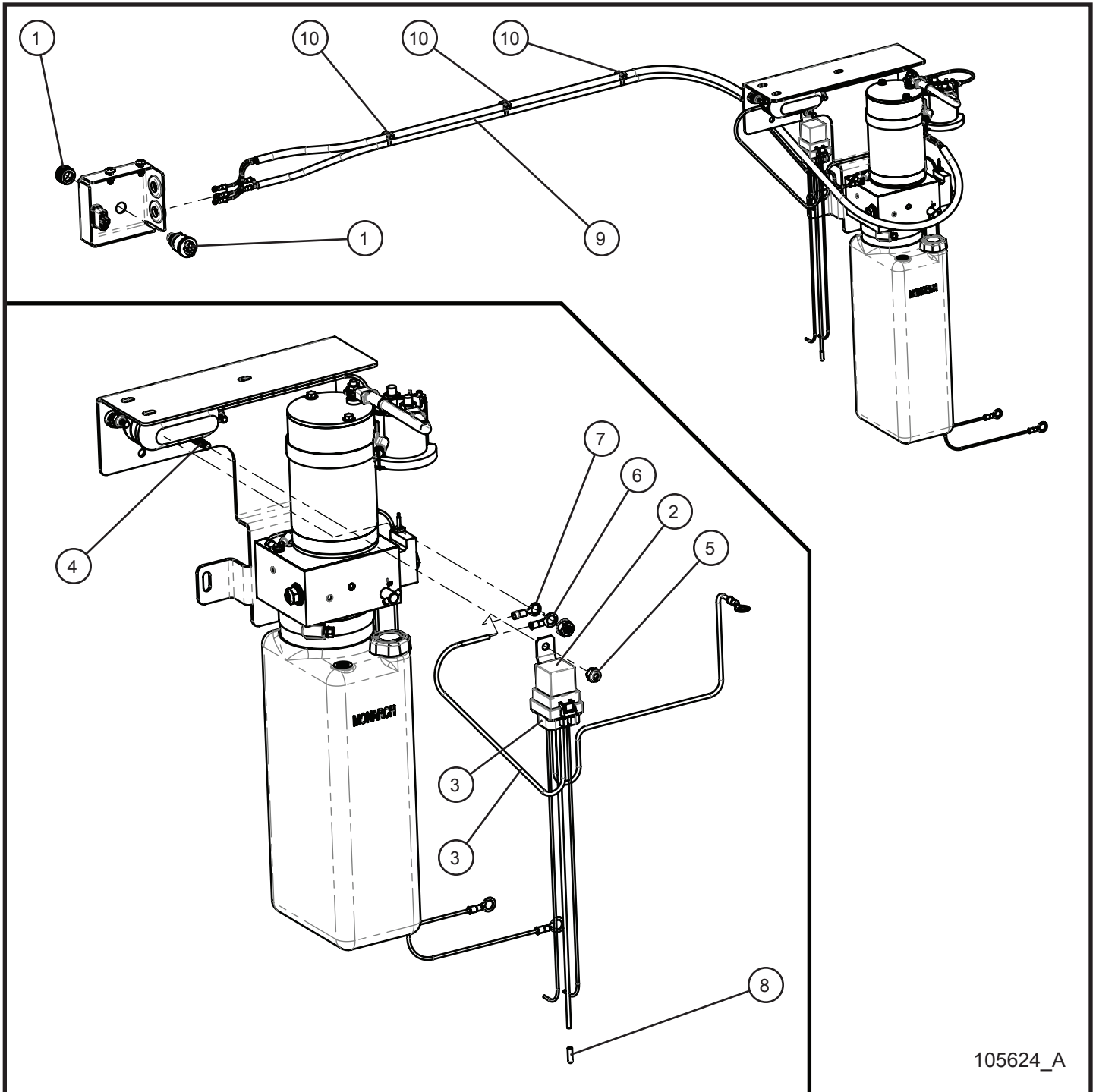
4.12 - Vertical Tower Switch Panel

SN 0001PRO2V15 and UP

Item	Part No.	Part Description	Qty.
1	102947P	CONTROL BRACKET VERTICAL TOWER	1
2	102453	TOGGLE SWITCH SINGLE POLE	1
3	100859	7/8 ID x 1 1/4 OD GROMMET	2
4	105215	SWITCH CORD BUCHER VERTICAL HYDRAULIC	1
5	047009	1/4 FLAT WASHER SAE SS	2
6	044021	1/4-20 KEPS HEX NUT PL	2
7	041050	1/4-20 x 3/4 PH-TRUSS HEAD MS SS MACHINE SCREW	2
NS	105935	SCHEMATIC VERTICAL UP/DOWN MOMENTARY	1

4.13 - Vertical Tower Momentary Switch Panel w/ Relay

SN 0001PRO2V15 and UP



105624_A

Night-Lite ProII™

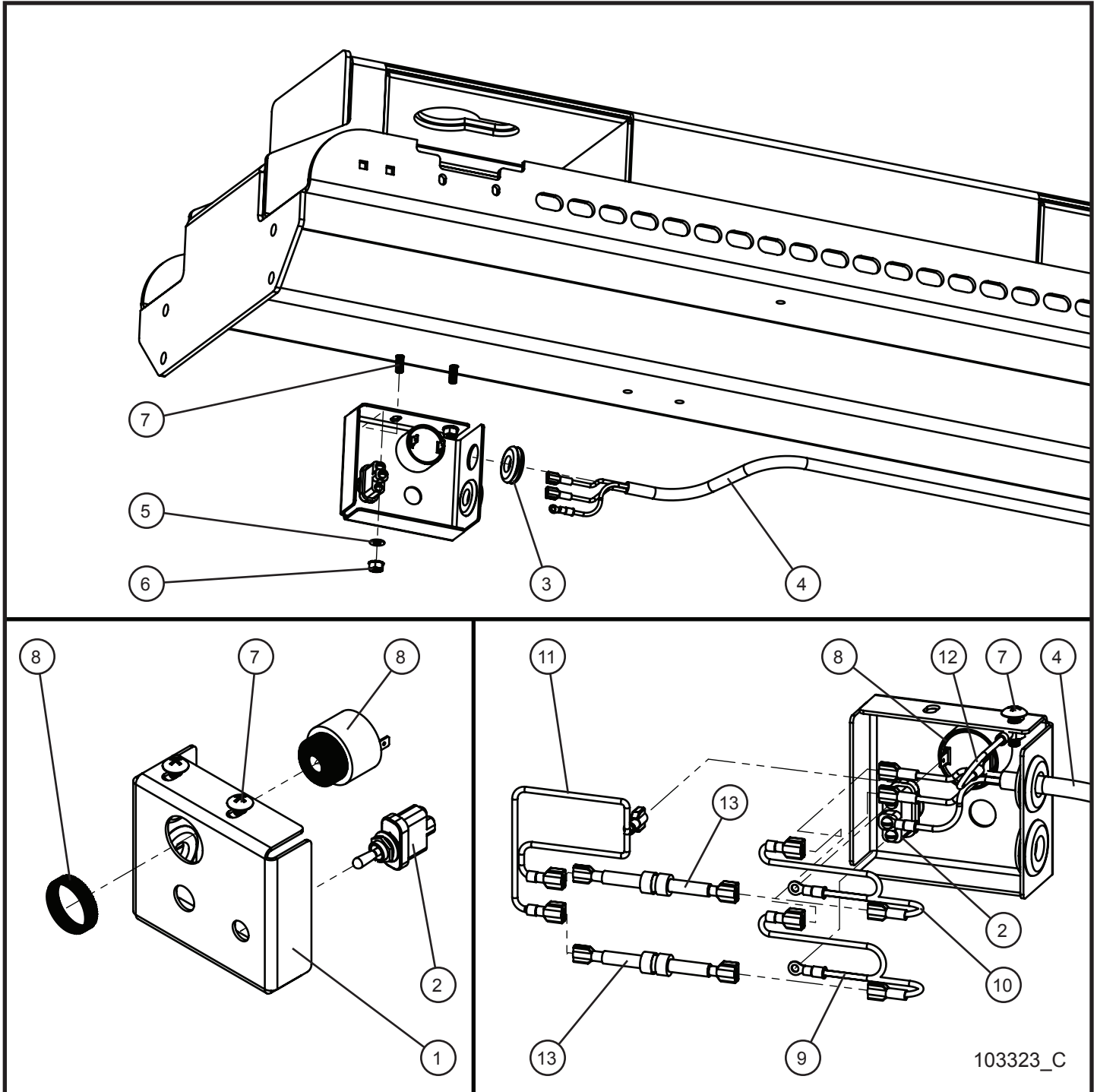
4.13 - Vertical Tower Momentary Switch Panel w/ Relay

SN 0001PRO2V15 and UP

Item	Part No.	Part Description	Qty.
1	105172	SWITCH MOMENTARY 35AMP 12VDC	1
2	105173	RELAY 12VDC 150 AMP INRUSH	1
3	105174	RELAY BLOCK WEATHER PACK	1
4	046015	1/4-20 x 1 HEX HEAD CS GR5 PL	1
5	044023	1/4-20 NYLOCK HEX NUT PL	1
6	022347	TERM RING 10-12 AWG 5/16	2
7	022418	TERM RING 14-16 AWG 5/16	1
8	022244	1/4 HEAT SHRINK x 1.0	1
9	105934	CORD RELAY MOMENTARY SWITCH	1
10	068090	CABLE TIE 8"	4
11	106154	SCHEMATIC HYDRAULIC PUMP W/ PUSH SWITCH	1

4.14 - Vertical Tower Switch Panel w/ Alarm

SN 0001PRO2V15 and UP



Night-Lite ProII™

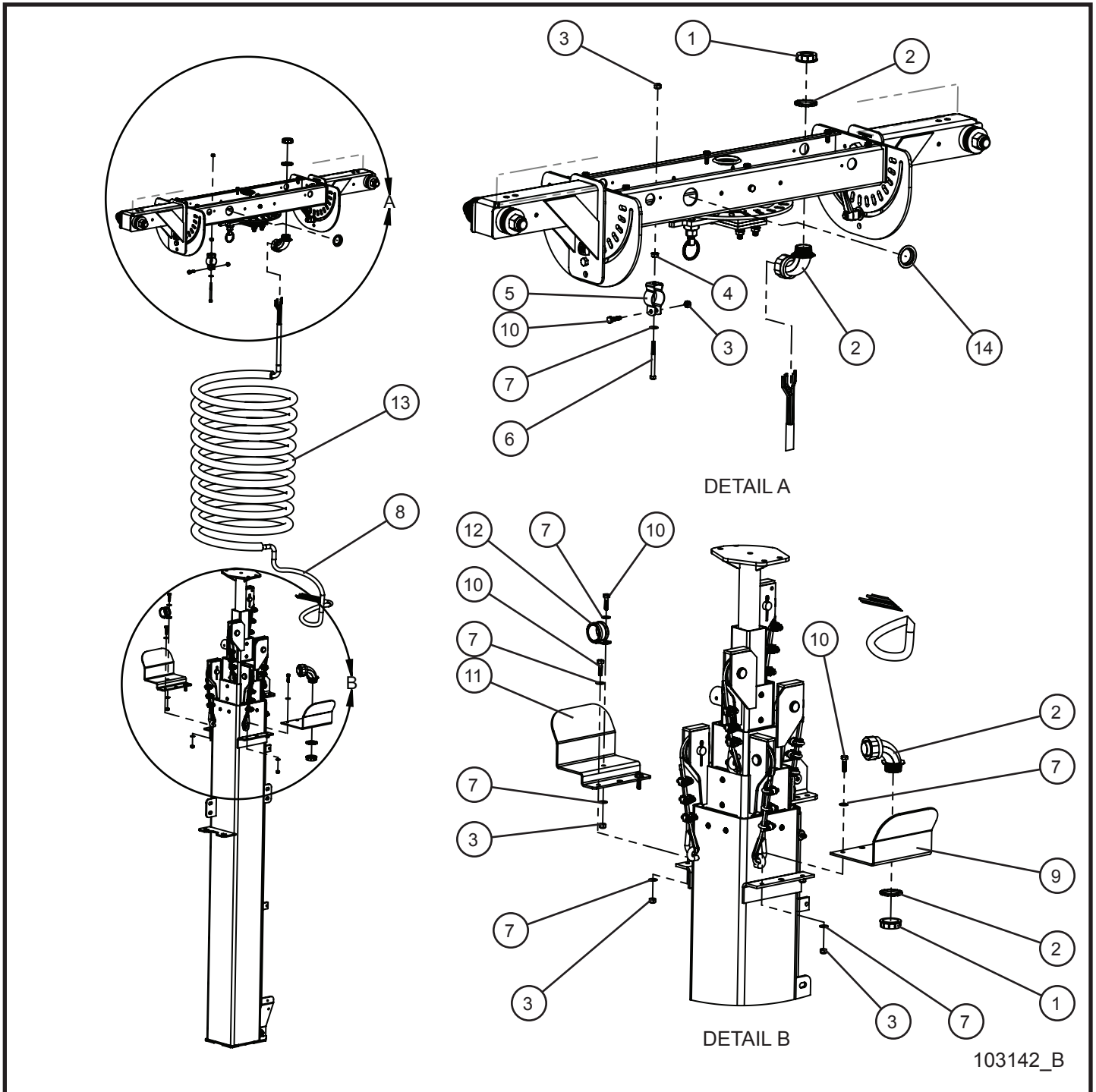
4.14 - Vertical Tower Switch Panel w/ Alarm

SN 0001PRO2V15 and UP

Item	Part No.	Part Description	Qty.
1	102947P	CONTROL BRACKET VERTICAL TOWER	1
2	102453	TOGGLE SWITCH SINGLE POLE	1
3	100859	7/8 ID x 1 1/4 OD GROMMET	2
4	105930	SWITCH CORD BUCHER VERTICAL HYDRAULIC	1
5	047009	1/4 FLAT WASHER SAE SS	2
6	044021	1/4-20 KEPS HEX NUT PL	2
7	041050	1/4-20 x 3/4 PH-TRUSS HEAD MS SS MACHINE SCREW	2
8	921255	AUDIBLE ALARM	1
9	105926	WIRE WHITE JUMPER UP/DOWN ALARM VERTICAL SWITCH	1
10	105927	WIRE BLACK JUMPER UP/DOWN ALARM VERTICAL SWITCH	1
11	105928	WIRE BLACK/WHITE UP/DOWN ALARM VERTICAL SWITCH	1
12	105929	WIRE GROUND UP/DOWN ALARM VERTICAL TOWER	1
13	713002	DIODE ASSEMBLY	2
14	105936	SCHEMATIC VERTICAL UP/DOWN MOMENTARY	1

4.15 - Vertical Tower 16/8 Nycoil Cord Group

SN 0001PRO2V15 and UP



Night-Lite ProII™

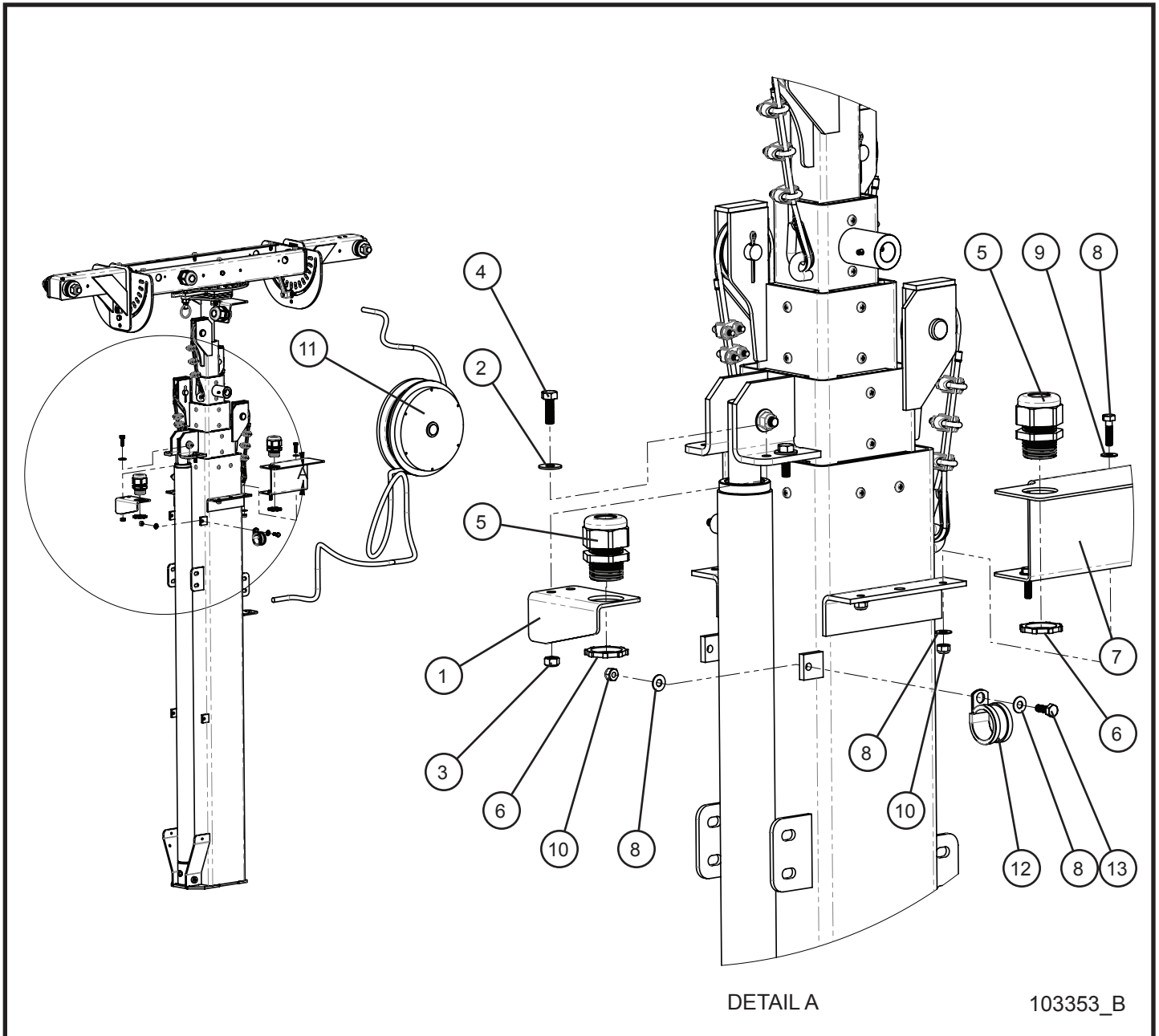
4.15 - Vertical Tower 16/8 Nycoil Cord Group

SN 0001PRO2V15 and UP

Item	Part No.	Part Description	Qty.
1	101672	1" INSULATING BUSHING	2
2	102979	CORD GRIP 90° ELBOW LIQUID TIGHT	2
3	044023	1/4-20 NYLOCK HEX NUT PL	7
4	044021	1/4-20 KEPS HEX NUT PL	1
5	100474	1" CONDUIT CLAMP	1
6	046037	1/4-20 x 2 3/4 HEX HEAD CS GR5 PL	1
7	047009	1/4 FLAT WASHER SAE SS	11
8	103289	16/8 NYCOIL VERTICAL TOWER	1
9	102977P	CORD GRIP BRACKET	1
10	046015	1/4-20 x 1 HEX HEAD CS GR5 PL	6
11	102978P	NYCOIL CLAMP PLATE	1
12	920366	#16 CUSH CLAMP W/ 3/8 HOLE	1
13	103390	HOSE SELF STORING	1
14	064040	1 3/8 CAP PLUG	1
15	106880	NYCOIL ASSEMBLY (INCLUDES 102979 (2), 103390, & 103289)	1
16	105292	SCHEMATIC LIGHT BAR 4 LIGHT 16/8 CORD	1

4.16 - Vertical Tower 16/8 Cord Reel Group (1 of 2)

SN 0001PRO2V15 and UP



Night-Lite ProII™

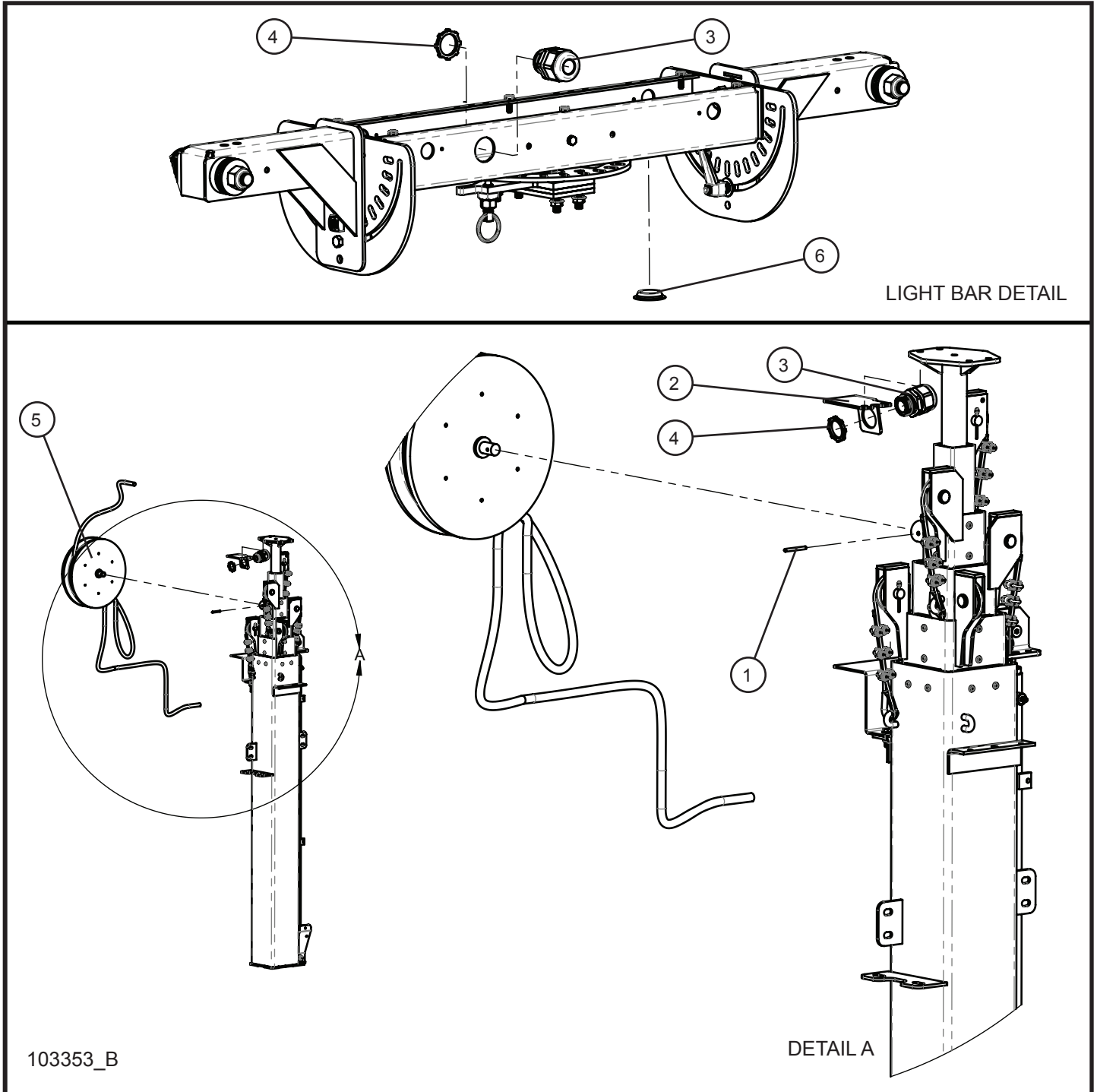
4.16 - Vertical Tower 16/8 Cord Reel Group (1 of 2)

SN 0001PRO2V15 and UP

Item	Part No.	Part Description	Qty.
1	105772P	CORD REEL 5" SECTION 2 CORD GRIP BRACKET	1
2	047010	5/16 FLAT WASHER PL	2
3	046050	5/16-18 NYLOCK HEX NUT PL	2
4	046050	5/16-18 x 1 HEX HEAD CS GR5 PL	2
5	105627	CORD GRIP 1" NYLON BLACK	2
6	022038	1" CORD GRIP NUT	2
7	105723P	CORD REEL SECTION 1 CORD GRIP BRACKET	1
8	047009	1/4 FLAT WASHER SAE SS	6
9	046015	1/4-20 x 1 HEX HEAD CS GR5 PL	2
10	044023	1/4-20 NYLOCK HEX NUT PL	3
11	103299	CORD REEL WITH 16/8 TOWER CORD ASSEMBLY	1
12	920366	#16 CUSH CLAMP W/ 3/8 HOLE	1
13	046010	1/4-20 x 3/4 HEX HEAD CS GR5 SS	1
14	105292	SCHEMATIC LIGHT BAR 4 LIGHT 16/8 CORD	1

4.16 - Vertical Tower 16/8 Cord Reel Group (2 of 2)

SN 0001PRO2V15 and UP



103353_B

DETAIL A

Night-Lite ProII™

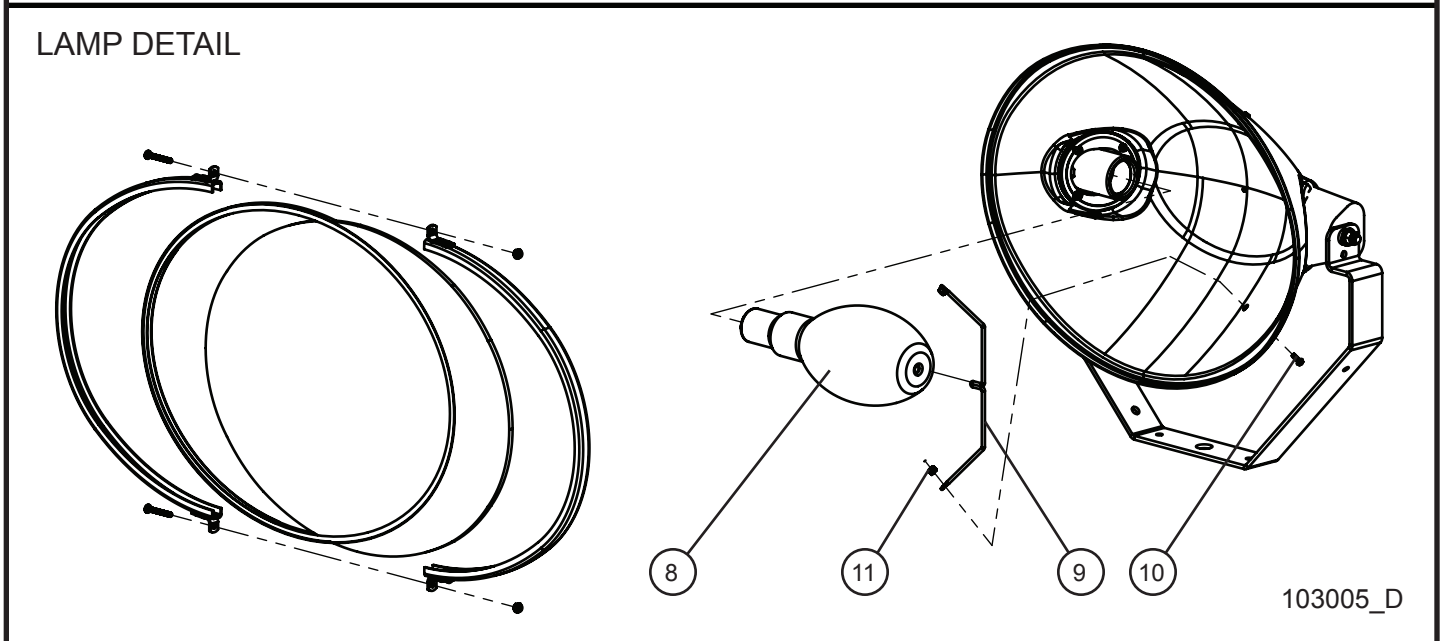
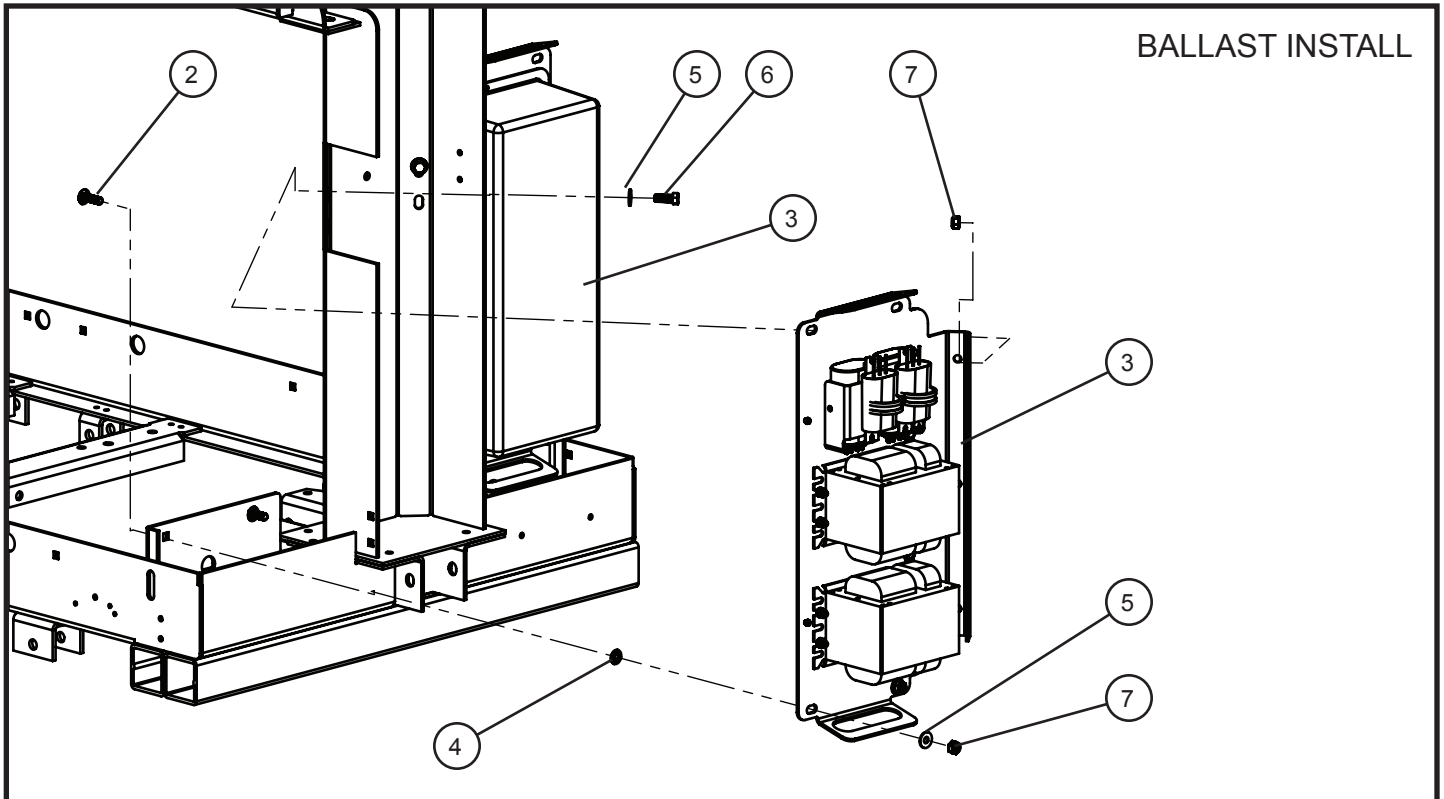
4.16 - Vertical Tower 16/8 Cord Reel Group (2 of 2)

SN 0001PRO2V15 and UP

Item	Part No.	Part Description	Qty.
1	320453	3/16 x 1 3/4 SPRING ROLL PIN	1
2	105721P	CORD REEL ROUND SECTION CORD GRIP BRACKET	1
3	105627	CORD GRIP 1" NYLON BLACK	2
4	022038	1" CORD GRIP NUT	2
5	103299	CORD REEL WITH 16/8 TOWER CORD ASSEMBLY	1
6	064040	1 3/8 CAP PLUG	1

5.1 - 1000W HPS Lamps with 60Hz 120V Ballast Boxes

SN 0001PRO215 and UP
SN 0001PRO2V15 and UP



103005_D

Night-Lite ProII™

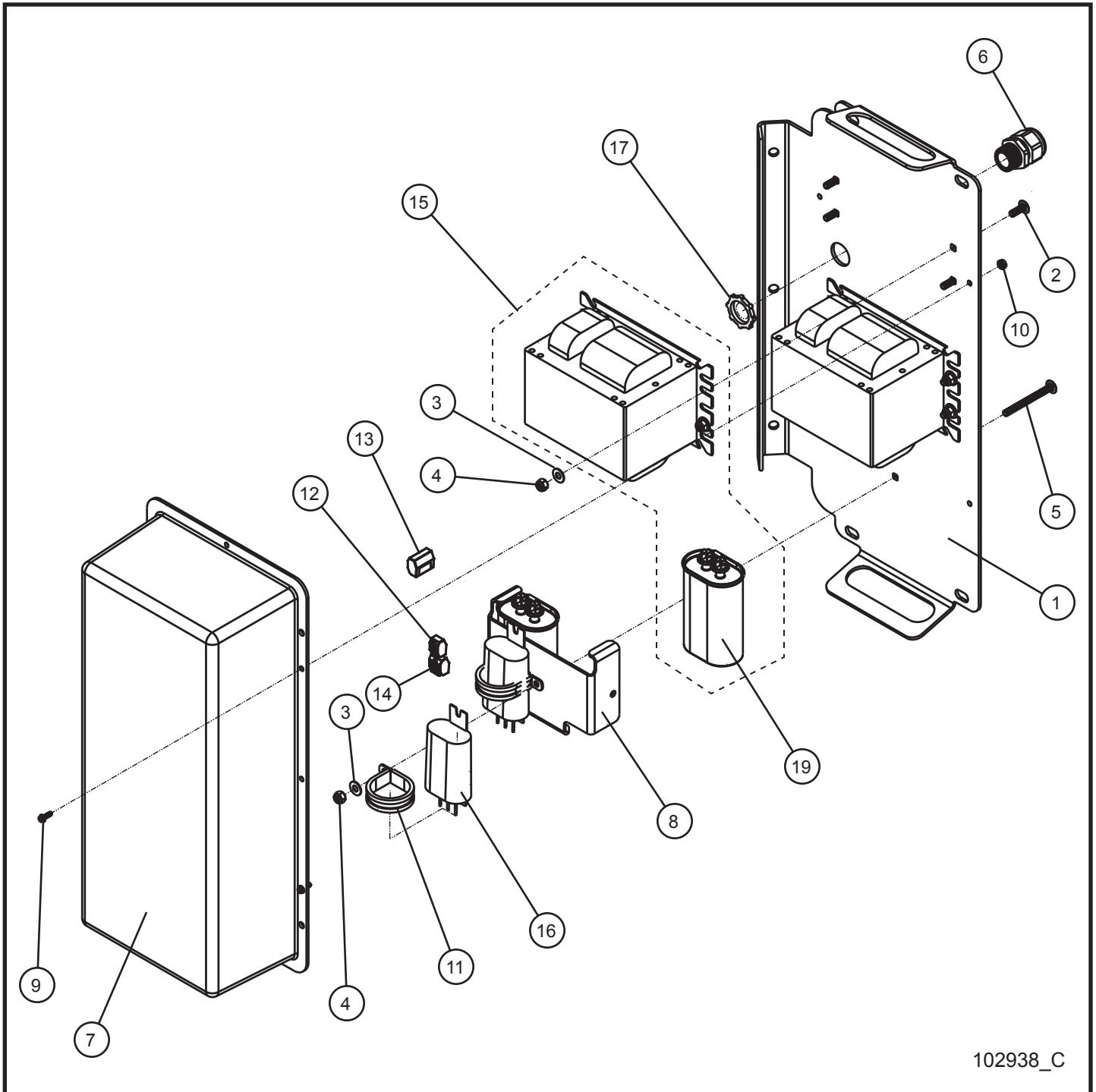
5.1 - 1000W HPS Lamps with 60Hz 120V Ballast Boxes

SN 0001PRO215 and UP
SN 0001PRO2V15 and UP

Item	Part No.	Part Description	Qty.
1	103624	CORD 14/4 BALLAST (NOT SHOWN)	4
2	100670	3/8-16 x 1 1/4 CARRIAGE BOLT	4
3	102938	1000W HPS 60Hz 120V BALLAST BOX ASSEMBLY	2
4	045218	3/8 PUSH NUT	4
5	047010	5/16 FLAT WASHER PL	8
6	046110	3/8-16 x 1 HEX HEAD CS GR5 PL	4
7	044038	3/8-16 NYLOCK HEX NUT PL	8
8	610218	LAMP 1000W HPS	4
9	650250	TIP SUPPORT HPS 1000W	4
10	041200	#8-32 x 1/2 HEX WASHER HEAD INDT	8
11	044013	#8-32 NYLOCK HEX NUT SS	8

5.2 - 1000W HPS 60Hz 120V Ballast Box Assembly

SN 0001PRO215 and UP
SN 0001PRO2V15 and UP



102938_C

Night-Lite ProII™

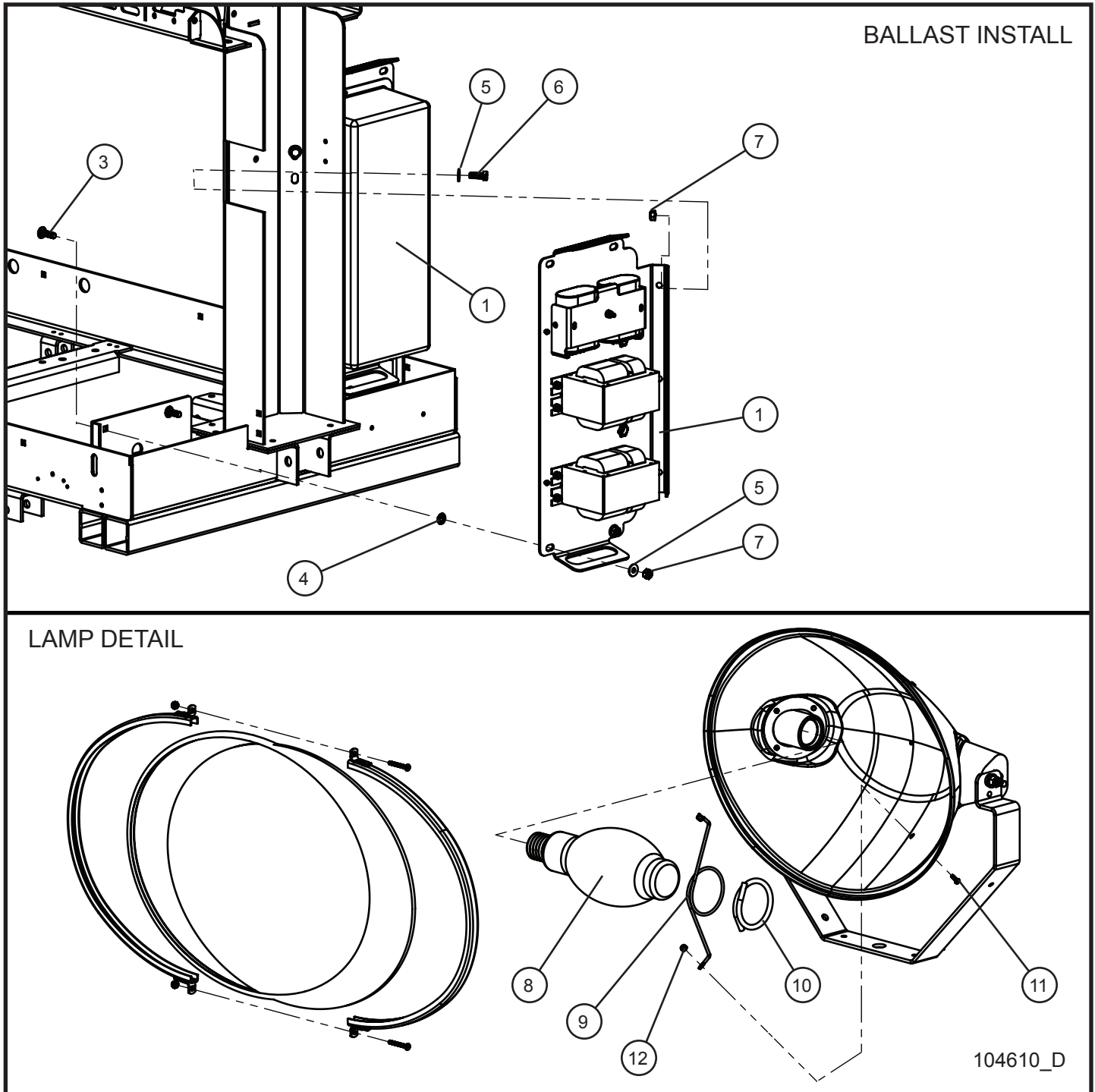
5.2 - 1000W HPS 60Hz 120V Ballast Box Assembly

SN 0001PRO215 and UP
SN 0001PRO2V15 and UP

Item	Part No.	Part Description	Qty.
1	105914P	MOUNT PLATE BALLAST BOX	1
2	053006	1/4-20 x 3/4 CARRIAGE BOLT	8
3	047009	1/4 FLAT WASHER SAE SS	9
4	044023	1/4-20 NYLOCK HEX NUT PL	9
5	100718	1/4-20 x 2 1/4 CARRIAGE BOLT	1
6	105916	GRIP CORD NYLON 3/4"	2
7	102752	BALLAST TOP MODULAR BOX	1
8	680608P	TAPPED CAPACITOR CLAMP	1
9	041029	#8-32 x 1/2 HEX WASHER HEAD SCREW	4
10	044003	#8-32 NC KEPS NUT	4
11	920365	#28 CUSHION CLAMP	2
12	102624	2 WIRE LEVER LOCK	4
13	102622	CONNECTOR BLOCK 5 TERMINAL LEVERS	2
14	102623	3 PIN LEVER LOCK	2
15	310118	BALLAST KIT 1000W 60Hz 120V HPS (INCLUDES 310115A)	2
16	028015	LAMP IGNITOR 1000W	2
17	022036	3/4 CORD GRIP NUT	2
18	105287	SCHEMATIC BALLAST 1000W 60Hz 120V (NOT SHOWN)	1
19	310115A	CAPACITOR 26UF 60/50Hz 540V	2

5.3 - 1250W Lamps with 60Hz 120V Ballasts

SN 0001PRO215 and UP
SN 0001PRO2V15 and UP



Night-Lite ProII™

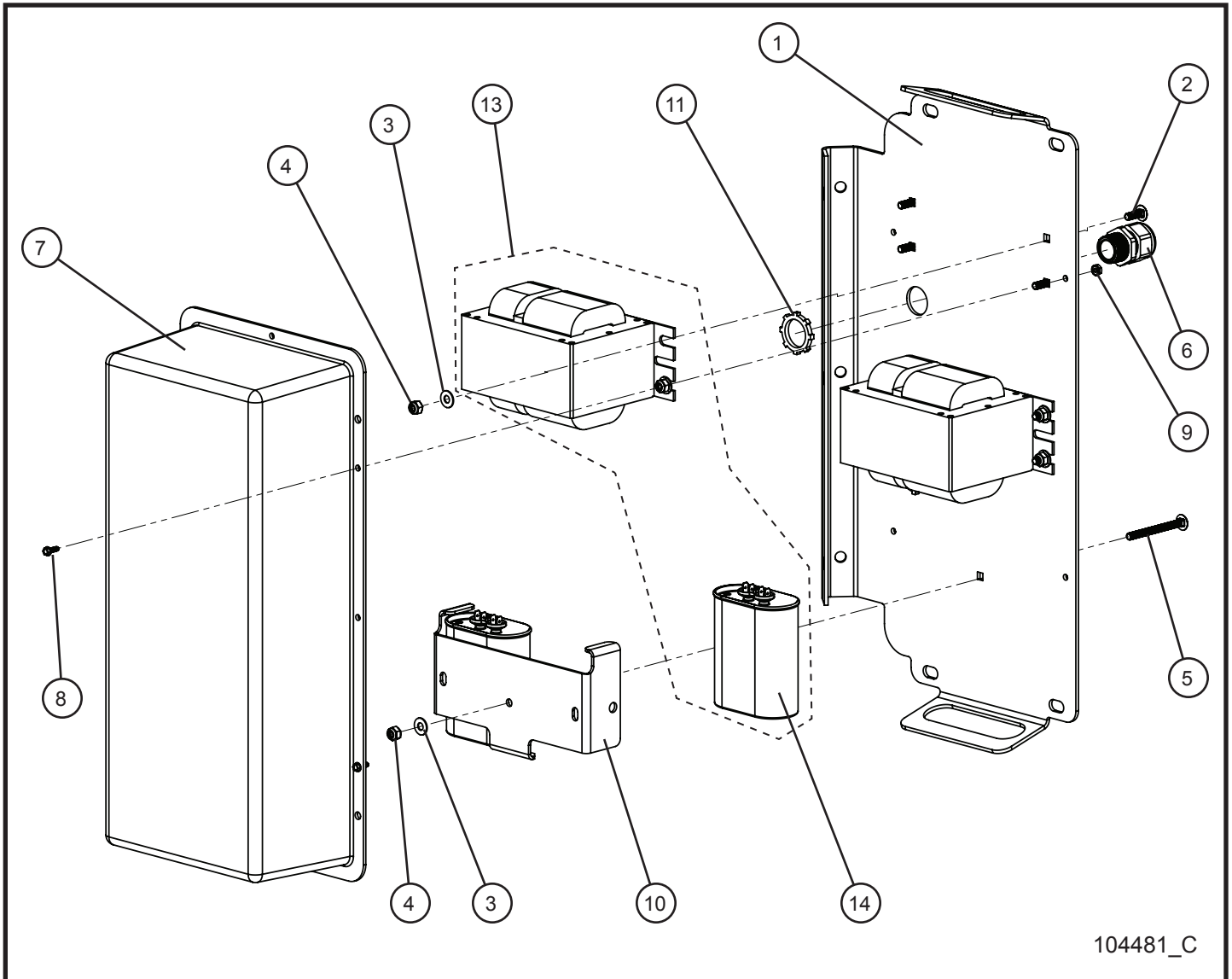
5.3 - 1250W Lamps with 60Hz 120V Ballasts

SN 0001PRO215 and UP
SN 0001PRO2V15 and UP

Item	Part No.	Part Description	Qty.
1	104481	1250W 28uF 60Hz 120V BALLAST	2
2	103624	CORD 14/4 BALLAST	4
3	100670	3/8-16 x 1 1/4 CARRIAGE BOLT	4
4	045218	3/8 PUSH NUT	4
5	047010	5/16 FLAT WASHER PL	8
6	046110	3/8-16 x 1 HEX HEAD CS GR5 PL	4
7	044038	3/8-16 NYLOCK HEX NUT PL	8
8	610221	LAMP 1250W	4
9	610209	SUPPORT TIP LAMP SHO	4
10	610210	FIBERGLASS TUBE 12" LAMP SUPPORT	4
11	041200	#8-32 x 1/2 HEX WASHER HEAD INDT	8
12	044013	#8-32 NYLOCK HEX NUT SS	8

5.4 - 1250W 60Hz 120V Ballast Box Assembly

SN 0001PRO215 and UP
SN 0001PRO2V15 and UP



104481_C

Night-Lite ProII™

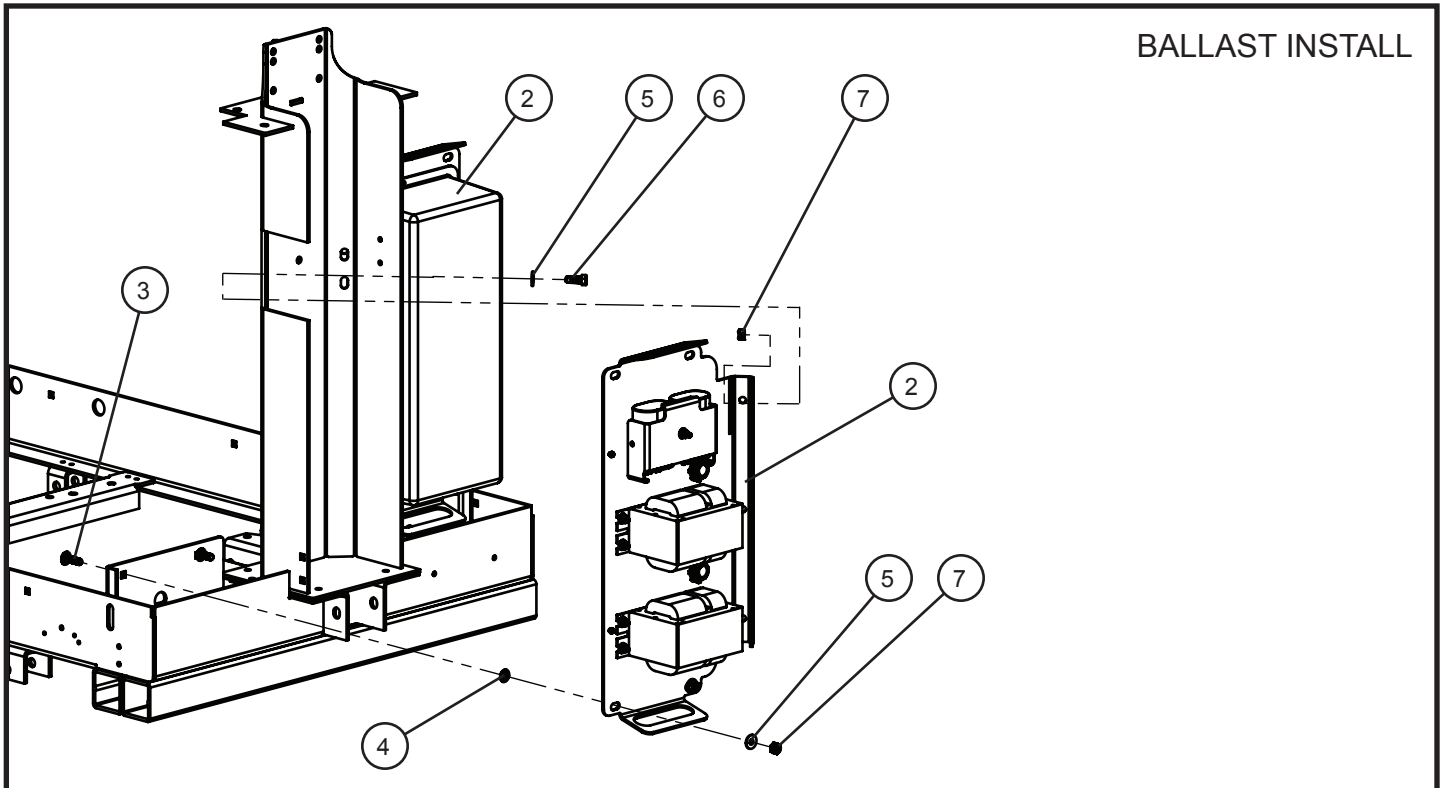
5.4 - 1250W 60Hz 120V Ballast Box Assembly

SN 0001PRO215 and UP
SN 0001PRO2V15 and UP

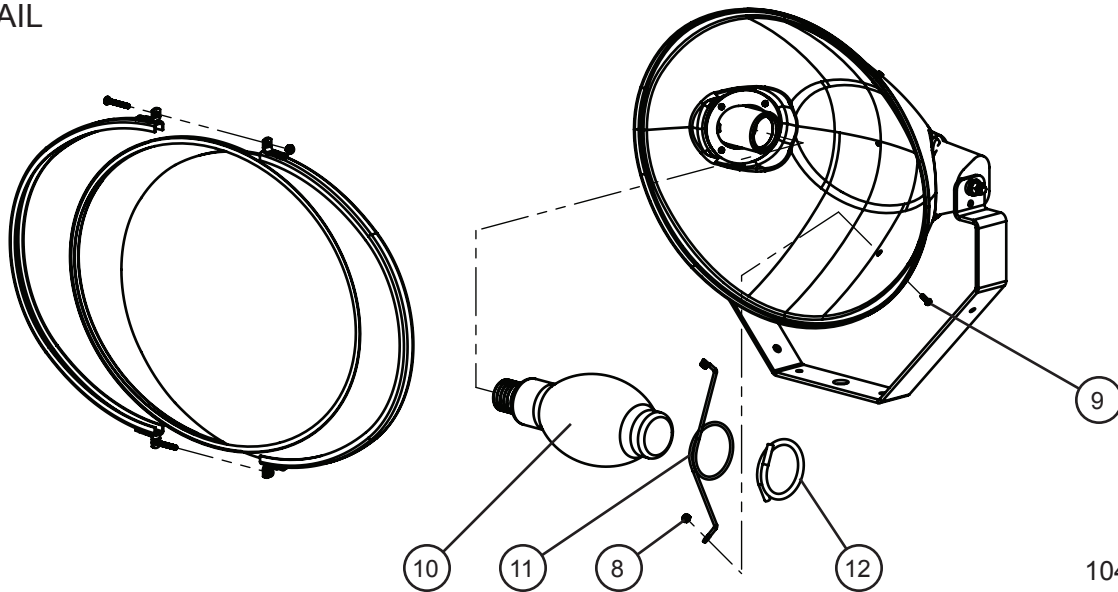
Item	Part No.	Part Description	Qty.
1	105914P	MOUNT PLATE BALLAST BOX	1
2	053006	1/4-20 x 3/4 CARRIAGE BOLT	8
3	047009	1/4 FLAT WASHER SAE SS	9
4	044023	1/4-20 NYLOCK HEX NUT PL	9
5	100718	1/4-20 x 2 1/4 CARRIAGE BOLT	1
6	105916	GRIP CORD NYLON 3/4	2
7	102752	BALLAST TOP MODULAR BOX	1
8	041029	#8-32 x 1/2 HEX WASHER HEAD SCREW	4
9	044003	#8-32 NC KEPS NUT	4
10	100392P	TABBED CAPACITOR CLAMP	1
11	022036	3/4 CORD GRIP NUT	2
12	105286	SCHEMATIC 60Hz 1250W	1
13	109606	BALLAST KIT 1250W 60Hz 120/240V 28uF (INCLUDES 100329)	2
14	100329	CAPACITOR 28uF 1250W	2

5.5 - 1000W Lamps with 60Hz 120V Ballast Boxes

SN 0001PRO215 and UP
SN 0001PRO2V15 and UP



LAMP DETAIL



104611_E

Night-Lite ProII™

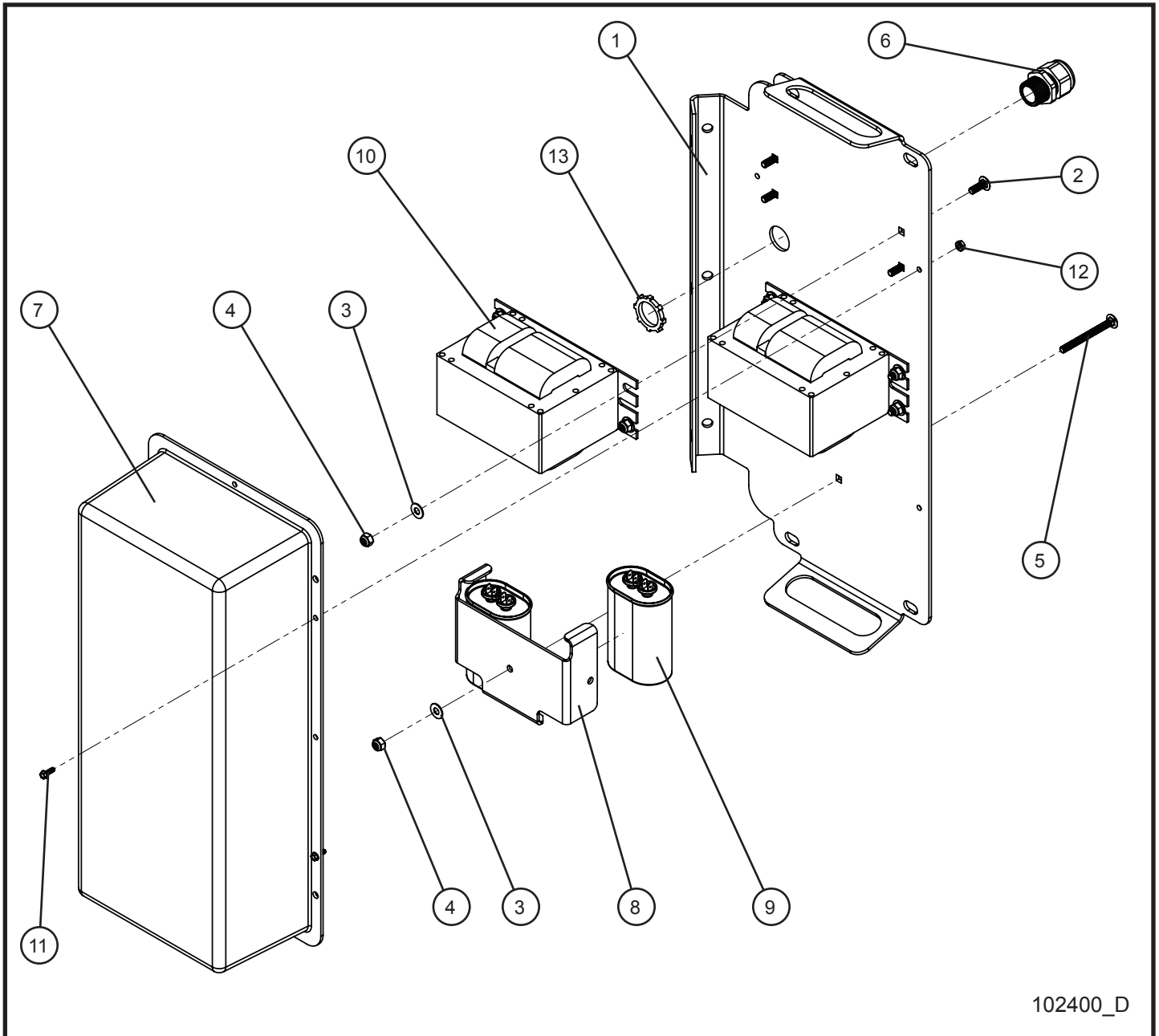
5.5 - 1000W Lamps with 60Hz 120V Ballast Boxes

SN 0001PRO215 and UP
SN 0001PRO2V15 and UP

Item	Part No.	Part Description	Qty.
1	103624	PRO II BALLAST ASSEMBLY CORD (NOT SHOWN)	4
2	102400	1000W 60Hz 120V BALLAST ASSEMBLY	2
3	100670	3/8-16 x 1 1/4 CARRIAGE BOLT	4
4	045218	3/8 PUSH NUT	4
5	047010	5/16 FLAT WASHER PL	8
6	046110	3/8-16 x 1 HEX HEAD CS GR5 PL	4
7	044038	3/8-16 NYLOCK HEX NUT PL	8
8	044013	#8-32 NYLOCK HEX NUT SS	8
9	041200	#8-32 x 1/2 HEX WASHER HEAD INDT	8
10	610211	LAMP 1000W	4
11	610209	SUPPORT TIP LAMP SHO	4
12	610210	FIBERGLASS TUBE 12" LAMP SUPPORT	4

5.6 - 1000W 60Hz 120V Ballast Box Assembly

SN 0001PRO215 and UP
SN 0001PRO2V15 and UP



102400_D

Night-Lite ProII™

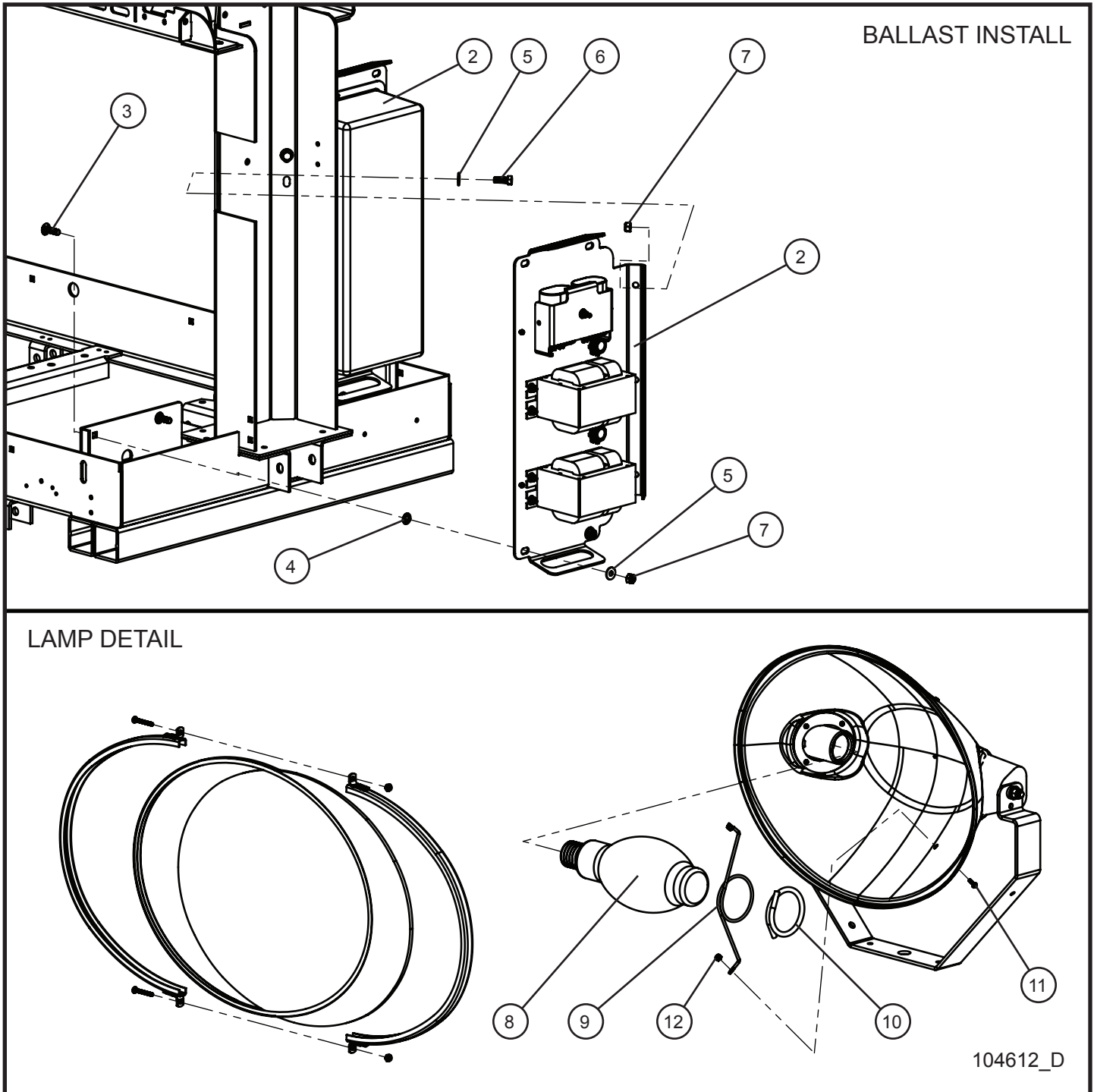
5.6 - 1000W 60Hz 120V Ballast Box Assembly

SN 0001PRO215 and UP
SN 0001PRO2V15 and UP

Item	Part No.	Part Description	Qty.
1	105914P	MOUNT PLATE BALLAST BOX	1
2	053006	1/4-20 x 3/4 CARRIAGE BOLT	8
3	047009	1/4 FLAT WASHER SAE SS	9
4	044023	1/4-20 NYLOCK HEX NUT PL	9
5	100718	1/4-20 x 2 1/4 CARRIAGE BOLT	1
6	105916	GRIP CORD NYLON 3/4	2
7	102752	BALLAST TOP MODULAR BOX	1
8	680608P	TABBED CAPACITOR CLAMP	1
9	310115	CAPACITOR 24uF 1000W	2
10	310124	BALLAST 1000W 60Hz 120V	2
11	041029	#8-32 x 1/2 HEX WASHER HEAD SCREW	4
12	044003	#8-32 NC KEPS NUT	4
13	022036	3/4 CORD GRIP NUT	2
14	105287	SCHEMATIC BALLAST 1000W 60Hz 120V (NOT SHOWN)	1

5.7 - 1000W Lamps with 50Hz 220V Ballast Boxes

SN 0001PRO215 and UP
SN 0001PRO2V15 and UP



Night-Lite ProII™

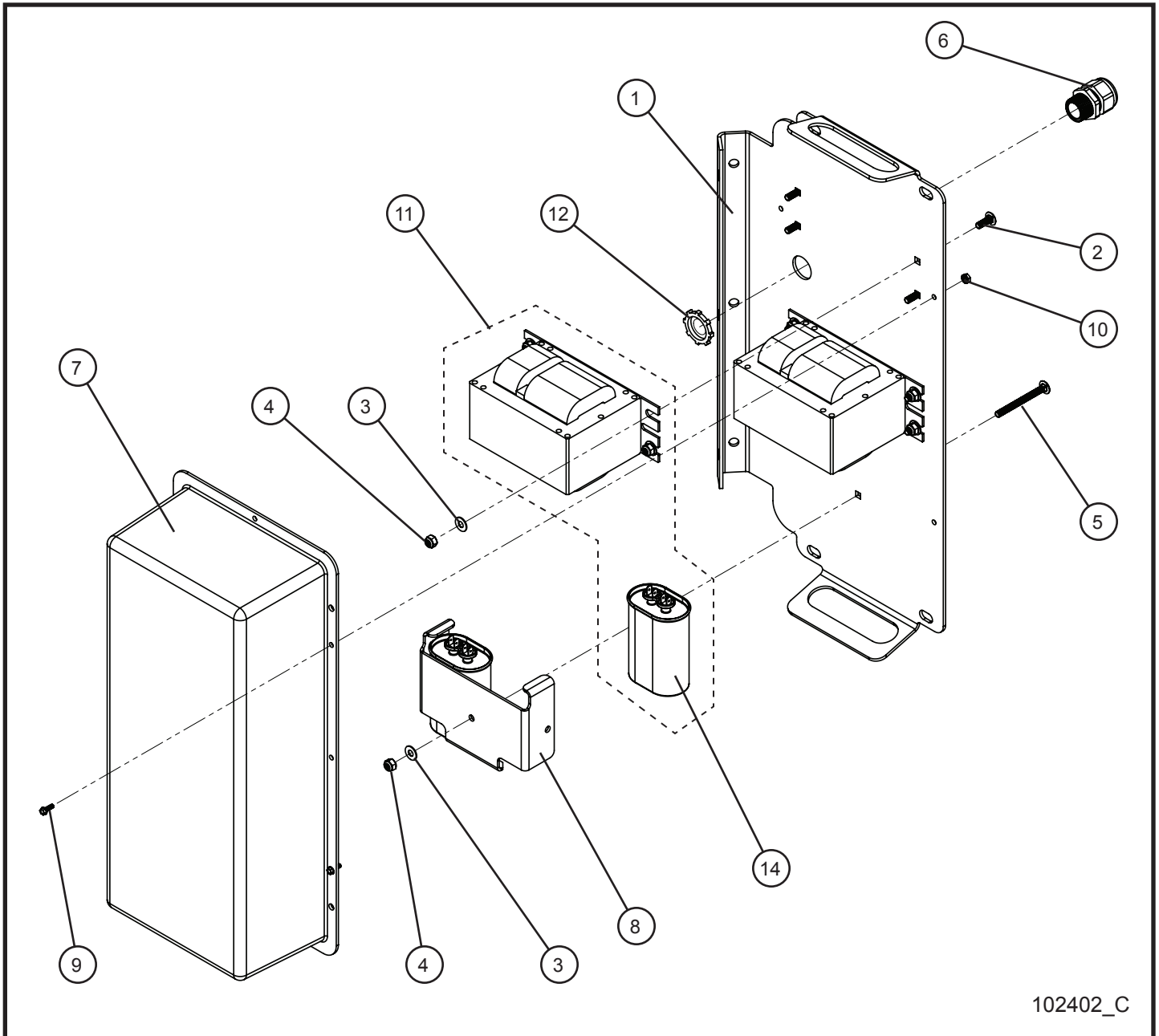
5.7 - 1000W Lamps with 50Hz 220V Ballast Boxes

SN 0001PRO215 and UP
SN 0001PRO2V15 and UP

Item	Part No.	Part Description	Qty.
1	103624	PRO II BALLAST ASSEMBLY CORD	4
2	102402	1000W 50Hz 220V BALLAST ASSEMBLY	2
3	100670	3/8-16 x 1 1/4 CARRIAGE BOLT	4
4	045218	3/8 PUSH NUT	4
5	047010	5/16 FLAT WASHER PL	8
6	046110	3/8-16 x 1 HEX HEAD CS GR5 PL	4
7	044038	3/8-16 NYLOCK HEX NUT PL	8
8	610211	LAMP 1000W	4
9	610209	SUPPORT TIP LAMP SHO	4
10	610210	FIBERGLASS TUBE 12" LAMP SUPPORT	4
11	041200	#8-32 x 1/2 HEX WASHER HEAD INDT	8
12	044013	#8-32 NYLOCK HEX NUT SS	8

5.8 - 1000W 50Hz 220V Ballast Box Assembly

SN 0001PRO215 and UP
SN 0001PRO2V15 and UP



102402_C

Night-Lite ProII™

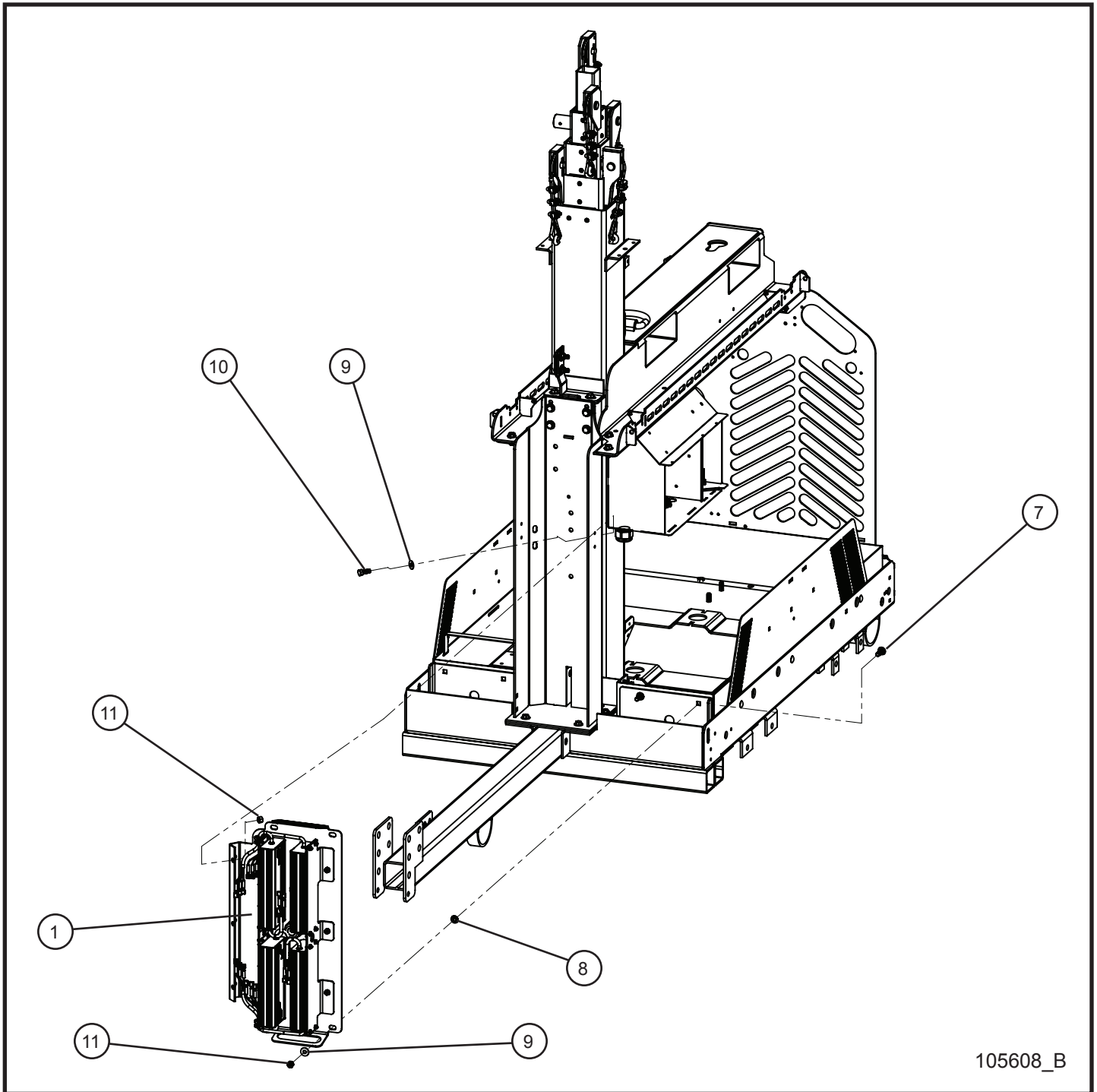
5.8 - 1000W 50Hz 220V Ballast Box Assembly

SN 0001PRO215 and UP
SN 0001PRO2V15 and UP

Item	Part No.	Part Description	Qty.
1	105914P	MOUNT PLATE BALLAST BOX	1
2	053006	1/4-20 x 3/4 CARRIAGE BOLT	8
3	047009	1/4 FLAT WASHER SAE SS	9
4	044023	1/4-20 NYLOCK HEX NUT PL	9
5	100718	1/4-20 x 2 1/4 CARRIAGE BOLT	1
6	105916	GRIP CORD NYLON 3/4	2
7	102752	BALLAST TOP MODULAR BOX	1
8	680608P	TABBED CAPACITOR CLAMP	1
9	041029	#8-32 x 1/2 HEX WASHER HEAD SCREW	4
10	044003	#8-32 NC KEPS NUT	4
11	310116A	BALLAST KIT 1000W 50Hz	2
12	022036	3/4 CORD GRIP NUT	2
13	105289	SCHEMATIC BALLAST 1000W 50Hz 220V	1
14	310115A	CAPACITOR 26UF 60/50Hz 540V	2

5.9 - LED 4 Driver Install Group

SN 0001PRO215 and UP
SN 0001PRO2V15 and UP



105608_B

Night-Lite ProII™

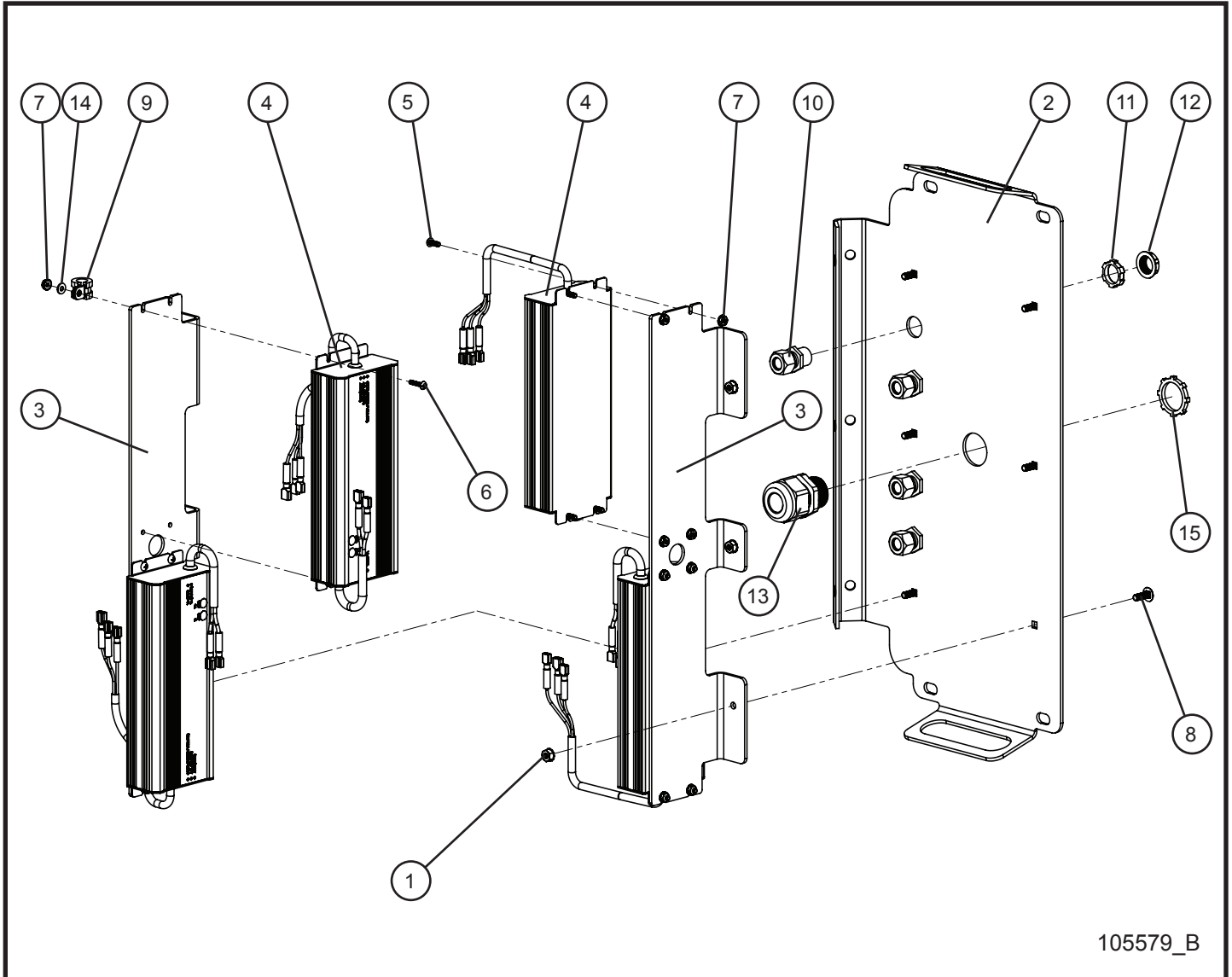
5.9 - LED 4 Driver Install Group

SN 0001PRO215 and UP
SN 0001PRO2V15 and UP

Item	Part No.	Part Description	Qty.
1	105579	LED 4 DRIVER ASSEMBLY	1
2	105609	#1 INPUT CORD	1
3	105612	#2 INPUT CORD	1
4	105613	#3 INPUT CORD	1
5	105614	#4 INPUT CORD	1
6	105615	#1 OUTPUT CORD	1
7	100670	3/8-16 x 1 1/4 CARRIAGE BOLT	2
8	045218	3/8 PUSH NUT	2
9	047010	5/16 FLAT WASHER PL	3
10	046110	3/8-16 x 1 HEX HEAD CS GR5 PL	1
11	044035	3/8-16 HEX NUT ZINC	3
12	105632	LED DRIVER 4 LIGHT SCHEMATIC NL PRO II	1

5.10 - LED 4 Driver Assembly

SN 0001PRO215 and UP
SN 0001PRO2V15 and UP



105579_B

Night-Lite ProII™

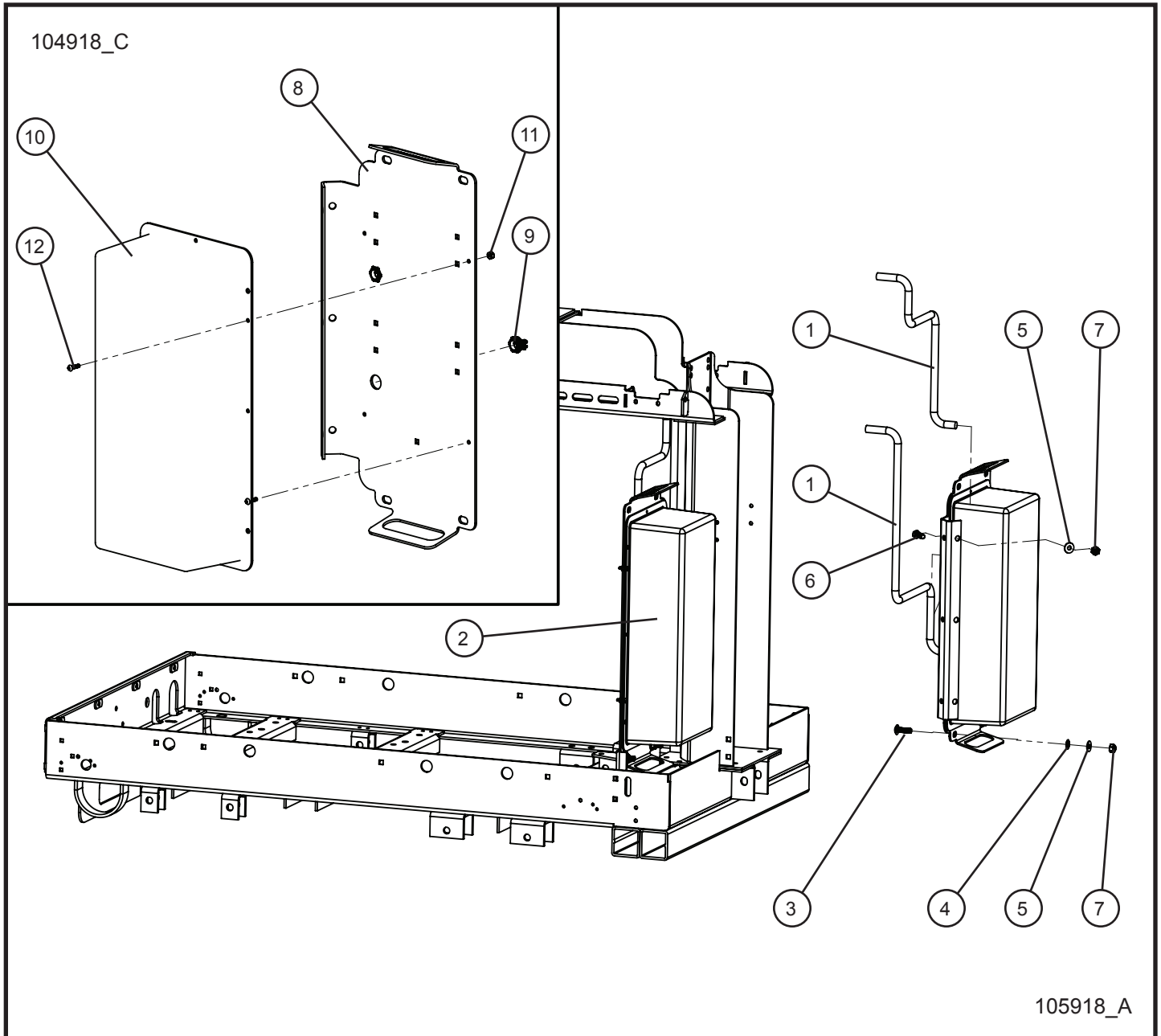
5.10 - LED 4 Driver Assembly

SN 0001PRO215 and UP
SN 0001PRO2V15 and UP

Item	Part No.	Part Description	Qty.
1	044021	1/4 KEPS HEX NUT PL	6
2	105915P	MOUNT PLATE LED DRIVER	1
3	105578P	MOUNT LED DRIVER	2
4	105677	DRIVER W/ TERMINALS LED LIGHT	4
5	041014	#8-32 x 1/2 PH-ROUND HEAD MS SS	14
6	041201	#8-32 x 3/4 SL-ROUND HEAD MS PL	2
7	044015	#8-32 KEPS HEX NUT SS	16
8	053007	1/4-20 x 3/4 CARRIAGE BOLT SS	6
9	310212	#10 CUSH CLAMP 1/4 HOLE	2
10	510007	1/2 CORD GRIP	4
11	022035	1/2 CORD GRIP NUT	4
12	022415	1/2 INSULATING BUSHING THREADED	4
13	105627	CORD GRIP 1" NYLON GRAY	1
14	047004	#8 FLAT WASHER SAE ZC	2
15	022038	1" CORD GRIP NUT	1

5.11 - No Lamps with Non Ballast Box Assembly

SN 0001PRO215 and UP
SN 0001PRO2V15 and UP



Night-Lite ProII™

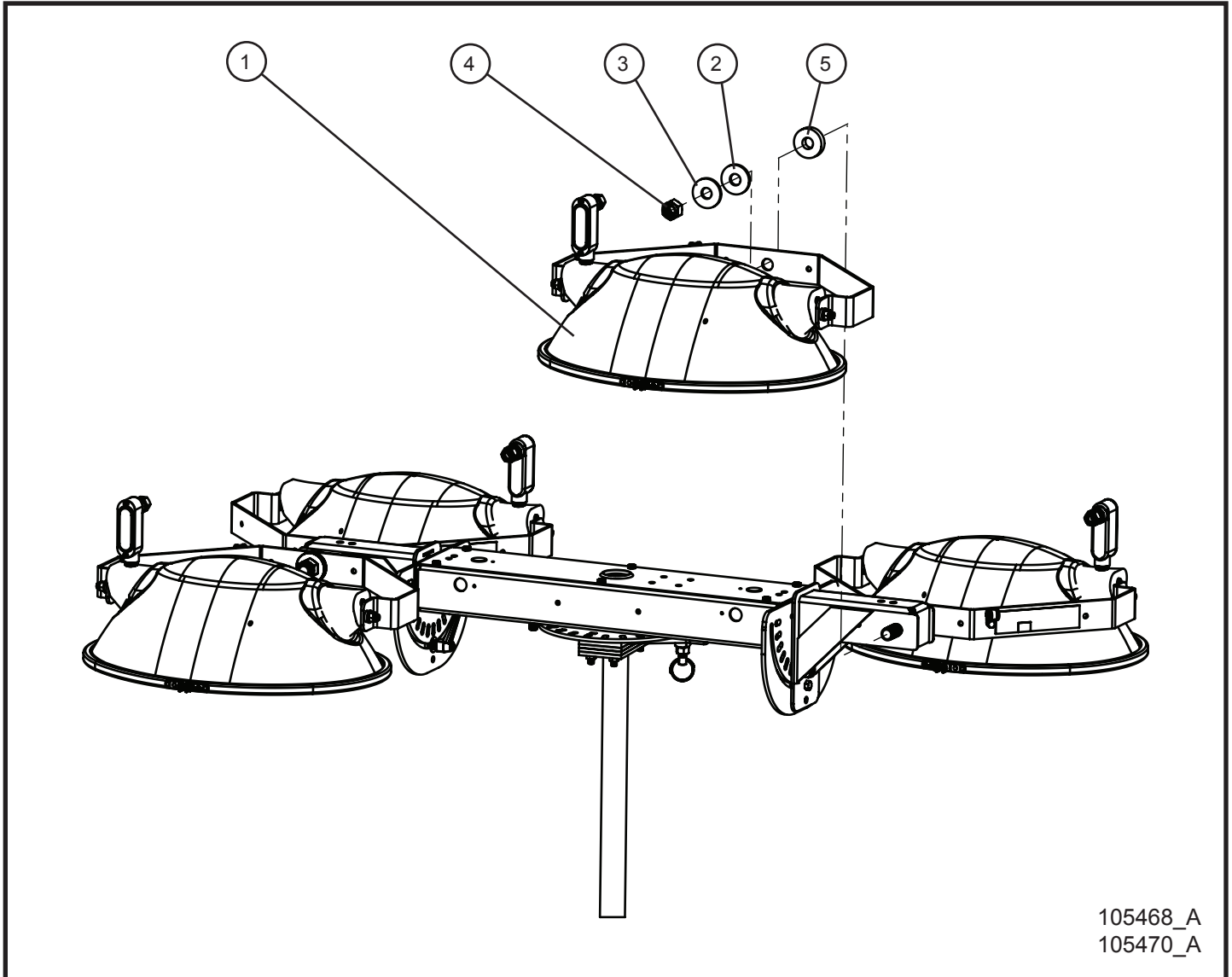
5.11 - No Lamps with Non Ballast Box Assembly

SN 0001PRO215 and UP
SN 0001PRO2V15 and UP

Item	Part No.	Part Description	Qty.
1	103624	PRO II BALLAST ASSEMBLY CORD	4
2	104918	NO LAMPS NON BALLAST BOX	2
3	100670	3/8-16 x 1 1/4 CARRIAGE BOLT	4
4	045218	3/8 PUSH NUT	4
5	047010	5/16 FLAT WASHER PL	8
6	046110	3/8-16 x 1 HEX HEAD CS GR5 PL	4
7	044038	3/8-16 NYLOCK HEX NUT PL	8
8	103936P	MOUNT PLATE BALLAST BOX	1
9	022020	3/8 2 SCREW CLAMP	2
10	102752	BALLAST TOP MODULAR BOX	1
11	044019	#10-24 NYLOCK HEX NUT SS	4
12	041027	#10-24 x 3/4 PH-ROUND HEAD MS	4

5.12 - SHO Light Fixtures

SN 0001PRO215 and UP
SN 0001PRO2V15 and UP



Night-Lite ProII™

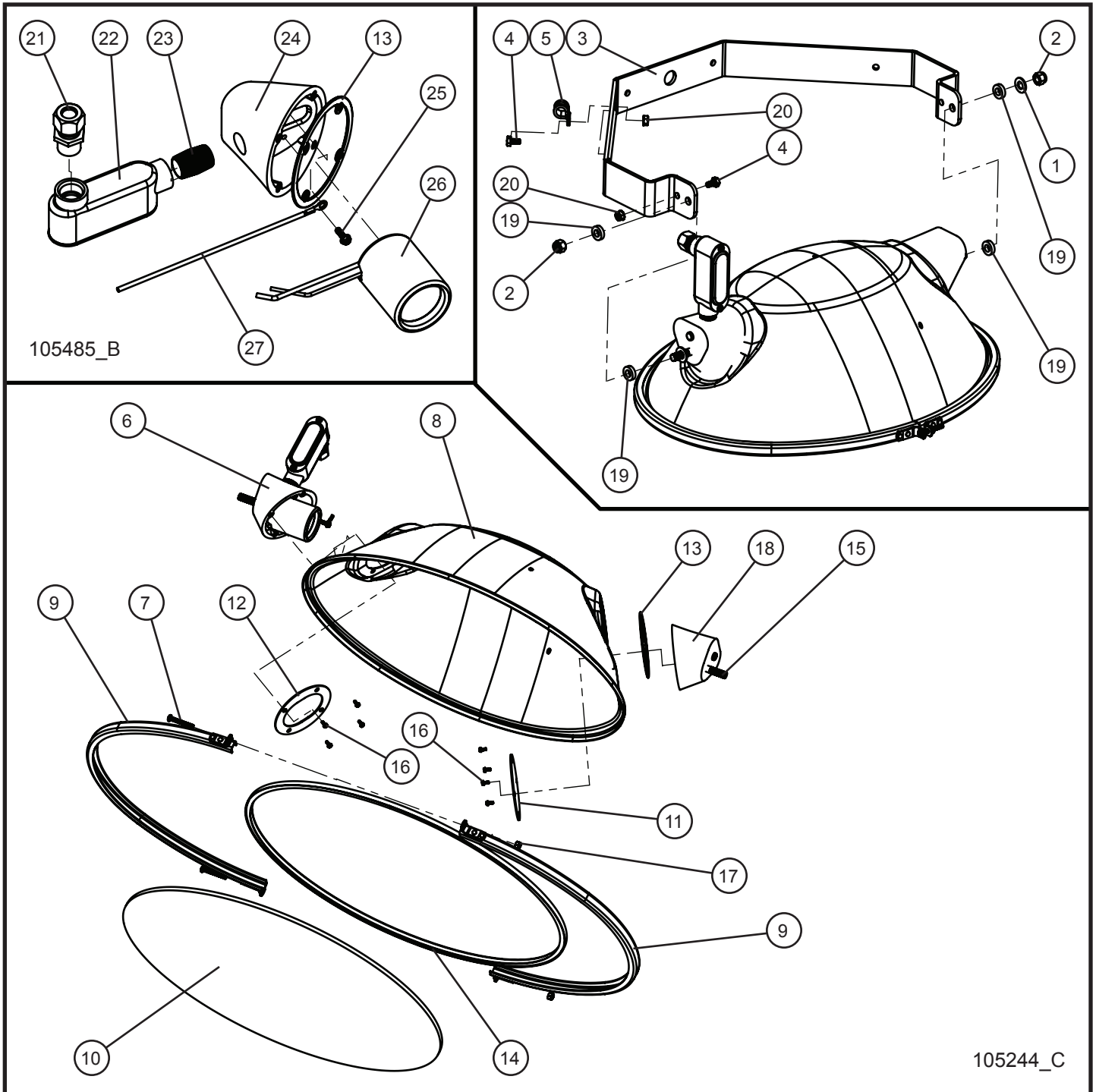
5.12 - SHO Light Fixtures

SN 0001PRO215 and UP
SN 0001PRO2V15 and UP

Item	Part No.	Part Description	Qty.
1	650147	LAMPHOLDER SHO LIGHT	4
	105244	LAMPHOLDER CSA/UL SHO LIGHT	4
2	650550	.785" x 2" HDPE WASHER	4
3	047035	3/4 FLAT WASHER PL	4
4	044058	3/4-10 NYLOCK HEX NUT PL	4
5	101813	.781 ID x 2 OD x 1/2 HDPE WASHER	4

5.13 - SHO Light Assembly Group

SN 0001PRO215 and UP
SN 0001PRO2V15 and UP



Night-Lite ProII™

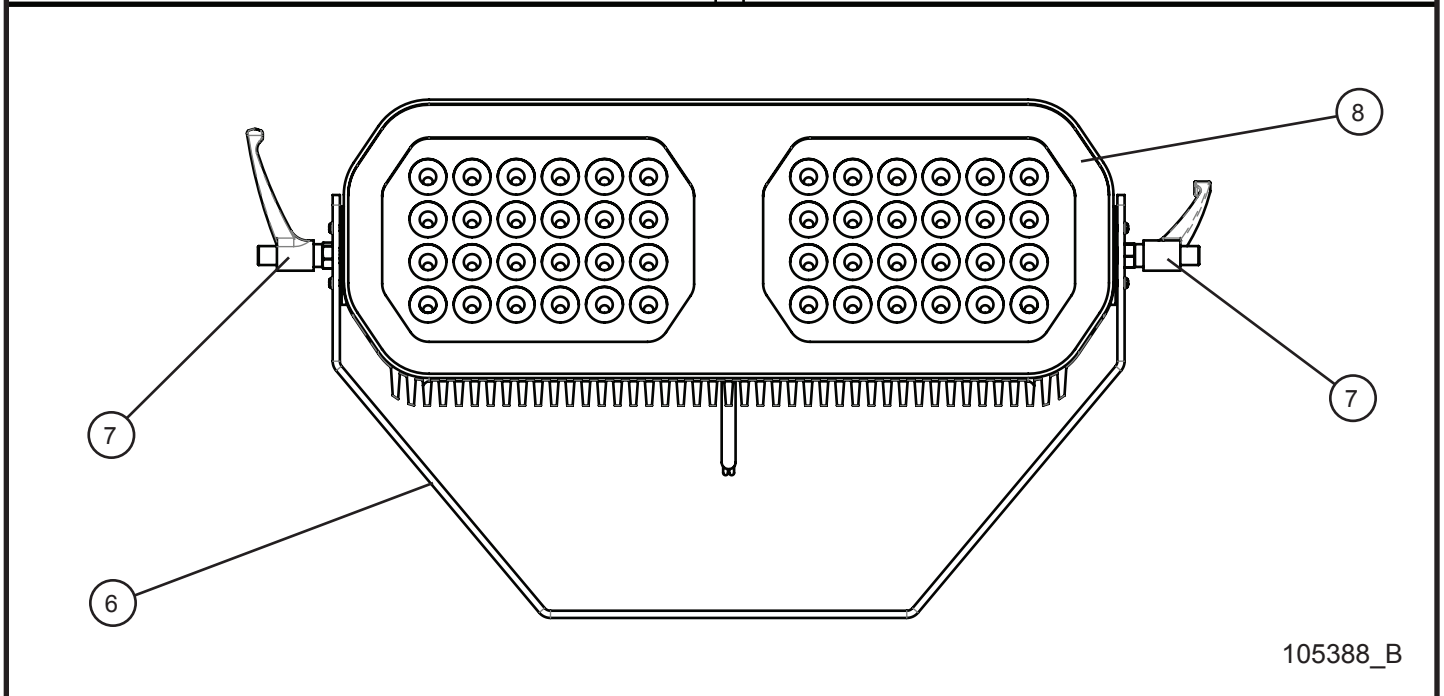
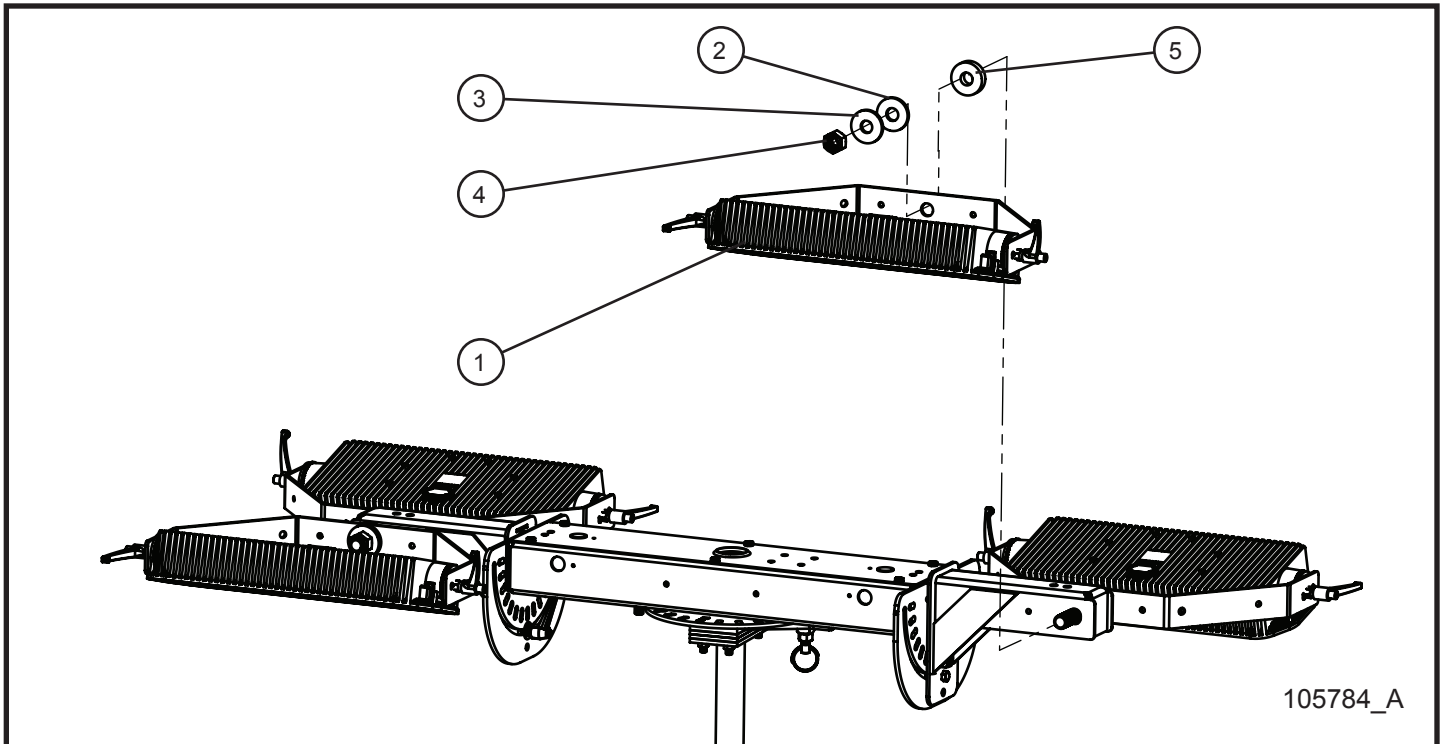
5.13 - SHO Light Assembly Group

SN 0001PRO215 and UP
SN 0001PRO2V15 and UP

Item	Part No.	Part Description	Qty.
1	047016	3/8 FLAT WASHER SAE ZINC	2
2	044037	3/8-24 NYLOCK HEX NUT PL	2
3	660130P	YOKE MOUNT SHO LAMP	1
4	046005	1/4-20 x 1/2 HEX HEAD CS GR5 PL	2
5	022022	#8 CUSH CLAMP 1/4 HOLE	1
6	105485	SOCKET ENTRANCE END CAP ASSEMBLY	1
7	041040	#10-24 x 1 1/2 PH-ROUND HEAD MS SS	2
8	610201	REFLECTOR	1
9	610202	LENS CHANNEL SET SHO LIGHT	2
10	610203	GLASS LENS	1
11	610207	INTERIOR COVER PLATE WITHOUT HOLE	1
12	610208	INTERIOR COVER PLATE WITH HOLE	1
13	610213	GASKET SOCKET END CAP	2
14	610217	SILICONE GASKET	1
15	045142	3/8-24 x 3/8-16 x 2 STUD	2
16	041028	#10-24 x 1/2 HEX WASHER HEAD INDT	8
17	044019	#10-24 NYLOCK HEX NUT SS	2
18	610206	CASTING END SHO	1
19	047019	NYLON BUSHING 3/4 OD x .385 ID	4
20	044021	1/4-20 KEPS HEX NUT PL	2
21	510007	1/2 CORD GRIP	1
22	610214	ELBOW 1/2 SLB SHO ENTRANCE	1
23	610215	1/2 NPT NIPPLE	1
24	610205	SOCKET CASTING END SHO	1
25	041257	#10-32 x 3/8 SL-HEX WASHER HEAD MS GRND	1
26	610212	CERAMIC SOCKET	1
27	610219	GROUND WIRE LAMPHOLDER SHO ENTRANCE	1

5.14 - LED Light Fixtures and LED Assembly Group

SN 0001PRO215 and UP
SN 0001PRO2V15 and UP



Night-Lite ProII™

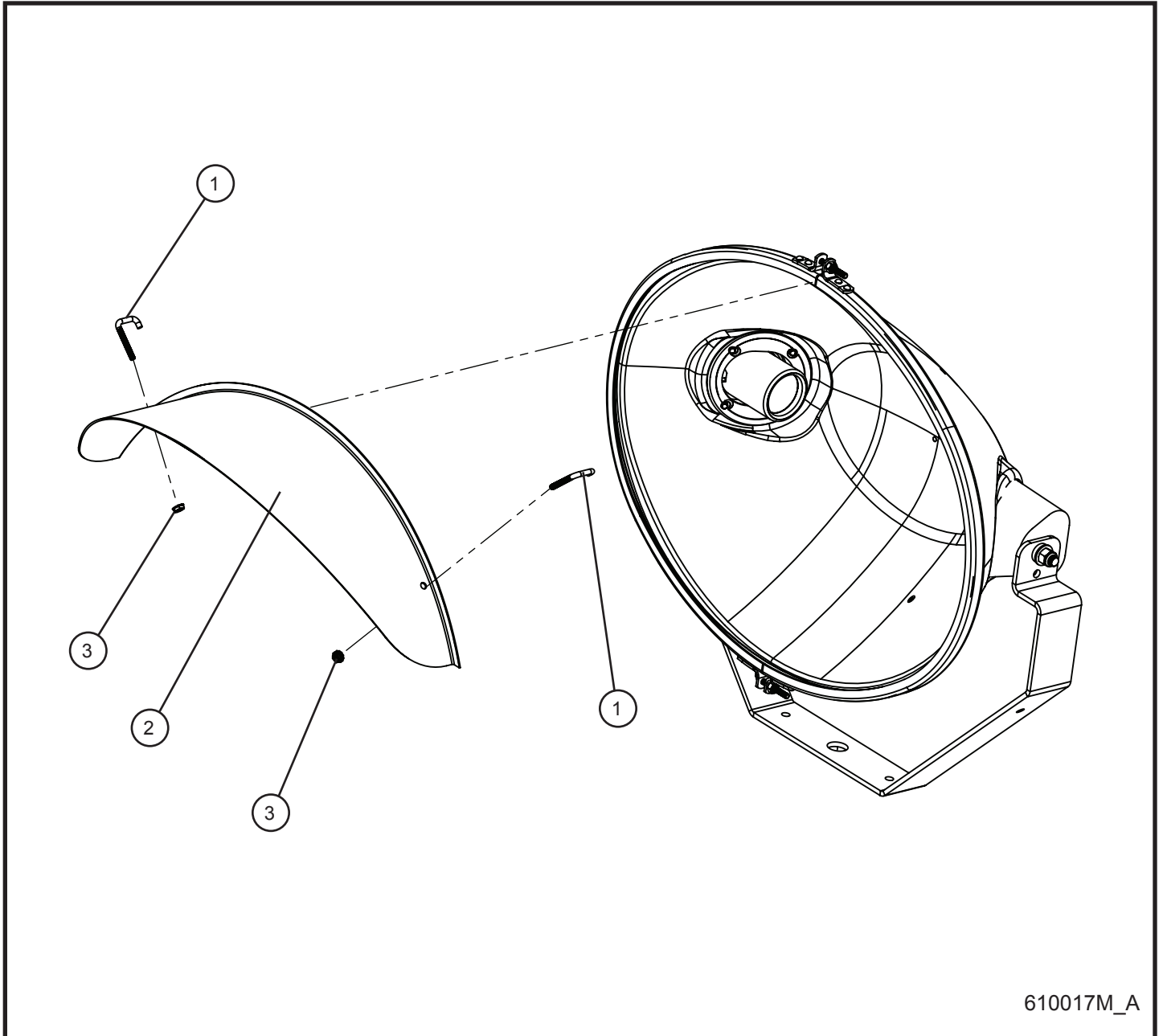
5.14 - LED Light Fixtures and LED Assembly Group

SN 0001PRO215 and UP
SN 0001PRO2V15 and UP

Item	Part No.	Part Description	Qty.
1	105388	LED SCENE LIGHT WIDE FLOOD	4
2	650550	.785" x 2" HDPE WASHER	4
3	047035	3/4 FLAT WASHER PL	4
4	044058	3/4-10 NYLOCK HEX NUT PL	4
5	101813	.781 ID x 2 OD x 1/2 HDPE WASHER	4
6	105387P	YOKE LED LIGHT (EACH LED)	1
7	105390	NYLON ADJUSTABLE HANDLE (EACH LED)	2
8	105325	LED SCENE LIGHT MODEL 623 WIDE FLOOD (EACH LED)	1

5.15 - SHO Light SAF-T-Visor

SN 0001PRO215 and UP
SN 0001PRO2V15 and UP



610017M_A

Night-Lite ProII™

5.15 - SHO Light SAF-T-Visor

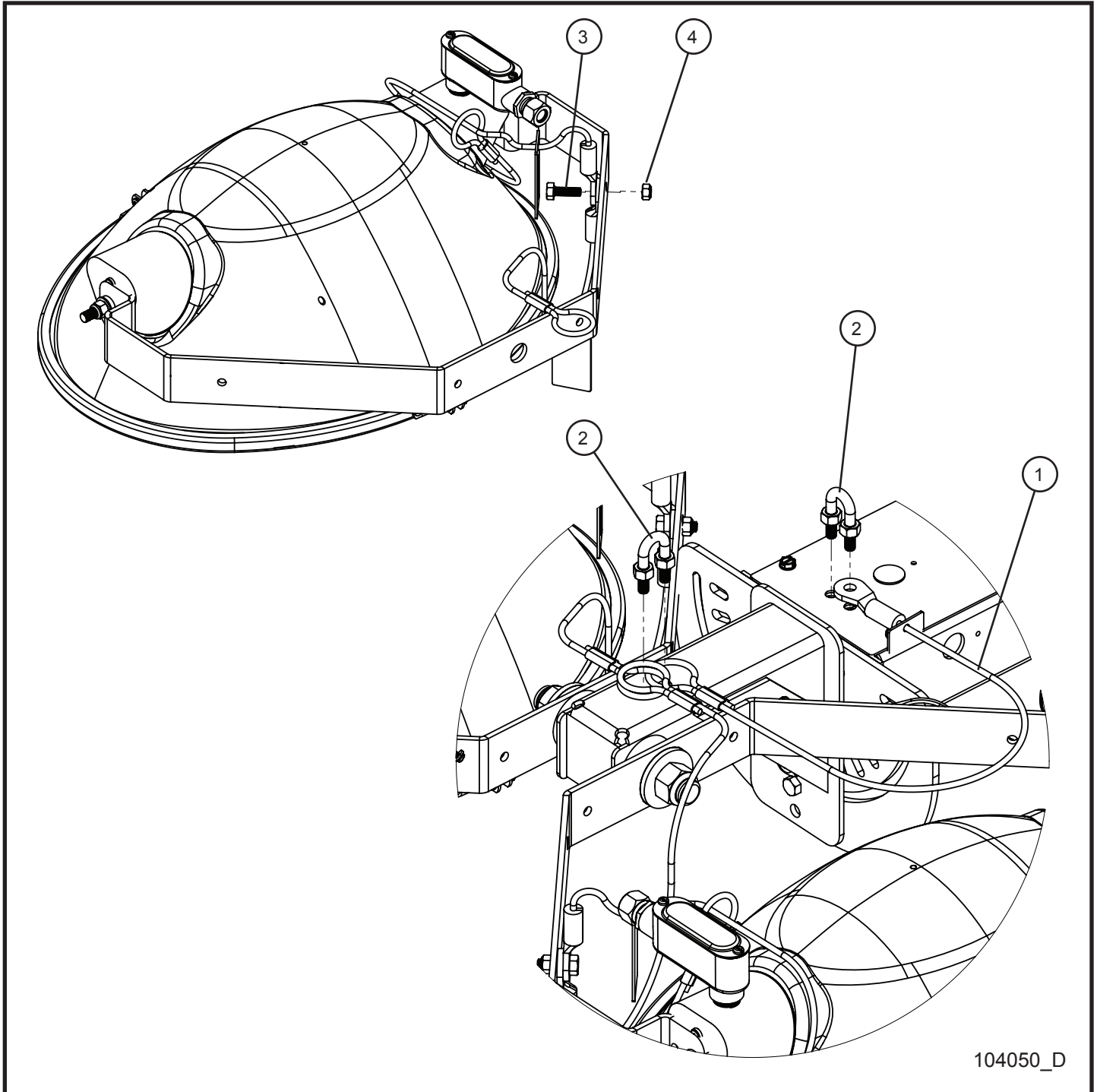
SN 0001PRO215 and UP
SN 0001PRO2V15 and UP

Item	Part No.	Part Description	Qty.
1	045070	#10-24 HOOK SQ BEND BOLT	8
2	610017	SAF-T VISOR SHO LAMP (*SEE NOTE)	4
3	044016	#10-24 KEPS HEX NUT PL	8

*NOTE: SAF-T VISOR MUST BE INSTALLED WITH LIP BETWEEN GASKET AND GLASS LENS.

5.16 - SHO Light SFR Safety Lanyards

SN 0001PRO215 and UP
SN 0001PRO2V15 and UP



104050_D

Night-Lite ProII™

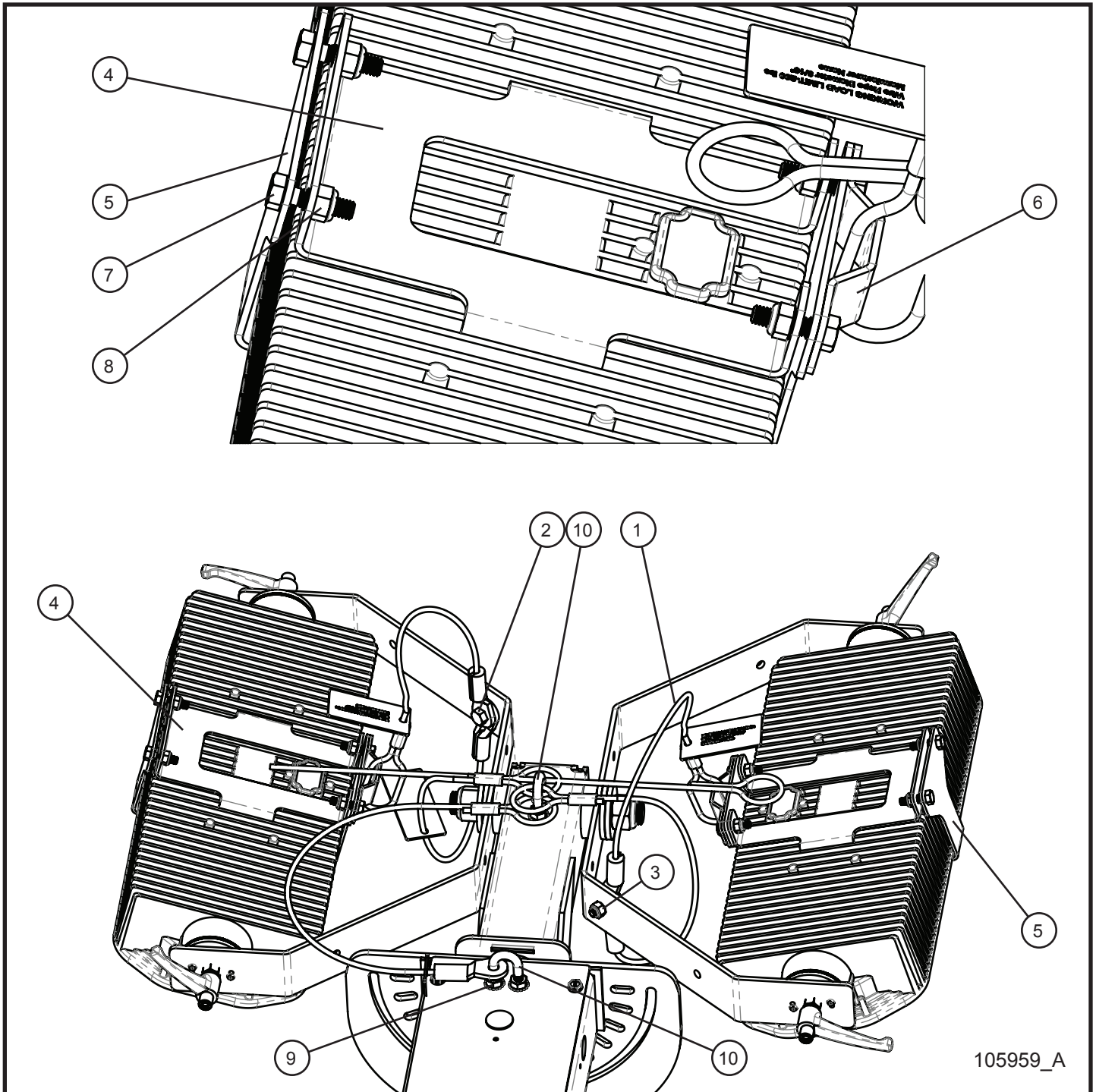
5.16 - SHO Light SFR Safety Lanyards

SN 0001PRO215 and UP
SN 0001PRO2V15 and UP

Item	Part No.	Part Description	Qty.
1	103907	LOAD RATED LANYARD	10
2	045085	3/8-16 U BOLT	4
3	046050	5/16-18 x 1 HEX HEAD CS GR5 PL	4
4	044033	5/16-18 NYLOCK HEX NUT PL	4

5.17 - LED Light SFR Safety Lanyards

SN 0001PRO215 and UP
SN 0001PRO2V15 and UP



Night-Lite ProII™

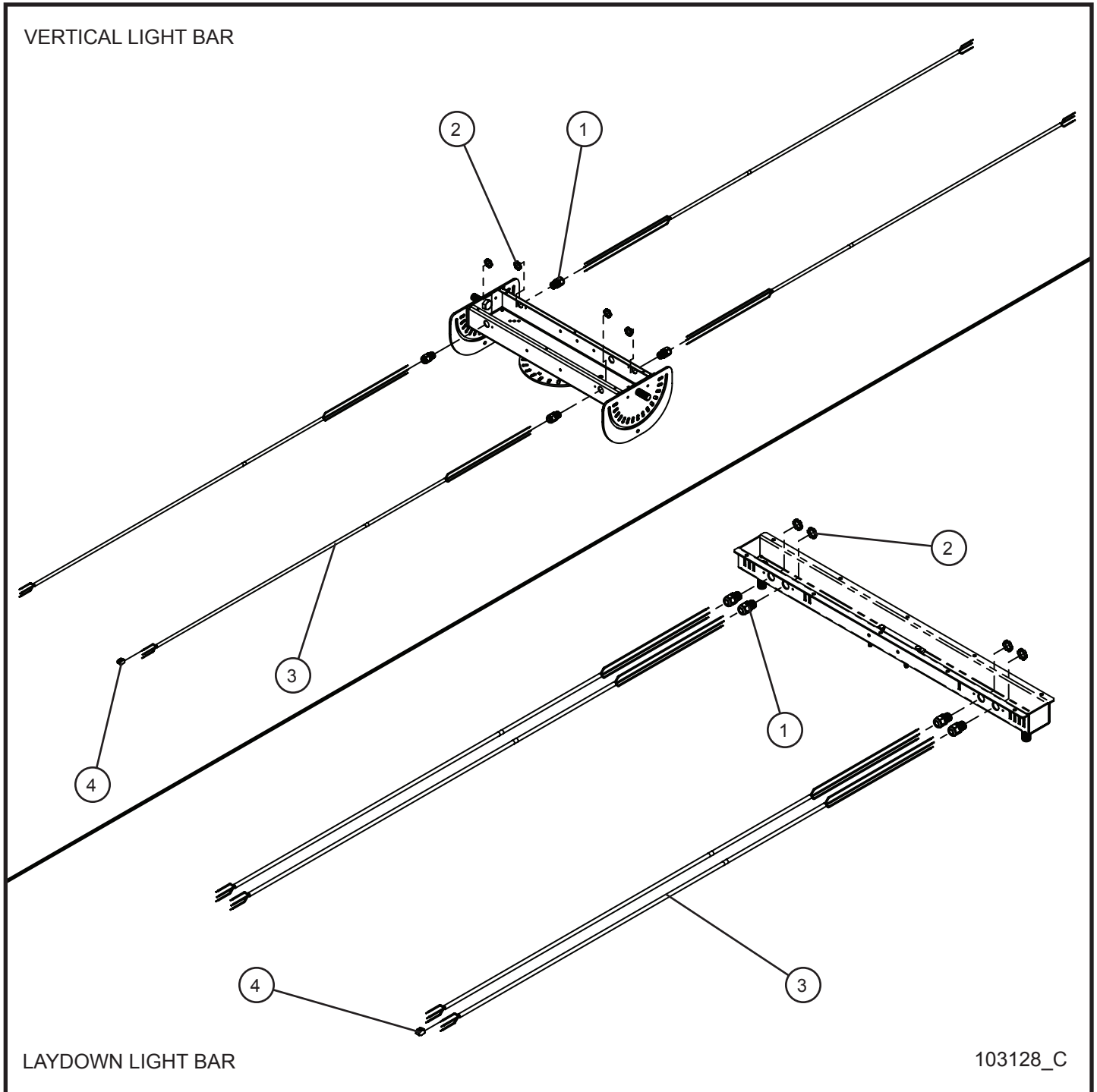
5.17 - LED Light SFR Safety Lanyards

SN 0001PRO215 and UP
SN 0001PRO2V15 and UP

Item	Part No.	Part Description	Qty.
1	103907	LOAD RATED LANYARD	10
2	046050	5/16-18 x 1 HEX HEAD CS GR5 PL	4
3	044033	5/16-18 NYLOCK HEX NUT PL	4
4	106712P	SFR TOP BRACKET LED	4
5	106711P	SFR BOTTOM BRACKET LED	4
6	106713P	SFR LANYARD BRACKET LED	4
7	046015	1/4-20 x 1 HEX HEAD CS GR5 PL	16
8	044023	1/4-20 NYLOCK HEX NUT PL	16
9	044036	3/8-16 KEPS HEX NUT PL	16
10	045085	3/8-16 U BOLT	4

5.18 - SHO Light Solid Wired Lamp Connector

SN 0001PRO215 and UP
SN 0001PRO2V15 and UP



Night-Lite ProII™

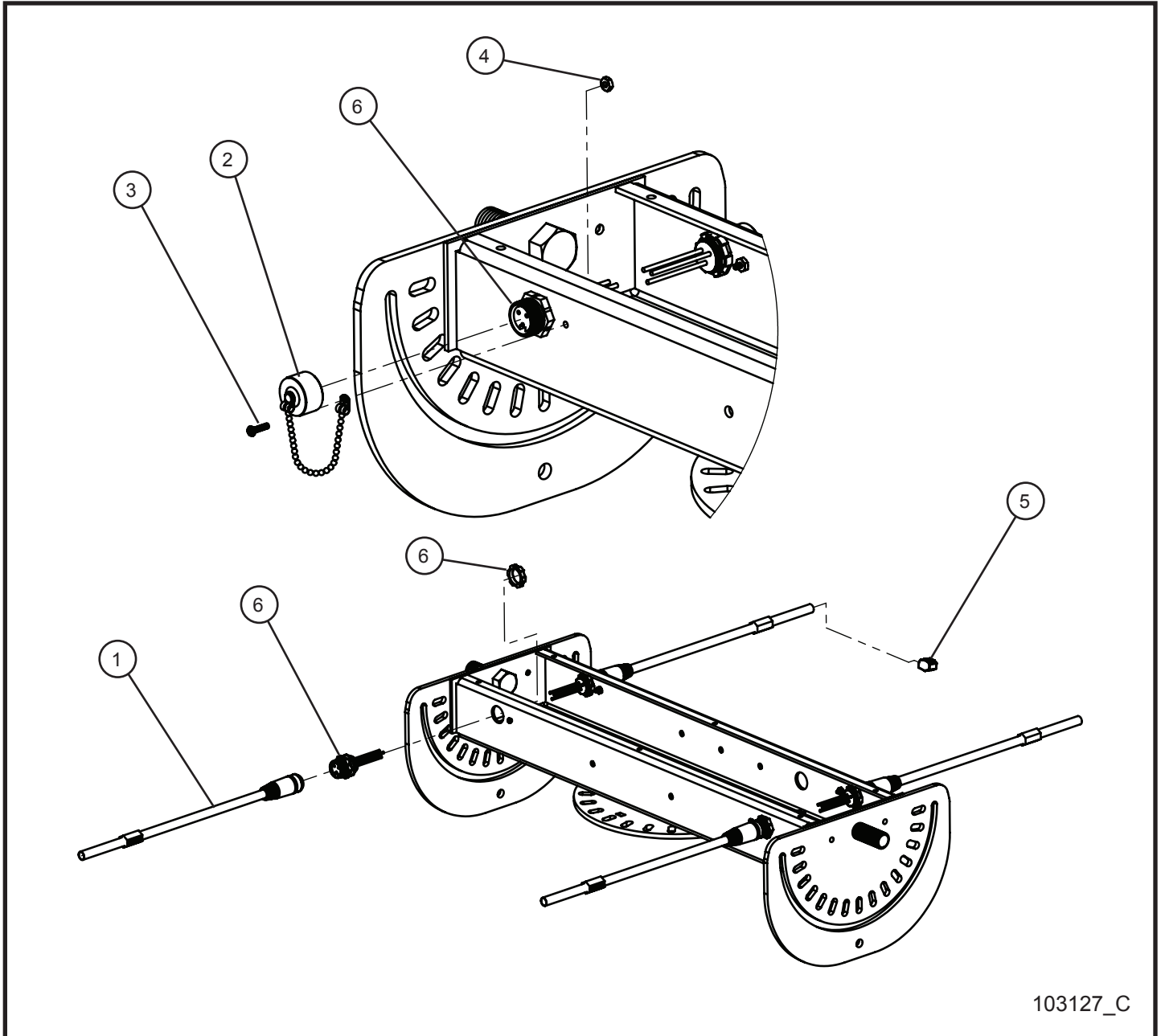
5.18 - SHO Light Solid Wired Lamp Connector

SN 0001PRO215 and UP
SN 0001PRO2V15 and UP

Item	Part No.	Part Description	Qty.
1	105626	CORD GRIP 1/2" NYLON BLACK	4
2	022035	1/2 CORD GRIP NUT	4
3	650159	CORD ASSEMBLY 16/3 SOOW 68 INCHES	4
4	102624	2 WIRE LEVER LOCK	12

5.19 - SHO Light Quick Disconnect Lamp Connector

SN 0001PRO215 and UP
SN 0001PRO2V15 and UP



103127_C

Night-Lite ProII™

5.19 - SHO Light Quick Disconnect Lamp Connector

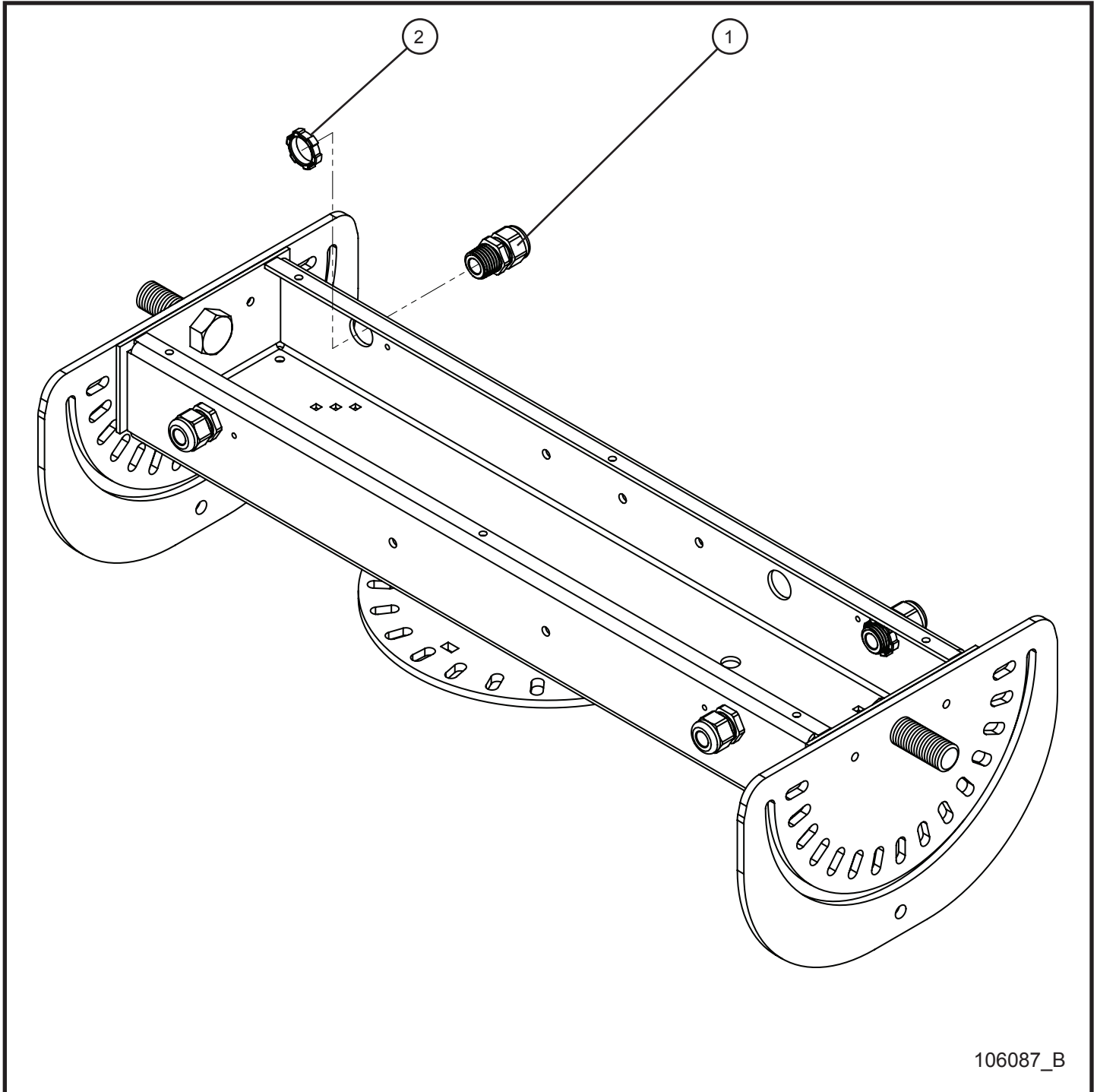
SN 0001PRO215 and UP
SN 0001PRO2V15 and UP

Item	Part No.	Part Description	Qty.
1	310434	MALE CONNECTOR CABLE HUBBEL #HPMS03112	4
2	310413	CAP QUICK DISCONNECT	4
3	100029	#6-32 x 1/2 PH-ROUND HEAD MS PL	4
4	044004	#6-32 KEPS HEX NUT PL	4
5	102624	2 WIRE LEVER LOCK	12
6	310414	QD CONNECTOR FEMALE	4

*NOTE: PARTS CALLED OUT IN SAME NUMBER ARE THE ASSEMBLY OF THAT PART NUMBER.

5.20 - LED Light Solid Wired Lamp Connector

SN 0001PRO215 and UP
SN 0001PRO2V15 and UP



Night-Lite ProII™

5.20 - LED Light Solid Wired Lamp Connector

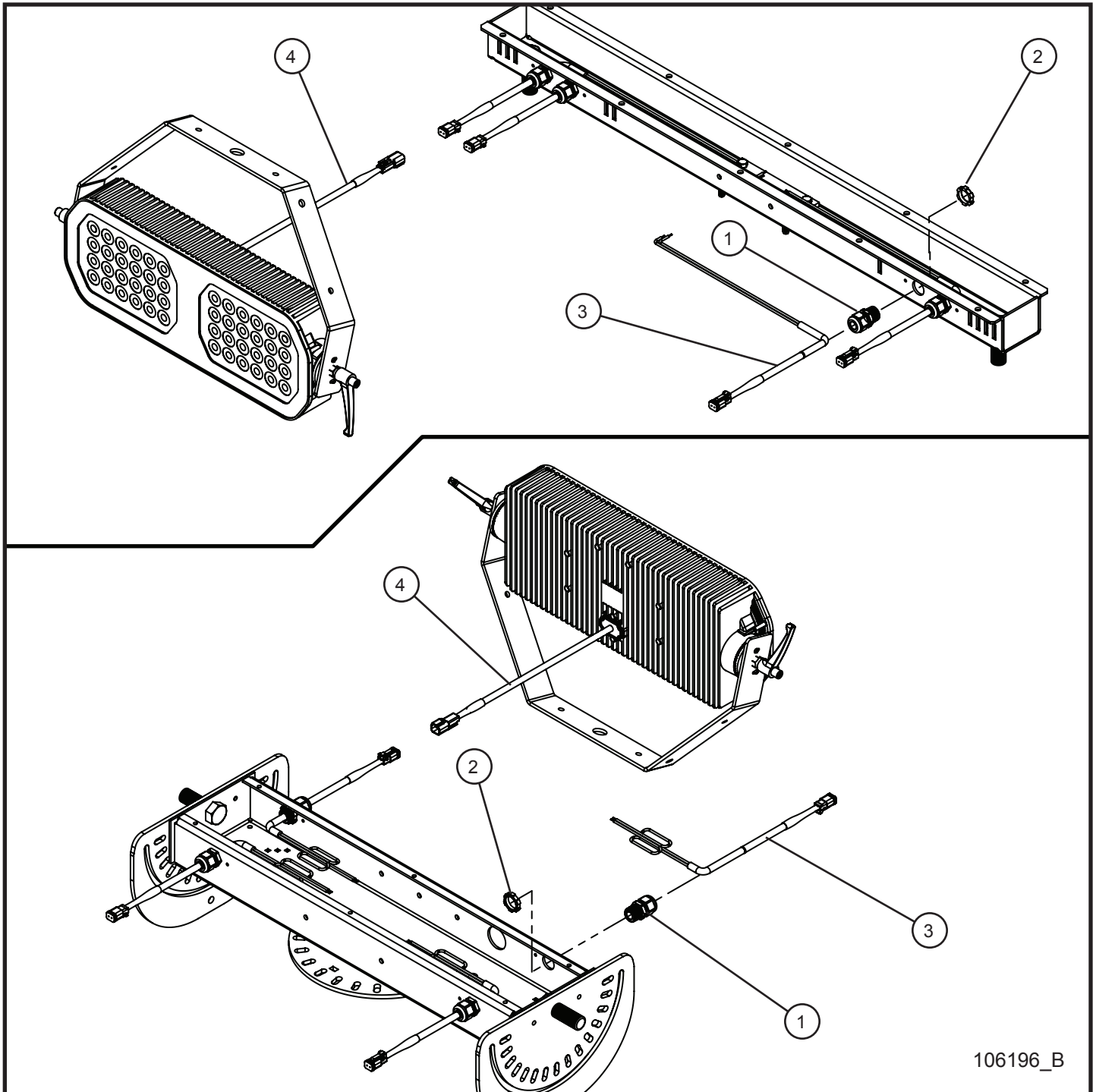
SN 0001PRO215 and UP
SN 0001PRO2V15 and UP

Item	Part No.	Part Description	Qty.
1	105626	CORD GRIP 1/2" NYLON BLACK	4
2	022035	1/2 CORD GRIP NUT	4
3	105713	SCHEMATIC LED LIGHT BAR	1

*NOTE: THE CORD FOR LED SCENE LIGHT WIDE FLOOD IS FOUND IN ITS ASSEMBLY.

5.21 - LED Light Quick Disconnect Lamp Connector

SN 0001PRO215 and UP
SN 0001PRO2V15 and UP



106196_B

Night-Lite ProII™

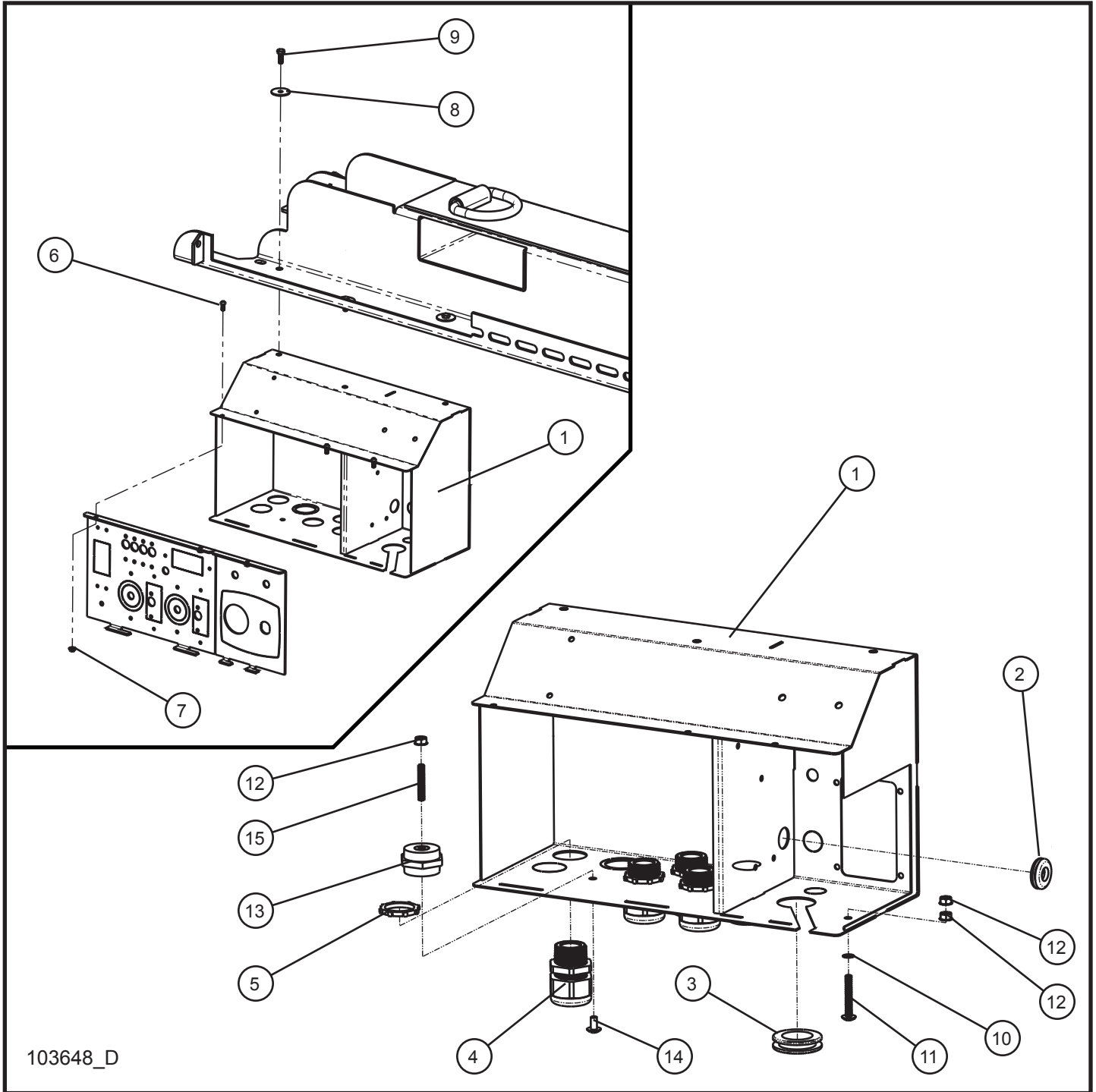
5.21 - LED Light Quick Disconnect Lamp Connector

SN 0001PRO215 and UP
SN 0001PRO2V15 and UP

Item	Part No.	Part Description	Qty.
1	105626	CORD GRIP 1/2" NYLON BLACK	4
2	022035	1/2 CORD GRIP NUT	4
3	106197	CORD QUICK DISCONNECT LED	4
4	106201	LED LAMP ASSY QUICK DISCONNECT	4
5	106157	SCHEMATIC LED DISCONNECT	1

6.1 - Component Box

SN 0001PRO215 and UP
SN 0001PRO2V15 and UP



103648_D

Night-Lite ProII™

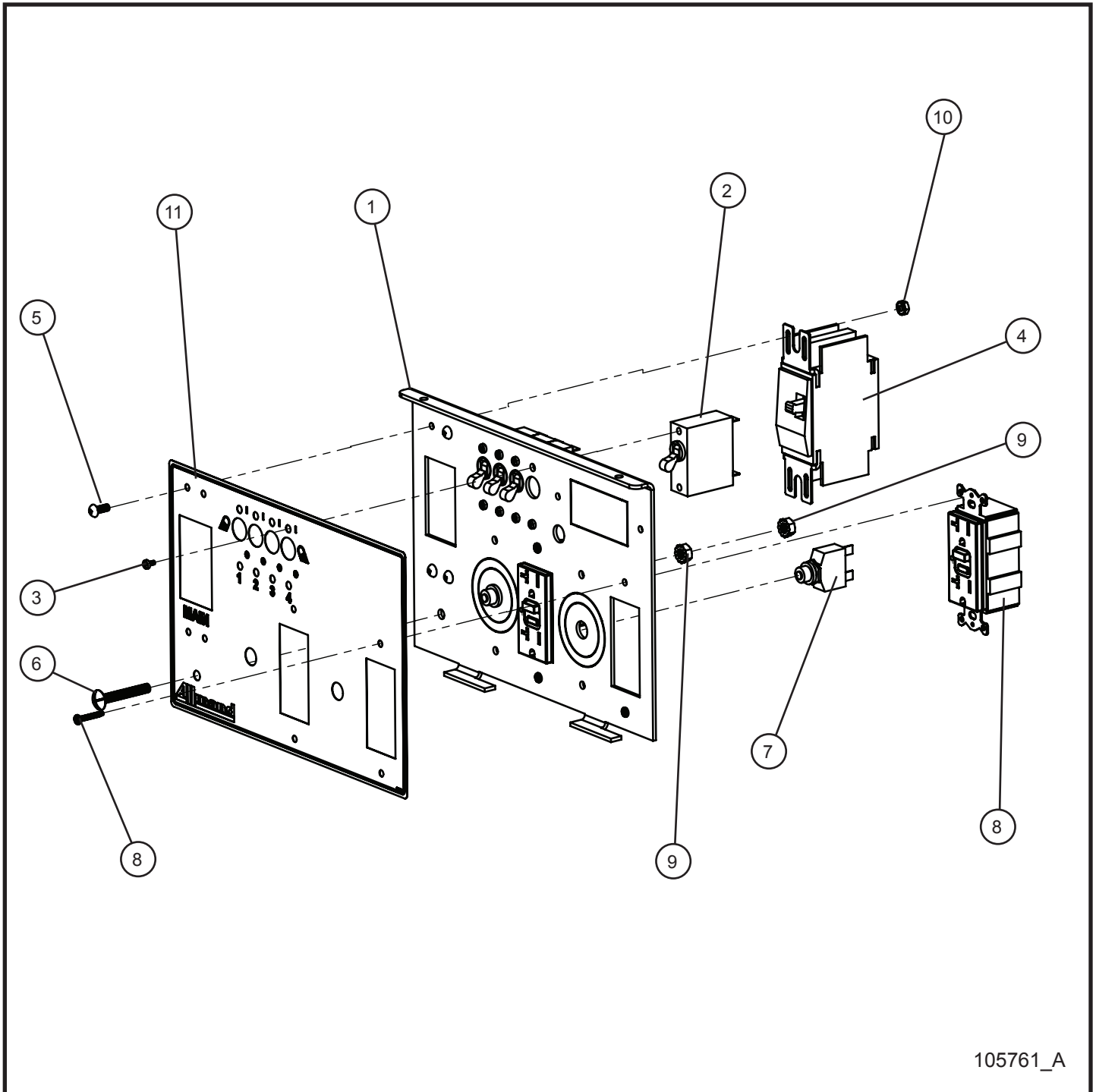
6.1 - Component Box

SN 0001PRO215 and UP
SN 0001PRO2V15 and UP

Item	Part No.	Part Description	Qty.
1	105780P	COMPONENT BOX WELDMENT	1
2	100859	7/8 ID x 1 1/4 OD GROMMET	1
3	650542	1 1/4 ID x 1 1/2 OD GROMMET	1
4	105627	CORD GRIP 1" NYLON BLACK	5
5	022038	1" CORD GRIP NUT	5
6	041024	#10-24 x 1/2 PH-ROUND HEAD MS SS	3
7	044016	#10-24 KEPS HEX NUT PL	3
8	047007	1/4 x 1 1/4 x .056 FENDER WASHER	3
9	046010	1/4-20 x 3/4 HEX HEAD CS GR5 SS	3
10	043050	1/4 INT'L TOOTH LOCK WASHER	1
11	041053	1/4-20 x 1 3/4 PH-TRUSS HEAD MS SS	1
12	044021	1/4-20 KEPS HEX NUT PL	3
13	106318	LOW VOLTAGE INSULATOR 1-1/4, 1/4-20	1
14	041078	1/4-20 x 1/2 PH-TRUSS HEAD MS SS	1
15	045003	1/4-20 x 1-1/2 STUD PL	1

6.2 - 2-20AMP GFCI Outlet Package

SN 0001PRO215 and UP
SN 0001PRO2V15 and UP



105761_A

Night-Lite ProII™

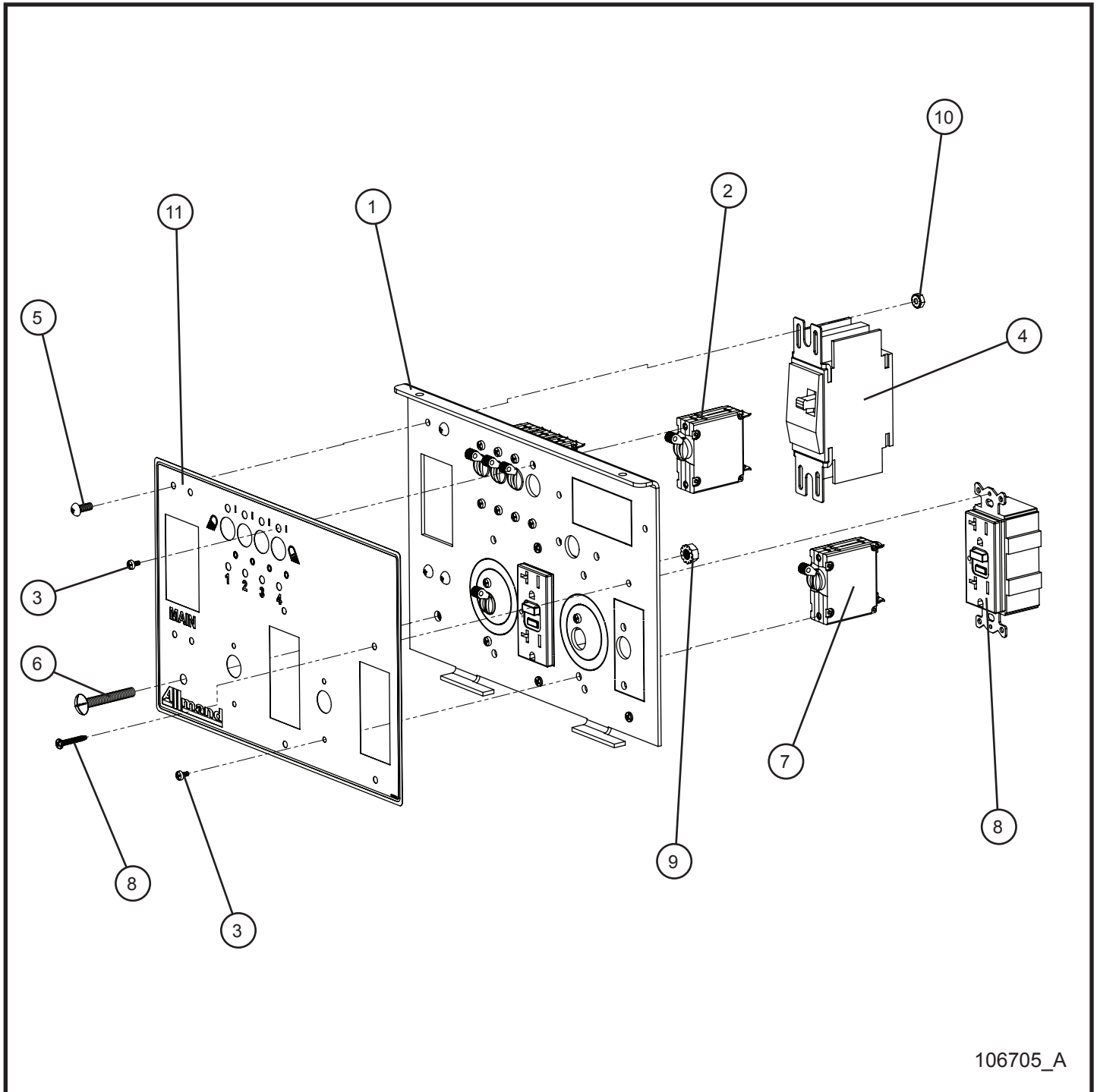
6.2 - 2-20AMP GFCI Outlet Package

SN 0001PRO215 and UP
SN 0001PRO2V15 and UP

Item	Part No.	Part Description	Qty.
1	105777P	OUTLET PANEL UNIVERSAL 3	1
2	330458	15A SPST BREAKER SWITCH	4
3	041018	#6-32 x 1/4 PH-ROUND HEAD MS PL	8
4	350354	35 AMP DOUBLE POLE BREAKER	1
5	041012	SCREW MS #8-32 x 1/2 PL	4
6	041053	1/4-20 x 1 3/4 PH-TRUSS HEAD MS SS	1
7	650138	CIRCUIT BREAKER 20A PUSH BUTTON	2
8	330499	20 A GFCI RECEPTACLE	2
9	044021	1/4-20 KEPS HEX NUT PL	2
10	044003	#8-32 NC KEPS NUT	4
11	105771	DECAL BREAKER DOMESTIC OPTIONS	1

6.3 - 2-20AMP GFCI Outlet UL489 Package

SN 0001PRO215 and UP
SN 0001PRO2V15 and UP



106705_A

Night-Lite ProII™

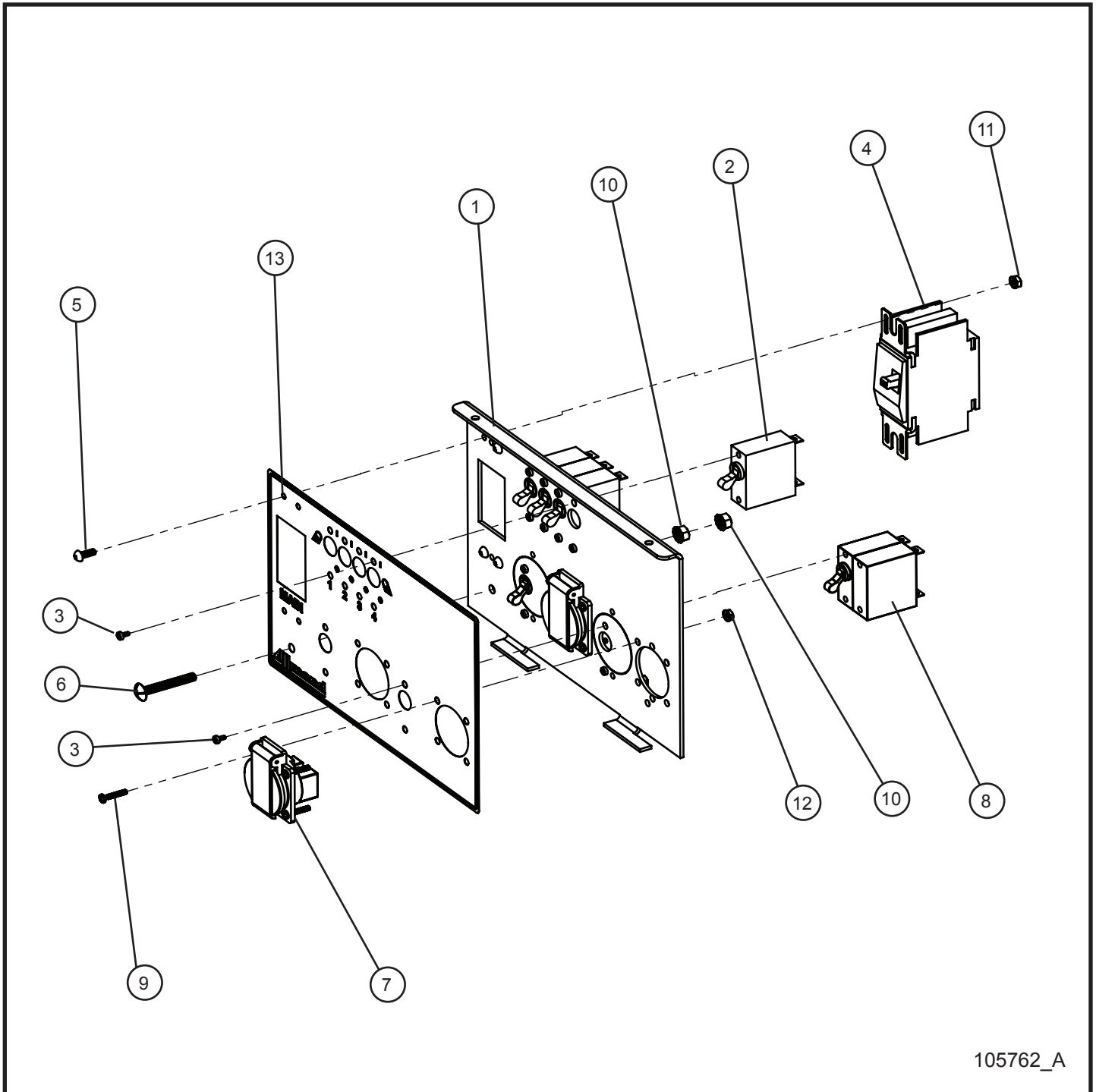
6.3 - 2-20AMP GFCI Outlet UL489 Package

SN 0001PRO215 and UP
SN 0001PRO2V15 and UP

Item	Part No.	Part Description	Qty.
1	106684P	OUTLET PANEL UNIVERSAL 3	1
2	106781	CIRCUIT BREAKER 15AMP	4
3	041018	#6-32 x 1/4 PH-ROUND HEAD MS PL	12
4	350354	35 AMP DOUBLE POLE BREAKER	1
5	041012	SCREW MS #8-32 x 1/2 PL	4
6	041053	1/4-20 x 1 3/4 PH-TRUSS HEAD MS SS	1
7	106787	CIRCUIT BREAKER 20AMP	2
8	330499	20 A GFCI RECEPTACLE	2
9	044021	1/4-20 KEPS HEX NUT PL	2
10	044003	#8-32 NC KEPS NUT	4
11	105771	DECAL BREAKER DOMESTIC OPTIONS	1
12	107599	SCHEMATIC 2-20 AMP GFCI	1

6.4 - 50Hz Schuko Outlet Package

SN 0001PRO215 and UP
SN 0001PRO2V15 and UP



105762_A

Night-Lite ProII™

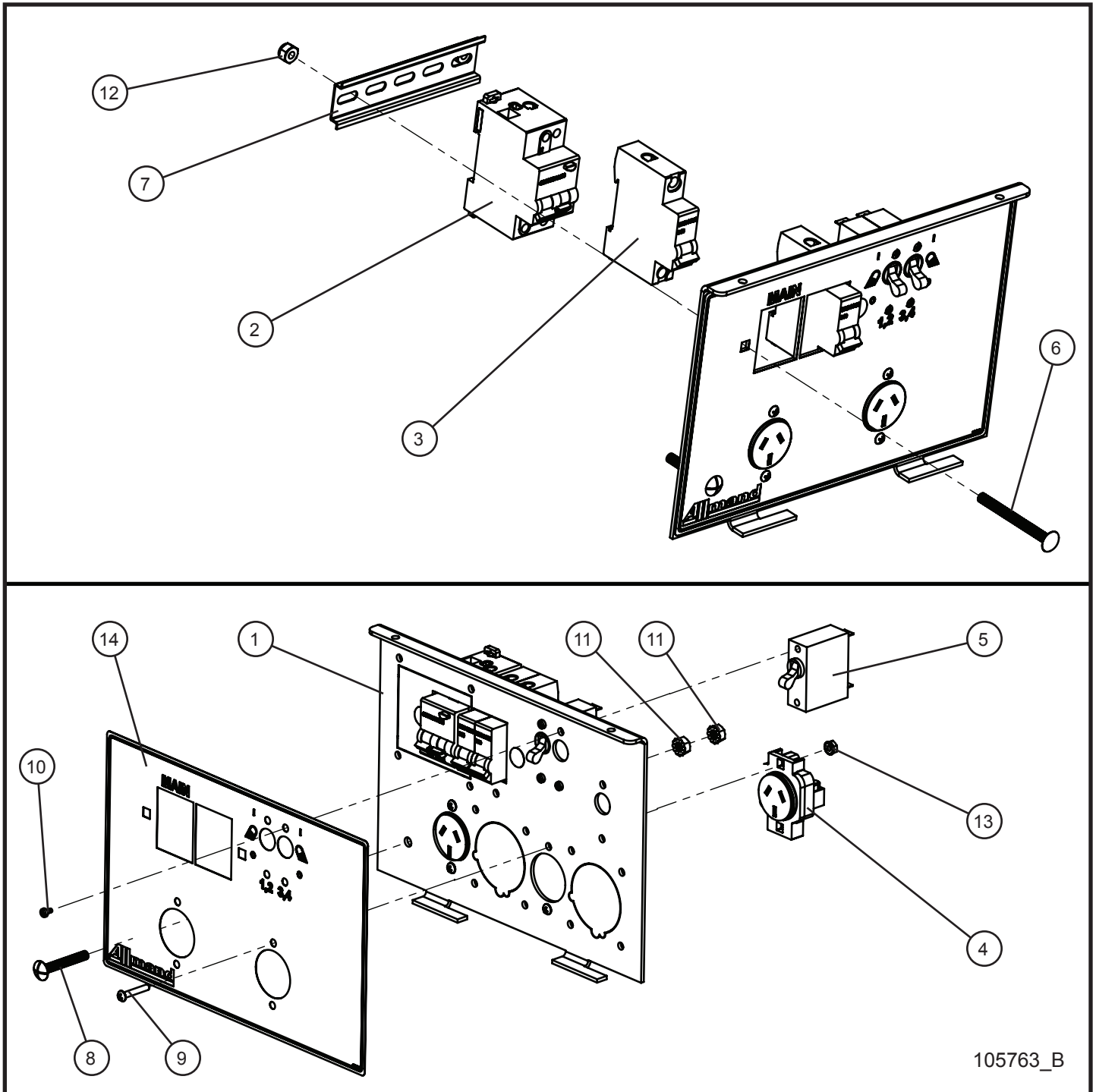
6.4 - 50Hz Schuko Outlet Package

SN 0001PRO215 and UP
SN 0001PRO2V15 and UP

Item	Part No.	Part Description	Qty.
1	105778P	OUTLET PANEL UNIVERSAL 1	1
2	330458	15A SPST BREAKER SWITCH	4
3	041018	#6-32 x 1/4 PH-ROUND HEAD MS PL	12
4	650534	25 AMP 120/240V DPST MAIN BREAKER	1
5	041012	SCREW MS #8-32 x 1/2 PL	4
6	041053	1/4-20 x 1 3/4 PH-TRUSS HEAD MS SS	1
7	650485	SCHUKO RECEPTACLE	2
8	330459	15A DPST, CARLING SWITCH	2
9	101291	#6-32 x 3/4 PH-PAN HEAD MS ZC	8
10	044021	1/4-20 KEPS HEX NUT PL	2
11	044003	#8-32 NC KEPS NUT	4
12	044004	#6-32 KEPS HEX NUT PL	8
13	105771	DECAL BREAKER FOREIGN OPTIONS	1

6.5 - 2-10AMP Outlet Package Australian

SN 0001PRO215 and UP
SN 0001PRO2V15 and UP



105763_B

Night-Lite ProII™

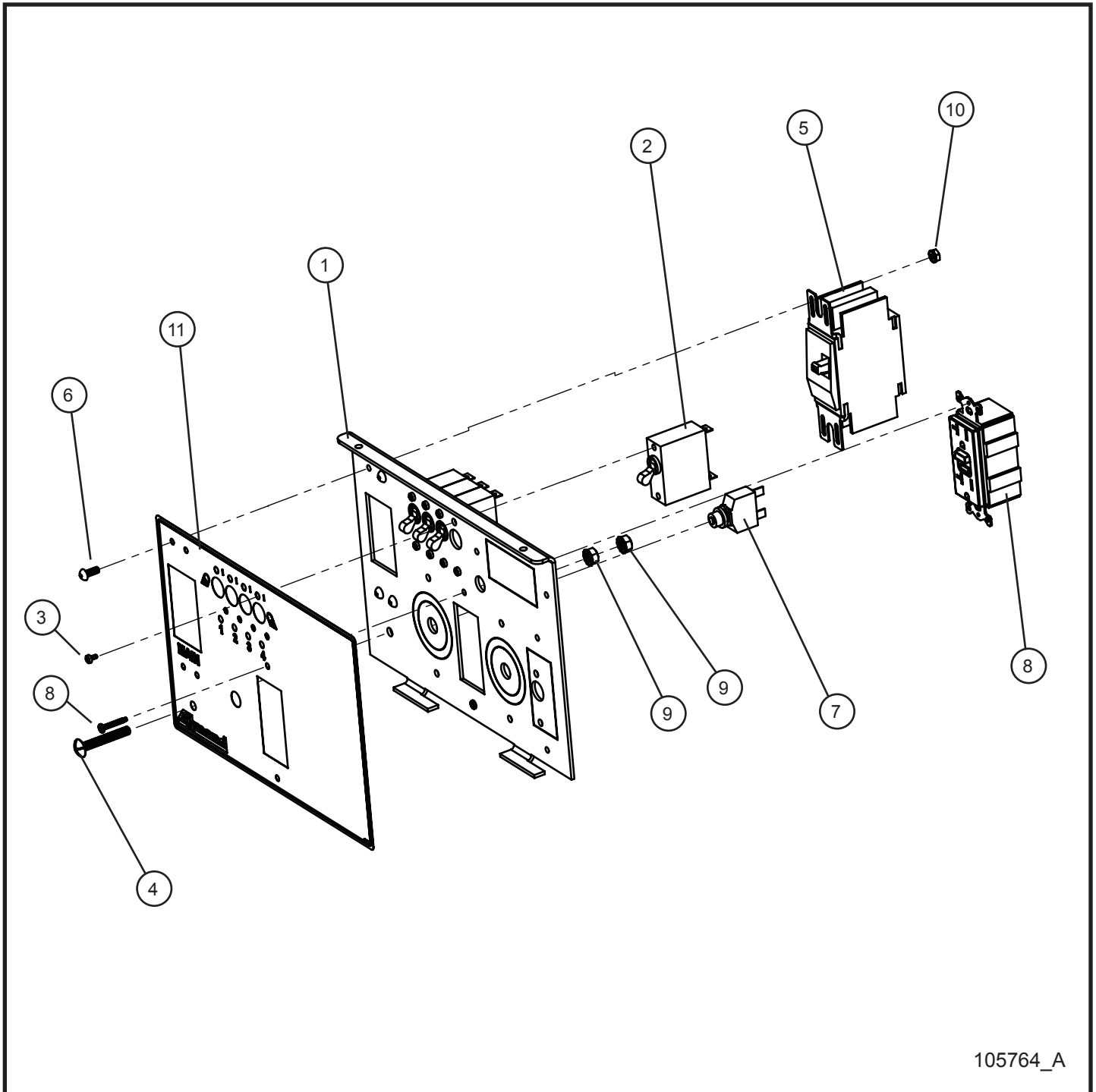
6.5 - 2-10AMP Outlet Package Australian

SN 0001PRO215 and UP
SN 0001PRO2V15 and UP

Item	Part No.	Part Description	Qty.
1	105779P	OUTLET PANEL UNIVERSAL 2	1
2	C104040	CIRCUIT BREAKER 32 AMP	1
3	C104516	CIRCUIT BREAKER 10 AMP	2
4	102124	AU1-10 240V RECEPTACLE	2
5	330458	15A SPST BREAKER SWITCH	2
6	100718	1/4-20 x 2 1/4 CARRIAGE BOLT	2
7	105775	DIN RAIL 5"	1
8	041053	1/4-20 x 1 3/4 PH-TRUSS HEAD MS SS	1
9	041202	#8-32 x 1 PH-ROUND HEAD MS ZC	4
10	041018	#6-32 x 1/4 PH-ROUND HEAD MS PL	4
11	044021	1/4-20 KEPS HEX NUT PL	2
12	044023	1/4-20 NYLOCK HEX NUT PL	2
13	044003	#8-32 NC KEPS NUT	4
14	102930	DECAL BREAKER	1

6.6 - 1-20AMP GFCI Outlet Package

SN 0001PRO215 and UP
SN 0001PRO2V15 and UP



105764_A

Night-Lite ProII™

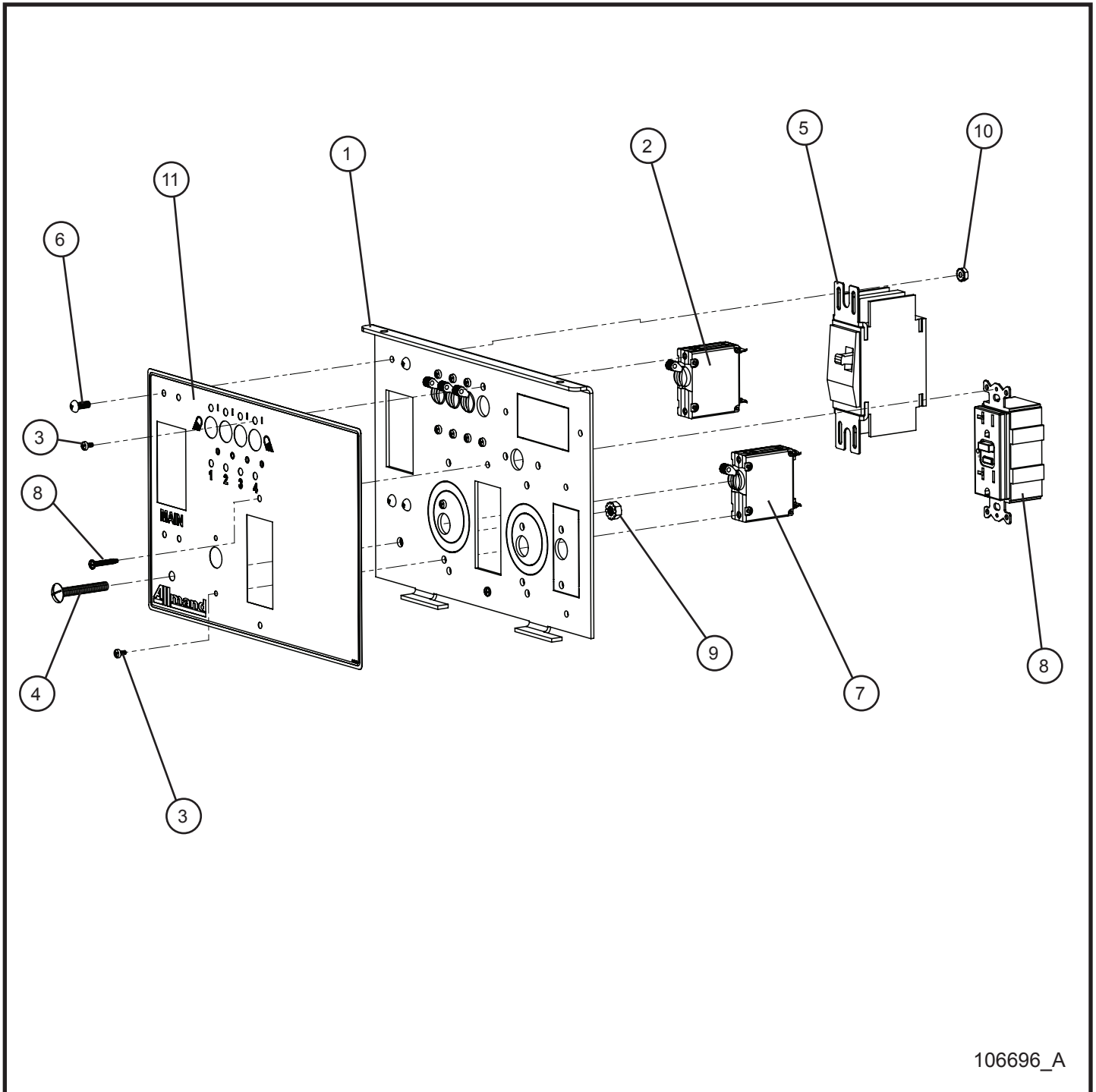
6.6 - 1-20AMP GFCI Outlet Package

SN 0001PRO215 and UP
SN 0001PRO2V15 and UP

Item	Part No.	Part Description	Qty.
1	105777P	OUTLET PANEL UNIVERSAL 3	1
2	330458	15A SPST BREAKER SWITCH	4
3	041018	#6-32 x 1/4 PH-ROUND HEAD MS PL	8
4	041053	1/4-20 x 1 3/4 PH-TRUSS HEAD MS SS	1
5	350354	35 AMP DOUBLE POLE BREAKER	1
6	041012	SCREW MS #8-32 x 1/2 PL	4
7	650138	CIRCUIT BREAKER 20A PUSH BUTTON	1
8	330499	20 A GFCI	1
9	044021	1/4-20 KEPS HEX NUT PL	2
10	044003	#8-32 NC KEPS NUT	4
11	105771	DECAL BREAKER DOMESTIC OPTIONS	1

6.7 - 1-20AMP GFCI Outlet UL489 Package

SN 0001PRO215 and UP
SN 0001PRO2V15 and UP



106696_A

Night-Lite ProII™

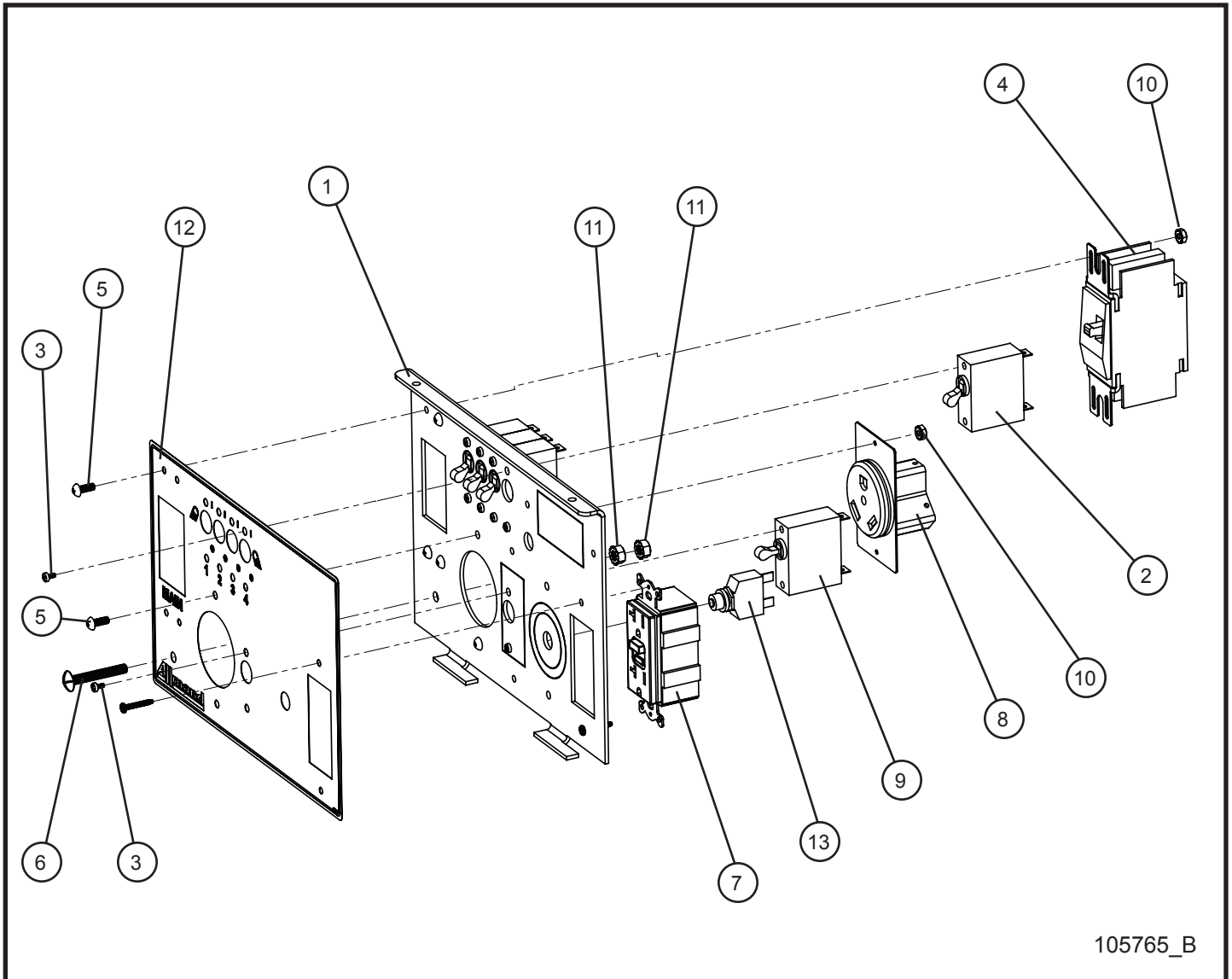
6.7 - 1-20AMP GFCI Outlet UL489 Package

SN 0001PRO215 and UP
SN 0001PRO2V15 and UP

Item	Part No.	Part Description	Qty.
1	106684P	OUTLET PANEL UNIVERSAL 3	1
2	106781	CIRCUIT BREAKER 15 AMP	4
3	041018	#6-32 x 1/4 PH-ROUND HEAD MS PL	10
4	041053	1/4-20 x 1 3/4 PH-TRUSS HEAD MS SS	1
5	350354	35 AMP DOUBLE POLE BREAKER	1
6	041012	SCREW MS #8-32 x 1/2 PL	4
7	106787	CIRCUIT BREAKER 20 AMP	1
8	330499	20 A GFCI RECEPTACLE	1
9	044021	1/4-20 KEPS HEX NUT PL	2
10	044003	#8-32 NC KEPS NUT	4
11	105771	DECAL BREAKER DOMESTIC OPTIONS	1
12	107620	SCHEMATIC 1-20 AMP GFCI	1

6.8 - 1-30AMP RV 1-20AMP GFCI Outlet Package

SN 0001PRO215 and UP
SN 0001PRO2V15 and UP



Night-Lite ProII™

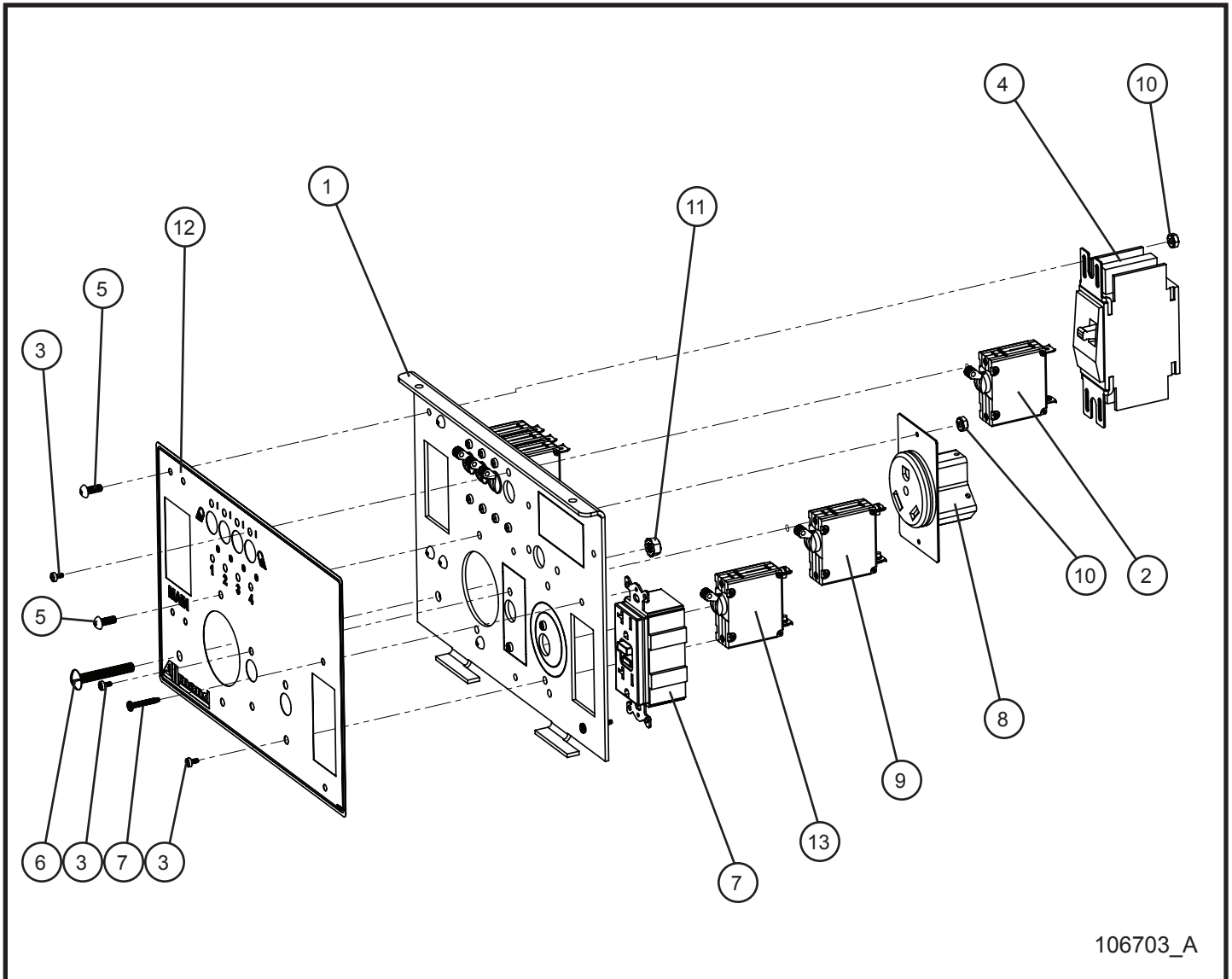
6.8 - 1-30AMP RV 1-20AMP GFCI Outlet Package

SN 0001PRO215 and UP
SN 0001PRO2V15 and UP

Item	Part No.	Part Description	Qty.
1	105777P	OUTLET PANEL UNIVERSAL 3	1
2	330458	15A SPST BREAKER SWITCH	4
3	041018	#6-32 x 1/4 PH-ROUND HEAD MS PL	10
4	350354	35 AMP DOUBLE POLE BREAKER	1
5	041012	SCREW MS #8-32 x 1/2 PL	6
6	041053	1/4-20 x 1 3/4 PH-TRUSS HEAD MS SS	1
7	330499	20 A GFCI RECEPTACLE	1
8	680815	125V 30A OUTLET	1
9	330472	30 AMP SINGLE POLE SWITCH	1
10	044003	#8-32 NC KEPS NUT	6
11	044021	1/4-20 KEPS HEX NUT PL	2
12	105771	DECAL BREAKER DOMESTIC OPTIONS	1
13	650138	CIRCUIT BREAKER 20A PUSH BUTTON	1

6.9 - 1-30AMP RV 1-20AMP GFCI Outlet UL489 Package

SN 0001PRO215 and UP
SN 0001PRO2V15 and UP



106703_A

Night-Lite ProII™

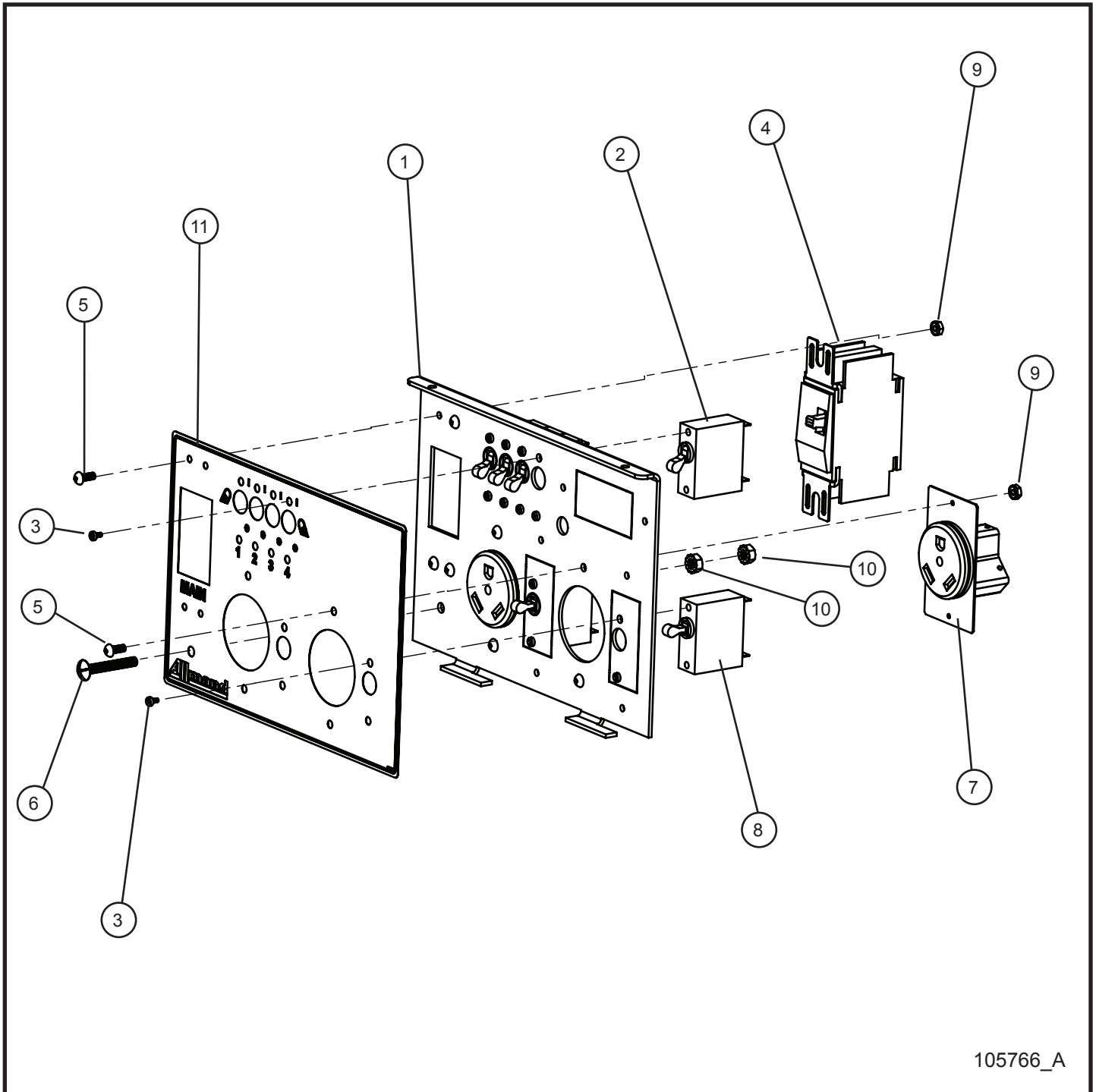
6.9 - 1-30AMP RV 1-20AMP GFCI Outlet UL489 Package

SN 0001PRO215 and UP
SN 0001PRO2V15 and UP

Item	Part No.	Part Description	Qty.
1	106684P	OUTLET PANEL UNIVERSAL 3	1
2	106781	CIRCUIT BREAKER 15 AMP	4
3	041018	#6-32 x 1/4 PH-ROUND HEAD MS PL	12
4	350354	35 AMP DOUBLE POLE BREAKER	1
5	041012	SCREW MS #8-32 x 1/2 PL	6
6	041053	1/4-20 x 1 3/4 PH-TRUSS HEAD MS SS	1
7	330499	20 A GFCI RECEPTACLE	1
8	680815	125V 30A OUTLET	1
9	106782	CIRCUIT BREAKER 30 AMP	1
10	044003	#8-32 NC KEPS NUT	6
11	044021	1/4-20 KEPS HEX NUT PL	2
12	105771	DECAL BREAKER DOMESTIC OPTIONS	1
13	106787	CIRCUIT BREAKER 20AMP	1
14	107621	SCHEMATIC 1-30 AMP RV	1

6.10 - 2-30AMP RV Outlet Package

SN 0001PRO215 and UP
SN 0001PRO2V15 and UP



105766_A

Night-Lite ProII™

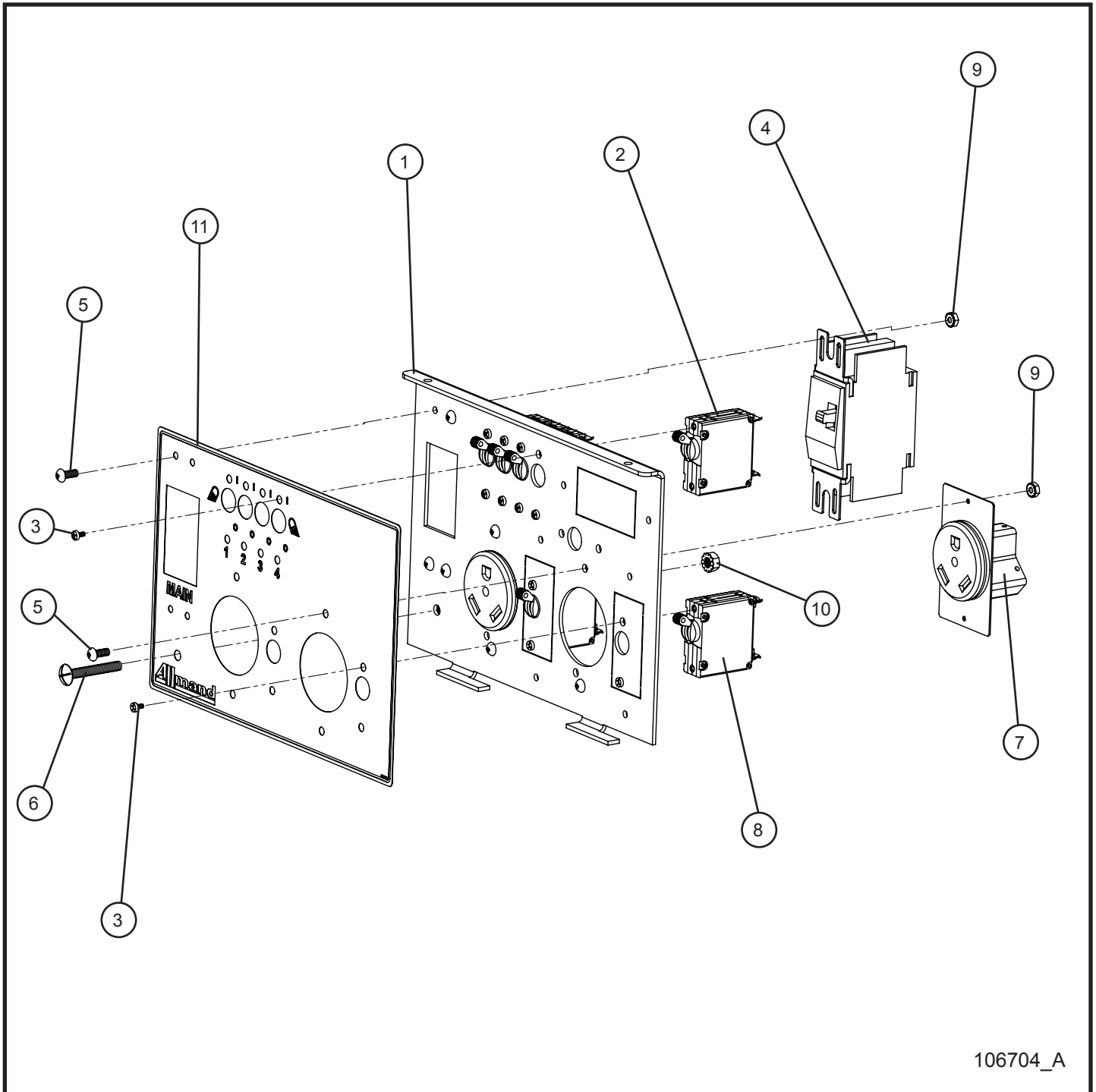
6.10 - 2-30AMP RV Outlet Package

SN 0001PRO215 and UP
SN 0001PRO2V15 and UP

Item	Part No.	Part Description	Qty.
1	105777P	OUTLET PANEL UNIVERSAL 3	1
2	330458	15A SPST BREAKER SWITCH	4
3	041018	#6-32 x 1/4 PH-ROUND HEAD MS PL	12
4	350354	35 AMP DOUBLE POLE BREAKER	1
5	041012	SCREW MS #8-32 x 1/2 PL	8
6	041053	1/4-20 x 1 3/4 PH-TRUSS HEAD MS SS	1
7	680815	125V 30A OUTLET	2
8	330472	30 AMP SINGLE POLE SWITCH	2
9	044003	#8-32 NC KEPS NUT	8
10	044021	1/4-20 KEPS HEX NUT PL	2
11	105771	DECAL BREAKER DOMESTIC OPTIONS	1

6.11 - 2-30AMP RV Outlet UL489 Package

SN 0001PRO215 and UP
SN 0001PRO2V15 and UP



106704_A

Night-Lite ProII™

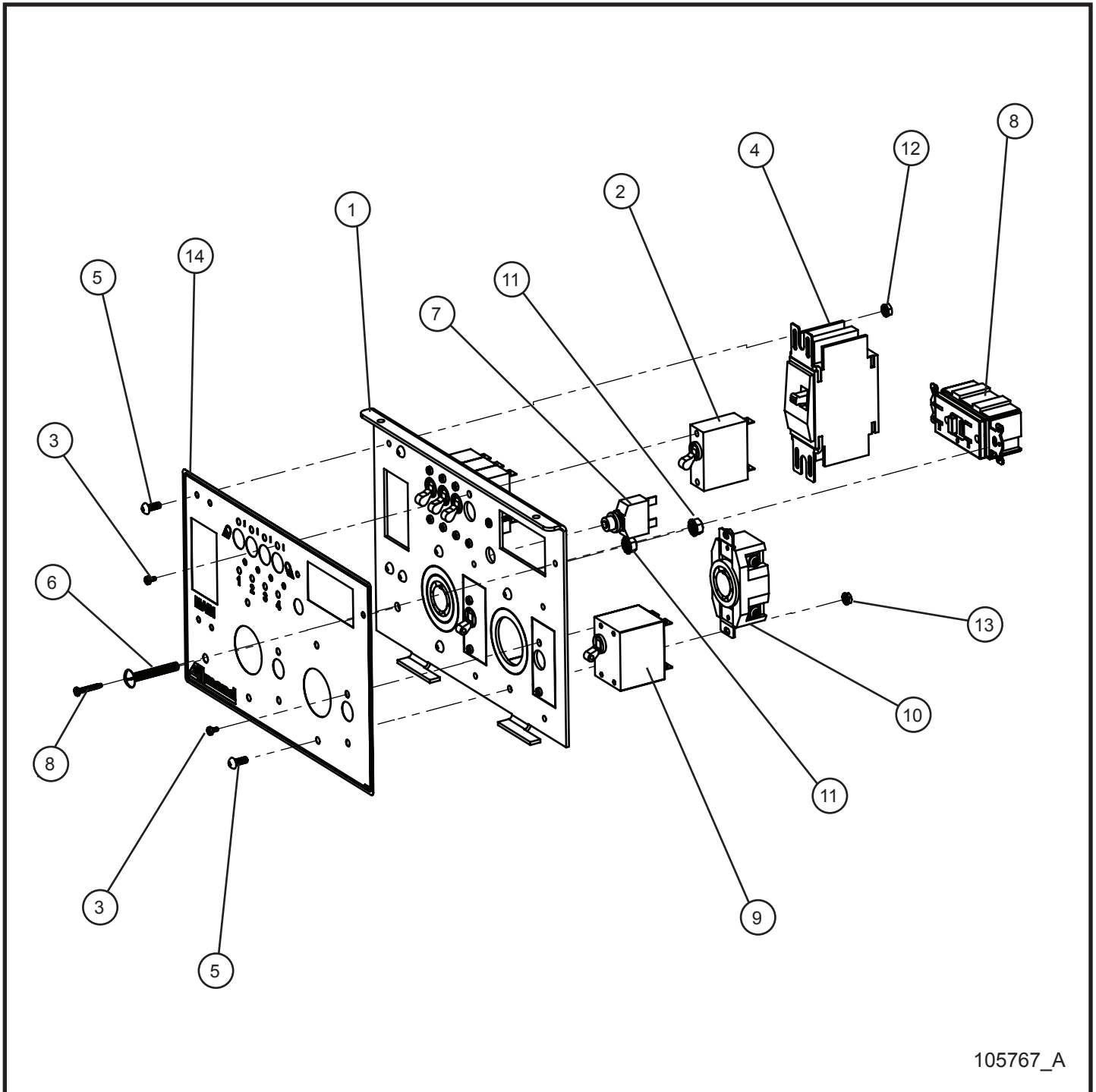
6.11 - 2-30AMP RV Outlet UL489 Package

SN 0001PRO215 and UP
SN 0001PRO2V15 and UP

Item	Part No.	Part Description	Qty.
1	106684P	OUTLET PANEL UNIVERSAL 3	1
2	106781	CIRCUIT BREAKER 15 AMP	4
3	041018	#6-32 x 1/4 PH-ROUND HEAD MS PL	12
4	350354	35 AMP DOUBLE POLE BREAKER	1
5	041012	SCREW MS #8-32 x 1/2 PL	8
6	041053	1/4-20 x 1 3/4 PH-TRUSS HEAD MS SS	1
7	680815	125V 30A OUTLET	2
8	106782	CIRCUIT BREAKER 30 AMP	2
9	044003	#8-32 NC KEPS NUT	8
10	044021	1/4-20 KEPS HEX NUT PL	2
11	105771	DECAL BREAKER DOMESTIC OPTIONS	1
12	107624	SCHEMATIC 2-30 AMP RV	1

6.12 - 2-30AMP Twistlock 1-20AMP GFCI Outlet Package

SN 0001PRO215 and UP
SN 0001PRO2V15 and UP



105767_A

Night-Lite ProII™

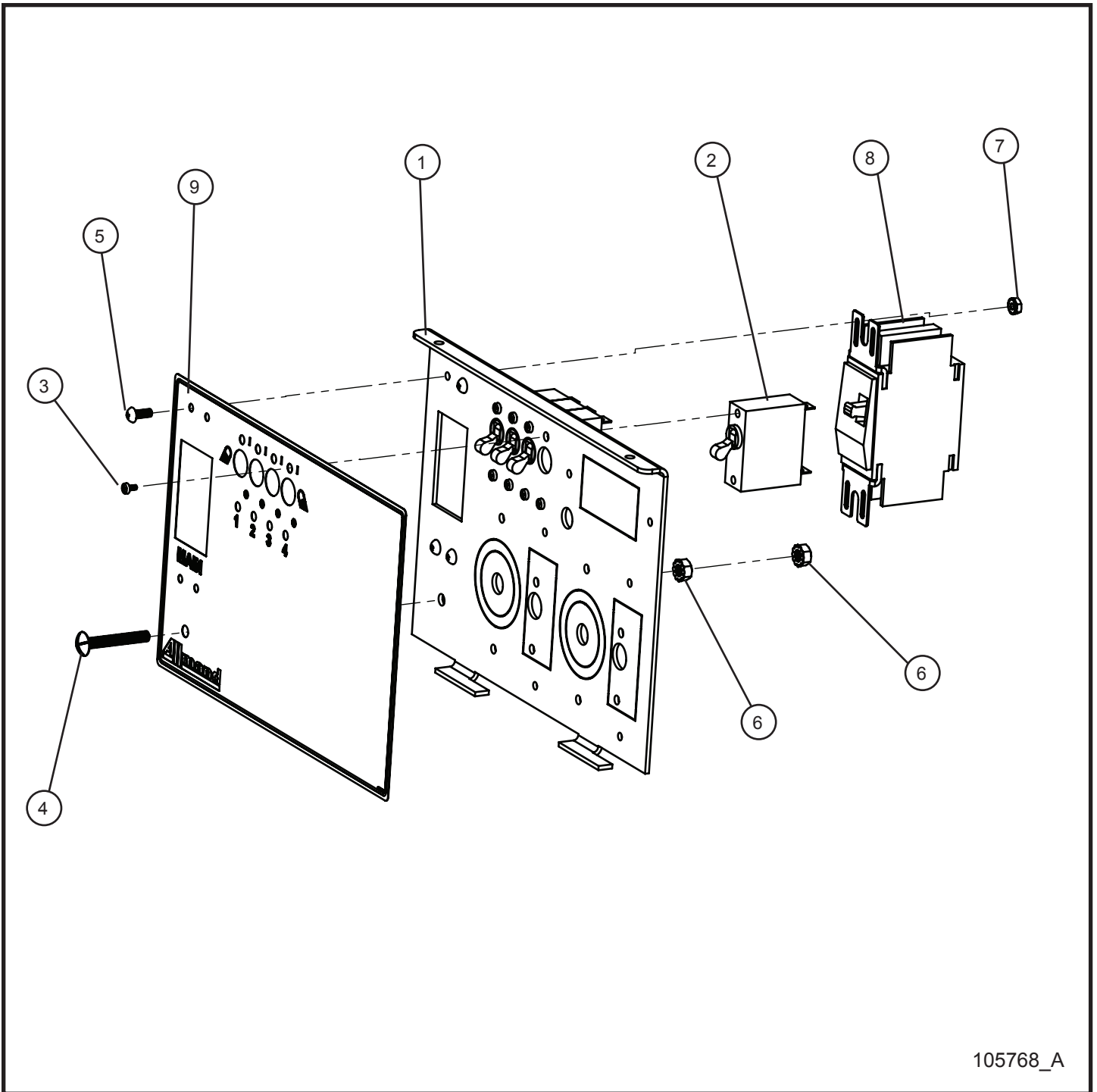
6.12 - 2-30AMP Twistlock 1-20AMP GFCI Outlet Package

SN 0001PRO215 and UP
SN 0001PRO2V15 and UP

Item	Part No.	Part Description	Qty.
1	105777P	OUTLET PANEL UNIVERSAL 3	1
2	330458	15A SPST BREAKER SWITCH	4
3	041018	#6-32 x 1/4 PH-ROUND HEAD MS PL	12
4	350354	35 AMP DOUBLE POLE BREAKER	1
5	041012	SCREW MS #8-32 x 1/2 PL	8
6	041053	1/4-20 x 1 3/4 PH-TRUSS HEAD MS SS	1
7	650138	CIRCUIT BREAKER 20A PUSH BUTTON	1
8	330499	20 A GFCI RECEPTACLE	1
9	330456	30A DPST CIRCUIT BREAKER	2
10	653102	30A 125-250V TWISTLOCK RECEPTACLE	2
11	044021	1/4-20 KEPS NUT PL	2
12	044003	#8-32 NC KEPS NUT	4
13	044004	#6-32 KEPS HEX NUT PL	4
14	105771	DECAL BREAKER DOMESTIC OPTIONS	1

6.13 - No Outlet Package

SN 0001PRO215 and UP
SN 0001PRO2V15 and UP



105768_A

Night-Lite ProII™

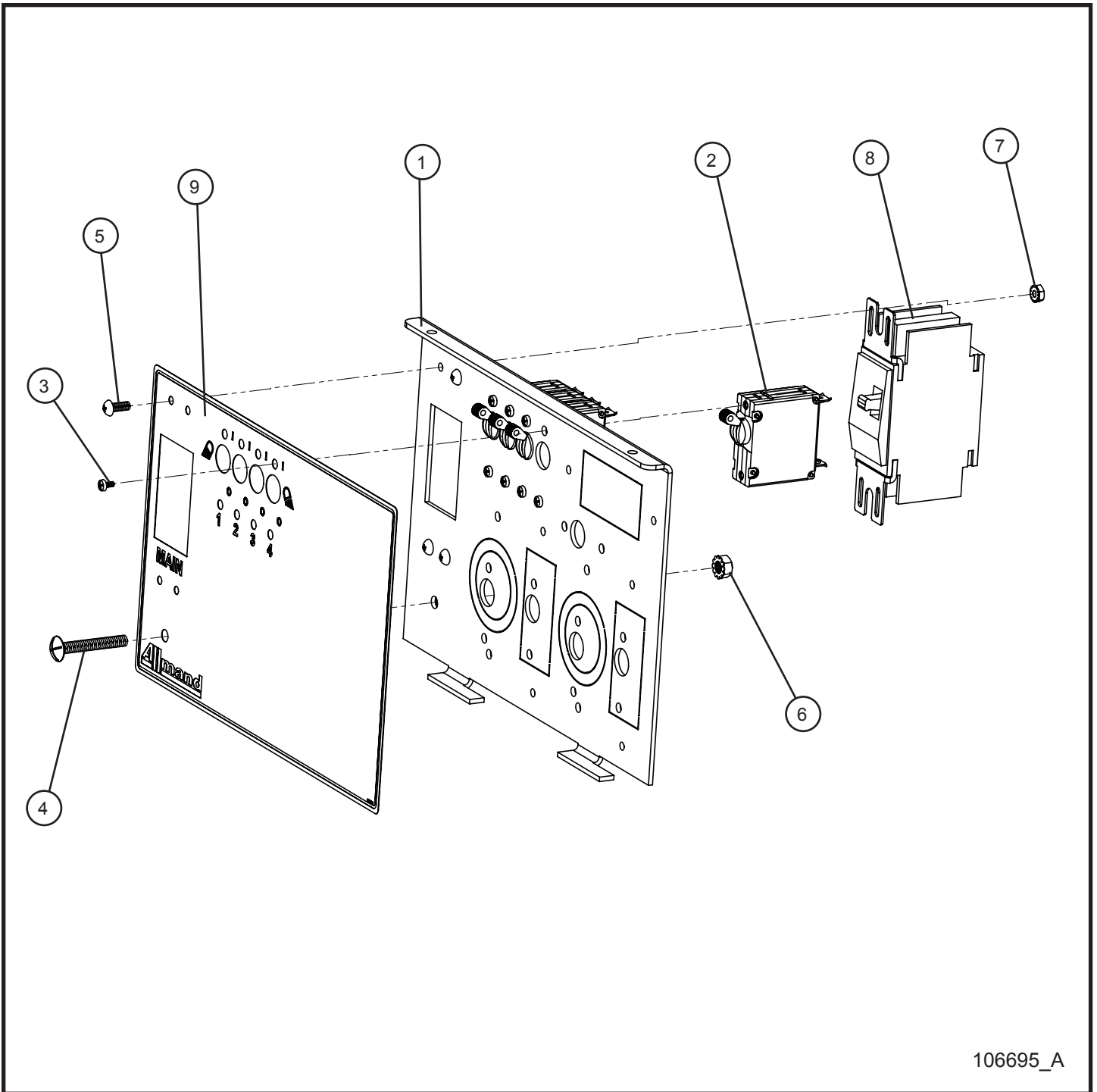
6.13 - No Outlet Package

SN 0001PRO215 and UP
SN 0001PRO2V15 and UP

Item	Part No.	Part Description	Qty.
1	105777P	OUTLET PANEL UNIVERSAL 3	1
2	330458	15A SPST BREAKER SWITCH	4
3	041018	#6-32 x 1/4 ROUND HEAD MS PL	8
4	041053	1/4-20 x 1 3/4 PH-TRUSS HEAD MS SS	1
5	041012	SCREW MS #8-32 x 1/2 PL	4
6	044021	1/4-20 KEPS HEX NUT PL	2
7	044003	#8-32 NC KEPS NUT	4
8	350354	35 AMP DOUBLE POLE BREAKER	1
9	105771	DECAL BREAKER DOMESTIC OPTIONS	1

6.14 - No Outlet UL489 Package

SN 0001PRO215 and UP
SN 0001PRO2V15 and UP



106695_A

Night-Lite ProII™

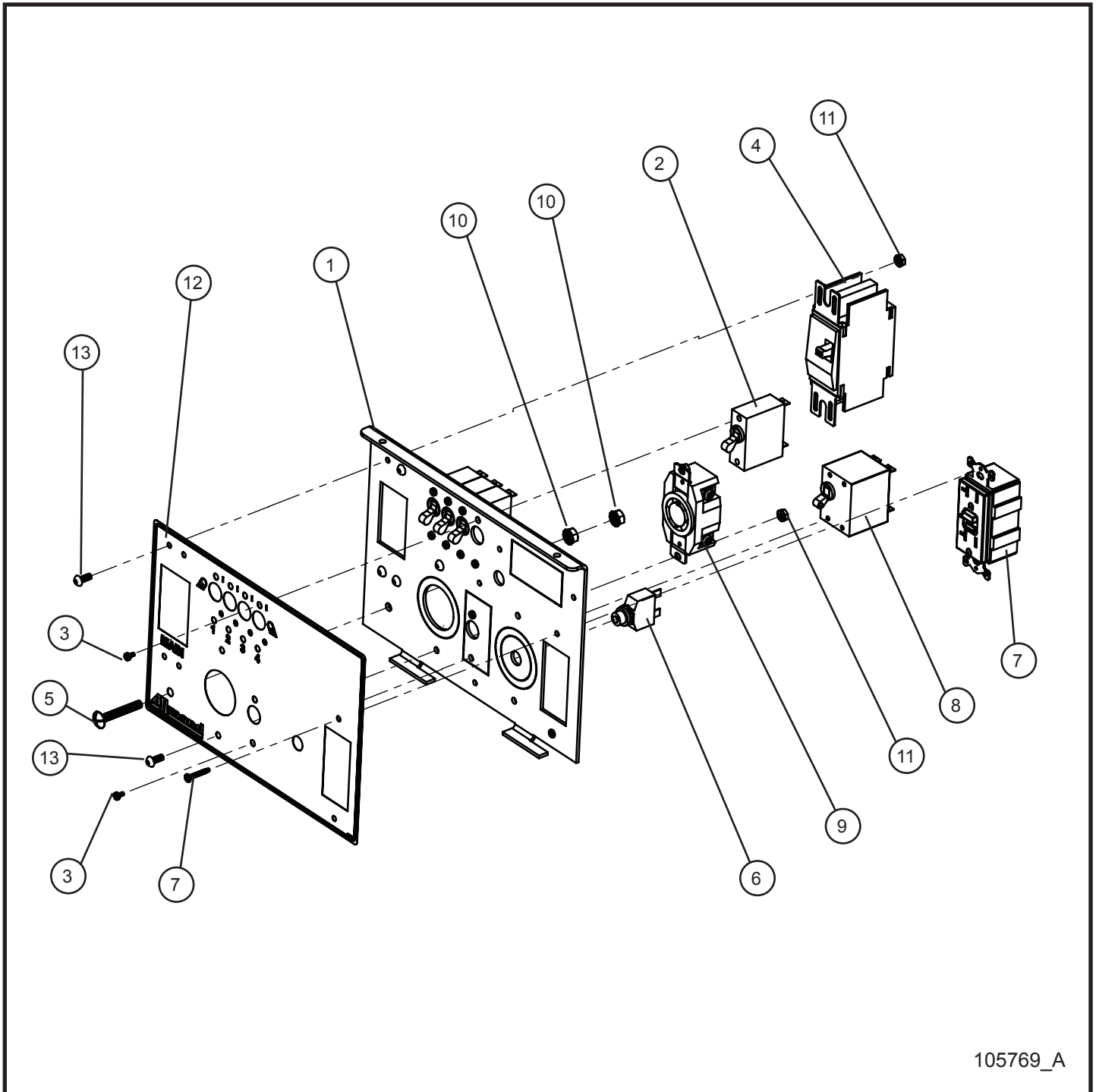
6.14 - No Outlet UL489 Package

SN 0001PRO215 and UP
SN 0001PRO2V15 and UP

Item	Part No.	Part Description	Qty.
1	106684P	OUTLET PANEL UNIVERSAL 3	1
2	106781	CIRCUIT BREAKER 15 AMP	4
3	041018	#6-32 x 1/4 ROUND HEAD MS PL	8
4	041053	1/4-20 x 1 3/4 PH-TRUSS HEAD MS SS	1
5	041012	SCREW MS #8-32 x 1/2 PL	4
6	044021	1/4-20 KEPS HEX NUT PL	2
7	044003	#8-32 NC KEPS NUT	4
8	350354	35 AMP DOUBLE POLE BREAKER	1
9	105771	DECAL BREAKER DOMESTIC OPTIONS	1
10	107627	SCHEMATIC NO OUTLET	1

6.15 - 1-30AMP Twistlock 1-GFCI Outlet Package

SN 0001PRO215 and UP
SN 0001PRO2V15 and UP



105769_A

Night-Lite ProII™

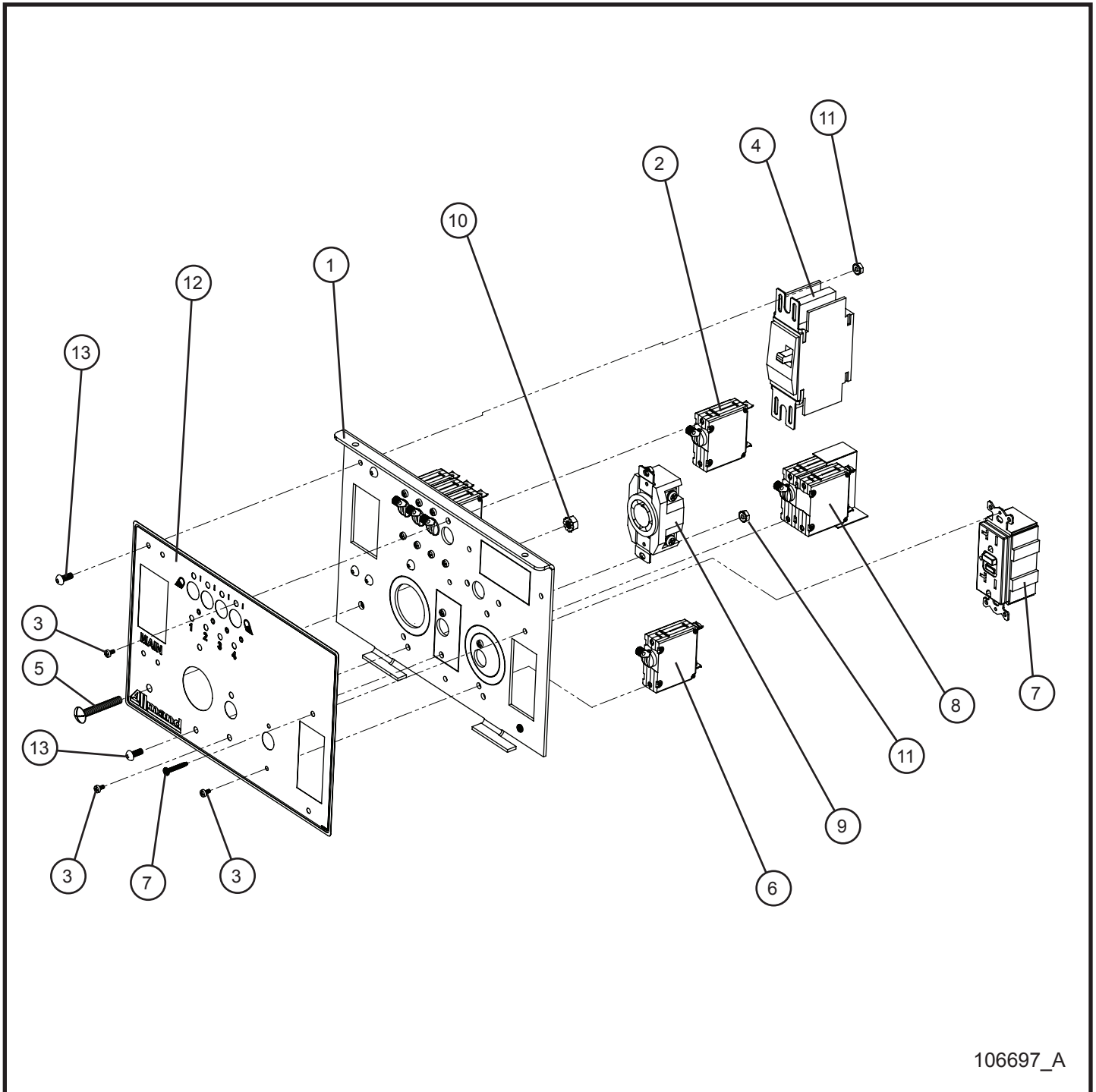
6.15 - 1-30AMP Twistlock 1-GFCI Outlet Package

SN 0001PRO215 and UP
SN 0001PRO2V15 and UP

Item	Part No.	Part Description	Qty.
1	105777P	OUTLET PANEL UNIVERSAL 3	1
2	330458	15A SPST BREAKER SWITCH	4
3	041018	#6-32 x 1/4 PH-ROUND HEAD MS PL	10
4	350354	35 AMP DOUBLE POLE BREAKER	1
5	041053	1/4-20 x 1 3/4 PH-TRUSS HEAD MS SS	1
6	650138	CIRCUIT BREAKER 20A PUSH BUTTON	1
7	330499	20 A GFCI RECEPTACLE	1
8	330456	30A DPST CIRCUIT BREAKER	1
9	653102	30A 125-250V TWISTLOCK RECEPTACLE	1
10	044021	1/4-20 KEPS HEX NUT PL	2
11	044003	#8-32 NC KEPS NUT	6
12	105771	DECAL BREAKER DOMESTIC OPTIONS	1
13	041012	SCREW MS #8-32 x 1/2 PL	6

6.16 - 1-30AMP Twistlock 1-GFCI Outlet UL489 Package

SN 0001PRO215 and UP
SN 0001PRO2V15 and UP



106697_A

Night-Lite ProII™

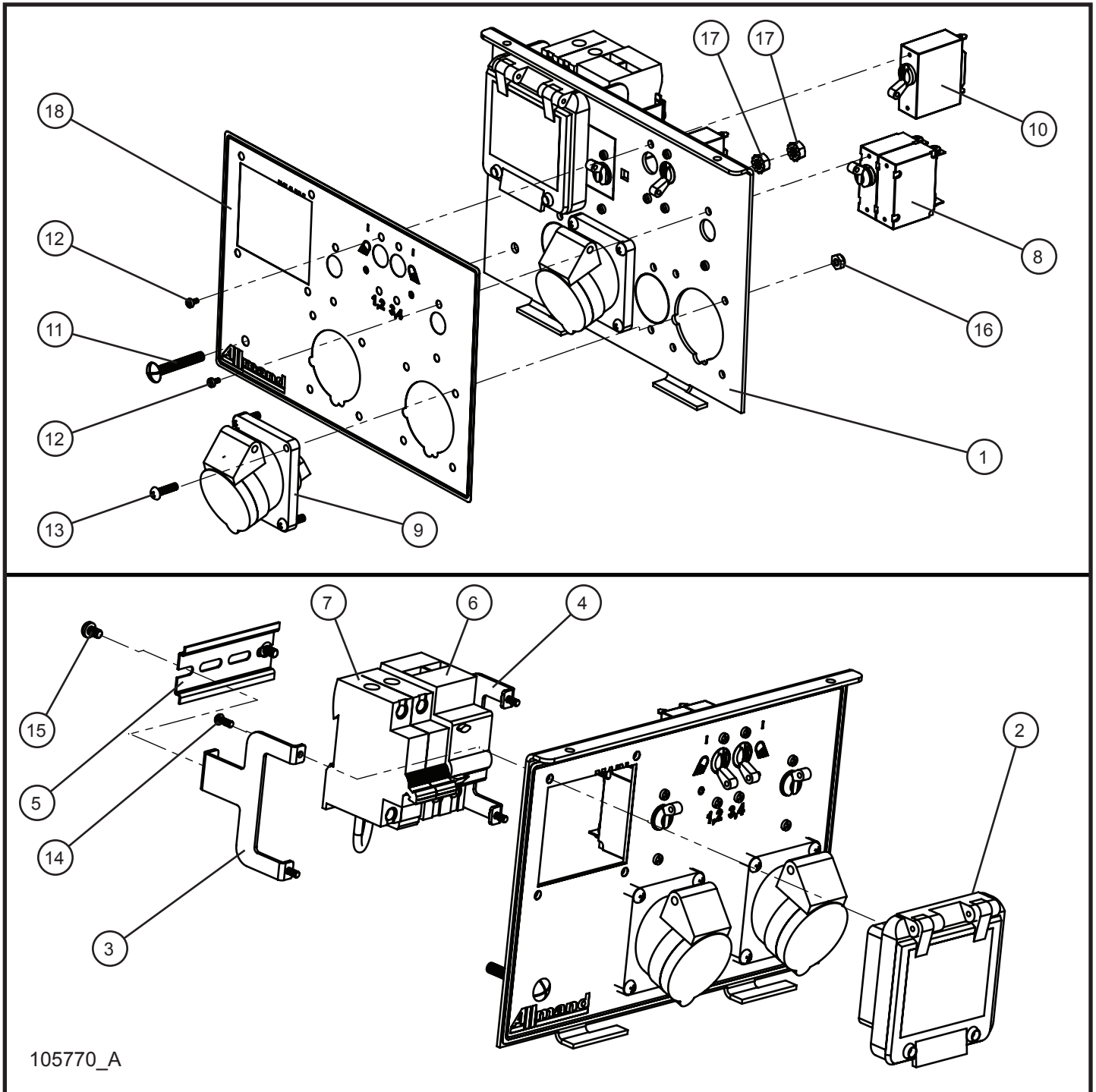
6.16 - 1-30AMP Twistlock 1-GFCI Outlet UL489 Package

SN 0001PRO215 and UP
SN 0001PRO2V15 and UP

Item	Part No.	Part Description	Qty.
1	106684P	OUTLET PANEL UNIVERSAL 3	1
2	106781	CIRCUIT BREAKER 15 AMP	4
3	041018	#6-32 x 1/4 PH-ROUND HEAD MS PL	12
4	350354	35 AMP DOUBLE POLE BREAKER	1
5	041053	1/4-20 x 1 3/4 PH-TRUSS HEAD MS SS	1
6	106787	CIRCUIT BREAKER 20 AMP	1
7	330499	20 A GFCI RECEPTACLE	1
8	106785	CIRCUIT BREAKER 30 AMP	1
9	653102	30A 125-250V TWISTLOCK RECEPTACLE	1
10	044021	1/4-20 KEPS HEX NUT PL	2
11	044003	#8-32 NC KEPS NUT	6
12	105771	DECAL BREAKER DOMESTIC OPTIONS	1
13	041012	SCREW MS #8-32 x 1/2 PL	6
14	107628	SCHEMATIC 1-30 AMP TWISTLOCK	1

6.17 - 50Hz CE Outlet Package

SN 0001PRO215 and UP
SN 0001PRO2V15 and UP



105770_A

Night-Lite ProII™

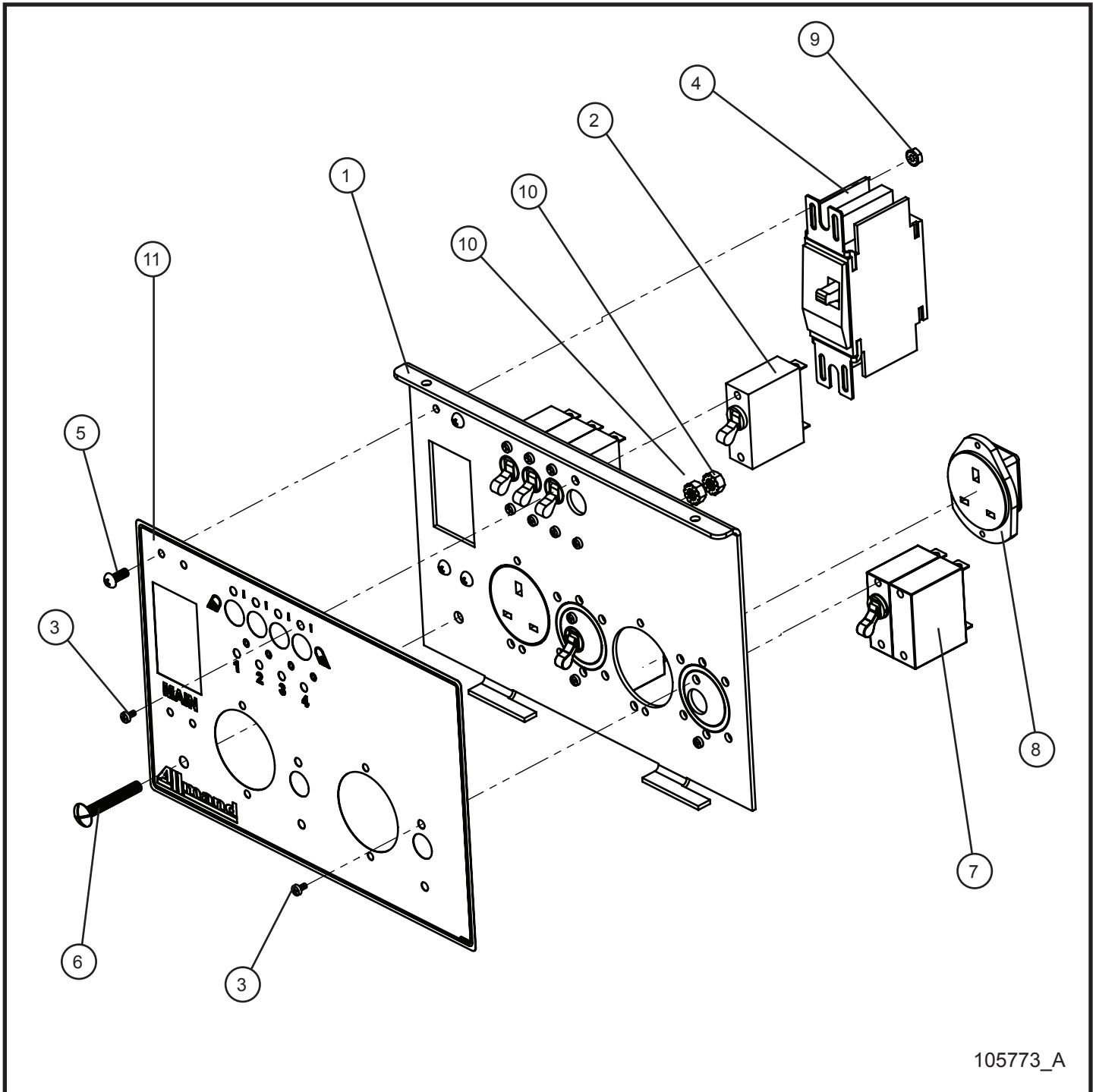
6.17 - 50Hz CE Outlet Package

SN 0001PRO215 and UP
SN 0001PRO2V15 and UP

Item	Part No.	Part Description	Qty.
1	105779P	OUTLET PANEL UNIVERSAL 2	1
2	A109608	CIRCUIT BREAKER COVER	1
3	A109608-1	CIRCUIT BREAKER COVER LEFT BRACKET	1
4	A109608-2	CIRCUIT BREAKER COVER RIGHT BRACKET	1
5	A109608-3	CIRCUIT BREAKER DIN RAIL	1
6	A109602	VIGI C60 EARTH LEAKAGE DEVICE	1
7	A109603	63A DP CIRCUIT BREAKER	1
8	650530	15 AMP DPST BREAKER SWITCH 15 AMP DPST	2
9	A109605	16A 110V RECEPTACLE	2
10	650127	25A SPST NIKKO CIRCUIT BREAKER 50/60Hz	2
11	041053	1/4-20 x 3/4 PH-TRUSS HEAD MS SS	1
12	041018	#6-32 x 1/4 PH-ROUND HEAD MS PL MACHINE SCREW	8
13	041027	#10-24 x 3/4 PH-ROUND HEAD MS	8
14	A109608-4	M4 x 1.8 x 10mm PHTS	4
15	A109608-5	M5 x 0.8 x 8mm PHMS	2
16	044018	#10-24 NYLOCK HEX NUT PL	8
17	044021	1/4-20 KEPS HEX NUT PL	2
18	102930	DECAL BREAKER FOREIGN OPTIONS	1

6.18 - 50Hz Africa Outlet Package

SN 0001PRO215 and UP
SN 0001PRO2V15 and UP



105773_A

Night-Lite ProII™

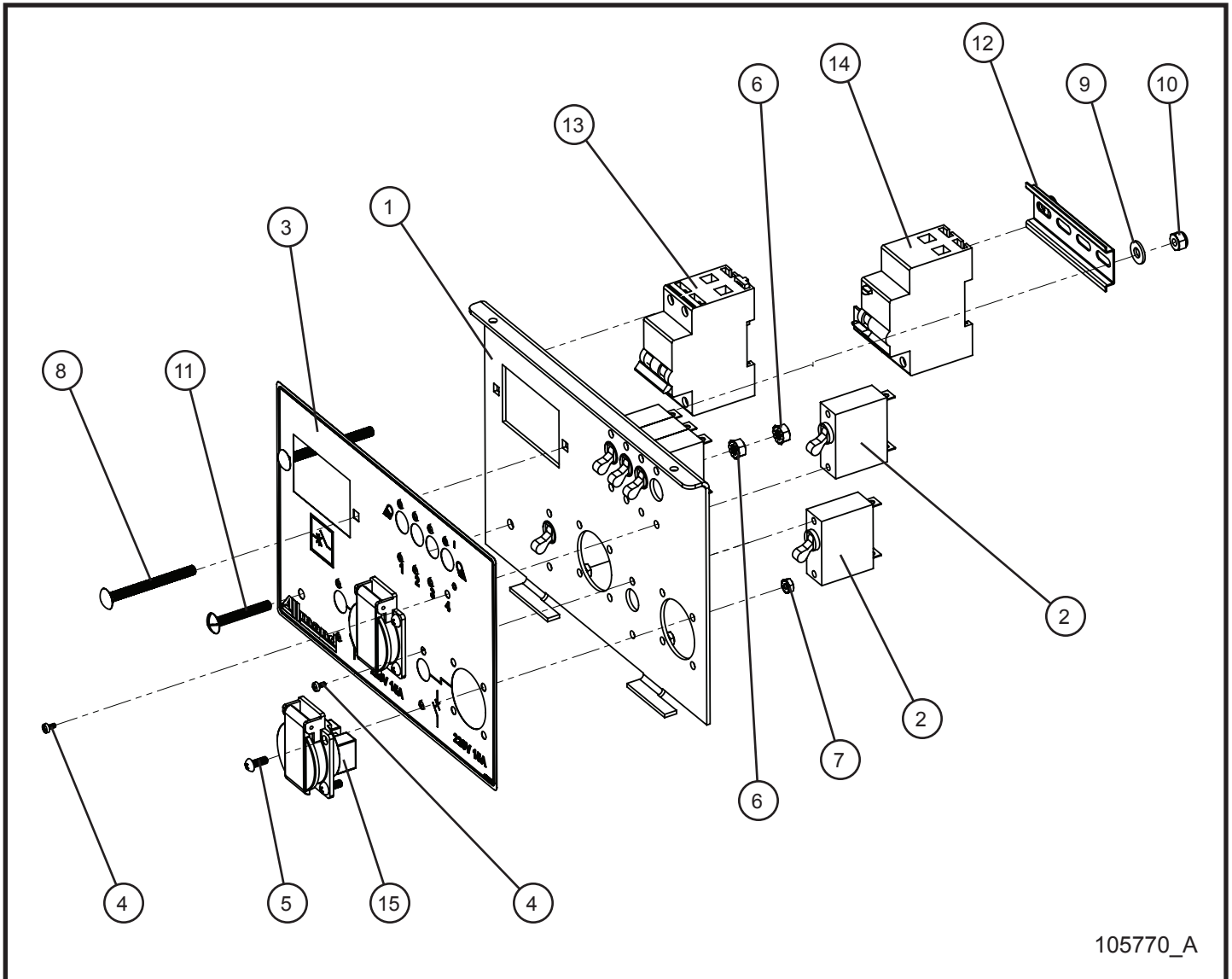
6.18 - 50Hz Africa Outlet Package

SN 0001PRO215 and UP
SN 0001PRO2V15 and UP

Item	Part No.	Part Description	Qty.
1	105778P	OUTLET PANEL UNIVERSAL	1
2	330458	15A SPST BREAKER SWITCH	4
3	041018	#6-32 x 1/4 PH-ROUND HEAD MS PL	12
4	650534	25 AMP 120/240V DPST MAIN BREAKER	1
5	041013	#8-32 x 1/2 PH-ROUND HEAD MS PL	4
6	041053	1/4-20 x 1 3/4 PH-TRUSS HEAD MS SS	1
7	330459	15A DPST CARLING SWITCH	2
8	103876	OUTLET UK PANEL MOUNT	2
9	044003	#8-32 NC KEPS NUT	4
10	044021	1/4-20 KEPS HEX NUT PL	2
11	105771	DECAL BREAKER DOMESTIC OPTIONS	1

6.19 - 50Hz Schuko International Outlet Package

SN 0001PRO215 and UP
SN 0001PRO2V15 and UP



105770_A

Night-Lite ProII™

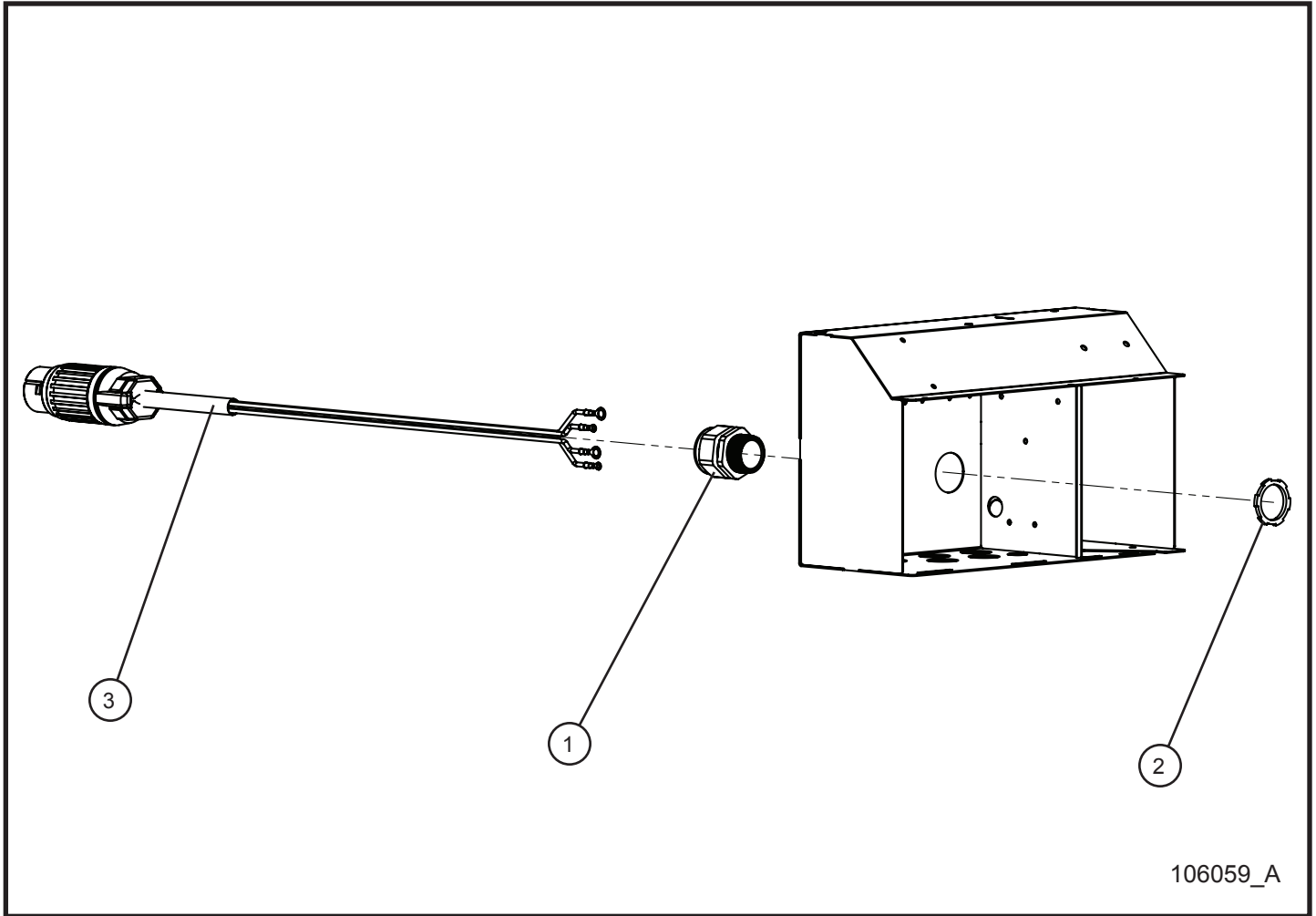
6.19 - 50Hz Schuko International Outlet Package

SN 0001PRO215 and UP
SN 0001PRO2V15 and UP

Item	Part No.	Part Description	Qty.
1	104891P	OUTLET PANEL CE 50Hz SCHUKO	1
2	330458	15A SPST BREAKER SWITCH	6
3	104892	DECAL BREAKER 50 Hz SCHUKO	1
4	041018	#6-32 x 1/4 PH-ROUND HEAD MS PL	12
5	041013	#8-32 x 1/2 PH-ROUND HEAD MS PL	8
6	044021	1/4-20 KEPS HEX NUT PL	2
7	044003	#8-32 NC KEPS NUT	8
8	100718	1/4-20 x 2 1/4 CARRIAGE BOLT	2
9	047005	1/4 FLAT WASHER PL	2
10	044023	1/4-20 NYLOCK HEX NUT PL	2
11	041053	1/4-20 x 1 3/4 PH-TRUSS HEAD MS SS	1
12	103476	4" DIN RAIL	1
13	106609	CIRCUIT PROTECTOR 32A C60H-DC	1
14	106610	MODULE EARTH LEAKAGE VIGI C60 30mA	1
15	650485	RECEPTACLE SCHUKO (EURO)	2
16	105513	WIRE SCHEMATIC TWO 16 SCHUKO INT'L PRO II	1

6.20 - 50AMP Auxiliary Outlet

SN 0001PRO215 and UP
SN 0001PRO2V15 and UP



106059_A

Night-Lite ProII™

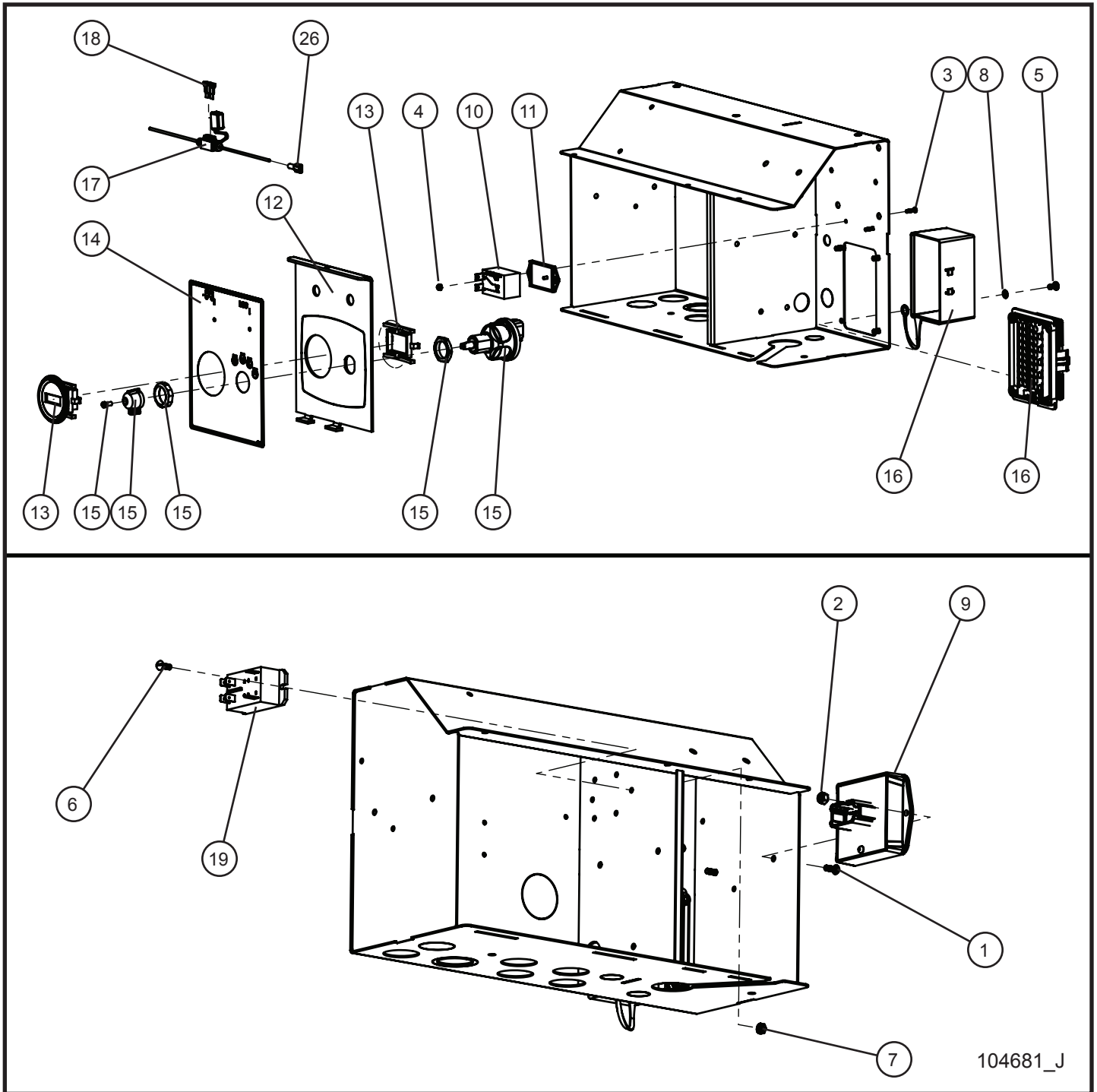
6.20 - 50AMP Auxiliary Outlet

SN 0001PRO215 and UP
SN 0001PRO2V15 and UP

Item	Part No.	Part Description	Qty.
1	105628	CORD GRIP 1-1/4 NYLON BLACK	1
2	350363	1 1/4 LOCK NUT	1
3	106054	AUXILIARY 50AMP HARNESS	1

6.21 - Key Start Engine Control

SN 0001PRO215 and UP
SN 0001PRO2V15 and UP



Night-Lite ProII™

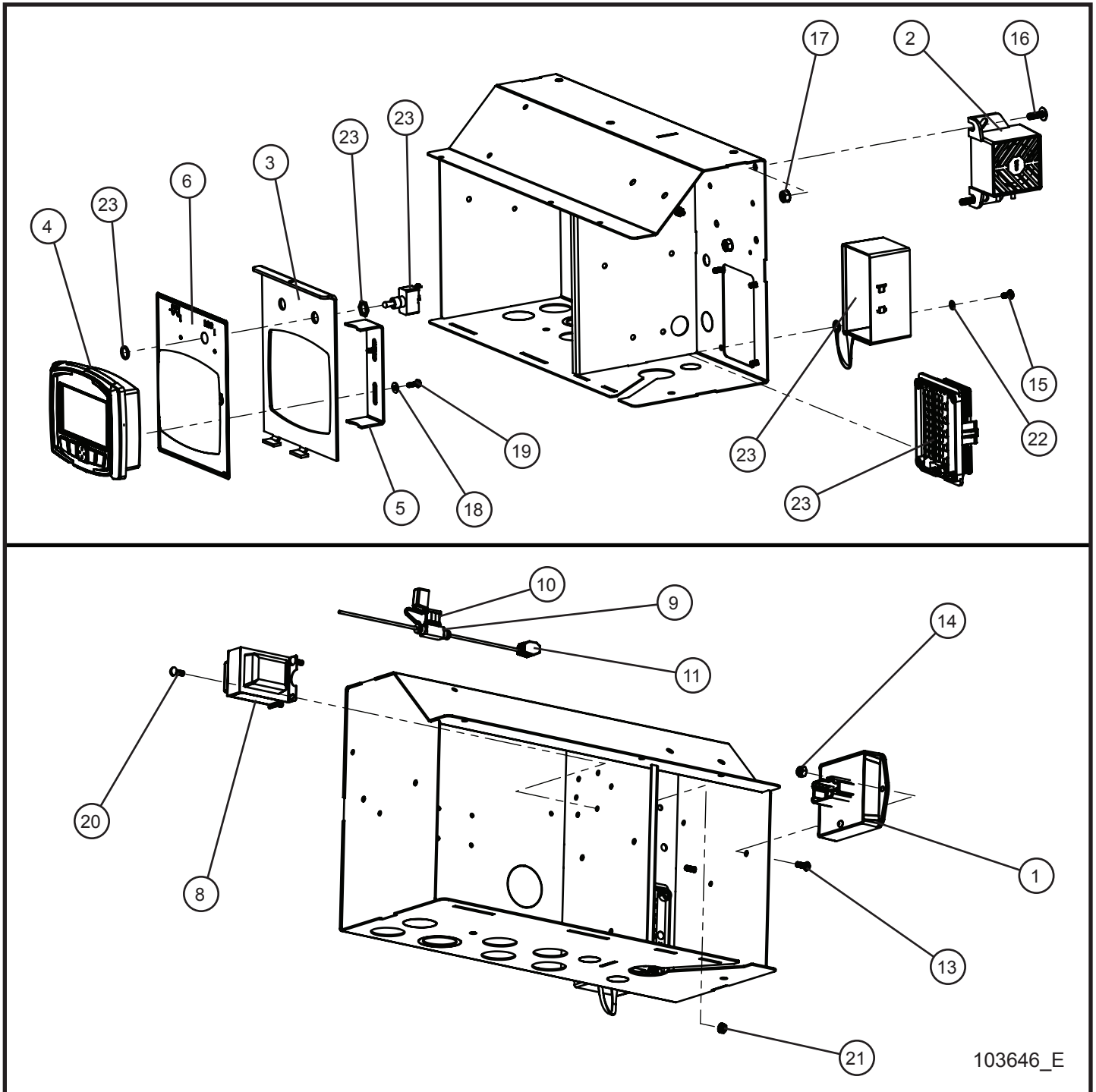
6.21 - Key Start Engine Control

SN 0001PRO215 and UP
SN 0001PRO2V15 and UP

Item	Part No.	Part Description	Qty.
1	041021	#10-24 x 1/2 PH-ROUND HEAD MS PL	2
2	044019	#10-24 NYLOCK HEX NUT SS	2
3	041258	#5-40 x 1/2 PH-ROUND HEAD	2
4	044133	#5-40 NYLOCK	2
5	041019	#10-32 x 3/8 PH-ROUND HEAD MS PL	4
6	041013	#8-32 x 1/2 SLOTTED-ROUND HEAD MS PL	2
7	044003	#8-32 NC KEPS NUT	2
8	043017	#10 INTL TOOTH LOCK WASHER	1
9	108053	SLS 1.1 MODULE	1
10	105845	TIMER RELAY 1 AMP	1
11	105857	MOUNT PANEL TIMER RELAY	1
12	105776P	ENGINE PANEL COMPONENT BOX	1
13	340014	HOUR METER DIGITAL	1
14	103417	DECAL ENGINE CONTROL PANEL	1
15	104310	IGNITION KEY SWITCH W/ KEYS	1
	107793	KEYS (PAIR)	1
	107794	KEY RUBBER BOOT (EACH / REQUIRED WITH 107793)	1
	106273	IGNITION SWITCH LEVER STYLE	1
16	105211	HARNESS SLS CONTROL PANEL	1
	105201	35 AMP SPST RELAY	2
	105202	50 AMP SPST RELAY	1
17	103864	FUSE HOLDER INLINE BLADE	1
18	104990	FUSE BLADE 2 AMP ATO/ATC	1
19	105219	RELAY 30 AMP	1
20	106890	FUSE HOLDER TO MAIN BREAKER WIRE	1
21	106891	AC GROUND TO RELAY WIRE	1
22	106892	DC GROUND TO RELAY WIRE	1
23	106893	SLS PIN 4 TO RELAY WIRE	1
24	105894	SLS SCHEMATIC	1
25	106877	RELAY SCHEMATIC SLS 1.1	1
26	022342	TERM SPADE FEMALE 10-12 AWG 1/4	1
27	107417	SOFTWARE UPDATE KIT SLS 1.1 W/KEY SWITCH NL PRO II	1

6.22 - LSC Start Engine Control

SN 0001PRO215 and UP
SN 0001PRO2V15 and UP



103646_E

Night-Lite ProII™

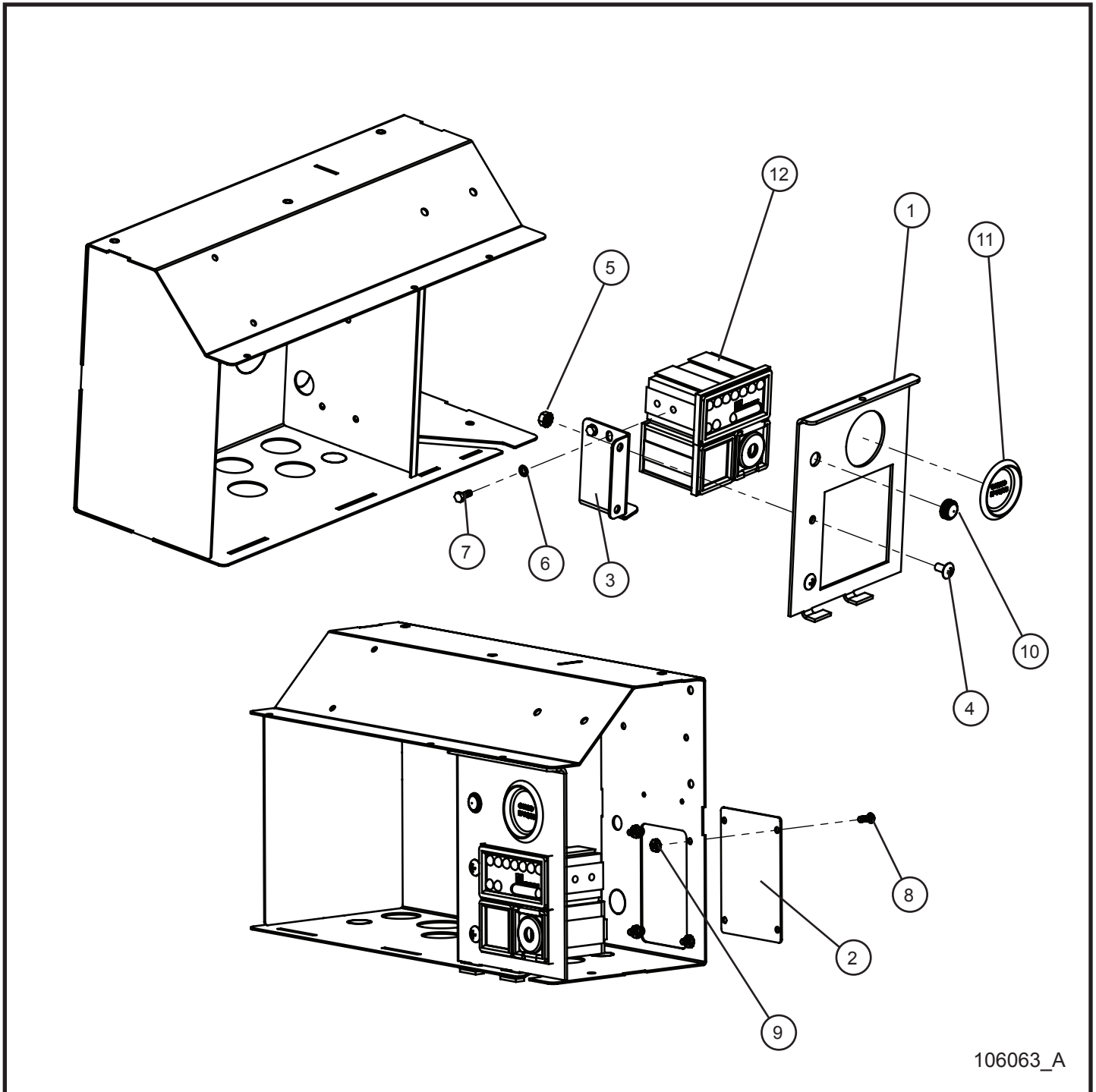
6.22 - LSC Start Engine Control

SN 0001PRO215 and UP
SN 0001PRO2V15 and UP

Item	Part No.	Part Description	Qty.
1	108053	SLS 1.1 MODULE	1
2	105846	ALARM 102 DB	1
3	105776P	ENGINE PANEL COMPONENT BOX	1
4	107404	LSC 2.1 MODULE	1
5	105188P	BRACKET BACK LSC	1
6	103417	DECAL ENGINE CONTROL PANEL	1
7	106037	AUTOSTART ALARM WIRE HARNESS	1
8	107403	TRANSFORMER ENCLOSED FILAMENT	1
9	103864	FUSE HOLDER INLINE BLADE	1
10	104990	FUSE BLADE 2 AMP ATO/ATC	1
11	102624	2 WIRE LEVER LOCK	1
12	105895	LSC SCHEMATIC	1
13	041021	#10-24 x 1/2 PH-ROUND HEAD MS PL	2
14	044019	#10-24 NYLOCK HEX NUT PL	2
15	041019	#10-32 x 3/8 PH-ROUND HEAD MS PL	4
16	041050	1/4-20 x 3/4 PH-TRUSS HEAD MS SS MACHINE SCREW	2
17	044021	1/4-20 KEPS HEX NUT PL	2
18	047004	#8 FLAT WASHER SAE ZC	2
19	041200	#8-32 x 1/2 HEX WASHER HEAD INDT	2
20	041013	#8-32 x 1/2 SLOTTED-ROUND HEAD MS PL	4
21	044003	#8-32 NC KEPS NUT	4
22	043017	#10 INTL TOOTH LOCK WASHER	1
23	105210	HARNESS LSC CONTROL PANEL	1
	105201	35 AMP SPST RELAY	3
	105202	50 AMP SPST RELAY	1
24	106881	FUSE HOLDER TO MAIN BREAKER WIRE	1
25	106882	AC GROUND TO TRANSFORMER WIRE	1
26	106883	DC GROUND TO TRANSFORMER WIRE	1
27	106884	LSC PIN 16 TO TRANSFORMER WIRE	1
28	106885	TRANSFORMER SCHEMATIC	1
29	107414	SOFTWARE UPDATE KIT LSC 2.1 NL PRO II	1

6.23 - Kohler Start Engine Control

SN 0001PRO215 and UP
SN 0001PRO2V15 and UP



106063_A

Night-Lite ProII™

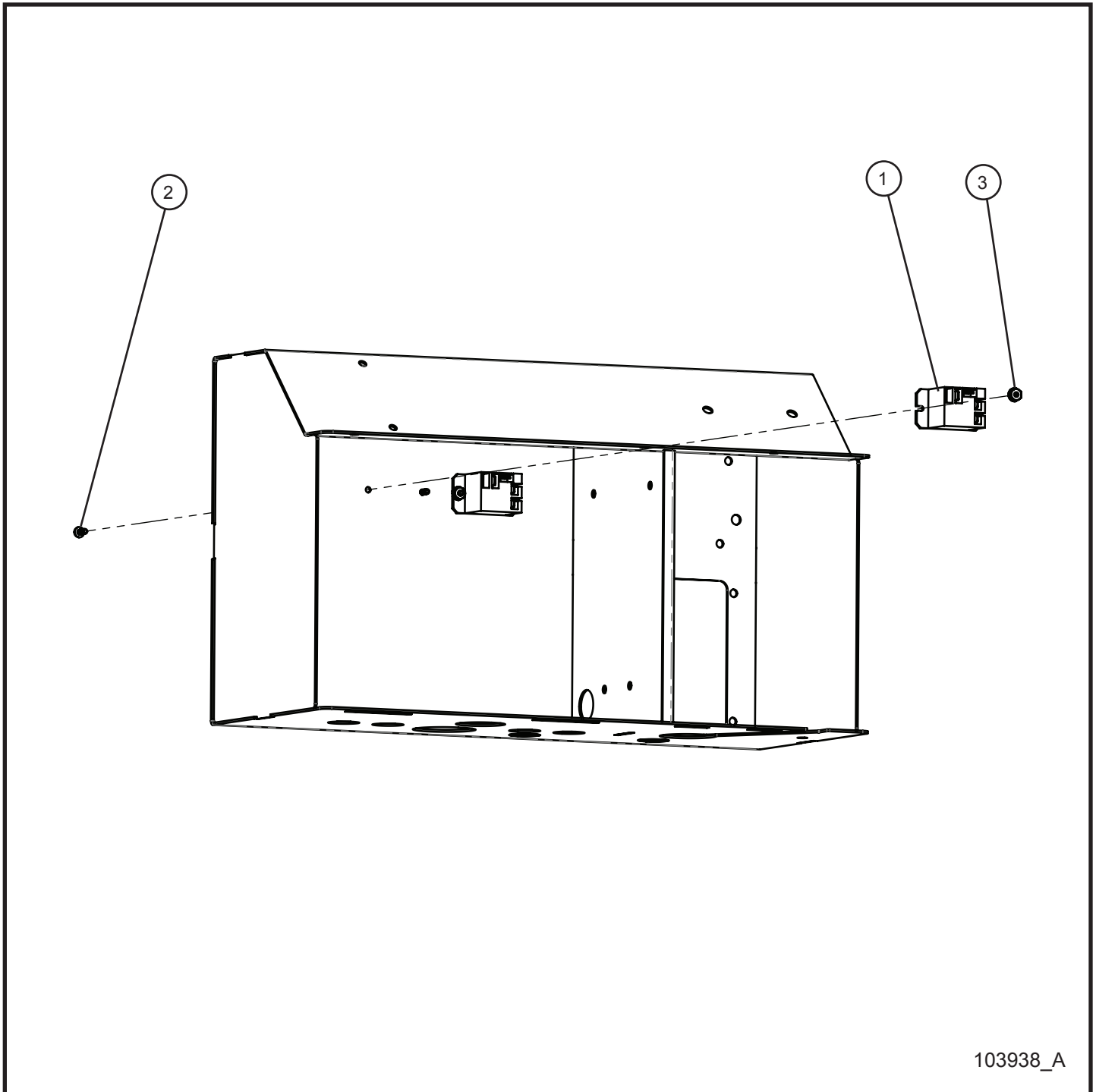
6.23 - Kohler Start Engine Control

SN 0001PRO215 and UP
SN 0001PRO2V15 and UP

Item	Part No.	Part Description	Qty.
1	106061P	ENGINE PANEL COMPONENT BOX	1
2	106062P	PANEL COVER PDM CUT OUT	1
3	102803P	KOHLER/LOMB CONTROL PANEL MOUNT	1
4	041078	1/4-20 x 1/2 PH-TRUSS HEAD MS SS	2
5	044021	1/4-20 KEPS HEX NUT PL	2
6	043015	#10 INTL TOOTH LOCK WASHER PL	2
7	046426	M5 x 0.8MM x 12MM HEX HEAD CS	2
8	041021	#10-24 x 1/2 PH-ROUND HEAD MS PL	4
9	044016	#10-24 KEPS HEX NUT PL	4
10	433328	1/2 PLASTIC PLUG	1
11	680878	1 3/4 CAPLUG	1
12	103317	KOHLER CONTROL PANEL	1
	650832	SWITCH W/KEYS	1
	650833	KEY (SINGLE)	1

6.24 - 4-Light Relay

SN 0001PRO215 and UP
SN 0001PRO2V15 and UP



103938_A

Night-Lite ProII™

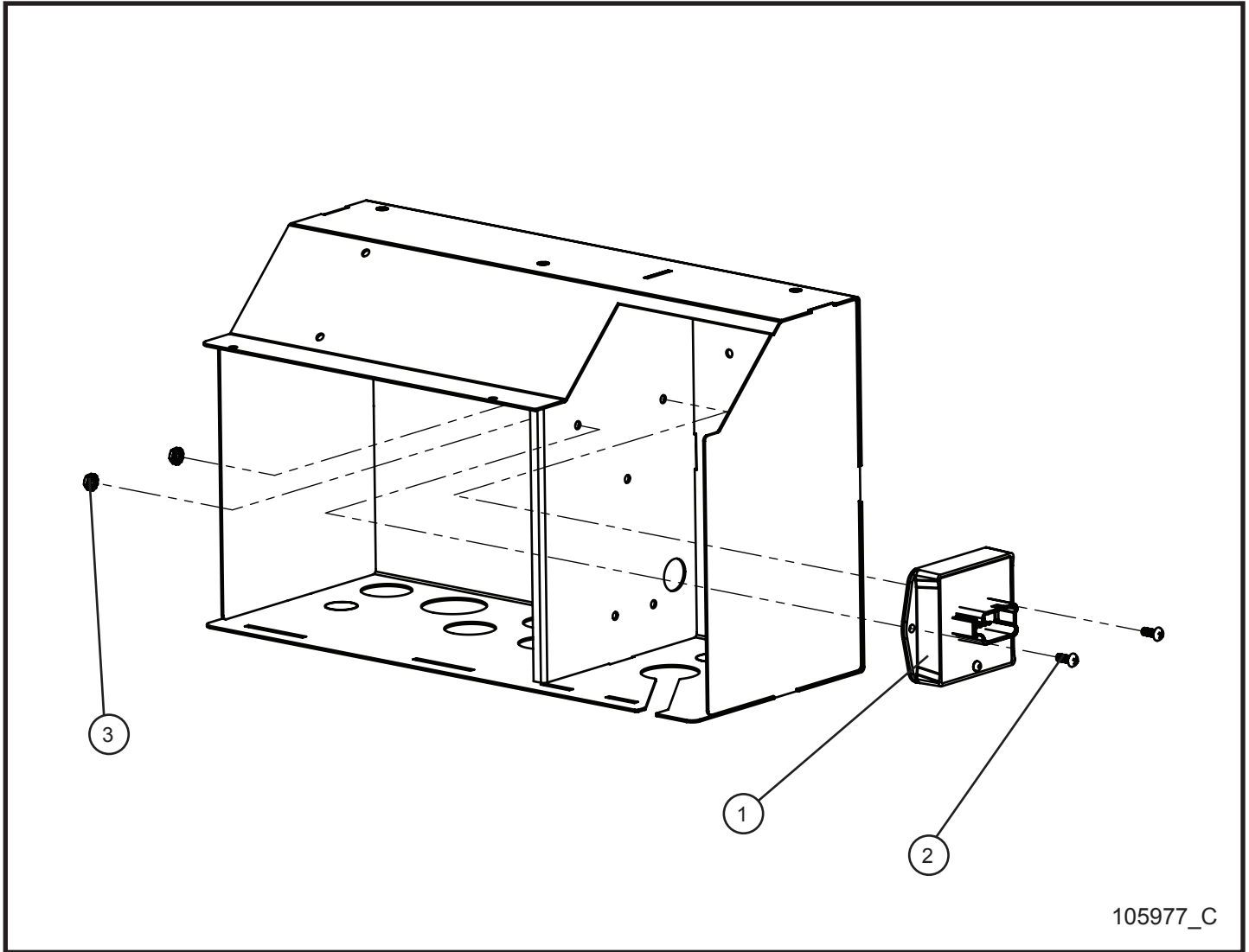
6.24 - 4-Light Relay

SN 0001PRO215 and UP
SN 0001PRO2V15 and UP

Item	Part No.	Part Description	Qty.
1	104957	RELAY 120 VAC 30 AMP 12-28 VDC CONTROL	2
2	041017	#6-32 x 3/8 PH-PAN HEAD MS PL	4
3	044004	#6-32 KEPS NUT PL	4
NS	105898	WIRING SCHEMATIC 4 LIGHT PRO II	1
NS	106081	WIRE HARNESS 4 LIGHT RELAY PRO II	1

6.25 - Low Level Fuel Module

SN 0001PRO215 and UP
SN 0001PRO2V15 and UP



105977_C

Night-Lite ProII™

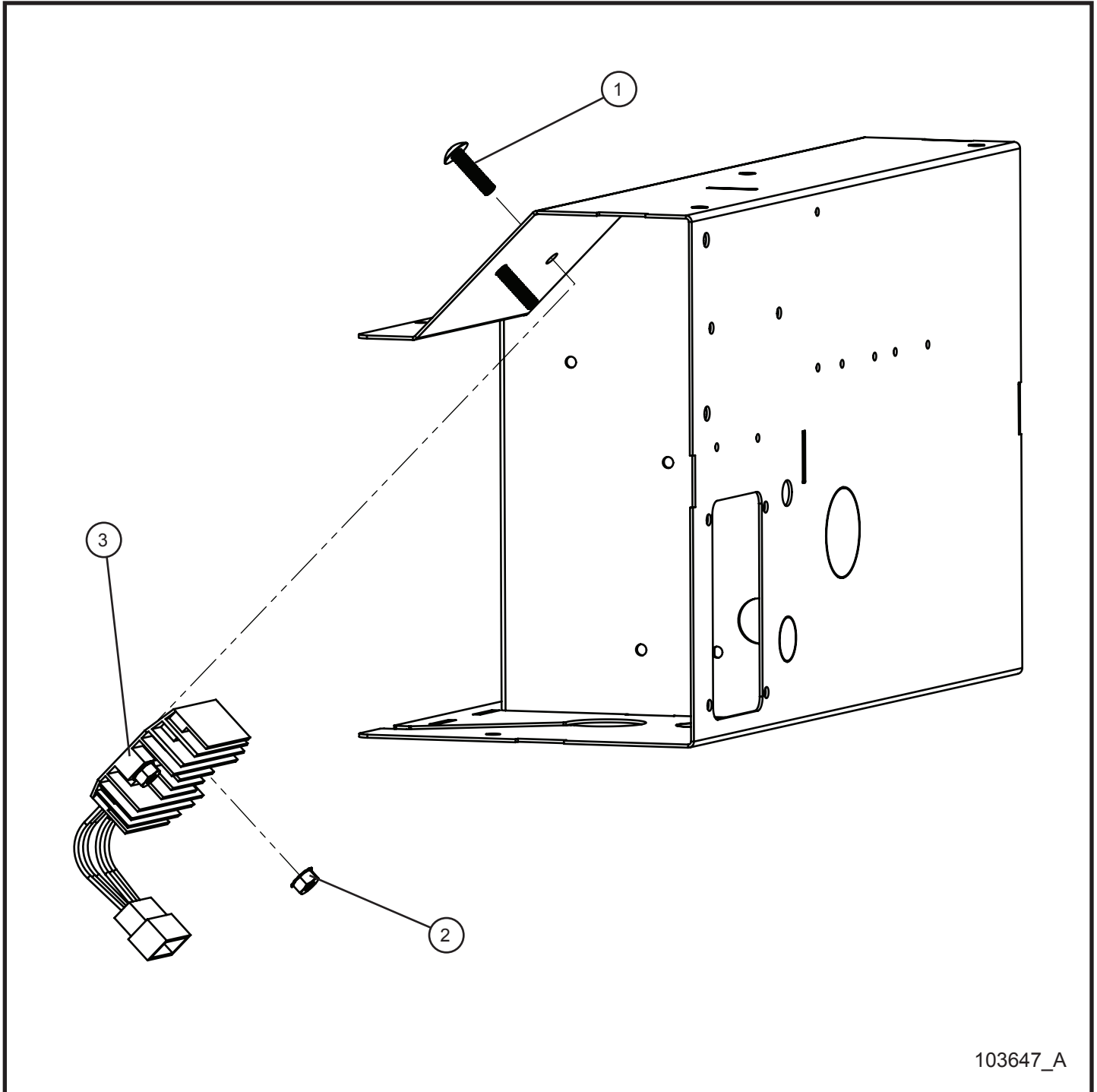
6.25 - Low Level Fuel Module

SN 0001PRO215 and UP
SN 0001PRO2V15 and UP

Item	Part No.	Part Description	Qty.
1	105856	SLS MODULE WITH 5V POWER SUPPLY	1
2	041021	#10-24 x 1/2 PH-ROUND HEAD MS PL	2
3	044018	#10-24 NYLOCK HEX NUT PL	2
NS	105901	LOW FUEL SHUTDOWN WIRE SCHEMATIC	1
NS	105900	WIRE HARNESS LOW FUEL MODULE	1

6.26 - CAT Engine Voltage Regulator

SN 0001PRO215 and UP
SN 0001PRO2V15 and UP



103647_A

Night-Lite ProII™

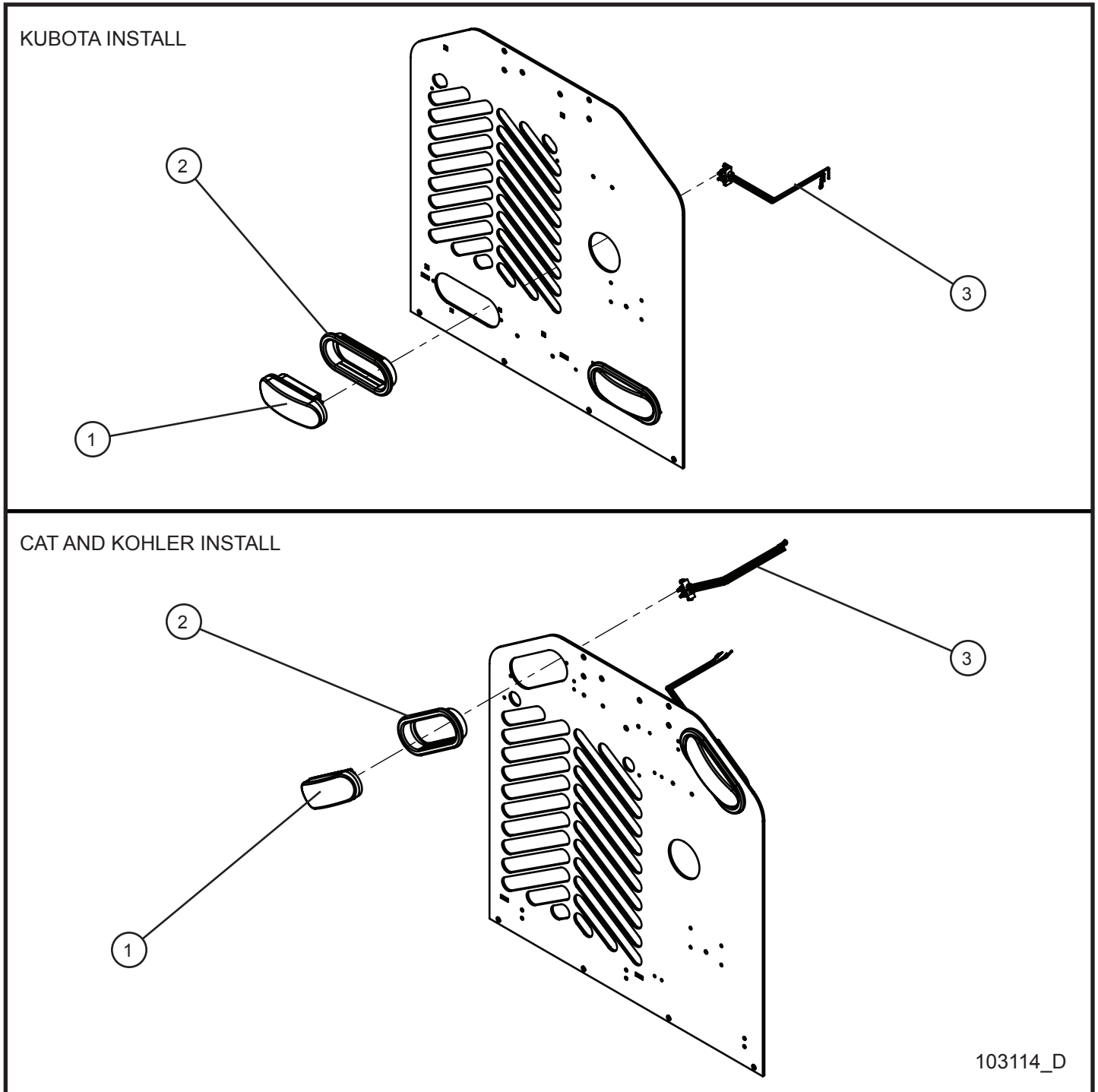
6.26 - CAT Engine Voltage Regulator

SN 0001PRO215 and UP
SN 0001PRO2V15 and UP

Item	Part No.	Part Description	Qty.
1	041080	1/4-20 x PH-TRUSS HEAD MS SS	2
2	044021	1/4-20 KEPS HEX NUT PL	2
3	650446	VOLTAGE REGULATOR	1
NS	105988	CAT ENGINE VR HARNESS	1
NS	105899	C1.1 VOLTAGE REGULATOR SCHEMATIC	1

7.1 - Oval Taillight

SN 0001PRO215 and UP
SN 0001PRO2V15 and UP



Night-Lite ProII™

7.1 - Oval Taillight

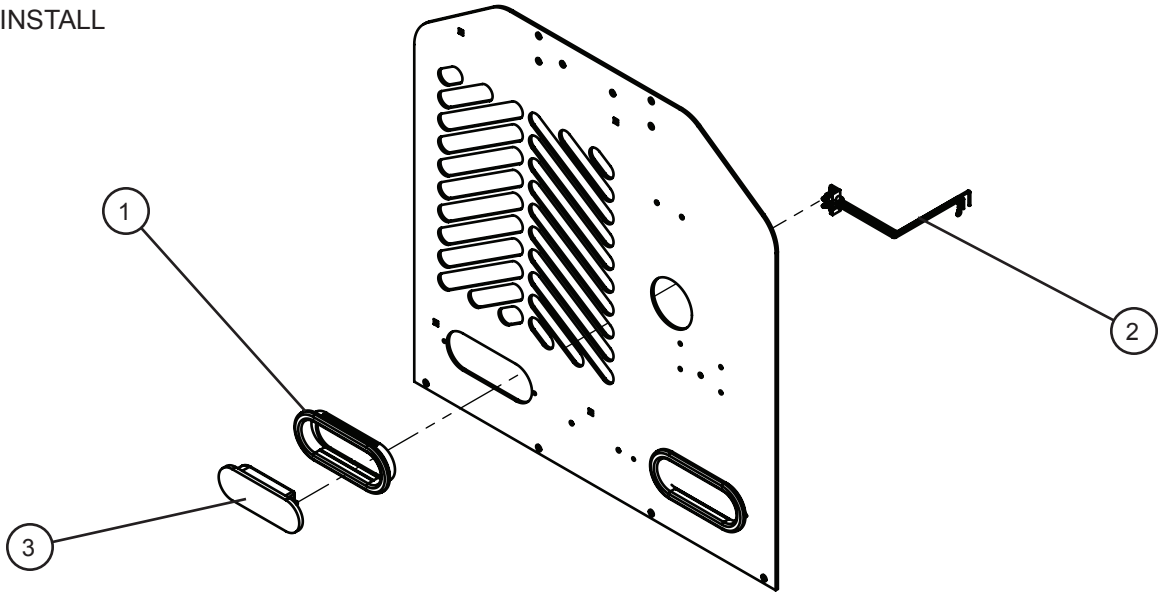
SN 0001PRO215 and UP
SN 0001PRO2V15 and UP

Item	Part No.	Part Description	Qty.
1	102826	STOP, TAIL, TURN LAMP	2
2	102825	OVAL LAMP GROMMET	2
3	102827	ECONO 90 DEG 3-PRONG PIGTAIL	2

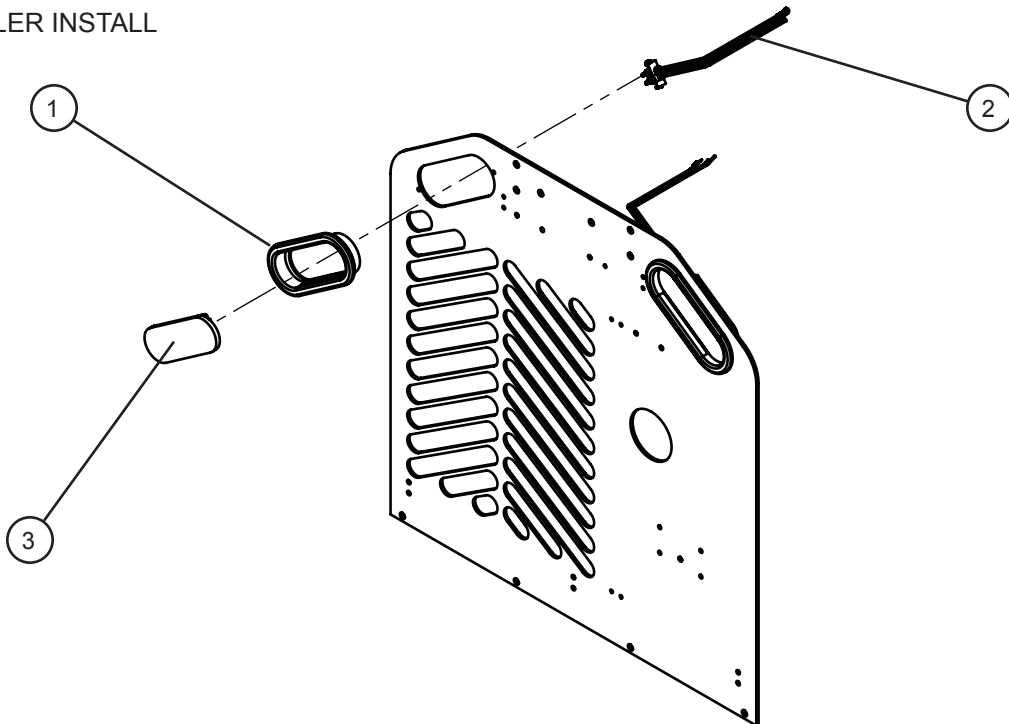
7.2 - LED Taillight

SN 0001PRO215 and UP
SN 0001PRO2V15 and UP

KUBOTA INSTALL



CAT AND KOHLER INSTALL



103908_C

Night-Lite ProII™

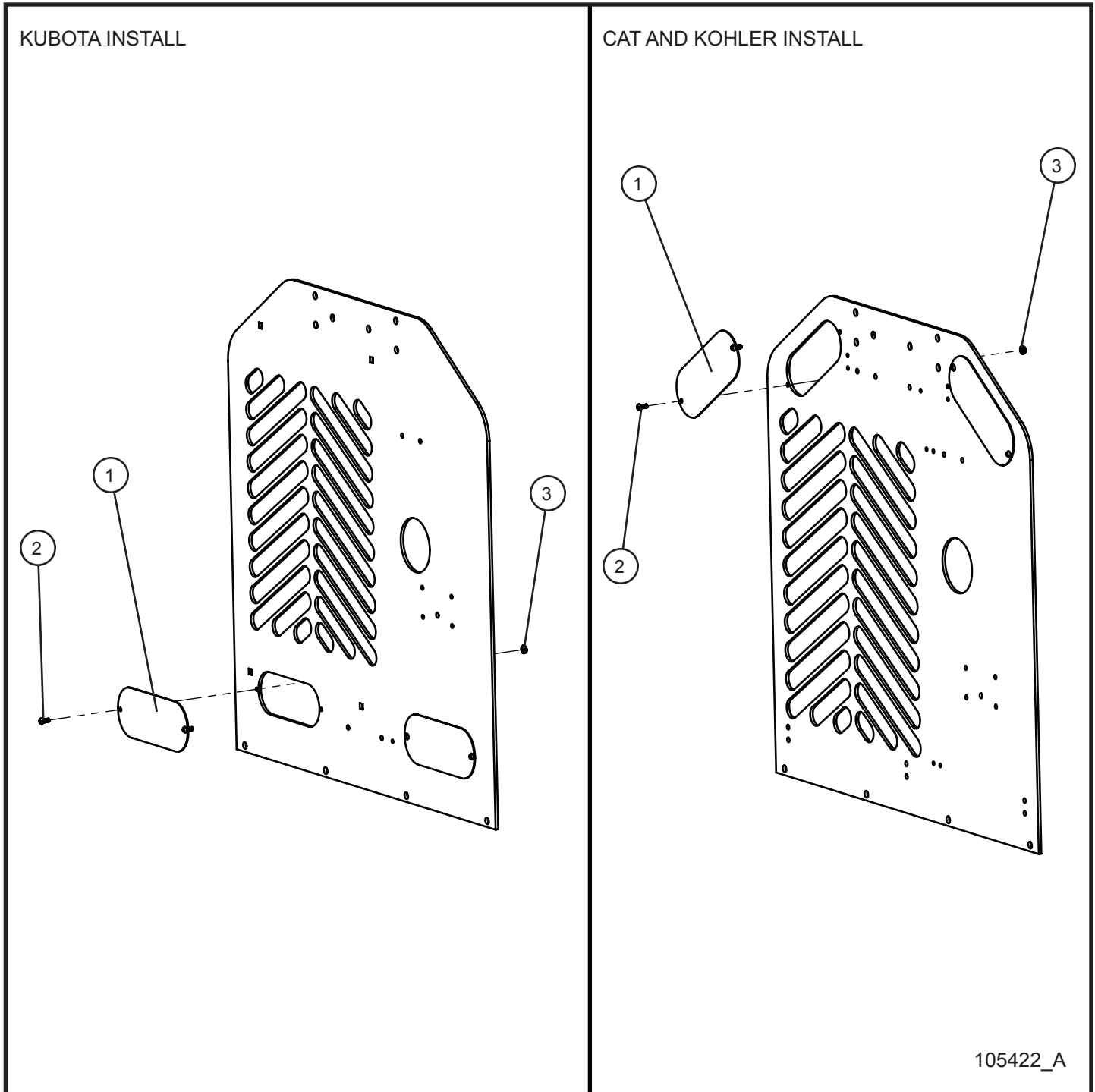
7.2 - LED Taillight

SN 0001PRO215 and UP
SN 0001PRO2V15 and UP

Item	Part No.	Part Description	Qty.
1	102825	OVAL LAMP GROMMET	2
2	102827	ECONO 90 DEG 3-PRONG PIGTAIL	2
3	102721	LED TAIL LAMP STOP TURN	2

7.3 - No Taillight Cover

SN 0001PRO215 and UP
SN 0001PRO2V15 and UP



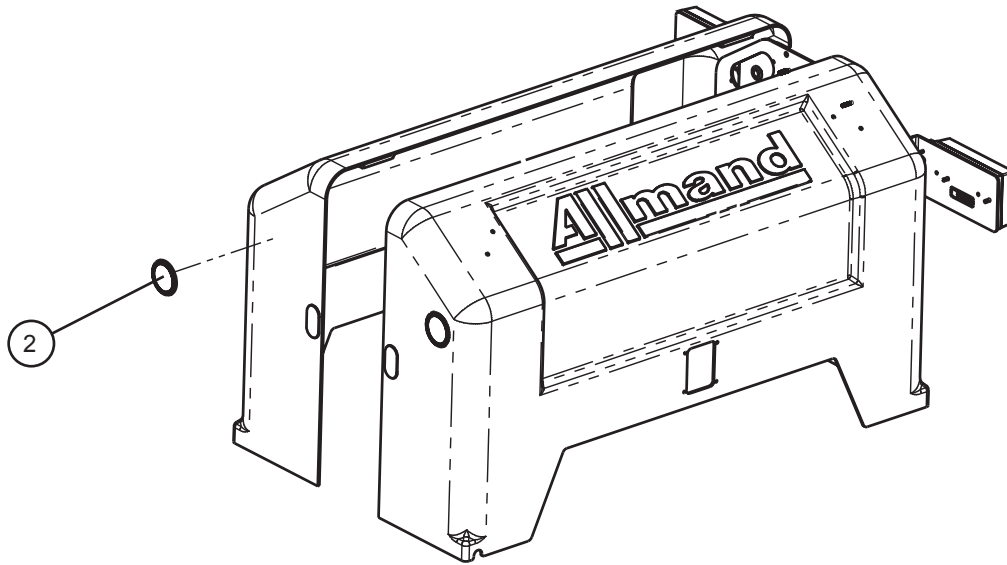
Night-Lite ProII™

7.3 - No Taillight Cover

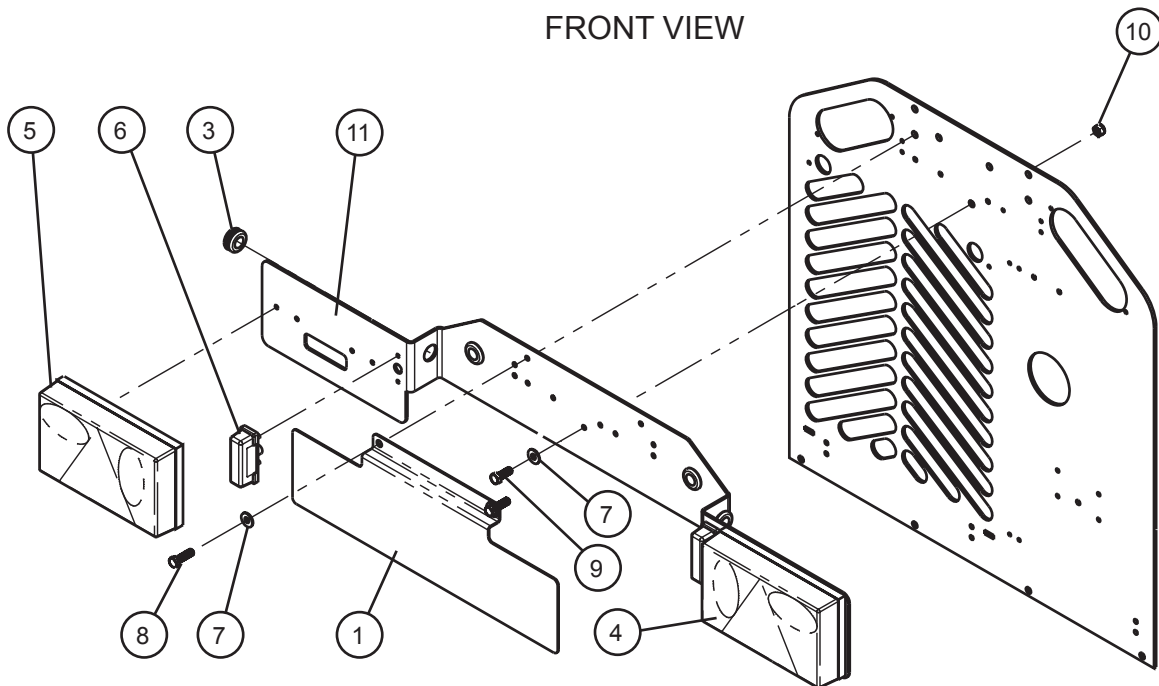
SN 0001PRO215 and UP
SN 0001PRO2V15 and UP

Item	Part No.	Part Description	Qty.
1	105414P	COVER PLATE OVAL TAILLIGHT HOLE	2
2	041021	#10-24 x 1/2 PH-ROUND HEAD MS PL	4
3	044016	#10-24 KEPS HEX NUT PL	4

7.4 - CAT International Taillight



FRONT VIEW



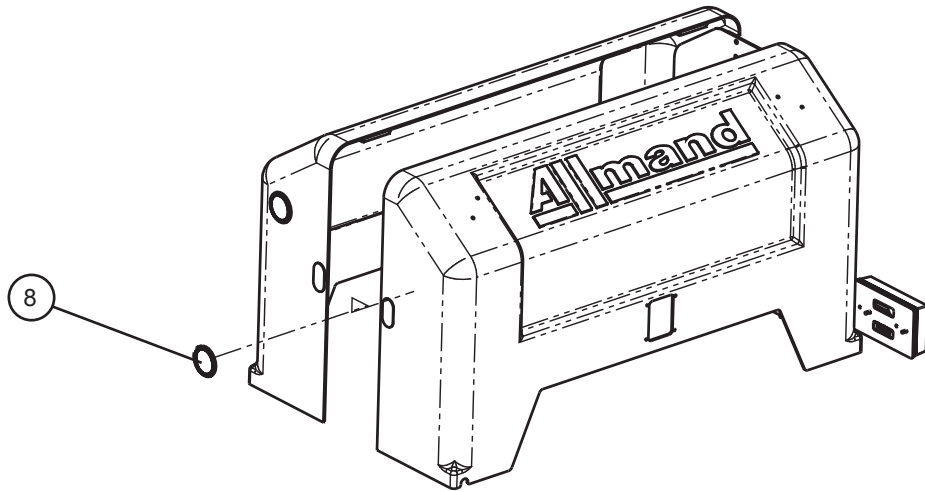
REAR VIEW

106011_B

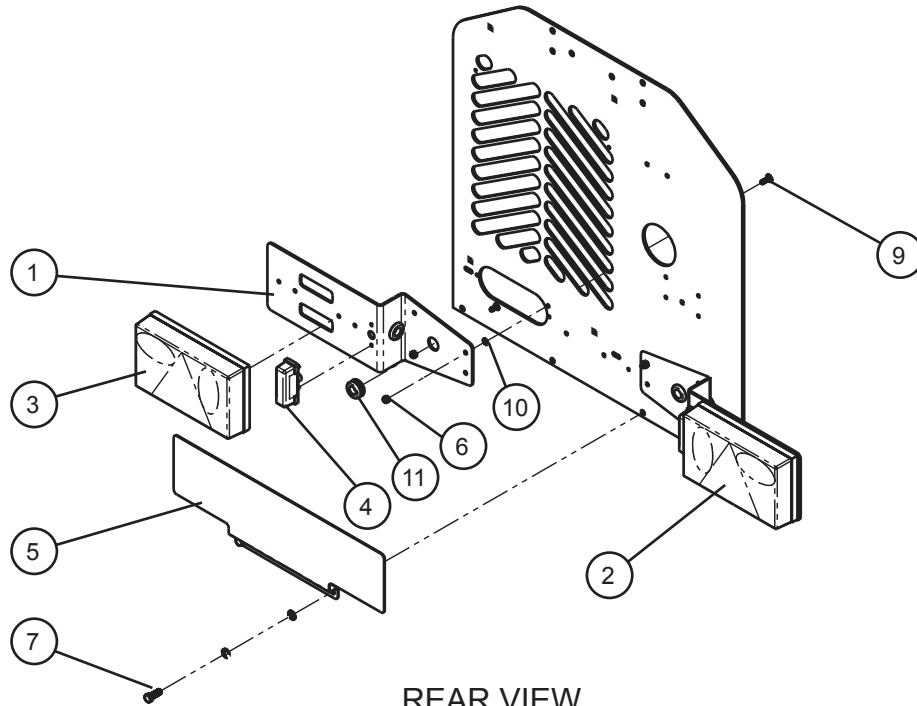
7.4 - CAT International Taillight

Item	Part No.	Part Description	Qty.
1	104901P	BRACKET LICENSE PLATE INTERNATIONAL	1
2	105499	REFLECTOR CLEAR INTERNATIONAL	2
3	330463	11/16 RUBBER GROMMET	4
4	104899	COBO RIGHT TAIL LIGHT WITH BACKUP INCANDESENT CE	1
5	104900	COBO LEFT TAIL LIGHT WITH FOG LAMP INCANDESENT CE	1
6	104912	LICENSE PLATE LAMP INCANDESENT INTERNATIONAL	1
7	047010	5/16 FLAT WASHER PL	3
8	046115	3/8-16 x 1 1/4 HEX HEAD CS GR5 PL	2
9	046110	3/8-16 x 1 HEX HEAD CS GR5 PL	1
10	044038	3/8-16 NYLOCK HEX NUT PL	1
11	106012P	BRACKET TAIL LIGHT CAT COBO INTERNATIONAL	1

7.5 - Kubota International Taillight



FRONT VIEW



REAR VIEW

104906_A

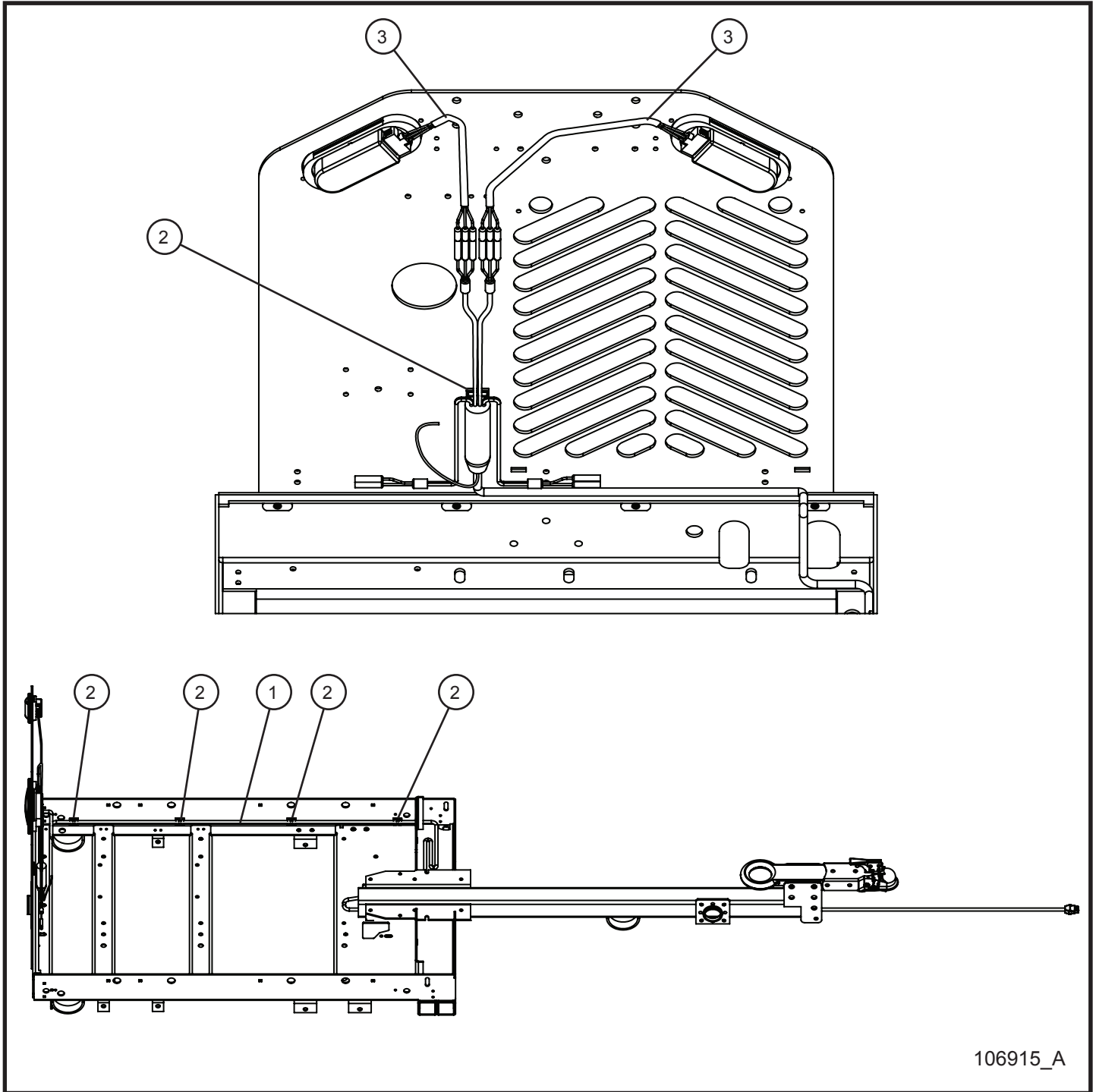
Night-Lite ProII™

7.5 - Kubota International Taillight

Item	Part No.	Part Description	Qty.
1	104913P	BRACKET TAIL LIGHT KUBOTA COBO INTERNATIONAL	2
2	104899	COBO RIGHT TAIL LIGHT WITH BACKUP INCANDESENT CE	1
3	104900	COBO LEFT TAIL LIGHT WITH FOG LAMP INCANDESENT CE	1
4	104912	LICENSE PLATE LAMP INCANDESENT INTERNATIONAL	2
5	104901P	BRACKET LICENSE PLATE INTERNATIONAL	1
6	044023	1/4-20 NYLOCK HEX NUT PL	4
7	046110	3/8-16 x 1 HEX HEAD CS GR5 PL	2
8	105499	REFLECTOR CLEAR INTERNATIONAL	2
9	053006	1/4-20 x 3/4 CARRIAGE BOLT	4
10	101701	1/4 PUSH NUT	4
11	330463	11/16 RUBBER GROMMET	4

7.6 - CAT 4-Pin Taillight Harness

SN 0001PRO215 and UP
SN 0001PRO2V15 and UP



106915_A

Night-Lite ProII™

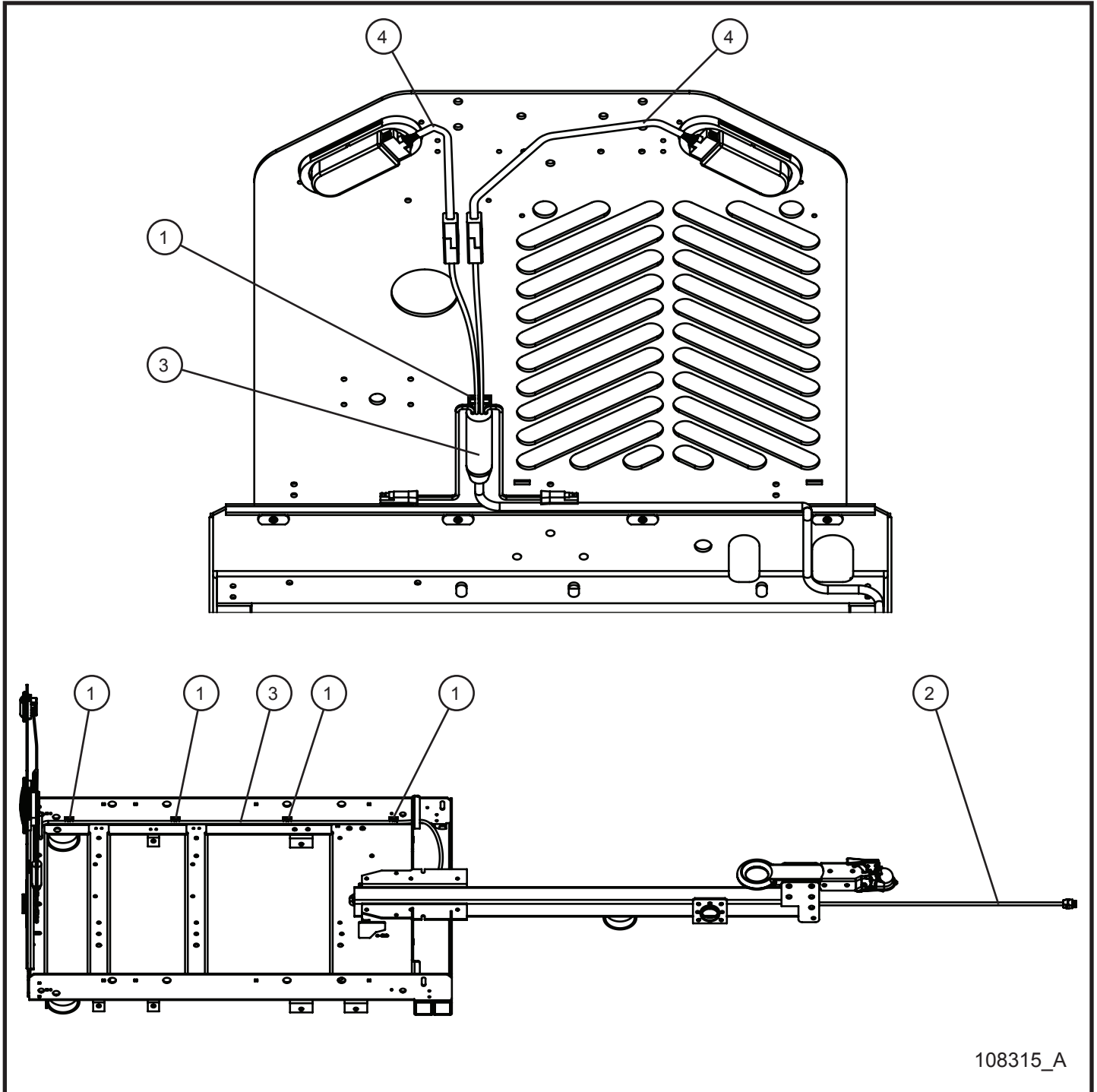
7.6 - CAT 4-Pin Taillight Harness

SN 0001PRO215 and UP
SN 0001PRO2V15 and UP

Item	Part No.	Part Description	Qty.
1	106903	BASE HARNESS TAILLIGHTS	1
2	022135	TIE ADHESIVE MOUNT	5
3	106906	TAILLIGHT PIGTAIL LONG HARNESS PRO II	2
4	107266	SCHEMATIC TAILLIGHT HARNESS	1

7.7 - CAT 4-Pin 2 Piece Taillight Harness

SN 0001PRO215 and UP
SN 0001PRO2V15 and UP



108315_A

Night-Lite ProII™

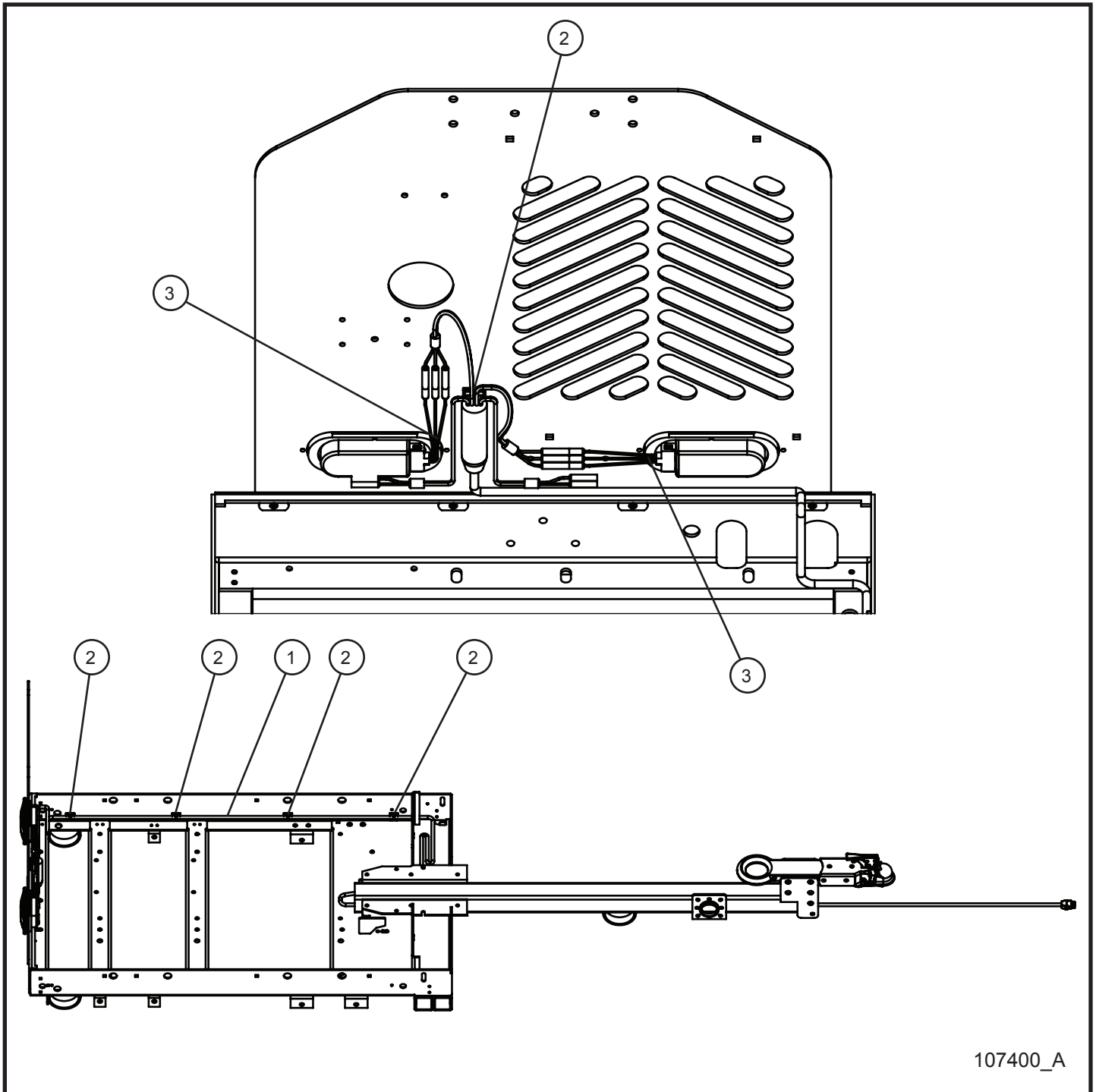
7.7 - CAT 4-Pin 2 Piece Taillight Harness

SN 0001PRO215 and UP
SN 0001PRO2V15 and UP

Item	Part No.	Part Description	Qty.
1	022135	TIE ADHESIVE MOUNT	5
2	107856	SHORT TONGUE TAIL LIGHTS	1
3	107859	BASE HARNESS TAIL LIGHTS	1
4	107862	TAIL LIGHT PIGTAIL LONG SQUARE PLUG HARNESS	2
5	107266	SCHEMATIC TAILLIGHT HARNESS	1

7.8 - Kubota 4-Pin Taillight Harness

SN 0001PRO215 and UP
SN 0001PRO2V15 and UP



107400_A

Night-Lite ProII™

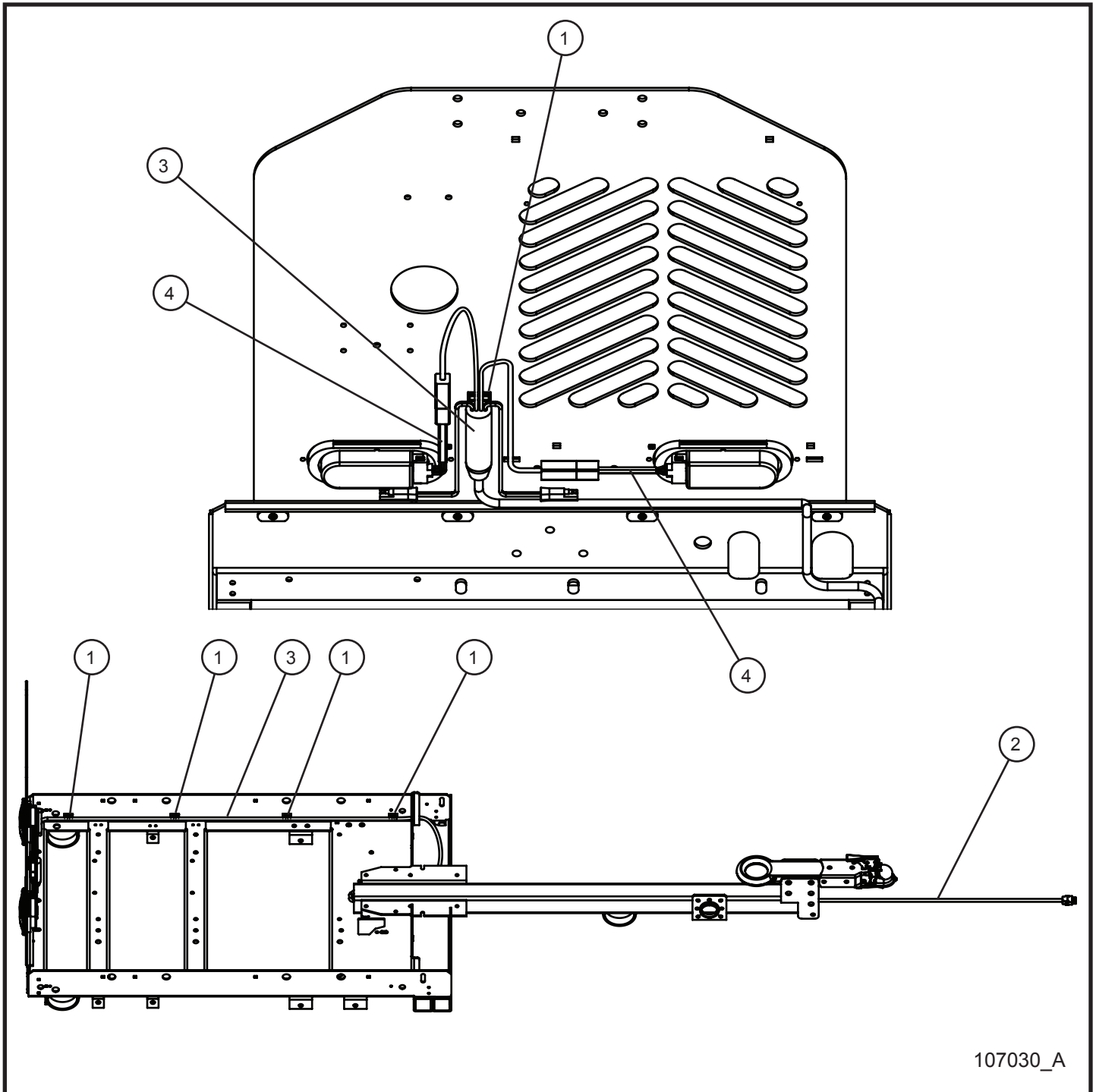
7.8 - Kubota 4-Pin Taillight Harness

SN 0001PRO215 and UP
SN 0001PRO2V15 and UP

Item	Part No.	Part Description	Qty.
1	106903	BASE HARNESS TAILLIGHTS	1
2	022135	TIE ADHESIVE MOUNT	5
3	106907	TAILLIGHT PIGTAIL SHORT HARNESS PRO II	2
4	107266	SCHEMATIC TAILLIGHT HARNESS	1

7.9 - Kubota 4-Pin 2 Piece Taillight Harness

SN 0001PRO215 and UP
SN 0001PRO2V15 and UP



107030_A

Night-Lite ProII™

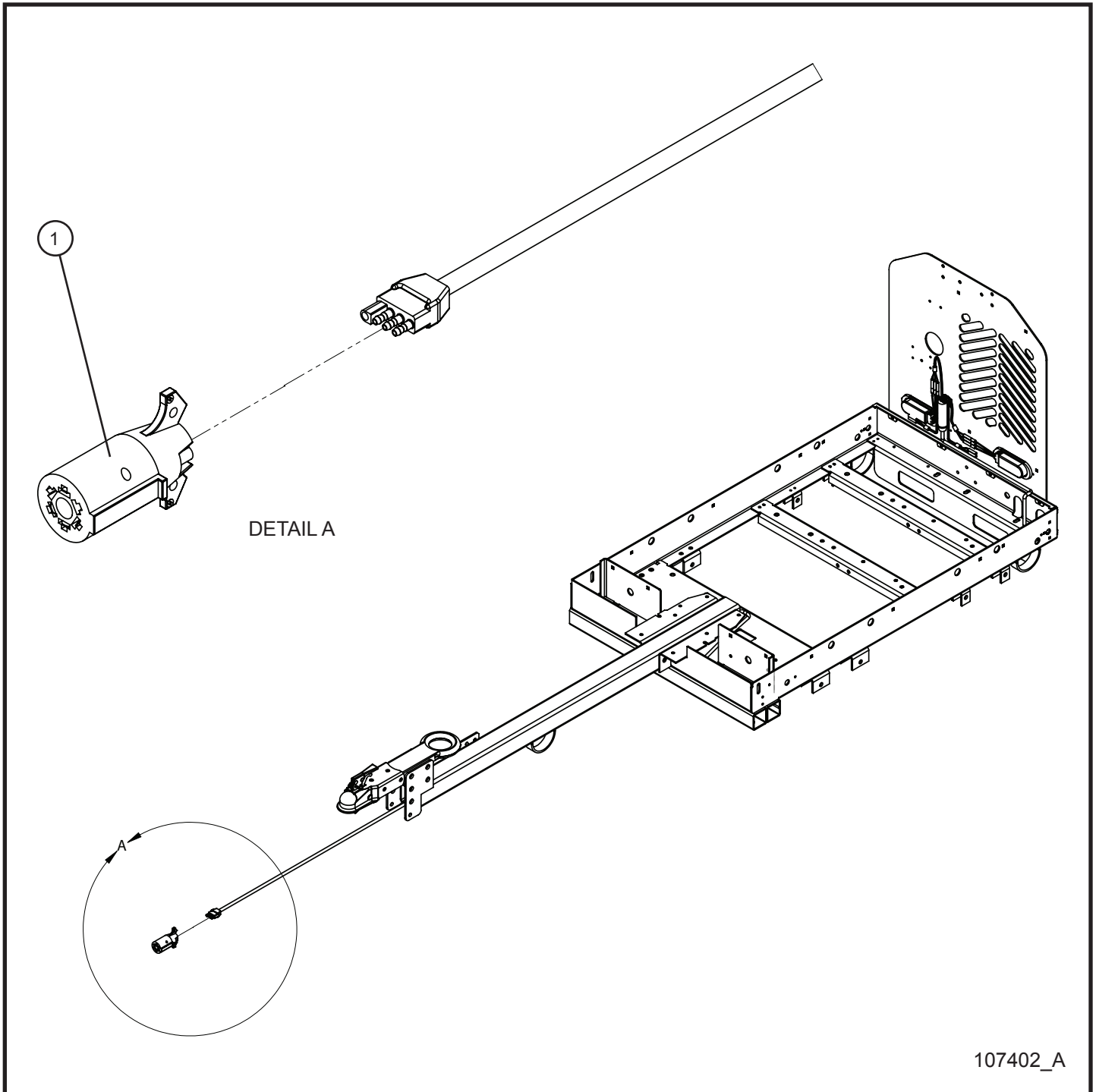
7.9 - Kubota 4-Pin 2 Piece Taillight Harness

SN 0001PRO215 and UP
SN 0001PRO2V15 and UP

Item	Part No.	Part Description	Qty.
1	022135	TIE ADHESIVE MOUNT	5
2	107856	SHORT TONGUE TAIL LIGHTS	1
3	107859	BASE HARNESS TAIL LIGHTS	1
4	107861	TAIL LIGHT PIGTAIL LONG SQUARE PLUG HARNESS	2
5	107266	SCHEMATIC TAILLIGHT HARNESS	1

7.10 - 7-Pole Plug Adapter

SN 0001PRO215 and UP
SN 0001PRO2V15 and UP



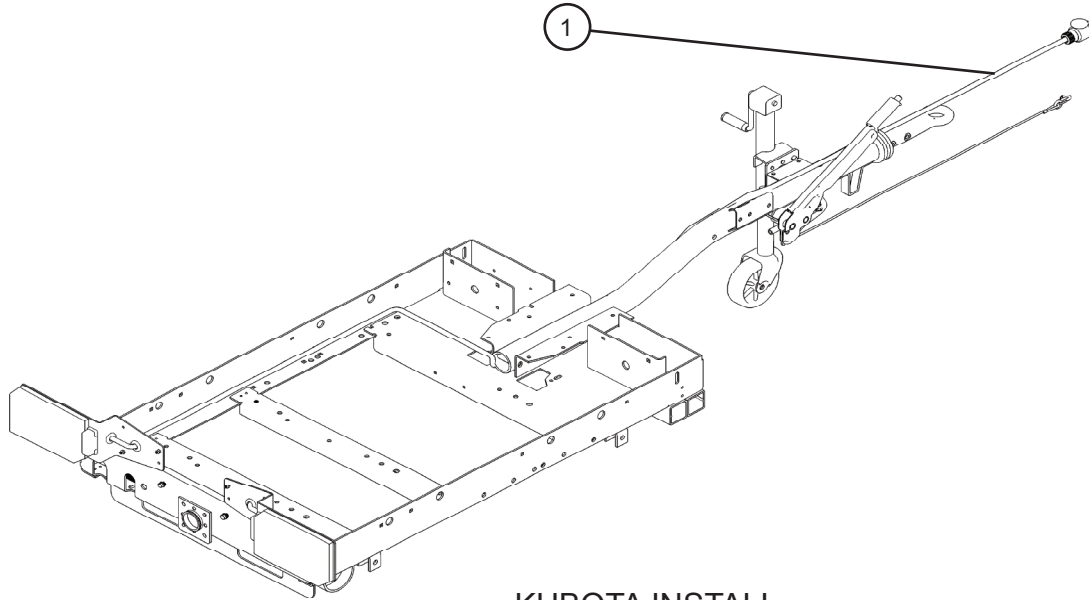
Night-Lite ProII™

7.10 - 7-Pole Plug Adapter

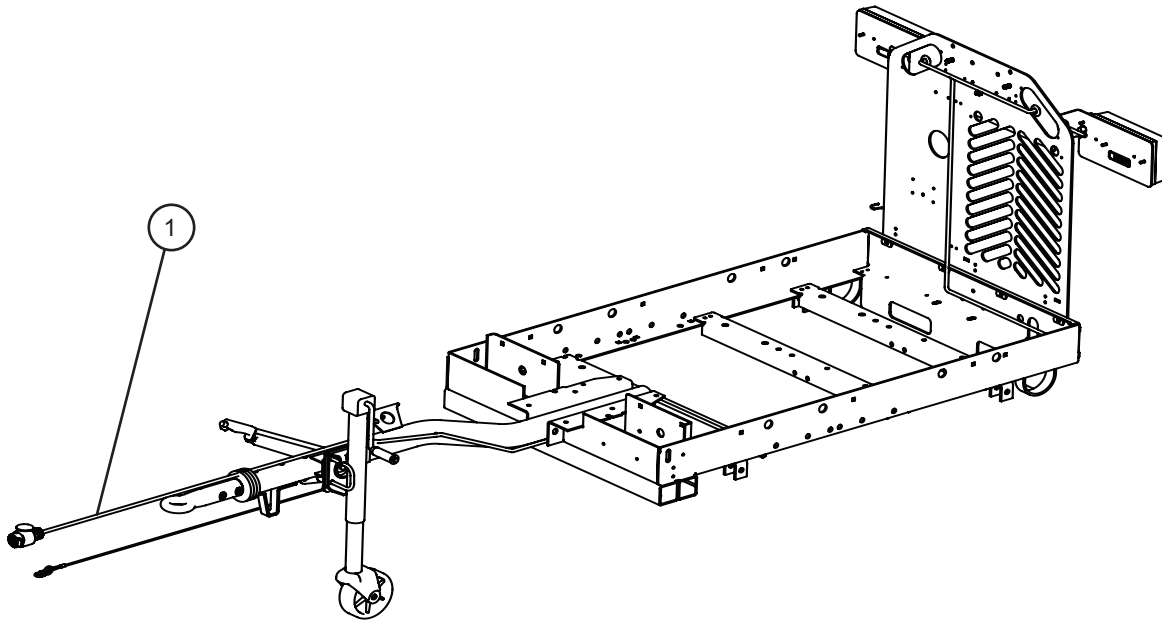
SN 0001PRO215 and UP
SN 0001PRO2V15 and UP

Item	Part No.	Part Description	Qty.
1	107401	7-WAY RV PLUG, BLADE STYLE	1

7.11 - International Taillight Harness



KUBOTA INSTALL



CAT INSTALL

106024_A

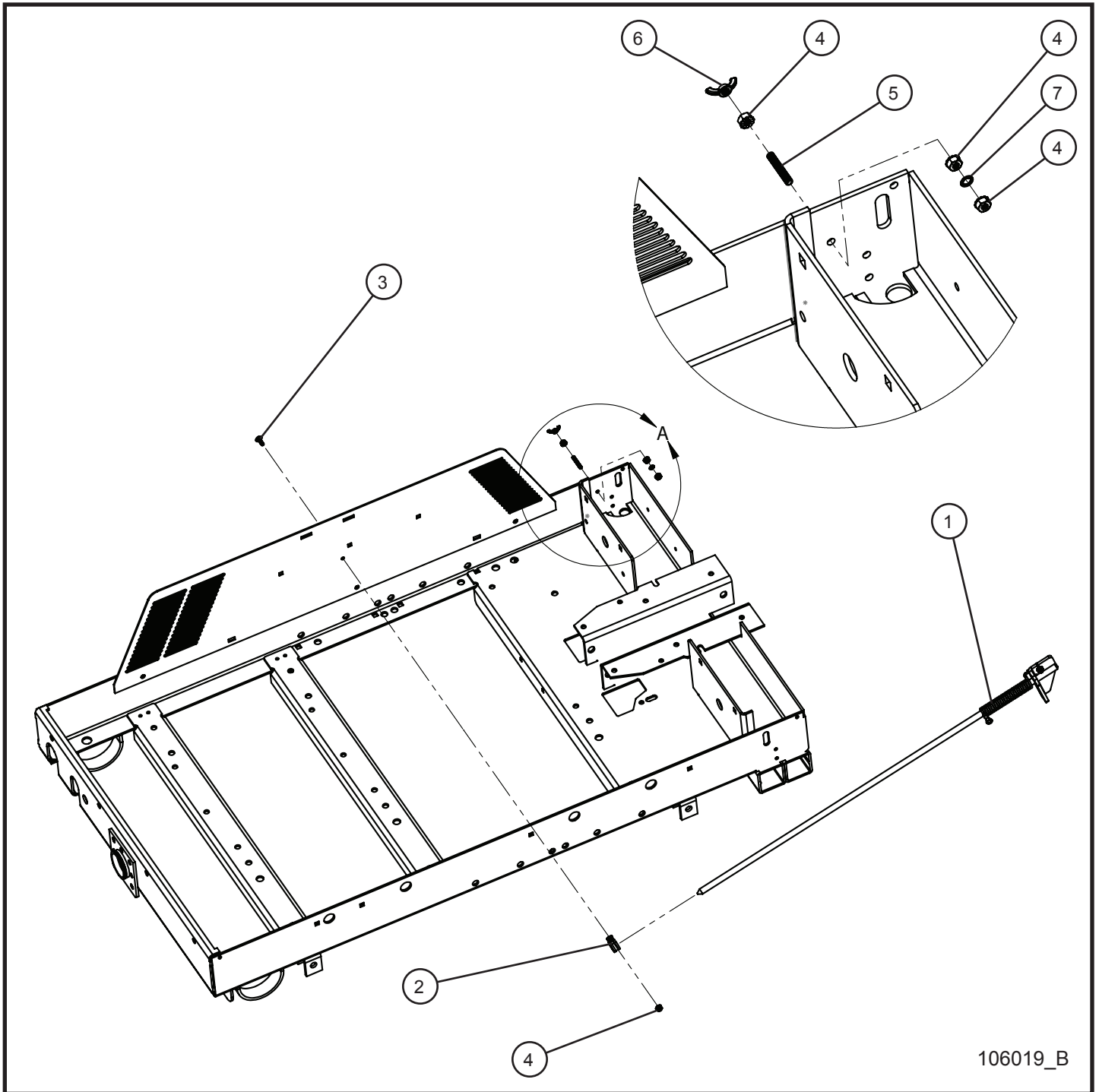
Night-Lite ProII™

7.11 - International Taillight Harness

Item	Part No.	Part Description	Qty.
1	105500	HARNES TAIL LIGHT INTERNATIONAL PRO II	1
NS	105502	WIRE SCHEMATIC TAIL LIGHT INTERNATIONAL PRO II	1

7.12 - Ground Rod

SN 0001PRO215 and UP
SN 0001PRO2V15 and UP



106019_B

Night-Lite ProII™

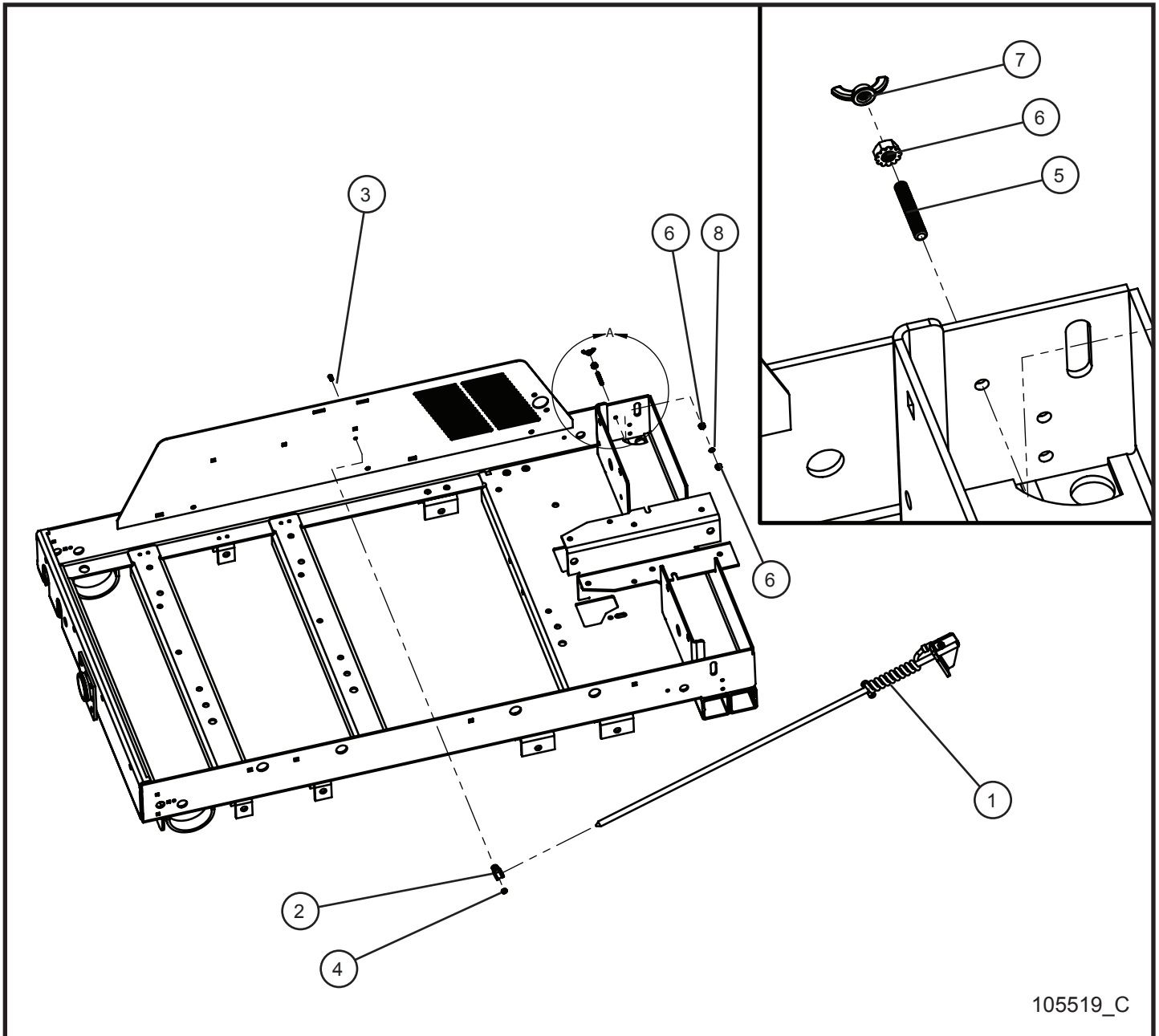
7.12 - Ground Rod

SN 0001PRO215 and UP
SN 0001PRO2V15 and UP

Item	Part No.	Part Description	Qty.
1	340058	GROUND ROD ASSEMBLY	1
2	022021	#10 CLAMP CUSH	1
3	041050	1/4-20 x 3/4 PH-TRUSS HEAD MS SS MACHINE SCREW	1
4	044021	1/4-20 KEPS HEX NUT PL	4
5	045003	1/4-20 x 1-1/2 STUD PL	1
6	330494	NUT WING 1/4-20 PL	1
7	043050	1/4 INTL TOOTH LOCK WASHER	1

7.13 - Ground Rod 4 AWG Wire

SN 0001PRO215 and UP
SN 0001PRO2V15 and UP



105519_C

Night-Lite ProII™

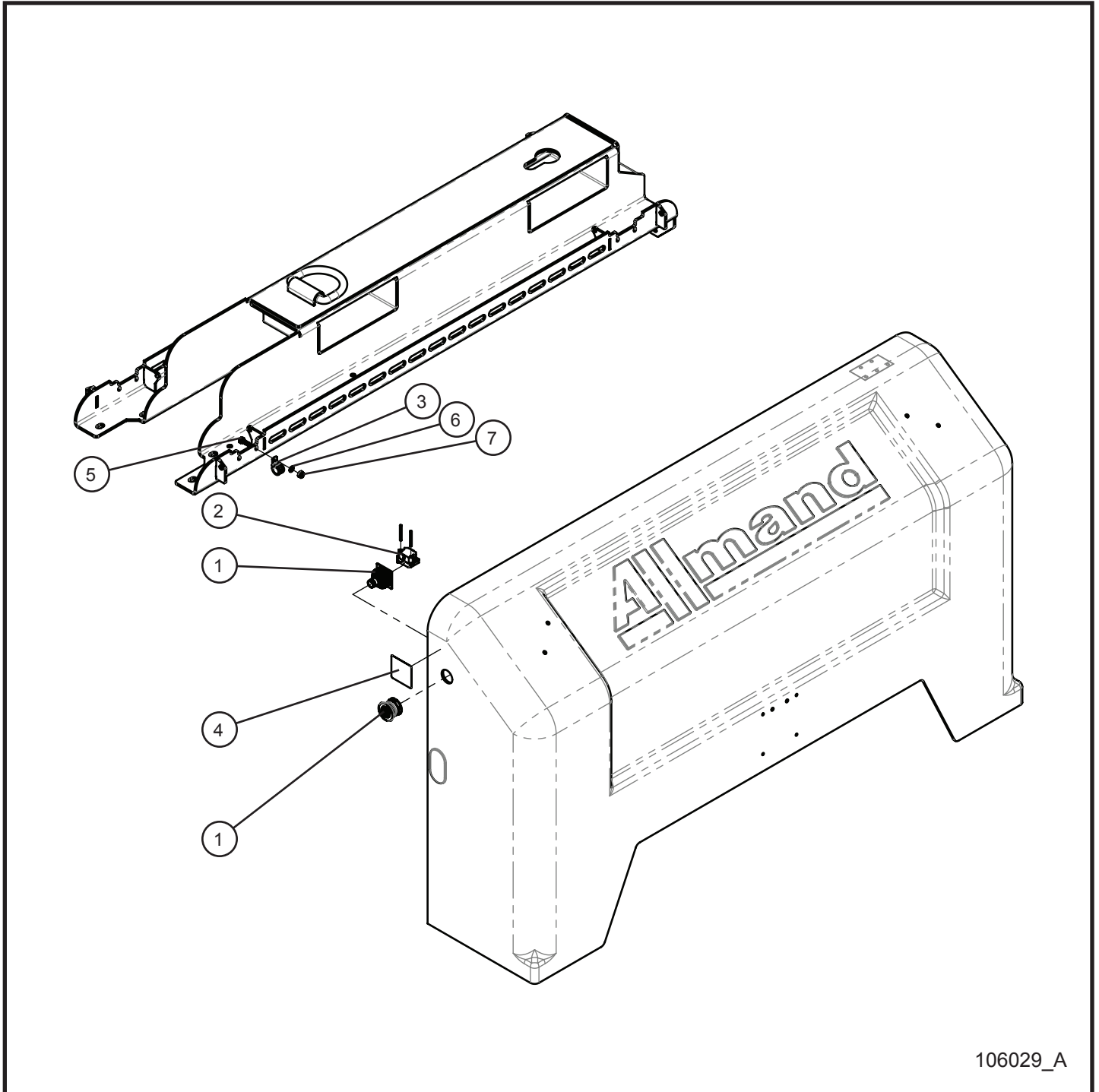
7.13 - Ground Rod 4 AWG Wire

SN 0001PRO215 and UP
SN 0001PRO2V15 and UP

Item	Part No.	Part Description	Qty.
1	105331	GROUND ROD 4 AWG WIRE	1
2	022022	#8 CUSH CLAMP 1/4 HOLE	1
3	041024	#10-24 x 1/2 PH-ROUND HEAD MS SS	1
4	044016	#10-24 KEPS HEX NUT PL	1
5	045003	1/4-20 x 1-1/2 STUD PL	1
6	044021	1/4-20 KEPS HEX NUT PL	3
7	330494	NUT WING 1/4-20 PL	1
8	043050	1/4 INTL TOOTH LOCK WASHER	1

7.14 - Emergency Stop

SN 0001PRO215 and UP



106029_A

Night-Lite ProII™

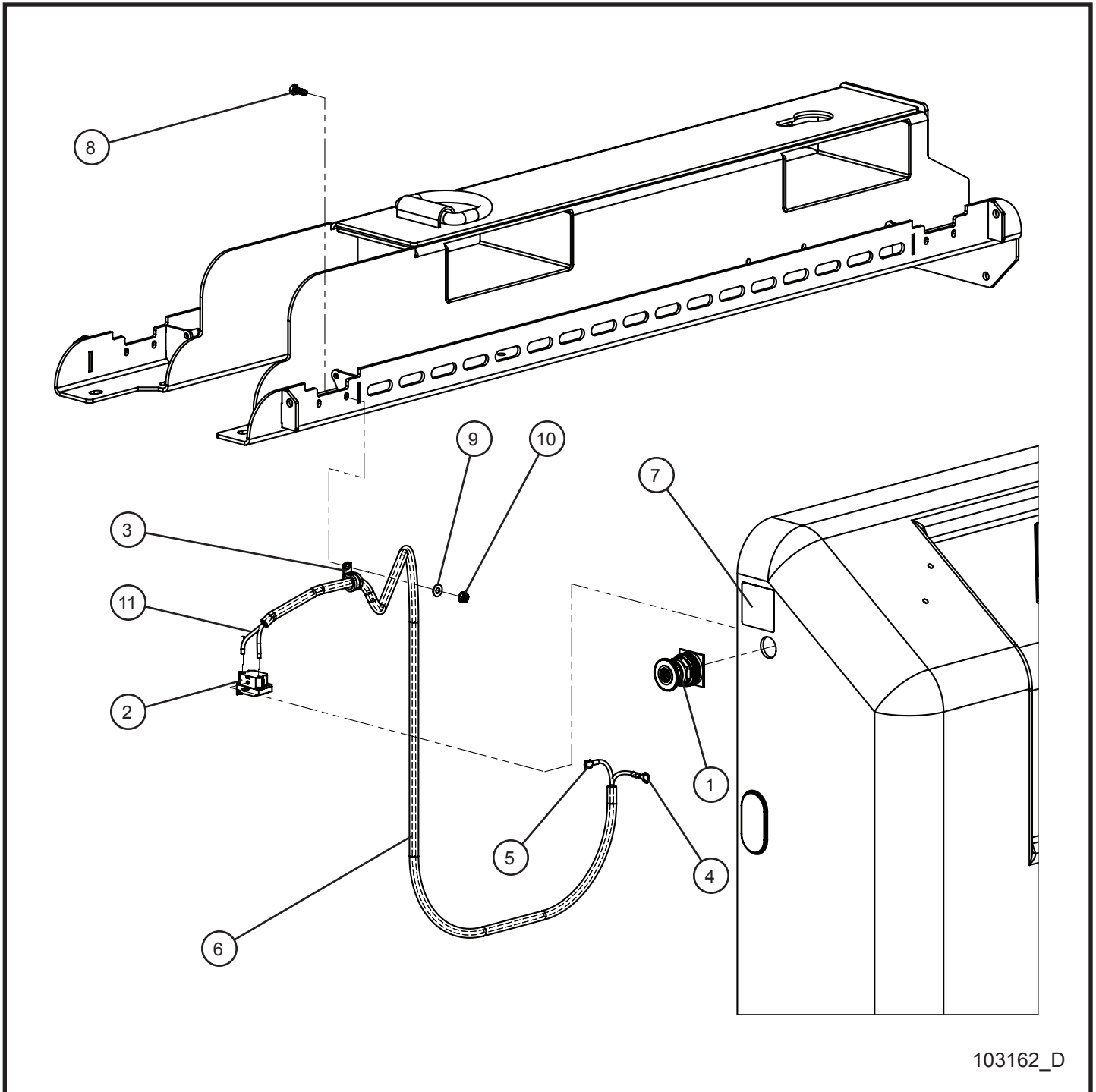
7.14 - Emergency Stop

SN 0001PRO215 and UP

Item	Part No.	Part Description	Qty.
1	650460	EMERGENCY STOP	1
2	650461	CONTACT BLOCK EMERGENCY STOP	1
3	022021	#10 CUSH CLAMP	1
4	105567	EMERGENCY STOP DECAL	1
5	046010	1/4-20 x 3/4 HEX HEAD CS GR5 SS	1
6	047009	1/4 FLAT WASHER SAE SS	1
7	044021	1/4-20 KEPS HEX NUT PL	1
8	105991	WIRE HARNESS E-STOP PRO	1

7.15 - Emergency Stop Kohler

SN 0001PRO215 and UP



103162_D

Night-Lite ProII™

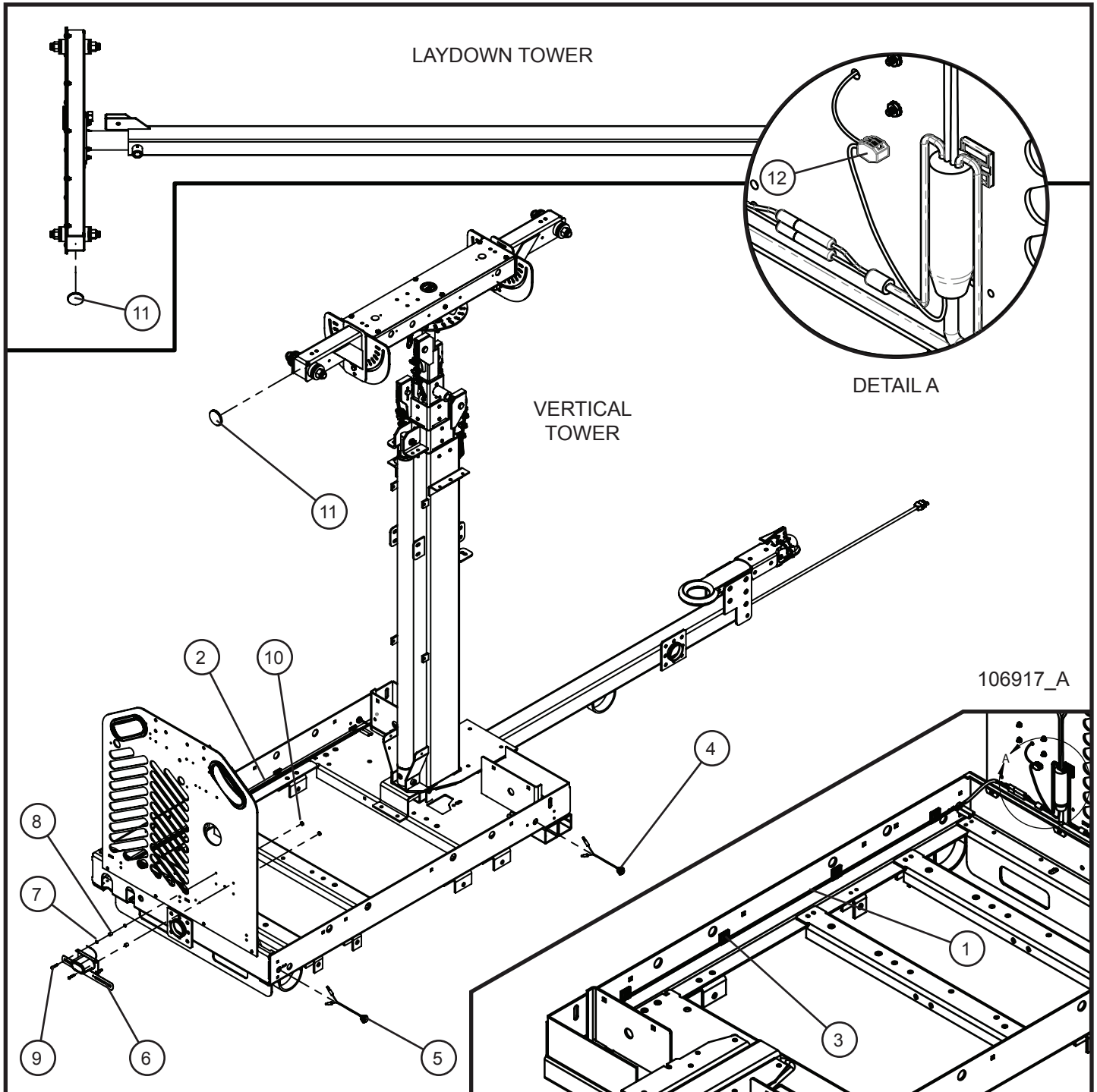
7.15 - Emergency Stop Kohler

SN 0001PRO215 and UP

Item	Part No.	Part Description	Qty.
1	650460	EMERGENCY STOP OPERATORS	1
2	650461	CONTACT BLOCK EMERGENCY STOP	1
3	022021	#10 CUSH CLAMP	1
4	022347	TERM RING 10-12 AWG 5/16	1
5	022145	TERM SPADE FEMALE 10-12 AWG 1/4 MOLEX	1
6	022202	3/8 LOOM x 66.00	1
7	105567	EMERGENCY STOP DECAL	1
8	046010	1/4-20 x 3/4 HEX HEAD CS GR5 SS	1
9	047009	1/4 FLAT WASHER SAE SS	1
10	044021	1/4-20 KEPS HEX NUT PL	1
11	020160	10 GA RED x 70.00	2

7.16 - VIN Package

SN 0001PRO215 and UP



Night-Lite ProII™

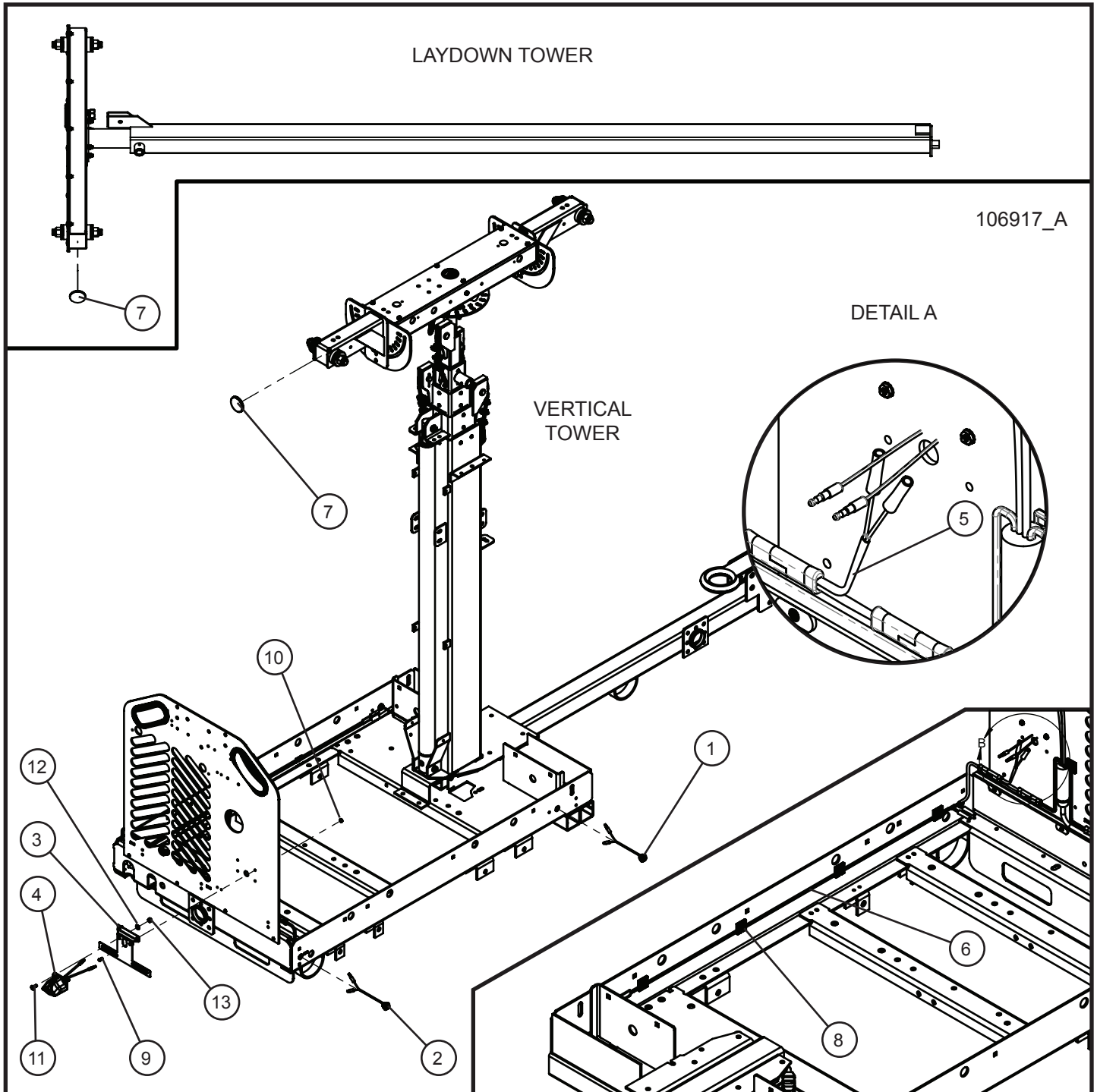
7.16 - VIN Package

SN 0001PRO215 and UP

Item	Part No.	Part Description	Qty.
1	106904	SHORT HARNESS MARKER LIGHTS	1
2	106905	LONG HARNESS MARKER LIGHTS	1
3	022135	TIE ADHESIVE MOUNT	4
4	106212	LIGHT LED MARKER AMBER	2
5	106211	LIGHT LED MARKER RED	2
6	032035	LICENSE PLATE LAMP WITH BRACKET	1
7	043015	#10 INT'L TOOTHLOCK WASHER PL	2
8	022180	SPACER RICOHO	4
9	041030	#10-24 x 1 PH-ROUND HEAD MS PL	4
10	044016	#10-24 KEPS HEX NUT PL	4
11	650237	2" RED REFLECTOR	2
12	102624	2 WIRE LEVER LOCK	1
13	107267	SCHEMATIC MARKER LIGHTS	1

7.17 - VIN LED Package

SN 0001PRO215 and UP



Night-Lite ProII™

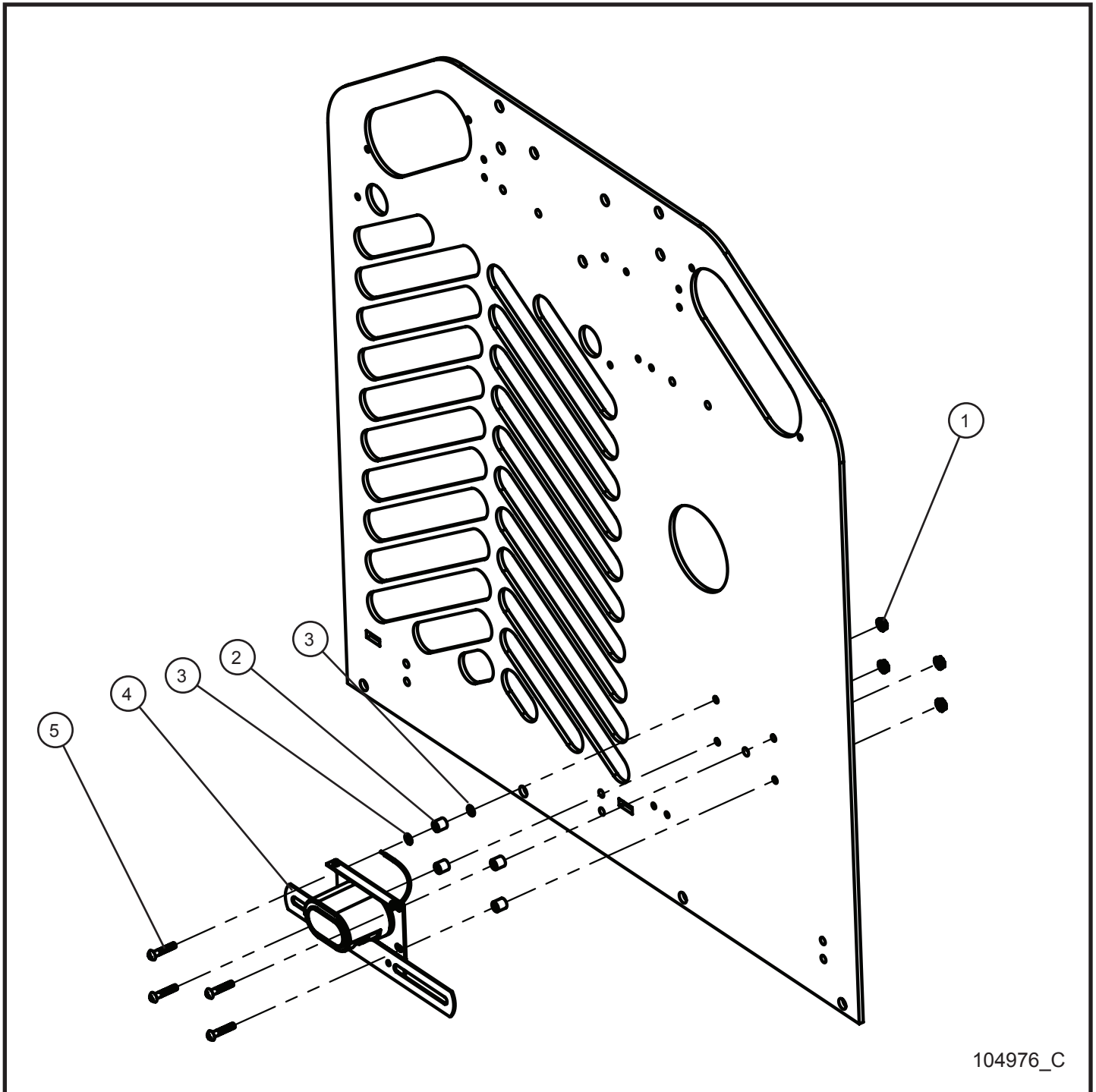
7.17 - VIN LED Package

SN 0001PRO215 and UP

Item	Part No.	Part Description	Qty.
1	106212	LIGHT LED MARKER AMBER	2
2	106211	LIGHT LED MARKER RED	2
3	105349P	BRACKET LICENSE PLATE	1
4	107605	MOUNT LED LIGHT CLEAR	1
5	105347	SHORT LED LIGHT LICENSE PLATE	1
6	107863	SHORT-2 PIN PLUG MARKER LIGHTS	2
7	650237	2" RED REFLECTOR	2
8	022135	TIE ADHESIVE MOUNT	4
9	041021	#10-24 x 1/2 PH-ROUND HEAD MS PL	2
10	044016	#10-24 KEPS HEX NUT PL	2
11	041050	1/4-20 x 3/4 PH-TRUSS HEAD MS SS MACHINE SCREW	2
12	047009	1/4 FLAT WASHER SAE SS	2
13	044023	1/4-20 NYLOCK HEX NUT PL	2
14	107267	SCHEMATIC MARKER LIGHTS	1

7.18 - License Plate Bracket with Lamp

SN 0001PRO215 and UP
SN 0001PRO2V15 and UP



104976_C

Night-Lite ProII™

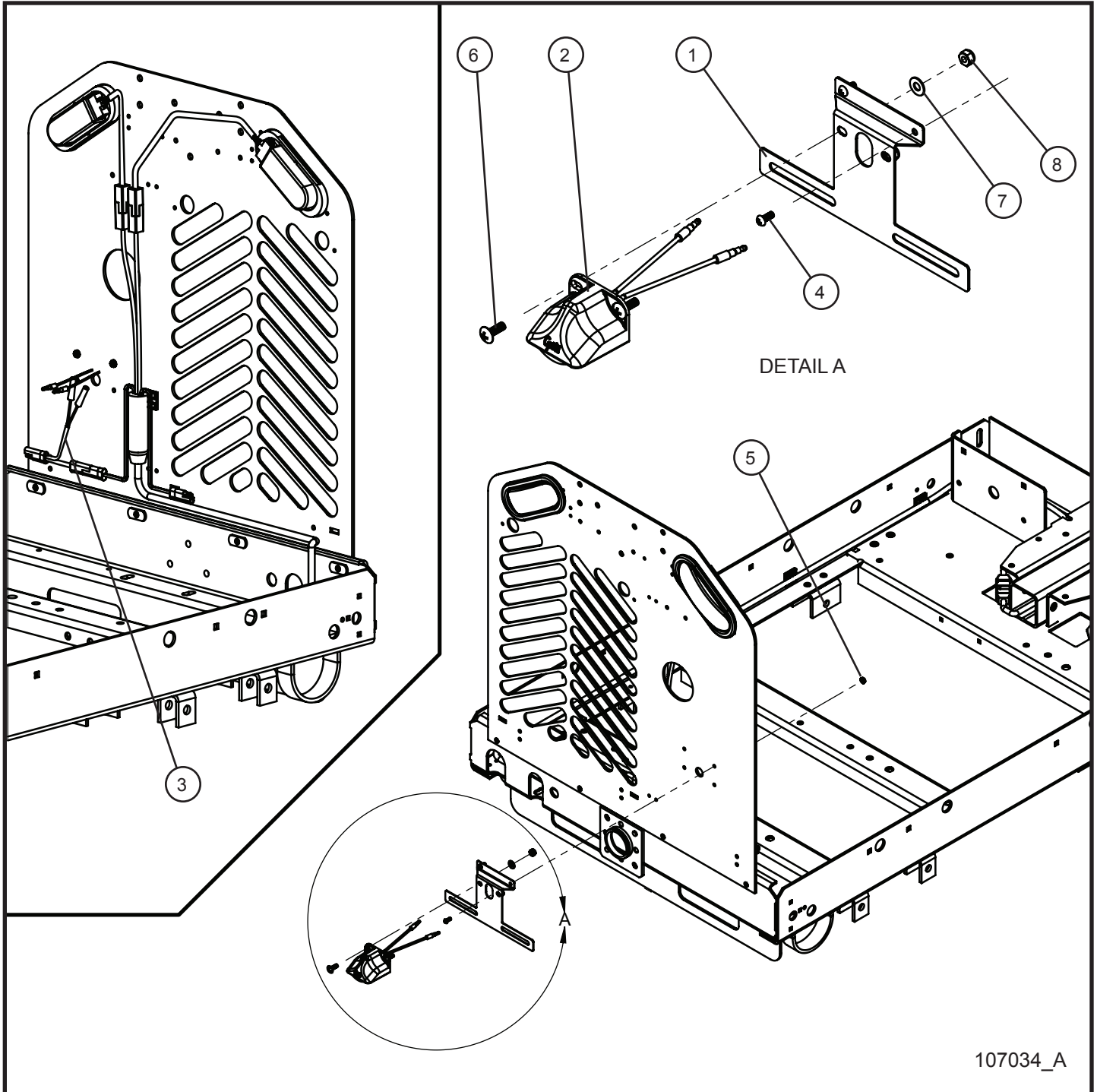
7.18 - License Plate Bracket with Lamp

SN 0001PRO215 and UP
SN 0001PRO2V15 and UP

Item	Part No.	Part Description	Qty.
1	044016	#10-24 KEPS HEX NUT PL	4
2	022180	SPACER RICOHO	4
3	043015	#10 INT'L TOOTH LOCK WASHER	2
4	032035	LICENSE PLATE LAMP WITH BRACKET	1
5	041030	#10-24 x 1 PH-ROUND HEAD MS PL	4

7.19 - License Plate Bracket with LED Lamp

SN 0001PRO215 and UP
SN 0001PRO2V15 and UP



107034_A

Night-Lite ProII™

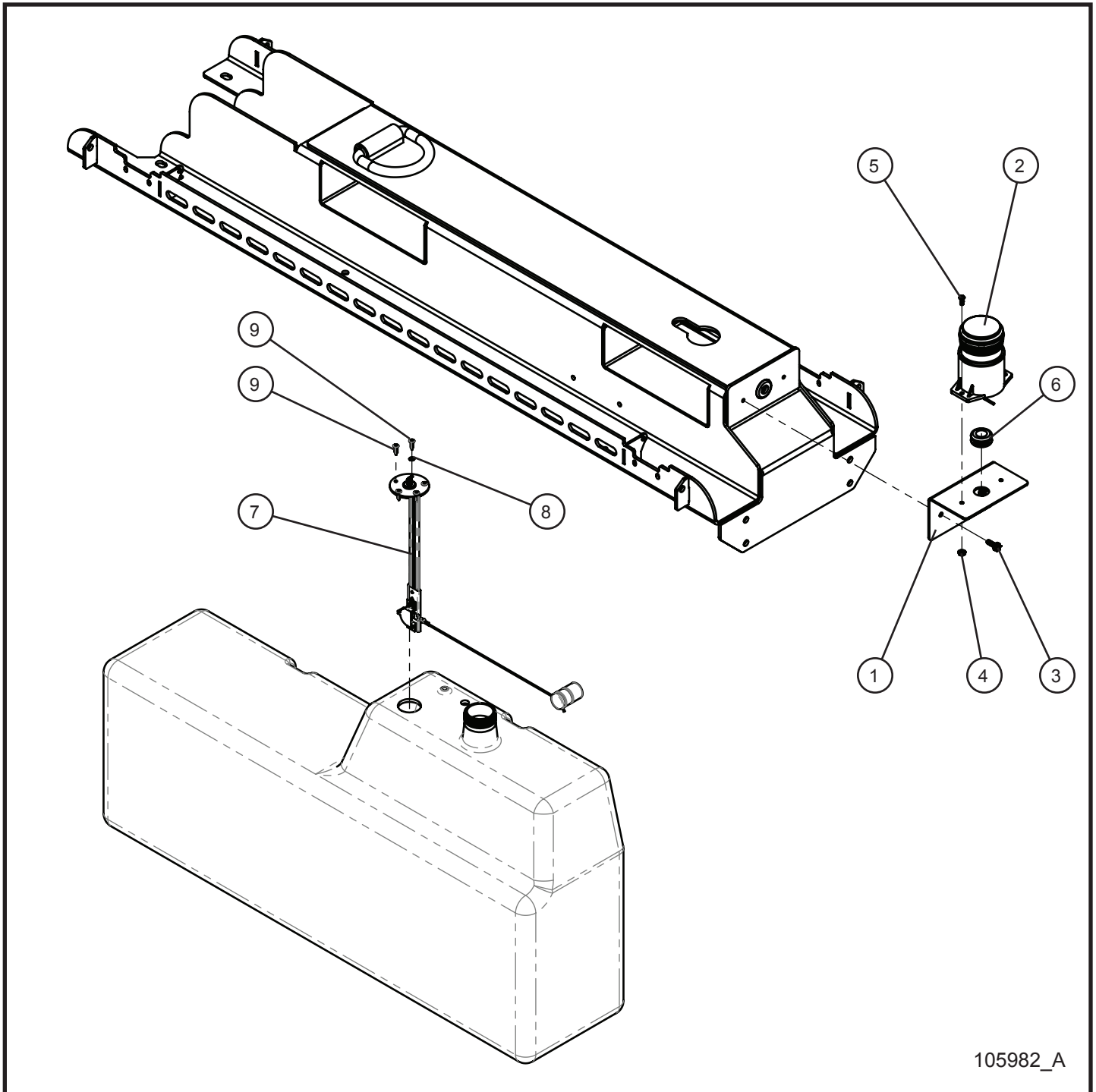
7.19 - License Plate Bracket with LED Lamp

SN 0001PRO215 and UP
SN 0001PRO2V15 and UP

Item	Part No.	Part Description	Qty.
1	105349P	BRACKET LICENSE PLATE	1
2	107605	MOUNT LED LIGHT CLEAR	1
3	105347	SHORT LED LIGHT LICENSE PLATE	1
4	041021	#10-24 x 1/2 PH-ROUND HEAD MS PL	2
5	044016	#10-24 KEPS HEX NUT PL	2
6	041050	1/4-20 x 3/4 PH-TRUSS HEAD MS SS MACHINE SCREW	2
7	047009	1/4 FLAT WASHER SAE SS	2
8	044023	1/4-20 NYLOCK	2
9	105350	SCHEMATIC LICENSE PLATE LED LIGHT	1

7.20 - Low Fuel Beacon

SN 0001PRO2V15 and UP



105982_A

Night-Lite ProII™

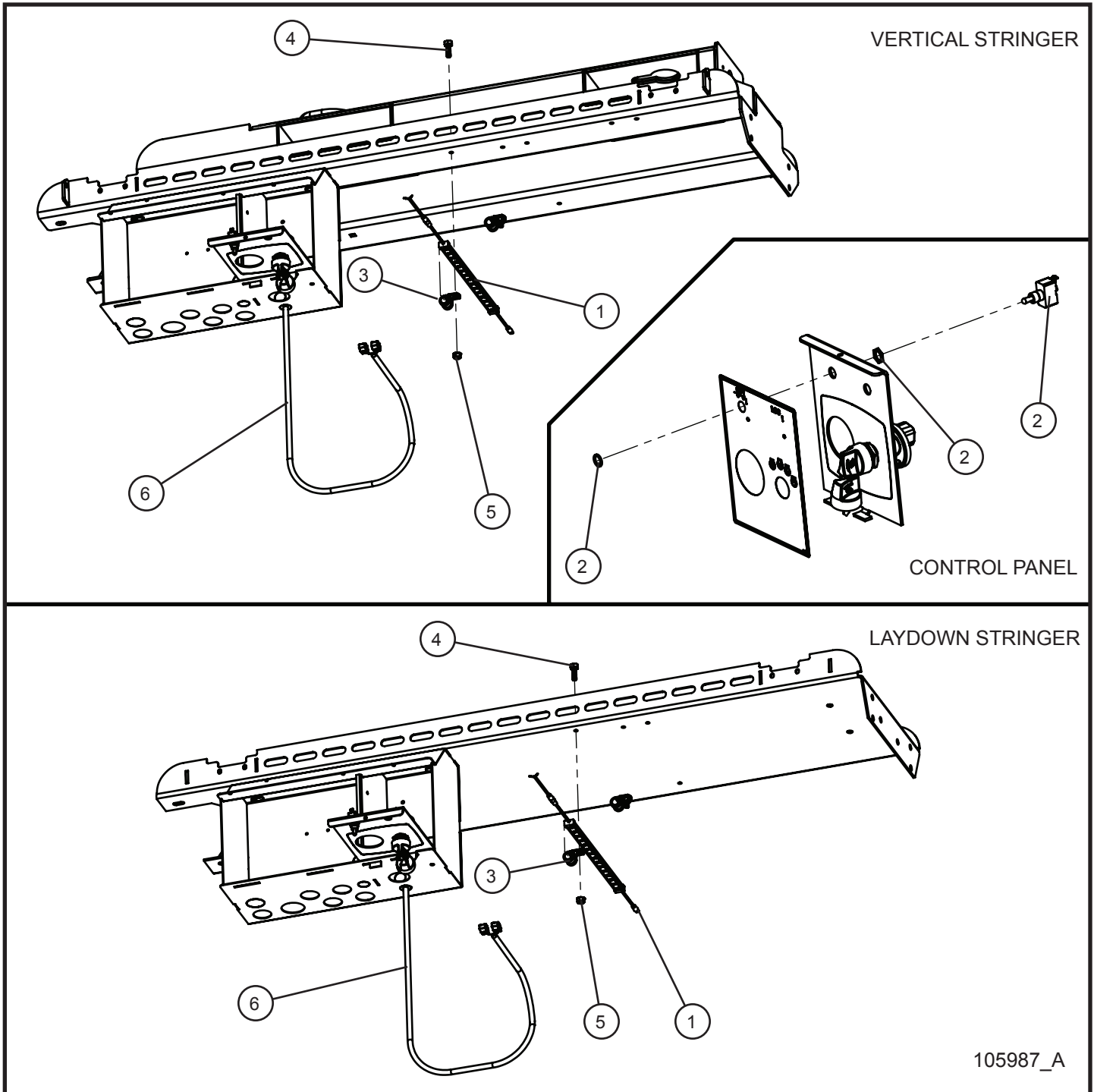
7.20 - Low Fuel Beacon

SN 0001PRO2V15 and UP

Item	Part No.	Part Description	Qty.
1	103645P	BRACKET BEACON PRO II	1
2	104974	LED STROBE LIGHT AMBER 3" ROUND	1
3	041070	1/4-20 x 3/4 SL-HEX WASHER HEAD MS TP F	2
4	044016	#10-24 KEPS HEX NUT PL	2
5	041021	#10-24 x 1/2 PH-ROUND HEAD MS PL	2
6	330463	11/16 RUBBER GROMMET	1
7	352479	FUEL LEVEL SENDER ISS PRO	1
8	043015	#10 INT'L TOOTH LOCK WASHER PL	1
9	102556	SCREW #8 x 3/4	5
10	105897	LOW FUEL BEACON SCHEMATIC PRO II	1
11	106050	LOW FUEL BEACON WIRE HARNESS PRO II	1

7.21 - Interior LED Light

SN 0001PRO215 and UP
SN 0001PRO2V15 and UP



Night-Lite ProII™

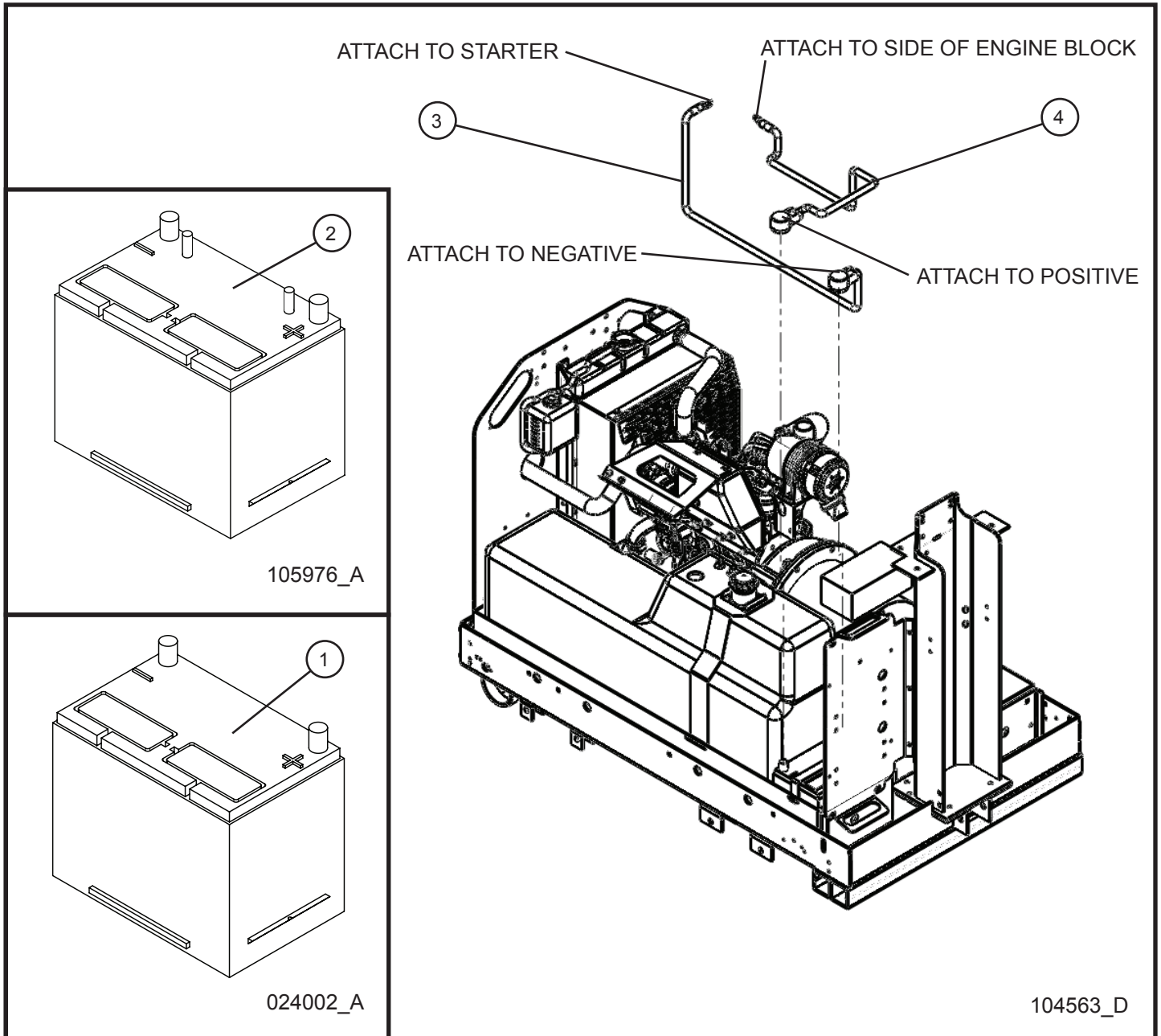
7.21 - Interior LED Light

SN 0001PRO215 and UP
SN 0001PRO2V15 and UP

Item	Part No.	Part Description	Qty.
1	104820	LED LIGHT 12 INCH	1
2	340009	SWITCH 15A 125V	1
3	022018	#8 CUSH CLAMP	2
4	046050	5/16-18 x 1 HEX HEAD CS GR5 PL	2
5	044031	5/16-18 KEPS HEX NUT PL	2
6	105989	WIRE KIT INTERIOR LIGHT	1
7	105896	INTERIOR LIGHT WIRING SCHEMATIC	1

8.1 - Battery and Battery Cables

SN 0001PRO215 and UP
SN 0001PRO2V15 and UP



Night-Lite ProII™

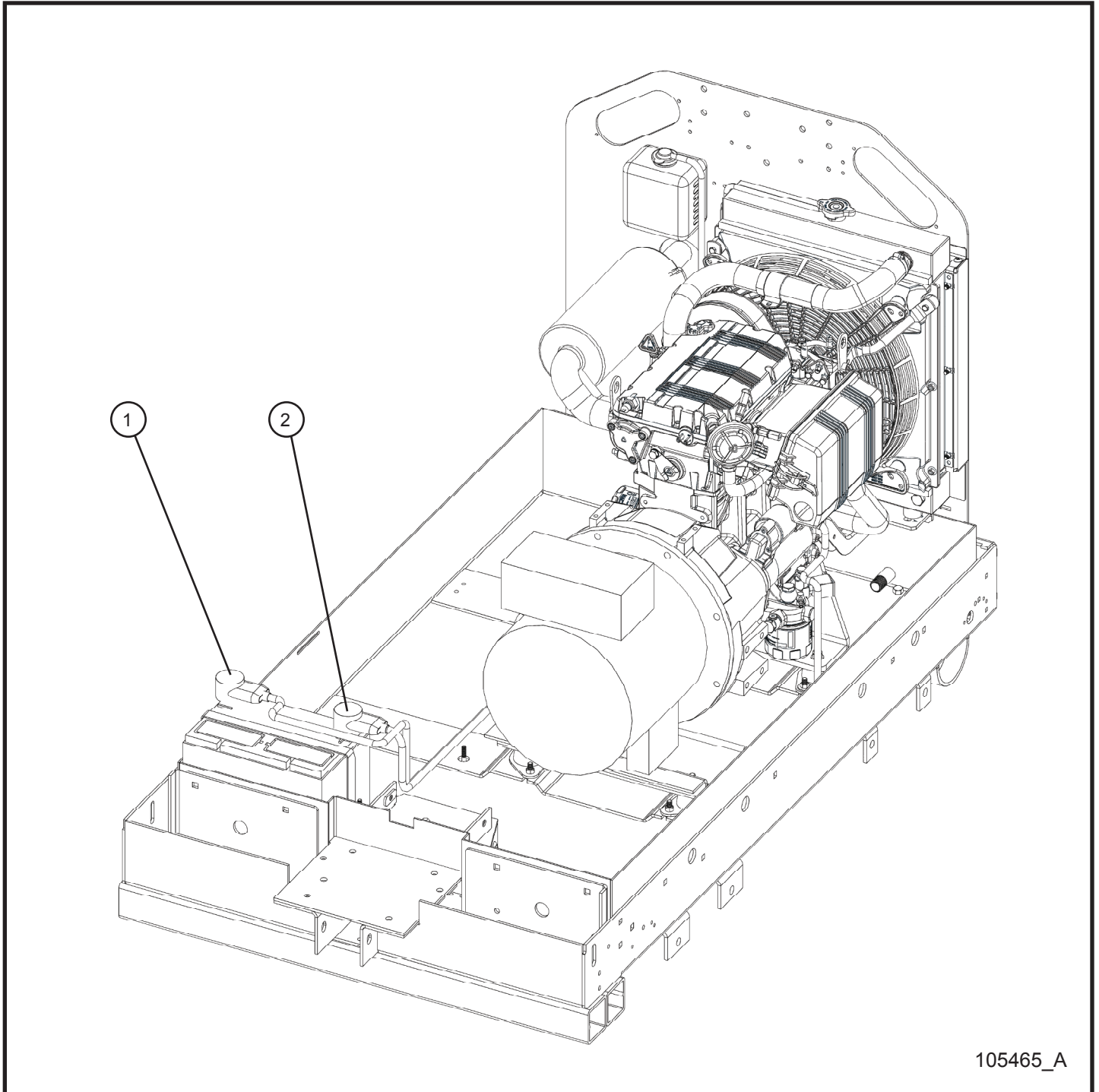
8.1 - Battery and Battery Cables

SN 0001PRO215 and UP
SN 0001PRO2V15 and UP

Item	Part No.	Part Description	Qty.
1	N/A	BATTERY 12 VOLT GROUP	1
2	N/A	HEAVY DUTY BATTERY AGM GROUP 24	1
3	713098	BATTERY CABLE BLACK 2GA 36" (NEGATIVE)	1
4	027026	BATTERY CABLE RED 2GA 48" (POSITIVE)	1

8.2 - Kohler Battery Cables

SN 0001PRO215 and UP
SN 0001PRO2V15 and UP



105465_A

Night-Lite ProII™

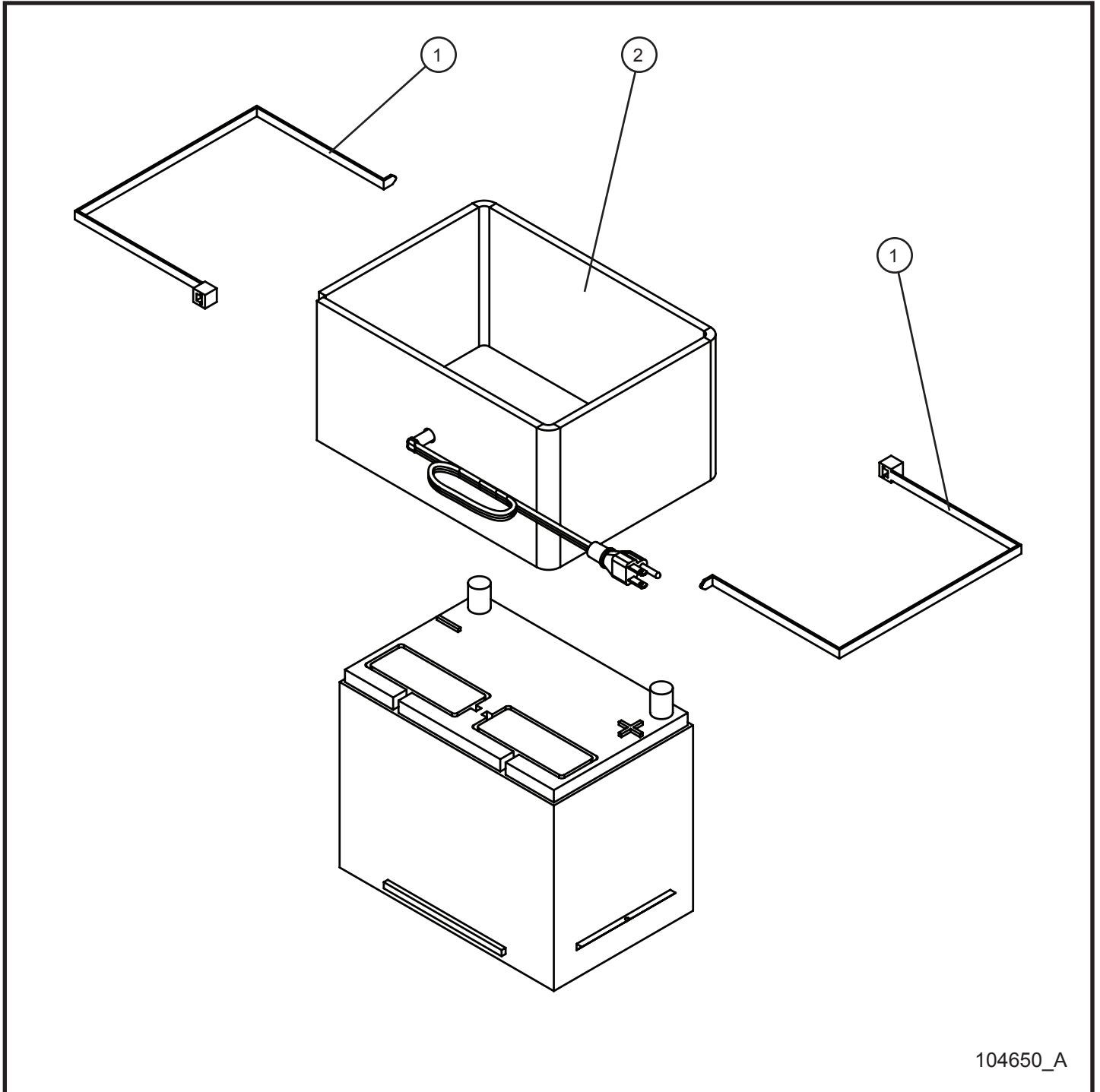
8.2 - Kohler Battery Cables

SN 0001PRO215 and UP
SN 0001PRO2V15 and UP

Item	Part No.	Part Description	Qty.
1	713098	BATTERY CABLE BLACK 36"	1
2	027031	BATTERY CALBE RED 60"	1

8.3 - Battery Blanket

SN 0001PRO215 and UP
SN 0001PRO2V15 and UP



104650_A

Night-Lite ProII™

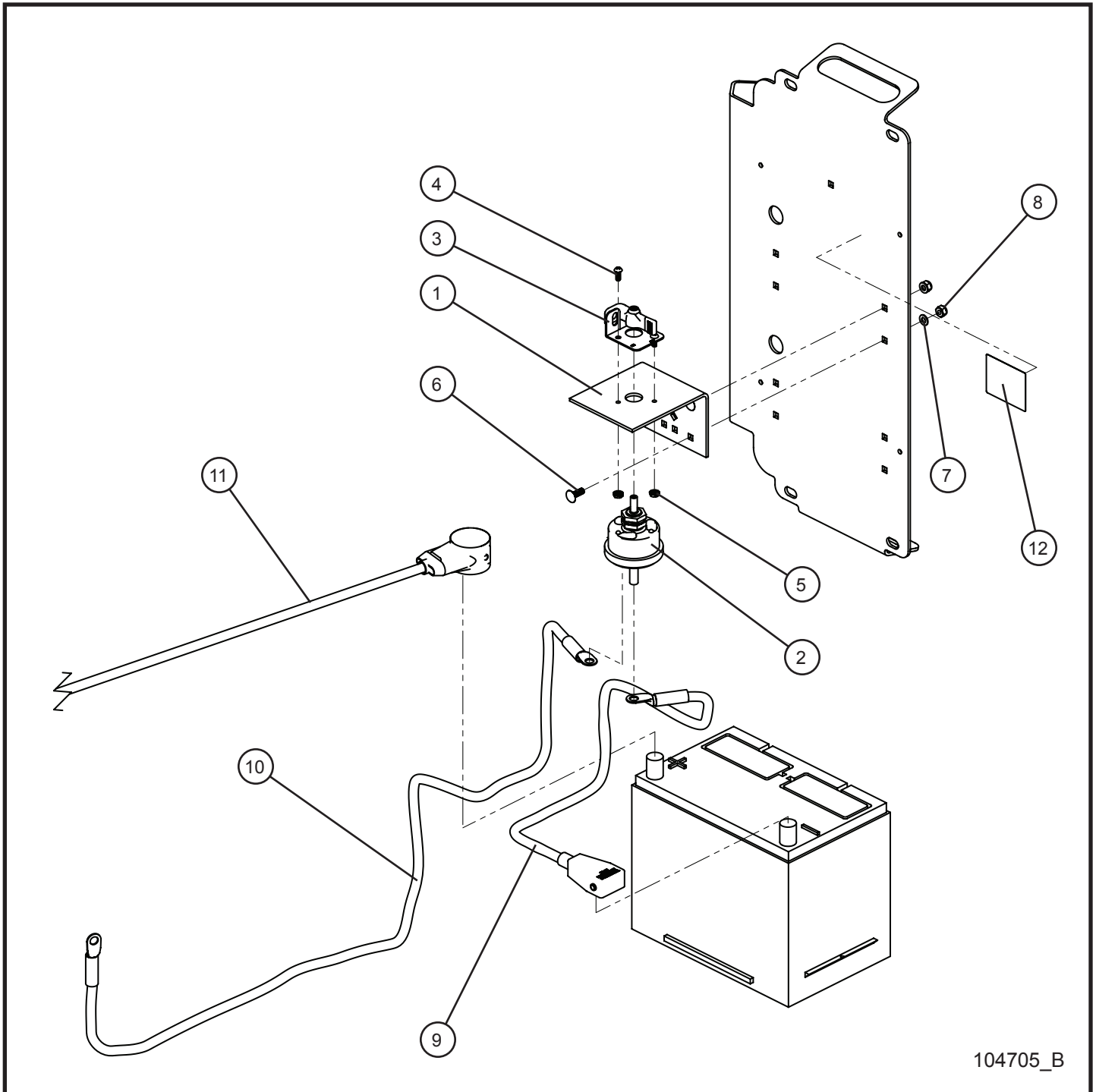
8.3 - Battery Blanket

SN 0001PRO215 and UP
SN 0001PRO2V15 and UP

Item	Part No.	Part Description	Qty.
1	105759	CABLE TIE 32"	2
2	024010	80 WATT BATTERY BLANKET	1

8.4 - Battery Negative Pole Disconnect

SN 0001PRO215 and UP
SN 0001PRO2V15 and UP



104705_B

Night-Lite ProII™

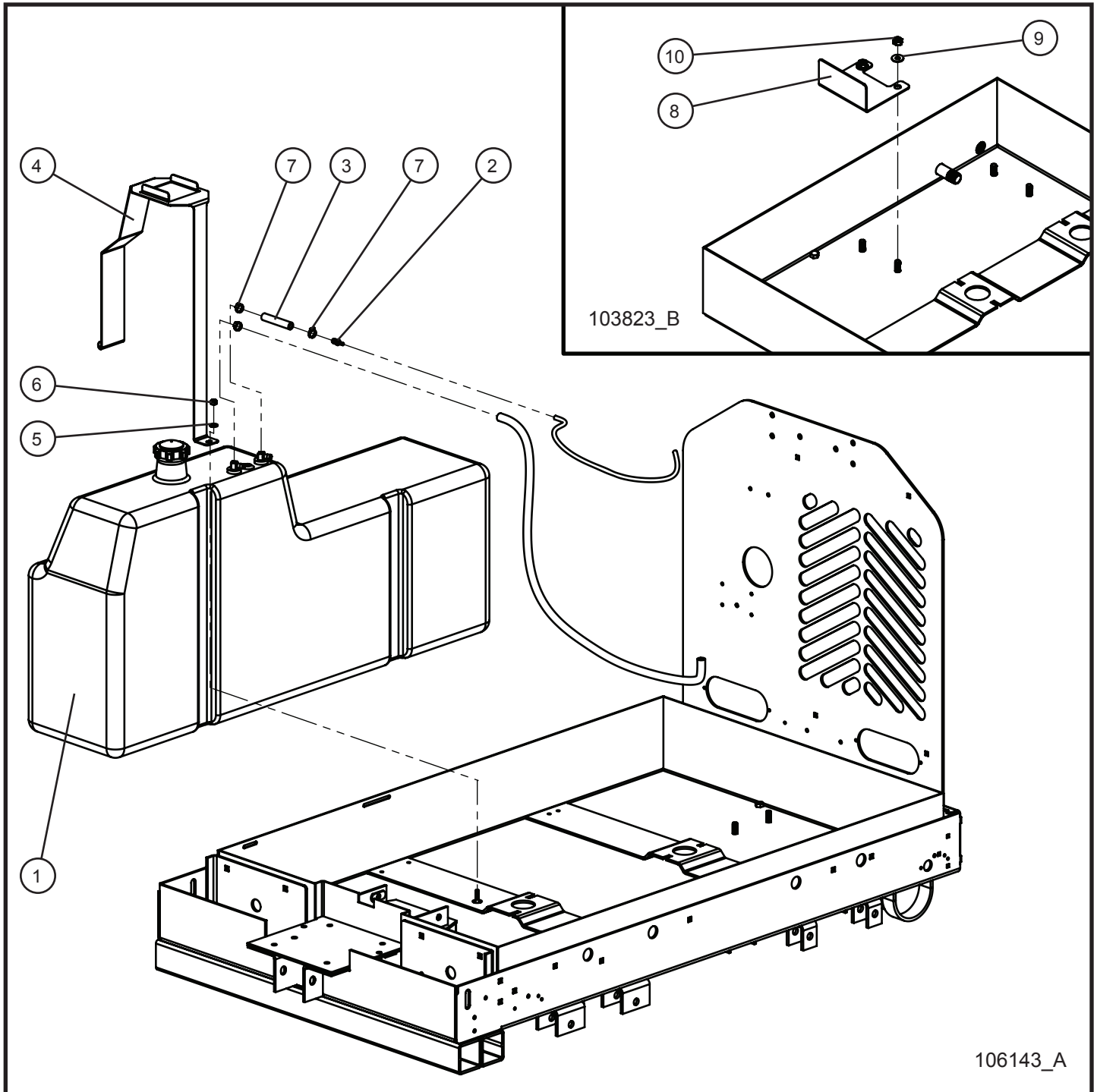
8.4 - Battery Negative Pole Disconnect

SN 0001PRO215 and UP
SN 0001PRO2V15 and UP

Item	Part No.	Part Description	Qty.
1	104704P	BRACKET BATTERY DISCONNECT	1
2	102534	SWITCH BATTERY DISCONNECT	1
3	103483	LOCK OUT BATTERY DISCONNECT	1
4	041024	#10-24 x 1/2 PH-ROUND HEAD MS SS	2
5	044016	#10-24 KEPS	2
6	053007	1/4-20 x 3/4 CARRIAGE BOLT SS	2
7	047009	1/4 FLAT WASHER SAE SS	2
8	044023	1/4-20 NYLOCK HEX NUT PL	2
9	105093	BATTERY CABLE BLACK	1
10	105111	BATTERY DISCONNECT CABLE BLACK	1
11	027026	BATTERY CABLE RED	1
12	104777	DECAL BATTERY DISCONNECT	1

8.5 - FCS Fuel Tank Group

SN 0001PRO215 and UP
SN 0001PRO2V15 and UP



Night-Lite ProII™

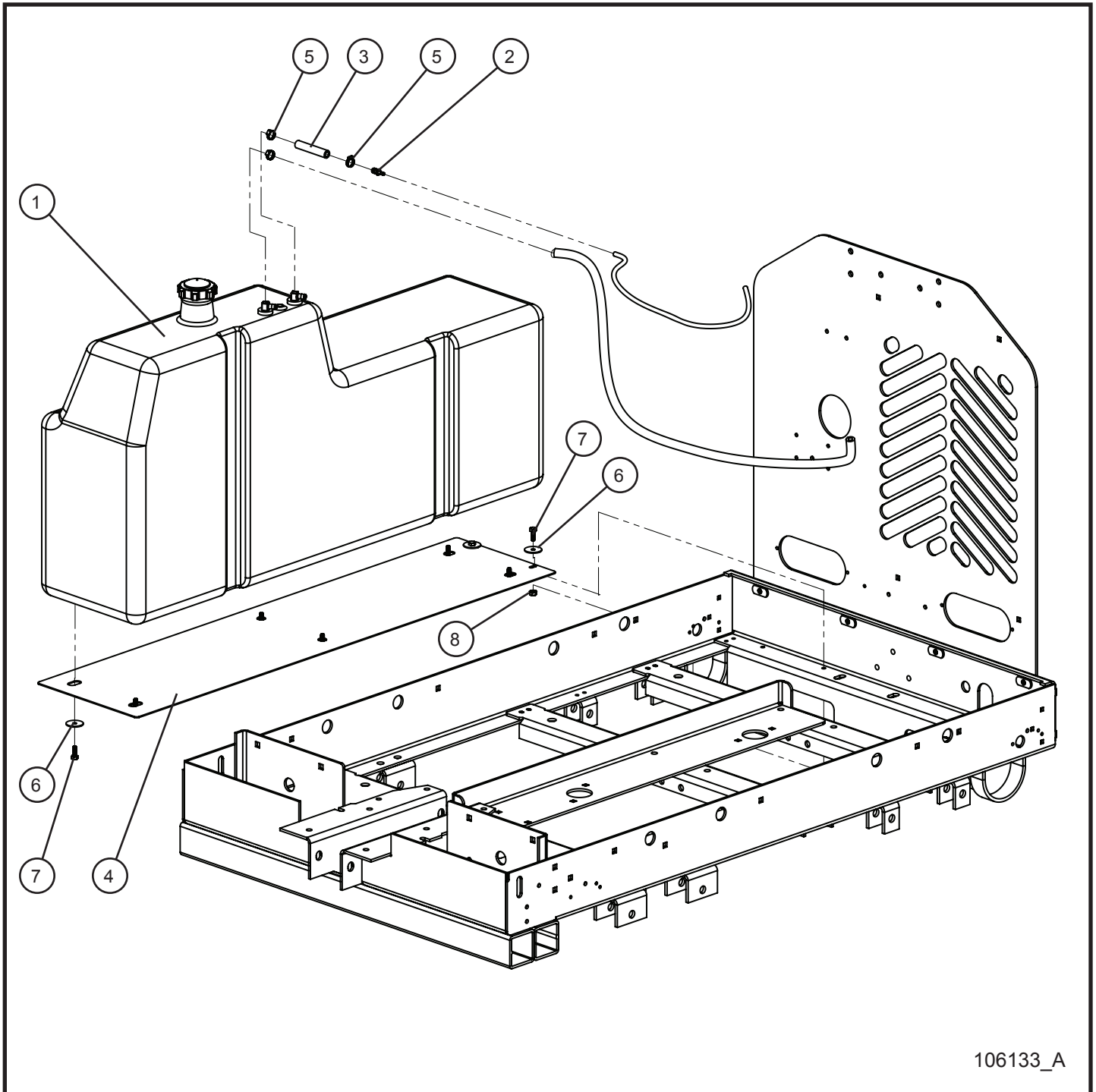
8.5 - FCS Fuel Tank Group

SN 0001PRO215 and UP
SN 0001PRO2V15 and UP

Item	Part No.	Part Description	Qty.
1	105482	FUEL TANK 30 GALLON PRO II	1
2	106134	REDUCER FITTING HOSE BARB	1
3	081018	HOSE 5/16" FUEL LINE x 3 INCHES	1
4	102821P	PRO II CONTAINMENT TRAY TANK STRAP	1
5	047005	1/4 FLAT WASHER	1
6	044023	1/4-20 NYLOCK HEX NUT PL	1
7	433400	#4 HOSE CLAMP	2
8	103821P	BRACKET SUPPORT FUEL TANK PRO II	1
9	047010	5/16 FLAT WASHER PL	2
10	044038	3/8-16 NYLOCK HEX NUT PL	2

8.6 - Non FCS Fuel Tank Group

SN 0001PRO215 and UP



106133_A

Night-Lite ProII™

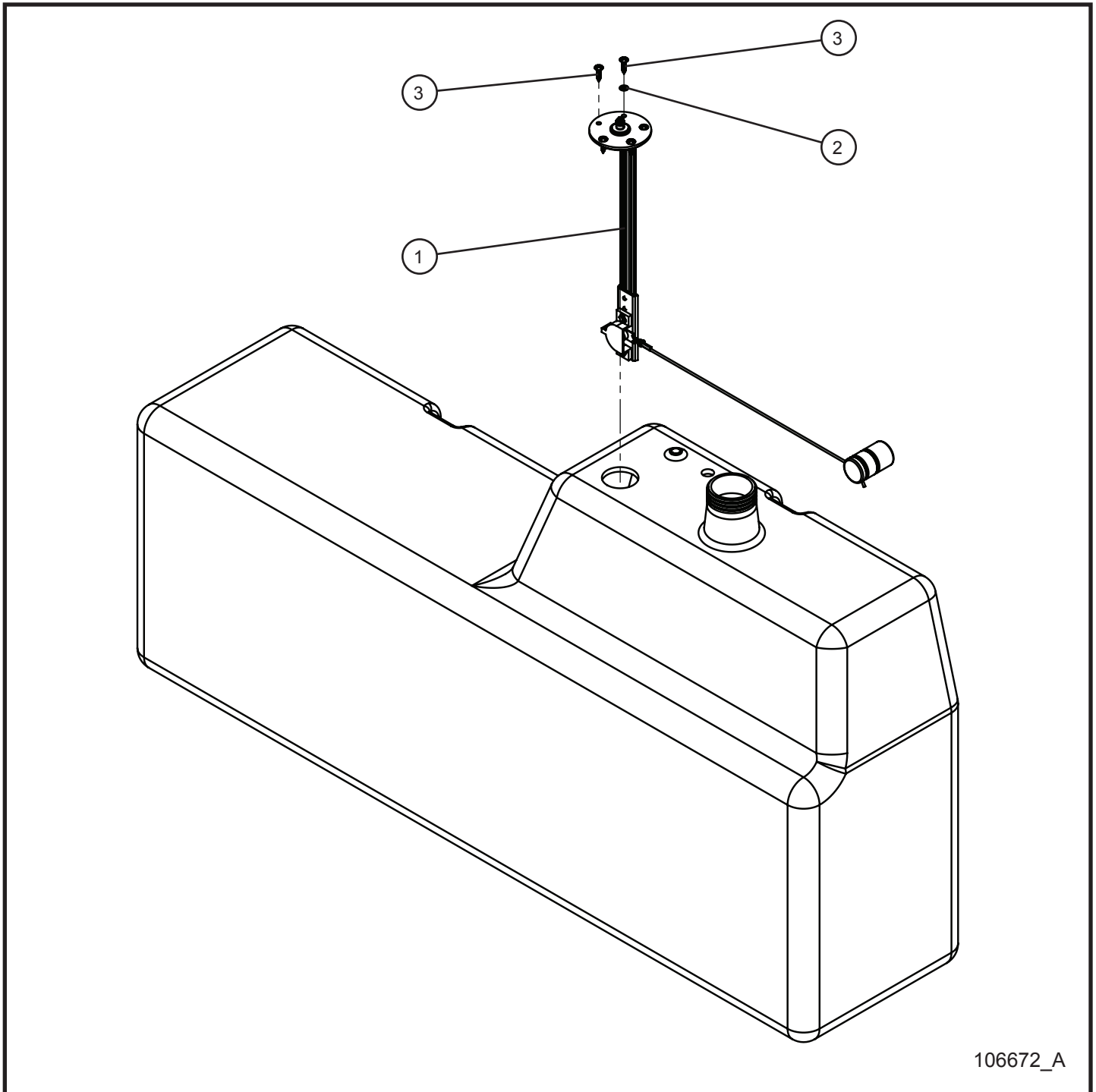
8.6 - Non FCS Fuel Tank Group

SN 0001PRO215 and UP

Item	Part No.	Part Description	Qty.
1	105482	FUEL TANK 30 GALLON PRO II	1
2	106134	REDUCER FITTING HOSE BARB	1
3	081018	HOSE 5/16" FUEL LINE x 3 INCHES	1
4	102800P	FUEL TANK PROTECTOR PLATE	1
5	433400	#4 HOSE CLAMP	2
6	047007	1/4 x 1 1/4 x .056 FENDER WASHER	8
7	046010	1/4-20 x 3/4 HEX HEAD CS GR5 SS	8
8	044021	1/4-20 KEPS HEX NUT PL	2

8.7 - Fuel Sender

SN 0001PRO215 and UP
SN 0001PRO2V15 and UP



106672_A

Night-Lite ProII™

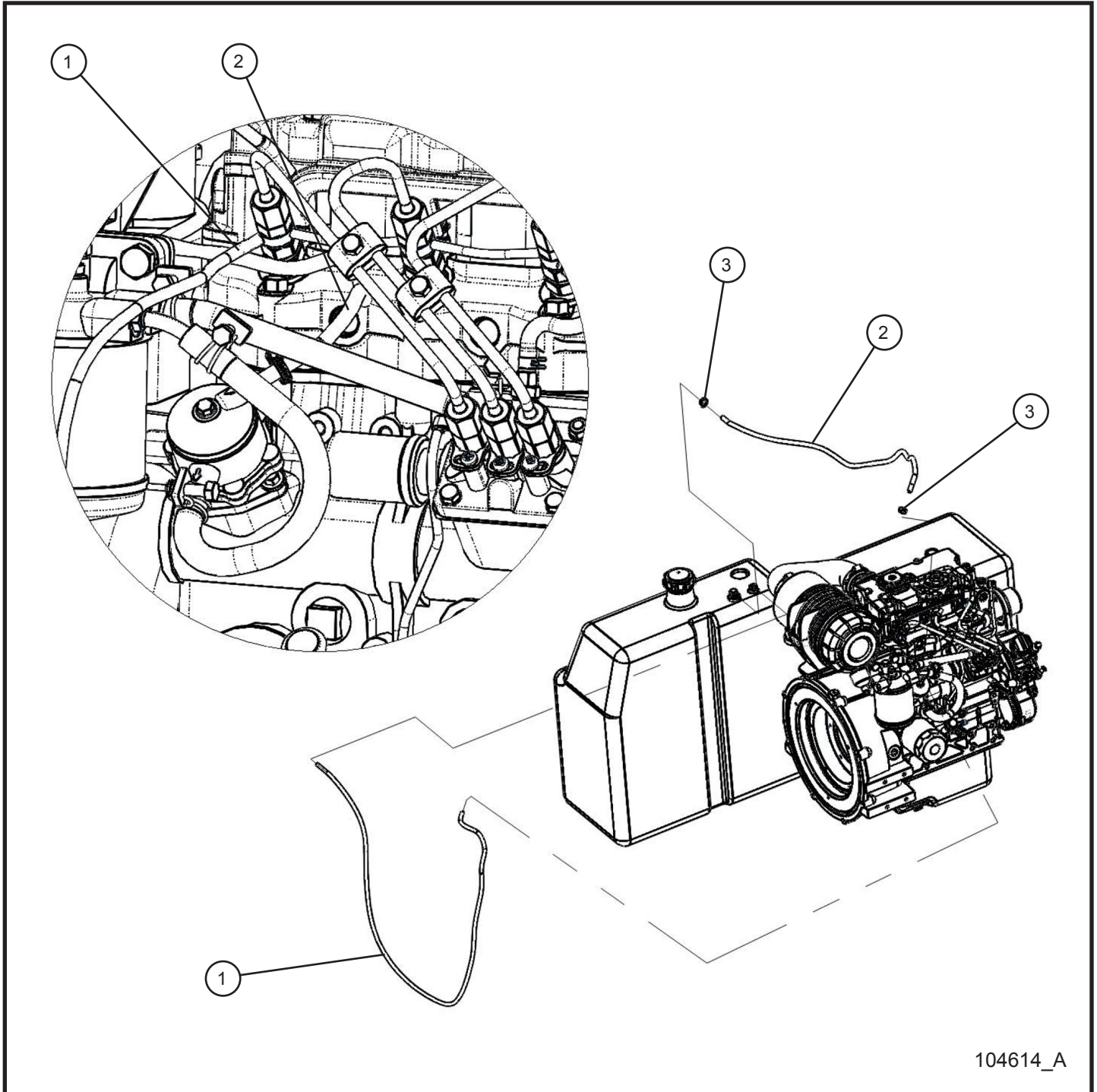
8.7 - Fuel Sender

SN 0001PRO215 and UP
SN 0001PRO2V15 and UP

Item	Part No.	Part Description	Qty.
1	352479	FUEL LEVEL SENDER ISS PRO	1
2	043015	#10 INT'L TOOTH LOCK WASHER PL	1
3	102556	SCREW #8 x 3/4	5
4	106055	HARNESS SENDER FUEL LEVEL	1
5	106341	SCHEMATIC FUEL SENDING UNIT	1

8.8 - CAT Fuel Line Kit

SN 0001PRO215 and UP
SN 0001PRO2V15 and UP



104614_A

Night-Lite ProII™

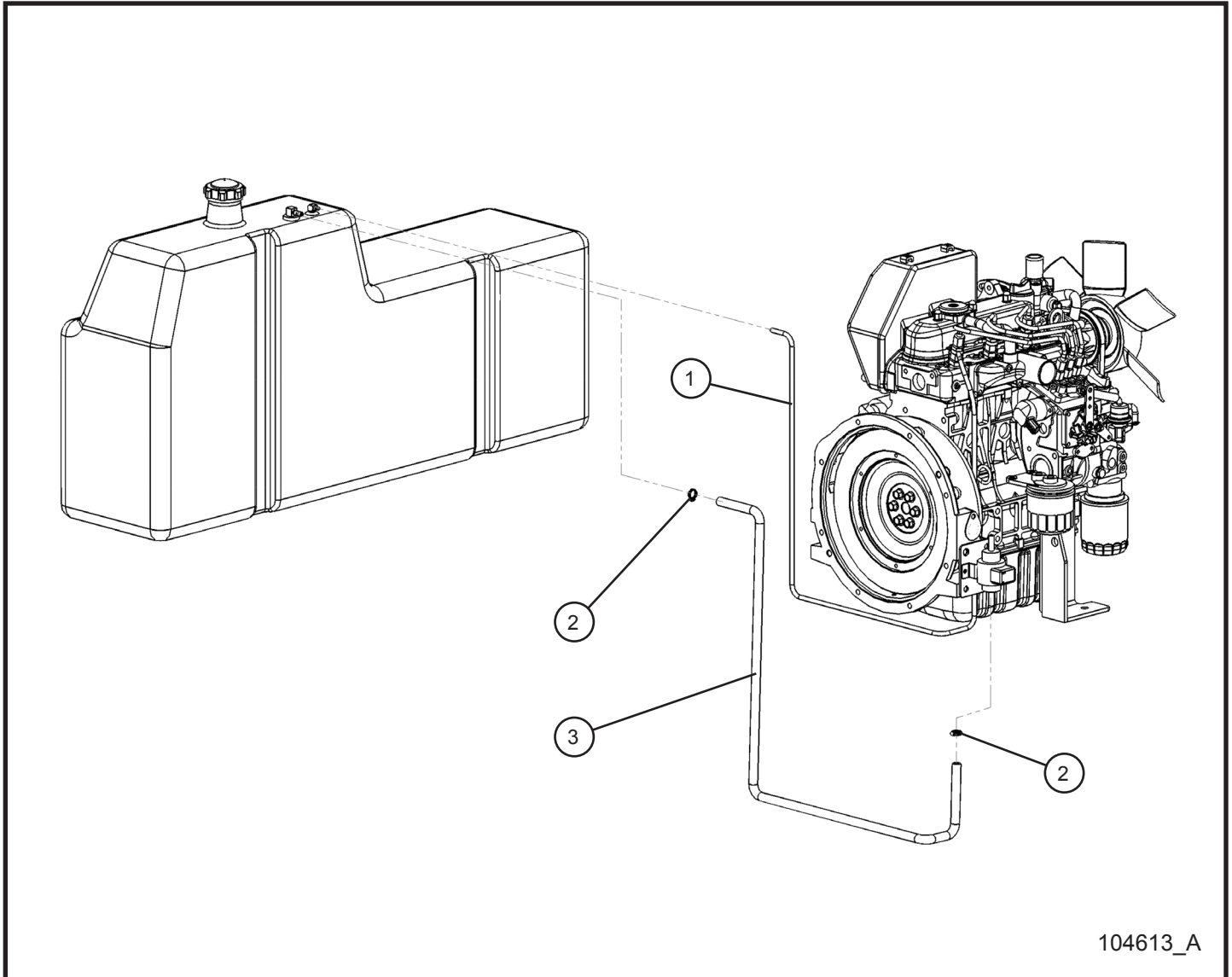
8.8 - CAT Fuel Line Kit

SN 0001PRO215 and UP
SN 0001PRO2V15 and UP

Item	Part No.	Part Description	Qty.
1	081005	1/4 FUEL LINE x 48"	1
2	081018	5/16 FUEL LINE x 24"	1
3	433400	#4 HOSE CLAMP	2

8.9 - Kubota and Mitsubishi Fuel Line Kit

SN 0001PRO215 and UP
SN 0001PRO2V15 and UP



Night-Lite ProII™

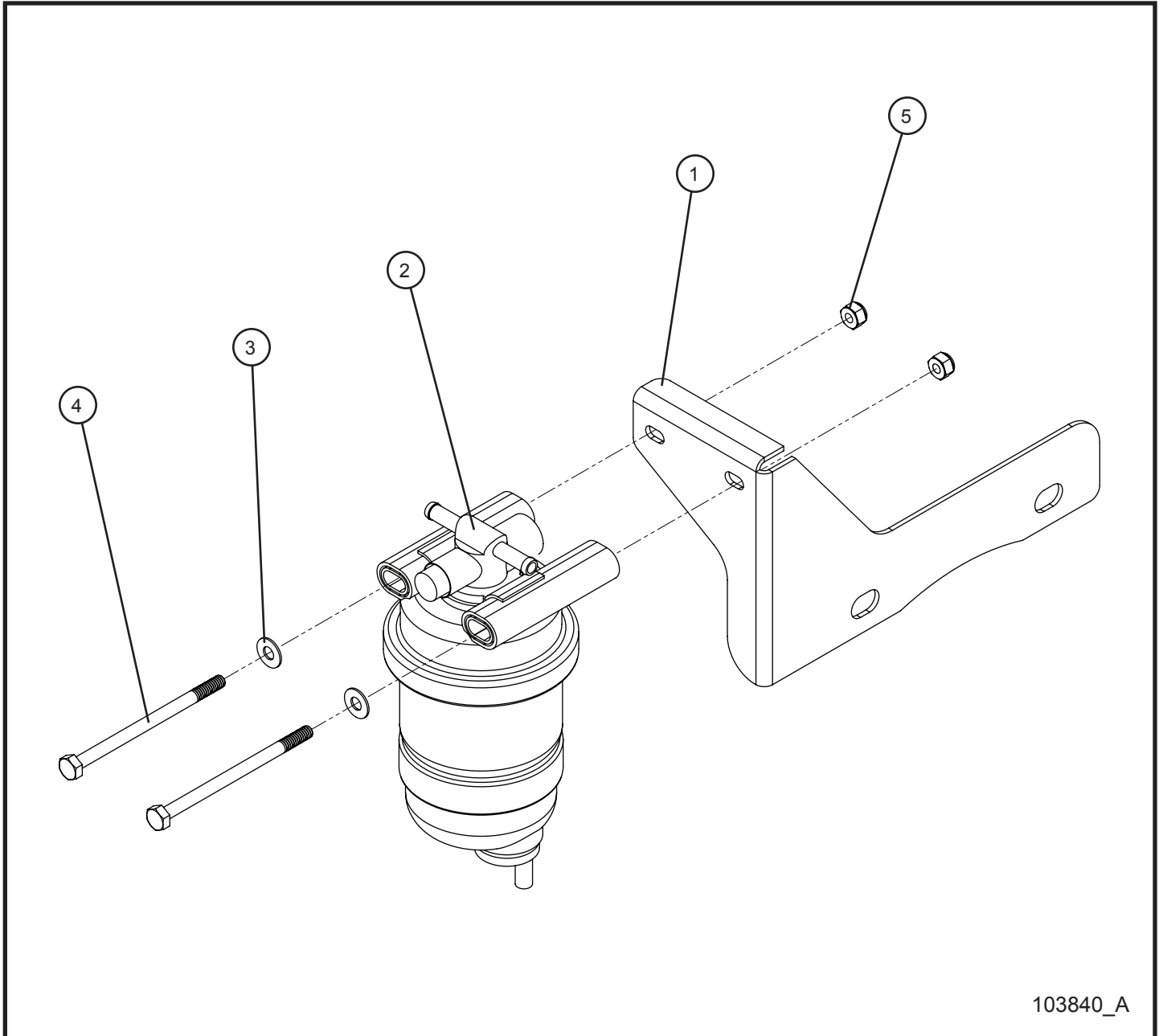
8.9 - Kubota and Mitsubishi Fuel Line Kit

SN 0001PRO215 and UP
SN 0001PRO2V15 and UP

Item	Part No.	Part Description	Qty.
1	081005	HOSE 1/4 OD x .035 WALL FUEL LINE x 48.00	1
2	433400	#4 HOSE CLAMP	2
3	081018	HOSE 5/16 FUEL LINE x 40.00	1

8.10 - Fuel Water Separator

SN 0001PRO215 and UP
SN 0001PRO2V15 and UP



103840_A

Night-Lite ProII™

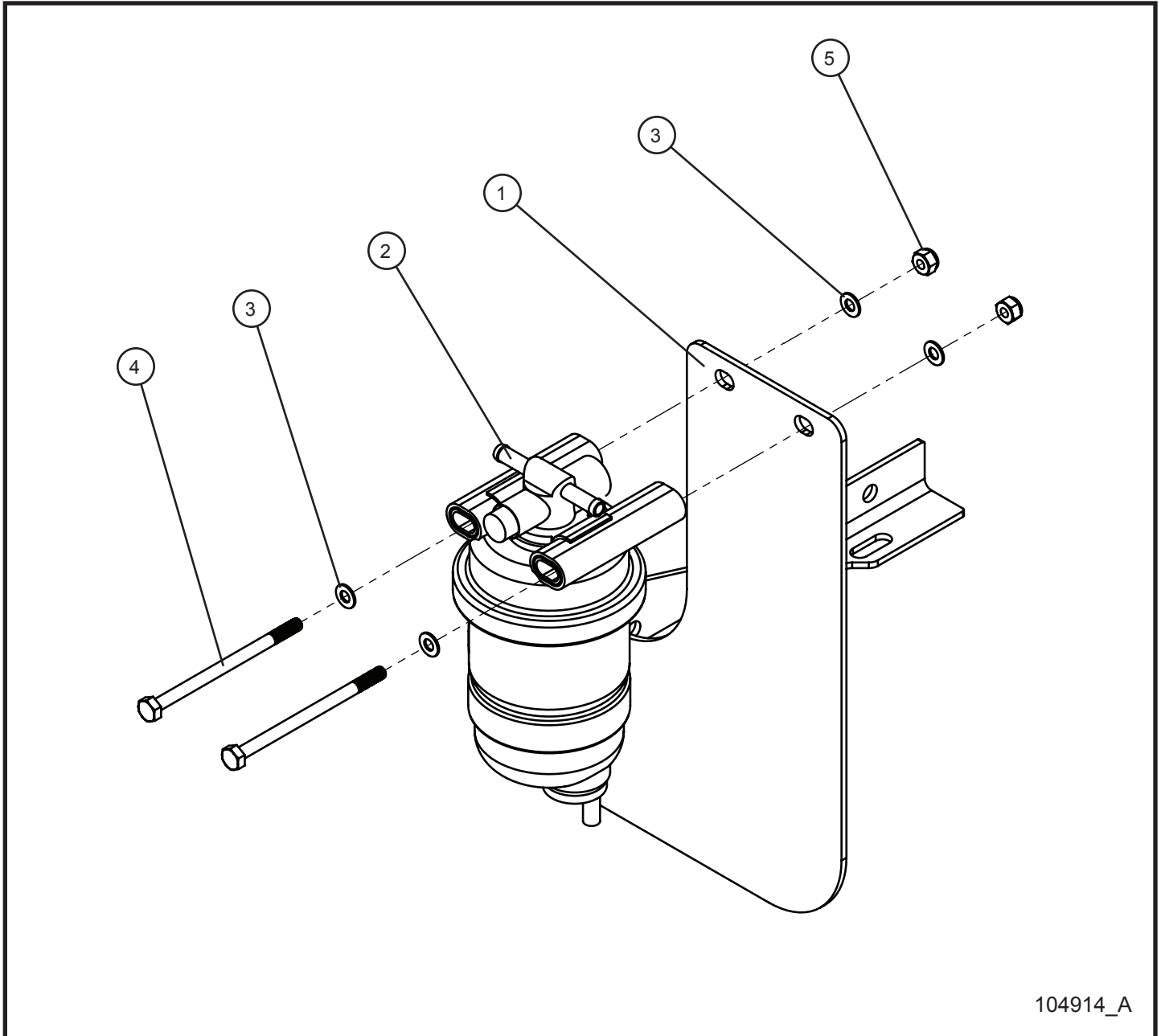
8.10 - Fuel Water Separator

SN 0001PRO215 and UP
SN 0001PRO2V15 and UP

Item	Part No.	Part Description	Qty.
1	103839	SEPARATOR MOUNT UNIVERSAL	1
2	100898	FM 10 FUEL/WATER SEPARATOR	1
3	047009	1/4 FLAT WASHER SAE SS	2
4	046039	1/4-20 x 4 HEX HEAD CS Z5	2
5	044023	1/4-20 NYLOCK HEX NUT PL	2

8.11 - Fuel Water Separator CAT 1.1 50Hz Marathon

SN 0001PRO215 and UP
SN 0001PRO2V15 and UP



Night-Lite ProII™

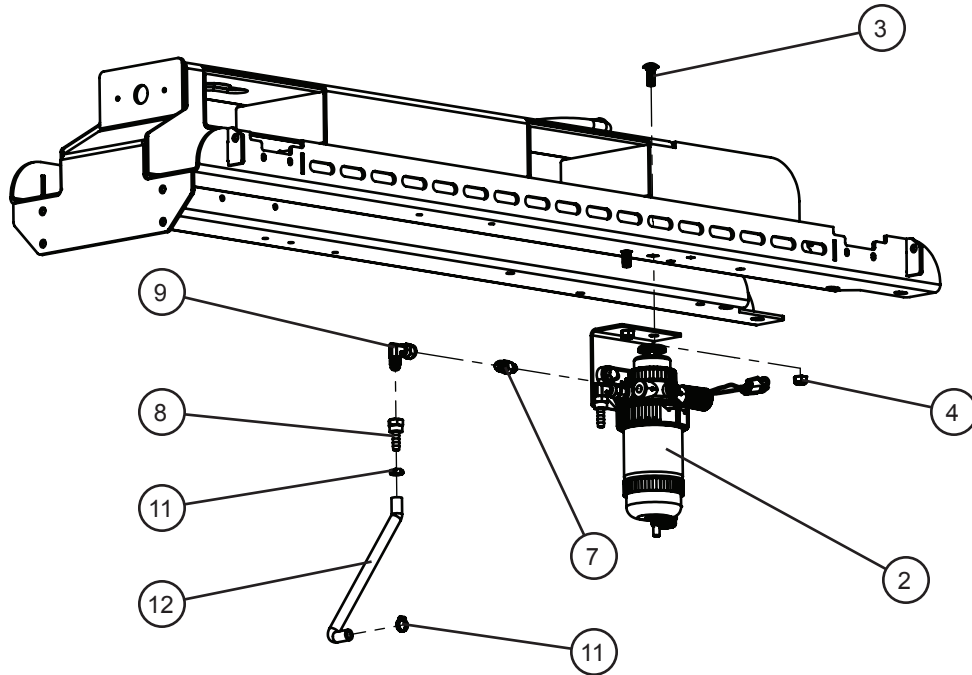
8.11 - Fuel Water Separator CAT 1.1 50Hz Marathon

SN 0001PRO215 and UP
SN 0001PRO2V15 and UP

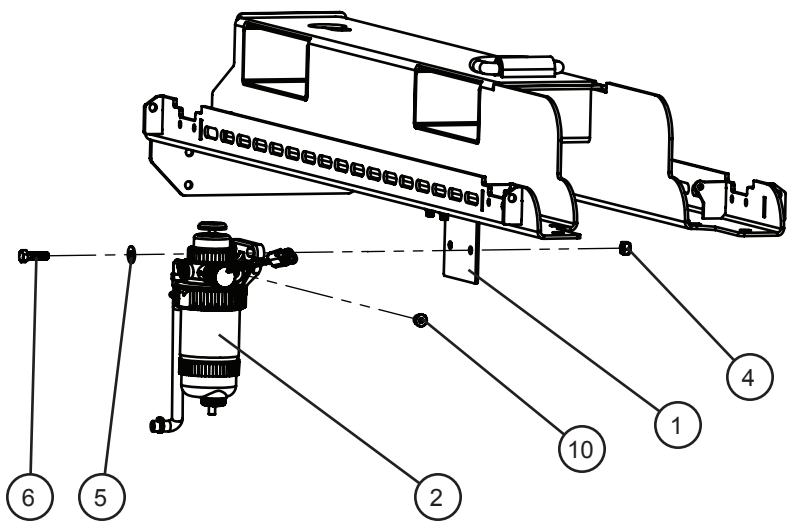
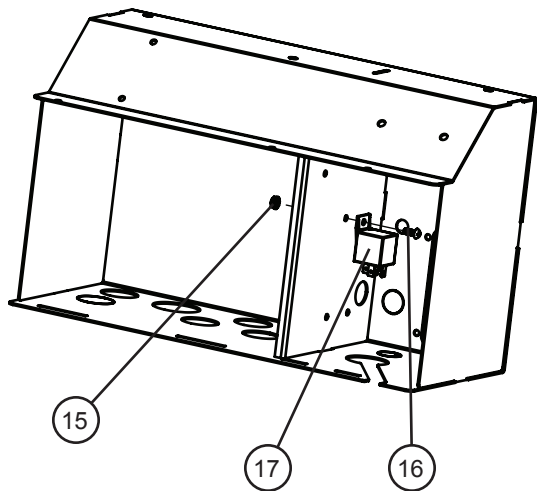
Item	Part No.	Part Description	Qty.
1	104907	SEPARATOR MOUNT FACE PLATE CAT 1.1 50Hz MARATHON	1
2	100898	FM 10 FUEL/WATER SEPARATOR	1
3	047009	1/4 FLAT WASHER SAE SS	4
4	046039	1/4-20 x 4 HEX HEAD CS Z5	2
5	044023	1/4-20 NYLOCK HEX NUT PL	2

8.12 - Heated Fuel Water Separator

SN 0001PRO215 and UP
SN 0001PRO2V15 and UP



COMPONENT BOX



105981_A

Night-Lite ProII™

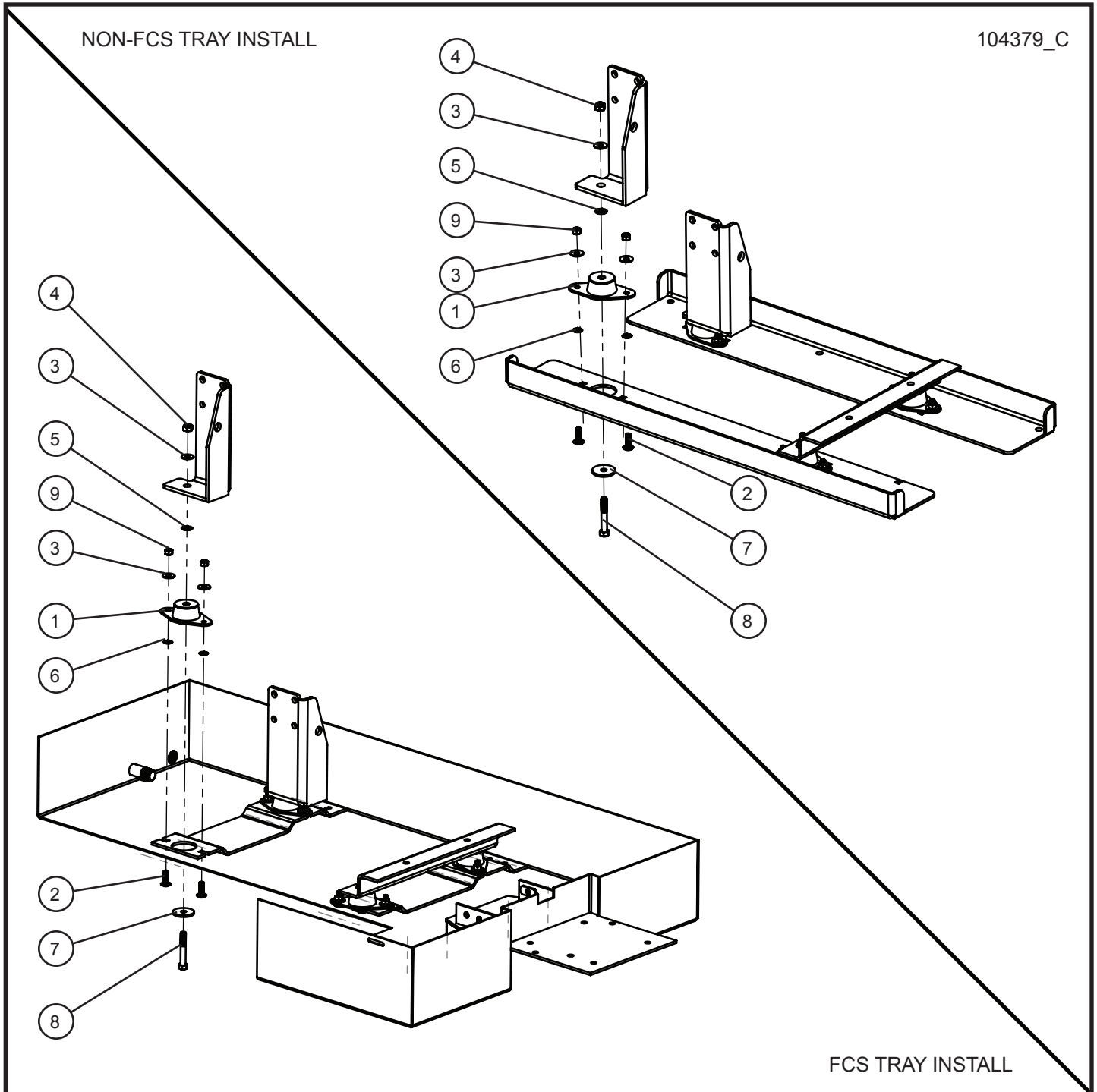
8.12 - Heated Fuel Water Separator

SN 0001PRO215 and UP
SN 0001PRO2V15 and UP

Item	Part No.	Part Description	Qty.
1	103610P	BRACKET WATER SEPARATOR	1
2	100611	HEATER PREFILTER ASSY STANADYNE	1
3	053028	3/8-16 x 1 CARRIAGE BOLT PL	2
4	044038	3/8-16 NYLOCK HEX NUT PL	4
5	047010	5/16 FLAT WASHER PL	2
6	046115	3/8-16 x 1 1/4 HEX HEAD CS GR5 PL	2
7	100655	STRAIGHT CONNECTOR	2
8	106030	FITTING HOSE BARB 6 JIC 5/16 BARB	2
9	101263	90° SWIVEL FITTING	2
10	101267	HOLLOW HEX PLUG	1
11	433400	#4 HOSE CLAMP	2
12	081018	HOSE 5/16 FUEL LINE x 11	1
13	106049	FUEL WATER SEPARATOR HEATER HARNESS PRO II	1
14	105886	HEATED FUEL WATER SEPARATOR SCHEMATIC	1
15	044016	#10-24 KEPS HEX NUT PL	1
16	041021	#10-24 x 1/2 PH-ROUND HEAD MS PL	1
17	104254	RELAY 12V 40AMP	1

8.13 - Engine Isolator Mounts

SN 0001PRO215 and UP
SN 0001PRO2V15 and UP



Night-Lite ProII™

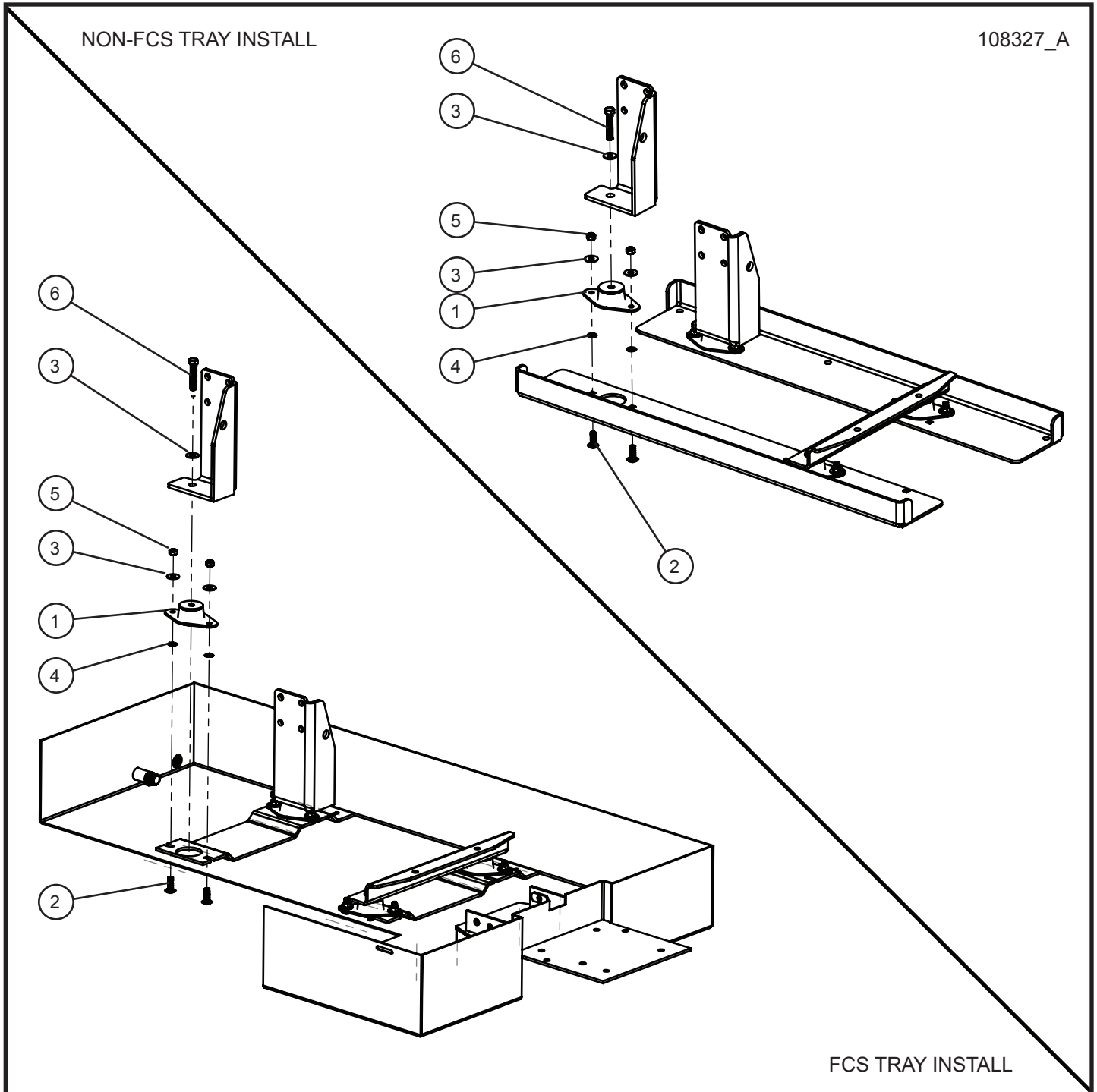
8.13 - Engine Isolator Mounts

SN 0001PRO215 and UP
SN 0001PRO2V15 and UP

Item	Part No.	Part Description	Qty.
1	650259	ENGINE MOUNT LIGHT DUTY	4
2	053020	5/16-18 x 1 CARRIAGE BOLT PL	8
3	047010	5/16 FLAT WASHER PL	12
4	044038	3/8-16 NYLOCK HEX NUT PL	4
5	045218	3/8 PUSH NUT	4
6	045217	5/16 PUSH NUT	8
7	640565	ENGINE MOUNT WASHER 1.55 OD x .41 x .135 THK	4
8	046134	3/8-16 x 2 1/2 HEX HEAD CS GR8 PL	4
9	044033	5/16-18 NYLOCK HEX NUT PL	8

8.14 - Engine Isolator Threaded Mounts

SN 0001PRO215 and UP
SN 0001PRO2V15 and UP



Night-Lite ProII™

8.14 - Engine Isolator Threaded Mounts

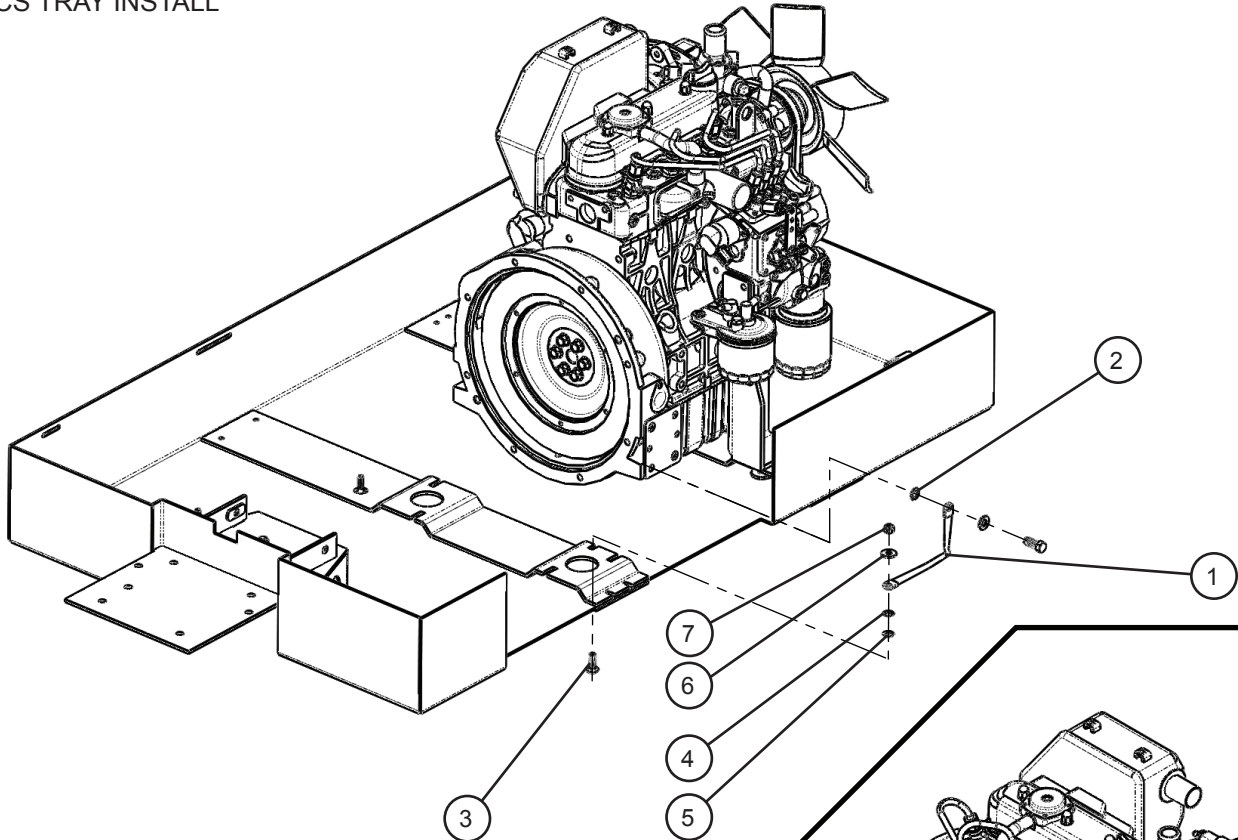
SN 0001PRO215 and UP
SN 0001PRO2V15 and UP

Item	Part No.	Part Description	Qty.
1	107028	ENGINE ISOLATOR THREADED MOUNT LIGHT DUTY	4
2	053020	5/16-18 x 1 CARRIAGE BOLT PL	8
3	047010	5/16 FLAT WASHER PL	12
4	045217	5/16 PUSH NUT	8
5	044033	5/16-18 NYLOCK HEX NUT PL	8
6	046133	3/8-16 x 2 HEX HEAD CS GR8 PL	4

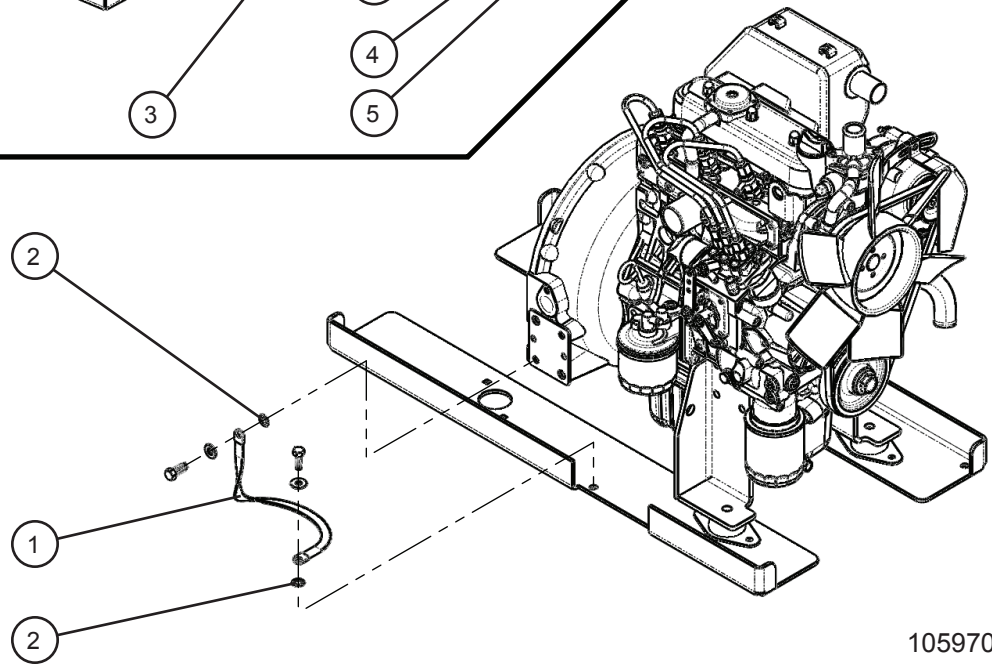
8.15 - CAT and Kubota Engine Ground Strap

SN 0001PRO215 and UP
SN 0001PRO2V15 and UP

FCS TRAY INSTALL



NON-FCS TRAY INSTALL



105970_D

Night-Lite ProII™

8.15 - CAT and Kubota Engine Ground Strap

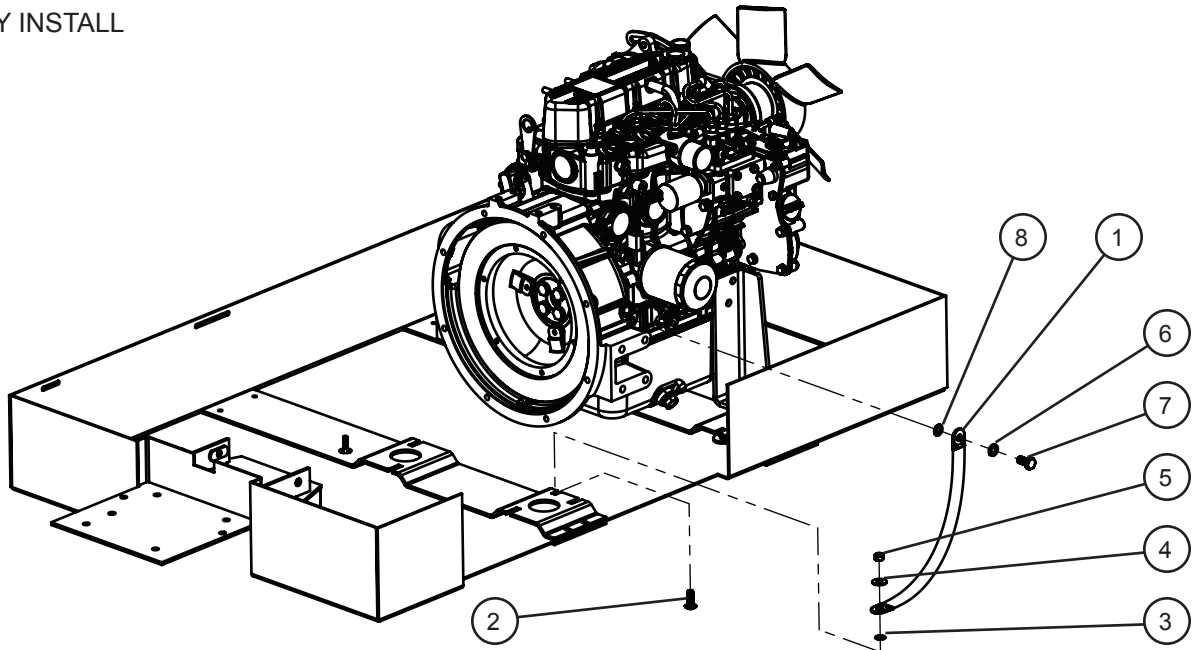
SN 0001PRO215 and UP
SN 0001PRO2V15 and UP

Item	Part No.	Part Description	Qty.
1	340105	GROUND STRAP	1
2	043070	3/8 INT'L TOOTHLOCK WASHER	2
3	053020	5/16-18 x 1 CARRIAGE BOLT PL	1
4	045217	5/16 PUSH NUT	1
5	043060	5/16 INT'L TOOTHLOCK WASHER	1
6	047010	5/16 FLAT WASHER PL	1
7	044033	5/16-8 NYLOCK HEX NUT PL	1

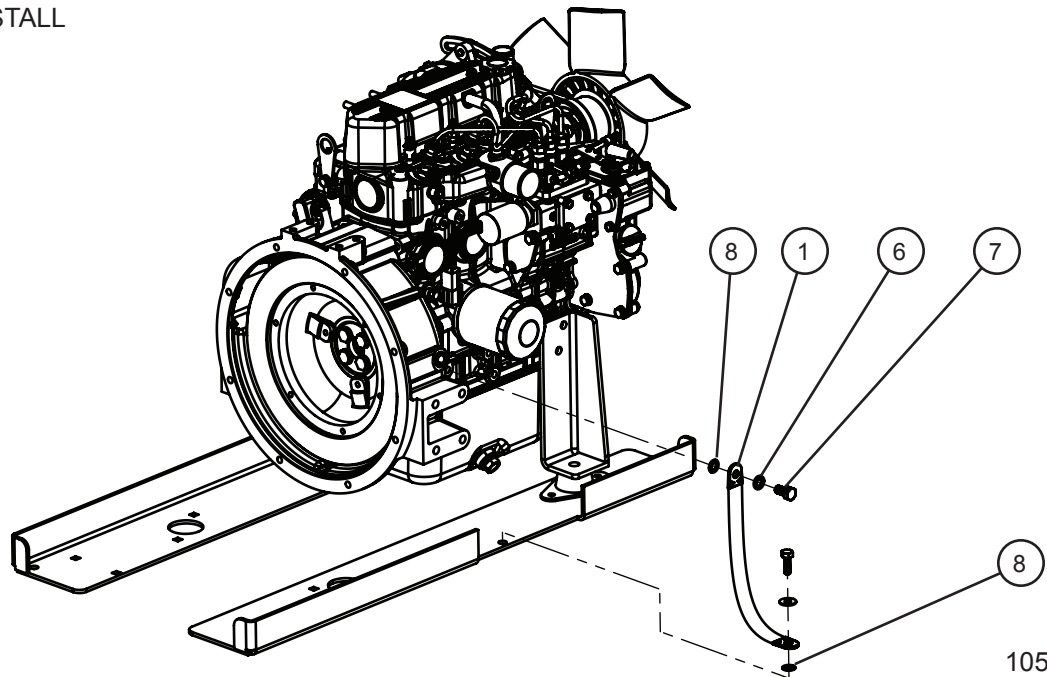
8.16 - Mitsubishi Engine Ground Strap

SN 0001PRO215 and UP
SN 0001PRO2V15 and UP

FCS TRAY INSTALL



NON-FCS TRAY INSTALL



105970_D

Night-Lite ProII™

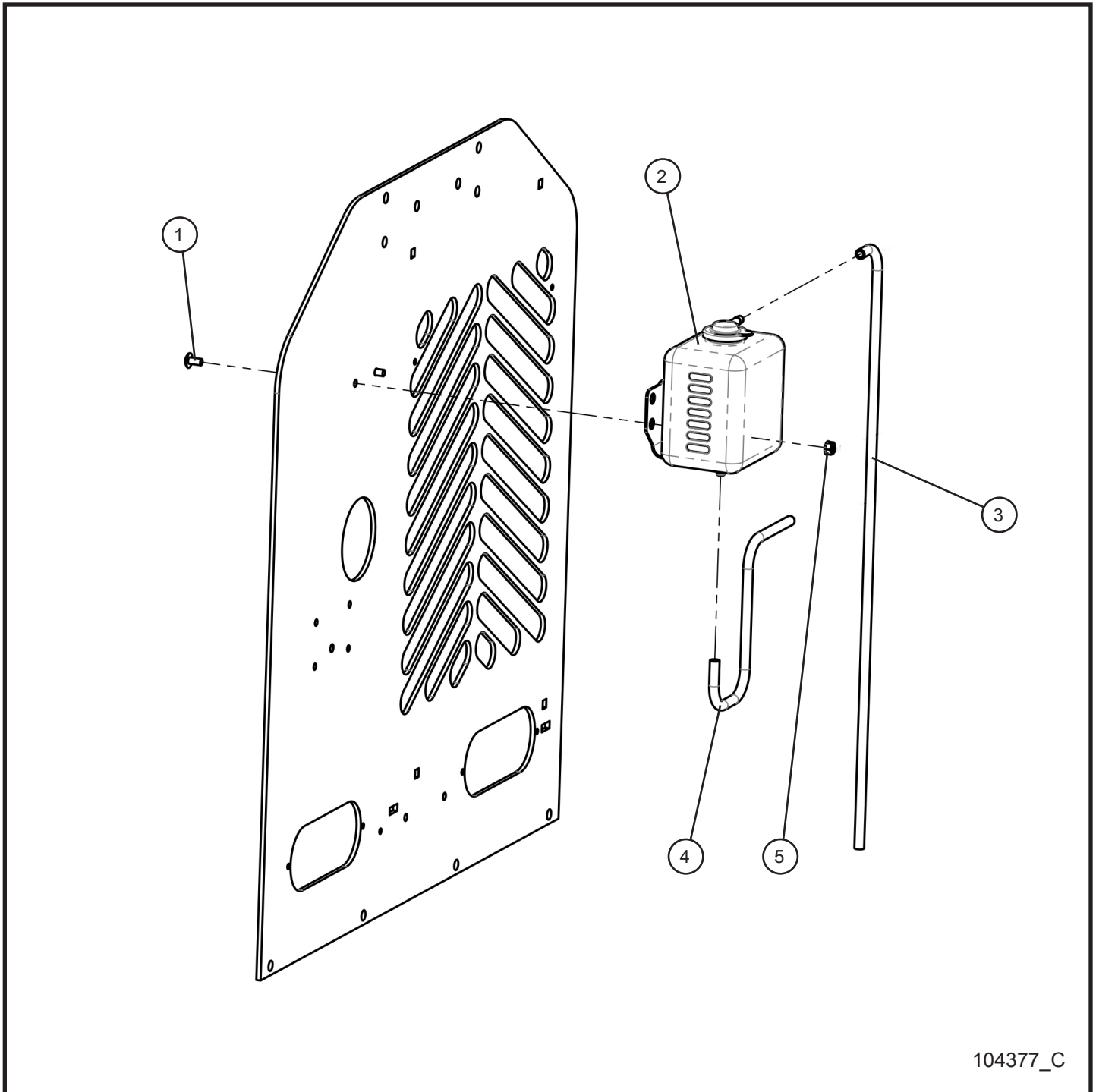
8.16 - Mitsubishi Engine Ground Strap

SN 0001PRO215 and UP
SN 0001PRO2V15 and UP

Item	Part No.	Part Description	Qty.
1	340105	GROUND STRAP	1
2	053020	5/16-18 x 1 CARRIAGE BOLT PL	1
3	043060	5/16 INT'L TOOTHLOCK WASHER	1
4	047010	5/16 FLAT WASHER PL	1
5	044033	5/16-8 NYLOCK HEX NUT PL	1
6	042151	M10 SPLIT LOCK WASHER PL	1
7	042038	M10 x 20mm x 1.25mm HEX HEAD CS GR8.8 PL	1
8	043070	3/8 INT'L TOOTHLOCK WASHER	2

8.17 - Coolant Recovery Tank

SN 0001PRO215 and UP
SN 0001PRO2V15 and UP



104377_C

Night-Lite ProII™

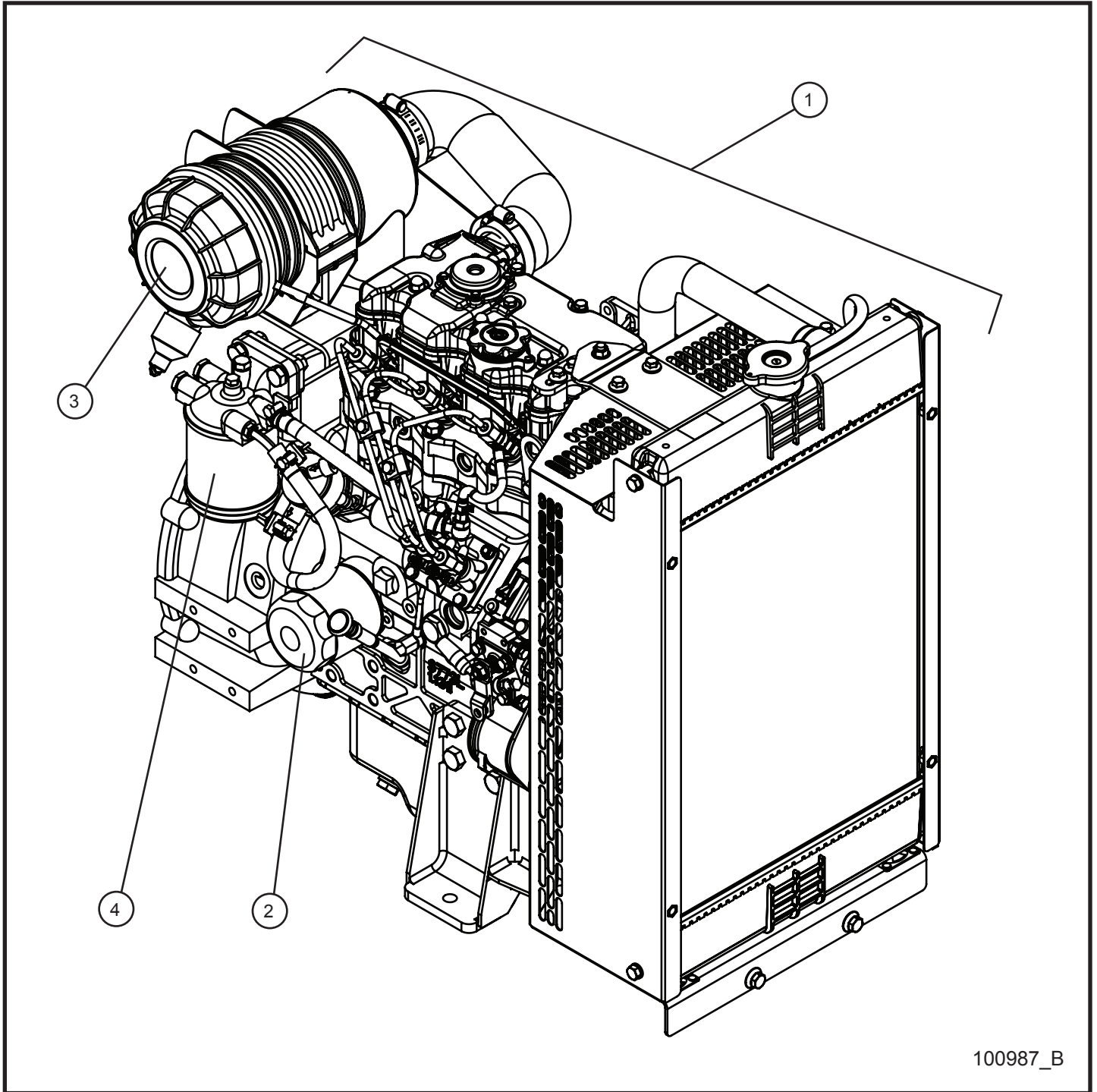
8.17 - Coolant Recovery Tank

SN 0001PRO215 and UP
SN 0001PRO2V15 and UP

Item	Part No.	Part Description	Qty.
1	041078	1/4-20 x 1/2 PH-TRUSS HEAD MS SS	2
2	650027	RESERVOIR WITH BRACKET	1
3	102268	COOLANT HOSE 1/4" x 44.0	1
4	102268	COOLANT HOSE 1/4" x 28.0	1
5	044021	1/4-20 KEPS HEX NUT PL	2

9.1 - CAT C1.1 Engine and Filters

SN 0001PRO215 and UP
SN 0001PRO2V15 and UP



100987_B

Night-Lite ProII™

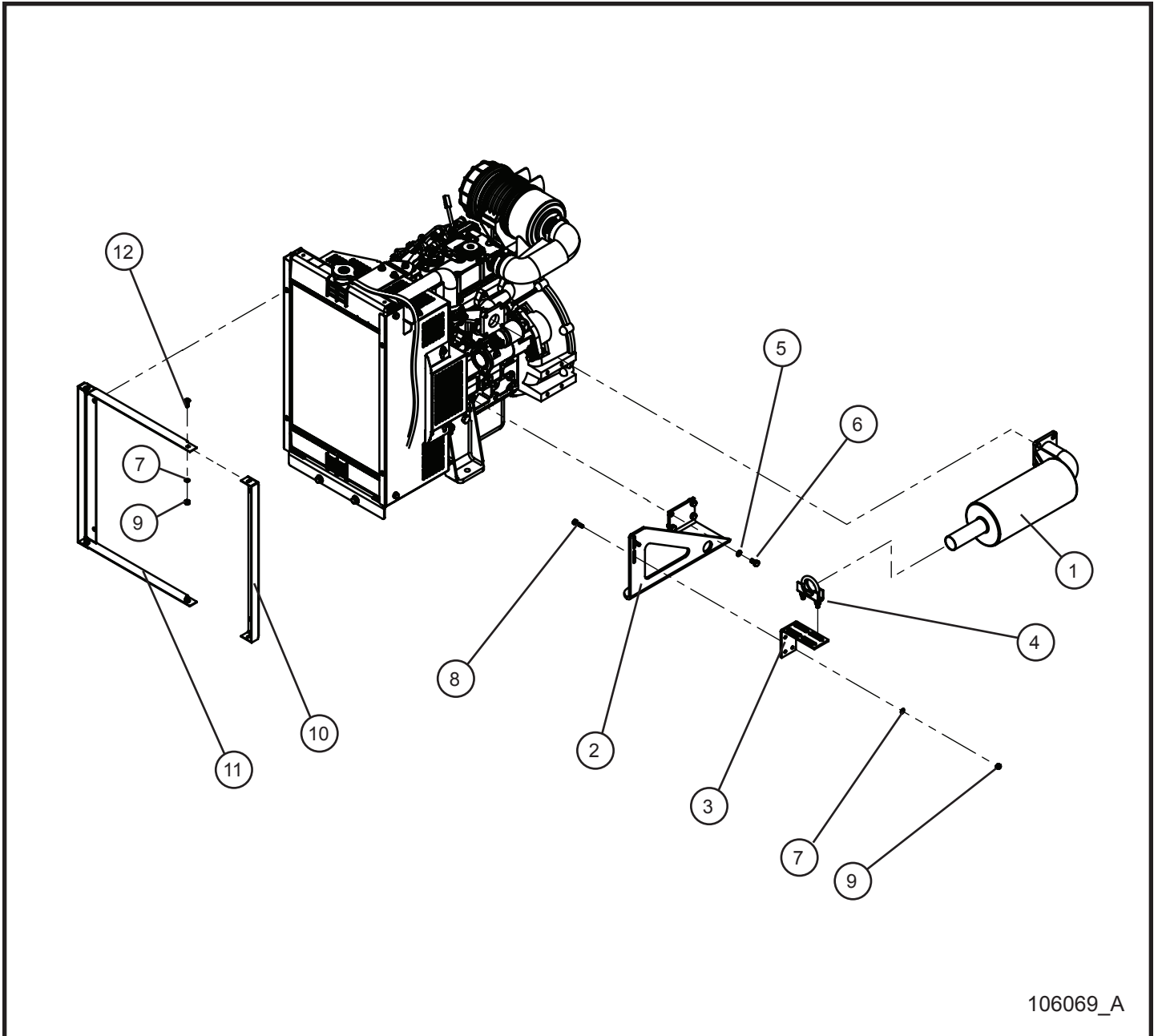
9.1 - CAT C1.1 Engine and Filters

SN 0001PRO215 and UP
SN 0001PRO2V15 and UP

Item	Part No.	Part Description	Qty.
1	103558	ENGINE CAT C1.1 60Hz EPA Tier 4	1
	100987	ENGINE CAT C1.1 50Hz	1
2	650304	OIL FILTER	1
3	102580	AIR FILTER	1
4	103155	FUEL FILTER	1
NS	108461	CAT C1.1 FILTER KIT (INCLUDES PART NUMBERS 650304, 102580, & 103155)	1

9.2 - CAT C1.1 Engine Assembly Group

SN 0001PRO215 and UP
SN 0001PRO2V15 and UP



106069_A

Night-Lite ProII™

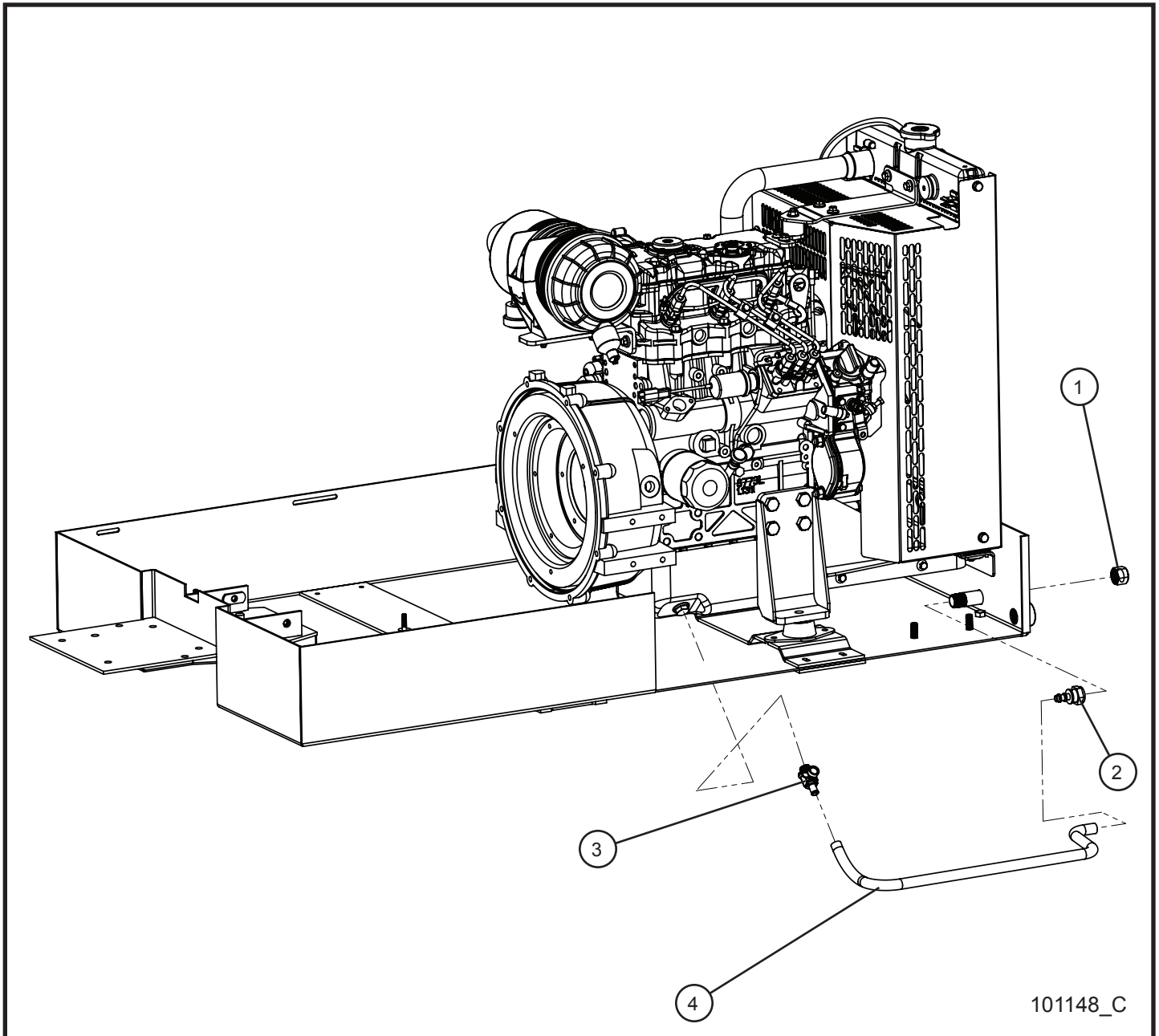
9.2 - CAT C1.1 Engine Assembly Group

SN 0001PRO215 and UP
SN 0001PRO2V15 and UP

Item	Part No.	Part Description	Qty.
1	104787	MUFFLER CAT C1.1 4.500 SPOUT	1
2	100705P	BRACKET CAT C1.1 MUFFLER	1
3	100706P	MUFFLER BRACKET ADJUSTABLE CAT	1
4	340111	1-1/2 MUFFLER CLAMP	1
5	043055	5/16 SPLITLOCK WASHER	4
6	042027	M8 x 16MM x 1.25 MM HEX HEAD CS GR10.9 PL	4
7	047009	1/4 FLAT WASHER SAE SS	6
8	046015	1/4-20 x 1 HEX HEAD CS GR5 PL	2
9	044023	1/4-20 NYLOCK HEX NUT PL	6
10	102932P	RADIATOR SHROUD SIDE	2
11	102933P	RADIATOR SHROUD CROSS BAR	2
12	041050	1/4-20 x 3/4 PH-TRUSS HEAD MS SS	4
NS	105195	ENGINE HARNESS CAT 1.1	1
NS	105888	WIRING SCHEMATIC C1.1 ENGINE	1

9.3 - CAT C1.1 Remote Oil Drain and Fumoto Valve

SN 0001PRO215 and UP
SN 0001PRO2V15 and UP



101148_C

Night-Lite ProII™

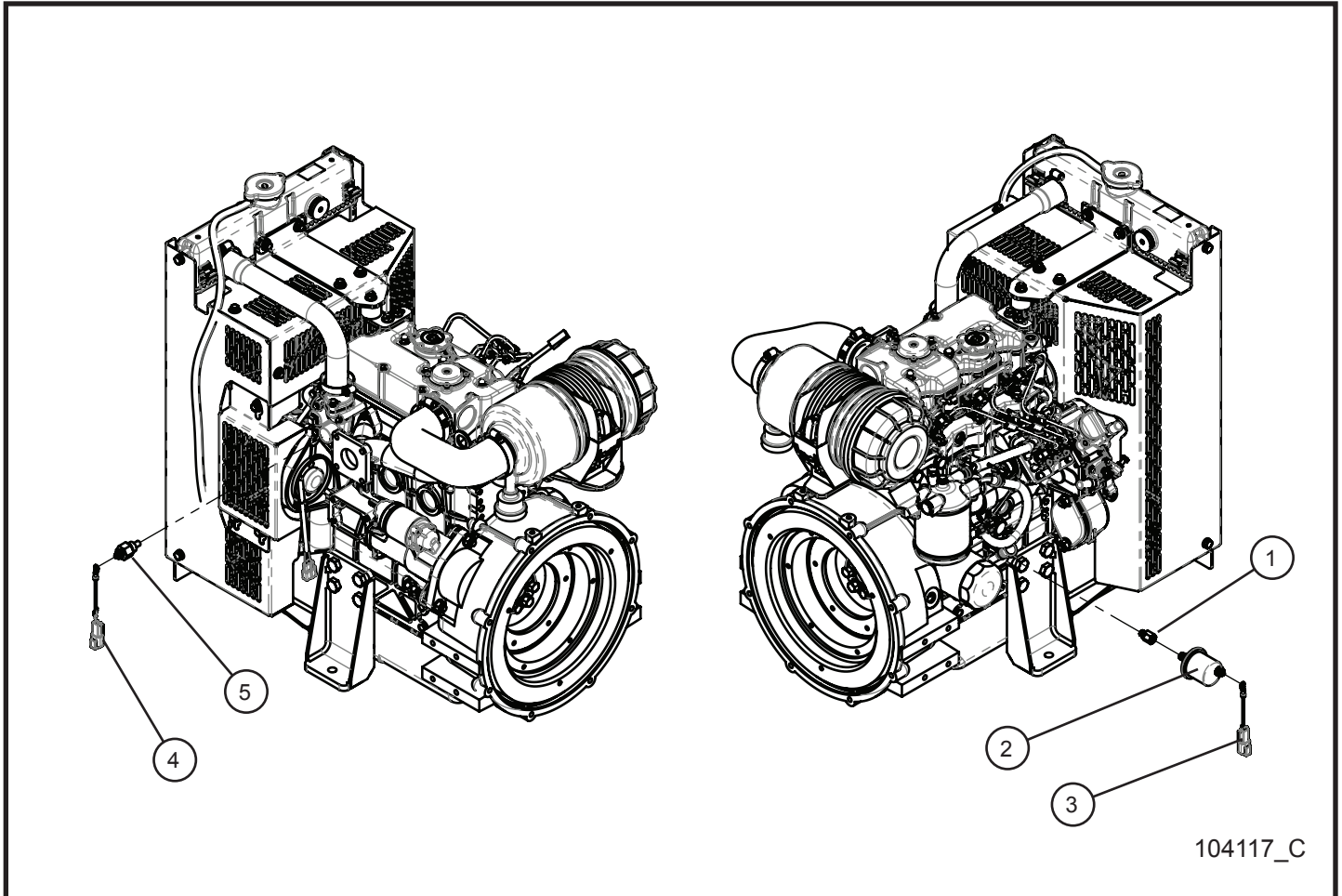
9.3 - CAT C1.1 Remote Oil Drain and Fumoto Valve

SN 0001PRO215 and UP
SN 0001PRO2V15 and UP

Item	Part No.	Part Description	Qty.
1	105089	1/2 NPT BRASS CAP	1
2	104865	3/8 HOSE x 1/2 NPT BARBED TO FEMALE	1
3	651193	DRAIN VALVE FUMOTO M16 x 1.5	1
4	081017	3/8 x 23" YELLOW FUEL HOSE	1

9.4 - CAT C1.1 LSC Sending Unit

SN 0001PRO215 and UP
SN 0001PRO2V15 and UP



Night-Lite ProII™

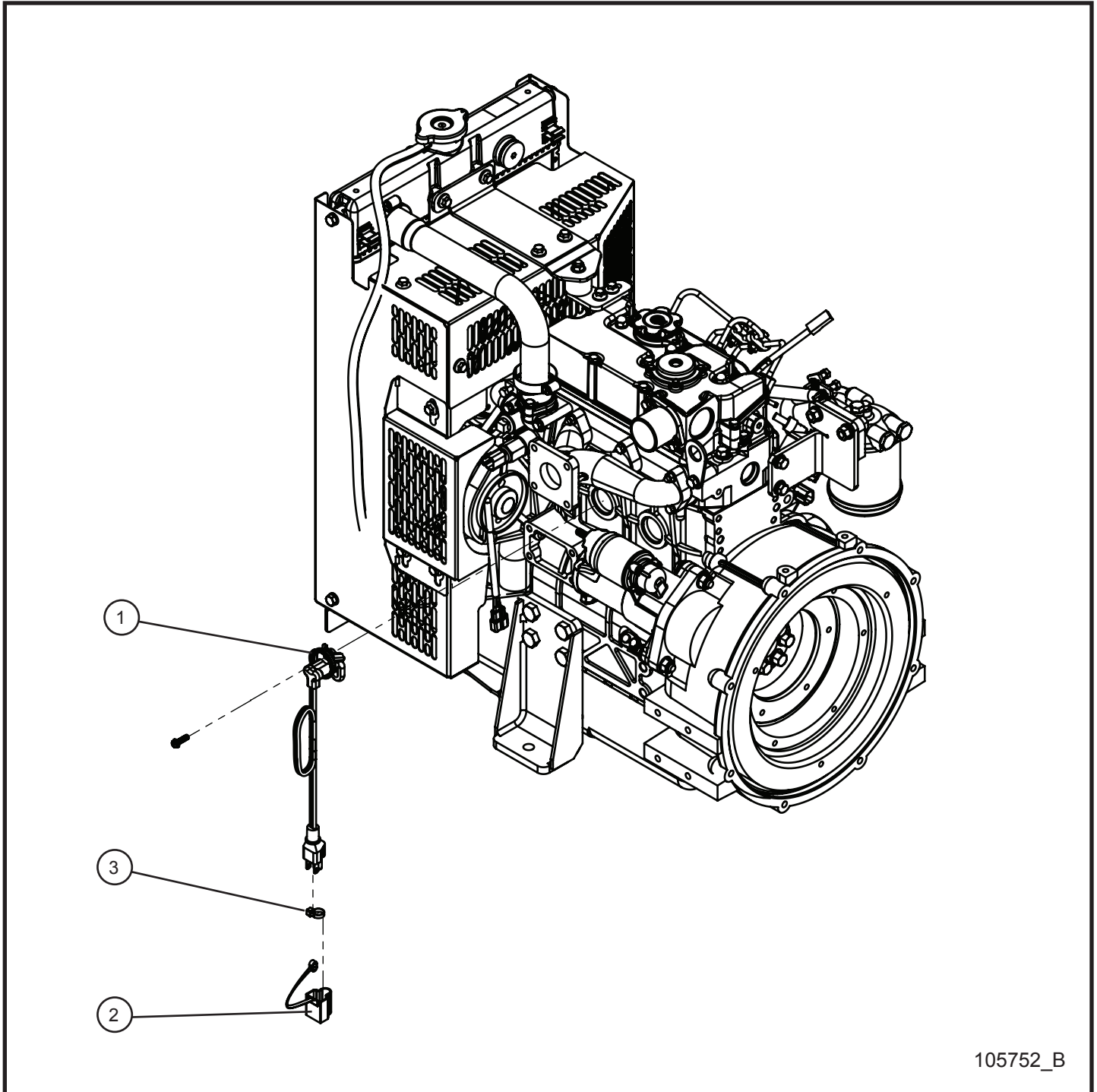
9.4 - CAT C1.1 LSC Sending Unit

SN 0001PRO215 and UP
SN 0001PRO2V15 and UP

Item	Part No.	Part Description	Qty.
1	104558	FITTING ADAPTER 1/8 BSPM x 1/8 NPTF	1
2	104019	SENDER OIL PRESSURE	1
3	105881	OIL JUMPER CAT	1
4	105882	TEMP JUMPER CAT	1
5	650769	SENDER TEMPERATURE M16 x 1.5	1
NS	105904	SCHEMATIC LSC CAT C1.1	1

9.5 - CAT C1.1 Block Heater

SN 0001PRO215 and UP
SN 0001PRO2V15 and UP



105752_B

Night-Lite ProII™

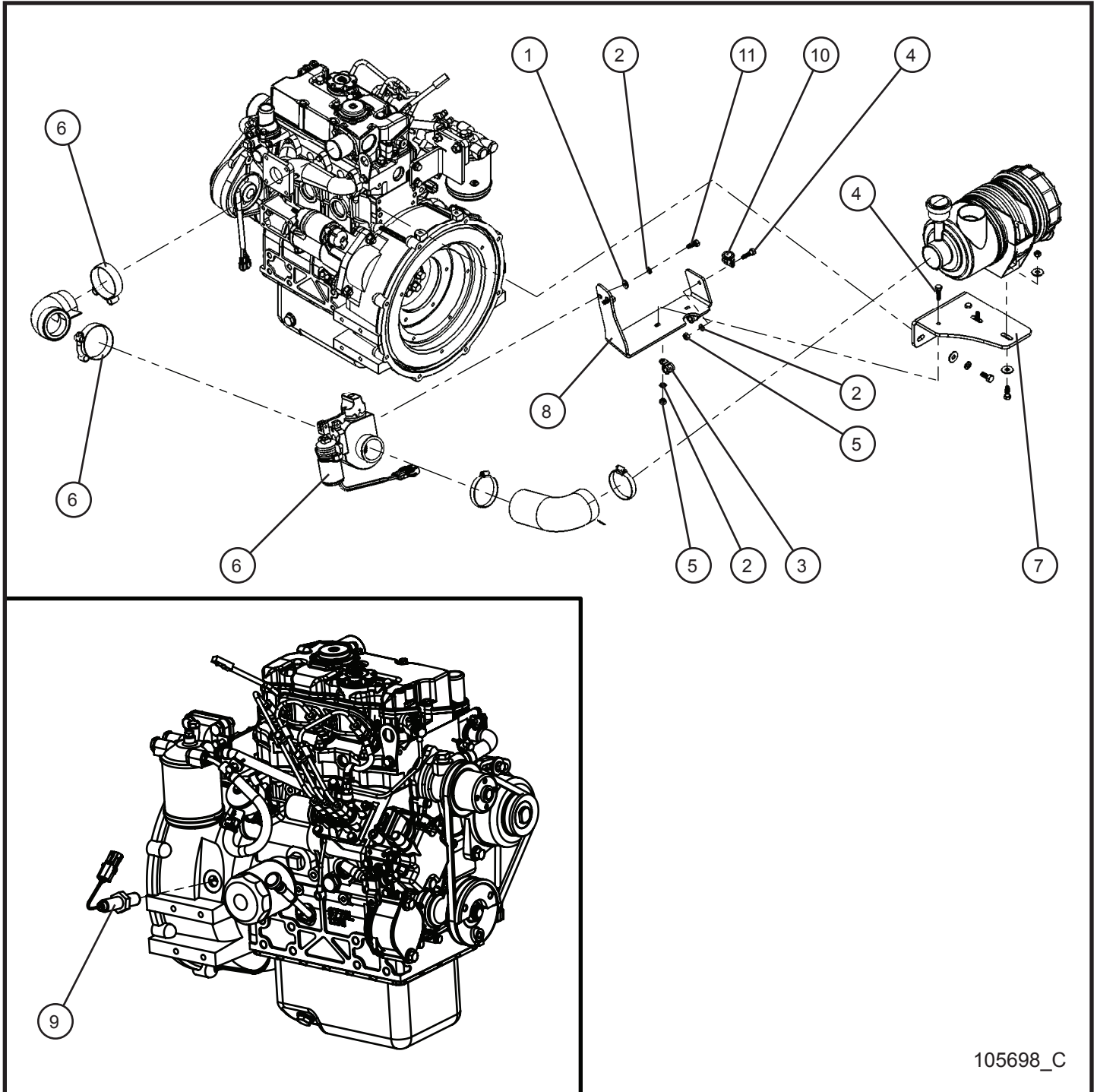
9.5 - CAT C1.1 Block Heater

SN 0001PRO215 and UP
SN 0001PRO2V15 and UP

Item	Part No.	Part Description	Qty.
1	651192	BLOCK HEATER CAT C1.1	1
2	105995	END COVER 120 VOLT CORD	1
3	068090	CABLE TIE 8"	1

9.6 - CAT C1.1 Shocker Group (1 of 2)

SN 0001PRO215 and UP
SN 0001PRO2V15 and UP



105698_C

Night-Lite ProII™

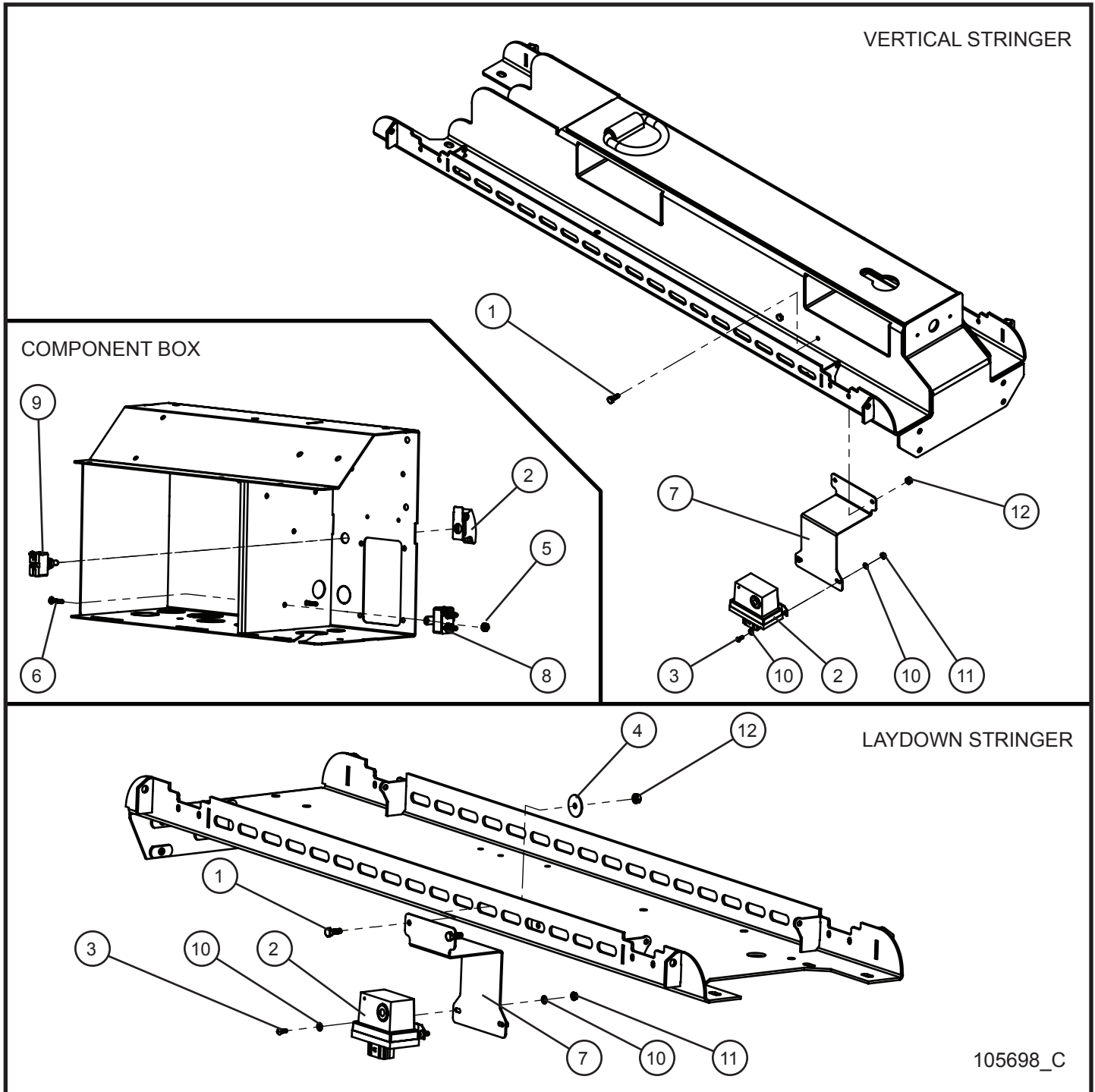
9.6 - CAT C1.1 Shocker Group (1 of 2)

SN 0001PRO215 and UP
SN 0001PRO2V15 and UP

Item	Part No.	Part Description	Qty.
1	047005	1/4 FLAT WASHER PL	2
2	043020	1/4 SPLIT LOCK WASHER	5
3	022016	#6 CUSH CLAMP 1/4 HOLE	2
4	046015	1/4-20 x 1 HEX HEAD CS GR5 PL	3
5	044020	1/4-20 HEX NUT PL	3
6	105705	SHOCKER 2" VALVE KIT	1
7	105523P	BRACKET MOUNT AIR CLEANER/SHOCKER	1
8	105707P	BRACKET SHOCKER MOUNT	1
9	105536	RPM SENSOER 18mm x 1.5	1
10	022021	#10 CLAMP CUSH	1
11	102573	BOLT CAP SCREW HEX HEAD 1/4-20 x 3/4 GR 5 ZINC	2
NS	105802	HARNESS SHOCKER VALVE	1
NS	105702	SHOCKER SETUP INSTRUCTIONS	1
NS	106156	SCHEMATIC SHOCKER VALVE HARNESS	1

9.6 - CAT C1.1 Shocker Group (2 of 2)

SN 0001PRO215 and UP
SN 0001PRO2V15 and UP



105698_C

Night-Lite ProII™

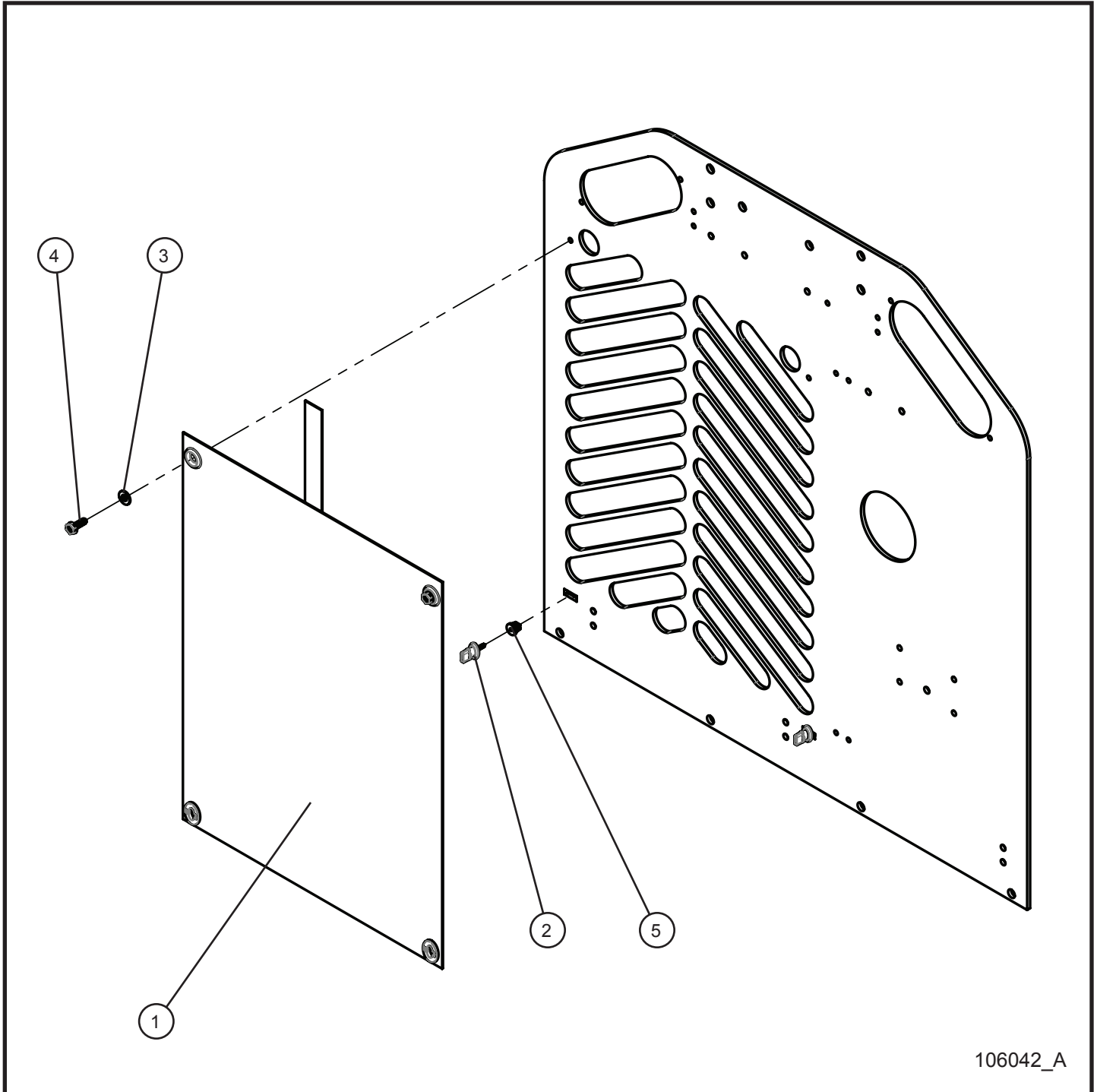
9.6 - CAT C1.1 Shocker Group (2 of 2)

SN 0001PRO215 and UP
SN 0001PRO2V15 and UP

Item	Part No.	Part Description	Qty.
1	046010	1/4-20 x 3/4 HEX HEAD CS GR5 SS	2
2	105705	SHOCKER 2" VALVE KIT	1
3	041013	#8-32 x 1/2 PH-ROUND HEAD MS PL	2
4	047007	1/4 x 1 1/4 x .056 FENDER WASHER (LAYDOWN ONLY)	2
5	044003	#8-32 NC KEPS NUT	2
6	041201	#8-32 x 3/4 SL-ROUND HEAD MS PL	2
7	105803P	MOUNT SHOCKER CONTROL	1
8	105636	20 AMP BREAKER	1
9	340009	SWITCH 15A 125V	1
10	047004	#8 FLAT WASHER SAE ZC	4
11	044015	#8-32 KEPS HEX NUT SS	2
12	044023	1/4-20 NYLOCK HEX NUT PL	2

9.7 - CAT C1.1 Cold Front

SN 0001PRO215 and UP
SN 0001PRO2V15 and UP



106042_A

Night-Lite ProII™

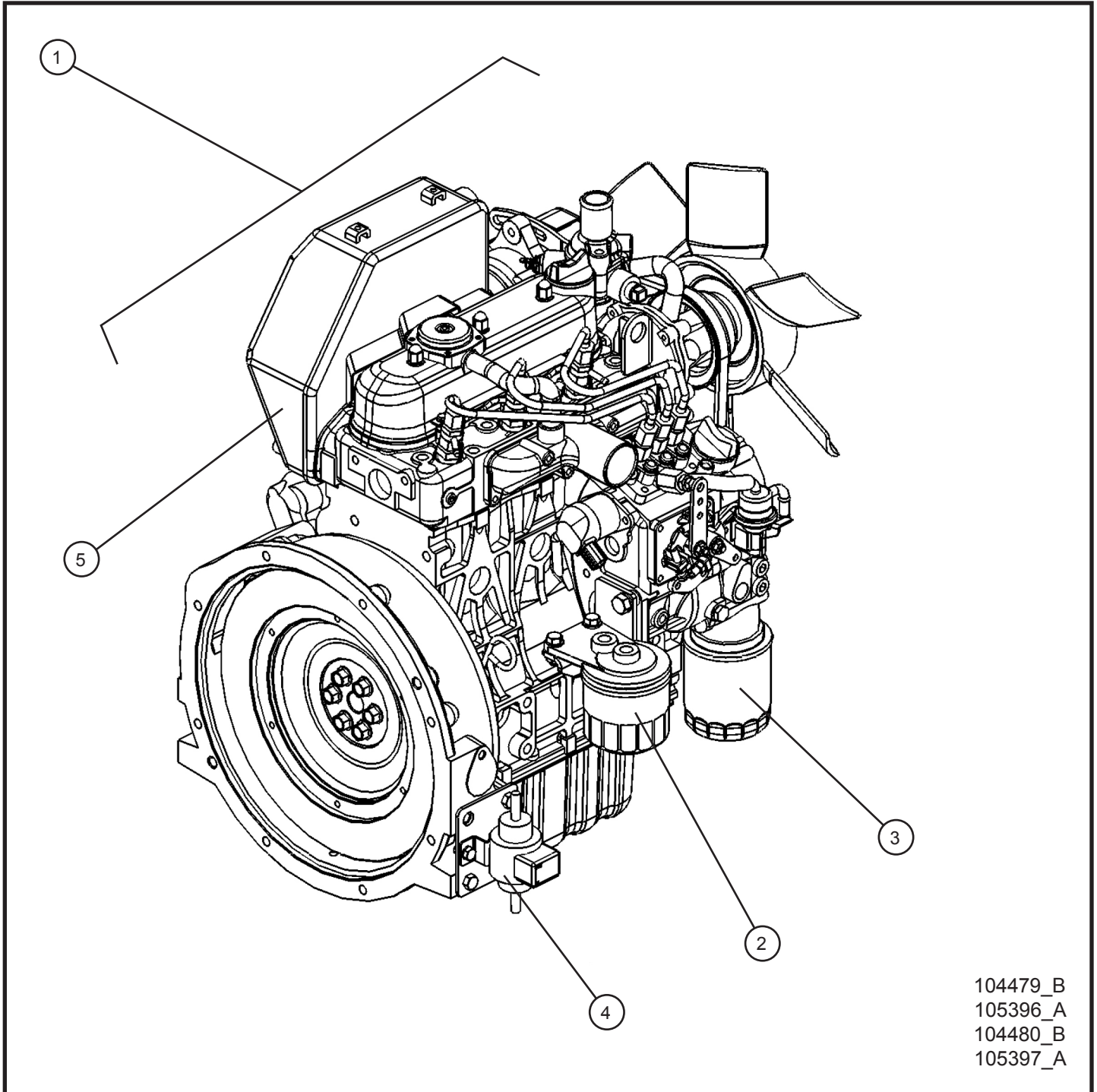
9.7 - CAT C1.1 Cold Front

SN 0001PRO215 and UP
SN 0001PRO2V15 and UP

Item	Part No.	Part Description	Qty.
--	106042	COLD FRONT KIT CAT	1
1	106039	COLD FRONT CAT	1
2	106056	TURN BUTTON QUARTER TURNS	2
3	047005	1/4 FLAT WASHER PL	2
4	041070	1/4-20 x 3/4 SL-HEX WASHER HEAD MS TP F	2
5	106052	NYLON NUT	2

10.1 - Kubota Engine and Filters

SN 0001PRO215 and UP
SN 0001PRO2V15 and UP



104479_B
105396_A
104480_B
105397_A

Night-Lite ProII™

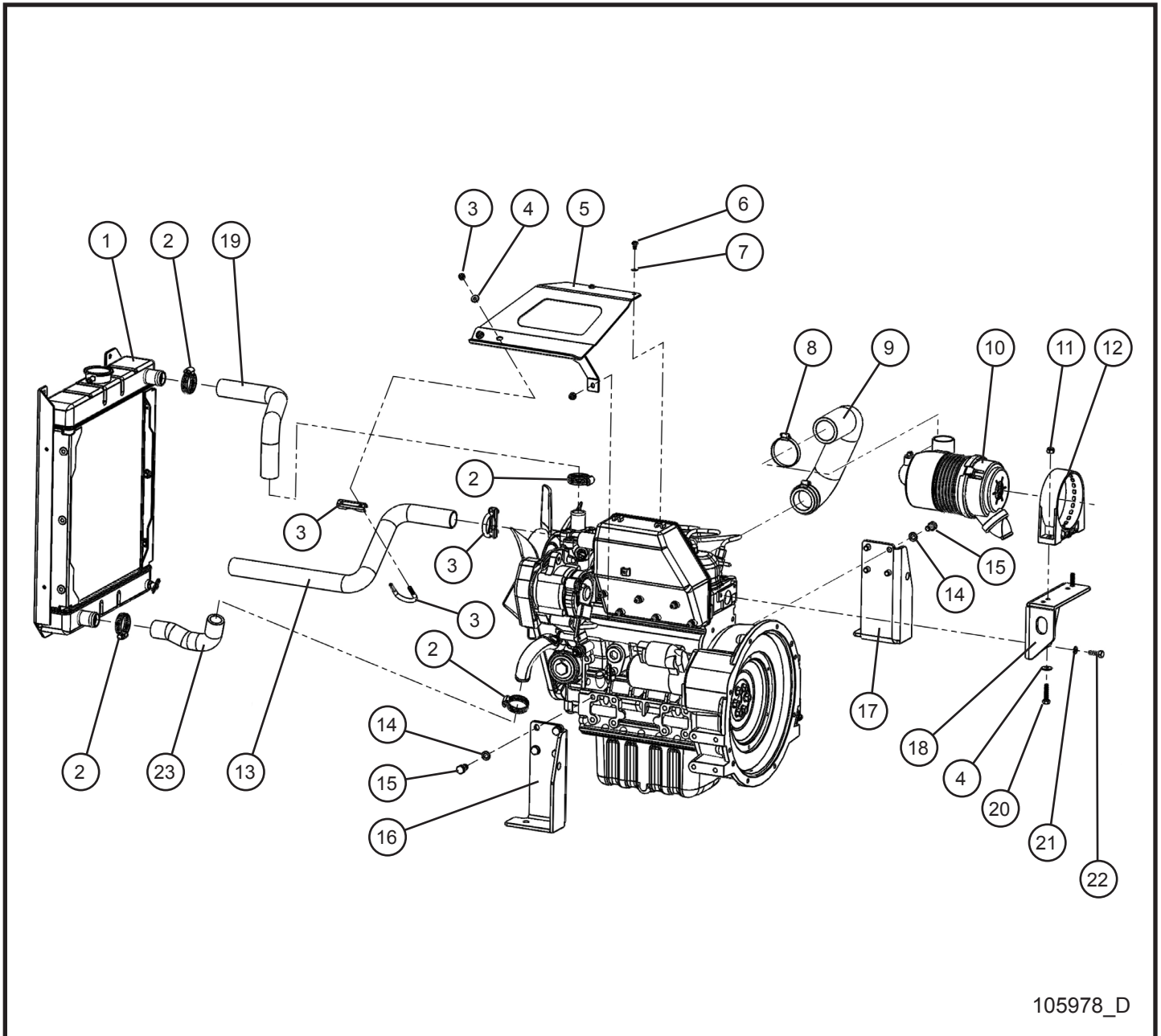
10.1- Kubota Engine and Filters

SN 0001PRO215 and UP
SN 0001PRO2V15 and UP

Item	Part No.	Part Description	Qty.
1	104479	ENGINE D1005 NRTC/NTE KUBOTA	1
	105396	ENGINE D1005 NRTC/NTE T4 KUBOTA	1
	104480	ENGINE D1105 NRTC/NTE KUBOTA	1
	105397	ENGINE D1105 NRTC/NTE T4 KUBOTA	1
2	920745	FUEL FILTER	1
3	920743	OIL FILTER	1
4	103331	FUEL PUMP	1
5	352139	BOX MUFFLER	1
NS	650290	AIR FILTER	1
NS	108962	KUBOTA FILTER KIT (INCLUDES PART NUMBERS 920745, 920743, & 650290)	1
NS	340302	HIGH TEMP SWITCH	1
NS	340301	OIL PRESSURE SWITCH	1
NS	920751	FUEL SHUT OFF SOLENOID	1

10.2 - Kubota Engine Assembly Group (1 of 3)

SN 0001PRO215 and UP
SN 0001PRO2V15 and UP



105978_D

Night-Lite ProII™

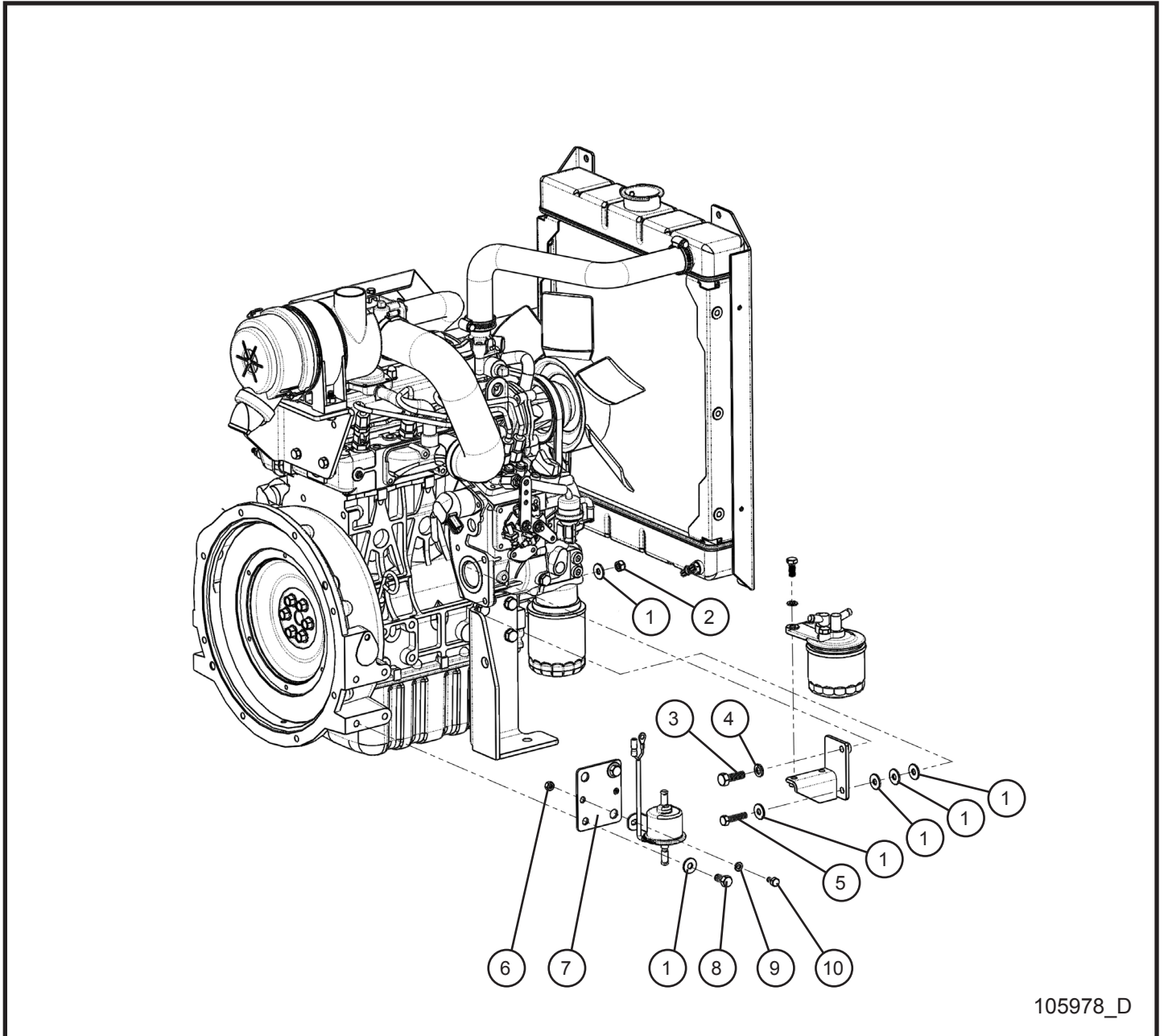
10.2 - Kubota Engine Assembly Group (1 of 3)

SN 0001PRO215 and UP
SN 0001PRO2V15 and UP

Item	Part No.	Part Description	Qty.
1	105393	RADIATOR KUBOTA	1
2	045035	#20 HOSE CLAMP	4
3	713086	1 3/8 MUFFLER CLAMP	2
4	047005	1/4 FLAT WASHER	4
5	103579P	TAILPIPE MOUNT D1105 NL PRO II	1
6	042018	M6 x 1.0MM x 10MM HEX HEAD CS GR 8.8 PL	2
7	043050	1/4 INTL TOOTH LOCK WASHER	2
8	045038	#32 HOSE CLAMP	2
9	101734	AIR CLEANER HOSE KUBOTA D1005/D1105	1
10	650262	AIR CLEANER RADIAL SEAL	1
11	042081	M8 x 1.25MM NYLOCK HEX NUT PL METRIC	2
12	650263	MOUNTING BAND AIR CLEANER	1
13	109800	TAIL PIPE KUBOTA	1
14	042151	M10 SPLIT LOCK WASHER PL	8
15	042038	M10 x 20MM x 1.25MM HEX HEAD CS GR 8.8 PL	8
16	103470P	BRACKET ENGINE FOOT RIGHT WELDMENT KUBOTA	1
17	103469P	BRACKET ENGINE FOOT LEFT WELDMENT KUBOTA	1
18	105800P	MOUNT WELDED AIR FILTER KUBOTA	1
19	105391	RADIATOR HOSE UPPER KUBOTA	1
20	102127	8MM x 35MM x 1.25 HEX GR 8.8 PLATED	2
21	043055	5/16 SPLIT LOCK WASHER PL	2
22	042027	M8 x 16MM x 1.25 HEX HEAD CS GR8.8 PL	2
23	105392	RADIATOR HOSE LOWER KUBOTA	1
NS	105406	KUBOTA JB RADIATOR KIT (INCLUDES PARTS 105391, 105392, AND 105393)	1
NS	105193	HARNESS KUBOTA	1
NS	105875	KUBOTA CHARGE CIRCUIT FUSE	1
NS	105893	KUBOTA ENGINE HARNESS SCHEMATIC	1

10.2 - Kubota Engine Assembly Group (2 of 3)

SN 0001PRO215 and UP
SN 0001PRO2V15 and UP



105978_D

Night-Lite ProII™

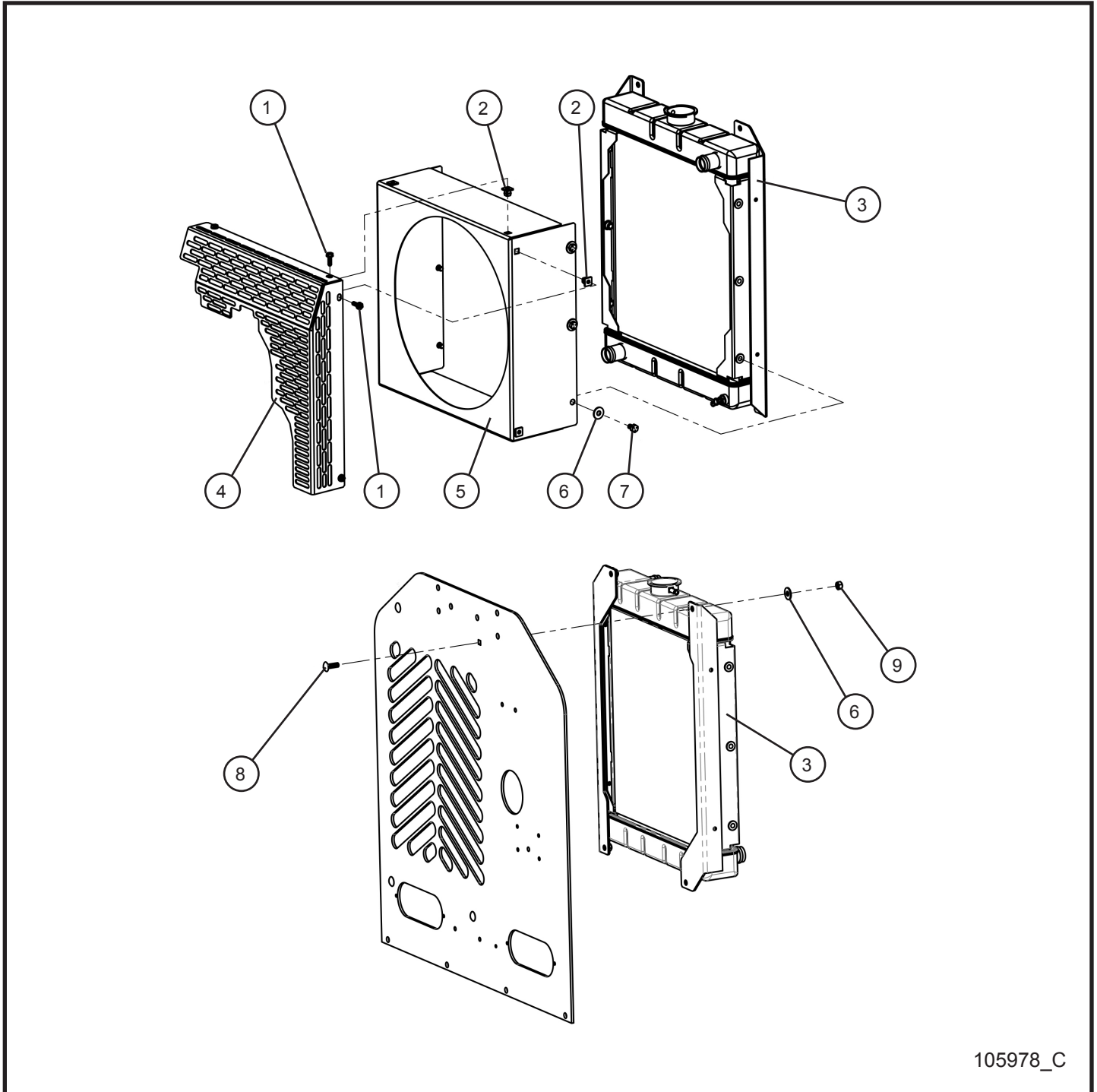
10.2 - Kubota Engine Assembly Group (2 of 3)

SN 0001PRO215 and UP
SN 0001PRO2V15 and UP

Item	Part No.	Part Description	Qty.
1	047010	5/16 FLAT WASHER PL	7
2	042081	M8 x 1.25MM NYLOCK HEX NUT PL METRIC	1
3	102130	10MM x 1.25MM x 25MM	1
4	042151	M10 SPLIT LOCK WASHER PL	1
5	102127	8MM x 35MM x 1.25 HEX GR 8.8 PLATED	1
6	044020	1/4-20 x HEX NUT PL	2
7	105402P	FUEL PUMP MOUNT KUBOTA D1005/D1105	1
8	046105	3/8-16 x 3/4 HEX HEAD CS GR8 PL	2
9	043020	1/4 SPLITLOCK WASHER	2
10	046005	1/4-20 x 1/2 HEX HEAD CS GR5 PL	2

10.2 - Kubota Engine Assembly Group (3 of 3)

SN 0001PRO215 and UP
SN 0001PRO2V15 and UP



105978_C

Night-Lite ProII™

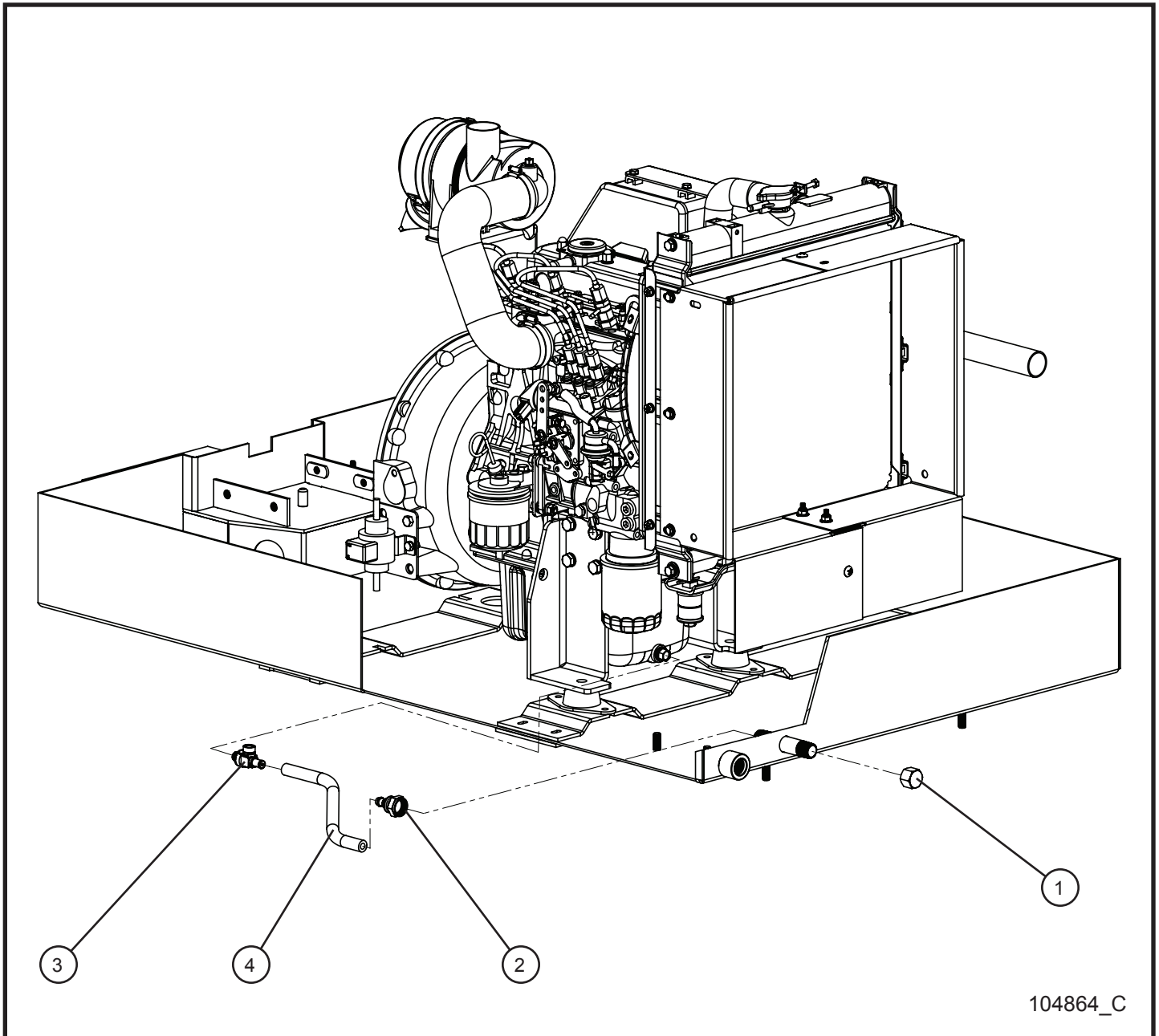
10.2 - Kubota Engine Assembly Group (3 of 3)

SN 0001PRO215 and UP
SN 0001PRO2V15 and UP

Item	Part No.	Part Description	Qty.
1	041070	1/4-20 x 3/4 SL-HEX WASHER HEAD MS TP F	4
2	105408	GROMMET NUT DOUBLE SPLIT	4
3	105393	RADIATOR KUBOTA	1
4	105405P	HAND GUARD JB RADIATOR	1
5	105404P	FAN SHROUD JB RADIATOR	1
6	047010	5/16 FLAT WASHER PL	10
7	046045	5/16-18 x 3/4 HEX HEAD CS GR5 PL	6
8	053020	5/16-18 x 1 CARRIAGE BOLT PL	4
9	044033	5/16-18 NYLOCK HEX NUT PL	4

10.3 - Kubota Remote Oil Drain and Fumoto Valve

SN 0001PRO215 and UP
SN 0001PRO2V15 and UP



104864_C

Night-Lite ProII™

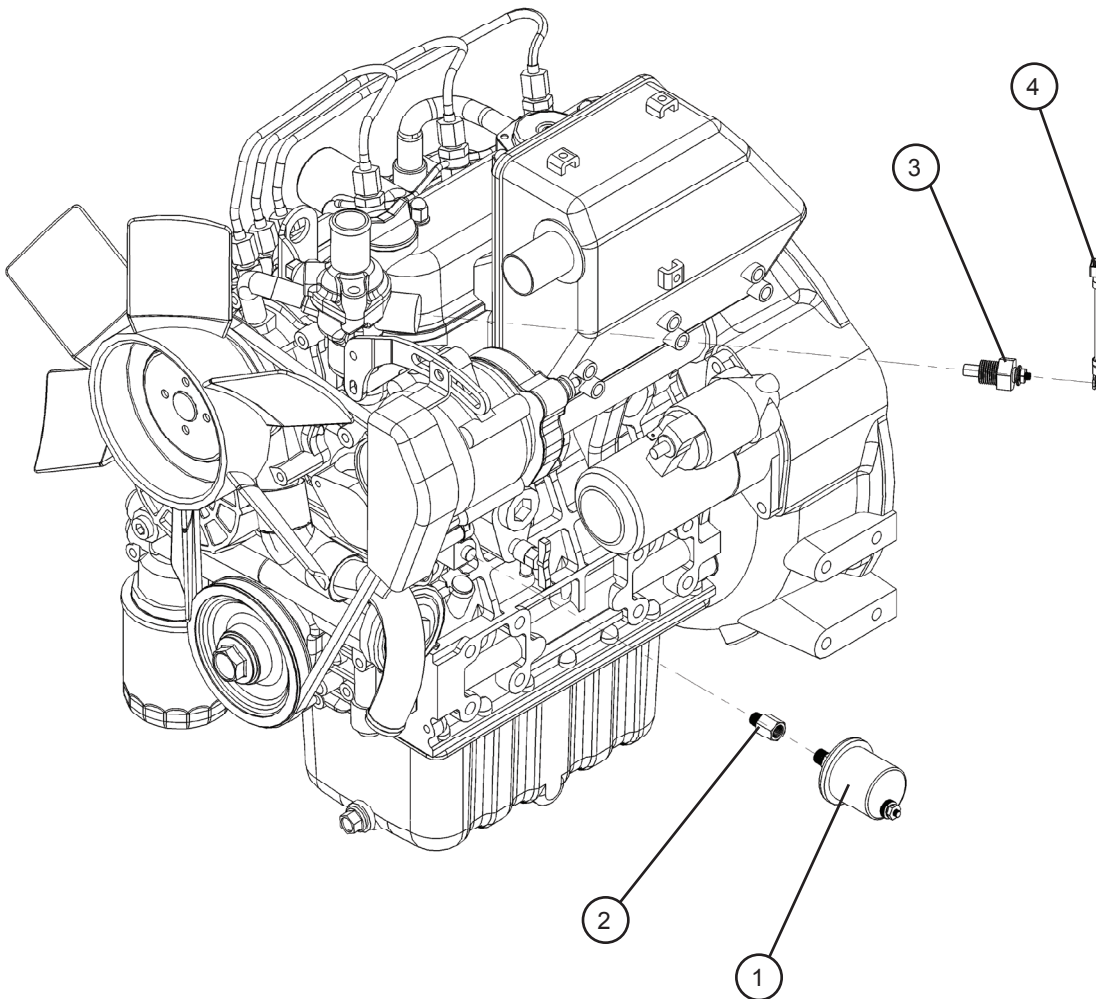
10.3 - Kubota Remote Oil Drain and Fumoto Valve

SN 0001PRO215 and UP
SN 0001PRO2V15 and UP

Item	Part No.	Part Description	Qty.
1	105089	1/2 NPT BRASS CAP	1
2	104865	3/8 HOSE x 1/2 NPT BARBED TO FEMALE	1
3	848299	DRAIN VALVE FUMOTO D1105 OIL	1
4	081017	3/8 x 15" YELLOW FUEL HOSE	1

10.4 - Kubota LSC Sending Unit

SN 0001PRO215 and UP
SN 0001PRO2V15 and UP



104118_A

Night-Lite ProII™

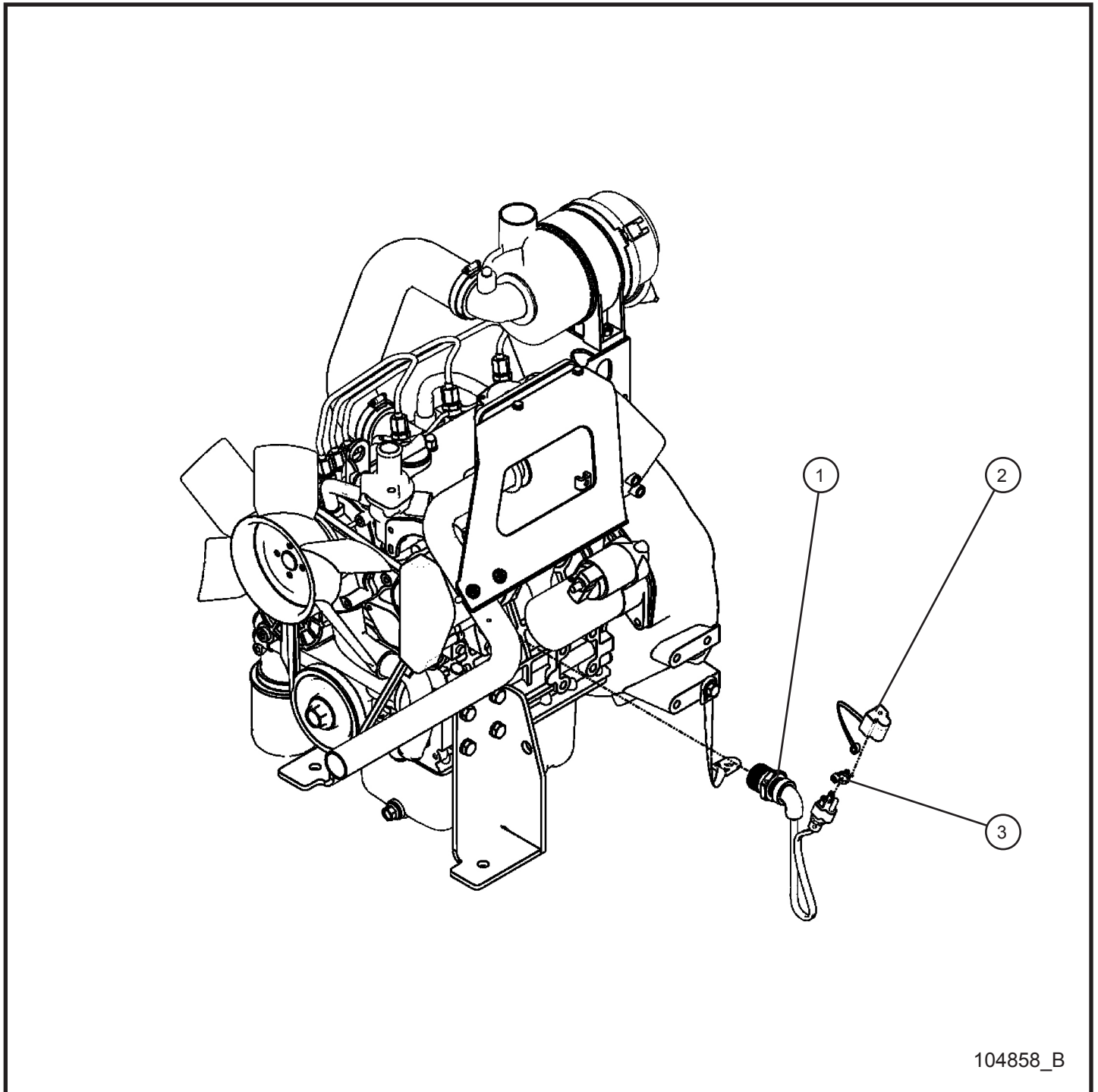
10.4 - Kubota LSC Sending Unit

SN 0001PRO215 and UP
SN 0001PRO2V15 and UP

Item	Part No.	Part Description	Qty.
1	104019	SENDER OIL PRESSURE	1
2	104558	FITTING ADAPTER 1/8 BSPM x 1/8 NPTF	1
3	104020	SENDER WATER TEMPERATURE	1
4	105883	TEMP JUMPER KUBOTA	1
NS	105905	SCHEMATIC LSC KUBOTA D1005/D1105	1

10.5 - Kubota Block Heater

SN 0001PRO215 and UP
SN 0001PRO2V15 and UP



104858_B

Night-Lite ProII™

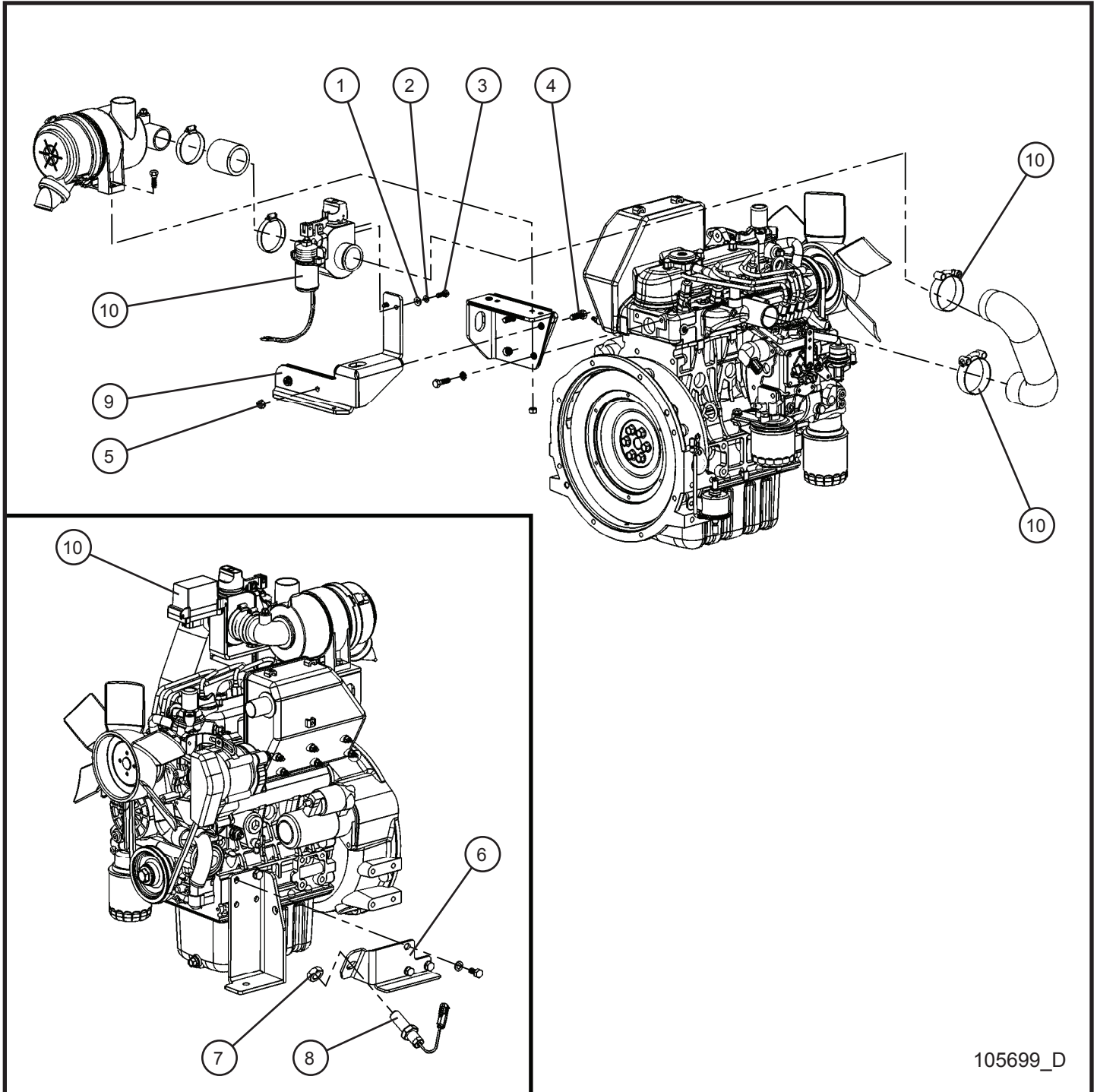
10.5 - Kubota Block Heater

SN 0001PRO215 and UP
SN 0001PRO2V15 and UP

Item	Part No.	Part Description	Qty.
1	352373	BLOCK HEATER D1005/D1105	1
2	105995	END COVER 120 VOLT CORD	1
3	068090	CABLE TIE 8"	1

10.6 - Kubota Shocker Group (1 of 2)

SN 0001PRO215 and UP
SN 0001PRO2V15 and UP



105699_D

Night-Lite ProII™

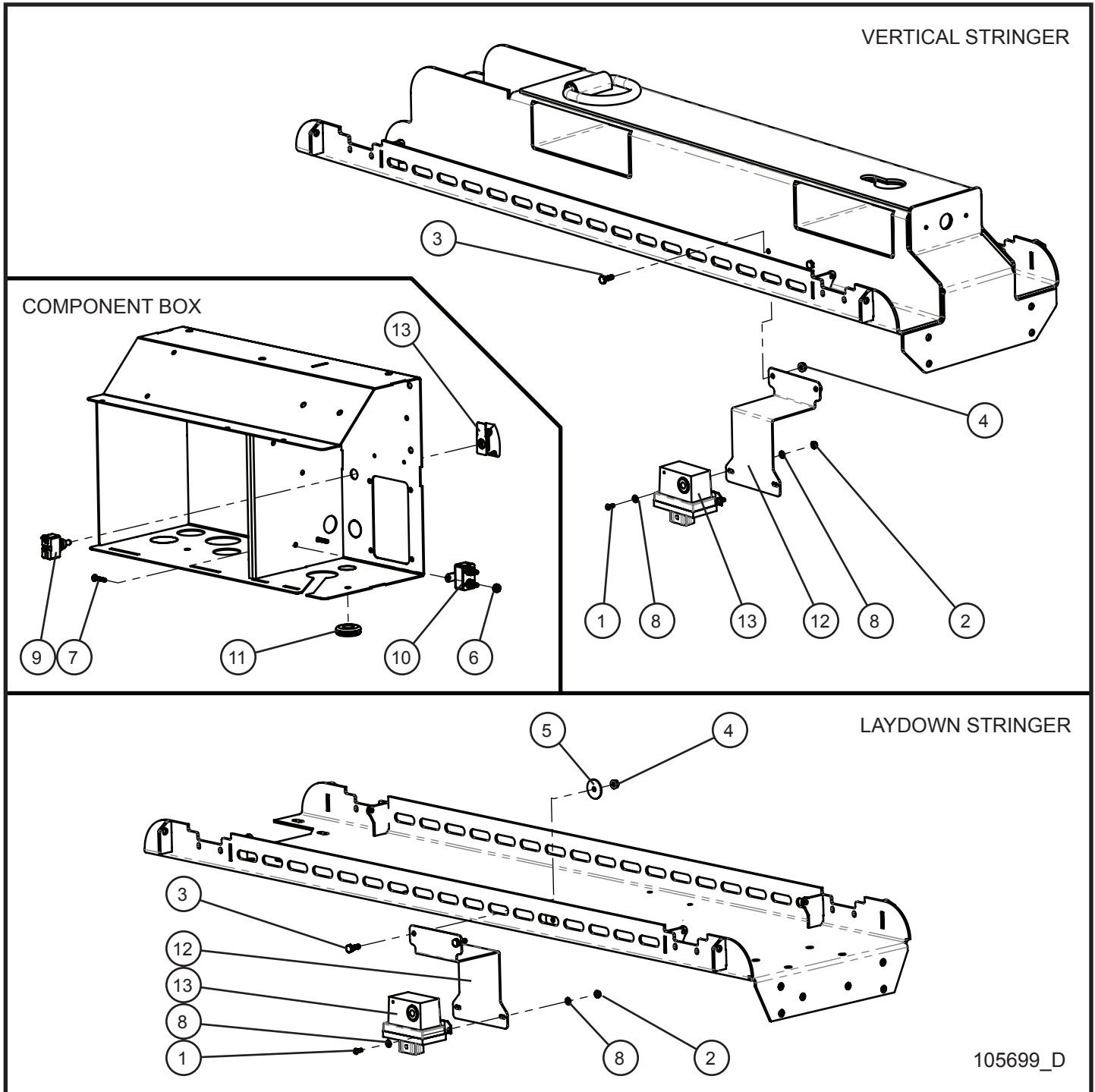
10.6 - Kubota Shocker Group (1 of 2)

SN 0001PRO215 and UP
SN 0001PRO2V15 and UP

Item	Part No.	Part Description	Qty.
1	047005	1/4 FLAT WASHER PL	2
2	043020	1/4 SPLITLOCK WASHER	2
3	102573	1/4-20 x 3/4 HEX HEAD CS GR5 ZINC	2
4	046110	3/8-16 x 1 HEX HEAD CS GR5 PL	2
5	044036	3/8-16 KEPS HEX NUT PL	2
6	106003P	MAG SENSOR KUBOTA BRACKET	1
7	044059	3/4-16 JAM NUT	1
8	105537	MAGNETIC SENSOR 3/4 x 16 WITH PLUG	1
9	105801P	MOUNT SHOCKER VALVE	1
10	105705	SHOCKER 2" VALVE KIT	1
NS	106156	SCHEMATIC SHOCKER VALVE HARNESS	1
NS	105802	HARNESS SHOCKER VALVE	1
NS	105702	SHOCKER SETUP INSTRUCTIONS	1

10.6 - Kubota Shocker Group (2 of 2)

SN 0001PRO215 and UP
SN 0001PRO2V15 and UP



Night-Lite ProII™

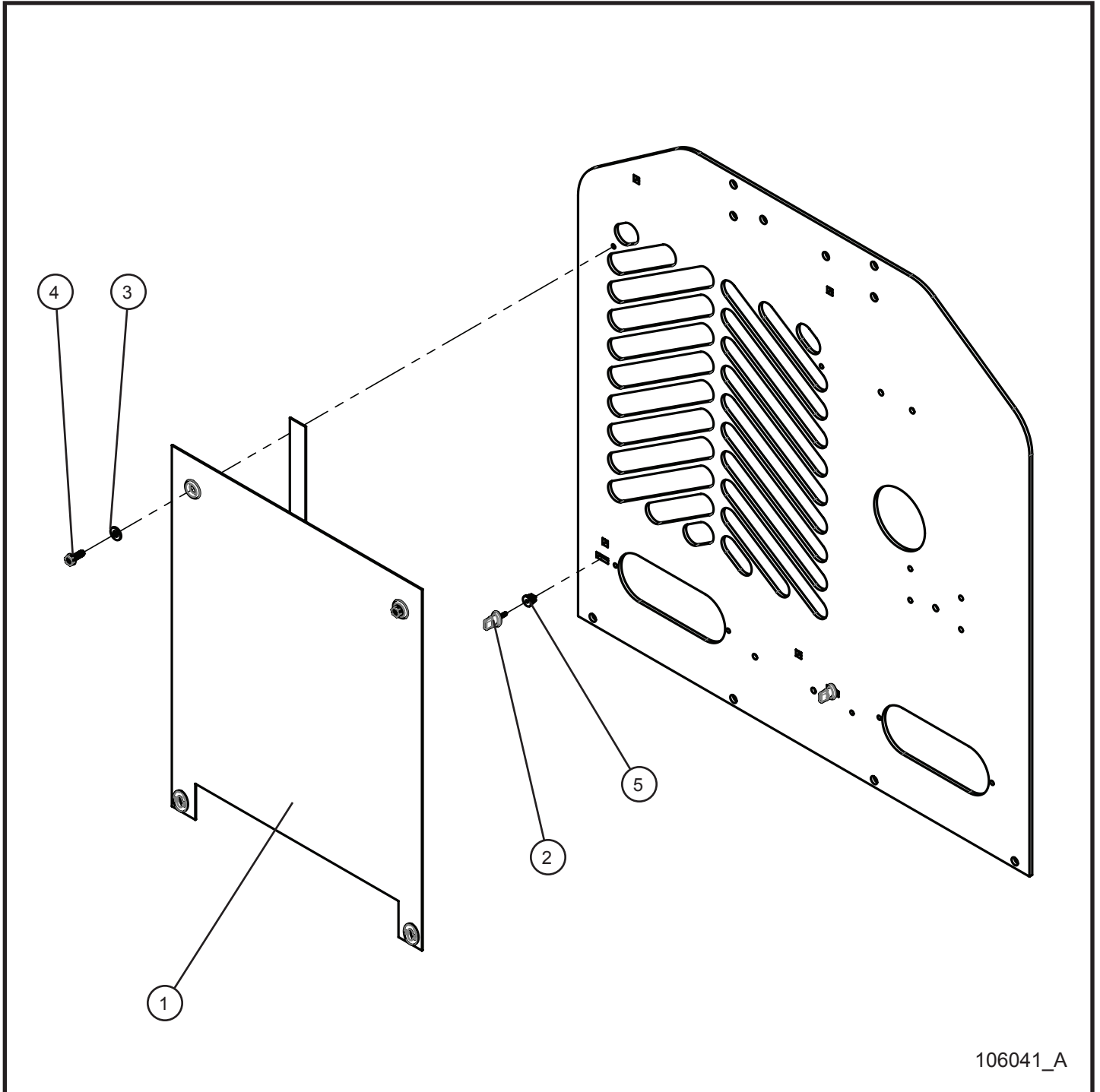
10.6 - Kubota Shocker Group (2 of 2)

SN 0001PRO215 and UP
SN 0001PRO2V15 and UP

Item	Part No.	Part Description	Qty.
1	041013	#8-32 x 1/2 PH-ROUND HEAD MS PL	4
2	044015	#8-32 KEPS HEX NUT SS	4
3	046010	1/4-20 x 3/4 HEX HEAD CS GR5 SS	2
4	044021	1/4-20 KEPS HEX NUT PL	2
5	047007	1/4 x 1 1/4 x .056 FENDER WASHER (LAYDOWN ONLY)	2
6	044003	#8-32 NC KEPS NUT	2
7	041201	#8-32 x 3/4 SL-ROUND HEAD MS PL	2
8	047004	#8 FLAT WASHER SAE ZC	8
9	340009	SWITCH 15A 125V	1
10	105636	20 AMP BREAKER	1
11	100859	7/8 ID x 1 1/4 OD GROMMET	1
12	105803P	MOUNT SHOCKER CONTROL	1
13	105705	SHOCKER 2" VALVE KIT	1

10.7 - Kubota Cold Front

SN 0001PRO215 and UP
SN 0001PRO2V15 and UP



106041_A

Night-Lite ProII™

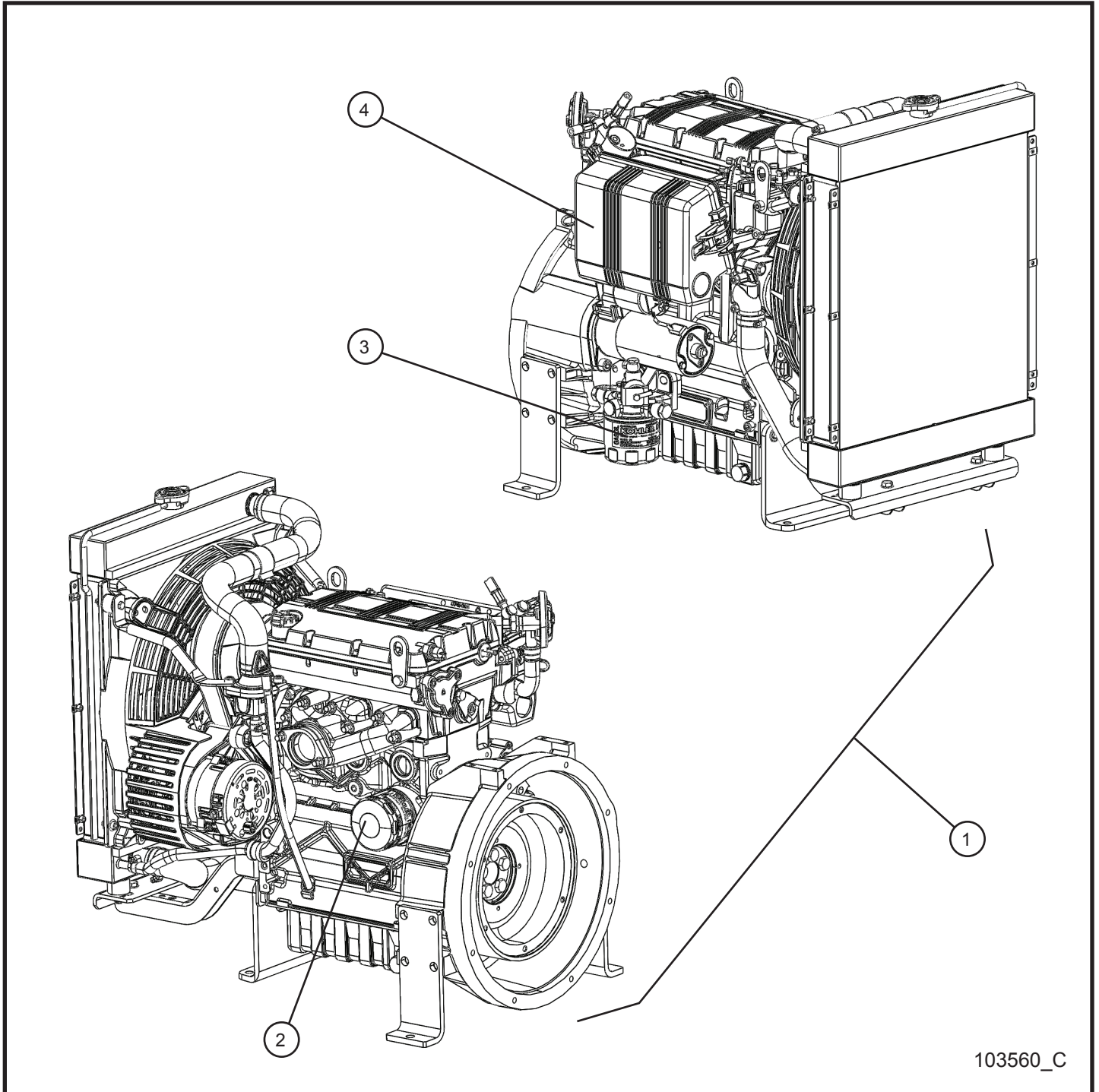
10.7 - Kubota Cold Front

SN 0001PRO215 and UP
SN 0001PRO2V15 and UP

Item	Part No.	Part Description	Qty.
--	106041	COLD FRONT KIT KUBOTA	1
1	106038	COLD FRONT KUBOTA	1
2	106056	TURN BUTTON QUARTER TURNS	2
3	047005	1/4 FLAT WASHER PL	2
4	041070	1/4-20 x 3/4 SL-HEX WASHER HEAD MS TP F	2
5	106052	NYLON NUT	2

11.1 - Kohler Engine and Filters

SN 0001PRO215 and UP
SN 0001PRO2V15 and UP



103560_C

Night-Lite ProII™

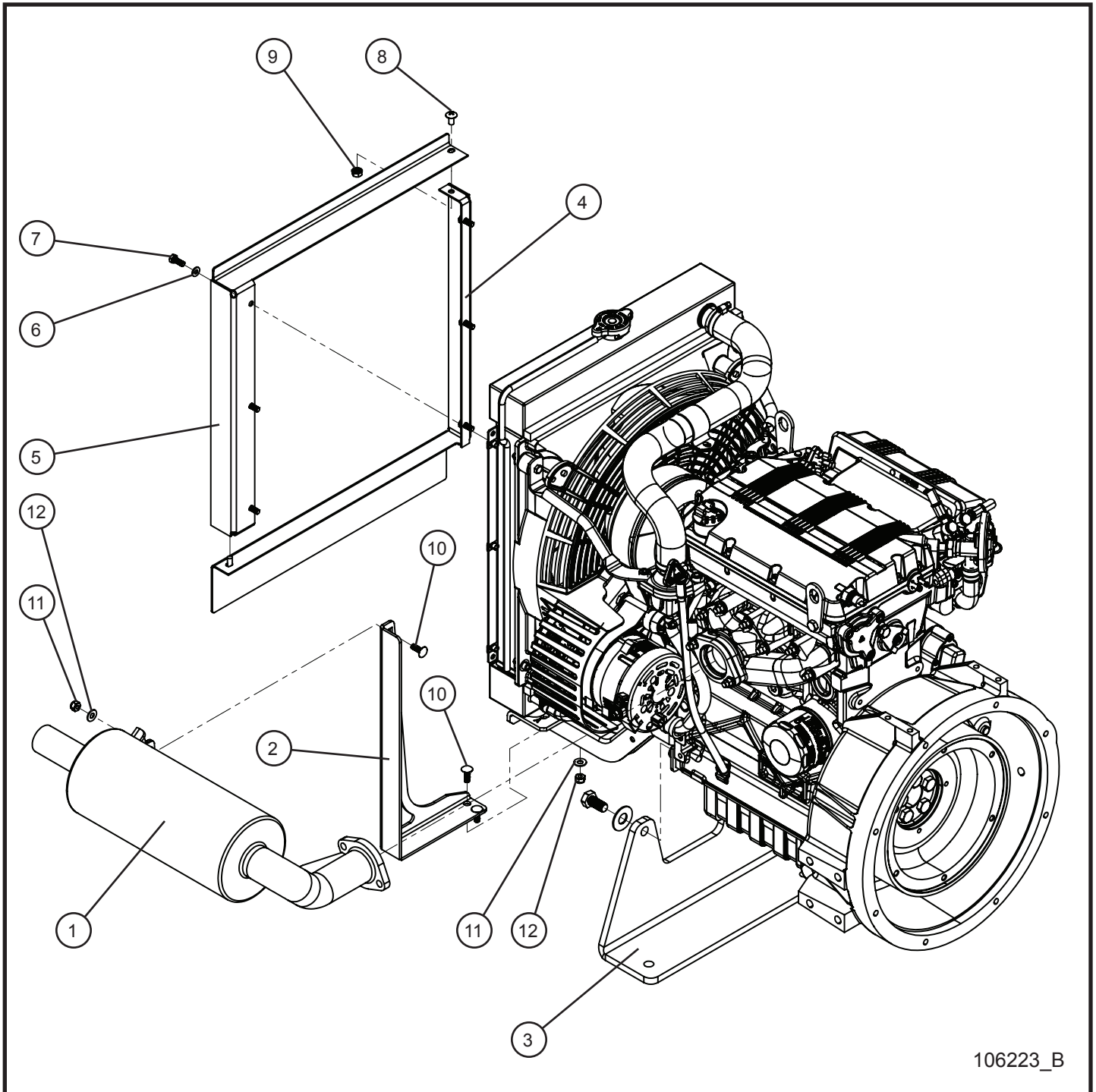
11.1 - Kohler Engine and Filters

SN 0001PRO215 and UP
SN 0001PRO2V15 and UP

Item	Part No.	Part Description	Qty.
1	103560	ENGINE KOHLER KDW1003 T4F	1
2	650011	KOHLER OIL FILTER	1
3	650010	KOHLER FUEL FILTER	1
4	650012	KOHLER AIR FILTER	1

11.2 - Kohler Engine Assembly Group

SN 0001PRO215 and UP
SN 0001PRO2V15 and UP



106223_B

Night-Lite ProII™

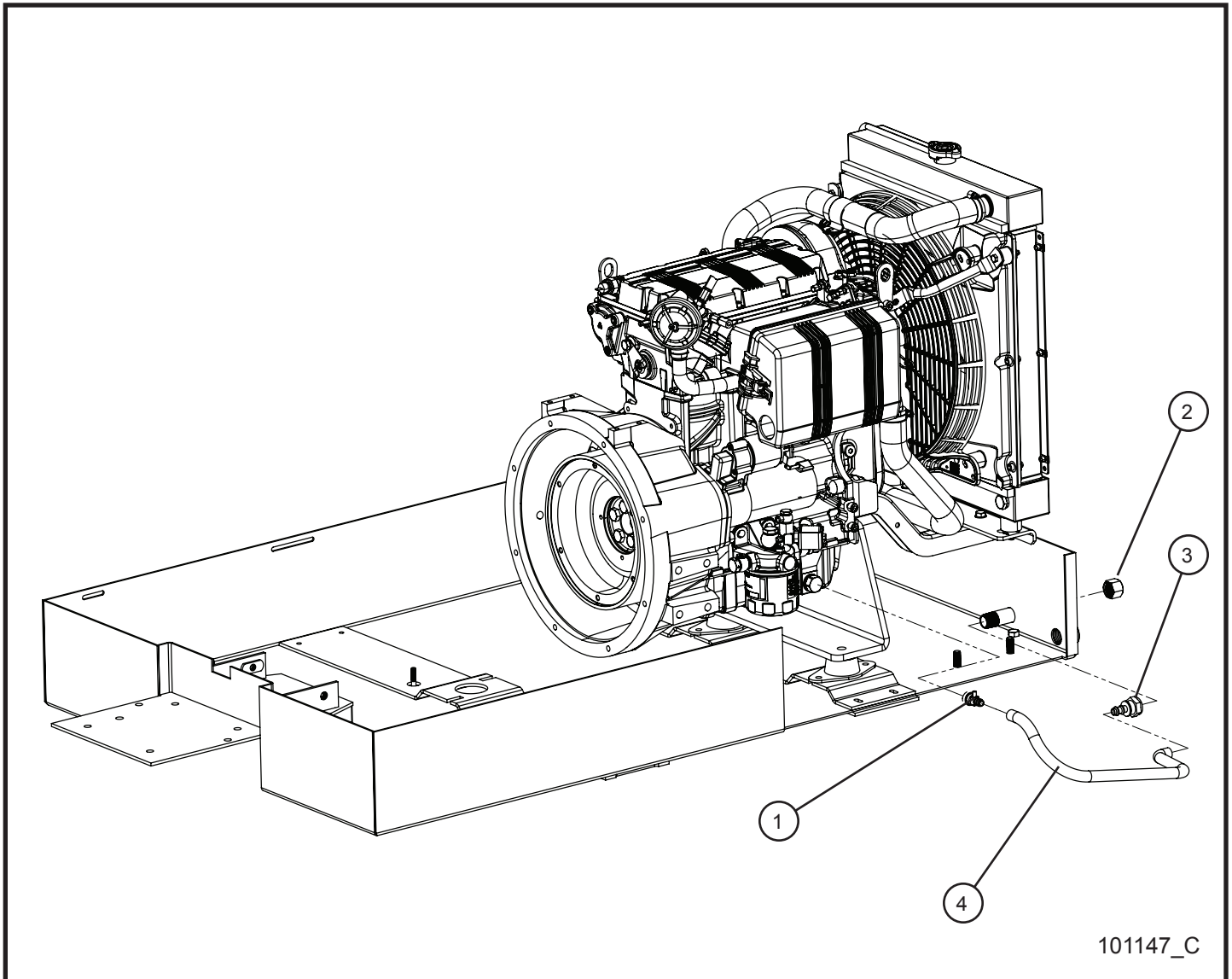
11.2 - Kubota Engine Assembly Group

SN 0001PRO215 and UP
SN 0001PRO2V15 and UP

Item	Part No.	Part Description	Qty.
1	109803	MUFFLER KOHLER KDW1003	1
2	109804P	MUFFLER BRACE KOHLER KDW1003	1
3	109718P	FRONT ENGINE MOUNT KOHLER KDW1003	1
4	103060P	SHROUD BOTTOM/LEFT KOHLER KDW1003	1
5	103061P	SHROUD TOP/RIGHT KOHLER KDW1003	1
6	047070	#10 FLAT WASHER USS PL	6
7	042019	M6 x 1.0mm x 16mm HEX HEAD CS GR8.8 PL	6
8	041078	1/4-20 x 1/2 PH-TRUSS HEAD MS SS	2
9	044021	1/4-20 KEPS HEX NUT PL	2
10	053006	1/4-20 x 3/4 CARRIAGE BOLT	3
11	047009	1/4 FLAT WASHER SAE SS	3
12	044023	1/4-20 NYLOCK HEX NUT PL	3

11.3 - Kohler Remote Oil Drain and Fumoto Valve

SN 0001PRO215 and UP
SN 0001PRO2V15 and UP



Night-Lite ProII™

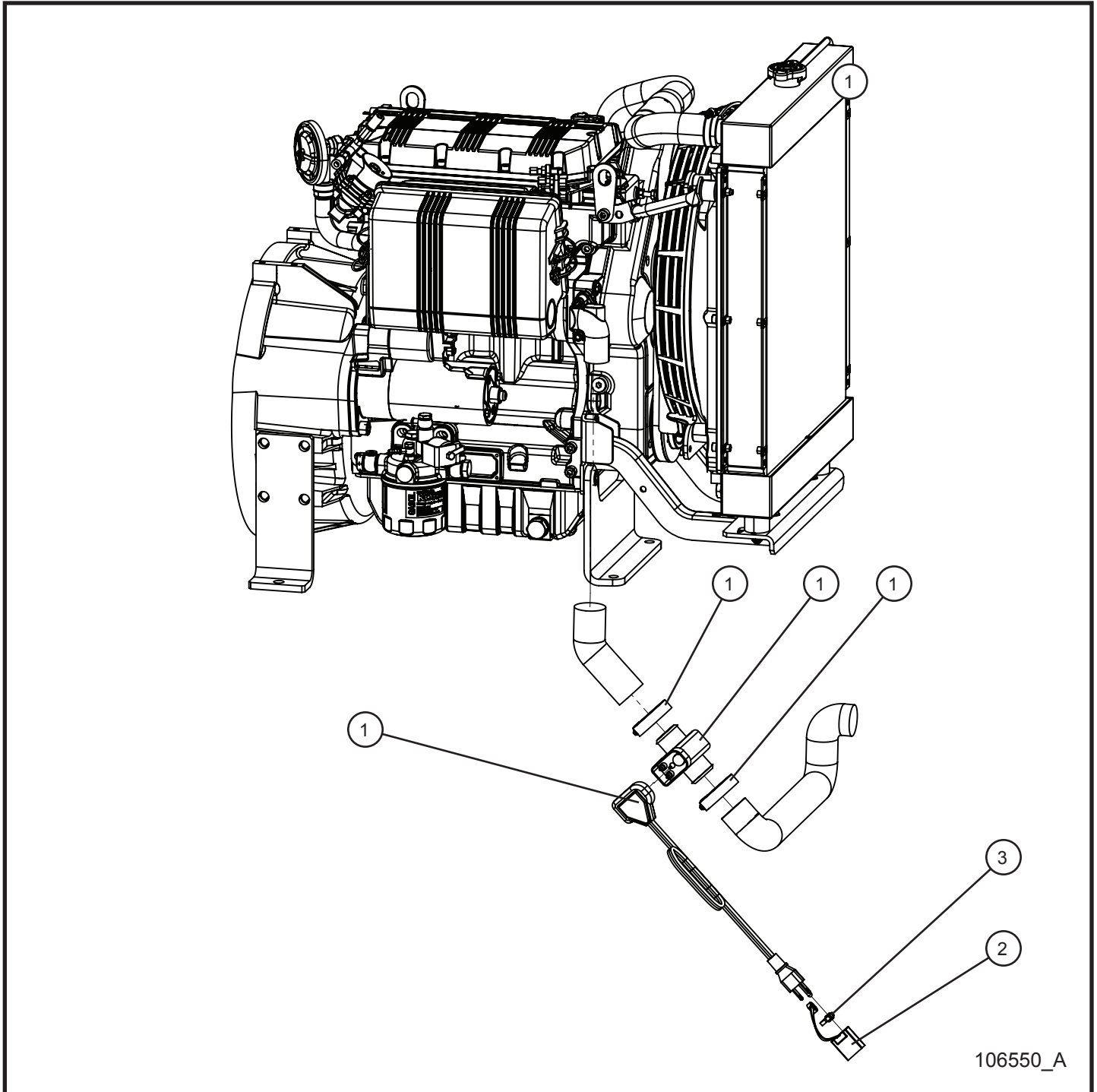
11.3 - Kohler Remote Oil Drain and Fumoto Valve

SN 0001PRO215 and UP
SN 0001PRO2V15 and UP

Item	Part No.	Part Description	Qty.
1	100901	LOMBARDINI FUMOTO VALVE	1
2	105089	1/2 NPT BRASS CAP	1
3	104865	3/8 HOSE x 1/2 NPT BARBED TO FEMALE	1
4	081017	3/8 x 23" YELLOW FUEL HOSE	1

11.4 - Kohler Block Heater

SN 0001PRO215 and UP
SN 0001PRO2V15 and UP



106550_A

Night-Lite ProII™

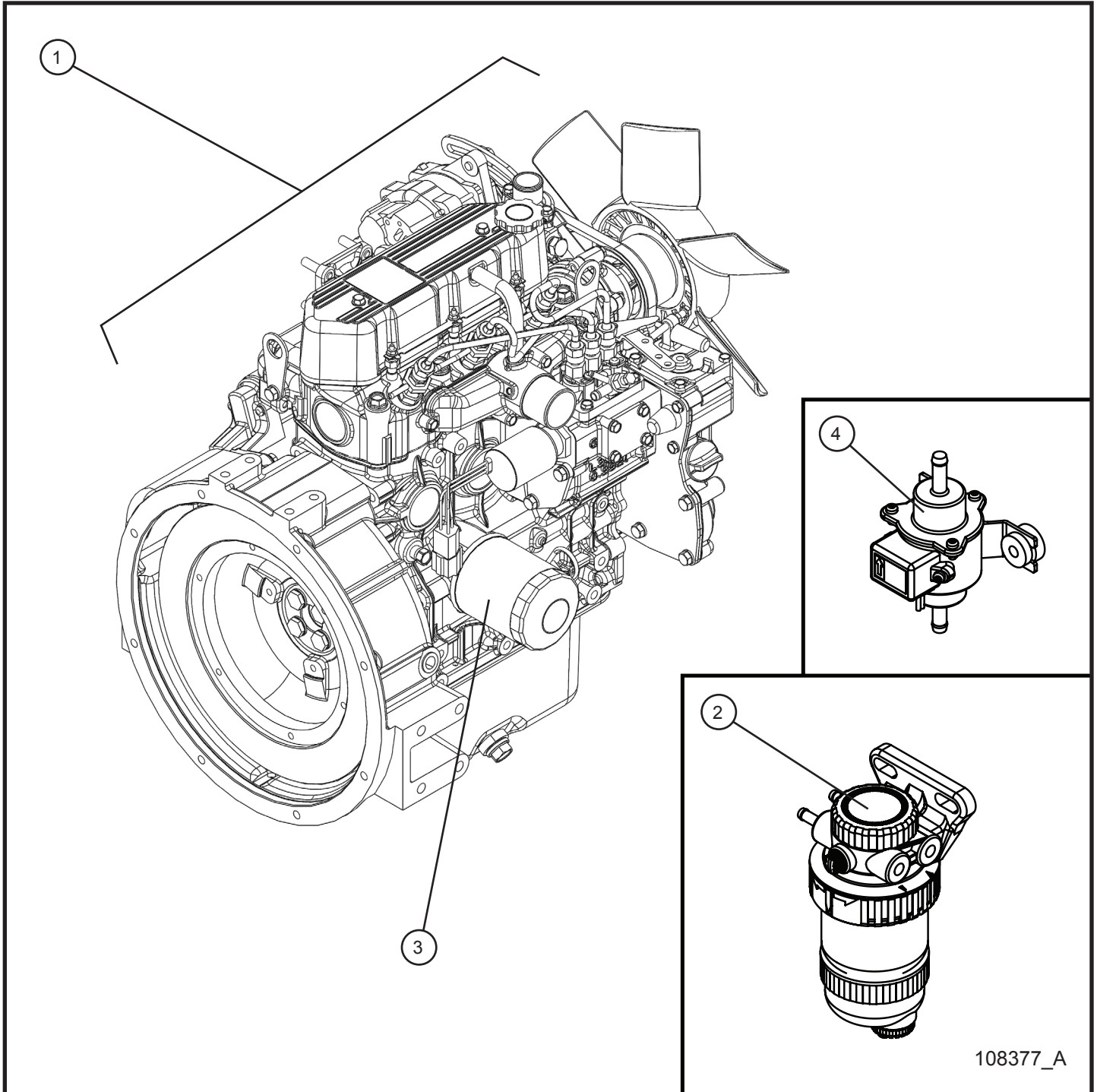
11.4 - Kohler Block Heater

SN 0001PRO215 and UP
SN 0001PRO2V15 and UP

Item	Part No.	Part Description	Qty.
1	352459	BLOCK HEATER KOHLER	1
2	105995	END COVER 120 VOLT CORD	1
3	068090	CABLE TIE 8"	1

12.1 - Mitsubishi Engine and Filters

SN 0001PRO215 and UP
SN 0001PRO2V15 and UP



108377_A

Night-Lite ProII™

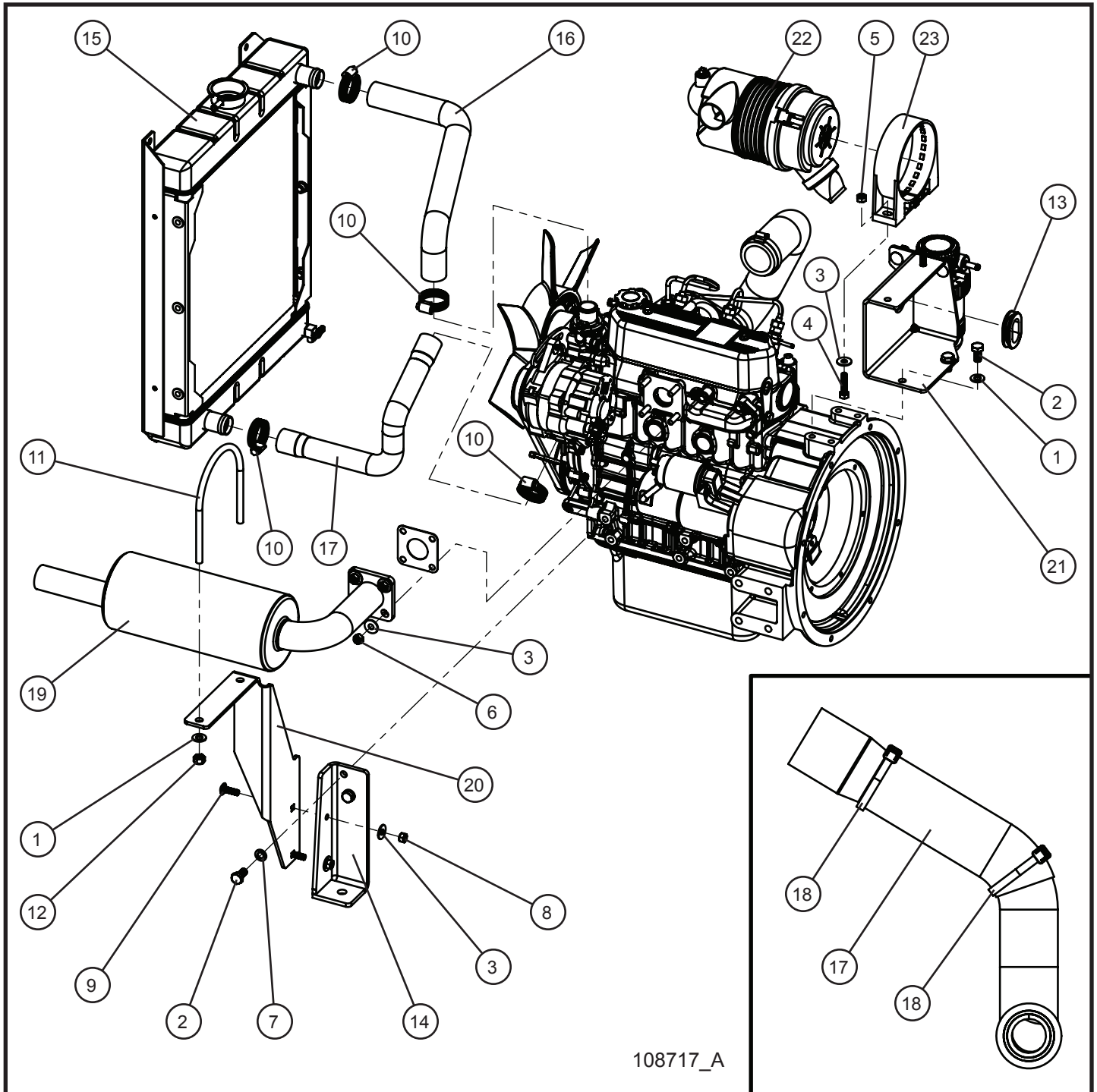
12.1 - Mitsubishi Engine and Filters

SN 0001PRO215 and UP
SN 0001PRO2V15 and UP

Item	Part No.	Part Description	Qty.
1	108377	mitsubishi L3E TIER 4 FINAL ENGINE	1
2	108430	FUEL FILTER	1
3	108429	OIL FILTER	1
4	108897	FUEL PUMP	1
NS	650290	AIR FILTER	1

12.2 - Mitsubishi Engine Assembly Group (1 of 4)

SN 0001PRO215 and UP
SN 0001PRO2V15 and UP



Night-Lite ProII™

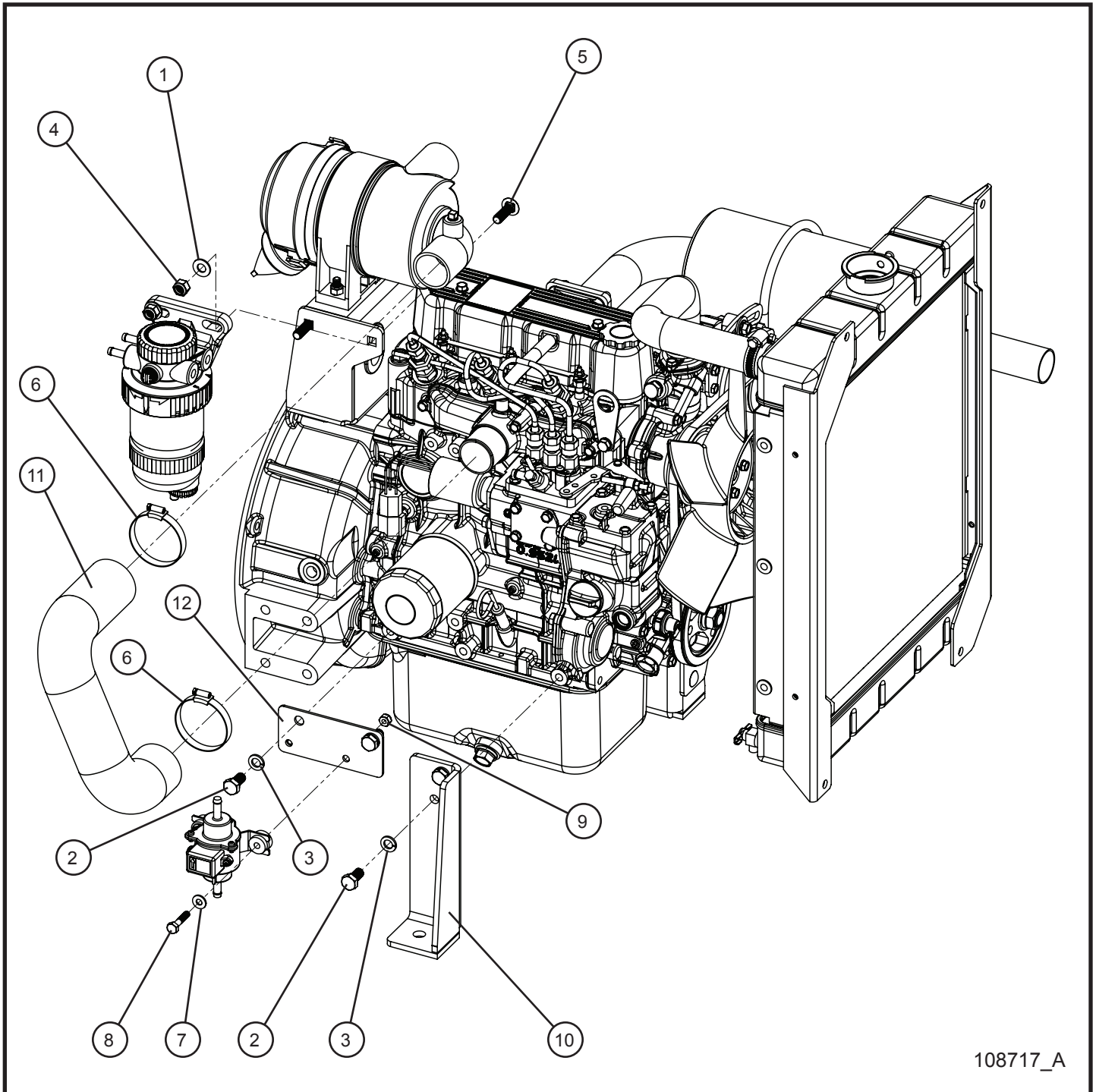
12.2 - Mitsubishi Engine Assembly Group (1 of 4)

SN 0001PRO215 and UP
SN 0001PRO2V15 and UP

Item	Part No.	Part Description	Qty.
1	047016	3/8 FLAT WASHER SAE ZINC	4
2	042038	M10 x 20mm x 1.25mm HEX HEAD CS GR8.8 PL	4
3	047010	5/16 FLAT WASHER PL	10
4	102127	8mm x 35mm x 1.25 HEX GR 8.8 PLATED	2
5	042081	M8 x 1.25mm NYLOCK HEX NUT PL	2
6	042079	M8 x 1.25 GR8 TOP LOCK NUT	4
7	042151	M10 SPLIT LOCK WASHER PL	2
8	044033	5/16-18 NYLOCK HEX NUT PL	2
9	053020	5/16-18 x 1 CARRIAGE BOLT PL	2
10	045035	#20 HOSE CLAMP	4
11	105744	4.75" MUFFLER U-BOLT	1
12	044080	3/8-16 TOP LOCK HEX NUT PL	2
13	650542	1 1/4 ID x 1 1/2 OD GROMMET	1
14	108239P	ENGINE BRACKET RIGHT WELDMENT	1
15	105393	RADIATOR KUBOTA	1
16	105395	RADIATOR HOSE UPPER MITSUBISHI L3E	1
17	105394	RADIATOR HOSE LOWER MITSUBISHI L3E	1
18	068090	CABLE TIE 8"	2
19	108245	MUFFLER MITSUBISHI	1
20	108246P	MUFFLER BRACKET	1
21	108720P	AIR CLEANER BRACKET WELDMENT	1
22	650262	AIR CLEANER RADIAL SEAL	1
23	650263	MOUNTING BAND AIR CLEANER	1
24	108311	SCHEMATIC ENGINE HARNESS	1
25	108310	ENGINE HARNESS MITSUBISHI L3E	1
26	108369	CHARGE CIRCUIT FUSE 40AMP	1

12.2 - Mitsubishi Engine Assembly Group (2 of 4)

SN 0001PRO215 and UP
SN 0001PRO2V15 and UP



108717_A

Night-Lite ProII™

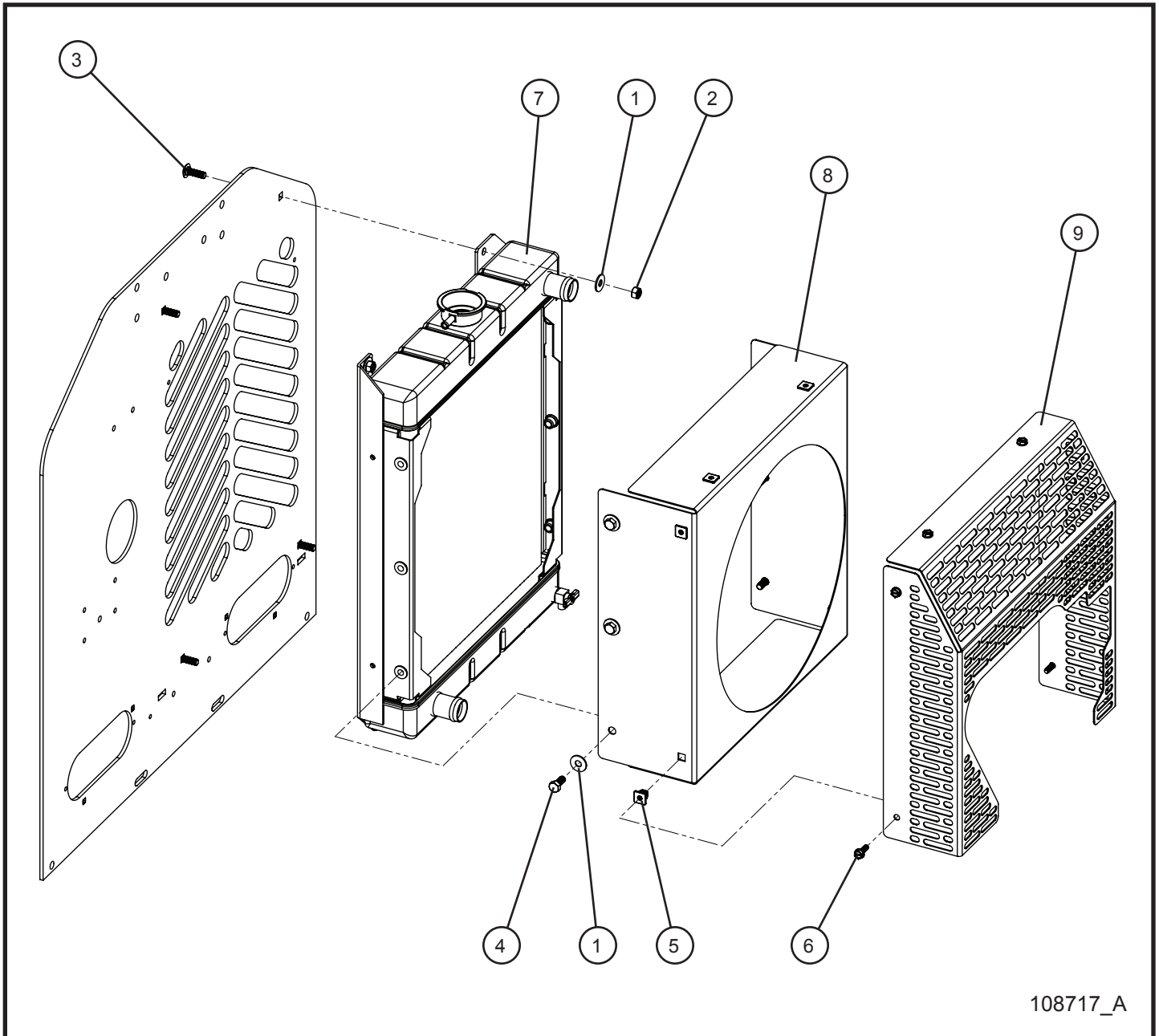
12.2 - Mitsubishi Engine Assembly Group (2 of 4)

SN 0001PRO215 and UP
SN 0001PRO2V15 and UP

Item	Part No.	Part Description	Qty.
1	047016	3/8 FLAT WASHER SAE ZINC	2
2	042038	M10 x 20mm x 1.25mm HEX HEAD CS GR8.8 PL	4
3	042151	M10 SPLIT LOCK WASHER PL	4
4	044038	3/8-16 NYLOCK HEX NUT PL	2
5	100670	3/8-16 x 1 1/4 CARRIAGE BOLT	2
6	045038	#32 HOSE CLAMP	2
7	047005	1/4 FLAT WASHER PL	2
8	046020	1/4-20 x 1 1/4 HEX HEAD CS GR5 PL	2
9	044023	1/4-20 NYLOCK HEX NUT PL	2
10	108266P	ENGINE BRACKET LEFT WELDMENT	1
11	101734	AIR INTAKE HOSE SMALL ENGINES	1
12	108284P	FUEL PUMP BRACKET	1

12.2 - Mitsubishi Engine Assembly Group (3 of 4)

SN 0001PRO215 and UP
SN 0001PRO2V15 and UP



108717_A

Night-Lite ProII™

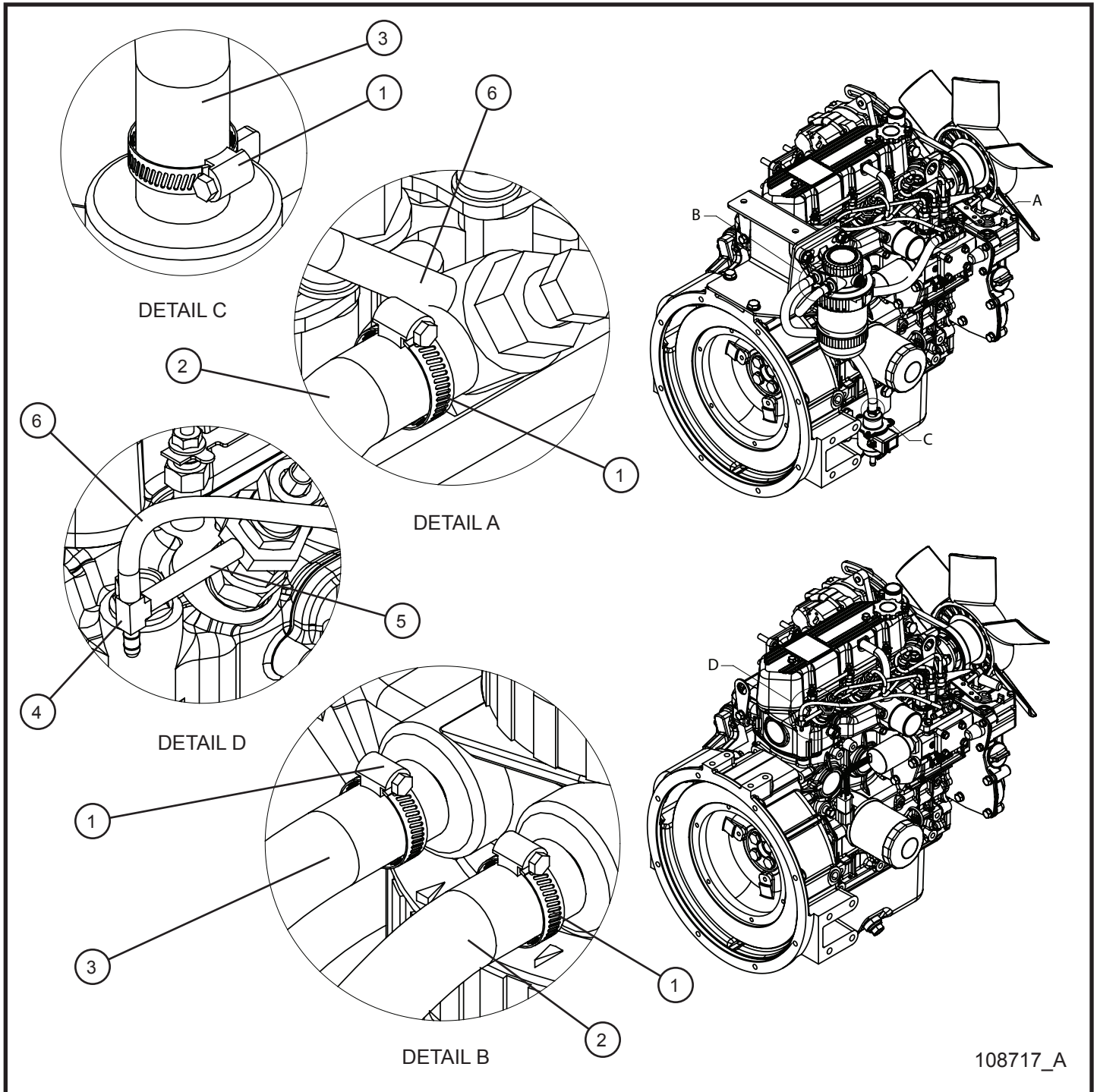
12.2 - Mitsubishi Engine Assembly Group (3 of 4)

SN 0001PRO215 and UP
SN 0001PRO2V15 and UP

Item	Part No.	Part Description	Qty.
1	047010	5/16 FLAT WASHER PL	10
2	044033	5/16-18 NYLOCK HEX NUT PL	4
3	053020	5/16-18 x 1 CARRIAGE BOLT PL	4
4	046045	5/16-18 x 3/4 HEX HEAD CS GR5 PL	6
5	105408	GROMMET NUT DOUBLE SPLIT	6
6	041070	1/4-20 x 3/4 SL-HEX WASHER HEAD MS TP F	6
7	105393	RADIATOR KUBOTA	1
8	108434P	FAN SHROUD MITSUBISHI L3E	1
9	108686P	FINGER GUARD MITSUBISHI L3E	1

12.2 - Mitsubishi Engine Assembly Group (4 of 4)

SN 0001PRO215 and UP
SN 0001PRO2V15 and UP



108717_A

Night-Lite ProII™

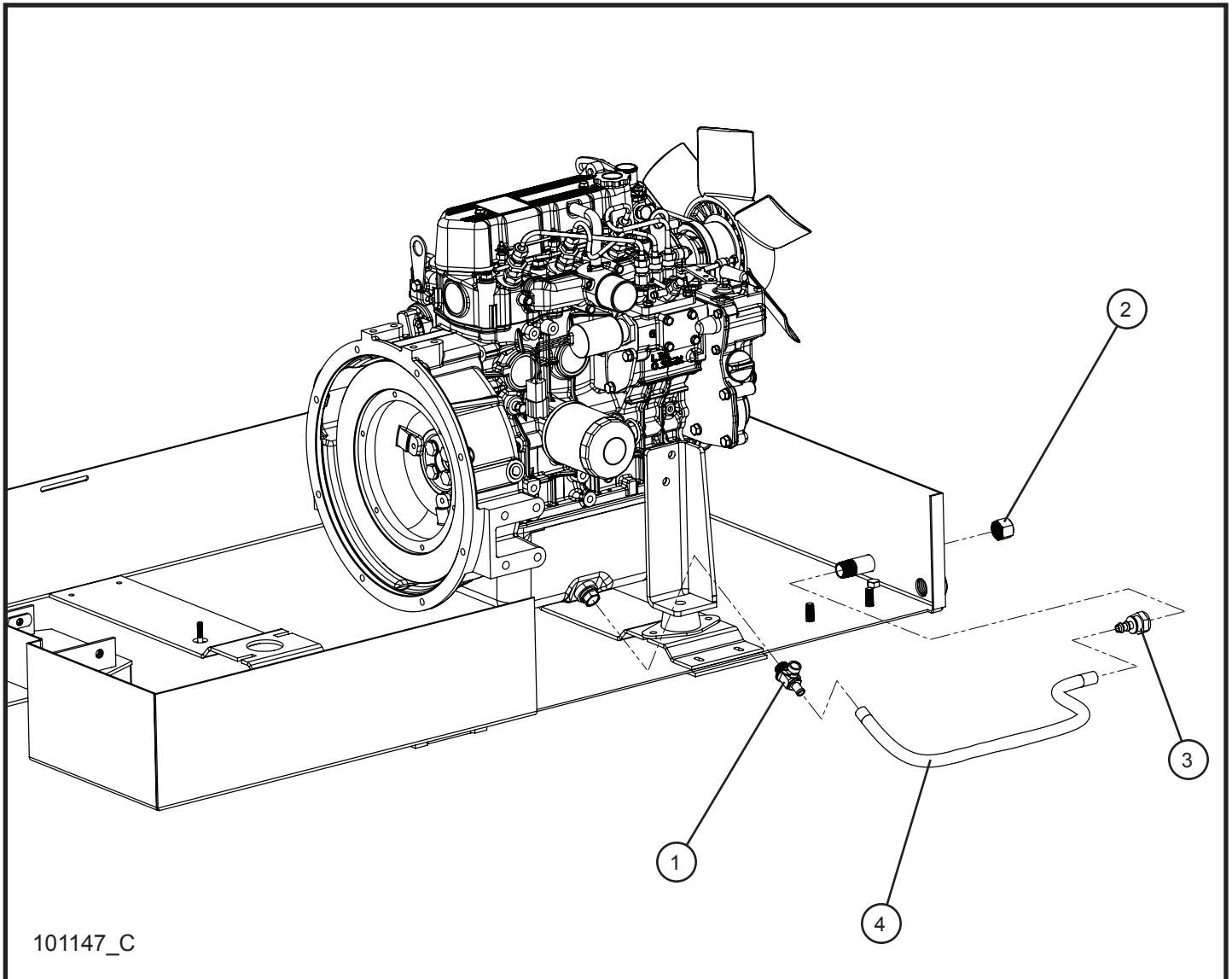
12.2 - Mitsubishi Engine Assembly Group (4 of 4)

SN 0001PRO215 and UP
SN 0001PRO2V15 and UP

Item	Part No.	Part Description	Qty.
1	433400	#4 HOSE CLAMP	4
2	081018	HOSE 5/16 BLACK LINE x 22.0	1
3	081018	HOSE 5/16 BLACK LINE x 18.0	1
4	108713	TEE FITTING FOR .25in. OD TUBE	1
5	081005	HOSE 1/4 ODX .035 WALL 250WP FUEL LINE BK x 1.5	1
6	081005	HOSE 1/4 ODX .035 WALL 250WP FUEL LINE BK x 11.0	1

12.3 - Mitsubishi Remote Oil Drain and Fumoto Valve

SN 0001PRO215 and UP
SN 0001PRO2V15 and UP



Night-Lite ProII™

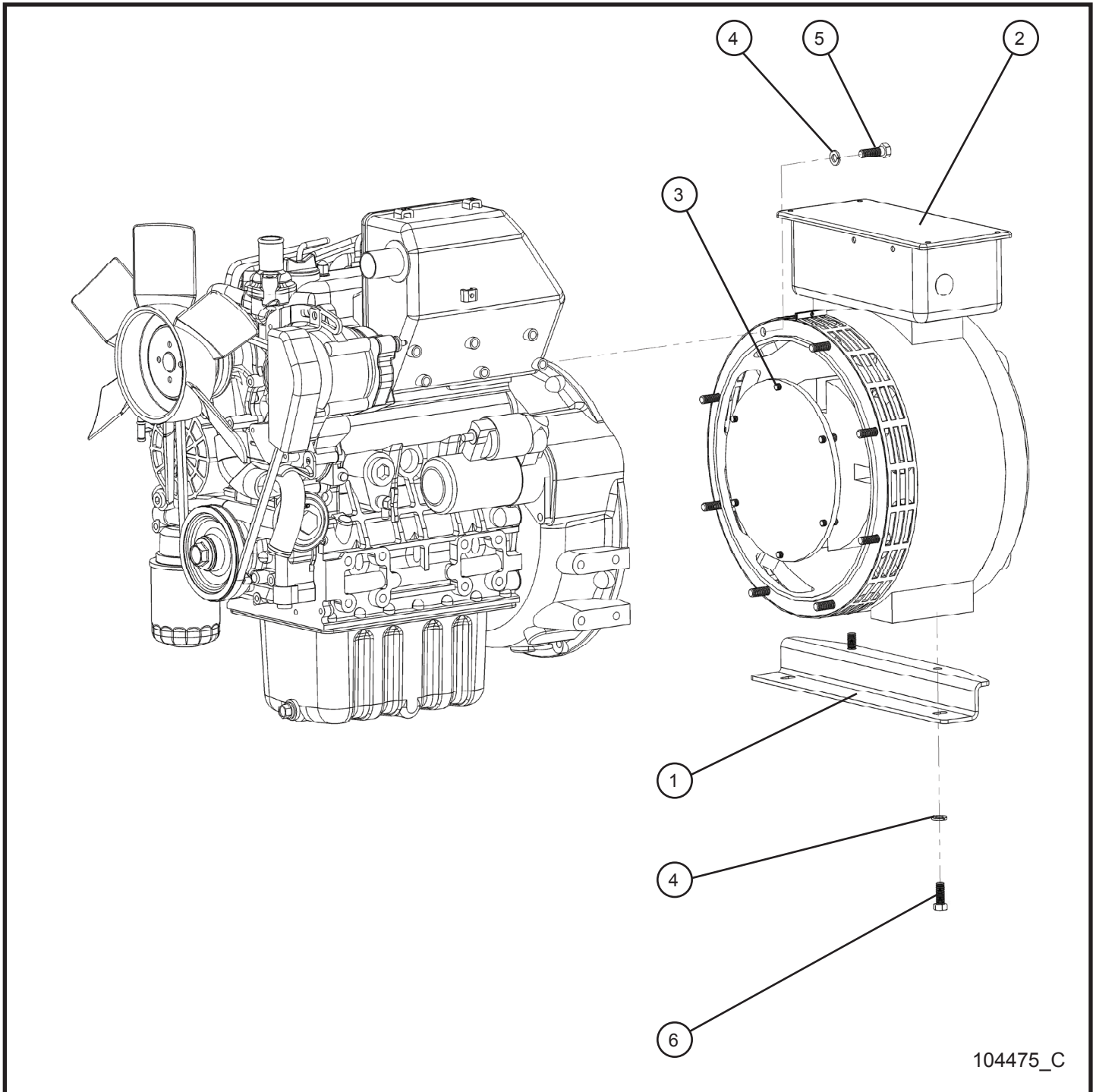
12.3 - Mitsubishi Remote Oil Drain and Fumoto Valve

SN 0001PRO215 and UP
SN 0001PRO2V15 and UP

Item	Part No.	Part Description	Qty.
1	100901	LOMBARDINI FUMOTO VALVE	1
2	105089	1/2 NPT BRASS CAP	1
3	104865	3/8 HOSE x 1/2 NPT BARBED TO FEMALE	1
4	081017	3/8 x 23" YELLOW FUEL HOSE	1

13.1 - Marathon 6kW 50Hz Generator

SN 0001PRO215 and UP
SN 0001PRO2V15 and UP



104475_C

Night-Lite ProII™

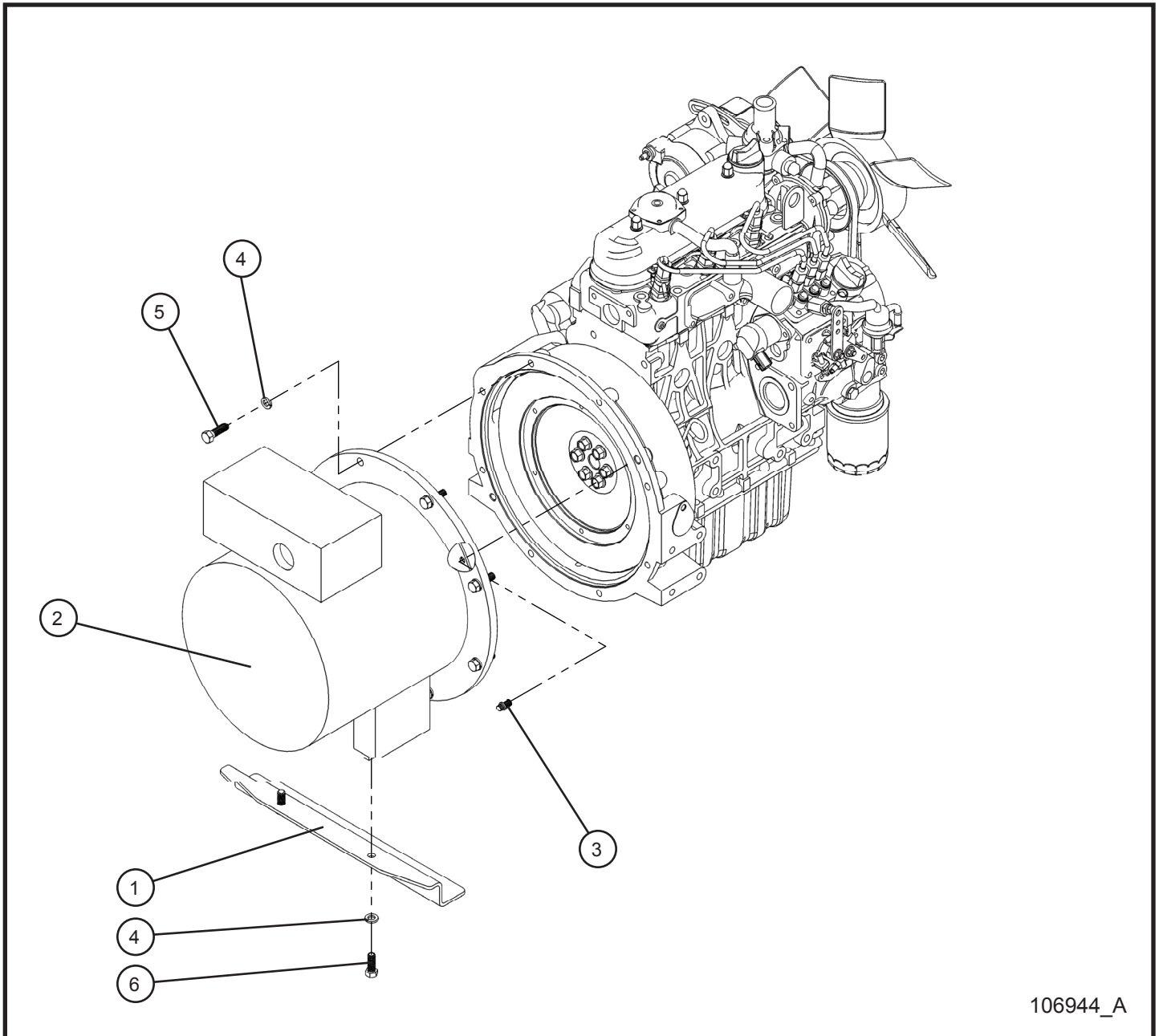
13.1 - Marathon 6kW 50Hz Generator

SN 0001PRO215 and UP
SN 0001PRO2V15 and UP

Item	Part No.	Part Description	Qty.
1	651012P	GENERATOR MOUNT BRACKET	1
2	650286	GENERATOR MARATHON 6kW 50Hz	1
3	046041	5/16-18 x 1/2 PT FLANGE HEAD BOLT	6
4	043065	3/8 SPLITLOCK WASHER PL	10
5	046115	3/8-16 x 1 1/4 HEX HEAD CS GR5 PL	8
6	046110	3/8-16 x 1 HEX HEAD CS GR5 PL	2

13.2 - Marathon 201 Series 6kW 50Hz Generator

SN 0001PRO215 and UP
SN 0001PRO2V15 and UP



106944_A

Night-Lite ProII™

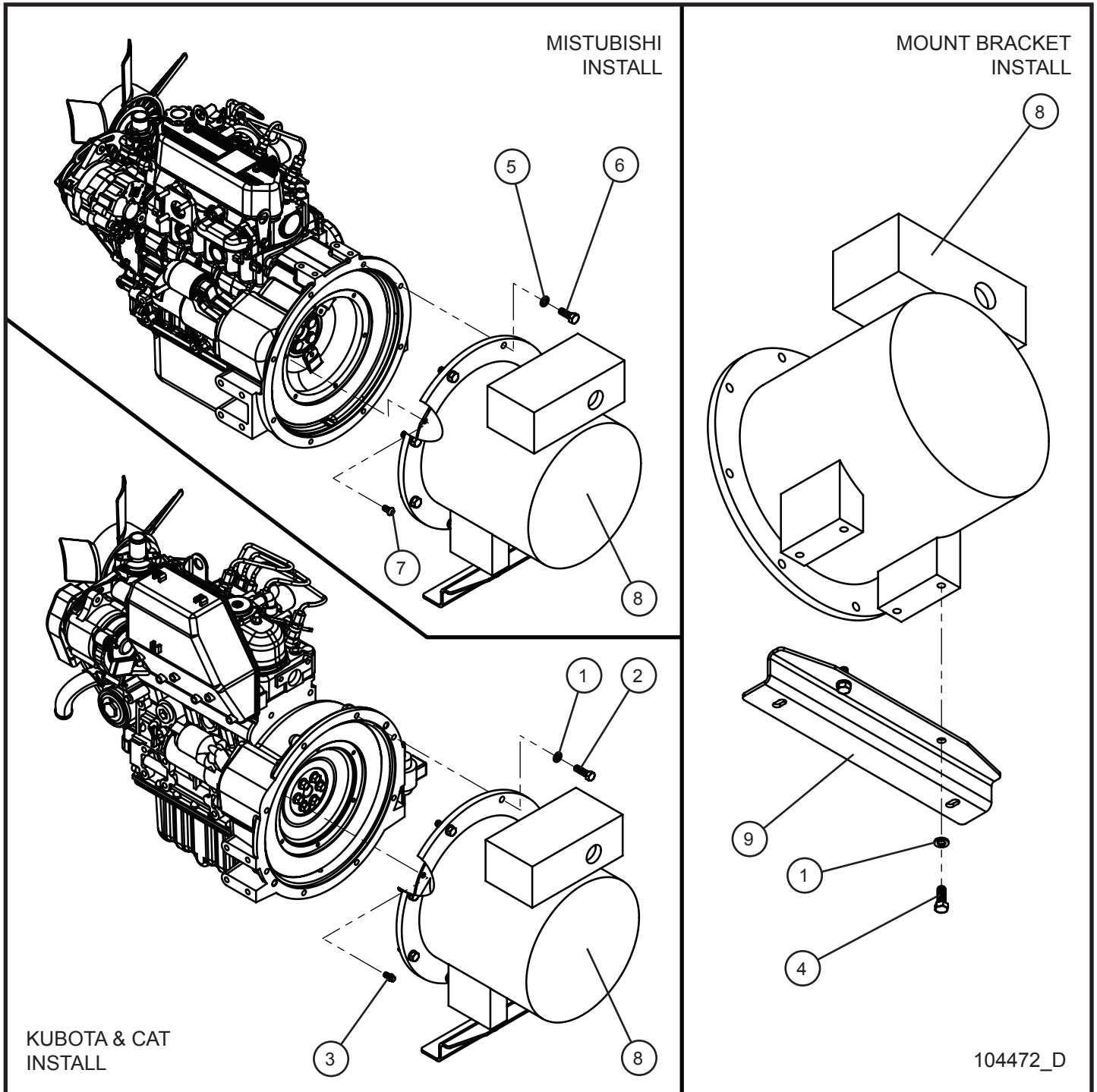
13.2 - Marathon 201 Series 6kW 50Hz Generator

SN 0001PRO215 and UP
SN 0001PRO2V15 and UP

Item	Part No.	Part Description	Qty.
1	651012P	GENERATOR MOUNT BRACKET	1
2	106920	GENERATOR MARATHON 6kW 50Hz	1
3	046041	5/16-18 x 1/2 PT FLANGE HEAD BOLT	6
4	043065	3/8 SPLITLOCK WASHER PL	10
5	046115	3/8-16 x 1 1/4 HEX HEAD CS GR5 PL	8
6	046110	3/8-16 x 1 HEX HEAD CS GR5 PL	2

13.3 - Marathon 8kW 60Hz Generator

SN 0001PRO215 and UP
SN 0001PRO2V15 and UP



Night-Lite ProII™

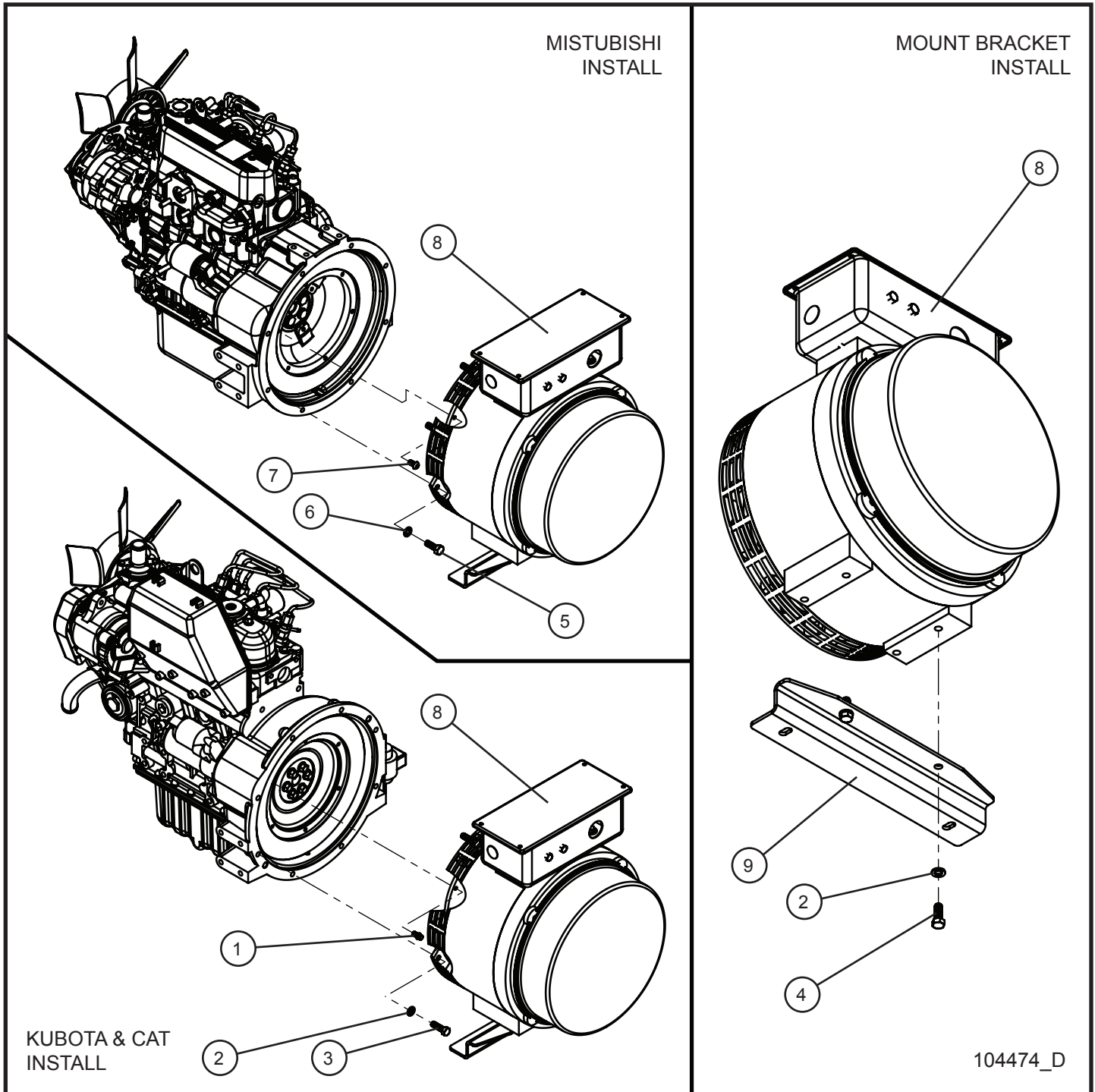
13.3 - Marathon 8kW 60Hz Generator

SN 0001PRO215 and UP
SN 0001PRO2V15 and UP

Item	Part No.	Part Description	Qty.
1	043065	3/8 SPLITLOCK WASHER PL	10
2	046115	3/8-16 x 1 1/4 HEX HEAD CS GR5 PL	8
3	046041	5/16-18 x 1/2 PT FLANGE HEAD BOLT	6
4	046110	3/8-16 x 1 HEX HEAD CS GR5 PL	2
5	042151	M10 SPLITLOCK WASHER PL	8
6	042041	10mm x 1.25mm x 30mm HEX HEAD	8
7	042028	M8 x 1.25mm x 16mm SOCKET BUTTON HEAD CS	8
8	101075	GENERATOR MARATHON 8kW 60Hz	1
9	651012P	GENERATOR MOUNT BRACKET	1
NS	108714	LOCTITE #242 BLUE	1
NS	108715	LOCTITE #271 RED	1
NS	105100	CAPACITOR 25uf 600V	1

13.4 - Marathon 8kW 60Hz AVR Generator

SN 0001PRO215 and UP
SN 0001PRO2V15 and UP



104474_D

Night-Lite ProII™

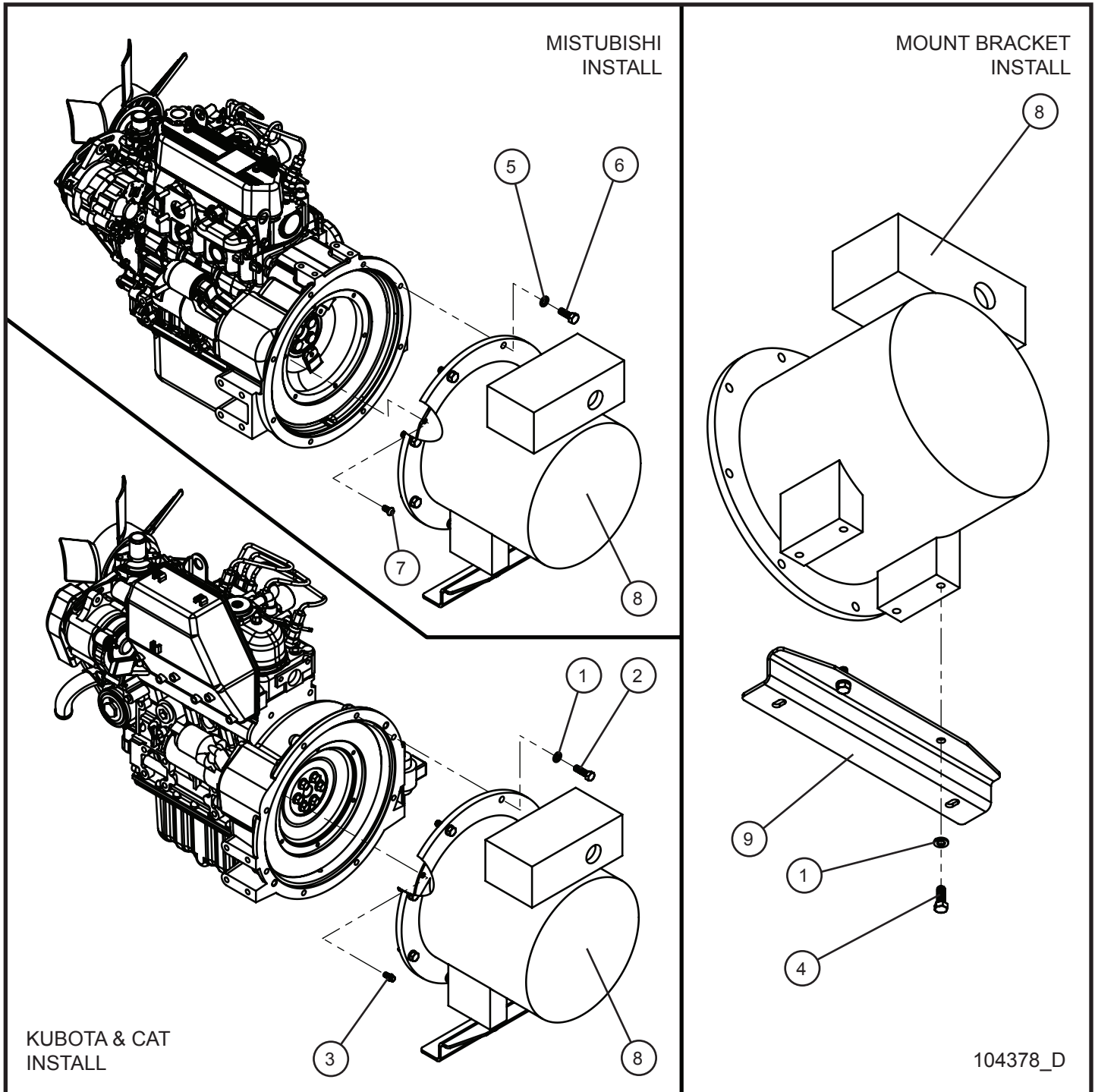
13.4 - Marathon 8kW 60Hz AVR Generator

SN 0001PRO215 and UP
SN 0001PRO2V15 and UP

Item	Part No.	Part Description	Qty.
1	046041	5/16-18 x 1/2 PT FLANGE HEAD BOLT	6
2	043065	3/8 SPLITLOCK WASHER PL	10
3	046115	3/8-16 x 1 1/4 HEX HEAD CS GR5 PL	8
4	046110	3/8-16 x 1 HEX HEAD CS GR5 PL	2
5	042041	10mm x 1.25mm x 30mm HEX HEAD	8
6	042151	M10 SPLITLOCK WASHER PL	8
7	042028	M8 x 1.25mm x 16mm SOCKET BUTTON HEAD CS	8
8	654000	GENERATOR MARATHON 8kW 60Hz	1
9	651012P	GENERATOR MOUNT BRACKET	1
NS	108714	LOCTITE #242 BLUE	1
NS	108715	LOCTITE #271 RED	1

13.5 - Athlon 8kW 60Hz Generator

SN 0001PRO215 and UP
SN 0001PRO2V15 and UP



Night-Lite ProII™

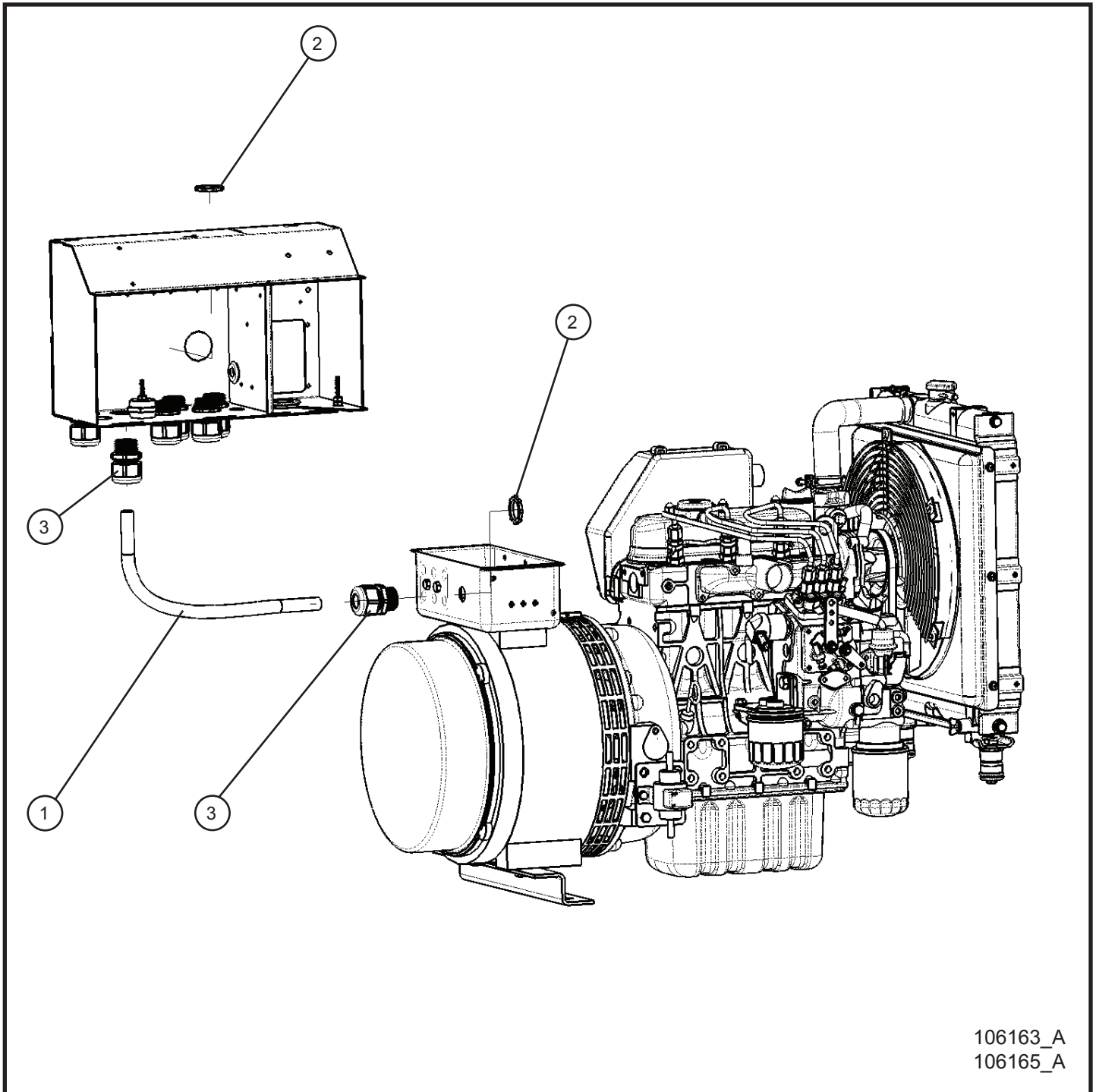
13.5 - Athlon 8kW 60Hz Generator

SN 0001PRO215 and UP
SN 0001PRO2V15 and UP

Item	Part No.	Part Description	Qty.
1	043065	3/8 SPLITLOCK WASHER PL	10
2	046115	3/8-16 x 1 1/4 HEX HEAD CS GR5 PL	8
3	046041	5/16-18 x 1/2 PT FLANGE HEAD BOLT	6
4	046110	3/8-16 x 1 HEX HEAD CS GR5 PL	2
5	042151	M10 SPLITLOCK WASHER PL	8
6	042041	10mm x 1.25mm x 30mm HEX HEAD	8
7	042028	M8 x 1.25mm x 16mm SOCKET BUTTON HEAD CS	8
8	102692	GENERATOR ATHLON 8kW 60Hz	1
9	651012P	GENERATOR MOUNT BRACKET	1
NS	108714	LOCTITE #242 BLUE	1
NS	108715	LOCTITE #271 RED	1
NS	640158	CAPACITOR 25uf 550V	1

13.6 - 10/4 Generator Cord

SN 0001PRO215 and UP
SN 0001PRO2V15 and UP



106163_A
106165_A

Night-Lite ProII™

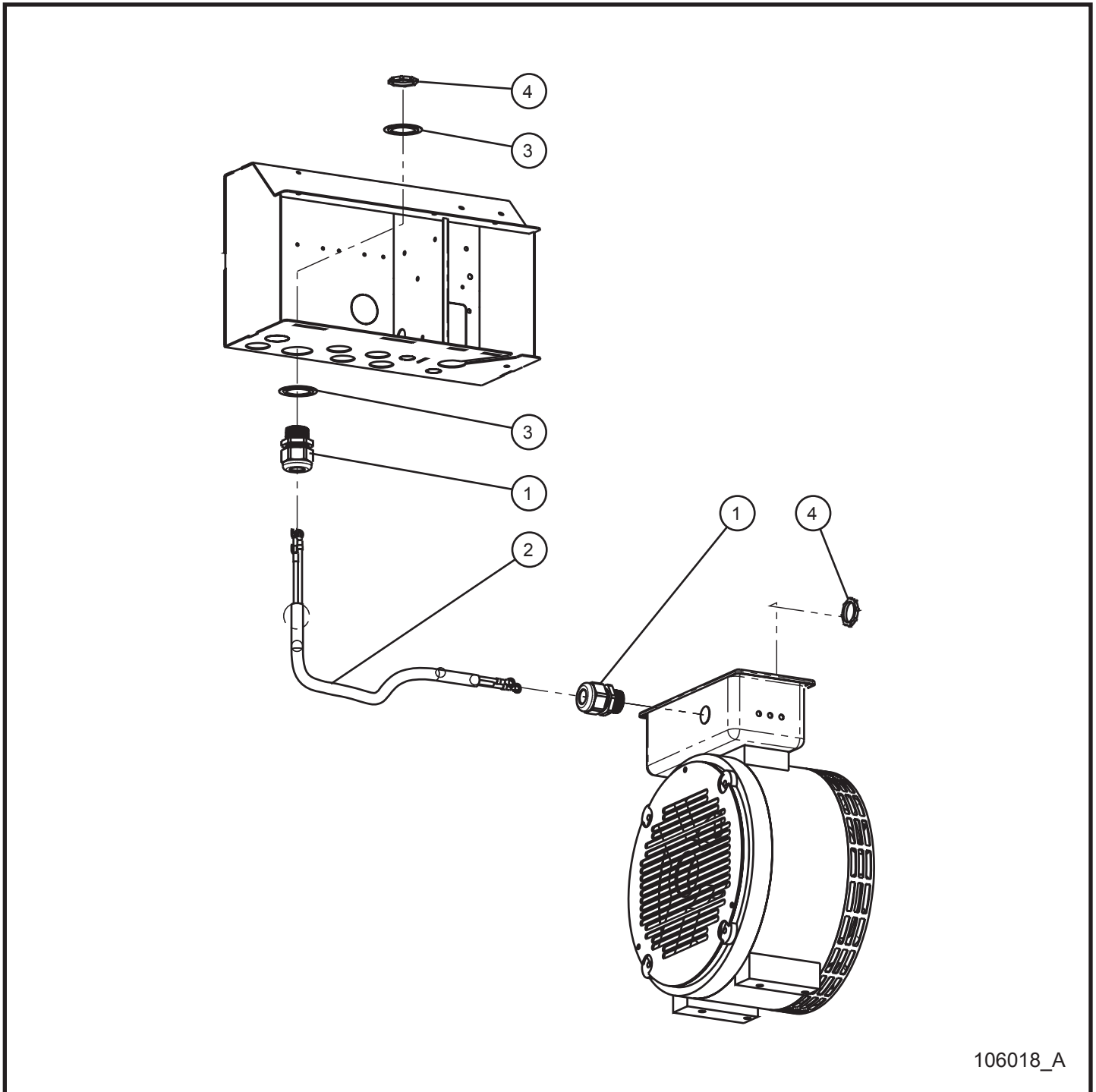
13.6 - 10/4 Generator Cord

SN 0001PRO215 and UP
SN 0001PRO2V15 and UP

Item	Part No.	Part Description	Qty.
1	106162	CORD GENERATOR 10/4 DOMESTIC	1
	106164	CORD GENERATOR 10/4 AVR	1
2	022038	1" CORD GRIP NUT	2
3	105627	1" CORD GRIP NYLON BLACK	2

13.7 - 10/3 International Generator Cord

SN 0001PRO215 and UP
SN 0001PRO2V15 and UP



106018_A

Night-Lite ProII™

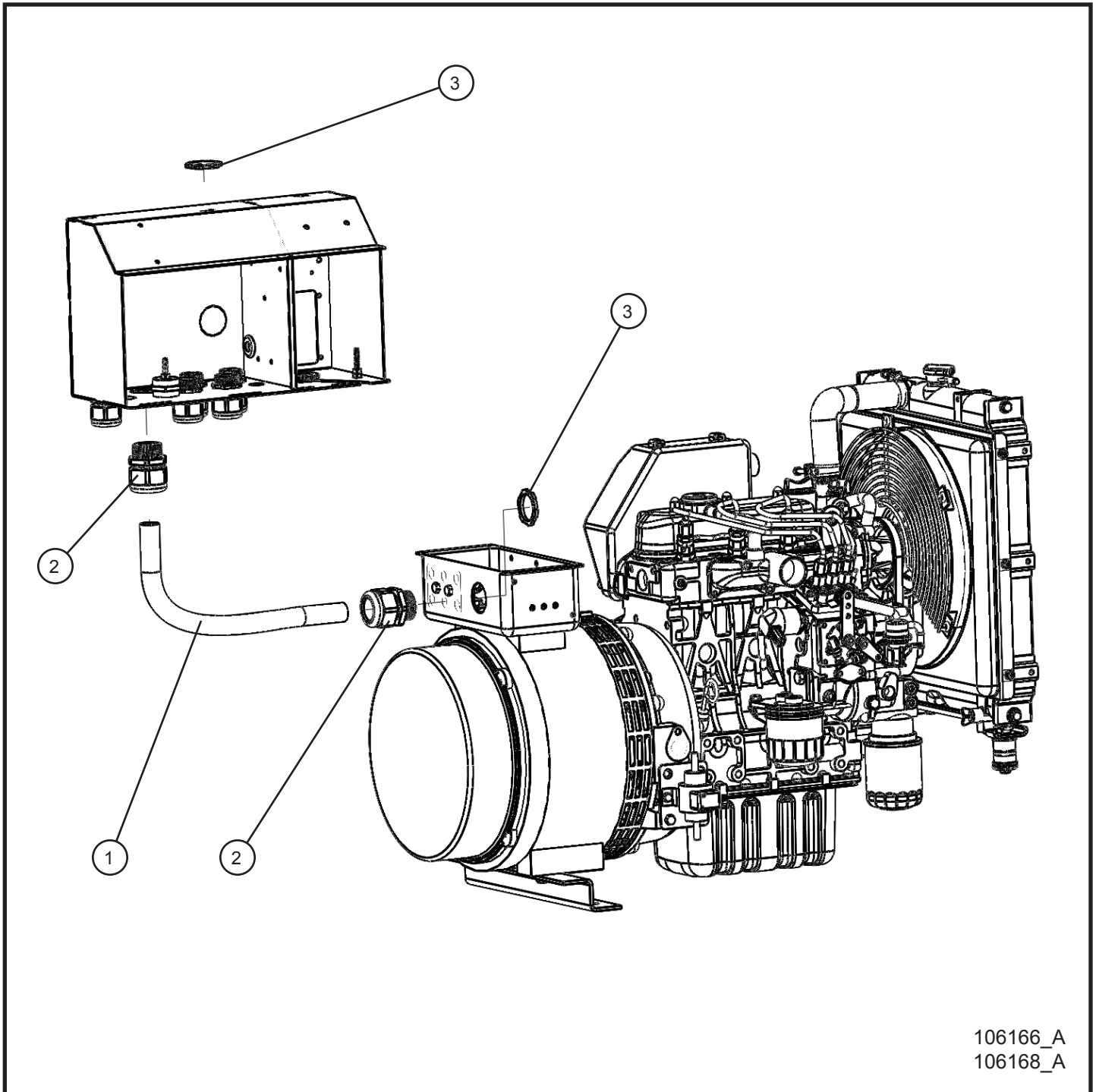
13.7 - 10/3 International Generator Cord

SN 0001PRO215 and UP
SN 0001PRO2V15 and UP

Item	Part No.	Part Description	Qty.
1	105627	CORD GRIP 1" NYLON BLACK	2
2	106017	10/3 GENERATOR CORD INTERNATIONAL 6kW PRO II	1
3	022350	1 1/4 TO 1" REDUCING WASHER	2
4	022038	1" CORD GRIP NUT	2
NS	106337	AC WIRE SCHEMATIC GENERATOR TO LIGHTS INT'L PRO II	1

13.8 - 6/4 CSA Generator Cord

SN 0001PRO215 and UP
SN 0001PRO2V15 and UP



106166_A
106168_A

Night-Lite ProII™

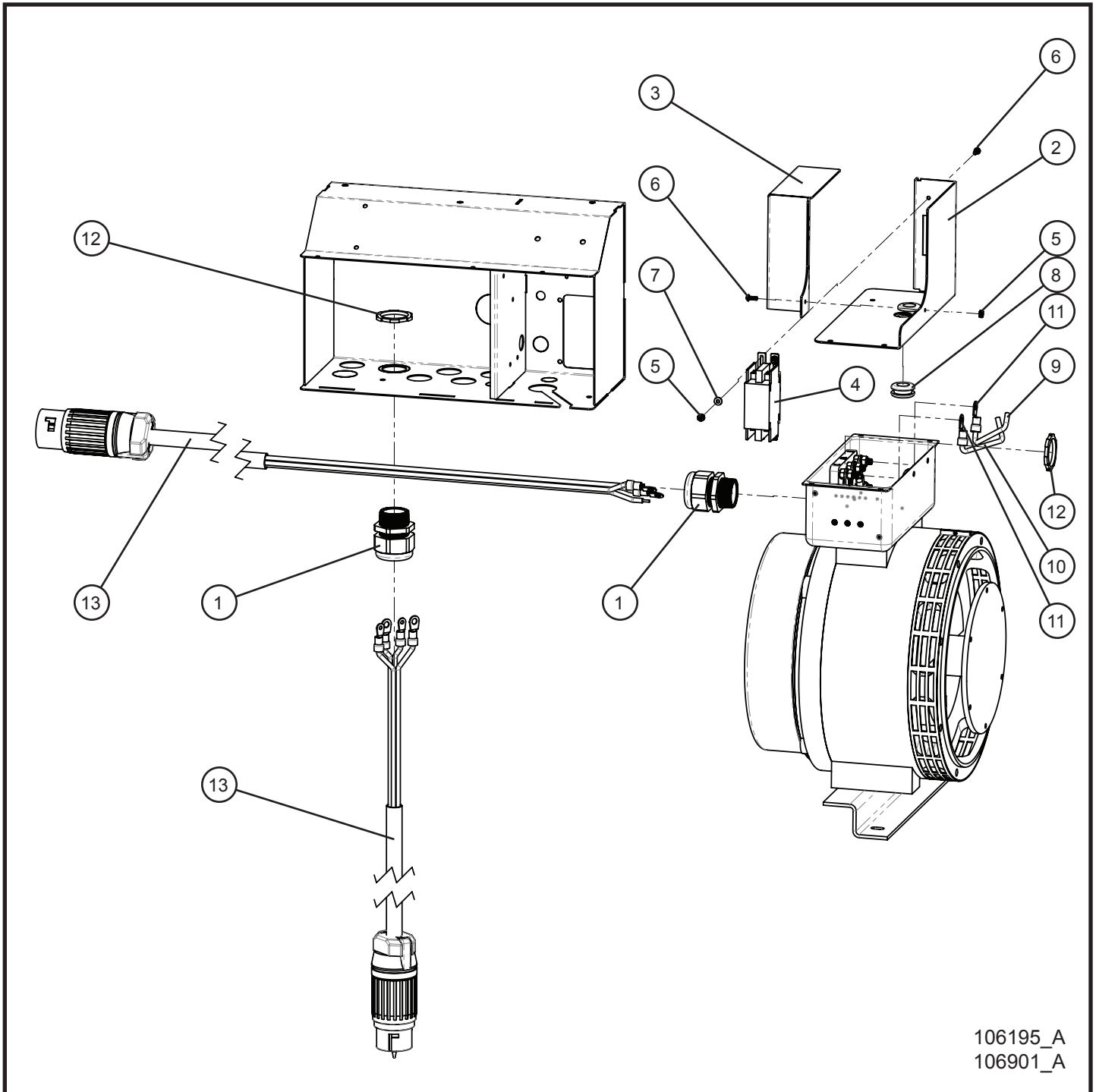
13.8 - 6/4 CSA Generator Cord

SN 0001PRO215 and UP
SN 0001PRO2V15 and UP

Item	Part No.	Part Description	Qty.
1	650295	CORD GENERATOR 6/4 CSA	1
	106167	CORD GENERATOR 6/4 CSA AVR	1
2	105628	1-1/4 NYLON BLACK CORD GRIP	2
3	350363	1-1/4 LOCK NUT	2

13.9 - 50 AMP Disconnect Generator Cord

SN 0001PRO215 and UP
SN 0001PRO2V15 and UP



106195_A
106901_A

Night-Lite ProII™

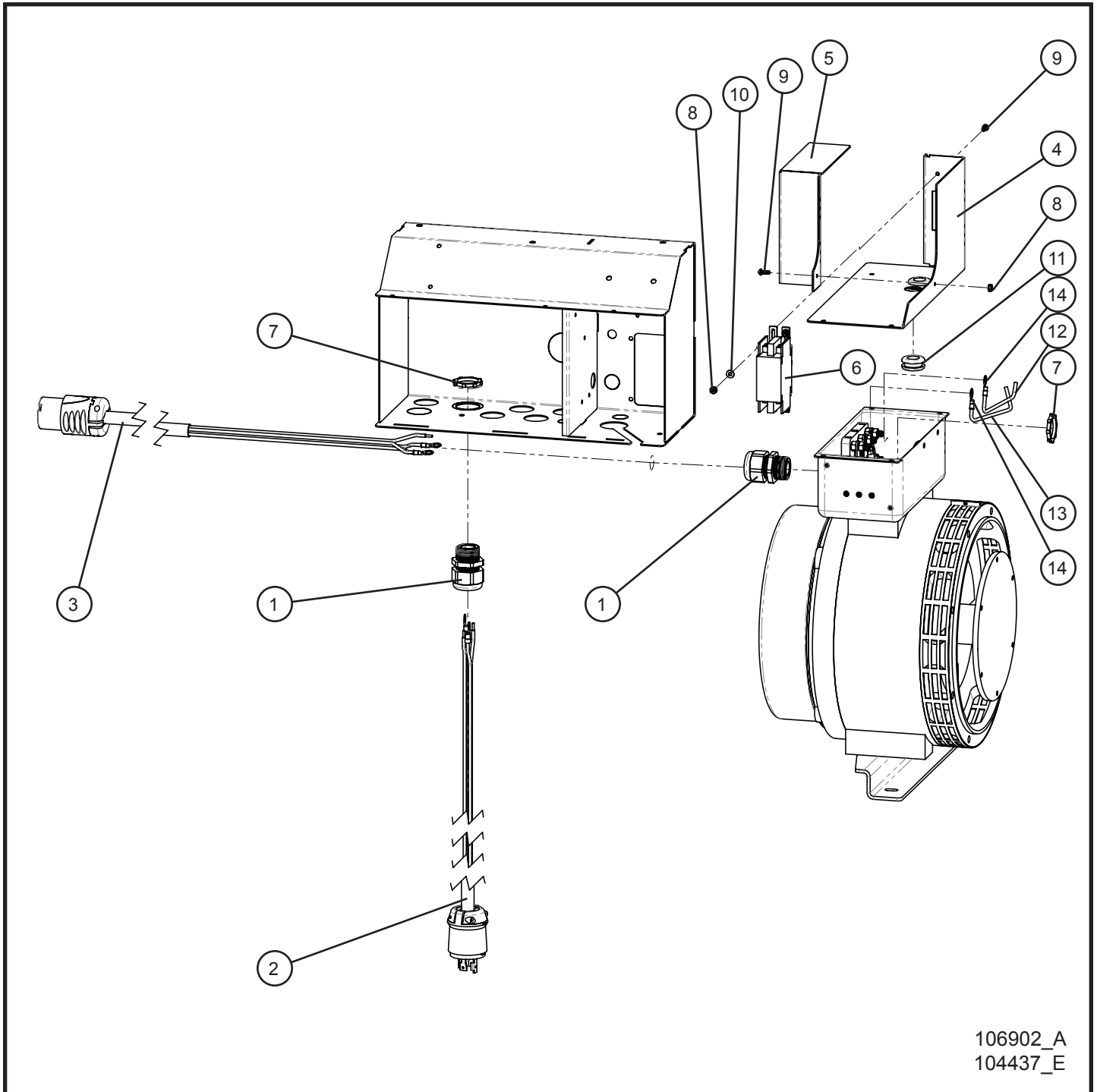
13.9 - 50 AMP Disconnect Generator Cord

SN 0001PRO215 and UP
SN 0001PRO2V15 and UP

Item	Part No.	Part Description	Qty.
1	105628	1-1/4 NYLON BLACK CORD GRIP	2
2	106900P	COVER MARATHON GENERATOR	1
	105491P	COVER MARATHON AVR GENERATOR	1
3	105490P	COVER GENERATOR	1
4	104434	30 AMP QOU230 BREAKER	1
5	044003	#8-32 NC KEPS NUT	7
6	041013	#8-32 x 1/2 PH-ROUND HEAD MS PL	7
7	047004	#8 FLAT WASHER SAE ZC	4
8	330463	11/16 RUBBER GROMMET	2
9	020199	6 AWG BLACK x 12.0	1
10	020195	6 AWG RED x 12.0	1
11	022330	TERM 5/16 EYE 6 AWG	2
12	350363	1-1/4 LOCK NUT	2
13	104178	6/4 GENERATOR CORD 50 AMP DISCONNECT	1

13.10 - 30 AMP Disconnect Generator Cord

SN 0001PRO215 and UP
SN 0001PRO2V15 and UP



106902_A
104437_E

Night-Lite ProII™

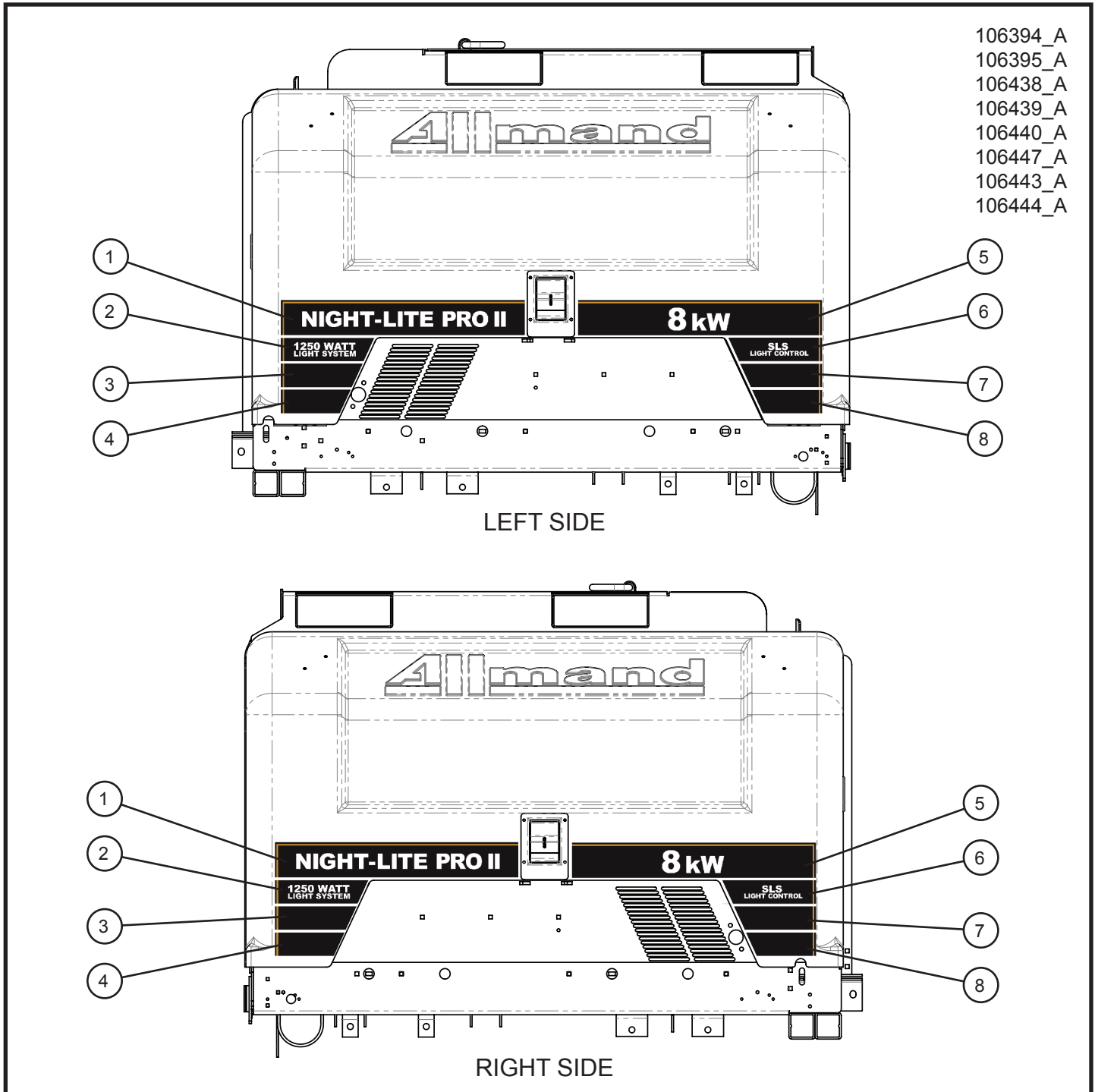
13.10 - 30 AMP Disconnect Generator Cord

SN 0001PRO215 and UP
SN 0001PRO2V15 and UP

Item	Part No.	Part Description	Qty.
1	105627	1" NYLON BLACK CORD GRIP	2
2	105487	GENERATOR CORD W/ DISCONNECT	1
3	105486	GENERATOR CORD W/ DISCONNECT	1
4	106900P	COVER MARATHON GENERATOR	1
	105491P	COVER MARATHON AVR GENERATOR	1
5	105490P	COVER GENERATOR	1
6	104434	30AMP QOU230 BREAKER	1
7	022038	1" CORD GRIP NUT	2
8	044003	#8-32 NC KEPS NUT	7
9	041013	#8-32 x 1/2 PH-ROUND HEAD MS PL	7
10	047004	#8 FLAT WASHER SAE ZC	4
11	330463	11/16 RUBBER GROMMET	2
12	020170	10 AWG x 12.0	1
13	020160	10 AWG x 12.0	1
14	022347	TERM RING 10-12 AWG 5/16	2

14.1 - Door Stripe Decals (1 of 3)

SN 0001PRO215 and UP
SN 0001PRO2V15 and UP



Night-Lite ProII™

14.1 - Door Stripe Decals (1 of 3)

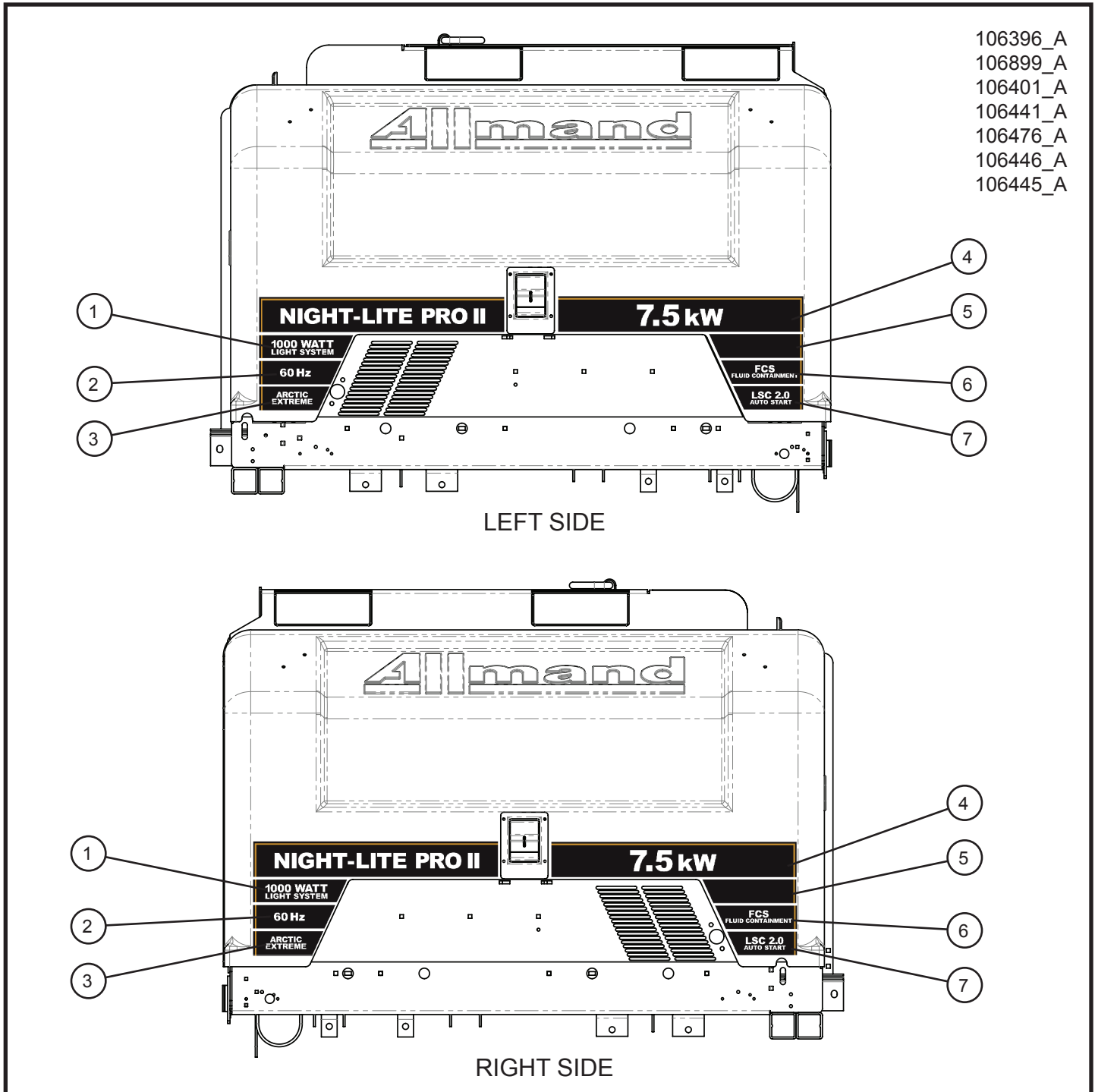
SN 0001PRO215 and UP
SN 0001PRO2V15 and UP

Item	Part No.	Part Description	Qty.
1	106374	NIGHT-LITE DOOR STRIPE DECAL	2
2	106375	1250 WATT DOOR STRIPE DECAL	2
3	106382	BLANK DOOR STRIPE DECAL	2
4	106384	BLANK DOOR STRIPE DECAL	2
5	106385	8 kW DOOR STRIPE DECAL	2
6	106392	SLS DOOR STRIPE DECAL	2
7	106388	BLANK DOOR STRIPE	2
8	106389	BLANK DOOR STRIPE DECAL	2

*NOTE: DOOR STRIPE DECALS ON THESE PAGES ARE SHOWN FOR PLACEMENT ONLY.

14.1 - Door Stripe Decals (2 of 3)

SN 0001PRO215 and UP
SN 0001PRO2V15 and UP



Night-Lite ProII™

14.1 - Door Stripe Decals (2 of 3)

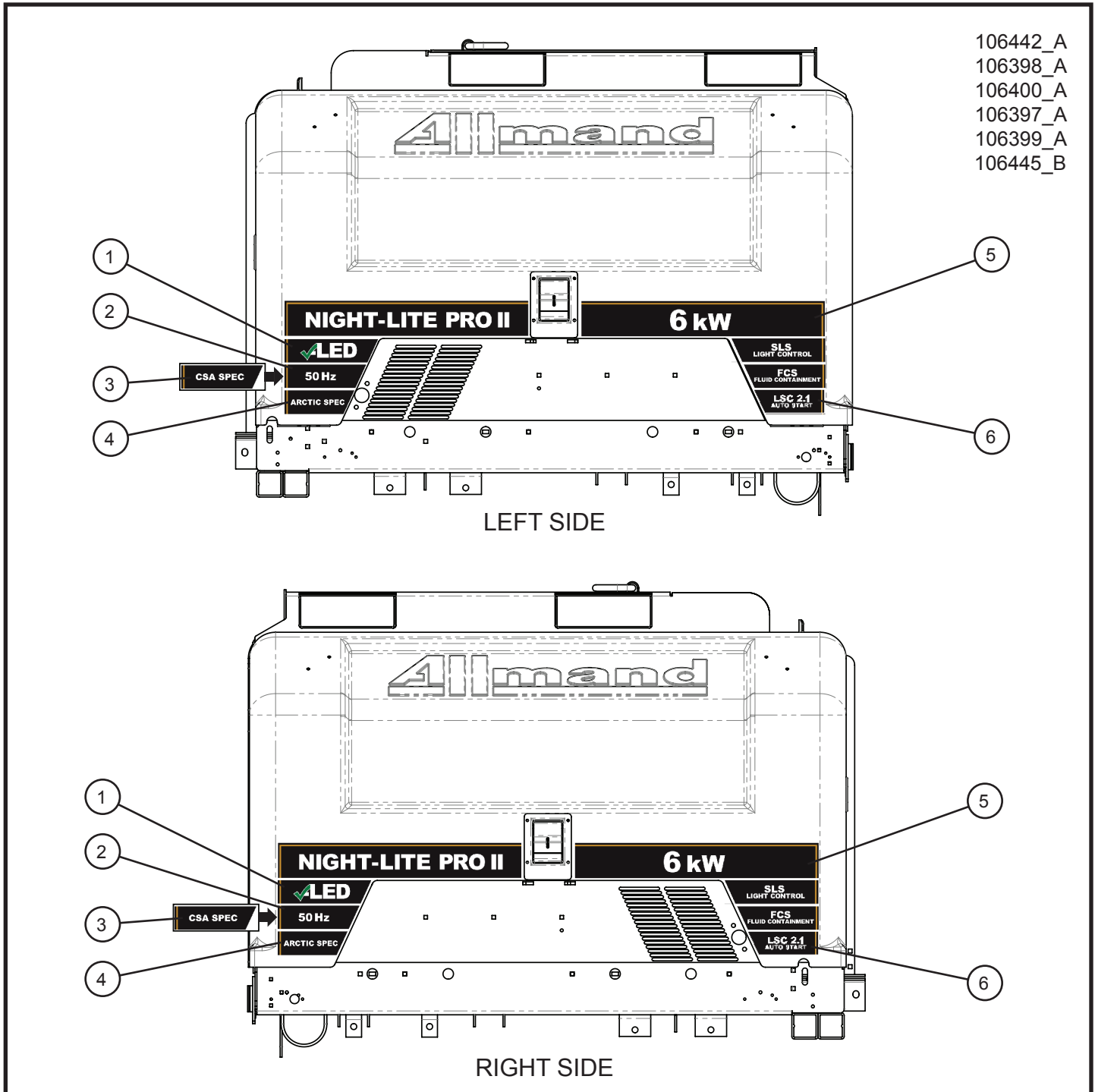
SN 0001PRO215 and UP
SN 0001PRO2V15 and UP

Item	Part No.	Part Description	Qty.
1	106376	1000 WATT DOOR STRIPE DECAL	2
2	106477	60 Hz DOOR STRIPE DECAL	2
3	106381	ARCTIC EXTREME DOOR STRIPE DECAL	2
4	106386	7.5 kW DOOR STRIPE DECAL	2
5	106475	BLANK SLS DOOR STRIPE DECAL	2
6	106391	FCS DOOR STRIPE DECAL	2
7	106390	LSC 2.0 DOOR STRIPE DECAL	2

*NOTE: DOOR STRIPE DECALS ON THESE PAGES ARE SHOWN FOR PLACEMENT ONLY.

14.1 - Door Stripe Decals (3 of 3)

SN 0001PRO215 and UP
SN 0001PRO2V15 and UP



Night-Lite ProII™

14.1 - Door Stripe Decals (3 of 3)

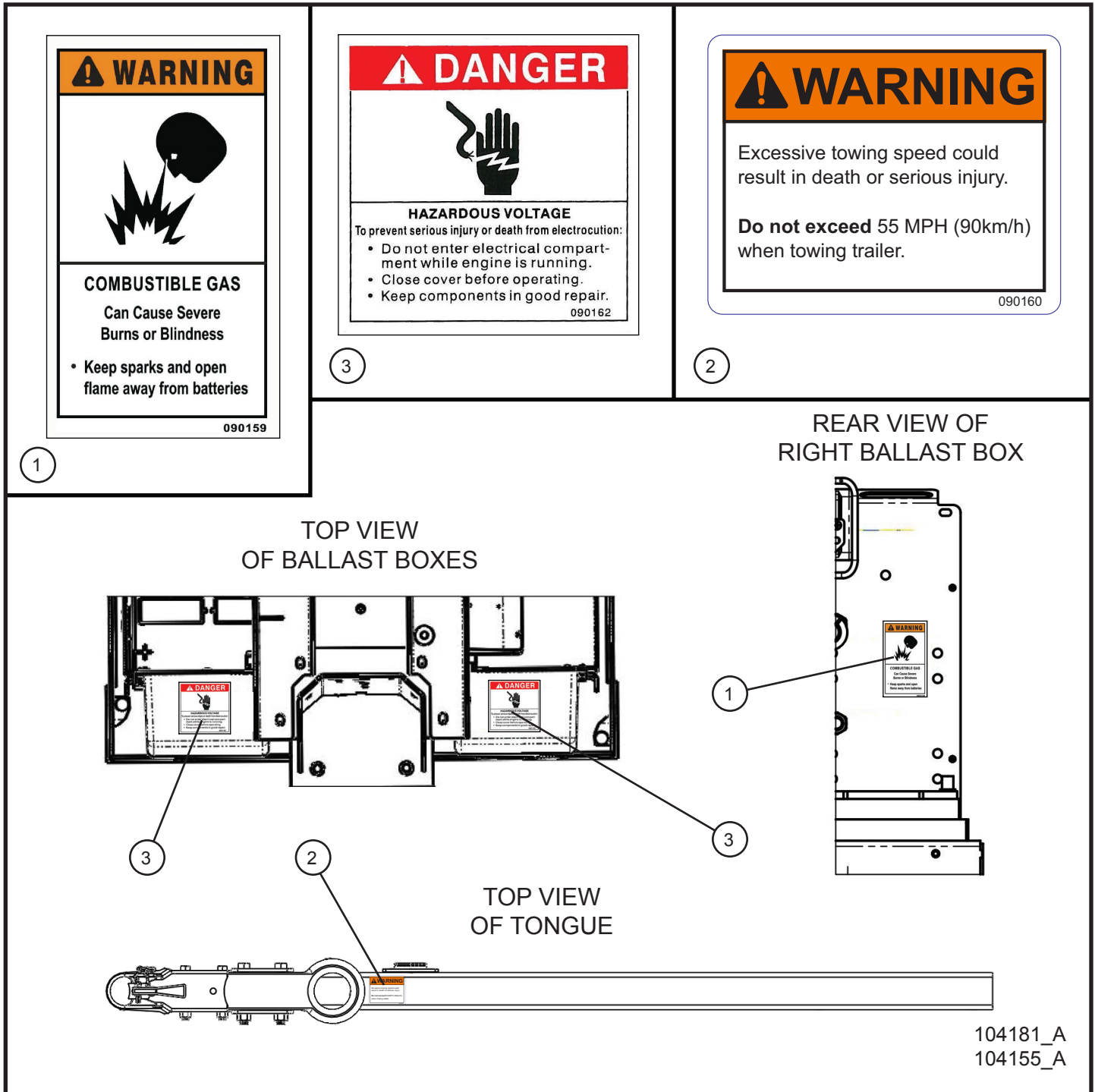
SN 0001PRO215 and UP
SN 0001PRO2V15 and UP

Item	Part No.	Part Description	Qty.
1	106378	LED DOOR STRIPE DECAL	2
2	106380	50 Hz DOOR STRIPE DECAL	2
3	106377	CSA SPEC DOOR STRIPE DECAL	2
4	106379	ARCTIC SPEC DOOR STRIPE DECAL	2
5	106387	6 kW DOOR STRIPE DECAL	2
6	107407	LSC 2.1 DOOR STRIPE DECAL	2

*NOTE: DOOR STRIPE DECALS ON THESE PAGES ARE SHOWN FOR PLACEMENT ONLY.

14.2 - Universal Trailer Decals

SN 0001PRO215 and UP
SN 0001PRO2V15 and UP



104181_A
104155_A

Night-Lite ProII™

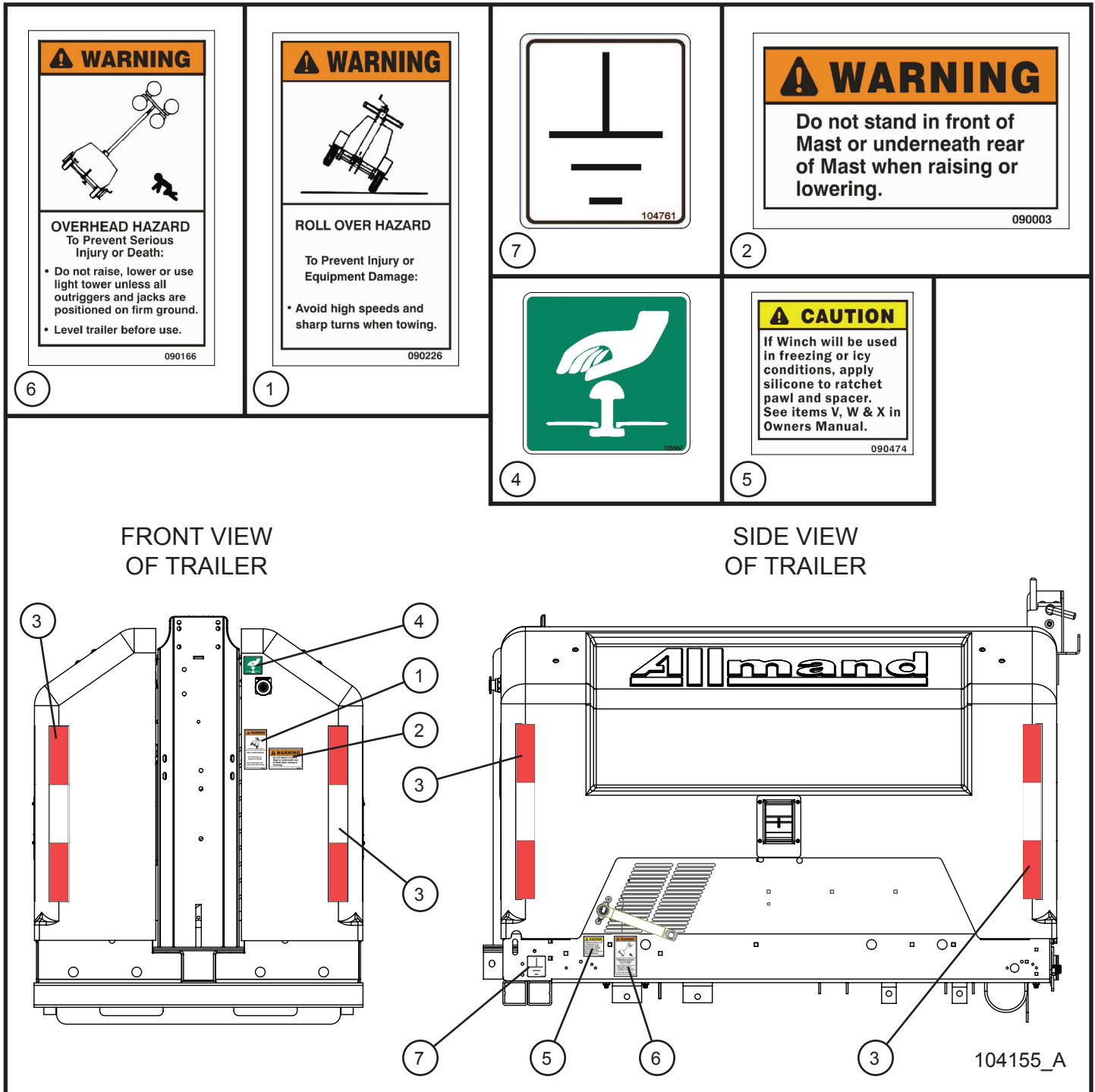
14.2 - Universal Trailer Decals

SN 0001PRO215 and UP
SN 0001PRO2V15 and UP

Item	Part No.	Part Description	Qty.
1	090159	BATTERY COMBUSTIBLE GAS WARNING DECAL	1
2	090160	EXCESS TOWING WARNING DECAL	1
3	090162	VOLTAGE HAZARD DANGER DECAL	2

14.3 - Laydown Tower Trailer Front and Side Decals

SN 0001PRO215 and UP



Night-Lite ProII™

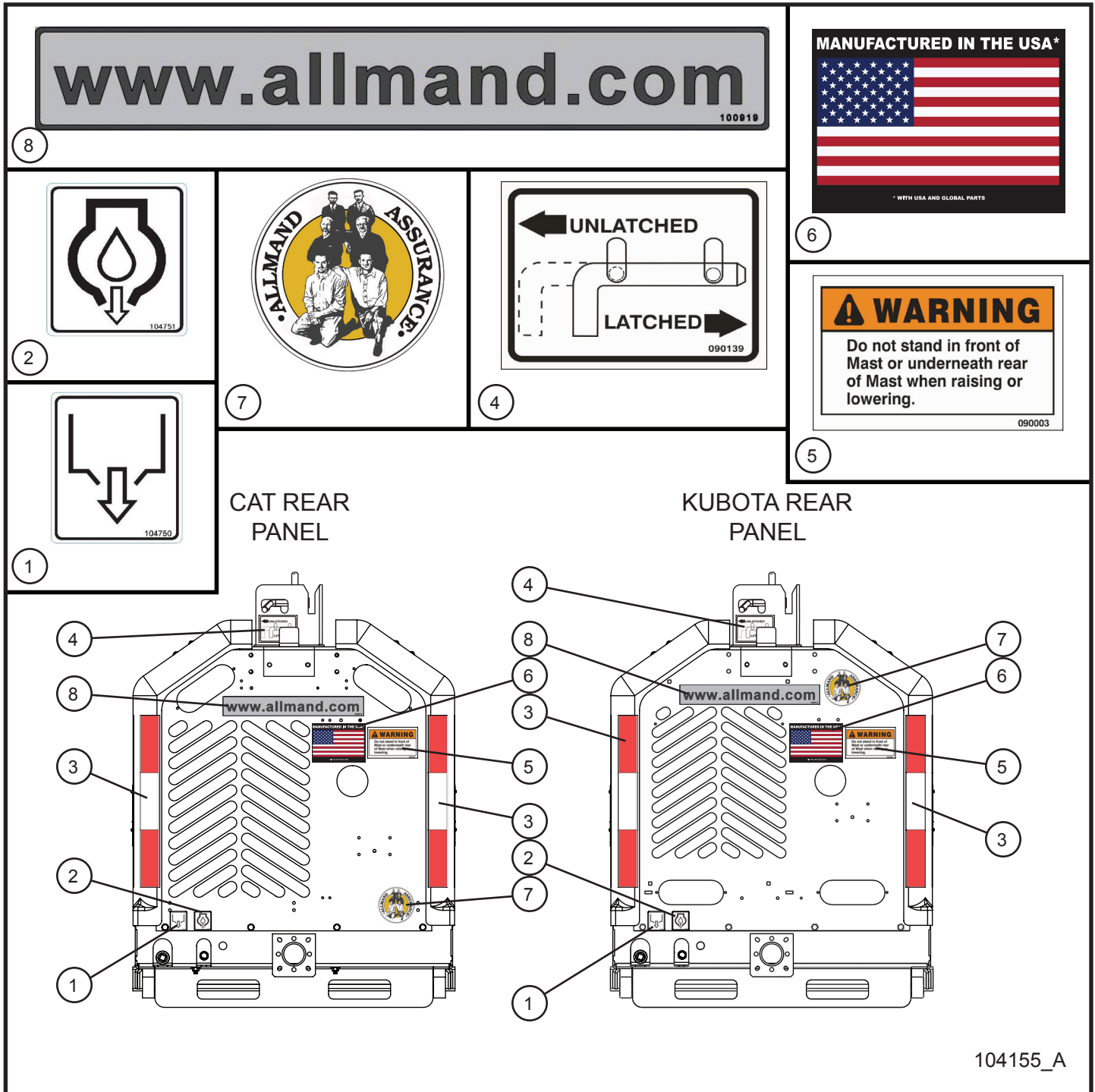
14.3 - Laydown Tower Trailer Front and Side Decals

SN 0001PRO215 and UP

Item	Part No.	Part Description	Qty.
1	090226	ROLL OVER WARNING DECAL	1
2	090003	DO NOT STAND LAYDOWN TOWER WARNING DECAL	1
3	654004	CONSPICUITY TAPE x 18.0 (OPTION)	6
4	105567	EMERGENCY STOP DECAL (EMERGENCY STOP OPTION ONLY)	1
5	090474	WINCH CAUTION DECAL	1
6	090166	OVERHEAD HAZARD WARNING DECAL	1
7	104761	GROUND DECAL	1

14.4 - Laydown Tower Trailer Rear Decals

SN 0001PRO215 and UP



Night-Lite ProII™

14.4 - Laydown Tower Trailer Rear Decals

SN 0001PRO215 and UP

Item	Part No.	Part Description	Qty.
1	104750	FLUID CONTAINMENT DRAIN DECAL (FCS TRAY OPTION ONLY)	1
2	104751	ENGINE OIL DRAIN DECAL (FCS TRAY OPTION ONLY)	1
3	654004	CONSPICUITY TAPE x 18.0 (OPTION)	2
4	090139	TOWER LATCH DECAL	1
5	090003	DO NOT STAND LAYDOWN TOWER WARNING DECAL	1
6	105467	MANUFACTURED IN THE USA DECAL	1
7	102088	3 GENERATIONS ALLMAND ASSURANCE DECAL	1
8	100919	WWW.ALLMAND.COM DECAL	1

14.5 - Laydown Tower Trailer Door Interior Decals (1 of 2)

SN 0001PRO215 and UP

SETUP TRAILER AND RAISE TOWER

WARNING

CHECK FOR OVERHEAD POWER LINES AND OBSTRUCTIONS BEFORE RAISING TOWER.

- EXTEND BOTH SIDE OUTRIGGERS. LEVEL TRAILER WITH ALL JACKS.
- PULL REAR PIN BACK TO RELEASE MAST FROM MAST SUPPORT.
- TURN CRANK ON SIDE OF TRAILER CLOCKWISE TO RAISE TOWER TO VERTICAL.
- LATCH PIN TO SECURE TOWER.
- TURN CRANK ON MAST CLOCKWISE TO RAISE LIGHTS.
- TURN KNOB TO ALLOW MAST AND LIGHTS TO ROTATE.

LOWER TOWER AND PREPARE FOR TOWING

- ROTATE MAST UNTIL WINCH HANDLE POINTS TO FRONT OF TRAILER.
- TURN CRANK ON MAST COUNTERCLOCKWISE TO LOWER LIGHTS TO LOWEST VERTICAL POSITION.
- TURN CRANK ON SIDE OF TRAILER CLOCKWISE UNTIL CABLE IS TIGHT.
- RELEASE LATCH PIN.
- TURN CRANK ON SIDE OF TRAILER TO FOLD MAST DOWN.
- LOCK MAST WITH REAR PULL PIN.
- RAISE JACKS AND SWING INTO TRANSPORT POSITION.
- RETRACT OUTRIGGERS AND SECURE.

FOR PARTS AND SERVICE CONTACT YOUR AUTHORIZED DEALER OR VISIT ALLMAND ON THE WEB AT www.allmand.com OR CALL 1-800-562-1373

103018

DANGER

ELECTRICAL SHOCK HAZARD
Failure to use ground rod could cause severe injury or death.
Drive ground rod into earth and attach ground wire to grounding lug on front of trailer.

090163

Allmand

For parts and service contact your authorized dealer or visit Allmand on the web at www.allmand.com or call 1-800-562-1373

090465

INSIDE LEFT DOOR

104155_A

Night-Lite ProII™


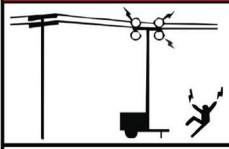

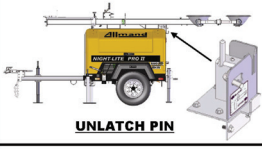
14.5 - Laydown Tower Trailer Door Interior Decals (1 of 2)

SN 0001PRO215 and UP

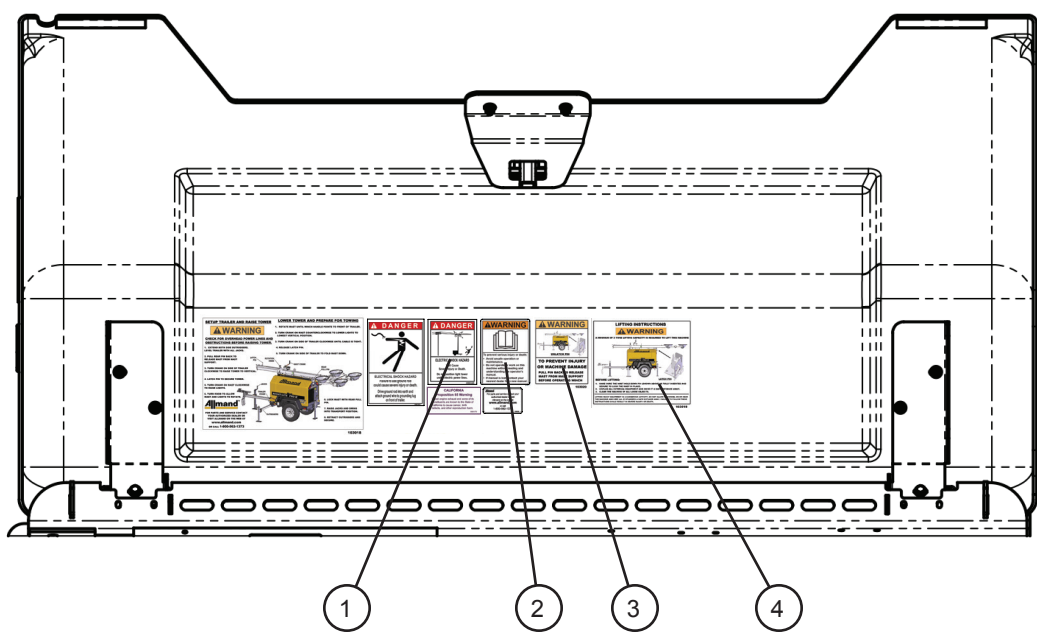
Item	Part No.	Part Description	Qty.
1	103018	LAYDOWN TOWER SETUP DECAL	1
2	090163	ELECTRICAL SHOCK DANGER DECAL	1
3	090179	CALIFORNIA PROPOSITION 65 WARNING DECAL	1
4	090465	PARTS & SERVICE DECAL	1

14.5 - Laydown Tower Trailer Door Interior Decals (2 of 2)

SN 0001PRO215 and UP

<div style="text-align: center;">LIFTING INSTRUCTIONS</div> <div style="text-align: center;">⚠ WARNING</div> <p>A MINIMUM OF 2 TONS LIFTING CAPACITY IS REQUIRED TO LIFT THIS MACHINE</p>  <p>BEFORE LIFTING:</p> <ol style="list-style-type: none"> 1. MAKE SURE THE MAST HOLD DOWN PIN (SHOWN ABOVE) IS FULLY INSERTED AND SECURE TO LOCK THE MAST IN PLACE. 2. UNPLUG ALL EXTERNAL EQUIPMENT AND MOVE IT A SAFE DISTANCE AWAY. 3. CLEAR THE MACHINE OF ALL LOOSE OBJECTS. <p><small>LIFTING HEAVY EQUIPMENT IS A DANGEROUS ACTIVITY. DO NOT ALLOW PERSONNEL ON OR NEAR THE MACHINE AND KEEP ALL BYSTANDERS A SAFE DISTANCE AWAY. FAILURE TO FOLLOW THESE INSTRUCTIONS COULD RESULT IN SEVERE INJURY OR DEATH.</small></p> <p style="text-align: right;">103019</p>	<div style="text-align: center;">⚠ DANGER</div>  <p style="text-align: center;">ELECTRIC SHOCK HAZARD Will Cause Severe Injury or Death. Do not position light tower under electric power lines.</p> <p style="text-align: right;"><small>090165</small></p>	<div style="text-align: center;">⚠ WARNING</div>  <p>To prevent serious injury or death:</p> <ul style="list-style-type: none"> • Avoid unsafe operation or maintenance. • Do not operate or work on this machine without reading and understanding the operator's manual. • If manual is lost, contact your nearest dealer for a new manual. 	<div style="text-align: center;">⚠ WARNING</div>  <p style="text-align: center;">UNLATCH PIN</p> <p style="text-align: center;">TO PREVENT INJURY OR MACHINE DAMAGE</p> <p style="text-align: center;">PULL PIN BACK TO RELEASE MAST FROM MAST SUPPORT BEFORE OPERATING WINCH</p> <p style="text-align: right;">103020</p>
④	①	②	③

INSIDE LEFT DOOR



① ② ③ ④

104155_A

Night-Lite ProII™

14.5 - Laydown Tower Trailer Door Interior Decals (2 of 2)

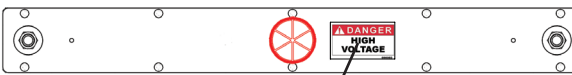
SN 0001PRO215 and UP

Item	Part No.	Part Description	Qty.
1	090165	ELECTRIC SHOCK HAZARD DANGER DECAL	1
2	090158	OPERATOR'S MANUAL WARNING DECAL	1
3	103020	LAYDOWN TOWER UNLATCH PIN WARNING DECAL	1
4	103019	LAYDOWN TOWER LIFTING INSTRUCTIONS WARNING DECAL	1

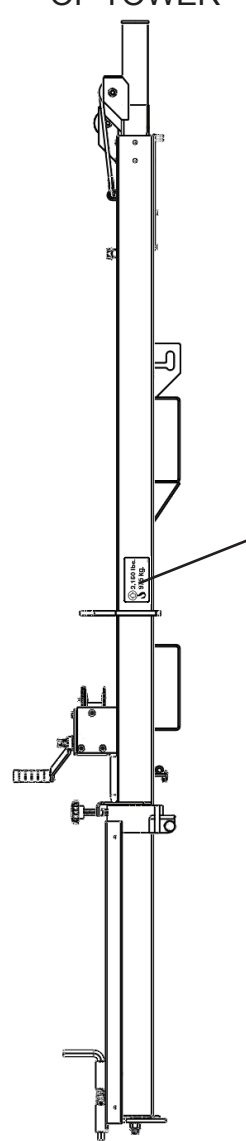
14.6 - Laydown Tower Decals

SN 0001PRO215 and UP

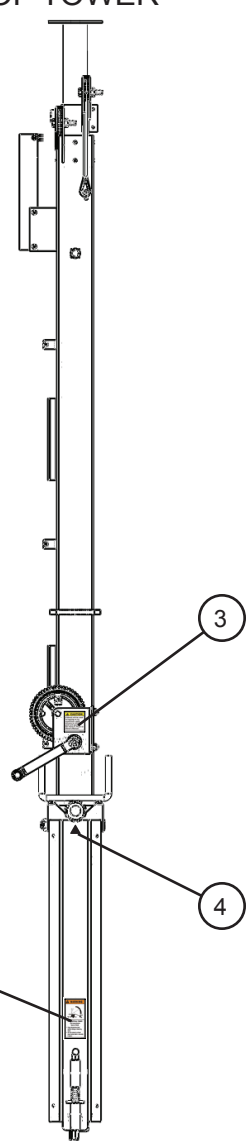
REAR VIEW OF LIGHT BAR




SIDE VIEW OF TOWER



TOP VIEW OF TOWER




5



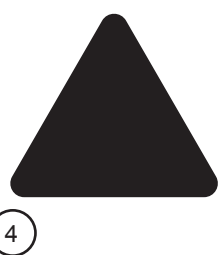
106028

1




090002

4




2



090164

3



090474

104155_A

Night-Lite ProII™

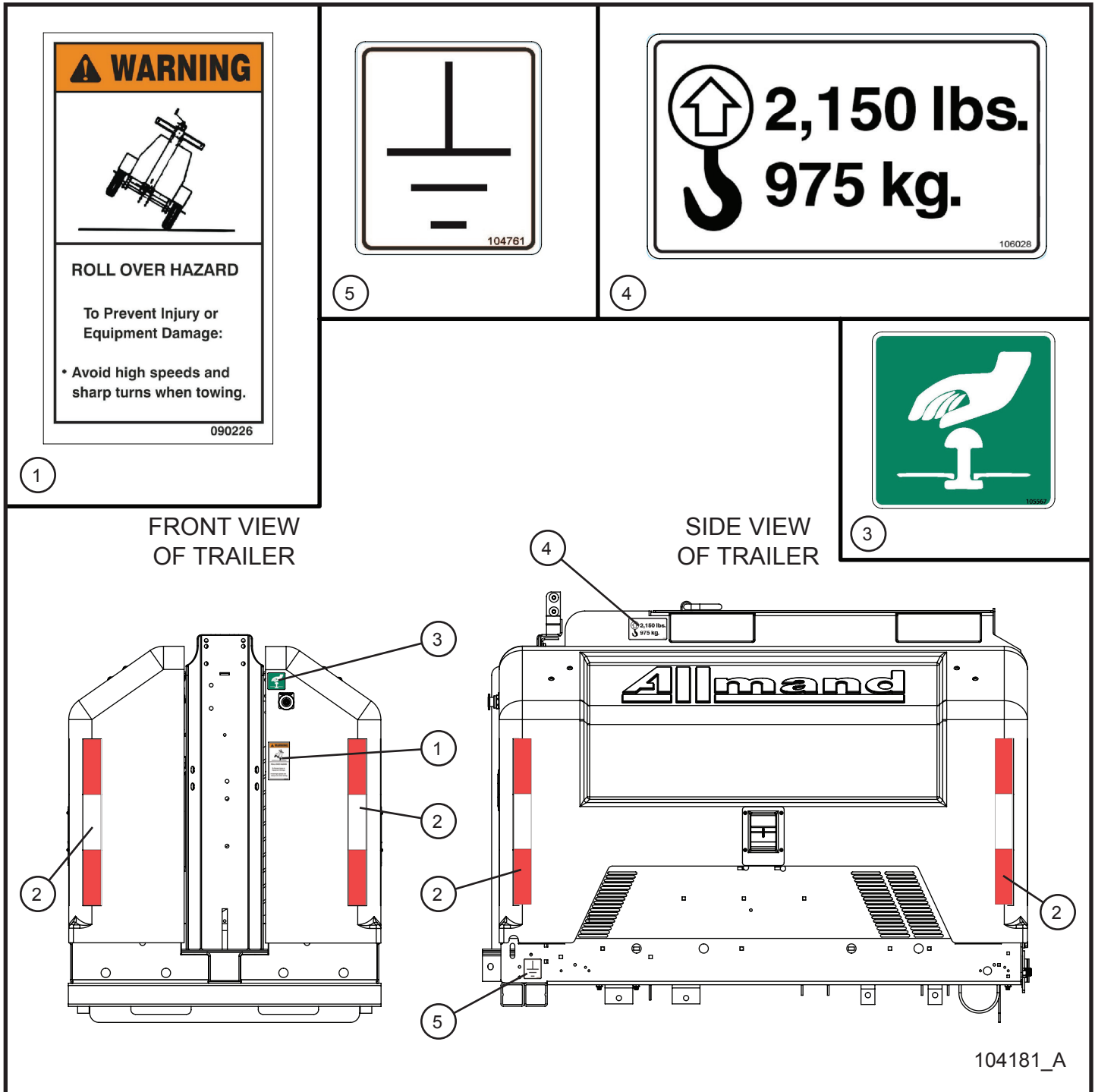
14.6 - Laydown Tower Decals

SN 0001PRO215 and UP

Item	Part No.	Part Description	Qty.
1	090002	HIGH VOLTAGE DANGER DECAL	1
2	090164	NON-VERTICAL TOWER WARNING DECAL	1
3	090474	WINCH CAUTION DECAL	1
4	090177	ALIGNMENT ARROW DECAL	1
5	106028	LIFT POINT DECAL	2

14.7 - Vertical Tower Trailer Front and Side Decals

SN 0001PRO2V15 and UP



Night-Lite ProII™

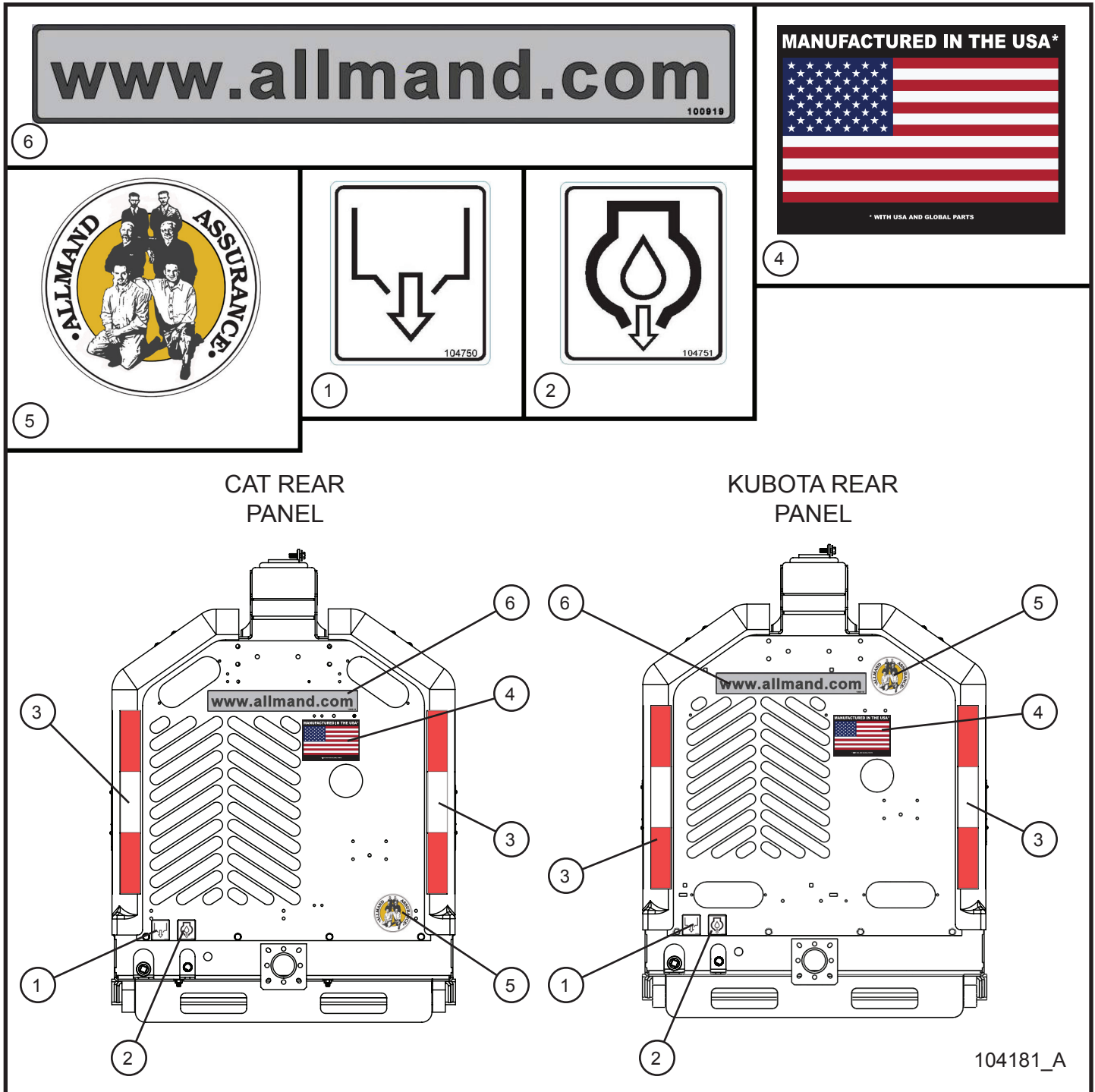
14.7 - Vertical Tower Trailer Front and Side Decals

SN 0001PRO2V15 and UP

Item	Part No.	Part Description	Qty.
1	090226	ROLL OVER WARNING DECAL	1
2	654004	CONSPICUITY TAPE x 18.0 (OPTION)	6
3	105567	EMERGENCY STOP DECAL (EMERGENCY STOP OPTION ONLY)	1
4	106028	LIFT POINT DECAL	1
5	104761	GROUND DECAL	1

14.8 - Vertical Tower Trailer Rear Decals

SN 0001PRO2V15 and UP



Night-Lite ProII™

14.8 - Vertical Tower Trailer Rear Decals

SN 0001PRO2V15 and UP

Item	Part No.	Part Description	Qty.
1	104750	FLUID CONTAINMENT DRAIN DECAL (FCS TRAY OPTION ONLY)	1
2	104751	ENGINE OIL DRAIN DECAL (FCS TRAY OPTION ONLY)	1
3	654004	CONSPICUITY TAPE x 18.0 (OPTION)	2
4	105467	MANUFACTURED IN THE USA DECAL	1
5	102088	3 GENERATIONS ALLMAND ASSURANCE DECAL	1
6	100919	WWW.ALLMAND.COM DECAL	1

14.9 - Vertical Tower Trailer Door Interior Decals (1 of 2)

SN 0001PRO2V15 and UP

SETUP TRAILER AND RAISE TOWER

WARNING
CHECK FOR OVERHEAD POWER LINES AND OBSTRUCTIONS BEFORE RAISING TOWER.

- EXTEND BOTH SIDE OUTRIGGERS. LEVEL TRAILER WITH ALL JACKS.
- RELEASE LIGHT BAR PARK PIN BY PULLING ON RING AND TURNING 90° SO THE PIN REMAINS IN THE RETRACTED POSITION.
- DIRECT LAMPS TOWARD WORK ZONE BY ROTATING LIGHT BAR AND POSITIONING LAMP FIXTURES.
- STAND CLEAR OF TOWER WHEN RAISING AND LOWERING.
- OPERATE TOWER SWITCH UP TO RAISE TOWER TO DESIRED HEIGHT.

LOWER TOWER AND PREPARE FOR TOWING

- OPERATE TOWER SWITCH TO LOWER TOWER.
- STAND CLEAR OF TOWER WHEN RAISING AND LOWERING.
- ROTATE LIGHT BAR INTO PARK POSITION (IN LINE WITH TRAILER).
- ENGAGE PARK PIN BY TWISTING ON RING UNTIL THE PLUNGER IS RELEASED AND THE PIN ENGAGES THE HOLE IN THE LIGHT BAR.
- REPOSITION LAMP FIXTURE FOR TRANSPORT BY PULLING THEM DOWN INTO THE LOWEST POSITION AND FACING TOWARD THE CENTER OF THE TRAILER.
- RAISE JACKS AND SWING INTO TRANSPORT POSITION.
- RETRACT OUTRIGGERS AND SECURE.

Allmand™

FOR PARTS AND SERVICE CONTACT YOUR AUTHORIZED DEALER OR VISIT ALLMAND ON THE WEB AT www.allmand.com OR CALL 1-800-562-1373

103021

DANGER

ELECTRICAL SHOCK HAZARD
Failure to use ground rod could cause severe injury or death.
Drive ground rod into earth and attach ground wire to grounding lug on front of trailer.

090163

Allmand

For parts and service contact your authorized dealer or visit Allmand on the web at www.allmand.com or call 1-800-562-1373

090465

INSIDE LEFT DOOR

104181_A

Night-Lite ProII™

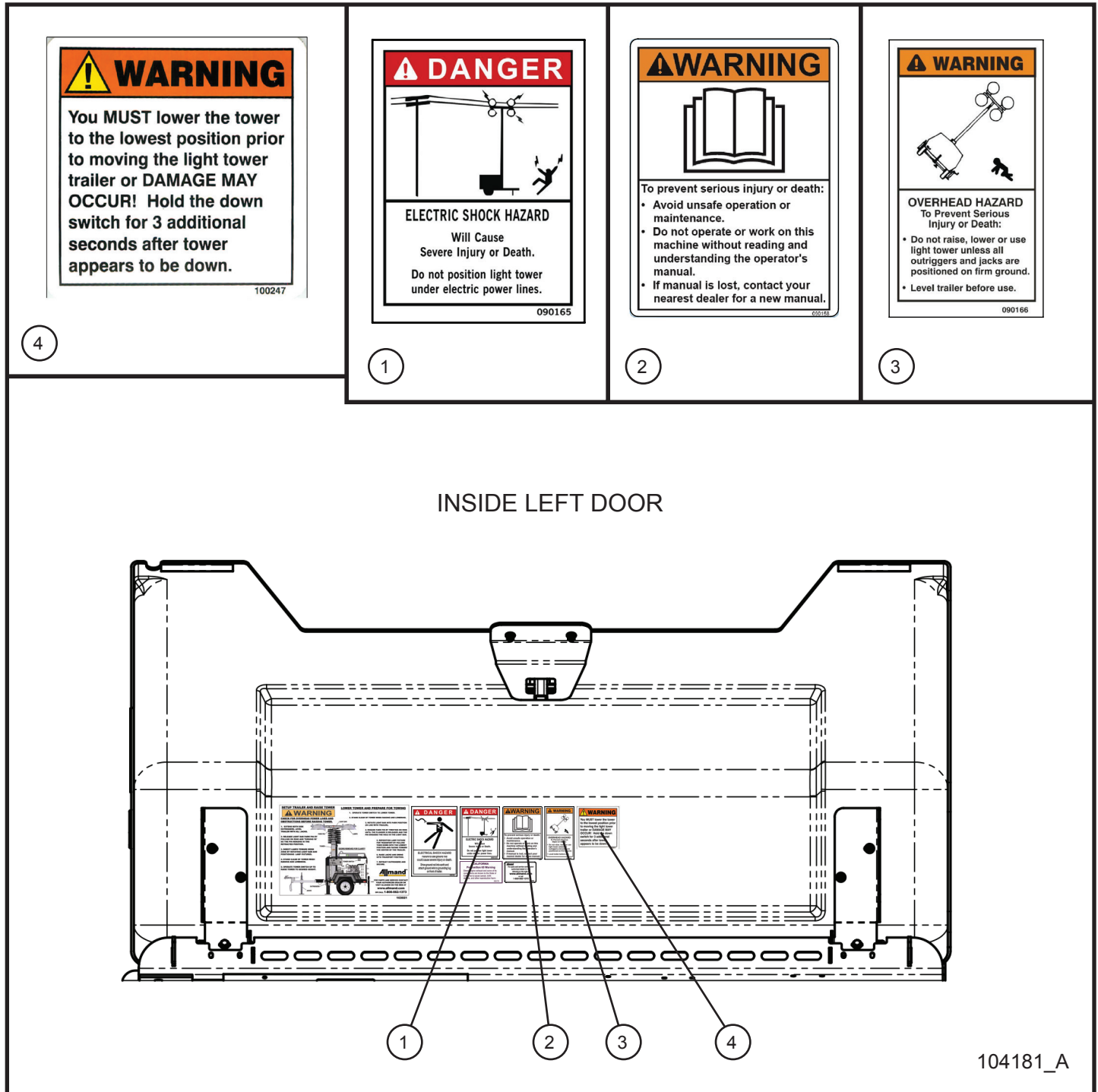
14.9 - Vertical Tower Trailer Door Interior Decals (1 of 2)

SN 0001PRO2V15 and UP

Item	Part No.	Part Description	Qty.
1	103021	VERTICAL TOWER SETUP DECAL	1
2	090163	ELECTRICAL SHOCK DANGER DECAL	1
3	090179	CALIFORNIA PROPOSITION 65 WARNING DECAL	1
4	090465	PARTS & SERVICE DECAL	1

14.9 - Vertical Tower Trailer Door Interior Decals (2 of 2)

SN 0001PRO2V15 and UP



104181_A

Night-Lite ProII™

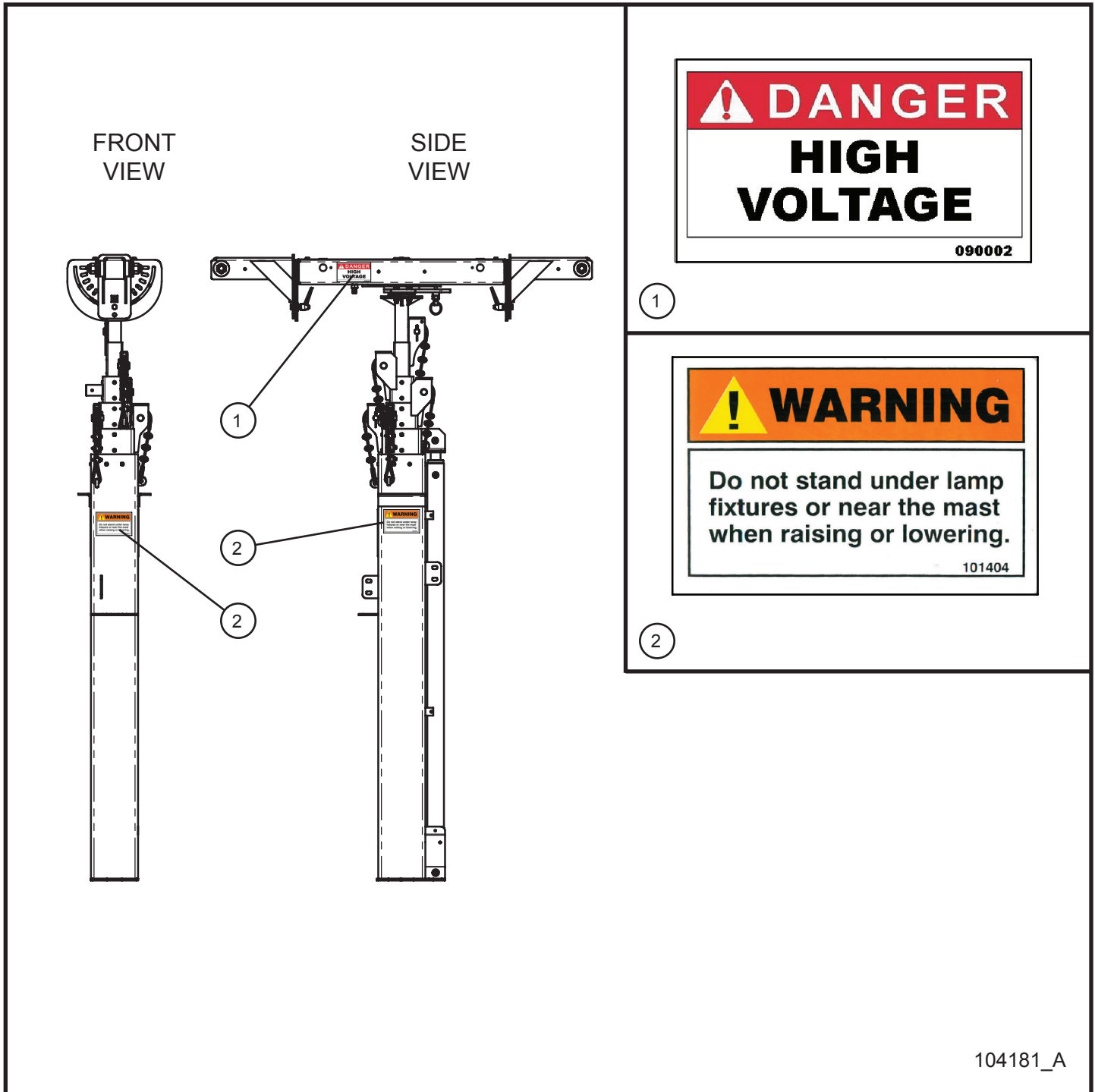
14.9 - Vertical Tower Trailer Door Interior Decals (2 of 2)

SN 0001PRO2V15 and UP

Item	Part No.	Part Description	Qty.
1	090165	ELECTRIC SHOCK HAZARD DANGER DECAL	1
2	090158	OPERATOR'S MANUAL WARNING DECAL	1
3	090166	OVERHEAD HAZARD WARNING DECAL	1
4	100247	TOWER DOWN WARNING DECAL	1

14.10 - Vertical Tower Decals

SN 0001PRO2V15 and UP



Night-Lite ProII™

14.10 - Vertical Tower Decals

SN 0001PRO2V15 and UP

Item	Part No.	Part Description	Qty.
1	090002	HIGH VOLTAGE DANGER DECAL	1
2	101404	DO NOT STAND UNDER MAST WARNING DECAL	1

15.1 - Vertical or Laydown with 60Hz or LED Lighting (1 of 3)

SN 0001PRO215 and UP
SN 0001PRO2V15 and UP

Item	Part No.	Part Description	Qty.
LED OPTION			
1	105325	LED LAMP	1
2	105677	DRIVER W/TERMINALS	1
1000W HPS 60Hz OPTION			
1	610218	LAMP 1000W HPS	12
2	310118	BALLAST/CAPACITOR 1000W HPS 60HZ	1
3	310119	CAPACITOR ONLY 1000W HPS 26uf 525V	2
1000W 60Hz OPTION			
1	610211	LAMP 1000W BT-37	12
2	310124	BALLAST 1000W 60HZ	1
3	310115	CAPACITOR 1000W 24uf 480V	2
4	650104	SWITCH 25A SINGLE POLE	2
1250W 60Hz OPTION			
1	610221	LAMP 1250W BT-37	12
2	109606	BALLAST/CAPACITOR 1250W 60HZ 120/240V	1
3	100329	CAPACITOR ONLY 1250W 28uf 525V	2
4	106781	SWITCH 15A SINGLE POLE	2
LAMP ASSEMBLY			
1	610212	CERAMIC SOCKET	4
2	610203	GLASS LENS	4
3	610217	LENS GASKET	2
4	610202	LENS CHANNEL SET	2
5	610209	LAMP TIP SUPPORT	4
6	610210	TIP SUPPORT TUBING	4
7	660130P	SOLID MOUNT YOKE	2
8	310434	MALE LAMP LEAD (QUICK DISCONNECT OPTION)	4
9	310414	FEMALE LAMP LEAD (QUICK DISCONNECT OPTION)	1
10	650159	LAMP LEAD (HARD WIRED OPTION)	4

Night-Lite ProII™

15.1 - Vertical or Laydown with 60Hz or LED Lighting (2 of 3)

SN 0001PRO215 and UP
SN 0001PRO2V15 and UP

Item	Part No.	Part Description	Qty.
VERTICAL TOWER			
1	106880	NYCOIL MAST HARNESS	1
2	320185	CABLE STEEL 3/16" X 10'	2
3	104358	HYD POWER UNIT BUCHER	1
4	100236	SOLENOID SWITCH HYD PUMP	1
5	100234	125 AMP FUSE	1
LAYDOWN TOWER			
1	103049	MAST WIRING HARNESS STRAIGHT CORD	2
2	650133	CABLE 3/16" STEEL X 17' 9"	1
3	620076	CABLE 3/16" STEEL X 11'	1
4	320185	CABLE 3/16" STEEL X 10'	1
5	610531	WINCH BRAKE	1
6	620550	LOCKING KNOB	4
GENERAL PARTS			
1	350354	35A 120/240 MAIN BREAKER	1
2	340014	HOUR METER	2
3	104957	RELAY 30A 120V	4
4	340058	GROUND ROD ASSEMBLY	2
5	650387-13	13" TIRE/WHEEL ASSEMBLY	1
6	102089	TONGUE JACK (SNAP RING, TOP CRANK)	1
7	330008	STABILIZER JACK (SNAP RING, TOP CRANK)	2
8	650235	REAR JACK (SNAP RING, SIDE CRANK)	2
9	330014	JACK SNAP RING	4
10	330012	REPLACEMENT JACK HANDLE (TOP CRANK)	3
11	330012A	REPLACEMENT JACK LOCK KIT	4
ATHLON GENERATOR			
1	640158	CAPACITOR 25uf 550V (ATHLON)	2
MARATHON GENERATOR			
1	105100	CAPACITOR 25uf 600V (MARATHON)	2

15.1 - Vertical or Laydown with 60Hz or LED Lighting (3 of 3)

SN 0001PRO215 and UP
SN 0001PRO2V15 and UP

Item	Part No.	Part Description	Qty.
CAT SERVICE PARTS			
1	650304	CAT OIL FILTER	6
2	103155	CAT FUEL FILTER	4
3	102580	CAT AIR FILTER	2
4	108461	CAT C1.1 FILTER KIT (INCLUDES PART NUMBERS 650304, 102580, & 103155)	1
5	104310	KEYSWITCH W/KEYS	1
6	107793	KEYS (PAIR)	1
7	107794	KEY RUBBER BOOT (EACH / REQUIRED WITH 107793)	2
KOHLER SERVICE PARTS			
1	650011	KOHLER OIL FILTER	6
2	650010	KOHLER FUEL FILTER	4
3	650012	KOHLER AIR FILTER	2
4	650832	SWITCH W/KEYS	1
5	650833	KEY (SINGLE)	2
KUBOTA SERVICE PARTS			
1	920743	KUBOTA OIL FILTER	6
2	920745	KUBOTA FUEL FILTER	4
3	650290	KUBOTA AIR FILTER	2
4	108962	KUBOTA FILTER KIT (INCLUDES PART NUMBERS 920745, 920743, & 650290)	1
5	104310	KEYSWITCH W/KEYS	1
6	107793	KEYS (PAIR)	1
7	107794	KEY RUBBER BOOT (EACH / REQUIRED WITH 107793)	2

Night-Lite ProII™

15.2 - Vertical or Laydown with 50Hz Lighting (1 of 3)

SN 0001PRO215 and UP
SN 0001PRO2V15 and UP

Item	Part No.	Part Description	Qty.
1000W 50Hz OPTION			
1	610211	LAMP 1000W BT-37	12
2	310116A	BALLAST/CAPACITOR 1000W 50HZ	1
3	310115A	CAPACITOR 1000W 26uf	2
4	650104	SWITCH 25A SINGLE POLE	2
LAMP ASSEMBLY			
1	610212	CERAMIC SOCKET	4
2	610203	GLASS LENS	4
3	610217	LENS GASKET	2
4	610202	LENS CHANNEL SET	2
5	610209	LAMP TIP SUPPORT	4
6	610210	TIP SUPPORT TUBING	4
7	660130P	SOLID MOUNT YOKE	2
8	310434	MALE LAMP LEAD (QUICK DISCONNECT OPTION)	4
9	310414	FEMALE LAMP LEAD (QUICK DISCONNECT OPTION)	1
10	650159	LAMP LEAD (HARD WIRED OPTION)	4
VERTICAL TOWER			
1	106880	NYCOIL MAST HARNESS	1
2	320185	CABLE STEEL 3/16" X 10'	2
3	104358	HYD POWER UNIT BUCHER	1
4	100236	SOLENOID SWITCH HYD PUMP	1
5	100234	125 AMP FUSE	1
LAYDOWN TOWER			
1	103049	MAST WIRING HARNESS STRAIGHT CORD	2
2	650133	CABLE 3/16" STEEL X 17' 9"	1
3	620076	CABLE 3/16" STEEL X 11'	1
4	320185	CABLE 3/16" STEEL X 10'	1
5	610531	WINCH BRAKE	1
6	620550	LOCKING KNOB	4

15.2 - Vertical or Laydown with 50Hz Lighting (2 of 3)

SN 0001PRO215 and UP
SN 0001PRO2V15 and UP

Item	Part No.	Part Description	Qty.
GENERAL PARTS			
1	350354	35A 120/240 MAIN BREAKER	1
2	340014	HOUR METER	2
3	104957	RELAY 30A 120V	4
4	340058	GROUND ROD ASSEMBLY	2
5	650387-13	13" TIRE/WHEEL ASSEMBLY	1
6	102089	TONGUE JACK (SNAP RING, TOP CRANK)	1
7	330008	STABILIZER JACK (SNAP RING, TOP CRANK)	2
8	650235	REAR JACK (SNAP RING, SIDE CRANK)	2
9	330014	JACK SNAP RING	4
10	330012	REPLACEMENT JACK HANDLE (TOP CRANK)	3
11	330012A	REPLACEMENT JACK LOCK KIT	4
MARATHON GENERATOR			
1	640152	CAPACITOR 45uf (MARATHON 50HZ)	1
CAT SERVICE PARTS			
1	650304	CAT OIL FILTER	6
2	103155	CAT FUEL FILTER	4
3	102580	CAT AIR FILTER	2
4	108461	CAT C1.1 FILTER KIT (INCLUDES PART NUMBERS 650304, 102580, & 103155)	1
5	104310	KEYSWITCH W/KEYS	1
6	107793	KEYS (PAIR)	1
7	107794	KEY RUBBER BOOT (EACH / REQUIRED WITH 107793)	2
KOHLER SERVICE PARTS			
1	650011	KOHLER OIL FILTER	6
2	650010	KOHLER FUEL FILTER	4
3	650012	KOHLER AIR FILTER	2
4	650832	SWITCH W/KEYS	1
5	650833	KEY (SINGLE)	2

Night-Lite ProII™

15.2 - Vertical or Laydown with 50Hz Lighting (3 of 3)

SN 0001PRO215 and UP
SN 0001PRO2V15 and UP

Item	Part No.	Part Description	Qty.
KUBOTA SERVICE PARTS			
1	920743	KUBOTA OIL FILTER	6
2	920745	KUBOTA FUEL FILTER	4
3	650290	KUBOTA AIR FILTER	2
4	108962	KUBOTA FILTER KIT (INCLUDES PART NUMBERS 920745, 920743, & 650290)	1
5	104310	KEYSWITCH W/KEYS	1
6	107793	KEYS (PAIR)	1
7	107794	KEY RUBBER BOOT (EACH / REQUIRED WITH 107793)	2

Allmand™

BRIGHTER. WARMER. SAFER.

Allmand Bros., Inc.
1502 West 4th Avenue
Holdrege, NE 68949
phone: (308) 995-4495 • toll free: (800) 562-1373
fax: (308) 995-5887

www.allmand.com



Reliability, performance, and integrity since 1938

13-0267