

Allmand™

Brighter. Warmer. Safer.

Portable
Industrial
Heaters

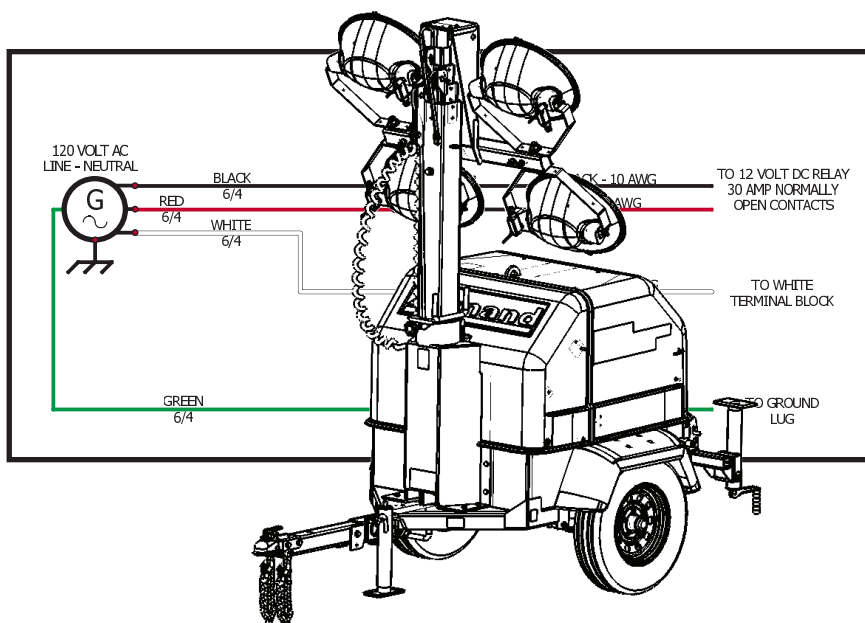
Portable
Light Towers

Portable
Light Stands

Solar Flashing
Arrow Boards



(en) Wire Schematic Manual
NIGHT-LITE NL5000®



Copyright © 2016 Allmand Bros., Inc.
Holdrege, NE, USA. All rights reserved.

Part No.: 108798
Revision: A

LIGHT TOWER APP



Reliability, Performance, and Integrity Since 1938

www.allmand.com

TABLE OF CONTENTS

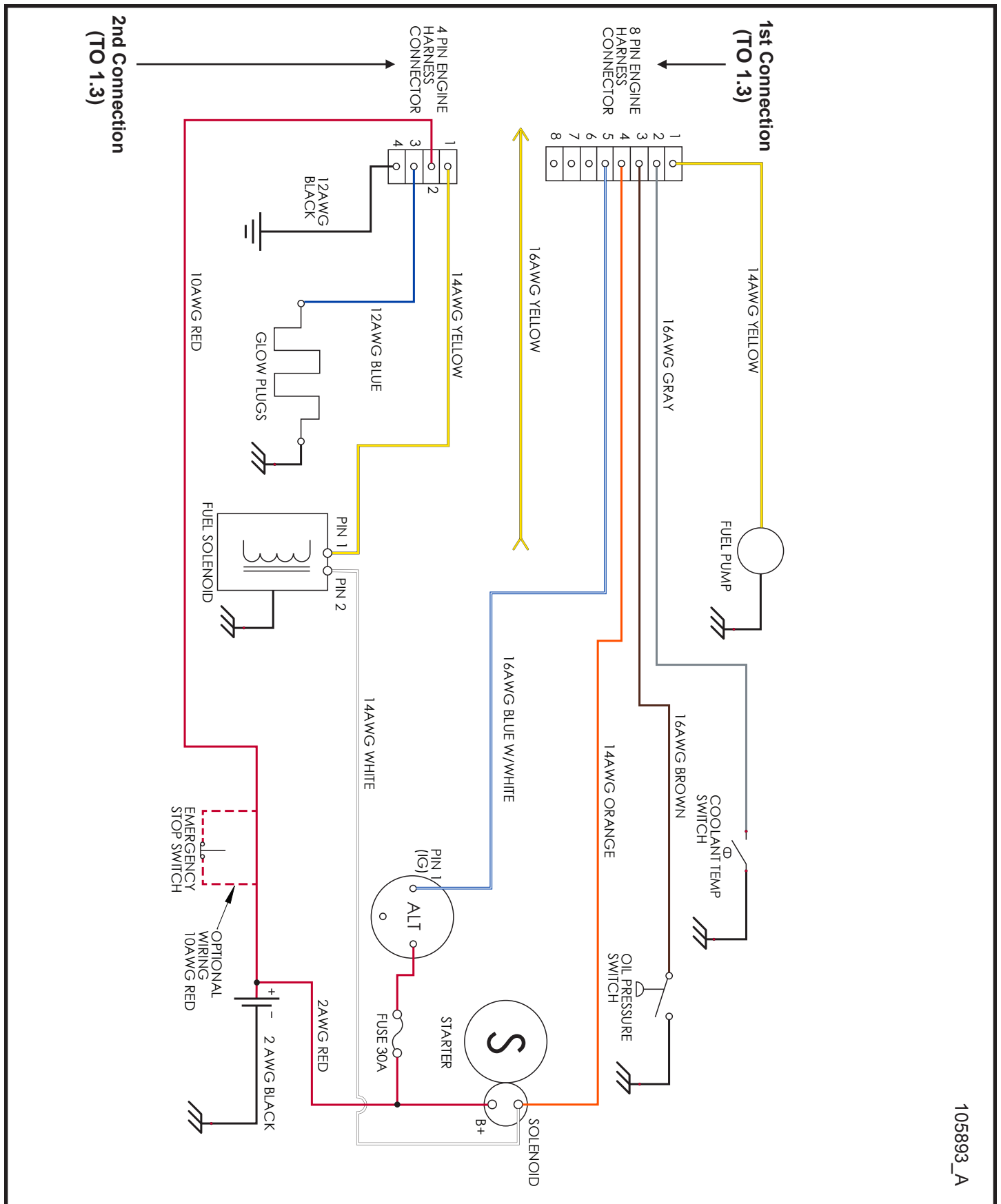
Kubota D1005 Engine Harness Schematic	(1.1)
Ballast Side AC Schematic	(1.2)
Control Box DC Schematic	(1.3)
6/4 Cord AC Schematic	(1.4)
Ballast Side with Twistlock AC Schematic	(1.5)
10/4 Cord AC Schematic	(1.6)
Rear Marker Lights Schematic	(1.7)
Front Marker Lights Schematic	(1.8)
Ballast Side with No Outlet AC Schematic	(1.9)
Ballast Side with Schuko Outlets AC Schematic	(1.10)
Tail Light Harness Schematic	(1.11)
Mitsubishi L3E Engine Harness Schematic	(1.12)

Night-Lite NL5000

WIRE SCHEMATIC PAGE CONNECTION TABLE

Schematic Page	1st Connection Page(s)	2nd Connection Page(s)	3rd Connection Page(s)	4th Connection Page(s)
Kubota D1005 Engine Harness Schematic (1.1)	(1.3)	(1.3)	n/a	n/a
Ballast Side AC Schematic (1.2)	(1.3)	(1.4) or (1.6)	n/a	n/a
Control Box AC Schematic (1.3)	(1.1) or (1.12)	(1.1) or (1.12)	(1.2), (1.5), (1.9), or (1.10)	(1.4) or (1.6)
6/4 Cord AC Schematic (1.4)	(1.2) or (1.5)	n/a	n/a	n/a
Ballast Side with Twistlock AC Schematic (1.5)	(1.3)	(1.4) or (1.6)	n/a	n/a
10/4 Cord AC Schematic (1.6)	(1.2), (1.5), (1.9), or (1.10)	n/a	n/a	n/a
Rear Marker Lights Schematic (1.7)	(1.8)	(1.11)	n/a	n/a
Front Marker Lights Schematic (1.8)	(1.7)	n/a	n/a	n/a
Ballast Side with No Outlet AC Schematic (1.9)	(1.3)	(1.6)	n/a	n/a
Ballast Side with Schuko Outlets AC Schematic (1.10)	(1.3)	(1.6)	n/a	n/a
Tail Light Harness Schematic (1.11)	(1.7)	n/a	n/a	n/a
Mitsubishi L3E Engine Harness Schematic (1.12)	(1.3)	(1.3)	n/a	n/a

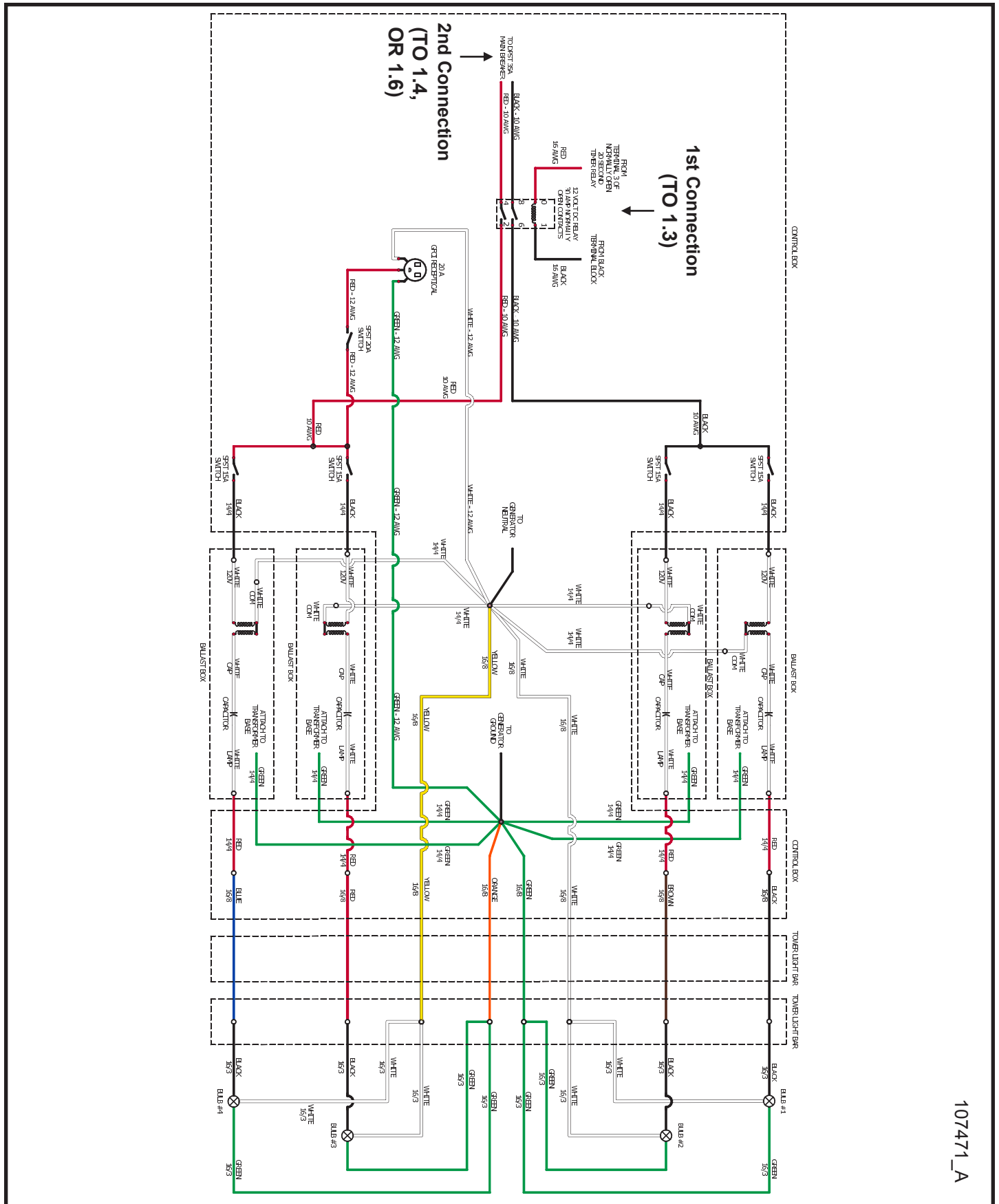
1.1 - Kubota D1005 Engine Harness Schematic



105893_A

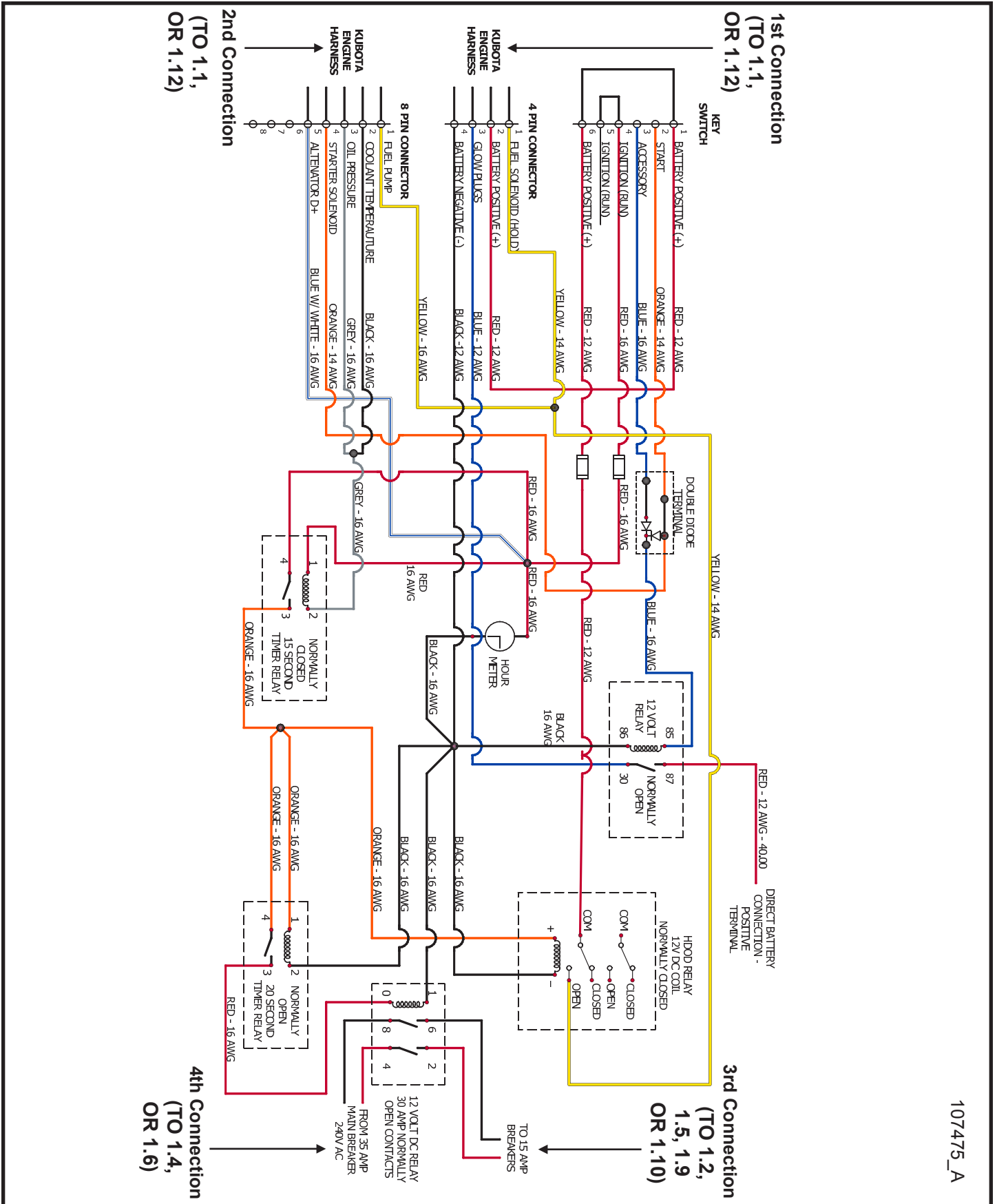
Night-Lite NL5000

1.2 - Ballast Side AC Schematic



107471_A

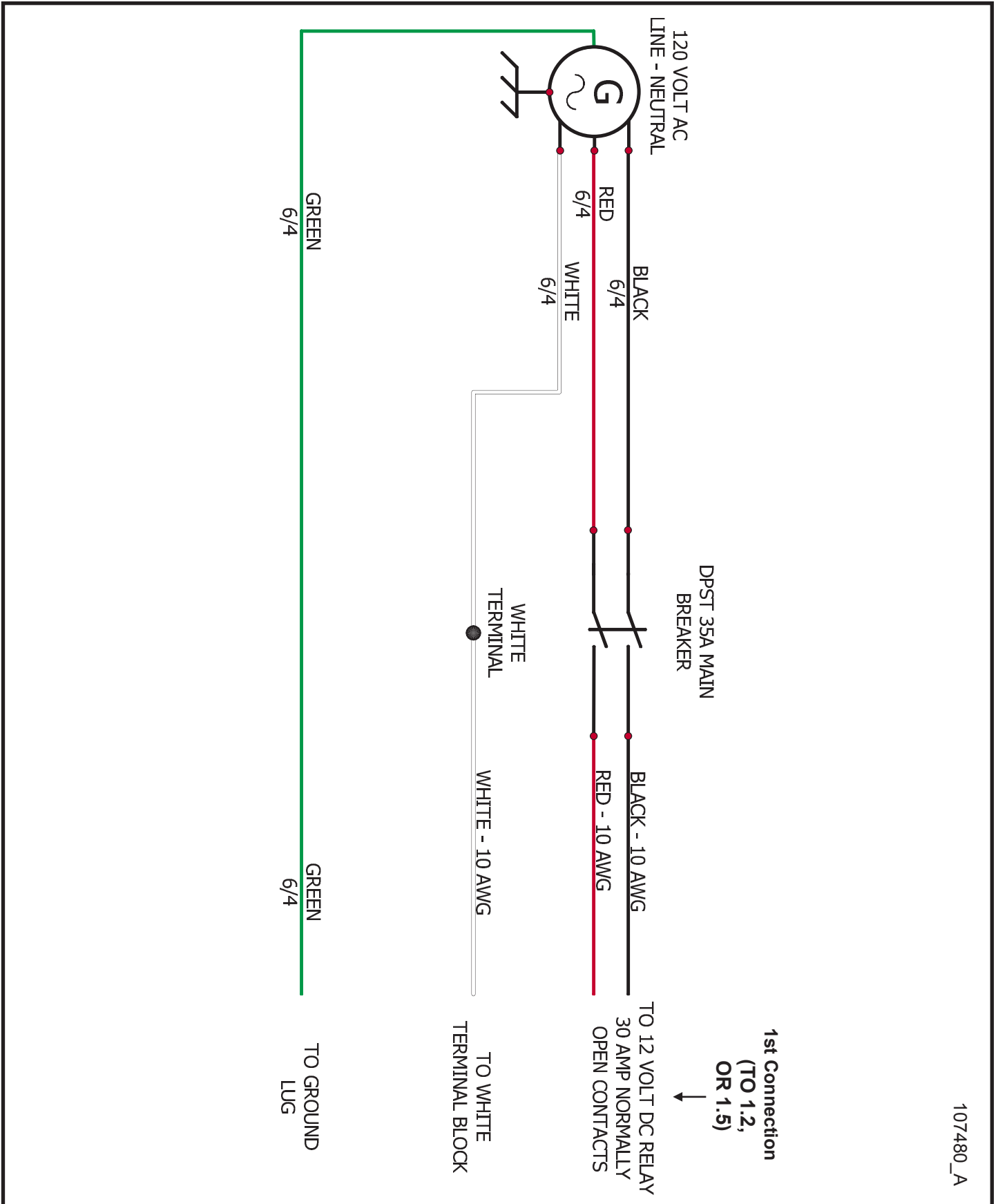
1.3 - Control Box DC Schematic



107475_A

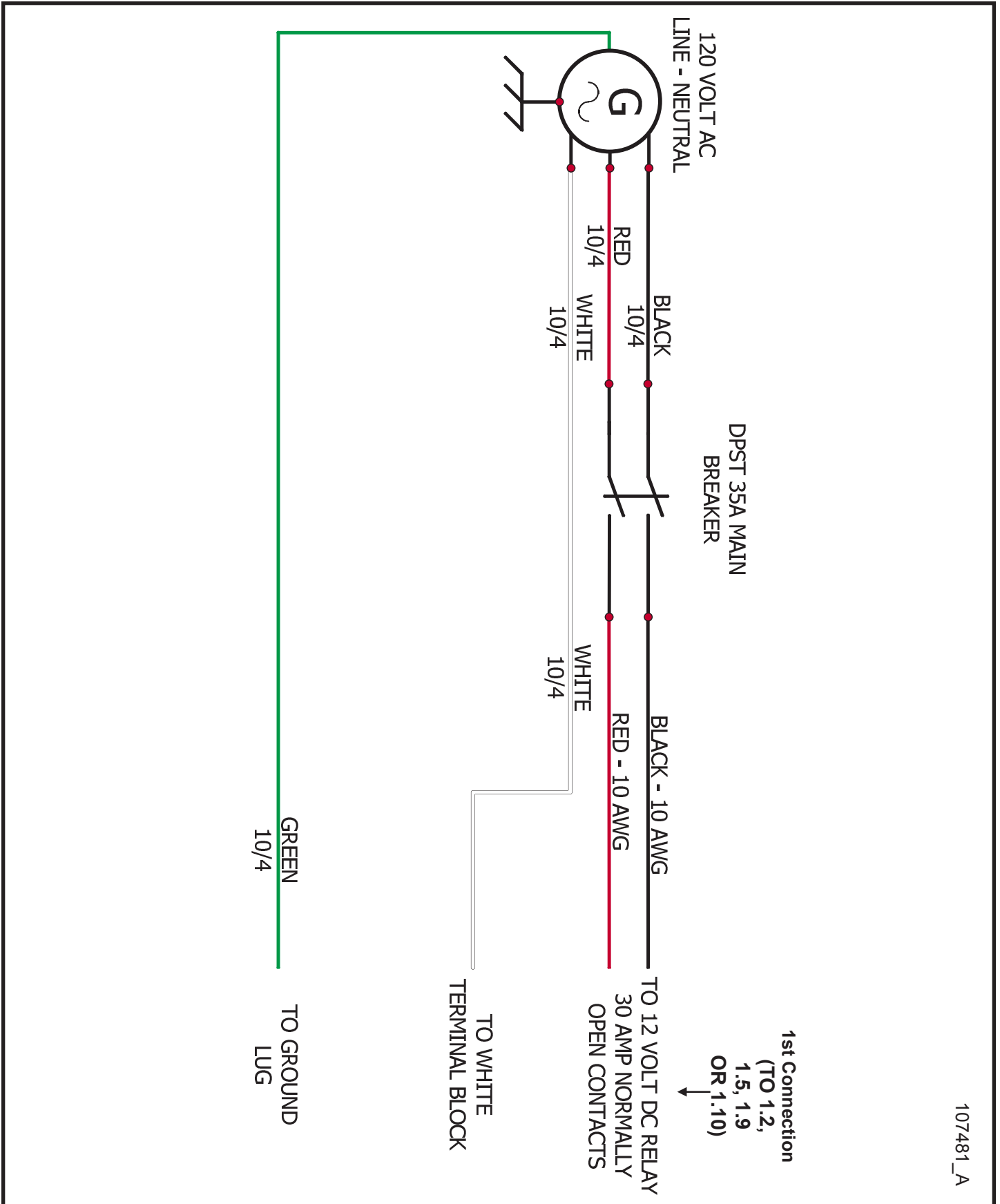
Night-Lite NL5000

1.4 - 6/4 Cord AC Schematic

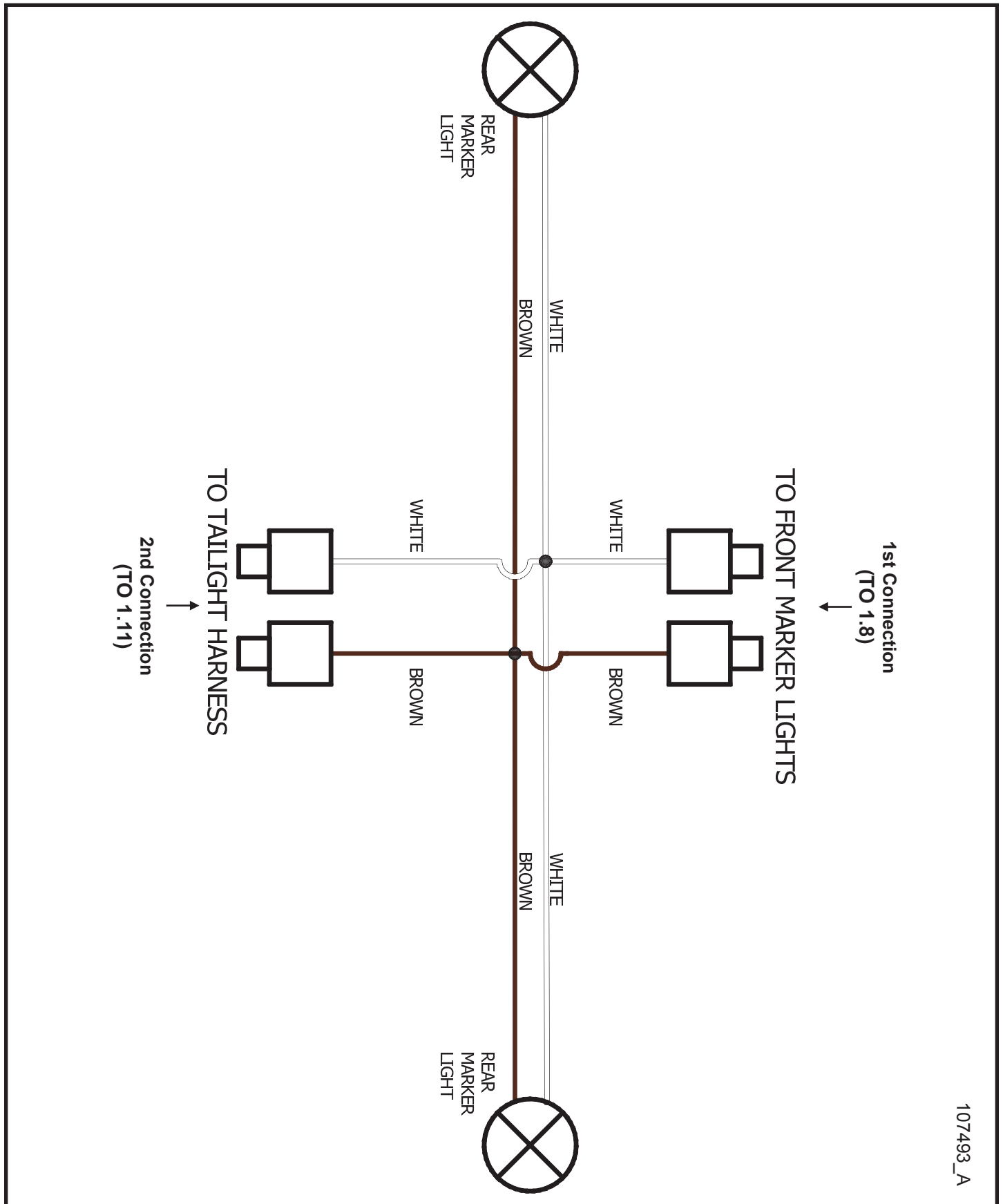


Night-Lite NL5000

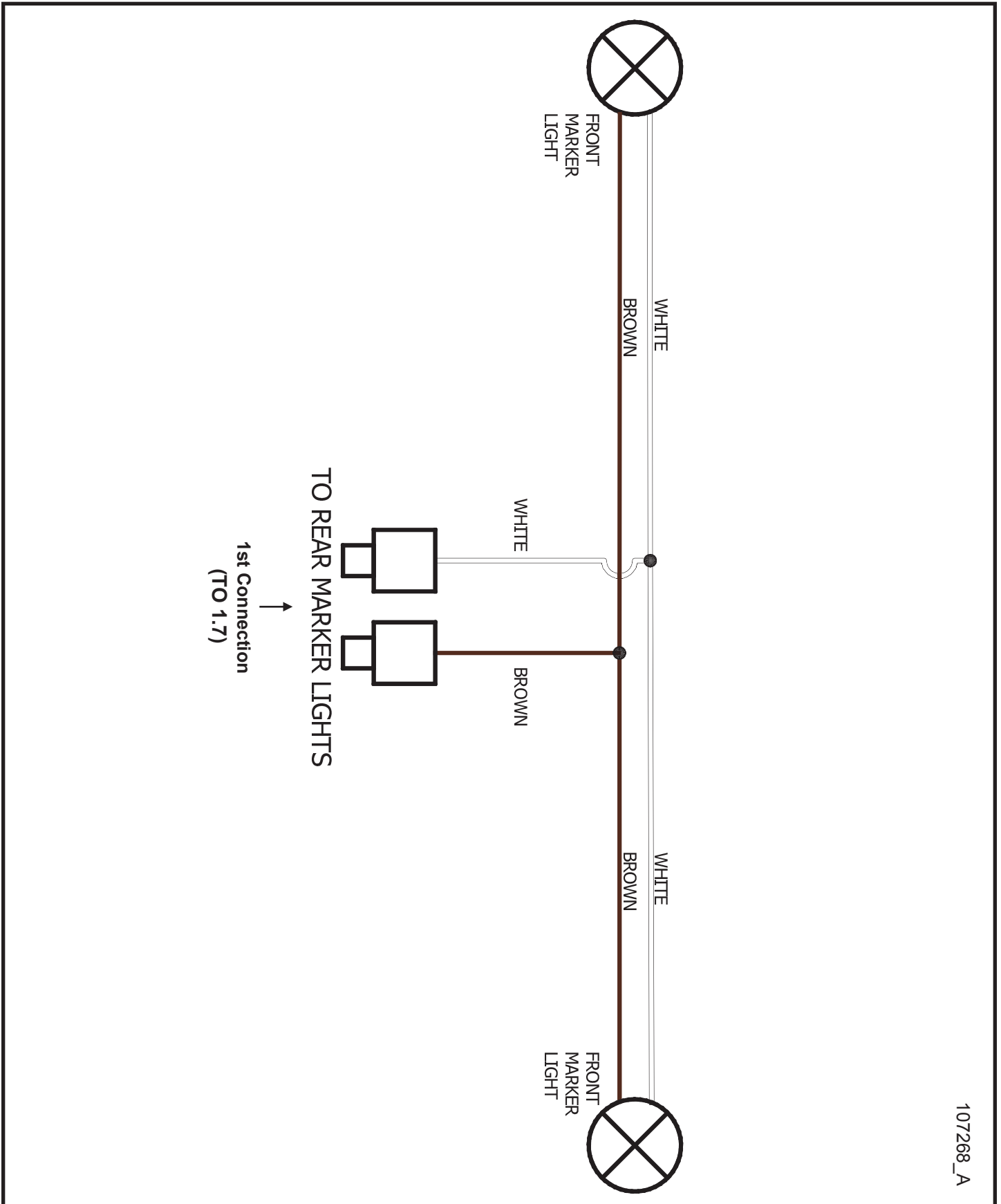
1.6 - 10/4 Cord AC Schematic



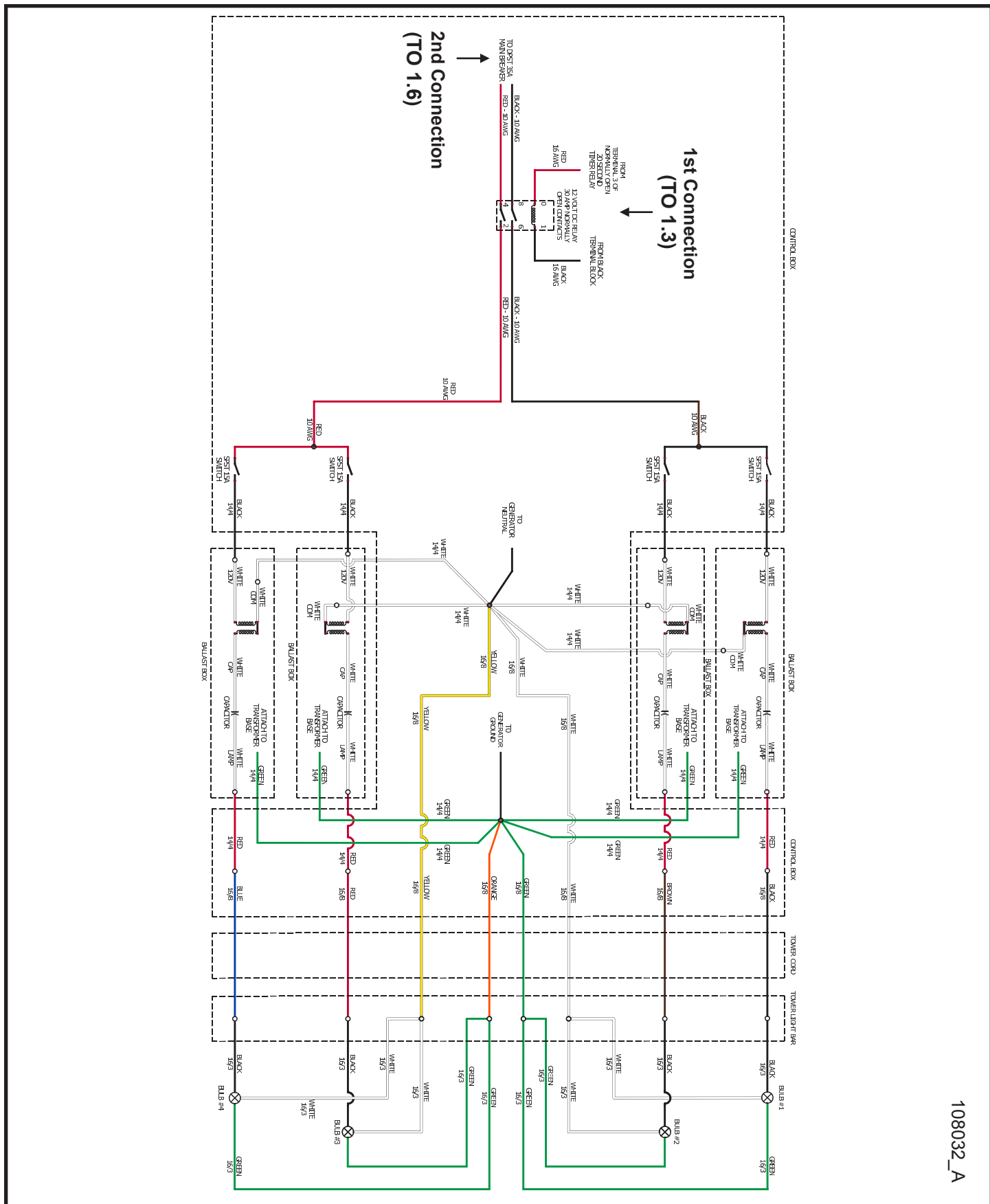
1.7 - Rear Marker Lights Schematic



1.8 - Front Marker Lights Schematic



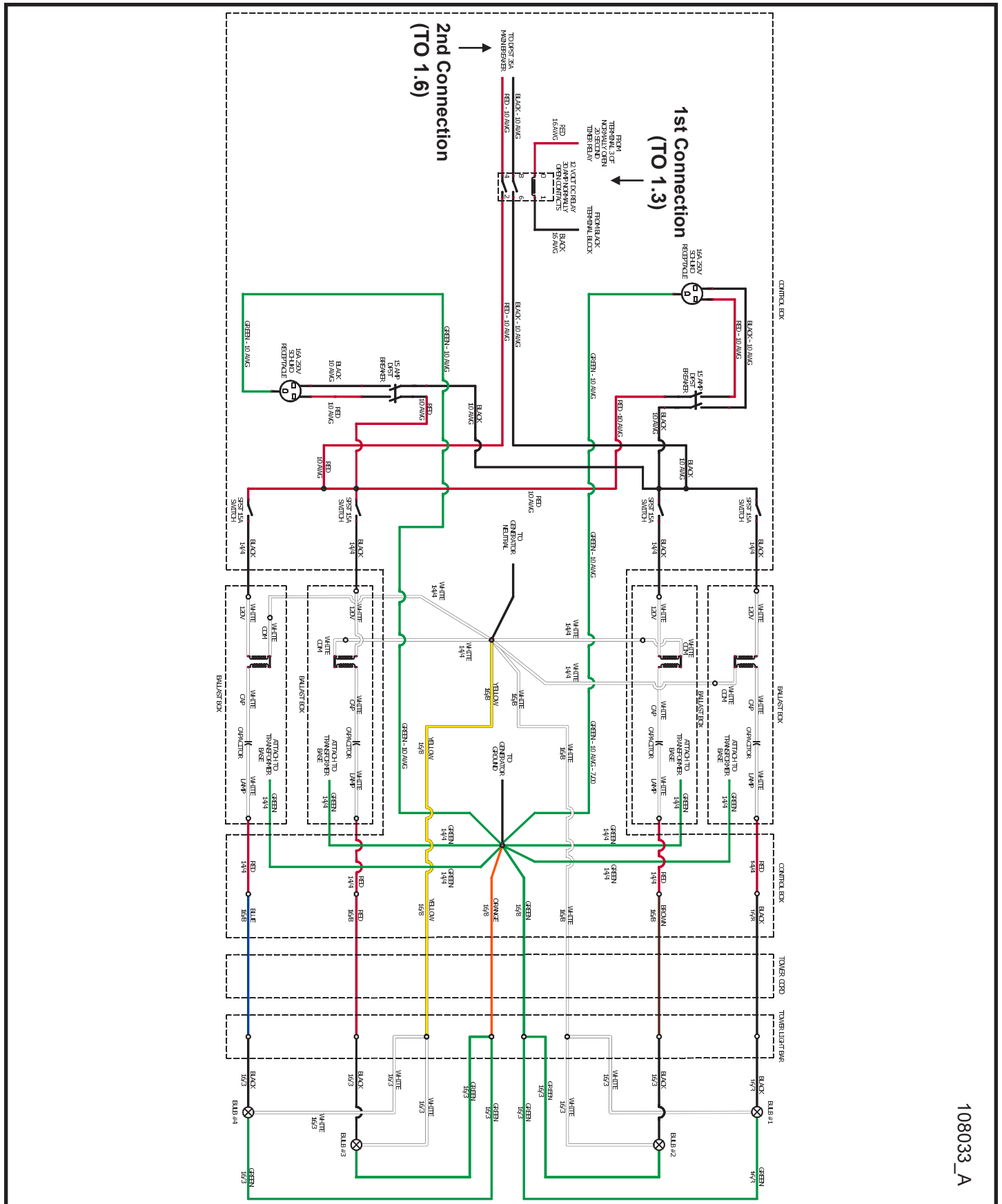
1.9 - Ballast Side with No Outlet AC Schematic



108032_A

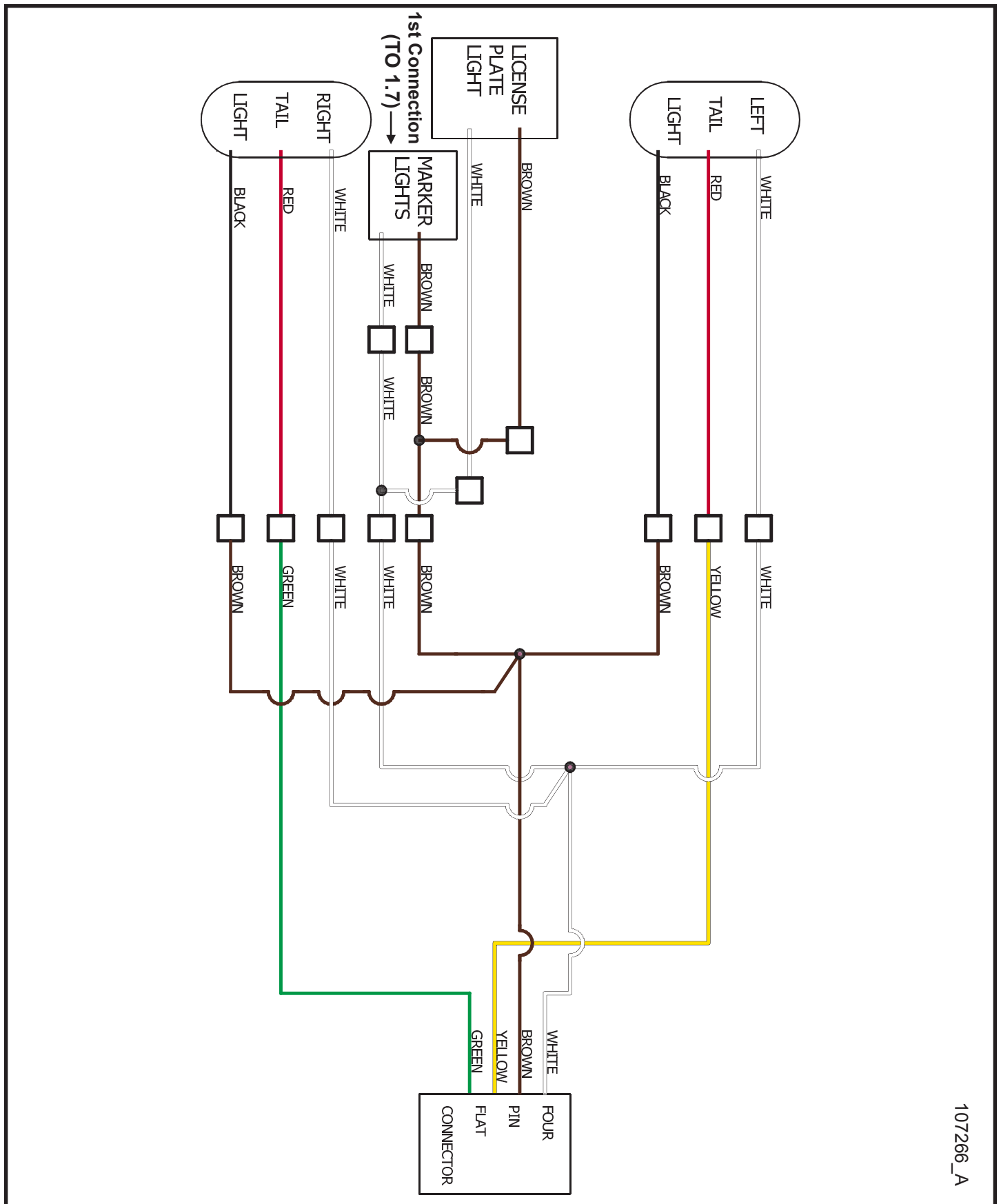
Night-Lite NL5000

1.10 - Ballast Side with Schuko Outlets AC Schematic



108033_A

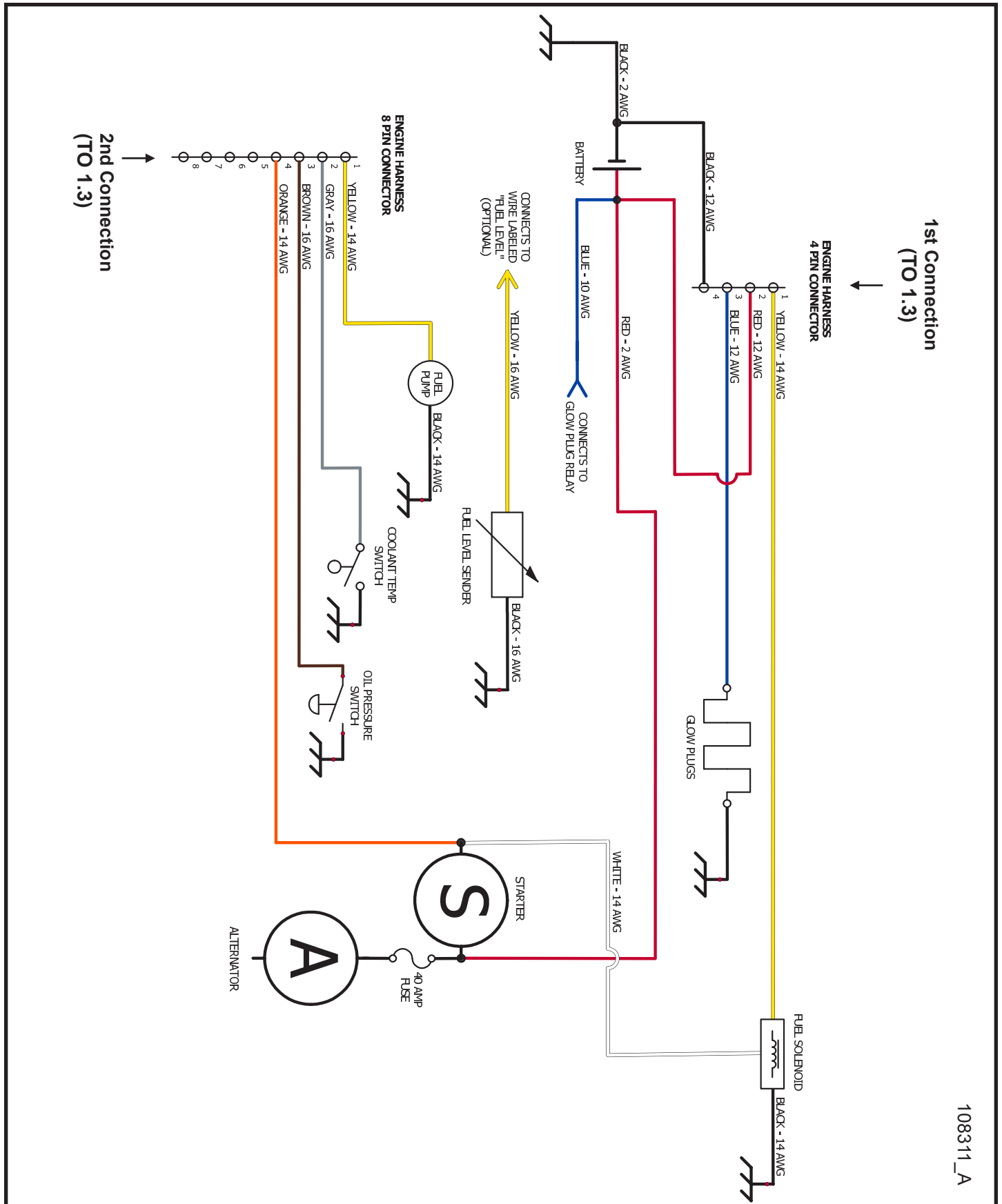
1.11 - Tail Light Harness Schematic



107266_A

Night-Lite NL5000

1.12 - Mitsubishi L3E Engine Harness Schematic



108311_A

Allmand™

BRIGHTER. WARMER. SAFER.

Allmand Bros., Inc.
1502 West 4th Avenue
Holdrege, NE 68949
phone: (308) 995-4495 • toll free: (800) 562-1373
fax: (308) 995-5887

www.allmand.com



Reliability, performance, and integrity since 1938

13-0267