

Allmand™

Brighter. Warmer. Safer.



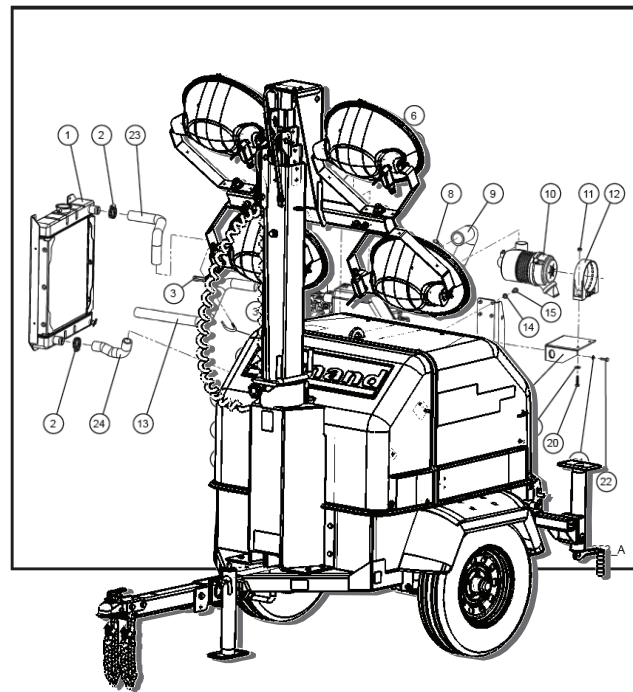
en Parts Manual
NIGHT-LITE NL5000®

Portable
Industrial
Heaters

Portable
Light Towers

Portable
Light Stands

Solar Flashing
Arrow Boards



Copyright © 2016 Allmand Bros., Inc.
Holdrege, NE, USA. All rights reserved.

Part No.: 107999
Revision: C

LIGHT TOWER APP



Reliability, Performance, and Integrity Since 1938

www.allmand.com

TABLE OF CONTENTS

1.0 FRAME/AXLE/TONGUE/OUTRIGGERS

Trailer Frame and Axle	(1.1)
Foldable Tongue	(1.2)
Outriggers and Jacks	(1.3)

2.0 TRAILER BASE PARTS

Front and Rear Cover Group	(2.1)
Door Hinge Mount	(2.2)
Lift Bow Install Group	(2.3)
Fenders	(2.4)
Manual Canister	(2.5)
Ground Rod	(2.6)

3.0 MANUAL VERTICAL TOWER GROUP

Manual Vertical Tower Parts	(3.1)
Manual Vertical Tower Light Bar	(3.2)
Manual Vertical Tower Pivot Support	(3.3)
Manual Vertical Tower Cord	(3.4)

4.0 LAMP AND BALLAST GROUP

1250W Lamps with 60Hz 120V Ballasts	(4.1)
1250W 60Hz 120V Single Ballast Box Assembly	(4.2)
1000W Lamps with 60Hz 120V Ballasts	(4.3)
1000W 60Hz 120V Single Ballast Box Assembly	(4.4)
1000W Lamps with 50Hz 120V Ballasts	(4.5)
1000W 50Hz 120V Single Ballast Box Assembly	(4.6)
Ballast Brace	(4.7)
SHO Light Fixtures	(4.8)
SHO Light Assembly Group	(4.9)
SHO Light SAF-T-Visor	(4.10)
SHO Light Solid Wired Lamp Connector	(4.11)

TABLE OF CONTENTS

5.0 COMPONENT BOX AND ELECTRICAL GROUP

Component Box Assembly	(5.1)
Component Box Assembly w/ 6/4 Cord	(5.2)
Component Box Assembly w/ Twistlock	(5.3)
Component Box Assembly w/ 6/4 Cord and Twistlock	(5.4)
Component Box Assembly International	(5.5)
Component Box Install Group	(5.6)
20AMP GFCI Outlet Control Panel	(5.7)
20AMP GFCI and 30AMP RV Outlet Control Panel	(5.8)
No Outlet Control Panel	(5.9)
Schuko Outlet Control Panel	(5.10)
Tail Lights	(5.11)
Tail Light Harness	(5.12)
Marker Lights	(5.13)
License Plate Bracket w/ Lamp	(5.14)

6.0 KUBOTA ENGINE GROUP

Kubota Engine and Filters	(6.1)
Kubota Engine Assembly Group	(6.2)
Kubota Engine Remote Oil Drain	(6.3)
Kubota Engine Fuel Lines	(6.4)
Kubota Engine Ground Strap	(6.5)
Kubota Engine Block Heater	(6.6)

7.0 MITSUBISHI ENGINE GROUP

Mitsubishi Engine and Filters	(7.1)
Mitsubishi Engine Assembly Group	(7.2)
Mitsubishi Engine Remote Oil Drain	(7.3)
Mitsubishi Engine Fuel Lines	(7.4)
Mitsubishi Engine Ground Strap	(7.5)

TABLE OF CONTENTS

8.0 ENGINE AND GENERATOR GROUP

Engine Isolator Mounts	(8.1)
Engine Threaded Isolator Mounts	(8.2)
Coolant Reservoir Tank	(8.3)
Fuel Level Indicator and Fuel Cap	(8.4)
Fuel Line Drop Tube Group	(8.5)
Battery Install Group	(8.6)
Battery Cables	(8.7)
Battery Blanket	(8.8)
Marathon 8kW 60Hz Generator	(8.9)
Marathon 201 Series 6kW 50Hz Generator	(8.10)
Athlon 8kW 60Hz Generator	(8.11)
10/4 Generator Cord	(8.12)
6/4 Generator Cord	(8.13)

9.0 DECALS

Right Side Decals	(9.1)
Left Side Decals	(9.2)
Front Side Decals	(9.3)
Back Side Decals	(9.4)
Top Side Decals	(9.5)
Interior Decals	(9.6)
Wordless Right Side Decals	(9.7)
Wordless Left Side Decals	(9.8)
Wordless Front Side Decals	(9.9)
Wordless Back Side Decals	(9.10)
Wordless Top Side Decals	(9.11)
Wordless Interior Decals	(9.12)

10.0 RECOMMENDED SPARE PARTS LIST TABLES

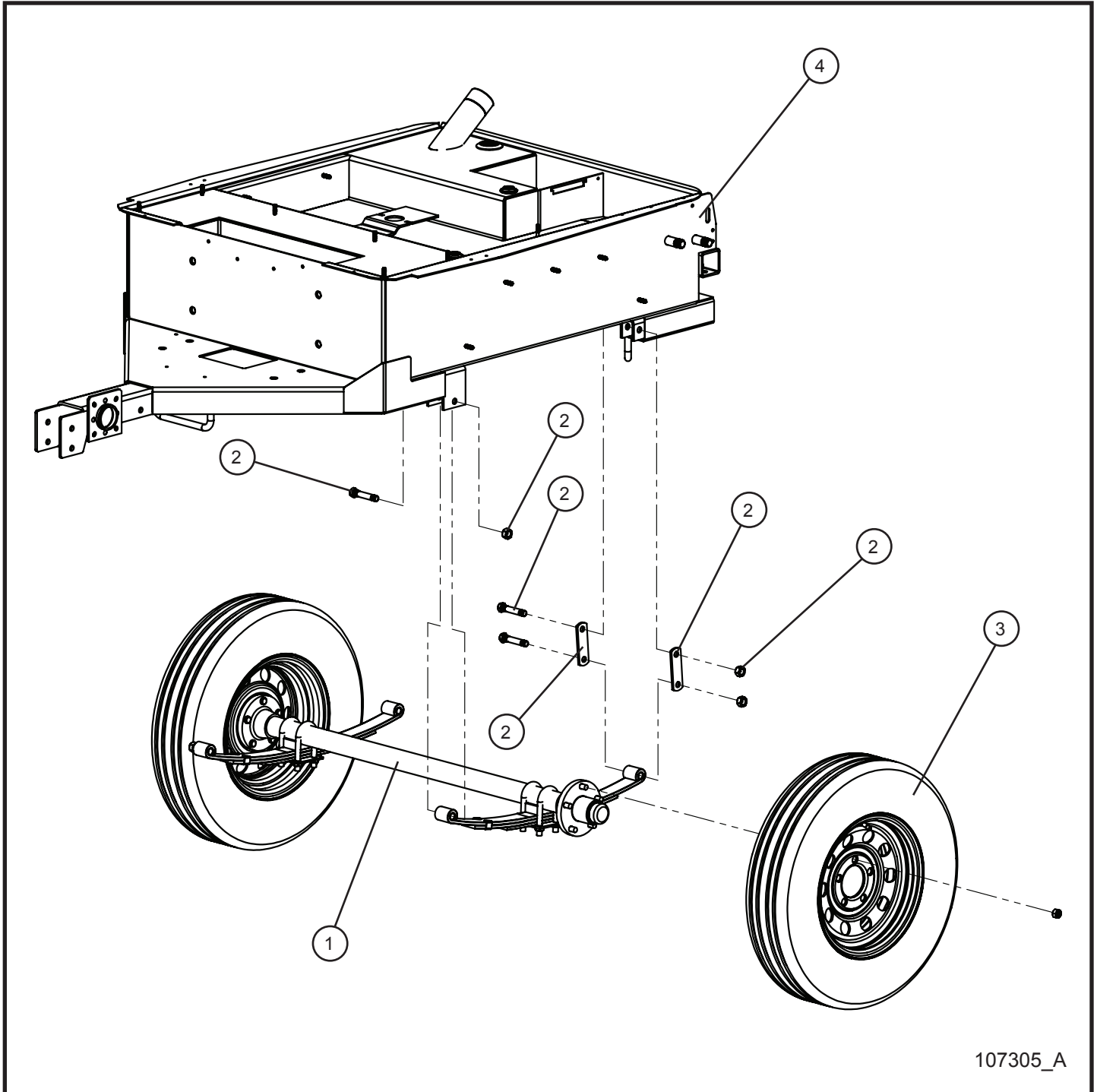
NL5000 with 60Hz Lighting	(10.1)
---------------------------------	--------

Night-Lite 5000

TABLE OF CONTENTS

1.1 - Trailer Frame and Axle

SN 0001NL500016 and UP



107305_A

Night-Lite 5000

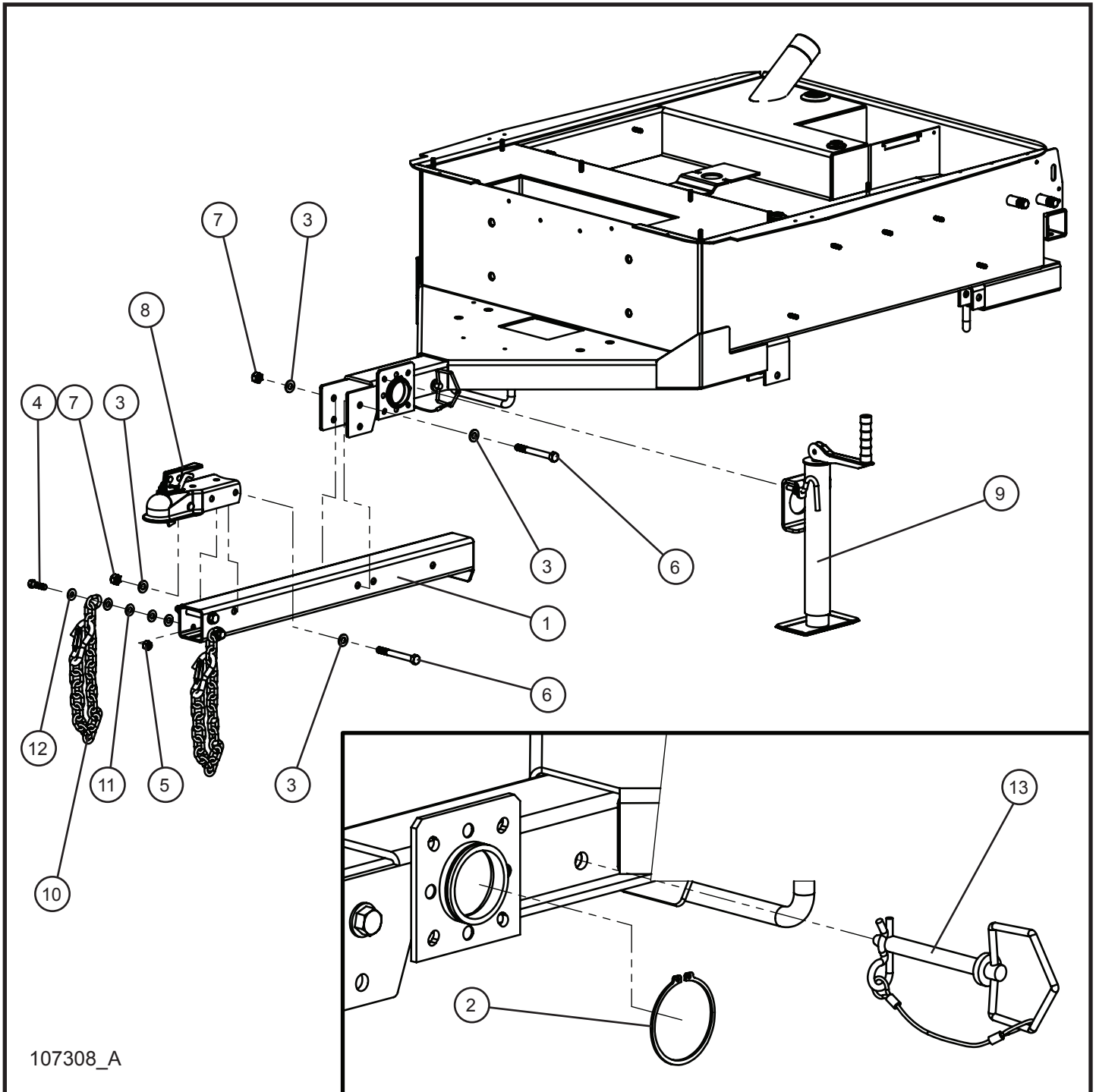
1.1 - Trailer Frame and Axle

SN 0001NL500016 and UP

Item	Part No.	Part Description	Qty.
1	107128	AXLE 13" HUBS	1
2	102106	AXLE HARDWARE KIT LONG	1
3	650387-13	13" WHEEL/TIRE ASSEMBLY	2
4	106947	NIGHT-LITE 5000 FRAME	1

1.2 - Foldable Tongue

SN 0001NL500016 and UP



Night-Lite 5000

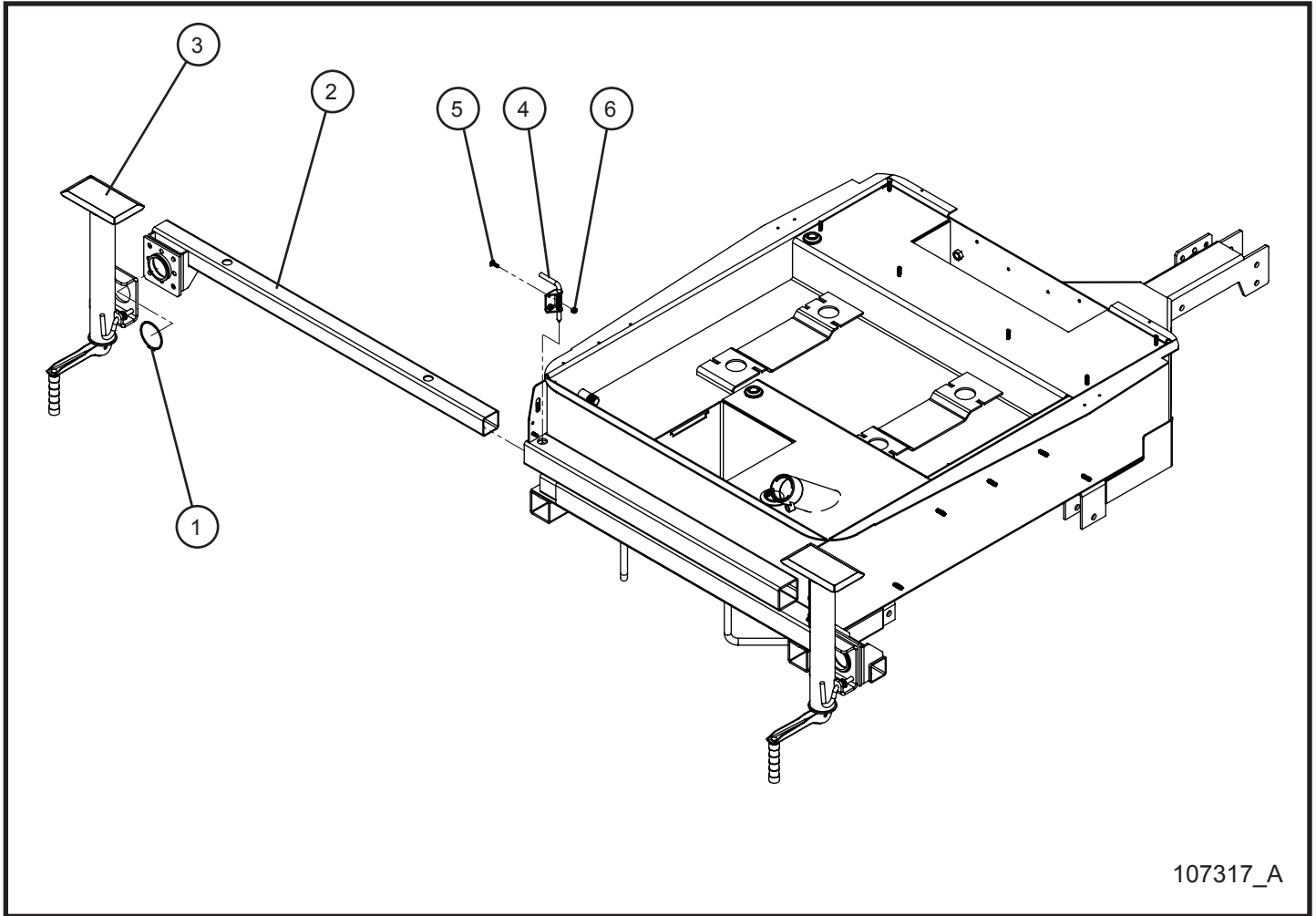
1.2 - Foldable Tongue

SN 0001NL500016 and UP

Item	Part No.	Part Description	Qty.
1	106976P	TONGUE	1
2	330014	2 5/6 XT JACK SNAP RING	1
3	047025	1/2 FLAT WASHER PL	6
4	046160	7/16-14 x 1 1/2 HEX HEAD CS GR5 PL	2
5	044043	7/16-14 NYLOCK HEX NUT PL	2
6	046225	1/2-13 x 4 1/2 HEX HEAD CS GR5 PL	3
7	044048	1/2-13 NYLOCK HEX NUT PL	3
8	712021	2" BALL SAE CLASS 2 3500LBS.	1
9	330008	SHORT JACK TOP CRANK	1
10	049040	SAFETY CHAIN	2
11	042155	M12 FLAT WASHER	8
12	047015	3/8 FLAT WASHER PL	2
13	107385	HITCH PIN	1

1.3 - Outriggers and Jacks

SN 0001NL500016 and UP



Night-Lite 5000

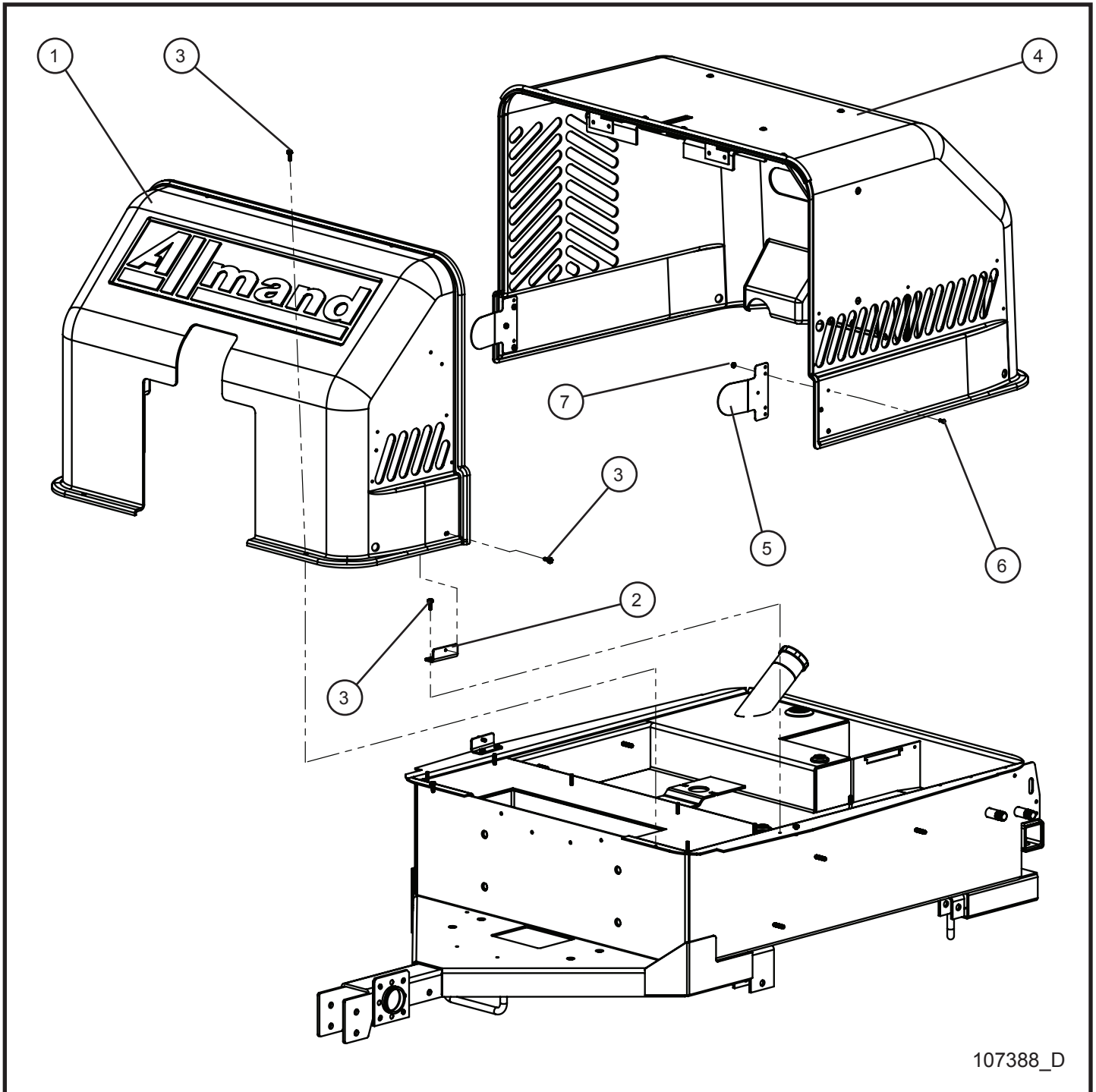
1.3 - Outriggers and Jacks

SN 0001NL500016 and UP

Item	Part No.	Part Description	Qty.
1	330014	2 5/6 XT JACK SNAP RING	2
2	107143P	OUTRIGGER LEFT AND RIGHT	2
3	330008	SHORT JACK TOP CRANK	2
4	650723	RETENSION PIN RIGHT/LEFT	2
5	041050	1/4-20 x 3/4 PH-TRUSS HEAD MS SS MACHINE SCREW	4
6	044023	1/4-20 NYLOCK HEX NUT PL	4

2.1 - Front and Rear Cover Group (1 of 4)

SN 0001NL500016 and UP



107388_D

Night-Lite 5000

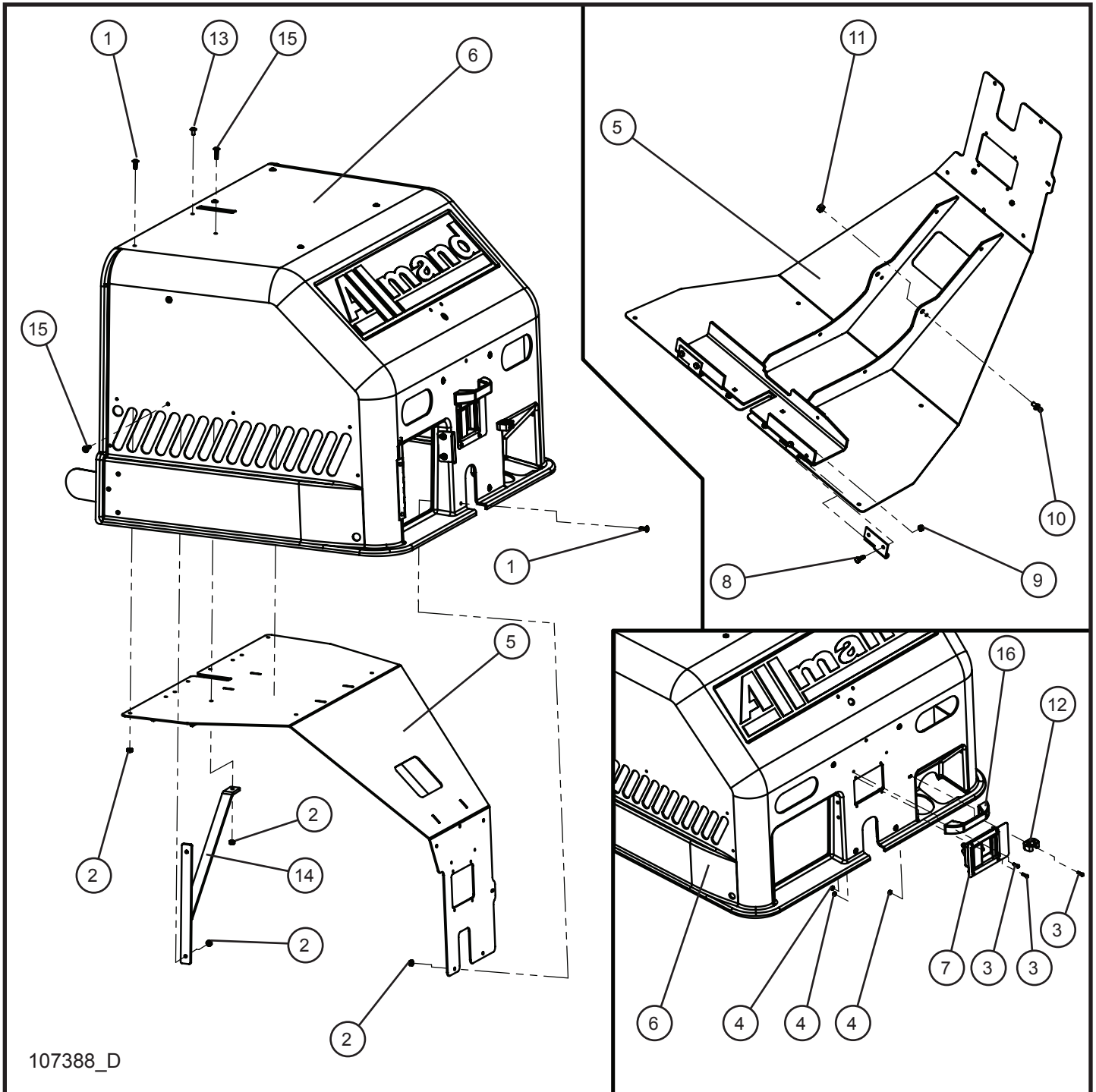
2.1 - Front and Rear Cover Group (1 of 4)

SN 0001NL500016 and UP

Item	Part No.	Part Description	Qty.
1	106982	COVER FRONT	1
	108719	COVER FRONT W/ NO SLOTS	1
2	107367P	FRONT COVER MOUNTING BRACKET	2
3	041070	1/4-20 x 3/4 SL-HEX WASHER HEAD MS TP F	8
4	106981	COVER REAR	1
	108718	COVER REAR W/ NO SLOTS	1
5	108383P	GUIDE COVER	2
6	041021	#10-24 x 1/2 PH-ROUND HEAD MS PL	6
7	044016	#10-24 KEPS HEX NUT PL	6

2.1 - Front and Rear Cover Group (2 of 4)

SN 0001NL500016 and UP



107388_D

Night-Lite 5000

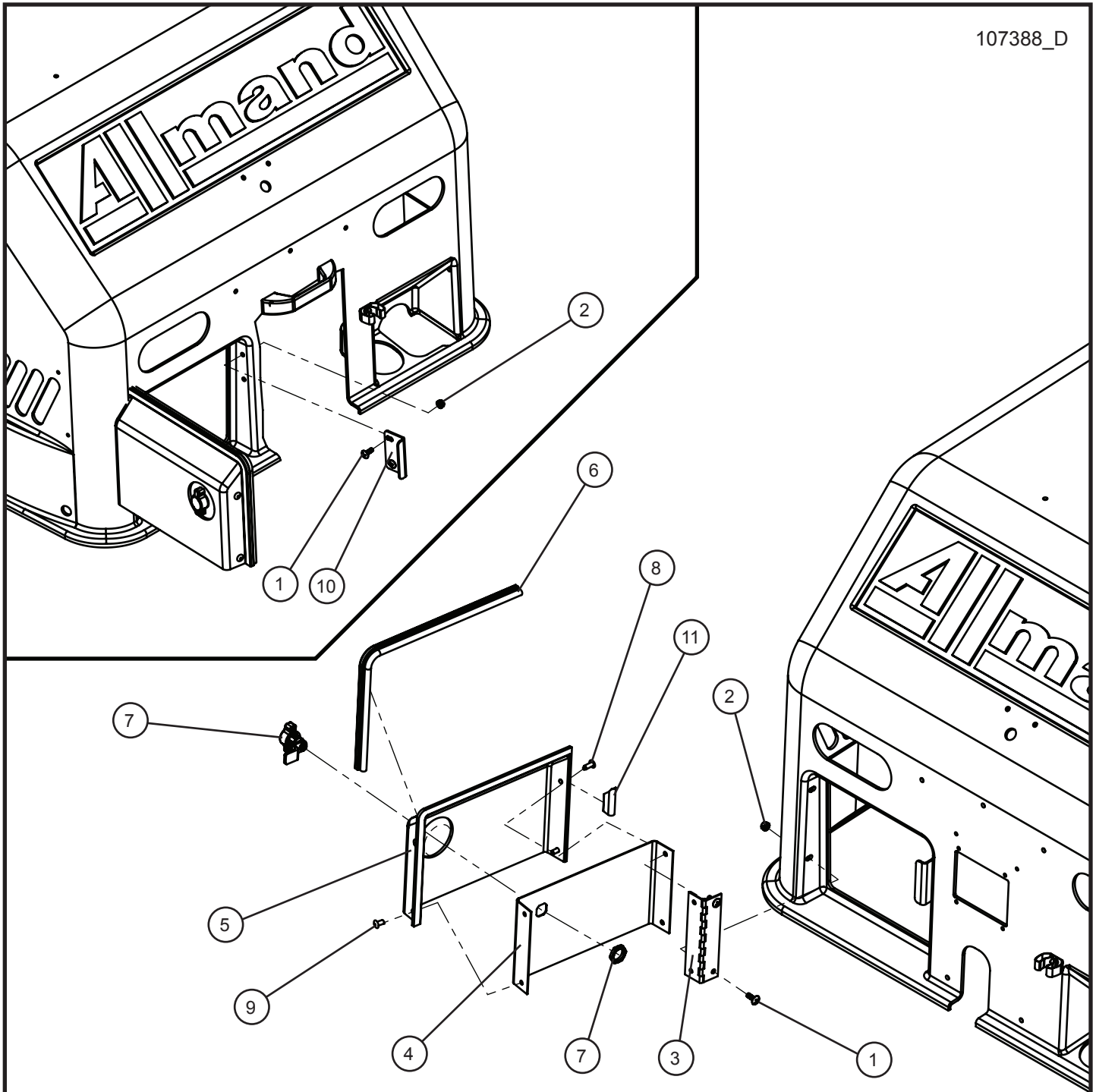
2.1 - Front and Rear Cover Group (2 of 4)

SN 0001NL500016 and UP

Item	Part No.	Part Description	Qty.
1	041050	1/4-20 x 3/4 PH-TRUSS HEAD MS SS MACHINE SCREW	10
2	044021	1/4-20 KEPS HEX NUT PL	10
3	041027	#10-24 x 3/4 MS MACHINE SCREW	4
4	044018	#10-24 NYLOCK HEX NUT PL	4
5	107164P	HINGE MOUNT	1
6	106981	COVER REAR	1
	108718	COVER REAR W/ NO SLOTS	1
7	680459	SLAM LATCH	1
8	102573	1/4-20 x 3/4 HEX HEAD CS GR5 ZINC	4
9	044023	1/4-20 NYLOCK HEX NUT PL	4
10	330437	BALL STUD M10	1
11	044090	5/16-18 TOP LOCK HEX NUT PL	1
12	107324	TOOL HOLDER 3/4 ZINC PLATED	1
13	041078	1/4-20 x 1/2 PH-TRUSS HEAD MS SS	2
14	108380P	BRACE COVER LEFT SIDE	1
15	041080	1/4-20 x 1 PH-TRUSS HEAD MS SS	3
16	712395	HANDLE	1

2.1 - Front and Rear Cover Group (3 of 4)

SN 0001NL500016 and UP



Night-Lite 5000

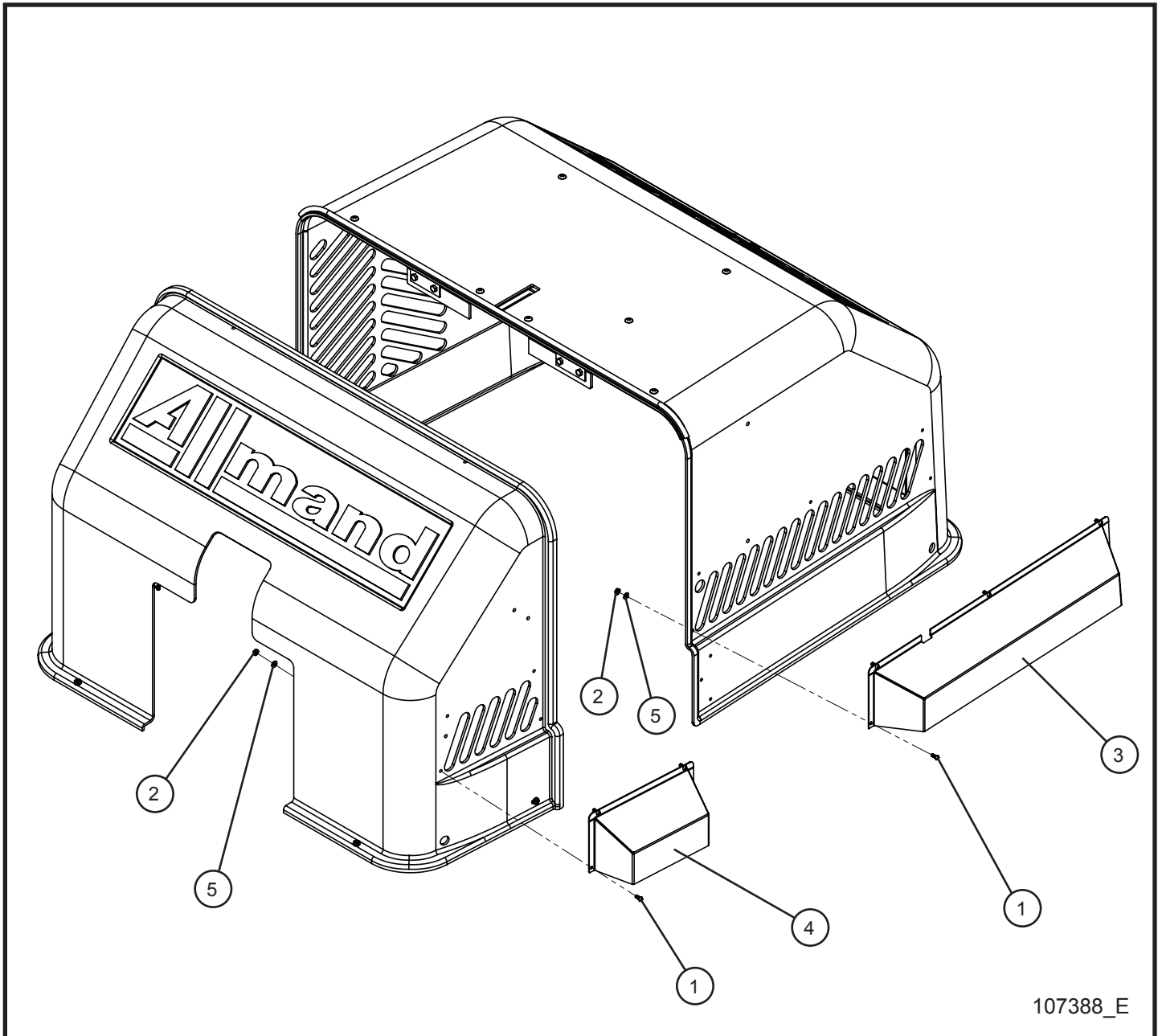
2.1 - Front and Rear Cover Group (3 of 4)

SN 0001NL500016 and UP

Item	Part No.	Part Description	Qty.
1	041050	1/4-20 x 3/4 PH-TRUSS HEAD MS SS MACHINE SCREW	14
2	044021	1/4-20 KEPS HEX NUT PL	14
3	107555	HINGE 1260 SS 2.50" x 6" STAKED	1
4	107589P	CONTROL PANEL COVER SUPPORT	1
5	107118	COVER CONTROL PANEL	1
6	107607	TRIM GASKET 3/16" x 19 1/2" WITH 3/8 BULB	1
7	108229	WING HANDLE PADLOCK CHROME PLATED	1
8	045119	1/4 x 5/8 RIVET	2
9	045118	1/4 x 1/2 RIVET	2
10	108231	PAWL CATCH	1
11	030054	TRIMLOCK 3/16 x 3/4, 2 INCH CUT TO FIT DOOR SHAPE	1

2.1 - Front and Rear Cover Group (4 of 4)

SN 0001NL500016 and UP



107388_E

Night-Lite 5000

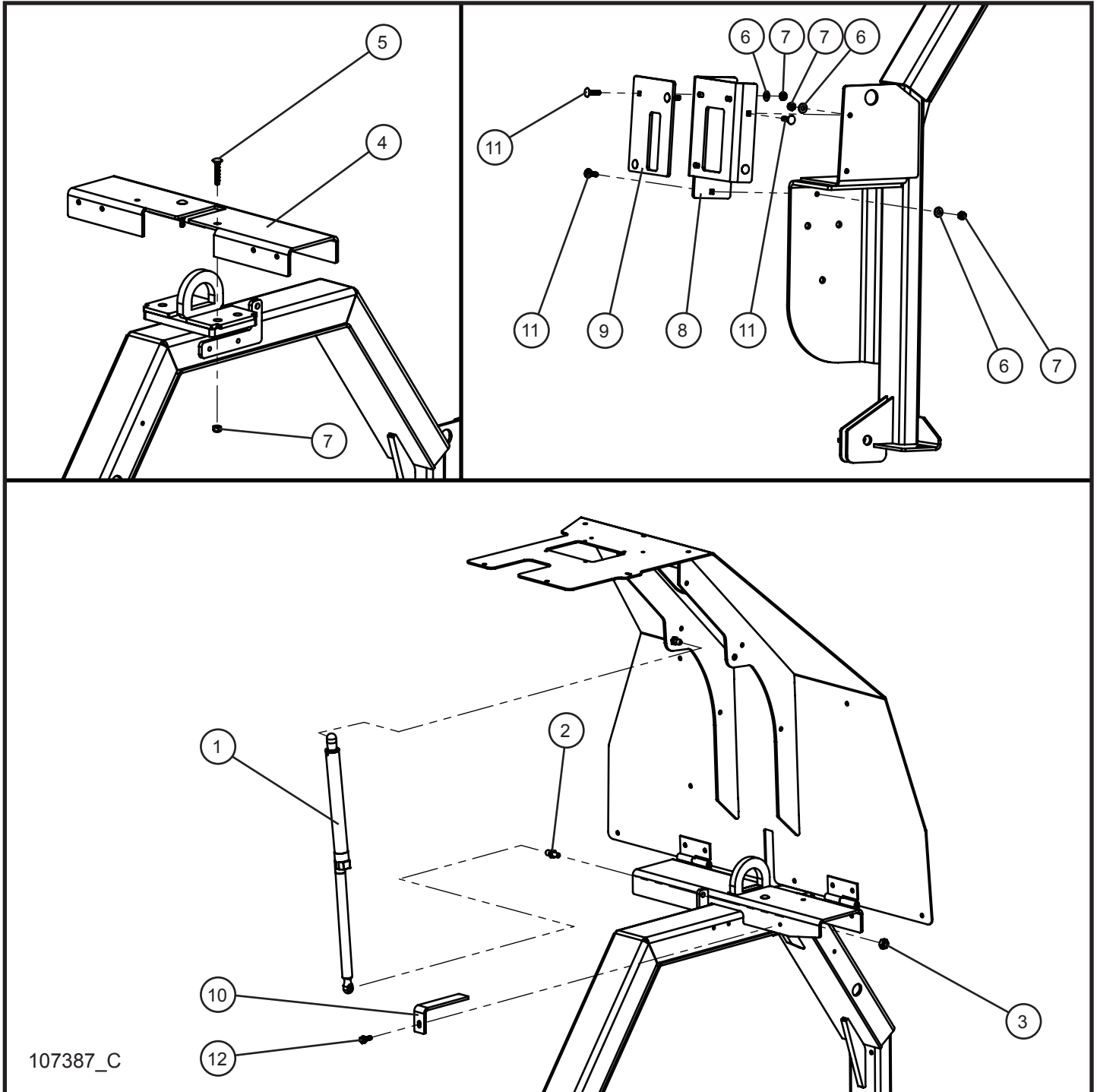
2.1 - Front and Rear Cover Group (4 of 4)

SN 0001NL500016 and UP

Item	Part No.	Part Description	Qty.
1	041021	#10-24 x 1/2 PH-ROUND HEAD MS PL	9
2	044016	#10-24 KEPS HEX NUT PL	9
3	108721P	COVER AIR INLET LARGE	1
4	108722P	COVER AIR INLET SMALL	1
5	047003	#10 FLAT WASHER SAE SS	9

2.2 - Door Hinge Mount

SN 0001NL500016 and UP



Night-Lite 5000

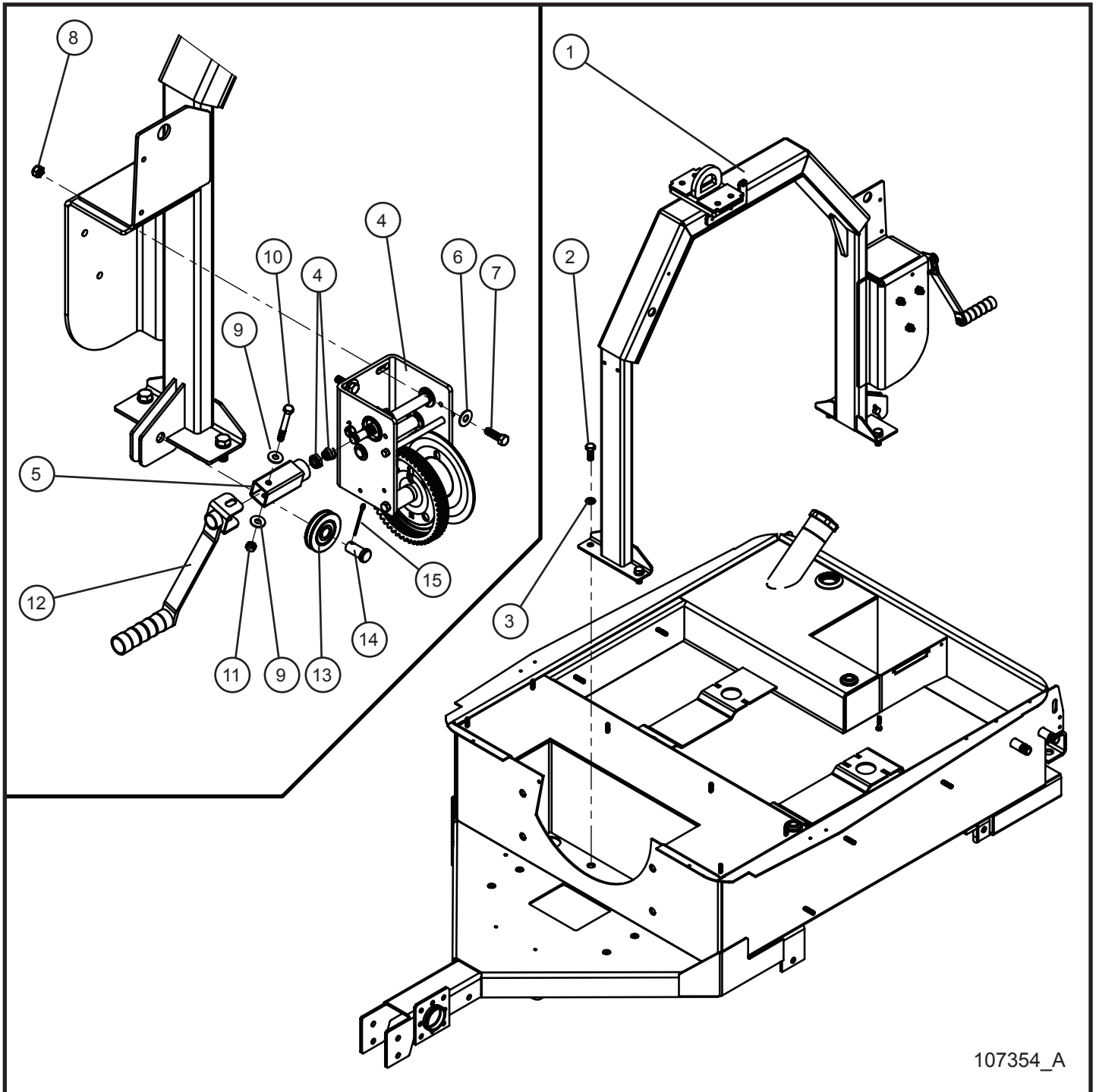
2.2 - Door Hinge Mount

SN 0001NL500016 and UP

Item	Part No.	Part Description	Qty.
1	105245	CYLINDER GAS SPRING LOCKING	1
2	330437	BALL STUD M10	1
3	044090	5/16-18 TOP LOCK HEX NUT PL	2
4	107090P	CHANNEL TOP	1
5	053009	BOLT CARRIAGE 1/4-20 x 1 1/2 GR 5 ZINC	2
6	047009	1/4 FLAT WASHER SAE SS	8
7	044023	1/4-20 NYLOCK HEX NUT SS	8
8	108447P	MOUNT LATCH PLATE	1
9	108448P	PLATE LATCH	1
10	108415P	ANGLE DOOR STOP	1
11	100342	1/4-20 x 1 CARRIAGE BOLT PL	6
12	041070	1/4-20 x 3/4 SL-HEX WASHER HEAD MS TP F	1

2.3 - Lift Bow Install Group

SN 0001NL500016 and UP



107354_A

Night-Lite 5000

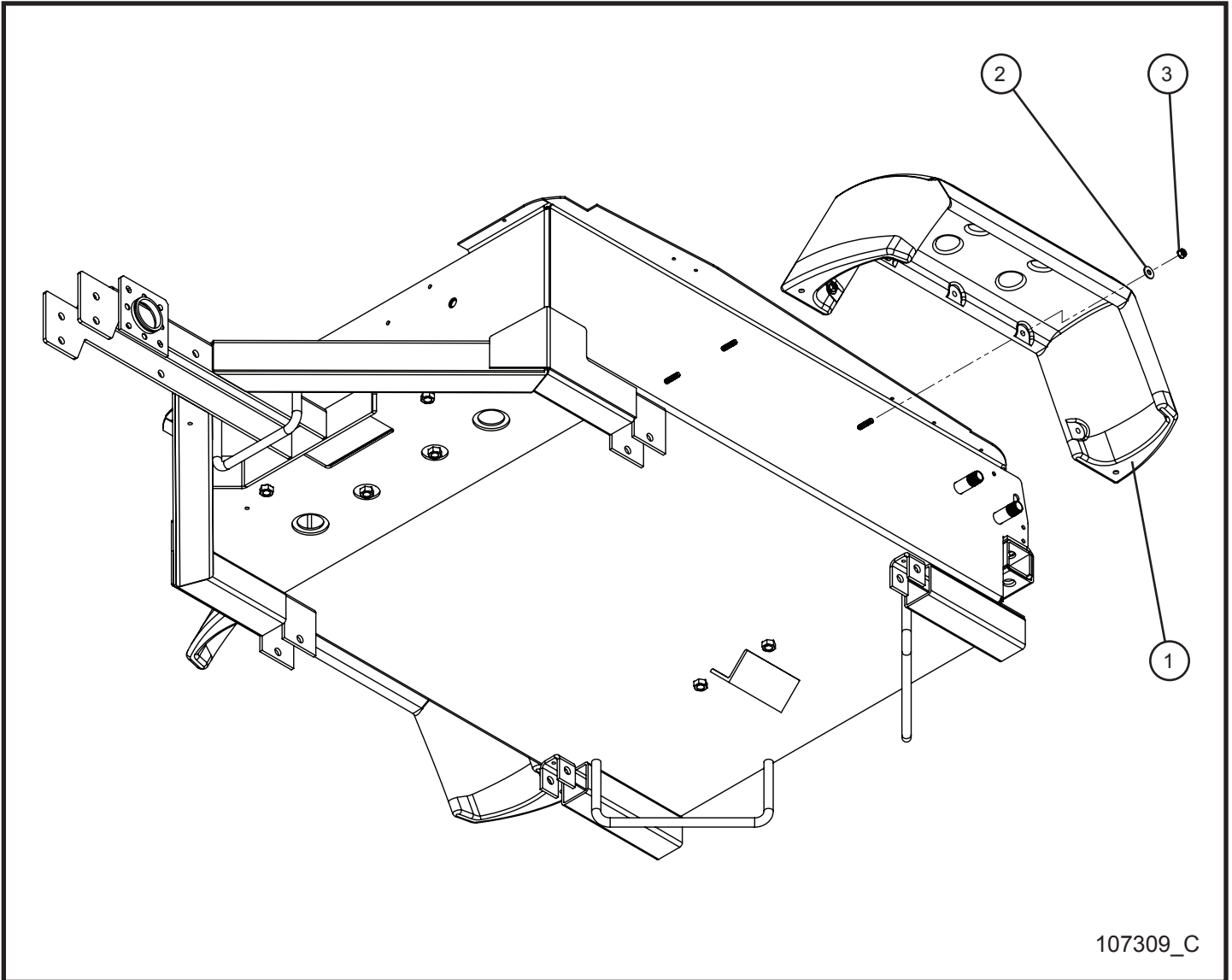
2.3 - Lift Bow Install Group

SN 0001NL500016 and UP

Item	Part No.	Part Description	Qty.
1	106967P	LIFT BOW	1
2	046180	1/2-13 x 1 1/4 HEX HEAD CS GR5 PL	4
3	046085	1/2 SPLITLOCK WASHER PL	4
4	100145	WINCH BRAKE	1
5	660144	DRIVE HUB	1
6	047015	3/8 FLAT WASHER PL	3
7	046115	3/8-16 x 1 1/4 HEX HEAD CS GR5 PL	3
8	044038	3/8-16 NYLOCK HEX NUT PL	3
9	047010	5/16 FLAT WASHER PL	2
10	046072	5/16-18 x 2 1/2 HEX HEAD CS GR5 PL	1
11	044033	5/16-18 NYLOCK HEX NUT PL	1
12	107167	HANDLE WINCH	1
13	100160	2 1/2 PULLEY BALL BEARING	1
14	102906	5/8 x 1 1/4 CLEVIS PIN	1
15	045042	COTTER PIN 1/8 x 1 1/2	1

2.4 - Fenders

SN 0001NL500016 and UP



107309_C

Night-Lite 5000

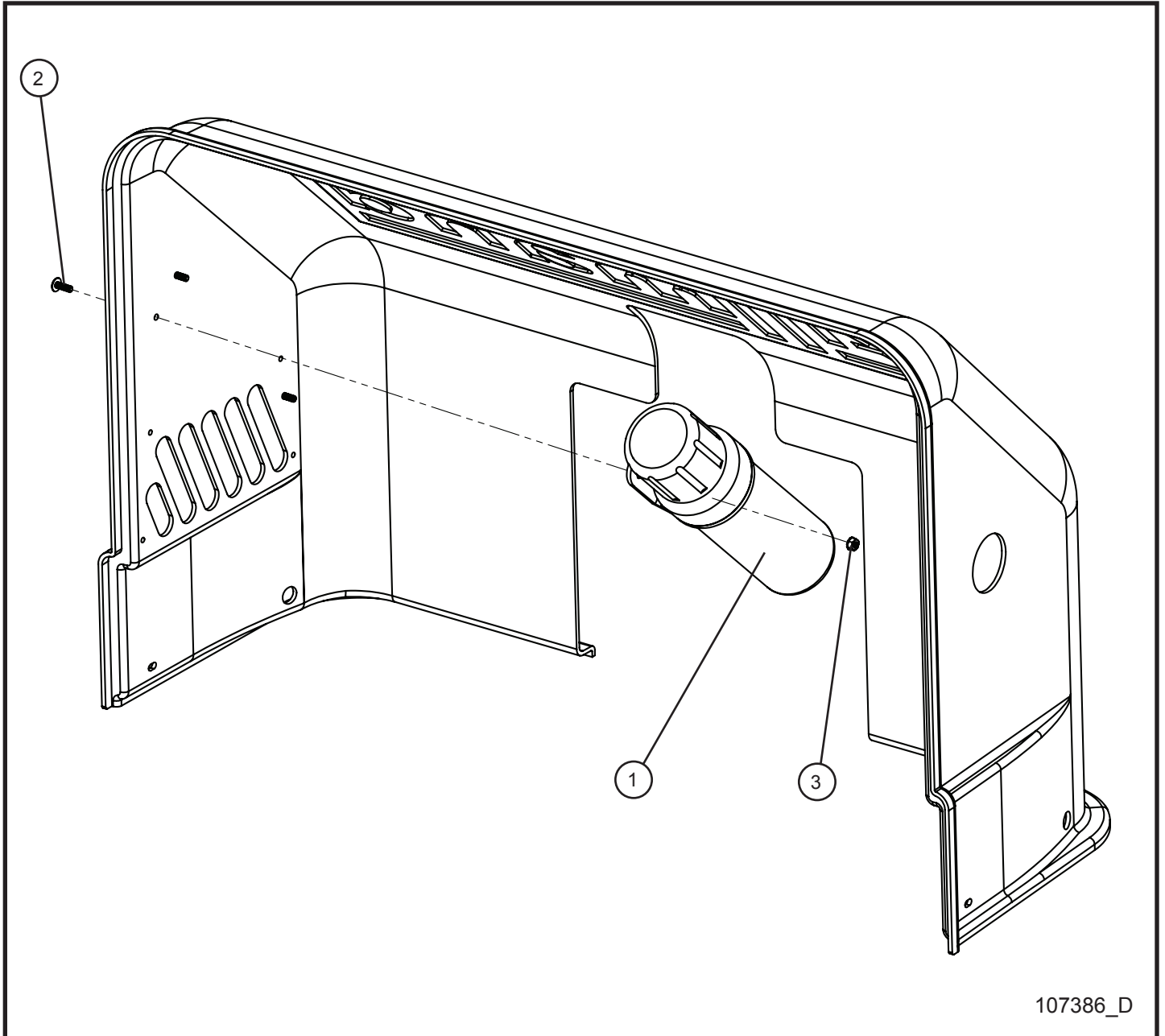
2.4 - Fenders

SN 0001NL500016 and UP

Item	Part No.	Part Description	Qty.
1	650297	FENDER 13 INCH MOLDED EMBEDDED DECAL	2
2	047010	5/16 FLAT WASHER PL	6
3	044031	5/16-18 KEPS HEX NUT PL	6

2.5 - Manual Canister

SN 0001NL500016 and UP



107386_D

Night-Lite 5000

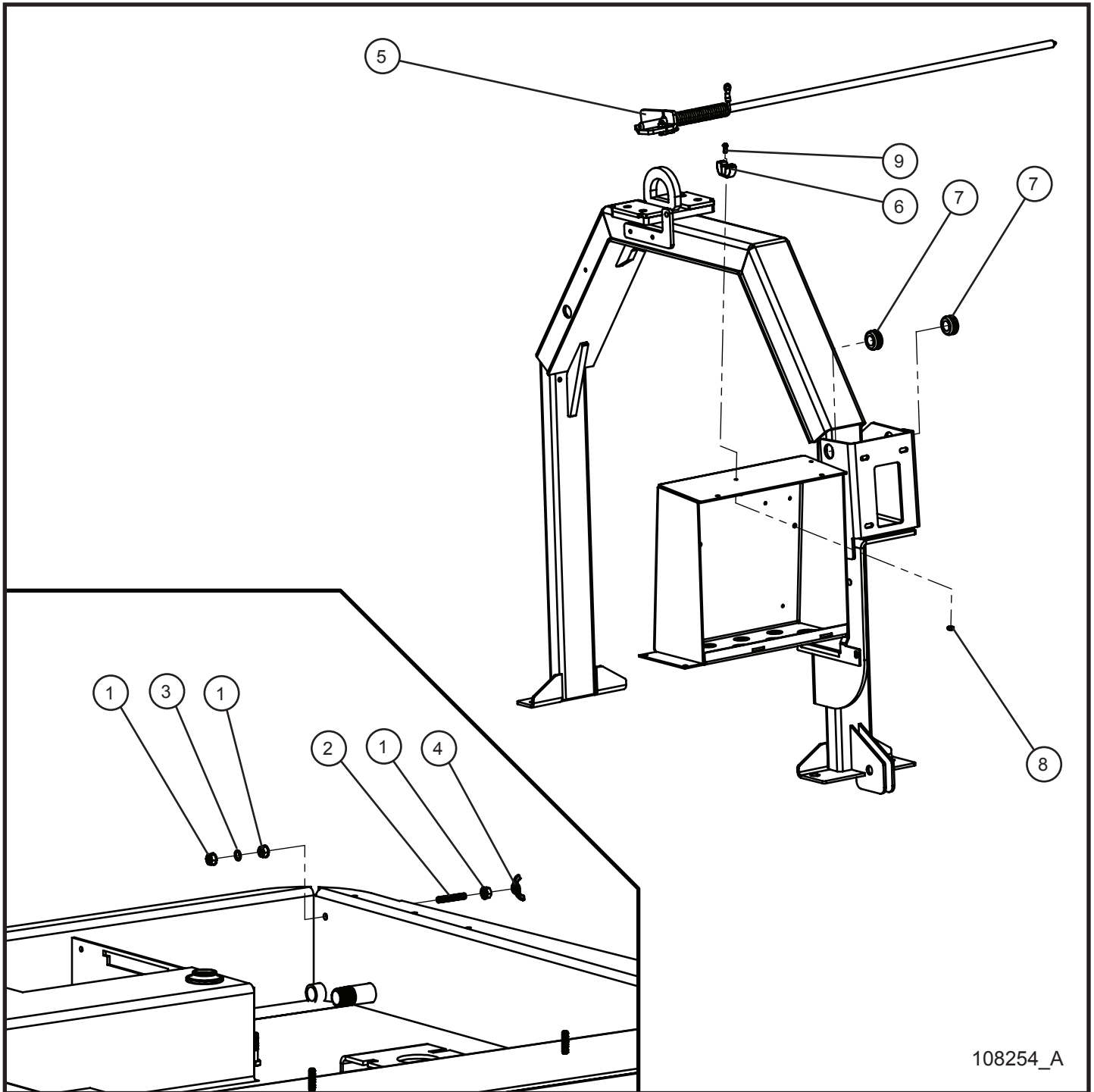
2.5 - Manual Canister

SN 0001NL500016 and UP

Item	Part No.	Part Description	Qty.
1	106916	MEGA CANISTER PRODUCT MANUAL	1
2	041050	1/4-20 x 3/4 PH-TRUSS HEAD MS SS MACHINE SCREW	3
3	044021	1/4-20 KEPS HEX NUT PL	3

2.6 - Ground Rod

SN 0001NL500016 and UP



108254_A

Night-Lite 5000

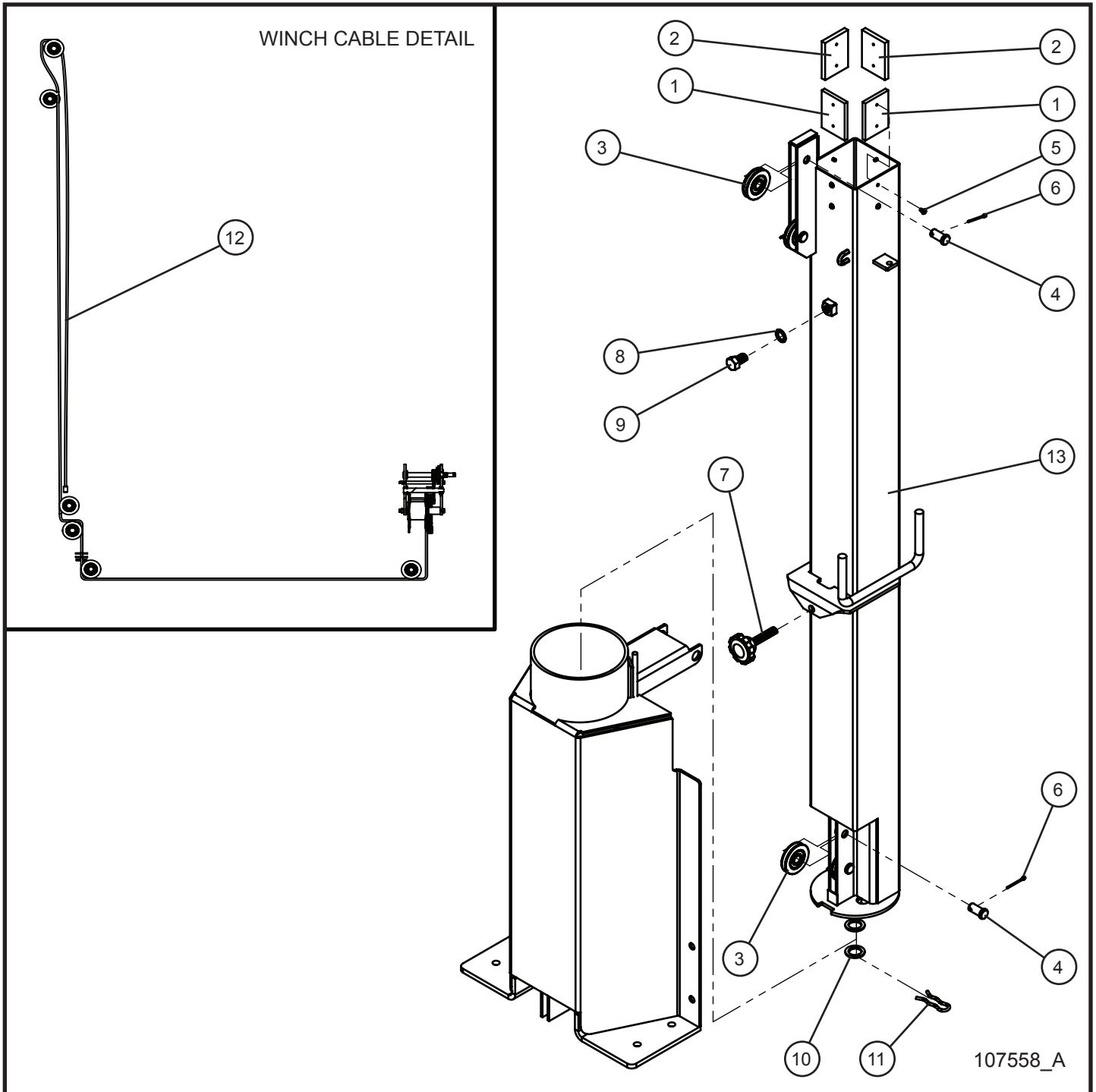
2.6 - Ground Rod

SN 0001NL500016 and UP

Item	Part No.	Part Description	Qty.
1	044021	1/4-20 KEPS HEX NUT PL	3
2	045003	1/4-20 x 1-1/2 STUD PL	1
3	043050	1/4 INTL TOOTHLOCK WASHER	1
4	330494	NUT WING 1/4-20 PL	1
5	340058	GROUND ROD ASSEMBLY	1
6	330481	GROUND ROD CLIP	1
7	330463	11/16 RUBBER GROMMET	2
8	044018	#10-24 NYLOCK HEX NUT PL	1
9	041021	#10-24 x 1/2 PH-ROUND HEAD MS PL	1

3.1 - Manual Vertical Tower Parts (1 of 4)

SN 0001NL500016 and UP



Night-Lite 5000

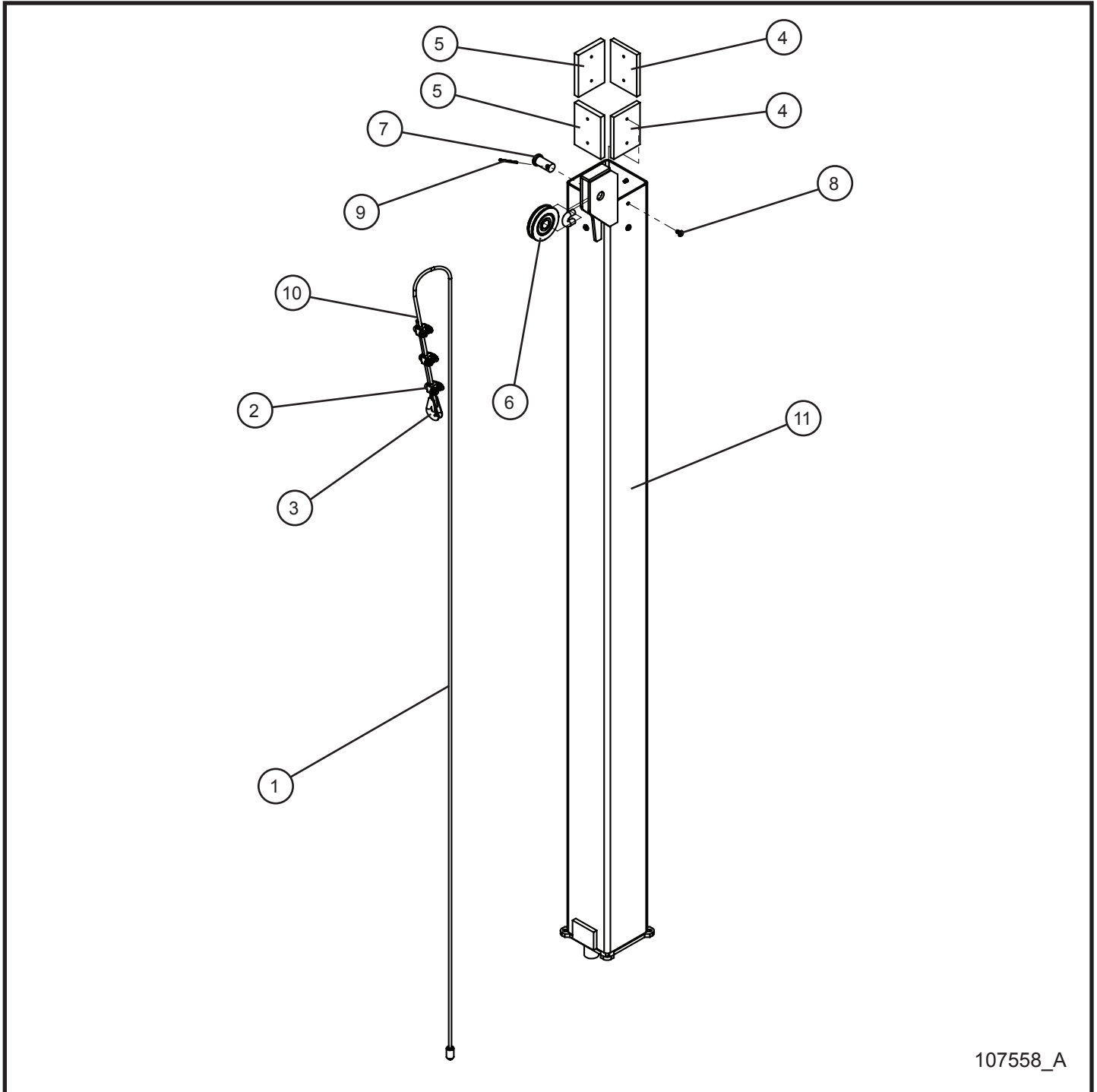
3.1 - Manual Vertical Tower Parts (1 of 4)

SN 0001NL500016 and UP

Item	Part No.	Part Description	Qty.
1	650110	.312 TOWER PAD	2
2	650109	.375 TOWER PAD	2
3	100160	2 1/2 PULLEY BALL BEARING	4
4	102906	5/8 x 1 1/4 CLEVIS PIN	4
5	041023	#10 x 3/8 PH-ROUND HEAD MS PL	8
6	045042	COTTER PIN 1/8 x 1 1/2	4
7	620550	1/2-13 x 2 1/8 LOCKING KNOB	1
8	043100	5/8 INTL TOOTHLOCK WASHER PL	1
9	046242	5/8-11 x HEX HEAD CS GR5 PL	1
10	047055	1" ID NARROW RIM PLATED MACHINE BUSHING	2
11	620545	3/4" HAIR PIN CLIP RATED	1
12	107365	WINCH CABLE	1
13	107133P	TOWER WELDMENT 5 INCH SECTION	1
	107133-20	TOWER WELDMENT 5 INCH SECTION - GALVANIZED	1

3.1 - Manual Vertical Tower Parts (2 of 4)

SN 0001NL500016 and UP



107558_A

Night-Lite 5000

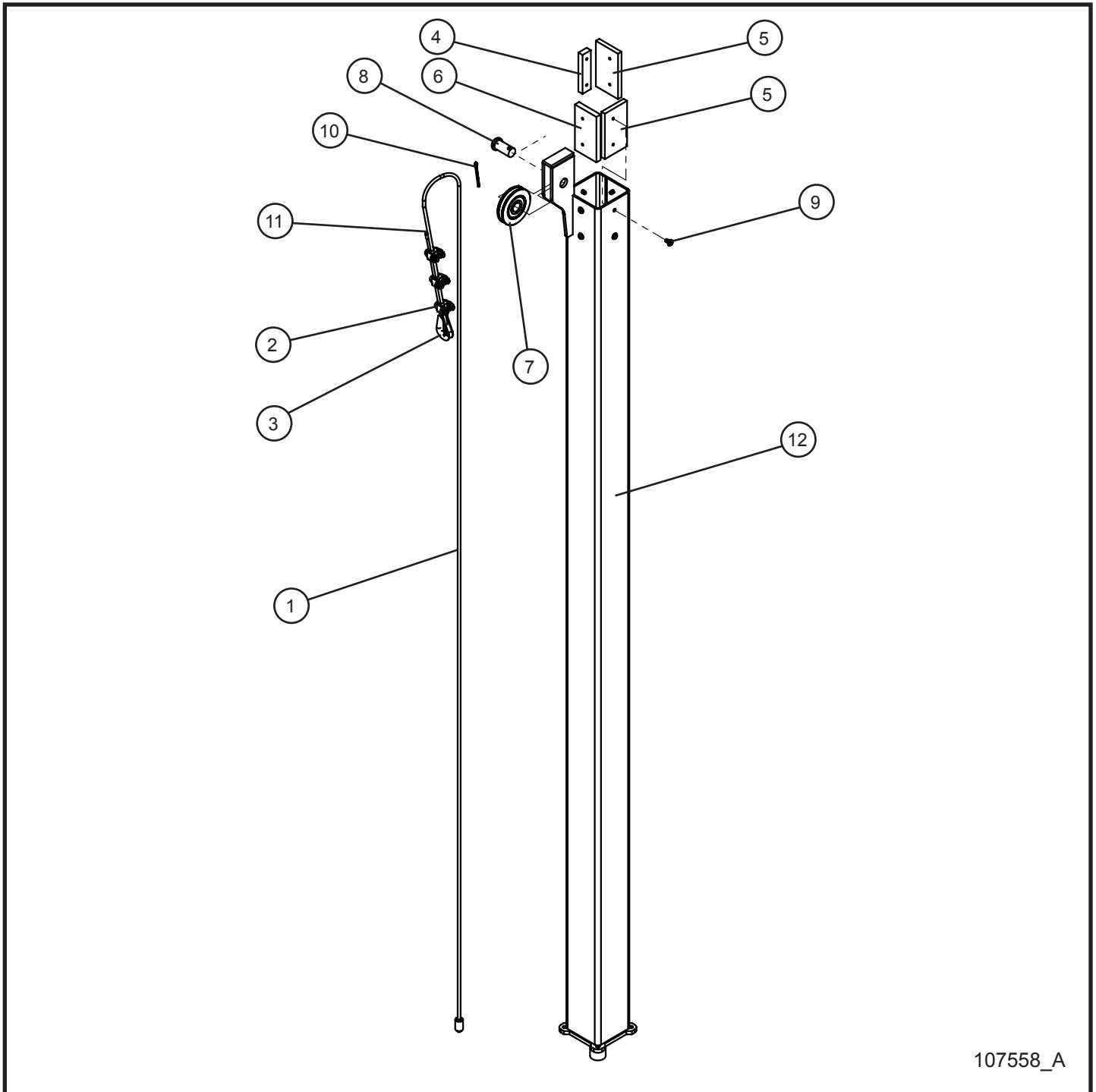
3.1 - Manual Vertical Tower Parts (2 of 4)

SN 0001NL500016 and UP

Item	Part No.	Part Description	Qty.
1	320185	CABLE 3/16 STEEL 10'	1
2	620084	3/16 CABLE CLIP	3
3	045040	3/16 CABLE THIMBLE 3/16 WIRE ROPE	1
4	650110	.312 TOWER PAD	2
5	650109	.375 TOWER PAD	2
6	100160	2 1/2 PULLEY BALL BEARING	1
7	102906	5/8 x 1 1/4 CLEVIS PIN	1
8	041023	#10 x 3/8 PH-ROUND HEAD MS PL	8
9	045042	COTTER PIN 1/8 x 1 1/2	1
10	022150	FERRULE 10-12 AWG	1
11	107182P	TOWER WELDMENT 4 INCH SECTION	1
	107182-20	TOWER WELDMENT 4 INCH SECTION - GALVANIZED	1

3.1 - Manual Vertical Tower Parts (3 of 4)

SN 0001NL500016 and UP



107558_A

Night-Lite 5000

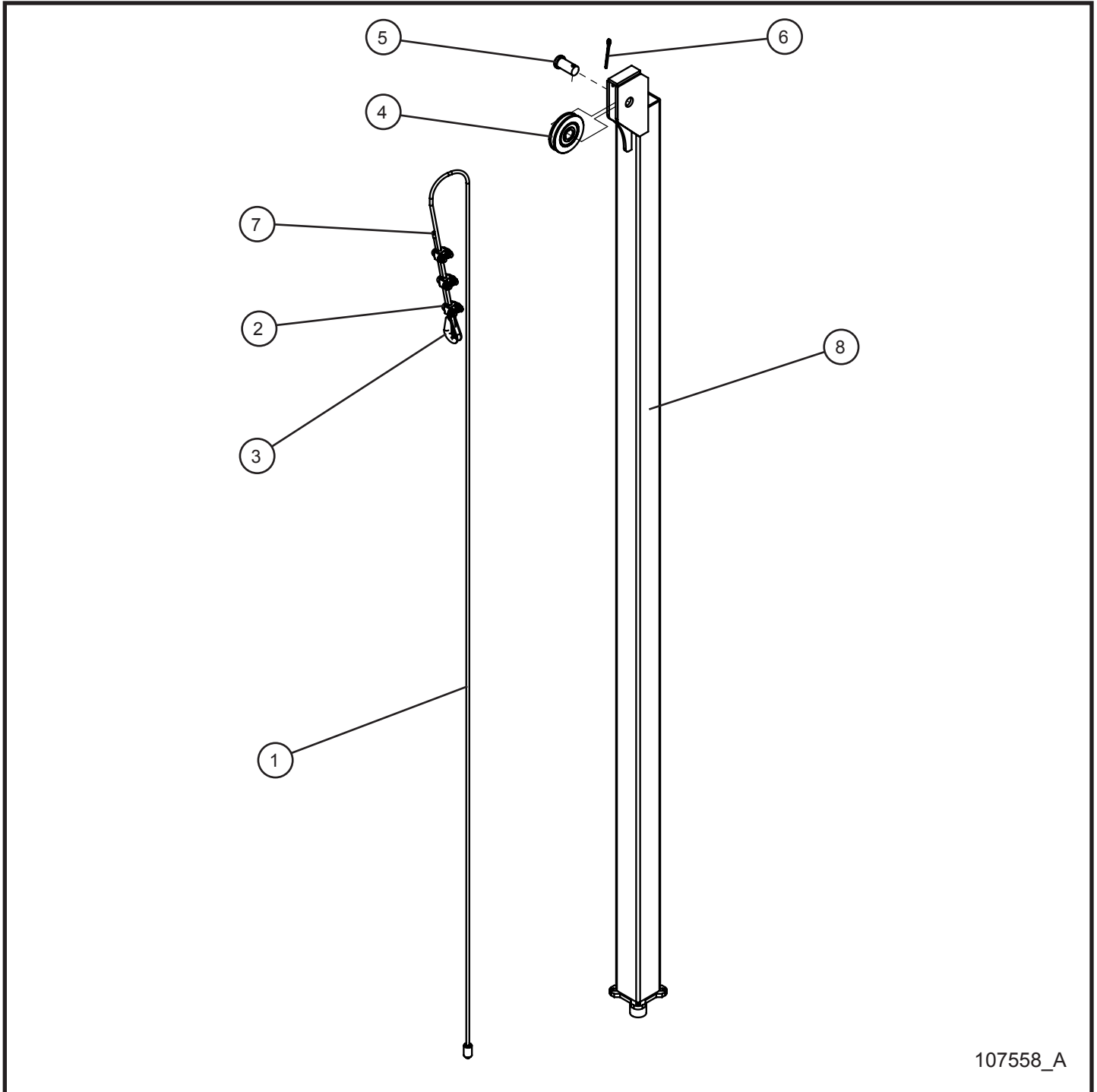
3.1 - Manual Vertical Tower Parts (3 of 4)

SN 0001NL500016 and UP

Item	Part No.	Part Description	Qty.
1	320185	CABLE 3/16 STEEL 10'	1
2	620084	3/16 CABLE CLIP	3
3	045040	3/16 CABLE THIMBLE 3/16 WIRE ROPE	1
4	100062	3/8 UHMW SPACER	1
5	352280	PLASTIC TOWER PAD	2
6	100446	3/8 PAD SMALL	1
7	100160	2 1/2 PULLEY BALL BEARING	1
8	102906	5/8 x 1 1/4 CLEVIS PIN	1
9	041023	#10 x 3/8 PH-ROUND HEAD MS PL	8
10	045042	COTTER PIN 1/8 x 1 1/2	1
11	022150	FERRULE 10-12 AWG	1
12	107135P	TOWER WELDMENT 3 INCH SECTION	1
	107135-20	TOWER WELDMENT 3 INCH SECTION - GALVANIZED	1

3.1 - Manual Vertical Tower Parts (4 of 4)

SN 0001NL500016 and UP



107558_A

Night-Lite 5000

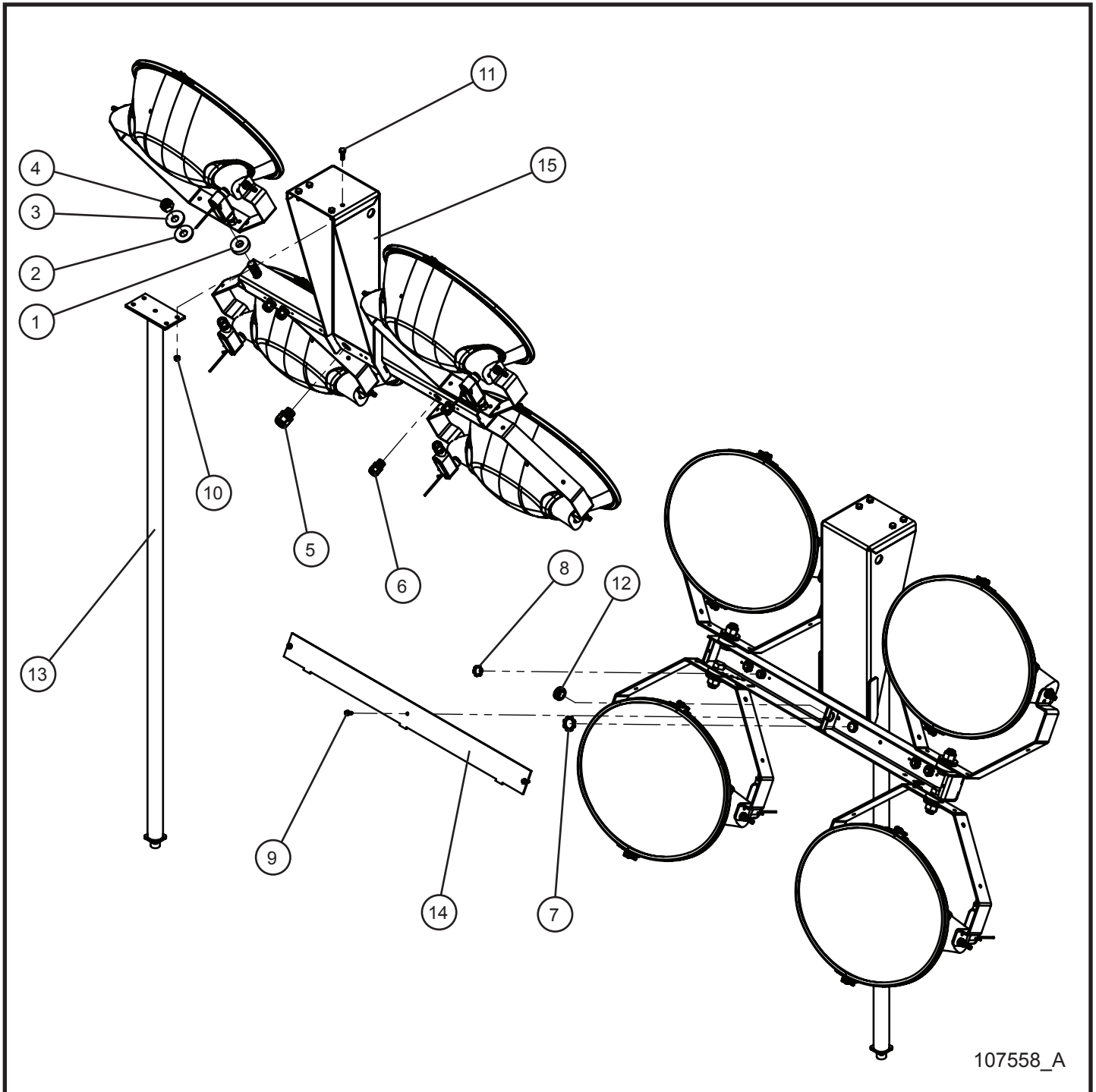
3.1 - Manual Vertical Tower Parts (4 of 4)

SN 0001NL500016 and UP

Item	Part No.	Part Description	Qty.
1	320185	CABLE 3/16 STEEL 10'	1
2	620084	3/16 CABLE CLIP	3
3	045040	3/16 CABLE THIMBLE 3/16 WIRE ROPE	1
4	100160	2 1/2 PULLEY BALL BEARING	1
5	102906	5/8 x 1 1/4 CLEVIS PIN	1
6	045042	COTTER PIN 1/8 x 1 1/2	1
7	022150	FERRULE 10-12 AWG	1
8	107137P	TOWER WELDMENT 2 INCH SECTION	1
	107137-20	TOWER WELDMENT 2 INCH SECTION - GALVANIZED	1

3.2 - Manual Vertical Tower Light Bar

SN 0001NL500016 and UP



Night-Lite 5000

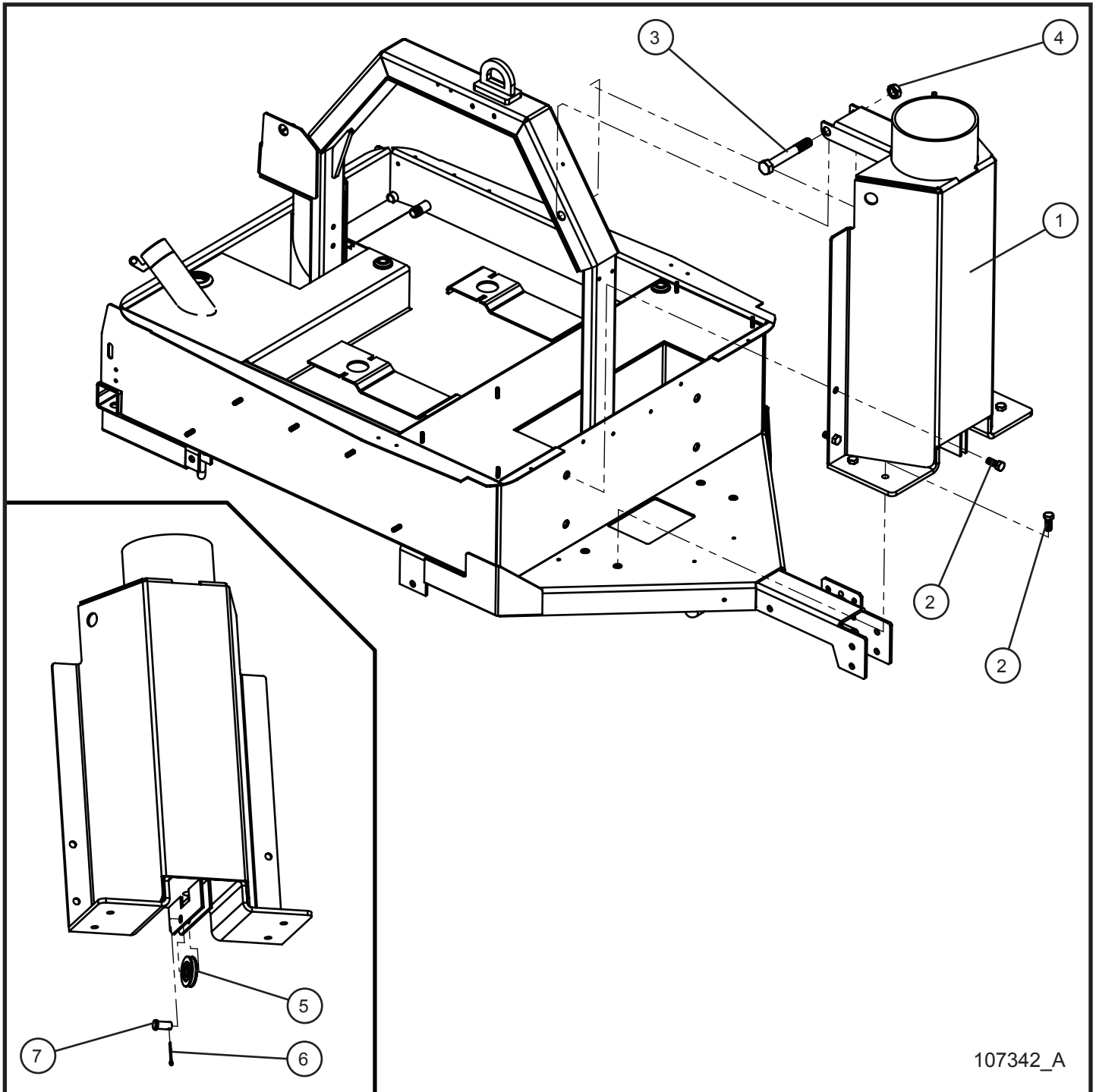
3.2 - Manual Vertical Tower Light Bar

SN 0001NL500016 and UP

Item	Part No.	Part Description	Qty.
1	101813	.781 ID x 2 OD x 1/2 HDPE WASHER	4
2	650550	.785 x 2 HDPE WASHER	4
3	047035	3/4 FLAT WASHER PL	4
4	044058	3/4-10 NYLOCK HEX NUT PL	4
5	105916	GRIP CORD NYLON 3/4	1
6	105626	CORD GRIP 1/2" NYLON BLACK	4
7	022036	3/4 CORD GRIP NUT	1
8	022035	1/2 CORD GRIP NUT	4
9	041070	1/4-20 x 3/4 SL-HEX WASHER HEAD MS TP F	3
10	044033	5/16-18 NYLOCK HEX NUT PL	4
11	046050	5/16-18 x 1 HEX HEAD CS GR5 PL	4
12	330463	11/16 RUBBER GROMMET	1
13	107139P	ROUND TOWER SECTION	1
	107139-20	ROUND TOWER SECTION - GALVANIZED	1
14	107159P	LIGHT BAR FRONT PLATE	1
15	107154P	LIGHT BAR WELDMENT	1

3.3 - Manual Vertical Tower Pivot Support

SN 0001NL500016 and UP



107342_A

Night-Lite 5000

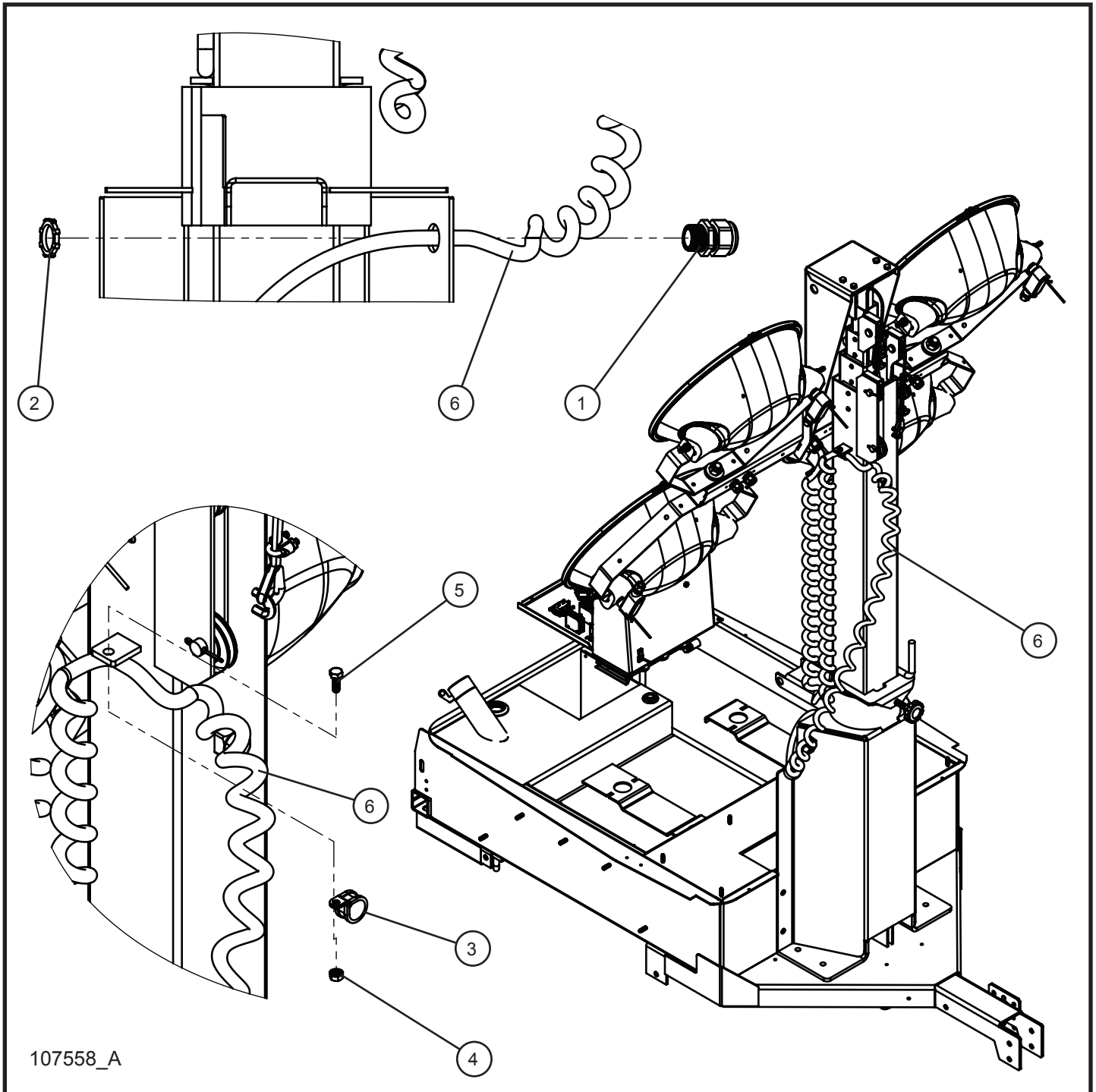
3.3 - Manual Vertical Tower Pivot Support

SN 0001NL500016 and UP

Item	Part No.	Part Description	Qty.
1	107092P	PIVOT SECTION SUPPORT	1
2	046180	1/2-13 x 1 1/4 HEX HEAD CS GR5 PL	8
3	046272	STEEL CAP SCREW 3/4 x 5 1/2 GRADE 5	1
4	044059	3/4-16 JAM NUT	1
5	100160	2 1/2 PULLEY BALL BEARING	1
6	045042	COTTER PIN 1/8 x 1 1/2	1
7	102906	5/8 x 1 1/4 CLEVIS PIN	1

3.4 - Manual Vertical Tower Cord

SN 0001NL500016 and UP



Night-Lite 5000

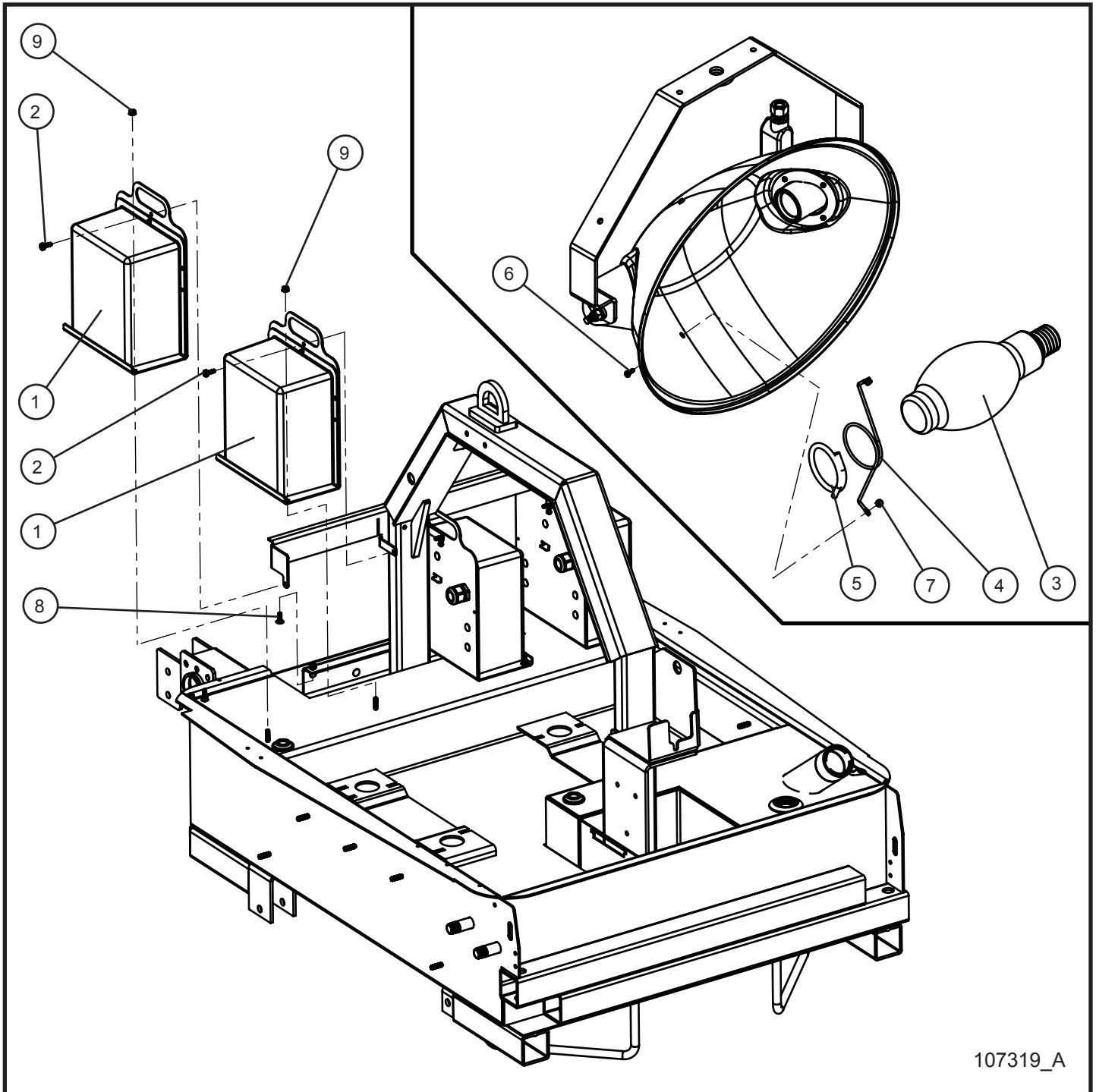
3.4 - Manual Vertical Tower Cord

SN 0001NL500016 and UP

Item	Part No.	Part Description	Qty.
1	105916	GRIP CORD NYLON 3/4	1
2	022036	3/4 CORD GRIP NUT	1
3	022024	#12 CUSHION CLAMP	1
4	044021	1/4-20 KEPS HEX NUT PL	1
5	046010	1/4-20 x 3/4 HEX HEAD CS GR5 SS	1
6	107488	TOWER CORD ASSEMBLY	1

4.1 - 1250W Lamps with 60Hz 120V Ballasts

SN 0001NL500016 and UP



107319_A

Night-Lite 5000

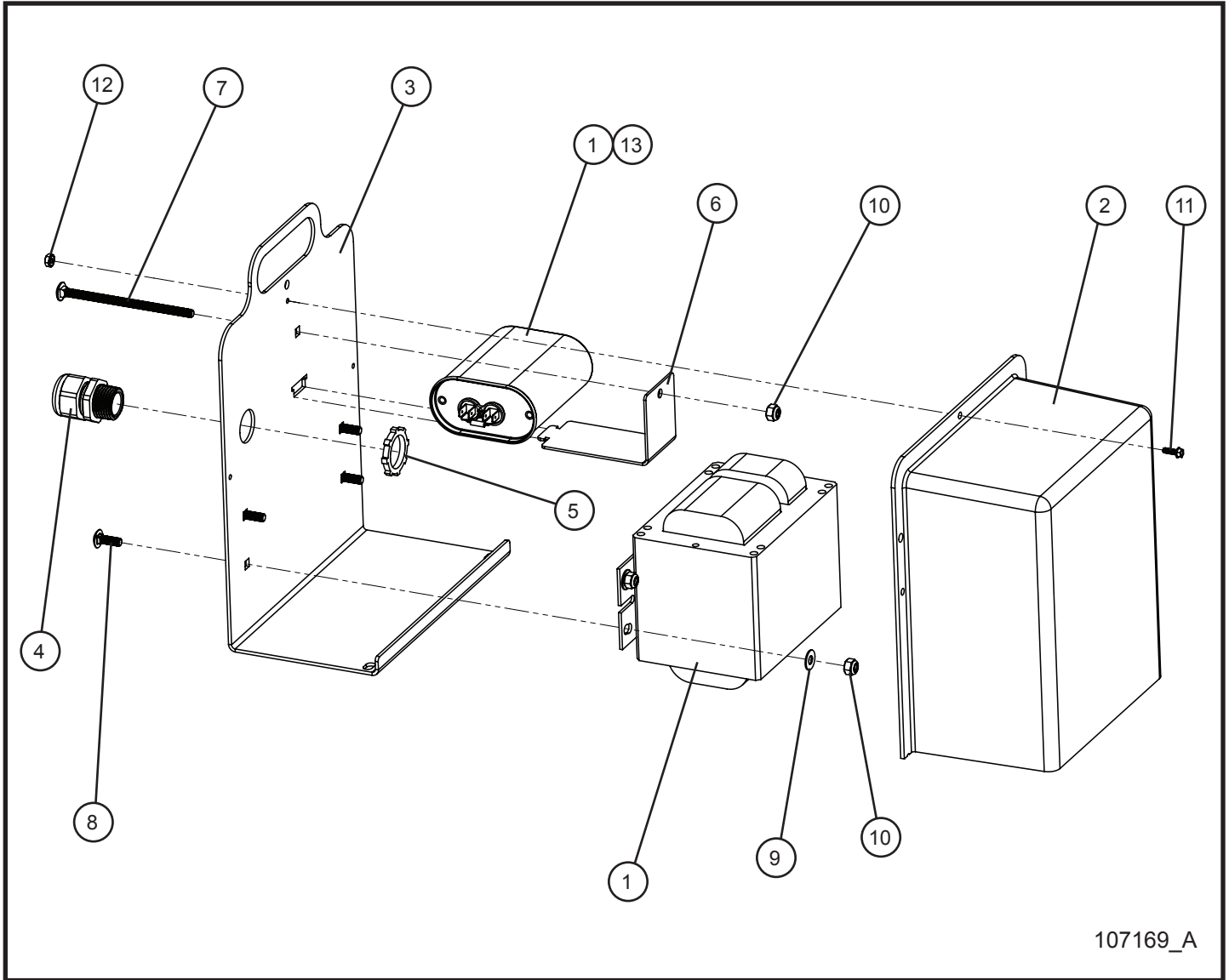
4.1 - 1250W Lamps with 60Hz 120V Ballasts

SN 0001NL500016 and UP

Item	Part No.	Part Description	Qty.
1	107169	ASSEMBLY SINGLE BALLAST 1250W	4
2	041070	1/4-20 x 3/4 SL-HEX WASHER HEAD MS TP F	4
3	610221	LAMP 1250W BT37	4
4	610209	SUPPORT TIP LAMP SHO	4
5	610210	FIBERGLASS TUBE 12" LAMP SUPPORT	4
6	041200	#8-32 x 1/2 HEX WASHER HEAD INDT	8
7	044013	#8-32 NYLOCK HEX NUT SS	8
8	053006	1/4-20 x 3/4 CARRIAGE BOLT	2
9	044021	1/4-20 KEPS HEX NUT PL	8

4.2 - 1250W 60Hz 120V Single Ballast Box Assembly

SN 0001NL500016 and UP



107169_A

Night-Lite 5000

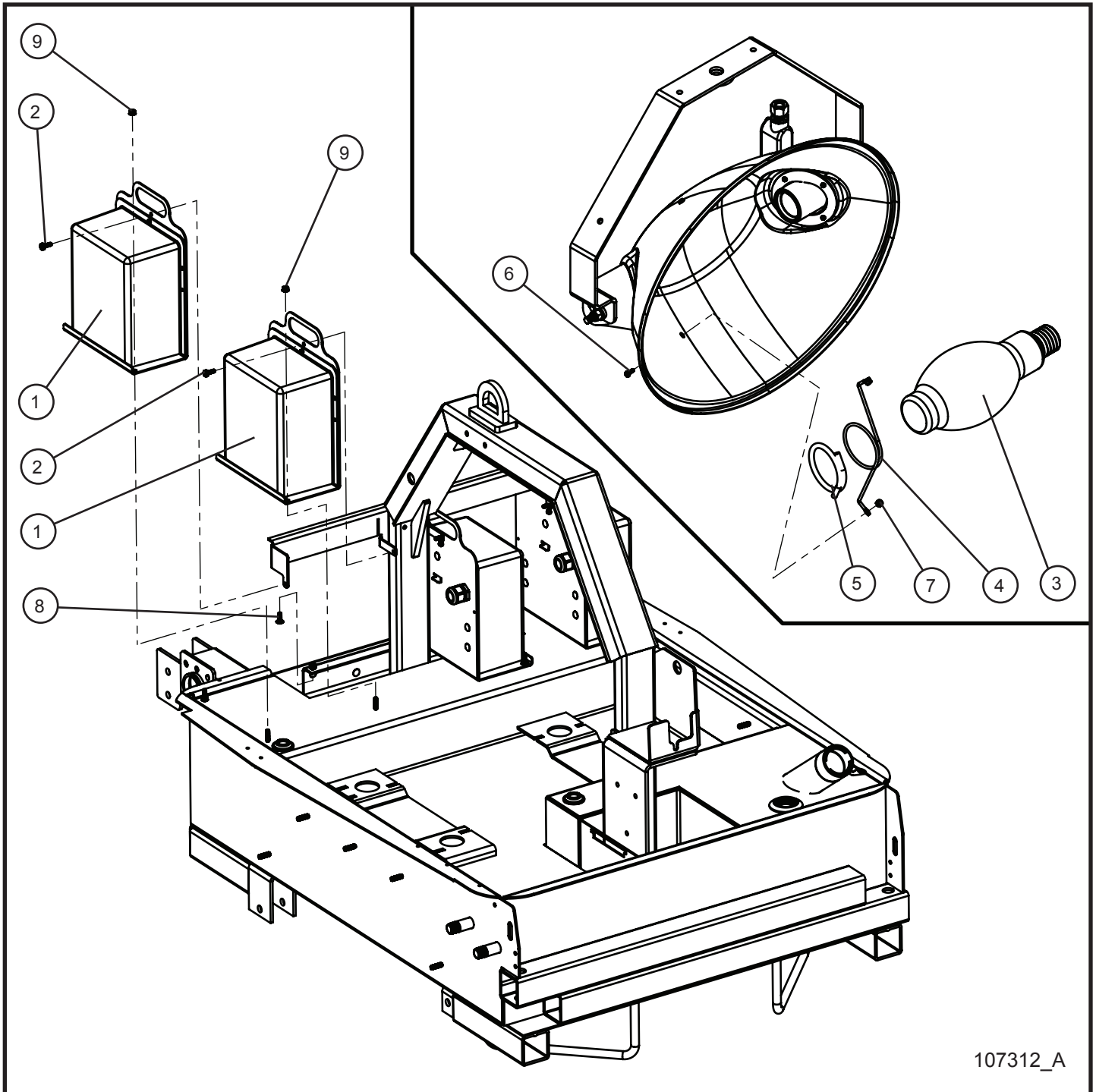
4.2 - 1250W 60Hz 120V Single Ballast Box Assembly

SN 0001NL500016 and UP

Item	Part No.	Part Description	Qty.
1	109606	1250 BALLAST WITH 28uF CAPACITOR (INCLUDES ITEM 13)	1
2	107141	BOX COVER BALLAST	1
3	107101P	PLATE MOUNT SINGLE BALLAST	1
4	105916	GRIP CORD NYLON 3/4"	1
5	022036	3/4 CORD GRIP NUT	1
6	107100P	STRAP CAPACITOR 1250W SINGLE BALLAST	1
7	053010	1/4-20 x 4-1/2 GR5 CARRIAGE BOLT ZC	1
8	053006	1/4-20 x 3/4 CARRIAGE BOLT	4
9	047009	1/4 FLAT WASHER SAE SS	4
10	044023	1/4-20 NYLOCK HEX NUT PL	5
11	041029	#8-32 x 1/2 HEX WASHER HEAD SCREW	1
12	044003	#8-32 NC KEPS NUT	1
13	100329	CAPACITOR 28uF 1250W	1
NS	107470	BALLAST CORD NL5000	1

4.3 - 1000W Lamps with 60Hz 120V Ballasts

SN 0001NL500016 and UP



107312_A

Night-Lite 5000

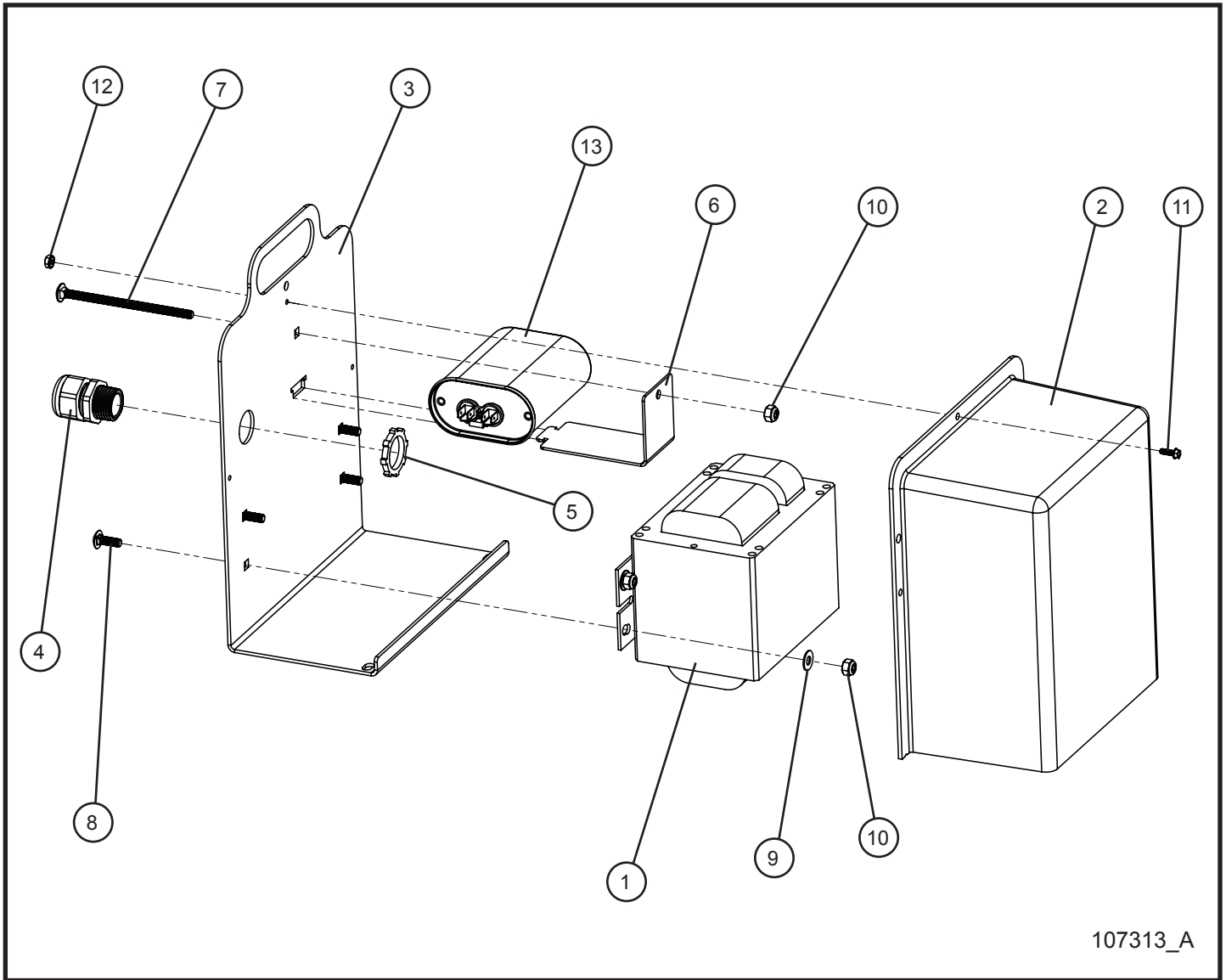
4.3 - 1000W Lamps with 60Hz 120V Ballasts

SN 0001NL500016 and UP

Item	Part No.	Part Description	Qty.
1	107313	ASSEMBLY SINGLE BALLAST 1000W	4
2	041070	1/4-20 x 3/4 SL-HEX WASHER HEAD MS TP F	4
3	610211	LAMP 1000W BT37	4
4	610209	SUPPORT TIP LAMP SHO	4
5	610210	FIBERGLASS TUBE 12" LAMP SUPPORT	4
6	041200	#8-32 x 1/2 HEX WASHER HEAD INDT	8
7	044013	#8-32 NYLOCK HEX NUT SS	8
8	053006	1/4-20 x 3/4 CARRIAGE BOLT	2
9	044021	1/4-20 KEPS HEX NUT PL	8

4.4 - 1000W 60Hz 120V Single Ballast Box Assembly

SN 0001NL500016 and UP



107313_A

Night-Lite 5000

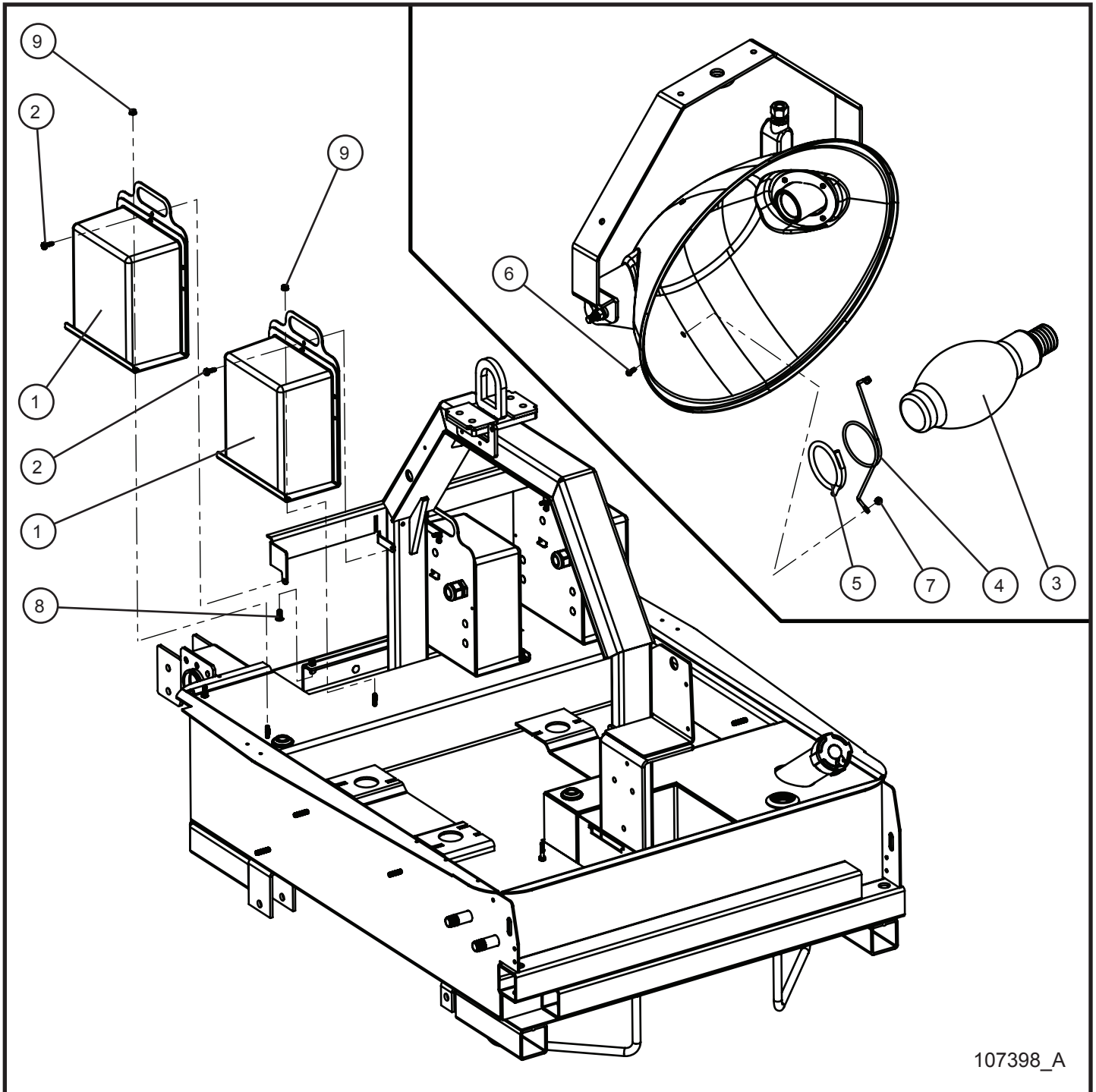
4.4 - 1000W 60Hz 120V Single Ballast Box Assembly

SN 0001NL500016 and UP

Item	Part No.	Part Description	Qty.
1	310124	BALLAST 1000W 60Hz 120V	1
2	107141	BOX COVER BALLAST	1
3	107101P	PLATE MOUNT SINGLE BALLAST	1
4	105916	GRIP CORD NYLON 3/4"	1
5	022036	3/4 CORD GRIP NUT	1
6	107314P	STRAP CAPACITOR 1000W SINGLE BALLAST	1
7	053010	1/4-20 x 4-1/2 GR5 CARRIAGE BOLT ZC	1
8	053006	1/4-20 x 3/4 CARRIAGE BOLT	4
9	047009	1/4 FLAT WASHER SAE SS	4
10	044023	1/4-20 NYLOCK HEX NUT PL	5
11	041029	#8-32 x 1/2 HEX WASHER HEAD SCREW	1
12	044003	#8-32 NC KEPS NUT	1
13	310115	CAPACITOR 24uF 1000W	1
NS	107470	BALLAST CORD NL5000	1

4.5 - 1000W Lamps with 50Hz 120V Ballasts

SN 0001NL500016 and UP



107398_A

Night-Lite 5000

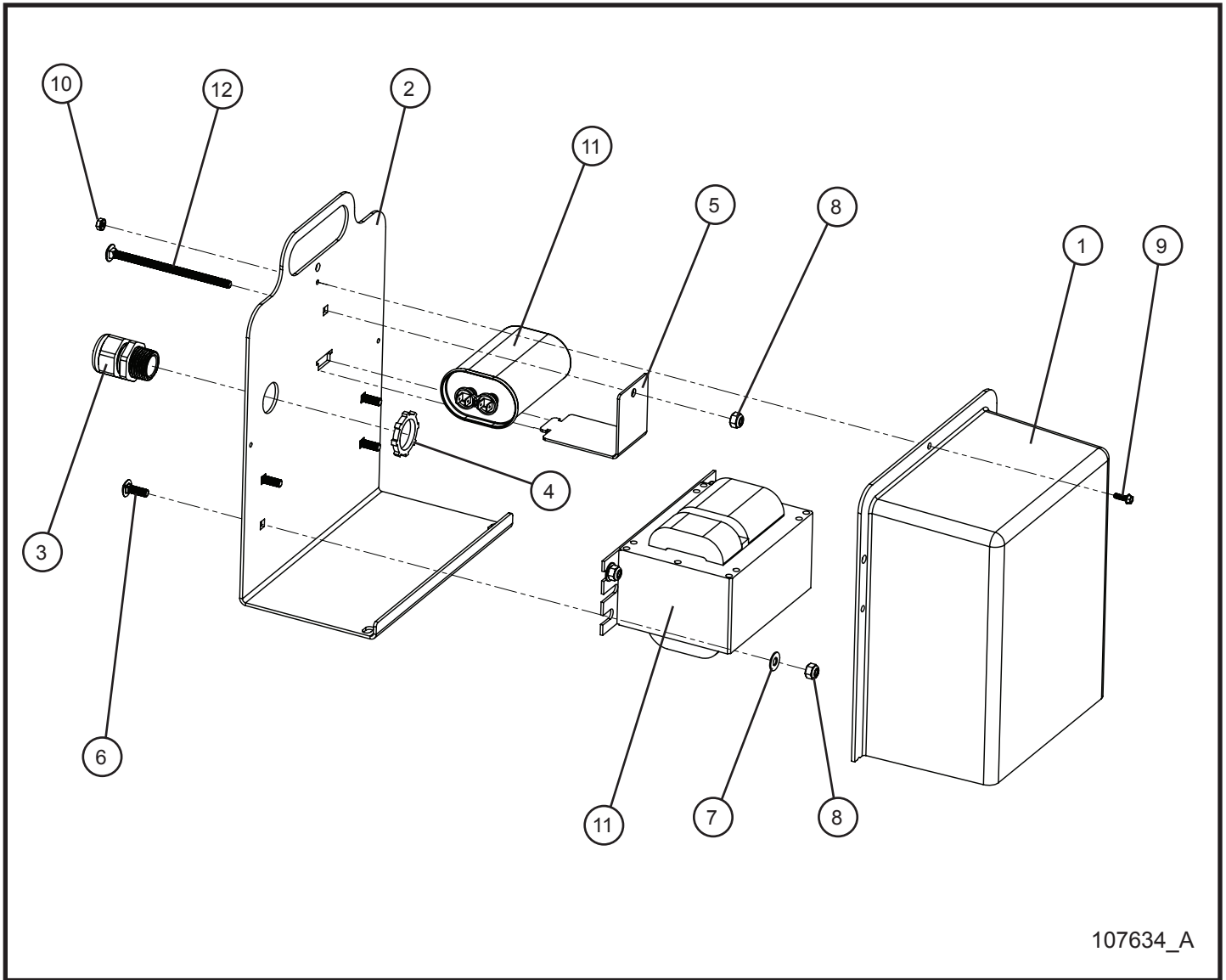
4.5 - 1000W Lamps with 50Hz 120V Ballasts

SN 0001NL500016 and UP

Item	Part No.	Part Description	Qty.
1	107634	ASSEMBLY SINGLE BALLAST 1000W 50Hz	4
2	041070	1/4-20 x 3/4 SL-HEX WASHER HEAD MS TP F	4
3	610211	LAMP 1000W BT37	4
4	610209	SUPPORT TIP LAMP SHO	4
5	610210	FIBERGLASS TUBE 12" LAMP SUPPORT	4
6	041200	#8-32 x 1/2 HEX WASHER HEAD INDT	8
7	044013	#8-32 NYLOCK HEX NUT SS	8
8	053006	1/4-20 x 3/4 CARRIAGE BOLT	2
9	044021	1/4-20 KEPS HEX NUT PL	8

4.6 - 1000W 50Hz 120V Single Ballast Box Assembly

SN 0001NL500016 and UP



Night-Lite 5000

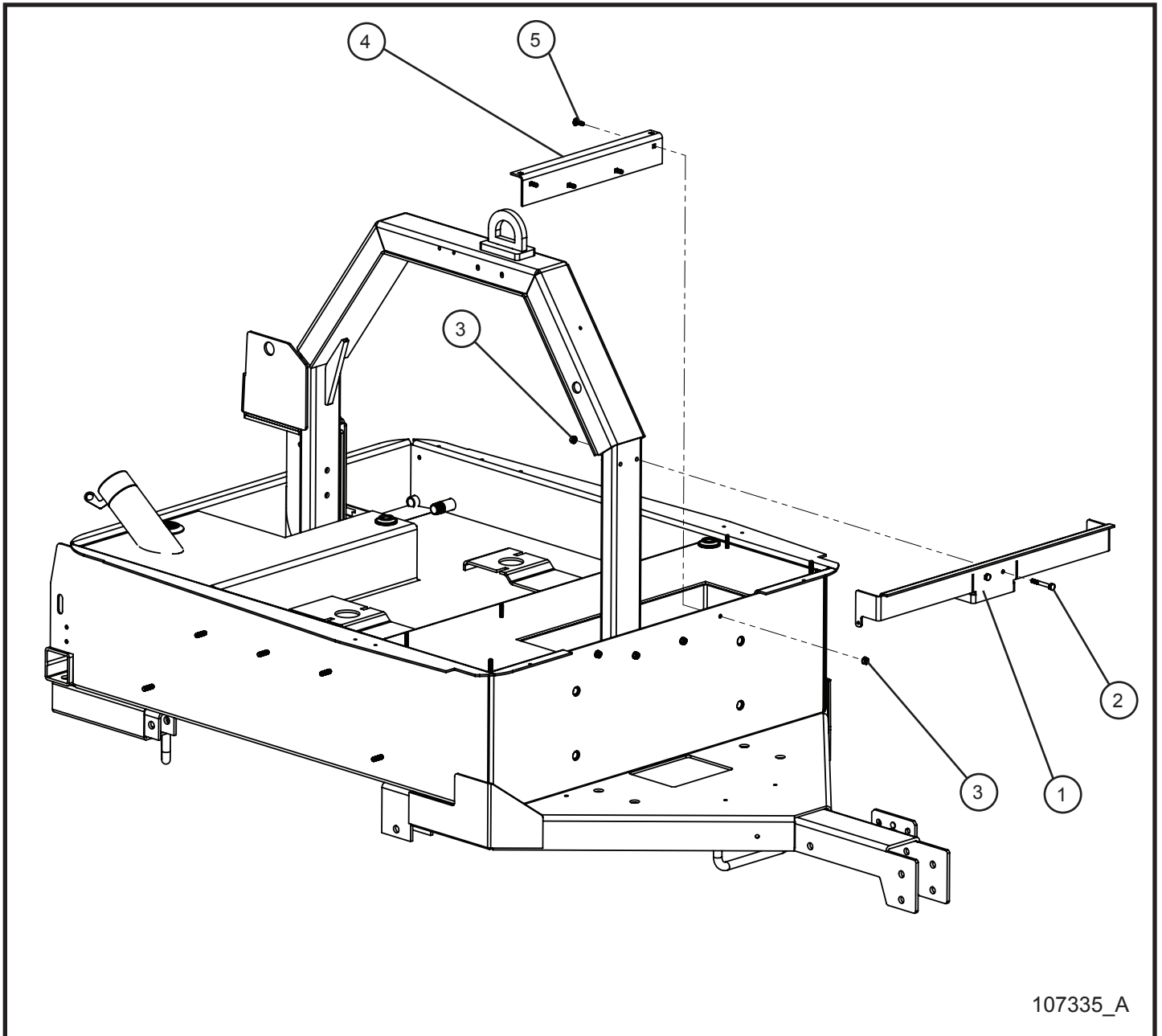
4.6 - 1000W 50Hz 120V Single Ballast Box Assembly

SN 0001NL500016 and UP

Item	Part No.	Part Description	Qty.
1	107141	BOX COVER BALLAST	1
2	107101P	PLATE MOUNT SINGLE BALLAST	1
3	105916	GRIP CORD NYLON 3/4"	1
4	022036	3/4 CORD GRIP NUT	1
5	107314P	STRAP CAPACITOR 1000W SINGLE BALLAST	1
6	053006	1/4-20 x 3/4 CARRIAGE BOLT	4
7	047009	1/4 FLAT WASHER SAE SS	4
8	044023	1/4-20 NYLOCK HEX NUT PL	5
9	041029	#8-32 x 1/2 HEX WASHER HEAD SCREW	1
10	044003	#8-32 NC KEPS NUT	1
11	310116A	BALLAST METAL HALIDE 1000W 50Hz 120-240V	1
12	053010	1/4-20 x 4-1/2 GR5 CARRIAGE BOLT ZC	1
NS	107470	BALLAST CORD NL5000	1

4.7 - Ballast Brace

SN 0001NL500016 and UP



Night-Lite 5000

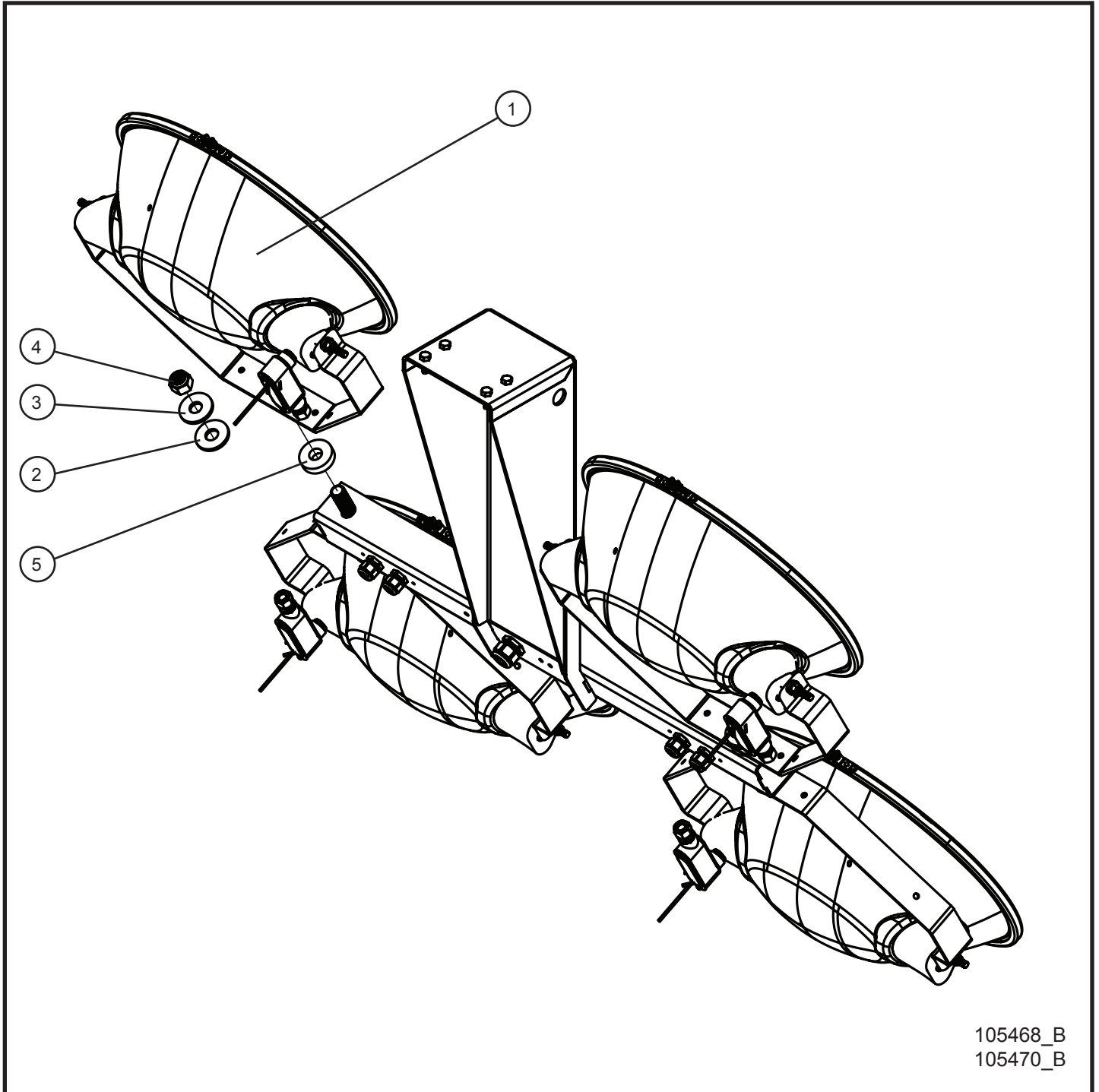
4.7 - Ballast Brace

SN 0001NL500016 and UP

Item	Part No.	Part Description	Qty.
1	107361P	BALLAST UPPER SUPPORT	1
2	046035	1/4-20 x 2 HEX HEAD CS GR5 PL	2
3	044021	1/4-20 KEPS HEX NUT PL	6
4	107352P	ANGLE SUPPORT BALLAST ASSEMBLY	1
5	053006	1/4-20 x 3/4 CARRIAGE BOLT	4

4.8 - SHO Light Fixtures

SN 0001NL500016 and UP



105468_B
105470_B

Night-Lite 5000

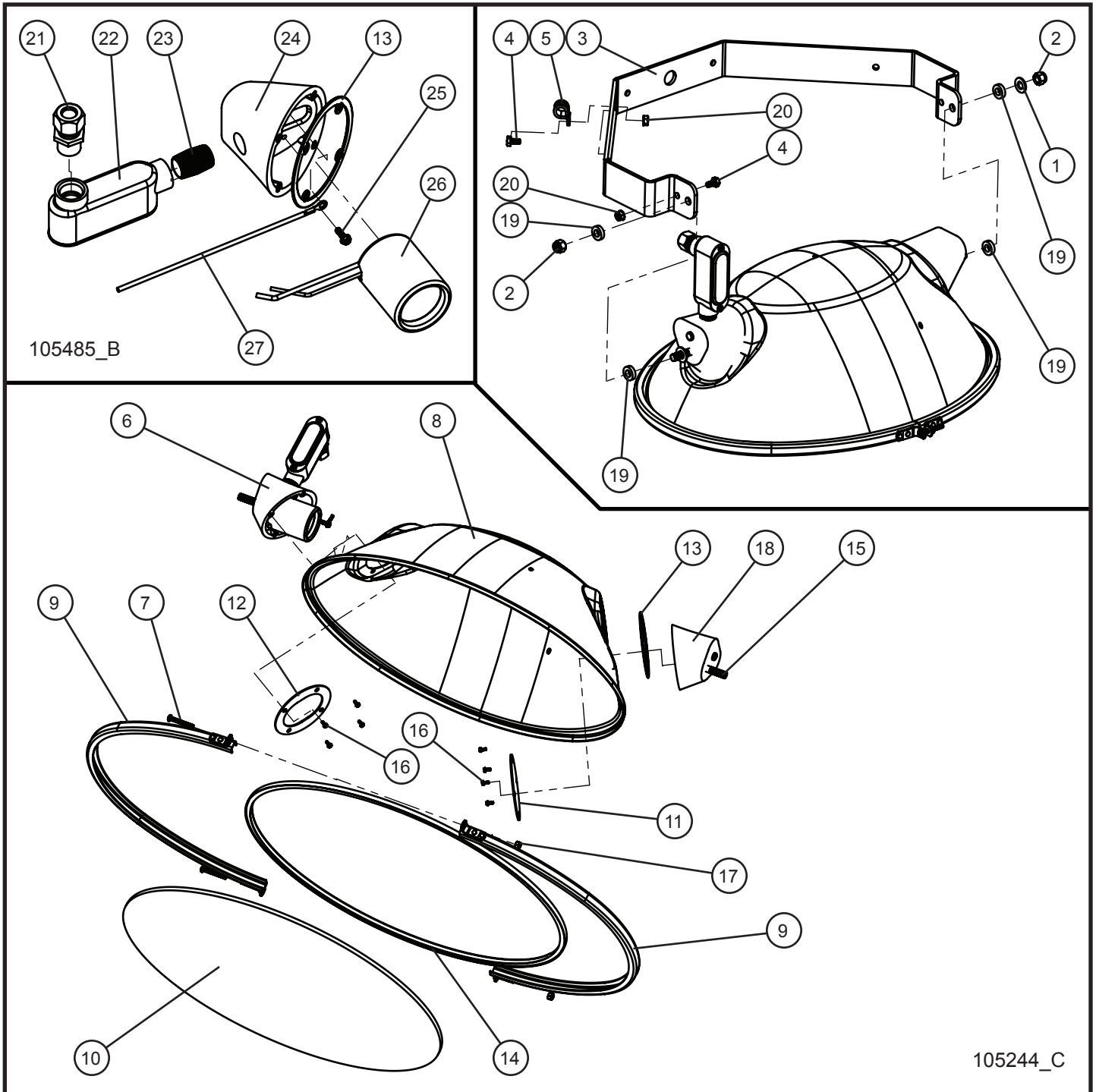
4.8 - SHO Light Fixtures

SN 0001NL500016 and UP

Item	Part No.	Part Description	Qty.
1	650147	LAMPHOLDER SHO LIGHT	4
2	650550	.785" x 2" HDPE WASHER	4
3	047035	3/4 FLAT WASHER PL	4
4	044058	3/4-10 NYLOCK HEX NUT PL	4
5	101813	.781 ID x 2 OD x 1/2 HDPE WASHER	4

4.9 - SHO Light Assembly Group

SN 0001NL500016 and UP



Night-Lite 5000

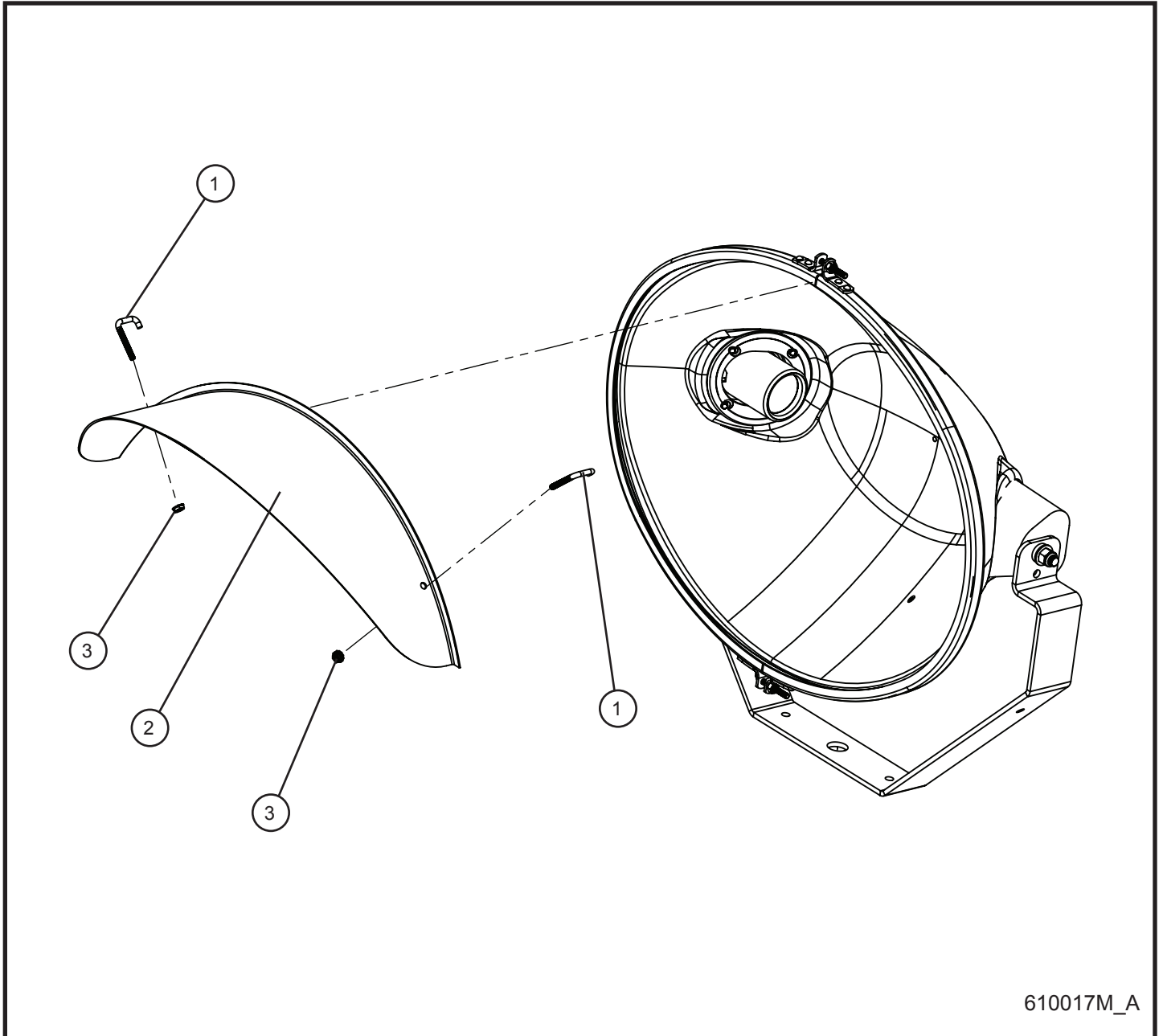
4.9 - SHO Light Assembly Group

SN 0001NL500016 and UP

Item	Part No.	Part Description	Qty.
--	105244	COMPLETE LAMP ASSEMBLY	1
1	047016	3/8 FLAT WASHER SAE ZINC	2
2	044037	3/8-24 NYLOCK HEX NUT PL	2
3	660130P	YOKE MOUNT SHO LAMP	1
4	046005	1/4-20 x 1/2 HEX HEAD CS GR5 PL	2
5	022022	#8 CUSH CLAMP 1/4 HOLE	1
6	105485	SOCKET ENTRANCE END CAP ASSEMBLY	1
7	041040	#10-24 x 1 1/2 PH-ROUND HEAD MS SS	2
8	610201	REFLECTOR	1
9	610202	LENS CHANNEL SET SHO LIGHT	2
10	610203	GLASS LENS	1
11	610207	INTERIOR COVER PLATE WITHOUT HOLE	1
12	610208	INTERIOR COVER PLATE WITH HOLE	1
13	610213	GASKET SOCKET END CAP	2
14	610217	SILICONE GASKET	1
15	045142	3/8-24 x 3/8-16 x 2 STUD	2
16	041028	#10-24 x 1/2 HEX WASHER HEAD INDT	8
17	044019	#10-24 NYLOCK HEX NUT SS	2
18	610206	CASTING END SHO	1
19	047019	NYLON BUSHING 3/4 OD x .385 ID	4
20	044021	1/4-20 KEPS HEX NUT PL	2
21	510007	1/2 CORD GRIP	1
22	610214	ELBOW 1/2 SLB SHO ENTRANCE	1
23	610215	1/2 NPT NIPPLE	1
24	610205	SOCKET CASTING END SHO	1
25	041257	#10-32 x 3/8 SL-HEX WASHER HEAD MS GRND	1
26	610212	CERAMIC SOCKET	1
27	610219	GROUND WIRE LAMPHOLDER SHO ENTRANCE	1

4.10 - SHO Light SAF-T-Visor

SN 0001NL500016 and UP



610017M_A

Night-Lite 5000

4.10 - SHO Light SAF-T-Visor

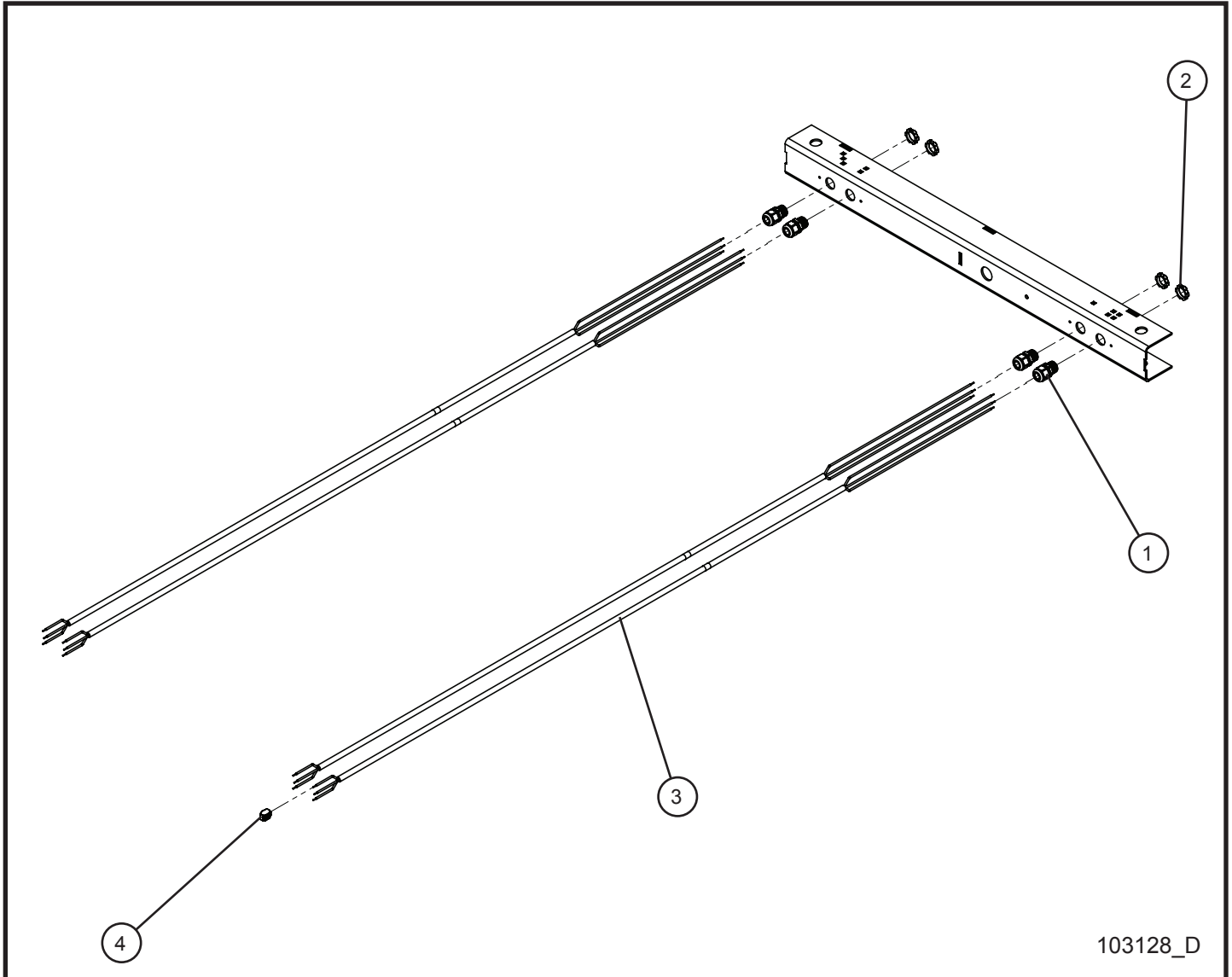
SN 0001NL500016 and UP

Item	Part No.	Part Description	Qty.
1	045070	#10-24 HOOK SQ BEND BOLT	8
2	610017	SAF-T VISOR SHO LAMP (*SEE NOTE)	4
3	044016	#10-24 KEPS HEX NUT PL	8

*NOTE: SAF-T VISOR MUST BE INSTALLED WITH LIP BETWEEN GASKET AND GLASS LENS.

4.11 - SHO Light Solid Wired Lamp Connector

SN 0001NL500016 and UP



103128_D

Night-Lite 5000

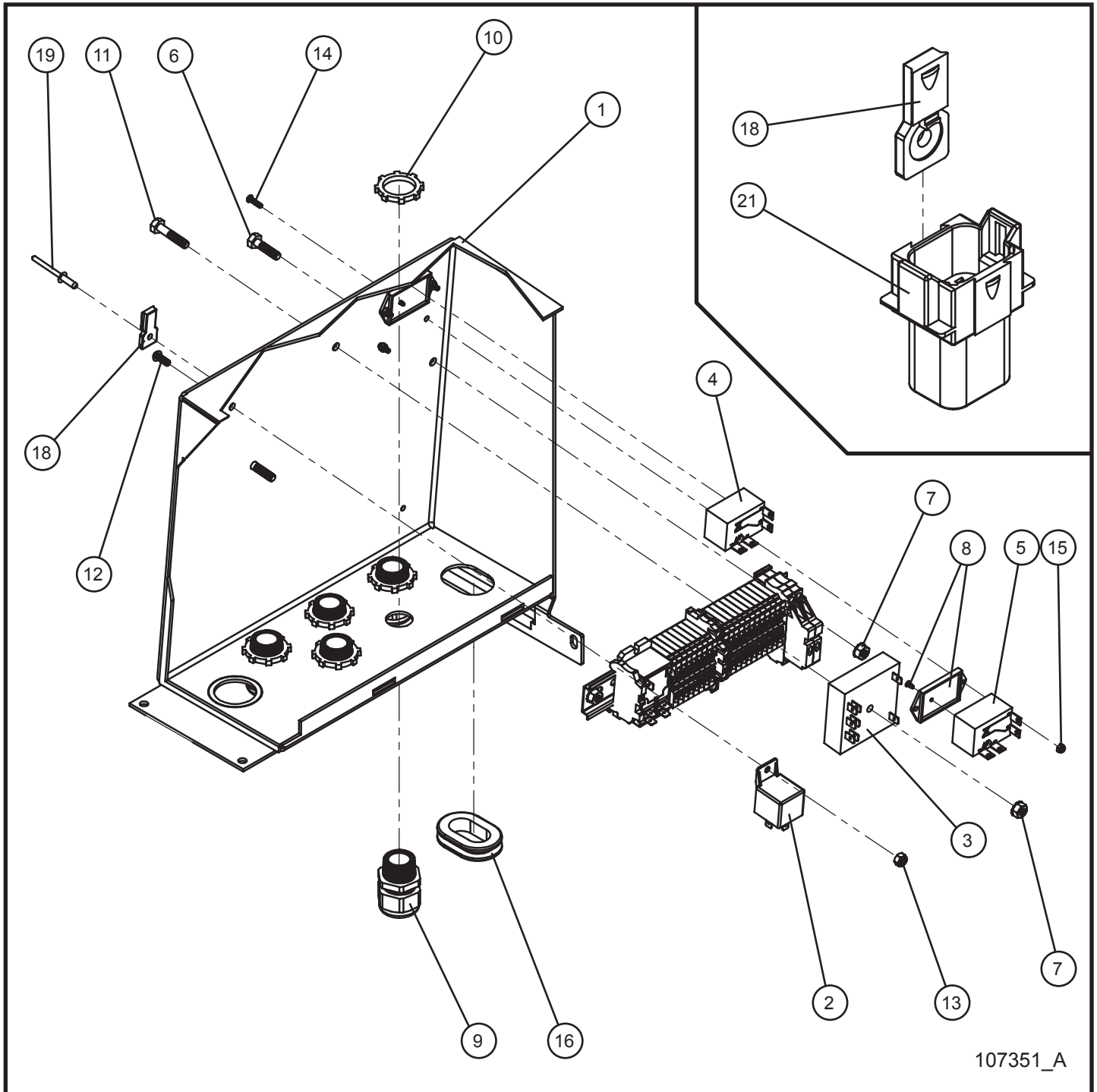
4.11 - SHO Light Solid Wired Lamp Connector

SN 0001NL500016 and UP

Item	Part No.	Part Description	Qty.
1	105626	CORD GRIP 1/2" NYLON BLACK	4
2	022035	1/2 CORD GRIP NUT	4
3	650159	CORD ASSEMBLY 16/3 SOOW 68 INCHES	4
4	102624	2 WIRE LEVER LOCK	12

5.1 - Component Box Assembly (1 of 2)

SN 0001NL500016 and UP



107351_A

Night-Lite 5000

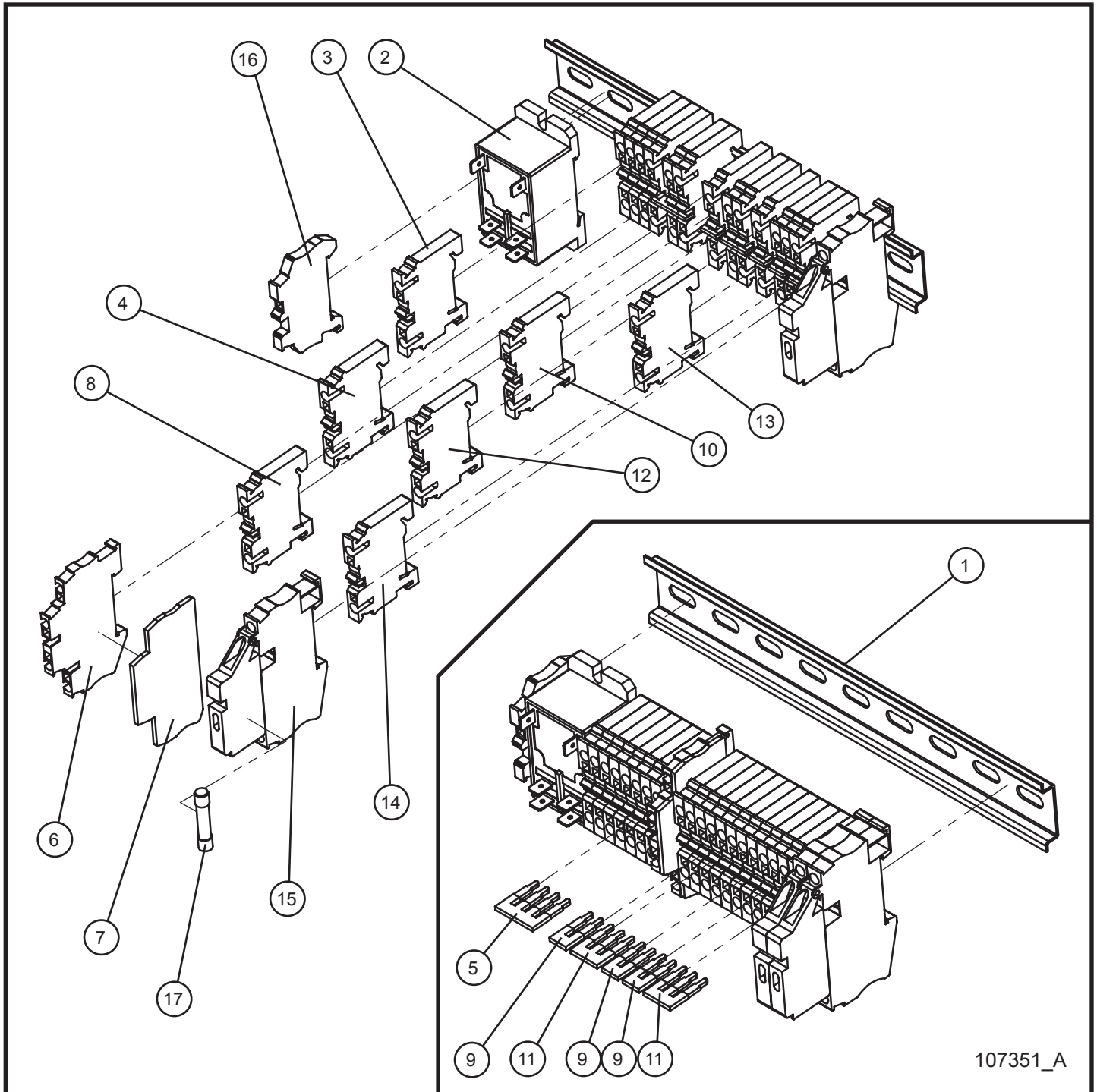
5.1 - Component Box Assembly (1 of 2)

SN 0001NL500016 and UP

Item	Part No.	Part Description	Qty.
1	107174P	CONTROL BOX	1
2	104431	RELAY 12V 40AMP	1
3	106866	DELAY-ON-DROPOUT TIME DELAY RELAY	1
4	105845	NORMALLY CLOSED TIMER RELAY	1
5	106865	NORMALLY OPEN TIMER RELAY	1
6	046015	1/4-20 x 1 HEX HEAD CS GR5 PL	2
7	044021	1/4-20 KEPS HEX NUT PL	3
8	105857	MOUNT PANEL TIMER DELAY	2
9	105916	GRIP CORD NYLON 3/4"	5
10	022036	3/4 CORD GRIP NUT	5
11	046020	1/4-20 x 1 1/4 HEX HEAD CS GR5 PL	1
12	041021	#10-24 x 1/2 PH-ROUND HEAD MS PL	1
13	044019	#10-24 NYLOCK HEX NUT SS	1
14	041258	#5-40 x 1/2 PH-ROUND HEAD	4
15	044133	#5-40 NYLOCK	4
16	650542	1 1/4 ID x 1 1/2 OD GROMMET	1
17	107475	CONTROL BOX DC SCHEMATIC (NOT SHOWN)	1
18	107467	CLIP MOUNTING DEUTSCH	1
19	045110	3/16 x 1/4 ALUM BLIND RIVET	1
20	107468	KEY SWITCH, 4 PIN KUBOTA HARNESS (NOT SHOWN)	1
21	107469	8 PIN KUBOTA ENGINE RECEPTACLE	1
22	107473	CONTROL BOX WIRING HARNESS (NOT SHOWN)	1

5.1 - Component Box Assembly (2 of 2)

SN 0001NL500016 and UP



Night-Lite 5000

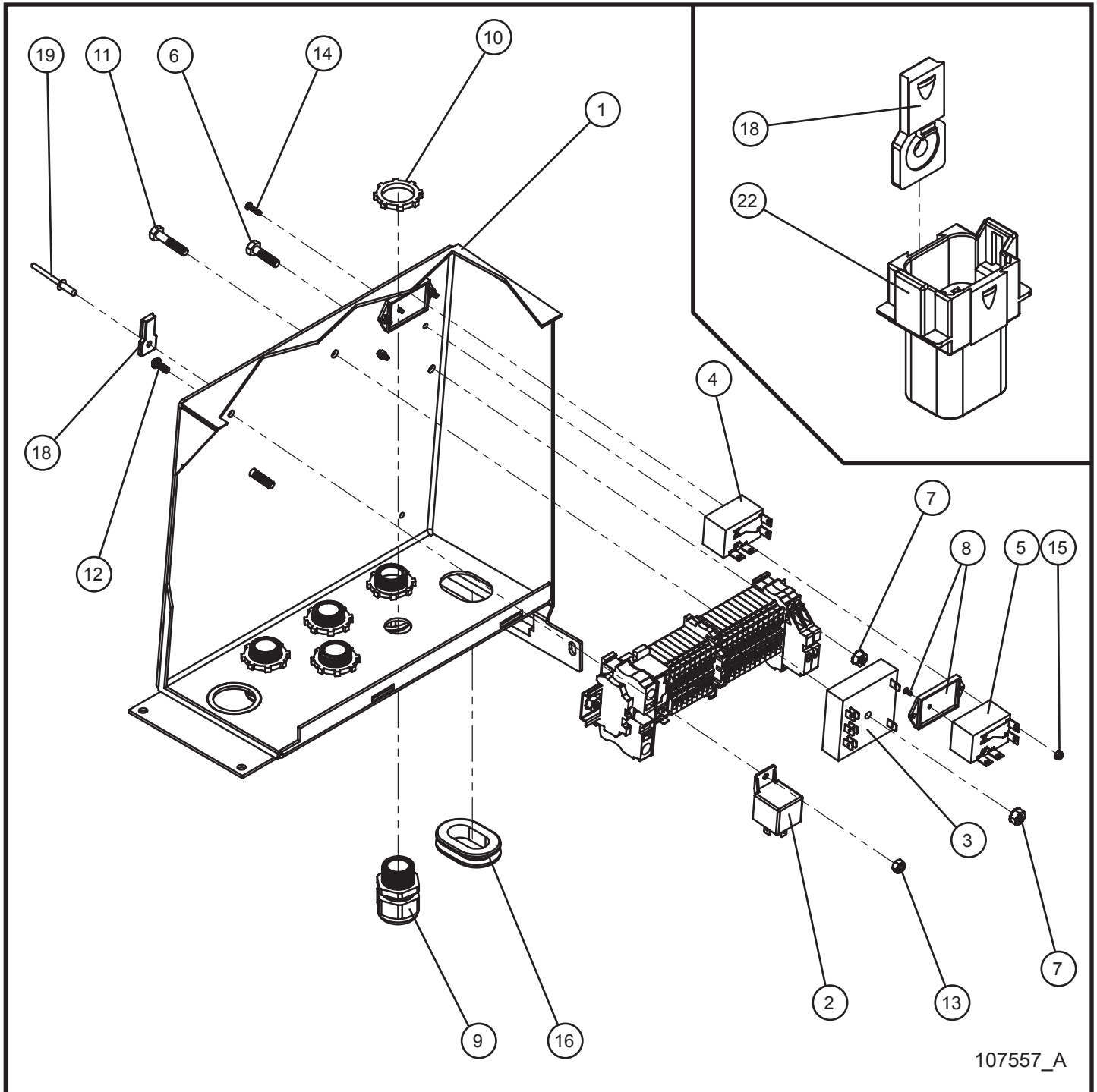
5.1 - Component Box Assembly (2 of 2)

SN 0001NL500016 and UP

Item	Part No.	Part Description	Qty.
1	107173	DIN RAIL, 9 INCH	1
2	106864	30 AMP DC POWER RELAY	1
3	107370	SPRING TERMINAL BLOCK BLUE	4
4	107375	SPRING TERMINAL BLOCK WHITE	4
5	107380	JUMPER 4 POLE	1
6	107381	SPRING TERMINAL BLOCK GREY	1
7	107382	END PLATE 24-12 AWG	1
8	107374	SPRING TERMINAL BLOCK YELLOW	2
9	107378	JUMPER 2 POLE	3
10	107371	SPRING TERMINAL BLOCK BLACK	3
11	107379	JUMPER 3 POLE	2
12	107368	SPRING TERMINAL BLOCK GREY	2
13	107372	SPRING TERMINAL BLOCK ORANGE	2
14	107369	SPRING TERMINAL BLOCK RED	3
15	107540	FUSE TERMINAL BLOCK 24-10 AWG	2
16	107377	END STOP 24-10 AWG	1
17	102571	FUSE 2 AMP AGC	2

5.2 - Component Box Assembly w/ 6/4 Cord (1 of 2)

SN 0001NL500016 and UP



107557_A

Night-Lite 5000

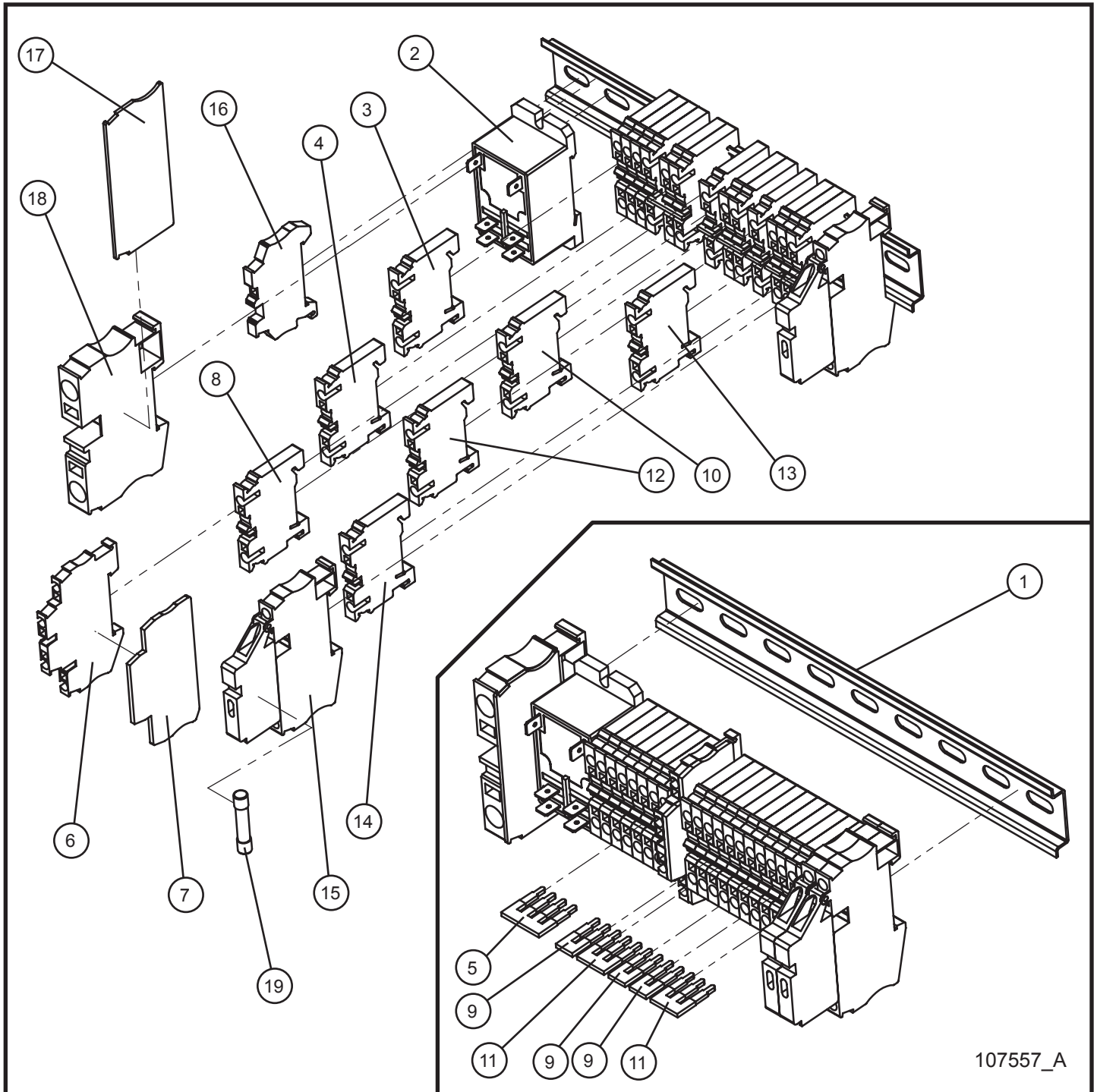
5.2 - Component Box Assembly w/ 6/4 Cord (1 of 2)

SN 0001NL500016 and UP

Item	Part No.	Part Description	Qty.
1	107174P	CONTROL BOX	1
2	104431	RELAY 12V 40AMP	1
3	106866	DELAY-ON-DROPOUT TIME DELAY RELAY	1
4	105845	NORMALLY CLOSED TIMER RELAY	1
5	106865	NORMALLY OPEN TIMER RELAY	1
6	046015	1/4-20 x 1 HEX HEAD CS GR5 PL	2
7	044021	1/4-20 KEPS HEX NUT PL	3
8	105857	MOUNT PANEL TIMER DELAY	2
9	105916	GRIP CORD NYLON 3/4"	5
10	022036	3/4 CORD GRIP NUT	5
11	046020	1/4-20 x 1 1/4 HEX HEAD CS GR5 PL	1
12	041021	#10-24 x 1/2 PH-ROUND HEAD MS PL	1
13	044019	#10-24 NYLOCK HEX NUT SS	1
14	041258	#5-40 x 1/2 PH-ROUND HEAD	4
15	044133	#5-40 NYLOCK	4
16	650542	1 1/4 ID x 1 1/2 OD GROMMET	1
17	107475	CONTROL BOX DC SCHEMATIC (NOT SHOWN)	1
18	107467	CLIP MOUNTING DEUTSCH	1
19	045110	3/16 x 1/4 ALUM BLIND RIVET	1
20	107468	KEY SWITCH, 4 PIN KUBOTA HARNESS (NOT SHOWN)	1
21	107473	CONTROL BOX WIRING HARNESS (NOT SHOWN)	1
22	107469	8 PIN KUBOTA ENGINE RECEPTACLE	1
23	107484	CONTROL BOX WIRING HARNESS 6/4 GEN (NOT SHOWN)	1

5.2 - Component Box Assembly w/ 6/4 Cord (2 of 2)

SN 0001NL500016 and UP



107557_A

Night-Lite 5000

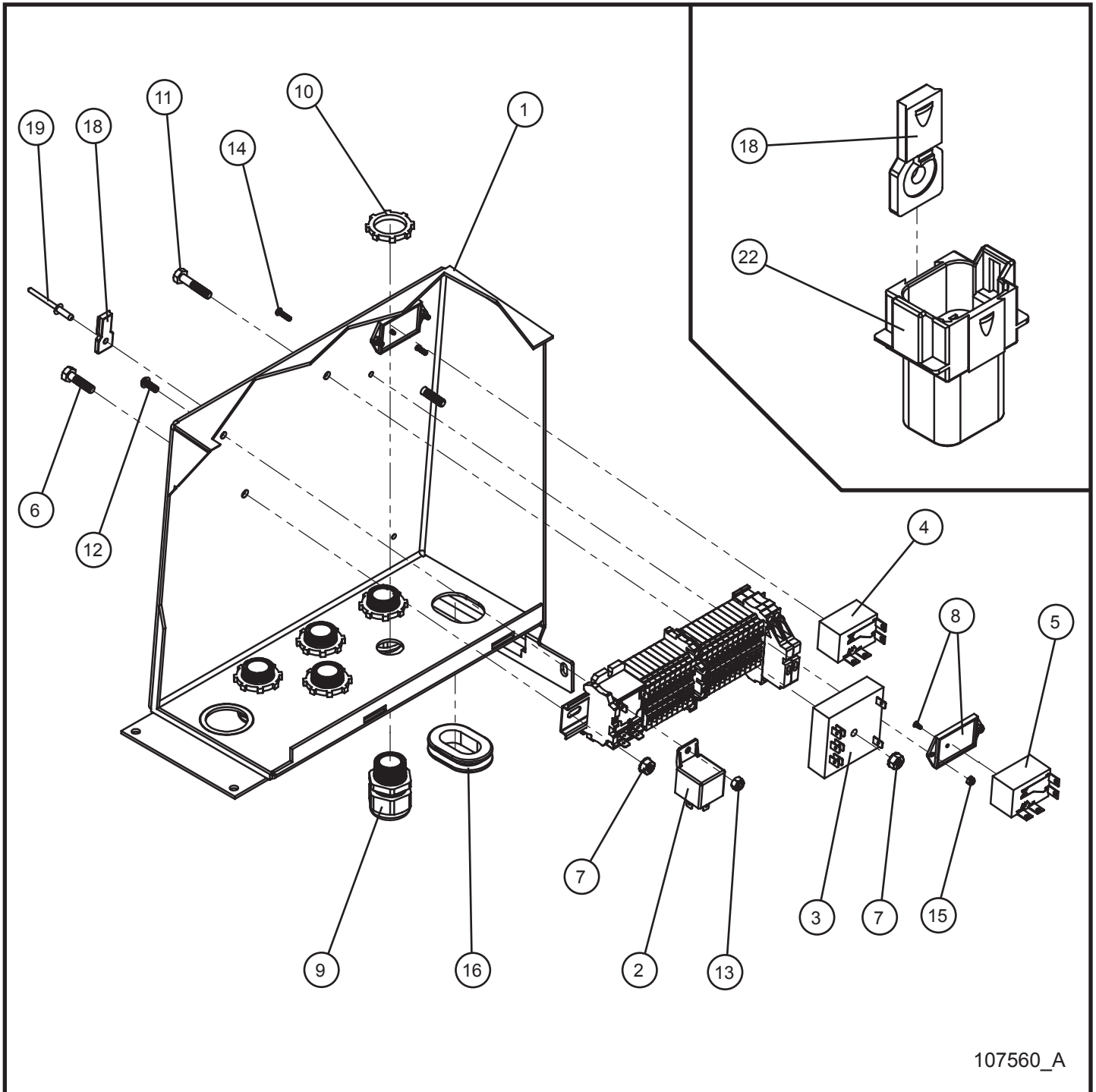
5.2 - Component Box Assembly w/ 6/4 Cord (2 of 2)

SN 0001NL500016 and UP

Item	Part No.	Part Description	Qty.
1	107173	DIN RAIL, 9 INCH	1
2	106864	30 AMP DC POWER RELAY	1
3	107370	SPRING TERMINAL BLOCK BLUE	4
4	107375	SPRING TERMINAL BLOCK WHITE	4
5	107380	JUMPER 4 POLE	1
6	107381	SPRING TERMINAL BLOCK GREY	1
7	107382	END PLATE 24-12 AWG	1
8	107374	SPRING TERMINAL BLOCK YELLOW	2
9	107378	JUMPER 2 POLE	3
10	107371	SPRING TERMINAL BLOCK BLACK	3
11	107379	JUMPER 3 POLE	2
12	107368	SPRING TERMINAL BLOCK GREY	2
13	107372	SPRING TERMINAL BLOCK ORANGE	2
14	107369	SPRING TERMINAL BLOCK RED	3
15	107540	FUSE TERMINAL BLOCK 24-10 AWG	2
16	107377	END STOP 24-10 AWG	1
17	107553	END PLATE 24-6 AWG	1
18	107552	SPRING TERMINAL BLOCK WHITE	1
19	102571	FUSE 2 AMP AGC	2

5.3 - Component Box Assembly w/ Twistlock (1 of 2)

SN 0001NL500016 and UP



107560_A

Night-Lite 5000

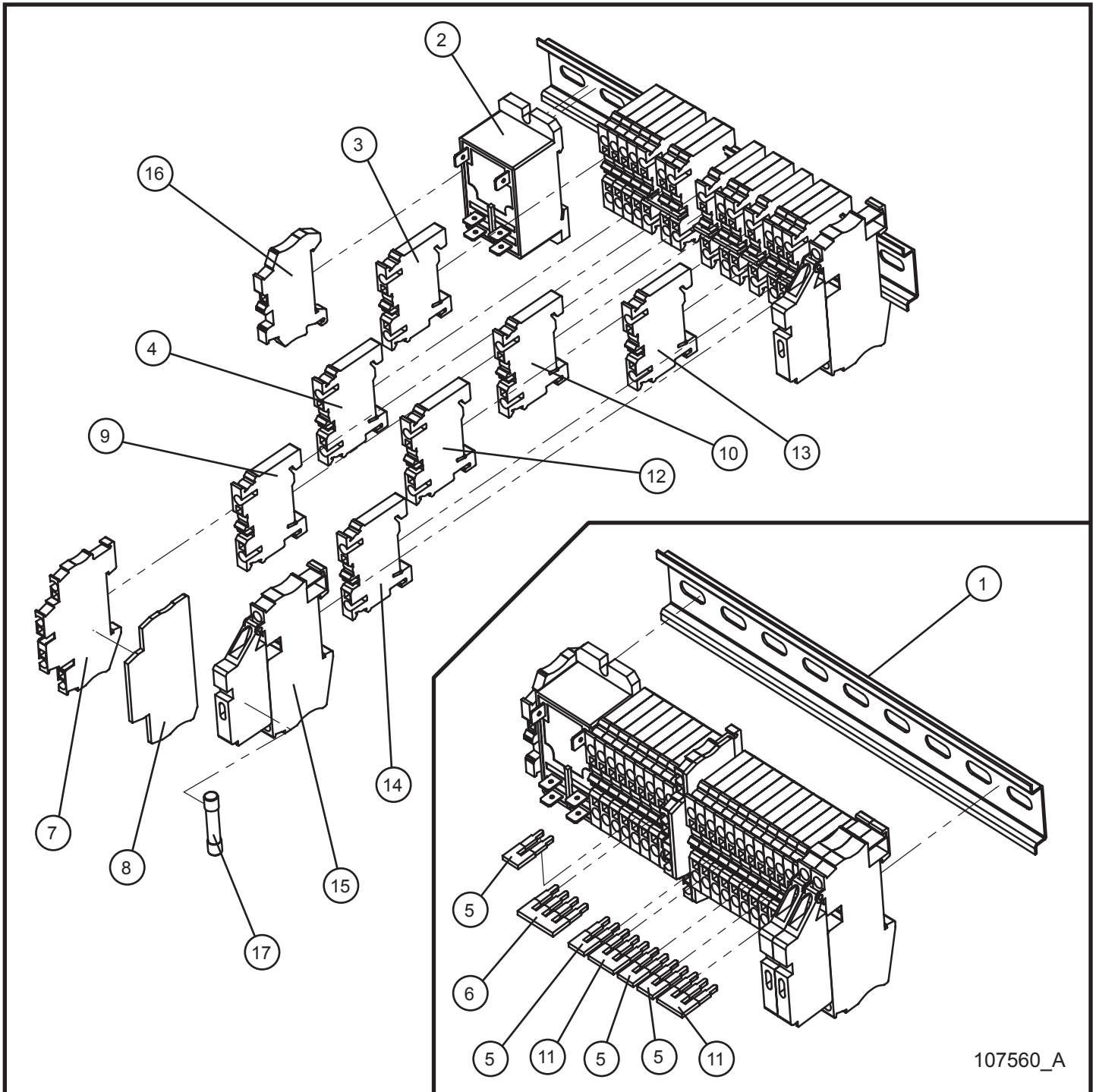
5.3 - Component Box Assembly w/ Twistlock (1 of 2)

SN 0001NL500016 and UP

Item	Part No.	Part Description	Qty.
1	107174P	CONTROL BOX	1
2	104431	RELAY 12V 40AMP	1
3	106866	DELAY-ON-DROPOUT TIME DELAY RELAY	1
4	105845	NORMALLY CLOSED TIMER RELAY	1
5	106865	NORMALLY OPEN TIMER RELAY	1
6	046015	1/4-20 x 1 HEX HEAD CS GR5 PL	2
7	044021	1/4-20 KEPS HEX NUT PL	3
8	105857	MOUNT PANEL TIMER DELAY	2
9	105916	GRIP CORD NYLON 3/4"	5
10	022036	3/4 CORD GRIP NUT	5
11	046020	1/4-20 x 1 1/4 HEX HEAD CS GR5 PL	1
12	041021	#10-24 x 1/2 PH-ROUND HEAD MS PL	1
13	044019	#10-24 NYLOCK HEX NUT SS	1
14	041258	#5-40 x 1/2 PH-ROUND HEAD	4
15	044133	#5-40 NYLOCK	4
16	650542	1 1/4 ID x 1 1/2 OD GROMMET	1
17	107475	CONTROL BOX DC SCHEMATIC (NOT SHOWN)	1
18	107467	CLIP MOUNTING DEUTSCH	1
19	045110	3/16 x 1/4 ALUM BLIND RIVET	1
20	107468	KEY SWITCH, 4 PIN KUBOTA HARNESS (NOT SHOWN)	1
21	107473	CONTROL BOX WIRING HARNESS (NOT SHOWN)	1
22	107469	8 PIN KUBOTA ENGINE RECEPTACLE	1
23	107492	TWISTLOCK WIRE EXTENSION (NOT SHOWN)	1

5.3 - Component Box Assembly w/ Twistlock (2 of 2)

SN 0001NL500016 and UP



107560_A

Night-Lite 5000

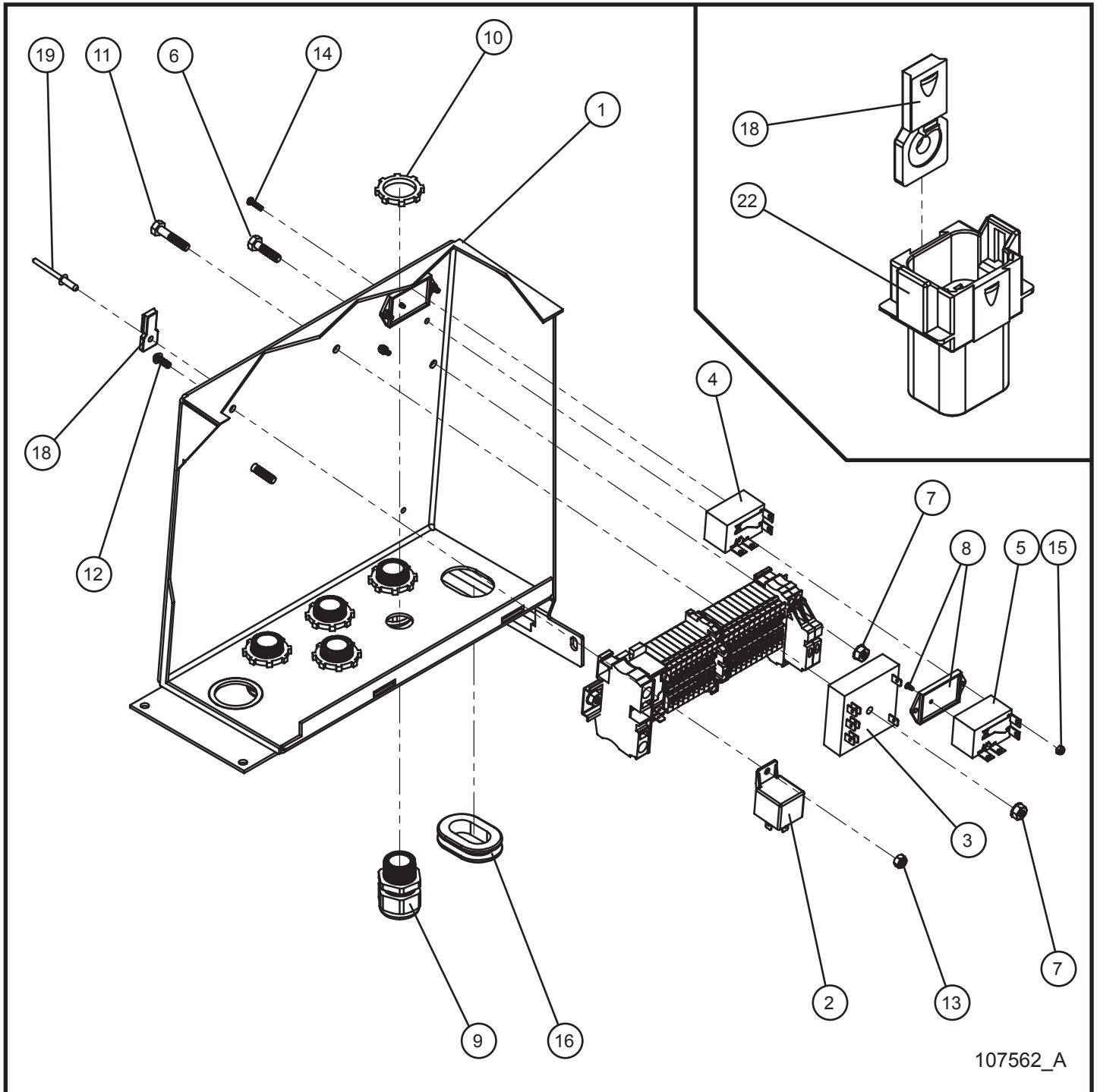
5.3 - Component Box Assembly w/ Twistlock (2 of 2)

SN 0001NL500016 and UP

Item	Part No.	Part Description	Qty.
1	107173	DIN RAIL, 9 INCH	1
2	106864	30 AMP DC POWER RELAY	1
3	107370	SPRING TERMINAL BLOCK BLUE	4
4	107375	SPRING TERMINAL BLOCK WHITE	5
5	107378	JUMPER 2 POLE	4
6	107380	JUMPER 4 POLE	1
7	107381	SPRING TERMINAL BLOCK GREY	1
8	107382	END PLATE 24-12 AWG	1
9	107374	SPRING TERMINAL BLOCK YELLOW	2
10	107371	SPRING TERMINAL BLOCK BLACK	3
11	107379	JUMPER 3 POLE	2
12	107368	SPRING TERMINAL BLOCK GREY	2
13	107372	SPRING TERMINAL BLOCK ORANGE	2
14	107369	SPRING TERMINAL BLOCK RED	3
15	107540	FUSE TERMINAL BLOCK 24-10 AWG	2
16	107377	END STOP 24-10 AWG	1
17	102571	FUSE 2 AMP AGC	2

5.4 - Component Box Assembly w/ 6/4 Cord and Twistlock (1 of 2)

SN 0001NL500016 and UP



Night-Lite 5000

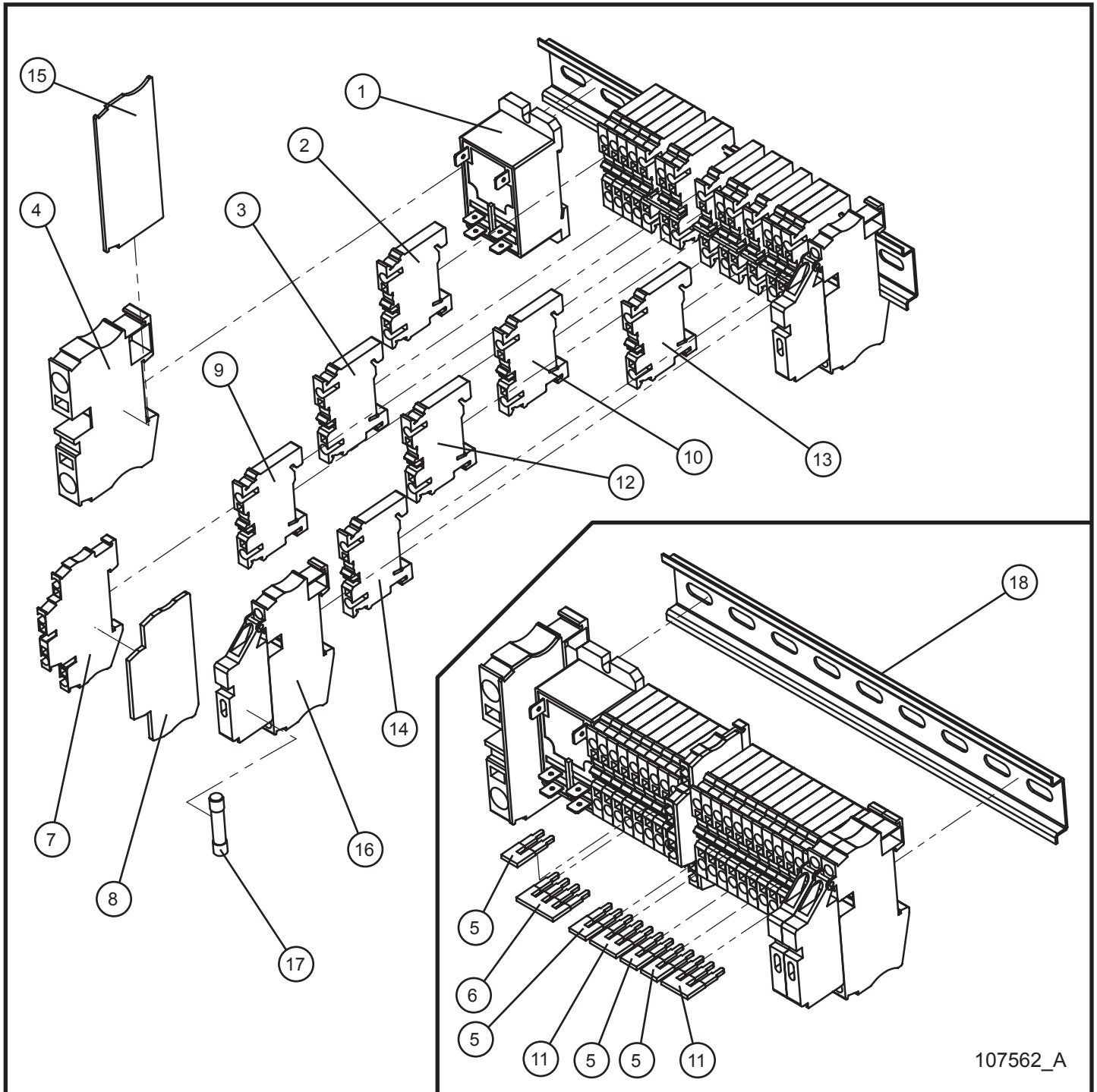
5.4 - Component Box Assembly w/ 6/4 Cord and Twistlock (1 of 2)

SN 0001NL500016 and UP

Item	Part No.	Part Description	Qty.
1	107174P	CONTROL BOX	1
2	104431	RELAY 12V 40AMP	1
3	106866	DELAY-ON-DROPOUT TIME DELAY RELAY	1
4	105845	NORMALLY CLOSED TIMER RELAY	1
5	106865	NORMALLY OPEN TIMER RELAY	1
6	046015	1/4-20 x 1 HEX HEAD CS GR5 PL	2
7	044021	1/4-20 KEPS HEX NUT PL	3
8	105857	MOUNT PANEL TIMER DELAY	2
9	105916	GRIP CORD NYLON 3/4"	5
10	022036	3/4 CORD GRIP NUT	5
11	046020	1/4-20 x 1 1/4 HEX HEAD CS GR5 PL	1
12	041021	#10-24 x 1/2 PH-ROUND HEAD MS PL	1
13	044019	#10-24 NYLOCK HEX NUT SS	1
14	041258	#5-40 x 1/2 PH-ROUND HEAD	4
15	044133	#5-40 NYLOCK	4
16	650542	1 1/4 ID x 1 1/2 OD GROMMET	1
17	107475	CONTROL BOX DC SCHEMATIC (NOT SHOWN)	1
18	107467	CLIP MOUNTING DEUTSCH	1
19	045110	3/16 x 1/4 ALUM BLIND RIVET	1
20	107468	KEY SWITCH, 4 PIN KUBOTA HARNESS (NOT SHOWN)	1
21	107473	CONTROL BOX WIRING HARNESS (NOT SHOWN)	1
22	107469	8 PIN KUBOTA ENGINE RECEPTACLE	1
23	107484	CONTROL BOX WIRING HARNESS 6/4 GEN (NOT SHOWN)	1
24	107492	TWISTLOCK WIRE EXTENSION (NOT SHOWN)	1

5.4 - Component Box Assembly w/ 6/4 Cord and Twistlock (2 of 2)

SN 0001NL500016 and UP



107562_A

Night-Lite 5000

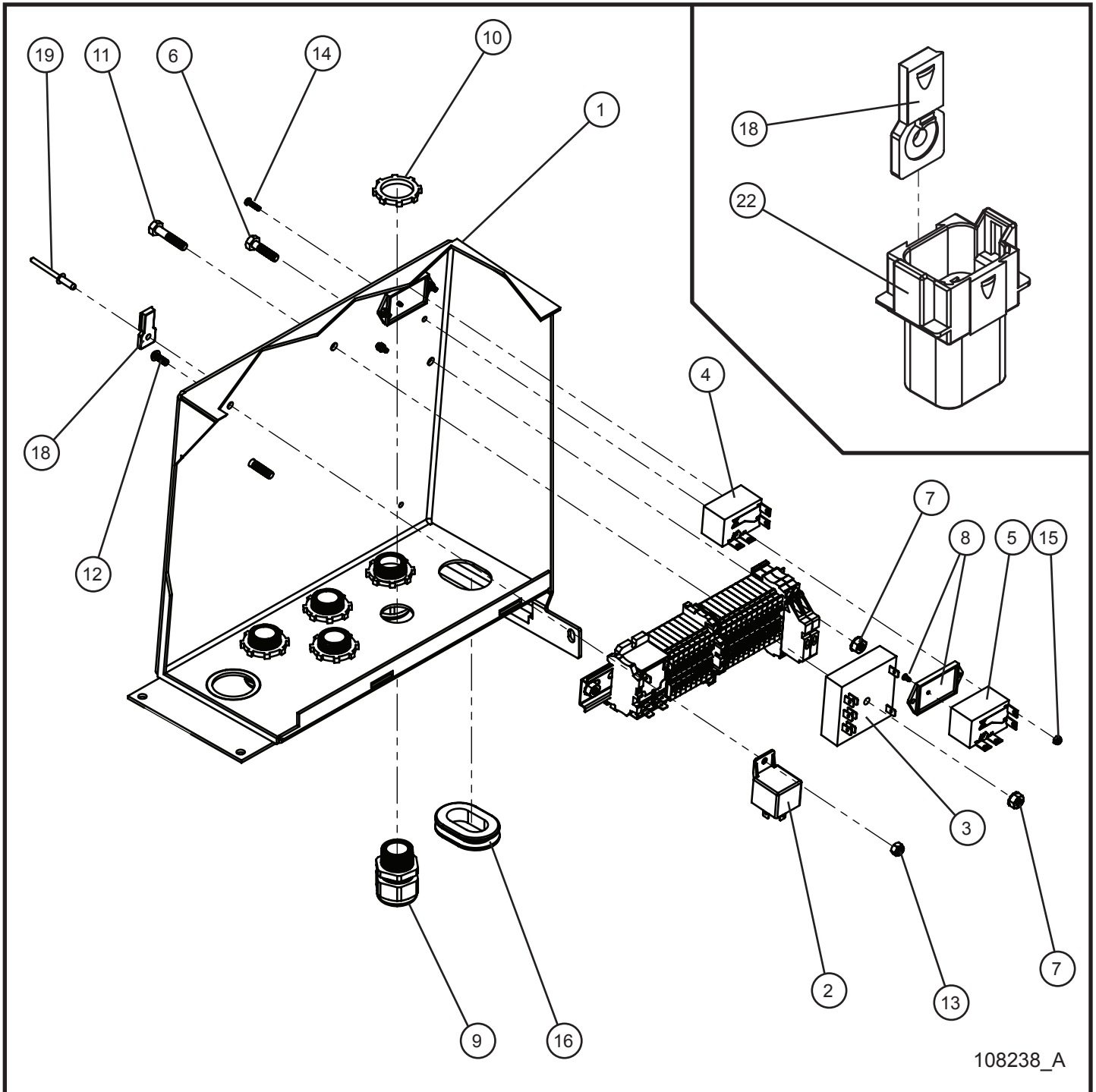
5.4 - Component Box Assembly w/ 6/4 Cord and Twistlock (2 of 2)

SN 0001NL500016 and UP

Item	Part No.	Part Description	Qty.
1	106864	30 AMP DC POWER RELAY	1
2	107370	SPRING TERMINAL BLOCK BLUE	4
3	107375	SPRING TERMINAL BLOCK WHITE	5
4	107552	SPRING TERMINAL BLOCK WHITE	1
5	107378	JUMPER 2 POLE	4
6	107380	JUMPER 4 POLE	1
7	107381	SPRING TERMINAL BLOCK GREY	1
8	107382	END PLATE 24-12 AWG	1
9	107374	SPRING TERMINAL BLOCK YELLOW	2
10	107371	SPRING TERMINAL BLOCK BLACK	3
11	107379	JUMPER 3 POLE	2
12	107368	SPRING TERMINAL BLOCK GREY	2
13	107372	SPRING TERMINAL BLOCK ORANGE	2
14	107369	SPRING TERMINAL BLOCK RED	3
15	107553	END PLATE 24-6 AWG	1
16	107540	FUSE TERMINAL BLOCK 24-10 AWG	2
17	102571	FUSE 2 AMP AGC	2
18	107173	DIN RAIL, 9 INCH	1

5.5 - Component Box Assembly International (1 of 2)

SN 0001NL500016 and UP



108238_A

Night-Lite 5000

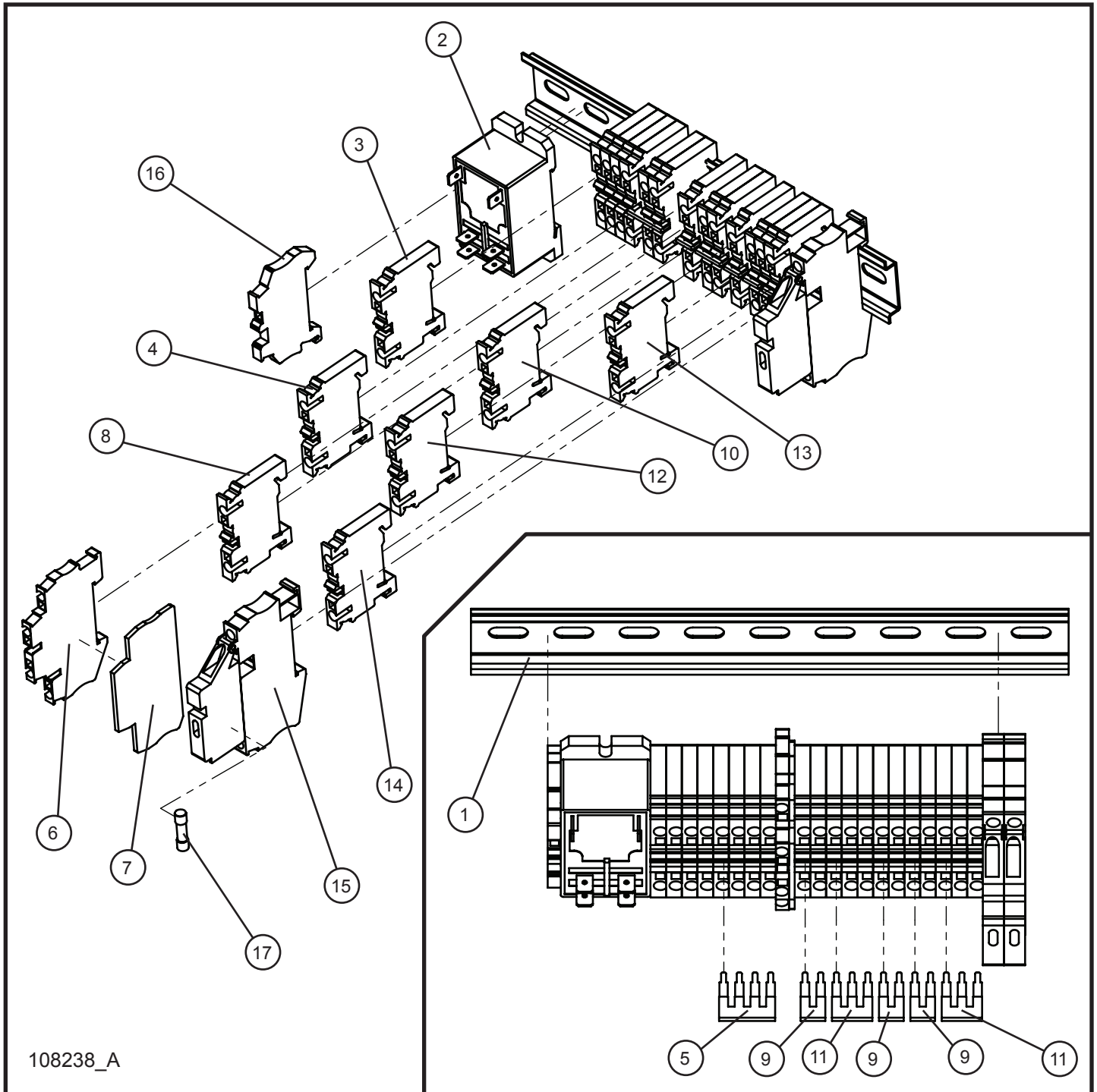
5.5 - Component Box Assembly International (1 of 2)

SN 0001NL500016 and UP

Item	Part No.	Part Description	Qty.
1	107174P	CONTROL BOX	1
2	104431	RELAY 12V 40AMP	1
3	106866	DELAY-ON-DROPOUT TIME DELAY RELAY	1
4	105845	NORMALLY CLOSED TIMER RELAY	1
5	106865	NORMALLY OPEN TIMER RELAY	1
6	046015	1/4-20 x 1 HEX HEAD CS GR5 PL	2
7	044021	1/4-20 KEPS HEX NUT PL	3
8	105857	MOUNT PANEL TIMER DELAY	2
9	105916	GRIP CORD NYLON 3/4"	5
10	022036	3/4 CORD GRIP NUT	5
11	046020	1/4-20 x 1 1/4 HEX HEAD CS GR5 PL	1
12	041021	#10-24 x 1/2 PH-ROUND HEAD MS PL	1
13	044019	#10-24 NYLOCK HEX NUT SS	1
14	041258	#5-40 x 1/2 PH-ROUND HEAD	4
15	044133	#5-40 NYLOCK	4
16	650542	1 1/4 ID x 1 1/2 OD GROMMET	1
17	107475	CONTROL BOX DC SCHEMATIC (NOT SHOWN)	1
18	107467	CLIP MOUNTING DEUTSCH	1
19	045110	3/16 x 1/4 ALUM BLIND RIVET	1
20	107468	KEY SWITCH, 4 PIN KUBOTA HARNESS (NOT SHOWN)	1
21	107469	8 PIN KUBOTA ENGINE RECEPTACLE	1
22	108240	HARNESS CONTROL PANEL INTERNATIONAL (NOT SHOWN)	1

5.5 - Component Box Assembly International (2 of 2)

SN 0001NL500016 and UP



108238_A

Night-Lite 5000

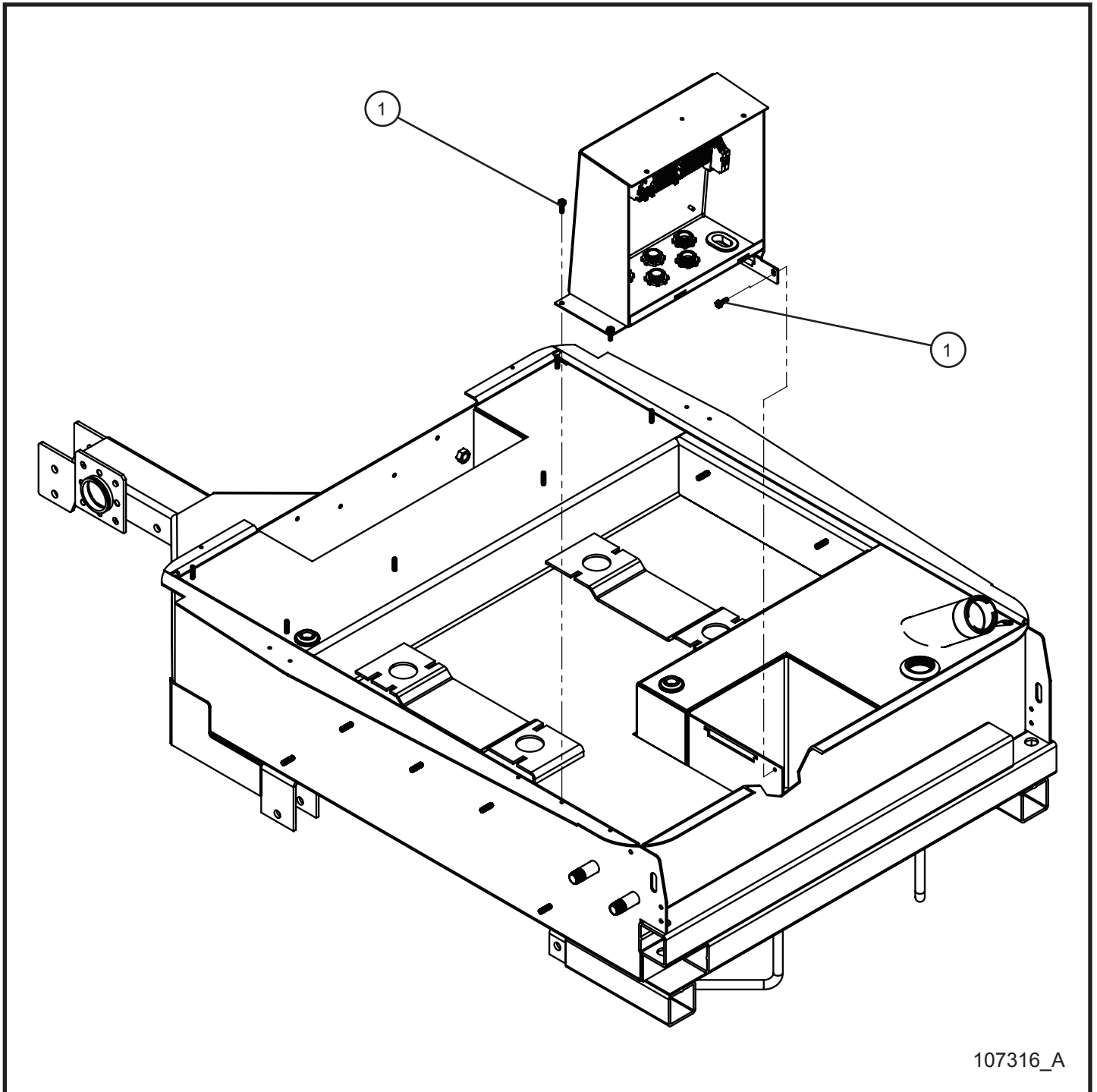
5.5 - Component Box Assembly International (2 of 2)

SN 0001NL500016 and UP

Item	Part No.	Part Description	Qty.
1	107173	DIN RAIL, 9 INCH	1
2	106864	30 AMP DC POWER RELAY	1
3	107370	SPRING TERMINAL BLOCK BLUE	4
4	107375	SPRING TERMINAL BLOCK WHITE	4
5	107380	JUMPER 4 POLE	1
6	107381	SPRING TERMINAL BLOCK GREY	1
7	107382	END PLATE 24-12 AWG	1
8	107374	SPRING TERMINAL BLOCK YELLOW	2
9	107378	JUMPER 2 POLE	3
10	107371	SPRING TERMINAL BLOCK BLACK	3
11	107379	JUMPER 3 POLE	2
12	107368	SPRING TERMINAL BLOCK GREY	2
13	107372	SPRING TERMINAL BLOCK ORANGE	2
14	107369	SPRING TERMINAL BLOCK RED	3
15	107540	FUSE TERMINAL BLOCK 24-10 AWG	2
16	107377	END STOP 24-10 AWG	1
17	108459	GMA FUSE 2 AMP	2

5.6 - Component Box Install Group

SN 0001NL500016 and UP



107316_A

Night-Lite 5000

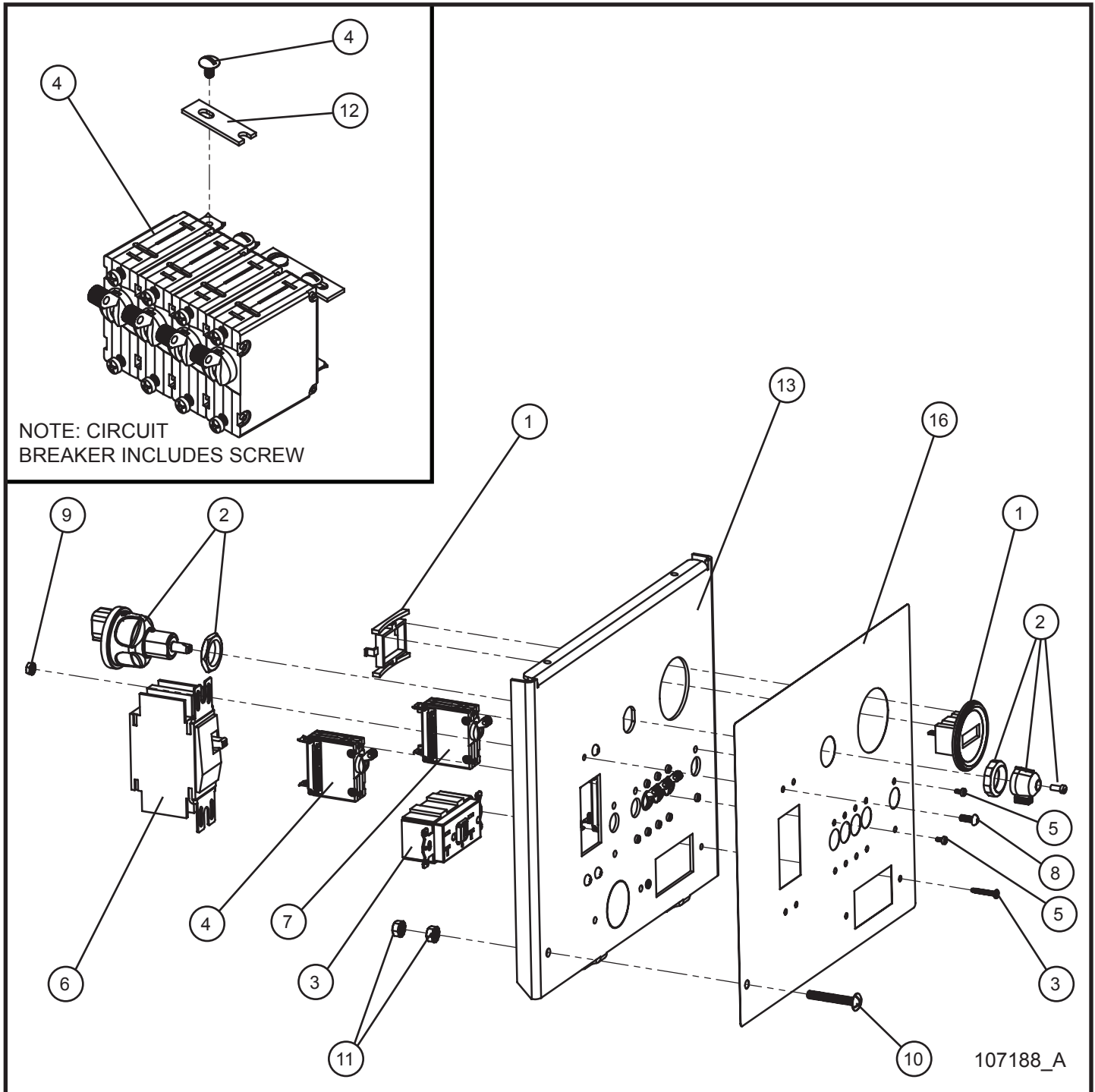
5.6 - Component Box Install Group

SN 0001NL500016 and UP

Item	Part No.	Part Description	Qty.
1	041070	1/4-20 x 3/4 SL-HEX WASHER HEAD MS TP F	3
2	068090	CABLE TIE 8" (NOT SHOWN)	1

5.7 - 20AMP GFCI Outlet Control Panel

SN 0001NL500016 and UP



Night-Lite 5000

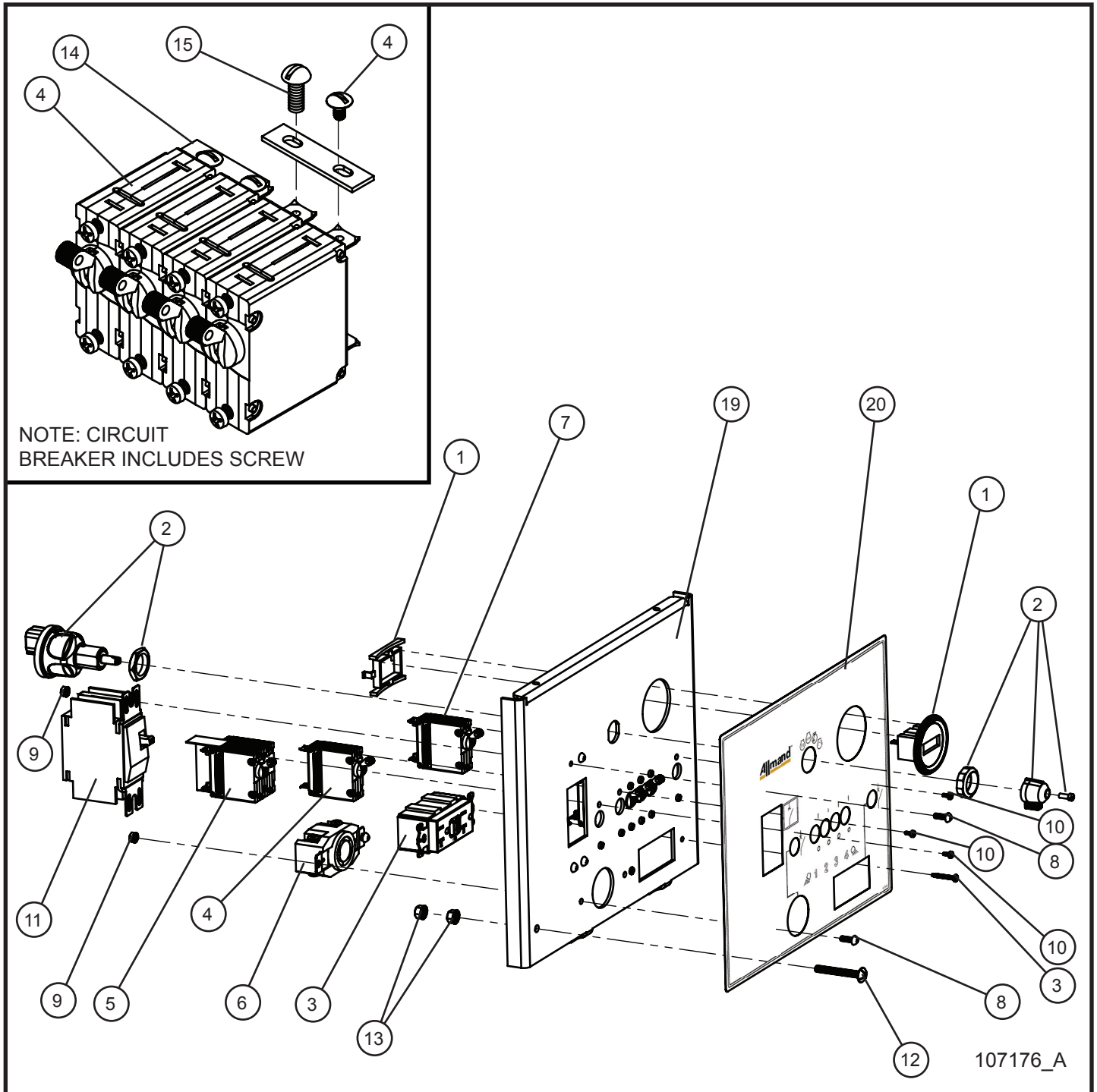
5.7 - 20AMP GFCI Outlet Control Panel

SN 0001NL500016 and UP

Item	Part No.	Part Description	Qty.
1	340014	HOUR METER DIGITAL	1
2	106273	IGNITION SWITCH LEVER STYLE	1
3	330499	20A GFCI RECEPTACLE	1
4	106781	CIRCUIT BREAKER 15 AMP	4
5	041018	#6-32 x 1/4 PH-ROUND HEAD MS PL	10
6	350354	35 AMP DOUBLE POLE BREAKER	1
7	106787	CIRCUIT BREAKER 20 AMP	1
8	041012	SCREW MS #8-32 x 1/2 PL	4
9	044003	#8-32 NC KEPS NUT	4
10	041053	1/4-20 x 1 3/4 PH-TRUSS HEAD MS SS	1
11	044021	1/4-20 KEPS HEX NUT PL	2
12	620560	BUSS BAR	2
13	107175P	CONTROL PANEL 1 GFCI 1 30 AMP TL	1
14	107474	CONTROL PANEL WIRING HARNESS (NOT SHOWN)	1
15	107471	AC SCHEMATIC BALLAST SIDE (NOT SHOWN)	1
16	107544	DECAL CONTROL PANEL	1

5.8 - 20AMP GFCI and 30AMP RV Outlet Control Panel

SN 0001NL500016 and UP



Night-Lite 5000

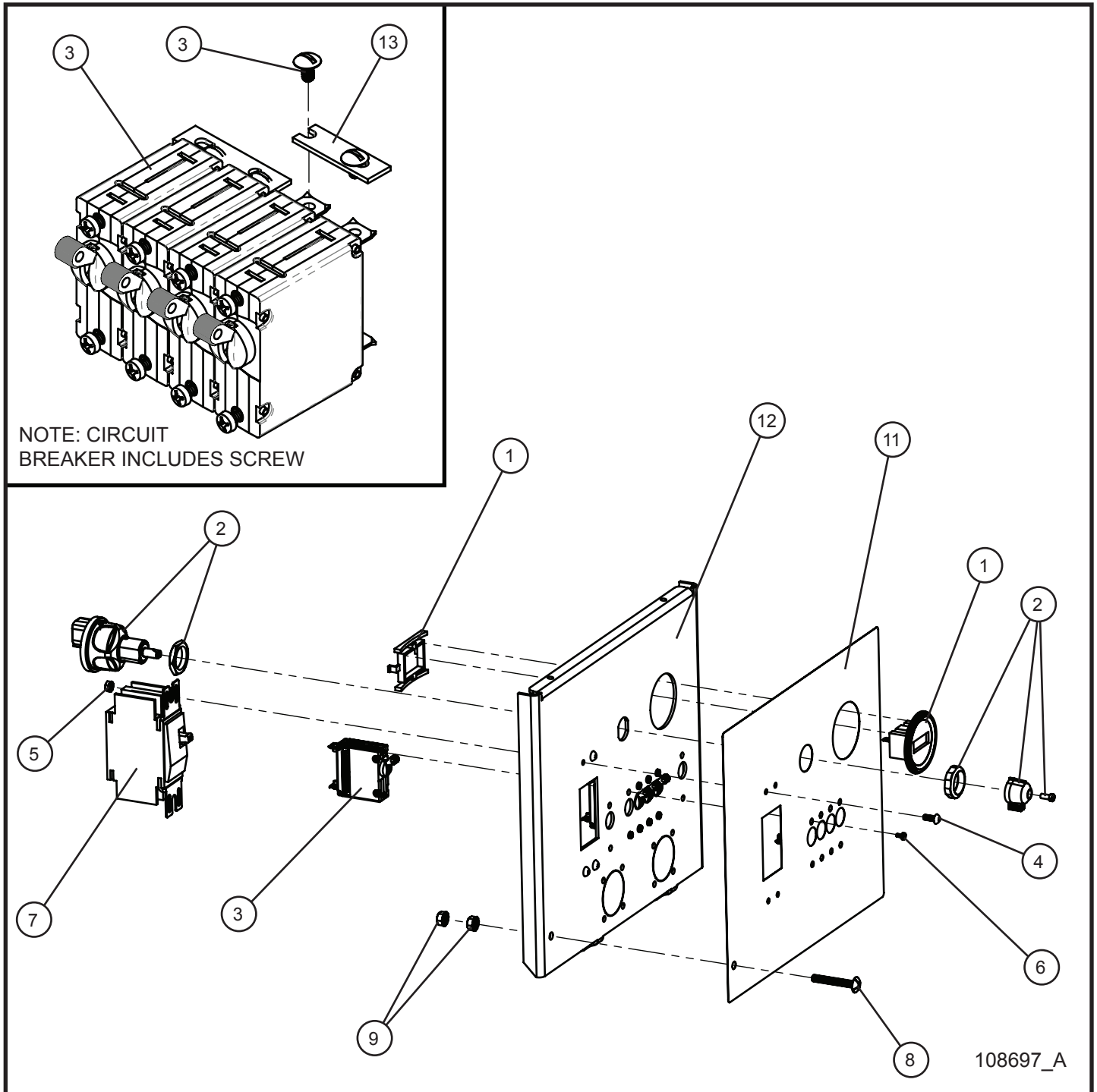
5.8 - 20AMP GFCI and 30AMP RV Outlet Control Panel

SN 0001NL500016 and UP

Item	Part No.	Part Description	Qty.
1	340014	HOUR METER DIGITAL	1
2	106273	IGNITION SWITCH LEVER STYLE	1
3	330499	20 A GFCI	1
4	106781	CIRCUIT BREAKER 15 AMP	4
5	106785	CIRCUIT BREAKER 30 AMP	1
6	653102	30A 125-250V TWISTLOCK RECEPTACLE	1
7	106787	CIRCUIT BREAKER 20 AMP	1
8	041012	SCREW MS #8-32 x 1/2 PL	6
9	044003	#8-32 NC KEPS NUT	6
10	041018	#6-32 x 1/4 PH-ROUND HEAD MS PL	12
11	350354	35 AMP DOUBLE POLE BREAKER	1
12	041053	1/4-20 x 1 3/4 PH-TRUSS HEAD MS SS	1
13	044021	1/4-20 KEPS HEX NUT PL	2
14	620560	BUSS BAR	2
15	041013	#8-32 x 1/2 SLOTTED-ROUND HEAD MS PL	1
16	107482	AC SCHEMATIC BALLAST SIDE (NOT SHOWN)	1
17	107474	CONTROL PANEL WIRING HARNESS (NOT SHOWN)	1
18	107483	CONTROL PANEL TWISTLOCK WIRE (NOT SHOWN)	1
19	107175P	PANEL CONTROL 1 GFCI 1 30 AMP TL	1
20	107545	CONTROL PANEL TURNLOCK OPTION DECAL	1

5.9 - No Outlet Control Panel

SN 0001NL500016 and UP



Night-Lite 5000

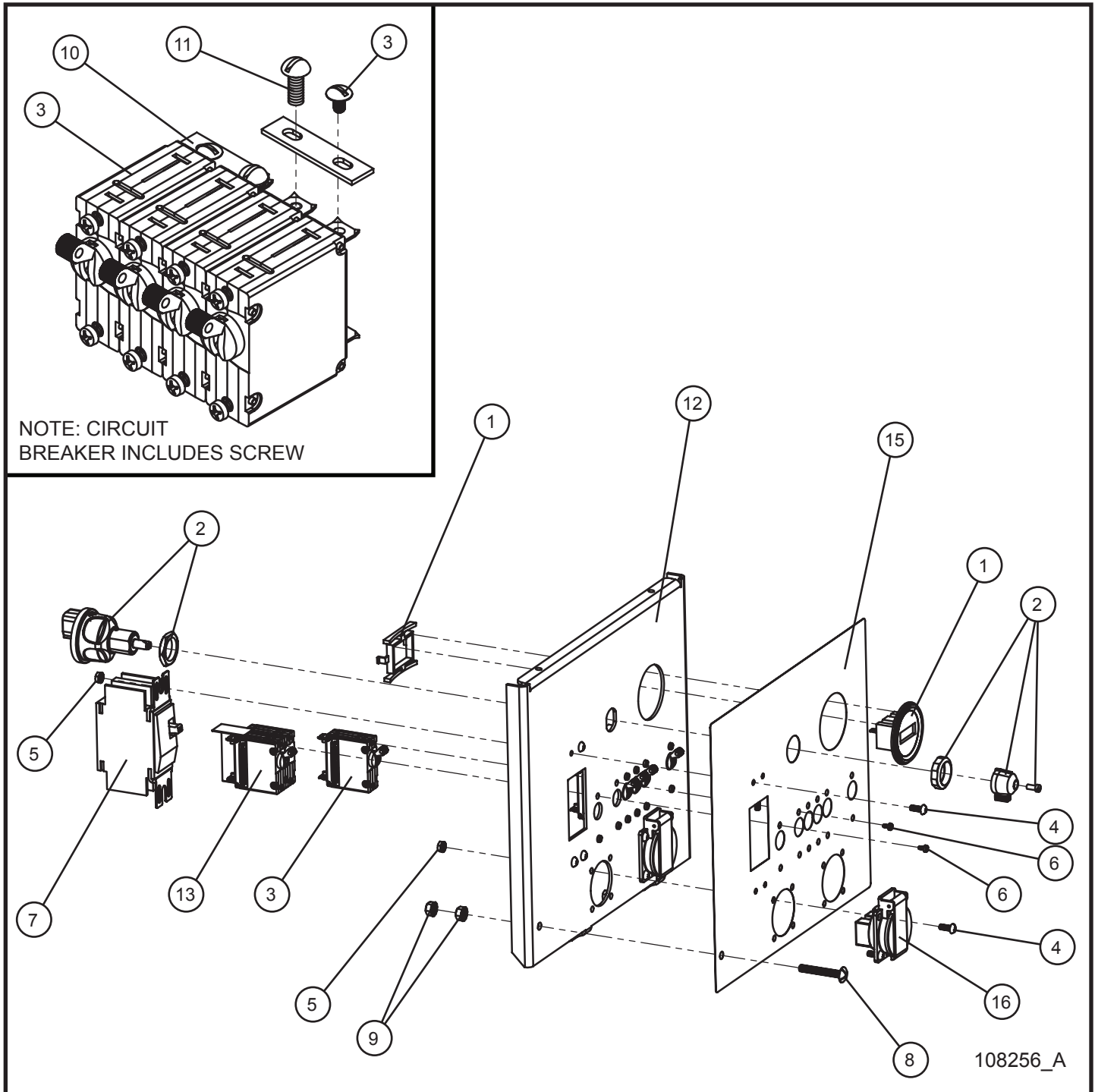
5.9 - No Outlet Control Panel

SN 0001NL500016 and UP

Item	Part No.	Part Description	Qty.
1	340114	HOUR METER DIGITAL	1
2	106273	IGNITION SWITCH LEVER STYLE	1
3	106781	CIRCUIT BREAKER 15 AMP	4
4	041012	SCREW MS #8-32 x 1/2 PL	4
5	044003	#8-32 NC KEPS NUT	4
6	041018	#6-32 x 1/4 PH-ROUND HEAD MS PL	8
7	350354	35 AMP DOUBLE POLE BREAKER	1
8	041053	1/4-20 x 1 3/4 PH-TRUSS HEAD MS SS	1
9	044021	1/4-20 KEPS HEX NUT PL	2
10	108032	AC SCHEMATIC NO OUTLET OPTION (NOT SHOWN)	1
11	107997	DECAL NL5000 INTERNATIONAL CONTROL PANEL	1
12	108695P	PANEL CONTROL INTERNATIONAL NL5000	1
13	620560	BUSS BAR	2

5.10 - Schuko Outlet Control Panel

SN 0001NL500016 and UP



Night-Lite 5000

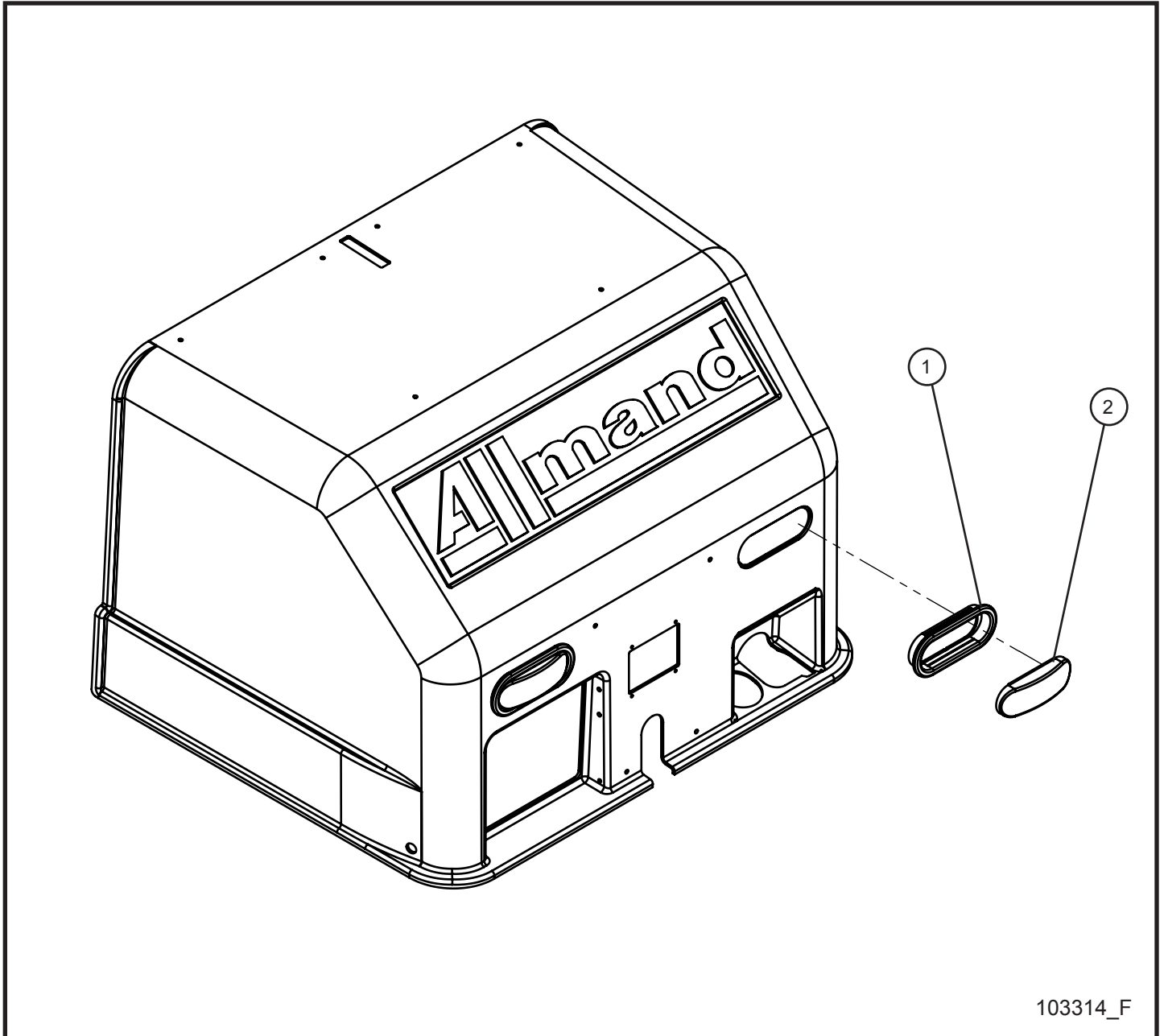
5.10 - Schuko Outlet Control Panel

SN 0001NL500016 and UP

Item	Part No.	Part Description	Qty.
1	340114	HOUR METER DIGITAL	1
2	106273	IGNITION SWITCH LEVER STYLE	1
3	106781	CIRCUIT BREAKER 15 AMP	4
4	041012	SCREW MS #8-32 x 1/2 PL	12
5	044003	#8-32 NC KEPS NUT	12
6	041018	#6-32 x 1/4 PH-ROUND HEAD MS PL	12
7	350354	35 AMP DOUBLE POLE BREAKER	1
8	041053	1/4-20 x 1 3/4 PH-TRUSS HEAD MS SS	1
9	044021	1/4-20 KEPS HEX NUT PL	2
10	620560	BUSS BAR	2
11	041013	#8-32 x 1/2 SLOTTED-ROUND HEAD MS PL	2
12	108695P	PANEL CONTROL INTERNATIONAL NL5000	1
13	106784	CIRCUIT BREAKER 15 AMP	2
14	108242	CONTROL PANEL WIRING HARNESS (NOT SHOWN)	1
15	107998	CONTROL PANEL NL5000 SCHUKO DECAL	1
16	650485	RECEPTACLE SCHUKO (EURO)	2
17	108033	AC SCHEMATIC TWO SCHUKO OUTLETS (NOT SHOWN)	1

5.11 - Tail Lights

SN 0001NL500016 and UP



103314_F

Night-Lite 5000

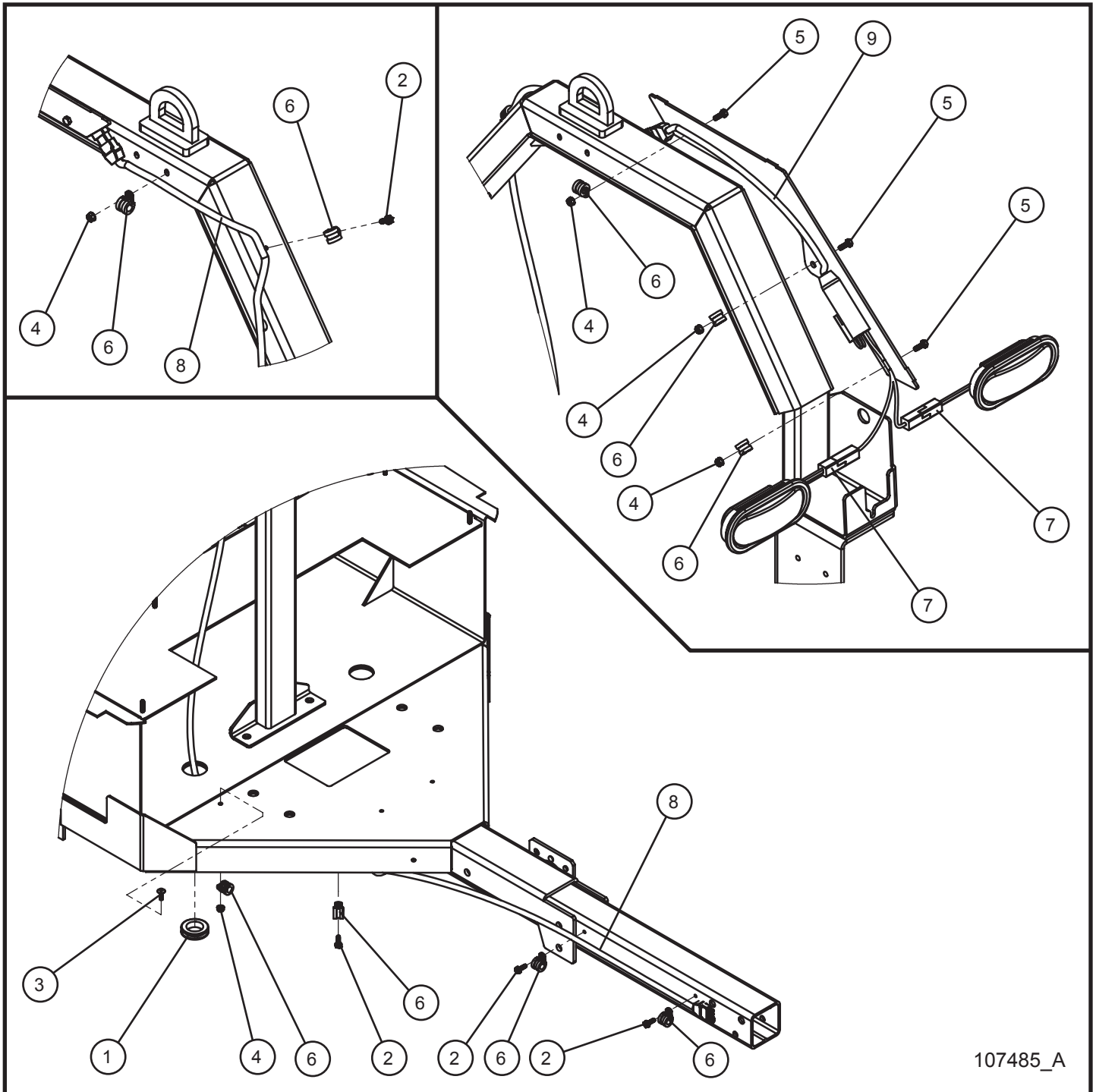
5.11 - Tail Lights

SN 0001NL500016 and UP

Item	Part No.	Part Description	Qty.
1	102825	OVAL LAMP GROMMET	2
2	102721	LED TAIL LAMP STOP TURN	2

5.12 - Tail Light Harness

SN 0001NL500016 and UP



107485_A

Night-Lite 5000

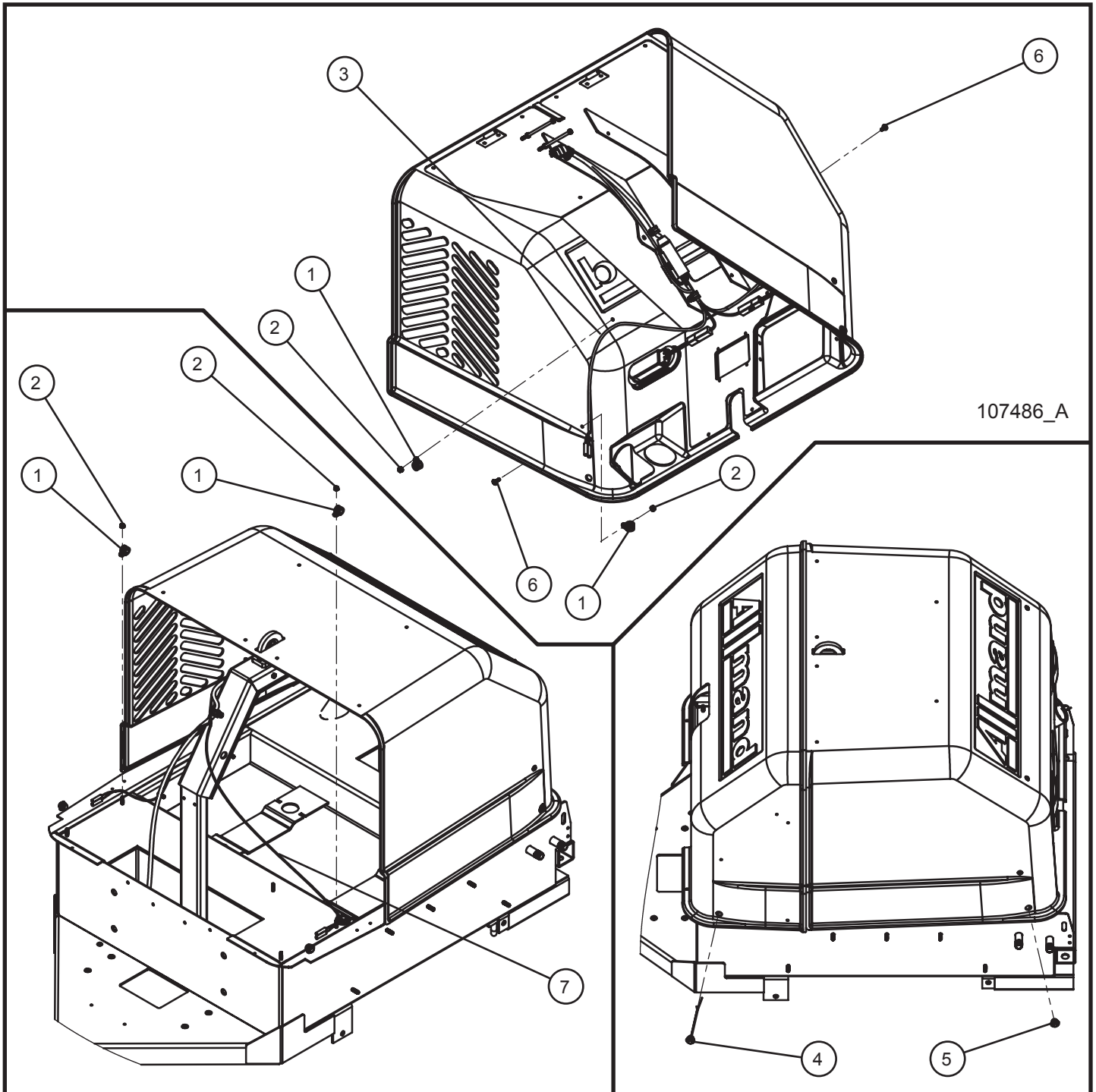
5.12 - Tail Light Harness

SN 0001NL500016 and UP

Item	Part No.	Part Description	Qty.
1	650542	1 1/4 ID x 1 1/2 OD GROMMET	1
2	041070	1/4-20 x 3/4 SL-HEX WASHER HEAD MS TP F	4
3	041050	1/4-20 x 3/4 PH-TRUSS HEAD MS SS MACHINE SCREW	1
4	044021	1/4-20 KEPS HEX NUT PL	5
5	046010	1/4-20 x 3/4 HEX HEAD CS GR5 SS	3
6	310212	#10 CUSH CLAMP 1/4 HOLE	9
7	107861	TAIL LIGHT PIGTAIL SHORT SQUARE PLUG HARNESS	2
8	107857	LONG TONGUE TAIL LIGHTS	1
9	107858	BASE HARNESS TAIL LIGHTS	1
10	107266	SCHEMATIC TAIL LIGHT HARNESS	1

5.13 - Marker Lights

SN 0001NL500016 and UP



Night-Lite 5000

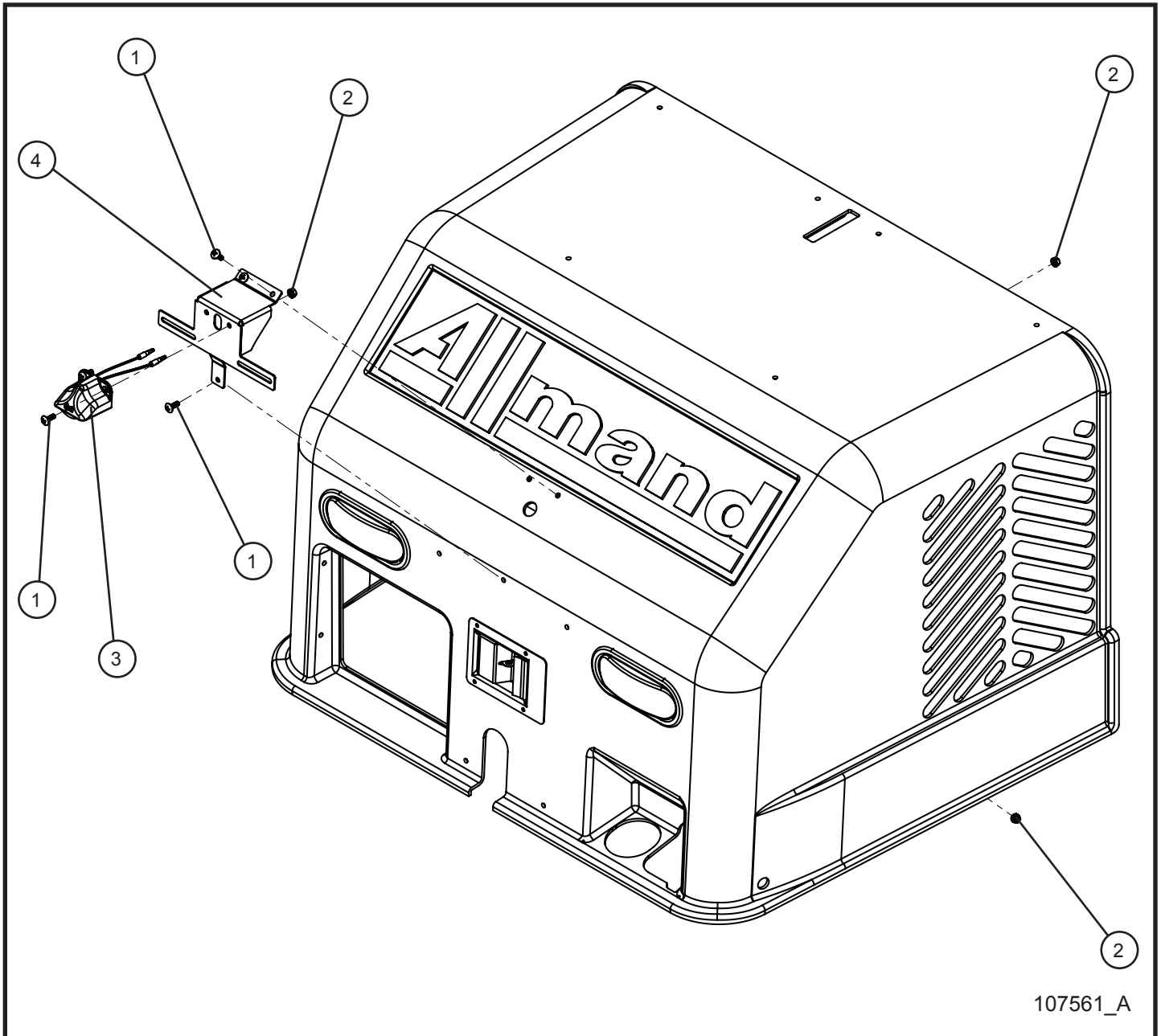
5.13 - Marker Lights

SN 0001NL500016 and UP

Item	Part No.	Part Description	Qty.
1	310212	#10 CUSH CLAMP 1/4 HOLE	6
2	044021	1/4-20 KEPS HEX NUT PL	6
3	107489	MARKER LIGHTS REAR NL5000	1
4	106211	LIGHT LED MARKER RED	2
5	106212	LIGHT LED MARKER AMBER	2
6	041050	1/4-20 x 3/4 PH-TRUSS MEAD MS SS MACHINE SCREW	4
7	107490	MARKER LIGHTS FRONT NL5000	1
8	107268	FRONT MARKER LIGHTS SCHEMATIC (NOT SHOWN)	1
9	107493	REAR MARKER LIGHTS SCHEMATIC (NOT SHOWN)	1

5.14 - License Plate Bracket w/ Lamp

SN 0001NL500016 and UP



Night-Lite 5000

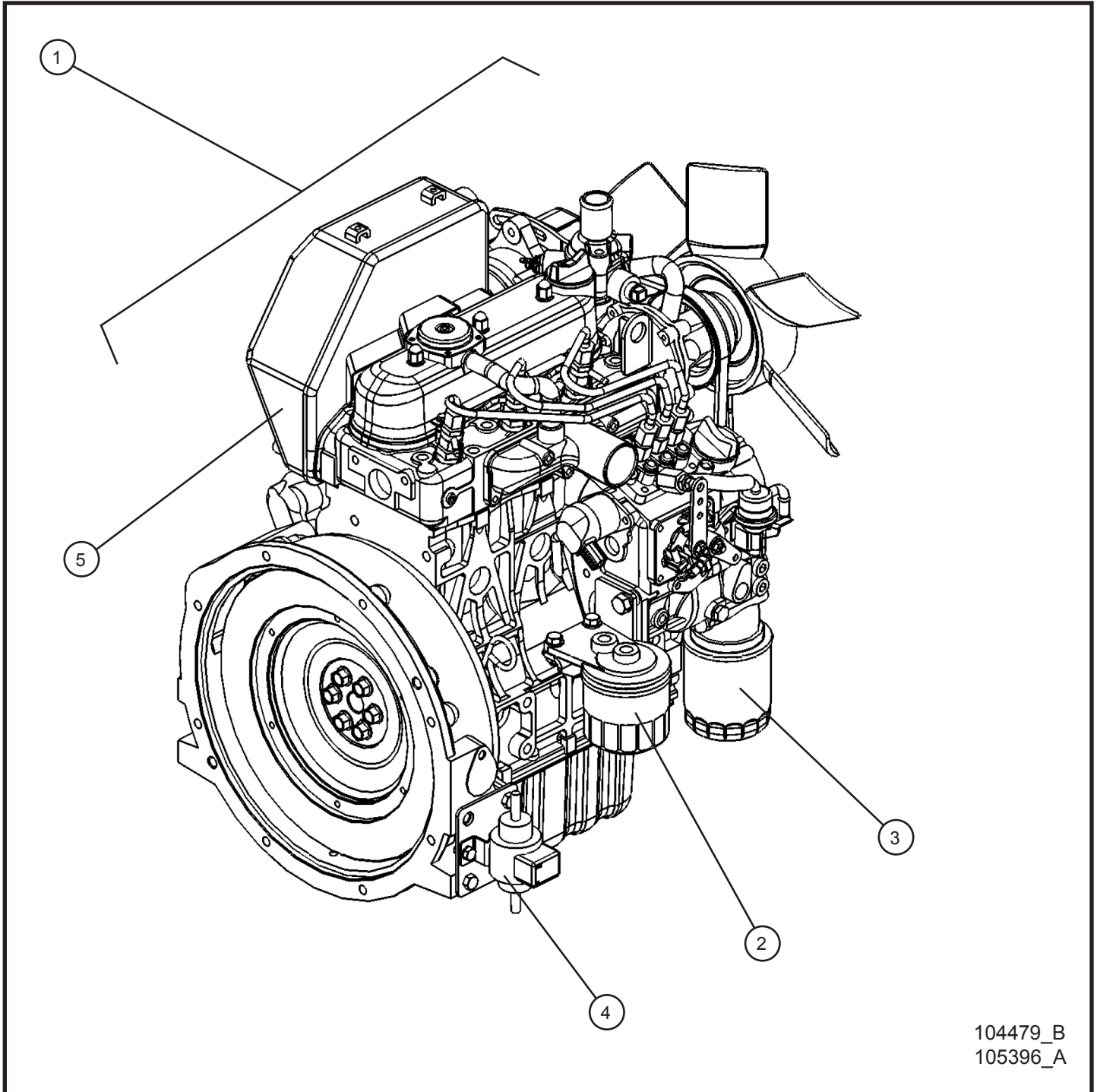
5.14 - License Plate Bracket w/ Lamp

SN 0001NL500016 and UP

Item	Part No.	Part Description	Qty.
1	041050	1/4-20 x 3/4 PH-TRUSS HEAD MS SS MACHINE SCREW	5
2	044021	1/4-20 KEPS HEX NUT PL	5
3	107605	MOUNT LED LIGHT CLEAR	1
4	107556P	LICENSE PLATE BRACKET NIGHT-LITE 5000	1

6.1 - Kubota Engine and Filters

SN 0001NL500016 and UP



104479_B
105396_A

Night-Lite 5000

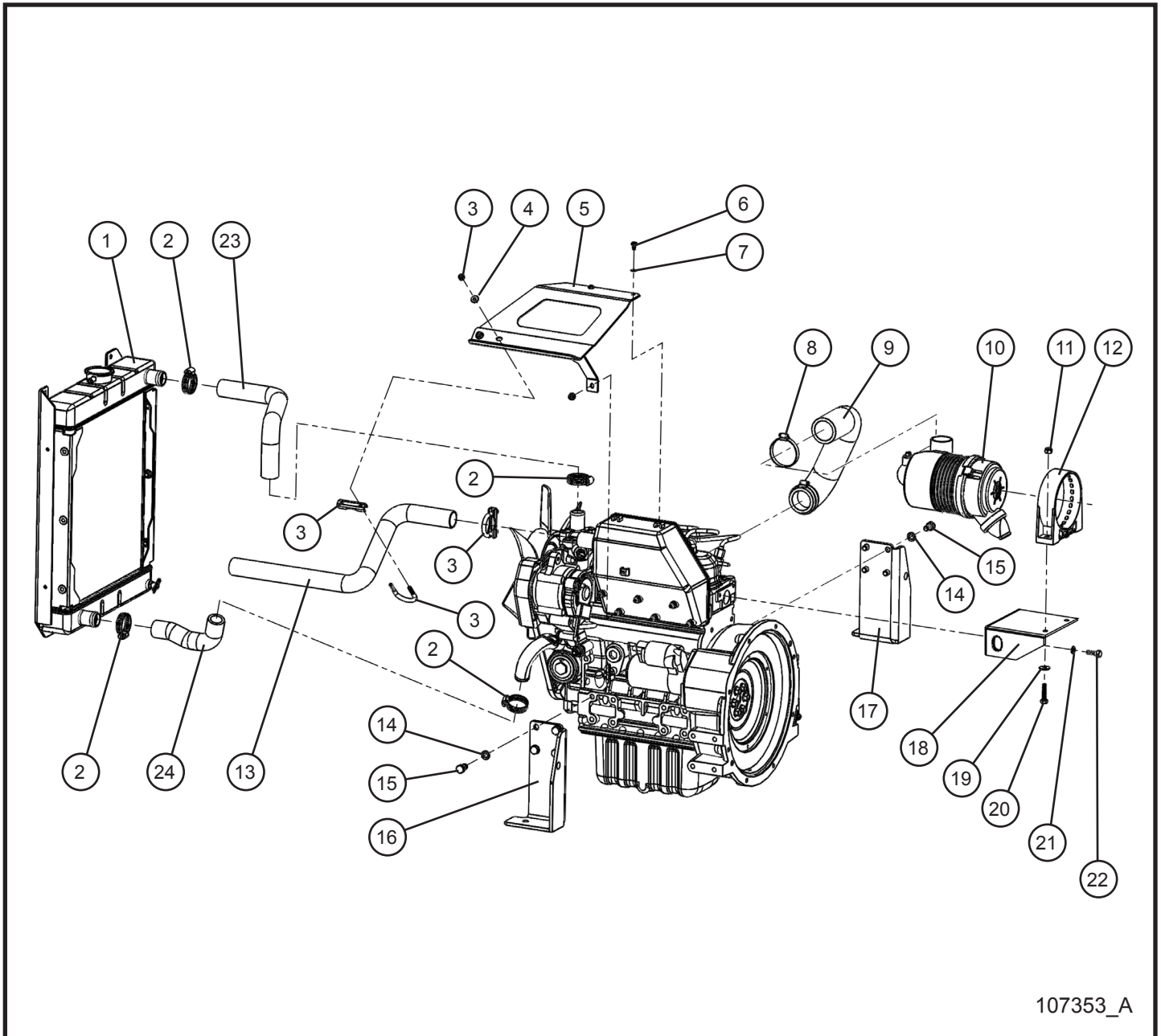
6.1- Kubota Engine and Filters

SN 0001NL500016 and UP

Item	Part No.	Part Description	Qty.
1	104479	ENGINE D1005 NRTC/NTE KUBOTA	1
	105396	ENGINE D1005 NRTC/NTE T4 KUBOTA	1
2	920745	FUEL FILTER	1
3	920743	OIL FILTER	1
4	103331	FUEL PUMP	1
5	352139	BOX MUFFLER	1
NS	650290	AIR FILTER	1
NS	108962	KUBOTA FILTER KIT (INCLUDES PART NUMBERS 920745, 920743, & 650290)	1
NS	340302	HIGH TEMP SWITCH	1
NS	340301	OIL PRESSURE SWITCH	1
NS	920751	FUEL SHUT OFF SOLENOID	1

6.2 - Kubota Engine Assembly Group (1 of 3)

SN 0001NL500016 and UP



Night-Lite 5000

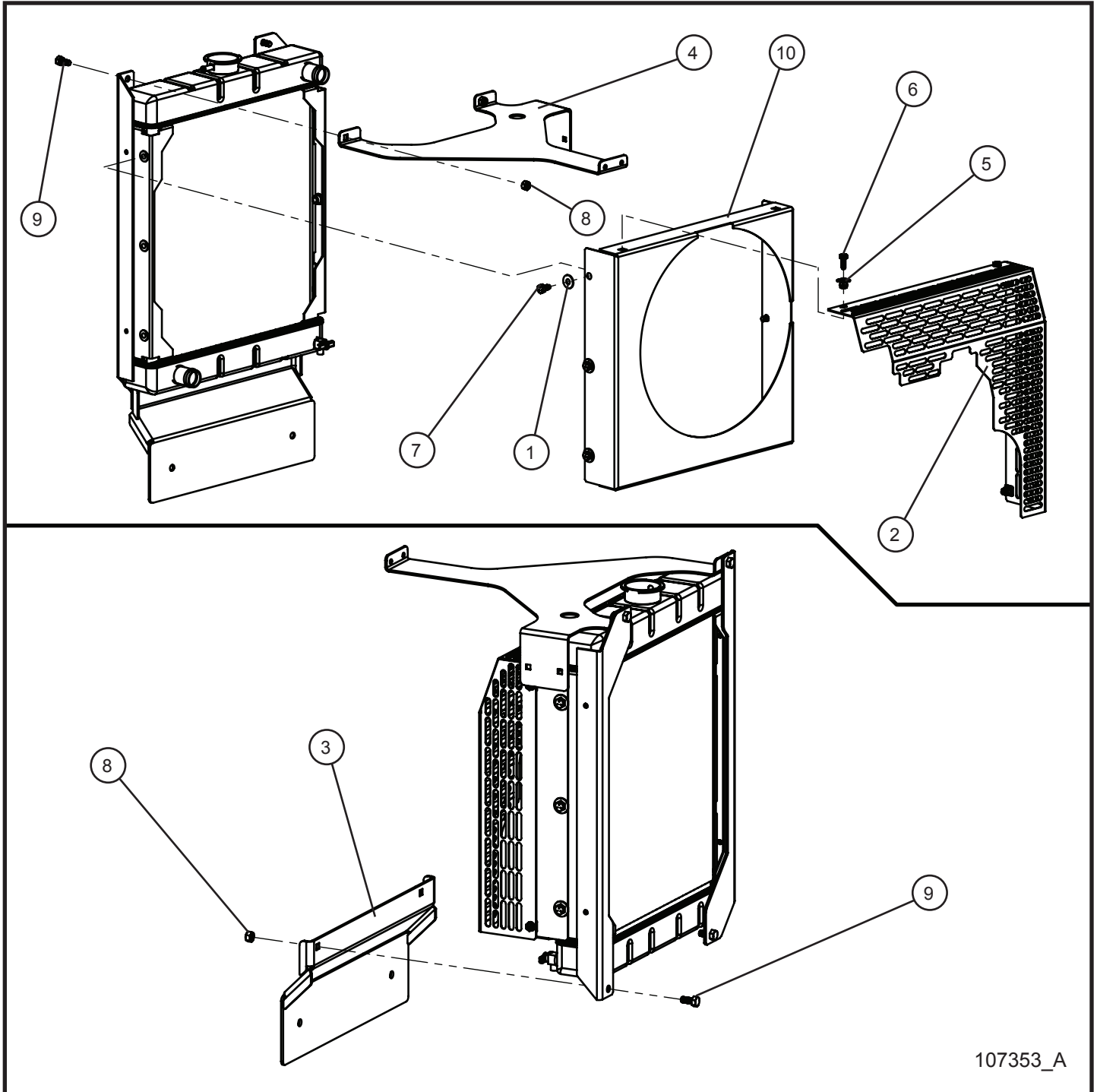
6.2 - Kubota Engine Assembly Group (1 of 3)

SN 0001NL500016 and UP

Item	Part No.	Part Description	Qty.
1	105393	RADIATOR KUBOTA	1
2	045035	#20 HOSE CLAMP	4
3	713086	1 3/8 MUFFLER CLAMP	2
4	047005	1/4 FLAT WASHER	2
5	103579P	TAILPIPE MOUNT D1105 NL PRO II	1
6	042018	M6 x 1.0MM x 10MM HEX HEAD CS GR 8.8 PL	2
7	043050	1/4 INTL TOOTH LOCK WASHER	2
8	045038	#32 HOSE CLAMP	2
9	101734	AIR CLEANER HOSE KUBOTA D1005/D1105	1
10	650262	AIR CLEANER RADIAL SEAL	1
11	042081	M8 x 1.25MM NYLOCK HEX NUT PL METRIC	2
12	650263	MOUNTING BAND AIR CLEANER	1
13	109800	TAIL PIPE KUBOTA	1
14	042151	M10 SPLIT LOCK WASHER PL	8
15	042038	M10 x 20MM x 1.25MM HEX HEAD CS GR 8.8 PL	8
16	103470P	BRACKET ENGINE FOOT RIGHT WELDMENT KUBOTA	1
17	103469P	BRACKET ENGINE FOOT LEFT WELDMENT KUBOTA	1
18	107356P	MOUNT WELDED AIR FILTER	1
19	047010	5/16 FLAT WASHER PL	2
20	102127	8MM x 35MM x 1.25 HEX GR 8.8 PLATED	2
21	102131	M10 SPLIT LOCK WASHER PL	2
22	042031	M8 x 25MM x 1.25 HEX HEAD CS GR8.8 PL	2
23	107119	RADIATOR HOSE UPPER KUBOTA	1
24	107120	RADIATOR HOSE LOWER KUBOTA	1
NS	107347	RADIATOR KIT KUBOTA (INCLUDES PART NUMBERS 105393, 107119, & 107120)	1
NS	105193	HARNESS KUBOTA	1
NS	105875	KUBOTA CHARGE CIRCUIT FUSE	1
NS	105893	KUBOTA ENGINE HARNESS SCHEMATIC	1

6.2 - Kubota Engine Assembly Group (2 of 3)

SN 0001NL500016 and UP



107353_A

Night-Lite 5000

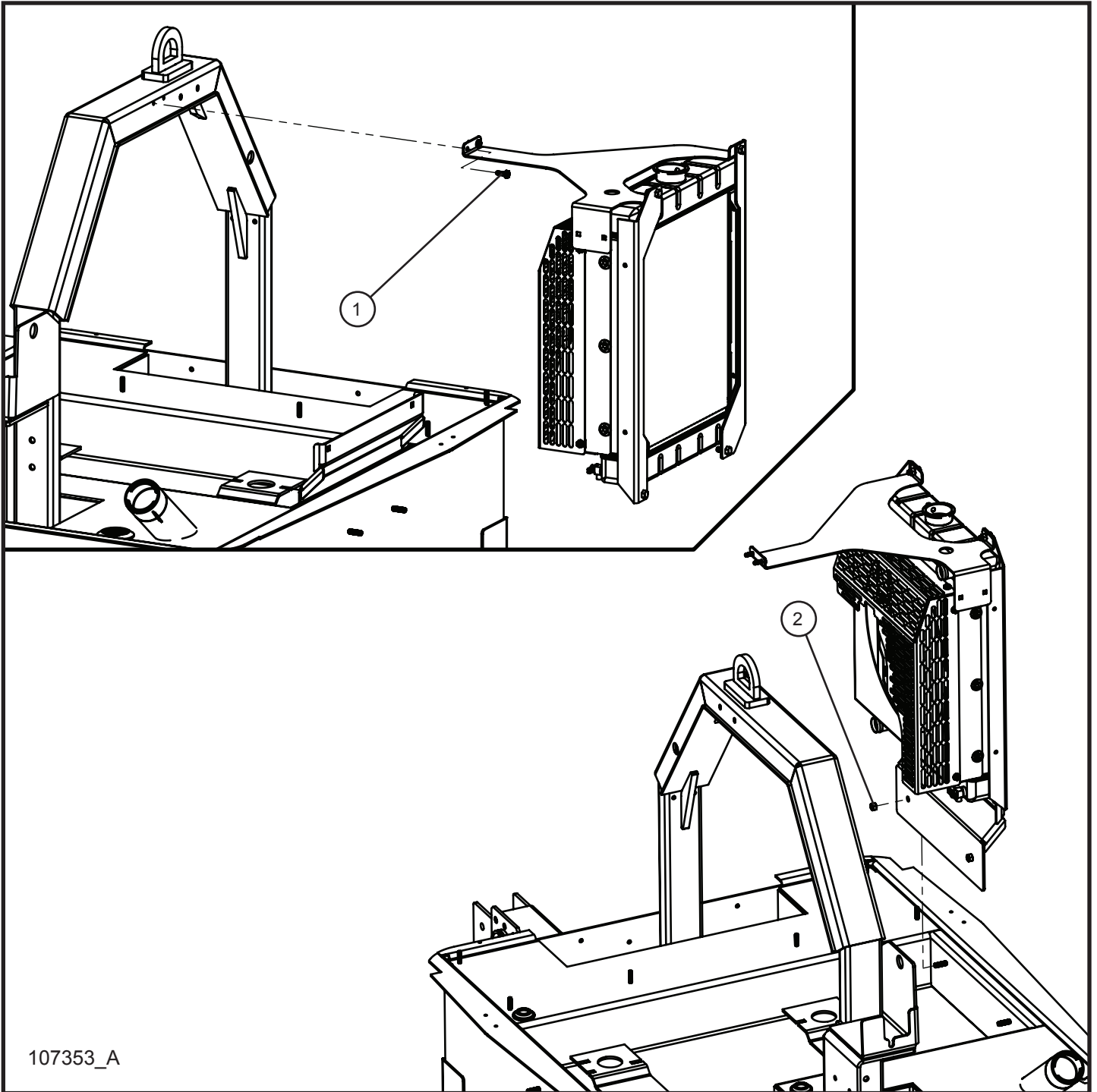
6.2 - Kubota Engine Assembly Group (2 of 3)

SN 0001NL500016 and UP

Item	Part No.	Part Description	Qty.
1	047010	5/16 FLAT WASHER PL	6
2	107185P	HAND GUARD RADIATOR	1
3	107187P	LOWER RADIATOR MOUNT	1
4	107113P	UPPER RADIATOR MOUNT	1
5	105408	GROMMET NUT DOUBLE SPLIT	4
6	041070	1/4-20 x 3/4 SL-HEX WASHER HEAD MS TP F	4
7	046046	5/16-18 x 1/2 HEX HEAD CS GR5 PL	6
8	044033	5/16-18 NYLOCK HEX NUT PL	4
9	041071	SCREW MACHINE PHILLIPS HEAD ROUND 5/16-18 x 3/4 PLATED	4
10	107184P	FAN SHROUD SHORT JB RADIATOR	1

6.2 - Kubota Engine Assembly Group (3 of 3)

SN 0001NL500016 and UP



107353_A

Night-Lite 5000

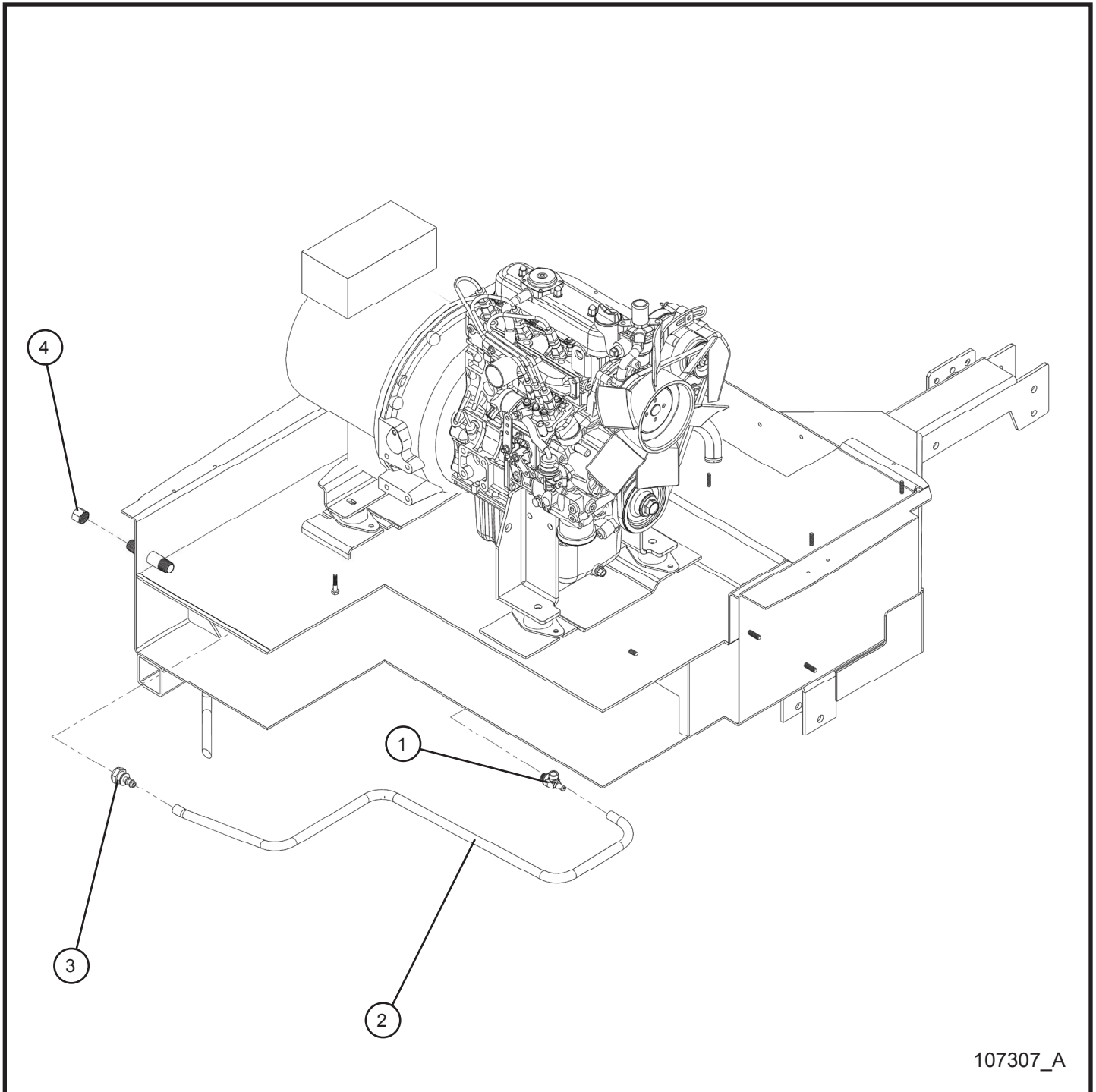
6.2 - Kubota Engine Assembly Group (3 of 3)

SN 0001NL500016 and UP

Item	Part No.	Part Description	Qty.
1	041070	1/4-20 x 3/4 SL-HEX WASHER HEAD MS TP F	2
2	044033	5/16-18 NYLOCK HEX NUT PL	2

6.3 - Kubota Engine Remote Oil Drain

SN 0001NL500016 and UP



107307_A

Night-Lite 5000

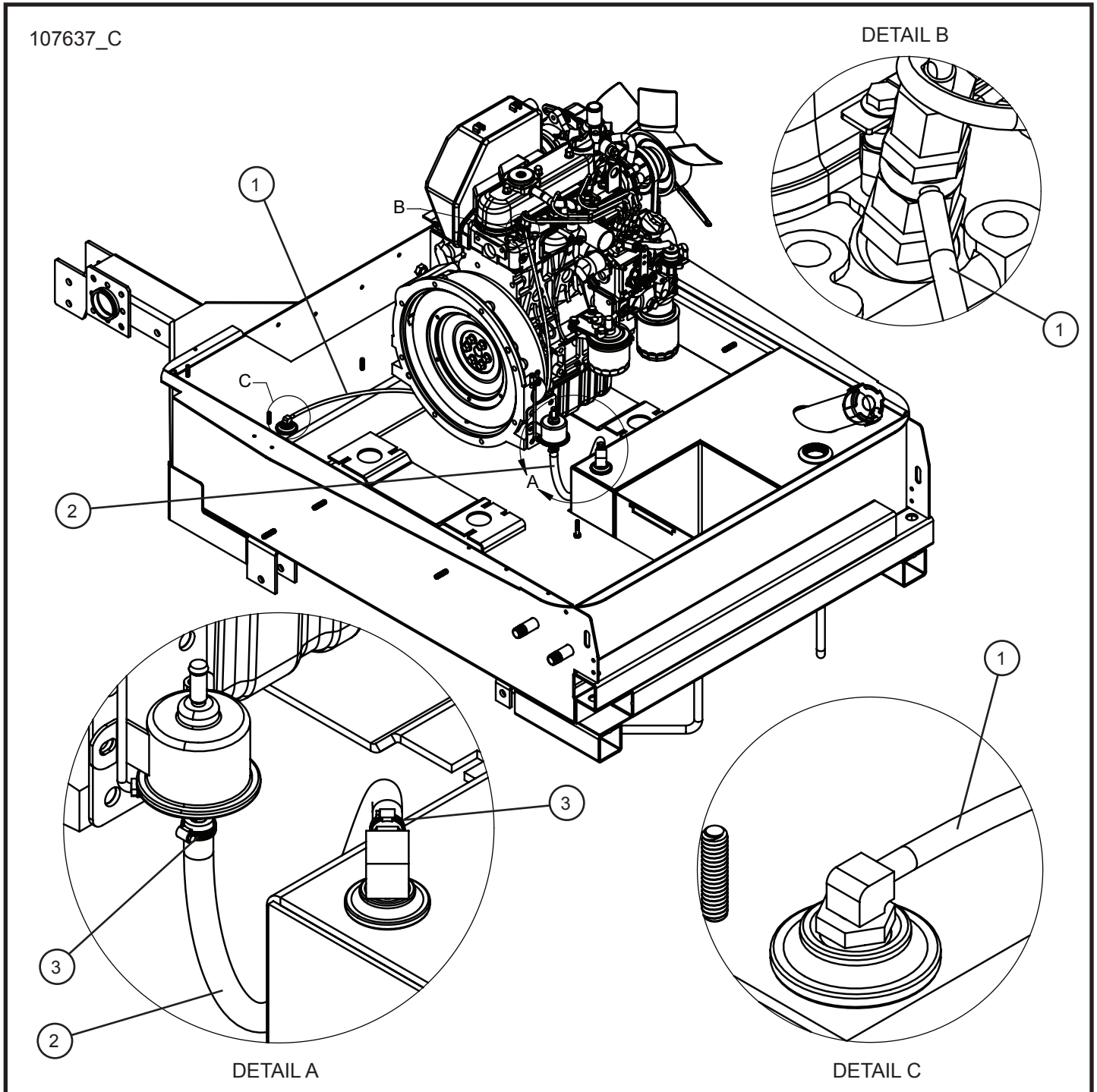
6.3 - Kubota Engine Remote Oil Drain

SN 0001NL500016 and UP

Item	Part No.	Part Description	Qty.
1	848299	DRAIN VALVE D1005 OIL	1
2	081017	3/8 YELLOW FUEL HOSE	1
3	104865	3/8 HOSE x 1/2 NPT BARBED TO FEMALE	1
4	105089	1/2 NPT BRASS CAP	1

6.4 - Kubota Engine Fuel Lines

SN 0001NL500016 and UP



Night-Lite 5000

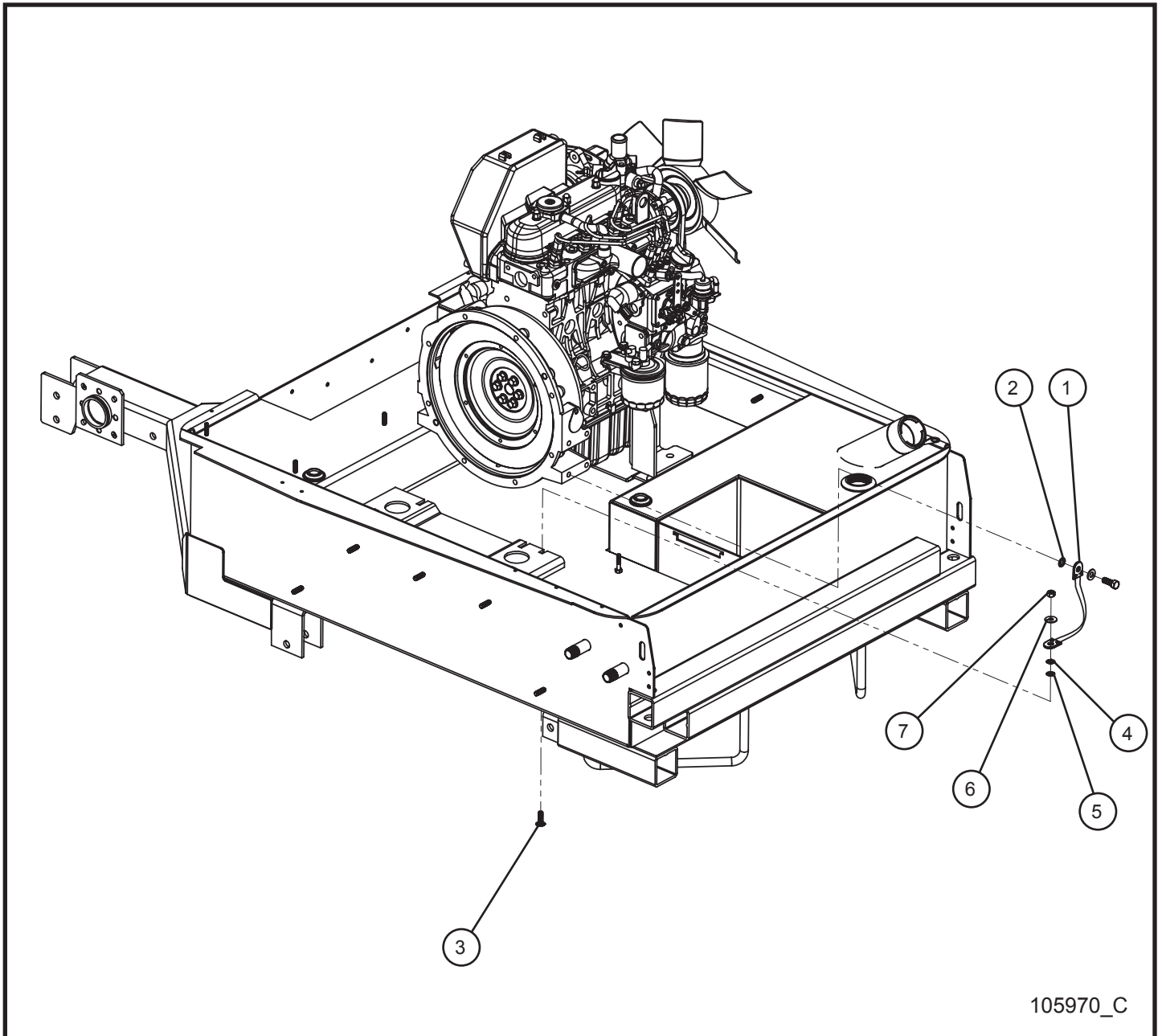
6.4 - Kubota Engine Fuel Lines

SN 0001NL500016 and UP

Item	Part No.	Part Description	Qty.
1	081005	NYLON HOSE 1/4 OD x .035 WALL 250WP FUEL LINE BK	1
2	081018	HOSE 5/16" FUEL LINE	1
3	433400	#4 HOSE CLAMP	2

6.5 - Kubota Engine Ground Strap

SN 0001NL500016 and UP



105970_C

Night-Lite 5000

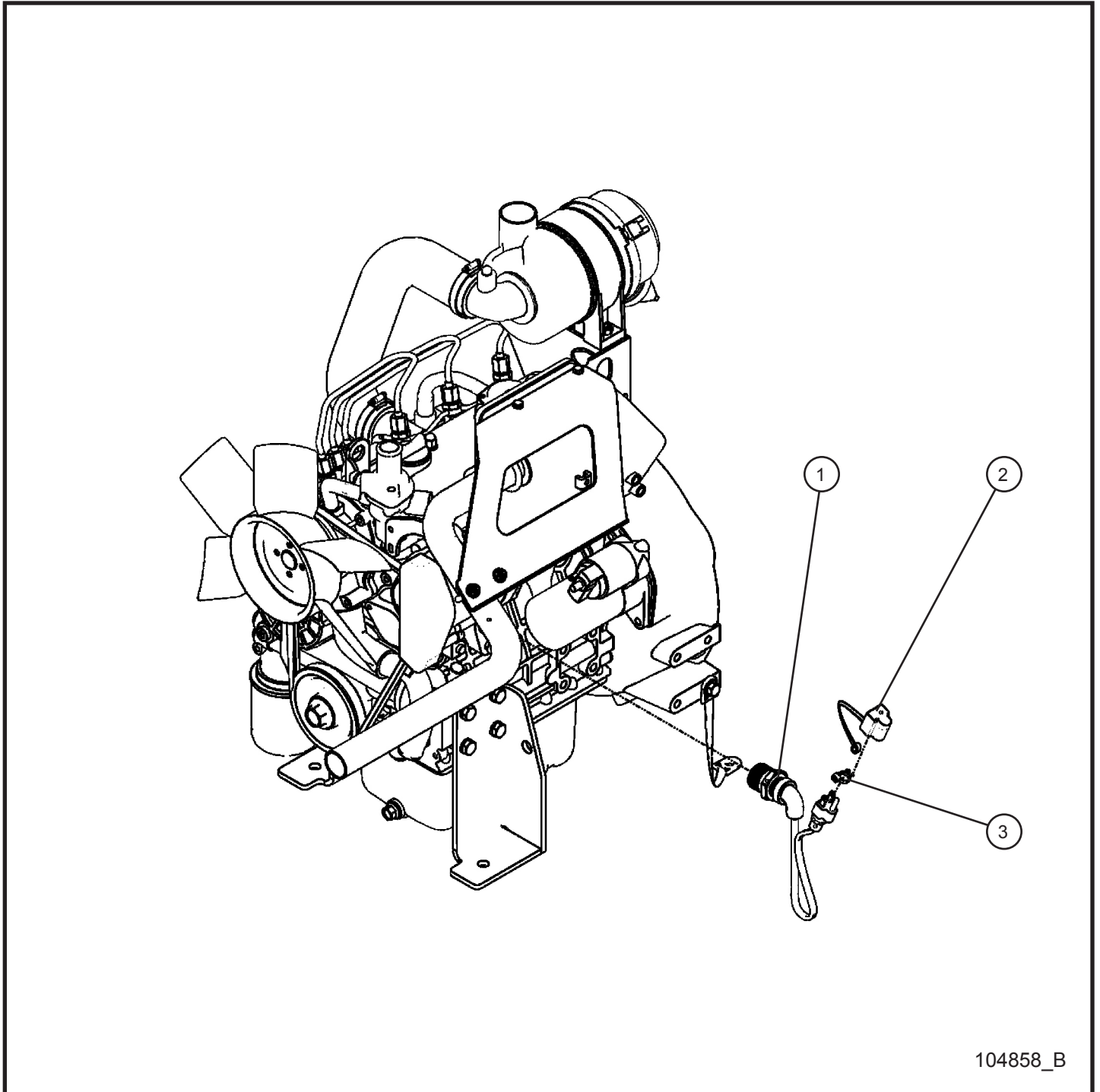
6.5 - Kubota Engine Ground Strap

SN 0001NL500016 and UP

Item	Part No.	Part Description	Qty.
1	340105	GROUND STRAP	1
2	043070	3/8 INT'L TOOTHLOCK WASHER	2
3	053020	5/16-18 x 1 CARRIAGE BOLT PL	1
4	045217	5/16 PUSH NUT	1
5	043060	5/16 INT'L TOOTHLOCK WASHER	1
6	047010	5/16 FLAT WASHER PL	1
7	044033	5/16-8 NYLOCK HEX NUT PL	1

6.6 - Kubota Engine Block Heater

SN 0001NL500016 and UP



104858_B

Night-Lite 5000

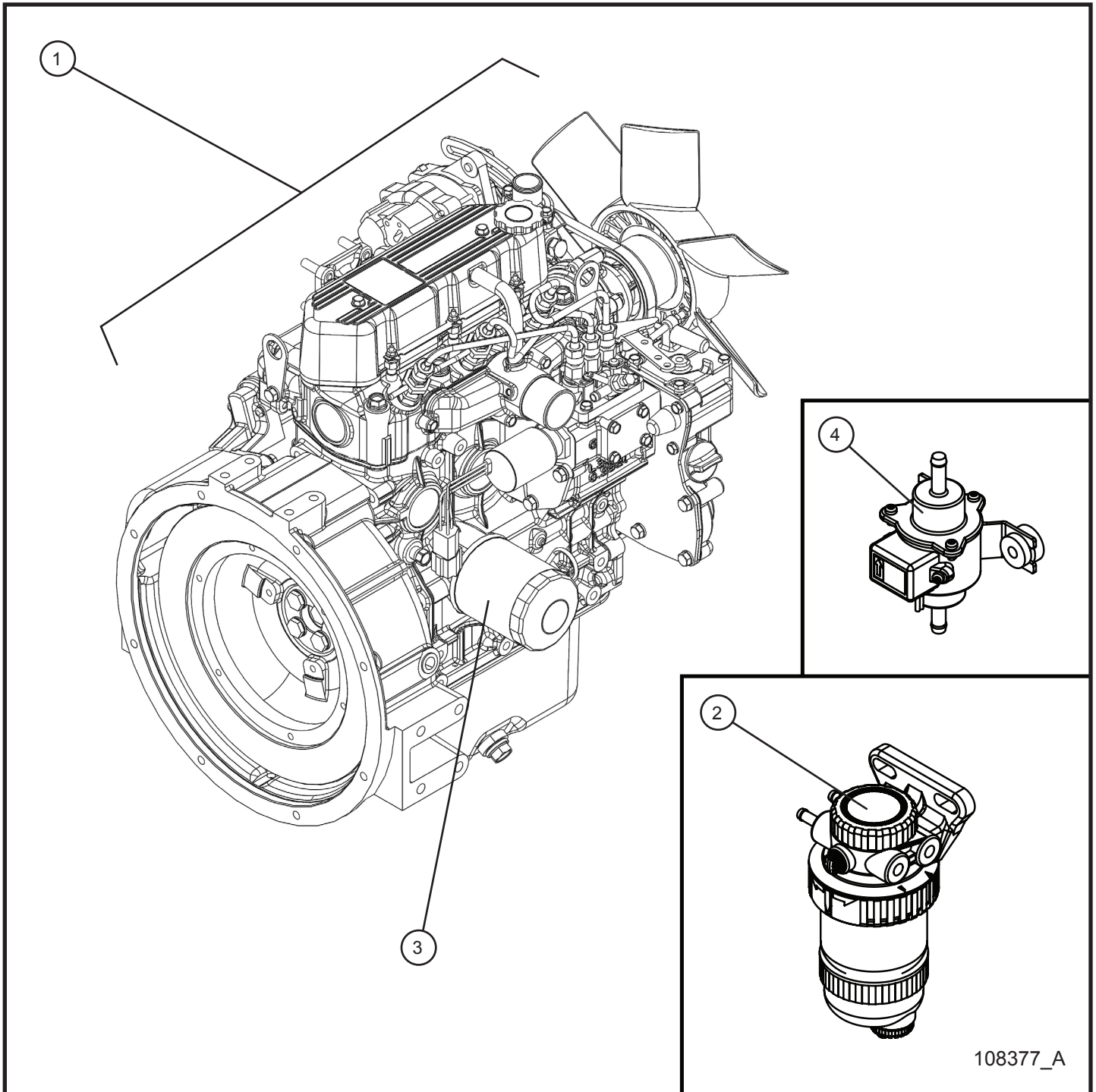
6.6 - Kubota Engine Block Heater

SN 0001NL500016 and UP

Item	Part No.	Part Description	Qty.
1	352373	BLOCK HEATER D1005/D1105	1
2	105995	END COVER 120 VOLT CORD	1
3	068090	CABLE TIE 8"	1

7.1 - Mitsubishi Engine and Filters

SN 0001NL500016 and UP



108377_A

Night-Lite 5000

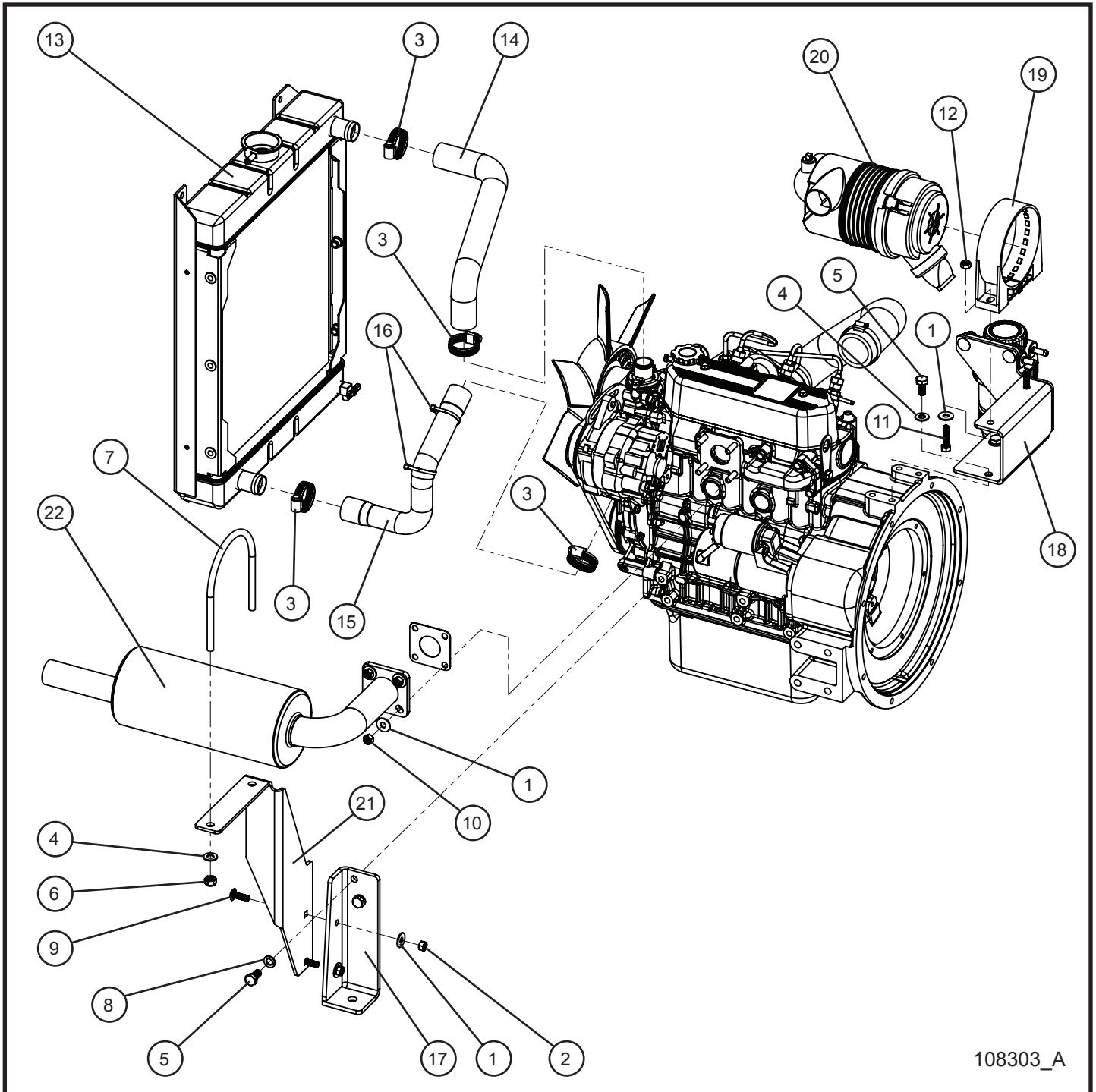
7.1 - Mitsubishi Engine and Filters

SN 0001NL500016 and UP

Item	Part No.	Part Description	Qty.
1	108377	mitsubishi L3E TIER 4 FINAL ENGINE	1
2	108430	FUEL FILTER	1
3	108429	OIL FILTER	1
4	108897	FUEL PUMP	1
NS	650290	AIR FILTER	1

7.2 - Mitsubishi Engine Assembly Group (1 of 5)

SN 0001NL500016 and UP



Night-Lite 5000

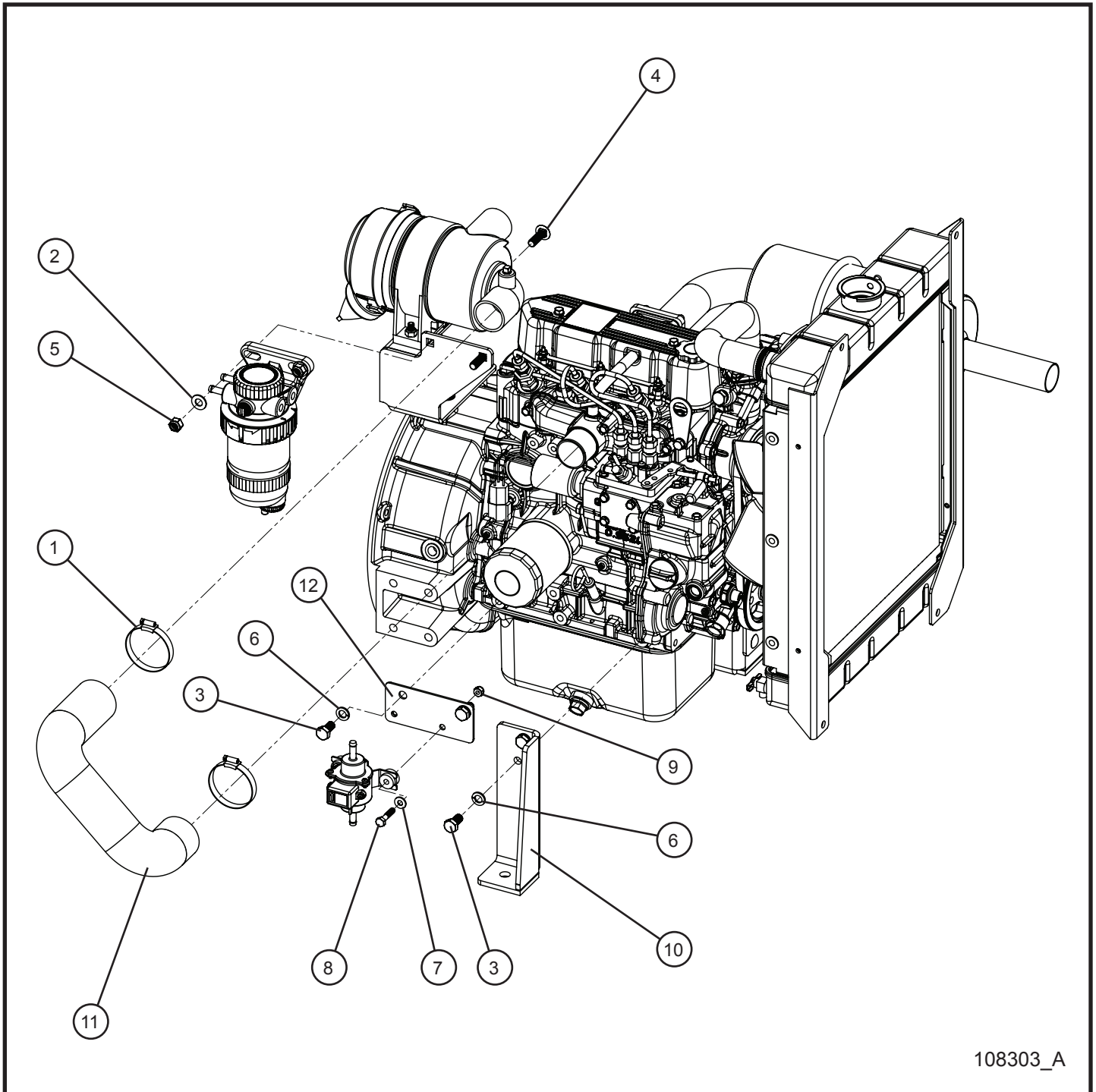
7.2 - Mitsubishi Engine Assembly Group (1 of 5)

SN 0001NL500016 and UP

Item	Part No.	Part Description	Qty.
1	047010	5/16 FLAT WASHER PL	8
2	044033	5/16-18 NYLOCK HEX NUT PL	2
3	045035	#20 HOSE CLAMP	4
4	047016	3/8 FLAT WASHER SAE ZINC	4
5	042038	M10 x 20mm x 1.25mm HEX HEAD CS GR8.8 PL	4
6	044080	3/8-16 TOP LOCK HEX NUT PL	2
7	105744	4.75" MUFFLER U-BOLT	1
8	042151	M10 SPLIT LOCK WASHER PL	2
9	053020	5/16-18 x 1 CARRIAGE BOLT PL	2
10	042079	M8 x 1.25 GR8 TOP LOCK NUT	4
11	102127	8mm x 35mm x 1.25 HEX GR8.8 PLATED	2
12	042081	M8 x 1.25mm NYLOCK HEX NUT PL METRIC	2
13	105393	RADIATOR SMALL ENGINES 1.0L / 1.1L	1
14	108241	RADIATOR HOSE UPPER MITSUBISHI L3E	1
15	108435	RADIATOR HOSE LOWER MITSUBISHI L3E	1
16	068090	CABLE TIE 8	2
17	108239P	ENGINE BRACKET RIGHT WELDMENT	1
18	108690P	AIR CLEANER BRACKET WELDMENT NL5000	1
19	650263	MOUNTING BAND AIR CLEANER	1
20	650262	AIR CLEANER RADIAL SEAL	1
21	108264P	MUFFLER BRACKET	1
22	108245	MUFFLER MITSUBISHI L3E	1
NS	108311	SCHEMATIC ENGINE HARNESS	1
NS	108310	ENGINE HARNESS MISTUBISHI L3E	1
NS	108369	CHARGE CIRCUIT FUSE 40AMP	1

7.2 - Mitsubishi Engine Assembly Group (2 of 5)

SN 0001NL500016 and UP



108303_A

Night-Lite 5000

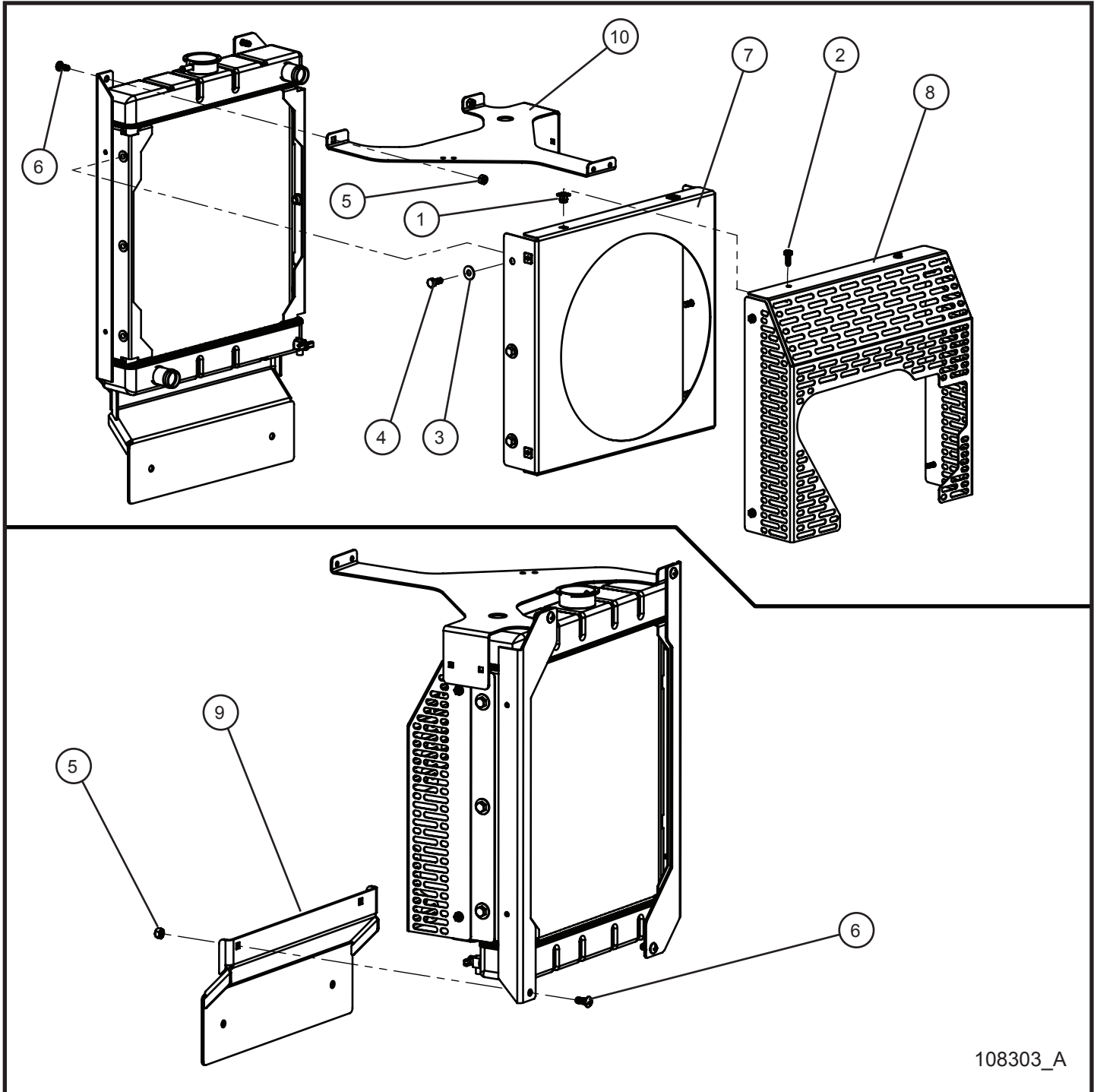
7.2 - Mitsubishi Engine Assembly Group (2 of 5)

SN 0001NL500016 and UP

Item	Part No.	Part Description	Qty.
1	045038	#32 HOSE CLAMP	2
2	047016	3/8 FLAT WASHER SAE ZINC	2
3	042038	M10 x 20mm x 1.25mm HEX HEAD CS GR8.8 PL	4
4	100670	3/8-16 x 1 1/4 CARRIAGE BOLT	2
5	044038	3/8-16 NYLOCK HEX NUT PL	2
6	042151	M10 SPLIT LOCK WASHER PL	4
7	047005	1/4 FLAT WASHER PL	2
8	046020	1/4-20 x 1 1/4 HEX HEAD CS GR5 PL	2
9	044023	1/4-20 NYLOCK HEX NUT PL	2
10	108266P	ENGINE BRACKET LEFT WELDMENT	1
11	101734	AIR INTAKE HOSE SMALL ENGINES	1
12	108248P	FUEL PUMP BRACKET	1

7.2 - Mitsubishi Engine Assembly Group (3 of 5)

SN 0001NL500016 and UP



108303_A

Night-Lite 5000

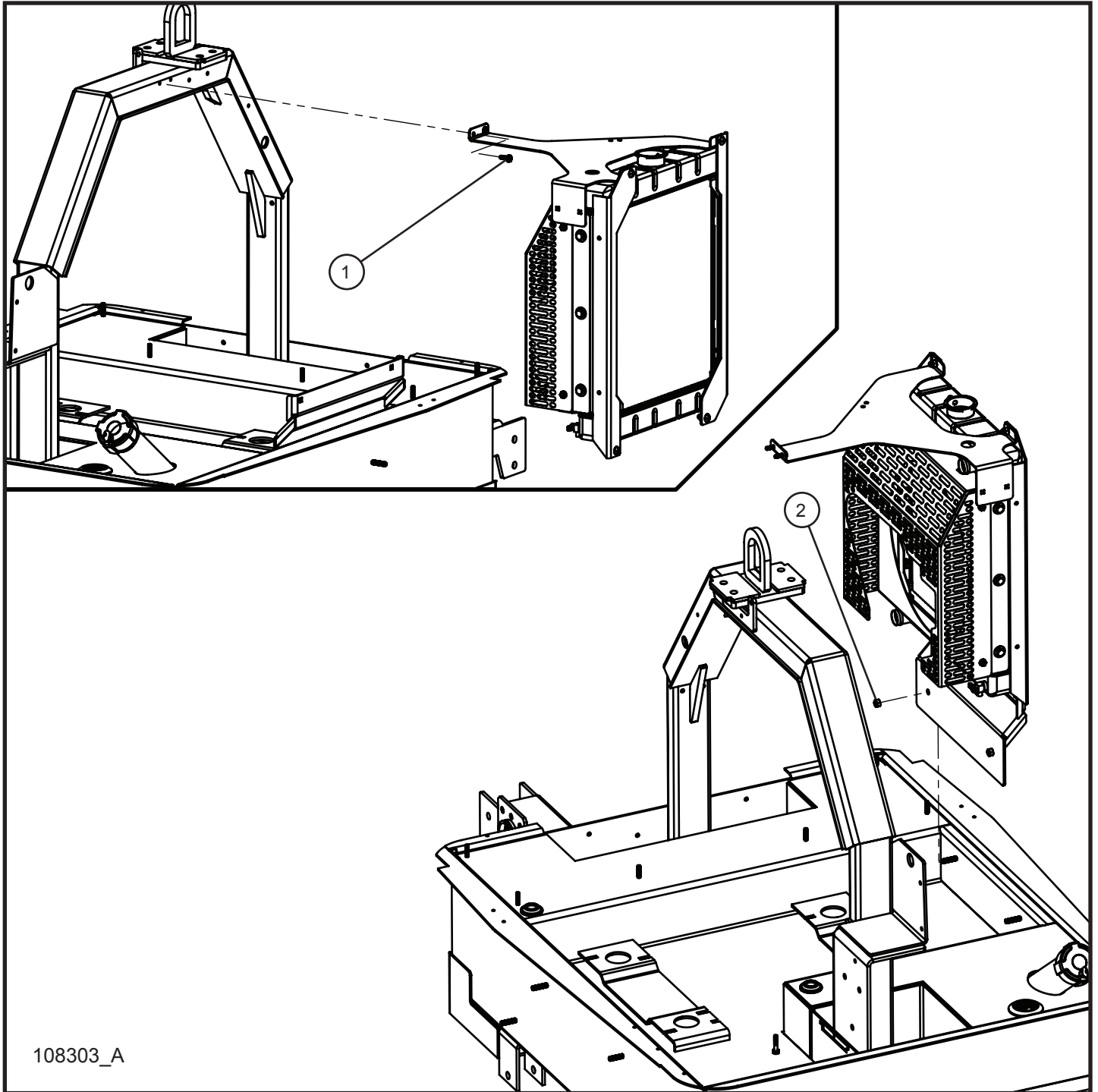
7.2 - Mitsubishi Engine Assembly Group (3 of 5)

SN 0001NL500016 and UP

Item	Part No.	Part Description	Qty.
1	105408	GROMMET NUT DOUBLE SPLIT	6
2	041070	1/4-20 x 3/4 SL-HEX WASHER HEAD MS TP F	4
3	047010	5/16 FLAT WASHER PL	6
4	046046	5/16-18 x 3/4 HEX HEAD CS GR5 PL	6
5	044033	5/16-18 NYLOCK HEX NUT PL	4
6	041071	SCREW MACHINE PHILLIPS HEAD ROUND 5/16-18 x 3/4 PLATED	4
7	108243P	FAN SHROUD MITSUBISHI L3E	1
8	108244P	FINGER GUARD MITSUBISHI L3E	1
9	107187P	LOWER RADIATOR MOUNT	1
10	107113P	UPPER RADIATOR MOUNT	1

7.2 - Mitsubishi Engine Assembly Group (4 of 5)

SN 0001NL500016 and UP



108303_A

Night-Lite 5000

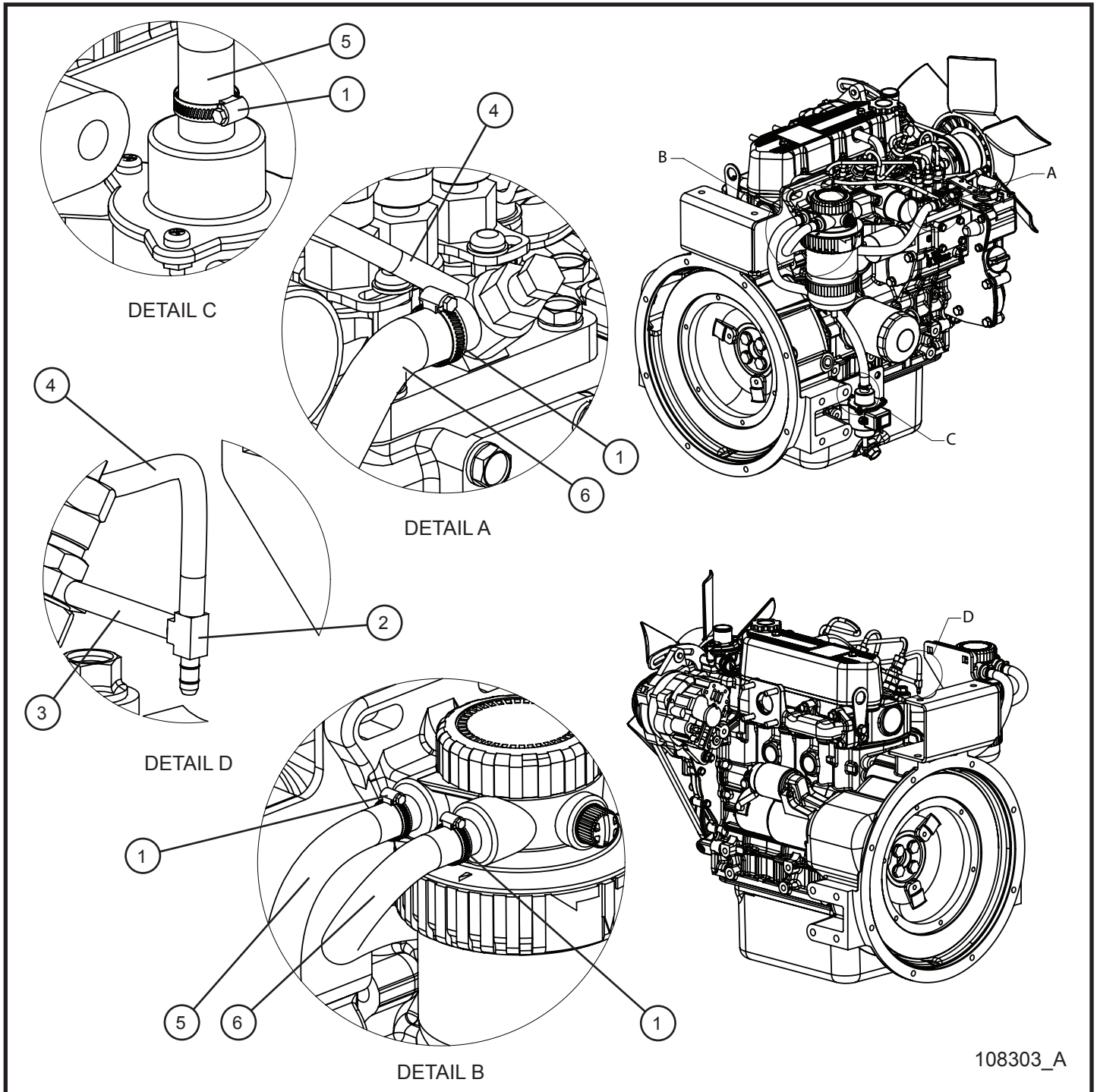
7.2 - Mitsubishi Engine Assembly Group (4 of 5)

SN 0001NL500016 and UP

Item	Part No.	Part Description	Qty.
1	041070	1/4-20 x 3/4 SL-HEX WASHER HEAD MS TP F	2
2	044033	5/16-18 NYLOCK HEX NUT PL	2

7.2 - Mitsubishi Engine Assembly Group (5 of 5)

SN 0001NL500016 and UP



108303_A

Night-Lite 5000

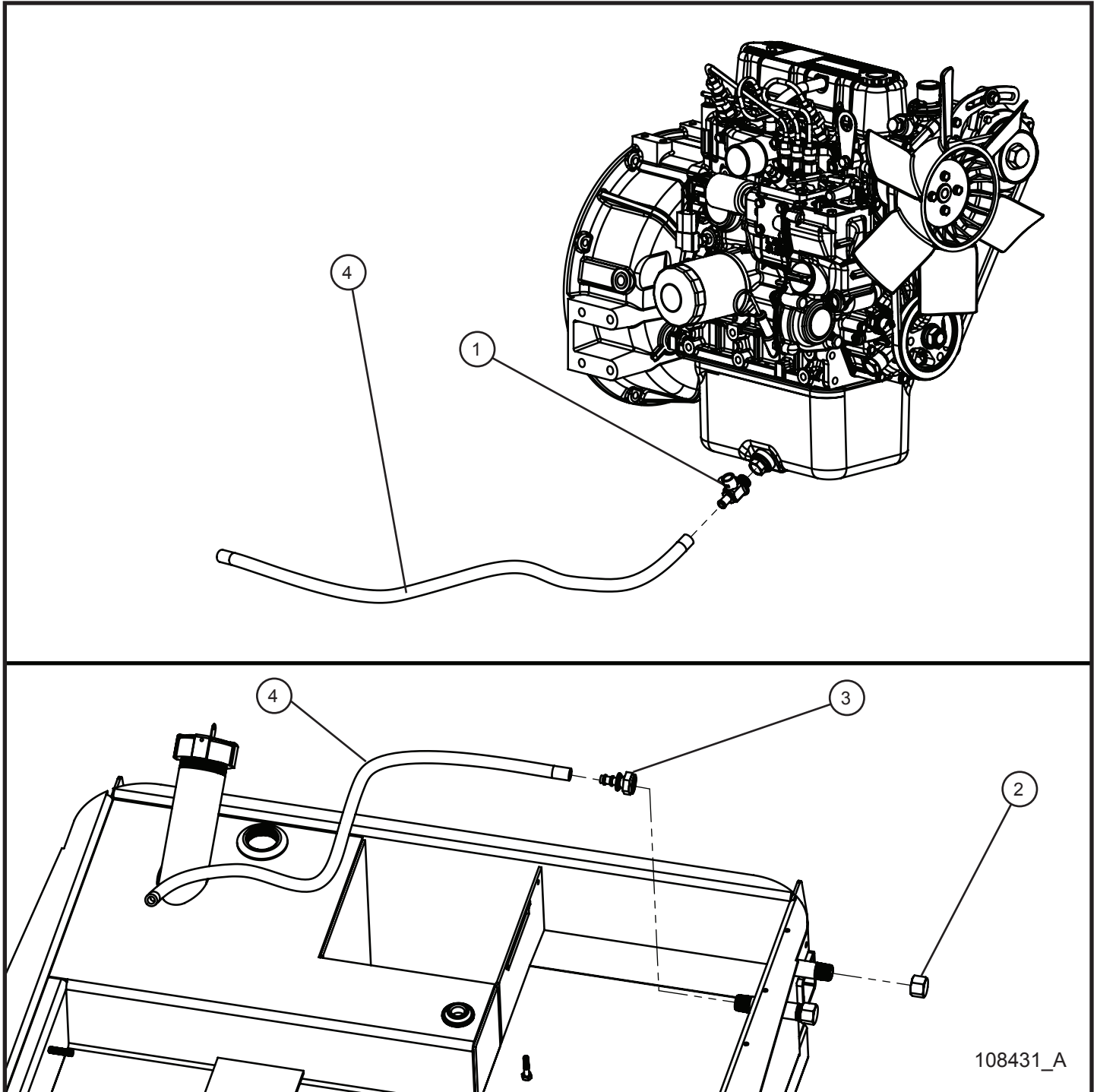
7.2 - Mitsubishi Engine Assembly Group (5 of 5)

SN 0001NL500016 and UP

Item	Part No.	Part Description	Qty.
1	433400	#4 HOSE CLAMP	4
2	108713	TEE FITTING FOR .25in. OD TUBE	1
3	081005	HOSE 1/4 OD x .035 WALL 250WP FUEL LINE BK x 1.5	1
4	081005	HOSE 1/4 OD x .035 WALL 250WP FUEL LINE BK x 11.0	1
5	081018	HOSE 5/16 BLACK FUEL LINE x 18.0	1
6	081018	HOSE 5/16 BLACK FUEL LINE x 18.0	1

7.3 - Mitsubishi Engine Remote Oil Drain

SN 0001NL500016 and UP



108431_A

Night-Lite 5000

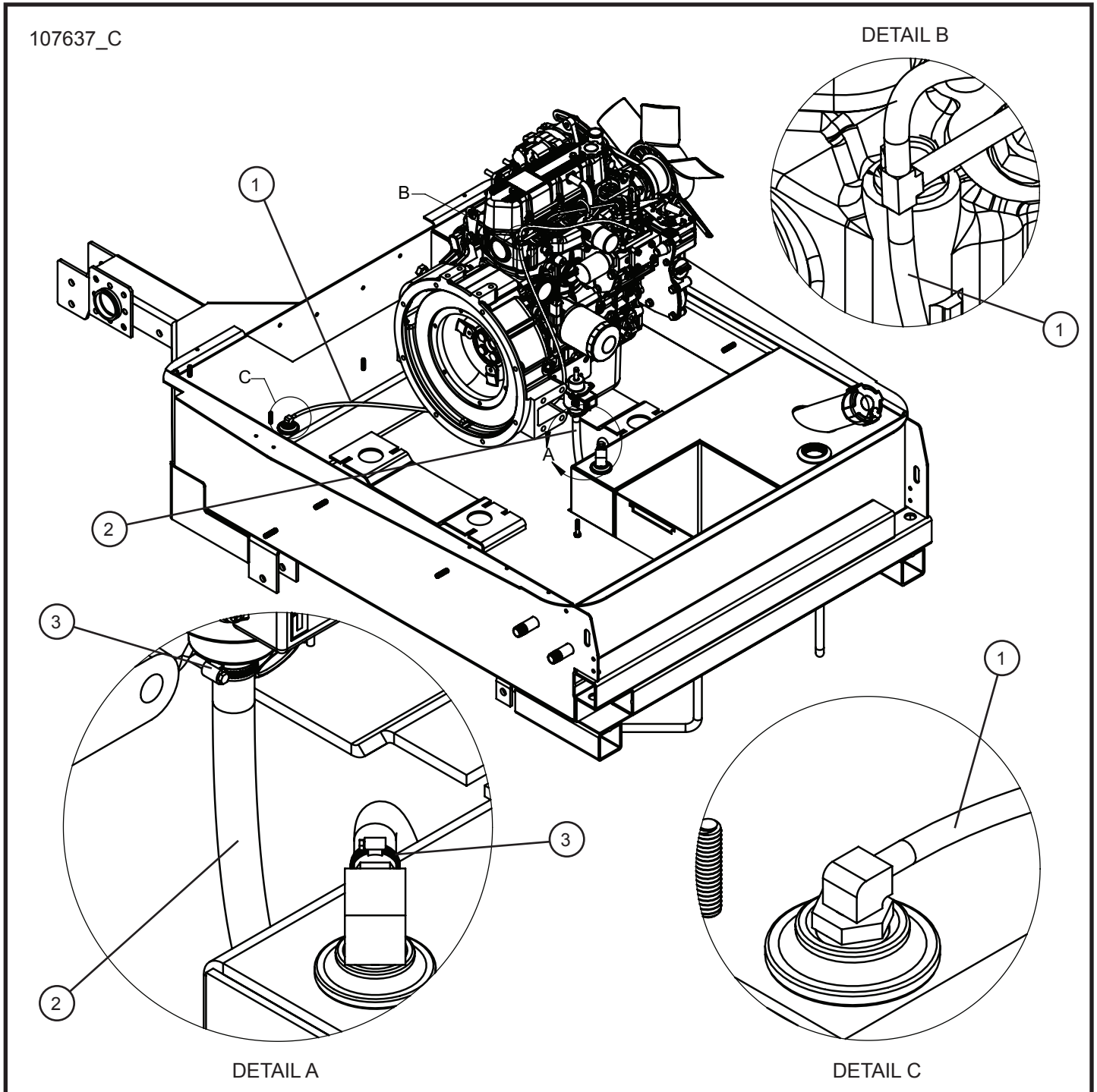
7.3 - Mitsubishi Engine Remote Oil Drain

SN 0001NL500016 and UP

Item	Part No.	Part Description	Qty.
1	100901	DRAIN VALVE M18 x 1.5 - 3/8" HOSE	1
2	105089	1/2 NPT BRASS CAP	2
3	104865	3/8 HOSE x 1/2 NPT BARBED TO FEMALE	1
4	081017	HOSE 3/8 YELLOW FUEL LINE x 34.0	1

7.4 - Mitsubishi Engine Fuel Lines

SN 0001NL500016 and UP



Night-Lite 5000

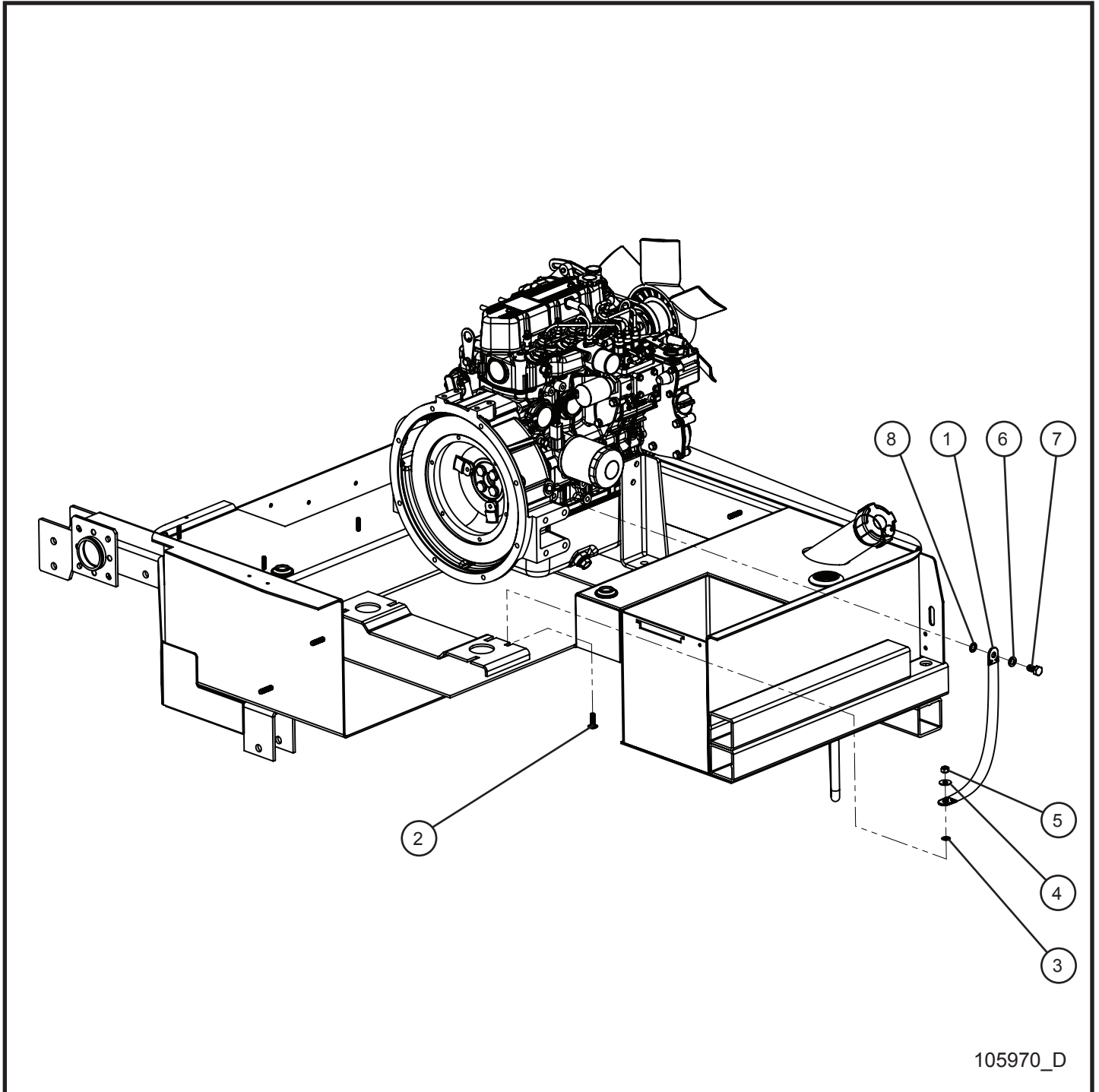
7.4 - Mitsubishi Engine Fuel Lines

SN 0001NL500016 and UP

Item	Part No.	Part Description	Qty.
1	081005	NYLON HOSE 1/4 OD x .035 WALL 250WP FUEL LINE BK	1
2	081018	HOSE 5/16" FUEL LINE	1
3	433400	#4 HOSE CLAMP	2

7.5 - Mitsubishi Engine Ground Strap

SN 0001NL500016 and UP



105970_D

Night-Lite 5000

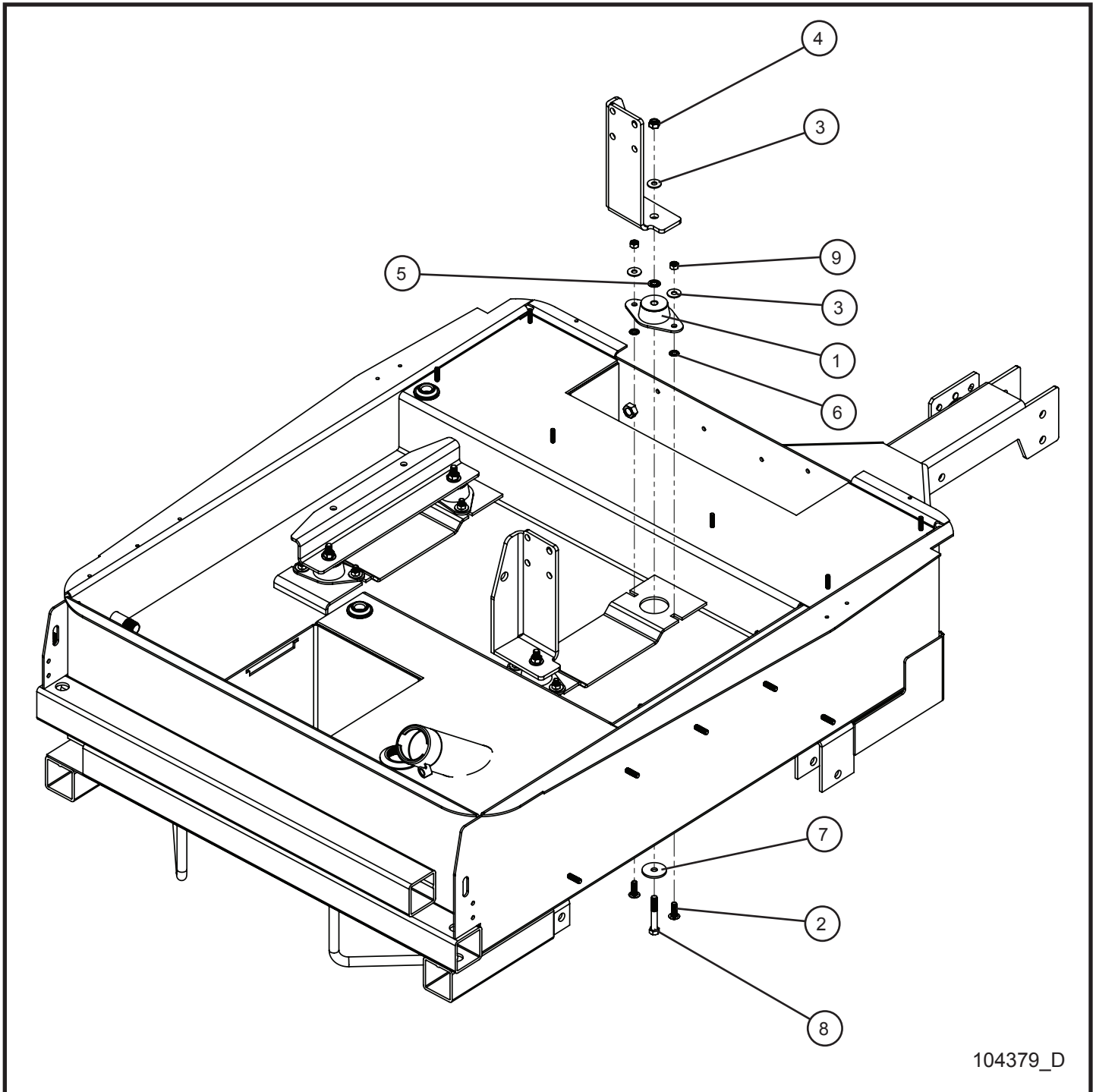
7.5 - Mitsubishi Engine Ground Strap

SN 0001NL500016 and UP

Item	Part No.	Part Description	Qty.
1	340105	GROUND STRAP	1
2	053020	5/16-18 x 1 CARRIAGE BOLT PL	1
3	043060	5/16 INT'L TOOTHLOCK WASHER	1
4	047010	5/16 FLAT WASHER PL	1
5	044033	5/16-8 NYLOCK HEX NUT PL	1
6	042151	M10 SPLIT LOCK WASHER PL	1
7	042038	M10 x 20mm x 1.25 mm HEX HEAD CS GR8.8 PL	1
8	043070	3/8 INT'L TOOTHLOCK WASHER	1

8.1 - Engine Isolator Mounts

SN 0001NL500016 and UP



104379_D

Night-Lite 5000

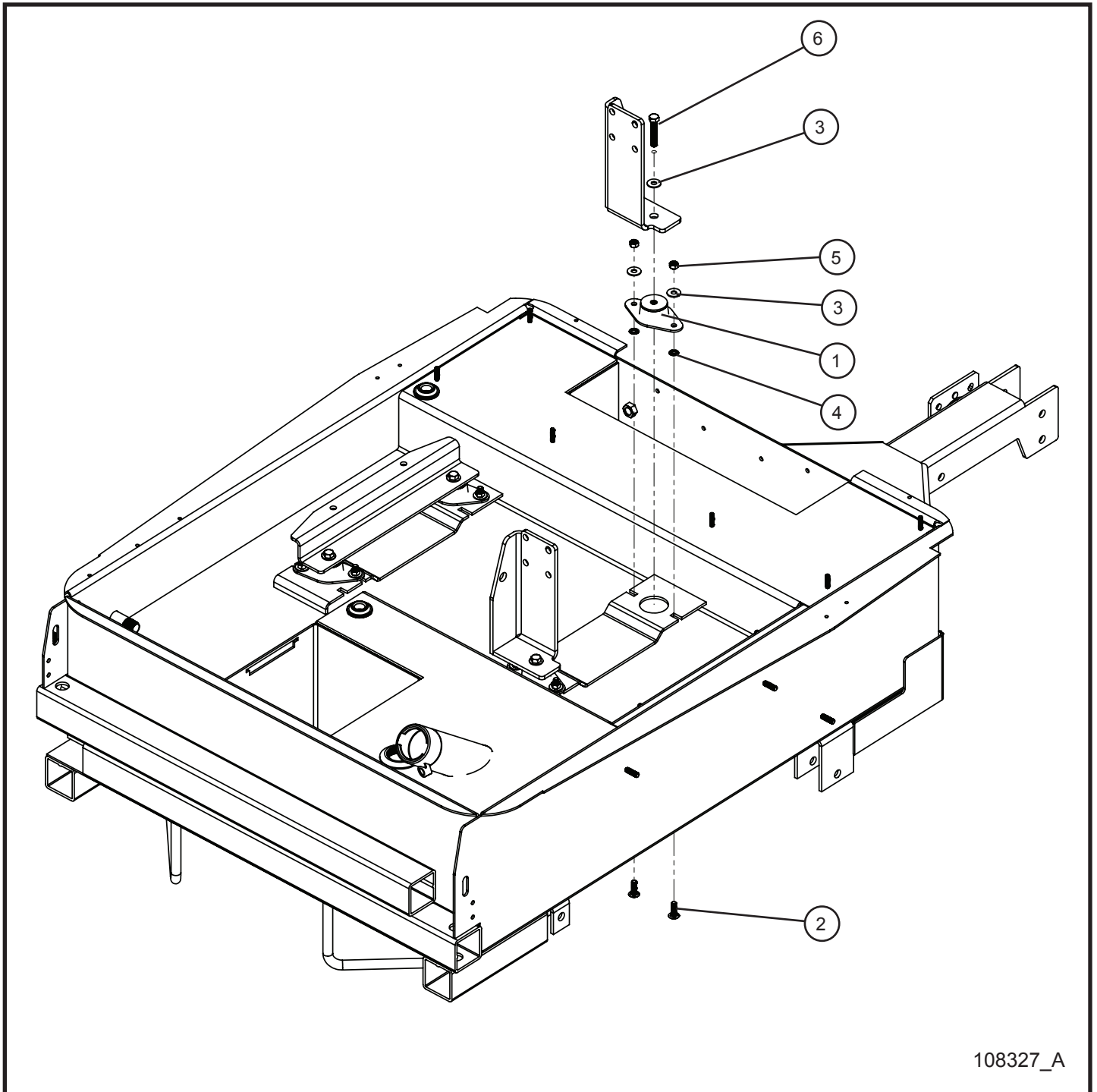
8.1 - Engine Isolator Mounts

SN 0001NL500016 and UP

Item	Part No.	Part Description	Qty.
1	650259	ENGINE MOUNT LIGHT DUTY	4
2	053020	5/16-18 x 1 CARRIAGE BOLT PL	8
3	047010	5/16 FLAT WASHER PL	12
4	044038	3/8-16 NYLOCK HEX NUT PL	4
5	045218	3/8 PUSH NUT	4
6	045217	5/16 PUSH NUT	8
7	640565	ENGINE MOUNT WASHER 1.55 OD x .41 x .135 THK	4
8	046134	3/8-16 x 2 1/2 HEX HEAD CS GR8 PL	4
9	044033	5/16-18 NYLOCK HEX NUT PL	8

8.2 - Engine Threaded Isolator Mounts

SN 0001NL500016 and UP



108327_A

Night-Lite 5000

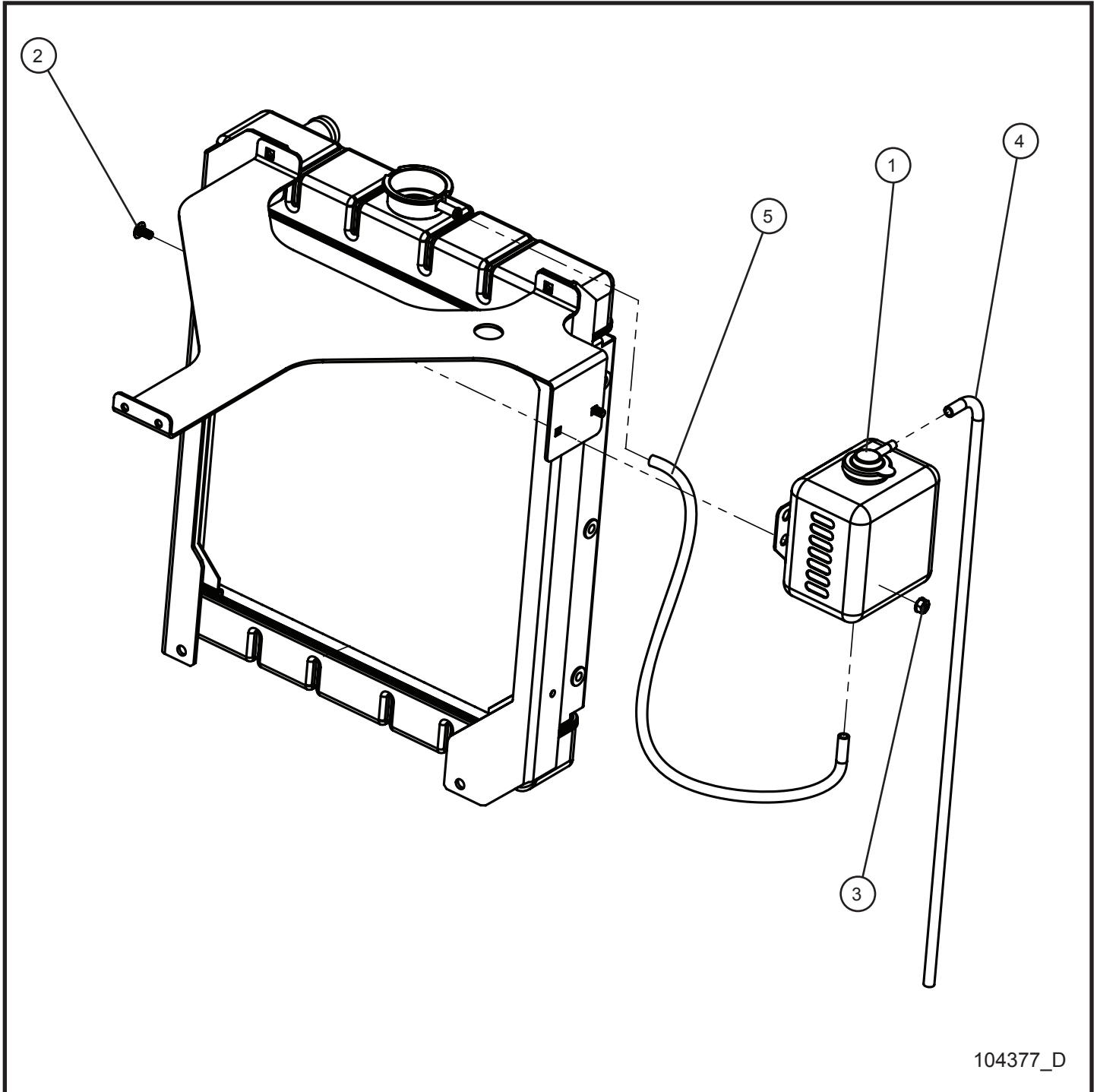
8.2 - Engine Threaded Isolator Mounts

SN 0001NL500016 and UP

Item	Part No.	Part Description	Qty.
1	107028	ENGINE ISOLATOR THREADED MOUNT LIGHT DUTY	4
2	053020	5/16-18 x 1 CARRIAGE BOLT PL	8
3	047010	5/16 FLAT WASHER PL	12
4	045217	5/16 PUSH NUT	8
5	044033	5/16-18 NYLOCK HEX NUT PL	8
6	046133	3/8-16 x 2 HEX HEAD CS GR8 PL	4

8.3 - Coolant Reservoir Tank

SN 0001NL500016 and UP



104377_D

Night-Lite 5000

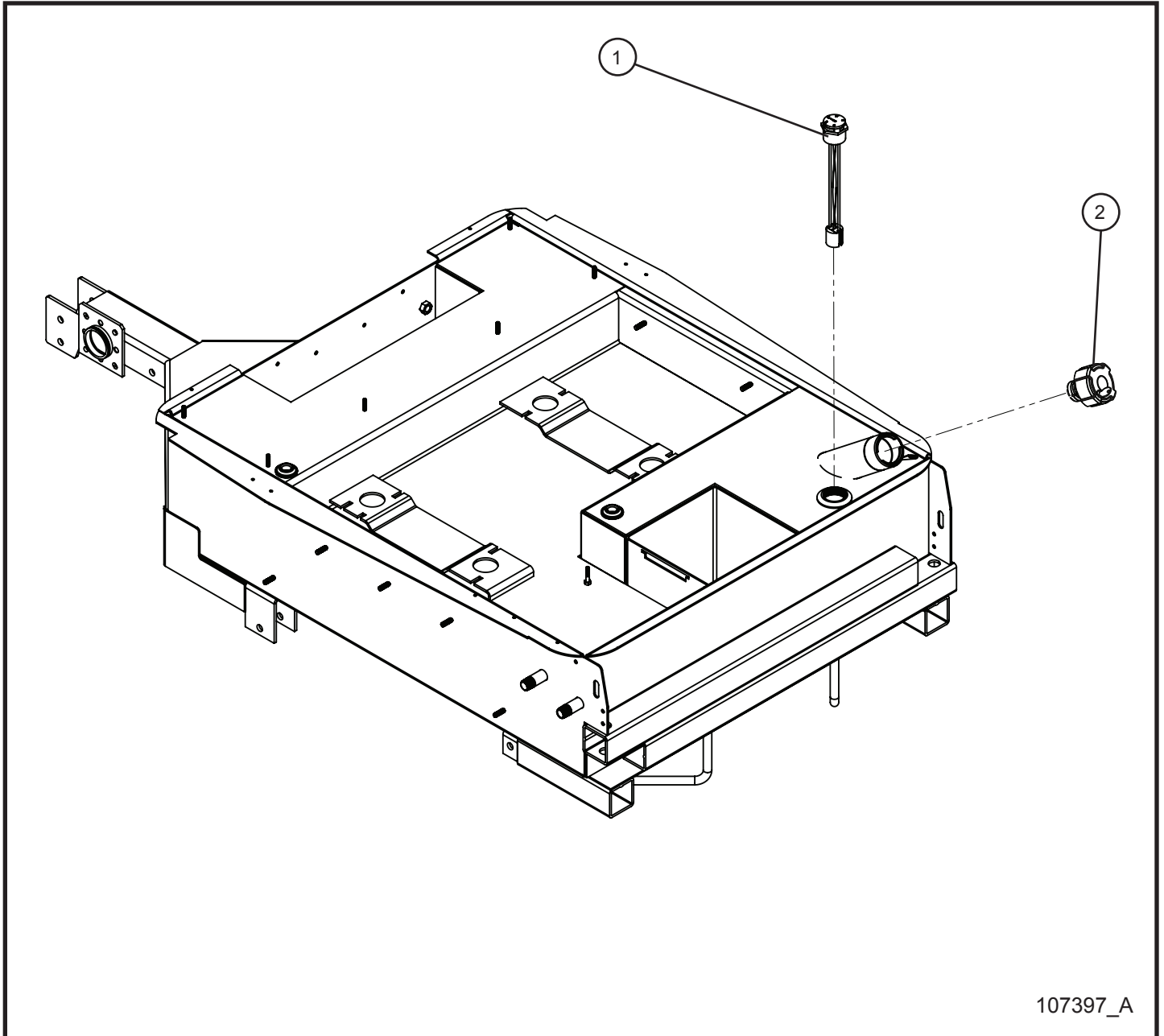
8.3 - Coolant Reservoir Tank

SN 0001NL500016 and UP

Item	Part No.	Part Description	Qty.
1	650027	RESERVOIR WITH BRACKET	1
2	053005	1/4-20 x 1/2 CARRIAGE BOLT PL	2
3	044021	1/4-20 KEPS HEX NUT PL	2
4	102268	COOLANT HOSE 1/4 x 44.0	1
5	102268	COOLANT HOSE 1/4 x 28.0	1

8.4 - Fuel Level Indicator and Fuel Cap

SN 0001NL500016 and UP



107397_A

Night-Lite 5000

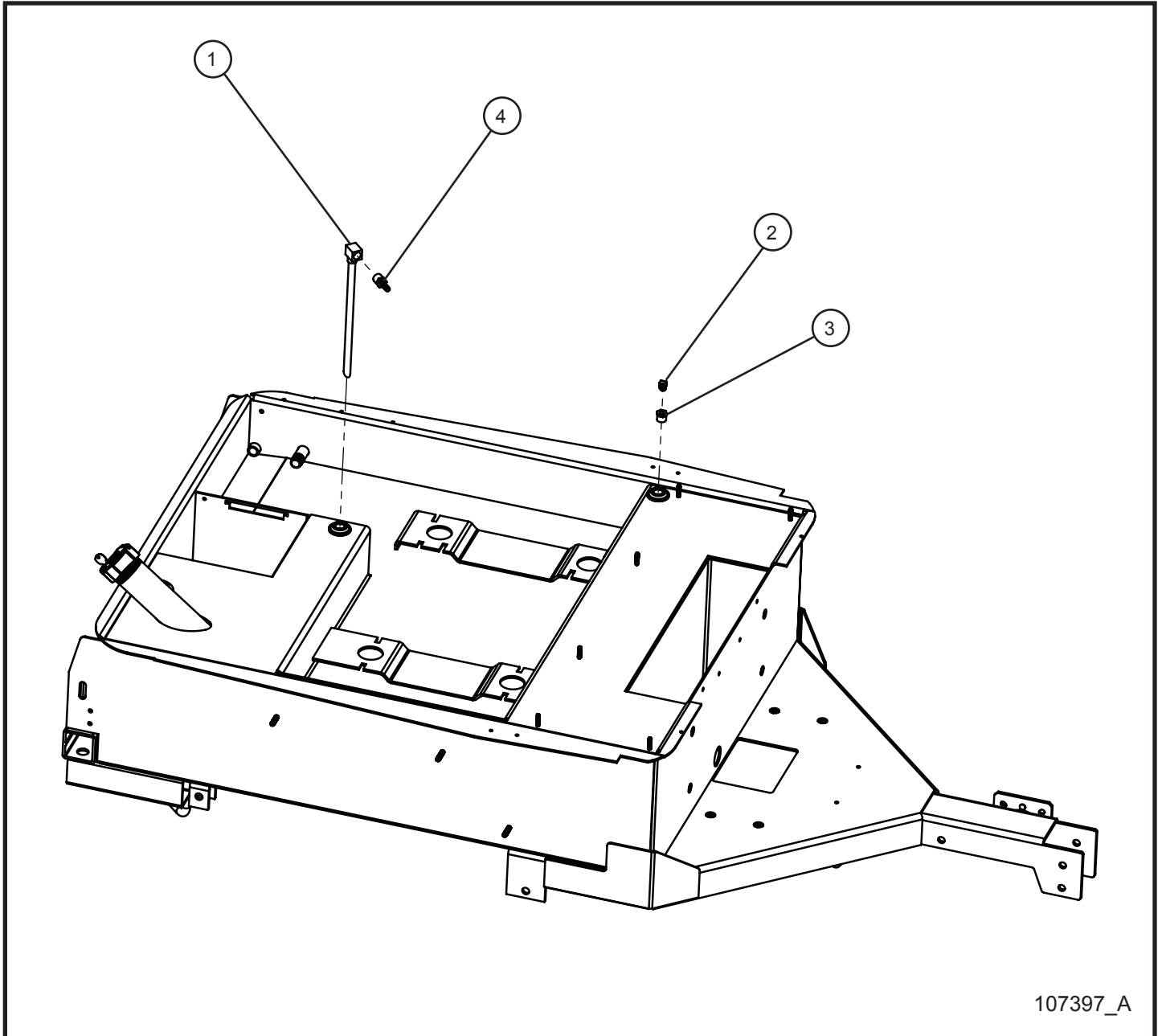
8.4 - Fuel Level Indicator and Fuel Cap

SN 0001NL500016 and UP

Item	Part No.	Part Description	Qty.
1	107614	GAUGE FUEL THREADED	1
2	108707	FUEL CAP ASSEMBLY	1

8.5 - Fuel Line Drop Tube Group

SN 0001NL500016 and UP



107397_A

Night-Lite 5000

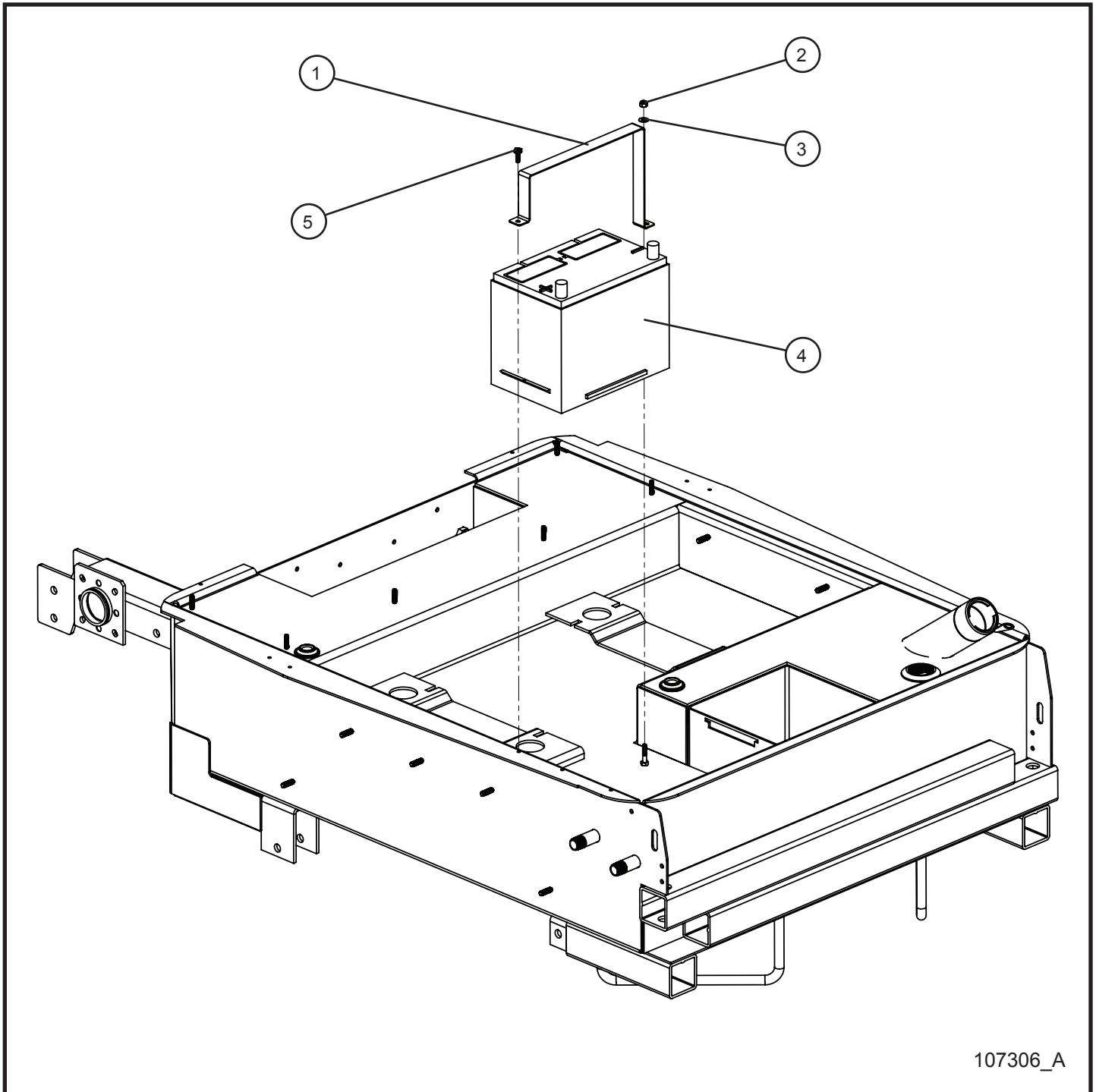
8.5 - Fuel Line Drop Tube Group

SN 0001NL500016 and UP

Item	Part No.	Part Description	Qty.
1	107395	DROP TUBE 11.25"	1
2	713050	90° ELBOW 1/4 BARB 1/8 MALE NPTF	1
3	108220	HEX BUSHING 3/8 x 1/8 BRASS	1
4	101278	BARB HOSE 5/16 x 3/8 NPT	1
5	108253	PIPE JOINT COMPOUND	1

8.6 - Battery Install Group

SN 0001NL500016 and UP



107306_A

Night-Lite 5000

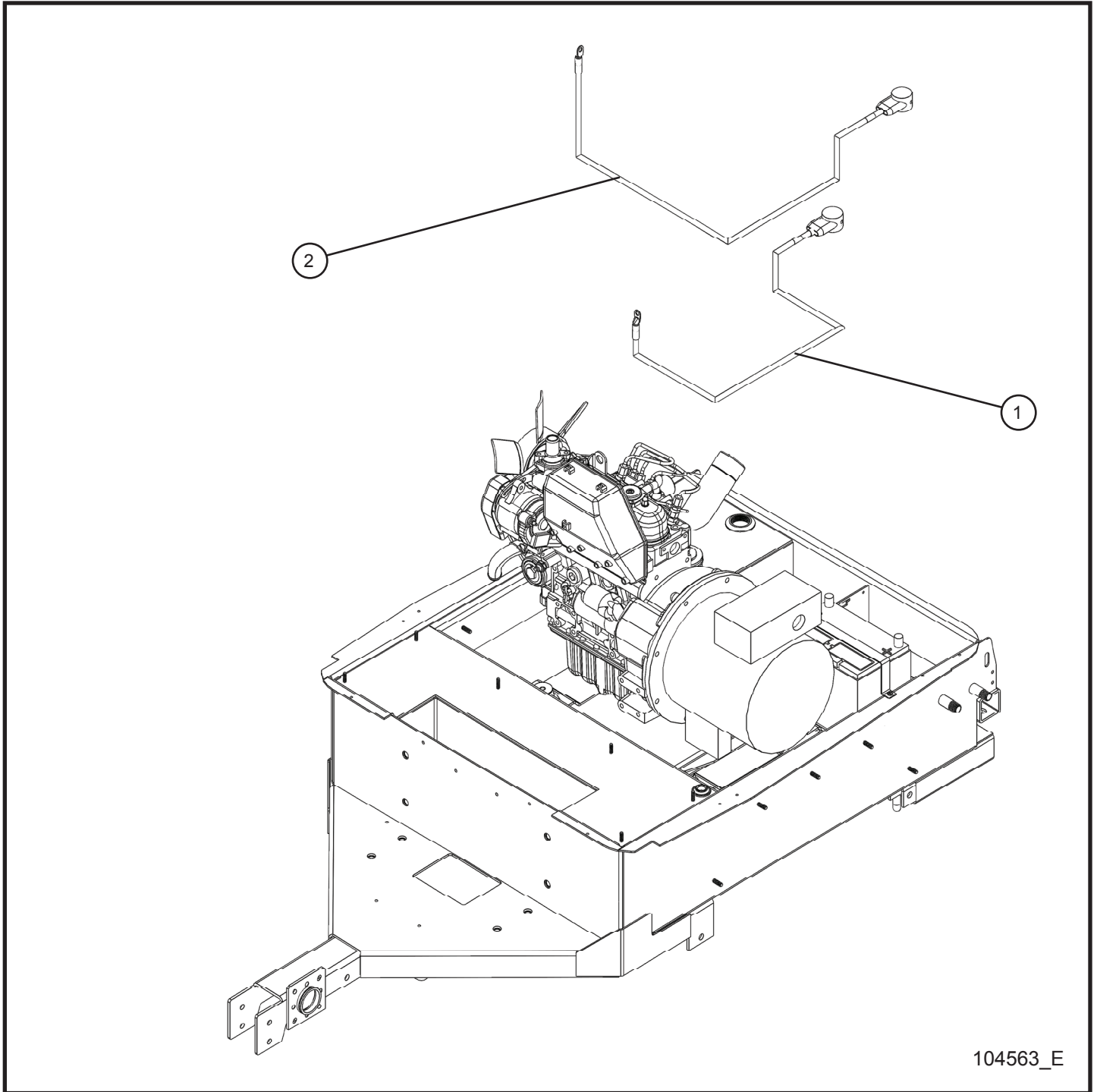
8.6 - Battery Install Group

SN 0001NL500016 and UP

Item	Part No.	Part Description	Qty.
1	107088P	STRAP BATTERY HOLD DOWN	1
2	044023	1/4-20 NYLOCK HEX NUT PL	1
3	047009	1/4 FLAT WASHER SAE SS	1
4	n/a	BATTERY 12 VOLT GROUP 24	1
5	041070	1/4-20 x 3/4 SL-HEX WASHER HEAD MS TP F	1

8.7 - Battery Cables

SN 0001NL500016 and UP



104563_E

Night-Lite 5000

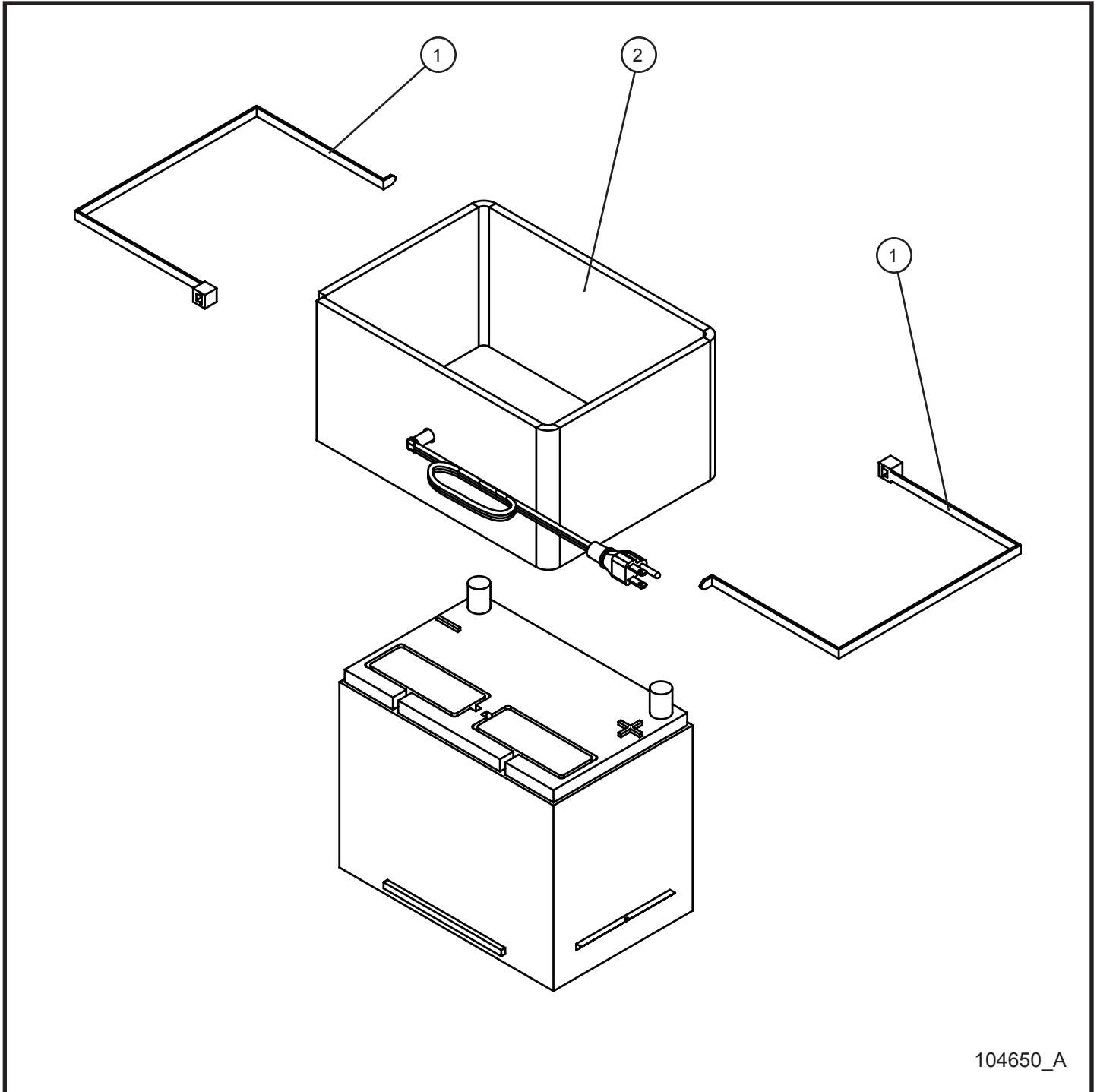
8.7 - Battery Cables

SN 0001NL500016 and UP

Item	Part No.	Part Description	Qty.
1	713098	BATTERY CABLE BLACK 2GA 36" (NEGATIVE)	1
2	027026	BATTERY CABLE RED 2GA 48" (POSITIVE)	1

8.8 - Battery Blanket

SN 0001NL500016 and UP



104650_A

Night-Lite 5000

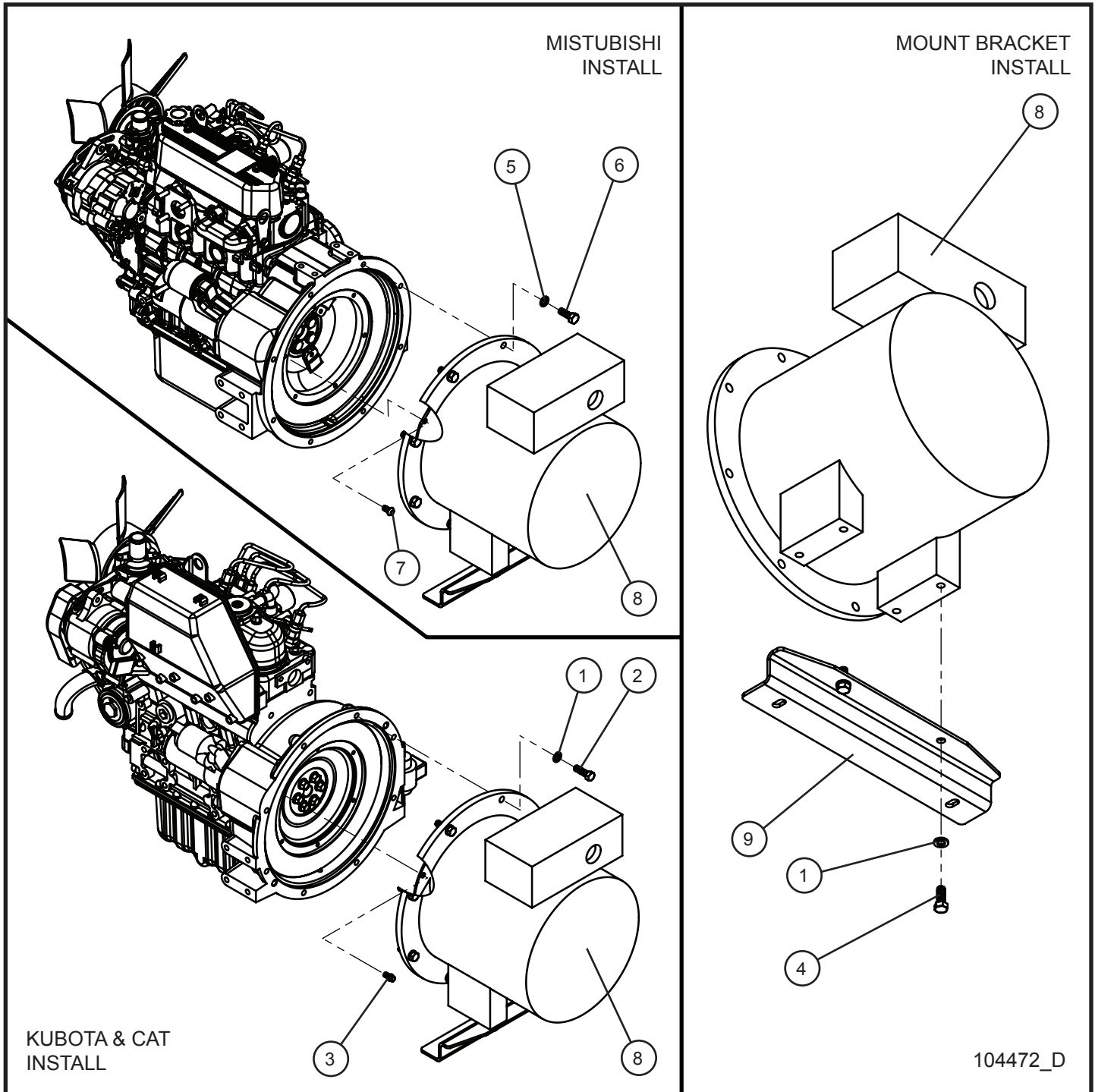
8.8 - Battery Blanket

SN 0001NL500016 and UP

Item	Part No.	Part Description	Qty.
1	105759	CABLE TIE 32"	2
2	024010	80 WATT BATTERY BLANKET	1

8.9 - Marathon 8kW 60Hz Generator

SN 0001NL500016 and UP



Night-Lite 5000

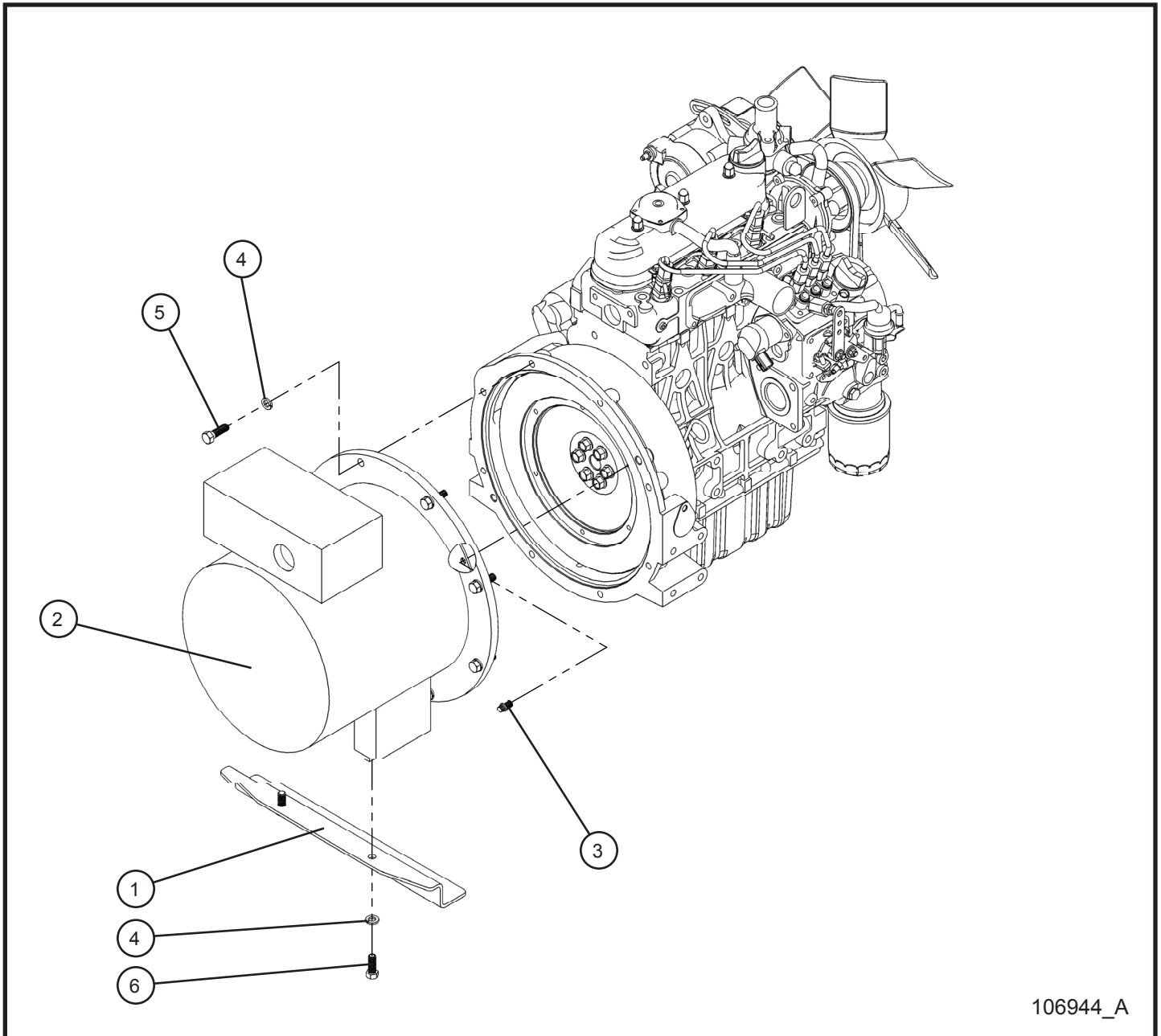
8.9 - Marathon 8kW 60Hz Generator

SN 0001NL500016 and UP

Item	Part No.	Part Description	Qty.
1	043065	3/8 SPLITLOCK WASHER PL	10
2	046115	3/8-16 x 1 1/4 HEX HEAD CS GR5 PL	8
3	046041	5/16-18 x 1/2 PT FLANGE HEAD BOLT	6
4	046110	3/8-16 x 1 HEX HEAD CS GR5 PL	2
5	042151	M10 SPLITLOCK WASHER PL	8
6	042041	10mm x 1.25mm x 30mm HEX HEAD	8
7	042028	M8 x 1.25mm x 16mm SOCKET BUTTON HEAD CS	8
8	101075	GENERATOR MARATHON 8kW 60Hz	1
9	651012P	GENERATOR MOUNT BRACKET	1
NS	108714	LOCTITE #242 BLUE	1
NS	108715	LOCTITE #271 RED	1
NS	105100	CAPACITOR 25uf 600V	1

8.10 - Marathon 201 Series 6kW 50Hz Generator

SN 0001NL500016 and UP



106944_A

Night-Lite 5000

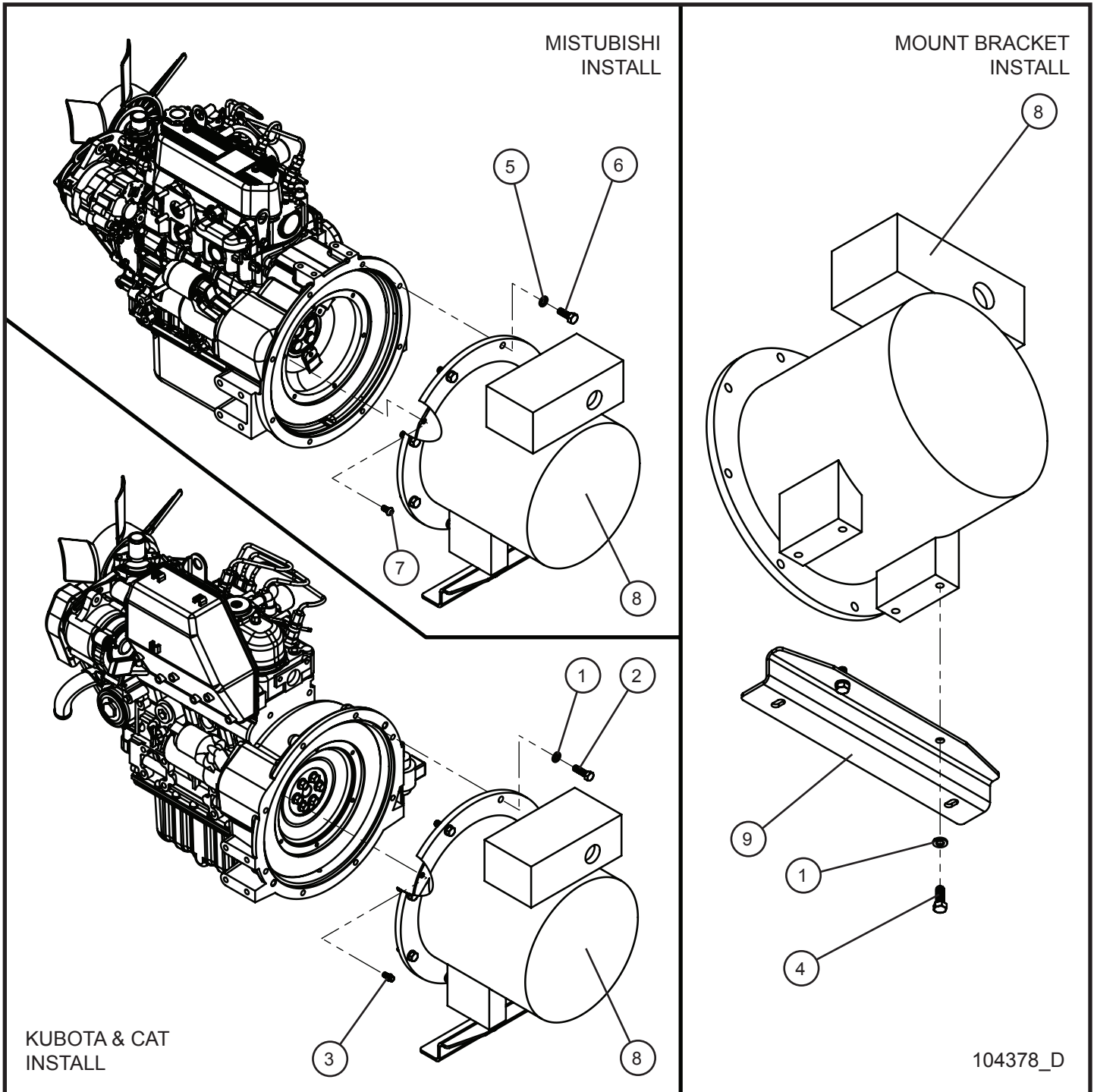
8.10 - Marathon 201 Series 6kW 50Hz Generator

SN 0001NL500016 and UP

Item	Part No.	Part Description	Qty.
1	651012P	GENERATOR MOUNT BRACKET	1
2	106920	GENERATOR MARATHON 6kW 50Hz	1
3	046041	5/16-18 x 1/2 PT FLANGE HEAD BOLT	6
4	043065	3/8 SPLITLOCK WASHER PL	10
5	046115	3/8-16 x 1 1/4 HEX HEAD CS GR5 PL	8
6	046110	3/8-16 x 1 HEX HEAD CS GR5 PL	2

8.11 - Athlon 8kW 60Hz Generator

SN 0001NL500016 and UP



104378_D

Night-Lite 5000

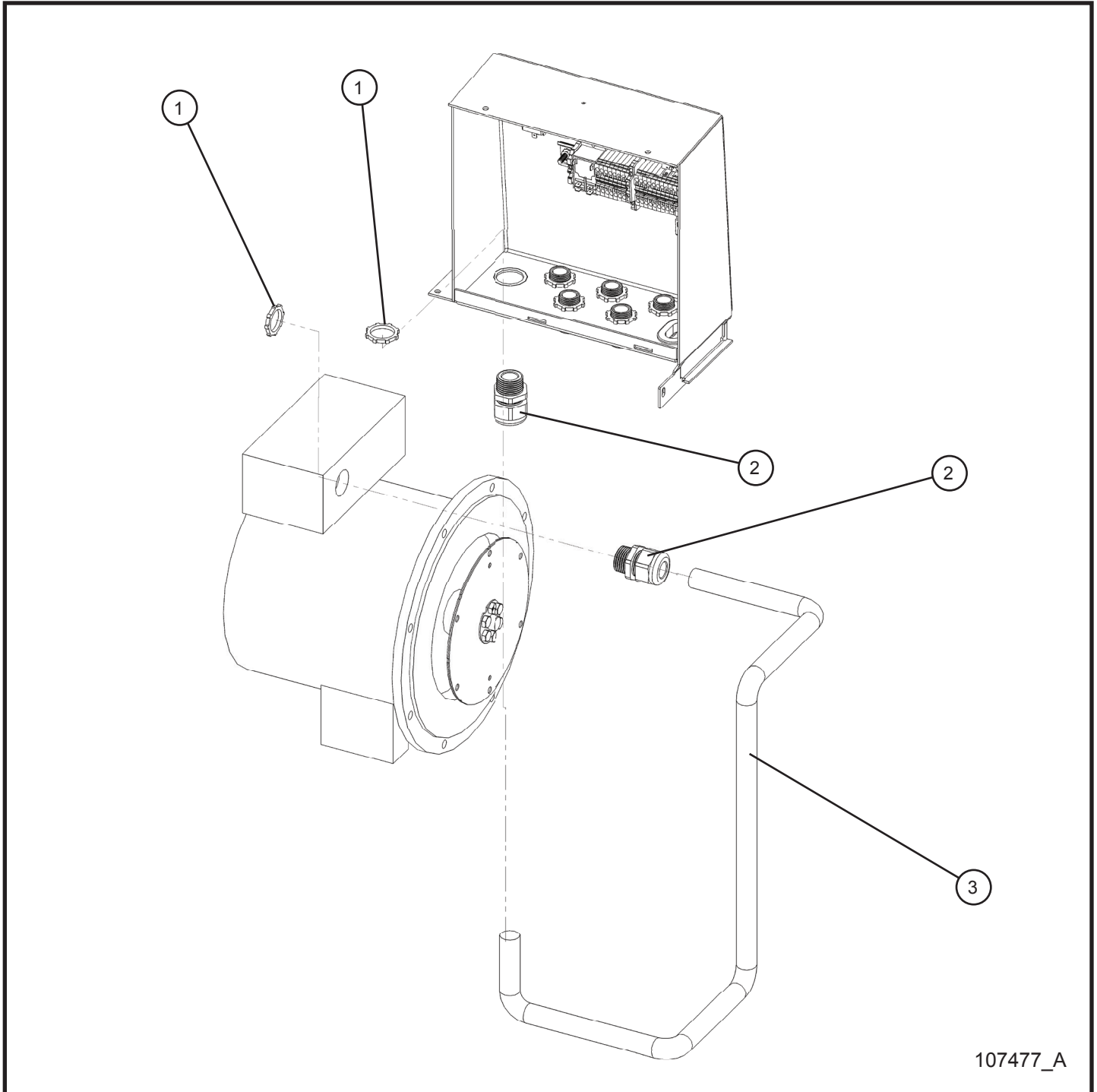
8.11 - Athlon 8kW 60Hz Generator

SN 0001NL500016 and UP

Item	Part No.	Part Description	Qty.
1	043065	3/8 SPLITLOCK WASHER PL	10
2	046115	3/8-16 x 1 1/4 HEX HEAD CS GR5 PL	8
3	046041	5/16-18 x 1/2 PT FLANGE HEAD BOLT	6
4	046110	3/8-16 x 1 HEX HEAD CS GR5 PL	2
5	042151	M10 SPLITLOCK WASHER PL	8
6	042041	10mm x 1.25mm x 30mm HEX HEAD	8
7	042028	M8 x 1.25mm x 16mm SOCKET BUTTON HEAD CS	8
8	102692	GENERATOR ATHLON 8kW 60Hz	1
9	651012P	GENERATOR MOUNT BRACKET	1
NS	108714	LOCTITE #242 BLUE	1
NS	108715	LOCTITE #271 RED	1
NS	640158	CAPACITOR 25uf 550V	1

8.12 - 10/4 Generator Cord

SN 0001NL500016 and UP



107477_A

Night-Lite 5000

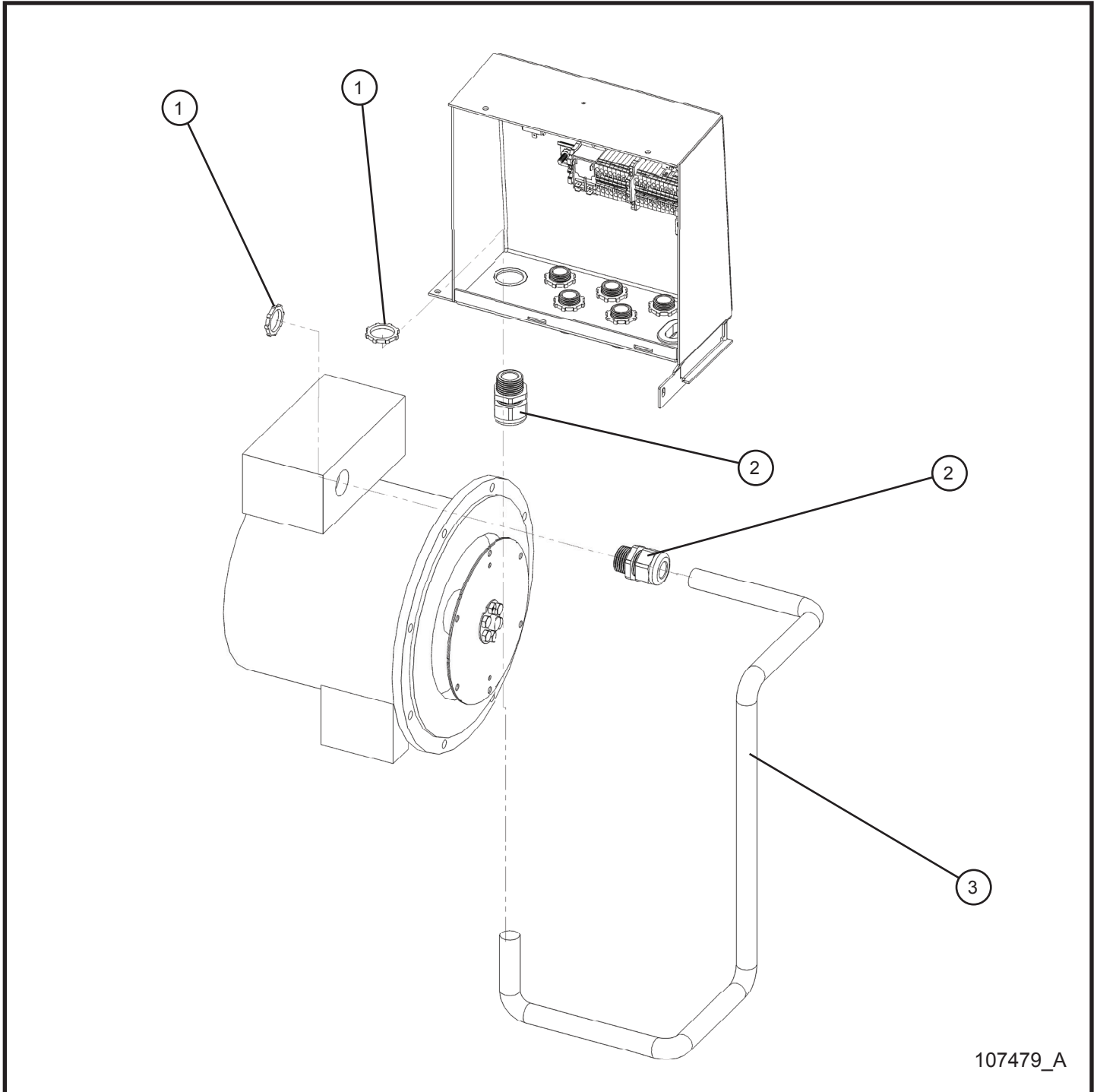
8.12 - 10/4 Generator Cord

SN 0001NL500016 and UP

Item	Part No.	Part Description	Qty.
1	022038	1 CORD GRIP NUT	2
2	105627	CORD GRIP 1 NYLON BLACK	2
3	107472	GEN CORD 10/4 x 60.00	1
4	107481	AC SCHEMATIC GEN SIDE 10/4 CORD (NOT SHOWN)	1

8.13 - 6/4 Generator Cord

SN 0001NL500016 and UP



107479_A

Night-Lite 5000

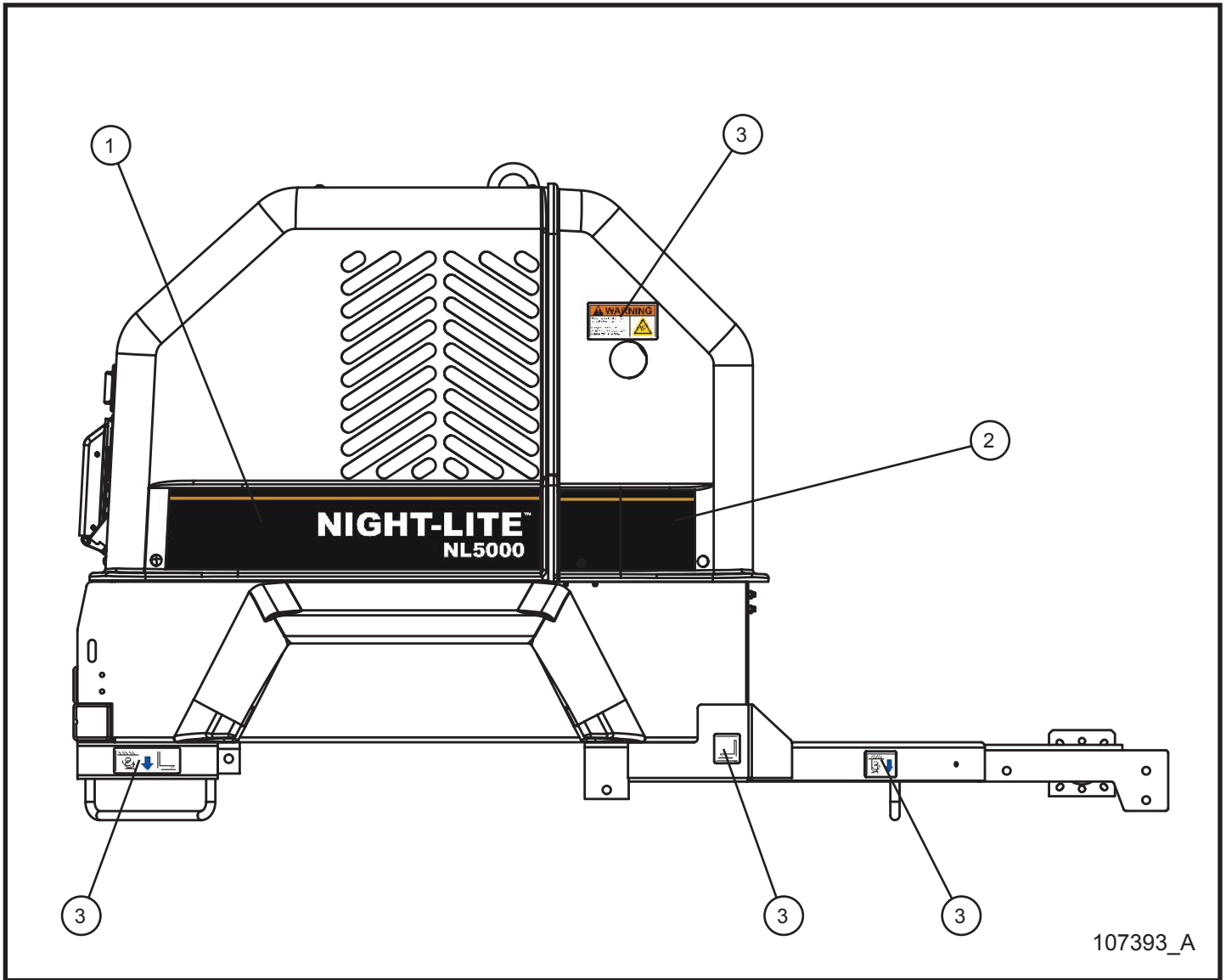
8.13 - 6/4 Generator Cord

SN 0001NL500016 and UP

Item	Part No.	Part Description	Qty.
1	350363	1 1/4 LOCK NUT	2
2	105628	CORD GRIP 1 1/4 NYLON BLACK	2
3	107480	AC SCHEMATIC 6/4 CORD (NOT SHOWN)	1
4	107478	GEN CORD 6/4 x 60.00	1

9.1 - Right Side Decals

SN 0001NL500016 and UP



107393_A

Night-Lite 5000

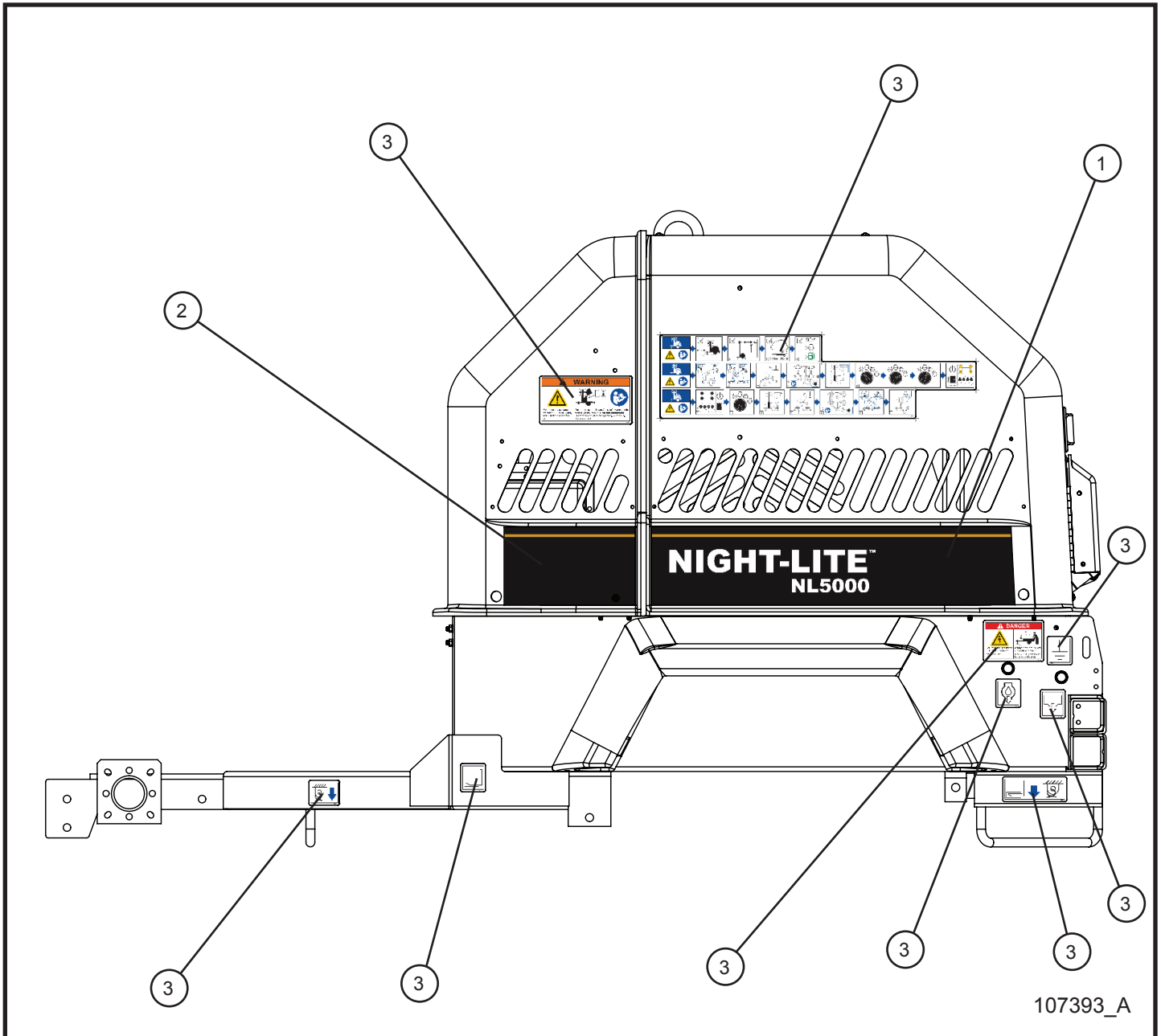
9.1 - Right Side Decals

SN 0001NL500016 and UP

Item	Part No.	Part Description	Qty.
1	107389	RIGHT SIDE NIGHT-LITE 5000 DECAL	1
2	107391	STRIPE NIGHT-LITE 5000 DECAL	1
3	107635	NIGHT-LITE 5000 DECAL KIT	1

9.2 - Left Side Decals

SN 0001NL500016 and UP



Night-Lite 5000

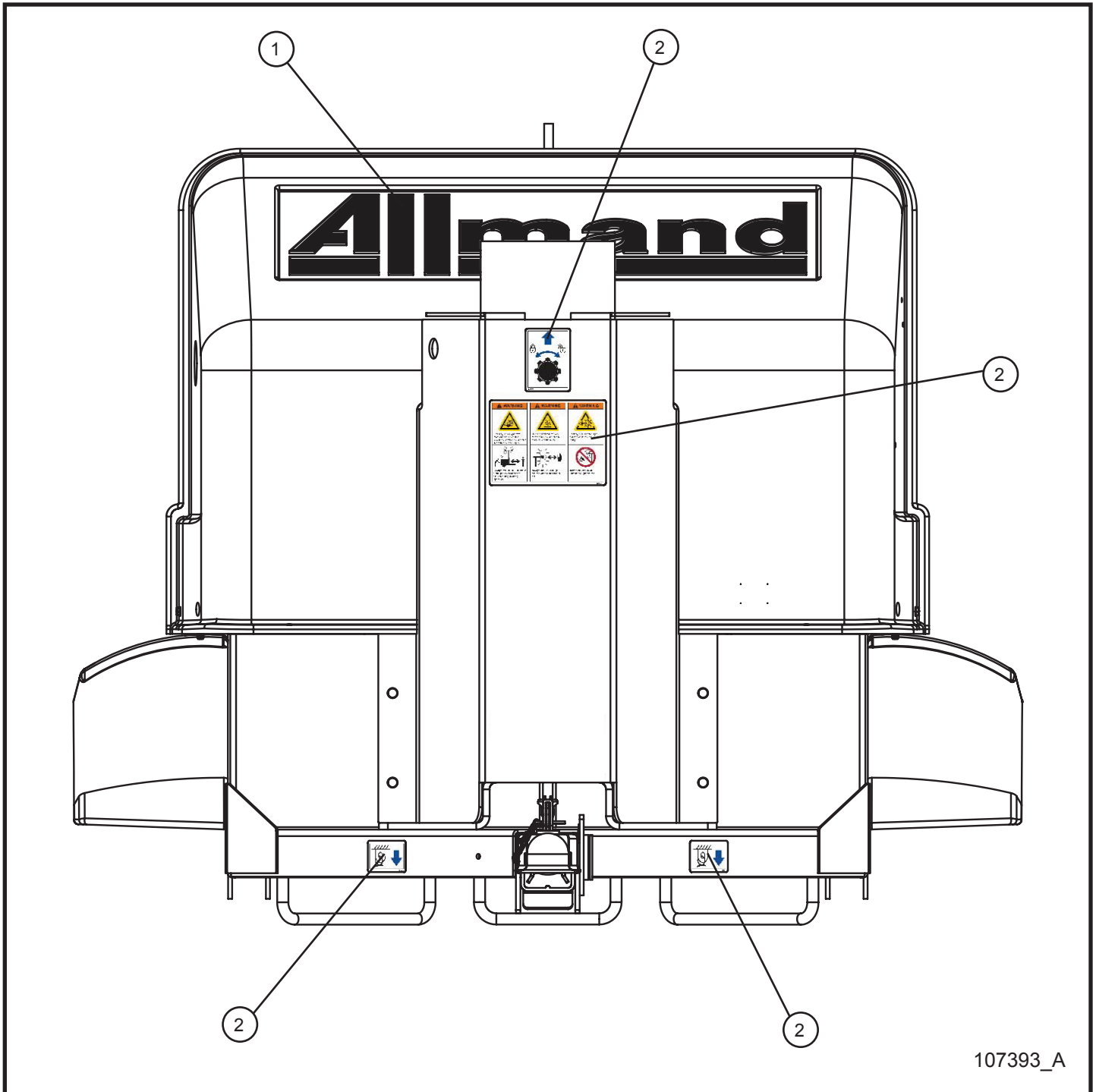
9.2 - Left Side Decals

SN 0001NL500016 and UP

Item	Part No.	Part Description	Qty.
1	107390	LEFT SIDE NIGHT-LITE 5000 DECAL	1
2	107391	STRIPE NIGHT-LITE 5000 DECAL	1
3	107635	NIGHT-LITE 5000 DECAL KIT	1

9.3 - Front Side Decals

SN 0001NL500016 and UP



107393_A

Night-Lite 5000

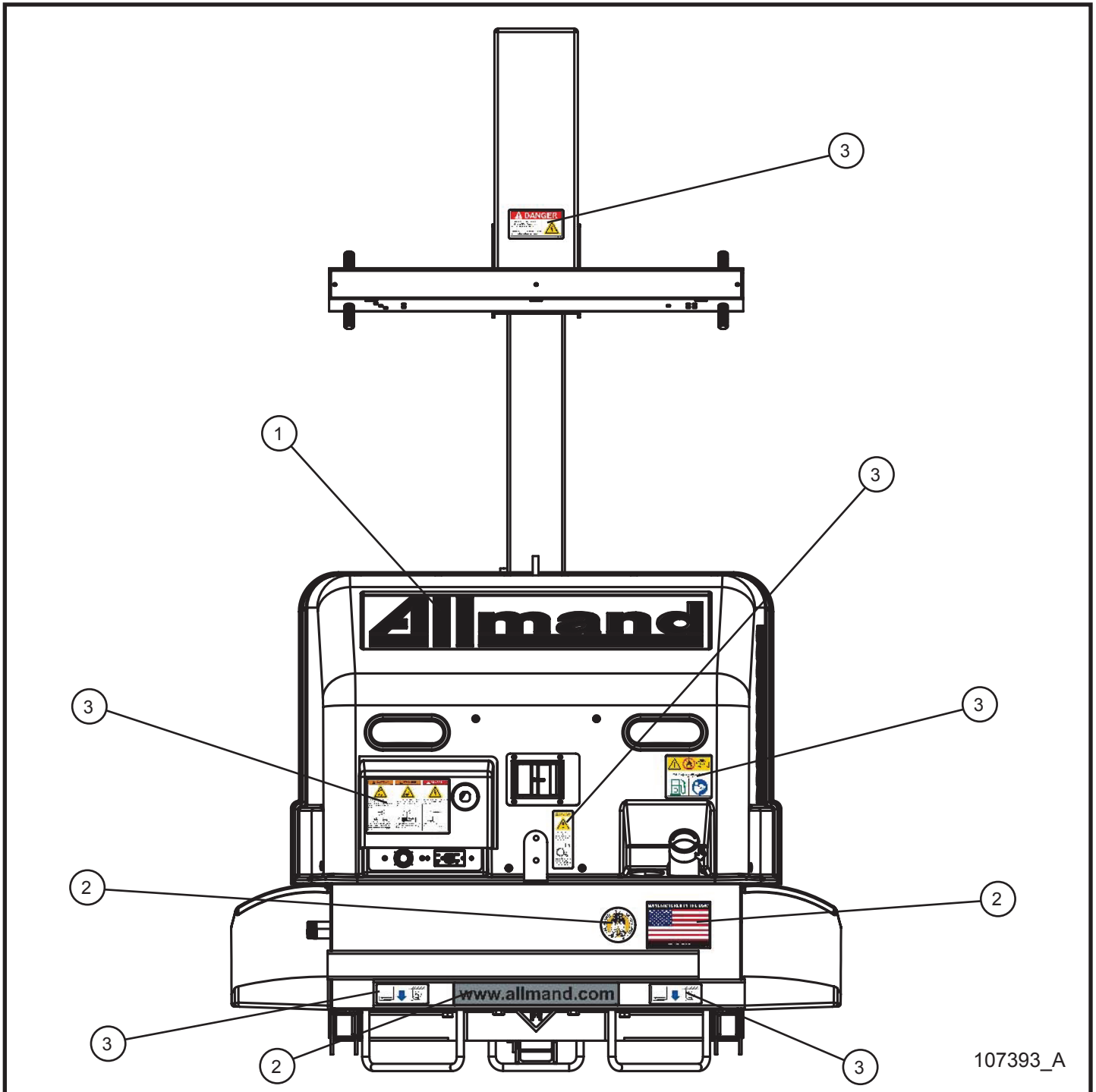
9.3 - Front Side Decals

SN 0001NL500016 and UP

Item	Part No.	Part Description	Qty.
1	108826	ALLMAND NIGHT-LITE 5000 DECAL	1
2	107635	NIGHT-LITE 5000 DECAL KIT	1

9.4 - Back Side Decals

SN 0001NL500016 and UP



107393_A

Night-Lite 5000

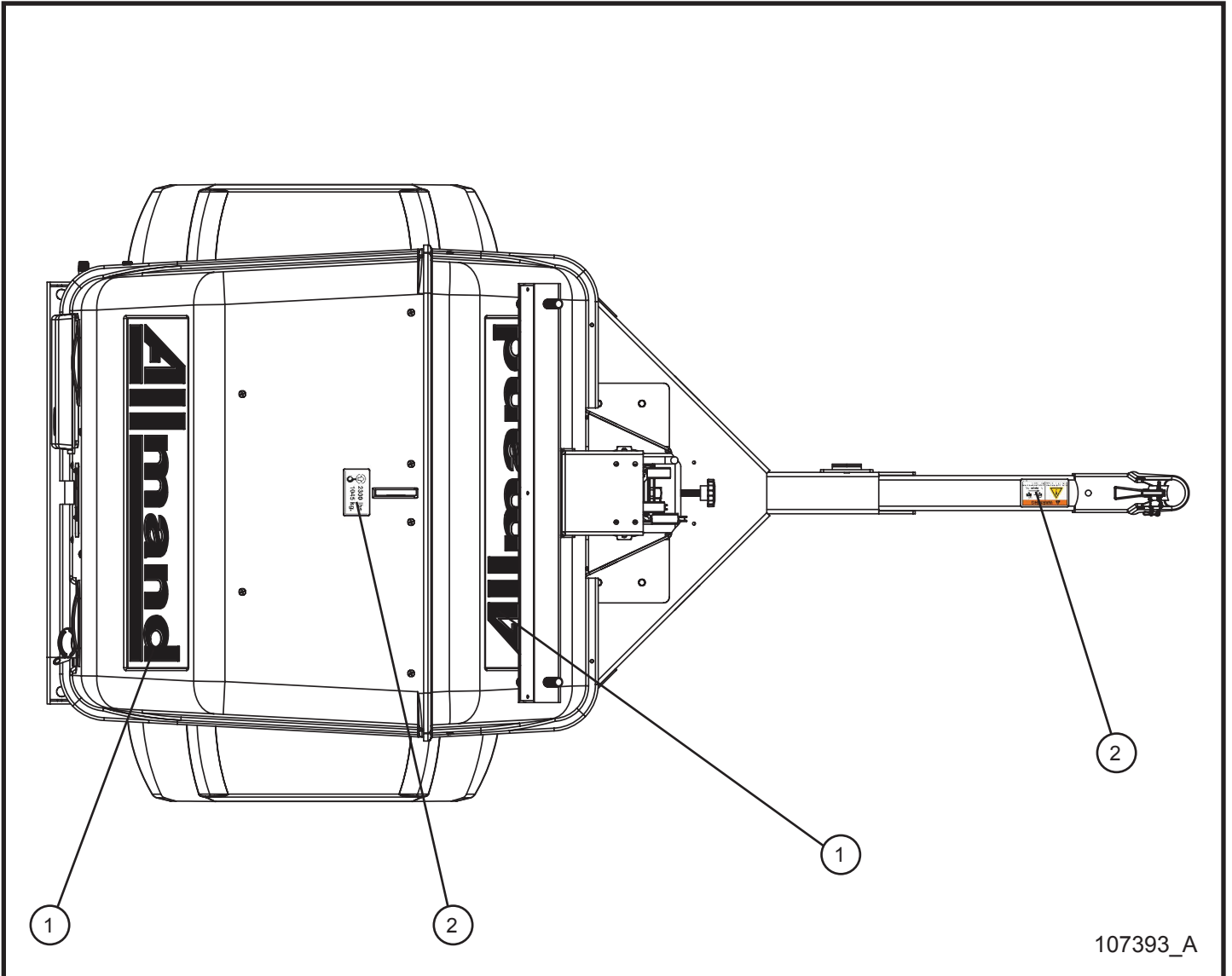
9.4 - Back Side Decals

SN 0001NL500016 and UP

Item	Part No.	Part Description	Qty.
1	108826	ALLMAND NIGHT-LITE 5000 DECAL	1
2	107632	STANDARD ALLMAND DECAL KIT	1
3	107635	NIGHT-LITE 5000 DECAL KIT	1

9.5 - Top Side Decals

SN 0001NL500016 and UP



107393_A

Night-Lite 5000

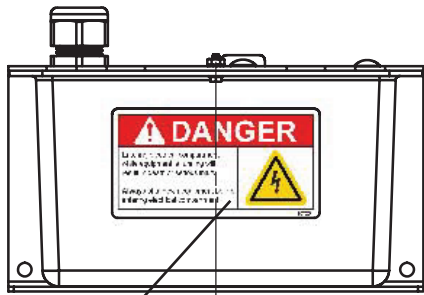
9.5 - Top Side Decals

SN 0001NL500016 and UP

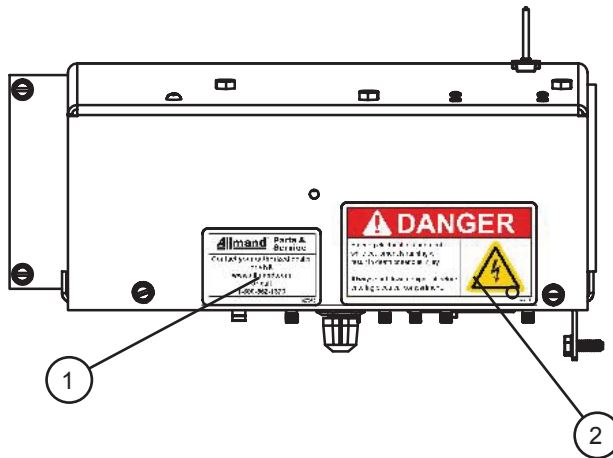
Item	Part No.	Part Description	Qty.
1	108826	ALLMAND NIGHT-LITE 5000 DECAL	1
2	107635	NIGHT-LITE 5000 DECAL KIT	1

9.6 - Interior Decals

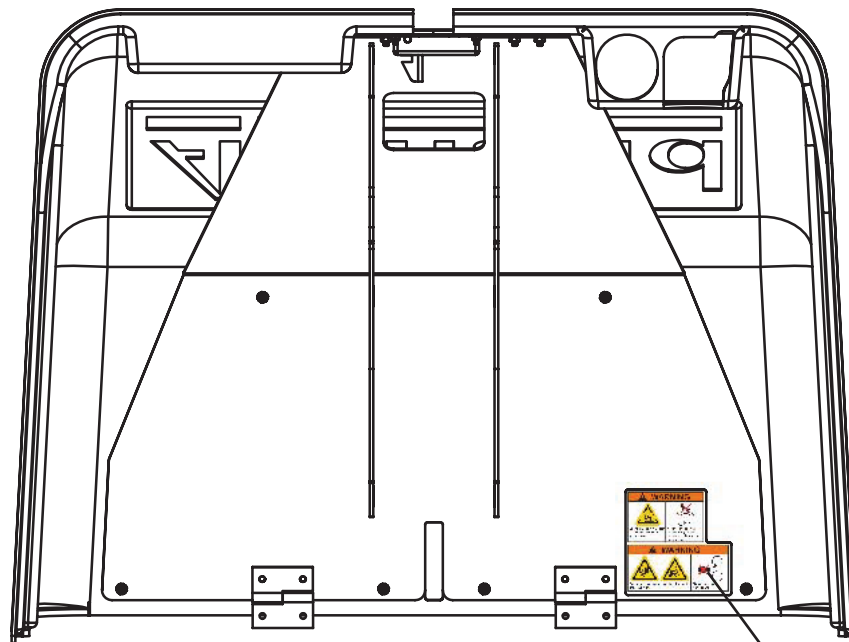
SN 0001NL500016 and UP



TOP OF BALLAST BOX



TOP OF COMPONENT BOX



INTERIOR OF REAR COVER

107393_A

Night-Lite 5000

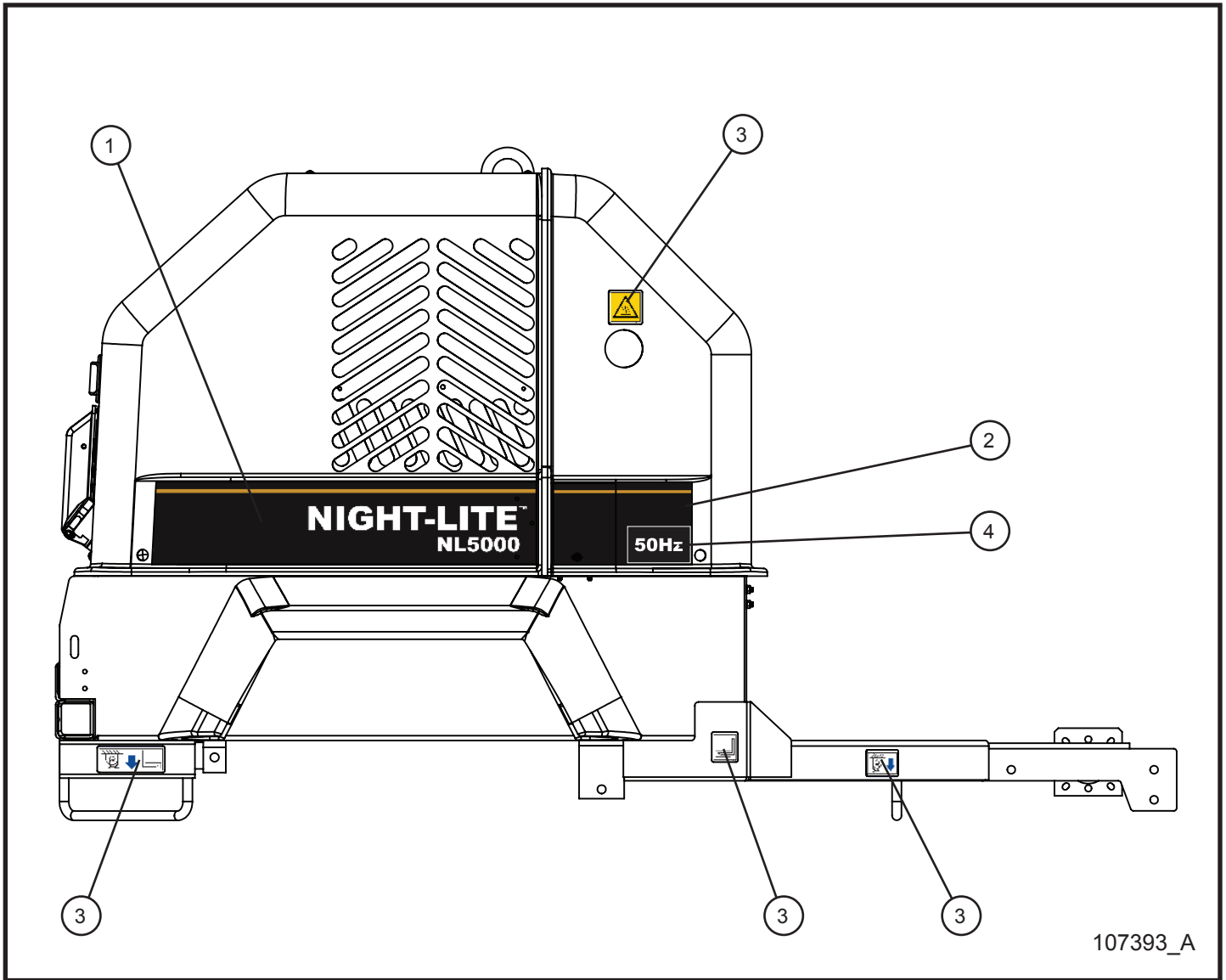
9.6 - Interior Decals

SN 0001NL500016 and UP

Item	Part No.	Part Description	Qty.
1	107632	STANDARD ALLMAND DECAL KIT	1
2	107635	NIGHT-LITE 5000 DECAL KIT	1

9.7 - Wordless Right Side Decals

SN 0001NL500016 and UP



107393_A

Night-Lite 5000

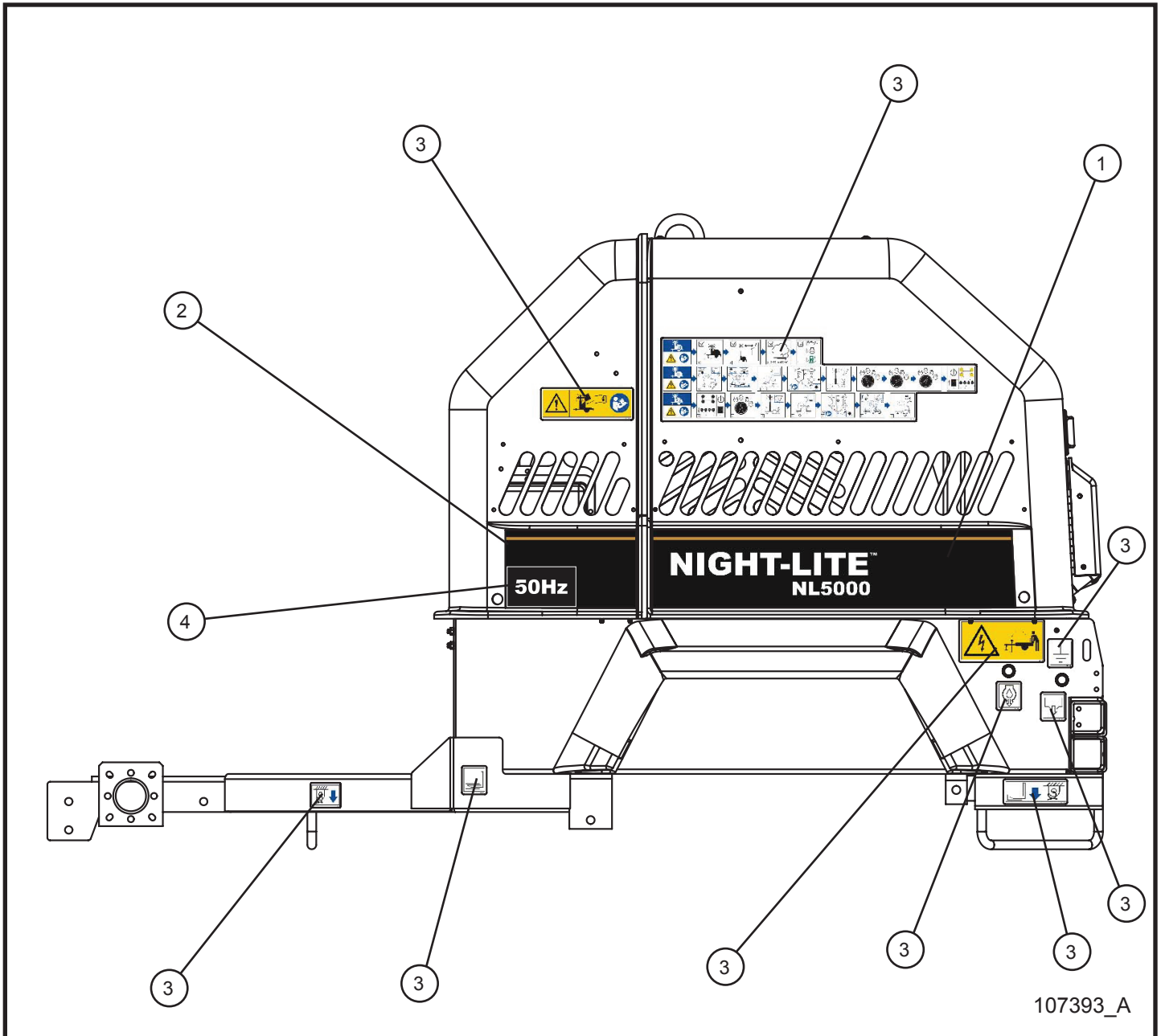
9.7 - Wordless Right Side Decals

SN 0001NL500016 and UP

Item	Part No.	Part Description	Qty.
1	107389	RIGHT SIDE NIGHT-LITE 5000 DECAL	1
2	107391	STRIPE NIGHT-LITE 5000 DECAL	1
3	107635	NIGHT-LITE 5000 DECAL KIT	1
4	108354	50Hz DECAL	1

9.8 - Wordless Left Side Decals

SN 0001NL500016 and UP



Night-Lite 5000

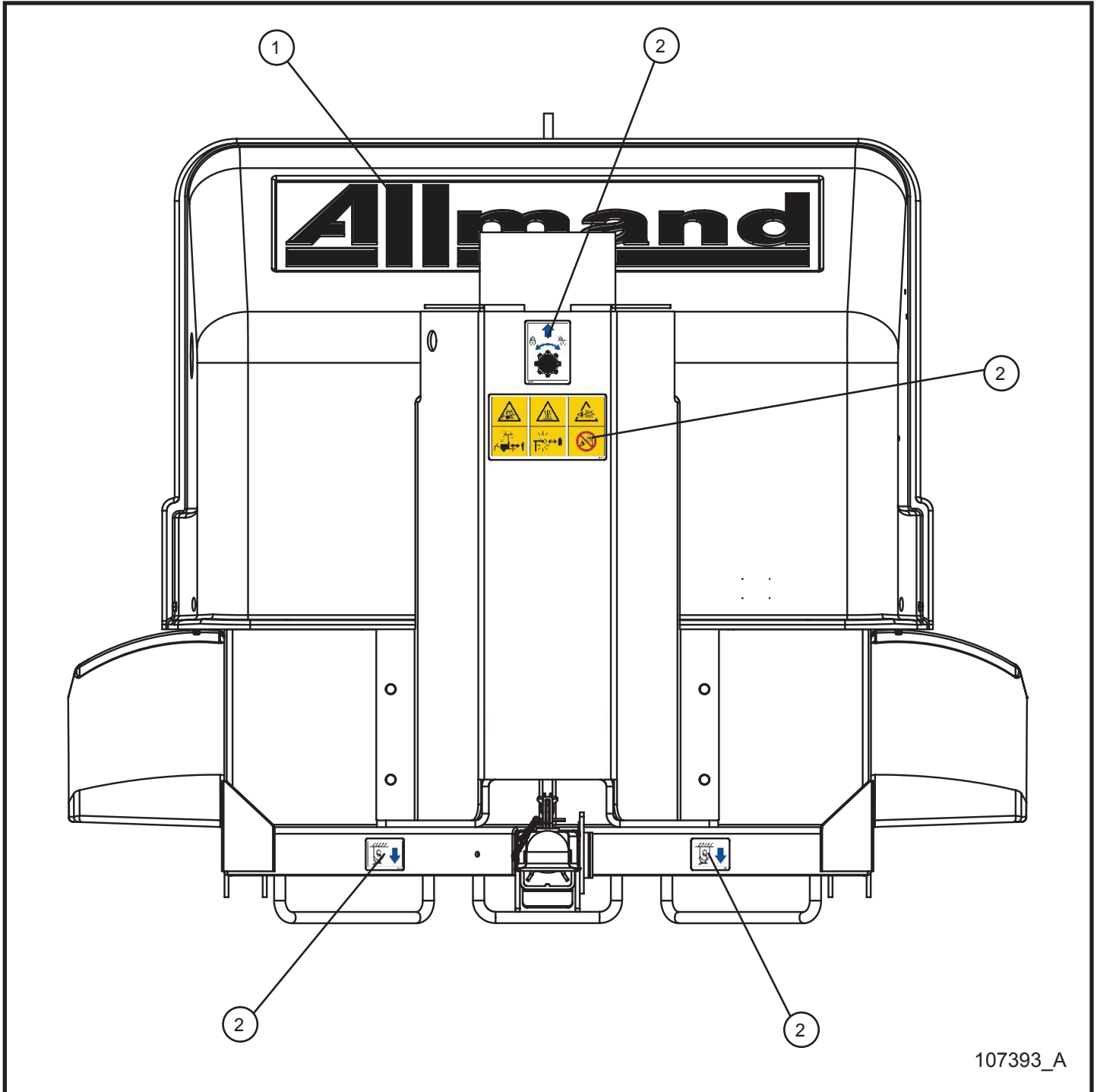
9.8 - Wordless Left Side Decals

SN 0001NL500016 and UP

Item	Part No.	Part Description	Qty.
1	107390	LEFT SIDE NIGHT-LITE 5000 DECAL	1
2	107391	STRIPE NIGHT-LITE 5000 DECAL	1
3	107635	NIGHT-LITE 5000 DECAL KIT	1
4	108354	50Hz DECAL	1

9.9 - Wordless Front Side Decals

SN 0001NL500016 and UP



107393_A

Night-Lite 5000

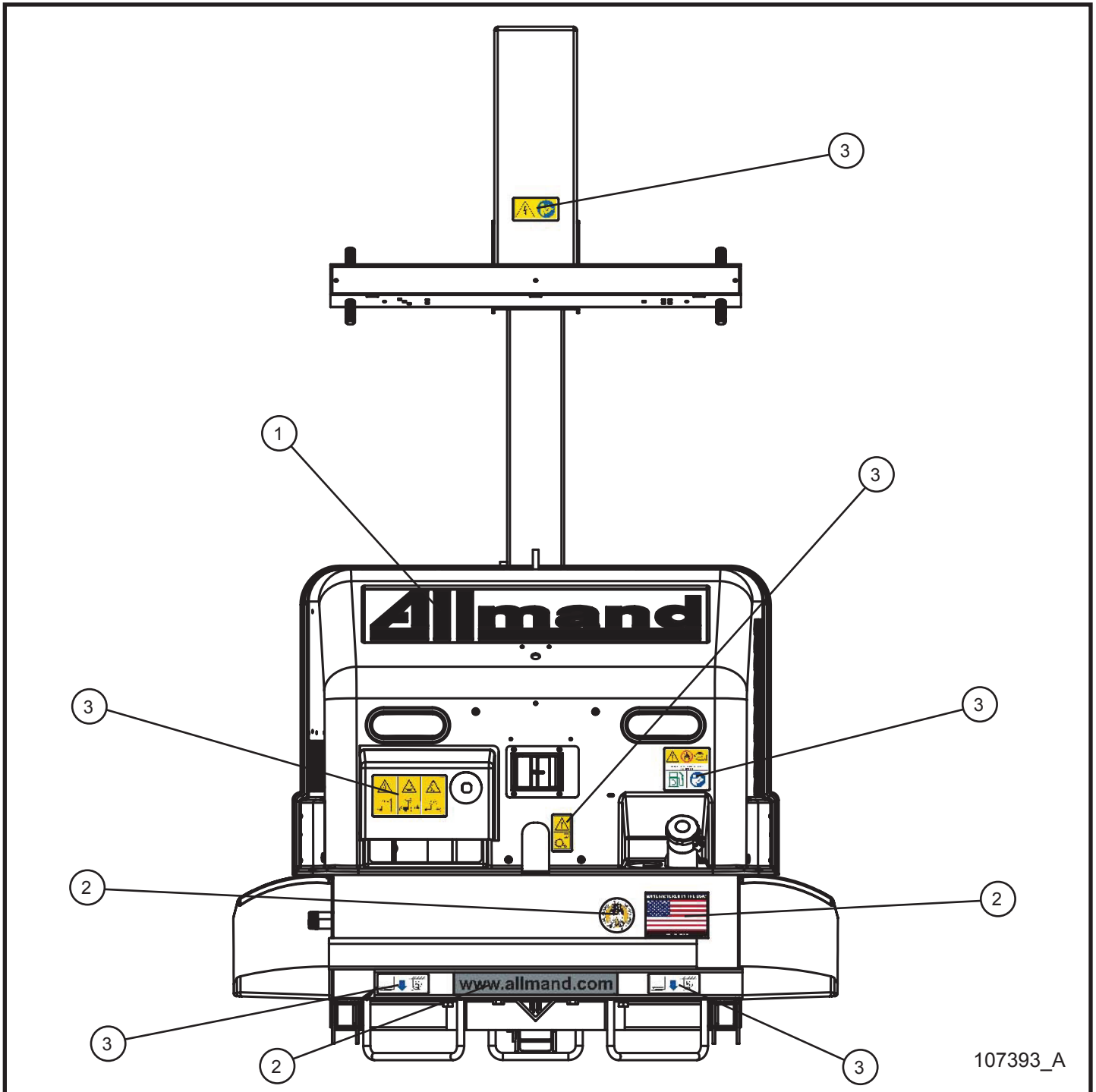
9.9 - Wordless Front Side Decals

SN 0001NL500016 and UP

Item	Part No.	Part Description	Qty.
1	108826	ALLMAND NIGHT-LITE 5000 DECAL	1
2	107635	NIGHT-LITE 5000 DECAL KIT	1

9.10 - Wordless Back Side Decals

SN 0001NL500016 and UP



107393_A

Night-Lite 5000

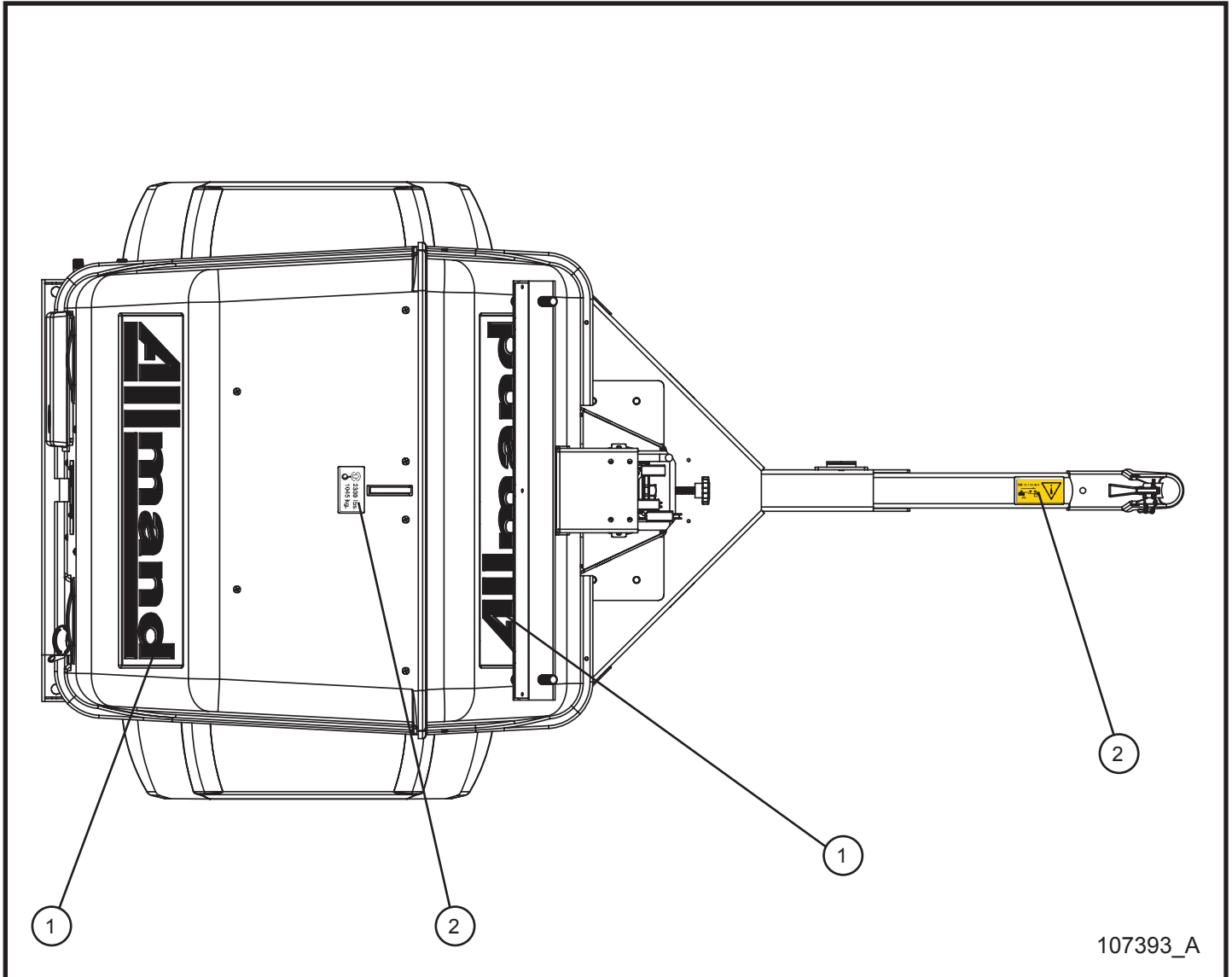
9.10 - Wordless Back Side Decals

SN 0001NL500016 and UP

Item	Part No.	Part Description	Qty.
1	108826	ALLMAND NIGHT-LITE 5000 DECAL	1
2	107632	STANDARD ALLMAND DECAL KIT	1
3	107635	NIGHT-LITE 5000 DECAL KIT	1

9.11 - Wordless Top Side Decals

SN 0001NL500016 and UP



107393_A

Night-Lite 5000

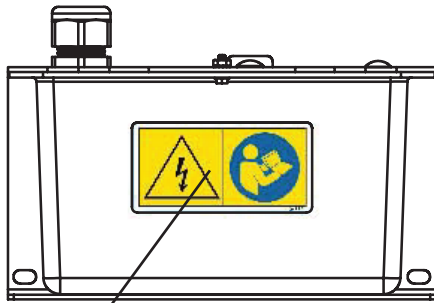
9.11 - Wordless Top Side Decals

SN 0001NL500016 and UP

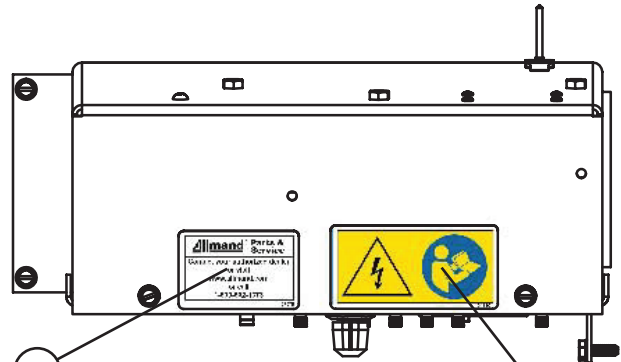
Item	Part No.	Part Description	Qty.
1	108826	ALLMAND NIGHT-LITE 5000 DECAL	1
2	107635	NIGHT-LITE 5000 DECAL KIT	1

9.12 - Wordless Interior Decals

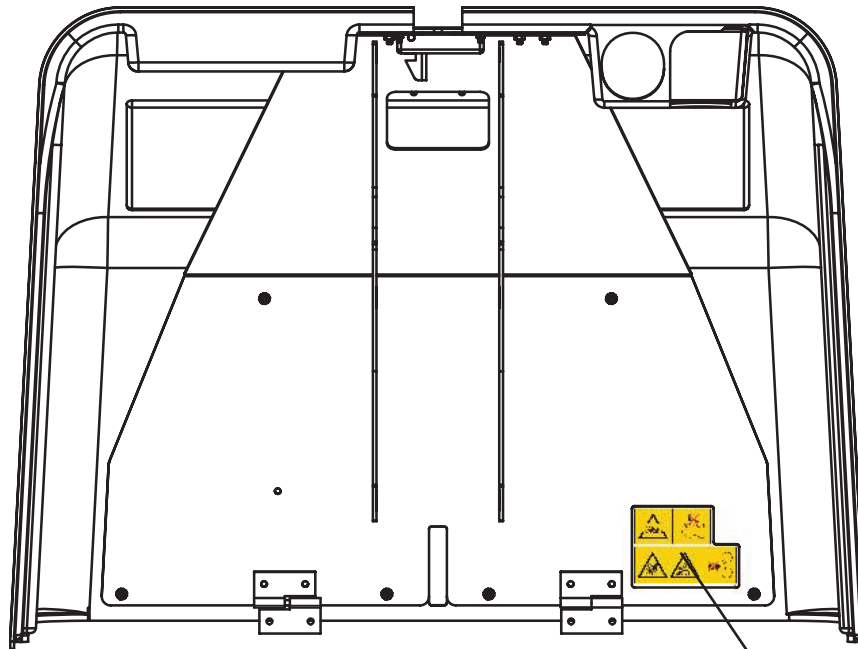
SN 0001NL500016 and UP



TOP OF BALLAST BOX



TOP OF COMPONENT BOX



INTERIOR OF REAR COVER

107393_A

Night-Lite 5000

9.12 - Wordless Interior Decals

SN 0001NL500016 and UP

Item	Part No.	Part Description	Qty.
1	107632	STANDARD ALLMAND DECAL KIT	1
2	107635	NIGHT-LITE 5000 DECAL KIT	1

10.1 - NL5000 with 60Hz Lighting (1 of 2)

SN 0001NL500016 and UP

Item	Part No.	Part Description	Qty.
1000W 60Hz OPTION			
1	610211	LAMP 1000W BT-37	12
2	310124	BALLAST 1000W 60HZ	1
3	310115	CAPACITOR 1000W 24uf 480V	3
1250W 60Hz OPTION			
1	610221	LAMP 1250W BT-37	12
2	109606	BALLAST/CAPACITOR 1250W 60HZ 120/240V	1
3	100329	CAPACITOR ONLY 1250W 28uf 525V	2
LAMP ASSEMBLY			
1	610212	CERAMIC SOCKET	4
2	610203	GLASS LENS	4
3	610217	LENS GASKET	2
4	610202	LENS CHANNEL SET	2
5	610209	LAMP TIP SUPPORT	4
6	610210	TIP SUPPORT TUBING	4
7	660130P	SOLID MOUNT YOKE	2
8	650159	LAMP LEAD (HARD WIRED OPTION)	4
TOWER			
1	107488	MAST WIRING HARNESS	1
2	100145	WINCH BRAKE	1
3	107365	WINCH CABLE 3/16" STEEL X 19'	1
4	320185	CABLE 3/16" STEEL X 10'	2
5	620550	LOCKING KNOB	1
COMPONENT BOX			
1	104431	12V 40 AMP RELAY	1
2	106866	TIME DELAY RELAY	1
3	105845	CLOSED TIMER RELAY	1
4	106865	OPEN TIMER RELAY	1

Night-Lite 5000

10.1 - NL5000 with 60Hz Lighting (2 of 2)

Item	Part No.	Part Description	Qty.
CONTROL PANEL			
1	106273	IGNITION SWITCH LEVER STYLE	1
2	350354	35 AMP MAIN BREAKER	1
3	106781	15 AMP BREAKER SWITCH	1
4	106787	20 AMP BREAKER SWITCH	1
5	330499	20 AMP GFCI RECEPTACLE	1
6	340014	HOUR METER	1
7	106785	30 AMP BREAKER SWITCH (OPTION)	1
8	653102	30 AMP TWISTLOCK RECEPTACLE (OPTION)	1
GENERAL PARTS			
1	712021	2" BALL COUPLER	1
2	340058	GROUND ROD ASSEMBLY	2
3	650387-13	13" TIRE/WHEEL ASSEMBLY	1
4	330008	TONGUE / OUTRIGGER JACK (SNAP RING, TOP CRANK)	2
5	330014	JACK SNAP RING	4
6	330012	REPLACEMENT JACK HANDLE (TOP CRANK)	3
7	330012A	REPLACEMENT JACK LOCK KIT	4
8	105245	LOCKING GAS SPRING	1
9	107614	FUEL GAUGE	1
10	650297	FENDER	1
KUBOTA ENGINE			
1	920743	OIL FILTER	2
2	650290	AIR FILTER	2
3	920745	FUEL FILTER	2
4	103331	FUEL PUMP	1
5	920751	FUEL SHUTOFF SOLENOID	1
6	340302	HIGH TEMP SWITCH	1
7	340301	OIL PRESSURE SWITCH	1
ATHLON GENERATOR			
1	640158	CAPACITOR 25uf 550V (ATHLON)	1
MARATHON GENERATOR			
1	105100	CAPACITOR 25uf 600V (MARATHON)	1

PAGE LEFT BLANK
INTENTIONALLY

Night-Lite 5000

PAGE LEFT BLANK
INTENTIONALLY

Allmand™

BRIGHTER. WARMER. SAFER.

Allmand Bros., Inc.
1502 West 4th Avenue
Holdrege, NE 68949
phone: (308) 995-4495 • toll free: (800) 562-1373
fax: (308) 995-5887

www.allmand.com



Reliability, performance, and integrity since 1938

13-0267