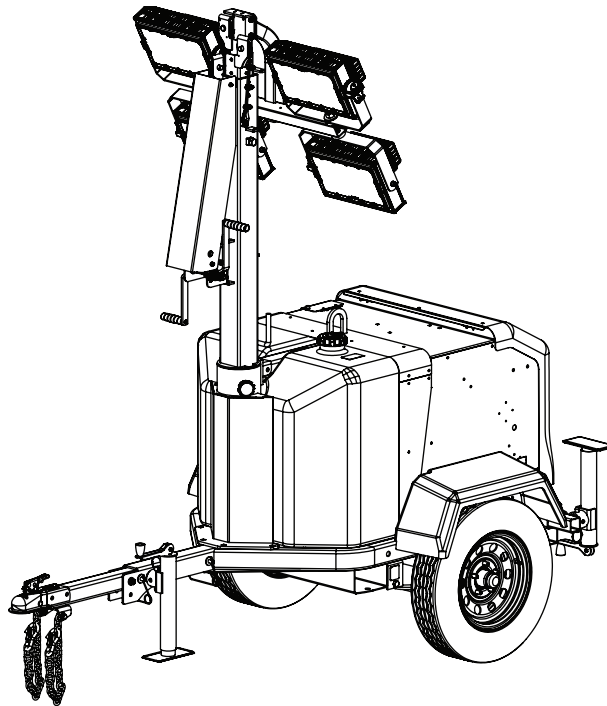




- en** Operator Manual  
**NIGHT-LITE™ GR-Series Liquid-Cooled 3kW**
- es** Manual del operario  
**Serie NIGHT-LITE™ GR enfriada por líquido de 3 kW**
- fr** Manuel d'utilisation  
**3 kW refroidie par liquide NIGHT-LITE™ série GR**




# Record Important Information

Recording the equipment information will help when placing an order for replacement parts and/or decals.

Company Equipment No:	
Unit Model No:	
Unit VIN:	
Engine Model No:	Serial No:
Generator Model No:	Serial No:
Accessories:	

## Manual Contents:

Introduction .....	2
Products Covered by This Manual .....	2
Safety .....	2
Features and Controls .....	9
Preparing the Light Tower Trailer for Use .....	10
Transporting the Light Tower Trailer .....	11
Operation .....	16
Maintenance .....	23
Specifications .....	27
Troubleshooting .....	28
Reporting Safety Defects .....	29
Tire Safety Information .....	29
Addendum - Unit Options .....	36

 **WARNING**

Breathing diesel engine exhaust exposes you to chemicals known to the State of California to cause cancer and birth defects or other reproductive harm.

- Always start and operate the engine in a well-ventilated area.
- If in an enclosed area, vent the exhaust to the outside.
- Do not modify or tamper with the exhaust system.
- Do not idle the engine except as necessary.

For more information go to [www.P65Warnings.ca.gov/diesel](http://www.P65Warnings.ca.gov/diesel).

## Introduction

### About This Manual

**TAKE TIME TO READ THIS MANUAL THOROUGHLY**

This instruction manual provides necessary instructions for the Allmand® Night-Lite™ GR-Series Liquid-Cooled 3kW Light Tower.

The information found in this manual is in effect at the time of printing. Briggs & Stratton may change contents without notice and without incurring obligation.

The images throughout this manual are representative, and may differ from your model.

Any reference in this manual to left or right shall be determined by looking at the trailer from the rear.

If uncertain about any of the information in the manual, contact the Allmand service department at

1-800-562-1373, or contact us through the Allmand website, [www.allmand.com](http://www.allmand.com).

## Products Covered by This Manual


The following products are covered by this manual:


Night-Lite™ GR-Series Liquid-Cooled 3kW


## Safety


### Safety Definitions

For your safety, the safety of others, and to protect the performance of equipment, follow the precautions listed throughout the manual before operation, during operation and during periodic maintenance procedures.

 Indicates a potential personal injury hazard.

 **DANGER**  
Indicates a hazardous situation which, if not avoided, will result in death or serious injury.

 **WARNING**  
Indicates a hazardous situation which, if not avoided, could result in death or serious injury.

 **CAUTION**  
Indicates a hazardous situation which, if not avoided, could result in minor or moderate injury.

**NOTICE**  
Information considered important but not hazard related.

## Safety Precautions

The following section contains general safety precautions and guidelines that must be obeyed to reduce risk to personal safety. Special safety precautions are listed in specific procedures. Read and understand all of the safety precautions before operating or performing repairs or maintenance.



 **DANGER**



**Electrocution Hazard**

- Always check overhead wires and obstructions before raising or lowering the light tower.
- Always obey the rules or instructions for your work site and state, province and national electric code for maintaining a safe distance from overhead wires.
- High voltage is present when engine is running. Never attempt to service electrical components while engine is running.
- Do not operate the light tower if the insulation on the electrical cord or other electrical wiring is cut or worn or if bare wires are exposed. Repair or replace damaged wiring before starting the engine.

 **WARNING**

**Unsafe Operation Hazard**

- Never permit anyone to install or operate the equipment without proper training.
- Read and understand this Operator's Manual, the Engine Operator's Manual, and any other component manuals before operating or servicing the light tower to make sure that safe operating practices and maintenance procedures are followed.
- Safety signs and decals are additional reminders for safe operating and maintenance techniques.

 **WARNING**

**Fall Hazard**

- Never carry riders on the equipment.

 **WARNING**

**Modification Hazard**

- Never modify the equipment without written consent of the manufacturer. Any modification could affect the safe operation of the equipment.

 **WARNING**

**Exposure Hazard**

- Always wear personal protective equipment, including appropriate clothing, gloves, work shoes, and eye and hearing protection, as required by the task at hand.

 **WARNING**



**Rollover Hazard**

- Do not raise, lower or use light tower unless all outriggers and jacks are positioned on firm ground.
- Never move or reposition the light tower while the light tower is extended in the vertical position.

 **WARNING**



**Fire and Explosion Hazard**

Batteries give off explosive gases during recharging. Sparks could cause explosions, resulting in death or serious injury.

 **WARNING**



**Burn Hazard**

Batteries contain acid, which is extremely caustic. Contact with battery contents could cause severe chemical burns.

 **WARNING**



**Shock Hazard**

Batteries present a risk of electric shock and high short circuit current.

- Always disconnect the negative (-) battery cable before servicing equipment.
- DO NOT dispose of battery in a fire. Recycle battery.
- DO NOT allow any open flame, spark, heat, or lit cigarette during and for several minutes after charging a battery.
- DO NOT open or mutilate battery.
- DO NOT charge a frozen battery. Always slowly warm the battery to room temperature before charging.
- Wear protective gloves, rubber apron, rubber boots and rubber gloves.
- Remove watches, rings, or other metal objects.
- Use tools having insulated handles.

 **WARNING**



**Fire and Explosion Hazard**

- Diesel fuel is flammable and explosive under certain conditions.
- Never use a shop rag to catch fuel.
- Wipe up all spills immediately.
- Never refuel with the engine running.
- Store any containers containing fuel in a well ventilated area, away from any combustibles or sources of ignition.

 **WARNING**

**Alcohol and Drug Hazard**

- Never operate the light tower while under the influence of alcohol or drugs, or when ill.

 **WARNING**



**Entanglement / Severe Hazard**

- Always stop the engine before beginning service.
- If the engine must be serviced while it is operating, remove all jewelry, tie back long hair and keep hands, other body parts and clothing away from moving/rotating parts.
- Verify that all guards and covers are attached properly to the equipment before starting the engine. Do not start the engine if any guards or covers are not properly installed on the equipment.
- Attach a “Do Not Operate” tag near the key switch while performing maintenance on the equipment.

 **WARNING**

**Flying Object Hazard**

- Always wear eye protection when cleaning the equipment with compressed air or high pressure water. Dust, flying debris, compressed air, pressurized water or steam may injure your eyes.

 **WARNING**

**Coolant Hazard**

- Wear eye protection and rubber gloves when handling engine coolant. If contact with the eyes or skin should occur, flush eyes and wash immediately with clean water.

 **WARNING**



**Burn Hazard**

- Opening cap on hot radiator could result in death or serious injury. Allow radiator to cool down before opening cap.

 **WARNING**



**Burn Hazard**

- Light fixtures and some of the engine surfaces become very hot during operation and shortly after shutdown.
- Keep hands and other body parts away from hot surfaces.
- Handle hot components, such as light fixtures, with heat resistant gloves.

**NOTICE**

- Any part which is found defective as a result of inspection or any part whose measured value does not satisfy the standard or limit **MUST** be replaced.
- Always tighten components to the specified torque. Loose parts can cause equipment damage or cause it to operate improperly.
- Follow the guidelines of the Environmental Protection Agency (EPA), Environment Canada (EC) or other governmental agencies for the proper disposal of hazardous materials such as engine oil, diesel fuel and engine coolant.
- Only use replacement parts specified. Other replacement parts may effect warranty coverage.
- Clean all accumulated dirt and debris away from the body of the equipment and its components before you inspect the equipment or perform preventative maintenance procedures or repairs. Operating equipment with accumulated dirt and debris will cause premature wear of equipment components.
- Never dispose of hazardous materials by dumping them into a sewer, on the ground, or into groundwater or waterways.
- Retrieve any tools or parts that may have dropped inside of the equipment to avoid improper equipment operation.
- If any alert indicator illuminates during equipment operation, stop the engine immediately. Determine the cause and repair the problem before continuing to operate the equipment.

It is a violation of California Public Resource Code, Section 4442, to use or operate the engine on any forest-covered, brush-covered, or grass-covered land unless the exhaust system is equipped with a spark arrester, as defined in section 4442, maintained in effective working order. Other states or federal jurisdictions may have similar laws; reference Federal Regulation 36 CFR Part 261.52.

# Safety Decals

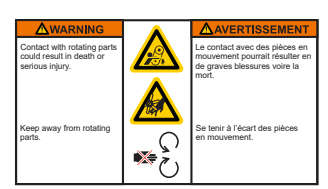
Before operating your unit, read and understand the following safety decals. The cautions, warnings, and instructions are for your safety. To avoid personal injury or damage to the unit, understand and obey all the decals.

Keep the decals from becoming dirty or torn, and replace them if they are lost or damaged. Also, if a part needs to be replaced that has a decal attached to it, make sure to order the new part and decal at the same time.

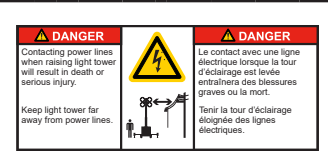
If any safety or instructional decals become worn or damaged, and cannot be read, order replacement decals from your dealer.

# Domestic Models

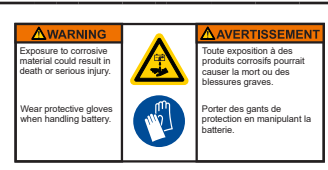
**WARNING** - Contact with rotating parts could result in death or serious injury. Keep away from rotating parts.  
Part No. 122468-3



**DANGER** - Contacting power lines when raising light tower will result in death or serious injury. Keep light tower far away from power lines.  
Part No. 122468-4



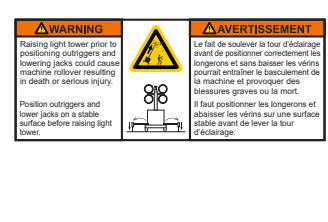
**WARNING** - Exposure to corrosive materials could cause result in death or serious injury. Wear protective gloves when handling battery.  
Part No. 122468-5



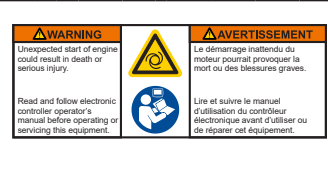
**WARNING** - Smoking materials, open flames, or other forms of ignition near the battery could cause explosion resulting in death or serious injury. Keep smoking materials, open flames, or other forms of ignition away from the battery.  
Part No. 122468-6



**WARNING** - Raising light tower without positioning outriggers and lowering jacks could cause machine rollover resulting in death or serious injury. Position outriggers and lower jacks on a stable surface before raising light tower.  
Part No. 122468-7



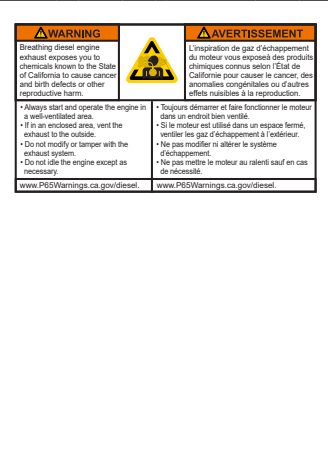
**WARNING** - Unexpected start of engine could result in death or serious injury. Read and follow electronic controller operator's manual before operating or servicing this equipment.  
Part No. 122468-8



**WARNING** - Breathing diesel engine exhaust exposes you to chemicals known to the State of California to cause cancer and birth defects or other reproductive harm.

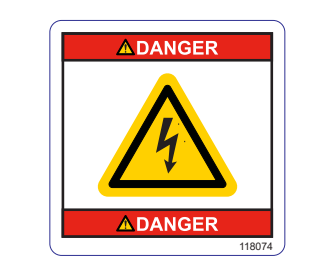
- Always start and operate the engine in a well-ventilated area.
- If in an enclosed area, vent the exhaust to the outside.
- Do not modify or tamper with the exhaust system.
- Do not idle the engine except as necessary.

www.P65warnings.ca.gov/diesel  
Part No. 122468-9

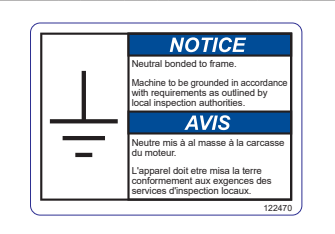


# Domestic Models

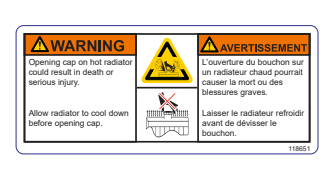
**DANGER** - Entering electrical compartment while equipment is in operation will result in death or serious injury. Unplug equipment before entering electrical compartment.  
Part No. 118074



Machine Grounding Information / Ground Lug  
Part No. 122470



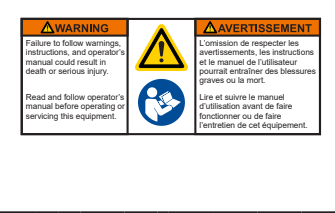
**WARNING** - Opening cap on hot radiator could result in death or serious injury. Allow radiator to cool down before opening cap.  
Part No. 118651



**WARNING** - Contact with hot exhaust gases and parts could cause death or serious injury. Avoid hot exhaust gases. Keep hands and combustible materials away from hot parts.  
Part No. 118162



**WARNING** - Failure to follow warnings, instructions and operator's manual could result in death or serious injury. Read and follow operator's manual before operating or servicing this equipment.  
Part No. 122468-1



**WARNING** - Engine exhaust contains carbon monoxide, a poisonous gas that could cause death or serious injury. Run equipment far from windows, doors and vents. Do not run equipment indoors or in partially enclosed spaces.  
Part No. 122468-2



## Domestic Models

**WARNING** - Standing under light tower mast and fixtures during lowering operation could result in death or serious injury. Keep bystanders away from light tower during lowering and raising operations.

Part No. 122468-10

<b>WARNING</b> Standing under light tower mast and fixtures during lowering operation could result in death or serious injury. Keep bystanders away from light tower during lowering and raising operations.		<b>AVERTISSEMENT</b> Le fait de se tenir debout sous une tour d'éclairage et de ses accessoires alors qu'elle est abaissée pourrait causer la mort ou des blessures graves. Tenir les spectateurs à l'écart de la tour d'éclairage pendant qu'on la soulève ou l'abaisse.
--	---	---

**WARNING** - Opening cap on hot radiator could result in death or serious injury. Allow radiator to cool down before opening cap.

Part No. 122468-11

<b>WARNING</b> Opening cap on hot radiator could result in death or serious injury. Allow radiator to cool down before opening cap.		<b>AVERTISSEMENT</b> L'ouverture du bouchon sur un radiateur chaud pourrait causer la mort ou des blessures graves. Laisser le radiateur refroidir avant de dévisser le bouchon.
---	---	--

**WARNING** - Contact with hot exhaust gases and parts could cause death or serious injury. Avoid hot exhaust gases. Keep hands and combustible materials away from hot parts.

Part No. 122468-12

<b>WARNING</b> Contact with hot exhaust gases and parts could cause death or serious injury. Avoid hot exhaust gases. Keep hands and combustible materials away from hot parts.		<b>AVERTISSEMENT</b> Tout contact avec les pièces et les gaz d'échappement chauds pourrait causer la mort ou des blessures graves. Éviter les gaz d'échappement chauds. Tenir les mains et les produits inflammables à l'écart des pièces chaudes.
---	---	--

**WARNING** - Operation of this equipment may create sparks that can start fires around dry vegetation. A spark arrestor may be required. The operator should contact local fire agencies for laws or regulations relating to fire prevention requirements.

Part No. 122468-13

<b>WARNING</b> Operation of this equipment may create sparks that can start fires around dry vegetation. A spark arrestor may be required. The operator should contact local fire agencies for laws or regulations relating to fire prevention requirements.	<b>AVERTISSEMENT</b> Le fonctionnement de cet appareil peut provoquer des étincelles qui peuvent enflammer de la végétation sèche. Un pare-étincelles peut être requis. L'opérateur doit communiquer avec le service d'incendie local pour connaître les lois ou les règlements régissant la prévention des incendies.
---	---

**DANGER** - Contacting power lines when raising light tower will result in death or serious injury. Keep light tower far away from power lines.

**WARNING** - Raising light tower without positioning outriggers and lowering jacks could cause machine rollover resulting in death or serious injury. Position outriggers and lower jacks on a stable surface before raising light tower.

**WARNING** - Standing under light tower mast and fixtures during lowering operation could result in death or serious injury. Keep bystanders away from light tower during lowering and raising operations.







**WARNING** - Handling light fixtures when they are hot could result in death or serious injury. Keep clear of light fixtures when illuminated or hot.

**WARNING** - Looking at illuminated light fixtures could result in serious injury. Do not look directly at illuminated light fixtures.

**CAUTION** - Snow and ice could cause uncontrolled condition in winch that could result in minor to moderate injury. Make sure pawl engages gear. Apply silicone to ratchet pawl and spacer.

Part No. 122479

Manual Winch Tower

<b>DANGER</b> Contacting power lines when raising light tower will result in death or serious injury. Keep light tower far away from power lines.		<b>DANGER</b> Le contact avec une ligne d'éclairage est levié entraîne des blessures graves ou la mort. Tenir la tour d'éclairage éloignée des lignes électriques.
<b>WARNING</b> Raising light tower without positioning outriggers and lowering jacks could cause machine rollover resulting in death or serious injury. Position outriggers and lower jacks on a stable surface before raising light tower.		<b>AVERTISSEMENT</b> Le fait de soulever la tour d'éclairage avant de positionner correctement des engrenons et des vérins pourrait entraîner le basculement de la machine et provoquer des blessures graves ou la mort. Il faut positionner les engrenons et abaisser les vérins sur une surface stable avant de lever la tour d'éclairage.
<b>WARNING</b> Standing under light tower mast and fixtures during lowering operation could result in death or serious injury. Keep bystanders away from light tower during lowering and raising operations.		<b>AVERTISSEMENT</b> Le fait de se tenir debout sous une tour d'éclairage et de ses accessoires alors qu'elle est abaissée pourrait causer la mort ou des blessures graves. Tenir les spectateurs à l'écart de la tour d'éclairage pendant qu'on la soulève ou l'abaisse.
<b>WARNING</b> Handling light fixtures when they are hot could result in death or serious injury. Keep clear of light fixtures when illuminated or hot.		<b>AVERTISSEMENT</b> La manipulation des luminaires alors qu'ils sont chauds pourrait causer la mort ou des blessures graves. Rester à l'écart des luminaires lorsqu'ils sont allumés ou chauds.
<b>WARNING</b> Looking at illuminated light fixtures could result in serious injury. Do not look directly at illuminated light fixtures.		<b>AVERTISSEMENT</b> Regarder des luminaires allumés pourrait provoquer de graves blessures. Ne jamais regarder directement des luminaires allumés.
<b>CAUTION</b> Snow and ice could cause uncontrolled condition in winch that could result in minor to moderate injury. Make sure pawl engages gear. Apply silicone to ratchet pawl and spacer.		<b>ATTENTION</b> La neige et la glace pourraient causer un conditionnement incontrôlé du travail qui pourrait entraîner une blessure mineure à moyenne. Vérifier que le cliquet est engagé dans l'embrayage. Appliquer de la silicone sur le cliquet et la butée d'espacement.

## Domestic Models




**WARNING** - Standing under light tower mast and fixtures during lowering operation could result in death or serious injury. Keep bystanders away from light tower during lowering and raising operations.

**WARNING** - Handling light fixtures when they are hot could result in death or serious injury. Keep clear of light fixtures when illuminated or hot.

**WARNING** - Looking at illuminated light fixtures could result in serious injury. Do not look directly at illuminated light fixtures.

Part No. 122478

Electric Winch Tower


<b>WARNING</b> Standing under light tower mast and fixtures during lowering operation could result in death or serious injury. Keep bystanders away from light tower during lowering and raising operations.		<b>AVERTISSEMENT</b> Le fait de se tenir debout sous une tour d'éclairage et de ses accessoires alors qu'elle est abaissée pourrait causer la mort ou des blessures graves. Tenir les spectateurs à l'écart de la tour d'éclairage pendant qu'on la soulève ou l'abaisse.
<b>WARNING</b> Handling light fixtures when they are hot could result in death or serious injury. Keep clear of light fixtures when illuminated or hot.		<b>AVERTISSEMENT</b> La manipulation des luminaires alors qu'ils sont chauds pourrait causer la mort ou des blessures graves. Rester à l'écart des luminaires lorsqu'ils sont allumés ou chauds.
<b>WARNING</b> Looking at illuminated light fixtures could result in serious injury. Do not look directly at illuminated light fixtures.		<b>AVERTISSEMENT</b> Regarder des luminaires allumés pourrait provoquer de graves blessures. Ne jamais regarder directement des luminaires allumés.

**WARNING** - Failure to follow warnings, instructions and operator's manual could result in death or serious injury. Read and follow operator's manual before operating or servicing this equipment.

**WARNING** - Failure to lower tower into a secured position before towing could result in death or serious injury. Lower tower to a secured position before towing.

**WARNING** - Excessive towing speed could result in death or serious injury. Do not exceed 65mph (105km/h) when towing trailer.

Part No. 122463

<b>WARNING</b> Failure to follow warnings, instructions and operator's manual could result in death or serious injury. Read and follow operator's manual before operating or servicing this equipment.	
<b>AVERTISSEMENT</b> L'absence de respecter les avertissements, les instructions et le manuel de l'opérateur pourrait entraîner la mort ou des blessures graves ou la mort. Lire et suivre le manuel d'utilisation avant de faire fonctionner ou de faire l'entretien de cet équipement.	
<b>WARNING</b> Failure to lower tower into a secured position before towing could result in death or serious injury. Lower tower to a secured position before towing.	
<b>AVERTISSEMENT</b> Ne pas abaisser la tour d'éclairage en position sécurisée avant de remorquer, provoquant la mort ou des blessures graves. Abaisser la tour en position sécurisée avant de remorquer.	
<b>WARNING</b> Excessive towing speed could result in death or serious injury. Do not exceed 65mph (105km/h) when towing trailer.	
<b>AVERTISSEMENT</b> Une vitesse de remorquage excessive pourrait entraîner la mort ou des blessures graves. Ne pas dépasser 105 km/h (65 mph) lors du remorquage.	

CSA File Number

Part No. 110361

	<b>Allmand™</b> Holdrege, Nebraska CSA File Number: 204930
For electrical equipment only. Pour matériel électrique seulement.	

Electrical Info

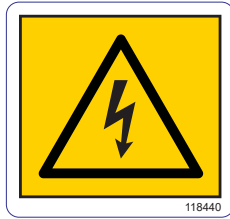
Part No. 118653

kW	3.0
A	25
V	120
Hz/RPM	60/1800
PHASE	1
INS. CLASS	H @ 40°C AMB
PF	1.0

## International Models

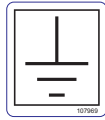
**DANGER** - Entering electrical compartment while equipment is in operation will result in death or serious injury. Unplug equipment before entering electrical compartment.

Part No. 118440



Ground Lug

Part No. 107969



**WARNING** - Contact with rotating parts could result in death or serious injury. Keep away from rotating parts.

Part No. 118658



**WARNING** - Opening cap on hot radiator could result in death or serious injury. Allow radiator to cool down before opening cap.

Part No. 122091



**WARNING** - Contact with hot exhaust gases and parts could cause death or serious injury. Avoid hot exhaust gases. Keep hands and combustible materials away from hot parts.

Part No. 107529



**WARNING** - Standing under light tower mast and fixtures during lowering operation could result in death or serious injury.

Keep bystanders away from light tower during lowering and raising operations.

**WARNING** - Handling light fixtures when they are hot could result in death or serious injury. Keep clear of light fixtures when illuminated or hot.

**WARNING** - Looking at illuminated light fixtures could result in serious injury. Do not look directly at illuminated light fixtures.

Part No. 118444



Electrical Info

Part No. 118659

kW	2.5
A	11
V	220
Hz/RPM	50/1500
PHASE	1
INS. CLASS	H
MAX AMB	120°F/49°C
PF	1.0

## International Models

**WARNING** - Failure to follow warnings, instructions and operator's manual could result in death or serious injury. Read and follow operator's manual before operating or servicing this equipment.

**WARNING** - Engine exhaust contains carbon monoxide, a poisonous gas that could cause death or serious injury. Run equipment far from windows, doors and vents. Do not run equipment indoors or in partially enclosed spaces.

**WARNING** - Unexpected start of engine could result in death or serious injury. Read and follow electronic controller operator's manual before operating or servicing this equipment.

**WARNING** - Smoking materials, open flames, or other forms of ignition near the battery could cause explosion resulting in death or serious injury. Keep smoking materials, open flames, or other forms of ignition away from the battery.

**WARNING** - Exposure to corrosive materials could cause result in death or serious injury. Wear protective gloves when handling battery.

**WARNING** - Contact with hot exhaust gases and parts could cause death or serious injury. Avoid hot exhaust gases. Keep hands and combustible materials away from hot parts.

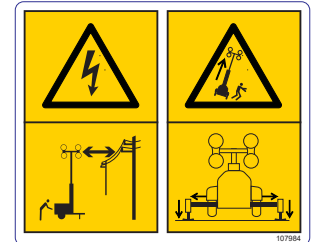
Part No. 118442



**DANGER** - Contacting power lines when raising light tower will result in death or serious injury. Keep light tower far away from power lines.

**WARNING** - Raising light tower without positioning outriggers and lowering jacks could cause machine rollover resulting in death or serious injury. Position outriggers and lower jacks on a stable surface before raising light tower.

Part No. 107984



**CAUTION** - Snow and ice could cause uncontrolled condition in winch that could result in minor to moderate injury. Make sure pawl engages gear. Apply silicone to ratchet pawl and spacer.

Part No. 107532





## International Models

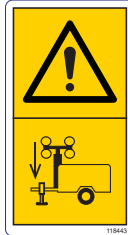
**WARNING** - Excessive towing speed could result in death or serious injury. Do not exceed 65mph (105km/h) when towing trailer.

Part No. 118110



**WARNING** - Failure to lower tower into a secured position before towing could result in death or serious injury. Lower tower to a secured position before towing.

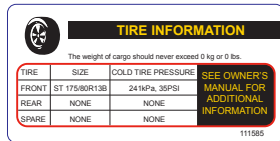
Part No. 118443



## All Models

Tire Information

Part No. 111585



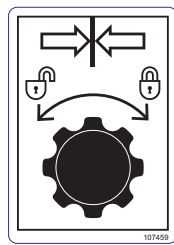
Emergency Stop

Part No. 105567



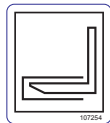
Light Tower Transport Alignment

Part No. 107459



Forklift Pocket

Part No. 107254



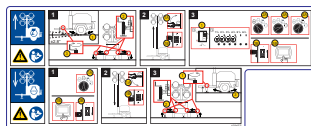
Oil Drain

Part No. 107973



Operating Instructions

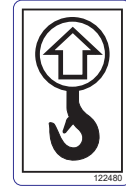
Part No. 122477



## All Models

Lift Weight

Part No. 122480



Trailer Serial Number (VIN)

Part No. 120430



Product Operations QR Code

Part No. 123242



## Operation Icons

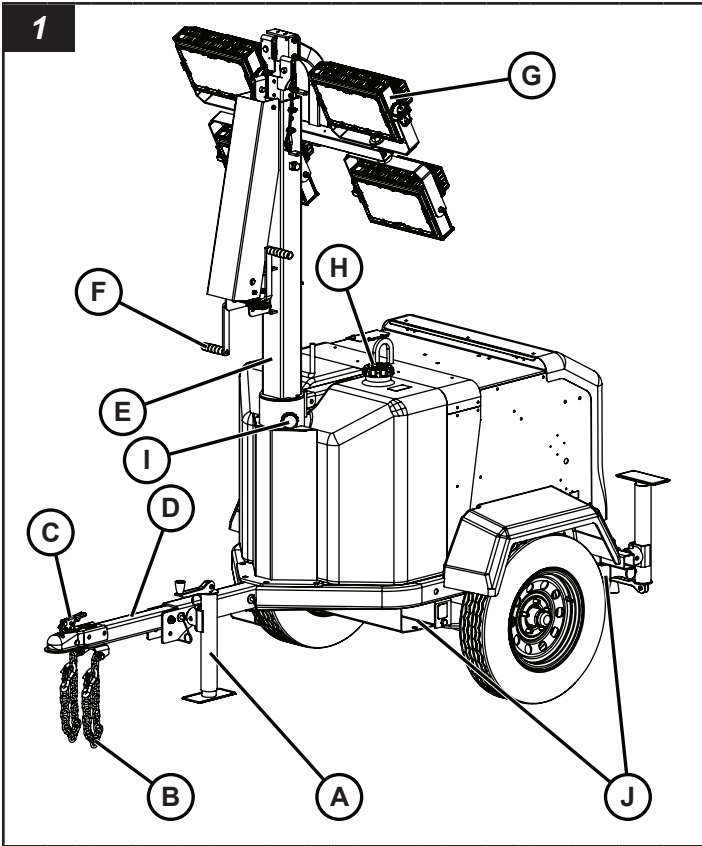
The following table contains operation icons that may be found on the unit, along with the meaning of each icon.

Icon	Meaning	Icon	Meaning
	Power On		Work Light
	Power Off		Light Tower Raise
	Engine Stop		Light Tower Lower
	Engine Run		Engine Oil Drain
	Engine Start		Circuit Breaker
	Engine Preheat		Disconnecting Circuit Breaker
	Hourmeter		Earth Ground
	Electronic Controller		

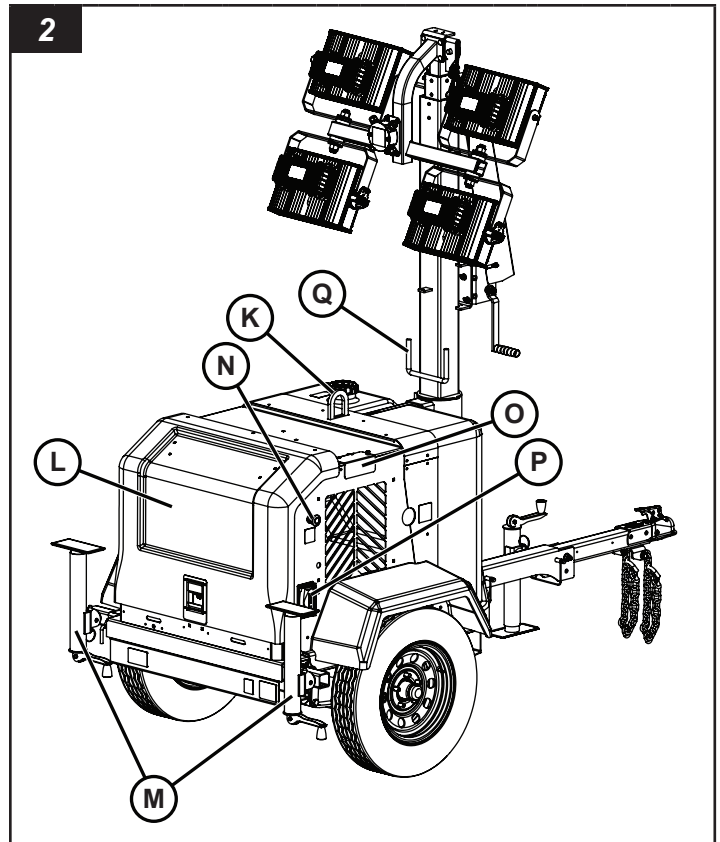
# Features and Controls

The Allmand® Night-Lite™ GR-Series light tower trailer is intended for use as a stationary lighting device to illuminate large areas.

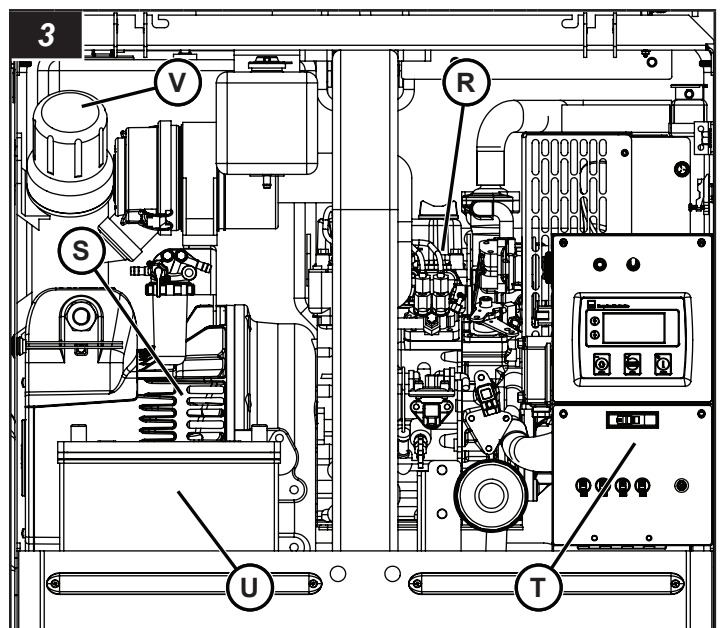
Identify the features and controls of the machine by comparing Figures 1 through 3 with the tables following. See **Operation** for detailed information on each feature / control.



Ref	Description
A	Tongue Jack
B	Safety Chain (2)
C	Trailer Coupler
D	Trailer Tongue
E	Light Tower
F	Light Tower Winch Handle (2)
G	Light Fixture (4)
H	Fuel Cap
I	Light Tower Mast Rotation Locking Knob
J	Forklift Pocket / Tie-Down Point (2 each side)



Ref	Description
K	Lifting Ring
L	Engine Compartment Cover
M	Outrigger / Stabilizer Jack (2)
N	Emergency Stop
O	Radiator Cap Access Door
P	Auxiliary AC Outlet
Q	Light Tower Mast Rotation Handle



Ref	Description
R	Engine
S	Generator
T	Engine / Light / AC Outlet Control Panel
U	Battery
V	Manual Storage Container

## Preparing the Light Tower Trailer for Use

### WARNING

Operating or towing a machine with worn, damaged or missing parts could result in death or serious injury. Replace worn, damaged or missing parts immediately. Do not operate or tow this machine until all worn, damaged or missing parts have been replaced, and the machine operates correctly.

### WARNING

Towing a trailer with worn, damaged or underinflated tires could result in death or serious injury. Replace worn or damaged tires immediately. Keep tires inflated to correct cold tire inflation pressure.

### NOTICE

The use of authorized replacement Allmand parts is recommended. The warranty does not cover damage or performance problems caused by the use of parts that are not authorized replacement parts.

If the light tower trailer has been stored or not operated for a period of time, follow these steps to prepare the Night-Lite™ GR-Series light tower trailer for use.

1. Make sure that a copy of the Operator's Manual is with the light tower trailer in the manual storage container.
2. Make sure that all safety decals are legible and in place on the light tower trailer. See **Safety Decals** in the **Operator Safety** section.
3. Do a check of the light tower trailer for correct operation:
  - A. Make sure that the trailer tongue is locked in either the park or towing position. See **Trailer Tongue**.
  - B. Use an appropriate means to safely support the trailer tongue. Make sure that the tongue jack operates correctly, and that the jack can be locked in the transport position as well as the trailer support position. See **Operating the Tongue Jack**.
  - C. Make sure that the outriggers operate correctly, and that each one is locked in the transport position. See **Operating the Outriggers** in the **Operation** section.
  - D. Make sure that the winch and cable system operates correctly, and that the cable is not frayed or damaged.
  - E. Make sure that the trailer coupler operates correctly, and that the trailer coupler is tightly fastened to the light tower trailer tongue. See **Using The Trailer Coupler**.
  - F. Make sure that the safety chains are tightly fastened to the light tower trailer tongue, and that the safety chains and hooks are not damaged. Replace damaged safety chains and hooks.
  - G. Examine the condition and inflation pressure of the tires. See **Specifications**.
4. Do a check of the engine oil level and add as necessary. See **Maintenance**.
5. Check the engine cooling system and replenish as necessary. Make sure that the coolant overflow bottle is at least half full of coolant. See **Maintenance**.
6. Examine the air filter for damage and replace as necessary. Examine the engine air intake system and make sure that all connections are air tight.
7. Make sure that the battery is fully charged. The light tower trailer is equipped from the factory with a 12 volt battery. Use a 12 volt battery charger to bring the battery back to full charge. See **Maintaining the Battery** in the **Maintenance** section.
8. If the trailer was stored with the battery disconnected, connect the battery.
9. Make sure that there is sufficient fuel in the fuel tank. See **Engine Operation - Pre-Start Checks** in the **Operation** section for detailed information on checking and adding fuel.
10. Make sure that the engine starts and runs correctly. See **Engine Operation** in the **Operation** section.
11. Make sure that each of the light fixtures operate. See **Operating the Tower Lights** in the **Operation** section.
12. Do a test of the GFCI (if equipped) using the "Test" button. See **Auxiliary AC Outlets** in the **Operation** section.



# Transporting the Light Tower Trailer

## Towing the Light Tower Trailer

### Preparing the Light Tower Trailer for Towing

#### WARNING

Towing a trailer with an underrated tow vehicle or an underrated or undersized hitch could result in death or serious injury. Always use a tow vehicle that has a rated towing capacity that exceeds the Gross Vehicle Weight Rating (GVWR) of the trailer, and is equipped with the appropriate size tow hitch rated for the GVWR of the trailer.

#### WARNING

Operating or towing a machine with worn, damaged or missing parts could result in death or serious injury. Always replace worn, damaged or missing parts promptly. Do not operate or tow this machine until all worn, damaged or missing parts have been replaced, and proper operation of the machine has been verified.

#### WARNING

Towing a trailer with worn, damaged or underinflated tires could result in death or serious injury. Replace worn or damaged tires immediately. Keep tires inflated to correct cold tire inflation pressure.

1. Shut down the engine.  
*Note: Lights will automatically shut down prior to engine shutdown.*
2. Fully lower the light tower.
3. Turn the light tower to the transport position, and tighten the locking knob.
4. Adjust the light fixtures to the transport position.
5. Retract the outriggers and stabilizer jacks and lock in the transport position.
6. Close the engine compartment cover and make sure that it is latched.
7. Lock the trailer tongue in the towing position. See **Trailer Tongue**.
8. Make sure that the tow vehicle and trailer hitch are rated to tow the unit. See **Light Tower Trailer Weight**.  
*Note: Refer to the tow vehicle and trailer hitch manuals for rated towing capacities.*
9. Connect the trailer to the tow vehicle hitch. Examine the trailer coupler for damage, and make sure that it is tightly fastened to the tongue. See **Connecting the Light Tower Trailer to the Tow Vehicle**.
10. Make sure that the safety chains are tightly fastened to the trailer tongue, and examine the safety chains and hooks for damage. Replace as needed.

11. Make sure that the tow vehicle lighting connector will connect with the trailer lighting connector. Examine the trailer lighting connector and wires for damage. Repair or replace as needed.
12. Examine the condition and inflation pressure of the tires. See **Checking the Tire Pressure** in the **Maintenance** section.
13. Remove the wheel chocks from the front and rear of each wheel.

## Trailer Tongue

The light tower trailer tongue can be lifted for storage or trailer-transporting.

#### WARNING

Do not try to lift the trailer tongue when the light tower trailer is connected to a tow vehicle. Death or serious injury could result.

#### WARNING

Do not try to lift the trailer tongue unless the front of the unit is held by the tongue jack. Death or serious injury could result.

### To lift the trailer tongue (park position)

#### WARNING

Failure to lock the trailer tongue in the park position could cause the trailer tongue to fall, resulting in death or serious injury. Always lock the trailer tongue in the park position.

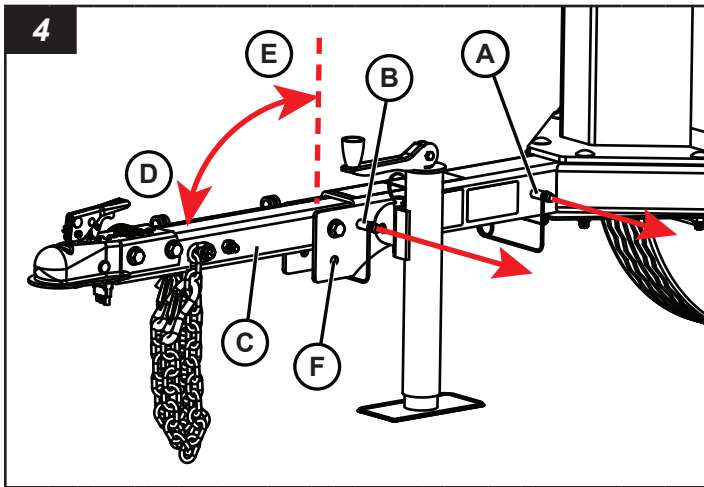
1. Make sure that the front of the unit is held by the tongue jack. See **Operating the Tongue Jack**.
2. Remove the pins (A & B, Figure 4) locking the trailer tongue (C) in the towing position (D).
3. Lift the trailer tongue to the park position (E, Figure 4). Install pin (B) into the park position locking hole (F). Return pin (A) into its original hole. Lock each pin with its retainer hook.

### To lift the trailer tongue (park position)

#### WARNING

Failure to lock the trailer tongue in the towing position could cause the front of the light tower trailer to fall, resulting in death or serious injury. Always lock the trailer tongue in the towing position.

1. Make sure that the front of the unit is held by the tongue jack. See **Operating the Tongue Jack**.
2. Remove the pin locking the trailer tongue in the park position (F, Figure 4). Also remove pin (A).
3. Lower the trailer tongue to the towing position (D, Figure 4). Install pins (A) and (B). Lock each pin with its retainer hook.

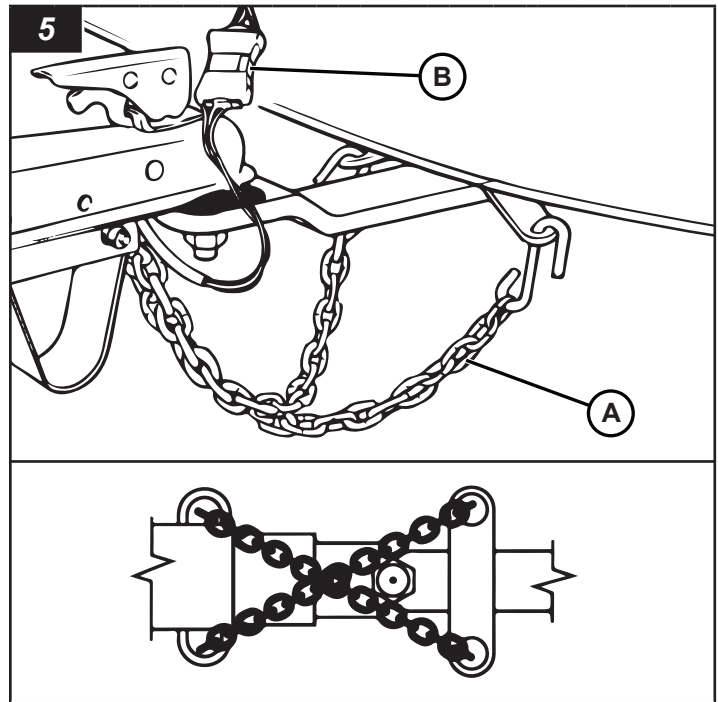


## Connecting the Light Tower Trailer to the Tow Vehicle

### **WARNING**

Retracting the tongue jack without supporting the trailer tongue could result in death or serious injury. Make sure that the trailer tongue is safely supported by appropriate means before you retract the tongue jack.

1. Put wheel chocks (not supplied) against the front and back of each wheel on both sides of the light tower trailer.
2. Make sure that the trailer tongue is lowered and locked in the towing position. See **Trailer Tongue**.
3. Use the tongue jack to lift the trailer coupler above the tow vehicle's hitch ball. See **Operating the Tongue Jack**.
4. Move the tow vehicle so that the hitch ball is under the trailer coupler.
5. Lower the trailer coupler onto the hitch ball with the tongue jack.
6. Lock the trailer coupler. See **Using the Trailer Coupler**.
7. Attach the safety chains (A, Figure 5) to the tow vehicle's hitch frame. Cross the chains under the tongue as shown. Leave enough slack in the chains to allow for turns, but not so much that the chains will hit the road surface.
8. Connect the trailer lighting connector (B, Figure 5) to the tow vehicle lighting connector. Make sure that the trailer lighting harness has sufficient length to not disconnect when turning, but not so much length that the harness will hit the road surface. Once connected, check the stop, turn signal, tail, side marker and license plate lights for correct operation.
9. Fully lift the tongue jack foot, then retract the tongue jack into the transport position. See **Operating the Tongue Jack**.
10. Remove the wheel chocks from both sides of the light tower trailer wheels.



## Operating the Tongue Jack

The unit is equipped with a tongue jack to support the front of the light tower trailer and to level the trailer front-to-rear.

### To deploy the tongue jack

### **WARNING**

Failure to secure the tongue jack in the operating position with the jack locking pin could cause the front of the light tower trailer to collapse, resulting in death or serious injury. Always be sure to secure the tongue jack in the operating position with the jack locking pin.

1. Remove the jack locking pin (A, Figure 6), rotate the tongue jack into the operating position (B), and install the jack locking pin fully through the top and bottom holes in the jack and tongue.
2. Unfold the crank handle (C, Figure 6).

### To lower the tongue jack foot (raise the front of the trailer)

- Turn the jack handle clockwise (D, Figure 6) to lower the jack foot (E) and raise the front of the light tower trailer.

### To raise the tongue jack foot (lower the front of the trailer)

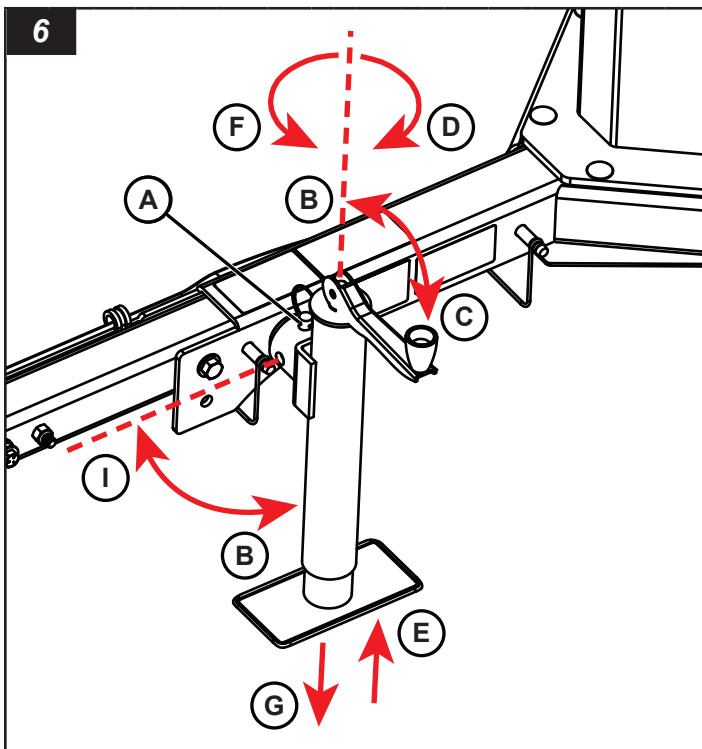
- Turn the jack handle counter-clockwise (F, Figure 6) to raise the jack foot (G) and lower the front of the light tower trailer.

## To retract the tongue jack

### WARNING

Retracting the tongue jack without supporting the trailer tongue could result in death or serious injury. Always be sure the trailer tongue is safely supported by appropriate means prior to retracting the tongue jack.

1. Be sure the trailer tongue is secured in the towing position. See **Trailer Tongue**.
2. Use an appropriate means to support the trailer tongue.
3. Fully raise the tongue jack foot.
4. Fold the crank handle (H, Figure 6).
5. Remove the jack locking pin (A, Figure 6), rotate the jack into the transport position (I), and install the jack locking pin fully through the top and bottom holes in the jack and trailer tongue.



## Using the Trailer Coupler / Lunette Eye

The trailer comes standard with a trailer coupler for a ball hitch. There is also an optional lunette eye for a pintle hitch or a reversible trailer hitch bar, with a trailer coupler for a ball hitch, and a lunette eye for a pintle hitch.

### To use the trailer coupler (standard)

- See **Trailer Coupler**.

### To use the lunette eye (optional)

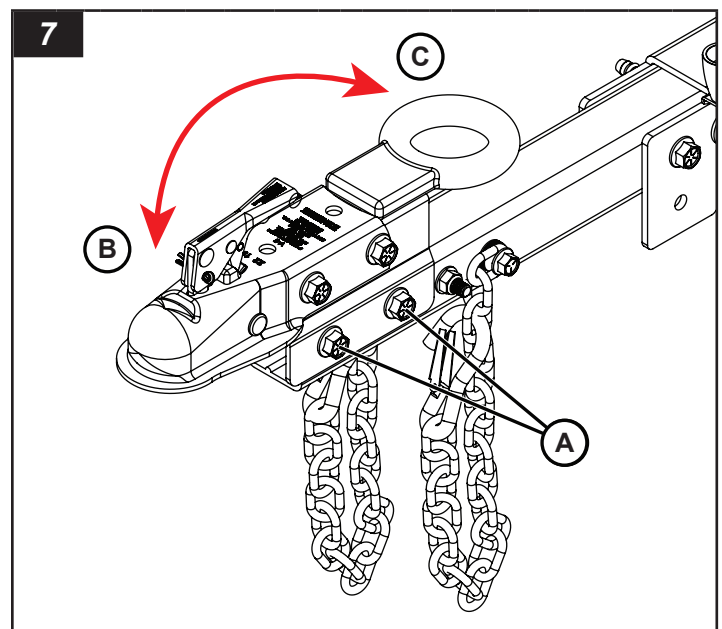
- See **Lunette Eye**.

## To change between the trailer coupler and lunette eye (optional reversible trailer hitch bar)

### WARNING

Failure to use new, correctly tightened nylock nuts to attach the hitch bar to the trailer tongue could result in death or serious injury. Always use new, properly tightened nylock nuts when attaching the hitch bar to the trailer tongue.

1. Remove the hardware (A, Figure 7) attaching the trailer hitch bar to the trailer tongue. Discard the nylock nuts.
2. Turn the trailer hitch bar so either the trailer coupler (B, Figure 7) or lunette eye (C, Figure 7) is facing forward. Install the hardware removed in Step 1 into the set of holes in the trailer tongue, using new nylock nuts. Tighten to 110 lb-ft (149 Nm).



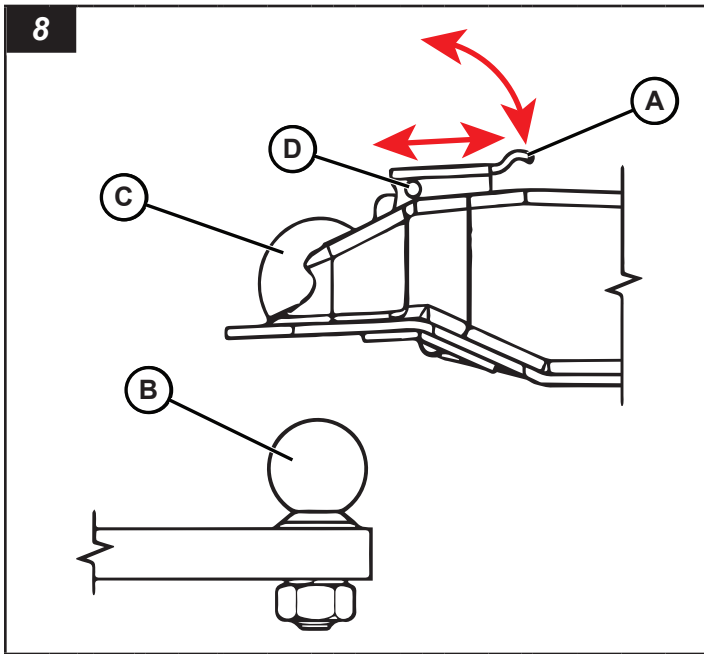
## Trailer Coupler

### To connect the trailer to the tow vehicle

1. Lift up and pull back on the locking latch (A, Figure 8) of the trailer coupler.
2. Lower the trailer coupler onto the vehicle ball hitch. Make sure that the hitch ball (B, Figure 8) is fully engaged in the coupler socket (C, Figure 8).
3. Push the locking latch forward and down. (It is self-locking.) Install a padlock through the latch hole (D, Figure 8) for added security.
4. Make sure that the coupler is fully installed on the ball hitch.

### To disconnect the trailer from the tow vehicle

1. Remove the padlock (if installed) from the trailer coupler latch (D, Figure 8).
2. Lift the trailer coupler (A, Figure 8) latch up and back.



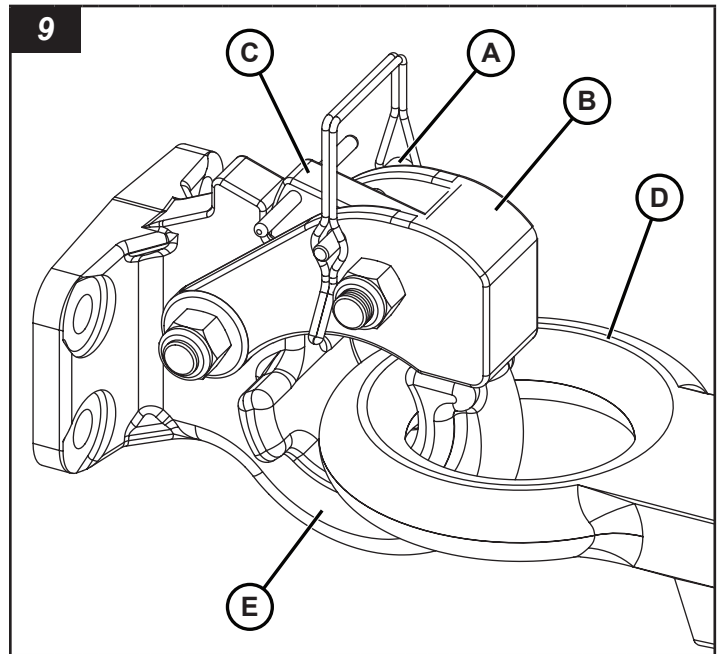
## Lunette Eye

### To connect the trailer to the tow vehicle

1. Remove the locking pin (A, Figure 9, if equipped) from the pintle hitch (B, Figure 9).
2. Pull up on the latch (C, Figure 9), to open the pintle hitch.
3. Lower the lunette eye (D, Figure 9) into the pintle hook (E, Figure 9).
4. Close the pintle hitch. Make sure that the latch locks the pintle hitch in place.
5. Install the locking pin (if equipped).

### To disconnect the trailer from the tow vehicle

1. Remove the locking pin (if equipped) from the pintle hitch.
2. Pull up on the latch to open the pintle hitch.
3. Remove the lunette eye from the pintle hook.



## Light Tower Trailer Weight

### ⚠ WARNING

Towing the light tower trailer when it is loaded beyond the Gross Vehicle Weight Rating (GVWR) could result in death or serious injury. Always maintain a gross vehicle weight less than the GVWR stated on the serial plate and in the **Specifications** section of this manual.

The light tower trailer is an SAE Class 2 trailer, with a Gross Vehicle Weight Rating (GVWR) as stated on the serial plate and in the **Specifications** section of this manual. Do not exceed the GVWR by attempting to carry additional tools or equipment. Do not carry riders. See **Safety**.

### Towing the Light Tower Trailer

### ⚠ WARNING

Excessive speed when towing the trailer could result in death or serious injury. Always maintain a safe towing speed for road conditions. Never exceed 65 MPH (105 km/h) when towing the trailer.

### ⚠ WARNING



### Rollover Hazard

Do not make sharp turns at high speeds when towing the light tower trailer. This could cause the light tower trailer to roll over, resulting in death, serious injury, or equipment damage.

The rated maximum highway towing speed for the light tower trailer is 65 MPH (105 km/h). Be sure to check your state or province laws regarding maximum legal towing speeds for trailers.

When towing the trailer off-highway or on rougher terrain, the maximum towing speed is 20 MPH (32 km/h). Slower speeds may be required for very rough terrain.

Tow the light tower trailer with the engine and lights shut down.

Do not carry riders.

## Disconnecting the Light Tower Trailer from the Tow Vehicle

### WARNING

#### Crush Hazard

Attempting to move the light tower trailer by manually pushing or pulling it could present a crush hazard resulting in death or serious injury. Always move the trailer with the tow vehicle, put chocks against the wheels, and lower the tongue jack before uncoupling the trailer from the tow vehicle.

1. Find a firm, level and stable surface at the work site. See **Work Site Considerations** in the **Operation** section.
2. Move the light tower trailer into the desired position with the tow vehicle.
3. Put chocks against the wheels on both sides of the trailer.
4. Disconnect the trailer lighting connector from the tow vehicle lighting connector.
5. Move the tongue jack into the operating position. See **Operating the Tongue Jack**.
6. Lower the tongue jack foot to support the front of the light tower trailer. See **Operating the Tongue Jack**.
7. Disconnect the trailer coupler from the tow vehicle. See **Using the Trailer Coupler**.
8. Use the tongue jack to raise the trailer coupler above the tow vehicle's hitch ball.
9. Disconnect the safety chains from the tow vehicle's hitch frame.
10. Move the tow vehicle clear of the light tower trailer.
11. If desired, move the trailer tongue up to the park position. See **Trailer Tongue**.

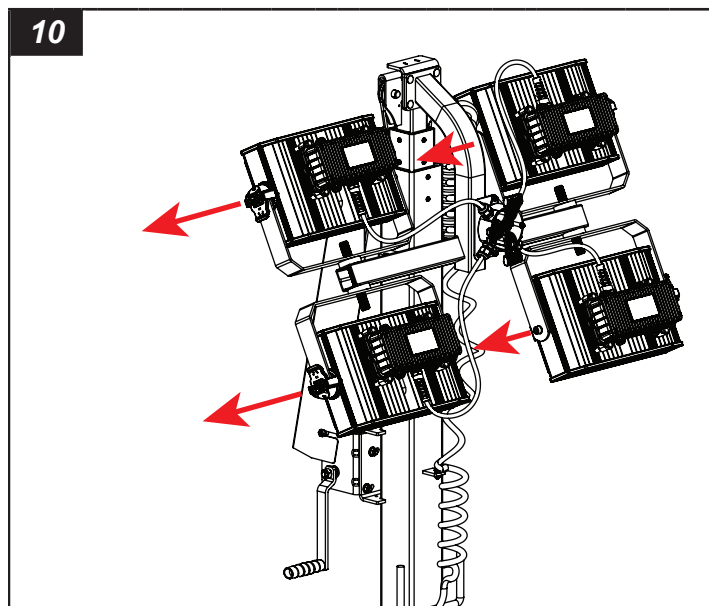
## Transporting on a Trailer

The forklift pockets on either side of the unit can be used as tie-down points. See **Lifting the Light Tower Trailer** for forklift pocket locations.

Always fasten the light tower trailer to the transporting trailer with chains or straps. Do not apply more than 600 pounds (272 kg) force on the chains or straps.

The truck operator is responsible for making sure the unit is safely loaded and fastened to his transporting trailer.

*Note: When transporting on a trailer, turn the light fixtures to the rear of the unit. See Figure 10.*



## Lifting the Light Tower Trailer

### WARNING

Lifting the light tower trailer with a lifting device that is underrated or damaged could result in death or serious injury. Always make sure that the lifting device is rated to lift the weight of the light tower trailer. Make sure that the lifting device is in good condition before lifting.

### WARNING

Standing or walking under equipment when it is lifted could result in death or serious injury. When lifting the light tower trailer, always keep clear of the area around and under the light tower trailer, and do not let others in the area.

### General Lifting Guidelines

- Before lifting, lower the light tower and shut down the engine. See steps in **Preparing the Light Tower Trailer for Towing**.
- Make sure that the lifting device you are using is in good condition and rated to exceed the Gross Vehicle Weight Rating (GVWR) of the light tower trailer. See **Light Tower Trailer Weight**.
- Use aid when using a forklift, crane or hoist, and when unloading.
- Use only the lifting eye to lift the unit with a hoist or crane.
- Use only shackles or a locking-type hook when lifting.
- Do not stand or walk under the unit when it is lifted. Keep others away.



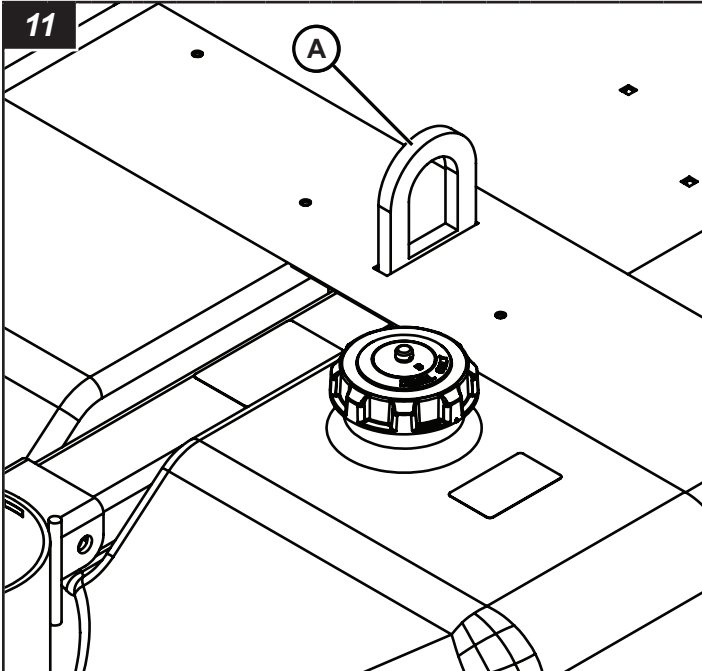
## Lifting Eye

The light tower trailer has one lifting eye, located at the top center of the unit (A, Figure 11). Use only this lifting eye to lift the light tower trailer.

Use a lifting device with a lift rating that exceeds the Gross Vehicle Weight Rating (GVWR) of the light tower trailer. See **Light Tower Trailer Weight**.

The lifting eye is rated for 1750 pounds (794 kg), and is designed to hold the weight of the light tower trailer only. Do not add any more weight to the unit when lifting.

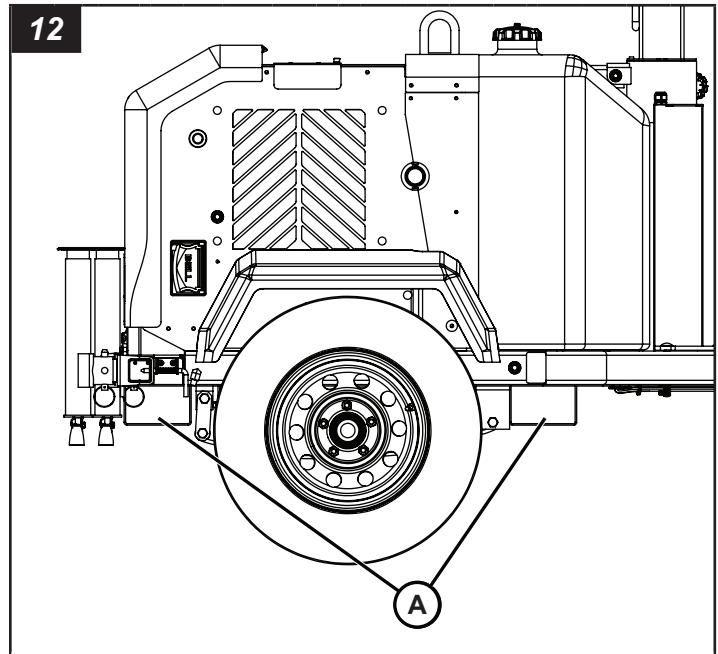
Do not keep the light tower trailer lifted for long periods of time.



## Lifting the Light Tower Trailer with a Forklift

The light tower trailer has two forklift pockets (A, Figure 12) on either side of the unit.

Use a forklift with a rated lifting capacity greater than the weight of the light tower trailer. See **Light Tower Trailer Weight**.



## Operation

### Work Site Safety Considerations

It is the operator's responsibility to make sure that the light tower trailer is properly and safely positioned at the work site. Follow state, province and federal rules, as well as rules or instructions for the work site.

### Overhead Clearance

 DANGER



### Electrocution Hazard

- Raising the light tower in the presence of electrical power lines will result in death or serious injury. Always check overhead wires and obstructions before raising or lowering the light tower.
- Always follow the rules or regulations for your worksite, and state, province and national electric code for maintaining a safe distance from overhead wires.

The work site must be clear of overhead obstructions such as power lines, trees, etc. Keep in mind the maximum height of the light tower when fully raised. See **Specifications**.

## Ground Surface



**WARNING**



### Rollover Hazard

Positioning the light tower trailer on soft, unstable or unlevel ground could cause trailer rollover, resulting in death or serious injury. Always position the trailer on a firm, level and stable surface and deploy the outriggers before raising the light tower.

- Do not set up the light tower trailer on an incline of more than 2.8° (5% grade) front-to-back and side-to-side.
- Do not set up the light tower trailer on unlevel or unstable ground. Set up on smooth, flat and solid ground surfaces only.

## Wind



**WARNING**



### Rollover Hazard

Operating with the light tower raised in winds exceeding 60 mph (97 km/h) could cause trailer tip-over resulting in death or serious injury. Do not operate with the light tower raised in winds exceeding 60 mph (97 km/h).

When the light tower is in the operating position it is located in the middle of a three-point outrigger system for optimum balance and stability. This system was engineered to allow the light tower to remain operational in sustained winds of 60 mph (97 km/h) with the light tower extended to full height and the outriggers in position on a firm, level surface.

## Leveling and Stabilizing the Light Tower Trailer



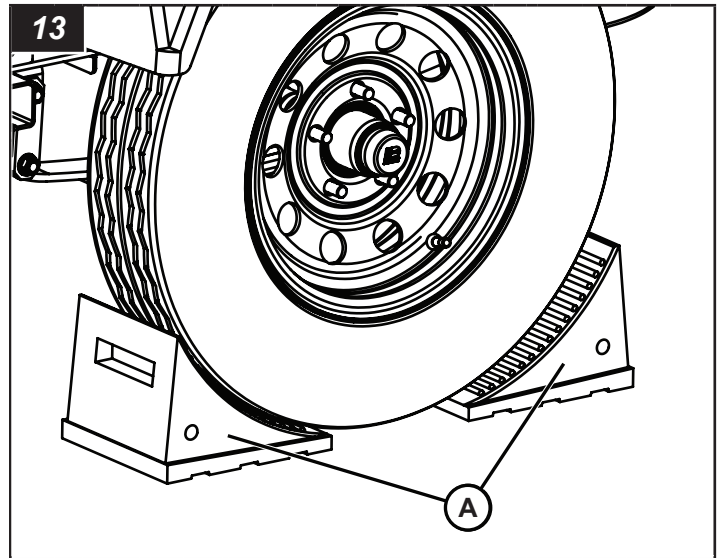
**WARNING**



### Rollover Hazard

Setting up the light tower trailer on soft, unstable or unlevel ground could cause trailer rollover, resulting in death or serious injury. Always set the trailer on a firm, level and stable surface and deploy the outriggers before raising the light tower.

1. Set the light tower trailer on a solid, level work site. See **Work Site Safety Considerations**.
2. Put wheels chocks against the front and rear of each wheel (A, Figure 13).



3. Make the light tower trailer level using the tongue jack. See **Operating the Tongue Jack** in the **Transporting** section.
4. Deploy the outriggers. See **Operating the Outriggers**.
5. Make the light tower trailer level front to back and side to side using the jacks.

## Operating the Outriggers

The unit has left and right outriggers at the rear of the machine.



**WARNING**



### Rollover Hazard

- Failure to deploy the outriggers before raising the light tower could cause the light tower trailer to tip over, resulting in death or serious injury. Always deploy the outriggers before raising the light tower.
- Failure to lock the stabilizer jack in the operating position could cause the back of the light tower trailer to fall, resulting in death or serious injury. Always be sure to lock the stabilizer jack in the operating position with the jack locking pin.
- Stabilizer jacks must be supported by a flat, level solid ground surface.

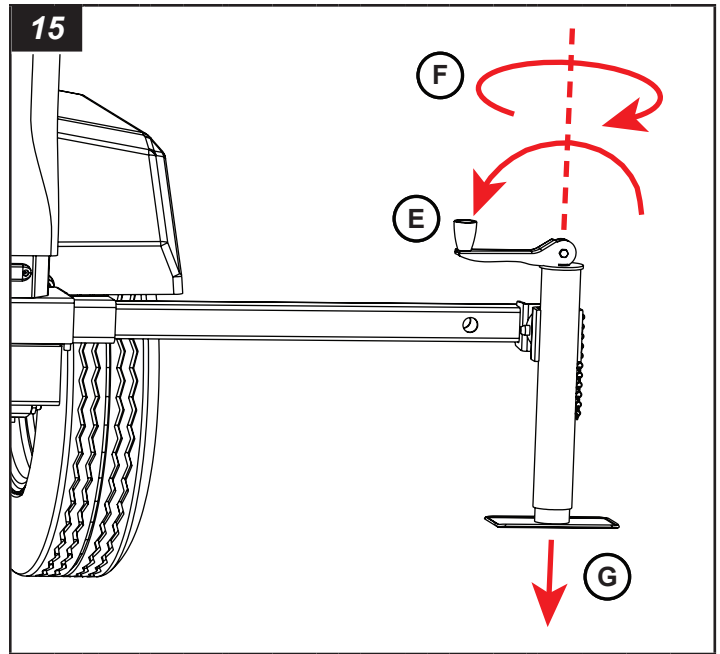
### To deploy the outriggers:

1. Pull the outrigger locking pin (A, Figure 14).
2. Move the outrigger (B, Figure 14) out until the pin locks the outrigger in the operating position.
3. Remove the stabilizer jack locking pin (C, Figure 14), turn the jack into the operating position (D, Figure 14), and install the stabilizer jack locking pin fully through the top and bottom holes in the jack and outrigger.

- Unfold the handle (E, Figure 15) of the stabilizer jack, then turn clockwise (F, Figure 15) to lower the jack foot (G, Figure 15) until firmly planted on the work site surface.
- Repeat for the opposite outrigger and stabilizer jack.

**To retract the outriggers:**

- Fully lift the stabilizer jack foot by turning the jack handle counterclockwise.
- Fold the handle.
- Remove the stabilizer jack locking pin, turn the jack into the transport position, and install the stabilizer jack locking pin fully through the top and bottom holes in the jack and outrigger.
- Pull the outrigger locking pin, and move the outrigger in until the pin locks the outrigger in the transport position.
- Do the same for the other stabilizer jack and outrigger.



**Fueling the Unit**

 **WARNING**



**Fire Hazard**

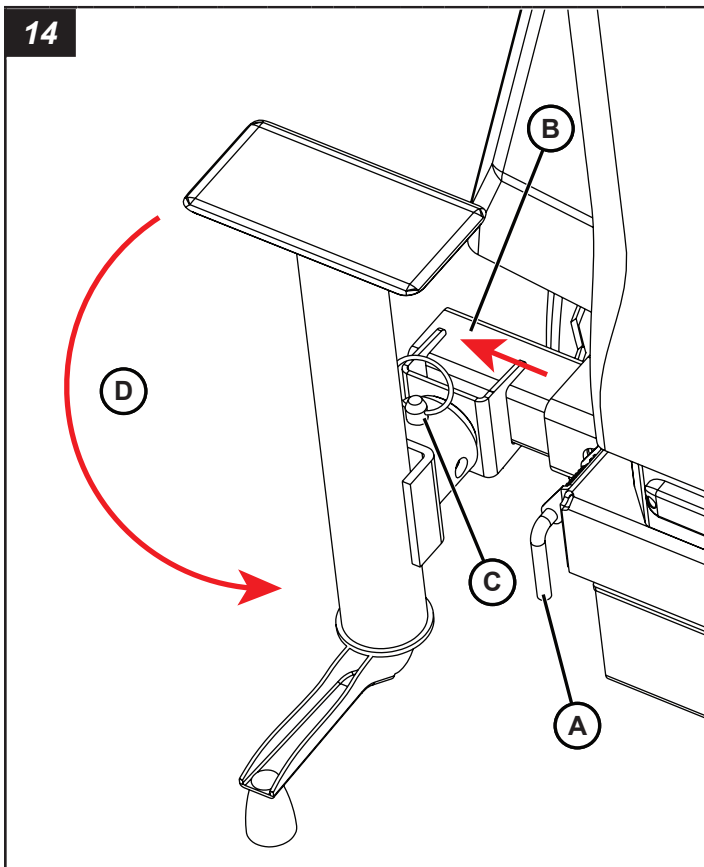
Adding fuel to the light tower trailer with the engine running could cause a fire resulting in death or serious injury. Always make sure that the engine is shut down before adding fuel to the fuel tank.

The light tower trailer has a single fuel tank with a capacity of 63 gallons (238 L).

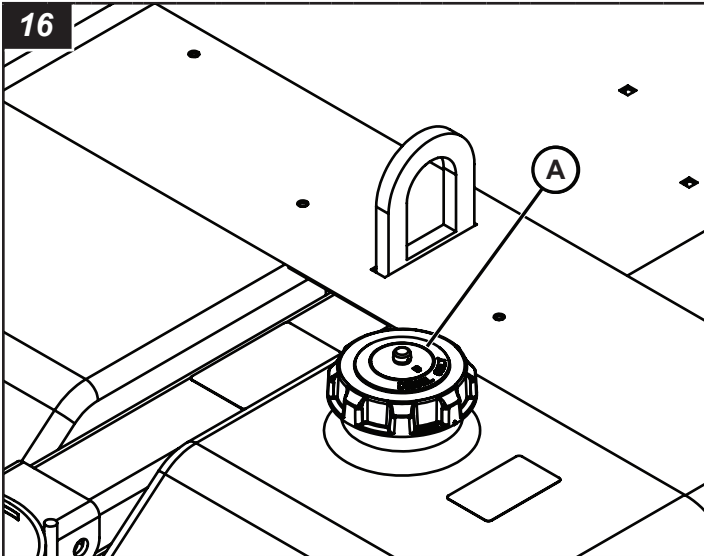
- Remove the fuel cap (A, Figure 16) and add fuel to the tank. See **Specifications** for fuel recommendations. The Deep Sea control module shows the amount of fuel in the tank.
- Install the fuel cap after adding fuel.

**NOTICE**

Using engine fuels other than those recommended by the engine manufacturer could cause damage to your engine or its emission control system resulting in voiding the engine manufacturer's warranty. Always read and follow the engine manufacturer's fuel recommendations.







## Preparing to Operate the Unit



**WARNING**



### Burn Hazard

Rapid release of hot coolant under pressure could result in death or serious injury. Use extreme caution when opening the radiator cap, and always wear eye protection and heat resistant gloves.

1. Make sure that the light tower trailer is level front to back and side to side. See **Leveling and Stabilizing the Light Tower Trailer**.
2. Open the engine compartment cover.
3. Remove the dipstick from the engine and examine the engine oil level. The engine oil level should be between the "Full" and "Add" marks on the dipstick. Add oil if necessary. See **Engine Oil** in the **Maintenance** section.
4. Check the engine coolant recovery bottle. Keep engine coolant in the recovery bottle between 1/3 and 2/3 full. Open the radiator cap access door (see **Features and Controls**), remove the radiator cap, and check the coolant level. Replenish as necessary. See **Engine Coolant** in the **Maintenance** section for detailed information on engine coolant.
5. Close the engine compartment cover.
6. Examine the fuel level in the fuel tank. Add fuel if necessary. See **Fueling the Unit**.

## Operating the Engine



**WARNING**

### Automatic Engine Start Hazard

Unexpected start of engine could result in death or serious injury. Read and follow electronic controller operator's manual before operating or servicing this equipment.

Your machine has a Deep Sea control module. Before operating the engine, read the Deep Sea control module operator's manual.

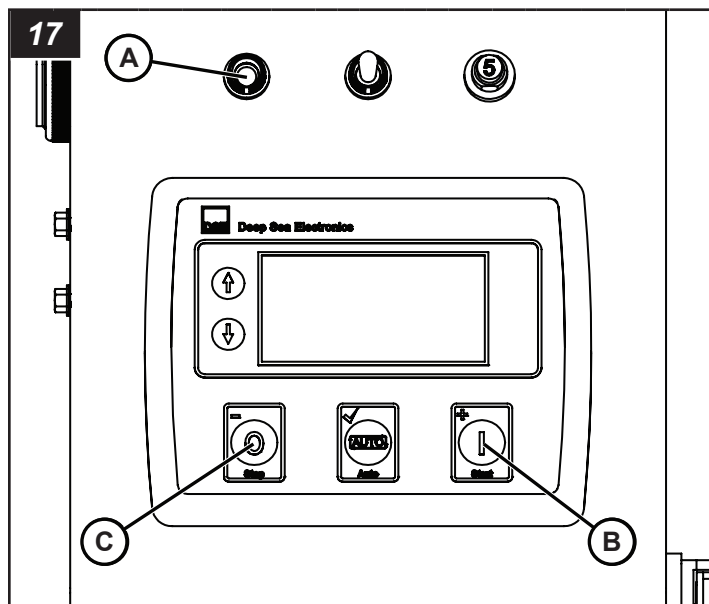
### To start the engine:

1. Open the engine compartment cover.
2. Turn the Deep Sea control module On / Off switch (A, Figure 17) to the 'On' position.
3. To manually start the engine \*:
  - Push the 'Start' button on the Deep Sea control module (B, Figure 17) two times (2x).
  - After the intake heater has warmed the intake, the engine will start.
4. After the engine has started, the lights will turn on automatically. All light circuit breakers need to be in the 'On' position.

### To shut down the engine:

1. Push the 'Stop' button on the Deep Sea control module (C, Figure 17). The lights will turn off automatically before the engine shuts down.
2. Close the engine compartment cover.

\*Note: For complete information on the Deep Sea control module, read the Deep Sea control module operator's manual.



### Automatic Engine Shutdown System

The engine has an automatic engine shutdown system to prevent engine damage if there is a low oil or high temperature condition.

If the engine has automatically shut down, locate the source of the failure and repair before restarting the engine. See **Engine Troubleshooting** in the **Troubleshooting** section.

## Using the Block Heater

The light tower trailer can be equipped with an optional 400W, 3.3A, 120V, 60Hz electric, frost plug style block heater. Use a grounded (3 prong) extension cord to connect to the plug of the block heater to an appropriate electric power source.

On the Kubota engine, the block heater is located in the backside of the cylinder head.

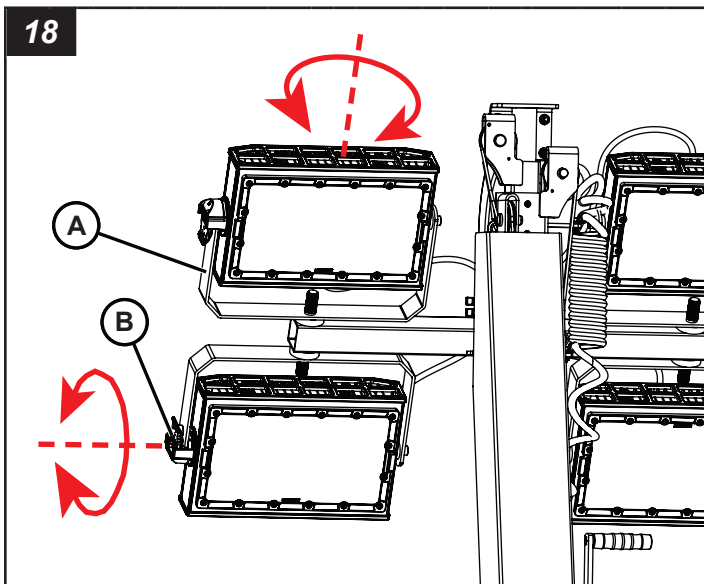
## Light Tower Operation

### Adjusting the Lights

#### Adjusting The Light Fixtures

*Note: The light fixtures must be adjusted before raising the light tower.*

1. Shut down the engine. See **Operating the Engine**.
2. Adjust each fixture to the desired position. To adjust left and right, move the fixture yoke (A, Figure 18). To adjust up and down, loosen the locking clasp (B), adjust the fixture, then tighten the locking clasp.
3. When lighting operations are complete, adjust the light fixtures to the transport position, with the fixtures facing straight back toward the rear of the light tower trailer. See **Transporting the Light Tower Trailer**.



#### Rotating The Light Tower

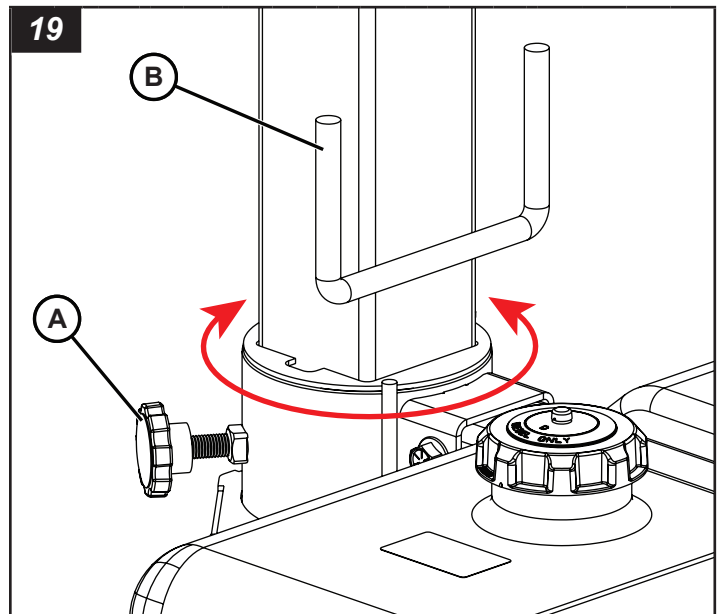
### WARNING

Failure to tighten the light tower locking knob may cause the light fixtures to swing inadvertently, especially in windy conditions or during transport, and could result in death or serious injury. Always tighten the tower locking knob securely after turning the light tower.

### CAUTION

Rotating the light tower will cause the light fixtures to swing, and could result in minor to moderate injury. Be careful to rotate the tower slowly, and be aware of the light fixtures while rotating the tower.

1. Shut down the engine. See **Operating the Engine**.
2. Loosen the light tower rotation locking knob (A, Figure 19).
3. Use the handles (B, Figure 19) to rotate the light tower in the desired direction.
4. Tighten the light tower locking knob.
5. When lighting operations are complete, rotate the light tower to the transport position, with the fixtures facing straight back toward the rear of the light tower trailer. Tighten the light tower rotation locking knob.



#### Raising and Lowering the Light Tower

The unit may be equipped with a standard manual winch or an optional electric winch to raise and lower the light tower.

### DANGER



#### Electrocution Hazard

Raising the light tower in the presence of electrical power lines will result in death or serious injury. Always check overhead wires and obstructions before raising or lowering the light tower.

 **WARNING**



**Rollover Hazard**

Before raising, lowering or operating the tower lights, the trailer must be set up, leveled and stabilized. See **Leveling and Stabilizing the Light Tower**.

 **WARNING**

**Crush Hazard**

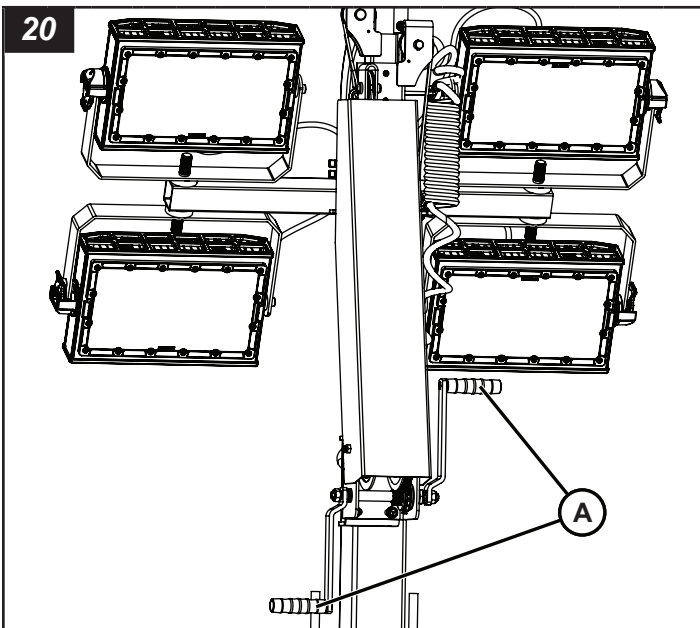
Standing under the light tower while raising or lowering could result in death or serious injury. Make sure that there are no persons near the light tower when raising or lowering the light tower.

**Raising the Light Tower - Manual Winch (Standard)**

1. Shut down the engine. See **Operating the Engine**. Wait 10 minutes for the lights to cool.
2. Before raising the light tower, adjust the tower lights to the desired work position. See **Adjusting the Lights**.
3. Turn the winch handles (A, Figure 20) until the tower is fully raised. Do not overturn the handles.

**Lowering the Light Tower - Manual Winch (Standard)**

1. Shut down the engine. See **Operating the Engine**. Wait 10 minutes for the lights to cool.
2. Turn the winch handles (A, Figure 20) until the tower is fully lowered. Do not overturn the handles.



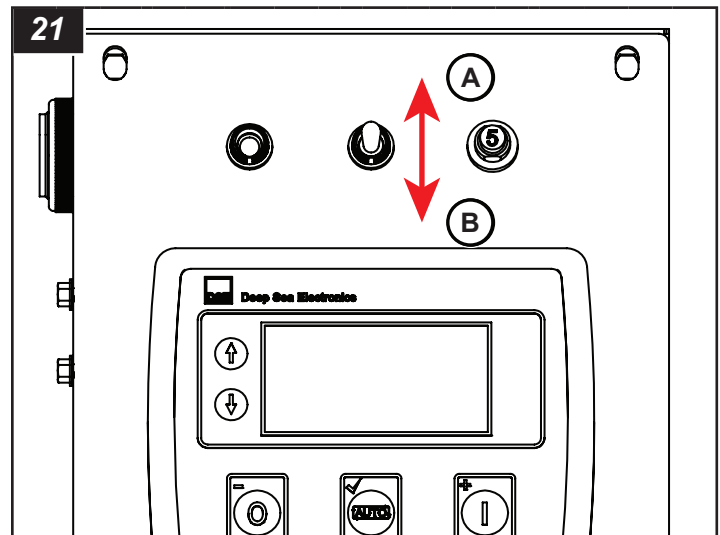
**Raising the Light Tower - Electric Winch (Optional)**

1. Shut down the engine. See **Operating the Engine**. Wait 10 minutes for the lights to cool.

2. Before raising the light tower, adjust the tower lights to the desired work position. See **Adjusting the Lights**.
3. Open the engine compartment cover.
4. Press and hold the tower raise switch (A, Figure 21) in the up position until the tower is fully raised.

**Lowering the Light Tower - Electric Winch (Optional)**

1. Shut down the engine. See **Operating the Engine**. Wait 10 minutes for the lights to cool.
2. Press and hold the tower raise switch (B, Figure 21) in the down position until the tower is fully lowered.



**Operating the Tower Lights**

 **WARNING**



**Optical Hazard**

Looking at illuminated light fixtures could result in serious injury. Never look directly at illuminated light fixtures.

**Turning the Lights On**

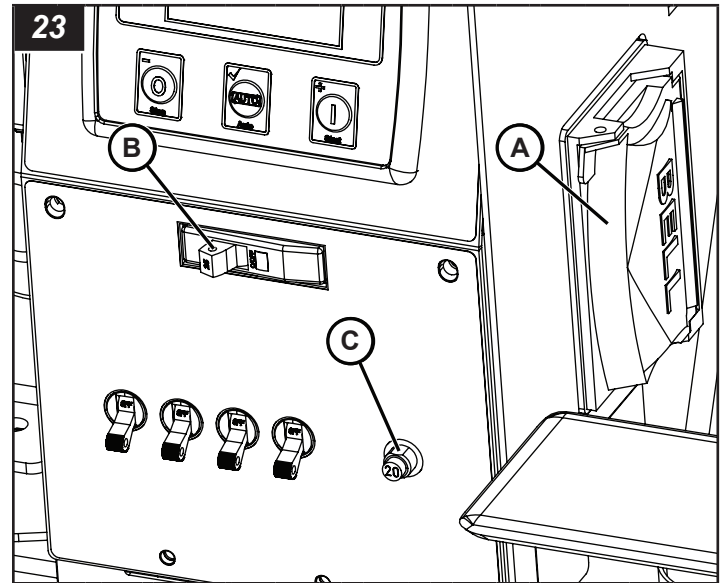
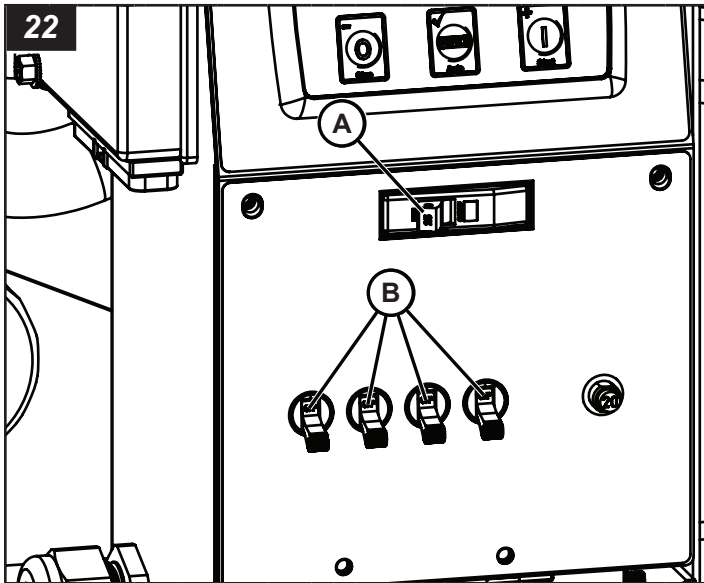
The tower lights will automatically turn on after the engine is started. However, the main light breaker or individual light switches may be set to OFF.

- Turn on the main light breaker (A, Figure 22) (if set to OFF).
- Turn on individual light switches (B, Figure 22) (1 - 4, if set to OFF).

The breaker / switches may also be used if manual and individual light control is desired.

**Turning the Lights Off**

Shut down the engine to turn the lights off. See **Operating the Engine**. (The lights can also be turned off manually. See **Turning the Lights On**.)



## Auxiliary AC Outlet

An auxiliary AC outlet (A, Figure 23) is located on the right panel near the rear side of the unit. The outlet is protected by a spring-loaded cover.

*Note: Outlets may differ according to model.*

Power is supplied to the outlet only when the engine is running and the main circuit breaker (B, Figure 23) is in the ON position.

*Note: The electrical system is designed with a delay after the engine starts before the lights and auxiliary AC outlet will operate.*

The outlet is protected by a dedicated circuit breaker (C, Figure 23) found on the control panel.

### If a Breaker Trips

1. Disconnect the load from the outlet.
2. Shut down the engine.
3. Wait 10 minutes for the generator to cool down.
4. Correct the load problem.
5. Start the engine.
6. Reset the breaker.

*Note: Be sure to also check the GFCI breaker on the GFCI outlet (if equipped), and reset if necessary.*

7. Reconnect the load.
8. If the problem persists, see **Troubleshooting**.

## Unit Shutdown

### WARNING

Do not remove the wheel chocks from the front and back of the wheels until the light tower trailer is connected to the tow vehicle and ready to be transported. Doing so could result in death or serious injury.

Once lighting operations are complete at the work site, shut down the unit:

1. Shut down the engine. See **Operating the Engine**.
2. Wait 10 minutes for the lights to cool.
3. Lower the light tower. See **Raising And Lowering the Light Tower**.
4. Rotate the light tower to the transport position. See **Adjusting the Lights**.
5. Adjust the light fixtures to the transport position. See **Adjusting the Lights**.
6. Make sure the engine compartment cover is closed and latched.
7. Retract the outriggers. See **Leveling and Stabilizing the Light Tower Trailer**.
8. The unit is now ready for transport. See **Transporting**.

## Emergency Stop

The unit has an emergency stop that will immediately shut the entire unit down in case of an emergency.

### To Engage:

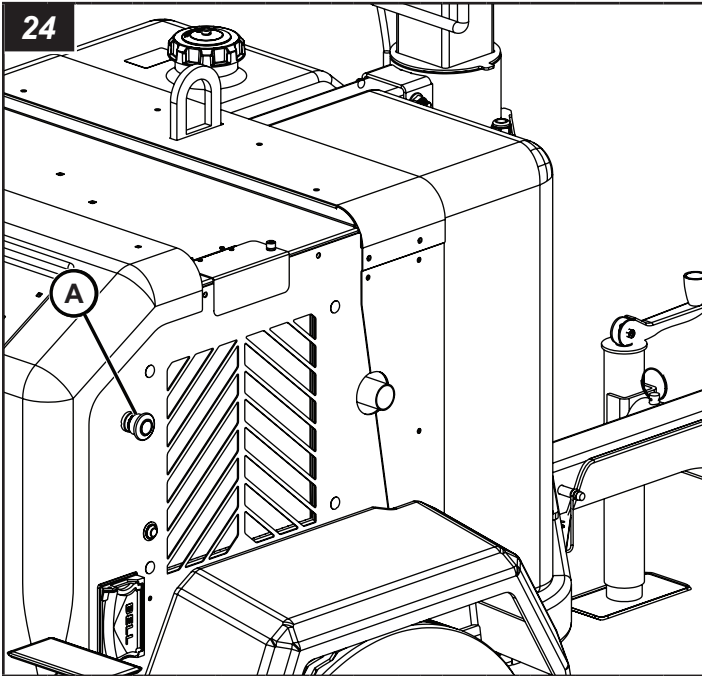
- Push the emergency stop (A, Figure 24).

### To Disengage:

- Pull the emergency stop.

Make sure that you address the issue that caused the emergency before you operate the unit again.

Do not use the emergency stop to shut down the unit during normal operation. See **Unit Shutdown**.



## Maintenance

### WARNING

Operating or towing a machine with worn, damaged or missing parts could result in death or serious injury. Replace worn, damaged or missing parts immediately. Do not operate or tow this machine until all worn, damaged or missing parts have been replaced, and the machine operates correctly.

### WARNING



#### Shock Hazard

Batteries present a risk of electric shock and high short-circuit current. Disconnect the black negative (-) battery cable before you do maintenance. Failure to do so could result in death or serious injury.

Before you do maintenance, see **Safety**.

Correct maintenance of the equipment is important for safe operation. Use the following maintenance procedures in addition to those scheduled by your shop equipment maintenance schedule.

Where equipment is operated under severe conditions (very dusty, extreme heat or cold, etc.), maintenance should be done more frequently.

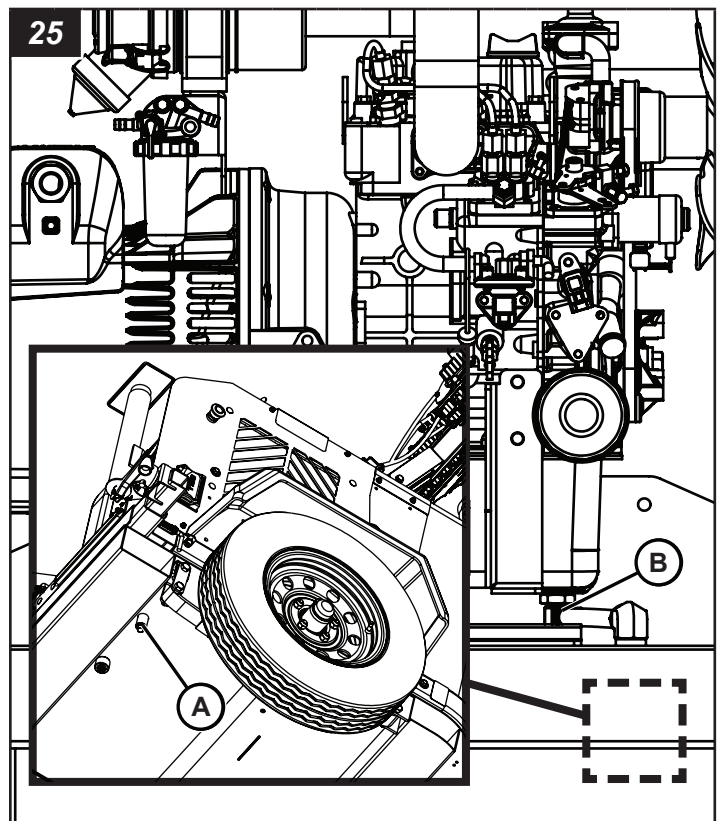
## Engine

For engine service intervals and other recommendations specific to this light tower unit refer to **Specifications**. Refer to the Engine Operator's Manual for all other scheduled engine maintenance procedures.

### Engine Oil Drain

The unit is equipped with a remote engine oil drain (A, Figure 25). To drain the engine oil:

1. Put an approved container below the oil drain.
2. Remove the oil drain plug and open the oil drain valve underneath the engine (B, Figure 25).
3. Let the engine oil drain fully into the approved container. Dispose of used engine oil according to local, state, province and/or federal rules.
4. Replace the oil drain plug and close the oil drain valve.
5. Change oil filter as needed. Refer to **Specifications**.
6. Add oil to the engine. Refer to **Specifications**.



### Engine Coolant and Coolant Drain

#### NOTICE

Failure to use the required coolant type (as stated in the **Specifications** section) in the radiator may result in damage to the engine and radiator, thus voiding the warranty.

#### NOTICE

The mixing of different coolant types in the radiator may result in damage to the engine and radiator, thus voiding the warranty.

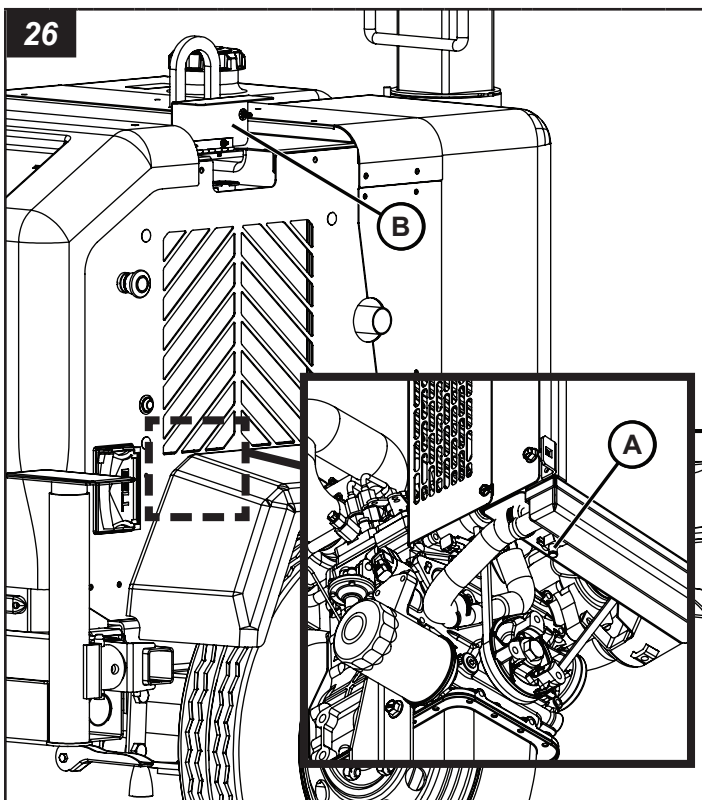


The unit is equipped with an engine coolant drain valve (A, Figure 27). To drain the engine coolant:

1. Attach a 3/8" ID hose to the coolant drain valve, and route the hose to empty into an approved container.
2. Open the coolant drain valve.
3. Let the engine coolant drain fully into the approved container. Dispose of used engine coolant according to local, state, province and/or federal rules.
4. Close the coolant drain valve, and remove hose.
5. Open the coolant fill access door (B, Figure 27), and add coolant to the radiator. Refer to **Specifications** for required coolant type.

## NOTICE

Failure to add engine coolant will result in engine damage.



## Generator

Refer to the Generator Operator's Manual for all scheduled generator maintenance procedures.

## Trailer

### Frame

1. Check the trailer coupler for proper operation. Check to be sure the hardware is securely tightened. Inspect the trailer coupler for wear, damage or corrosion. Repair or replace as needed.
2. Inspect the safety chains for wear, damage or corrosion. Replace as needed.
3. Inspect the tongue jack for proper operation, and for wear, damage or corrosion. Repair or replace as needed.

4. Inspect the trailer tongue for proper operation, and for wear, damage or corrosion. Check to be sure the hardware is securely tightened. Repair or replace as needed.
5. Inspect the axle, springs and undercarriage for wear, damage or corrosion. Repair or replace as needed.
6. Inspect the outrigger bars, stabilizer jacks and locking pins for proper operation, and for wear, damage or corrosion. Replace as needed.

## Trailer Wheels and Tires

### WARNING

#### Towing Hazard

Towing the light tower trailer with damaged tires, rims or lug nuts could result in death or serious injury. Repair or replace damaged tires, rims or lug nuts before towing the light tower trailer.

1. Check the tires for any cracks, cuts or damage. Repair or replace as needed.
2. Check the tire pressure of the trailer tires when cold. See Specifications .
3. Check the wheel rims for any cracks or damage. Repair or replace as needed.
4. Make sure all the lug nuts are in place and properly tightened. Correct torque for the lug nuts is 90 lb-ft (122 Nm).

## Servicing the Axle

The axle under the light tower trailer will require periodic maintenance and service. Such things as wheel bearing adjustment and repacking will be required to maintain the axle. For information on the maintenance schedule and servicing the axle, see the axle owner's manual at <https://www.dexteraxle.com/resources/manuals>.

## Trailer Lighting

### WARNING

#### Towing Hazard

Towing the light tower trailer with inoperable trailer lights could result in death or serious injury. Repair or replace inoperable trailer lights.

Trailer lights are a safety feature, and are required by law. Keep the trailer lights in proper working order.

- Check the trailer lights and wiring for damage or wear. Repair or replace as needed.
- Check to be sure the wiring harness is secured to the trailer and does not hang down to the ground.
- Check the trailer light housing assemblies for damage or leaks. Use silicone or rubber sealant to seal the lens or harness, as needed, or replace the housing assembly. Electrical grease will help protect the sockets and prevent corrosion.
- When replacing bulbs, be sure to use the correct replacement bulb. A small amount of electrical grease in the sockets will prevent corrosion.

For trailer wiring schematic information, refer to the separate Wire Schematic Manual.

## Maintaining the Battery

### WARNING



#### Explosion, Burn, and Shock Hazard

Batteries give off explosive gases during recharging. Sparks could cause explosions, resulting in death or serious injury.

Batteries contain acid, which is extremely caustic. Contact with battery contents could cause severe chemical burns.

Batteries present a risk of electric shock and high short circuit current.

- Always disconnect the negative (-) battery cable before servicing equipment.
- DO NOT dispose of battery in a fire. Recycle battery.
- DO NOT allow any open flame, spark, heat, or lit cigarette during and for several minutes after charging a battery.
- DO NOT open or mutilate battery.
- DO NOT charge a frozen battery. Always slowly warm the battery to room temperature before charging.
- Wear protective gloves, rubber apron, rubber boots and rubber gloves.
- Remove watches, rings, or other metal objects.
- Use tools having insulated handles.

## Removing and Installing the Battery

### To remove the battery

### WARNING



#### Explosion Hazard

Failure to remove the black negative (-) battery cable(s) first could cause sparks and/or an explosion resulting in death or serious injury. Always remove the black negative (-) battery cable(s) first.

1. Open the engine compartment cover.
2. Disconnect the black negative (-) cable (A, Figure 27) from the negative (-) battery terminal, and secure away from the battery.
3. Disconnect the red positive (+) battery cable (B, Figure 27) from the positive (+) battery terminal, and secure away from the battery.
4. Loosen the hardware fastening the battery hold-down (C, Figure 27), and remove the hold-down.
5. Carefully remove the battery, and place in a well-ventilated area on a level surface.

### To install the battery

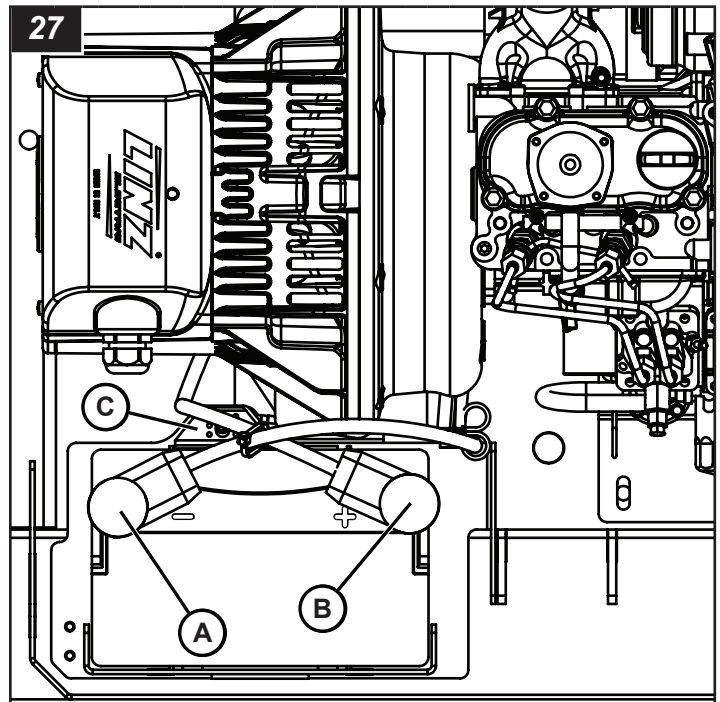
### WARNING



#### Explosion Hazard

Failure to install the black negative (-) battery cable(s) last could cause sparks and/or an explosion resulting in death or serious injury. Always install the black negative (-) battery cable(s) last.

1. Carefully place the battery in the engine compartment with the battery terminals toward the rear of the unit.
2. Install the battery hold-down. Tighten the hardware.
3. Connect the red positive (+) battery cable(s) to the positive (+) battery terminal.
4. Connect the black negative (-) battery cable(s) to the negative (-) battery terminal.
5. Replace the terminal covers over the battery terminals.
6. Close the engine compartment cover.



## Cleaning

### WARNING



#### Entanglement / Severe Hazard

Failure to shut down the engine before cleaning the unit could result in death or serious injury. Always shut down the engine before cleaning the unit.

 **WARNING**



**Burn Hazard**

Shut down the engine and let components cool before cleaning the unit. Failure to do so could result in serious burns.

**NOTICE**

Use caution when using compressed air or water / steam pressure washers. Do not pressure-clean electrical components, as this may cause damage.

Keeping the light tower clean is important to ensure proper operation. Dirt and dust buildup acts as an insulator and may cause the engine, generator and light assemblies to operate at excessively high temperatures.

Use the following as cleaning guidelines:

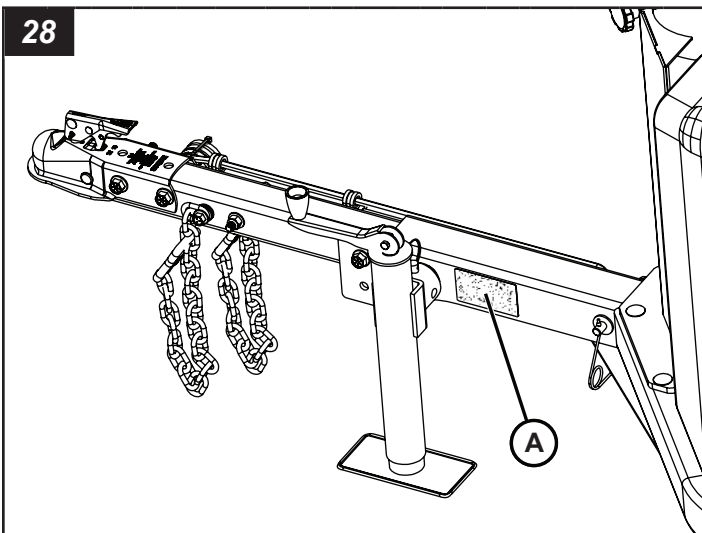
1. Clean the light tower trailer to remove all dust, dirt or other foreign material.
2. Clean the light tower and light fixture assemblies with a damp cloth or sponge.
3. Clean all electrical wiring and components by hand using non-corrosive cleaner.
4. Clean the inside of the engine compartment.
5. Clean any oil or liquid spills inside the engine compartment.

## Models and Serial Numbers

Model and serial number information is required for product support and repair parts. Following are the model and serial number locations of the primary components.

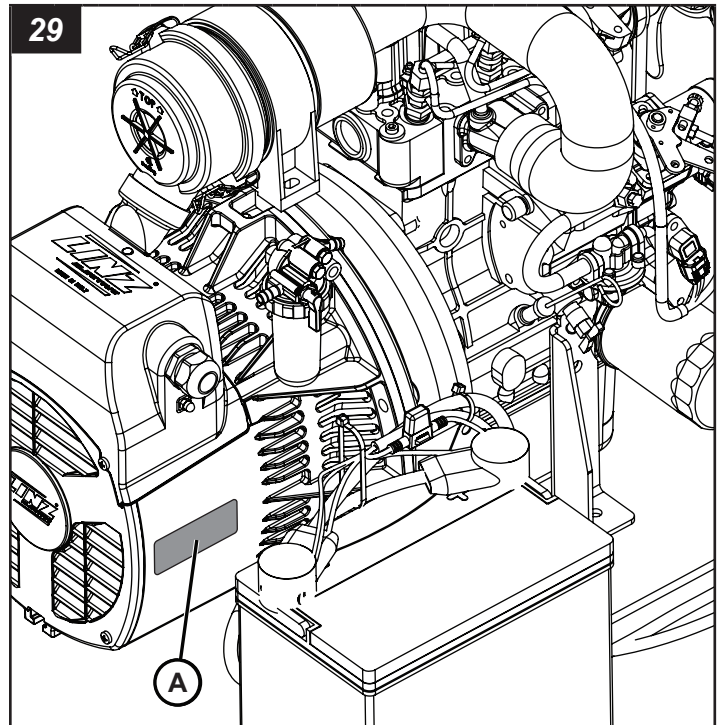
### Trailer

The serial number tag for the light tower trailer is located on the left side of the trailer tongue (A, Figure 28).



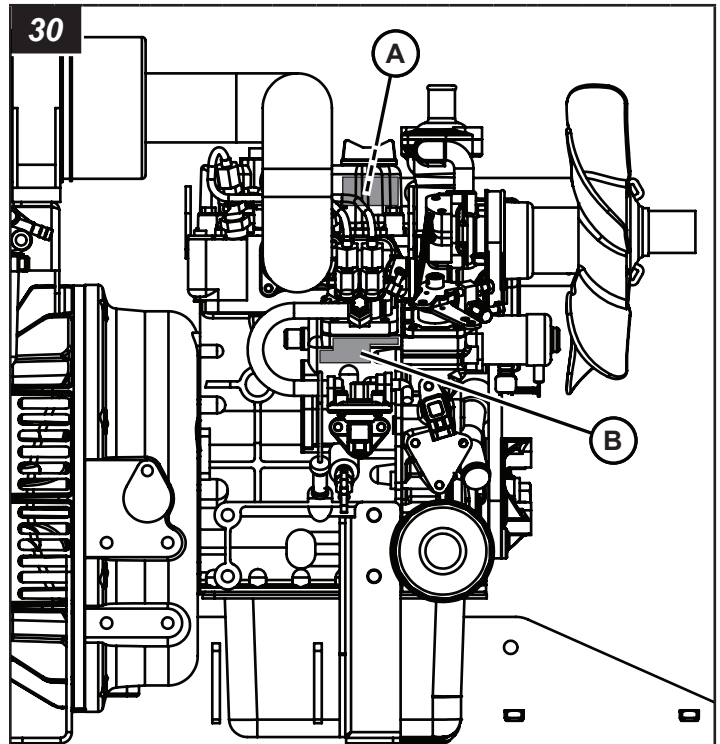
### Generator

The generator has a serial number plate (A, Figure 29) attached to the front of the housing.



### Engine

The engine has a serial number plate (A, Figure 30) attached to the upper fuel tank side of the engine near the fan and a serial number engraved on the rear door side of engine (B, Figure 30).





# Specifications

Note: Refer to the Engine or Generator Operator's Manual for specific engine or generator specifications.

Overall Dimensions		
Dimension	Imperial	Metric
Length - Towing Transport	8 ft - 6.25 in	2,60 m
Width - Towing Transport	4 ft - 4 in	1,32 m
Width - Outriggers Deployed	8 ft - 2 in	2,49 m
Height - Towing Transport	8 ft - 2 in	2,49 m
Height - Tower Fully Elevated	23 ft - 0 in	7,01 m
Shipping Weight	1200 lbs	544 kg
Gross Vehicle Weight Rating (GVWR)	1750 lbs	794 kg

Trailer		
Specification	Imperial	Metric
Gross Axle Weight Rating (GAWR)	2200 lbs	998 kg
Tire Size and Rating	ST175/80R13 Load Range 'B'	
Rims	13 x 4.5 JJ with 0.0 inch offset	
Cold Tire Inflation Pressure	36 psi	248 kPa
Max On-Road Speed	65 mph	105 km/h
Max Off-Road Speed	20 mph	32 km/h
Fuel Tank	63 US gal	238 L
Frame Structure	Formed welded steel design	
Axle	Tubular design with 1.5 - 2.0 inch (38,1 -50,8 mm) camber	
Hubs	(5) 1/2-20 UNF studs on a 4.5 inch (114,3 mm) bolt circle	
Springs	Elliptical springs - 3 leaf	
Available Hitches	2 inch (50.8 mm) ball coupler	

Trailer		
Specification	Imperial	Metric
Trailer Road Lighting	Stop, turn, tail, side markers, illuminated license plate bracket	
Trailer Road Lighting Connector	4-way flat connector	
Lifting Eye - Rated Capacity	1750 lbs	794 kg
Forklift Pockets / Tie-Down Points	2 each side	
Outrigger and Stabilization System	Left and right side outriggers with adjustable screw type jacks, 1 adjustable screw type tongue jack	
Maximum Wind Speed - Tower Elevated and Outriggers and Stabilizers Deployed	60 MPH	97 km/h

Light Tower	
Structure	Four-section tubular steel design
Actuation	Standard - Manual winch
Guide Pads	Polyethylene self-lubricating
Power Cable	Coiled cable secured at top of sections to minimize possibility of tangling
Tower Rotation	Complete tower rotates 345°

Light Fixtures	
LED	
Color Temperature	5000K
Power Consumption - per Fixture	350 W
Lumens - per Fixture	51,122

Electrical	
Frequency	60 Hz / 50Hz
Rated Prime Power Output	60 Hz - 3,0 kW / 50 Hz - 2,5 kW
Alternator	60 Hz - 120 VAC capacitor regulated / 50 Hz - 220 VAC capacitor regulated
Phase	1-phase
Note*	<i>There is a permanent conductor between the generator (stator winding) and the frame</i>
Automatic Lighting - Sequenced Lighting System (SLS)	Automatically turns lights on after engine start and delays engine shutdown to turn off lights first to prevent generator from shutting down under load.
Available Outlets	20A 120V duplex GFCI outlet (NEMA 5-20R) 16A 240V Schuko CEE7 (EU1-16R)

Engine		
Specification	Imperial	Metric
Manufacturer	Kubota	
Model	Z482	
Type	Liquid-Cooled Two Cylinder Diesel	
Displacement	29 cu in	0.479 L
Aspiration	Naturally aspirated	
Emissions (Domestic 60 Hz)	EPA Tier 4 Final	
Emissions (Int'l 60 Hz)	Not Applicable	
Emissions (Int'l 50 Hz)	Not Applicable	
Power Output - Prime (60 Hz)	5.1 Hp @ 1800 rpm	3,8 kWm @ 1800 rpm
Power Output - Prime (50 Hz)	4.6 Hp @ 1500 rpm	3,4 kWm @ 1500 rpm
Fuel System	Indirect Injection	
Starting Aid	Glow Plugs	
Engine Electrical System	12 Volt DC	
Engine Alternator	30 A	
Number of Batteries	1	
Battery Size	Group 24	
Battery Type	Standard - lead acid	
Battery Rating	525 CCA @ 0°F (-18°C)	
Automatic Low Oil Pressure Shutdown	7 PSI	48 kPa
Automatic High Water Temperature Shutdown	230°F	110°C
Fuel	North America - diesel fuels that meet ASTM D975 for Ultra Low Sulfur Diesel (ULSD) are required. ULSD has a maximum sulfur content of 15 parts per million (PPM) or 15 mg/kg. Diesel fuel may be No. 1-D or No. 2-D. Refer to Engine Operator's Manual for detailed information.	
Required Engine Oil Type	10W-30 API CK-4 (CJ-4, CI-4, CI-4 Plus) or its equivalents	

Engine		
Specification	Imperial	Metric
Recommended Engine Oil Brand	Mobile Delvac 1300 Super	
Engine Oil Capacity - with Filter	4.0 US qts	3,8 L
Engine Oil Pan Depth	4.76 in	121 mm
Required Engine Coolant Type	Nitrite Free Extended Life Coolant, Organic Acid Technology (OAT), 2-EHA Free	
Coolant System Capacity	2.7 US qts	2,6 L
Coolant Overflow Reservoir Capacity	1.1 US qts	1,0 L
Service Interval - Oil Change & Filter	First Oil & Oil Filter Change - 50 hr All Other Oil & Oil Filter Changes - 1,000 hr**†	
Service Interval - Fuel Filter	400 hrs	
Service Interval - Air Filter	Refer to Engine Op Manual	
Service Interval - Valve Lash	800 hrs (check)	
Note*	Engine oil must be checked prior to operation and refilled if necessary	
Note†	Service intervals reduced when not using ULSD fuel, refer to engine operator manual for service instructions.	

## Troubleshooting



### Electrocution Hazard

- High voltage is present when engine is running. Never attempt to service electrical components while engine is running
- Contact with wires made bare by damaged, cut or worn insulation could result in death or serious injury. Replace damaged wiring before operating unit.

Before trying to do any troubleshooting, read **Safety**.

For generator troubleshooting, refer to the Generator Operator's Manual, or contact your dealer.

### Tower Lights Troubleshooting Chart

Problem	Possible Cause	Remedy
Light(s) not operating	Breaker(s) in outlet box not turned on or tripped.	Turn on / reset breakers.
	Connection between light bar and fixture(s) not secure.	Check and secure connections.
	Too much power being drawn from auxiliary outlets.	Remove load(s) from auxiliary outlets.

### Engine Troubleshooting

In the case that the Engine ECU detects an error of the engine, the engine will stop, and the Engine ECU will transmit details of its error via the CAN signal to the Deep Sea Controller. It will display the error with an icon.

To see engine diagnostic trouble code (DTC), enter the Navigation Menu on the DSE controller by pressing the up and down buttons simultaneously. Scroll through the menu icons and select the T4 Engine section icon. Selecting the icon will show the potential engine diagnostic trouble code in the next screen.










To reset the engine diagnostic trouble code, fix the engine error, and turn the DSE control module on/off switch to the off position. Then, turn the on/off switch to the on position, the DSE control module screen should reset for engine operation. See **Operating the Engine**.

Refer to the **Engine Diagnostic Trouble Codes (DTC) Chart** for troubleshooting. For any other engine troubleshooting refer to the Engine Operator's Manual, Deep Sea Operator's Manual, or contact your dealer.

### Engine Diagnostic Trouble Codes (DTC) Chart

DTC	Detection Item	DTC Set Parameter
Oil Pressure Error	Oil pressure switch	Despite rpm, oil pressure switch is ON
Engine Overheat	Overheat of engine water temperature	Engine water temperature $\geq 120$ °C (248 °F)
Water Temperature Sensor: High	Open circuit of sensor / harness, + B short circuit	Voltage of coolant temperature sensor is 4.9V or above
Water Temperature Sensor: Low	Ground short circuit of sensor / harness	Voltage of coolant temperature sensor is 0.1V or less
Battery Voltage: High	Open circuit, short circuit, or damage of harness. Failure of battery	ECU recognition of battery voltage is above 18 V
Engine Overrun	Engine speed exceeds threshold speed	Engine speed > 2070 min-1 (rpm)
Sensor Supply Voltage: Low	Sensor supply voltage	Voltage to sensor is below 4.00 V
Actuator Abnormal	Open circuit, short circuit, or damage of harness	Actuator current > 3.0A or < 80mA
Engine Speed Sensor Abnormal	Open circuit, short circuit, or damage of harness	Engine speed = 0 min-1 (rpm) after Starter signal into ECU
Starter Error	Starter running time exceed threshold time	Starter running time is above 12 sec
Alternator L Terminal Abnormal	Open circuit, short circuit, or damage of harness	Alternator L terminal has voltage while 0 rpm (After Key On)
Charging Failure	Open circuit, short circuit, or damage of harness	Alternator L terminal is 0 V while engine is running

DTC	DSE Controller Error Icon	Time to Action or Number of Error Detection	DSE Controller J1939-73 Codes	
			SPN	FMI
Oil Pressure Error		1.0 sec or more	100	1
Engine Overheat		1.0 sec or more	110	0
Water Temperature Sensor: High		1.0 sec or more	110	3

DTC	DSE Controller Error Icon	Time to Action or Number of Error Detection	DSE Controller J1939-73 Codes	
			SPN	FMI
Water Temperature Sensor: Low		1.0 sec or more	110	4
Battery Voltage: High		1.0 sec or more	158	3
Engine Overrun		1.0 sec or more	190	0
Sensor Supply Voltage: Low		1.0 sec or more	3509	4
Actuator Abnormal		1.0 sec or more	523771	2
Engine Speed Sensor Abnormal		10.0 sec or more	523772	2
Starter Error		12.0 sec or more	523736	2
Alternator L Terminal Abnormal		1.0 sec or more	523737	2
Charging Failure		1.0 sec or more	523738	2

For all other troubleshooting issues, contact your authorized dealer.

## Reporting Safety Defects

### Reporting Safety Defects to the United States Government

If you believe that your vehicle has a defect which could cause a crash or could cause injury or death, you should immediately inform the National Highway Traffic Safety Administration (NHTSA) in addition to notifying Allmand.

If NHTSA receives similar complaints, it may open an investigation, and if it finds that a safety defect exists in a group of vehicles, it may order a recall and remedy campaign. However, NHTSA cannot become involved in individual problems between you, your dealer, or Allmand.

To contact NHTSA, you may call the Vehicle Safety Hotline toll-free at 1-888-327-4236 (TTY: 1-800-424-9153); go to <http://www.safercar.gov>; or write to: Administrator, NHTSA, 400 Seventh Street, SW., Washington, DC 20590.

You can also obtain other information about motor vehicle safety from <http://www.safercar.gov>.

### Reporting Safety Defects to the Canadian Government

If you live in Canada, and you believe that the vehicle has a safety defect, notify Transport Canada immediately, and notify Allmand. Call Transport Canada at 1-800-333-0510; go to: [www.tc.gc.ca/recalls](http://www.tc.gc.ca/recalls) (English) [www.tc.gc.ca/rappels](http://www.tc.gc.ca/rappels) (French); or write to: Transport Canada Motor Vehicle Safety Directorate Defect Investigations and Recalls Division, 80 Noel Street, Gatineau, QC J8Z 0A1

### Reporting Safety Defects to Allmand

In addition to notifying NHTSA (or Transport Canada) in a situation like this, notify Allmand. Contact the Allmand service department at 1-800-562-1373, go to [www.allmand.com](http://www.allmand.com), or write to: Allmand Bros., Inc. P.O. Box 888 Holdrege, NE 68949.

## Tire Safety Information

The following section contains tire safety information as required by 49 CFR 575.6. It will cover the following:

(i) Tire labeling, including a description and explanation of each marking on the tires provided with the vehicle, and information about the location of the Tire Identification Number (TIN);

(ii) Recommended tire inflation pressure, including a description and explanation of:

(A) Recommended cold tire inflation pressure,

(B) The vehicle placard and tire inflation pressure label and their location in the vehicle

(C) Adverse safety consequences of underinflation (including tire failure), and

(D) Measuring and adjusting air pressure to achieve proper inflation;

(iii) Glossary of tire terminology, including “cold tire pressure,” “maximum inflation pressure,” and “recommended inflation pressure,” and other non-technical terms;

(iv) Tire care, including maintenance and safety practices;

(v) Vehicle load limits, including a description and explanation of:

(A) Locating and understanding load limit information, total load capacity, seating capacity, towing capacity, and cargo capacity,

(B) Calculating total and cargo load capacities with varying seating configurations including quantitative examples showing/illustrating how the vehicle’s cargo and luggage capacity decreases as the combined number and size of occupants increases,

(C) Determining compatibility of tire and vehicle load capabilities,

(D) Adverse safety consequences of overloading on handling and stopping and on tires.

## 1. Steps for Determining Correct Load Limit—Trailer

Determining the load limits of a trailer includes more than understanding the load limits of the tires alone. On all trailers there is a Federal certification / VIN label that is located on the forward half of the left (road) side of the unit. This certification / VIN label will indicate the trailer's Gross Vehicle Weight Rating (GVWR). This is the most weight the fully loaded trailer can weigh. It will also provide the Gross Axle Weight Rating (GAWR). This is the most a particular axle can weigh. If there are multiple axles, the GAWR of each axle will be provided.

If your trailer has a GVWR of 10,000 pounds or less, there is a vehicle placard located in the same location as the certification label described above. This placard provides tire and loading information. In addition, this placard will show a statement regarding maximum cargo capacity. Cargo can be added to the trailer, up to the maximum weight specified on the placard. The combined weight of the cargo is provided as a single number. In any case, remember: the total weight of a fully loaded trailer can not exceed the stated GVWR.

For trailers with living quarters installed, the weight of water and propane also need to be considered. The weight of fully filled propane containers is considered part of the weight of the trailer before it is loaded with cargo, and is not considered part of the disposable cargo load. Water however, is a disposable cargo weight and is treated as such. If there is a fresh water storage tank of 100 gallons, this tank when filled would weigh about 800 pounds. If more cargo is being transported, water can be off-loaded to keep the total amount of cargo added to the vehicle within the limits of the GVWR so as not to overload the vehicle. Understanding this flexibility will allow you, the owner, to make choices that fit your travel needs.

When loading your cargo, be sure it is distributed evenly to prevent overloading front to back and side to side. Heavy items should be placed low and as close to the axle positions as reasonable. Too many items on one side may overload a tire. The best way to know the actual weight of the vehicle is to weigh it at a public scale. Talk to your dealer to discuss the weighing methods needed to capture the various weights related to the trailer. This would include the weight empty or unloaded, weights per axle, wheel, hitch or king-pin, and total weight.

Excessive loads and / or underinflation cause tire overloading and, as a result, abnormal tire flexing occurs. This situation can generate an excessive amount of heat within the tire. Excessive heat may lead to tire failure. It is the air pressure that enables a tire to support the load, so proper inflation is critical. The proper air pressure may be found on the certification / VIN label and/or on the Tire Placard. This value should never exceed the maximum cold inflation pressure stamped on the tire.

### 1.1 Trailers 10,000 Pounds (4536 kg) GVWR or less

- (1) Locate the statement "The weight of cargo should never exceed XXX kg or XXX lbs." on your vehicle's placard.
- (2) This figure equals the available amount of cargo and luggage load capacity.
- (3) Determine the combined weight of luggage and cargo being loaded on the vehicle. That weight may not safely exceed the available cargo and luggage load capacity.

### 1.2 Trailers over 10,000 Pounds (4536 kg) GVWR (Note: These trailers are not required to have a tire information placard on the vehicle.)

- (1) Determine the empty weight of your trailer by weighing the trailer using a public scale or other means. This step does not have to be repeated.
- (2) Locate the GVWR of the trailer on your trailer's VIN (Certification) label.
- (3) Subtract the empty weight of your trailer from the GVWR stated on the VIN label. That weight is the maximum available cargo capacity of the trailer and may not be safety exceeded.

## 2. Steps for Determining Correct Load Limit—Tow Vehicle

- (1) Locate the statement "The combined weight of occupants and cargo should never exceed XXX kg or XXX lbs." on your vehicle's placard.
- (2) Determine the combined weight of the driver and passengers that will be riding in your vehicle.
- (3) Subtract the combined weight of the driver and passengers from XXX kg or XXX lbs.
- (4) The resulting figure equals the available amount of cargo and luggage load capacity. For example, if the "XXX" amount equals 1400 lbs. and there will be five 150 lb passengers in your vehicle, the amount of available cargo and luggage load capacity is 650 lbs. ( $1400 - 750 (5 \times 150) = 650$  lbs.)
- (5) Determine the combined weight of luggage and cargo being loaded on the vehicle. That weight may not safely exceed the available cargo and luggage load capacity calculated in Step 4.
- (6) If your vehicle will be towing a trailer, load from your trailer will be transferred to your vehicle. Consult the tow vehicle's manual to determine how this reduces the available cargo and luggage load capacity of your vehicle.

## 3. Glossary of Tire Terminology

**Accessory weight** means the combined weight (in excess of those standard items which may be replaced) of automatic transmission, power steering, power brakes, power windows, power seats, radio, and heater, to the extent that these items are available as factory-installed equipment (whether installed or not).

**Bead** means the part of the tire that is made of steel wires, wrapped or reinforced by ply cords and that is shaped to fit the rim.



**Bead separation** means a breakdown of the bond between components in the bead.

**Bias ply tire** means a pneumatic tire in which the ply cords that extend to the beads are laid at alternate angles substantially less than 90 degrees to the centerline of the tread.

**Carcass** means the tire structure, except tread and sidewall rubber which, when inflated, bears the load.

**Chunking** means the breaking away of pieces of the tread or sidewall.

**Cord** means the strands forming the plies in the tire.

**Cord separation** means the parting of cords from adjacent rubber compounds.

**Cracking** means any parting within the tread, sidewall, or inner liner of the tire extending to cord material.

**Curb weight** means the weight of a motor vehicle with standard equipment including the maximum capacity of fuel, oil, and coolant, and, if so equipped, air conditioning and additional weight optional engine.

**Cold inflation pressure** means the tire pressure when the vehicle hasn't been driven for at least three hours.

**Extra load tire** means a tire designed to operate at higher loads and higher inflation pressure than the corresponding standard tire.

**Groove** means the space between two adjacent tread ribs.

**Gross Axle Weight Rating or GAWR** means the value specified by the vehicle manufacturer as the load-carrying capacity of a single axle system, as measured at the tire-ground interfaces.

**Gross vehicle weight rating or GVWR** means the value specified by the manufacturer as the loaded weight of a single vehicle.

**Hitch Weight** means the downward force exerted on the hitch ball by the trailer coupler.

**Innerliner** means the layer(s) forming the inside surface of a tubeless tire that contains the inflating medium within the tire.

**Innerliner separation** means the parting of the innerliner from cord material in the carcass.

**Light truck (LT) tire** means a tire designated by its manufacturer as primarily intended for use on lightweight trucks or multipurpose passenger vehicles.

**Load rating** means the maximum load that a tire is rated to carry for a given inflation pressure.

**Maximum load rating** means the load rating for a tire at the maximum permissible inflation pressure for that tire.

**Maximum permissible inflation pressure** means the maximum cold inflation pressure to which a tire may be inflated.

**Maximum loaded vehicle weight** means the sum of — (a) Curb weight; (b) Accessory weight; (c) Vehicle capacity weight; and (d) Production options weight.

**Measuring rim** means the rim on which a tire is fitted for physical dimension requirements.

**Non-pneumatic rim** means a mechanical device which, when a non-pneumatic tire assembly incorporates a wheel, supports the tire, and attaches, either integrally or separably, to the wheel center member and upon which the tire is attached.

**Non-pneumatic spare tire assembly** means a non-pneumatic tire assembly intended for temporary use in place of one of the pneumatic tires and rims that are fitted to a passenger car in compliance with the requirements of this standard.

**Non-pneumatic tire** means a mechanical device which transmits, either directly or through a wheel or wheel center member, the vertical load and tractive forces from the roadway to the vehicle, generates the tractive forces that provide the directional control of the vehicle and does not rely on the containment of any gas or fluid for providing those functions.

**Non-pneumatic tire assembly** means a non-pneumatic tire, alone or in combination with a wheel or wheel center member, which can be mounted on a vehicle.

**Normal occupant weight** means 68 kilograms (150 lbs.) times the number of occupants specified in the second column of Table I of 49 CFR 571.110.

**Occupant distribution** means distribution of occupants in a vehicle as specified in the third column of Table I of 49 CFR 571.110.

**Open splice** means any parting at any junction of tread, sidewall, or innerliner that extends to cord material.

**Outer diameter** means the overall diameter of an inflated new tire.

**Overall width** means the linear distance between the exteriors of the sidewalls of an inflated tire, including elevations due to labeling, decorations, or protective bands or ribs.

**Passenger car tire** means a tire intended for use on passenger cars, multipurpose passenger vehicles, and trucks, that have a gross vehicle weight rating (GVWR) of 10,000 pounds or less.

**Pin weight** means the downward force applied to the 5th wheel or gooseneck ball, by the trailer kingpin or gooseneck coupler.

**Ply** means a layer of rubber-coated parallel cords.

**Ply separation** means a parting of rubber compound between adjacent plies.

**Pneumatic tire** means a mechanical device made of rubber, chemicals, fabric and steel or other materials, that, when mounted on an automotive wheel, provides the traction and contains the gas or fluid that sustains the load.

**Production options weight** means the combined weight of those installed regular production options weighing over 2.3 kilograms in excess of those standard items which they replace, not previously considered in curb weight or accessory weight, including heavy duty brakes, ride levelers, roof rack, heavy duty battery, and special trim.

**Radial ply tire** means a pneumatic tire in which the ply cords that extend to the beads are laid at substantially 90 degrees to the centerline of the tread.

**Recommended inflation pressure** means the proper Cold Inflation Pressure as shown on the Tire Information label.

**Reinforced tire** means a tire designed to operate at higher loads and at higher inflation pressures than the corresponding standard tire.

**Rim** means a metal support for a tire or a tire and tube assembly upon which the tire beads are seated.

**Rim diameter** means nominal diameter of the bead seat.

**Rim size designation** means rim diameter and width.

**Rim type designation** means the industry of manufacturer's designation for a rim by style or code.

**Rim width** means nominal distance between rim flanges.

**Section width** means the linear distance between the exteriors of the sidewalls of an inflated tire, excluding elevations due to labeling, decoration, or protective bands.

**Sidewall** means that portion of a tire between the tread and bead.

**Sidewall separation** means the parting of the rubber compound from the cord material in the sidewall.

**ST tire** means a tire designed for use only on trailers drawn on a road.

**Test rim** means the rim on which a tire is fitted for testing, and may be any rim listed as appropriate for use with that tire.

**Tread** means that portion of a tire that comes into contact with the road.

**Tread rib** means a tread section running circumferentially around a tire.

**Tread separation** means pulling away of the tread from the tire carcass.

**Treadwear indicators (TWI)** means the projections within the principal grooves designed to give a visual indication of the degrees of wear of the tread.

**Vehicle capacity weight** means the rated cargo and luggage load plus 68 kilograms times the vehicle's designated seating capacity.

**Vehicle maximum load on the tire** means that load on an individual tire that is determined by distributing to each axle its share of the maximum loaded vehicle weight and dividing by two.

**Vehicle normal load on the tire** means that load on an individual tire that is determined by distributing to each axle its share of the curb weight, accessory weight, and normal occupant weight (distributed in accordance with Table I of 49 CFR 571.110) and dividing by 2.

**Wheel center member** means, in the case of a non-pneumatic tire assembly incorporating a wheel, a mechanical device which attaches, either integrally or separably, to the non-pneumatic rim and provides the connection between the non-pneumatic rim and the vehicle; or in the case of a nonpneumatic tire assembly not incorporating a wheel, a mechanical device which attaches, either integrally or separably, to the non-pneumatic tire and provides the connection between the tire and the vehicle.

**Wheel-holding fixture** means the fixture used to hold the wheel and tire assembly securely during testing.

## 4. Tire Safety - Everything Rides On It

The National Traffic Safety Administration (NHTSA) has published a brochure (DOT HS 809 361) that discusses all aspects of Tire Safety, as required by 49 CFR 575.6. This brochure is reproduced in part below. It can be obtained and downloaded from NHTSA, free of charge, from the following web site:

[http://www.nhtsa.dot.gov/cars/rules/TireSafety/ridesonit/tires\\_index.html](http://www.nhtsa.dot.gov/cars/rules/TireSafety/ridesonit/tires_index.html)

Studies of tire safety show that maintaining proper tire pressure, observing tire and vehicle load limits (not carrying more weight in your vehicle than your tires or vehicle can safely handle), avoiding road hazards, and inspecting tires for cuts, slashes, and other irregularities are the most important things you can do to avoid tire failure, such as tread separation or blowout and flat tires. These actions, along with other care and maintenance activities, can also:

- Improve vehicle handling
- Help protect you and others from avoidable breakdowns and accidents
- Improve fuel economy
- Increase the life of your tires

This booklet presents a comprehensive overview of tire safety, including information on the following topics:

- Basic tire maintenance
- Uniform Tire Quality Grading System
- Fundamental characteristics of tires
- Tire safety tips. Use this information to make tire safety a regular part of your vehicle maintenance routine.

Recognize that the time you spend is minimal compared with the inconvenience and safety consequences of a flat tire or other tire failure.

### Safety First—Basic Tire Maintenance

Properly maintained tires improve the steering, stopping, traction, and load-carrying capability of your vehicle. Underinflated tires and overloaded vehicles are a major cause of tire failure. Therefore, as mentioned above, to avoid flat tires and other types of tire failure, you should maintain proper tire pressure, observe tire and vehicle load limits, avoid road hazards, and regularly inspect your tires.

### Finding Your Vehicle's Recommended Tire Pressure And Load Limits

Tire information placards and vehicle certification labels contain information on tires and load limits. These labels indicate the vehicle manufacturer's information including:

- Recommended tire size
- Recommended tire inflation pressure

- Vehicle capacity weight (VCW – the maximum occupant and cargo weight a vehicle is designed to carry)
- Front and rear gross axle weight ratings (GAWR – the maximum weight the axle systems are designed to carry).

Both placards and certification labels are permanently attached to the trailer near the left front.

### Understanding Tire Pressure And Load Limits

Tire inflation pressure is the level of air in the tire that provides it with load-carrying capacity and affects the overall performance of the vehicle. The tire inflation pressure is a number that indicates the amount of air pressure—measured in pounds per square inch (psi)—a tire requires to be properly inflated. (You will also find this number on the vehicle information placard expressed in kilopascals (kpa), which is the metric measure used internationally.)

Manufacturers of passenger vehicles and light trucks determine this number based on the vehicle's design load limit, that is, the greatest amount of weight a vehicle can safely carry and the vehicle's tire size. The proper tire pressure for your vehicle is referred to as the "recommended cold inflation pressure." (As you will read below, it is difficult to obtain the recommended tire pressure if your tires are not cold.)

Because tires are designed to be used on more than one type of vehicle, tire manufacturers list the "maximum permissible inflation pressure" on the tire sidewall. This number is the greatest amount of air pressure that should ever be put in the tire under normal driving conditions.

### Checking Tire Pressure

It is important to check your vehicle's tire pressure at least once a month for the following reasons:

- Most tires may naturally lose air over time.
- Tires can lose air suddenly if you drive over a pothole or other object or if you strike the curb when parking.
- With radial tires, it is usually not possible to determine underinflation by visual inspection.

For convenience, purchase a tire pressure gauge to keep in your vehicle. Gauges can be purchased at tire dealerships, auto supply stores, and other retail outlets.

The recommended tire inflation pressure that vehicle manufacturers provide reflects the proper psi when a tire is cold. The term cold does not relate to the outside temperature. Rather, a cold tire is one that has not been driven on for at least three hours.

When you drive, your tires get warmer, causing the air pressure within them to increase. Therefore, to get an accurate tire pressure reading, you must measure tire pressure when the tires are cold or compensate for the extra pressure in warm tires.

### Steps For Maintaining Proper Tire Pressure

- Step 1: Locate the recommended tire pressure on the vehicle's tire information placard, certification label, or in the owner's manual.
- Step 2: Record the tire pressure of all tires.
- Step 3: If the tire pressure is too high in any of the tires, slowly release air by gently pressing on the tire valve stem with the edge of your tire gauge until you get to the correct pressure.
- Step 4: If the tire pressure is too low, note the difference between the measured tire pressure and the correct tire pressure. These "missing" pounds of pressure are what you will need to add.
- Step 5: At a service station, add the missing pounds of air pressure to each tire that is underinflated.
- Step 6: Check all the tires to make sure they have the same air pressure (except in cases in which the front and rear tires are supposed to have different amounts of pressure).

If you have been driving your vehicle and think that a tire is underinflated, fill it to the recommended cold inflation pressure indicated on your vehicle's tire information placard or certification label. While your tire may still be slightly underinflated due to the extra pounds of pressure in the warm tire, it is safer to drive with air pressure that is slightly lower than the vehicle manufacturer's recommended cold inflation pressure than to drive with a significantly underinflated tire. Since this is a temporary fix, don't forget to recheck and adjust the tire's pressure when you can obtain a cold reading.

### Tire Size

To maintain tire safety, purchase new tires that are the same size as the vehicle's original tires or another size recommended by the manufacturer. Look at the tire information placard, the owner's manual, or the sidewall of the tire you are replacing to find this information. If you have any doubt about the correct size to choose, consult with the tire dealer.

### Tire Tread

The tire tread provides the gripping action and traction that prevent your vehicle from slipping or sliding, especially when the road is wet or icy. In general, tires are not safe and should be replaced when the tread is worn down to 1/16 of an inch. Tires have built-in treadwear indicators that let you know when it is time to replace your tires. These indicators are raised sections spaced intermittently in the bottom of the tread grooves. When they appear "even" with the outside of the tread, it is time to replace your tires. Another method for checking tread depth is to place a penny in the tread with Lincoln's head upside down and facing you. If you can see the top of Lincoln's head, you are ready for new tires.



## Tire Balance And Wheel Alignment

To avoid vibration or shaking of the vehicle when a tire rotates, the tire must be properly balanced. This balance is achieved by positioning weights on the wheel to counterbalance heavy spots on the wheel-and-tire assembly. A wheel alignment adjusts the angles of the wheels so that they are positioned correctly relative to the vehicle's frame. This adjustment maximizes the life of your tires. These adjustments require special equipment and should be performed by a qualified technician.

## Tire Repair

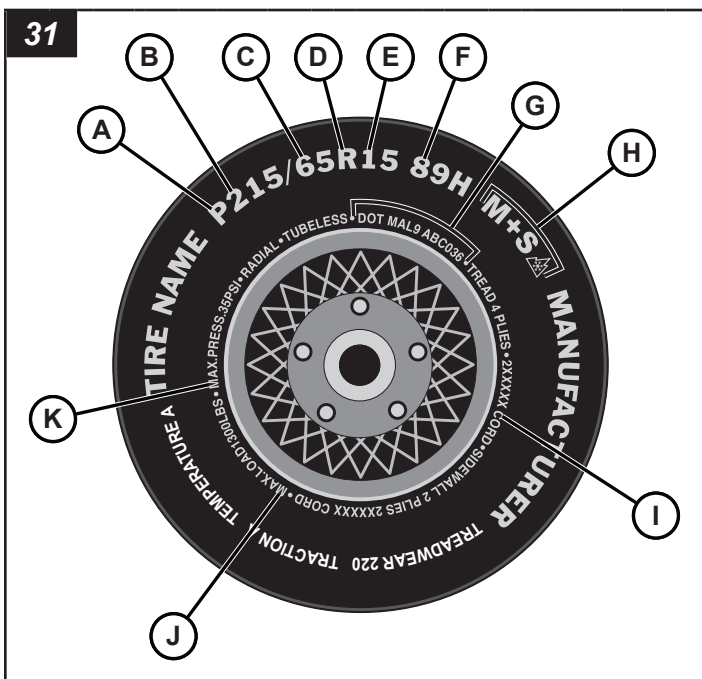
The proper repair of a punctured tire requires a plug for the hole and a patch for the area inside the tire that surrounds the puncture hole. Punctures through the tread can be repaired if they are not too large, but punctures to the sidewall should not be repaired. Tires must be removed from the rim to be properly inspected before being plugged and patched.

## Tire Fundamentals

Federal law requires tire manufacturers to place standardized information on the sidewall of all tires. This information identifies and describes the fundamental characteristics of the tire and also provides a tire identification number for safety standard certification and in case of a recall.

## Information on Passenger Vehicle Tires

Please refer to Figure 31 and the information following.



- A-** 'P' indicates the tire is for passenger vehicles.
- B-** This three-digit number gives the width in millimeters of the tire from sidewall edge to sidewall edge. In general, the larger the number, the wider the tire.

**C-** This two-digit number, known as the aspect ratio, gives the tire's ratio of height to width. Numbers of 70 or lower indicate a short sidewall for improved steering response and better overall handling on dry pavement.

**D-** "R" stands for radial. Radial ply construction of tires has been the industry standard for the past 20 years.

**E-** This two-digit number is the wheel or rim diameter in inches. If you change your wheel size, you will have to purchase new tires to match the new wheel diameter.

**F-**

(Number) This two- or three-digit number is the tire's load index. It is a measurement of how much weight each tire can support. You may find this information in your owner's manual. If not, contact a local tire dealer. *Note: You may not find this information on all tires because it is not required by law.*

(Letter) The speed rating denotes the speed at which a tire is designed to be driven for extended periods of time. The ratings range from 99 miles per hour (mph) to 186 mph. These ratings are listed below. *Note: You may not find this information on all tires because it is not required by law.*

Letter Rating	Speed Rating
Q	99 mph
R	106 mph
S	112 mph
T	118 mph
U	124 mph
H	130 mph
V	168 mph*
Y	186 mph*

*\*Note: For tires with a maximum speed capability over 149 mph, tire manufacturers sometimes use the letters ZR. For those with a maximum speed capability over 186 mph, tire manufacturers always use the letters ZR.*

**G-** U.S. DOT Tire Identification Number. This begins with the letters "DOT" and indicates that the tire meets all federal standards. The next two numbers or letters are the plant code where it was manufactured, and the last four numbers represent the week and year the tire was built. For example, the numbers 3197 means the 31st week of 1997. The other numbers are marketing codes used at the manufacturer's discretion. This information is used to contact consumers if a tire defect requires a recall.

**H-** The "M+S" or "M/S" indicates that the tire has some mud and snow capability. Most radial tires have these markings; hence, they have some mud and snow capability.

**I-** Tire Ply Composition and Materials Used. The number of plies indicates the number of layers of rubber-coated fabric in the tire. In general, the greater the number of plies, the more weight a tire can support. Tire manufacturers also must indicate the materials in the tire, which include steel, nylon, polyester, and others.





## Tire Safety Checklist

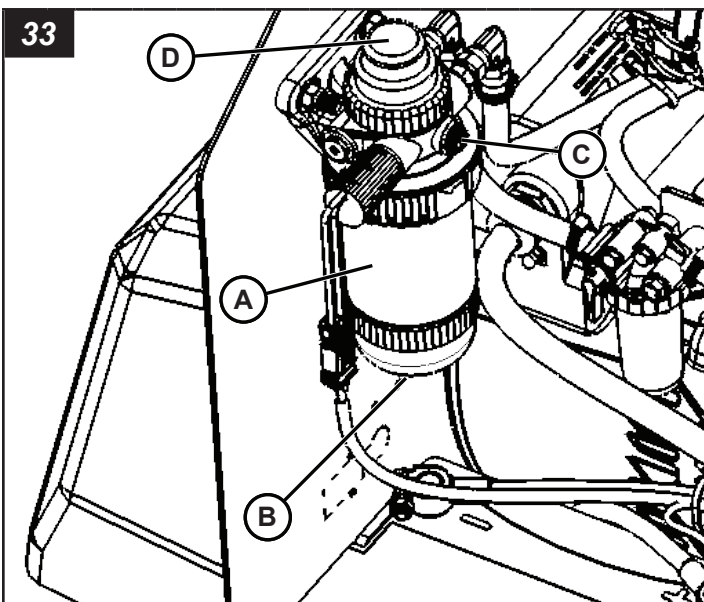
- Check tire pressure regularly (at least once a month), including the spare.
- Inspect tires for cracks, foreign objects, uneven wear patterns on the tread, or other signs of wear or trauma.
- Remove bits of glass and foreign objects wedged in the tread.
- Make sure your tire valves have valve caps.
- Check tire pressure before going on a long trip.
- Do not overload your vehicle. Check the tire information placard or owner's manual for the maximum recommended load for the vehicle.

## Addendum - Unit Options

### Heated Fuel Water Separator Filter

The light tower unit can be equipped with an optional heated fuel water separator filter (A, Figure 33). To drain the water:

1. Place an approved container under the drain plug on the fuel water separator filter.
2. Loosen the drain plug (B, Figure 33) and the air bleeding plug (C, Figure 33) to drain the water.
3. Let the separated water drain fully into the approved container. Dispose of water according to local, state, province and/or federal rules.
4. Change fuel filter as needed. Refer to **Specifications**.
5. Tighten the drain plug.
6. Use the pump (D, Figure 33) on the top of the fuel water separator to prime the filter with fuel and bleed all the air out.
7. Tighten the air bleeding plug.





# Registre la información importante

Registrar la información del equipo le permitirá realizar un pedido de piezas de repuesto o calcomanías.

N.º de equipo de compañía:	
N.º de modelo de la unidad:	
VIN de la unidad:	
N.º de modelo del motor:	N.º de serie:
N.º de modelo del generador:	N.º de serie:
Accesorios:	

## Índice de contenidos:

Introducción .....	38
Productos cubiertos por este manual .....	38
Seguridad .....	38
Características y controles .....	45
Preparación del remolque de latorre de iluminación para el uso .....	46
Transporte del remolque de torre de iluminación .....	47
Funcionamiento .....	53
Mantenimiento .....	60
Especificaciones .....	65
Solución de problemas .....	66
Informe de defectos de seguridad .....	67
Información sobre la seguridad de las llantas .....	68
Anexo: Opciones de la unidad .....	75

### ADVERTENCIA

Respirar los gases de escape del motor diésel lo expone a sustancias químicas que, de acuerdo con el estado de California, causan cáncer, defectos de nacimiento u otros problemas reproductivos.

- Siempre arranque y haga funcionar el motor en un área bien ventilada.
- Si se encuentra en un área cerrada, oriente el escape hacia el exterior.
- No modifique ni altere el sistema de escape.
- No deje el motor inactivo, a menos que sea necesario.

Para obtener más información, visite [www.P65Warnings.ca.gov/diesel](http://www.P65Warnings.ca.gov/diesel).

# Introducción

**Acerca de este manual**

## TÓMESE EL TIEMPO PARA LEER ESTE MANUAL MINUCIOSAMENTE

Este manual de instrucciones proporciona las indicaciones necesarias para el uso de la torre de iluminación portátil de la serie NIGHT-LITE™ GR enfriada por líquido de 3 kW de Allmand®.

La información que encuentre en este manual está vigente a partir del momento de la impresión. Briggs & Stratton, LLC. puede cambiar los contenidos sin previo aviso si se ve en la obligación.

Todas las imágenes de este manual son representativas y pueden diferir de su modelo.

Toda referencia “hacia la derecha” o “hacia la izquierda” que se haga en este manual, deberá determinarse mirando el remolque desde la parte posterior.

Si no está seguro acerca de la información de este manual, comuníquese con el Departamento de Mantenimiento de Allmand al 1-800-562-1373, o bien, comuníquese con nosotros en el sitio web de Allmand, [www.allmand.com](http://www.allmand.com).

**Conserve estas instrucciones originales para futuras consultas.**

## Productos cubiertos por este manual

Los siguientes productos se cubren en este manual:

Serie NIGHT-LITE™ GR enfriada por líquido de 3 kW

## Seguridad

### Definiciones de seguridad

Para su seguridad, la seguridad de otros y para proteger el rendimiento del equipo, siga las precauciones que se indican en todo el manual antes de la operación, durante la operación y durante los procedimientos de mantenimiento periódico.



Indica un posible riesgo para su integridad física.

### PELIGRO

Indica un riesgo que, de no evitarse, provocará la muerte o lesiones de gravedad.

### ADVERTENCIA

Indica un riesgo que, de no evitarse, podría provocar la muerte o lesiones de gravedad.

### PRECAUCIÓN

Indica un riesgo que, de no evitarse, podría provocar lesiones leves o moderadas.

### AVISO

Información que se considera importante pero que no está relacionada con un peligro potencial.

## Precauciones de seguridad

La siguiente sección contiene precauciones y pautas generales de seguridad que se deben obedecer para reducir el riesgo para la seguridad personal. Las precauciones especiales de seguridad se indican en procedimientos específicos. Lea y comprenda todas las precauciones de seguridad antes de operar o realizar reparaciones o mantenimiento.

### PELIGRO



#### Peligro de electrocución

- Siempre compruebe los cables aéreos y las obstrucciones antes de elevar o bajar la torre de iluminación.
- Siempre obedezca las reglas o instrucciones de su lugar de trabajo y el código eléctrico estatal, provincial o nacional, para mantener una distancia segura de los cables aéreos.
- Cuando el motor está en funcionamiento, se produce un alto voltaje. Nunca intente realizar mantenimiento a los componentes eléctricos mientras el motor esté en funcionamiento.
- No haga funcionar la torre de iluminación si el aislamiento en el cable eléctrico u otro cableado eléctrico presenta cortes o desgaste o bien, si hay cables desnudos expuestos. Repare o reemplace el cableado dañado antes de arrancar el motor.

### ADVERTENCIA

#### Peligro de operación no segura

- Nunca permita que alguien instale u opere el equipo si no cuenta con la capacitación adecuada.
- Lea y comprenda este manual del operador y el Manual del operador del motor, y los manuales de cualquier otro componente, antes de hacer funcionar o dar mantenimiento a la torre de iluminación, para garantizar que se sigan los procedimientos de mantenimiento y prácticas de operación seguros.
- Las calcomanías y señales de seguridad son recordatorios adicionales para las técnicas de mantenimiento y operación seguras.

### ADVERTENCIA

#### Peligro de caídas

- Nunca transporte pasajeros en el equipo.

### ADVERTENCIA

#### Peligro de modificación

- Nunca modifique el equipo sin el consentimiento por escrito del fabricante. Cualquier modificación podría afectar la operación segura de equipo.

### ADVERTENCIA

#### Peligro de exposición

- Siempre use equipo de protección personal, lo que incluye ropa adecuada, guantes, zapatos de trabajo, protección auditiva y ocular, según lo requiera la tarea en cuestión.

### ADVERTENCIA



#### Peligro de vuelco

- No suba, baje ni utilice la torre de iluminación salvo que todos los balancines y gatos estén posicionados sobre suelo firme.
- Nunca mueva ni reubique la torre de iluminación mientras esta se encuentre extendida en posición vertical.

### ADVERTENCIA



#### Riesgo de incendio y explosión

Las baterías emiten gases explosivos durante las recargas. Las chispas podrían causar explosiones y provocar lesiones graves o la muerte.

### ADVERTENCIA



#### Peligro de quemaduras

Las baterías contienen ácido, que es extremadamente cáustico. El contacto con el contenido de la batería podría producir quemaduras químicas graves.

### ADVERTENCIA



#### Peligro de descarga eléctrica

Las baterías presentan un riesgo de descarga eléctrica y alta corriente de cortocircuito.

- Siempre desconecte el cable negativo (-) de la batería antes de realizar mantenimiento al equipo.
- NO elimine una batería en el fuego. Recicle la batería.
- NO permita que se produzca ninguna llama abierta, chispa o calor, ni encienda un cigarrillo mientras carga la batería o durante varios minutos después de la carga.
- NO abra ni destruya la batería.



- NO cargue la batería si está congelada. Siempre deje que la batería alcance lentamente la temperatura ambiente antes de cargarla.
- Use guantes de protección, así como delantal, botas y guantes de goma.
- Quítese el reloj, los anillos u otros objetos metálicos.
- Use herramientas con mangos aislados.

## ADVERTENCIA



### Peligro de incendio y explosión

- El combustible diésel es inflamable y explosivo en determinadas condiciones.
- Nunca use un trapo de taller para recoger el combustible.
- Limpie inmediatamente los derrames.
- Nunca recargue el combustible con el motor en funcionamiento.
- Almacene todos los recipientes con combustible en un área bien ventilada, lejos de cualquier fuente de ignición o combustibles.

## ADVERTENCIA

### Peligro por uso bajo la influencia de alcohol y drogas

- Nunca opere la torre de iluminación bajo la influencia del alcohol o las drogas o si se encuentra enfermo.

## ADVERTENCIA



### Peligro de enredo o corte

- Siempre detenga el motor antes de comenzar el mantenimiento.
- Si se debe realizar mantenimiento al motor mientras está en funcionamiento, quítese todas las joyas, recójase el cabello largo y mantenga las manos, otras partes del cuerpo y la ropa lejos de las piezas móviles o giratorias.
- Verifique que todas las protecciones y cubiertas estén instaladas correctamente en el equipo, antes de arrancar el motor. No arranque el motor si alguna protección o cubierta no está instalada correctamente en el equipo.
- Instale una etiqueta "No operar" junto a la llave de contacto mientras realiza tareas de mantenimiento en el equipo.

## ADVERTENCIA

### Peligro de objetos expulsados

- Siempre use protección ocular cuando limpie el equipo con aire comprimido o agua a alta presión. El polvo, los desechos expulsados, el aire comprimido, el agua o el vapor presurizados pueden causar lesiones en sus ojos.

## ADVERTENCIA

### Peligro de contacto con refrigerante

- Use protección ocular y guantes de goma cuando manipule el refrigerante del motor. Si este entra en contacto con los ojos o la piel, enjuague los ojos y lave inmediatamente con agua limpia.

## ADVERTENCIA



### Peligro de quemaduras

- Abrir la tapa de un radiador caliente podría provocar lesiones graves o la muerte. Deje que el radiador se enfríe antes de abrir la tapa.

## ADVERTENCIA



### Peligro de quemaduras

- Las luminarias y algunas superficies del motor pueden calentarse mucho durante el funcionamiento y brevemente después del apagado.
- Mantenga las manos y otras partes del cuerpo alejadas de las superficies calientes.
- Manipule los componentes calientes, como las luminarias, con guantes resistentes al calor.

## AVISO

- Se DEBE reemplazar toda pieza que se compruebe que está defectuosa a raíz de una inspección, o cualquier pieza cuyo valor medido no satisfaga la norma o el límite.
- Siempre apriete los componentes con el torque especificada. Las piezas sueltas pueden provocar daños en los equipos o causar que funcionen indebidamente.
- Obedezca las pautas de la Agencia de Protección Ambiental (Environmental Protection Agency, EPA), el Ambiente del Canadá (Environment Canada, EC) u otras agencias gubernamentales para la eliminación adecuada de materiales peligrosos, como aceite de motor, combustible diésel y refrigerante de motor.

- Solo use las piezas de repuesto que se especifican. Otras piezas de repuesto pueden afectar la cobertura de la garantía.
- Limpie toda la suciedad y los residuos acumulados del cuerpo del equipo y sus componentes antes de inspeccionarlo o de realizar procedimientos de mantenimiento preventivo o reparaciones. Operar los equipos con suciedad o residuos acumulados provocará el desgaste prematuro de los componentes del equipo.
- Nunca elimine materiales peligrosos arrojándolos en la alcantarilla, en la tierra o en vías fluviales o aguas subterráneas.
- Saque todas las herramientas o piezas que pueda haber dejado caer en el interior del equipo para evitar un funcionamiento indebido del mismo.
- Si cualquier indicador de alerta se enciende durante el funcionamiento del equipo, detenga el motor inmediatamente. Determine la causa y repare el problema antes de continuar con la operación del equipo.

Es una infracción del Código de Recursos Públicos de California, Sección 4442, utilizar u operar el motor en cualquier terreno cubierto por árboles, césped o maleza a menos que el sistema de escape esté equipado con un supresor de chispas, en virtud de la Sección 4442, el cual se mantenga en buenas condiciones de operación. Otros estados o jurisdicciones federales cuentan con leyes similares; consulte la Regulación Federal 36 CFR Sección 261.52.

## Calcomanías de seguridad

Antes de operar su unidad, lea y comprenda las siguientes calcomanías de seguridad. Las precauciones, advertencias e instrucciones son para su seguridad. Para evitar lesiones

corporales o daños a la unidad, comprenda y obedezca todas las calcomanías.

Evite que las calcomanías se ensucien o se rompan, y reemplácelas si se pierden o se dañan. Además, si necesita cambiar las piezas que tienen una calcomanía, asegúrese de pedir la pieza nueva y la calcomanía al mismo tiempo.

Si alguna calcomanía de seguridad o de instrucciones se desgasta o daña y no puede leerse, pida calcomanías de reemplazo a su concesionario local.

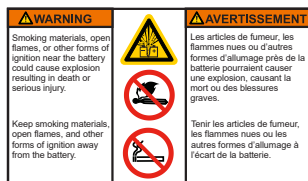
Modelos domésticos	
<p>Información de conexión a tierra de la máquina/Lengüeta de conexión a tierra</p> <p>N.º de pieza 122470</p>	
<p><b>ADVERTENCIA:</b> Abrir la tapa de un radiador caliente podría provocar lesiones graves o la muerte. Permita que el radiador se enfríe antes de abrir la tapa.</p> <p>N.º de pieza 118651</p>	
<p><b>ADVERTENCIA:</b> El contacto con gases de escape y piezas calientes podría provocar lesiones graves o la muerte. Evite los gases calientes del escape. Mantenga las manos y los materiales combustibles alejados de las piezas calientes.</p> <p>N.º de pieza 118162</p>	
<p><b>ADVERTENCIA:</b> El incumplimiento de las advertencias, las instrucciones y el manual del operador podría provocar lesiones graves o la muerte. Lea y siga el manual del operador antes de hacer funcionar este equipo o realizarle mantenimiento.</p> <p>N.º de pieza 122468-1</p>	
<p><b>ADVERTENCIA:</b> El escape del motor contiene monóxido de carbono, un gas tóxico que podría causar lesiones graves o la muerte. Opere el equipo lejos de ventanas, puertas y conductos de ventilación. No opere el equipo en interiores o en espacios parcialmente cerrados.</p> <p>N.º de pieza 122468-2</p>	
<p><b>ADVERTENCIA:</b> El contacto con piezas giratorias podría provocar lesiones graves o la muerte. Manténgase alejado de piezas giratorias.</p> <p>N.º de pieza 122468-3</p>	
<p><b>PELIGRO:</b> El contacto con las líneas de alta tensión al subir la torre de iluminación provocará lesiones graves o la muerte. Mantenga la torre de iluminación lejos de las líneas de alta tensión.</p> <p>N.º de pieza 122468-4</p>	
<p><b>ADVERTENCIA:</b> La exposición a materiales corrosivos podría causar lesiones graves o la muerte. Use guantes de protección al manipular la batería.</p> <p>N.º de pieza 122468-5</p>	

Modelos domésticos	
<p><b>PELIGRO:</b> Ingresar en el compartimento eléctrico mientras el equipo está en funcionamiento provocará lesiones graves o la muerte. Desconecte el equipo antes de ingresar en el compartimento eléctrico.</p> <p>N.º de pieza 118074</p>	

## Modelos domésticos

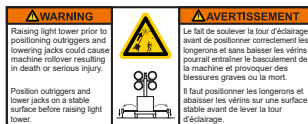
**ADVERTENCIA:** Los materiales humeantes, las llamas descubiertas u otros tipos de ignición cerca de la batería podrían causar una explosión y provocar lesiones graves o la muerte. Mantenga los materiales para fumar, las llamas descubiertas u otros tipos de ignición alejados de la batería.

N.º de pieza 122468-6



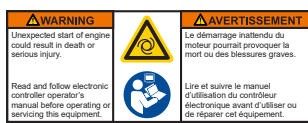
**ADVERTENCIA:** Subir la torre de iluminación sin colocar los balancines y los gatos de bajada podría causar el vuelco de la máquina y provocar lesiones graves o la muerte. Coloque los balancines y los gatos de bajada en una superficie estable antes de elevar la torre de iluminación.

N.º de pieza 122468-7



**ADVERTENCIA:** El arranque inesperado del motor podría causar la muerte o lesiones graves. Lea y siga el manual del operador del controlador electrónico antes de hacer funcionar este equipo o realizarle mantenimiento.

N.º de pieza 122468-8

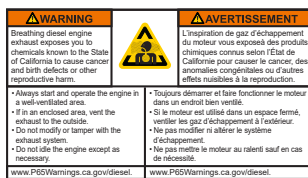


**ADVERTENCIA:** Respirar los gases de escape del motor diésel lo expone a sustancias químicas que, de acuerdo con el estado de California, causan cáncer, defectos de nacimiento u otros problemas reproductivos.

- Siempre arranque y haga funcionar el motor en un área bien ventilada.
- Si se encuentra en un área cerrada, oriente el escape hacia el exterior.
- No modifique ni altere el sistema de escape.
- No deje el motor inactivo, a menos que sea necesario.

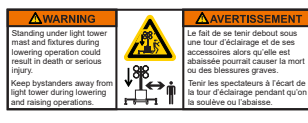
[www.P65warnings.ca.gov/diesel](http://www.P65warnings.ca.gov/diesel)

N.º de pieza 122468-9



**ADVERTENCIA:** Permanecer debajo del mástil y las luminarias de la torre de iluminación mientras esta se baja podría provocar lesiones graves o la muerte. Mantenga a los transeúntes alejados de la torre de iluminación cuando esté realizando operaciones de subida o bajada.

N.º de pieza 122468-10



**ADVERTENCIA:** Abrir la tapa de un radiador caliente podría provocar lesiones graves o la muerte. Deje que el radiador se enfríe antes de abrir la tapa.

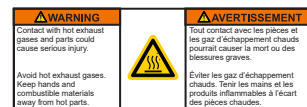
N.º de pieza 122468-11



## Modelos domésticos

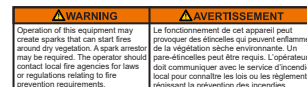
**ADVERTENCIA:** El contacto con gases de escape y piezas calientes podría provocar lesiones graves o la muerte. Evite los gases calientes del escape. Mantenga las manos y los materiales combustibles alejados de las piezas calientes.

N.º de pieza 122468-12



**ADVERTENCIA:** La operación de este equipo podría ocasionar chispas que pueden comenzar incendios cerca de vegetación seca. Tal vez necesite un supresor de chispas. El operador debería contactar a las agencias locales de manejo del fuego para conocer las leyes y los reglamentos para la prevención de incendios.

N.º de pieza 122468-13



**PELIGRO:** El contacto con las líneas de alta tensión al subir la torre de iluminación provocará lesiones graves o la muerte. Mantenga la torre de iluminación lejos de las líneas de alta tensión.

**ADVERTENCIA:** Subir la torre de iluminación sin colocar los balancines y los gatos de bajada podría causar el vuelco de la máquina y provocar lesiones graves o la muerte. Coloque los balancines y los gatos de bajada en una superficie estable antes de elevar la torre de iluminación.

**ADVERTENCIA:** Permanecer debajo del mástil y las luminarias de la torre de iluminación mientras esta se baja podría provocar lesiones graves o la muerte. Mantenga a los transeúntes alejados de la torre de iluminación cuando esté realizando operaciones de subida o bajada.

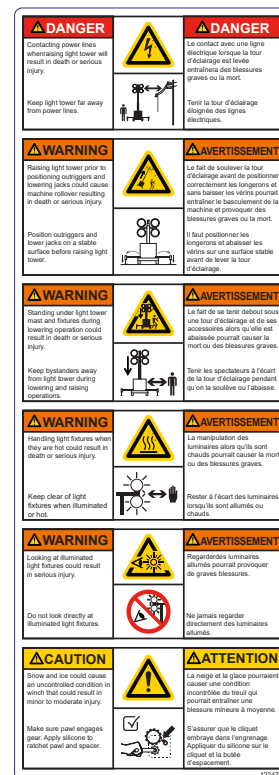
**ADVERTENCIA:** Manipular luminarias cuando estas están calientes podría provocar lesiones graves o la muerte. Manténgase alejado de las luminarias cuando estén encendidas o calientes.

**ADVERTENCIA:** Mirar las luminarias encendidas podría provocar lesiones graves. No mire directamente las luminarias encendidas.

**PRECAUCIÓN:** La nieve y el hielo podrían causar una condición de pérdida de control en el cabrestante y provocar lesiones leves a moderadas. Asegúrese de que el trinquete se enganche en el engranaje. Aplique silicona al seguro del trinquete y el espaciador.

N.º de pieza 122479

Torre del cabrestante manual



## Modelos domésticos

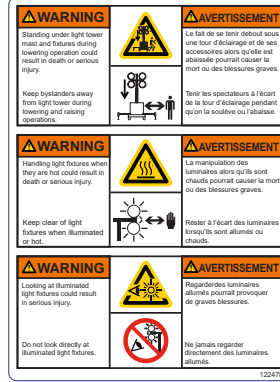
**ADVERTENCIA:** Permanecer debajo del mástil y las luminarias de la torre de iluminación mientras esta se baja podría provocar lesiones graves o la muerte. Mantenga a los transeúntes alejados de la torre de iluminación cuando esté realizando operaciones de subida o bajada.

**ADVERTENCIA:** Manipular luminarias cuando estas están calientes podría provocar lesiones graves o la muerte. Manténgase alejado de las luminarias cuando estén encendidas o calientes.

**ADVERTENCIA:** Mirar las luminarias encendidas podría provocar lesiones graves. No mire directamente las luminarias encendidas.

N.º de pieza 122478

Torre del cabrestante eléctrico



**ADVERTENCIA:** El incumplimiento de las advertencias, las instrucciones y el manual del operador podría provocar lesiones graves o la muerte. Lea y siga el manual del operador antes de hacer funcionar este equipo o realizarle mantenimiento.

**ADVERTENCIA:** No bajar la torre a una posición segura antes de remolcarla puede causar lesiones graves o la muerte. Baje la torre a una posición segura antes de remolcarla.

**ADVERTENCIA:** El exceso de velocidad de remolque podría provocar lesiones graves o la muerte. No exceda los 65 mph (105 km/h) cuando arrastre el remolque.

N.º de pieza 122463



Número de archivo de CSA

N.º de pieza 110361



Información eléctrica

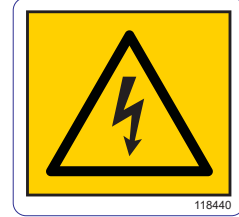
N.º de pieza 118653

kW	3.0
A	25
V	120
Hz/RPM	60/1800
PHASE	1
INS. CLASS	H @ 40°C AMB
PF	1.0

## Modelos internacionales

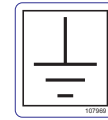
**PELIGRO:** Ingresar en el compartimento eléctrico mientras el equipo está en funcionamiento provocará lesiones graves o la muerte. Desconecte el equipo antes de ingresar en el compartimento eléctrico.

N.º de pieza 118440



Lengüeta de conexión a tierra

N.º de pieza 107969



**ADVERTENCIA:** El contacto con piezas giratorias podría provocar lesiones graves o la muerte. Manténgase alejado de piezas giratorias.

N.º de pieza 118658



**ADVERTENCIA:** Abrir la tapa de un radiador caliente podría provocar lesiones graves o la muerte. Permita que el radiador se enfríe antes de abrir la tapa.

N.º de pieza 122091



**ADVERTENCIA:** El contacto con gases de escape y piezas calientes podría provocar lesiones graves o la muerte. Evite los gases calientes del escape. Mantenga las manos y los materiales combustibles alejados de las piezas calientes.

N.º de pieza 107529



**ADVERTENCIA:** Permanecer debajo del mástil y las luminarias de la torre de iluminación mientras esta se baja podría provocar lesiones graves o la muerte. Mantenga a otras personas alejadas de la torre de iluminación cuando esta se baje y eleve.

**ADVERTENCIA:** Manipular luminarias cuando estas están calientes podría provocar lesiones graves o la muerte. Manténgase alejado de las luminarias cuando estén encendidas o calientes.

**ADVERTENCIA:** Mirar las luminarias encendidas podría provocar lesiones graves. No mire directamente las luminarias encendidas.

N.º de pieza 118444





## Modelos internacionales

**ADVERTENCIA:** El incumplimiento de las advertencias, las instrucciones y el manual del operador podría redundar en lesiones graves o incluso la muerte. Lea y siga el Manual del operador antes de hacer funcionar este equipo o realizarle mantenimiento.

**ADVERTENCIA:** El escape del motor contiene monóxido de carbono, un gas tóxico que podría causar lesiones graves o la muerte. Opere el equipo lejos de ventanas, puertas y conductos de ventilación. No opere el equipo en interiores o en espacios parcialmente cerrados.

**ADVERTENCIA:** El arranque inesperado del motor puede provocar lesiones graves o la muerte. Lea y siga el Manual del operador del panel de control antes de hacer funcionar este equipo o realizarle mantenimiento.

**ADVERTENCIA:** Los materiales humeantes, las llamas descubiertas u otros tipos de ignición cerca de la batería podrían causar una explosión y provocar lesiones graves o la muerte. Mantenga los materiales para fumar, las llamas descubiertas u otros tipos de ignición alejados de la batería.

**ADVERTENCIA:** La exposición a materiales corrosivos podría causar lesiones graves o la muerte. Use guantes de protección al manipular la batería.

**ADVERTENCIA:** El contacto con gases de escape y piezas calientes podría provocar lesiones graves o la muerte. Evite los gases calientes del escape. Mantenga las manos y los materiales combustibles alejados de las piezas calientes.

N.º de pieza 118442



Información eléctrica  
N.º de pieza 118659

kW	2.5
A	11
V	220
Hz/RPM	50/1500
PHASE	1
INS. CLASS	H
MAX AMB	120°F/49°C
PF	1.0

**PRECAUCIÓN:** La nieve y el hielo podrían causar una condición de pérdida de control en el cabrestante y provocar lesiones leves a moderadas. Asegúrese de que el gatillo se enganche en el engranaje. Aplique silicona al gatillo de trinquete y al espaciador.

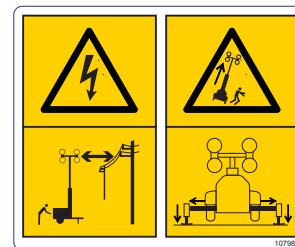


## Modelos internacionales

**PELIGRO:** El contacto con las líneas de alta tensión al subir la torre de iluminación provocará lesiones graves o la muerte. Mantenga la torre de iluminación lejos de las líneas de alta tensión.

**ADVERTENCIA:** Subir la torre de iluminación sin posicionar los balancines y los gatos de bajada podría causar primero el vuelco de la máquina y provocar lesiones graves o la muerte. Coloque los balancines y los gatos inferiores en una superficie estable antes de elevar la torre de iluminación.

N.º de pieza 107984



**ADVERTENCIA:** El exceso de velocidad de remolque podría provocar lesiones graves o la muerte. No exceda las 65 mi/h (105 km/h) cuando arrastre el remolque.

N.º de pieza 118110



**ADVERTENCIA:** Si no se baja la torre a una posición segura antes de remolcarla, se podría producir la muerte o lesiones graves. Baje la torre a una posición segura antes de remolcarla.

N.º de pieza 118443



## Todos los modelos

Información del neumático

N.º de pieza 111585

TIRE INFORMATION			
*The weight of cargo should never exceed 50 kg (110 lbs).			
TYPE	SIZE	COLD TIRE PRESSURE	SEE OWNERS MANUAL FOR ADDITIONAL INFORMATION
FRONT	BT 175BGR138	245PSI x 35PSI	
REAR	NONE	NONE	
SPARE	NONE	NONE	

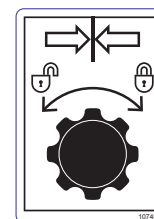
Parada de emergencia

N.º de pieza 105567



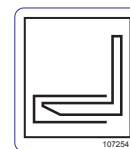
Alineación de transporte de la torre de iluminación

N.º de pieza 107459


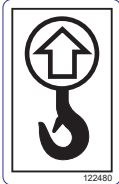
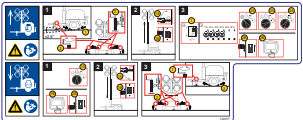







Cavidad para montacarga

N.º de pieza 107254





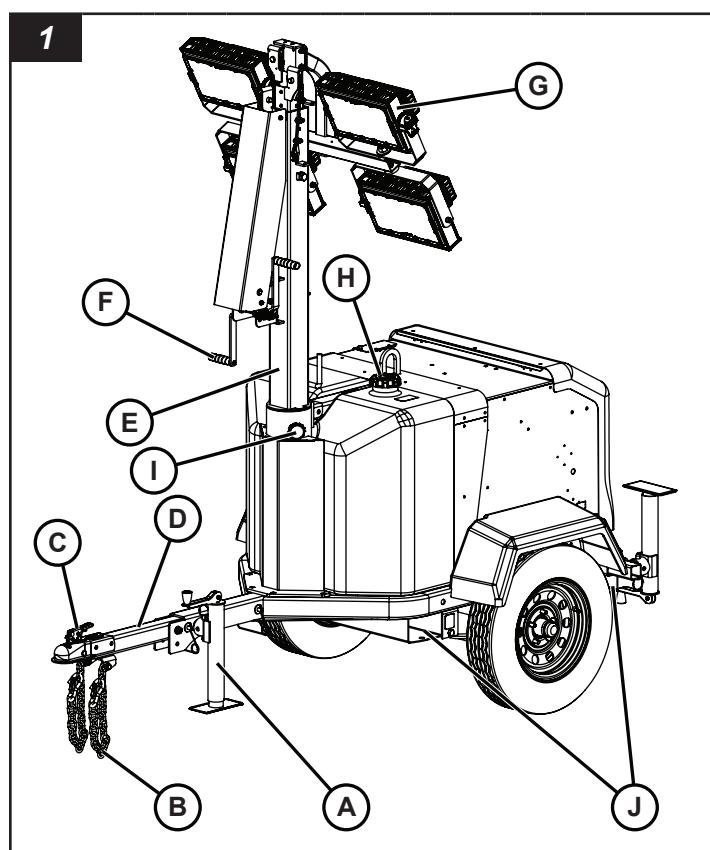
Todos los modelos	
Drenaje del aceite del motor N.º de pieza 107973	
Peso de elevación N.º de pieza 122480	
Instrucciones de operación N.º de pieza 122477	
Número de serie del remolque (VIN) N.º de pieza 120430	
Código QR de operaciones del producto N.º de pieza 123242	

Ícono	Significado	Ícono	Significado
	Contador horario		Conexión a tierra
	Controlador electrónico		

## Características y controles













El remolque de la torre de iluminación serie Night-Lite™ GR de Allmand® está diseñado para su uso como dispositivo de iluminación fijo en áreas grandes.

Identifique las características y los controles de la máquina al comparar las Figuras 1 a través de 3 con las siguientes tablas. Consulte **Operación** para obtener información detallada sobre cada característica/control.



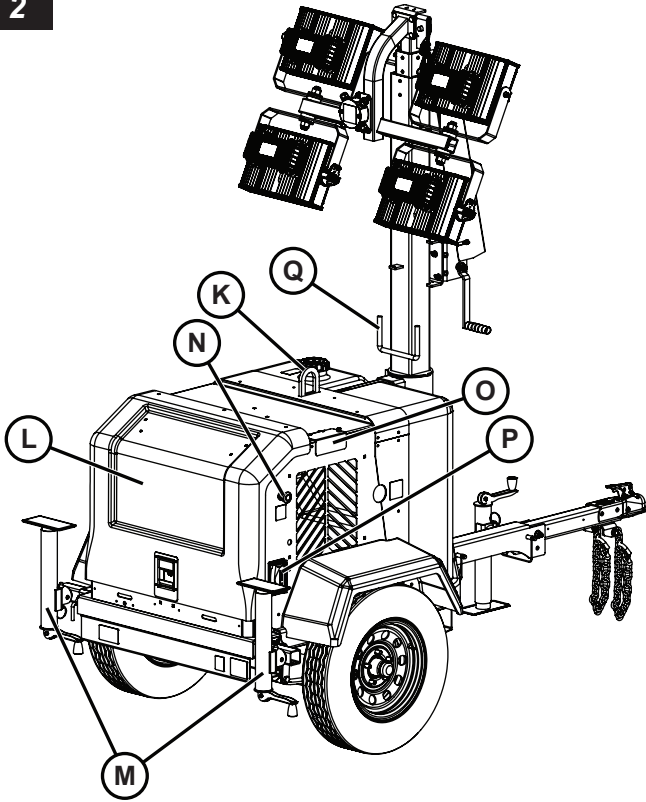
## Íconos de funcionamiento

La siguiente tabla contiene íconos de funcionamiento que se pueden encontrar en la unidad, junto con el significado de cada ícono.

Ícono	Significado	Ícono	Significado
	Energía encendida		Luz de trabajo
	Unidad apagada		Elevación de torre de iluminación
	Detención del motor		Descenso de torre de iluminación
	Marcha del motor		Drenaje del aceite del motor
	Arranque del motor		Disyuntor
	Pre calentamiento del motor		Disyuntor de desconexión

Ref	Descripción
A	Gato de la lengua
B	Cadena de seguridad (2)
C	Acoplador del remolque
D	Lengua del remolque
E	Torre de iluminación
F	Mango del cabrestante de la torre de iluminación (2)
G	Luminarias (4)
H	Tapa del combustible
I	Perilla de bloqueo de rotación del mástil de la torre iluminación
J	Cavidades para montacarga/punto de sujeción (2 en cada lado)

2



Ref	Descripción
R	Motor
S	Generador
T	Motor/Luz/ Panel de control de tomacorrientes de AC
U	Batería
V	Contenedor de almacenamiento de manuales

## Preparación del remolque de la torre de iluminación para el uso

### ⚠ ADVERTENCIA

Operar o remolcar una máquina con piezas faltantes, dañadas o desgastadas podría provocar lesiones graves o la muerte. Reemplace inmediatamente las piezas faltantes, dañadas o desgastadas. No opere ni remolque esta máquina hasta que se hayan reemplazado todas las piezas faltantes, dañadas o desgastadas y que la máquina opere correctamente.

### ⚠ ADVERTENCIA

Arrastrar un remolque con neumáticos mal inflados, dañados o desgastados puede provocar lesiones graves o la muerte. Reemplace inmediatamente las llantas desgastadas o dañadas. Mantenga las llantas con la presión de inflado en frío apropiada.

### AVISO

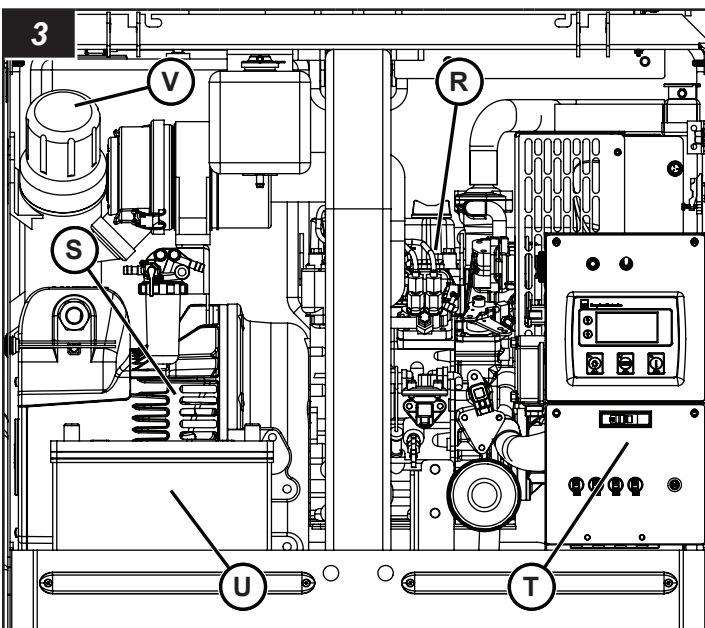
Se recomienda el uso de repuestos autorizados de Allmand. La garantía no cubre daños ni problemas de rendimiento provocados por el uso de piezas que no sean los repuestos autorizados.

Si el remolque de la torre de iluminación ha estado almacenado o no ha sido operado por un período, siga estos pasos para preparar el remolque de la torre de iluminación serie Night-Lite™ GR para su uso.

1. Asegúrese de que se disponga de una copia del Manual del operador en el contenedor de almacenamiento de manuales del remolque de la torre de iluminación.
2. Asegúrese de que todas las calcomanías de seguridad sean legibles y estén en su lugar en el remolque de la torre de iluminación. Consulte las **Calcomanías de seguridad** en la sección **Seguridad del operador**.
3. Revise que el remolque de la torre de iluminación funcione correctamente:

Ref	Descripción
K	Anillo de elevación
L	Cubierta del compartimento del motor
M	Balancín/Gato estabilizador (2)
N	Parada de emergencia
O	Puerta de acceso de la tapa del radiador
P	Tomacorriente auxiliar de CA
Q	Perilla de bloqueo de rotación del mástil de la torre iluminación

3



- A. Asegúrese de que la lengua del remolque esté bloqueada en la posición estacionamiento o de remolque. Consulte **Lengua del remolque**.
  - B. Utilice un medio adecuado para sostener con seguridad la lengua del remolque. Asegúrese de que el gato de la lengua opere correctamente y que el gato se pueda bloquear en la posición de transporte, al igual que en la posición de soporte del remolque. Consulte **Funcionamiento del gato de la lengua**.
  - C. Asegúrese de que los balancines funcionen correctamente, y que cada uno esté bloqueado en la posición de transporte. Consulte **Operación de los balancines** en la sección **Operación**.
  - D. Asegúrese de que el sistema de cabrestante y cable opere correctamente, y que el cable no esté pelado ni dañado.
  - E. Asegúrese de que el acoplador del remolque funcione correctamente y que el acoplador del remolque esté firmemente ajustado a la lengua del remolque de la torre de iluminación. Consulte **Uso del acoplador del remolque**.
  - F. Asegúrese de que las cadenas de seguridad estén bien sujetas a la lengua del remolque de la torre de iluminación y que las cadenas de seguridad y los ganchos no estén dañados. Reemplace las cadenas de seguridad y los ganchos que estén dañados.
  - G. Revise el estado y la presión de inflado de las llantas. Consulte **Especificaciones**.
4. Revise el nivel de aceite del motor y agregue según sea necesario. Consulte **Mantenimiento**.
  5. Revise el sistema de enfriamiento del motor y recárguelo según sea necesario. Asegúrese de que la botella de desborde de refrigerante esté al menos a media capacidad. Consulte **Mantenimiento**.
  6. Verifique si el filtro de aire está dañado y reemplácelo según sea necesario. Verifique el sistema de admisión de aire del motor y asegúrese de que todas las conexiones sean herméticas.
  7. Asegúrese de que la batería esté completamente cargada. El remolque de torre de iluminación está equipado de fábrica con una batería de 12 voltios. Utilice un cargador de batería de 12 voltios para cargarla nuevamente hasta su nivel máximo. Consulte **Mantenimiento de la batería** en la sección **Mantenimiento**.
  8. Si el remolque se almacenó con la batería desconectada, conecte la batería.
  9. Asegúrese de que haya suficiente combustible en el tanque de combustible. Consulte **Operación del motor: Verificaciones previas al arranque** en la sección **Operación** para obtener información detallada sobre cómo verificar y agregar combustible.
  10. Asegúrese de que el motor arranque y opere correctamente. Consulte **Operación del motor** en la sección **Operación**.

11. Asegúrese de que cada una de las luminarias funcione. Consulte **Operación de las luces de la torre** en la sección **Operación**.
12. Haga una prueba de GFCI (si está equipado) usando el botón "Prueba". Consulte **Tomacorrientes auxiliares de AC** en la sección **Operación**.

## Transporte del remolque de torre de iluminación

### Arrastre del remolque de torre de iluminación

#### Preparación del remolque de la torre de iluminación para el remolque

#### ADVERTENCIA

Arrastrar un remolque con un vehículo remolcador de baja clasificación o un enganche de dimensiones insuficientes o baja clasificación, puede provocar lesiones graves o la muerte. Siempre utilice un vehículo remolcador que tenga una capacidad de remolque nominal que exceda la clasificación de peso bruto del vehículo (GVWR) del remolque y que cuente con un enganche de remolque del tamaño adecuado, con clasificación para la GVWR del remolque.

#### ADVERTENCIA

Operar o remolcar una máquina con piezas faltantes, dañadas o desgastadas podría provocar lesiones graves o la muerte. Siempre reemplace oportunamente las piezas faltantes, dañadas o desgastadas. No haga funcionar ni remolque esta máquina hasta que se hayan reemplazado todas las piezas faltantes, dañadas o desgastadas y después de que se haya verificado su buen funcionamiento.

#### ADVERTENCIA

Arrastrar un remolque con neumáticos mal inflados, dañados o desgastados puede provocar lesiones graves o la muerte. Reemplace inmediatamente las llantas desgastadas o dañadas. Mantenga las llantas con la presión de inflado en frío apropiada.

1. Apague el motor.  
*Nota: Las Luces se apagarán automáticamente antes del apagado del motor.*
2. Baje completamente la torre de iluminación.
3. Gire la torre de iluminación a la posición de transporte y apriete la perilla de bloqueo.
4. Ajuste las luminarias en la posición de transporte.
5. Retraiga los balancines y los gatos del estabilizador y bloquéelos en la posición de transporte.
6. Cierre la cubierta del compartimiento del motor y asegúrese de que esté con seguro.

7. Bloquee la lengua del remolque en la posición de remolque. Consulte **Lengua del remolque**.
8. Asegúrese de que el vehículo remolcador y el enganche del remolque tengan la clasificación para remolcar la unidad. Consulte **Peso del remolque de la torre de iluminación**.  
*Nota: Consulte los manuales del vehículo remolcador y del enganche del remolque para conocer las capacidades nominales de remolque.*
9. Conecte el remolque al vehículo remolcador. Revise el acoplador del remolque para ver si está dañado y asegúrese de que esté bien sujeto a la lengua. Consulte **Conexión del remolque de la torre de iluminación al vehículo remolcador**.
10. Asegúrese de que las cadenas de seguridad estén bien sujetas a la lengua del remolque y revise las cadenas de seguridad y los ganchos para ver si están dañados. Reemplace según sea necesario.
11. Asegúrese de que el conector de las luces del vehículo remolcador se conectará con el conector de las luces del remolque. Verifique si el conector y los cables de las luces del remolque tienen daños. Repare o reemplace, según sea necesario.
12. Revise el estado y la presión de inflado de las llantas. Consulte **Verificación de la presión de las llantas** en la sección **Mantenimiento**.
13. Retire las cuñas para ruedas de la parte delantera y posterior de cada rueda.

## Lengua del remolque

La lengua del remolque de la torre de iluminación puede levantarse para su almacenamiento o transporte en remolque.

### ADVERTENCIA

No intente levantar la lengua del remolque cuando el remolque de torre de iluminación esté conectado a un vehículo remolcador. Se podrían provocar lesiones graves o la muerte.

### ADVERTENCIA

No intente elevar la lengua del remolque, a menos que la parte delantera de la unidad esté sostenida por el gato de la lengua. Se podrían provocar lesiones graves o la muerte.

### Para levantar la lengua del remolque (posición de estacionamiento)

### ADVERTENCIA

No asegurar la lengua del remolque en la posición de estacionamiento podría causar que esta se caiga y provocar lesiones graves o la muerte. Siempre asegure la lengua del remolque en la posición de estacionamiento.

1. Asegúrese de que la parte delantera de la unidad esté sostenida por el gato de la lengua. Consulte **Funcionamiento del gato de la lengua**.

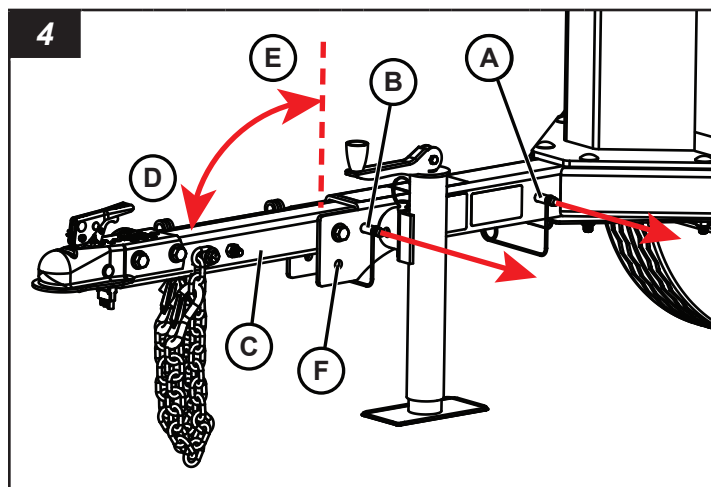
2. Retire los sujetadores (A y B, Figura 4) que fijan la lengua del remolque (C) en la posición de remolque (D).
3. Levante la lengua del remolque hasta la posición de estacionamiento (E, Figura 4). Instale el sujetador (B) en el orificio de bloqueo de la posición de estacionamiento (F). Vuelva a colocar el sujetador (A) en su orificio original. Asegure cada sujetador con su gancho de retención

### Para bajar la lengua del remolque (posición de remolque)

### ADVERTENCIA

No asegurar la lengua del remolque en la posición de remolque podría causar que la parte delantera del remolque de torre de iluminación caiga y provocar lesiones graves o la muerte. Siempre asegure la lengua del remolque en la posición de remolque

1. Asegúrese de que la parte delantera de la unidad esté sostenida por el gato de la lengua. Consulte **Funcionamiento del gato de la lengua**.
2. Retire el sujetador que bloquea la lengua del remolque en la posición de estacionamiento. (F, Figura 4). Retire también el sujetador (A).
3. Baje la lengua del remolque, hasta la posición de remolque (D, Figura 4). Instale los sujetadores (A) y (B). Asegure cada sujetador con su gancho de retención.



### Conexión del remolque de torre de iluminación al vehículo remolcador

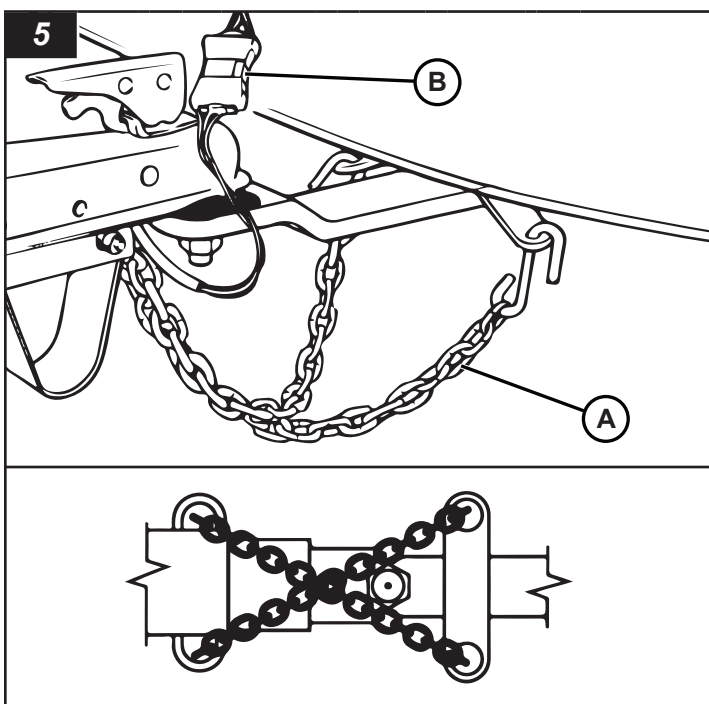
### ADVERTENCIA

Retraer el gato de la lengua sin afirmar la lengua del remolque podría provocar lesiones graves o la muerte. Asegúrese de que la lengüeta del remolque esté bien apoyada por los medios adecuados antes de retraer el gato de la lengüeta.

1. Coloque cuñas para las ruedas (no incluidas) contra la parte delantera y trasera de cada rueda, en ambos lados del remolque de torre de iluminación.



2. Asegúrese de que la lengua del remolque esté completamente abajo y bloqueada en la posición de remolque. Consulte **Lengua del remolque**.
3. Use el gato de la lengua para elevar el acoplador del remolque sobre la bola del enganche del vehículo remolcador. Consulte **Funcionamiento del gato de la lengua**.
4. Mueva el vehículo remolcador de tal manera que la bola del enganche quede debajo del acoplador del remolque.
5. Baje el acoplador del remolque al gancho de clavija con el gato de la lengua.
6. Bloquee el acoplador del remolque. Consulte **Uso del acoplador del remolque**.
7. Conecte las cadenas de seguridad (A, Figura 5) al armazón del enganche del vehículo remolcador. Cruce las cadenas debajo de la lengua, como se muestra. Deje suficiente holgura en las cadenas para permitir los giros, pero no demasiada como para que estas golpeen la superficie del camino.
8. Conecte el conector de las luces del remolque (B, Figura 5) al conector del vehículo remolcador. Asegúrese de que el mazo de cables de las luces del remolque tenga la longitud suficiente para evitar la desconexión cuando gire, pero no demasiada como para que golpee la superficie del camino. Una vez conectado, compruebe que las luces de detención, de viraje, traseras, marcadoras laterales y de la placa de licencia funcionen correctamente.
9. Eleve completamente el gato de la lengua y, luego, retráigalo a la posición de transporte. Consulte **Funcionamiento del gato de la lengua**.
10. Retire las cuñas de ambos lados de cada una de las ruedas del remolque de torre de iluminación.



## Operación del gato de la lengua

La unidad está equipada con un gato de la lengua para sostener la parte delantera del remolque de la torre de iluminación y nivelar el remolque de adelante hacia atrás.

### Para extender el gato de la lengua



#### ADVERTENCIA

No fijar el gato de la lengua en la posición de funcionamiento con el pasador de bloqueo del gato podría causar que la parte delantera del remolque de torre de iluminación colapse y provocar lesiones graves o la muerte. Siempre asegúrese de fijar el gato de la lengua en la posición de funcionamiento con el pasador de bloqueo del gato.

1. Retire el pasador de bloqueo del gato (A, Figura 6), gire el gato de la lengua hasta la posición de funcionamiento (B) y atraviese el pasador de bloqueo del gato completamente por los orificios superiores e inferiores del gato y la lengua.
2. Despliegue el mango (C, Figura 6).

### Para bajar la pata del gato de la lengua (elevar la parte delantera del remolque)

- Gire el mango del gato en sentido horario (D, Figura 6) para bajar la pata del gato (E) y elevar la parte delantera del remolque de torre de iluminación.

### Para elevar la pata del gato de la lengua (bajar la parte delantera del remolque)

- Gire el mango del gato en sentido contrario a las agujas del reloj (F, Figura 6) para elevar la pata del gato (G) y bajar la parte delantera del remolque de torre de iluminación.

### Para retraer el gato de la lengua

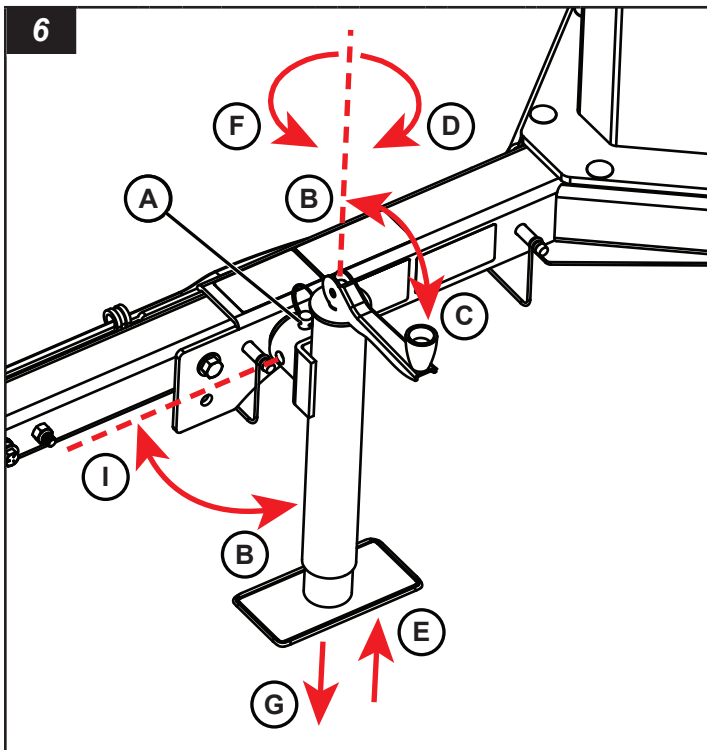


#### ADVERTENCIA

Retraer el gato de la lengua sin afirmar la lengua del remolque podría provocar lesiones graves o la muerte. Siempre asegúrese de que la lengua del remolque esté apoyada con seguridad con los medios adecuados, antes de retraer el gato de la lengua.

1. Asegúrese de que la lengua del remolque esté fijada en la posición de remolque. Consulte **Lengua del remolque**.
2. Utilice un medio adecuado para sostener la lengua del remolque.
3. Eleve completamente la pata del gato de la lengua.
4. Pliegue el mango (H, Figura 6).
5. Retire el pasador de bloqueo del gato (A, Figura 6), gire el gato hasta la posición de transporte (I) y atraviese el pasador de bloqueo del gato completamente por los orificios superiores e inferiores del gato y la lengua del remolque.





### Uso del acoplador del remolque/argollón de contera

El remolque viene de serie con un acoplador de remolque para un enganche de bola. También hay un argollón de contera opcional para un enganche de clavija o una barra de enganche de remolque reversible opcional, con un acoplador de remolque para un enganche de bola, y un argollón de contera para un enganche de clavija.

#### Para usar el acoplador de remolque (estándar)

- Vea *Acoplador de remolque*.

#### Para usar el argollón de contera (opcional)

- Vea *Argollón de contera*.

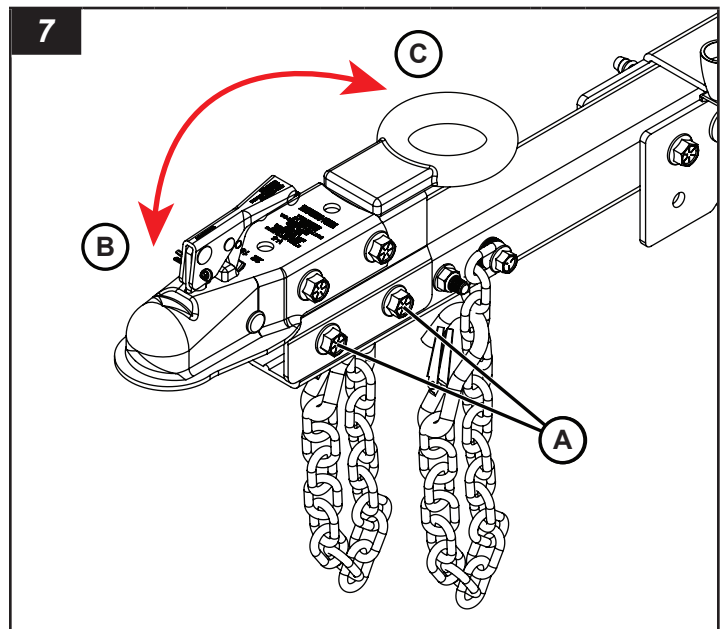
#### Para cambiar entre el acoplador del remolque y el argollón de contera (barra de enganche reversible opcional)

### ADVERTENCIA

No usar tuercas nylock nuevas y apretadas correctamente para sujetar la barra del enganche a la lengua del remolque podría provocar lesiones graves o la muerte. Siempre use tuercas nylock nuevas y apretadas correctamente al sujetar la barra del enganche a la lengua del remolque.

1. Retire las piezas metálicas (C, Figura 7) conectando la barra del enganche del remolque a la lengua del remolque. Deseche las tuercas nylock.

2. Gire la barra de enganche del remolque para que el acoplador del remolque (A, Figura 7) o el argollón de contera (B) quede orientado hacia adelante. Instale las piezas metálicas retiradas en el paso 1 en el conjunto de orificios de la lengua del remolque y usando tuercas nylock nuevas. Apriete a 110 libra/pies (149 Nm).



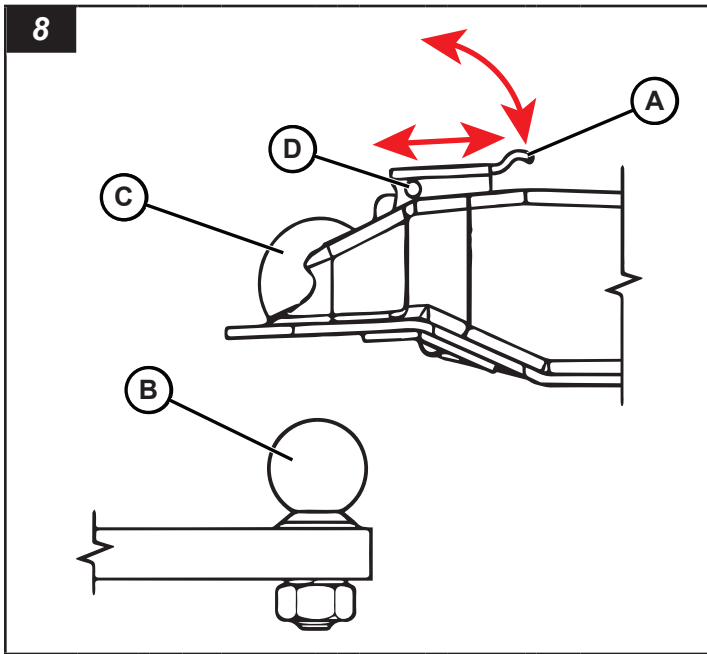
### Acoplador del remolque

#### Para conectar el remolque al vehículo remolcador

1. Levante y tire el seguro (A, Figura 8) del acoplador del remolque.
2. Baje el acoplador del remolque al enganche de bola del vehículo. Asegúrese de que la bola del enganche (B, Figura 8) esté completamente enganchada en el encastre del acoplador (C, Figura 8).
3. Presione el seguro hacia adelante y hacia abajo. (Se bloquea automáticamente). Instale un candado a través del orificio del seguro (D, Figura 8) para mayor seguridad.
4. Asegúrese de que el acoplador esté completamente instalado en el enganche de bola.

#### Para desconectar el remolque del vehículo remolcador

1. Retire el candado (si instaló uno) del seguro del acoplador del remolque (D, Figura 8).
2. Levante el seguro del acoplador del remolque (A, Figura 8) hacia arriba y hacia atrás.



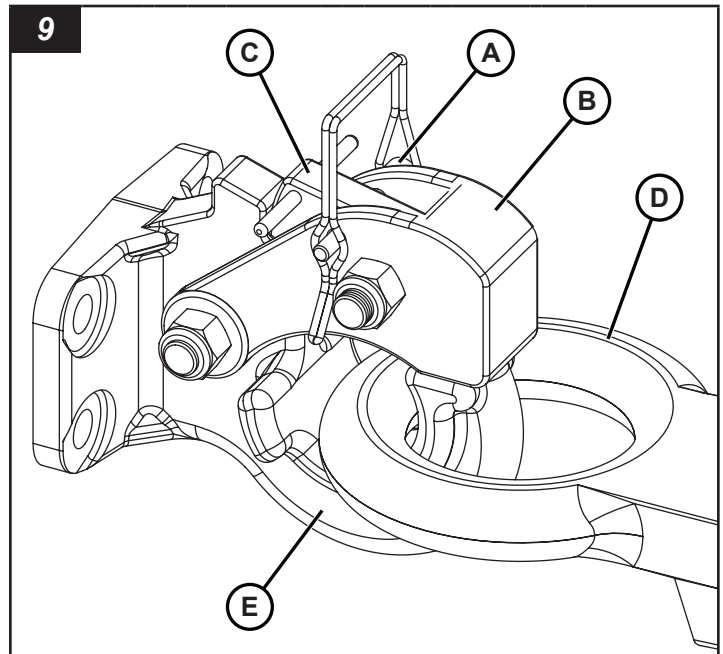
### Argollón de contera

#### Para conectar el remolque al vehículo remolcador

1. Retire el pasador de bloqueo (A, Figura 9, si está equipado) del enganche de clavija (B, Figura 9).
2. Tire el seguro (C, Figura 9) para abrir el enganche de clavija.
3. Baje el argollón de contera (D, Figura 9) al gancho de la clavija (E, Figura 9).
4. Cierre el enganche de clavija. Asegúrese de que el seguro bloquee el enganche de clavija en su lugar.
5. Instale el pasador de bloqueo (si tiene).

#### Para desconectar el remolque del vehículo remolcador

1. Retire el pasador de bloqueo (si tiene) del enganche de clavija.
2. Tire el seguro para abrir el enganche de clavija.
3. Retire el argollón de contera del gancho de clavija.



### Peso del remolque de la torre de iluminación

#### ⚠ ADVERTENCIA

Arrastrar el remolque de la torre de iluminación cuando está cargado más allá de la clasificación de peso bruto del vehículo (GVWR) podría resultar en muerte o lesiones graves. Siempre mantenga un peso bruto del vehículo inferior al GVWR indicado en la placa de serie y en la sección de **Especificaciones** de este manual.

El remolque de torre de iluminación es un remolque SAE Clase 2, con una clasificación de peso bruto del vehículo (GVWR) como se indica en la placa de serie y en la sección de **Especificaciones** de este manual. No exceda el GVWR al intentar llevar herramientas o equipos adicionales. No transporte pasajeros. Ver **Seguridad**.

### Arrastre del remolque de torre de iluminación

#### ⚠ ADVERTENCIA

El exceso de velocidad al arrastrar el remolque podría provocar lesiones graves o la muerte. Siempre mantenga una velocidad de remolque segura para las condiciones del camino. Nunca exceda los 65 mi/h (105 km/h) cuando arrastre el remolque.

#### ⚠ ADVERTENCIA



#### Peligro de vuelco

No realice virajes cerrados a altas velocidades cuando arrastre el remolque de torre de iluminación. Esto podría causar el vuelco del remolque de torre de iluminación y provocar daños en el equipo, lesiones graves o la muerte.

La velocidad máxima de remolque en carretera para el remolque de la torre de iluminación es de 65 mi/h (105 km/h). Asegúrese de revisar las leyes de su provincia o estado en relación con las velocidades de remolque máximas legales para los remolques.

Cuando arrastre el remolque fuera de la carretera o en terrenos en mal estado, la velocidad de remolque máxima es de 20 mi/h (32 km/h). Es posible que se

requieran velocidades menores para terrenos en muy malas condiciones.

Arrastre el remolque de torre de iluminación con las luces y el motor apagados.

No transporte pasajeros.

## Desconexión del remolque de torre de iluminación del vehículo remolcador

### ADVERTENCIA

#### Peligro de aplastamiento

Intentar mover el remolque de la torre de iluminación empujándolo o tirando manualmente de este podría representar un peligro de aplastamiento y provocar lesiones graves o la muerte. Siempre mueva el remolque con el vehículo remolcador, ponga cuñas contra las ruedas y baje el gato de la lengua antes de desacoplar el remolque del vehículo remolcador.

1. Encuentre una superficie estable, nivelada y firme en el lugar de trabajo. Consulte **Consideraciones del lugar de trabajo** en la sección **Operación**.
2. Mueva el remolque de la torre de iluminación hacia la posición deseada con el vehículo remolcador.
3. Coloque cuñas contra las ruedas en ambos lados del remolque.
4. Desconecte el conector de las luces del remolque del conector de las luces del vehículo remolcador.
5. Mueva el gato de la lengua hasta la posición de operación. Consulte **Funcionamiento del gato de la lengua**.
6. Baje el gato de la lengua para sostener la parte delantera del remolque de torre de iluminación. Consulte **Funcionamiento del gato de la lengua**.
7. Desconecte el remolque del vehículo remolcador. Consulte **Uso del acoplador del remolque**.
8. Use el gato de la lengua para elevar el acoplador del remolque sobre la bola del enganche del vehículo remolcador.
9. Desconecte las cadenas de seguridad del armazón del enganche del vehículo remolcador.
10. Separe el vehículo remolcador del remolque de torre de iluminación.
11. Si lo desea, mueva la lengua del remolque hacia arriba, hasta la posición de estacionamiento. Consulte **Lengua del remolque**.

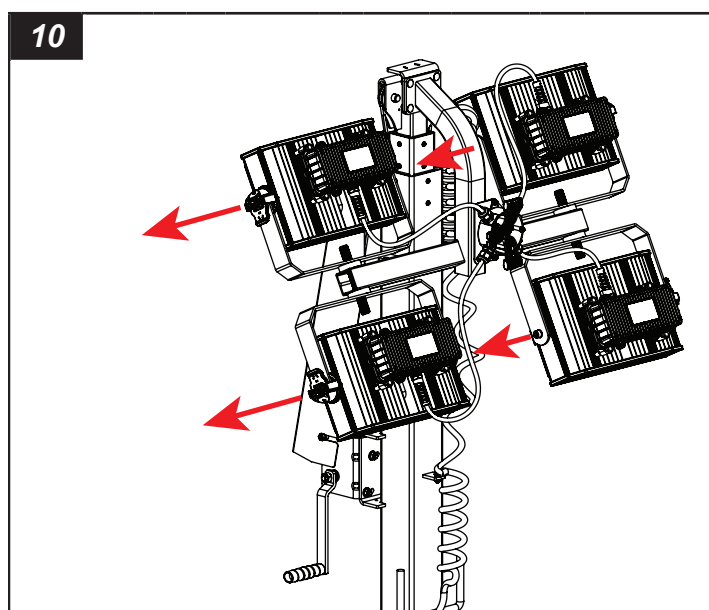
## Transporte en un remolque

Los bolsillos del montacarga a ambos lados de la unidad se pueden usar como puntos de sujeción. Consulte **Elevación del remolque de la torre de iluminación** para conocer las ubicaciones de los bolsillos del montacarga.

Siempre sujete el remolque de la torre de iluminación al remolque de transporte con cadenas o correas. No aplique una fuerza superior a 600 libras (272 kg) en las cadenas o correas.

El operador del camión es responsable de asegurarse de que la unidad se cargue de forma segura y de que esté sujeta a su remolque de transporte.

*Nota: Cuando se transporte en un remolque, gire las luces hacia la parte trasera de la unidad. Vea la Figura 10.*



## Elevación del remolque de la torre de iluminación

### ADVERTENCIA

Levantar el remolque de la torre de iluminación con un dispositivo de elevación dañado o de baja clasificación podría provocar lesiones graves o la muerte. Siempre asegúrese de que el dispositivo de elevación esté clasificado para levantar el peso del remolque de la torre de iluminación. Asegúrese de que el dispositivo de elevación esté en buenas condiciones antes de levantarlo.

### ADVERTENCIA

Pararse o caminar por debajo de un equipo cuando está siendo elevado podría provocar lesiones graves o la muerte. Cuando levante el remolque de la torre de iluminación, siempre mantenga despejada el área alrededor y debajo del remolque de torre de iluminación, y no permita que otras personas estén en el área.

## Pautas generales para la elevación

- Antes de la elevación, baje la torre de iluminación y apague el motor. Consulte los pasos en **Preparación del remolque de la torre de iluminación para el remolque**.
- Asegúrese de que el dispositivo de elevación que use esté en buenas condiciones y exceda la clasificación de peso bruto del vehículo (GVWR) del remolque de la torre de iluminación. Consulte **Peso del remolque de la torre de iluminación**.
- Pida ayuda cuando utilice un montacarga, una grúa o un polipasto, y cuando realice la descarga.
- Use solo el cáncamo de elevación para levantar la unidad con un polipasto o una grúa.
- Use solo grilletes o un gancho tipo bloqueo cuando realice la elevación.
- No se pare ni camine debajo de la unidad cuando esté siendo levantada. Mantenga a las demás personas alejadas.

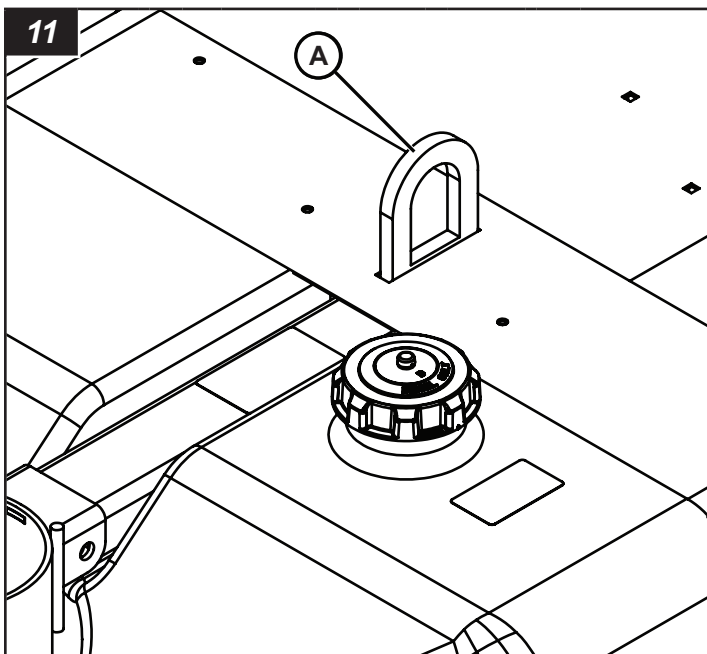
## Cáncamo de elevación

El remolque de la torre de iluminación tiene un cáncamo de elevación ubicado en la parte superior central de la unidad (A, Figura 11). Utilice solo este cáncamo de elevación para elevar el remolque de la torre de iluminación.

Use un dispositivo de elevación con una clasificación de elevación que exceda la clasificación de peso bruto del vehículo (GVWR) del remolque de torre de iluminación. Consulte **Peso del remolque de la torre de iluminación**.

El cáncamo de elevación tiene una clasificación para 1750 libras (794 kg), y está diseñado para soportar únicamente el peso del remolque de torre de iluminación. No añada más peso a la unidad cuando la levante.

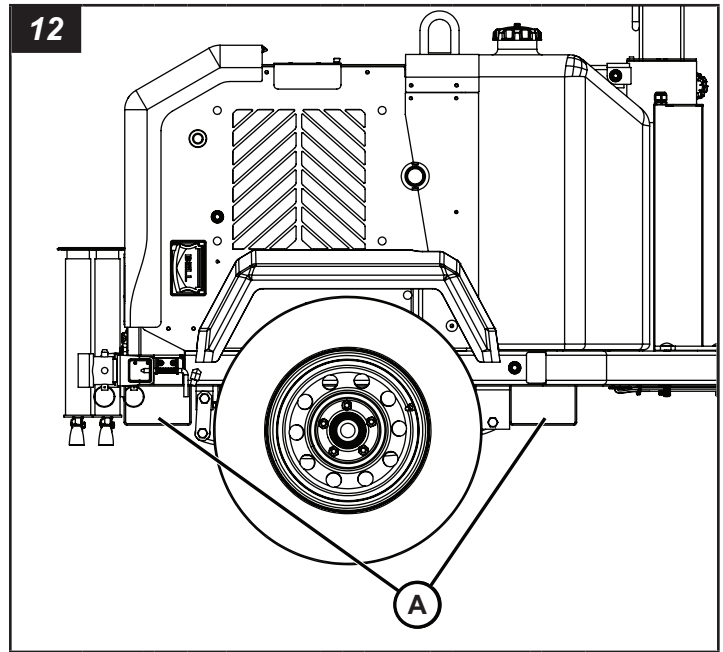
No mantenga el remolque de la torre de iluminación levantado durante largos períodos.



## Elevación del remolque de la torre de iluminación con un montacarga

El remolque de la torre de iluminación tiene dos cavidades para el montacarga (A, Figura 12) en cada costado de la unidad.

Use un montacarga con una capacidad de elevación superior que el peso del remolque de torre de iluminación. Consulte **Peso del remolque de la torre de iluminación**.



## Funcionamiento

### Consideraciones de seguridad del lugar de trabajo

El operador es responsable de asegurarse de que el remolque de la torre de iluminación se ubique de manera segura y adecuada en el lugar de trabajo. Siga las normas provinciales, estatales y federales, así como las normas o instrucciones del lugar de trabajo.

### Espacio aéreo libre

 PELIGRO



### Peligro de electrocución

- Levantar la torre de iluminación en presencia de líneas de alta tensión provocará lesiones graves o la muerte. Siempre compruebe los cables aéreos y las obstrucciones antes de elevar o bajar la torre de iluminación.
- Siempre siga las normas o regulaciones de su lugar de trabajo y el código eléctrico estatal, provincial y nacional para mantener una distancia segura con respecto a los cables aéreos.

El lugar de trabajo debe estar despejado de obstrucciones aéreas, como líneas de alta tensión, árboles, etc. Tenga en cuenta la altura máxima de la torre de iluminación cuando se eleva completamente. Consulte **Especificaciones**.

### Superficie del suelo

 **ADVERTENCIA**



#### Peligro de vuelco

Posicionar el remolque de torre de iluminación en un suelo blando, inestable o desnivelado podría causar el vuelco del remolque y provocar lesiones graves o la muerte. Siempre posicione el remolque en una superficie firme, nivelada y estable, y extienda los balancines antes de elevar la torre de iluminación.

- No instale el remolque de torre de iluminación en una superficie inclinada de más de 2,8° (5 % de grado), de adelante hacia atrás y de lado a lado.
- No ponga ni instale el remolque de la torre de iluminación en un suelo inestable o desnivelado. Instálo sobre superficies con suelos sólidos, planos y uniformes únicamente.

### Viento

 **ADVERTENCIA**



#### Peligro de vuelco

Hacer funcionar la torre de iluminación elevada en condiciones con viento que excedan las 55 mi/h (88 km/h) podría causar que el remolque se vuelque y provocar lesiones graves o la muerte. No haga funcionar la torre de iluminación elevada en condiciones con viento que excedan las 60 mi/h (97 km/h).

Cuando la torre de iluminación está en posición de funcionamiento, se encuentra en el medio de un sistema de balancín de tres puntos para brindar una estabilidad y un equilibrio óptimos. Este sistema se diseñó para permitir que la torre de iluminación permanezca funcional en vientos sostenidos de 60 mi/h (97 km/h) con la torre de iluminación extendida hasta la altura total y los balancines en su posición sobre una superficie nivelada y firme.

## Nivelación y estabilización del remolque de torre de iluminación

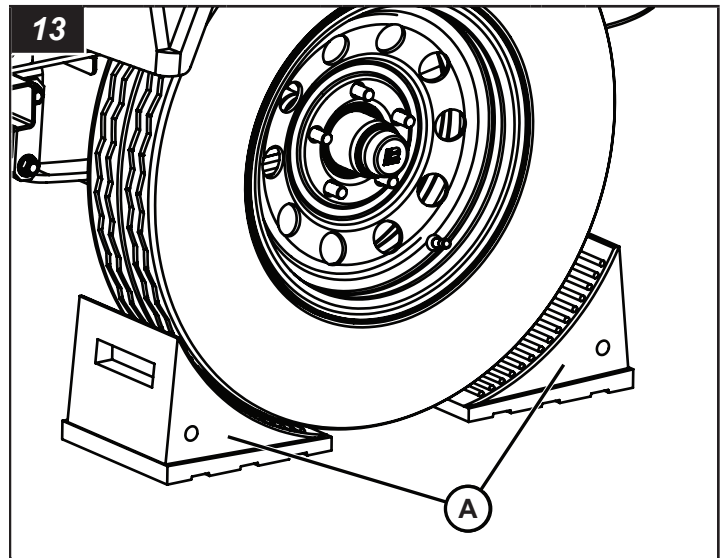
 **ADVERTENCIA**



#### Peligro de vuelco

Poner el remolque de la torre de iluminación en un suelo blando, inestable o desnivelado podría causar el vuelco del remolque y provocar lesiones graves o la muerte. Siempre ponga el remolque en una superficie firme, nivelada y estable, y extienda los balancines antes de elevar la torre de iluminación.

1. Ponga el remolque de la torre de iluminación en un lugar de trabajo sólido y nivelado. Consulte **Consideraciones de seguridad del lugar de trabajo**.
2. Ponga cuñas para las ruedas en la parte delantera y trasera de cada rueda (A, Figura 13).



3. Nivele el remolque de la torre de iluminación con el gato de la lengua. Consulte **Operación del gato de la lengua** en la sección **Transporte**.
4. Despliegue los balancines. Consulte **Operación de los balancines**.
5. Nivele el remolque de la torre de iluminación de adelante hacia atrás y de lado a lado con los gatos.

## Funcionamiento de los balancines

La unidad cuenta con balancines izquierdos y derechos en la parte trasera de la máquina.



**!** ADVERTENCIA



**Peligro de vuelco**

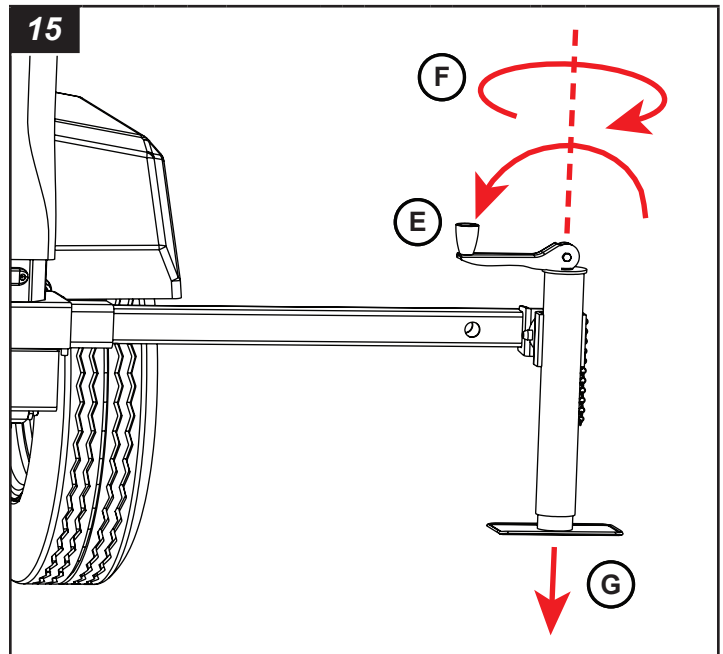
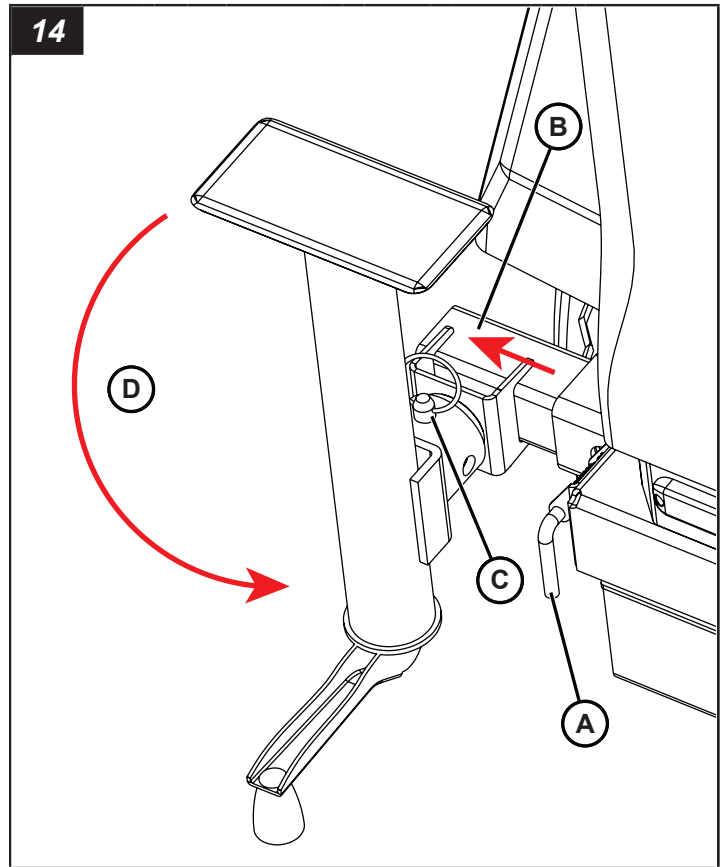
- No extender los balancines antes de elevar la torre de iluminación podría causar que el remolque de torre de iluminación se vuelque y provocar lesiones graves o la muerte. Siempre extienda los balancines antes de elevar la torre de iluminación.
- No bloquear el gato del estabilizador en la posición de operación podría ocasionar que la parte trasera del remolque de la torre de iluminación se caiga y provoque lesiones graves o la muerte. Siempre asegúrese de bloquear el gato del estabilizador en la posición de operación con el pasador de bloqueo del gato.
- Los gatos del estabilizador deben estar sostenidos por una superficie de suelo sólida, nivelado y plano.

**Para extender los balancines:**

1. Tire del pasador de bloqueo del balancín (A, Figura 14).
2. Mueva el balancín (B, Figura 14) hacia afuera hasta que el pasador bloquee al balancín en la posición de operación.
3. Retire el pasador de bloqueo del gato del estabilizador (C, Figura 14), gire el gato hasta la posición de operación (D, Figura 14) y atravesese el pasador de bloqueo del gato del estabilizador completamente por los orificios superiores e inferiores del gato y el balancín.
4. Despliegue el mango (E, Figura 15) del gato del estabilizador y luego gire en sentido horario (F, Figura 15) para bajar la pata del gato (G, Figura 15) hasta que quede bien firme en la superficie del lugar de trabajo.
5. Repita el proceso con el balancín y el gato del estabilizador del lado opuesto.

**Para retraer los balancines:**

1. Gire la manivela del gato en sentido contrario a las agujas del reloj para levantar completamente la pata del gato del estabilizador.
2. Pliegue el mango.
3. Retire el pasador de bloqueo del gato del estabilizador, gire el gato hasta la posición de transporte y atravesese el pasador de bloqueo del gato del estabilizador completamente por los orificios superiores e inferiores del gato y el balancín.
4. Levante el pasador de bloqueo del balancín y mueva el balancín hacia adentro hasta que el pasador bloquee el balancín en la posición de transporte.
5. Haga lo mismo con el otro gato del estabilizador y con el balancín.



## Abastecimiento de combustible de la unidad

 **ADVERTENCIA**



### Peligro de incendio

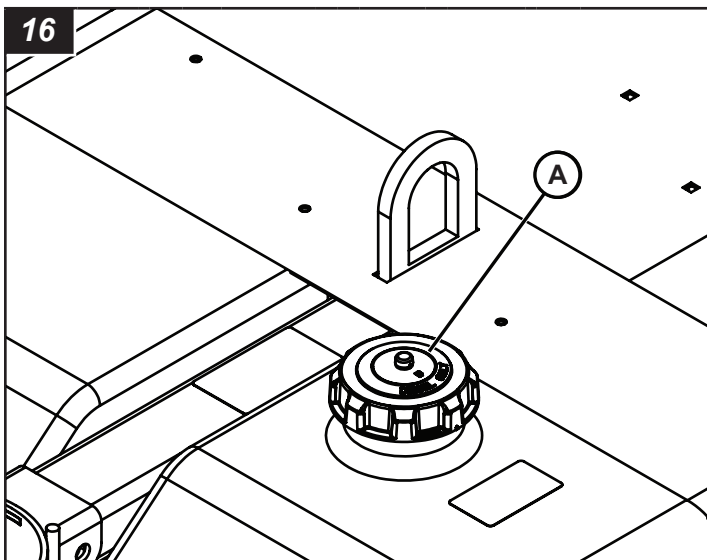
Agregar combustible al remolque de la torre de iluminación con el motor en operación podría causar un incendio y provocar lesiones graves o la muerte. Siempre asegúrese de que el motor esté apagado antes de agregar combustible en el tanque de combustible.

El remolque de la torre de iluminación tiene un solo tanque de combustible con una capacidad de 63 gal (238 l).

1. Retire la tapa del tanque de combustible (A, Figura 16) y agregue combustible al tanque. Consulte Especificaciones para ver las recomendaciones de combustible. El módulo de control de Alta mar muestra la cantidad de combustible en el tanque.
2. Coloque la tapa del tanque de combustible después de agregar combustible.

### AVISO

Usar combustibles distintos a los recomendados por el fabricante del motor podría provocar daños en el motor o en el sistema de control de emisiones, lo que anulará la garantía del fabricante. Siempre lea y siga las recomendaciones sobre el uso de combustible del fabricante del motor.



## Preparación para hacer funcionar la unidad

 **ADVERTENCIA**



### Peligro de quemaduras

La liberación rápida de refrigerante caliente bajo presión podría provocar lesiones graves o la muerte. Tenga mucho cuidado cuando abra la tapa del radiador y siempre use protección para los ojos y guantes resistentes al calor.

1. Asegúrese de que el remolque de torre de iluminación esté nivelado adelante hacia atrás y de lado a lado. Consulte **Nivelación y estabilización del remolque de la torre de iluminación**.
2. Abra la cubierta del compartimento del motor.
3. Retire la varilla de nivel de aceite del motor y verifique el nivel de aceite. El nivel de aceite del motor debe estar entre las marcas “Lleno” y “Agregar” de la varilla de nivel de aceite. Añada aceite según sea necesario. Consulte **Aceite del motor** en la sección **Mantenimiento**.
4. Revise la botella de recuperación de refrigerante del motor. Mantenga el refrigerante del motor en la botella de recuperación entre 1/3 y 2/3 de su capacidad. Abra la puerta de acceso a la tapa del radiador (vea **Características y controles**), retire la tapa del radiador y compruebe el nivel del refrigerante. Rellene según sea necesario. Consulte **Refrigerante del motor** en la sección **Mantenimiento** para obtener información detallada acerca del refrigerante del motor.
5. Cierre la cubierta del compartimento del motor.
6. Verifique el nivel de combustible en el tanque de combustible. Agregue combustible según sea necesario. Consulte **Abastecimiento de combustible de la unidad**.

## Operación del motor

 **ADVERTENCIA**

### Peligro de arranque automático del motor

El arranque inesperado del motor puede provocar lesiones graves o la muerte. Lea y siga el Manual del operador del panel de control antes de hacer funcionar este equipo o realizarle mantenimiento.

Su máquina tiene un módulo de control de Alta mar. Antes de operar el motor, lea el manual del operador del módulo de control de Alta mar.

### Para arrancar el motor:

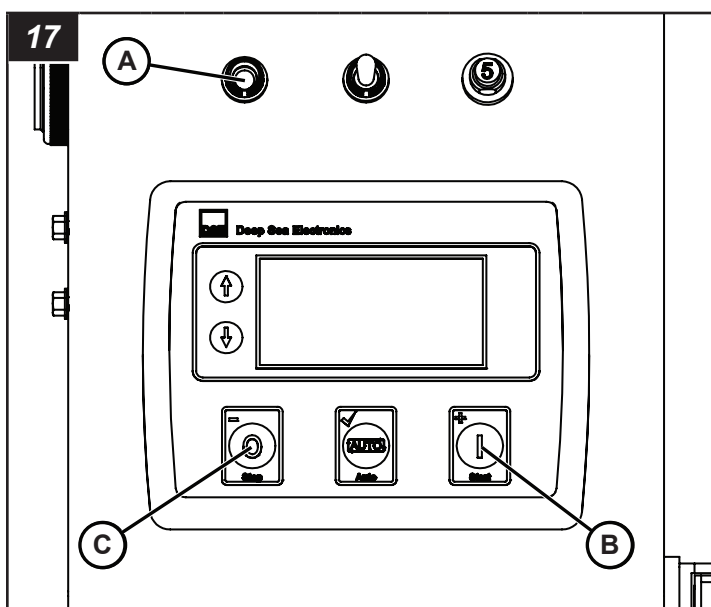
1. Abra la cubierta del compartimento del motor.
2. Gire el interruptor de encendido/apagado del módulo de control de Alta mar (A, Figura 17) a la posición “Encendido”.

3. Para arrancar el motor manualmente\*:
  - Pulse el botón “Arranque” en el módulo de control de Alta mar (B, Figura 17) dos veces (2x).
  - Después de que el calentador de admisión haya calentado la admisión, el motor se pondrá en marcha.
4. Una vez que el motor arranque, las luces se encenderán automáticamente. Todos los disyuntores de circuito de luz deben estar en la posición “Encendido”.

#### Para apagar el motor:

1. Pulse el botón “Detener” en el módulo de control de Alta mar (C, Figura 17). Las luces se apagarán automáticamente antes de que el motor se apague.
2. Cierre la cubierta del compartimiento del motor.

\*Nota: Para obtener información completa sobre el módulo de control de Alta mar, lea el manual del operador del módulo de control de Alta mar.



#### Sistema de apagado automático del motor

El motor tiene un sistema de apagado automático para evitar daños en el motor, en caso de una condición de bajo nivel de aceite o alta temperatura.

Si el motor se apagó automáticamente, ubique el origen de la falla y repárela antes de volver a arrancarlo. Consulte **Resolución de problemas del motor** en la sección **Resolución de problemas**.

#### Uso del calentador de bloque

El remolque de la torre de iluminación puede estar equipado con un calentador de bloque eléctrico opcional de 400 W, 3,3 A, 120 V y 60 Hz de tipo tapón contra heladas. Use un cable de extensión con conexión a tierra (de 3 clavijas) para conectar al enchufe del calentador de bloque a una fuente de energía eléctrica adecuada.

En el motor Kubota, el calentador de bloque está ubicado en la parte posterior del cabezal del cilindro.

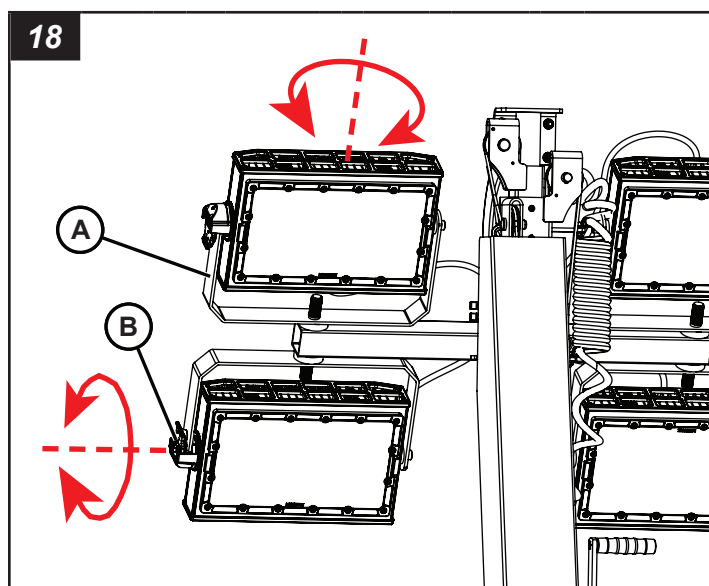
## Operación de la torre de iluminación

### Ajuste de las luces

#### Ajuste de las luminarias

*Nota: Se deben ajustar las luminarias antes de elevar la torre de iluminación.*

1. Apague el motor. Consulte **Operación del motor**.
2. Ajuste cada luminaria a la posición deseada. Para ajustar hacia la izquierda y hacia la derecha, mueva el yugo de la luminaria (A, Figura 18). Para ajustar hacia arriba y hacia abajo, afloje la perilla de bloqueo (B), ajuste la luminaria y luego apriete la perilla de bloqueo.
3. Una vez terminadas las operaciones de iluminación, ajuste las luminarias en la posición de transporte, con las luminarias orientadas rectas hacia la parte trasera del remolque de torre de iluminación. Consulte **Transporte del remolque de la torre de iluminación**.



#### Giro de la torre de iluminación

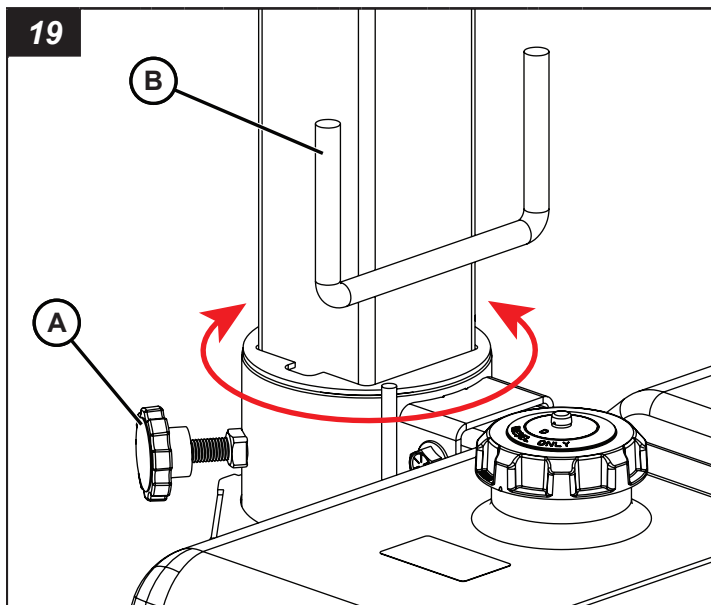
#### ⚠ ADVERTENCIA

No apretar la perilla de bloqueo de la torre de iluminación puede causar que las luminarias se balanceen desprevénidamente, en especial en condiciones con viento o durante el transporte, y podría provocar lesiones graves o la muerte. Siempre apriete firmemente la perilla de bloqueo de la torre, después de girar la torre de iluminación.

#### ⚠ PRECAUCIÓN

Girar la torre de iluminación hará que las luminarias se balanceen, lo que podría provocar lesiones menores a moderadas. Procure girar la torre lentamente y esté pendiente de las luminarias cuando la gire.

1. Apague el motor. Consulte **Operación del motor**.
2. Suelte la perilla de bloqueo de rotación de la torre de iluminación (A, Figura 19).
3. Utilice los mangos (B, Figura 19) para rotar la torre de iluminación en la dirección deseada.
4. Apriete la perilla de bloqueo de la torre de iluminación.
5. Una vez terminadas las operaciones de iluminación, rote la torre de iluminación a la posición de transporte, con las luminarias orientadas directamente hacia la parte trasera del remolque de la torre de iluminación. Apriete la perilla de rotación de la torre de iluminación.



### Elevación y bajada de la torre de iluminación

La unidad puede estar equipada con un cabrestante manual estándar o un cabrestante eléctrico opcional para elevar y bajar la torre de iluminación.



**PELIGRO**



#### Peligro de electrocución

Levantar la torre de iluminación en presencia de líneas de alta tensión provocará lesiones graves o la muerte. Siempre compruebe los cables aéreos y las obstrucciones antes de elevar o bajar la torre de iluminación.



**ADVERTENCIA**



#### Peligro de vuelco

Antes de elevar, bajar o hacer funcionar las luces de la torre, el remolque debe estar instalado, nivelado, estabilizado. Consulte **Nivelación y estabilización de la torre de iluminación**.



**ADVERTENCIA**

#### Peligro de aplastamiento

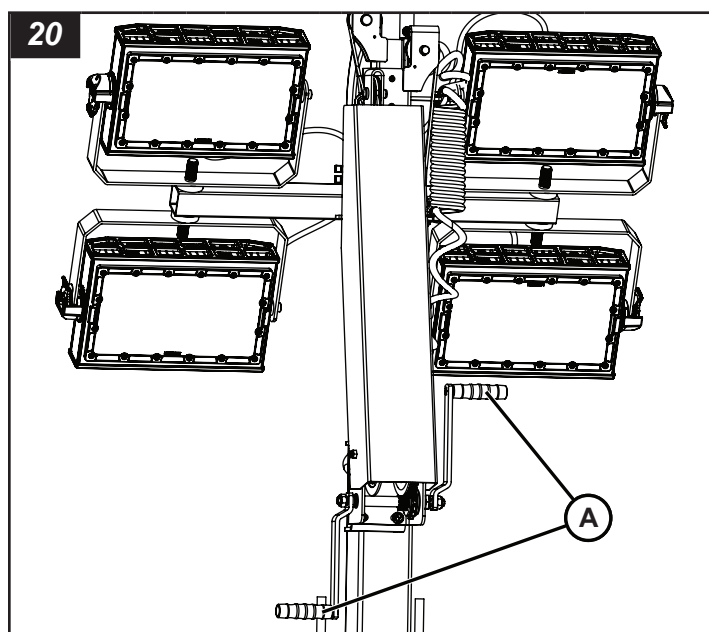
Permanecer debajo de la torre de iluminación mientras se eleva o se baja podría provocar lesiones graves o la muerte. Asegúrese de que no haya personas cerca de la torre de iluminación mientras esta se eleve o baje.

#### Elevación de la torre de iluminación: cabrestante manual (estándar)

1. Apague el motor. Consulte **Operación del motor**. Espere 10 minutos para que las luces se enfríen.
2. Antes de elevar la torre de iluminación, ajuste las luces de la torre en la posición de trabajo deseada. Consulte **Ajuste de las luces**.
3. Gire el mango del cabrestante (A, Figura 20) hasta que la torre haya sido completamente elevada. No gire los mangos en exceso.

#### Bajada de la torre de iluminación: cabrestante manual (estándar)

1. Apague el motor. Consulte **Operación del motor**. Espere 10 minutos para que las luces se enfríen.
2. Gire el mango del cabrestante (A, Figura 20) hasta que la torre haya sido completamente bajada. No gire los mangos en exceso.



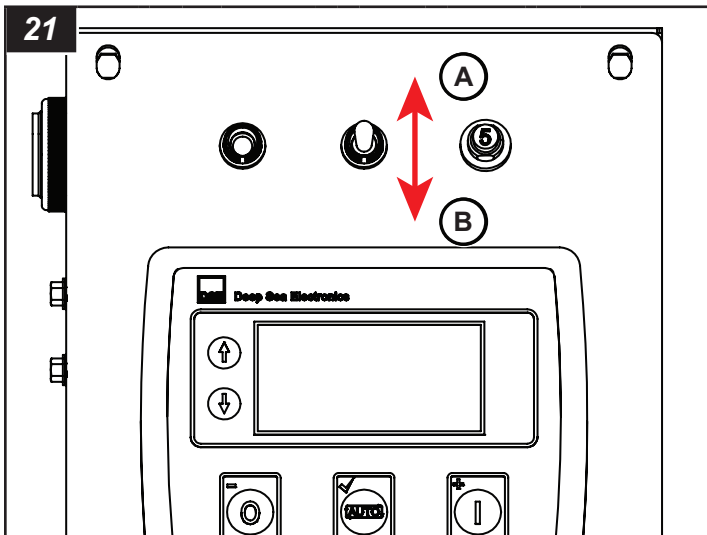
#### Elevación de la torre de iluminación: cabrestante eléctrico (opcional)

1. Apague el motor. Consulte la sección **Operación del motor**. Espere 10 minutos para que las luces se enfríen.
2. Antes de elevar la torre de iluminación, ajuste las luces de la torre en la posición de trabajo deseada. Consulte la sección **Ajuste de las luces**.
3. Abra la cubierta del compartimento del motor.

- Mantenga presionado el interruptor de elevación de la torre (A, Figura 21) en la posición hacia arriba hasta que la torre esté completamente elevada.

#### Bajada de la torre de iluminación: cabrestante eléctrico (opcional)

- Apague el motor. Consulte la sección **Operación del motor**. Espere 10 minutos para que las luces se enfrien.
- Mantenga presionado el interruptor de elevación de la torre (B, Figura 21) en la posición hacia abajo hasta que la torre haya bajado completamente.



#### Operación de las luces de la torre



**ADVERTENCIA**



#### Peligro óptico

Mirar las luminarias encendidas podría provocar lesiones graves. Nunca mire directamente las luminarias iluminadas.

#### Encendido de las luces

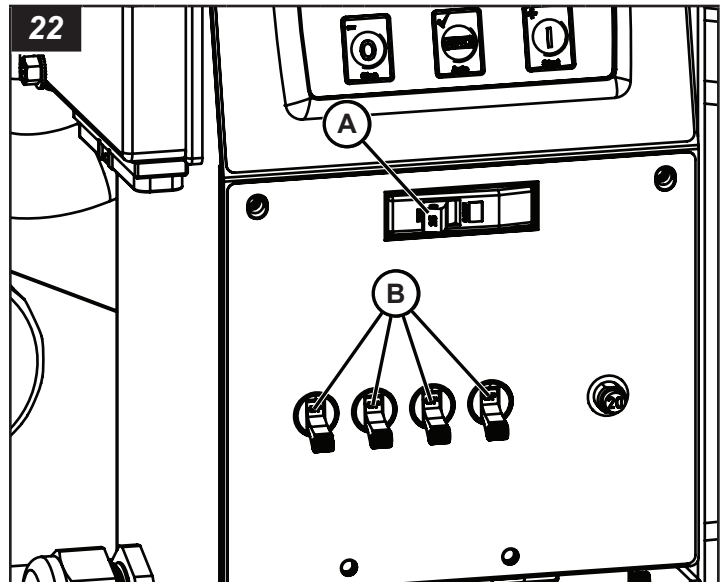
Las luces de la torre se encenderán automáticamente después de que arranque el motor. Sin embargo, el interruptor de luz principal o los interruptores de luz individuales pueden estar en APAGADO.

- Encienda el disyuntor principal de las luces (A, Figura 22) (si está en APAGADO).
- Encienda los interruptores individuales de las luces (B, Figura 22) (del 1 al 4, si está en APAGADO).

El disyuntor / los interruptores también se pueden usar si se desea controlar individualmente las luces en forma manual.

#### Apague de las luces

Apague el motor para que se apaguen las luces. Consulte **Operación del motor**. (Además, las luces se pueden apagar de forma manual. Consulte **Encendido de las luces**).



#### Tomacorriente auxiliar de AC

En el panel derecho, cerca de la parte posterior de la unidad, hay un tomacorriente auxiliar de CA (A, Figura 23). El tomacorriente está protegido con una cubierta tensada por resorte.

*Nota: Los tomacorrientes pueden ser diferentes según el modelo.*

La alimentación se suministra hacia el tomacorriente solamente cuando el motor está en operación y el disyuntor de circuito principal (A, Figura 23) se encuentra en la posición ENCENDIDO.

*Nota: El sistema eléctrico está diseñado con un retardo después de que el motor arranca, antes de que las luces y el tomacorriente auxiliar de AC operen.*

El tomacorriente está protegido por un disyuntor de circuito específico (C, Figura 23) que se encuentra en el panel de control.

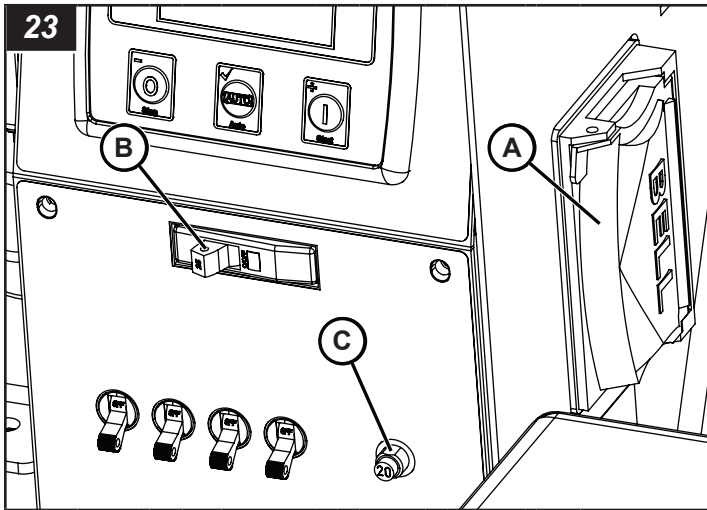
#### Si el disyuntor se dispara

- Desconecte la carga desde el tomacorriente.
- Apague el motor.
- Espere 10 minutos para que el generador se enfríe.
- Corrija el problema de carga.
- Arranque el motor.
- Restablezca el disyuntor.

*Nota: Asegúrese de revisar también el disyuntor GFCI en el tomacorriente (si está equipado) y restablézcalo si es necesario.*

- Vuelva a conectar la carga.
- Si el problema persiste, consulte **Solución de problemas**.





## Apagado de la unidad

### ⚠ ADVERTENCIA

No quite las cuñas de la parte trasera y delantera de las ruedas hasta que el remolque de la torre de iluminación esté conectado al vehículo remolcador listo para su transporte. Hacerlo podría provocar lesiones graves o la muerte.

Una vez terminadas las operaciones de iluminación en el lugar de trabajo, apague la unidad:

1. Apague el motor. Consulte **Operación del motor**.
2. Espere 10 minutos para que las luces se enfríen.
3. Baje la torre de iluminación. Consulte **Elevación y bajada de la torre de iluminación**.
4. Gire la torre de iluminación a la posición de transporte. Consulte **Ajuste de las luces**.
5. Ajuste las luminarias en la posición de transporte. Consulte **Ajuste de las luces**.
6. Asegúrese de que la cubierta del compartimento del motor esté cerrada y con seguro.
7. Retraiga los balancines. Consulte **Nivelación y estabilización del remolque de la torre de iluminación**.
8. Ahora la unidad está lista para transportarla. Consulte **Transporte**.

## Parada de emergencia

La unidad tiene una parada de emergencia que apagará inmediatamente toda la unidad en caso de emergencia.

### Para activar:

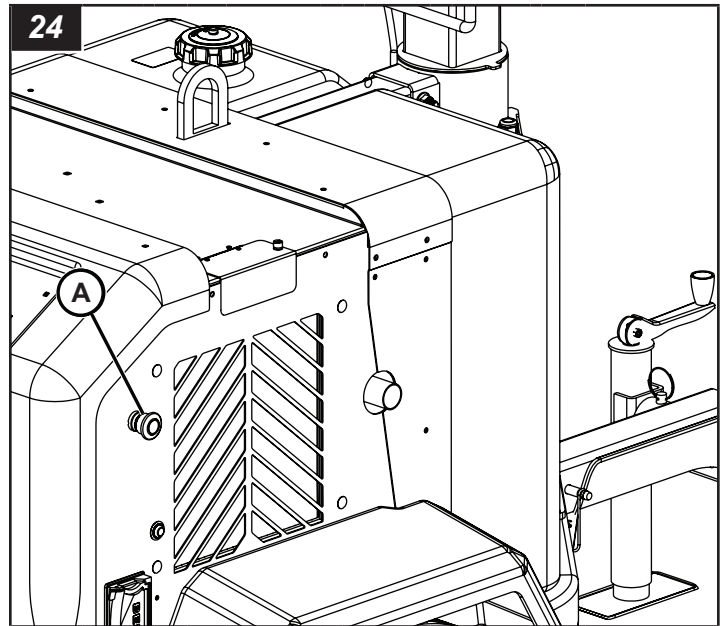
- Presione la parada de emergencia (A, Figura 24).

### Para desactivar:

- Hale la parada de emergencia.

Asegúrese de ocuparse del asunto que causó la emergencia antes de volver a operar la unidad.

No utilice la parada de emergencia para apagar la unidad durante la operación normal. Consulte **Apagado de la unidad**.



## Mantenimiento

### ⚠ ADVERTENCIA

Operar o remolcar una máquina con piezas faltantes, dañadas o desgastadas podría provocar lesiones graves o la muerte. Reemplace inmediatamente las piezas faltantes, dañadas o desgastadas. No opere ni remolque esta máquina hasta que se hayan reemplazado todas las piezas faltantes, dañadas o desgastadas y que la máquina opere correctamente.

### ⚠ ADVERTENCIA



### Peligro de descarga eléctrica

Las baterías presentan un riesgo de descarga eléctrica y corriente de cortocircuito elevada. Desconecte el cable negro negativo (-) de la batería antes de hacer el mantenimiento. Si no lo hace, podría provocar la muerte o lesiones graves.

Antes de hacer el mantenimiento, vea **Seguridad**.

El mantenimiento correcto del equipo es importante para su operación segura. Use los siguientes procedimientos de mantenimiento además de los agendados por el programa de mantenimiento del equipo de su taller.

Cuando el equipo funciona en condiciones severas (muy polvorientas, calor o frío extremos, etc.), el mantenimiento debe hacerse con mayor frecuencia.

## Motor

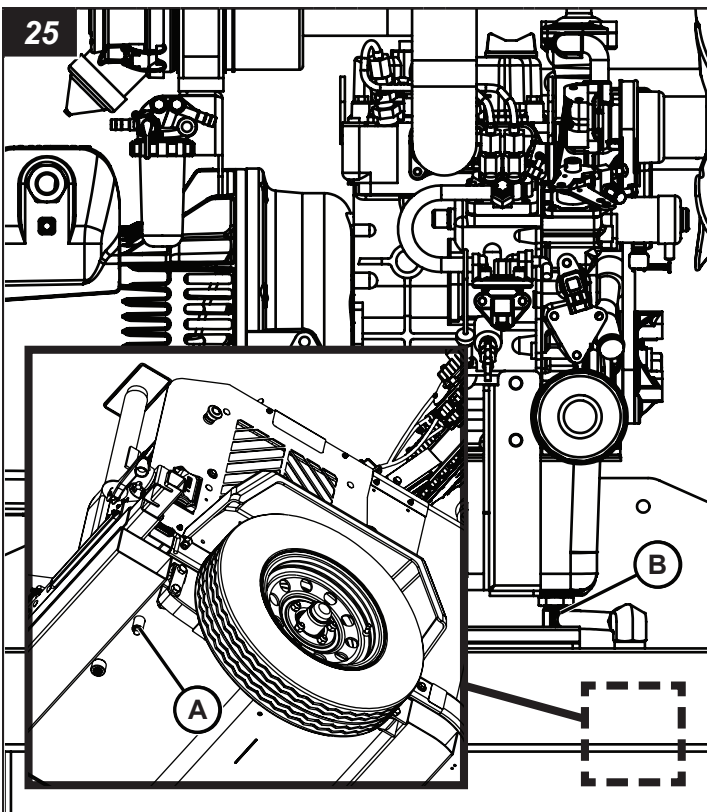
Para los intervalos de servicio del motor y otras recomendaciones específicas de esta unidad de la torre de iluminación, consulte **Especificaciones**.

Consulte el Manual del operador del motor para obtener información acerca de todos los demás procedimientos de mantenimiento programado del motor.

## Drenaje de aceite del motor

La unidad está equipada con un drenaje remoto de aceite del motor (A, Figura 25). Para drenar el aceite del motor:

1. Coloque un recipiente aprobado debajo del drenaje de aceite.
2. Quite el tapón de drenaje de aceite y abra la válvula de drenaje de aceite debajo del motor (B, Figura 25).
3. Deje que el aceite del motor drene por completo en el recipiente aprobado. Elimine el aceite de motor usado de acuerdo con los reglamentos locales, estatales, provinciales y/o federales.
4. Reemplace el tapón de drenaje de aceite y cierre la válvula de drenaje de aceite.
5. Cambie el filtro de aceite conforme sea necesario. Consulte las **Especificaciones**.
6. Agregue aceite al motor. Consulte las **Especificaciones**.



## Refrigerante del motor y drenaje del refrigerante

### AVISO

Si no se utiliza en el radiador el tipo de refrigerante requerido (tal como se indica en la sección Especificaciones), se podrían dañar el motor y el radiador, lo que invalidaría la garantía.

### AVISO

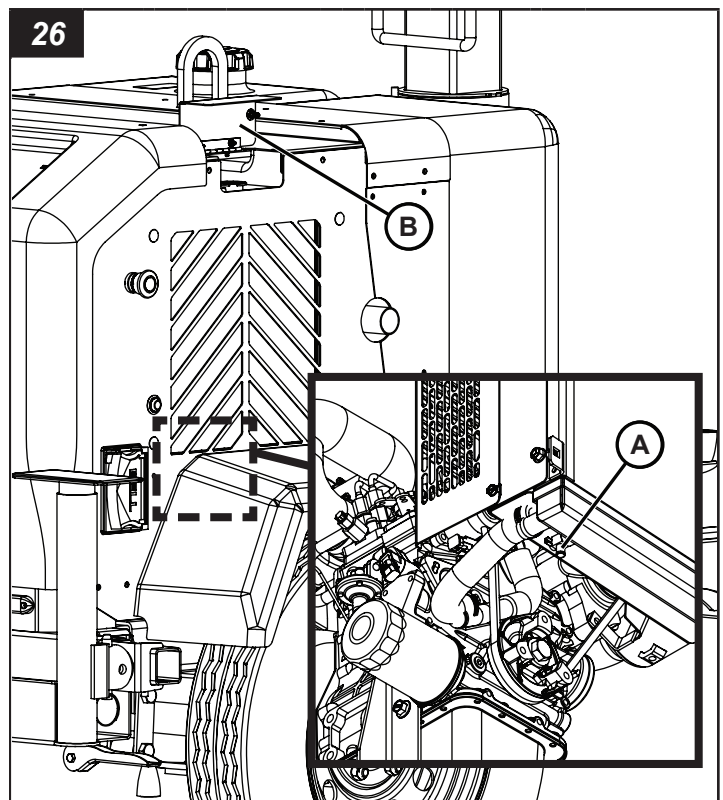
La mezcla de diferentes tipos de refrigerantes podría dañar el motor y el radiador, lo que invalidaría la garantía.

La unidad está equipada con una válvula de drenaje del refrigerante del motor (A, Figura 26). Para drenar el líquido refrigerante del motor:

1. Conecte una manguera de 3/8 pulg. de diámetro interior a la válvula de drenaje de refrigerante y dirija la manguera hasta vaciarla en un recipiente aprobado.
2. Abra la válvula de drenaje del refrigerante.
3. Deje que el refrigerante del motor drene por completo en el recipiente aprobado. Elimine el líquido refrigerante de motor usado de acuerdo con los reglamentos locales, estatales, provinciales y/o federales.
4. Cierre la válvula de drenaje del refrigerante y retire la manguera.
5. Abra la puerta de acceso de llenado de refrigerante (B, Figura 27) y añada refrigerante al radiador. Consulte **Especificaciones** para conocer el tipo de refrigerante requerido.

### AVISO

No agregarle líquido refrigerante al motor provocará daños al mismo.



## Generador

Consulte el Manual del operador del generador para obtener información acerca de todos los procedimientos de mantenimiento programado del generador.

## Remolque

### Armazón

1. Compruebe que el acoplador del remolque funcione bien. Compruebe que las piezas metálicas estén firmemente apretadas. Inspeccione el acoplador del remolque en busca de signos de desgaste, daños o corrosión. Repare o reemplace, según sea necesario.
2. Inspeccione las cadenas de seguridad en busca de signos de desgaste, daños o corrosión. Reemplace según sea necesario.
3. Inspeccione el gato de la lengua para asegurarse de que funcione bien y busque signos de desgaste, daños o corrosión. Repare o reemplace, según sea necesario.
4. Inspeccione la lengua del remolque para asegurarse de que funcione bien y busque signos de desgaste, daños o corrosión. Compruebe que las piezas metálicas estén bien apretadas. Repare o reemplace según sea necesario.
5. Inspeccione el eje, los resortes y el bastidor en busca de signos de desgaste, daños o corrosión. Repare o reemplace según sea necesario.
6. Inspeccione las barras del balancín, los gatos del estabilizador y los mecanismos de bloqueo para asegurarse de que funcionen bien y busque signos de desgaste, daños o corrosión. Reemplace según sea necesario.

### Ruedas y neumáticos del remolque

#### ADVERTENCIA

##### Peligro de remolque

Arrastrar el remolque de torre de iluminación con tuercas de orejeta, llantas o neumáticos dañados podría provocar lesiones graves o la muerte. Repare o reemplace las tuercas de orejeta, las llantas o los neumáticos dañados antes de arrastrar el remolque de torre de iluminación.

1. Compruebe si los neumáticos presentan rajaduras, cortes o daños. Repare o reemplace según sea necesario.
2. Compruebe la presión de los neumáticos del remolque cuando estén fríos. Consulte **Especificaciones**.
3. Compruebe si las llantas de las ruedas presentan rajaduras o daños. Repare o reemplace según sea necesario.
4. Asegúrese de que las tuercas de orejeta estén en su lugar y bien apretadas. El torque correcto para las tuercas de orejeta es 90 lb-pie (122 Nm).

### Mantenimiento del eje

El eje que se encuentra debajo del remolque de torre de iluminación requiere reparaciones y mantenimiento periódicos. Se deben realizar tareas, como ajustes del cojinete de la rueda y cambio de empaquetaduras, para mantener el eje. Para obtener información acerca del programa de mantenimiento y reparación del eje, consulte el manual del propietario del eje en <https://www.dexteraxle.com/resources/manuals>.

## Iluminación del remolque

#### ADVERTENCIA

##### Peligro de remolque

Arrastrar el remolque de torre de iluminación con luces del remolque que no funcionan podría provocar lesiones graves o la muerte. Repare o reemplace las luces del remolque que no funcionan.

Las luces del remolque son una característica de seguridad y son exigidas por ley. Mantenga las luces del remolque en buenas condiciones de funcionamiento.

- Compruebe si las luces del remolque y el cableado presentan daños o desgaste. Repare o reemplace según sea necesario.
- Compruebe que el mazo de cables esté sujeto al remolque y que no cuelgue sobre el suelo.
- Compruebe si los conjuntos de carcasa de las luces del remolque presentan daños o filtraciones. Use un sellador de goma o silicona para sellar la lente o el mazo de cables, según sea necesario, o bien reemplace el conjunto de carcasa. La grasa eléctrica ayuda a proteger los portalámparas y evitar la corrosión.
- Cuando reemplace las bombillas, asegúrese de usar la bombilla de repuesto correcta. Una pequeña cantidad de grasa eléctrica en los portalámparas evitará la corrosión.

Para obtener información acerca del esquema de cableado del remolque, consulte el Manual de esquema del cable.

### Mantenimiento de la batería

#### ADVERTENCIA



##### Peligro de explosión, quemaduras y descargas eléctricas

Las baterías emiten gases explosivos durante las recargas. Las chispas podrían causar explosiones y provocar lesiones graves o la muerte.

Las baterías contienen ácido, que es extremadamente cáustico. El contacto con el contenido de la batería podría producir quemaduras químicas graves.

Las baterías presentan un riesgo de descarga eléctrica y alta corriente de cortocircuito.

- Siempre desconecte el cable negativo (-) de la batería antes de realizar mantenimiento al equipo.
- NO elimine una batería en el fuego. Recicle la batería.
- NO permita que se produzca ninguna llama abierta, chispa o calor, ni encienda un cigarrillo mientras carga la batería o durante varios minutos después de la carga.
- NO abra ni destruya la batería.

- NO cargue la batería si está congelada. Siempre deje que la batería alcance lentamente la temperatura ambiente antes de cargarla.
- Use guantes de protección, así como delantal, botas y guantes de goma.
- Quítese el reloj, los anillos u otros objetos metálicos.
- Use herramientas con mangos aislados

## Retiro e instalación de la batería

### Para retirar la batería



**ADVERTENCIA**



### Peligro de explosión

No retirar los cables negativos (-) negros de la batería primero podría generar chispas o una explosión y provocar lesiones graves o la muerte. Siempre retire primero los cables negativos (-) negros de la batería.

1. Abra la cubierta del compartimento del motor.
2. Desconecte el cable negro negativo (-) (A, Figura 27) del terminal de batería negativo (-) y asegúrelo lejos de la batería.
3. Desconecte el cable rojo positivo (+) (B, Figura 27) del terminal de batería positivo (+) y asegúrelo lejos de la batería.
4. Afloje las piezas metálicas que fijan la sujeción de la batería (C, Figura 27), y retire la sujeción.
5. Retire cuidadosamente la batería y colóquela sobre una superficie nivelada en un área bien ventilada.

### Para instalar la batería



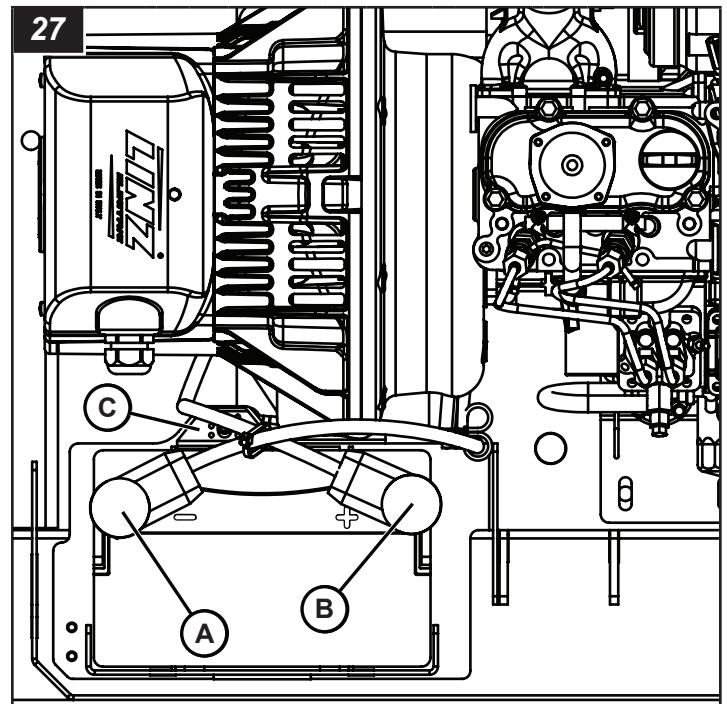
**ADVERTENCIA**



### Peligro de explosión

No instalar los cables negativos (-) negros de la batería al final podría generar chispas o una explosión y provocar lesiones graves o la muerte. Siempre instale los cables negativos (-) negros de la batería al final.

1. Coloque cuidadosamente la batería en el compartimento del motor, con los terminales de la batería hacia la parte trasera de la unidad.
2. Instale la sujeción de la batería. Apriete las piezas metálicas.
3. Conecte los cables positivos (+) rojos de la batería al terminal positivo (+) de la batería.
4. Conecte los cables negativos (-) negros de la batería al terminal negativo (-) de la batería.
5. Vuelva a colocar las cubiertas de terminal sobre los terminales de la batería.
6. Cierre la cubierta del compartimento del motor..



## Limpieza



**ADVERTENCIA**



### Peligro de enredo

No apagar el motor antes de la limpieza de la unidad podría provocar lesiones graves o la muerte. Siempre apague el motor antes de limpiar la unidad.



**ADVERTENCIA**



### Peligro de quemaduras

Apague el motor y las luces y deje que los componentes se enfríen antes de limpiar la unidad. De lo contrario, se podrían provocar quemaduras graves.

### AVISO

Tenga precaución al usar lavadoras de vapor/agua a presión o de aire comprimido. No limpie a presión los componentes eléctricos, ya que esto puede dañarlos.

El mantenimiento de la limpieza de la torre de iluminación es importante para garantizar un buen funcionamiento. La acumulación de polvo y suciedad actúa como un aislante y puede provocar que el motor, el generador y los conjuntos de iluminación funcionen a temperaturas excesivamente altas.

Use las siguientes indicaciones como pautas de limpieza:

1. Limpie el remolque de torre de iluminación y elimine todo el polvo, la suciedad y cualquier material extraño.
2. Limpie la torre de iluminación y los conjuntos de luminarias con una esponja o un paño húmedo.



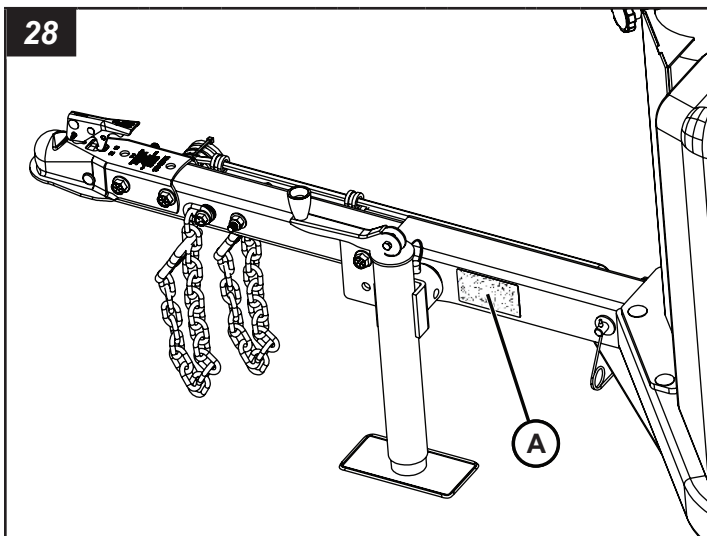
3. Limpie todos los componentes y el cableado eléctrico manualmente con un limpiador no corrosivo.
4. Limpie el interior del compartimiento del motor.
5. Limpie todos los derrames de aceite o líquido en el interior del compartimiento del motor.

## Modelos y números de serie

La información de modelo y número de serie es necesaria para el soporte de productos y las piezas de reparación. A continuación, se muestran las ubicaciones del modelo y el número de serie de los componentes principales.

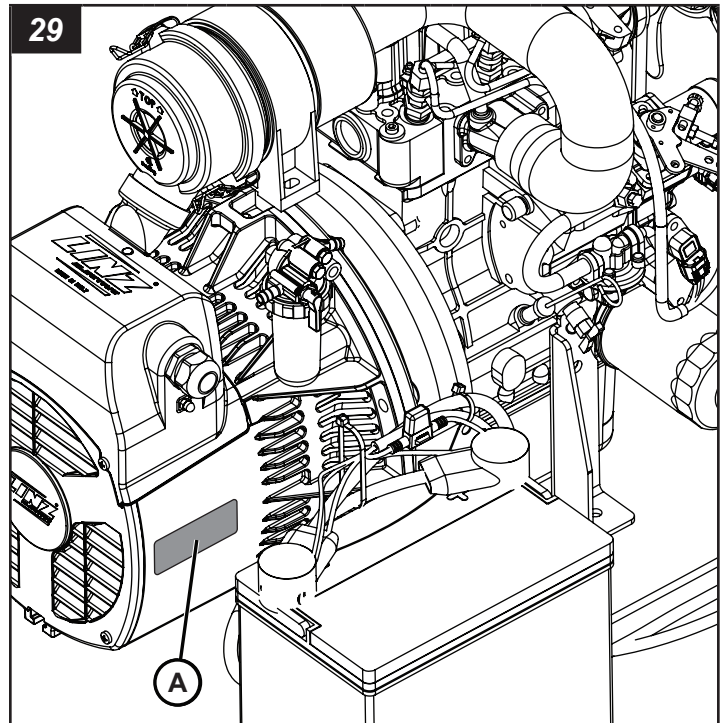
### Remolque

La etiqueta del número de serie del remolque de la torre de iluminación se encuentra en el lado izquierdo de la lengüeta del remolque (A, figura 28).



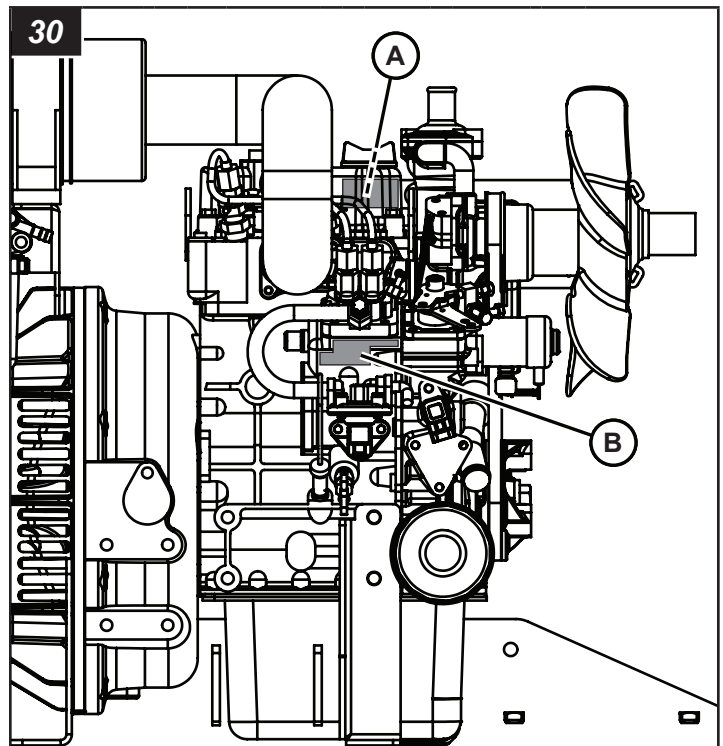
### Generador

El generador tiene una placa de número de serie (A, Figura 29) adherida a la parte frontal de la carcasa.



### Motor

El motor tiene una placa de número de serie (A, Figura 30) adjunta en el lado de la parte superior del tanque de combustible del motor cerca del ventilador y un número de serie grabado en el lado de la puerta trasera del motor (B, Figura 30).





# Especificaciones

Nota: Consulte el Manual del operador del motor para conocer las especificaciones particulares del motor y el generador.

Dimensiones generales		
Dimensiones	Imperial	Métrico
Largo (transporte de remolque)	8 pies - 6.25 pulg	2,60 m
Ancho (transporte de remolque)	4 pies - 4 pulg	1,32 m
Ancho (balancines extendidos)	8 pies - 2 pulg	2,49 m
Altura (transporte de remolque)	8 pies - 2 pulg	2,49 m
Altura (torre completamente elevada)	23 pies - 0 pulg	7,01 m
Peso con embalaje	1200 lbs	544 kg
Clasificación de peso bruto del vehículo (GVWR)	1750 lbs	794 kg

Remolque		
Especificación	Imperial	Métrico
Clasificación de peso bruto del eje (GAWR)	2200 lbs	998 kg
Tamaño y clasificación de neumáticos	ST175/80R13 rango de carga 'B'	
Llantas	13 x 4,5 JJ con inclinación de 0,0 pulgadas	
Presión de inflado de neumáticos en frío	36 psi	248 kPa
Velocidad máxima en camino	65 mi/h	105 km/h
Velocidad máxima fuera de carretera	20 mi/h	32 km/h
Tanque de combustible	63 gal	238 l
Estructura del armazón	Diseño de acero conformado en frío	
Eje	Diseño tubular con comba de 1,5 a 2,0 pulgadas (38,1 a 50,8 mm)	
Cubos	(5) pernos sin cabeza UNF de 1/2-20 en un círculo de perno de 4,5 pulgadas (114,3 mm)	
Resortes	Resortes elípticos (3 láminas)	
Enganches disponibles	2 pulgadas (50,8 mm) acople de bola	
Luces del remolque para carretera	Luces de detención, de viraje, traseras, marcadoras laterales y de soporte para placa de licencia	
Conector de las luces del vehículo remolcador para camino	Conector plano de 4 clavijas	
Cáncamo de elevación (capacidad nominal)	1750 lbs	794 kg
Bolsillos para montacarga/ Puntos de sujeción	2 de cada lado	
Sistema de balancín y estabilización	Balancines en el lado izquierdo y el lado derecho con gatos tipo tornillo ajustables, 1 gato de la lengua tipo tornillo ajustable	
Velocidad máxima en condiciones con viento (torre elevada y balancines y estabilizadores extendidos)	60 mi/h	97 km/h

Torre de iluminación	
Estructura	Diseño de acero tubular con cuatro secciones
Activación	Estándar (cabrestante manual)
Zapatillas de guía	Autolubrificantes de polietileno
Cable de alimentación	Cable en bobina sujeto en la parte superior de las secciones para minimizar la posibilidad de enredos
Rotación de la torre	La torre completa rota 345°

Luminarias	
<b>LED</b>	
Temperatura de color	5000K
Consumo de energía (por luminaria)	350 W
Lúmenes (por luminaria)	51.122

Aspectos eléctricos	
Frecuencia	60 Hz / 50 Hz
Potencia de salida nominal de cebado	60 Hz - 3,0 kW / 50 Hz - 2,5 kW
Alternador	Condensador regulado de 60 Hz - 120 VAC / Condensador regulado de 50 Hz - 220 VAC
Fase	Monofásico
Nota*	Hay un conductor permanente entre el generador (bobinado del estator) y el marco
Iluminación automática (sistema de iluminación secuenciado [SLS])	Enciende las luces automáticamente después del arranque del motor y retrasa el apagado del motor para apagar las luces antes a fin de impedir que el generador se apague en condiciones de carga.
Tomacorrientes disponibles	Tomacorriente GFCI dúplex 20 amperios 120 voltios (NEMA 5-20R) Schuko CEE7 16 amperios 240 voltios (EU1-16R)

Motor		
Especificación	Imperial	Métrico
Fabricante	Kubota	
Modelo	Z482	
Tipo	Diésel de dos cilindros enfriado por líquido	
Cilindrada	29 pulgadas cúbicas	479 cc
Aspiración	Aspiración natural	
Emisiones (Doméstico 60 Hz)	Nivel 4 de la EPA final	
Emisiones (Internacional 60 Hz)	No aplica	
Emisiones (Internacional 50 Hz)	No aplica	
Potencia de salida (cebado) (60 Hz)	5,1 Hp a 1800 r. p. m.	3,8 kWm a 1800 r. p. m.
Potencia de salida (cebado) (50 Hz)	4,6 Hp a 1500 r. p. m.	3,4 kWm a 1500 r. p. m.
Sistema de combustible	Inyección indirecta de combustible	
Asistente de arranque	Bujía precalentadora	
Sistema eléctrico del motor	12 V DC	
Alternador del Motor	30 A	
Cantidad de baterías	1	

Motor		
Especificación	Imperial	Métrico
Tamaño de la batería	Grupo 24	
Tipo de batería	Estándar (ácido-plomo)	
Clasificación de la batería	525 CCA @ 0 °F (-18 °C)	
Apagado automático por baja presión del aceite	7 PSI	48 kPa
Apagado automático por temperatura alta del agua	230 °F	110 °C
Combustible	En Norteamérica, se exigen combustibles diésel que cumplan con la norma ASTM D975 para diésel ultra bajo en azufre (ULSD). El ULSD tiene un contenido máximo de azufre de 15 partes por millón (PPM) o 15 mg/kg. El combustible diésel puede ser n.º 1-D o n.º 2-D. Consulte el Manual del operador del motor para obtener información detallada.	
Tipo de aceite de motor requerido	10W-30 API CK-4 (CJ-4, CI-4, CI-4 Plus) o sus equivalentes	
Marca de aceite de motor recomendada	Mobile Delvac 1300 Super	
Capacidad del aceite del motor (con filtro)	4,0 qt	3,8 l
Profundidad del cárter de aceite del motor	4,76 pulg	121 mm
Tipo de refrigerante de motor requerido	Refrigerante para vida extendida sin nitrato con tecnología de ácido orgánico (OAT), libre de 2-EHA	
Capacidad del sistema de refrigerante	2,7 qt	2,6 l
Capacidad del depósito de desborde de refrigerante	1,1 qt	1,0 l
Intervalo de mantenimiento (aceite y de filtro de aceite)	Primer cambio de aceite y de filtro de aceite: 50 h. Todos los demás cambios de aceite y de filtro de aceite: 1.000 h*†	
Intervalo de mantenimiento (filtro de combustible)	400 h	
Intervalo de mantenimiento (filtro de aire)	Consulte el manual de operación del motor	
Intervalo de mantenimiento - Holgura de las válvulas	800 h	
Nota*	<i>El aceite de motor se debe revisar antes de su operación y volver a llenar si es necesario</i>	
Nota†	<i>Los intervalos de servicio se reducen cuando no se utiliza combustible diésel ultra bajo en azufre (ULSD), consulte el manual del operador del motor para obtener instrucciones de servicio.</i>	

## Solución de problemas



**PELIGRO**



### Peligro de electrocución

- Cuando el motor está en funcionamiento, se produce un alto voltaje. Nunca intente realizar mantenimiento a los componentes eléctricos mientras el motor esté en funcionamiento.
- El contacto con cables que están pelados por daños, cortes o desgaste en el aislamiento podría provocar lesiones graves o la muerte. Reemplace el cableado dañado antes de hacer funcionar la unidad.

Antes de intentar solucionar cualquier problema, lea **Seguridad**.

En el caso de solución de problemas del motor y generador, consulte el Manual del operador del motor y el Manual del operador del generador o bien, comuníquese con su distribuidor.

### Cuadro de resolución de problemas de luces de torre

Problema	Posible causa	Solución
Las luces no funcionan	Los circuitos de la caja de tomacorrientes no están encendidos o se dispararon.	Encienda/restablezca los disyuntores.
	La conexión entre la barra de luces y las luminarias no está fija.	Compruebe y asegure las conexiones.
	Se está consumiendo mucha energía de los tomacorrientes auxiliares.	Retire las cargas de los tomacorrientes auxiliares.

### Resolución de problemas del motor

En el caso de que la ECU del motor detecte un error del motor, el motor se detendrá y la ECU del motor transmitirá los detalles de su error a través de la señal CAN al controlador de aguas profundas. Mostrará el error con un icono.

Para ver el código de problemas de diagnóstico (DTC) del motor, escriba el menú de navegación en el controlador DSE presionando los botones arriba y abajo simultáneamente. Desplácese por los iconos de menú y seleccione el icono de la sección Motor T4. Al seleccionar el icono, se mostrará el código de diagnóstico potencial del motor en la siguiente pantalla.

Para restablecer el código de problemas de diagnóstico del motor, corrija el error del motor y gire el interruptor de encendido/apagado del módulo de control DSE a la posición de apagado. A continuación, gire el interruptor de encendido/apagado a la posición de encendido, la pantalla del módulo de control DSE debe restablecerse para la operación del motor. Consulte **Operación del motor**.

Consulte el **Cuadro de códigos de problemas de diagnóstico (DTC) del motor** para la resolución de problemas. Para cualquier otro asunto de resolución de problemas del motor, consulte el Manual del operador del motor, el Manual del operador de aguas profundas o comuníquese con su distribuidor.

### Cuadro de códigos de problemas de diagnóstico (DTC) del motor

DTC	Elemento de detección	Parámetro de ajuste de DTC
Error de presión de aceite	Interruptor de presión de aceite	A pesar de las rpm, el interruptor de presión del aceite está ENCENDIDO
El motor se sobrecalienta	Sobrecalentamiento de la temperatura del agua del motor	Temperatura del agua del motor $\geq 120$ °C (248 °F)
Sensor de temperatura del agua: Alto	Circuito abierto de sensor/arnés, + cortocircuito B	La tensión del sensor de temperatura del refrigerante es de 4,9 V o superior
Sensor de temperatura del agua: Bajo	Cortocircuito de tierra del sensor/arnés	La tensión del sensor de temperatura del refrigerante es de 0,1 V o menos
Tensión de la batería: Alto	Circuito abierto, cortocircuito o daño del arnés. Falla de la batería	El reconocimiento de la tensión de la batería por parte de la ECU es superior a 18 V.
Rebasamiento del motor	La velocidad del motor supera la velocidad umbral	Velocidad del motor > 2070 min <sup>-1</sup> (rpm)
Tensión de alimentación del sensor: Bajo	Tensión de alimentación del sensor	La tensión del sensor es inferior a 4,00 V.
Accionador anormal	Circuito abierto, cortocircuito o daño del arnés	Corriente del accionador > 3,0 A o < 80 mA
Sensor de velocidad del motor anormal	Circuito abierto, cortocircuito o daño del arnés	Velocidad del motor = 0 min <sup>-1</sup> (rpm) después de la señal de arranque a la ECU
Error de arranque	El tiempo de operación de arranque excede el tiempo de umbral	El tiempo de operación de arranque está por encima de 12 segundos
Terminal L del alternador anormal	Circuito abierto, cortocircuito o daño del arnés	El terminal L del alternador tiene tensión mientras 0 rpm (después de la conexión de la llave)
Falla de carga	Circuito abierto, cortocircuito o daño del arnés	El terminal L del alternador es de 0 V mientras el motor está en marcha

DTC	Icono de error del controlador DSE	Tiempo de acción o número de detección de errores	Códigos del controlador DSE J1939-73	
			SPN	FMI
Error de presión de aceite		1,0 s o más	100	1
El motor se sobrecalienta		1,0 s o más	110	0
Sensor de temperatura del agua: Alto		1,0 s o más	110	3
Sensor de temperatura del agua: Bajo		1,0 s o más	110	4
Tensión de la batería: Alto		1,0 s o más	158	3
Rebasamiento del motor		1,0 s o más	190	0
Tensión de alimentación del sensor: Bajo		1,0 s o más	3509	4
Accionador anormal		1,0 s o más	523771	2
Sensor de velocidad del motor anormal		10,0 s o más	523772	2
Error de arranque		12,0 s o más	523736	2
Terminal L del alternador anormal		1,0 s o más	523737	2
Falla de carga		1,0 s o más	523738	2

Para todos los demás asuntos de resolución de problemas, comuníquese con un distribuidor autorizado.

## Informe de defectos de seguridad

### Informe de defectos de seguridad al gobierno de Estados Unidos

Si cree que su vehículo tiene un defecto que podría causar un choque o podría causar lesiones o muerte, debe informar inmediatamente a la Administración Nacional de Seguridad del Tráfico en las Carreteras (National Traffic Safety Administration, NHTSA) además de notificar a Allmand.

Si la NHTSA recibe quejas similares, puede abrir una investigación, y si encuentra que existe un defecto de seguridad en un grupo de vehículos, puede ordenar una campaña de retiro y reparación. Sin embargo, la NHTSA no se puede involucrar en problemas individuales entre usted, su distribuidor o Allmand.

Para comunicarse con la NHTSA, puede llamar a la Línea Directa de Seguridad de Vehículos al número gratuito 1-888-327-4236 (TTY: 1-800-424-9153); visitar <http://www.safercar.gov>; o escribir a: Administrador, NHTSA, 400 Seventh Street, SW, Washington, DC 20590.

También puede obtener otra información sobre la seguridad de vehículos de motor en <http://www.safercar.gov>.

## Informe de defectos de seguridad al Gobierno de Canadá

Si vive en Canadá y cree que el vehículo tiene un defecto de seguridad, notifique inmediatamente a Transport Canada y notifique a Allmand. Llame a Transport Canada al 1-800-333-0510; vaya a: [www.tc.gc.ca/recalls](http://www.tc.gc.ca/recalls) (inglés) [www.tc.gc.ca/rappels](http://www.tc.gc.ca/rappels) (francés); o escriba a: Transport Canada dirección de seguridad de vehículos automotores división de investigaciones y retiros por defectos, 80 Noel Street, Gatineau, QC J8Z 0A1

## Informe de defectos de seguridad a Allmand

Además de notificar a la NHTSA (o a Transport Canada) en una situación como ésta, notifique a Allmand. Contacte con el departamento de servicio de Allmand en el 1-800-562-1373, vaya a [www.allmand.com](http://www.allmand.com), o escriba a: Allmand Bros., Inc. P.O. Box 888 Holdrege, NE 68949

## Información sobre la seguridad de las llantas

La siguiente sección contiene información sobre la seguridad de las llantas según lo requerido por el título 49 del CFR 575.6. Abarcará lo siguiente:

(i) Las etiquetas de las llantas, incluida una descripción y explicación de cada una de las marcas de las llantas suministradas con el vehículo, e información sobre la ubicación del número de identificación de las llantas (TIN);

(ii) La presión de inflado de las llantas recomendada, incluyendo una descripción y explicación de:

(A) Presión de inflado de las llantas recomendada en frío,

(B) El rótulo del vehículo y la etiqueta de la presión de inflado de las llantas y su ubicación en el vehículo,

(C) Consecuencias adversas para la seguridad al inflar de manera insuficiente (incluida la falla de las llantas), y

(D) Medidas y ajustes de la presión del aire para lograr un inflado correcto;

(iii) Glosario de terminología de llantas, incluidos los términos “presión de las llantas en frío”, “presión máxima de inflado” y “presión de inflado recomendada”, y otros términos no técnicos;

(iv) Cuidado de las llantas, incluidas las prácticas de mantenimiento y seguridad;

(v) Límites de carga del vehículo, incluida una descripción y explicación sobre:

(A) Ubicación y comprensión de la información sobre los límites de carga, la capacidad total de carga, la capacidad de asientos, la capacidad de remolque y la capacidad de carga,

(B) Cálculo de las capacidades de carga total y de carga con distintas configuraciones de asientos, incluyendo ejemplos cuantitativos que muestren/ilustren cómo la capacidad de carga y de equipaje del vehículo disminuye a medida que aumenta el número y el tamaño combinado de los ocupantes,

(C) Determinación de la compatibilidad de las capacidades de carga de las llantas y los vehículos,

(D) Consecuencias adversas para la seguridad de la sobrecarga en el manejo y la detención y en las llantas.

## 1. Pasos para determinar el límite de carga correcto - Remolque

Determinar los límites de carga de un remolque incluye algo más que entender los límites de carga solamente de las llantas. En todos los remolques hay una certificación federal / etiqueta VIN que se encuentra en la mitad delantera del lado izquierdo (de la carretera) de la unidad. Esta certificación / etiqueta VIN indicará la clasificación de peso bruto del vehículo (GVWR) del remolque. Este es el peso máximo que puede pesar el remolque al cargarse completamente. También proporcionará la clasificación de peso bruto del eje (GAWR). Esto es lo máximo que puede pesar un eje en particular. Si hay varios ejes, se proporcionará el GAWR de cada eje.

Si su remolque tiene un GVWR de 10 000 libras o menos, hay un rótulo del vehículo ubicado en el mismo lugar de la etiqueta de certificación descrita anteriormente. Este rótulo proporciona información sobre las llantas y la carga. Además, este rótulo mostrará una declaración sobre la capacidad máxima de carga. La carga puede añadirse al remolque, hasta el peso máximo que especifica el rótulo. El peso total de la carga se indica en un solo número. En cualquier caso, recuerde: el peso total de un remolque con carga completa no puede exceder la Clasificación de peso bruto del vehículo o GVWR establecida.



En el caso de los remolques con viviendas instaladas, también hay que tener en cuenta el peso del agua y el propano. El peso de los contenedores de propano totalmente llenos se considera parte del peso del remolque antes de ser cargado con la carga, y no se considera parte de la carga descartable. El agua, sin embargo, es un peso de carga descartable y se trata como tal. Si hay un tanque de almacenamiento de agua dulce de 100 galones, este tanque cuando se llene pesará alrededor de 800 libras. Si se transporta más carga, puede descargarse agua para mantener la cantidad total de carga añadida al vehículo dentro de los límites de la GVWR para no sobrecargar el vehículo. Comprender esta flexibilidad le permitirá a usted, el propietario, tomar decisiones que se ajusten a sus necesidades de viaje.

Cuando embarque su carga, asegúrese de distribuirla de forma uniforme para evitar la sobrecarga frontal o posterior y de lado a lado. Los objetos pesados se deben colocar bajo y tan cerca de la ubicación de los ejes como sea posible. Demasiados artículos en un lado pueden sobrecargar una llanta. La mejor manera de conocer el peso real del vehículo es pesarlo en una balanza pública. Hable con su distribuidor para analizar los métodos de pesaje necesarios para obtener los distintos pesos relacionados con el remolque. Esto incluiría el peso vacío o descargado, pesos por eje, rueda, enganche o pivote, y el peso total.

Las cargas excesivas y/o el inflado insuficiente causan la sobrecarga de las llantas y, como resultado, se produce una flexión anormal de las mismas. Esta situación puede generar una cantidad excesiva de calor dentro de la llanta. El calor excesivo puede ocasionar la falla de las llantas. Es la presión de aire lo que permite a una llanta soportar la carga, por lo que un inflado correcto es crucial. La presión de aire adecuada se puede encontrar en la etiqueta de certificación / VIN y/o en el rótulo de la llanta. Este valor nunca debe exceder la máxima presión de inflado en frío estampada en la llanta.

### 1.1 Remolques 10 000 libras (4536 kg) GVWR o menos

- (1) Localice la declaración "El peso de la carga no debe exceder nunca de XXX kg o XXX lbs". en el rótulo de su vehículo.
- (2) Esta cifra es igual a la cantidad disponible de carga y capacidad de carga de equipaje.
- (3) Determine el peso combinado del equipaje y la carga que se ubica en el vehículo. Ese peso no puede exceder por seguridad la capacidad de carga y equipaje disponible.

### 1.2 Remolques de más de 10 000 libras (4536 kg) GVWR (Nota: Estos remolques no están obligados a tener un rótulo con la información de las llantas en el vehículo).

- (1) Determine el peso en vacío de su remolque pesando el remolque utilizando una báscula pública u otros medios. Este paso no tiene que repetirse.
- (2) Localice el GVWR del remolque en la etiqueta VIN (Certificación) de su remolque.

(3) Reste el peso en vacío de su remolque del GVWR que se indica en la etiqueta VIN. Ese peso es la capacidad máxima de carga disponible del remolque y por razones de seguridad no puede excederse.

## 2. Pasos para determinar el límite de carga correcto - Vehículo remolcador

- (1) Localice la declaración "El peso combinado de los ocupantes y la carga nunca debe exceder de XXX kg o XXX lbs". en el rótulo de su vehículo.
- (2) Determine el peso combinado del conductor y los pasajeros que viajarán en su vehículo.
- (3) Reste el peso combinado del conductor y los pasajeros de XXX kg o XXX lbs.
- (4) La cifra resultante es igual a la cantidad disponible de carga y capacidad de carga de equipaje. Por ejemplo, si la cantidad "XXX" equivale a 1400 lbs. y habrá cinco pasajeros de 150 lbs en su vehículo, la cantidad de carga disponible y la capacidad de carga de equipaje es de 650 lbs.  $(1400-750 (5 \times 150) = 650 \text{ lbs})$ .
- (5) Determine el peso combinado del equipaje y la carga que se ubica en el vehículo. Ese peso no puede exceder por seguridad la capacidad de carga y equipaje disponible calculada en el paso 4.
- (6) Si su vehículo va a halar un remolque, la carga de su remolque será transferida a su vehículo. Consulte el manual del vehículo de remolque para determinar cómo esto reduce la capacidad de carga y equipaje disponible de su vehículo.

## 3. Glosario de terminología de llantas

**Peso de los accesorios** significa el peso combinado (superior al de los artículos que pueden sustituirse) de la transmisión automática, la dirección asistida, los servo frenos, los elevavidrios eléctricos, los asientos eléctricos, el radio y la calefacción, en la medida en que estos artículos estén disponibles como equipo instalado de fábrica (estén o no instalados).

**Talón** hace referencia a la parte de la llanta que está hecha de alambres de acero, envuelta o reforzada por cordones de lona y que tiene la forma para ajustarse al rin.

**La separación del talón** significa una ruptura del vínculo entre los componentes del talón.

**Llanta de capas diagonales** significa una llanta en la que los cordones de las lonas que se extienden hasta los talones se colocan en ángulos alternos sustancialmente inferiores a 90 grados con respecto a la línea central de la banda de rodamiento.

**Carcasa** hace referencia a la estructura de la llanta, excepto la banda de rodamiento y la pared lateral de caucho que, cuando se infla, soporta la carga.

**Fragmentación** hace referencia a la ruptura de piezas de la banda de rodamiento o la pared lateral.

**Cordón** significa los hilos que forman las capas en la llanta.

**Separación del cordón** significa la separación de los cordones de los compuestos de caucho adyacentes.



**Grietas** significa cualquier separación dentro de la banda de rodamiento, la pared lateral o el revestimiento interno de la llanta que se extiende hasta el material del cordón.

**Peso en vacío** significa el peso de un vehículo de motor con un equipo estándar que incluye la capacidad máxima de combustible, aceite y refrigerante y, si está equipado, del aire acondicionado y motor opcional de peso adicional.

**Presión de inflado en frío** significa la presión de las llantas cuando el vehículo no se ha conducido durante al menos tres horas.

**Llanta de carga extra** significa una llanta diseñada para operar con cargas y presiones de inflado más altas que la que corresponde a una llanta estándar.

**Ranura** significa el espacio entre dos nervaduras adyacentes de la banda de rodamiento.

**Clasificación de peso bruto del eje o GAWR** significa el valor que especifica el fabricante del vehículo como capacidad de carga de un sistema de un solo eje, medido en las interfaces llanta-tierra.

**Clasificación de peso bruto del vehículo o GVWR** significa el valor que especifica el fabricante como el peso cargado de un solo vehículo.

**Peso del enganche** La fuerza descendente ejercida sobre la bola de enganche por el acoplador del remolque.

**Revestimiento interior** significa la(s) capa(s) que forma(n) la superficie interior de una llanta sin neumático que contiene el medio para inflar dentro de la llanta.

**Separación del revestimiento interior** significa la división del revestimiento interior del material del cordón en la carcasa.

**Peso máximo del vehículo con carga** significa la suma de: (a) peso en vacío; (b) peso de los accesorios; (c) Capacidad de peso del vehículo; y (d) peso de las opciones de producción.

**Llanta de camionetas ligeras (LT)** significa una llanta designada por su fabricante como destinada principalmente a ser utilizada en camionetas ligeras o vehículos de pasajeros de uso múltiple.

**Clasificación de carga** significa la carga máxima que una llanta está clasificada para soportar para una presión de inflado dada.

**Clasificación de carga máxima** significa la clasificación de carga de una llanta a la presión de inflado máxima permitida para esa llanta.

**Máxima presión de inflado permitida** significa la máxima presión de inflado en frío a la que se puede inflar una llanta.

**Peso máximo del vehículo cargado** significa la suma de - (a) Peso en vacío; (b) Peso de los accesorios; (c) Capacidad de peso del vehículo; y (d) Peso de las opciones de producción.

**Rin de medición** significa el rin en el que se ajusta una llanta para los requisitos de dimensión física.

**Rin no neumático** significa un dispositivo mecánico que, cuando un conjunto de llanta no neumática incorpora una rueda, sostiene la llanta y se fija, ya sea en forma integral o separada, al miembro central de la rueda y sobre el cual se fija la llanta.

**Conjunto de llanta de repuesto no neumática** significa un conjunto de llanta no neumática destinado a ser utilizado temporalmente en lugar de una de las llantas y rines neumáticos que se instalan en un automóvil de pasajeros en cumplimiento de los requisitos de esta norma.

**Llanta no neumática** significa un dispositivo mecánico que transmite, ya sea directamente o a través de una rueda o un miembro del centro de la rueda, la carga vertical y las fuerzas de tracción de la carretera al vehículo, genera las fuerzas de tracción que proporcionan el control de dirección del vehículo y no depende de la contención de ningún gas o fluido para proporcionar esas funciones.

**Conjunto de llanta no neumática** significa una llanta no neumática, sola o en combinación con una rueda o un miembro del centro de la rueda, que puede ser montada en un vehículo.

**Peso normal de los ocupantes** significa 68 kilogramos (150 libras) por el número de ocupantes especificado en la segunda columna del Cuadro I de la 49 CFR 571.110.

**Distribución de los ocupantes** significa la distribución de los ocupantes de un vehículo según lo especificado en la tercera columna del Cuadro I de la 49 CFR 571.110.

**Empalme abierto** significa cualquier separación en cualquier unión de la banda de rodamiento, la pared lateral o el revestimiento interior que se extiende al material del cordón.

**Diámetro exterior** significa el diámetro total de una llanta nueva inflada.

**Ancho total** significa la distancia lineal entre los exteriores de las paredes laterales de una llanta inflada, incluyendo las elevaciones debidas al etiquetado, las decoraciones o las bandas o nervaduras protectoras.

**Llanta para automóviles de pasajeros** significa una llanta destinada a ser utilizada en automóviles de pasajeros, vehículos de pasajeros multipropósito y camiones, que tienen una clasificación de peso bruto del vehículo (GVWR) de 10 000 libras o menos.

**Peso del pasador** La fuerza descendente aplicada a la quinta rueda o bola de cuello de cisne, por el pivote del remolque o el acoplador de cuello de cisne.

**Capa** significa una lámina de cordones paralelos recubiertos de caucho.

**Separación de capas** significa la separación de un compuesto de caucho entre capas adyacentes.

**Llanta neumática** significa un dispositivo mecánico hecho de caucho, químicos, tela y acero u otros materiales, que, cuando se monta en una rueda de un vehículo, proporciona la tracción y contiene el gas o el fluido que sostiene la carga.

**Peso de las opciones de producción** significa el peso combinado de las opciones de producción regular instaladas que pesan más de 2,3 kilogramos por encima de los elementos estándar a los que sustituyen, no considerados anteriormente en el peso en vacío o en el peso de los accesorios, incluidos los frenos de servicio pesado, los niveladores de marcha, el portaequipajes, la batería de servicio pesado y los adornos especiales.

**Llanta de placa radial** significa una llanta neumática en la que los cordones de la cubierta que se extienden hasta los talones se colocan básicamente a 90 grados de la línea central de la banda de rodamiento.

**Presión de inflado recomendada** significa la presión de inflado en frío apropiada como se muestra en la etiqueta de información de las llantas.

**Llanta reforzada** significa una llanta diseñada para operar con cargas y presiones de inflado más altas que la correspondiente llanta estándar.

**Rin** significa un soporte de metal para una llanta o un conjunto de llanta y neumático sobre el que se colocan los talones de la llanta.

**Diámetro del rin** significa el diámetro nominal del asiento del talón.

**Designación del tamaño del rin** significa diámetro y ancho del rin.

**Designación del tipo de rin** significa la industria de la designación del fabricante de un rin por estilo o código.

**Ancho del rin** significa la distancia nominal entre las bridas del rin.

**Ancho de sección** significa la distancia lineal entre los exteriores de las paredes laterales de una llanta inflada, excluyendo las elevaciones debidas a la rotulación, decoración o bandas protectoras.

**Pared lateral** significa la porción de una llanta entre la banda de rodamiento y el talón.

**Separación de la pared lateral** significa la separación del compuesto de goma del material del cordón en la pared lateral.

**Llanta ST** significa una llanta diseñada para ser usada solo en remolques en una carretera.

**Rin de prueba** significa el rin en el cual se monta una llanta para pruebas, y puede ser cualquier rin que esté en la lista como apropiado para el uso con esa llanta.

**Banda de rodamiento** significa la parte de una llanta que entra en contacto con la carretera.

**Nervadura de la banda de rodamiento** significa una sección de la banda de rodamiento que rodea la llanta.

**Separación de la banda de rodamiento** significa separar la banda de rodamiento de la carcasa de la llanta.

**Indicadores de desgaste de la banda de rodamiento (TWI)** significa las proyecciones dentro de las principales ranuras diseñadas para dar una indicación visual de los grados de desgaste de la banda de rodamiento.

**Capacidad de peso del vehículo** significa la carga nominal de carga y equipaje más 68 kilogramos por la capacidad de asientos designada del vehículo.

**Carga máxima del vehículo en la llanta** significa que la carga en una llanta individual se determina distribuyendo a cada eje su parte del peso máximo del vehículo cargado y dividiéndola entre dos.

**Carga normal del vehículo sobre la llanta** significa que la carga sobre una llanta individual se determina distribuyendo a cada eje su parte del peso en vacío, el peso accesorio y el peso normal del ocupante (distribuido de acuerdo con la Tabla I de la 49 CFR 571.110) y dividiendo entre 2.

**Miembro del centro de la rueda** significa, en el caso de un conjunto de llantas no neumáticas que incorpora una rueda, un dispositivo mecánico que se adhiere, ya sea integralmente o por separado, al rin no neumático y proporciona la conexión entre el rin no neumático y el vehículo; o en el caso de un conjunto de llantas no neumáticas que no incorpora una rueda, un dispositivo mecánico que se adhiere, ya sea integralmente o por separado, al rin no neumático y proporciona la conexión entre el rin no neumático y el vehículo.

**Accesorio de fijación de la rueda** significa el accesorio utilizado para sujetar el conjunto de la rueda y la llanta de forma segura durante la prueba.

#### 4. Seguridad de las llantas - Todo va sobre ellas

La Administración Nacional de Seguridad del Tráfico en las Carreteras (National Traffic Safety Administration, NHTSA) ha publicado un folleto (DOT HS 809 361) que trata de todos los aspectos de la seguridad de las llantas, como lo exige la 49 CFR 575.6. Este folleto se reproduce en parte a continuación. Se puede obtener y descargar de la NHTSA, de forma gratuita, en el siguiente sitio web: [http://www.nhtsa.dot.gov/cars/rules/TireSafety/ridesonit/tires\\_index.html](http://www.nhtsa.dot.gov/cars/rules/TireSafety/ridesonit/tires_index.html)

Los estudios sobre la seguridad de las llantas muestran que mantener la presión adecuada de las mismas, observar los límites de carga de las llantas y del vehículo (no llevar en su vehículo más peso del que sus llantas o su vehículo pueden soportar de forma segura), evitar los peligros de la carretera e inspeccionar las llantas en busca de cortes, rajaduras y otras irregularidades son las cosas más importantes que puede hacer para evitar la falla de las llantas, como la separación de la banda de rodamiento o el estallido y pinchazo de las llantas. Estas acciones, junto con otras actividades de cuidado y mantenimiento, también pueden:

- Mejorar la conducción de los vehículos
- Ayudar a protegerlo a usted y a otros de averías y accidentes evitables
- Mejorar el ahorro de combustible
- Aumentar la vida de sus llantas

Este folleto presenta una visión general de la seguridad de las llantas, incluyendo información sobre los siguientes temas:

- Mantenimiento básico de las llantas
- Sistema uniforme de clasificación de la calidad de las llantas
- Características principales de las llantas

- Consejos de seguridad de las llantas. Utilice esta información para hacer que la seguridad de las llantas sea una parte habitual de la rutina de mantenimiento de su vehículo.

Reconozca que el tiempo que invierte es mínimo comparado con las molestias y las consecuencias de seguridad de un pinchazo u otra falla de las llantas.

### **La seguridad es lo primero - mantenimiento básico de las llantas**

Las llantas con un mantenimiento adecuado mejoran la dirección, el frenado, la tracción y la capacidad de carga de su vehículo. Las llantas poco infladas y los vehículos sobrecargados son una de las principales causas de la falla de las llantas. Por lo tanto, como se mencionó anteriormente, para evitar pinchazos y otros tipos de fallas en las llantas, usted debe mantener la presión adecuada de las llantas, observar los límites de carga de las llantas y del vehículo, evitar los peligros de la carretera e inspeccionar regularmente sus llantas.

### **Encuentre la presión de las llantas y los límites de carga recomendados para su vehículo**

Los rótulos de información de las llantas y las etiquetas de certificación de los vehículos contienen información sobre las llantas y los límites de carga. Estas etiquetas indican la información del fabricante del vehículo, incluyendo:

- Tamaño de llanta recomendado
- Presión de inflado de las llantas recomendado
- Capacidad de peso del vehículo (VCW - el peso máximo de ocupantes y carga que un vehículo está diseñado para llevar)
- Las clasificaciones del peso bruto del eje delantero y trasero (GAWR - el peso máximo que los sistemas de eje están diseñados para soportar).

Tanto los rótulos como las etiquetas de certificación están fijadas de forma permanente al remolque, cerca de la parte delantera izquierda.

### **Entender la presión de los neumáticos y los límites de carga**

Presión de inflado de las llantas es el nivel de aire en la llanta que le proporciona capacidad de carga y determina el rendimiento general del vehículo. Presión de inflado de las llantas es un número que indica la cantidad de presión de aire - medida en libras por pulgada cuadrada (psi) - que requiere una llanta para estar inflada apropiadamente. (También encontrará este número en el rótulo de información del vehículo expresado en kilopascales (kpa), que es la medida métrica utilizada internacionalmente).

Los fabricantes de vehículos de pasajeros y camionetas livianas determinan este número basándose en el límite de carga de diseño del vehículo, es decir, la mayor cantidad de peso que un vehículo puede transportar con seguridad y el tamaño de las llantas del vehículo. La presión adecuada de las llantas de su vehículo se denomina "presión de inflado en frío recomendada". (Como leerá más adelante, es difícil obtener la presión recomendada para las llantas si sus llantas no están frías).

Debido a que las llantas están diseñadas para ser usadas en más de un tipo de vehículo, los fabricantes de llantas enumeran la "máxima presión de inflado permitida" en el costado de la llanta. Este número es la mayor cantidad de presión de aire que se debe poner en la llanta en condiciones normales de conducción.

### **Verificación de la presión de las llantas**

Es importante controlar la presión de las llantas de su vehículo al menos una vez al mes por las siguientes razones:

- La mayoría de las llantas pueden perder aire de forma natural con el tiempo.
- Las llantas pueden perder aire repentinamente si se pasa por encima de un bache u otro objeto o si se golpea el bordillo al estacionar.
- En el caso de las llantas radiales, normalmente no es posible determinar el inflado deficiente mediante una inspección visual.

Para mayor comodidad, compre un medidor de presión de llantas para mantenerlo en su vehículo. Los medidores pueden comprarse en los concesionarios de llantas, tiendas de suministros de automóviles y otros puntos de venta al por menor.

La recomendación de la presión de inflado de las llantas que los fabricantes de vehículos proporcionan refleja la presión adecuada cuando una llanta está fría. El término frío no se relaciona con la temperatura exterior. Mejor dicho, una llanta fría es aquella que no ha sido conducida por lo menos durante tres horas.

Cuando usted conduce, sus llantas se calientan, lo que causa que la presión de aire dentro de ellas aumente. Por lo tanto, para obtener una lectura precisa de la presión de las llantas, debe medir la presión de las llantas cuando están frías o compensar la presión extra en las llantas calientes.

### **Pasos para mantener la presión adecuada de las llantas**

- Paso 1: Localice la presión recomendada de las llantas en el rótulo de información de las llantas del vehículo, en la etiqueta de certificación o en el manual del propietario.
- Paso 2: Registre la presión de todas las llantas.
- Paso 3: Si la presión de las llantas es demasiado alta en cualquiera de las llantas, libere lentamente el aire presionando suavemente el vástago de la válvula de la llanta con el borde del medidor de la llanta hasta que llegue a la presión correcta

- Paso 4: Si la presión de las llantas es demasiado baja, observe la diferencia entre la presión de las llantas medida y la presión correcta de las llantas. Estas libras de presión “perdidas” son las que necesitará añadir.
- Paso 5: En una estación de servicio, agregue las libras que faltan de presión de aire a cada llanta que esté desinflada.
- Paso 6: Revise todas las llantas para asegurarse de que tengan la misma presión de aire (excepto en los casos en los que se supone que las llantas delanteras y traseras tienen diferentes cantidades de presión).

Si ha estado conduciendo su vehículo y cree que una llanta está poco inflada, llénela hasta la presión de inflado en frío recomendada que se indica en el rótulo de información o la etiqueta de certificación de la llanta de su vehículo. Si bien es posible que su llanta todavía esté ligeramente desinflada debido a las libras adicionales de presión en la llanta caliente, es más seguro conducir con una presión de aire ligeramente inferior a la presión de inflado en frío recomendada por el fabricante del vehículo que conducir con una llanta significativamente desinflada. Ya que esto es una solución temporal, no olvide volver a comprobar y ajustar la presión de la llanta cuando pueda obtener una lectura en frío.

### Tamaño de la llanta

Para mantener la seguridad de las llantas, compre llantas nuevas del mismo tamaño que las llantas originales del vehículo u otro tamaño recomendado por el fabricante. Mire el rótulo de información de la llanta, el manual del propietario o el costado de la llanta que está reemplazando para encontrar esta información. Si tiene alguna duda sobre el tamaño correcto a elegir, consulte con el distribuidor de llantas.

### Banda de rodamiento de las llantas

La banda de rodamiento de la llanta proporciona la acción de agarre y tracción que evita que el vehículo se resbale o se deslice, especialmente cuando la carretera está mojada o con presencia de hielo. En general, las llantas no son seguras y deben ser reemplazadas cuando la banda de rodamiento se desgasta hasta 1/16 de pulgada. Las llantas tienen indicadores de desgaste de la banda de rodamiento que le permiten saber cuándo es el momento de reemplazar sus llantas. Estos indicadores son secciones elevadas espaciadas intermitentemente en el fondo de las ranuras de la banda de rodamiento. Cuando aparecen “parejos” con el exterior de la banda de rodamiento, es hora de reemplazar las llantas. Otro método para comprobar la profundidad de la banda de rodamiento es colocar un centavo de dólar en la banda de rodamiento con la cabeza de Lincoln al revés y de frente. Si puede ver la parte superior de la cabeza de Lincoln, estará listo para las llantas nuevas.

### Balanceo y alineación de las llantas

Para evitar la vibración o la sacudida del vehículo cuando una llanta gira, la llanta debe estar correctamente balanceada. Este balance se logra colocando pesos en la rueda para contrarrestar los puntos pesados del conjunto rueda y llanta. Una alineación de las ruedas ajusta los ángulos de las ruedas para que se posicionen correctamente en relación con el chasis del vehículo. Este ajuste maximiza la vida de sus llantas. Estos ajustes requieren un equipo especial y deben realizarse por parte de un técnico calificado.

### Reparación de llantas

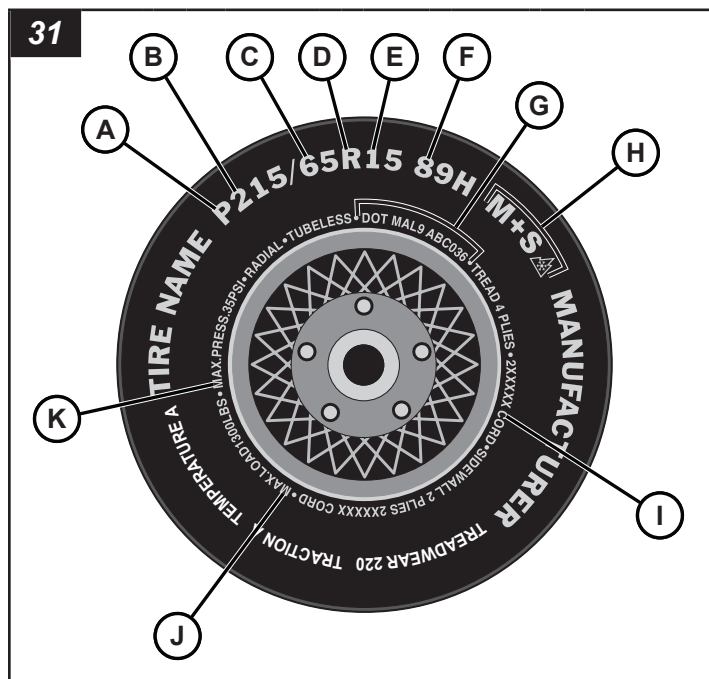
La reparación adecuada de una llanta pinchada requiere un tapón para el agujero y un parche para el área dentro de la llanta que rodea el agujero del pinchazo. Los pinchazos en la banda de rodamiento pueden repararse si no son demasiado grandes, pero los pinchazos en el costado no deben repararse. Las llantas deben removerse de los rines para inspeccionarse apropiadamente antes de taponarse y parcharse.

### Aspectos fundamentales sobre las llantas

La ley federal requiere que los fabricantes de llantas coloquen información estandarizada en el costado de todas las llantas. Esta información identifica y describe las características fundamentales de la llanta y también proporciona un número de identificación de la llanta para la certificación de la norma de seguridad y en caso de una retirada del mercado.

### Información sobre las llantas de los vehículos de pasajeros

Consulte la figura 31 y la información siguiente.



- A:** ‘P’ indica que la llanta es para vehículos de pasajeros.
- B:** Este número de tres dígitos da el ancho en milímetros de la llanta de borde a borde. En general, cuanto más grande es el número, más ancha es la llanta.



**C:** Este número de dos dígitos, conocido como la relación de aspecto, da la relación de altura y anchura de la llanta. Los números de 70 o menos indican una pared lateral corta para mejorar la respuesta de la dirección y el manejo general sobre el pavimento seco.

**D:** "R" significa radial. La construcción de llantas con capas radiales ha sido el estándar de la industria durante los últimos 20 años.

**E:** Este número de dos dígitos es el diámetro de la rueda o del rin en pulgadas. Si usted cambia el tamaño de la rueda, tendrá que comprar llantas nuevas para que coincidan con el nuevo diámetro de la rueda.

**F:**

(Número) Este número de dos o tres dígitos es el índice de carga de la llanta. Es una medida de cuánto peso puede soportar cada llanta. Puede encontrar esta información en su manual del propietario. Si no, contacte un distribuidor local de llantas. Nota: Es posible que no encuentre esta información en todas las llantas porque la ley no lo exige.

(Letra) La clasificación de velocidad denota la velocidad a la que una llanta está diseñada para conducir durante largos períodos de tiempo. Los índices van desde 99 mi/h hasta 186 mi/h. Estas clasificaciones se enumeran a continuación. *Nota: Es posible que no encuentre esta información en todas las llantas porque la ley no lo exige.*

Clasificación en letras	Clasificación de la velocidad
Q	99 mi/h
R	106 mi/h
S	112 mi/h
T	118 mi/h
U	124 mi/h
H	130 mi/h
V	168 mi/h*
Y	186 mi/h*

*\*Nota: Para las llantas con una capacidad de velocidad máxima de más de 149 mi/h, los fabricantes de llantas a veces usan las letras ZR. Para los que tienen una capacidad de velocidad máxima de más de 186 mi/h, los fabricantes de neumáticos siempre usan las letras ZR.*

**G:** U.S. DOT Número de identificación de llantas. Esto comienza con las letras "DOT" e indica que la llanta cumple con todos los estándares federales. Los siguientes dos números o letras son el código de planta donde fue fabricado, y los últimos cuatro números representan la semana y el año en que se fabricó el neumático. Por ejemplo, los números 3197 significan la 31.ª semana de 1997. Los otros números son códigos de comercialización utilizados a discreción del fabricante. Esta información se utiliza para contactar a los consumidores si un defecto en la llanta requiere un retiro del mercado.

**H:** La "M+S" o "M/S" indica que la llanta tiene alguna capacidad para el barro y la nieve. La mayoría de las llantas radiales tienen estas marcas, por lo que tienen cierta capacidad para el barro y la nieve.

**I:** Composición de la capa de la llanta y materiales utilizados. El número de capas indica el número de capas de tejido recubierto de caucho en la llanta. En general, cuanto mayor sea el número de capas, más peso puede soportar una llanta. Los fabricantes de llantas también deben indicar los materiales de la llanta, que incluyen acero, nylon, poliéster y otros.

**J:** Máxima capacidad de carga. Este número indica la carga máxima en kilogramos y libras que puede llevar la llanta.

**K:** Máxima presión de inflado permitida. Este número es la mayor cantidad de presión de aire que se debe poner en la llanta en condiciones normales de conducción.

### Clasificación unificada de la calidad de las llantas (UTQGS)

Los grados de calidad se pueden encontrar donde corresponda en el costado de la llanta entre el hombro de la banda de rodamiento y el ancho máximo de la sección. Por ejemplo:

TREADWEAR 200 TRACTION AA (DESGASTE DE LA BANDA DE RODAMIENTO 200 TRACCIÓN AA)

### Temperatura A

Todas las llantas de los autos de pasajeros deben cumplir con los requisitos federales de seguridad además de estos grados.

### Desgaste de la banda de rodamiento

El grado de desgaste de la banda de rodamiento es una clasificación comparativa basada en la tasa de desgaste de la llanta cuando se prueba bajo condiciones controladas en un circuito de prueba específico del gobierno. Por ejemplo, una llanta de grado 150 se desgastaría una vez y media (1 1/2) en el circuito del gobierno en comparación con una llanta de grado 100. Sin embargo, el rendimiento relativo de las llantas depende de las condiciones reales de su uso y puede desviarse considerablemente de la norma debido a las variaciones en los hábitos de conducción, las prácticas de servicio y las diferencias en las características de las carreteras y el clima.

### Tracción

Los grados de tracción, de mayor a menor, son AA, A, B y C. Esos grados representan la capacidad de la llanta para detenerse en un pavimento mojado según se mide en condiciones controladas en superficies de prueba especificadas por el gobierno de asfalto y concreto. Una llanta marcada con la letra C puede tener un pobre rendimiento de tracción.

*Advertencia: El grado de tracción asignado a esta llanta se basa en pruebas de tracción de frenado en línea recta, y no incluye la aceleración, las curvas, el hidroplaneo o las características de tracción máxima.*



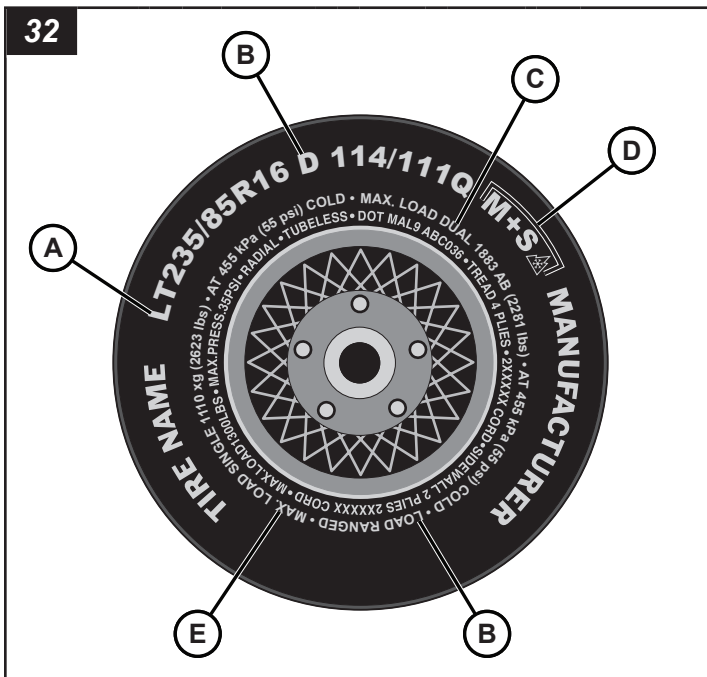
## Temperatura

Los grados de temperatura son A (el más alto), B y C, que representan la resistencia de la llanta a la generación de calor y su capacidad de disipar el calor cuando se prueba en condiciones controladas en una rueda de prueba de laboratorio interior especificada.

La alta temperatura sostenida puede hacer que el material de la llanta se degrade y reduzca la vida útil de la misma, y la temperatura excesiva puede llevar a la falla repentina de la llanta. El grado C corresponde a un nivel de rendimiento que todas las llantas de los automóviles de pasajeros deben cumplir según la Norma Federal de Seguridad del Motor No. 109. Los grados B y A representan niveles de rendimiento más altos en la rueda de pruebas de laboratorio que el mínimo requerido por la ley. Advertencia: El grado de temperatura de esta llanta se establece para una llanta que esté bien inflada y no sobrecargada. La velocidad excesiva, el inflado insuficiente o la carga excesiva, ya sea por separado o en combinación, pueden causar la acumulación de calor y la posible falla de las llantas.

## Información adicional sobre las llantas de camionetas livianas

Las llantas de las camionetas livianas tienen otras marcas además de las que se encuentran en las paredes laterales de las llantas de pasajeros. Consulte la figura 32 y la información siguiente.



**A:** “LT” indica que la llanta es para camionetas livianas. “ST” es una indicación de que la llanta es para uso en remolques solamente.

**B:** Rango de carga. Esta información identifica la capacidad de carga de la llanta y sus límites de inflado.

**C:** Carga máxima dual. Esta información indica la carga máxima y la presión de las llantas cuando la llanta se usa como dual, es decir, cuando se colocan cuatro llantas en cada eje trasero (un total de seis o más llantas en el vehículo)\*.

**D:** “M+S” o “M/S” indica que la llanta tiene algo de capacidad para el barro y la nieve. La mayoría de las llantas radiales tienen estas marcas, por lo que tienen cierta capacidad para el barro y la nieve.

**E:** Esta información indica la carga máxima y la presión de la llanta cuando se usa como un solo neumático.\*

\*Nota: La carga máxima se presenta en kilogramos y libras (kg/lbs). La presión máxima de las llantas se presenta en kilopascales y libras por pulgada cuadrada (kPa/psi) para cuando la llanta está fría.

## Consejos de seguridad sobre las llantas

### Prevención de daños en las llantas

- Reduzca la velocidad si tiene que pasar por encima de un bache u otro objeto en la carretera.
- No golpee los bordes de objetos extraños en la carretera, y trate de no golpear el andén al estacionar.

### Lista de verificación de seguridad de las llantas

- Verifique la presión de las llantas con regularidad (al menos una vez al mes), incluyendo la de repuesto.
- Inspeccione las llantas en busca de grietas, objetos extraños, patrones de desgaste desiguales en la banda de rodamiento u otros signos de desgaste o golpes.
- Retire los trozos de vidrio y los objetos extraños incrustados en la banda de rodamiento.
- Asegúrese de que las válvulas de sus llantas tengan tapones.
- Verifique la presión de las llantas antes de hacer un viaje largo.
- No sobrecargue su vehículo. Revise el rótulo de información de la llanta o el manual del propietario para conocer la carga máxima recomendada para el vehículo.

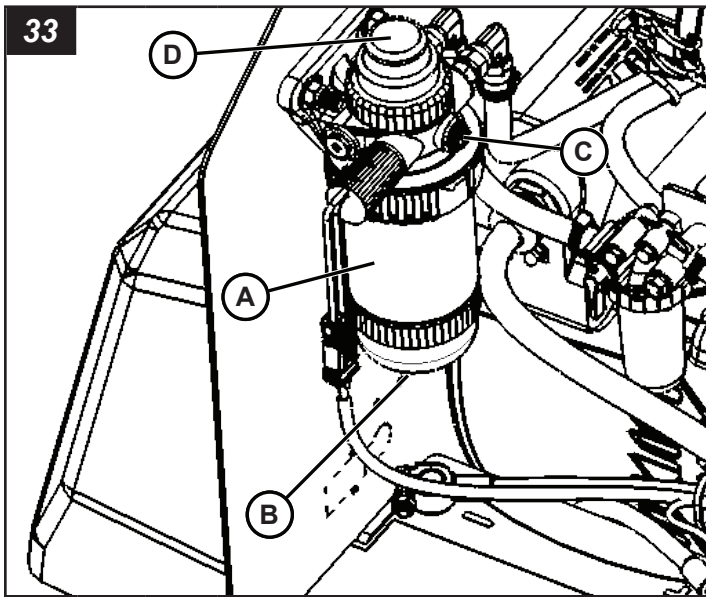
## Anexo: Opciones de la unidad

### Filtro separador de agua de combustible calentado

La unidad de la torre de iluminación está equipada con un filtro separador de agua de combustible calentado (A, Figura 35). Para drenar el agua:

1. Coloque un recipiente aprobado debajo del tapón de drenaje en el filtro separador de agua de combustible.
2. Afloje el tapón de drenaje (B, Figura 33) y el tapón de purga de aire (C, Figura 33) para drenar el agua.

3. Deje que el agua separada drene por completo en el recipiente aprobado. Elimine el agua de acuerdo con los reglamentos locales, estatales, provinciales y/o federales.
4. Cambie el filtro de combustible conforme sea necesario. Consulte las **Especificaciones**.
5. Apriete el tapón de drenaje.
6. Utilice la bomba (D, Figura 33) en la parte superior del separador de agua y de combustible para cebar el filtro con combustible y purgar todo el aire.
7. Apriete el tapón de purga de aire.



# Noter les renseignements importants

Noter les renseignements importants pour faciliter la commande des pièces de rechange ou des autocollants.

Société N° d'équipement :	
Appareil N° de modèle :	
Appareil NIV :	
N° de modèle du moteur :	N° de série :
N° de modèle de la génératrice :	N° de série :
Accessoires :	

## Table des matières:

Introduction .....	77
Produits couverts par le présent manuel .....	77
Sécurité .....	77
Caractéristiques et commandes .....	84
Préparation de la remorque à tour d'éclairage pour son utilisation .....	85
Transport de la remorque à tour d'éclairage .....	86
Fonctionnement .....	92
Entretien .....	99
Spécifications .....	104
Dépannage .....	105
Signaler les défauts de sécurité .....	106
Consignes de sécurité relatives aux pneus .....	107
Addenda – Options des unités .....	114



### AVERTISSEMENT

L'inspiration de gaz d'échappement du moteur vous expose à des produits chimiques connus selon l'État de Californie pour causer le cancer, des anomalies congénitales ou d'autres effets nuisibles à la reproduction.

- Toujours démarrer et faire fonctionner le moteur dans un endroit bien ventilé.
- Si le moteur est utilisé dans un espace confiné, ventiler les gaz d'échappement à l'extérieur.
- Ne pas modifier ni altérer le système d'échappement.
- Ne pas mettre le moteur au ralenti sauf en cas de nécessité.

Pour obtenir de plus amples renseignements, consultez le site [www.P65Warnings.ca.gov/diesel](http://www.P65Warnings.ca.gov/diesel).

# Introducción

À propos de ce manuel

## PRENEZ LE TEMPS DE LIRE ATTENTIVEMENT CE MANUEL

Ce manuel d'instructions procure les instructions nécessaires pour la tour d'éclairage 3 kW refroidie par liquide NIGHT-LITE™ série GR Allmand®.

L'information dans ce manuel est en vigueur au moment de l'impression. Briggs & Stratton, LLC. peut changer le contenu sans préavis ni obligation.

Les images contenues dans ce manuel sont offertes aux fins d'illustration seulement et peuvent être différentes de votre modèle.

Toute référence dans ce manuel au côté droit et au côté gauche se détermine en regardant la remorque à partir de l'arrière.

Si vous êtes incertain de toute information contenue dans le manuel, contacter le service à la clientèle d'Allmand au 1-800-562-1373, ou nous contacter par l'entremise de notre site Web à [www.allmand.com](http://www.allmand.com).

**Conservez ces instructions originales comme référence future.**

## Produits couverts par le présent manuel

Les produits suivants sont couverts par le présent manuel : 3 kW refroidie par liquide NIGHT-LITE™ série GR

## Sécurité

### Définitions sur la sécurité

Pour votre sécurité et celle des autres, en plus de protéger la performance de l'équipement, suivre les précautions énumérées dans le manuel avant l'utilisation, pendant l'utilisation et pendant les procédures d'entretien périodiques.



Le symbole d'alerte de sécurité indique un risque de blessure corporelle.



### DANGER

Indique une situation dangereuse qui, si non évitée, causera la mort ou des blessures graves.



### AVERTISSEMENT

Indique une situation dangereuse qui, si non évitée, pourrait causer la mort ou des blessures graves.



### ATTENTION

Indique une situation dangereuse qui, si non évitée, pourrait causer des blessures mineures ou modérées.

## AVIS

Informations considérées comme importantes, mais pas liées à des risques.

## Mesures de sécurité

La section suivante contient des mesures et des directives de sécurité générales qui doivent être obéies afin de réduire tout risque à la sécurité personnelle. Des mesures de sécurité particulières sont listées dans certaines procédures pertinentes. Lire et comprendre toutes les mesures de sécurité avant de faire fonctionner ou d'effectuer des réparations ou de l'entretien.



**DANGER**



### Risque d'électrocution

- Toujours vérifier les câbles et les obstructions en hauteur avant de soulever ou d'abaisser la tour d'éclairage.
- Toujours obéir aux règlements ou aux directives de votre chantier, et les codes électriques étatiques, provinciaux et nationaux pour maintenir une distance sûre avec les câbles en hauteur.
- Une haute tension est présente lorsque le moteur est en marche. Ne jamais tenter d'effectuer l'entretien des composants électriques lorsque le moteur est en marche.
- Ne pas utiliser la tour d'éclairage si l'isolation sur le cordon électrique ou tout autre câblage électrique est coupée, usée ou mise à nu. Réparer ou remplacer le câblage endommagé avant de démarrer le moteur.



**AVERTISSEMENT**

### Risque de fonctionnement non sécuritaire

- Ne jamais laisser quiconque installer ou faire fonctionner l'équipement sans formation adéquate.
- Lire et comprendre ce manuel d'utilisation, le manuel d'utilisation du moteur et tout autre manuel des composants avant d'utiliser ou d'entretenir la tour d'éclairage afin de s'assurer que les pratiques exemplaires de sécurité et les procédures d'entretien sont suivies.
- Les enseignes et les autocollants de sécurité sont des rappels d'utiliser des techniques d'utilisation et d'entretien sûres.



**AVERTISSEMENT**

### Risque de chute

- Ne jamais transporter des passagers sur l'équipement.



**AVERTISSEMENT**

### Risque lié aux modifications

- Ne jamais modifier l'équipement sans le consentement écrit du fabricant. Toute modification pourrait affecter le fonctionnement sécuritaire de l'équipement.



**AVERTISSEMENT**

### Risque d'exposition

- Toujours porter de l'équipement de protection individuelle, incluant les vêtements appropriés, les gants, chaussures de travail, et une protection des yeux et de l'ouïe, selon ce qui est exigé par la tâche à effectuer.



**AVERTISSEMENT**



### Risque de renversement

- Ne pas soulever, ni abaisser, ni utiliser la tour d'éclairage à moins que tous les vérins stabilisateurs et longerons ne soient en position ferme au sol.
- Ne jamais déplacer ni replacer la tour d'éclairage pendant qu'elle est allongée en position verticale.



**AVERTISSEMENT**



### Risque d'incendie et d'explosion

Les batteries dégagent des gaz explosifs pendant le chargement. Des étincelles pourraient causer des explosions, entraînant la mort ou des blessures graves.



**AVERTISSEMENT**



### Risque de brûlure

Les batteries contiennent de l'acide, qui est très caustique. Tout contact avec les composants de la batterie peut causer de graves brûlures chimiques.



**AVERTISSEMENT**



### Risque de choc électrique

Les batteries présentent un risque de décharge électrique et de haute tension lors d'un court-circuit.

- Toujours débrancher le câble négatif (-) de la batterie avant d'effectuer le service de l'équipement.
- NE PAS jeter la batterie au feu. Recycler la batterie.

- NE PAS permettre de flamme nue, d'étincelle, de chaleur, de tison de cigarette au cours et plusieurs minutes après le chargement de la batterie.
- NE PAS tenter d'ouvrir ou de mutiler la batterie.
- NE PAS charger une batterie gelée. Toujours réchauffer lentement la batterie à la température ambiante avant de la charger.
- Porter des gants de protection ainsi qu'un tablier, des bottes et des gants en caoutchouc.
- Enlever vos montres, bagues et autres objets métalliques.
- Utiliser des outils dont les poignées sont isolées.

### AVERTISSEMENT



#### Risque d'incendie et d'explosion

- Le carburant diesel est inflammable et explosif sous certaines conditions.
- Ne jamais utiliser un chiffon industriel pour ramasser le carburant.
- Essuyer immédiatement tout déversement.
- Ne jamais faire le plein si le moteur est en marche.
- Ranger tous les contenants qui contiennent du carburant dans un endroit bien ventilé, loin de tout combustible et de toute source d'allumage.

### AVERTISSEMENT

#### Risque lié à l'alcool et aux drogues

- Ne pas utiliser la tour d'éclairage sous l'emprise de l'alcool ou de drogues, ou en étant malade.

### AVERTISSEMENT



#### Risque d'emmêlement/de rupture

- Toujours arrêter le moteur avant de commencer un entretien.
- Si le moteur doit être réparé pendant qu'il tourne, retirer tous les bijoux, attacher les cheveux longs et garder les mains, toute partie du corps et tout vêtement éloigné des pièces mobiles et rotatives.
- S'assurer que tous les protecteurs et les couvercles sont fixés correctement à l'équipement avant de démarrer le moteur. Ne pas démarrer le moteur si les protecteurs et les couvercles ne sont pas installés correctement sur l'équipement.
- Attacher l'étiquette « Ne pas faire fonctionner » près de la clé l'interrupteur de contact pendant l'entretien d'un équipement.

### AVERTISSEMENT

#### Risque lié aux objets propulsés

- Toujours porter une protection des yeux lors du nettoyage de l'équipement avec de l'air comprimé ou de l'eau à haute pression. La poussière, les débris propulsés, l'air comprimé, l'eau ou la vapeur à haute pression peuvent endommager vos yeux.

### AVERTISSEMENT

#### Risque lié au liquide de refroidissement

- Porter une protection des yeux et des gants en caoutchouc lors de la manipulation du liquide de refroidissement du moteur. Si un contact avec les yeux ou la peau se produit, rincer les yeux et laver immédiatement avec de l'eau propre.

### AVERTISSEMENT



#### Risque de brûlure

- L'ouverture du bouchon sur un radiateur chaud pourrait provoquer la mort ou des blessures graves. Laisser le radiateur refroidir avant de dévisser le bouchon.

### AVERTISSEMENT



#### Risque de brûlure

- Les luminaires et certaines surfaces du moteur deviennent très chauds pendant l'utilisation et peu après l'arrêt.
- Garder les mains et les autres parties du corps loin des surfaces chaudes.
- Manipuler les composants chauds, comme les luminaires, avec des gants résistants à la chaleur.

#### AVIS

- Toute pièce déclarée défectueuse à la suite d'une inspection ou toute pièce dont la valeur mesurée ne satisfait pas à la norme ou à la limite DOIT être remplacée.
- Toujours serrer les composants au couple indiqué. Les pièces desserrées peuvent causer des dommages à l'équipement et le faire fonctionner incorrectement.
- Suivre les directives d'Environmental Protection Agency (EPA), Environnement Canada (Environnement Canada, EC) ou d'autres agences gouvernementales pour l'élimination appropriée des matières dangereuses comme l'huile à moteur, le carburant diesel et le liquide de refroidissement du moteur.



- Utiliser uniquement les pièces de rechange indiquées. D'autres pièces de rechange peuvent affecter la couverture de garantie.
- Éliminer toute saleté et tout débris accumulé dans la carrosserie de l'équipement et de ses composants avant d'inspecter l'équipement ou d'effectuer un entretien ou des réparations. Faire fonctionner l'équipement avec de la saleté et des débris accumulés causera une usure prématurée des composants de l'équipement.
- Ne jamais disposer des matières dangereuses en les jetant dans un égout, sur le sol, ou dans les eaux souterraines ou les voies d'eau.
- Récupérer tous outils et toutes les pièces qui peuvent être tombés à l'intérieur de l'équipement pour éviter le mauvais fonctionnement de ce dernier.
- Si un témoin s'allume pendant l'utilisation de l'équipement, arrêter immédiatement le moteur. Déterminer la cause et réparer le problème avant de continuer à faire fonctionner l'équipement.

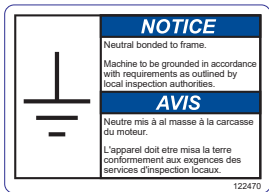
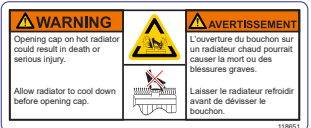



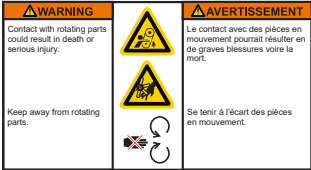
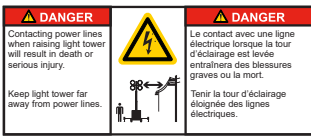
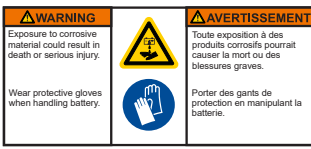
L'utilisation ou le fonctionnement du moteur sur des terrains forestiers, broussailleux ou herbeux constituent une violation de la Section 4442 du Code des ressources publiques de Californie (California Public Resource Code), à moins que le système d'échappement ne soit équipé d'un pare-étincelles, comme le définit la section 4442, maintenu en bon état de marche. D'autres États ou juridictions fédérales peuvent avoir des lois similaires; consulter le Règlement fédéral 36 CFR, section 261.52.

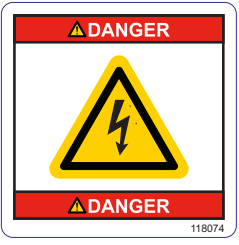
## Autocollants de sécurité

Avant de faire fonctionner votre appareil, veuillez lire et comprendre les autocollants de sécurité suivants. Les mises en garde, les avertissements et les directives sont là pour votre sécurité. Afin d'éviter des blessures corporelles ou des dommages à l'appareil, il faut comprendre et observer tous les autocollants.

Empêcher les autocollants de devenir sales ou de se déchirer et les remplacer s'ils sont perdus ou endommagés. De plus, si une pièce ayant un autocollant a besoin d'être remplacée, veiller à commander la nouvelle pièce et l'autocollant en même temps.

Si un autocollant de sécurité ou de directive est usé ou endommagé et n'est plus lisible, commander des autocollants de remplacement auprès de votre concessionnaire.

Modèles domestiques	
<p>Renseignements sur la mise à la terre de la machine/cosse de mise à la terre</p> <p>N° de pièce 122470</p>	
<p><b>AVERTISSEMENT</b> – L'ouverture du bouchon sur un radiateur chaud pourrait causer la mort ou des blessures graves. Laisser le radiateur refroidir avant de dévisser le bouchon..</p> <p>N° de pièce 118651</p>	
<p><b>AVERTISSEMENT</b> – Tout contact avec les pièces et les gaz d'échappement chauds pourrait causer la mort ou des blessures graves. Éviter les gaz d'échappement chauds. Tenir les mains et les produits inflammables à l'écart des pièces chaudes.</p> <p>N° de pièce 118162</p>	
<p><b>AVERTISSEMENT</b> – L'omission de respecter les avertissements, les instructions et le manuel d'utilisation pourrait causer la mort ou des blessures graves. Lire et suivre le manuel d'utilisation avant de faire fonctionner cet équipement ou d'en faire l'entretien.</p> <p>N° de pièce 122468-1</p>	
<p><b>AVERTISSEMENT</b> – L'échappement du moteur contient du monoxyde de carbone, un gaz toxique qui pourrait causer la mort ou des graves blessures. Faire fonctionner l'équipement loin des fenêtres, des portes et des événements. Ne pas faire fonctionner à l'intérieur ni dans un espace partiellement fermé.</p> <p>N° de pièce 122468-2</p>	
<p><b>AVERTISSEMENT</b> – Le contact avec des pièces en mouvement pourrait causer la mort ou des blessures graves. Se tenir à l'écart des pièces en mouvement.</p> <p>N° de pièce 122468-3</p>	
<p><b>DANGER</b> – Le contact avec une ligne électrique lorsque la tour d'éclairage est levée peut entraîner la mort ou des blessures graves. Tenir la tour d'éclairage éloignée des lignes électriques.</p> <p>N° de pièce 122468-4</p>	
<p><b>AVERTISSEMENT</b> – Toute exposition à des produits corrosifs pourrait causer la mort ou des blessures graves. Porter des gants de protection en manipulant la batterie.</p> <p>N° de pièce 122468-5</p>	

Modèles domestiques	
<p><b>DANGER</b> – Le fait d'entrer dans le compartiment électrique tandis que l'équipement est utilisé peut entraîner la mort ou des blessures graves. Débrancher l'équipement avant d'entrer dans le compartiment électrique.</p> <p>N° de pièce 118074</p>	

## Modèles domestiques

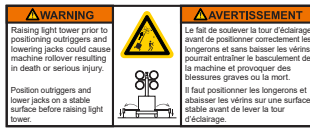
**AVERTISSEMENT** – Les articles de fumeur, les flammes nues ou d'autres formes d'allumage près de la batterie pourraient causer une explosion, causant la mort ou des blessures graves. Tenir les articles de fumeur, les flammes nues ou les autres formes d'allumage à l'écart de la batterie.

N° de pièce 122468-6



**AVERTISSEMENT** – Le fait de soulever la tour d'éclairage sans positionner les longerons et sans baisser les vérins pourrait entraîner le basculement de la machine et provoquer de graves blessures ou la mort. Il faut positionner les longerons et abaisser les vérins sur une surface stable avant de lever la tour d'éclairage.

N° de pièce 122468-7



**AVERTISSEMENT** – Le démarrage inattendu du moteur pourrait provoquer la mort ou des blessures graves. Lire et suivre le manuel d'utilisation du contrôleur électronique avant de faire fonctionner ou de faire l'entretien de cet équipement.

N° de pièce 122468-8

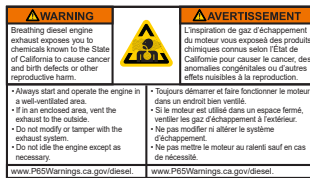


**AVERTISSEMENT** – L'inspiration de gaz d'échappement du moteur vous expose à des produits chimiques connus selon l'État de Californie pour causer le cancer, des anomalies congénitales ou d'autres effets nuisibles à la reproduction.

- Toujours démarrer et faire fonctionner le moteur dans un endroit bien ventilé.
- Si le moteur est utilisé dans un espace confiné, ventiler les gaz d'échappement à l'extérieur.
- Ne pas modifier ni altérer le système d'échappement.
- Ne pas mettre le moteur au ralenti sauf en cas de nécessité.

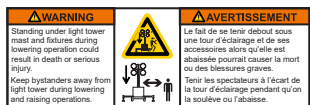
[www.P65Warnings.ca.gov/diesel](http://www.P65Warnings.ca.gov/diesel)

N° de pièce 122468-9



**AVERTISSEMENT** – Se tenir debout sous le mât d'une tour d'éclairage et de ses luminaires en l'abaissant pourrait causer la mort ou des blessures graves. Tenir les spectateurs éloignés de la tour d'éclairage pendant qu'on la soulève ou qu'on l'abaisse.

N° de pièce 122468-10



**AVERTISSEMENT** – L'ouverture du bouchon sur un radiateur chaud pourrait causer la mort ou des blessures graves. Laisser le radiateur refroidir avant de dévisser le bouchon.

N° de pièce 122468-11



## Modèles domestiques

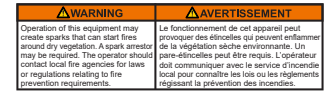
**AVERTISSEMENT** – Tout contact avec les pièces et les gaz d'échappement chauds pourrait causer la mort ou des blessures graves. Éviter les gaz d'échappement chauds. Tenir les mains et les produits inflammables à l'écart des pièces chaudes.

N° de pièce 122468-12



**AVERTISSEMENT** – Le fonctionnement de cet appareil peut provoquer des étincelles qui peuvent enflammer de la végétation sèche environnante. Un pare-étincelles peut être requis. L'opérateur doit communiquer avec le service d'incendie local pour connaître les lois ou les règlements régissant la prévention des incendies.

N° de pièce 122468-13



**DANGER** – Le contact avec une ligne électrique lorsque la tour d'éclairage est levée peut entraîner la mort ou des blessures graves. Tenir la tour d'éclairage éloignée des lignes électriques.

**AVERTISSEMENT** – Le fait de soulever la tour d'éclairage sans positionner les longerons et sans baisser les vérins pourrait entraîner le basculement de la machine et provoquer de graves blessures ou la mort. Il faut positionner les longerons et abaisser les vérins sur une surface stable avant de lever la tour d'éclairage.

**AVERTISSEMENT** – Se tenir debout sous le mât d'une tour d'éclairage et de ses luminaires en l'abaissant pourrait causer la mort ou des blessures graves. Tenir les spectateurs éloignés de la tour d'éclairage pendant qu'on la soulève ou qu'on l'abaisse.

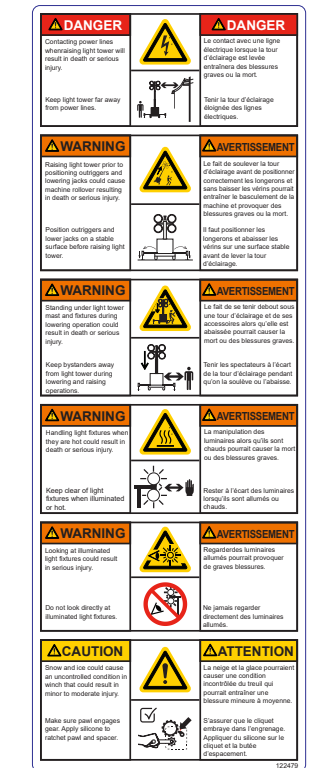
**AVERTISSEMENT** – La manipulation des luminaires alors qu'ils sont chauds peut provoquer la mort ou des blessures graves. Rester à l'écart des luminaires lorsqu'ils sont allumés ou chauds.

**AVERTISSEMENT** – Regarder des luminaires allumés peut provoquer de graves blessures. Ne jamais regarder directement des luminaires allumés.

**ATTENTION** – La neige et la glace pourraient occasionner une perte de contrôle, ce qui peut entraîner des blessures mineures à modérées. S'assurer que le cliquet embraye dans l'engrenage. Appliquer du silicone sur le cliquet et la butée d'espacement.

N° de pièce 122479

Tour à treuil manuel






**AVERTISSEMENT** – Se tenir debout sous le mât d'une tour d'éclairage et de ses luminaires en l'abaissant pourrait causer la mort ou des blessures graves. Tenir les spectateurs éloignés de la tour d'éclairage pendant qu'on la soulève ou qu'on l'abaisse.

**AVERTISSEMENT** – La manipulation des luminaires alors qu'ils sont chauds peut provoquer la mort ou des blessures graves. Rester à l'écart des luminaires lorsqu'ils sont allumés ou chauds.

**AVERTISSEMENT** – Regarder des luminaires allumés peut provoquer de graves blessures. Ne jamais regarder directement des luminaires allumés.

N° de pièce 122478

Tour à treuil électrique




<b>WARNING</b> Standing under light tower mast and fixtures during lowering operation could result in death or serious injury. Keep bystanders away from light tower during lowering and raising operations.		<b>AVERTISSEMENT</b> Le fait de se tenir debout sous une tour d'éclairage et de ses accessoires alors qu'elle est abaissée pourrait causer la mort ou des blessures graves. Tenir les spectateurs à l'écart de la tour d'éclairage pendant son abaissement ou son relèvement.
<b>WARNING</b> Handling light fixtures when they are hot could result in death or serious injury. Keep clear of light fixtures when illuminated or hot.		<b>AVERTISSEMENT</b> La manipulation des luminaires alors qu'ils sont chauds pourrait causer la mort ou des blessures graves. Rester à l'écart des luminaires lorsqu'ils sont allumés ou chauds.
<b>WARNING</b> Looking at illuminated light fixtures could result in serious injury. Do not look directly at illuminated light fixtures.		<b>AVERTISSEMENT</b> Regarder des luminaires allumés pourrait provoquer de graves blessures. Ne jamais regarder directement des luminaires allumés.

**AVERTISSEMENT** – L'omission de respecter les avertissements, les instructions et le manuel d'utilisation pourrait causer la mort ou des blessures graves. Lire et suivre le manuel d'utilisation avant de faire fonctionner cet équipement ou d'en faire l'entretien.

**AVERTISSEMENT** – Ne pas abaisser la tour d'éclairage en position sécurisée avant de la remorquer peut provoquer la mort ou des blessures graves. Abaisser la tour en position sécurisée avant le remorquage.

**AVERTISSEMENT** – Une vitesse de remorquage excessive pourrait causer la mort ou des blessures graves. Ne pas dépasser 65 mi/h (105 km/h) lors du remorquage.

N° de pièce 122463

<b>WARNING</b> Failure to follow warnings, instructions and operator's manual could result in death or serious injury. Read and follow operator's manual before operating or servicing this equipment.		<b>AVERTISSEMENT</b> L'omission de respecter les avertissements, les instructions et le manuel de l'utilisateur pourrait entraîner des blessures graves ou la mort. Lire et suivre le manuel d'utilisation avant de faire fonctionner ou de faire l'entretien de cet équipement.
<b>WARNING</b> Failure to lower tower into a secured position before towing could result in death or serious injury. Lower tower to a secured position before towing.		<b>AVERTISSEMENT</b> Ne pas abaisser la tour d'éclairage en position sécurisée ou préalable peut provoquer la mort ou des blessures graves. Abaisser la tour en position sécurisée avant le remorquage.
<b>WARNING</b> Excessive towing speed could result in death or serious injury. Do not exceed 65 mph (105 km/h) when towing trailer.		<b>AVERTISSEMENT</b> Une vitesse de remorquage excessive pourrait entraîner la mort ou de graves blessures. Ne pas dépasser 65 km/h (105 mi/h) lors du remorquage.

Numéro de dossier CSA  
N° de pièce 110361

	<b>Allmand</b> Holdrege, Nebraska CSA File Number: 204930
For electrical equipment only. Pour matériel électrique seulement.	

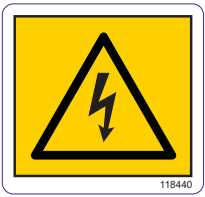
Renseignements électriques  
N° de pièce 118653

kW	3.0
A	25
V	120
Hz/RPM	60/1800
PHASE	1
INS. CLASS	H @ 40°C AMB
PF	1.0

**Modèles internationaux**

**DANGER** – Le fait d'entrer dans le compartiment électrique tandis que l'équipement est utilisé peut entraîner la mort ou des blessures graves. Débrancher l'équipement avant d'entrer dans le compartiment électrique.

N° de pièce 118440



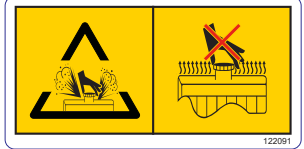
**AVERTISSEMENT** – Le contact avec des pièces en mouvement pourrait résulter en de graves blessures voire la mort. Se tenir à l'écart des pièces en mouvement.

N° de pièce 118658



**AVERTISSEMENT** – L'ouverture du bouchon sur un radiateur chaud pourrait causer la mort ou des blessures graves. Laisser le radiateur refroidir avant de dévisser le bouchon..

N° de pièce 122091



**AVERTISSEMENT** - Tout contact avec les pièces et les gaz d'échappement chauds pourrait causer la mort ou des blessures graves. Éviter les gaz d'échappement chauds. Tenir les mains et les produits inflammables à l'écart des pièces chaudes.

N° de pièce 107529



**AVERTISSEMENT** – Le fait de se tenir debout sous une tour d'éclairage et de ses accessoires alors qu'elle est abaissée peut causer la mort ou des blessures graves. Tenir les spectateurs à l'écart de la tour d'éclairage pendant qu'on la soulève ou l'abaisse.



**AVERTISSEMENT** – La manipulation des luminaires alors qu'ils sont chauds peut provoquer la mort ou des blessures graves. Rester à l'écart des luminaires lorsqu'ils sont allumés ou chauds.

**AVERTISSEMENT** – Regarder des luminaires allumés peut provoquer de graves blessures. Ne jamais regarder directement des luminaires allumés.

N° de pièce 118444

**ATTENTION** – La neige et la glace pourraient occasionner une perte de contrôle, ce qui peut entraîner des blessures mineures à modérées. S'assurer que le cliquet embrayé dans l'engrenage. Appliquer du silicone sur le cliquet et la butée d'espacement.

N° de pièce 107532

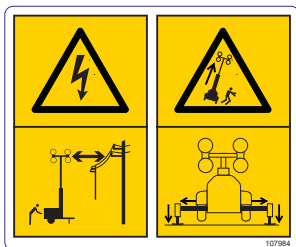


## Modèles internationaux

**DANGER** – Le contact avec une ligne électrique lorsque la tour d'éclairage est levée peut entraîner la mort ou des blessures graves. Tenir la tour d'éclairage éloignée des lignes électriques.

**AVERTISSEMENT** – Le fait de soulever la tour d'éclairage sans positionner les longerons et sans baisser les vérins pourrait entraîner le basculement de la machine et provoquer de graves blessures ou la mort. Il faut positionner les longerons et abaisser les vérins sur une surface stable avant de lever la tour d'éclairage.

N° de pièce 107984



**AVERTISSEMENT** – L'omission de respecter les avertissements, les instructions et le manuel d'utilisation pourrait entraîner des blessures graves ou la mort. Lire et suivre le manuel d'utilisation avant de faire fonctionner cet équipement ou d'en faire l'entretien.

**AVERTISSEMENT** – L'échappement du moteur contient du monoxyde de carbone, un gaz toxique pouvant provoquer la mort ou de graves blessures. Faire fonctionner l'équipement loin des fenêtres, des portes et des événements. Ne pas faire fonctionner à l'intérieur ni dans un espace partiellement fermé.

**AVERTISSEMENT** – Le démarrage inattendu du moteur pourrait provoquer la mort ou des blessures graves. Lire et suivre le manuel d'utilisation du contrôleur électronique avant de faire fonctionner ou de faire l'entretien de cet équipement.

**AVERTISSEMENT** – Les articles de fumeur, les flammes nues ou d'autres formes d'allumage près de la batterie pourraient causer une explosion, causant la mort ou des blessures graves. Tenir les articles de fumeur, les flammes nues ou les autres formes d'allumage à l'écart de la batterie.

**AVERTISSEMENT** – Toute exposition à des produits corrosifs pourrait causer la mort ou des blessures graves. Porter des gants de protection en manipulant la batterie.

**AVERTISSEMENT** – Tout contact avec les pièces et les gaz d'échappement chauds pourrait causer la mort ou des blessures graves. Éviter les gaz d'échappement chauds. Tenir les mains et les produits inflammables à l'écart des pièces chaudes.

N° de pièce 118442



## Modèles internationaux

**AVERTISSEMENT** – Une vitesse de remorquage excessive pourrait entraîner la mort ou de graves blessures. Ne pas dépasser 65 mi/h (105 km/h) lors du remorquage.

N° de pièce 118110



**AVERTISSEMENT** – Ne pas abaisser la tour d'éclairage en position sécurisée avant de la remorquer peut provoquer la mort ou des blessures graves. Abaisser la tour en position sécurisée avant le remorquage.

N° de pièce 118443



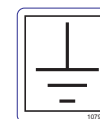
Renseignements électriques

N° de pièce 118659

kW	2.5
A	11
V	220
Hz/RPM	50/1500
PHASE	1
INS. CLASS	H
MAX AMB	120°F/49°C
PF	1.0

Patte de mise à la masse

N° de pièce 107969



## Tous les modèles

Information sur les pneus

N° de pièce 111585

TIRE INFORMATION			
The weight of cargo should never exceed 0 kg or 0 lbs.			
TYPE	SIZE	COLD TIRE PRESSURE	SEE OWNER'S MANUAL FOR ADDITIONAL INFORMATION.
FRONT	ST 175/80R138	241kPa, 35PSI	
REAR	NONE	NONE	
SQUARE	NONE	NONE	

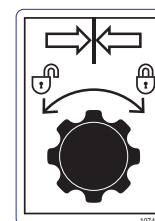
Arrêt d'urgence

N° de pièce 105567



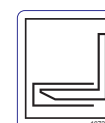
Positionnement de la tour d'éclairage pour le transport

N° de pièce 107459


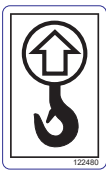

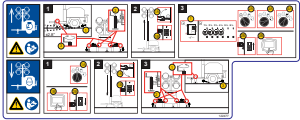




Passages de fourches

N° de pièce 107254





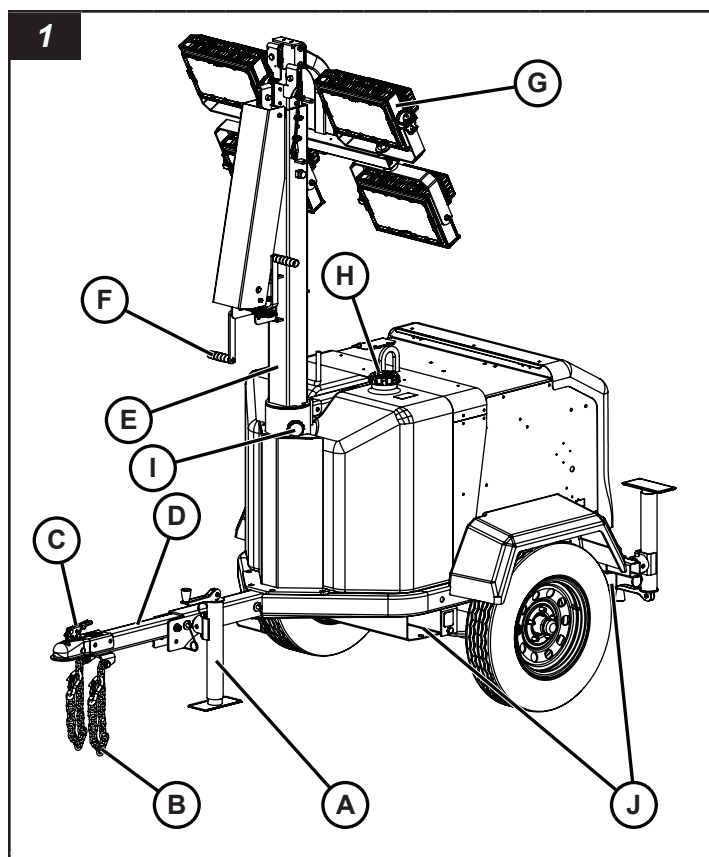
Tous les modèles	
Vidange de l'huile à moteur N° de pièce 107973	
Poids de levage N° de pièce 122480	
Numéro de série de la remorque (NIV) N° de pièce 117089	
Instructions de fonctionnement N° de pièce 122477	
Code QR de fonctionnement de produit N° de pièce 123242	

Icône	Signification	Icône	Signification
	Contrôleur électronique		

## Caractéristiques et commandes















La tour d'éclairage sur remorque Night-Lite™ série GR d'Allmand® est destinée à une utilisation comme appareil d'éclairage fixe pour illuminer de grandes zones.

Identifier les caractéristiques et les commandes de la machine en comparant les figures 1 jusqu'à 3 avec les tableaux ci-dessous. Voir **Fonctionnement** pour des informations détaillées sur chaque caractéristique et commande.



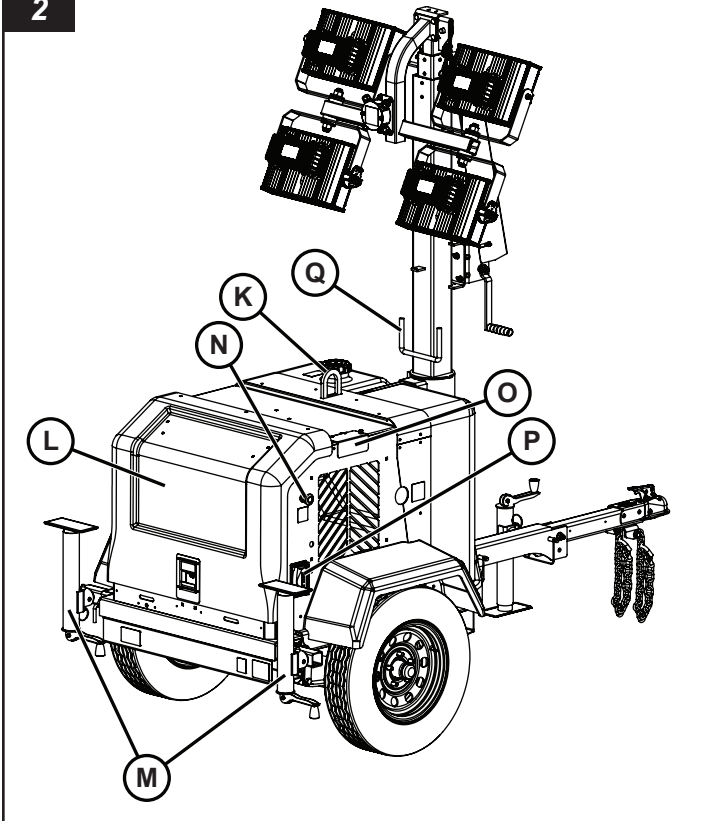
## Icônes de fonctionnement

Le tableau ci-dessous contient des icônes de fonctionnement qui peuvent se retrouver sur l'unité, ainsi que la signification de chaque icône.

Icône	Signification	Icône	Signification
	Sous tension		Éclairage de travail
	Hors tension		Soulever la tour d'éclairage
	Arrêt du moteur		Abaisser la tour d'éclairage
	Moteur en marche		Vidange de l'huile à moteur
	Démarrage du moteur		Disjoncteur
	Préchauffage du moteur		Déconnecter le disjoncteur
	Horomètre		Mise à la masse

Réf.	Description
A	Vérin de flèche
B	Chaîne de sécurité (2)
C	Attelage de la remorque
D	Flèche de la remorque
E	Tour d'éclairage
F	Poignée du treuil de la tour d'éclairage (2)
G	Luminaire (4)
H	Bouchon du réservoir de carburant
I	Bouton de verrouillage de rotation de la tour d'éclairage
J	Passage de fourche/Point de fixation (2 de chaque côté)

2



Réf.	Description
R	Moteur
S	Génératrice
T	Moteur/Lumière/Tableau de commande sortie CA
U	Batterie
V	Contenant de rangement du manuel

## Préparation de la remorque à tour d'éclairage pour son utilisation

### ⚠ AVERTISSEMENT

Faire fonctionner ou remorquer une machine avec des pièces usées, endommagées ou manquantes pourrait causer la mort ou des blessures graves. Remplacer immédiatement les pièces usées ou endommagées. Ne pas faire fonctionner ou remorquer cette machine jusqu'à ce que les pièces usées, endommagées ou manquantes aient été remplacées, et que la machine fonctionne correctement.

### ⚠ AVERTISSEMENT

Tirer une remorque avec des pneus usés, endommagés ou insuffisamment gonflés pourrait causer la mort ou des blessures graves. Remplacer immédiatement les pneus usés ou endommagés. Garder les pneus gonflés à une pression appropriée pour pneus froids.

### AVIS

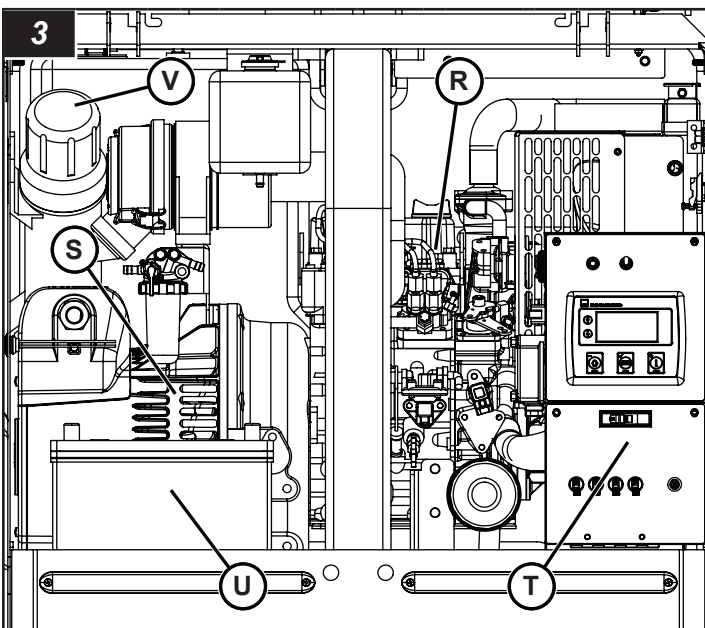
L'utilisation de pièces de remplacement Allmand autorisées est recommandée. La garantie ne couvre pas les dommages ou les problèmes de performance causés par l'utilisation de pièces non autorisées.

Si la tour d'éclairage sur remorque a été entreposée ou inutilisée pendant une certaine période, suivre ces étapes pour préparer la tour d'éclairage sur remorque Night-Lite™ série GR à l'utilisation.

1. S'assurer qu'un exemplaire du manuel d'utilisation se trouve dans le rangement prévu de la tour d'éclairage sur remorque.
2. S'assurer que tous les autocollants de sécurité sont lisibles et en place sur la tour d'éclairage sur remorque. Voir **Autocollants de sécurité** dans la section **Sécurité de l'utilisateur**.
3. Faire une vérification du bon fonctionnement de la tour d'éclairage sur remorque :
  - A. S'assurer que la flèche de la remorque soit bien abaissée et verrouillée en position de stationnement ou de remorquage. Voir **Flèche de la remorque**.

Réf.	Description
K	Anneau de levage
L	Couvercle du compartiment du moteur
M	Longeron/Vérin stabilisateur (2)
N	Arrêt d'urgence
O	Porte d'accès au bouchon du radiateur
P	Prise CA auxiliaire
Q	Poignée de rotation de la tour d'éclairage

3



- B. Utiliser un moyen approprié pour soutenir de façon sécuritaire la flèche de la remorque. S'assurer que le vérin de flèche fonctionne correctement, et que le vérin est verrouillé en position de transport de même qu'en position de support de remorque. Voir **Fonctionnement du vérin de flèche**.
  - C. S'assurer que les longerons fonctionnent correctement et que chacun est verrouillé en position de transport. Voir **Utilisation des longerons** dans la section **Fonctionnement**.
  - D. S'assurer du bon fonctionnement du système de treuil et de câble et que ce dernier n'est pas effiloché ou endommagé.
  - E. S'assurer que l'attelage de la remorque fonctionne correctement, et que l'attelage de la remorque est bien serré à la flèche de la tour d'éclairage sur remorque. Voir **Utiliser l'attelage de la remorque**.
  - F. S'assurer que les chaînes de sécurité sont bien fixées à la flèche de la tour d'éclairage sur remorque et que les chaînes et crochets de sécurité ne sont pas endommagés. Remplacer les chaînes de sécurité et les crochets endommagés.
  - G. Examiner l'état et la pression de gonflage des pneus. Consulter **Spécifications**.
4. Effectuer une vérification du niveau d'huile moteur et ajouter au besoin. Voir **Entretien**.
  5. Vérifier le système de refroidissement du moteur et faire le plein si nécessaire. S'assurer que la bouteille de trop-plein du liquide de refroidissement est au moins à moitié pleine. Voir **Entretien**.
  6. Examiner si le filtre à air est endommagé et le remplacer si nécessaire. Examiner le système d'admission d'air du moteur et s'assurer que toutes les connexions sont bien serrées.
  7. S'assurer que la batterie est entièrement chargée. La remorque à tour d'éclairage est équipée à l'usine d'une batterie de 12 volts. Utiliser un chargeur de batterie de 12 volts pour la recharger au maximum de sa capacité. Voir **Entretien de la batterie** dans la section **Entretien**.
  8. Si la remorque a été entreposée avec la batterie déconnectée, connecter la batterie.
  9. S'assurer qu'il y a suffisamment de carburant dans le réservoir de carburant. Voir **Utilisation du moteur - Vérifications avant démarrage** dans la section **Fonctionnement** pour des informations détaillées sur la vérification et le remplissage de carburant.
  10. S'assurer que le moteur démarre et fonctionne correctement. Voir **Utilisation du moteur** dans la section **Fonctionnement**.
  11. S'assurer que chaque luminaire fonctionne. Voir **Utilisation de la tour d'éclairage** dans la section **Fonctionnement**.
  12. Effectuer un test du disjoncteur GFCI (le cas échéant) en utilisant le bouton « Test ». Voir **Prises CA auxiliaires** dans la section **Fonctionnement**.

## Transport de la remorque à tour d'éclairage

### Remorquage de la remorque à tour d'éclairage

#### Préparation de la remorque à tour d'éclairage pour le remorquage



#### AVERTISSEMENT

Tirer une remorque avec un véhicule remorqueur sous-estimé, ou un attelage sous-estimé ou de dimension insuffisante pourrait causer la mort ou des blessures graves. Toujours utiliser un véhicule remorqueur qui a une capacité de remorquage qui dépasse le poids nominal brut du véhicule (PNBV) de la remorque, et qui est équipé d'un attelage de remorque de capacité appropriée pour le PNBV de la remorque.



#### AVERTISSEMENT

Faire fonctionner ou remorquer une machine avec des pièces usées, endommagées ou manquantes pourrait causer la mort ou des blessures graves. Toujours remplacer promptement toutes pièces usées, endommagées ou manquantes. Ne pas faire utilisation ni remorquer cette machine jusqu'à ce que les pièces usées, endommagées ou manquantes aient été remplacées, et que le bon fonctionnement de la machine ait été vérifié.



#### AVERTISSEMENT

Tirer une remorque avec des pneus usés, endommagés ou insuffisamment gonflés pourrait causer la mort ou des blessures graves. Remplacer immédiatement les pneus usés ou endommagés. Garder les pneus gonflés à une pression appropriée pour pneus froids.

1. Arrêter le moteur.  
*Remarque : Les lumières s'éteindront automatiquement avant l'arrêt du moteur.*
2. Abaisser complètement la tour d'éclairage.
3. Tourner la tour d'éclairage en position de transport et serrer le bouton de verrouillage.
4. Ajuster la tour d'éclairage à la position de transport.
5. Rentrer les longerons et les vérins stabilisateurs et verrouiller en position de transport.
6. Fermer le couvercle du moteur et s'assurer qu'il est bien fermé et verrouillé.
7. Verrouiller la flèche de la remorque en position de remorquage. Voir **Flèche de la remorque**.
8. S'assurer que le véhicule de remorquage et son dispositif d'attelage sont évalués pour remorquer une tour d'éclairage. Voir **Poids de la remorque à tour d'éclairage**.

*Remarque : Vous reporter aux manuels pour véhicule remorqueur et d'attelage de la remorque pour connaître les capacités de remorquage.*

9. Raccorder la remorque à l'attelage du véhicule remorqueur. Examiner si l'attelage de la remorque comporte des dommages et s'assurer qu'il est bien fixé à la flèche. Voir **Raccorder la tour d'éclairage sur remorque au véhicule remorqueur**.
10. S'assurer que les chaînes de sécurité sont bien fixées à la flèche de la remorque et examiner l'état des chaînes et crochets de sécurité. Remplacer si nécessaire.
11. S'assurer que le connecteur de l'éclairage du véhicule de remorquage s'accouple avec le connecteur d'éclairage de la remorque. Examiner l'état du connecteur et des fils de l'éclairage de la remorque pour déceler s'il y a des dommages. Réparer ou remplacer au besoin.
12. Examiner l'état et la pression de gonflage des pneus. Voir **Vérification de la pression des pneus** dans la section **Entretien**.
13. Retirer les cales de roue à l'avant et à l'arrière de chaque roue.

## Flèche de la remorque

La flèche de la remorque de la tour d'éclairage peut être soulevée aux fins d'entreposage ou de transport de la remorque.

### AVERTISSEMENT

Ne pas essayer de soulever la flèche de la remorque lorsque la tour d'éclairage est raccordée à un véhicule remorqueur. Risque de mort ou de blessure grave.

### AVERTISSEMENT

Ne pas essayer de soulever la flèche de la remorque à moins que le devant de l'appareil soit retenu par le vérin de flèche. Risque de mort ou de blessure grave.

### Pour soulever la flèche de la remorque (position de stationnement)

### AVERTISSEMENT

Le défaut de verrouiller la flèche de la remorque en position de stationnement pourrait entraîner la chute de la flèche ainsi que la mort ou de graves blessures. Toujours verrouiller la flèche de la remorque en position de stationnement.

1. S'assurer que l'avant de l'appareil est retenu par le vérin de flèche. Voir **Fonctionnement du vérin de flèche**.
2. Retirer les goupilles (A et B, Figure 4) qui verrouillent la flèche de la remorque (C, Figure 4) en position de remorquage (D, Figure 4).

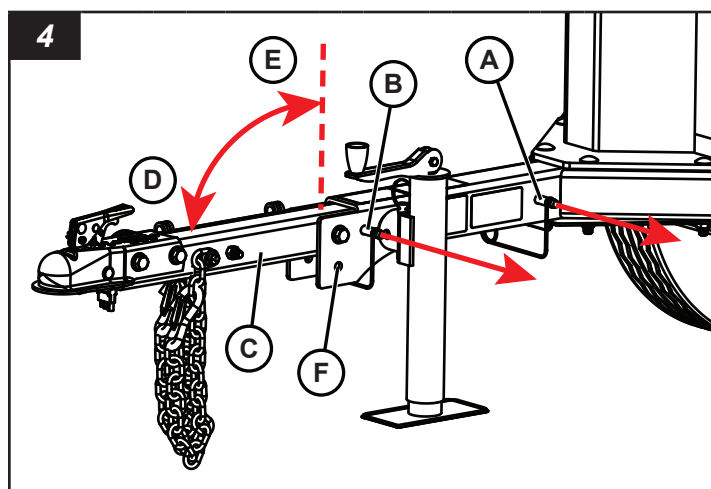
3. Soulever la flèche de la remorque en position de stationnement (E, Figure 4). Installer la goupille (B) dans le trou de verrouillage de la position de stationnement (F). Retourner la goupille (A) dans son trou d'origine. Verrouiller chaque goupille avec son crochet de retenue.

### Pour abaisser la flèche de la remorque (position remorquage)

### AVERTISSEMENT

Le défaut de verrouiller la flèche de la remorque en position de remorquage pourrait entraîner la chute de la tour d'éclairage ainsi que la mort ou de graves blessures. Toujours verrouiller la flèche de la remorque en position de remorquage.

1. S'assurer que l'avant de l'appareil est retenu par le vérin de flèche. Voir **Fonctionnement du vérin de flèche**.
2. Retirer la goupille qui verrouille la flèche de la remorque en position de stationnement (F, Figure 4). Retirer aussi la goupille (A).
3. Abaisser la flèche en position de remorquage (D, Figure 4). Installer les goupilles (A) et (B). Verrouiller chaque goupille avec son crochet de retenue



### Raccorder la remorque à tour d'éclairage au véhicule remorqueur

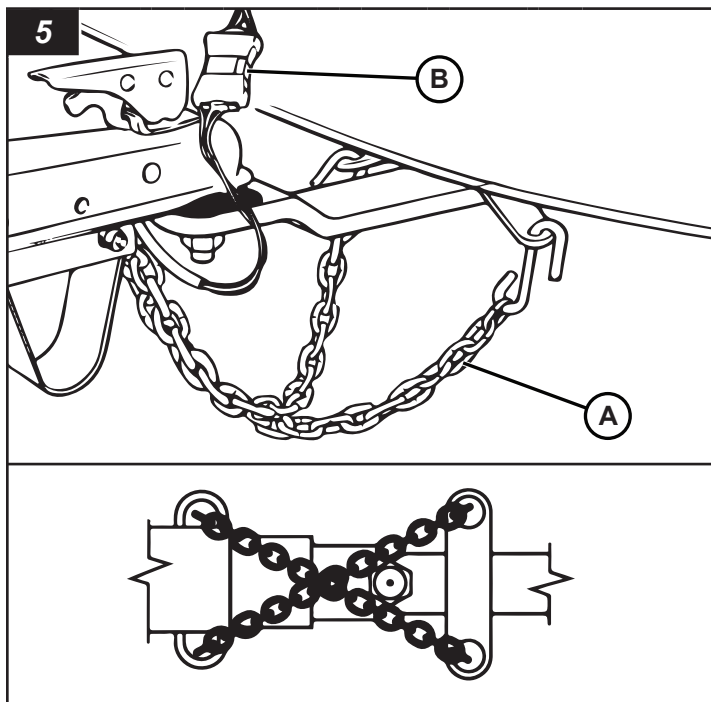
### AVERTISSEMENT

Rétracter le vérin de flèche sans soutenir la flèche de la remorque pourrait entraîner la mort ou de graves blessures. S'assurer que la flèche de la remorque est supportée de façon sécuritaire par des moyens appropriés avant d'enlever la goupille pour démontage rapide du vérin.

1. Mettre les cales de roue (non fournies) contre l'avant et l'arrière de chaque roue sur chaque côté de la tour d'éclairage.
2. Veiller à ce que la flèche de la remorque soit bien abaissée et verrouillée en position de remorquage. Voir **Flèche de la remorque**.



3. Utiliser le vérin de flèche pour soulever l'attelage de remorque au-dessus de la boule d'attelage du véhicule remorqueur. Voir **Utilisation du vérin de flèche**.
4. Déplacer le véhicule remorqueur pour que la boule d'attelage soit sous l'attelage de remorque.
5. Abaisser la remorque sur la boule d'attelage avec le vérin de flèche.
6. Verrouiller l'attelage de la remorque Voir **Utiliser l'attelage de la remorque**.
7. Fixer les chaînes de sécurité (A, Figure 5) au cadre de l'attelage du véhicule de remorquage. Croiser les chaînes sous la flèche selon l'illustration. Laisser assez de jeu dans les chaînes pour permettre les virages, mais pas trop pour éviter que les chaînes touchent la surface de la route.
8. Brancher le connecteur d'éclairage de la remorque (B, Figure 5) à celui du véhicule de remorquage. S'assurer que le faisceau d'éclairage de la remorque a une longueur suffisante pour ne pas décrocher lors des virages, mais cette longueur ne doit pas laisser le faisceau toucher la surface de la route. Une fois connecté, vérifier le bon fonctionnement des feux de freinage, feux de direction, feux latéraux et lampes de la plaque d'immatriculation.
9. Lever complètement le pied du vérin de flèche, puis le rétracter en position de transport. Voir **Utilisation du vérin de flèche**.
10. Enlever les cales de roue des deux côtés de chaque roue de la tour d'attelage.



### Fonctionnement du vérin de flèche

L'appareil est doté d'un vérin de flèche pour soutenir la remorque à tour d'éclairage et pour mettre la remorque de niveau, de l'avant à l'arrière.

### Pour déployer le vérin de flèche

#### ⚠ AVERTISSEMENT

L'omission de verrouiller le vérin de flèche de la remorque en position de fonctionnement avec la goupille de verrouillage du vérin pourrait entraîner l'affaissement de l'avant de la remorque à tour d'éclairage entraînant la mort ou de graves blessures. Veiller à toujours verrouiller le vérin de flèche en position de fonctionnement avec la goupille de verrouillage du vérin.

1. Enlever la goupille de verrouillage du vérin (A, Figure 6), faire tourner le vérin de flèche en position de fonctionnement (B) et installer la goupille de verrouillage du vérin complètement dans les orifices du haut et du bas du vérin et de la flèche.
2. Déplier la manivelle (C, Figure 6).

### Pour abaisser le pied du vérin de flèche (soulever l'avant de la remorque)

- Tourner la manivelle du vérin dans le sens horaire (D, Figure 6) pour abaisser le pied du vérin (E) et soulever le devant de la remorque à tour d'éclairage.

### Pour soulever le pied du vérin de flèche (abaisser l'avant de la remorque)

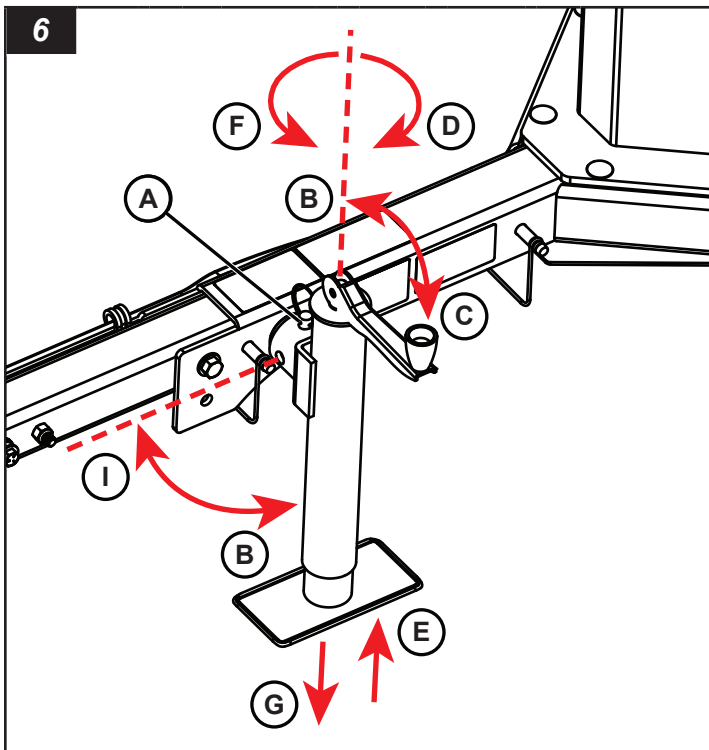
- Tourner la manivelle du vérin dans le sens antihoraire (F, Figure 6) pour soulever le pied du vérin (G) et soulever le devant de la remorque à tour d'éclairage.

### Pour rétracter le vérin de flèche

#### ⚠ AVERTISSEMENT

Rétracter le vérin de flèche sans soutenir la flèche de la remorque pourrait entraîner la mort ou de graves blessures. Toujours s'assurer que la flèche de la remorque est supportée de façon sécuritaire par des moyens appropriés avant d'enlever la goupille pour rétracter du vérin de flèche.

1. S'assurer que la flèche de la remorque est bien verrouillée en position de remorquage. Voir **Flèche de la remorque**.
2. Utiliser un moyen approprié pour soutenir la flèche de la remorque.
3. Soulever complètement le pied du vérin de flèche.
4. Plier la manivelle (H, Figure 6).
5. Enlever la goupille de verrouillage du vérin (A, Figure 6), faire tourner le vérin en position de transport (I) et installer la goupille de verrouillage du vérin complètement dans les orifices du haut et du bas du vérin et de la flèche de la remorque.



## Utilisation de l'attelage de la remorque ou de l'œil de lunette

La remorque est livrée en standard avec une bride de raccordement de la remorque pour un attelage avec boule. Il y a aussi un œil de lunette en option pour un attelage avec crochet ou une barre d'attelage de la remorque réversible en option avec une bride de raccordement de la remorque pour un attelage avec boule et un œil de lunette pour un attelage avec crochet.

### Utilisation de la bride de raccordement de la remorque (standard)

- Voir **Bride de raccordement de la remorque**.

### Utilisation de l'œil de lunette (facultatif)

- Voir **Œil de lunette**.

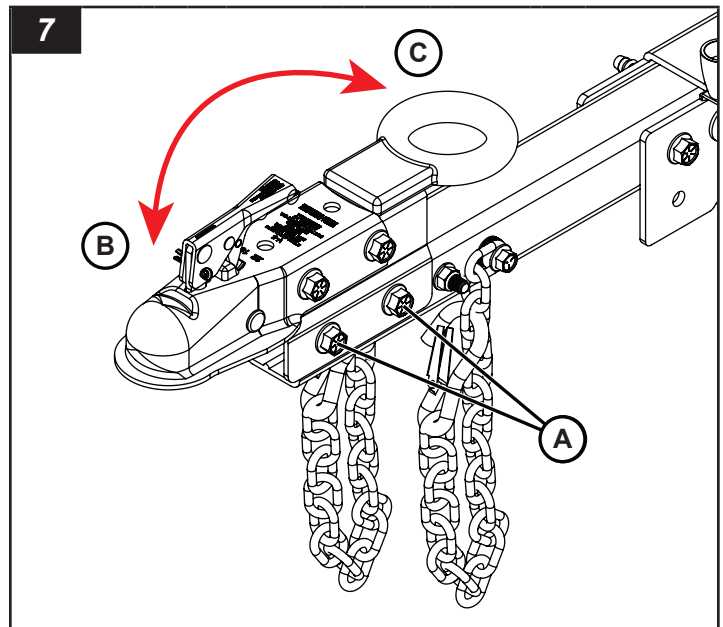
### Pour passer de la bride de raccordement de la remorque à l'œil de lunette (barre d'attelage de la remorque réversible en option)

## AVERTISSEMENT

L'omission d'utiliser des écrous à frein élastique neufs suffisamment serrés pour verrouiller la barre d'attelage à la flèche de la remorque peut causer la mort ou de graves blessures. Toujours utiliser des écrous à frein élastique neufs suffisamment serrés en fixant la barre d'attelage à la flèche de la remorque.

1. Retirer la quincaillerie (C, Figure 7) qui fixe la barre d'attelage de la remorque à la flèche de la remorque. Jeter les écrous nylock.

2. Tourner la barre d'attelage de la remorque pour que la bride d'attelage (A, Figure 7) ou l'œil de la lunette (B) pointe vers l'avant. Installer le matériel retiré à l'étape 1 dans les orifices de la flèche de la remorque en utilisant les nouveaux écrous à frein élastique. Serrer à 110 livre-pi (149 Nm).



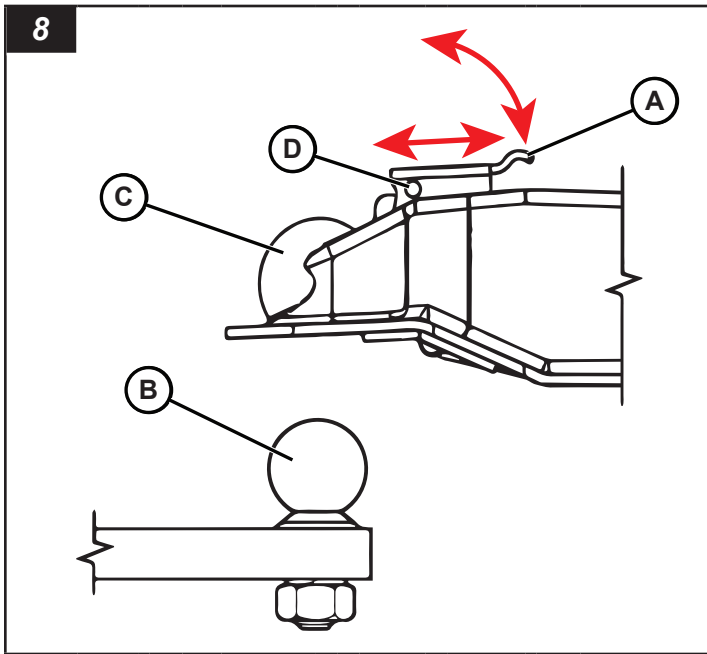
## Attelage de la remorque

### Connecter la remorque au véhicule remorqueur

1. Lever et tirer sur le loquet de verrouillage (A, Figure 8) de l'attelage de la remorque.
2. Abaisser l'attelage de la remorque dans l'attelage à boule du véhicule. Veiller à ce que la boule d'attelage (B, Figure 8) soit complètement engagée dans la bride de raccordement (C, Figure 8).
3. Pousser le loquet de verrouillage vers l'avant et le bas. (À blocage automatique.) Installer un cadenas dans l'orifice du loquet (D, Figure 8) pour plus de sécurité.
4. Veiller à ce que la bride de raccordement soit correctement installée sur la boule d'attelage.

### Pour déconnecter la remorque du véhicule remorqueur

1. Enlever le cadenas (le cas échéant) du loquet de l'attelage de la remorque (D, Figure 8).
2. Soulever le loquet de l'attelage de la remorque (A, Figure 8) vers le haut et l'arrière.



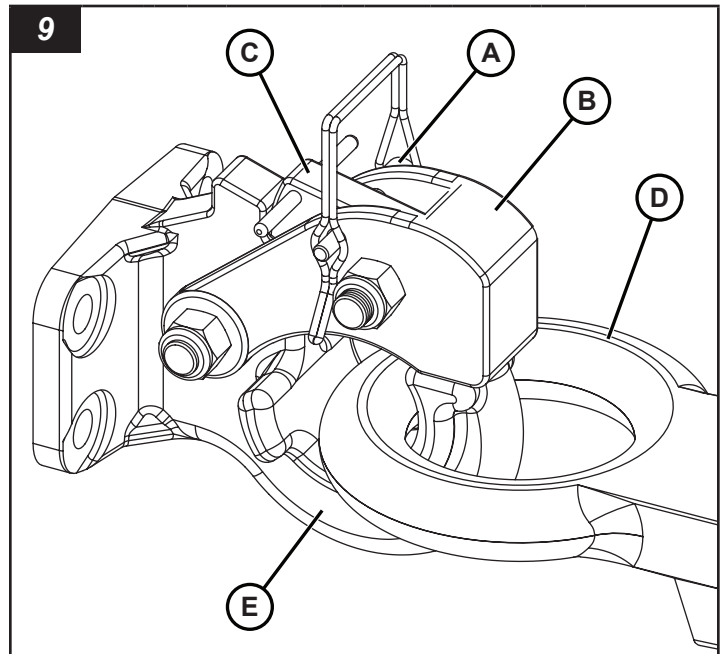
## Œil de lunette

### Connecter la remorque au véhicule remorqueur

1. Retirer la goupille de verrouillage (A, Figure 9, le cas échéant) du crochet d'attelage (B, Figure 9).
2. Soulever le loquet (C, Figure 9) pour ouvrir l'attache en œillet.
3. Abaisser l'œil de lunette (D, Figure 9) dans le crochet d'attelage (E, Figure 9).
4. Fermer l'attelage avec crochet. Veiller à ce que le loquet verrouille l'attelage avec crochet en place.
5. Installer la goupille de verrouillage (le cas échéant).

### Pour déconnecter la remorque du véhicule remorqueur

1. Retirer la goupille de verrouillage (le cas échéant) du crochet d'attelage.
2. Soulever le loquet pour ouvrir l'attache en œillet.
3. Retirer l'œil de lunette du crochet d'attelage.



## Poids de la remorque à tour d'éclairage

### ⚠ AVERTISSEMENT

Remorquer la tour d'éclairage lorsqu'elle est chargée au-delà du Poids nominal brut du véhicule (PNBV) pourrait causer la mort ou des blessures graves. Toujours maintenir un poids de véhicule brut inférieur au PNBV indiqué sur la plaque de série et dans la section **Spécifications** de ce manuel.

La tour d'éclairage sur remorque est une remorque de catégorie 2 SAE avec un poids nominal brut du véhicule (PNBV) comme indiqué sur la plaque signalétique et la section des **Spécifications** de ce manuel. Ne pas dépasser le PNBV en tentant de transporter des outils ou de l'équipement supplémentaire. Ne pas transporter de passagers. Voir **Sécurité**.

### Remorquage de la remorque à tour d'éclairage

### ⚠ AVERTISSEMENT

Une vitesse excessive lors du remorquage de la remorque pourrait causer la mort ou des blessures graves. Toujours maintenir une vitesse de remorquage sécuritaire pour les conditions de la route. Ne jamais dépasser 65 mi/h (105 km/h) en remorquant la remorque.

### ⚠ AVERTISSEMENT



### Risque de renversement

Ne pas faire de virage brusque à haute vitesse lorsqu'on remorque la remorque à tour d'éclairage. Ceci pourrait causer le renversement de la remorque de tour d'éclairage, entraînant la mort, de graves blessures ou de dommages à l'équipement.

La vitesse de remorquage maximale évaluée pour la tour d'éclairage sur remorque est de 65 mi/h (105 km/h). S'assurer de vérifier les lois provinciales ou fédérales en ce qui a trait aux vitesses de remorquage légales maximales pour les remorques.

Lors du remorquage de la remorque à tour d'éclairage hors route ou sur un terrain plus accidenté, la vitesse maximale de remorquage est de 20 mi/h (32 km/h). Des vitesses plus réduites peuvent être requises sur un terrain très accidenté.

La remorque à tour d'éclairage doit être remorquée avec le moteur et les luminaires éteints.

Ne pas transporter de passagers.

## Débrancher la tour d'éclairage sur remorque du véhicule remorqueur

### AVERTISSEMENT

#### Risque d'écrasement

Tenter de déplacer la tour d'éclairage sur remorque en la poussant ou en la tirant manuellement pourrait présenter un risque d'écrasement causant la mort ou des blessures graves. Toujours déplacer la remorque avec le véhicule remorqueur, mettre des cales sous les roues et abaisser le vérin de flèche avant de décrocher la remorque du véhicule remorqueur.

1. Trouver une surface ferme, de niveau et stable sur le chantier. Voir **Considérations Chantier** dans la section **Fonctionnement**.
2. Déplacer la tour d'éclairage sur remorque à la position voulue avec le véhicule de remorquage.
3. Mettre des cales contre les roues sur les deux côtés de la remorque.
4. Déconnecter le connecteur d'éclairage de la remorque du connecteur d'éclairage du véhicule remorqueur.
5. Déplacer le vérin de flèche en position de fonctionnement. Voir **Utilisation du vérin de flèche**.
6. Abaisser le pied du vérin de flèche pour soutenir le devant de la remorque à tour d'éclairage. Voir **Utilisation du vérin de flèche**.
7. Déconnecter l'attelage de remorque du véhicule remorqueur. Voir **Utiliser l'attelage de la remorque**.
8. Utiliser le vérin de flèche pour soulever l'attelage de remorque au-dessus de la boule d'attelage du véhicule remorqueur.
9. Déconnecter les chaînes de sécurité du châssis de l'attelage du véhicule remorqueur.
10. Déplacer le véhicule remorqueur pour dégager la remorque à tour d'éclairage.
11. Si désiré, déplacer la flèche de la remorque en position de stationnement. Voir **Flèche de la remorque**.

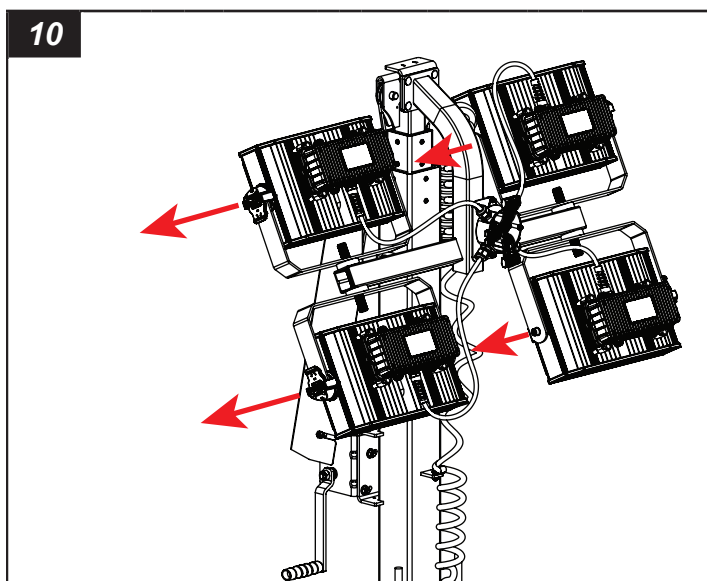
## Transport sur une remorque

Passages de fourches sur chaque côté de l'appareil peuvent servir de points d'attache. Voir **Soulèvement de la remorque à tour d'éclairage** pour l'emplacement du passages de fourches.

Toujours fixer la tour d'éclairage sur remorque à la remorque de transport avec des chaînes ou des sangles. Ne pas appliquer une force de plus de 600 livres (272 kg) sur les chaînes ou les sangles.

L'opérateur du camion est responsable de s'assurer que l'appareil est bien chargé et fixé à sa remorque de transport.

*Remarque : Lors de leur transport sur une remorque, placer les luminaires à l'arrière de l'appareil. Voir la Figure 10.*



## Soulèvement de la remorque à tour d'éclairage

### AVERTISSEMENT

Soulever la tour d'éclairage sur remorque avec un dispositif de levage non compatible ou endommagé peut entraîner la mort ou de graves blessures. Toujours s'assurer que le dispositif de levage a la capacité de soulever le poids de la tour d'éclairage sur remorque. S'assurer que le dispositif de levage est en bon état avant de soulever.

### AVERTISSEMENT

Se tenir debout ou marcher sous de l'équipement en élévation pourrait causer la mort ou des blessures graves. Lors de l'élévation de la tour d'éclairage sur remorque, toujours se tenir à l'écart de la zone autour et sous la tour d'éclairage sur remorque, et ne pas laisser les autres entrer dans la zone.



## Lignes directrices générales pour soulever

- Avant de la soulever, abaisser la tour d'éclairage et fermer le moteur. Voir les étapes dans la section **Préparation de la remorque à tour d'éclairage pour le remorquage**.
- S'assurer que l'appareil de levage utilisé est en bon état et que sa valeur nominale est supérieure au poids nominal brut du véhicule (PNBV) de la tour d'éclairage sur remorque. Voir **Poids de la tour d'éclairage sur remorque**.
- Utiliser de l'aide lors de l'utilisation de fourches, d'une grue ou d'un treuil, ainsi que pour le déchargement.
- Utiliser uniquement l'œillet de levage pour soulever l'appareil avec un treuil ou une grue.
- Utiliser seulement des manilles ou un crochet de type verrouillable lors du levage.
- Ne pas se tenir debout ou marcher sous l'unité lorsqu'elle est levée. Tenir les spectateurs à distance.

## Œillet de levage

La tour d'éclairage sur remorque est pourvue d'un œillet de levage sur le dessus au centre de l'appareil (A, Figure 11). Utiliser seulement cet œillet de levage pour lever la tour d'éclairage sur remorque.

À l'aide d'un appareil de levage évalué pour dépasser le poids nominal brut du véhicule (PNBV) de la tour d'éclairage sur remorque. Voir **Poids de la tour d'éclairage sur remorque**.

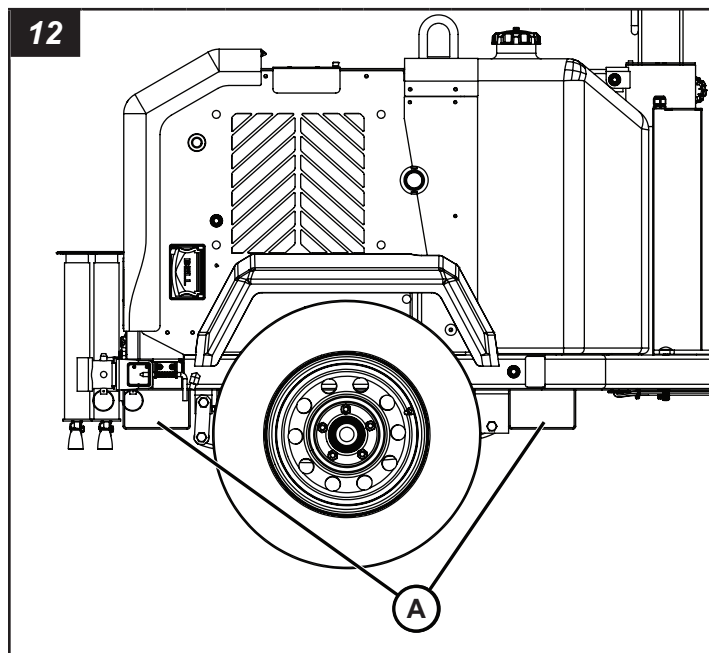
L'œillet de levage est évalué pour 1 750 lb (794 kg) et prévu pour supporter le poids de la tour d'éclairage sur remorque seulement. Ne pas ajouter d'autre poids à l'appareil lors du levage.

Ne pas maintenir la tour d'éclairage sur remorque levée pendant une longue période.

## Soulever la tour d'éclairage sur remorque avec fourches

La tour d'éclairage sur remorque est dotée de deux passages de fourches (A, Figure 12) de chaque côté de l'appareil.

Utiliser fourches avec une capacité de levage évaluée pour un poids de tour d'éclairage supérieure. Voir **Poids de la tour d'éclairage sur remorque**.



## Fonctionnement

### Considérations de sécurité sur le chantier

L'opérateur a la responsabilité de s'assurer que la tour d'éclairage sur remorque est positionnée correctement et de façon sécuritaire sur une surface stable sur le chantier. Suivre les règlements étatiques, provinciaux et fédéraux ainsi que les règlements ou les directives du chantier.

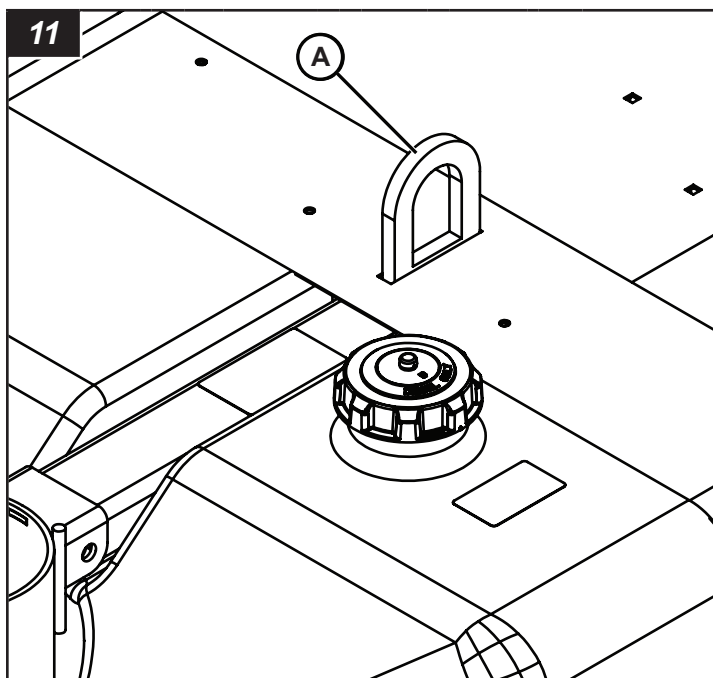
### Dégagement en hauteur libre

 **DANGER**



### Risque d'électrocution

- Le soulèvement de la tour d'éclairage en présence de lignes de tension entraînera la mort ou de graves blessures. Toujours vérifier les câbles et les obstructions en hauteur avant de soulever ou d'abaisser la tour d'éclairage.
- Toujours suivre les règles ou les règlements de votre chantier, les codes électriques étatiques, provinciaux et nationaux pour maintenir une distance sûre avec les câbles en hauteur.



Le chantier doit être libre de toute obstruction en hauteur comme des lignes électriques, des arbres, etc. Garder à l'esprit la hauteur maximum de la tour d'éclairage lorsqu'elle est complètement relevée. Consulter **Spécifications**.

### Surface du sol

 **AVERTISSEMENT**



#### Risque de renversement

Le positionnement de la tour d'éclairage sur un sol souple, instable et inégal pourrait entraîner le renversement de la remorque, entraînant la mort ou de graves blessures. Toujours positionner la remorque sur une surface ferme, de niveau et stable, déployer les longerons avant de lever la tour d'éclairage.

- Ne pas monter la tour d'éclairage sur une pente de plus de 2,8° (inclinaison de 5 %) de l'avant à l'arrière et d'un côté à l'autre.
- Ne pas installer ni monter la tour d'éclairage sur remorque sur un sol inégal ou instable. Installer sur une surface lisse, plane et solide seulement.

### Vent

 **AVERTISSEMENT**



#### Risque de renversement

Faire fonctionner la tour d'éclairage levée par vents dépassant 60 mi/h (97 km/h) pourrait entraîner le renversement de la remorque et causer la mort ou de graves blessures. Ne pas utiliser la tour d'éclairage levée par vents dépassant 60 mi/h (97 km/h).

Lorsque la tour d'éclairage est en position de fonctionnement, elle est située au milieu du système de longeron à trois points pour optimiser son équilibre et sa stabilité. Ce système a été conçu pour permettre que la tour d'éclairage reste fonctionnelle sous des vents soutenus de 60 mi/h (97 km/h) avec la tour d'éclairage pleinement déployée et les longerons positionnés sur une surface ferme et de niveau.

### Mise à niveau et stabilisation de la tour d'éclairage sur remorque

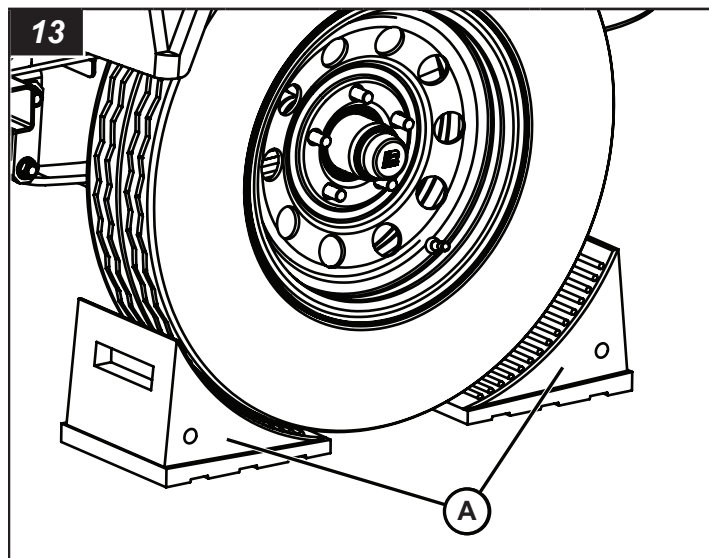
 **AVERTISSEMENT**



#### Risque de renversement

Installer la tour d'éclairage sur remorque sur un sol souple, instable et inégal pourrait entraîner le renversement de la remorque, entraînant la mort ou de graves blessures. Toujours installer la remorque sur une surface ferme, de niveau et stable, déployer les longerons avant de lever la tour d'éclairage.

1. Installer la tour d'éclairage sur remorque sur un chantier solide, de niveau. Voir **Considérations de sécurité sur le chantier**.
2. Mettre les cales de roue contre chaque roue avant et arrière (A, Figure 13).



3. Mettre la tour d'éclairage sur remorque de niveau avec le vérin de flèche. Voir **Fonctionnement du vérin de flèche** dans la section **Transport**.
4. Déployer les longerons. Voir **Utilisation des longerons**.
5. Mettre la tour d'éclairage sur remorque de niveau d'avant en arrière et d'un côté à l'autre à l'aide des vérins.

### Utilisation des longerons

L'appareil est équipé de longerons à gauche et à droite, à l'arrière de la machine.

 **AVERTISSEMENT**



#### Risque de renversement

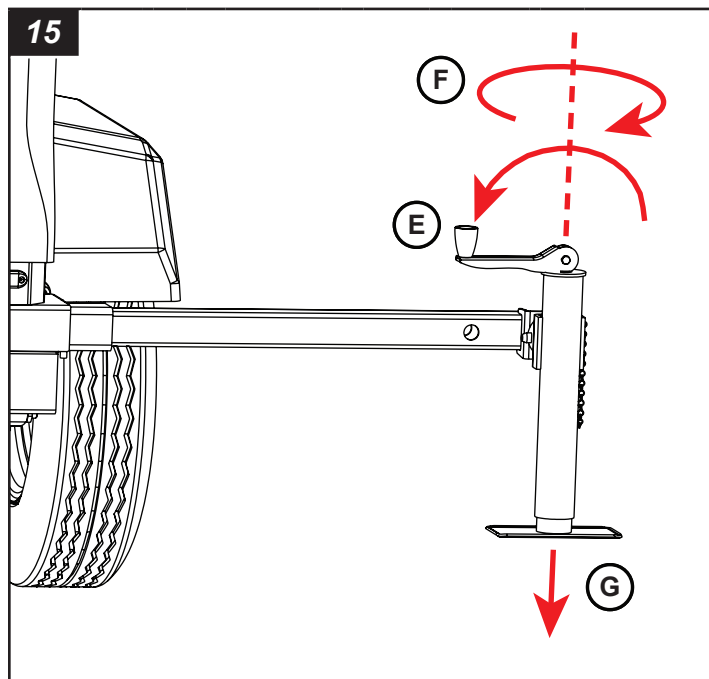
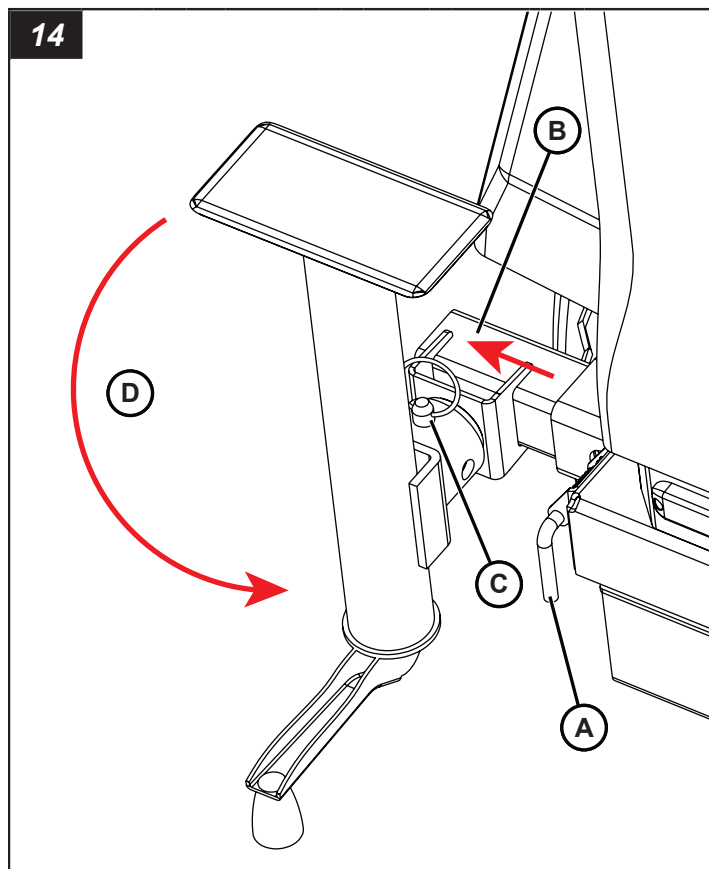
- L'omission de déployer les longerons avant de lever la tour d'éclairage pourrait entraîner le renversement de la remorque à tour d'éclairage et causer la mort ou de graves blessures. Toujours déployer les longerons avant de lever la tour d'éclairage.
- L'omission de verrouiller le vérin stabilisateur de la remorque en position de fonctionnement pourrait entraîner la chute de l'arrière de la tour d'éclairage sur remorque entraînant la mort ou de graves blessures. Veiller à toujours verrouiller le vérin stabilisateur en position de fonctionnement avec la goupille de verrouillage du vérin.
- Les vérins stabilisateurs doivent être soutenus sur une surface plane, de niveau et solide.

### Pour déployer les longerons :

1. Soulever la goupille de verrouillage du longeron (A, Figure 14).
2. Déplacer le longeron (B, Figure 14) en le glissant jusqu'à ce que la goupille se bloque en position de fonctionnement.
3. Retirer la goupille de verrouillage du vérin stabilisateur (C, Figure 14), faire tourner le vérin en position de fonctionnement (D, Figure 14) et installer la goupille de verrouillage du vérin stabilisateur complètement dans les orifices du haut et du bas du vérin et du longeron.
4. Déplier la poignée (E, Figure 15) du vérin du stabilisateur, puis la tourner dans le sens horaire (F, Figure 15) pour abaisser le pied du vérin (G, Figure 15) jusqu'à ce qu'il soit fermement ancré à la surface du chantier.
5. Répéter pour le longeron et le vérin stabilisateur de l'autre côté.

### Pour rétracter les longerons :

1. Soulever complètement le vérin stabilisateur en tournant la poignée du vérin dans le sens antihoraire.
2. Plier la poignée.
3. Retirer la goupille de verrouillage du vérin stabilisateur, faire tourner le vérin en position de transport et installer la goupille de verrouillage du vérin stabilisateur complètement dans les orifices du haut et du bas du vérin et du longeron.
4. Tirer la goupille de verrouillage du longeron et déplacer le longeron jusqu'à ce que la goupille bloque le longeron en position de transport.
5. Faire la même chose pour l'autre vérin stabilisateur et le longeron.



## Faire le plein de carburant

 **AVERTISSEMENT**



### Danger d'incendie

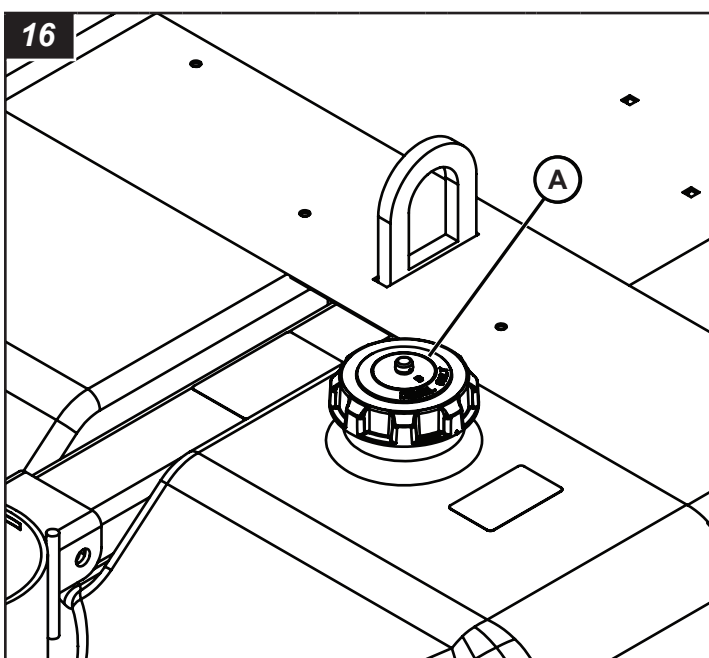
Ajouter du carburant à la tour d'éclairage sur remorque avec le moteur en marche pourrait causer la mort ou des blessures graves. Toujours s'assurer que le moteur est arrêté avant d'ajouter du carburant au réservoir de carburant.

La tour d'éclairage sur remorque est dotée d'un réservoir de carburant simple ayant une capacité de 63 gal (238 L).

1. Retirer le bouchon du réservoir de carburant (A, Figure 16) et ajouter du carburant dans le réservoir. Voir les **Spécifications** pour les recommandations de carburant. Le module de contrôle en haute mer indique la quantité de carburant dans le réservoir.
2. Installer le bouchon du réservoir de carburant après avoir fait le plein.

### AVIS

L'utilisation de carburants autres que ceux recommandés par le fabricant pourrait endommager votre moteur ou son système antipollution et annuler la garantie du fabricant du moteur. Toujours lire et suivre les recommandations concernant le carburant du fabricant du moteur.



## Préparer l'appareil pour son utilisation

 **AVERTISSEMENT**



### Risque de brûlure

Un dégagement rapide de réfrigérant chaud sous pression pourrait causer la mort ou des blessures graves. Être extrêmement prudent lors de l'ouverture du bouchon du radiateur, et toujours porter une protection oculaire et des gants résistants à la chaleur.

1. S'assurer que la tour d'éclairage sur remorque est de niveau d'avant en arrière et d'un côté à l'autre. Voir **Mise à niveau et stabilisation de la tour d'éclairage sur remorque**.
2. Ouvrir le couvercle du compartiment moteur.
3. Enlever la jauge d'huile et examiner le niveau d'huile du moteur. Le niveau d'huile du moteur doit être entre les repères Plein (Full) et Ajouter (Add). Ajouter de l'huile au besoin. Voir **Huile moteur** dans la section **Entretien**.
4. Vérifier la bouteille de récupération du liquide de refroidissement du moteur. Maintenir le niveau de liquide de refroidissement du moteur dans la bouteille de récupération entre un et deux tiers. Ouvrir la porte d'accès au bouchon du radiateur (voir la section **Caractéristiques et commandes**), enlever le bouchon du radiateur et vérifier le niveau du liquide de refroidissement. Faire le plein au besoin. Voir **Liquide de refroidissement du moteur** dans la section **Entretien** pour des informations à ce sujet.
5. Fermer le couvercle du compartiment moteur.
6. Examiner le niveau de carburant dans le réservoir de carburant. Ajouter du carburant au besoin. Voir **Faire le plein de carburant**.

## Utilisation du moteur

 **AVERTISSEMENT**

### Risque de démarrage de moteur automatique

Le démarrage inattendu du moteur pourrait provoquer la mort ou des blessures graves. Lire et suivre le manuel d'utilisation du contrôleur électronique avant de faire fonctionner ou de faire l'entretien de cet équipement.

Votre machine est munie d'un module de commande haute mer. Avant de faire fonctionner le moteur, veuillez lire le manuel d'utilisation pour commande en haute mer.

### Pour démarrer le moteur :

1. Ouvrir le couvercle du compartiment moteur.
2. Activer le commutateur le module de commande en haute mer (A, Figure 17).

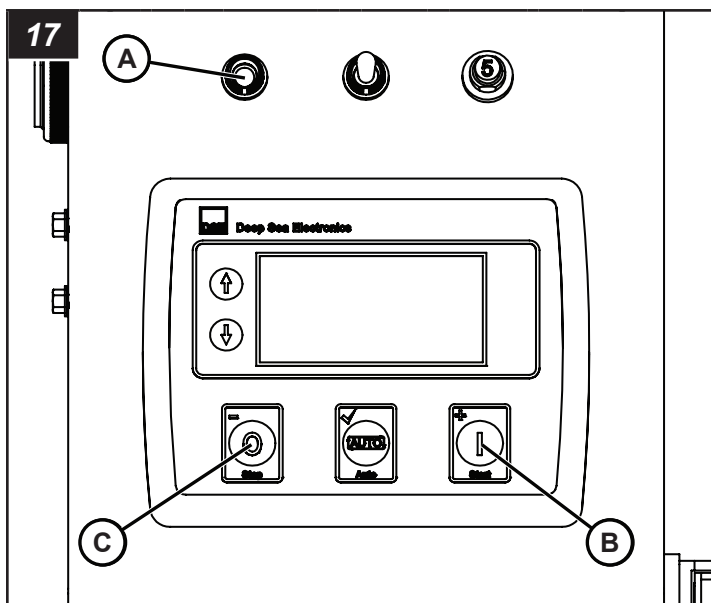


3. Pour démarrer le moteur manuellement\* :
  - Pousser deux fois (2 x) le bouton Démarrer (Start) sur le module de commande en haute mer (B, Figure 17).
  - Une fois que la chaufferette d'admission a réchauffé l'admission, le moteur va démarrer.
4. Après le démarrage du moteur, l'éclairage s'allume automatiquement. Tous les disjoncteurs d'éclairage doivent être en position « Marche ».

#### Fermer le moteur :

1. Pousser le bouton Arrêter (Stop) sur le module de commande en haute mer (C, Figure 17). Les lumières s'éteindront automatiquement avant l'arrêt du moteur.
2. Fermer le couvercle du compartiment moteur.

\*Remarque : Pour des informations complètes sur le module de commande en haute mer, veuillez lire le manuel d'utilisation du module de commande en haute mer.



#### Système d'arrêt automatique du moteur

Le moteur comporte un système d'arrêt automatique du moteur pour empêcher que le moteur ne s'endommage en cas de niveau d'huile bas ou de température élevée.

Si le moteur s'est arrêté automatiquement, trouver la source de la défaillance et réparer avant de redémarrer le moteur. Voir **Dépannage du moteur** dans la section **Dépannage**.

#### Utiliser le chauffe-moteur

La remorque à tour d'éclairage peut être équipée d'un chauffe-moteur électrique contre le gel de 400 W, 3,3 A, 120 V, 60 Hz. Utiliser une rallonge avec mise à la masse (3 lames) pour connecter la fiche du chauffe-moteur à une source électrique adéquate.

Sur le moteur Kubota, le chauffe-moteur se trouve derrière la culasse.

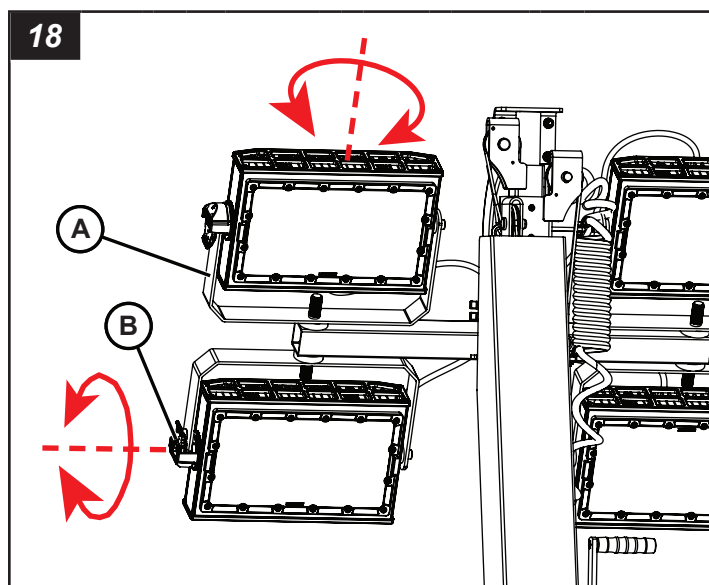
## Fonctionnement de la tour d'éclairage

### Régler les luminaires

#### Régler les luminaires

*Remarque : Les luminaires peuvent être réglés avant de relever la tour d'éclairage.*

1. Arrêter le moteur. Voir **Fonctionnement du moteur**.
2. Ajuster l'appareil à la position voulue. Pour ajuster vers la gauche et la droite, déplacer la fourche de l'appareil (A, Figure 18). Pour ajuster vers le haut et le bas, desserrer le fermoir de verrouillage (B), ajuster l'appareil, puis serrer le fermoir de verrouillage.
3. Lorsque les opérations d'éclairage sont terminées, ajuster les lampes à la position de transport, avec les luminaires tournés tout droit vers l'arrière de la tour d'éclairage. Consulter **Transport de la remorque à tour d'éclairage**.



#### Tourner la tour d'éclairage

#### **!** AVERTISSEMENT

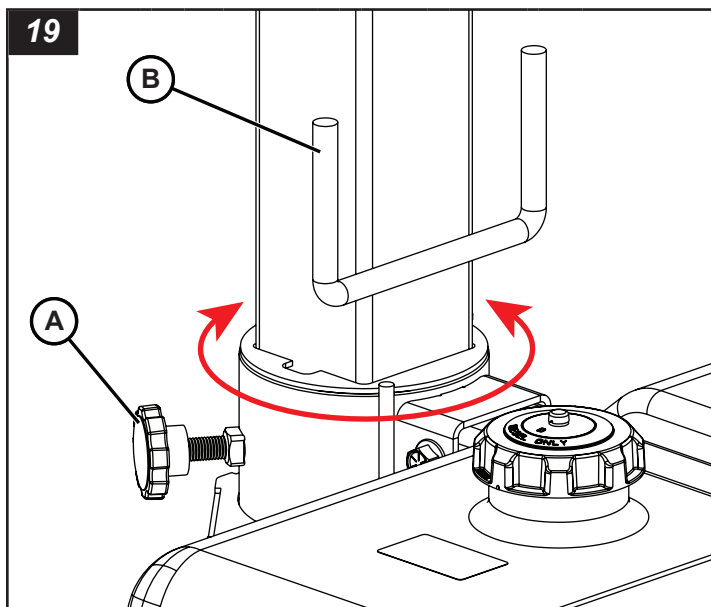
L'omission de serrer le bouton de verrouillage de la tour d'éclairage peut causer l'oscillation imprévue des luminaires, surtout par temps venteux ou pendant le transport et causer la mort ou de graves blessures. Toujours serrer le bouton de verrouillage de la tour après avoir tourné la tour d'éclairage.

#### **!** ATTENTION

Tourner le mât de la tour d'éclairage fait balancer les luminaires, ce qui peut entraîner des blessures légères à modérées. Faire tourner lentement la tour en étant conscient de la présence des luminaires lorsque la tour tourne.

1. Arrêter le moteur. Voir **Fonctionnement du moteur**.
2. Desserrer le bouton de verrouillage de rotation de la tour d'éclairage (A, Figure 19).

3. Avec les poignées (B, Figure 19), tourner la tour d'éclairage dans le sens voulu.
4. Serrer le bouton de verrouillage de la tour d'éclairage.
5. Lorsque les opérations d'éclairage sont terminées, tourner la tour d'éclairage à la position de transport, avec les luminaires tournés tout droit vers l'arrière de la tour d'éclairage sur remorque. Serrer le bouton de verrouillage de rotation de la tour d'éclairage.



## Soulever et abaisser la tour d'éclairage

L'appareil peut être équipé d'un treuil manuel ou d'un treuil électrique facultatif pour soulever et abaisser la tour d'éclairage.

 **DANGER**



### Risque d'électrocution

Le soulèvement de la tour d'éclairage en présence de lignes de tension entraînera la mort ou de graves blessures. Toujours vérifier les câbles et les obstructions en hauteur avant de soulever ou d'abaisser la tour d'éclairage.

 **AVERTISSEMENT**



### Risque de renversement

Avant de relever, d'abaisser ou de faire fonctionner la tour d'éclairage, la remorque doit être installée de niveau et stabilisée. Voir **Mise de niveau et stabilisation de la remorque à tour d'éclairage**.

 **AVERTISSEMENT**

### Risque d'écrasement

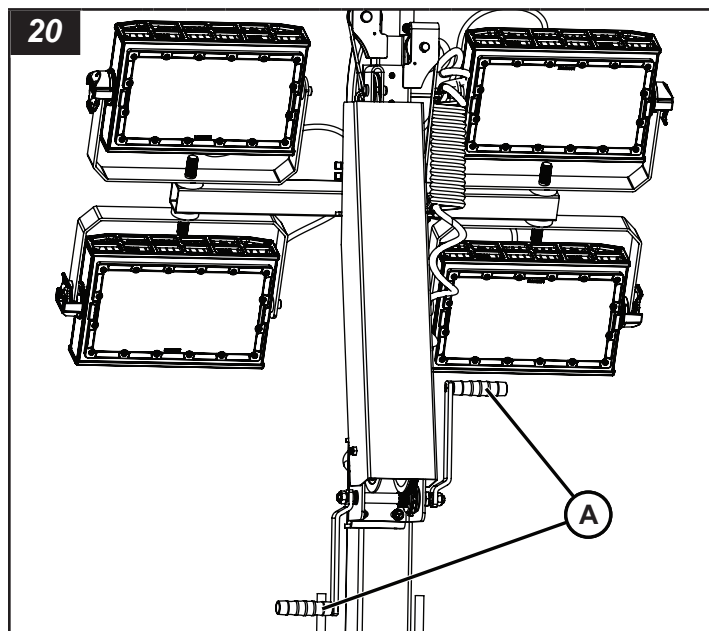
Se tenir debout sous une tour d'éclairage pendant qu'elle est soulevée ou abaissée peut causer la mort ou de graves blessures. S'assurer qu'il n'y a personne près de la tour d'éclairage portable lorsqu'on lève ou qu'on abaisse le mât.

### Relèvement de la tour d'éclairage – Treuil manuel (Standard)

1. Arrêter le moteur. Voir **Fonctionnement du moteur**. Attendre 10 minutes que les luminaires refroidissent.
2. Avant de relever la tour d'éclairage, ajuster les luminaires de la tour à la position voulue. Voir **Régler les luminaires**.
3. Tourner les poignées du treuil (A, Figure 20) jusqu'à ce que la tour soit complètement relevée. Ne pas trop tourner les poignées.

### Abaissement de la tour d'éclairage – Treuil manuel (Standard)

4. Arrêter le moteur. Voir **Fonctionnement du moteur**. Attendre 10 minutes que les luminaires refroidissent.
5. Tourner les poignées du treuil (A, Figure 20) jusqu'à ce que la tour soit complètement abaissée. Ne pas trop tourner les poignées.



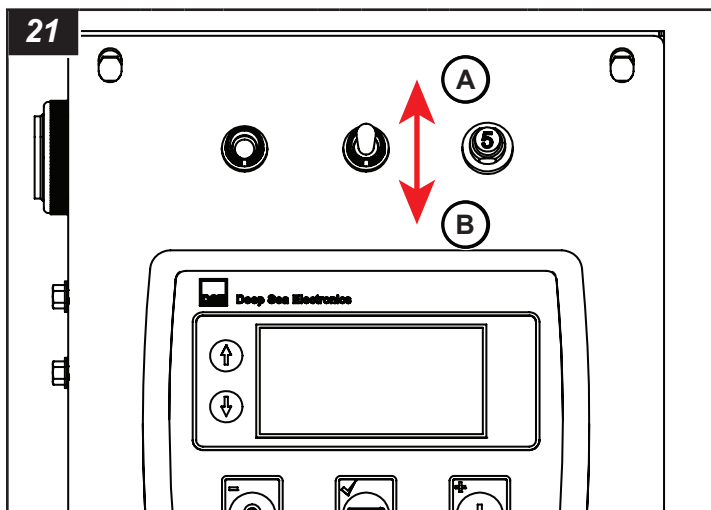
### Relèvement de la tour d'éclairage – Treuil électrique (Optionnel)

1. Arrêter le moteur. Voir **Fonctionnement du moteur**. Attendre 10 minutes que les luminaires refroidissent.
2. Avant de relever la tour d'éclairage, ajuster les luminaires de la tour à la position voulue. Voir **Régler les luminaires**.
3. Ouvrir le couvercle du compartiment moteur.

- Appuyer et tenir l'interrupteur de la tour (A, Figure 21) dans la position levée jusqu'à ce que la tour soit complètement relevée.

#### Abaissement de la tour d'éclairage – Treuil électrique (Optionnel)

- Arrêter le moteur. Voir **Fonctionnement du moteur**. Attendre 10 minutes que les luminaires refroidissent.
- Appuyer et tenir l'interrupteur de la tour (B, Figure 21) dans la position baissée jusqu'à ce que la tour soit complètement abaissée.



#### Fonctionnement des tours d'éclairage

##### AVERTISSEMENT



##### Risque optique

Regarder des luminaires allumés peut provoquer de graves lésions. Ne jamais regarder directement des luminaires allumés.

##### Mettre les luminaires sous tension

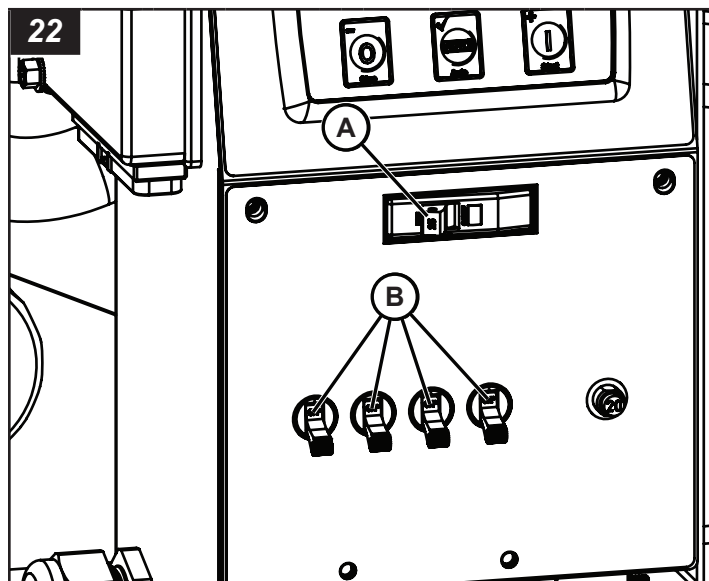
L'éclairage de la tour se mettront automatiquement sous tension dès le démarrage du moteur. Cependant, le disjoncteur principal ou les commutateurs individuels peuvent être sur ARRÊT (OFF).

- Activer le disjoncteur d'éclairage principal (A, Figure 22) (s'il est en position ARRÊT).
- Activer les interrupteurs d'éclairage individuels (B, Figure 22) (1 à 4, s'ils sont en position ARRÊT).

Le disjoncteur et l'interrupteur peuvent aussi être utilisés si on souhaite un contrôle manuel des luminaires individuels.

##### Mettre es luminaires hors tension

Arrêter le moteur pour éteindre les luminaires. Voir **Fonctionnement du moteur**. (On peut aussi éteindre les luminaires manuellement. Voir **Mettre les luminaires sous tension**.)



#### Prise CA auxiliaire

Une prise CA auxiliaire (A, Figure 23) est située sur le panneau droit près du côté arrière de l'appareil. La prise est protégée par un couvercle à ressort.

*Remarque : Les prises peuvent être différentes selon le modèle.*

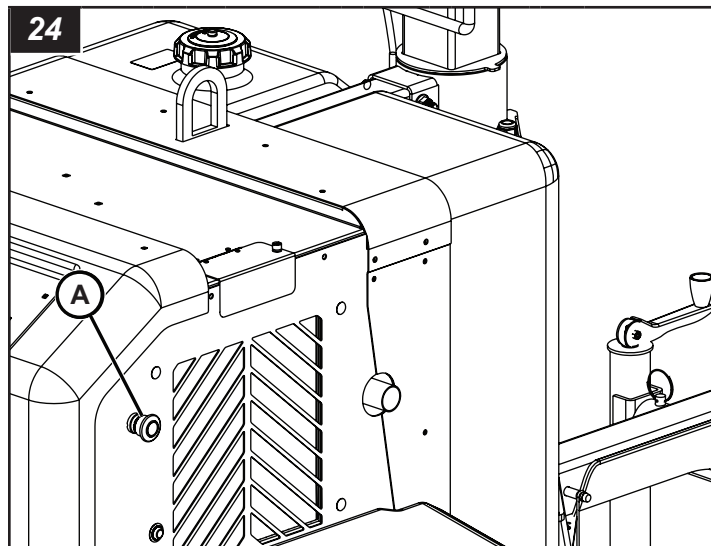
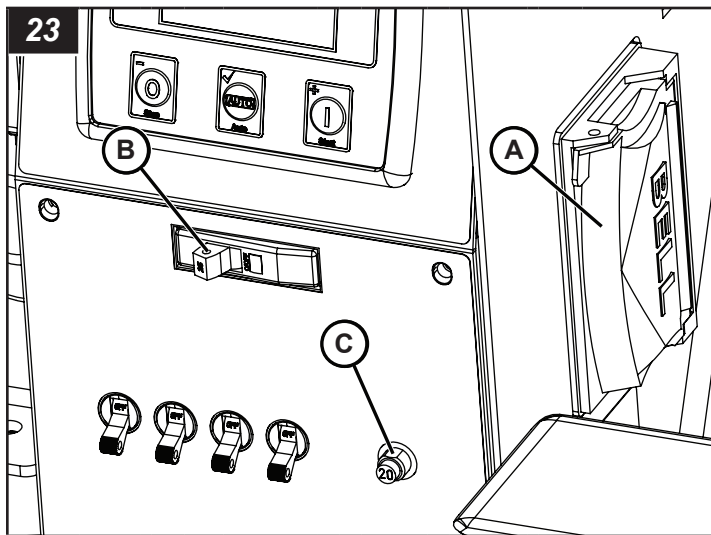
Le courant est amené à la prise seulement lorsque le moteur est en marche et le disjoncteur principal (B, Figure 23) est en position ON (MARCHE).

*Remarque : Le système électrique est conçu avec un délai après le démarrage du moteur avant que les luminaires et la prise CA auxiliaire fonctionnent.*

La prise est protégée par un disjoncteur spécialisé (C, Figure 23) qui se trouve sur le tableau de commande.

#### Si le disjoncteur se déclenche

- Déconnecter la charge de la prise.
  - Arrêter le moteur.
  - Attendre 10 minutes que la génératrice se refroidisse.
  - Corriger le problème de charge.
  - Démarrer le moteur.
  - Réarmer le disjoncteur.
- Remarque : Vérifier aussi le disjoncteur de mise à la terre (GFCI) sur la prise de GFCI (le cas échéant) et le réarmer si nécessaire.*
- Rebrancher la charge.
  - Si le problème persiste, voir la section **Dépannage**.



## Arrêt de l'appareil

### ⚠ AVERTISSEMENT

Ne pas retirer les cales de roue à l'avant et à l'arrière tant que la remorque à tour d'éclairage n'est pas reliée au véhicule remorqueur et prête pour le transport. Ceci pourrait causer la mort ou des blessures graves.

Une fois que les opérations d'éclairage sont terminées sur le chantier, arrêter l'appareil :

1. Arrêter le moteur. Voir **Fonctionnement du moteur**.
2. Attendre 10 minutes que les luminaires refroidissent.
3. Abaisser la tour d'éclairage. Voir **Soulever et abaisser la tour d'éclairage**.
4. Tourner la tour d'éclairage à la position de transport. Voir **Régler les luminaires**.
5. Ajuster la tour d'éclairage à la position de transport. Voir **Régler les luminaires**.
6. Vérifier que le couvercle du moteur est bien fermé et verrouillé.
7. Rétracter les longerons. Voir **Mise à niveau et stabilisation de la tour d'éclairage sur remorque**.
8. L'appareil est prêt pour le transport. Consulter **Transport**.

## Arrêt d'urgence

L'appareil est doté d'un arrêt d'urgence qui arrête immédiatement tout l'appareil en cas d'urgence.

### Pour activer :

- Appuyer sur l'arrêt d'urgence (A, Figure 24).

### Pour débrayer :

- Tirer sur l'arrêt d'urgence.

S'assurer que vous prenez en charge le problème qui a causé l'urgence avant de faire fonctionner l'appareil de nouveau.

Ne pas utiliser l'arrêt d'urgence pour arrêter l'appareil en cours de fonctionnement normal. Consulter **Arrêt de l'appareil**.

## Entretien

### ⚠ AVERTISSEMENT

Faire fonctionner ou remorquer une machine avec des pièces usées, endommagées ou manquantes pourrait causer la mort ou des blessures graves. Remplacer immédiatement les pièces usées ou endommagées. Ne pas faire fonctionner ou remorquer cette machine jusqu'à ce que les pièces usées, endommagées ou manquantes aient été remplacées, et que la machine fonctionne correctement.

### ⚠ AVERTISSEMENT



### Risque de choc électrique

Les batteries présentent un risque de choc électrique et une haute tension lors d'un court-circuit. Débrancher le câble noir négatif (-) de la batterie avant de procéder à l'entretien. Le non-respect de cette consigne peut causer de graves blessures, voire la mort.

Avant de procéder à l'entretien, consulter la section **Sécurité**.

Un entretien adéquat de l'équipement est important pour assurer un fonctionnement sécuritaire. Suivre les directives d'entretien suivantes en plus de celles prévues par le calendrier d'entretien d'équipement de votre atelier.

Un équipement qui fonctionne dans des conditions extrêmes (très poussiéreux, chaleur ou froid extrême, etc.) devrait être entretenu plus fréquemment.

## Moteur

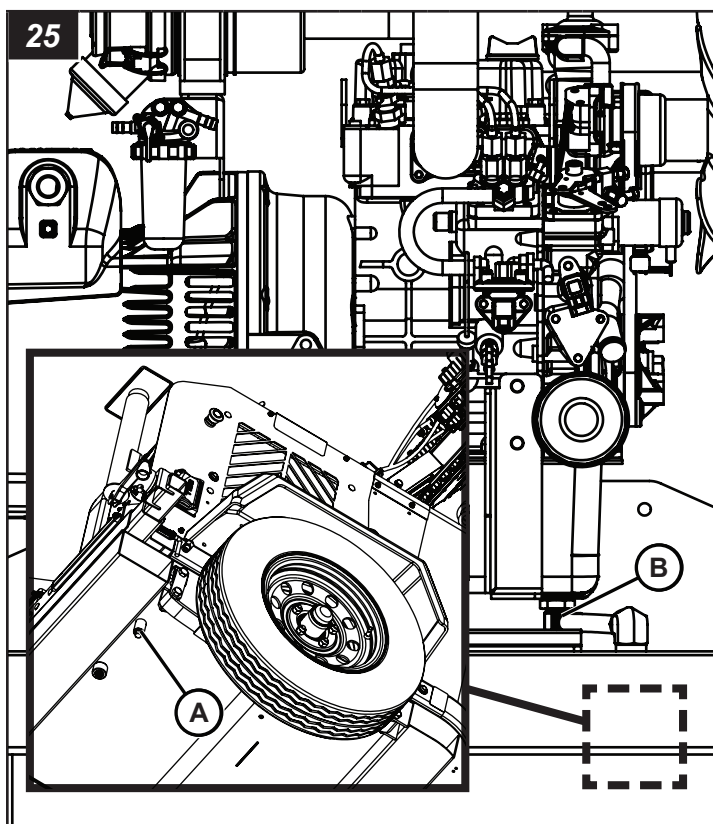
Pour les intervalles de service du moteur et autres recommandations spécifiques pour cette tour d'éclairage, consulter les Spécifications. Consulter le manuel d'utilisation du moteur pour toute autre procédure d'entretien périodique du moteur.



## Vidange de l'huile moteur

L'appareil est équipé d'un purgeur d'huile à moteur distant (A, Figure 25). Pour vidanger l'huile moteur :

1. Mettre un contenant approuvé sous la vidange à huile.
2. Enlever le bouchon de vidange d'huile et ouvrir la soupape de vidange d'huile sous le moteur (B, Figure 25).
3. Laisser l'huile moteur s'écouler complètement dans le contenant approuvé. Jeter l'huile moteur usée selon les règlements locaux, d'état, provinciaux ou fédéraux.
4. Replacer le bouchon de vidange d'huile et fermer la soupape de vidange d'huile.
5. Changer le filtre à l'huile, au besoin. Consulter les **Spécifications**.
6. Ajouter de l'huile au moteur. Consulter les **Spécifications**.



## Liquide de refroidissement de moteur et vidange de liquide de refroidissement

### AVIS

Ne pas utiliser le type de liquide de refroidissement requis (tel qu'indiqué dans la section Spécifications) dans le radiateur peut endommager le moteur et le radiateur, rendant la garantie nulle et non avenue.

### AVIS

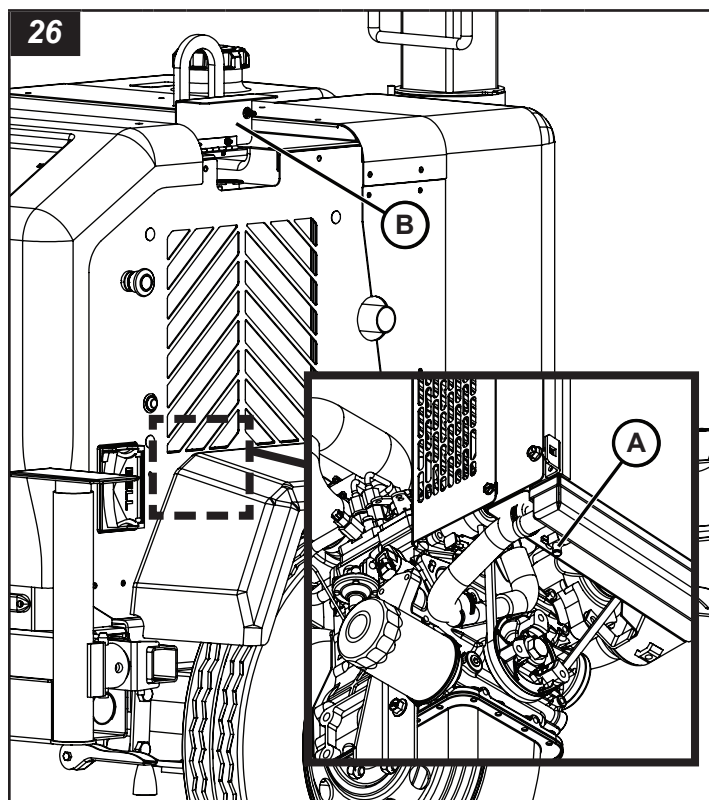
Mélanger différents types de liquide de refroidissement dans le radiateur peut endommager le moteur et le radiateur, rendant la garantie nulle et non avenue.

L'appareil est équipé d'une soupape de vidange de liquide de refroidissement du moteur (A, Figure 26). Pour purger le liquide de refroidissement du moteur :

1. Fixer un tuyau de 3/8 po à la soupape de vidange de liquide de refroidissement et acheminer le tuyau pour qu'il se vide dans un contenant approuvé.
2. Ouvrir la soupape de vidange de liquide de refroidissement.
3. Laisser le liquide de refroidissement du moteur s'écouler complètement dans le contenant approuvé. Jeter le liquide de refroidissement du moteur usé selon les règlements locaux, étatiques, provinciaux ou fédéraux.
4. Fermer la soupape de vidange de liquide de refroidissement et enlever le tuyau.
5. Ouvrir la porte d'accès de remplissage de liquide de refroidissement (B, Figure 26) et ajouter le liquide de refroidissement au radiateur. Voir les **Spécifications** pour le type de liquide de refroidissement requis.

### AVIS

L'omission d'ajouter le liquide de refroidissement du moteur abîmera le moteur.



## Génératrice

Vous reporter au mode d'emploi de la génératrice pour connaître les procédures d'entretien prévues pour la génératrice.

## Remorque

### Châssis

1. Vérifier le bon fonctionnement de l'attelage de la remorque. Vérifier que le matériel est bien serré. Inspecter l'usure, l'état ou la corrosion de l'attelage de la remorque. Réparer ou remplacer au besoin.
2. Inspecter l'usure, l'état ou la corrosion des chaînes de sécurité. Remplacer si nécessaire.
3. Inspecter le bon fonctionnement, l'usure, l'état ou la corrosion du vérin de flèche. Réparer ou remplacer au besoin.
4. Inspecter le bon fonctionnement, l'usure, l'état ou la corrosion de la flèche de la remorque. Vérifier que le matériel est bien serré. Réparer ou remplacer au besoin.
5. Inspecter l'usure, l'état ou la corrosion de l'essieu, des ressorts et de châssis. Réparer ou remplacer au besoin.
6. Inspecter le bon fonctionnement, l'usure, l'état ou la corrosion des longerons, vérins stabilisateurs et goupilles de verrouillage. Remplacer si nécessaire.

### Roues et pneus de la remorque

#### AVERTISSEMENT

##### Risque lié au remorquage

Remorquer la remorque à tour d'éclairage avec des pneus, des jantes ou des écrous endommagés pourrait entraîner la mort ou de graves blessures. Réparer ou remplacer les pneus, jantes ou écrous endommagés avant de remorquer la remorque à tour d'éclairage.

1. Vérifier les pneus en cas de fissures, coupures ou dommages. Réparer ou remplacer au besoin.
2. Vérifier la pression des pneus de la remorque à froid. Voir **Spécifications**.
3. Vérifier les jantes de roues en cas de fissures ou de dommages. Réparer ou remplacer au besoin.
4. Vérifier que les écrous sont bien en place et serrés. Le couple de serrage adéquat pour les écrous est de 90 livres-pi (122 Nm).

### Entretien de l'essieu

L'essieu sous la remorque à tour d'éclairage exigera un entretien et un service périodiques. Il faudra, entre autres, ajuster les roulements des roues et remettre l'essieu en bon état. Pour des informations sur le calendrier d'entretien et la façon d'entretenir l'essieu, voir le manuel d'utilisation sur <https://www.dexteraxle.com/resources/manuals>.

## Éclairage de la remorque

#### AVERTISSEMENT

##### Risque lié au remorquage

Remorquer la remorque à tour d'éclairage avec des feux qui ne fonctionnent pas pourrait entraîner la mort ou de graves blessures. Réparer ou remplacer les feux de la remorque.

L'éclairage de la remorque est une caractéristique de sécurité exigée par la loi. Maintenir l'éclairage de la remorque en bon état.

- Vérifier l'état et l'usure de l'éclairage et du câblage de la remorque. Réparer ou remplacer au besoin.
- Vérifier que le faisceau électrique est bien fixé à la remorque et ne traîne pas sur le sol.
- Vérifier l'état et l'étanchéité des boîtiers d'éclairage de la remorque. Utiliser du silicone ou du scellant au caoutchouc pour sceller les lentilles ou le faisceau électrique, selon le besoin, ou remplacer le boîtier. La graisse électrique aidera à protéger les douilles et empêchera leur corrosion.
- Lors du remplacement des ampoules, s'assurer d'utiliser la bonne ampoule. Une petite quantité de graisse électrique dans les douilles empêchera la corrosion.

Pour des informations sur le schéma de câblage de la remorque, consulter le manuel séparé schéma de câblage.

### Entretien de la batterie

#### AVERTISSEMENT



##### Risque d'explosion, de brûlure, et de choc électrique

Les batteries dégagent des gaz explosifs pendant le chargement. Des étincelles pourraient causer des explosions, entraînant la mort ou de graves blessures.

Les batteries contiennent de l'acide, qui est très caustique. Tout contact avec les composants de la batterie peut causer de graves brûlures chimiques.

Les batteries présentent un risque de choc électrique et de haute tension lors d'un court-circuit.

- Toujours débrancher le câble négatif (-) de la batterie avant d'effectuer le service de l'équipement.
- NE PAS jeter la batterie au feu. Recycler la batterie.
- NE PAS permettre de flamme nue, d'étincelle, de chaleur, de tison de cigarette au cours et plusieurs minutes après le chargement de la batterie.
- NE PAS tenter d'ouvrir ou de mutiler la batterie.
- NE PAS charger une batterie gelée. Toujours réchauffer lentement la batterie à la température ambiante avant de la charger.
- Porter des gants de protection ainsi qu'un tablier, des bottes et des gants en caoutchouc.

- Enlever vos montres, bagues et autres objets métalliques.
- Utiliser des outils dont les poignées sont isolées.

## Retrait et installation de la batterie

### Pour enlever la batterie



#### Risque d'explosion

L'omission de retirer d'abord le ou les câbles noirs négatifs (-) de la batterie d'abord pourrait provoquer des étincelles ou une explosion entraînant la mort ou de graves blessures. Toujours déconnecter en premier le ou les câbles noirs négatifs (-) de la batterie.

1. Ouvrir le couvercle du compartiment moteur.
2. Débrancher le câble négatif (-) noir (A, Figure 27) de la borne de batterie négative (-), et l'éloigner de la batterie.
3. Débrancher le câble positif (+) rouge (B, Figure 27) de la borne de batterie positive (+), et l'éloigner de la batterie.
4. Desserrer la quincaillerie fixant la retenue de la batterie (C, Figure 27) et enlever la retenue.
5. Enlever soigneusement la batterie, et la placer sur une surface nivelée dans un endroit bien aéré.

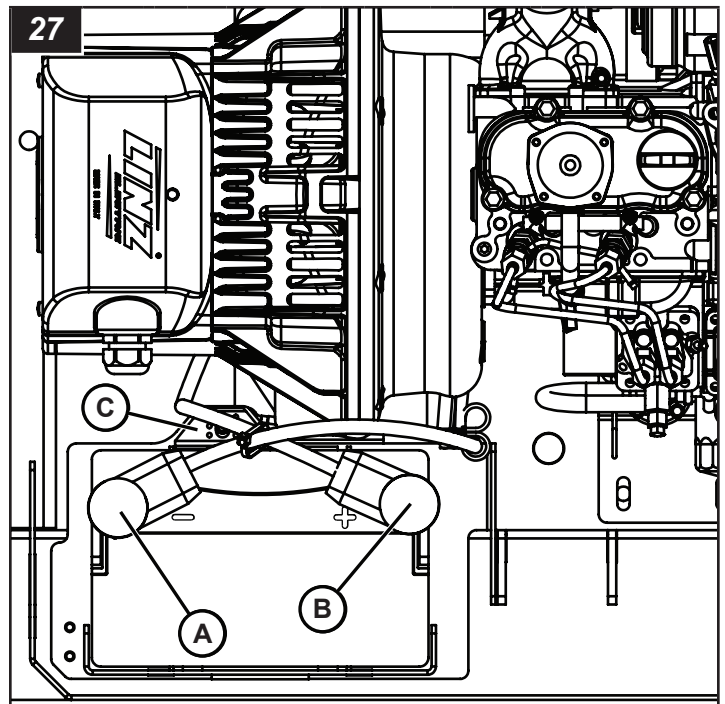
### Pour installer la batterie



#### Risque d'explosion

L'omission d'installer d'abord le ou les câbles noirs négatifs (-) de la batterie en dernier pourrait provoquer des étincelles ou une explosion entraînant la mort ou de graves blessures. Toujours installer le ou les câbles noirs négatifs (-) en dernier.

1. Placer soigneusement la batterie dans le compartiment moteur avec les bornes de batterie vers l'arrière de l'unité.
2. Installer la retenue de la batterie. Serrer toute la boulonnerie.
3. Brancher les câbles rouges positifs (+) de la batterie à la borne positive (+) sur la batterie
4. Brancher les câbles noirs négatifs (-) à la borne négative (-) sur la batterie.
5. Remettre les couvercles sur les bornes de la batterie.
6. Fermer le couvercle du compartiment moteur.



## Nettoyage



#### Risque d'emmêlement

L'omission d'arrêter le moteur avant de nettoyer l'appareil pourrait provoquer la mort ou des blessures graves. Toujours arrêter le moteur avant de nettoyer l'appareil.



#### Risque de brûlure

Arrêter le moteur et laisser suffisamment de temps aux composants pour qu'ils se refroidissent avant de nettoyer l'appareil. L'omission de le faire pourrait provoquer de graves brûlures.

#### AVIS

Être prudent lors de l'utilisation d'air comprimé ou de laveuses à pression à l'eau ou à la vapeur. Ne pas nettoyer des composants électriques sous pression, ils risqueraient d'être endommagés.

Il est important de maintenir la tour d'éclairage propre pour en assurer le bon fonctionnement. L'accumulation de saleté et de poussière agit comme isolant et peut faire fonctionner le moteur, la génératrice et les luminaires à des températures excessivement élevées.

Utiliser ce qui suit comme directives de nettoyage :

1. Nettoyer la remorque à tour d'éclairage pour supprimer la saleté, la poussière et tout corps étranger.

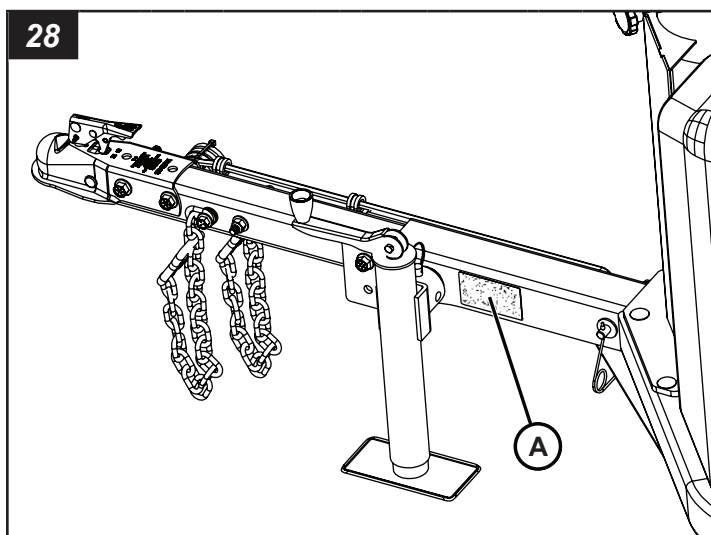
2. Nettoyer la tour d'éclairage et les luminaires avec un chiffon ou une éponge humide.
3. Nettoyer tout le câblage électrique et les composants à la main en utilisant un nettoyant non corrosif.
4. Nettoyer l'intérieur du compartiment moteur.
5. Nettoyer tout déversement d'huile ou de liquide dans le compartiment moteur.

## Numéros de modèle et de série

Le numéro de modèle et le numéro de série sont nécessaires pour le soutien du produit et les pièces pour la réparation. Vous trouverez ci-après les emplacements où se trouvent les numéros de modèle et les numéros de série des composants principaux.

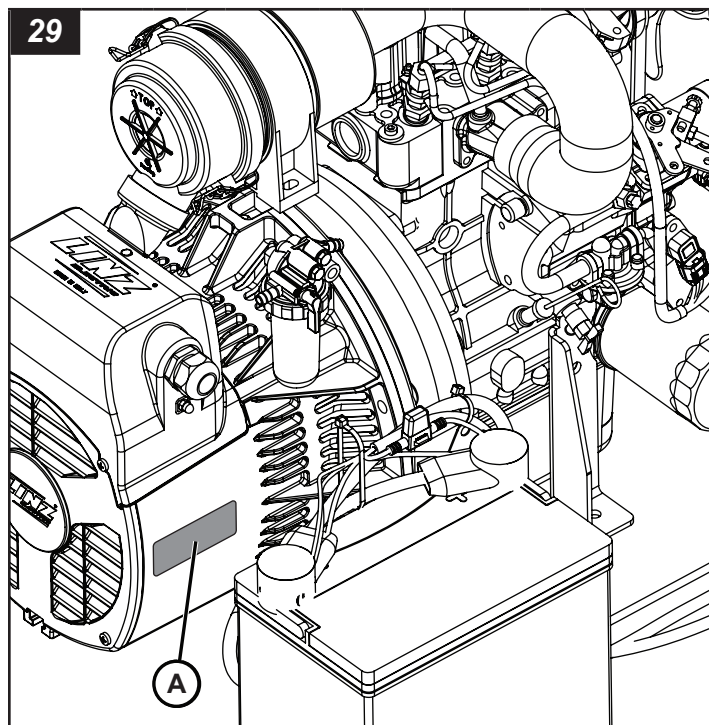
### Remorque

L'étiquette du numéro de série de la remorque à tour d'éclairage se trouve à gauche et à l'avant de la flèche de la remorque (A, Figure 28).



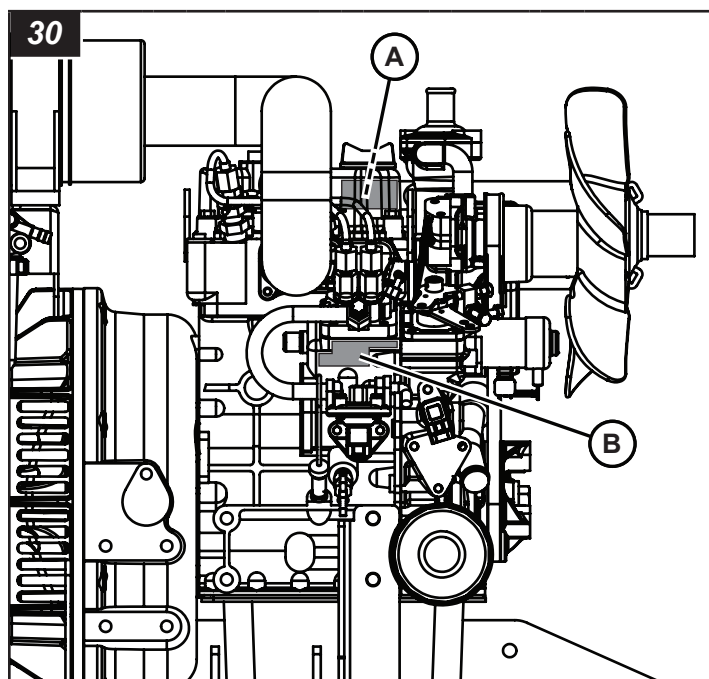
### Génératrice

La génératrice a une plaque de numéro de série (A, Figure 29) fixée à l'avant du boîtier.



### Moteur

Sur le moteur, il y a une plaque de numéro de série (A, Figure 30) fixée du côté réservoir de carburant supérieur près du ventilateur et un numéro de série gravé sur le côté porte arrière du moteur (B, Figure 30).





# Spécifications

Remarque : Consulter le manuel d'utilisation du moteur ou de la génératrice pour les spécifications propres au moteur ou à la génératrice.

Dimension hors tout		
Dimensions	Impérial	Métrique
Longueur : transport de remorquage	8 pi, 6,25 po	2,60 m
Largeur : transport de remorquage	4 pi, 4 po	1,32 m
Largeur : longerons déployés	8 pi, 2 po	2,49 m
Hauteur : transport de remorquage	8 pi, 2 po	2,49 m
Hauteur : tour levée complètement	23 pi, 0 po	7,01 m
Poids d'expédition	1 200 lb	544 kg
Poids nominal brut du véhicule (PNBV)	1 750 lb	794 kg

Remorque		
Spécifications	Impérial	Métrique
Poids technique maximal sous essieu (GAWR)	2 200 lb	998 kg
Dimensions et type de pneus	ST175/80R13 Capacité de charge « B »	
Jantes	13 x 4,5 JJ avec 0,0 po de retrait	
Pression de gonflage du pneu froid	36 lb/po <sup>2</sup>	248 kPa
Vitesse sur-la-route maximale	65 mi/h	105 km/h
Vitesse hors-route maximale	20 mi/h	32 km/h
Réservoir de carburant	63 gal	238 L
Structure du cadre	Conception en acier soudé formé	
Essieu	Conception tubulaire avec carrossage de 1,5 à 2,0 po (38,1 à 50,8 mm)	
Moyeux	(5) goujons 1/2-20 UNF sur un cercle de boulonnage de 4,5 po (114,3 mm) de diamètre	
Ressorts	Ressorts elliptiques : trois feuilles	
Attelages offerts	Bride de raccordement à boule de 2 po (50,8 mm)	
Éclairage de route de la remorque	Arrêt, virage, arrière, feux de position, support de plaque d'immatriculation illuminé	
Connecteur d'éclairage de route de la remorque	Connecteur plat 4 directions	
Œillet de levage : capacité nominale	1 750 lb	794 kg
Passages de fourches/Points de fixation	Deux de chaque côté	
Système de stabilisation et de longeron	Longerons gauches et droits avec vérins à vis réglable, un vérin de flèche à vis réglable	
Vitesse du vent maximale : tour élevée et longerons et stabilisateurs déployés	60 mi/h	97 km/h

Tour d'éclairage	
Structure	Conception tubulaire en acier à quatre sections
Déclenchement	Standard : treuil manuel
Baguettes de guidage	Polyéthylène autolubrifiant
Câble d'alimentation	Câble enroulé au sommet des sections pour réduire la possibilité d'enchevêtrement
Rotation de la tour	Rotation complète de la tour à 345°

Luminaire	
<b>DEL</b>	
Température de couleur	5 000 K
Consommation d'énergie : par luminaire	350 W
Lumens : par luminaire	51 122

Alimentation électrique	
Fréquence	60 Hz / 50 Hz
Puissance de sortie principale nominale	60 Hz - 3,0 kW / 50 Hz - 2,5 kW
Alternateur	Condensateur normalisé à 60 Hz - 120 volts VCA / Condensateur normalisé à 50 Hz - 220 volts VCA
Phase	Monophasée
Remarque*	Il y a un conducteur permanent entre la génératrice (enroulement du stator) et le cadre
Éclairage automatique : système d'éclairage séquentiel (SLS)	L'éclairage s'allume automatiquement après le démarrage du moteur et l'éclairage s'éteint d'abord avant le moteur pour empêcher la génératrice de s'éteindre avec une charge.
Prises de courant offertes	Prise GFCI double de 20 A à 120 V (NEMA 5-20R) Prise Schuko CEE7 de 16 A à 240 V (EU1-16R)

Moteur		
Spécifications	Impérial	Métrique
Fabricant	Kubota	
Modèle	Z482	
Type	Moteur diesel à deux cylindres refroidi au liquide	
Cylindrée	29 po <sup>3</sup>	479 cc
Aspiration	Aspiration naturelle	
Émissions (Domestiques 60 Hz)	EPA niveau 4 final	
Émissions (Internationaux 60 Hz)	N'est pas applicable	
Émissions (Internationaux 50 Hz)	N'est pas applicable	
Puissance de sortie : principale (60 Hz)	5,1 ch à 1 800 tr/min	3,8 kWm à 1 800 tr/min
Puissance de sortie : principale (50 Hz)	4,6 ch à 1 500 tr/min	3,4 kWm à 1 500 tr/min
Système de carburant	Injection indirecte de carburant	
Aide au démarrage	Bougie de préchauffage	
Système électrique du moteur	12 volts CC	
Alternateur de moteur	30 A	
Nombre de batteries	1	
Taille de la batterie	Groupe 24	



Moteur		
Spécifications	Impérial	Métrique
Type de batterie	Standard : acide au plomb	
Valeurs nominales de la batterie	525 CCA à 0 °F (-18 °C)	
Arrêt automatique de faible pression d'huile	7 lb/po <sup>2</sup>	48 kPa
Arrêt automatique de température élevée de l'eau	230 °F	110 °C
Carburant	En Amérique du Nord, il faut utiliser des carburants diesel qui respectent la norme ASTM D975 pour le diesel à faible teneur en soufre (ULSD). L'ULSD a un contenu maximal de soufre de 15 parties par million (PPM) ou de 15 mg/kg. Le carburant diesel peut être des types 1-D et 2-D. Consulter le manuel d'utilisation du moteur pour des renseignements détaillés.	
Type d'huile à moteur requis	10W-30 API CK-4 (CJ-4, CI-4, CI-4 Plus) ou équivalents	
Marque d'huile à moteur recommandée	Mobile Delvac 1300 Super	
Capacité d'huile à moteur : avec filtre	4,0 pte	3,8 L
Profondeur du carter d'huile moteur	4,76 po	121 mm
Type de liquide de refroidissement de moteur requis	Liquide de refroidissement à durée prolongée sans nitrite, technologie d'acide organique (Organic Acid Technology [OAT], sans 2-EHA	
Capacité du système de liquide de refroidissement	2,7 pte	2,6 L
Capacité du réservoir de trop-plein de liquide de refroidissement	1,1 pte	1,0 L
Intervalle de service : huile et filtre à huile	Première vidange et remplacement de filtre à huile – 50 h, toutes les autres vidanges et remplacement de filtre à huile – 1 000 h*†	
Intervalle de service : filtre à carburant	400 h	
Intervalle de service : filtre à air	Consultez le manuel du moteur	
Intervalle de service - Jeu de soupapes	800 h	
Remarque*	<i>L'huile à moteur doit être vérifiée avant la mise en marche; faire l'appoint au besoin</i>	
Remarque†	<i>Les intervalles entre les entretiens sont réduits si vous n'utilisez pas de carburant diesel à très faible teneur en soufre (DTFTS), consultez le manuel d'utilisation du moteur pour obtenir les instructions d'entretien.</i>	

## Dépannage



**DANGER**



### Risque d'électrocution

- Une haute tension est présente lorsque le moteur est en marche. Ne jamais tenter d'effectuer l'entretien des composants électriques lorsque le moteur est en marche.
- Le contact avec les fils qui sont mis à nu à cause d'une isolation endommagée, coupée ou usée pourrait causer la mort ou des blessures graves. Remplacer tout câblage endommagé avant d'utiliser l'unité.

Avant de faire quelque dépannage que ce soit, lire **Sécurité**.

Pour le dépannage du moteur et de la génératrice, voir le manuel d'utilisation du moteur et le manuel d'utilisation de la génératrice ou contacter votre concessionnaire.

### Tableau de dépannage des luminaires de la tour

Problème	Cause possible	Solution
Les luminaires ne fonctionnent pas	Les disjoncteurs dans la boîte de sortie ne sont pas activés ou sont déclenchés.	Activer ou réinitialiser les disjoncteurs.
	La connexion entre la barre d'éclairage et les luminaires n'est pas bien établie.	Vérifier et bien établir les connexions.
	Trop de puissance est tirée des sorties auxiliaires.	Enlever les charges des sorties auxiliaires.

### Dépannage des moteurs

Au cas où l'ECU du moteur détecterait une erreur du moteur, le moteur arrête et l'ECU du moteur transmet les détails de l'erreur au moyen du signal CAN au contrôleur Deep Sea. L'erreur s'affiche avec une icône.









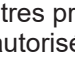
Pour voir le code de problème de diagnostic (DTC) du moteur, ouvrir le menu de navigation du contrôleur DSE en appuyant sur les boutons vers le haut et vers le bas en même temps. Faire défiler les icônes du menu et sélectionner l'icône de la section du moteur T4. Sélectionner cette icône affiche le code de problème de diagnostic du moteur potentiel à l'écran suivant.

Pour réinitialiser le code de problème de diagnostic du moteur, corriger l'erreur du moteur et mettre l'interrupteur marche/arrêt du module de contrôle DSE en position arrêt. Puis mettre l'interrupteur marche/arrêt en position marche; l'écran du module de contrôle DSE devrait réinitialiser le fonctionnement du moteur. Voir **Fonctionnement du moteur**.

Consulter le **Tableau de codes de problème de diagnostic (DTC) du moteur** aux fins de dépannage. Pour tout autre dépannage du moteur, consulter le manuel d'utilisation du moteur ou le manuel d'utilisation Deep Sea ou contacter votre concessionnaire.

## Tableau de codes de problème de diagnostic (DTC) du moteur

DTC	Article de détection	Paramètre de réglage DTC	Codes J1939-73 du contrôleur DSE	
			SPN	FMI
Erreur de pression d'huile	Pressostat d'huile	Malgré les t/m, le pressostat d'huile est en position MARCHE		
Surchauffe du moteur	Surchauffe de la température de l'eau du moteur	Température de l'eau du moteur $\geq 120$ °C (248 °F)		
Sonde thermique de l'eau : Élevé	Circuit ouvert du capteur/faisceau, + court-circuit B	La tension de la sonde thermique du liquide de refroidissement est de 4,9 V ou plus		
Sonde thermique de l'eau : Faible	Court-circuit de mise à la terre du capteur/faisceau	La tension de la sonde thermique du liquide de refroidissement est de 0,1 V ou moins		
Tension de la batterie : Élevée	Circuit ouvert du capteur / faisceau ou faisceau endommagé. Panne de batterie	Reconnaissance de la part de l'ECU que la tension de la batterie est de plus de 18 V		
Emballage du moteur	La vitesse de rotation du moteur dépasse le seuil de vitesse	La vitesse de rotation du moteur $> 2\,070$ min <sup>-1</sup> (t/m)		
Tension d'alimentation du capteur : Faible	Tension d'alimentation du capteur	Le tension vers le capteur est inférieure à 4,00 V		
Actionneur anormal	Circuit ouvert, court-circuit ou faisceau endommagé	Courant de l'actionneur $> 3,0$ A ou $< 80$ mA		
Capteur de la vitesse de rotation du moteur anormal	Circuit ouvert, court-circuit ou faisceau endommagé	Vitesse de rotation du moteur = 0 min <sup>-1</sup> (t/m) après signal du démarreur dans l'ECU		
Erreur du démarreur	Le temps de marche du démarreur dépasse le temps de seuil	Le temps de marche du démarreur dépasse 12 sec		
Terminal L de l'alternateur anormal	Circuit ouvert, court-circuit ou faisceau endommagé	Le terminal L de l'alternateur reçoit de la tension alors qu'il y a 0 t/m (après contact)		
Panne de charge	Circuit ouvert, court-circuit ou faisceau endommagé	Le terminal L de l'alternateur est à 0 V alors que le moteur tourne		

DTC	Icône d'erreur du contrôleur DSE	Délai d'action ou numéro de détection de l'erreur	Codes J1939-73 du contrôleur DSE	
			SPN	FMI
Sonde thermique de l'eau : Faible		1,0 sec. ou plus	110	4
Tension de la batterie : Élevée		1,0 sec. ou plus	158	3
Emballage du moteur		1,0 sec. ou plus	190	0
Tension d'alimentation du capteur : Faible		1,0 sec. ou plus	3509	4
Actionneur anormal		1,0 sec. ou plus	523771	2
Capteur de la vitesse de rotation du moteur anormal		10,0 sec. ou plus	523771	2
Erreur du démarreur		12,0 sec. ou plus	523736	2
Terminal L de l'alternateur anormal		1,0 sec. ou plus	523737	2
Panne de charge		1,0 sec. ou plus	523738	2




Pour tous les autres problèmes de dépannage, contacter votre détaillant autorisé.

## Signaler les défauts de sécurité

### Signaler les défauts de sécurité au gouvernement des États-Unis

En cas de doute que le véhicule présente une défektivité qui pourrait causer un accident, des blessures ou la mort, Allmand ainsi que l'Administration nationale de la sécurité routière (National Highway Traffic Safety Administration, NHTSA) devaient en être informées.

Si NHTSA reçoit des plaintes similaires, une investigation peut s'ouvrir, et si elle trouve qu'une défektivité liée à la sécurité existe dans un groupe de véhicules, il pourrait y avoir un rappel afin d'effectuer des réparations. Toutefois, la NHTSA ne peut pas s'impliquer dans des problèmes individuels entre l'utilisateur, le concessionnaire ou Allmand.

DTC	Icône d'erreur du contrôleur DSE	Délai d'action ou numéro de détection de l'erreur	Codes J1939-73 du contrôleur DSE	
			SPN	FMI
Erreur de pression d'huile		1,0 sec. ou plus	100	1
Surchauffe du moteur		1,0 sec. ou plus	110	0
Sonde thermique de l'eau : Élevé		1,0 sec. ou plus	110	3

Pour joindre la NHTSA, appeler la ligne d'assistance téléphonique pour la sécurité des véhicules au numéro sans frais 1-888-327-4236 (ATS : 1-800-424-9153), visiter le [http:// www.safercar.gov](http://www.safercar.gov) ou écrire à l'administrateur à l'adresse NHTSA, 400 Seventh Street, SW, Washington, DC 20590.

Vous pouvez aussi obtenir d'autres informations au sujet de la sécurité des véhicules à moteur de [http:// www.safercar.gov](http://www.safercar.gov).

## Signaler les défauts de sécurité au gouvernement du Canada

Les résidents du Canada qui pensent que le véhicule présente un défaut de sécurité doivent en informer immédiatement Transport Canada et Allmand. Appeler Transport Canada au 1-800-333-0510, visiter le [www.tc.gc.ca/rappels](http://www.tc.gc.ca/rappels) (français) ou le [www.tc.gc.ca/recalls](http://www.tc.gc.ca/recalls) (anglais) ou écrire à : Transport Canada, Normes de service, Division des enquêtes sur les défauts et rappels, 80, rue Noël, Gatineau, QC J8Z 0A1

## Signaler les défauts de sécurité à Allmand

En plus de prévenir la NHTSA ou Transport Canada dans une telle situation, prévenir aussi Allmand. Contacter le service à la clientèle d'Allmand au 1-800-562-1373, visiter le [www.allmand.com](http://www.allmand.com) ou écrire à : Allmand Bros., Inc., P.O. Box 888, Holdrege, NE 68949

## Consignes de sécurité relatives aux pneus

La section suivante comporte des renseignements sur la sécurité relative aux pneus, comme l'exige la norme 49 CFR 575.6. Sujets abordés :

- (i) L'étiquetage des pneus, y compris une description et une explication de chaque marquage sur les pneus fournis avec le véhicule et des informations sur l'emplacement du numéro d'identification des pneus (NIP);
- (ii) La pression de gonflage des pneus recommandée, y compris une description et une explication des points suivants :
  - (A) Pression de gonflage des pneus à froid recommandée;
  - (B) La plaque du véhicule et l'étiquette de pression de gonflage des pneus et leur emplacement dans le véhicule;
  - (C) Les conséquences du sous-gonflage sur la sécurité (y compris la défaillance des pneus), et
  - (D) Mesure et réglage de la pression pour obtenir un gonflage adéquat;
- (iii) Glossaire de la terminologie relative aux pneus, y compris la « pression des pneus à froid », la « pression de gonflage maximale » et la « pression de gonflage recommandée » et d'autres termes non techniques;
- (iv) L'entretien des pneus, y compris les pratiques en matière de sécurité;

(v) Les limites de charge du véhicule, y compris une description et une explication des éléments suivants :

(A) Repérer et comprendre les informations sur les limites de charge, la capacité de charge totale, le nombre de places assises, la capacité de remorquage et la capacité de chargement;

(B) Calculer la capacité totale et la capacité de chargement avec différentes configurations de sièges, y compris des exemples quantitatifs illustrant la manière dont la capacité de chargement et de bagages du véhicule diminue à mesure que le nombre et la taille combinés des occupants augmentent;

(C) Déterminer la compatibilité des pneus et des capacités de charge du véhicule;

(D) Les incidences sur les pneus d'une surcharge pour la sécurité par rapport à la tenue de route et au freinage.

## 1. Étapes pour déterminer la limite de charge appropriée – Remorque

Déterminer les limites de charge d'une remorque ne se limite pas à comprendre les limites de charge des pneus seuls. Toutes les remorques portent une étiquette de certification fédérale/NIV qui se trouve dans la moitié avant du côté gauche (côté route). Cette étiquette de certification/NIV indique le poids nominal brut du véhicule (PNBV) de la remorque. Il s'agit du poids maximum de la remorque entièrement chargée. Elle indique également le poids technique maximal sous essieu (Gross Axle Weight Rating, GAWR). Il s'agit du poids maximum sous un essieu particulier. Si la remorque comporte plusieurs essieux, le GAWR est indiqué.

Si le PNBV de la remorque est inférieur ou égal à 10 000 livres, il y a une plaque de véhicule qui se trouve au même endroit que l'étiquette de certification décrite ci-dessus. Cette plaque indique les informations sur les pneus et le chargement. De plus, cette plaque indique la capacité maximale de chargement. La remorque peut être chargée jusqu'au poids maximum indiqué sur la plaque. Le poids combiné du chargement est indiqué sous la forme d'un seul nombre. Dans tous les cas, ne pas oublier que le poids total d'une remorque entièrement chargée ne peut pas dépasser le PNBV indiqué.

Pour les remorques comportant des espaces habitables, le poids de l'eau et du propane doit également être pris en compte. Le poids des réservoirs de propane entièrement remplis est considéré comme faisant partie du poids de la remorque avant qu'elle ne soit chargée de marchandises et non comme faisant partie du chargement temporaire. Par contre, l'eau est un poids de chargement temporaire et est traitée comme telle. Un réservoir destiné à contenir 100 gallons d'eau douce pèserait environ 800 livres une fois rempli. Si une quantité plus importante de marchandises est transportée, l'eau peut être déchargée pour maintenir le poids total du chargement dans les limites du PNBV afin de ne pas surcharger le véhicule. Comprendre cette flexibilité vous permettra, en tant que propriétaire, de faire les bons choix en fonction de vos besoins.

Lors du chargement de la cargaison, veiller à ce qu'elle soit répartie uniformément pour éviter toute surcharge de l'avant à l'arrière et d'un côté à l'autre. Les objets lourds devraient être placés bas et aussi près des essieux que possible. Mettre trop d'objets d'un même côté peut surcharger un pneu. La meilleure façon de connaître le poids réel du véhicule est de le peser sur une balance publique. Parler au concessionnaire des méthodes de pesage nécessaires pour mesurer les différents poids liés à la remorque. Cela comprend le poids à vide et le poids par essieu, par roue, par attache-remorque ou par pivot, ainsi que le poids total.

Des charges excessives ou un sous-gonflage provoquent une surcharge sur les pneus et, par conséquent, une flexion anormale se produit. Cette situation peut générer une chaleur excessive dans le pneu. Cela peut entraîner une défaillance du pneu. Puisque la pression d'air permet à un pneu de supporter la charge, un bon gonflage est essentiel. La pression d'air appropriée se trouve sur l'étiquette de certification/NIV ou sur la plaquette relative aux pneus. Cette valeur ne doit jamais dépasser la pression de gonflage à froid maximale estampillée sur le pneu.

### 1.1 Remorques avec un PNBV de 10 000 lb (4 536 kg) ou moins

- (1) Repérer la mention « The weight of cargo should never exceed XXX kg or XXX lbs » (« Le poids du chargement ne doit jamais dépasser XXX kg ou XXX lb ») sur la plaque du véhicule
- (2) Ce chiffre est égal à la capacité de charge disponible pour la marchandise et les bagages.
- (3) Déterminer le poids combiné des bagages et des marchandises chargés dans le véhicule. Pour des raisons de sécurité, ce poids ne doit pas dépasser la capacité maximale de chargement de la marchandise et des bagages.

### 1.2 Remorques avec un PNBV de plus de 10 000 livres (4 536 kg) (Remarque : Ces remorques ne sont pas tenues de comporter une plaque d'information sur les pneus.)

- (1) Déterminer le poids à vide de la remorque en pesant la remorque à l'aide d'une balance publique ou d'un autre moyen. Cette étape n'a pas besoin d'être répétée.
- (2) Repérer le PNBV de la remorque sur l'étiquette du NIV (certification) de la remorque.
- (3) Soustraire le poids à vide de la remorque du PNBV indiqué sur l'étiquette du NIV. Le poids de chargement maximal de la remorque à ne pas dépasser est ainsi obtenue pour des raisons de sécurité.

## 2. Étapes pour déterminer la limite de charge appropriée – véhicule tracteur

- (1) Repérer la mention « The combined weight of occupants and cargo should never exceed XXX kg or XXX lbs » (« Le poids combiné des occupants et du chargement ne doit jamais dépasser XXX kg ou XXX lb ») sur la plaque du véhicule.
- (2) Déterminer le poids combiné du conducteur et des passagers du véhicule.

(3) Soustraire le poids combiné du conducteur et des passagers de XXX kg ou de XXX lb.

(4) Ce résultat est égal à la capacité de charge disponible pour la marchandise et les bagages. Par exemple, si le nombre « XXX » est égal à 1 400 lb et s'il y a cinq passagers de 150 lb dans le véhicule, la capacité de charge disponible pour la marchandise et les bagages est de 650 lb (1 400 - 750 [5 × 150] = 650 lb).

(5) Déterminer le poids combiné des bagages et des marchandises chargés dans le véhicule. Pour des raisons de sécurité, ce poids ne doit pas dépasser la capacité maximale de chargement de la marchandise et des bagages calculée à l'étape 4.

(6) Si le véhicule doit tirer une remorque, le chargement sera transféré au véhicule. Consulter le manuel du véhicule tracteur pour déterminer comment cela réduit la capacité de chargement du véhicule en matière de cargaison et de bagages.

## 3. Glossaire de la terminologie relative aux pneus

**Poids des accessoires** signifie le poids combiné, en plus des éléments standard qui peuvent être remplacés, de la transmission automatique, de la direction assistée, des freins assistés, des vitres et des sièges électriques, de la radio et du système de chauffage, dans la mesure où ces articles sont offerts en tant qu'équipements installés en usine (qu'ils soient installés ou non).

Le **talon** est la partie du pneu qui est faite de fils d'acier enveloppés ou renforcés par des câblés de pli et qui est formée pour s'adapter à la jante.

La **séparation du talon** signifie une rupture du lien entre les composants du talon.

Un **pneu à renfort de carcasse en diagonale** est un pneu dans lequel les câblés du pli qui s'étendent jusqu'aux talons sont posés à des angles alternés sensiblement inférieurs à 90 degrés par rapport à la ligne centrale de la bande de roulement.

La **carcasse** désigne la structure du pneu, à l'exception de la bande de roulement et du caoutchouc des flancs qui, une fois le pneu gonflé, supportent la charge.

**Arrachement** signifie le détachement de morceaux de la bande de roulement ou du flanc.

**Câblé** désigne les brins formant les plis du pneu.

La **séparation des câblés** signifie que les fils câblés sont séparés des composés de caoutchouc adjacents.

**Craquelage** désigne toute séparation dans la bande de roulement, le flanc ou le calandrage intérieur du pneu s'étendant aux câblés.

**Poids à vide** désigne le poids d'un véhicule à moteur avec l'équipement standard, y compris la capacité maximale de carburant, d'huile et de liquide de refroidissement et, le cas échéant, la climatisation et le poids supplémentaire d'un moteur en option.

**Pression de gonflage à froid** signifie la pression des pneus lorsque le véhicule n'a pas roulé pendant au moins trois heures.



**Pneu à charge supplémentaire** signifie un pneu conçu pour être utilisé avec des charges et une pression de gonflage plus élevées que le pneu standard correspondant.

La **rainure** désigne l'espace entre deux nervures adjacentes de la bande de roulement.

**Poids technique maximal sous essieu (GAWR)** signifie la valeur spécifiée par le constructeur du véhicule comme étant la capacité de charge d'un seul système d'essieu, telle que mesurée aux interfaces pneu-sol.

**Poids nominal brut du véhicule ou PNBV** désigne la valeur spécifiée par le constructeur comme étant le poids d'un seul véhicule chargé.

Le **poids à l'attelage** est la force descendante exercée sur la boule d'attelage par l'attelage de remorque.

Le **revêtement intérieur** désigne la ou les couches formant la surface intérieure d'un pneu sans chambre à air qui comporte le système de gonflage à l'intérieur du pneu.

La **séparation du revêtement intérieur** signifie que le revêtement intérieur est séparé des câblés dans la carcasse.

Le **poids maximum d'un véhicule chargé** est la somme des éléments suivants : (a) poids à vide, (b) poids des accessoires, (c) poids de la capacité du véhicule, et (d) poids des options de production.

**Pneu pour véhicule utilitaire léger (VUL)** signifie un pneu désigné par son fabricant comme étant principalement destiné à être utilisé sur des camions légers ou des véhicules de tourisme polyvalents.

La **capacité de charge** désigne la charge maximale qu'un pneu est censé supporter pour une pression de gonflage donnée.

La **capacité de charge maximale** désigne l'indice de charge d'un pneu à la pression de gonflage maximale autorisée pour ce pneu.

La **pression de gonflage maximale autorisée** désigne la pression de gonflage à froid maximale à laquelle un pneu peut être gonflé.

Le **poids maximum d'un véhicule chargé** est la somme des éléments suivants : (a) poids à vide, (b) poids des accessoires, (c) poids de la capacité du véhicule, et (d) poids des options de production.

**Jante de mesure** désigne la jante sur laquelle un pneu est monté pour les besoins de la dimension physique.

**Jante non pneumatique** désigne un dispositif mécanique qui, lorsqu'un assemblage de pneus non pneumatiques comprend une roue, supporte le pneu et se fixe, soit intégralement, soit de manière séparable, à l'élément central de la roue et sur lequel le pneu est fixé.

**Assemblage de pneu de secours non pneumatique** signifie un assemblage de pneu non pneumatique destiné à un usage temporaire à la place d'un assemblage pneu-jante monté sur une voiture conformément aux exigences de la présente norme.

**Pneu non pneumatique** désigne un dispositif mécanique qui transmet, directement ou par l'intermédiaire d'une roue ou d'un corps de roue, la charge verticale et les forces de traction de la chaussée au véhicule, qui génère les forces de traction qui assurent le contrôle directionnel du véhicule, et ce, sans gaz ni fluide pour assurer ces fonctions.

**Assemblage de pneu non pneumatique** signifie un pneu non pneumatique, seul ou en combinaison avec une jante ou un corps de roue, qui peut être monté sur un véhicule.

Le **poids normal des occupants** signifie 68 kg (150 lb) multiplié par le nombre d'occupants spécifié dans la deuxième colonne du Tableau I de la norme 49 CFR 571.110.

**Répartition des occupants** signifie la répartition des occupants dans un véhicule comme spécifié dans la troisième colonne du Tableau I de la norme 49 CFR 571.110.

**Soudure ouverte** désigne toute séparation à une jonction de la bande de roulement, du flanc ou du revêtement intérieur qui s'étend aux câblés.

**Diamètre extérieur** désigne le diamètre total d'un pneu neuf gonflé.

**Largeur hors tout** désigne la distance linéaire entre les extérieurs des flancs d'un pneu gonflé, y compris les élévations dues aux étiquettes, aux décorations, aux bandes de protection ou aux nervures.

**Pneu tourisme** désigne un pneu destiné à être utilisé sur les voitures de tourisme, les véhicules de tourisme polyvalents et les camions, dont le poids nominal brut du véhicule (PNBV) est inférieur ou égal à 10 000 livres.

**Poids de la boule d'accouplement** La force descendante appliquée à la sellette ou à la boule du col de cygne, par le pivot d'attelage de la remorque ou de l'attelage à col de cygne.

**Pli** désigne une couche de câblés parallèles recouverts de caoutchouc.

**Décollement entre plis** signifie une séparation du composé de caoutchouc entre les plis adjacents.

**Pneumatique** signifie un dispositif mécanique composé de caoutchouc, de produits chimiques, de tissu et d'acier ou d'autres matériaux qui, lorsqu'il est monté sur une roue d'automobile, assure la traction. Il contient le gaz ou le fluide qui soutient la charge.

**Poids des options de production** signifie le poids combiné des options de production courantes installées et pesant plus de 2,3 kilogrammes de plus que les éléments standard qu'elles remplacent et qui ne sont pas pris en compte dans le poids à vide ou le poids des accessoires, y compris les freins à service lourd, les stabilisateurs, le porte-bagages de toit, la batterie à usage intensif et les garnitures spéciales.

Un **pneu à carcasse radiale** est un pneu dans lequel les câblés du pli qui s'étendent jusqu'aux talons sont posés à des angles de 90 degrés par rapport à la ligne centrale de la bande de roulement.

La **pression de gonflage recommandée** signifie la pression de gonflage à froid appropriée telle qu'elle est indiquée sur l'étiquette d'information sur les pneus.

**Pneu renforcé** signifie un pneu conçu pour être utilisé avec des charges et une pression de gonflage plus élevées que le pneu standard correspondant.

**Jante** désigne un support métallique pour un pneu ou un ensemble de pneu et chambre à air sur lequel reposent les talons du pneu.

**Diamètre de jante** signifie le diamètre nominal du siège du talon.

**Désignation de la jante** signifie diamètre et largeur de la jante.

**Désignation du type de jante** signifie la désignation du fabricant d'une jante par style ou code.

**Largeur de jante** signifie la distance nominale entre les rebords de la jante.

**Largeur du boudin** désigne la distance linéaire entre les extérieurs des flancs d'un pneu gonflé, à l'exclusion des élévations dues à l'étiquetage, à la décoration ou aux bandes de protection.

Le **flanc** est la partie d'un pneu située entre la bande de roulement et le talon.

Il y a une **séparation du flanc** lorsque le composé de caoutchouc et les câblés se séparent dans le flanc.

Un **pneu ST** n'est conçu que pour être utilisé sur des remorques tirées sur une route.

**Jante d'essai** désigne la jante sur laquelle un pneu est monté pour l'essai. Cela peut être toute jante répertoriée comme appropriée pour ce pneu.

La **bande de roulement** est la partie d'un pneu qui entre en contact avec la route.

Une **nervure** est une partie de la bande de roulement qui entoure le pneu sur toute sa circonférence.

Il y a un **déchapage** lorsqu'un décollement de la bande de roulement de la carcasse du pneu se produit.

Les **indicateurs d'usure (TWI)** sont les projections dans les rainures principales conçues pour donner une indication visuelle du degré d'usure de la bande de roulement.

Le **poids de la capacité du véhicule** signifie la charge nominale de la cargaison et des bagages plus 68 kilogrammes multiplié par le nombre de places assises du véhicule.

La **charge maximale du véhicule sur le pneu** signifie la charge sur un pneu individuel qui est déterminée en distribuant à chaque essieu sa part du poids maximal du véhicule chargé et en la divisant par deux.

La **charge normale du véhicule sur le pneu** signifie la charge sur un pneu individuel qui est déterminée en distribuant à chaque essieu sa part du poids à vide, du poids des accessoires et du poids normal des occupants (distribués conformément au tableau I de la norme 49 CFR 571.110) et en divisant ce nombre par 2.

Le **corps de roue** signifie, dans le cas d'un assemblage de pneu non pneumatique comprenant une roue, un dispositif mécanique qui se fixe, intégralement ou de manière séparable, à la jante non pneumatique et qui assure la liaison entre la jante non pneumatique et le véhicule ou, dans le cas d'un assemblage de pneu non pneumatique ne comprenant pas de roue, un dispositif mécanique qui se fixe, intégralement ou de manière séparable, au pneu non pneumatique et qui assure la liaison entre le pneu et le véhicule.

Le **dispositif de fixation de la roue** est utilisé pour maintenir l'ensemble roue et pneu en toute sécurité pendant les essais.

#### 4. La sécurité des pneus – Tout repose sur eux

La National Highway Traffic Safety Administration (NHTSA) a publié une brochure (DOT HS 809 361) qui aborde tous les aspects de la sécurité des pneus, comme l'exige la norme 49 CFR 575.6. Elle est partiellement reproduite ci-dessous. Elle peut être obtenue et téléchargée gratuitement auprès de la NHTSA sur le site Web suivant :

[http://www.nhtsa.dot.gov/cars/rules/TireSafety/ridesonit/tires\\_index.html](http://www.nhtsa.dot.gov/cars/rules/TireSafety/ridesonit/tires_index.html)

Les études sur la sécurité des pneus montrent que le maintien d'une pression adéquate, le respect des limites de charge des pneus et du véhicule (ne pas transporter plus de poids dans le véhicule que ce que les pneus ou le véhicule peuvent supporter en toute sécurité), éviter les dangers de la route et inspecter les pneus à la recherche de coupures, d'entailles et d'autres irrégularités) sont les choses les plus importantes à faire pour éviter une défaillance des pneus, comme le déchapage, les éclatements ou les crevaisons. Ces mesures, ainsi que d'autres interventions d'entretien, ont également les avantages suivants :

- Améliorer la maniabilité du véhicule
- Contribuer à vous protéger, ainsi que les autres, contre les panes et les accidents évitables
- Économiser du carburant
- Augmenter la durée de vie des pneus

Ce livret présente un aperçu complet de la sécurité des pneus, y compris des informations sur les sujets suivants :

- Entretien de base des pneus
- Classement uniformisé de la qualité du pneu
- Caractéristiques fondamentales des pneus
- Conseils de sécurité en matière de pneus. Ces renseignements vous permettront de faire de la sécurité des pneus un élément régulier de votre programme d'entretien du véhicule.

Reconnaître que le temps passé est minime par rapport aux inconvénients et aux conséquences sur la sécurité d'un pneu à plat ou d'une autre défaillance.

## Sécurité d'abord – Entretien de base des pneus

Des pneus adéquatement entretenus améliorent la direction, le freinage, la traction et la capacité de charge du véhicule. Les pneus sous-gonflés et les véhicules surchargés sont une cause majeure de défaillance des pneus. Par conséquent, comme mentionné ci-dessus, pour éviter les crevaisons et les autres types de défaillance des pneus, il est nécessaire de maintenir une pression appropriée des pneus, de respecter les limites de charge des pneus et du véhicule, d'éviter les dangers de la route et d'inspecter régulièrement vos pneus.

### Trouver la pression des pneus et les limites de charge recommandées pour votre véhicule

Les plaques d'information sur les pneus et les étiquettes de certification du véhicule comportent des renseignements sur les pneus et les limites de charge. Ces étiquettes indiquent les informations du constructeur du véhicule, notamment :

- Taille de pneu recommandée
- Pression de gonflage des pneus recommandée
- Poids de capacité du véhicule (VCW – le poids maximal des occupants et du chargement qu'un véhicule est conçu pour transporter)
- Poids nominal brut des essieux avant et arrière (GAWR – le poids maximal que les systèmes d'essieux sont conçus pour supporter).

Les plaques et les étiquettes de certification sont fixées en permanence sur la remorque, près de la partie avant, à gauche.

### Comprendre la pression des pneus et les limites de charge

La pression de gonflage est le niveau d'air dans le pneu qui lui confère une capacité de charge et qui influence la performance globale du véhicule. La pression de gonflage des pneus est un nombre qui indique la quantité de pression d'air mesurée en livres par pouce carré (lb/po<sup>2</sup>) dont un pneu a besoin pour être convenablement gonflé. (Ce nombre figure également sur la plaque d'information du véhicule en kilopascals [kPa], qui est la mesure métrique utilisée sur le plan international.)

Les fabricants de véhicules de tourisme et de camions légers déterminent ce nombre en fonction de la limite de charge nominale du véhicule, c'est-à-dire, le poids maximal qu'un véhicule peut transporter en toute sécurité, et les dimensions des pneus du véhicule. La pression appropriée des pneus du véhicule est appelée « pression de gonflage à froid recommandée ». (Comme cela est décrit ci-dessous, il est difficile d'obtenir la pression recommandée lorsque les pneus ne sont pas froids.)

Comme les pneus sont conçus pour être utilisés sur plus d'un type de véhicule, les fabricants de pneus indiquent la « pression de gonflage maximale autorisée » sur le flanc du pneu. Ce nombre représente la pression d'air la plus élevée qui devrait être mise dans le pneu dans des conditions de conduite normales.

## Vérifier la pression des pneus

Il est important de vérifier la pression des pneus du véhicule au moins une fois par mois pour les raisons suivantes :

- La plupart des pneus peuvent naturellement perdre de l'air au fil du temps.
- Les pneus peuvent perdre soudainement de l'air si l'on passe sur un nid-de-poule ou un autre obstacle ou si le trottoir est heurté en se garant.
- Il n'est généralement pas possible de déterminer un sous-gonflage des pneus radiaux par une inspection visuelle.

Pour plus de commodité, acheter un manomètre de pression des pneus à conserver dans le véhicule. Les manomètres se trouvent chez les marchands de pneus, dans les magasins d'équipement automobile et dans d'autres points de vente au détail.

La pression de gonflage recommandée par les constructeurs automobiles correspond à la pression manométrique appropriée lorsqu'un pneu est froid. Le terme « froid » ne se rapporte pas à la température extérieure. Un pneu froid est plutôt un pneu qui n'a pas roulé pendant au moins trois heures.

Les pneus se réchauffent en roulant, ce qui fait augmenter la pression de l'air interne. Par conséquent, pour obtenir une lecture précise de la pression des pneus, il est nécessaire de mesurer la pression lorsque les pneus sont froids ou de compenser la pression supplémentaire causée par des pneus chauds.

### Étapes à suivre pour maintenir une pression adéquate des pneus

- Étape 1 : Repérer la pression recommandée sur la plaque d'information sur les pneus du véhicule, sur l'étiquette de certification ou dans le manuel du propriétaire.
- Étape 2 : Noter la pression de tous les pneus.
- Étape 3 : Si la pression est trop élevée dans l'un des pneus, libérer lentement l'air en appuyant doucement sur la tige de la valve du pneu avec l'extrémité du manomètre jusqu'à ce que la pression adéquate soit atteinte.
- Étape 4 : Si la pression du pneu est trop basse, noter la différence entre la pression mesurée et la pression adéquate du pneu. Il faudra ajouter ces livres de pression « manquantes ».
- Étape 5 : À une station-service, ajouter les livres de pression d'air manquantes à chaque pneu qui est sous-gonflé.
- Étape 6 : Vérifier tous les pneus pour s'assurer que leur pression d'air est la même (sauf dans les cas où la pression des pneus avant et arrière est censée être différente).

Si le véhicule a été utilisé et qu'un pneu semble sous-gonflé, le gonfler à la pression de gonflage à froid recommandée indiquée sur la plaque d'information ou l'étiquette de certification des pneus du véhicule. Bien que le pneu puisse être encore légèrement sous-gonflé en raison de la pression supplémentaire causée par un pneu chaud, il est plus sécuritaire de conduire avec une pression légèrement inférieure à la pression de gonflage à froid recommandée par le constructeur du véhicule que de conduire avec un pneu nettement sous-gonflé. Comme il s'agit d'une solution temporaire, ne pas oublier de révérier et d'ajuster la pression du pneu lorsqu'il est possible d'obtenir une lecture à froid.

### Dimensions des pneus

Pour préserver la sécurité des pneus, acheter des pneus neufs aux mêmes dimensions que ceux d'origine du véhicule ou d'autres dimensions recommandées par le fabricant. Pour trouver ces informations, examiner la plaque d'information sur les pneus, le manuel du propriétaire ou le flanc du pneu remplacé. En cas de doute sur les dimensions à choisir, consulter le détaillant de pneus.

### Bande de roulement

La bande de roulement assure l'adhérence et la traction qui empêchent le véhicule de glisser ou de dérapier, surtout lorsque la route est mouillée ou glacée. En général, les pneus ne sont pas sécuritaires et ils doivent être remplacés lorsque la bande de roulement est usée à 1/16 de pouce. Les pneus comportent des indicateurs d'usure intégrés qui indiquent quand il est temps de les remplacer. Ces indicateurs sont des sections en relief espacées par intermittence dans le fond des rainures de la bande de roulement. Lorsqu'ils semblent « égaux » avec l'extérieur de la bande de roulement, il est temps de remplacer les pneus. Une autre méthode pour vérifier la profondeur de sculpture consiste à placer une pièce d'un cent dans la bande de roulement avec la tête de la reine à l'envers et face à soi. Si le sommet de la tête de la reine est visible, il est temps de changer les pneus.

### Équilibrage Des Pneus Et Réglage De La Géométrie

Un pneu doit être adéquatement équilibré pour éviter les vibrations ou les secousses du véhicule. Cet équilibre est obtenu en positionnant des poids sur la roue pour contrebalancer les points lourds de l'ensemble roue-pneu. Le réglage de la géométrie des roues permet d'ajuster leurs angles afin qu'elles soient positionnées exactement par rapport au châssis du véhicule. Ce réglage permet de maximiser la durée de vie des pneus. Ces réglages nécessitent un équipement spécialisé et ils doivent être effectués par un technicien qualifié.

### Réparation des pneus

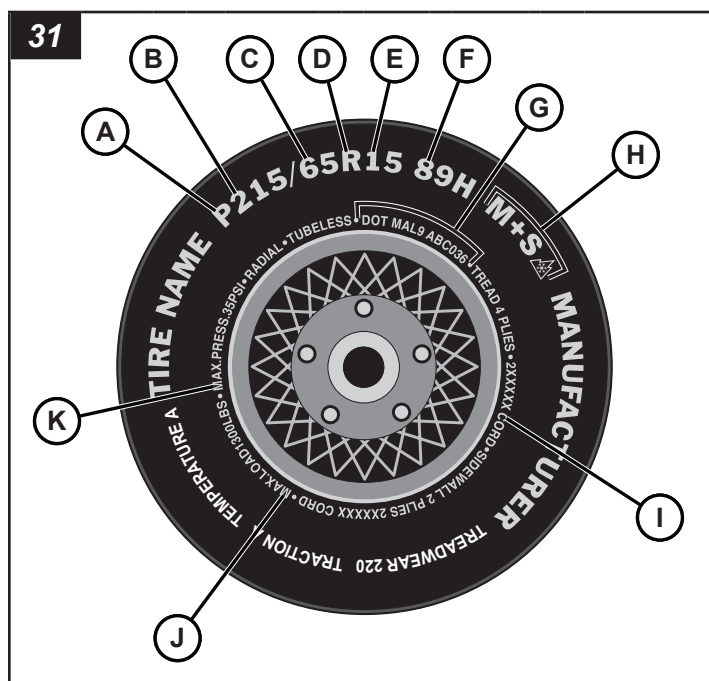
La réparation adéquate d'un pneu crevé nécessite un bouchon pour le trou et une pièce pour la zone qui entoure le trou de crevaison à l'intérieur du pneu. Si les crevaisons dans la bande de roulement peuvent être réparés si elles ne sont pas trop importantes, celles sur le flanc ne devraient pas être réparées. Les pneus doivent être retirés de la jante pour être convenablement inspectés avant de boucher et de réparer la crevaison.

### Éléments fondamentaux du pneu

La loi fédérale oblige les fabricants de pneus à placer des informations standardisées sur le flanc de tous les pneus. Ces informations décrivent les caractéristiques fondamentales du pneu et indiquent un numéro d'identification du pneu pour la certification des normes de sécurité et en cas de rappel.

### Informations sur les pneus des véhicules de tourisme

Se référer à la Figure 28 et aux informations suivantes.



- A** – La lettre « P » indique que le pneu est destiné aux véhicules de tourisme.
- B** – Ce nombre à trois chiffres indique la largeur en millimètres du pneu d'un bord à l'autre du flanc. En règle générale, plus le nombre est élevé, plus le pneu est large.
- C** – Ce nombre à deux chiffres, connu sous le nom de rapport d'aspect, donne le rapport entre la hauteur et la largeur du pneu. Un nombre de 70 ou moins indique que la paroi latérale est courte, ce qui se caractérise par une meilleure réponse de la direction et une maniabilité générale accrue sur chaussée sèche.
- D** – « R » signifie radial. La construction de pneus à carcasse radiale est la norme de l'industrie depuis 20 ans.



## F –

(Nombre) Ce nombre à deux ou à trois chiffres est l'indice de charge du pneu. Il s'agit d'une mesure du poids que chaque pneu peut supporter. Ces informations se trouvent dans votre manuel du propriétaire. Dans le cas contraire, contacter le détaillant de pneus. *Remarque : Ces informations ne se trouvent pas nécessairement sur tous les pneus, car elles ne sont pas exigées par la loi.*

(Lettre) L'indice de vitesse indique la vitesse à laquelle un pneu est conçu pour être conduit pendant de longues périodes. Les vitesses varient de 99 mi/h à 186 mi/h. Ces cotes sont énumérées ci-dessous. *Remarque : Ces informations ne se trouvent pas nécessairement sur tous les pneus, car elles ne sont pas exigées par la loi.*

Cote en lettre	Cote de vitesse
Q	99 mi/h
R	106 mi/h
S	112 mi/h
T	118 mi/h
U	124 mi/h
H	130 mi/h
V	168 mi/h*
Y	186 mi/h*

*\*Remarque : Pour les pneus dont la vitesse maximale est supérieure à 149 mi/h, les fabricants de pneus utilisent parfois les lettres ZR. Pour ceux dont la vitesse maximale est supérieure à 186 mi/h, les fabricants de pneus utilisent toujours les lettres ZR.*

**G** – Numéro d'identification U.S. DOT. Il commence par les lettres « DOT » et indique que le pneu est conforme à toutes les normes fédérales américaines. Les deux chiffres ou lettres suivants sont le code de l'usine où il a été fabriqué et les quatre derniers chiffres représentent la semaine et l'année de fabrication du pneu. Par exemple, les chiffres 3197 signifient la 31<sup>e</sup> semaine de 1997. Les autres numéros sont des codes de commercialisation utilisés à la discrétion du fabricant. Ces informations sont utilisées pour contacter les consommateurs au cas où une défectuosité du pneu nécessiterait un rappel.

**H** – « M+S » ou « M/S » indique que le pneu peut être utilisé dans la boue et la neige dans une certaine mesure. La plupart des pneus radiaux portent ces marquages et ils peuvent donc être utilisés dans la boue et la neige dans une certaine mesure.

**I** – Composition des plis du pneu et matériaux utilisés. Le nombre de plis indique le nombre de couches de caoutchouc dans le pneu. En général, plus le nombre de plis est important, plus un pneu peut supporter de poids. Les fabricants doivent également indiquer les matériaux qui composent le pneu, qui comprennent l'acier, le nylon, le polyester, et autres.

**J** – Capacité de charge maximale. Ce nombre indique la charge maximale en kilogrammes et en livres qui peut être supportée par le pneu.

**K** – Pression de gonflage maximale autorisée. Ce nombre représente la pression d'air la plus élevée qui devrait être mise dans le pneu dans des conditions de conduite normales.

## Classement uniformisé de la qualité du pneu (UTQGS)

Les catégories de qualité se trouvent, le cas échéant, sur le flanc du pneu, entre l'épaule de la bande de roulement et la largeur de section maximale. Par exemple :

TREADWEAR 200 TRACTION AA (USURE DE LA BANDE DE ROULEMENT 200, TRACTION AA)

## Température A

Tous les pneus de voitures de tourisme doivent être conformes aux exigences fédérales en matière de sécurité, en plus de ces catégories.

## Usure de la bande de roulement

Le classement de l'usure de la bande de roulement est une évaluation comparative basée sur le taux d'usure du pneu lorsqu'il est testé dans des conditions contrôlées sur un parcours d'essai gouvernemental spécifié. Par exemple, un pneu classé 150 s'userait une fois et demie (1 1/2) plus vite sur le parcours du gouvernement qu'un pneu classé 100. Les performances relatives des pneus dépendent toutefois des conditions réelles de leur utilisation et peuvent différer sensiblement de la norme en raison des variations des habitudes de conduite, de l'utilisation et des différences dans les caractéristiques des routes et du climat.

## Traction

Les classements de traction, du plus élevé au plus bas, sont AA, A, B et C. Ils représentent la capacité du pneu à s'arrêter sur une chaussée mouillée, comme mesuré dans des conditions contrôlées sur des surfaces d'essai d'asphalte et de béton spécifiées par le gouvernement. La performance en matière de traction d'un pneu marqué d'un C peut être mauvaise.

*Avertissement : Le classement de traction attribué à ce pneu est basé sur des essais de traction en freinage en ligne droite sans tenir compte de l'accélération, du virage, de l'hydroplanage ou de la traction de pointe.*

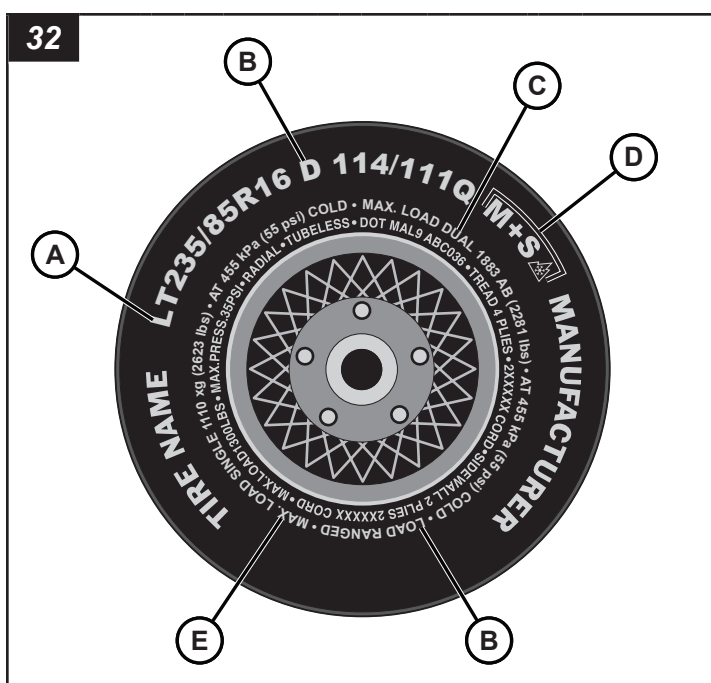
## Température

Les classements de température sont A (le plus élevé), B et C, représentant la résistance du pneu à la production de chaleur et sa capacité à dissiper la chaleur lorsqu'il est testé dans des conditions contrôlées sur une roue d'essai en laboratoire intérieur précis. Une température élevée soutenue peut provoquer la dégénérescence du matériau du pneu et réduire sa durée de vie; une température excessive peut entraîner une défaillance soudaine du pneu.

La classe C correspond à une performance que tous les pneus de voitures de tourisme doivent atteindre en vertu de la norme fédérale de sécurité automobile numéro 109. Les classements B et A représentent une performance plus élevée sur la roue d'essai de laboratoire que le minimum exigé par la loi. Avertissement : Le classement de température est établi pour un pneu convenablement gonflé et non surchargé. Une vitesse excessive, un sous-gonflage ou une charge excessive, séparément ou en combinaison, peuvent provoquer une accumulation de chaleur et une éventuelle défaillance du pneu.

### Informations complémentaires sur les pneus de camions légers

Les pneus des camions légers comportent d'autres marquages que ceux trouvés sur les flancs des pneus des voitures de tourisme. Consulter la Figure 29 et les informations qui suivent.



**A** – « LT » indique que le pneu est destiné aux camions légers et « ST », qu'il est destiné à une remorque uniquement.

**B** – Capacité de charge. Ces renseignements permettent de connaître les capacités de charge du pneu et ses limites de gonflage.

**C** – Charge maximale avec roues jumelées. Ces informations indiquent la charge et la pression maximales des pneus lorsqu'ils sont utilisés de manière jumelée, c'est-à-dire, lorsque quatre pneus sont posés sur chaque essieu arrière (total de six pneus ou plus sur le véhicule).\*

**D** – « M+S » ou « M/S » indique que le pneu peut être utilisé dans la boue et la neige dans une certaine mesure. La plupart des pneus radiaux portent ces marquages et ils peuvent donc être utilisés dans la boue et la neige dans une certaine mesure.

**E** – Cette information indique la charge et la pression maximales des pneus sur roues simples\*.

\*Remarque : La charge maximale est présentée en kilogrammes et en livres (kg/lb). La pression maximale du pneu est présentée en kilopascals et en livres par pouce carré (kPa et lb/po<sup>2</sup>) lorsque le pneu est froid.

## Conseils de sécurité en matière de pneus

### Prévenir les dommages aux pneus

- Ralentir s'il est nécessaire de passer par-dessus un nid-de-poule ou un autre obstacle sur la route.
- Ne pas rouler sur les trottoirs ou autres objets étrangers sur la chaussée et essayer de ne pas heurter le trottoir lorsque l'on doit se garer.

### Liste de contrôle pour la sécurité des pneus

- Vérifier la pression des pneus régulièrement (au moins une fois par mois), y compris celle de la roue de secours.
- Inspecter les pneus à la recherche de fissures, de corps étrangers, d'usure inégale de la bande de roulement ou d'autres signes d'usure ou de traumatisme.
- Retirer les morceaux de verre et les objets étrangers coincés dans la bande de roulement.
- Vérifier que les valves des pneus sont munies de bouchons.
- Vérifier la pression des pneus avant de partir pour un long voyage.
- Ne pas surcharger le véhicule. Vérifier sur la plaquette d'information sur les pneus ou dans le manuel du propriétaire la charge maximale recommandée pour le véhicule.

## Addenda – Options des unités

### Filtre séparateur d'eau et de carburant chauffant

La tour d'éclairage peut être pourvue d'un filtre séparateur d'eau et de carburant chauffant en option (A, Figure 35). Pour vidanger l'eau :

1. Placer un contenant approuvé sous le bouchon de vidange sur le filtre séparateur d'eau et de carburant.
2. Desserrer le bouchon de vidange (B, Figure 35) et le bouchon de purge d'air (C, Figure 35) pour vidanger l'eau.
3. Laisser l'eau séparée s'écouler complètement dans le contenant approuvé. Jeter l'eau selon les règlements locaux, d'État, provinciaux ou fédéraux.
4. Changer le filtre à carburant, au besoin. Consulter les **Spécifications**.
5. Serrer le bouchon de vidange.

6. Utiliser la pompe (D, Figure 35) sur le séparateur d'eau et de carburant pour apprêter le filtre de carburant et purger tout l'air.
7. Serrer le bouchon de purge.

