



**(en) Parts Manual**  
**NIGHT-LITE™ GR-SERIES**  
**Chain**



## TABLE OF CONTENTS

### 1.0 TRAILER BASE PARTS

Axle and Wheels .....	(1.1)
Fenders .....	(1.2)
Tongue .....	(1.3)
Tongue Coupler Options .....	(1.4)
Outriggers .....	(1.5)
Tool Box .....	(1.6)
Lift Bow .....	(1.7)

### 2.0 TOWER GROUP

Tower Pedestal .....	(2.1)
Tower Section 1 .....	(2.2)
Tower Section 2 .....	(2.3)
Tower Section 3 .....	(2.4)
Tower Round Section and Light Bar .....	(2.5)

### 3.0 ELECTRICAL AND LIGHTING GROUP

Control Box .....	(3.1)
Control Box Door with Manual Holder .....	(3.2)
Control Box Upper Control Panel .....	(3.3)
Control Box Lower 60Hz Outlet Panel .....	(3.4)
Control Box Lower 50Hz International Outlet Panel .....	(3.5)
Tower Cord .....	(3.6)
250W LED Lighting .....	(3.7)
250W LED Light Diffuser .....	(3.8)
Trailer Lighting .....	(3.9)

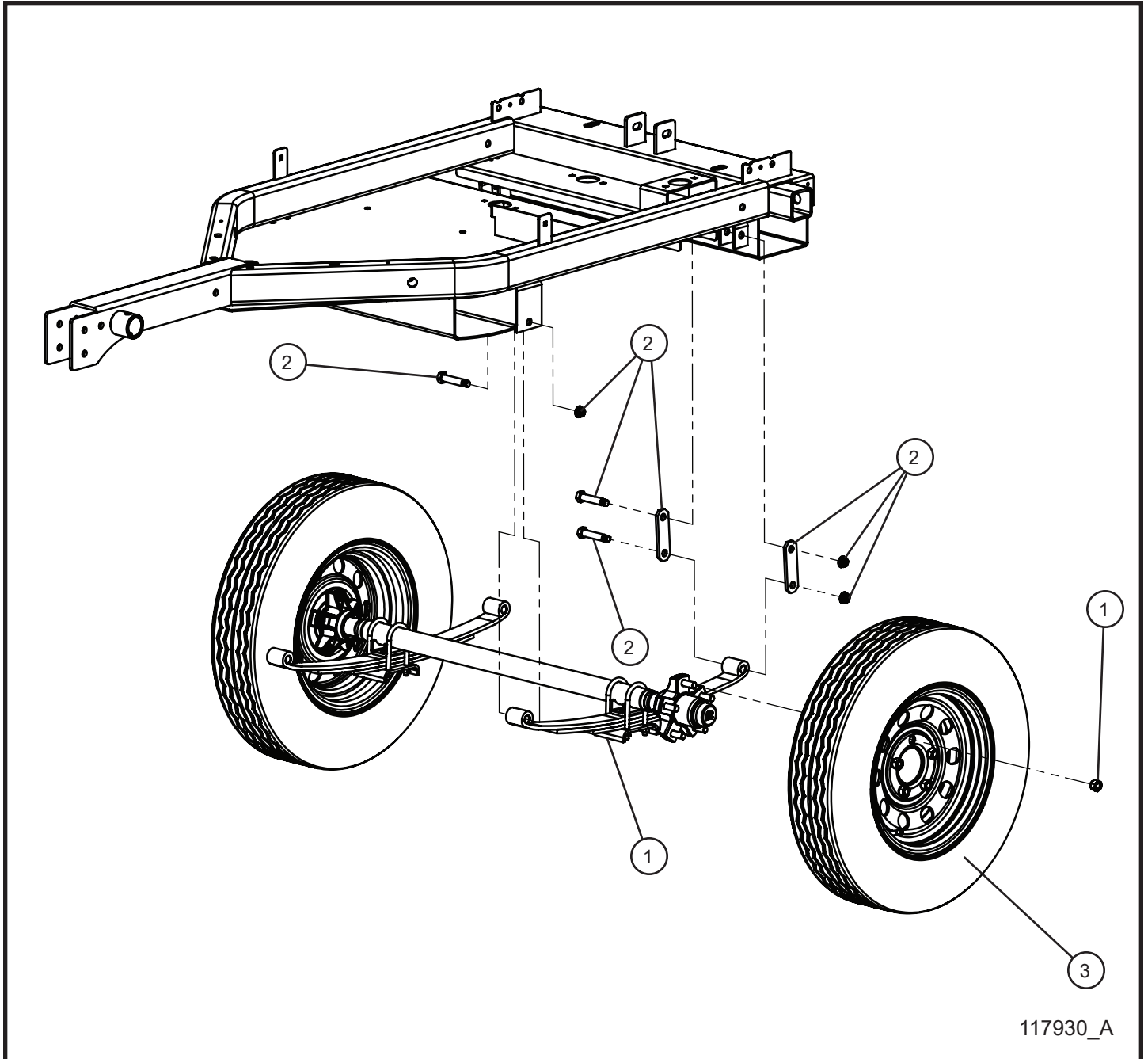
# NIGHT-LITE™ GR-SERIES

## TABLE OF CONTENTS

### 4.0 DECALS

Right Side Decals .....	(4.1)
Left Side Decals .....	(4.2)
Front Side English and French Decals .....	(4.3)
Front Side International Wordless Decals .....	(4.4)
Rear Side English and French Decals .....	(4.5)
Rear Side International Wordless Decals .....	(4.6)
Top View English and French Decals .....	(4.7)
Top View International Wordless Decals .....	(4.8)

## 1.1 - Axle and Wheels



117930\_A



# NIGHT-LITE™ GR-SERIES

SN 26-000001 and UP

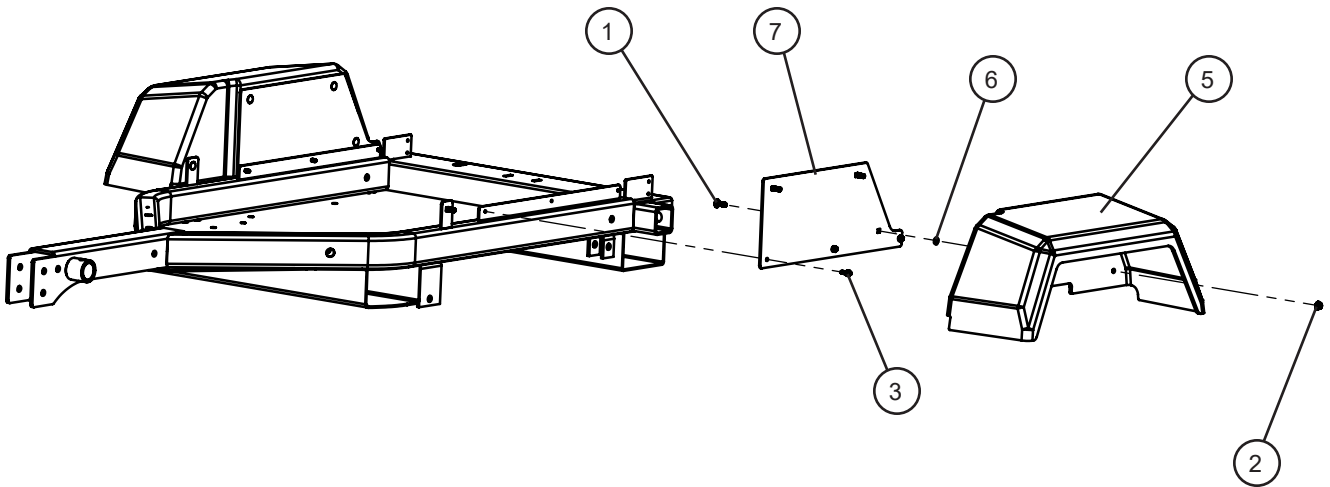
## 1.1 - Axle and Wheels

Item	Part No.	Part Description	Qty.
1	116983	NIGHT-LITE GR-SERIES AXLE	1
2	117120	SINGLE AXLE SUSPENSION KIT	1
3	112801	13" RADIAL WHEEL/TIRE ASSEMBLY	2

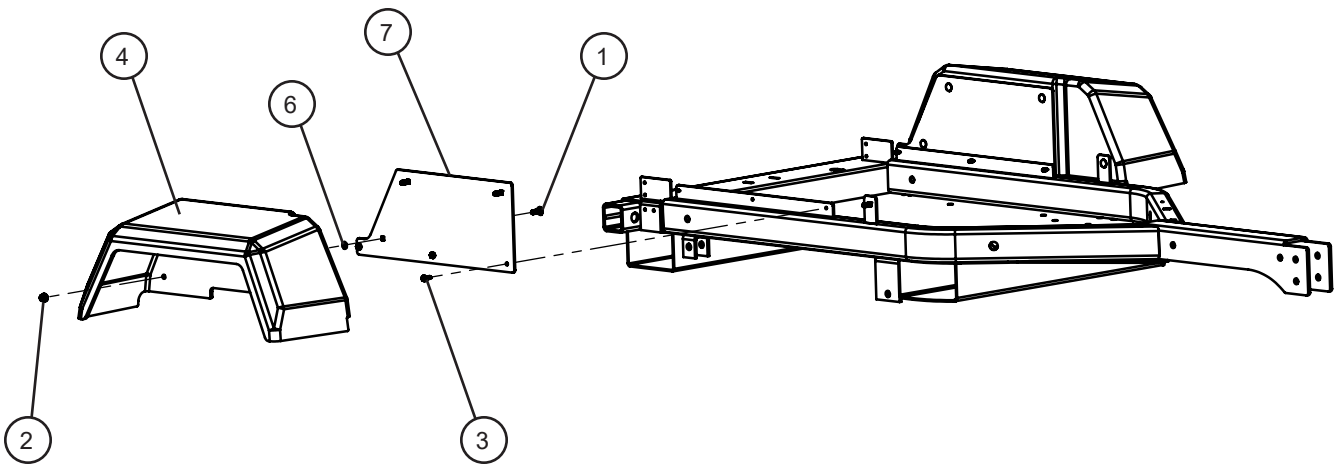
\*NS - NOT SHOWN

## 1.2 - Fenders

LEFT FENDER INSTALL



RIGHT FENDER INSTALL



# NIGHT-LITE™ GR-SERIES

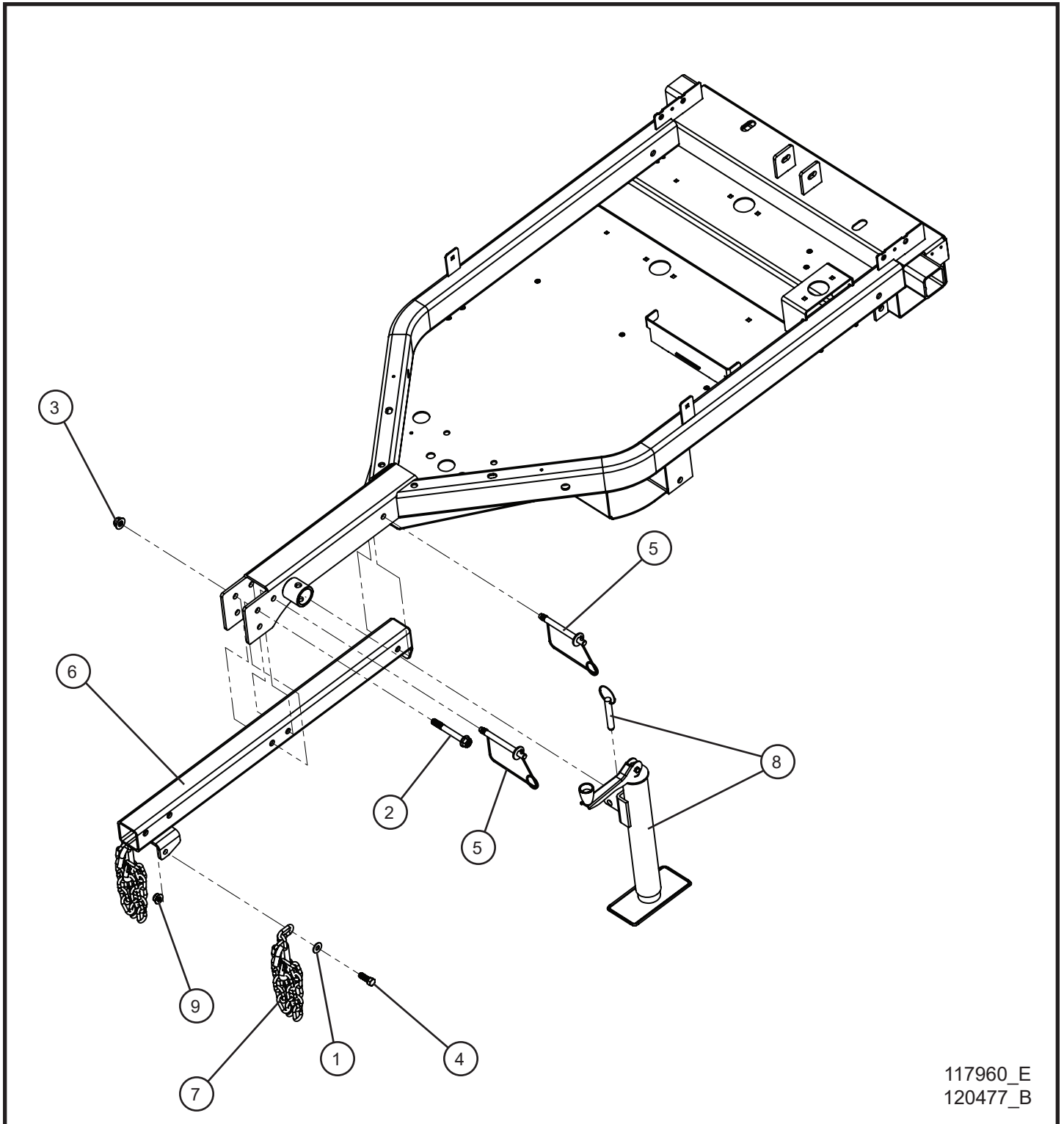
SN 26-000001 and UP

## 1.2 - Fenders

Item	Part No.	Part Description	Qty.
1	053020	5/16-18 x 1 CARRIAGE BOLT	8
2	057006	5/16-18 SERRATED FLANGE NUT	8
3	041070	1/4-20 x 3/4 SLOTTED HEX WASHER HEAD	6
4	116133	13 INCH RIGHT FENDER NL GR-SERIES	1
5	116984	13 INCH LEFT FENDER NL GR-SERIES	1
6	045217	5/16 PUSH NUT	8
7	117884P	PLATE MOUNT FENDER NL GR-SERIES CHAIN	2

\*NS - NOT SHOWN

## 1.3 - Tongue



117960\_E  
120477\_B

# NIGHT-LITE™ GR-SERIES

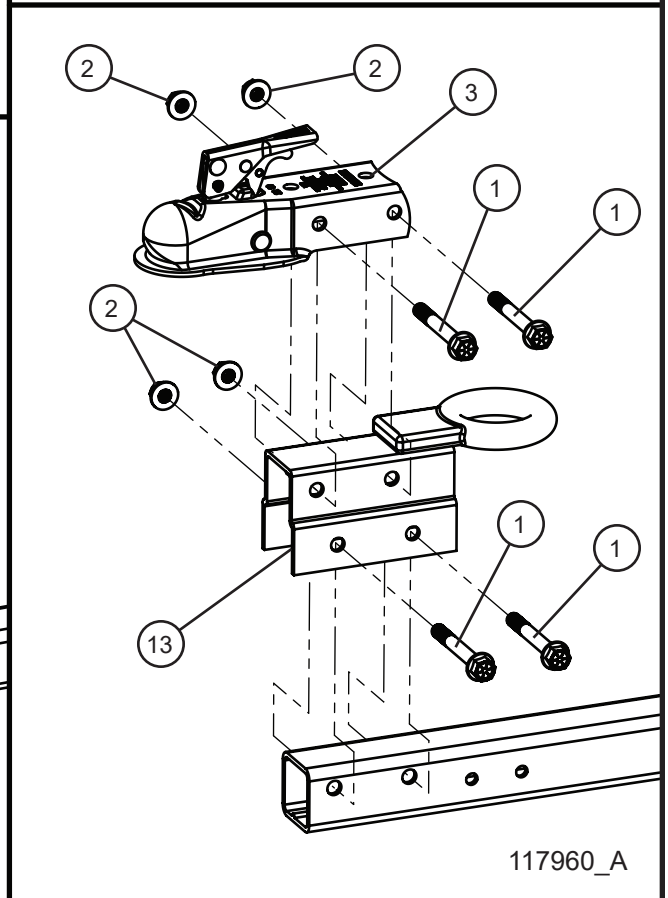
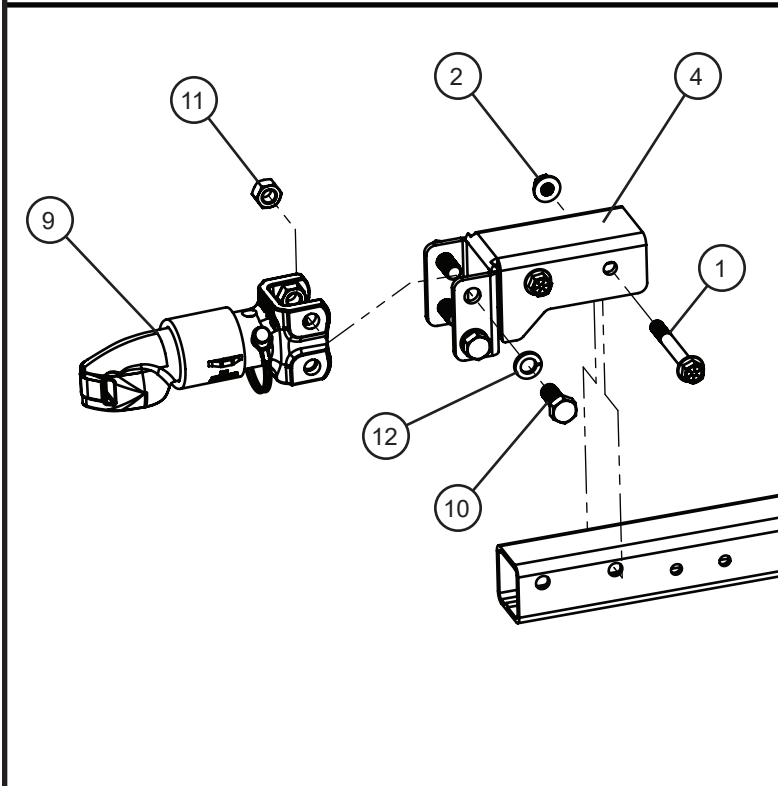
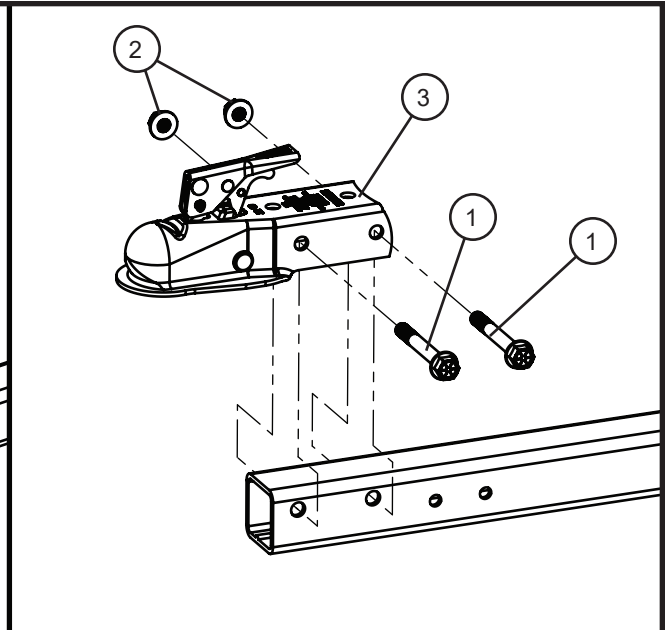
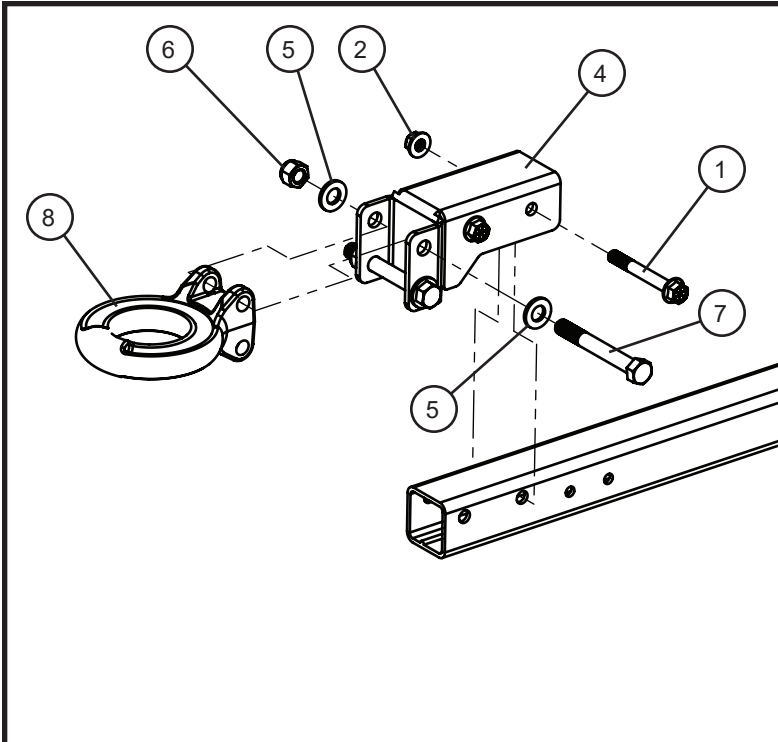
SN 26-000001 and UP

## 1.3 - Tongue

Item	Part No.	Part Description	Qty.
1	047015	3/8 FLAT WASHER	2
2	056025	1/2-13 x 4 HEX FLANGE SCREW	1
3	057009	1/2-13 NYLOCK FLANGE NUT	1
4	046159	7/16-14 X 1 1/4 HEX HEAD	2
5	116374	1/2 x 4 SNAP LOCK PIN W/ WIRE COIL & 1 1/4 WASHER	2
6	117553P	TONGUE WELDMENT NL GR-SERIES	1
7	049040	27 IN. CLASS III TOW CHAIN (STANDARD)	2
	049038	36 IN. CLASS IV TOW CHAIN (BULLDOG & LUNETTE OPTIONS)	2
8	108726	TOP CRANK TUBE JACK	1
9	057011	7/16-14 HEX NYLOCK FLANGE NUT	2

\*NS - NOT SHOWN

## 1.4 - Tongue Coupler Options



117960\_A

# NIGHT-LITE™ GR-SERIES

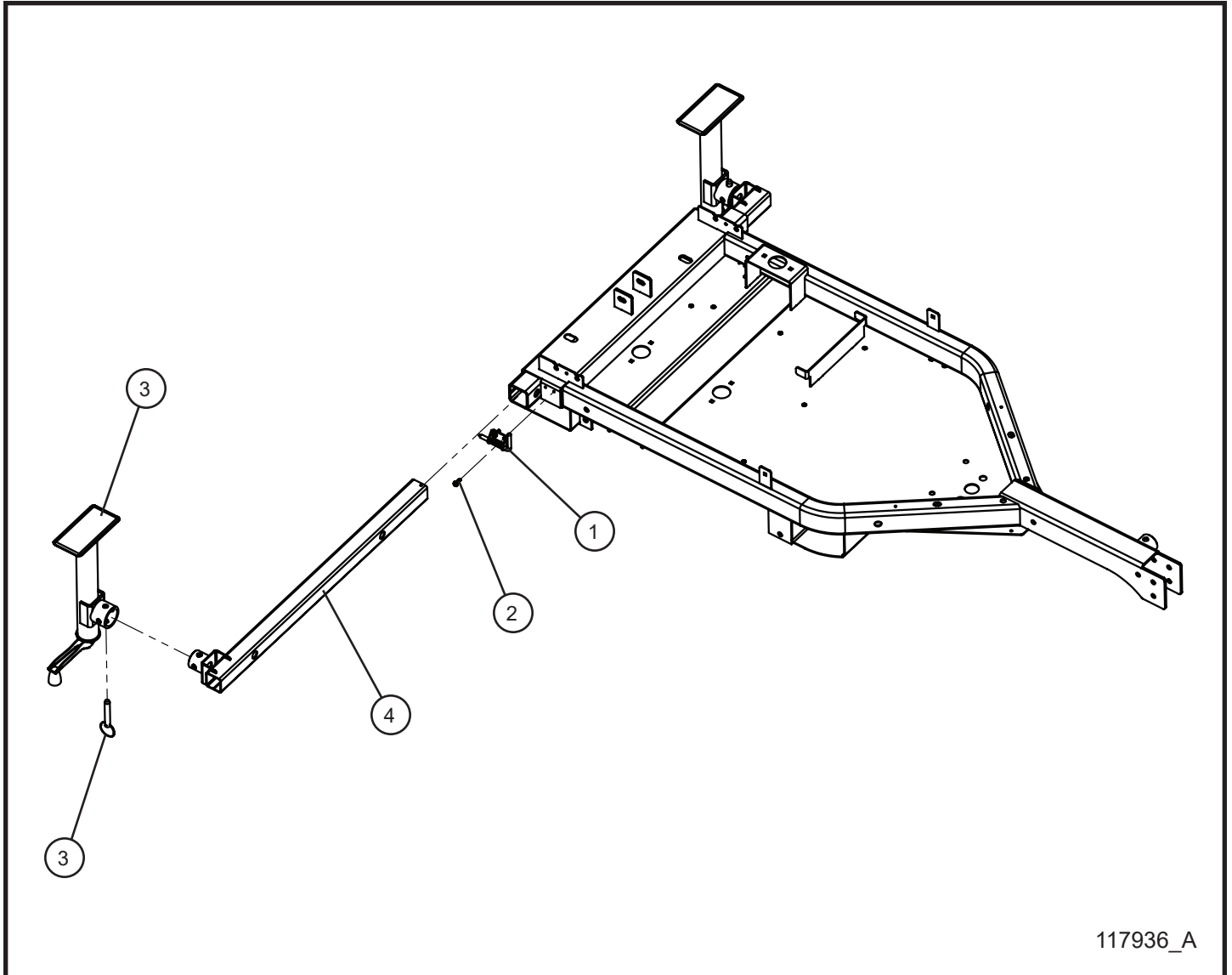
SN 26-000001 and UP

## 1.4 - Tongue Coupler Options

Item	Part No.	Part Description	Qty.
1	056025	1/2-13 x 4 HEX FLANGE SCREW	3
2	057009	1/2-13 NYLOCK FLANGE NUT	3
3	116989	2 INCH BALL COUPLER CLASS II 3500LBS 2.5 INCH TONGUE	1
4	118666	COUPLER MOUNT UNIVERSAL 2.5 INCH TONGUE	1
5	047031	5/8 FLAT WASHER	4
6	044053	5/8-11 NYLOCK HEX NUT	2
7	046255	5/8-11 x 5 HEX HEAD	2
8	106720	PINTLE RING 3.0 ADJUSTABLE	1
9	109978	COUPLER 2.00 BALL BULLDOG 7000 LBS ADJUSTABLE	1
10	046245	5/8-11 x 1 1/2 BOLT	4
11	044050	5/8-11 HEX NUT	4
12	043101	5/8 SPLIT LOCK WASHER	4
13	118667	REVERSIBLE COUPLER MOUNT 2-1/2" TONGUE W/ 2-1/2" RING	1

\*NS - NOT SHOWN

## 1.5 - Outriggers



117936\_A



# NIGHT-LITE™ GR-SERIES

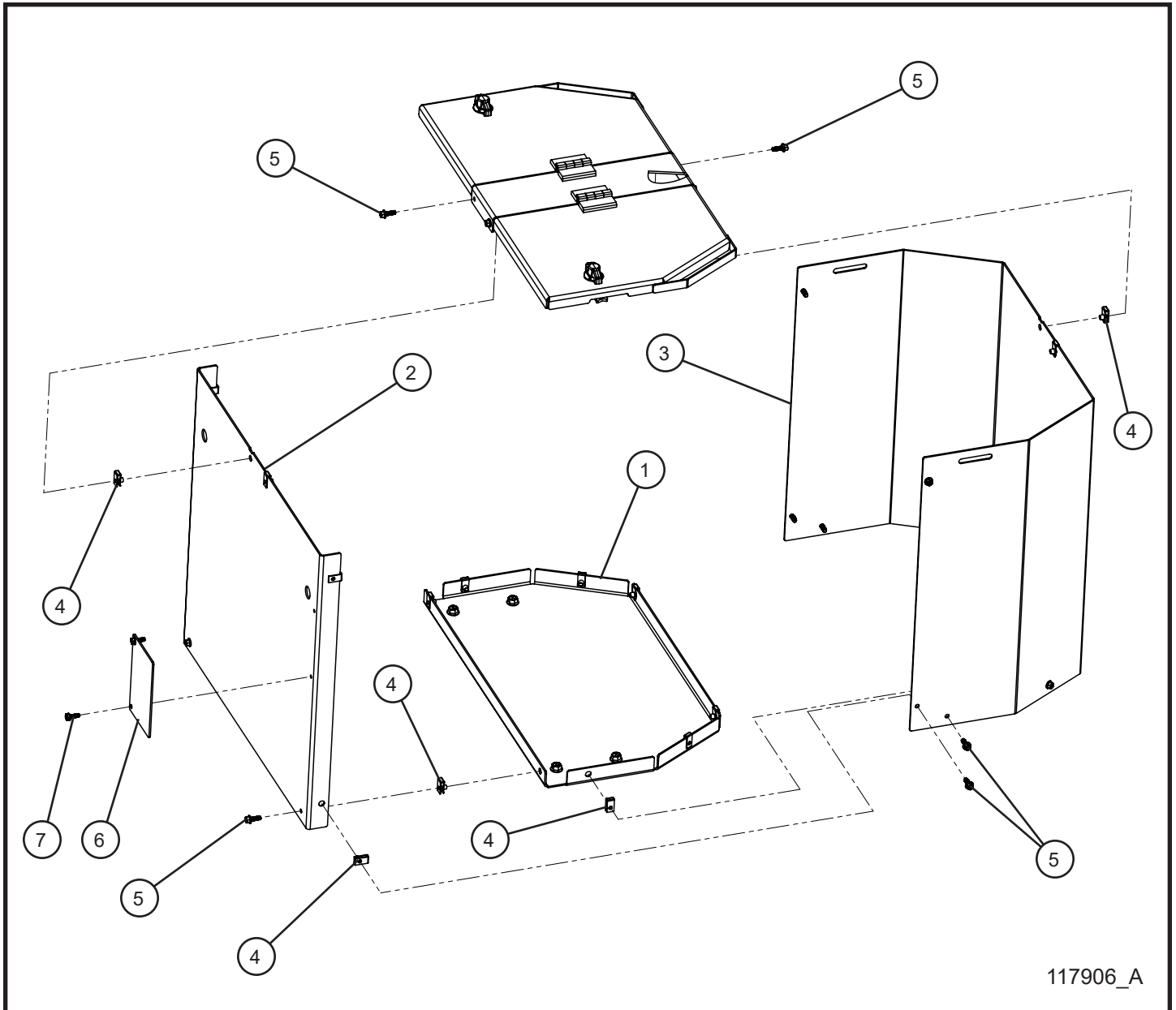
SN 26-000001 and UP

## 1.5 - Outriggers

Item	Part No.	Part Description	Qty.
1	650723	RETENSION PIN	2
2	041070	1/4-20 x 3/4 SLOTTED HEX WASHER HEAD	4
3	108726	TOP CRANK TUBE JACK	2
4	117748P	OUTRIGGER WELDMENT ROAD SIDE NL GR-SERIES	2

\*NS - NOT SHOWN

## 1.6 - Tool Box (1 of 3)



117906\_A

# NIGHT-LITE™ GR-SERIES

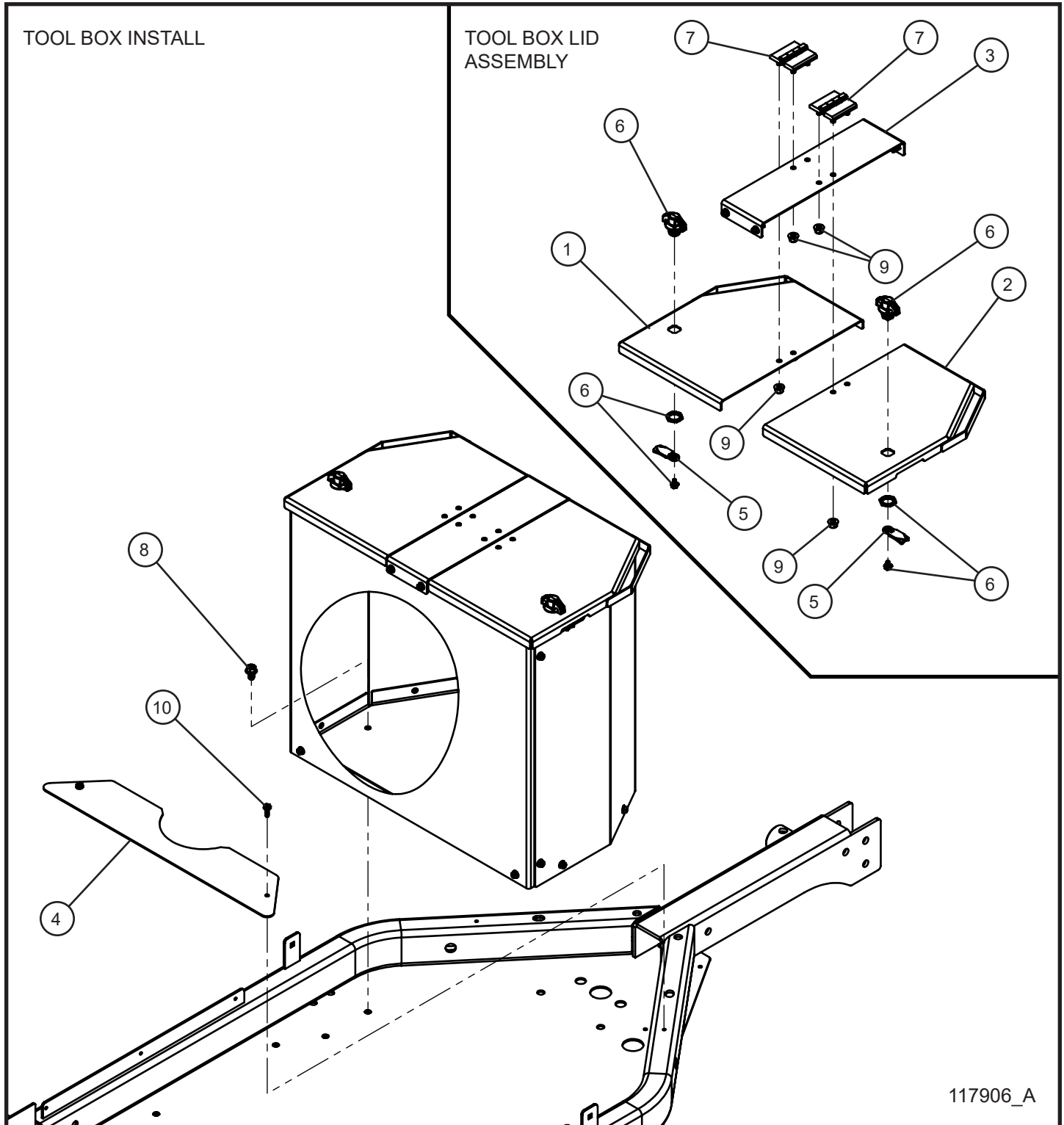
SN 26-000001 and UP

## 1.6 - Tool Box (1 of 3)

Item	Part No.	Part Description	Qty.
1	117896P	PANEL BASE TOOLBOX NL GR-SERIES CHAIN	1
2	117898P	PANEL REAR TOOLBOX NL GR-SERIES CHAIN	1
3	117897P	PANEL FRONT TOOLBOX NL GR-SERIES CHAIN	1
4	044106	1/4-20 EXTRUDED U NUT	16
5	056019	1/4-20 x 3/4 HEX FLANGE SCREW	16
6	117984P	PLATE SHIELD PHOTOCONTROL NL GR-SERIES CHAIN	1
7	041070	1/4-20 x 3/4 SLOTTED HEX WASHER HEAD	2

\*NS - NOT SHOWN

## 1.6 - Tool Box (2 of 3)



# NIGHT-LITE™ GR-SERIES

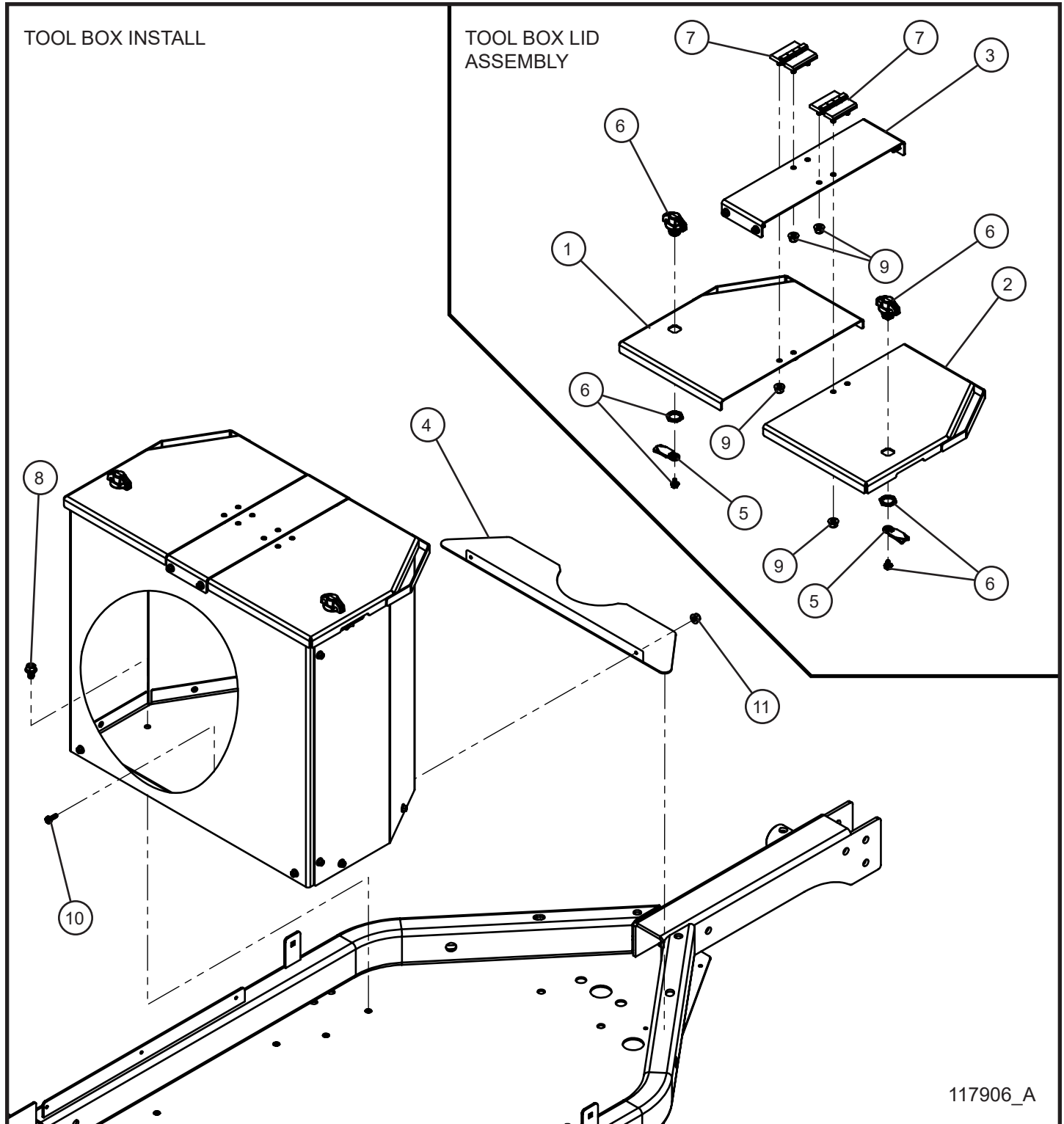
SN 26-000001 to 26-000514

## 1.6 - Tool Box (2 of 3)

Item	Part No.	Part Description	Qty.
1	117894P	LID WELDMENT LEFT TOOLBOX NL GR-SERIES CHAIN	1
2	117893P	LID WELDMENT RIGHT TOOLBOX NL GR-SERIES CHAIN	1
3	117888P	CHANNEL BRACKET TOP TOOLBOX NL GR-SERIES CHAIN	1
4	117895P	FILLER PLATE TOOLBOX NL GR-SERIES CHAIN	1
5	111482	LATCH CAM STRAIGHT	2
6	111841	PADLOCKABLE WINGKNOB BLACK	2
7	116986	HINGE 60mm x 60mm W/ M8 STUDS	2
8	056021	3/8-16 X 5/8 HEX FLANGE SCREW	4
9	059000	M8 X 1.25 SERRATED FLANGE NUT	8
10	041070	1/4-20 x 3/4 SLOTTED HEX WASHER HEAD	2

\*NS - NOT SHOWN

## 1.6 - Tool Box (3 of 3)



# NIGHT-LITE™ GR-SERIES

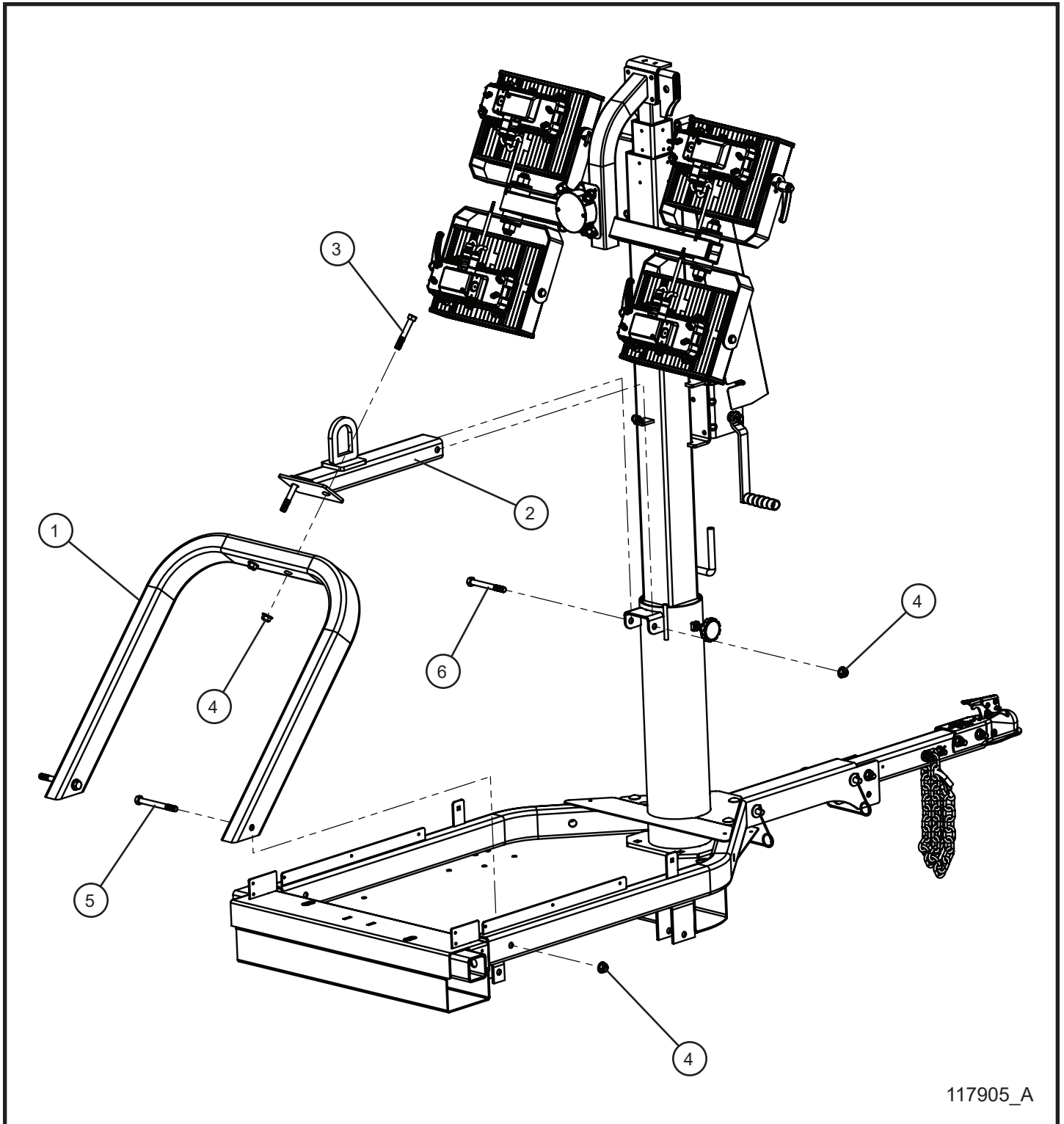
SN 26-000515 and UP

## 1.6 - Tool Box (3 of 3)

Item	Part No.	Part Description	Qty.
1	117894P	LID WELDMENT LEFT TOOLBOX NL GR-SERIES CHAIN	1
2	117893P	LID WELDMENT RIGHT TOOLBOX NL GR-SERIES CHAIN	1
3	117888P	CHANNEL BRACKET TOP TOOLBOX NL GR-SERIES CHAIN	1
4	124038P	FILLER PLATE TOOLBOX NL GR-SERIES CHAIN	1
5	111482	LATCH CAM STRAIGHT	2
6	111841	PADLOCKABLE WINGKNOB BLACK	2
7	116986	HINGE 60mm x 60mm W/ M8 STUDS	2
8	056009	3/8-16 X 3/4 HEX FLANGE SCREW	4
9	059000	M8 X 1.25 SERRATED FLANGE NUT	8
10	053005	1/4-20 X 1/2 CARRIAGE BOLT	2
11	057000	1/4-20 HEX SERRATED FLANGE NUT	2

\*NS - NOT SHOWN

## 1.7 - Lift Bow



117905\_A



# NIGHT-LITE™ GR-SERIES

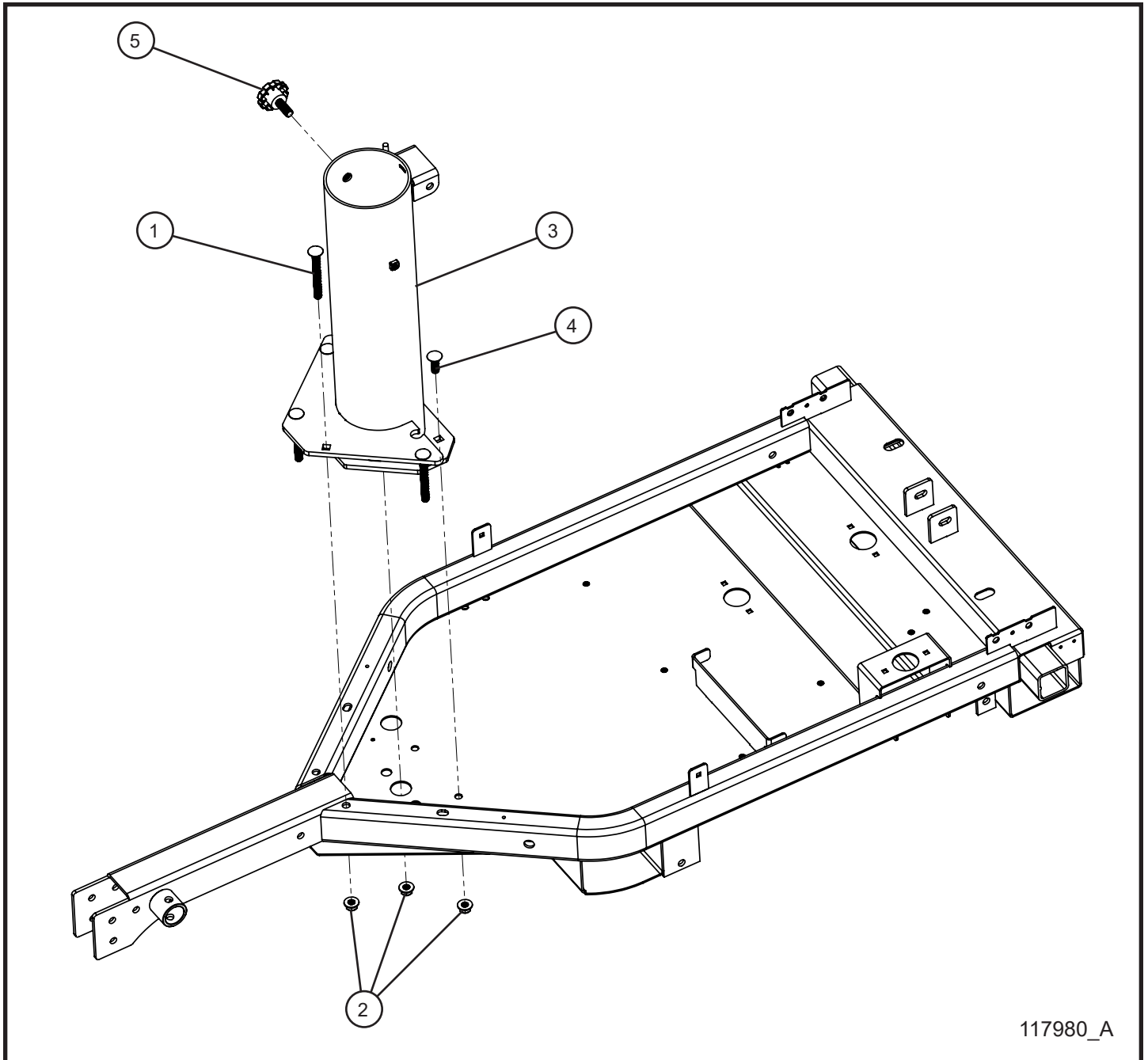
SN 26-000001 and UP

## 1.7 - Lift Bow

Item	Part No.	Part Description	Qty.
1	118148P	U-BEND LEFT BOW NIGHT-LITE GR-SERIES CHAIN	1
2	117900P	WELDMENT TUBE LIFT BOW NIGHT-LITE GR-SERIES CHAIN	1
3	056024	1/2-13 x 3 HEX FLANGE SCREW	2
4	057009	1/2-13 NYLOCK FLANGE NUT	5
5	056027	1/2-13 X 5 HEX FLANGE SCREW	2
6	056026	1/2-13 X 4 1/2 HEX FLANGE SCREW	1

\*NS - NOT SHOWN

## 2.1 - Tower Pedestal



117980\_A

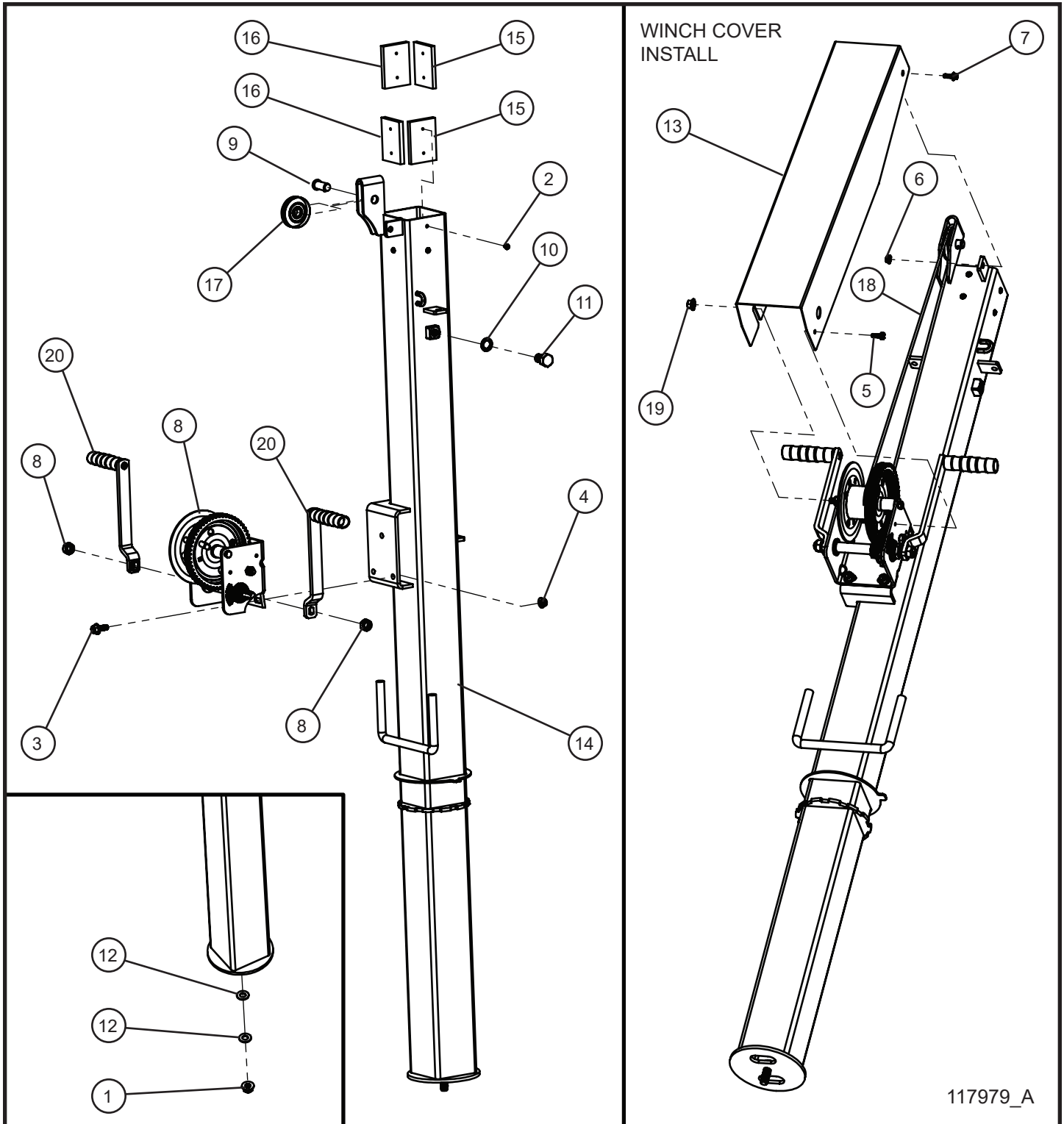
# NIGHT-LITE™ GR-SERIES

SN 26-000001 and UP

## 2.1 - Tower Pedestal

Item	Part No.	Part Description	Qty.
1	053051	1/2-13 X 4 1/2 CARRIAGE BOLT	4
2	057009	1/2-13 NYLOCK FLANGE NUT	6
3	117554P	PEDESTAL WELDMENT NL-GR SERIES	1
4	053050	1/2-13 X 1 1/4 CARRIAGE BOLT	2
5	620550	LOCKING KNOB	1

## 2.2 - Tower Section 1



117979\_A

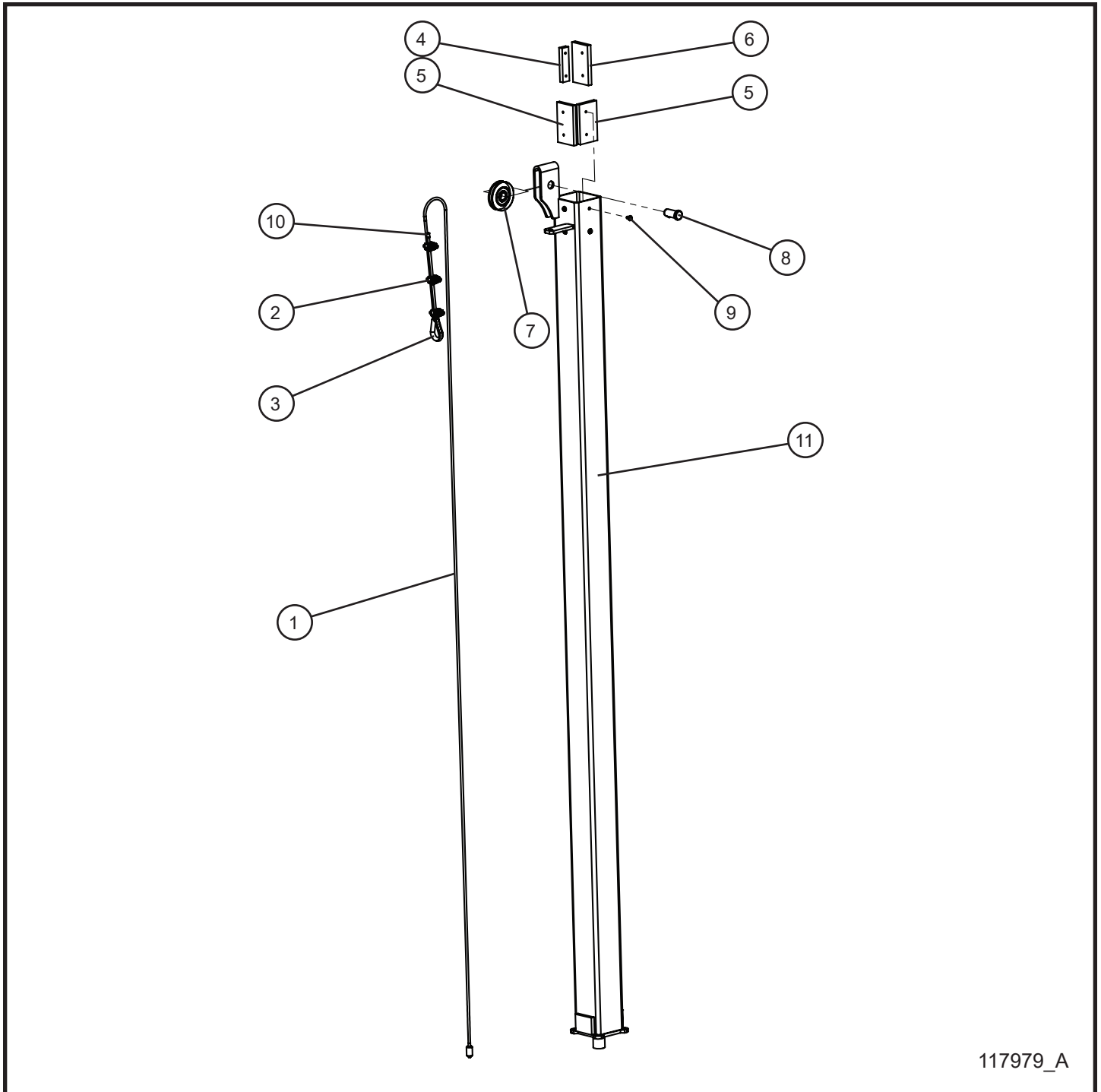
# NIGHT-LITE™ GR-SERIES

SN 26-000001 and UP

## 2.2 - Tower Section 1

Item	Part No.	Part Description	Qty.
1	057009	1/2-13 NYLOCK FLANGE NUT	1
2	041023	#10 x 3/8 PH-ROUND HEAD	16
3	056010	3/8-16 x 1 SERRATED FLANGE HEX SCREW	3
4	057007	3/8-16 HEX NYLOCK FLANGE NUT	3
5	041070	1/4-20 x 3/4 SLOTTED HEX WASHER HEAD	3
6	057001	1/4-20 HEX NYLOCK FLANGE NUT	1
7	056019	1/4-20 x 3/4HEX FLANGE SCREW	1
8	116985	WINCH BRAKE 1500 LB DUAL HANDLE WINCH ONLY	1
9	033000	5/8 x 1 SLIC PIN	3
10	043100	5/8 INTL TOOTHLOCK WASHER PL	1
11	046242	5/8-11 x HEX HEAD CS GR5 PL	1
12	047025	1/2 FLAT WASHER	1
13	117776P	MANUAL WINCH CABLE COVER NL-GR SERIES	1
14	117091P	WELDMENT TOWER 4 INCH SECTION NL-GR SERIES	1
	120524	WELDMENT TOWER 4 INCH SECTION NLGR GALVINIZED	1
15	650110	.312 TOWER PAD	2
16	650109	.375 TOWER PAD	2
17	100160	2 1/2 PULLEY BALL BEARING	1
18	620076	TOP CABLE MANUAL PRO	1
19	044041	3/8-16 HEX JAM NUT	1
20	113618	HANDLE SMALL OFFSET DUAL HANDLE WINCH	2
NS	045042	COTTER PIN 1/8 X 1 1/2"	1

## 2.3 - Tower Section 2



117979\_A

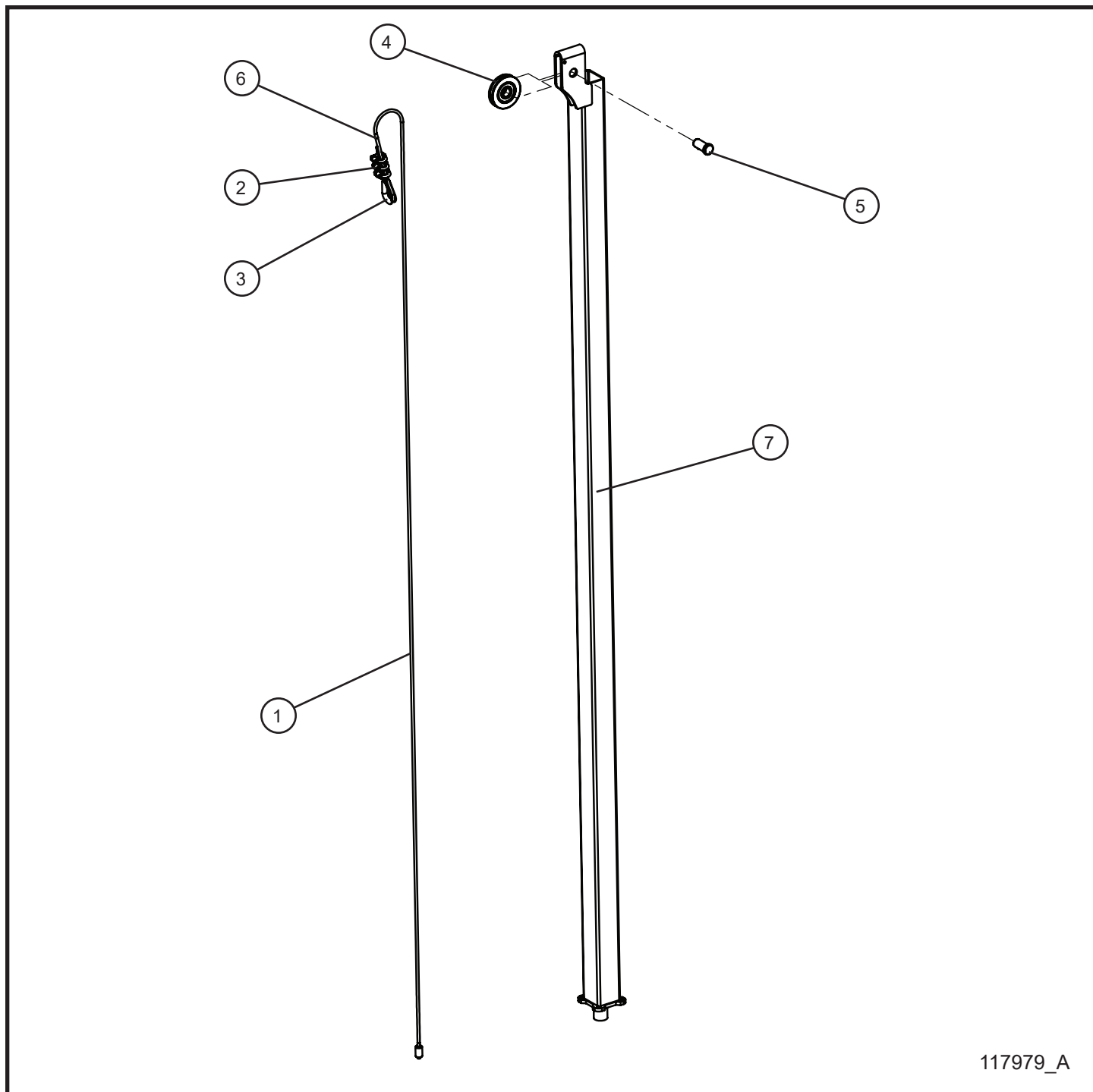
# NIGHT-LITE™ GR-SERIES

SN 26-000001 and UP

## 2.3 - Tower Section 2

Item	Part No.	Part Description	Qty.
1	320185	WINCH CABLE MANUAL TOWER	1
2	620084	3/16 CABLE CLIP	3
3	045040	3/16 CABLE THIMBLE 3/16 WIRE ROPE	1
4	100062	3/8 UHMW SPACER	1
5	352280	PLASTIC TOWER PAD	2
6	100446	3/8 PAD SMALL	1
7	100160	2 1/2 PULLEY BALL BEARING	1
8	033000	5/8 x 1 SLIC PIN	1
9	041023	#10 x 3/8 PH-ROUND HEAD MS PL	8
10	022150	FERRULE 10-12 AWG	1
11	120525	WELDMENT TOWER 3 INCH SECTION NLGR GALVINIZED	1
	117092P	WELDMENT TOWER 3 INCH SECTION NL-GR SERIES	1
NS	045042	COTTER PIN 1/8 X 1 1/2"	1

## 2.4 - Tower Section 3



117979\_A



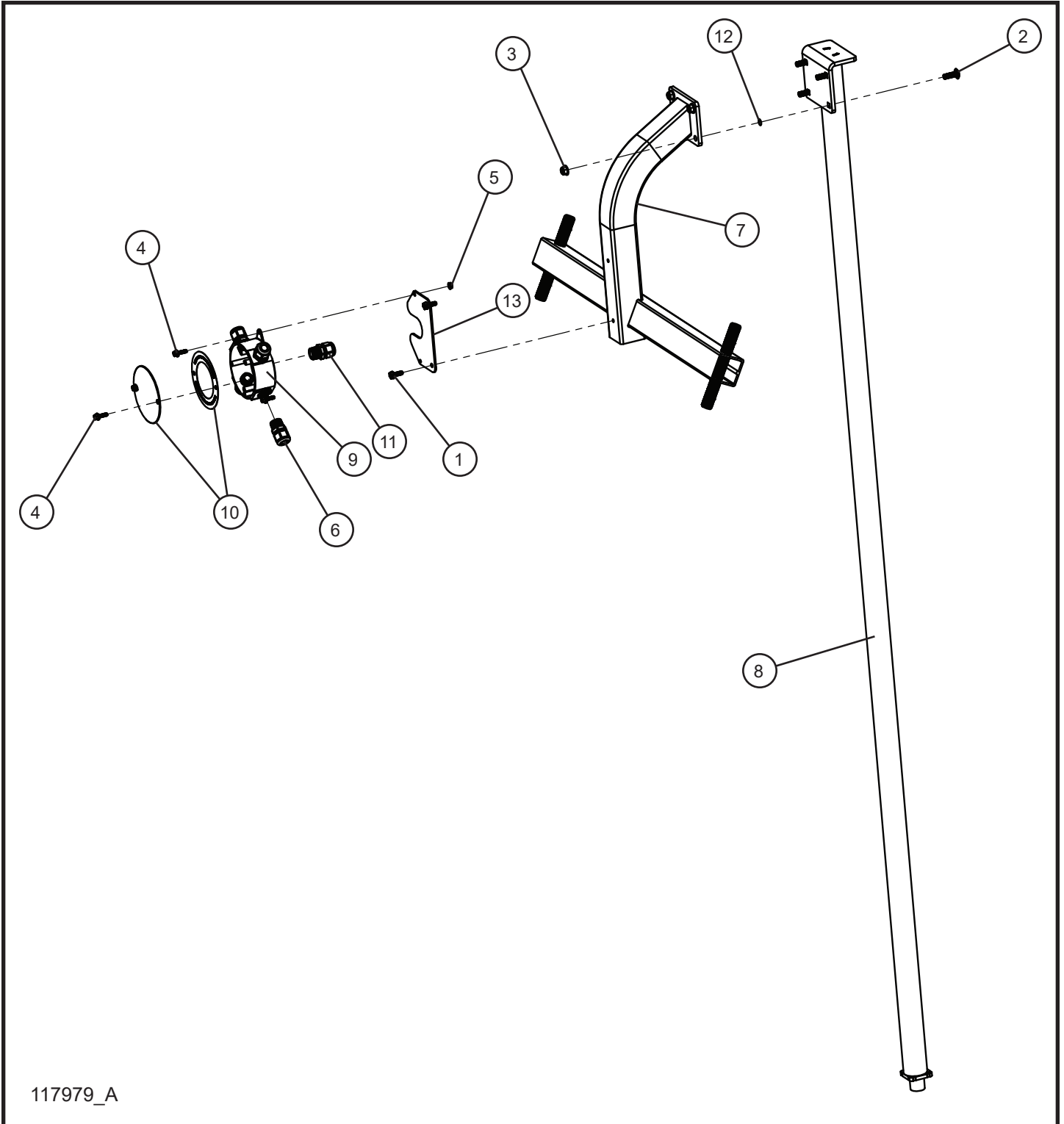
# NIGHT-LITE™ GR-SERIES

SN 26-000001 and UP

## 2.4 - Tower Section 3

Item	Part No.	Part Description	Qty.
1	320185	WINCH CABLE MANUAL TOWER	1
2	620084	3/16 CABLE CLIP	3
3	045040	3/16 CABLE THIMBLE 3/16 WIRE ROPE	1
4	100160	2 1/2 PULLEY BALL BEARING	1
5	033000	5/8 x 1 SLIC PIN	1
6	022150	FERRULE 10-12 AWG	1
7	120526	WELDMENT TOWER 2 INCH SECTION NLGR GALVINIZED	1
	117093P	WELDMENT TOWER 2 INCH SECTION NL-GR SERIES	1
NS	045042	COTTER PIN 1/8 X 1 1/2"	1

## 2.5 - Tower Round Section and Light Bar



117979\_A

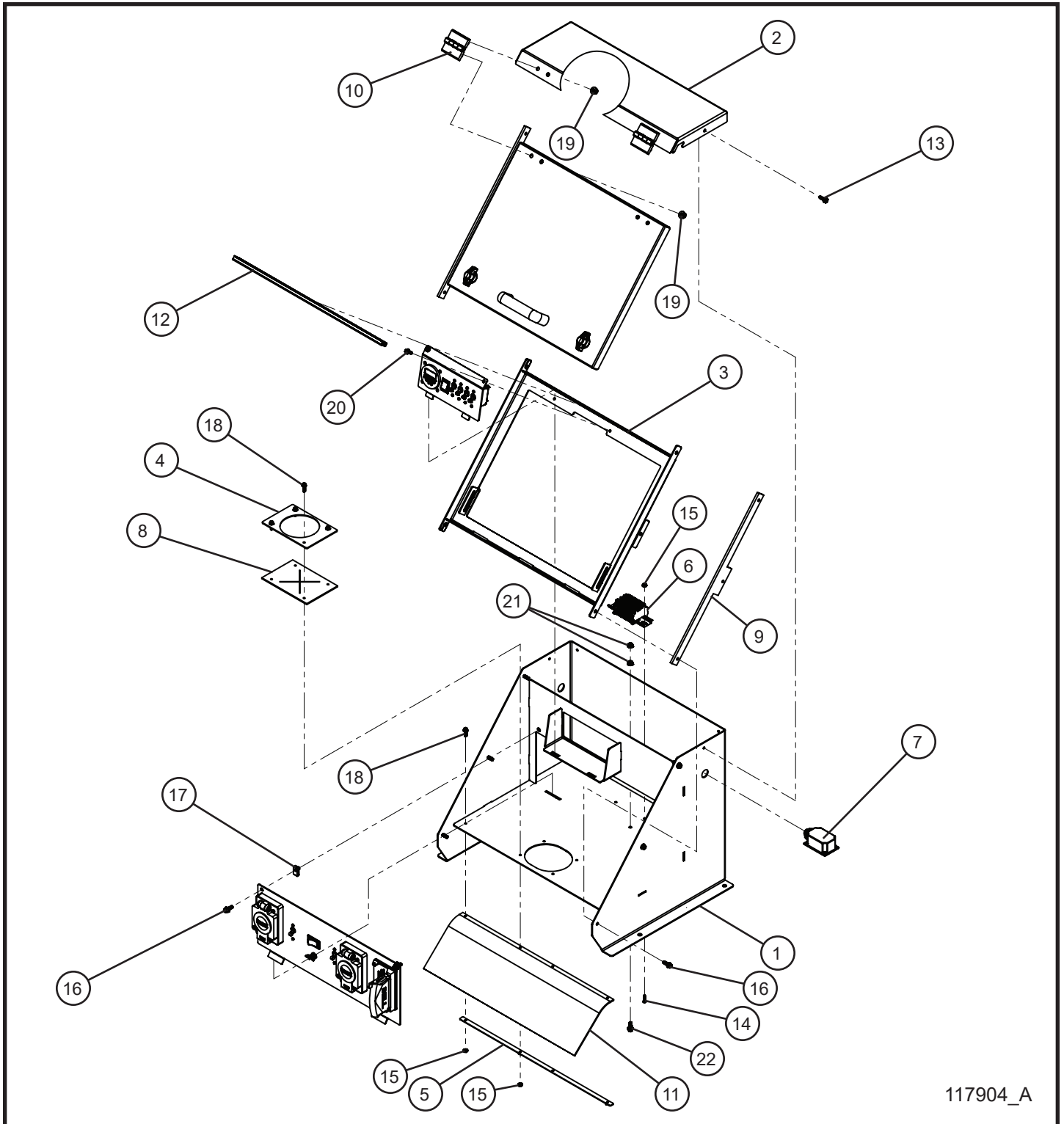
# NIGHT-LITE™ GR-SERIES

SN 26-000001 and UP

## 2.5 - Tower Round Section and Light Bar

Item	Part No.	Part Description	Qty.
1	041070	1/4-20 x 3/4 SLOTTED HEX WASHER HEAD	3
2	053020	5/16-18 x 1 CARRIAGE BOLT	4
3	057008	5/16-18 HEX NYLOCK FLANGE NUT	4
4	056005	#10-24 x 3/4 SERRATED FLANGE HEX SCREW	4
5	057010	#10-24 HEX NYLOCK FLANGE NUT	2
6	105626	1/2 CORD GRIP	4
7	117770P	LIGHT BAR WELDMENT NL-GR SERIES	1
8	117094P	WELDMENT TOWER ROUND SECTION NL-GR SERIES	1
	120527	WELDMENT TOWER ROUND SECTION NLGR GALVINIZED	1
9	118127	WEATHERTIGHT OUTLET BOX	1
10	118128	WEATHERTIGHT LID OUTLET BOX	1
11	114886	1/2 CORD GRIP	1
12	045217	5/16 PUSH NUT	
13	117768P	MOUNT PLATE JUNCTION BOX	1

## 3.1 - Control Box



117904\_A

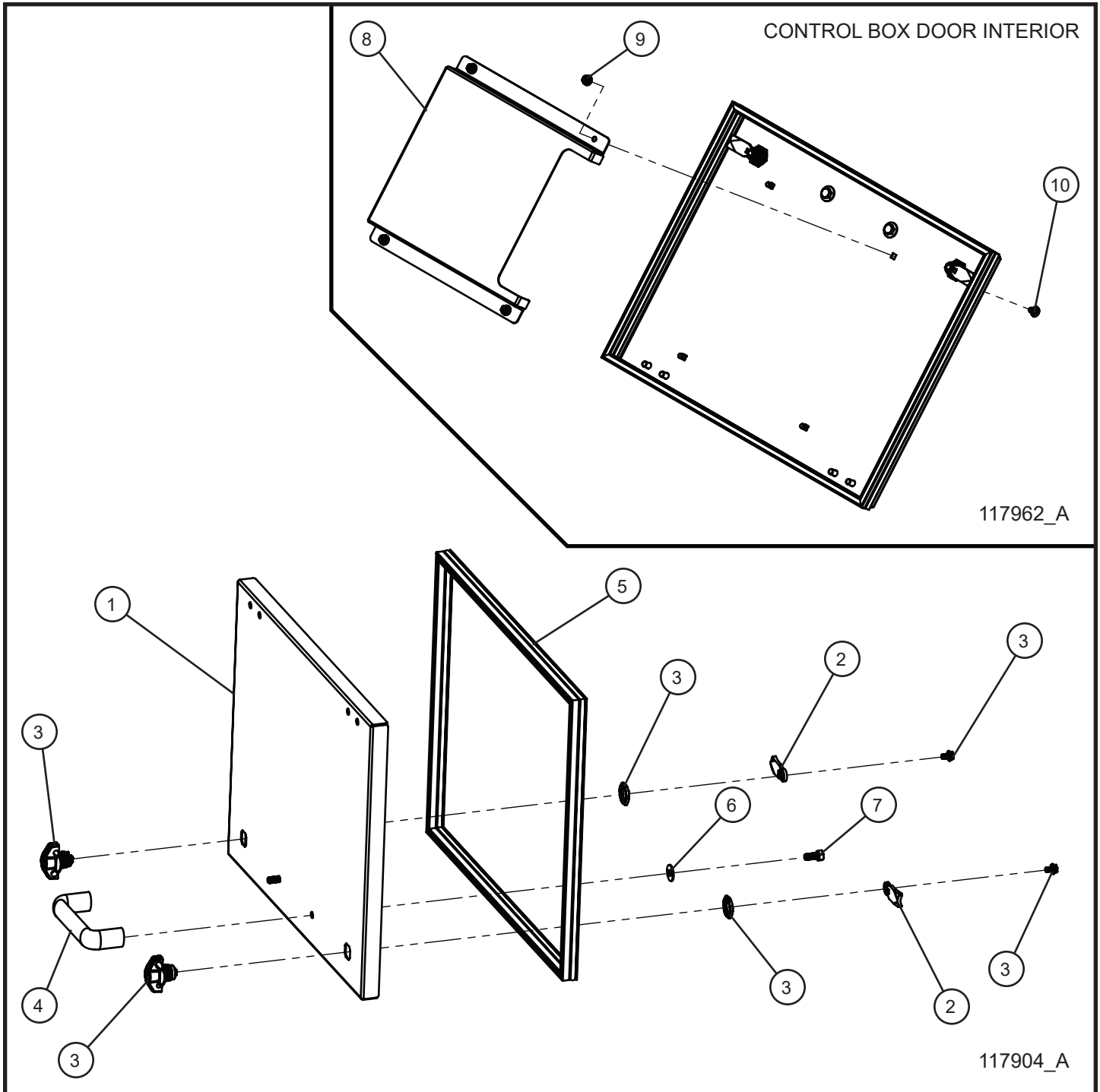
# NIGHT-LITE™ GR-SERIES

SN 26-000001 and UP

## 3.1 - Control Box

Item	Part No.	Part Description	Qty.
1	117865P	CONTROL BOX WELDMENT NL GR-SERIES CHAIN	1
2	117852P	WELDMENT COVER TOP BOX NL GR-SERIES CHAIN	1
3	117850P	WELDMENT PAN CATCH DOOR CONTROL BOX NL-GR CHAIN	1
4	117278P	PLATE RUBBER BACKING FUEL FILL NECK	1
5	117983P	PLATE MOUNT FLAP CONTROL BOX NL GR-SERIES CHAIN	1
6	118140	HARNESS CONTROL BOX NL GR-SERIES CHAIN	1
	118449	HARNESS CONTROL BOX NLGR CHAIN INTERNATIONAL	1
7	117346	PHOTOCONTROL SUBASSEMBLY	1
	120517	PHOTOCONTROL 185-305 VAC SUBASSEMBLY INTERNATIONAL	1
8	118138	GASKET RUBBER CONTROL BOX NL GR-SERIES	1
9	118270	SEAL CONTROL BOX NL GR-SERIES CHAIN	2
10	116986	HINGE 60mm x 60mm W/ M8 STUDS	2
11	118300	SEAL FLAP CONTROL BOX NL GR-SERIES CHAIN	1
12	118301	EDGE TRIM 11mm BULB UL x 21.00	1
13	041070	1/4-20 x 3/4 SLOTTED HEX WASHER HEAD MACHINE SCREW	4
14	056022	#10-24 x 1/2 SERRATED FLANGE HEX SCREW	2
15	044016	#10-24 KEPS HEX NUT	8
16	056019	1/4-20 x 3/4 HEX SERRATED FLANGE SCREW GRADE 5	3
17	044106	1/4-20 NUT U EXTRUDED	2
18	056005	#10-24 x 3/4 HEX WASHER HEAD	6
19	059000	M8 x 1 1/4 SERRATED FLANGE NUT	8
20	041050	1/4-20 x 3/4 PH-TRUSS HEAD MACHINE SCREW	2
21	057000	1/4-20 HEX SERRATED FLANGE NUT	2
22	056002	1/4-20 x 3/4 HEX SERRATED FLANGE SCREW	1
NS	056009	3/8-16 X 3/4 HEX FLANGE SCREW	4
NS	120507	SCHEMATIC CONTROL SYSTEM NLGR CHAIN INTERNATIONAL	1
NS	117742	SCHEMATIC CONTROL SYSTEM NL GR-SERIES CHAIN	1

## 3.2 - Control Box Door with Manual Holder



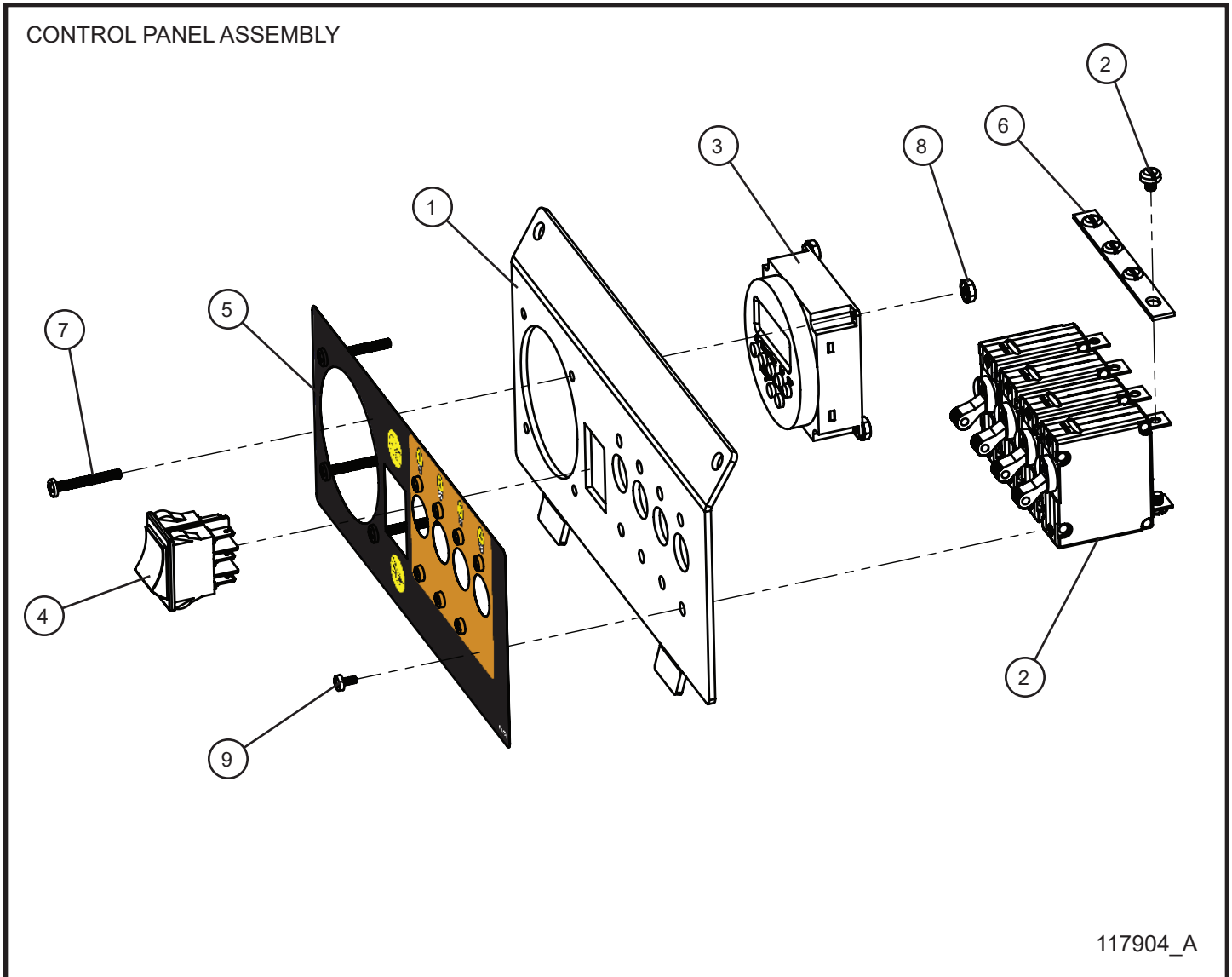
# NIGHT-LITE™ GR-SERIES

SN 26-000001 and UP

## 3.2 - Control Box Door with Manual Holder

Item	Part No.	Part Description	Qty.
1	117873P	WELDMENT DOOR CONTROL BOX NL GR-SERIES CHAIN	1
2	111482	LATCH CAM STRAIGHT	2
3	111481	WINGKNOB PADLOCKABLE	2
4	103887	HANDLE	1
5	118160	SEAL DOOR CONTROL BOX NL GR-SERIES CHAIN	1
6	047010	5/16 FLAT WASHER	2
7	046045	5/16-18 x 3/4 HEX HEAD BOLT	2
8	117946P	BRACKET HOLDER OPERATOR'S MANUAL NL GR CHAIN	1
9	057001	1/4-20 HEX NYLOCK FLANGE NUT	4
10	053005	1/4-20 x 1/2 CARRIAGE BOLT	4
NS	118240	NIGHT-LITE GR-SERIES CHAIN OPERATOR MANUAL	1

## 3.3 - Control Box Upper Control Panel (Intermatic Timer)





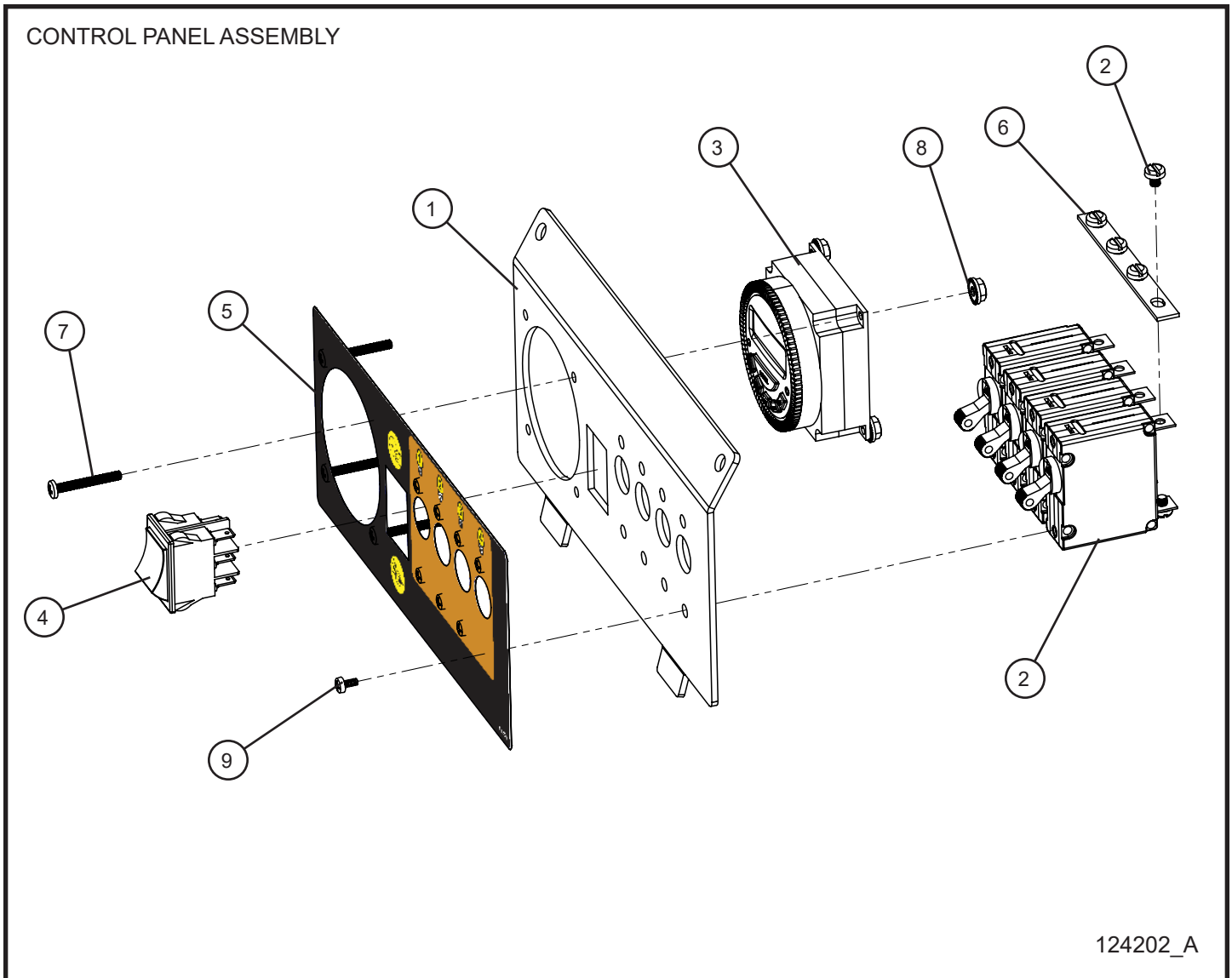
# NIGHT-LITE™ GR-SERIES

SN 26-000001 to 26-000514

## 3.3 - Control Box Upper Control Panel (Intermatic Timer)

Item	Part No.	Part Description	Qty.
1	117861P	PLATE FACE UPPER CONTROL BOX NL GR-SERIES CHAIN	1
2	116992	5 AMP SPST BREAKER SWITCH	4
3	113639	120V AC TIMER PROGRAMMABLE (INTERMATIC)	1
4	113553	ROCKER SWITCH DPDT ON-ON CONCAVE	1
5	118220	DECAL CONTROL PANEL NL GR-SERIES CHAIN	1
6	022425	BUSS BAR 4 SLOT	1
7	041003	#6-32 x 1 1/4 SL-ROUND HEAD	4
8	044004	#6-32 KEPS HEX NUT	4
9	041018	#6-32 x 1/4 PH-ROUND HEAD	8
NS	118140	HARNESS CONTROL BOX NL GR-SERIES CHAIN	1
NS	118449	HARNESS CONTROL BOX NLGR CHAIN INTERNATIONAL	1
NS	120507	SCHEMATIC CONTROL SYSTEM NLGR CHAIN INTERNATIONAL	1
NS	117742	SCHEMATIC CONTROL SYSTEM NL GR-SERIES CHAIN	1

## 3.4 - Control Box Upper Control Panel (Timerco Timer)



# NIGHT-LITE™ GR-SERIES

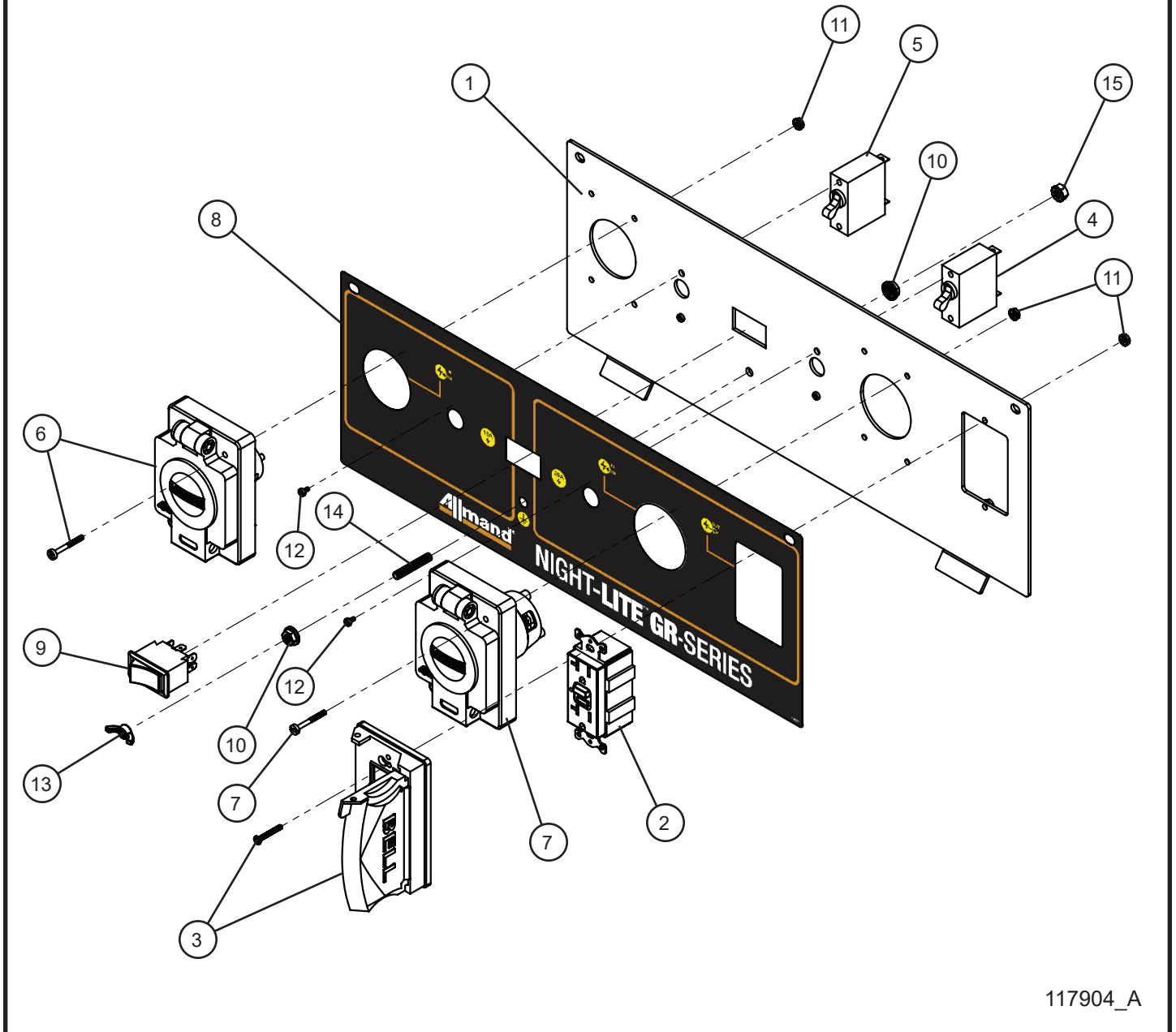
SN 26-000515 and UP

## 3.4 - Control Box Upper Control Panel (Timerco Timer)

Item	Part No.	Part Description	Qty.
1	117861P	PLATE FACE UPPER CONTROL BOX NL GR-SERIES CHAIN	1
2	116992	5 AMP SPST BREAKER SWITCH	4
3	118677	120V AC TIMER PROGRAMMABLE (TIMERCO)	1
4	113553	ROCKER SWITCH DPDT ON-ON CONCAVE	1
5	118220	DECAL CONTROL PANEL NL GR-SERIES CHAIN	1
6	022425	BUSS BAR 4 SLOT	1
7	041003	#6-32 x 1 1/4 SL-ROUND HEAD	4
8	057005	#6-32 SERRATED FLANGE HEX NUT	4
9	041018	#6-32 x 1/4 PH-ROUND HEAD	8
NS	118140	HARNESS CONTROL BOX NL GR-SERIES CHAIN	1
NS	118449	HARNESS CONTROL BOX NLGR CHAIN INTERNATIONAL	1
NS	120507	SCHEMATIC CONTROL SYSTEM NLGR CHAIN INTERNATIONAL	1
NS	124224	SCHEMATIC CONTROL SYSTEM NL GR-SERIES CHAIN	1

## 3.5 - Control Box Lower 60Hz (Leviton) Outlet Panel

### OUTLET PANEL ASSEMBLY



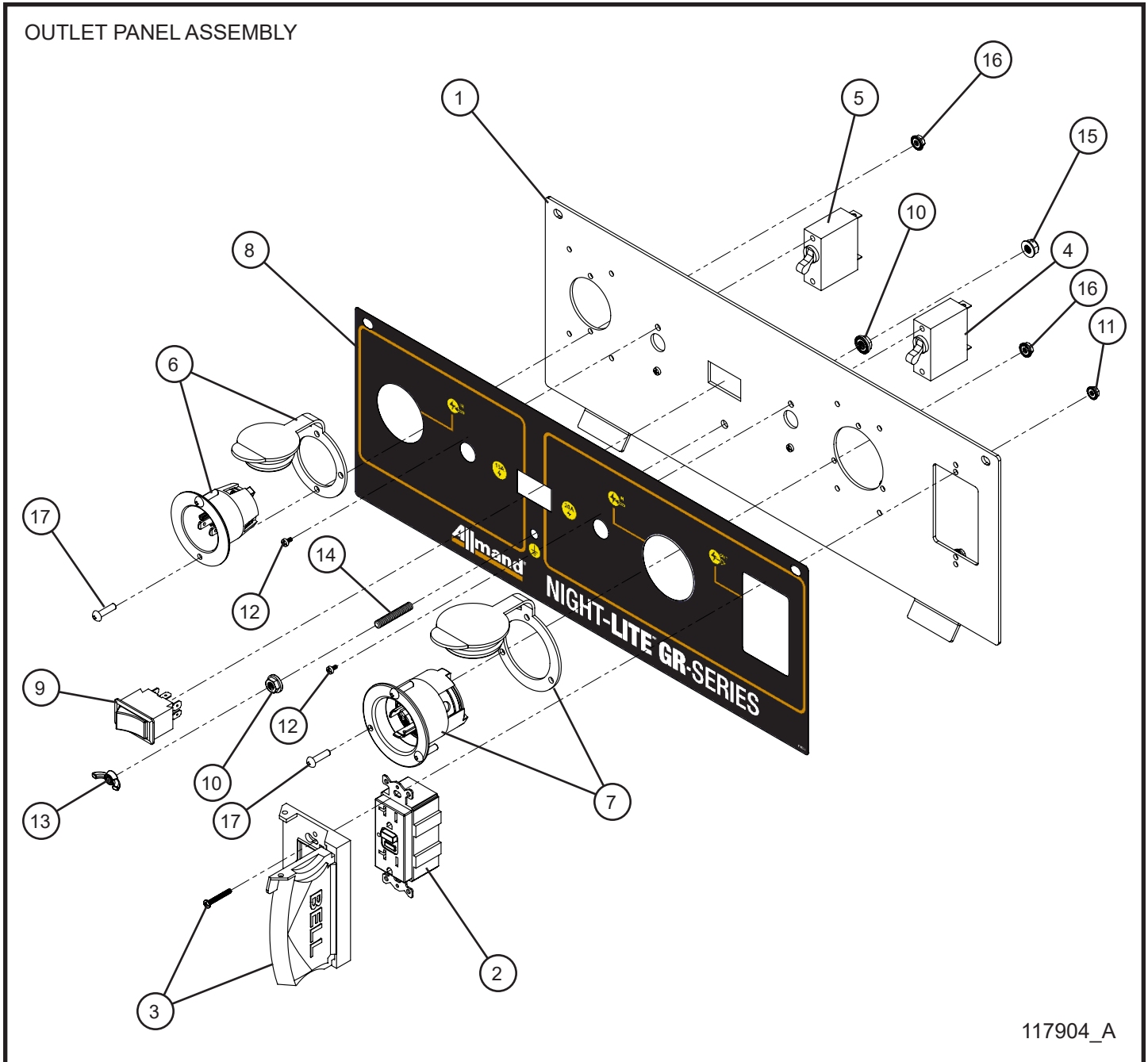
# NIGHT-LITE™ GR-SERIES

SN 26-000001 to 26-000514

## 3.5 - Control Box Lower 60Hz (Leviton) Outlet Panel

Item	Part No.	Part Description	Qty.
1	124206	PLATE FACE LOWER CONTROL BOX NL GR-SERIES CHAIN	1
2	118684	20 AMP RECEPTACLE GFCI	1
3	112278	COVER WEATHERPROOF HORIZONTAL	1
4	330453	20 AMP SPST BREAKER SWITCH	1
5	330458	15 AMP SPST BREAKER SWITCH	1
6	116990	15 AMP 2P 3WR SINGLE LEVITON INLET	1
7	116991	20 AMP NEMA L5-20P INLET	1
8	118221	DECAL OUTLET PANEL NL GR-SERIES CHAIN	1
9	118100	ROCKER SWITCH DPDT ON/ON 20A 125VAC	1
10	057000	1/4-20 HEX SERRATED FLANGE NUT	4
11	044004	#6-32 KEPS HEX NUT	10
12	041018	#6-32 x 1/4 PH-ROUND HEAD	4
13	330494	1/4-20 WING NUT	1
14	045003	1/4-20 x 1-1/2 STUD	1
15	057001	1/4-20 HEX NYLOCK FLANGE NUT	1
NS	118140	HARNESS CONTROL BOX NL GR-SERIES CHAIN	1
NS	117742	SCHEMATIC CONTROL SYSTEM NL GR-SERIES CHAIN	1

## 3.6 - Control Box Lower 60Hz (Journey Pro) Outlet Panel



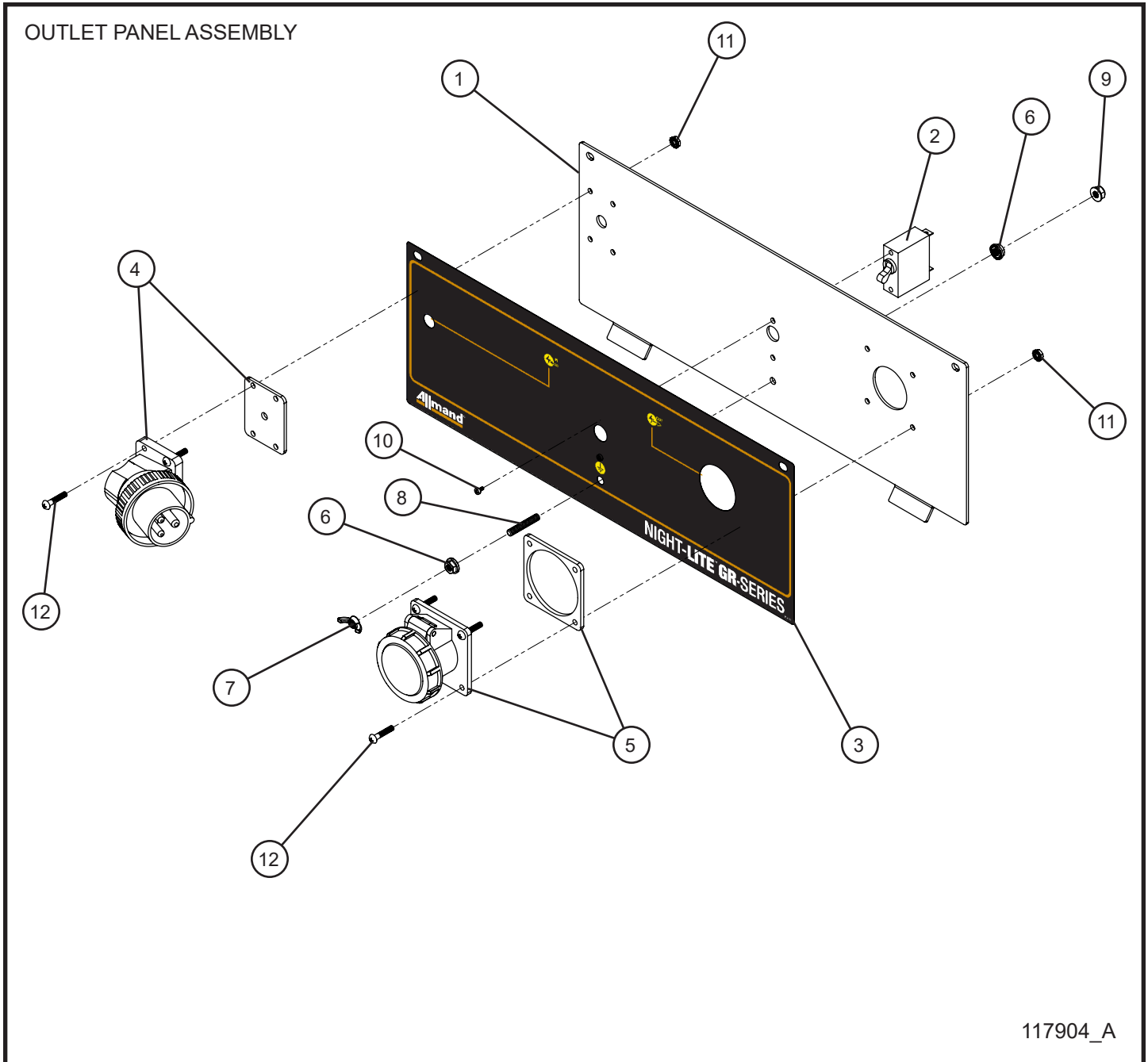
# NIGHT-LITE™ GR-SERIES

SN 26-000515 and UP

## 3.6 - Control Box Lower 60Hz (Journey Pro) Outlet Panel

Item	Part No.	Part Description	Qty.
1	124206P	PLATE FACE LOWER CONTROL BOX NL GR-SERIES CHAIN	1
2	118684	20 AMP RECEPTACLE GFCI	1
3	112278	COVER WEATHERPROOF HORIZONTAL	1
4	330453	20 AMP SPST BREAKER SWITCH	1
5	330458	15 AMP SPST BREAKER SWITCH	1
6	118678	INLET 15A 125VAC NEMA 5-15P	1
7	118679	INLET 20A 125VAC NEMA L5-20	1
8	118221	DECAL OUTLET PANEL NL GR-SERIES CHAIN	1
9	118100	ROCKER SWITCH DPDT ON/ON 20A 125VAC	1
10	057000	1/4-20 HEX SERRATED FLANGE NUT	2
11	057005	#6-32 SERRATED FLANGE HEX NUT	2
12	041018	#6-32 x 1/4 PH-ROUND HEAD	4
13	330494	1/4-20 WING NUT	1
14	045003	1/4-20 x 1-1/2 STUD	1
15	057001	1/4-20 HEX NYLOCK FLANGE NUT	1
16	044003	#8-32 NC KEPS NUT	5
17	041203	#8-32 X 3/4 SCREW	5
NS	118140	HARNESS CONTROL BOX NL GR-SERIES CHAIN	1
NS	124224	SCHEMATIC CONTROL SYSTEM NL GR-SERIES CHAIN	1

## 3.5 - Control Box Lower 50Hz International Outlet Panel





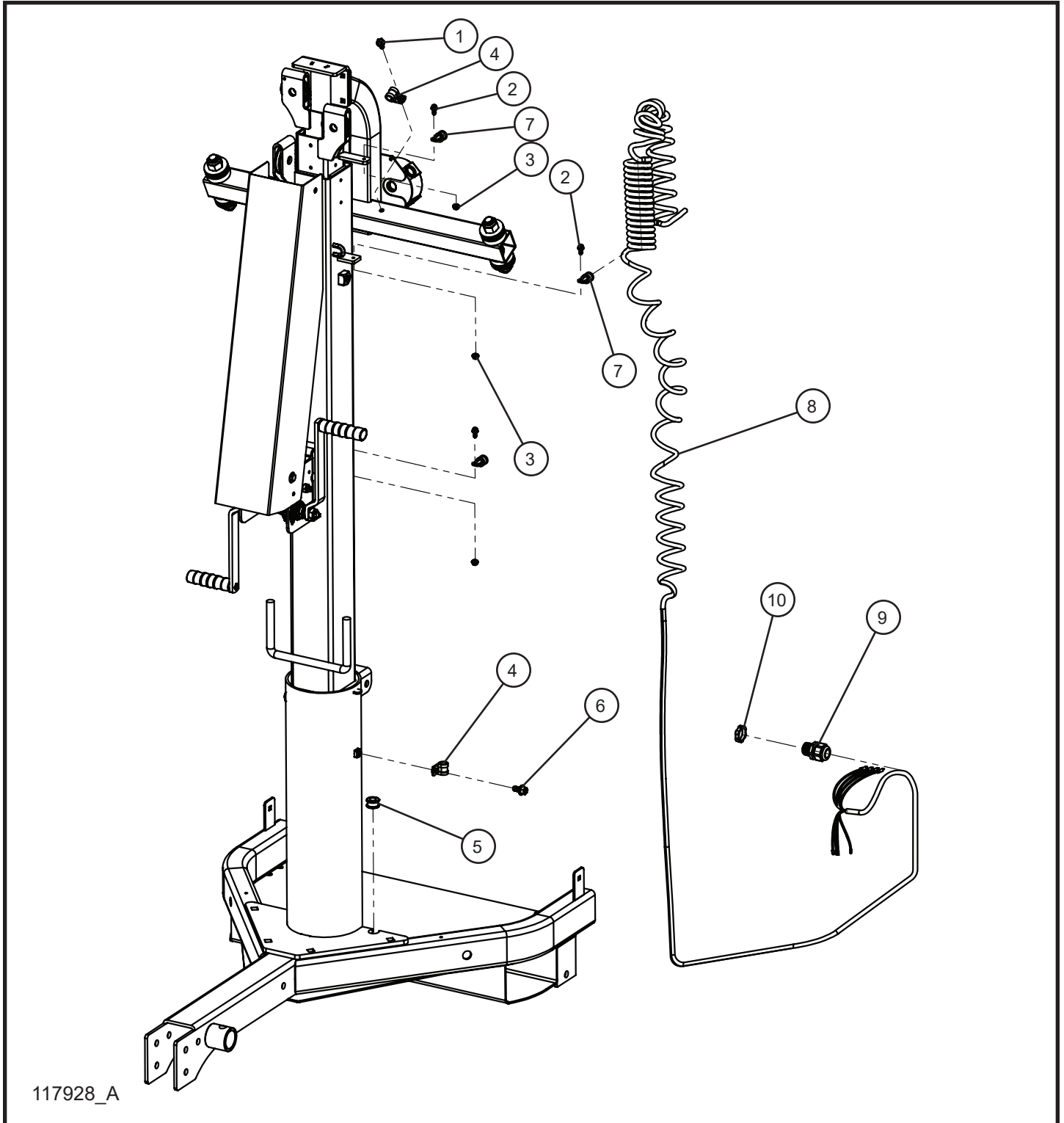
# NIGHT-LITE™ GR-SERIES

SN 26-000001 and UP

## 3.5 - Control Box Lower 50Hz International Outlet Panel

Item	Part No.	Part Description	Qty.
1	120335P	PLATE FACE LOWER CONTROL BOX NLGR CHAIN INT'L	1
2	330458	15 AMP SPST BREAKER SWITCH	1
3	118477	DECAL INLET & OUTLET PANEL NLGR CHAIN INTERNATIONAL	1
4	118448	INLET DOWN ANGLE RECEPTACLE PIN & SLEEVE IEC 60309	1
5	118439	OUTLET STRAIGHT RECEPTACLE PIN & SLEEVE IEC 60309	1
6	057000	1/4-20 HEX SERRATED FLANGE NUT	2
7	330494	1/4-20 WING NUT	1
8	045003	1/4-20 x 1-1/2 STUD	1
9	057001	1/4-20 HEX NYLOCK FLANGE NUT	1
10	041018	#6-32 x 1/4 PH-ROUND HEAD	2
11	044016	#10-24 KEPS HEX NUT	8
12	041030	#10-24 X 1 PH-ROUND HEAD	8
NS	118449	HARNESS CONTROL BOX NLGR CHAIN INTERNATIONAL	1
NS	120507	SCHEMATIC CONTROL SYSTEM NLGR CHAIN INTERNATIONAL	1

## 3.5 - Tower Cord



117928\_A

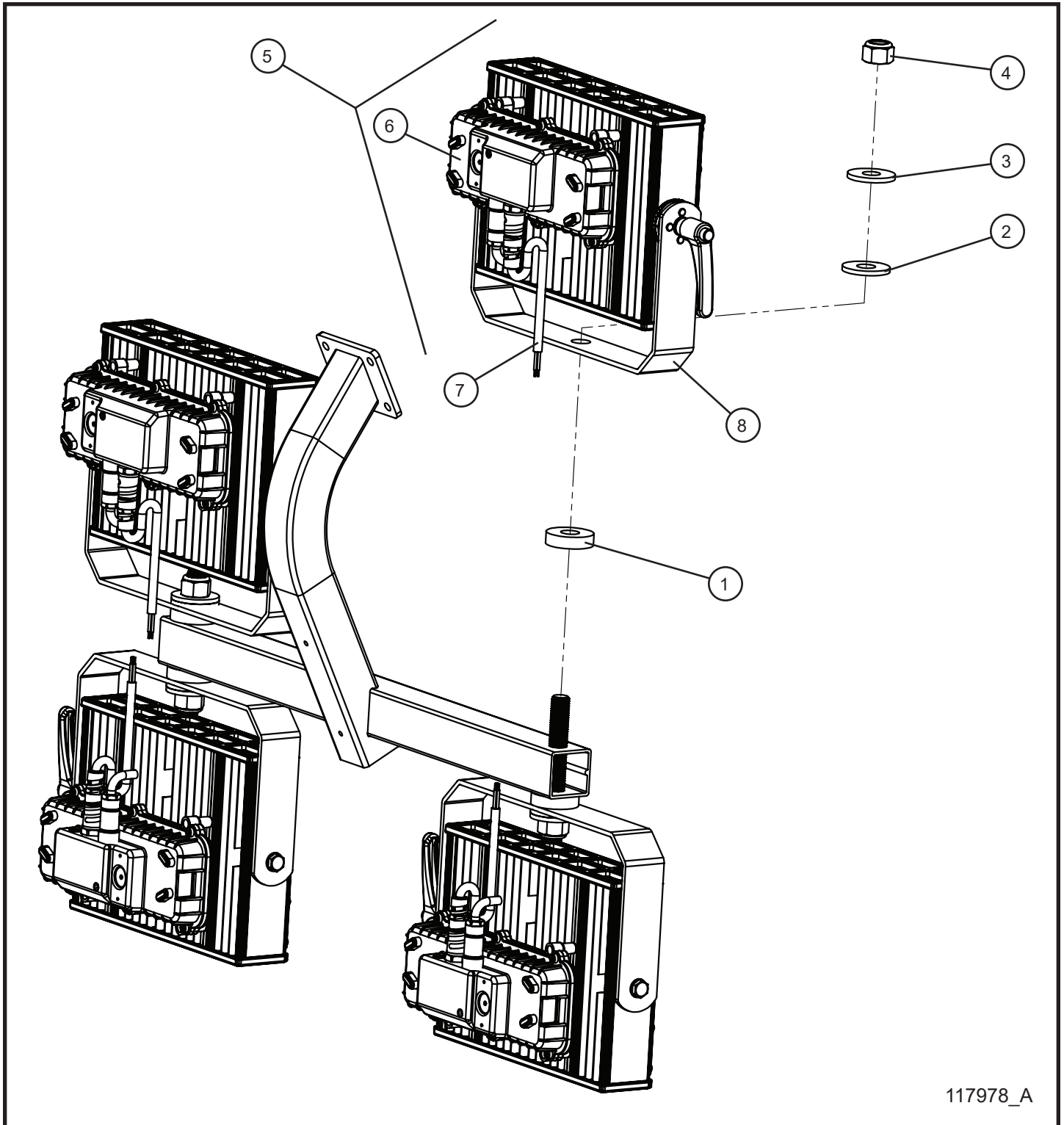
# NIGHT-LITE™ GR-SERIES

SN 26-000001 and UP

## 3.5 - Tower Cord

Item	Part No.	Part Description	Qty.
1	041070	1/4-20 x 3/4 SLOTTED HEX WASHER HEAD MACHINE SCREW	1
2	056002	1/4-20 x 3/4 HEX SERRATED FLANGE SCREW	2
3	057000	1/4-20 HEX SERRATED FLANGE NUT	2
4	022018	#8 CUSH CLAMP	2
5	118289	7/8 OD x 9/16 ID x 3/8 THICK PANEL GROMMET	1
6	056009	3/8-16 x 3/4 HEX SERRATED FLANGE SCREW	1
7	022022	#8 CUSH CLAMP 1/4 HOLE	3
8	117981	TOWER CORD ASSEMBLY NL GR-SERIES CHAIN	1
	120408	TOWER CORD ASSEMBLY NLGR CHAIN INTERNATIONAL	1
9	114886	CORD GRIP 1/2" NYLON BLACK	1
10	022035	1/2 CORD GRIP NUT	1
NS	102624	2 TERMINAL PORT LEVER LOCK	4
NS	102622	5 TERMINAL PORT LEVER LOCK	2
NS	102623	3 TERMINAL PORT LEVER LOCK	2
NS	120506	SCHEMATIC 16/8 TOWER CORD NLGR CHAIN INTERNATIONAL	1
NS	118375	SCHEMATIC 16/8 TOWER CORD NL GR-SERIES CHAIN	1
NS	118136	16 AWG GREEN WIRE x 3.00	1

## 3.6 - 250W LED Lighting



117978\_A

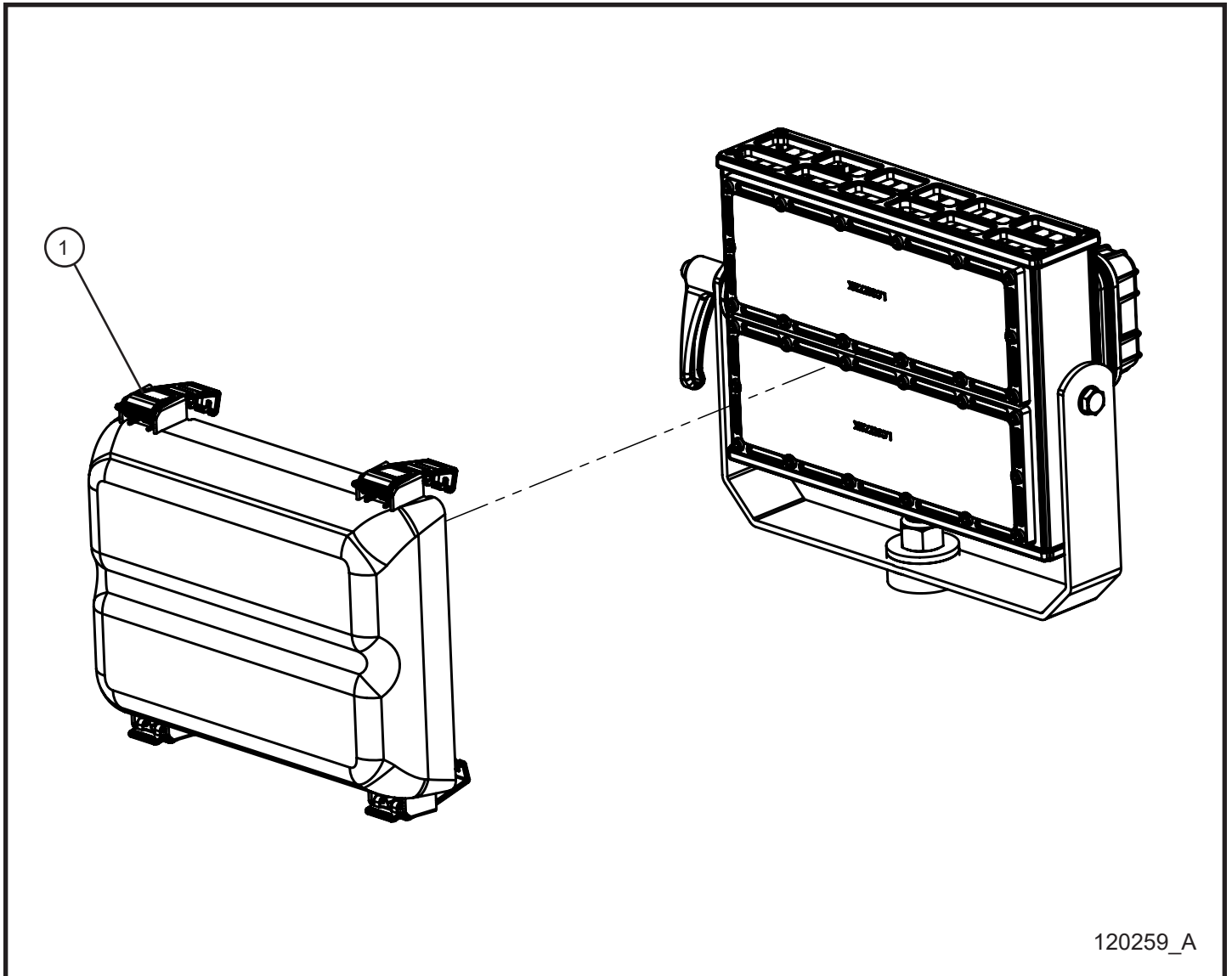
# NIGHT-LITE™ GR-SERIES

SN 26-000001 and UP

## 3.6 - 250W LED Lighting

Item	Part No.	Part Description	Qty.
1	101813	.781 ID x 2 OD x 1/2 HDPE WASHER	4
2	650550	.785" x 2" HDPE WASHER	4
3	047035	3/4 FLAT WASHER	4
4	044058	3/4-10 NYLOCK HEX NUT PL	4
5	116980	LIGHT LED SMD 250W	4
6	122481	DRIVER KUH2S 350 SMD LED 250W	1
7	122483	AC POWER CORD KUH2S-250 AND KUH2S-350	1
8	122484	KUH2S-250 YOKE AND HARDWARE KIT	1

## 3.7 - 250W LED Light Diffuser



120259\_A

# NIGHT-LITE™ GR-SERIES

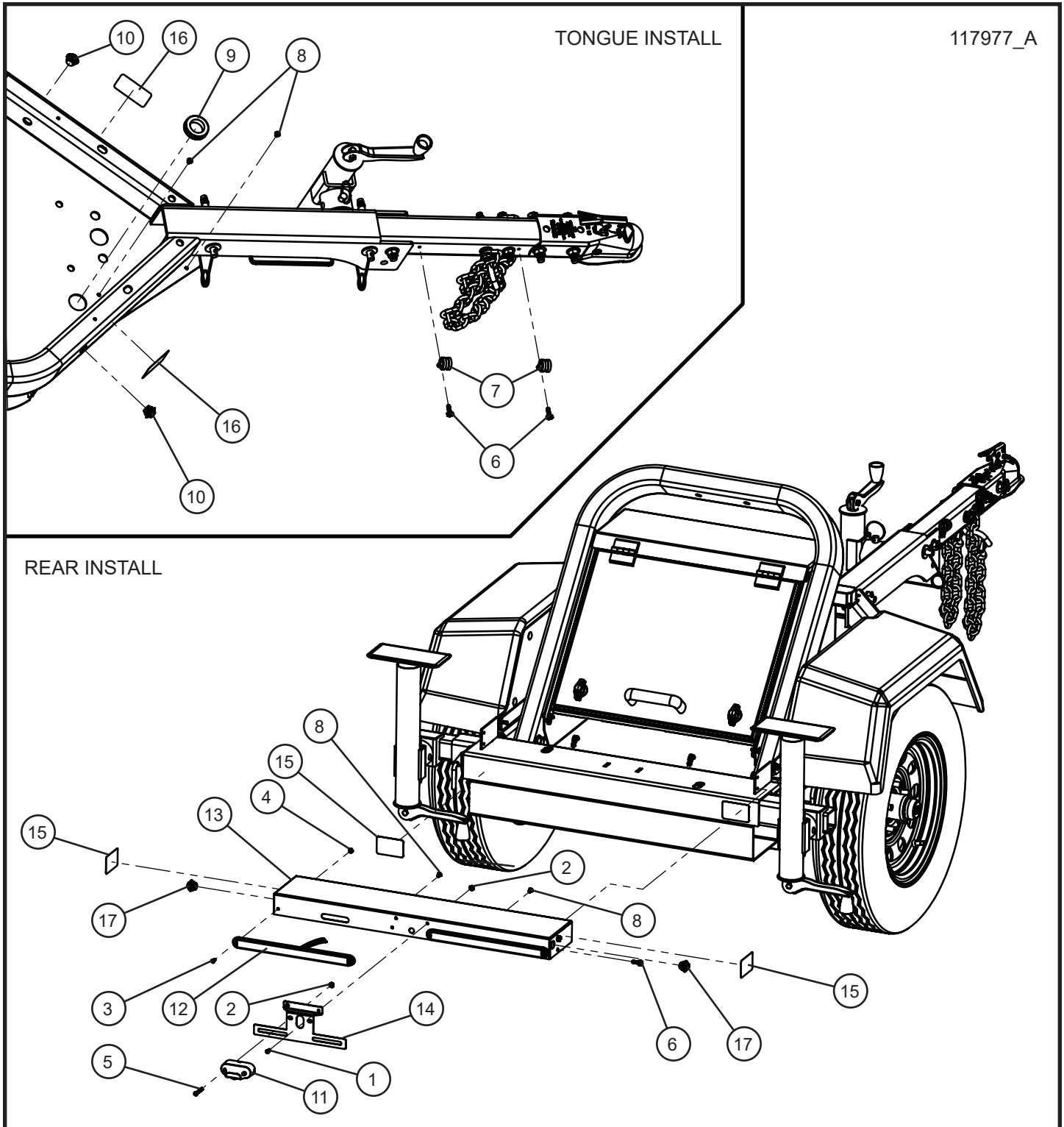
SN 26-000001 and UP

## 3.7 - 250W LED Light Diffuser

Item	Part No.	Part Description	Qty.
1	118418	DIFFUSER COVER LIGHT LED SMD 250W	1

\*NS - NOT SHOWN

## 3.8 - Trailer Lighting





# NIGHT-LITE™ GR-SERIES

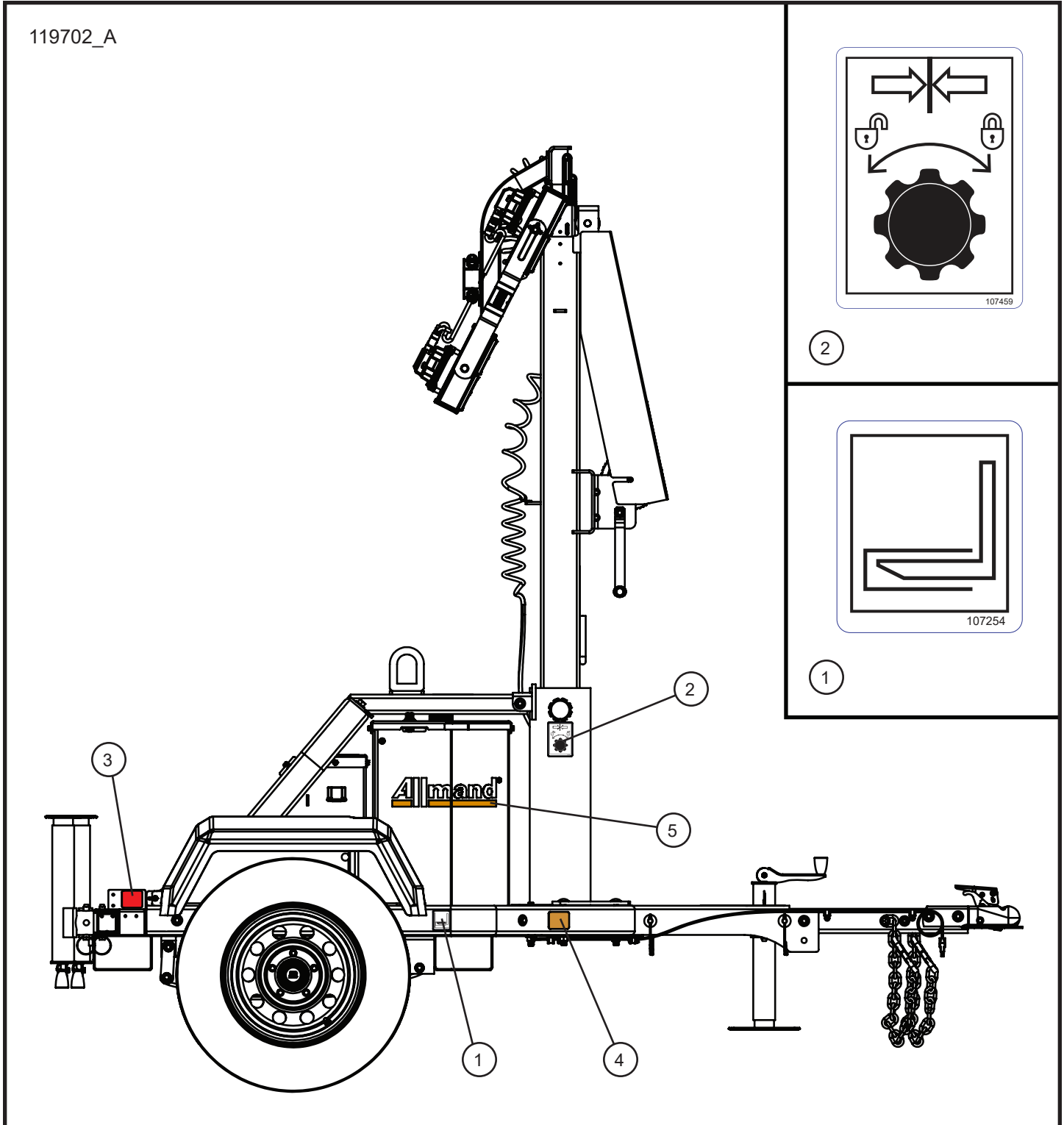
SN 26-000001 and UP

## 3.8 - Trailer Lighting

Item	Part No.	Part Description	Qty.
1	056022	#10-24 x 1/2 SERRATED FLANGE HEX SCREW	2
2	057004	#10-24 SERRATED FLANGE HEX LOCKNUT	4
3	041012	#8-32 x 1/2 SCREW	4
4	057003	#8-32 SERRATED FLANGE HEX LOCKNUT	4
5	041040	#10-24 x 1 1/2 PH-ROUND HEAD	2
6	041070	1/4 x 3/4 SL-HEX WASHER HEAD	4
7	022014	#10 CUSH CLAMP	2
8	022137	PUSH BUTTON	4
9	650542	1 1/4 ID x 1 1/2 OD GROMMET	1
10	106212	MARKER LIGHT AMBER BULLET LED	2
11	115116	LICENSE PLATE LIGHT LED	1
12	118090	TAIL LIGHT THIN LINE SURFACE MOUNT	2
13	117735P	TAIL LIGHT MOUNT NIGHT-LITE GR-SERIES CHAIN	1
14	105349P	BRACKET LICENSE PLATE LED LIGHT	1
15	115286	REFLECTOR DECAL RED 2.75 x 1.75	4
16	114884	REFLECTOR DECAL AMBER 2.75 x 1.75	2
17	106211	MARKER LIGHT RED BULLET LED	2
NS	118058	HARNESS TAIL LIGHT NLGR LC & CHAIN	1
NS	118377	SCHEMATIC TAIL LIGHT HARNESS NL GR-SERIES CHAIN	1

## 4.1 - Right Side Decals

119702\_A



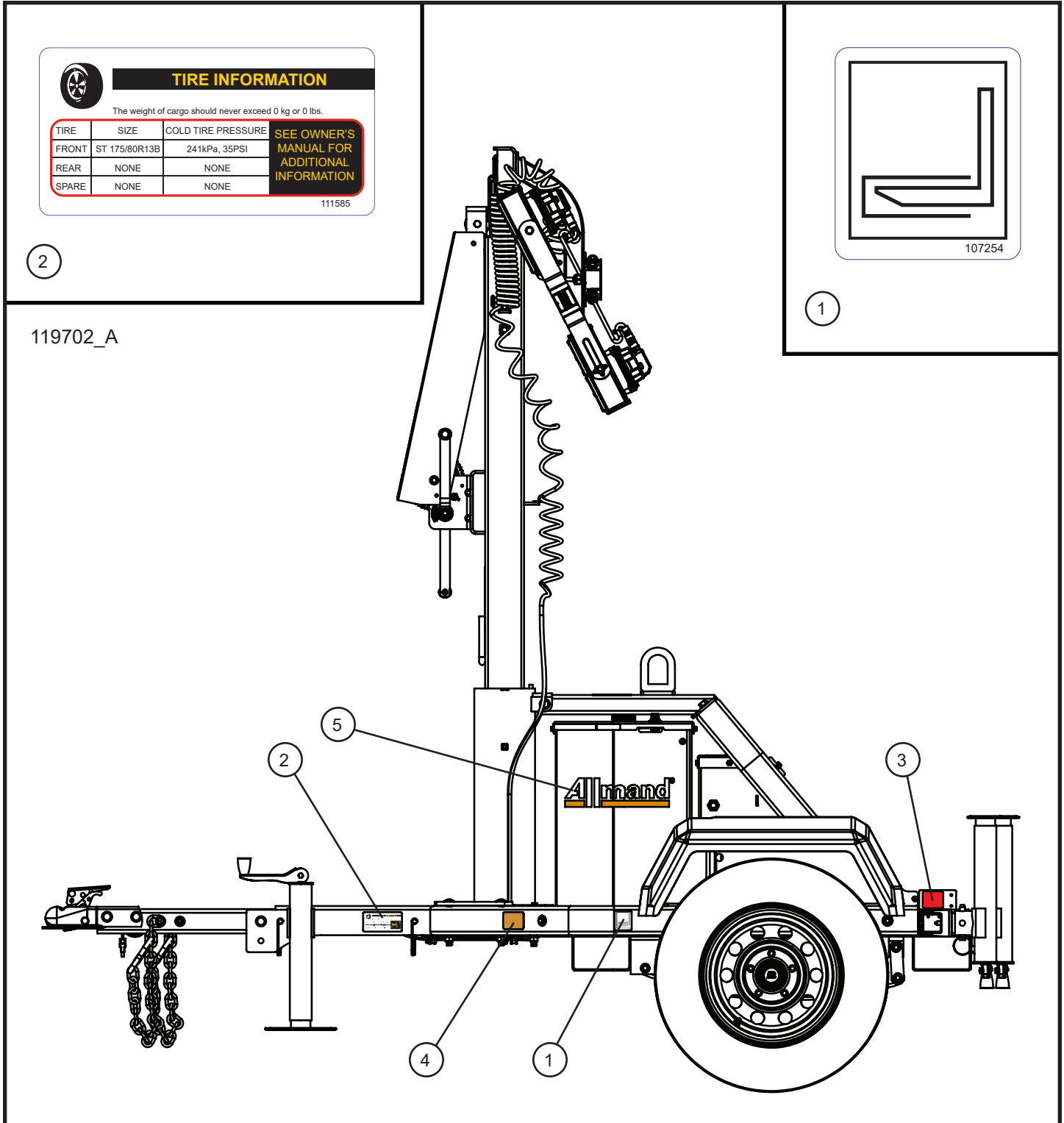
# NIGHT-LITE™ GR-SERIES

SN 26-000001 and UP

## 4.1 - Right Side Decals

Item	Part No.	Part Description	Qty.
1	107254	FORKLIFT DECAL	1
2	107459	TOWER ALIGNMENT DECAL	1
3	115286	REFLECTOR DECAL RED 2.75 x 1.75	1
4	114884	REFLECTOR DECAL AMBER 2.75 x 1.75	1
5	118229	DECAL BRANDING ALLMAND-R GOLD-WHITE 12 INCH	1

## 4.2 - Left Side Decals



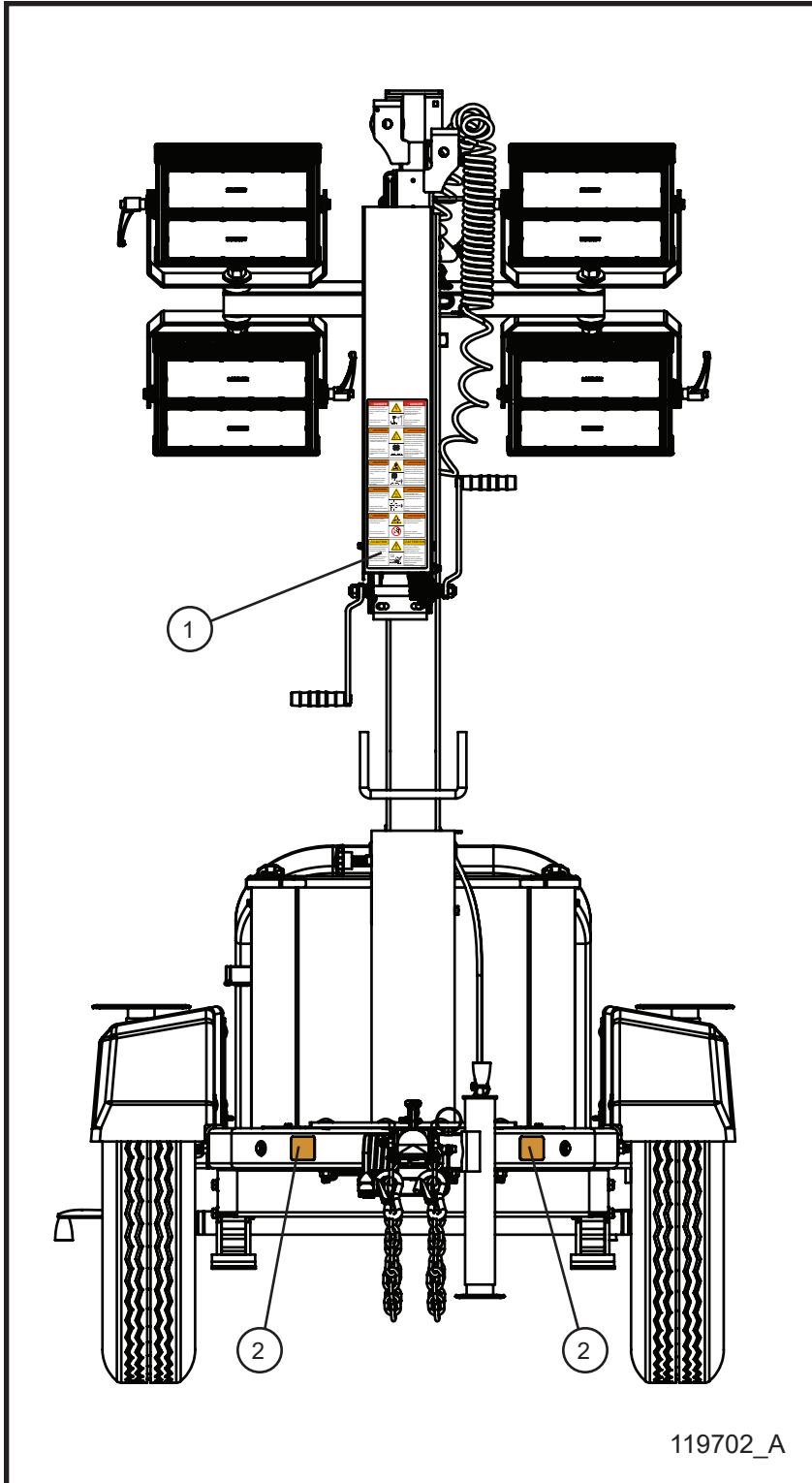
# NIGHT-LITE™ GR-SERIES


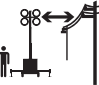

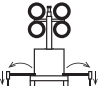

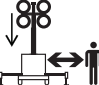






SN 26-000001 and UP

## 4.2 - Left Side Decals

Item	Part No.	Part Description	Qty.
1	107254	FORKLIFT DECAL	1
2	118078	DECAL TIRE INFO ST175/80R13 LD-B 35PSI 200LB CARGO	1
3	115286	REFLECTOR DECAL RED 2.75 x 1.75	1
4	114884	REFLECTOR DECAL AMBER 2.75 x 1.75	1
5	118229	DECAL BRANDING ALLMAND-R GOLD-WHITE 12 INCH	1

## 4.3 - Front Side English and French Decals



<p><b>⚠ DANGER</b></p> <p>Contacting power lines when raising light tower will result in death or serious injury.</p> <p>Keep light tower far away from power lines.</p>	 	<p><b>⚠ DANGER</b></p> <p>Le contact avec une ligne électrique lorsque la tour d'éclairage est levée entraînera des blessures graves ou la mort.</p> <p>Tenir la tour d'éclairage éloignée des lignes électriques.</p>
<p><b>⚠ WARNING</b></p> <p>Raising light tower prior to positioning outriggers and lowering jacks could cause machine rollover resulting in death or serious injury.</p> <p>Position outriggers and lower jacks on a stable surface before raising light tower.</p>	 	<p><b>⚠ AVERTISSEMENT</b></p> <p>Le fait de soulever la tour d'éclairage avant de positionner correctement les longérons et sans baisser les vérins pourrait entraîner le basculement de la machine et provoquer des blessures graves ou la mort.</p> <p>Il faut positionner les longérons et abaisser les vérins sur une surface stable avant de lever la tour d'éclairage.</p>
<p><b>⚠ WARNING</b></p> <p>Standing under light tower mast and fixtures during lowering operation could result in death or serious injury.</p> <p>Keep bystanders away from light tower during lowering and raising operations.</p>	 	<p><b>⚠ AVERTISSEMENT</b></p> <p>Le fait de se tenir debout sous une tour d'éclairage et de ses accessoires alors qu'elle est abaissée pourrait causer la mort ou des blessures graves.</p> <p>Tenir les spectateurs à l'écart de la tour d'éclairage pendant qu'on la soulève ou l'abaisse.</p>
<p><b>⚠ WARNING</b></p> <p>Handling light fixtures when they are hot could result in death or serious injury.</p> <p>Keep clear of light fixtures when illuminated or hot.</p>	 	<p><b>⚠ AVERTISSEMENT</b></p> <p>La manipulation des luminaires alors qu'ils sont chauds pourrait causer la mort ou des blessures graves.</p> <p>Rester à l'écart des luminaires lorsqu'ils sont allumés ou chauds.</p>
<p><b>⚠ WARNING</b></p> <p>Looking at illuminated light fixtures could result in serious injury.</p> <p>Do not look directly at illuminated light fixtures.</p>	 	<p><b>⚠ AVERTISSEMENT</b></p> <p>Regarder des luminaires allumés pourrait provoquer de graves blessures.</p> <p>Ne jamais regarder directement des luminaires allumés.</p>
<p><b>⚠ CAUTION</b></p> <p>Snow and ice could cause an uncontrolled condition in winch that could result in minor to moderate injury.</p> <p>Make sure pawl engages gear. Apply silicone to ratchet pawl and spacer.</p>	 	<p><b>⚠ ATTENTION</b></p> <p>La neige et la glace pourraient causer une condition incontrôlée du treuil qui pourrait entraîner une blessure mineure à moyenne.</p> <p>S'assurer que le cliquet embraye dans l'engrenage. Appliquer du silicone sur le cliquet et la butée d'espacement.</p>

122479

# NIGHT-LITE™ GR-SERIES

SN 26-000001 and UP

## 4.3 - Front Side English and French Decals

Item	Part No.	Part Description	Qty.
1	122479	VERTICAL TOWER DECAL NLV/NLGR	1
2	114884	REFLECTOR DECAL AMBER 2.75 x 1.75	2

## 4.4 - Front Side International Wordless Decals

3

1

2

120376\_A



# NIGHT-LITE™ GR-SERIES

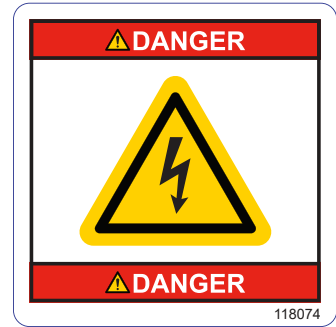
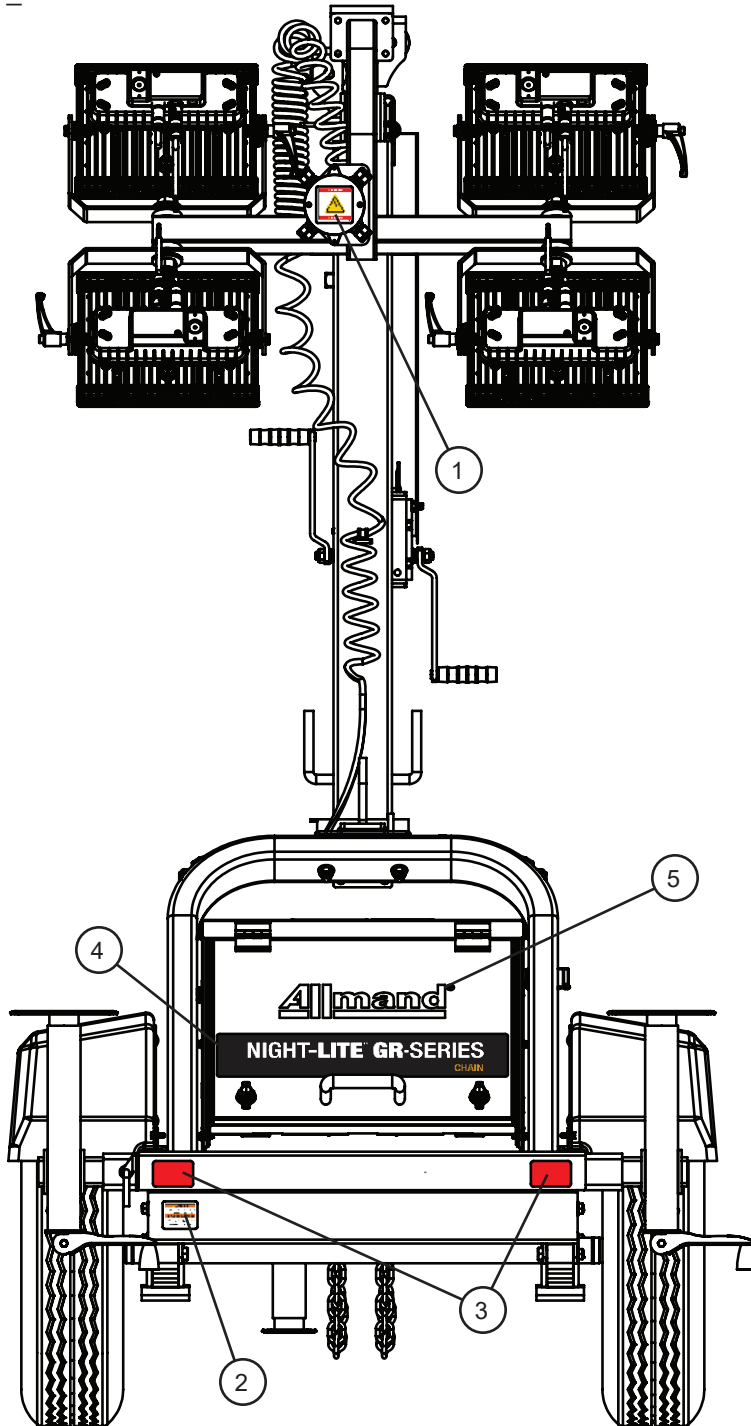
SN 26-000001 and UP

## 4.4 - Front Side International Wordless Decals

Item	Part No.	Part Description	Qty.
1	107984	OVERHEAD CLEARANCE ROLLOVER WORDLESS DECAL	1
2	107532	DECAL CAUTION WINCH WORDLESS	1
3	118444	DECAL WARNING WORDLESS 3 PANEL TOWER	1
4	114884	REFLECTOR DECAL AMBER 2.75 x 1.75	2

## 4.5 - Rear Side English and French Decals

119702\_A



1



2



5

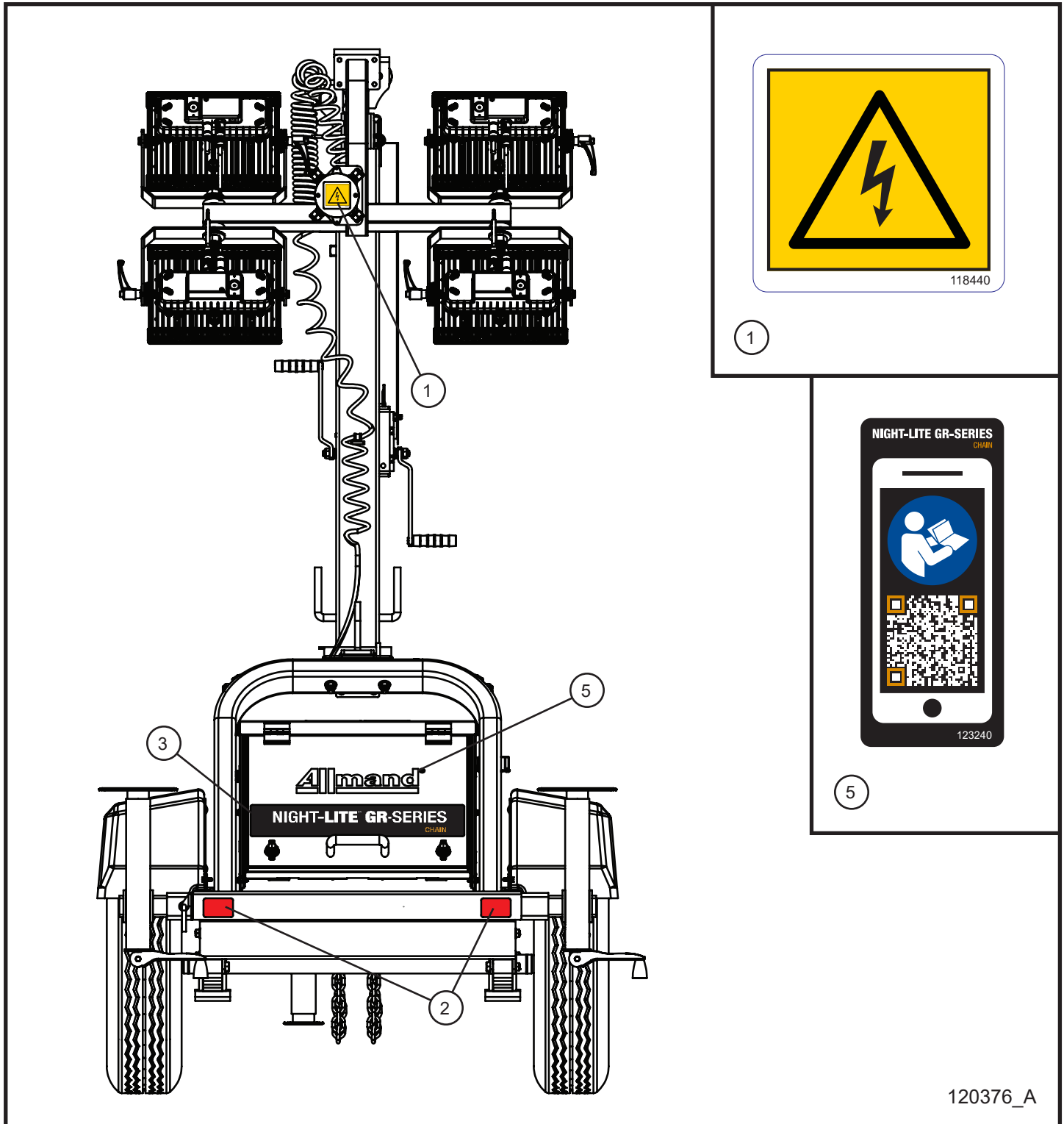
# NIGHT-LITE™ GR-SERIES

SN 26-000001 and UP

## 4.5 - Rear Side English and French Decals

Item	Part No.	Part Description	Qty.
1	118074	HAZARDOUS VOLTAGE BILINGUAL DANGER DECAL	1
2	118161	CALIFORNIA PROP 65 BASIC BILINGUAL WARNING DECAL	1
3	115286	REFLECTOR DECAL RED 2.75 x 1.75	2
4	118222	DECAL BRANDING NIGHT-LITE GR-SERIES CHAIN	1
5	123240	DECAL QR CODE NIGHT-LITE GR-SERIES CHAIN	1
6	118226	DECAL BRANDING ALLMAND-R BLACK 12 INCH	1
	118229	DECAL BRANDING ALLMAND-R GOLD-WHITE 12 INCH	2

## 4.6 - Rear Side International Wordless Decals



120376\_A

# NIGHT-LITE™ GR-SERIES

SN 26-000001 and UP

## 4.6 - Rear Side International Wordless Decals

Item	Part No.	Part Description	Qty.
1	118440	DECAL DANGER WORDLESS HIGH VOLTAGE SMALL	1
2	115286	REFLECTOR DECAL RED 2.75 x 1.75	2
3	118222	DECAL BRANDING NIGHT-LITE GR-SERIES CHAIN	1
4	123240	DECAL QR CODE NIGHT-LITE GR-SERIES CHAIN	1
5	118226	DECAL BRANDING ALLMAND-R BLACK 12 INCH	1
	118229	DECAL BRANDING ALLMAND-R GOLD-WHITE 12 INCH	2

## 4.7 - Top View English and French Decals

**60Hz**

---

**120V**

---

**15A/20A**

118228

**MAX  
11 AMPS**

118250

<p><b>⚠ DANGER</b></p> <p>Entering electrical compartment while equipment is in operation will result in death or serious injury.</p> <p>Unplug equipment before entering electrical compartment.</p>		<p><b>⚠ DANGER</b></p> <p>Le fait d'entrer dans le compartiment électrique tandis que l'équipement est utilisé causera la mort ou des blessures graves.</p> <p>Débrancher l'équipement avant d'entrer dans le compartiment électrique.</p>
<p><b>⚠ WARNING</b></p>		
<p></p> <p>Failure to follow warnings, instructions, and operator's manual could result in death or serious injury.</p>	<p></p> <p>Open door on control box to locate operator's manual. Read and follow operator's manual before operating or servicing this equipment.</p>	<p></p>
<p><b>⚠ AVERTISSEMENT</b></p>		
<p>L'omission de respecter les avertissements, les instructions, les avertissements, les instructions et le manuel de l'utilisateur peut entraîner des blessures graves ou la mort.</p>	<p>Ouvrir la porte sur la boîte de commande pour trouver le manuel de l'utilisateur. Lire et suivre le manuel d'utilisation avant de faire fonctionner cet équipement ou d'en faire l'entretien.</p>	<p>118077</p>

**⚠ WARNING**

Failure to follow warnings, instructions, and operator's manual could result in death or serious injury.

Read and follow operator's manual before operating or servicing this equipment.

**⚠ AVERTISSEMENT**

L'omission de respecter les avertissements, les instructions et le manuel de l'utilisateur pourrait entraîner des blessures graves ou la mort.

Lire et suivre le manuel d'utilisation avant de faire fonctionner ou de faire l'entretien de cet équipement.

**⚠ WARNING**

Failure to lower tower into a secured position before towing could result in death or serious injury.

Lower tower to a secured position before towing.

**⚠ AVERTISSEMENT**

Ne pas abaisser la tour d'éclairage en position sécurisée au préalable peut provoquer la mort ou des blessures graves.

Abaisser la tour en position sécurisée avant le remorquage.

**⚠ WARNING**

Excessive towing speed could result in death or serious injury.

Do not exceed 65mph (105km/h) when towing trailer.

**⚠ AVERTISSEMENT**

Une vitesse de remorquage excessive pourrait entraîner la mort ou de graves blessures.

Ne pas dépasser 105 km/h (65 mi/h) lors du remorquage.

122463

**⚠ WARNING**

122480

**5**

107254

119702\_A

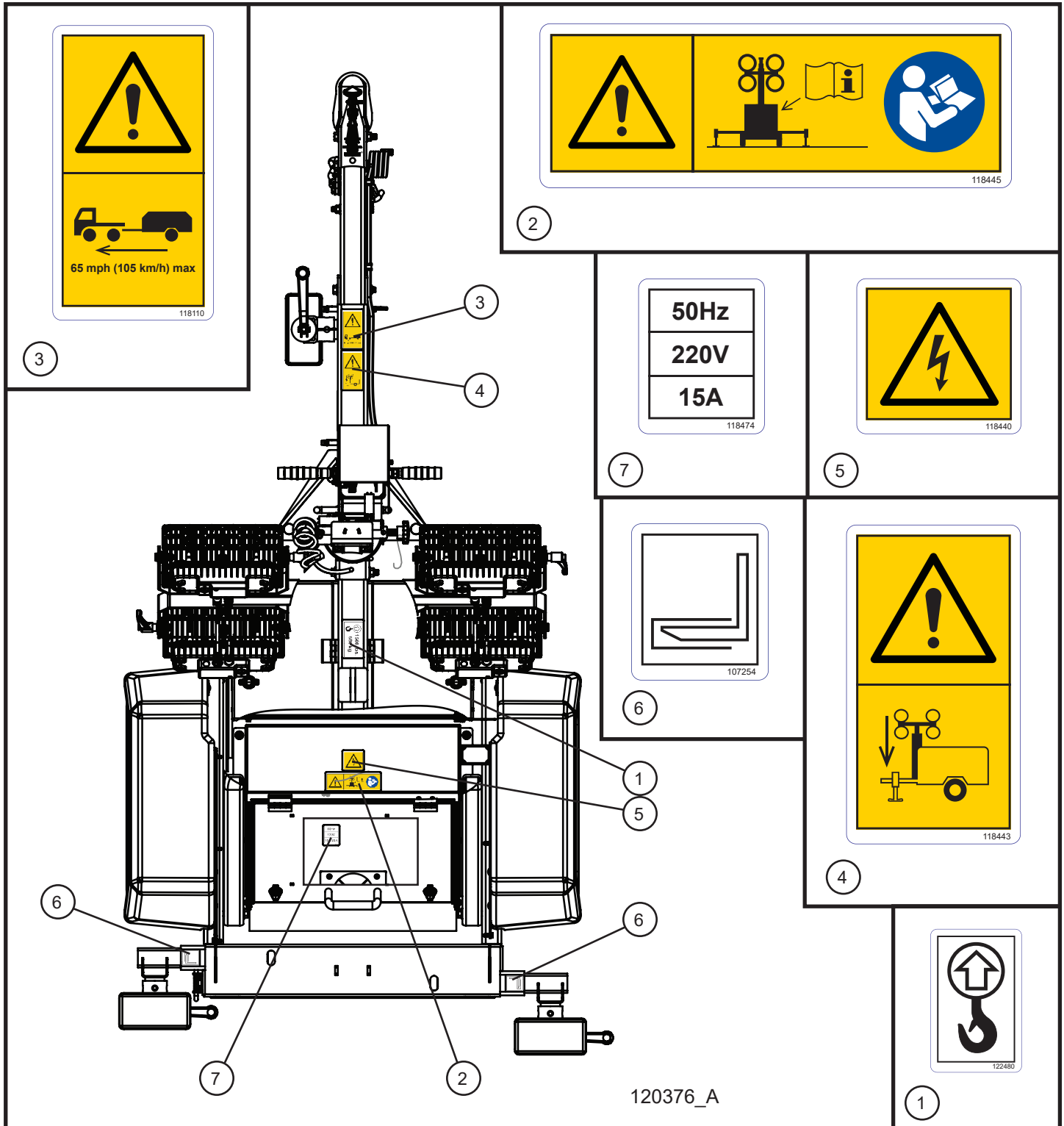
# NIGHT-LITE™ GR-SERIES

SN 26-000001 and UP

## 4.7 - Top View English and French Decals

Item	Part No.	Part Description	Qty.
1	122480	DECAL LIFT WEIGHT	1
2	118077	OWNERS MANUAL BILINGUAL WARNING DECAL	1
3	122463	LIGHT TOWER UNIVERSAL WARNING TONGUE DECAL	1
4	118250	DECAL MAXIMUM 11 AMPS	1
5	107254	FORKLIFT DECAL	2
6	118228	DECAL ELECTRICAL INFO 60Hz 120V 15A/20A	1

## 4.8 - Top View International Wordless Decals





# NIGHT-LITE™ GR-SERIES

SN 26-000001 and UP

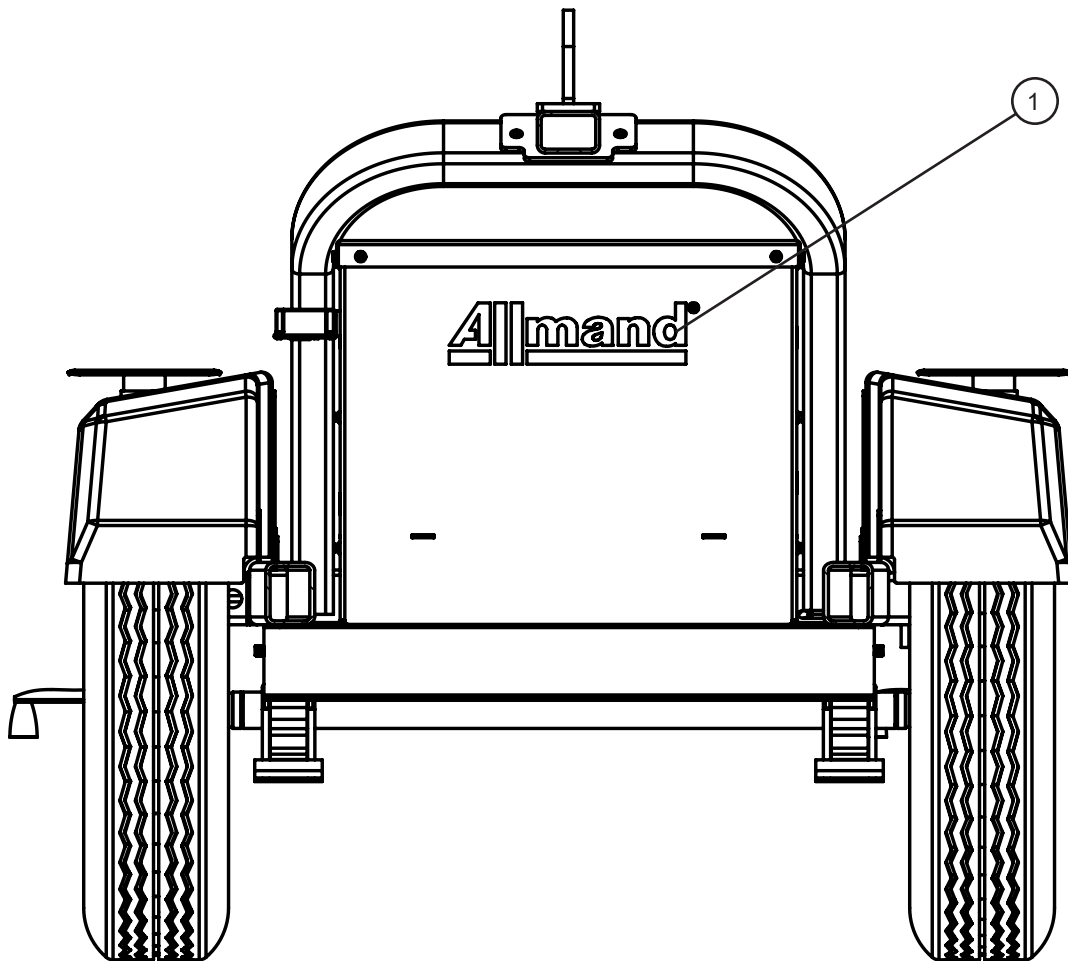
## 4.8 - Top View International Wordless Decals

Item	Part No.	Part Description	Qty.
1	122480	DECAL LIFT WEIGHT	1
2	118445	OWNERS MANUAL WORDLESS WARNING DECAL	1
3	118110	EXCESSIVE TOWING SPEED WARNING WORDLESS DECAL	1
4	118443	DECAL WARNING WORDLESS LOWER TOWER TOWING	1
5	118440	DECAL DANGER WORDLESS HIGH VOLTAGE SMALL	1
6	107254	FORKLIFT DECAL	2
7	118474	DECAL ELECTRICAL INFO 50 Hz 220V 15A	1

## 4.9 - No Toolbox Branding Decal

120781\_A

BACK OF CONTROL BOX



# NIGHT-LITE™ GR-SERIES

SN 26-000001 and UP

## 4.9 - No Toolbox Branding Decal Location

Item	Part No.	Part Description	Qty.
1	118226	DECAL BRANDING ALLMAND-R BLACK 12 INCH	1
	118229	DECAL BRANDING ALLMAND-R GOLD-WHITE 12 INCH	1

# NIGHT-LITE™ GR-SERIES



1502 West 4th Avenue  
Holdrege, NE 68949

phone: (308) 995-4495 • toll free: (800) 562-1373

fax: (308) 995-5887

[www.allmand.com](http://www.allmand.com)