

Allmand™

Brighter. Warmer. Safer.

**Portable
Industrial
Heaters**

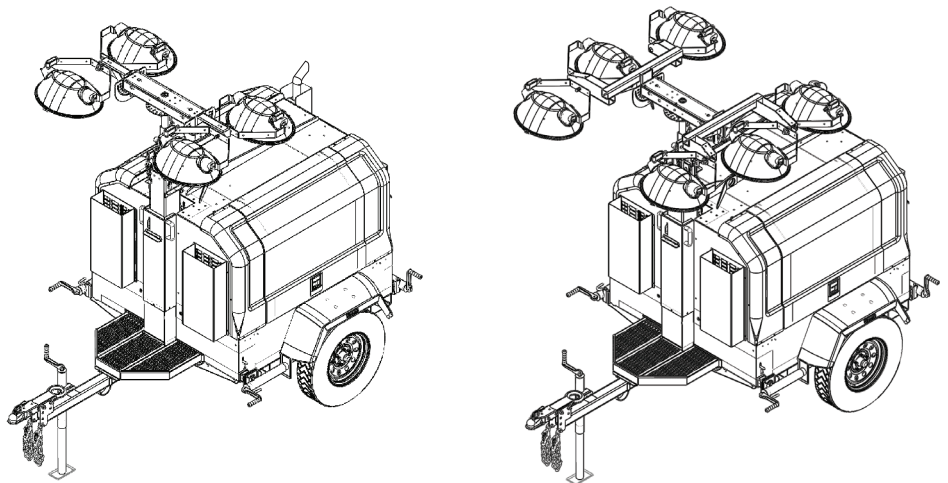
**Portable
Light Towers**

**Portable
Light Stands**

**Solar Flashing
Arrow Boards**



(en) **Parts Manual
MAXI-LITE® II, RIG SPEC™,
& MINE SPEC™**



Copyright © 2015 Allmand Bros., Inc.
Holdrege, NE, USA. All rights reserved.

Part No.: 106643
Revision: B

LIGHT TOWER APP



Reliability, Performance, and Integrity Since 1938

www.allmand.com

TABLE OF CONTENTS

1.0 FRAME/AXLE/TONGUE/OUTRIGGERS

Axle and Wheels	(1.1)
Electric and Hydraulic Brake Axle Options	(1.2)
Hydraulic Brake Line	(1.3)
Removeable Snap Ring Tongue	(1.4)
Removeable Tube Mount Tongue	(1.5)
Removeable Tongue Coupler Options	(1.6)
Australian Tongue and Coupler	(1.7)
Tongue Platform Install Group	(1.8)
Outriggers and Jacks	(1.9)
Heavy Duty Outriggers and Jacks	(1.10)
Skid Mount Install Group	(1.11)

2.0 TRAILER BASE PARTS

Engine Cradle and Stringer Group	(2.1)
Rear Panel Options	(2.2)
Containment Drain	(2.3)
Multi Option Front Panels	(2.4)
Intake Air Deflector Option	(2.5)
Intake Air Front Cover Option	(2.6)
Wheel Chock Block	(2.7)
Front Tower Cover	(2.8)
Fire Extinguisher Install Group	(2.9)
Fender Options	(2.10)
No Fender Option	(2.11)
Outer Shell and Door Group	(2.12)
Manual Canister	(2.13)

3.0 LAYDOWN TOWER GROUP

Laydown Tower Trailer Components	(3.1)
Laydown Tower Old Style Parts	(3.2)
Laydown Tower New Style Parts	(3.3)
Laydown Tower Light Bar	(3.4)

TABLE OF CONTENTS

3.0 LAYDOWN TOWER GROUP (Continued)

Laydown Tower Pivot Section Assembly Group	(3.5)
Laydown Tower Rear Support	(3.6)
Laydown Tower Rear Extended Support	(3.7)
Laydown Tower Winch Group	(3.8)
Laydown Tower 16/8 Cord Reel Group	(3.9)
Laydown Tower 14/7 Cord Group	(3.10)
Laydown Tower 16/8 Cord Group	(3.11)

4.0 VERTICAL TOWER GROUP

Vertical Tower Trailer Components	(4.1)
Vertical Tower Hydraulic Pump w/Bottom Port Cylinder	(4.2)
Vertical Tower Hydraulic Pump w/Top Port Cylinder	(4.3)
Vertical Tower Old Style Parts	(4.4)
Vertical Tower New Style Parts	(4.5)
Vertical Tower 4-Light Bar	(4.6)
Vertical Tower 6-Light Bar	(4.7)
Vertical Tower Go-Green LED Light Bar	(4.8)
Vertical Tower Light Bar Brace Option	(4.9)
Vertical Tower 16/8 Nycoil Cord Group	(4.10)
Vertical Tower 16/10 Nycoil Cord Group	(4.11)
Vertical Tower 16/14 Nycoil Cord Group	(4.12)
Vertical Tower 16/8 Cord Reel Group	(4.13)
Vertical Tower 16/10 Cord Reel Group	(4.14)

5.0 LAMP AND BALLAST GROUP

1000W Lamps with 50Hz 120V Ballast Boxes	(5.1)
1000W 50Hz 120V Ballast Box Assembly	(5.2)
1000W Lamps with 50Hz 220V Ballast Boxes	(5.3)
1000W 50Hz 220V Ballast Box Assembly	(5.4)
1000W Lamps with 60Hz 120V Ballasts Boxes	(5.5)
1000W 60Hz 120V Ballast Box Assembly	(5.6)

TABLE OF CONTENTS

5.0 LAMP AND BALLAST GROUP (Continued)

1000W HPS Lamps with 60Hz 120V Ballast Boxes	(5.7)
1000W HPS 60Hz 120V Ballast Box Assembly	(5.8)
1250W Lamps with 60Hz 120V Ballast Boxes	(5.9)
1250W 60Hz 120V Ballast Box Assembly	(5.10)
1250W Lamps with 60Hz 240V Ballast Boxes	(5.11)
1250W 60Hz 240V Ballast Box Assembly	(5.12)
Speaker LED 4 Driver Install Group	(5.13)
Speaker LED 4 Driver Assembly	(5.14)
Speaker LED 4 and 2 Drivers Install Group	(5.15)
Speaker LED 2 Driver Assembly	(5.16)
Conssin LED 4 Driver Install Group	(5.17)
Conssin LED 4 Driver Assembly	(5.18)
Conssin LED 4 and 2 Drivers Install Group	(5.19)
Conssin LED 2 Driver Assembly	(5.20)
4-No Lamps with Non Ballast Boxes	(5.21)
6-No Lamps with Non Ballast Boxes	(5.22)
Non Ballast Assembly	(5.23)
4-SHO Light Fixtures	(5.24)
6-SHO Light Fixtures	(5.25)
Domestic SHO Light Assembly Group	(5.26)
CSA/UL SHO Light Assembly Group	(5.27)
4-Speaker LED Light Fixtures and Assembly Group	(5.28)
6-Speaker LED Light Fixtures	(5.29)
4-Conssin LED Light Fixtures	(5.30)
6-Conssin LED Light Fixtures	(5.31)
SHO Light SAF-T-Visor	(5.32)
4-SHO Light SFR Safety Lanyards	(5.33)
6-SHO Light SFR Safety Lanyards	(5.34)
4-Speaker LED Light SFR Safety Lanyards	(5.35)
6-Speaker LED Light SFR Safety Lanyards	(5.36)
4-SHO Light Solid Wired Lamp Connector	(5.37)
6-SHO Light Solid Wired Lamp Connector	(5.38)
4-SHO Light Quick Disconnect Lamp Connector	(5.39)

TABLE OF CONTENTS

5.0 LAMP AND BALLAST GROUP (Continued)

6-SHO Light Quick Disconnect Lamp Connector	(5.40)
4-LED Light Solid Wired Lamp Connector	(5.41)
6-LED Light Solid Wired Lamp Connector	(5.42)
4-LED Light Quick Disconnect Lamp Connector	(5.43)
6-LED Light Quick Disconnect Lamp Connector	(5.44)

6.0 CONTROL BOX GROUP

Control Box	(6.1)
Control Box Strip Brush	(6.2)
Outlet Panel 8kW CSA UL489	(6.3)
Outlet Panel 8kW CSA	(6.4)
Outlet Panel 8kW, 1-RV, 2-GFCI	(6.5)
Outlet Panel 8kW, 2-RV, 1-GFCI	(6.6)
Outlet Panel 8kW, 1-RV, 2-Twistock, 2-GFCI	(6.7)
Outlet Panel 8kW 50Hz Schuko	(6.8)
Outlet Panel 8kW 60Hz NZL/AS3000	(6.9)
Outlet Panel 8kW 50Hz NZL/AS3000	(6.10)
Outlet Panel 11kW 50Hz NZL/AS3000	(6.11)
Outlet Panel 11kW 50Hz Schuko	(6.12)
Outlet Panel 15kW CSA UL489	(6.13)
Outlet Panel 15kW CSA	(6.14)
Outlet Panel 15kW Domestic	(6.15)
Outlet Panel 15kW RV	(6.16)
Outlet Panel 13kW 50Hz NZL/AS3000	(6.17)
Outlet Panel 15/20kW 208V 3PH UL489	(6.18)
Outlet Panel 15/20kW 208V 3PH	(6.19)
Outlet Panel 20kW 240V 3PH	(6.20)
Outlet Panel 20kW CSA UL489	(6.21)
Outlet Panel 20kW CSA	(6.22)
Outlet Panel 20kW Domestic	(6.23)
Outlet Panel 20kW RV	(6.24)
SLS Key Start Engine Control	(6.25)

TABLE OF CONTENTS

6.0 CONTROL BOX GROUP (Continued)

New SLS Key Start Engine Control	(6.26)
SLS Harness Control Panel	(6.27)
LSC Start Engine Control	(6.28)
LSC Harness Control Panel	(6.29)
4/6 Light Switch Panel UL489	(6.30)
4/6 Light Switch Panel	(6.31)
4/6 Light 240V 3PH Switch Panel	(6.32)
4/6 Light Australian Switch Panel	(6.33)
Quartz Light Toggle Switch	(6.34)
50Hz Electric Governor CAT C1.5 Turbo	(6.35)
50Hz Electric Governor Isuzu 4LE1	(6.36)
CAT Engine Voltage Regulator	(6.37)
Low Level Fuel Module	(6.38)
GPS Module Options	(6.39)
4/6-Light 2-VDC Control Relays	(6.40)
6-Light 3-VDC Control Relays	(6.41)
4-Light 725 Relays	(6.42)
6-Light 725 Relays	(6.43)

7.0 REAR OUTLET AND JUNCTION BOX GROUP

Internal GFCI Outlet Group	(7.1)
Rear Cover No Auxillary Outlets	(7.2)
50AMP Rear Receptacle w/Cover	(7.3)
240V Rear Outlet	(7.4)
208V 3PH Rear Outlet	(7.5)
50Hz Rear Disconnect	(7.6)
Auxiliary 2-20A GFCI 1-50A Outlet Panel Install Group	(7.7)
Auxiliary 2-20A GFCI 1-50A Outlet Panel	(7.8)
Double Throw Switch Box Mount Install Group	(7.9)
Auxiliary 3-50A 1-30A Outlet Panel Install Group	(7.10)
Auxiliary 3-50A 1-30A Outlet Panel	(7.11)
Rear Outlet Cover	(7.12)

TABLE OF CONTENTS

7.0	REAR OUTLET AND JUNCTION BOX GROUP	
	SHO 4/6 Light Junction Box	(7.13)
	LED 4/6 Light Junction Box	(7.14)
8.0	ELECTRICAL GROUP	
	Oval Tail Lights	(8.1)
	LED Tail Lights	(8.2)
	No Tail Light Covers	(8.3)
	4-Pin Tail Light Harness w/ 7-Pole Adapter	(8.4)
	4-Pin 2-Piece Tail Light Harness w/ 7-Pole Adapter	(8.5)
	7-Pole Electric Brake Tail Light Harness	(8.6)
	AS3000 Tail Light and Tail Light Harness	(8.7)
	Ground Rod Options	(8.8)
	Emergency Stop	(8.9)
	VIN Package with License Plate Bracket	(8.10)
	LED VIN Package with License Plate Bracket	(8.11)
	Laydown Low Fuel Beacon	(8.12)
	Vertical Low Fuel Beacon	(8.13)
	Vertical Run Beacon	(8.14)
	Interior LED Light	(8.15)
9.0	BATTERY/ENGINE/FUEL TANK PARTS	
	Battery Install Group	(9.1)
	Dual Battery Install Group	(9.2)
	Battery Cables	(9.3)
	Battery Cable Disconnect	(9.4)
	Battery Cable Disconnect Switch	(9.5)
	Battery Blanket	(9.6)
	Fuel Tank Install Group	(9.7)
	Fast Fill Fuel Tank Install Group	(9.8)
	Fuel Sender	(9.9)
	Fuel Water Separator	(9.10)

TABLE OF CONTENTS

9.0 BATTERY/ENGINE/FUEL TANK PARTS (Continued)

Heated Fuel Water Separator	(9.11)
Engine Isolator Mount Options	(9.12)
Engine Threaded Isolator Mount Options	(9.13)
Heavy Duty Engine Isolator Mounts Isuzu 4LE1	(9.14)
Heavy Duty Engine Threaded Isolator Mounts Isuzu 4LE1	(9.15)
Engine Ground Wire	(9.16)
Coolant Recovery Tank	(9.17)
Oil Drain	(9.18)
Oil Drain Rear Pump	(9.19)
Coolant Drain	(9.20)
Coolant Drain Isuzu	(9.21)
Radiator Arctic Cover	(9.22)
Exhaust Plate/Shield CAT/Kubota	(9.23)
Exhaust Plate/Shield Isuzu	(9.24)
Exhaust Plate CAT C1.5 Turbo	(9.25)
Diesel Fired Block Heater Install Group	(9.26)

10.0 CAT C1.1 ENGINE GROUP

CAT C1.1 Engine and Filters	(10.1)
CAT C1.1 Engine Assembly Group	(10.2)
CAT C1.1 Oil Drain Fitting	(10.3)
CAT C1.1 LSC Sending Unit	(10.4)
CAT C1.1 Block Heater	(10.5)
CAT C1.1 Diesel Fired Block Heater Hoses	(10.6)
CAT C1.1 Shocker Group	(10.7)
CAT C1.1 Exhaust Blanket	(10.8)
CAT C1.1 Fuel Lines	(10.9)

TABLE OF CONTENTS

11.0 CAT C1.5 ENGINE GROUP

CAT C1.5 Engine and Filters	(11.1)
CAT C1.5 Engine Assembly Group	(11.2)
CAT C1.5 Oil Drain Fitting	(11.3)
CAT C1.5 LSC Sending Unit	(11.4)
CAT C1.5 Block Heater	(11.5)
CAT C1.5 Diesel Fired Block Heater Hoses	(11.6)
CAT C1.5 Shocker Group	(11.7)
CAT C1.5 Exhaust Blanket	(11.8)
CAT C1.5 Fuel Lines	(11.9)

12.0 CAT C1.5 TURBO ENGINE GROUP

CAT C1.5 Turbo Engine and Filters	(12.1)
CAT C1.5 Turbo Engine Assembly Group	(12.2)
CAT C1.5 Turbo Oil Drain Fitting	(12.3)
CAT C1.5 Turbo LSC Sending Unit	(12.4)
CAT C1.5 Turbo Diesel Fired Block Heater Hoses	(12.5)
CAT C1.5 Turbo Shocker Group	(12.6)
CAT C1.5 Turbo Exhaust Blanket	(12.7)
CAT C1.5 Turbo Fuel Lines	(12.8)

13.0 KUBOTA D1005/D1105 ENGINE GROUP

Kubota Engine and Filters	(13.1)
Kubota Engine Assembly Group	(13.2)
Kubota Remote Oil Drain Fitting	(13.3)
Kubota LSC Sending Unit	(13.4)
Kubota Block Heater	(13.5)
Kubota Diesel Block Fired Heater Hoses	(13.6)
Kubota Shocker Group	(13.7)
Kubota Exhaust Blanket	(13.8)
Kubota Fuel Lines	(13.9)

TABLE OF CONTENTS

14.0 ISUZU 4LE1 ENGINE GROUP

Isuzu 4LE1 Engine and Filters	(14.1)
Isuzu 4LE1 Engine Assembly Group	(14.2)
Isuzu Remote Oil Drain Fitting	(14.3)
Isuzu LSC Sending Unit	(14.4)
Isuzu Block Heater	(14.5)
Isuzu Diesel Block Fired Heater Hoses	(14.6)
Isuzu Shocker Group	(14.7)
Isuzu Exhaust Blanket	(14.8)
Isuzu Fuel Lines	(14.9)
Isuzu Belt Guard	(14.10)
Isuzu Magnetic Pick-Up w/ Electronic Governor	(14.11)
Isuzu Magnetic Pick-Up w/o Electronic Governor	(14.12)

15.0 GENERATORS AND GENERATOR CORDS

6/8kW Marathon Generator Options	(15.1)
8kW Athlon Generator Option	(15.2)
11/15kW CAT C1.5 Marathon Generator Options	(15.3)
11/15kW CAT C1.5 Turbo Marathon Generator Options	(15.4)
20kW CAT C1.5 Marathon Generator Option	(15.5)
20kW Isuzu 4LE1 Marathon Generator Option	(15.6)
20kW Isuzu 4LE1 Cummins Generator Option	(15.7)
Double Throw Switch Generator Cord Options	(15.8)
6/4 CSA Generator Cord Options	(15.9)
CAT C1.5 Turbo Generator Cord Options	(15.10)
AS3000 Generator Cord Options	(15.11)
20kW Marathon Generator Cord Option	(15.12)
20kW Cummins Generator Cord Option	(15.13)

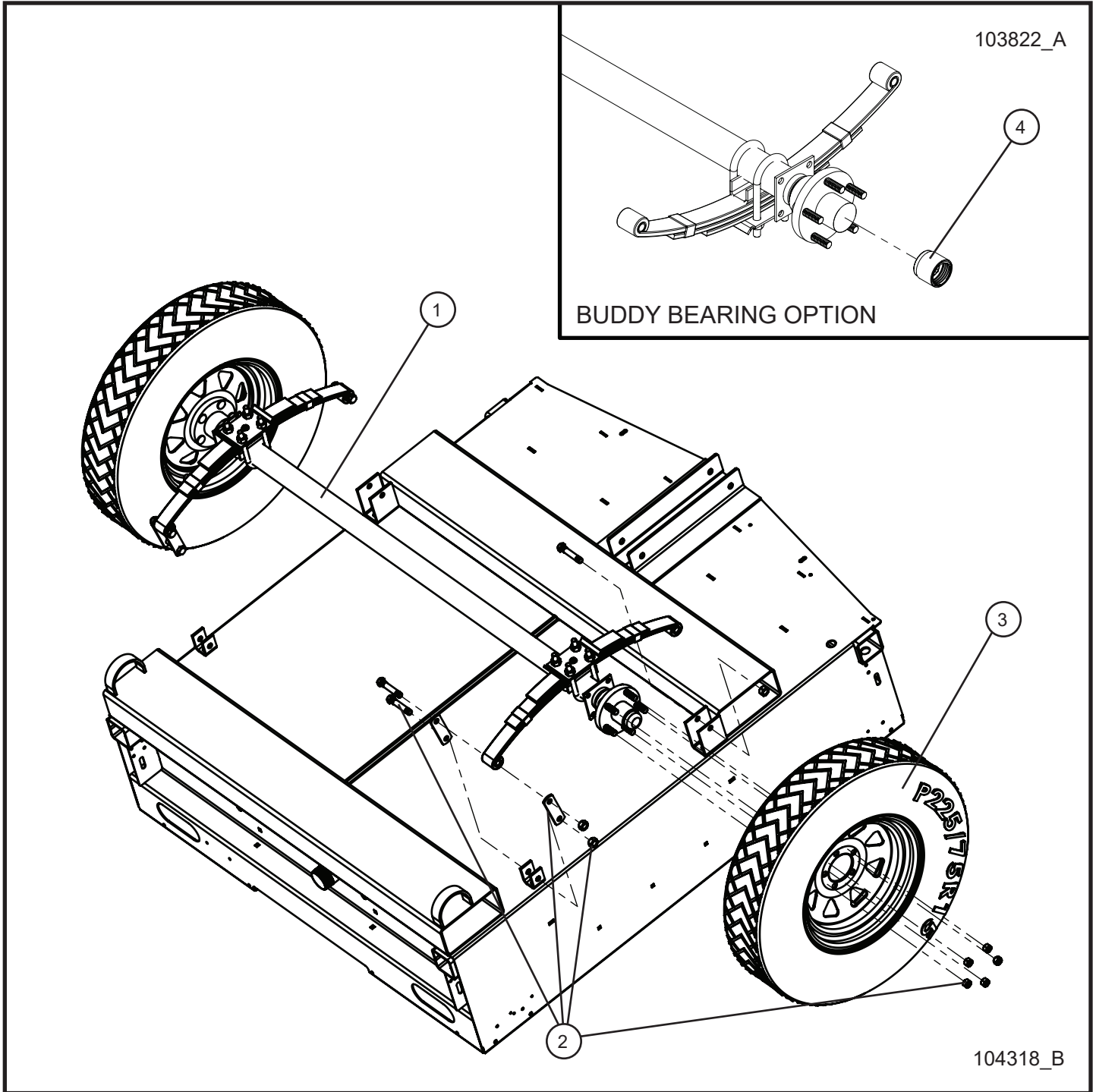
16.0 DECALS

Door Stripe Decals	(16.1)
Universal Trailer Decals	(16.2)
Danger/Warning Decals	(16.3)
LSC Warning Decal	(16.4)
Laydown Tower Decals	(16.5)
Vertical Tower Decals	(16.6)
Conspicuity Tape	(16.7)
CSA Decals	(16.8)
French Danger/Warning Decals	(16.9)
Electrical Information Decals	(16.10)

17.0 RECOMMENDED SPARE PARTS LIST TABLES

Vertical or Laydown with 60Hz or LED Lighting	(17.1)
Vertical or Laydown with 50Hz Lighting	(17.2)

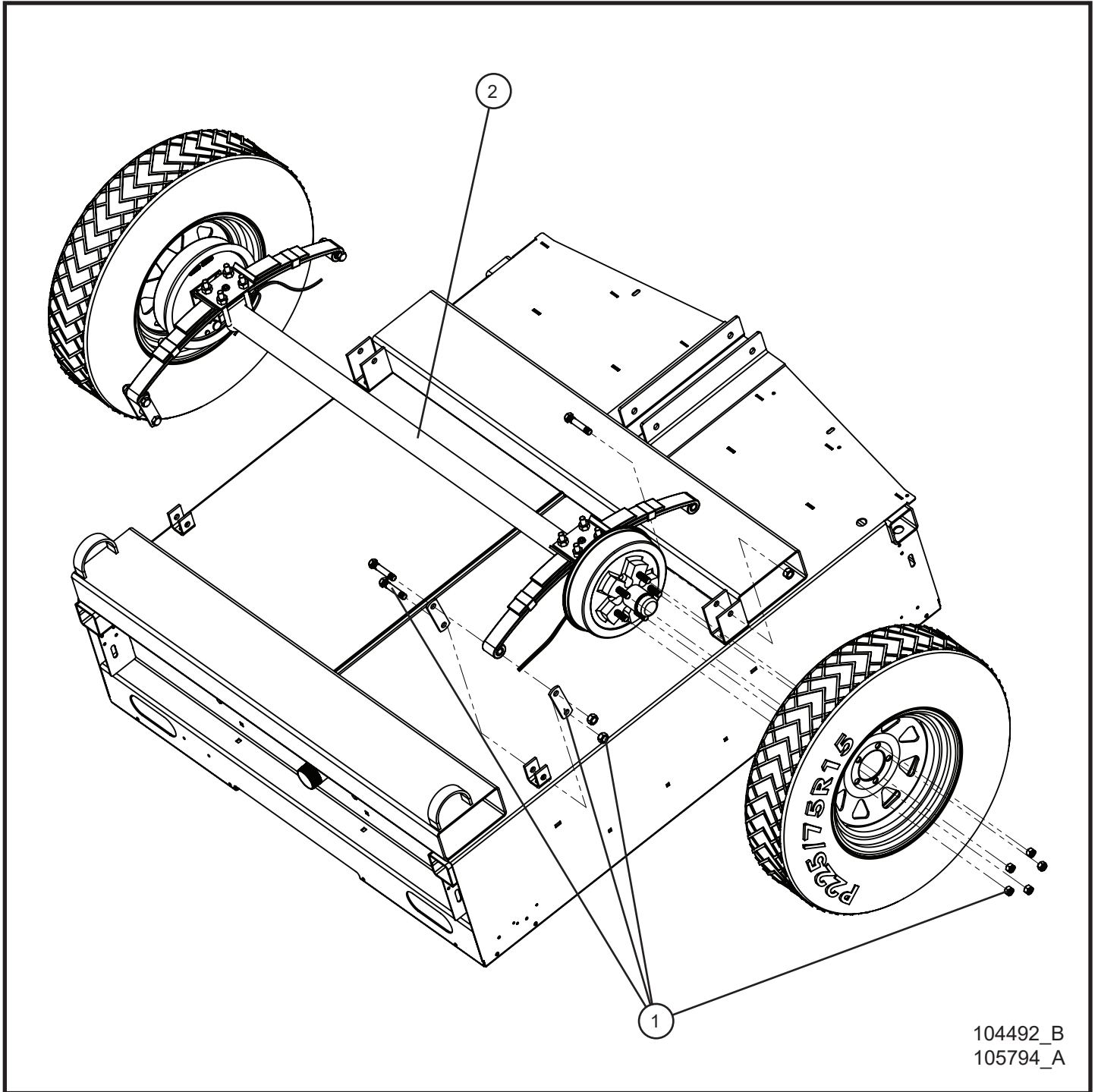
1.1 - Axle and Wheels



1.1 - Axle and Wheels

Item	Part No.	Part Description	Qty.
1	102106	AXLE HARDWARE KIT LONG	1
2	103639	AXLE 3700 LBS.	1
3	115003	15" WHEEL/TIRE ASSEMBLY	2
4	103952	BEARING BUDDY HUB COVER (OPTION)	2

1.2 - Electric and Hydraulic Brake Axle Options

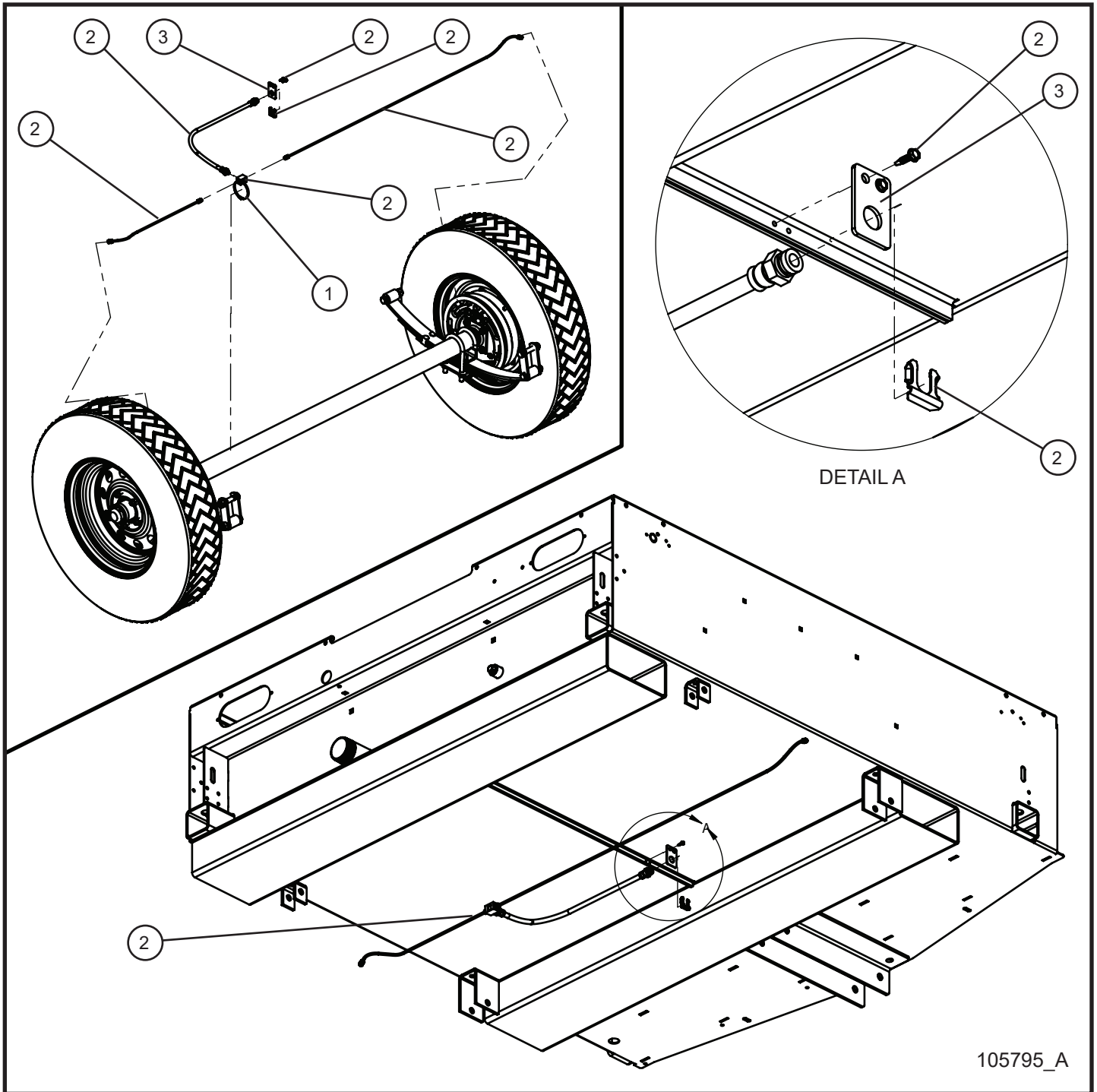


104492_B
105794_A

1.2 - Electric and Hydraulic Brake Axle Options

Item	Part No.	Part Description	Qty.
1	102106	AXLE HARDWARE KIT LONG	1
2	103640	3700 LBS ELECTRIC AXLE	1
	105793	HYDRAULIC AXLE	1

1.3 - Hydraulic Brake Line

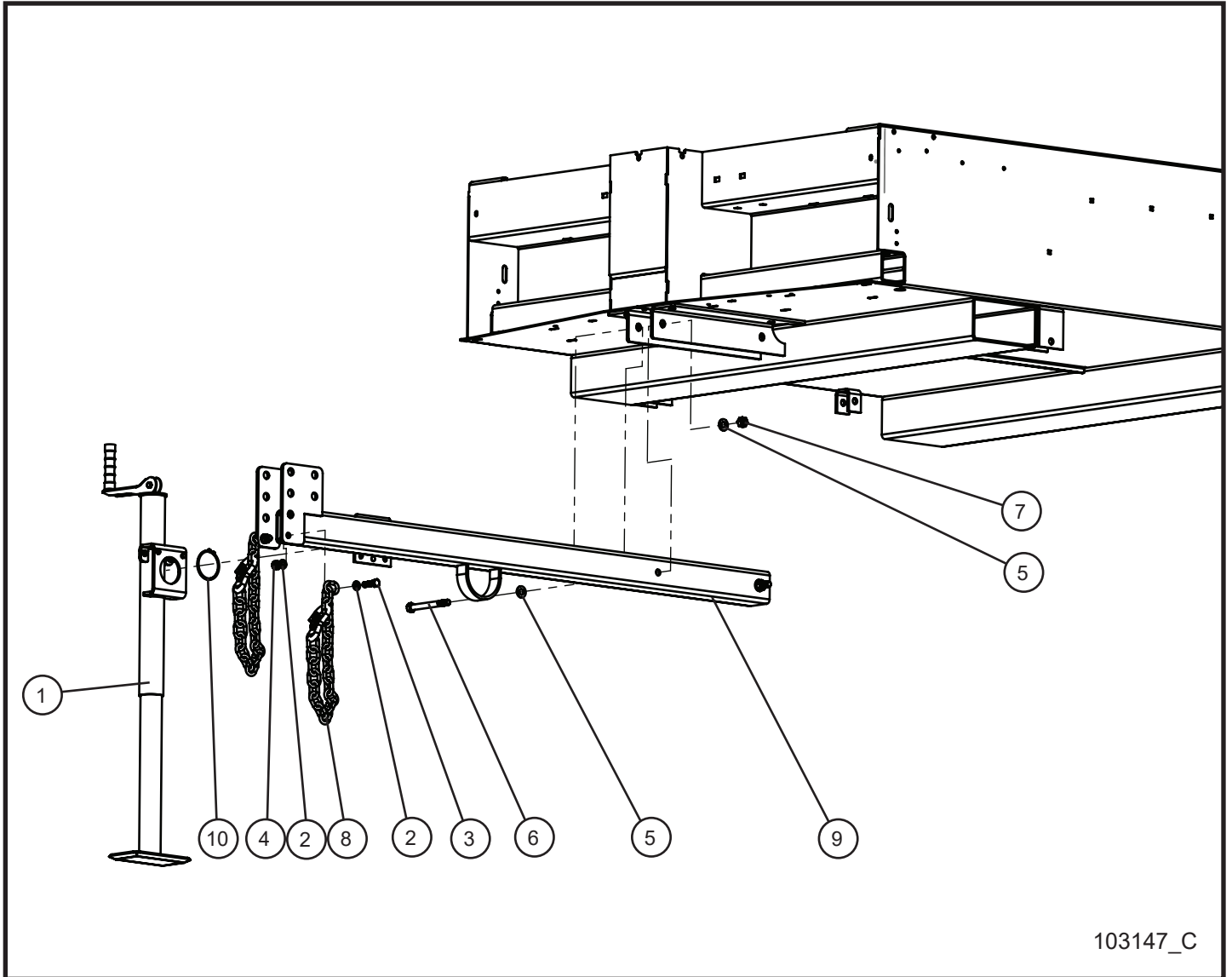


105795_A

1.3 - Hydraulic Brake Line

Item	Part No.	Part Description	Qty.
1	103433	14" SS TIE	1
2	105796	HYDRAULIC BRAKE LINE MAXI II AS3000	1
3	106176P	BRACKET BRAKE LINE HYD	1

1.4 - Old Style Snap-Ring Tongue

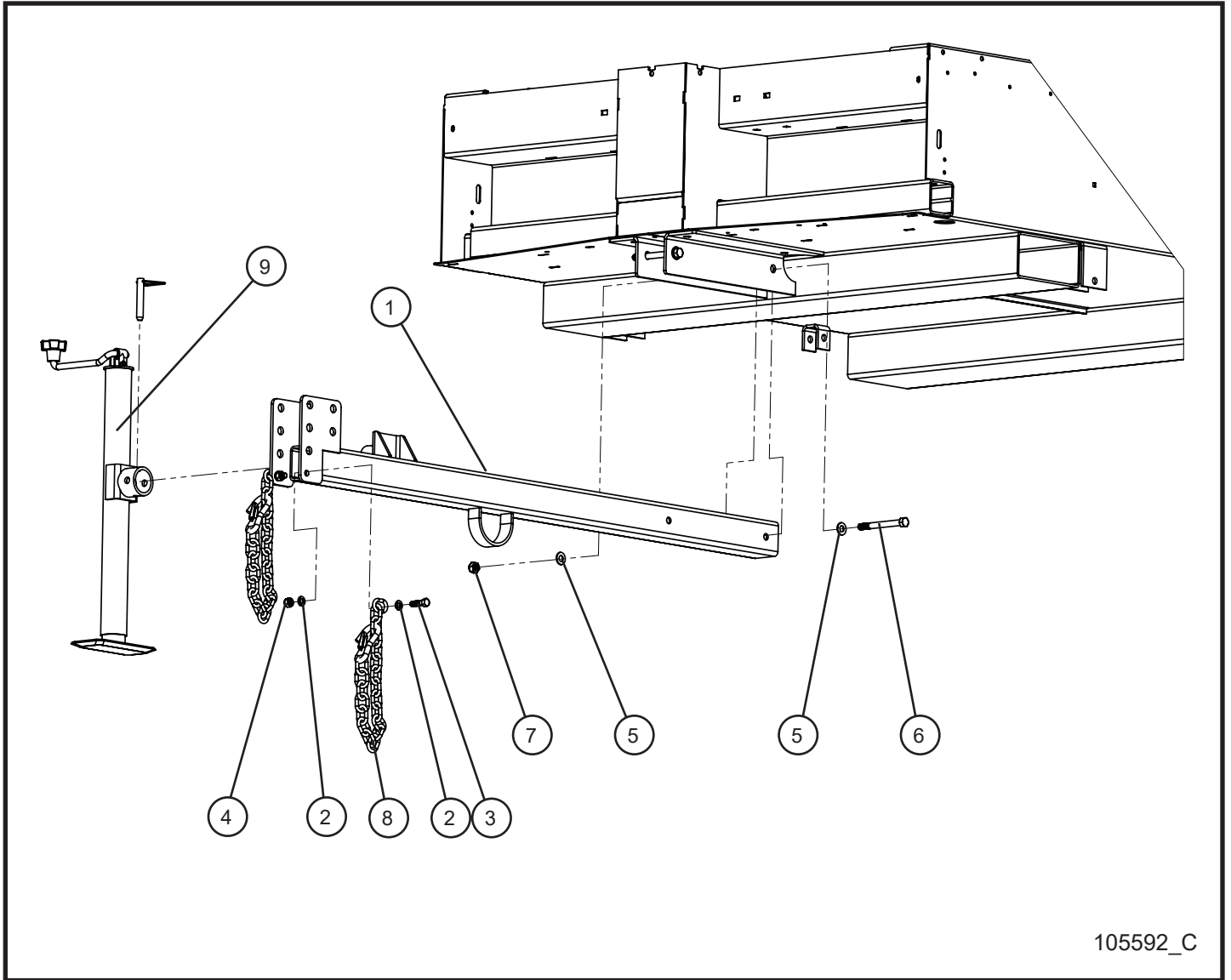


103147_C

1.4 - Old Style Snap-Ring Tongue

Item	Part No.	Part Description	Qty.
1	102089	TOP CRANK JACK SNAP RING	1
2	047075	7/16 FLAT WASHER SAE ZC	4
3	046160	7/16-14 x 1 1/2 HEX HEAD CS GR5 PL	2
4	044043	7/16-14 NYLOCK HEX NUT PL	2
5	047025	1/2 FLAT WASHER PL	4
6	046230	1/2-13 x 5 HEX HEAD CS GR5 PL	2
7	044048	1/2-13 NYLOCK HEX NUT PL	2
8	049040	SAFETY CHAIN	2
9	650398P	TONGUE	1
10	330014	2 5/6 XT JACK SNAP RING	1

1.5 - Old Style Tube-Mount Tongue

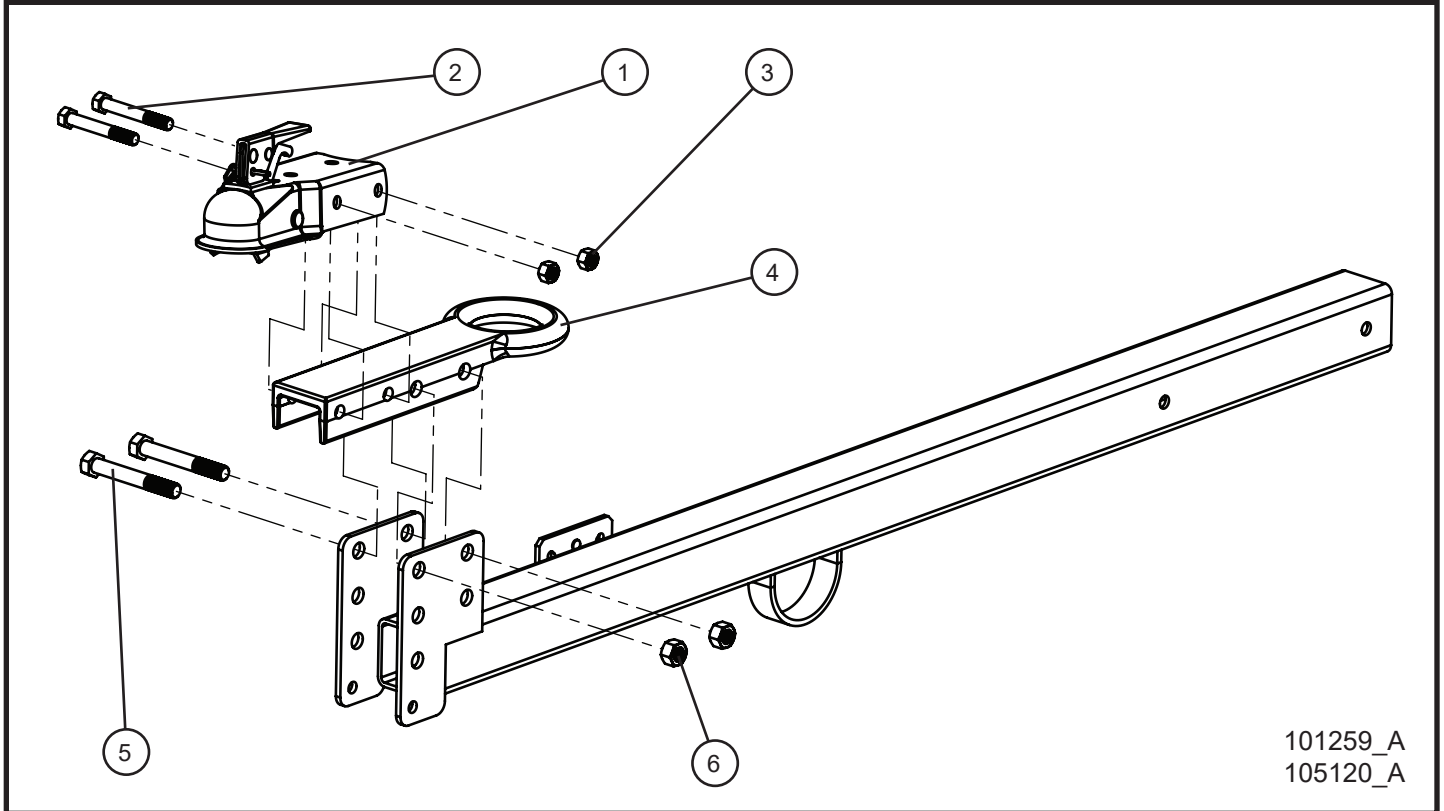
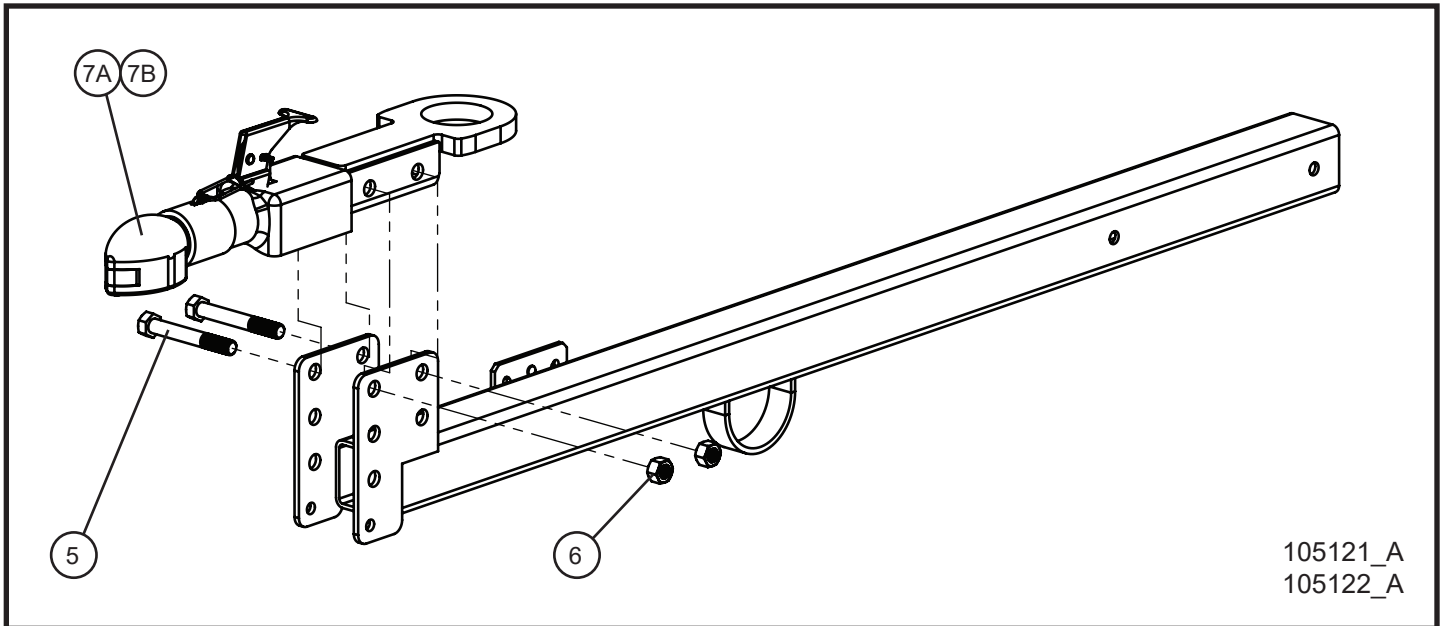


105592_C

1.5 - Old Style Tube-Mount Tongue

Item	Part No.	Part Description	Qty.
1	651225P	REMOVEABLE TUBE MOUNT TONGUE	1
2	047075	7/16 FLAT WASHER SAE ZC	4
3	046160	7/16-14 x 1 1/2 HEX HEAD CS GR5 PL	2
4	044043	7/16-14 NYLOCK HEX NUT PL	2
5	047025	1/2 FLAT WASHER PL	4
6	046230	1/2-13 x 5 HEX HEAD CS GR5 PL	2
7	044048	1/2-13 NYLOCK HEX NUT PL	2
8	049040	SAFETY CHAIN	2
9	108727	TOP CRANK JACK TUBE MOUNT	2

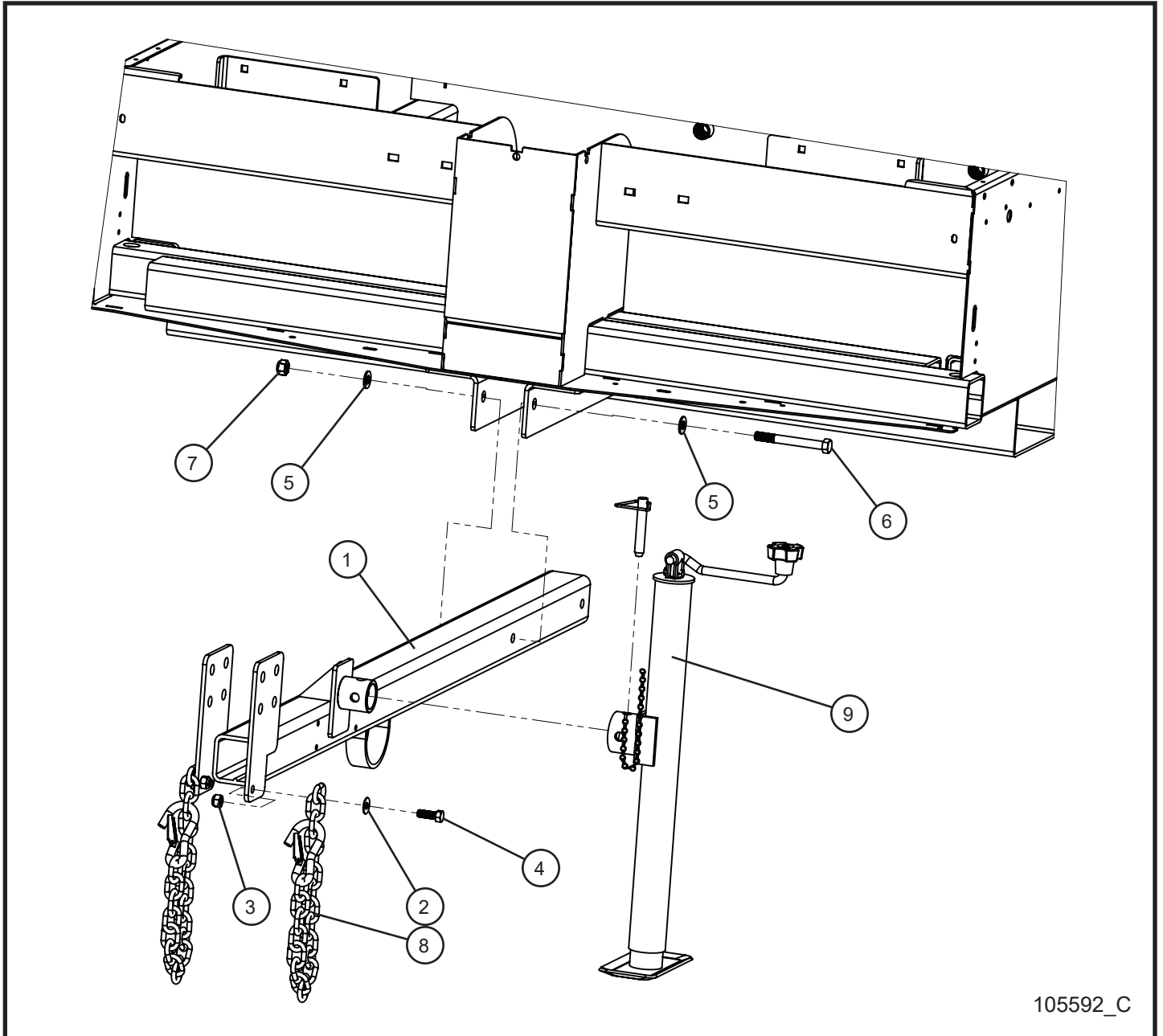
1.6 - Old Style Tongue Coupler Options



1.6 - Old Style Tongue Coupler Options

Item	Part No.	Part Description	Qty.
1	100794	2" BALL SAE 5000 LBS	1
2	046220	1/2-13 x 4 HEX HEAD CS GR5 PL	2
3	044062	1/2-13 TOPLOCK HEX NUT PL	2
4	712540-13	PINTLE HITCH DUCTILE IRON	1
5	046250	5/8-11 x 4 1/2 HEX HEAD CS GR5 PL	2
6	044061	5/8-11 TOPLOCK HEX NUT PL	2
7A	300775P	2" HITCH PINTLE COMBO	1
7B	680489P	2 5/16" HITCH PINTLE COMBO	1

1.7 - New Style Tube-Mount Tongue

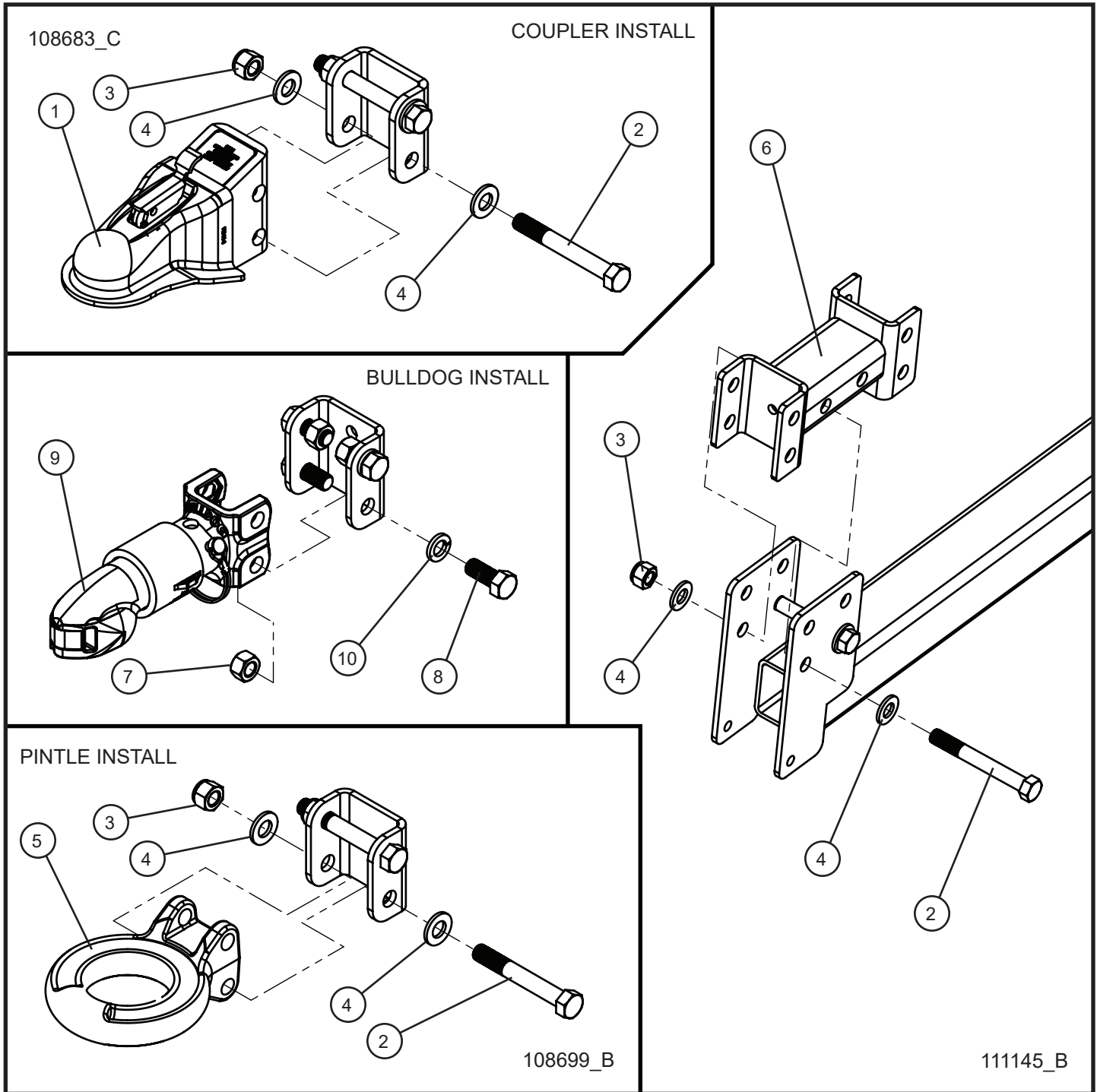


105592_C

1.7 - New Style Tube-Mount Tongue

Item	Part No.	Part Description	Qty.
1	112377P	TONGUE WELDMENT REVERSIBLE COUPLER	1
2	047015	3/8 FLAT WASHER	2
3	044043	7/16-14 NYLOCK HEX NUT	2
4	046159	7/16-14 x 1 1/4 HEX HEAD CS GR5 PL	2
5	047025	1/2 FLAT WASHER PL	4
6	046225	1/2-13 x 4 1/2 HEX HEAD CS GR5 PL	2
7	044048	1/2-13 NYLOCK HEX NUT PL	2
8	049040	SAFETY CHAIN	2
9	108727	TOP CRANK JACK TUBE MOUNT	2

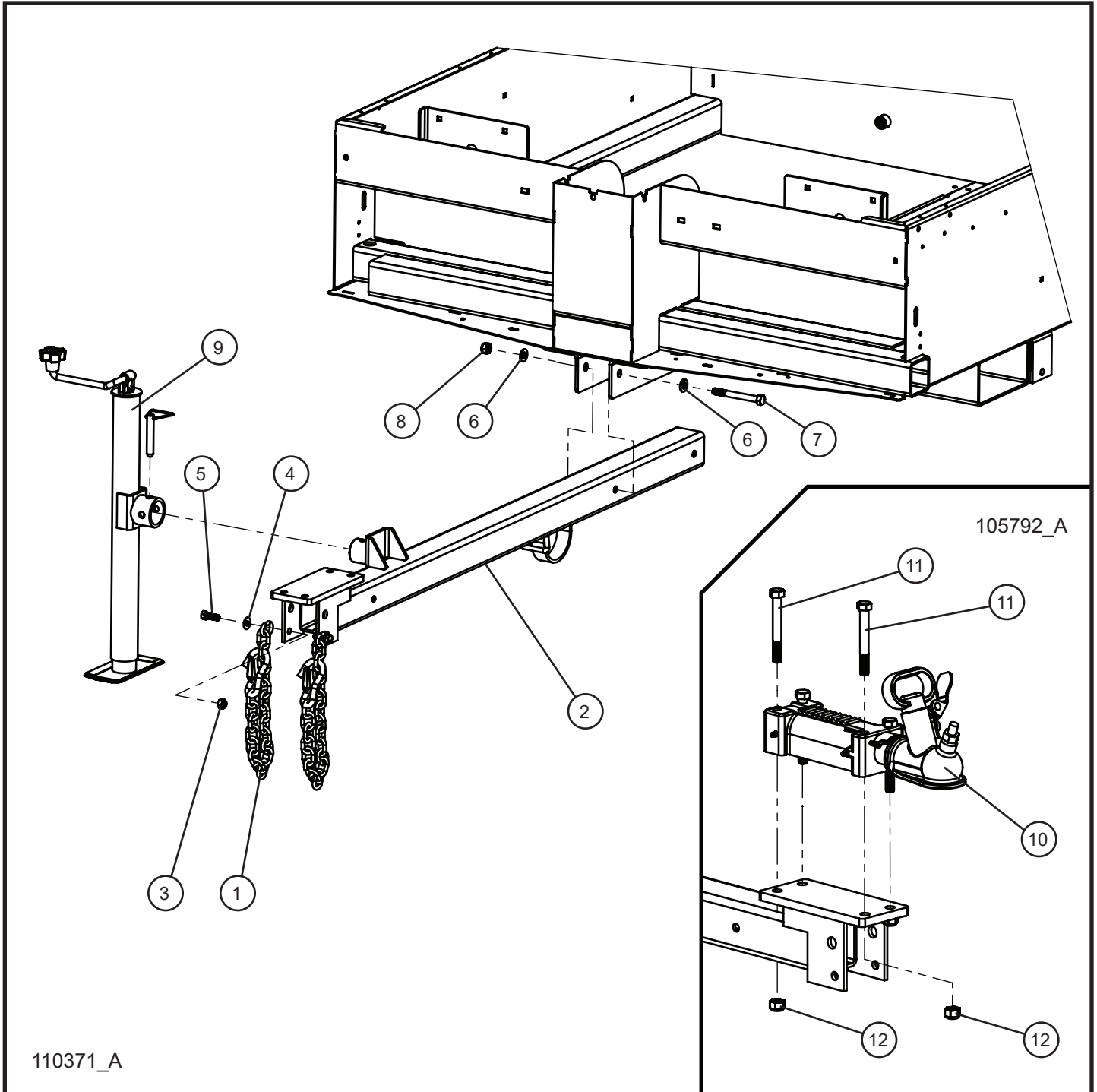
1.8 - New Style Tube-Mount Tongue Coupler Options



1.8 - New Style Tube-Mount Tongue Coupler Options

Item	Part No.	Part Description	Qty.
1	109977	COUPLER BALL 2.00 ADJUSTABLE STAMPED	1
	109976	COUPLER BALL 2.313 ADJUSTABLE STAMPED	1
2	046255	5/8-11 x 5 HEX HEAD CS GR5 PL	4
3	044053	5/8-11 NYLOCK HEX NUT PL	4
4	047031	5/8 FLAT WASHER HDND PL	10
5	106720	RING PINTLE 3.00 ADJUSTABLE	1
6	111148P	REVERSIBLE COUPLER TONGUE MOUNT	1
7	044050	5/8-11 HEX NUT PL	4
8	046245	5/8-11 x 1 1/2 HEX HEAD CS GR5 PL	4
9	109978	COUPLER BALL 2.00 BULLDOG HITCH 7,000 LBS	1
	109979	COUPLER BALL 2.313 BULLDOG HITCH 12,500 LBS	1
10	043101	5/8 SPLITLOCK WASHER PL	4

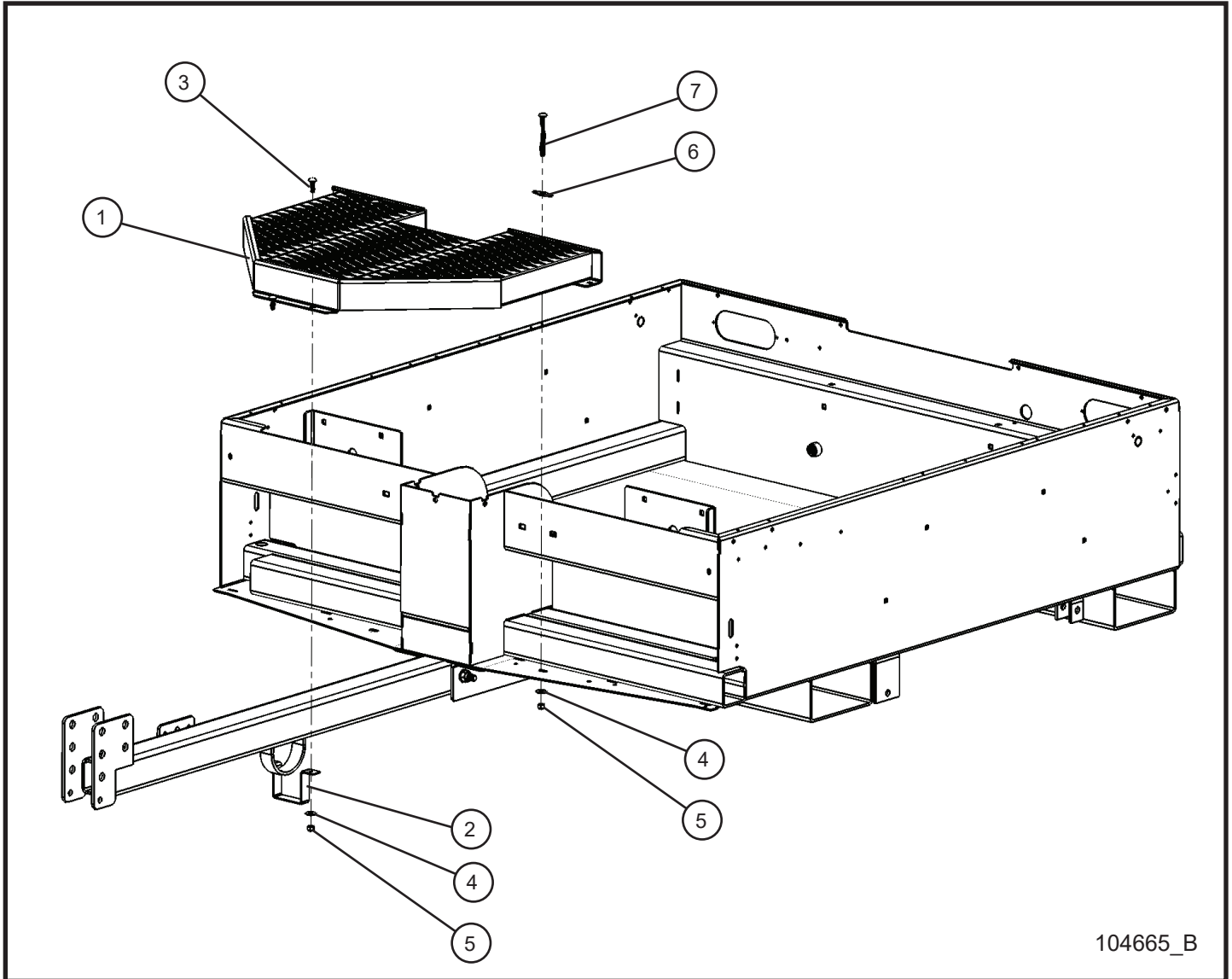
1.9 - Australian Tongue and Coupler



1.9 - Australian Tongue and Coupler

Item	Part No.	Part Description	Qty.
1	049040	SAFETY CHAIN	2
2	108739P	PRO SE POWER TONGUE WELDMENT	1
3	044043	7/16-14 NYLOCK HEX NUT PL	2
4	047015	3/8 FLAT WASHER PL	4
5	046159	7/16-14 x 1 1/4 HEX HEAD CS GR5 PL	2
6	047025	1/2 FLAT WASHER PL	4
7	046225	1/2-13 x 4 1/2 HEX HEAD CS GR5 PL	2
8	044048	1/2-13 NYLOCK HEX NUT PL	2
9	108727	TOP CRANK TUBE MOUNT JACK	1
10	C103486	COUPLING O/R 3/4 HYD TB A0105	1
11	C103493	1/2"-20 x 4" GRADE 8 HEX BOLT	4
12	C103495	1/2"-20 NYLON INSERT HEX NUT	4

1.10 - Tongue Platform Install Group

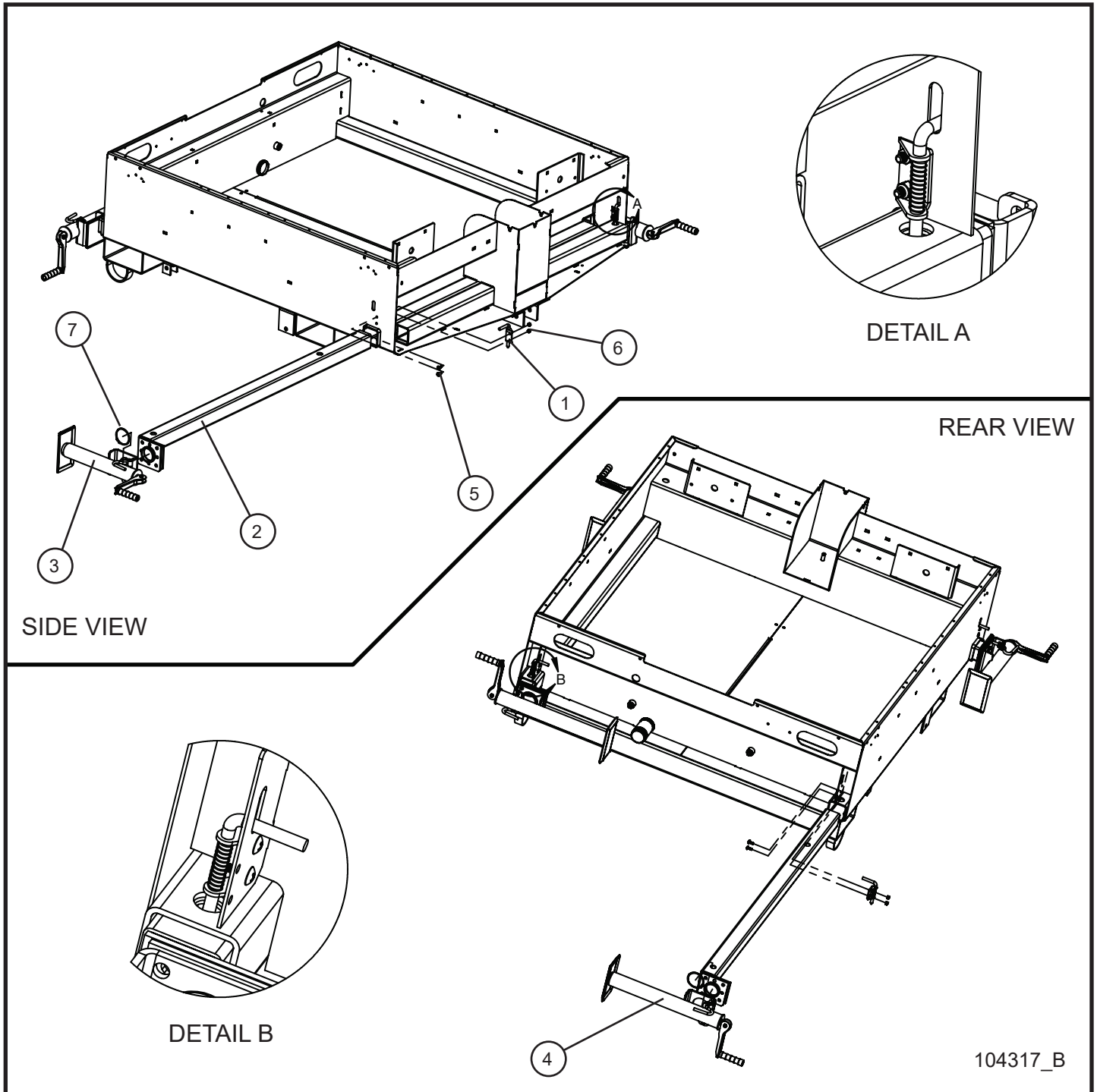


104665_B

1.10 - Tongue Platform Install Group

Item	Part No.	Part Description	Qty.
1	104529P	PLATFORM GRIP STEP	1
2	104530P	TONGUE STRAP GRIP STEP	1
3	053020	5/16-18 x 1 CARRIAGE BOLT	2
4	047010	5/16 FLAT WASHER PL	4
5	044033	5/16-18 NYLOCK HEX NUT PL	4
6	106908P	DIAMOND WASHER GRIP STRUT	2
7	053027	5/16-18 x 2 CARRIAGE BOLT ZC	2

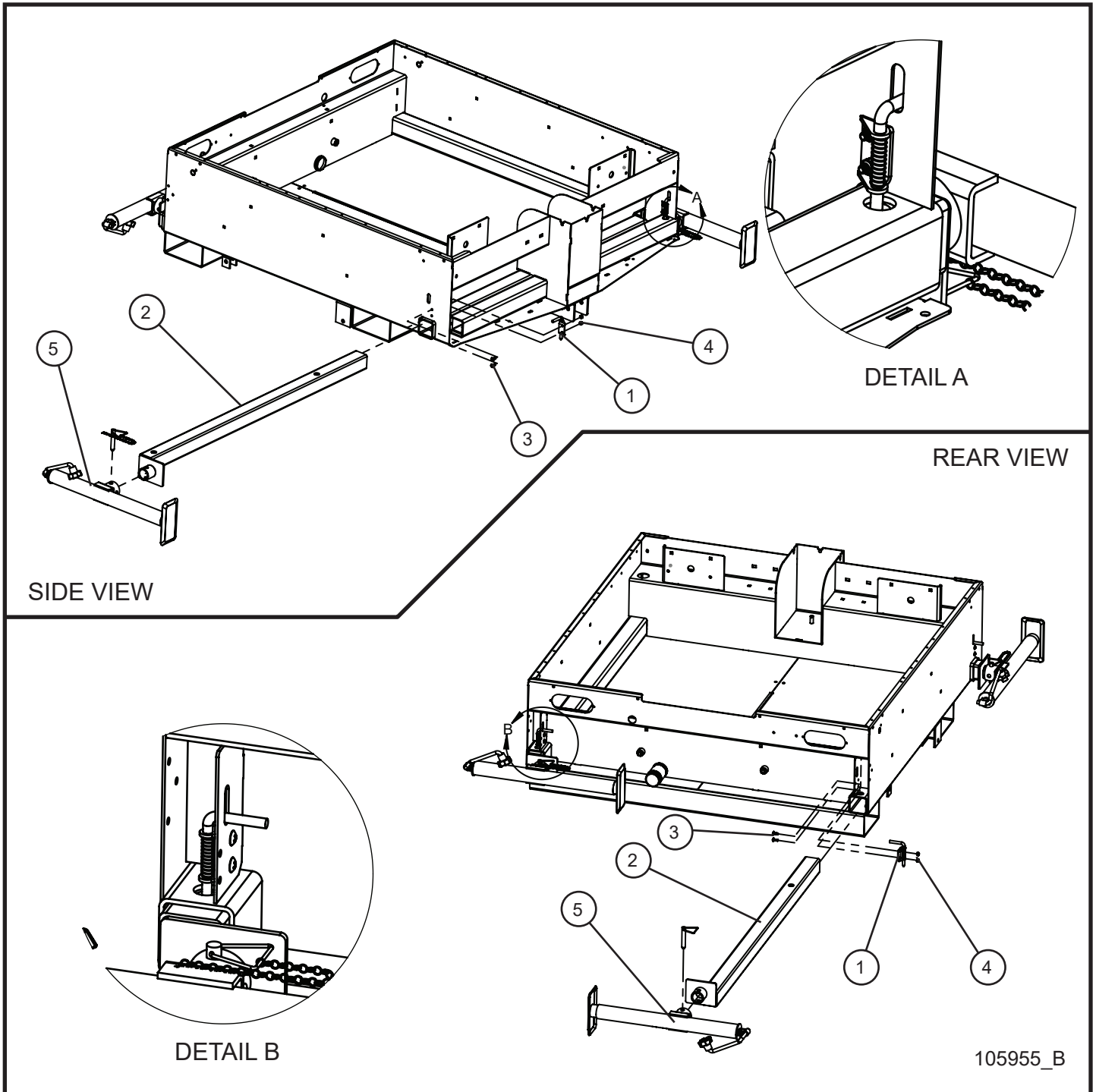
1.11 - Outriggers and Jacks



1.11 - Outriggers and Jacks

Item	Part No.	Part Description	Qty.
1	650723	PIN OUTRIGGER RETENTION RIGHT	4
2	104273P	OUTRIGGER WELDMENT	4
3	330008	TOP CRANK SHORT JACK	2
4	330010	TOP CRANK LONG JACK	2
5	041050	1/4-20 x 3/4 PH-TRUSS HEAD MS SS	8
6	044023	1/4-20 NYLOCK HEX NUT PL	8
7	330014	2 5/6 XT JACK SNAP RING	4

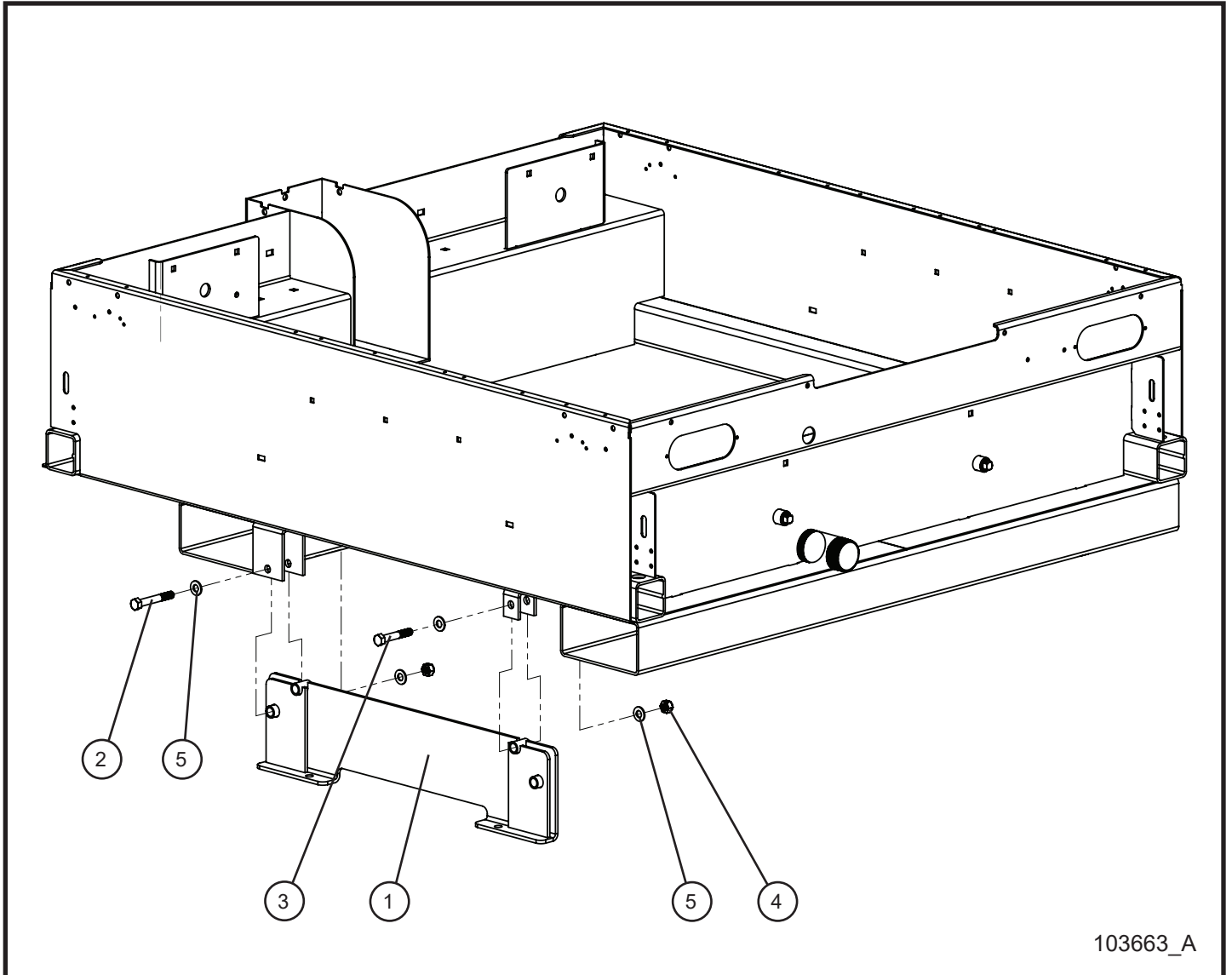
1.12 - Heavy Duty Outriggers and Jacks



1.12 - Heavy Duty Outriggers and Jacks

Item	Part No.	Part Description	Qty.
1	650723	PIN OUTRIGGER RETENTION RIGHT	4
2	105946P	HD OUTRIGGER WELDMENT MAXI II	4
3	041050	1/4-20 x 3/4 PH-TRUSS HEAD MS SS	8
4	044023	1/4-20 NYLOCK HEX NUT PL	8
5	108727	JACK TOP CRANK TUBE MOUNT	4

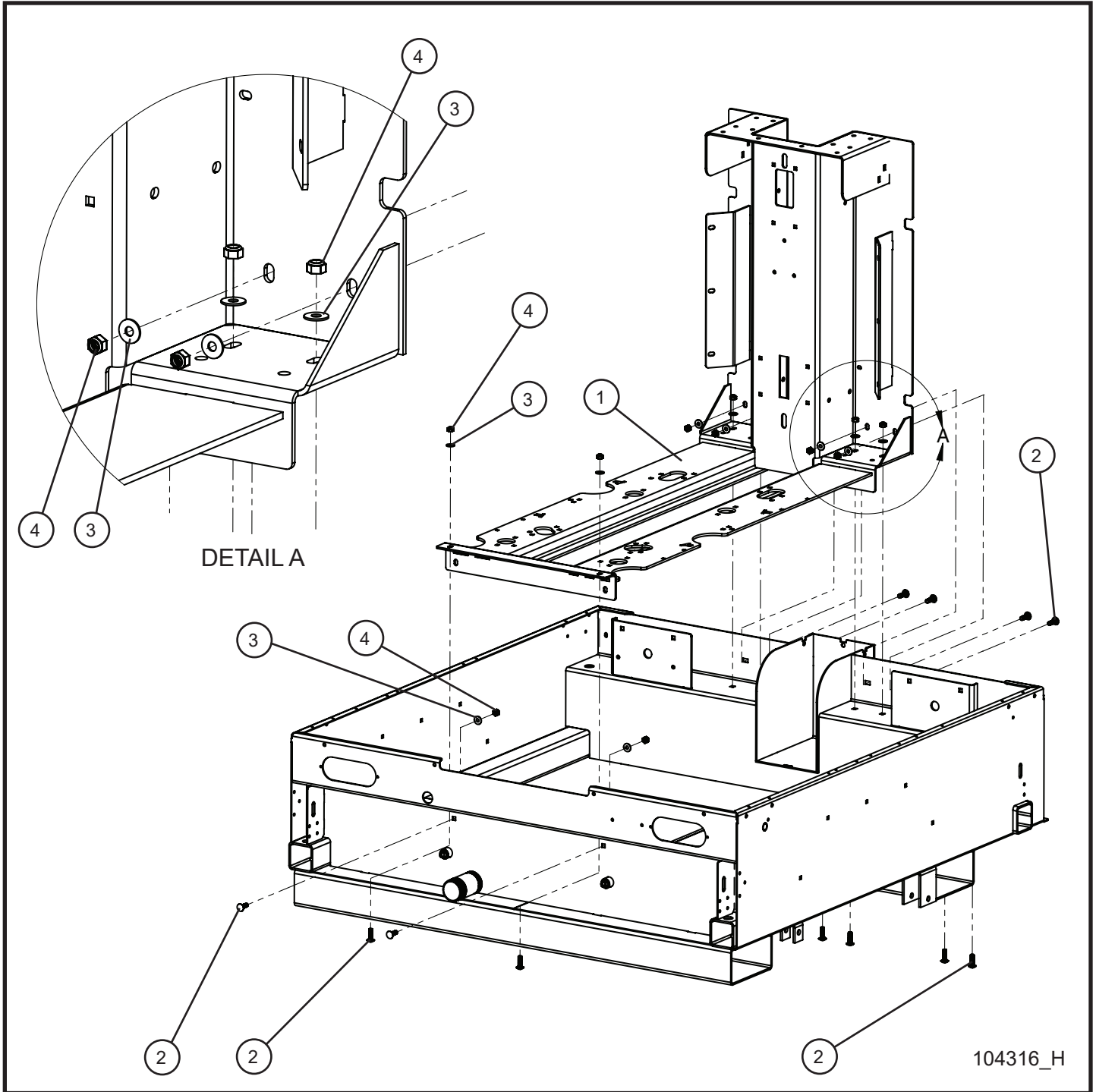
1.13 - Skid Mount Install Group



1.13 - Skid Mount Install Group

Item	Part No.	Part Description	Qty.
1	113141P	SKID MOUNT MAXI II	2
2	046215	1/2-13 x 3 1/2 HEX HEAD CS	2
3	046210	1/2-13 x 3 HEX HEAD CS GR5 PL	2
4	044048	1/2-13 NYLOCK	4
5	047025	1/2 FLAT WASHER PL	8

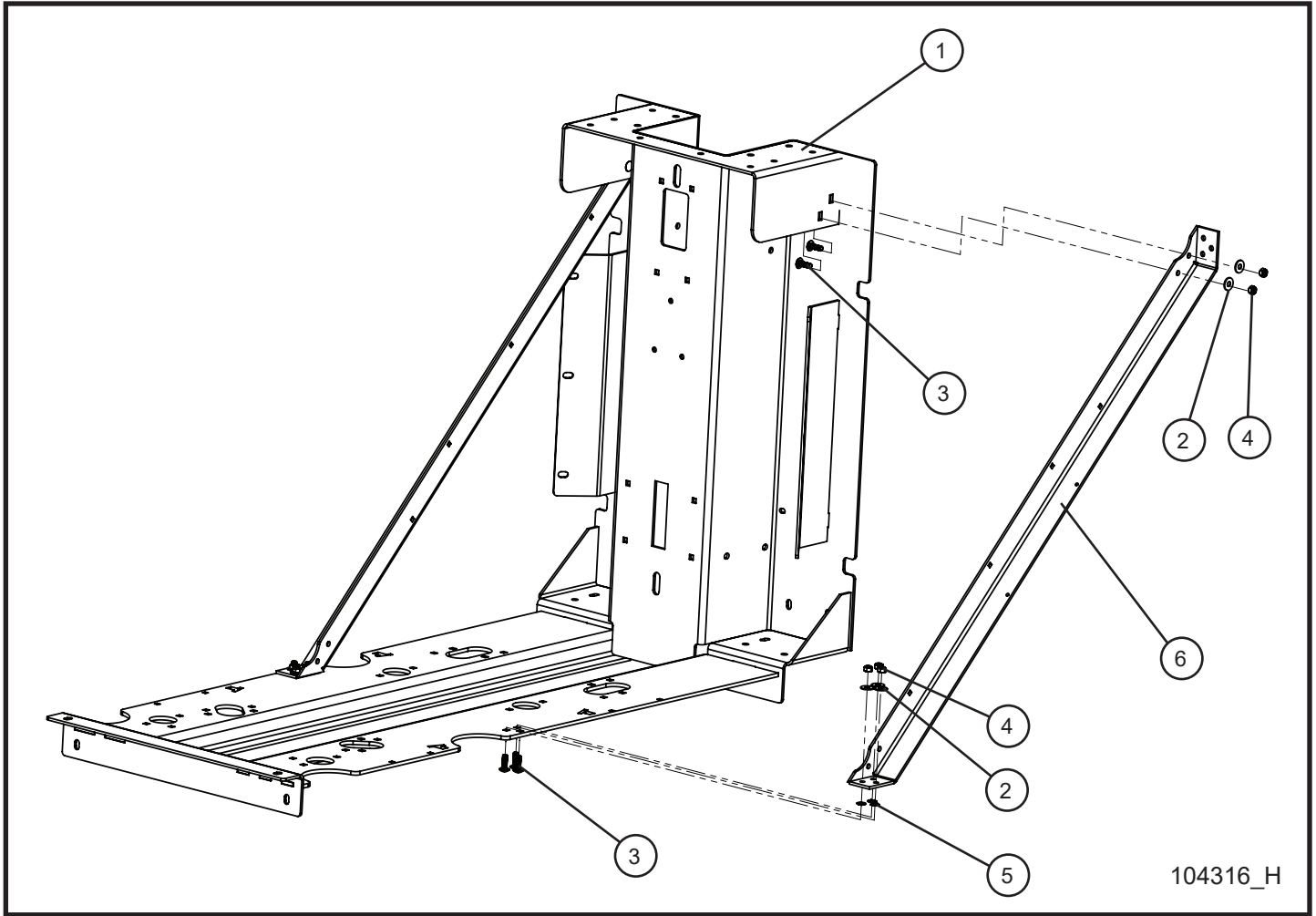
2.1 - Engine Cradle and Stringer Group (1 of 3)



2.1 - Engine Cradle and Stringer Group (1 of 3)

Item	Part No.	Part Description	Qty.
1	104400P	ENGINE CRADLE MAXI II	1
2	100670	3/8-16 x 1 1/4 CARRIAGE BOLT	12
3	047015	3/8 FLAT WASHER PL	12
4	044038	3/8-16 NYLOCK HEX NUT PL	12

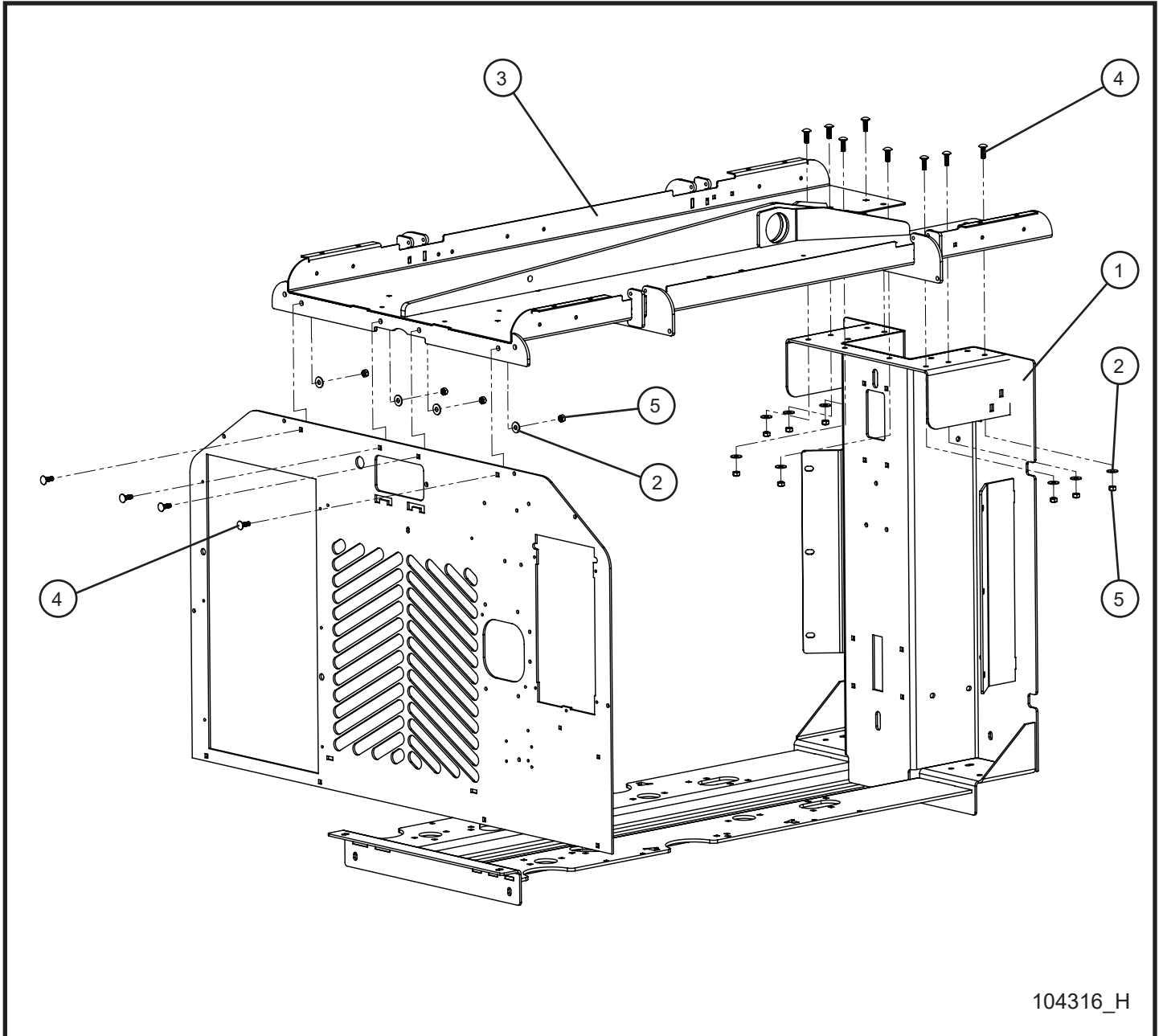
2.1 - Engine Cradle and Stringer Group (2 of 3)



2.1 - Engine Cradle and Stringer Group (2 of 3)

Item	Part No.	Part Description	Qty.
1	104400P	ENGINE CRADLE MAXI II	1
2	047010	5/16 FLAT WASHER PL	10
3	053020	5/16-18 x 1 CARRIAGE BOLT PL	10
4	044033	5/16-18 NYLOCK HEX NUT PL	10
5	045217	5/16 PUSH NUT	6
6	104391P	ANGLE BRACE ENGINE CRADLE	2

2.1 - Engine Cradle and Stringer Group (3 of 3)

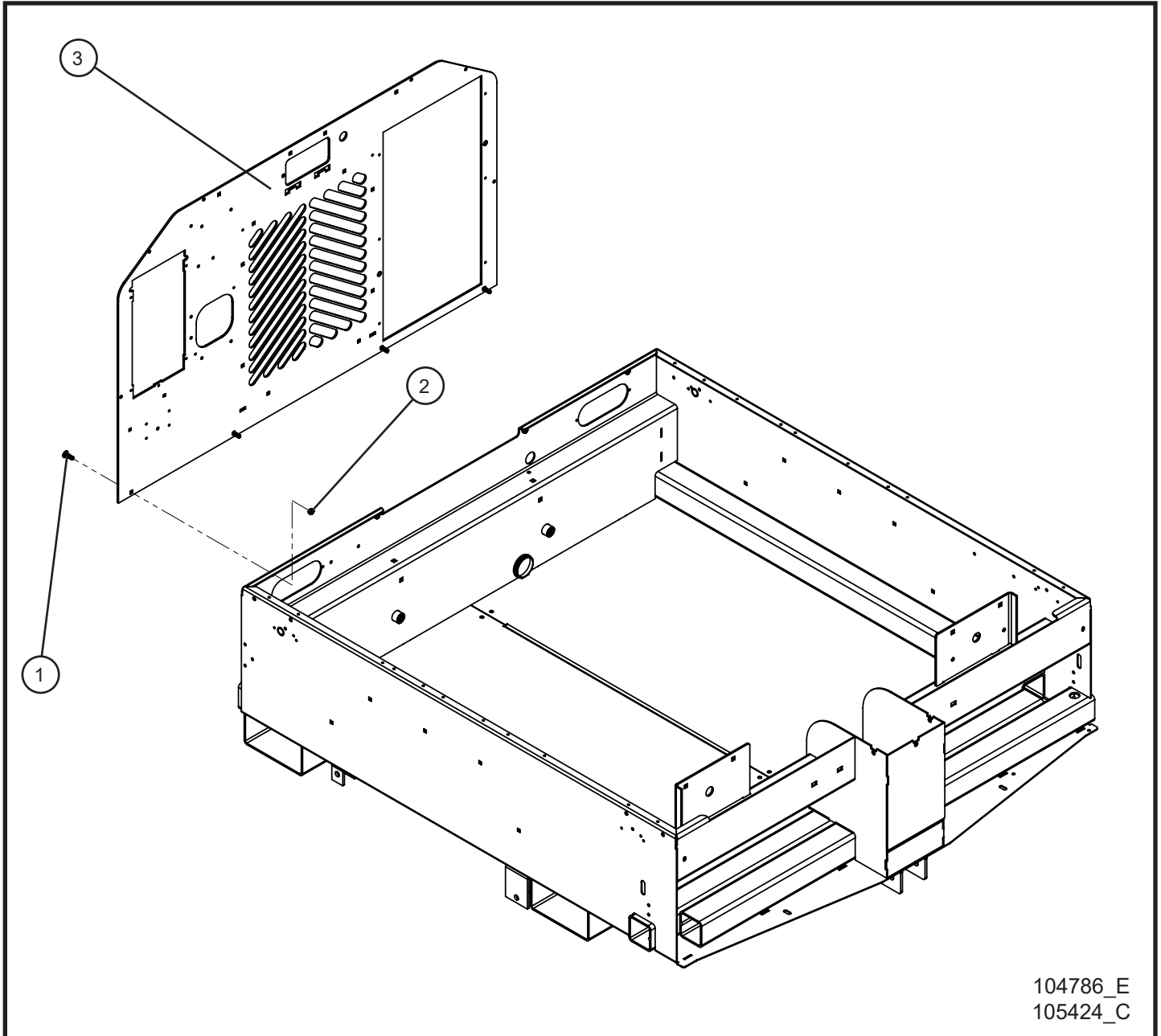


104316_H

2.1 - Engine Cradle and Stringer Group (3 of 3)

Item	Part No.	Part Description	Qty.
1	104400P	ENGINE CRADLE MAXI II	1
2	047010	5/16 FLAT WASHER PL	12
3	105725P	STRINGER WELDMENT MAXI II	1
4	053020	5/16-18 x 1 CARRIAGE BOLT PL	12
5	044033	5/16-18 NYLOCK HEX NUT PL	12

2.2 - Rear Panel Options

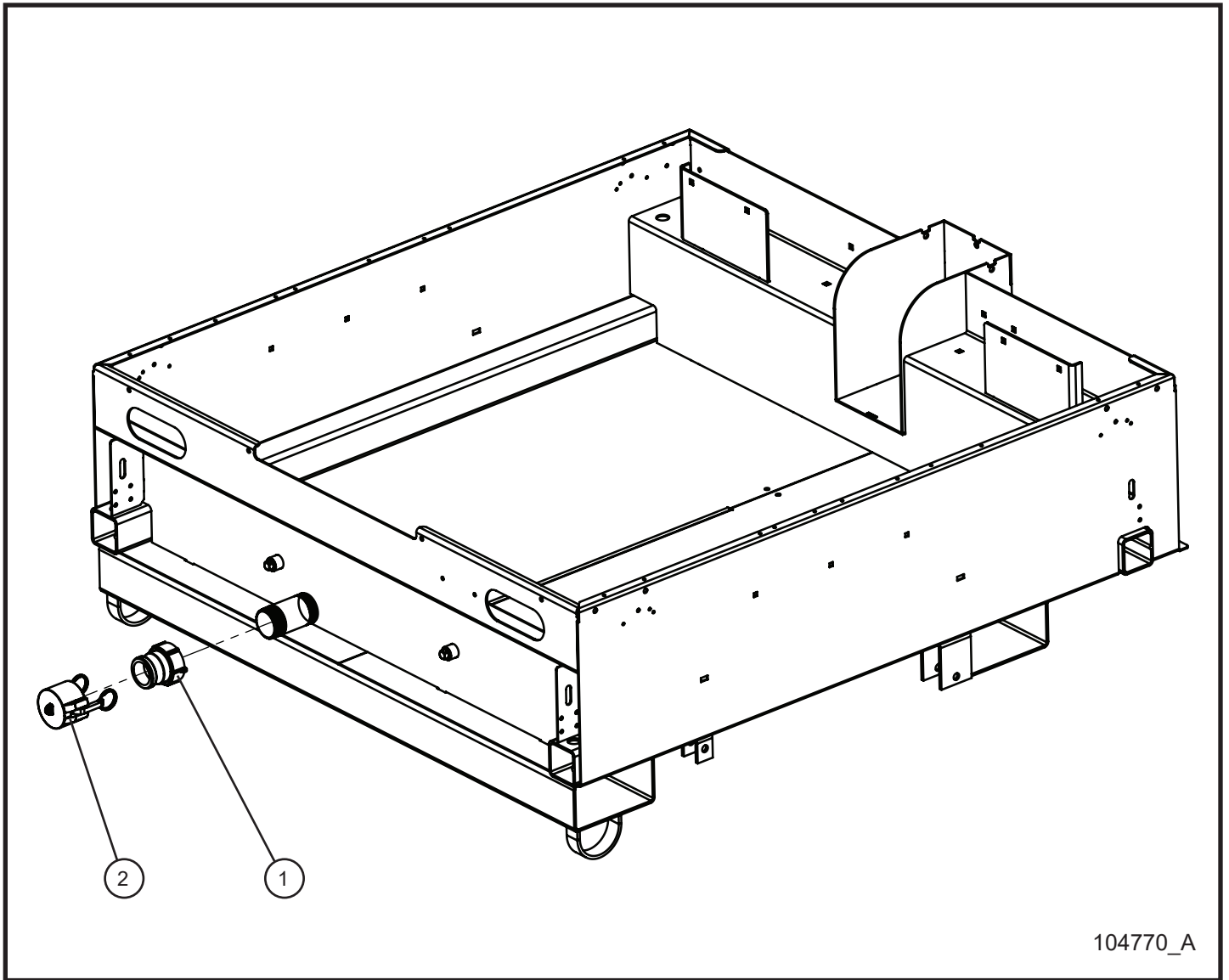


104786_E
105424_C

2.2 - Rear Panel Options

Item	Part No.	Part Description	Qty.
1	053020	5/16-18 x 1 CARRIAGE BOLT PL	4
2	044033	5/16-18 x NYLOCK HEX NUT PL	4
3	104789P	UNIVERSAL REAR PANEL	1
	105413P	RADIATOR MOUNTED REAR PANEL	1

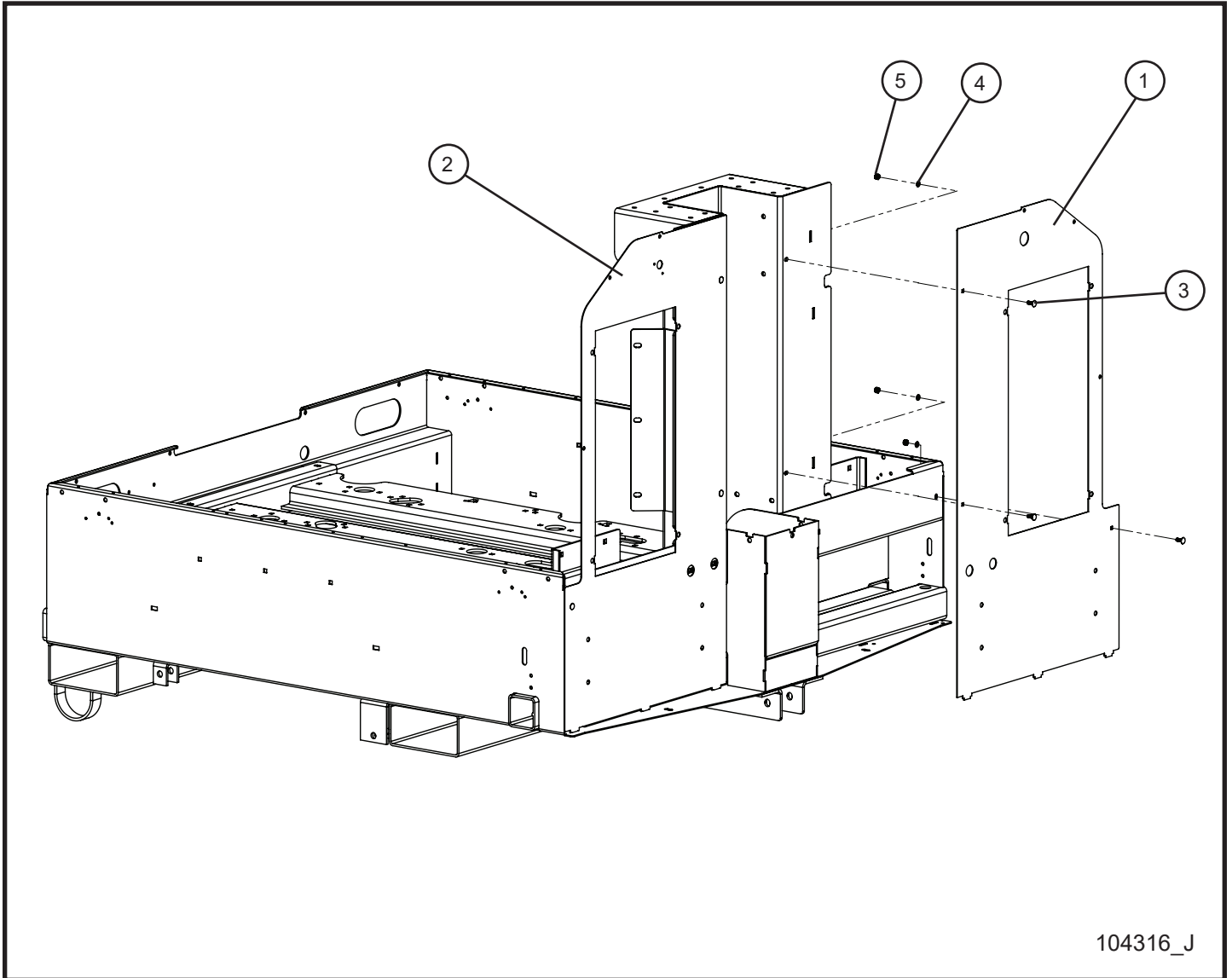
2.3 - Containment Drain



2.3 - Containment Drain

Item	Part No.	Part Description	Qty.
1	104464	PIPE CONNECTION 2 INCH COUPLING	1
2	104463	CAP 2 INCH COUPLING	1

2.4 - Multi Option Front Panels

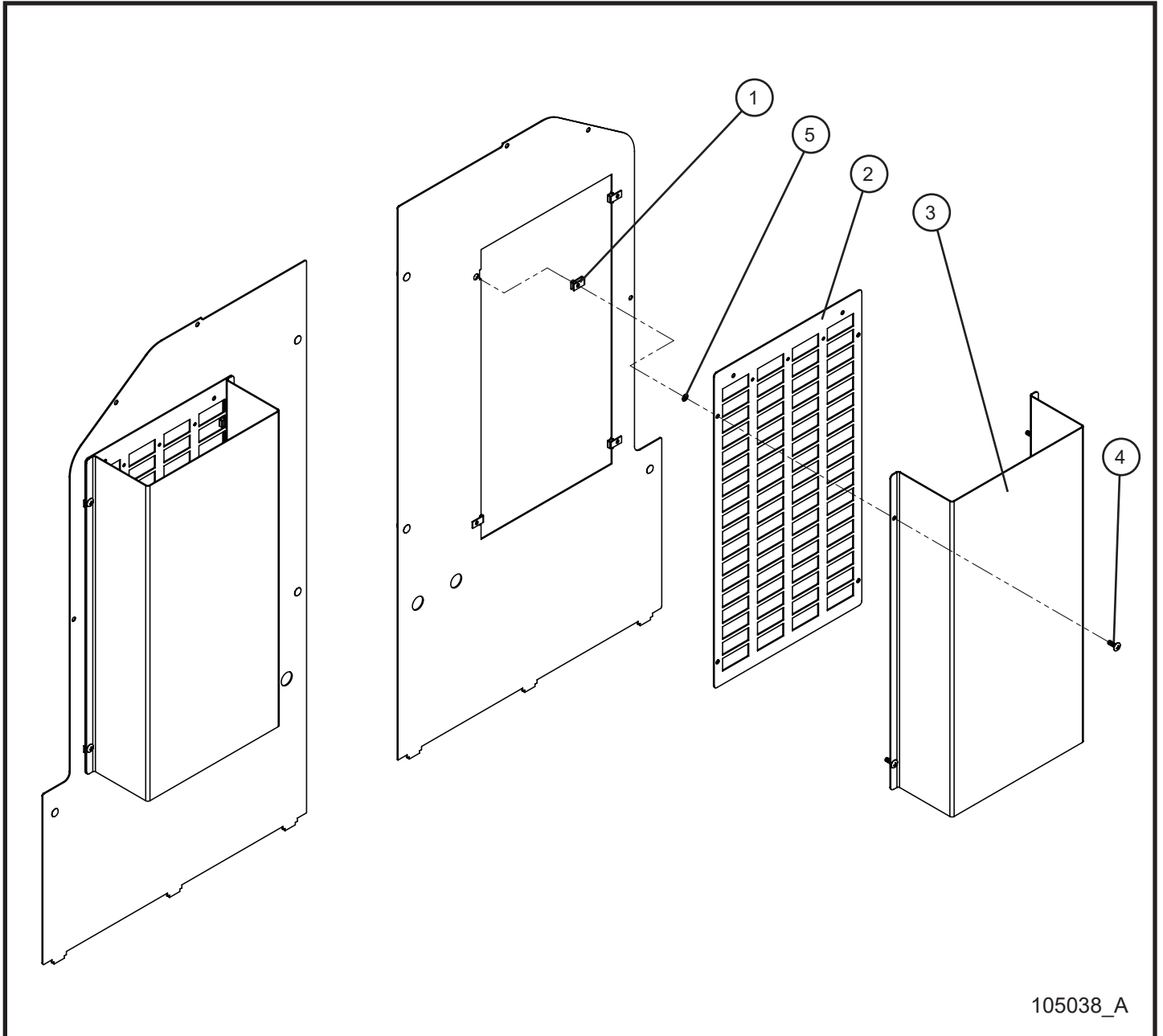


104316_J

2.4 - Multi Option Front Panels

Item	Part No.	Part Description	Qty.
1	103607P	PANEL FRONT LEFT (SPECIFY CHIP RESISTANT)	1
2	104290P	PANEL FRONT RIGHT (SPECIFY CHIP RESISTANT)	1
3	053006	1/4-20 x 3/4 CARRIAGE BOLT	6
4	047009	1/4 FLAT WASHER SAE SS	6
5	044023	1/4-20 NYLOCK HEX NUT PL	6

2.5 - Intake Air Deflector Option

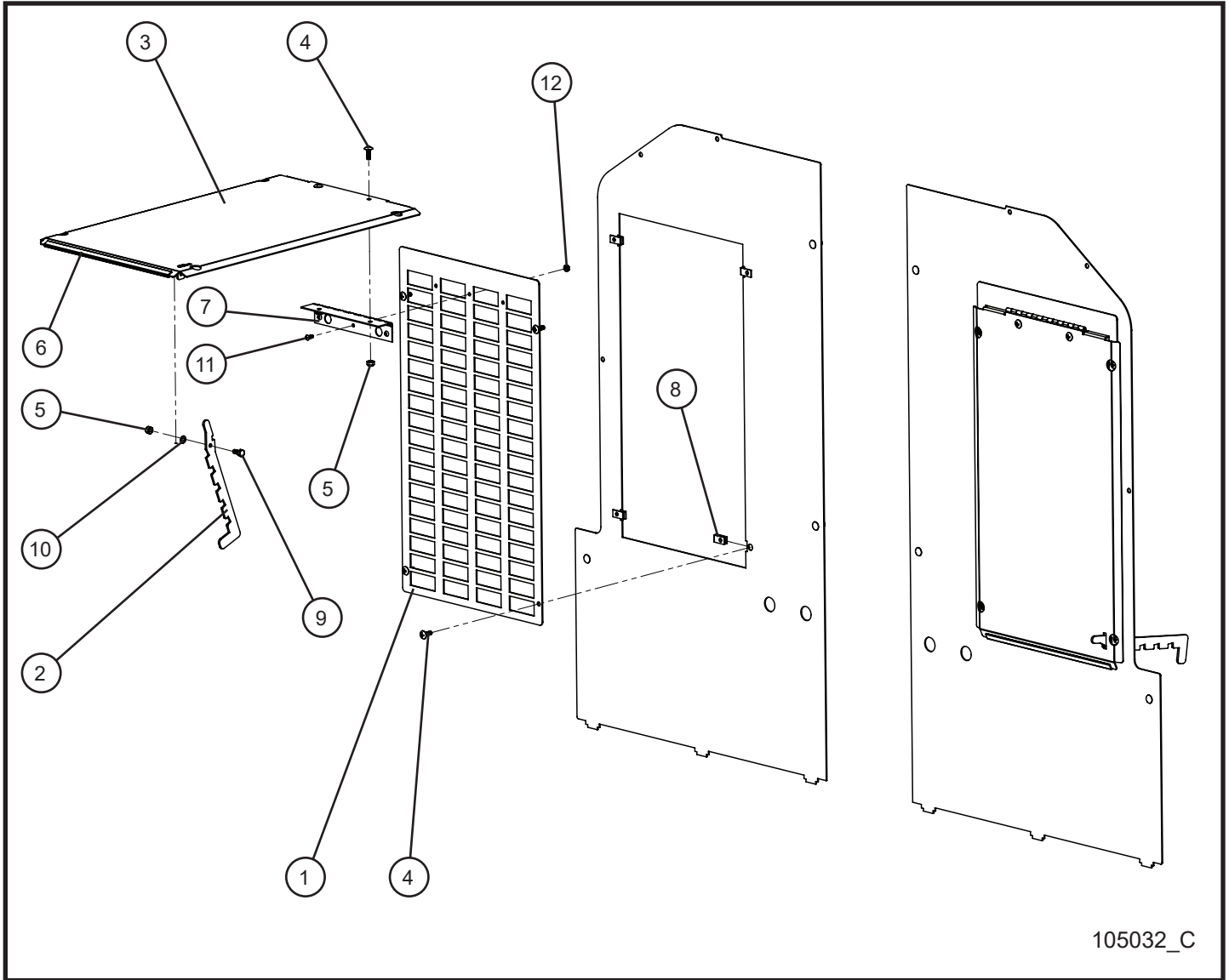


105038_A

2.5 - Intake Air Deflector Option

Item	Part No.	Part Description	Qty.
1	044106	1/4-20 TINNERMAN NUT	8
2	104800P	PLATE AIR VENT GRID MAXI II	2
3	104799P	AIR VENT DEFLECTORS MAXI II (SPECIFY CHIP RESISTANT)	2
4	041050	1/4-20 x 3/4 PH-TRUSS HEAD MS SS	8
5	101701	1/4 PUSH NUT	8

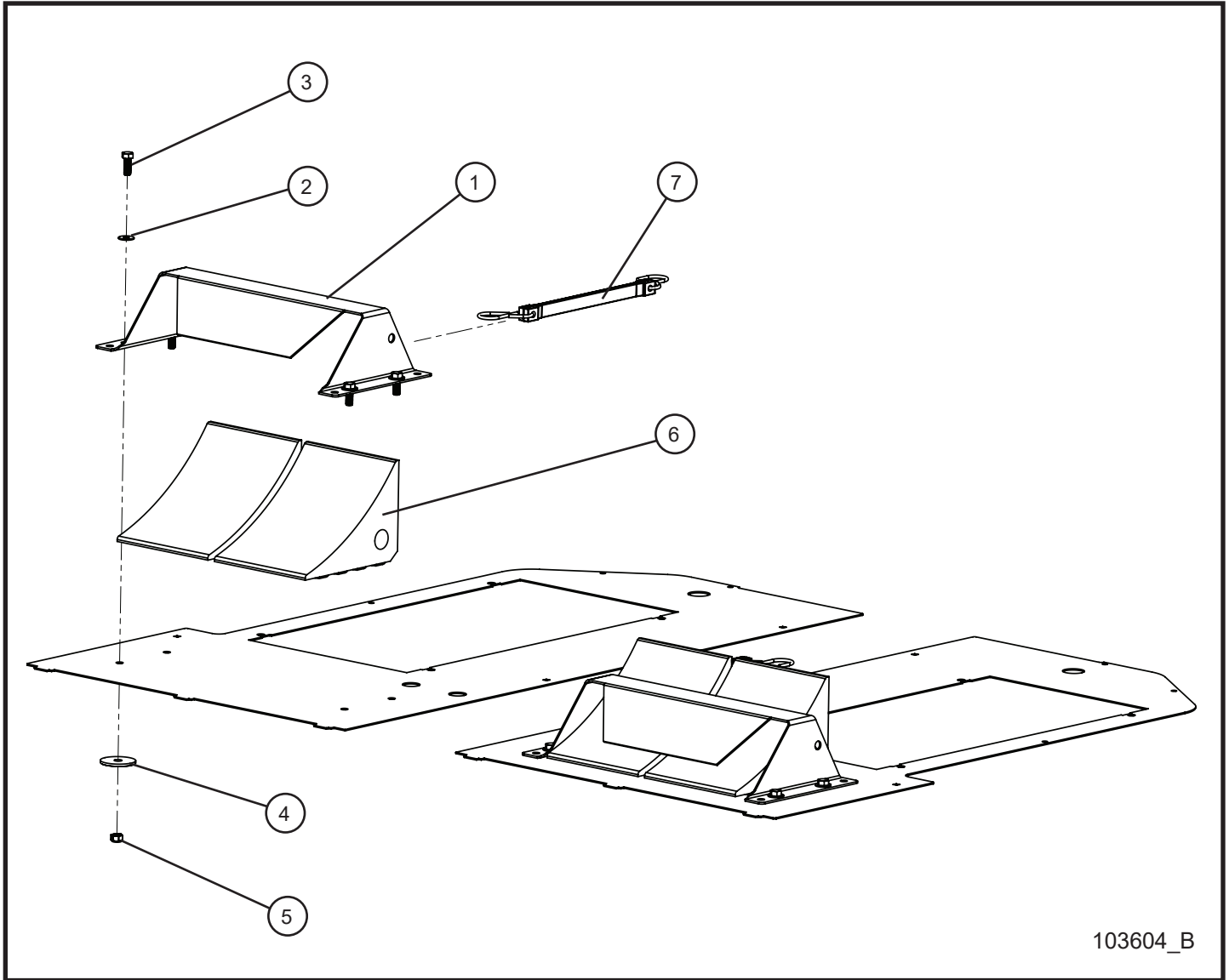
2.6 - Intake Air Front Cover Option



2.6 - Intake Air Front Cover Option

Item	Part No.	Part Description	Qty.
1	104800P	PLATE AIR VENT GRID MAXI II	2
2	105029P	LOCK PLATE SOLID COVER	2
3	105001P	SOLID COVER DOOR AIR INLET MAXI II	2
4	041050	1/4-20 x 3/4 PH-TRUSS HEAD MS SS	12
5	044023	1/4-20 NYLOCK HEX NUT PL	6
6	030053	5/64 x 7/16 TRIM LOCK 12 INCH	2
7	105028	COVER HINGE AIR INTAKE	2
8	044106	1/4-20 TINNERMAN NUT	8
9	046006	1/4-20 x 5/8 HEX HEAD CS GR5 PL	2
10	047009	1/4 FLAT WASHER SAE SS	2
11	041021	#10-24 x 1/2 PH-ROUND HEAD MS PL	6
12	044016	#10-24 KEPS HEX NUT PL	6

2.7 - Wheel Chock Block

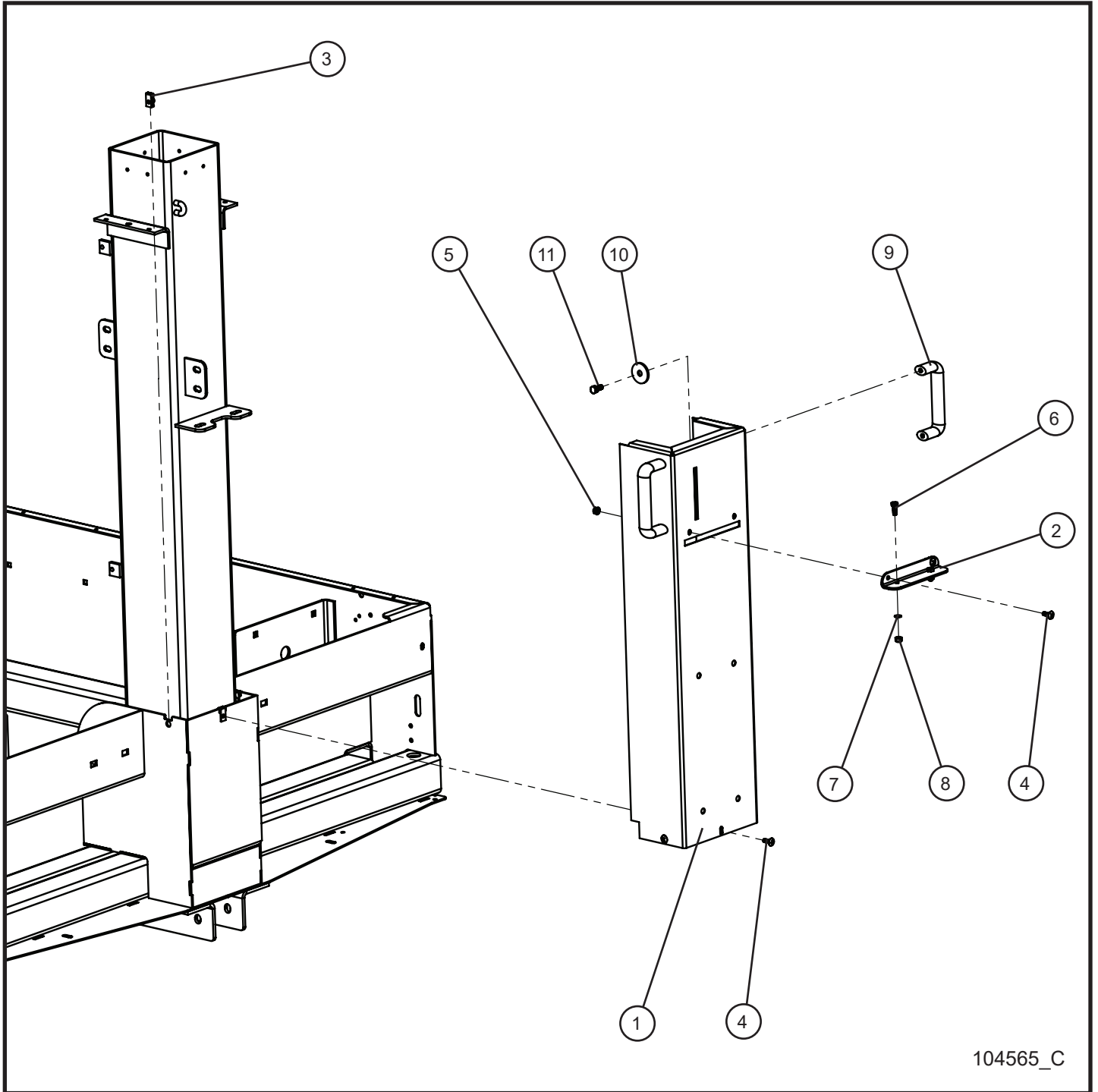


103604_B

2.7 - Wheel Chock Block

Item	Part No.	Part Description	Qty.
1	103621P	BRACKET WHEEL CHOCK (SPECIFY CHIP RESISTANT)	2
2	047010	5/16 FLAT WASHER PL	8
3	046110	3/8-16 x 1 HEX HEAD CS GR5 PL	8
4	650260	WASHER 2 OD x .451 ID x .125 THK	8
5	044038	3/8-16 NYLOCK HEX NUT PL	8
6	104031	WHEEL CHOCK	4
7	103625	STRAP RUBBER 14"	2

2.8 - Front Tower Cover

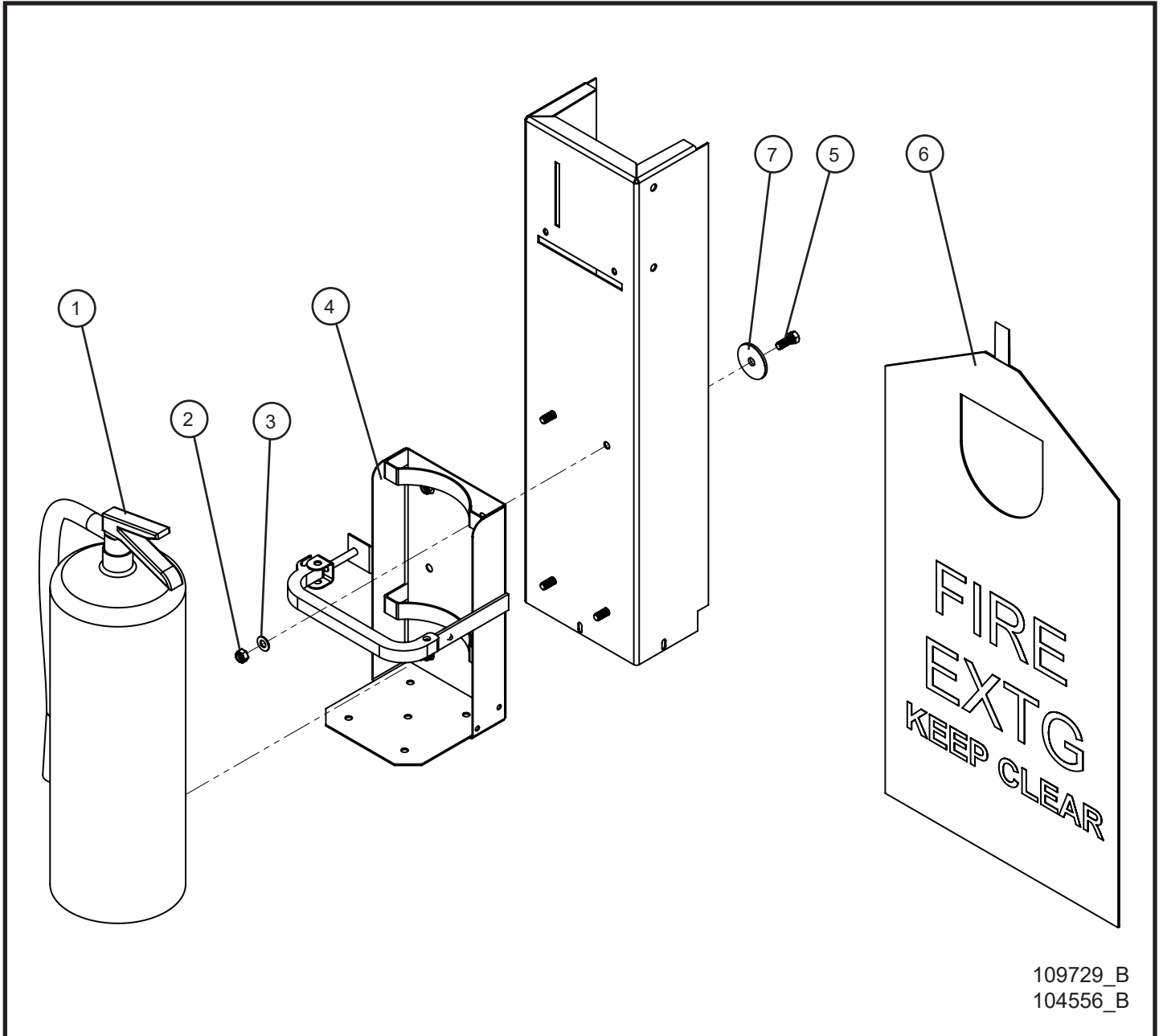


104565_C

2.8 - Front Tower Cover

Item	Part No.	Part Description	Qty.
1	104555P	COVER PANEL TOWER (SPECIFY CHIP RESISTANT)	1
2	104299P	HANDLE BRACKET VERTICAL TOWER	1
3	044106	1/4-20 TINNEMAN NUT	3
4	041050	1/4-20 x 3/4 PH-TRUSS HEAD MS SS	5
5	044021	1/4-20 KEPS HEX NUT PL	2
6	046010	1/4-20 x 3/4 HEX HEAD CS GR5 SS	2
7	047009	1/4 FLAT WASHER	2
8	044023	1/4-20 NYLOCK HEX NUT	2
9	103887	HANDLE THREE POINT	2
10	047010	5/16 FLAT WASHER PL	4
11	046045	5/16-18 x 3/4 HEX HEAD CS GR5 PL	4

2.9 - Fire Extinguisher

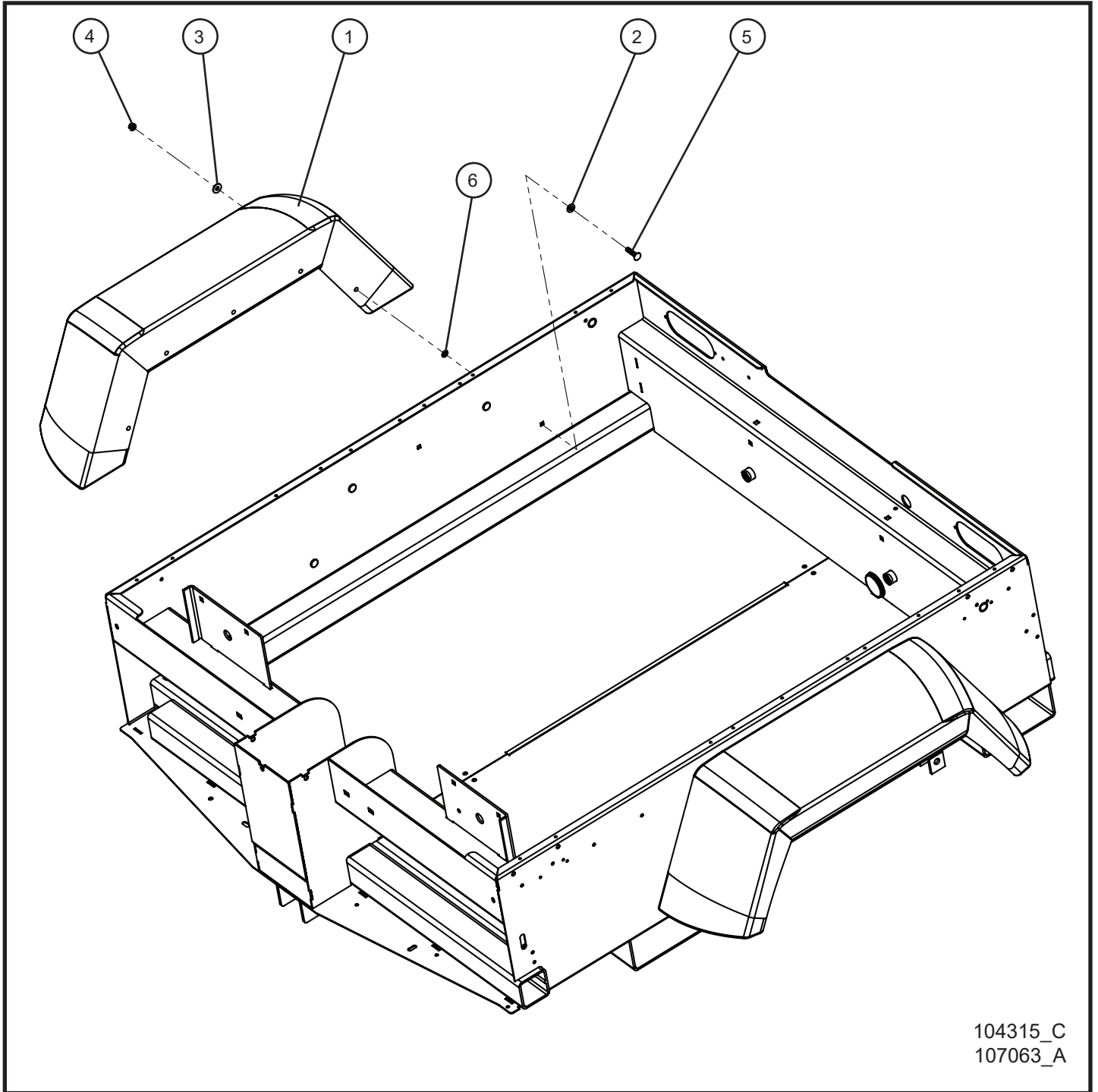


109729_B
104556_B

2.9 - Fire Extinguisher

Item	Part No.	Part Description	Qty.
1	109724	EXTINGUISHER FIRE 20# ABC TYPE	1
2	044038	3/8-16 NYLOCK HEX NUT PL	4
3	047016	3/8 FLAT WASHER SAE ZINC	4
4	109725	BRACKET EXTINGUISHER FIRE HD	1
5	046110	3/8-16 x 1 HEX HEAD CS GR5 PL	4
6	105247	COVER FIRE EXTINGUISHER	1
7	650260	WASHER 2 OD x .451 ID x .125 THK	4

2.10 - Fender Options

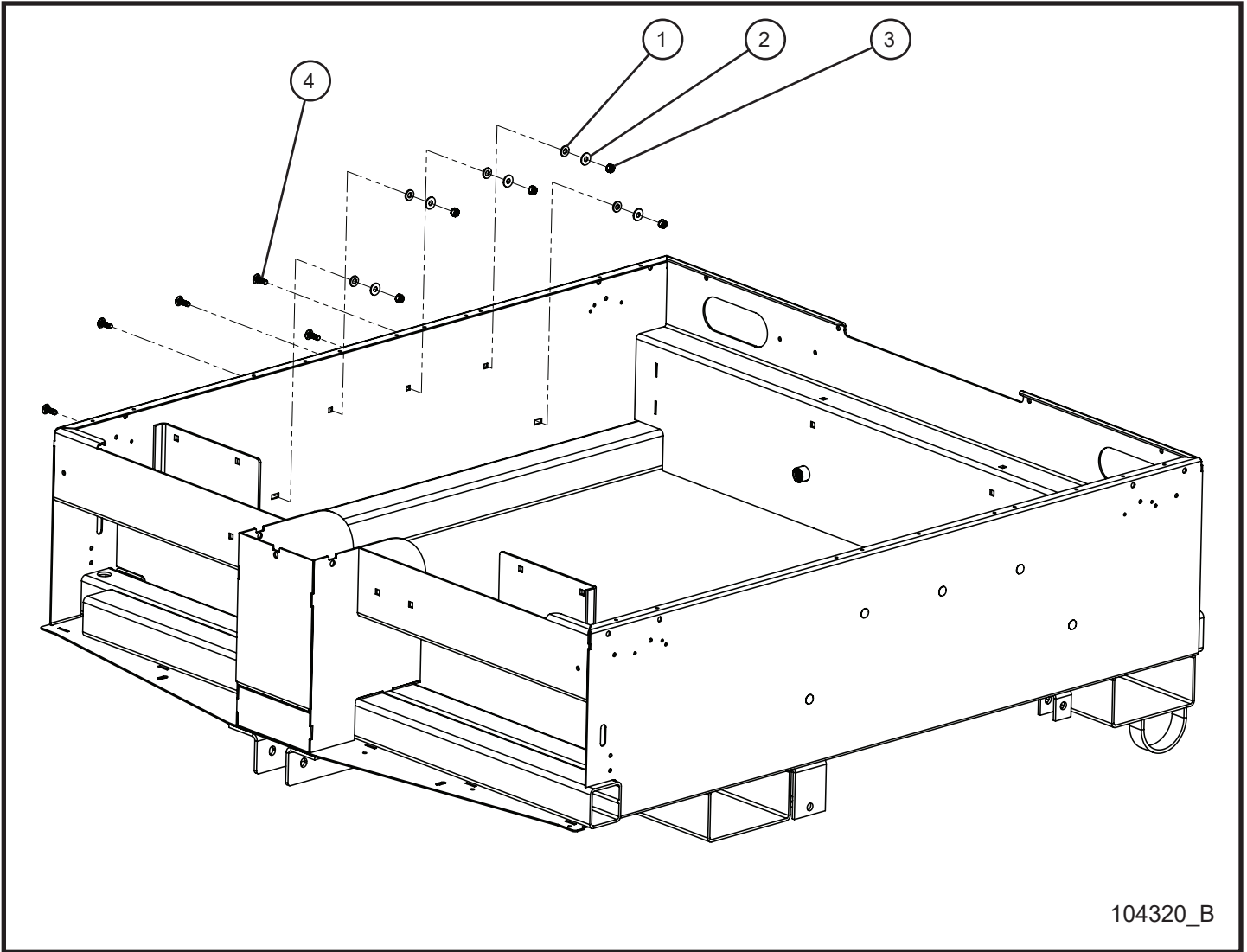


104315_C
107063_A

2.10 - Fender Options

Item	Part No.	Part Description	Qty.
1	103066	FENDER ROTATION MOLDED 15 INCH EMBEDDED DECAL	2
	106152	FENDER ROTATION MOLDED 15 INCH NO EMBEDDED DECAL	2
2	100644	RUBBER WASHER BLACK NEOPRENE	8
3	047010	5/16 FLAT WASHER PL	8
4	044031	5/16-18 KEPS HEX NUT PL	8
5	053023	5/16-18 x 1 1/2 CARRIAGE BOLT PL	8
6	045217	5/16 PUSH NUT	8

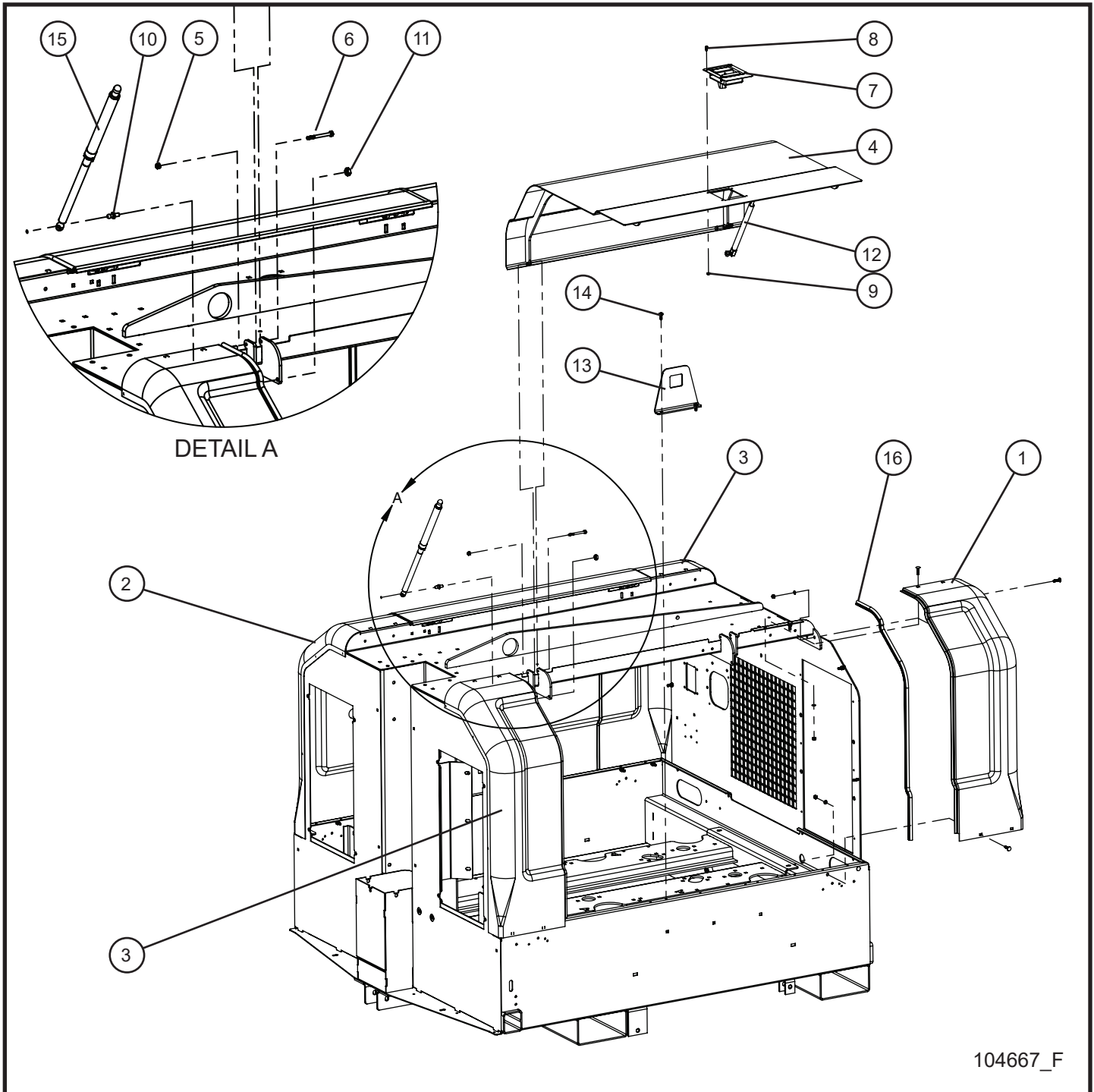
2.11 - No Fender Option



2.11 - No Fender Option

Item	Part No.	Part Description	Qty.
1	100644	RUBBER WASHER BLACK NEOPRENE	10
2	047010	5/16 FLAT WASHER PL	10
3	044031	5/16-18 KEPS HEX NUT PL	10
4	053023	5/16-18 x 1 1/2 CARRIAGE BOLT PL	10

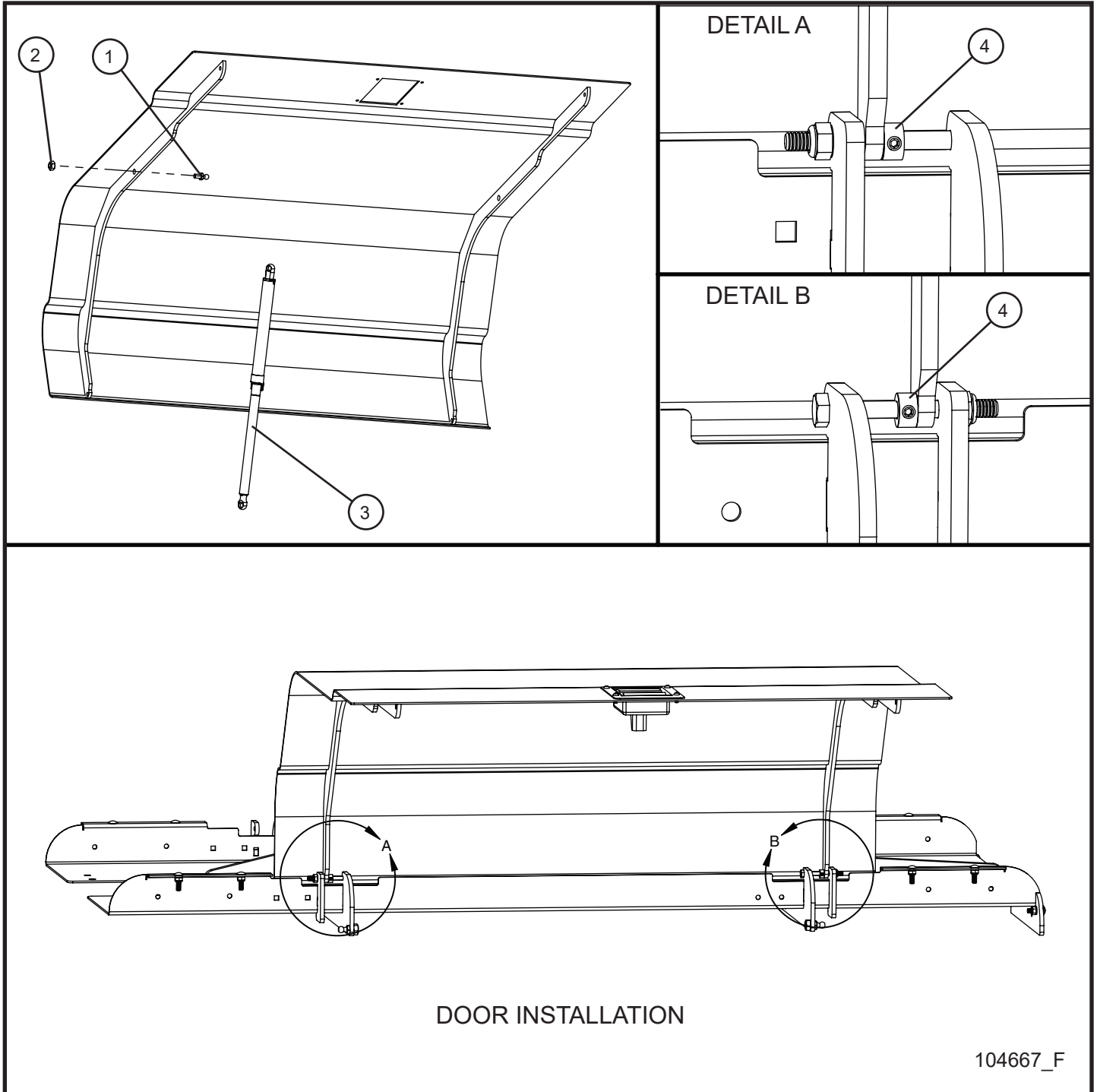
2.12 - Outer Shell and Door Group (1 of 3)



2.12 - Outer Shell and Door Group (1 of 3)

Item	Part No.	Part Description	Qty.
1	103642P	PANEL QUARTER LEFT REAR	1
2	103641P	PANEL QUARTER RIGHT FRONT	1
3	103643P	PANEL QUARTER LEFT FRONT/RIGHT REAR	2
4	104540P	MAXI II DOOR	2
5	044023	1/4-20 NYLOCK HEX NUT PL	4
6	046036	1/4-20 x 2 1/2 HEX HEAD CS GR5 PL	4
7	680459	SLAM LATCH	2
8	041021	#10-24 x 1/2 PH-ROUND HEAD MS PL	8
9	044018	#10-24 NYLOCK HEX NUT PL	8
10	330437	BALL STUD M10	8
11	044090	5/16-18 TOP LOCK HEX NUT PL	8
12	680813	LIFT SUPPORT	2
13	104313P	BRACKET DOOR SLAM LATCH	2
14	041070	1/4-20 x 3/4 SL-HEX WASHER HEAD MS TP F	4
15	105245	CYLINDER GAS SPRING LOCKING	2
16	105998	TRIM GASKET 1/16" x 41" WITH 3/8 BULB	4
NS	112218	MAXI II DOOR DECAL KIT	4

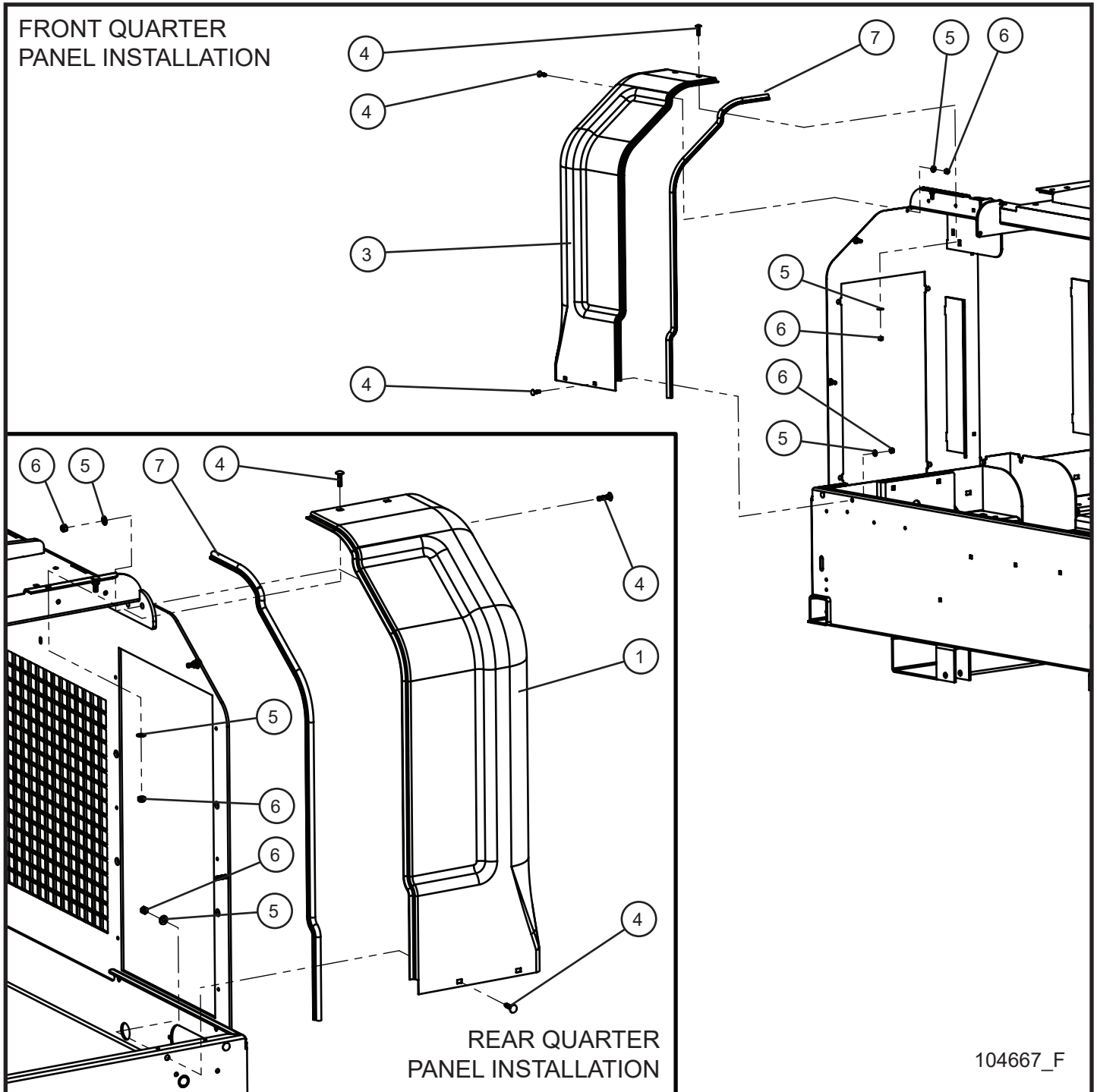
2.12 - Outer Shell and Door Group (2 of 3)



2.12 - Outer Shell and Door Group (2 of 3)

Item	Part No.	Part Description	Qty.
1	330437	BALL STUD M10	8
2	044090	5/16-18 TOP LOCK HEX NUT PL	8
3	105245	CYLINDER GAS SPRING LOCKING	2
4	105362	COLLAR LOCKING .25 ID	4

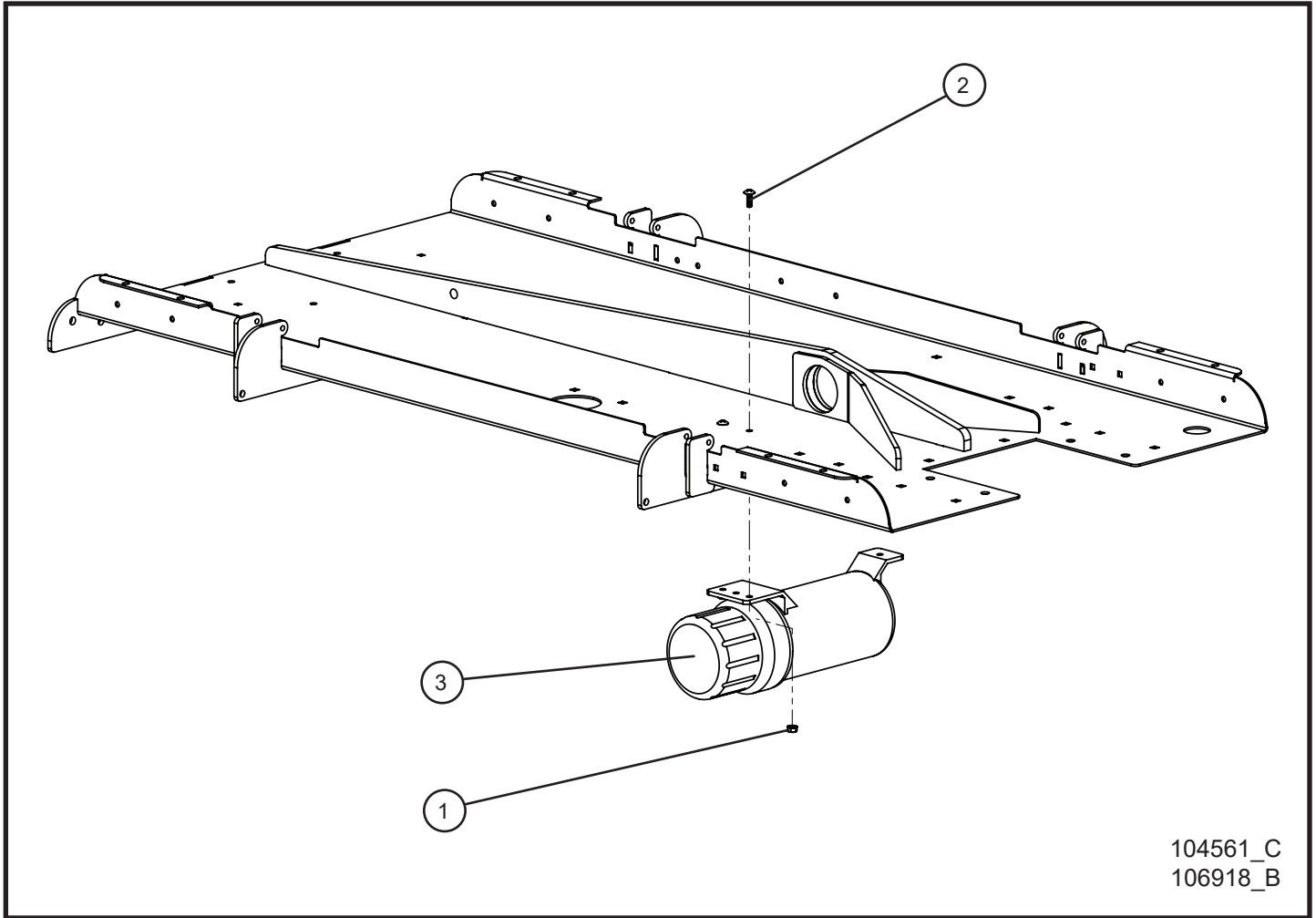
2.12 - Outer Shell and Door Group (3 of 3)



2.12 - Outer Shell and Door Group (3 of 3)

Item	Part No.	Part Description	Qty.
1	103642P	PANEL QUARTER LEFT REAR	1
2	103641P	PANEL QUARTER RIGHT FRONT (NOT SHOWN)	1
3	103643P	PANEL QUARTER LEFT FRONT/RIGHT REAR	2
4	100342	1/4-20 x 1 CARRIAGE BOLT PL	28
5	047009	1/4 FLAT WASHER SAE SS	28
6	044023	1/4-20 NYLOCK HEX NUT PL	28
7	105998	TRIM GASKET 1/16" x 41" WITH 3/8 BULB	4

2.13 - Manual Canister Options

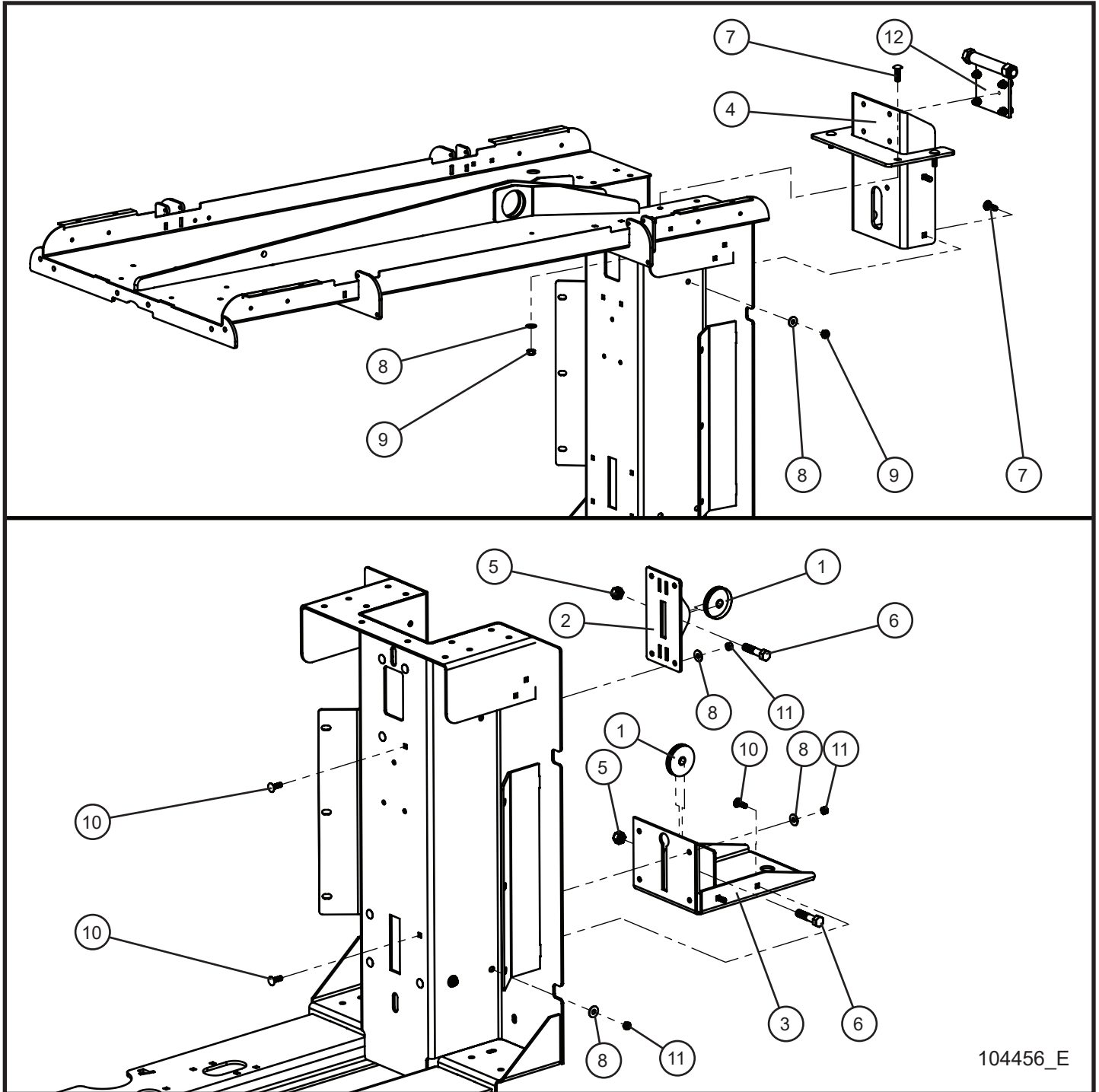


104561_C
106918_B

2.13 - Manual Canister Options

Item	Part No.	Part Description	Qty.
1	057000	1/4-20 HEX SERRATED FLANGE NUT	3
2	056005	1/4-20 x 3/4 HEX SERRATED FLANGE SCREW	3
3	103651	CANISTER PRODUCT MANUAL	1
	106916	MEGA CANISTER PRODUCT MANUAL	1

3.1 - Laydown Tower Trailer Components

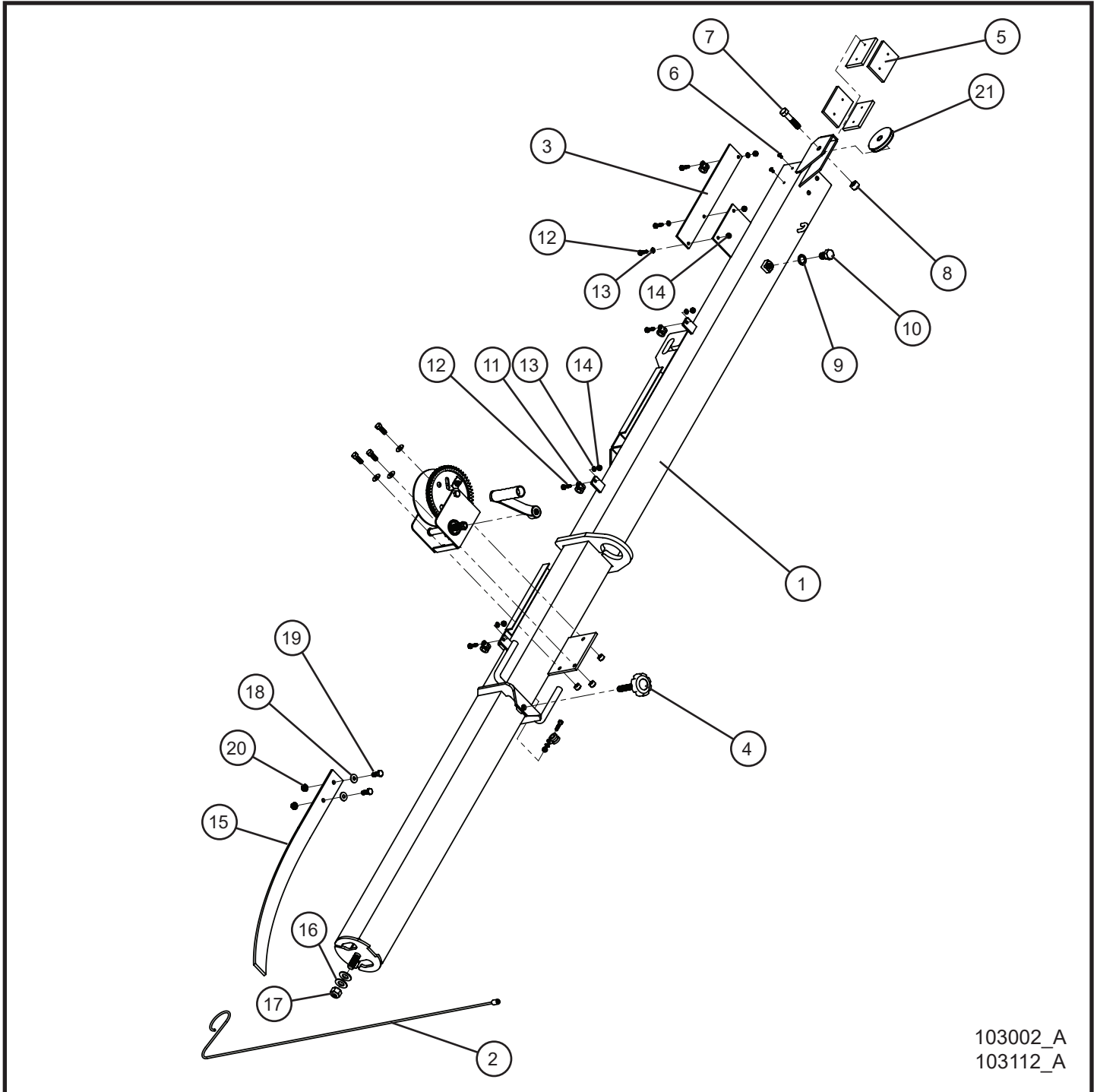


104456_E

3.1 - Laydown Tower Trailer Components

Item	Part No.	Part Description	Qty.
1	320112	2-1/2 PULLEY W/ BUSHING	2
2	104322P	PULLEY BRACKET TOP PULLEY MAXI II	1
3	104328P	WELDMENT LOCK LAYDOWN TOWER	1
4	104325P	PIVOT PLATE LAYDOWN TOWER MAXI II	1
5	044048	1/2-13 NYLOCK HEX NUT PL	2
6	046200	1/2-13 x 2 1/4 HEX HEAD CS GR5 PL	2
7	100670	3/8-16 x 1 1/4 CARRIAGE BOLT	8
8	047010	5/16 FLAT WASHER PL	20
9	044038	3/8-16 NYLOCK HEX NUT PL	8
10	053020	5/16-18 x 1 CARRIAGE BOLT PL	12
11	044033	5/16-18 NYLOCK HEX NUT PL	12
12	104410	PIVOT PLATE ASSEMBLY	1

3.2 - Laydown Tower Old Style Parts (1 of 2)

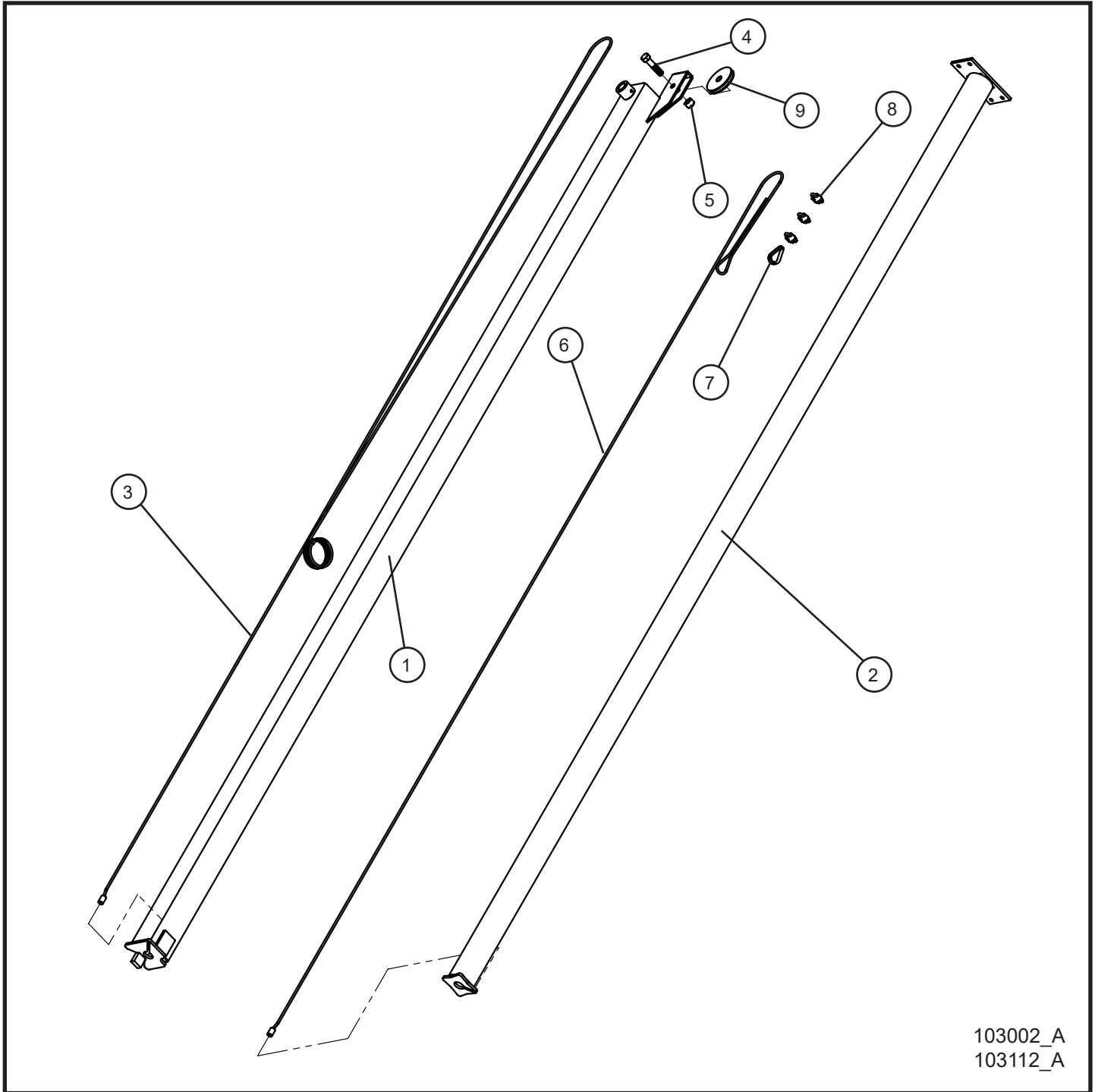


103002_A
103112_A

3.2 - Laydown Tower Old Style Parts (1 of 2)

Item	Part No.	Part Description	Qty.
1	102943P	4" SECTION LAYDOWN TOWER	1
	102943-20	4" SECTION LAYDOWN TOWER (GALVANIZED)	1
2	320185	CABLE 3/16 STEEL 10'	1
3	102677P	4" TOWER CORD BRACKET	1
4	620550	1/2-13 x 2 1/8 LOCKING KNOB	1
5	650110	.312 TOWER PAD	4
6	041023	#10 x 3/8 PH-ROUND HEAD MS PL	8
7	046200	1/2-13 x 2 1/4 HEX HEAD CS GR5 PL	1
8	044048	1/2-13 NYLOCK HEX NUT PL	1
9	043100	5/8 INT'L TOOTH LOCK WASHER PL	1
10	046242	5/8-11 x 1 HEX HEAD CS GR5 PL	1
11	310212	#10 CUSH CLAMP 1/4 HOLE	5
12	046015	1/4-20 x 1 HEX HEAD CS GR5 PL	7
13	047009	1/4 FLAT WASHER SAE SS	7
14	044023	1/4-20 NYLOCK HEX NUT PL	7
15	630555P	KICKOUT SPRING LAYDOWN	1
16	047030	5/8 FLAT WASHER PL	2
17	044053	5/8-11 NYLOCK HEX NUT PL	1
18	047010	5/16 FLAT WASHER PL	2
19	046110	3/8-16 x 1 HEX HEAD CS GR5 PL	2
20	044036	3/8-16 KEPS HEX NUT PL	2
21	320110	PULLEY 3 OD W/ BUSHING	1

3.2 - Laydown Tower Old Style Parts (2 of 2)

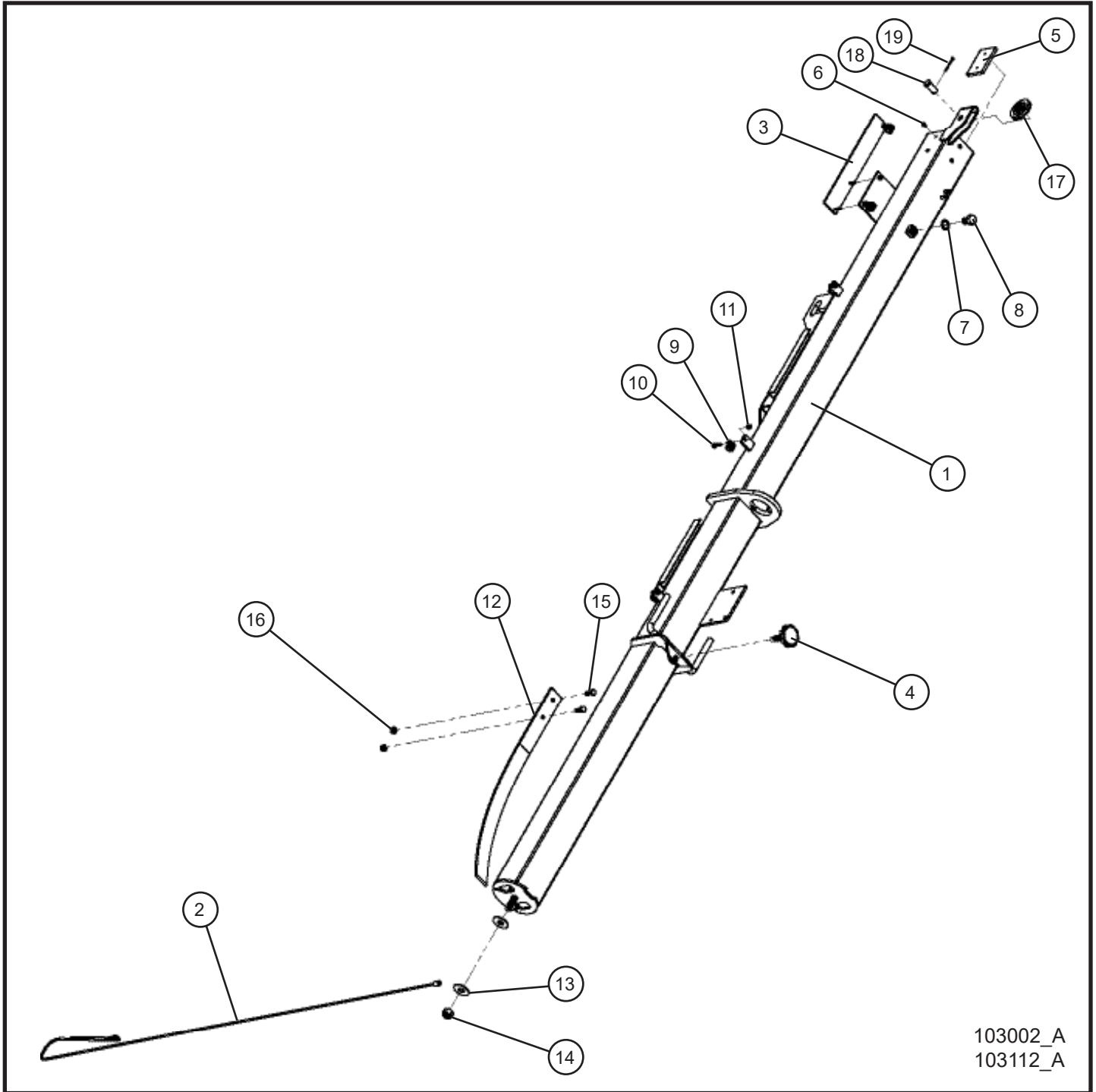


103002_A
103112_A

3.2 - Laydown Tower Old Style Parts (2 of 2)

Item	Part No.	Part Description	Qty.
1	680180P	3" SECTION LAYDOWN TOWER	1
	680180-20	3" SECTION LAYDOWN TOWER (GALVANIZED)	1
2	352017P	2 5/8" ROUND SECTION LAYDOWN TOWER	1
	115099	GALVANIZED 2 5/8" ROUND SECTION LAYDOWN TOWER	1
3	650133	CABLE 3/16 STEEL 17' 9"	1
4	046200	1/2-13 x 2 1/4 HEX HEAD CS GR5 PL	1
5	044048	1/2-13 NYLOCK HEX NUT PL	1
6	620076	CABLE 3/16 STEEL 11'	1
7	045040	3/16 CABLE THIMBLE	1
8	620084	1/4 CABLE CLIP	3
9	320110	PULLEY 3 OD W/ BUSHING	1

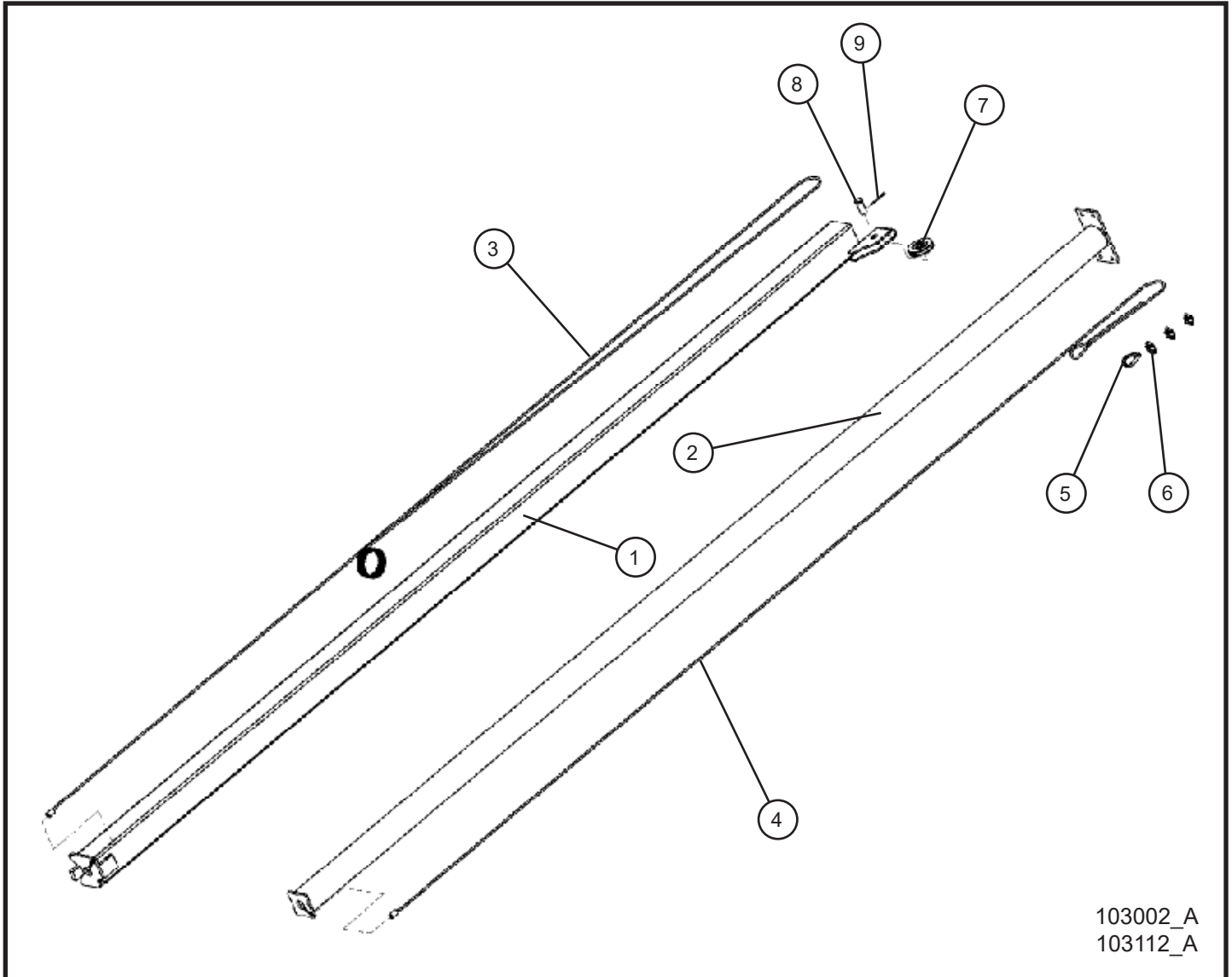
3.3 - Laydown Tower New Style Parts (1 of 2)



3.3 - Laydown Tower New Style Parts (1 of 2)

Item	Part No.	Part Description	Qty.
1	109973P	4" SECTION LAYDOWN TOWER	1
	115097	GALVANIZED 4" SECTION LAYDOWN TOWER	1
2	320185	CABLE 3/16 STEEL 10'	1
3	102677P	4" TOWER CORD BRACKET	1
4	620550	1/2-13 x 2 1/8 LOCKING KNOB	1
5	650110	.312 TOWER PAD	4
6	041023	#10 x 3/8 PH-ROUND HEAD MS PL	8
7	043100	5/8 INT'L TOOTH LOCK WASHER PL	1
8	046242	5/8-11 x 1 HEX HEAD CS GR5 PL	1
9	310212	#10 CUSH CLAMP 1/4 HOLE	5
10	046015	1/4-20 x 1 HEX HEAD CS GR5 PL	7
11	044023	1/4-20 NYLOCK HEX NUT PL	7
12	630555P	KICKOUT SPRING LAYDOWN	1
13	047030	5/8 FLAT WASHER PL	2
14	044053	5/8-11 NYLOCK HEX NUT PL	1
15	046110	3/8-16 x 1 HEX HEAD CS GR5 PL	2
16	044036	3/8-16 KEPS HEX NUT PL	2
17	100160	2 1/2 PULLEY	1
18	102906	5/8 x 1 1/4 CLEVIS PIN	1
19	045042	COTTER PIN 1/8 x 1 1/2	1

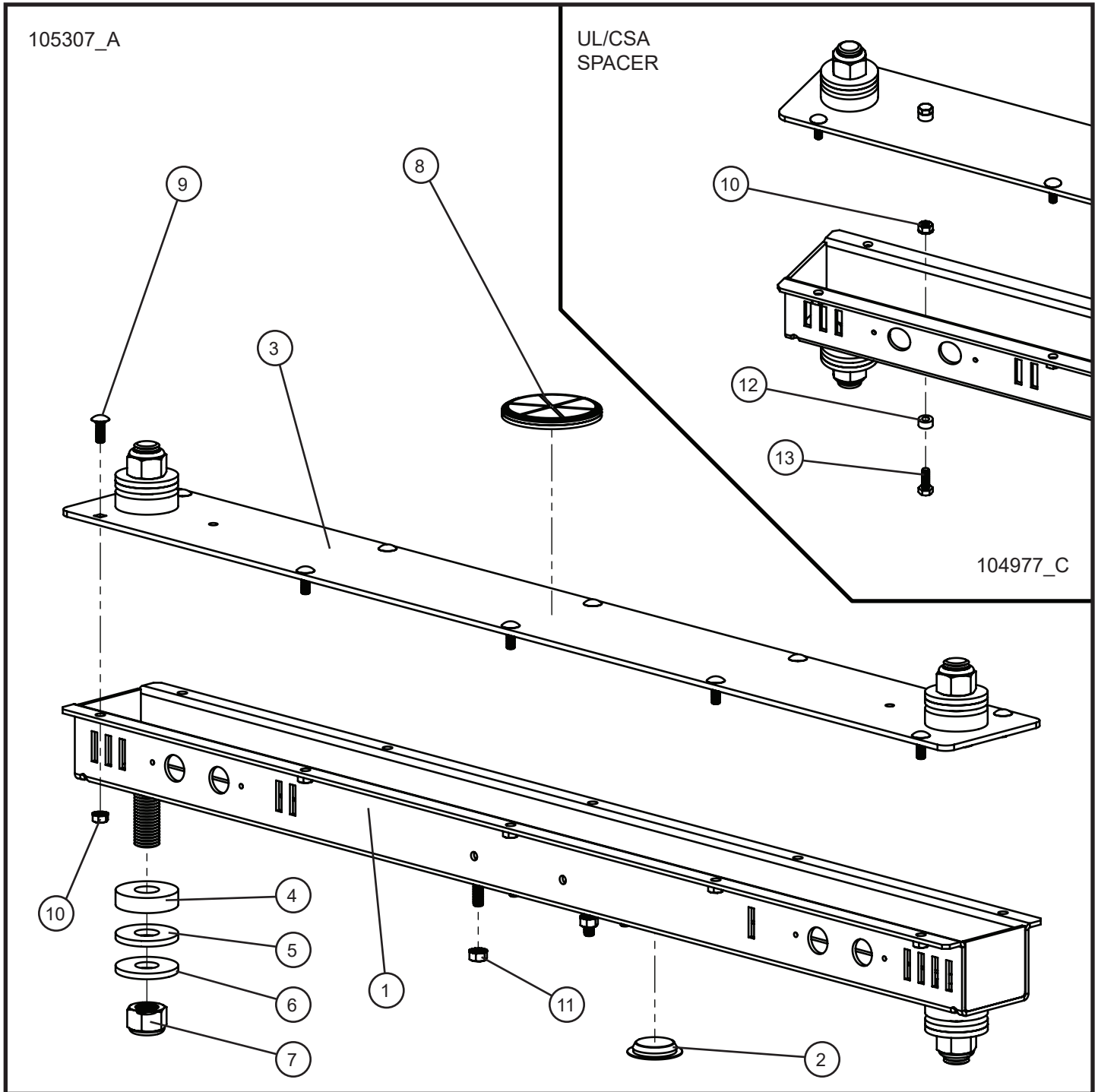
3.3 - Laydown Tower New Style Parts (2 of 2)



3.3 - Laydown Tower New Style Parts (2 of 2)

Item	Part No.	Part Description	Qty.
1	112728P	3" SECTION LAYDOWN TOWER	1
	115098	GALVANIZED 3" SECTION LAYDOWN TOWER	1
2	352017P	2 5/8" ROUND SECTION LAYDOWN TOWER	1
	115099	GALVANIZED 2 5/8" ROUND SECTION LAYDOWN TOWER	1
3	650133	CABLE 3/16 STEEL 17' 9"	1
4	620076	CABLE 3/16 STEEL 11'	1
5	045040	3/16 CABLE THIMBLE	1
6	620084	1/4 CABLE CLIP	3
7	100160	2 1/2 PULLEY	1
8	102906	5/8 x 1 1/4 CLEVIS PIN	1
9	045042	COTTER PIN 1/8 x 1 1/2	1

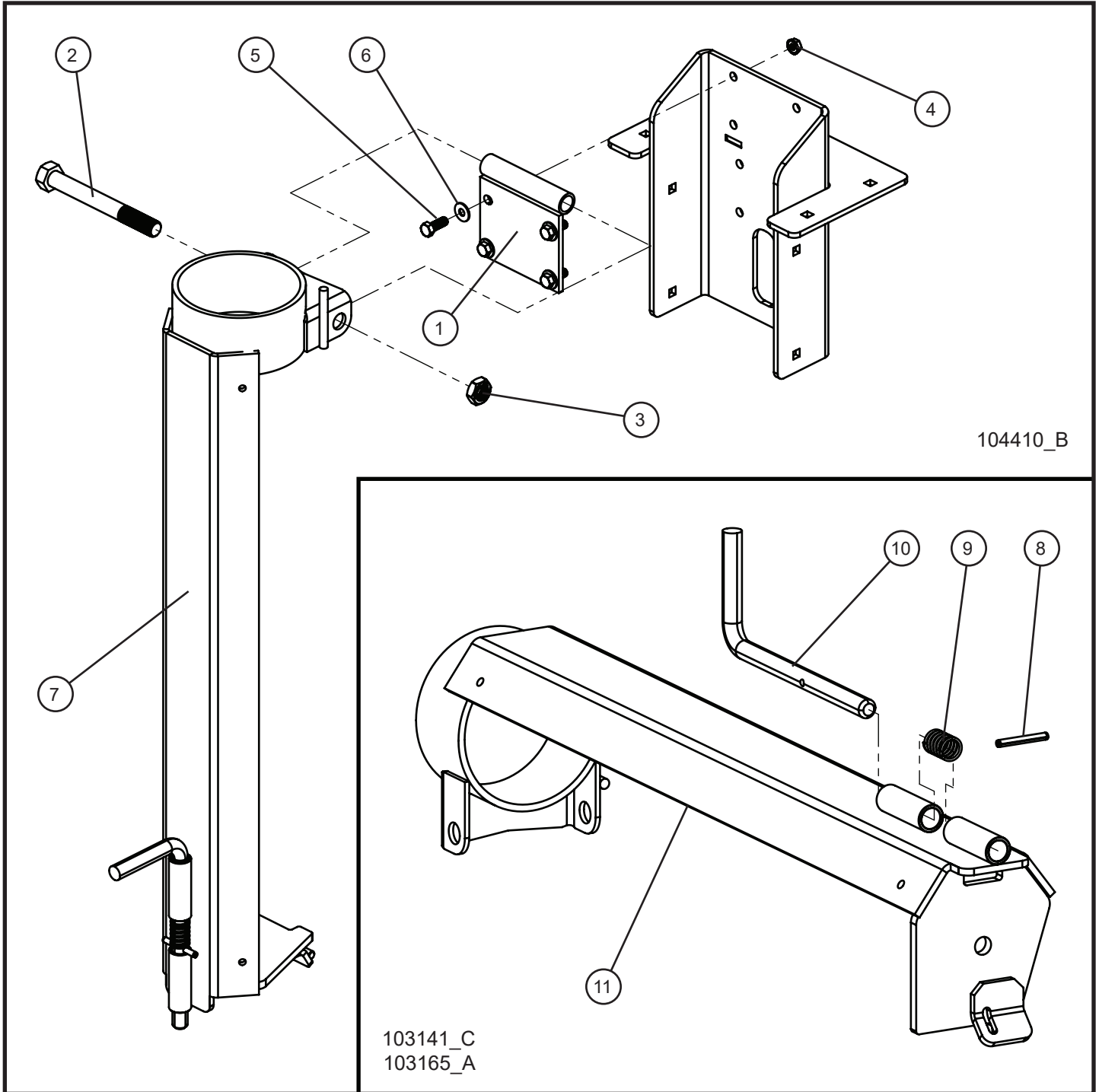
3.4 - Laydown Tower Light Bar



3.4 - Laydown Tower Light Bar

Item	Part No.	Part Description	Qty.
1	105718P	FRAME LIGHT BAR NYLON CORD GRIP	1
2	064040	1 3/8 CAP PLUG	1
3	620537P	COVER LIGHT BAR	1
4	101813	.781 x 2 OD x 1/2 HDPE WASHER	4
5	650550	.785 x 2 HDPE WASHER	4
6	047035	3/4 FLAT WASHER PL	4
7	044121	3/4-10 NYLOCK HEX NUT SS	4
8	330037	REFLECTOR RED 3"	1
9	053006	1/4-20 x 3/4 CARRIAGE BOLT	10
10	044021	1/4-20 KEPS HEX NUT PL	14
11	044031	5/16-18 KEPS HEX NUT PL	4
12	104979	UL/CSA CLEARANCE SPACER NYLON UNTHREADED	4
13	046010	1/4-20 x 3/4 HEX HEAD CS GR5 SS	4

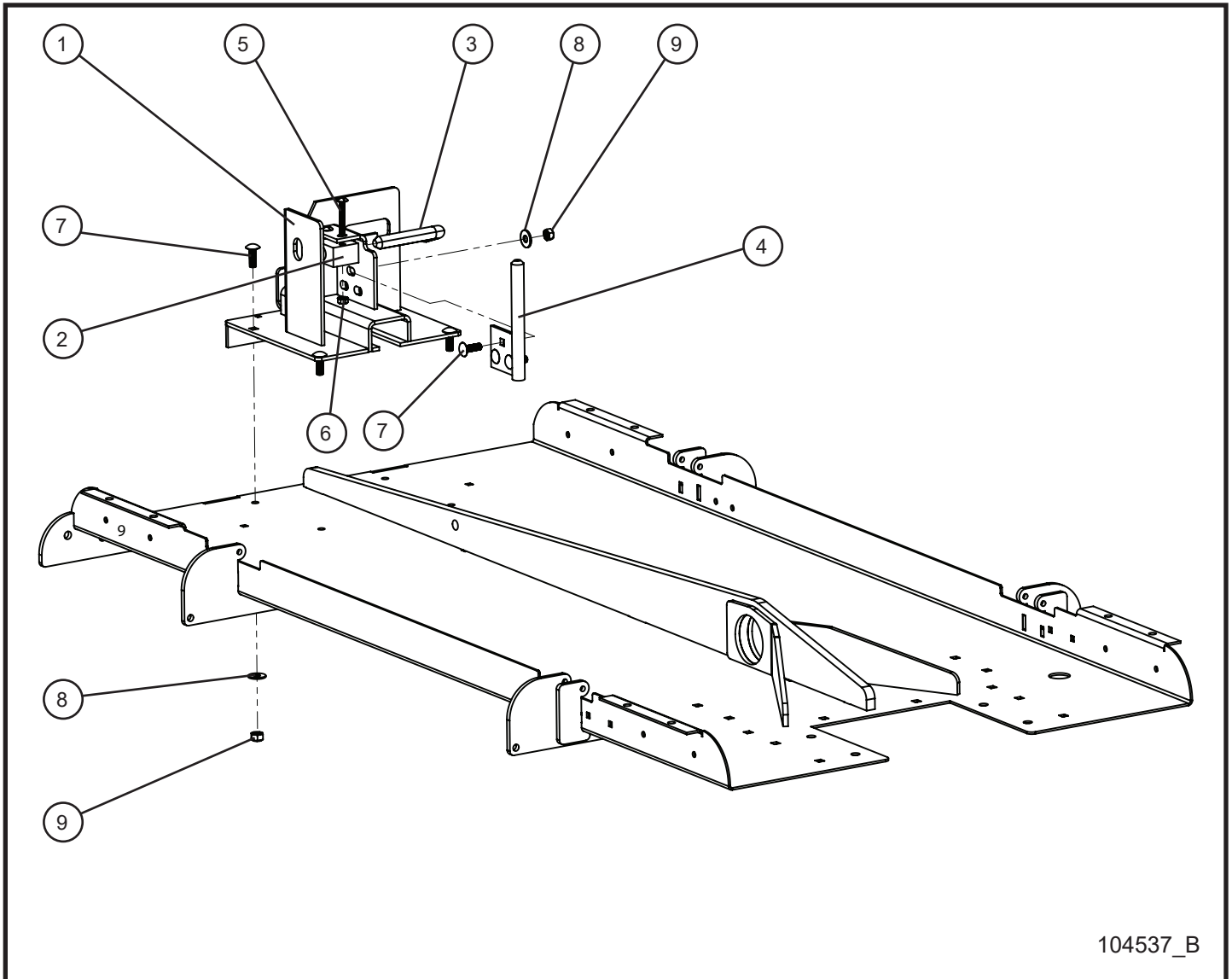
3.5 - Pivot Section Assembly Group



3.5 - Pivot Section Assembly Group

Item	Part No.	Part Description	Qty.
1	650111P	WELD BRACKET PIVOT	1
2	046286	3/4-10 x 6 1/2 HEX HEAD CS GR5 PL	1
3	044067	3/4-10 JAM TOP LOCK NUT PL	1
4	044036	3/8-16 KEPS HEX NUT PL	4
5	046110	3/8-16 x 1 HEX HEAD CS GR5 PL	4
6	047010	5/16 FLAT WASHER PL	8
7	103141	LAYDOWN TOWER PIVOT SECTION ASSEMBLY	1
	103165	GALVANIZED LAYDOWN TOWER PIVOT SECTION ASSEMBLY	1
8	045156	1/4 x 2 SPRING ROLL PIN	1
9	102944	SPRING TOWER LATCH	1
10	330450	LOCKING PIN	1
11	103030P	LAYDOWN TOWER PIVOT	1
	115279	GALVANIZED LAYDOWN TOWER PIVOT	1

3.6 - Laydown Tower Rear Support

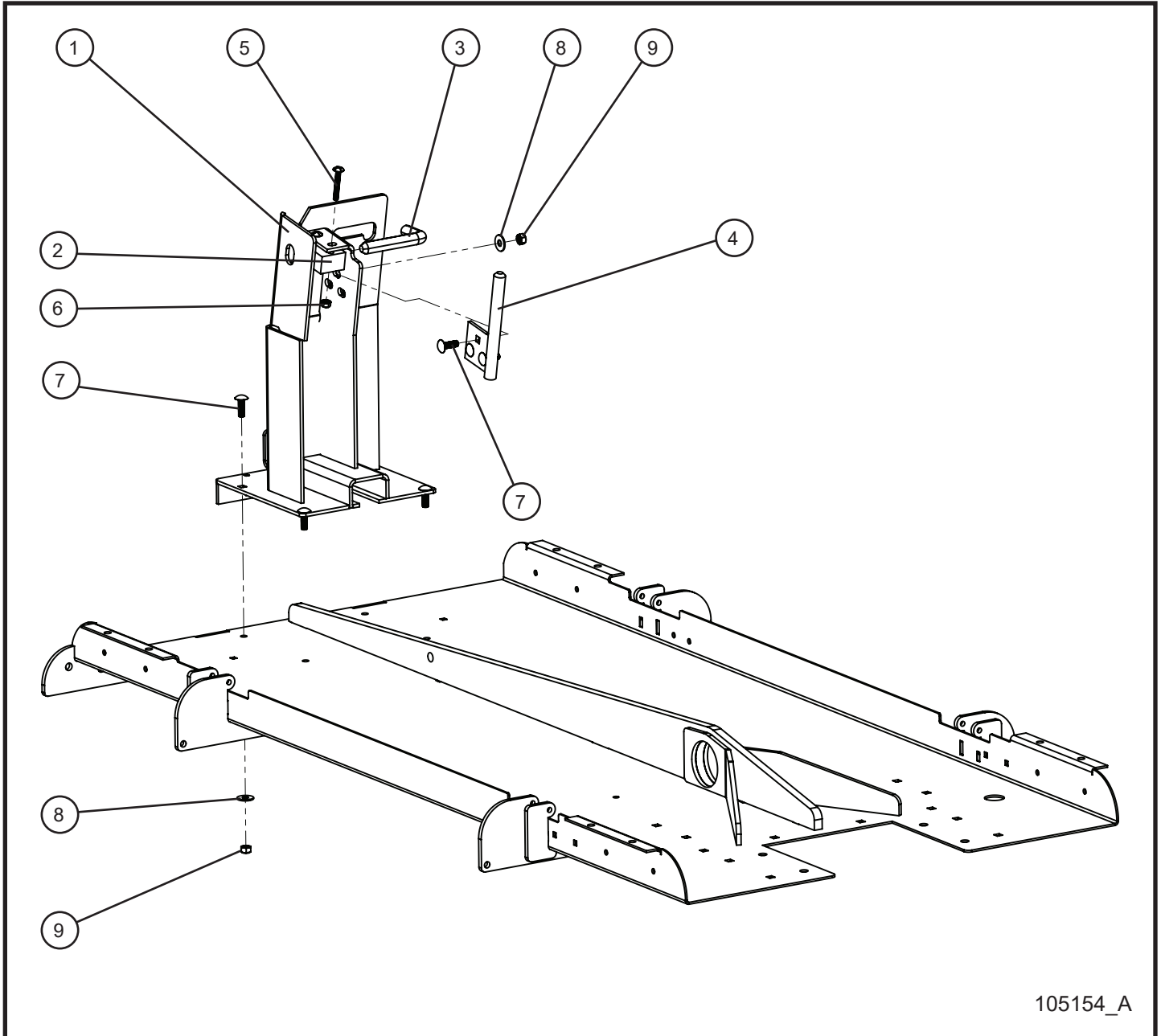


104537_B

3.6 - Laydown Tower Rear Support

Item	Part No.	Part Description	Qty.
1	104343P	REAR SUPPORT LAYDOWN TOWER	1
2	330430	GUIDE BLOCK OUTRIGGER	1
3	330455	OUTRIGGER PIN MANUFACTURED	1
4	104335P	PIN TOWER SUPPORT	1
5	041053	1/4-20 x 1 3/4 PH-TRUSS HEAD MS SS	2
6	044021	1/4-20 KEPS HEX NUT PL	2
7	053020	5/16-18 x 1 CARRIAGE BOLT PL	7
8	047010	5/16 FLAT WASHER PL	7
9	044033	5/16-18 NYLOCK HEX NUT PL	7

3.7 - Laydown Tower Rear Extended Support

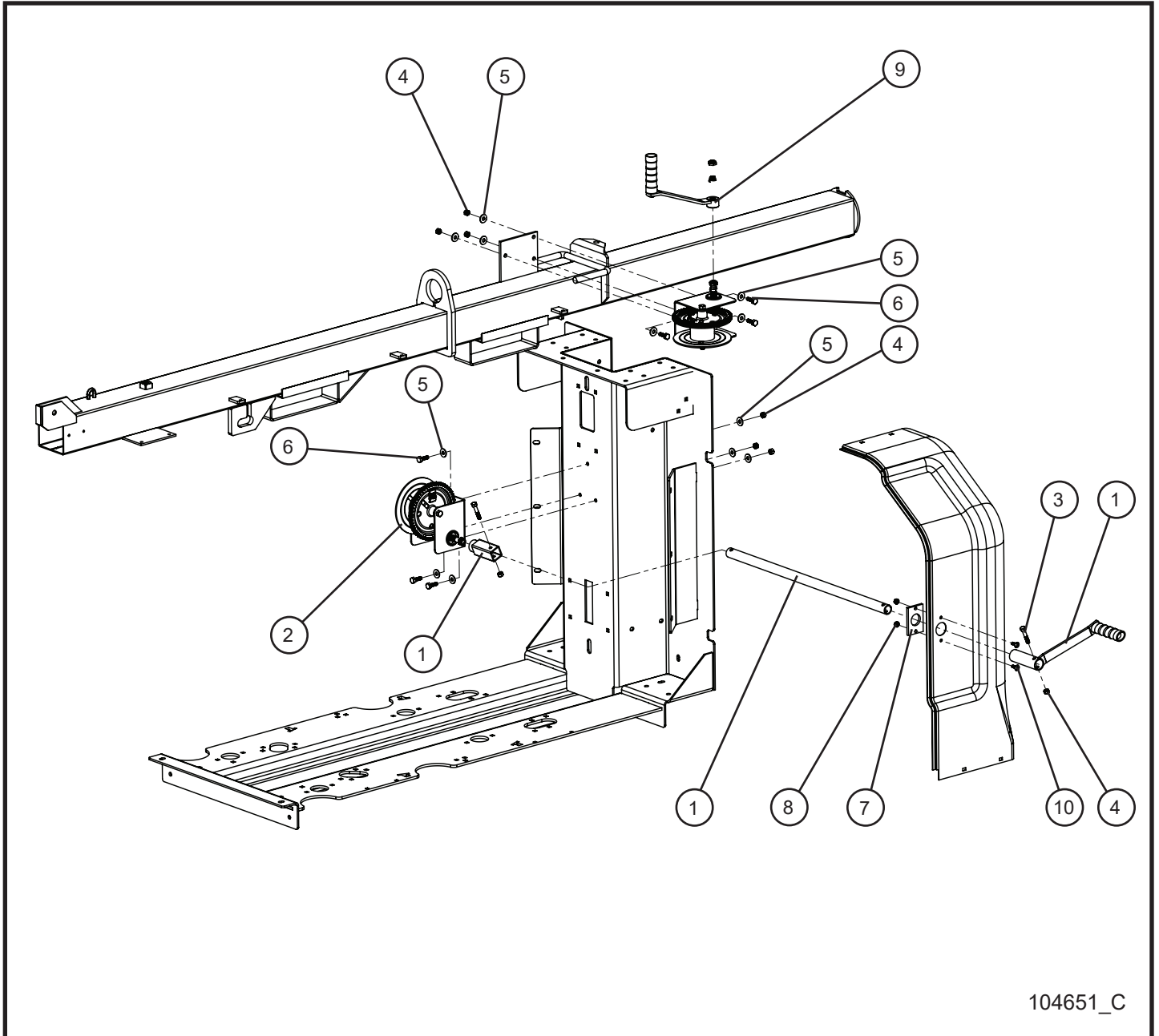


105154_A

3.7 - Laydown Tower Rear Extended Support

Item	Part No.	Part Description	Qty.
1	105151P	EXTENDED REAR SUPPORT LAYDOWN TOWER	1
2	330430	GUIDE BLOCK OUTRIGGER	1
3	330455	OUTRIGGER PIN MANUFACTURED	1
4	104335P	PIN TOWER SUPPORT	1
5	041053	1/4-20 x 1 3/4 PH-TRUSS HEAD MS SS	2
6	044021	1/4-20 KEPS HEX NUT PL	2
7	053020	5/16-18 x 1 CARRIAGE BOLT PL	7
8	047010	5/16 FLAT WASHER PL	7
9	044033	5/16-18 NYLOCK HEX NUT PL	7

3.8 - Laydown Tower Winch Group

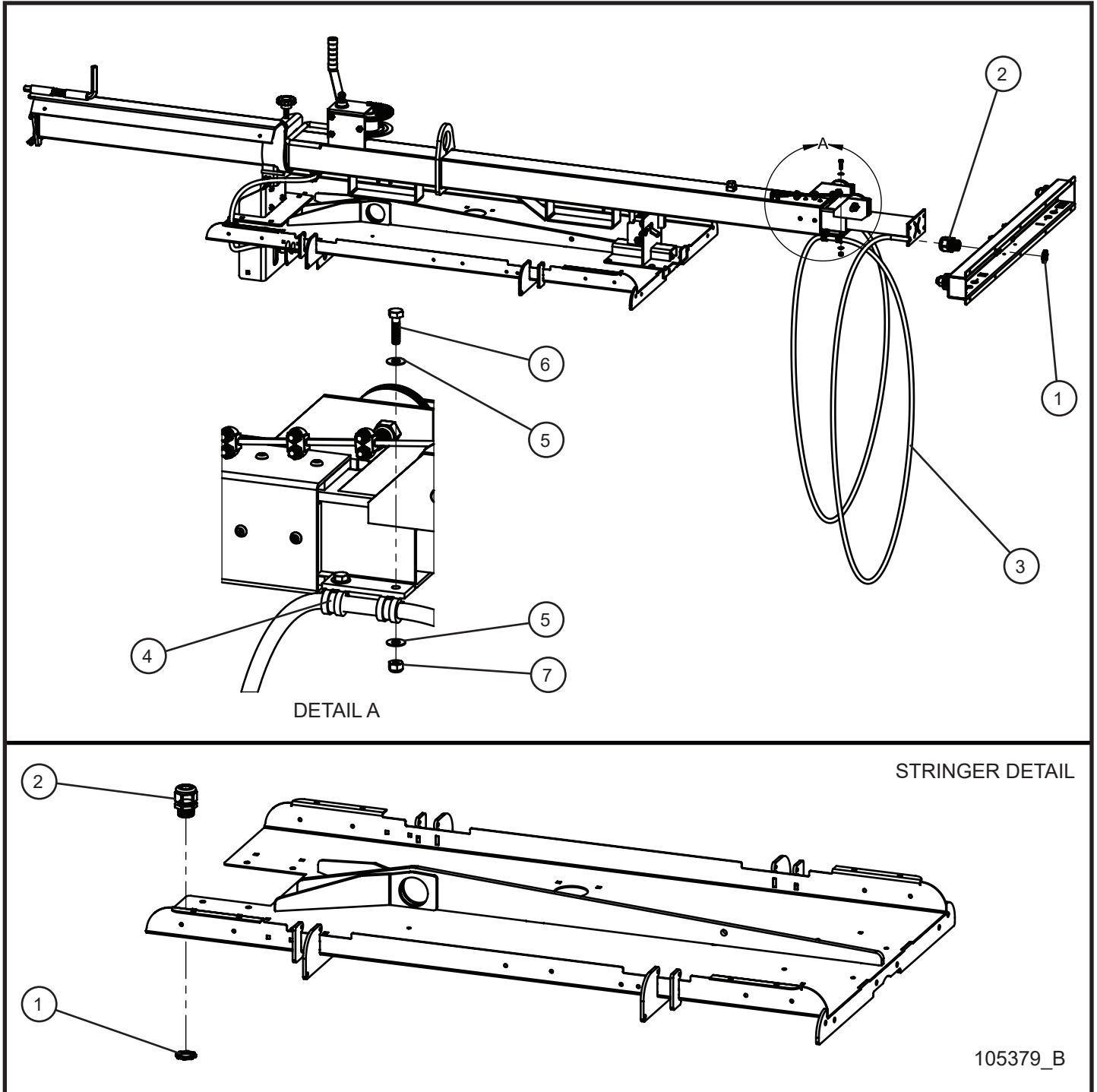


104651_C

3.8 - Laydown Tower Winch Group

Item	Part No.	Part Description	Qty.
1	104620	WINCH HANDLE KIT MANUAL TOWER	1
2	610531	DL 1200 LB. WINCH	2
3	046065	5/16-18 x 1 3/4 HEX HEAD CS GR5 PL	2
4	044033	5/16-18 NYLOCK HEX NUT PL	8
5	047010	5/16 FLAT WASHER PL	12
6	046050	5/16-18 x 1 HEX HEAD CS GR5 PL	6
7	650106	GUIDE BLOCK	1
8	044021	1/4-20 KEPS HEX NUT PL	2
9	712032	WINCH HANDLE DBL 1200 7	1
10	041050	1/4-20 x 3/4 PH-TRUSS HEAD MS SS	2

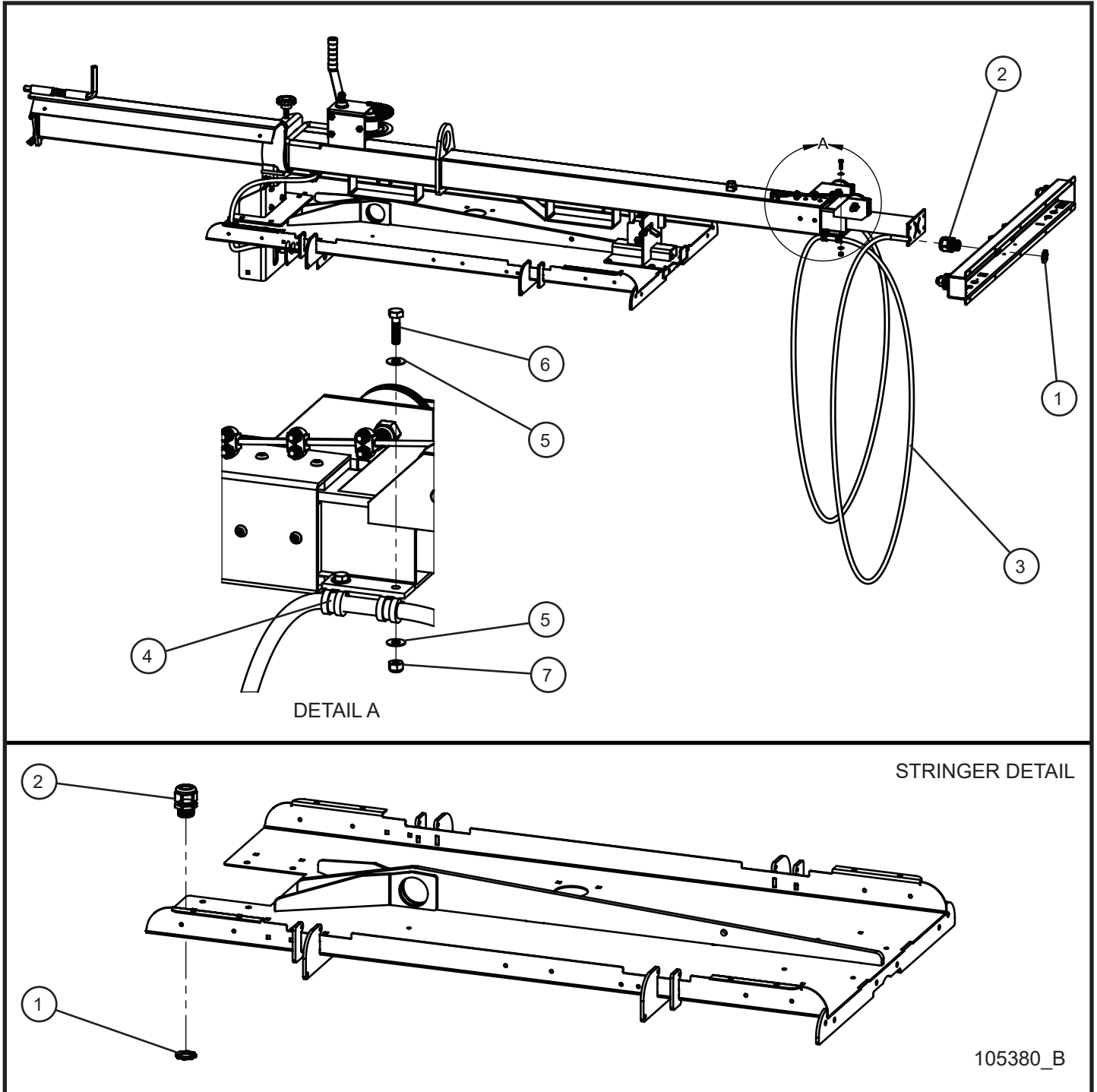
3.10 - Laydown Tower 14/7 Cord Group



3.10 - Laydown Tower 14/7 Cord Group

Item	Part No.	Part Description	Qty.
1	022038	1" CORD GRIP NUT	2
2	105627	CORD GRIP 1" NYLON BLACK	2
3	103049	14/7 STRAIGHT CORD MANUAL TOWER	1
4	310212	#10 CUSH CLAMP 1/4 HOLE	2
5	047009	1/4 FLAT WASHER SAE SS	4
6	046015	1/4-20 x 1 HEX HEAD CS GR5 PL	2
7	044023	1/4-20 NYLOCK HEX NUT PL	2
8	105283	SCHEMATIC 4 LIGHT JUNCTION BOX	1
9	105291	SCHEMATIC LIGHT BAR 4 LIGHT 14/7 CORD	1

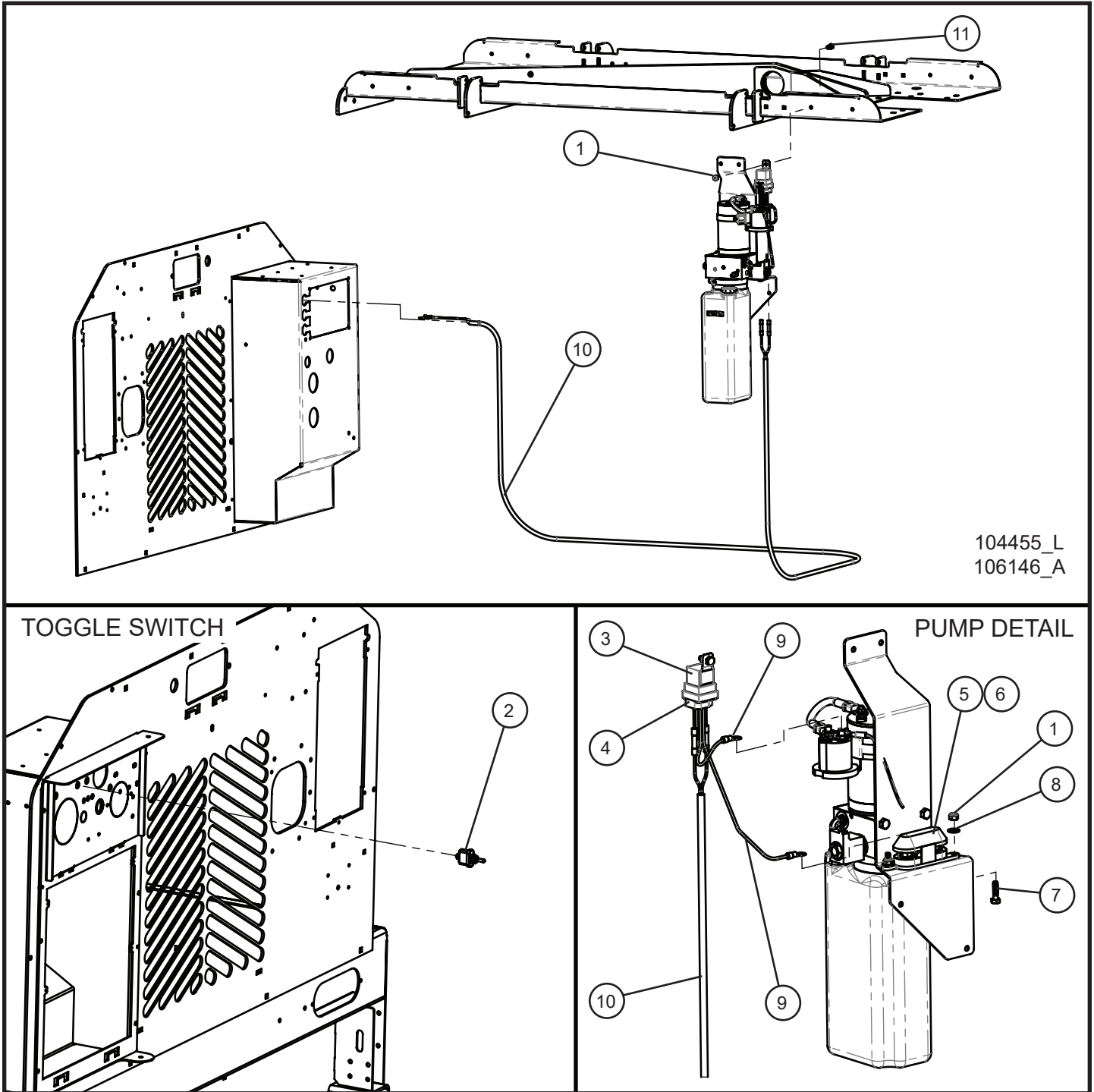
3.11 - Laydown Tower 16/8 Cord Group



3.11 - Laydown Tower 16/8 Cord Group

Item	Part No.	Part Description	Qty.
1	022038	1" CORD GRIP NUT	2
2	105627	CORD GRIP 1" NYLON BLACK	2
3	105006	16/8 CSA STRAIGHT CORD MANUAL TOWER	1
	105679	16/8 CSA STRAIGHT LED CORD MANUAL TOWER	1
4	310212	#10 CUSH CLAMP 1/4 HOLE	2
5	047009	1/4 FLAT WASHER SAE SS	4
6	046015	1/4-20 x 1 HEX HEAD CS GR5 PL	2
7	044023	1/4-20 NYLOCK HEX NUT PL	2
8	105284	SCHEMATIC 4 LIGHT JUNCTION BOX	1
9	105292	SCHEMATIC LIGHT BAR 4 LIGHT 16/8 CORD	1

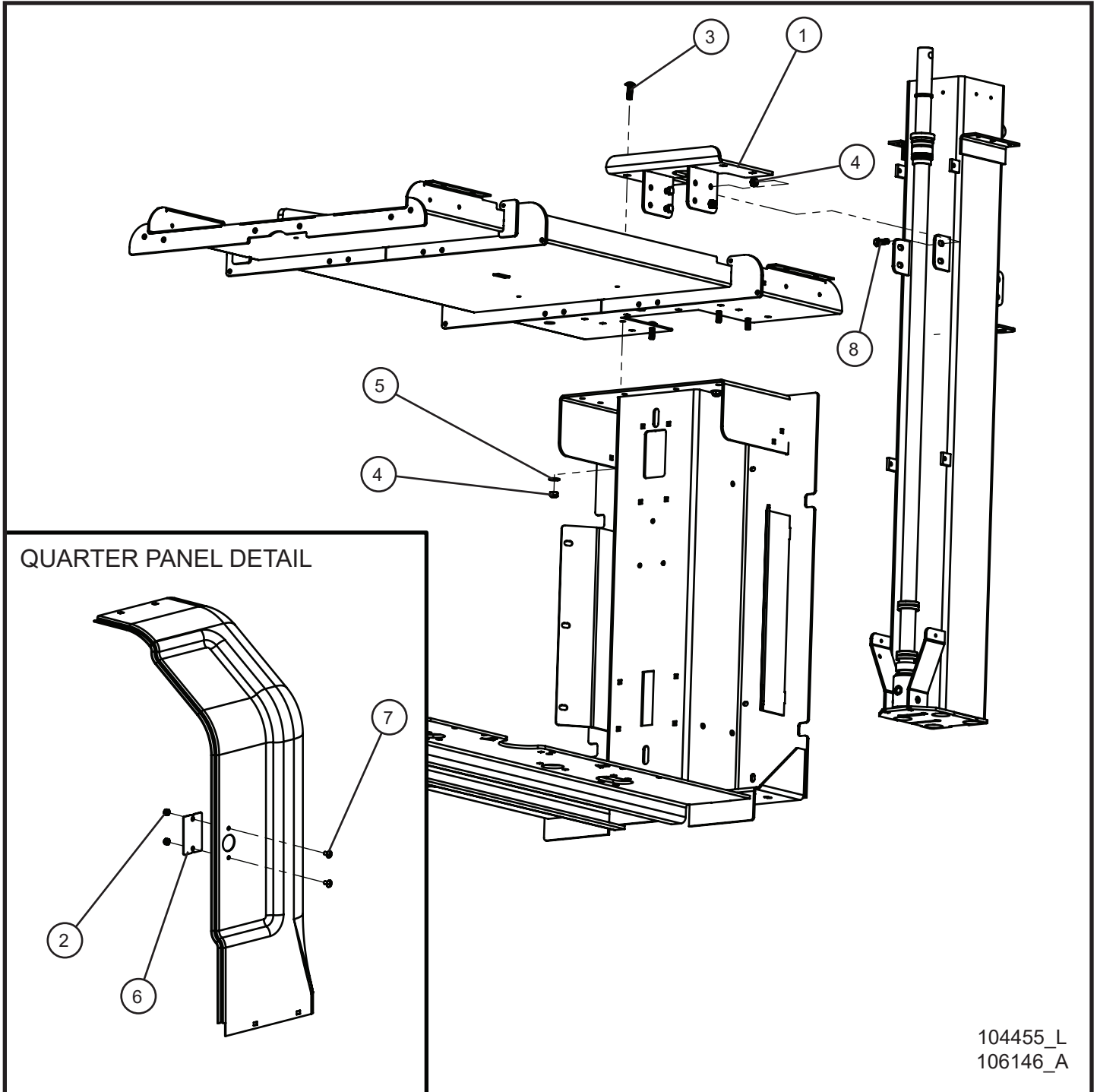
4.1 - Vertical Tower Trailer Components (1 of 2)



4.1 - Vertical Tower Trailer Components (1 of 2)

Item	Part No.	Part Description	Qty.
1	044023	1/4-20 NYLOCK HEX NUT PL	3
2	102453	TOGGLE SWITCH SINGLE POLE	1
3	105173	RELAY 12VDC 150 AMP INRUSH	1
4	105174	RELAY BLOCK WEATHER PACK	1
5	100235	FUSE HOLDER F AMG FUSE	1
6	100234	125A FUSE LINK BUSS AMG	1
7	046015	1/4-20 x 1 HEX HEAD CS GR5 PL	2
8	047005	1/4 FLAT WASHER PL	2
9	022099	TERM 10-12 GA 5/16 EYE INSULATED	2
10	105182	HARNESS RELAY HYDRAULIC PUMP	1
11	046010	1/4-20 x 3/4 HEX HEAD CS GR5 SS	1
NS	105296	SCHEMATIC HYD V PUMP W/ KEY SWITCH	1
NS	105216	BLACK WIRE BUCHER HYD PUMP (NOT SHOWN)	1
NS	105217	RED BUCHER WIRE HYD PUMP (NOT SHOWN)	1
NS	105234	SWITCH CORD VERTICAL HYDRAULIC (NOT SHOWN)	1

4.1 - Vertical Tower Trailer Components (2 of 2)

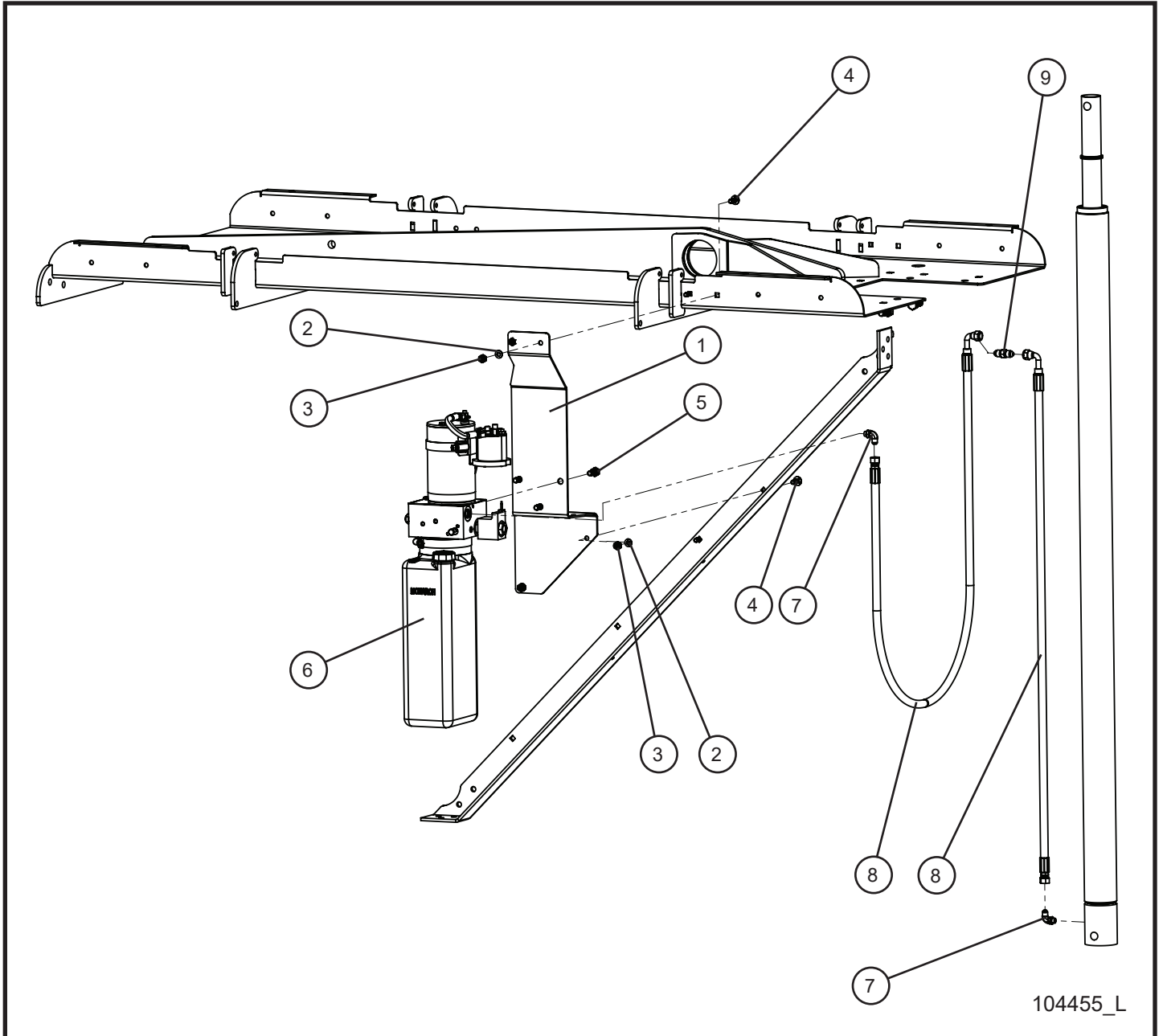


104455_L
106146_A

4.1 - Vertical Tower Trailer Components (2 of 2)

Item	Part No.	Part Description	Qty.
1	104301P	MOUNT WELDMENT VERTICAL TOWER	1
2	044023	1/4-20 NYLOCK HEX NUT PL	11
3	100670	3/8-16 x 1 1/4 CARRIAGE BOLT	4
4	044038	3/8-16 NYLOCK HEX NUT PL	8
5	047010	5/16 FLAT WASHER PL	11
6	680329P	COVER PLATE WINCH HANDLE	1
7	041078	1/4-20 x 1/2 PH-TRUSS HEAD MS SS	2
8	046110	3/8-16 x 1 HEX HEAD CS GR5 PL	4

4.2 - Vertical Tower Hydraulic Pump w/Bottom Port Cylinder

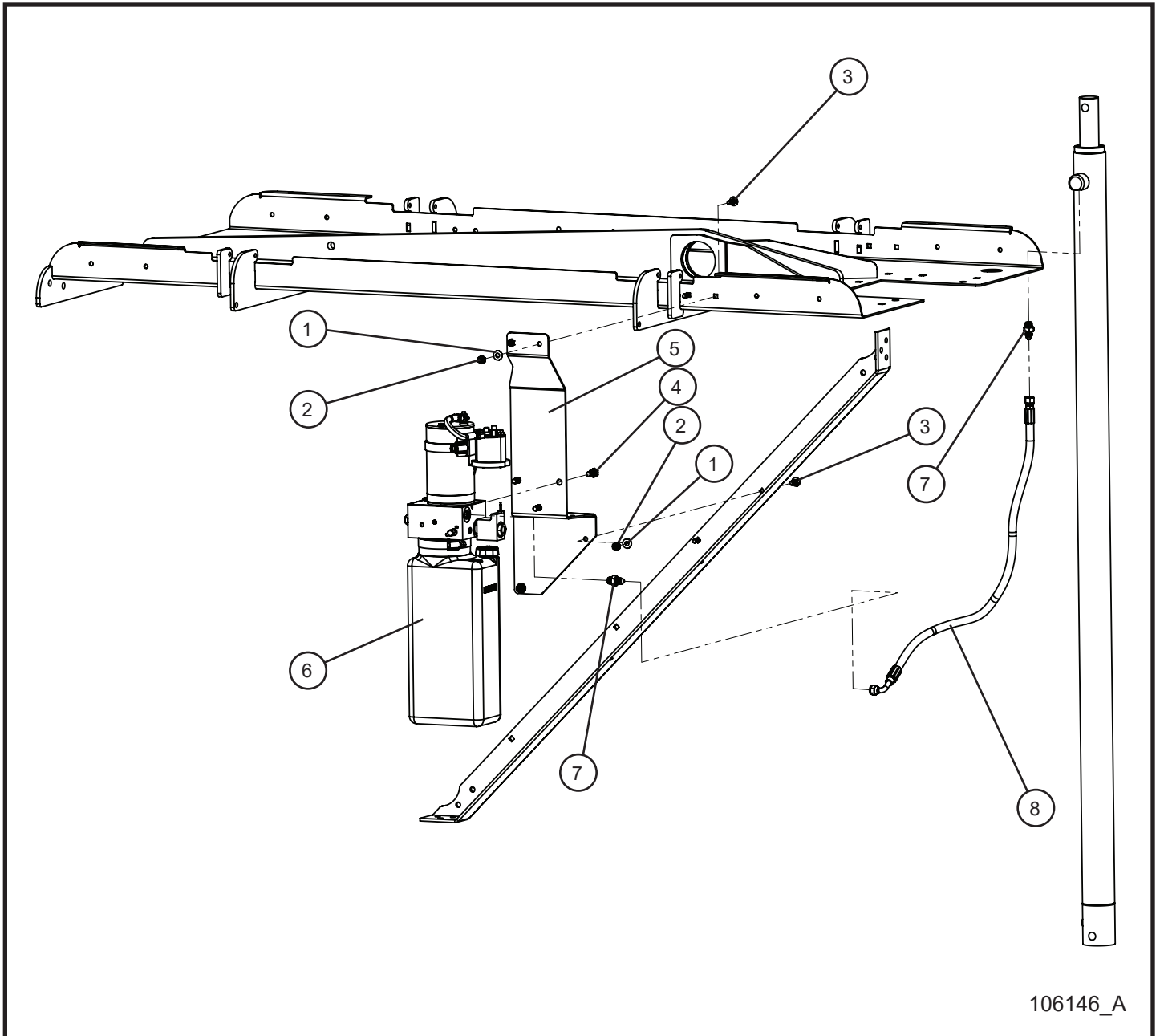


Maxi-Lite II

4.2 - Vertical Tower Hydraulic Pump w/Bottom Port Cylinder

Item	Part No.	Part Description	Qty.
1	104308P	BRACKET MOUNT VERTICAL PUMP	1
2	047009	1/4 FLAT WASHER SAE SS	4
3	044023	1/4-20 NYLOCK HEX NUT PL	4
4	053006	1/4-20 x 3/4 CARRIAGE BOLT	4
5	046045	5/16-18 x 3/4 HEX HEAD CS GR5 PL	3
6	104358	POWER UNIT VERTICAL TOWER	1
7	920676	90° HYDRAULIC FITTING	2
8	101356	HYDRAULIC HOSE	2
9	104461	STRAIGHT HYDRAULIC FITTING	1

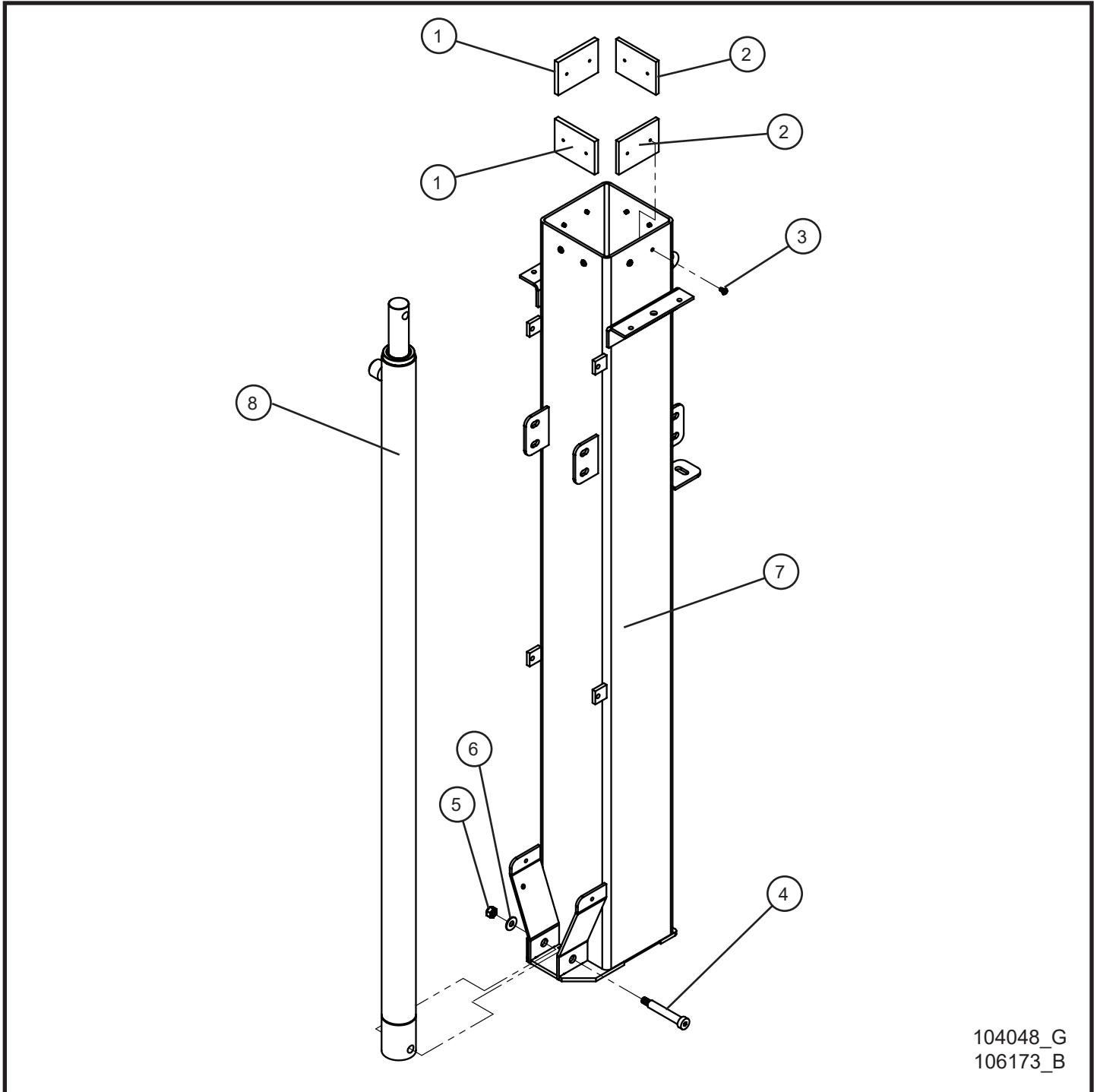
4.3 - Vertical Tower Hydraulic Pump w/Top Port Cylinder



4.3 - Vertical Tower Hydraulic Pump w/Top Port Cylinder

Item	Part No.	Part Description	Qty.
1	047009	1/4 FLAT WASHER SAE SS	4
2	044023	1/4-20 NYLOCK HEX NUT PL	4
3	053006	1/4-20 x 3/4 CARRIAGE BOLT	4
4	046045	5/16-18 x 3/4 HEX HEAD CS GR5 PL	3
5	104308P	BRACKET MOUNT VERTICAL PUMP	1
6	104358	POWER UNIT VERTICAL TOWER	1
7	923205	STRAIGHT ADAPTER	2
8	104461	HYDRAULIC HOSE 41.00 MAXI HYD V-SERIES	1

4.4 - Vertical Tower Parts Old Style (1 of 5)

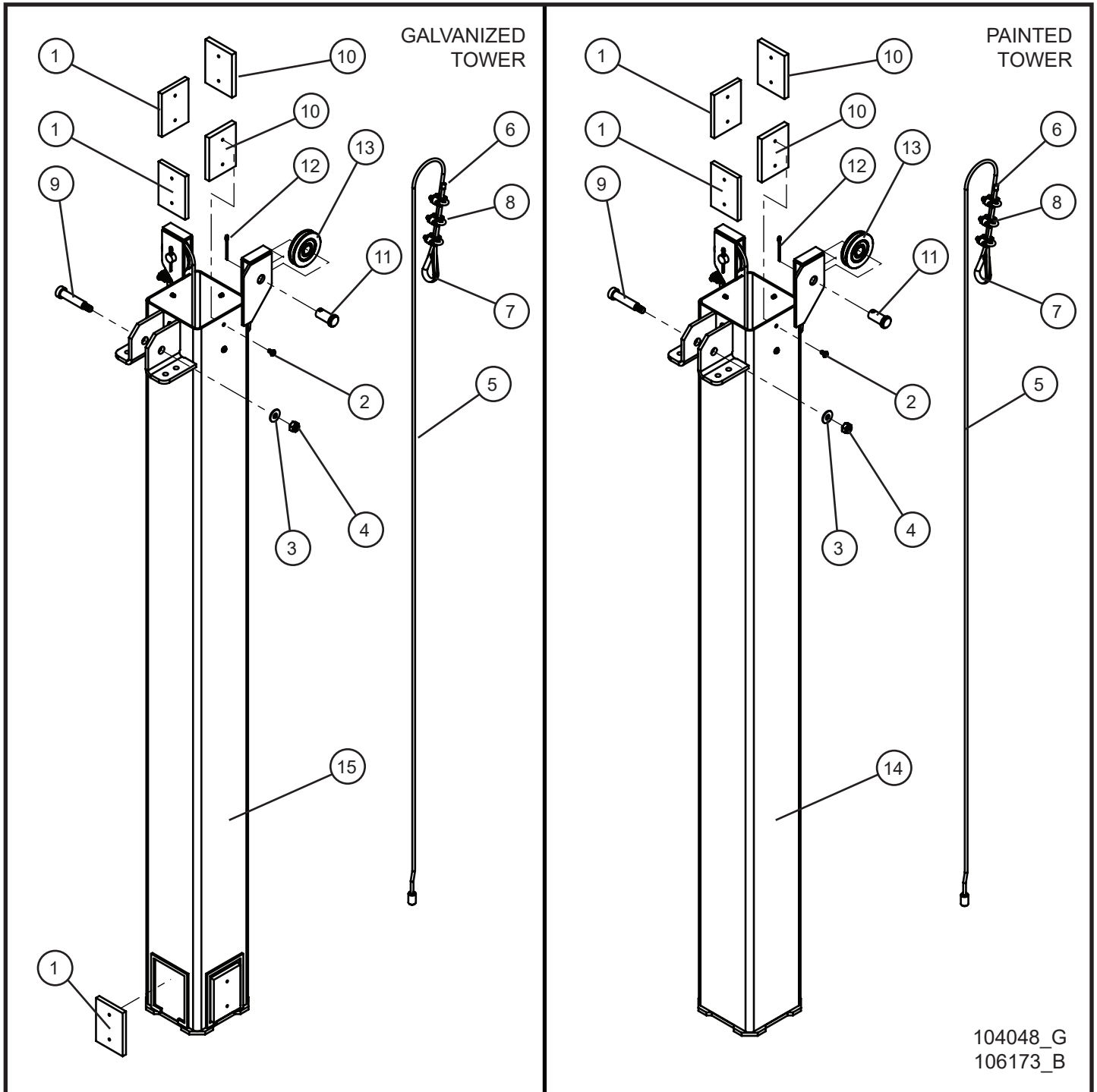


104048_G
106173_B

4.4 - Vertical Tower Parts Old Style (1 of 5)

Item	Part No.	Part Description	Qty.
1	650110	.312 TOWER PAD	2
2	102954	.250 TOWER PAD	2
3	041023	#10 x 3/8 PH-ROUND HEAD MS PL	8
4	101379	1/2 x 2 3/4 (3/8-16 x 5/8) HX-SOCKET HEAD SHOULDER BOLT	1
5	047010	5/16 FLAT WASHER PL	1
6	044038	3/8-16 NYLOCK HEX NUT PL	1
7	104036P	6" VERTICAL TOWER 2 SECTION	1
	104036-20	6" GALVANIZED VERTICAL TOWER SECTION	1
8	106140	VERTICAL TOWER TOP PORT HYDRAULIC CYLINDER	1
	109764	VERTICAL TOWER 2 HYDRAULIC CYLINDER	1

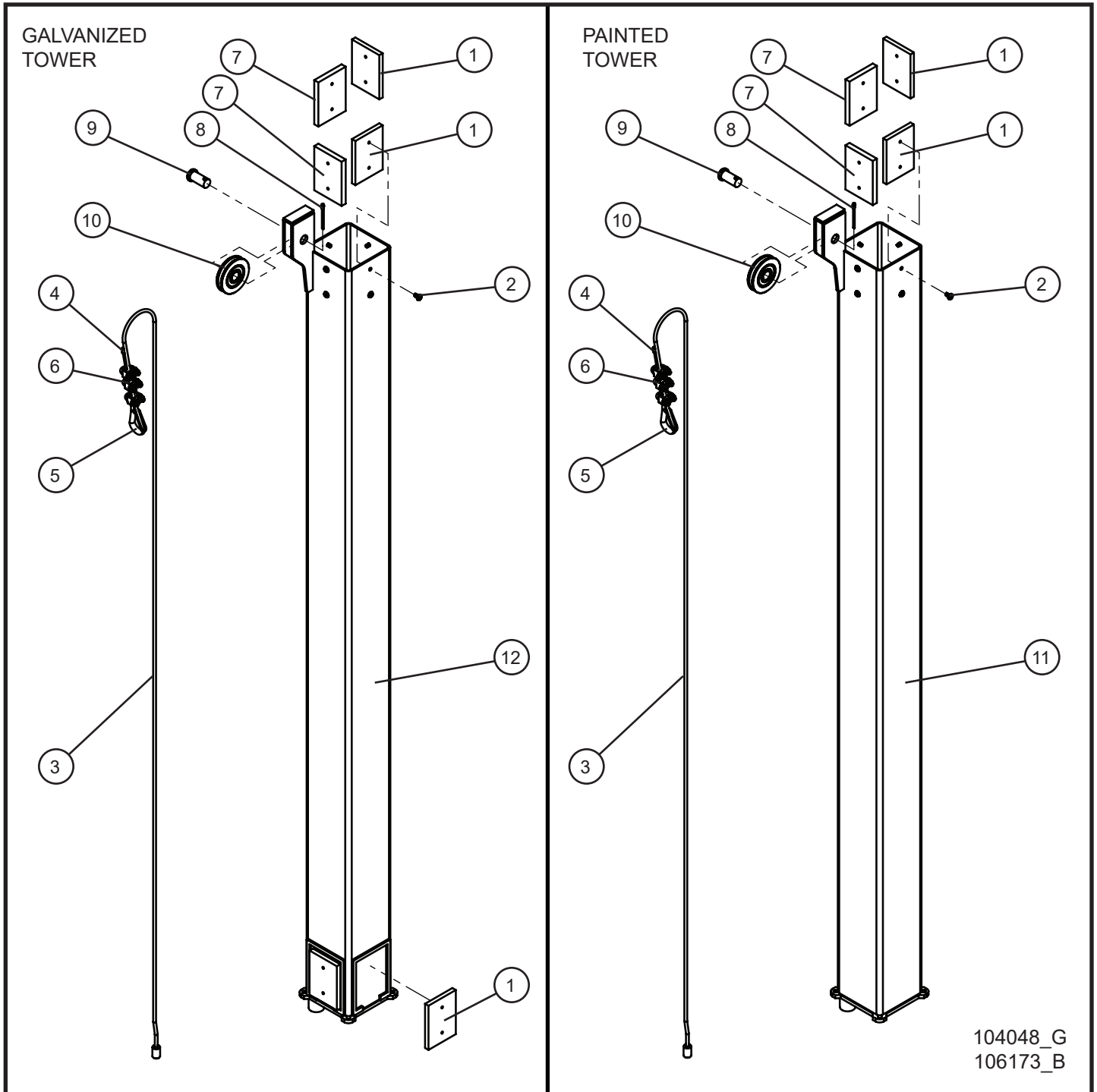
4.4 - Vertical Tower Parts Old Style (2 of 5)



4.4 - Vertical Tower Parts Old Style (2 of 5)

Item	Part No.	Part Description	Qty.
1	650110	.312 TOWER PAD	6
2	041023	#10 x 3/8 PH-ROUND HEAD MS PL	8
3	047010	5/16 FLAT WASHER PL	1
4	044038	3/8-16 NYLOCK HEX NUT PL	1
5	320185	STEEL CABLE 3/16 x 10'	2
6	022150	FERRULE 10-12 AWG	2
7	045040	3/16 CABLE THIMBLE	2
8	620084	1/4 CABLE CLIP	6
9	101378	1/2 x 2 (3/8-16 x 5/8) HX-SOCKET HEAD SHOULDER BOLT	1
10	650109	.375 TOWER PAD	2
11	102906	5/8 x 1 1/4 CLEVIS PIN	2
12	045045	5/32 x 1 1/2 COTTER PIN	2
13	100160	2 1/2 PULLEY BALL BEARING W/ BALL BEARING	2
14	104037P	VERTICAL TOWER 2 5" SECTION	1
15	106171-20	5" GALVANIZED VERTICAL TOWER SECTION	1

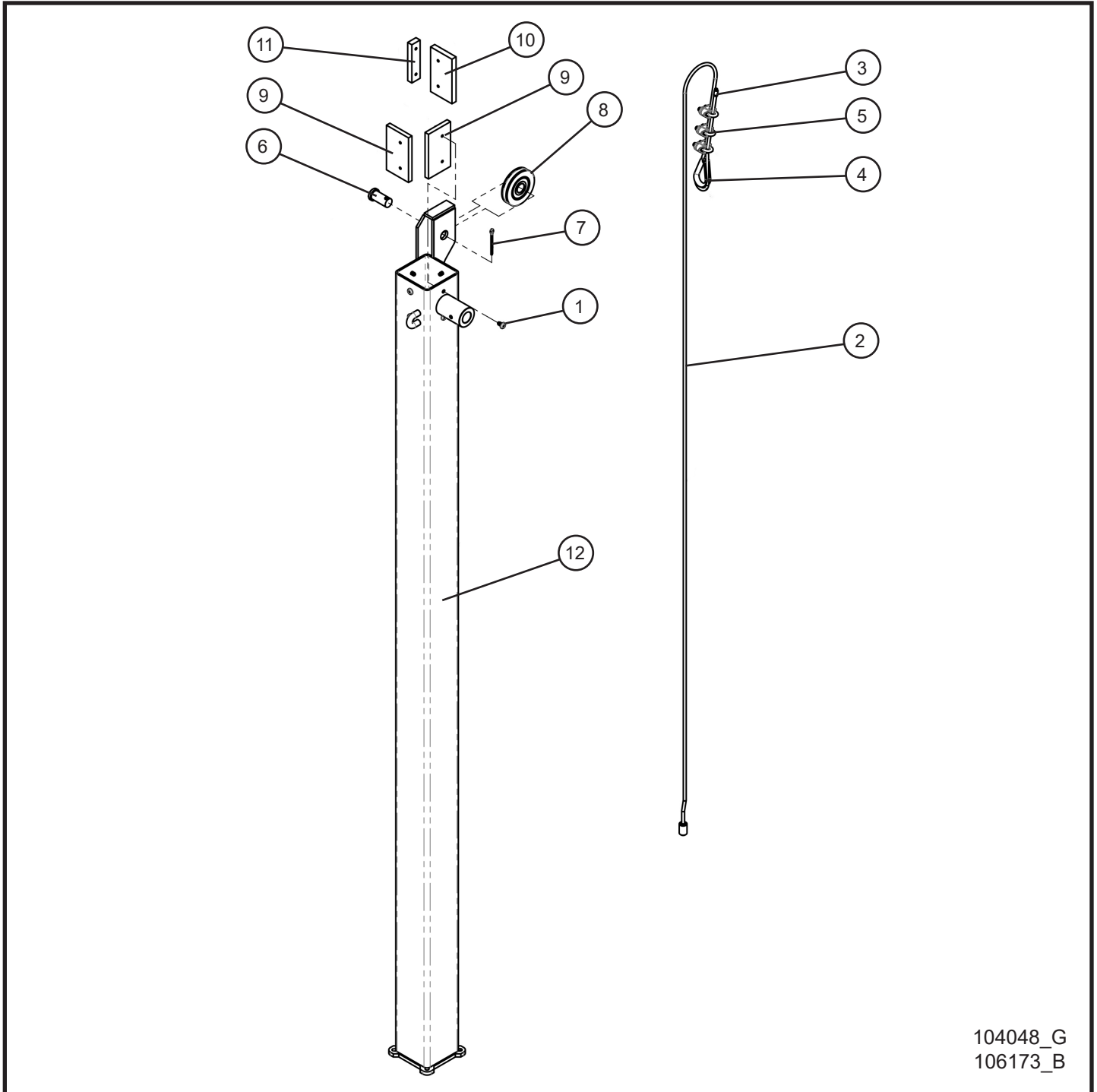
4.4 - Vertical Tower Parts Old Style (3 of 5)



4.4 - Vertical Tower Parts Old Style (3 of 5)

Item	Part No.	Part Description	Qty.
1	650110	.312 TOWER PAD	6
2	041023	#10 x 3/8 PH-ROUND HEAD MS PL	8
3	320185	STEEL CABLE 3/16 x 10'	1
4	022150	FERRULE 10-12 AWG	1
5	045040	3/16 CABLE THIMBLE	1
6	620084	1/4 CABLE CLIP	3
7	650109	.375 TOWER PAD	2
8	102906	5/8 x 1 1/4 CLEVIS PIN	1
9	045045	5/32 x 1 1/2 COTTER PIN	1
10	100160	2 1/2 PULLEY BALL BEARING W/ BALL BEARING	1
11	102961P	VERTICAL TOWER 2 4" SECTION	1
12	106170-20	4" GALVANIZED VERTICAL TOWER SECTION	1

4.4 - Vertical Tower Parts Old Style (4 of 5)

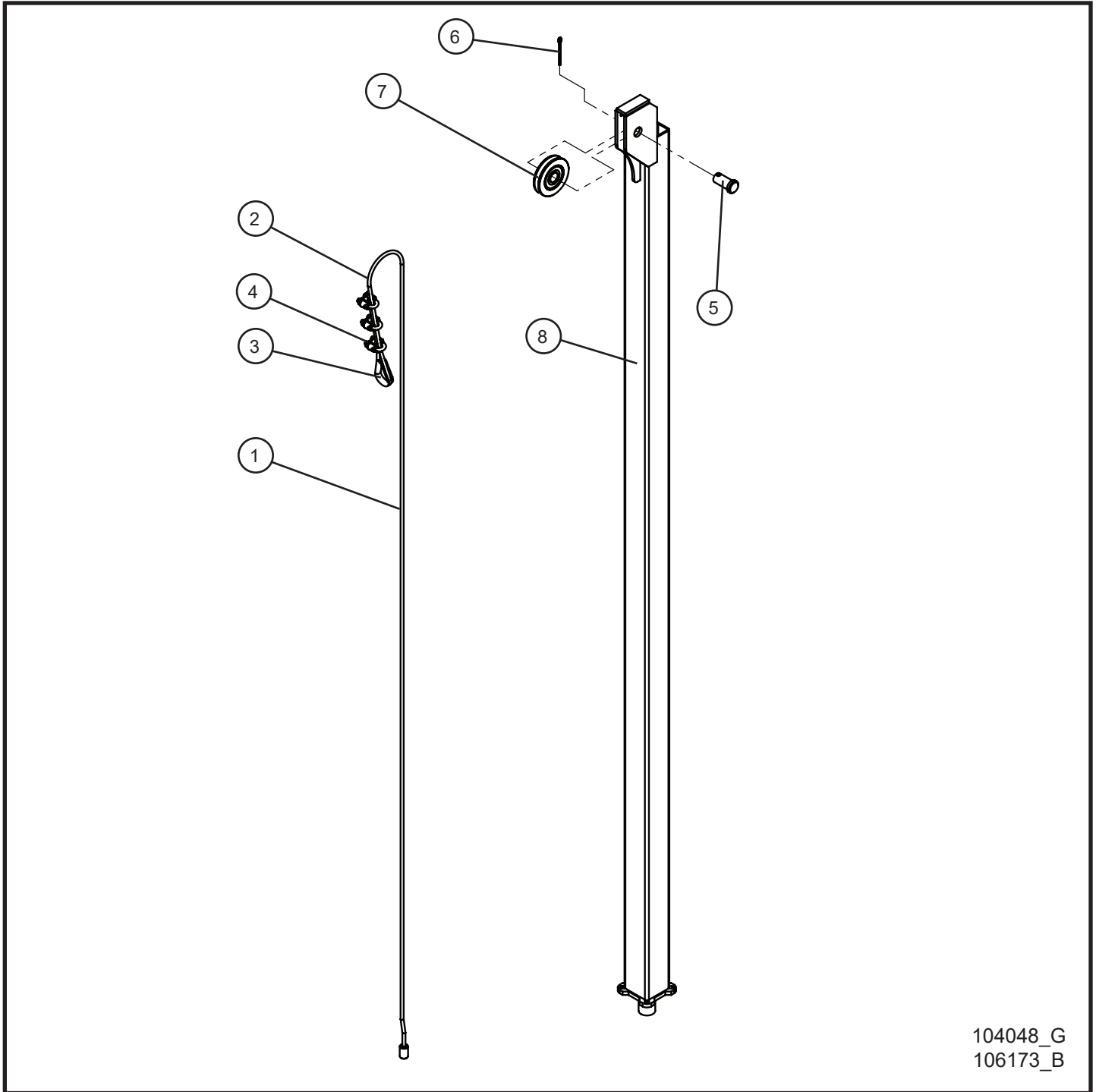


104048_G
106173_B

4.4 - Vertical Tower Parts Old Style (4 of 5)

Item	Part No.	Part Description	Qty.
1	041023	#10 x 3/8 PH-ROUND HEAD MS PL	8
2	320185	STEEL CABLE 3/16 x 10'	1
3	022150	FERRULE 10-12 AWG	1
4	045040	3/16 CABLE THIMBLE	1
5	620084	1/4 CABLE CLIP	3
6	102906	5/8 x 1 1/4 CLEVIS PIN	1
7	045045	5/32 x 1 1/2 COTTER PIN	1
8	100160	2 1/2 PULLEY BALL BEARING W/ BALL BEARING	1
9	352280	PLASTIC TOWER PAD	2
10	100446	3/8 PAD SMALL	1
11	100062	3/8 UHMW SPACER	1
12	102965P	VERTICAL TOWER 2 3" SECTION	1
	102965-20	3" GALVANIZED VERTICAL TOWER SECTION	1

4.4 - Vertical Tower Parts Old Style (5 of 5)

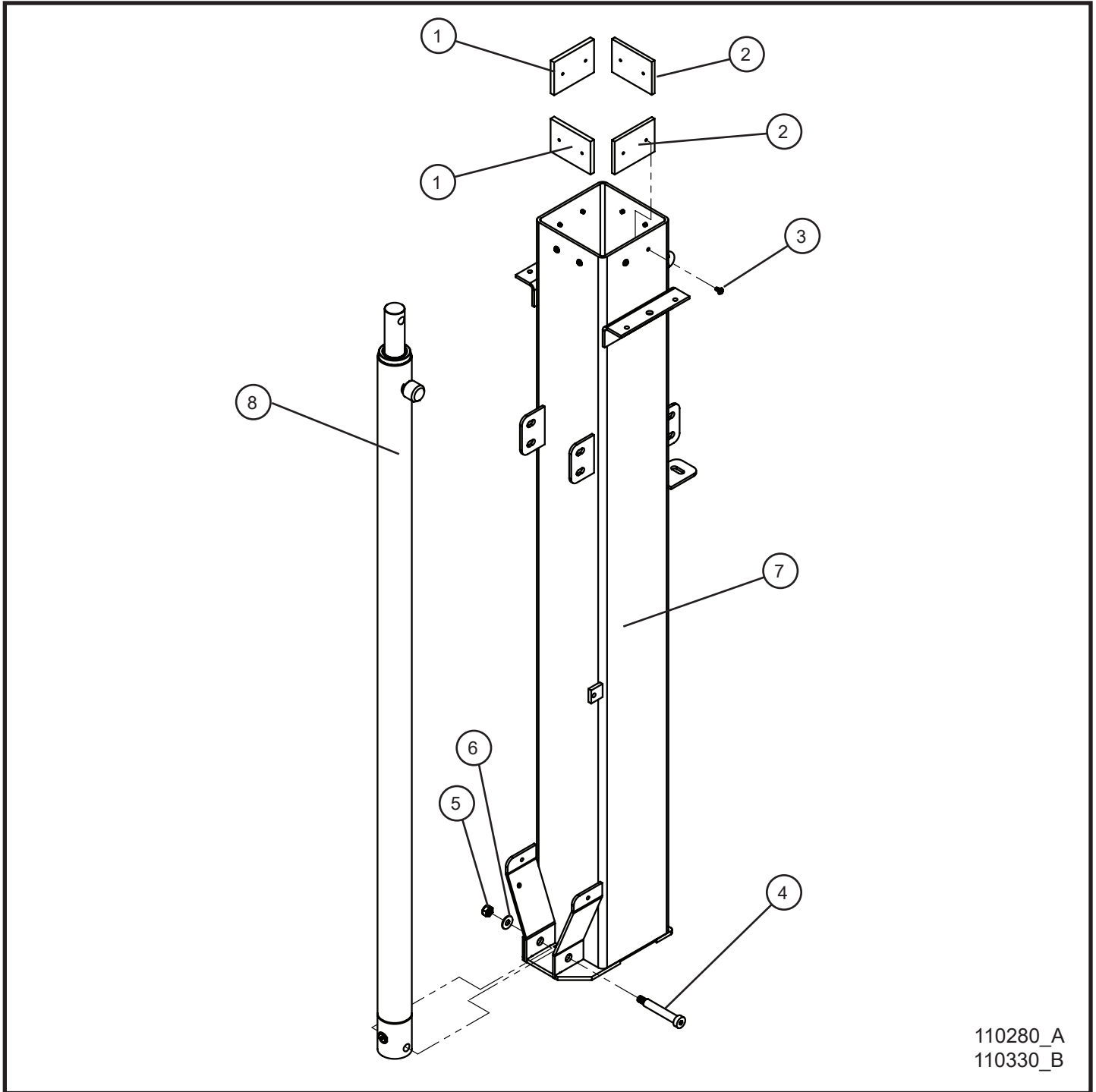


104048_G
106173_B

4.4 - Vertical Tower Parts Old Style (5 of 5)

Item	Part No.	Part Description	Qty.
1	320185	STEEL CABLE 3/16 x 10'	1
2	022150	FERRULE 10-12 AWG	1
3	045040	3/16 CABLE THIMBLE	1
4	620084	1/4 CABLE CLIP	3
5	102906	5/8 x 1 1/4 CLEVIS PIN	1
6	045045	5/32 x 1 1/2 COTTER PIN	1
7	100160	2 1/2 PULLEY BALL BEARING W/ BALL BEARING	1
8	102968P	VERTICAL TOWER 2 2" SECTION	1
	102968-20	2" GALVANIZED VERTICAL TOWER SECTION	1

4.5 - Vertical Tower Parts New Style (1 of 5)

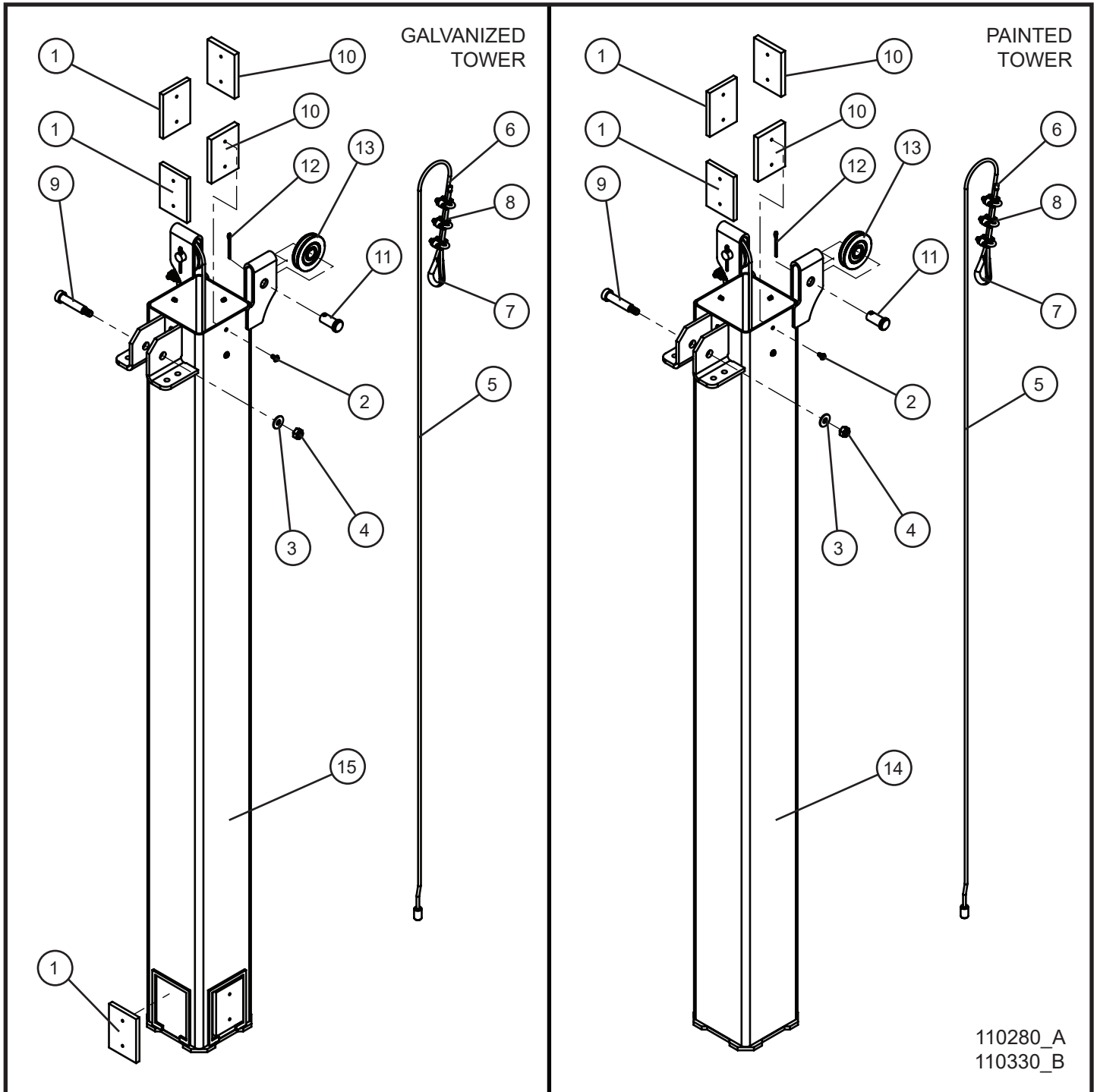


110280_A
110330_B

4.5 - Vertical Tower Parts New Style (1 of 5)

Item	Part No.	Part Description	Qty.
1	650110	.312 TOWER PAD	2
2	102954	.250 TOWER PAD	2
3	041023	#10 x 3/8 PH-ROUND HEAD MS PL	8
4	101379	1/2 x 2 3/4 (3/8-16 x 5/8) HX-SOCKET HEAD SHOULDER BOLT	1
5	047010	5/16 FLAT WASHER PL	1
6	044038	3/8-16 NYLOCK HEX NUT PL	1
7	110282P	6" VERTICAL TOWER SECTION	1
	113090	6" GALVANIZED VERTICAL TOWER SECTION	1
8	106140	VERTICAL TOWER TOP PORT HYDRAULIC CYLINDER	1
	109764	VERTICAL TOWER HYDRAULIC CYLINDER	1

4.5 - Vertical Tower Parts New Style (2 of 5)

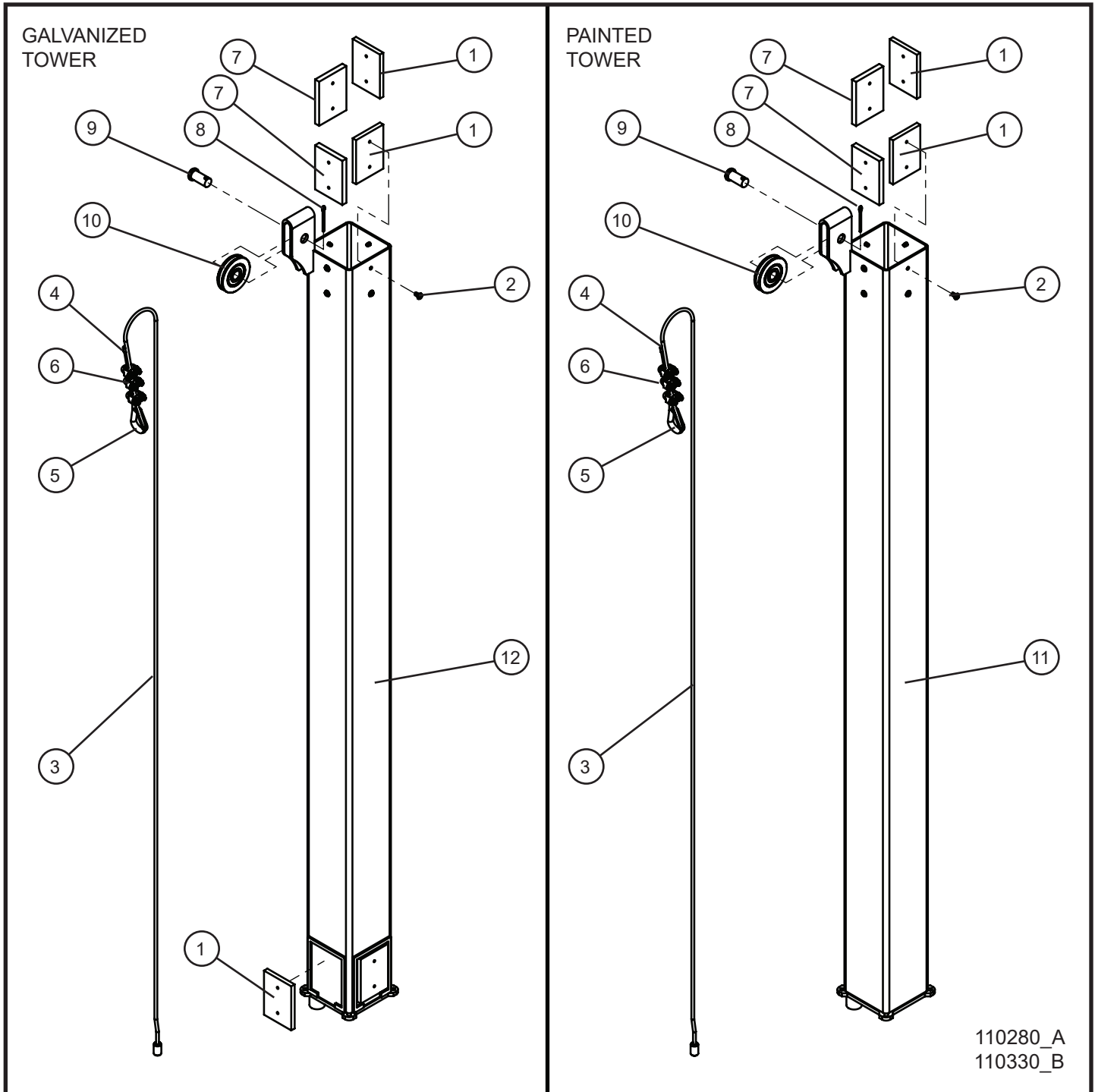


110280_A
110330_B

4.5 - Vertical Tower Parts New Style (2 of 5)

Item	Part No.	Part Description	Qty.
1	650110	.312 TOWER PAD	6
2	041023	#10 x 3/8 PH-ROUND HEAD MS PL	8
3	047010	5/16 FLAT WASHER PL	1
4	044038	3/8-16 NYLOCK HEX NUT PL	1
5	320185	STEEL CABLE 3/16 x 10'	2
6	022150	FERRULE 10-12 AWG	2
7	045040	3/16 CABLE THIMBLE 3/16 WIRE ROPE	2
8	620084	3/16 CABLE CLIP	6
9	101378	1/2 x 2 (3/8-16 x 5/8) HX-SOCKET HEAD SHOULDER BOLT	1
10	650109	.375 TOWER PAD	2
11	102906	5/8 x 1 1/4 CLEVIS PIN	5
12	045042	COTTER PIN 1/8 x 1 1/2	5
13	100160	2 1/2 PULLEY BALL BEARING	5
14	110281P	5" VERTICAL TOWER SECTION	1
15	113092	5" GALVANIZED VERTICAL TOWER SECTION	1

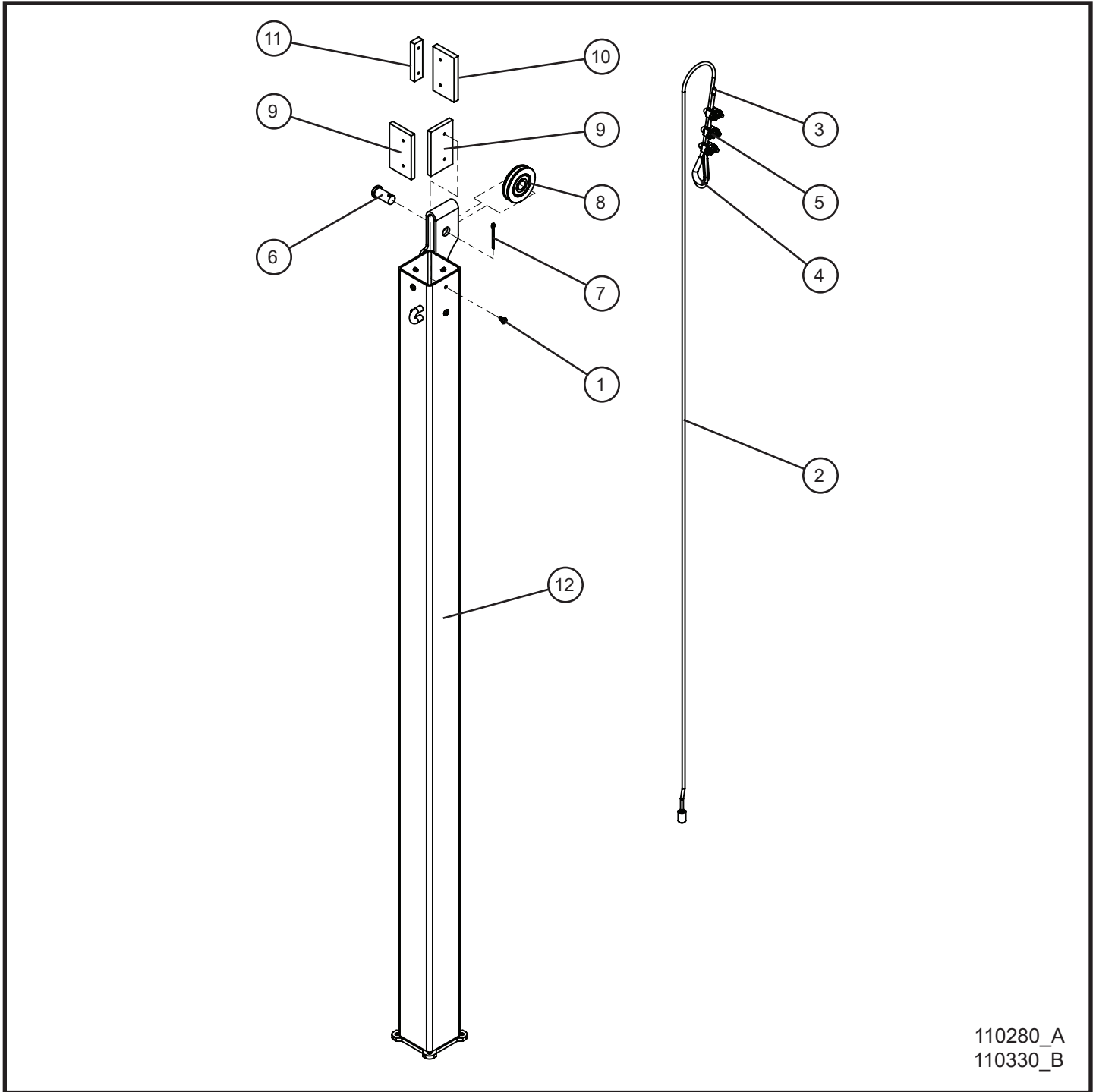
4.5 - Vertical Tower Parts New Style (3 of 5)



4.5 - Vertical Tower Parts New Style (3 of 5)

Item	Part No.	Part Description	Qty.
1	650110	.312 TOWER PAD	6
2	041023	#10 x 3/8 PH-ROUND HEAD MS PL	8
3	320185	STEEL CABLE 3/16 x 10'	1
4	022150	FERRULE 10-12 AWG	1
5	045040	3/16 CABLE THIMBLE 3/16 WIRE ROPE	1
6	620084	3/16 CABLE CLIP	3
7	650109	.375 TOWER PAD	4
8	102906	5/8 x 1 1/4 CLEVIS PIN	5
9	045042	COTTER PIN 1/8 x 1 1/2	5
10	100160	2 1/2 PULLEY BALL BEARING	5
11	102961P	4" VERTICAL TOWER SECTION	1
12	113093	4" GALVANIZED VERTICAL TOWER SECTION	1

4.5 - Vertical Tower Parts New Style (4 of 5)

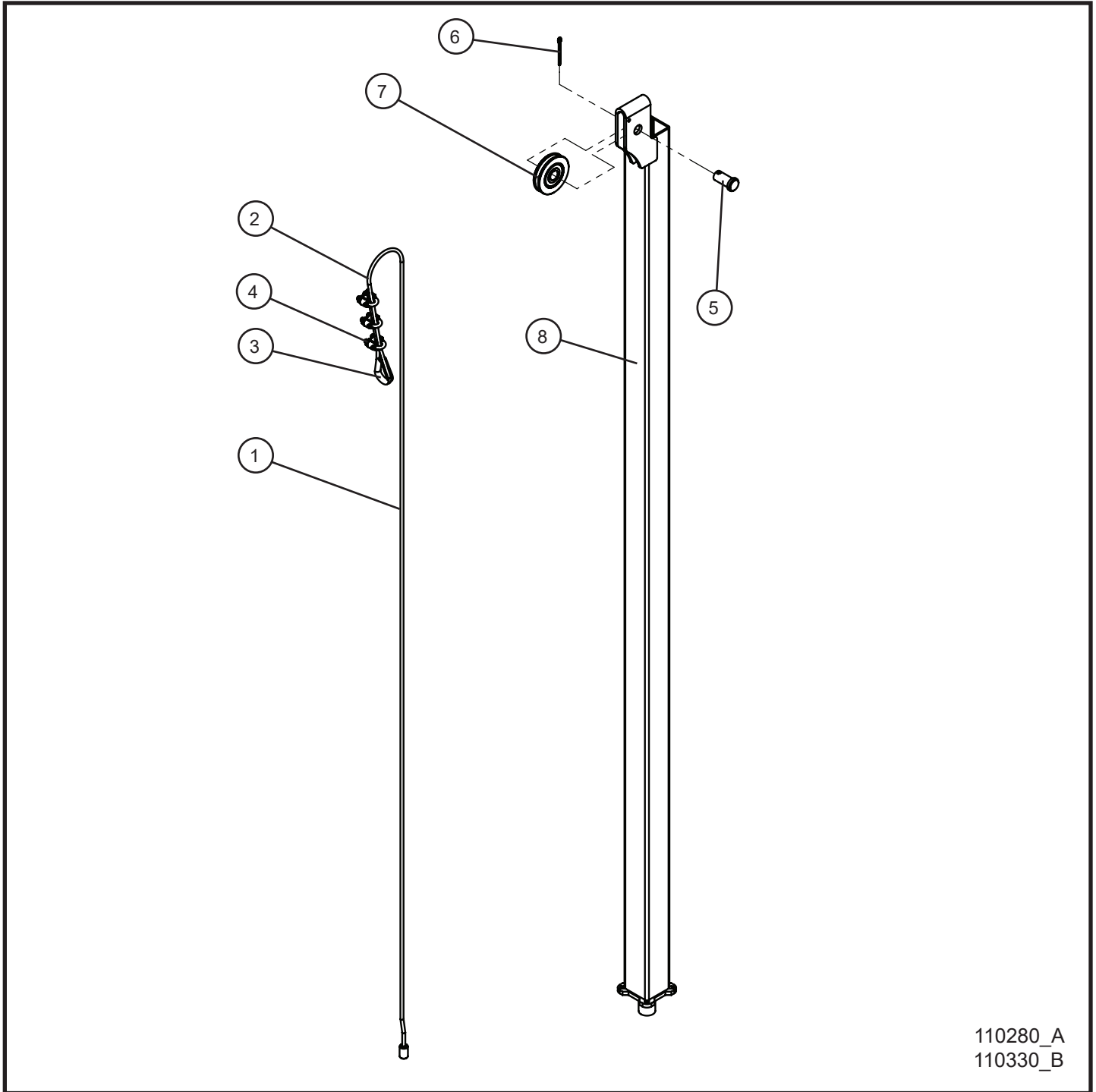


110280_A
110330_B

4.5 - Vertical Tower Parts New Style (4 of 5)

Item	Part No.	Part Description	Qty.
1	041023	#10 x 3/8 PH-ROUND HEAD MS PL	8
2	320185	STEEL CABLE 3/16 x 10'	1
3	022150	FERRULE 10-12 AWG	1
4	045040	3/16 CABLE THIMBLE 3/16 WIRE ROPE	1
5	620084	3/16 CABLE CLIP	3
6	102906	5/8 x 1 1/4 CLEVIS PIN	1
7	045042	COTTER PIN 1/8 x 1 1/2	1
8	100160	2 1/2 PULLEY BALL BEARING	1
9	352280	PLASTIC TOWER PAD	2
10	100446	3/8 PAD SMALL	1
11	100062	3/8 UHMW SPACER	1
12	112727P	3" VERTICAL TOWER SECTION	1
	113094	3" GALVANIZED VERTICAL TOWER SECTION	1

4.5 - Vertical Tower Parts New Style (5 of 5)

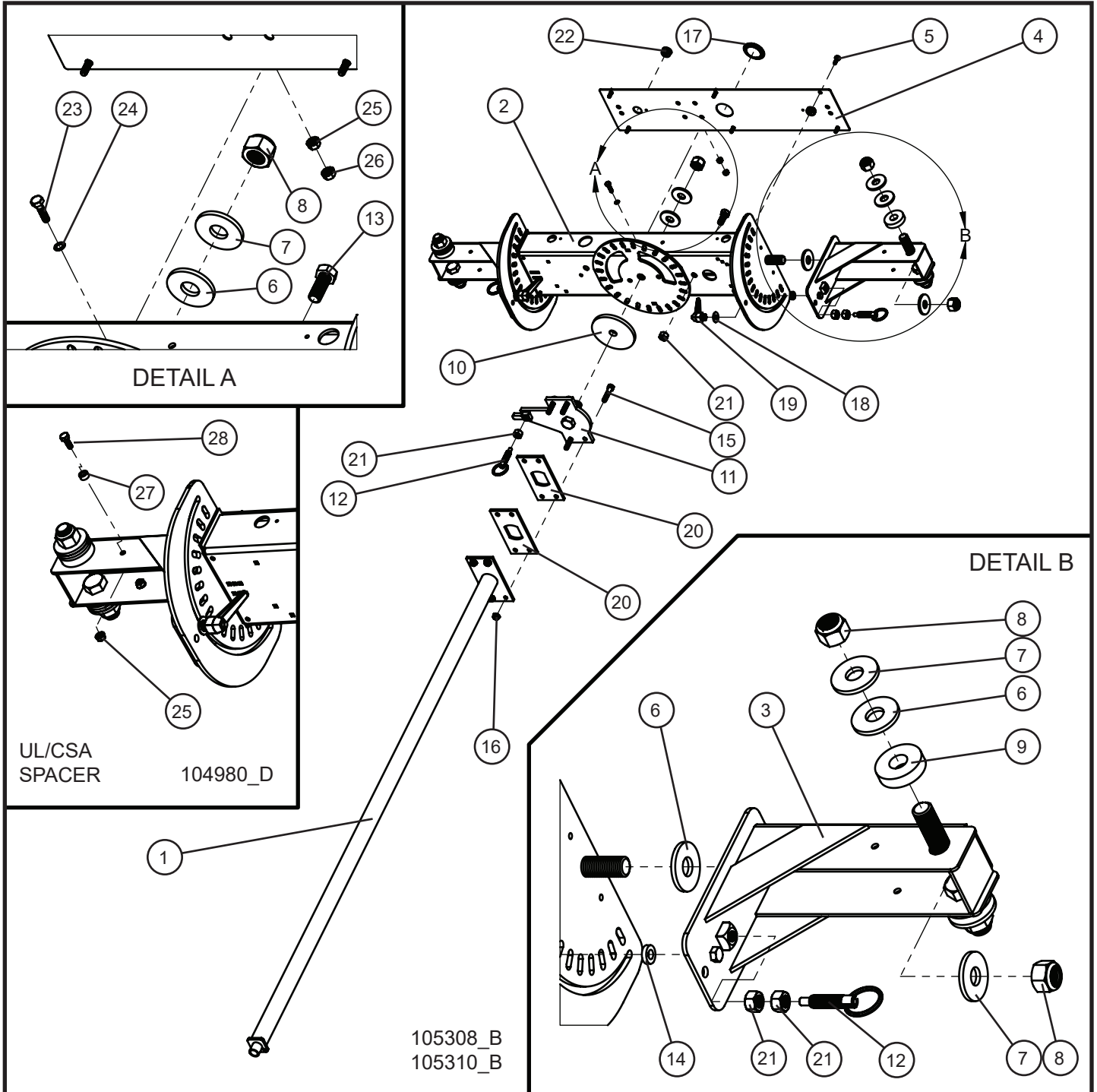


110280_A
110330_B

4.5 - Vertical Tower Parts New Style (5 of 5)

Item	Part No.	Part Description	Qty.
1	320185	STEEL CABLE 3/16 x 10'	1
2	022150	FERRULE 10-12 AWG	1
3	045040	3/16 CABLE THIMBLE 3/16 WIRE ROPE	1
4	620084	3/16 CABLE CLIP	3
5	102906	5/8 x 1 1/4 CLEVIS PIN	1
6	045042	COTTER PIN 1/8 x 1 1/2	1
7	100160	2 1/2 PULLEY BALL BEARING	1
8	102968P	2" VERTICAL TOWER SECTION	1
	113099	2" GALVANIZED VERTICAL TOWER SECTION	1

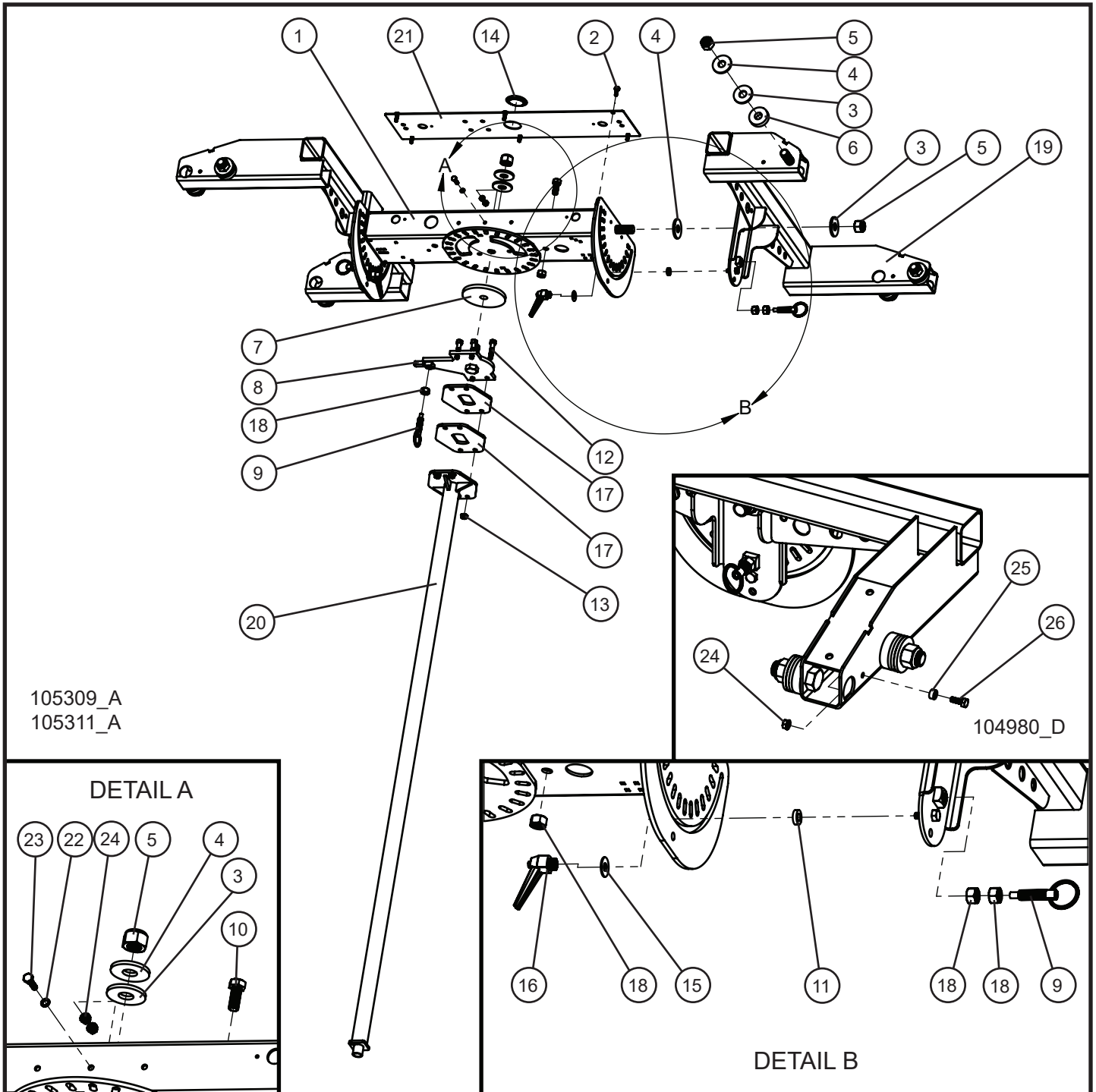
4.6 - Vertical Tower 4-Light Bar



4.6 - Vertical Tower 4-Light Bar

Item	Part No.	Part Description	Qty.
1	102972P	ROUND TOWER SECTION	1
	113104	ROUND GALVANIZED TOWER SECTION	1
2	105716P	VERTICAL LIGHT BAR WELDMENT	1
	114204P	VERTICAL LIGHT BAR WELDMENT NO CORD REEL	1
3	105363P	BRACKET LAMP ROTATING INDEXING LIGHT BAR	2
4	104063P	COVER LIGHT BAR	1
5	041070	1/4-20 x 3/4 SL-HEX WASHER HEAD MS TP F	6
6	650550	.785" x 2" HDPE WASHER	7
7	047035	3/4 FLAT WASHER	7
8	044058	3/4-10 NYLOCK HEX NUT PL	7
9	101813	.781 ID x 2 OD x 1/2 HDPE WASHER	4
10	100147	UHMW BEARING TOWER ROTATION	1
11	100143P	ROTATION MOUNT	1
12	100148	SPRING LOCK 1/2-13 UNC x 1.4	3
13	046180	1/2-13 X 1 1/4 HEX HEAD CS GR5 PL	1
14	047019	NYLON BUSHING 3/4 OD x .385 ID	2
15	046126	3/8-16 x 1 3/4 HEX HEAD CS GR5 PL	4
16	044036	3/8-16 KEPS HEX NUT PL	4
17	680878	1 3/4 CAPPLUG	1
18	047015	3/8 FLAT WASHER PL	2
19	102361	ADJUSTABLE LEVER PUSH BUTTON	2
20	100104P	LIGHT BAR BRACKET	2
21	044045	1/2-13 HEX NUT PL	6
22	711029	7/8 LOCKING HOLE PLUG	2
23	046010	1/4-20 x 1 HEX HEAD CS GR5 PL	1
24	043050	1/4 INT'L TOOTH LOCK WASHER	1
25	044021	1/4-20 KEPS HEX NUT PL	5
26	044023	1/4-20 NYLOCK HEX NUT PL	1
27	104979	UL/CSA CLEARANCE SPACER NYLON UNTHREADED	4
28	046010	1/4-20 x 3/4 HEX HEAD CS GR5 SS	4

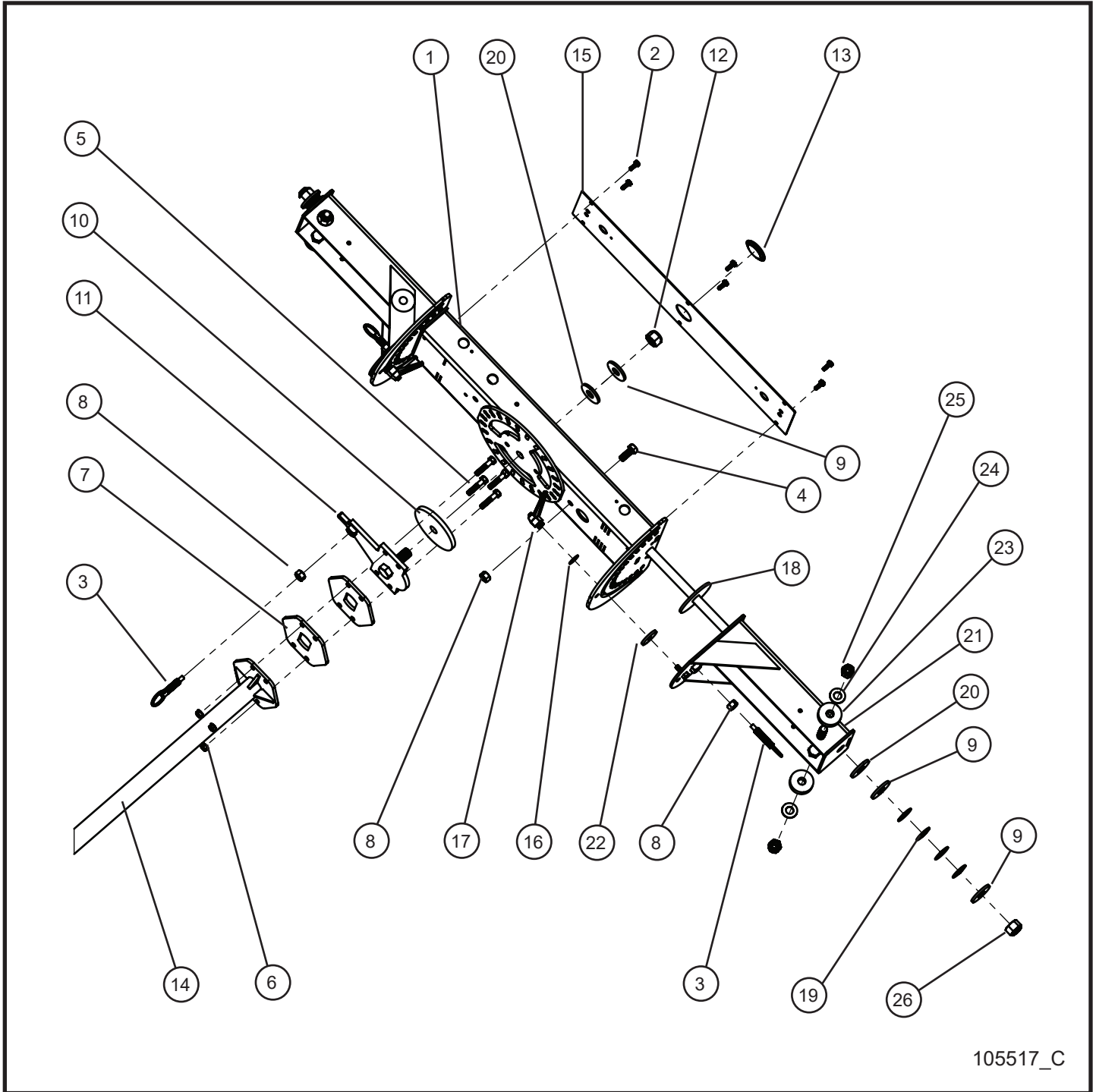
4.7 - Vertical Tower 6-Light Bar



4.7 - Vertical Tower 6-Light Bar

Item	Part No.	Part Description	Qty.
1	105716P	VERTICAL LIGHT BAR WELDMENT	1
	114204P	VERTICAL LIGHT BAR WELDMENT NO CORD REEL	1
2	041070	1/4-20 x 3/4 SL-HEX WASHER HEAD MS TP F	6
3	650550	.785 x 2 HDPE WASHER	9
4	047035	3/4 FLAT WASHER	9
5	044058	3/4-10 NYLOCK HEX NUT PL	9
6	101813	.781 ID x 2 OD x 1/2 HDPE WASHER	6
7	100147	UHMW BEARING TOWER ROTATION	1
8	100143P	ROTATION MOUNT	1
9	100148	SPRING LOCK 1/2-13 UNC x 1.4	3
10	046180	1/2-13 x 1 1/4 HEX HEAD CS GR5 PL	1
11	047019	NYLON BUSHING 3/4 OD x .385 ID	2
12	046126	3/8-16 x 1 3/4 HEX HEAD CS GR5 PL	4
13	044036	3/8-16 KEPS HEX NUT PL	4
14	680878	1 3/4 CAPLUG	1
15	047015	3/8 FLAT WASHER PL	2
16	102361	ADJUSTABLE LEVER PUSH BUTTON	2
17	105501P	BRACKET LIGHT BAR SPACER	2
18	044045	1/2-13 HEX NUT PL	4
19	104091P	6 LIGHT FIXTURE BRACKET	2
20	104053P	ROUND SECTION OPTION	1
	115096	ROUND SECTION OPTION (GALVANIZED)	1
21	104063P	COVER LIGHT BAR	1
22	043050	1/4 INT'L TOOTH LOCK WASHER	1
23	046015	1/4-20 x 1 HEX HEAD CS GR5 PL	1
24	044021	1/4-20 KEPS HEX NUT PL	8
25	104979	UL/CSA CLEARANCE SPACER NYLON UNTHREADED	6
26	046010	1/4-20 x 3/4 HEX HEAD CS GR5 SS	6

4.8 - Vertical Tower Go-Green LED Light Bar

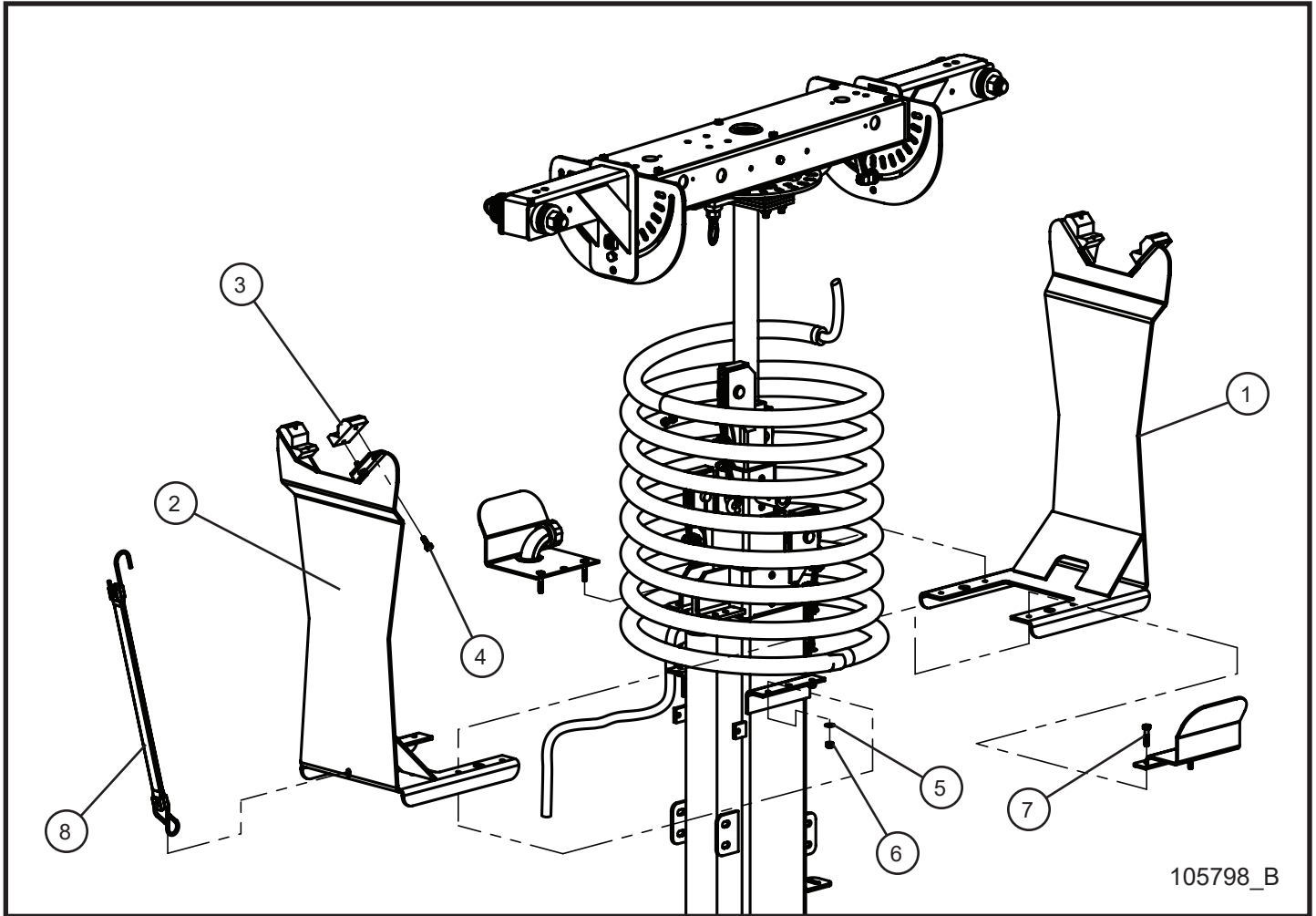


105517_C

4.8 - Vertical Tower Go-Green LED Light Bar

Item	Part No.	Part Description	Qty.
1	105503	LED LIGHT BAR	1
2	041070	1/4-20 x 3/4 SL-HEX WASHER MEAD MS TP F	6
3	100148	SPRING LOCK 1/2-13 UNC x 1.4	3
4	046180	1/2-13 x 1 1/4 HEX HEAD CS GR5 PL	1
5	046126	3/8-16 x 1 3/4 HEX HEAD CS GR5 PL	4
6	044036	3/8-16 KEPS HEX NUT PL	4
7	105501P	LIGHT BAR SPACER BRACKET	2
8	044045	1/2-13 HEX NUT PL	4
9	047035	3/4 FLAT WASHER PL	5
10	100147	UHMW BEARING TOWER ROTATION	1
11	100143P	ROTATION MOUNT	1
12	044058	3/4-NYLOCK HEX NUT PL	1
13	680878	1 3/4 CAPLUG	1
14	104053P	ROUND SECTION OPTION	1
15	104063P	LIGHT BAR COVER	1
16	047015	3/8 FLAT WASHER PL	2
17	102361	ADJUSTABLE LEVER PUSH BUTTON	2
18	105492	THRUST BUSHING	2
19	105494	BELLVILLE WASHER .75 I.D.	8
20	650550	.785" x 2" HDPE WASHER	3
21	105514P	ROTATION BRACKET LED WELDMENT	2
22	105518	THRUST BUSHING, LEVER LOCK	2
23	105496	THRUST BUSHING, HDPE 2"	4
24	047030	5/8 FLAT WASHER PL	4
25	044053	5/8-11 NYLOCK HEX NUT PL	4
26	044066	3/4-16 NYLOCK HEX NUT PL	2

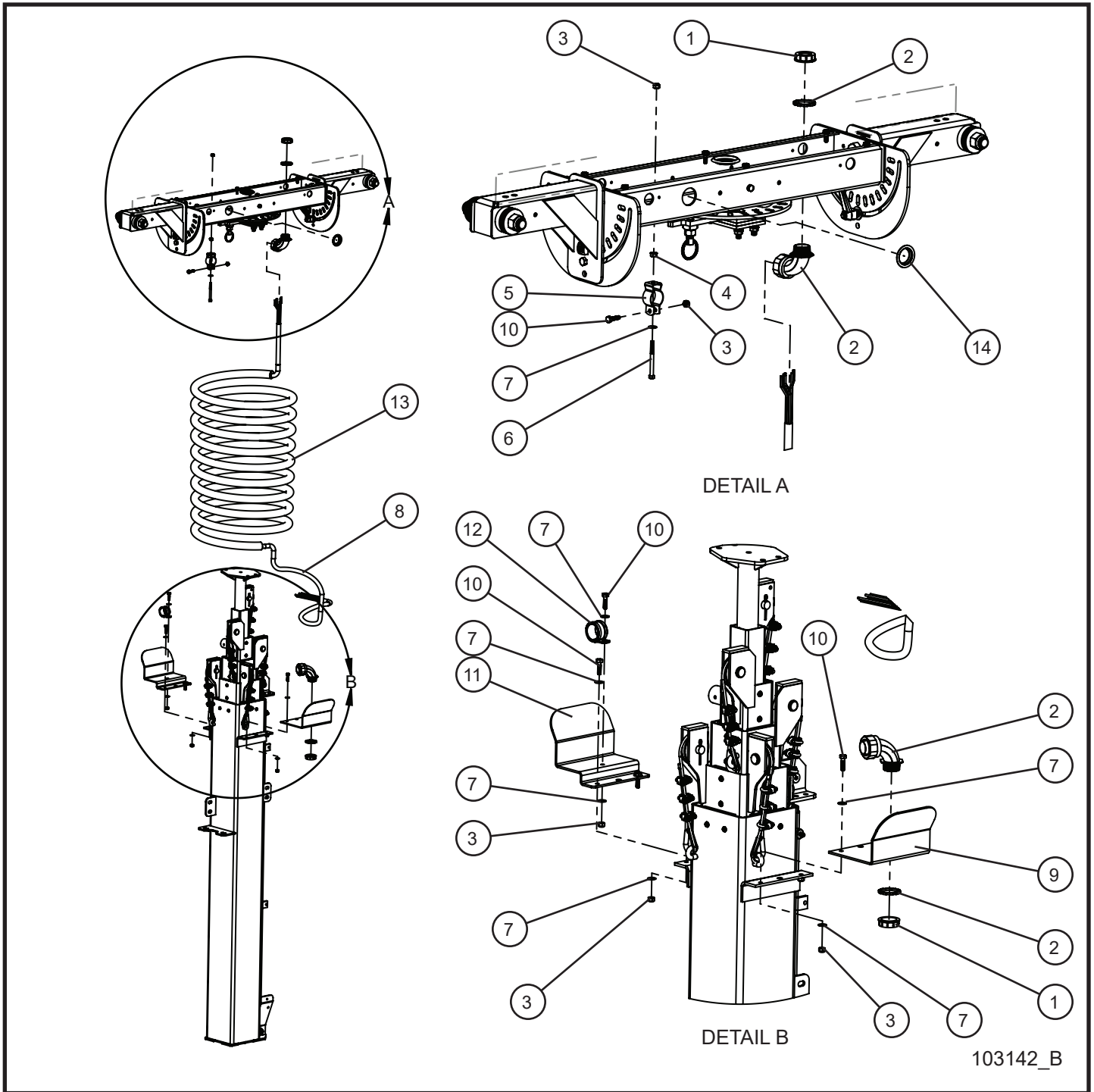
4.9 - Vertical Tower Light Bar Brace Option



4.9 - Vertical Tower Light Bar Brace Option

Item	Part No.	Part Description	Qty.
1	102362P	NON CYLINDER SIDE LIGHT BAR BRACE	1
2	102314P	CYLINDER SIDE LIGHT BAR BRACE	1
3	103497	PAD LIGHT BAR BRACE	4
4	041070	1/4-20 x 3/4 SL-HEX WASHER HEAD MS TP F	8
5	047009	1/4 FLAT WASHER SAE SS	8
6	044023	1/4-20 NYLOCK HEX NUT PL	4
7	046020	1/4-20 x 1 1/4 HEX HEAD CS GR5 PL	4
8	102831	RUBBER STRAP	1

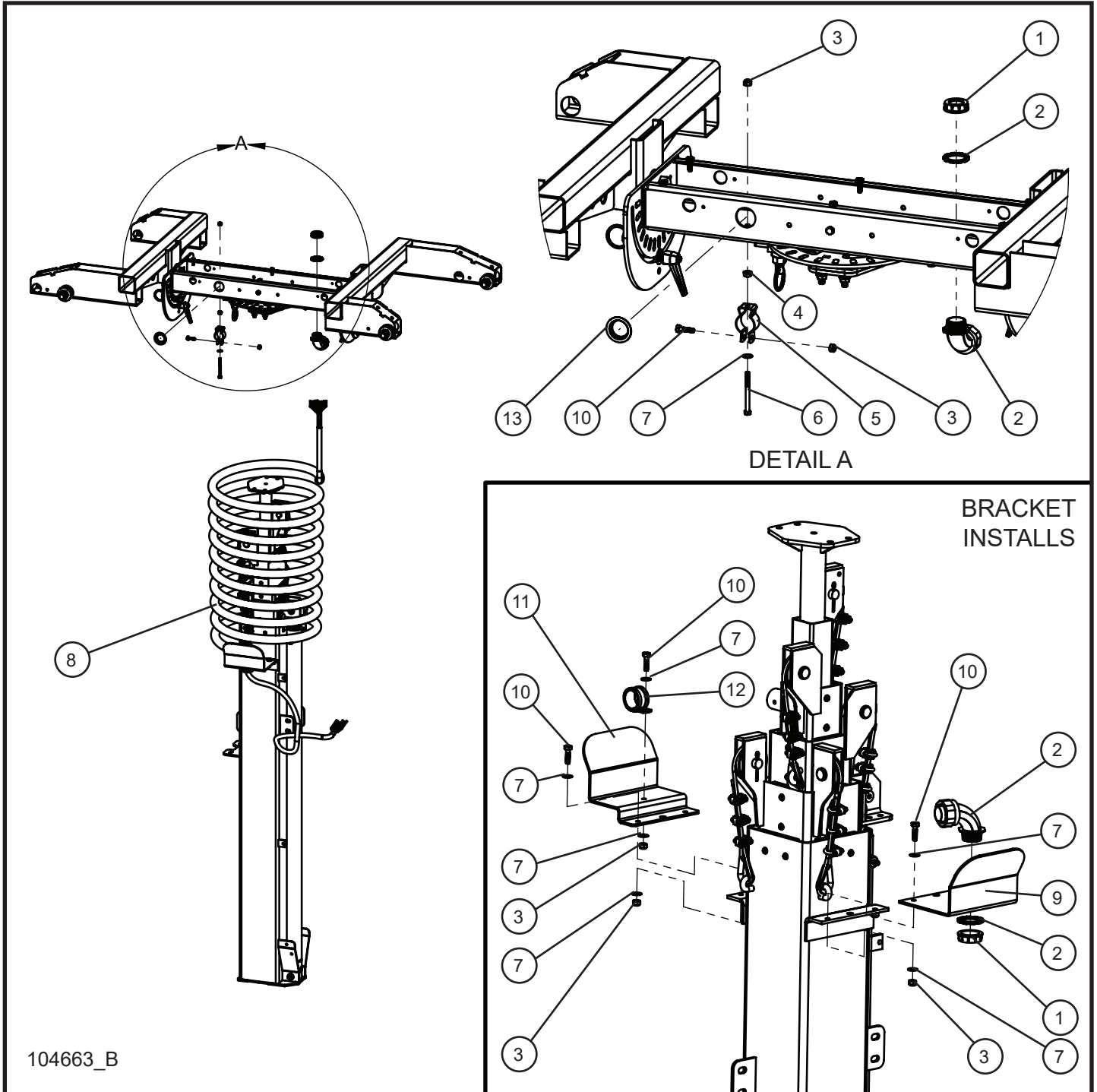
4.10 - Vertical Tower 16/8 and 16/10 Nycoil Cord Group



4.10 - Vertical Tower 16/8 and 16/10 Nycoil Cord Group

Item	Part No.	Part Description	Qty.
1	101672	1" INSULATING BUSHING	2
2	102979	CORD GRIP 90° ELBOW LIQUID TIGHT	2
3	044023	1/4-20 NYLOCK HEX NUT PL	7
4	044021	1/4-20 KEPS HEX NUT PL	1
5	100474	1" CONDUIT CLAMP	1
6	046037	1/4-20 x 2 3/4 HEX HEAD CS GR5 PL	1
7	047009	1/4 FLAT WASHER SAE SS	11
8	103289	16/8 NYCOIL VERTICAL TOWER	1
	115002	16/10 LED NYCOIL VERTICAL TOWER	1
9	102977P	CORD GRIP BRACKET	1
10	046015	1/4-20 x 1 HEX HEAD CS GR5 PL	6
11	102978P	NYCOIL CLAMP PLATE	1
12	920366	#16 CUSH CLAMP W/ 3/8 HOLE	1
13	103390	HOSE SELF STORING	1
14	064040	1 3/8 CAP PLUG	1
NS	106880	NYCOIL ASSEMBLY (INCLUDES 102979 (2), 103390, & 103289)	1
NS	105284	SCHEMATIC 4 LIGHT JUNCTION BOX	1
NS	105292	SCHEMATIC LIGHT BAR 4 LIGHT 16/8 CORD	1

4.11 - Vertical Tower 16/10 Nycoil Cord Group

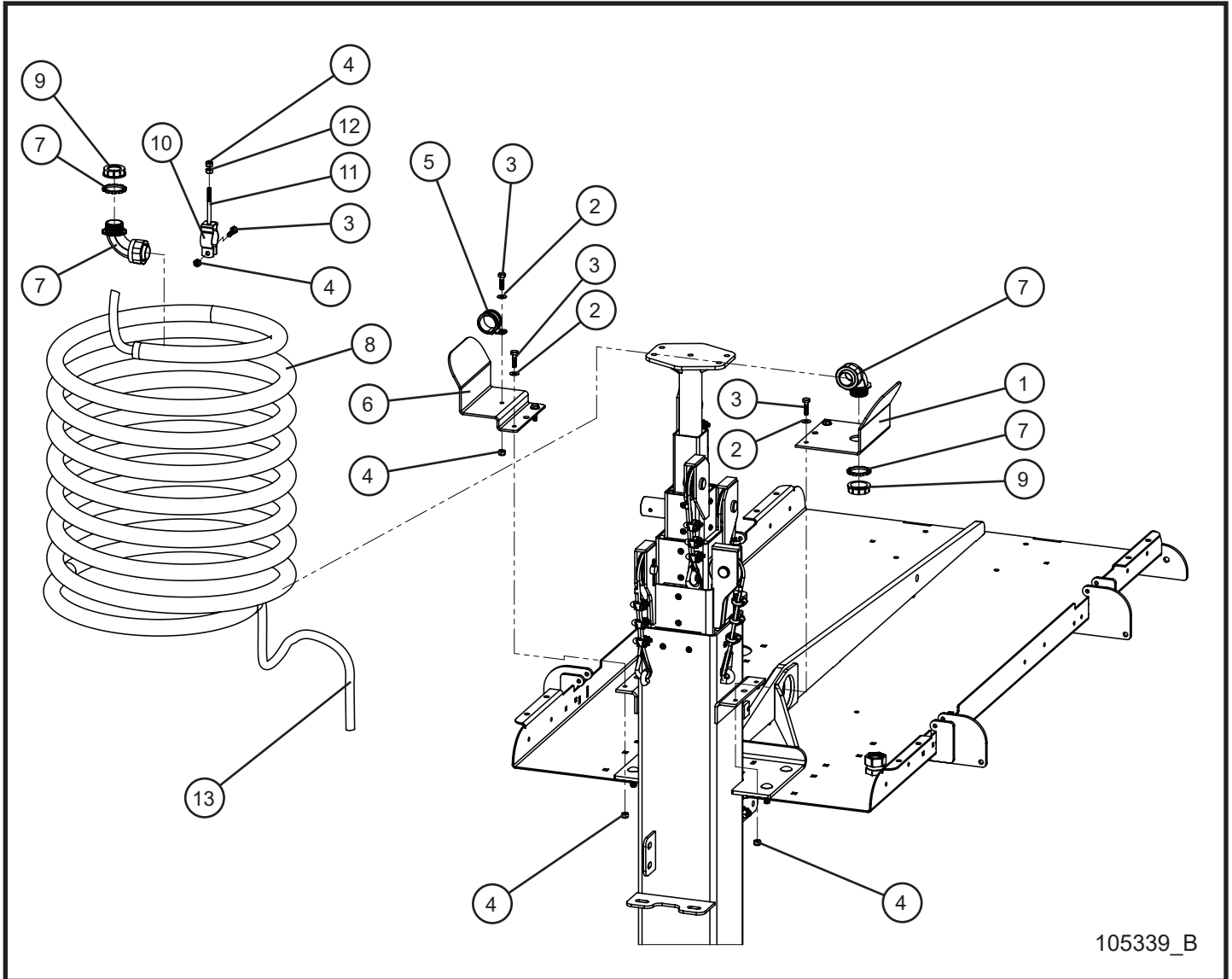


104663_B

4.11 - Vertical Tower 16/10 Nycoil Cord Group

Item	Part No.	Part Description	Qty.
1	101672	1" INSULATING BUSHING	2
2	102979	CORD GRIP 90° ELBOW LIQUID TIGHT	2
3	044023	1/4-20 NYLOCK HEX NUT PL	7
4	044021	1/4-20 KEPS HEX NUT PL	1
5	100474	1" CONDUIT CLAMP	1
6	046037	1/4-20 x 2 3/4 HEX HEAD CS GR5 PL	1
7	047009	1/4 FLAT WASHER SAE SS	11
8	107792	NYCOIL VERT 16/10 6 LIGHT ASSEMBLY	1
9	102977P	CORD GRIP BRACKET	1
10	046015	1/4-20 x 1 HEX HEAD CS GR5 PL	6
11	102978P	NYCOIL CLAMP PLATE	1
12	920366	#16 CUSH CLAMP W/ 3/8 HOLE	1
13	064040	1 3/8 CAP PLUG	1
14	105285	SCHEMATIC 6 LIGHT JUNCTION BOX	1
15	105293	SCHEMATIC LIGHT BAR 6 LIGHT 16/10 CORD	1

4.12 - Vertical Tower 16/14 Nycoil Cord Group

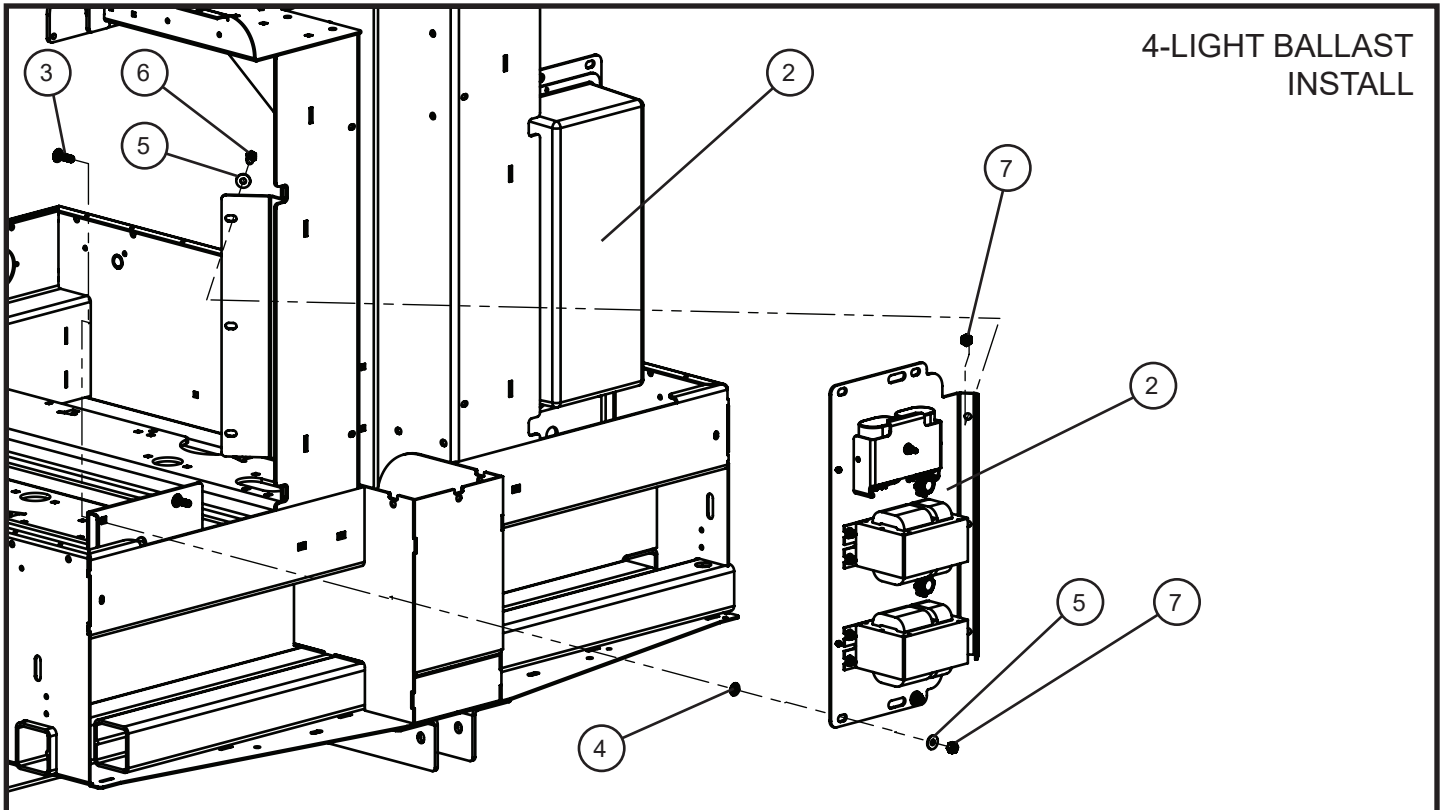


105339_B

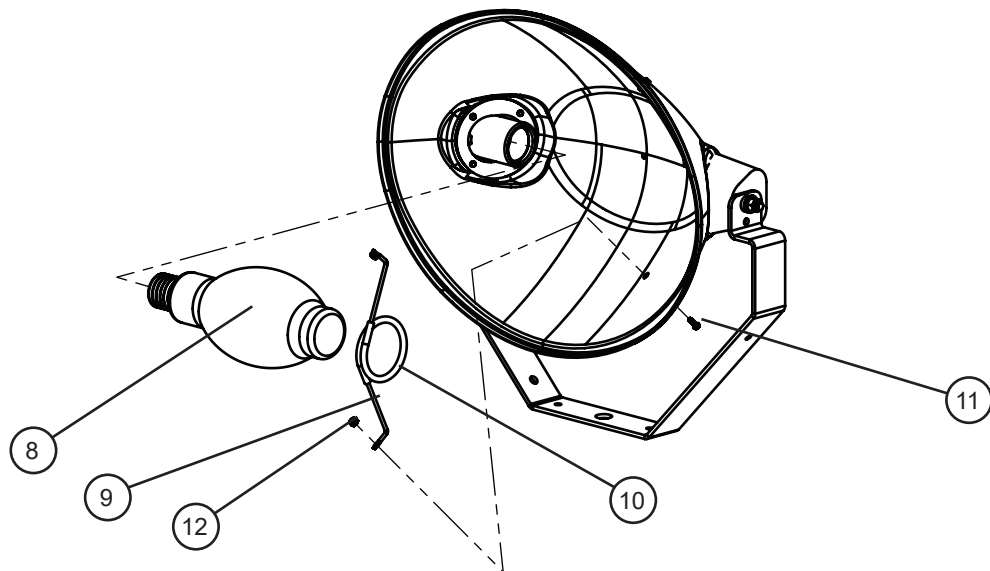
4.12 - Vertical Tower 16/14 Nycoil Cord Group

Item	Part No.	Part Description	Qty.
1	102977P	CORD GRIP BRACKET	1
2	047009	1/4 FLAT WASHER SAE SS	5
3	046015	1/4-20 x 1 HEX HEAD CS GR5 PL	6
4	044023	1/4-20 NYLOCK HEX NUT PL	7
5	920366	#16 CUSH CLAMP W/ 3/8 HOLE	1
6	102978P	NYCOIL CLAMP PLATE	1
7	102979	CORD GRIP 90° ELBOW LIQUID TIGHT	2
8	103390	HOSE SELF STORING	1
9	101672	1" INSULATING BUSHING	2
10	100474	1" CONDUIT CLAMP	1
11	046037	1/4-20 x 2 3/4 HEX HEAD CS GR5 PL	1
12	044020	1/4-20 HEX NUT PL	1
13	105231	TOWER HARNESS 16/14 NYCOIL 6LT EPL VERT TOWER	1
	105681	CORD 6 LED 16/14 NYCOIL VERTICAL TOWER	1
14	105319	SCHEMATIC 6 LIGHT JUNCTION BOX W/ AUX LIGHT	1
15	105320	SCHEMATIC LIGHT BAR 6 LIGHT 16/14 CORD	1

5.1 - 1000W Lamps w/ 50Hz 120V Ballast Boxes (1 of 2)



LAMP DETAIL



104612_G
104658_F

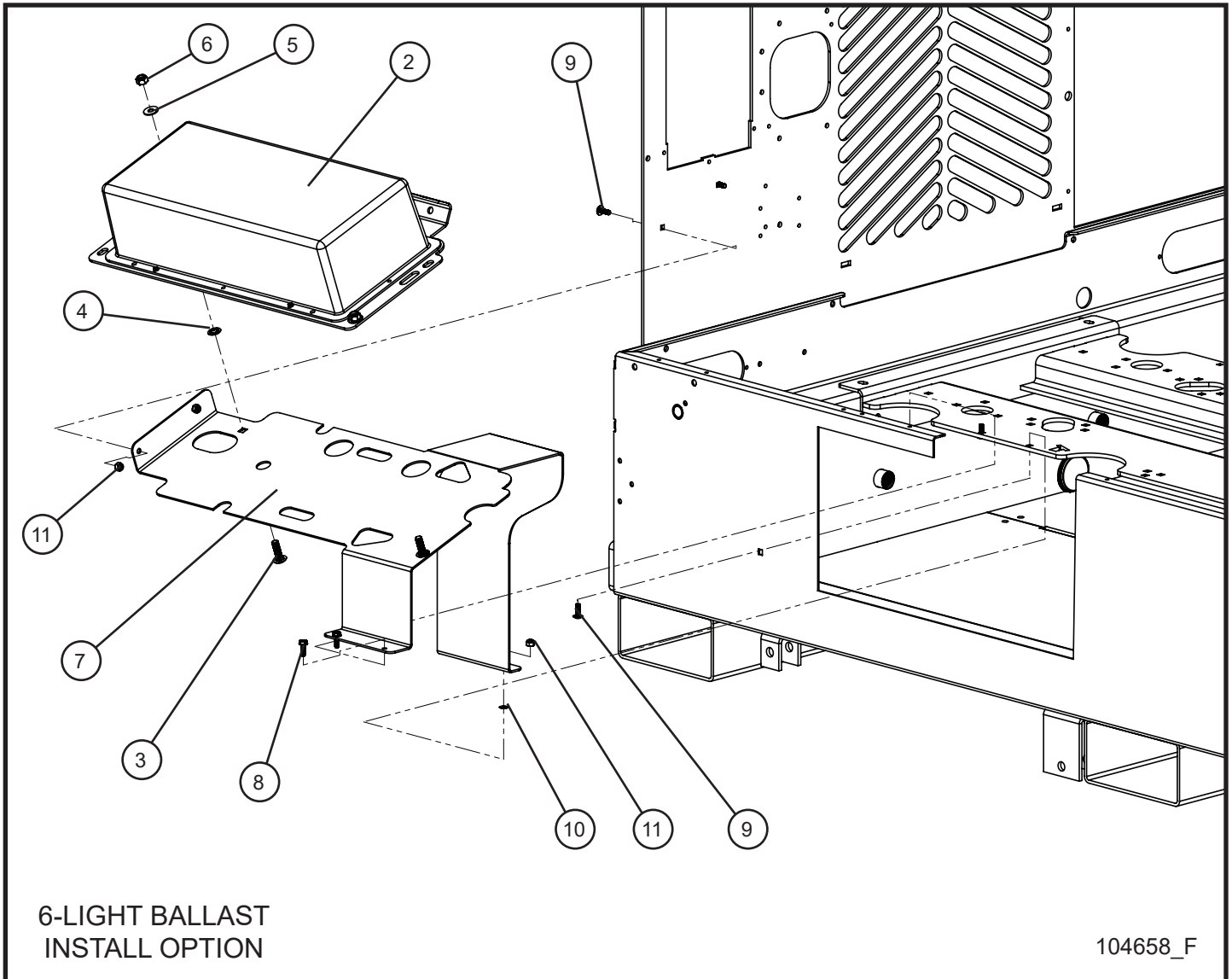
Maxi-Lite II

5.1 - 1000W Lamps w/ 50Hz 120V Ballast Boxes (1 of 2)

Item	Part No.	Part Description	Qty.
1	103624	BALLAST CORD ASSEMBLY	4
2	--	1000W 50Hz 120V BALLAST ASSEMBLY	2
3	100670	3/8-16 x 1 1/4 CARRIAGE BOLT	4
4	045218	3/8 PUSH NUT	4
5	047010	5/16 FLAT WASHER PL	6
6	046110	3/8-16 x 1 HEX HEAD CS GR5 PL	2
7	044038	3/8-16 NYLOCK HEX NUT PL	6
8	610211	LAMP 1000W BT37 (MH)	4(6)
9	610209	SUPPORT TIP LAMP SHO	4(6)
10	610210	FIBERGLASS TUBE 12" LAMP SUPPORT	4(6)
11	041200	#8-32 x 1/2 HEX WASHER HEAD INDT	8(12)
12	044013	#8-32 NYLOCK HEX NUT SS	8(12)
13	105288	SCHEMATIC BALLAST 1000W 50Hz 120V (NOT SHOWN)	1

*NOTE: QUANTITY OF PARTS FOR 6-LIGHT OPTION IS SHOWN IN PARENTHESIS IN THIS PARTS

5.1 - 1000W Lamps w/ 50Hz 120V Ballast Boxes (2 of 2)



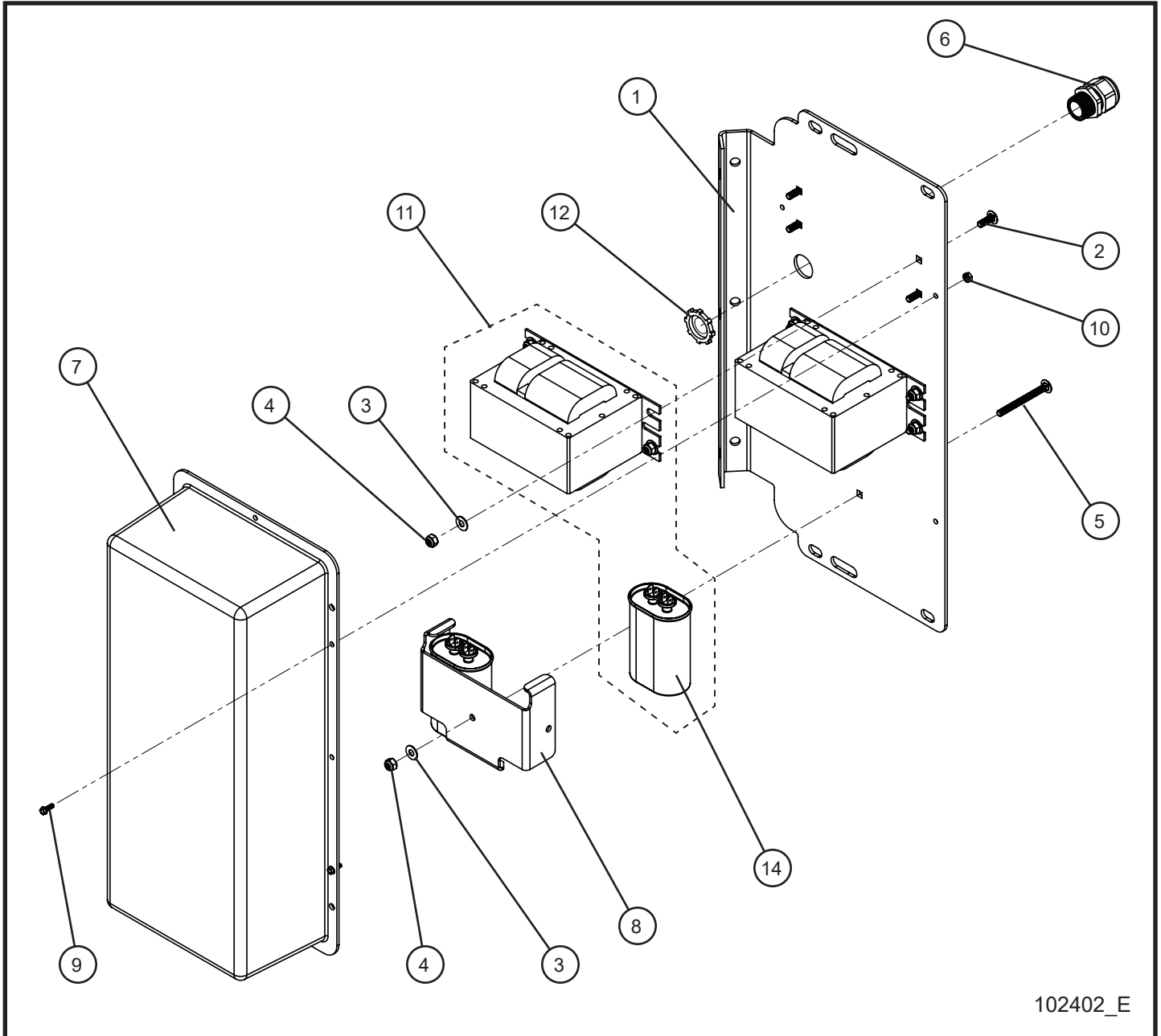
Maxi-Lite II

5.1 - 1000W Lamps w/ 50Hz 120V Ballast Boxes (2 of 2)

Item	Part No.	Part Description	Qty.
1	104362	CORD BALLAST 5/6 LIGHT	2
2	--	1000W 50Hz 120V BALLAST ASSEMBLY	1
3	100670	3/8-16 x 1 1/4 CARRIAGE BOLT	4
4	045218	3/8 PUSH NUT	4
5	047010	5/16 FLAT WASHER PL	4
6	044038	3/8-16 NYLOCK HEX NUT PL	4
7	104699P	MOUNT BRACKET 6 LIGHT BALLAST BOX	1
8	041070	1/4-20 x 3/4 SL-HEX WASHER HEAD MS TP F	2
9	053006	1/4-20 x 3/4 CARRIAGE BOLT	4
10	101701	1/4 PUSH NUT	2
11	044023	1/4-20 NYLOCK HEX NUT PL	4

*NOTE: PARTS IN THIS SET ARE FOR 6-LIGHT OPTION ONLY.

5.2 - 1000W 50Hz 120V Ballast Box Assembly

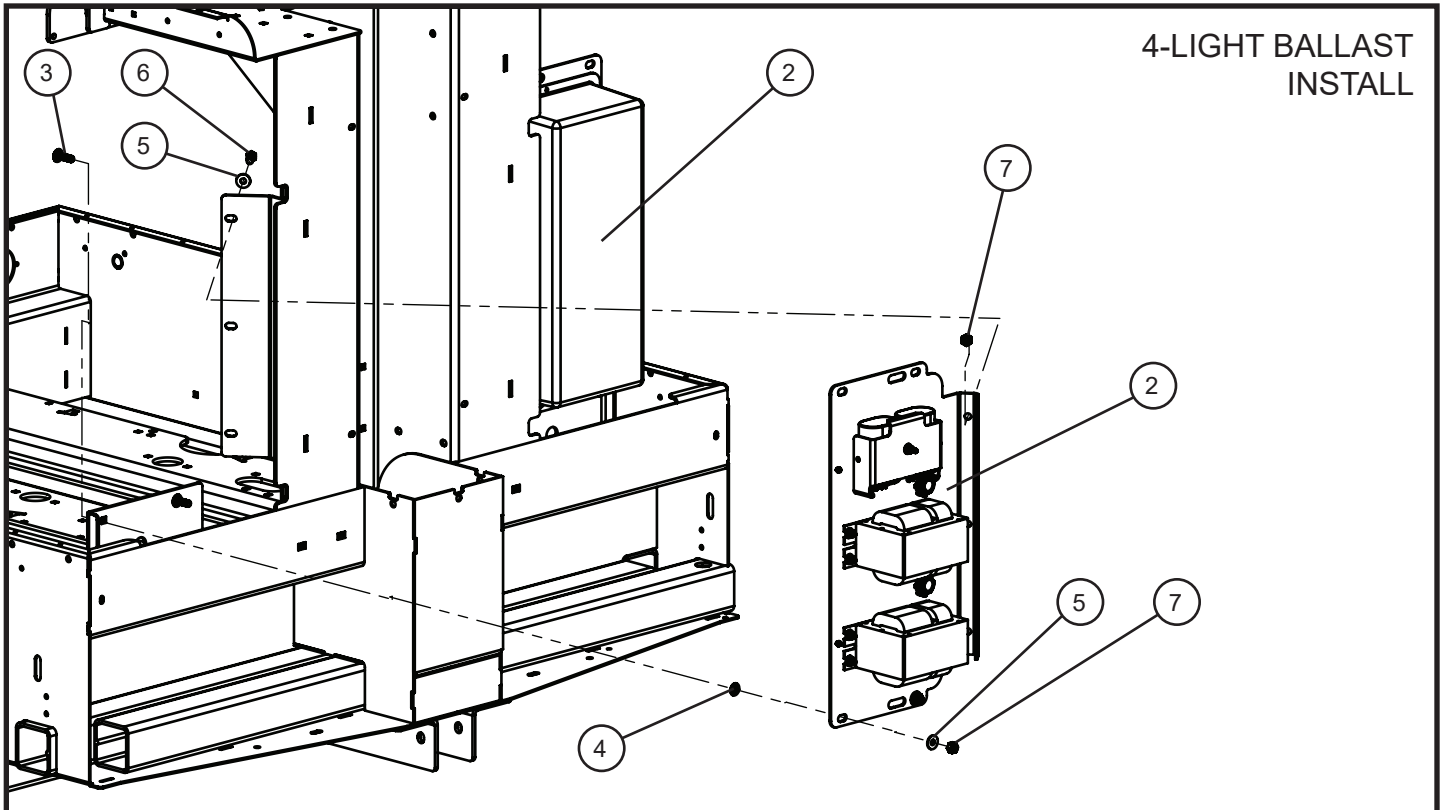


102402_E

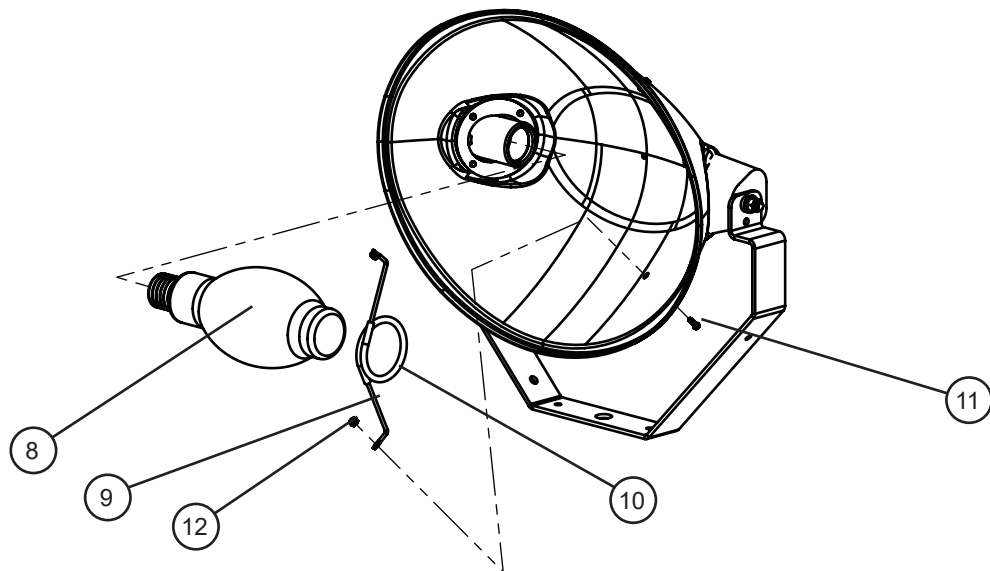
5.2 - 1000W 50Hz 120V Ballast Box Assembly

Item	Part No.	Part Description	Qty.
1	105914P	MOUNT PLATE BALLAST BOX	1
2	053006	1/4-20 x 3/4 CARRIAGE BOLT	8
3	047009	1/4 FLAT WASHER SAE SS	9
4	044023	1/4-20 NYLOCK HEX NUT PL	9
5	100718	1/4-20 x 2 1/4 CARRIAGE BOLT	1
6	105916	GRIP CORD NYLON 3/4	2
7	102752	BALLAST TOP MODULAR BOX	1
8	680608P	TABBED CAPACITOR CLAMP	1
9	041029	#8-32 x 1/2 HEX WASHER HEAD SCREW	4
10	044003	#8-32 NC KEPS NUT	4
11	310116A	BALLAST KIT 1000W 50Hz	2
12	022036	3/4 CORD GRIP NUT	2
13	105288	SCHEMATIC BALLAST 1000W 50Hz	1
14	310115A	CAPACITOR 26UF 60/50Hz 540V	2

5.3 - 1000W Lamps w/ 50Hz 220V Ballast Boxes (1 of 2)



LAMP DETAIL



105957_B
106408_C

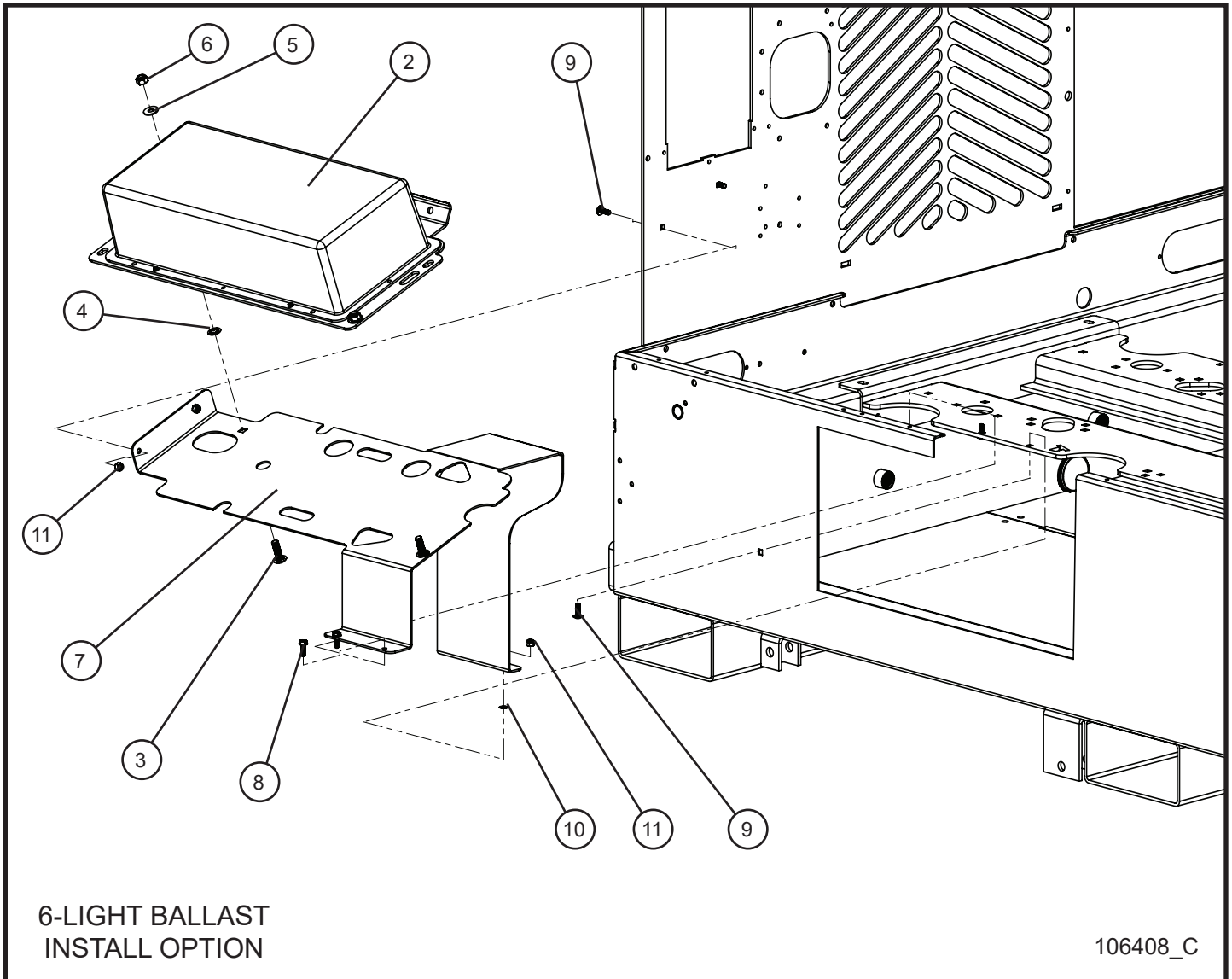
Maxi-Lite II

5.3 - 1000W Lamps w/ 50Hz 220V Ballast Boxes (1 of 2)

Item	Part No.	Part Description	Qty.
1	103624	BALLAST CORD ASSEMBLY	4
2	--	1000W-26uF 50Hz 220V BALLAST ASSEMBLY	2
3	100670	3/8-16 x 1 1/4 CARRIAGE BOLT	4
4	045218	3/8 PUSH NUT	4
5	047010	5/16 FLAT WASHER PL	6
6	046110	3/8-16 x 1 HEX HEAD CS GR5 PL	2
7	044038	3/8-16 NYLOCK HEX NUT PL	6
8	610211	LAMP 1000W BT37 (MH)	4(6)
9	610209	SUPPORT TIP LAMP SHO	4(6)
10	610210	FIBERGLASS TUBE 12" LAMP SUPPORT	4(6)
11	041200	#8-32 x 1/2 HEX WASHER HEAD INDT	8(12)
12	044013	#8-32 NYLOCK HEX NUT SS	8(12)
13	105289	SCHEMATIC BALLAST 1000W 50Hz 220V (NOT SHOWN)	1

*NOTE: QUANTITY OF PARTS FOR 6-LIGHT OPTION IS SHOWN IN PARENTHESIS IN THIS PARTS

5.3 - 1000W Lamps w/ 50Hz 220V Ballast Boxes (2 of 2)



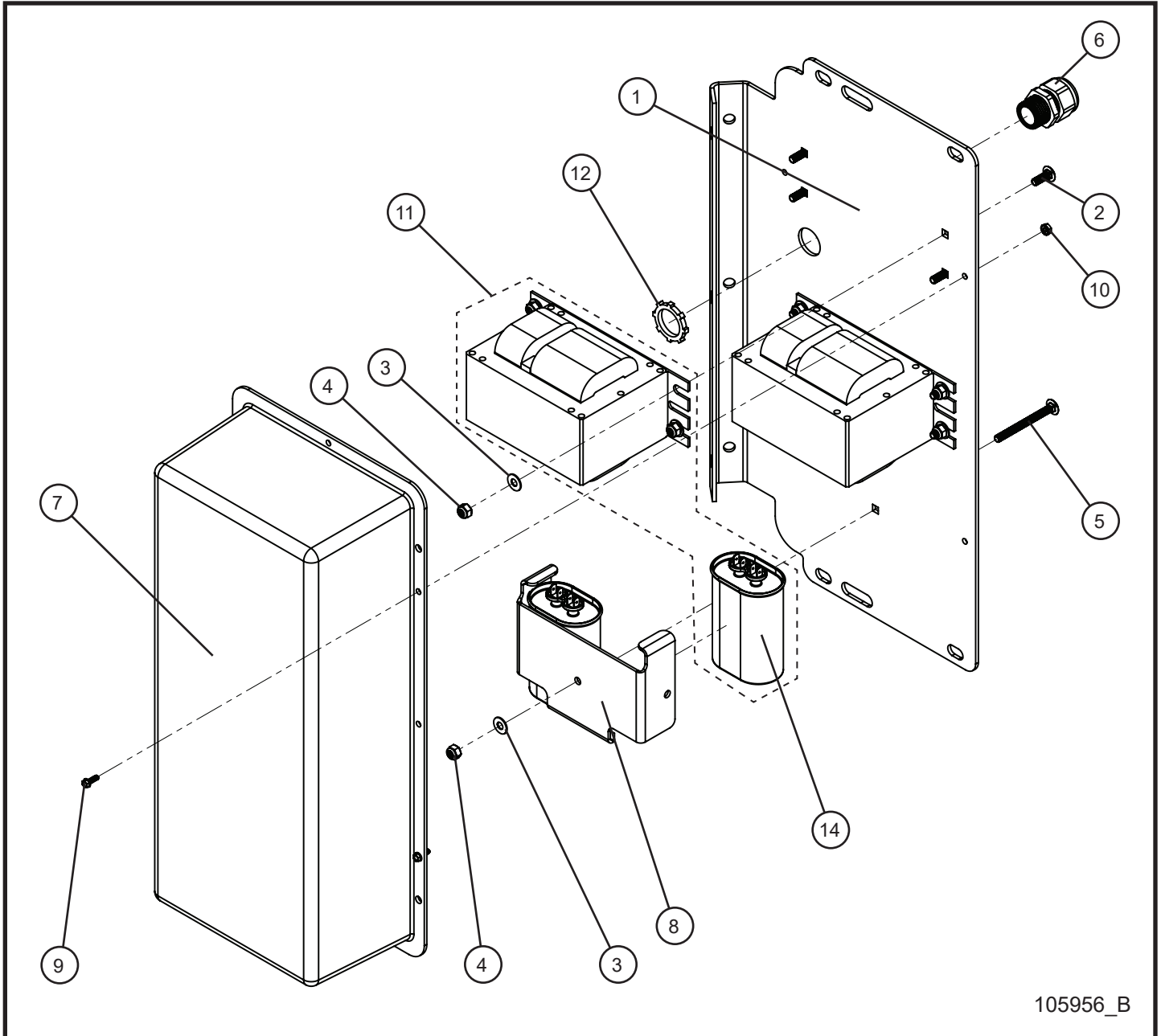
Maxi-Lite II

5.3 - 1000W Lamps w/ 50Hz 220V Ballast Boxes (2 of 2)

Item	Part No.	Part Description	Qty.
1	104362	CORD BALLAST 5/6 LIGHT	2
2	--	1000W-26uF 50Hz 220V BALLAST ASSEMBLY	1
3	100670	3/8-16 x 1 1/4 CARRIAGE BOLT	4
4	045218	3/8 PUSH NUT	4
5	047010	5/16 FLAT WASHER PL	4
6	044038	3/8-16 NYLOCK HEX NUT PL	4
7	104699P	MOUNT BRACKET 6 LIGHT BALLAST BOX	1
8	041070	1/4-20 x 3/4 SL-HEX WASHER HEAD MS TP F	2
9	053006	1/4-20 x 3/4 CARRIAGE BOLT	4
10	101701	1/4 PUSH NUT	2
11	044023	1/4-20 NYLOCK HEX NUT PL	4

*NOTE: PARTS IN THIS SET ARE FOR 6-LIGHT OPTION ONLY.

5.4 - 1000W 50Hz 220V Ballast Box Assembly

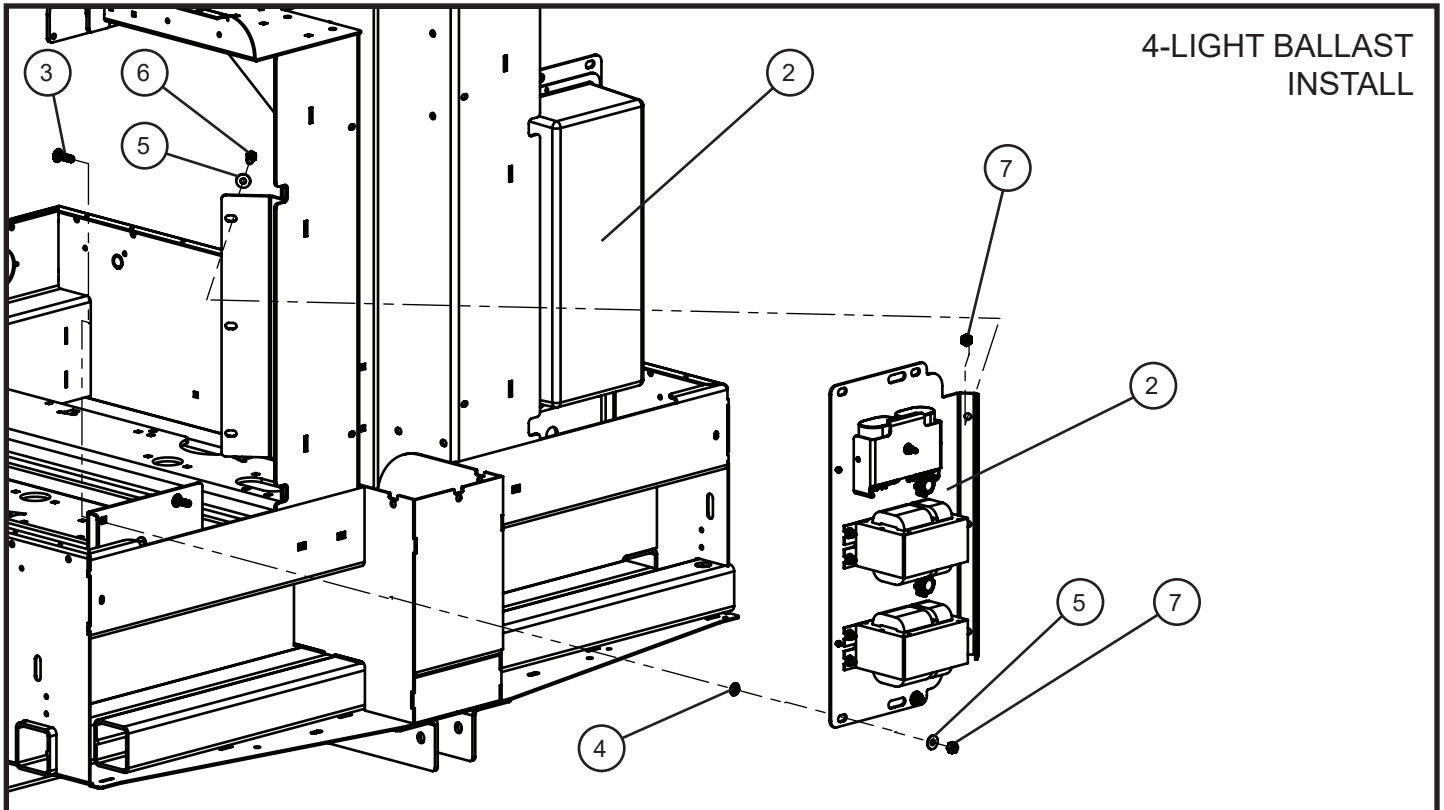


105956_B

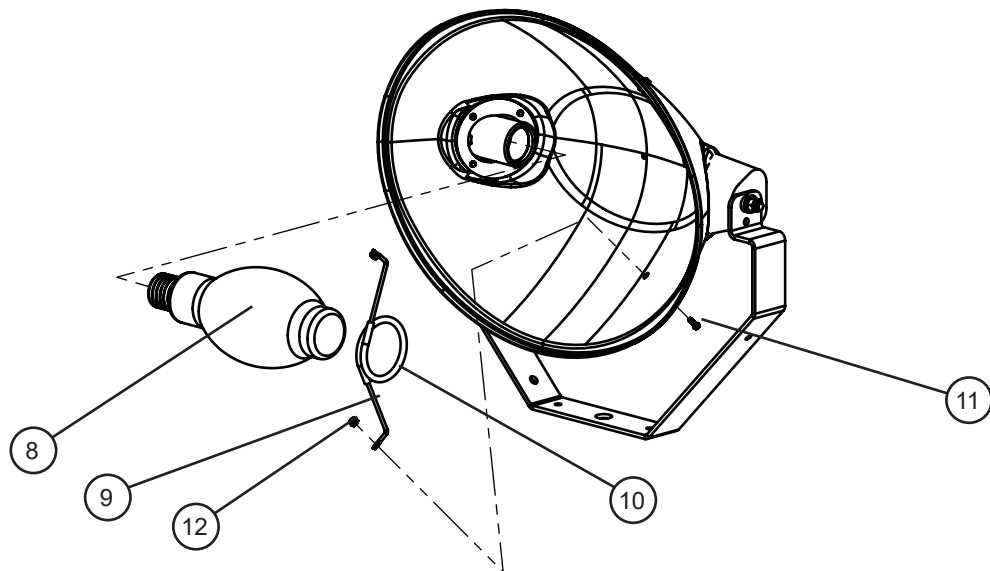
5.4 - 1000W 50Hz 220V Ballast Box Assembly

Item	Part No.	Part Description	Qty.
1	105914P	MOUNT PLATE BALLAST BOX	1
2	053006	1/4-20 x 3/4 CARRIAGE BOLT	8
3	047009	1/4 FLAT WASHER SAE SS	9
4	044023	1/4-20 NYLOCK HEX NUT PL	9
5	100718	1/4-20 x 2 1/4 CARRIAGE BOLT	1
6	105916	GRIP CORD NYLON 3/4	2
7	102752	BALLAST TOP MODULAR BOX	1
8	680608P	TABBED CAPACITOR CLAMP	1
9	041029	#8-32 x 1/2 HEX WASHER HEAD SCREW	4
10	044003	#8-32 NC KEPS NUT	4
11	310116A	BALLAST KIT 1000W 50Hz	2
12	022036	3/4 CORD GRIP NUT	2
13	105289	SCHEMATIC BALLAST 1000W 50Hz 220V (NOT SHOWN)	1
14	310115A	CAPACITOR 26UF 60/50Hz 540V	2

5.5 - 1000W Lamps w/ 60Hz 120V Ballast Boxes (1 of 2)



LAMP DETAIL



104611_G
104657_E

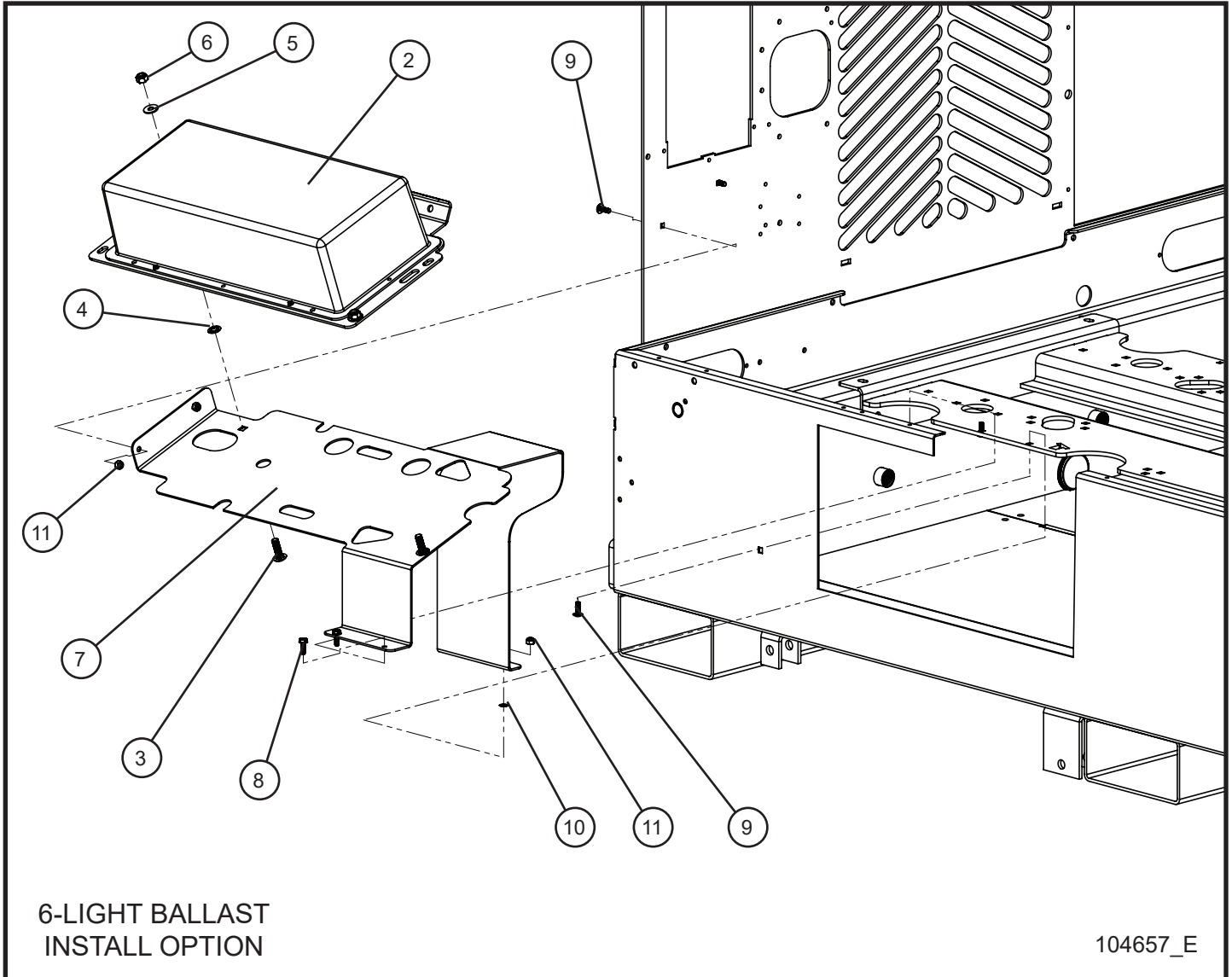
Maxi-Lite II

5.5 - 1000W Lamps w/ 60Hz 120V Ballast Boxes (1 of 2)

Item	Part No.	Part Description	Qty.
1	103624	BALLAST CORD ASSEMBLY	4
2	--	1000W 60Hz 120V BALLAST ASSEMBLY	2
3	100670	3/8-16 x 1 1/4 CARRIAGE BOLT	4
4	045218	3/8 PUSH NUT	4
5	047010	5/16 FLAT WASHER PL	6
6	046110	3/8-16 x 1 HEX HEAD CS GR5 PL	2
7	044038	3/8-16 NYLOCK HEX NUT PL	6
8	610211	LAMP 1000W BT37 (MH)	4(6)
9	610209	SUPPORT TIP LAMP SHO	4(6)
10	610210	FIBERGLASS TUBE 12" LAMP SUPPORT	4(6)
11	041200	#8-32 x 1/2 HEX WASHER HEAD INDT	8(12)
12	044013	#8-32 NYLOCK HEX NUT SS	8(12)
13	105287	SCHEMATIC BALLAST 1000W 60Hz 120V (NOT SHOWN)	1

*NOTE: QUANTITY OF PARTS FOR 6-LIGHT OPTION IS SHOWN IN PARENTHESIS IN THIS PARTS

5.5 - 1000W Lamps w/ 60Hz 120V Ballast Boxes (2 of 2)



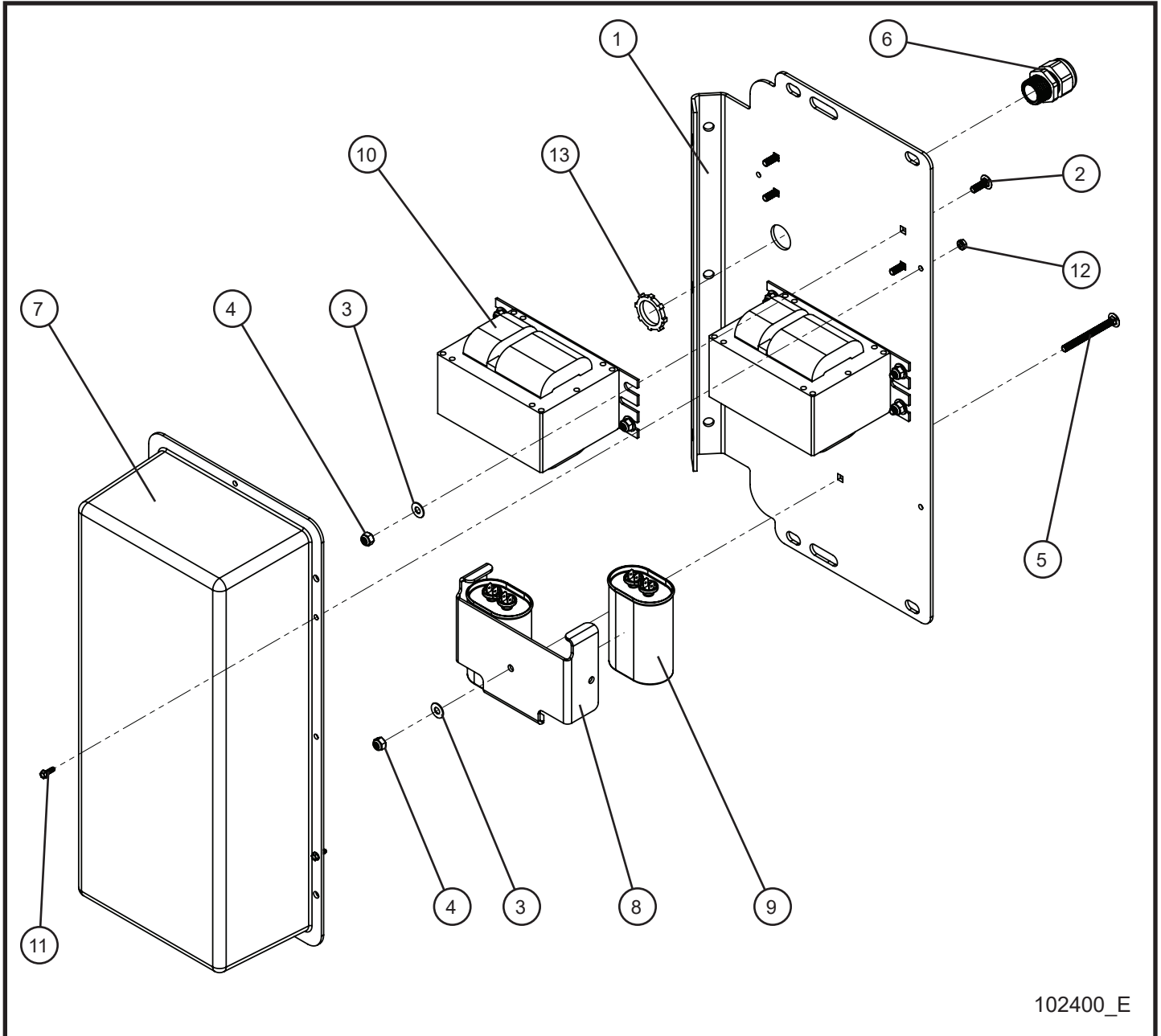
Maxi-Lite II

5.5 - 1000W Lamps w/ 60Hz 120V Ballast Boxes (2 of 2)

Item	Part No.	Part Description	Qty.
1	104362	CORD BALLAST 5/6 LIGHT	2
2	--	1000W 60Hz 120V BALLAST ASSEMBLY	1
3	100670	3/8-16 x 1 1/4 CARRIAGE BOLT	4
4	045218	3/8 PUSH NUT	4
5	047010	5/16 FLAT WASHER PL	4
6	044038	3/8-16 NYLOCK HEX NUT PL	4
7	104699P	MOUNT BRACKET 6 LIGHT BALLAST BOX	1
8	041070	1/4-20 x 3/4 SL-HEX WASHER HEAD MS TP F	2
9	053006	1/4-20 x 3/4 CARRIAGE BOLT	4
10	101701	1/4 PUSH NUT	2
11	044023	1/4-20 NYLOCK HEX NUT PL	4

*NOTE: PARTS IN THIS SET ARE FOR 6-LIGHT OPTION ONLY.

5.6 - 1000W 60Hz 120V Ballast Box Assembly

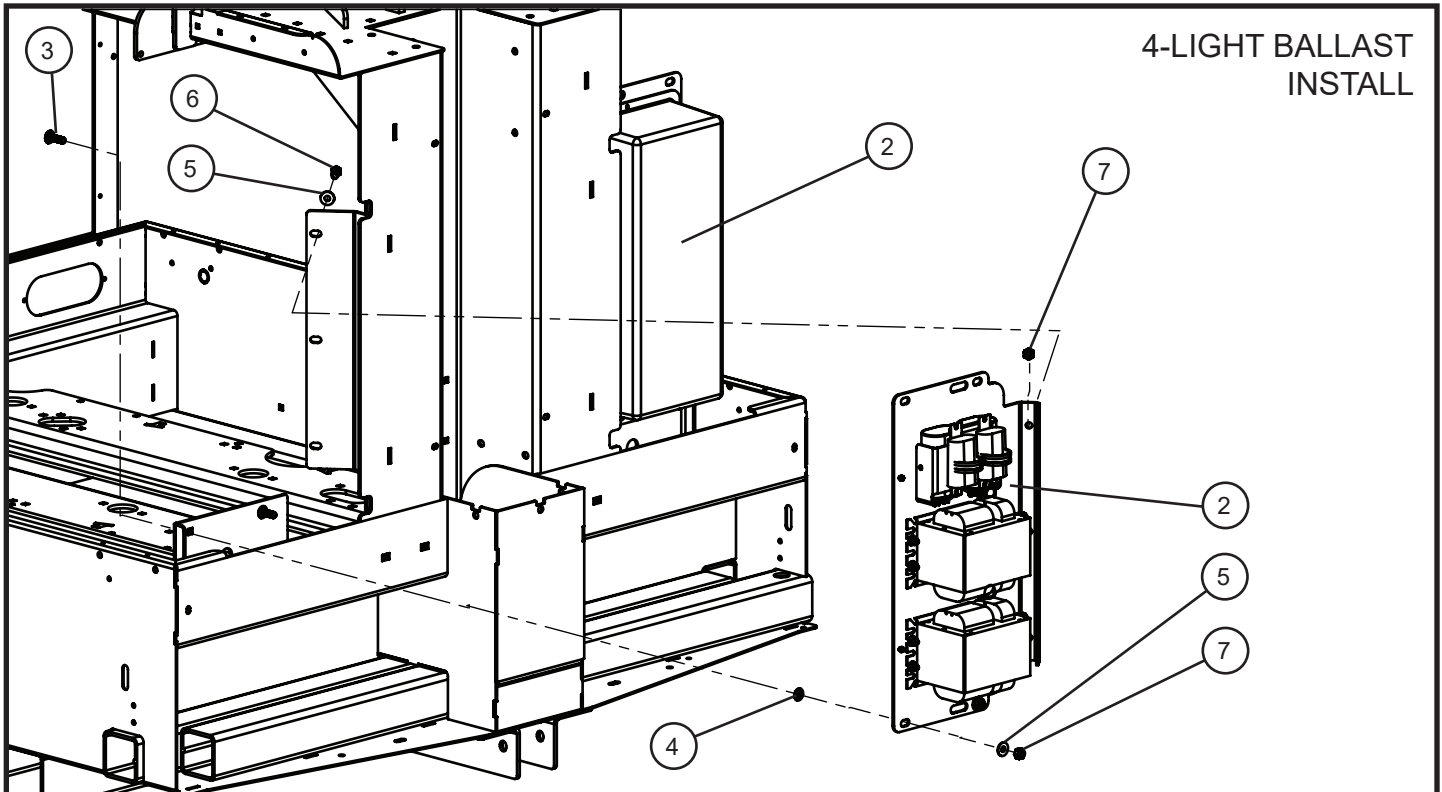


102400_E

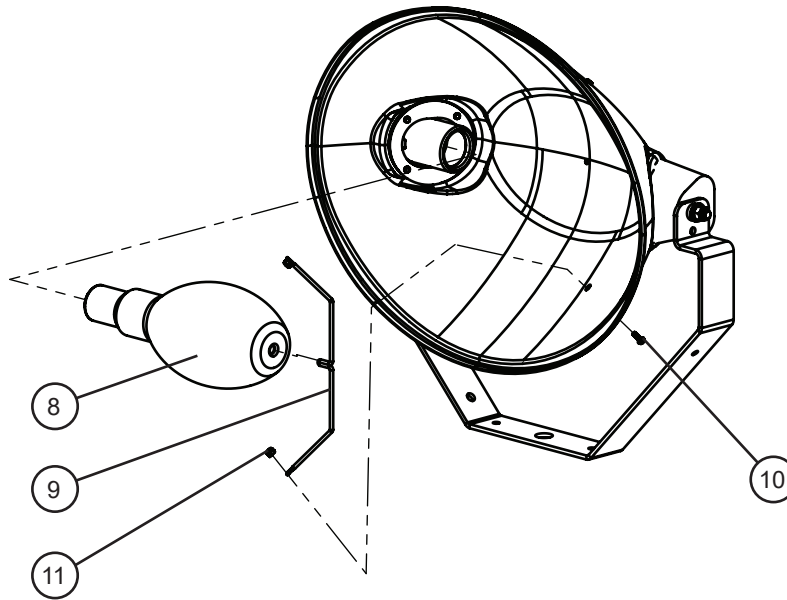
5.6 - 1000W 60Hz 120V Ballast Box Assembly

Item	Part No.	Part Description	Qty.
1	105914P	MOUNT PLATE BALLAST BOX	1
2	053006	1/4-20 x 3/4 CARRIAGE BOLT	8
3	047009	1/4 FLAT WASHER SAE SS	9
4	044023	1/4-20 NYLOCK HEX NUT PL	9
5	100718	1/4-20 x 2 1/4 CARRIAGE BOLT	1
6	105916	GRIP CORD NYLON 3/4	2
7	102752	BALLAST TOP MODULAR BOX	1
8	680608P	TABBED CAPACITOR CLAMP	1
9	310115	CAPACITOR 24uF 1000W	2
10	310124	BALLAST 1000W 60Hz 120V	2
11	041029	#8-32 x 1/2 HEX WASHER HEAD SCREW	4
12	044003	#8-32 NC KEPS NUT	4
13	022036	3/4 CORD GRIP NUT	2
14	105287	SCHEMATIC BALLAST 1000W 60Hz 120V (NOT SHOWN)	1

5.7 - 1000W HPS Lamps w/ 60Hz 120V Ballast Boxes (1 of 2)



LAMP DETAIL



103005_F
104659_D

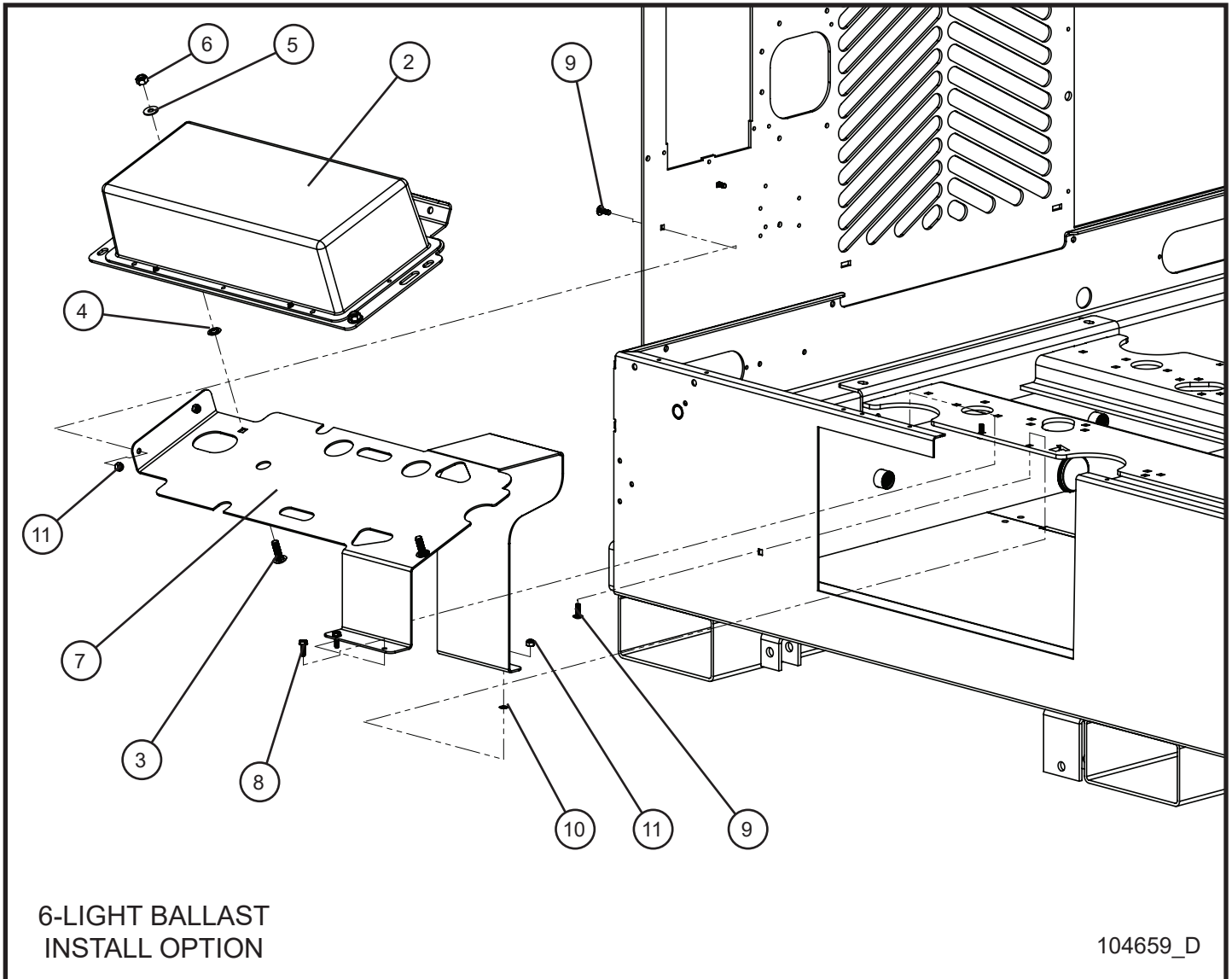
Maxi-Lite II

5.7 - 1000W HPS Lamps w/ 60Hz 120V Ballast Boxes (1 of 2)

Item	Part No.	Part Description	Qty.
1	103624	CORD 14/4 BALLAST (NOT SHOWN)	4
2	--	BALLAST HPS 1000W 60Hz 120V ASSEMBLY	2
3	100670	3/8-16 x 1 1/4 CARRIAGE BOLT	4
4	045218	3/8 PUSH NUT	4
5	047010	5/16 FLAT WASHER PL	6
6	046110	3/8-16 x 1 HEX HEAD CS GR5 PL	2
7	044038	3/8-16 NYLOCK HEX NUT PL	6
8	610218	LAMP 1000W ED37 (HPS)	4(6)
9	650250	TIP SUPPORT HPS 1000W	4(6)
10	041200	#8-32 x 1/2 HEX WASHER HEAD INDT	8(12)
11	044013	#8-32 NYLOCK HEX NUT SS	8(12)
12	105184	1000W 120V HPS BALLAST 60Hz SCHEMATIC	1

*NOTE: QUANTITY OF PARTS FOR 6-LIGHT OPTION IS SHOWN IN PARENTHESIS IN THIS PARTS

5.7 - 1000W HPS Lamps w/ 60Hz 120V Ballast Boxes (2 of 2)



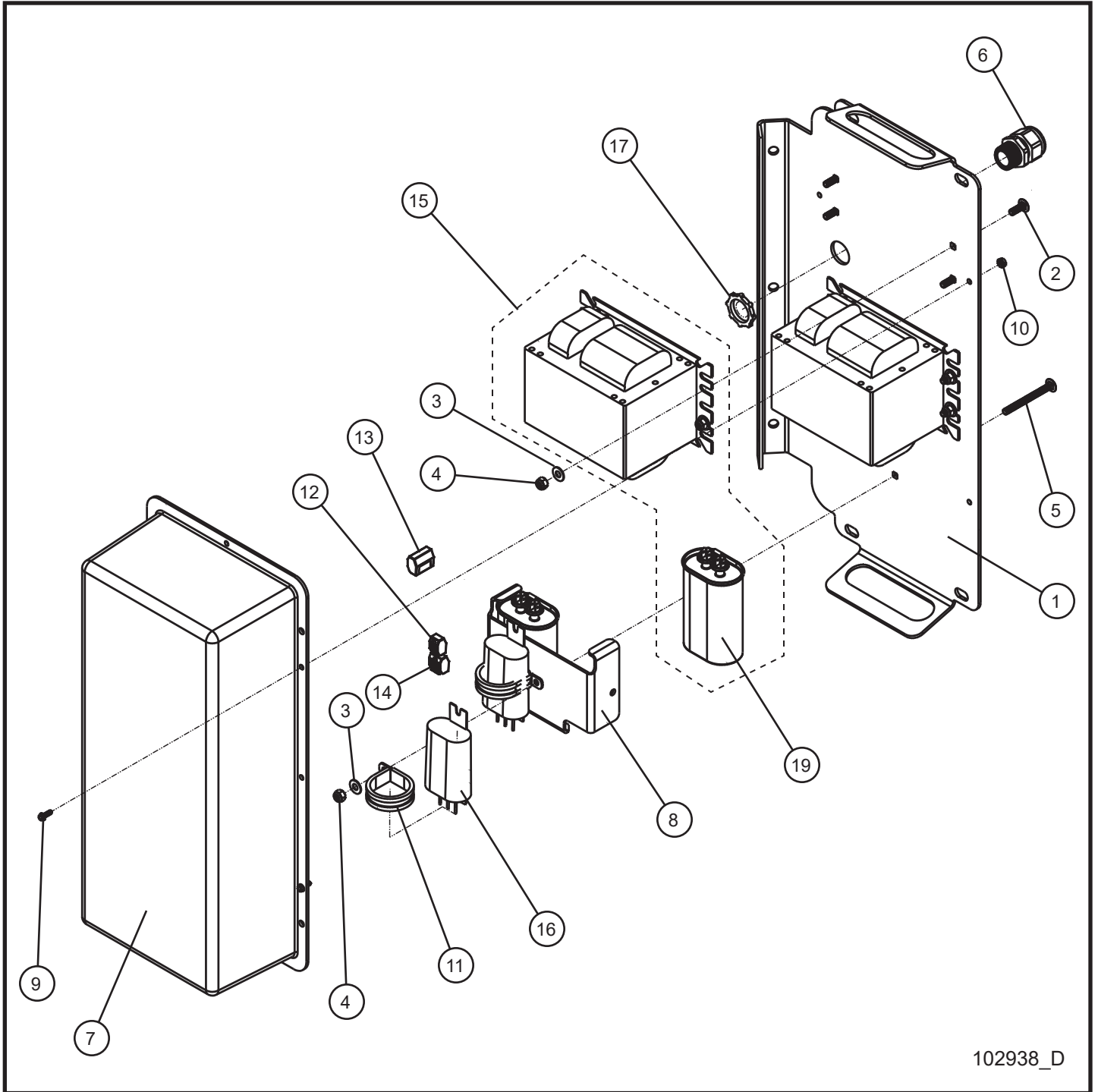
Maxi-Lite II

5.7 - 1000W HPS Lamps w/ 60Hz 120V Ballast Boxes (2 of 2)

Item	Part No.	Part Description	Qty.
1	104362	CORD 14/4 BALLAST 5/6 LIGHT (NOT SHOWN)	2
2	--	BALLAST HPS 1000W 60Hz 120V ASSEMBLY	1
3	100670	3/8-16 x 1 1/4 CARRIAGE BOLT	4
4	045218	3/8 PUSH NUT	4
5	047010	5/16 FLAT WASHER PL	4
6	044038	3/8-16 NYLOCK HEX NUT PL	4
7	104699P	MOUNT BRACKET 6 LIGHT BALLAST BOX	1
8	041070	1/4-20 x 3/4 SL-HEX WASHER HEAD MS TP F	2
9	053006	1/4-20 x 3/4 CARRIAGE BOLT	4
10	101701	1/4 PUSH NUT	2
11	044023	1/4-20 NYLOCK HEX NUT PL	4

*NOTE: PARTS IN THIS SET ARE FOR 6-LIGHT OPTION ONLY.

5.8 - 1000W HPS 60Hz 120V Ballast Box Assembly

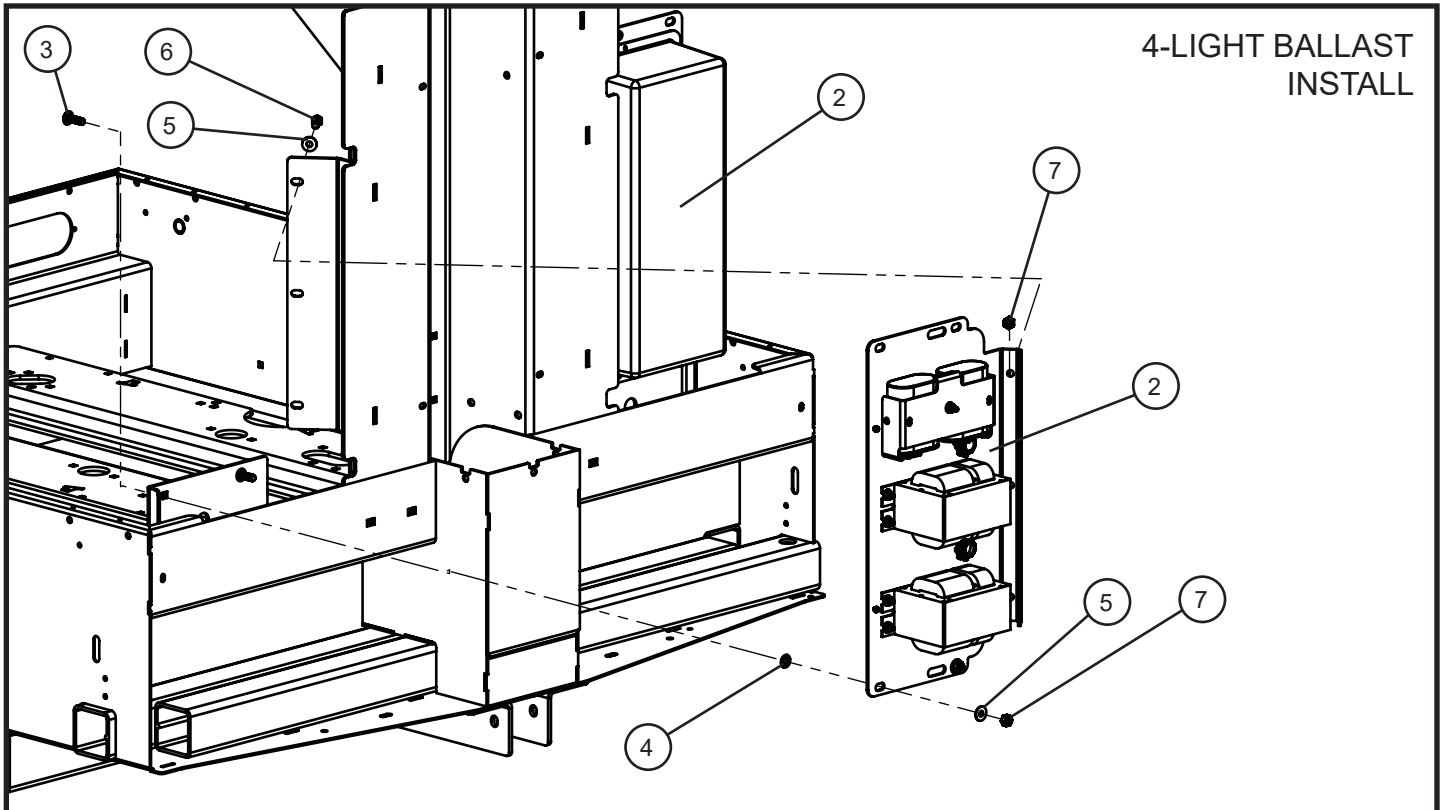


102938_D

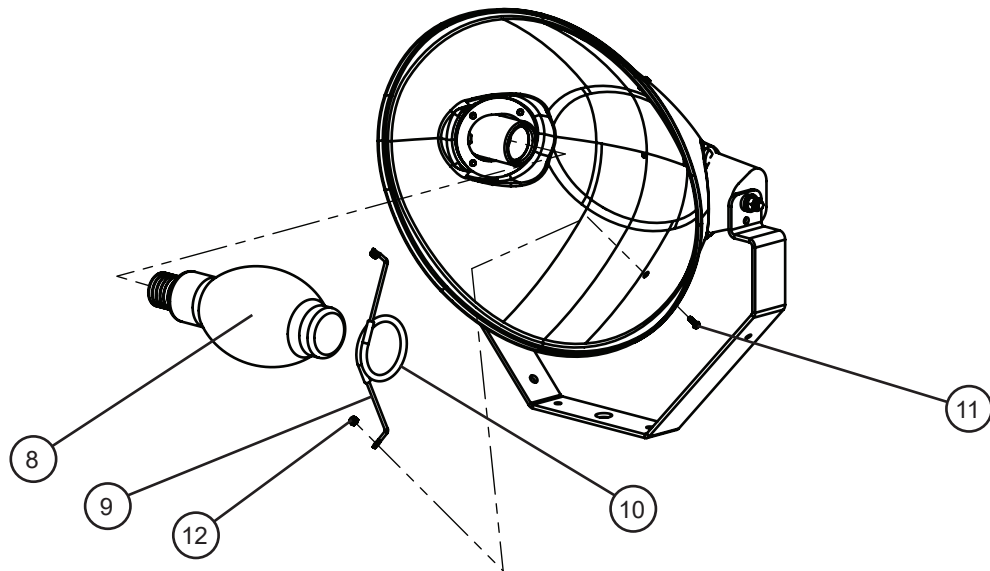
5.8 - 1000W HPS 60Hz 120V Ballast Box Assembly

Item	Part No.	Part Description	Qty.
1	105914P	MOUNT PLATE BALLAST BOX	1
2	053006	1/4-20 x 3/4 CARRIAGE BOLT	8
3	047009	1/4 FLAT WASHER SAE SS	9
4	044023	1/4-20 NYLOCK HEX NUT PL	9
5	100718	1/4-20 x 2 1/4 CARRIAGE BOLT	1
6	105916	GRIP CORD NYLON 3/4"	2
7	102752	BALLAST TOP MODULAR BOX	1
8	680608P	TAPPED CAPACITOR CLAMP	1
9	041029	#8-32 x 1/2 HEX WASHER HEAD SCREW	4
10	044003	#8-32 NC KEPS NUT	4
11	920365	#28 CUSHION CLAMP	2
12	102624	2 WIRE LEVER LOCK	4
13	102622	CONNECTOR BLOCK 5 TERMINAL LEVERS	2
14	102623	3 PIN LEVER LOCK	2
15	310118	BALLAST KIT 1000W 60Hz 120V HPS (INCLUDES 310115A)	2
16	028015	LAMP IGNITOR 1000W	2
17	022036	3/4 CORD GRIP NUT	2
18	105184	1000W 120V HPS BALLAST 60Hz SCHEMATIC	1
19	310115A	CAPACITOR 26UF 60/50Hz 540V	2

5.9 - 1250W Lamps w/ 60Hz 120V Ballast Boxes (1 of 2)



LAMP DETAIL



104610_F
104653_E

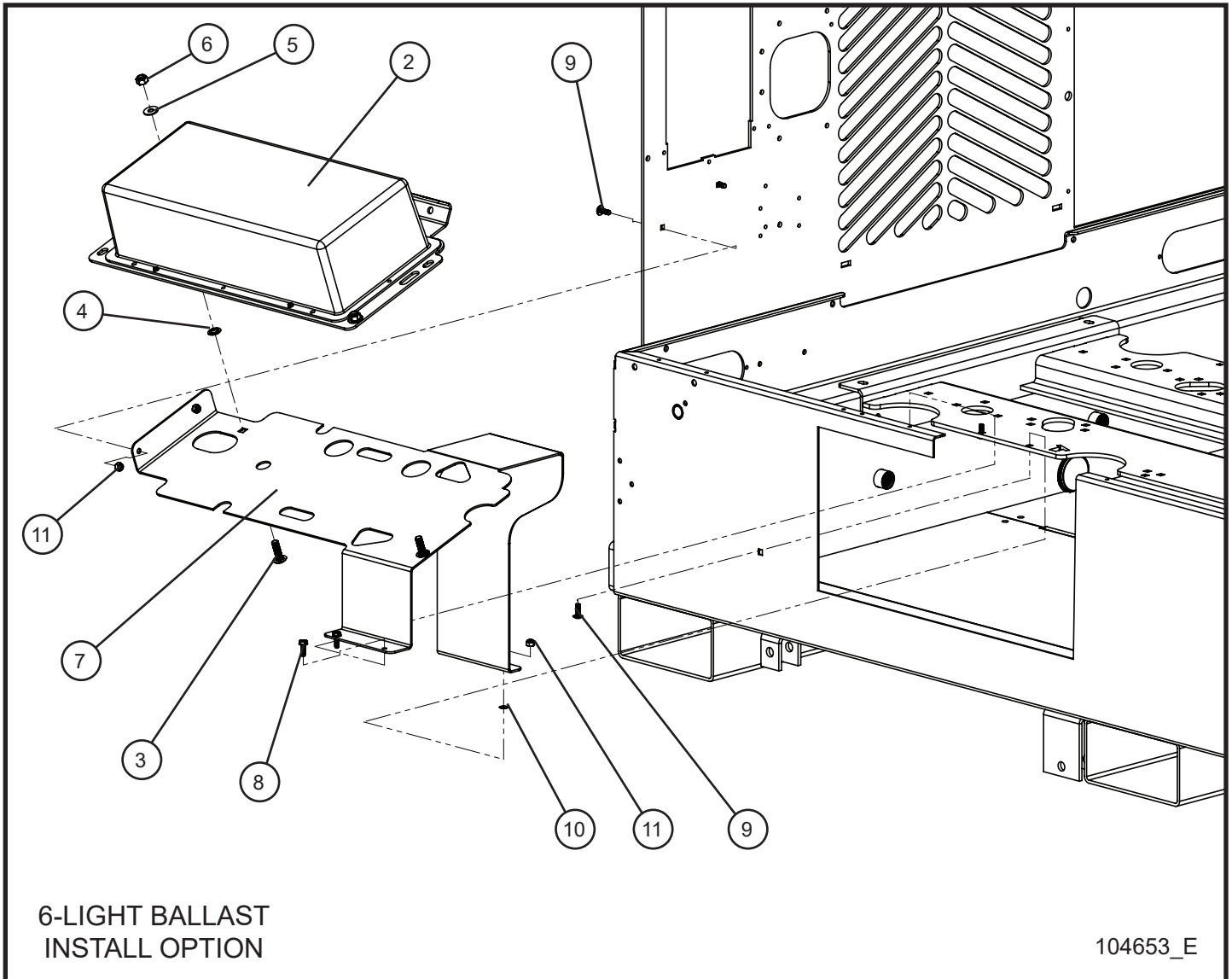
Maxi-Lite II

5.9 - 1250W Lamps w/ 60Hz 120V Ballast Boxes (1 of 2)

Item	Part No.	Part Description	Qty.
1	103624	BALLAST CORD ASSEMBLY	4
2	--	1250W-28uF 60Hz 120V BALLAST ASSEMBLY	2
3	100670	3/8-16 x 1 1/4 CARRIAGE BOLT	4
4	045218	3/8 PUSH NUT	4
5	047010	5/16 FLAT WASHER PL	6
6	046110	3/8-16 x 1 HEX HEAD CS GR5 PL	2
7	044038	3/8-16 NYLOCK HEX NUT PL	6
8	610221	LAMP 1250W BT37 (MH)	4(6)
9	610209	SUPPORT TIP LAMP SHO	4(6)
10	610210	FIBERGLASS TUBE 12" LAMP SUPPORT	4(6)
11	041200	#8-32 x 1/2 HEX WASHER HEAD INDT	8(12)
12	044013	#8-32 NYLOCK HEX NUT SS	8(12)
13	105286	SCHEMATIC BALLAST 1250W 60Hz 120V (NOT SHOWN)	1

*NOTE: QUANTITY OF PARTS FOR 6-LIGHT OPTION IS SHOWN IN PARENTHESIS IN THIS PARTS

5.9 - 1250W Lamps w/ 60Hz 120V Ballast Boxes (2 of 2)



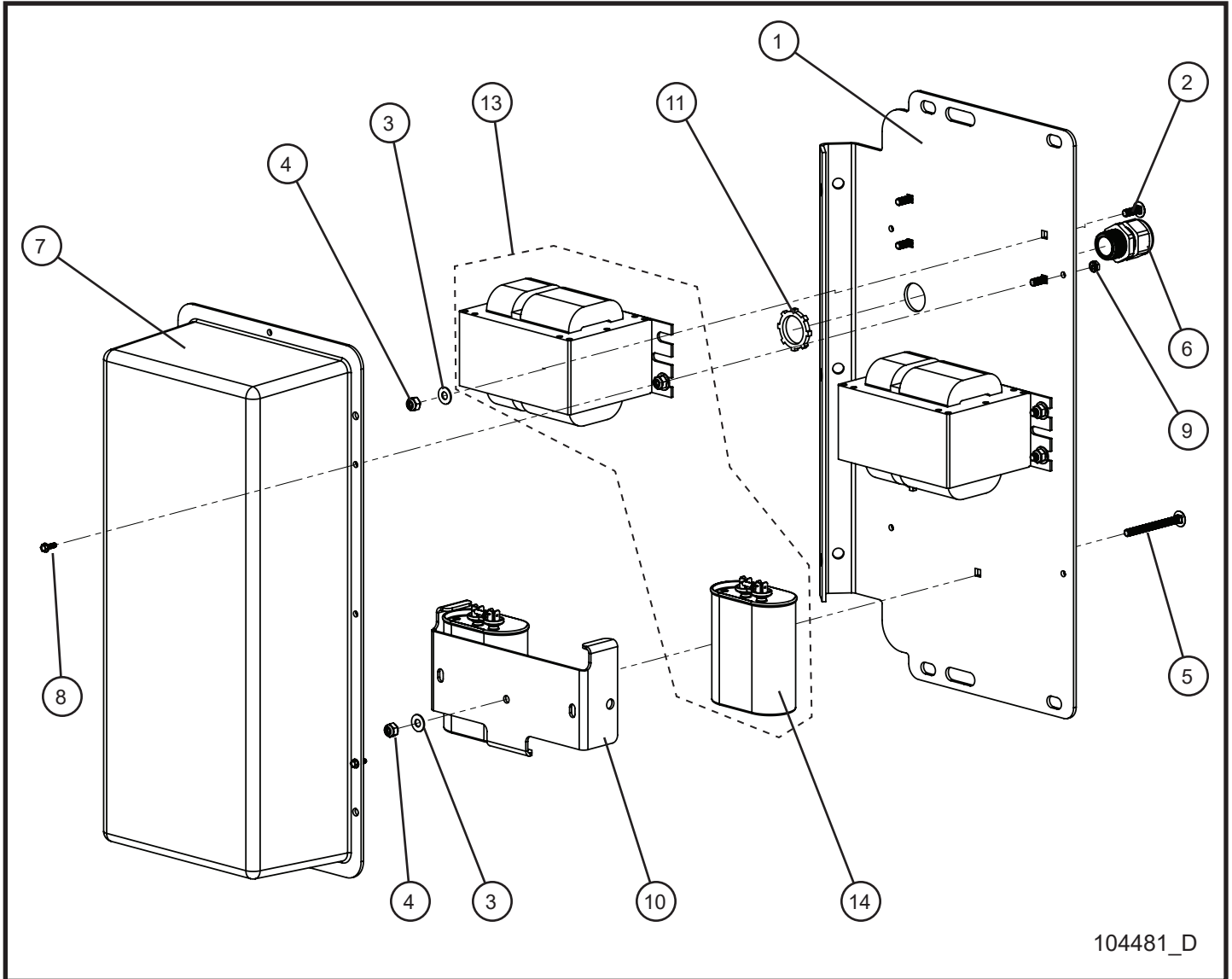
Maxi-Lite II

5.9 - 1250W Lamps w/ 60Hz 120V Ballast Boxes (2 of 2)

Item	Part No.	Part Description	Qty.
1	104362	CORD BALLAST 5/6 LIGHT	2
2	--	1250W-28uF 60Hz 120V BALLAST ASSEMBLY	1
3	100670	3/8-16 x 1 1/4 CARRIAGE BOLT	4
4	045218	3/8 PUSH NUT	4
5	047010	5/16 FLAT WASHER PL	4
6	044038	3/8-16 NYLOCK HEX NUT PL	4
7	104699P	MOUNT BRACKET 6 LIGHT BALLAST BOX	1
8	041070	1/4-20 x 3/4 SL-HEX WASHER HEAD MS TP F	2
9	053006	1/4-20 x 3/4 CARRIAGE BOLT	4
10	101701	1/4 PUSH NUT	2
11	044023	1/4-20 NYLOCK HEX NUT PL	4

*NOTE: PARTS IN THIS SET ARE FOR 6-LIGHT OPTION ONLY.

5.10 - 1250W 60Hz 120V Ballast Box Assembly

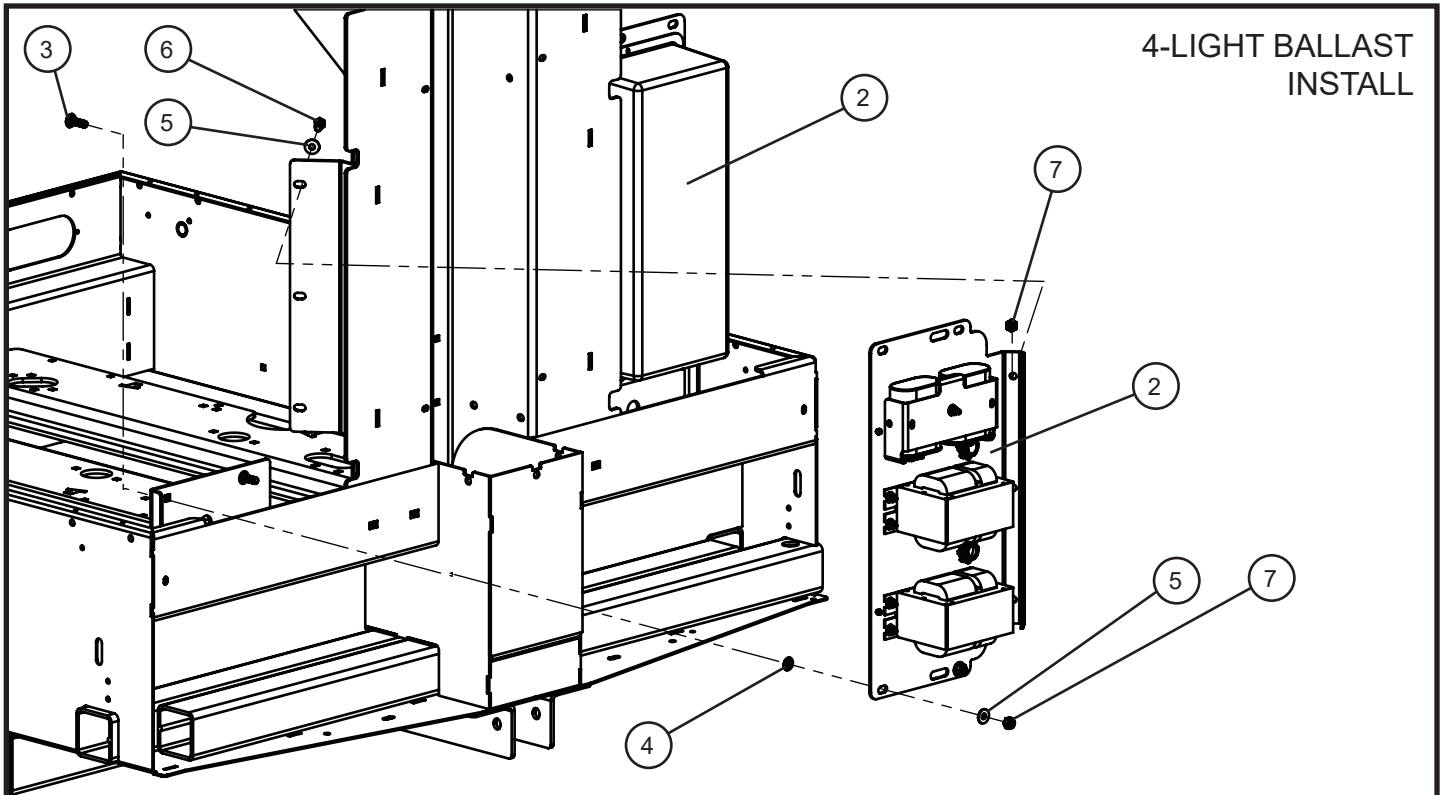


104481_D

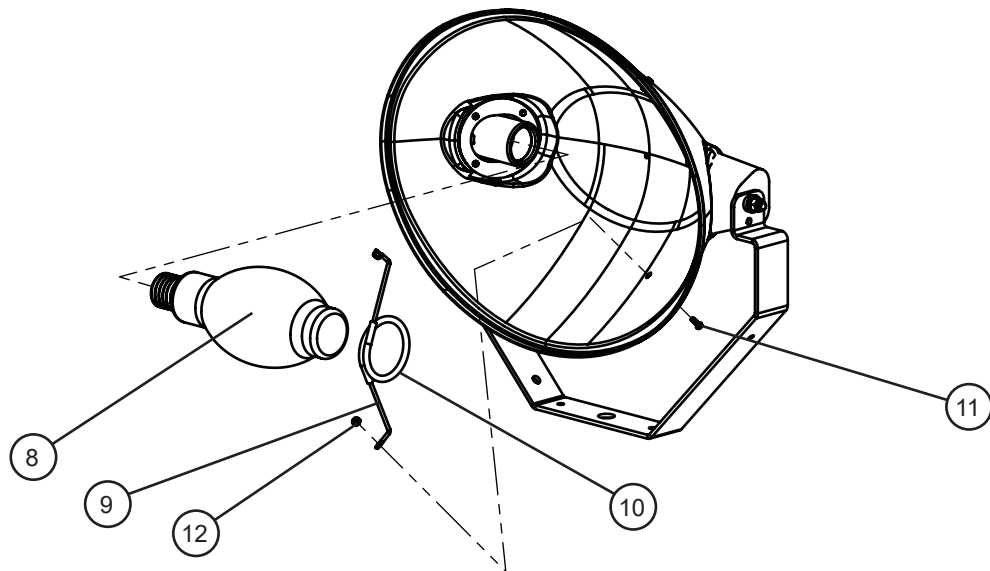
5.10 - 1250W 60Hz 120V Ballast Box Assembly

Item	Part No.	Part Description	Qty.
1	105914P	MOUNT PLATE BALLAST BOX	1
2	053006	1/4-20 x 3/4 CARRIAGE BOLT	8
3	047009	1/4 FLAT WASHER SAE SS	9
4	044023	1/4-20 NYLOCK HEX NUT PL	9
5	100718	1/4-20 x 2 1/4 CARRIAGE BOLT	1
6	105916	GRIP CORD NYLON 3/4	2
7	102752	BALLAST TOP MODULAR BOX	1
8	041029	#8-32 x 1/2 HEX WASHER HEAD SCREW	4
9	044003	#8-32 NC KEPS NUT	4
10	100392P	TABBED CAPACITOR CLAMP	1
11	022036	3/4 CORD GRIP NUT	2
12	105286	SCHEMATIC 60Hz 1250W	1
13	109606	BALLAST KIT 1250W 60Hz 120/240V 28uF (INCLUDES 100329)	2
14	100329	CAPACITOR 28uF 1250W	2

5.11 - 1250W Lamps w/ 60Hz 240V Ballast Boxes (1 of 2)



LAMP DETAIL



106175_D
106410_C

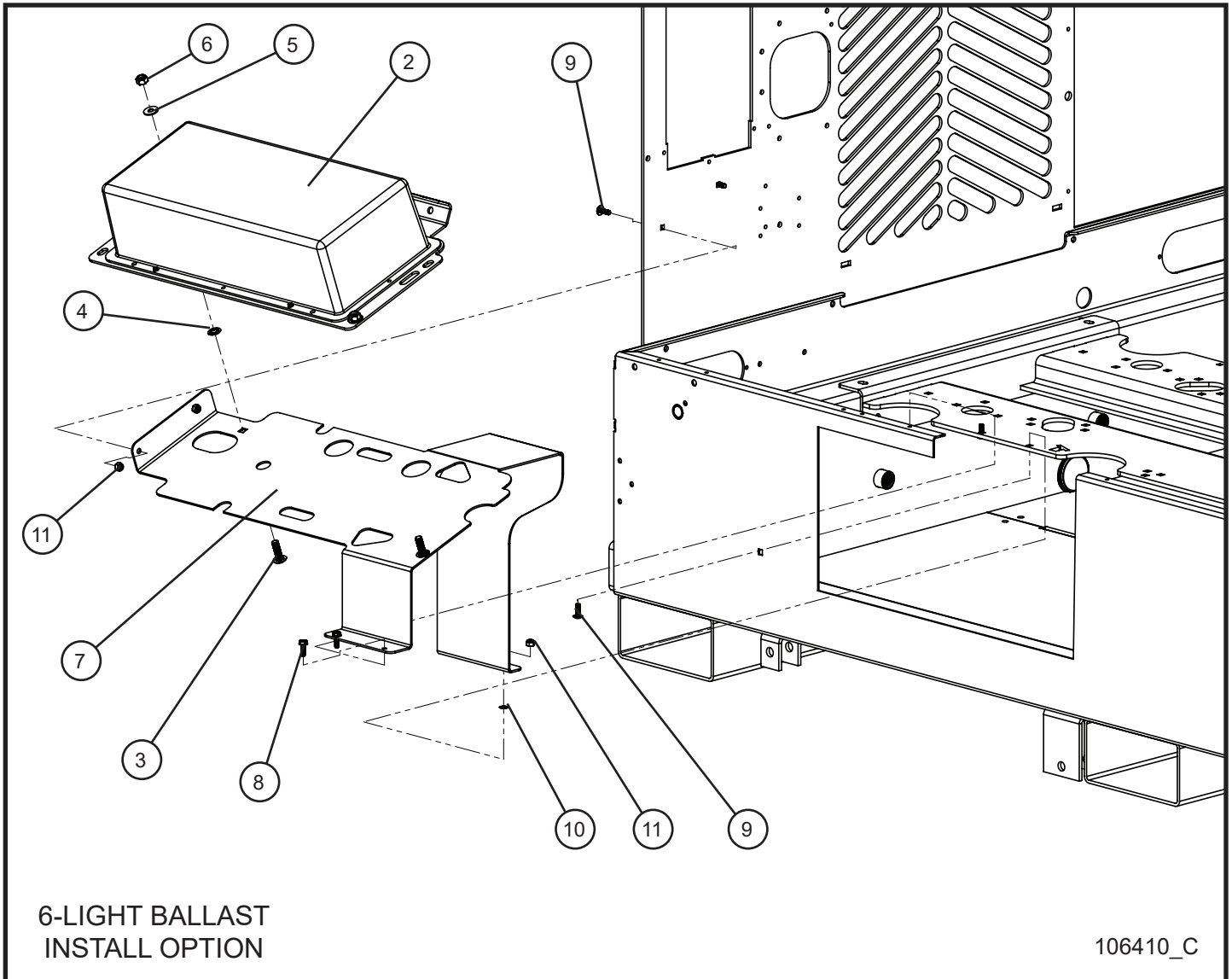
Maxi-Lite II

5.11 - 1250W Lamps w/ 60Hz 240V Ballast Boxes (1 of 2)

Item	Part No.	Part Description	Qty.
1	103624	BALLAST CORD ASSEMBLY	4
2	--	1250W-28uF 60Hz 240V BALLAST ASSEMBLY	2
3	100670	3/8-16 x 1 1/4 CARRIAGE BOLT	4
4	045218	3/8 PUSH NUT	4
5	047010	5/16 FLAT WASHER PL	6
6	046110	3/8-16 x 1 HEX HEAD CS GR5 PL	2
7	044038	3/8-16 NYLOCK HEX NUT PL	6
8	610221	LAMP 1250W BT37 (MH)	4(6)
9	610209	SUPPORT TIP LAMP SHO	4(6)
10	610210	FIBERGLASS TUBE 12" LAMP SUPPORT	4(6)
11	041200	#8-32 x 1/2 HEX WASHER HEAD INDT	8(12)
12	044013	#8-32 NYLOCK HEX NUT SS	8(12)
13	105290	SCHEMATIC BALLAST 1250W 60Hz 240V (NOT SHOWN)	1

*NOTE: QUANTITY OF PARTS FOR 6-LIGHT OPTION IS SHOWN IN PARENTHESIS IN THIS PARTS

5.11 - 1250W Lamps w/ 60Hz 240V Ballast Boxes (2 of 2)



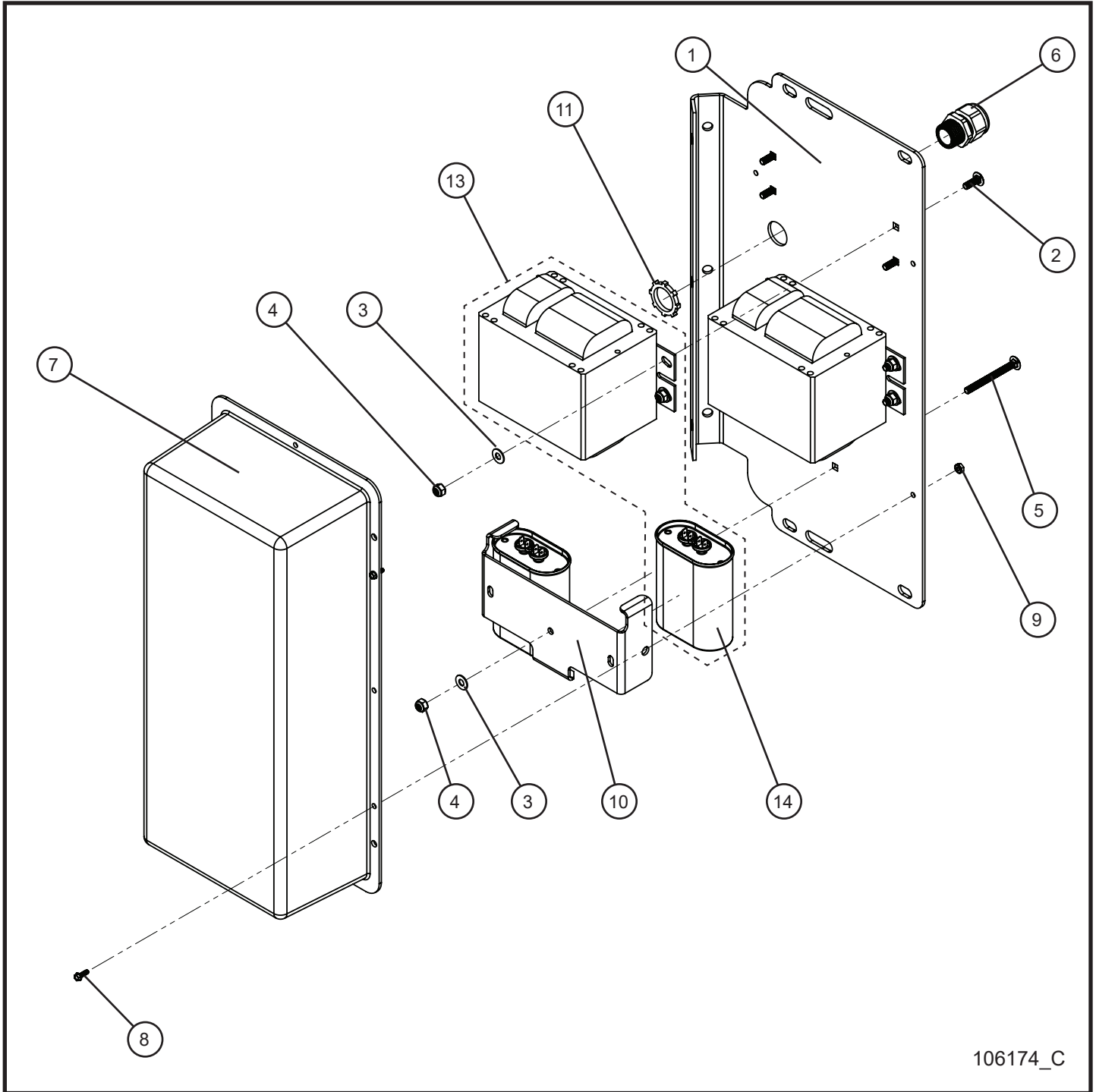
Maxi-Lite II

5.11 - 1250W Lamps w/ 60Hz 240V Ballast Boxes (2 of 2)

Item	Part No.	Part Description	Qty.
1	104362	CORD BALLAST 5/6 LIGHT	2
2	--	1250W-28uF 60Hz 240V BALLAST ASSEMBLY	1
3	100670	3/8-16 x 1 1/4 CARRIAGE BOLT	4
4	045218	3/8 PUSH NUT	4
5	047010	5/16 FLAT WASHER PL	4
6	044038	3/8-16 NYLOCK HEX NUT PL	4
7	104699P	MOUNT BRACKET 6 LIGHT BALLAST BOX	1
8	041070	1/4-20 x 3/4 SL-HEX WASHER HEAD MS TP F	2
9	053006	1/4-20 x 3/4 CARRIAGE BOLT	4
10	101701	1/4 PUSH NUT	2
11	044023	1/4-20 NYLOCK HEX NUT PL	4

*NOTE: PARTS IN THIS SET ARE FOR 6-LIGHT OPTION ONLY.

5.12 - 1250W 60Hz 240V Ballast Box Assembly

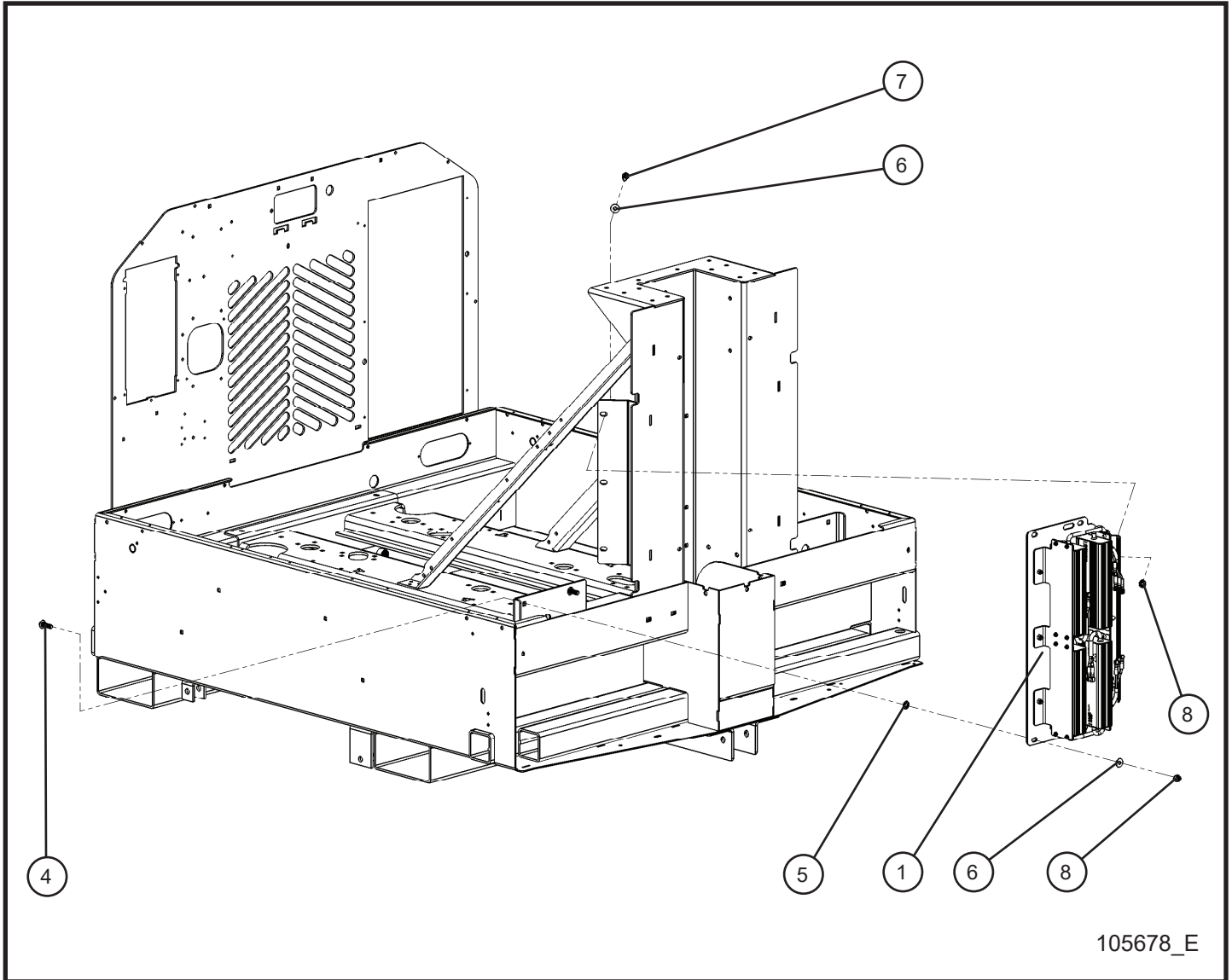


106174_C

5.12 - 1250W 60Hz 240V Ballast Box Assembly

Item	Part No.	Part Description	Qty.
1	105914P	MOUNT PLATE BALLAST BOX	1
2	053006	1/4-20 x 3/4 CARRIAGE BOLT	8
3	047009	1/4 FLAT WASHER SAE SS	9
4	044023	1/4-20 NYLOCK HEX NUT PL	9
5	100718	1/4-20 x 2 1/4 CARRIAGE BOLT	1
6	105916	GRIP CORD NYLON 3/4	2
7	102752	BALLAST TOP MODULAR BOX	1
8	041029	#8-32 x 1/2 HEX WASHER HEAD SCREW	4
9	044003	#8-32 NC KEPS NUT	4
10	100392P	TABBED CAPACITOR CLAMP	1
11	022036	3/4 CORD GRIP NUT	2
12	105931	SCHEMATIC BALLAST 1250W 60Hz 240V (NOT SHOWN)	1
13	109606	BALLAST KIT 1250W 60Hz 120/240V 28uF (INCLUDES 100329)	2
14	100329	CAPACITOR 28uF 1250W	2

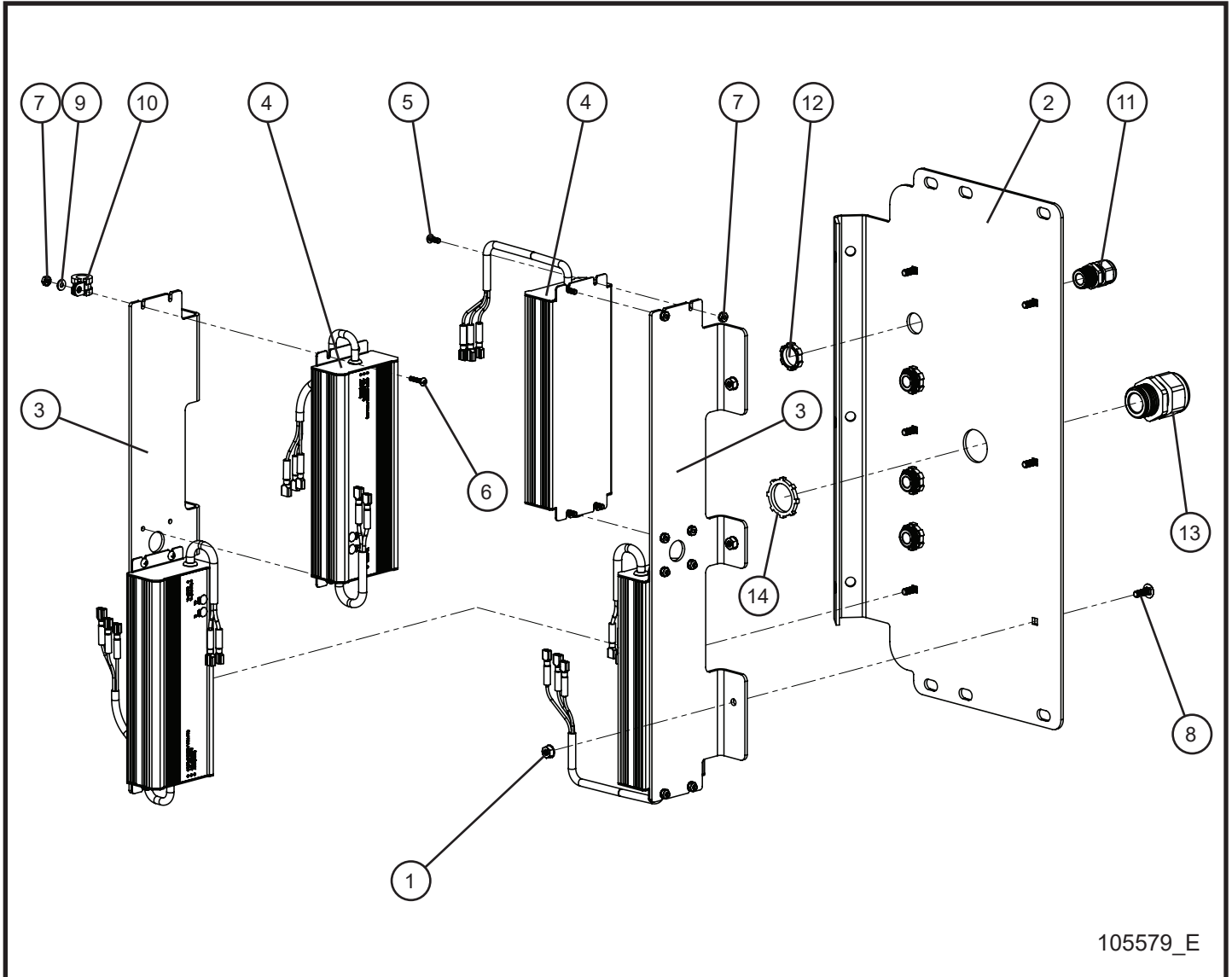
5.13 - Speaker LED 4 Driver Install Group



5.13 - Speaker LED 4 Driver Install Group

Item	Part No.	Part Description	Qty.
1	--	LED 4 DRIVER ASSEMBLY	1
2	110079	INPUT CORD LED DRIVER	4
3	105671	#1 OUTPUT CORD	1
4	100670	3/8-16 x 1 1/4 CARRIAGE BOLT	2
5	045218	3/8 PUSH NUT	2
6	047010	5/16 FLAT WASHER PL	3
7	046110	3/8-16 x 1 HEX HEAD CS GR5 PL	1
8	044038	3/8-16 NYLOCK HEX NUT PL	3
9	105711	SCHEMATIC LED 4 DRIVER	1

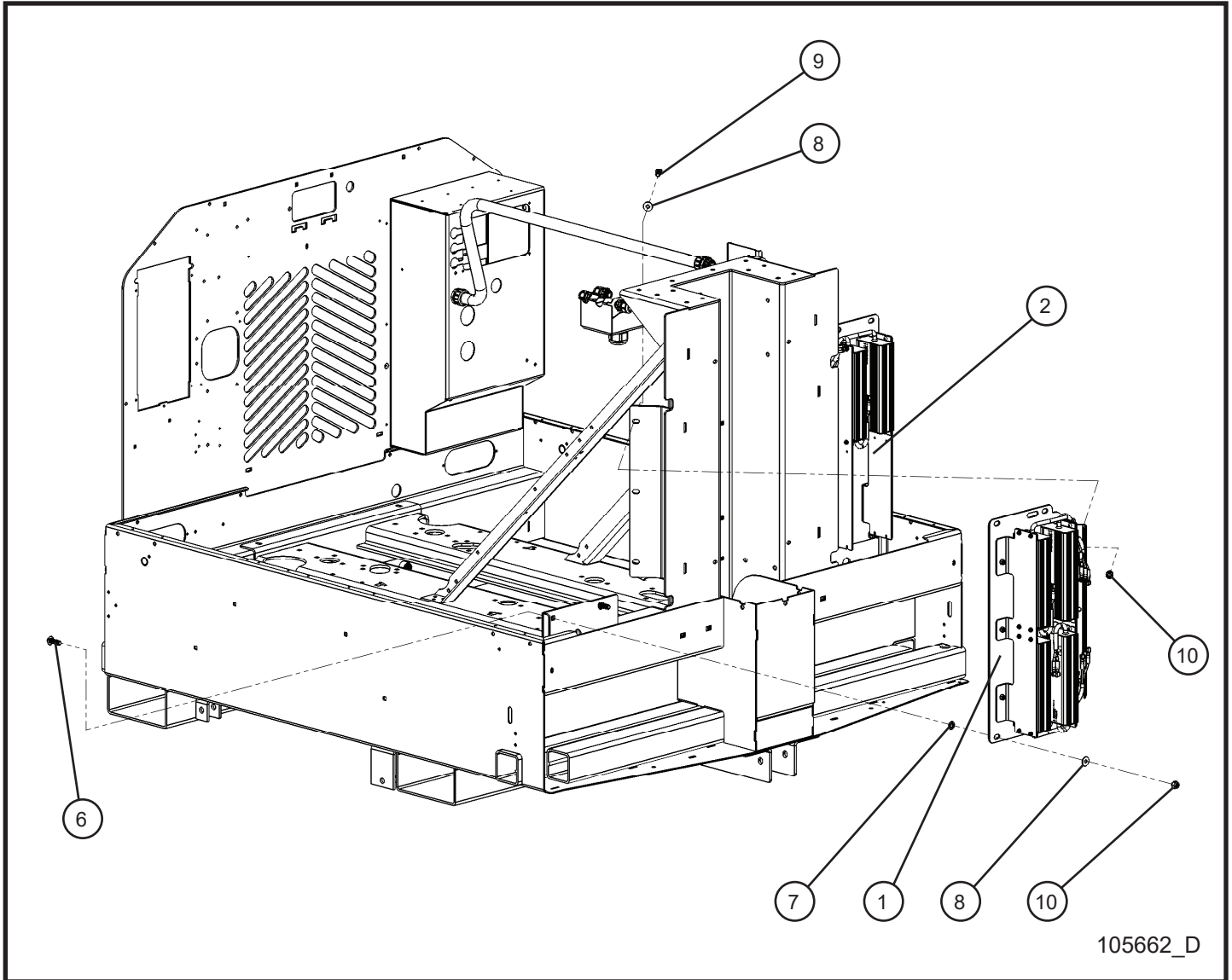
5.14 - Speaker LED 4 Driver Assembly



5.14 - Speaker LED 4 Driver Assembly

Item	Part No.	Part Description	Qty.
1	044021	1/4 KEPS HEX NUT PL	6
2	105915P	MOUNT PLATE LED DRIVER	1
3	105578P	MOUNT LED DRIVER	2
4	105677	DRIVER W/ TERMINALS LED LIGHT	4
5	041014	#8-32 x 1/2 PH-ROUND HEAD MS SS	14
6	041201	#8-32 x 3/4 SL-ROUND HEAD MS PL	2
7	044003	#8-32 NC KEPS NUT	16
8	053007	1/4-20 x 3/4 CARRIAGE BOLT SS	6
9	047004	#8 FLAT WASHER SAE ZC	2
10	310212	#10 CUSH CLAMP 1/4 HOLE	2
11	105626	1/2 CORD GRIP NYLON BLACK	4
12	022035	1/2 CORD GRIP NUT	4
13	105627	CORD GRIP 1" NYLON BLACK	1
14	022038	1" CORD GRIP NUT	1

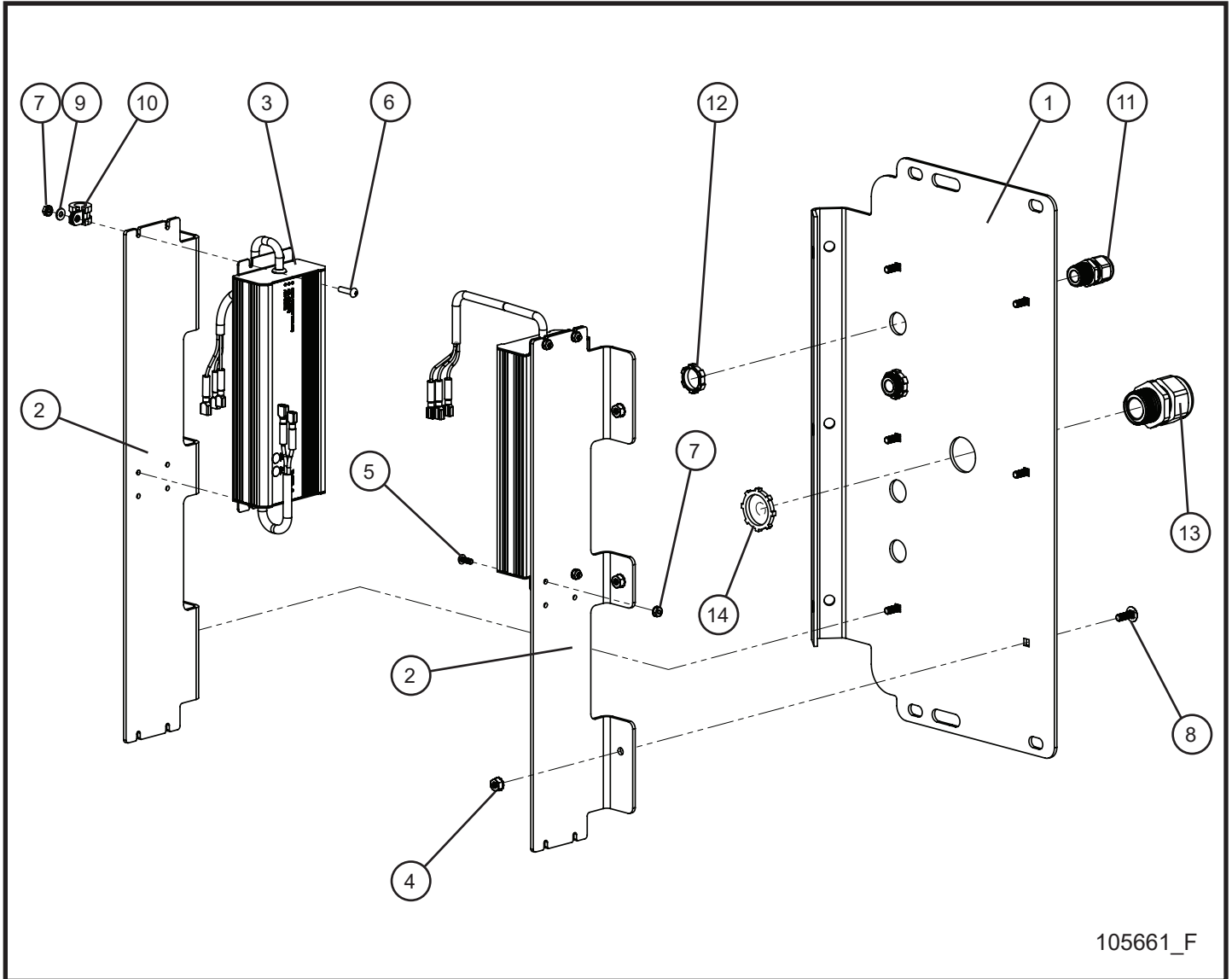
5.15 - Speaker LED 4 and 2 Drivers Install Group



5.15 - Speaker LED 4 and 2 Drivers Install Group

Item	Part No.	Part Description	Qty.
1	--	LED 4 DRIVER ASSEMBLY	1
2	--	LED 2 DRIVER ASSEMBLY	1
3	110079	INPUT CORD LED DRIVER	6
4	105671	#1 OUTPUT CORD	1
5	105672	#2 OUTPUT CORD	1
6	100670	3/8-16 x 1 1/4 CARRIAGE BOLT	4
7	045218	3/8 PUSH NUT	4
8	047010	5/16 FLAT WASHER PL	6
9	046110	3/8-16 x 1 HEX HEAD CS GR5 PL	2
10	044038	3/8-16 NYLOCK HEX NUT PL	6
11	105711	SCHEMATIC LED 4 DRIVER	1
12	105712	SCHEMATIC LED 2 DRIVER	1

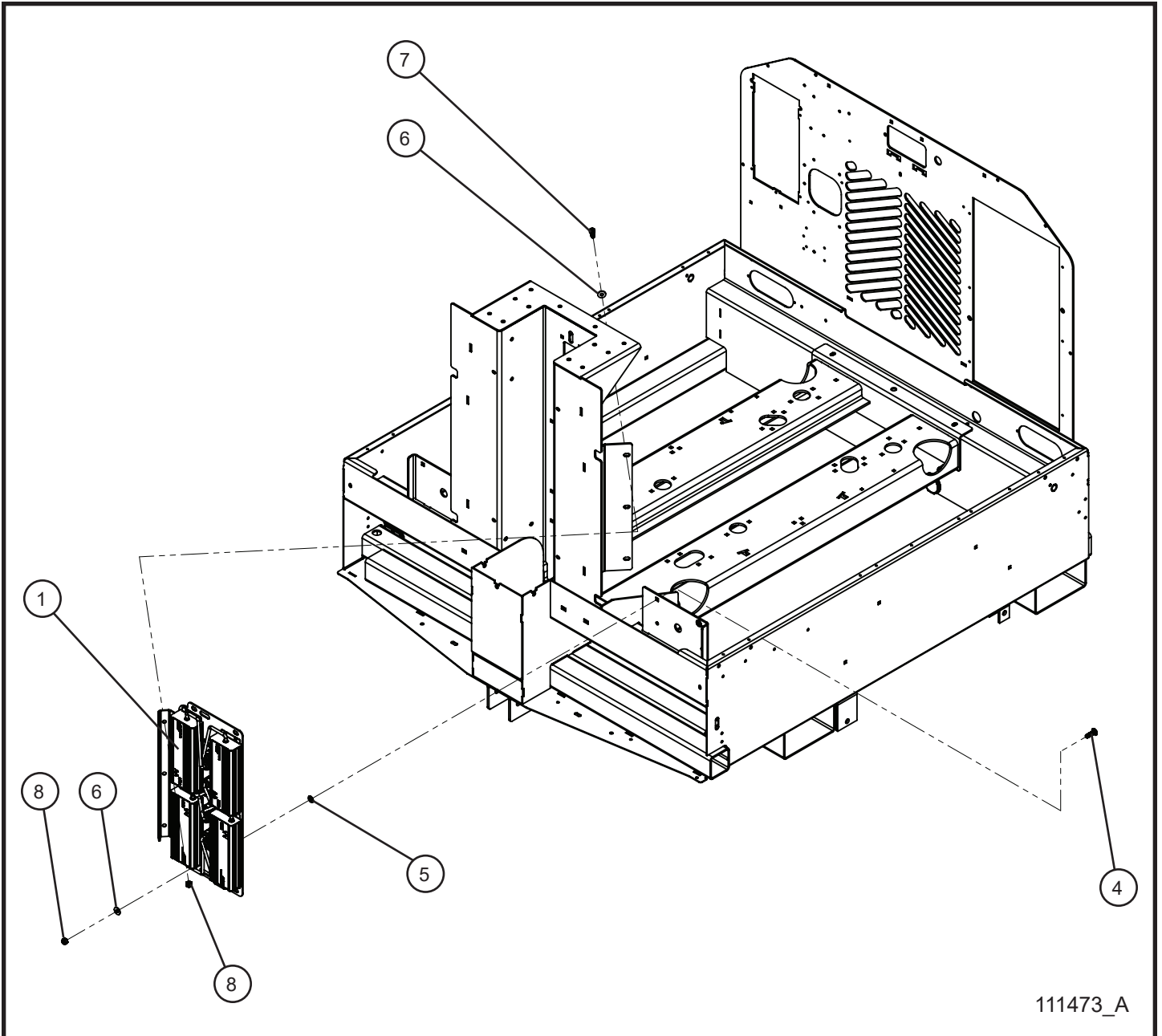
5.16 - Speaker LED 2 Driver Assembly



5.16 - Speaker LED 2 Driver Assembly

Item	Part No.	Part Description	Qty.
1	105915P	MOUNT PLATE LED DRIVER	1
2	105578P	MOUNT LED DRIVER	2
3	105677	DRIVER W/ TERMINALS LED LIGHT	2
4	044021	1/4 KEPS HEX NUT PL	6
5	041012	SCREW MS #8-32 x 1/2 PL	7
6	041203	SCREW MS #8-32 x 3/4 PL	1
7	044003	#8-32 NC KEPS NUT	8
8	053007	1/4-20 x 3/4 CARRIAGE BOLT SS	6
9	047004	#8 FLAT WASHER SAE ZC	1
10	310212	#10 CUSH CLAMP 1/4 HOLE	1
11	105626	1/2 CORD GRIP	2
12	022035	1/2 CORD GRIP NUT	2
13	105627	CORD GRIP 1" NYLON GRAY	1
14	022038	1" CORD GRIP NUT	1

5.17 - Conssin LED 4 Driver Install Group

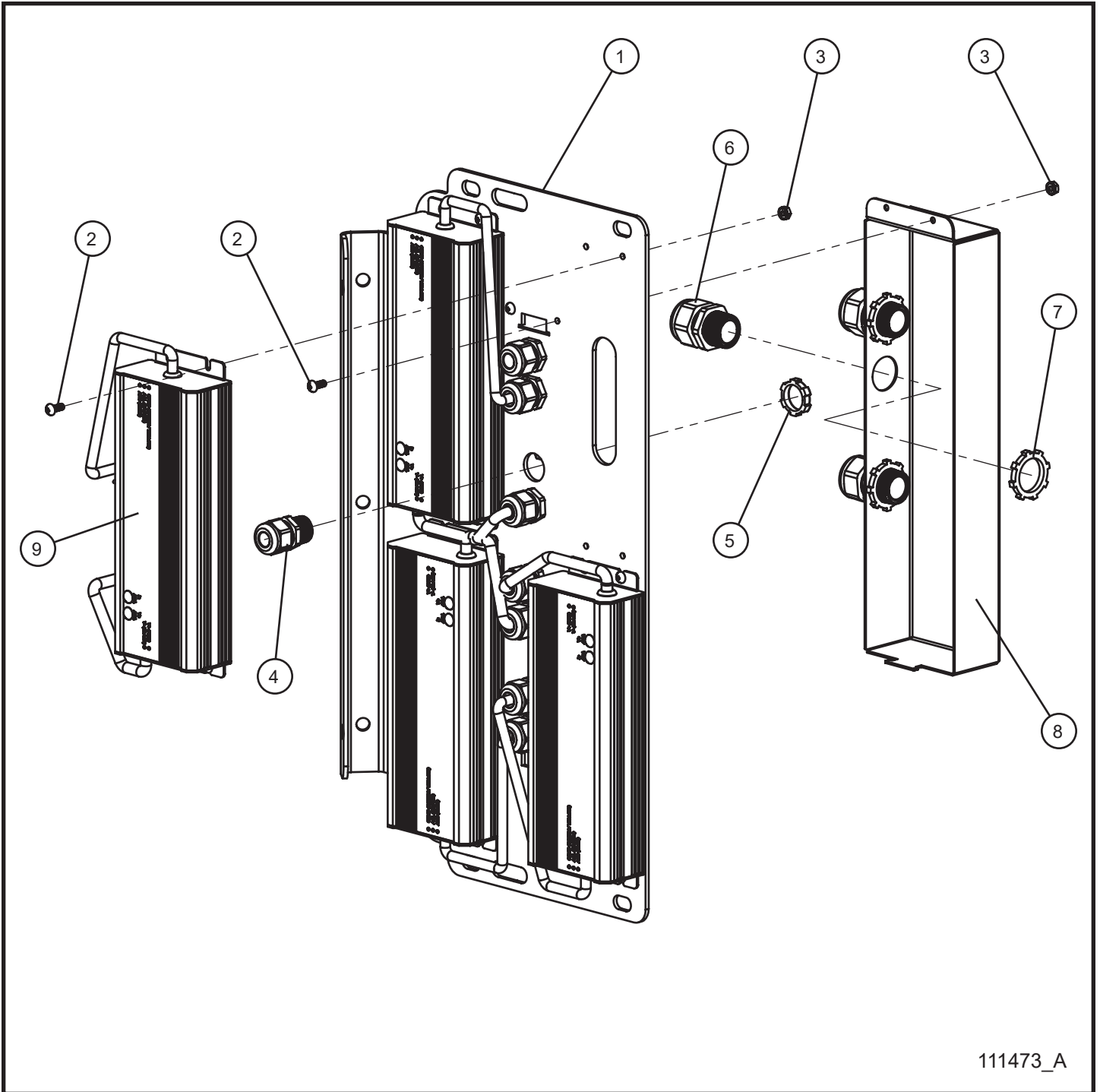


111473_A

5.17 - Conssin LED 4 Driver Install Group

Item	Part No.	Part Description	Qty.
1	--	LED 4 DRIVER ASSEMBLY	1
2	111963	INPUT CORD LED DRIVER MAXI II	2
3	111958	OUTPUT CORD FOUR DRIVER MAXI II	1
4	100670	3/8-16 x 1 1/4 CARRIAGE BOLT	2
5	045218	3/8 PUSH NUT	2
6	047010	5/16 FLAT WASHER PL	3
7	046110	3/8-16 x 1 HEX HEAD CS GR5 PL	1
8	044038	3/8-16 NYLOCK HEX NUT PL	3
NS	114129	LAYDOWN TOWER SHO LIGHT TO CONSSIN LED LIGHT KIT	1
NS	114131	VERTICAL TOWER SHO LIGHT TO CONSSIN LED LIGHT KIT	1
NS	114104	YOKE, BRACKETS, AND HARDWARE CONSSIN KIT	1
NS	110095	SCHEMATIC LED 4 DRIVER	1

5.18 - Conssin LED 4 Driver Assembly



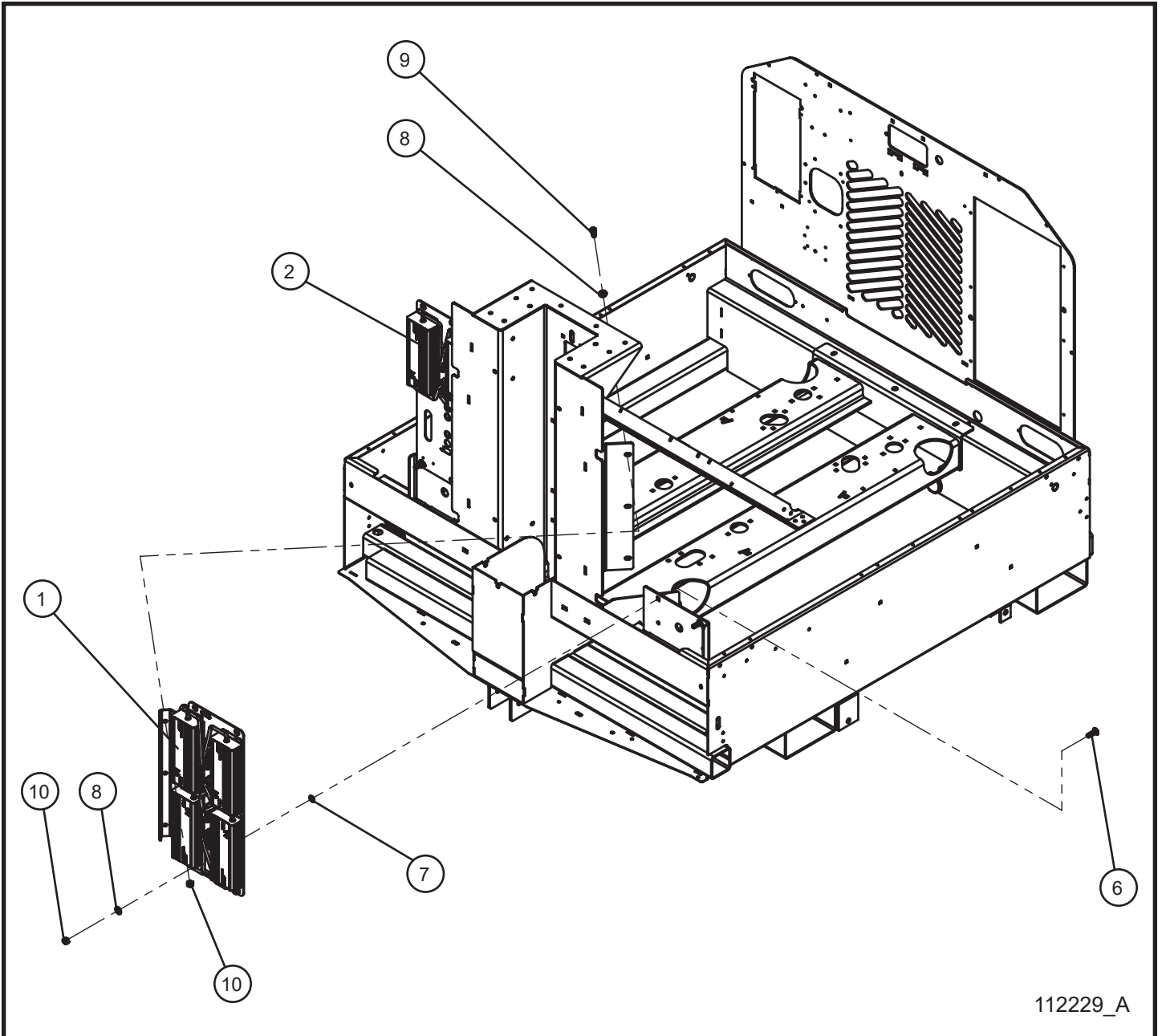
111473_A

5.18 - Conssin LED 4 Driver Assembly

Item	Part No.	Part Description	Qty.
1	111465P	MOUNT PLATE LED DRIVER	1
2	041012	SCREW MS #8-32 x 1/2 PL	18
3	044003	#8-32 NC KEPS NUT	18
4	105626	CORD GRIP 1/2 NYLON BLACK	8
5	022035	1/2 CORD GRIP NUT	8
6	105916	CORD GRIP NYLON 3/4	3
7	022036	3/4 CORD GRIP NUT	3
8	111960P	LED DRIVER JUNCTION BOX	1
9	111449	CONSSIN HLG-320-54A LED DRIVER	4
NS	111462	CONSSIN LED LIGHT AND DRIVER KIT (INCL. 111449 & 111451)	1

*NS - NOT SHOWN

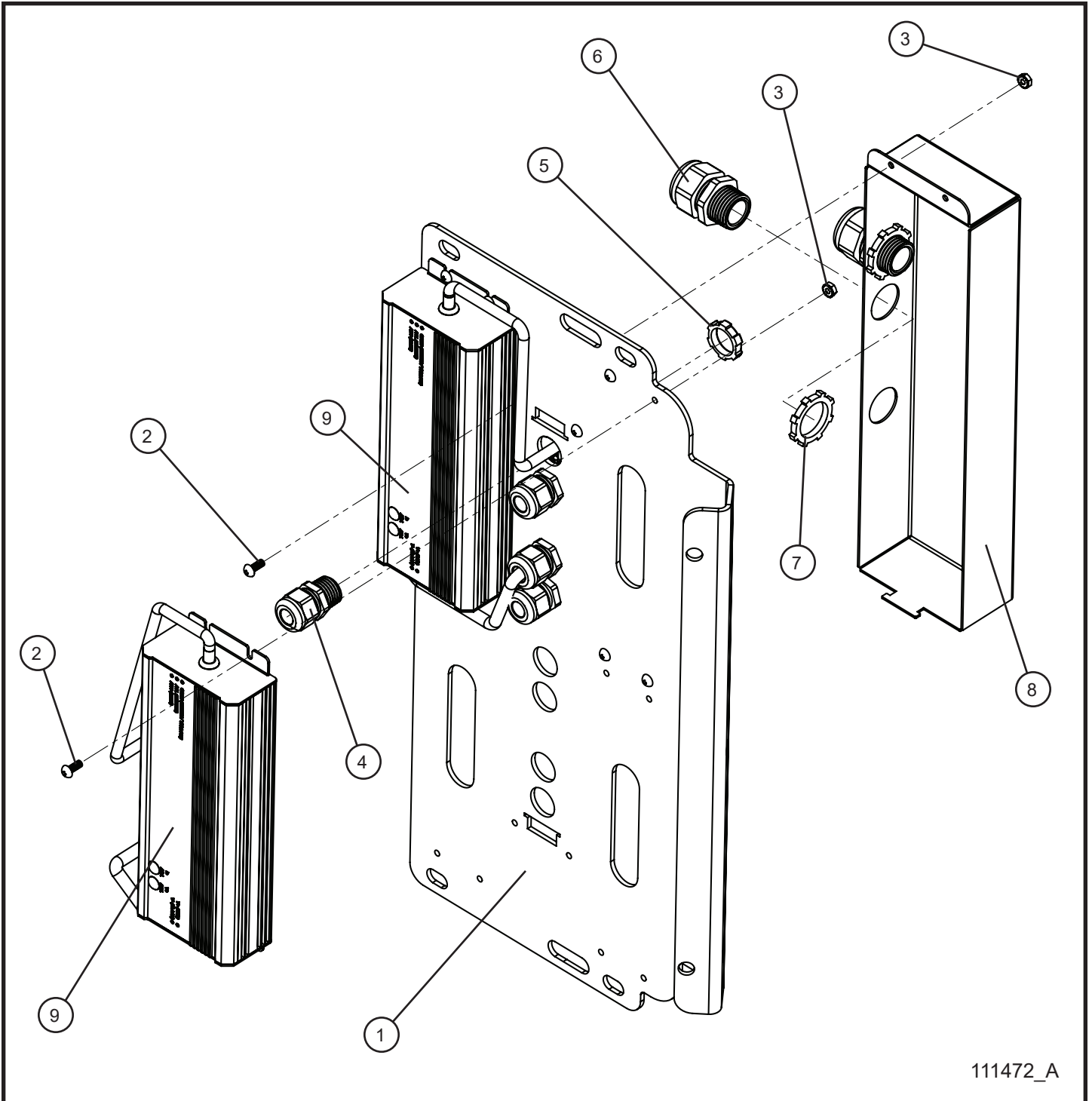
5.19 - Conssin LED 4 and 2 Drivers Install Group



5.19 - Conssin LED 4 and 2 Drivers Install Group

Item	Part No.	Part Description	Qty.
1	--	LED 4 DRIVER ASSEMBLY	1
2	--	LED 2 DRIVER ASSEMBLY	1
3	111963	INPUT CORD LED DRIVER MAXI II	3
4	111958	OUTPUT CORD FOUR DRIVER MAXI II	1
5	111967	OUTPUT CORD TWO DRIVER MAXI II	1
6	100670	3/8-16 x 1 1/4 CARRIAGE BOLT	4
7	045218	3/8 PUSH NUT	4
8	047010	5/16 FLAT WASHER PL	6
9	046110	3/8-16 x 1 HEX HEAD CS GR5 PL	2
10	044038	3/8-16 NYLOCK HEX NUT PL	6
NS	114133	6-LIGHT SHO LIGHT TO CONSSIN LED LIGHT KIT	1
NS	114104	YOKE, BRACKETS, AND HARDWARE CONSSIN KIT	1
NS	110094	SCHEMATIC LED 2 DRIVER	1
NS	110095	SCHEMATIC LED 4 DRIVER	1

5.20 - Conssin LED 2 Driver Assembly



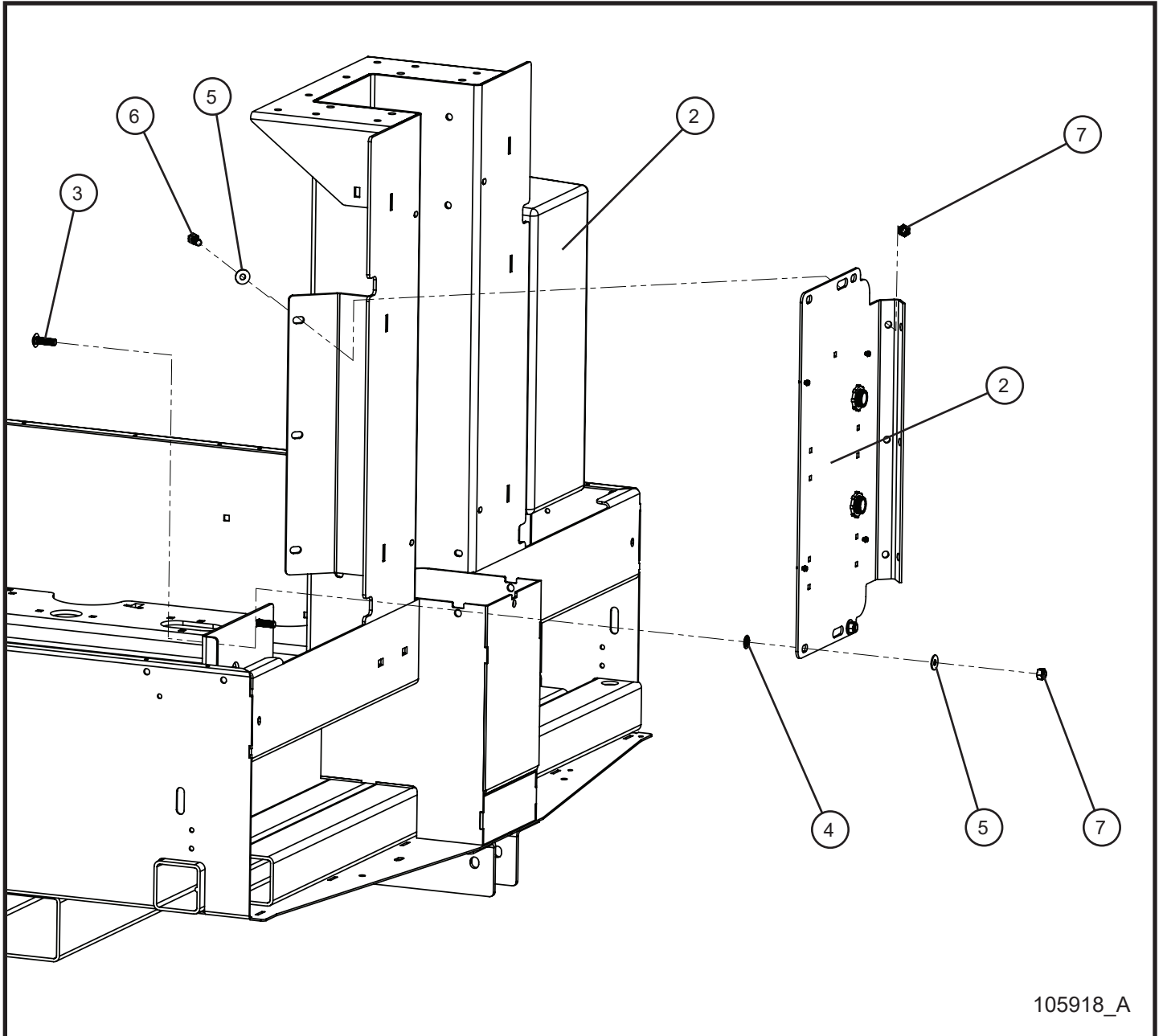
111472_A

5.20 - Conssin LED 2 Driver Assembly

Item	Part No.	Part Description	Qty.
1	111465P	MOUNT PLATE LED DRIVER	1
2	041012	SCREW MS #8-32 x 1/2 PL	10
3	044003	#8-32 NC KEPS NUT	10
4	105626	CORD GRIP 1/2 NYLON BLACK	4
5	022035	1/2 CORD GRIP NUT	4
6	105916	CORD GRIP NYLON 3/4	2
7	022036	3/4 CORD GRIP NUT	2
8	111960P	LED DRIVER JUNCTION BOX	1
9	111449	CONSSIN HLG-320-54A LED DRIVER	2
NS	111462	CONSSIN LED LIGHT AND DRIVER KIT (INCL. 111449 & 111451)	1

*NS - NOT SHOWN

5.21 - 4-No Lamps with Non Ballast Boxes

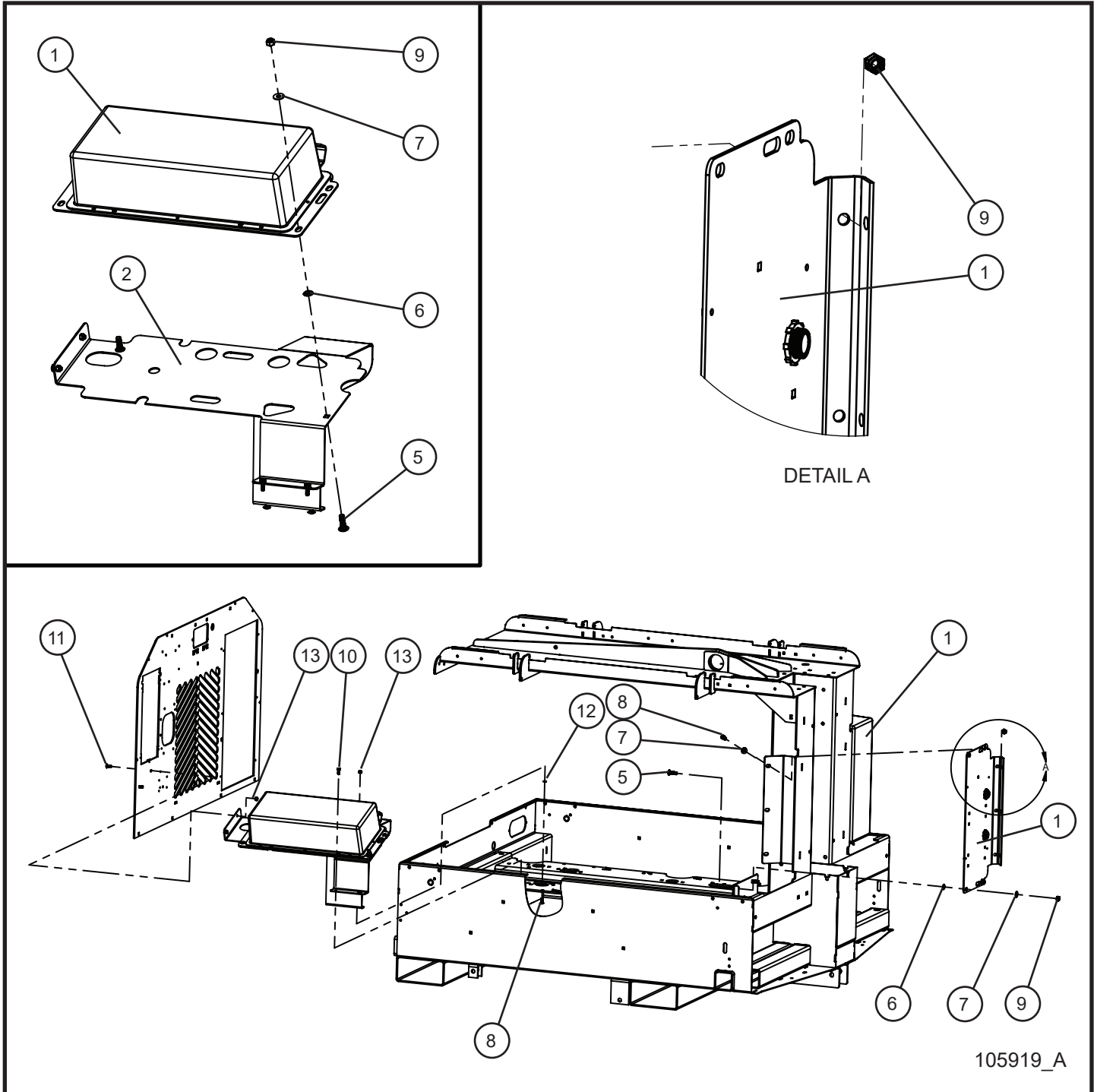


105918_A

5.21 - 4-No Lamps with Non Ballast Boxes

Item	Part No.	Part Description	Qty.
1	103624	BALLAST ASSEMBLY CORD	4
2	--	NO LAMPS NON BALLAST BOX	2
3	100670	3/8-16 x 1 1/4 CARRIAGE BOLT	4
4	045218	3/8 PUSH NUT	4
5	047010	5/16 FLAT WASHER PL	8
6	046110	3/8-16 x 1 HEX HEAD CS GR5 PL	4
7	044038	3/8-16 NYLOCK HEX NUT PL	8

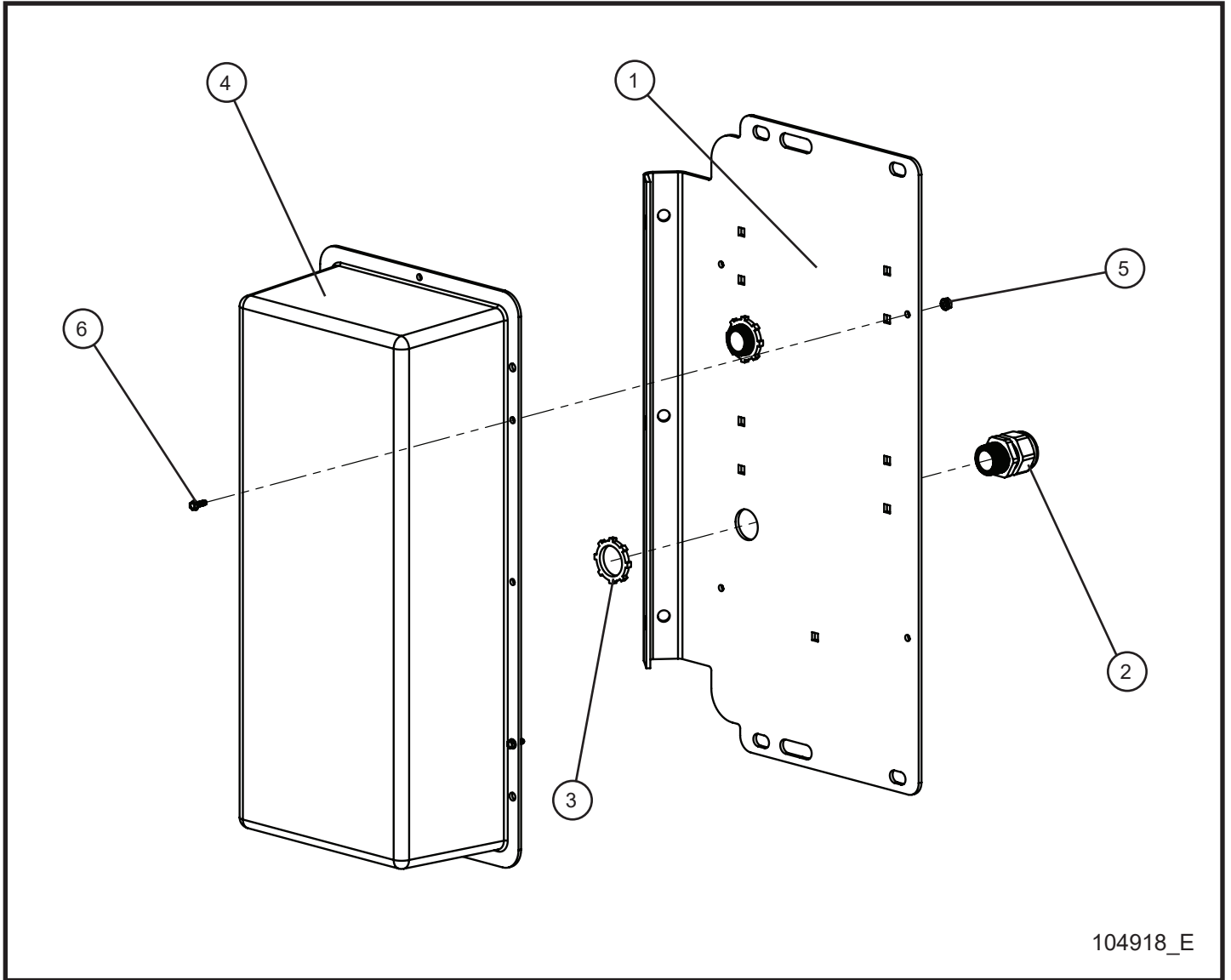
5.22 - 6-No Lamps with Non Ballast Boxes



5.22 - 6-No Lamps with Non Ballast Boxes

Item	Part No.	Part Description	Qty.
1	--	NO LAMPS NON BALLAST BOX	3
2	104699P	MOUNT BRACKET 6 LIGHT BALLAST BOX	1
3	103624	BALLAST ASSEMBLY CORD	4
4	104362	CORD BALLAST 5/6 LIGHT	2
5	100670	3/8-16 x 1 1/4 CARRIAGE BOLT	8
6	045218	3/8 PUSH NUT	8
7	047010	5/16 FLAT WASHER PL	12
8	046110	3/8-16 x 1 HEX HEAD CS GR5 PL	4
9	044038	3/8-16 NYLOCK HEX NUT PL	12
10	041070	1/4-20 x 3/4 SL-HEX WASHER HEAD MS TP F	2
11	053006	1/4-20 x 3/4 CARRIAGE BOLT	4
12	101701	1/4 PUSH NUT	2
13	044023	1/4-20 NYLOCK HEX NUT PL	4

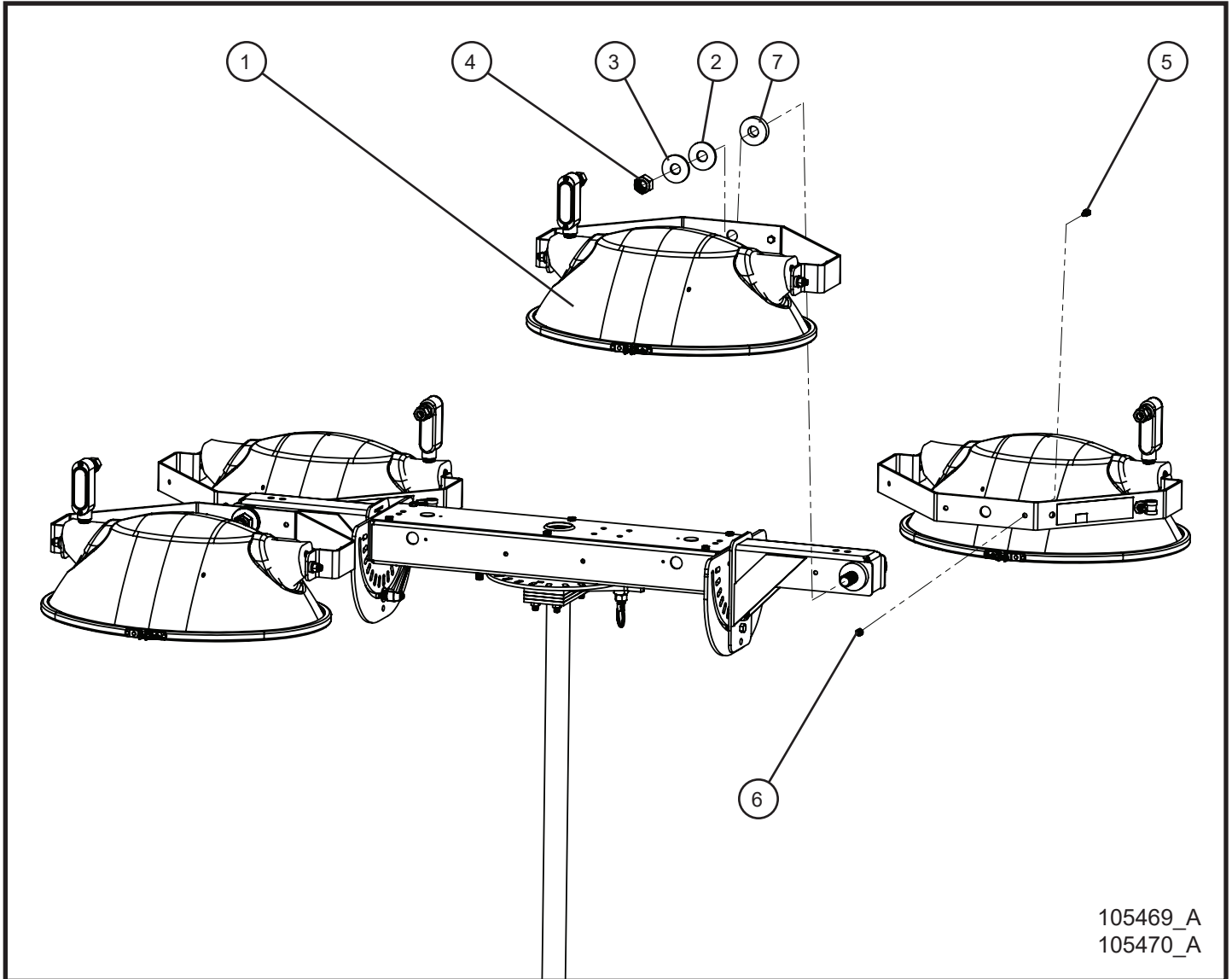
5.23 - Non Ballast Assembly



5.23 - Non Ballast Assembly

Item	Part No.	Part Description	Qty.
1	105914P	MOUNT PLATE BALLAST BOX	1
2	105916	GRIP CORD NYLON 3/4	2
3	022036	3/4 CORD GRIP NUT	2
4	102752	BALLAST TOP MODULAR BOX	1
5	044019	#10-24 NYLOCK HEX NUT SS	4
6	041027	#10-24 x 3/4 PH-ROUND HEAD MS	4

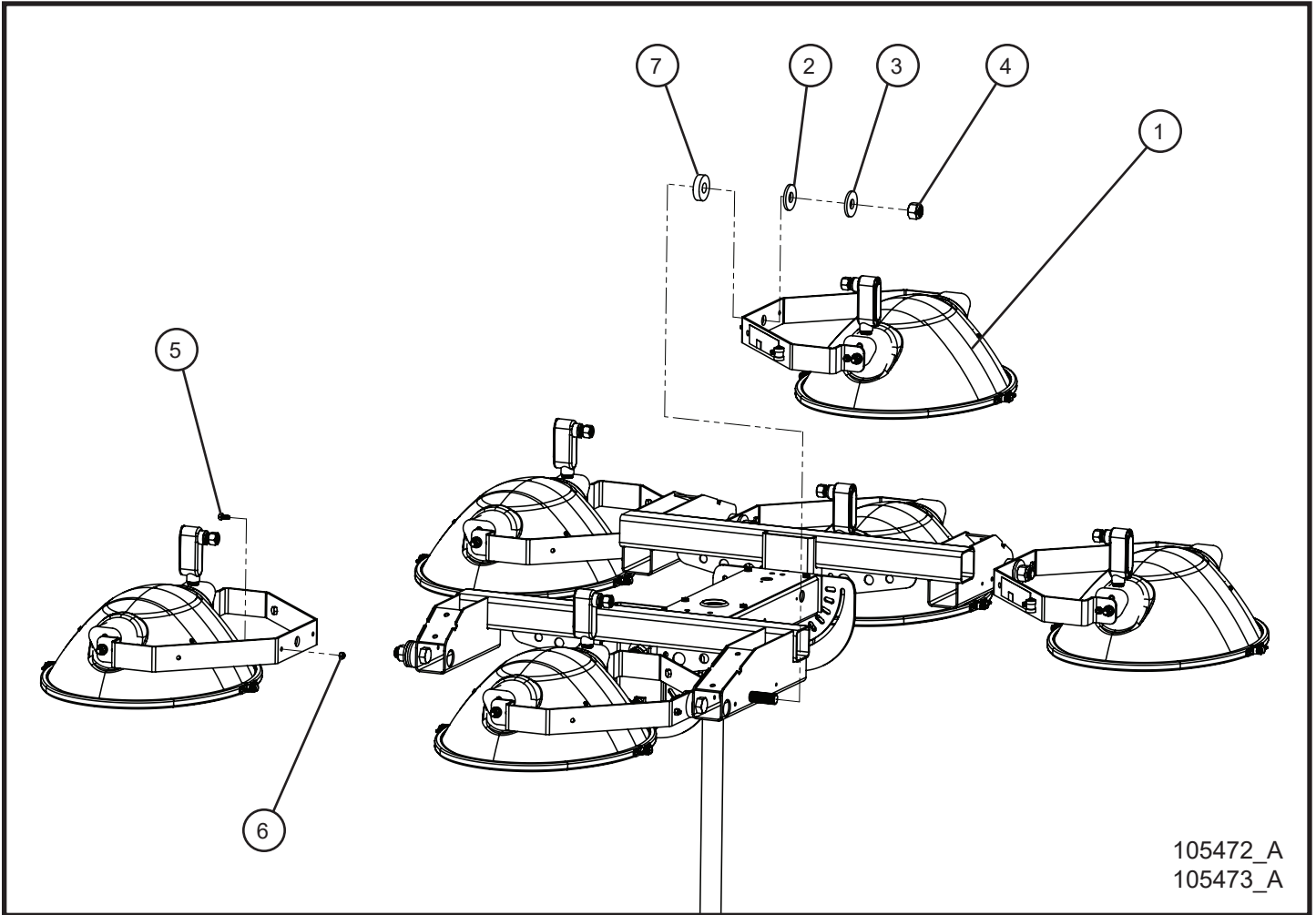
5.24 - 4-SHO Light Fixtures



5.24 - 4-SHO Light Fixtures

Item	Part No.	Part Description	Qty.
1	650147	LAMPHOLDER SHO LIGHT WITH NO LAMP	4
	650144	LAMPHOLDER SHO LIGHT WITH 1000W LAMP	4
	100633	LAMPHOLDER SHO LIGHT WITH 1250W LAMP	4
	105244	LAMPHOLDER CSA/UL SHO LIGHT WITH NO LAMP	4
2	650550	.785" x 2" HDPE WASHER	4
3	047035	3/4 FLAT WASHER PL	4
4	044058	3/4-10 NYLOCK HEX NUT PL	4
5	046006	1/4-20 x 5/8 HEX HEAD BOLT	4
6	044023	1/4-20 NYLOCK HEX NUT PL	4
7	101813	.781 ID x 2 OD x 1/2 HDPE WASHER	4

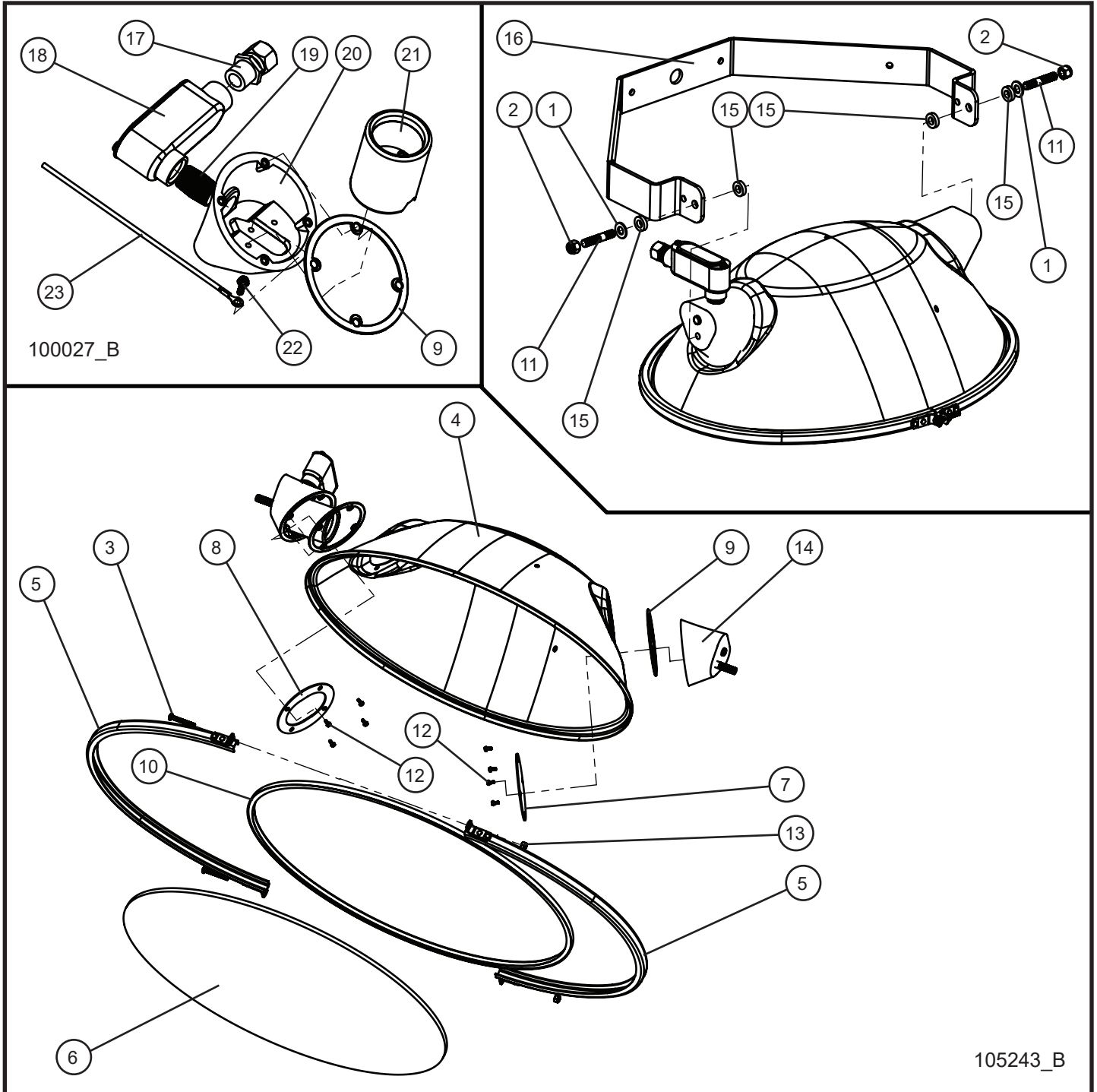
5.25 - 6-SHO Light Fixtures



5.25 - 6-SHO Light Fixtures

Item	Part No.	Part Description	Qty.
1	650147	LAMPHOLDER SHO LIGHT	6
	105244	LAMPHOLDER CSA/UL SHO LIGHT	6
2	650550	.785" x 2" HDPE WASHER	6
3	047035	3/4 FLAT WASHER PL	6
4	044058	3/4-10 NYLOCK HEX NUT PL	6
5	046006	1/4-20 x 5/8 HEX HEAD BOLT	4
6	044023	1/4-20 NYLOCK HEX NUT PL	4
7	101813	.781 ID x 2 OD x 1/2 HDPE WASHER	6

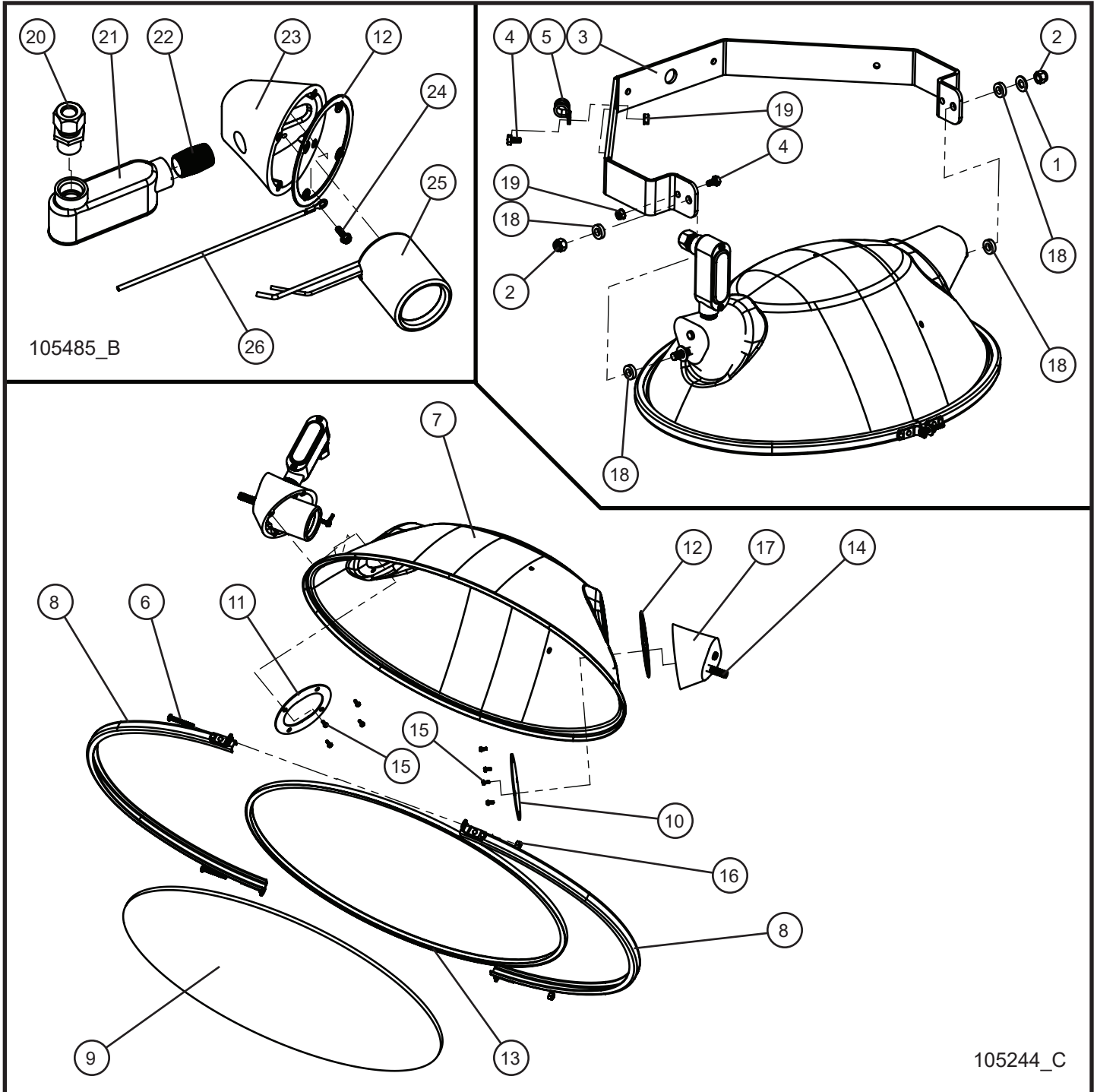
5.26 - Domestic SHO Light Assembly Group



5.26 - Domestic SHO Light Assembly Group

Item	Part No.	Part Description	Qty.
--	650147	LAMPHOLDER SHO LIGHT	1
1	047016	3/8 FLAT WASHER SAE ZINC	2
2	044037	3/8-24 NYLOCK HEX NUT PL	2
3	041040	#10-24 x 1 1/2 PH-ROUND HEAD MS SS	2
4	610201	REFLECTOR	1
5	610202	LENS CHANNEL SET SHO LIGHTS	2
6	610203	LENS GLASS	1
7	610207	INTERIOR COVER PLATE WITHOUT HOLE	1
8	610208	INTERIOR COVER PLATE WITH HOLE	1
9	610213	GASKET SOCKET END CAP	2
10	610217	SILICONE GASKET	1
11	045142	3/8-24 x 3/8-16 x 2 STUD	2
12	041028	#10-24 x 1/2 HEX WASHER HEAD INDT	8
13	044019	#10-24 NYLOCK HEX NUT SS	2
14	610206	CASTING END SHO	1
15	047019	NYLON BUSHING 3/4 OD x .385 ID	4
16	660130	YOKE MOUNT SHO LAMP	1
17	510007	1/2 CORD GRIP	1
18	610214	ELBOW 1/2 SLB SHO ENTRANCE	1
19	610215	1/2 NPT NIPPLE	1
20	610205	SOCKET CASTING END SHO	1
21	610212	CERAMIC SOCKET	1
22	041257	#10-32 x 3/8 SL-HEX WASHER HEAD MS GROUND	1
23	610219	GROUND WIRE LAMPHOLDER SHO ENTRANCE	1

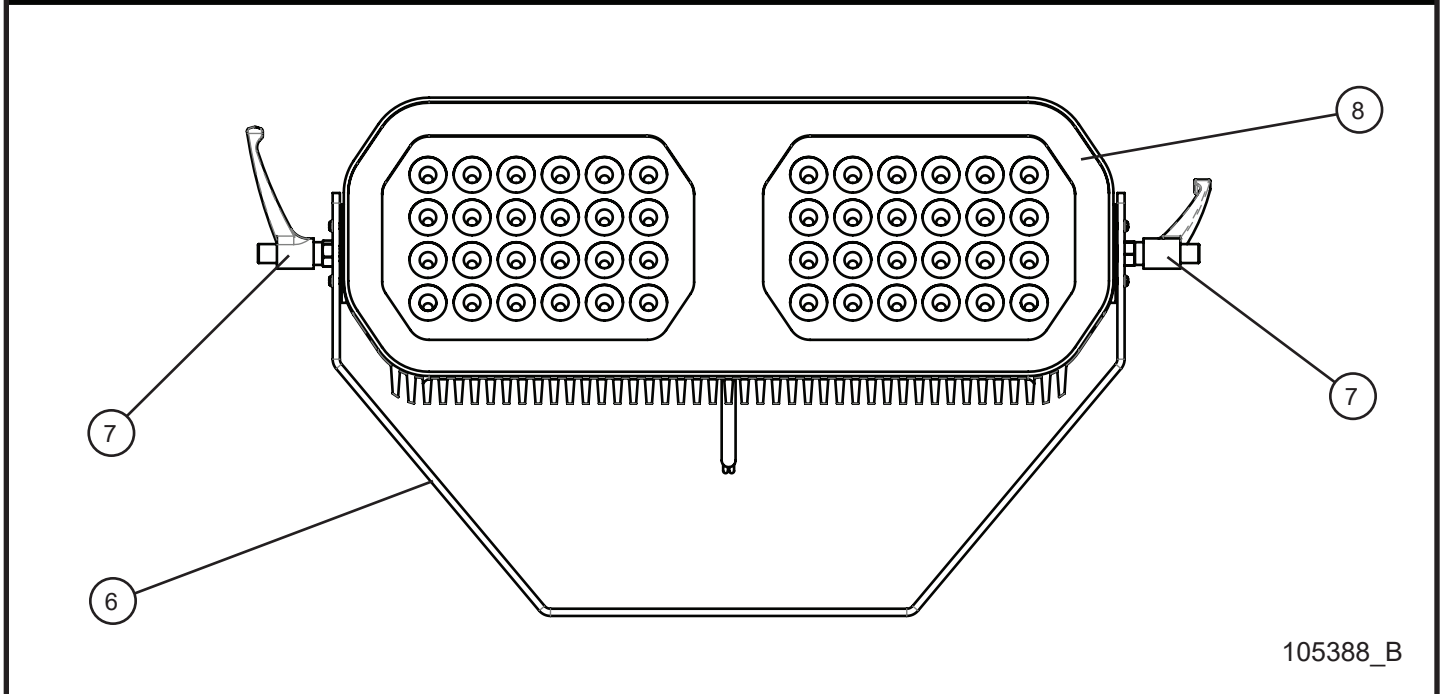
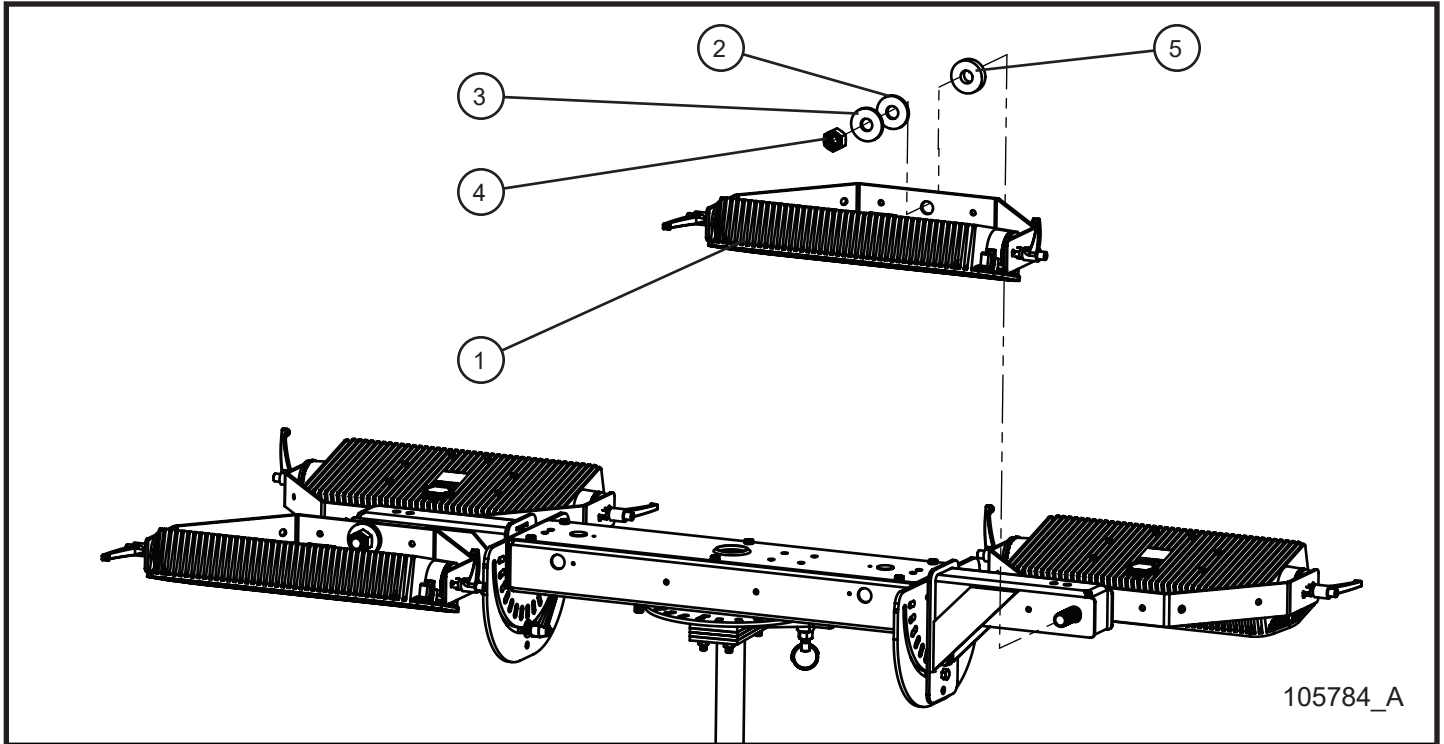
5.27 - CSA/UL SHO Light Assembly Group



5.27 - CSA/UL SHO Light Assembly Group

Item	Part No.	Part Description	Qty.
--	105244	COMPLETE LAMP ASSEMBLY	1
1	047016	3/8 FLAT WASHER SAE ZINC	2
2	044037	3/8-24 NYLOCK HEX NUT PL	2
3	660130	YOKE MOUNT SHO LAMP	1
4	046005	1/4-20 x 1/2 HEX HEAD CS GR5 PL	2
5	022022	#8 CUSH CLAMP 1/4 HOLE	1
6	041040	#10-24 x 1 1/2 PH-ROUND HEAD MS SS	2
7	610201	REFLECTOR	1
8	610202	LENS CHANNEL SET SHO LIGHT	2
9	610203	GLASS LENS	1
10	610207	INTERIOR COVER PLATE WITHOUT HOLE	1
11	610208	INTERIOR COVER PLATE WITH HOLE	1
12	610213	GASKET SOCKET END CAP	2
13	610217	SILICONE GASKET	1
14	045142	3/8-24 x 3/8-16 x 2 STUD	2
15	041028	#10-24 x 1/2 HEX WASHER HEAD INDT	8
16	044019	#10-24 NYLOCK HEX NUT SS	2
17	610206	CASTING END SHO	1
18	047019	NYLON BUSHING 3/4 OD x .385 ID	4
19	044021	1/4-20 KEPS HEX NUT PL	2
20	510007	1/2 CORD GRIP	1
21	610214	ELBOW 1/2 SLB SHO ENTRANCE	1
22	610215	1/2 NPT NIPPLE	1
23	610205	SOCKET CASTING END SHO	1
24	041257	#10-32 x 3/8 SL-HEX WASHER HEAD MS GRND	1
25	610212	CERAMIC SOCKET	1
26	610219	GROUND WIRE LAMPHOLDER SHO ENTRANCE	1

5.28 - 4-Speaker LED Light Fixtures and Light Assembly Group

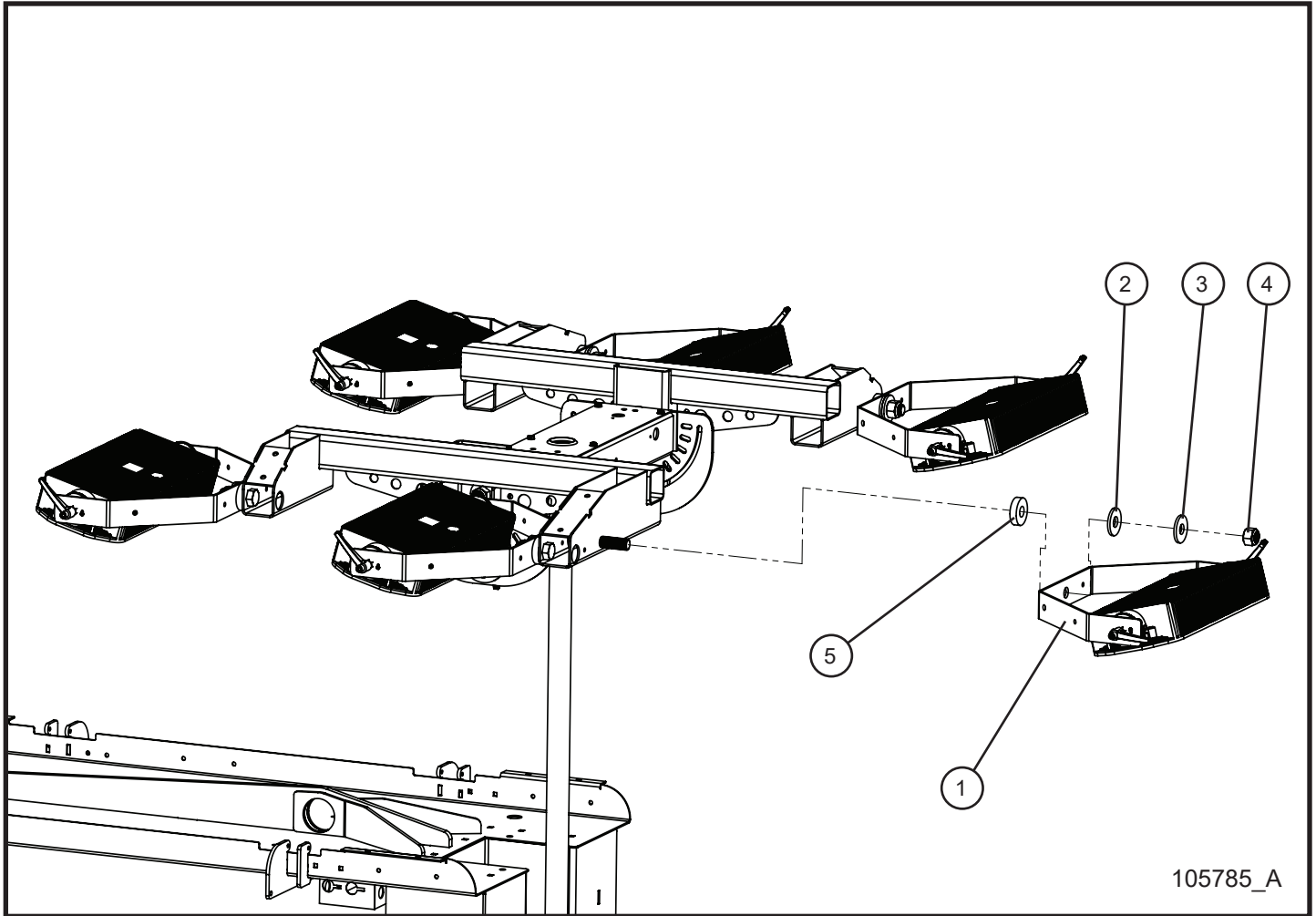


Maxi-Lite II

5.28 - 4-Speaker LED Light Fixtures and Light Assembly Group

Item	Part No.	Part Description	Qty.
1	105388	LED SCENE LIGHT WIDE FLOOD	4
2	650550	.785" x 2" HDPE WASHER	4
3	047035	3/4 FLAT WASHER PL	4
4	044058	3/4-10 NYLOCK HEX NUT PL	4
5	101813	.781 ID x 2 OD x 1/2 HDPE WASHER	4
6	105387P	YOKE LED LIGHT (EACH LED)	1
7	105390	NYLON ADJUSTABLE HANDLE (EACH LED)	2
8	105325	LED SCENE LIGHT MODEL 623 WIDE FLOOD (EACH LED)	1

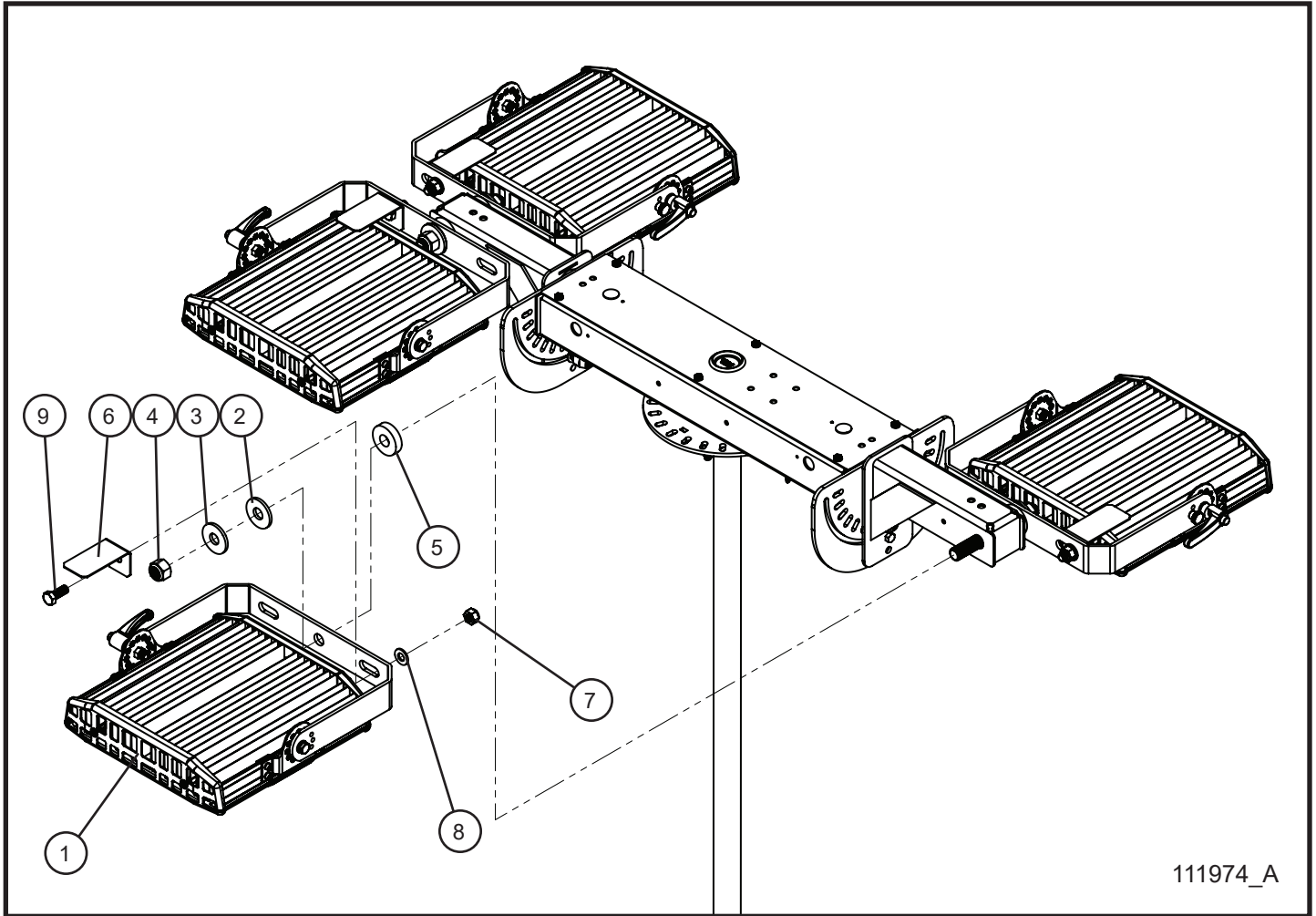
5.29 - 6-Speaker LED Light Fixtures



5.29 - 6-Speaker LED Light Fixtures

Item	Part No.	Part Description	Qty.
1	105388	LED SCENE LIGHT WIDE FLOOD	6
2	650550	.785" x 2" HDPE WASHER	6
3	047035	3/4 FLAT WASHER PL	6
4	044058	3/4-10 NYLOCK HEX NUT PL	6
5	101813	.781 ID x 2 OD x 1/2 HDPE WASHER	6

5.30 - 4-Conssin LED Light Fixtures

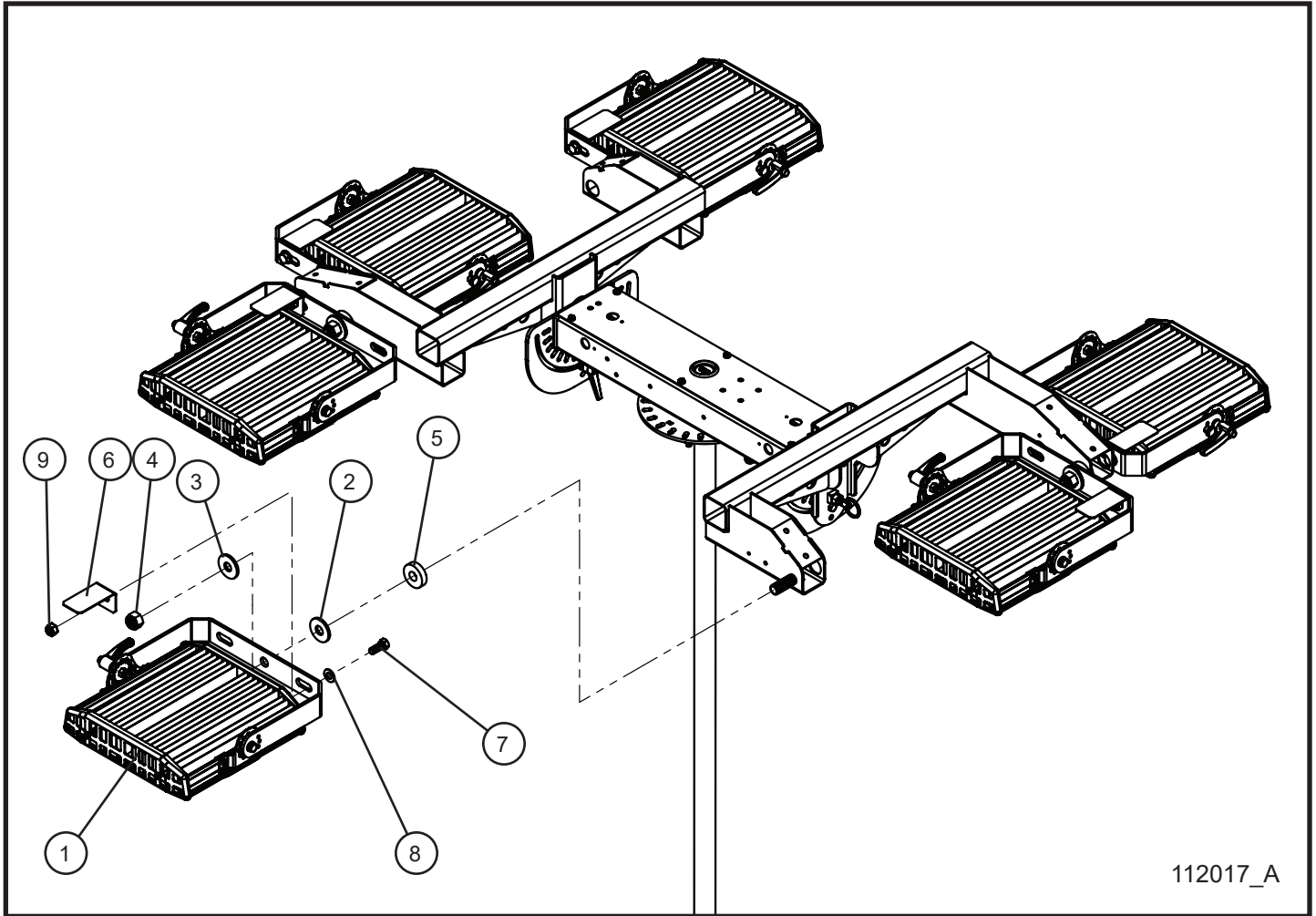


111974_A

5.30 - 4-Conssin LED Light Fixtures

Item	Part No.	Part Description	Qty.
1	111451	CONSSIN KUEM2-320 LED LIGHT	4
2	650550	.785" x 2" HDPE WASHER	4
3	047035	3/4 FLAT WASHER PL	4
4	044058	3/4-10 NYLOCK HEX NUT PL	4
5	101813	.781 ID x 2 OD x 1/2 HDPE WASHER	4
6	111975P	LED CONSSIN CSA STOP	4
7	044048	1/2-13 NYLOCK HEX NUT PL	4
8	047025	1/2 FLAT WASHER PL	4
9	046180	1/2-13 x 1 1/4 HEX HEAD CS GR5 PL	4
NS	114104	YOKE, BRACKETS, AND HARDWARE CONSSIN KIT	1
NS	111462	CONSSIN LED LIGHT AND DRIVER KIT (INCL. 111449 & 111451)	1

5.31 - 6-Conssin LED Light Fixtures

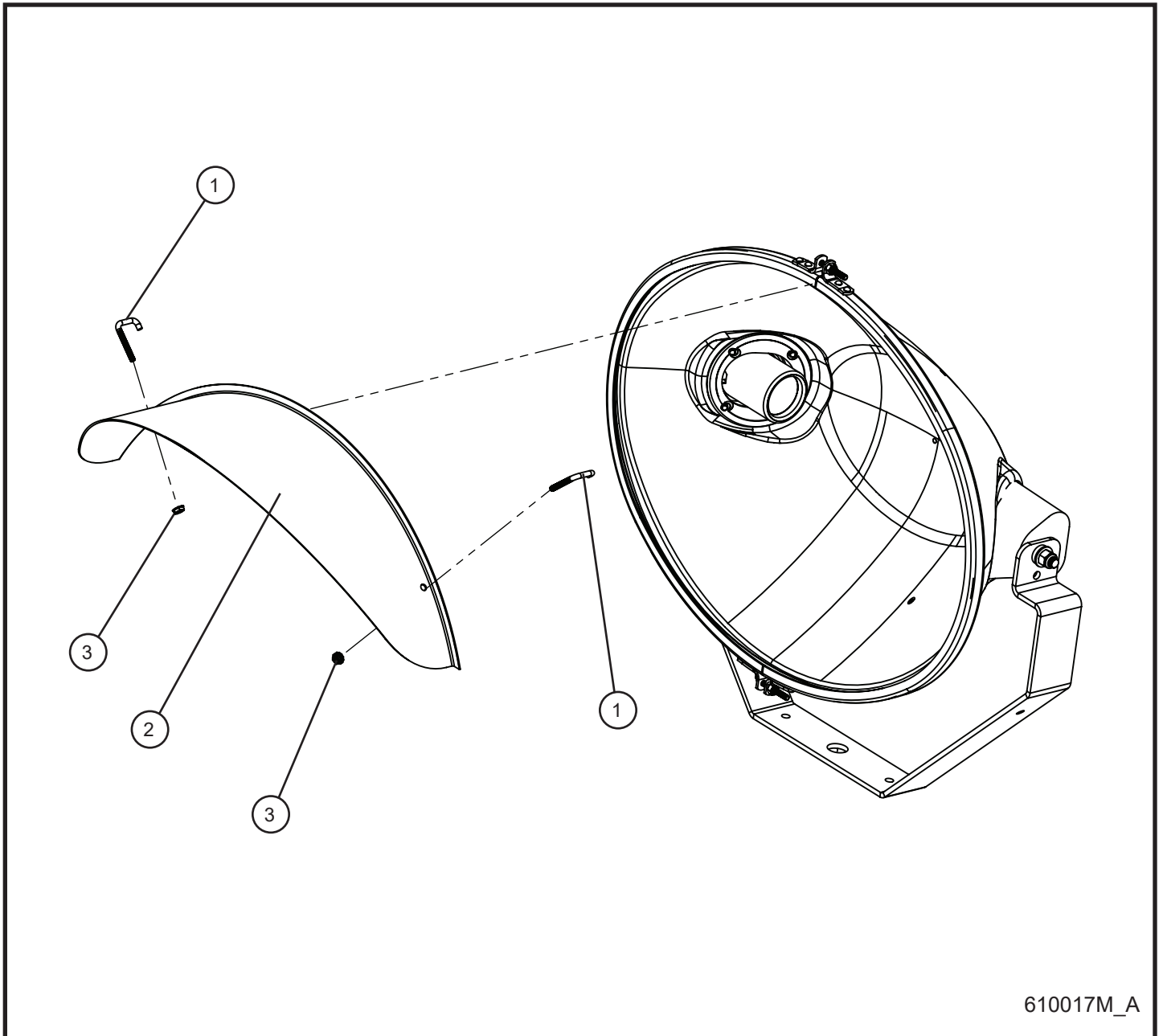


112017_A

5.31 - 6-Conssin LED Light Fixtures

Item	Part No.	Part Description	Qty.
1	111451	CONSSIN KUEM2-320 LED LIGHT	6
2	650550	.785" x 2" HDPE WASHER	6
3	047035	3/4 FLAT WASHER PL	6
4	044058	3/4-10 NYLOCK HEX NUT PL	6
5	101813	.781 ID x 2 OD x 1/2 HDPE WASHER	6
6	111975P	LED CONSSIN CSA STOP	6
7	044048	1/2-13 NYLOCK HEX NUT PL	6
8	047025	1/2 FLAT WASHER PL	6
9	046180	1/2-13 x 1 1/4 HEX HEAD CS GR5 PL	6
NS	114104	YOKE, BRACKETS, AND HARDWARE CONSSIN KIT	1
NS	111462	CONSSIN LED LIGHT AND DRIVER KIT (INCL. 111449 & 111451)	1

5.32 - SHO Light SAF-T-Visor



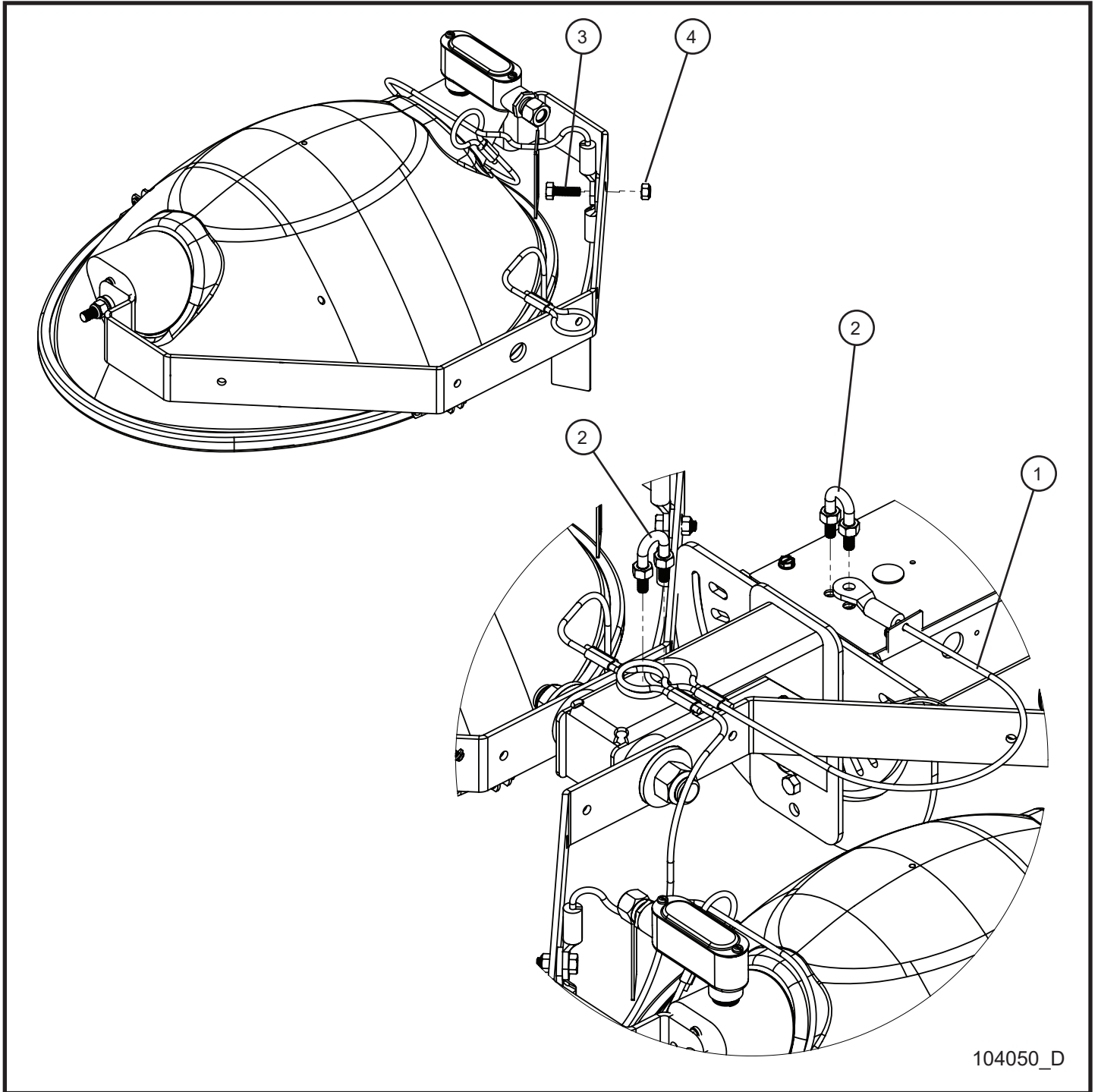
610017M_A

5.32 - SHO Light SAF-T-Visor

Item	Part No.	Part Description	Qty.
1	045070	#10-24 HOOK SQ BEND BOLT	8
2	610017	SAF-T VISOR SHO LAMP (*SEE NOTE)	4
3	044016	#10-24 KEPS HEX NUT PL	8

*NOTE: SAF-T VISOR MUST BE INSTALLED WITH LIP BETWEEN GASKET AND GLASS LENS.

5.33 - 4-SHO Light SFR Safety Lanyards

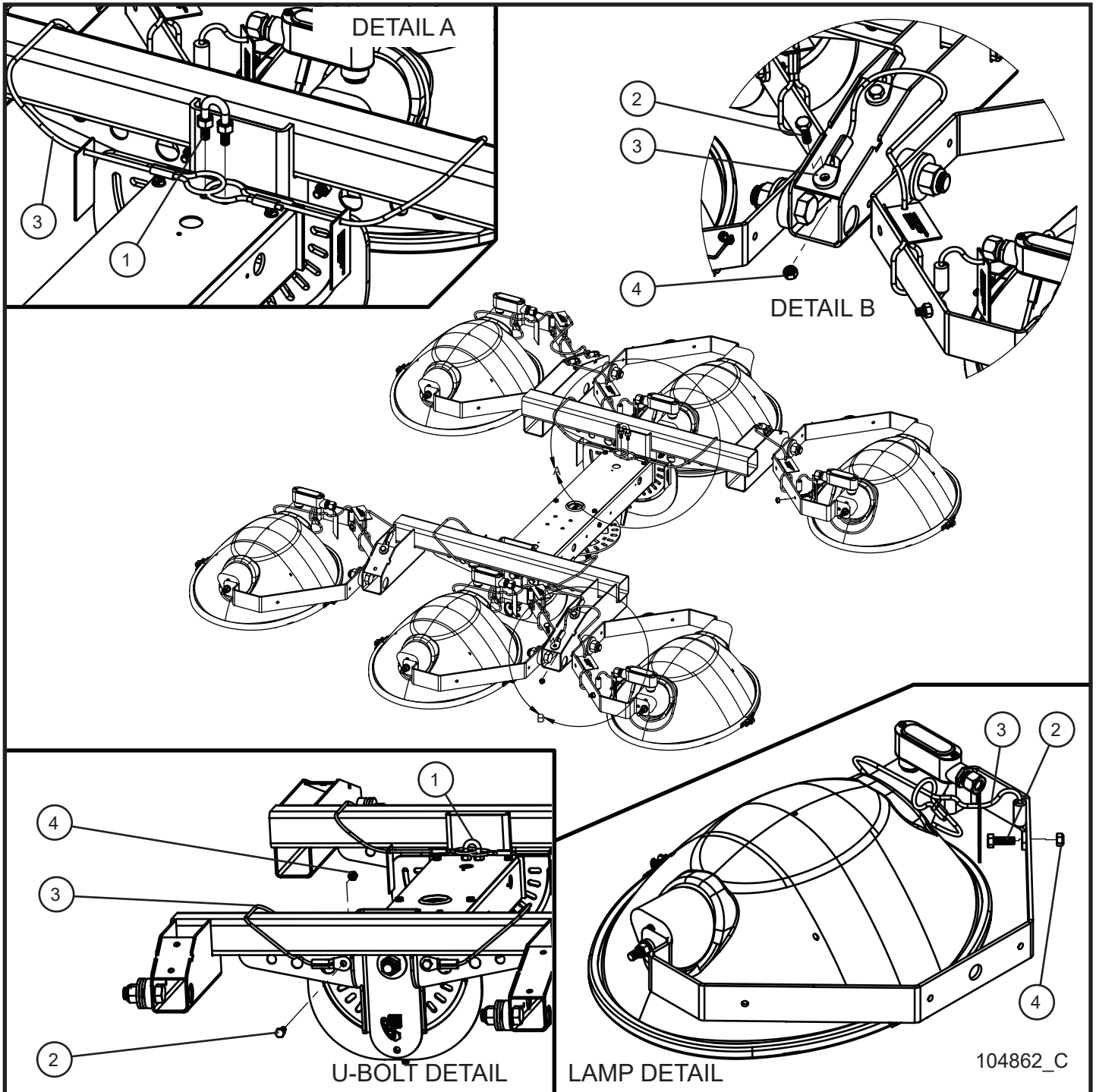


104050_D

5.33 - 4-SHO Light SFR Safety Lanyards

Item	Part No.	Part Description	Qty.
1	103907	LOAD RATED LANYARD	10
2	045085	3/8-16 U BOLT	4
3	046050	5/16-18 x 1 HEX HEAD CS GR5 PL	4
4	044033	5/16-18 NYLOCK HEX NUT PL	4

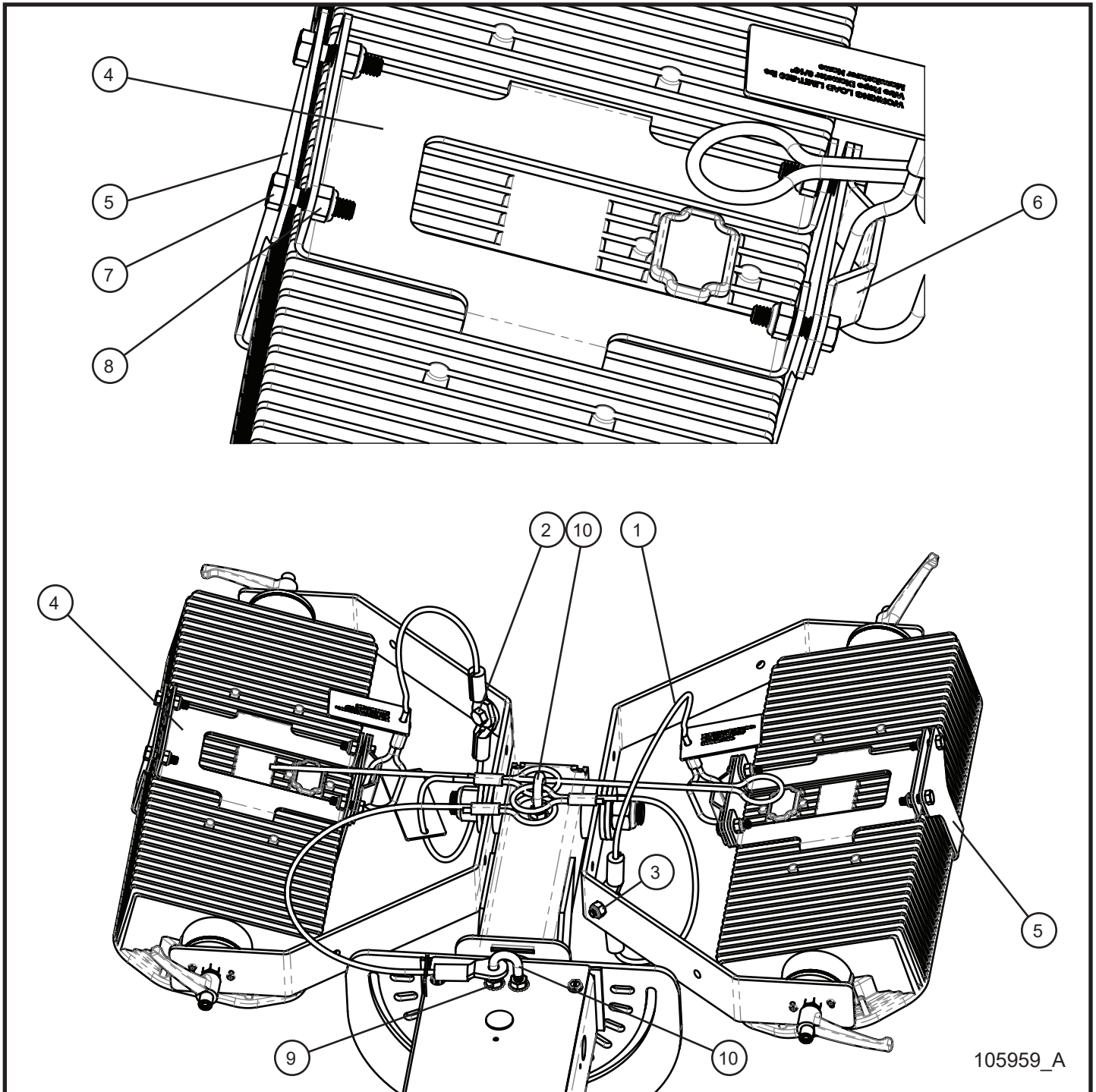
5.34 - 6-SHO Light SFR Safety Lanyards



5.34 - 6-SHO Light SFR Safety Lanyards

Item	Part No.	Part Description	Qty.
1	045085	3/8-16 U BOLT	2
2	046050	5/16-18 x 1 HEX HEAD CS GR5 PL	16
3	103907	LANYARD LOAD RATED	16
4	044033	5/16-18 NYLOCK HEX NUT PL	16

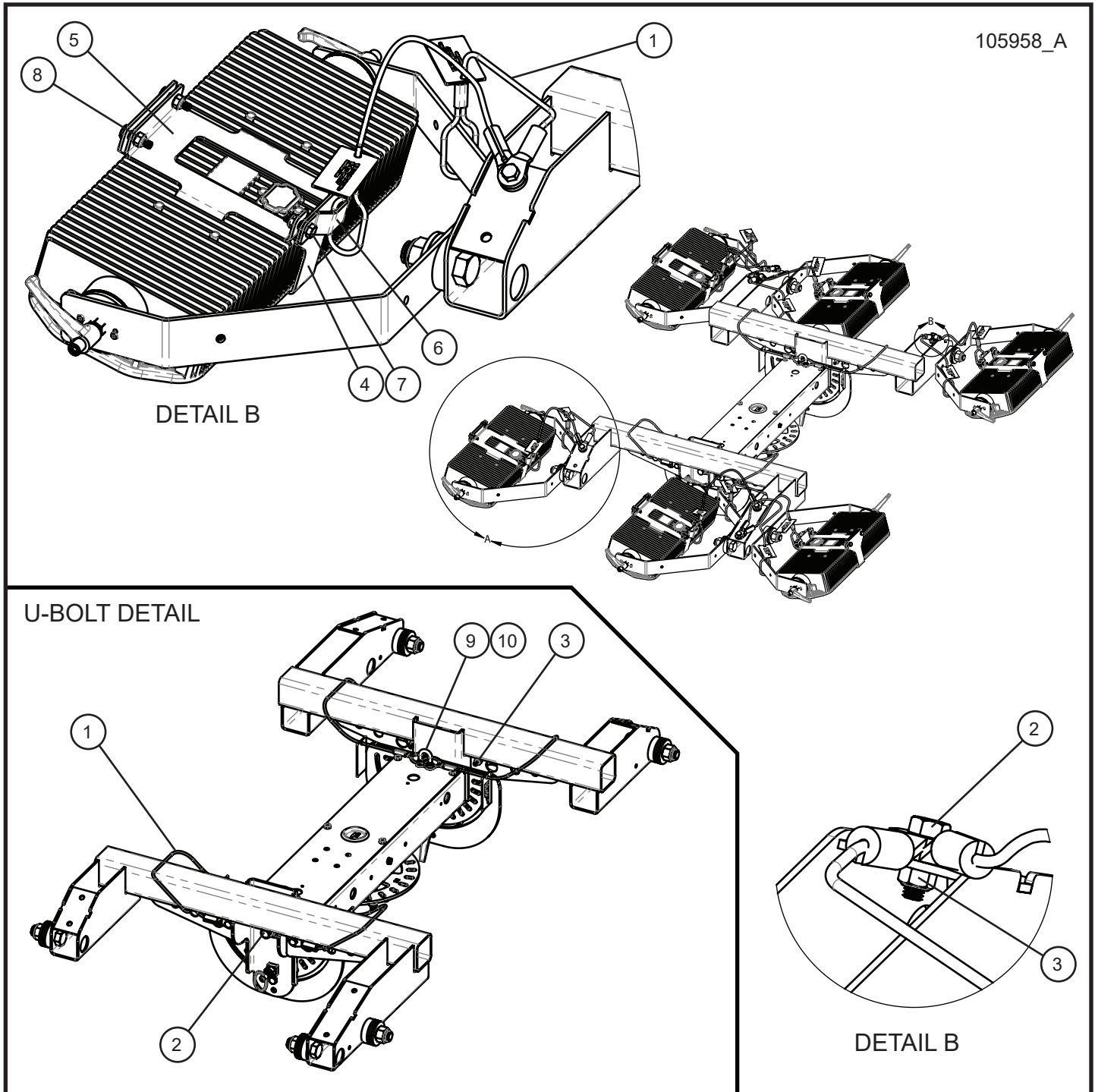
5.35 - 4-Speaker LED Light SFR Safety Lanyards



5.35 - 4-Speaker LED Light SFR Safety Lanyards

Item	Part No.	Part Description	Qty.
1	103907	LOAD RATED LANYARD	10
2	046050	5/16-18 x 1 HEX HEAD CS GR5 PL	4
3	044033	5/16-18 NYLOCK HEX NUT PL	4
4	106712P	SFR TOP BRACKET LED	4
5	106711P	SFR BOTTOM BRACKET LED	4
6	106713P	SFR LANYARD BRACKET LED	4
7	046015	1/4-20 x 1 HEX HEAD CS GR5 PL	16
8	044023	1/4-20 NYLOCK HEX NUT PL	16
9	044036	3/8-16 KEPS HEX NUT PL	16
10	045085	3/8-16 U BOLT	4

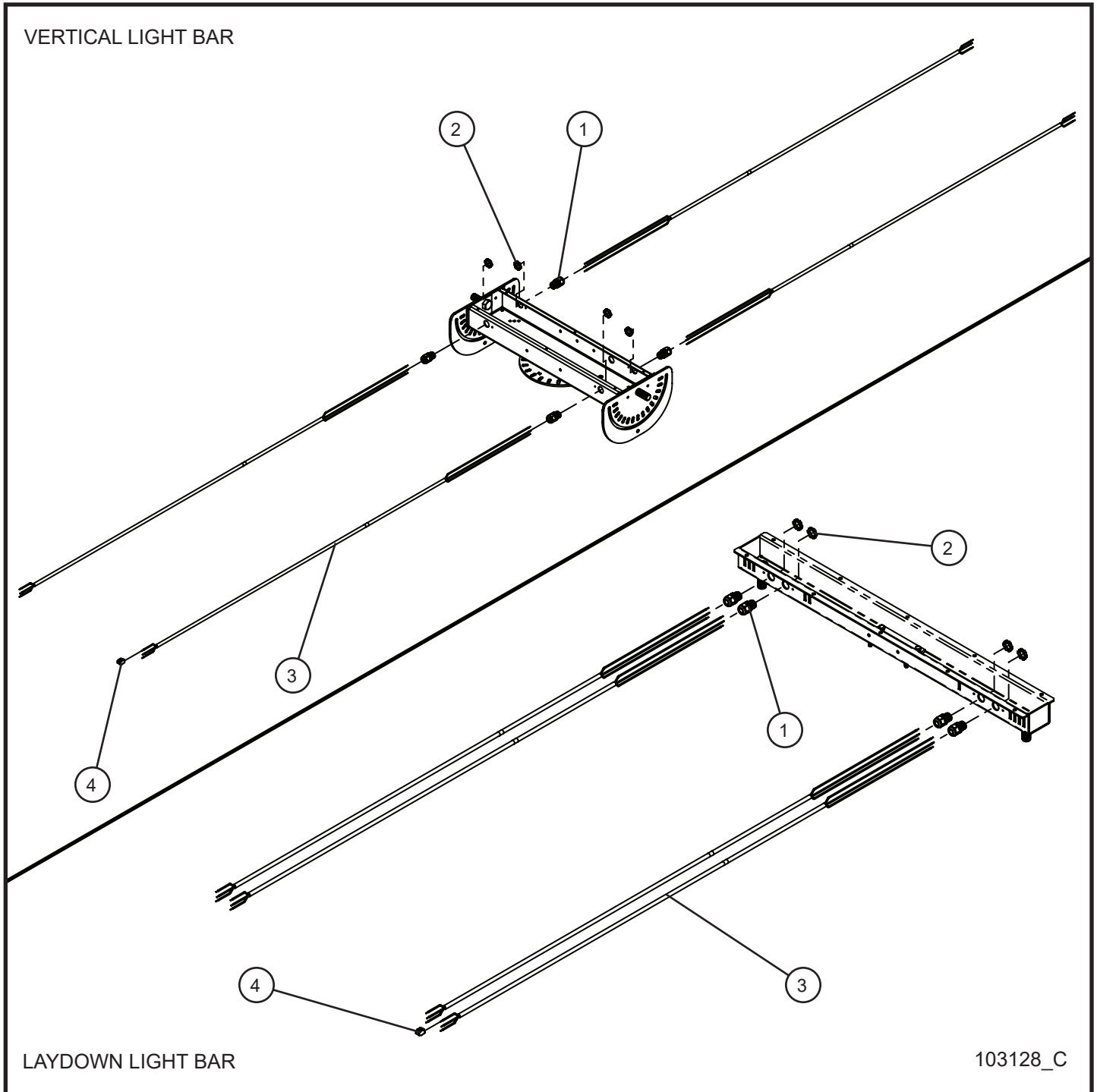
5.36 - 6-Speaker LED Light SFR Safety Lanyards



5.36 - 6-Speaker LED Light SFR Safety Lanyards

Item	Part No.	Part Description	Qty.
1	103907	LOAD RATED LANYARD	16
2	046050	5/16-18 x 1 HEX HEAD CS GR5 PL	10
3	044033	5/16-18 NYLOCK HEX NUT PL	10
4	106712P	SFR TOP BRACKET LED	6
5	106711P	SFR BOTTOM BRACKET LED	6
6	106713P	SFR LANYARD BRACKET LED	6
7	046015	1/4-20 x 1 HEX HEAD CS GR5 PL	24
8	044023	1/4-20 NYLOCK HEX NUT PL	24
9	044036	3/8-16 KEPS HEX NUT PL	24
10	045085	3/8-16 U BOLT	2

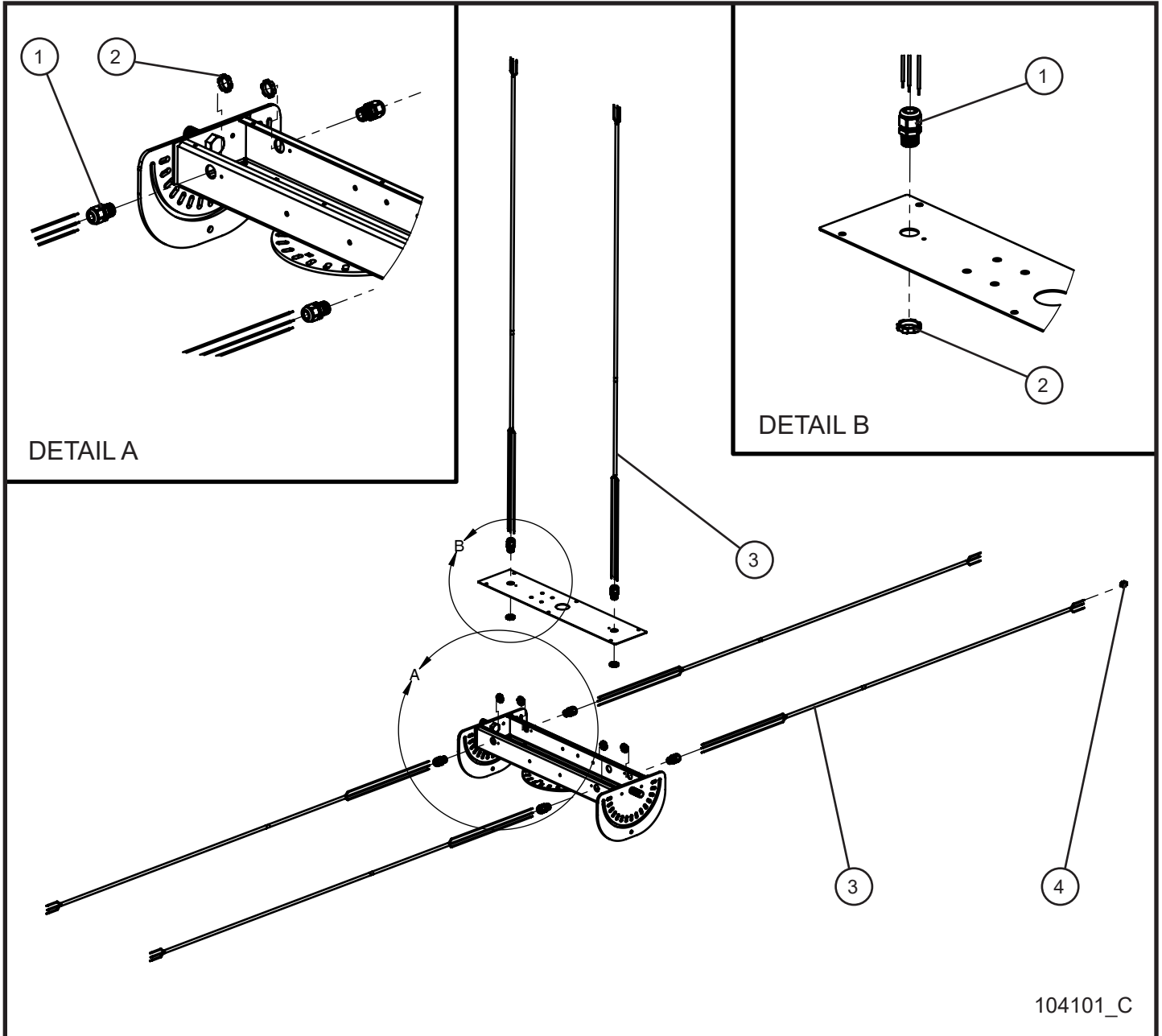
5.37 - 4-SHO Light Solid Wired Lamp Connector



5.37 - 4-SHO Light Solid Wired Lamp Connector

Item	Part No.	Part Description	Qty.
1	105626	CORD GRIP 1/2" NYLON BLACK	4
2	022035	1/2 CORD GRIP NUT	4
3	650159	CORD ASSEMBLY 16/3 SOOW 68 INCHES	4
4	102624	2 WIRE LEVER LOCK	12

5.38 - 6-SHO Light Solid Wired Lamp Connector

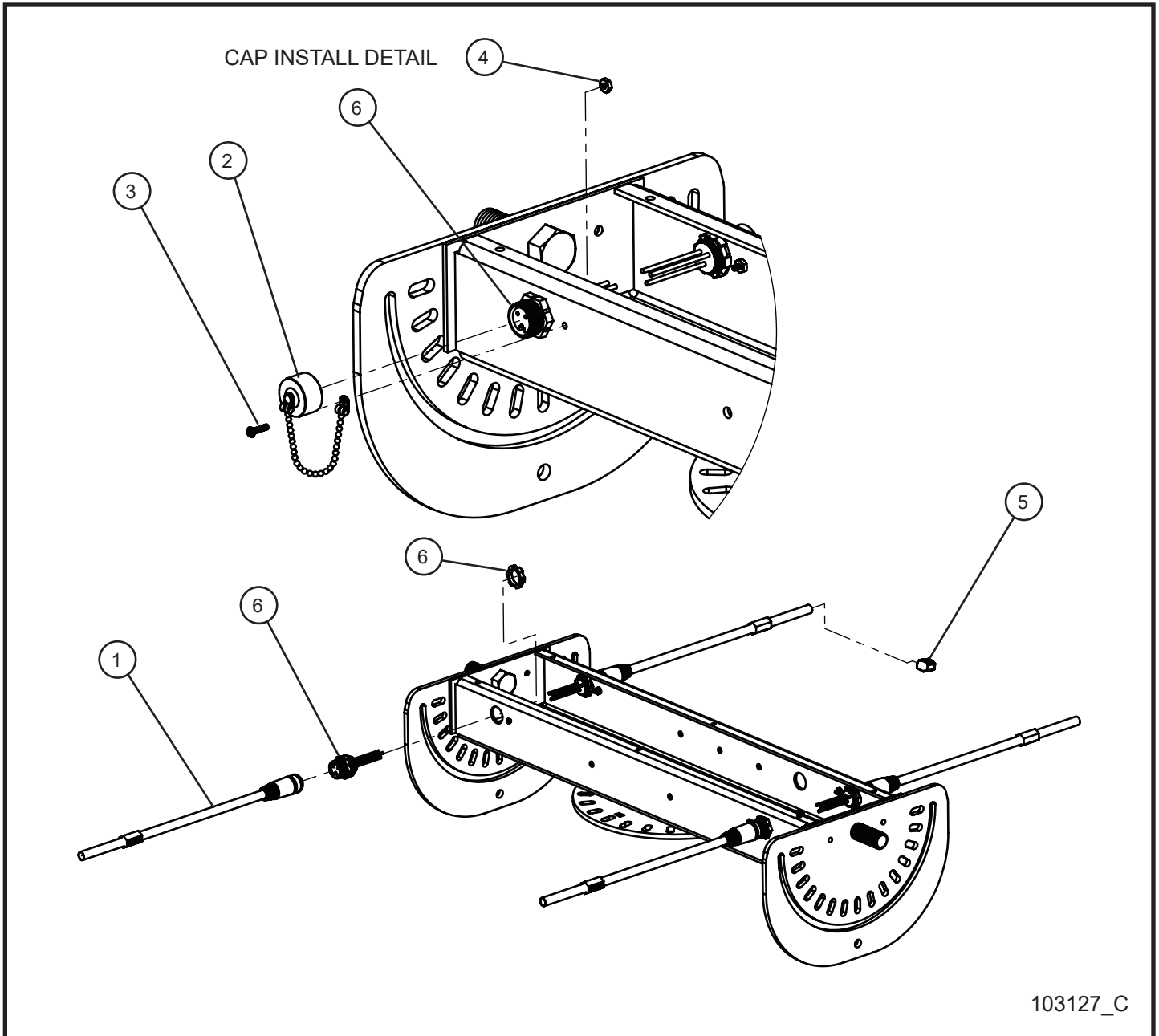


104101_C

5.38 - 6-SHO Light Solid Wired Lamp Connector

Item	Part No.	Part Description	Qty.
1	105626	CORD GRIP 1/2" NYLON BLACK	6
2	022035	1/2 CORD GRIP NUT	6
3	650159	CORD ASSEMBLY 16/3 SOOW 68 IN.	6
4	102624	2 WIRE LEVER LOCK	18

5.39 - 4-SHO Light Quick Disconnect Lamp Connector



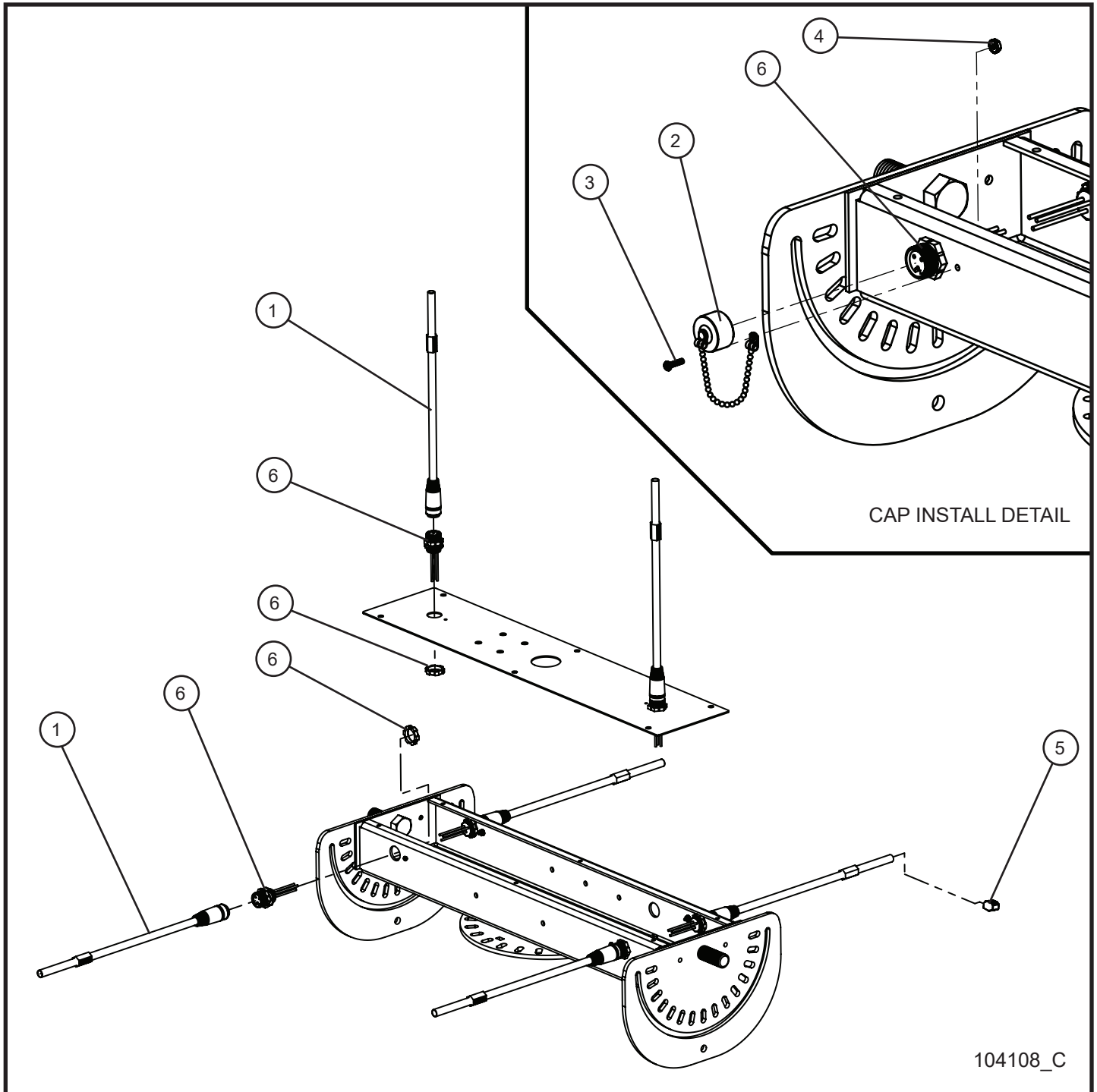
103127_C

5.39 - 4-SHO Light Quick Disconnect Lamp Connector

Item	Part No.	Part Description	Qty.
1	310434	MALE CONNECTOR CABLE HUBBEL #HPMS03112	4
2	310413	CAP QUICK DISCONNECT	4
3	100029	#6-32 x 1/2 PH-ROUND HEAD MS PL	4
4	044004	#6-32 KEPS HEX NUT PL	4
5	102624	2 WIRE LEVER LOCK	12
6	310414	QD CONNECTOR FEMALE	4

*NOTE: PARTS CALLED OUT IN SAME NUMBER ARE THE ASSEMBLY OF THAT PART NUMBER.

5.40 - 6-SHO Light Quick Disconnect Lamp Connector

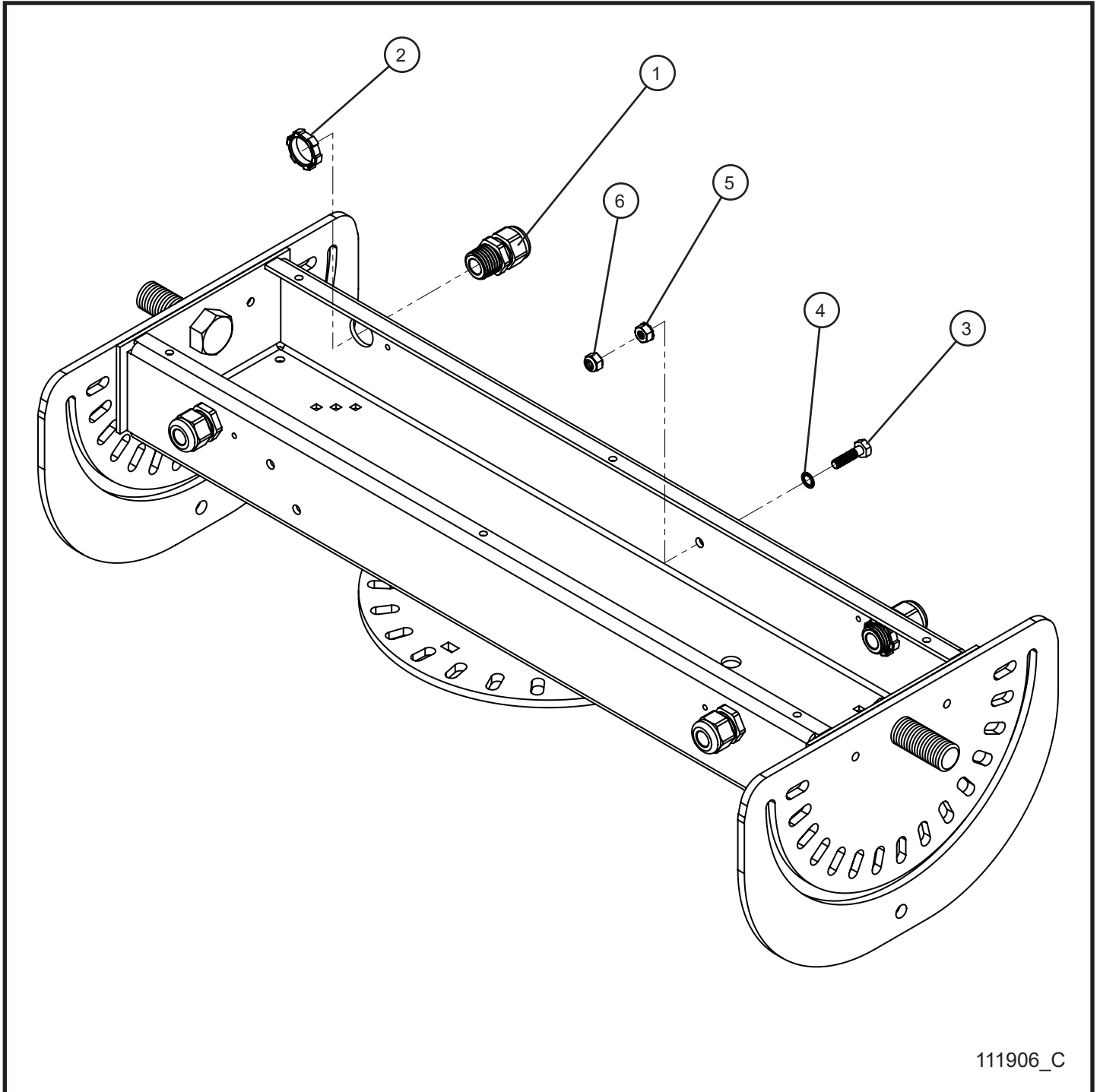


5.40 - 6-SHO Light Quick Disconnect Lamp Connector

Item	Part No.	Part Description	Qty.
1	310434	MALE CONNECTOR CABLE HUBBEL #HPMS03112	6
2	310413	CAP QUICK DISCONNECT	6
3	100029	#6-32 x 1/2 PH-ROUND HEAD MS PL	6
4	044004	#6-32 KEPS HEX NUT PL	6
5	102624	2 WIRE LEVER LOCK	18
6	310414	QD CONNECTOR FEMALE	6

*NOTE: PARTS CALLED OUT IN SAME NUMBER ARE THE ASSEMBLY OF THAT PART NUMBER.

5.41 - 4-LED Light Solid Wired Lamp Connector



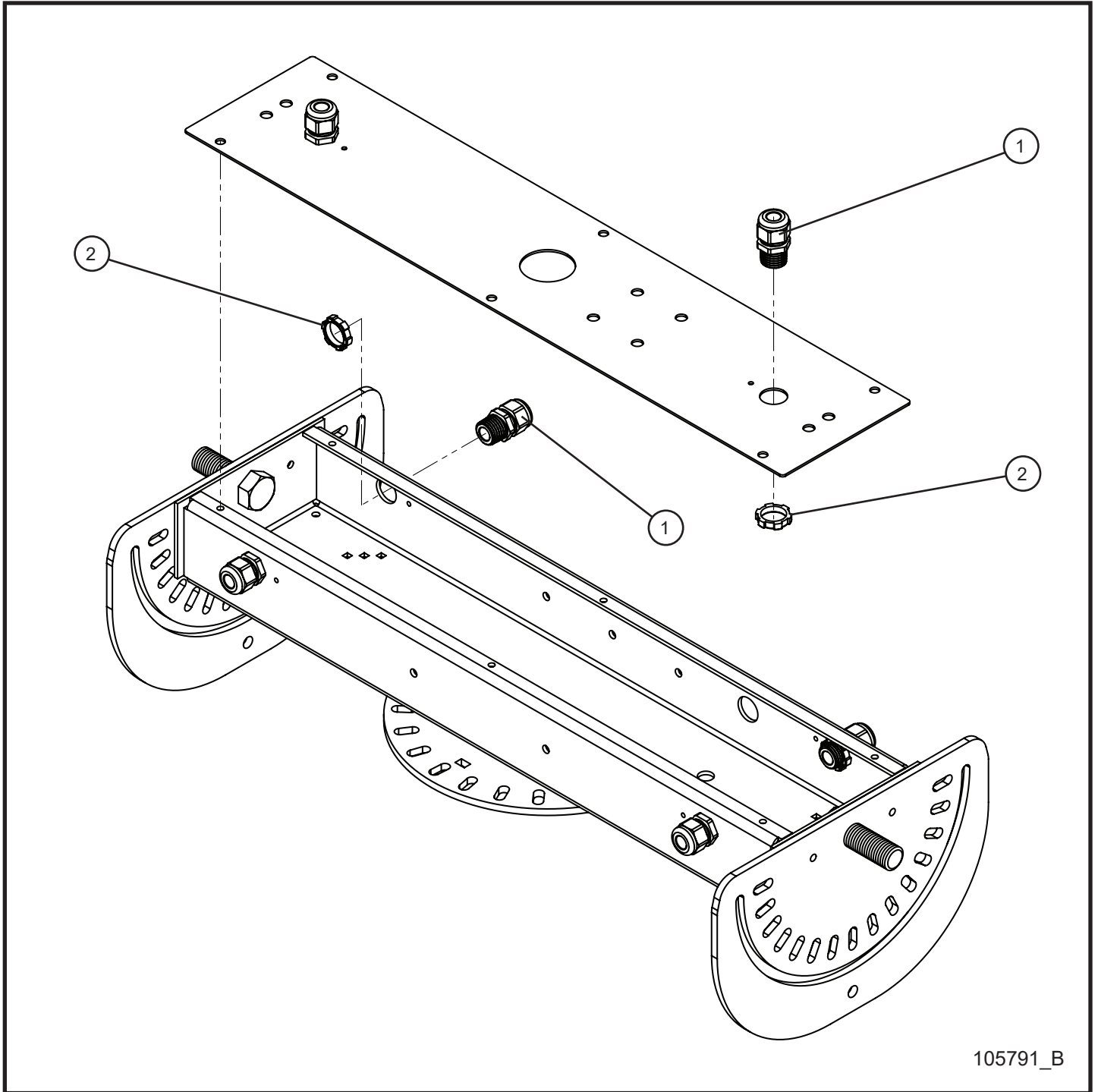
111906_C

5.41 - 4-LED Light Solid Wired Lamp Connector

Item	Part No.	Part Description	Qty.
1	105626	CORD GRIP 1/2" NYLON BLACK	4
2	022035	1/2 CORD GRIP NUT	4
3	046015	1/4-20 x 1 HEX HEAD BOLT	1
4	043050	1/4 INTL TOOTHLOCK WASHER	1
5	044021	1/4-20 KEPS HEX NUT	1
6	044023	1/4-20 NYLOCK HEX NUT	1
NS	110106	SCHEMATIC LED LIGHT BAR 4 LIGHT	1

*NOTE: THE CORD FOR LED LIGHT IS FOUND IN ITS ASSEMBLY.

5.42 - 6-LED Light Solid Wired Lamp Connector



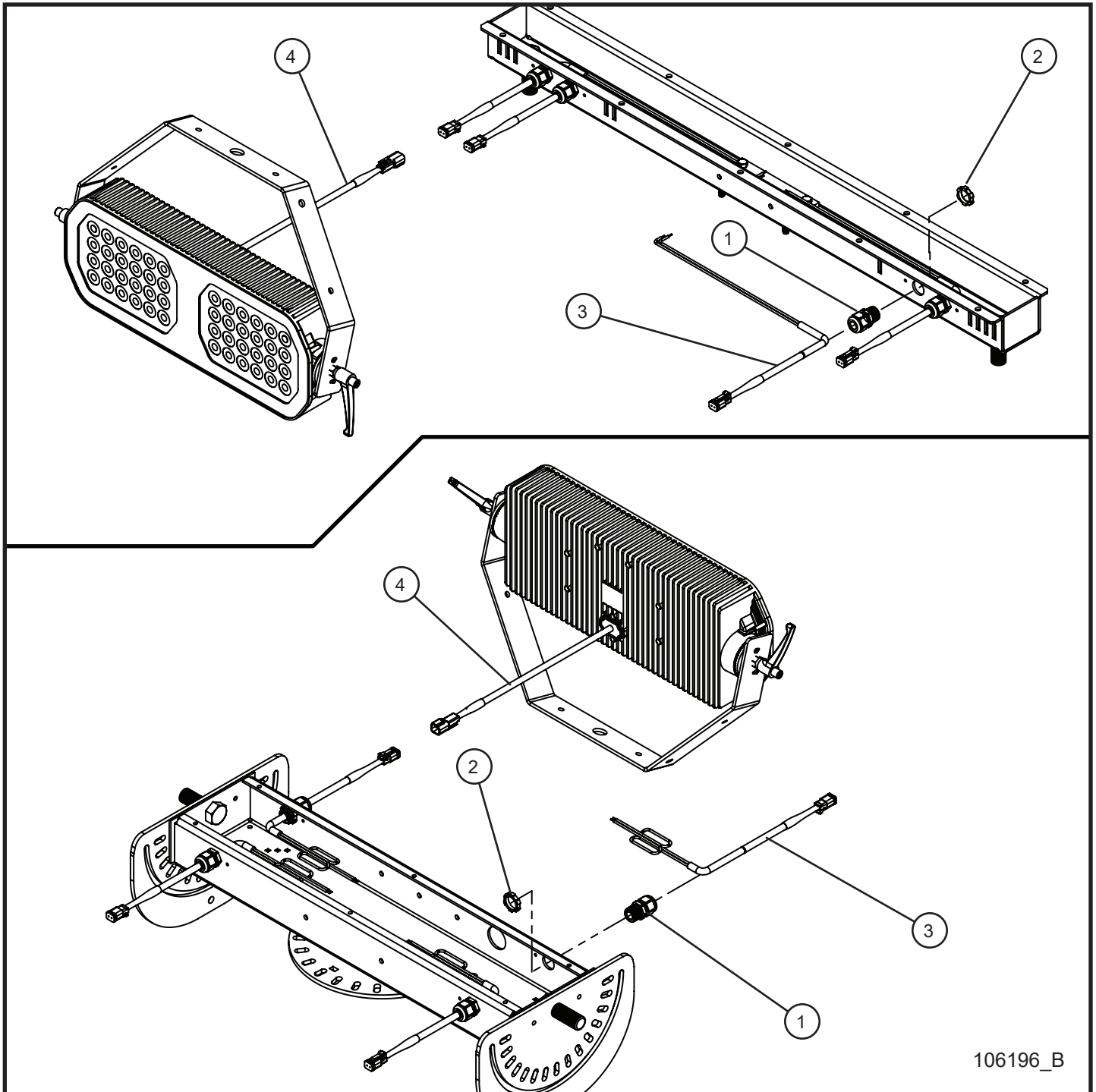
105791_B

5.42 - 6-LED Light Solid Wired Lamp Connector

Item	Part No.	Part Description	Qty.
1	105626	CORD GRIP 1/2" NYLON BLACK	4
2	022035	1/2 CORD GRIP NUT	4
3	105714	SCHEMATIC LED LIGHT BAR	1

*NOTE: THE CORD FOR LED SCENE LIGHT WIDE FLOOD IS FOUND IN ITS ASSEMBLY.

5.43 - 4-LED Light Quick Disconnect Lamp Connector

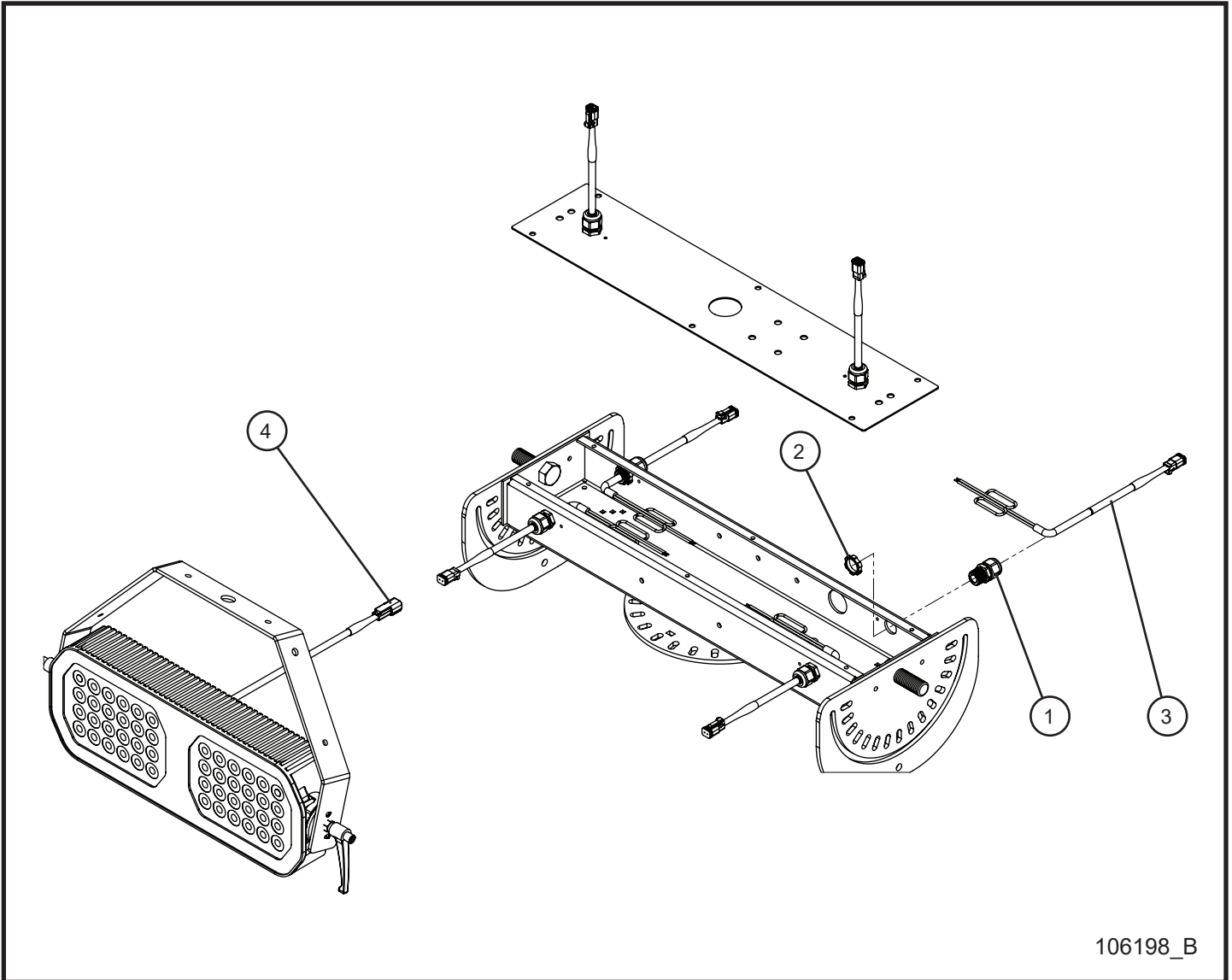


106196_B

5.43 - 4-LED Light Quick Disconnect Lamp Connector

Item	Part No.	Part Description	Qty.
1	105626	CORD GRIP 1/2" NYLON BLACK	4
2	022035	1/2 CORD GRIP NUT	4
3	106197	CORD QUICK DISCONNECT LED	4
4	106201	LED LAMP ASSY QUICK DISCONNECT	4
5	106157	SCHEMATIC LED DISCONNECT	1

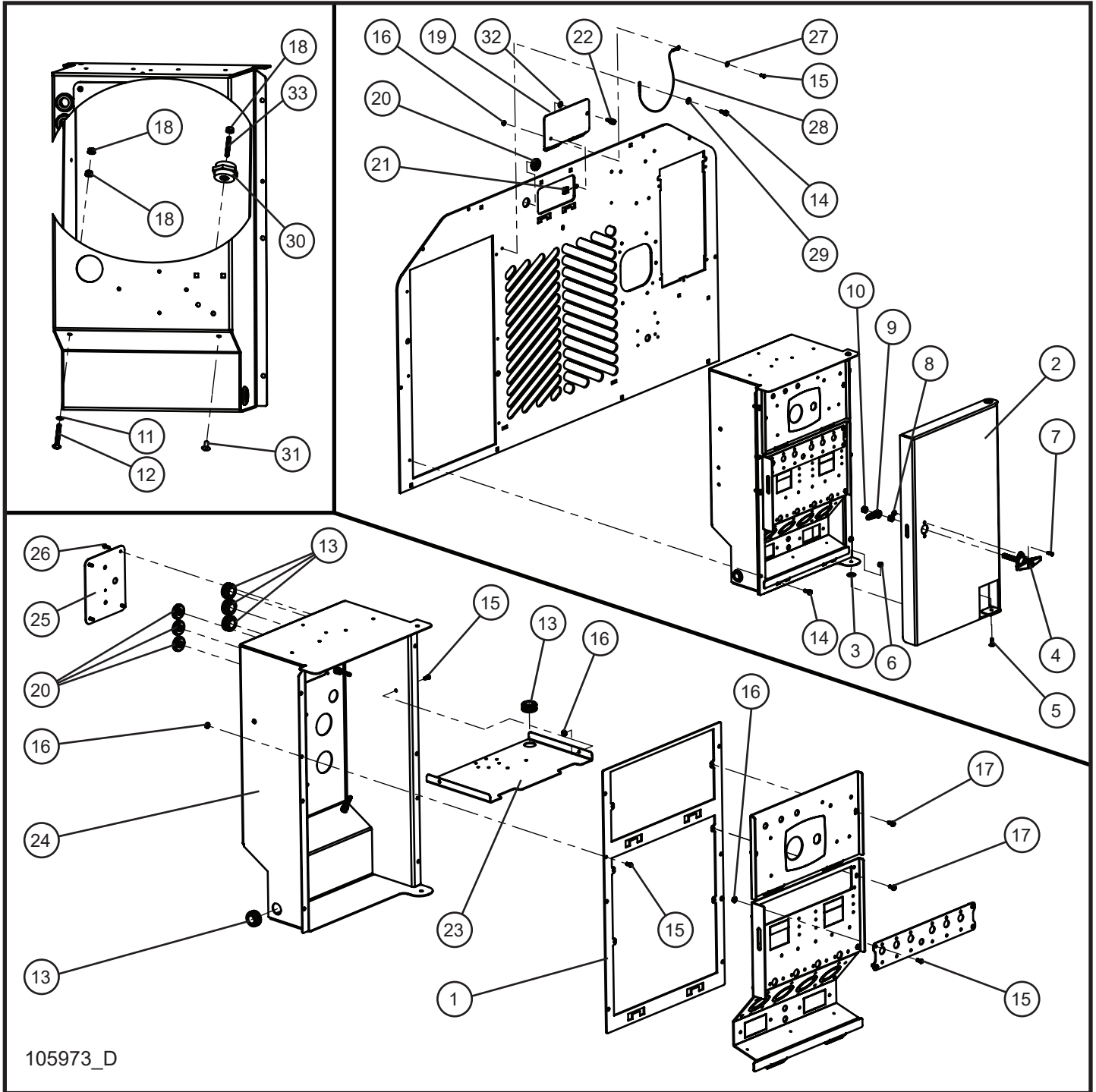
5.44 - 6-LED Light Quick Disconnect Lamp Connector



5.44 - 6-LED Light Quick Disconnect Lamp Connector

Item	Part No.	Part Description	Qty.
1	105626	CORD GRIP 1/2" NYLON BLACK	6
2	022035	1/2 CORD GRIP NUT	6
3	106197	CORD QUICK DISCONNECT LED	6
4	106201	LED LAMP ASSY QUICK DISCONNECT	6
5	106158	SCHEMATIC LED DISCONNECT	1

6.1 - Control Box

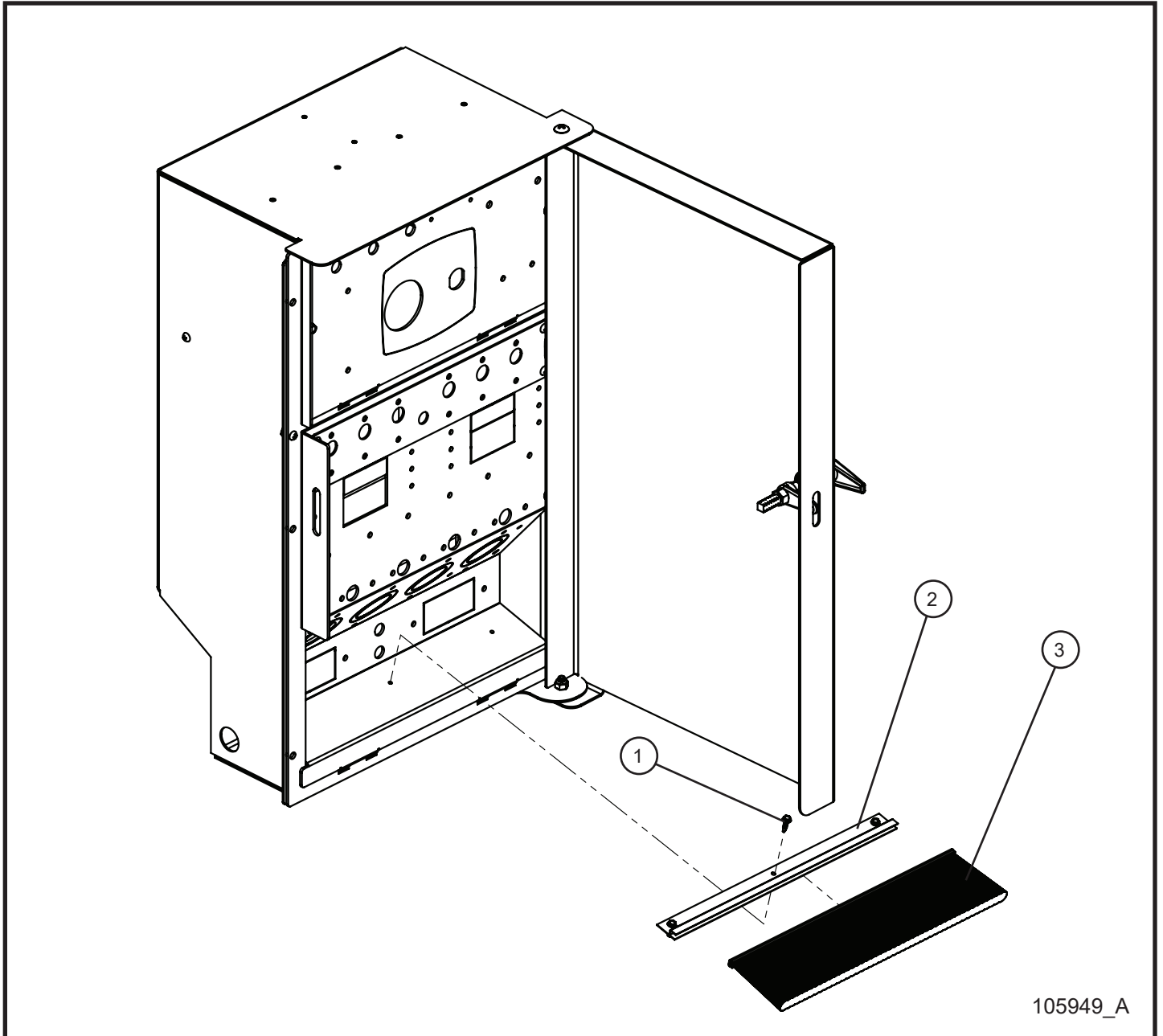


105973_D

6.1 - Control Box

Item	Part No.	Part Description	Qty.
1	104305P	DOOR MOUNT PANEL REAR CONTROL	1
2	104304P	DOOR PANEL REAR CONTROL MAXI II	1
3	711036	3/8 NYLON WASHER 7/8 OD x .344 ID	2
4	650131	HANDLE-T LOCKING	1
5	041050	1/4-20 x 3/4 PH-TRUSS HEAD MS SS	2
6	044023	1/4-20 NYLOCK HEX NUT PL	2
7	041032	#10-24 x 3/4 SL-FLAT HEAD MS PL	2
8	044019	#10-24 NYLOCK HEX NUT SS	2
9	650132	CAM LOCK	1
10	044042	3/8-24 HEX NUT PL	2
11	043050	1/4 INT'L TOOTHLOCK WASHER	2
12	041053	1/4-20 x 1 3/4 PH-TRUSS HEAD MS SS	2
13	330463	11/16 RUBBER GROMMET	5
14	041070	1/4-20 x 3/4 SL-HEX WASHER HEAD MS TP F	7
15	041021	#10-24 x 1/2 PH-ROUND MS PL	9
16	044016	#10-24 KEPS HEX NUT PL	9
17	041031	#10-24 x 1/2 HEX HEAD MS PL	6
18	044021	1/4-20 KEPS HEX NUT PL	5
19	104816P	ACCESS PANEL RADIATOR CAP	1
20	100859	7/8 ID x 1 1/4 OD GROMMET	4
21	045216	1/4-20 TINNEMAN NUT	1
22	115244	KNOB KNURLED FAST THREAD	1
23	105115P	DIVIDER PANEL DEEP COMPONENT BOX	1
24	105774P	COMPONENT BOX DEEP PDM	1
25	105972P	PLATE COVER REAR PDM CONTROL BOX	1
26	041029	#8-32 x 1/2 HEX WASHER HEAD	4
27	047003	#10 FLAT WASHER SAE SS	1
28	712061	STEEL LANYARD	1
29	047005	1/4 FLAT WASHER PL	1
30	106318	LOW VOLTAGE INSULATOR 1-1/4", 1/4-20	1
31	041078	1/4-20 x 1/2 PH-TRUSS HEAD MS SS	1
32	115243	RETAINER PUSH ON	1
33	045003	1/4-20 x 1-1/2 STUD PL	1

6.2 - Control Box Strip Brush

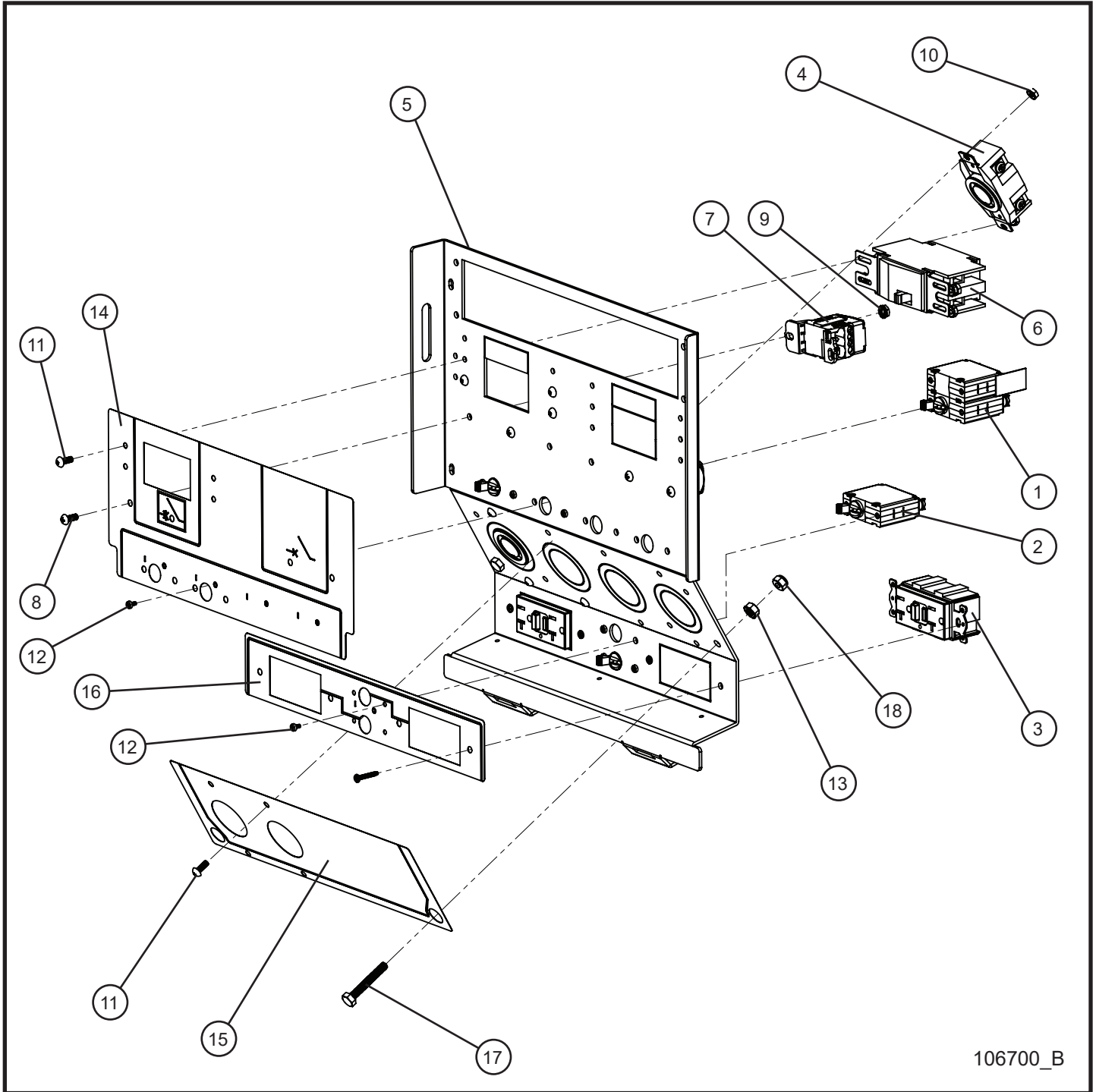


105949_A

6.2 - Control Box Strip Brush

Item	Part No.	Part Description	Qty.
1	041015	#8 x 5/8 HEX WASHER HEAD TEK MS PL	3
2	105947	HOLDER STRIP BRUSH	1
3	105948	STRIP BRUSH NYLON	1

6.3 - Outlet Panel 8kW CSA UL489

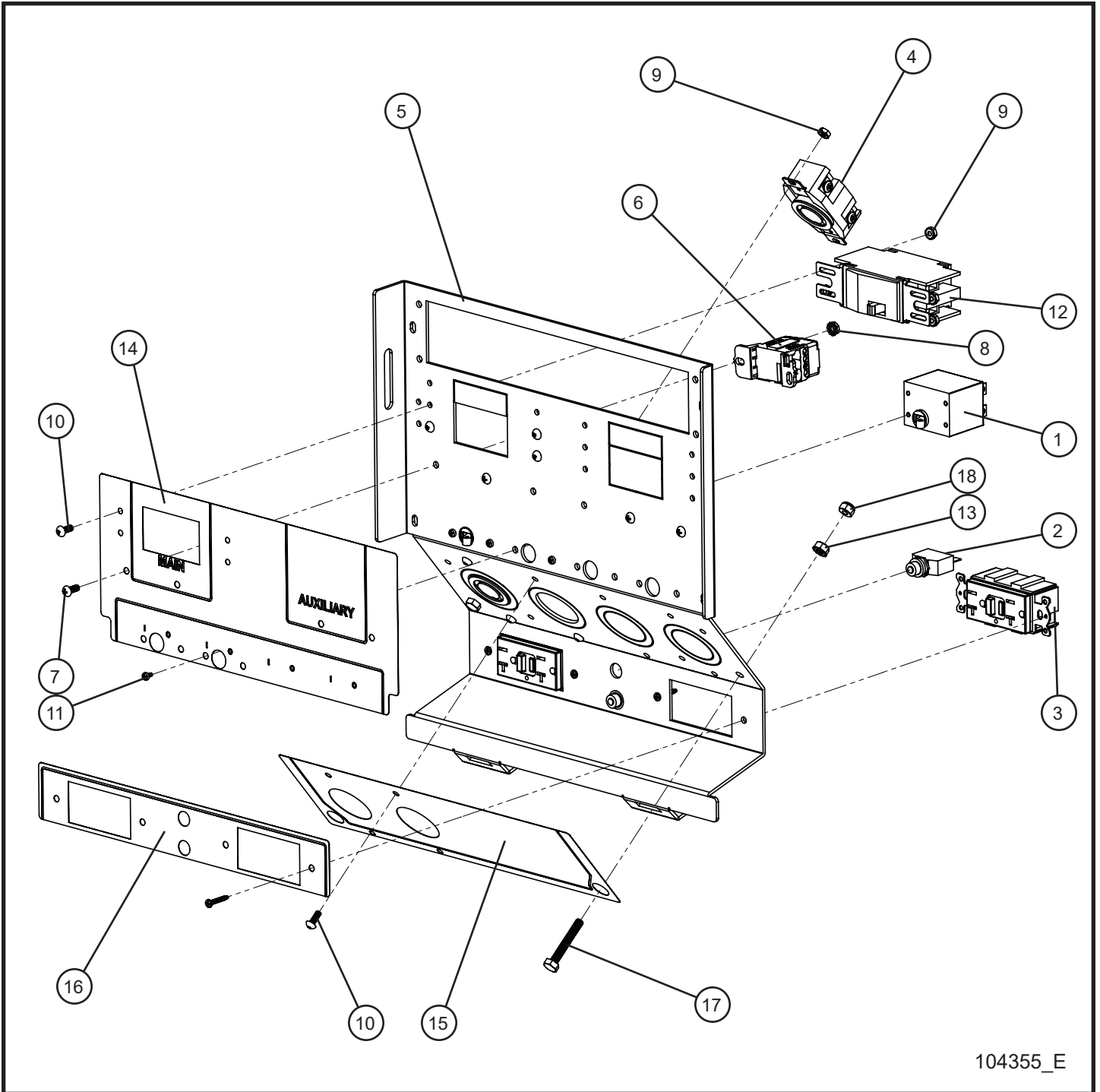


106700_B

6.3 - Outlet Panel 8kW CSA UL489

Item	Part No.	Part Description	Qty.
1	106785	CIRCUIT BREAKER 30AMP	2
2	106787	CIRCUIT BREAKER 20AMP	2
3	330499	20A GFCI RECEPTACLE	2
4	653102	30A 125-250V TWISTLOCK RECEPTACLE	2
5	106680P	OUTLET PANEL STANDARD	1
6	350354	35 AMP DOUBLE POLE BREAKER	1
7	104779	DISTRIBUTION BLOCK ERIFLEX	2
8	041021	#10-24 x 1/2 PH-ROUND HEAD MS PL	4
9	044016	#10-24 KEPS HEX NUT PL	4
10	044003	#8-32 NC KEPS NUT	8
11	041012	SCREW MS #8-32 x 1/2 PL	8
12	041018	#6-32 x 1/4 PH-ROUND HEAD MS PL	4
13	044021	1/4-20 KEPS HEX NUT PL	2
14	107300	DECAL BREAKER DOMESTIC STANDARD	1
15	104548	DECAL MAIN OUTLETS	1
16	107186	DECAL GFCI OUTLETS	1
17	046029	1/4-20 x 1 3/4 HEX HEAD CS GR5 PL	2
18	044023	1/4-20 NYLOCK HEX NUT PL	2
NS	108017	SCHEMATIC 8kW 1P 2-240V 30A 1-120V 20A GFCI	1

6.4 - Outlet Panel 8kW CSA

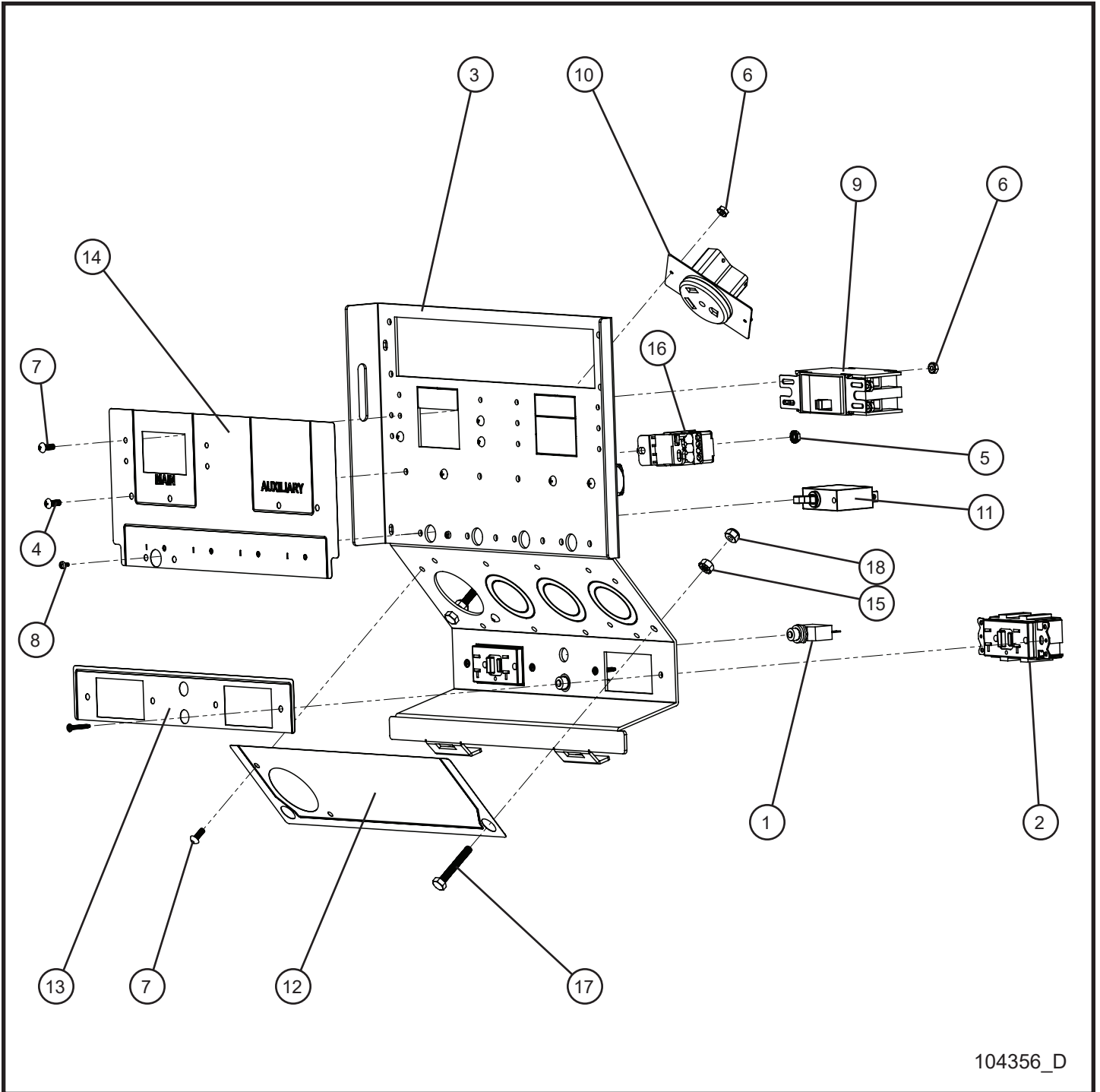


104355_E

6.4 - Outlet Panel 8kW CSA

Item	Part No.	Part Description	Qty.
1	330456	30A DPST CIRUIT BREAKER	2
2	650138	CIRCUIT BREAKER 20A PUSH BUTTON	2
3	330499	20A GFCI RECEPTACLE	2
4	653102	30A 125-250V TWISTLOCK RECEPTACLE	2
5	104306P	OUTLET PANEL STANDARD	1
6	104779	DISTRIBUTION BLOCK ERIFLEX	2
7	041021	#10-24 x 1/2 PH-ROUND HEAD MS PL	4
8	044016	#10-24 KEPS HEX NUT PL	4
9	044003	#8-32 NC KEPS NUT	8
10	041012	SCREW MS #8-32 x 1/2 PL	8
11	041018	#6-32 x 1/4 PH-ROUND HEAD MS PL	4
12	350354	35 AMP DOUBLE POLE BREAKER	1
13	044021	1/4-20 KEPS HEX NUT PL	2
14	104551	DECAL BREAKER DOMESTIC STANDARD	1
15	104548	DECAL MAIN OUTLETS	1
16	104549	DECAL GFCI OUTLETS	1
17	046029	1/4-20 x 1 3/4 HEX HEAD CS GR5 PL	2
18	044023	1/4-20 NYLOCK HEX NUT PL	2
NS	105255	SCHEMATIC 2-20A GFCI 2-30A L14-30R	1

6.5 - Outlet Panel 8kW, 1-RV, 2-GFCI

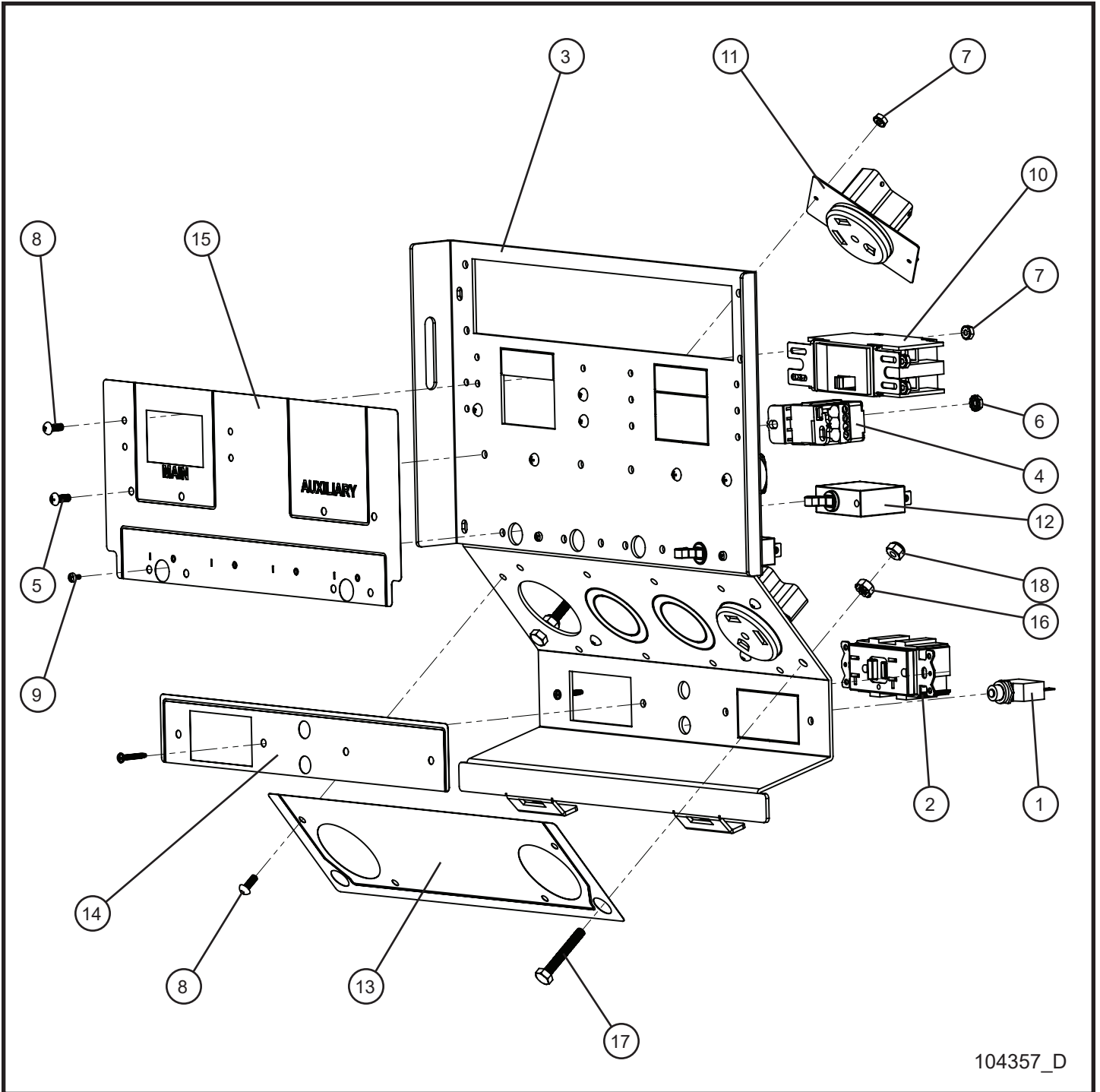


104356_D

6.5 - Outlet Panel 8kW, 1-RV, 2-GFCI

Item	Part No.	Part Description	Qty.
1	650138	CIRCUIT BREAKER 20A PUSH BUTTON	2
2	330499	20A GFCI RECEPTACLE	2
3	104306P	OUTLET PANEL STANDARD	1
4	041021	#10-24 x 1/2 PH-ROUND HEAD MS PL	4
5	044016	#10-24 KEPS HEX NUT PL	4
6	044003	#8-32 NC KEPS NUT	6
7	041012	SCREW MS #8-32 x 1/2 PL	6
8	041018	#6-32 x 1/4 PH-ROUND HEAD MS PL	2
9	350354	35 AMP DOUBLE POLE BREAKER	1
10	680815	125V 30A OUTLET	1
11	330472	30A SPST CIRCUIT BREAKER	1
12	104548	DECAL MAIN OUTLETS	1
13	104549	DECAL GFCI OUTLETS	1
14	104551	DECAL BREAKER DOMESTIC STANDARD	1
15	044021	1/4-20 KEPS HEX NUT PL	2
16	104779	DISTRIBUTION BLOCK ERIFLEX	2
17	046029	1/4-20 x 1 3/4 HEX HEAD CS GR5 PL	2
18	044023	1/4-20 NYLOCK HEX NUT PL	2
NS	105254	SCHEMATIC 2-20A GFCI 1-30A TT-30R	1

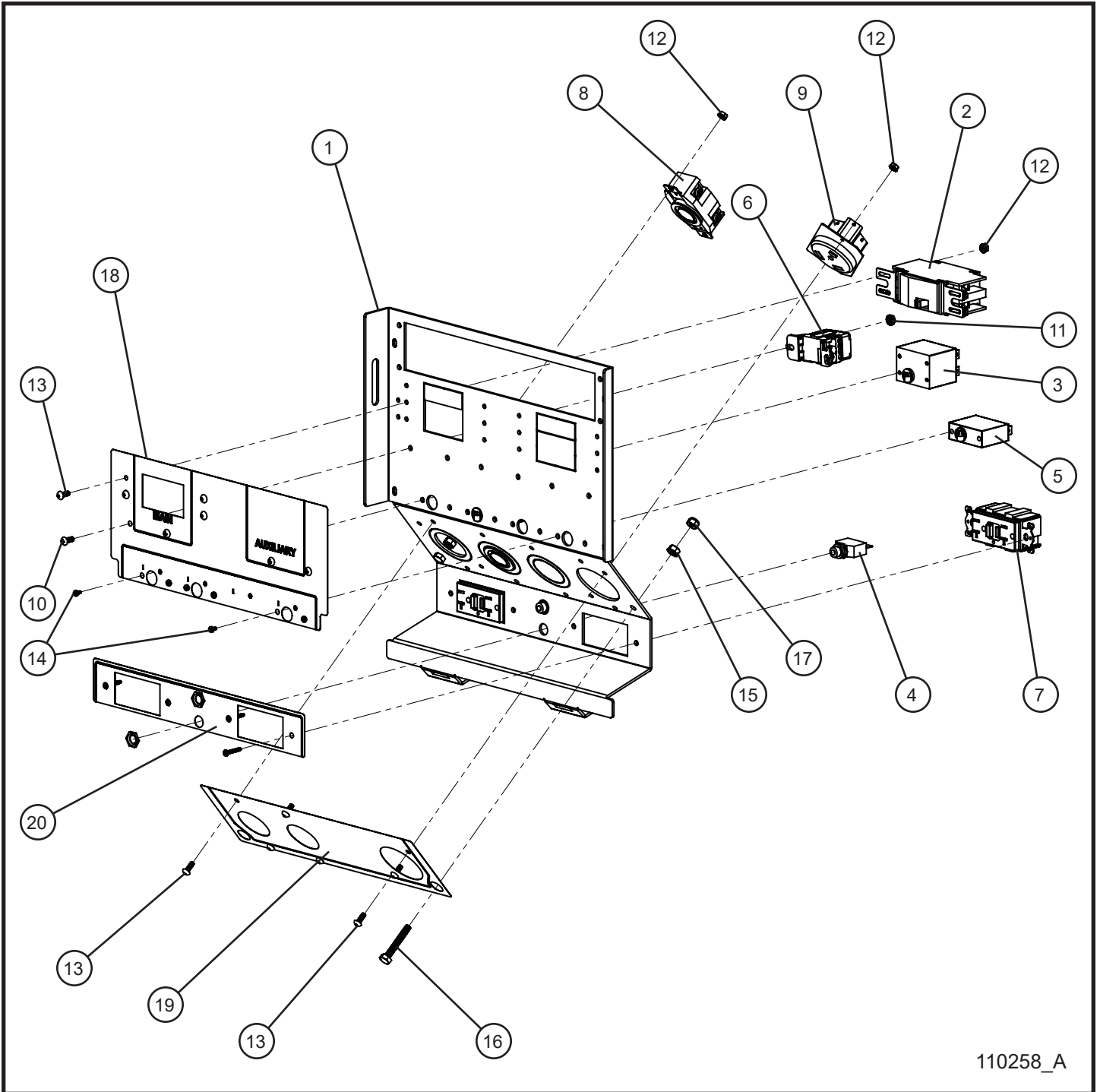
6.6 - Outlet Panel 8kW, 2-RV, 1-GFCI



6.6 - Outlet Panel 8kW, 2-RV, 1-GFCI

Item	Part No.	Part Description	Qty.
1	650138	CIRCUIT BREAKER 20A PUSH BUTTON	1
2	330499	20A GFCI RECEPTACLE	1
3	104306P	OUTLET PANEL STANDARD	1
4	104779	DISTRIBUTION BLOCK ERIFLEX	2
5	041021	#10-24 x 1/2 PH-ROUND HEAD MS PL	4
6	044016	#10-24 KEPS HEX NUT PL	4
7	044003	#8-32 NC KEPS NUT	8
8	041012	SCREW MS #8-32 x 1/2 PL	8
9	041018	#6-32 x 1/4 PH-ROUND HEAD MS PL	4
10	350354	35 AMP DOUBLE POLE BREAKER	1
11	680815	125V 30A OUTLET	2
12	330472	30A SPST CIRCUIT BREAKER	2
13	104548	DECAL MAIN OUTLETS	1
14	104549	DECAL GFCI OUTLETS	1
15	104551	DECAL BREAKER DOMESTIC STANDARD	1
16	044021	1/4-20 KEPS HEX NUT PL	2
17	046029	1/4-20 x 1 3/4 HEX HEAD CS GR5 PL	2
18	044023	1/4-20 NYLOCK HEX NUT PL	2
NS	105253	SCHEMATIC 1-20A GFCI 2-30A TT-30R	1

6.7 - Outlet Panel 8kW, 1-RV, 2-Twistlock, 2-GFCI

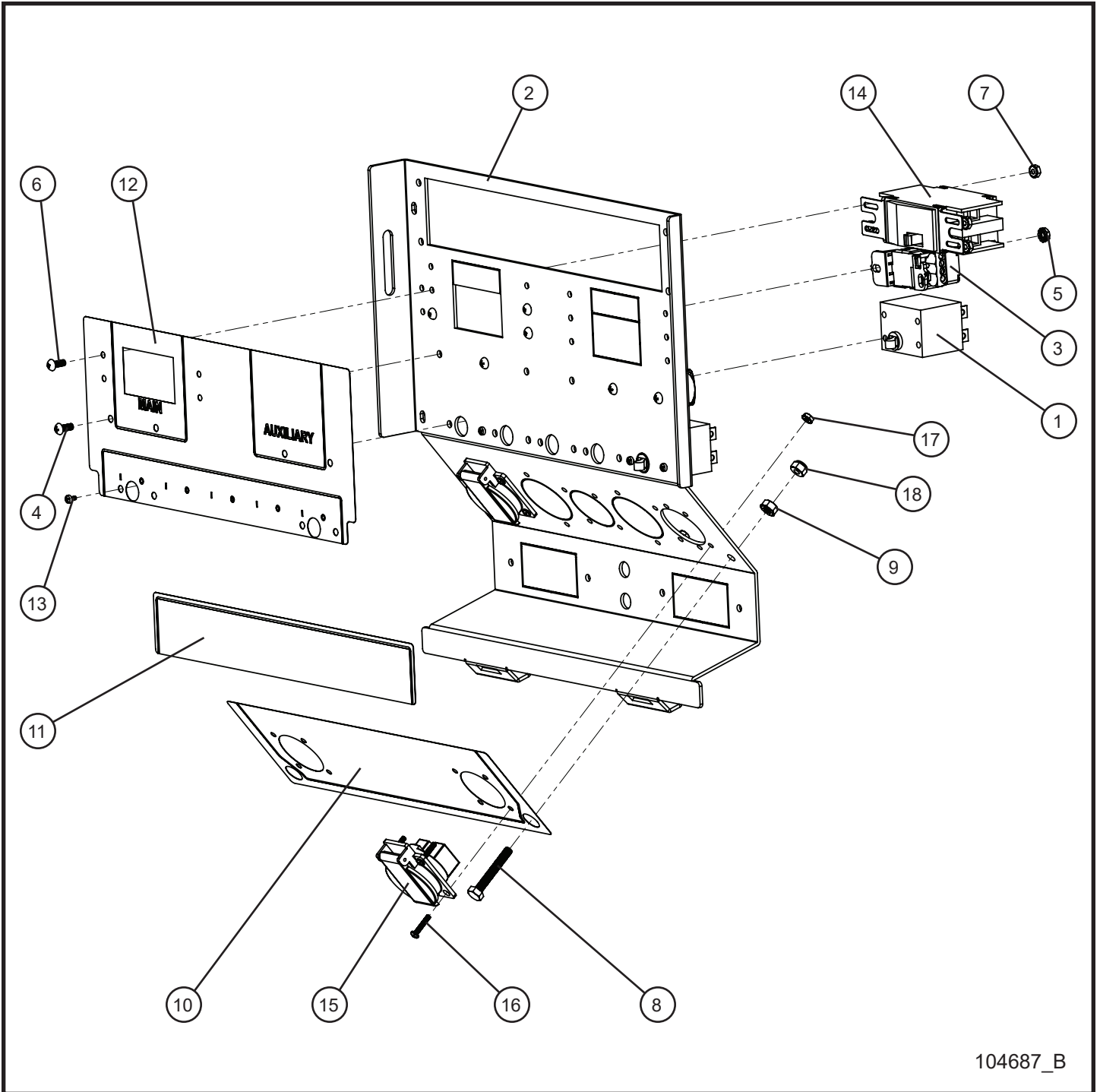


110258_A

6.7 - Outlet Panel 8kW, 1-RV, 2-Twistlock, 2-GFCI

Item	Part No.	Part Description	Qty.
1	104306P	OUTLET PANEL STANDARD	1
2	350354	35 AMP DOUBLE POLE BREAKER	1
3	330456	30A DPST CIRUIT BREAKER	2
4	650138	CIRCUIT BREAKER 20A PUSH BUTTON	2
5	330472	30A SPST CIRCUIT BREAKER	1
6	104779	DISTRIBUTION BLOCK ERIFLEX	2
7	330499	20A GFCI RECEPTACLE	2
8	653102	30A 125-250V TWISTLOCK RECEPTACLE	2
9	680815	125V 30A OUTLET	1
10	041021	#10-24 x 1/2 PH-ROUND HEAD MS PL	4
11	044016	#10-24 KEPS HEX NUT PL	4
12	044003	#8-32 NC KEPS NUT	10
13	041012	SCREW MS #8-32 x 1/2 PL	10
14	041018	#6-32 x 1/4 PH-ROUND HEAD MS PL	6
15	044021	1/4-20 KEPS HEX NUT PL	2
16	046029	1/4-20 x 1 3/4 HEX HEAD CS GR5 PL	2
17	044023	1/4-20 NYLOCK HEX NUT PL	2
18	104551	DECAL BREAKER DOMESTIC STANDARD	1
19	104548	DECAL MAIN OUTLETS	1
20	104549	DECAL GFCI OUTLETS	1
NS	112057	SCHEMATIC 1-RV, 2-GFCI 2-4 PRONG	1

6.8 - Outlet Panel 8kW 50Hz Schuko

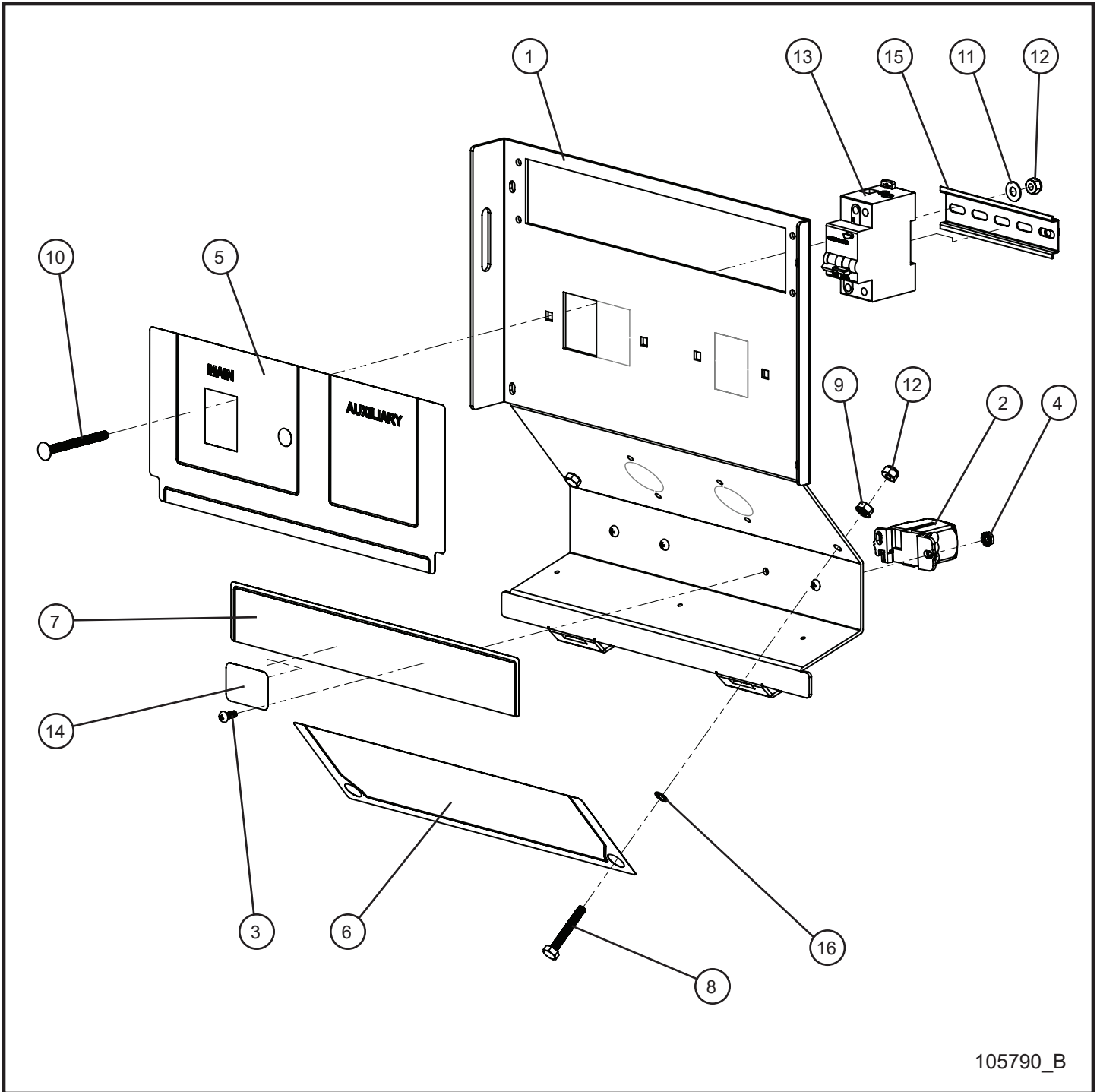


104687_B

6.8 - Outlet Panel 8kW 50Hz Schuko

Item	Part No.	Part Description	Qty.
1	330459	15A DPST CARLING SWITCH	2
2	104685P	OUTLET PANEL MULTI OPTION	1
3	104779	DISTRIBUTION BLOCK ERIFLEX	2
4	041021	#10-24 x 1/2 PH-ROUND HEAD MS PL	4
5	044016	#10-24 KEPS HEX NUT PL	4
6	041012	SCREW MS #8-32 x 1/2 PL	4
7	044003	#8-32 NC KEPS NUT	4
8	046029	1/4-20 x 1 3/4 HEX HEAD CS GR5 PL	2
9	044021	1/4-20 KEPS HEX NUT PL	2
10	104548	DECAL MAIN OUTLETS	1
11	104549	DECAL GFCI OUTLETS	1
12	104552	DECAL BREAKER FOREIGN OPTIONS	1
13	041018	#6-32 x 1/4 PH-ROUND HEAD MS PL	4
14	650534	25 AMP 120/240V DPST MAIN BREAKER	1
15	650485	RECEPTACLE SCHUKO (EURO)	2
16	101291	#6-32 x 3/4 PH-PAN HEAD MS ZC	8
17	044004	#6-32 KEPS HEX NUT PL	8
18	044023	1/4-20 NYLOCK HEX NUT PL	2
NS	105256	SCHEMATIC 2-16A SCHUKO 50Hz	1

6.9 - Outlet Panel 8kW 60Hz NZL/AS3000

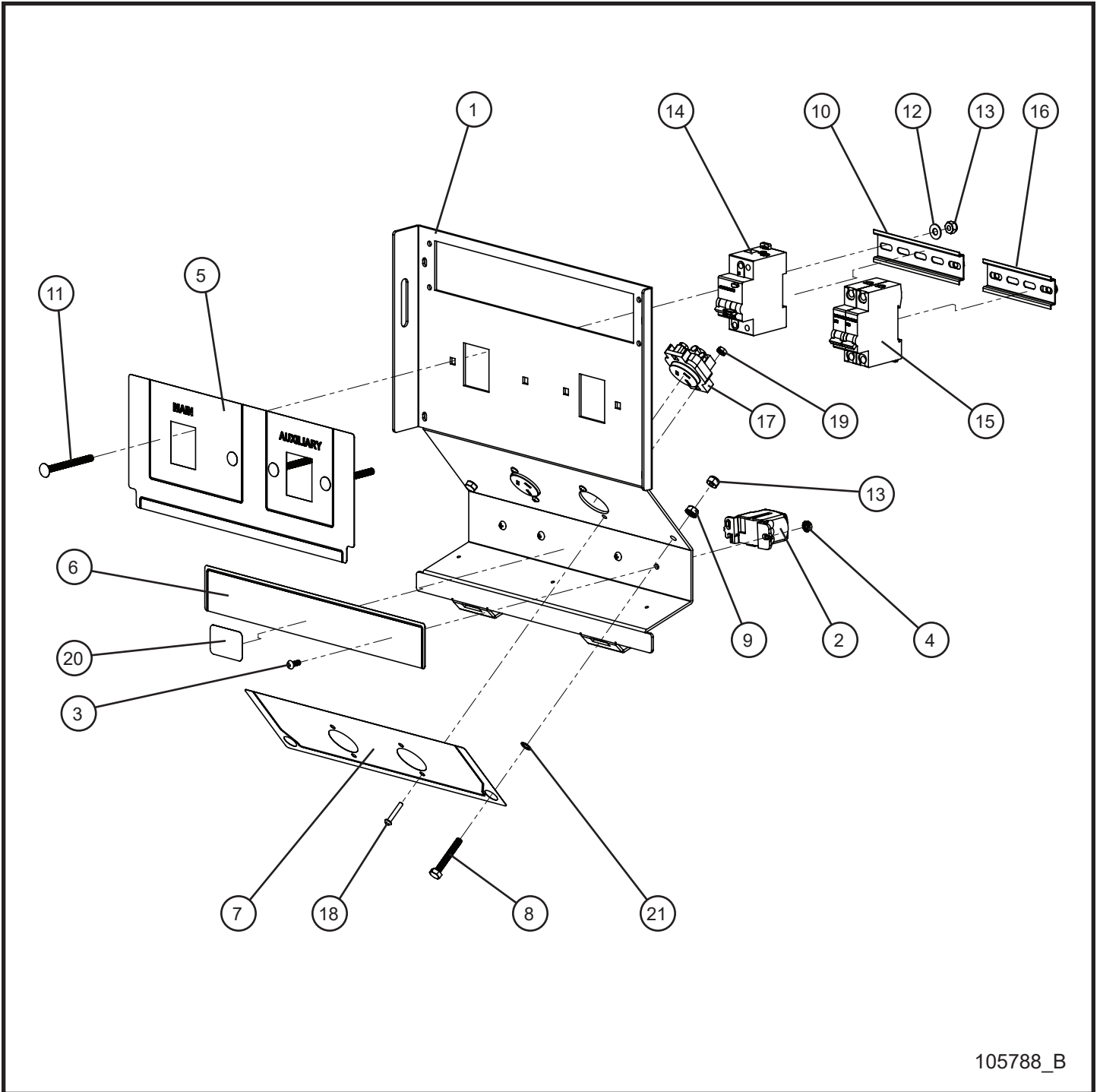


105790_B

6.9 - Outlet Panel 8kW 60Hz NZL/AS3000

Item	Part No.	Part Description	Qty.
1	105787P	OUTLET PANEL NZL/AS3000	1
2	104779	DISTRIBUTION BLOCK ERIFLEX	2
3	041021	#10-24 x 1/2 PH-ROUND HEAD MS PL	4
4	044016	#10-24 KEPS HEX NUT PL	4
5	105789	DECAL BREAKER NZL/AS3000	1
6	104548	DECAL MAIN OUTLETS	1
7	104549	DECAL GFCI OUTLETS	1
8	046029	1/4-20 x 1 3/4 HEX HEAD CS GR5 PL	2
9	044021	1/4-20 KEPS HEX NUT PL	2
10	100718	1/4-20 x 2 1/4 CARRIAGE BOLT	2
11	047009	1/4 FLAT WASHER SAE SS	2
12	044023	1/4-20 NYLOCK HEX NUT PL	4
13	C104040	CIRCUIT BREAKER 32 AMP	1
14	103522	60Hz ELECTRIC SYSTEM NOTICE	1
15	105775	DIN RAIL 5"	1
16	043051	1/4 INT'L TOOTH LOCK WASHER SS	2

6.10 - Outlet Panel 8kW 50Hz NZL/AS3000

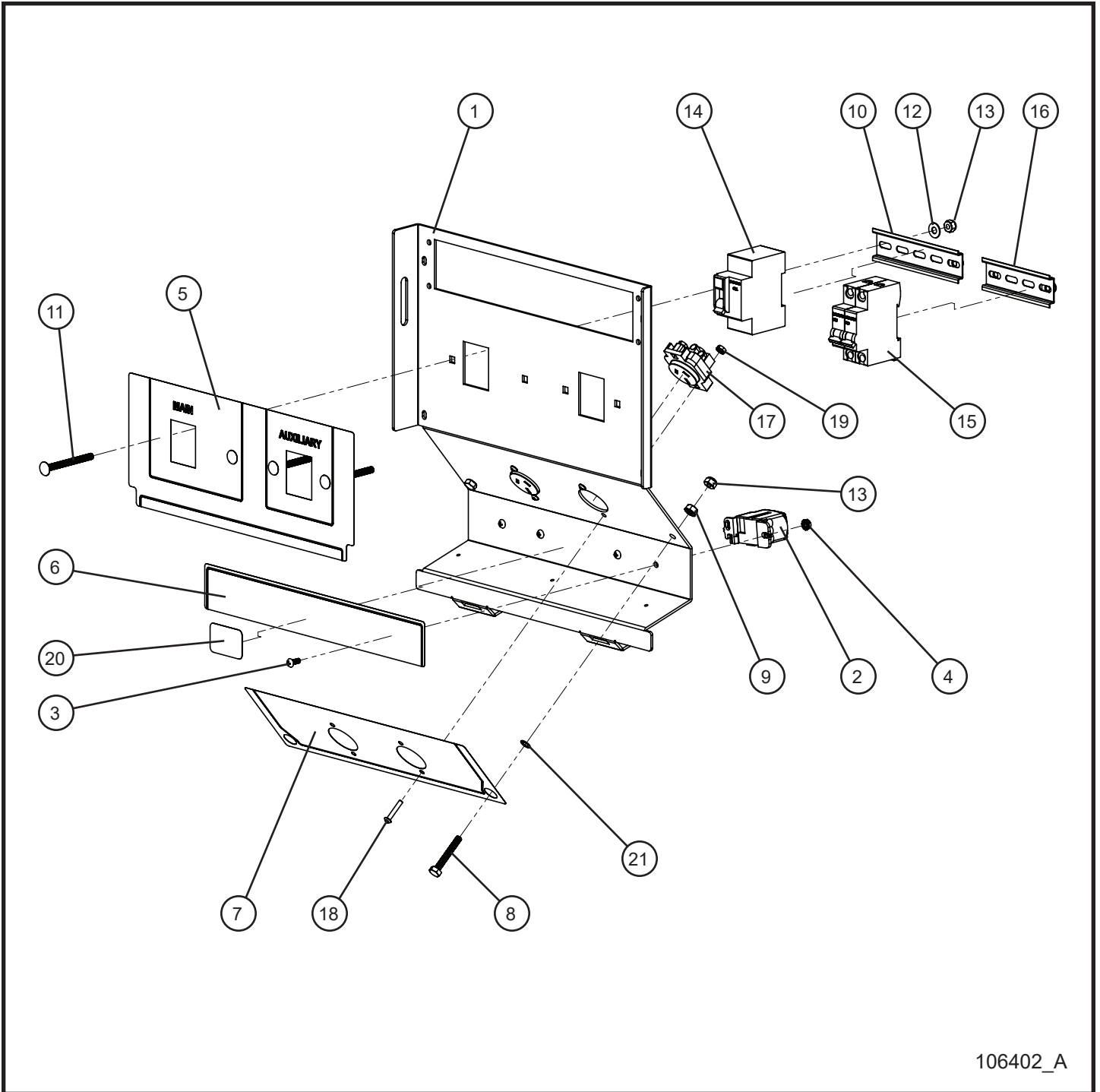


105788_B

6.10 - Outlet Panel 8kW 50Hz NZL/AS3000

Item	Part No.	Part Description	Qty.
1	105787P	OUTLET PANEL NZL/AS3000	1
2	104779	DISTRIBUTION BLOCK ERIFLEX	2
3	041021	#10-24 x 1/2 PH-ROUND HEAD MS PL	4
4	044016	#10-24 KEPS HEX NUT PL	4
5	105789	DECAL BREAKER NZL/AS3000	1
6	104549	DECAL GFCI OUTLETS	1
7	104548	DECAL MAIN BREAKER	1
8	046029	1/4-20 x 1 3/4 HEX HEAD CS GR5 PL	2
9	044021	1/4-20 KEPS HEX NUT PL	2
10	105775	DIN RAIL 5"	1
11	100718	1/4-20 x 2 1/4 CARRIAGE BOLT	4
12	047009	1/4 FLAT WASHER SAE SS	4
13	044023	1/4-20 NYLOCK HEX NUT PL	6
14	C104040	CIRCUIT BREAKER 32 AMP	1
15	C104516	CIRCUIT BREAKER 10 AMP	2
16	103476	DIN RAIL 4"	1
17	102124	AU1-10 240V RECEPTACLE AUSTRALIAN	2
18	041202	#8-32 x 1 PH-ROUND HEAD MS ZC	4
19	044003	#8-32 NC KEPS NUT	4
20	103521	50Hz ELECTRIC SYSTEM NOTICE DECAL	1
21	043051	1/4 INT'L TOOTH LOCK WASHER SS	2

6.11 - Outlet Panel 11kW 50Hz NZL/AS3000

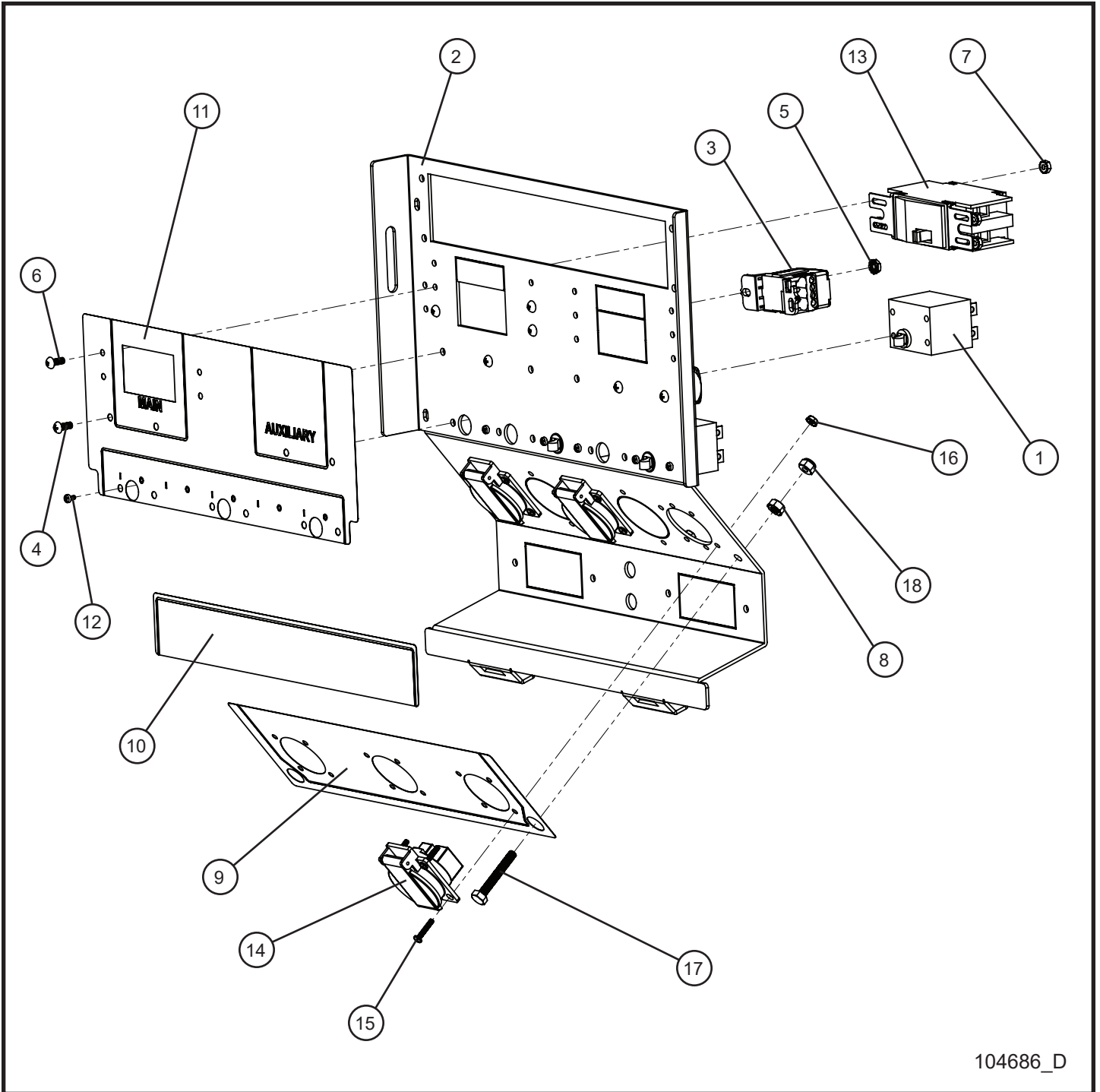


106402_A

6.11 - Outlet Panel 11kW 50Hz NZL/AS3000

Item	Part No.	Part Description	Qty.
1	105787P	OUTLET PANEL NZL/AS3000	1
2	104779	DISTRIBUTION BLOCK ERIFLEX	2
3	041021	#10-24 x 1/2 PH-ROUND HEAD MS PL	4
4	044016	#10-24 KEPS HEX NUT PL	4
5	105789	DECAL BREAKER NZL/AS3000	1
6	104549	DECAL GFCI OUTLETS	1
7	104548	DECAL MAIN OUTLETS	1
8	046029	1/4-20 x 1 3/4 HEX HEAD CS GR5 PL	2
9	044021	1/4-20 KEPS HEX NUT PL	2
10	105775	DIN RAIL 5"	1
11	100718	1/4-20 x 2 1/4 CARRIAGE BOLT	4
12	047009	1/4 FLAT WASHER SAE SS	4
13	044023	1/4-20 NYLOCK HEX NUT PL	6
14	C106178	CIRCUIT BREAKER 63 AMP	1
15	C104516	CIRCUIT BREAKER 10 AMP	2
16	103476	DIN RAIL 4"	1
17	102124	AU1-10 240V RECEPTACLE AUSTRALIAN	2
18	041202	#8-32 x 1 PH-ROUND HEAD MS ZC	4
19	044003	#8-32 NC KEPS NUT	4
20	103521	50Hz ELECTRIC SYSTEM NOTICE DECAL	1
21	043051	1/4 INT'L TOOTH LOCK WASHER	2

6.12 - Outlet Panel 11kW 50Hz Schuko

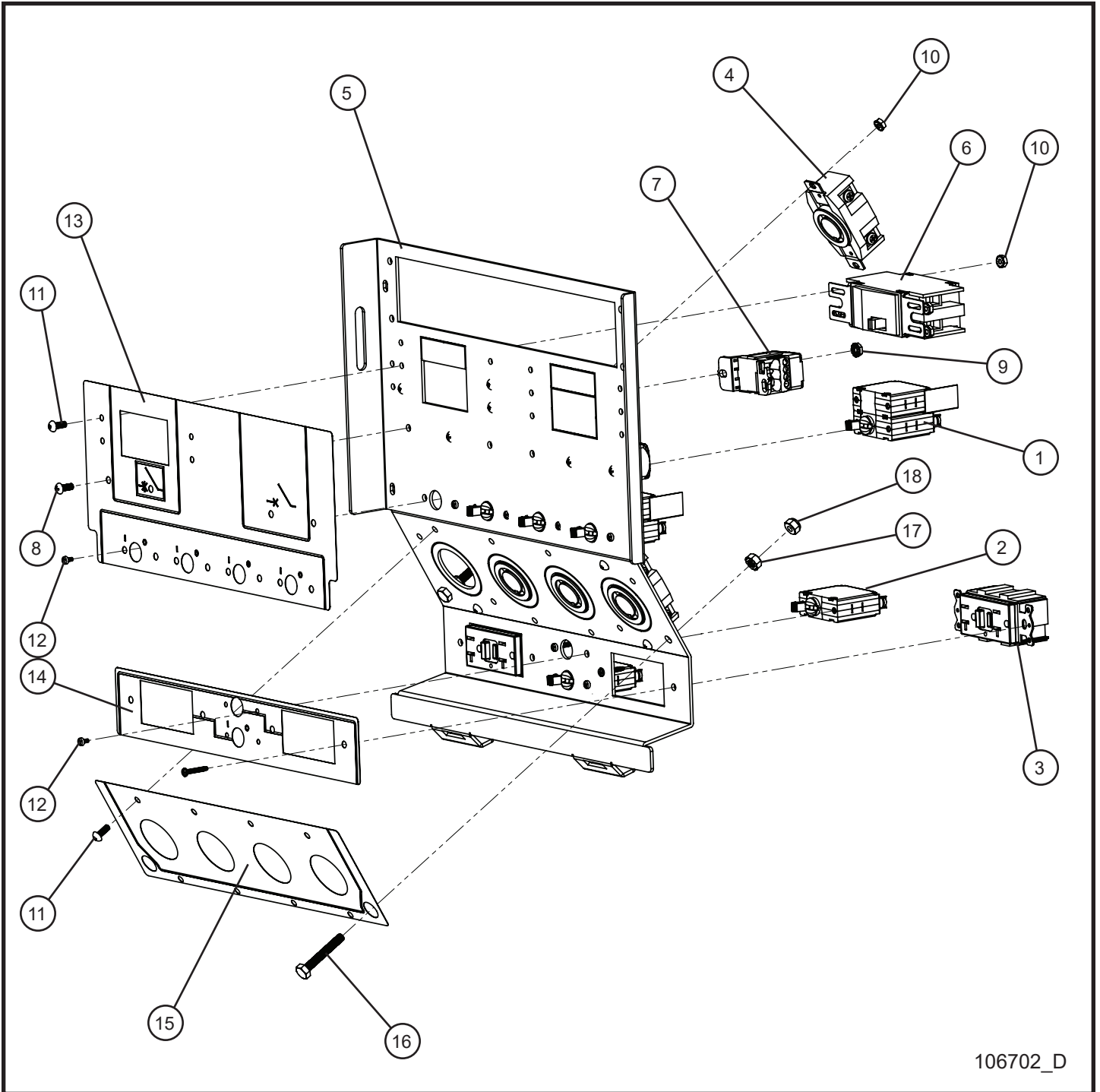


104686_D

6.12 - Outlet Panel 11kW 50Hz Schuko

Item	Part No.	Part Description	Qty.
1	330459	15A DPST, CARLING SWITCH	3
2	104685P	OUTLET PANEL MULTI OPTION	1
3	104779	DISTRIBUTION BLOCK ERIFLEX	2
4	041021	#10-24 x 1/2 PH-ROUND HEAD MS PL	4
5	044016	#10-24 KEPS HEX NUT PL	4
6	041012	SCREW MS #8-32 x 1/2 PL	4
7	044003	#8-32 NC KEPS NUT	4
8	044021	1/4-20 KEPS HEX NUT PL	2
9	104548	DECAL MAIN OUTLETS	1
10	104549	DECAL GFCI OUTLETS	1
11	104552	DECAL BREAKER FOREIGN OPTIONS	1
12	041018	#6-32 x 1/4 PH-ROUND HEAD MS PL	6
13	353280	70 AMP DOUBLE POLE BREAKER	1
14	650485	RECEPTACLE SCHUKO (EURO)	3
15	101291	#6-32 x 3/4 PH-PAN HEAD MS ZC	12
16	044004	#6-32 KEPS HEX NUT PL	12
17	046029	1/4-20 x 1 3/4 HEX HEAD CS GR5 PL	2
18	044023	1/4-20 NYLOCK HEX NUT PL	2
NS	105257	SCHEMATIC 3-16A SCHUKO 50Hz	1

6.13 - Outlet Panel 15kW CSA UL489

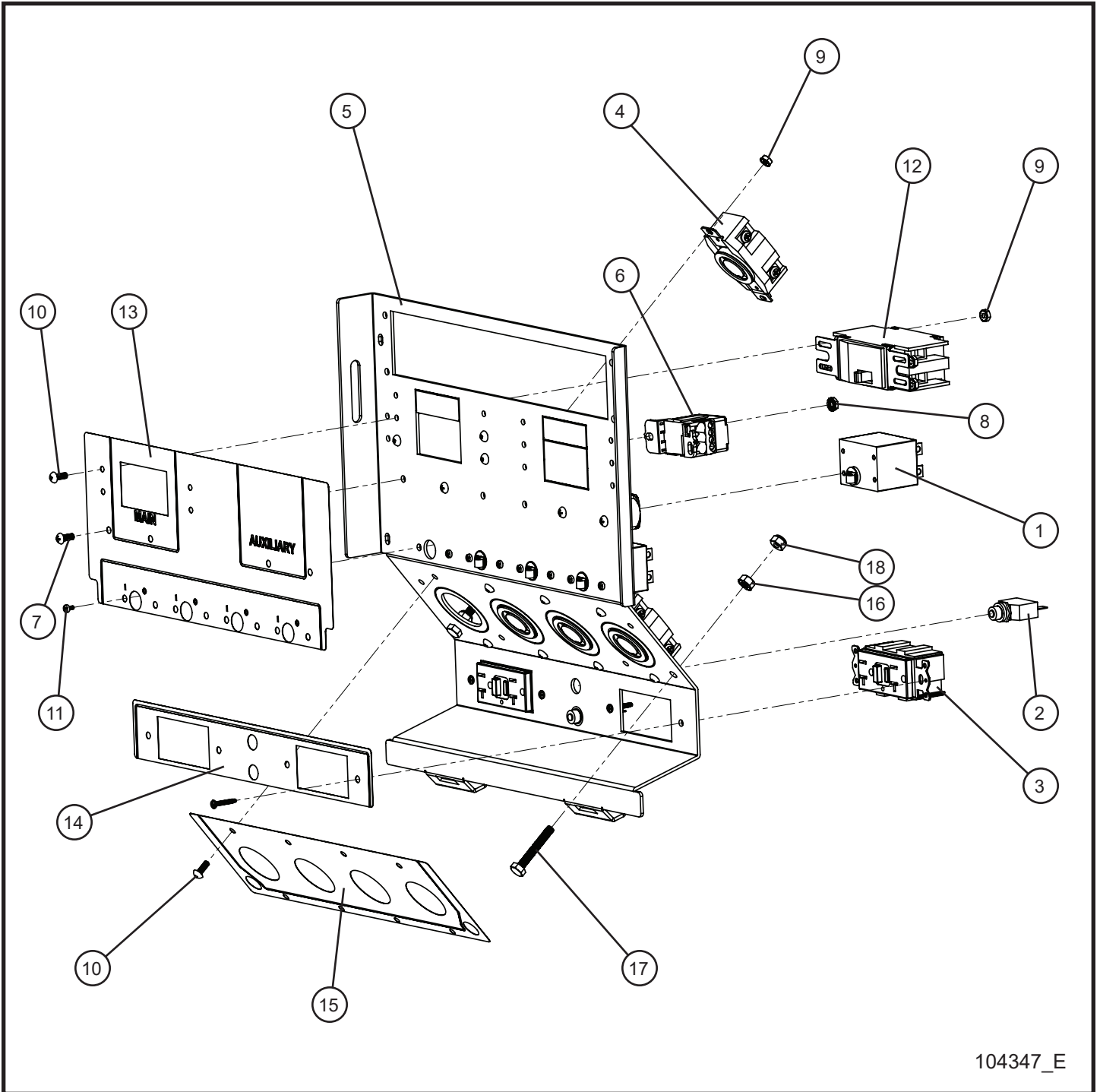


106702_D

6.13 - Outlet Panel 15kW CSA UL489

Item	Part No.	Part Description	Qty.
1	106785	CIRCUIT BREAKER 30AMP	4
2	106787	CIRCUIT BREAKER 20AMP	2
3	330499	20A GFCI RECEPTACLE	2
4	653102	30A 125-250V TWISTLOCK RECEPTACLE	4
5	106880P	OUTLET PANEL STANDARD	1
6	353280	70 AMP DOUBLE POLE BREAKER	1
7	104779	DISTRIBUTION BLOCK ERIFLEX	2
8	041021	#10-24 x 1/2 PH-ROUND HEAD MS PL	4
9	044016	#10-24 KEPS HEX NUT PL	4
10	044003	#8-32 NC KEPS NUT	12
11	041012	SCREW MS #8-32 x 1/2 PL	12
12	041018	#6-32 x 1/4 PH-ROUND HEAD MS PL	8
13	107300	DECAL BREAKER DOMESTIC STANDARD	1
14	107186	DECAL GFCI OUTLETS	1
15	104548	DECAL MAIN OUTLETS	1
16	046029	1/4-20 x 1 3/4 HEX HEAD CS GR5 PL	2
17	044021	1/4-20 KEPS HEX NUT	2
18	044023	1/4-20 NYLOCK HEX NUT PL	2
NS	110120	SCHEMATIC 14kW 1P 2-20A GFCI	1

6.14 - Outlet Panel 15kW CSA

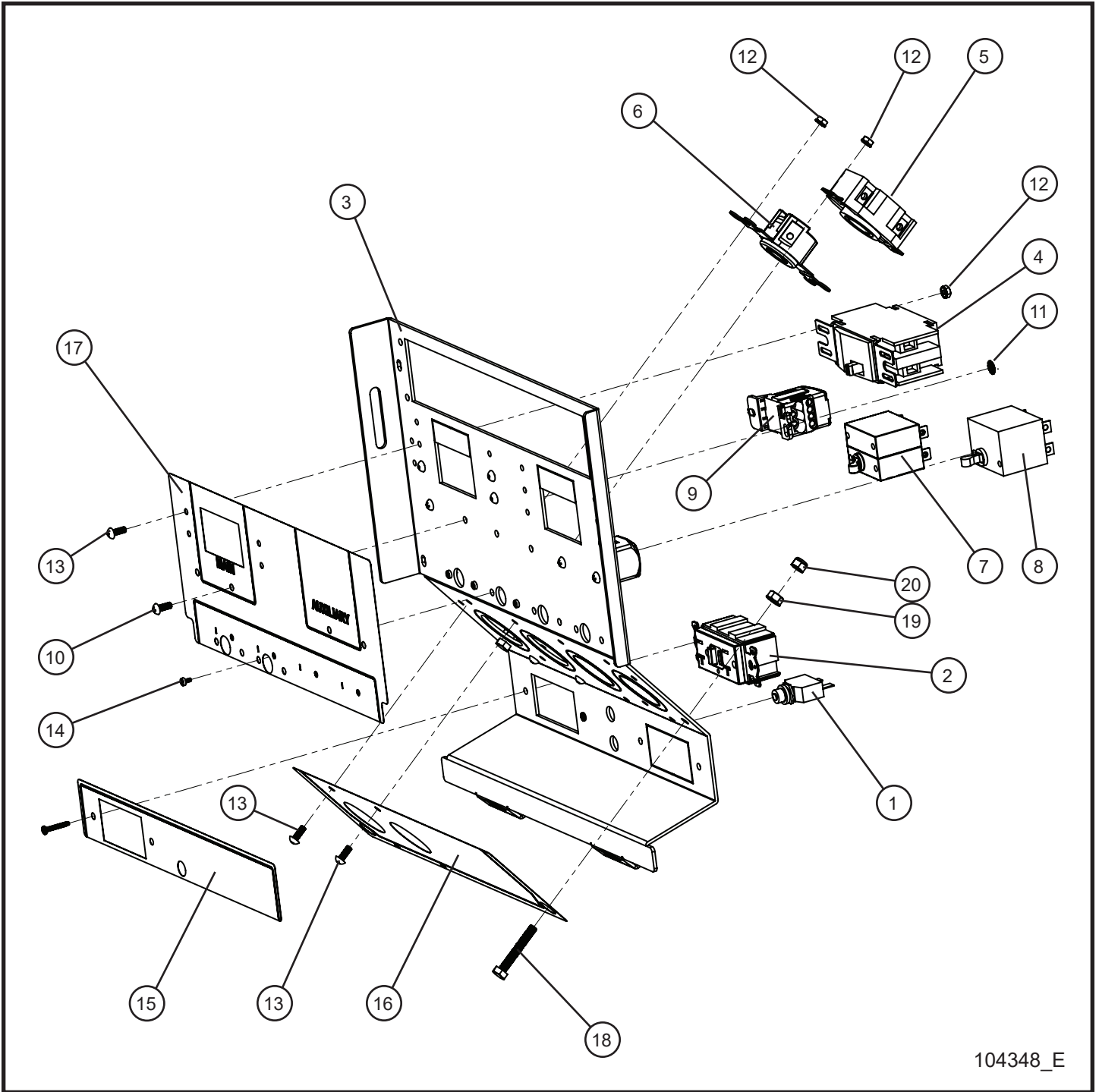


104347_E

6.14 - Outlet Panel 15kW CSA

Item	Part No.	Part Description	Qty.
1	330456	30A DPST CIRCUIT BREAKER	4
2	650138	CIRCUIT BREAKER 20A PUSH BUTTON	2
3	330499	20A GFCI RECEPTACLE	2
4	653102	30A 125-250V TWISTLOCK RECEPTACLE	4
5	104306P	OUTLET PANEL STANDARD	1
6	104779	DISTRIBUTION BLOCK ERIFLEX	2
7	041021	#10-24 x 1/2 PH-ROUND HEAD MS PL	4
8	044016	#10-24 KEPS HEX NUT PL	4
9	044003	#8-32 NC KEPS NUT	12
10	041012	SCREW MS #8-32 x 1/2 PL	12
11	041018	#6-32 x 1/4 PH-ROUND HEAD MS PL	8
12	353280	70 AMP DOUBLE POLE BREAKER	1
13	104551	DECAL BREAKER DOMESTIC STANDARD	1
14	104549	DECAL GFCI OUTLETS	1
15	104548	DECAL MAIN OUTLETS	1
16	044021	1/4-20 KEPS HEX NUT	2
17	046029	1/4-20 x 1 3/4 HEX HEAD CS GR5 PL	2
18	044023	1/4-20 NYLOCK HEX NUT PL	2
NS	105260	SCHEMATIC 2-20A GFCI 4-30A L14-30R	1

6.15 - Outlet Panel 15kW Domestic

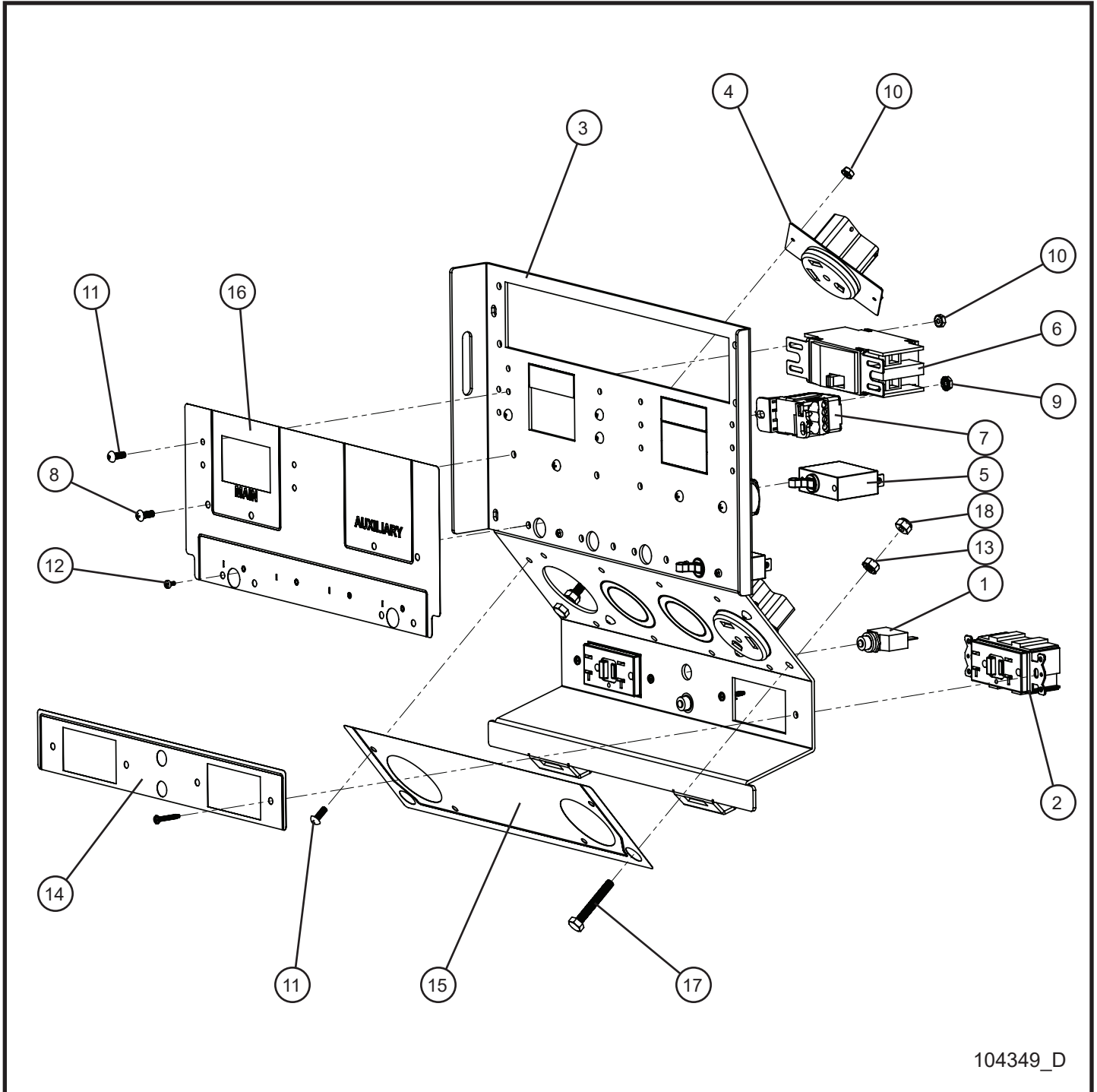


104348_E

6.15 - Outlet Panel 15kW Domestic

Item	Part No.	Part Description	Qty.
1	650138	CIRCUIT BREAKER 20A PUSH BUTTON	1
2	330499	20A GFCI RECEPTACLE	1
3	104306P	OUTLET PANEL STANDARD	1
4	353280	70 AMP DOUBLE POLE BREAKER	1
5	352172	20A 125-250V TWISTLOCK RECEPTACLE	1
6	330490	15A 250 V TWISTLOCK SINGLE RECEPTACLE	1
7	330459	15A DPST CARLING SWITCH	1
8	352178	20A DPST CIRCUIT BREAKER	1
9	104779	DISTRIBUTION BLOCK ERIFLEX	2
10	041021	#10-24 x 1/2 PH-ROUND HEAD MS PL	4
11	044016	#10-24 KEPS HEX NUT PL	4
12	044003	#8-32 NC KEPS NUT	8
13	041012	SCREW MS #8-32 x 1/2 PL	8
14	041018	#6-32 x 1/4 PH-ROUND HEAD MS PL	4
15	104549	DECAL GFCI OUTLETS	1
16	104548	DECAL MAIN OUTLETS	1
17	104551	DECAL BREAKER DOMESTIC STANDARD	1
18	046029	1/4-20 x 1 3/4 HEX HEAD CS GR5 PL	2
19	044021	1/4-20 KEPS HEX NUT PL	2
20	044023	1/4-20 NYLOCK HEX NUT PL	2
NS	105258	SCHEMATIC 14kW 1P 1-20A GFCI, 1-15A L6-15R	1

6.16 - Outlet Panel 15kW RV

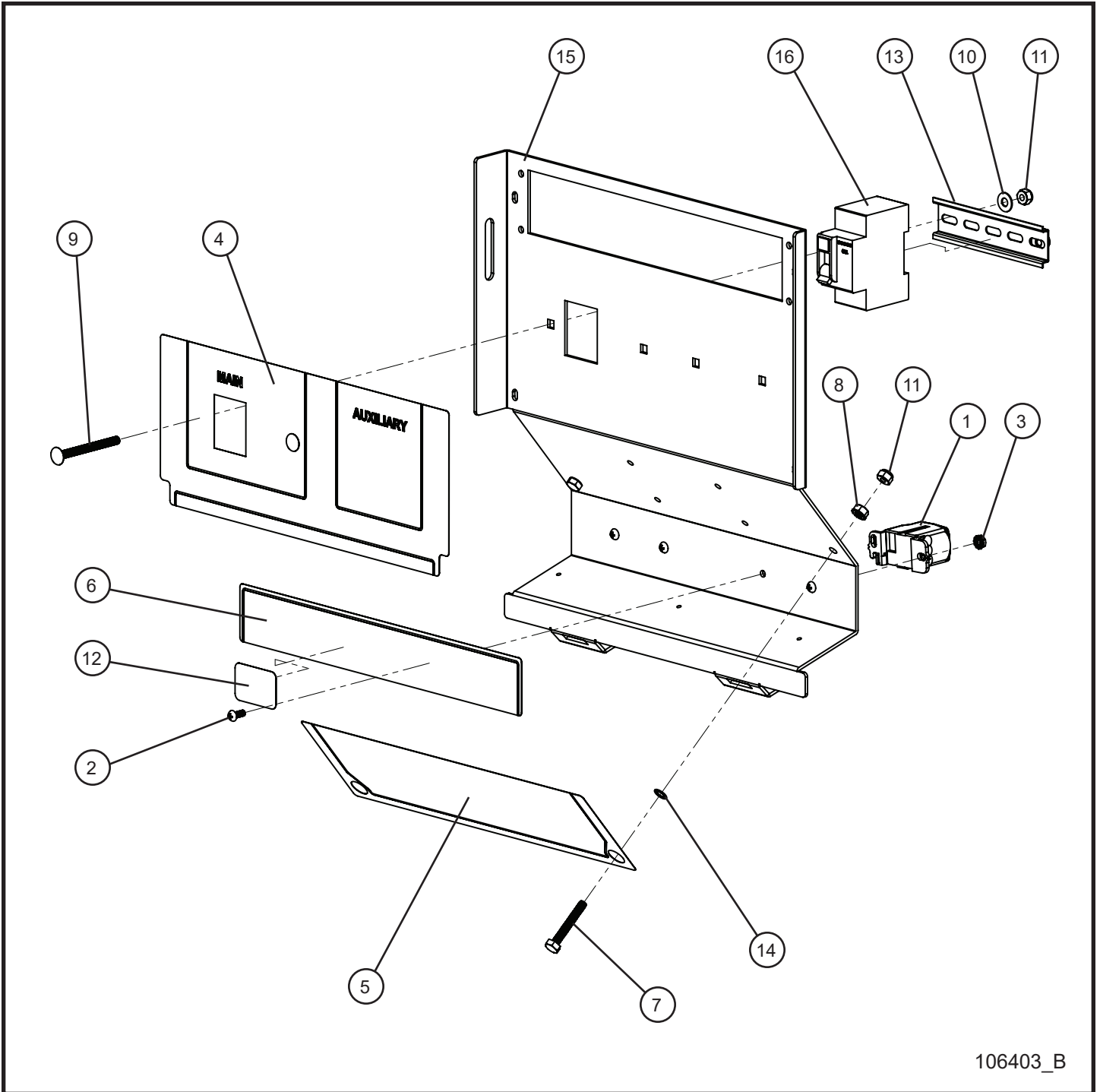


104349_D

6.16 - Outlet Panel 15kW RV

Item	Part No.	Part Description	Qty.
1	650138	CIRCUIT BREAKER 20A PUSH BUTTON	2
2	330499	20A GFCI RECEPTACLE	2
3	104306P	OUTLET PANEL STANDARD	1
4	680815	125V 30A OUTLET	2
5	330472	30A SPST CIRCUIT BREAKER	2
6	353280	70 AMP DOUBLE POLE BREAKER	1
7	104779	DISTRIBUTION BLOCK ERIFLEX	2
8	041021	#10-24 x 1/2 PH-ROUND HEAD MS PL	4
9	044016	#10-24 KEPS HEX NUT PL	4
10	044003	#8-32 NC KEPS NUT	8
11	041012	SCREW MS #8-32 x 1/2 PL	8
12	041018	#6-32 x 1/4 PH-ROUND HEAD MS PL	4
13	044021	1/4-20 KEPS HEX NUT PL	2
14	104549	DECAL GFCI OUTLETS	1
15	104548	DECAL MAIN OUTLETS	1
16	104551	DECAL BREAKER DOMESTIC STANDARD	1
17	046029	1/4-20 x 1 3/4 HEX HEAD CS GR5 PL	2
18	044023	1/4-20 NYLOCK HEX NUT PL	2
NS	105259	SCHEMATIC 2-20A GFCI, 2-30A TT-30R	1

6.17 - Outlet Panel 13kW 50Hz NZL/AS3000

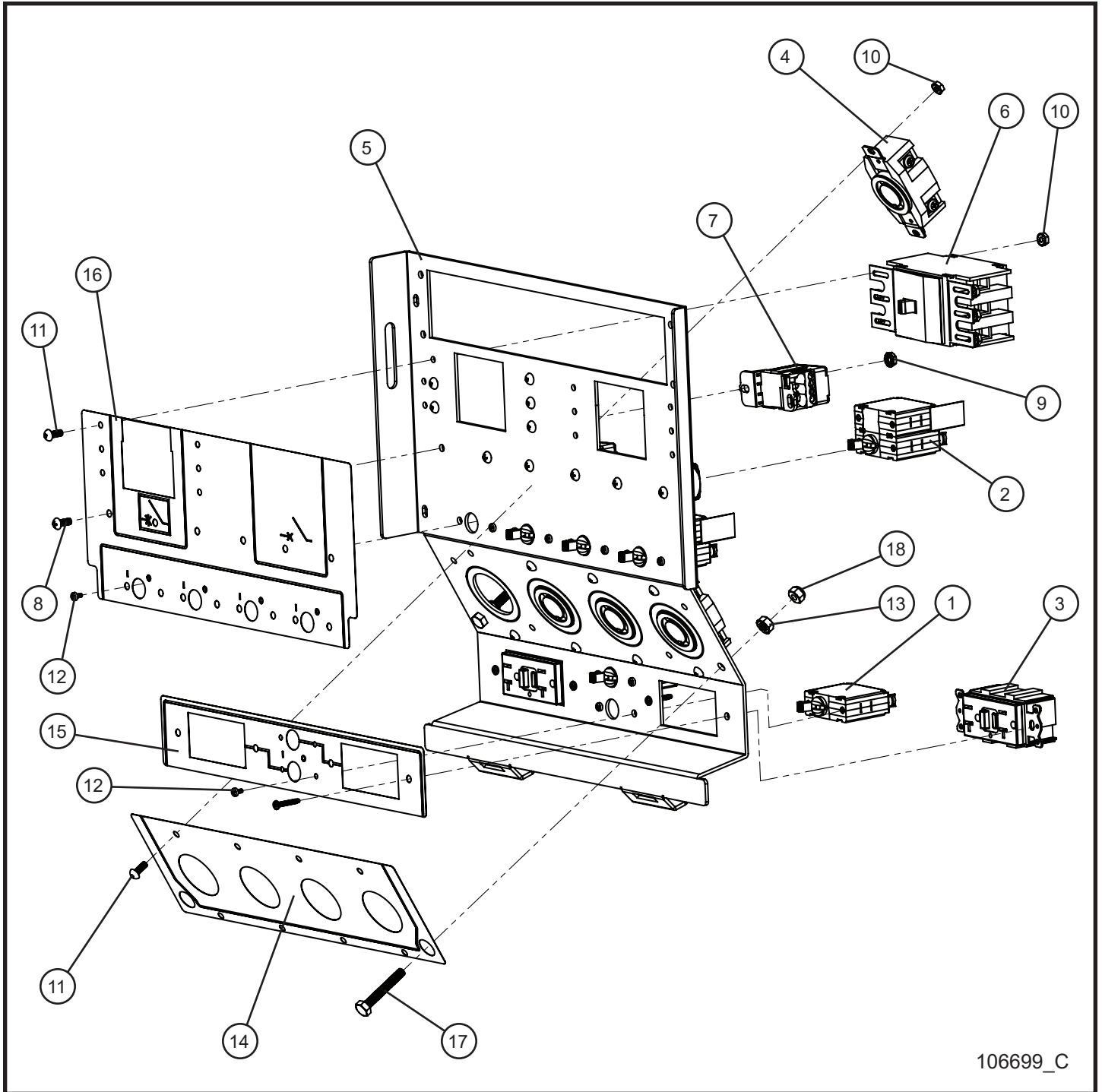


106403_B

6.17 - Outlet Panel 13kW 50Hz NZL/AS3000

Item	Part No.	Part Description	Qty.
1	104779	DISTRIBUTION BLOCK ERIFLEX	2
2	041021	#10-24 x 1/2 PH-ROUND HEAD MS PL	4
3	044016	#10-24 KEPS HEX NUT PL	4
4	105789	DECAL BREAKER NZL/AS3000	1
5	104548	DECAL MAIN OUTLETS	1
6	104549	DECAL GFCI OUTLETS	1
7	041053	1/4-20 x 1 3/4 PH-TRUSS HEAD MS SS	2
8	044021	1/4-20 KEPS HEX NUT PL	2
9	100718	1/4-20 x 2 1/4 CARRIAGE BOLT	2
10	047009	1/4 FLAT WASHER SAE SS	2
11	044023	1/4-20 NYLOCK HEX NUT PL	4
12	103522	60Hz ELECTRIC SYSTEM NOTICE	1
13	105775	DIN RAIL 5"	1
14	043051	1/4 INT'L TOOTHLOCK WASHER SS	2
15	105787P	OUTLET PANEL NZL/AS3000	1
16	C106178	CIRCUIT BREAKER 63 AMP	1

6.18 - Outlet Panel 15/20kW 208V 3PH UL489

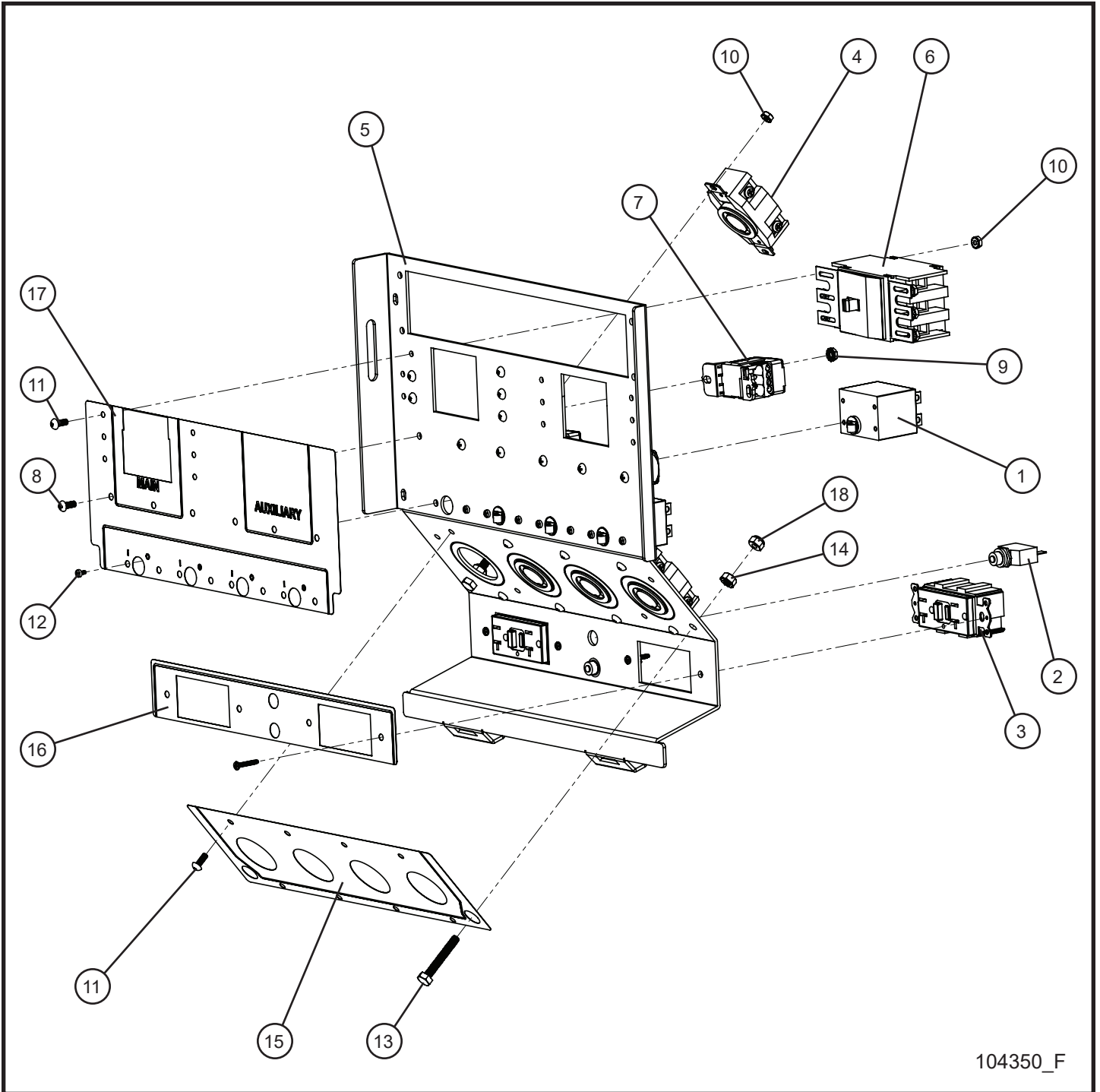


106699_C

6.18 - Outlet Panel 15/20kW 208V 3PH UL489

Item	Part No.	Part Description	Qty.
1	106787	CIRCUIT BREAKER 20AMP	2
2	106785	CIRCUIT BREAKER 30AMP	4
3	330499	20A GFCI RECEPTACLE	2
4	653102	30A 125-250V TWISTLOCK RECEPTACLE	4
5	106680P	OUTLET PANEL STANDARD	1
6	022235	BREAKER 60A 3PH 208V CIRCUIT BREAKER	1
7	104779	DISTRIBUTION BLOCK ERIFLEX	3
8	041021	#10-24 x 1/2 PH-ROUND HEAD MS PL	6
9	044016	#10-24 KEPS HEX NUT PL	6
10	044003	#8-32 NC KEPS NUT	14
11	041012	SCREW MS #8-32 x 1/2 PL	14
12	041018	#6-32 x 1/4 PH-ROUND HEAD MS PL	8
13	044021	1/4-20 KEPS HEX NUT PL	2
14	104548	DECAL MAIN OUTLETS	1
15	107186	DECAL GFCI OUTLETS	1
16	107300	DECAL BREAKER DOMESTIC STANDARD	1
17	046029	1/4-20 x 1 3/4 HEX HEAD CS GR5 PL	2
18	044023	1/4-20 NYLOCK HEX NUT PL	2
NS	110119	SCHEMATIC 20KW 3P 2-20A GFCI	1

6.19 - Outlet Panel 15/20kW 208V 3PH

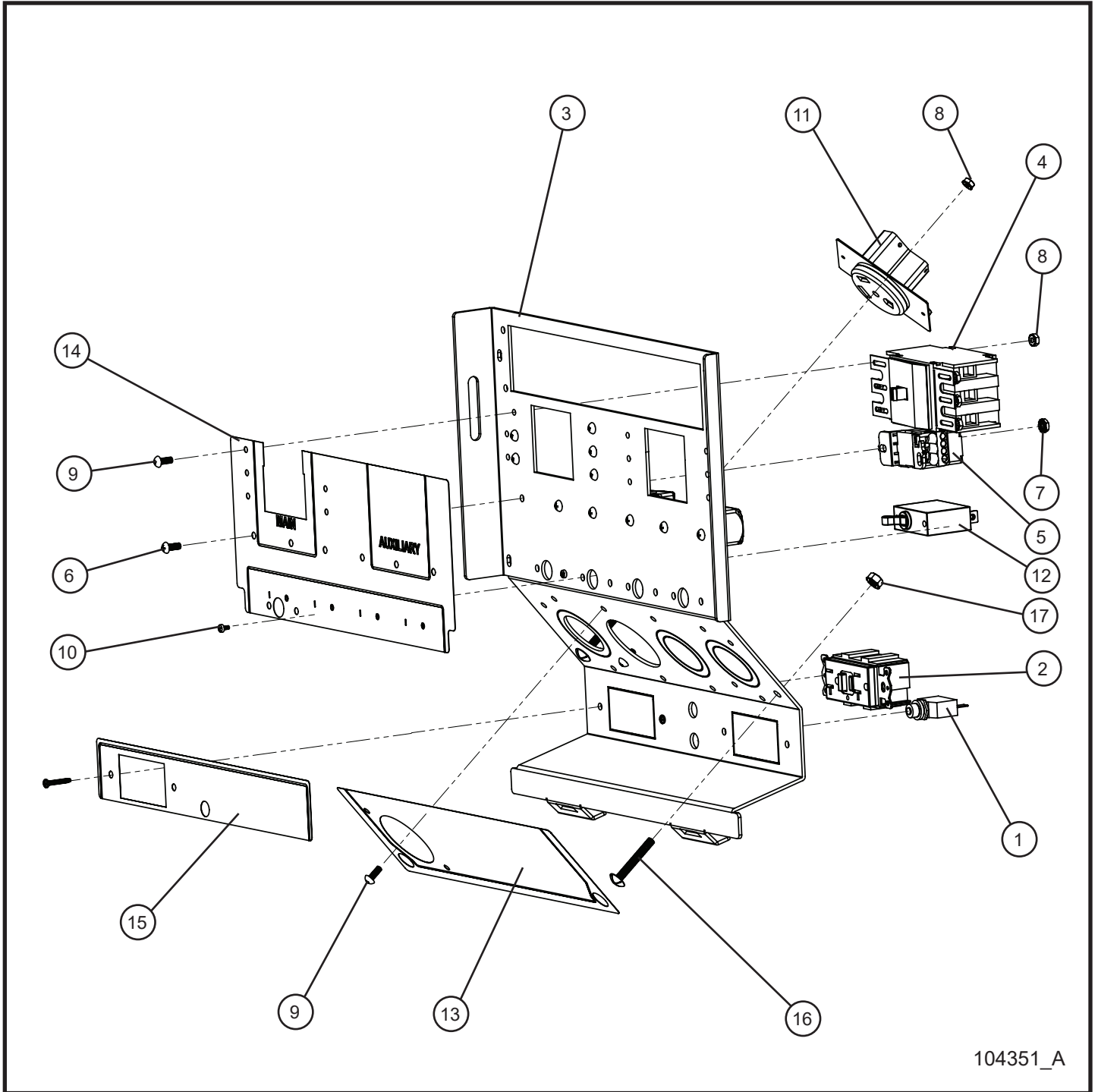


104350_F

6.19 - Outlet Panel 15/20kW 208V 3PH

Item	Part No.	Part Description	Qty.
1	330456	30A DPST CIRCUIT BREAKER	4
2	650138	CIRCUIT BREAKER 20A PUSH BUTTON	2
3	330499	20A GFCI RECEPTACLE	2
4	653102	30A 125-250V TWISTLOCK RECEPTACLE	4
5	104306P	OUTLET PANEL STANDARD	1
6	022235	BREAKER 60A 3PH 208V CIRCUIT BREAKER	1
7	104779	DISTRIBUTION BLOCK ERIFLEX	3
8	041021	#10-24 x 1/2 PH-ROUND HEAD MS PL	6
9	044016	#10-24 KEPS HEX NUT PL	6
10	044003	#8-32 NC KEPS NUT	14
11	041012	SCREW MS #8-32 x 1/2 PL	14
12	041018	#6-32 x 1/4 PH-ROUND HEAD MS PL	8
13	046029	1/4-20 x 1 3/4 HEX HEAD CS GR5 PL	2
14	044021	1/4-20 KEPS HEX NUT PL	2
15	104548	DECAL MAIN OUTLETS	1
16	104549	DECAL GFCI OUTLETS	1
17	104551	DECAL BREAKER DOMESTIC STANDARD	1
18	044023	1/4-20 NYLOCK HEX NUT PL	2
NS	105264	SCHEMATIC 2-20A GFCI 4-30A L14-30R	1

6.20 - Outlet Panel 20kW 240V 3PH

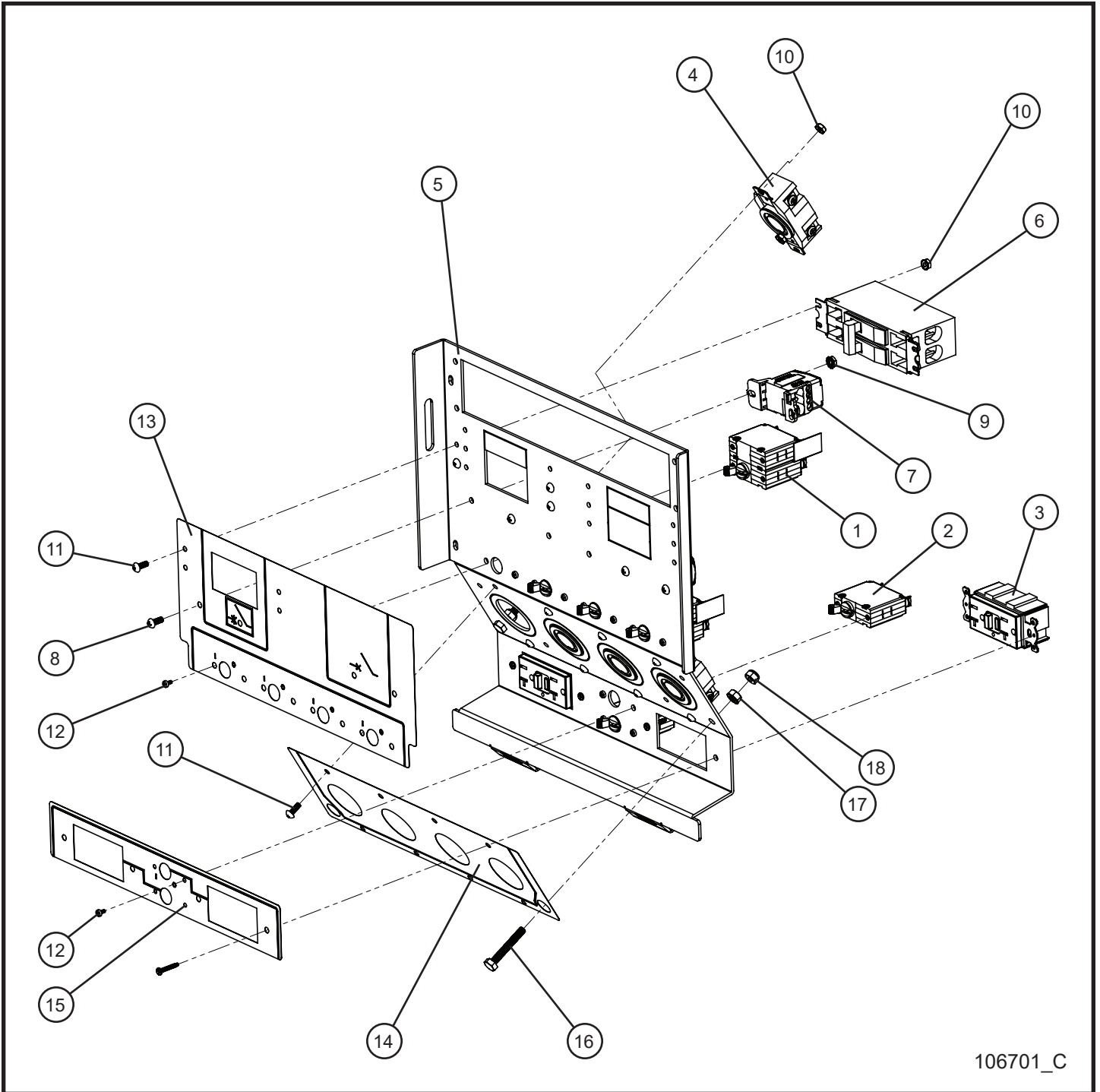


104351_A

6.20 - Outlet Panel 20kW 240V 3PH

Item	Part No.	Part Description	Qty.
1	650138	CIRCUIT BREAKER 20A PUSH BUTTON	1
2	330499	20A GFCI RECEPTACLE	1
3	104306P	OUTLET PANEL STANDARD	1
4	022235	60A 3 POLE CIRCUIT BREAKER	1
5	104779	DISTRIBUTION BLOCK ERIFLEX	3
6	041021	#10-24 x 1/2 PH-ROUND HEAD MS PL	6
7	044016	#10-24 KEPS HEX NUT PL	6
8	044003	#8-32 NC KEPS NUT	8
9	041012	SCREW MS #8-32 x 1/2 PL	8
10	041018	#6-32 x 1/4 PH ROUND HEAD MS PL	2
11	680815	125V 30A OUTLET	1
12	330472	30A SPST CIRCUIT BREAKER	1
13	104548	DECAL MAIN OUTLETS	1
14	104551	DECAL BREAKER DOMESTIC STANDARD	1
15	104549	DECAL GFCI OUTLETS	1
16	041053	1/4-20 x 1 3/4 PH-TRUSS HEAD MS SS	2
17	044021	1/4-20 KEPS HEX NUT PL	2

6.21 - Outlet Panel 20kW CSA UL489

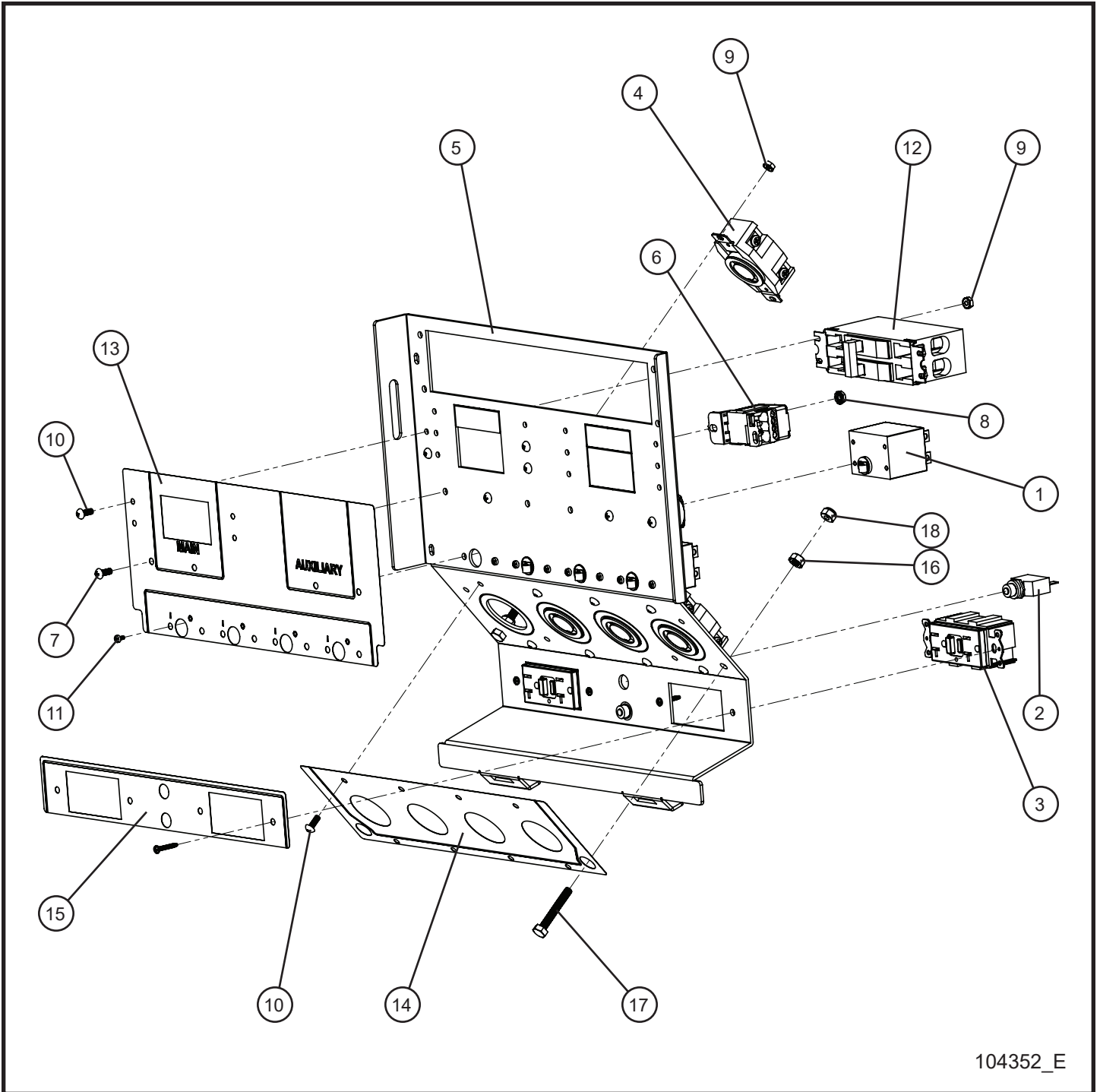


106701_C

6.21 - Outlet Panel 20kW CSA UL489

Item	Part No.	Part Description	Qty.
1	106785	CIRCUIT BREAKER 30AMP	4
2	106787	CIRCUIT BREAKER 20AMP	2
3	330499	20A GFCI RECEPTACLE	2
4	653102	30A 125-250V TWISTLOCK RECEPTACLE	4
5	106680P	OUTLET PANEL STANDARD	1
6	353301	90 AMP 2 POLE BREAKER	1
7	104779	DISTRIBUTION BLOCK ERIFLEX	2
8	041021	#10-24 x 1/2 PH-ROUND HEAD MS PL	4
9	044016	#10-24 KEPS HEX NUT PL	4
10	044003	#8-32 NC KEPS NUT	12
11	041012	SCREW MS #8-32 x 1/2 PL	12
12	041018	#6-32 x 1/4 PH-ROUND HEAD MS PL	12
13	107300	DECAL BREAKER DOMESTIC STANDARD	1
14	104548	DECAL MAIN OUTLETS	1
15	107186	DECAL GFCI OUTLETS	1
16	046029	1/4-20 x 1 3/4 HEX HEAD CS GR5 PL	2
17	044021	1/4-20 KEPS HEX NUT PL	2
18	044023	1/4-20 NYLOCK HEX NUT PL	2
NS	110118	SCHEMATIC 20KW 1P 2-20A GFCI	1

6.22 - Outlet Panel 20kW CSA

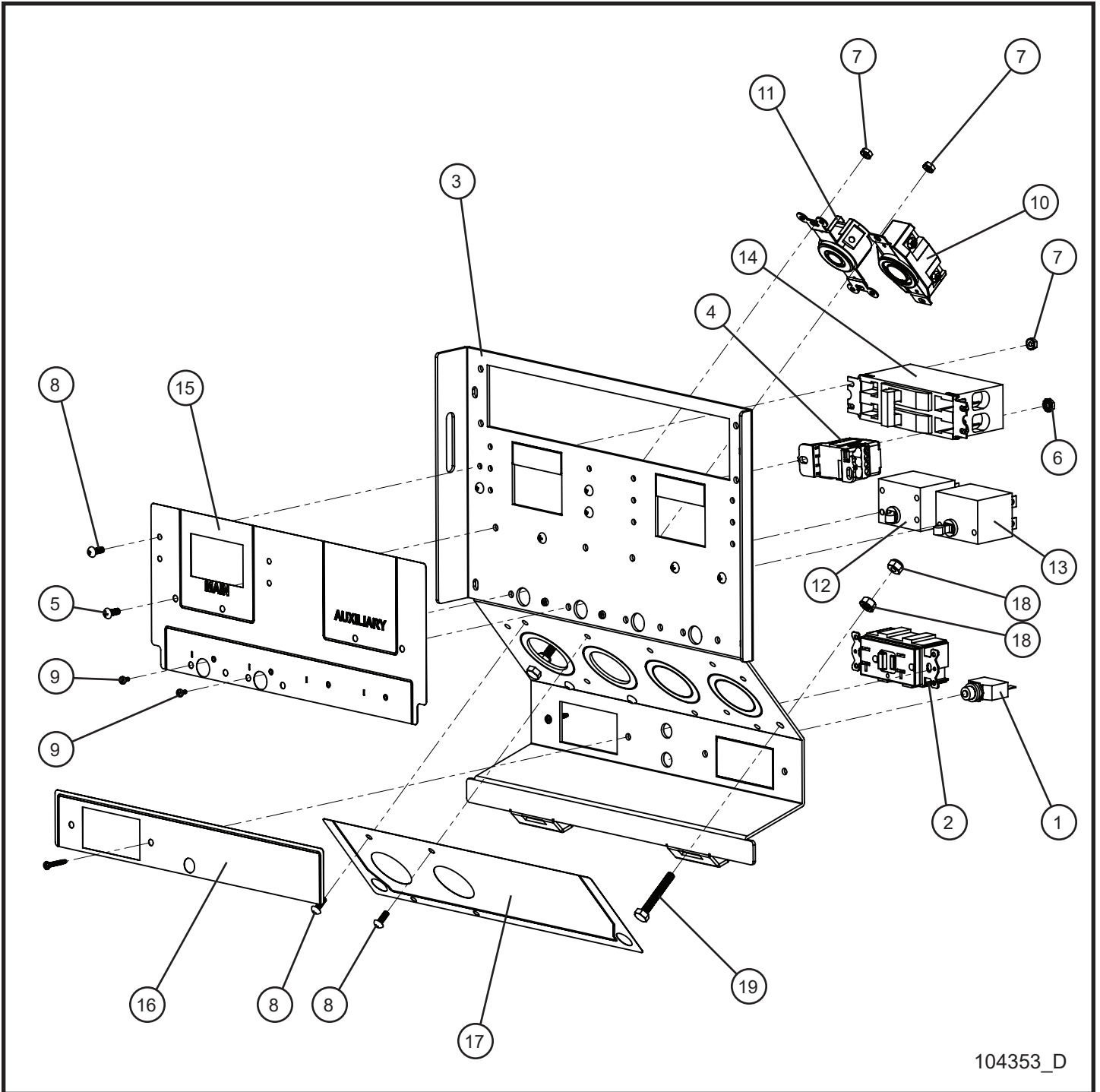


104352_E

6.22 - Outlet Panel 20kW CSA

Item	Part No.	Part Description	Qty.
1	330456	30A DPST CIRCUIT BREAKER	4
2	650138	CIRCUIT BREAKER 20A PUSH BUTTON	2
3	330499	20A GFCI RECEPTACLE	2
4	653102	30A 125-250V TWISTLOCK RECEPTACLE	4
5	104306P	OUTLET PANEL STANDARD	1
6	104779	DISTRIBUTION BLOCK ERIFLEX	2
7	041021	#10-24 x 1/2 PH-ROUND HEAD MS PL	4
8	044016	#10-24 KEPS HEX NUT PL	4
9	044003	#8-32 NC KEPS NUT	12
10	041012	SCREW MS #8-32 x 1/2 PL	12
11	041018	#6-32 x 1/4 PH-ROUND HEAD MS PL	8
12	353301	90 AMP 2 POLE BREAKER	1
13	104551	DECAL BREAKER DOMESTIC STANDARD	1
14	104548	DECAL MAIN OUTLETS	1
15	104549	DECAL GFCI OUTLETS	1
16	044021	1/4-20 KEPS HEX NUT PL	2
17	046029	1/4-20 x 1 3/4 HEX HEAD CS GR5 PL	2
18	044023	1/4-20 NYLOCK HEX NUT PL	2
NS	105263	SCHEMATIC 2-20A GFCI 4-30A L14-30R	1

6.23 - Outlet Panel 20kW Domestic

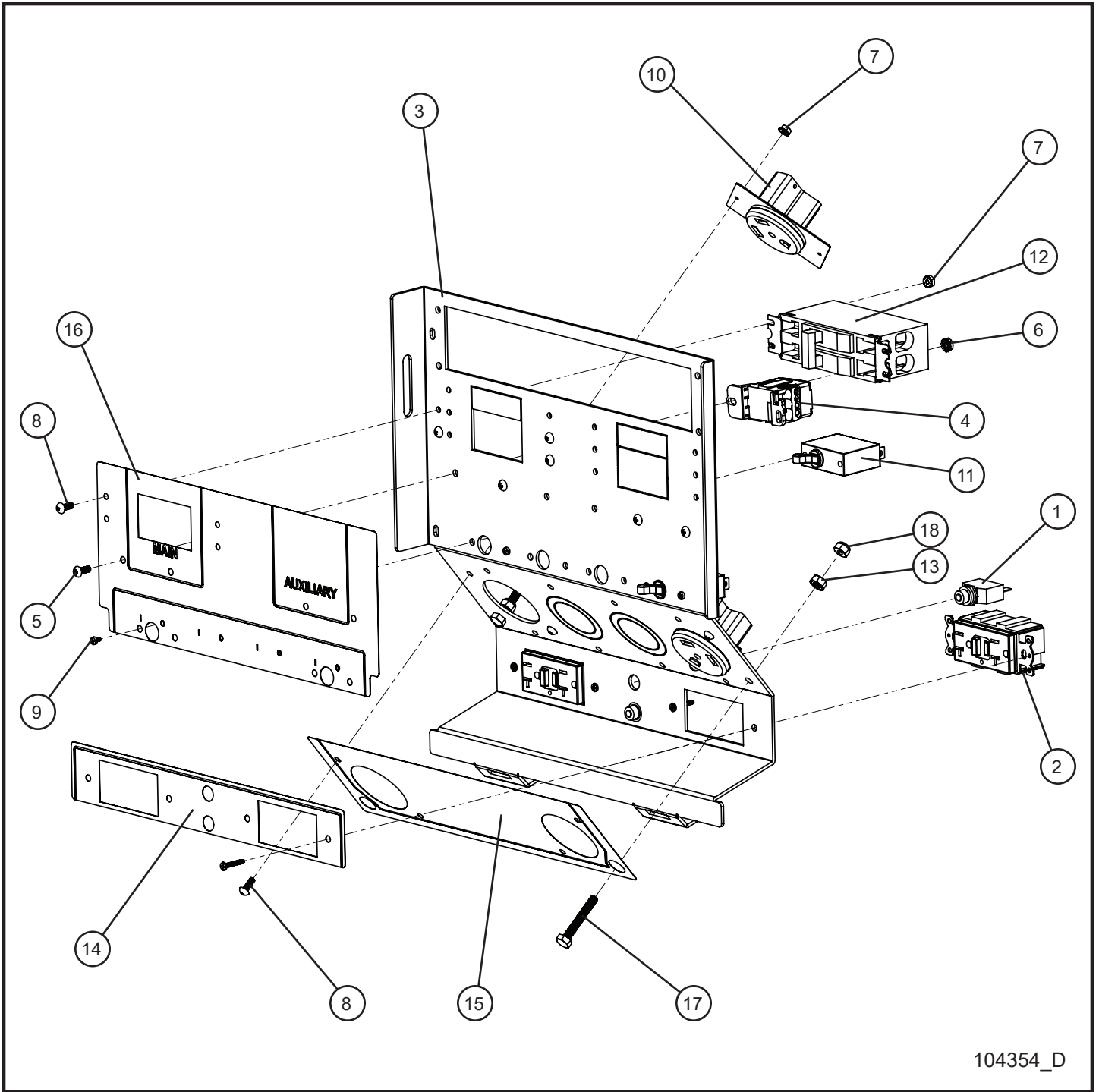


104353_D

6.23 - Outlet Panel 20kW Domestic

Item	Part No.	Part Description	Qty.
1	650138	CIRCUIT BREAKER 20A PUSH BUTTON	1
2	330499	20A GFCI RECEPTACLE	1
3	104306P	OUTLET PANEL STANDARD	1
4	104779	DISTRIBUTION BLOCK ERIFLEX	2
5	041021	#10-24 x 1/2 PH-ROUND HEAD MS PL	4
6	044016	#10-24 KEPS HEX NUT PL	4
7	044003	#8-32 NC KEPS NUT	8
8	041012	SCREW MS #8-32 x 1/2 PL	8
9	041018	#6-32 x 1/4 PH-ROUND HEAD MS PL	4
10	352172	20A 125-250V TWISTLOCK RECEPTACLE	1
11	330490	15A 250 V TWISTLOCK SINGLE RECEPTACLE	1
12	330459	15A DPST CARLING SWITCH	1
13	352178	20A DPST CIRCUIT BREAKER	1
14	353301	90 AMP 2 POLE BREAKER	1
15	104551	DECAL BREAKER DOMESTIC STANDARD	1
16	104549	DECAL GFCI OUTLETS	1
17	104548	DECAL MAIN OUTLETS	1
18	044021	1/4-20 KEPS HEX NUT PL	2
19	046029	1/4-20 x 1 3/4 HEX HEAD CS GR5 PL	2
20	044023	1/4-20 NYLOCK HEX NUT PL	2
NS	105261	SCHEMATIC 2-20A GFCI 1-15A L6-15R 1-20A L6-30R	1

6.24 - Outlet Panel 20kW RV

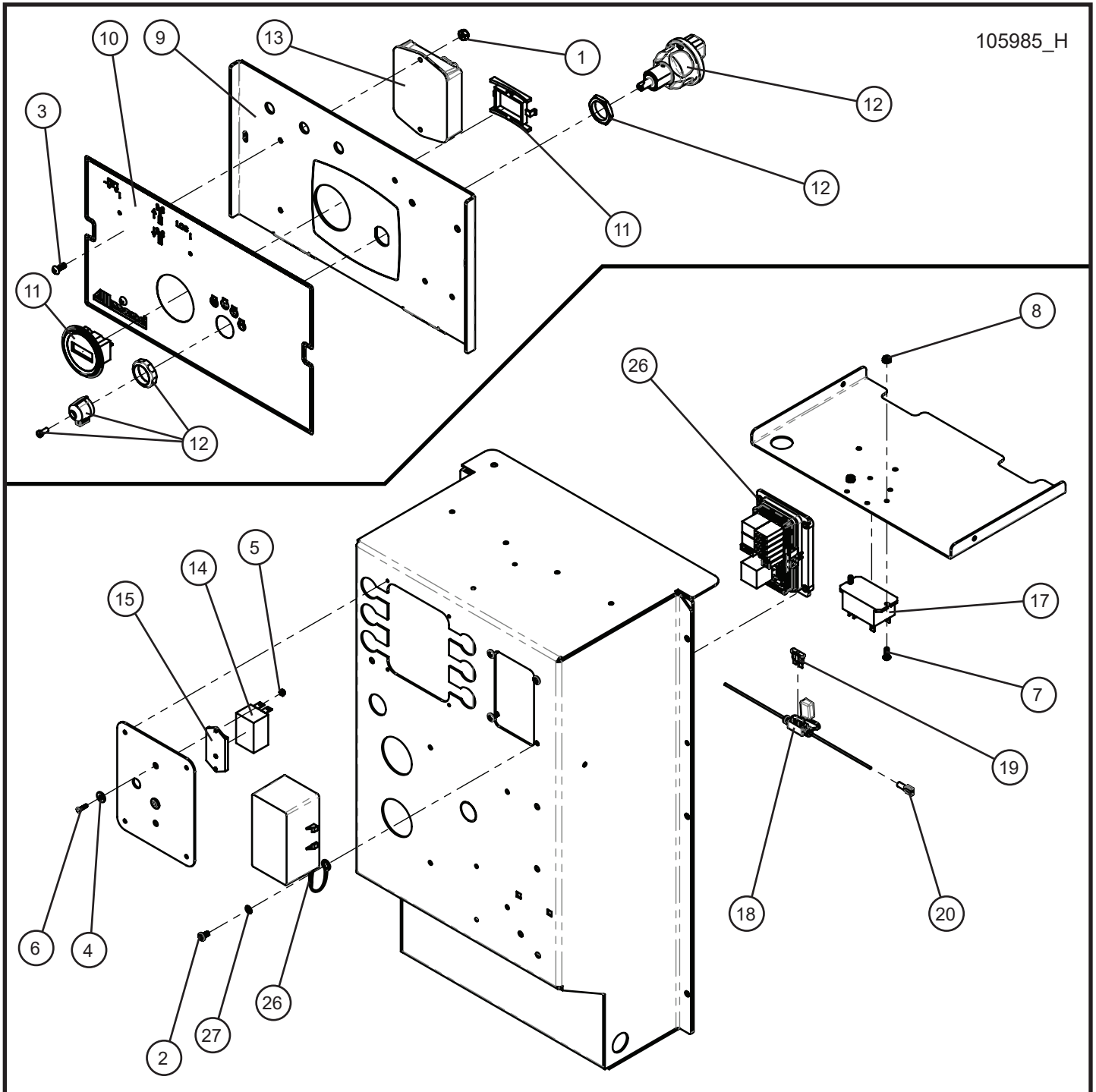


104354_D

6.24 - Outlet Panel 20kW RV

Item	Part No.	Part Description	Qty.
1	650138	CIRCUIT BREAKER 20A PUSH BUTTON	2
2	330499	20A GFCI RECEPTACLE	2
3	104306P	OUTLET PANEL STANDARD	1
4	104779	DISTRIBUTION BLOCK ERIFLEX	2
5	041021	#10-24 x 1/2 PH-ROUND HEAD MS PL	4
6	044016	#10-24 KEPS HEX NUT PL	4
7	044003	#8-32 NC KEPS NUT	8
8	041012	SCREW MS #8-32 x 1/2 PL	8
9	041018	#6-32 x 1/4 PH-ROUND HEAD MS PL	4
10	680815	125V 30A OUTLET	2
11	330472	30A SPST CIRCUIT BREAKER	2
12	353301	90AMP 2 POLE BREAKER	1
13	044021	1/4-20 KEPS HEX NUT PL	2
14	104549	DECAL GFCI OUTLETS	1
15	104548	DECAL MAIN OUTLETS	1
16	104551	DECAL BREAKER DOMESTIC STANDARD	1
17	046029	1/4-20 x 1 3/4 HEX HEAD CS GR5 PL	2
18	044023	1/4-20 NYLOCK HEX NUT PL	2
NS	105262	SCHEMATIC 2-20A GFCI 2-30A TT-30R	1

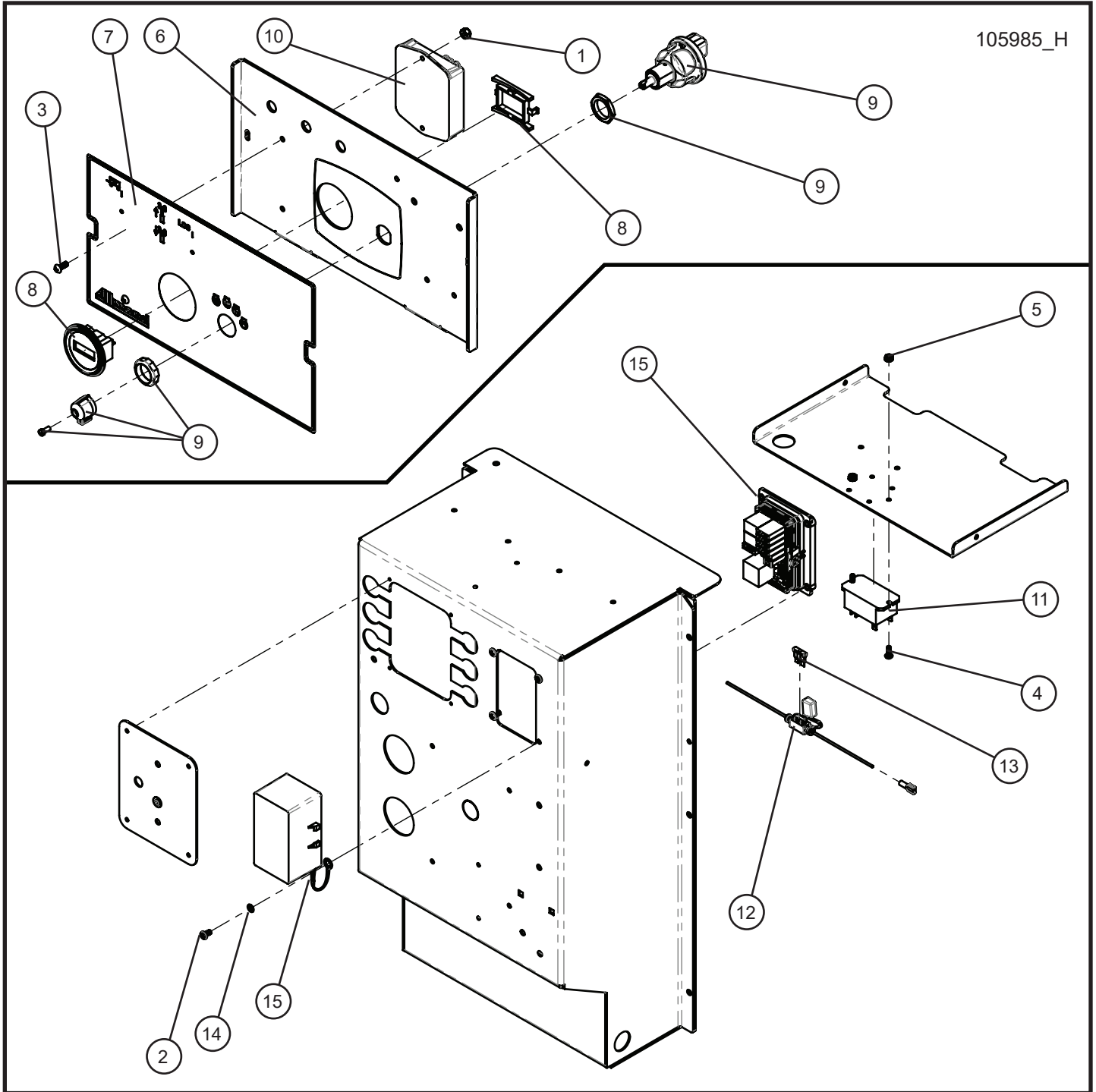
6.25 - SLS Key Start Engine Control



6.25 - SLS Key Start Engine Control

Item	Part No.	Part Description	Qty.
1	044019	#10-24 NYLOCK HEX NUT SS	2
2	041019	#10-32 x 3/8 PH-ROUND HEAD MS PL	4
3	041021	#10-24 x 1/2 PH-ROUND HEAD MS PL	2
4	047003	#10 FLAT WASHER SAE SS	2
5	044133	#5-40 NYLOCK	2
6	041258	#5-40 x 1/2 PH-ROUND HEAD	2
7	041013	#8-32 x 1/2 SLOTTED-ROUND HEAD MS PL	2
8	044003	#8-32 NC KEPS NUT	2
9	105412P	ENGINE CONTROL PANEL	1
10	105969	DECAL ENGINE CONTROL PANEL	1
11	340014	HOUR METER DIGITAL	1
12	106273	IGNITION SWITCH LEVER STYLE	1
13	108053	SLS 1.1 MODULE	1
14	105845	CLOSED TIMER RELAY	1
15	105857	TIMER RELAY MOUNT PANEL	1
16	105894	SLS SCHEMATIC	1
17	105219	RELAY 30 AMP	1
18	103864	FUSE HOLDER INLINE BLADE	1
19	104990	FUSE BLADE 2 AMP ATO/ATC	1
20	022342	TERM SPADE FEMALE 10-12 AWG 1/4	1
21	106894	FUSE TO MAIN BREAKER WIRE	1
22	106895	AC GROUND TO RELAY WIRE	1
23	106896	DC GROUND TO RELAY WIRE	1
24	106897	SLS PIN 4 TO RELAY WIRE	1
25	106877	RELAY SCHEMATIC SLS 1.1	1
26	105211	HARNESS SLS CONTROL PANEL	1
27	043017	#10 INTL TOOTH LOCK WASHER	1
28	107850	SOFTWARE UPDATE KIT SLS 1.1 W/KEY SWITCH MAXI II	1

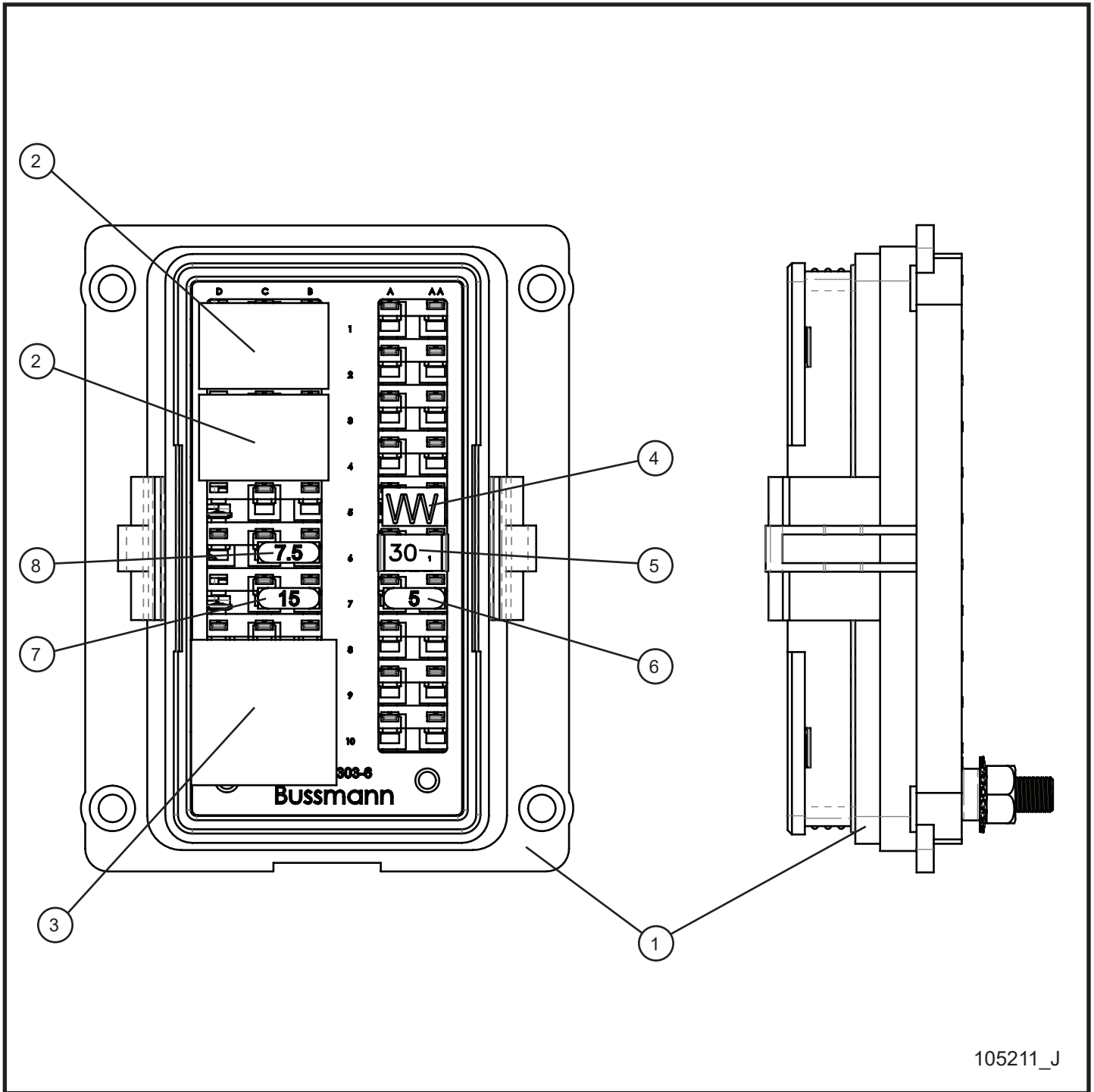
6.26 - New SLS Key Start Engine Control



6.26 - New SLS Key Start Engine Control

Item	Part No.	Part Description	Qty.
1	044019	#10-24 NYLOCK HEX NUT SS	2
2	041019	#10-32 x 3/8 PH-ROUND HEAD MS PL	4
3	041021	#10-24 x 1/2 PH-ROUND HEAD MS PL	2
4	041013	#8-32 x 1/2 SLOTTED-ROUND HEAD MS PL	2
5	044003	#8-32 NC KEPS NUT	2
6	105412P	ENGINE CONTROL PANEL	1
7	105969	DECAL ENGINE CONTROL PANEL	1
8	340014	HOUR METER DIGITAL	1
9	106273	IGNITION SWITCH LEVER STYLE	1
10	108053	SLS 1.1 MODULE	1
11	105219	RELAY 30 AMP	1
12	111211	FUSE HOLDER INLINE BLADE	1
13	104990	FUSE BLADE 2 AMP ATO/ATC	1
14	043017	#10 INTL TOOTH LOCK WASHER	1
15	113338	NEW HARNESS SLS CONTROL PANEL	1
NS	106894	FUSE TO MAIN BREAKER WIRE	1
NS	106895	AC GROUND TO RELAY WIRE	1
NS	106892	DC GROUND TO RELAY WIRE	1
NS	106877	RELAY SCHEMATIC SLS 1.1	1
NS	110123	SLS SCHEMATIC	1
NS	107850	SOFTWARE UPDATE KIT SLS 1.1 W/KEY SWITCH MAXI II	1

6.27 - SLS Harness Control Panel

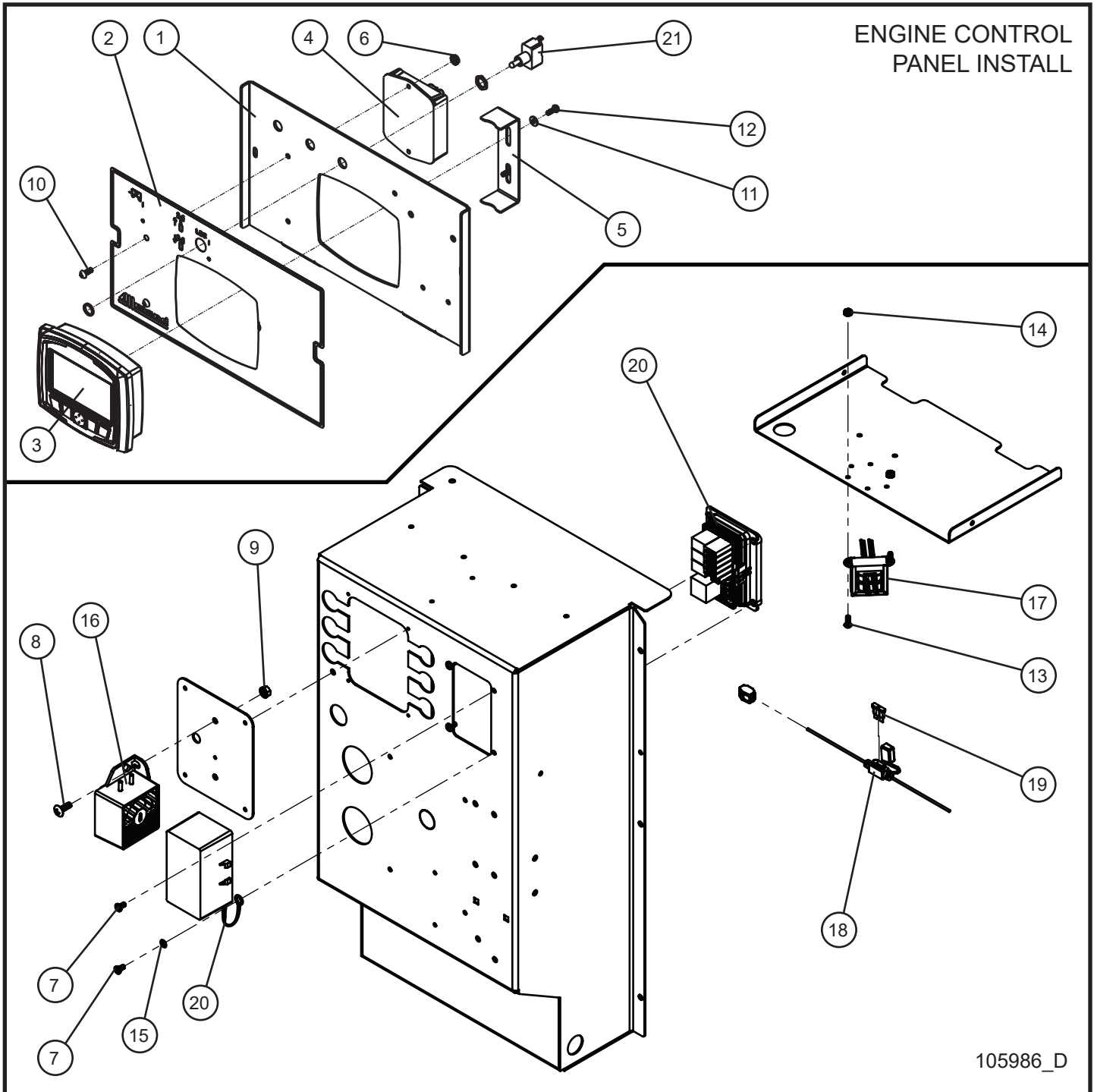


105211_J

6.27 - SLS Harness Control Panel

Item	Part No.	Part Description	Qty.
--	105211	HARNESS SLS CONTROL PANEL COMPLETE	1
--	108024	NEW HARNESS SLS CONTROL PANEL COMPLETE	1
1	105199	BUSSMANN 45 PIN BOARD MODULE	1
2	105201	35 AMP SPST RELAY	2
3	105202	50 AMP SPST RELAY	1
4	105204	RESISTOR 68OHM	1
5	105832	CIRCUIT BREAKER 30A	1
6	105843	5A MINI FUSE	1
7	105844	15A MINI FUSE	1
8	105876	7.5A MINI FUSE	1

6.28 - LSC Start Engine Control

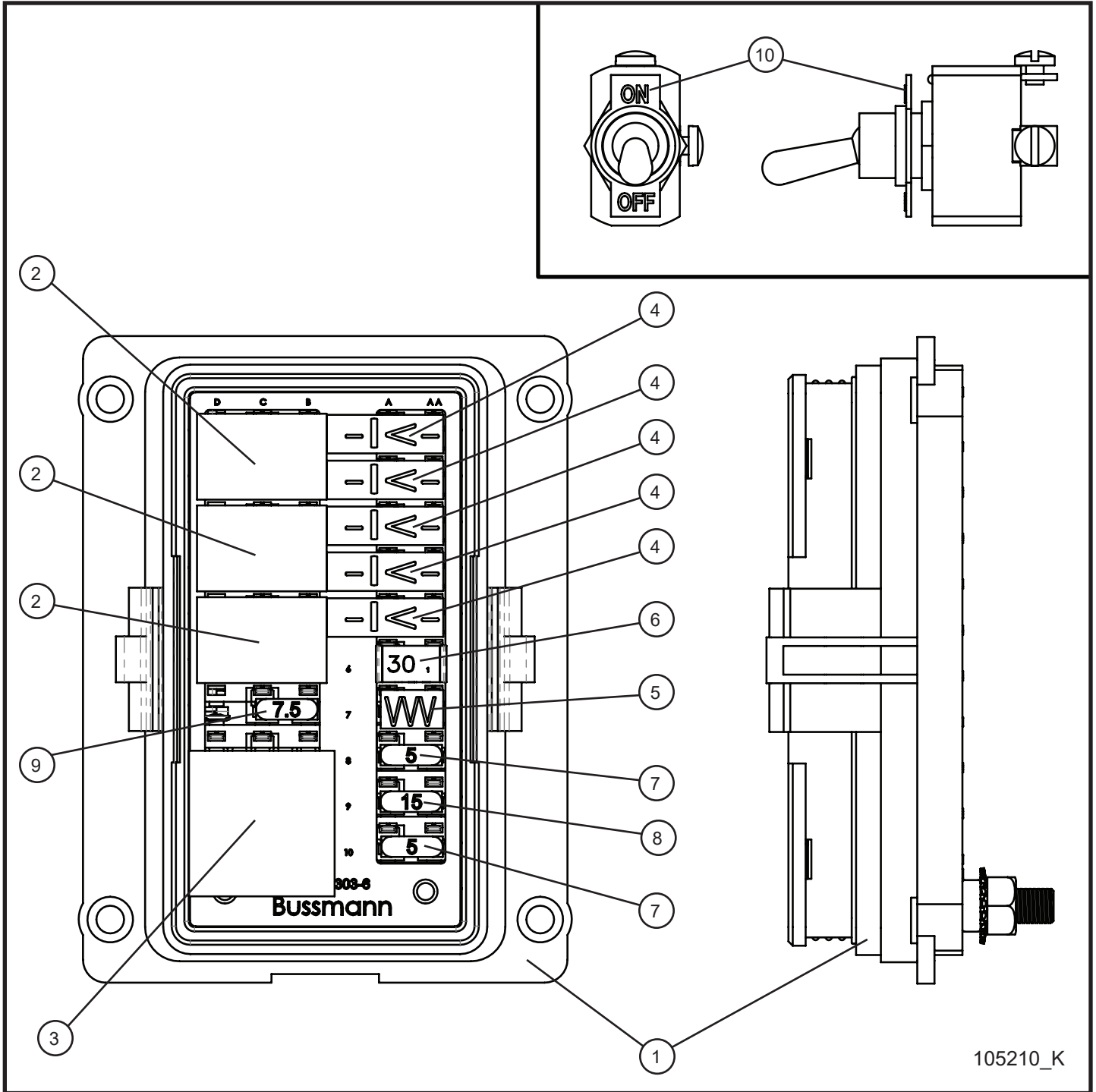


105986_D

6.28 - LSC Start Engine Control

Item	Part No.	Part Description	Qty.
1	105412P	PANEL ENGINE CONTROL	1
2	105969	DECAL ENGINE CONTROL PANEL	1
3	107404	LSC 2.1 MODULE	1
4	108053	SLS 1.1 MODULE	1
5	105188P	BRACKET BACK LSC	1
6	044019	#10-24 NYLOCK HEX NUT SS	2
7	041019	#10-32 x 3/8 PH-ROUND HEAD MS PL	4
8	041050	1/4-20 x 3/4 PH-TRUSS HEAD MS SS	2
9	044021	1/4-20 KEPS HEX NUT PL	2
10	041021	#10-24 x 1/2 PH-ROUND HEAD MS PL	2
11	047004	#8 FLAT WASHER SAE ZC	2
12	041200	#8-32 x 1/2 HEX WASHER HEAD INDT	2
13	041012	#8-32 x 1/2 MACHINE SCREW	2
14	044003	#8-32 NC KEPS NUT	2
15	043017	#10 INTL TOOTH LOCK WASHER	1
16	105846	ALARM 102 DB	1
17	108057	POWER FILAMENT 266 SERIES	1
18	103864	FUSE HOLDER INLINE BLADE	1
19	104990	FUSE BLADE 2 AMP ATO/ATC	1
20	113651	HARNESS LSC CONTROL PANEL	1
21	101067	SPST SWITCH	1
NS	113652	LSC SCHEMATIC	1
NS	108058	TRANSFORMER 117/6.3V SCHEMATIC	1
NS	106037	AUTOSTART ALARM WIRE HARNESS	1
NS	107851	SOFTWARE UPDATE KIT LSC 2.1 MAXI II	1

6.29 - LSC Harness Control Panel



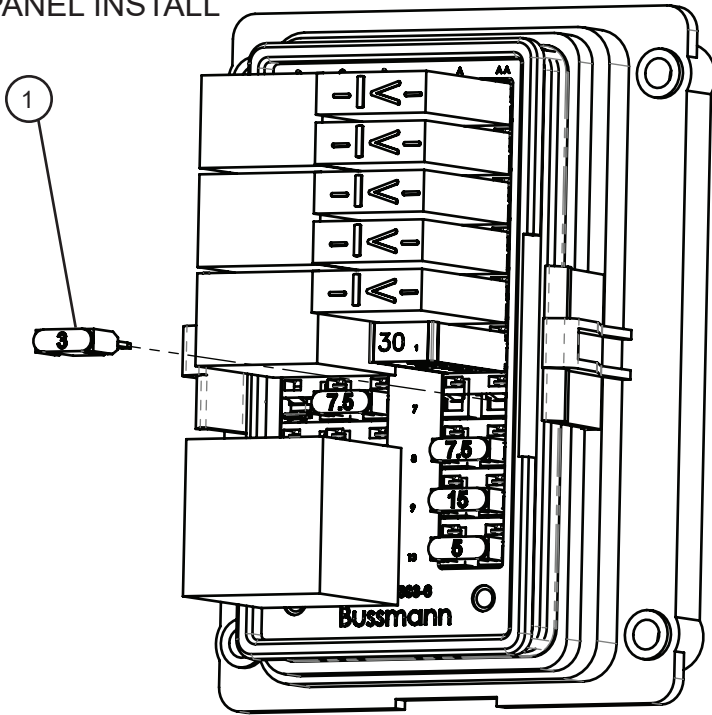
105210_K

6.29 - LSC Harness Control Panel

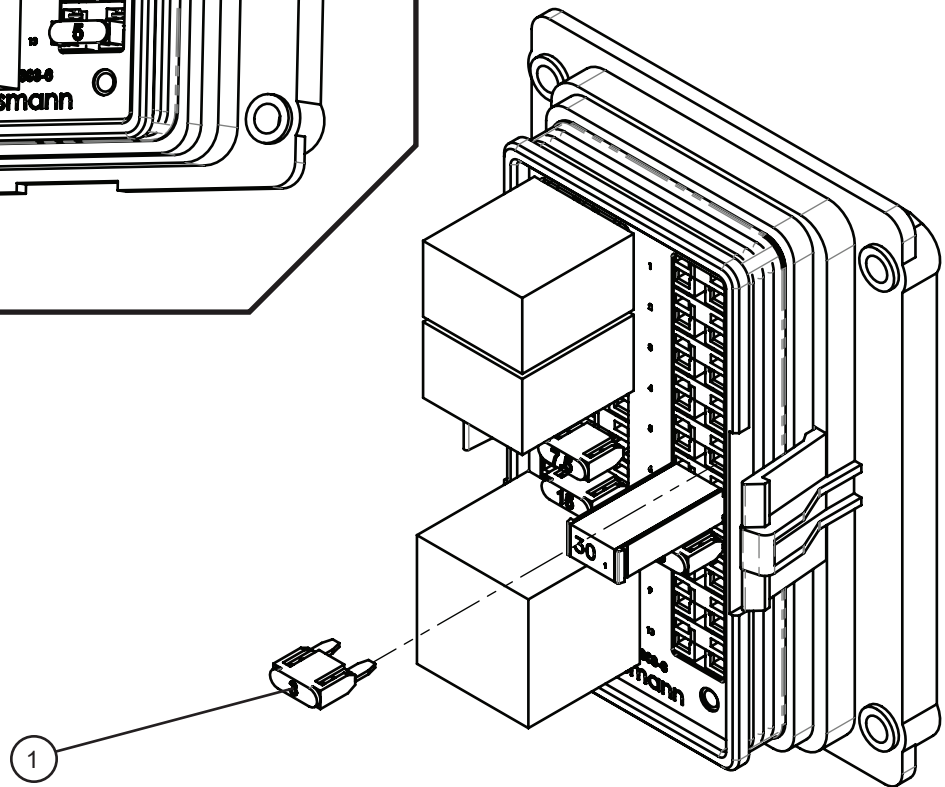
Item	Part No.	Part Description	Qty.
--	113651	HARNESS LSC CONTROL PANEL COMPLETE	1
1	105199	BUSSMANN 45 PIN BOARD MODULE	1
2	105201	35 AMP SPST RELAY	3
3	105202	50 AMP SPST RELAY	1
4	105203	BLOCKING DIODE KEYED	5
5	105204	RESISTOR 68OHM	1
6	105832	CIRCUIT BREAKER 30A	1
7	105843	5A MINI FUSE	2
8	105844	15A MINI FUSE	1
9	105876	7.5A MINI FUSE	1
10	101067	SPST SWITCH	1

6.30 - LSC/SLS Isuzu Fuse Addition

LSC HARNESS CONTROL
PANEL INSTALL



SLS HARNESS CONTROL
PANEL INSTALL

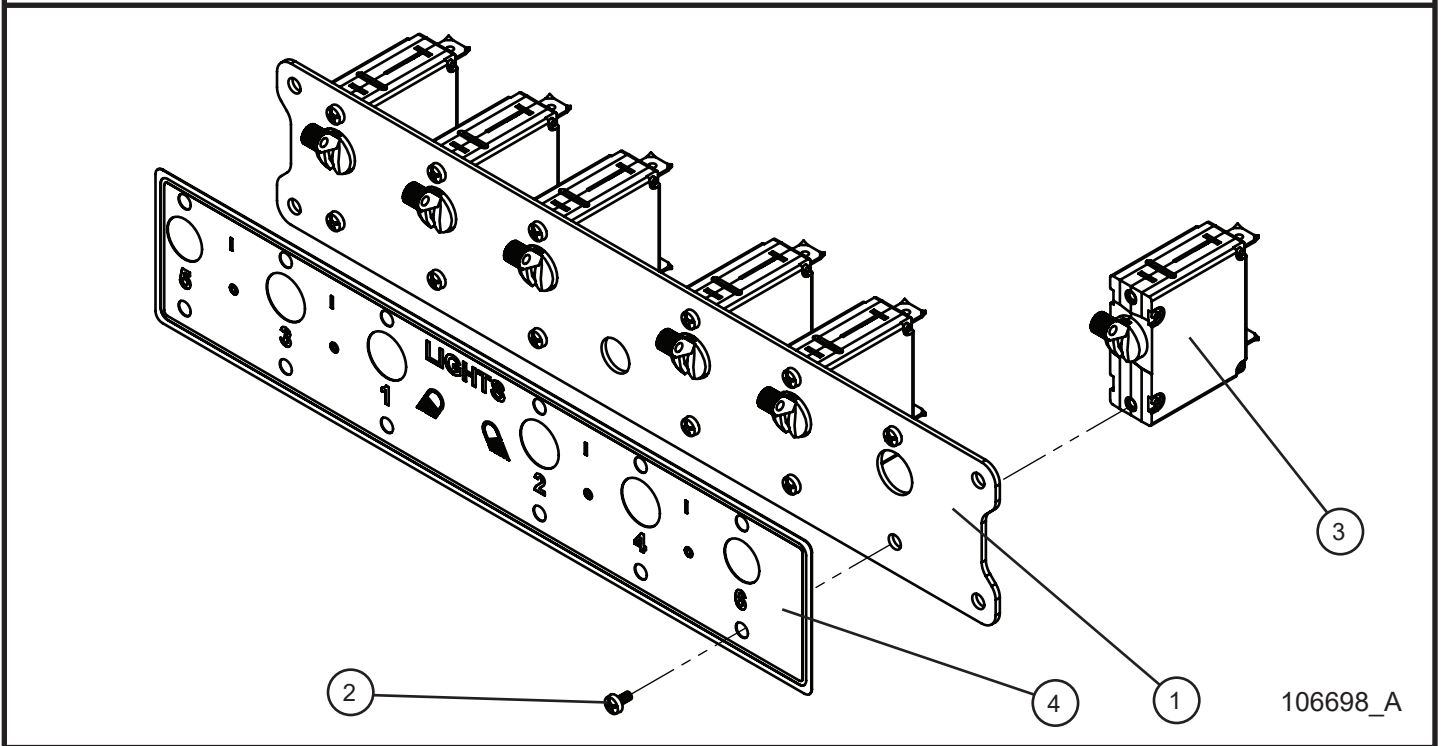
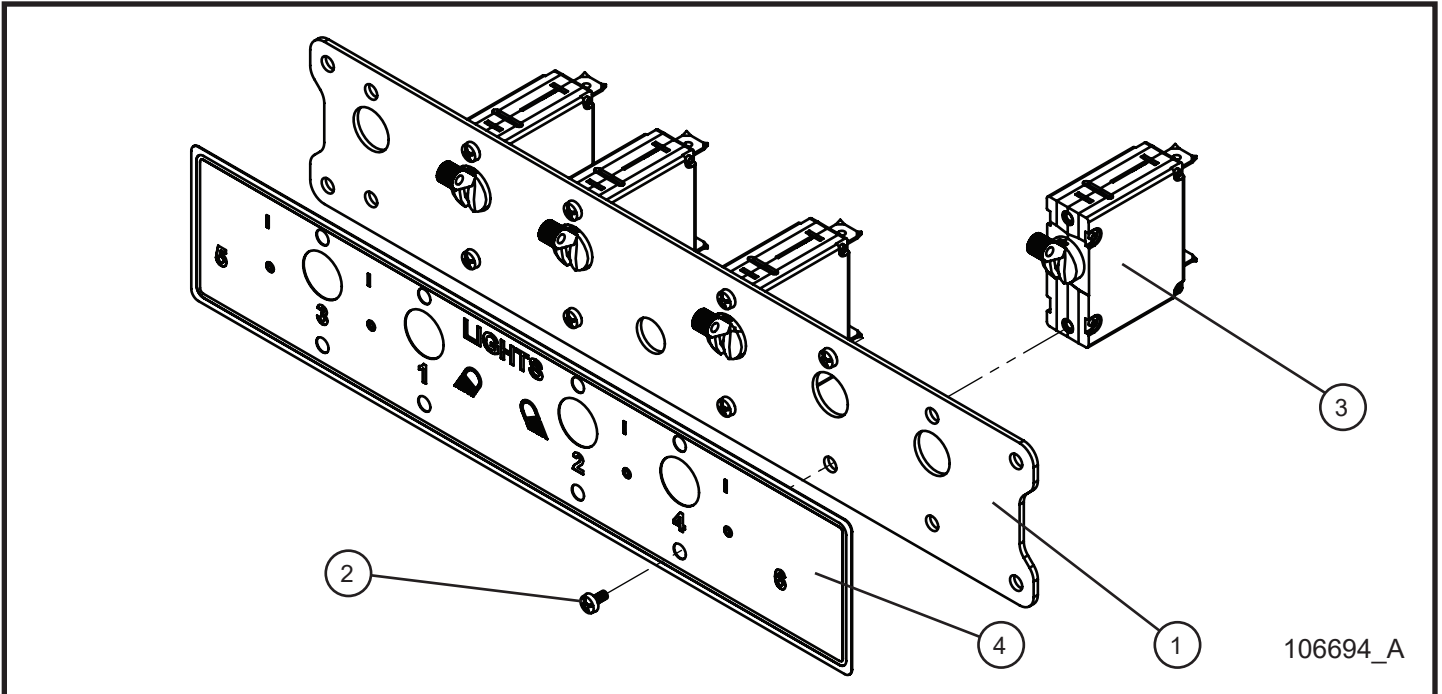


105210_K

6.30 - LSC/SLS Isuzu Fuse Addition

Item	Part No.	Part Description	Qty.
10	106083	3A MINI FUSE	1

6.31 - 4/6 Light Switch Panel UL489

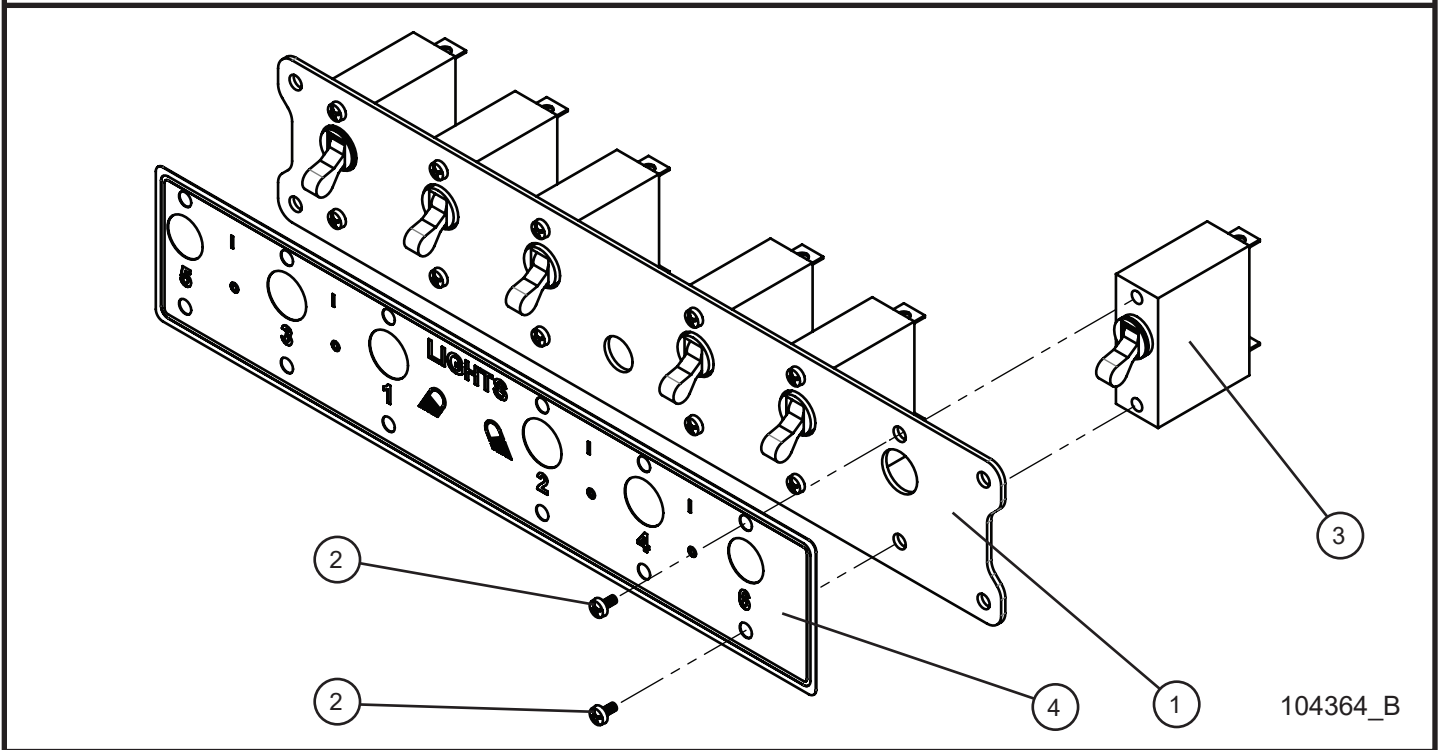
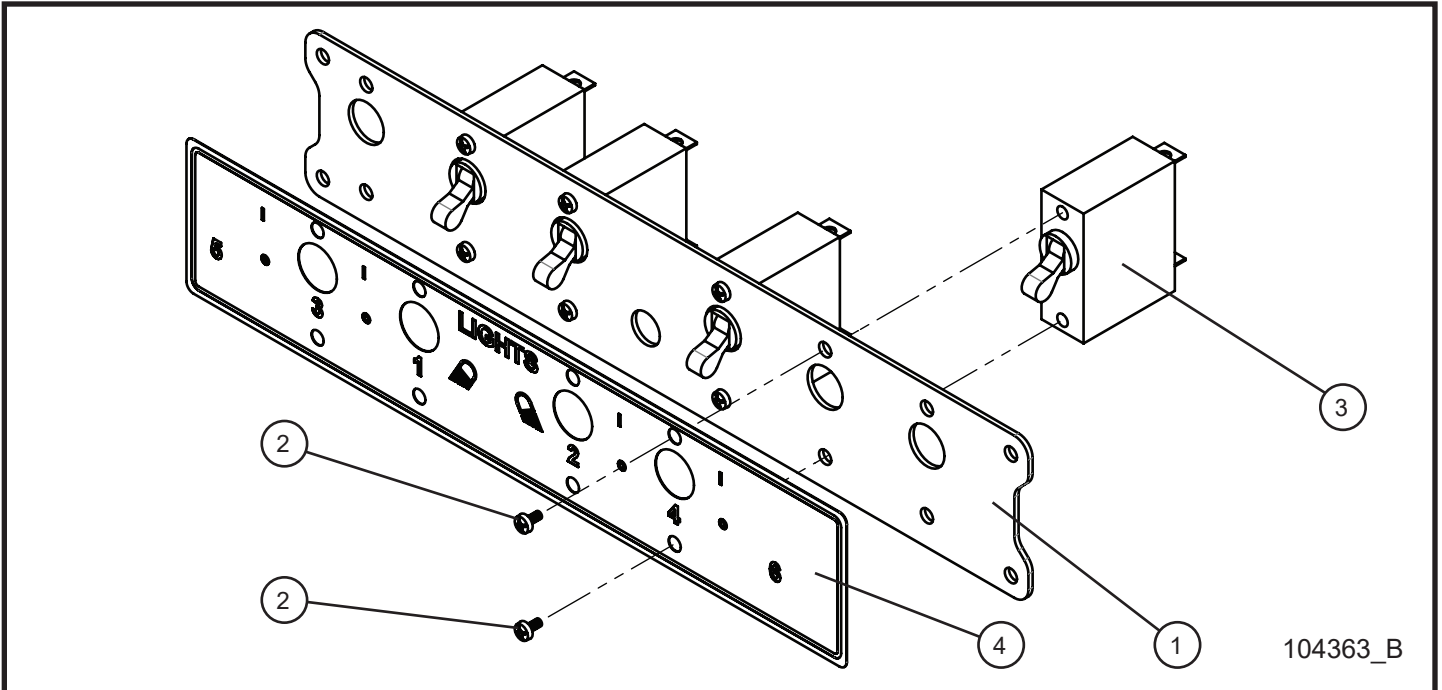


6.31 - 4/6 Light Switch Panel UL489

Item	Part No.	Part Description	Qty.
1	104314P	SWITCH PLATE LIGHT	1
2	041018	#6-32 x 1/4 PH-ROUND HEAD MS PL	8/12
3	106781	CIRCUIT BREAKER 15 AMP	4/6
4	104546	DECAL LIGHT SWITCHES ONE LIGHT PER SWITCH	1

*NOTE: QUANTITY OF PARTS FOR 6-LIGHT OPTION IS SHOWN IN PARENTHESIS IN THIS PARTS

6.32 - 4/6 Light Switch Panel

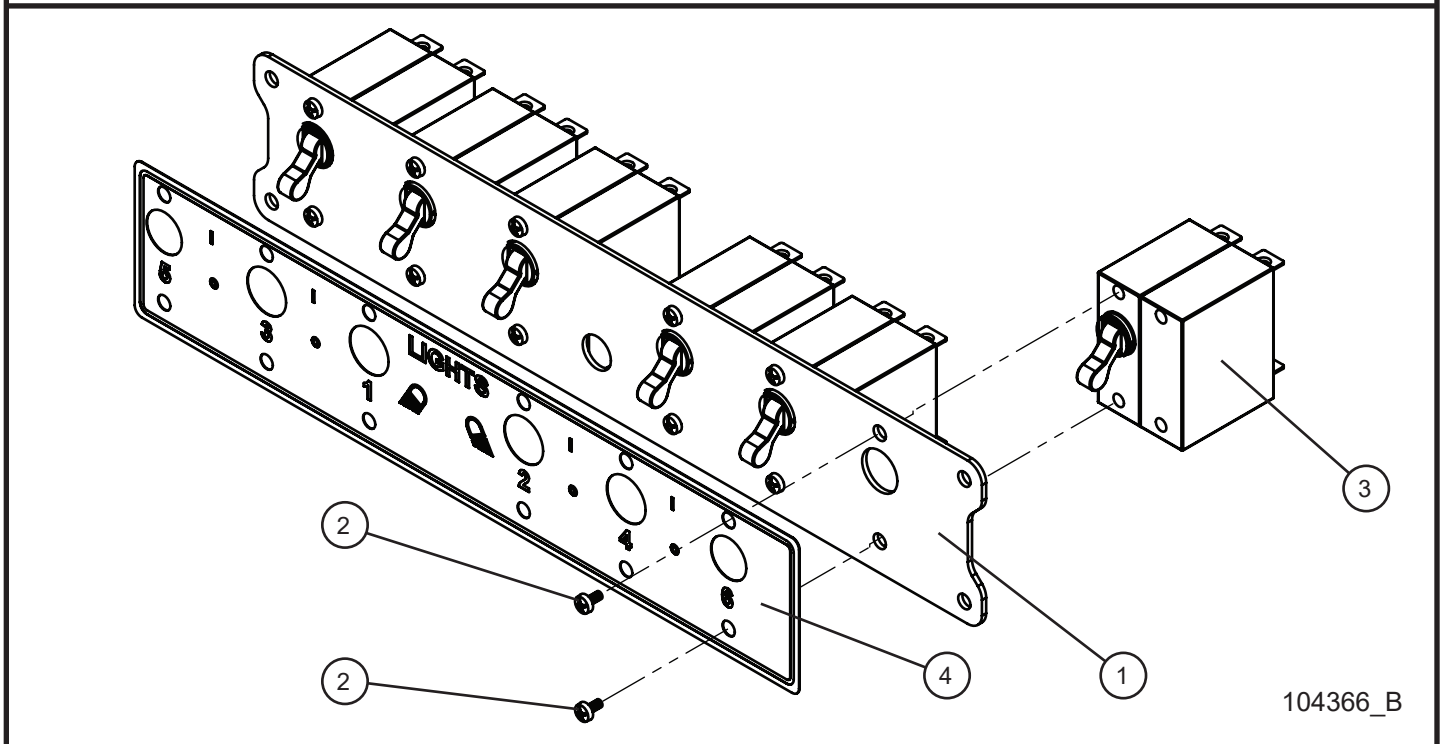
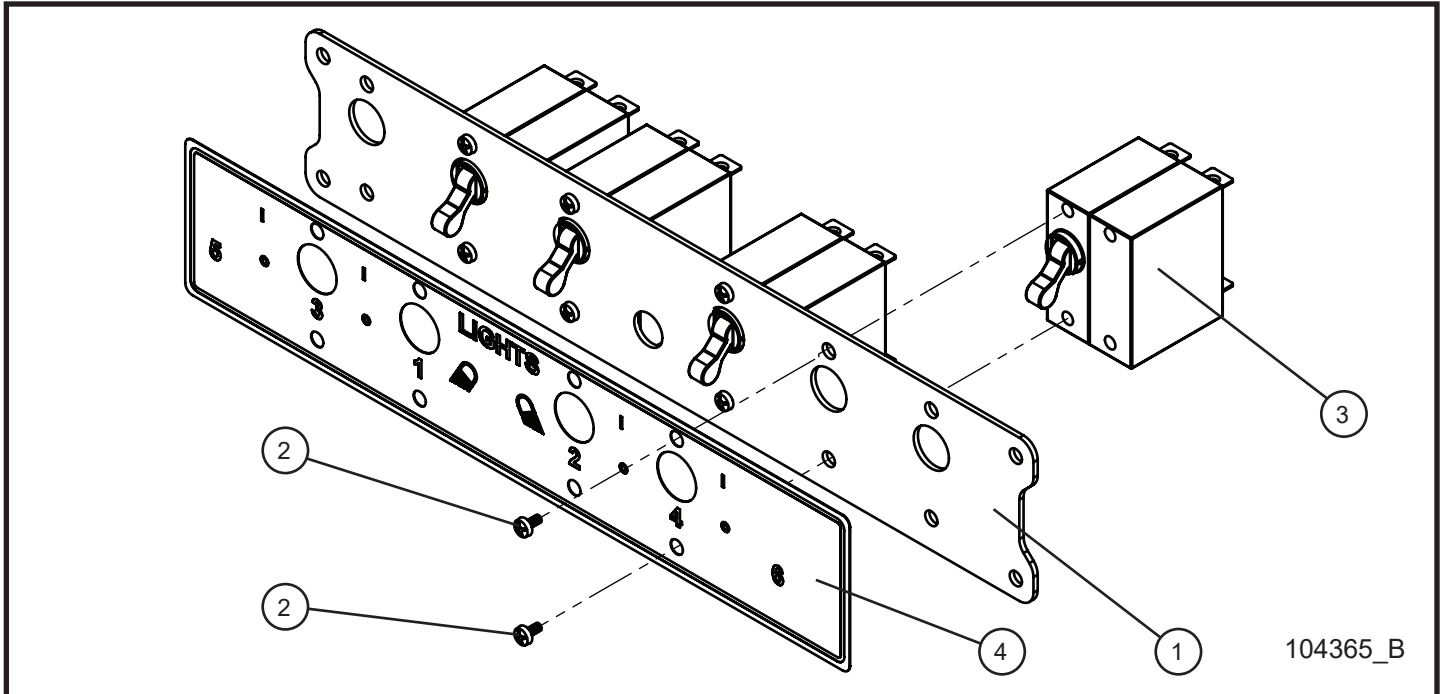


6.32 - 4/6 Light Switch Panel

Item	Part No.	Part Description	Qty.
1	104314P	SWITCH PLATE LIGHT	1
2	041018	#6-32 x 1/4 PH-ROUND HEAD MS PL	8(12)
3	330458	15A SPST BREAKER SWITCH	4(6)
4	104546	DECAL LIGHT SWITCHES ONE LIGHT PER SWITCH	1

*NOTE: QUANTITY OF PARTS FOR 6-LIGHT OPTION IS SHOWN IN PARENTHESIS IN THIS PARTS

6.33 - 4/6 Light 240V 3PH Switch Panel

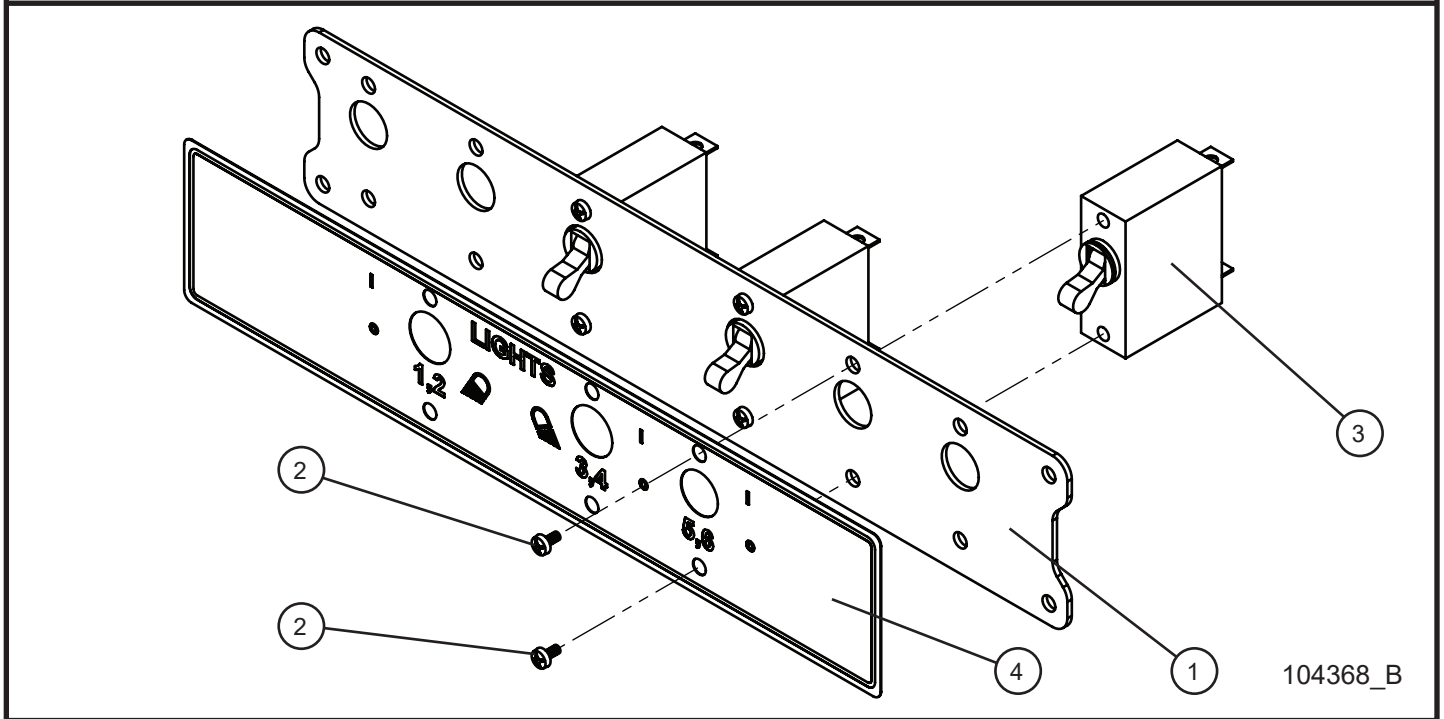
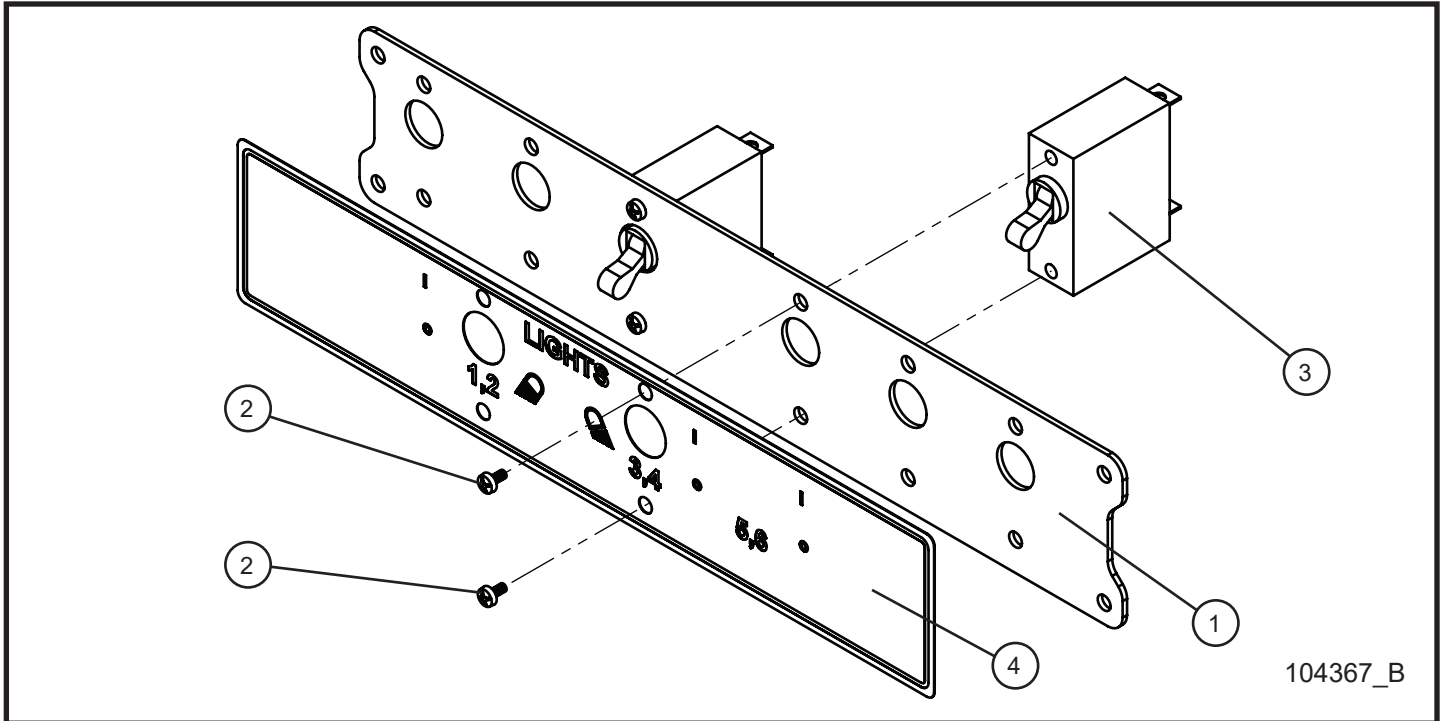


6.33 - 4/6 Light 240V 3PH Switch Panel

Item	Part No.	Part Description	Qty.
1	104314P	SWITCH PLATE LIGHT	1
2	041018	#6-32 x 1/4 PH-ROUND HEAD MS PL	8/12
3	330459	15A DPST CARLING SWITCH	4/6
4	104546	DECAL LIGHT SWITCHES ONE LIGHT PER SWITCH	1

*NOTE: QUANTITY OF PARTS FOR 6-LIGHT OPTION IS SHOWN IN PARENTHESIS IN THIS PARTS

6.34 - 4/6 Light Australian Switch Panel

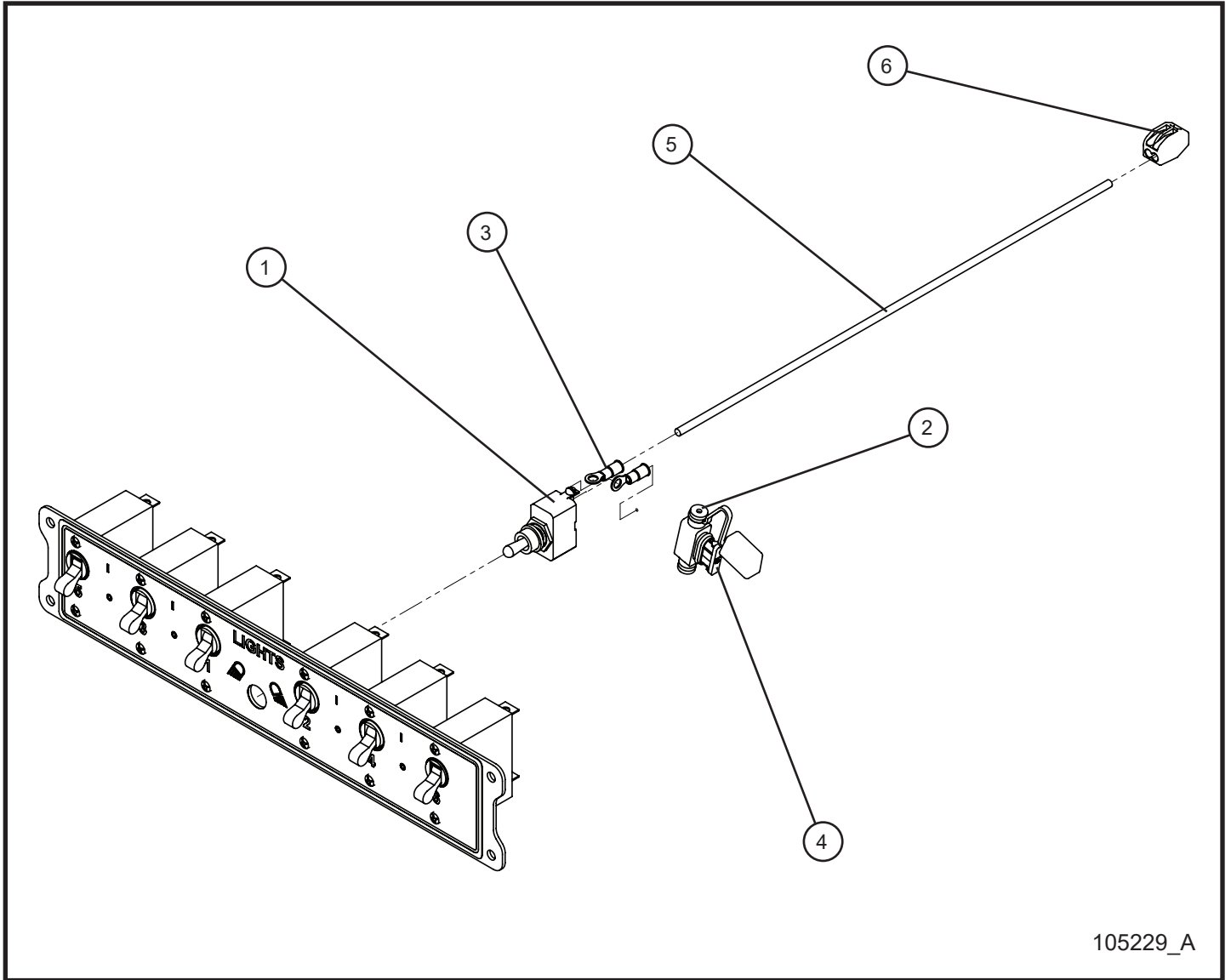


6.34 - 4/6 Light Australian Switch Panel

Item	Part No.	Part Description	Qty.
1	104314P	SWITCH PLATE LIGHT	1
2	041018	#6-32 x 1/4 PH-ROUND HEAD MS PL	4/6
3	650104	25A SPST BREAKER SWITCH	2/3
4	104546	DECAL LIGHT SWITCHES ONE LIGHT PER SWITCH	1

*NOTE: QUANTITY OF PARTS FOR 6-LIGHT OPTION IS SHOWN IN PARENTHESIS IN THIS PARTS

6.35 - Quartz Light Toggle Switch

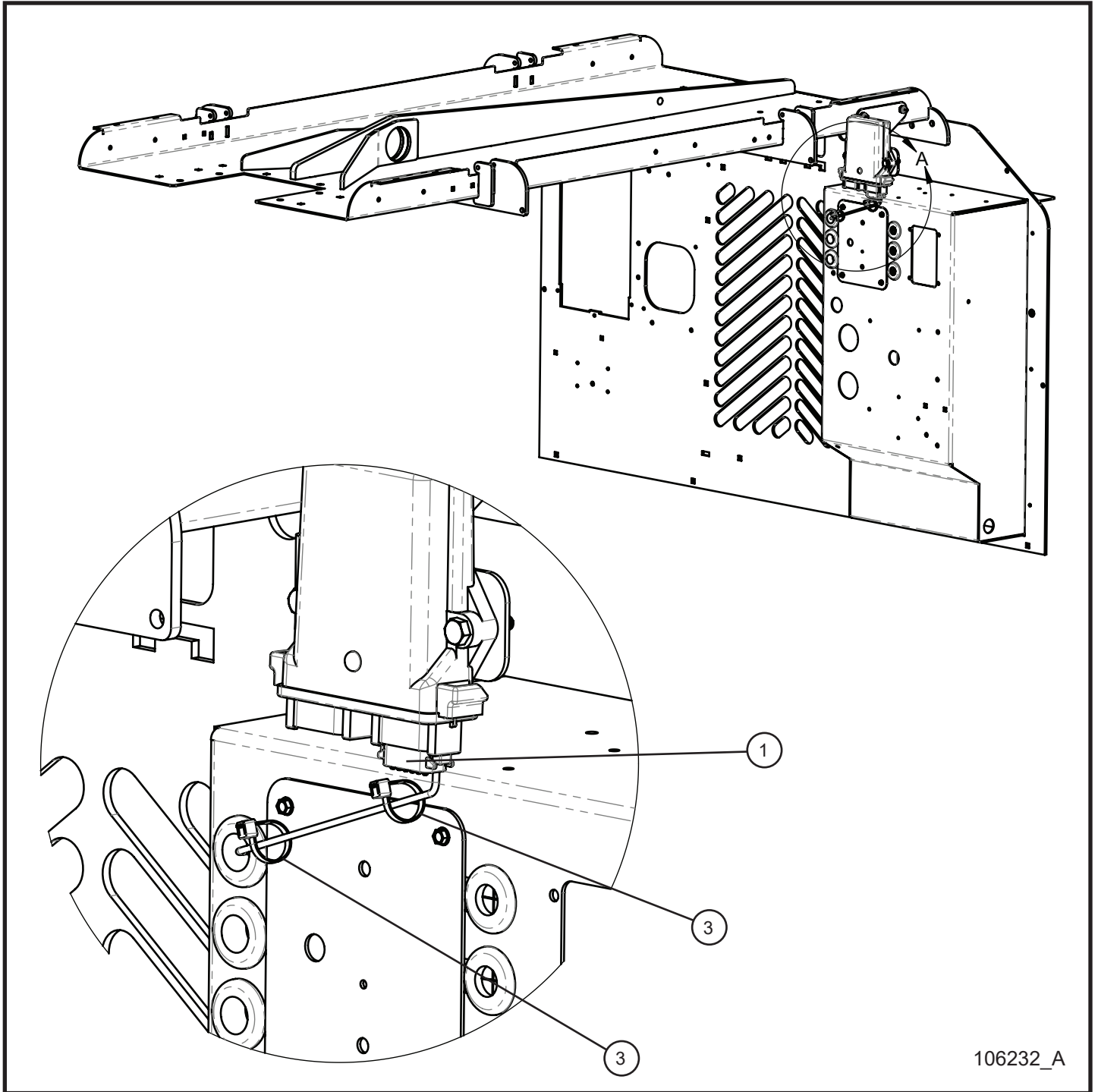


105229_A

6.35 - Quartz Light Toggle Switch

Item	Part No.	Part Description	Qty.
1	340009	SWITCH 15A 125V	1
2	103864	FUSE HOLDER INLINE BLADE	1
3	022413	TERM #6 EYE 10-12 AWG	2
4	103865	FUSE 10AMP BLADE	1
5	020155	12 AWG BROWN x 20.0	1
6	102624	2 WIRE LEVER LOCK	1

6.36 - 50Hz Electric Governor CAT C1.5 Turbo

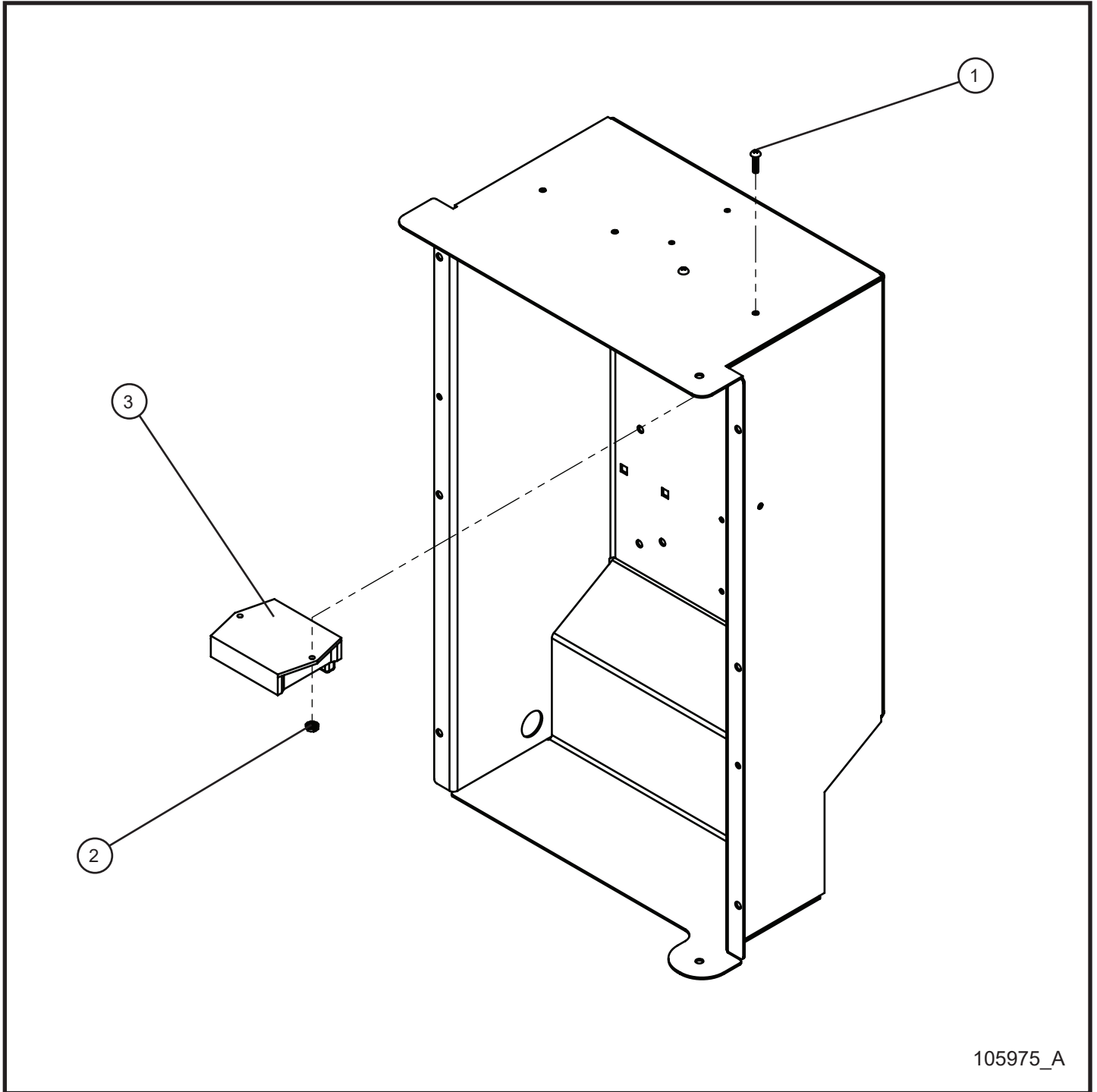


106232_A

6.36 - 50Hz Electric Governor CAT C1.5 Turbo

Item	Part No.	Part Description	Qty.
1	106243	ELECTRIC GOVERNOR 50Hz C1.5T	1
2	105746	ELECTRIC GOVERNOR HARNESS 50Hz C1.5T SCHEMATIC	1
3	068090	CABLE TIE 8"	2

6.37 - 50Hz Electric Governor Isuzu 4LE1

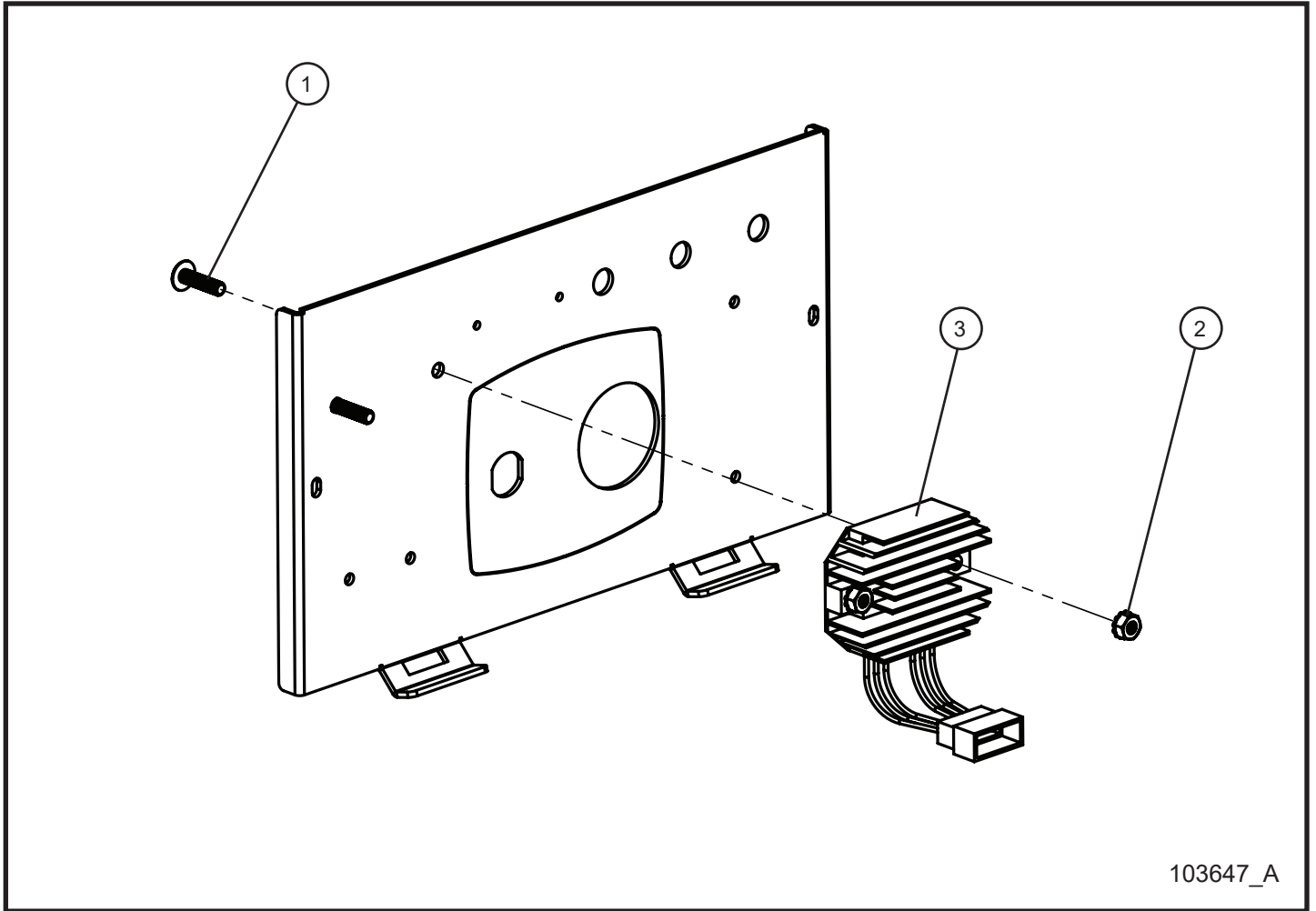


105975_A

6.37 - 50Hz Electric Governor Isuzu 4LE1

Item	Part No.	Part Description	Qty.
1	041027	#10-24 x 3/4 PH-ROUND HEAD MS	2
2	044016	#10-24 KEPS HEX NUT PL	2
3	N/A	ISUZU ELECTRONIC GOVERNOR	1
4	105885	SCHEMATIC ISUZU ELECTRIC GOVERNOR	1
5	105877	ELECTRIC GOVERNOR HARNESS ISUZU	1

6.38 - CAT Engine Voltage Regulator

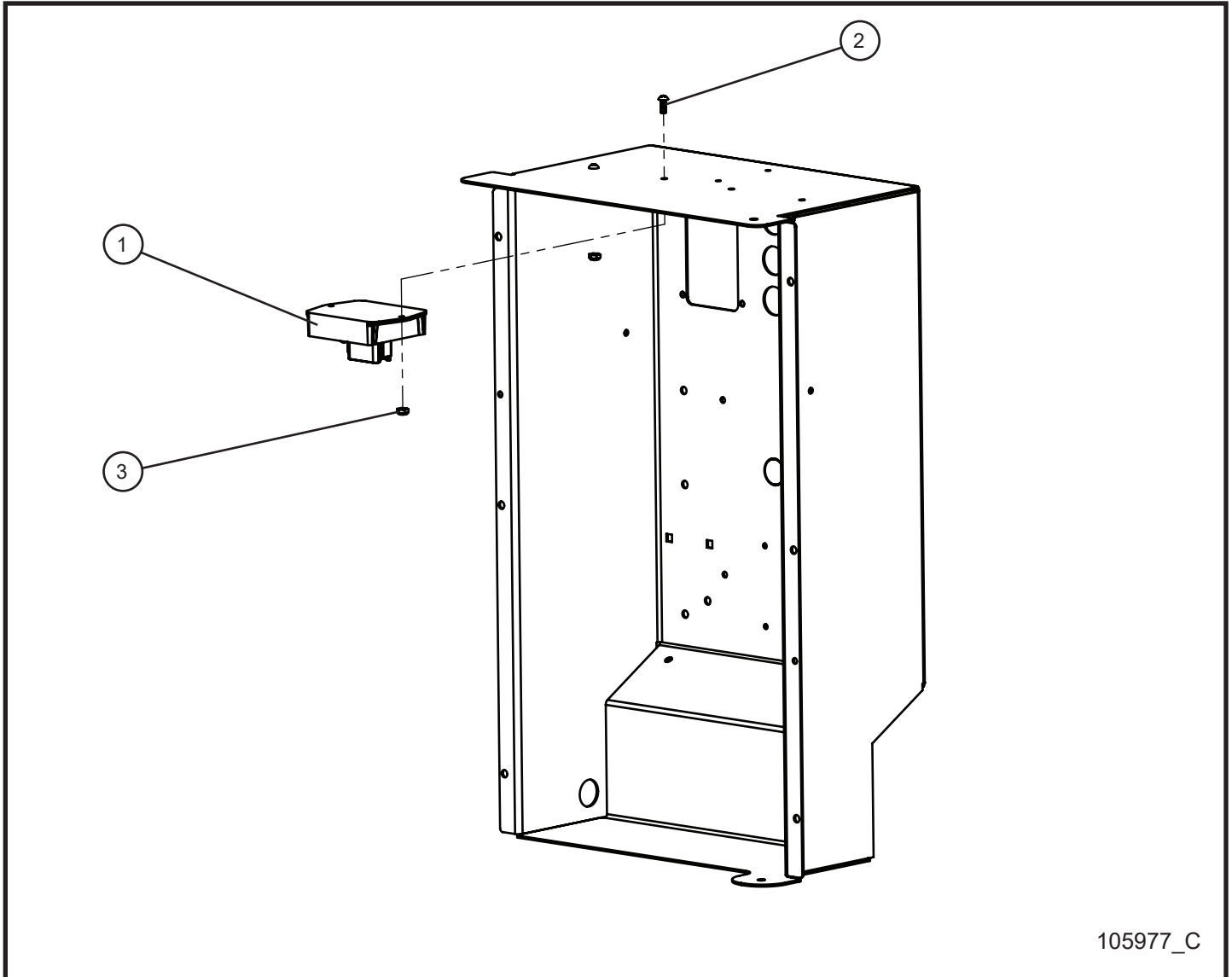


103647_A

6.38 - CAT Engine Voltage Regulator

Item	Part No.	Part Description	Qty.
1	041080	1/4-20 x PH-TRUSS HEAD MS SS	2
2	044021	1/4-20 KEPS HEX NUT PL	2
3	650446	VOLTAGE REGULATOR	1
NS	105988	CAT ENGINE VR HARNESS	1
NS	105899	CAT VOLTAGE REGULATOR SCHEMATIC	1

6.39 - Low Level Fuel Module

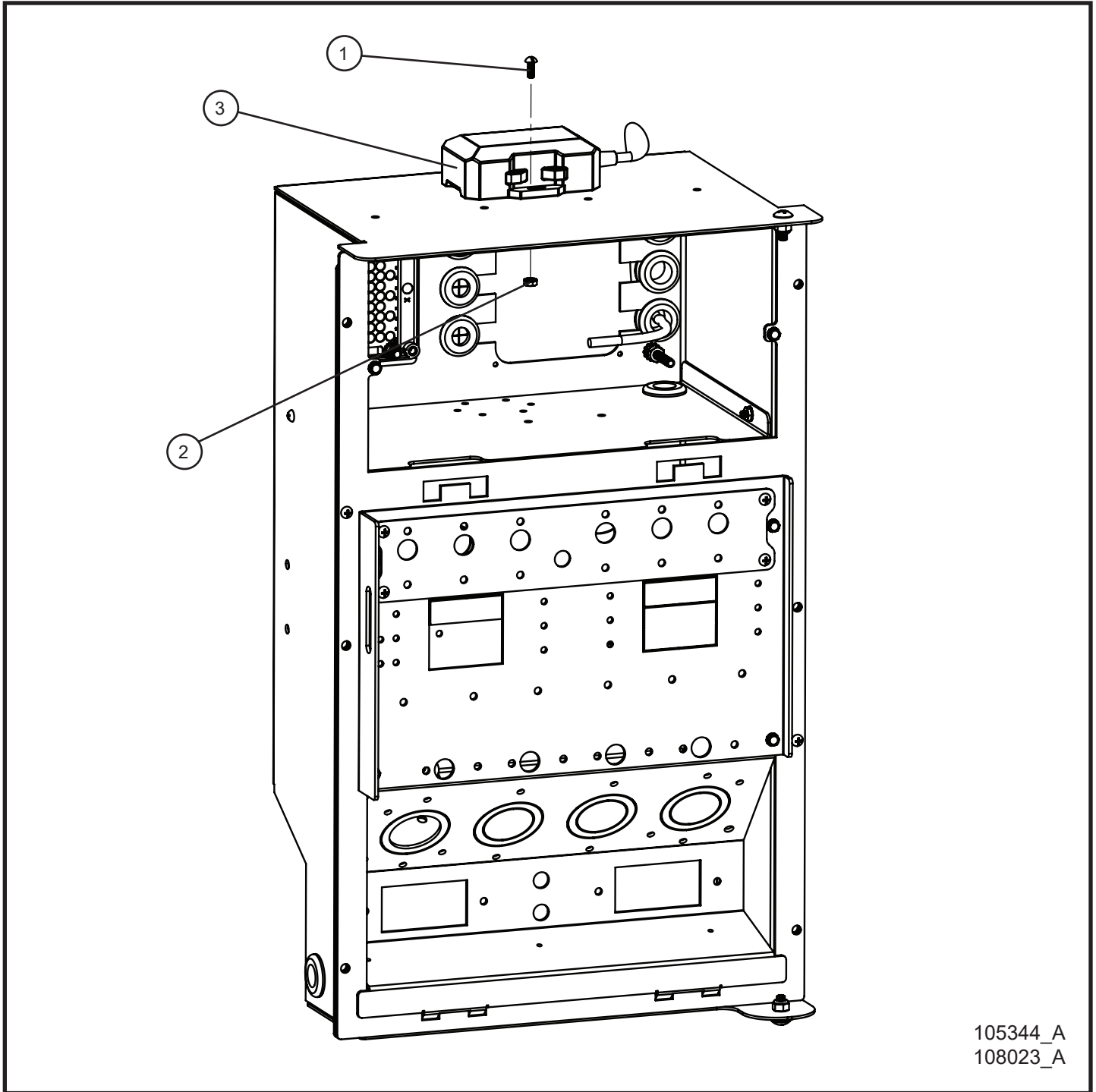


105977_C

6.39 - Low Level Fuel Module

Item	Part No.	Part Description	Qty.
1	105856	SLS MODULE WITH 5V POWER SUPPLY	1
2	041021	#10-24 x 1/2 PH-ROUND HEAD MS PL	2
3	044018	#10-24 NYLOCK HEX NUT PL	2
NS	105901	LOW FUEL SHUTDOWN WIRE SCHEMATIC	1
NS	105900	WIRE HARNESS LOW FUEL MODULE	1

6.40 - GPS Module Options

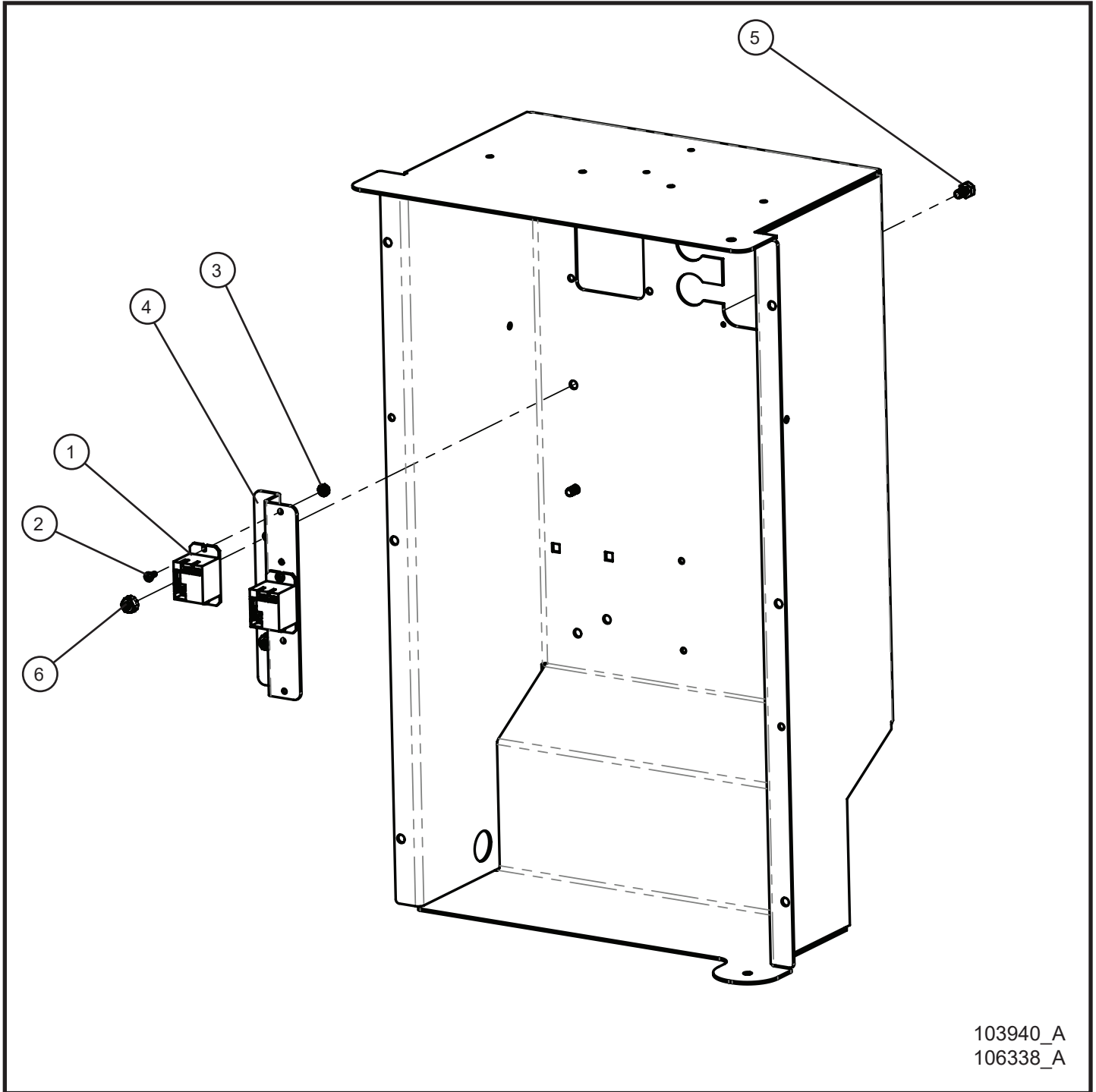


105344_A
108023_A

6.40 - GPS Module Options

Item	Part No.	Part Description	Qty.
1	041013	#8-32 x 1/2 SLOTTED-ROUND MEAD MS PL	2
2	044003	#8-32 NC KEPS NUT	2
3	108037	LHP TELEMATICS GPS MODULE	1
	105650	ZTR GPS MODULE	1
4	108056	SCHEMATIC GPS LHP TELEMATICS W/ SLS	1
5	105345	SCHEMATIC GPS ZTR SYSTEM W/ SLS	1

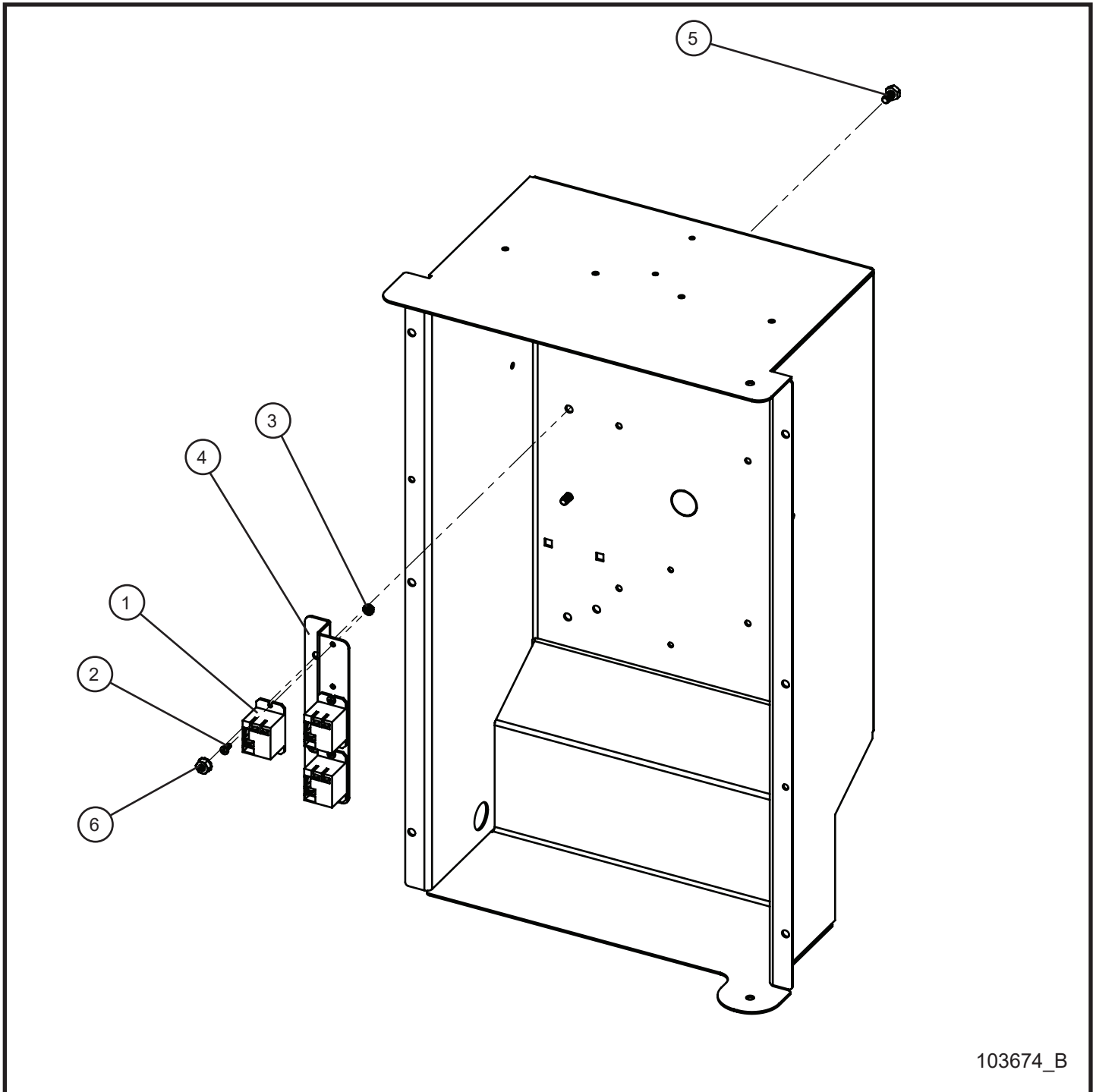
6.41 - 4/6-Light Zettler Relays



6.41 - 4/6-Light Zettler Relays

Item	Part No.	Part Description	Qty.
1	104957	RELAY 120V 30AMP 12-28 VDC CONTROL	2
2	041017	#6-32 x 3/8 PH-PAN HEAD MS PL	4
3	044004	#6-32 KEPS HEX NUT PL	4
4	105979P	RELAY BRACKET CONTROL BOX	1
5	046005	1/4-20 x 1/2 HEX HEAD CS GR5 PL	2
6	044021	1/4-20 KEPS HEX NUT PL	2
7	106082	WIRE HARNESS 4 LIGHT 2 RELAY MAXI II (NOT SHOWN)	1
8	105892	WIRING SCHEMATIC 4 LIGHT 2 RELAY MAXI II (NOT SHOWN)	1
9	106339	WIRE HARNESS 6 LIGHT 2 RELAY MAXI II (NOT SHOWN)	1
10	106340	WIRING SCHEMATIC 6 LIGHT 2 RELAY MAXI II (NOT SHOWN)	1

6.42 - 6-Light Zettler Relays

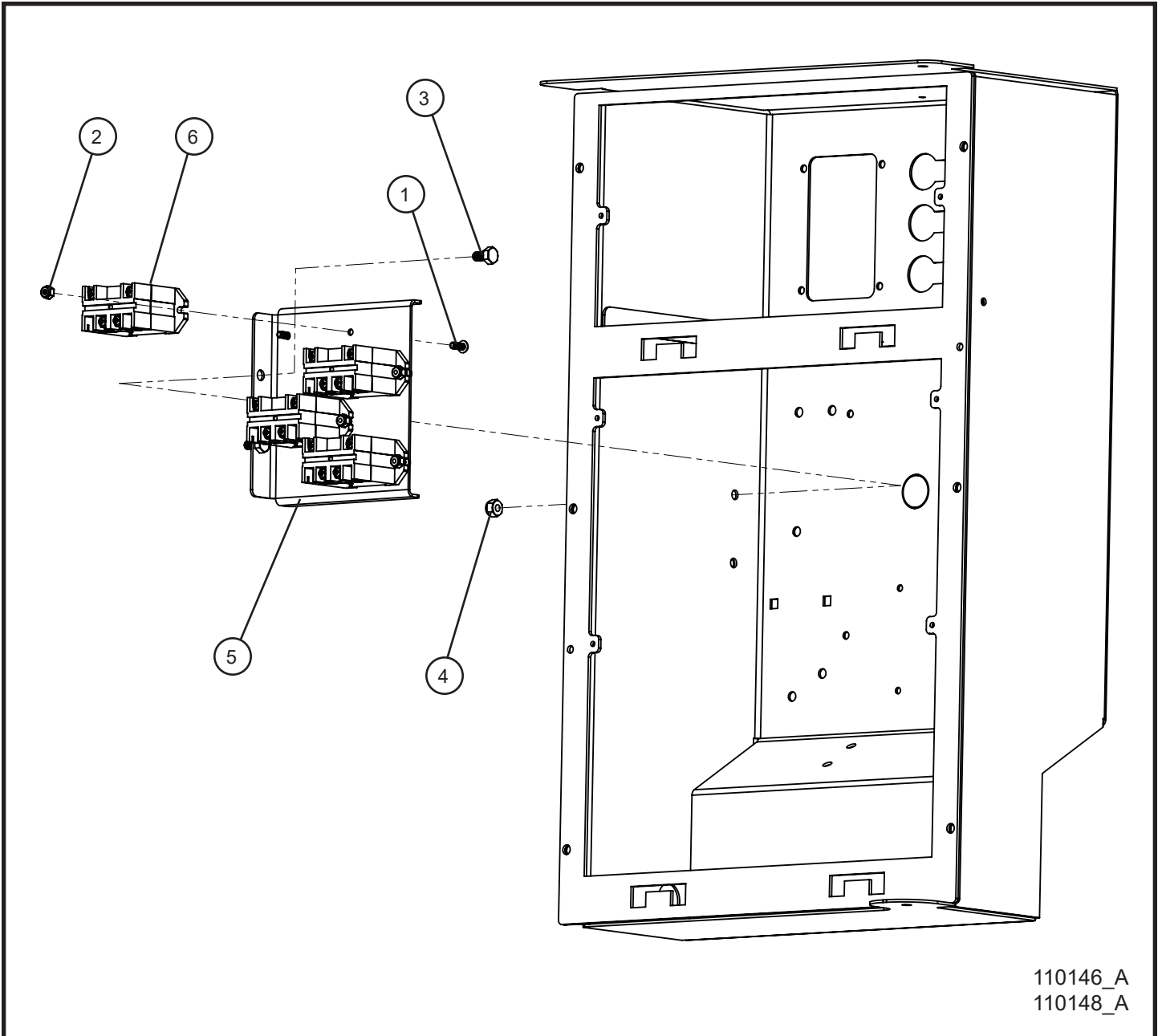


103674_B

6.42 - 6-Light Zettler Relays

Item	Part No.	Part Description	Qty.
1	104957	RELAY 120V 30AMP 12-28 VDC CONTROL	3
2	041017	#6-32 x 3/8 PH-PAN HEAD MS PL	6
3	044004	#6-32 KEPS HEX NUT PL	6
4	105979P	RELAY BRACKET CONTROL BOX	1
5	046005	1/4-20 x 1/2 HEX HEAD CS GR5 PL	2
6	044021	1/4-20 KEPS HEX NUT PL	2
7	106084	WIRE HARNESS 6 LIGHT 3 RELAY MAXI II (NOT SHOWN)	1
8	105891	WIRING SCHEMATIC 6 LIGHT 3 RELAY MAXI II (NOT SHOWN)	1

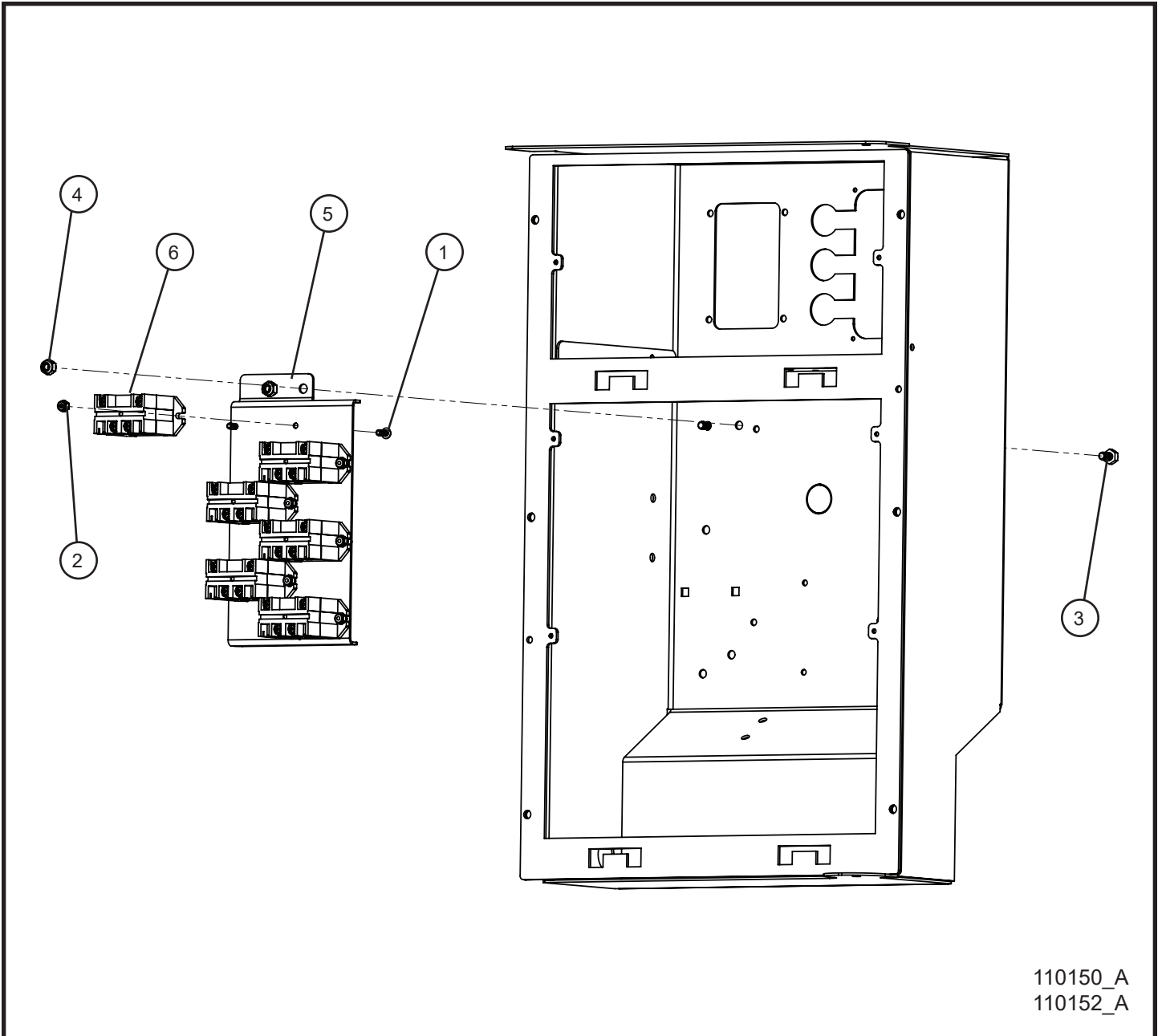
6.43 - 4-Light 725 Relays



6.43 - 4-Light 725 Relays

Item	Part No.	Part Description	Qty.
1	041012	SCREW MS #8-32 x 1/2 PL	8
2	044013	#8-32 NYLOCK HEX NUT SS	8
3	046005	1/4-20 x 1/2 HEX HEAD MS PL	2
4	044023	1/4-20 NYLOCK HEX NUT PL	2
5	109035P	BRACKET 725 RELAY	1
6	109025	RELAY 277VAC 30AMP 12VDC COIL SPST	4
NS	112698	4 LIGHT 725 RELAYS WIRE HARNESS	1
NS	113425	SCHEMATIC 4 LIGHTS 4 RELAYS 1PH MAXI II	1
NS	113426	SCHEMATIC 4 LIGHTS 4 RELAYS 3PH MAXI II	1

6.44 - 6-Light 725 Relays

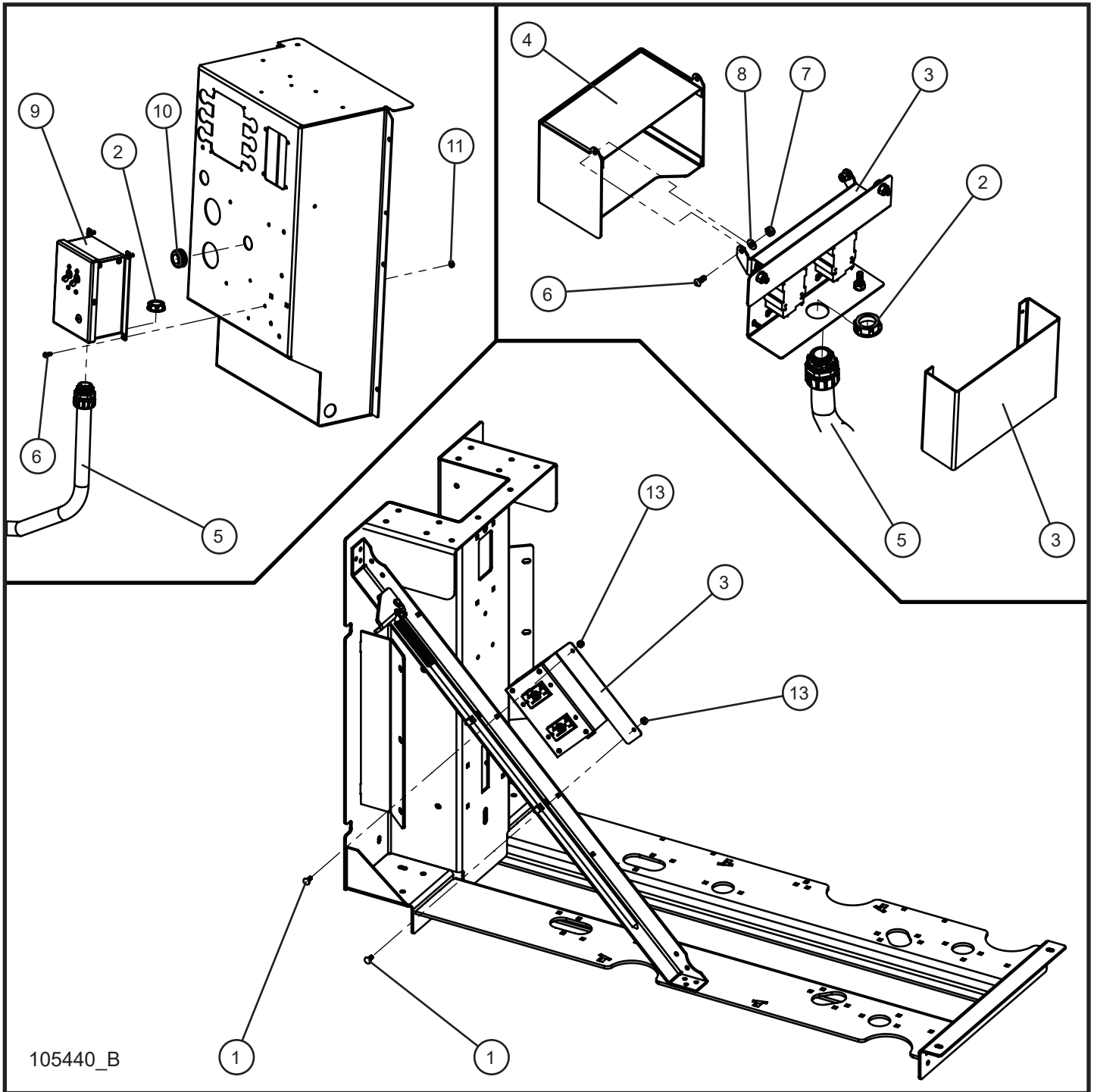


110150_A
110152_A

6.44 - 6-Light 725 Relays

Item	Part No.	Part Description	Qty.
1	041012	SCREW MS #8-32 x 1/2 PL	12
2	044013	#8-32 NYLOCK HEX NUT SS	12
3	046005	1/4-20 x 1/2 HEX HEAD MS PL	2
4	044023	1/4-20 NYLOCK HEX NUT PL	2
5	109036P	BRACKET 725 RELAY	1
6	109025	RELAY 277VAC 30AMP 12VDC COIL SPST	6
NS	112630	725 RELAYS DC HARNESS	1
NS	113427	SCHEMATIC 6 LIGHTS 6 RELAYS 1PH MAXI II	1
NS	113428	SCHEMATIC 6 LIGHTS 6 RELAYS 3PH MAXI II	1

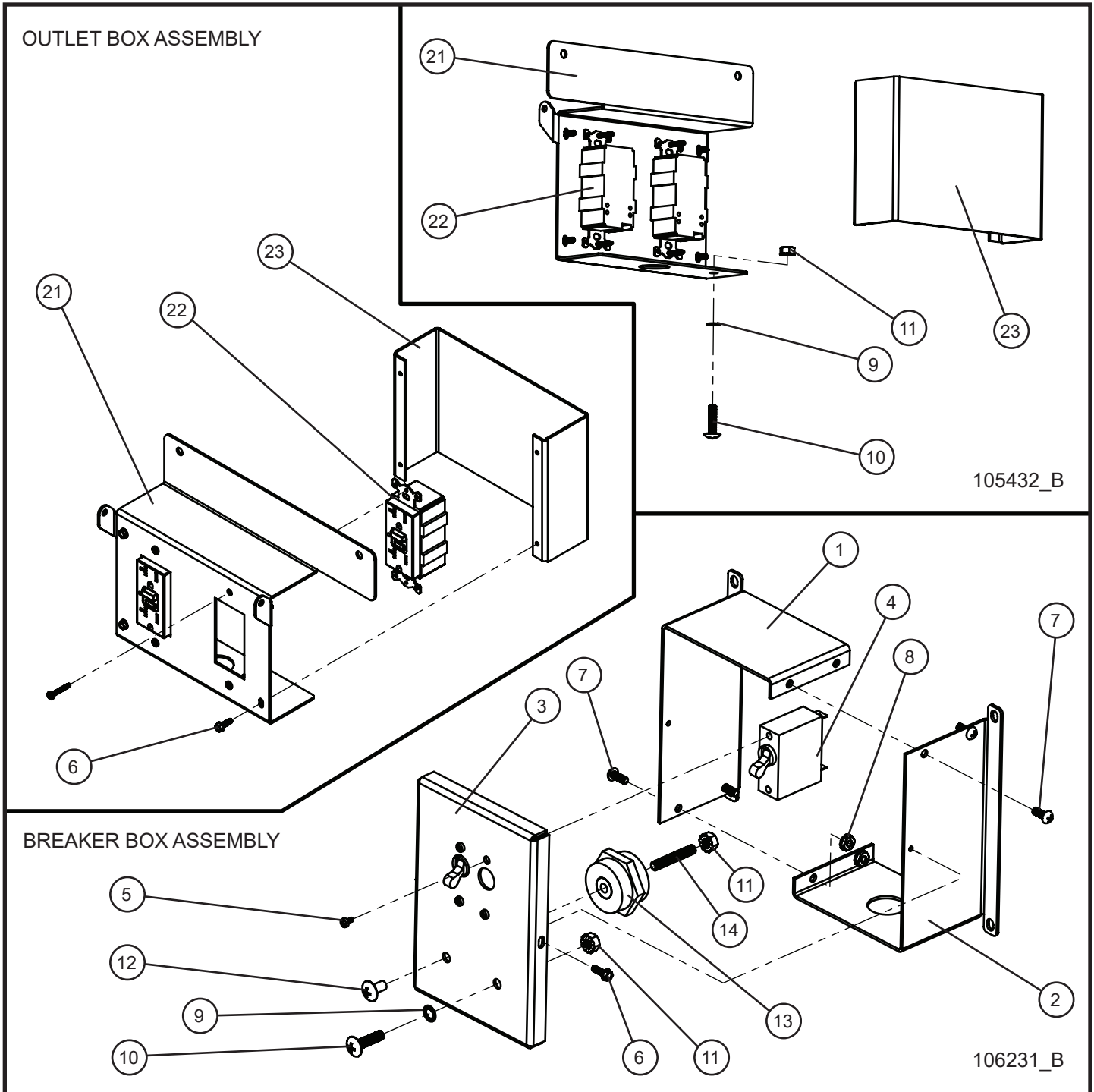
7.1 - Internal GFCI Outlet Group (1 of 2)



7.1 - Internal GFCI Outlet Group (1 of 2)

Item	Part No.	Part Description	Qty.
1	053006	1/4-20 x 3/4 CARRIAGE BOLT	2
2	022175	3/4 INSULATING BUSHING	2
3	105432	INTERNAL GFCI OUTLET BOX	1
4	105436P	INTERNAL GFCI OUTLET BOX DOOR	1
5	105441	INTERNAL GFCI OUTLET WIRE HARNESS	1
6	041021	#10-24 x 1/2 PH-ROUND HEAD MS PL	6
7	044019	#10-24 NYLOCK HEX NUT SS	2
8	047003	#10 FLAT WASHER SAE SS	2
9	106231	INTERNAL GFCI OUTLET BREAKER BOX	1
10	330463	11/16 RUBBER GROMMET	1
11	044016	#10-24 KEPS HEX NUT PL	4
12	106086	INTERNAL GFCI OUTLET SCHEMATIC	1
13	044021	1/4-20 KEPS HEX NUT PL	2

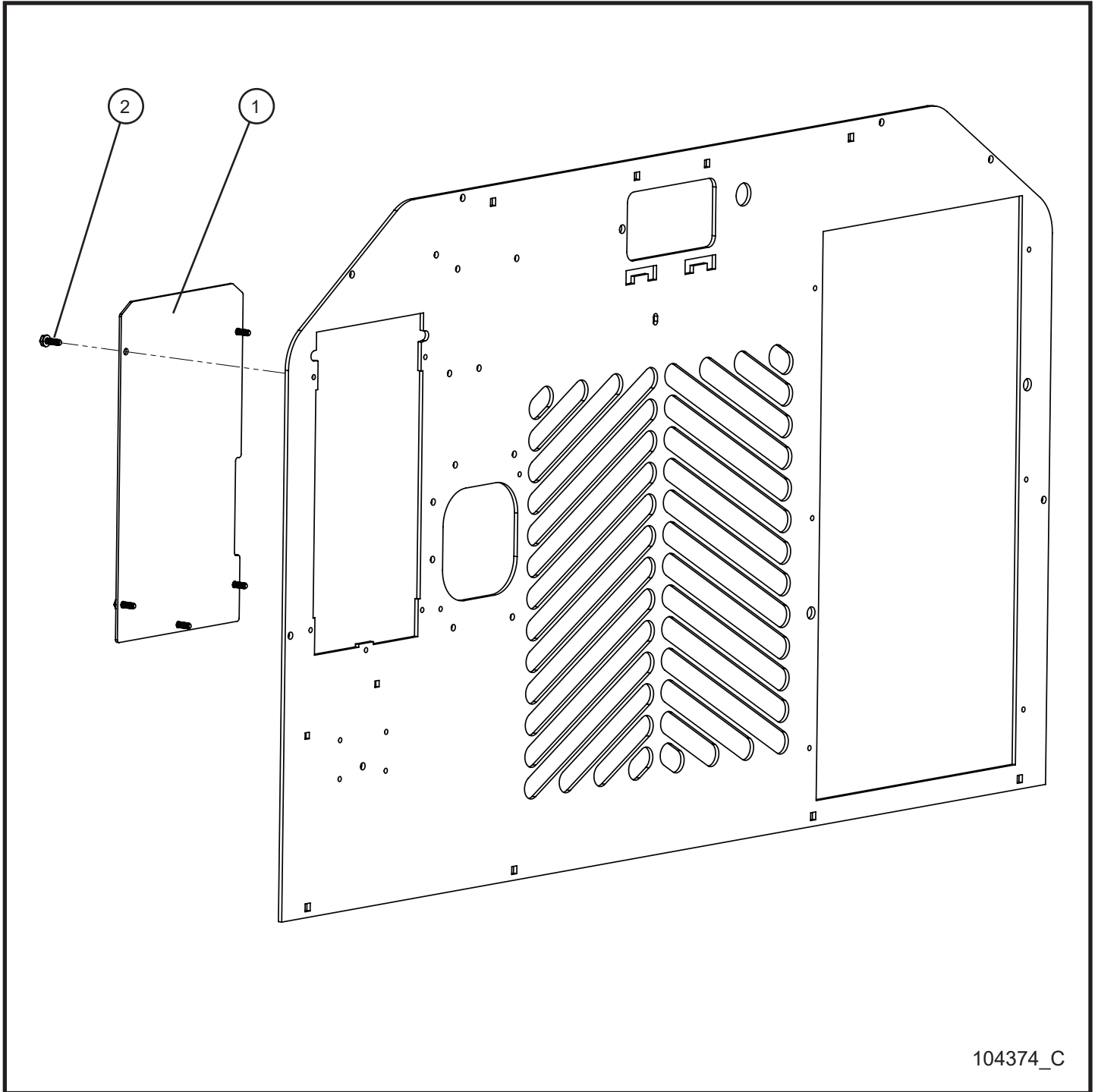
7.1 - Internal GFCI Outlet Group (2 of 2)



7.1 - Internal GFCI Outlet Group (2 of 2)

Item	Part No.	Part Description	Qty.
1	106241P	TOP COVER BREAKER BOX	1
2	106242P	BOTTOM BREAKER BOX	1
3	106240P	FACE PLATE BREAKER BOX	1
4	330453	20A SPST BREAKER SWITCH	2
5	041018	#6-32 x 1/4 PH-ROUND HEAD MS PL	4
6	041029	#8-32 x 1/2 HEX WASHER HEAD SCREW	6
7	041024	#10-24 x 1/2 PH-ROUND HEAD MS SS	4
8	044016	#10-24 KEPS HEX NUT PL	4
9	043050	1/4 INT'L TOOTH LOCK WASHER	2
10	041080	1/4-20 x 1 PH-TRUSS HEAD MS SS	2
11	044021	1/4-20 KEPS HEX NUT PL	3
12	041078	1/4-20 x 1/2 PH-TRUSS HEAD MS SS	1
13	106318	LOW VOLTAGE INSULATOR 1-1/4", 1/4-20	1
14	045003	1/4-20 x 1 1/2 STUD PL	1
15	020140	WIRE 12 AWG BLACK x 36.00	1
16	020130	WIRE 12 AWG RED x 36.00	1
17	020135	WIRE 12 AWG GREEN x 36.00	1
18	022323	TERM RING 10-12 AWG #8	2
19	022095-35	TERM 1/4 EYE 10-12 AWG	2
20	106086	SCHEMATIC RECEPTACLE MOUNT	1
21	105433P	FACE GFCI OUTLET BOX	1
22	330499	20A GFCI RECEPTACLE	2
23	105435P	REAR COVER OUTLET BOX	1

7.2 - Rear Cover No Auxiliary Outlets

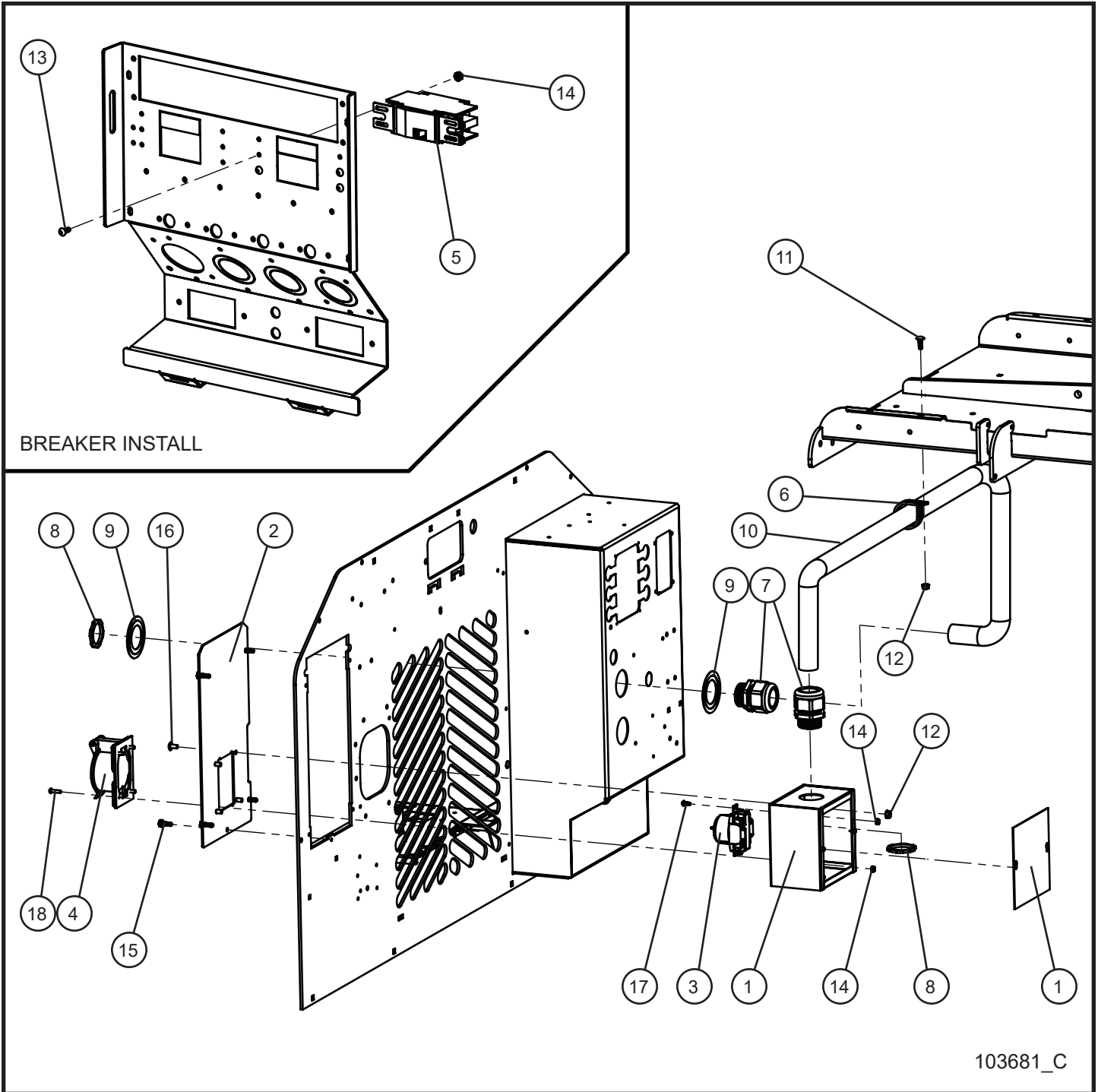


104374_C

7.2 - Rear Cover No Auxiliary Outlets

Item	Part No.	Part Description	Qty.
1	105018P	FILLER PLATE REAR PANEL CUTOUT	1
2	041070	1/4-20 x 3/4 SL-HEX WASHER HEAD MS TP F	5

7.3 - 50AMP Rear Receptacle w/Cover

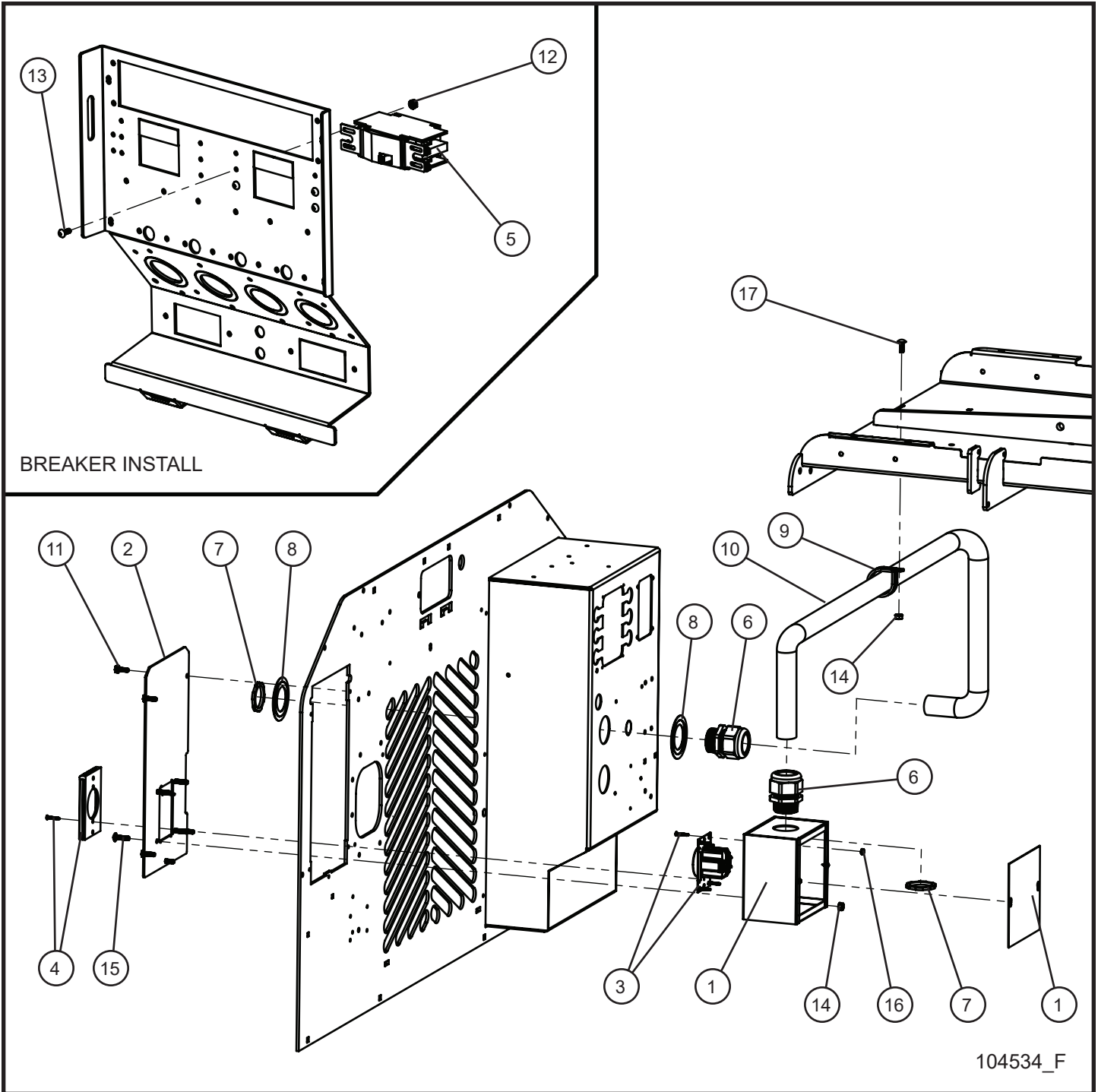


103681_C

7.3 - 50AMP Rear Receptacle w/Cover

Item	Part No.	Part Description	Qty.
1	022424	RECEPTACLE BOX	1
2	105025P	FILLER PLATE REAR PANEL CUTOUT	1
3	104267	CS6369 RECEPTACLE 50AMP 125/250 VOLT	1
4	103688	COVER WEATHERPROOF	1
5	352175	50 AMP BREAKER DPST	1
6	920365	#28 CUSHION CLAMP	1
7	105628	CORD GRIP 1 1/4 NYLON BLACK	2
8	350363	1 1/4 LOCK NUT	2
9	022023	2 x 1 1/4 REDUCING WASHER TYPE RW	2
10	104533	REAR OUTLET CORD DOMESTIC	1
11	053006	1/4-20 x 3/4 CARRIAGE BOLT	1
12	044021	1/4-20 KEPS HEX NUT PL	5
13	041012	SCREW MS #8-32 x 1/2 PL	4
14	044003	#8-32 NC KEPS NUT	10
15	041070	1/4-20 x 3/4 SL-HEX WASHER HEAD MS TP F	5
16	041078	1/4-20 x 1/2 PH-TRUSS HEAD MS SS	4
17	041014	#8-32 x 1/2 PH-ROUND HEAD MS SS	2
18	041203	#8-32 x 3/4 SCREW MS PL	4
NS	105932	SCHEMATIC AUX OUTLET 1-50A CS 6369	1

7.4 - 240V Rear Outlet

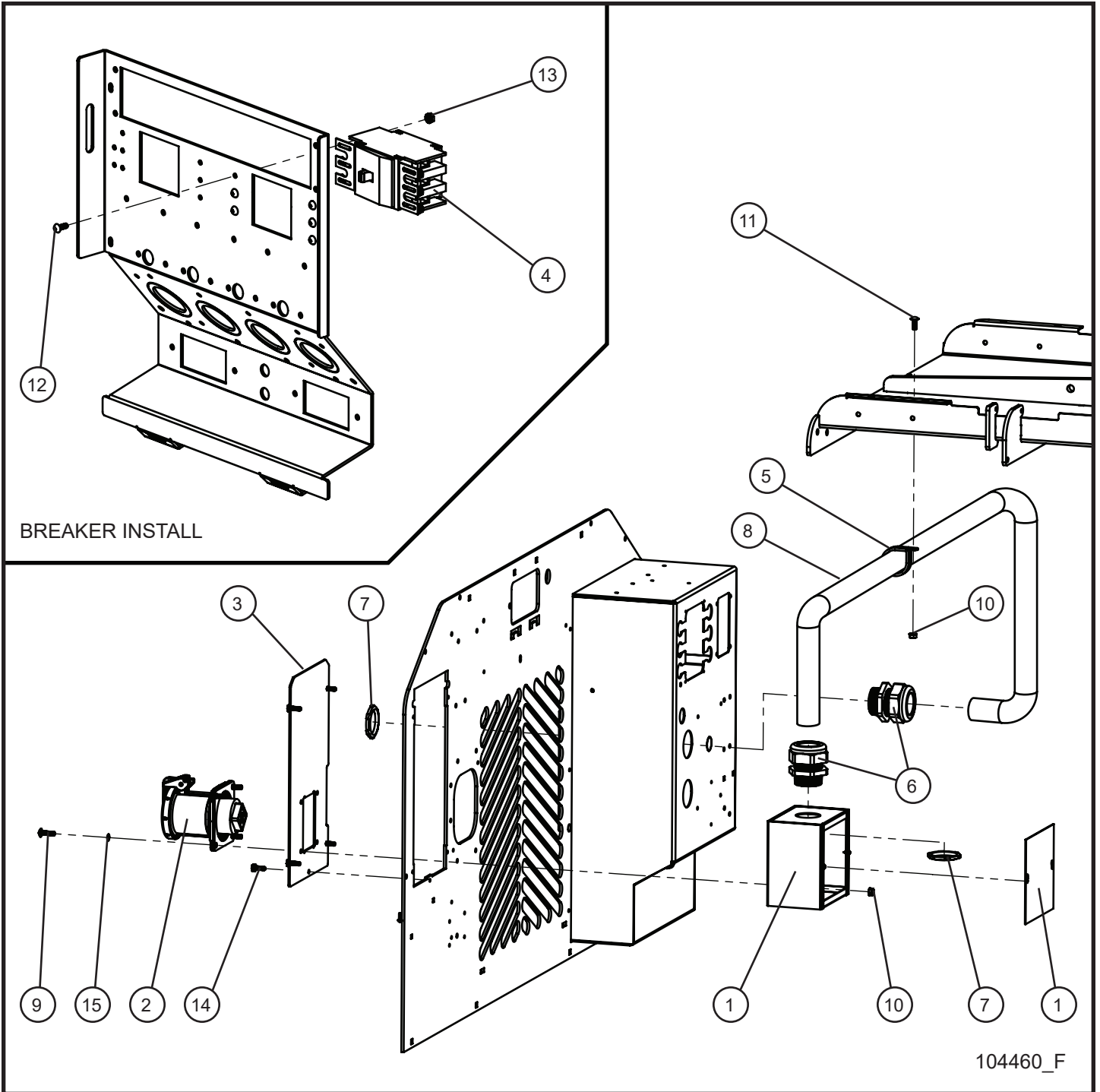


104534_F

7.4 - 240V Rear Outlet

Item	Part No.	Part Description	Qty.
1	022424	RECEPTACLE BOX	1
2	105025P	FILLER PLATE REAR PANEL CUTOUT	1
3	022351	14-50R 50A/250V NEMA RECEPTACLE	1
4	022352	RECEPTACLE COVER	1
5	352175	50 AMP BREAKER DPST	1
6	105628	CORD GRIP 1-1/4 NYLON BLACK	2
7	350363	1 1/4 LOCK NUT	2
8	022023	2 x 1-1/4 REDUCING WASHER TYPE RW	2
9	920365	#28 CUSHION CLAMP	1
10	104533	REAR OUTLET CORD DOMESTIC	1
11	041070	1/4-20 x 3/4 SL-HEX WASHER HEAD MS TP F	5
12	044003	#8-32 NC KEPS NUT	4
13	041012	SCREW MS #8-32 x 1/2 PL	4
14	044021	1/4-20 KEPS HEX NUT PL	5
15	041080	1/4-20 x 1 PH-TRUSS HEAD MS SS	4
16	044004	#6-32 KEPS HEX NUT PL	4
17	053006	1/4-20 x 3/4 CARRIAGE BOLT	1
NS	105265	SCHEMATIC AUX OUTLET 1-50A TT14-50R	1

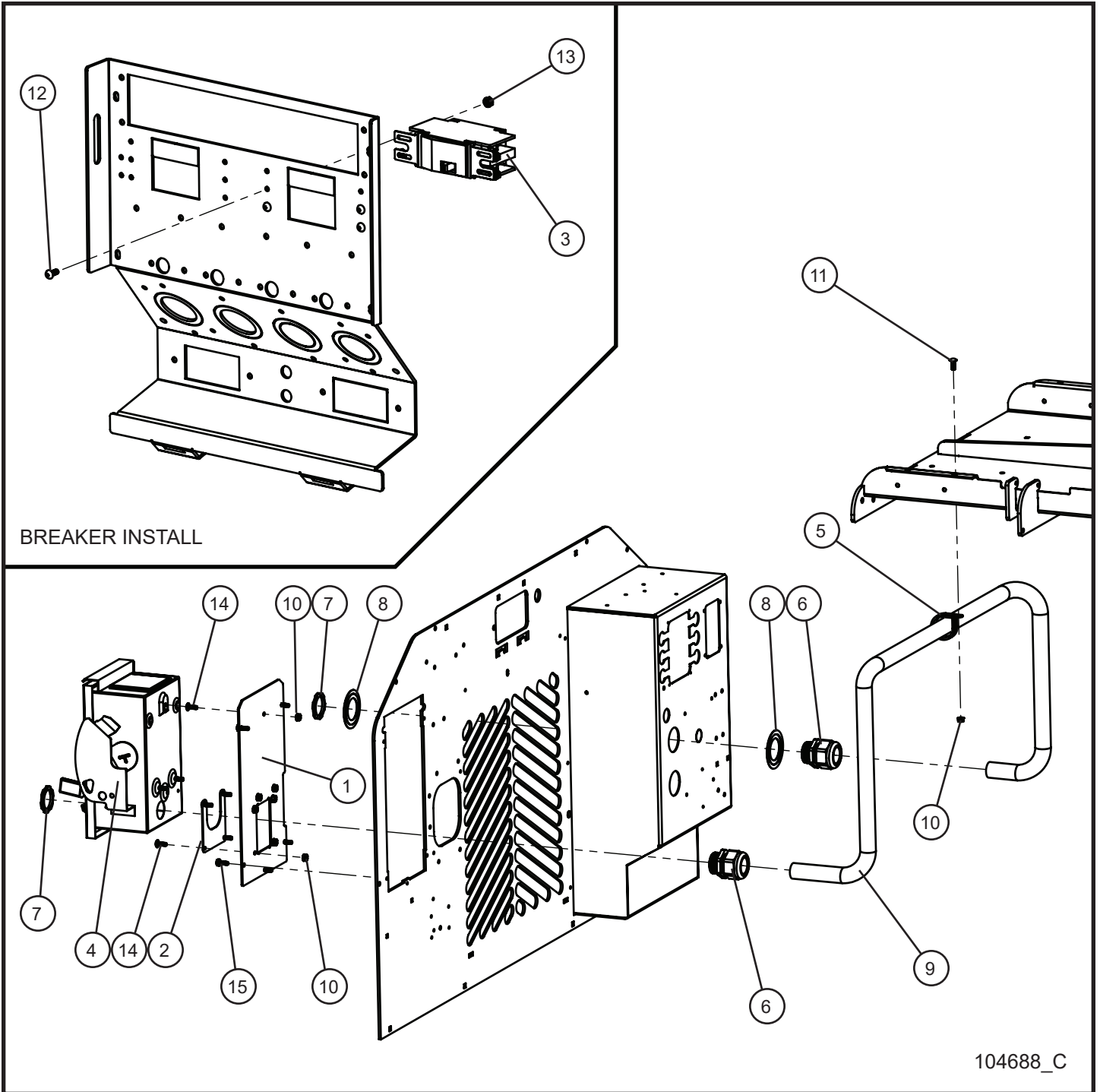
7.5 - 208V 3PH Rear Outlet



7.5 - 208V 3PH Rear Outlet

Item	Part No.	Part Description	Qty.
1	022424	RECEPTACLE BOX	1
2	680870	RECEPTACLE 600V 4 PIN	1
3	105025P	FILLER PLATE REAR PANEL CUTOUT	1
4	022236	50A 3 POLE CIRCUIT BREAKER	1
5	920365	#28 CUSHION CLAMP	1
6	105629	CORD GRIP 1-1/2 NYLON BLACK	2
7	022232	1 1/2 LOCK NUT	2
8	104902	CORD 208V 3PH 4/5 REAR OUTLET	1
9	041080	1/4-20 x 1 PH-TRUSS HEAD MS SS	4
10	044021	1/4-20 KEPS HEX NUT PL	5
11	053006	1/4-20 x 3/4 CARRIAGE BOLT	1
12	041012	SCREW MS#8-32 x 1/2 PL	6
13	044003	#8-32 NC KEPS NUT	6
14	041070	1/4-20 x 3/4 SL-HEX WASHER HEAD MS TP F	5
15	043050	1/4 INT'L TOOTHLOCK WASHER	1
NS	105267	SCHEMATIC AUX OUTLET 1-60A 3P 600V	1

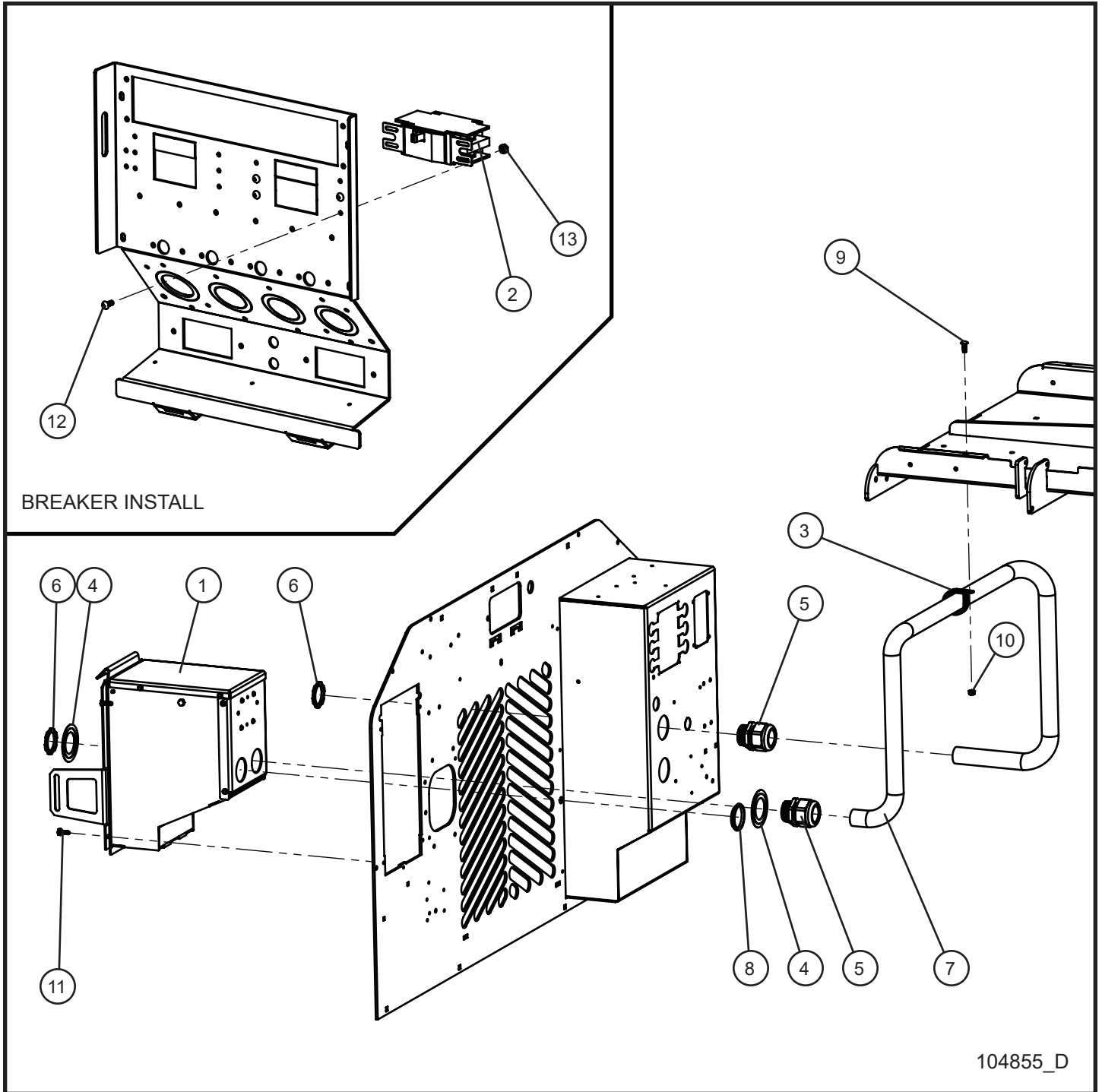
7.6 - 50Hz Rear Disconnect



7.6 - 50Hz Rear Disconnect

Item	Part No.	Part Description	Qty.
1	105025P	FILLER PLATE REAR PANEL CUTOUT	1
2	104689P	PLATE COVER REAR OUTLET HOLE	1
3	352175	50 AMP DOUBLE POLE BREAKER	1
4	352398	SWITCH BOX	1
5	920365	#28 CUSHION CLAMP	1
6	105628	CORD GRIP 1 1/4 NYLON BLACK	2
7	350363	1 1/4 LOCK NUT	2
8	022023	2 x 1 1/4 REDUCING WASHER TYPE RW	2
9	104690	REAR OUTLET CORD 50Hz	1
10	044021	1/4-20 KEPS HEX NUT PL	8
11	053006	1/4-20 x 3/4 CARRIAGE BOLT	1
12	041012	SCREW MS #8-32 x 1/2 PL	4
13	044003	#8-32 NC KEPS NUT	4
14	041050	1/4-20 x 3/4 PH-TRUSS HEAD MS SS	7
15	041070	1/4-20 x 3/4 SL-HEX WASHER HEAD MS TP F	5
NS	105266	SCHEMATIC AUX OUTLET 50Hz DISCONNECT BOX	1

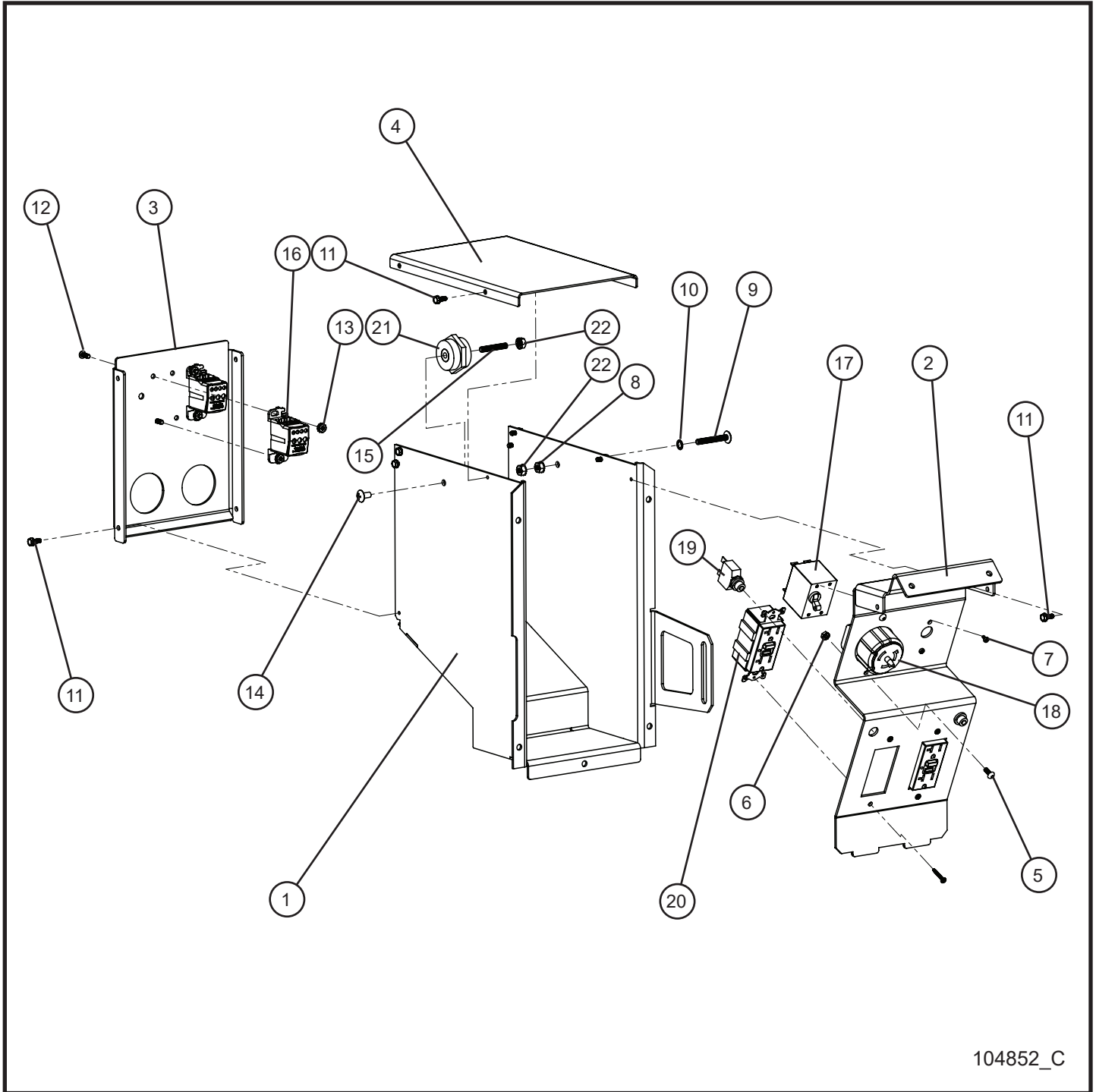
7.7 - Auxilary 2-20A GFCI 1-50A Outlet Panel Install Group



7.7 - Auxilary 2-20A GFCI 1-50A Outlet Panel Install Group

Item	Part No.	Part Description	Qty.
1	104852	OUTLET PANEL AUXILARY POWER 2-20A GFCI, 1-50 AMP	1
2	352175	50 AMP BREAKER DPST	1
3	920365	#28 CUSHION CLAMP	1
4	022023	2 x 1 1/4 REDUCING WASHER TYPE RW	4
5	105628	CORD GRIP 1 1/4 NYLON BLACK	2
6	350363	1 1/4 LOCK NUT	2
7	105321	AUXILARY OUTLET CORD DOMESTIC	1
8	103933	2" PLUG RECESSED BUTTON	1
9	053006	1/4-20 x 3/4 CARRIAGE BOLT	1
10	044021	1/4-20 KEPS HEX NUT PL	1
11	041070	1/4-20 x 3/4 SL-HEX WASHER HEAD MS TP F	5
12	041012	SCREW MS #8-32 x 1/2 PL	4
13	044003	#8-32 NC KEPS NUT	4
NS	105317	SCHEMATIC AUXILARY OUTLET 2-20A GFCI	1

7.8 - Auxiliary 2-20A GFCI 1-50A Outlet Panel

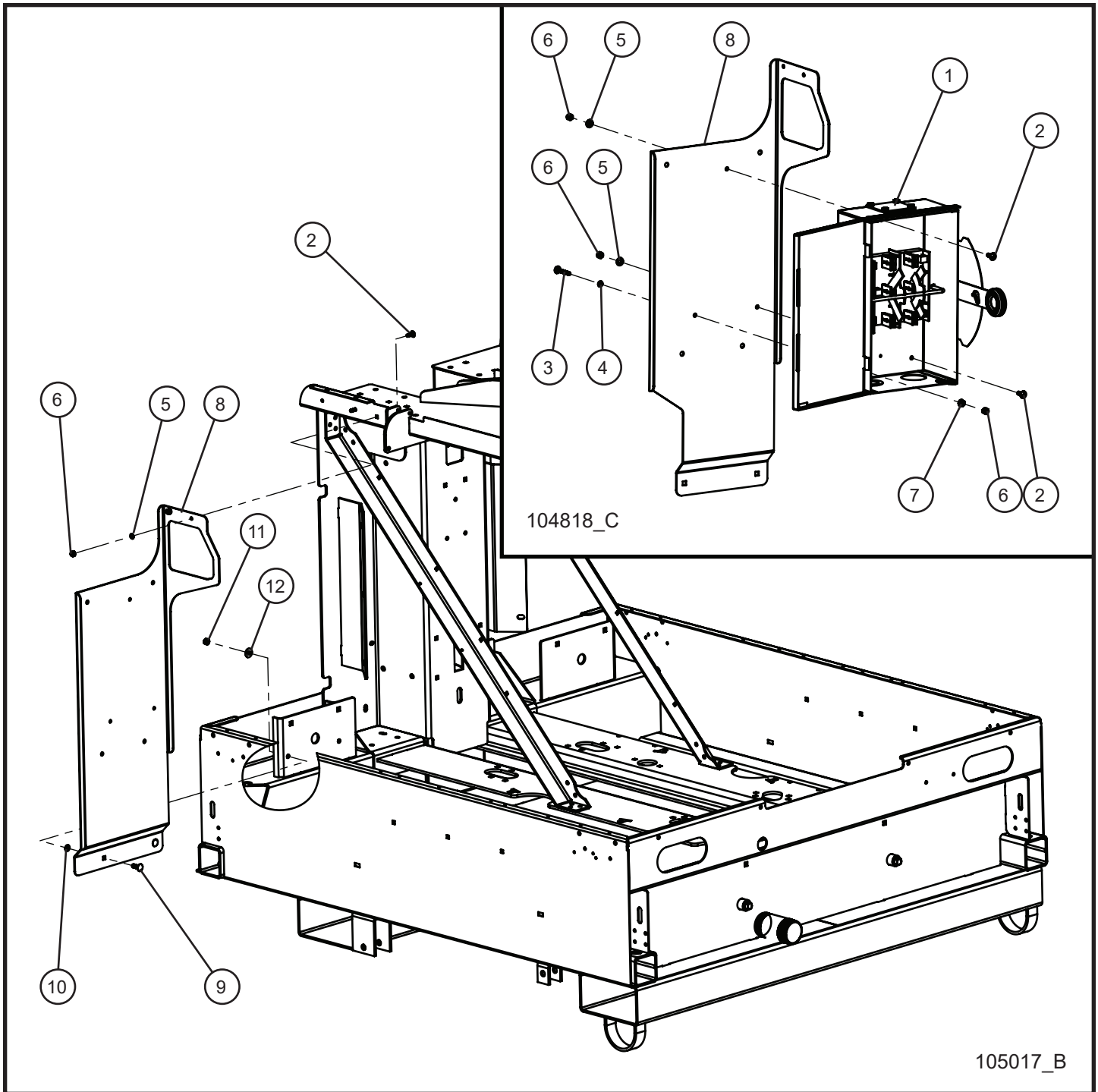


104852_C

7.8 - Auxiliary 2-20A GFCI 1-50A Outlet Panel

Item	Part No.	Part Description	Qty.
1	104805P	BOX FRAME	1
2	105232P	FACE PLATE	1
3	104809P	REAR PLATE	1
4	104810P	COVER PLATE	1
5	041012	SCREW MS #8-32 x 1/2 PL	2
6	044003	#8-32 NC KEPS NUT	2
7	041018	#6-32 x 1/4 PH-ROUND HEAD MS PL	2
8	044021	1/4-20 KEPS HEX NUT PL	1
9	041053	1/4-20 x 1 3/4 PH-TRUSS HEAD MS SS	1
10	043050	1/4 INT'L TOOTHLOCK WASHER	1
11	041031	#10-24 x 1/2 HEX HEAD MS PL	10
12	041021	#10-24 x 1/2 PH-ROUND HEAD MS PL	4
13	044016	#10-24 KEPS HEX NUT PL	4
14	041078	1/4-20 x 1/2 PH-TRUSS HEAD MS SS	1
15	045003	1/4-20 x 1-1/2 STUD PL	1
16	104779	DISTRIBUTION BLOCK ERIFLEX	2
17	353279	50A DPST CIRCUIT BREAKER	1
18	104267	CS 6369 RECEPTACLE 50 AMP 125/250V	1
19	650138	CIRCUIT BREAKER 20A PUSH BUTTON	2
20	330499	20A GFCI RECEPTACLE	2
21	106318	LOW VOLTAGE INSULATOR 1-1/4", 1/4-20	1
22	044023	1/4-20 NYLOCK HEX NUT PL	2
NS	105317	SCHEMATIC AUX OUTLET 2-20A GFCI	1

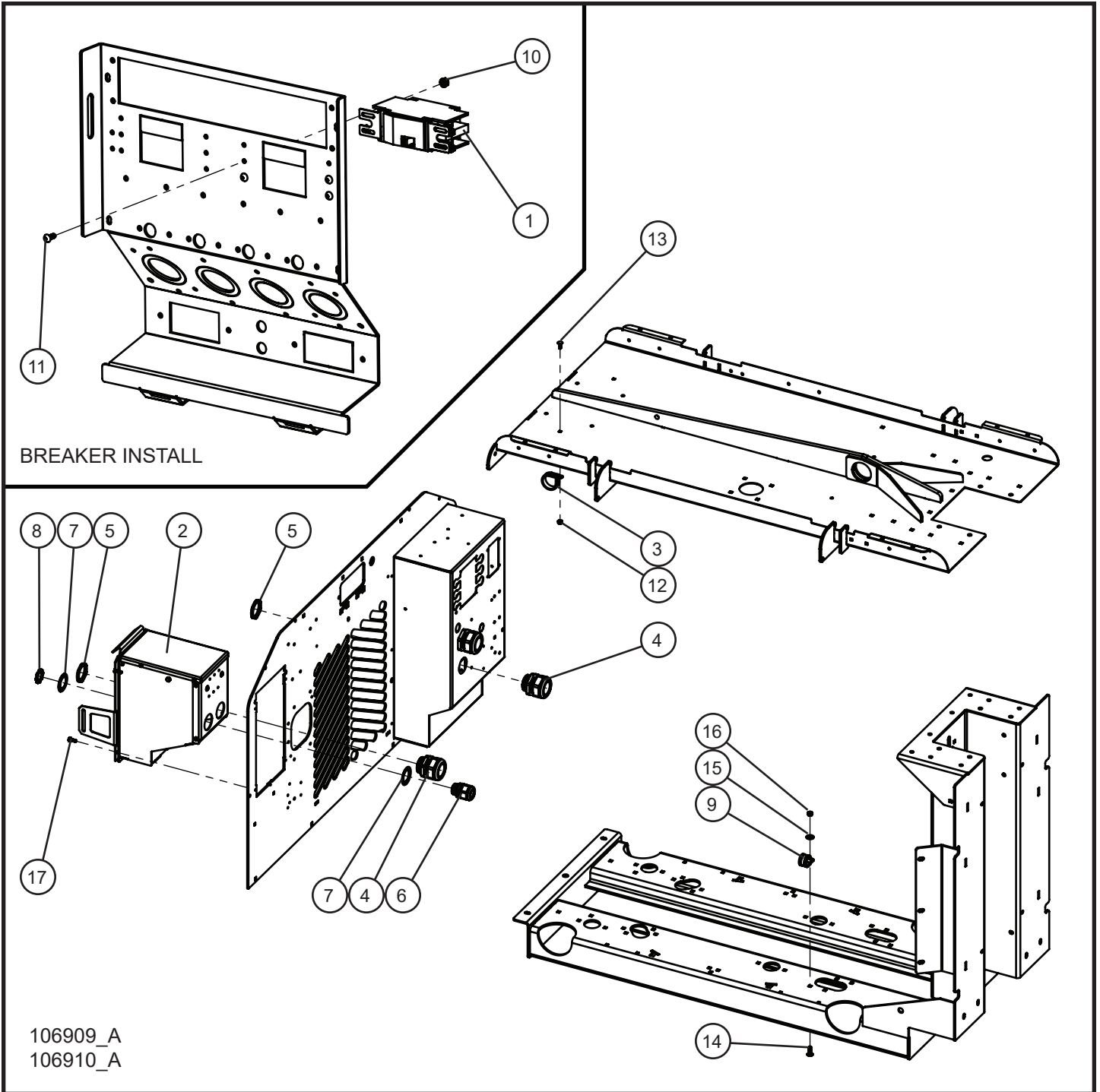
7.9 - Double Throw Switch Box Mount Install Group



7.9 - Double Throw Switch Box Mount Install Group

Item	Part No.	Part Description	Qty.
1	105019	SWITCH BOX DOUBLE THROW 100AMP 120/240 VOLT	1
2	041050	1/4-20 x 3/4 PH-TRUSS HEAD MS SS	4
3	041053	1/4-20 x 1 3/4 PH-TRUSS HEAD MS SS	1
4	043050	1/4 INT'L TOOTH LOCK WASHER	1
5	047009	1/4 FLAT WASHER SAE SS	4
6	044023	1/4-20 NYLOCK HEX NUT PL	5
7	044021	1/4-20 KEPS HEX NUT PL	1
8	104803P	MOUNT PLATE SWITCH BOX	1
9	053020	5/16-18 x 1 CARRIAGE BOLT PL	2
10	045217	5/16 PUSH NUT	2
11	047010	5/16 FLAT WASHER PL	2
12	044033	5/16-18 NYLOCK HEX NUT PL	2

7.10 - Auxiliary 3-50A 1-30A Outlet Panel Install Group (1 of 2)



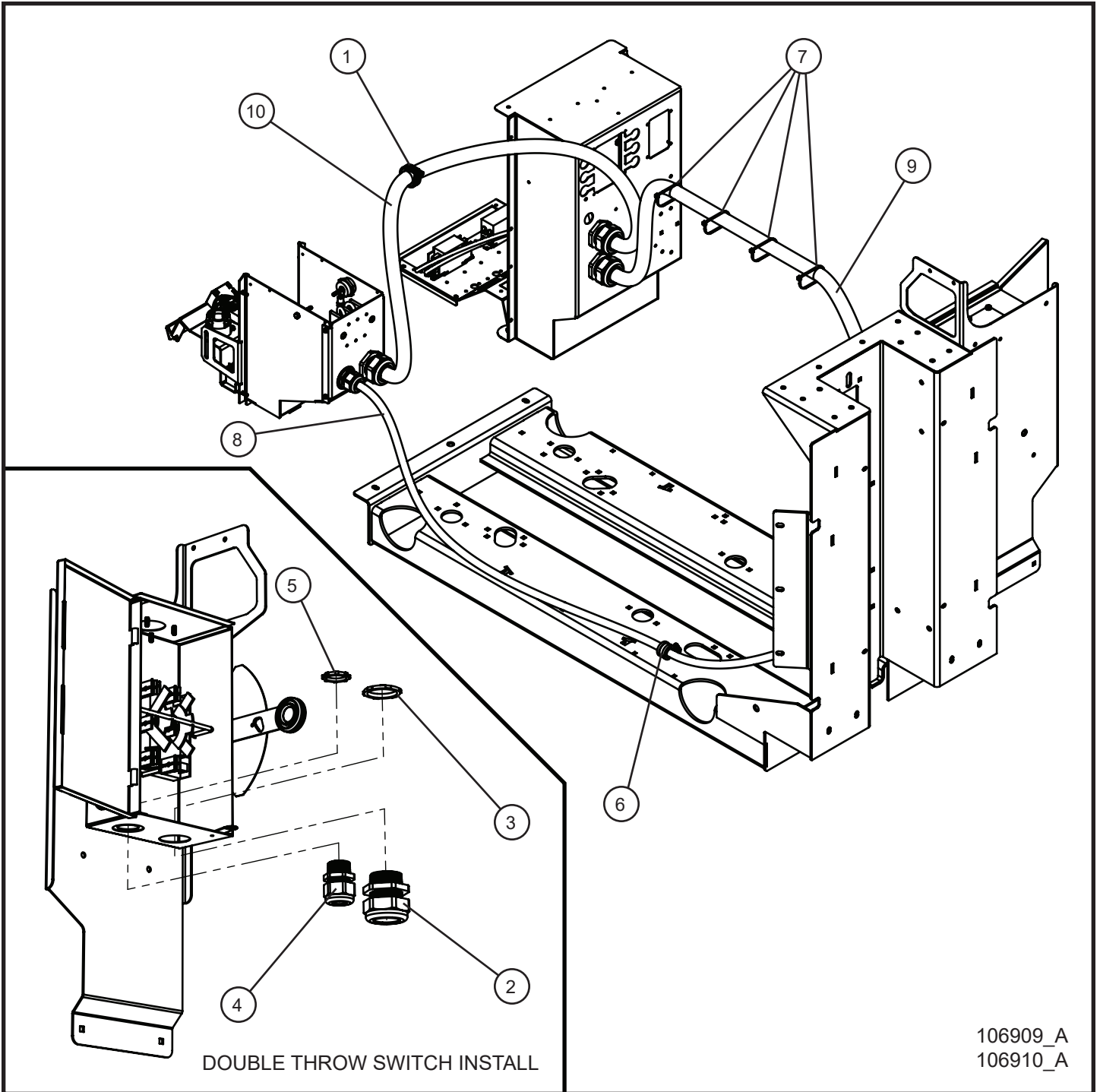
106909_A
106910_A

Maxi-Lite II

7.10 - Auxiliary 3-50A 1-30A Outlet Panel Install Group (1 of 2)

Item	Part No.	Part Description	Qty.
1	352175	50 AMP BREAKER DPST	1
2	104804	OUTLET PANEL AUXILARY POWER 3-50 AMP 1-30 AMP	1
3	920365	#28 CUSHION CLAMP	1
4	105629	CORD GRIP 1-1/2 NYLON BLACK	4
5	022232	1 1/2 LOCK NUT	4
6	105627	CORD GRIP 1" NYLON BLACK	2
7	022350	1 1/4 TO 1" REDUCING WASHER	2
8	022038	1" CORD GRIP NUT	2
9	022083	#16 CLAMP CUSH 3/8 HOLE	1
10	044003	#8-32 NC KEPS NUT	4
11	041012	SCREW MS #8-32 x 1/2 PL	4
12	044021	1/4-20 KEPS HEX NUT PL	1
13	053006	1/4-20 x 3/4 CARRIAGE BOLT	1
14	053020	5/16-18 x 1 CARRIAGE BOLT PL	1
15	047010	5/16 FLAT WASHER PL	1
16	044033	5/16-18 NYLOCK HEX NUT PL	1
17	041070	1/4-20 x 3/4 SL-HEX WASHER HEAD MS TP F	5
NS	105303	SCHEMATIC 20kW 1PH TRANSFER SWITCH	1

7.10 - Auxiliary 3-50A 1-30A Outlet Panel Install Group (2 of 2)

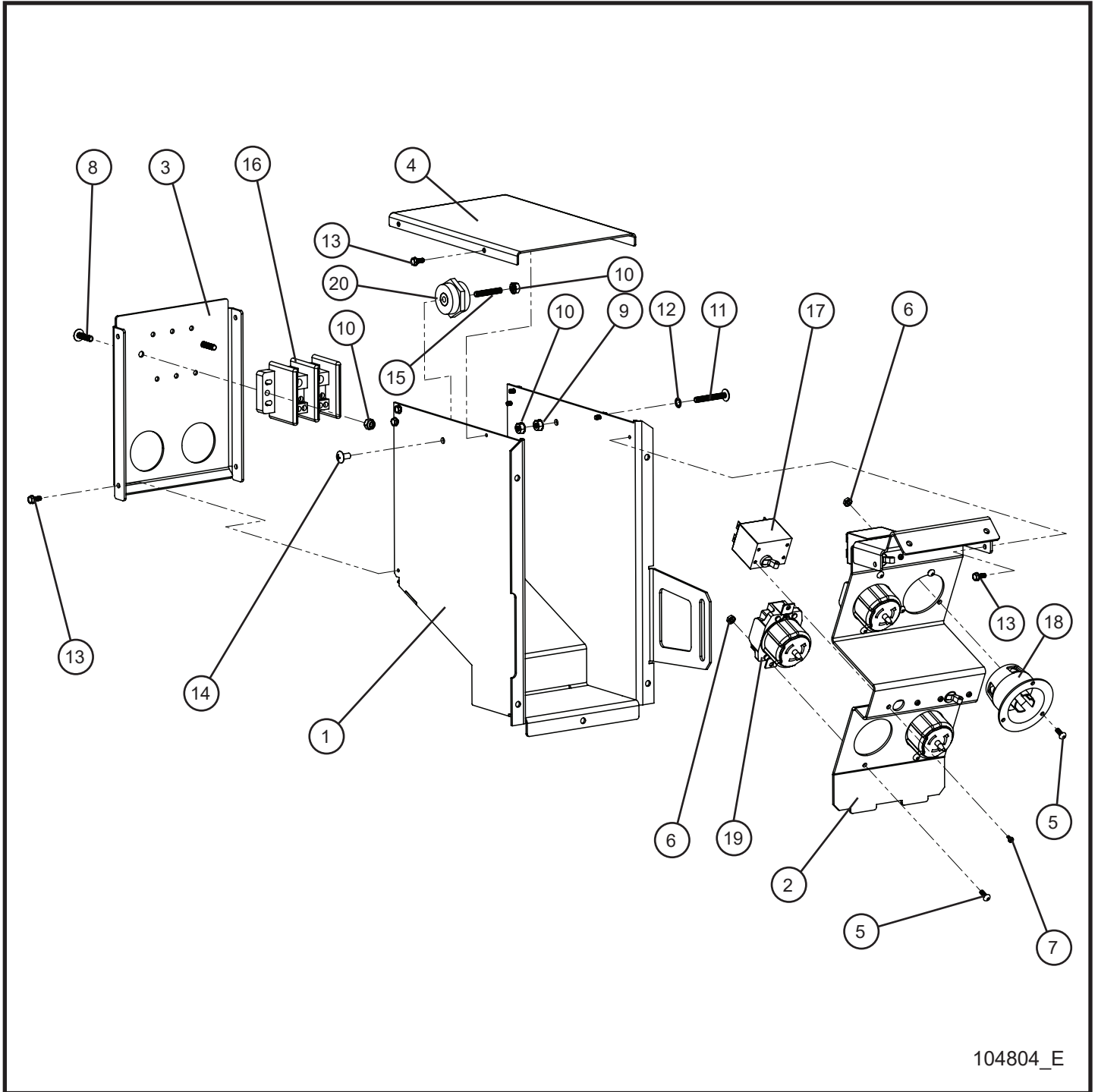


Maxi-Lite II

7.10 - Auxiliary 3-50A 1-30A Outlet Panel Install Group (2 of 2)

Item	Part No.	Part Description	Qty.
1	920365	#28 CUSHION CLAMP	1
2	105629	CORD GRIP 1-1/2 NYLON BLACK	4
3	022232	1 1/2 LOCK NUT	4
4	105627	CORD GRIP 1" NYLON BLACK	2
5	022038	1" CORD GRIP NUT	2
6	022083	#16 CLAMP CUSH 3/8 HOLE	1
7	068046	CABLE TIE 15.00	4
8	104812	10/4 CORD SWITCH BOX/SECONDARY OUTLET	1
9	105021	2/4 CORD SWITCH BOX/REAR OUTLET PANEL	1
	106912	4/4 CORD SWITCH BOX/REAR OUTLET PANEL	1
10	105022	2/4 CORD SECONDARY OUTLET/REAR OUTLET PANEL	1
	106911	4/4 CORD SECONDARY OUTLET/REAR OUTLET PANEL	1
NS	105303	SCHEMATIC 20kW 1PH TRANSFER SWITCH	1

7.11 - Auxiliary 3-50A 1-30A Outlet Panel

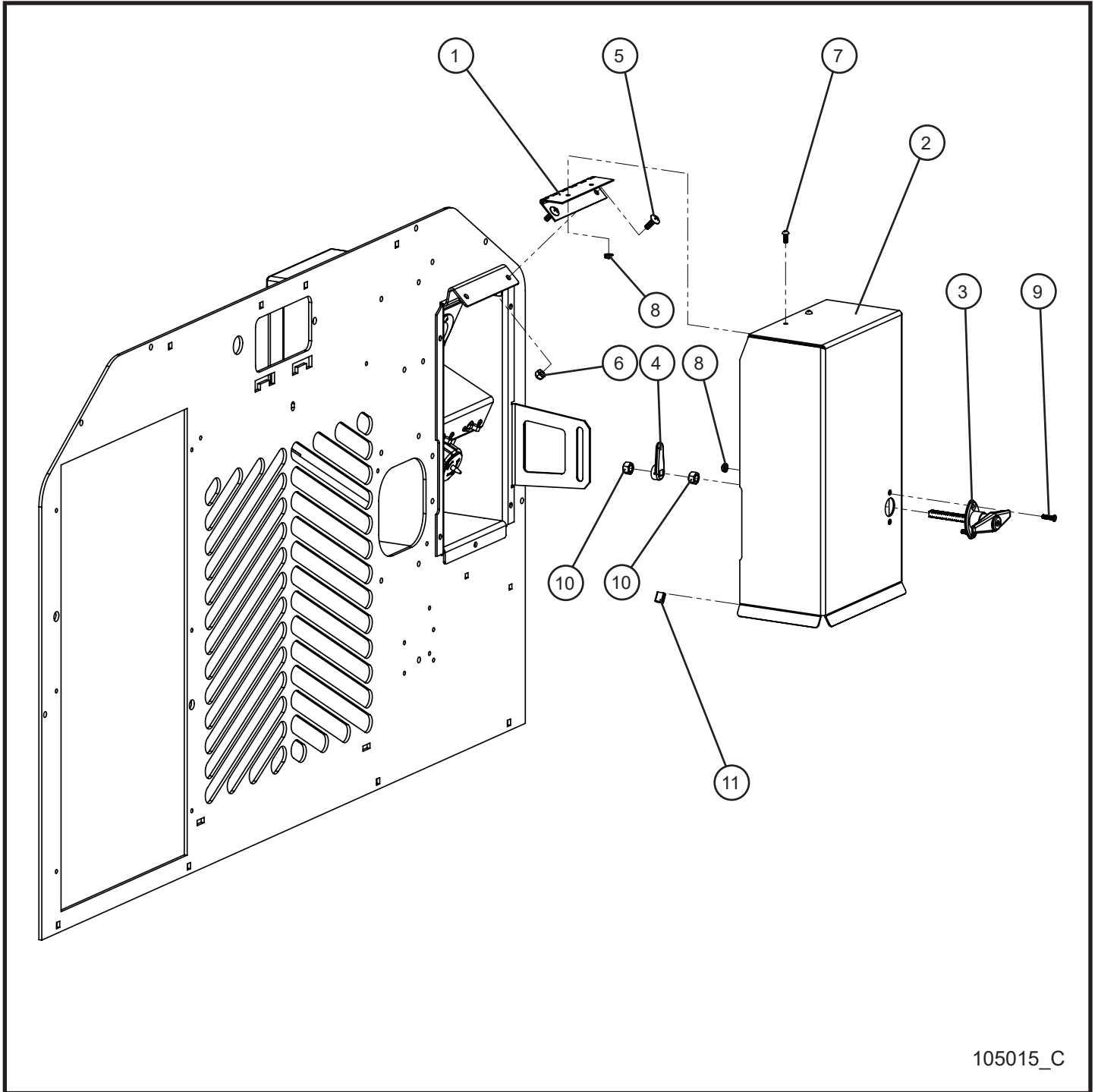


104804_E

7.11 - Auxiliary 3-50A 1-30A Outlet Panel

Item	Part No.	Part Description	Qty.
1	104805P	BOX FRAME	1
2	104811P	FACE PLATE THREE 50 AMP	1
3	104809P	REAR PLATE	1
4	104810P	COVER PLATE	1
5	041012	SCREW MS #8-32 x 1/2 PL	9
6	044003	#8-32 NC KEPS NUT	9
7	041018	#6-32 x 1/4 PH-ROUND HEAD MS PL	6
8	041080	1/4-20 x 1 PH-TRUSS HEAD MS SS	2
9	044021	1/4-20 KEPS HEX NUT PL	1
10	044023	1/4-20 NYLOCK HEX NUT PL	4
11	046029	1/4-20 x 1 3/4 HEX HEAD MS SS	1
12	043050	1/4 INT'L TOOTHLOCK WASHER	1
13	041031	#10-24 x 1/2 HEX HEAD MS PL	10
14	041078	1/4-20 x 1/2 PH-TRUSS HEAD MS SS	1
15	045003	1/4-20 x 1-1/2 STUD PL	1
16	350360	POWER DISTRIBUTION BLOCK	1
17	353279	50A DPST CIRCUIT BREAKER	3
18	105010	FLANGED INLET NEMA 30 AMP	1
19	104267	CS6369 RECEPTACLE 50 AMP 125/250V	3
20	106318	LOW VOLTAGE INSULATOR 1-1/4", 1/4-20	1
21	105268	SCHEMATIC AUX OUTLET 1-30A L14-30R	1

7.12 - Rear Outlet Cover

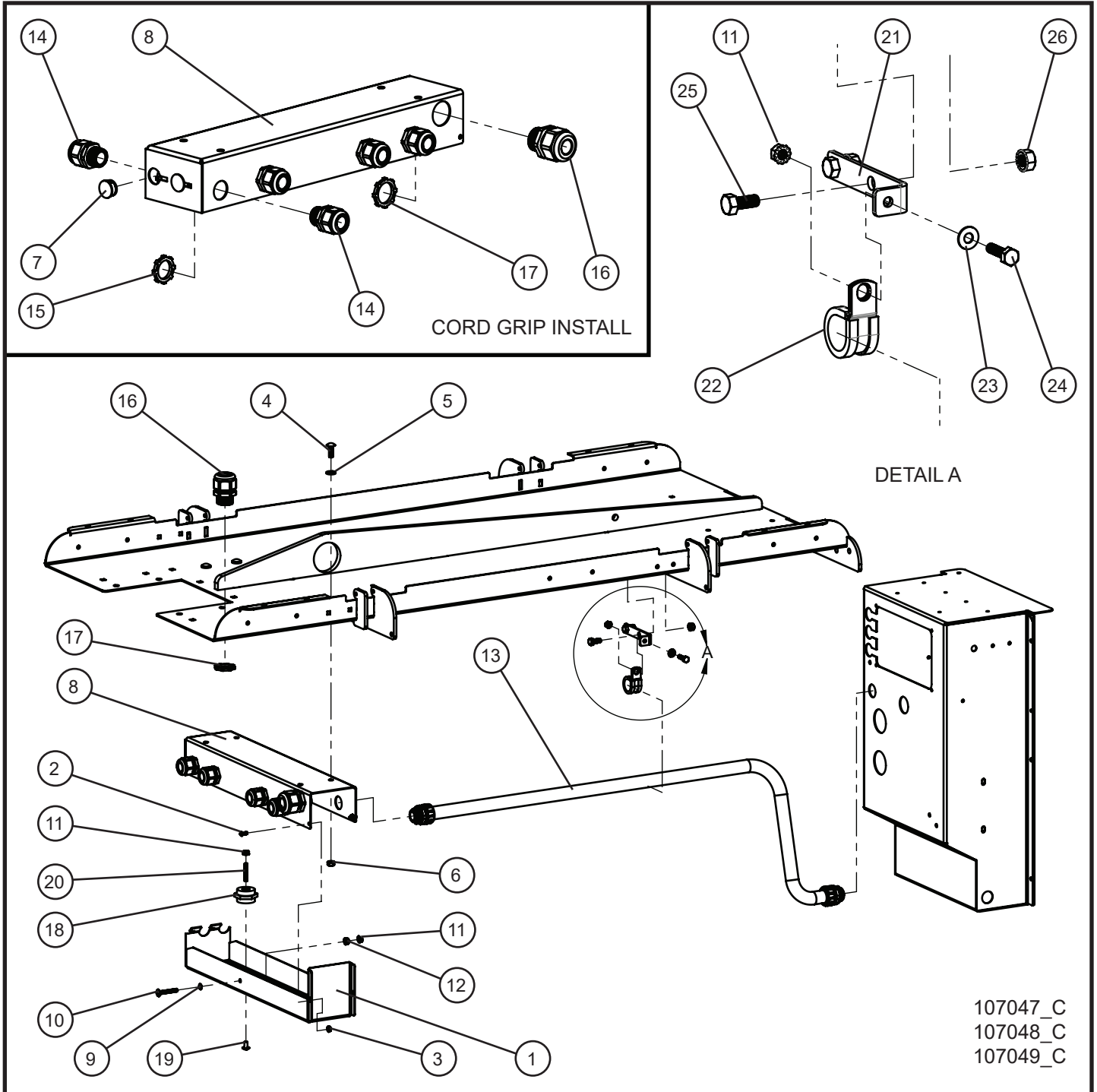


105015_C

7.12 - Rear Outlet Cover

Item	Part No.	Part Description	Qty.
1	104814	SECONDARY OUTLET COVER HINGE	1
2	104815P	COVER OUTLET BOX	1
3	650131	HANDLE-T LOCKING	1
4	650132	CAM LOCK	1
5	041050	1/4-20 x 3/4 PH-TRUSS HEAD MS SS	2
6	044023	1/4-20 NYLOCK HEX NUT PL	2
7	041021	#10-24 x 1/2 PH-ROUND HEAD MS PL	2
8	044016	#10-24 KEPS HEX NUT PL	4
9	041032	#10-24 x 3/4 SL-FLAT HEAD MS PL	2
10	044042	3/8-24 HEX NUT PL	2
11	030053	5/64 x 7/16 TRIM LOCK	2

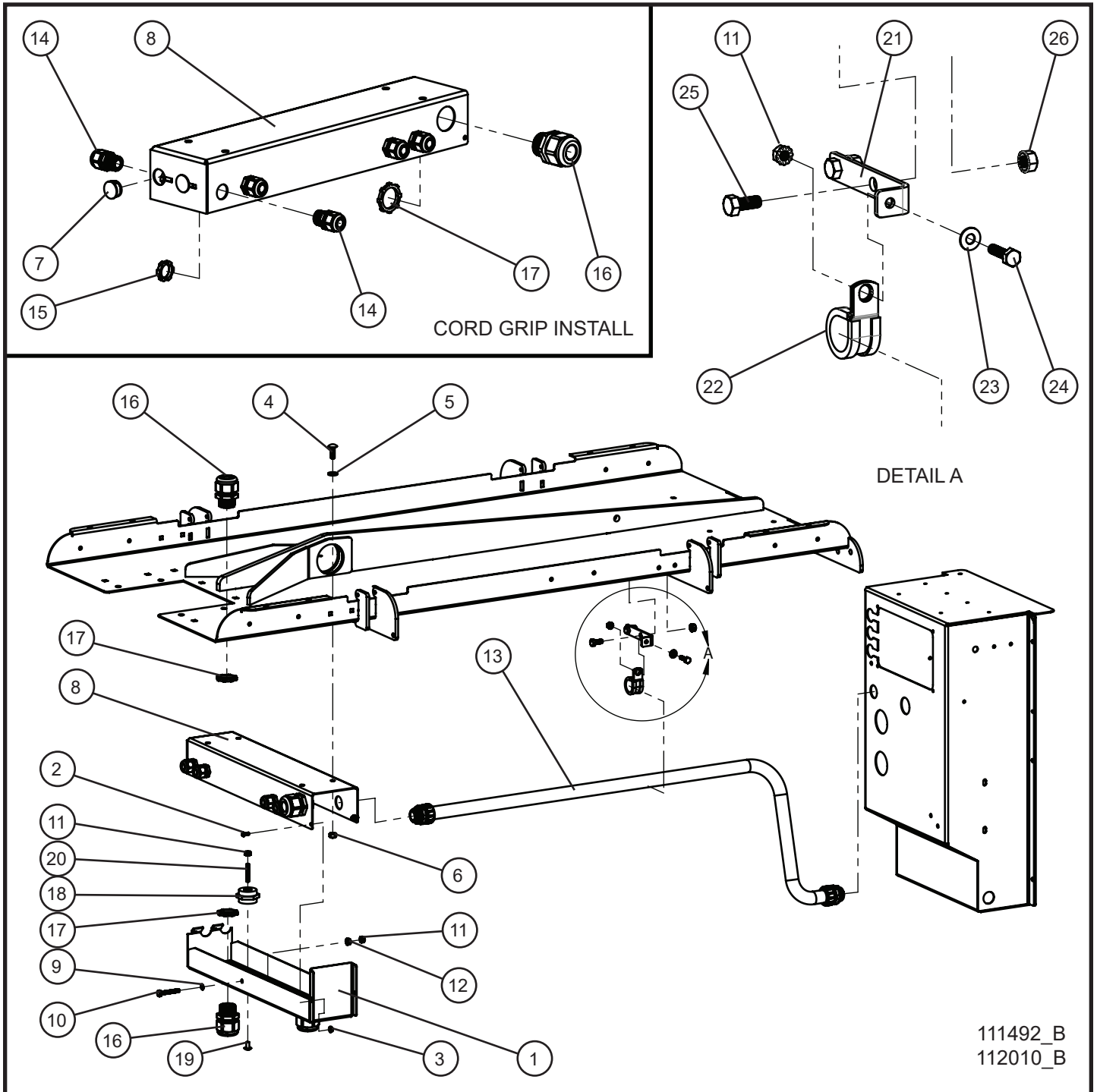
7.13 - SHO 4/6 Light Junction Box



7.13 - SHO 4/6 Light Junction Box

Item	Part No.	Part Description	Qty.
1	105727P	BOTTOM JUNCTION NYLON CORD GRIP	1
2	041021	#10-24 x 1/2 PH-ROUND HEAD MS PL	2
3	044016	#10-24 KEPS HEX NUT PL	2
4	053020	5/16-18 x 1 CARRIAGE BOLT PL	4
5	100644	RUBBER WASHER BLACK NEOPRENE	4
6	044033	5/16-18 NYLOCK HEX NUT PL	4
7	711029	7/8 LOCKING HOLE PLUG	2
8	105726P	TOP JUNCTION BOX NYLON CORD GRIP	1
9	043050	1/4 INTL TOOTHLOCK WASHER	1
10	046029	1/4-20 x 1 3/4 HEX HEAD CS GR5 PL	1
11	044021	1/4-20 KEPS HEX NUT PL	3
12	044023	1/4-20 NYLOCK HEX NUT PL	1
13	112684	CONDUIT WIRE HARNESS 4 LIGHT OR 4 LIGHT LED	1
	112685	CONDUIT WIRE HARNESS 6 LIGHT OR 6 LIGHT LED	1
	106135	CONDUIT WIRE HARNESS 6 LIGHT W/ AUX LIGHT	1
14	105916	GRIP CORD 3/4" NYLON BLACK	4/6
15	022036	3/4 CORD GRIP NUT	4/6
16	105627	CORD GRIP 1" NYLON BLACK	2
17	022038	1" CORD GRIP NUT	2
18	106318	LOW VOLTAGE INSULATOR 1-1/4", 1/4-20	1
19	041078	1/4-20 x 1/2 PH-TRUSS HEAD MS SS	1
20	045003	1/4-20 x 1-1/2 STUD PL	1
21	105673P	HANGER CONDUIT	1
22	022083	#16 CLAMP CUSH 3/8 HOLE	1
23	047009	1/4 FLAT WASHER SAE SS	1
24	046015	1/4-20 x 1 HEX HEAD CS GR5 PL	1
25	046045	5/16-18 x 3/4 HEX HEAD CS GR5 PL	2
26	044031	5/16-18 KEPS HEX NUT PL	2
27	105273	SCHEMATIC AUS/NZ 2 LIGHT SWITCHES	1
28	105274	SCHEMATIC AUS/NZ 3 LIGHT SWITCHES	1
29	105277	SCHEMATIC 1P 4 LIGHT SWITCHES	1
30	105281	SCHEMATIC 1P 6 LIGHT SWITCHES	1
31	105279	SCHEMATIC 3P 4 LIGHT SWITCHES	1
32	105282	SCHEMATIC 3P 6 LIGHT SWITCHES	1
33	113433	SCHEMATIC 14/7 CORD 4 LIGHT JUNCTION BOX	1
34	113431	SCHEMATIC 16/8 CORD 4 LIGHT JUNCTION BOX	1
35	113432	SCHEMATIC 16/10 CORD 6 LIGHT JUNCTION BOX	1
36	105319	SCHEMATIC 16/14 CORD 6 LIGHT JUNCTION W/ AUX LIGHT	1

7.14 - LED 4/6 Light Junction Box

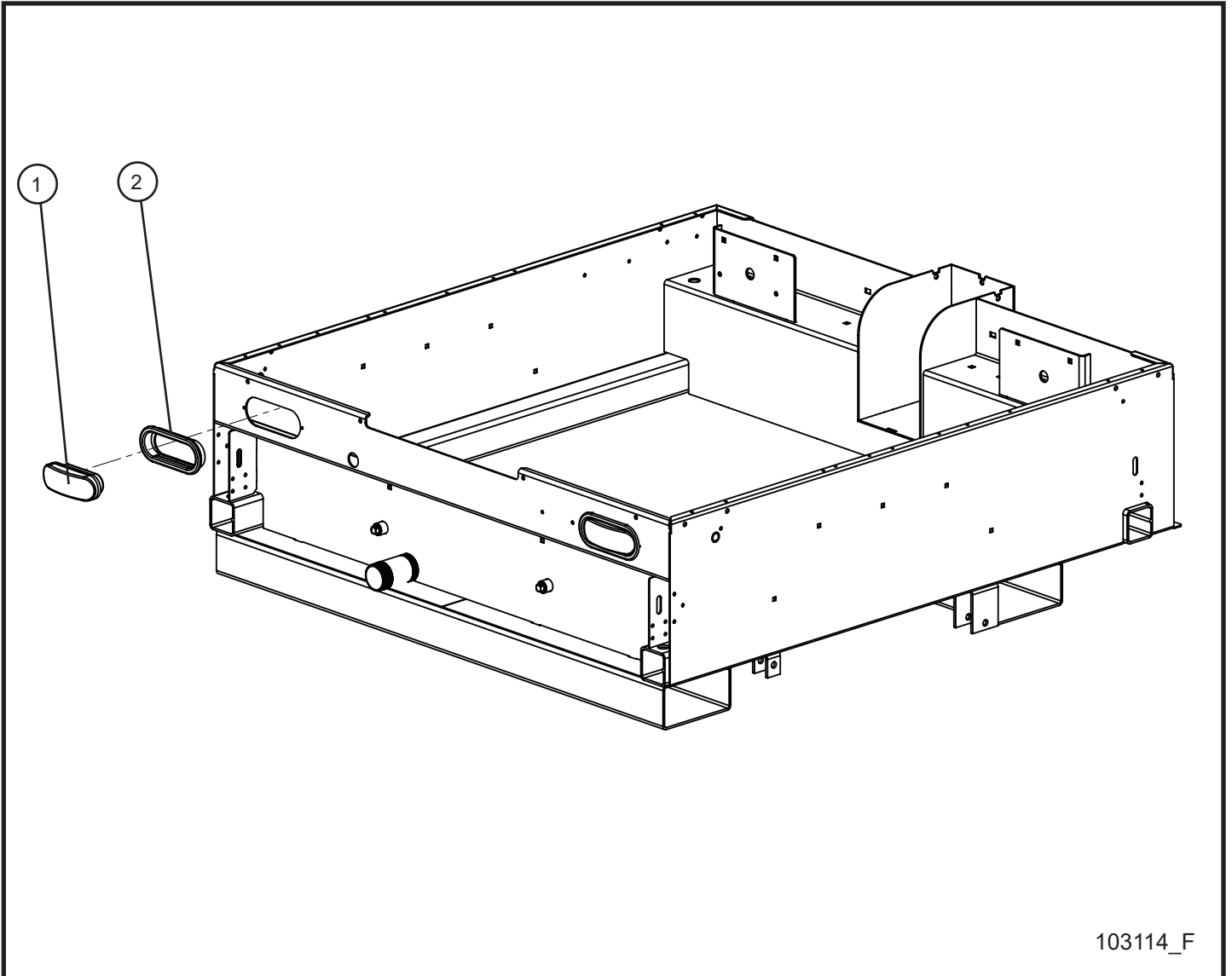


111492_B
112010_B

7.14 - LED 4/6 Light Junction Box

Item	Part No.	Part Description	Qty.
1	105727P	BOTTOM JUNCTION NYLON CORD GRIP	1
2	041021	#10-24 x 1/2 PH-ROUND HEAD MS PL	2
3	044016	#10-24 KEPS HEX NUT PL	2
4	053020	5/16-18 x 1 CARRIAGE BOLT PL	4
5	100644	RUBBER WASHER BLACK NEOPRENE	4
6	044033	5/16-18 NYLOCK HEX NUT PL	4
7	711029	7/8 LOCKING HOLE PLUG	2
8	107052P	LED TOP JUNCTION BOX NYLON CORD GRIP	1
9	043050	1/4 INTL TOOTHLOCK WASHER	1
10	046029	1/4-20 x 1 3/4 HEX HEAD CS GR5 PL	1
11	044021	1/4-20 KEPS HEX NUT PL	3
12	044023	1/4-20 NYLOCK HEX NUT PL	1
13	112684	CONDUIT WIRE HARNESS 4 LIGHT OR 4 LIGHT LED	1
	112685	CONDUIT WIRE HARNESS 6 LIGHT OR 6 LIGHT LED	1
14	105626	CORD GRIP 1/2" NYLON BLACK	4/6
15	022035	1/2 CORD GRIP NUT	4/6
16	105627	CORD GRIP 1" NYLON BLACK	3
17	022038	1" CORD GRIP NUT	3
18	106318	LOW VOLTAGE INSULATOR 1-1/4", 1/4-20	1
19	041078	1/4-20 x 1/2 PH-TRUSS HEAD MS SS	1
20	045003	1/4-20 x 1-1/2 STUD PL	1
21	105673P	HANGER CONDUIT	1
22	022083	#16 CLAMP CUSH 3/8 HOLE	1
23	047009	1/4 FLAT WASHER SAE SS	1
24	046015	1/4-20 x 1 HEX HEAD CS GR5 PL	1
25	046045	5/16-18 x 3/4 HEX HEAD CS GR5 PL	2
26	044031	5/16-18 KEPS HEX NUT PL	2
27	105277	SCHEMATIC 1P 4 LIGHT SWITCHES	1
28	105281	SCHEMATIC 1P 6 LIGHT SWITCHES	1
29	105279	SCHEMATIC 3P 4 LIGHT SWITCHES	1
30	105282	SCHEMATIC 3P 6 LIGHT SWITCHES	1
31	113429	SCHEMATIC 4 LED LIGHT JUNCTION BOX	1
32	113430	SCHEMATIC 6 LED LIGHT JUNCTION BOX	1

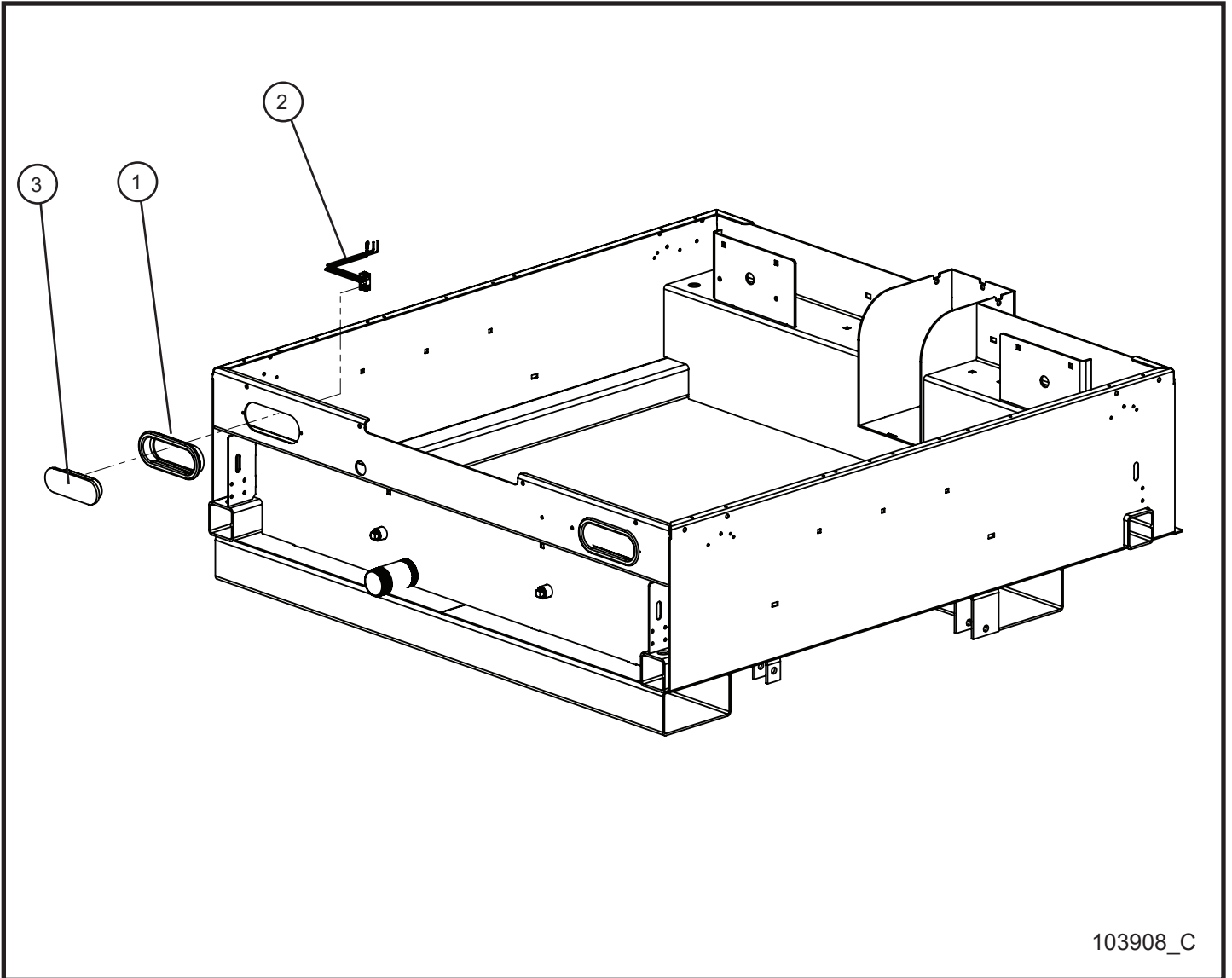
8.1 - Oval Tail Lights



8.1 - Oval Tail Lights

Item	Part No.	Part Description	Qty.
1	102826	STOP, TAIL, TURN LAMP	2
2	102825	OVAL LAMP GROMMET	2

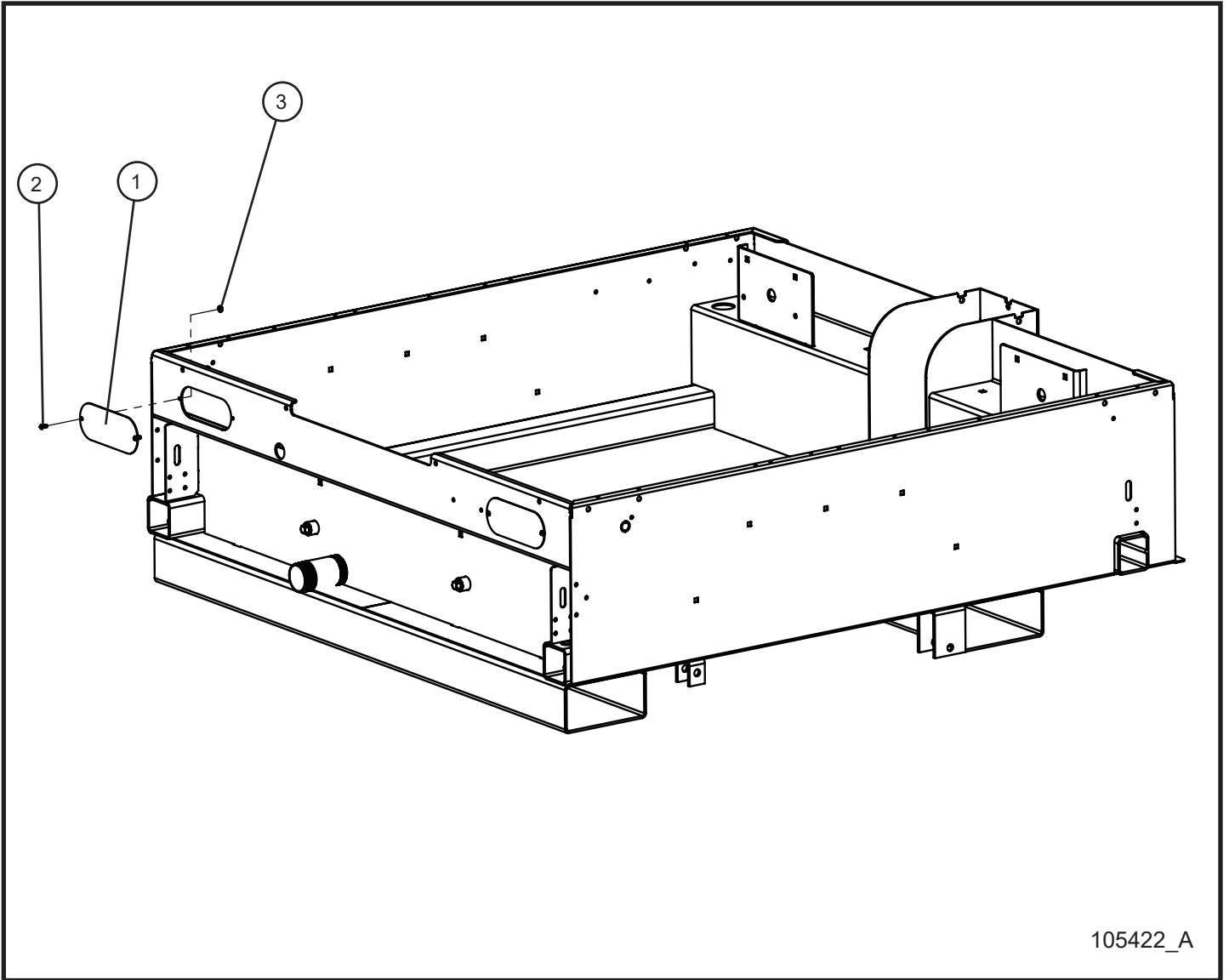
8.2 - LED Tail Lights



8.2 - LED Tail Lights

Item	Part No.	Part Description	Qty.
1	102825	OVAL LAMP GROMMET	2
2	102827	ECONO 90 DEG 3-PRONG PIGTAIL	2
3	102721	LED TAIL LAMP STOP TURN	2

8.3 - No Tail Light Covers

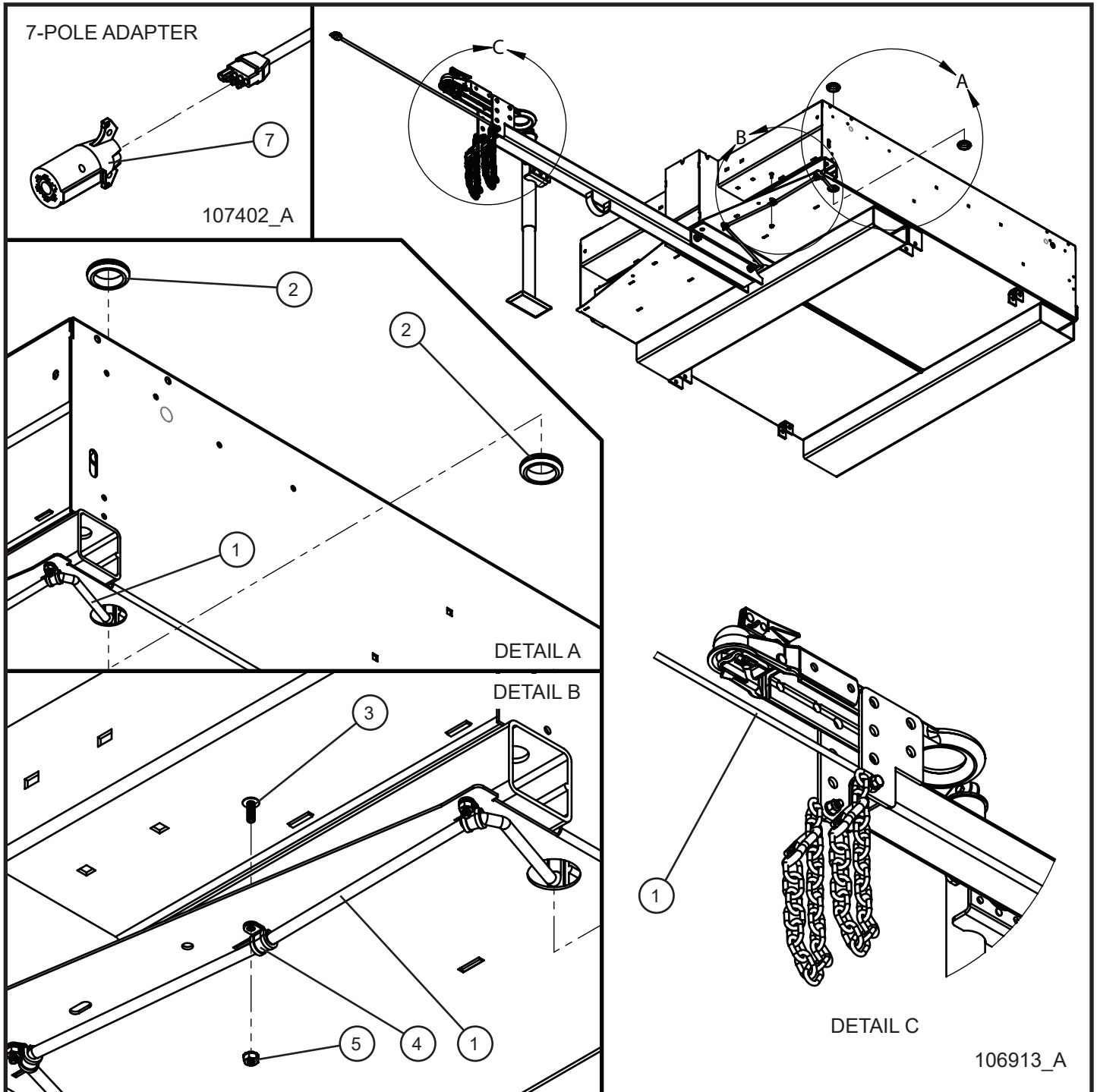


105422_A

8.3 - No Tail Light Covers

Item	Part No.	Part Description	Qty.
1	105414P	COVER PLATE OVAL TAIL LIGHT HOLE	2
2	041021	#10-24 x 1/2 PH-ROUND HEAD MS PL	4
3	044016	#10-24 KEPS HEX NUT PL	4

8.4 - 4-Pin Tail Light Harness w/ 7-Pole Adapter (1 of 2)

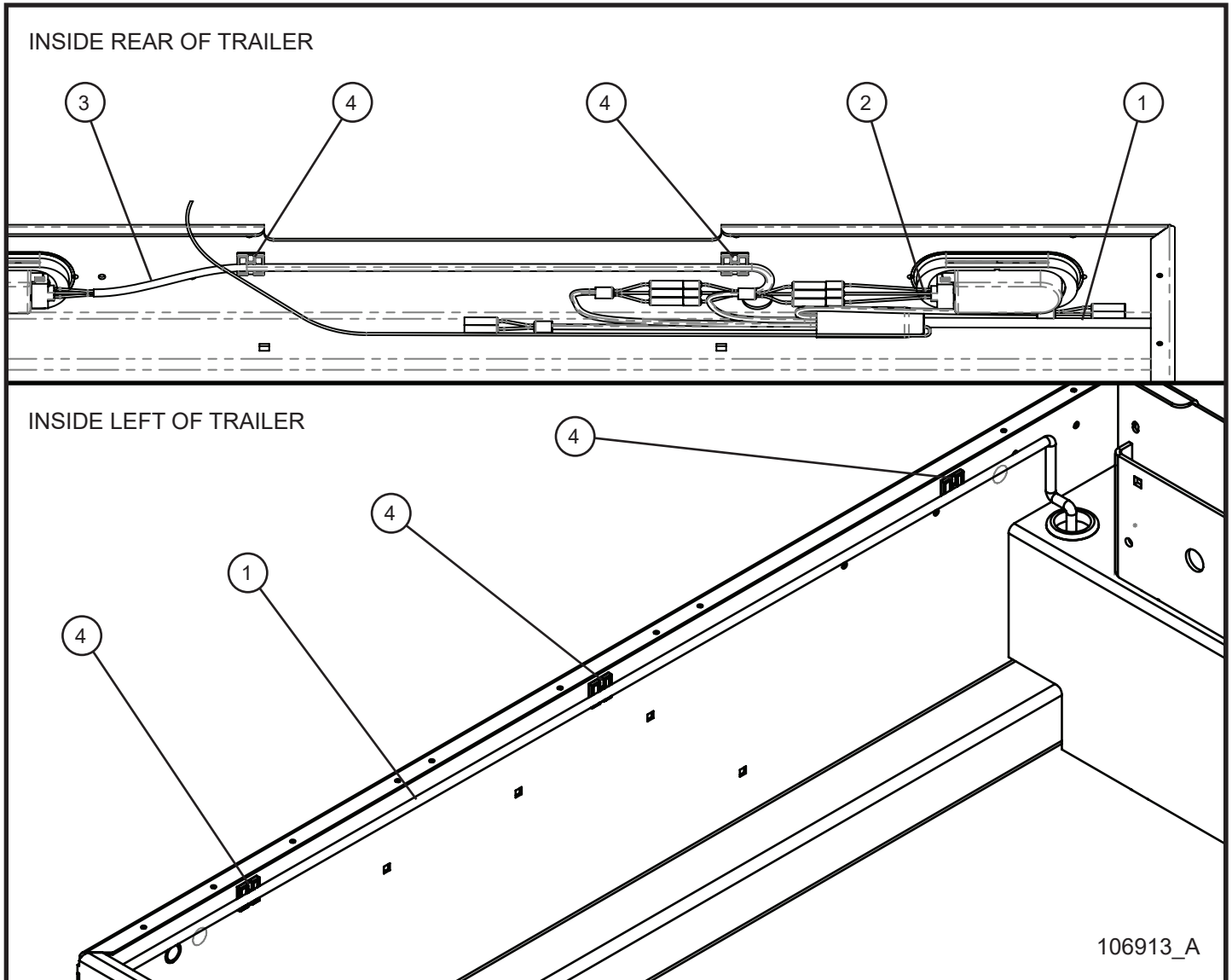


Maxi-Lite II

8.4 - 4-Pin Tail Light Harness w/ 7-Pole Adapter (1 of 2)

Item	Part No.	Part Description	Qty.
1	106903	BASE HARNESS TAILLIGHTS	1
2	106542	GROMMET RUBBER 1.5" ID	2
3	041050	1/4-20 x 3/4 PH-TRUSS HEAD MS SS	3
4	022016	#6 CUSH CLAMP 1/4 HOLE	3
5	044021	1/4-20 KEPS HEX NUT PL	3
6	107266	SCHEMATIC TAIL LIGHT HARNESS	1
7	107401	7-WAY RV PLUG, BLADE STYLE	1

8.4 - 4-Pin Tail Light Harness w/ 7-Pole Adapter (2 of 2)

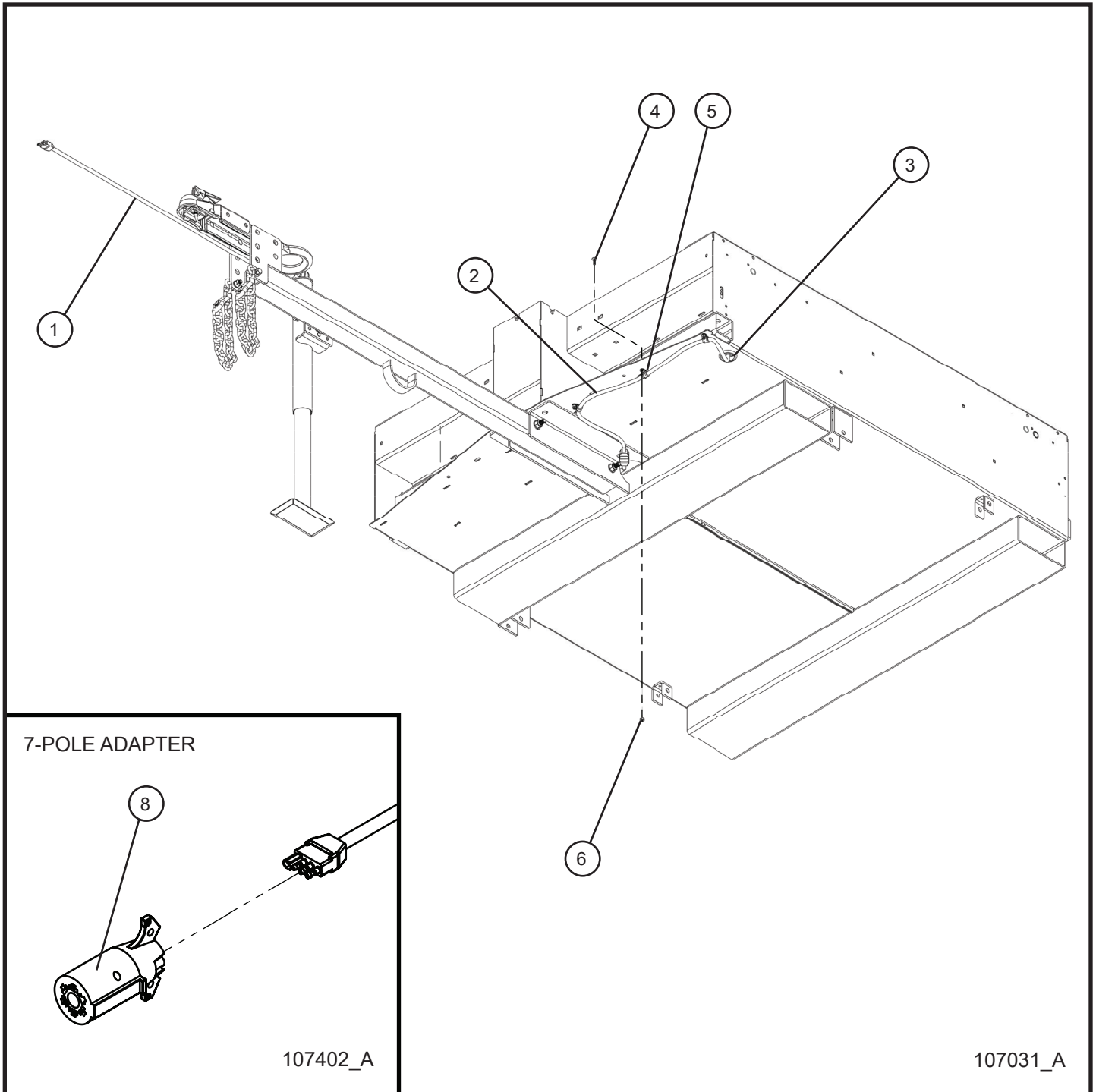


Maxi-Lite II

8.4 - 4-Pin Tail Light Harness w/ 7-Pole Adapter (2 of 2)

Item	Part No.	Part Description	Qty.
1	106903	BASE HARNESS TAILLIGHTS	1
2	106907	TAIL LIGHT PIGTAIL SHORT HARNESS MAXI II	1
3	106906	TAIL LIGHT PIGTAIL LONG HARNESS MAXI II	1
4	022135	TIE ADHESIVE MOUNT	5

8.5 - 4-Pin 2-Piece Tail Light Harness w/ 7-Pole Adapter (1 of 2)

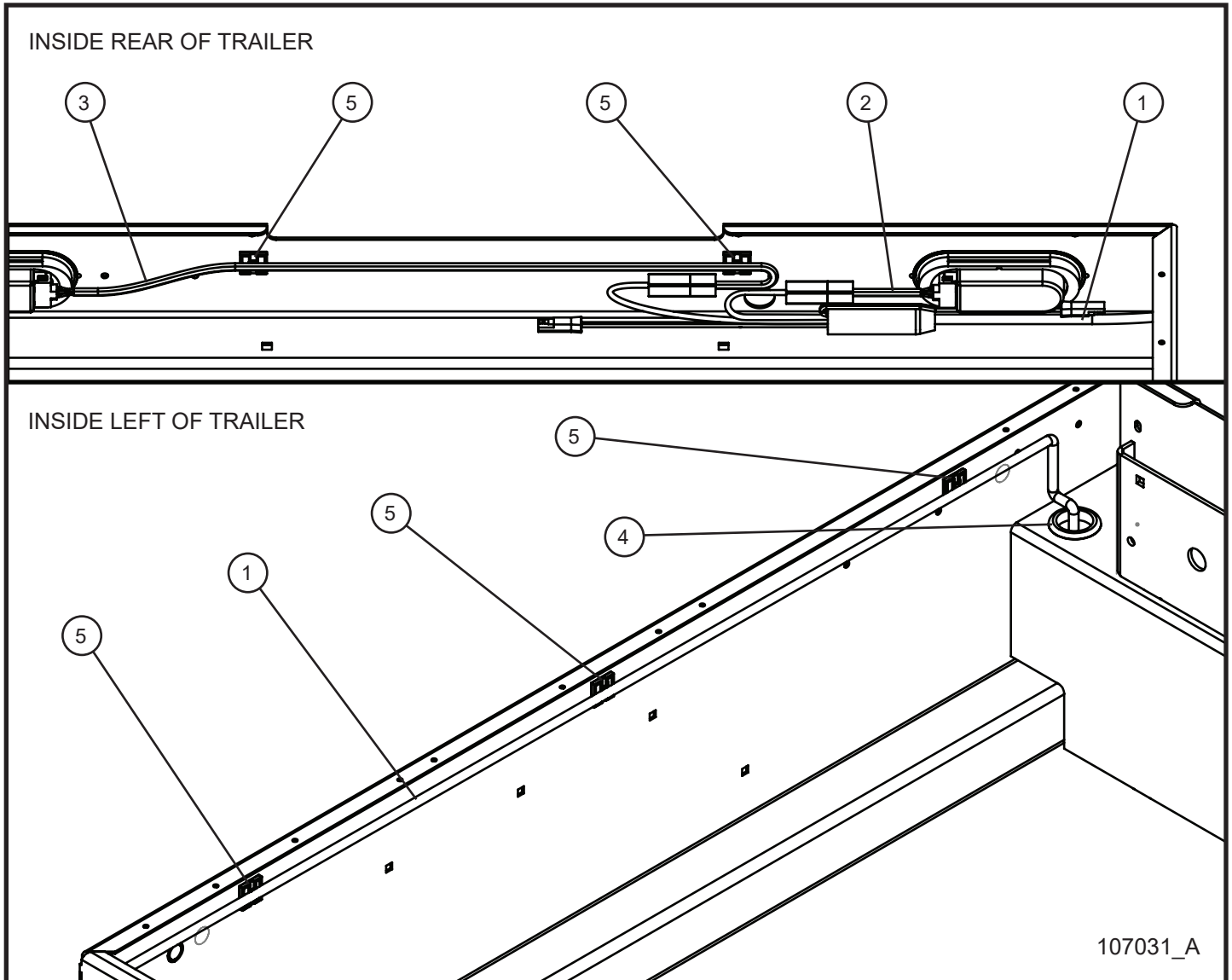


Maxi-Lite II

8.5 - 4-Pin 2-Piece Tail Light Harness w/ 7-Pole Adapter (1 of 2)

Item	Part No.	Part Description	Qty.
1	107856	SHORT TONGUE TAIL LIGHTS	1
2	107860	BASE HARNESS TAIL LIGHTS	1
3	106542	GROMMET RUBBER 1.5" ID	2
4	041050	1/4-20 x 3/4 PH-TRUSS HEAD MS SS	3
5	022016	#6 CUSH CLAMP 1/4 HOLE	3
6	044021	1/4-20 KEPS HEX NUT PL	3
7	107266	SCHEMATIC TAIL LIGHT HARNESS	1
8	107401	7-WAY RV PLUG, BLADE STYLE	1

8.5 - 4-Pin 2-Piece Tail Light Harness w/ 7-Pole Adapter (2 of 2)

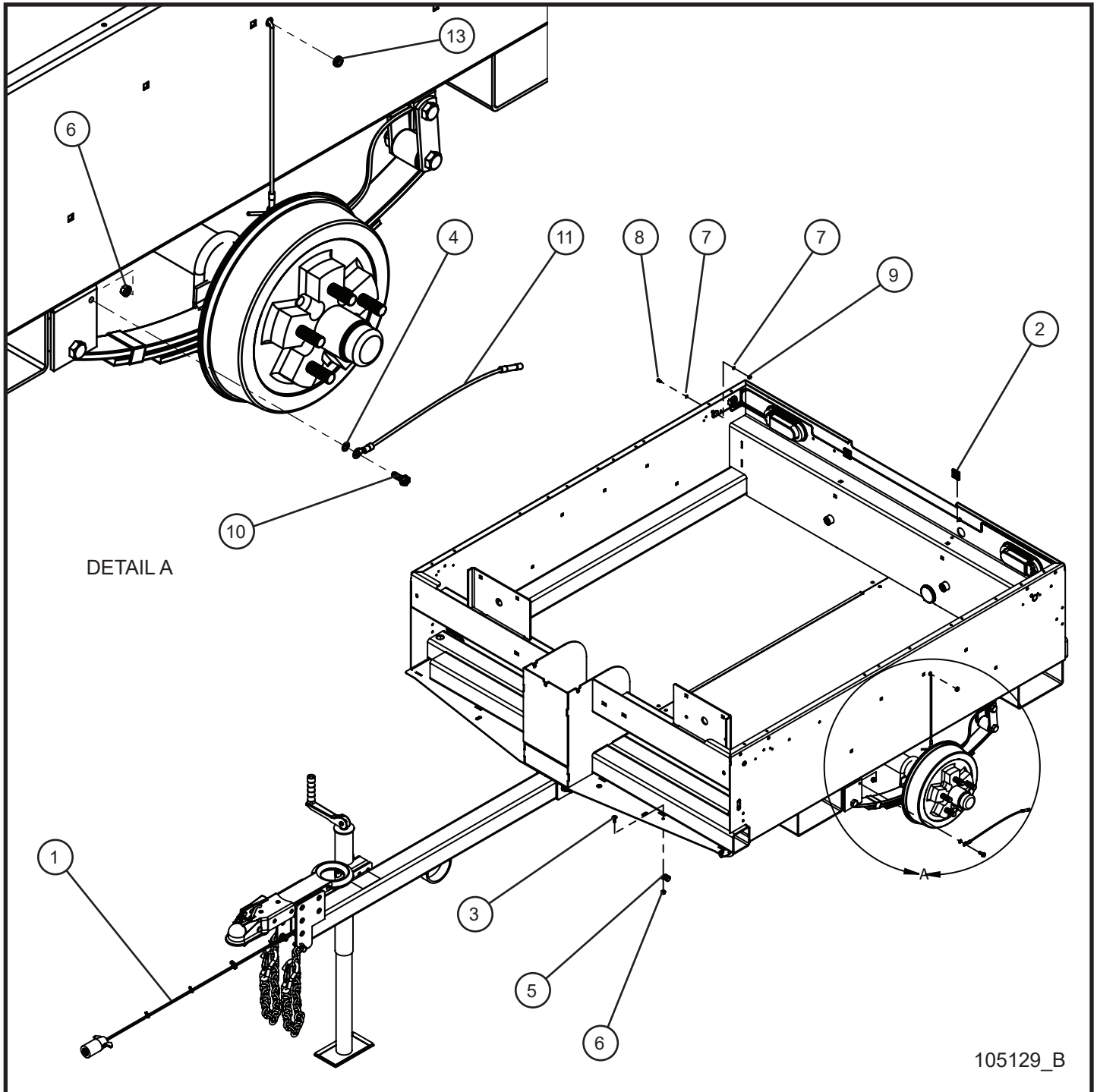


Maxi-Lite II

8.5 - 4-Pin 2-Piece Tail Light Harness w/ 7-Pole Adapter (2 of 2)

Item	Part No.	Part Description	Qty.
1	107860	BASE HARNESS TAIL LIGHTS	1
2	107861	TAIL LIGHT PIGTAIL SHORT SQUARE PLUG HARNESS	1
3	107862	TAIL LIGHT PIGTAIL LONG SQUARE PLUG HARNESS	1
4	106542	GROMMET RUBBER 1.5" ID	2
5	022135	TIE ADHESIVE MOUNT	5

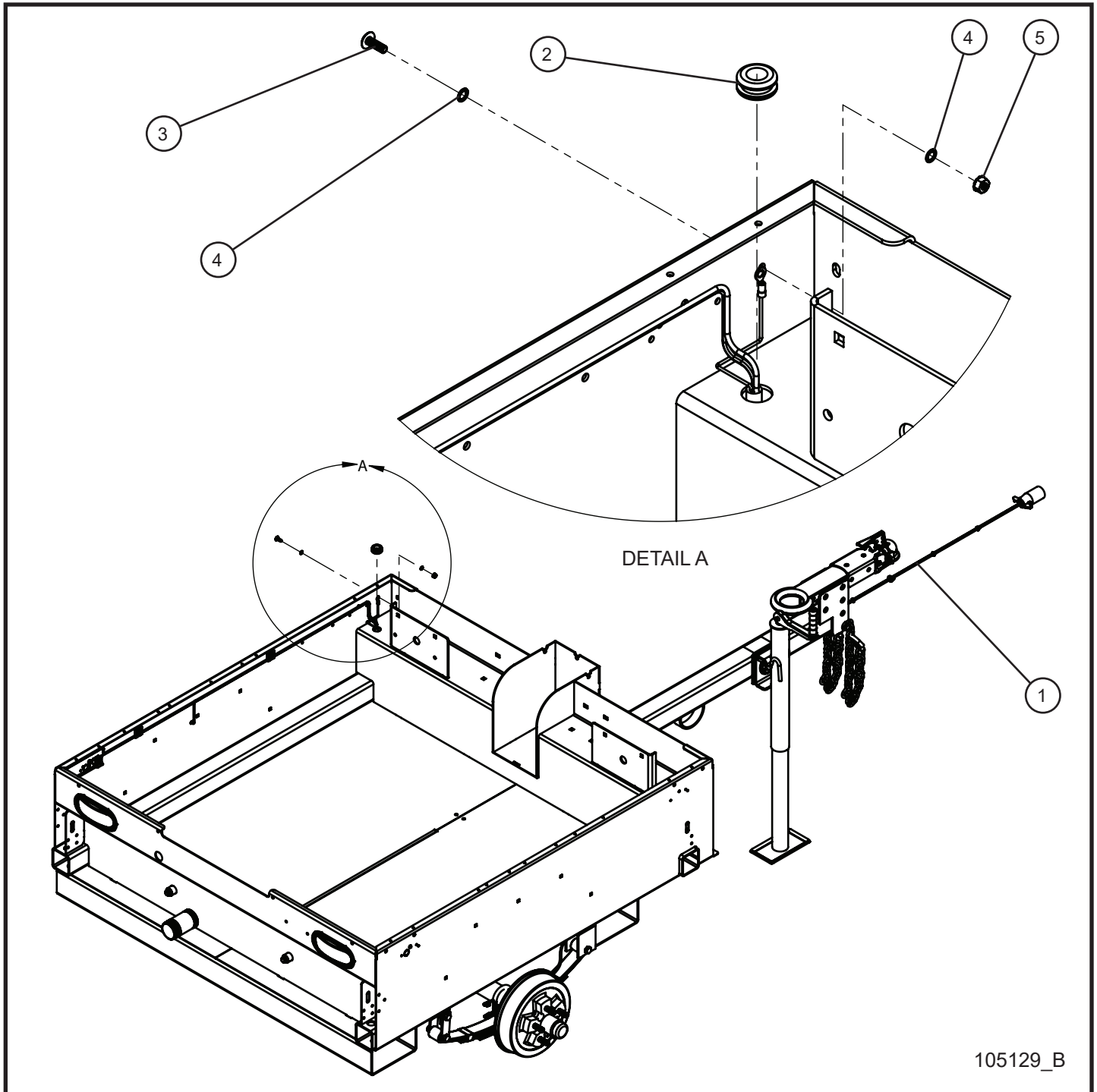
8.6 - 7-Pole Electric Brake Tail Light Harness (1 of 2)



8.6 - 7-Pole Electric Brake Tail Light Harness (1 of 2)

Item	Part No.	Part Description	Qty.
1	104618	HARNESS TL 7-POLE ELECTRIC BRAKE	1
2	022135	TIE ADHESIVE MOUNT	4
3	041050	1/4-20 x 3/4 PH-TRUSS HEAD MS SS	3
4	043050	1/4 INTL TOOTHLOCK WASHER	1
5	022016	#6 CUSH CLAMP 1/4 HOLE	3
6	044021	1/4-20 KEPS HEX NUT PL	4
7	043015	#10 INTL TOOTH LOCK WASHER PL	4
8	041024	#10-24 x 1/2 PH-ROUND HEAD MS SS	2
9	044016	#10-24 KEPS HEX NUT PL	2
10	041070	1/4-20 x 3/4 SL-HEX WASHER HEAD MS TP F	1
11	105999	GROUND WIRE ELECTRIC BRAKE MAXI II	1
12	105298	SCHEMATIC TAIL LIGHT HARNESS	1
13	100486	1/2 OD x 1/4 ID GROMMET	1

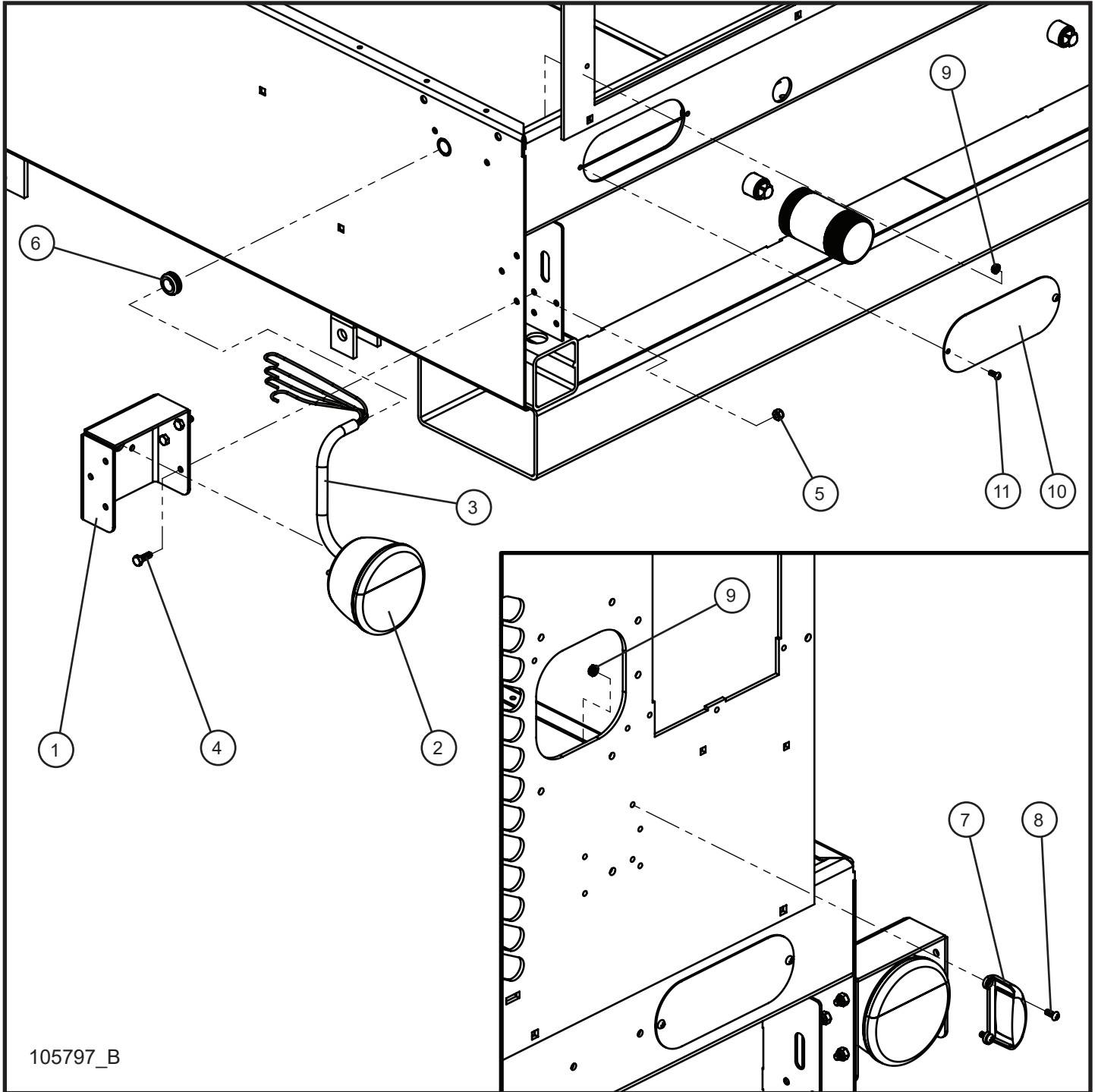
8.6 - 7-Pole Electric Brake Tail Light Harness (2 of 2)



8.6 - 7-Pole Electric Brake Tail Light Harness (2 of 2)

Item	Part No.	Part Description	Qty.
1	104618	HARNES TL 7-POLE ELECTRIC BRAKE	1
2	330463	11/16 RUBBER GROMMET	2
3	041050	1/4-20 x 3/4 PH-TRUSS HEAD MS SS	1
4	043050	1/4 INTL TOOTHLOCK WASHER	2
5	044021	1/4-20 KEPS HEX NUT PL	1

8.7 - AS3000 Tail Lights and Tail Light Harness (1 of 3)

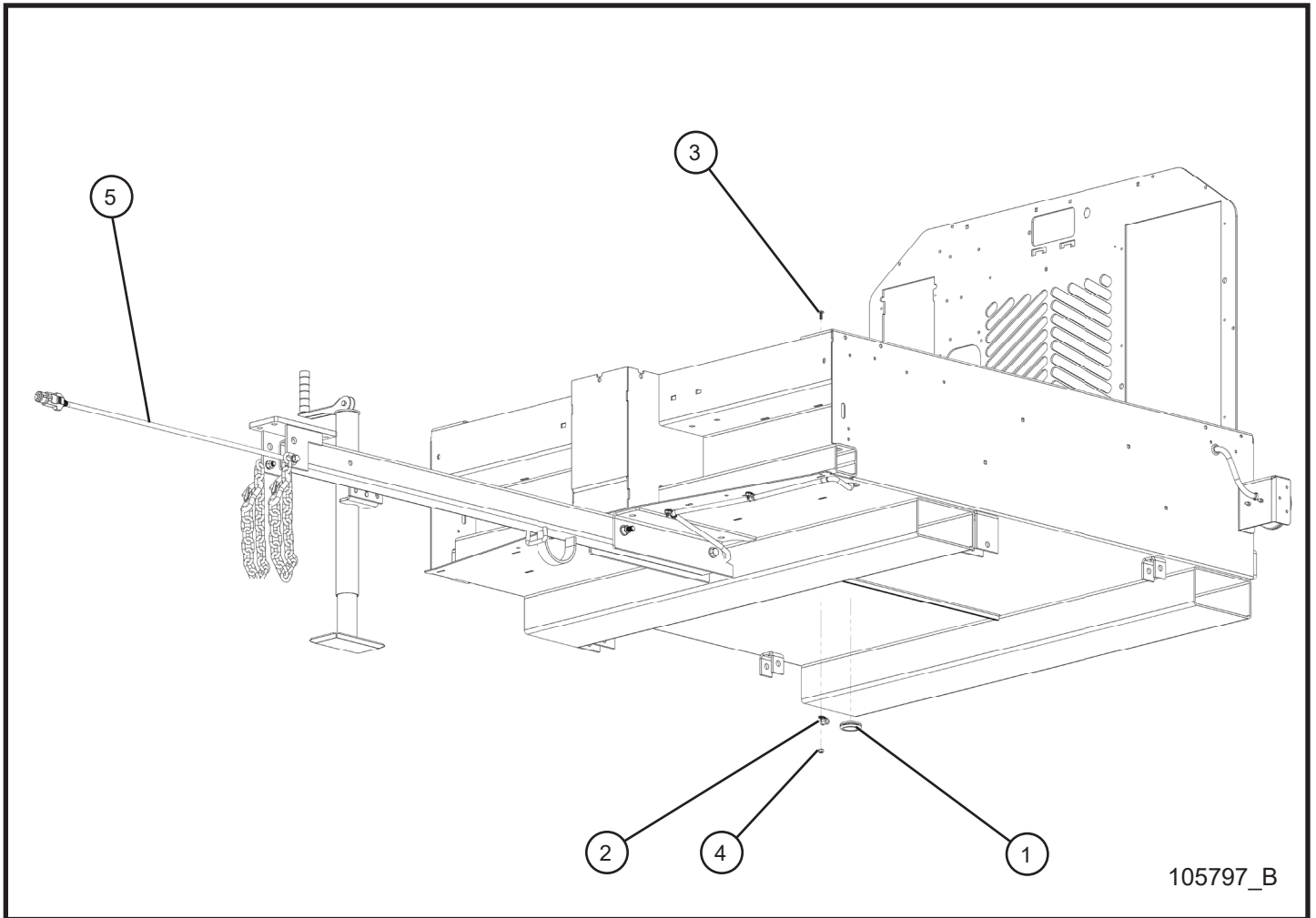


105797_B

8.7 - AS3000 Tail Lights and Tail Light Harness (1 of 3)

Item	Part No.	Part Description	Qty.
1	103063P	BRACKET TAIL LIGHT	2
2	102107	REAR LAMP MULTIFUNCTION	2
3	022202	3/8 LOOM x 9.0	2
4	046010	1/4-20 x 3/4 HEX HEAD CS GR5 SS	6
5	044023	1/4-20 NYLOCK HEX NUT PL	6
6	711028	7/8 RUBBER GROMMET	2
7	C103489	LICENSE PLATE LAMP CAPS LED AS3000	1
8	041021	#10-24 x 1/2 PH-ROUND HEAD MS SS	2
9	044016	#10-24 KEPS HEX NUT PL	6
10	105414P	COVER PLATE OVAL TAILLIGHT HOLE	2
11	041021	#10-24 x 1/2 PH-ROUND MS PL	4
12	105176	TAIL LIGHT SCHEMATIC AS3000 MAXI II	1

8.7 - AS3000 Tail Lights and Tail Light Harness (2 of 3)

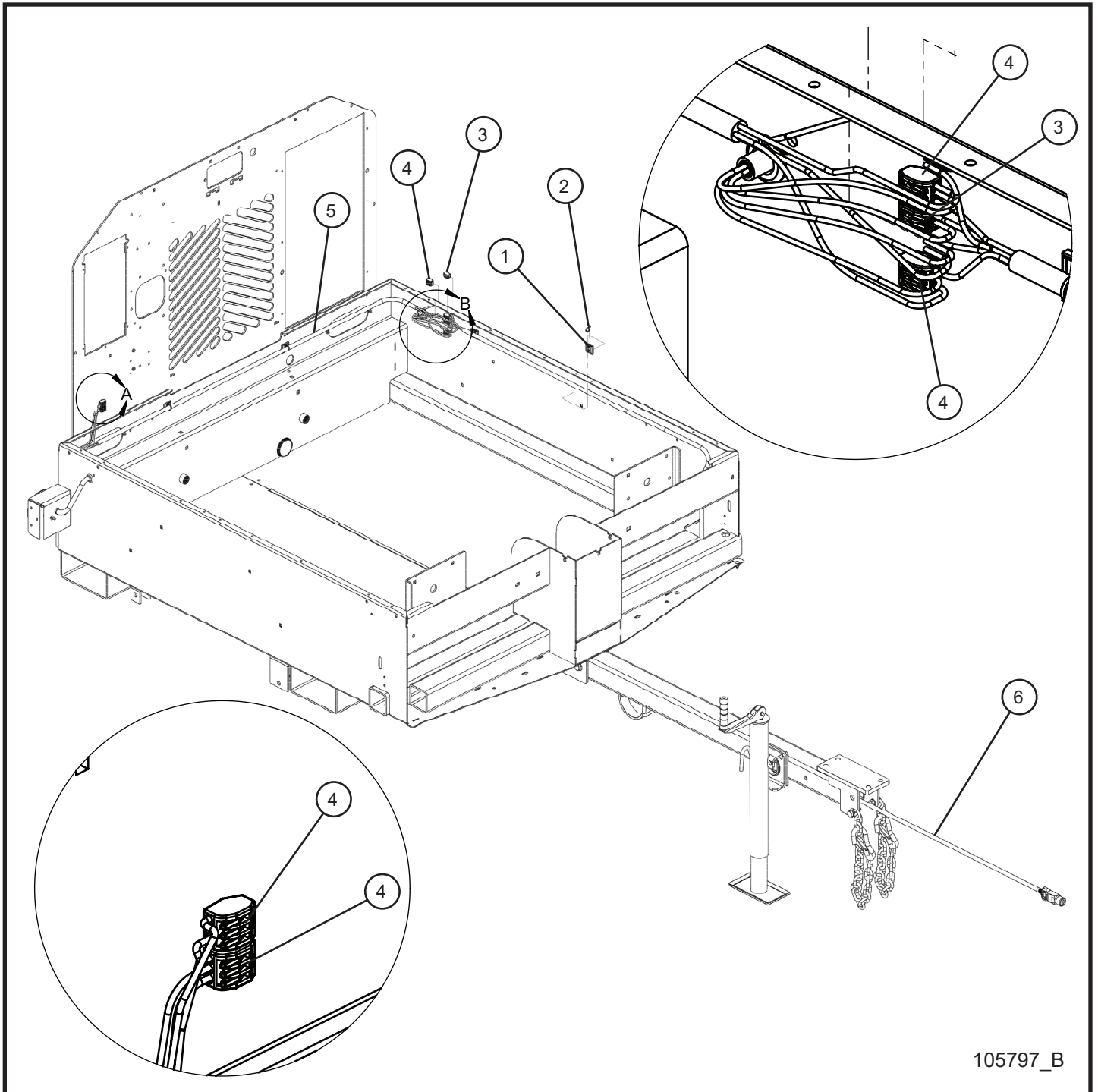


Maxi-Lite II

8.7 - AS3000 Tail Lights and Tail Light Harness (2 of 3)

Item	Part No.	Part Description	Qty.
1	106542	GROMMET RUBBER 1.5" ID	2
2	022016	#6 CUSH CLAMP 1/4 HOLE	3
3	041050	1/4-20 x 3/4 PH-TRUSS HEAD MS SS	3
4	044021	1/4-20 KEPS HEX NUT PL	3
5	106181	TAIL LIGHT HARNESS AS3000 MAXI II	1

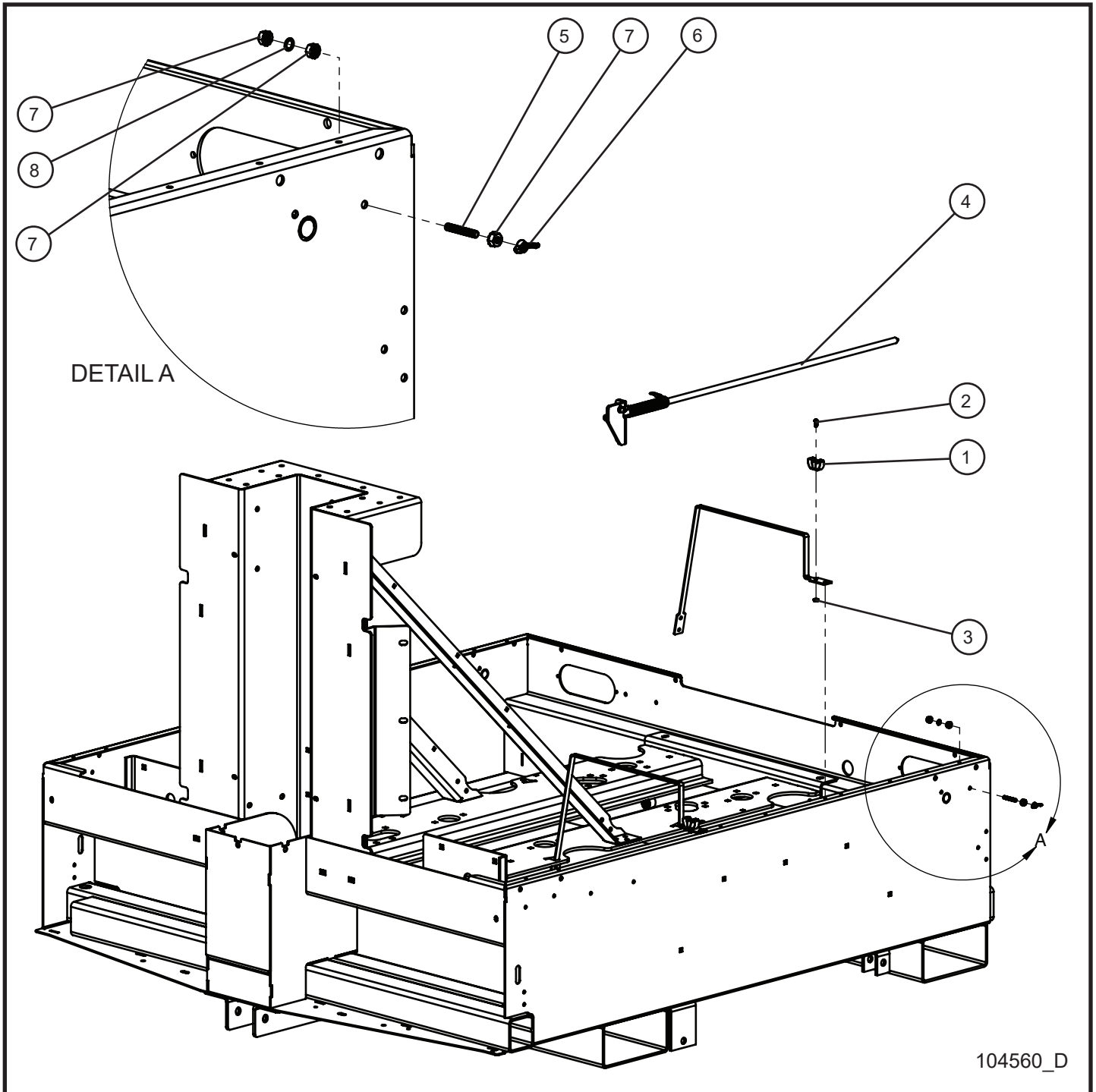
8.7 - AS3000 Tail Lights and Tail Light Harness (3 of 3)



8.7 - AS3000 Tail Lights and Tail Light Harness (3 of 3)

Item	Part No.	Part Description	Qty.
1	022135	TIE ADHESIVE MOUNT	4
2	068041	4" UV CABLE TIE	4
3	102624	2 WIRE LEVER LOCK	4
4	102623	3 PIN LEVER LOCK	5
5	105938	REAR TAIL LIGHT HARNESS AS3000 MAXI II	1
6	106181	TAIL LIGHT HARNESS AS3000 MAXI II	1
7	105176	TAIL LIGHT SCHEMATIC AS3000 MAXI II	1

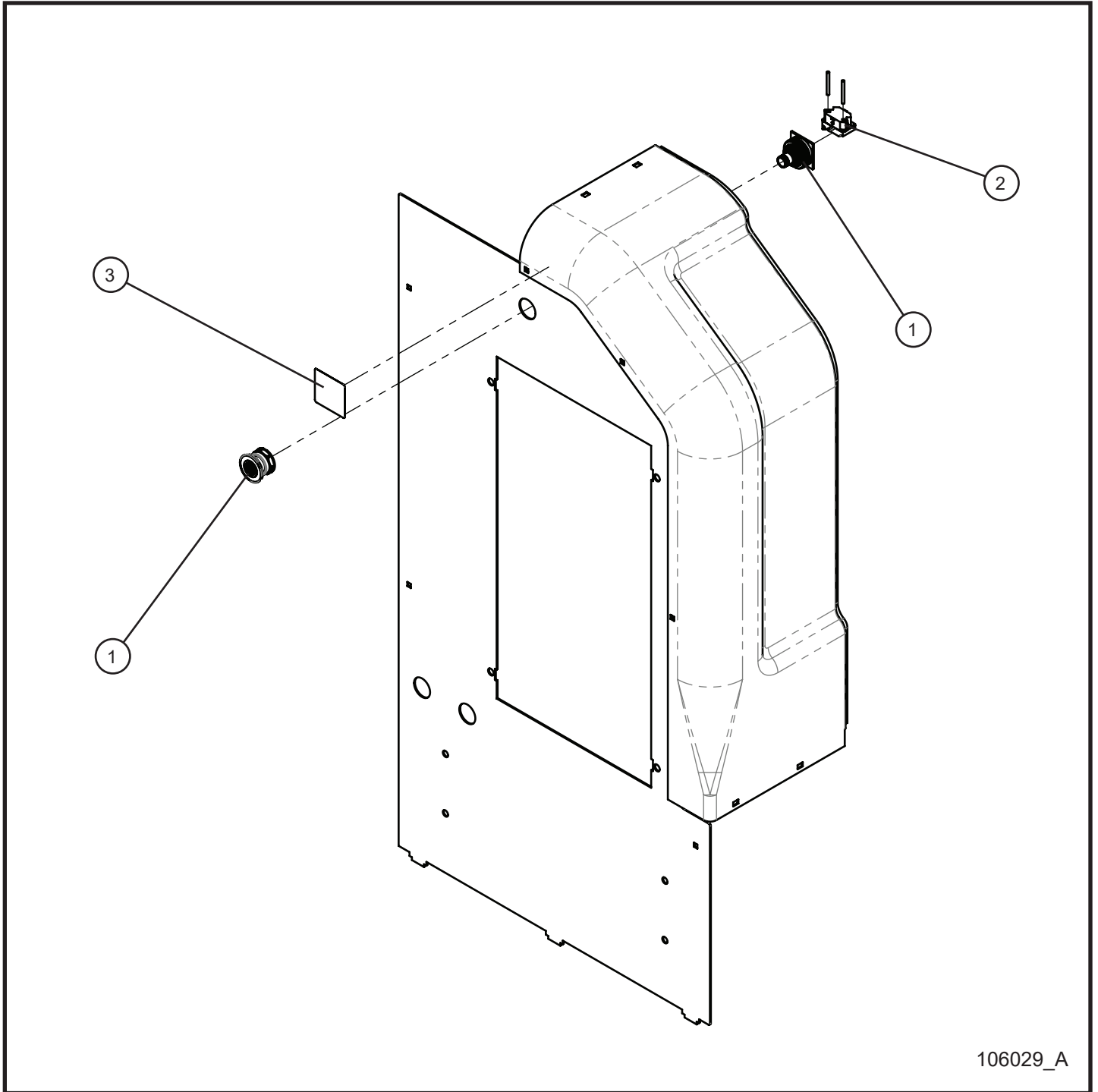
8.8 - Ground Rod Options



8.8 - Ground Rod Options

Item	Part No.	Part Description	Qty.
1	330481	GROUND ROD CLIP	2
2	041024	#10-24 x 1/2 PH-ROUND HEAD MS SS	2
3	044016	#10-24 KEPS HEX NUT PL	2
4	340058	GROUND ROD ASSEMBLY	1
	105331	GROUND ROD 4 AWG WIRE ASSEMBLY	1
5	045003	1/4-20 x 1-1/2 STUD PL	1
6	330494	NUT WING 1/4-20 PL	1
7	044021	1/4-20 KEPS HEX NUT PL	3
8	043050	1/4 INTL TOOTH LOCK WASHER	1

8.9 - Emergency Stop



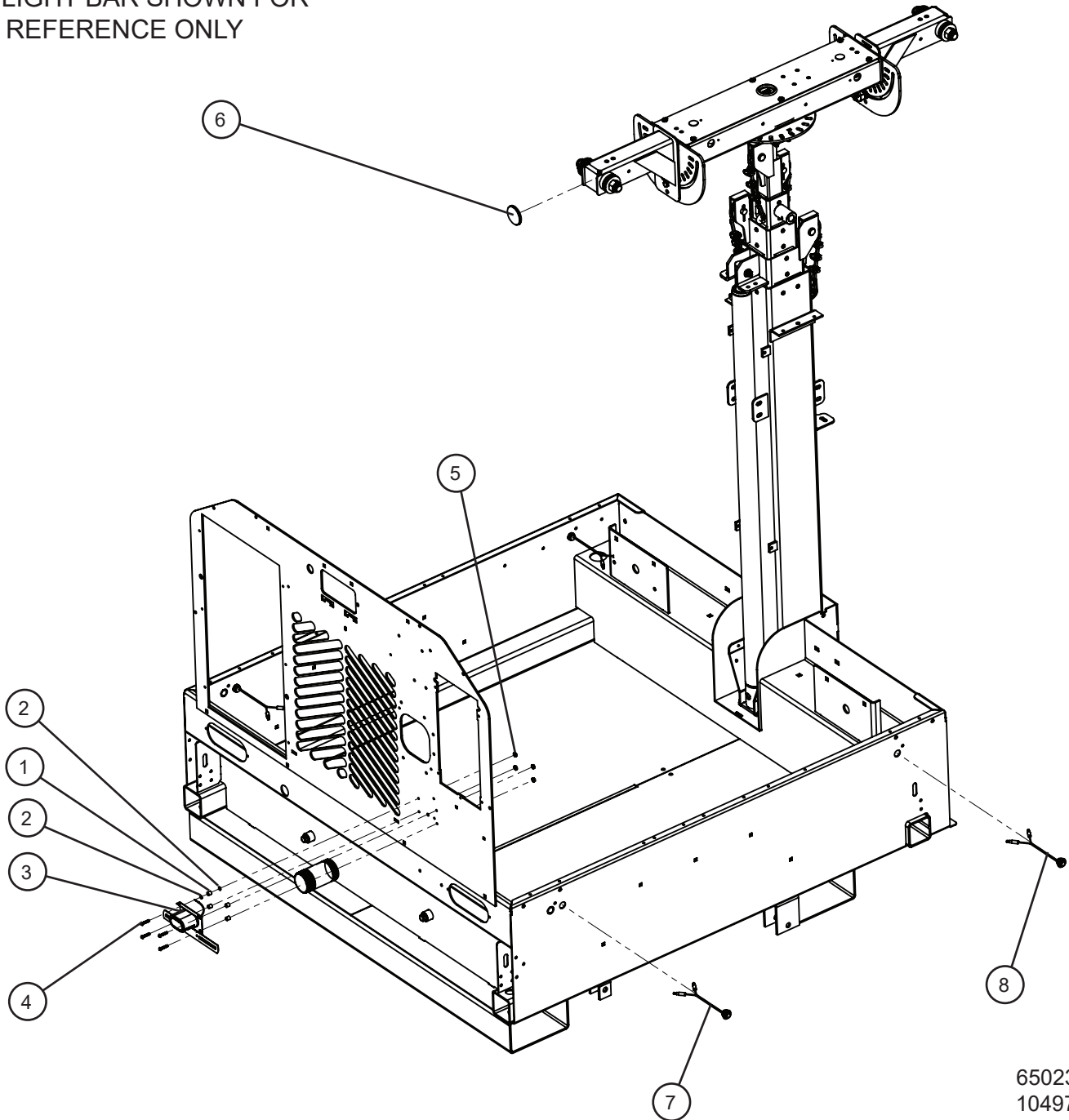
106029_A

8.9 - Emergency Stop

Item	Part No.	Part Description	Qty.
1	650460	EMERGENCY STOP	1
2	650461	CONTACT BLOCK EMERGENCY STOP	1
3	105567	EMERGENCY STOP DECAL	1
4	105991	WIRE HARNESS E-STOP MAXI II (NOT SHOWN)	1

8.10 - VIN Package with License Plate Bracket

*LIGHT BAR SHOWN FOR
REFERENCE ONLY

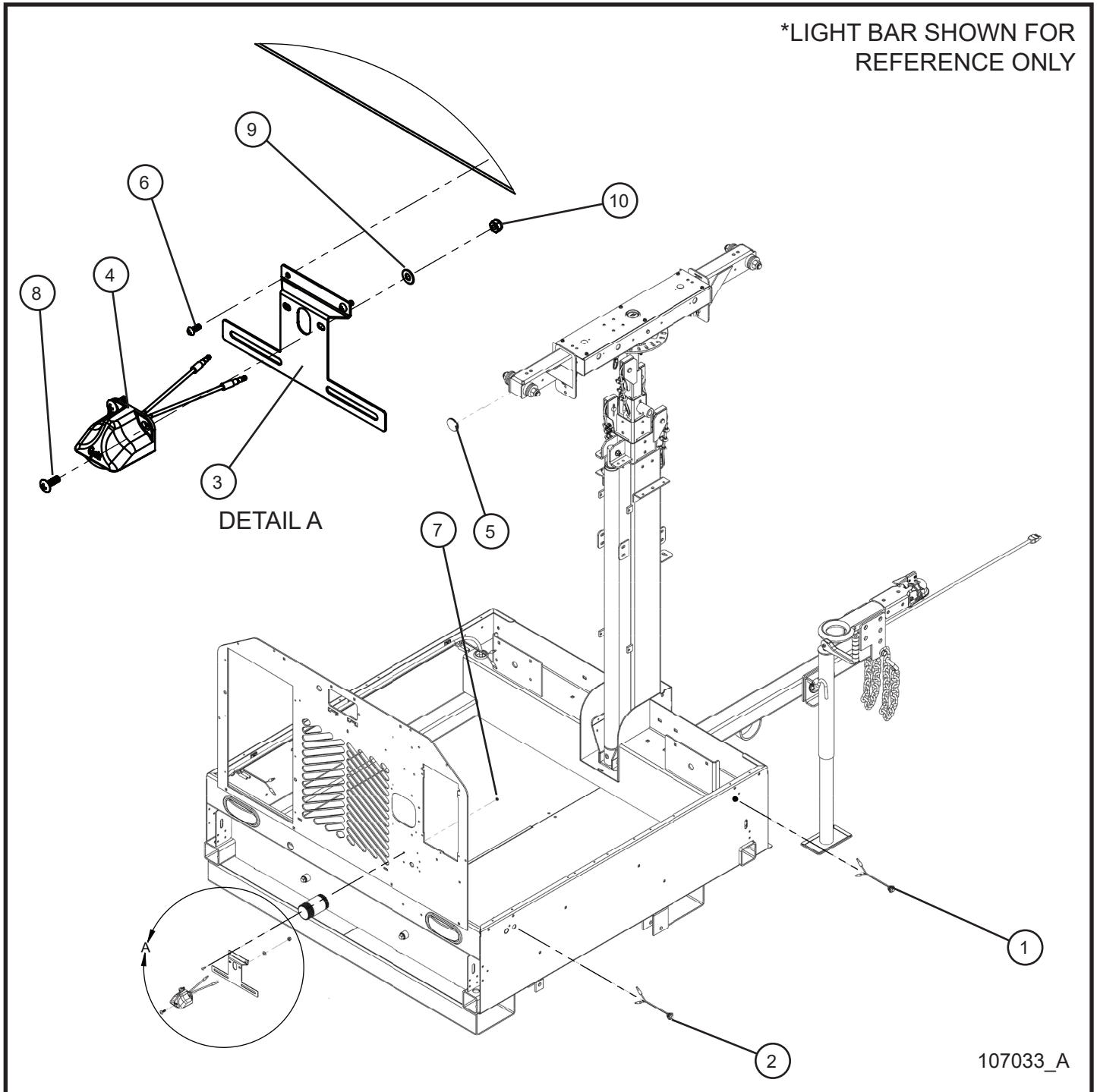


650238_E
104976_C

8.10 - VIN Package with License Plate Bracket

Item	Part No.	Part Description	Qty.
1	022180	SPACER RICOHO	4
2	043015	#10 INT'L TOOTHLOCK WASHER PL	2
3	032035	LICENSE PLATE LAMP WITH BRACKET	1
4	041030	#10-24 x 1 PH-ROUND HEAD MS PL	4
5	044016	#10-24 KEPS HEX NUT PL	4
6	650237	2" RED REFLECTOR	2
7	106211	LIGHT LED MARKER RED	2
8	106212	LIGHT LED MARKER AMBER	2
9	105299	LICENCSE PLATE SCHEMATIC	1
10	107267	MARKER LIGHTS SCHEMATIC	1

8.11 - VIN LED Package with License Plate Bracket (1 of 2)

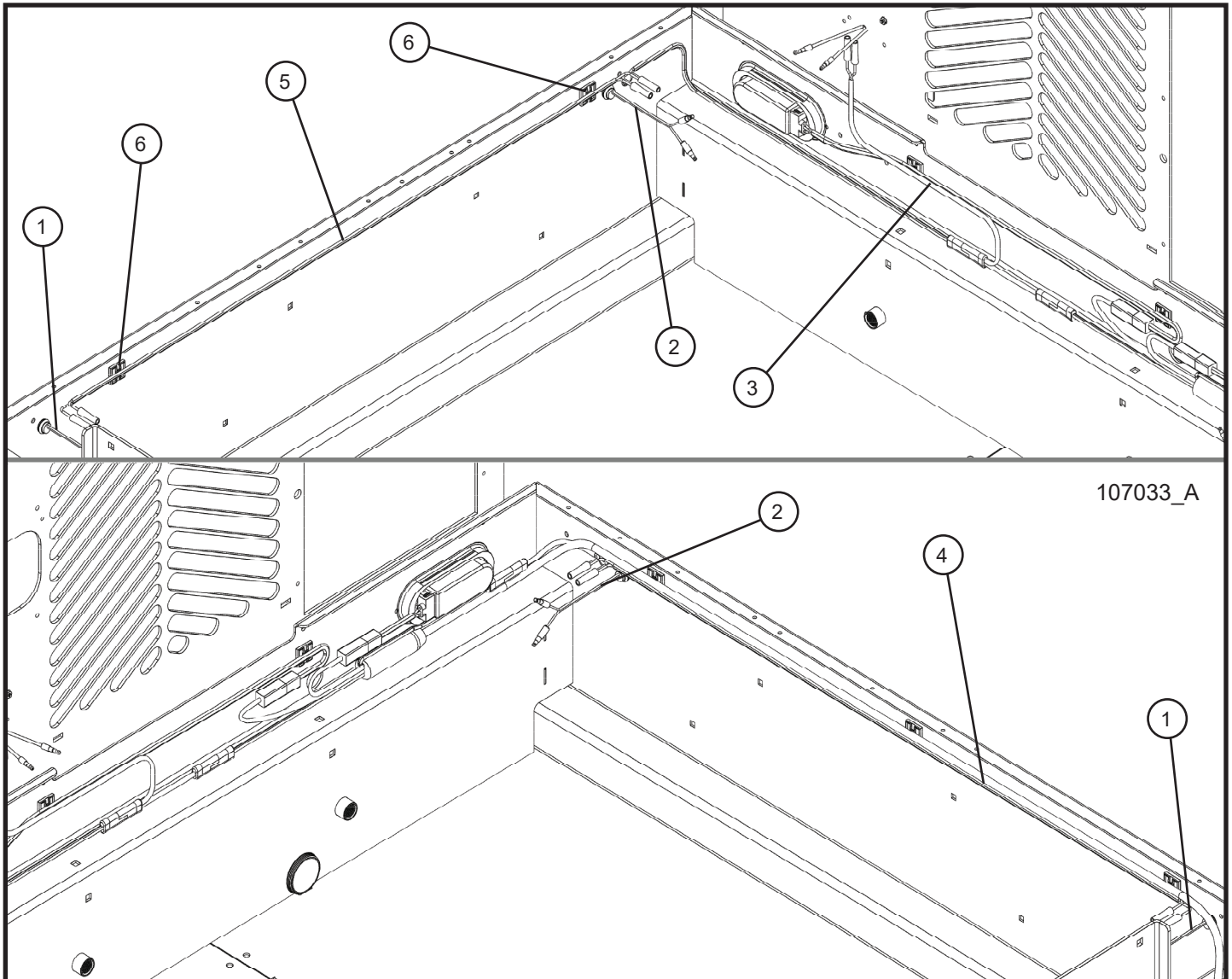


Maxi-Lite II

8.11 - VIN LED Package with License Plate Bracket (1 of 2)

Item	Part No.	Part Description	Qty.
1	106212	LIGHT LED MARKER AMBER	2
2	106211	LIGHT LED MARKER RED	2
3	105349P	BRACKET LICENSE PLATE	1
4	107605	MOUNT LED LIGHT CLEAR	1
5	650237	2" RED REFLECTOR	2
6	041021	#10-24 x 1/2 PH-ROUND HEAD MS PL	2
7	044016	#10-24 KEPS HEX NUT PL	2
8	041050	1/4-20 x 3/4 PH-TRUSS HEAD MS SS MACHINE SCREW	2
9	047009	1/4 FLAT WASHER SAE SS	2
10	044023	1/4-20 NYLOCK HEX NUT PL	2
11	105350	LICENCSE PLATE LED LIGHT SCHEMATIC	1
12	107267	MARKER LIGHTS SCHEMATIC	1

8.11 - VIN LED Package with License Plate Bracket (2 of 2)

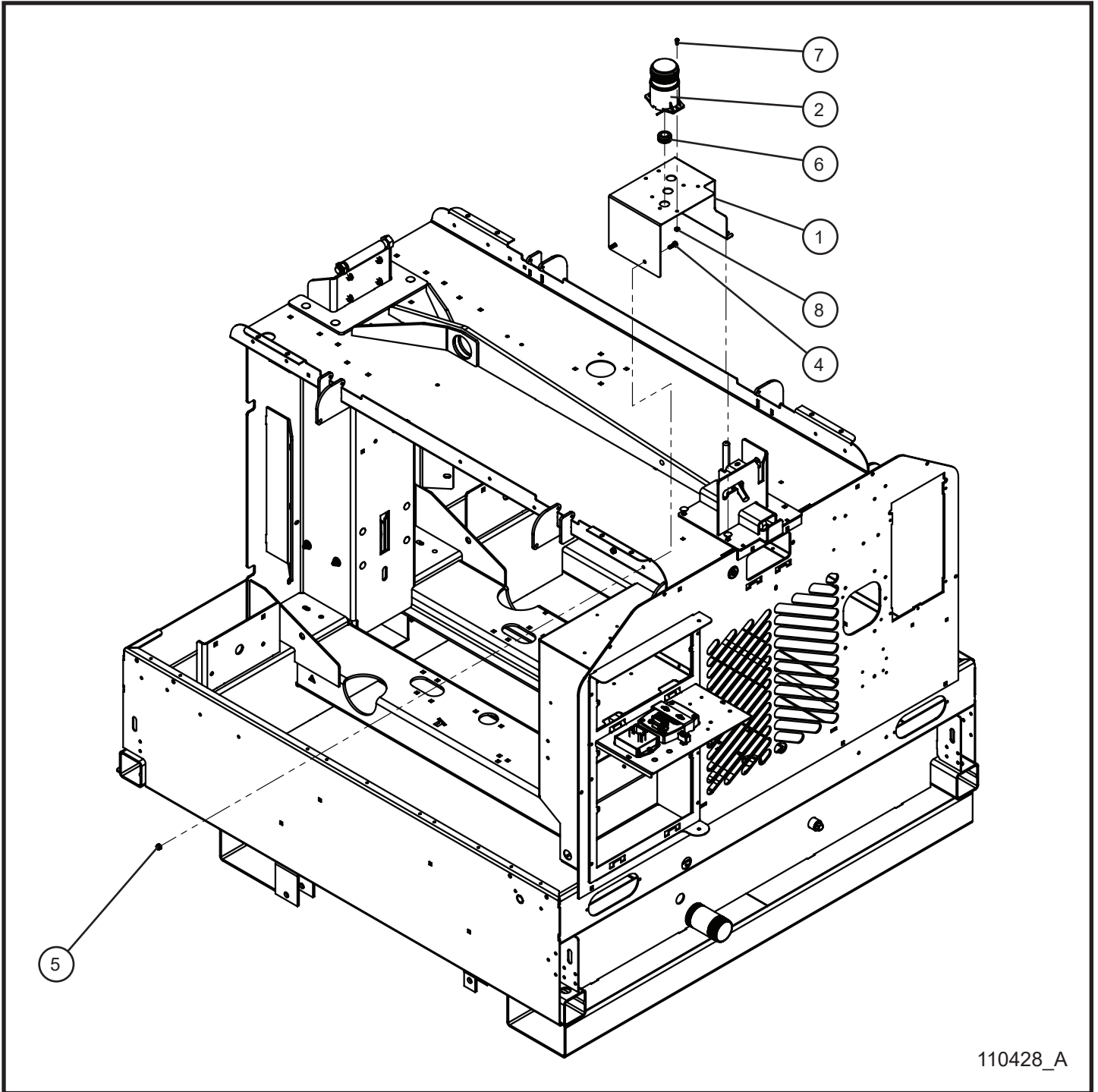


Maxi-Lite II

8.11 - VIN LED Package with License Plate Bracket (2 of 2)

Item	Part No.	Part Description	Qty.
1	106212	LIGHT LED MARKER AMBER	2
2	106211	LIGHT LED MARKER RED	2
3	105348	LONG LED LIGHT LICENSE PLATE	1
4	107863	SHORT-2 PIN PLUG MARKER LIGHTS	1
5	107864	LONG-2 PIN PLUG MARKER LIGHTS	1
6	022135	TIE ADHESIVE MOUNT	2
7	107267	MARKER LIGHTS SCHEMATIC	1

8.12 - Laydown Tower Low Fuel Beacon

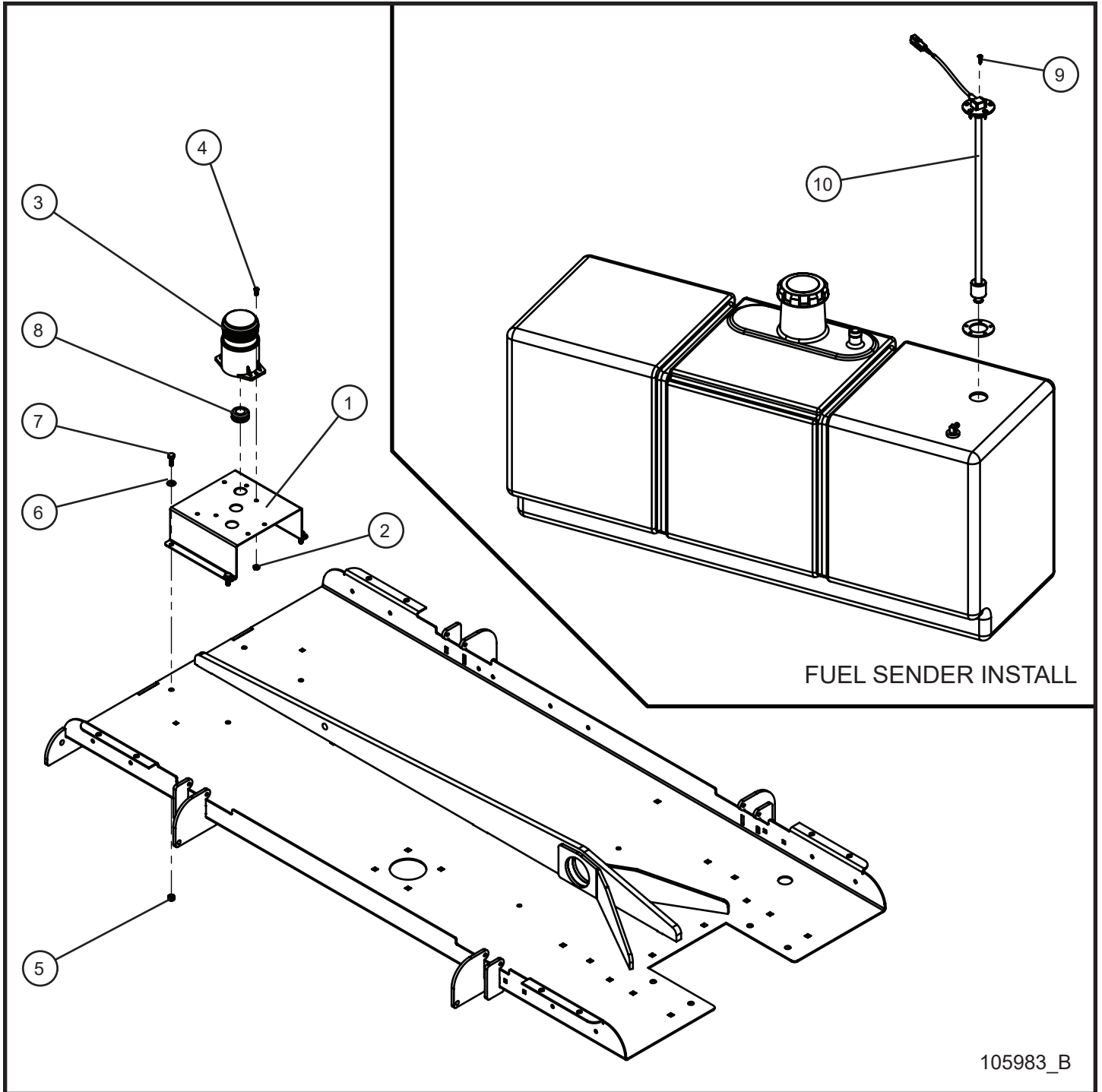


110428_A

8.12 - Laydown Tower Low Fuel Beacon

Item	Part No.	Part Description	Qty.
1	110431P	BRACKET BEACON LAYDOWN TOWER MAXI II	1
2	104974	LED STROBE LIGHT AMBER 3" ROUND	1
3	106051	HARNESS LOW FUEL BEACON RUN LIGHT (NOT SHOWN)	1
4	046010	1/4-20 x 3/4 HEX HEAD CS GR5 SS	2
5	044021	1/4-20 KEPS HEX NUT PL	2
6	330463	11/16 RUBBER GROMMET	1
7	041021	#10-24 x 1/2 PH-ROUND HEAD MS PL	2
8	044016	#10-24 KEPS HEX NUT PL	2
9	105887	SCHEMATIC LOW FUEL BEACON (NOT SHOWN)	1

8.12 - Vertical Tower Low Fuel Beacon

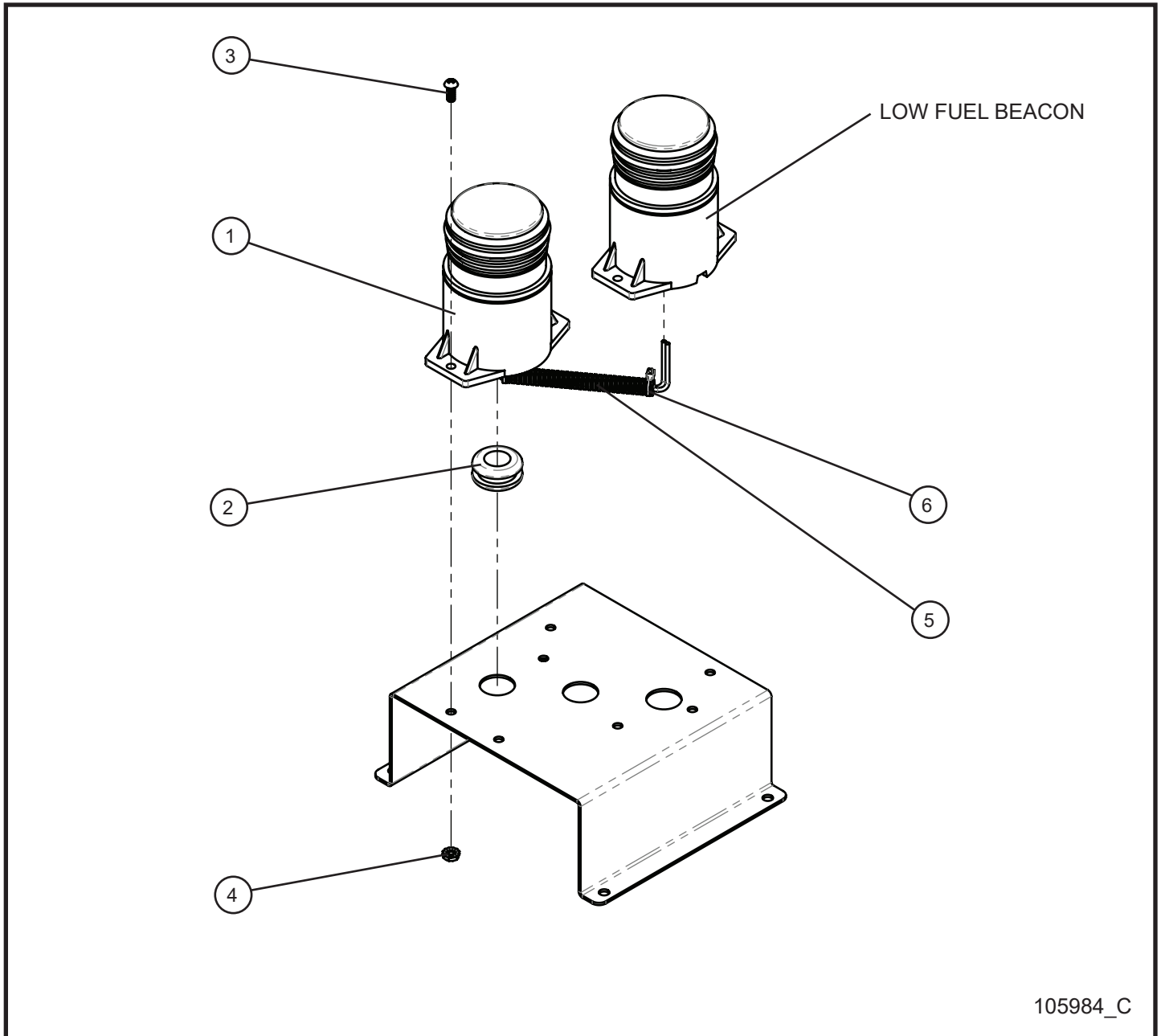


105983_B

8.12 - Vertical Tower Low Fuel Beacon

Item	Part No.	Part Description	Qty.
1	104636P	BRACKET BEACON MAXI II	1
2	044016	#10-24 KEPS HEX NUT PL	2
3	104974	LED STROBE LIGHT AMBER 3" ROUND	1
4	041021	#10-24 x 1/2 PH-ROUND HEAD MS PL	2
5	044023	1/4-20 NYLOCK HEX NUT PL	4
6	047009	1/4 FLAT WASHER SAE SS	4
7	046010	1/4-20 x 3/4 HEX HEAD CS GR5 SS	4
8	330463	11/16 RUBBER GROMMET	1
9	102556	SCREW #8 x 3/4	5
10	110088	VERTICAL SHAFT FUEL LEVEL SENDER	1
NS	110090	HARNESS SENDER FUEL LEVEL	1
NS	110089	LOW FUEL SENDER WIRE SCHEMATIC	1
NS	106051	HARNESS LOW FUEL BEACON RUN LIGHT	1
NS	105887	SCHEMATIC LOW FUEL BEACON	1

8.13 - Run Beacon

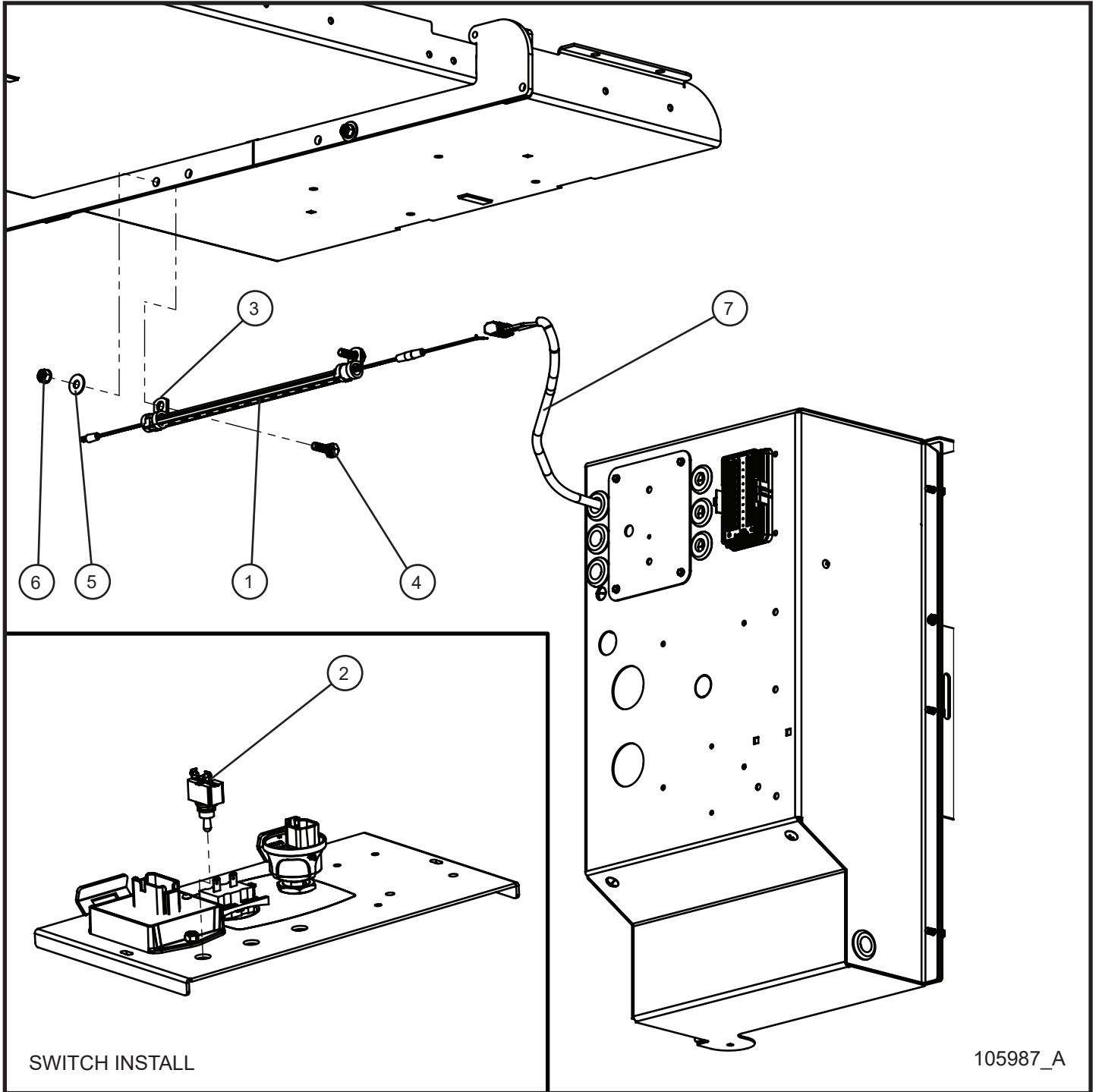


105984_C

8.13 - Run Beacon

Item	Part No.	Part Description	Qty.
1	104975	LED STROBE LIGHT GREEN 3" ROUND	1
2	330463	11/16 RUBBER GROMMET	1
3	041021	#10-24 x 1/2 PH-ROUND HEAD MS PL	2
4	044016	#10-24 KEPS HEX NUT PL	2
5	022200	1/4 SPLIT LOOM x 4.0	1
6	068041	4" UV CABLE TIE	2
7	106092	SCHEMATIC RUN BEACON	1

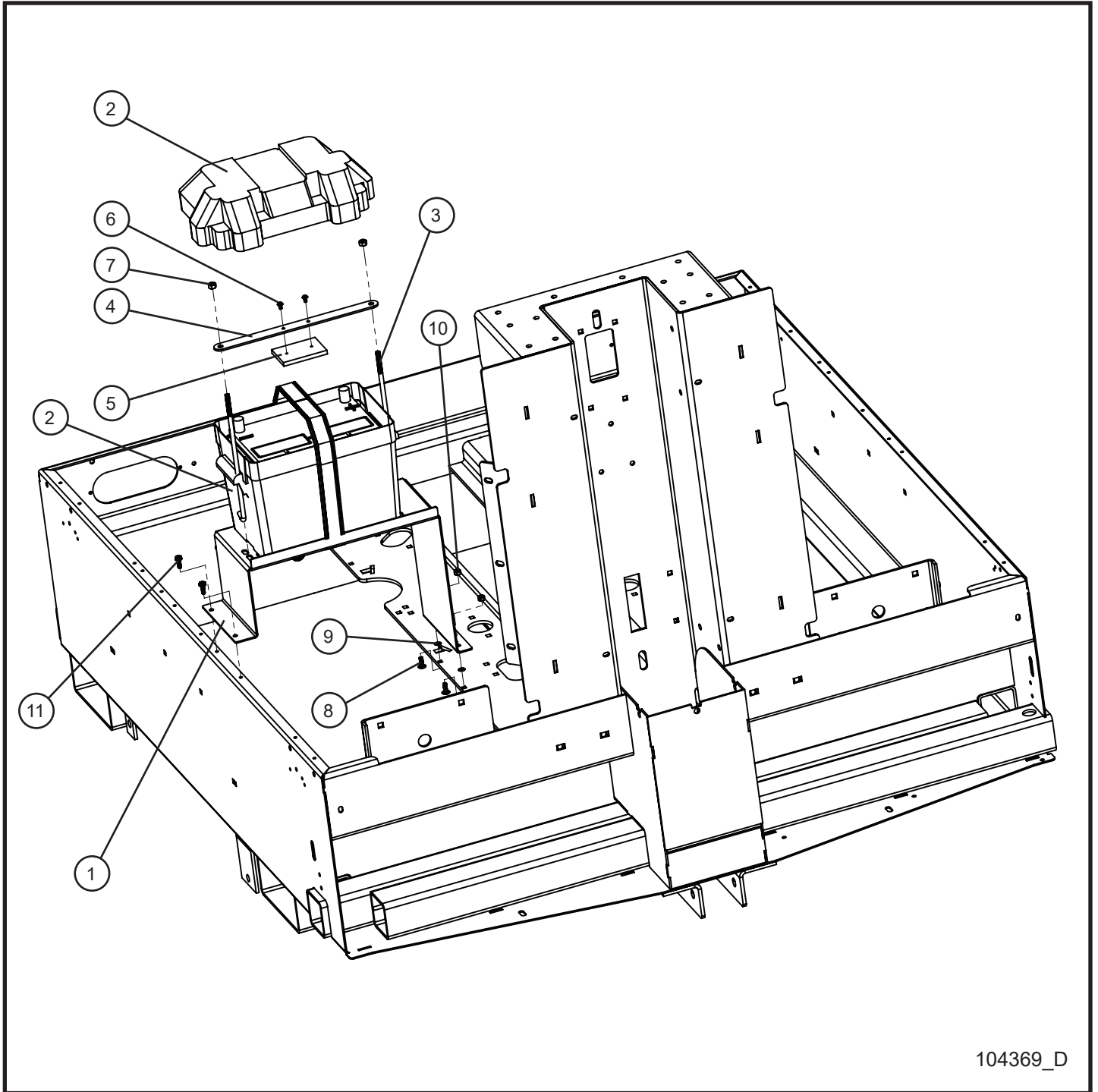
8.14 - Interior LED Light



8.14 - Interior LED Light

Item	Part No.	Part Description	Qty.
1	104820	LED LIGHT 12 INCH	1
2	340009	SWITCH 15A SPST	1
3	022018	#8 CUSH CLAMP	2
4	046050	5/16-18 x 1 HEX HEAD CS GR5 PL	2
5	047010	5/16 FLAT WASHER PL	2
6	044031	5/16-KEPS HEX NUT PL	2
7	105989	WIRE KIT INTERIOR LIGHT	1
8	105896	SCHEMATIC WORK LIGHT	1

9.1 - Battery Install Group

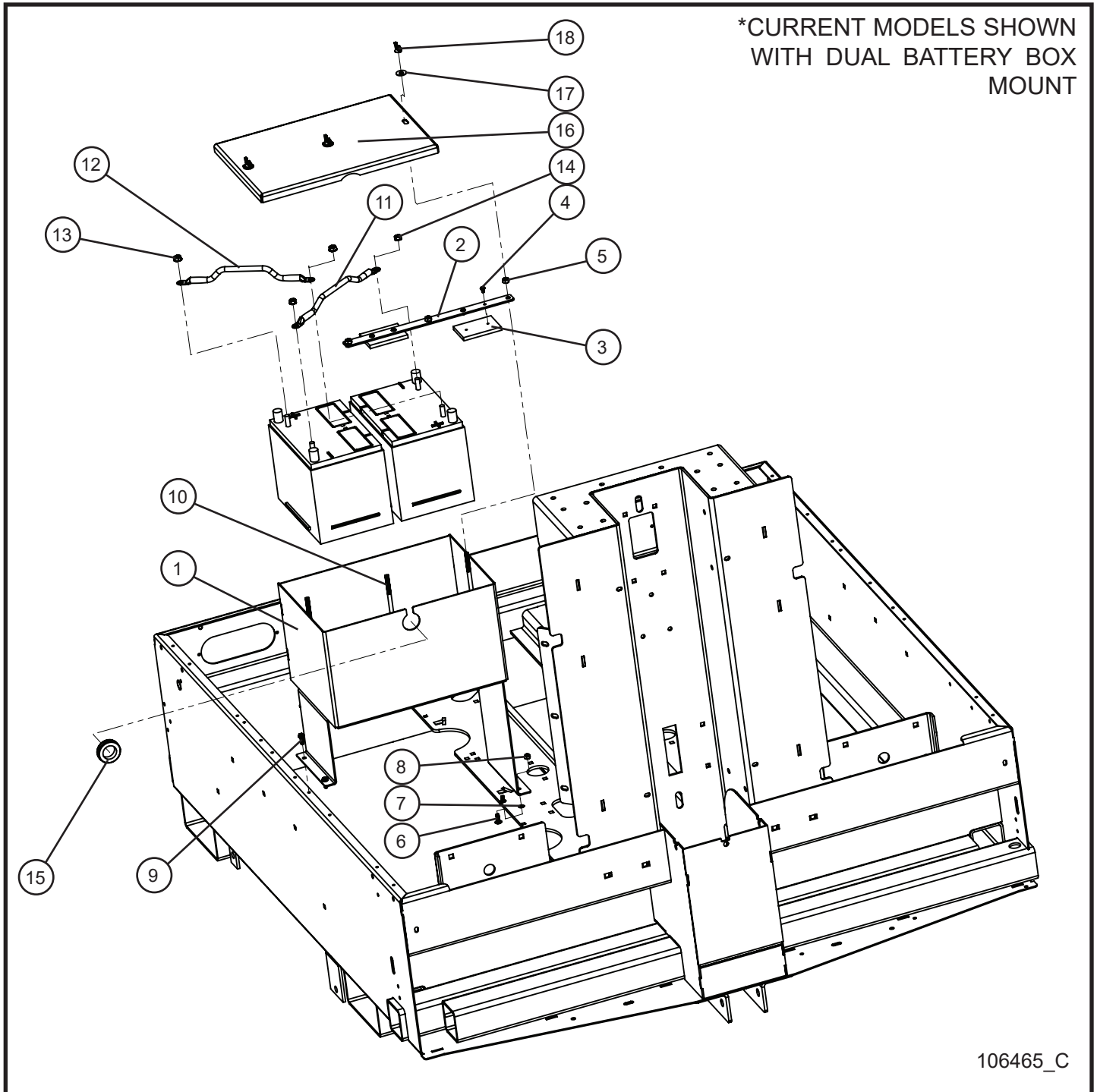


104369_D

9.1 - Battery Install Group

Item	Part No.	Part Description	Qty.
1	104697P	MOUNT BRACKET BATTERY	1
2	103886	BATTERY BOX HERTZ	1
3	433507	5/16-18 J BOLT	2
4	103305P	HOLD DOWN STRAP BATTERY BOX	1
5	650110	.312 TOWER PAD	1
6	041023	#10 x 3/8 PH-ROUND HEAD MS PL	2
7	044033	5/16-18 NYLOCK HEX NUT PL	2
8	053006	1/4-20 x 3/4 CARRIAGE BOLT	2
9	101701	1/4 PUSH NUT	2
10	044023	1/4-20 NYLOCK HEX NUT PL	2
11	041070	1/4-20 x 3/4 SL-HEX WASHER HEAD MS TP F	2

9.2 - Dual Battery Install Group

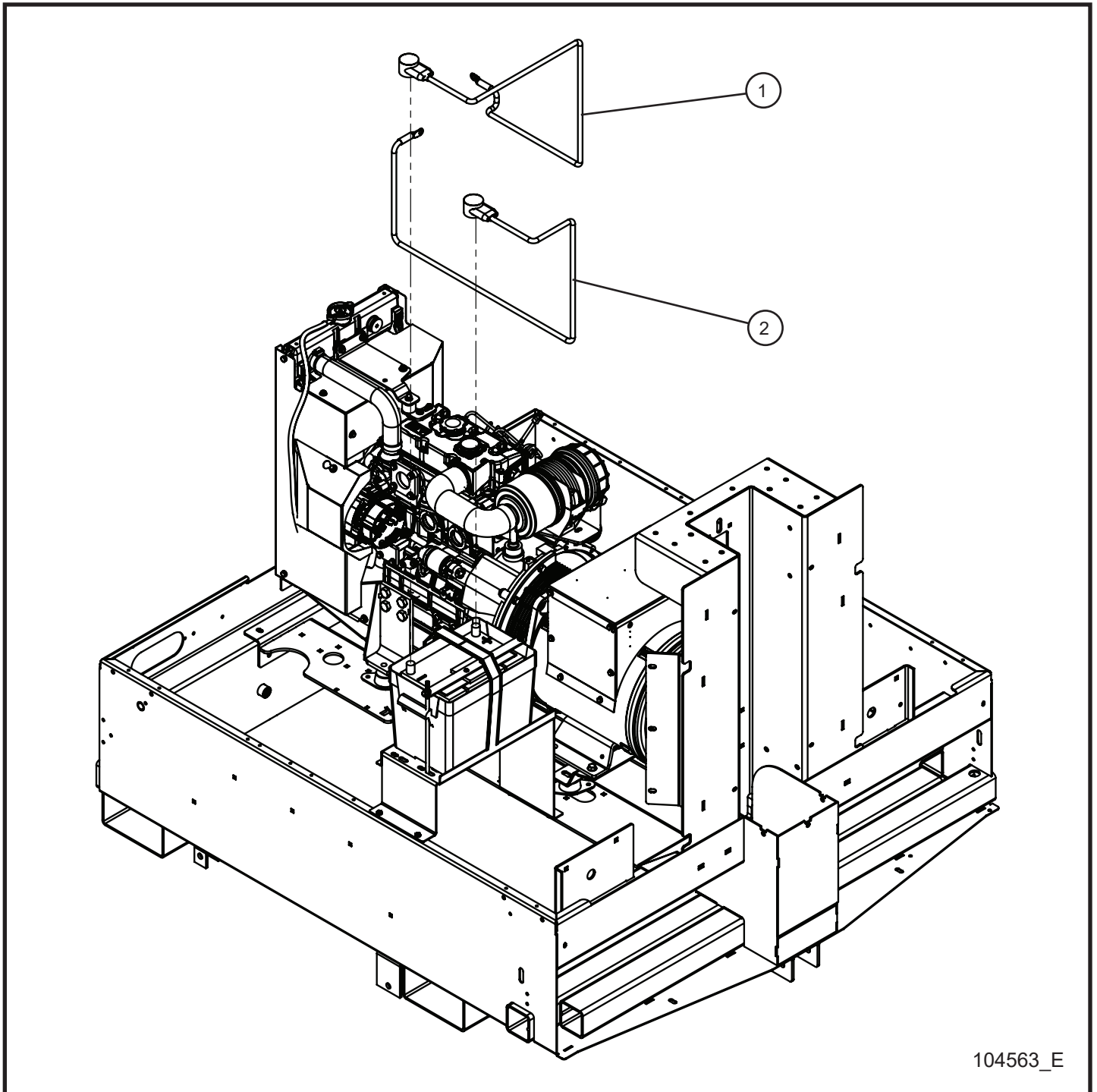


106465_C

9.2 - Dual Battery Install Group

Item	Part No.	Part Description	Qty.
1	105913P	DUAL BATTERY BOX MOUNT	1
2	106464P	HOLD DOWN STRAP 2 BATTERY	1
3	650110	.312 TOWER PAD	2
4	041023	#10 x 3/8 PH-ROUND HEAD MS PL	4
5	044033	5/16-18 NYLOCK HEX NUT PL	3
6	053006	1/4-20 x 3/4 CARRIAGE BOLT	2
7	101701	1/4 PUSH NUT	2
8	044023	1/4-20 NYLOCK HEX NUT PL	2
9	041070	1/4-20 x 3/4 SL-HEX WASHER HEAD MS TP F	2
10	433507	5/16-18 J BOLT x 11 ZINC	3
11	106466	CABLE NEGATIVE BATTERY PARALLEL MAXI II	1
12	106467	CABLE POSITIVE BATTERY PARALLEL MAXI II	1
13	044036	3/8-16 KEPS HEX NUT PL	2
14	044031	5/16-18 KEPS HEX NUT PL	2
15	650542	1 1/4 ID x 1 1/2 OD GROMMET	1
16	106471P	BOX LID DUAL BATTERY	1
17	047010	5/16 FLAT WASHER PL	3
18	044017	5/16-18 WING NUT	3

9.3 - Battery Cables

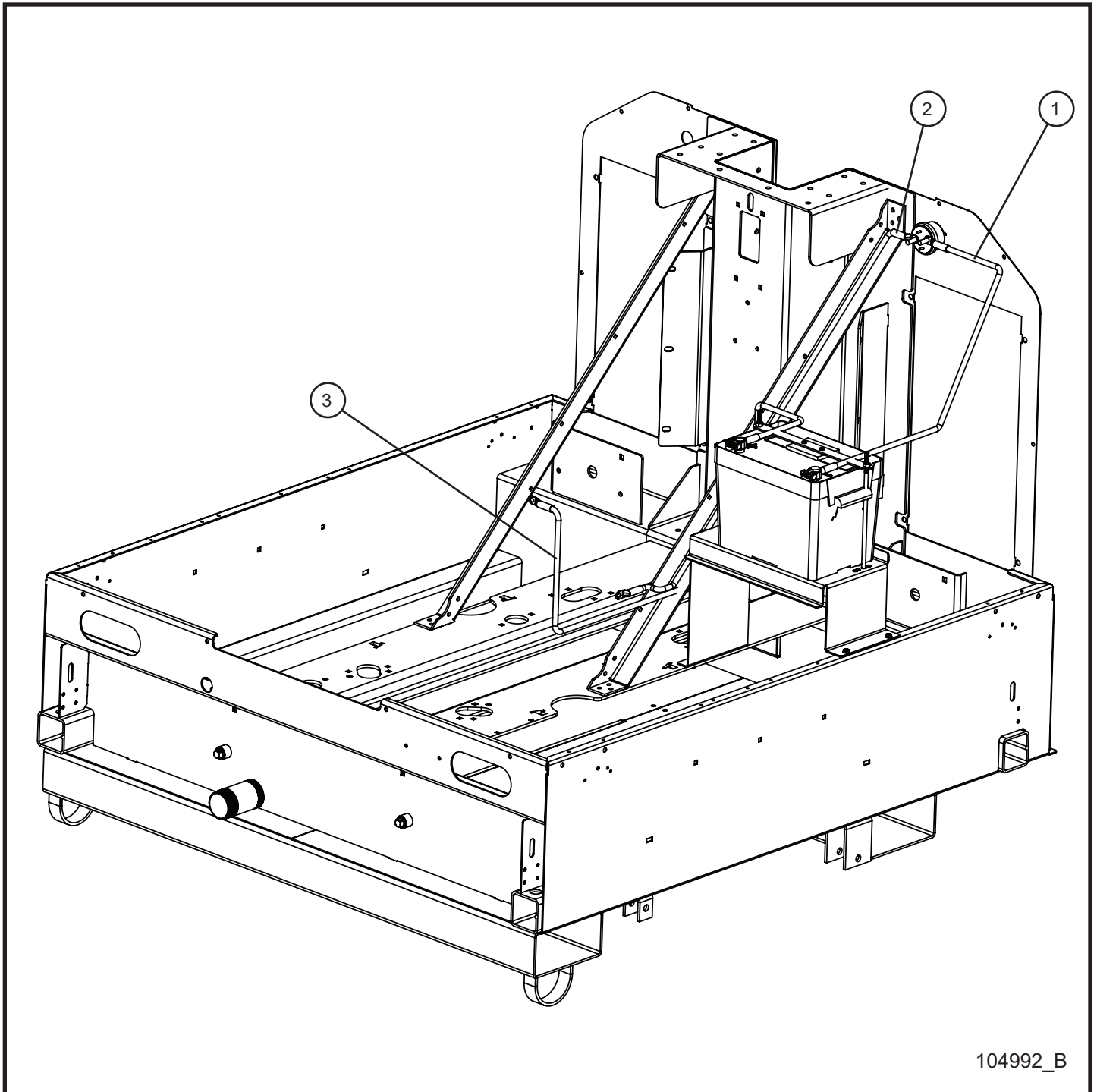


104563_E

9.3 - Battery Cables

Item	Part No.	Part Description	Qty.
1	112764	BATTERY CABLE BLACK KIT	1
2	112763	BATTERY CABLE RED KIT	1

9.4 - Battery Cable Disconnect

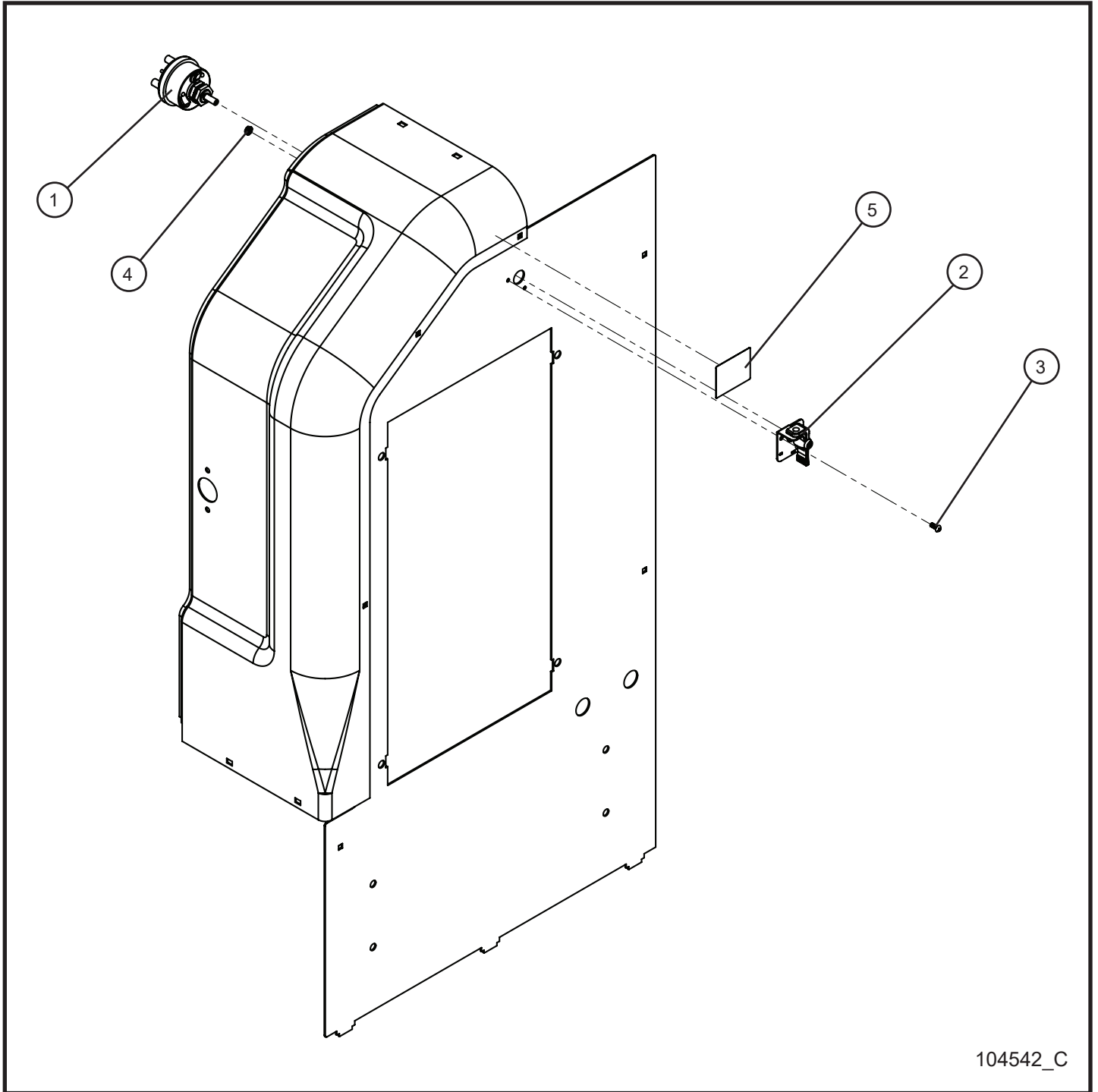


104992_B

9.4 - Battery Cable Disconnect

Item	Part No.	Part Description	Qty.
1	713098	BATTERY CABLE BLACK 2 GA 36"	1
2	104991	BATTERY CABLE BLACK 60" w/ 2 EYELETS	1
3	027026	BATTERY CABLE RED 2 GA 48"	1
NS	105301	BATTERY DISCONNECT SCHEMATIC	1

9.5 - Battery Cable Disconnect Switch

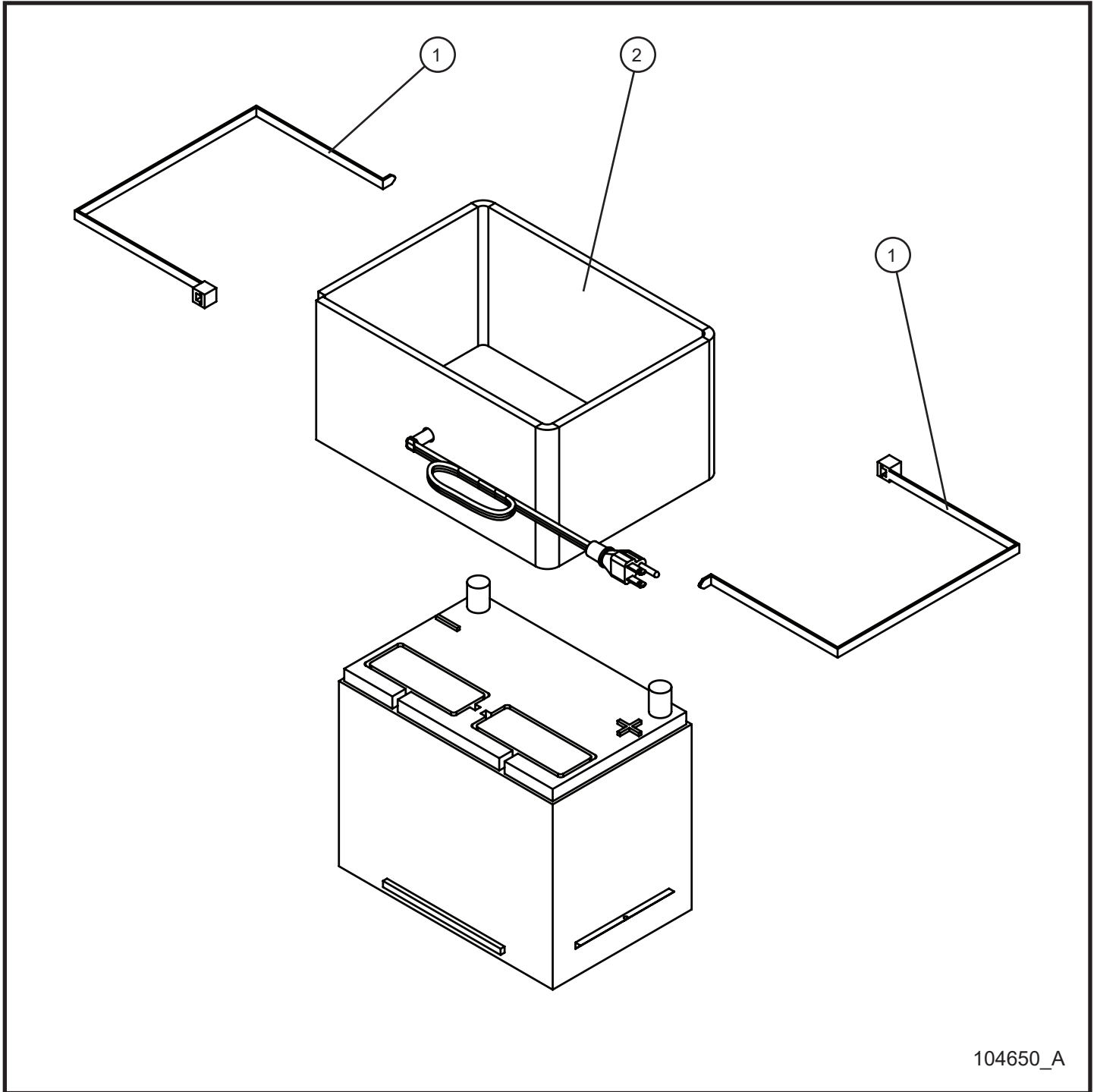


104542_C

9.5 - Battery Cable Disconnect Switch

Item	Part No.	Part Description	Qty.
1	102534	SWITCH BATTERY DISCONNECT	1
2	103483	LOCK OUT BATTERY DISCONNECT	1
3	041024	#10-24 x 1/2 PH-ROUND HEAD MS SS	2
4	044016	#10-24 KEPS HEX NUT PL	2
5	104777	DECAL BATTERY DISCONNECT	1

9.6 - Battery Blanket

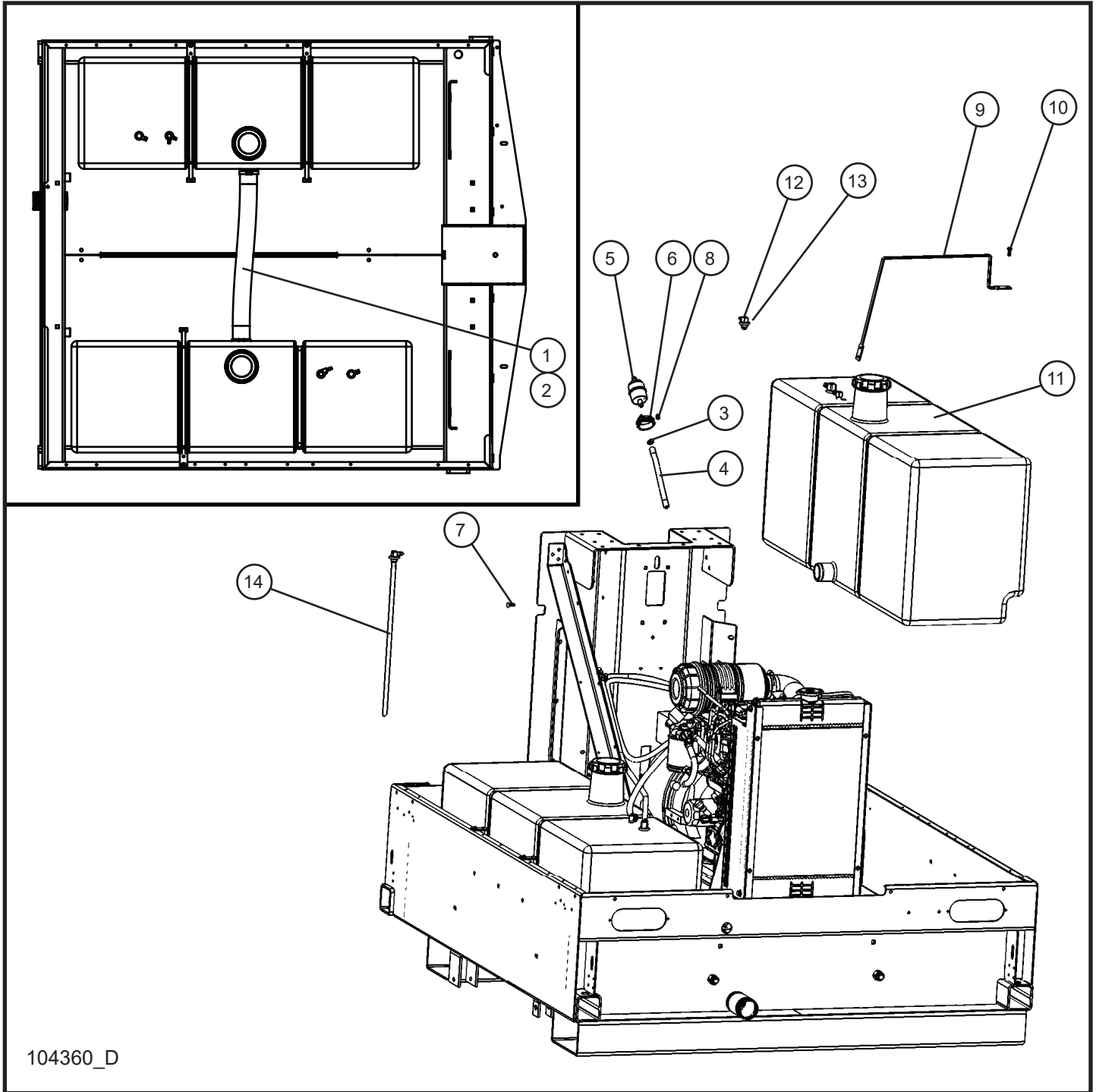


104650_A

9.6 - Battery Blanket

Item	Part No.	Part Description	Qty.
1	105759	CABLE TIE 32"	2
2	024010	80 WATT BATTERY BLANKET	1

9.7 - Fuel Tank Install Group (1 of 2)

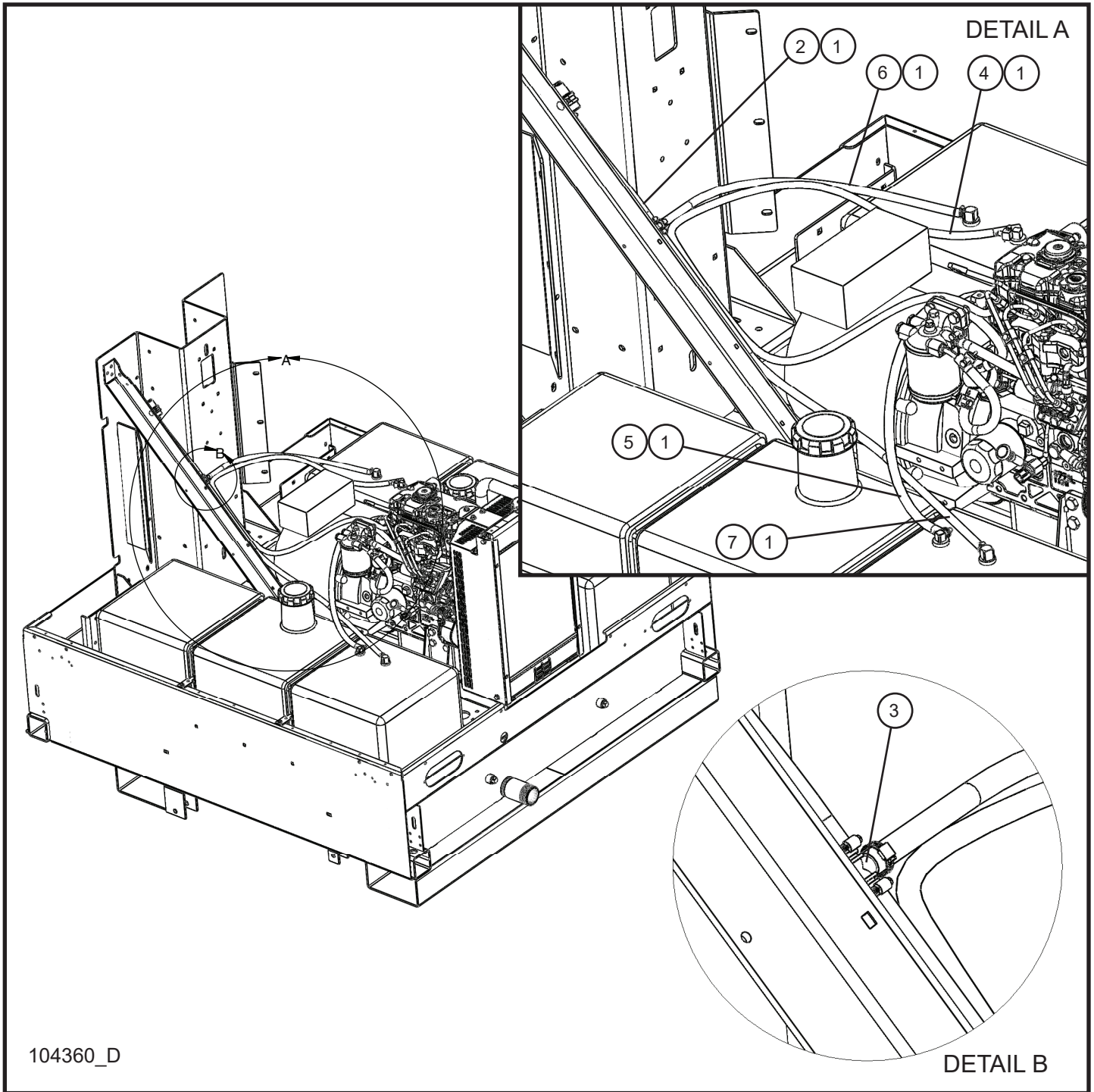


104360_D

9.7 - Fuel Tank Install Group (1 of 2)

Item	Part No.	Part Description	Qty.
1	118408	CROSSOVER HOSE FUEL TANKS	1
2	045038	#32 HOSE CLAMP	2
3	433400	#4 HOSE CLAMP	1
4	101266	HOSE 3/8 SAE 30R7 24 INCHES	1
5	104692	FUEL FILTER 3/8	1
6	920365	#20 CUSHION CLAMP	1
7	053006	1/4-20 x 3/4 CARRIAGE BOLT	1
8	044021	1/4-20 KEPS HEX NUT PL	1
9	104698P	STRAP TIEDOWN FUEL TANK	3
10	041070	1/4-20 x 3/4 SL-HEX WASHER HEAD MS TP F	3
11	104359	50 GAL ASSEMBLY FUEL TANK MAXI II	2
12	105106	DAPCO 90° ELBOW	1
13	340025C	DAPCO GROMMET	2
14	104465	TUBE ASSEMBLY FUEL SUCTION	1

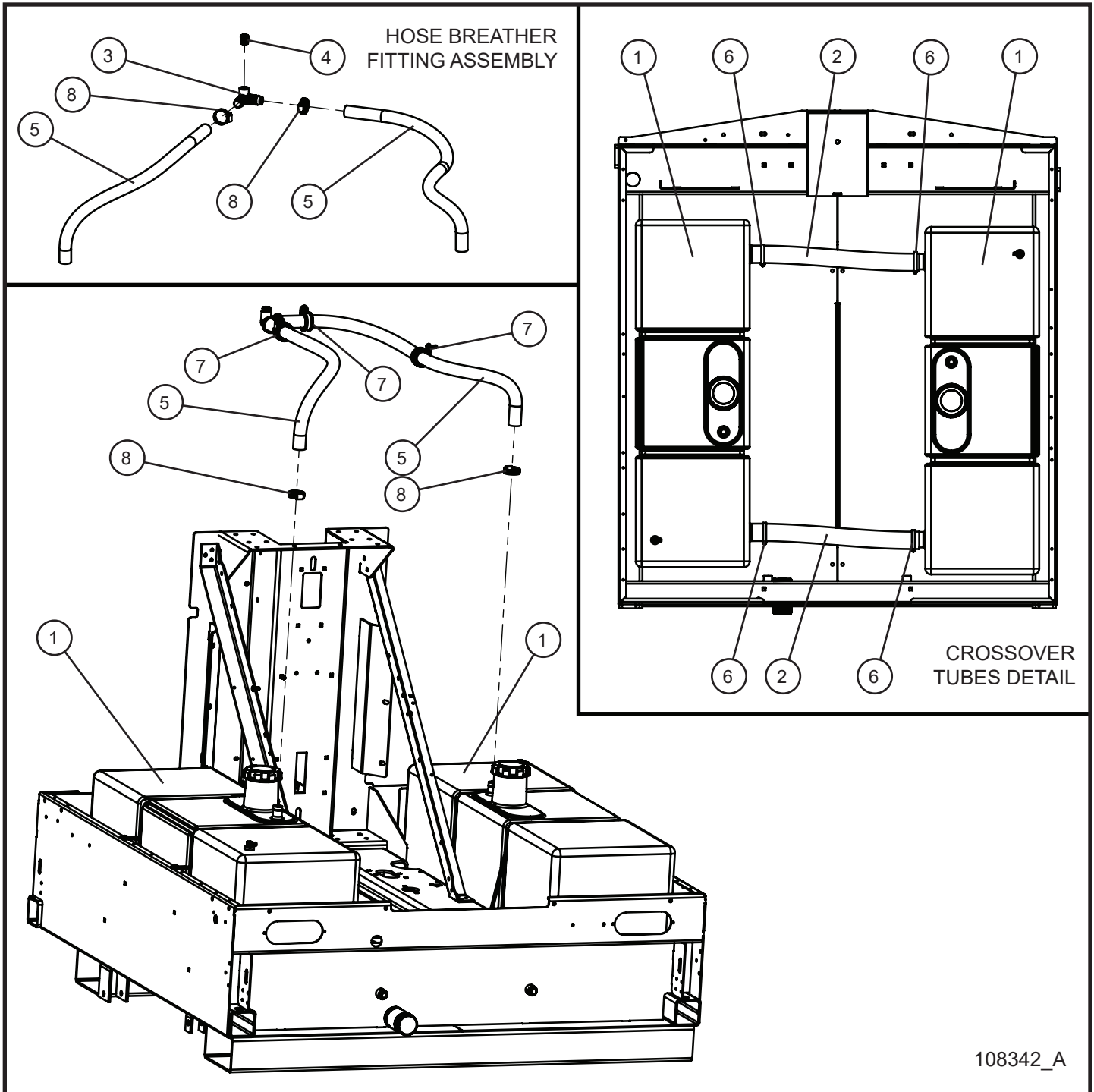
9.7 - Fuel Tank Install Group (2 of 2)



9.7 - Fuel Tank Install Group (2 of 2)

Item	Part No.	Part Description	Qty.
1	433400	#4 HOSE CLAMP	10
2	101266	HOSE 3/8 SAE 30R7 24 INCHES	1
3	104693	HOSE CONNECTION 3/8 TEE	1
4	081016	1/4" BLACK FUEL LINE 60 INCHES	1
5	081018	5/16" HOSE FUEL LINE 24 INCHES	1
6	101266	HOSE 3/8 SAE 30R7 40 INCHES	1
7	101266	HOSE 3/8 SAE 30R7 32 INCHES	1

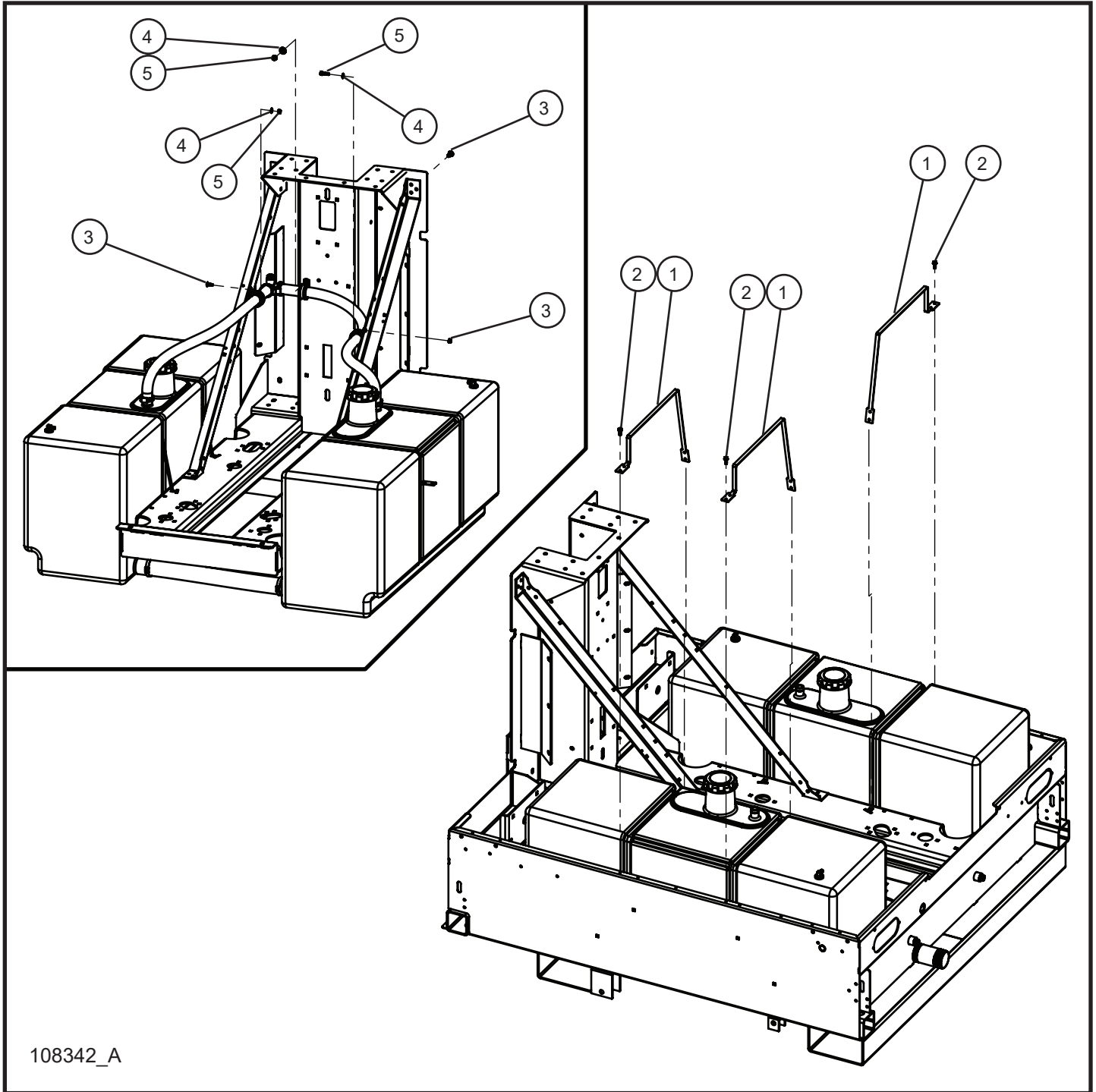
9.8 - Fast Fill Fuel Tank Install Group (1 of 2)



9.8 - Fast Fill Fuel Tank Install Group (1 of 2)

Item	Part No.	Part Description	Qty.
1	107062	FUEL TANK 51.5 GALLON FAST FILL	2
2	118408	CROSSOVER HOSE FUEL TANKS	2
3	106131	PVC Y FITTING 1 x 1 x 1/2 NPT	1
4	106132	FITTING BREATHER 1/2 NPT	1
5	106129	VENT HOSE x 40.00	2
6	114176	2.13 STAINLESS STEEL T-BOLT CLAMP	4
7	106144	#2013 CUSH CLAMP W/ 3/8 HOLE	3
8	045034	#16 HOSE CLAMP	4

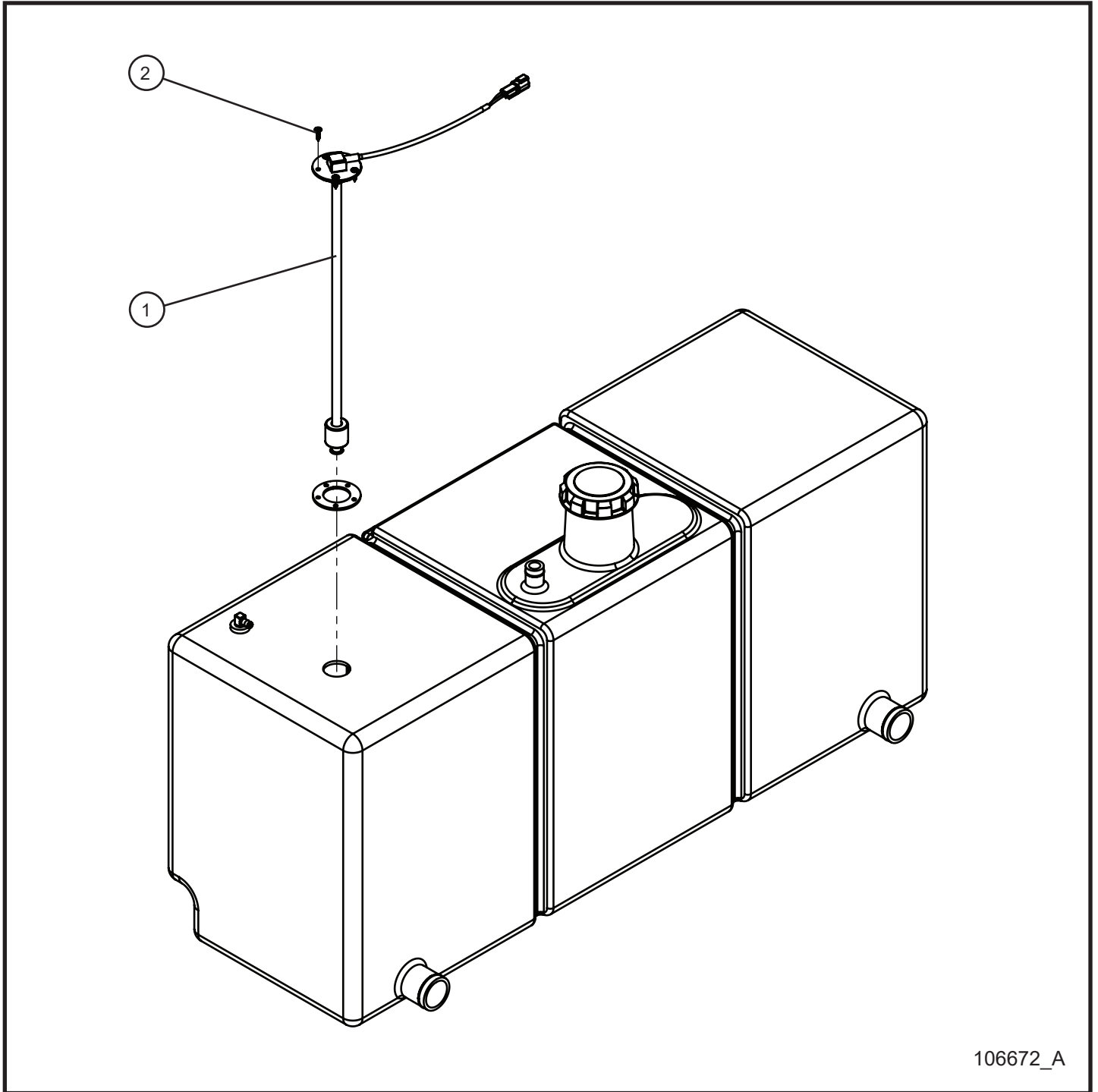
9.8 - Fast Fill Fuel Tank Install Group (2 of 2)



9.8 - Fast Fill Fuel Tank Install Group (2 of 2)

Item	Part No.	Part Description	Qty.
1	104698P	STRAP TIEDOWN FUEL TANK	3
2	041070	1/4-20 x 3/4 SL-HEX WASHER HEAD MS TP F	3
3	053020	5/16-18 x 1 CARRIAGE BOLT PL	3
4	047010	5/16 FLAT WASHER PL	3
5	044031	5/16-18 KEPS HEX NUT PL	3

9.9 - Fuel Sender

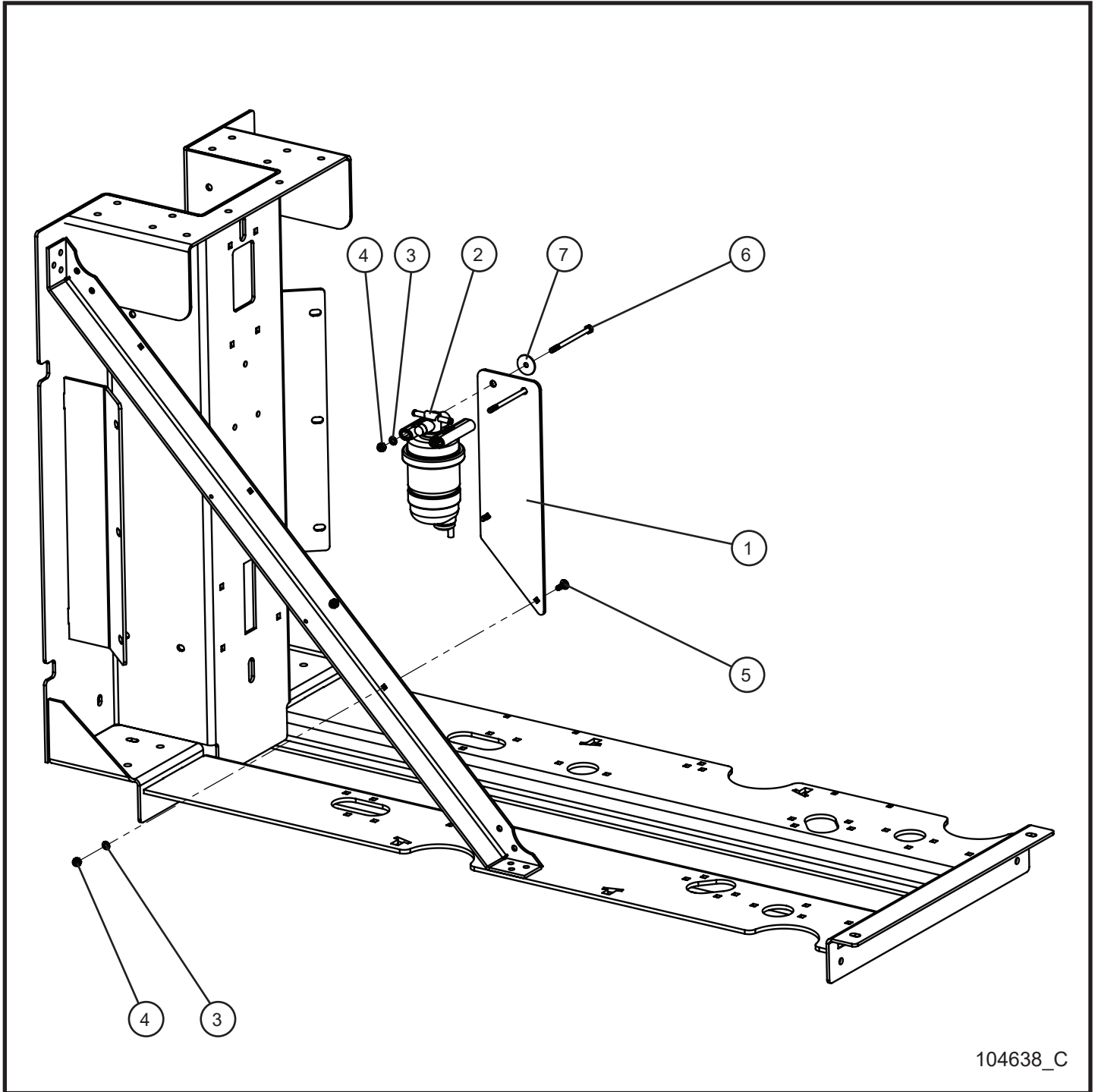


106672_A

9.9 - Fuel Sender

Item	Part No.	Part Description	Qty.
1	110088	VERTICAL SHAFT FUEL LEVEL SENDER	1
2	102556	SCREW #8 x 3/4	5
NS	110090	HARNESS SENDER FUEL LEVEL	1
NS	110089	LOW FUEL SENDER WIRE SCHEMATIC	1

9.10 - Fuel Water Separator

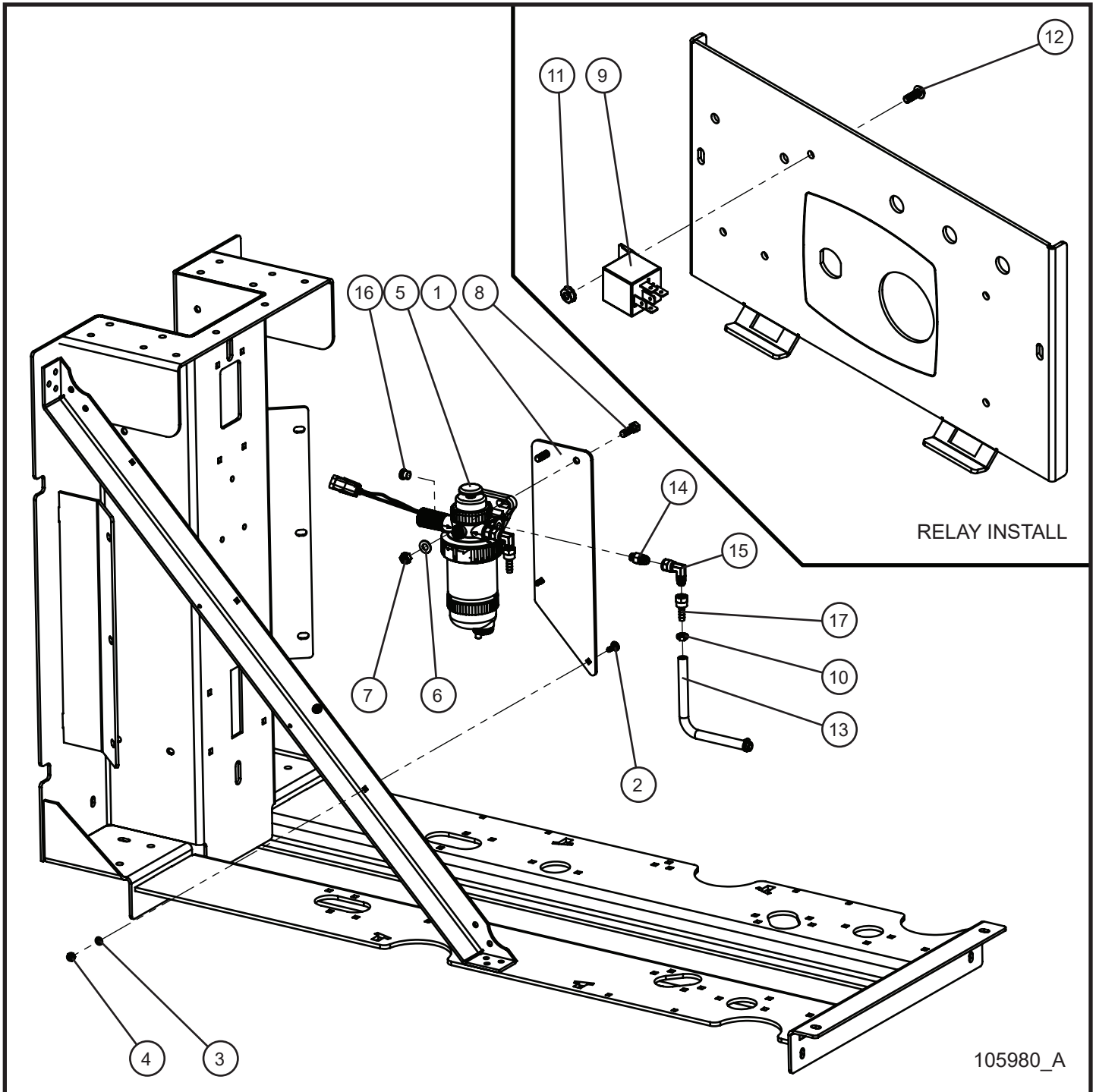


104638_C

9.10 - Fuel Water Separator

Item	Part No.	Part Description	Qty.
1	104630P	PLATE MOUNT WATER SEPARATOR	1
2	100898	FUEL WATER SEPARATOR	1
	100899	FUEL WATER SEPARATOR FILTER	1
3	047009	1/4 FLAT WASHER SAE SS	4
4	044023	1/4-20 NYLOCK HEX NUT PL	4
5	053102	1/4-20 x 3/4 CARRIAGE BOLT GR2	2
6	046039	1/4-20 x 4 HEX HEAD CS Z5	2
7	047007	1/4 x 1 1/4 .056 FENDER WASHER	2
8	081018	5/16 FUEL LINE x 55.00	1
9	433400	#4 HOSE CLAMP	2

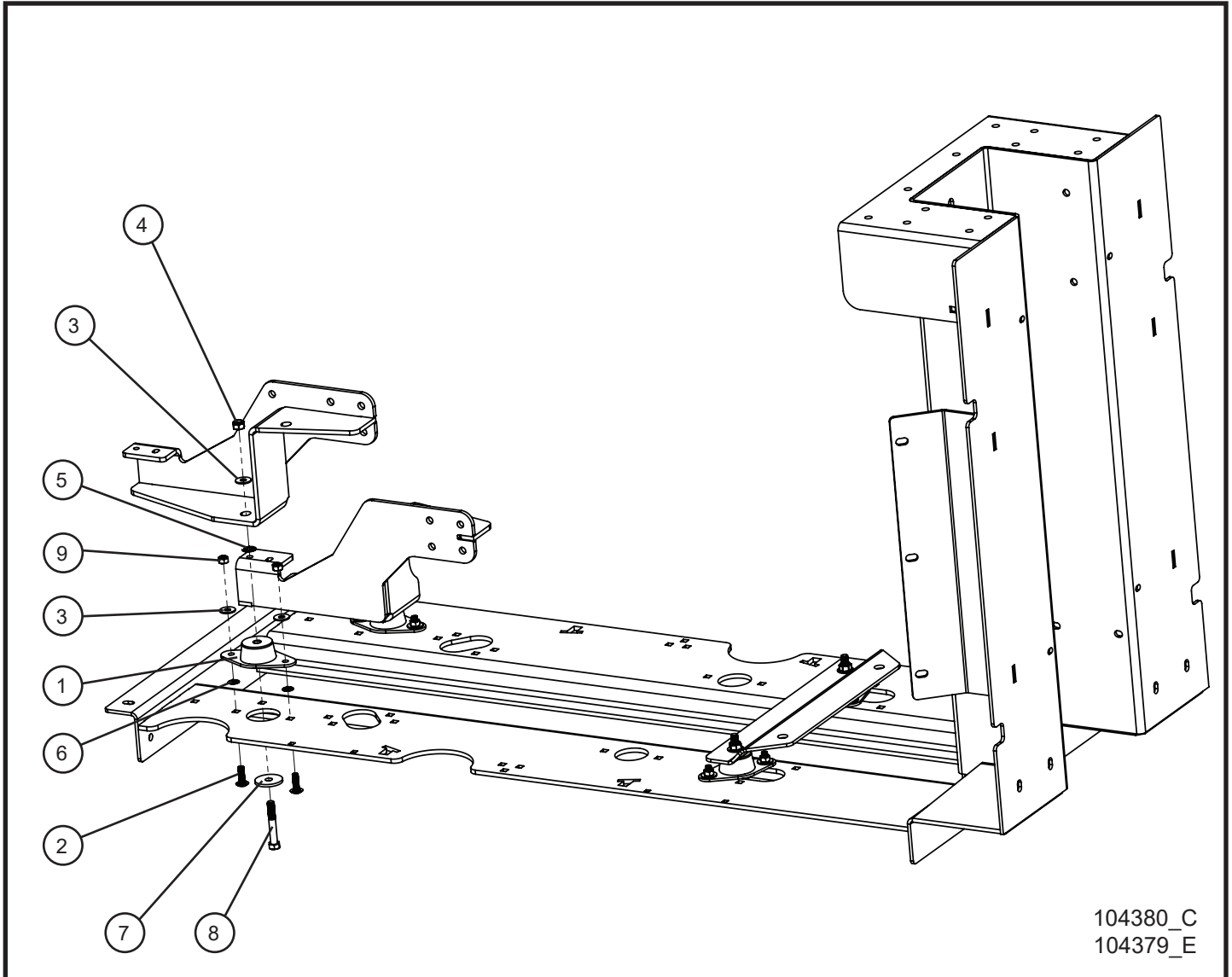
9.11 - Heated Fuel Water Separator



9.11 - Heated Fuel Water Separator

Item	Part No.	Part Description	Qty.
1	104630P	PLATE MOUNT WATER SEPARATOR	1
2	053102	1/4-20 x 3/4 CARRIAGE BOLT GR2	2
3	047009	1/4 FLAT WASHER SAE SS	2
4	044023	1/4-20 NYLOCK HEX NUT PL	2
5	100611	HEATER PREFILTER STANADYNE ASSEMBLY	1
	100612	STANDADYNE FILTER ELEMENT	1
	100613	STANDADYNE HEATER ELEMENT	1
6	047016	3/8 FLAT WASHER SAE ZINC	2
7	044038	3/8-16 NYLOCK HEX NUT PL	2
8	046115	3/8-16 x 1 1/4 HEX HEAD CS GR5 PL	2
9	104254	RELAY 12V 40AMP	1
10	433400	#4 HOSE CLAMP	2
11	044016	#10-24 KEPS HEX NUT PL	1
12	041021	#10-24 x 1/2 PH-ROUND HEAD MS PL	1
13	081018	HOSE 5/16" x 40.0	1
14	100655	STRAIGHT CONNECTOR	2
15	101263	90° SWIVEL FITTING	2
16	101267	HOLLOW HEX PLUG 1/2-20	1
17	106030	FITTING HOSE BARB - 6 JIC - 5/16 BARB	2
NS	105886	HEATED FUEL WATER SEPARATOR SCHEMATIC	1

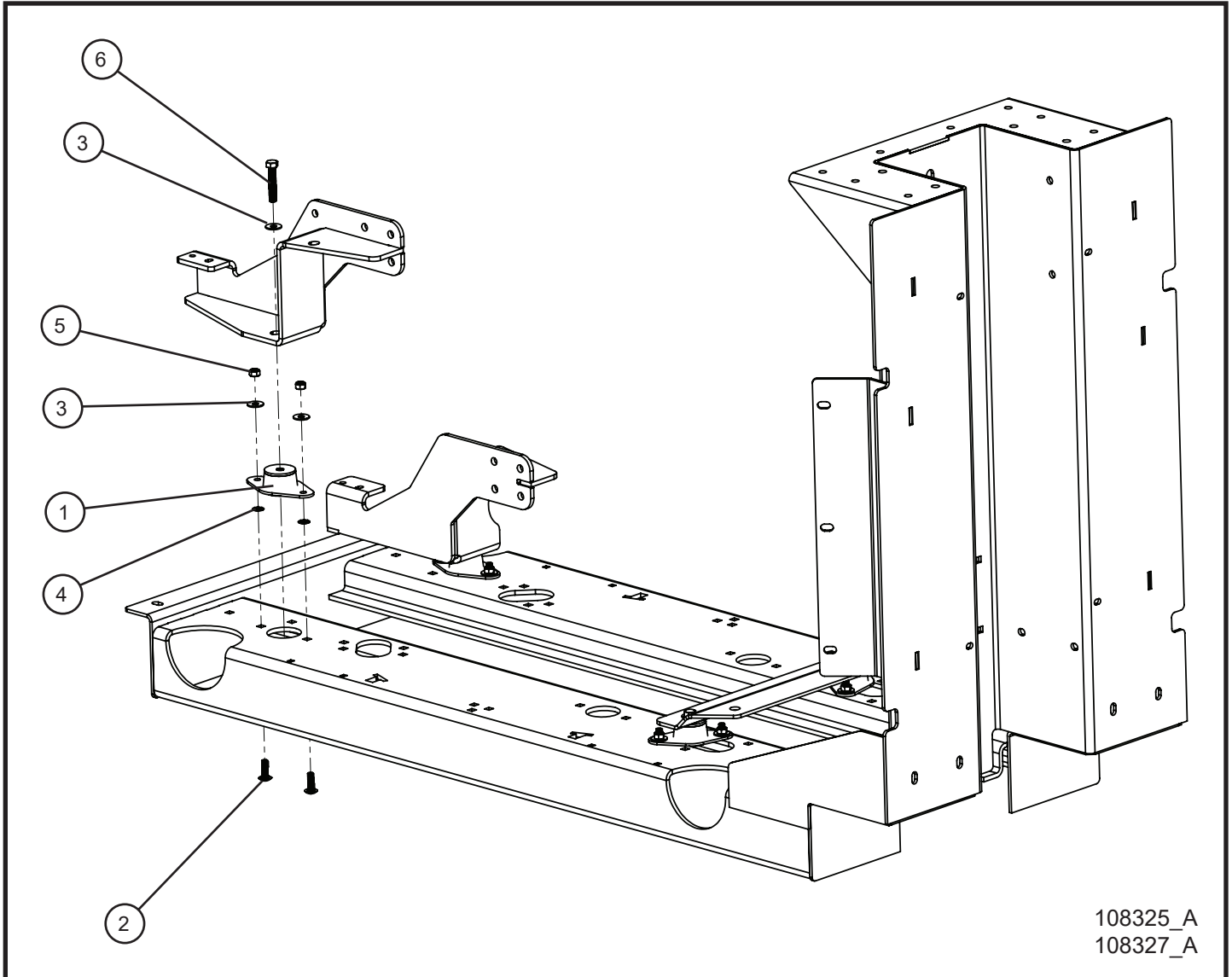
9.12 - Engine Isolator Mount Options



9.12 - Engine Isolator Mount Options

Item	Part No.	Part Description	Qty.
1	848997	ISOLATOR MOUNT HEAVY DUTY	4
	650259	ISOLATOR MOUNT LIGHT DUTY	4
2	053020	5/16-18 x 1 CARRIAGE BOLT PL	8
3	047010	5/16 FLAT WASHER PL	12
4	044038	3/8-16 NYLOCK HEX NUT PL	4
5	045218	3/8 PUSH NUT	4
6	045217	5/16 PUSH NUT	8
7	640565	ENGINE MOUNT WASHER 1.55 OD x .41 ID x .135 THK	4
8	046134	3/8-16 x 2 1/2 HEX HEAD CS GR8 PL	4
9	044033	5/16-18 NYLOCK HEX NUT PL	8
NS	112725	ENGINE ISOLATOR HEAVY DUTY MOUNTS SERVICE KIT	1
NS	112724	ENGINE ISOLATOR LIGHT DUTY MOUNTS SERVICE KIT	1

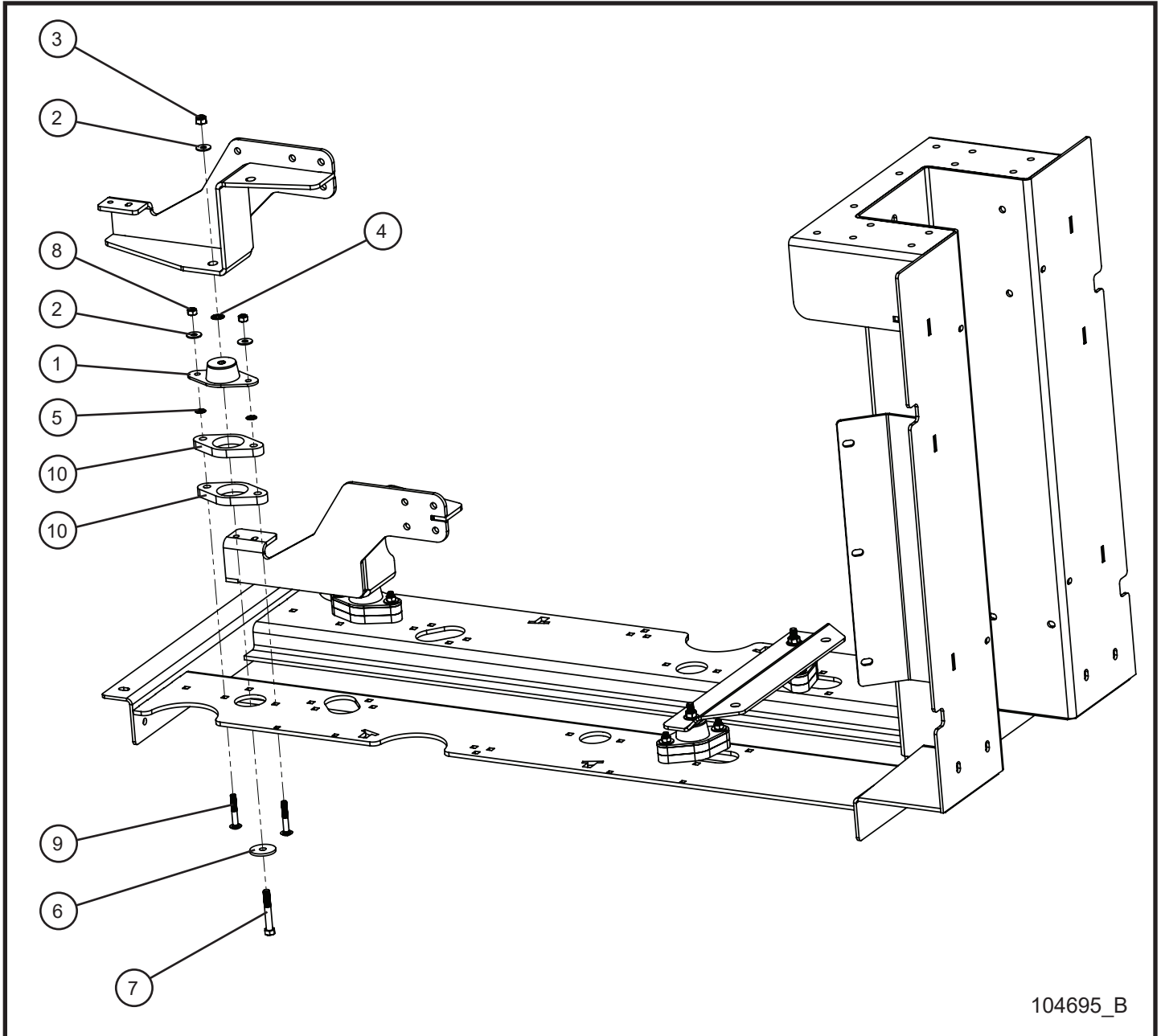
9.13 - Engine Threaded Isolator Mount Options



9.13 - Engine Threaded Isolator Mount Options

Item	Part No.	Part Description	Qty.
1	107029	ISOLATOR THREADED MOUNT HEAVY DUTY	4
	107028	ISOLATOR THREADED MOUNT LIGHT DUTY	4
2	053020	5/16-18 x 1 CARRIAGE BOLT PL	8
3	047010	5/16 FLAT WASHER PL	12
4	045217	5/16 PUSH NUT	8
5	044033	5/16-18 NYLOCK HEX NUT PL	8
6	046133	3/8-16 x 2 HEX HEAD CS GR8 PL	4
NS	112725	ENGINE ISOLATOR HEAVY DUTY MOUNTS SERVICE KIT	1
NS	112724	ENGINE ISOLATOR LIGHT DUTY MOUNTS SERVICE KIT	1

9.14 - Heavy Duty Engine Isolator Mounts Isuzu 4LE1

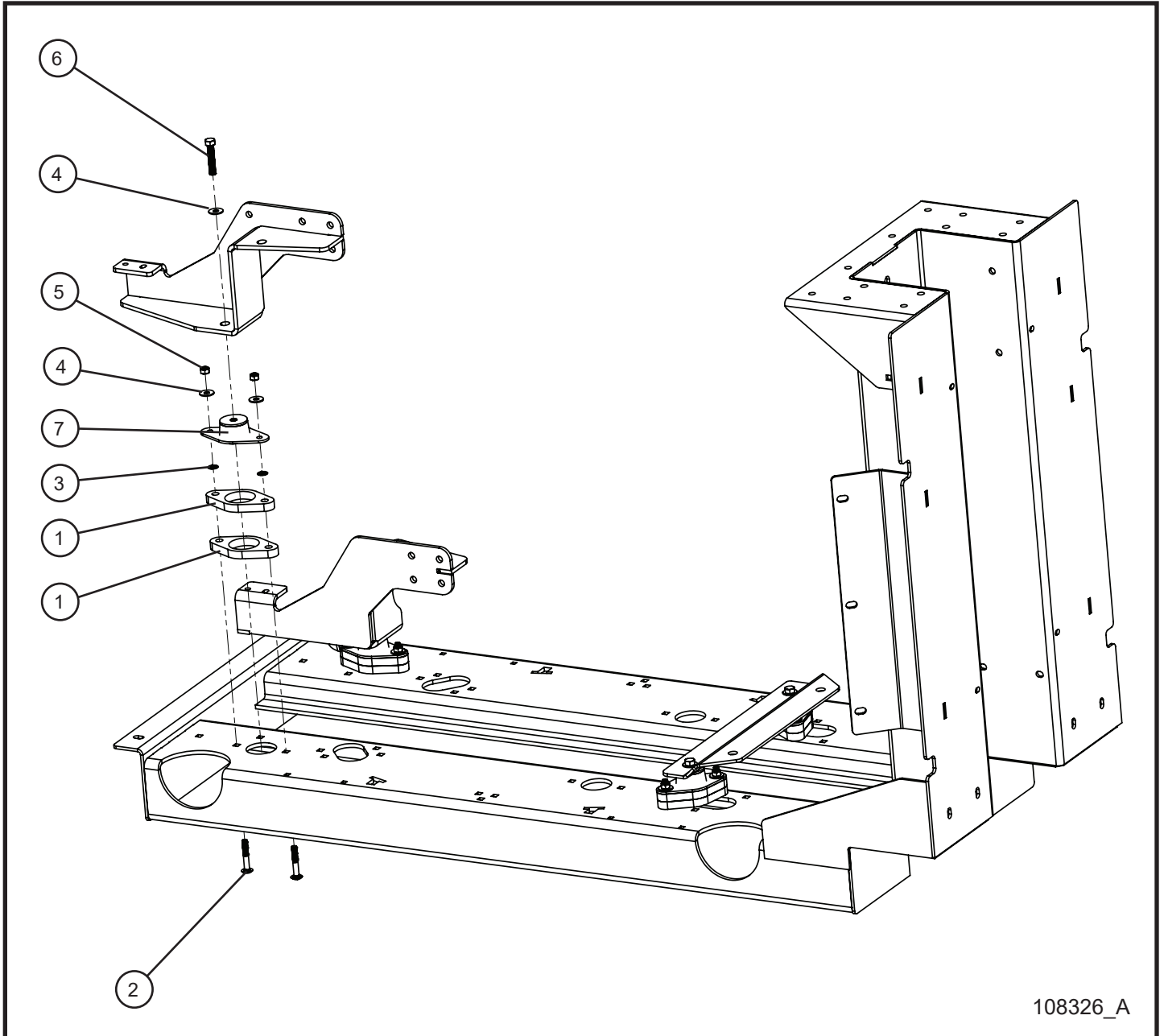


104695_B

9.14 - Heavy Duty Engine Isolator Mounts Isuzu 4LE1

Item	Part No.	Part Description	Qty.
1	848997	ISOLATOR MOUNT HEAVY DUTY	4
2	047010	5/16 FLAT WASHER PL	12
3	044038	3/8-16 NYLOCK HEX NUT PL	4
4	045218	3/8 PUSH NUT	4
5	045217	5/16 PUSH NUT	8
6	640565	ENGINE MOUNT WASHER 1.55 OD x .41 x .135 THK	4
7	046134	3/8-16 x 2 1/2 HEX HEAD CS GR8 PL	4
8	044033	5/16-18 NYLOCK HEX NUT PL	8
9	053025	5/16-18 x 2 CARRIAGE BOLT ZC	8
10	104696P	PLATE SPACER 1/2" ENGINE ISOLATOR	8

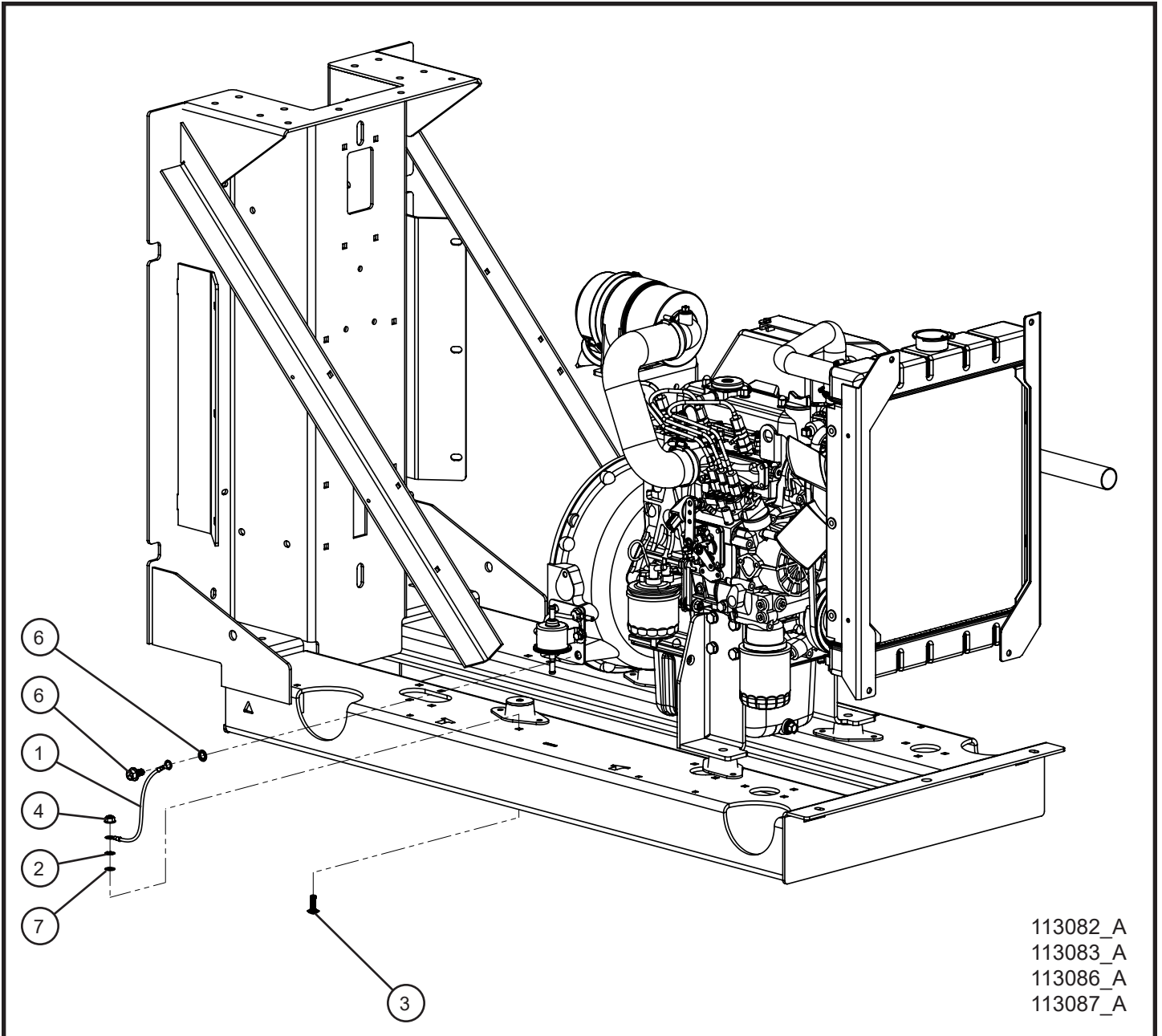
9.15 - Heavy Duty Engine Threaded Isolator Mounts Isuzu 4LE1



9.15 - Heavy Duty Engine Threaded Isolator Mounts Isuzu 4LE1

Item	Part No.	Part Description	Qty.
1	104696P	PLATE SPACER 1/2" ENGINE ISOLATOR	8
2	053025	5/16-18 x 2 CARRIAGE BOLT ZC	8
3	045217	5/16 PUSH NUT	8
4	047010	5/16 FLAT WASHER PL	12
5	044033	5/16-18 NYLOCK HEX NUT PL	8
6	046133	3/8-16 x 2 HEX HEAD CS GR8 PL	4
7	107029	ISOLATOR THREADED MOUNT HEAVY DUTY	4

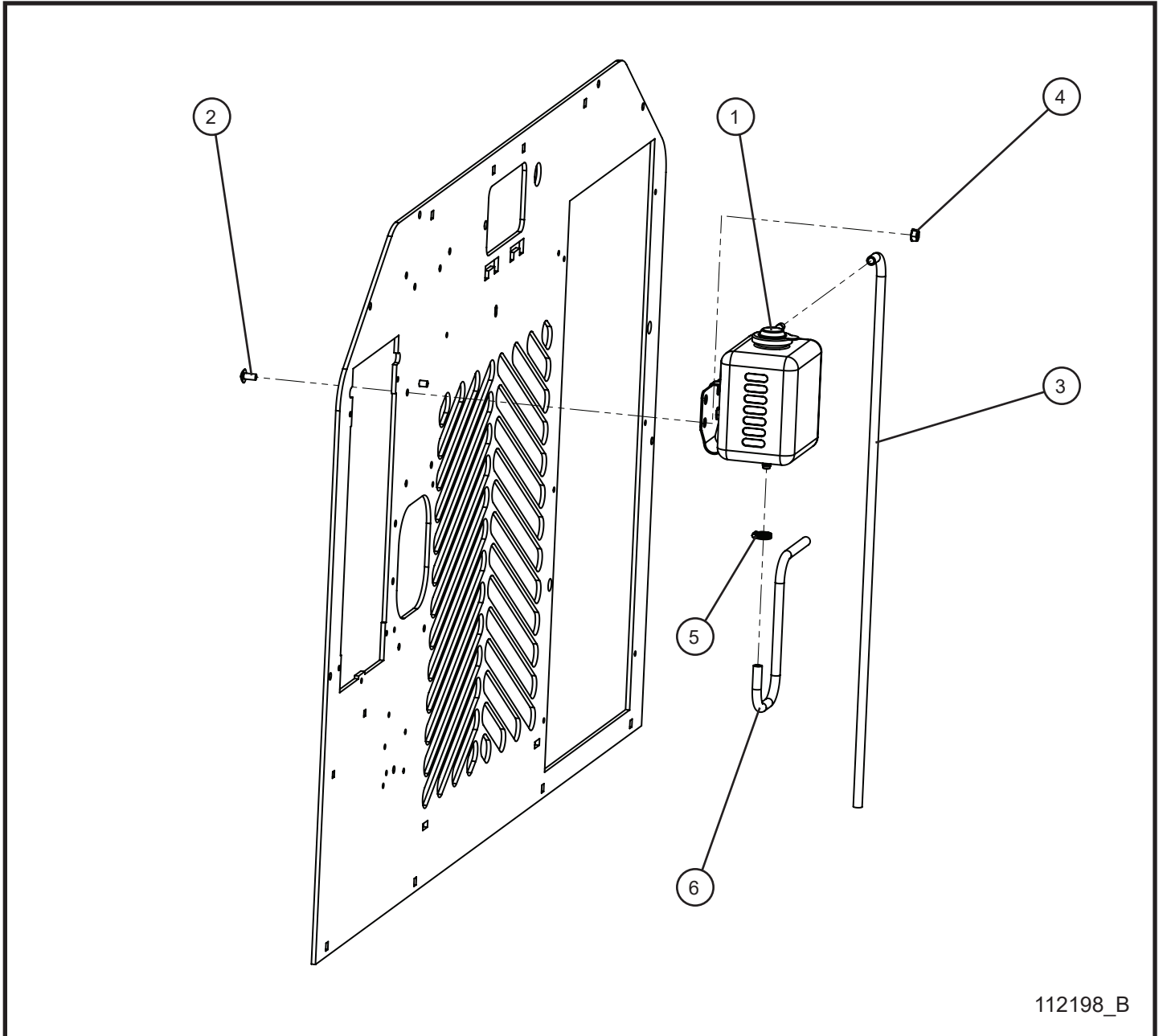
9.16 - Engine Ground Wire



9.16 - Engine Ground Wire

Item	Part No.	Part Description	Qty.
1	114800	GROUND WIRE 10 AWG	1
2	053020	5/16-18 x 1 CARRIAGE BOLT PL	1
3	043060	5/16 INT'L TOOTHLOCK WASHER	1
4	045217	5/16 PUSH NUT	1
5	057008	5/16-18 HEX NYLOCK FLANGE NUT	1
6	043070	3/8 INT'L TOOTHLOCK WASHER	1
7	056009	3/8-16 x 3/4 HEX SERRATED FLANGE SCREW	1

9.17 - Coolant Recovery Tank

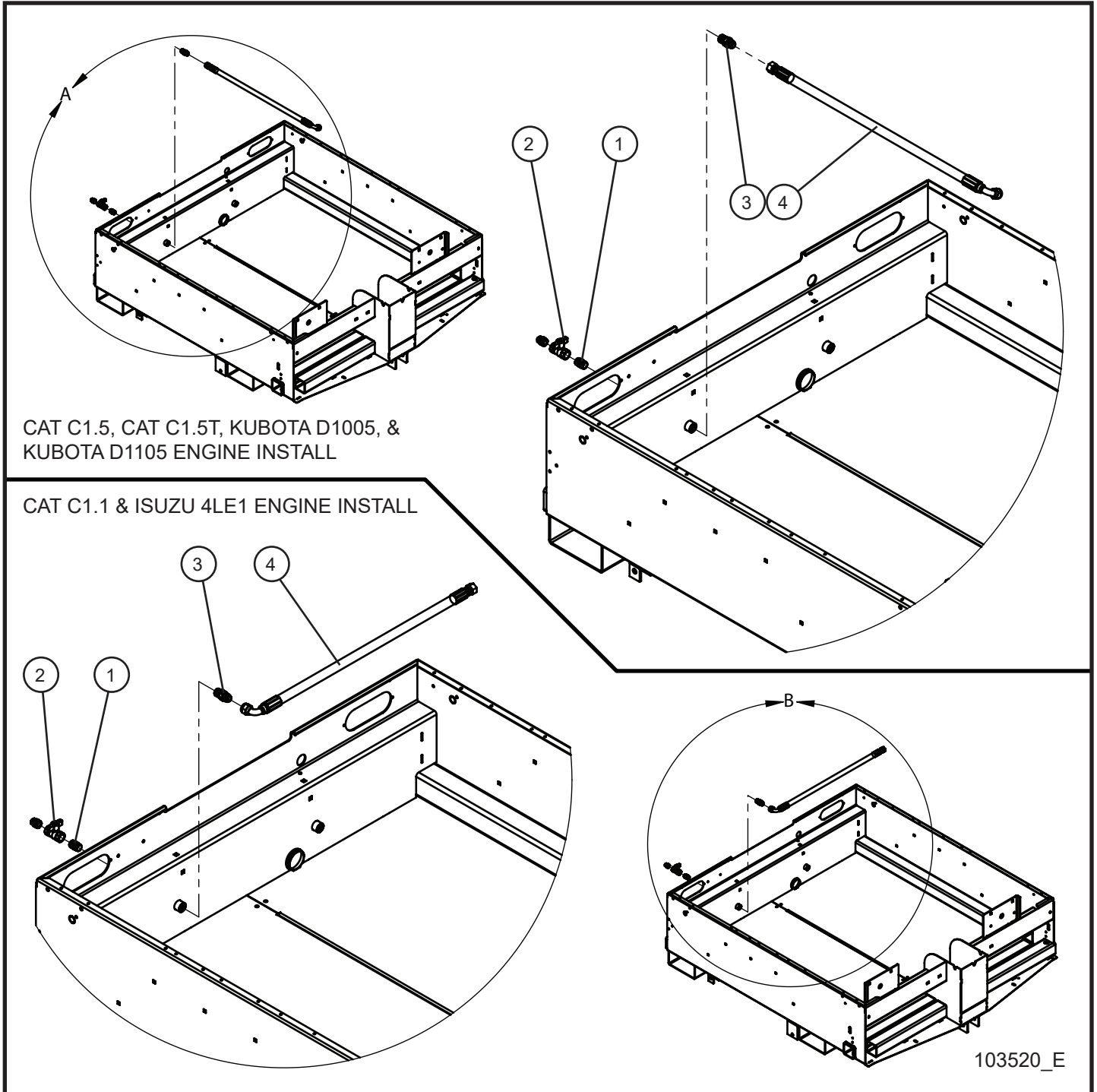


112198_B

9.17 - Coolant Recovery Tank

Item	Part No.	Part Description	Qty.
1	650027	RESERVOIR WITH BRACKET	1
2	041078	1/4-20 x 1/2 PH-TRUSS HEAD MS SS	2
3	044021	1/4-20 KEPS HEX NUT PL	2
4	102268	COOLANT HOSE 1/4 x 44.0	1
5	433400	#4 HOSE CLAMP	1
6	102268	COOLANT HOSE 1/4 x 28.0	1

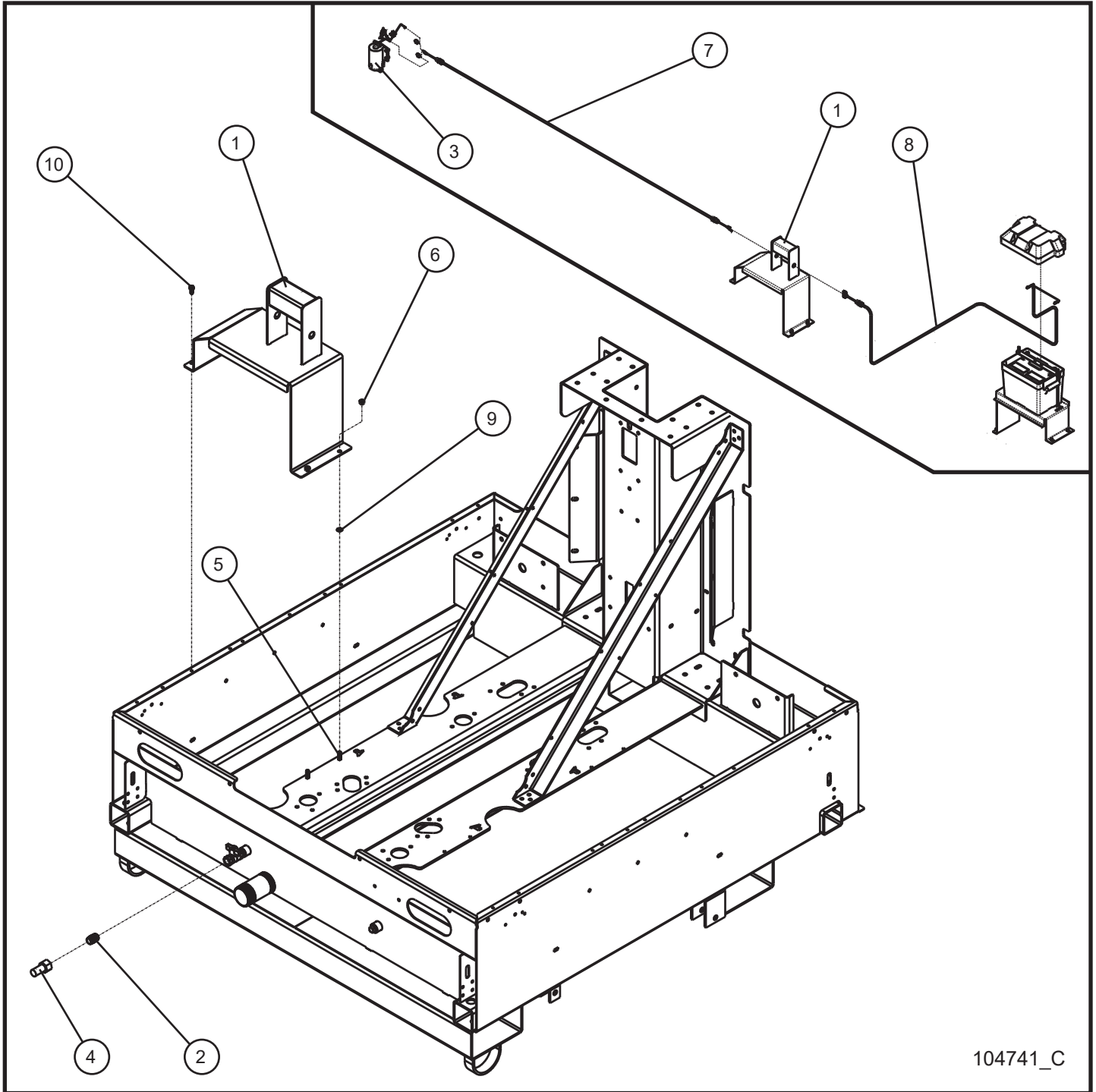
9.18 - Oil Drain



9.18 - Oil Drain

Item	Part No.	Part Description	Qty.
1	610215	1/2 NPT NIPPLE	1
2	104133	1/2 BALL VALVE	1
3	104131	MALE ADAPTER 1/2-20 NPT #10 JIC FLARE	1
4	103325	OIL DRAIN HOSE 10TOC-10FJX-BT-10FJX90-32.5	1

9.19 - Oil Drain Rear Pump (1 of 2)

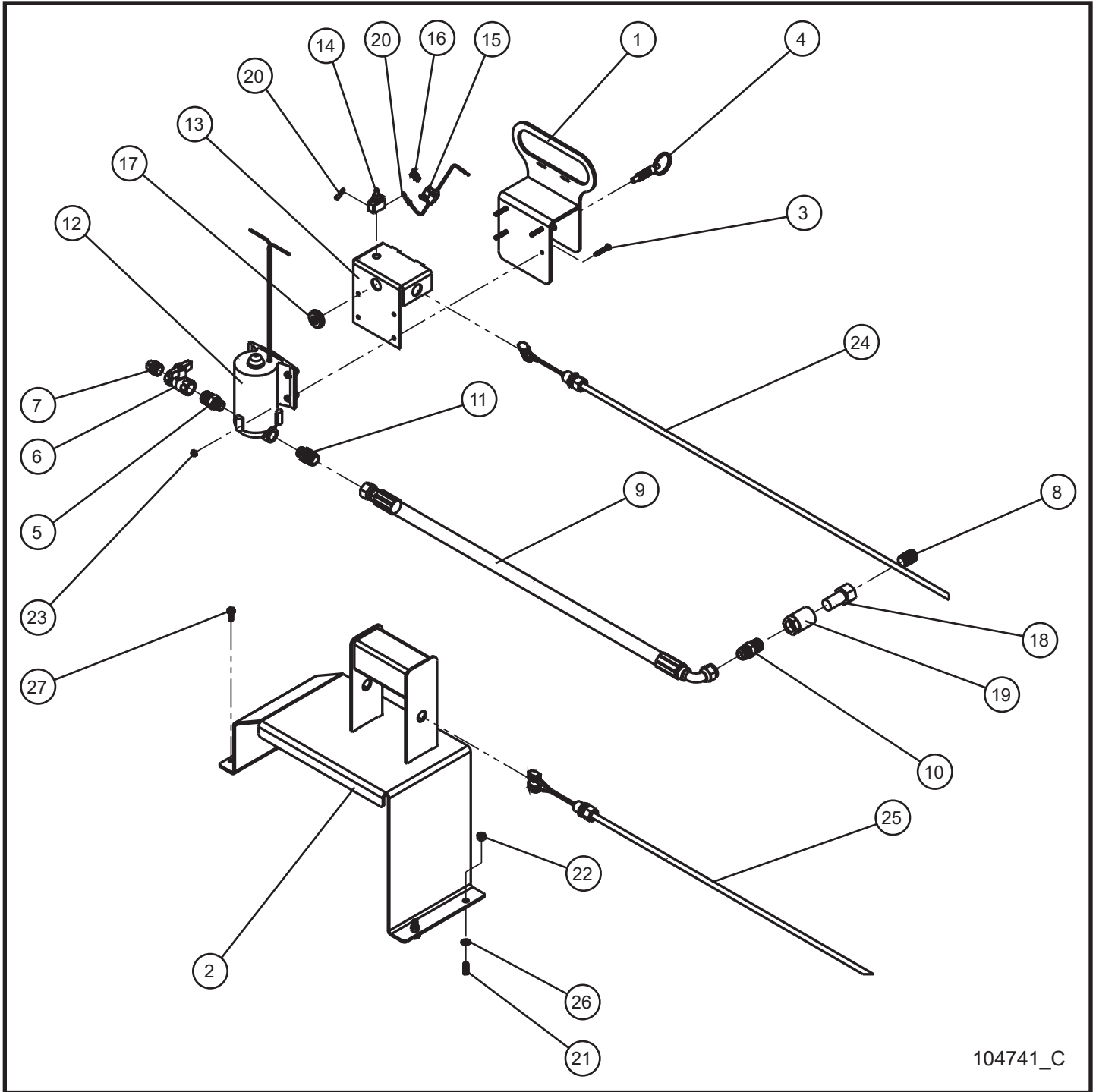


104741_C

9.19 - Oil Drain Rear Pump (1 of 2)

Item	Part No.	Part Description	Qty.
1	104737	STORAGE BRACKET OIL PUMP	1
2	610215	1/2 NPT NIPPLE	1
3	104937	PUMP OIL	1
4	104940	COUPLER MALE DRY BREAK	1
5	053022	5/16-18 x 1 1/4 CARRIAGE BOLT PL	2
6	044033	5/16-18 NYLOCK HEX NUT PL	2
7	104943	OIL PUMP HARNESS PUMP SIDE	1
8	104942	OIL PUMP HARNESS BATTERY SIDE	1
9	045217	5/16 PUSH NUT	2
10	041070	1/4-20 x 3/4 SL-HEX WASHER HEAD MS TP F	2

9.19 - Oil Drain Rear Pump (2 of 2)

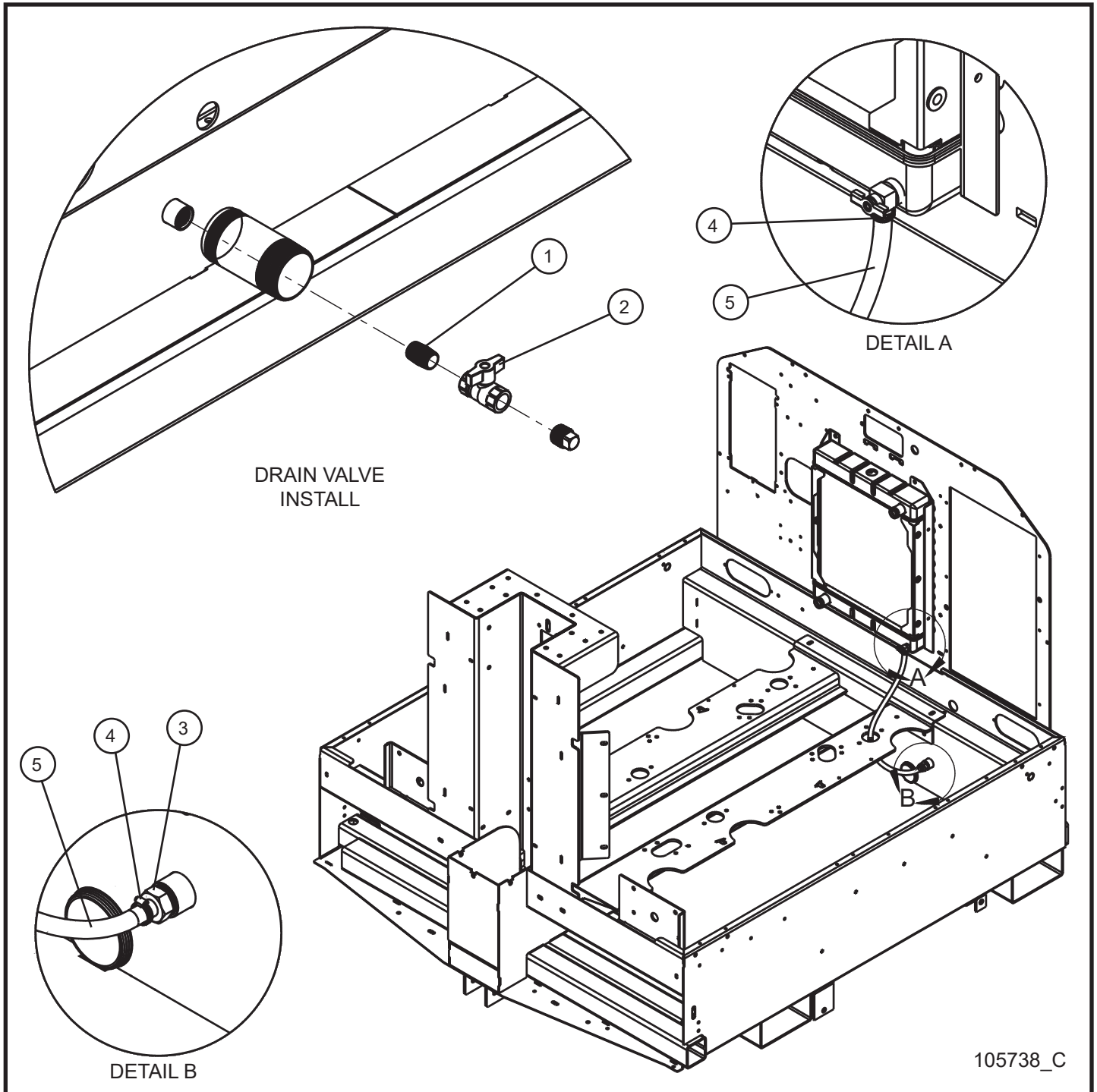


104741_C

9.19 - Oil Drain Rear Pump (2 of 2)

Item	Part No.	Part Description	Qty.
1	104740	MOUNT OIL PUMP	1
2	104737	STORAGE BRACKET OIL PUMP	1
3	041036	#10-24 x 1 1/4 PH-ROUND HEAD MS SS	4
4	100148	SPRING LOCK 1/2-13 UNC x 1.4	1
5	104745	REDUCER 1/2 NPT-3/8 NPT	1
6	104133	1/2 BALL VALVE	1
7	026106	PLUG 1/2 NPT SQUARE HEAD	1
8	610215	1/2 NPT NIPPLE	1
9	103325	OIL DRAIN HOSE 10TOC-10FJX-BT-10FJX90-32.5	1
10	104131	#10 JIC - #8 NPT UNION	1
11	104746	ADAPTOR 3/8 NPT - #10 JIC	1
12	104937	PUMP OIL	1
13	104938	SWITCH BRACKET OIL PUMP	1
14	340009	SWITCH 15A SPST	1
15	103864	FUSE HOLDER INLINE BLADE	1
16	104939	7.5 AMP BLADE FUSE	1
17	100859	7/8" x 1.25" GROMMET	1
18	104940	COUPLER MALE DRY BREAK	1
19	104941	COUPLER FEMALE DRY BREAK	1
20	022321	TERM RING 14-16 AWG #8	2
21	053022	5/16-18 x 1 1/4 CARRIAGE BOLT PL	2
22	044033	5/16-18 NYLOCK HEX NUT PL	2
23	044018	#10-24 NYLOCK HEX NUT PL	4
24	104943	OIL PUMP HARNESS PUMP SIDE	1
25	104942	OIL PUMP HARNESS BATTERY SIDE	1
26	045217	5/16 PUSH NUT	2
27	041070	1/4-20 x 3/4 SL-HEX WASHER HEAD MS TP F	2

9.20 - Coolant Drain

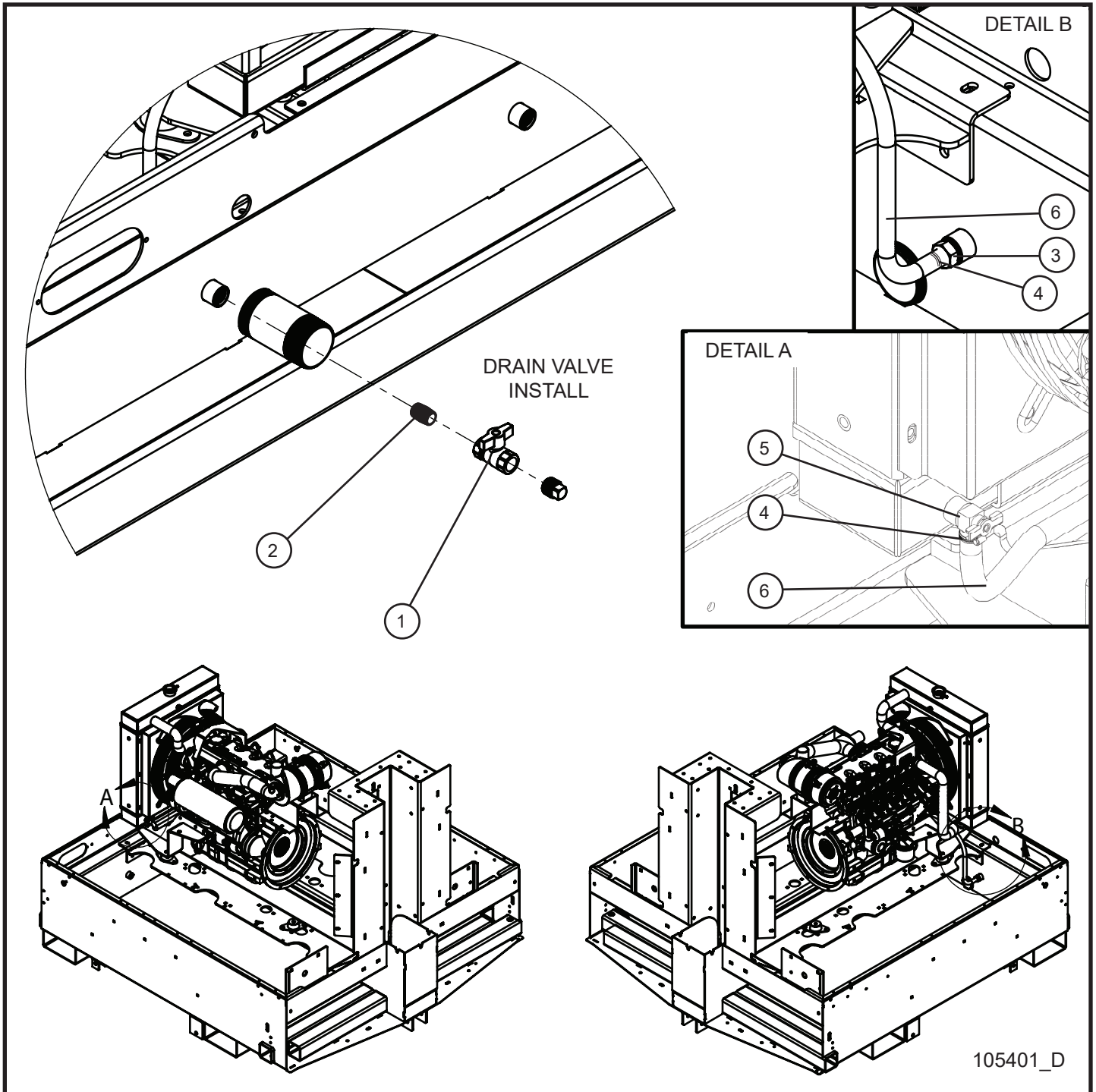


105738_C

9.20 - Coolant Drain

Item	Part No.	Part Description	Qty.
1	610215	1/2 NPT NIPPLE	1
2	104133	1/2 BALL VALVE	1
3	104381	FITTING HOSE BARB 1/2 NPT - 3/8 HOSE	1
4	433400	#4 HOSE CLAMP	2
5	101266	3/8 COOLANT HOSE x 21.0	1

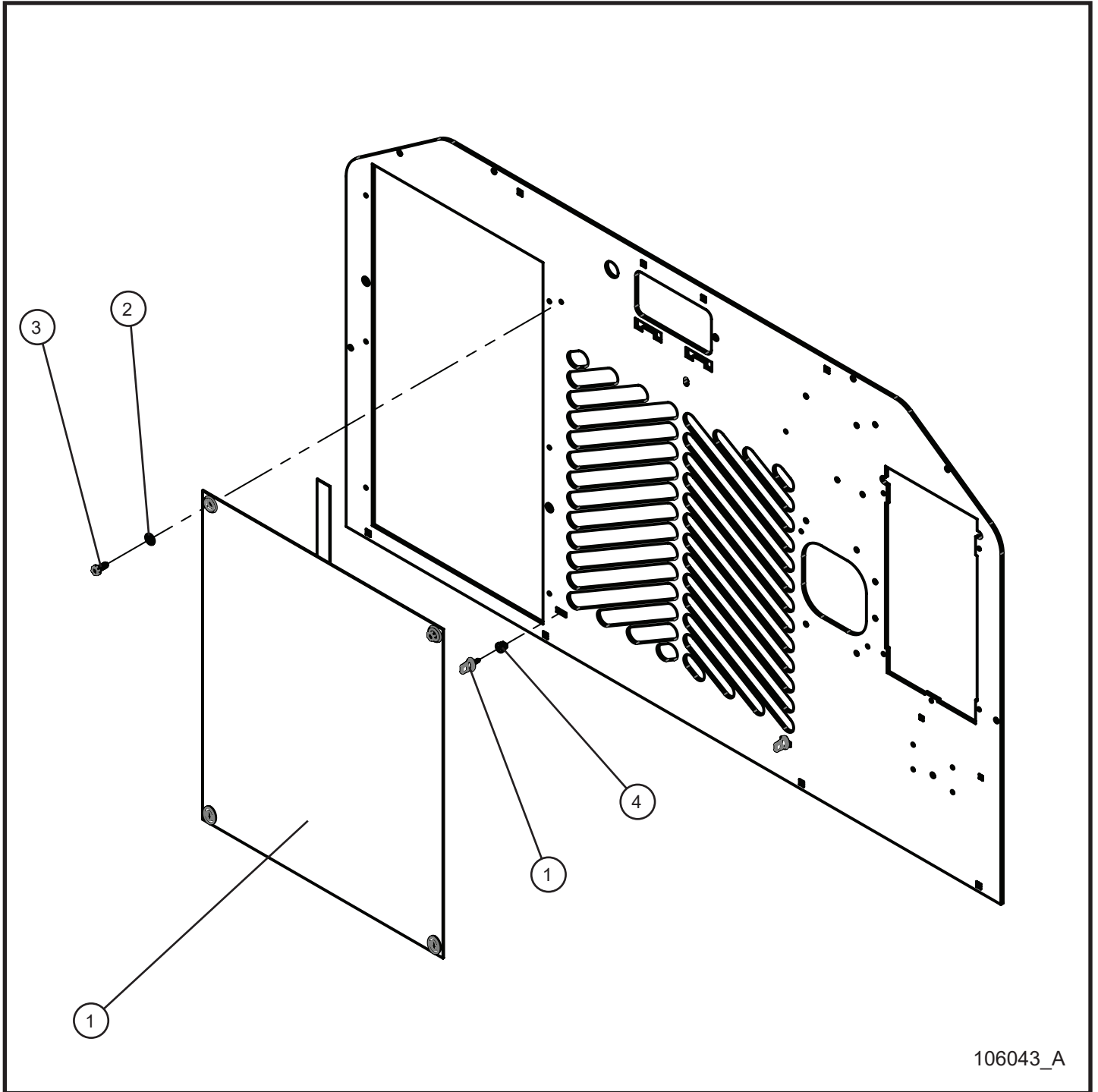
9.21 - Coolant Drain Isuzu



9.21 - Coolant Drain Isuzu

Item	Part No.	Part Description	Qty.
1	104133	1/2 BALL VALVE	1
2	610215	1/2 NPT NIPPLE	1
3	104381	FITTING HOSE BARB 1/2 NPT - 3/8 HOSE	1
4	433400	#4 HOSE CLAMP	2
5	105352	DRAIN COCK RADIATOR	1
6	101266	3/8 COOLANT HOSE x 36.0	1

9.22 - Radiator Arctic Cover

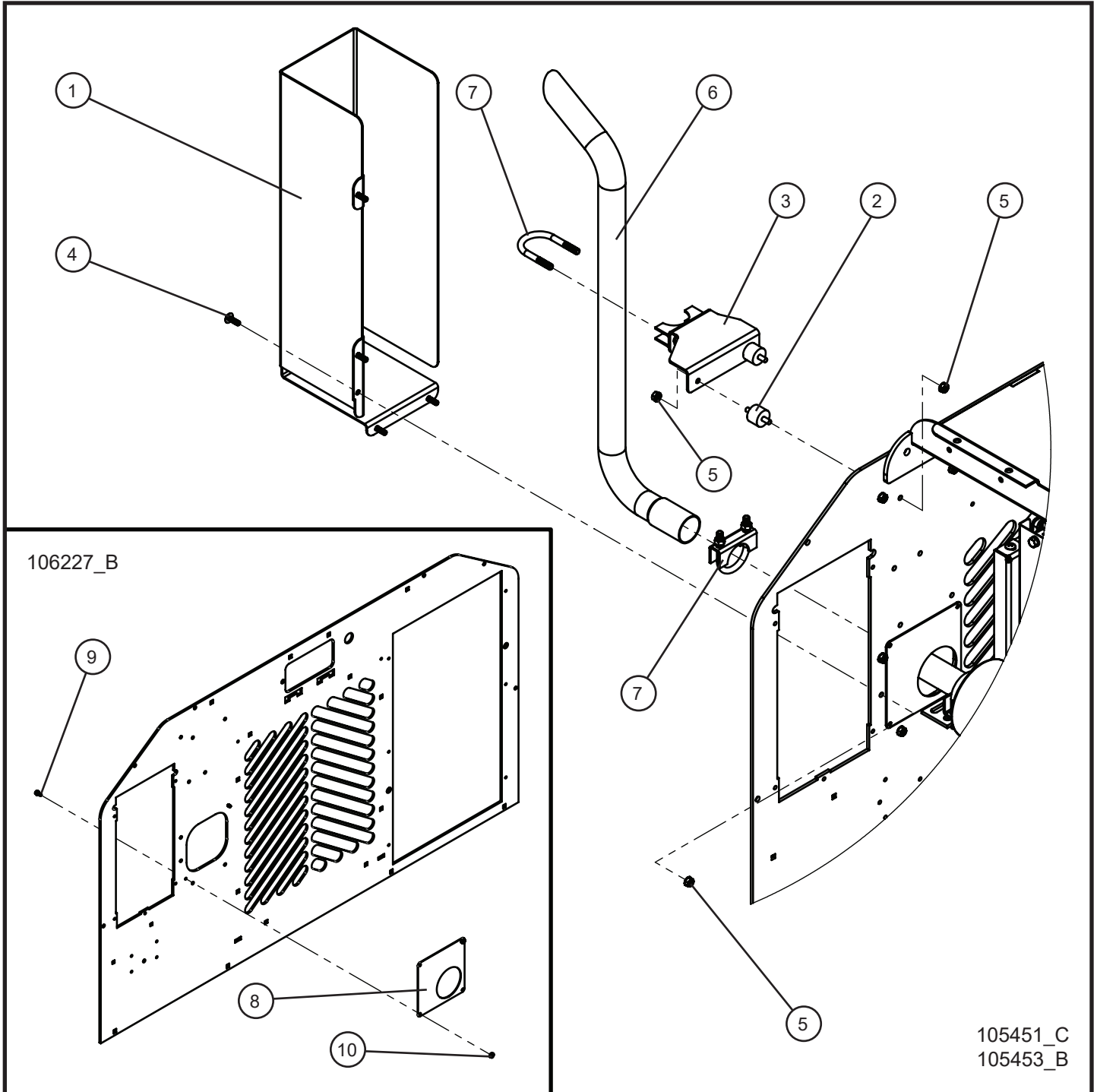


106043_A

9.22 - Radiator Arctic Cover

Item	Part No.	Part Description	Qty.
1	106064	COLD FRONT KIT UNIVERSAL MAXI II	1
2	047005	1/4 FLAT WASHER PL	2
3	041070	1/4-20 x 3/4 SL-HEX WASHER HEAD MS TP F	2
4	106052	NYLON NUT	2

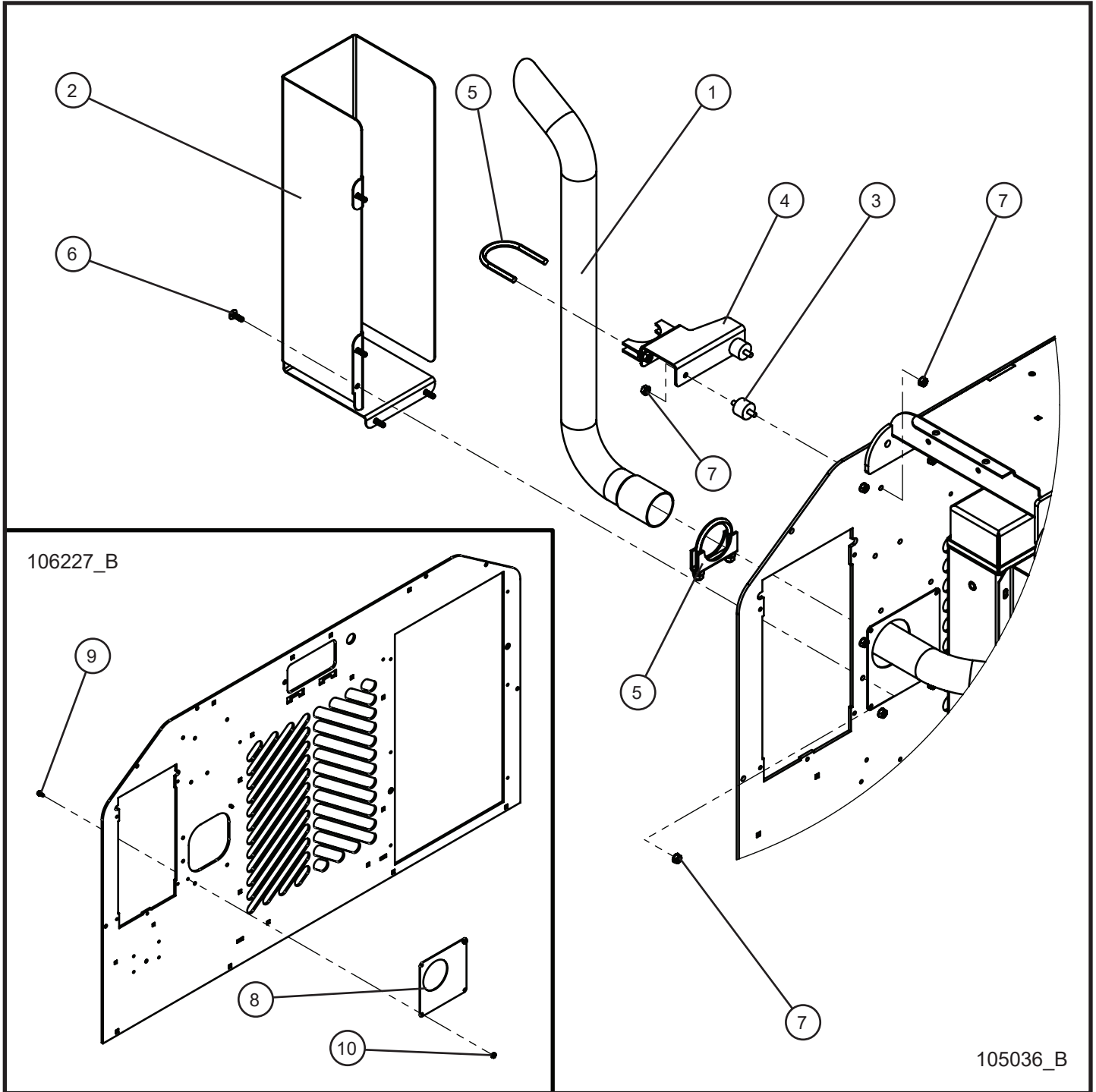
9.23 - Exhaust Plate and Shield CAT/Kubota



9.23 - Exhaust Plate and Shield CAT/Kubota

Item	Part No.	Part Description	Qty.
1	105034P	TAILPIPE SHIELD REAR/VERTICAL EXIT	1
2	330057	BOX MOUNT RUBBER	2
3	105454P	BRACKET SUPPORT VERTICAL EXHAUST	1
4	041050	1/4-20 x 3/4 PH-TRUSS HEAD MS SS	5
5	044023	1/4-20 NYLOCK HEX NUT PL	9
6	105450	EXHAUST ELBOW VERTICAL 1.5" OD (CAT)	1
	105452	EXHAUST ELBOW VERTICAL 1.375" OD (KUBOTA)	1
7	112211	1-5/8 MUFFLER CLAMP EXHAUST	1
	713086	MUFFLER CLAMP 1-3/8	2
8	104390P	PLATE REAR PANEL EXHAUST HOLE APADTER	1
9	041031	#10-24 x 1/2 HEX HEAD MS PL	2
10	044016	#10-24 KEPS HEX NUT PL	2

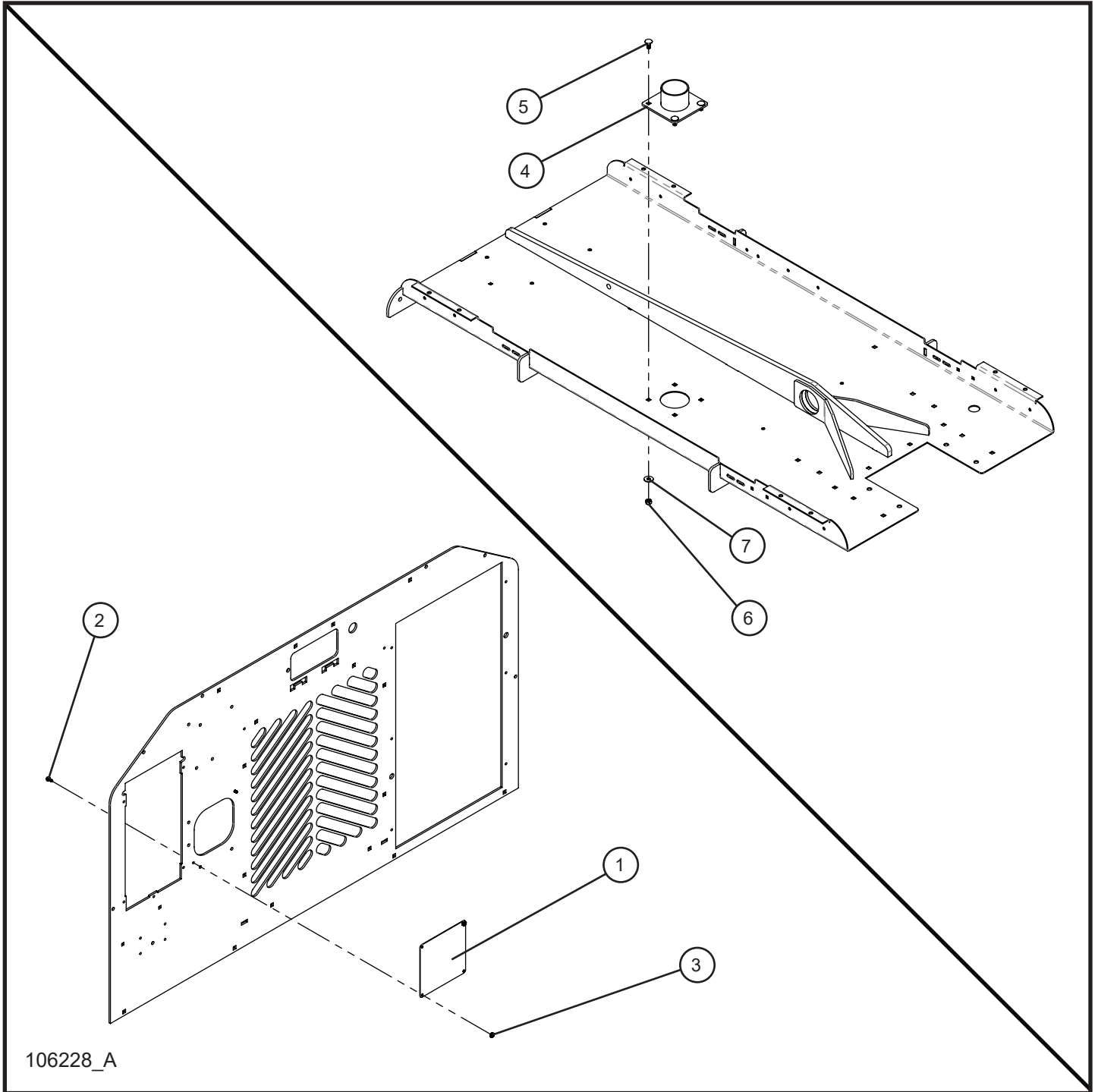
9.24 - Exhaust Plate and Shield Isuzu



9.24 - Exhaust Plate and Shield Isuzu

Item	Part No.	Part Description	Qty.
1	104817	EXHAUST ELBOW VERTICAL 2" OD	1
2	105034P	TAILPIPE SHIELD REAR/VERTICAL EXIT	1
3	330057	BOX MOUNT RUBBER	2
4	105035P	BRACKET SUPPORT VERTICAL EXHAUST	1
5	930234	2" MUFFLER CLAMP	2
6	041050	1/4-20 x 3/4 PH-TRUSS HEAD MS SS	5
7	044023	1/4-20 NYLOCK HEX NUT PL	9
8	104390P	PLATE REAR PANEL EXHAUST HOLE APADTER	1
9	041031	#10-24 x 1/2 HEX HEAD MS PL	2
10	044016	#10-24 KEPS HEX NUT PL	2

9.25 - Exhaust Plate CAT C1.5 Turbo

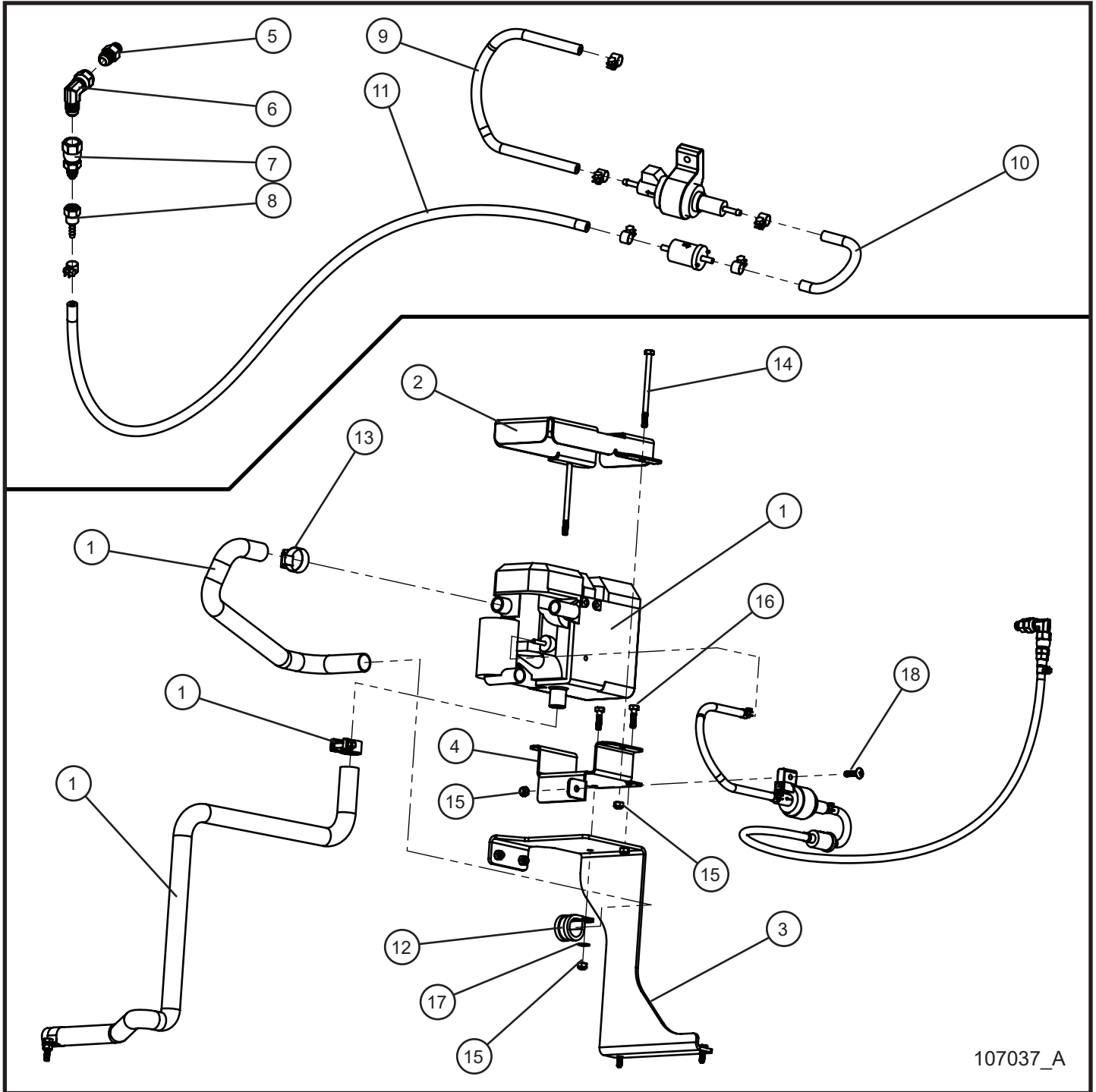


106228_A

9.25 - Exhaust Plate CAT C1.5 Turbo

Item	Part No.	Part Description	Qty.
1	105741P	PLATE REAR PANEL COVER	1
2	041031	#10-24 x 1/2 HEX HEAD MS PL	2
3	044016	#10-24 KEPS HEX NUT PL	2
4	106249P	STRINGER TOP WELDMENT C1.5T	1
5	102081	5/16-18 x 3/4 CARRIAGE BOLT GR5	4
6	044033	5/16-18 NYLOCK HEX NUT PL	4
7	047010	5/16 FLAT WASHER PL	4

9.26 - Diesel Fired Block Heater Install Group (1 of 2)



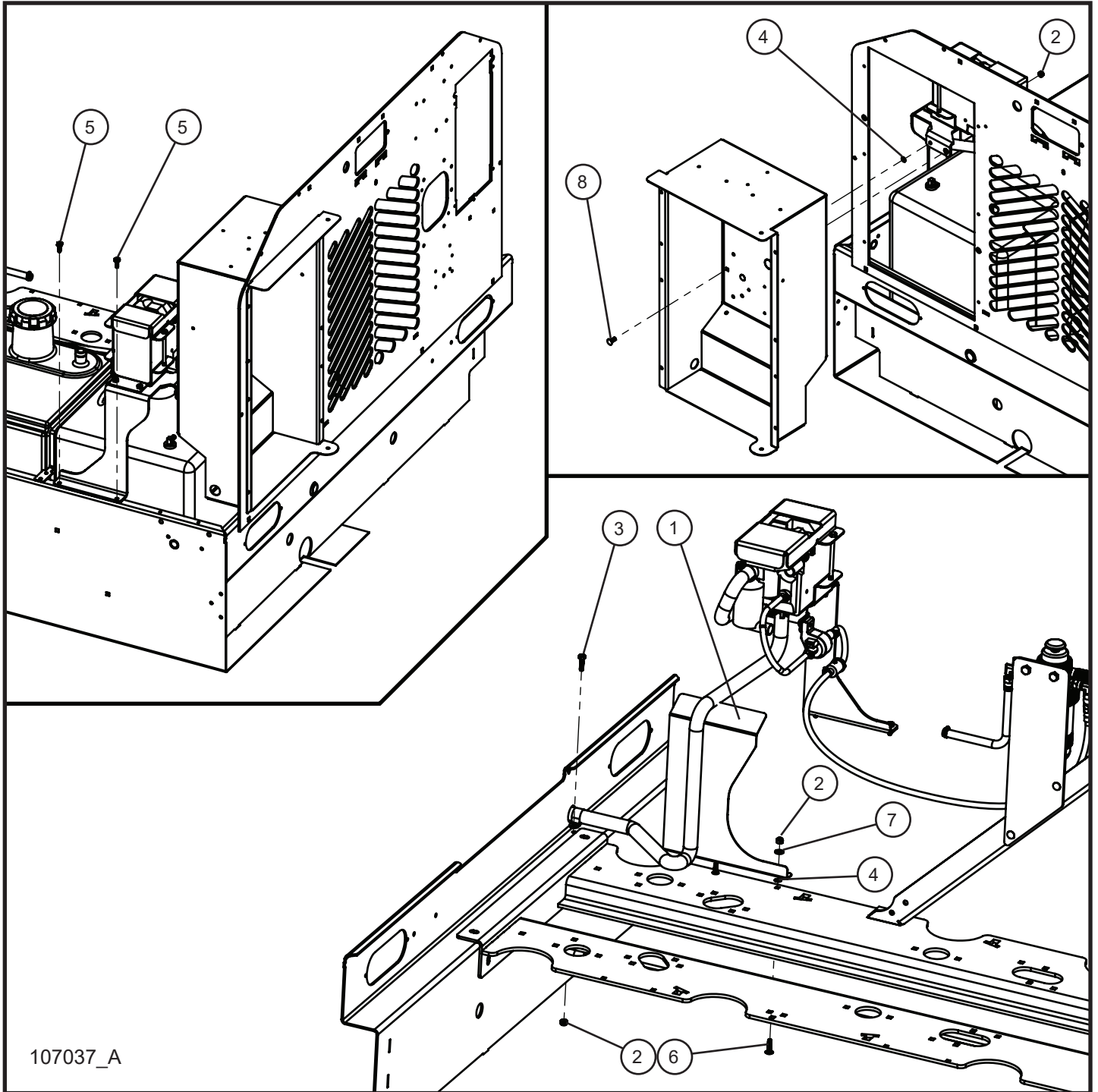
107037_A

9.26 - Diesel Fired Block Heater Install Group (1 of 2)

Item	Part No.	Part Description	Qty.
1	104946	COOLANT HEATER DIESEL FIRED	1
2	104949P	BRACKET HOLD DOWN DIESEL BLOCK HEATER	1
3	104802P	SUPPORT BRACKET DIESEL BLOCK HEATER	1
4	105033P	BRACKET BOTTOM DIESEL BLOCK HEATER	1
5	100655	STRAIGHT CONNECTOR 1/2-20 x 6 JIC	1
6	101263	90° SWIVEL FITTING 6 JIC	1
7	105569	SWIVEL NUT ADAPTER 6 FJIC x 4 MJIC	1
8	105568	FITTING HOSE BARB 4 JIC x 3/16 BARB	1
9	081001	HOSE 3/16" FUEL LINE x 14.0	1
10	081001	HOSE 3/16" FUEL LINE x 6.0	1
11	081001	HOSE 3/16" FUEL LINE x 36.0	1
12	022083	#16 CLAMP CUSH 3/8 HOLE	1
13	045032	#12 HOSE CLAMP	1
14	046039	1/4-20 x 4 HEX HEAD CS Z5	2
15	044023	1/4-20 NYLOCK HEX NUT PL	5
16	046015	1/4-20 x 1 HEX HEAD CS GR5 PL	2
17	047009	1/4 FLAT WASHER SAE SS	1
18	041080	1/4-20 x 1 PH-TRUSS HEAD MS SS	1
NS	106036	WIRE HARNESS ASSEMBLY DIESEL BLOCK HEATER	1
NS	106045	WIRING SCHEMATIC DIESEL FIRED BLOCK HEATER	1

*NOTE: PARTS CALLED OUT IN SAME NUMBER ARE THE ASSEMBLY OF THAT PART NUMBER.

9.26 - Diesel Fired Block Heater Install Group (2 of 2)

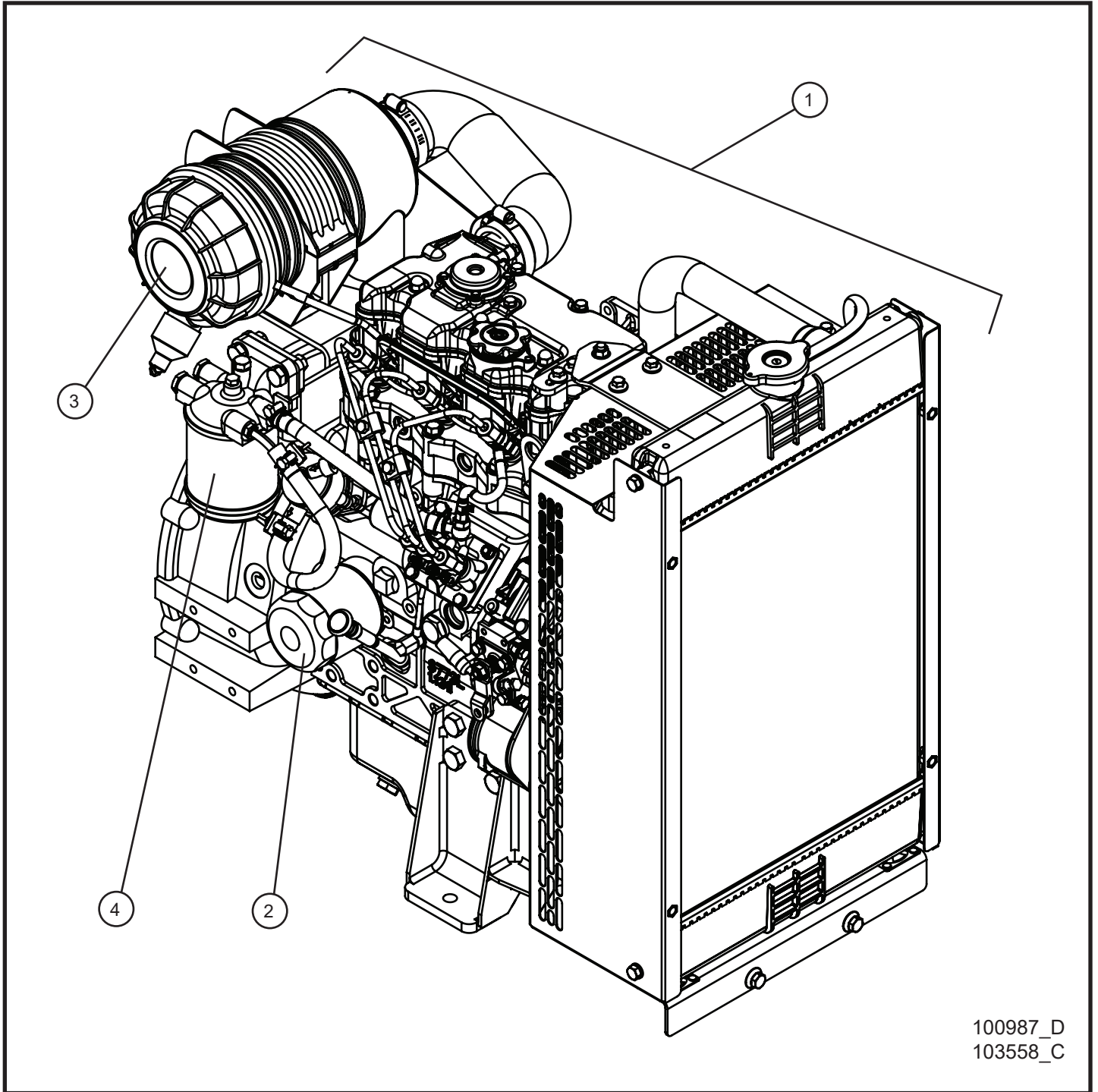


107037_A

9.26 - Diesel Fired Block Heater Install Group (2 of 2)

Item	Part No.	Part Description	Qty.
1	103609P	EXHAUST GUARD DIESEL BLOCK HEATER	1
2	044023	1/4-20 NYLOCK HEX NUT PL	5
3	046015	1/4-20 x 1 HEX HEAD CS GR5 PL	1
4	101701	1/4 PUSH NUT	4
5	041070	1/4-20 x 3/4 SL-HEX WASHER HEAD MS TP F	2
6	100342	1/4-20 x 1 CARRIAGE BOLT PL	2
7	047005	1/4 FLAT WASHER PL	2
8	053006	1/4-20 x 3/4 CARRIAGE BOLT	2

10.1 - CAT C1.1 Engine and Filters

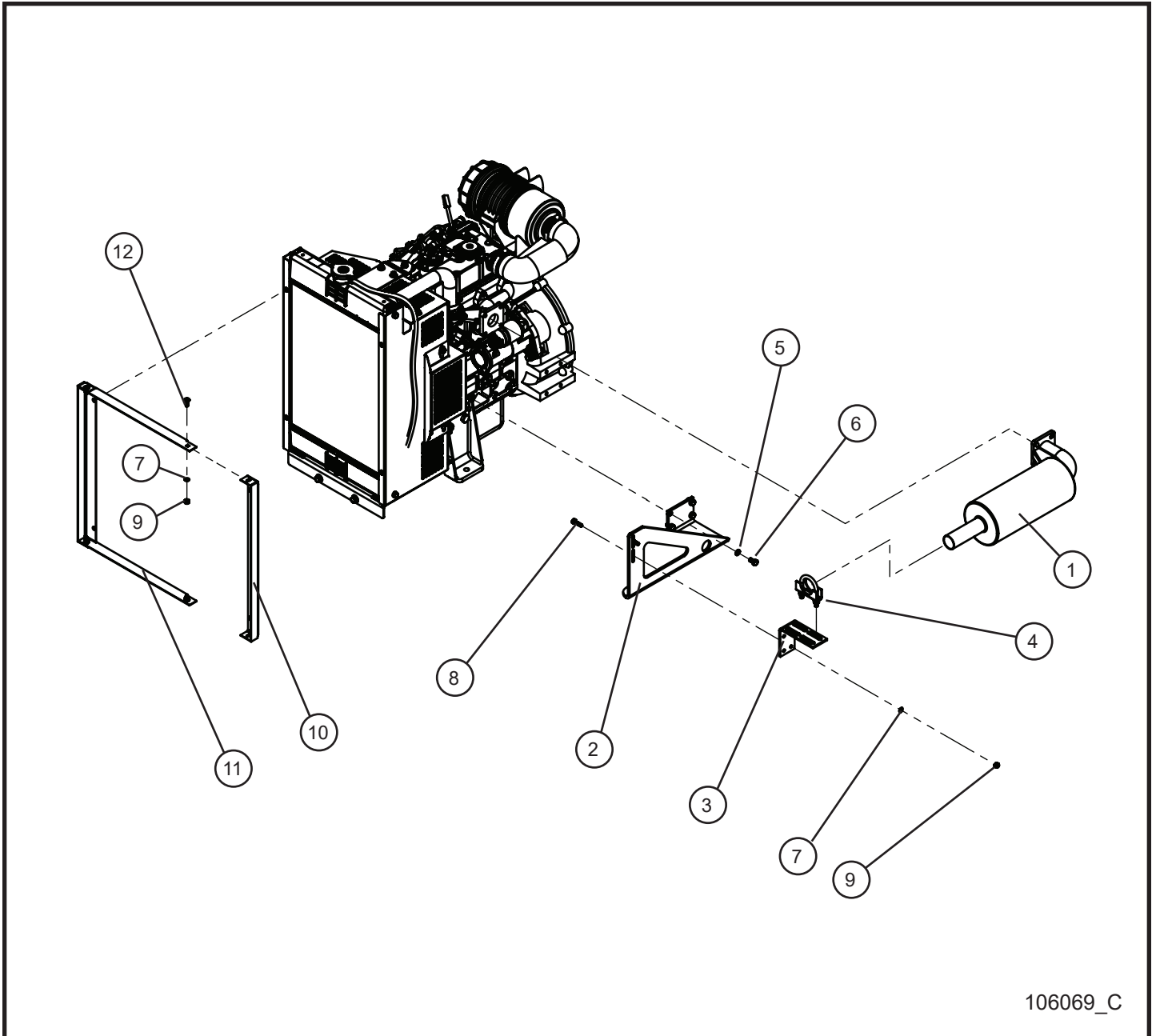


100987_D
103558_C

10.1 - CAT C1.1 Engine and Filters

Item	Part No.	Part Description	Qty.
1	103558	ENGINE CAT C1.1 60Hz EPA Tier 4	1
	100987	ENGINE CAT C1.1 50Hz	1
2	650304	OIL FILTER	1
3	102580	AIR FILTER	1
4	103155	FUEL FILTER	1

10.2 - CAT C1.1 Engine Assembly Group

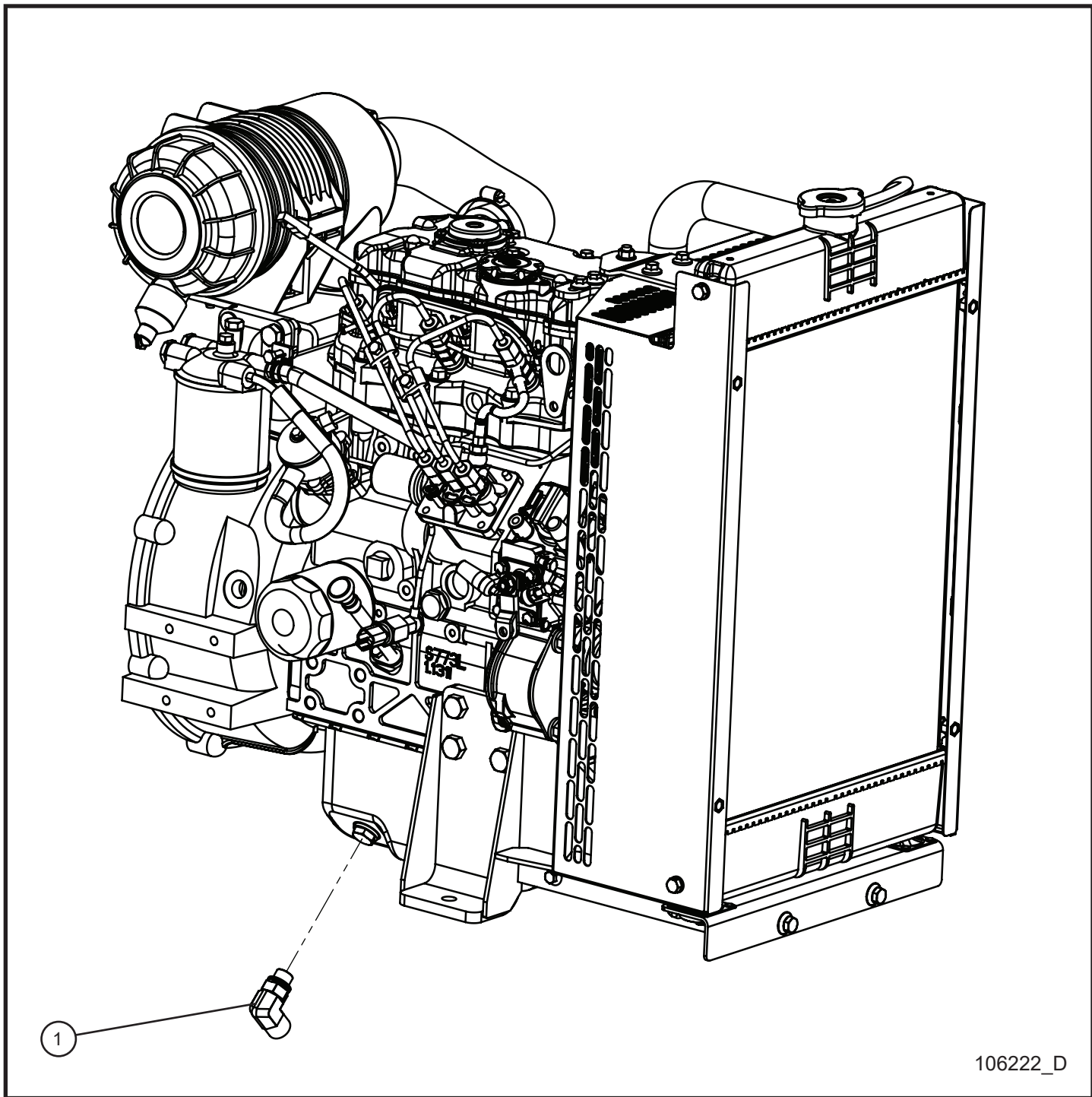


106069_C

10.2 - CAT C1.1 Engine Assembly Group

Item	Part No.	Part Description	Qty.
1	104787	MUFFLER CAT C1.1 4.500 SPOUT	1
2	100705P	BRACKET CAT C1.1 MUFFLER	1
3	100706P	MUFFLER BRACKET ADJUSTABLE CAT	1
4	112211	1-5/8 MUFFLER CLAMP EXHAUST	1
5	043055	5/16 SPLITLOCK WASHER	4
6	042027	M8 x 16MM x 1.25 MM HEX HEAD CS GR10.9 PL	4
7	047009	1/4 FLAT WASHER SAE SS	6
8	100342	1/4-20 x 1 CARRIAGE BOLT PL	2
9	044023	1/4-20 NYLOCK HEX NUT PL	6
10	102932P	RADIATOR SHROUD SIDE	2
11	102933P	RADIATOR SHROUD CROSS BAR	2
12	041050	1/4-20 x 3/4 PH-TRUSS HEAD MS SS	4
NS	104788	CAT C1.1 MUFFLER REPLACEMENT KIT	1
NS	105195	ENGINE HARNESS CAT 1.1	1
NS	105888	WIRING SCHEMATIC C1.1 ENGINE	1

10.3 - CAT C1.1 Oil Drain Fitting

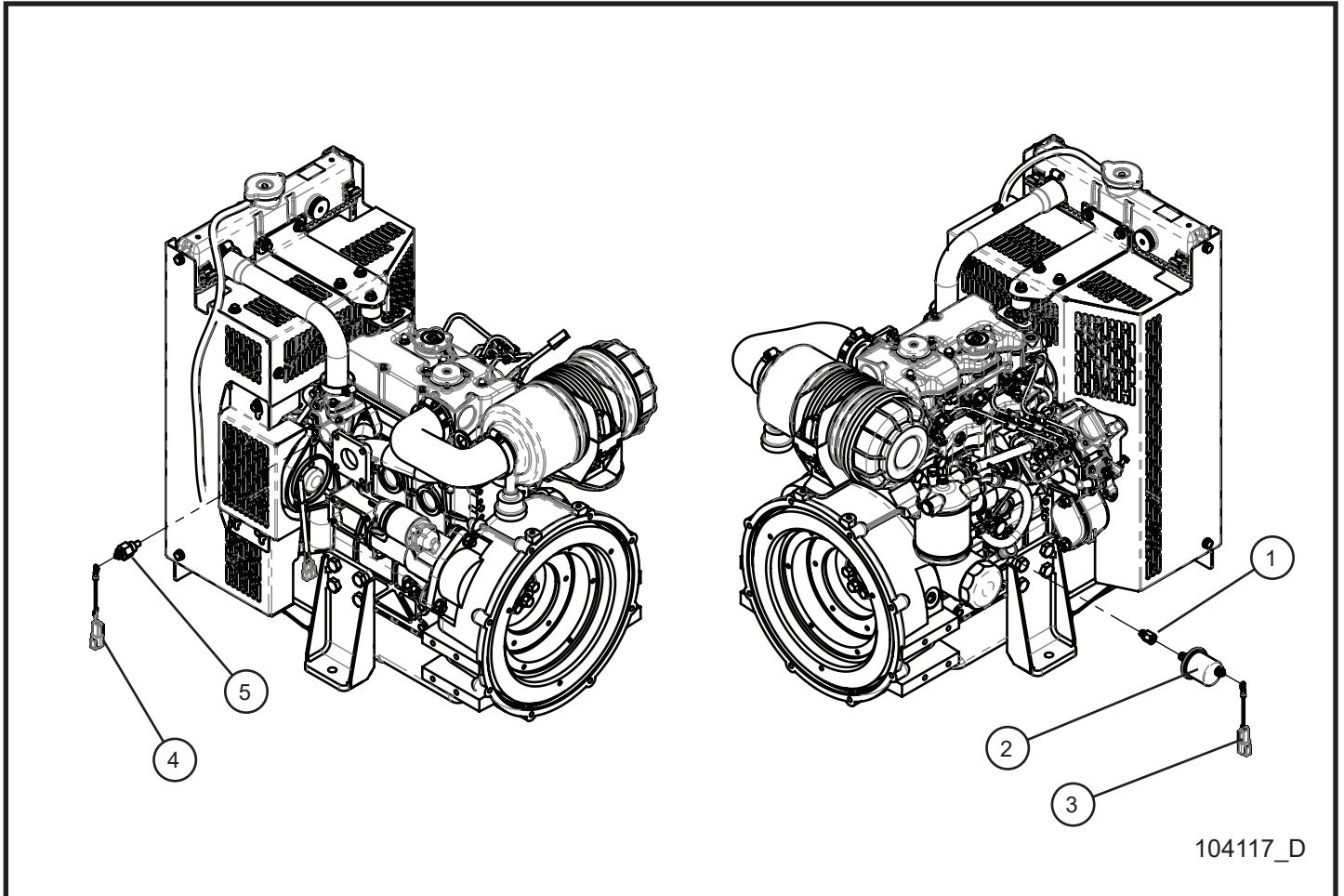


106222_D

10.3 - CAT C1.1 Oil Drain Fitting

Item	Part No.	Part Description	Qty.
1	108981	FITTING HYDRAULIC 90° 10JIC X 16mm	1

10.4 - CAT C1.1 LSC Sending Unit

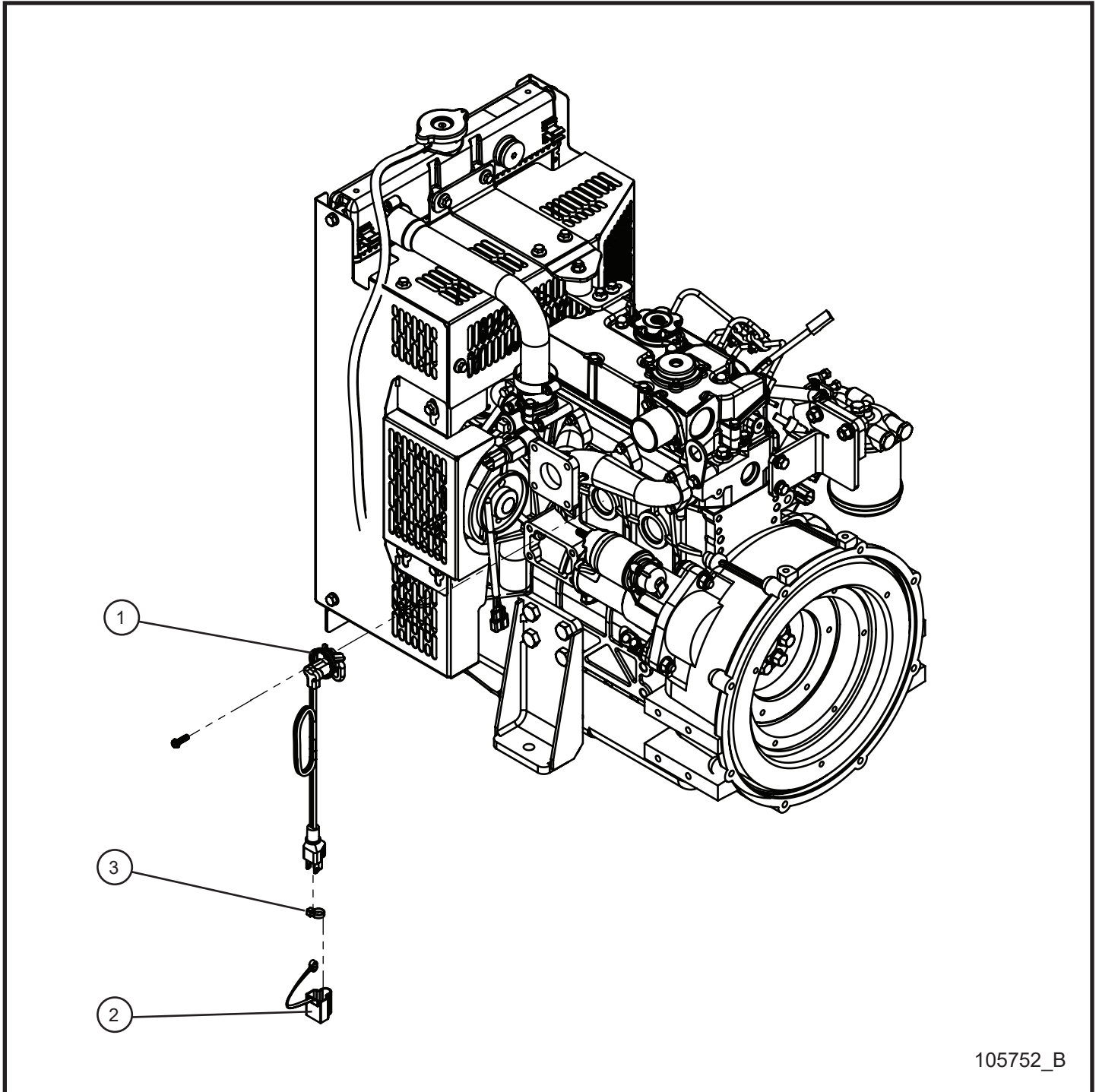


104117_D

10.4 - CAT C1.1 LSC Sending Unit

Item	Part No.	Part Description	Qty.
1	104558	FITTING ADAPTER 1/8 BSPM x 1/8 NPTF	1
2	104019	SENDER OIL PRESSURE	1
3	105881	OIL JUMPER CAT	1
4	105882	TEMP JUMPER CAT	1
5	650769	SENDER TEMPERATURE M16 x 1.5	1
NS	105904	SCHEMATIC LSC CAT C1.1	1

10.5 - CAT C1.1 Block Heater

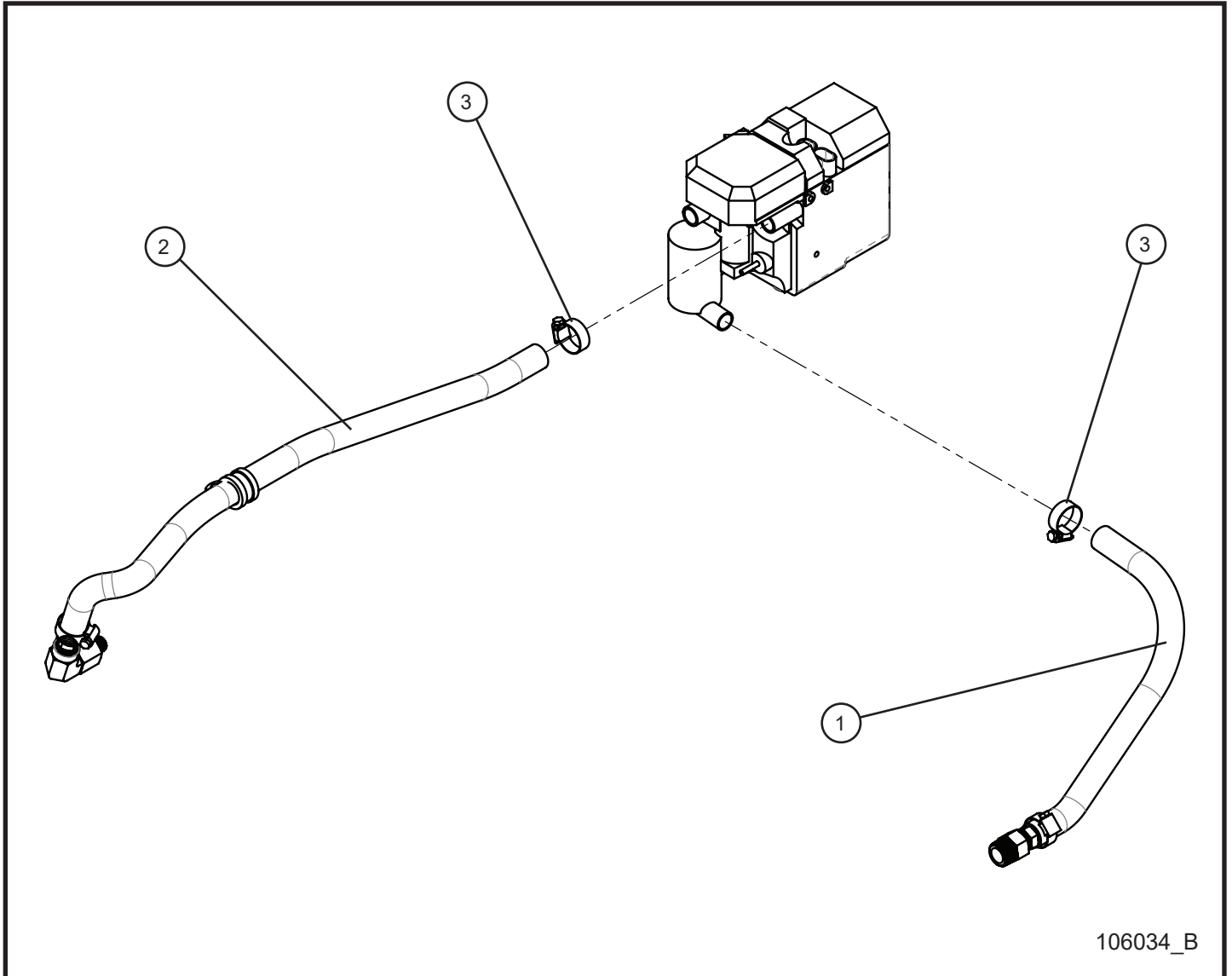


105752_B

10.5 - CAT C1.1 Block Heater

Item	Part No.	Part Description	Qty.
1	651192	BLOCK HEATER CAT C1.1	1
2	105995	END COVER 120 VOLT CORD	1
3	068090	CABLE TIE 8"	1

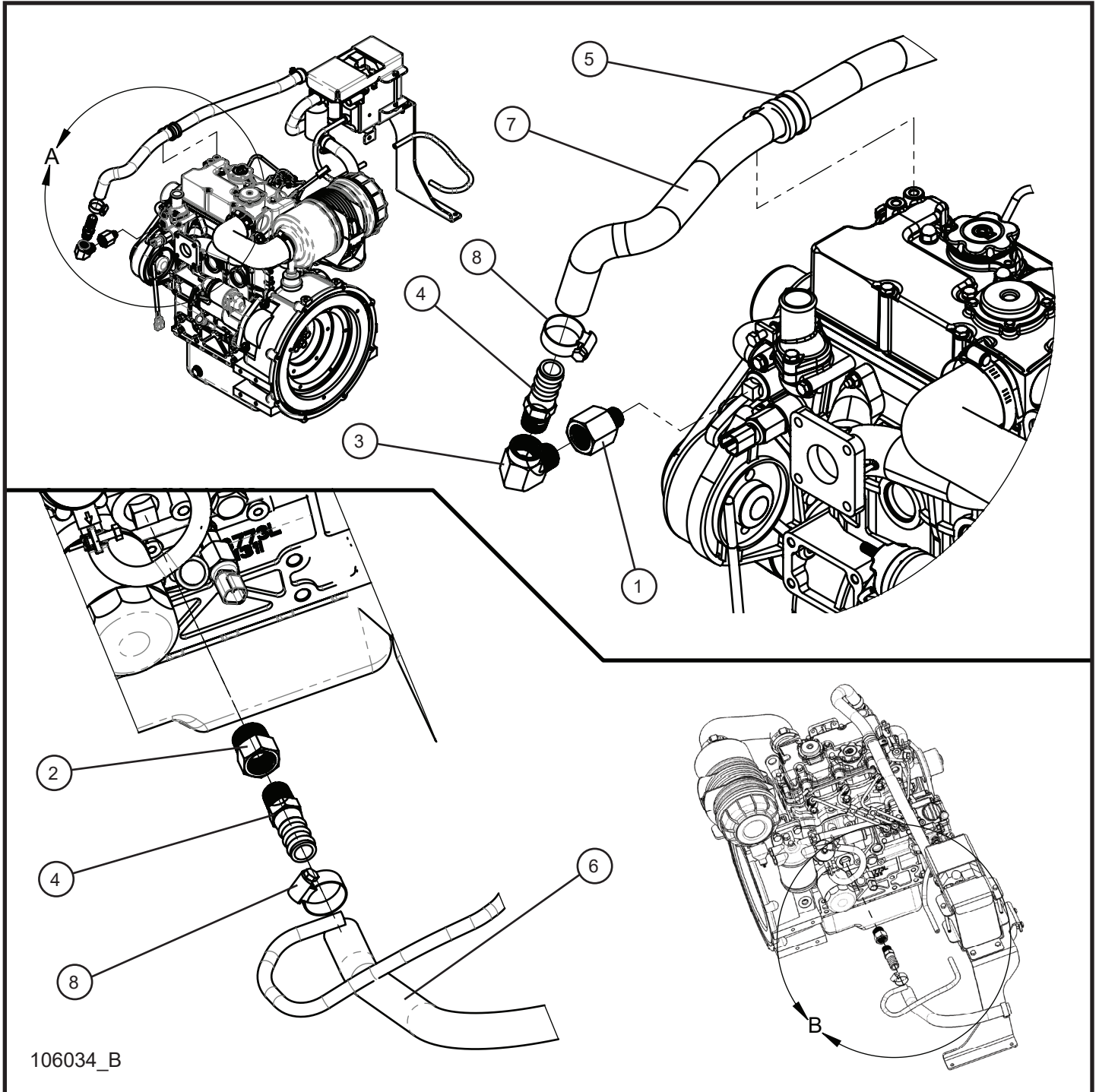
10.6 - CAT C1.1 Diesel Block Heater Hose Group (1 of 2)



10.6 - CAT C1.1 Diesel Block Heater Hose Group (1 of 2)

Item	Part No.	Part Description	Qty.
1	105016	3/4" HEATER HOSE x 18.0	1
2	105016	3/4" HEATER HOSE x 32.0	1
3	045032	#12 HOSE CLAMP	2

10.6 - CAT C1.1 Diesel Block Heater Hose Group (2 of 2)

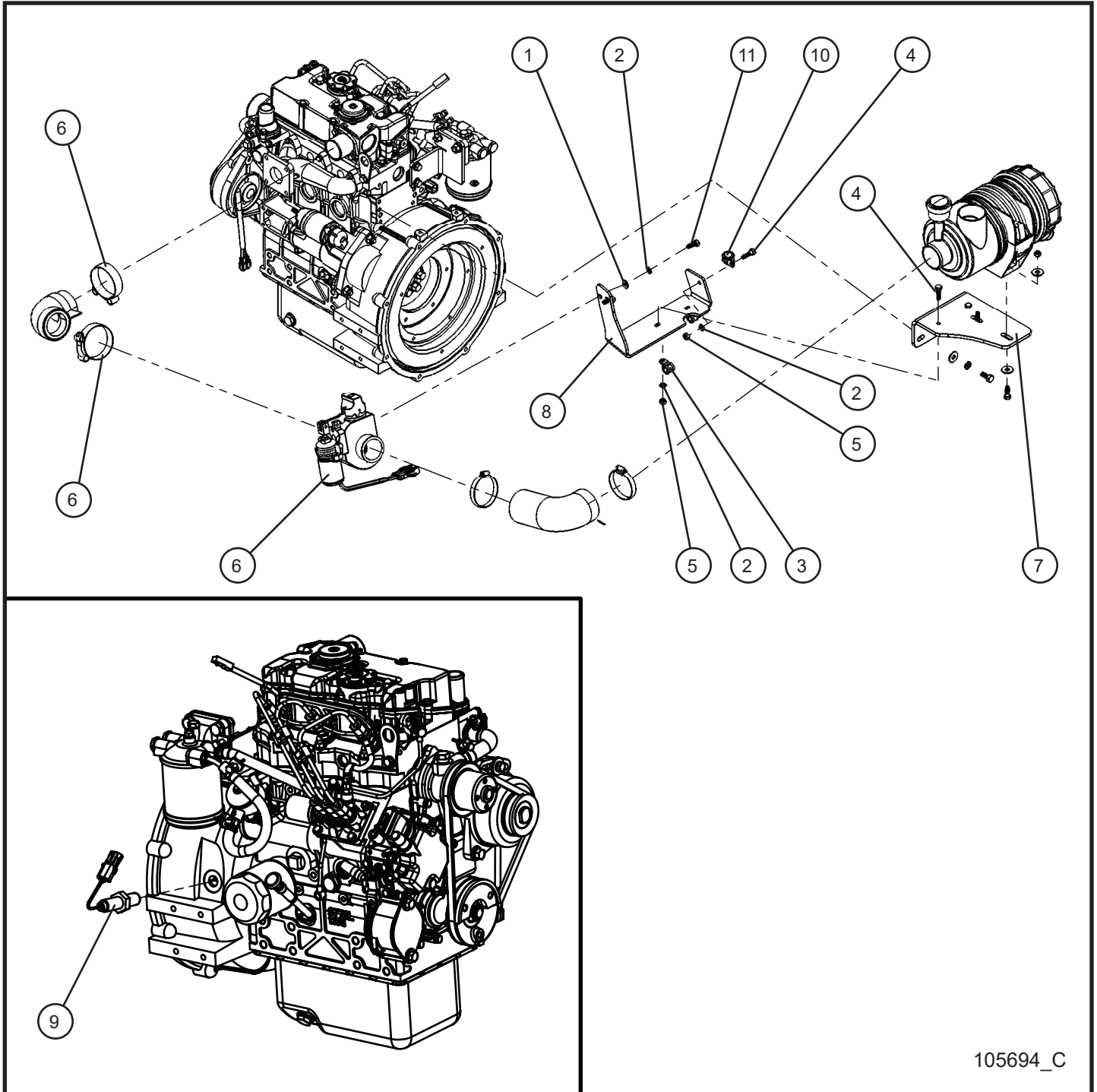


106034_B

10.6 - CAT C1.1 Diesel Block Heater Hose Group (2 of 2)

Item	Part No.	Part Description	Qty.
1	104953	ADAPTOR 1/2 NPT FEMALE x M16-1.5 MALE	1
2	104955	1/2 NPT FEMALE x 3/4 BSPT MALE ADAPTOR ZC PLATED STEEL	1
3	104956	1/2 NPT MALE x 1/2 NPT FEMALE ELBOW BRASS	1
4	104954	BARB ADAPTOR 1/2 NPT MALE x 3/4 HOSE	2
5	022083	#16 CLAMP CUSH 3/8 HOLE	1
6	105016	3/4" HEATER HOSE x 18.0	1
7	105016	3/4" HEATER HOSE x 32.0	1
8	045032	#12 HOSE CLAMP	4

10.7 - CAT C1.1 Shocker Group (1 of 2)

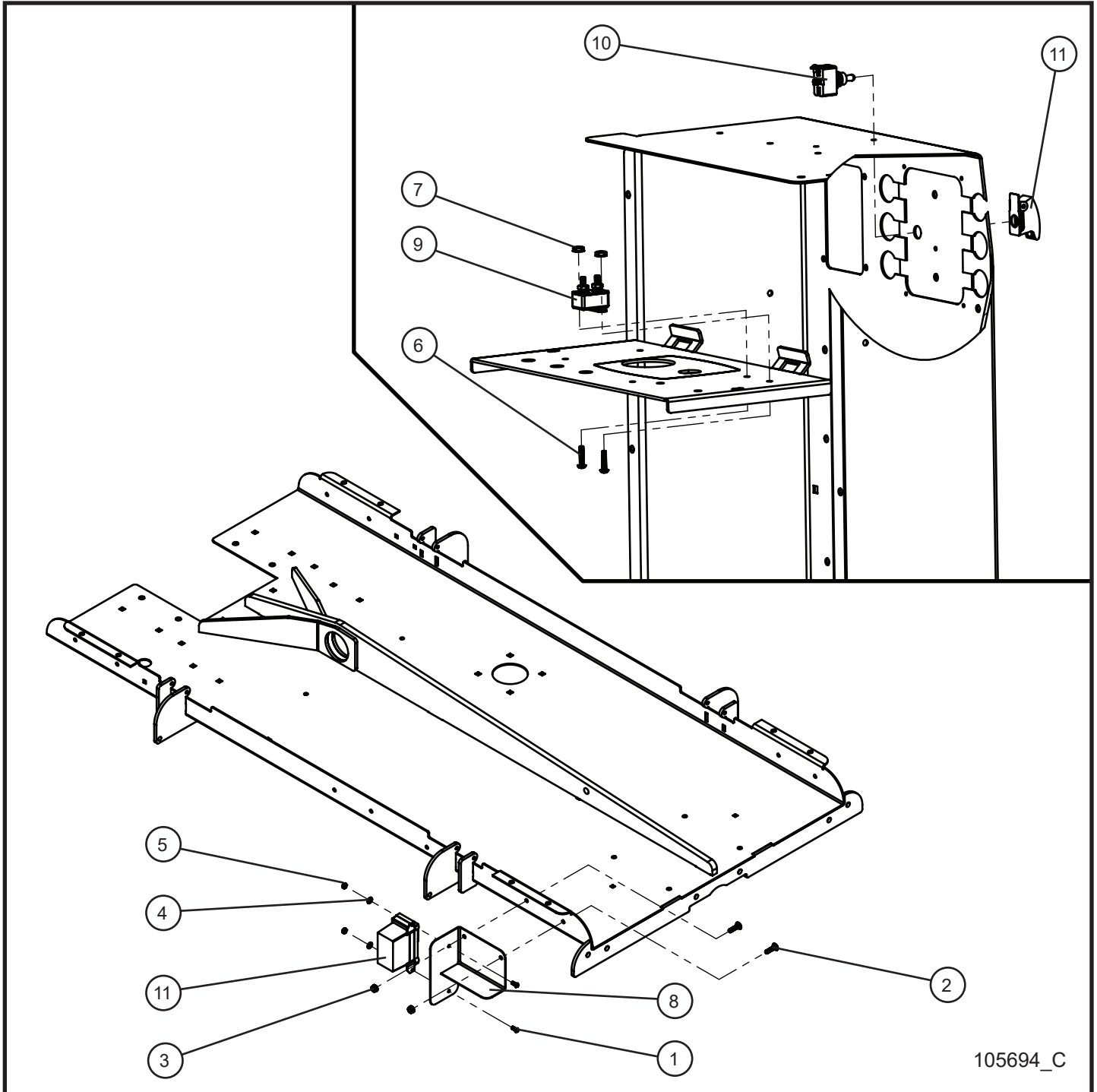


105694_C

10.7 - CAT C1.1 Shocker Group (1 of 2)

Item	Part No.	Part Description	Qty.
1	047005	1/4 FLAT WASHER PL	2
2	043020	1/4 SPLIT LOCK WASHER	5
3	022016	#6 CUSH CLAMP 1/4 HOLE	2
4	046015	1/4-20 x 1 HEX HEAD CS GR5 PL	3
5	044020	1/4-20 HEX NUT PL	3
6	105705	SHOCKER 2" VALVE KIT	1
7	105523P	BRACKET MOUNT AIR CLEANER/SHOCKER	1
8	105707P	BRACKET SHOCKER MOUNT	1
9	105536	RPM SENSOR 18mm x 1.5	1
10	022021	#10 CLAMP CUSH	1
11	102573	BOLT CAP SCREW HEX HEAD 1/4-20 x 3/4 GR 5 ZINC	2
NS	105802	HARNESS SHOCKER VALVE	1
NS	105702	SHOCKER SETUP INSTRUCTIONS	1
NS	106156	SCHEMATIC SHOCKER VALVE HARNESS	1

10.7 - CAT C1.1 Shocker Group (2 of 2)

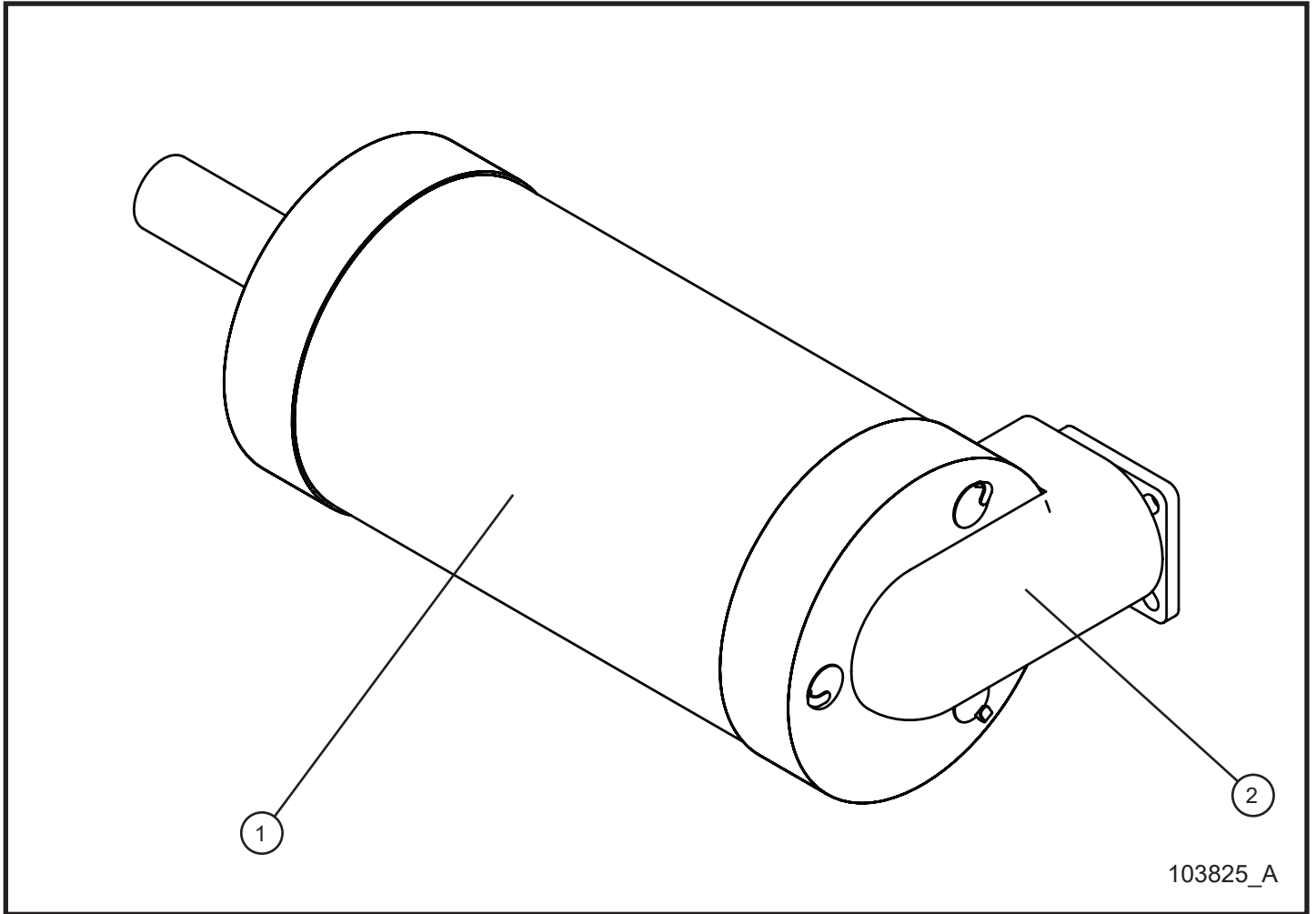


105694_C

10.7 - CAT C1.1 Shocker Group (2 of 2)

Item	Part No.	Part Description	Qty.
1	041021	#10-24 x 1/2 PH-ROUND HEAD MS PL	2
2	041080	1/4-20 x 1 PH-TRUSS HEAD MS SS	2
3	044021	1/4-20 KEPS HEX NUT PL	2
4	047070	#10 FLAT WASHER USS PL	2
5	044018	#10-24 NYLOCK HEX NUT PL	2
6	041201	#8-32 x 3/4 SL-ROUND HEAD MS PL	2
7	044016	#10-24 KEPS HEX NUT PL	2
8	105528P	BRACKET SHOCKER CONTROLLER MAXI II	1
9	105636	20 AMP BREAKER	1
10	340009	SWITCH 15A 125V	1
11	105705	SHOCKER 2" VALVE KIT	1

10.8 - CAT C1.1 Exhaust Blanket

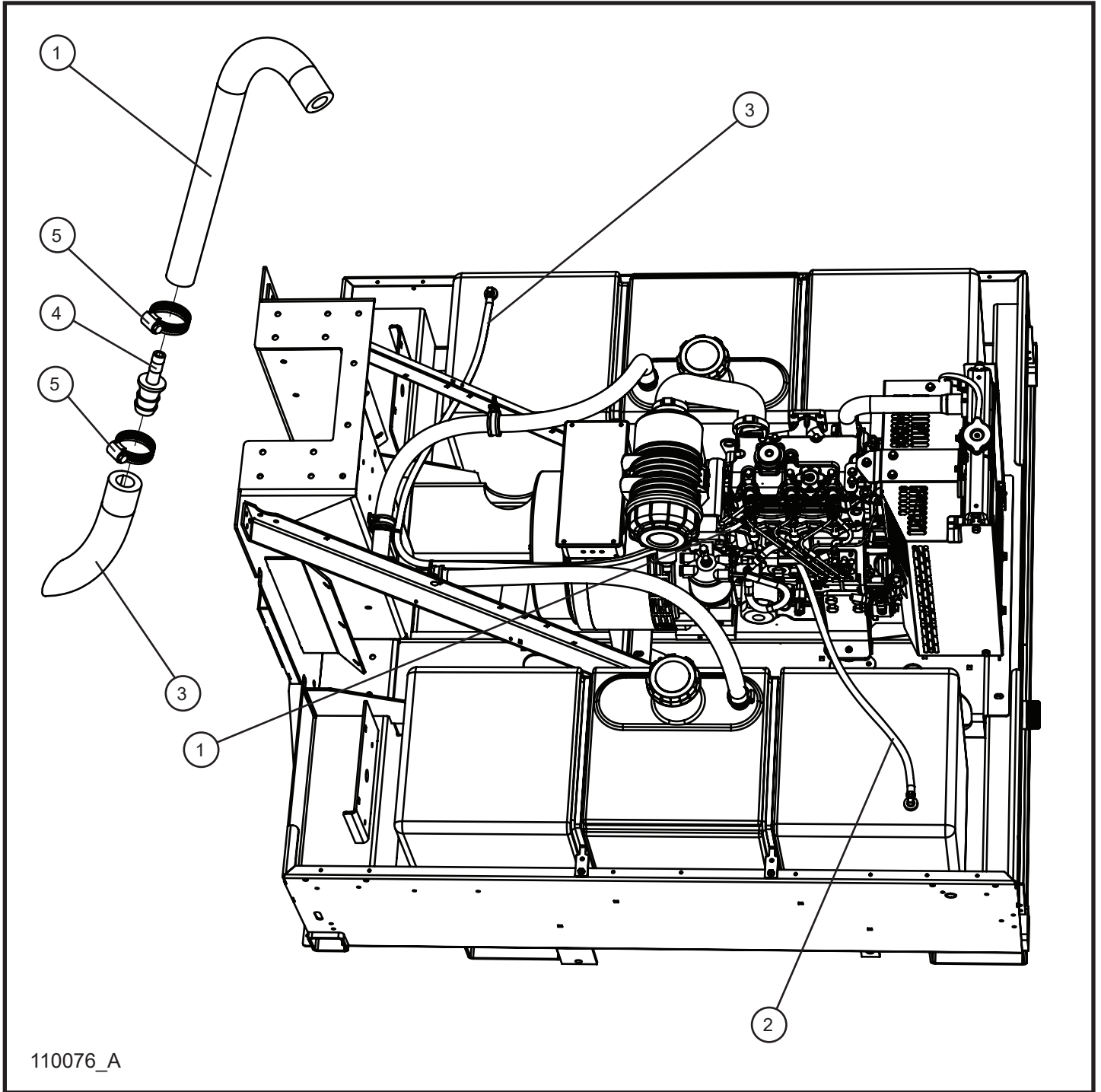


103825_A

10.8 - CAT C1.1 Exhaust Blanket

Item	Part No.	Part Description	Qty.
1	103785	INSULATING MUFFLER BODY BLANKET	1
2	103786	INSULATING MUFFLER ELBOW BLANKET	1

10.9 - CAT C1.1 Fuel Lines

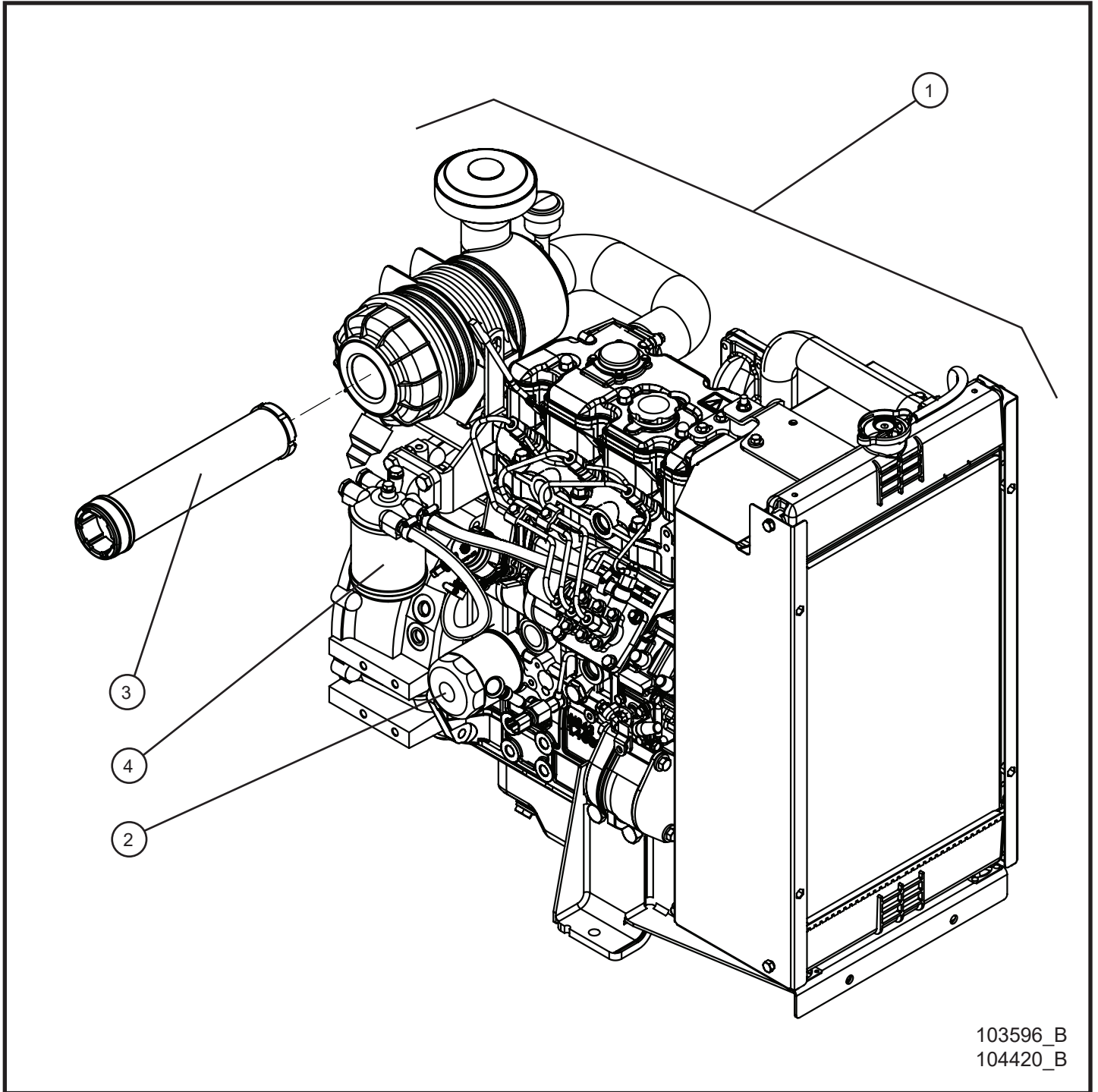


110076_A

10.9 - CAT C1.1 Fuel Lines

Item	Part No.	Part Description	Qty.
1	081016	1/4 FUEL HOSE x 10.00	1
2	081018	5/16 FUEL LINE x 35.00	1
3	081018	5/16 FUEL LINE x 60.00	1
4	106134	REDUCER FITTING HOSE BARB	1
5	433400	#4 HOSE CLAMP	6

11.1 - CAT C1.5 Engine and Filters

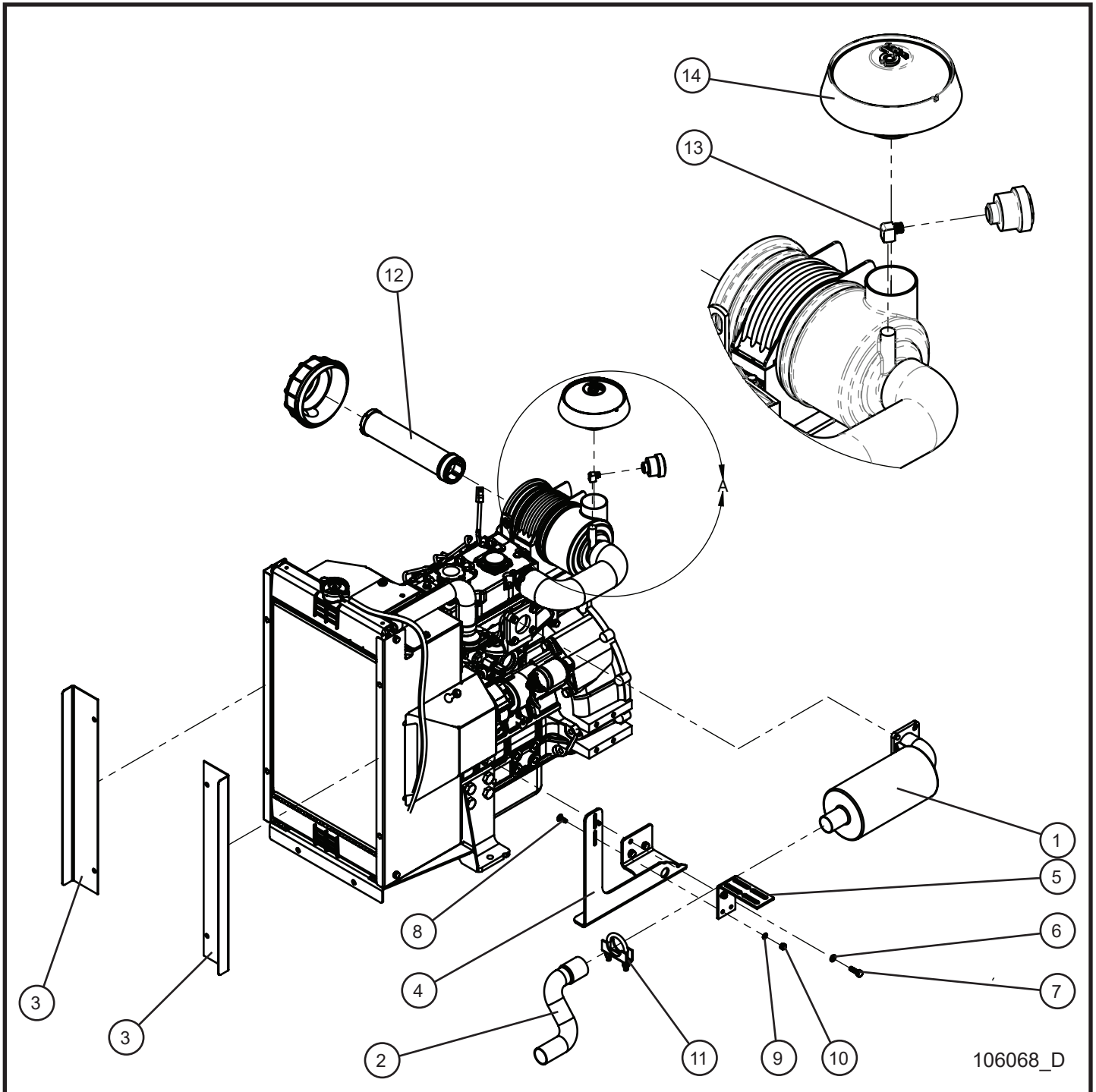


103596_B
104420_B

11.1 - CAT C1.5 Engine and Filters

Item	Part No.	Part Description	Qty.
1	103596	CAT C1.5 60Hz PUSH FAN EPA TIER 4 FINAL ENGINE	1
	104420	CAT C1.5 50Hz PUSH FAN EXPORT	1
2	650304	CAT C1.5 OIL FILTER	1
3	102580	CAT C1.5 AIR FILTER	1
4	103155	CAT C1.5 FUEL FILTER	1

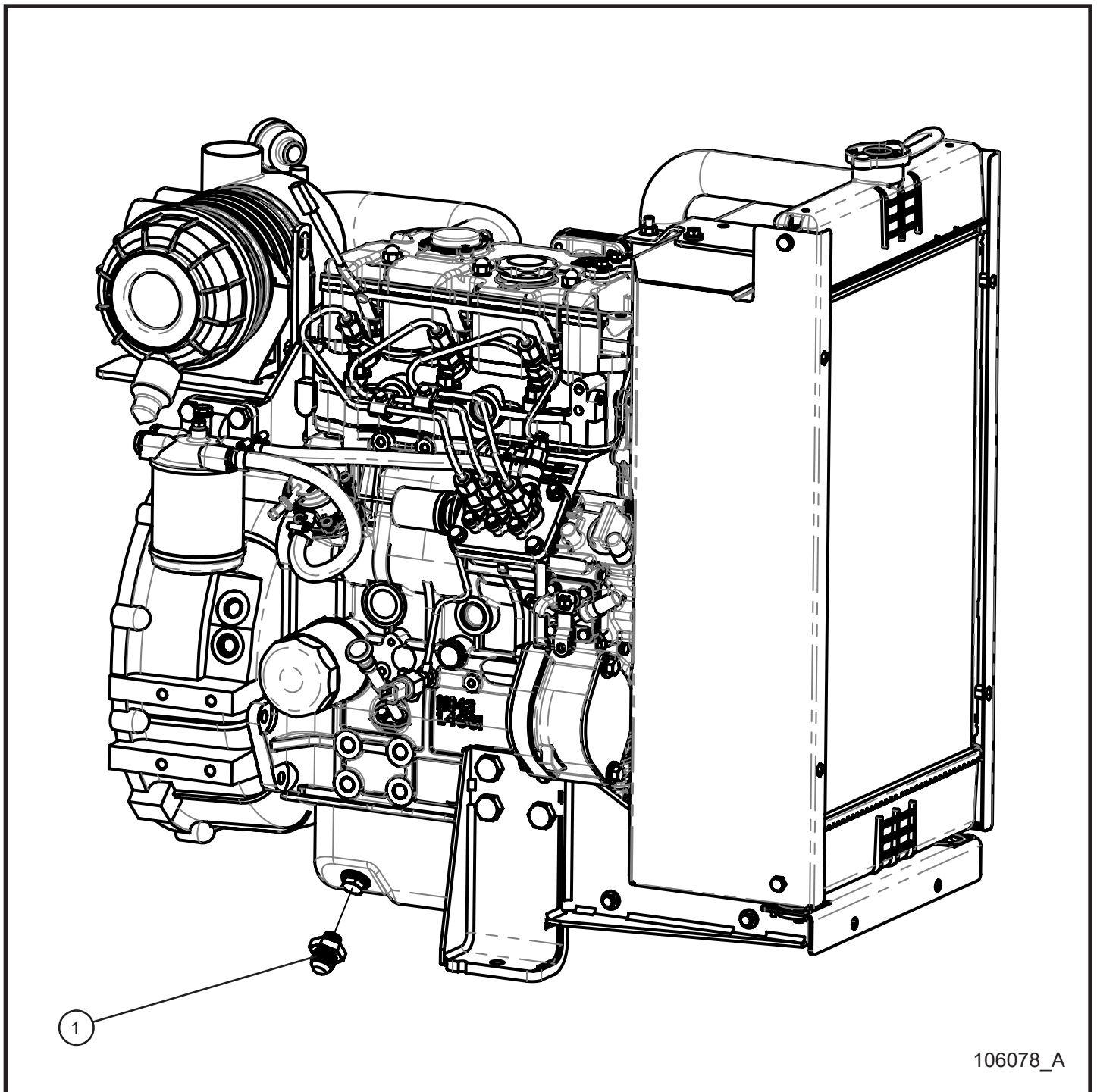
11.2 - CAT C1.5 Engine Assembly Group



11.2 - CAT C1.5 Engine Assembly Group

Item	Part No.	Part Description	Qty.
1	104780	MUFFLER CAT C1.5 2.000 SPOUT	1
2	103496	TAILPIPE C1.5 MAXI II	1
3	103491P	RAD SHROUD C1.5 MAXI II	2
4	103517P	BRACKET MUFFLER CAT C1.5	1
5	100706P	MUFFLER BRACKET ADJUSTABLE CAT	1
6	043055	5/16 SPLITLOCK WASHER	3
7	042031	M8 x 25mm x 1.25mm HEX HEAD CS GR8.8 PL	3
8	100342	1/4-20 x 1 CARRIAGE BOLT	2
9	047009	1/4 FLAT WASHER SAE SS	2
10	044023	1/4-20 NYLOCK HEX NUT PL	2
11	112211	1-5/8 MUFFLER CLAMP	1
12	104071	SAFETY FILTER AIR SYSTEM	1
13	026030	ELBOW 1/8 NPTM STREET	1
14	340032	CAP AIR CLEANER 2" ID	1
NS	105190	HARNESS ENGINE CAT 1.5	1
NS	105874	CAT C1.5 CHARGE CIRCUIT FUSE	1
NS	105889	WIRING SCHEMATIC C1.5 ENGINE	1

11.3 - CAT C1.5 Oil Drain Fitting

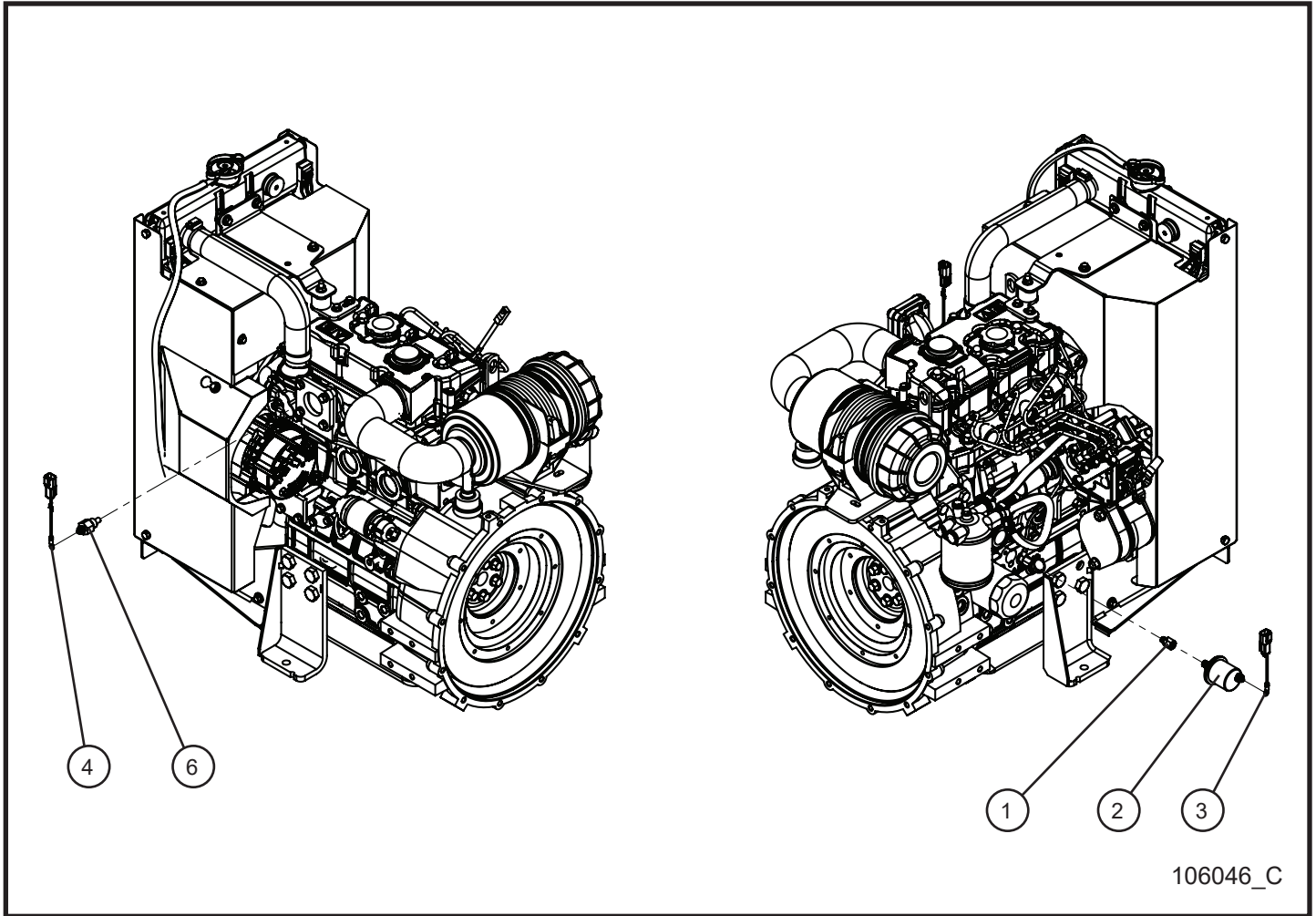


106078_A

11.3 - CAT C1.5 Oil Drain Fitting

Item	Part No.	Part Description	Qty.
1	103843	#10 JIC - M16 x 1.5mm UNION	1

11.4 - CAT C1.5 LSC Sending Unit

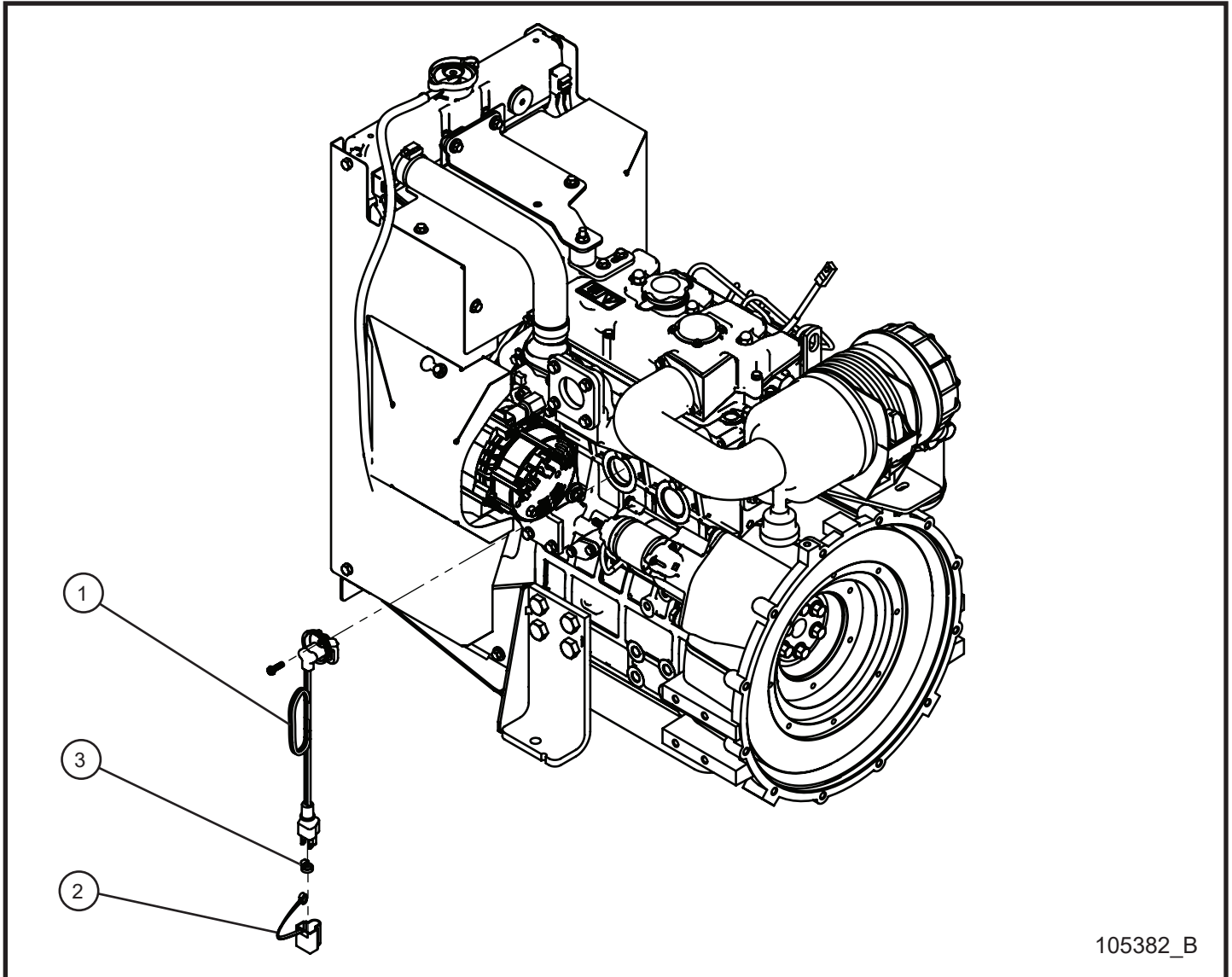


106046_C

11.4 - CAT C1.5 LSC Sending Unit

Item	Part No.	Part Description	Qty.
1	104558	FITTING ADAPTER 1/8 BSPM x 1/8 NPTF	1
2	104019	SENDER OIL PRESSURE	1
3	105881	OIL JUMPER CAT	1
4	105882	TEMP JUMPER CAT	1
5	106044	SCHEMATIC LSC CAT C1.5 (NOT SHOWN)	1
6	650769	SENDER TEMPERATURE M16 x 1.5	1

11.5 - CAT C1.5 Block Heater

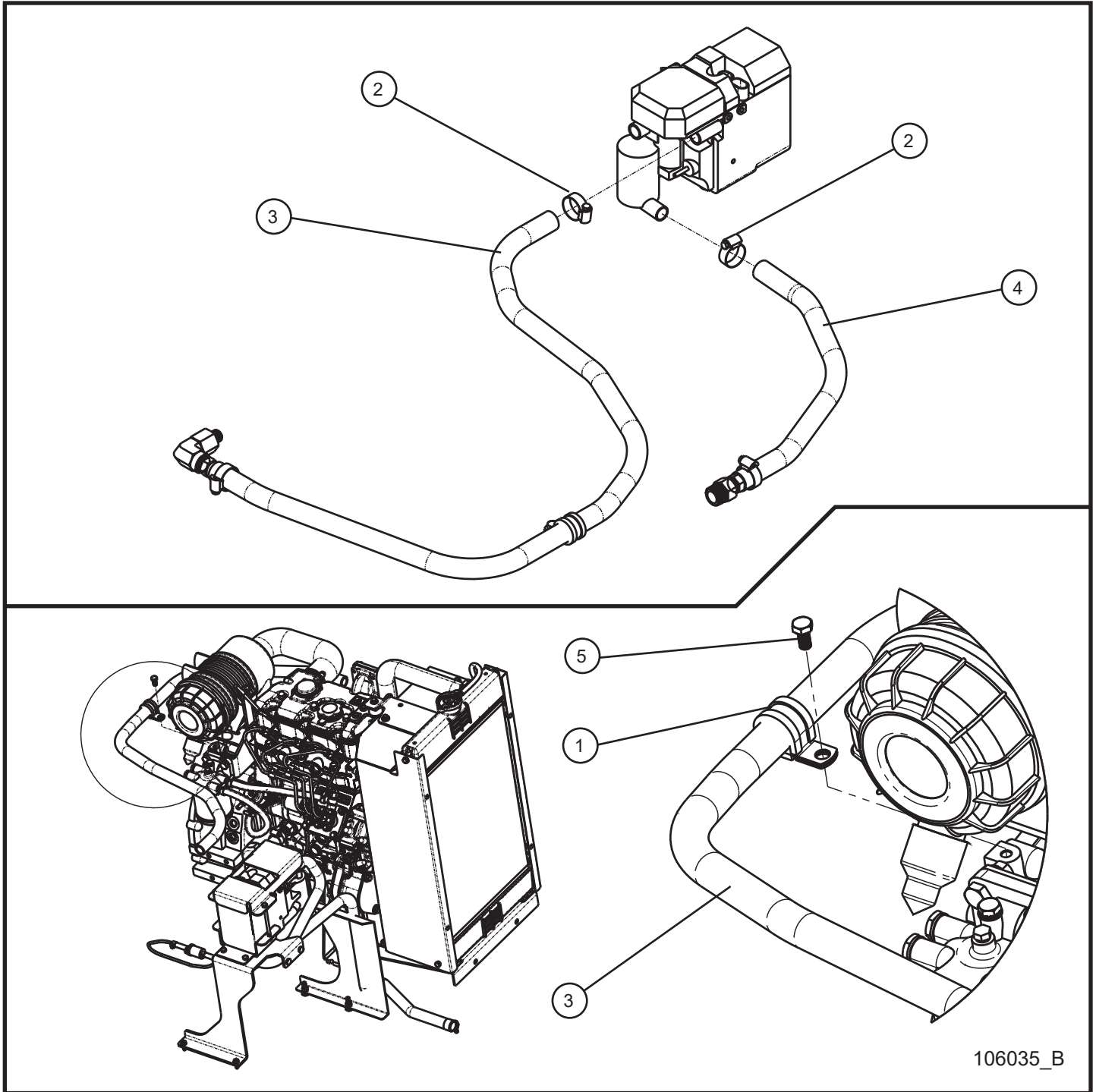


105382_B

11.5 - CAT C1.5 Block Heater

Item	Part No.	Part Description	Qty.
1	103322	BLOCK HEATER CAT C1.5	1
2	105995	END COVER 120 VOLT CORD	1
3	068090	CABLE TIE 8"	1

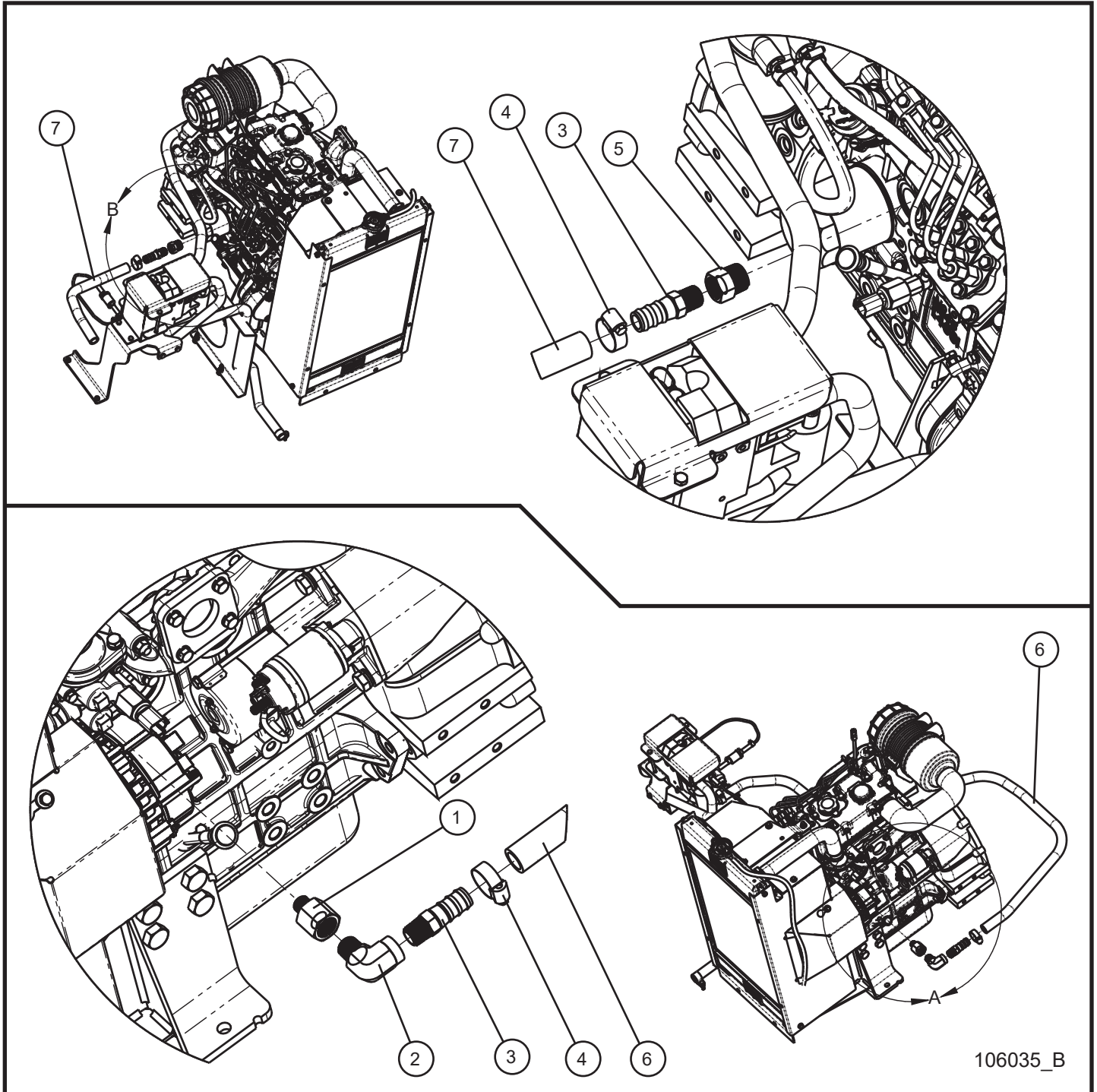
11.6 - CAT C1.5 Diesel Fired Block Heater Hoses (1 of 2)



11.6 - CAT C1.5 Diesel Fired Block Heater Hoses (1 of 2)

Item	Part No.	Part Description	Qty.
1	022083	#16 CLAMP CUSH 3/8 HOLE	1
2	045032	#12 HOSE CLAMP	4
3	105016	3/4" HEATER HOSE x 53.0	1
4	105016	3/4" HEATER HOSE x 17.0	1
5	042027	M8 x 16mm x 1.25mm HEX CS GR10.9 PL	1

11.6 - CAT C1.5 Diesel Fired Block Heater Hoses (2 of 2)

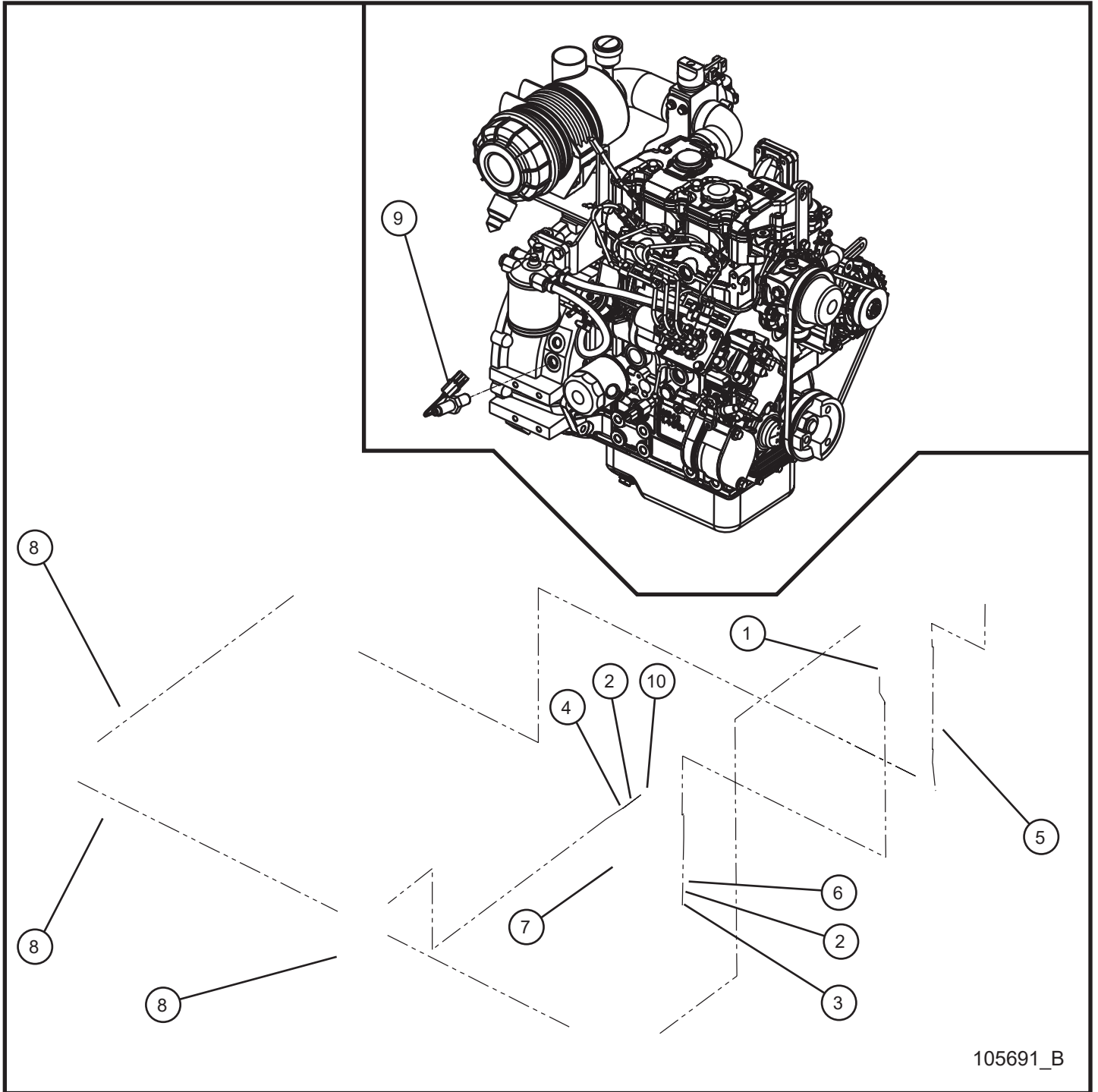


106035_B

11.6 - CAT C1.5 Diesel Fired Block Heater Hoses (2 of 2)

Item	Part No.	Part Description	Qty.
1	104953	ADAPTOR 1/2 NPT FEMALE x M16-1.5 MALE	1
2	104956	1/2 NPT MALE x 1/2 NPT FEMALE ELBOW BRASS	1
3	104954	BARB ADAPTOR 1/2 NPT MALE x 3/4 HOSE	2
4	045032	#12 HOSE CLAMP	4
5	104955	1/2 NPT FEMALE x 3/4 BSPT MALE ADAPTOR ZC PLATED STEEL	1
6	105016	3/4" HEATER HOSE x 53.0	1
7	105016	3/4" HEATER HOSE x 17.0	1

11.7 - CAT C1.5 Shocker Group (1 of 2)

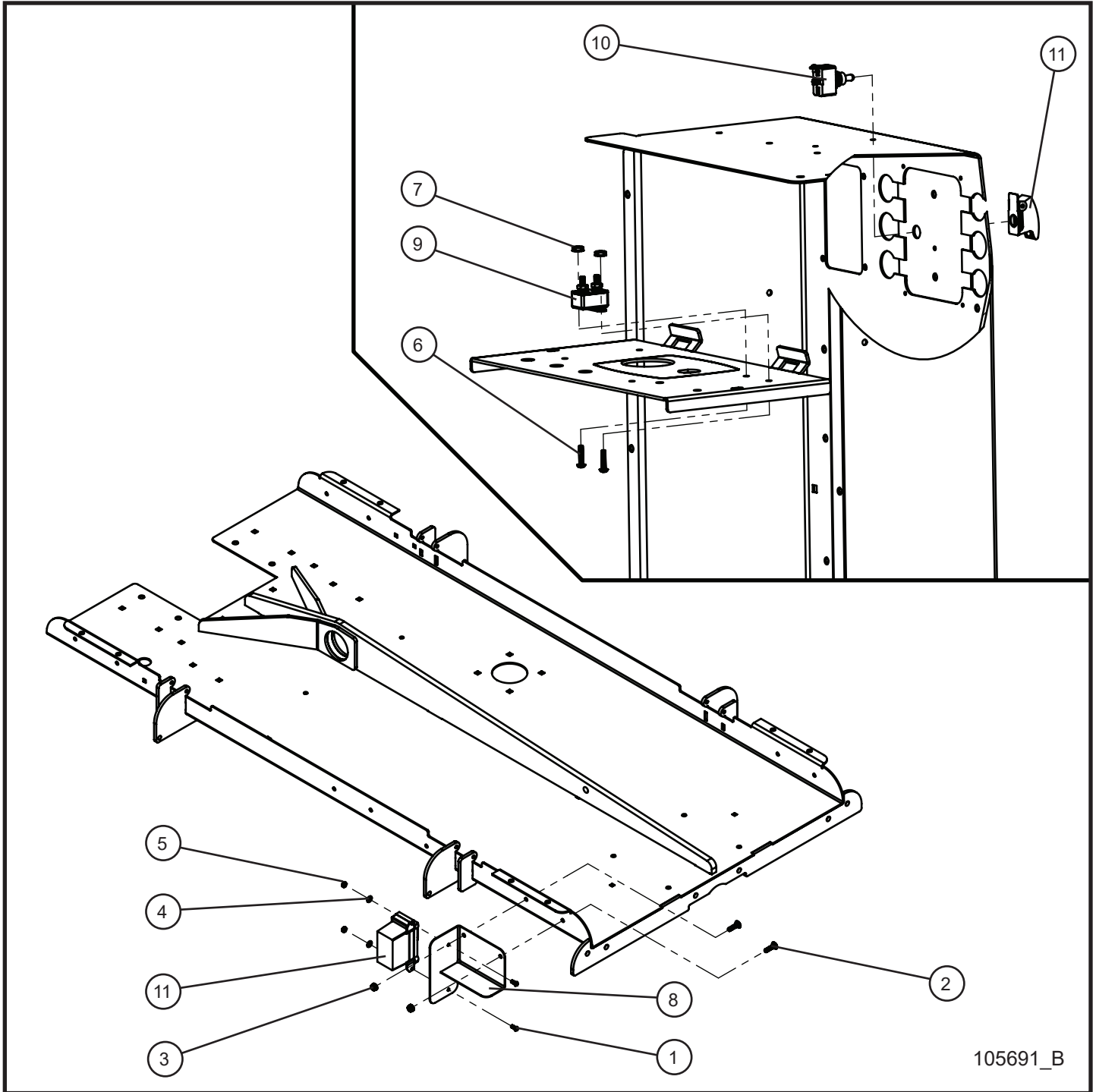


105691_B

11.7 - CAT C1.5 Shocker Group (1 of 2)

Item	Part No.	Part Description	Qty.
1	046015	1/4-20 x 1 HEX HEAD CS GR5 PL	2
2	043020	SPLIT LOCK WASHER	4
3	044020	1/4-20 HEX NUT PL	2
4	047005	1/4 FLAT WASHER PL	2
5	105523P	AIR CLEANER/SHOCKER MOUNT BRACKET	1
6	022016	#6 CUSH CLAMP 1/4 HOLE	2
7	105818P	BRACKET SHOCKER MOUNT	1
8	105705	SHOCKER 2" VALVE KIT	1
9	105536	RPM SENSOR 18mm x 1.5	1
10	102573	BOLT CAP SCREW HEX HEAD 1/4-20 x 3/4 GR5 ZINC	2
11	105702	SHOCKER SETUP INSTRUCTIONS	1
12	105802	HARNESS SHOCKER VALVE	1
13	106156	SCHEMATIC SHOCKER VALVE HARNESS	1

11.7 - CAT C1.5 Shocker Group (2 of 2)

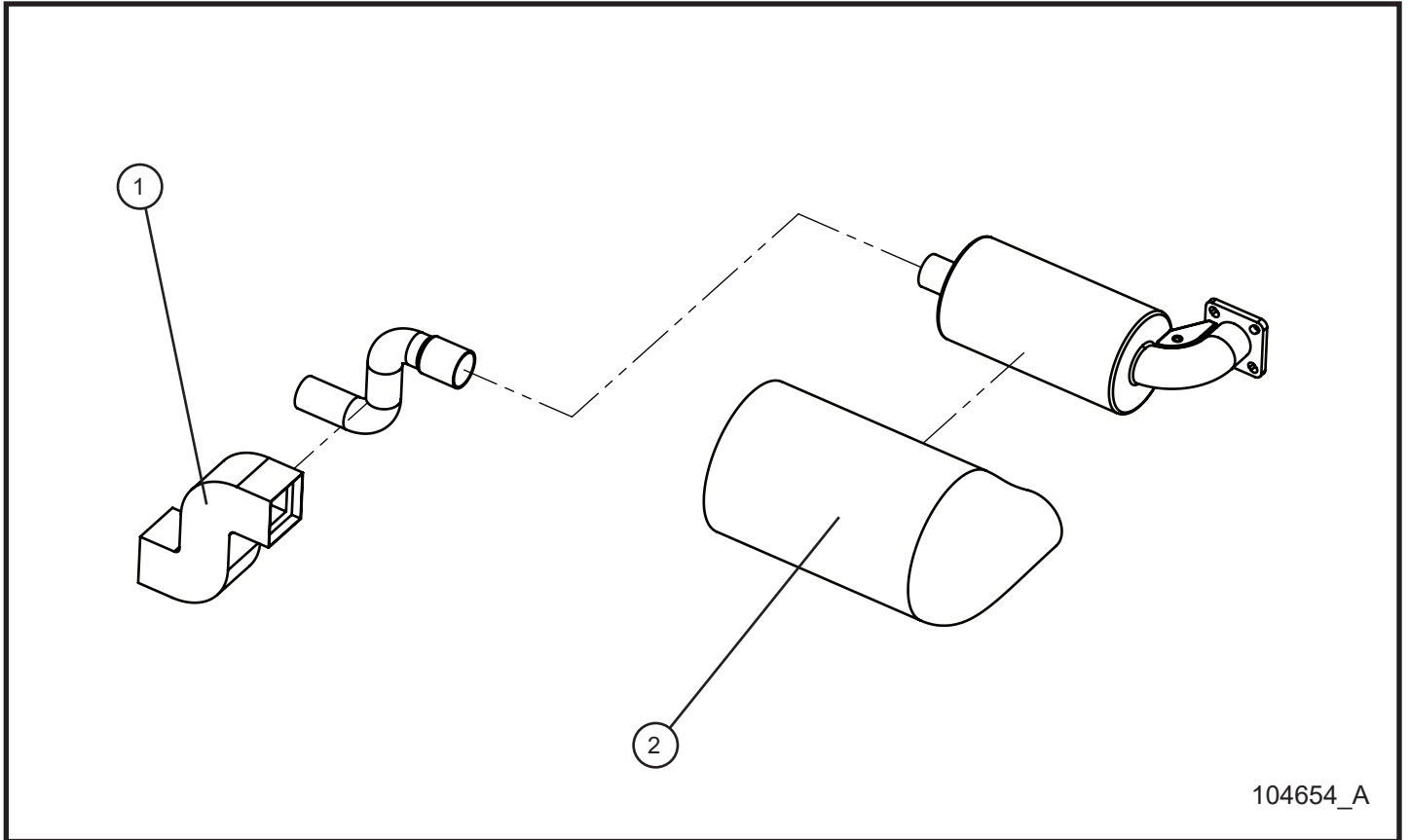


105691_B

11.7 - CAT C1.5 Shocker Group (2 of 2)

Item	Part No.	Part Description	Qty.
1	041021	#10-24 x 1/2 PH-ROUND HEAD MS PL	2
2	041080	1/4-20 x 1 PH-TRUSS HEAD MS SS	2
3	044021	1/4-20 KEPS HEX NUT PL	2
4	047070	#10 FLAT WASHER USS PL	2
5	044018	#10-24 NYLOCK HEX NUT PL	2
6	041201	#8-32 x 3/4 SL-ROUND HEAD MS PL	2
7	044016	#10-24 KEPS HEX NUT PL	2
8	105528P	BRACKET SHOCKER CONTROLLER MAXI II	1
9	105636	20 AMP BREAKER	1
10	340009	SWITCH 15A 125V	1
11	105705	SHOCKER 2" VALVE KIT	1

11.8 - CAT C1.5 Exhaust Blanket

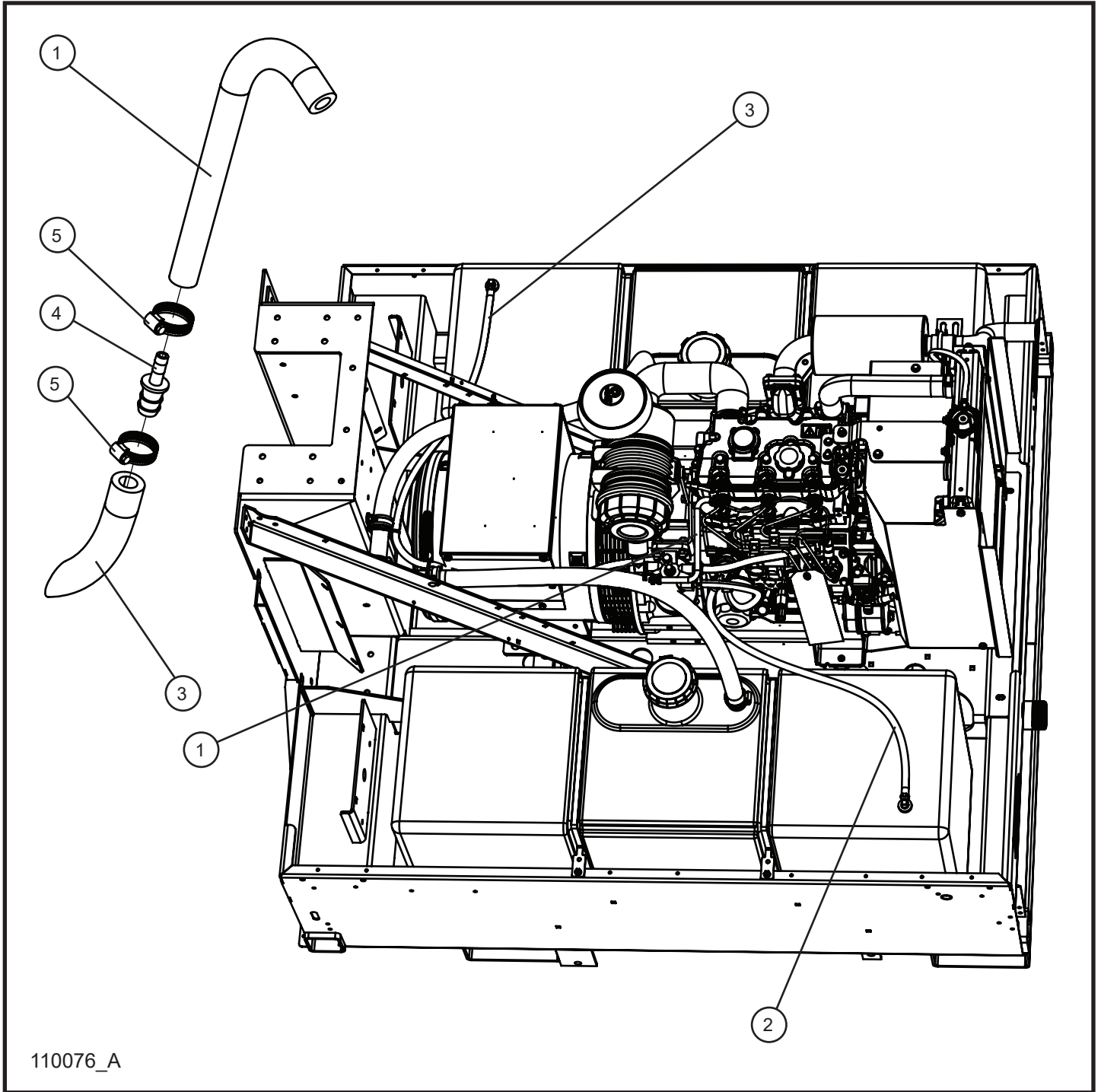


104654_A

11.8 - CAT C1.5 Exhaust Blanket

Item	Part No.	Part Description	Qty.
1	104648	BLANKET TAILPIPE CAT C1.5	1
2	102729	BLANKET MUFFLER CAT C1.5	1

11.9 - CAT C1.5 Fuel Lines

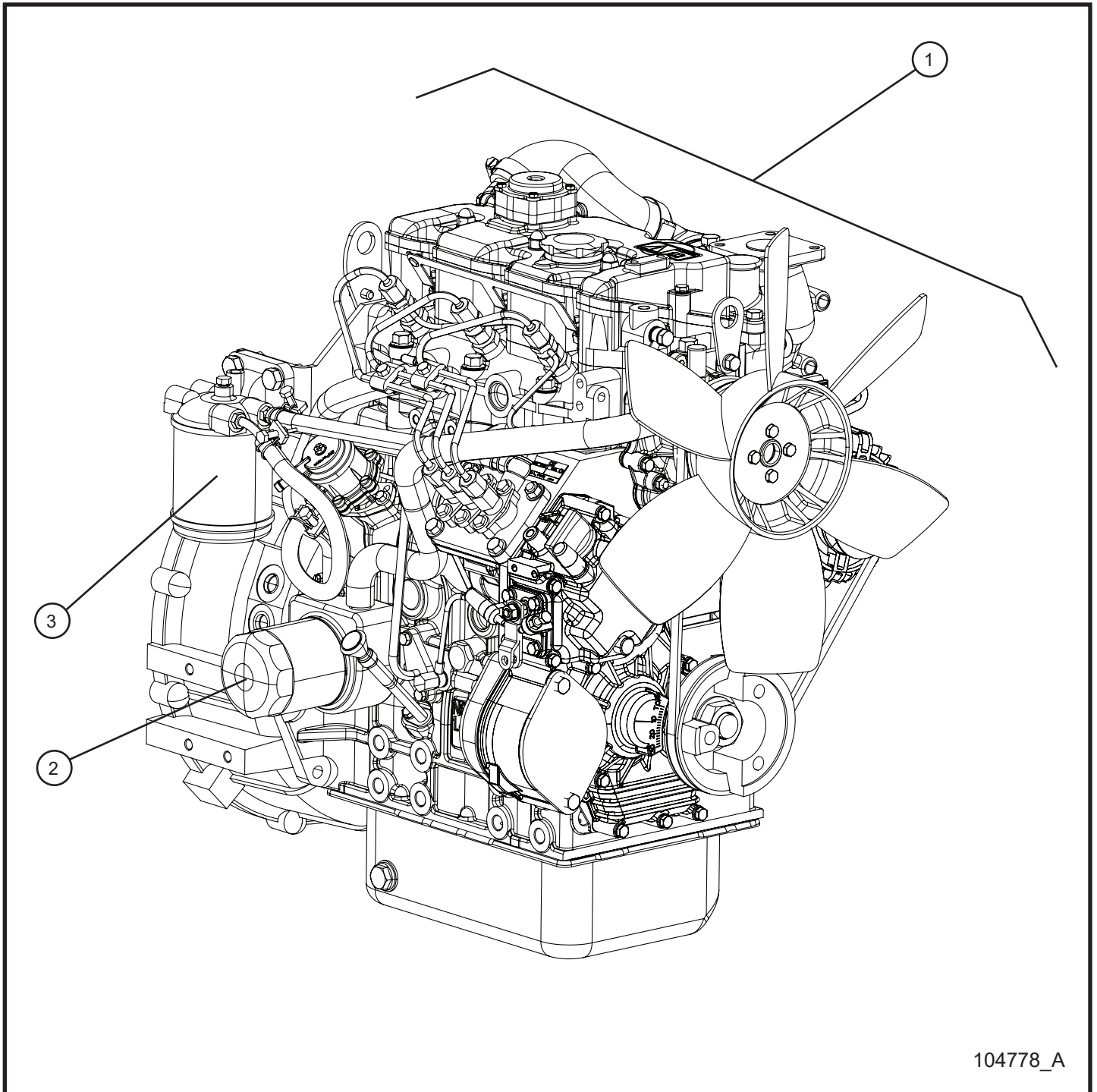


110076_A

11.9 - CAT C1.5 Fuel Lines

Item	Part No.	Part Description	Qty.
1	081016	1/4 FUEL HOSE x 10.00	1
2	081018	5/16 FUEL LINE x 35.00	1
3	081018	5/16 FUEL LINE x 60.00	1
4	106134	REDUCER FITTING HOSE BARB	1
5	433400	#4 HOSE CLAMP	6

12.1 - CAT C1.5 Turbo Engine and Filters

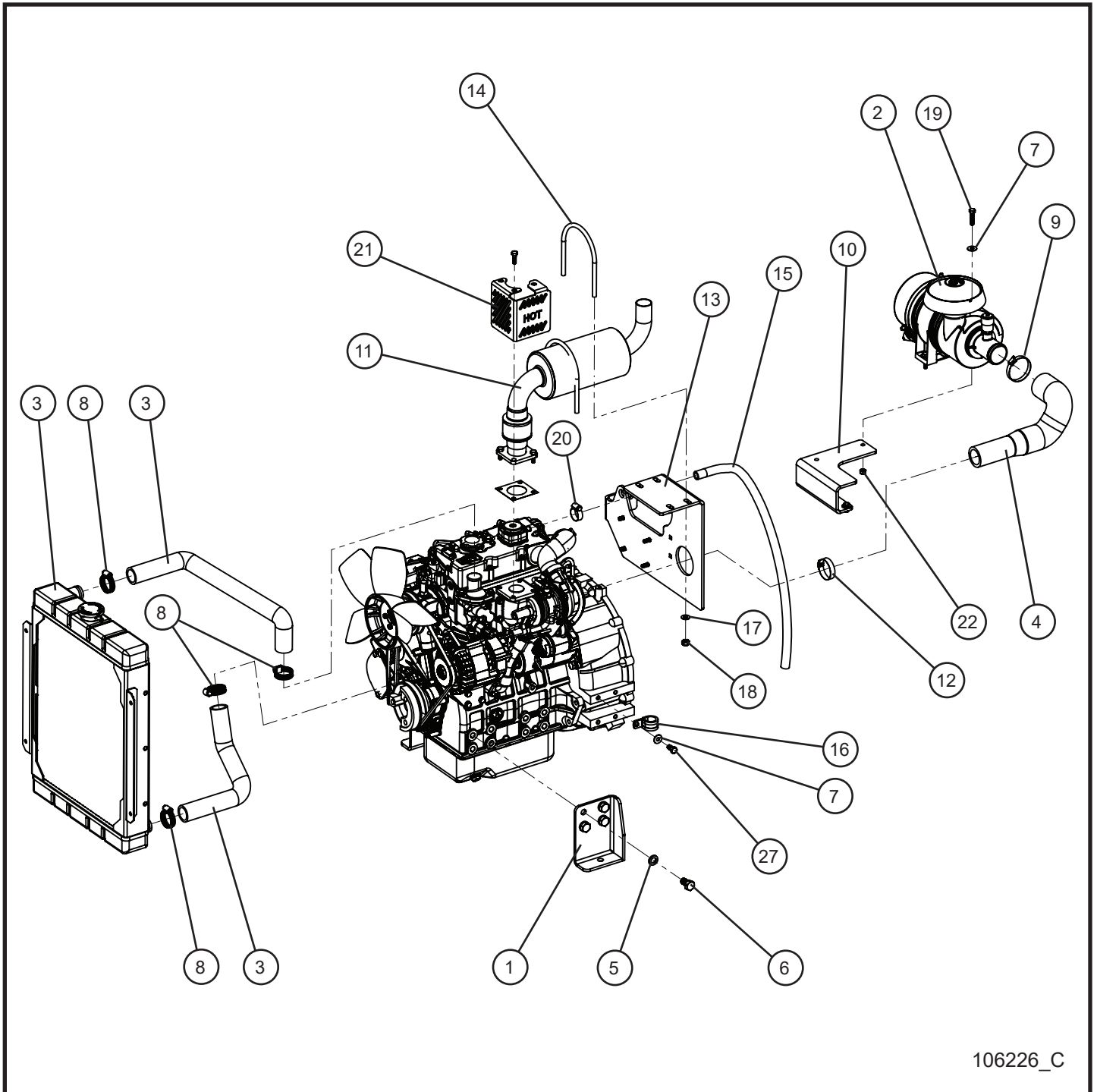


104778_A

12.1 - CAT C1.5 Turbo Engine and Filters

Item	Part No.	Part Description	Qty.
1	104778	ENGINE CAT C1.5T 50/60Hz ELEC GOV EPA TIER 4	1
2	650304	OIL FILTER	1
3	103155	FUEL FILTER	1
4	102580	AIR FILTER	1

12.2 - CAT C1.5 Turbo Engine Assembly Group (1 of 4)

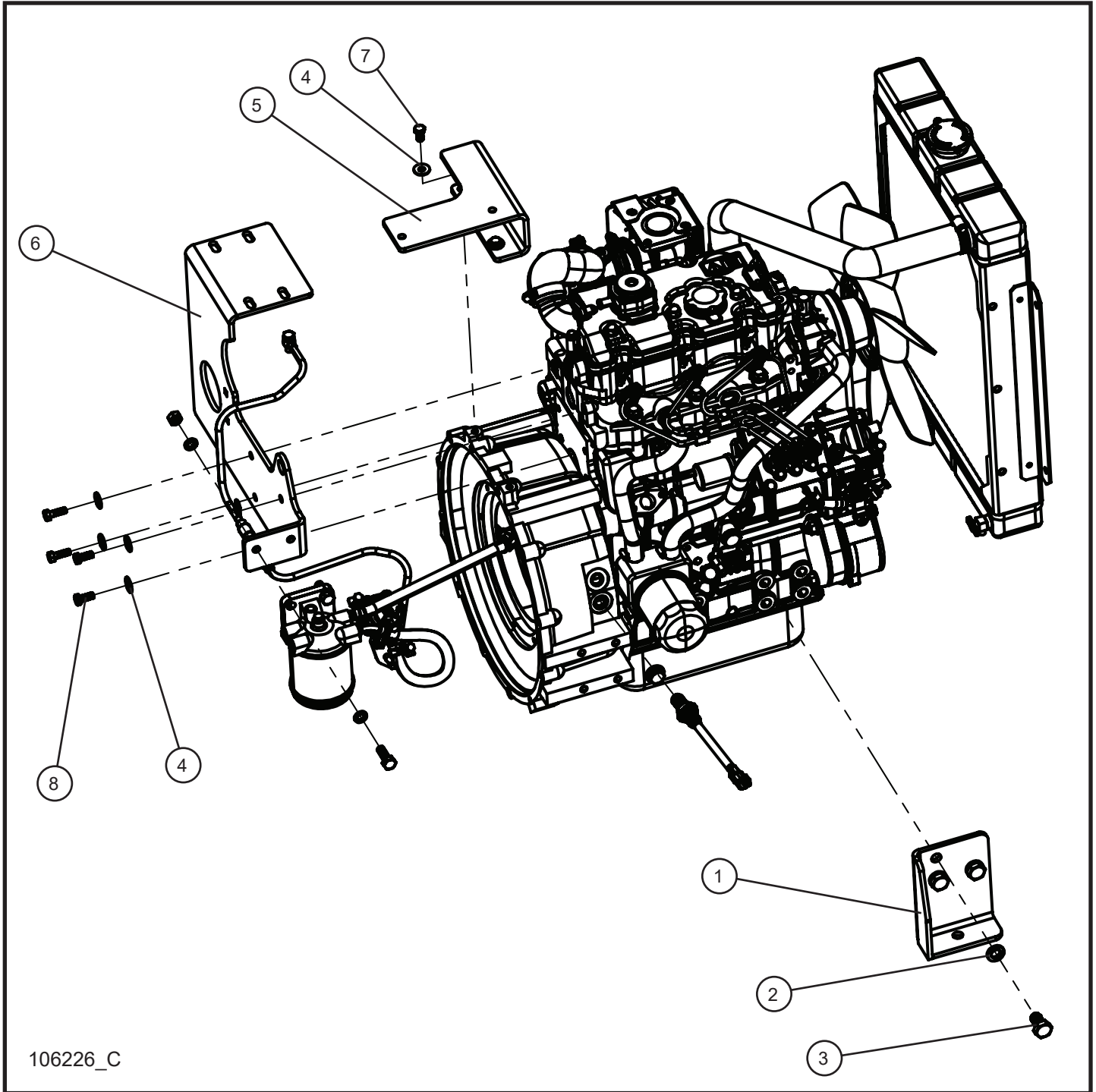


106226_C

12.2 - CAT C1.5 Turbo Engine Assembly Group (1 of 4)

Item	Part No.	Part Description	Qty.
1	106218P	ENGINE RIGHT FOOT WELDMENT CAT C1.5T	1
2	106072	AIR CLEANER ASSEMBLY CAT C1.5T	1
3	106221	RADIATOR KIT JB CAT C1.5T	1
4	106073	HOSE AIR INTAKE CAT C1.5T	1
5	043095	9/16 SPLITLOCK WASHER PL	4
6	046430	M14 x 1.5 x 25 HEX HEAD CS GR8.8 PL	4
7	047010	5/16 FLAT WASHER PL	3
8	045035	#20 HOSE CLAMP	4
9	043038	#32 HOSE CLAMP	1
10	106264P	AIR CLEANER BRACKET CAT C1.5T	1
11	106252	MUFFLER CAT C1.5T	1
12	046036	#24 HOSE CLAMP	1
13	105745P	MUFFLER BRACKET CAT C1.5T	1
14	105744	4.75" MUFFLER U-BOLT	2
15	081020	HOSE J30R6 RUBBER x 36.0	1
16	022083	#16 CLAMP CUSH 3/8 HOLE	1
17	047016	3/8 FLAT WASHER SAE ZINC	4
18	044080	3/8-16 TOP LOCK HEX NUT PL	4
19	102127	8MM x 35MM x 1.25 HEX GR8.8 PLATED	2
20	045032	#12 HOSE CLAMP	1
21	106233P	FINGER GUARD TURBO CAT C1.5T	1
22	042081	M8 x 1.25MM NYLOCK HEX NUT PL METRIC	2
23	106553	SCHEMATIC CAT C1.5T ENGINE	1
24	106230	ELECTRONIC GOVERNOR HARNESS CAT C1.5T	1
25	105190	HARNESS ENGINE CAT C1.5T	1
26	105874	CAT 1.5 CHARGE CIRCUIT FUSE	1
27	046105	3/8-16 x 3/4 HEX HEAD CS GR8 PL	1

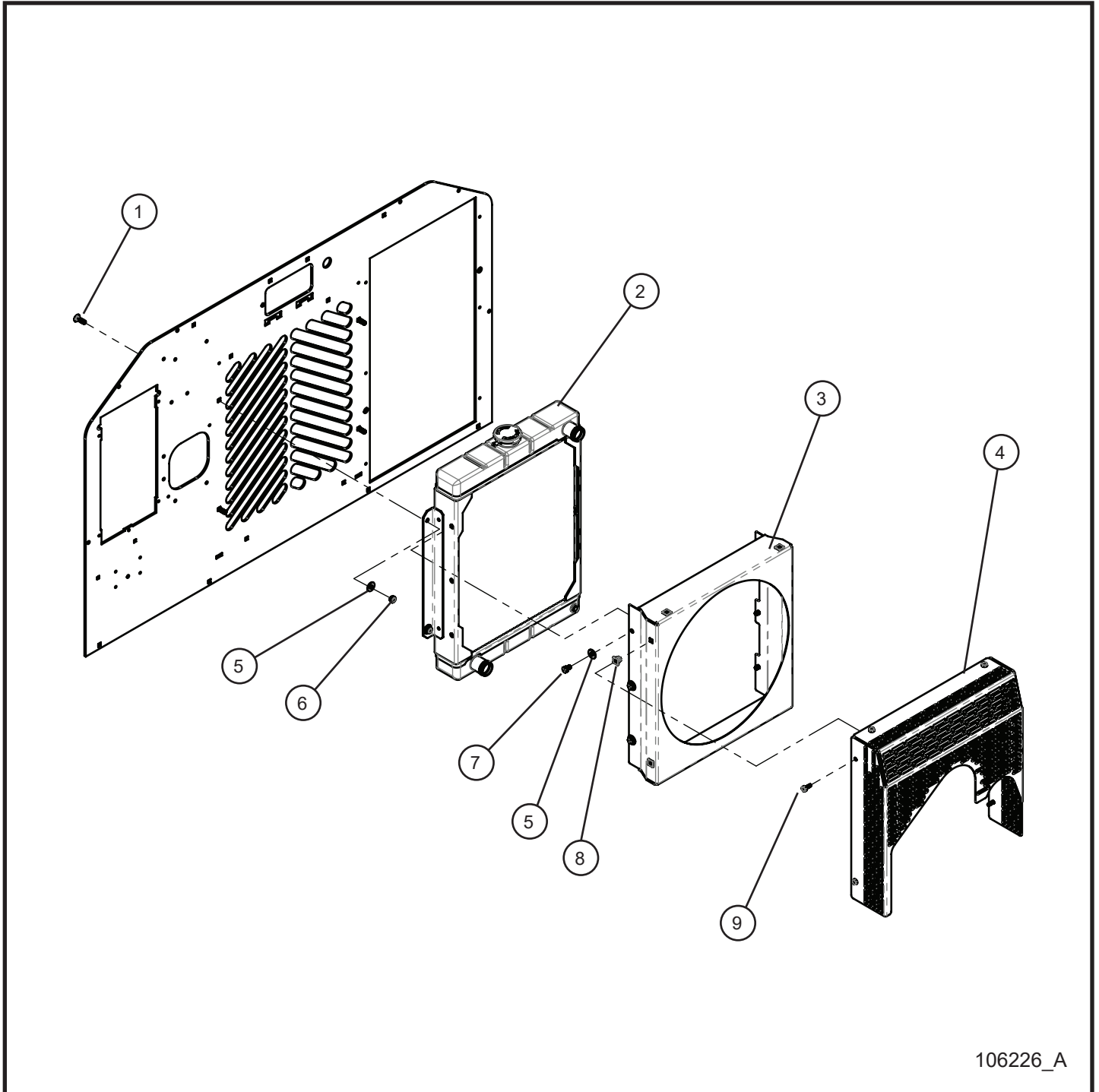
12.2 - CAT C1.5 Turbo Engine Assembly Group (2 of 4)



12.2 - CAT C1.5 Turbo Engine Assembly Group (2 of 4)

Item	Part No.	Part Description	Qty.
1	106219P	ENGINE LEFT FOOT WELDMENT CAT C1.5T	1
2	043095	9/16 SPLITLOCK WASHER PL	3
3	046430	M14 x 1.5 x 25 HEX HEAD CS GR8.8 PL	3
4	047010	5/16 FLAT WASHER PL	6
5	106264P	AIR CLEANER BRACKET CAT C1.5T	1
6	105745P	MUFFLER BRACKET CAT C1.5T	1
7	042027	M8 x 16MM x 1.25MM HEX HEAD CS GR10.9 PL	2
8	042033	M8 x 20MM x 1.25MM HEX HEAD CS GR10.9 PL	2

12.2 - CAT C1.5 Turbo Engine Assembly Group (3 of 4)

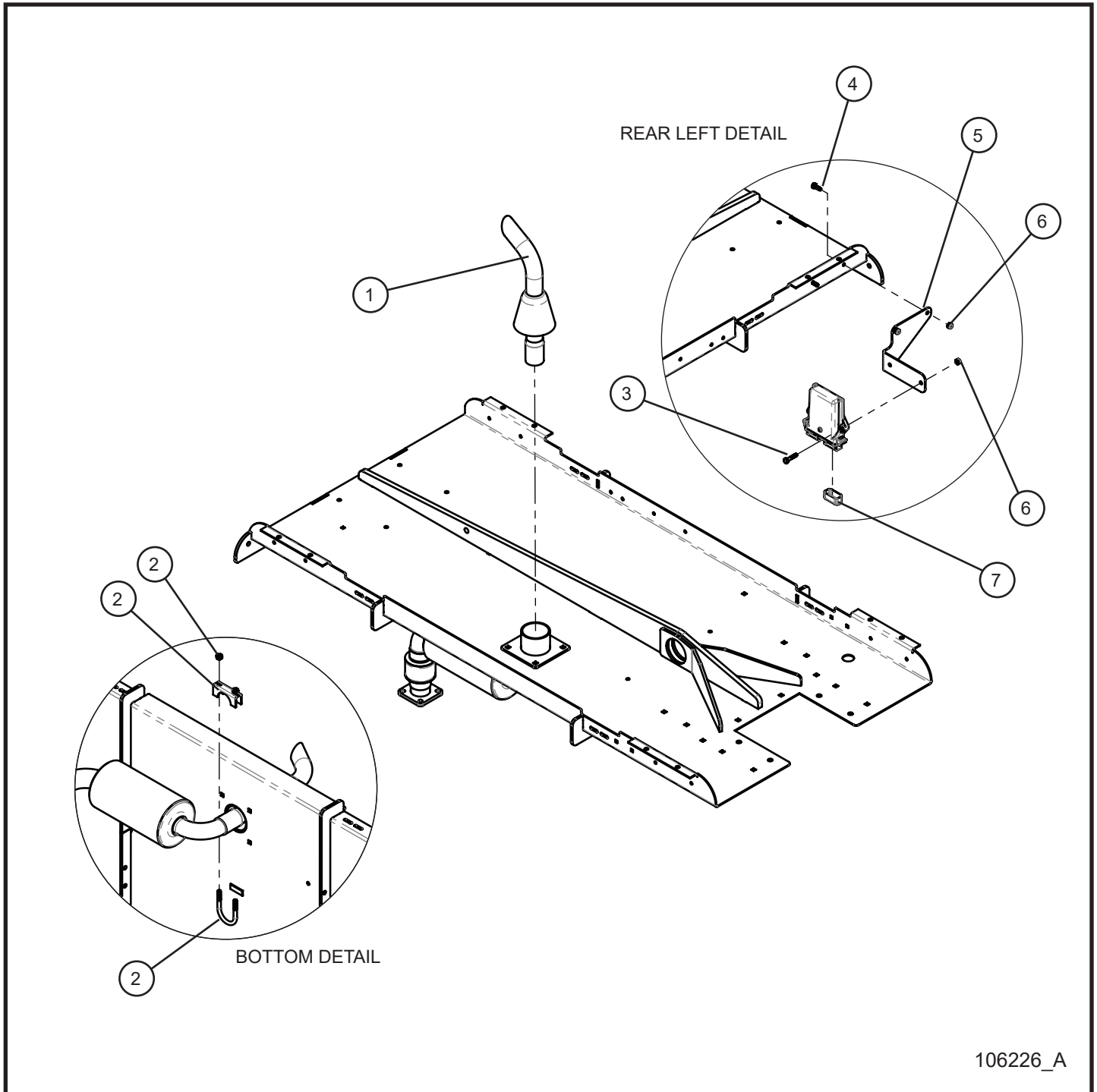


106226_A

12.2 - CAT C1.5 Turbo Engine Assembly Group (3 of 4)

Item	Part No.	Part Description	Qty.
1	053020	5/16-18 x 1 CARRIAGE BOLT	4
2	106221	RADIATOR KIT JB C1.5T	1
3	105739P	FAN SHROUD CAT C1.5T	1
4	105740P	FINGER GUARD CAT C1.5T	1
5	047010	5/16 FLAT WASHER PL	10
6	044033	5/16-18 NYLOCK HEX NUT PL	4
7	046046	5/16-18 x 1/2 HEX HEAD CS GR5 PL	6
8	105408	GROMMET NUT DOUBLE SPLIT	6
9	041070	1/4-20 x 3/4 SL-HEX WASHER HEAD MS TP F	6

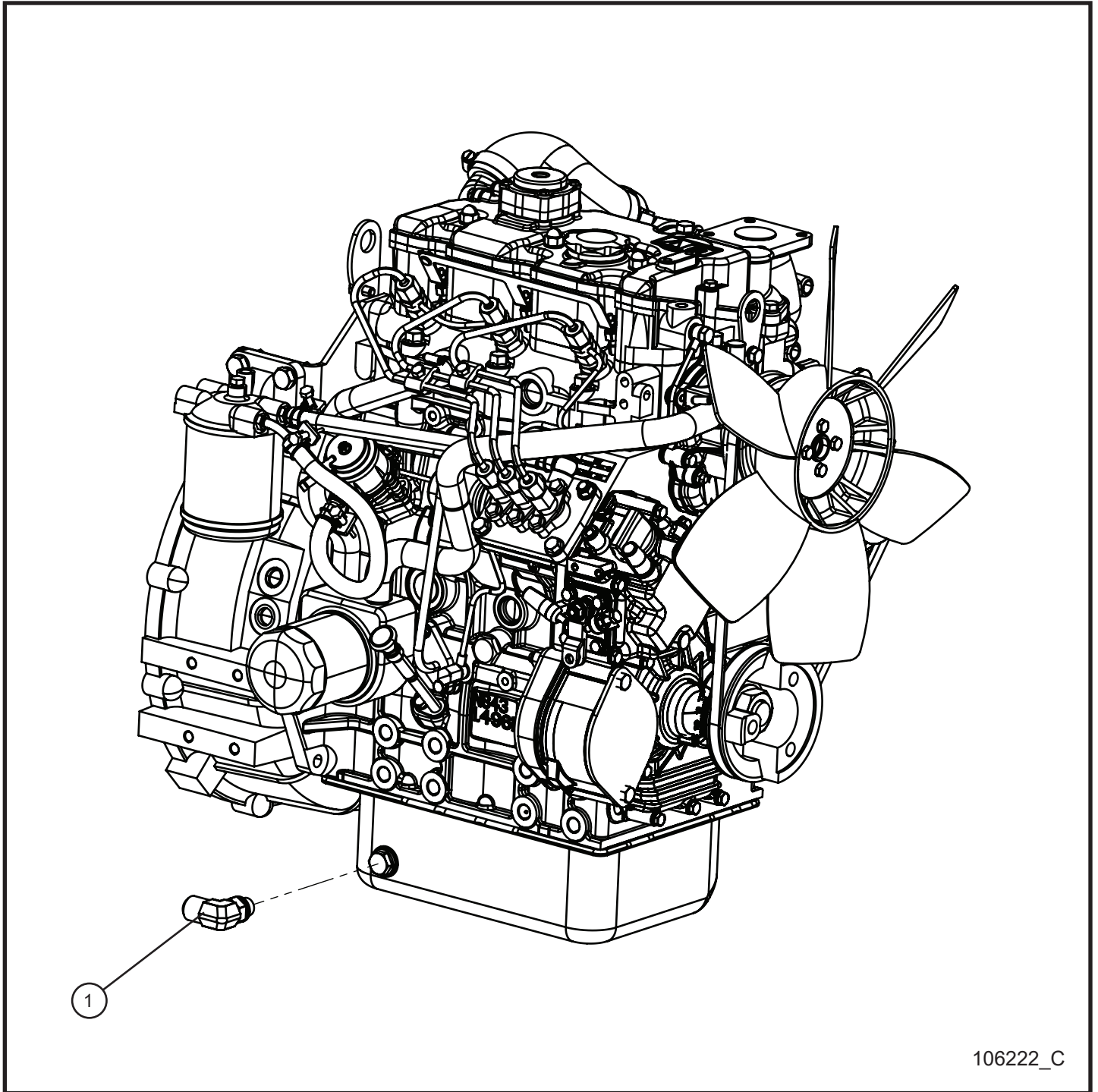
12.2 - CAT C1.5 Turbo Engine Assembly Group (4 of 4)



12.2 - CAT C1.5 Turbo Engine Assembly Group (4 of 4)

Item	Part No.	Part Description	Qty.
1	106253	TAILPIPE VERTICAL CAT C1.5T	1
2	112211	1-5/8 MUFFLER CLAMP	1
3	046020	1/4-20 x 1 1/4 HEX HEAD CS GR5 PL	2
4	046010	1/4-20 x 3/4 HEX HEAD CS GR5 SS	2
5	106246P	EGOV BRACKET C1.5T MAXI II	1
6	044023	1/4-20 NYLOCK HEX NUT PL	4
7	106229	DUST CAP DTM12P-DC	1

12.3 - CAT C1.5 Turbo Oil Drain Fitting

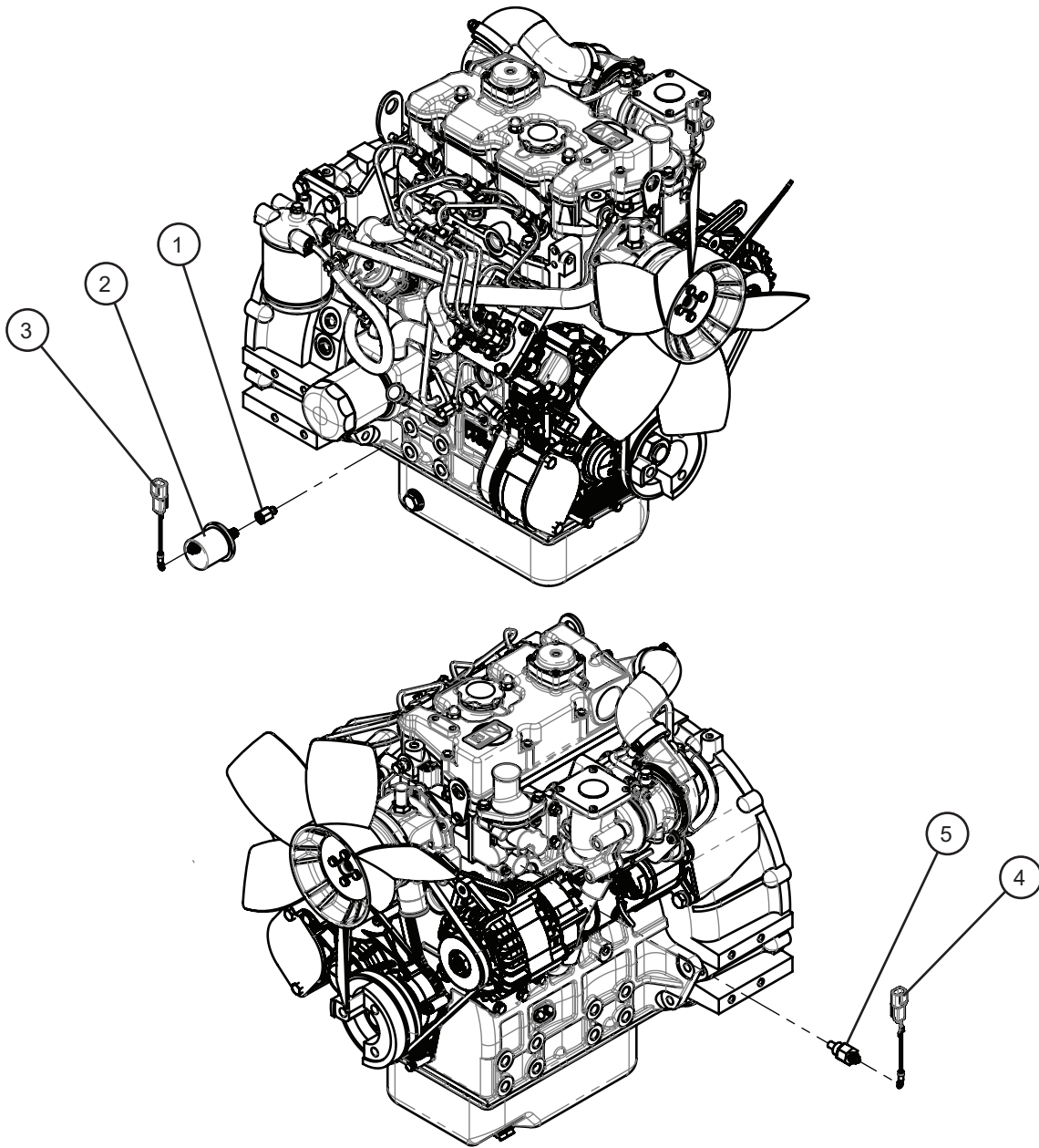


106222_C

12.3 - CAT C1.5 Turbo Oil Drain Fitting

Item	Part No.	Part Description	Qty.
1	108981	FITTING HYDRAULIC 90° 10JIC X 16mm	1

12.4 - CAT C1.5 Turbo LSC Sending Unit

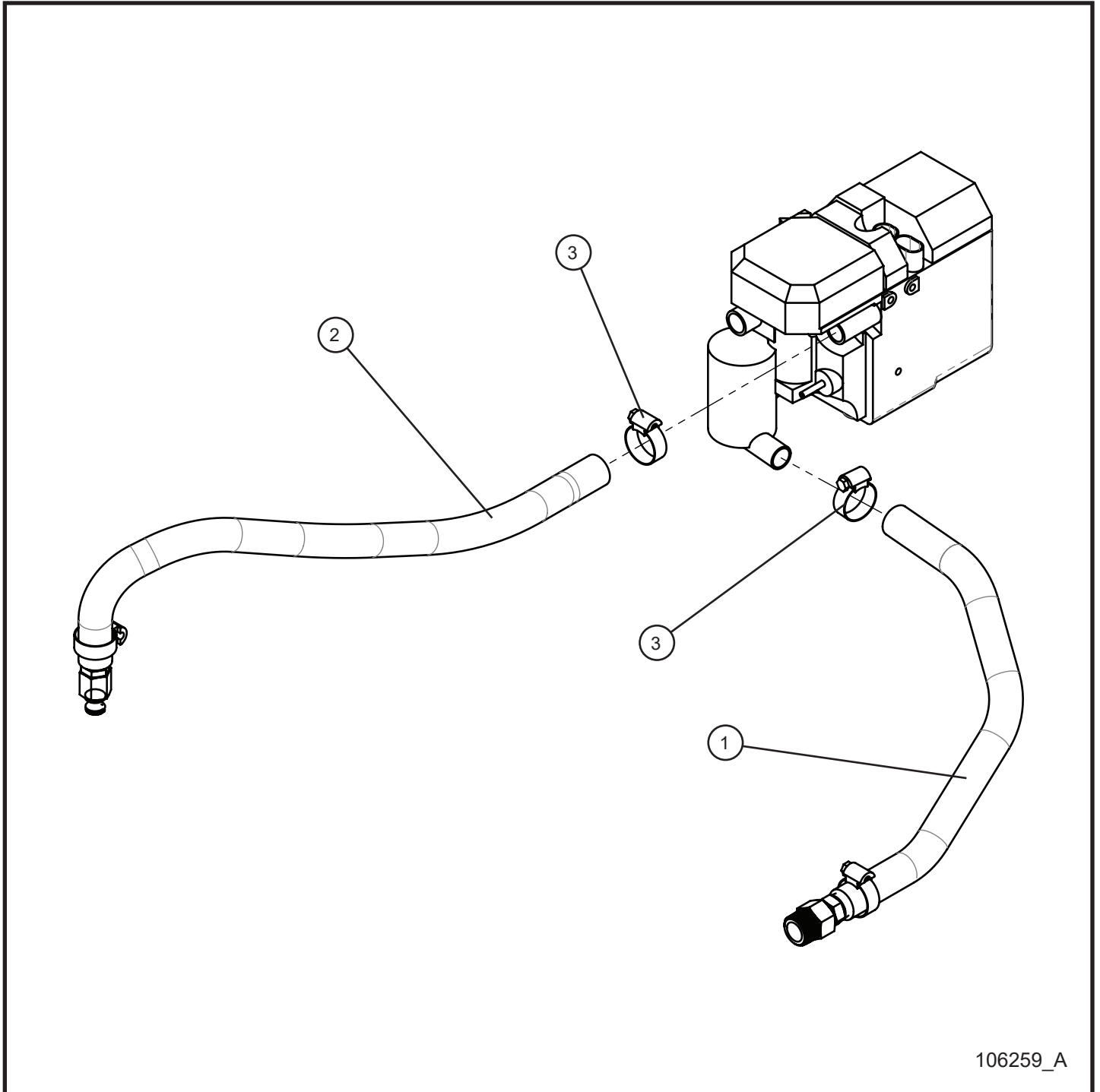


106251_A

12.4 - CAT C1.5 Turbo LSC Sending Unit

Item	Part No.	Part Description	Qty.
1	104558	FITTING ADAPTER 1/8 BSPM x 1/8 NPTF	1
2	104019	SENDER OIL PRESSURE	1
3	105881	OIL JUMPER	1
4	105882	TEMP JUMPER CAT	1
5	650769	SENDER TEMPERATURE M16 x 1.5	1
NS	106554	SCHEMATIC LSC CAT C1.5T	1

12.5 - CAT C1.5 Turbo Diesel Fired Block Heater Hoses (1 of 2)



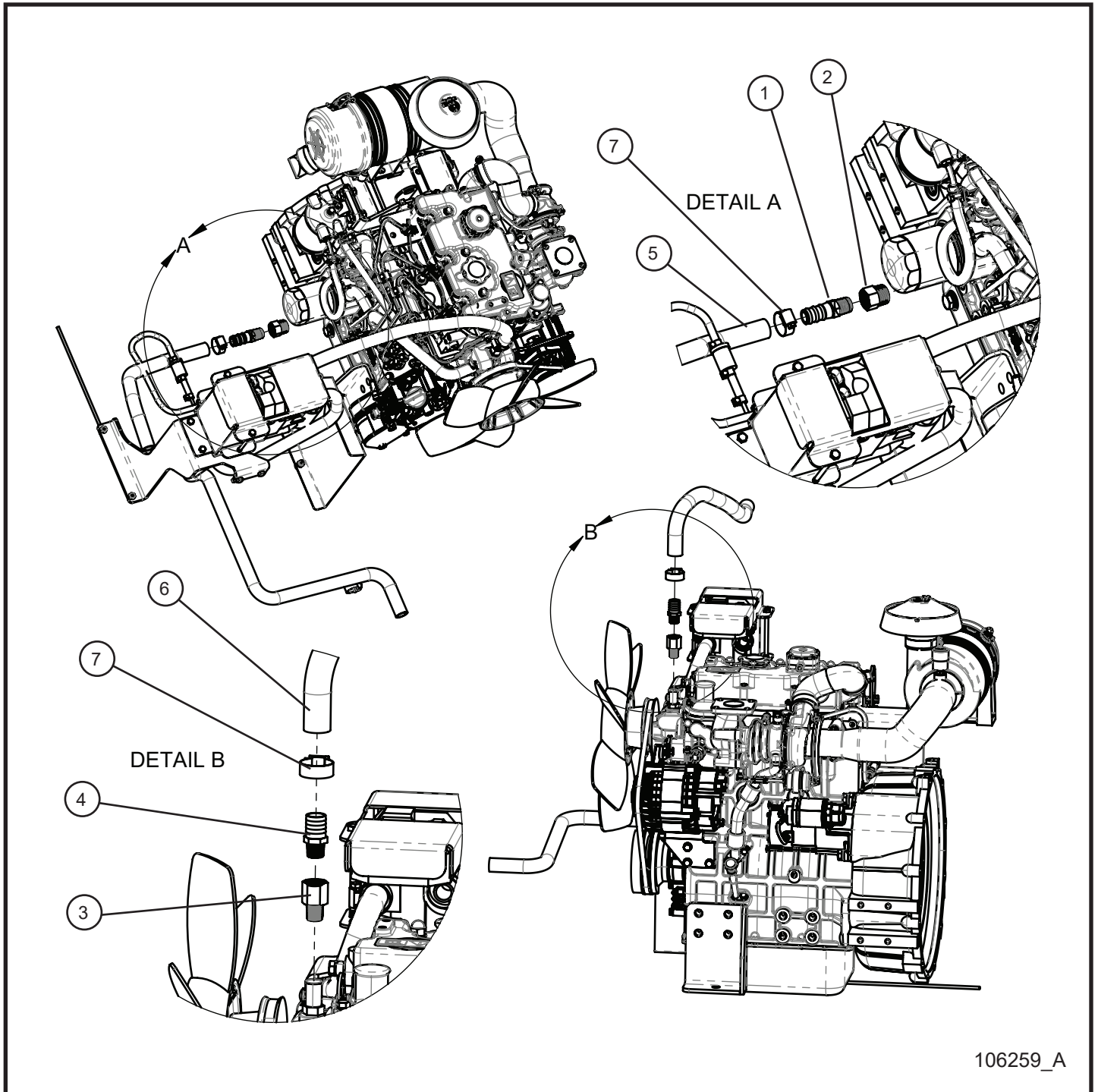
106259_A

Maxi-Lite II

12.5 - CAT C1.5 Turbo Diesel Fired Block Heater Hoses (1 of 2)

Item	Part No.	Part Description	Qty.
1	105016	3/4" HEATER HOSE x 18.0	1
2	105016	3/4" HEATER HOSE x 25.0	1
3	045032	#12 HOSE CLAMP	2

12.5 - CAT C1.5 Turbo Diesel Fired Block Heater Hoses (2 of 2)

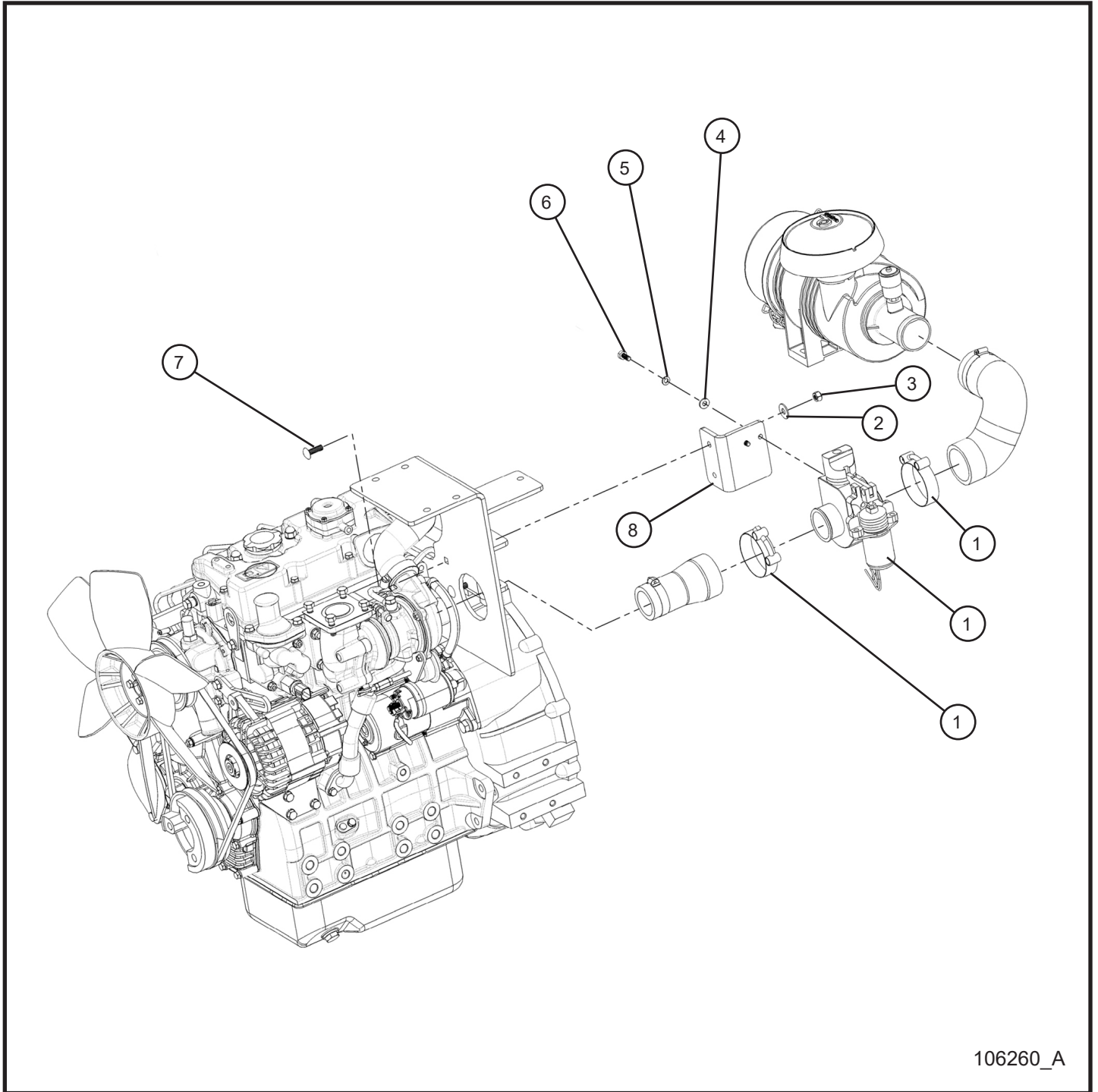


106259_A

12.5 - CAT C1.5 Turbo Diesel Fired Block Heater Hoses (2 of 2)

Item	Part No.	Part Description	Qty.
1	104954	BARB ADAPTOR 1/2 NPT MALE x 3/4 HOSE	1
2	104955	1/2 NPT FEMALE x 3/4 BSPT MALE ADAPTOR ZINC PL STEEL	1
3	104798	FITTING ADAPTOR 3/8" BSPT TO 3/8" NPT	1
4	104683	FITTING HOSE BARB 3/8" NPT - 3/4" BARB	1
5	105016	3/4" HEATER HOSE x 18.0	1
6	105016	3/4" HEATER HOSE x 25.0	1
7	045032	#12 HOSE CLAMP	2

12.6 - CAT C1.5 Turbo Shocker Group (1 of 2)

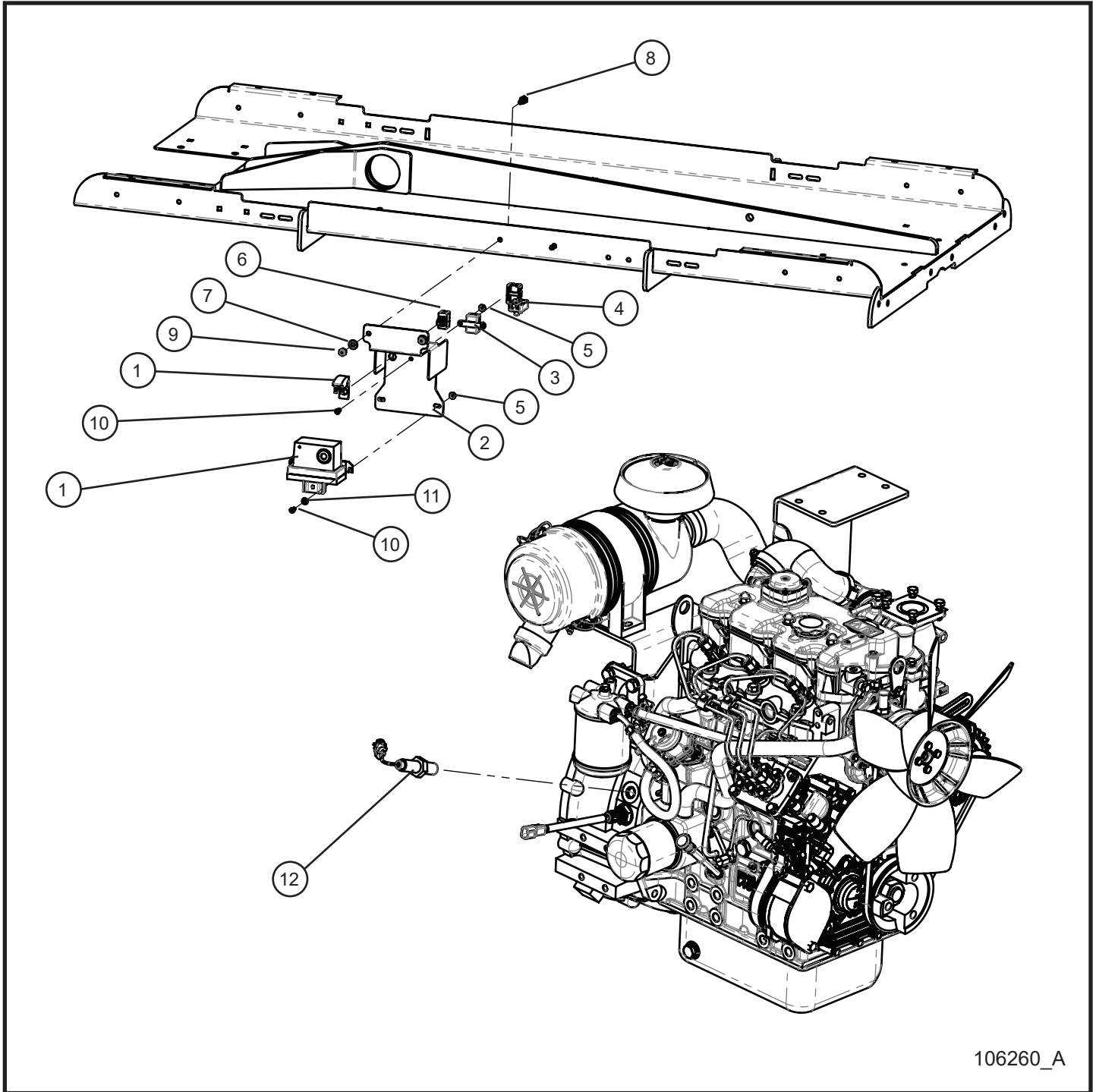


106260_A

12.6 - CAT C1.5 Turbo Shocker Group (1 of 2)

Item	Part No.	Part Description	Qty.
1	105705	SHOCKER 2" VALVE KIT	1
2	047010	5/16 FLAT WASHER PL	2
3	044033	5/16-18 NYLOCK HEX NUT PL	2
4	047005	1/4 FLAT WASHER PL	2
5	043020	1/4 SPLITLOCK WASHER	2
6	046006	1/4-20 x 5/8 HEX HEAD CS GR5 PL	2
7	053020	5/16-18 x 1 CARRIAGE BOLT PL	2
8	106261P	BRACKET SHOCKER C1.5T	1
NS	106206	RETRO HARNESS SHOCKER VALVE	1
NS	106156	SCHEMATIC SHOCKER VALVE HARNESS	1
NS	105702	SHOCKER SETUP INSTRUCTIONS	1

12.6 - CAT C1.5 Turbo Shocker Group (2 of 2)

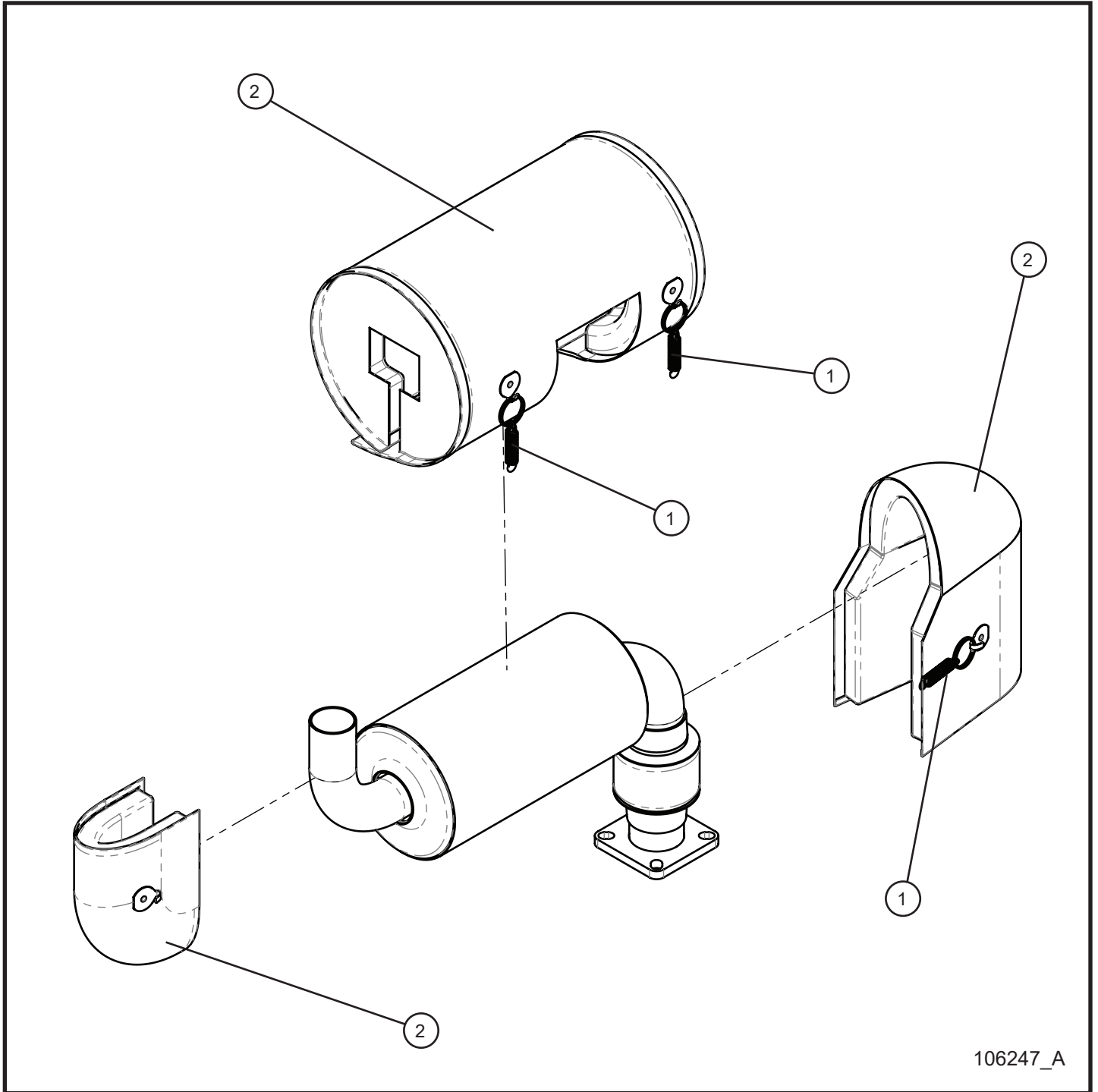


106260_A

12.6 - CAT C1.5 Turbo Shocker Group (2 of 2)

Item	Part No.	Part Description	Qty.
1	105705	SHOCKER 2" VALVE KIT	1
2	106205P	MOUNT RETRO SHOCKER CONTROL	1
3	105636	20 AMP BREAKER	1
4	102698	RED BOOT CIRCUIT BREAKER	1
5	044016	#10-24 KEPS HEX NUT PL	4
6	340009	SWITCH 15A 125V	1
7	047005	1/4 FLAT WASHER PL	2
8	046010	1/4-20 x 3/4 HEX HEAD CS GR5 SS	2
9	044023	1/4-20 NYLOCK HEX NUT PL	2
10	041024	#10-24 x 1/2 PH-ROUND HEAD MS SS	4
11	047004	#8 FLAT WASHER SAE ZC	2
12	105536	RPM SENSOR, 18MM x 1.5	1

12.7 - CAT C1.5 Turbo Exhaust Blanket

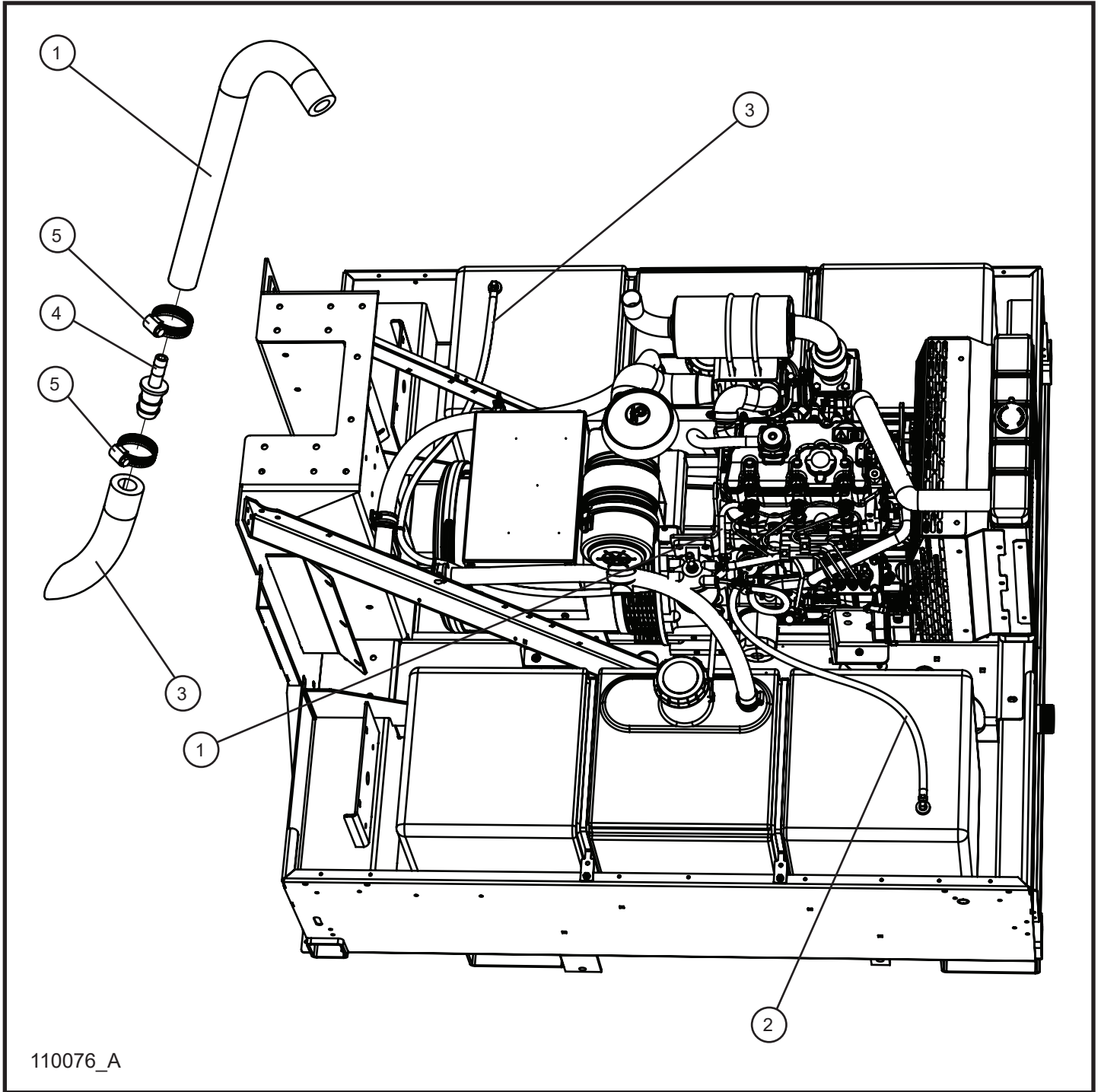


106247_A

12.7 - CAT C1.5 Turbo Exhaust Blanket

Item	Part No.	Part Description	Qty.
1	103827	BLANKET SPRING	4
2	106549	MUFFLER BLANKET CAT C1.5T	1

12.8 - CAT C1.5 Turbo Fuel Lines

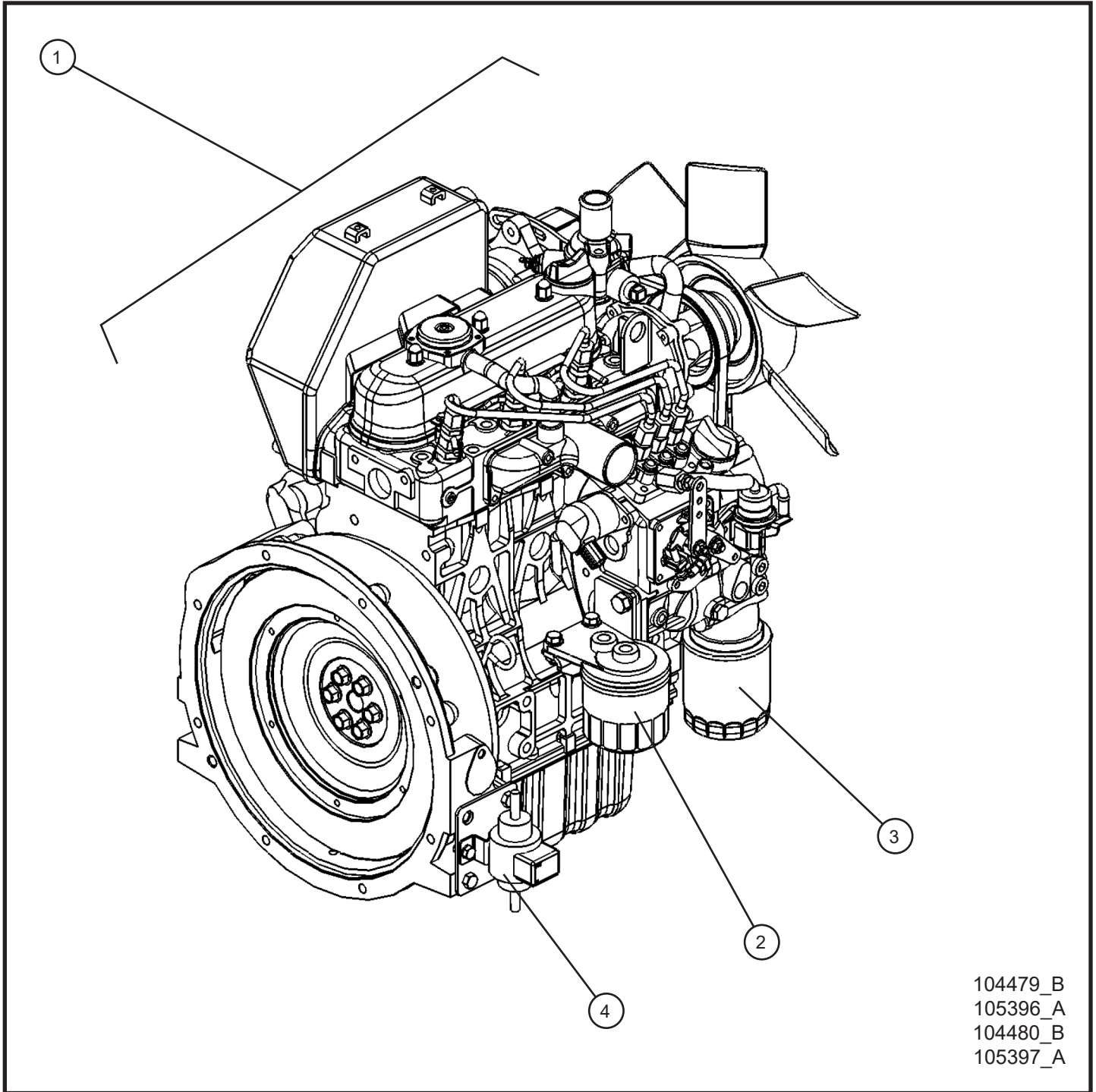


110076_A

12.8 - CAT C1.5 Turbo Fuel Lines

Item	Part No.	Part Description	Qty.
1	081016	1/4 FUEL HOSE x 10.00	1
2	081018	5/16 FUEL LINE x 35.00	1
3	081018	5/16 FUEL LINE x 60.00	1
4	106134	REDUCER FITTING HOSE BARB	1
5	433400	#4 HOSE CLAMP	6

13.1 - Kubota Engine and Filters

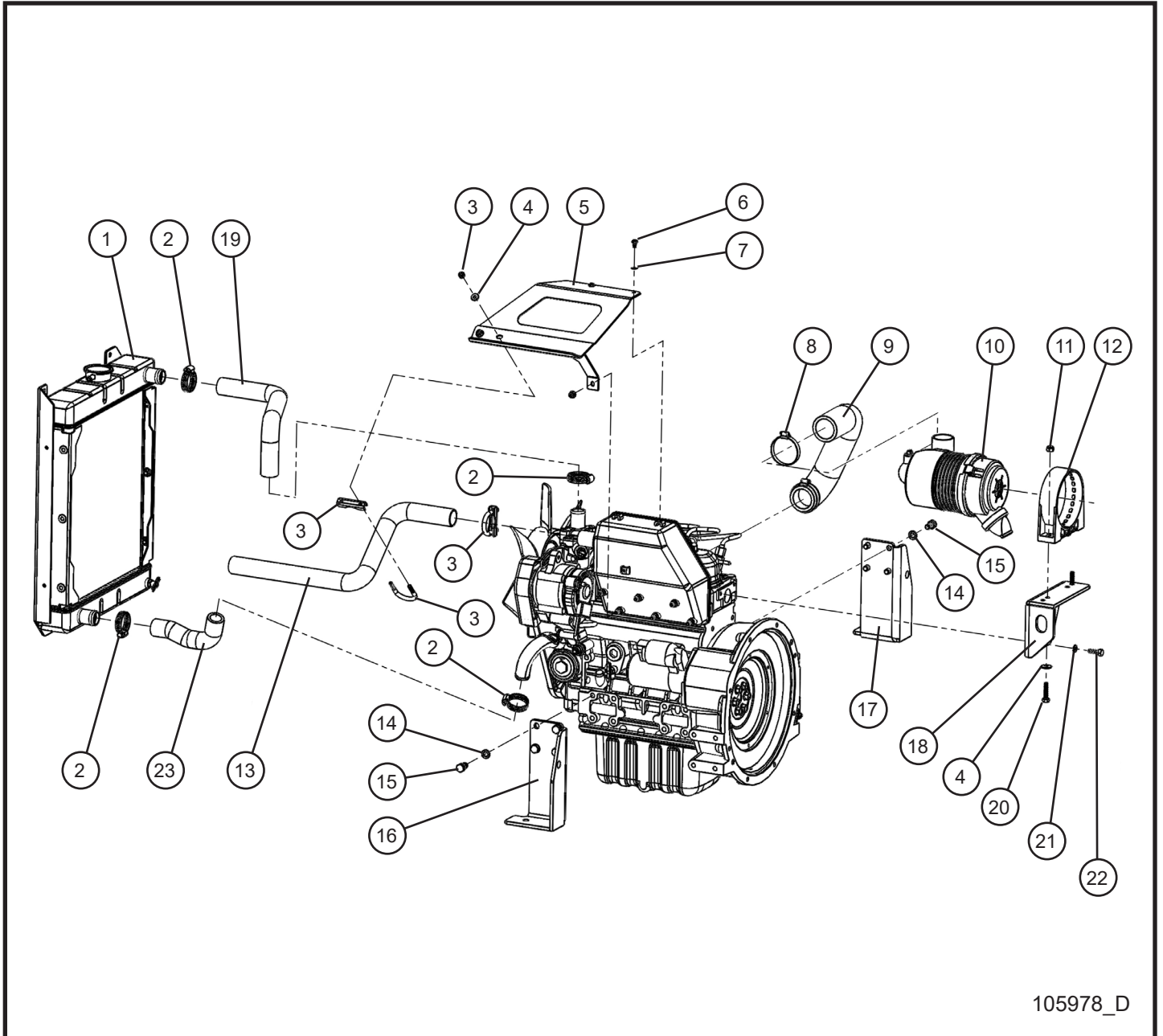


104479_B
105396_A
104480_B
105397_A

13.1 - Kubota Engine and Filters

Item	Part No.	Part Description	Qty.
1	104479	ENGINE D1005 NRTC/NTE KUBOTA	1
	105396	ENGINE D1005 NRTC/NTE T4 KUBOTA	1
	104480	ENGINE D1105 NRTC/NTE KUBOTA	1
	105397	ENGINE D1105 NRTC/NTE T4 KUBOTA	1
2	920745	FUEL FILTER	1
3	920743	OIL FILTER	1
4	103331	FUEL PUMP	1
NS	920744	AIR FILTER	1

13.2 - Kubota Engine Assembly Group (1 of 3)

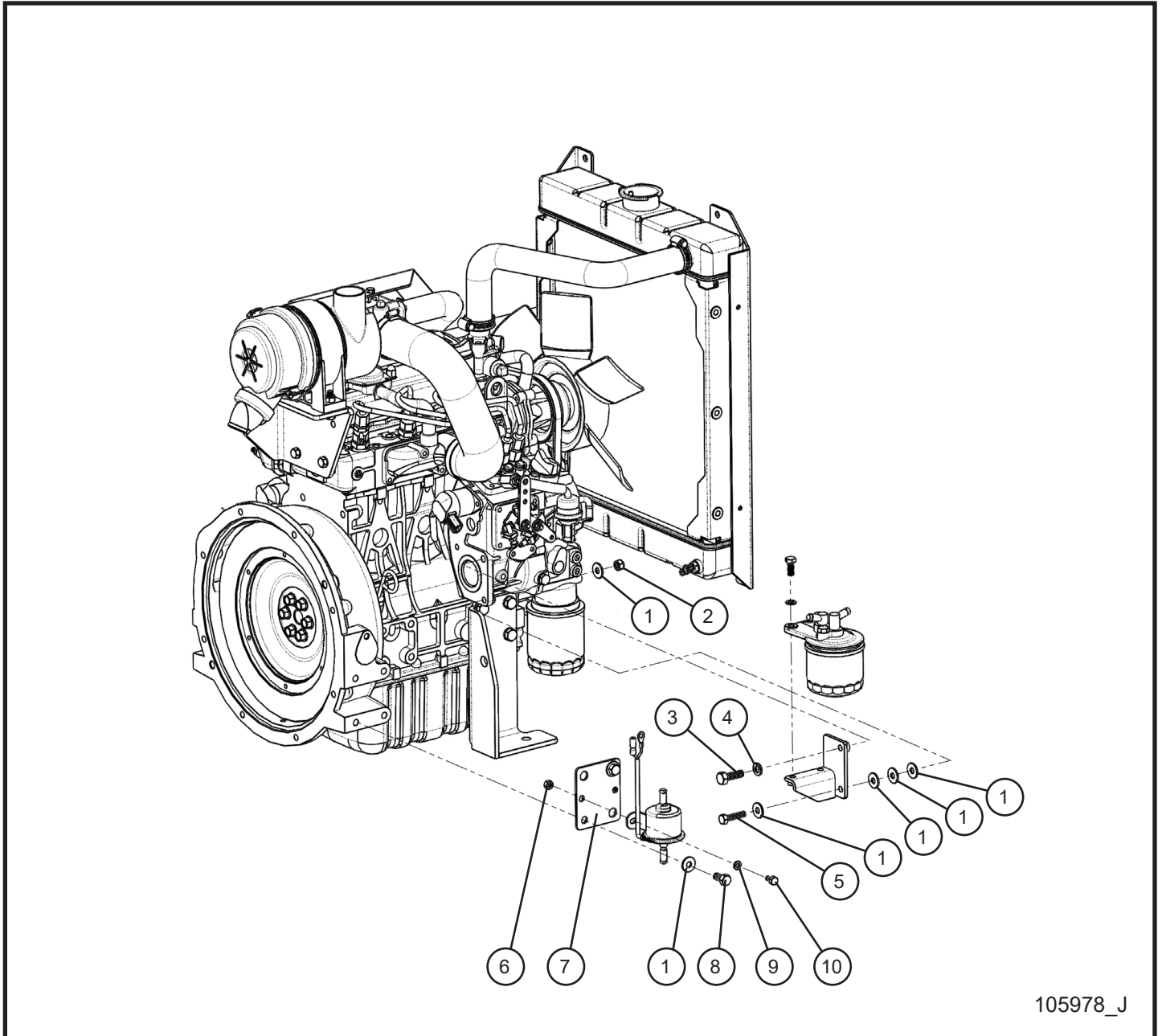


105978_D

13.2 - Kubota Engine Assembly Group (1 of 3)

Item	Part No.	Part Description	Qty.
1	105393	RADIATOR KUBOTA	1
2	045034	#16 HOSE CLAMP	4
3	713086	1 3/8 MUFFLER CLAMP	2
4	047005	1/4 FLAT WASHER	4
5	103579P	TAILPIPE MOUNT D1105 NL PRO II	1
6	042018	M6 x 1.0MM x 10MM HEX HEAD CS GR 8.8 PL	2
7	043050	1/4 INTL TOOTH LOCK WASHER	2
8	045038	#32 HOSE CLAMP	2
9	101734	AIR CLEANER HOSE KUBOTA D1005/D1105	1
10	650262	AIR CLEANER RADIAL SEAL	1
11	042081	M8 x 1.25MM NYLOCK HEX NUT PL METRIC	2
12	650263	MOUNTING BAND AIR CLEANER	1
13	109800	TAIL PIPE KUBOTA	1
14	042151	M10 SPLIT LOCK WASHER PL	8
15	042038	M10 x 20MM x 1.25MM HEX HEAD CS GR 8.8 PL	8
16	103470P	BRACKET ENGINE FOOT RIGHT WELDMENT KUBOTA	1
17	103469P	BRACKET ENGINE FOOT LEFT WELDMENT KUBOTA	1
18	105800P	MOUNT WELDED AIR FILTER KUBOTA	1
19	105391	RADIATOR HOSE UPPER KUBOTA	1
20	102127	8MM x 35MM x 1.25 HEX GR 8.8 PLATED	2
21	043055	5/16 SPLIT LOCK WASHER PL	2
22	042027	M8 x 16MM x 1.25 HEX HEAD CS GR8.8 PL	2
23	105392	RADIATOR HOSE LOWER KUBOTA	1
NS	105406	KUBOTA JB RADIATOR KIT (INCLUDES PARTS 105391, 105392, AND 105393)	1
NS	108043	HARNESS KUBOTA	1
NS	105875	KUBOTA D1005 CHARGE CIRCUIT FUSE	1
NS	112774	KUBOTA D1105 40AMP CHARGE CIRCUIT FUSE	1
NS	112776	KUBOTA D1105 40AMP ENGINE HARNESS SCHEMATIC	1
NS	112329	KUBOTA D1105 ALTERNATOR ADAPTOR HARNESS	1
NS	108044	KUBOTA D1005 ENGINE HARNESS SCHEMATIC	1

13.2 - Kubota Engine Assembly Group (2 of 3)

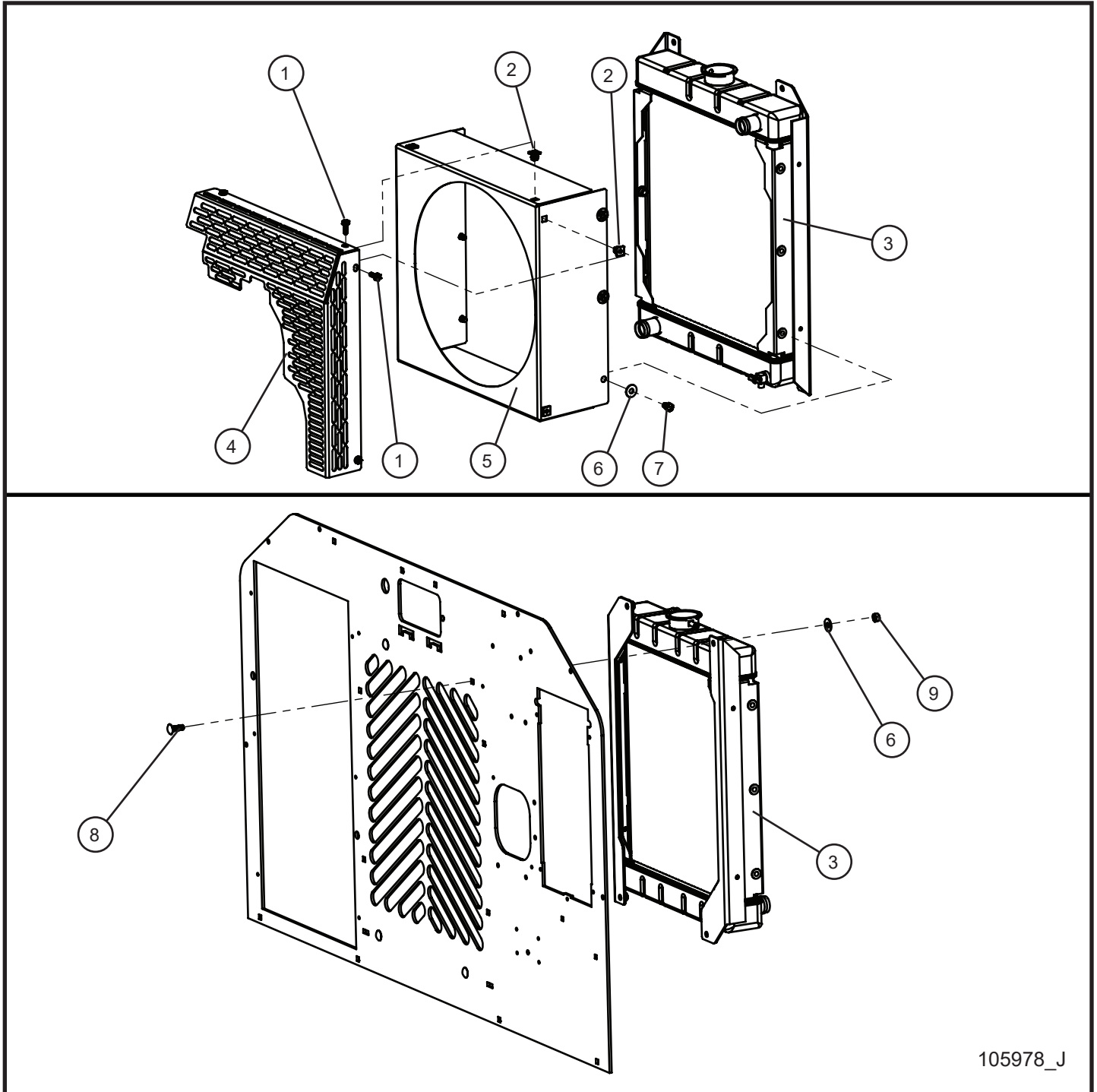


105978_J

13.2 - Kubota Engine Assembly Group (2 of 3)

Item	Part No.	Part Description	Qty.
1	047010	5/16 FLAT WASHER PL	7
2	042081	M8 x 1.25MM NYLOCK HEX NUT PL METRIC	1
3	102130	10MM x 1.25MM x 25MM	1
4	042151	M10 SPLIT LOCK WASHER PL	1
5	102127	8MM x 35MM x 1.25 HEX GR 8.8 PLATED	1
6	044020	1/4-20 x HEX NUT PL	2
7	105402P	FUEL PUMP MOUNT KUBOTA D1005/D1105	1
8	046105	3/8-16 x 3/4 HEX HEAD CS GR8 PL	2
9	043020	1/4 SPLITLOCK WASHER	2
10	046005	1/4-20 x 1/2 HEX HEAD CS GR5 PL	2

13.2 - Kubota Engine Assembly Group (3 of 3)

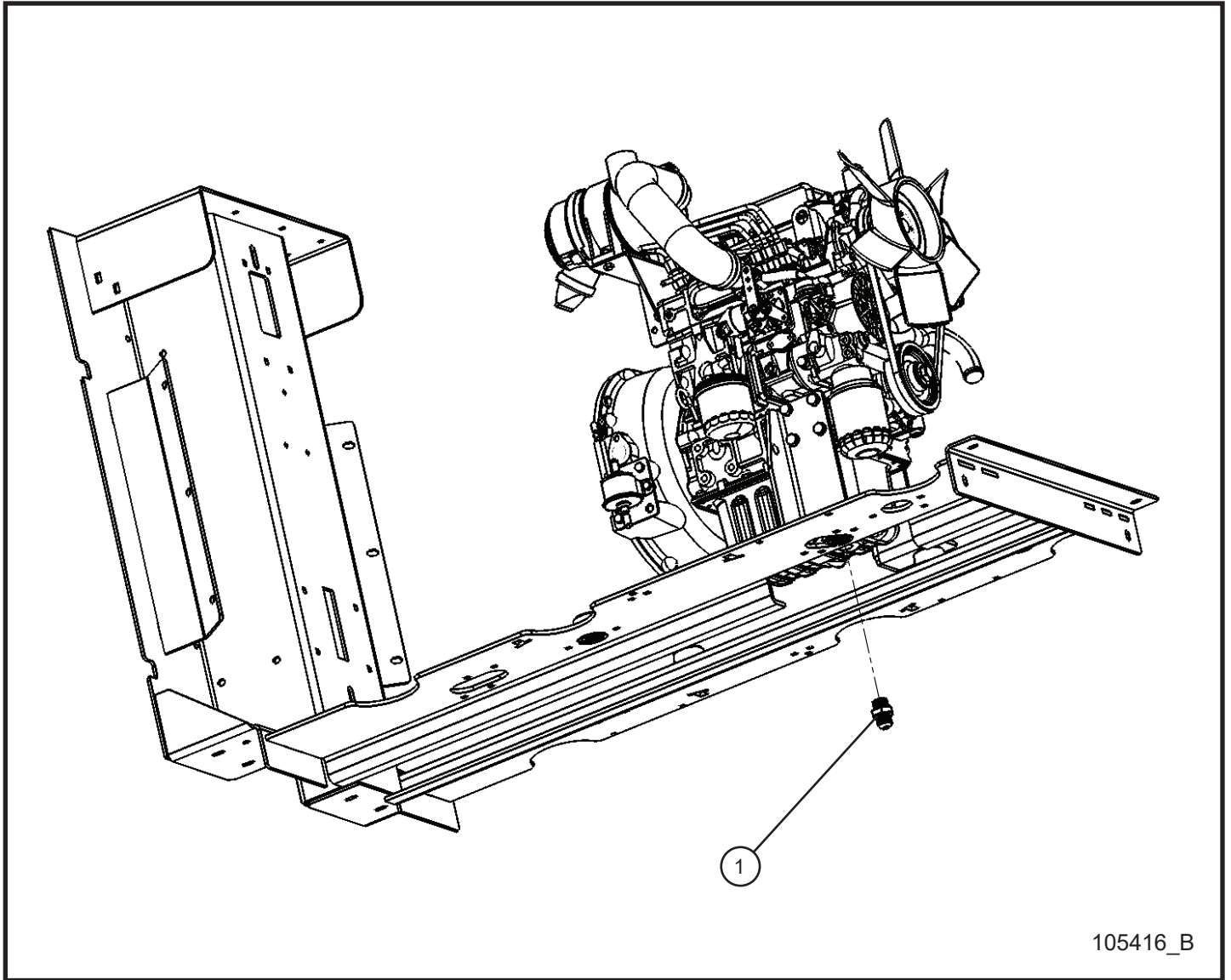


105978_J

13.2 - Kubota Engine Assembly Group (3 of 3)

Item	Part No.	Part Description	Qty.
1	041070	1/4-20 x 3/4 SL-HEX WASHER HEAD MS TP F	4
2	105408	GROMMET NUT DOUBLE SPLIT	4
3	105393	RADIATOR KUBOTA	1
4	105405P	HAND GUARD JB RADIATOR	1
5	105404P	FAN SHROUD JB RADIATOR	1
6	047010	5/16 FLAT WASHER PL	10
7	046046	5/16-18 x 1/2 HEX HEAD CS GR5 PL	6
8	053020	5/16-18 x 1 CARRIAGE BOLT PL	4
9	044033	5/16-18 NYLOCK HEX NUT PL	4

13.3 - Kubota Oil Drain Fitting

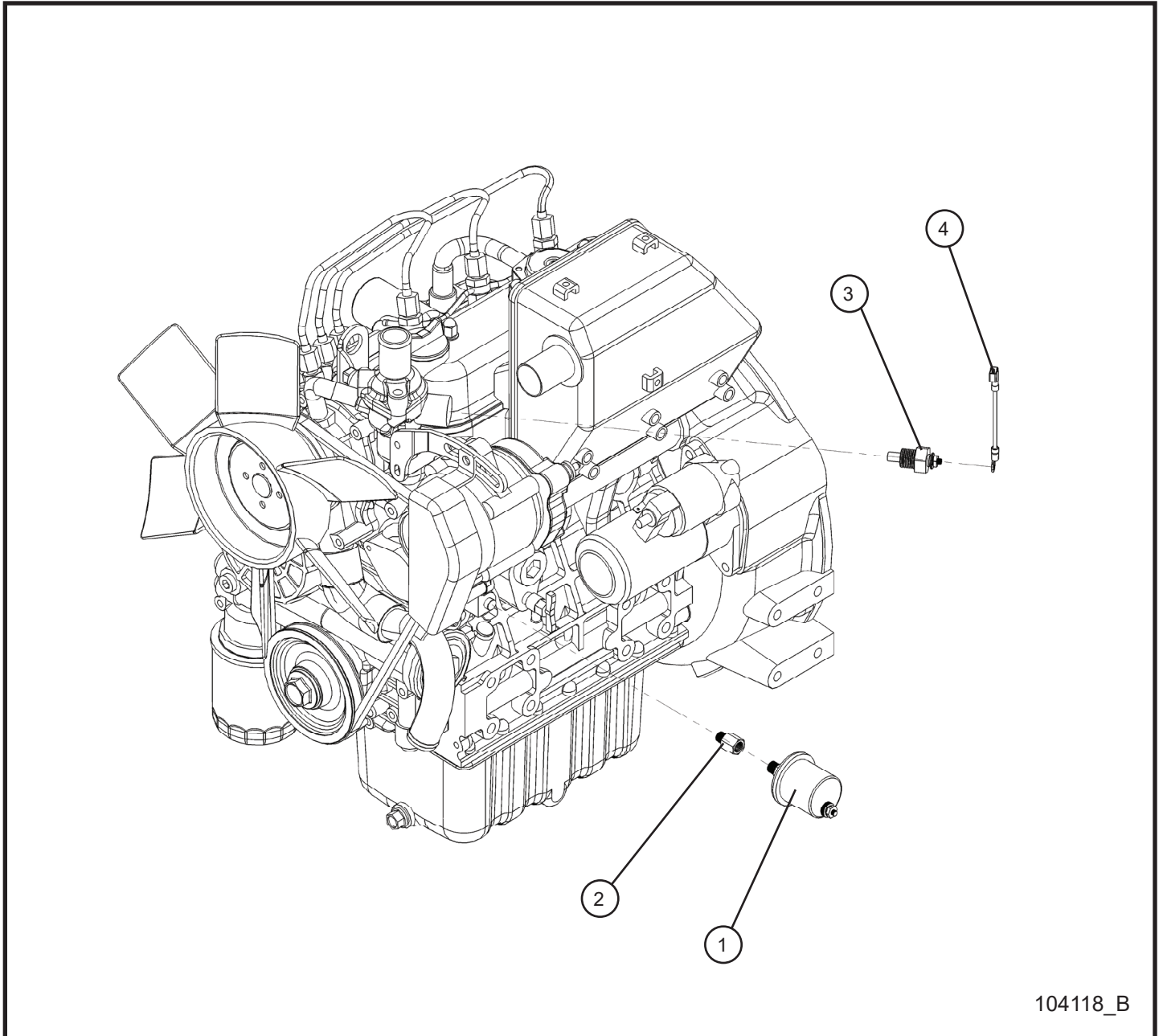


105416_B

13.3 - Kubota Oil Drain Fitting

Item	Part No.	Part Description	Qty.
1	352148	#10 JIC - M22 x 1.5mm UNION	1

13.4 - Kubota LSC Sending Unit

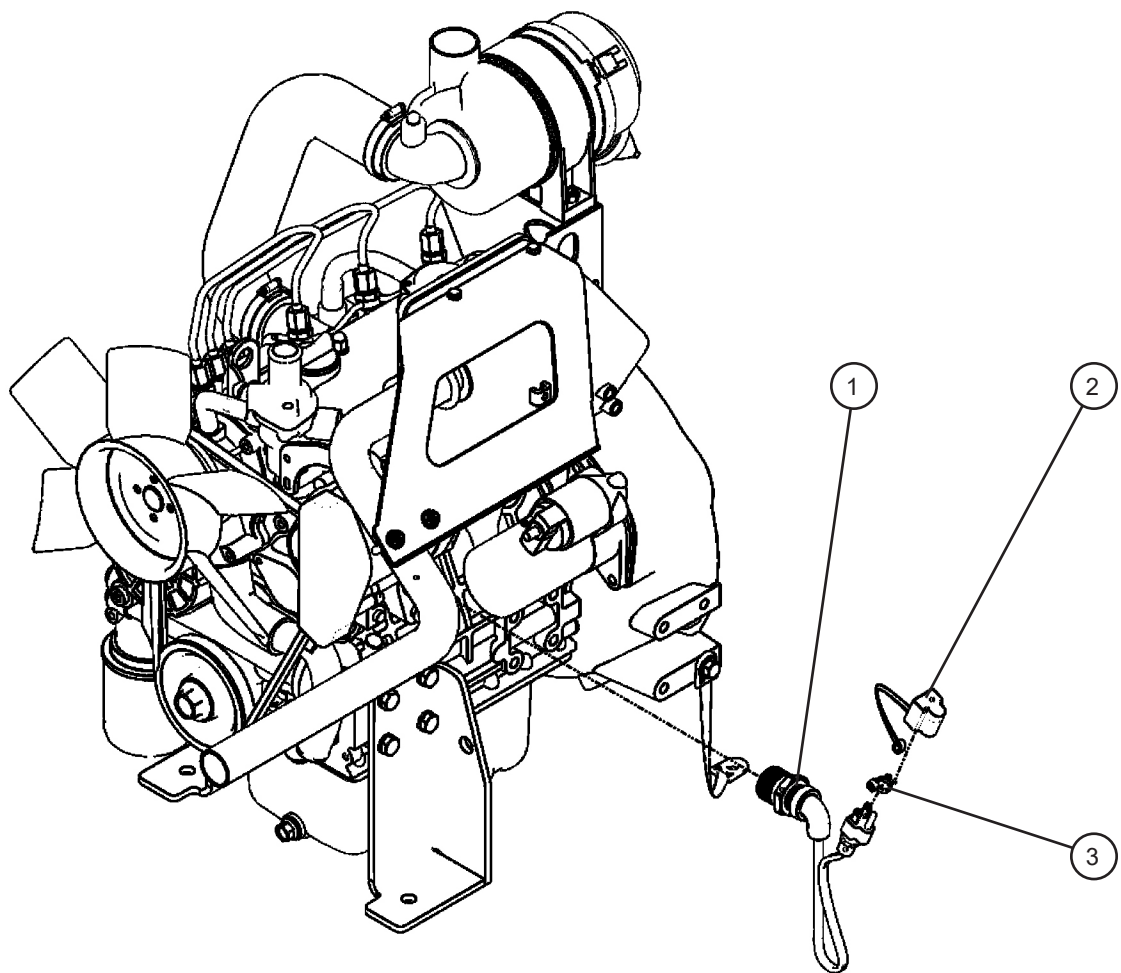


104118_B

13.4 - Kubota LSC Sending Unit

Item	Part No.	Part Description	Qty.
1	104019	SENDER OIL PRESSURE	1
2	104558	FITTING ADAPTER 1/8 BSPM x 1/8 NPTF	1
3	104020	SENDER WATER TEMPERATURE	1
4	105883	TEMP JUMPER KUBOTA	1
NS	108021	SCHEMATIC LSC ENGINE HARNESS	1

13.5 - Kubota Block Heater

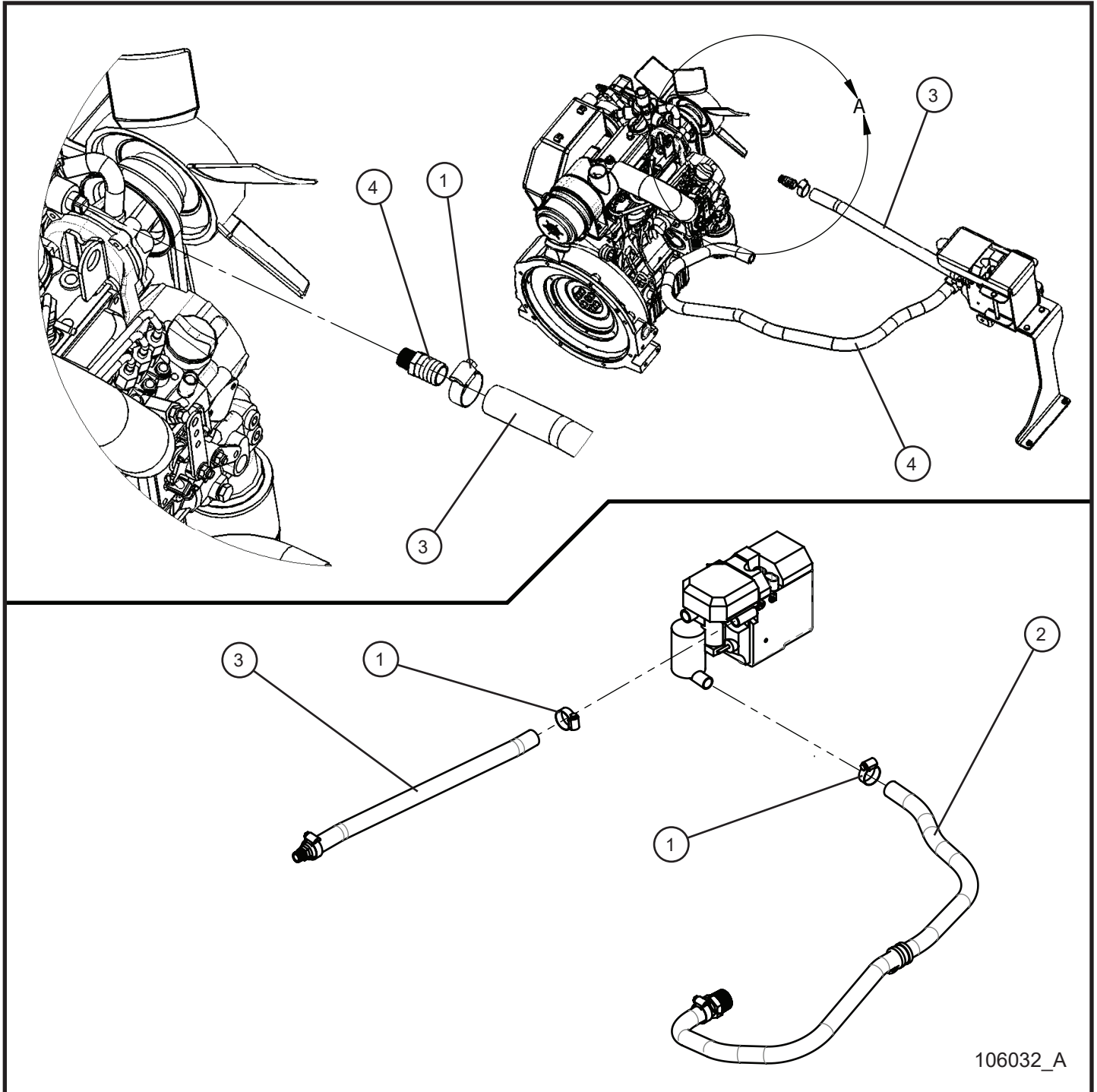


104858_B

13.5 - Kubota Block Heater

Item	Part No.	Part Description	Qty.
1	352373	BLOCK HEATER D1005/D1105	1
2	105995	END COVER 120 VOLT CORD	1
3	068090	CABLE TIE 8"	1

13.6 - Kubota Diesel Fired Block Heater Hoses (1 of 2)

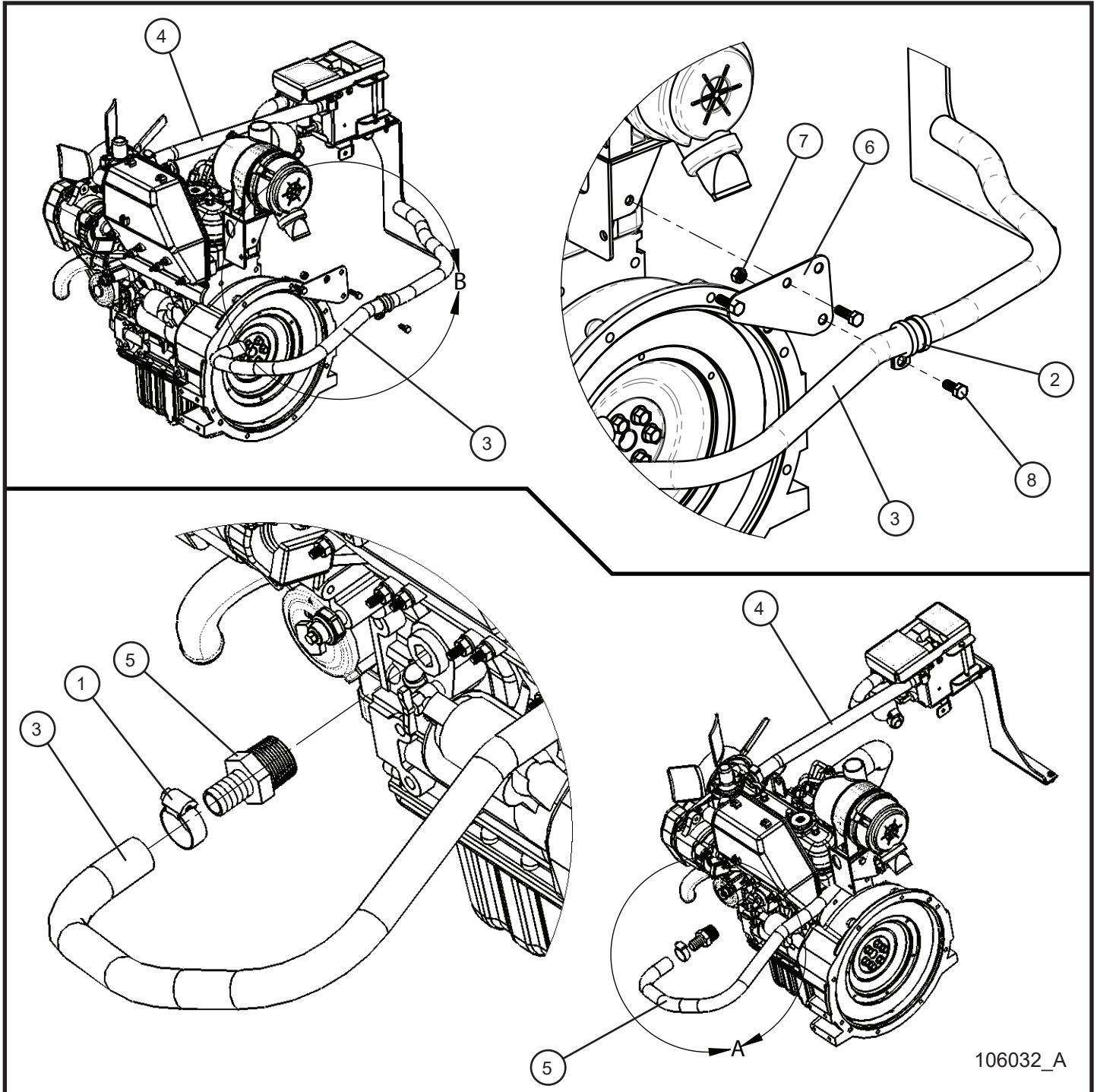


106032_A

13.6 - Kubota Diesel Fired Block Heater Hoses (1 of 2)

Item	Part No.	Part Description	Qty.
1	045032	#12 HOSE CLAMP	4
2	105016	3/4" HEATER HOSE x 45.0	1
3	105016	3/4" HEATER HOSE x 20.0	1
4	104683	FITTING HOSE BARB 3/8" NPT - 3/4" BARB	1

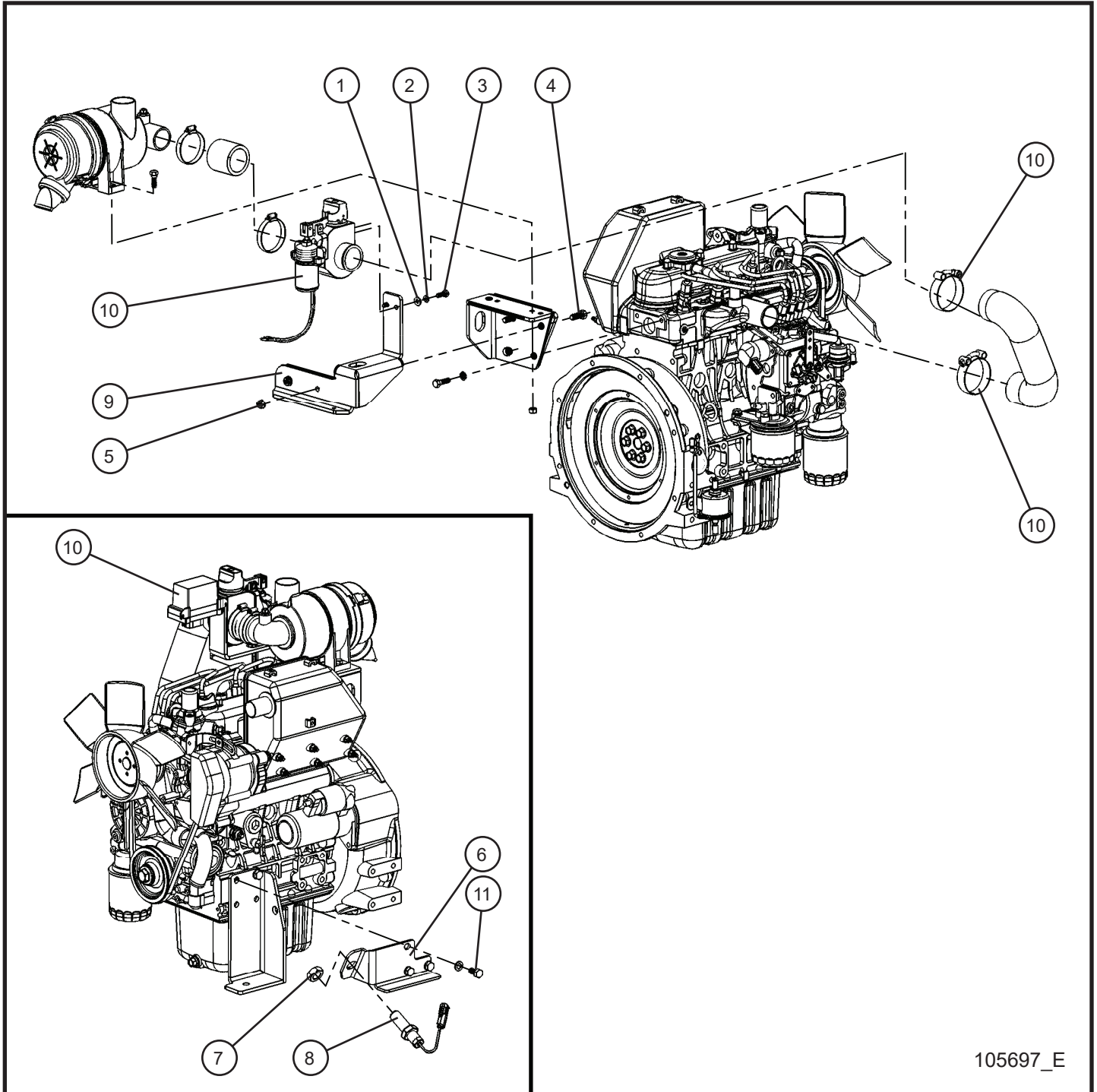
13.6 - Kubota Diesel Fired Block Heater Hoses (2 of 2)



13.6 - Kubota Diesel Fired Block Heater Hoses (2 of 2)

Item	Part No.	Part Description	Qty.
1	045032	#12 HOSE CLAMP	4
2	022083	#16 CLAMP CUSH 3/8 HOLE	1
3	105016	3/4" HEATER HOSE x 45.0	1
4	105016	3/4" HEATER HOSE x 20.0	1
5	104682	FITTING HOSE BARB 1" NPT - 3/4" BARB	1
6	106031P	HOSE CLAMP PLATE BLOCK HEATER	1
7	044033	5/16-18 NYLOCK HEX NUT PL	1
8	046045	5/16-18 x 3/4 HEX HEAD CS GR5 PL	1

13.7 - Kubota Shocker Group (1 of 2)

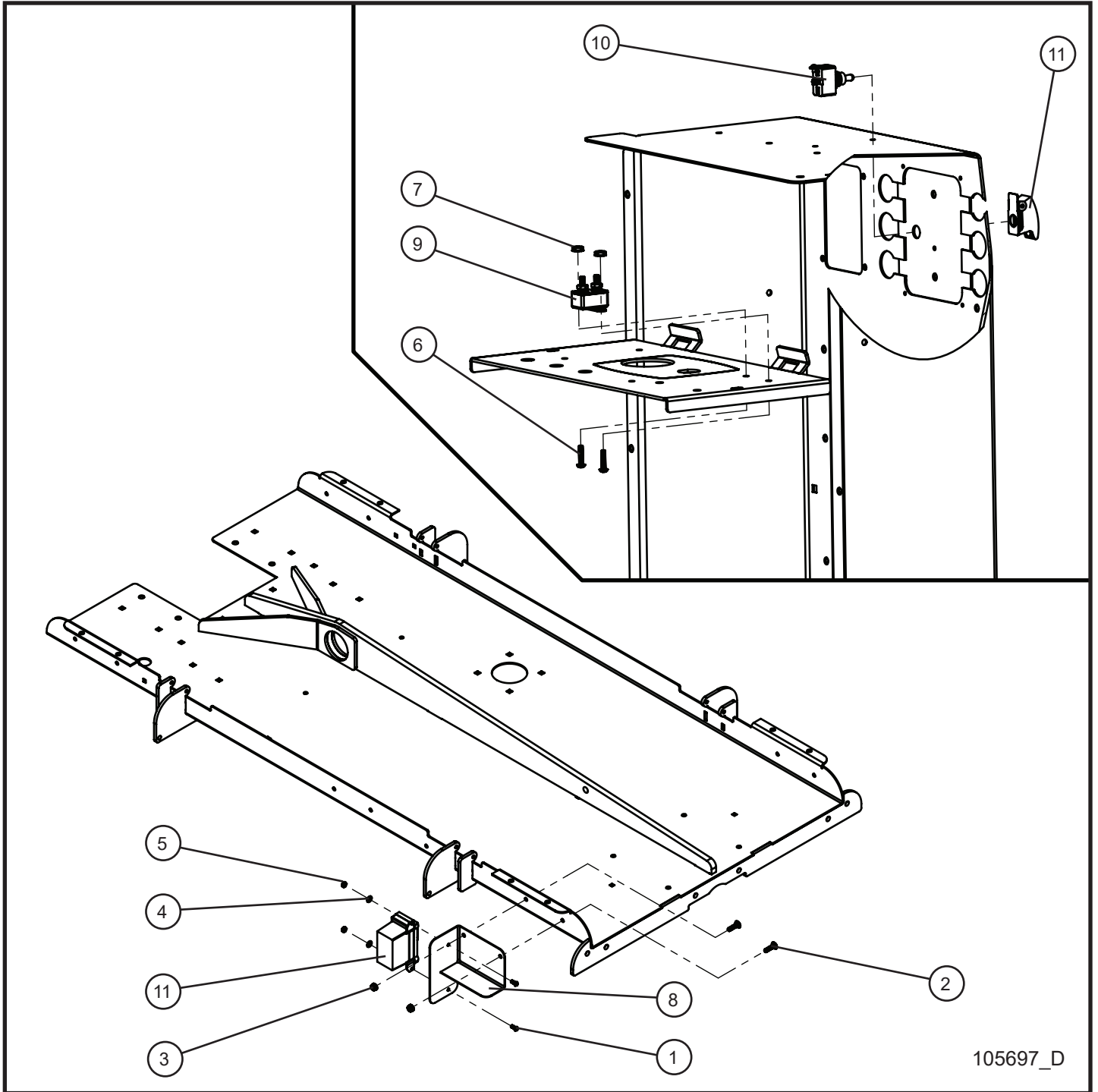


105697_E

13.7 - Kubota Shocker Group (1 of 2)

Item	Part No.	Part Description	Qty.
1	047005	1/4 FLAT WASHER PL	2
2	043020	1/4 SPLITLOCK WASHER	2
3	102573	1/4-20 x 3/4 HEX HEAD CS GR5 ZINC	2
4	046110	3/8-16 x 1 HEX HEAD CS GR5 PL	2
5	044036	3/8-16 KEPS HEX NUT PL	2
6	106003P	MAG SENSOR KUBOTA BRACKET	1
7	044059	3/4-16 JAM NUT	1
8	105537	MAGNETIC SENSOR 3/4 x 16 WITH PLUG	1
9	105801P	MOUNT SHOCKER VALVE	1
10	105705	SHOCKER 2" VALVE KIT	1
11	102130	10MM x 1.25MM x 25MM HEX HEAD BOLT	1
NS	106156	SCHEMATIC SHOCKER VALVE HARNESS	1
NS	105802	HARNESS SHOCKER VALVE	1
NS	105702	SHOCKER SETUP INSTRUCTIONS	1

13.7 - Kubota Shocker Group (2 of 2)

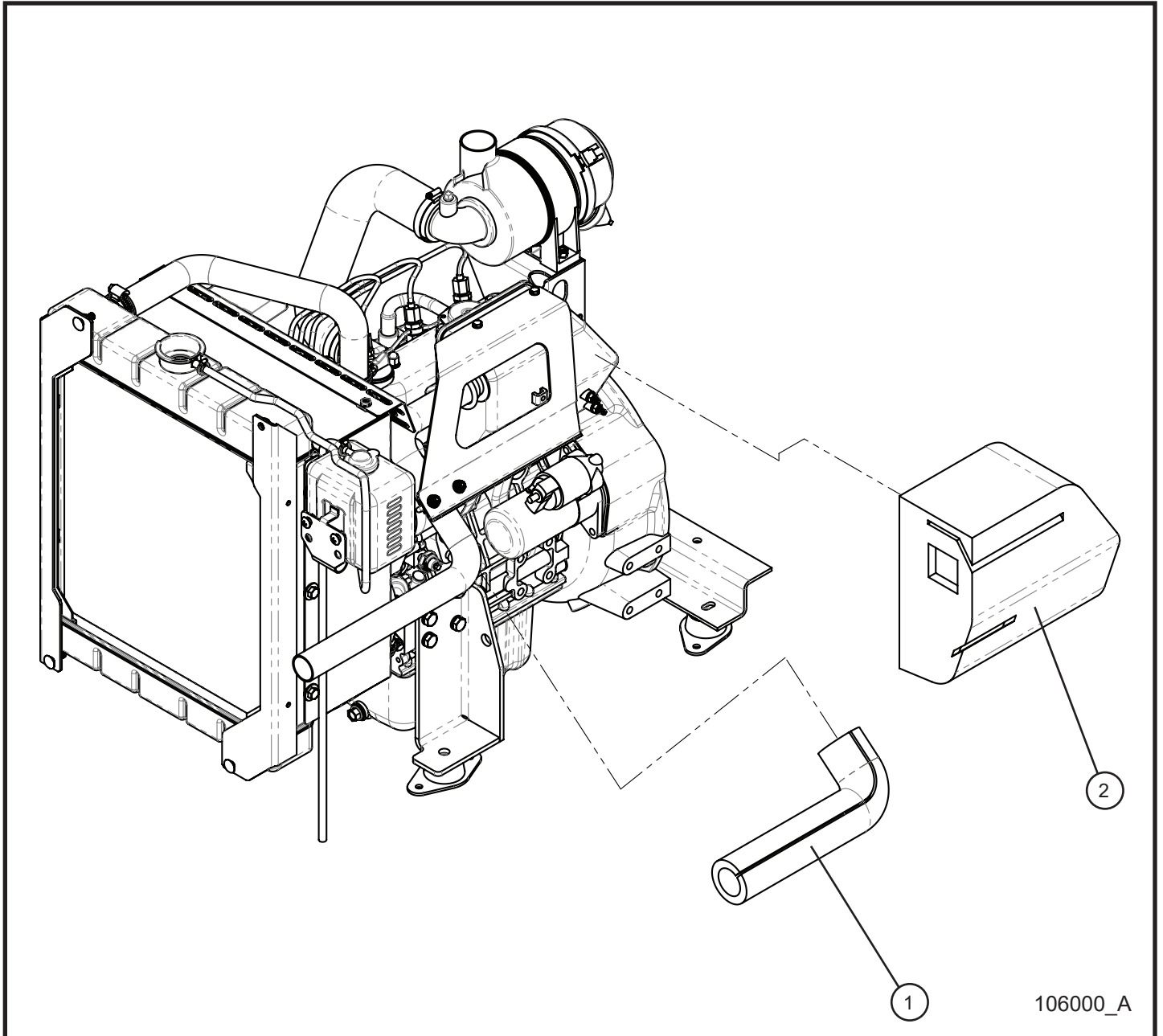


105697_D

13.7 - Kubota Shocker Group (2 of 2)

Item	Part No.	Part Description	Qty.
1	041021	#10-24 x 1/2 PH-ROUND HEAD MS PL	2
2	041080	1/4-20 x 1 PH-TRUSS HEAD MS SS	2
3	044021	1/4-20 KEPS HEX NUT PL	2
4	047070	#10 FLAT WASHER USS PL	2
5	044018	#10-24 NYLOCK HEX NUT PL	2
6	041201	#8-32 x 3/4 SL-ROUND HEAD MS PL	2
7	044016	#10-24 KEPS HEX NUT PL	2
8	105528P	BRACKET SHOCKER CONTROLLER MAXI II	1
9	105636	20 AMP BREAKER	1
10	340009	SWITCH 15A 125V	1
11	105705	SHOCKER 2" VALVE KIT	1

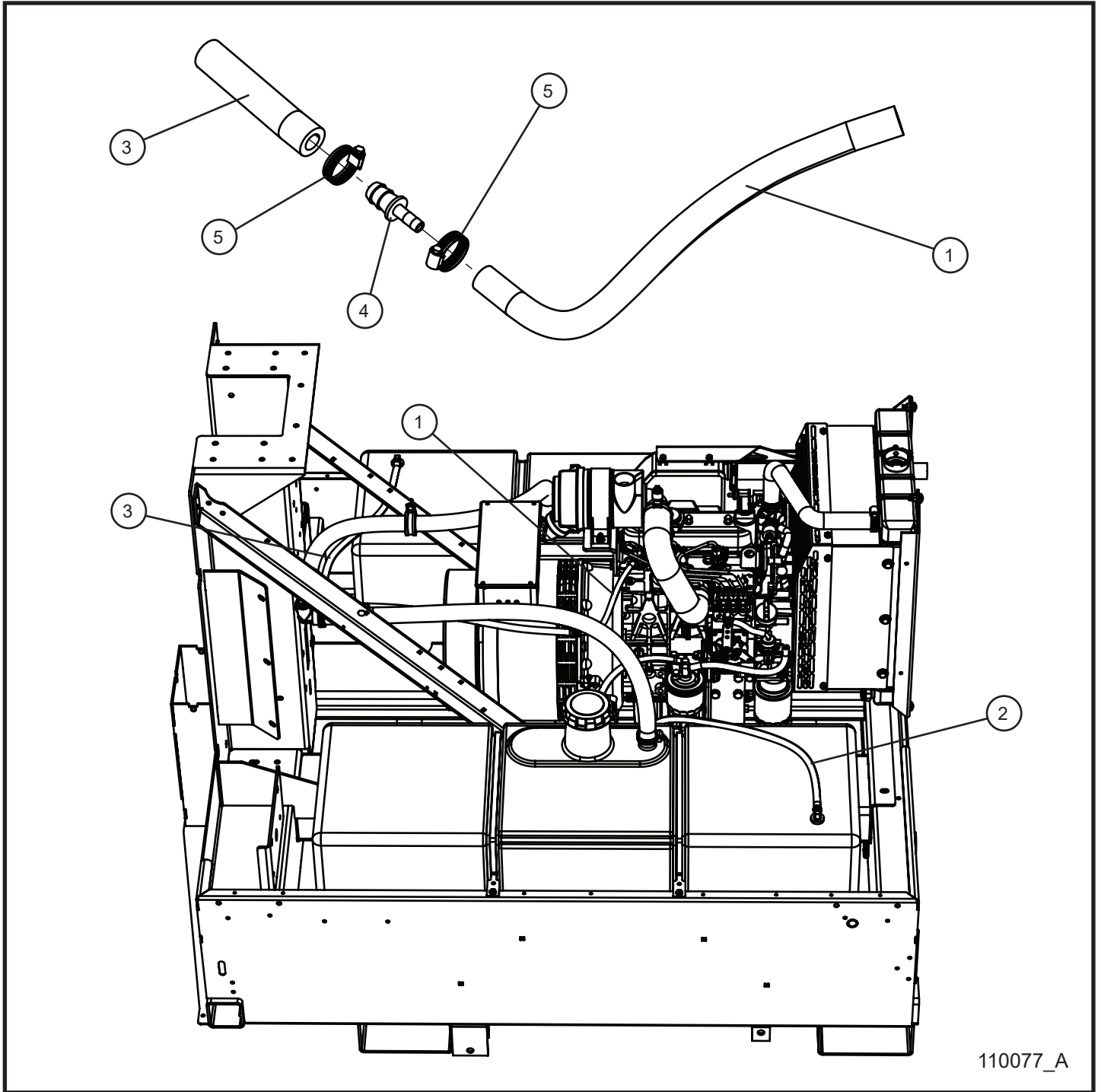
13.8 - Kubota Exhaust Blanket



13.8 - Kubota Exhaust Blanket

Item	Part No.	Part Description	Qty.
1	105994	BLANKET INSULATING TAIL PIPE	1
2	103460	BLANKET INSULATING BOX MUFFLER	1

13.9 - Kubota Fuel Lines

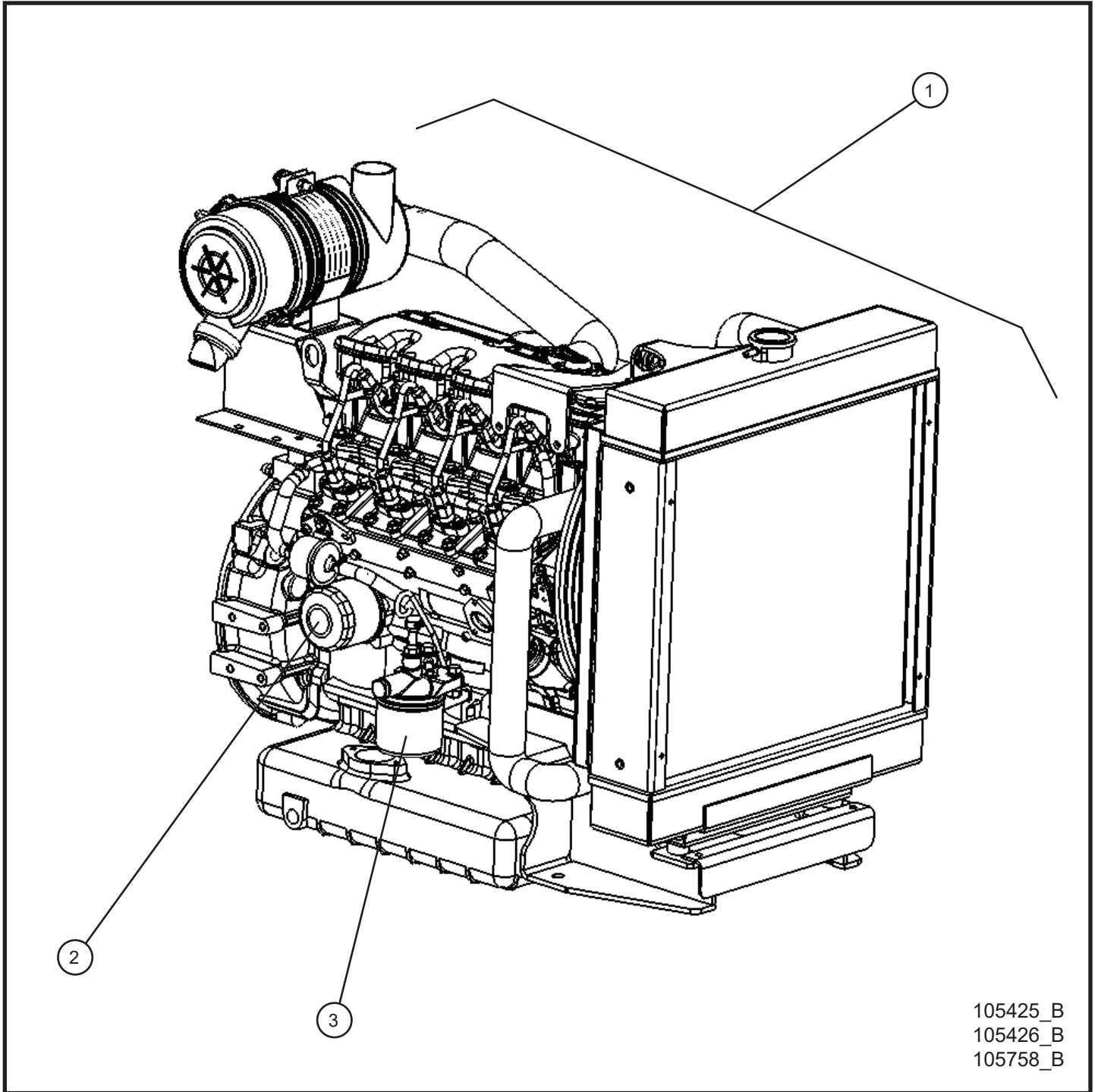


110077_A

13.9 - Kubota Fuel Lines

Item	Part No.	Part Description	Qty.
1	081016	1/4 FUEL HOSE x 10.00	1
2	081018	5/16 FUEL LINE x 35.00	1
3	081018	5/16 FUEL LINE x 60.00	1
4	106134	REDUCER FITTING HOSE BARB	1
5	433400	#4 HOSE CLAMP	6

14.1 - Isuzu 4LE1 Engine and Filters

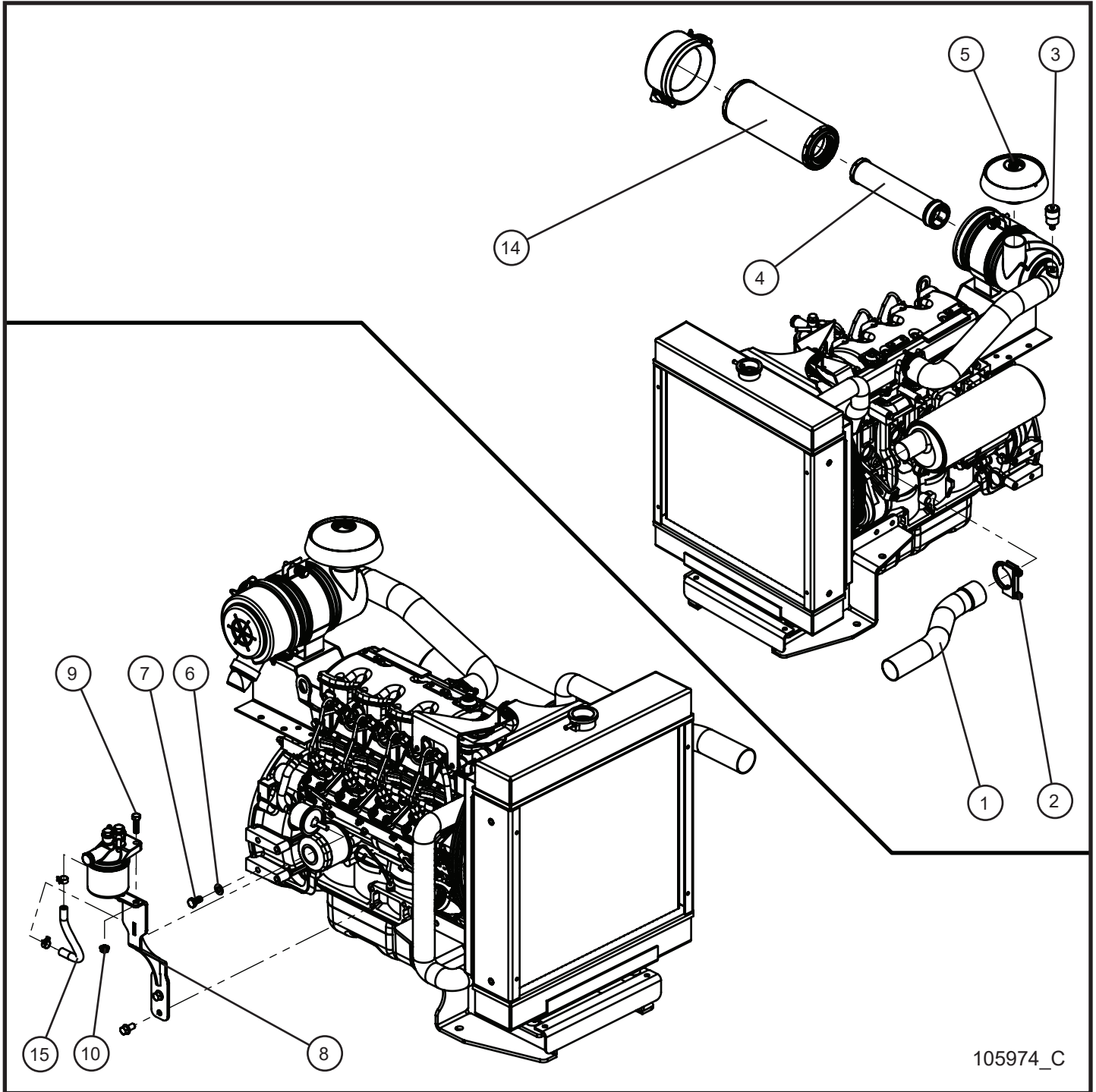


105425_B
105426_B
105758_B

14.1 - Isuzu 4LE1 Engine and Filters

Item	Part No.	Part Description	Qty.
1	105425	ISUZU 4LE1 DEEP PAN ENGINE	1
	105426	ISUZU 4LE1 REG PAN ENGINE	1
	105758	ISUZU 4LE1 DEEP PAN ELECTRONIC GOVENOR ENGINE	1
2	650221	OIL FILTER	1
3	650220	FUEL FILTER	1
4	15-000125	AIR FILTER (NOT SHOWN)	1

14.2 - Isuzu 4LE1 Engine Assembly Group (1 of 2)

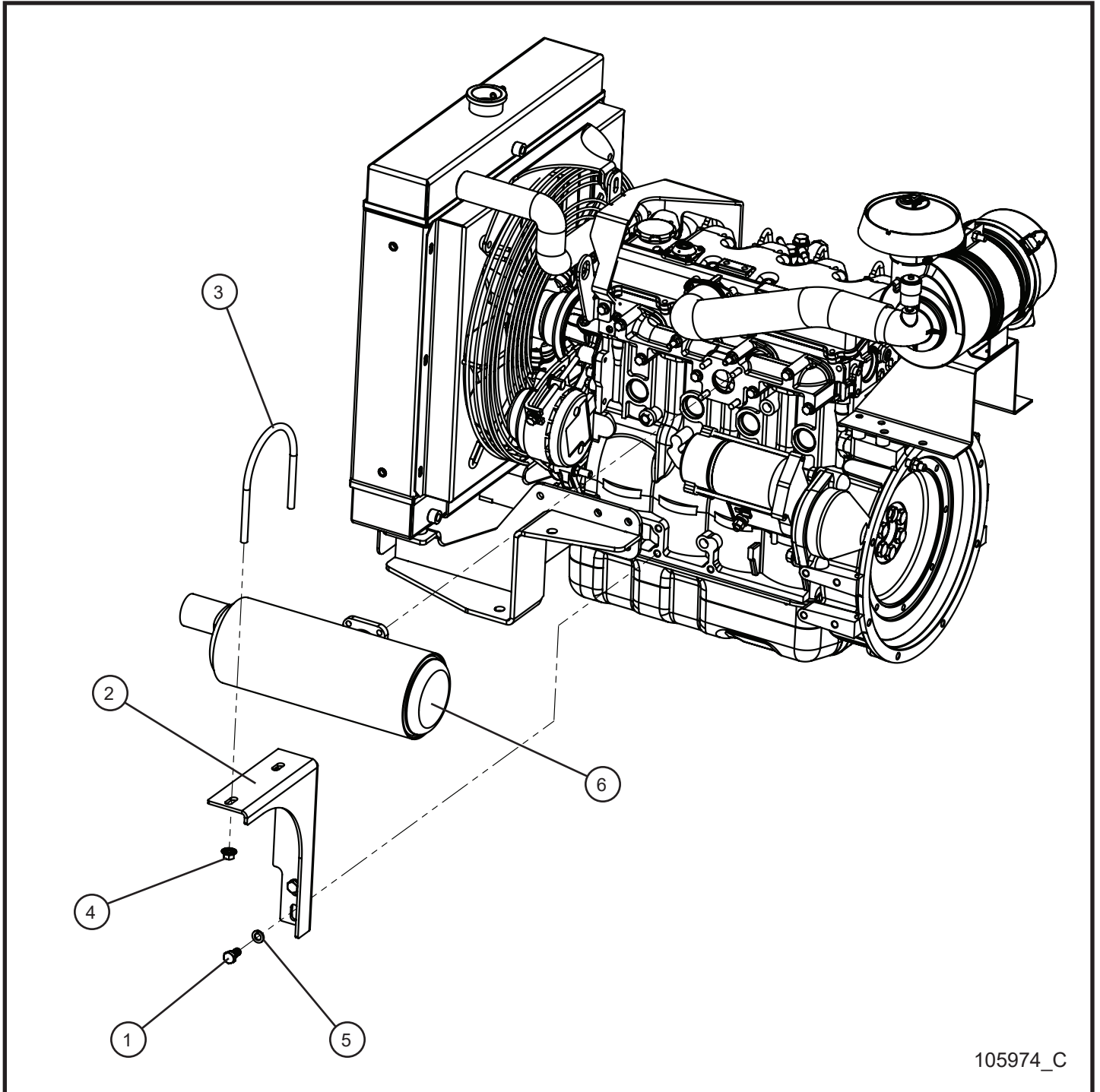


105974_C

14.2 - Isuzu 4LE1 Engine Assembly Group (1 of 2)

Item	Part No.	Part Description	Qty.
1	104388	TAILPIPE ISUZU 4LE1	1
2	930234	2" MUFFLER CLAMP	1
3	104795	SERVICE INDICATOR KIT AIR FILTER 25" H20/6.2 kPa	1
4	104071	SAFETY FILTER AIR SYSTEM	1
5	340032	CAP AIR CLEANER 2" ID	1
6	047016	3/8 FLAT WASHER SAE ZINC	1
7	042037	M10 x 20MM x 1.5MM HEX HEAD CS PL	1
8	106618P	MOUNT FUEL FILTER	1
9	046115	3/8-16 x 1 1/4 HEX HEAD CS GR5 PL	2
10	044036	3/8-16 KEPS HEX NUT PL	2
11	105890	SCHEMATIC ISUZU 4LE1 ENGINE	1
12	105196	HARNESS ENGINE ISUZU 4LE1	1
13	105873	ISUZU CHARGE CIRCUIT FUSE	1
14	15-000125	AIR FILTER	1
15	081018	FUEL LINE 5/16 x 9.00	1

14.2 - Isuzu 4LE1 Engine Assembly Group (2 of 2)

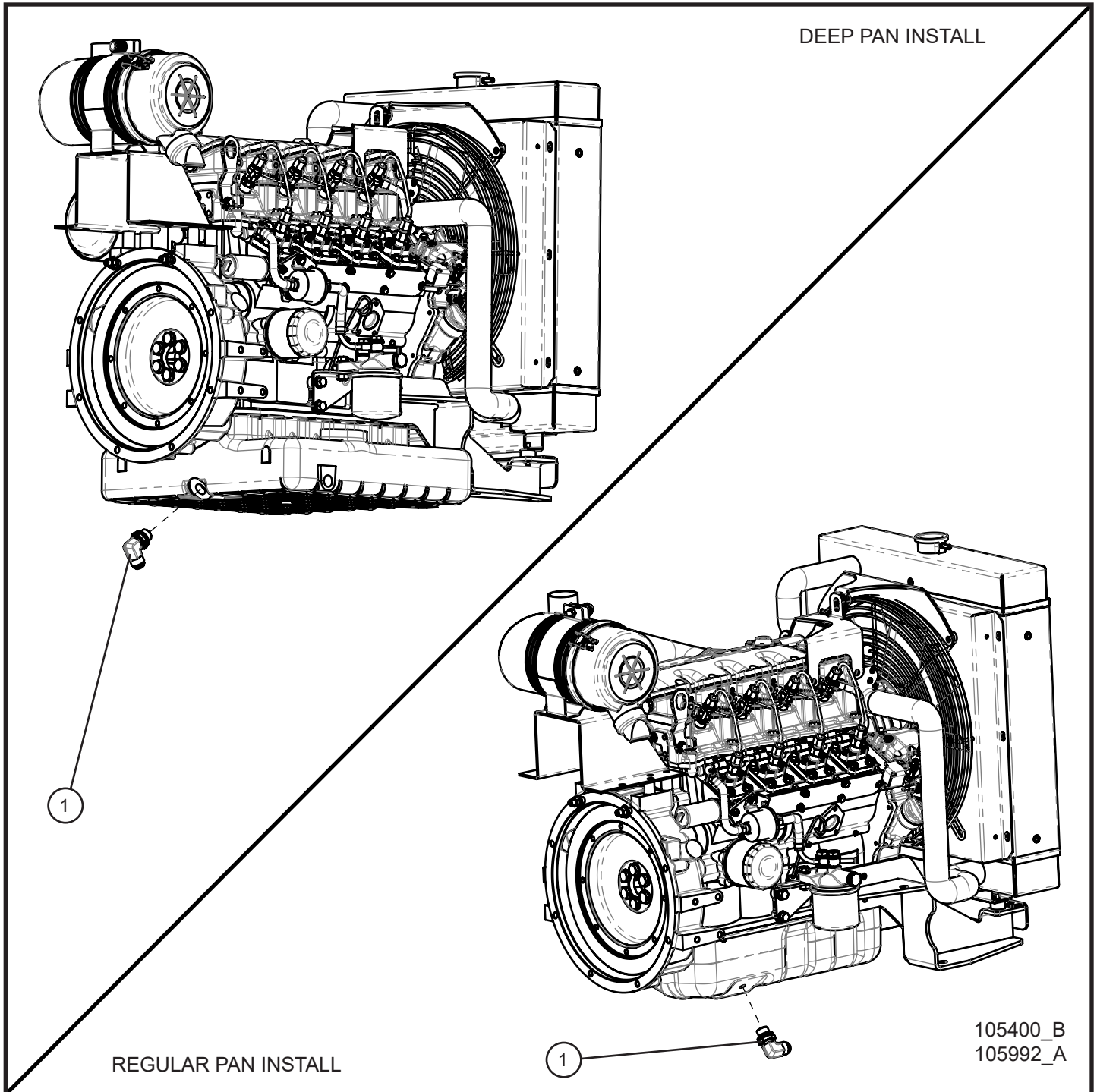


105974_C

14.2 - Isuzu 4LE1 Engine Assembly Group (2 of 2)

Item	Part No.	Part Description	Qty.
1	042037	M10 x 20MM x 1.5MM HEX HEAD CS PL	2
2	114064P	MAXI II ISUZU 4LE MUFFLER BRACKET WELDMENT	1
3	105744	4.75 MUFFLER U-BOLT	1
4	044029	3/8-16 SERRATED FLANGE NUT	2
5	042151	M10 SPLITLOCK WASHER	2
6	114065	ISUZU 4LE MUFFLER	1

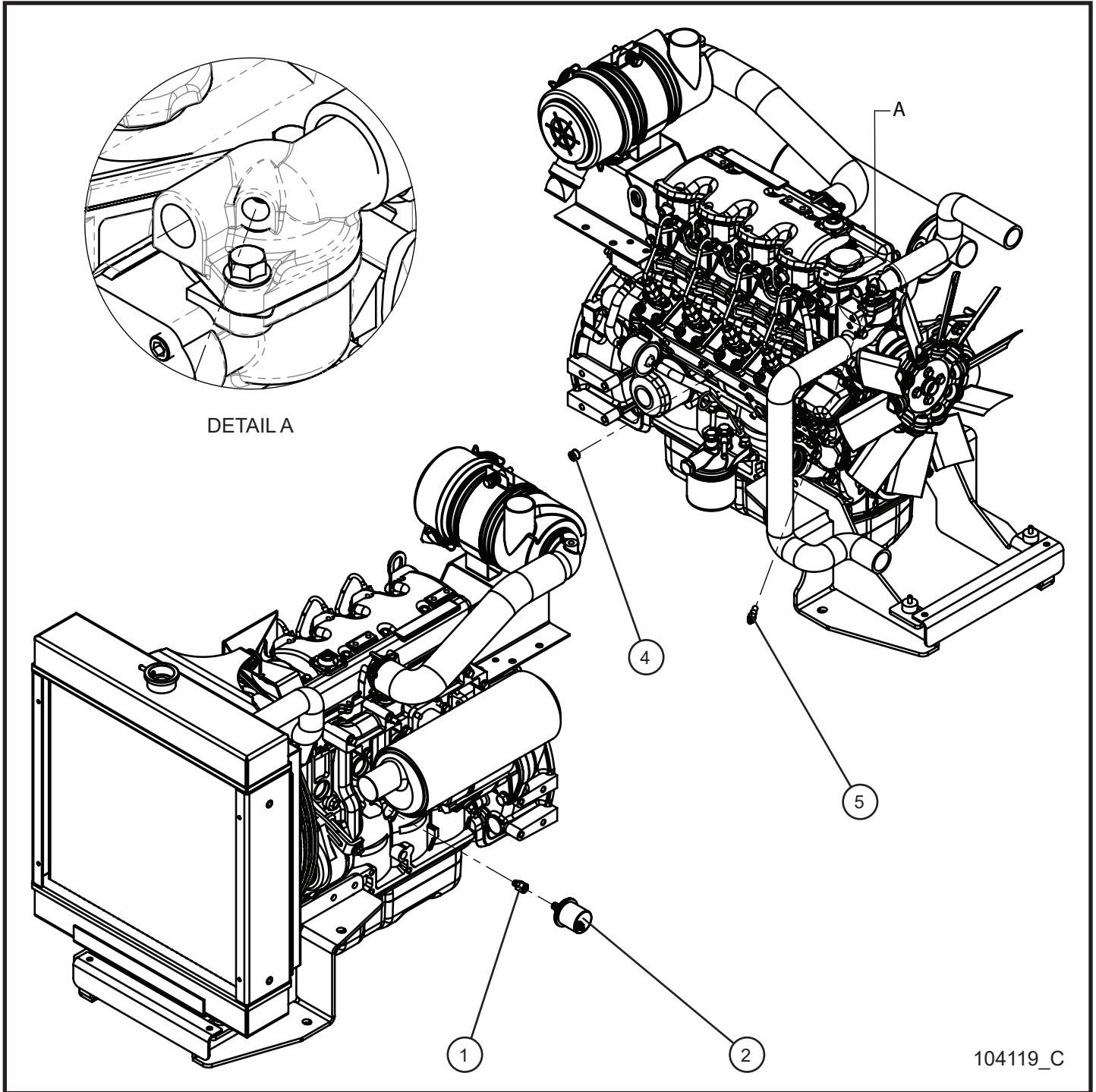
14.3 - Isuzu Oil Drain Fitting



14.3 - Isuzu Oil Drain Fitting

Item	Part No.	Part Description	Qty.
1	104538	HYD FITTING 90° 10JIC x 20MM	1

14.4 - Isuzu LSC Sending Unit

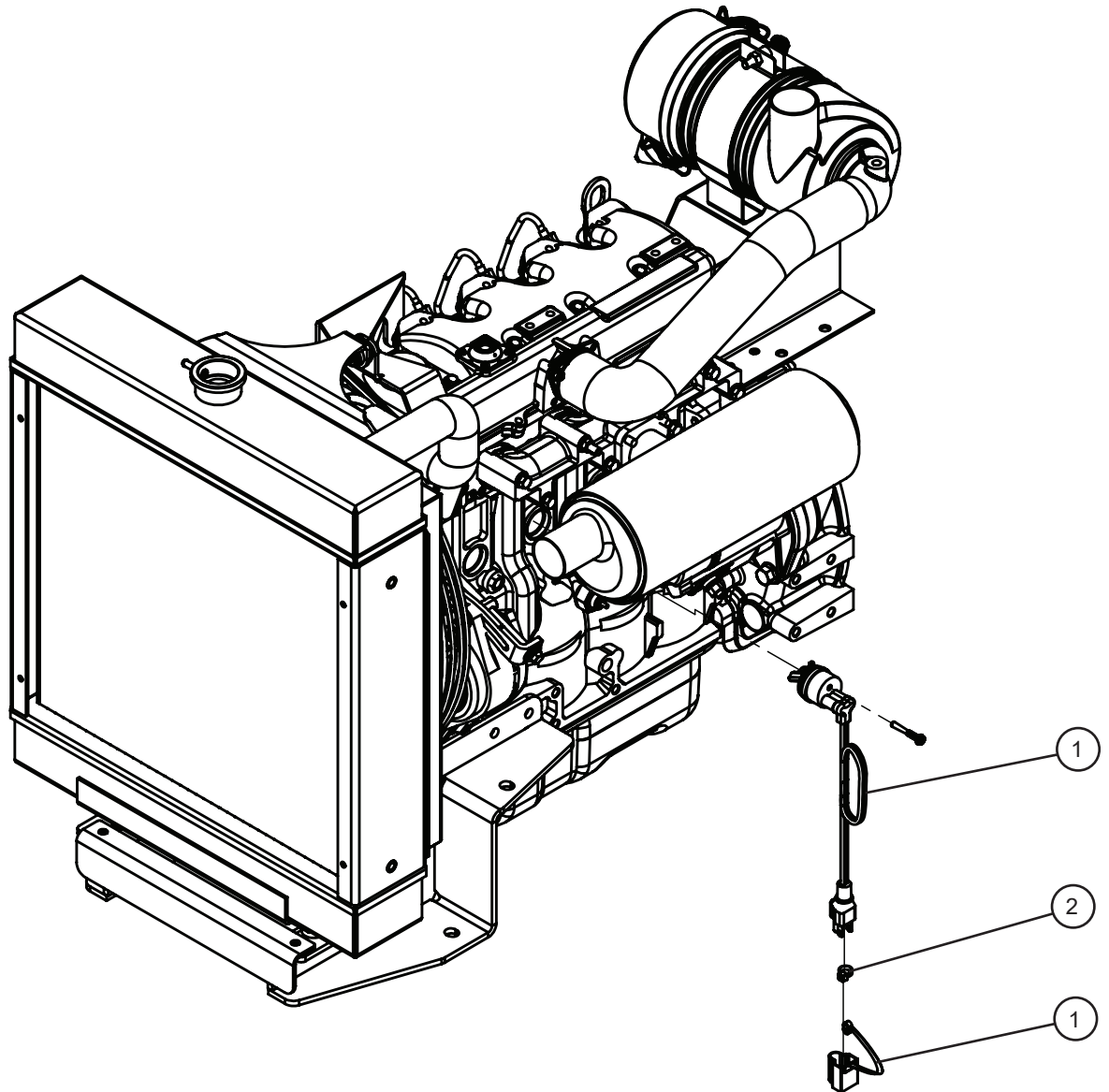


104119_C

14.4 - Isuzu LSC Sending Unit

Item	Part No.	Part Description	Qty.
1	104558	FITTING ADAPTER 1/8 BSPM x 1/8 NPTF	1
2	104019	SENDER OIL PRESSURE	1
3	105906	SCHEMATIC LSC ISUZU 4LE1	1
4	106559	PIPE PLUG ALLEN HEAD 3/8" BSPT	1
5	106547	SENDER TEMPERATURE 1/8" BSPT	1

14.5 - Isuzu Block Heater

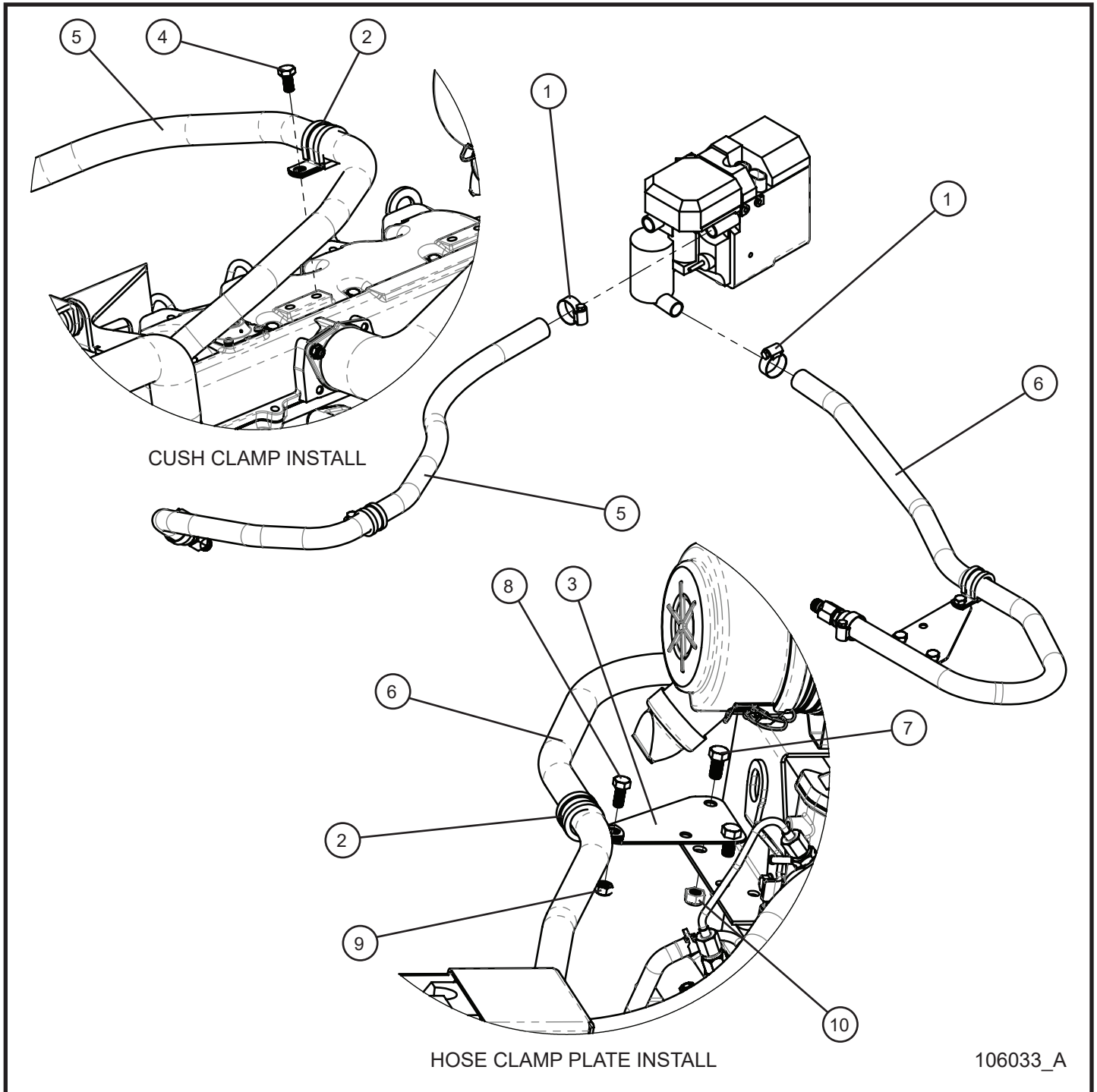


105753_B

14.5 - Isuzu Block Heater

Item	Part No.	Part Description	Qty.
1	352469	BLOCK HEATER ISUZU 4LE1	1
2	068090	CABLE TIE 8"	1

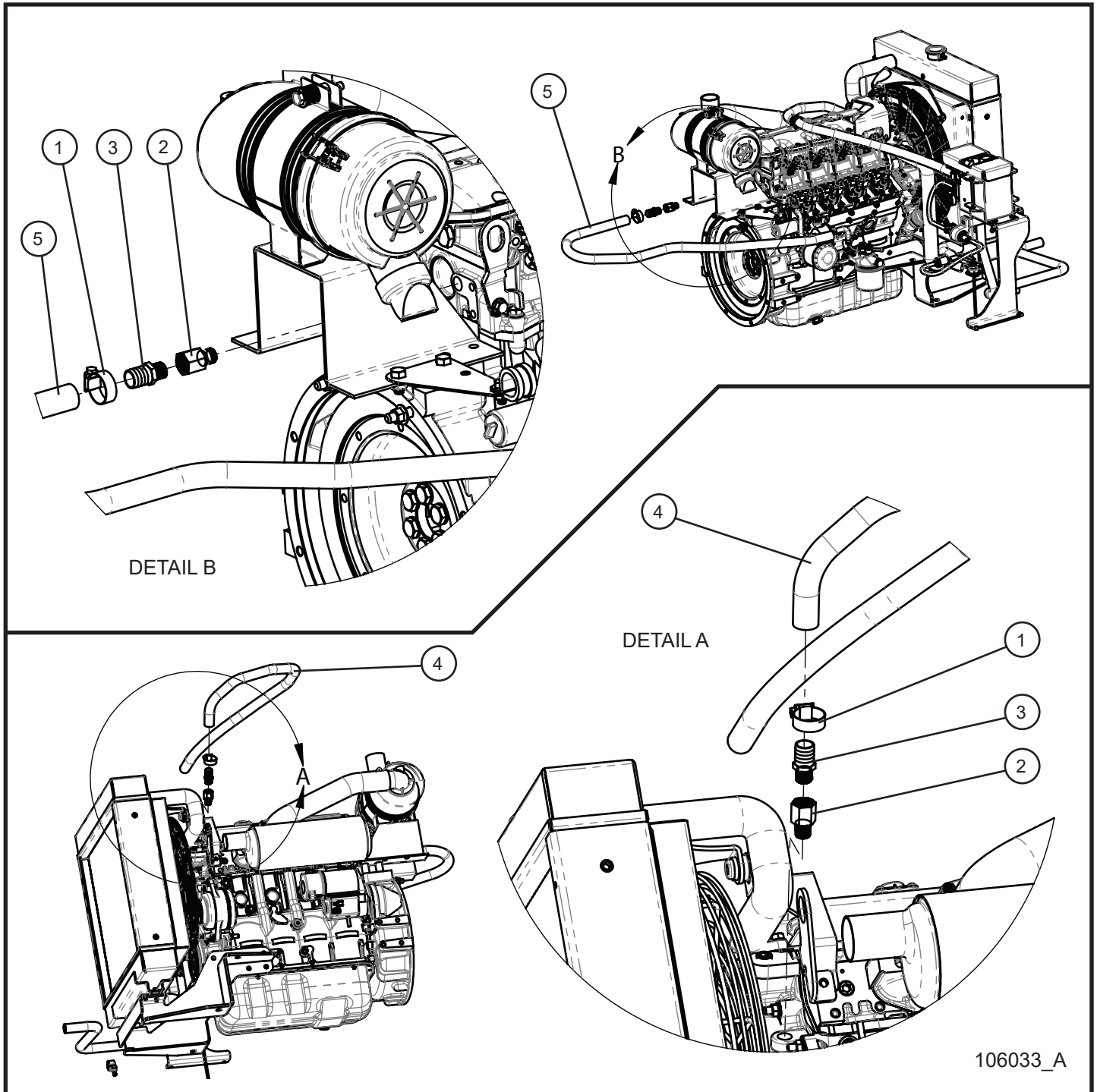
14.6 - Isuzu Diesel Fired Block Heater Hoses (1 of 2)



14.6 - Isuzu Diesel Fired Block Heater Hoses (1 of 2)

Item	Part No.	Part Description	Qty.
1	045032	#12 HOSE CLAMP	2
2	022083	#16 CLAMP CUSH 3/8 HOLE	2
3	106031P	HOSE CLAMP PLATE BLOCK HEATER	1
4	042027	M8 x 16MM x 1.25MM HEX HEAD CS GR10.9 PL	1
5	105016	3/4" HEATER HOSE x 40.0	1
6	105016	3/4" HEATER HOSE x 42.0	1
7	046105	3/8-16 x 3/4 HEX HEAD CS GR8 PL	2
8	046045	5/16-18 x 3/4 HEX HEAD CS GR5 PL	1
9	044033	5/16-18 NYLOCK HEX NUT PL	1
10	044038	3/8-16 NYLOCK HEX NUT PL	2

14.6 - Isuzu Diesel Fired Block Heater Hoses (2 of 2)

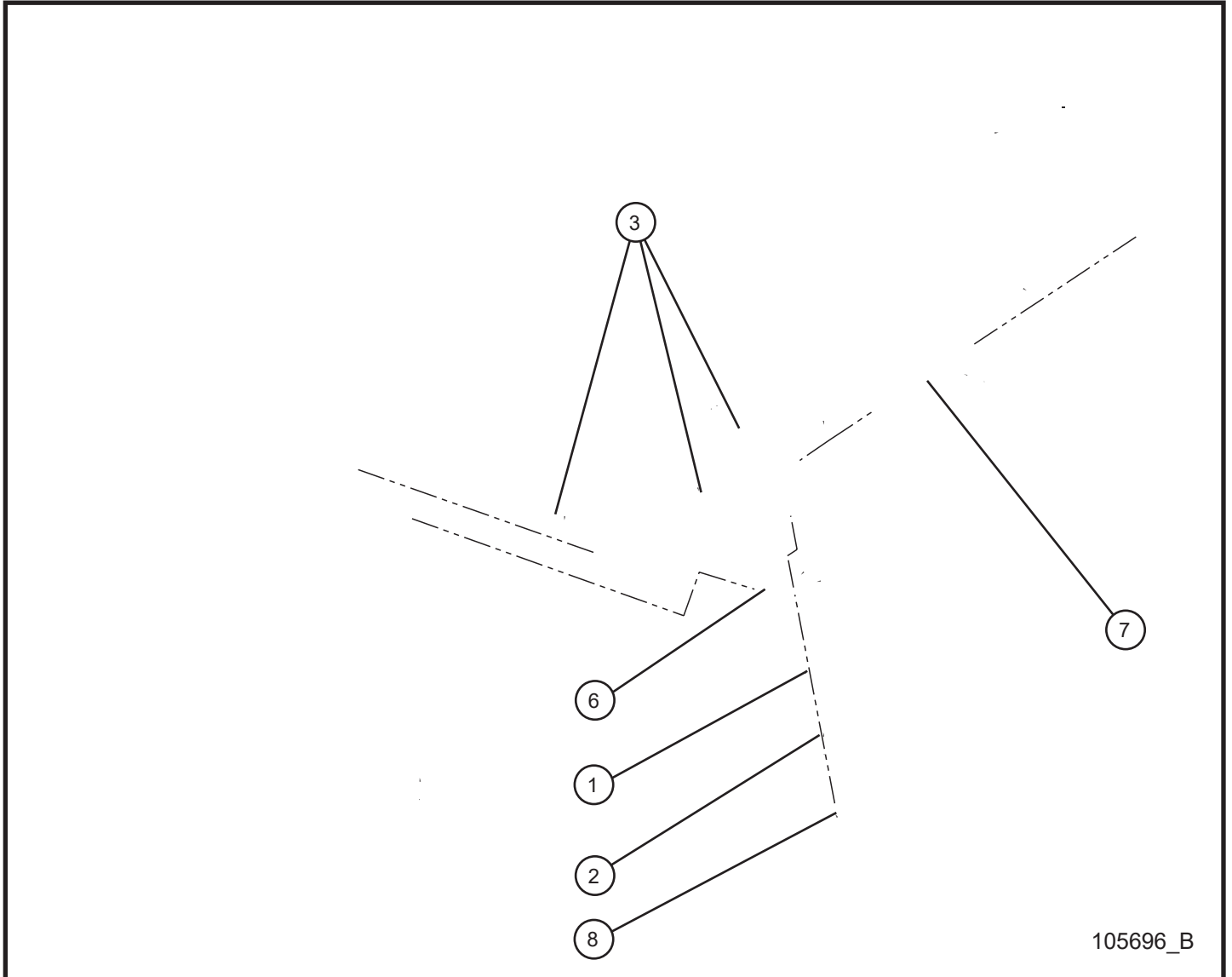


106033_A

14.6 - Isuzu Diesel Fired Block Heater Hoses (2 of 2)

Item	Part No.	Part Description	Qty.
1	045032	#12 HOSE CLAMP	2
2	104798	FITTING ADAPTER 3/8" BPST TO 3/8" NPT	2
3	104683	FITTING HOSE BARB 3/8" NPT - 3/4" BARB	2
4	105016	3/4" HEATER HOSE x 40.0	1
5	105016	3/4" HEATER HOSE x 42.0	1

14.7 - Isuzu Shocker Group (1 of 2)

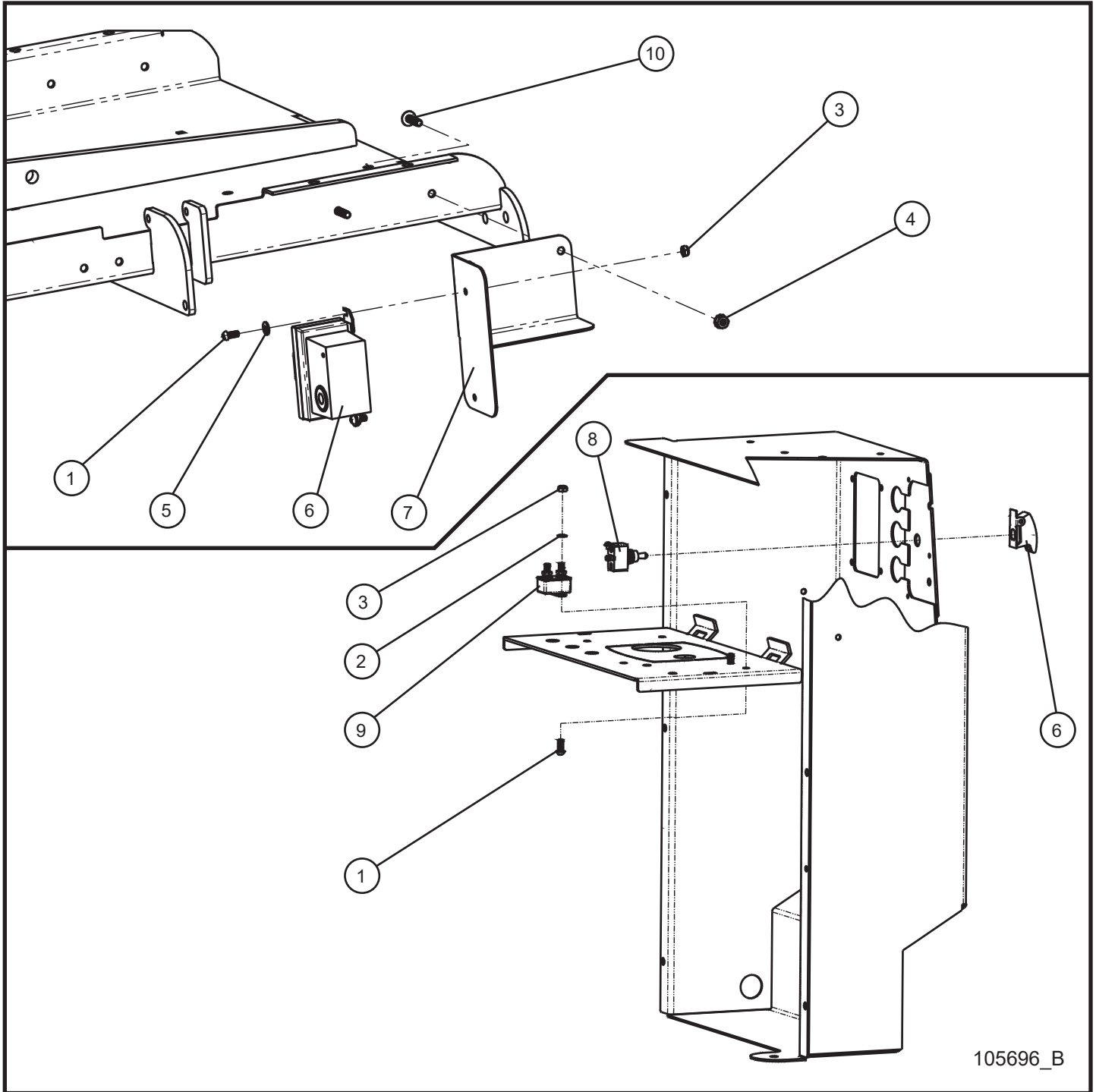


105696_B

14.7 - Isuzu Shocker Group (1 of 2)

Item	Part No.	Part Description	Qty.
1	047005	1/4 FLAT WASHER PL	2
2	043020	1/4 SPLITLOCK WASHER	2
3	105705	SHOCKER 2" VALVE KIT	1
4	105802	HARNESS SHOCKER VALVE	1
5	105702	SHOCKER SETUP INSTRUCTIONS	1
6	106004P	BRACKET SHOCKER MOUNT	1
7	101481	HOSE STRAIGHT 2" x 8"	1
8	102573	BOLT CAP SCREW HEX HEAD 1/4-20 x 3/4 GR5 ZINC	2
9	106156	SCHEMATIC SHOCKER VALVE	1

14.7 - Isuzu Shocker Group (2 of 2)

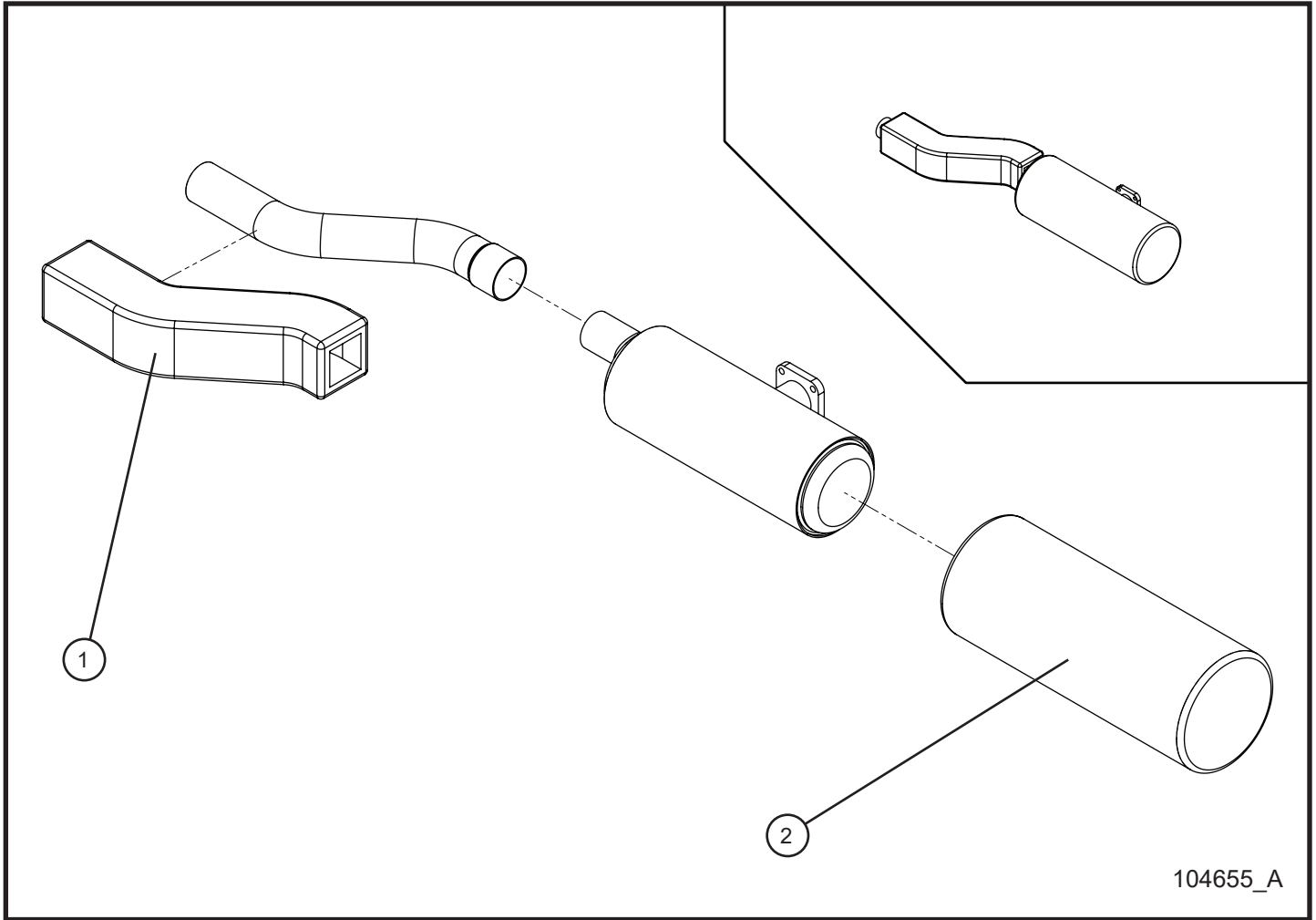


105696_B

14.7 - Isuzu Shocker Group (2 of 2)

Item	Part No.	Part Description	Qty.
1	041021	#10-24 x 1/2 PH-ROUND HEAD MS PL	4
2	043015	#10 INTL TOOTHLOCK WASHER PL	2
3	044018	#10-24 NYLOCK HEX NUT PL	4
4	044021	1/4-20 KEPS HEX NUT PL	2
5	047070	#10 FLAT WASHER USS PL	2
6	105705	SHOCKER 2" VALVE KIT	1
7	105528P	BRACKET SHOCKER CONTROLLER MAXI II	1
8	340009	SWITCH 15A 125V	1
9	105636	20 AMP BREAKER	1
10	041080	1/4-20 x 1 PH-TRUSS HEAD MS SS	1

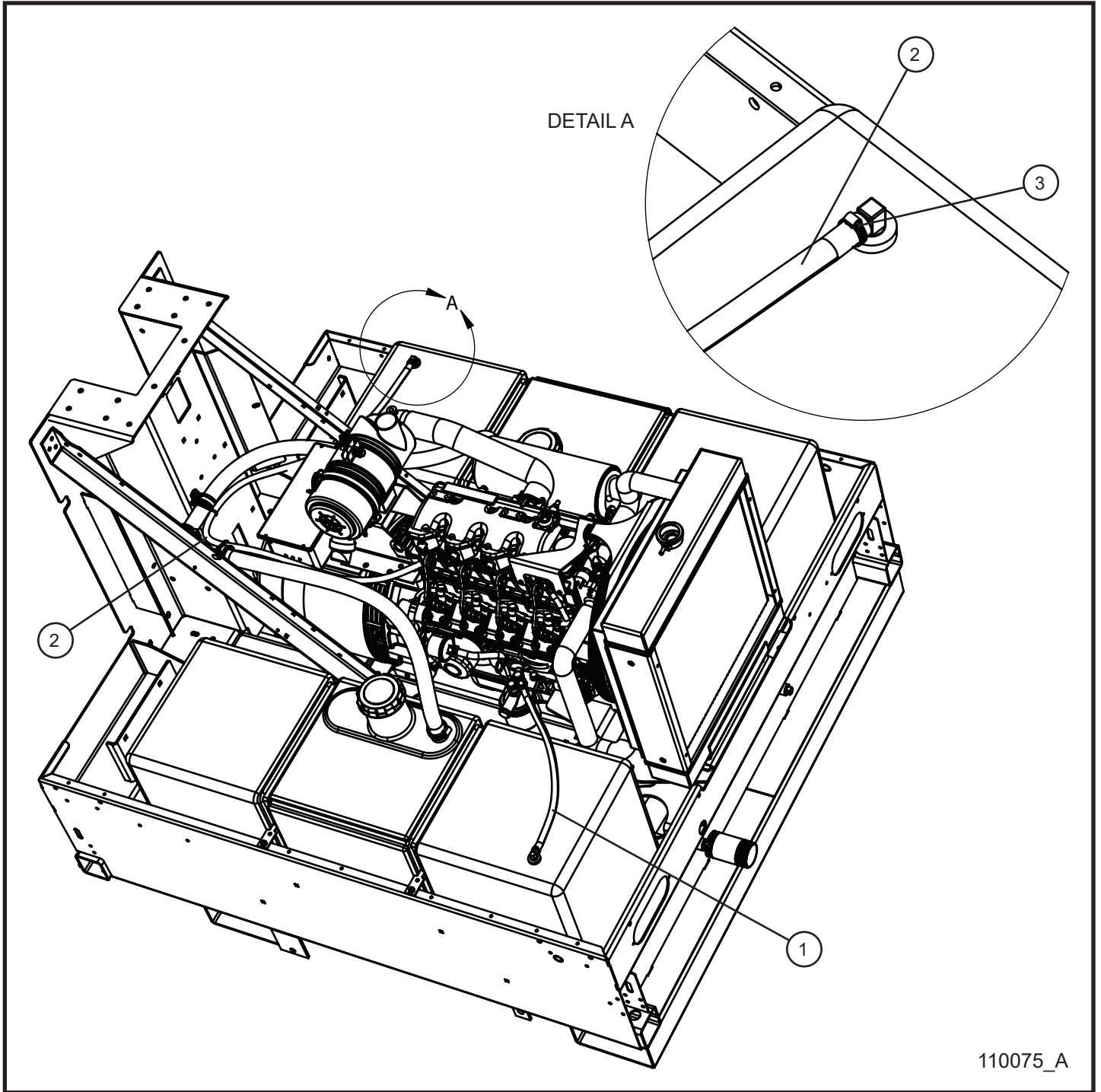
14.8 - Isuzu Exhaust Blanket



14.8 - Isuzu Exhaust Blanket

Item	Part No.	Part Description	Qty.
1	104649	BLANKET TAILPIPE ISUZU 4LE1	1
2	101365	BLANKET MUFFLER ISUZU 4LE1	1

14.9 - Isuzu Fuel Lines

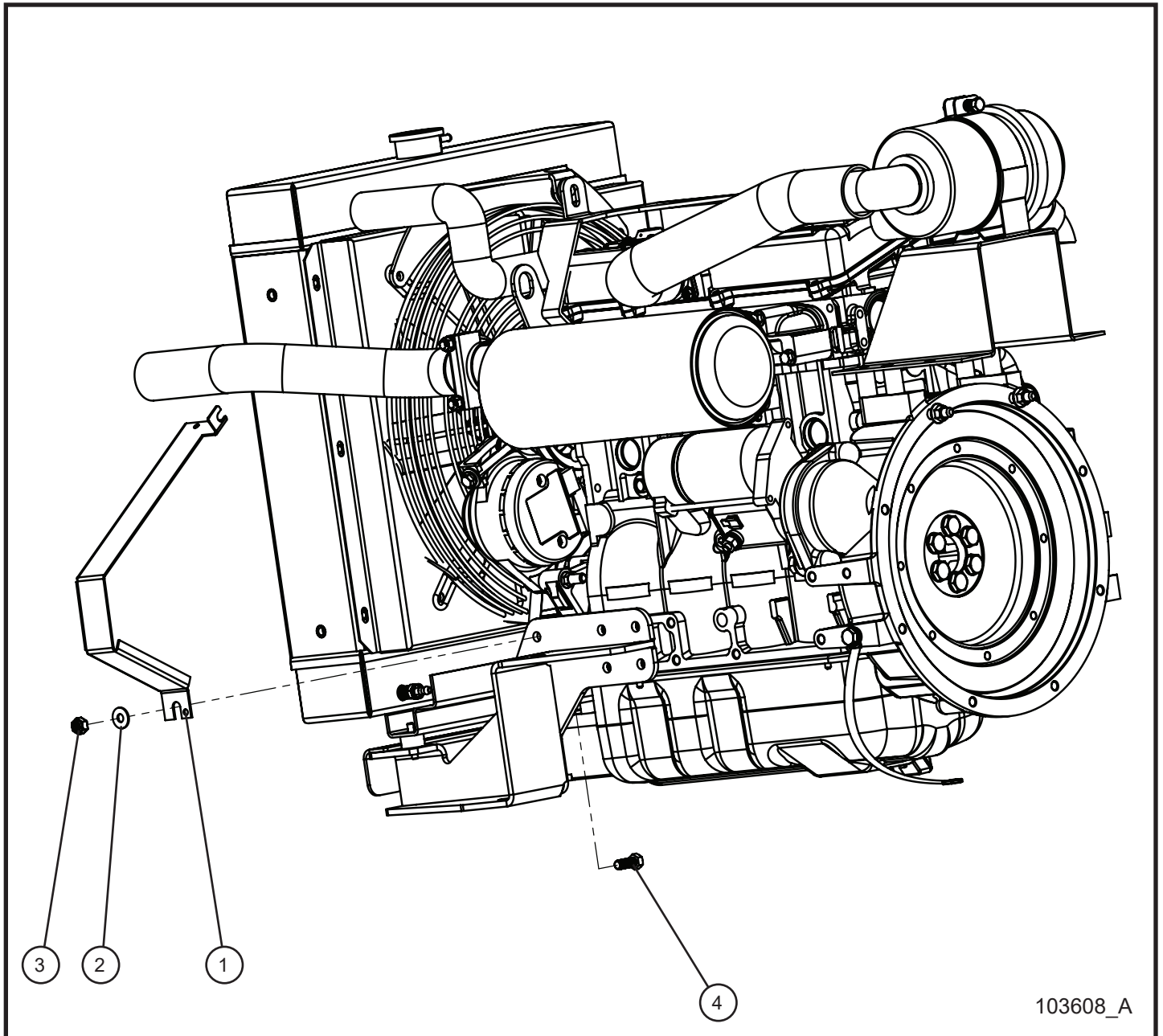


110075_A

14.9 - Isuzu Fuel Lines

Item	Part No.	Part Description	Qty.
1	081018	5/16 FUEL LINE x 35.00	1
2	081018	5/16 FUEL LINE x 60.00	1
3	433400	#4 HOSE CLAMP	4

14.10 - Isuzu Belt Guard

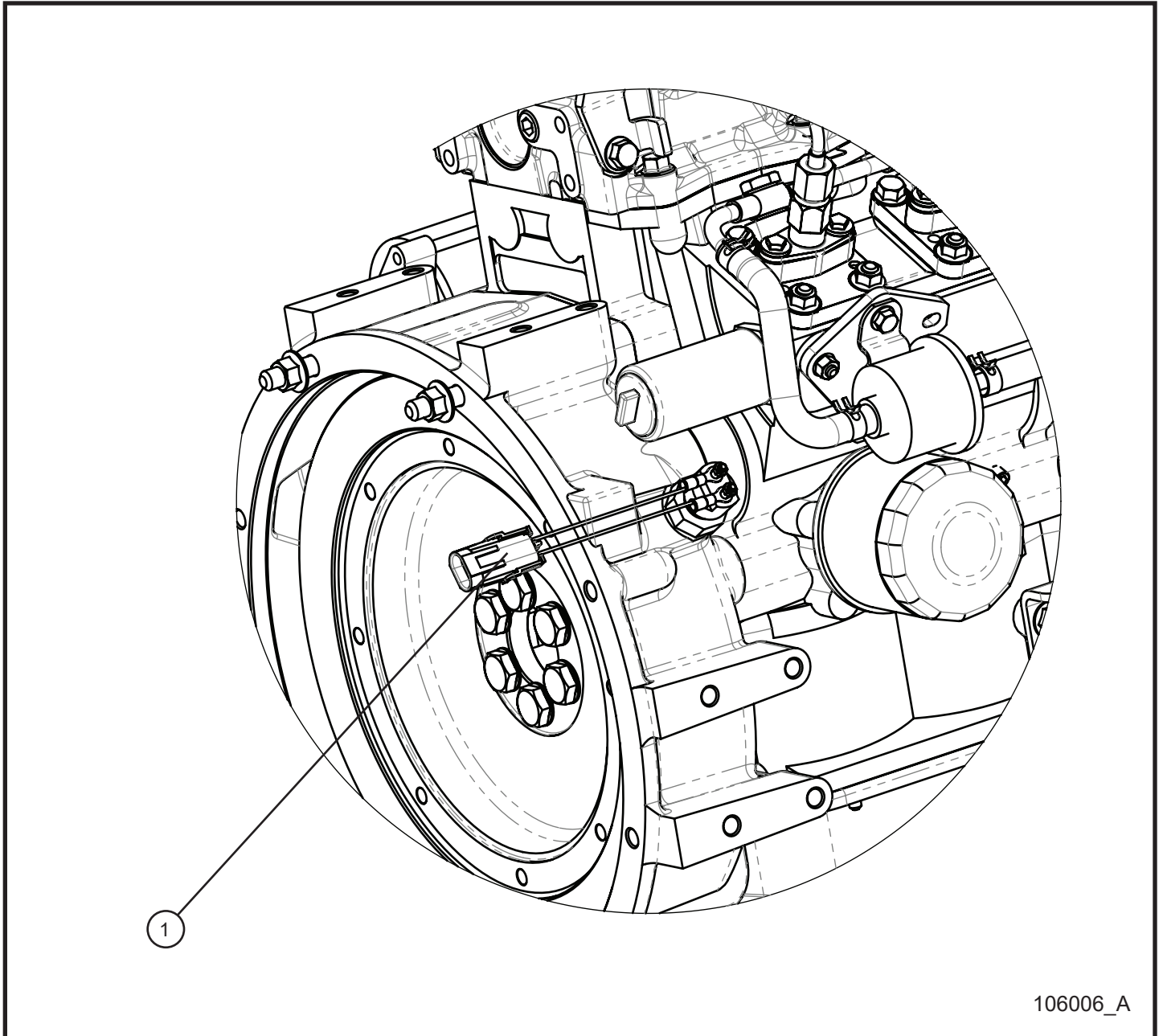


103608_A

14.10 - Isuzu Belt Guard

Item	Part No.	Part Description	Qty.
1	103898P	BELT GUARD ISUZU	1
2	047010	5/16 FLAT WASHER PL	1
3	044038	3/8-16 NYLOCK HEX NUT PL	1
4	046110	3/8-16 x 1 HEX HEAD CS GR5 PL	1

14.11 - Isuzu Magnetic Pick-Up w/ Electronic Governor



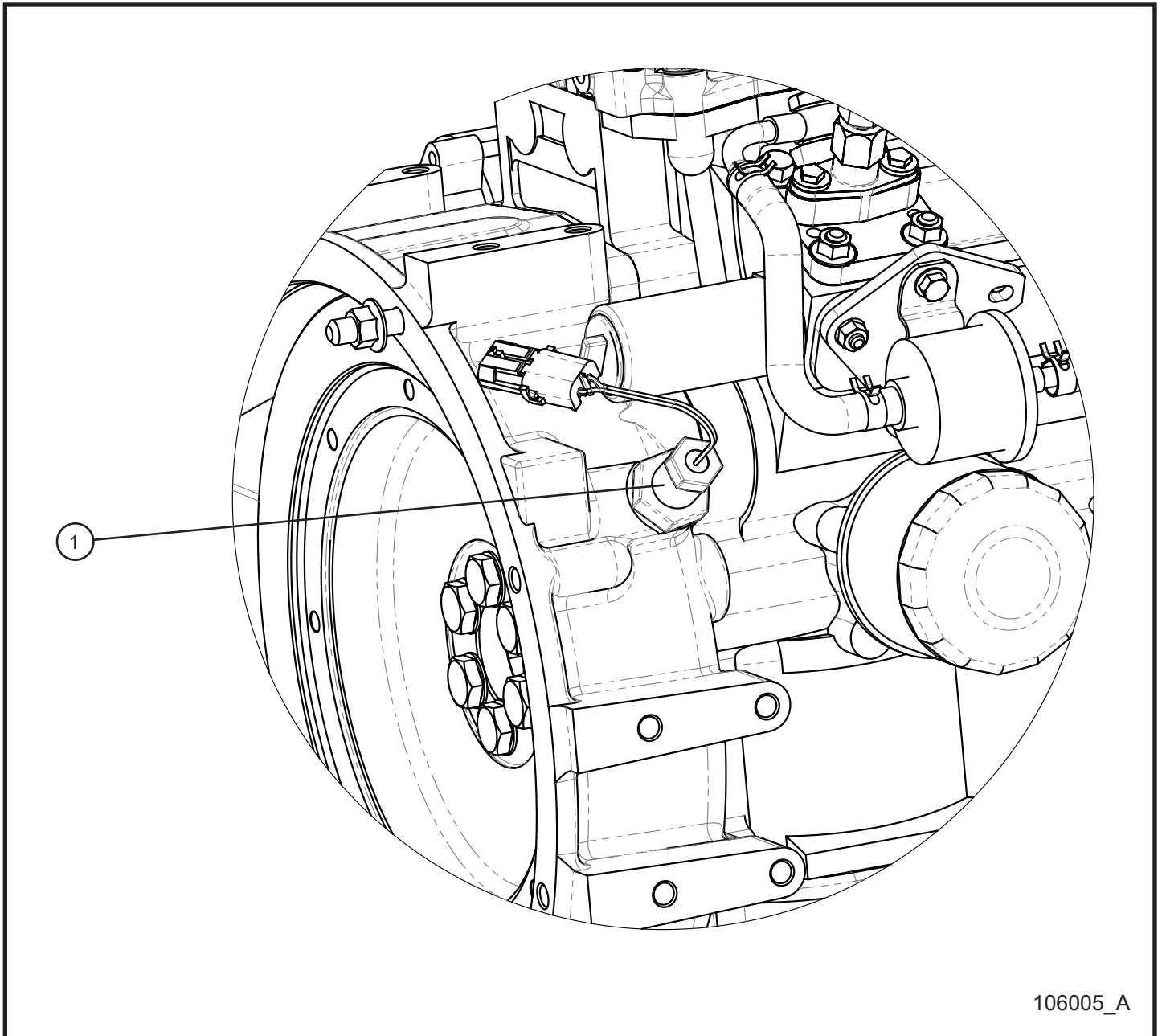
106006_A

Maxi-Lite II

14.11 - Isuzu Magnetic Pick-Up w/ Electronic Governor

Item	Part No.	Part Description	Qty.
1	106007	PIGTAIL MAGNETIC PICKUP	1

14.12 - Isuzu Magnetic Pick-Up w/o Electronic Governor



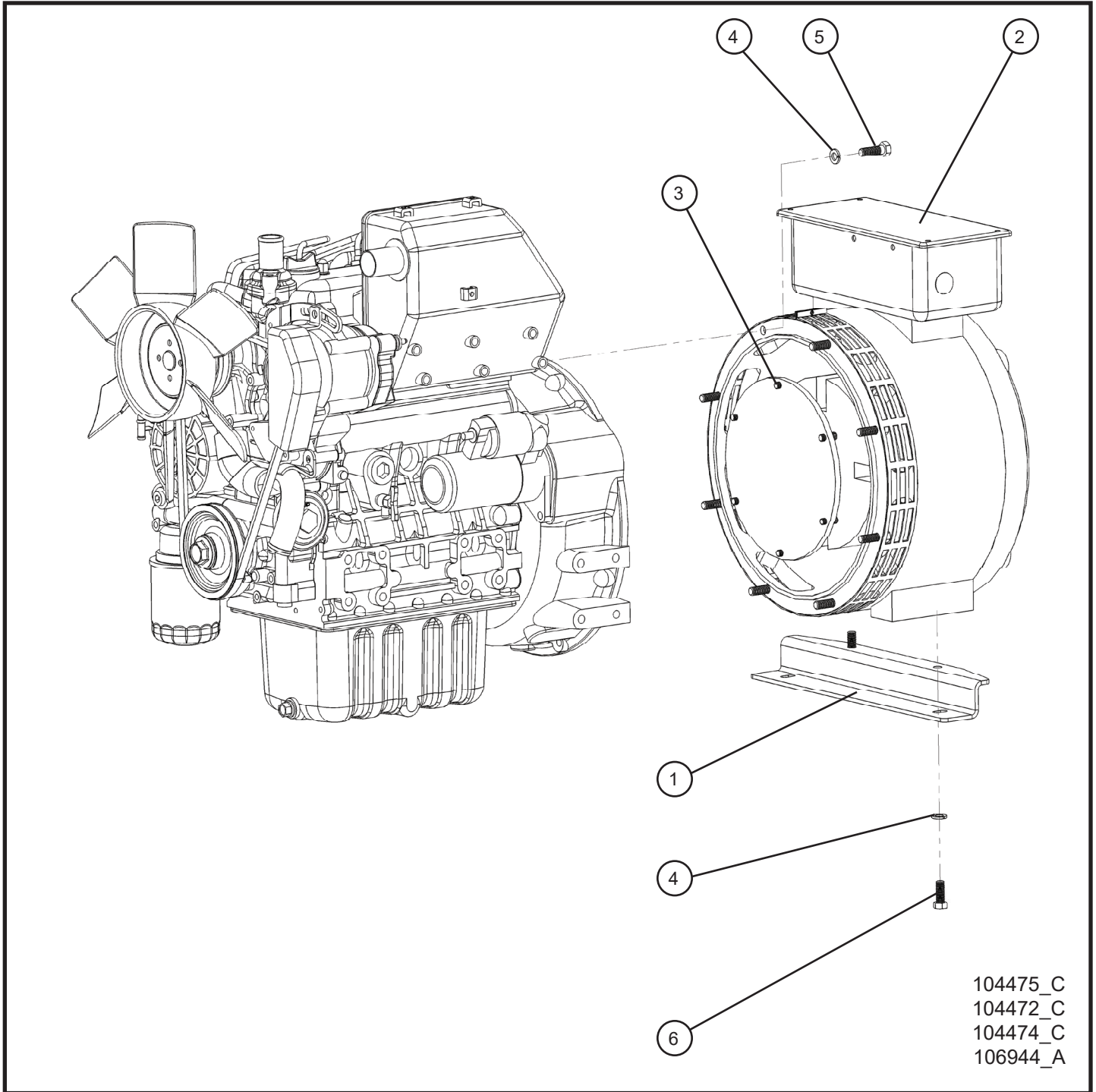
106005_A

Maxi-Lite II

14.12 - Isuzu Magnetic Pick-Up w/o Electronic Governor

Item	Part No.	Part Description	Qty.
1	105337	MAGNETIC SENSOR 3/4" x 16 WITH PLUG	1

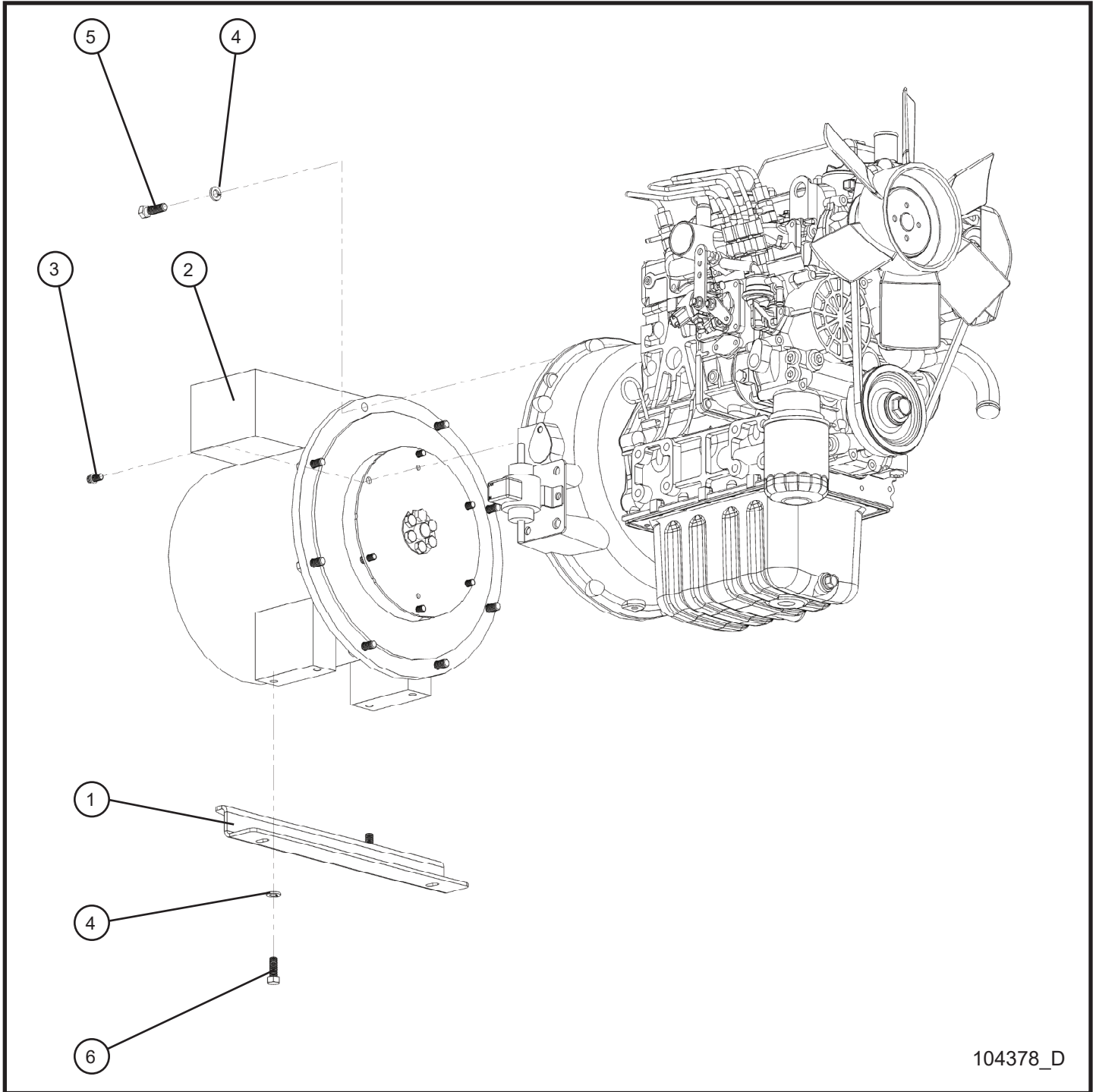
15.1 - 6/8kW Marathon Generator Options



15.1 - 6/8kW Marathon Generator Options

Item	Part No.	Part Description	Qty.
1	651012P	GENERATOR MOUNT BRACKET	1
2	650286	GENERATOR MARATHON 6kW 50Hz	1
	106920	GENERATOR MARATHON 6kW 50Hz 201 SERIES SAE	1
	101075	GENERATOR MARATHON 8kW 60Hz	1
	654000	GENERATOR MARATHON 8kW 60Hz AVR	1
3	046041	5/16-18 x 1/2 PT FLANGE HEAD BOLT	6
4	043065	3/8 SPLITLOCK WASHER PL	10
5	046115	3/8-16 x 1 1/4 HEX HEAD CS GR5 PL	8
6	046110	3/8-16 x 1 HEX HEAD CS GR5 PL	2

15.2 - 8kW Athlon Generator Option

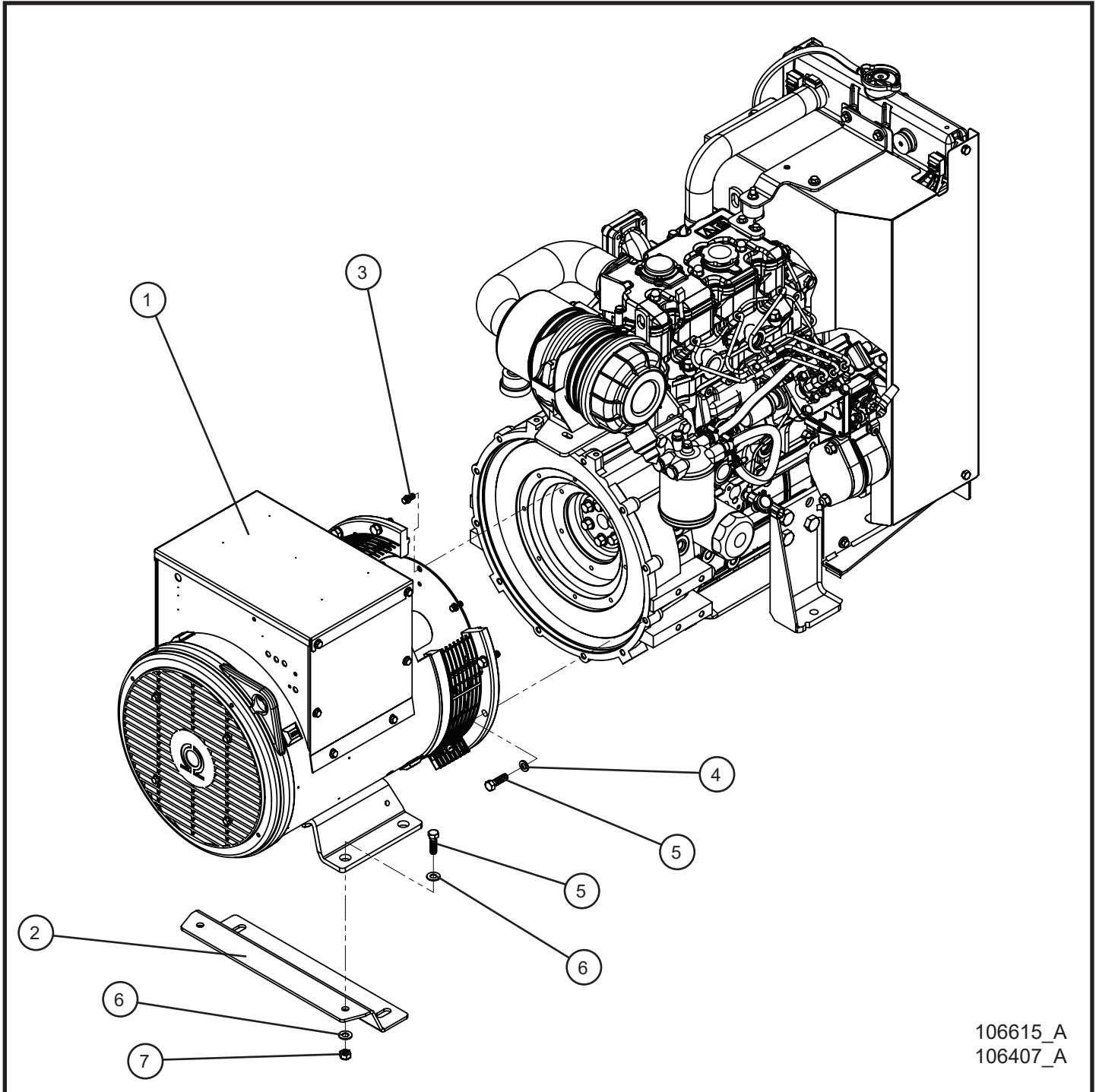


104378_D

15.2 - 8kW Athlon Generator Option

Item	Part No.	Part Description	Qty.
1	651012P	GENERATOR MOUNT BRACKET	1
2	102692	GENERATOR ATHLON 8kW 60Hz	1
3	046041	5/16-18 x 1/2 PT FLANGE HEAD BOLT	6
4	043065	3/8 SPLITLOCK WASHER PL	10
5	046115	3/8-16 x 1 1/4 HEX HEAD CS GR5 PL	8
6	046110	3/8-16 x 1 HEX HEAD CS GR5 PL	2

15.3 - 11/15kW CAT C1.5 Marathon Generator Options

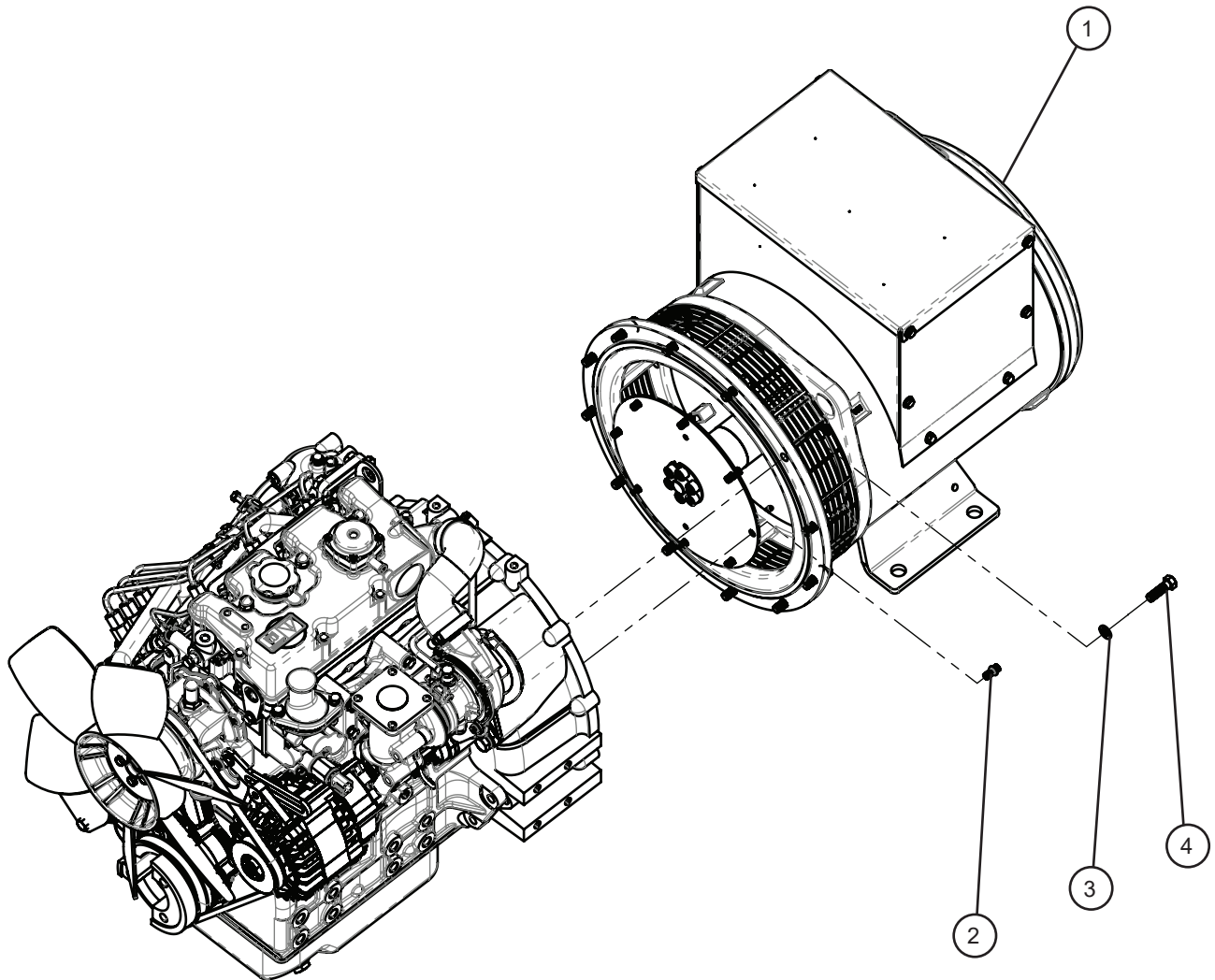


106615_A
106407_A

15.3 - 11/15kW CAT C1.5 Marathon Generator Options

Item	Part No.	Part Description	Qty.
1	106214	GENERATOR MARATHON 11/15kW 50/60Hz	1
	106215	GENERATOR MARATHON 15kW 60Hz 3PH	1
2	103490P	BRACKET GENERATOR CAT C1.5	1
3	046041	5/16-18 x 1/2" 12 PT FLANGE HEAD BOLT	8
4	043065	3/8 SPLITLOCK WASHER PL	12
5	046115	3/8-16 x 1 1/4 HEX HEAD CS GR5 PL	14
6	047016	3/8 FLAT WASHER SAE ZINC	4
7	044038	3/8-16 NYLOCK HEX NUT PL	2

15.4 - 11/15kW CAT Turbo C1.5 Marathon Generator Options

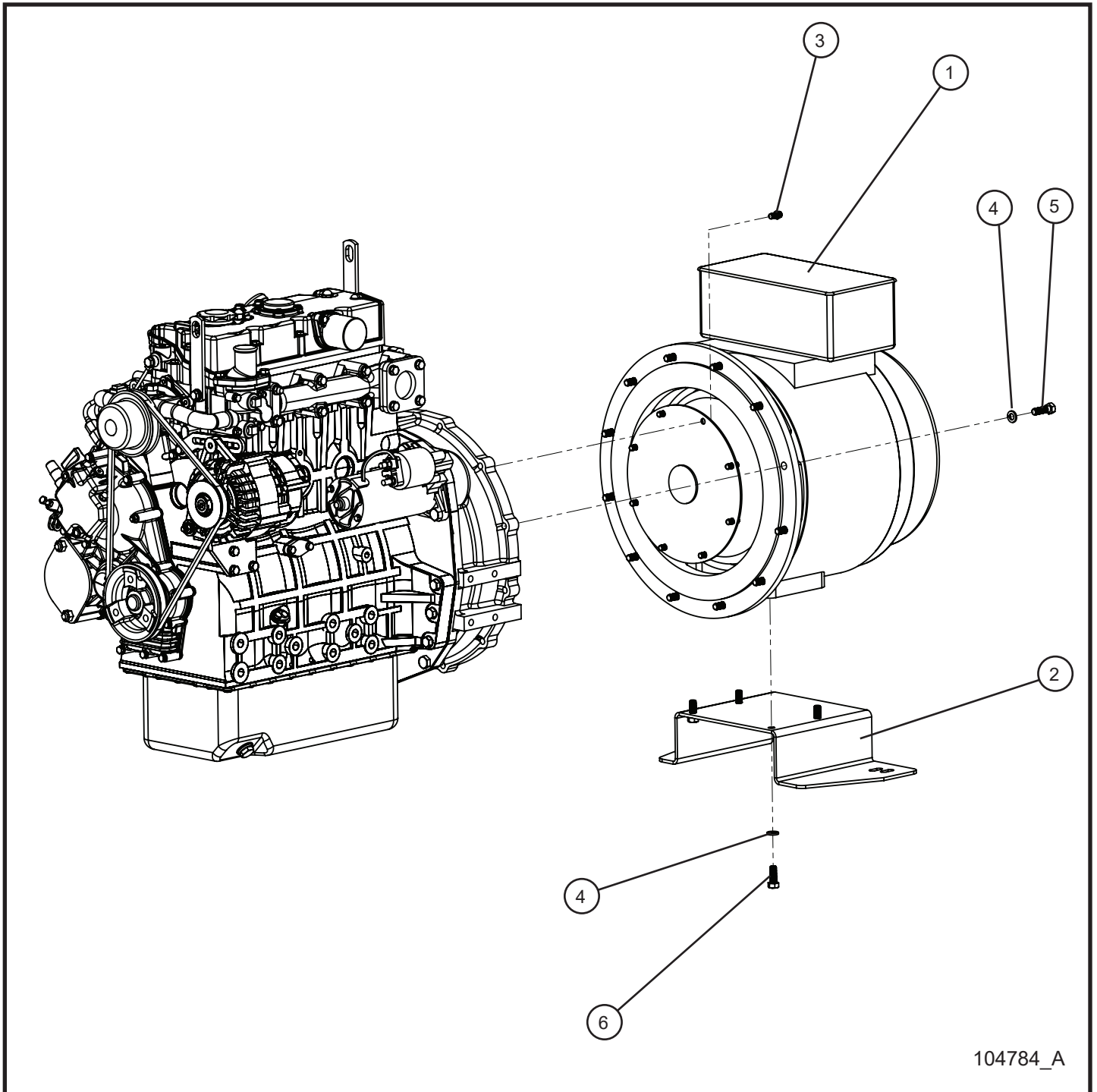


106224_A
106225_A

15.4 - 11/15kW CAT Turbo C1.5 Marathon Generator Options

Item	Part No.	Part Description	Qty.
1	106214	GEN MARATHON 11/15kW 50/60Hz	1
	106215	GEN MARATHON 15kW 60Hz 3PH	1
2	046041	5/16-18 x 1/2" 12 PT FLANGE HEAD BOLT	8
3	043065	3/8 SPLITLOCK WASHER PL	12
4	046115	3/8-16 x 1 1/4 HEX HEAD CS GR5 PL	12

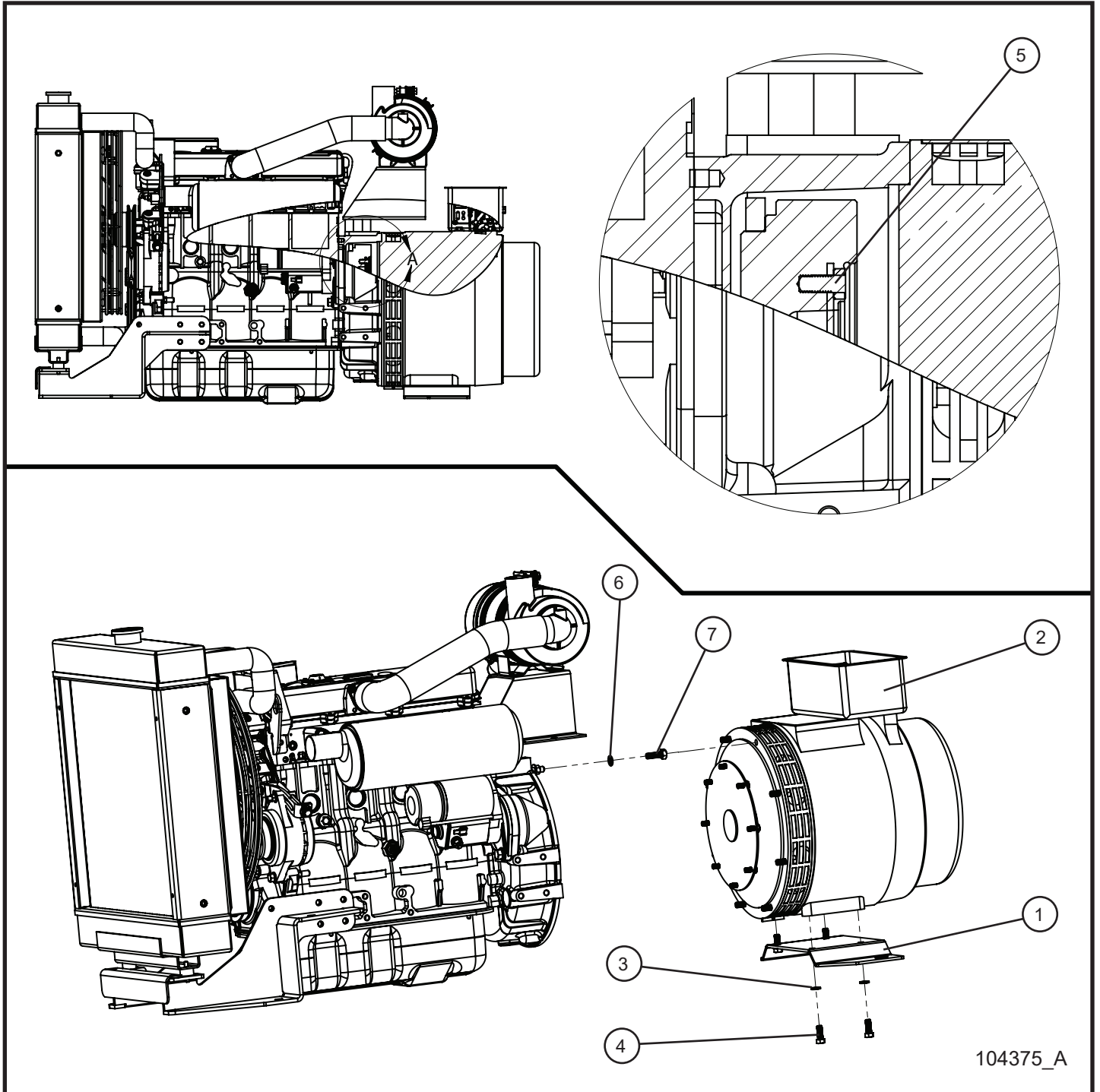
15.5 - 20kW CAT C1.5 Marathon Generator Option



15.5 - 20kW CAT C1.5 Marathon Generator Option

Item	Part No.	Part Description	Qty.
1	109670	GENERATOR MARATHON 20kW 3PH	1
2	104256P	MOUNT GENERATOR CAT C1.5	1
3	046041	5/16-18 x 1/2" 12 PT FLANGE HEAD BOLT	8
4	043065	3/8 SPLITLOCK WASHER PL	16
5	046115	3/8-16 x 1 1/4 HEX HEAD CS GR5 PL	12
6	046110	3/8-16 x 1 HEX HEAD CS GR5 PL	4

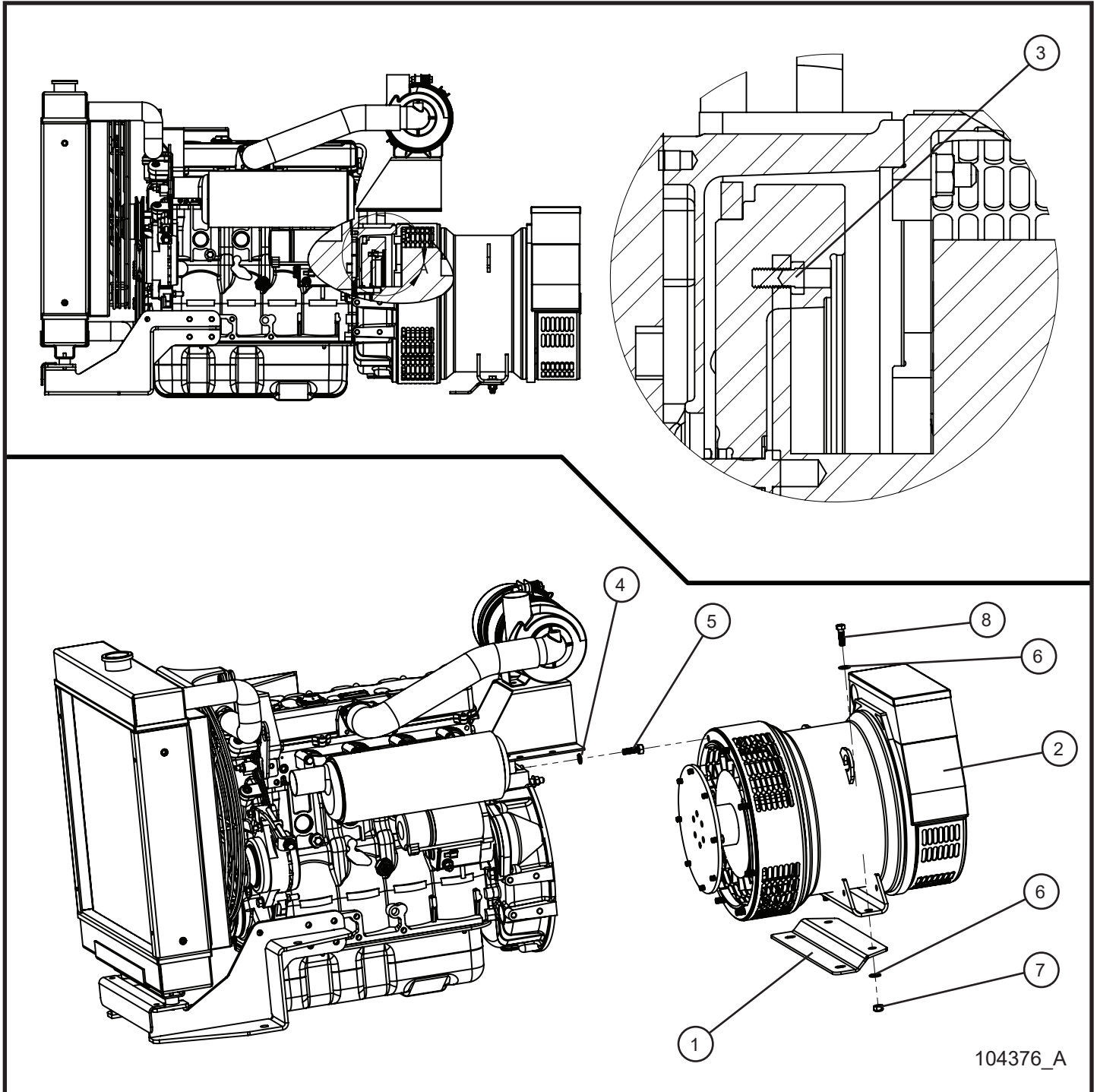
15.6 - 20kW Isuzu 4LE1 Marathon Generator Option



15.6 - 20kW Isuzu 4LE1 Marathon Generator Option

Item	Part No.	Part Description	Qty.
1	102509P	BRACKET GEN MOUNT MARATHON 334	1
2	350356	GENERATOR MARATHON 334 20kW 1PH	1
3	043065	3/8 SPLITLOCK WASHER PL	4
4	046110	3/8-16 x 1 HEX HEAD CS GR5 PL	4
5	042027	M8 x 16MM x 1.25MM HEX HEAD CS GR10.9 PL	8
6	042151	M10 SPLITLOCK WASHER PL	8
7	042040	M10 x 30MM x 1.5MM HEX HEAD CS GR8.8 PL	8

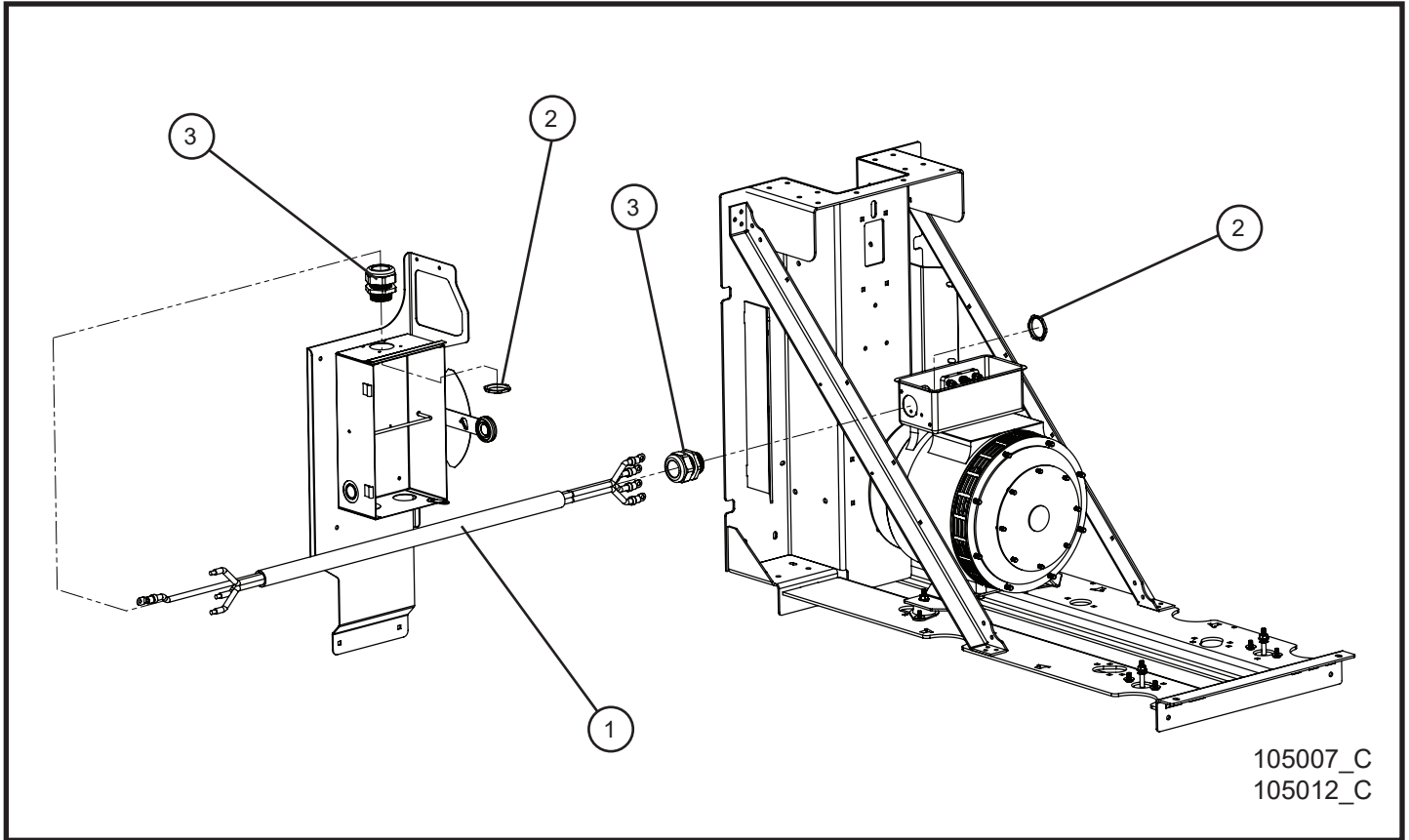
15.7 - 20kW Isuzu 4LE1 Cummins Generator Option



15.7 - 20kW Isuzu 4LE1 Cummins Generator Option

Item	Part No.	Part Description	Qty.
1	109700P	BRACKET GEN MOUNT 20kW 3 PHASE	1
2	102860	GENERATOR CUMMINS 20kW 3 PHASE	1
3	042027	M8 x 16MM x 1.25MM HEX HEAD CS GR10.9 PL	8
4	042151	M10 SPLITLOCK WASHER PL	8
5	042040	M10 x 30MM x 1.5MM HEX HEAD CS GR8.8 PL	8
6	047016	3/8 FLAT WASHER SAE ZINC	4
7	044038	3/8-16 NYLOCK HEX NUT PL	2
8	046115	3/8-16 x 1 1/4 HEX HEAD CS GR5 PL	2

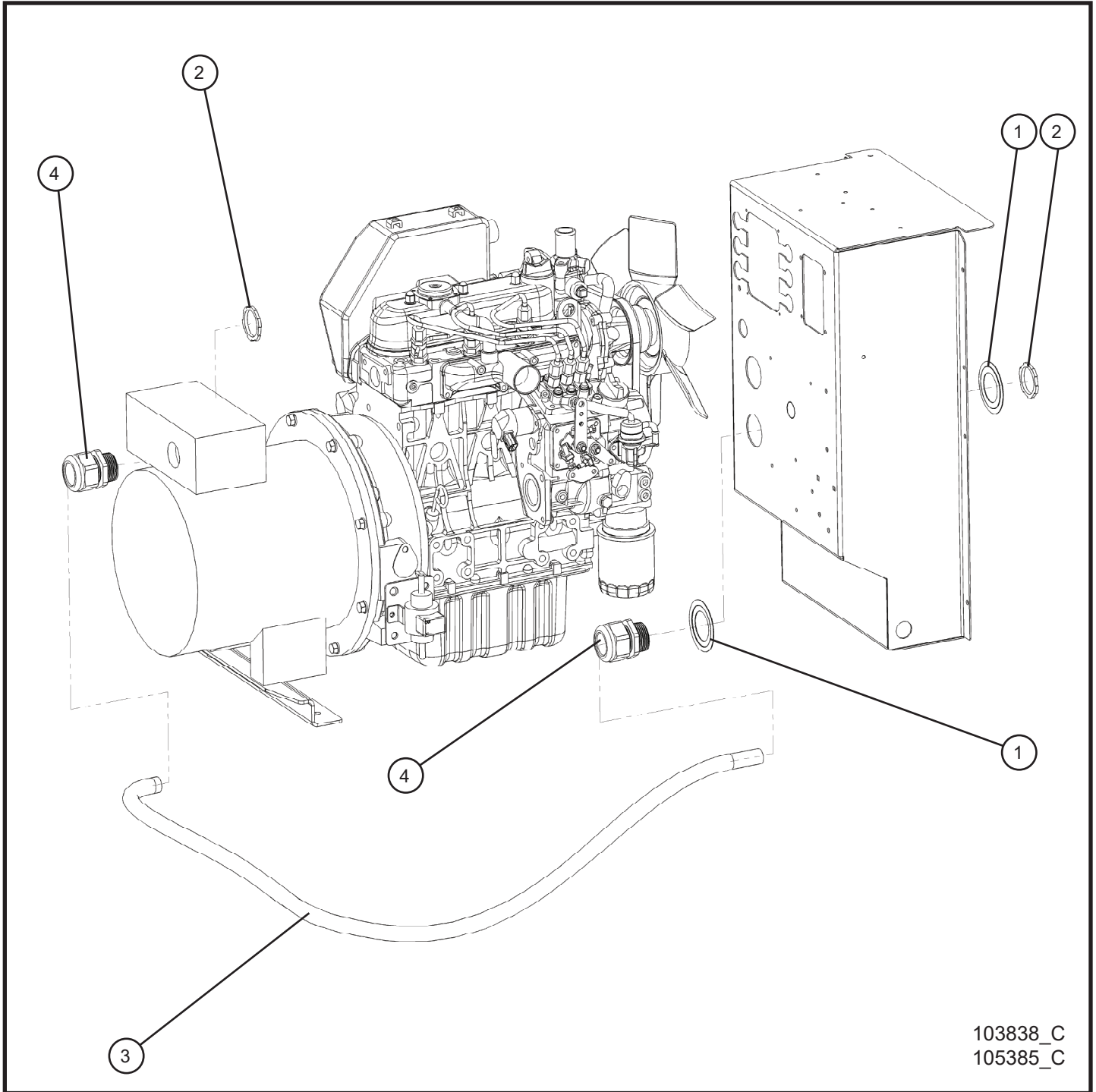
15.8 - Double Throw Switch Generator Cord Options



15.8 - Double Throw Switch Generator Cord Options

Item	Part No.	Part Description	Qty.
1	105020	2/4 CORD SWITCH BOX/GENERATOR	1
	104861	2/4 CORD SWITCH BOX/GENERATOR ISUZU	1
2	022232	1 1/2 LOCK NUT	2
3	105629	CORD GRIP 1-1/2" NYLON BLACK	2
4	105303	SCHEMATIC 20kW 1PH TRANSFER SWITCH	1

15.9 - 6/4 CSA Generator Cord Options

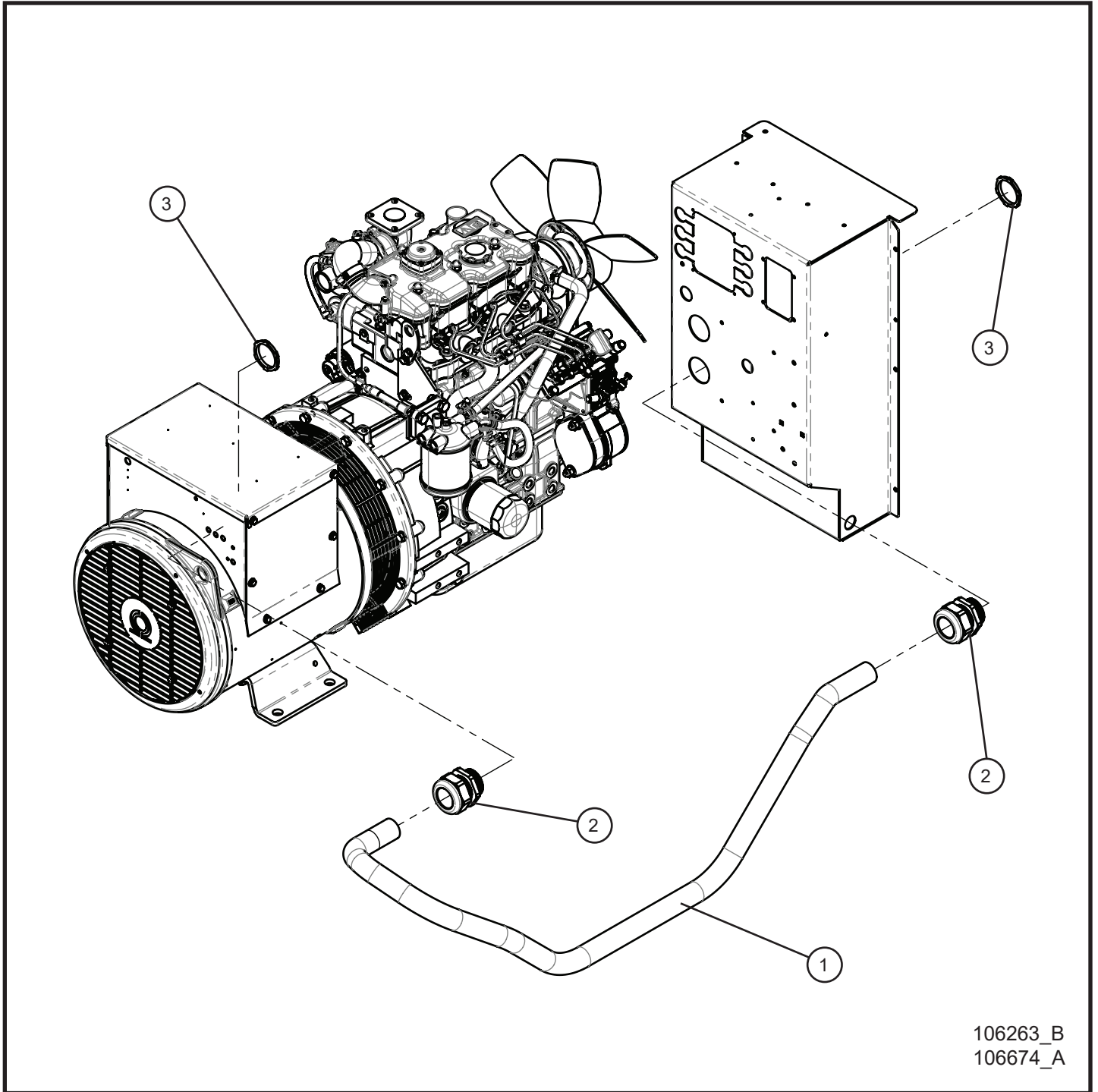


103838_C
105385_C

15.9 - 6/4 CSA Generator Cord Options

Item	Part No.	Part Description	Qty.
1	022023	2 x 1-1/4 REDUCING WASHER TYPE RW	2
2	350363	1 1/4 LOCK NUT	2
3	104996	GEN CORD 6/4 MAXI LITE II	1
	105384	GEN CORD 6/4 AVR MAXI LITE II	1
4	105628	CORD GRIP 1-1/4" NYLON BLACK	2
5	105269	SCHEMATIC 8kW 1P MARATHON/ATHLON	1
6	106150	CORD SECURING INSTALLATION KIT MAXI II	1

15.10 - CAT C1.5 Turbo Generator Cord Options

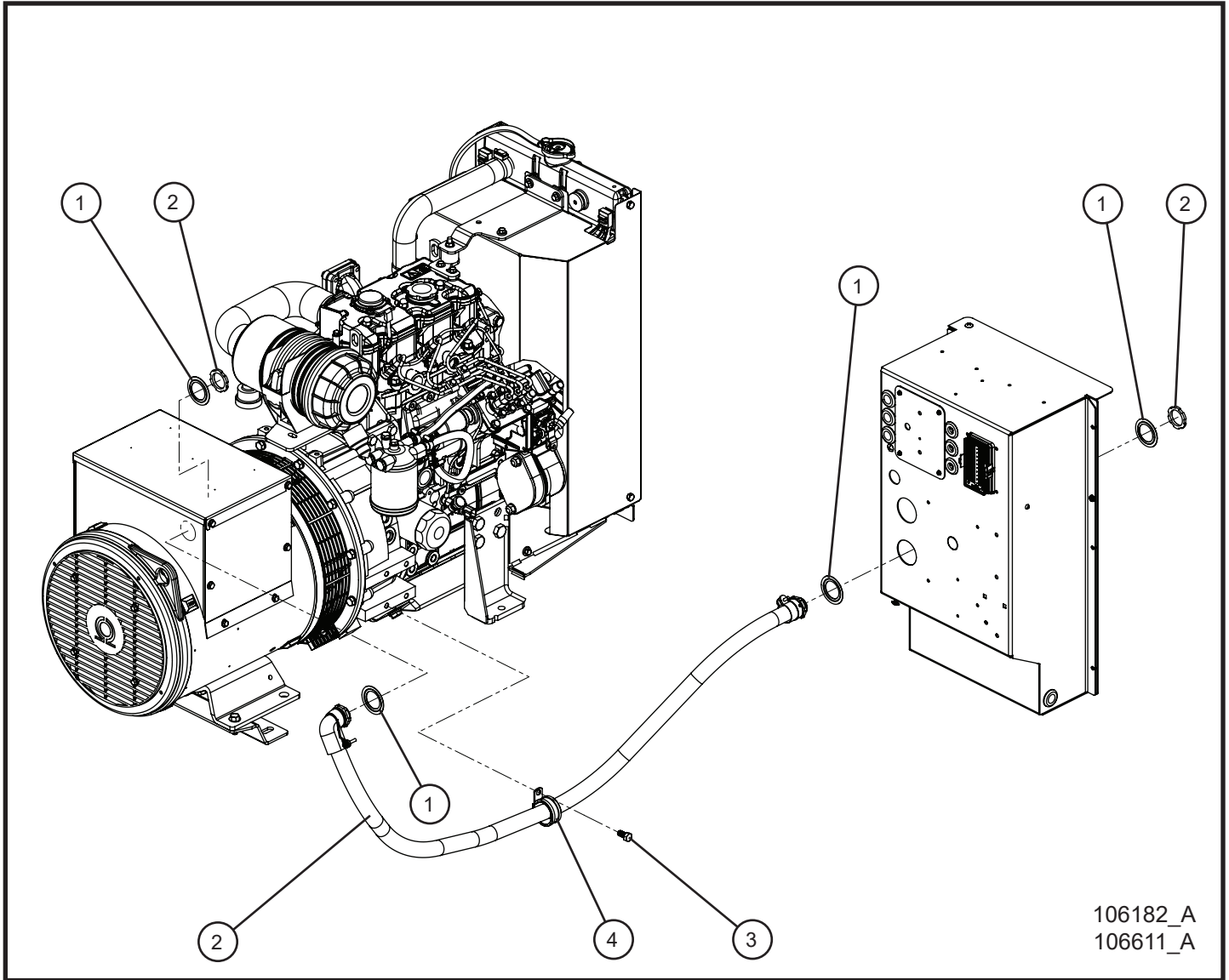


106263_B
106674_A

15.10 - CAT C1.5 Turbo Generator Cord Options

Item	Part No.	Part Description	Qty.
1	106541	GEN CORD 4/5 CSA	1
	104997	GEN CORD 4/4 CORD	1
2	105629	CORD GRIP 1-1/2" NYLON BLACK	2
3	022232	1 1/2 LOCKNUT	2
NS	106067	3 PHASE GEN WIRE LEAD	1
NS	106555	3 PHASE SCHEMATIC	1
NS	106090	SCHEMATIC 4/4 CORD 220/240 L-L	1
NS	106150	CORD SECURING INSTALLATION KIT MAXI II	1

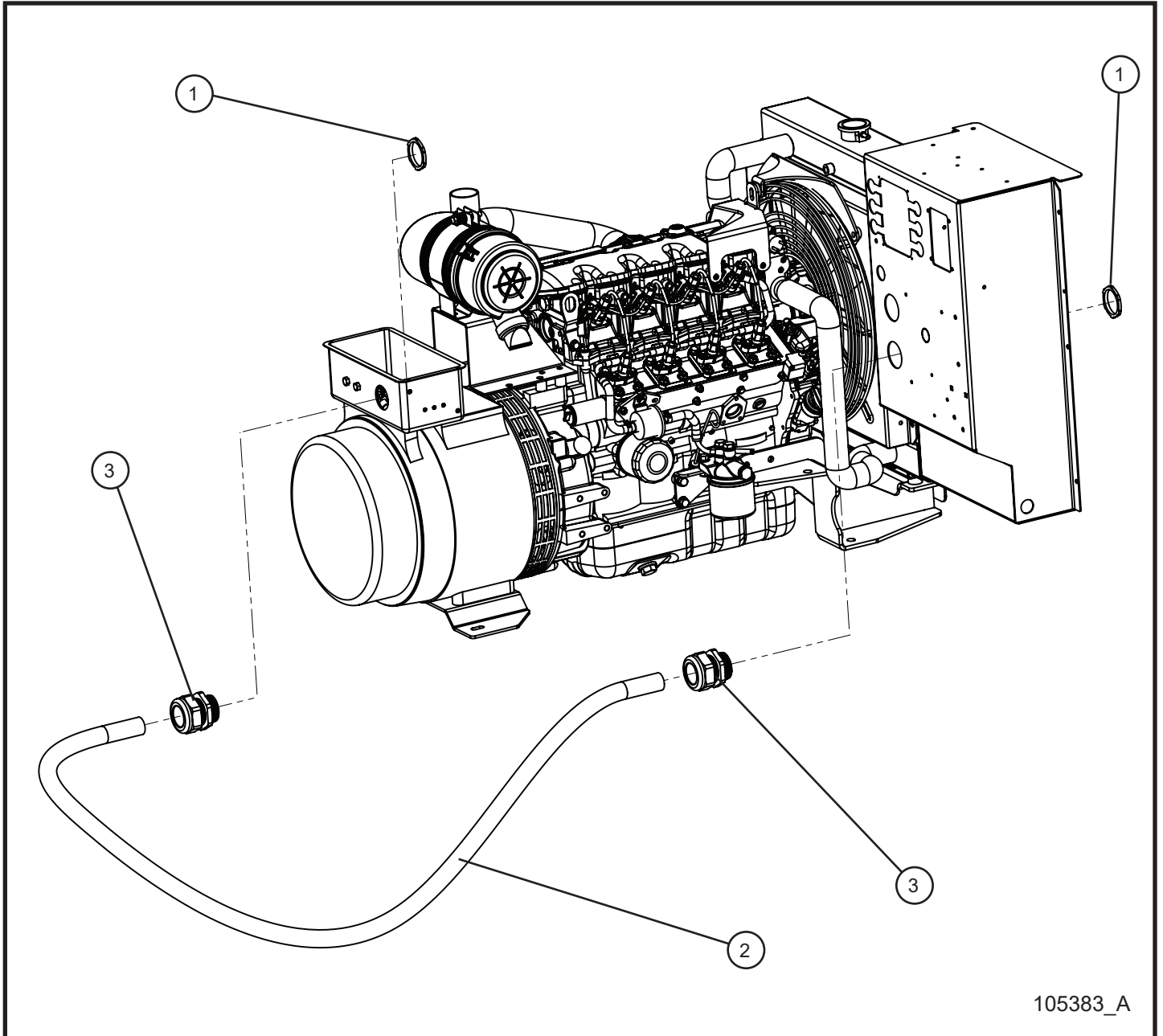
15.11 - AS3000 Generator Cord Options



15.11 - AS3000 Generator Cord Options

Item	Part No.	Part Description	Qty.
1	022350	1 1/4 TO 1" REDUCING WASHER	4
2	106179	GENERATOR CORD 6/8kW NZL/AS3000	1
	106405	GENERATOR CORD 11/13kW NZL/AS3000	1
3	046105	3/8-16 x 3/4 HEX HEAD CS GR8 PL	1
4	106144	#20 CUSH CLAMP W/ 3/8 HOLE	1
5	106180	SCHEMATIC GENERATOR CORD	1

15.12 - 20kW Marathon Generator Cord Option

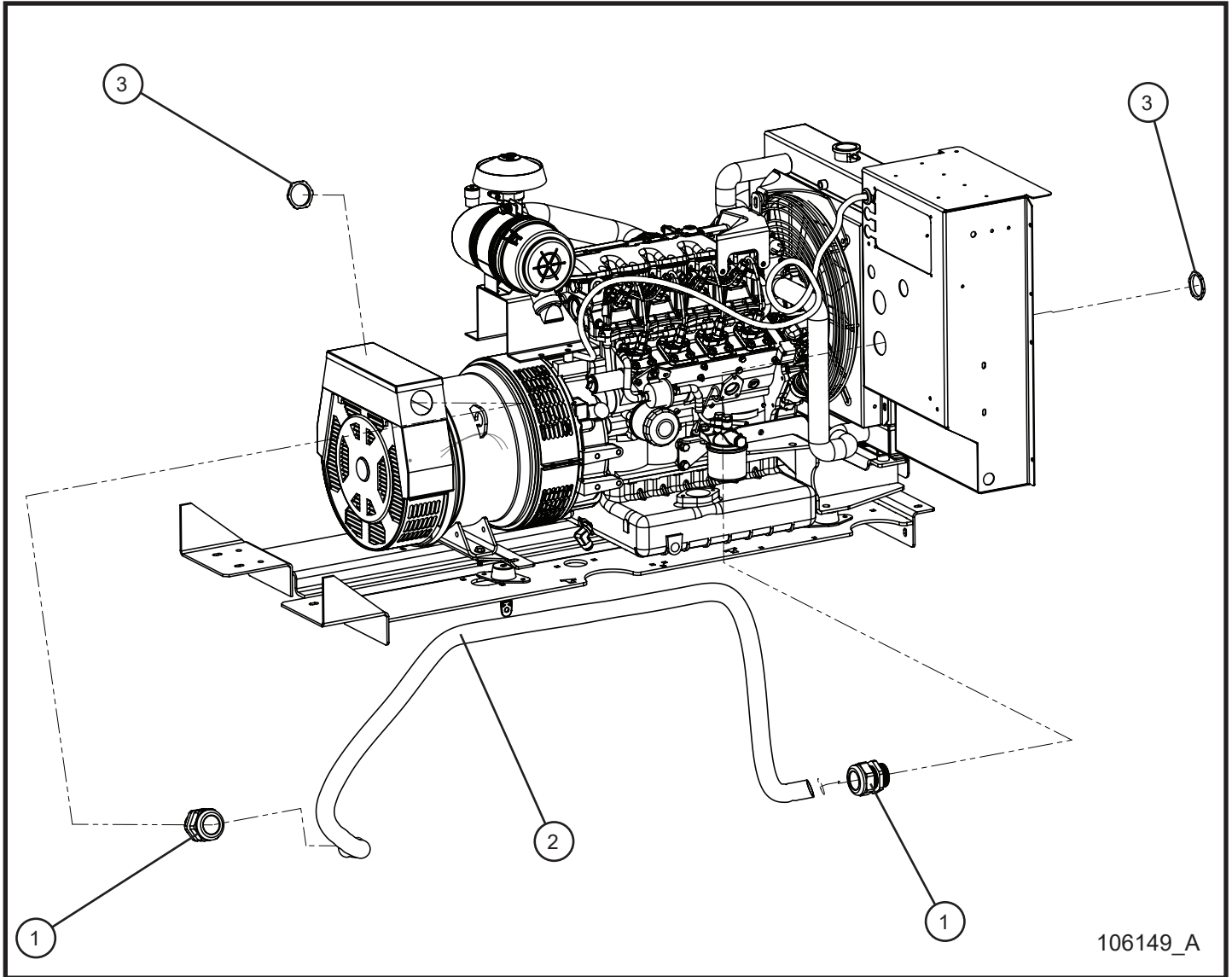


105383_A

15.12 - 20kW Marathon Generator Cord Option

Item	Part No.	Part Description	Qty.
1	022232	1 1/2 LOCK NUT	2
2	104998	GEN CORD 2/4 20kW CSA MAXI II	1
3	105629	CORD GRIP 1-1/2" NYLON BLACK	2
4	105933	SCHEMATIC 20kW 1P MARATHON	1
5	106150	CORD SECURING INSTALLATION KIT MAXI II	1

15.13 - 20kW Cummins Generator Cord Option

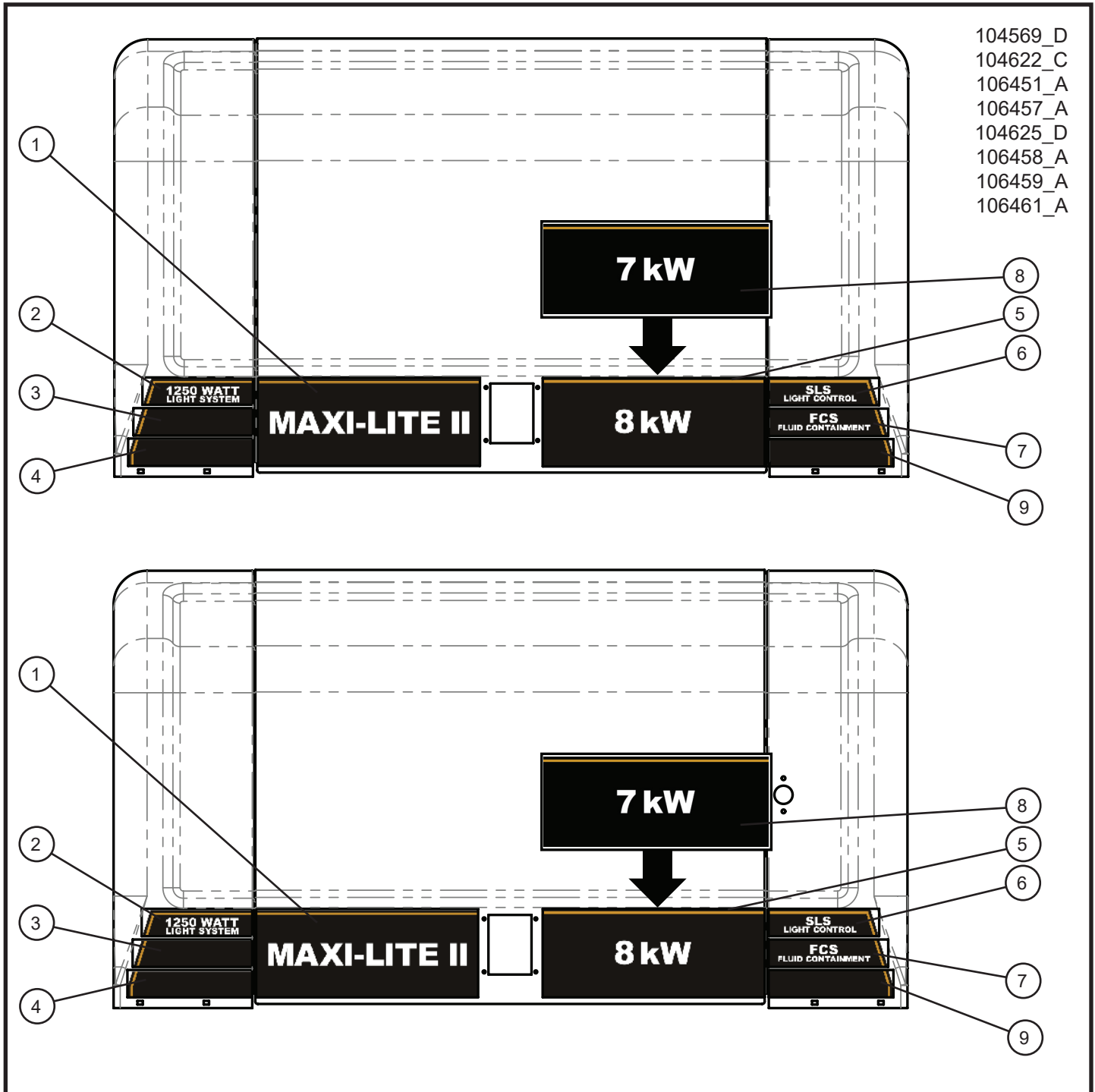


106149_A

15.13 - 20kW Cummins Generator Cord Option

Item	Part No.	Part Description	Qty.
1	105629	CORD GRIP 1-1/2"	2
2	105066	4/5 208V CSA GEN CORD	1
3	022232	1 1/2 LOCK NUT	2
4	105272	SCHEMATIC 20kW 3P 208V 60Hz CUMMINS GENERATOR	1
5	106150	CORD SECURING INSTALLATION KIT MAXI II	1

16.1 - Door Stripe Decals (1 of 4)

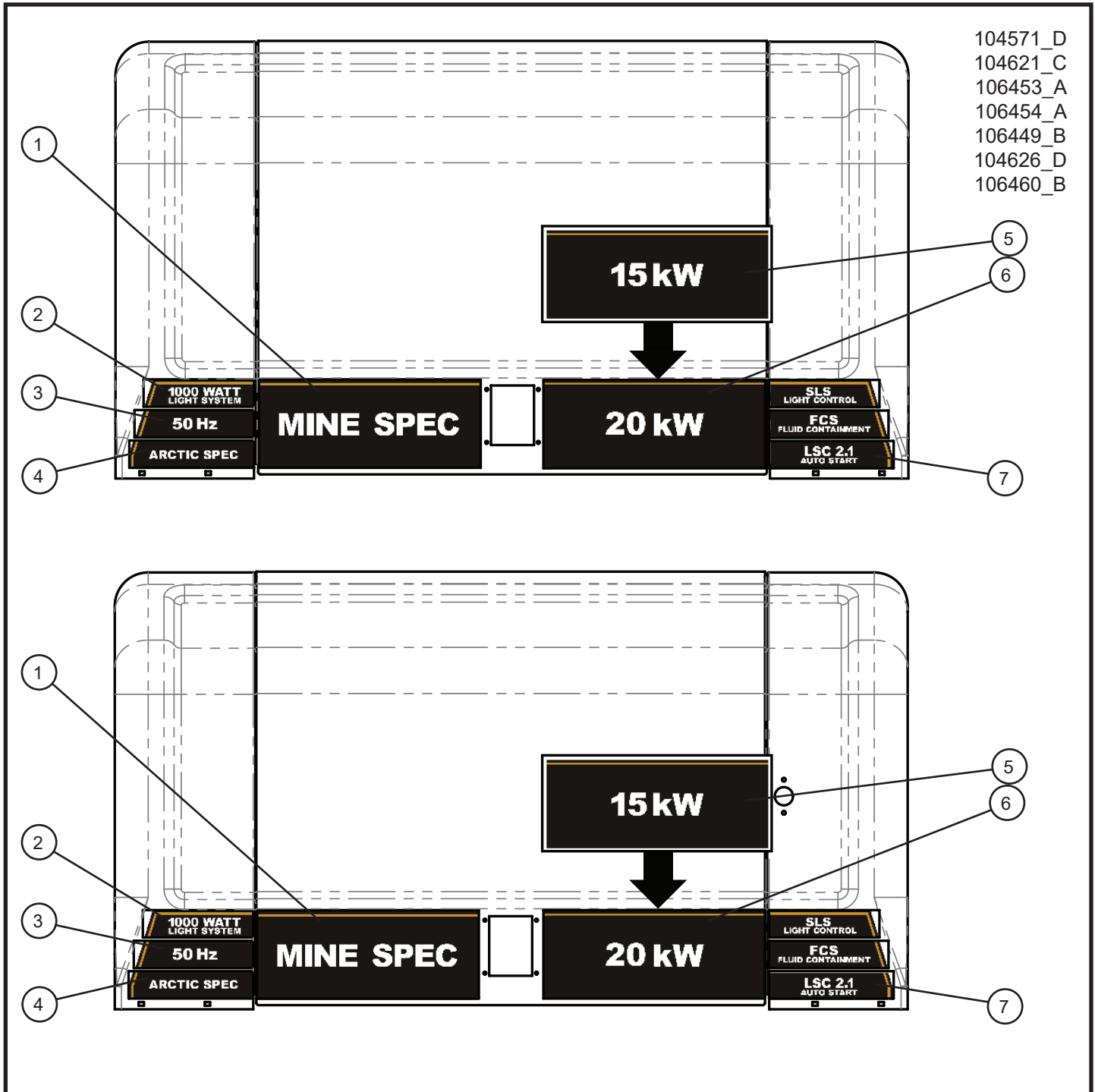


16.1 - Door Stripe Decals (1 of 4)

Item	Part No.	Part Description	Qty.
1	106356	MAXI-LITE II DOOR STRIPE DECAL	2
2	106361	1250 WATT DOOR STRIPE DECAL	2
3	106362	BLANK DOOR STRIPE DECAL	2
4	106368	BLANK DOOR STRIPE DECAL	2
5	106352	8kW DOOR STRIPE DECAL	2
6	106369	SLS DOOR STRIPE DECAL	2
7	106370	FCS DOOR STRIPE DECAL	2
8	110366	7kW DOOR STRIPE DECAL	2
9	106373	BLANK DOOR STRIPE DECAL	2

*NOTE: DOOR STRIPE DECALS ON THESE PAGES ARE SHOWN FOR PLACEMENT ONLY.

16.1 - Door Stripe Decals (2 of 4)

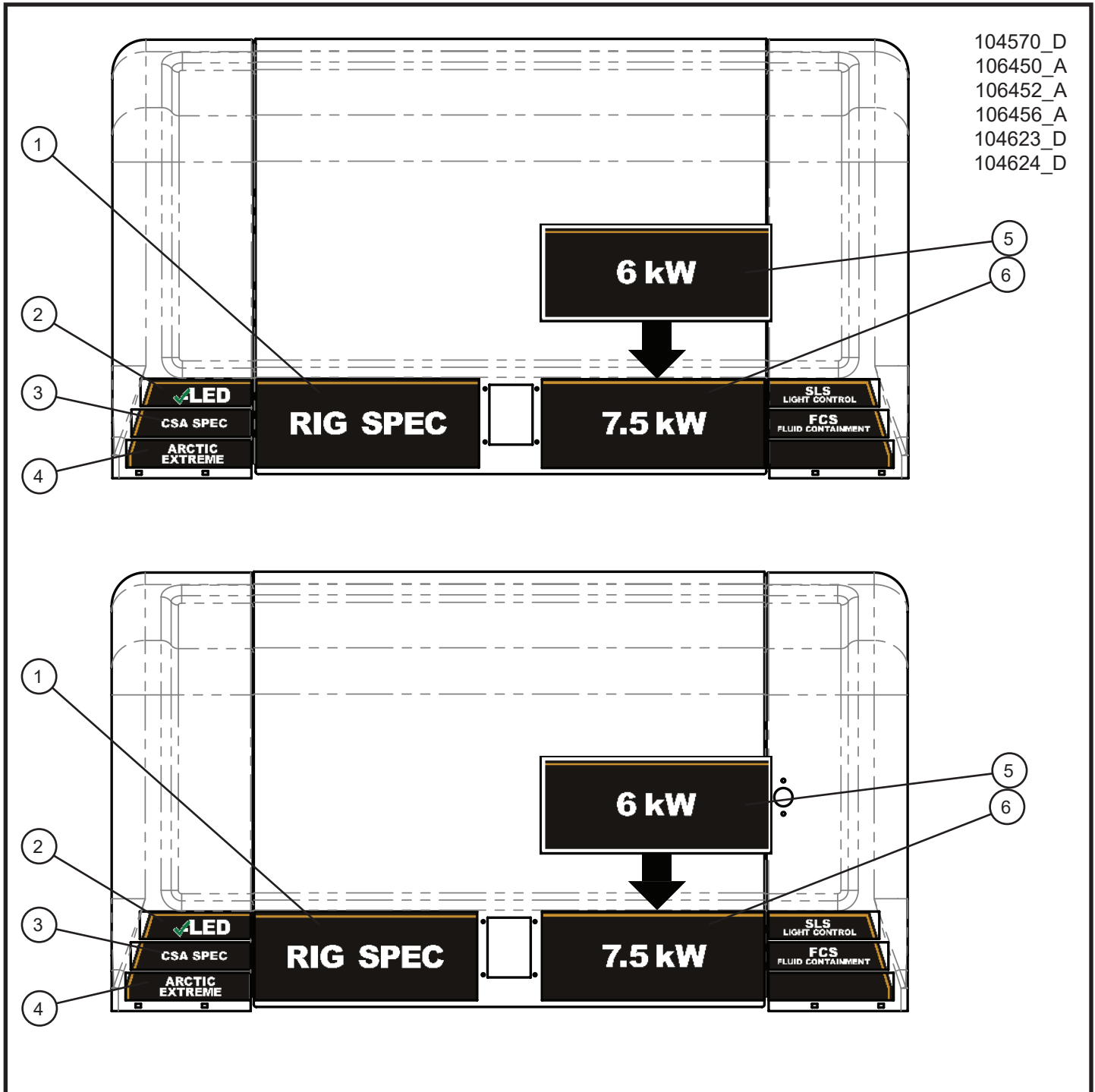


16.1 - Door Stripe Decals (2 of 4)

Item	Part No.	Part Description	Qty.
1	106357	MINE SPEC DOOR STRIPE DECAL	2
2	106360	1000 WATT DOOR STRIPE DECAL	2
3	106364	50Hz DOOR STRIPE DECAL	2
4	106365	ARCTIC SPEC DOOR STRIPE DECAL	2
5	106354	15kW DOOR STRIPE	2
6	106355	20kW DOOR STRIPE	2
7	107406	LSC 2.1 DOOR STRIPE DECAL	2

*NOTE: DOOR STRIPE DECALS ON THESE PAGES ARE SHOWN FOR PLACEMENT ONLY.

16.1 - Door Stripe Decals (3 of 4)

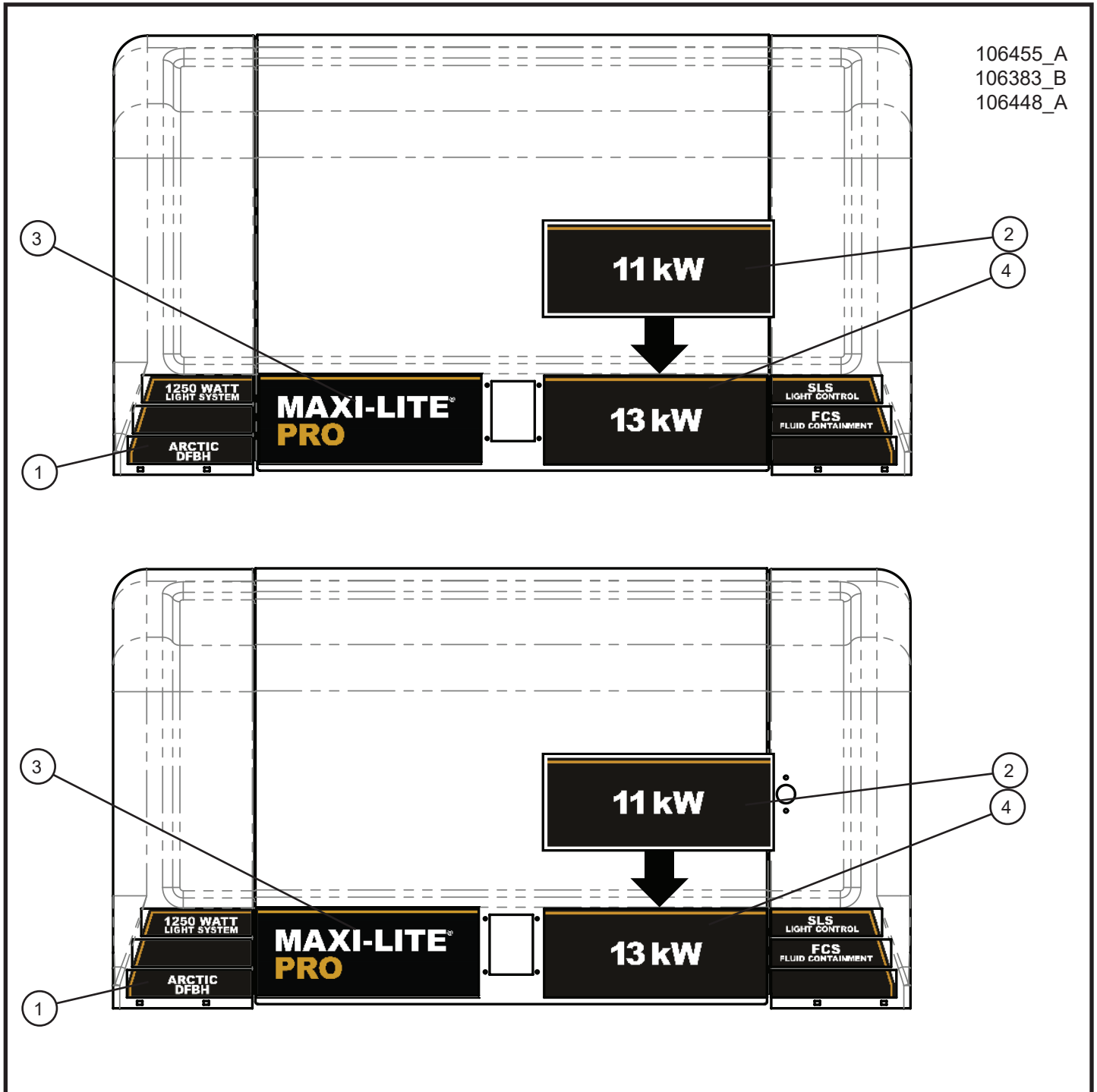


16.1 - Door Stripe Decals (3 of 4)

Item	Part No.	Part Description	Qty.
1	106358	RIG SPEC DOOR STRIPE DECAL	2
2	106359	LED DOOR STRIPE DECAL	2
3	106363	CSA SPEC DOOR STRIPE DECAL	2
4	106367	ARCTIC EXTREME DOOR STRIPE DECAL	2
5	106203	6kW DOOR STRIPE DECAL	2
6	106204	7.5kW DOOR STRIPE DECAL	2

*NOTE: DOOR STRIPE DECALS ON THESE PAGES ARE SHOWN FOR PLACEMENT ONLY.

16.1 - Door Stripe Decals (4 of 4)

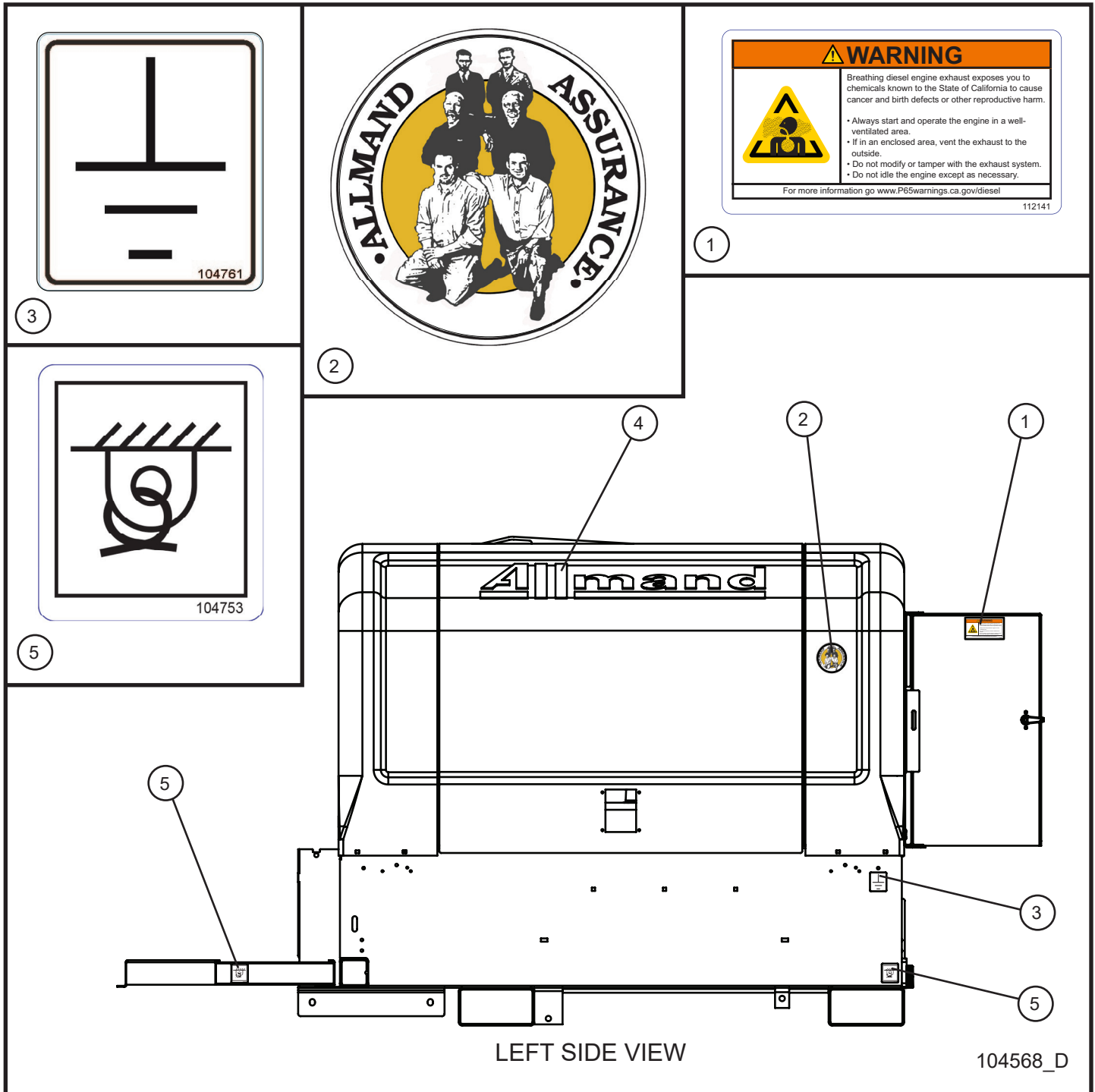


16.1 - Door Stripe Decals (4 of 4)

Item	Part No.	Part Description	Qty.
1	106366	ARCTIC DFBH DOOR STRIPE DECAL	2
2	106393	11kW DOOR STRIPE DECAL	2
3	112766	MAXI-LITE PRO DOOR STRIPE DECAL	2
4	106353	13kW DOOR STRIPE DECAL	2

*NOTE: DOOR STRIPE DECALS ON THESE PAGES ARE SHOWN FOR PLACEMENT ONLY.

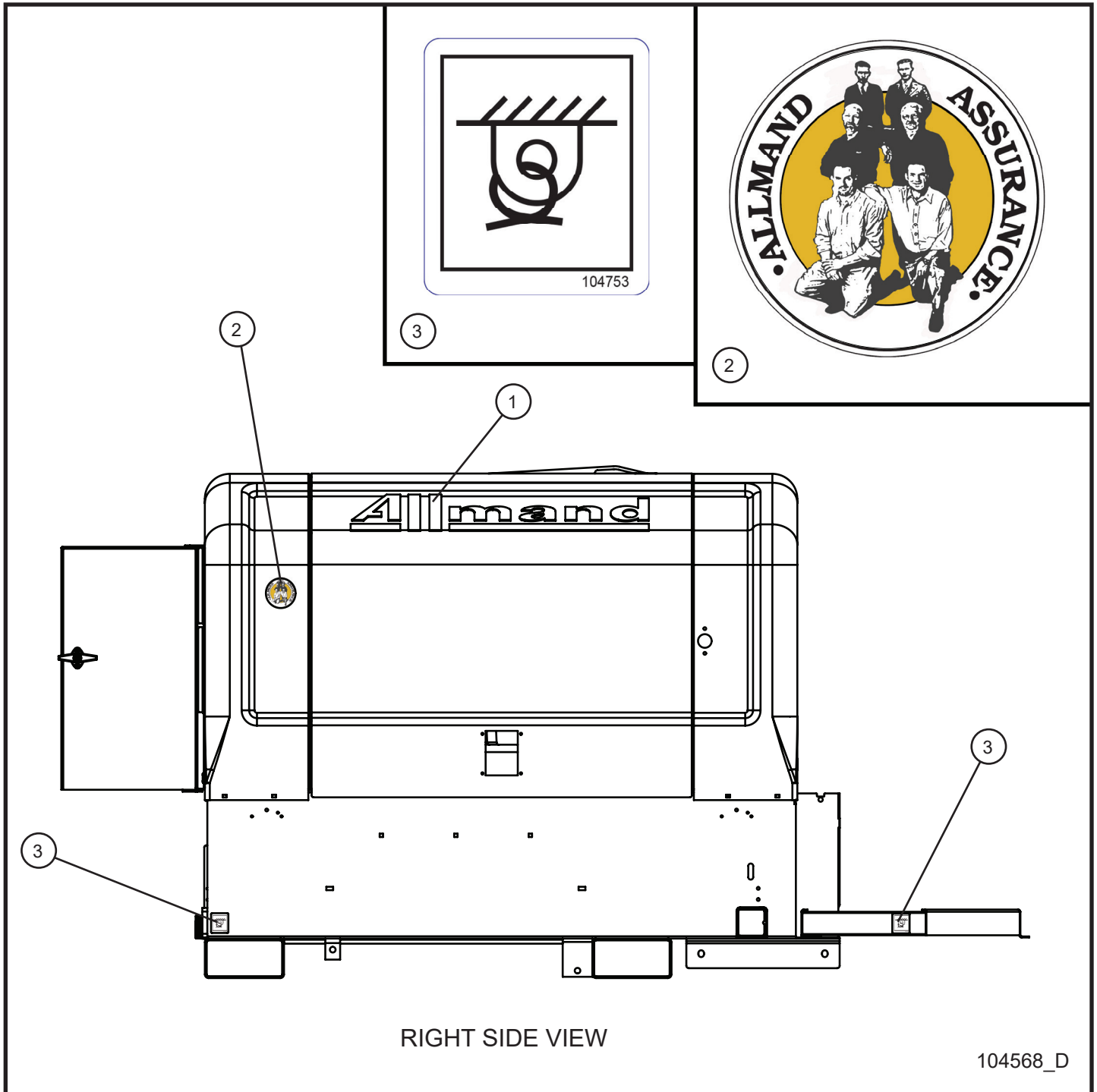
16.2 - Universal Trailer Decals (1 of 4)



16.2 - Universal Trailer Decals (1 of 4)

Item	Part No.	Part Description	Qty.
1	112141	PROPOSITION 65 WARNING DECAL	1
2	102088	3 GENERATIONS DECAL	1
3	104761	DECAL GROUND	1
4	102939	RAISED LETTERING DOOR DECAL	1
5	104753	DECAL TIE DOWN	2

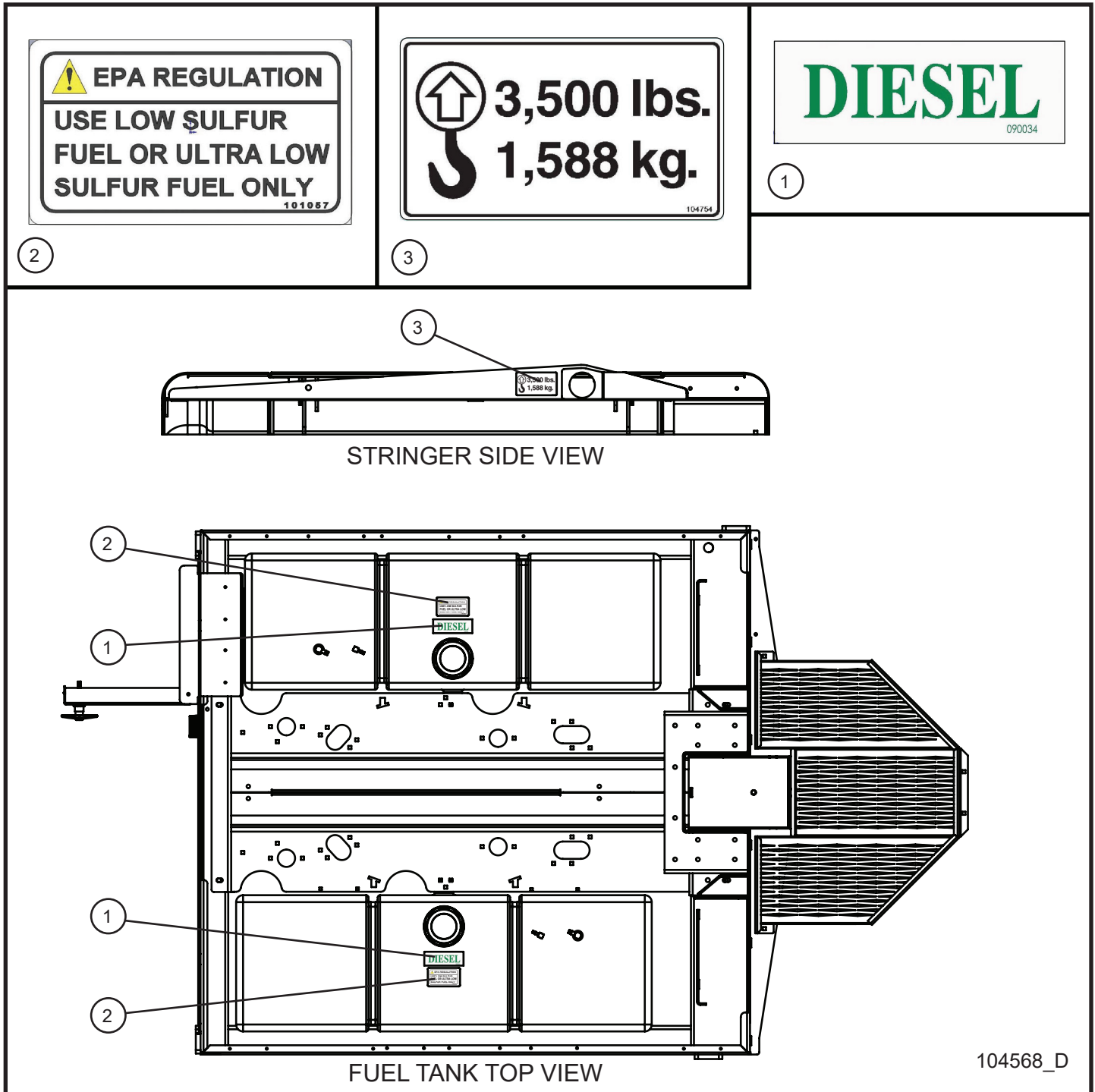
16.2 - Universal Trailer Decals (2 of 4)



16.2 - Universal Trailer Decals (2 of 4)

Item	Part No.	Part Description	Qty.
1	102939	RAISED LETTERING DOOR DECAL	1
2	102088	3 GENERATIONS DECAL	1
3	104753	DECAL TIE DOWN	2

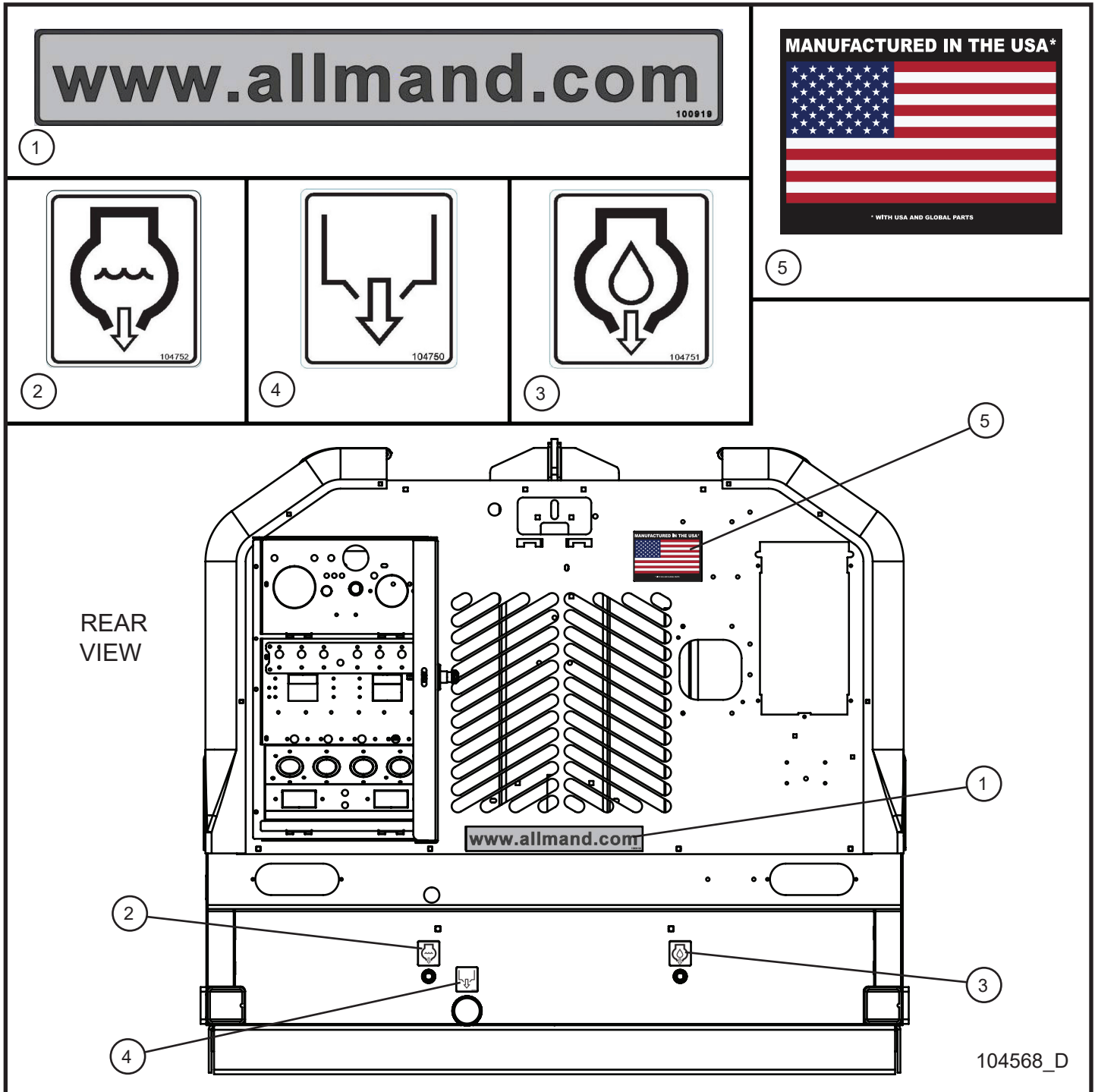
16.2 - Universal Trailer Decals (3 of 4)



16.2 - Universal Trailer Decals (3 of 4)

Item	Part No.	Part Description	Qty.
1	090034	DIESEL DECAL	2
2	101057	EPA REGULATION DECAL	2
3	104754	DECAL LIFT POINT	2

16.2 - Universal Trailer Decals (4 of 4)



16.2 - Universal Trailer Decals (4 of 4)

Item	Part No.	Part Description	Qty.
1	100919	WWW.ALLMAND.COM DECAL	1
2	104752	DRAIN ENGINE COOLANT DECAL	1
3	104751	DRAIN ENGINE OIL DECAL	1
4	104750	DRAIN FLUID CONTAINMENT DECAL	1
5	105467	MANUFACTURED IN THE USA DECAL	1

16.3 - Danger/Warning Decals (1 of 4)

Decal 1: **DANGER HIGH VOLTAGE** (090002)

Decal 2: **WARNING**
COMBUSTIBLE GAS
Can Cause Severe Burns or Blindness
• Keep sparks and open flame away from batteries
090159

Decal 3: **WARNING**
Excessive towing speed could result in death or serious injury.
Do not exceed 55 MPH (90km/h) when towing trailer.
090160

RIGHT SIDE VIEW

LEFT SIDE VIEW

TOP OF TONGUE

104572_D

16.3 - Danger/Warning Decals (1 of 4)

Item	Part No.	Part Description	Qty.
1	090002	HIGH VOLTAGE DANGER DECAL	1
2	090159	COMBUSTIBLE GAS WARNING DECAL	1
3	090160	EXCESS TOWING WARNING DECAL	1

16.3 - Danger/Warning Decals (2 of 4)

Allmand
For parts and service contact your authorized dealer or visit Allmand on the web at www.allmand.com or call 1-800-562-1373


090485

⚠ WARNING

Check for overhead obstructions before raising or lowering mast.

090055

⚠ WARNING




OVERHEAD HAZARD
To Prevent Serious Injury or Death:

- Do not raise, lower or use light tower unless all outriggers and jacks are positioned on firm ground.
- Level trailer before use.

090166

⚠ DANGER




HAZARDOUS VOLTAGE
To prevent serious injury or death from electrocution:


- Do not enter electrical compartment while engine is running.
- Close cover before operating.
- Keep components in good repair.

090162


①




②



③



④



INSIDE CONTROL DOOR

OPERATING INSTRUCTIONS
READ AND UNDERSTAND OPERATORS MANUAL BEFORE OPERATING MACHINE.

BEFORE STARTING:

1. Visually inspect machine for leaks or damage.
2. Make sure battery connections are clean and tight.
3. Check engine oil level (See Manual).
4. Check fuel supply (See Manual).
5. Check air cleaner, seals, hoses, and clamps (See Manual).

STARTING:

1. Turn OFF all circuit breakers.
2. Turn the Starter Switch counterclockwise to PREHEAT position in order to heat the Glow Plugs on engine. For Preheat Time see engine manual.
3. Turn the Starter Switch key clockwise to START position.
4. If engine fails to start, repeat cycle.

NOTE: Do not crank engine for more than 10 seconds without allowing starter to cool for 30 seconds.


STOPPING:

1. Turn lights OFF with circuit breakers.
2. Unplug external leads.
3. Turn switch to OFF position.

Make sure Ground Rod is put away and jacks, outriggers, and mast are fully retracted and locked into place before towing.

102909


⚠ DANGER



ELECTRIC SHOCK HAZARD
Will Cause Severe Injury or Death.
Do not position light tower under electric power lines.

090165

⚠ WARNING



To prevent serious injury or death:

- Avoid unsafe operation or maintenance.
- Do not operate or work on this machine without reading and understanding the operator's manual.
- If manual is lost, contact your nearest dealer for a new manual.

090165

OPERATING INSTRUCTIONS
READ AND UNDERSTAND OPERATORS MANUAL BEFORE OPERATING MACHINE.

BEFORE STARTING:

1. Visually inspect machine for leaks or damage.
2. Make sure battery connections are clean and tight.
3. Check engine oil level (See Manual).
4. Check fuel supply (See Manual).
5. Check air cleaner, seals, hoses, and clamps (See Manual).

STARTING:

1. Turn OFF all circuit breakers.
2. Turn the Starter Switch counterclockwise to PREHEAT position in order to heat the Glow Plugs on engine. For Preheat Time see engine manual.
3. Turn the Starter Switch key clockwise to START position.
4. If engine fails to start, repeat cycle.

NOTE: Do not crank engine for more than 10 seconds without allowing starter to cool for 30 seconds.

STOPPING:

1. Turn lights OFF with circuit breakers.
2. Unplug external leads.
3. Turn switch to OFF position.

Make sure Ground Rod is put away and jacks, outriggers, and mast are fully retracted and locked into place before towing.

102909

Allmand
For parts and service contact your authorized dealer or visit Allmand on the web at www.allmand.com or call 1-800-562-1373

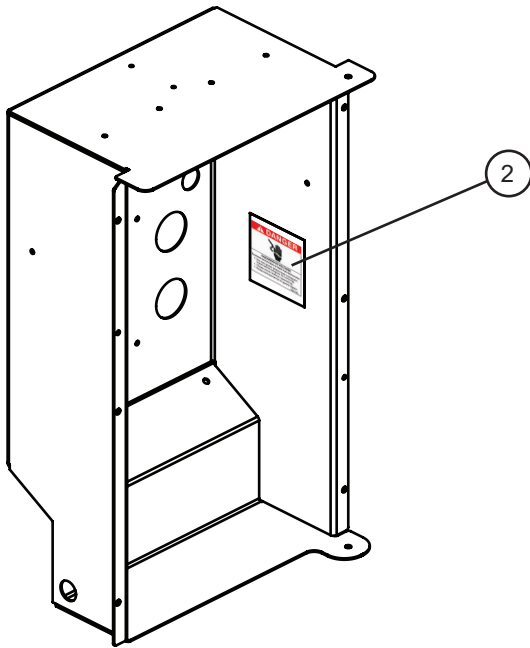
090485

104572_D

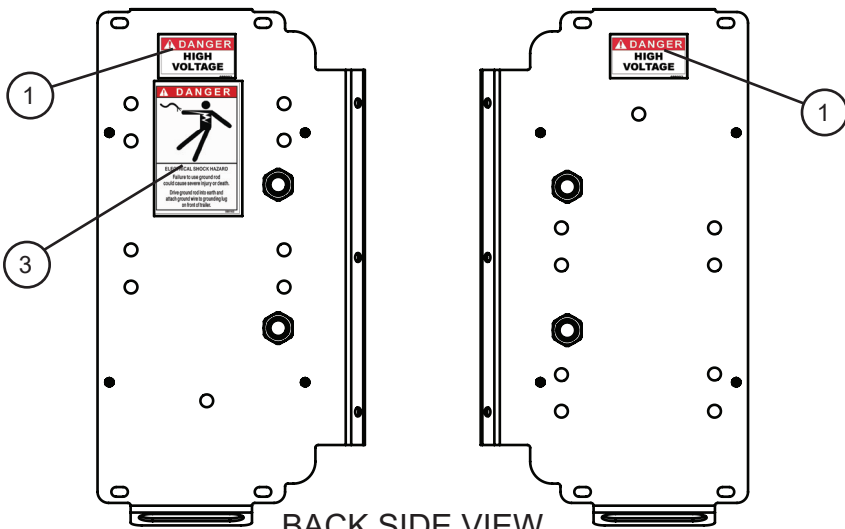
16.3 - Danger/Warning Decals (2 of 4)

Item	Part No.	Part Description	Qty.
1	090162	HAZARDOUS VOLTAGE DANGER DECAL	1
2	090005	CHECK OVERHEAD WARNING DECAL	1
3	090158	OPERATOR'S MANUAL WARNING DECAL	1
4	090165	ELECTRICAL SHOCK DANGER DECAL	1
5	090166	OVERHEAD HAZARD WARNING DECAL	1
6	102909	INSTRUCTIONS OPERATING DECAL	1
7	090465	PARTS & SERVICE DECAL	1

16.3 - Danger/Warning Decals (3 of 4)



INSIDE VIEW
OF CONTROL BOX



BACK SIDE VIEW
OF BALLAST BOXES

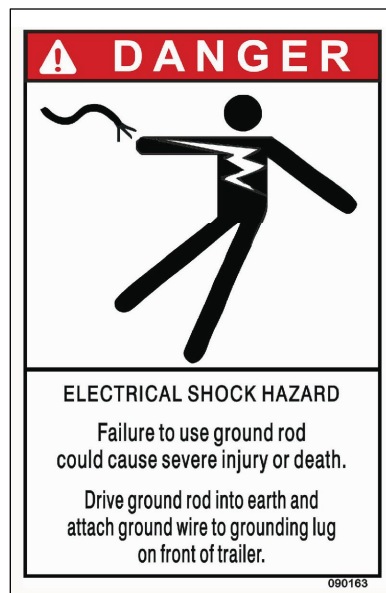
104572_D



2



1



3

16.3 - Danger/Warning Decals (3 of 4)

Item	Part No.	Part Description	Qty.
1	090002	HIGH VOLTAGE DANGER DECAL	2
2	090162	HAZARDOUS VOLTAGE DANGER DECAL	1
3	090163	ELECTRICAL SHOCK DANGER DECAL	1

16.3 - Danger/Warning Decals (4 of 4)

*LIGHT BAR SHOWN FOR REFERENCE ONLY

SIDE VIEW OF VERTICAL LIGHT BAR

TOP VIEW OF LAYDOWN LIGHT BAR

104572_D

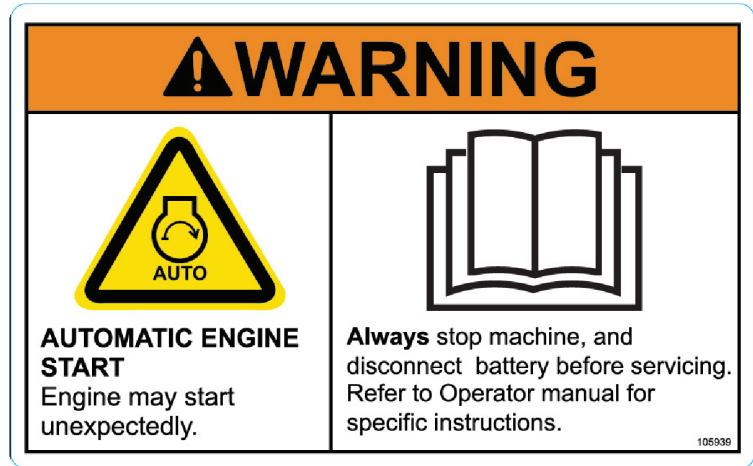
FRONT SIDE VIEW OF BALLAST BOXES

16.3 - Danger/Warning Decals (4 of 4)

Item	Part No.	Part Description	Qty.
1	090002	HIGH VOLTAGE DANGER DECAL	2
2	090162	HAZARDOUS VOLTAGE DANGER DECAL	2

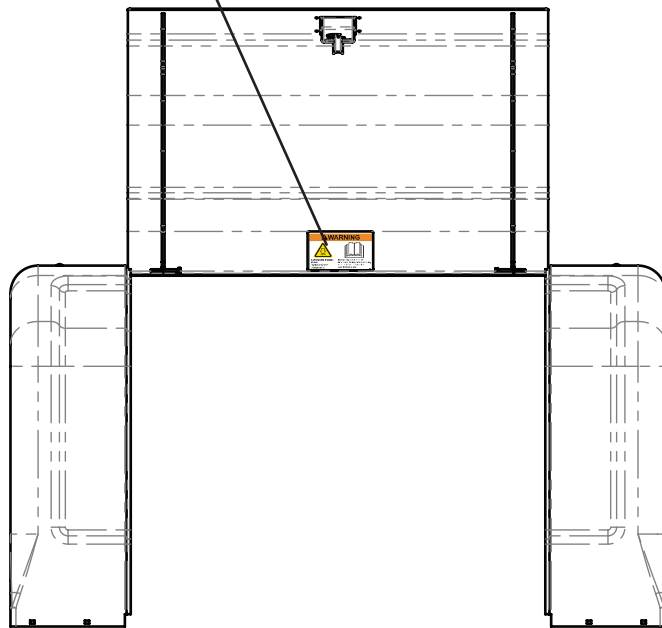
16.4 - LSC Warning Decal

106058_A

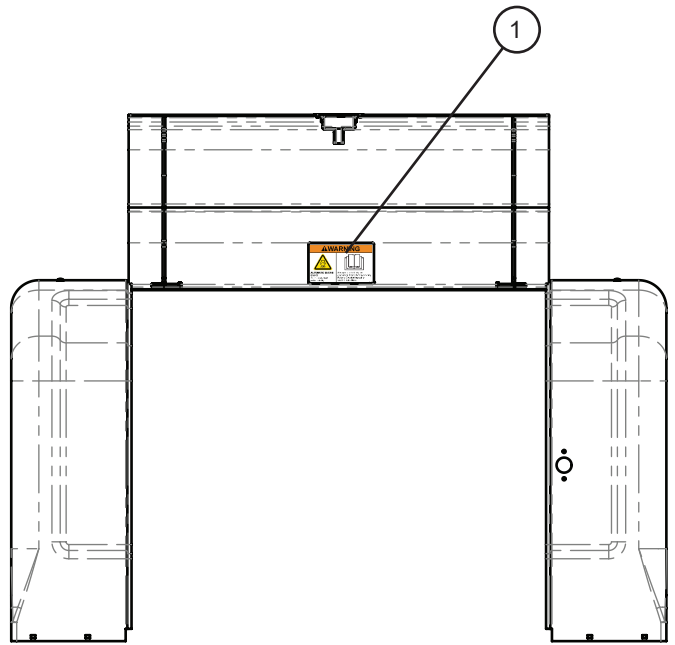


1

1



INSIDE OF
LEFT DOOR

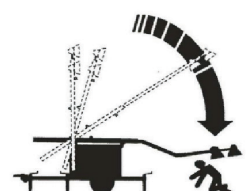
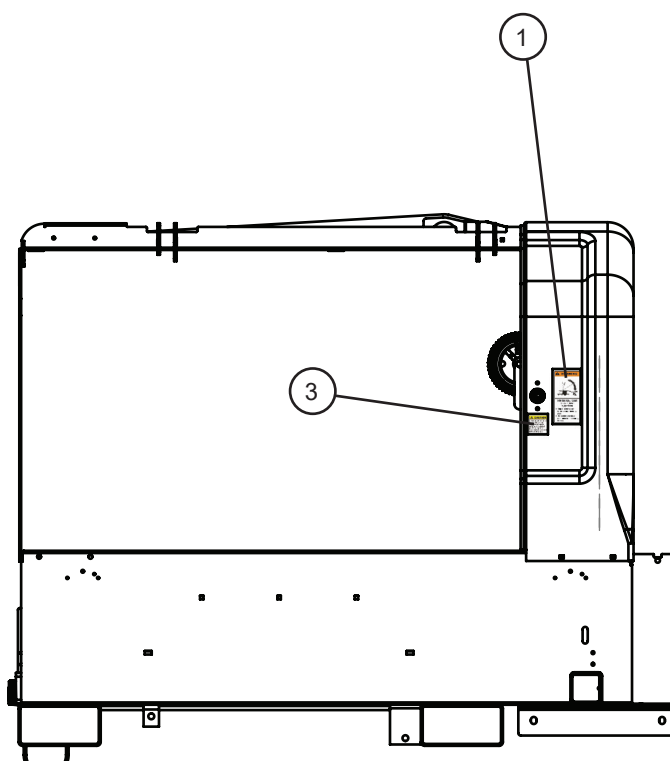
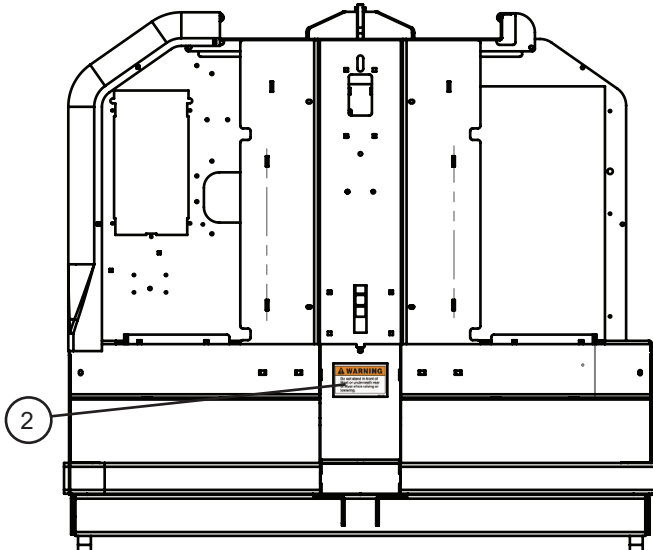


INSIDE OF
RIGHT DOOR

16.4 - LSC Warning Decal

Item	Part No.	Part Description	Qty.
1	105939	DECAL LSC 2.0 WARNING	2

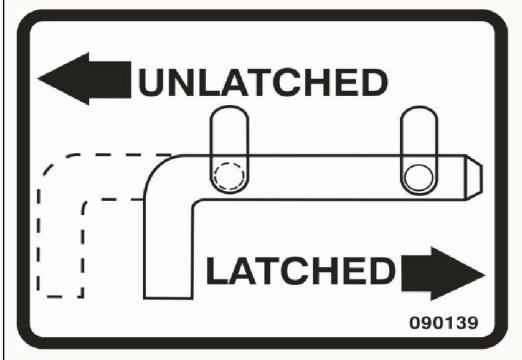
16.5 - Laydown Tower Decals (1 of 3)

<div style="border: 1px solid black; padding: 5px;"> <div style="background-color: orange; color: white; padding: 5px; text-align: center;">⚠ WARNING</div> <p style="text-align: center; font-weight: bold;">Do not stand in front of Mast or underneath rear of Mast when raising or lowering.</p> <p style="text-align: right; font-size: small;">090003</p> </div> <p style="text-align: center; border: 1px solid black; border-radius: 50%; width: 30px; margin: 5px auto;">2</p>	<div style="border: 1px solid black; padding: 5px;"> <div style="background-color: yellow; color: black; padding: 5px; text-align: center;">⚠ CAUTION</div> <p style="text-align: center; font-weight: bold;">If Winch will be used in freezing or icy conditions, apply silicone to ratchet pawl and spacer. See items V, W & X in Owners Manual.</p> <p style="text-align: right; font-size: small;">090474</p> </div> <p style="text-align: center; border: 1px solid black; border-radius: 50%; width: 30px; margin: 5px auto;">3</p>	<div style="border: 1px solid black; padding: 5px;"> <div style="background-color: orange; color: white; padding: 5px; text-align: center;">⚠ WARNING</div> <div style="text-align: center;">  </div> <p style="text-align: center; font-weight: bold;">NON-VERTICAL TOWER Can Cause Severe Injury or Death.</p> <ul style="list-style-type: none"> Keep all persons clear before raising or lowering mast. Do not extend or retract mast unless latch is securely in place. <p style="text-align: right; font-size: small;">090164</p> </div> <p style="text-align: center; border: 1px solid black; border-radius: 50%; width: 30px; margin: 5px auto;">1</p>
<div style="display: flex; justify-content: space-around; align-items: center;"> <div style="text-align: center;">  <p>RIGHT SIDE VIEW</p> </div> <div style="text-align: center;">  <p>FRONT VIEW</p> </div> </div> <p style="text-align: right; font-size: small;">104573_B</p>		

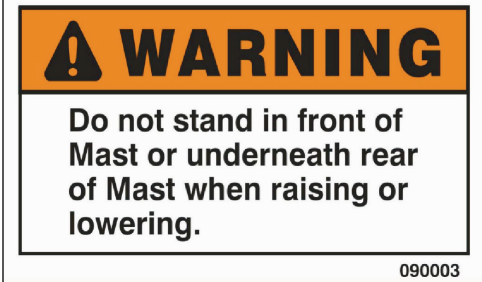
16.5 - Laydown Tower Decals (1 of 3)

Item	Part No.	Part Description	Qty.
1	090164	DEATH OR INJURY TOWER WARNING DECAL	1
2	090003	DO NOT STAND LAYDOWN TOWER WARNING DECAL	1
3	090474	WINCH CAUTION DECAL	1

16.5 - Laydown Tower Decals (2 of 3)



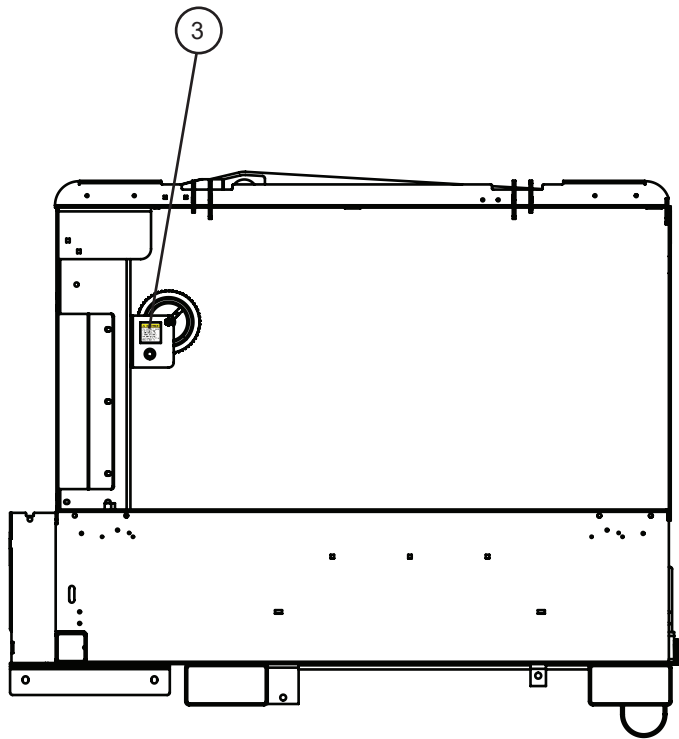
1



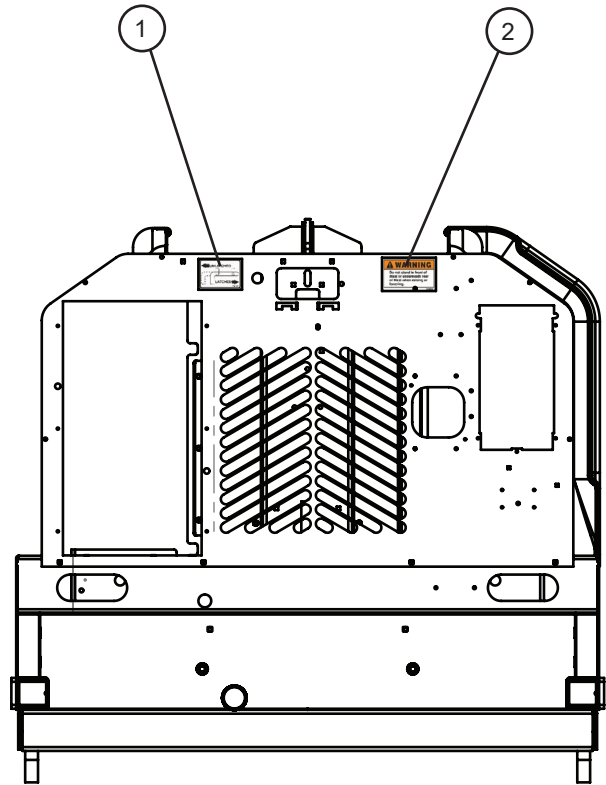
2



3



LEFT SIDE VIEW



BACK VIEW

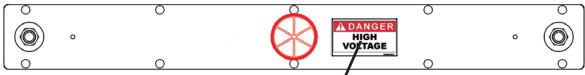
104573_B

16.5 - Laydown Tower Decals (2 of 3)

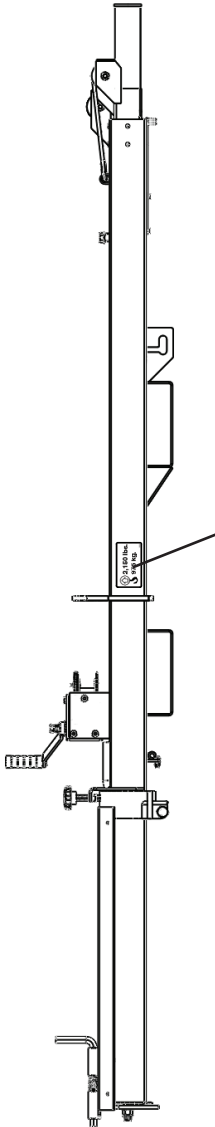
Item	Part No.	Part Description	Qty.
1	090139	TOWER LATCH DECAL	1
2	090003	DO NOT STAND LAYDOWN TOWER WARNING DECAL	1
3	090474	WINCH CAUTION DECAL	1

16.5 - Laydown Tower Decals (3 of 3)

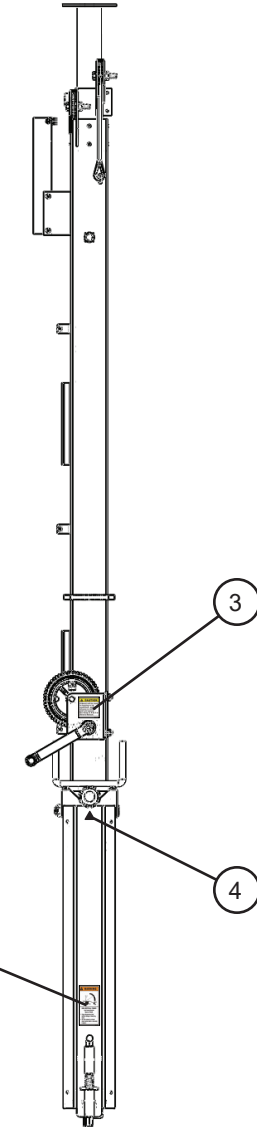
REAR VIEW OF LIGHT BAR




SIDE VIEW OF TOWER




TOP VIEW OF TOWER






104754




090002



090474

WARNING



NON-VERTICAL TOWER
Can Cause Severe Injury or Death.

- Keep all persons clear before raising or lowering mast.
- Do not extend or retract mast unless latch is securely in place.

090164

CAUTION

If Winch will be used in freezing or icy conditions, apply silicone to ratchet pawl and spacer. See items V, W & X in Owners Manual.

090474

104155_A

16.5 - Laydown Tower Decals (3 of 3)

Item	Part No.	Part Description	Qty.
1	090002	HIGH VOLTAGE DANGER DECAL	1
2	090164	NON-VERTICAL TOWER WARNING DECAL	1
3	090474	WINCH CAUTION DECAL	1
4	090177	ALIGNMENT ARROW DECAL	1
5	104754	LIFT POINT DECAL	2

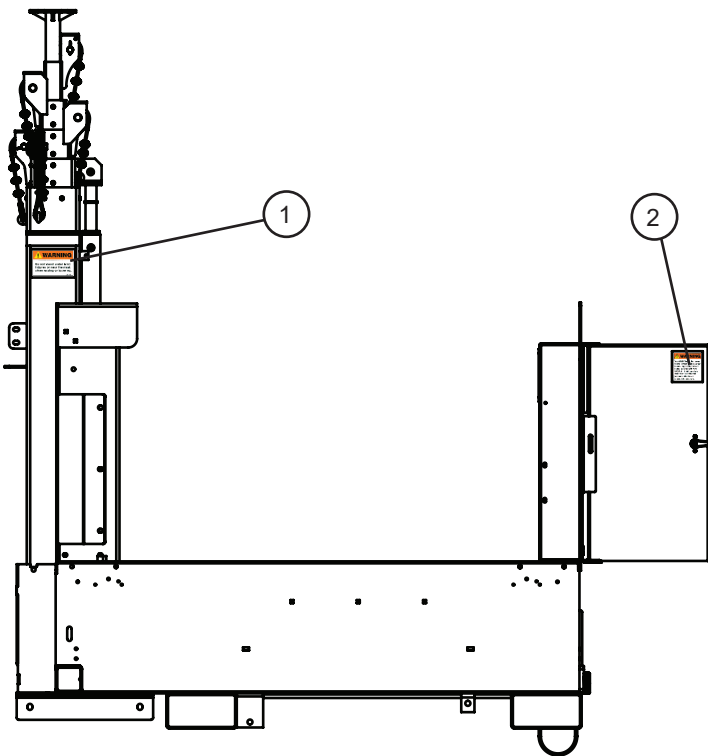
16.6 - Vertical Tower Decals



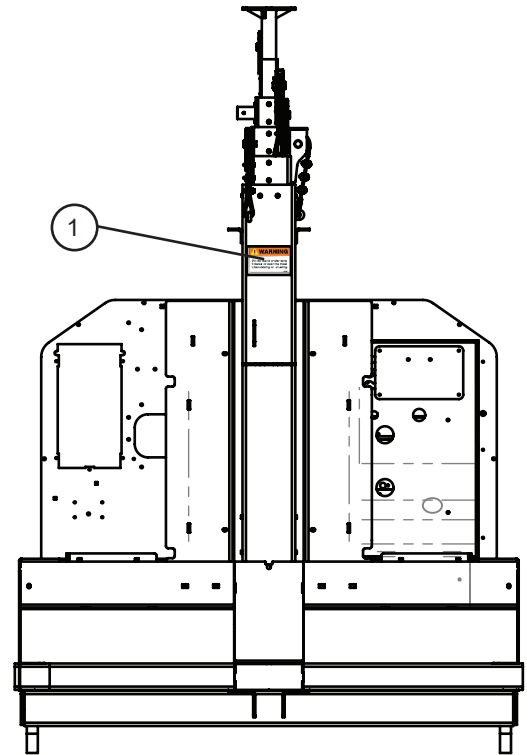
1



2



SIDE VIEW



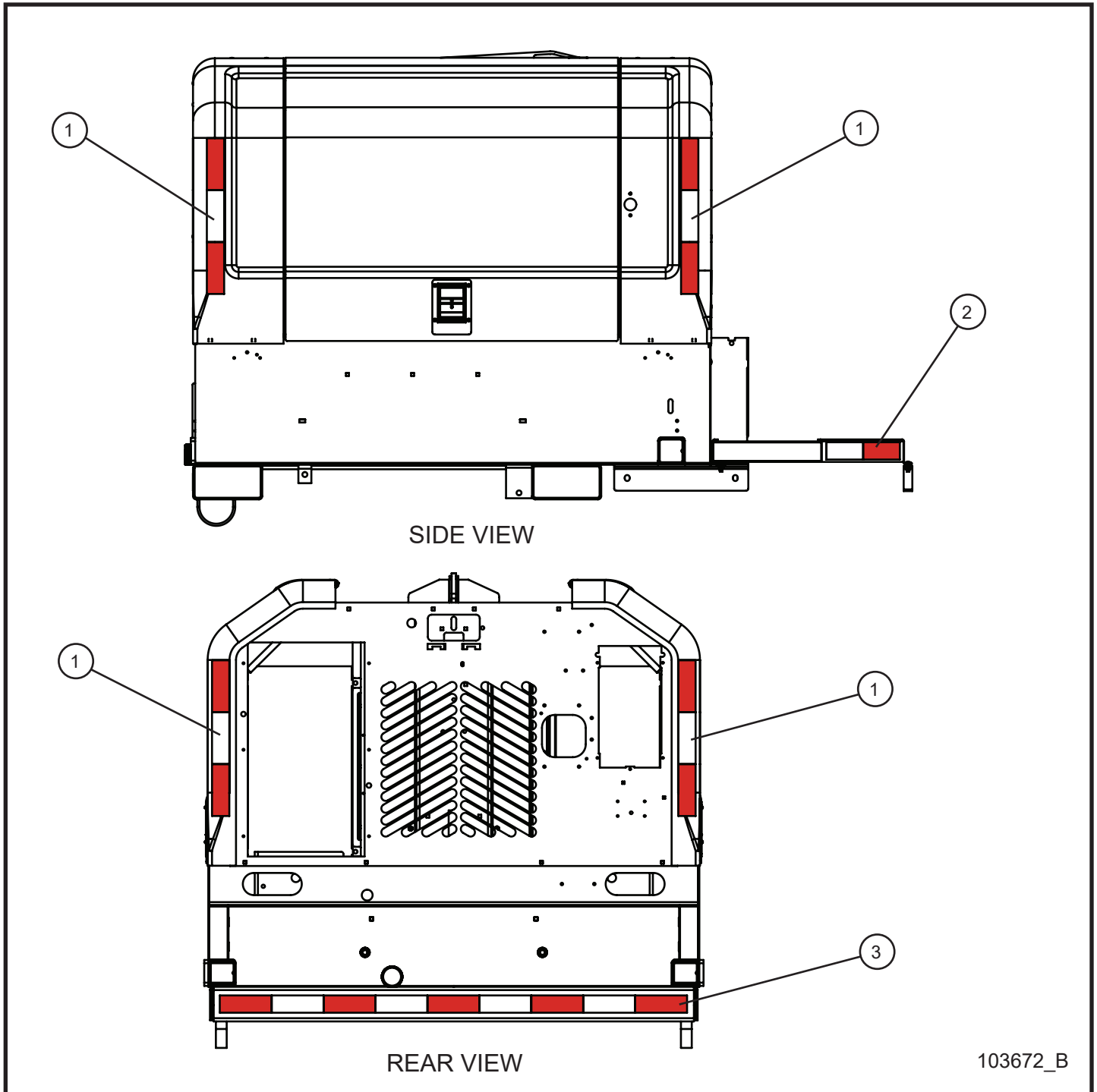
FRONT VIEW

104694_B

16.6 - Vertical Tower Decals

Item	Part No.	Part Description	Qty.
1	101404	DO NOT STAND WARNING DECAL	3
2	100247	DAMAGE MAY OCCUR WARNING DECAL	1

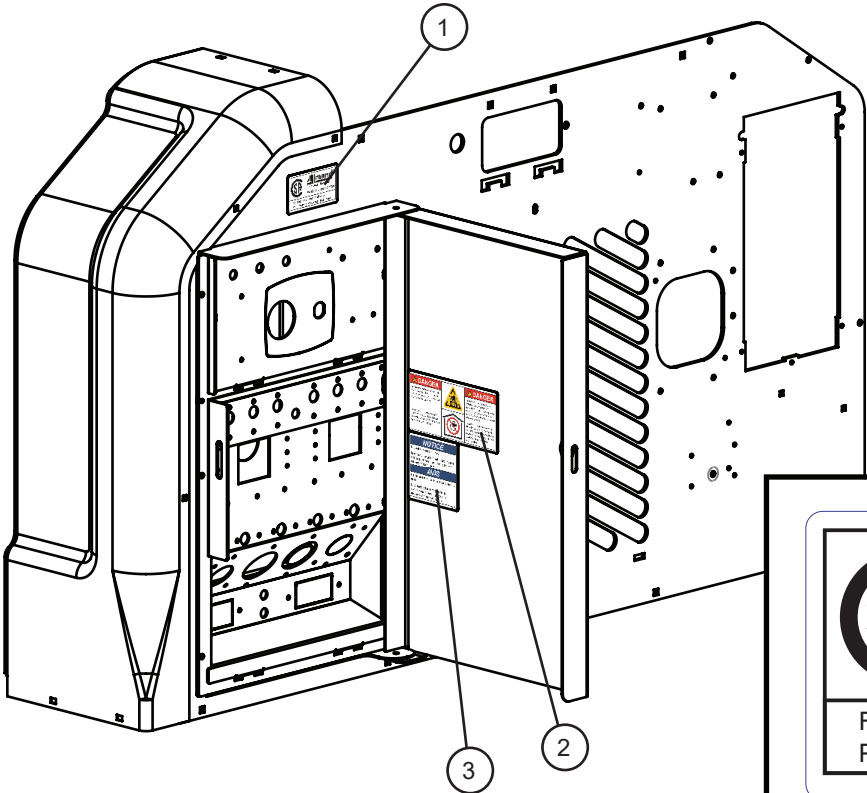
16.7 - Conspicuity Tape



16.7 - Conspicuity Tape


Item	Part No.	Part Description	Qty.
1	654004	CONSPICUITY TAPE x 18.0	8
2	654004	CONSPICUITY TAPE x 12.0	2
3	654004	CONSPICUITY TAPE x 54.0	1

16.8 - CSA Decals



REAR VIEW OF
MAXI-LITE II TRAILER

107171_B



Allmand™
Holdrege, Nebraska
CSA File Number: 204930

For electrical equipment only.
Pour matériel électrique seulement.

110361

1

NOTICE

Neutral bonded to frame.
Machine to be grounded in accordance with requirements as outlined by local inspection authorities.

AVIS


Neutre mis à la masse à la carcasse du moteur.
L'appareil doit être mis à la terre conformément aux exigences des services d'inspection locaux.

110362

⚠ DANGER

Using a generator indoors can kill you in minutes. Exhaust contains carbon monoxide, a poisonous gas you cannot see or smell.

Never use in the home or in partly enclosed areas, such as garages. Use only outside and far from open windows, doors, and vents.



⚠ DANGER

L'utilisation d'une génératrice à l'intérieur peut vous tuer en quelques minutes. L'échappement contient du monoxyde de carbone, un gaz toxique que vous ne pouvez pas voir ou sentir.

Ne jamais utiliser à la maison ou dans des espaces partiellement clos, tels que les garages. Utiliser seulement à l'extérieur et loin des fenêtres, des portes et des bouches d'air.

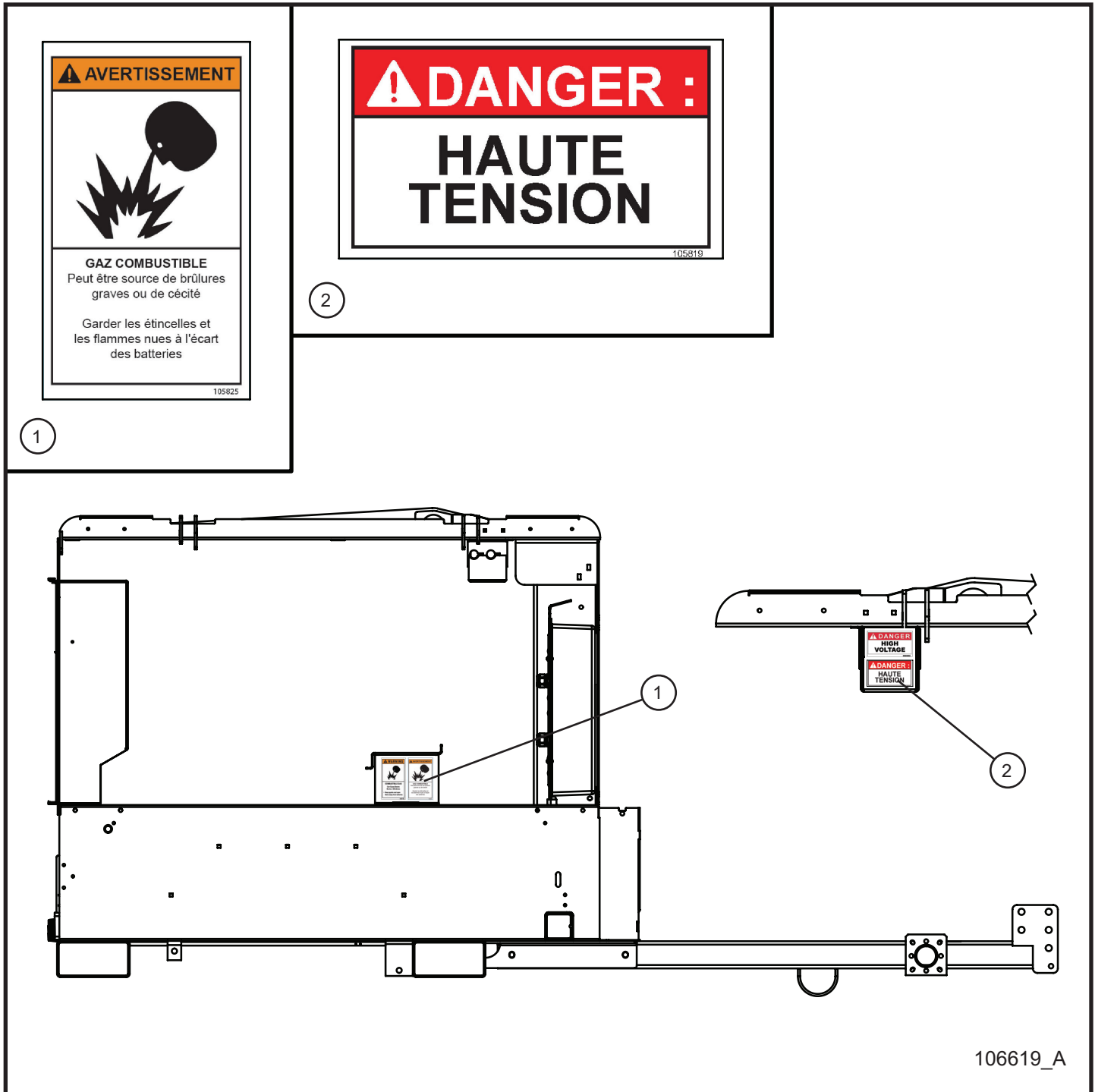
110363

3
2

16.8 - CSA Decals

Item	Part No.	Part Description	Qty.
1	110361	DECAL CSA MARK	1
2	110363	DECAL EXHAUST DANGER	1
3	110362	DECAL NEUTRAL / GROUNDED NOTICE	1

16.9 - French Danger/Warning Decals (1 of 4)



16.9 - French Danger/Warning Decals (1 of 4)

Item	Part No.	Part Description	Qty.
1	105825	COMBUSTIBLE GAS WARNING FRENCH DECAL	1
2	105819	HIGH VOLTAGE DANGER FRENCH DECAL	1

16.9 - French Danger/Warning Decals (2 of 4)

1

2

3

4

5

AVERTISSEMENT

Vérifier l'absence d'obstructions en hauteur, avant de lever ou d'abaisser le mât

AVERTISSEMENT

DANGER EN SURPLOMB

Pour éviter des blessures graves ou la mort :

- Ne pas lever, abaisser ou utiliser de tour de phare si tous les stabilisateurs et les vérins ne sont pas positionnés au sol.
- Mettre la remorque de niveau avant toute utilisation.

DANGER

ELECTRIC SHOCK HAZARD

Will Cause
Serious Injury or Death.

Do not position light tower under electric power lines.

RISQUE DE CHOC ÉLECTRIQUE

Des blessures graves, voire mortelles peuvent se produire.

Ne pas positionner la tour de phare sous des lignes de transmission électriques.

WARNING

OVERHEAD HAZARD

Injurious or Death.

- Close cables, tower or wire right tower cables and outriggers and jacks are positioned on the ground.
- Lower trailer before use.

AVERTISSEMENT

DANGER EN SURPLOMB

Pour éviter des blessures graves ou la mort :

- Ne pas lever, abaisser ou utiliser de tour de phare si tous les stabilisateurs et les vérins ne sont pas positionnés au sol.
- Mettre la remorque de niveau avant toute utilisation.

AVERTISSEMENT

To prevent serious injury or death:

- Avoid unsafe operation or maintenance.
- Do not operate or work on this machine without reading and understanding the operator's manual.
- If manual is lost, contact your nearest dealer for a new manual.

AVERTISSEMENT

Pour éviter des blessures graves, voire mortelles :

- Éviter un fonctionnement ou un entretien non sécuritaire.
- Ne pas faire fonctionner ou utiliser cette machine sans prendre connaissance et comprendre le Manuel de l'opérateur.
- Si le manuel est perdu, contacter le détaillant le plus proche pour en obtenir un nouveau.

AVERTISSEMENT

Vérifier l'absence d'obstructions en hauteur, avant de lever ou d'abaisser le mât

AVERTISSEMENT

Check for overhead obstructions before raising or lowering mast.

OPERATING INSTRUCTIONS

READ AND UNDERSTAND OPERATOR'S MANUAL BEFORE OPERATING MACHINE.

BEFORE STARTING:

1. Visually inspect machine for leaks or damage.
2. Make sure ground wire is connected and tight.
3. Check air pressure in tires.
4. Check fuel supply (See Manual).
5. Check air cleaner, water, hoses and straps (See Manual).

STARTING:

1. Turn OFF all disjunctors.
2. Turn key to the "START" position.
3. Push the "START" button.
4. For Proper Time see engine manual.
5. Push the "STOP" button (Return to START position).
6. Reengage the clutch.

STOPPING:

NOTE: Do not start engine for more than 10 seconds without idling; stop to cool for 30 seconds.

1. Turn key to OFF.
2. Turn OFF all disjunctors.
3. Turn key to OFF.
4. Turn mast to OFF position.

REMARKS:

- Make sure ground Mast is not under any jacks, outriggers, and mast are fully retracted and locked into place before leaving.

MODE D'EMPLOI

PRENDRE CONNAISSANCE ET COMPRENDRE LE MANUEL DE L'OPÉRATEUR AVANT DE FAIRE FONCTIONNER CETTE MACHINE.

AVANT DE COMMENCER :

1. Inspecter visuellement la machine afin de détecter toute fuite ou dommage.
2. Vérifier que les connexions de la batterie sont propres et bien serrées.
3. Vérifier le niveau d'huile moteur (voir le Manuel).
4. Vérifier le niveau d'essence (voir le Manuel).
5. Vérifier le purificateur d'air, les joints d'étanchéité, les tuyaux et les colliers (voir le Manuel).

DÉMARRAGE :

1. Éteindre tous les disjoncteurs.
2. Tourner le bouton du démarreur dans le sens anti-horaire sur la position PRÉCHAUFFAGE afin de diriger les bougies de préchauffage vers le moteur. Pour connaître la durée de préchauffage, voir le manuel du moteur.
3. Tourner la clé du démarreur dans le sens horaire sur la position DÉMARRER.
4. Si le moteur ne démarre pas recommencer le processus.

REMARQUE : Ne pas lancer le moteur pendant plus de 10 secondes, sans permettre au démarreur de se refroidir pendant 30 secondes.

ARRÊT :

1. Éteindre les lumières et les disjoncteurs.
2. Débrancher les câbles extérieurs.
3. Mettre le commutateur en position arrêt (OFF).

Vérifier que la tige de mise à la masse est écartée, les vérins, les stabilisateurs et le mât sont complètement rétractés et verrouillés dans leur emplacement avant le remorquage.

DANGER

RISQUE DE CHOC ÉLECTRIQUE

Des blessures graves, voire mortelles peuvent se produire.

Ne pas positionner la tour de phare sous des lignes de transmission électriques.

AVERTISSEMENT

Pour éviter des blessures graves, voire mortelles :

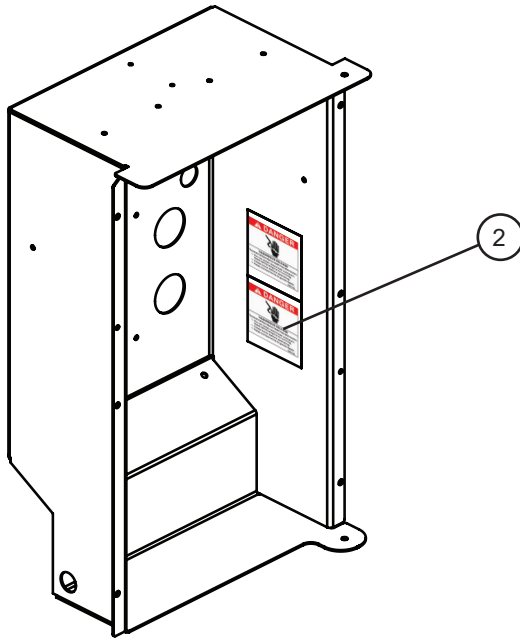
- Éviter un fonctionnement ou un entretien non sécuritaire.
- Ne pas faire fonctionner ou utiliser cette machine sans prendre connaissance et comprendre le Manuel de l'opérateur.
- Si le manuel est perdu, contacter le détaillant le plus proche pour en obtenir un nouveau.

106619_A

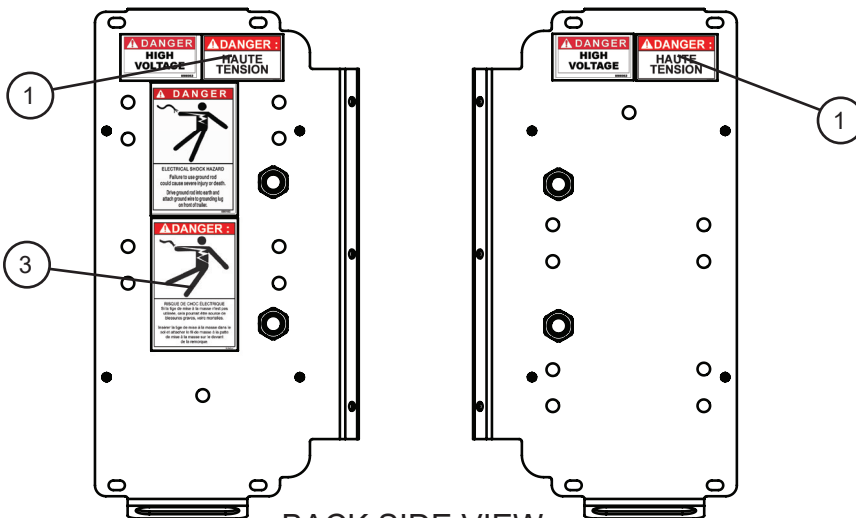
16.9 - French Danger/Warning Decals (2 of 4)

Item	Part No.	Part Description	Qty.
1	105828	ELECTRIC SHOCK DANGER FRENCH DECAL	1
2	105829	OVERHEAD HAZARD WARNING FRENCH DECAL	1
3	105824	READ & UNDERSTAND WARNING FRENCH DECAL	1
4	105821	CHECK OVERHEAD WARNING FRENCH DECAL	1
5	105831	INSTRUCTIONS OPERATING FRENCH DECAL	1

16.9 - French Danger/Warning Decals (3 of 4)



INSIDE VIEW
OF CONTROL BOX



BACK SIDE VIEW
OF BALLAST BOXES

106619_A



2



1



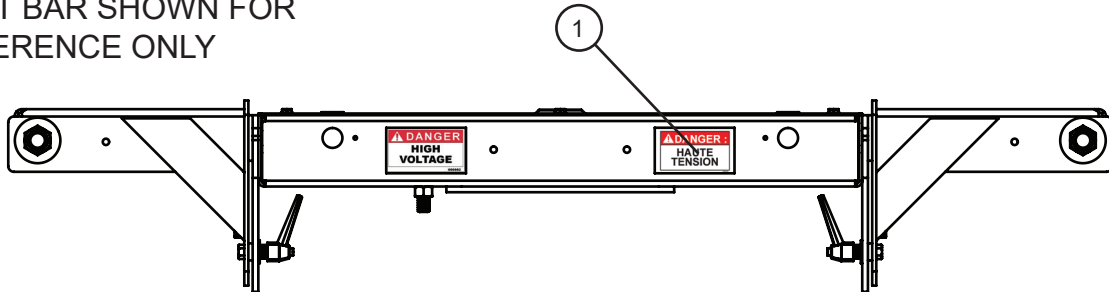
3

16.9 - French Danger/Warning Decals (3 of 4)

Item	Part No.	Part Description	Qty.
1	105819	HIGH VOLTAGE DANGER FRENCH DECAL	2
2	105826	HAZARDOUS VOLTAGE DANGER FRENCH DECAL	1
3	105827	ELECTRIC SHOCK DANGER FRENCH DECAL	1

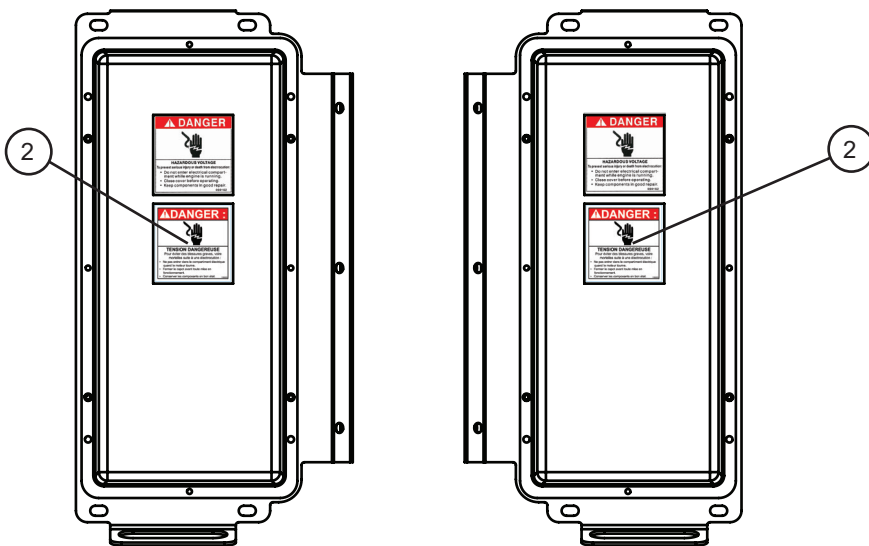
16.9 - French Danger/Warning Decals (4 of 4)

*LIGHT BAR SHOWN FOR REFERENCE ONLY



SIDE VIEW OF VERTICAL LIGHT BAR

106619_A



FRONT SIDE VIEW OF BALLAST BOXES



2

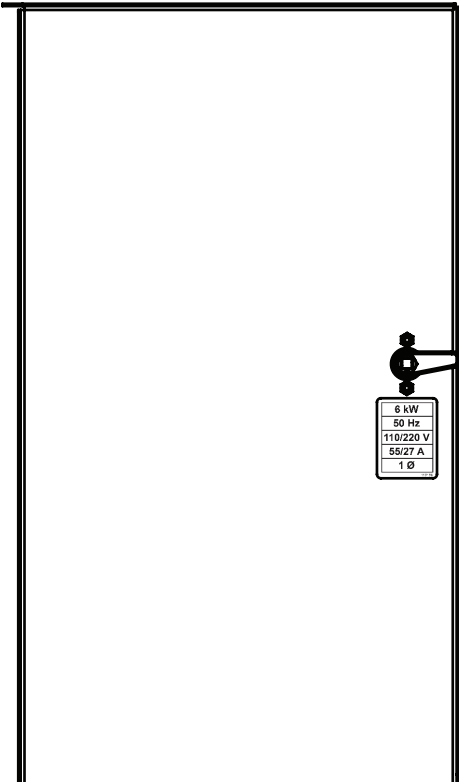


1

16.9 - French Danger/Warning Decals (4 of 4)

Item	Part No.	Part Description	Qty.
1	105819	HIGH VOLTAGE DANGER FRENCH DECAL	1
2	105826	HAZARDOUS VOLTAGE DANGER FRENCH DECAL	2

16.10 - Electrical Information Decals

<div data-bbox="131 485 402 835"> <p>6 kW 50 Hz 110/220 V 55/27 A 1 Ø</p> <p>112126</p> </div> <p>1</p>	<div data-bbox="488 485 760 835"> <p>7 kW 60 Hz 120/240 V 58/29 A 1 Ø</p> <p>112125</p> </div> <p>2</p>	<div data-bbox="846 485 1117 835"> <p>8 kW 60 Hz 120/240 V 67/33 A 1 Ø</p> <p>112127</p> </div> <p>3</p>	<div data-bbox="1219 485 1490 835"> <p>11 kW 50 Hz 110/220 V 100/50 A 1 Ø</p> <p>112129</p> </div> <p>4</p>
<p>INTERIOR VIEW OF CONTROL PANEL DOOR</p>  <p>112711_A 112712_A 112713_A 112714_A 112715_A 112716_A 112717_A 112718_A</p>	<div data-bbox="846 957 1117 1308"> <p>15 kW 60 Hz 120/240 V 125/63 A 1 Ø</p> <p>112130</p> </div> <p>5</p>	<div data-bbox="1219 957 1490 1308"> <p>15 kW 60 Hz 120/208 V 42 A 3 Ø</p> <p>112131</p> </div> <p>6</p>	<div data-bbox="1219 1434 1490 1785"> <p>20 kW 60 Hz 120/208 V 56 A 3 Ø</p> <p>112133</p> </div> <p>8</p>
<div data-bbox="846 1434 1117 1785"> <p>20 kW 60 Hz 120/240 V 167/83 A 1 Ø</p> <p>112132</p> </div> <p>7</p>			

16.10 - Electrical Information Decals

Item	Part No.	Part Description	Qty.
1	112126	DECAL ELECTRICAL INFO 6kW 50Hz 1 PHASE	1
2	112125	DECAL ELECTRICAL INFO 7kW 60Hz 1 PHASE	1
3	112127	DECAL ELECTRICAL INFO 8kW 60Hz 1 PHASE	1
4	112129	DECAL ELECTRICAL INFO 11kW 50Hz 1 PHASE	1
5	112130	DECAL ELECTRICAL INFO 15kW 60Hz 1 PHASE	1
6	112131	DECAL ELECTRICAL INFO 15kW 60Hz 3 PHASE	1
7	112132	DECAL ELECTRICAL INFO 20kW 60Hz 1 PHASE	1
8	112133	DECAL ELECTRICAL INFO 20kW 60Hz 3 PHASE	1

17.1 - Vertical or Laydown with 60Hz or LED Lighting (1 of 3)

Item	Part No.	Part Description	Qty.
LED OPTION			
1	105325	LED LAMP	1
2	105677	DRIVER W/TERMINALS	1
1000W HPS 60Hz OPTION			
1	610218	LAMP 1000W HPS	12
2	310118	BALLAST/CAPACITOR 1000W HPS 60HZ	1
3	310119	CAPACITOR ONLY 1000W HPS 26uf 525V	2
1000W 60Hz OPTION			
1	610211	LAMP 1000W BT-37	12
2	310124	BALLAST 1000W 60HZ	1
3	310115	CAPACITOR 1000W 24uf 480V	2
4	650104	SWITCH 25A SINGLE POLE	2
1250W 60Hz OPTION			
1	610221	LAMP 1250W BT-37	12
2	109606	BALLAST/CAPACITOR 1250W 60HZ 120/240V	1
3	100329	CAPACITOR ONLY 1250W 28uf 525V	2
4	106781	SWITCH 15A SINGLE POLE	2
LAMP ASSEMBLY			
1	610212	CERAMIC SOCKET	4
2	610203	GLASS LENS	4
3	610217	LENS GASKET	2
4	610202	LENS CHANNEL SET	2
5	610209	LAMP TIP SUPPORT	4
6	610210	TIP SUPPORT TUBING	4
7	660130P	SOLID MOUNT YOKE	2
8	310434	MALE LAMP LEAD (QUICK DISCONNECT OPTION)	4
9	310414	FEMALE LAMP LEAD (QUICK DISCONNECT OPTION)	1
10	650159	LAMP LEAD (HARD WIRED OPTION)	4

Maxi-Lite II

17.1 - Vertical or Laydown with 60Hz or LED Lighting (2 of 3)

Item	Part No.	Part Description	Qty.
VERTICAL TOWER			
1	106880	NYCOIL MAST HARNESS	1
2	320185	CABLE STEEL 3/16" X 10'	2
3	104358	HYD POWER UNIT BUCHER	1
4	100236	SOLENOID SWITCH HYD PUMP	1
5	100234	125 AMP FUSE	1
LAYDOWN TOWER			
1	103049	MAST WIRING HARNESS STRAIGHT CORD	2
2	102592	MAST WIRING HARNESS W/CORD REEL (OPTION)	2
3	650133	CABLE 3/16" STEEL X 17' 9"	1
4	620076	CABLE 3/16" STEEL X 11'	1
5	320185	CABLE 3/16" STEEL X 10'	1
6	610531	WINCH BRAKE	1
7	620550	LOCKING KNOB	4
GENERAL PARTS			
1	350354	35A 120/240 MAIN BRAKER	1
2	340014	HOUR METER	2
3	340058	GROUND ROD ASSEMBLY	2
4	106199	15" TIRE/WHEEL ASSEMBLY	1
5	102089	TONGUE JACK (SNAP RING, TOP CRANK)	1
6	103893	TONGUE JACK (TONGUE MOUNT, SIDE CRANK) (OPTION)	1
7	330008	REAR OUTRIGGER JACK (SNAP RING, TOP CRANK)	2
8	330010	FRONT (SIDE) OUTRIGGER JACK (SNAP RING, TOP CRANK)	2
9	330014	JACK SNAP RING	4
10	330012	REPLACEMENT JACK HANDLE (TOP CRANK)	3
11	330012A	REPLACEMENT JACK LOCK KIT	4
12	107044	REPLACEMENT T-HANDLE KIT	2
13	104310	KEYSWITCH W/KEYS	1
14	107793	KEYS (PAIR)	1
15	107794	KEY RUBBER BOOT (EACH / REQUIRED WITH 107793)	2

17.1 - Vertical or Laydown with 60Hz or LED Lighting (3 of 3)

Item	Part No.	Part Description	Qty.
MARATHON GENERATOR			
1	105100	CAPACITOR 25uf (MARATHON 60HZ)	1
KUBOTA SERVICE PARTS			
1	920743	KUBOTA OIL FILTER	6
2	920745	KUBOTA FUEL FILTER	4
3	650290	KUBOTA AIR FILTER	2
CAT SERVICE PARTS			
1	650304	CAT OIL FILTER	6
2	103155	CAT FUEL FILTER	4
3	102580	CAT AIR FILTER	2
ISUZU SERVICE PARTS			
1	650221	ISUZU OIL FILTER	6
2	650220	ISUZU FUEL FILTER	4
3	15-000125	ISUZU AIR FILTER	2

17.2 - Vertical or Laydown with 50Hz Lighting (1 of 2)

Item	Part No.	Part Description	Qty.
1000W 50Hz OPTION			
1	610211	LAMP 1000W BT-37	12
2	310116A	BALLAST/CAPACITOR 1000W 50HZ	1
3	310115A	CAPACITOR 1000W 26uf	2
LAMP ASSEMBLY			
1	610212	CERAMIC SOCKET	4
2	610203	GLASS LENS	4
3	610217	LENS GASKET	2
4	610202	LENS CHANNEL SET	2
5	610209	LAMP TIP SUPPORT	4
6	610210	TIP SUPPORT TUBING	4
7	660130P	SOLID MOUNT YOKE	2
8	310434	MALE LAMP LEAD (QUICK DISCONNECT OPTION)	4
9	310414	FEMALE LAMP LEAD (QUICK DISCONNECT OPTION)	1
10	650159	LAMP LEAD (HARD WIRED OPTION)	4
VERTICAL TOWER			
1	106880	NYCOIL MAST HARNESS	1
2	320185	CABLE STEEL 3/16" X 10'	2
3	104358	HYD POWER UNIT BUCHER	1
4	100236	SOLENOID SWITCH HYD PUMP	1
5	100234	125 AMP FUSE	1
LAYDOWN TOWER			
1	103049	MAST WIRING HARNESS STRAIGHT CORD	2
2	102592	MAST WIRING HARNESS W/CORD REEL (OPTION)	2
3	650133	CABLE 3/16" STEEL X 17' 9"	1
4	620076	CABLE 3/16" STEEL X 11'	1
5	320185	CABLE 3/16" STEEL X 10'	1
6	610531	WINCH BRAKE	1
7	620550	LOCKING KNOB	4

17.2 - Vertical or Laydown with 50Hz Lighting (2 of 2)

Item	Part No.	Part Description	Qty.
GENERAL PARTS			
1	350354	35A 120/240 MAIN BRAKER	1
2	340014	HOUR METER	2
3	340058	GROUND ROD ASSEMBLY	2
4	106199	15" TIRE/WHEEL ASSEMBLY	1
5	102089	TONGUE JACK (SNAP RING, TOP CRANK)	1
6	103893	TONGUE JACK (TONGUE MOUNT, SIDE CRANK) (OPTION)	1
7	330008	REAR OUTRIGGER JACK (SNAP RING, TOP CRANK)	2
8	330010	FRONT (SIDE) OUTRIGGER JACK (SNAP RING, TOP CRANK)	2
9	330014	JACK SNAP RING	4
10	330012	REPLACEMENT JACK HANDLE (TOP CRANK)	3
11	330012A	REPLACEMENT JACK LOCK KIT	4
12	107044	REPLACEMENT T-HANDLE KIT	2
13	104310	KEYSWITCH W/KEYS	1
14	107793	KEYS (PAIR)	1
15	107794	KEY RUBBER BOOT (EACH / REQUIRED WITH 107793)	2
MARATHON GENERATOR			
1	640152	CAPACITOR 45uf (MARATHON 50HZ)	1
KUBOTA SERVICE PARTS			
1	920743	KUBOTA OIL FILTER	6
2	920745	KUBOTA FUEL FILTER	4
3	650290	KUBOTA AIR FILTER	2
CAT SERVICE PARTS			
1	650304	CAT OIL FILTER	6
2	103155	CAT FUEL FILTER	4
3	102580	CAT AIR FILTER	2
ISUZU SERVICE PARTS			
1	650221	ISUZU OIL FILTER	6
2	650220	ISUZU FUEL FILTER	4
3	15-000125	ISUZU AIR FILTER	2

PAGE LEFT BLANK
INTENTIONALLY

Allmand™

BRIGHTER. WARMER. SAFER.

Allmand Bros., Inc.
1502 West 4th Avenue
Holdrege, NE 68949
phone: (308) 995-4495 • toll free: (800) 562-1373
fax: (308) 995-5887

www.allmand.com



Reliability, performance, and integrity since 1938

13-0267