

Allmand™

Brighter. Warmer. Safer.



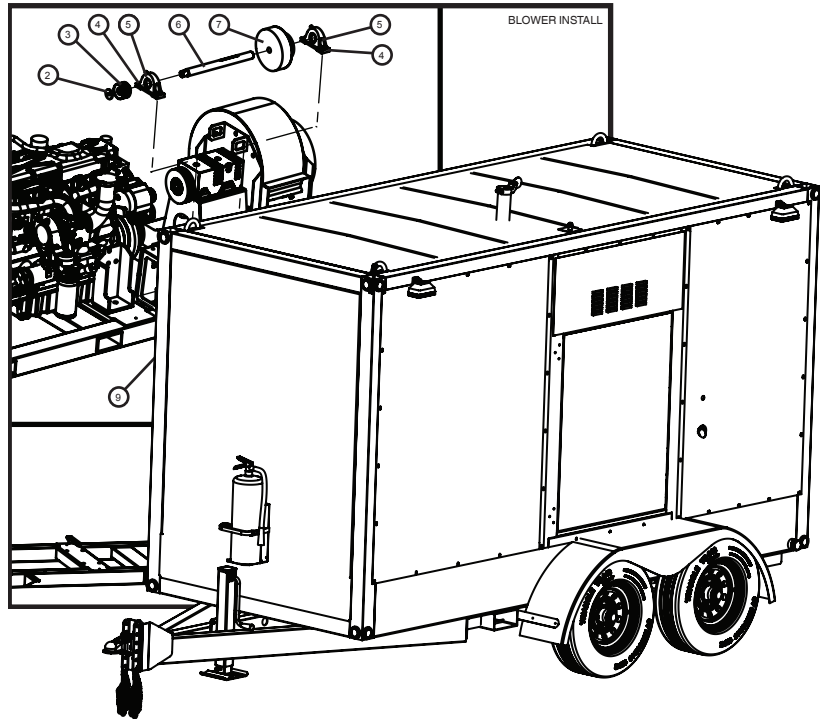
(en) **Parts Manual**
SH-750 Enhanced
Flameless Heater

**Portable
Industrial
Heaters**

**Portable
Light Towers**

**Portable
Light Stands**

**Solar Flashing
Arrow Boards**



Copyright © 2017 Allmand Bros., Inc.
Holdrege, NE, USA. All rights reserved.

Part No.: 110319
Revision: A
Serial No.:17-000001 and UP

LIGHT TOWER APP



Reliability, Performance, and Integrity Since 1938

www.allmand.com

TABLE OF CONTENTS

1.0 TRAILER PARTS

| | |
|---|-------|
| Wheel and Tongue Group | (1.1) |
| Tongue Coupler Options | (1.2) |
| Left Side Panels | (1.3) |
| Right Side Panels | (1.4) |
| Interior Trailer Support and Blower Guard Group | (1.5) |
| Fire Extinguisher | (1.6) |

2.0 ENGINE/GENERATOR/FUEL/BATTERY PARTS

| | |
|--------------------------------------|-------|
| Engine and Generator Group | (2.1) |
| Rear Intake Group | (2.2) |
| Radiator Tubing | (2.3) |
| Fuel Tank Group | (2.4) |
| Engine Frame and Battery Group | (2.5) |

3.0 HEATER GROUP

| | |
|---|-------|
| Blower Fan, Shaft, and Pulley Group | (3.1) |
| Heat Exchanger | (3.2) |
| Interior Heater Ducting Group | (3.3) |
| Exterior Heater Ducting Group | (3.4) |

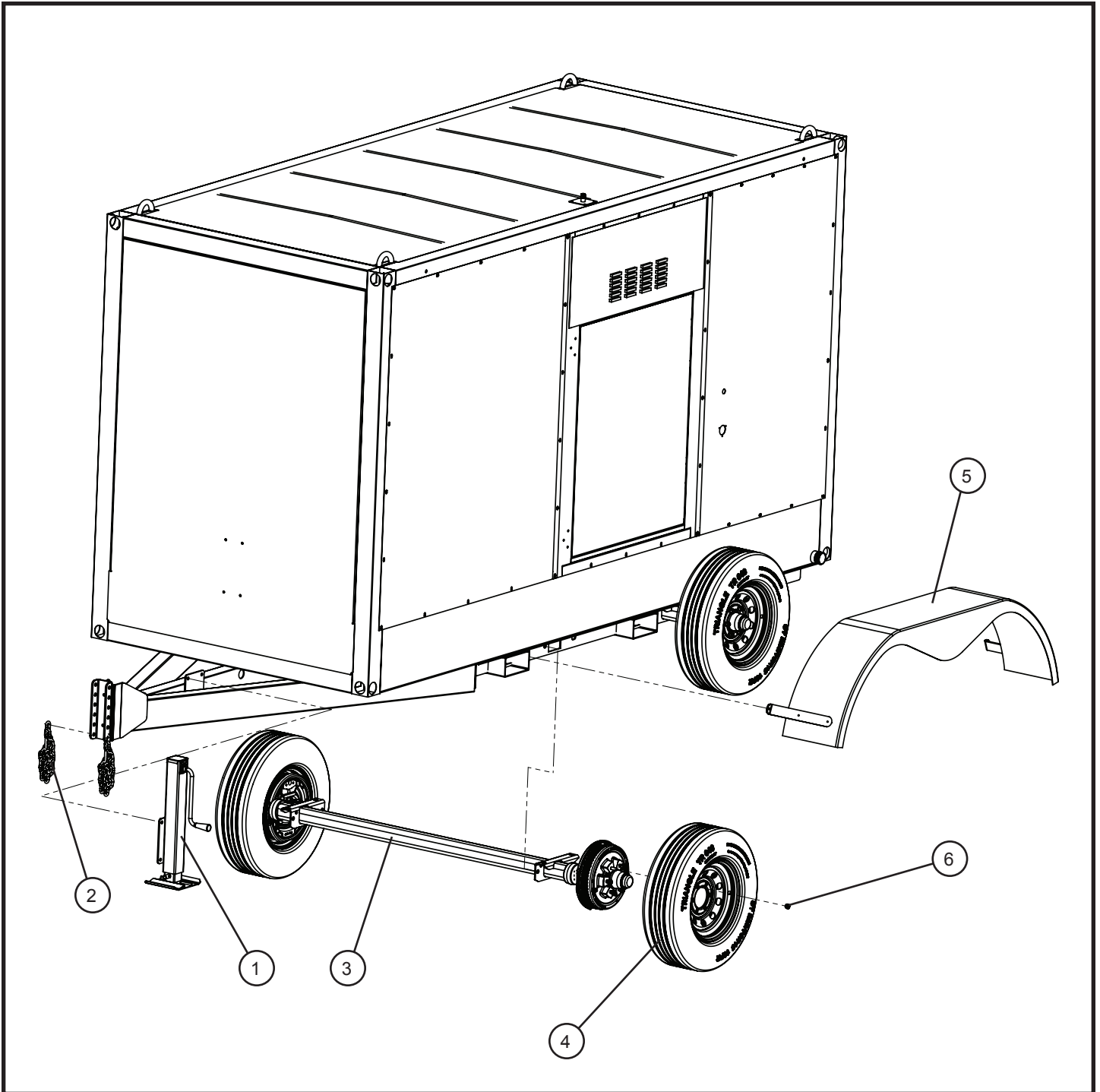
4.0 ELECTRICAL GROUP

| | |
|---------------------------------|-------|
| Control Box Install Group | (4.1) |
| Control Box | (4.2) |
| Trailer Lighting | (4.3) |

PAGE LEFT BLANK
INTENTIONALLY

1.1 - Wheel and Tongue Group

SN 17-000001 and UP



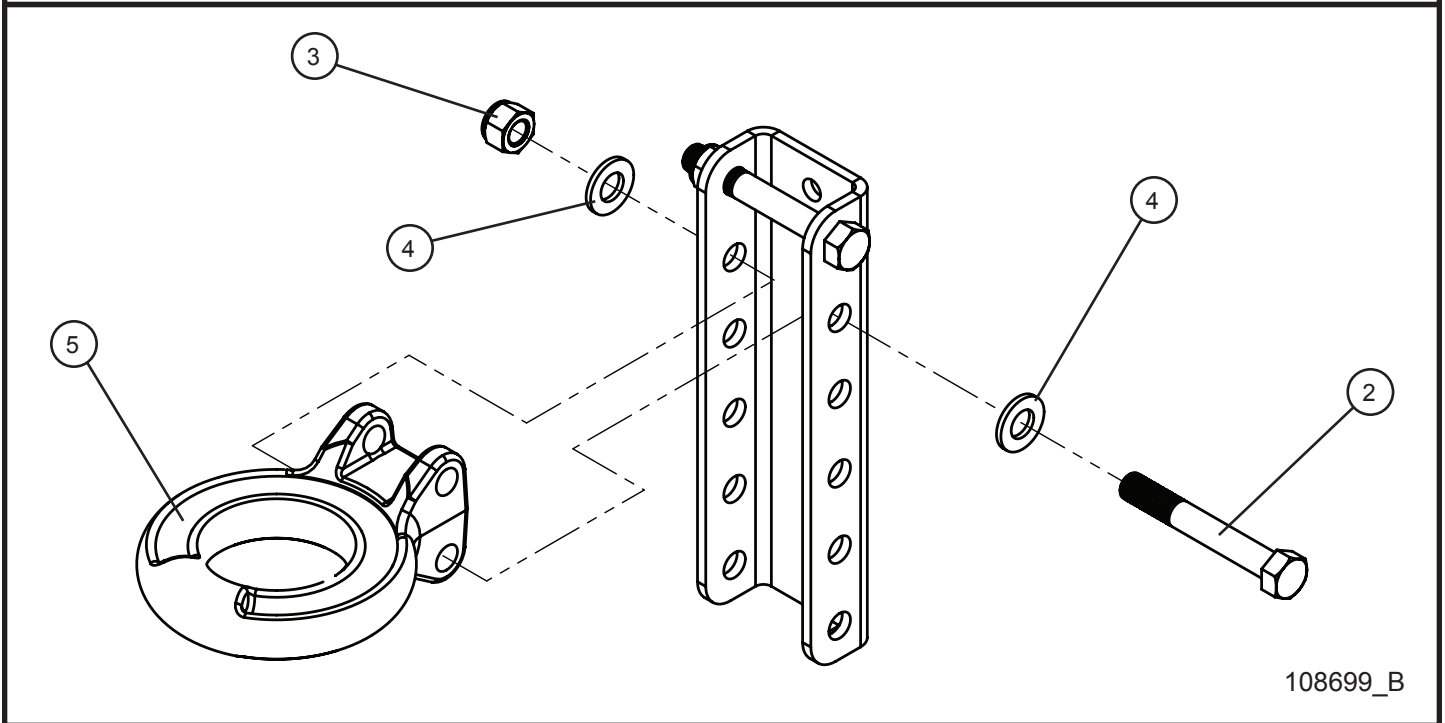
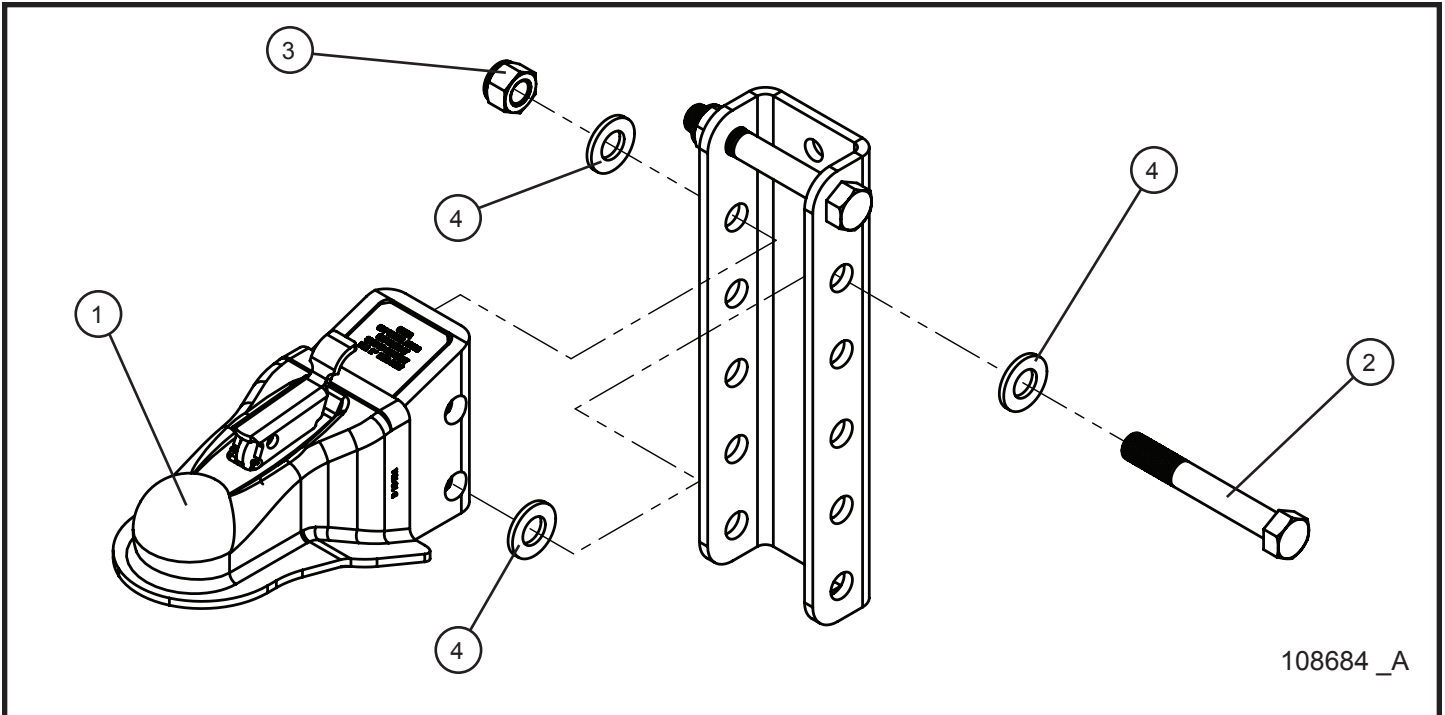
1.1 - Wheel and Tongue Group

SN 17-000001 and UP

| Item | Part No. | Part Description | Qty. |
|------|----------|--|------|
| 1 | 108125P | JACK WELDMENT | 1 |
| 2 | 108081 | SAFETY CHAIN 10000LBS | 2 |
| 3 | 108606 | AXLE 6K TORSION 32° DOWN | 2 |
| 4 | 110331 | RIM AND TIRE ASSEMBLY - ST225/75R15 LOAD RANGE D | 4 |
| 5 | 107834P | FENDER WELDMENT | 2 |
| 6 | 032044 | 9/16-18 TOPLOC HEX NUT | 24 |
| NS | 108126 | BREAKAWAY BRAKES KIT | 1 |

1.2 - Tongue Coupler Options

SN 17-000001 and UP



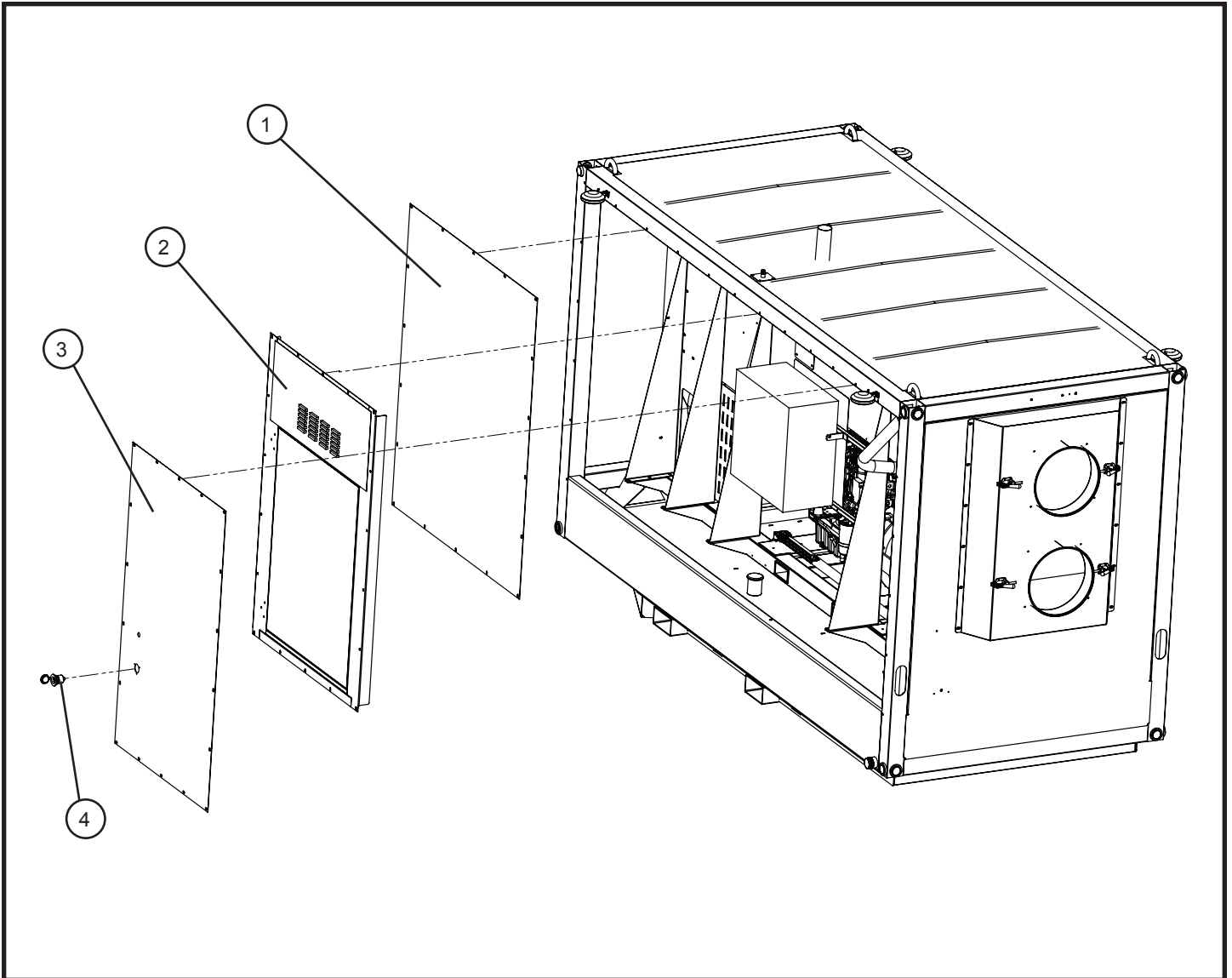
1.2 - Tongue Coupler Options

SN 17-000001 and UP

| Item | Part No. | Part Description | Qty. |
|------|----------|---------------------------------------|------|
| 1 | 109976 | COUPLER BALL 2.313 ADJUSTABLE STAMPED | 1 |
| 2 | 046255 | 5/8-11 x 5 HEX HEAD CS GR5 PL | 2 |
| 3 | 044053 | 5/8-11 NYLOCK HEX NUT PL | 2 |
| 4 | 047031 | 5/8 FLAT WASHER HDND PL | 3 |
| 5 | 106720 | RING PINTLE 3.00 ADJUSTABLE | 1 |

1.3 - Left Side Panels

SN 17-000001 and UP



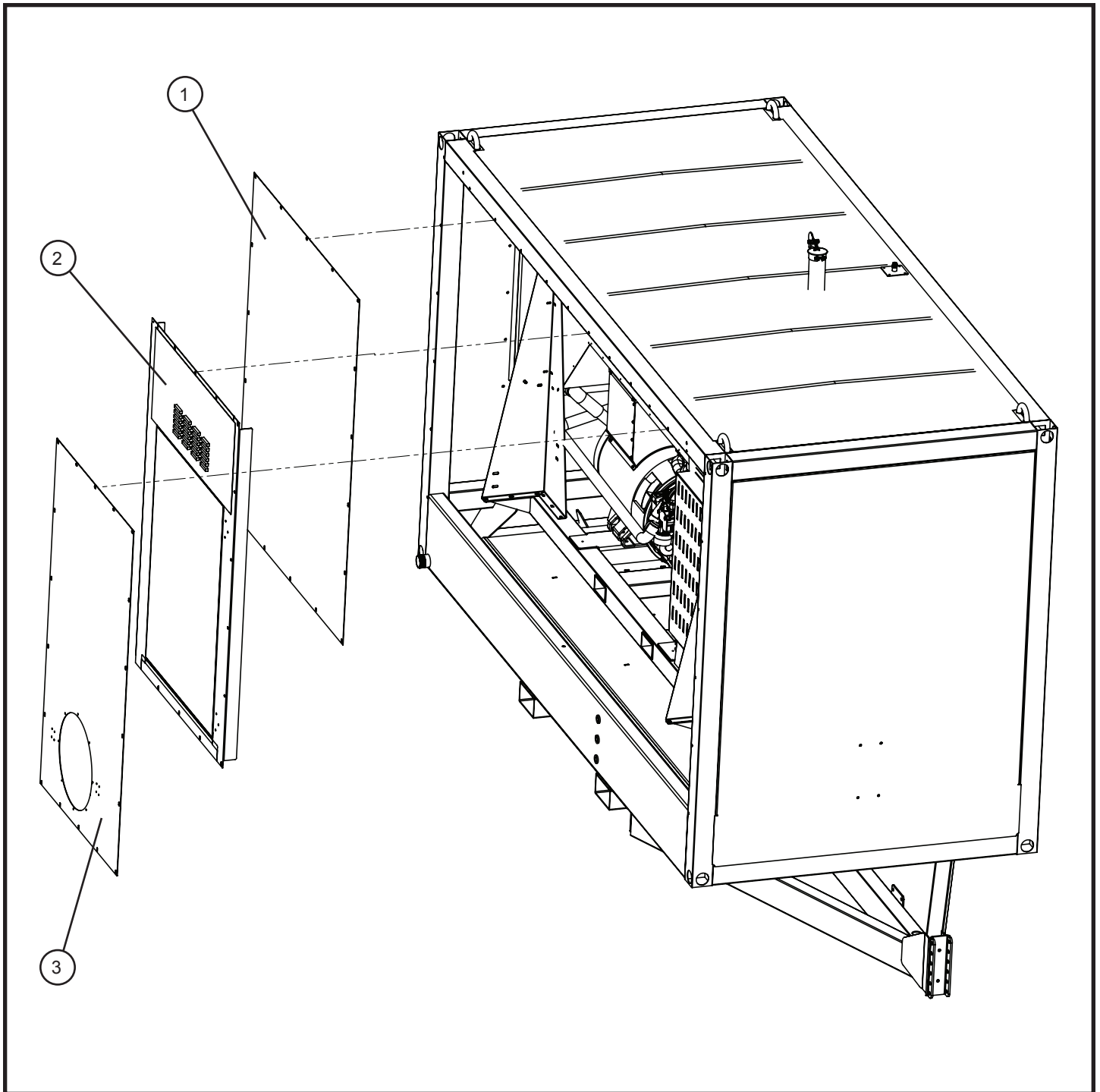
1.3 - Left Side Panels

SN 17-000001 and UP

| Item | Part No. | Part Description | Qty. |
|------|----------|------------------------------|------|
| 1 | 107750P | LEFT/RIGHT SIDE PANEL | 1 |
| 2 | 107824P | LEFT SIDE DOOR FRAME | 1 |
| | 107825P | DOOR | 1 |
| | 108066 | DOOR HINGE | 2 |
| 3 | 107749P | LEFT SIDE REAR PANEL | 1 |
| 4 | 108084 | DUST RESISTANT PREHEAT INLET | 1 |
| NS | 108124 | EMERGENCY STOP | 1 |

1.4 - Right Side Panels

SN 17-00001 and UP



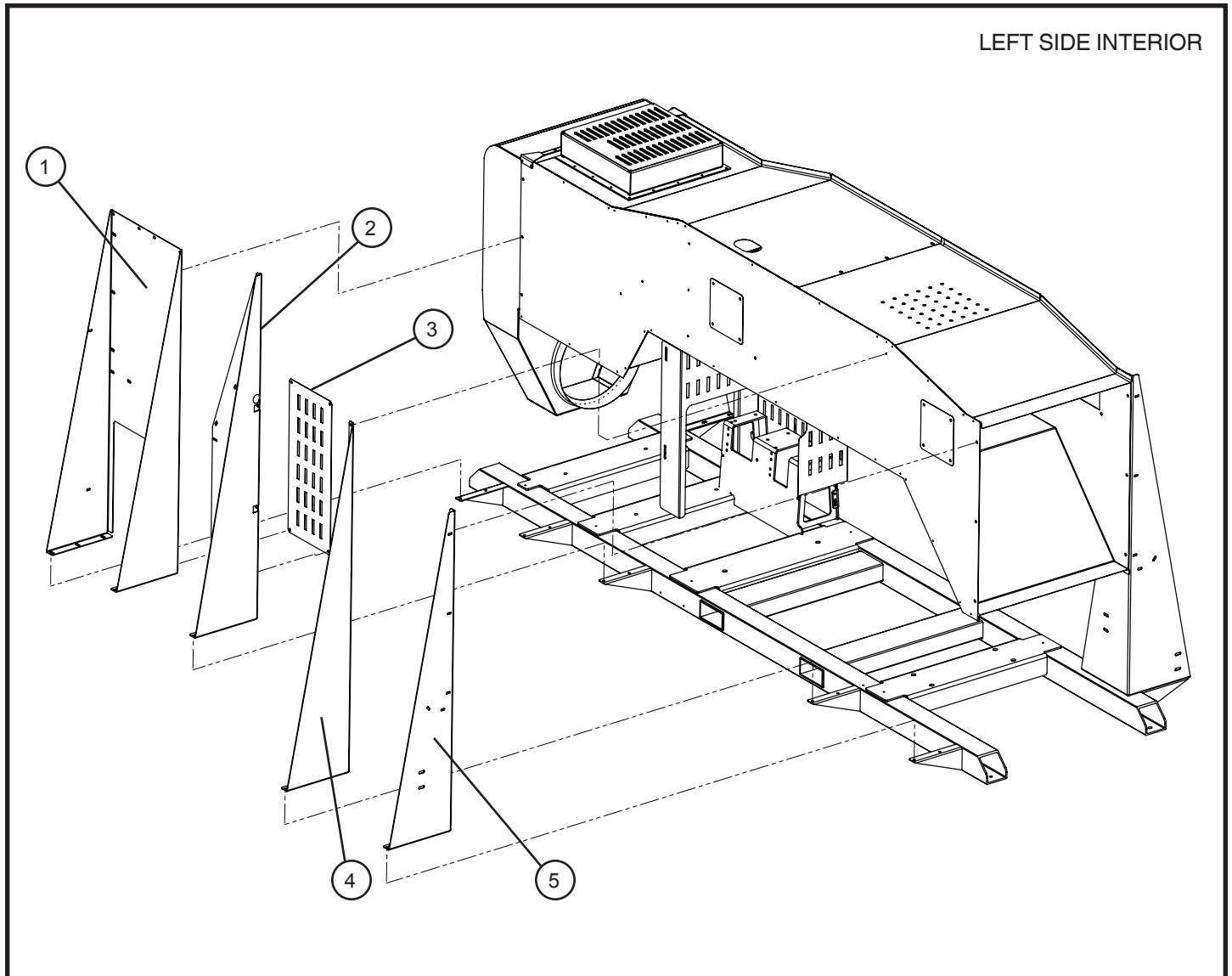
1.4 - Right Side Panels

SN 17-000001 and UP

| Item | Part No. | Part Description | Qty. |
|------|----------|------------------------|------|
| 1 | 107750P | LEFT/RIGHT SIDE PANEL | 1 |
| 2 | 107831P | RIGHT SIDE DOOR FRAME | 1 |
| | 107825P | DOOR | 1 |
| | 108066 | DOOR HINGE | 2 |
| 3 | 107702P | RIGHT SIDE FRONT PANEL | 1 |

1.5 - Interior Trailer Support and Blower Guard Group (1 of 2)

SN 17-000001 and UP



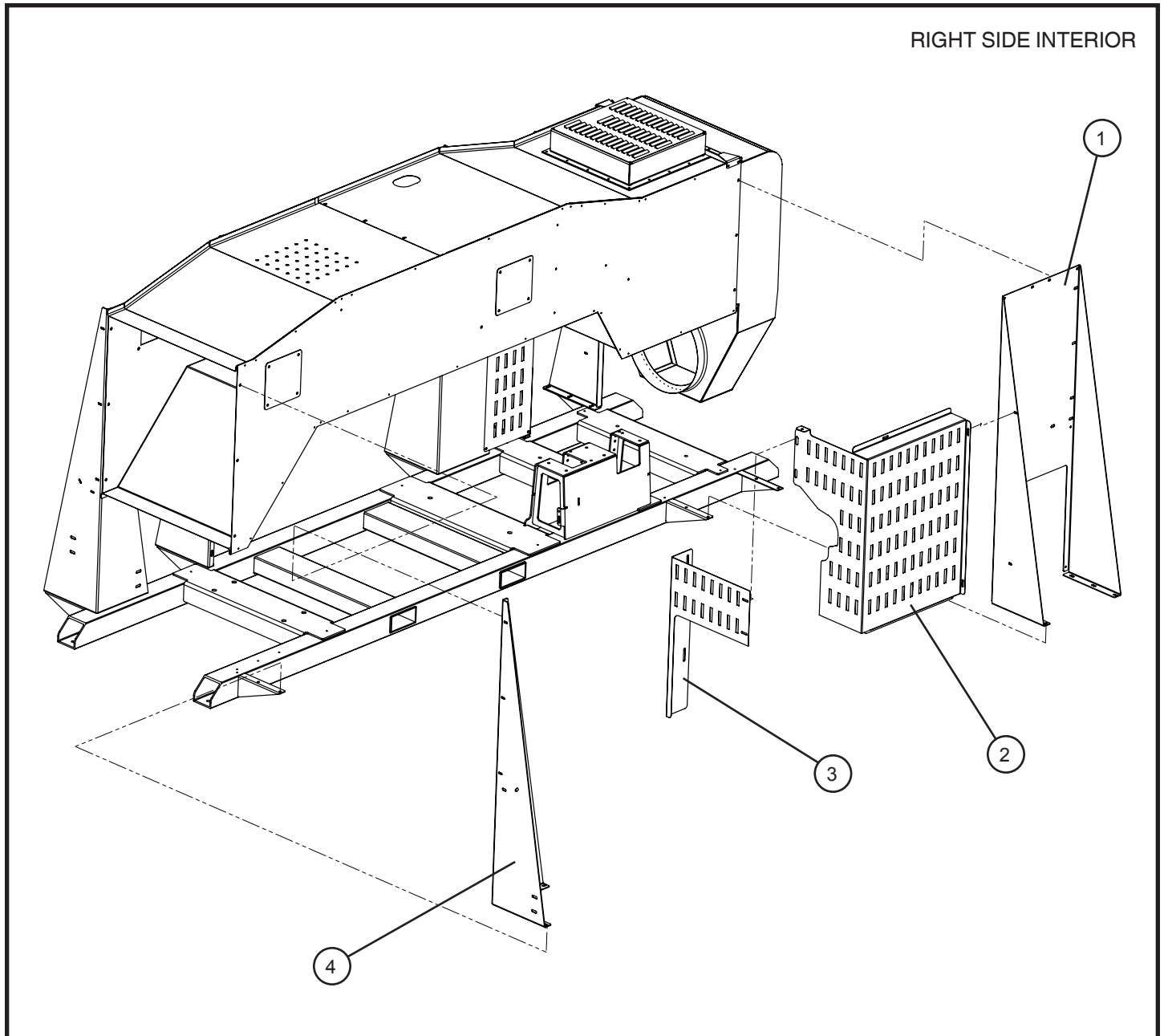
1.5 - Interior Trailer Support and Blower Guard Group (1 of 2)

SN 17-000001 and UP

| Item | Part No. | Part Description | Qty. |
|------|----------|----------------------------------|------|
| 1 | 107685P | HEATER DUCT MOUNT | 1 |
| 2 | 107683P | FRONT DUCT / CONTROL BOX SUPPORT | 1 |
| 3 | 107772P | BLOWER OUTLET GUARD | 1 |
| 4 | 107684P | REAR DUCT / CONTROL BOX SUPPORT | 1 |
| 5 | 107682P | REAR DUCT SUPPORT | 1 |

1.5 - Interior Trailer Support and Blower Guard Group (2 of 2)

SN 17-00001 and UP



SH-750

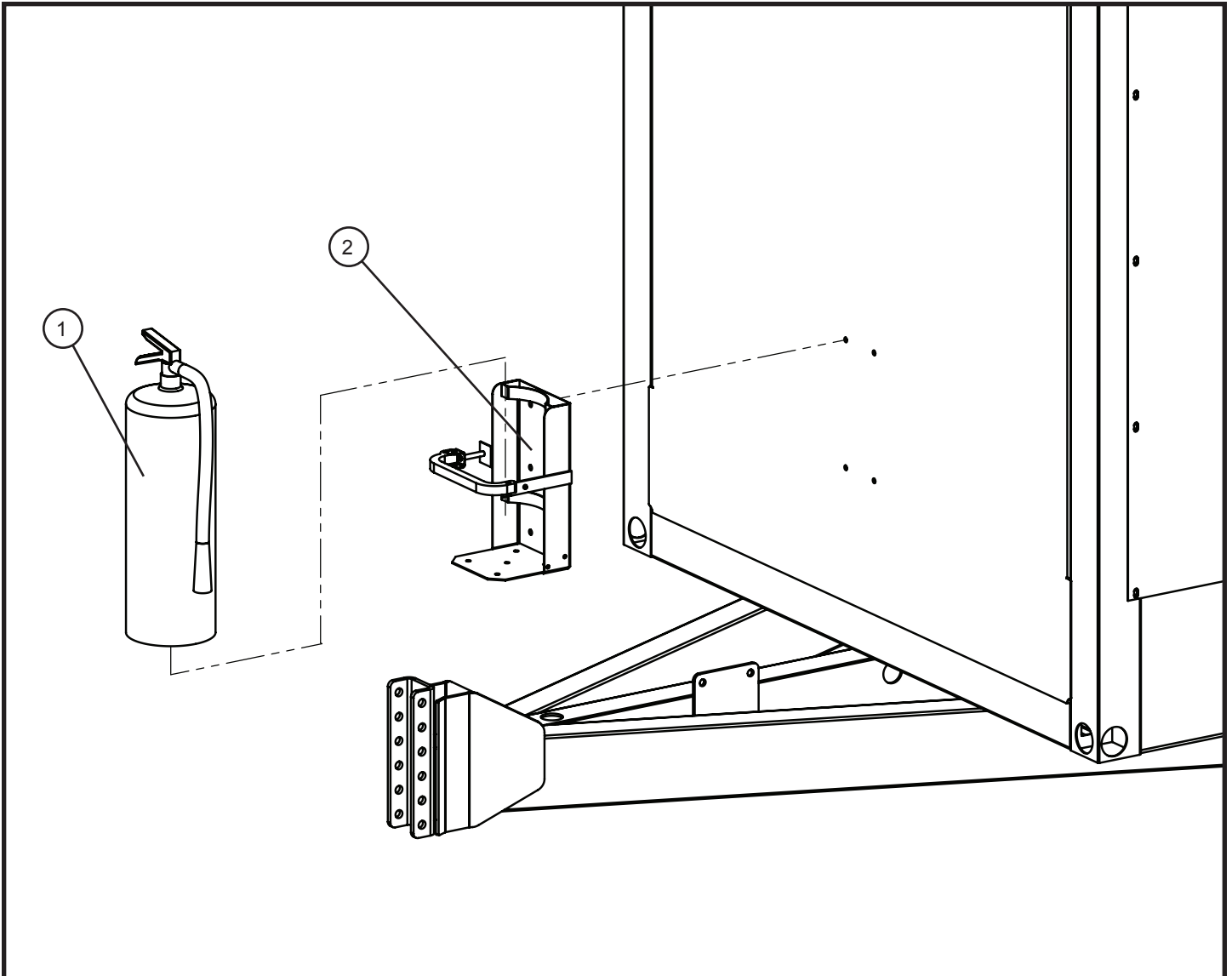
1.5 - Interior Trailer Support and Blower Guard Group (1 of 2)

SN 17-000001 and UP

| Item | Part No. | Part Description | Qty. |
|------|----------|-------------------------------|------|
| 1 | 107685P | HEATER DUCT MOUNT | 1 |
| 2 | 107770P | BLOWER GUARD | 1 |
| 3 | 107771P | BLOWER CONTROL BOX SIDE GUARD | 1 |
| 4 | 107682P | REAR DUCT SUPPORT | 1 |

1.6 - Fire Extinguisher

SN 17-000001 and UP



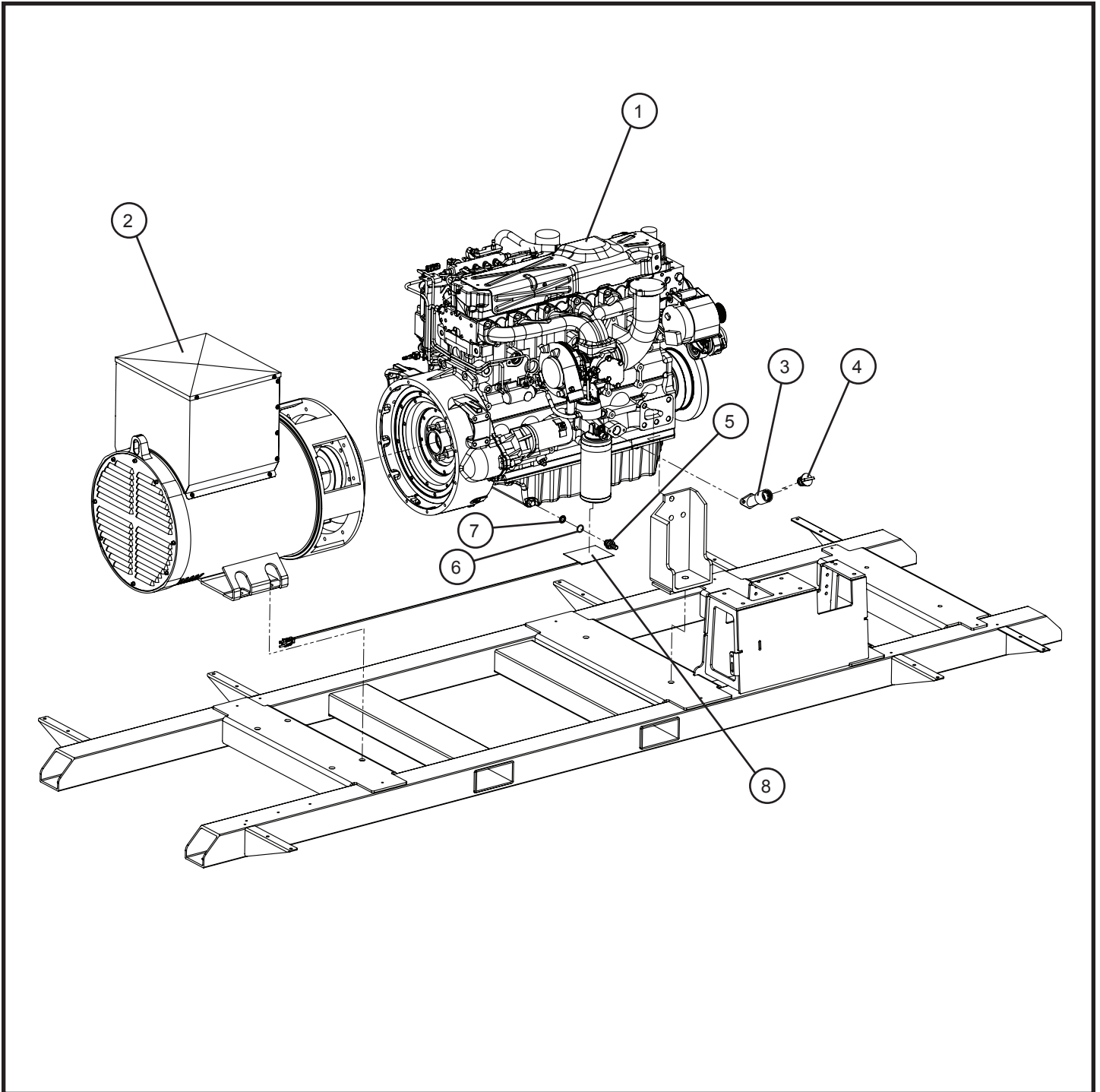
1.6 - Fire Extinguisher

SN 17-000001 and UP

| Item | Part No. | Part Description | Qty. |
|------|----------|-------------------------------------|------|
| 1 | 109724 | AMEREX MODEL A411 FIRE EXTINGUISHER | 1 |
| 2 | 109725 | AMEREX FIRE EXTINGUISHER BRACKET | 1 |
| NS | 105247 | FIRE EXTINGUISHER COVER | 1 |

2.1 - Engine and Generator Group

SN 17-000001 and UP



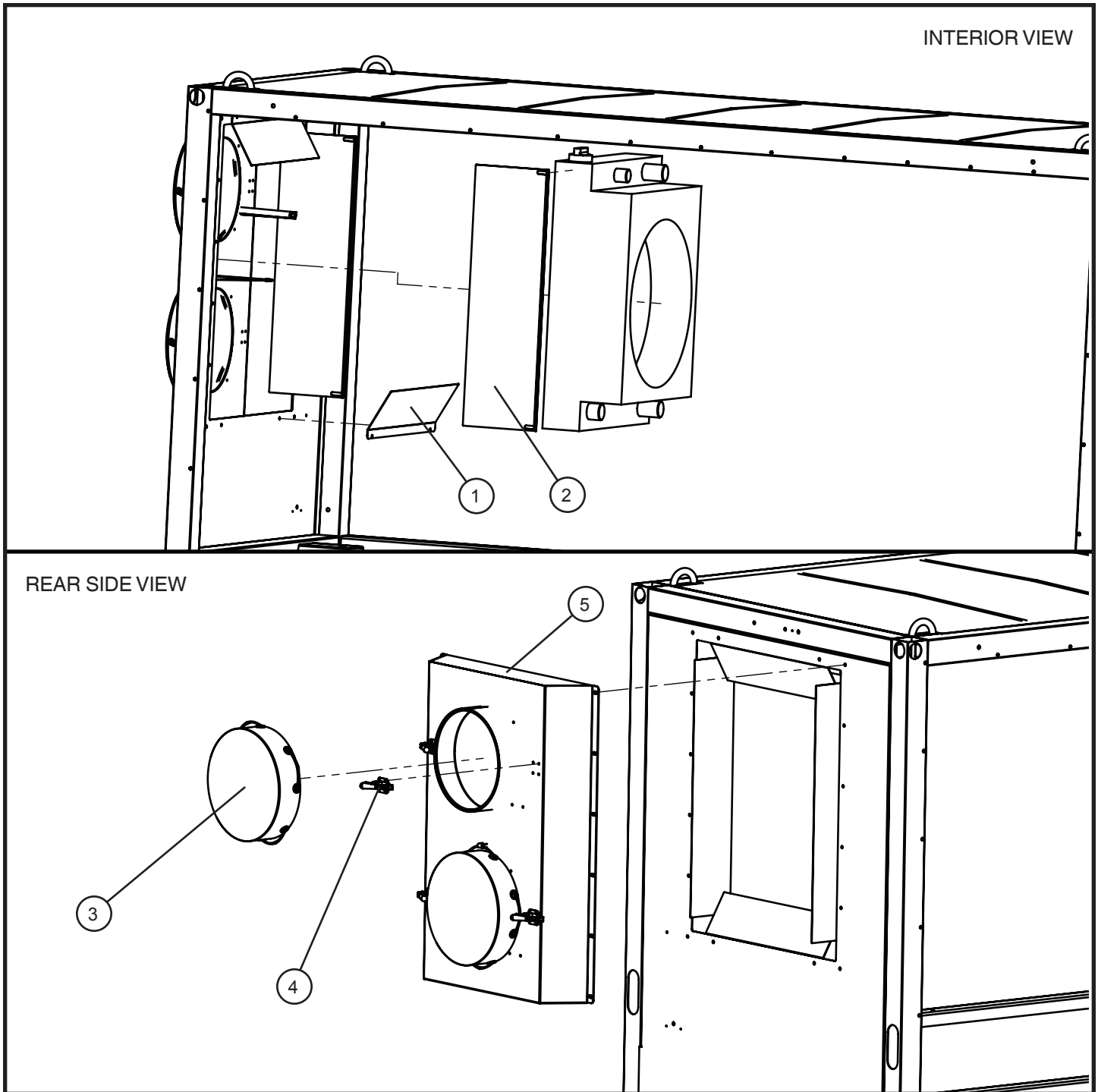
2.1 - Engine and Generator Group

SN 17-000001 and UP

| Item | Part No. | Part Description | Qty. |
|------|----------|---|------|
| 1 | 108103 | CATERPILLAR C7.1 ENGINE | 1 |
| | 108144 | OIL FILTER SH-750 | 1 |
| | 108145 | FUEL / WATER FILTER | 1 |
| | 108146 | FUEL FILTER | 1 |
| | 108150 | AIR FILTER SECONDARY | 1 |
| | 108151 | AIR FILTER PRIMARY | 1 |
| 2 | 108083 | GENERATOR 60Hz MECC ALTE 101kW 133/230/266/460V | 1 |
| 3 | 108665 | OIL FILLER NECK ASSEMBLY | 1 |
| 4 | 108704 | OIL FILLER CAP | 1 |
| 5 | 107742 | OIL DRAIN FITTING | 1 |
| 6 | 108122 | O-RING ENGINE OIL FITTING | 1 |
| 7 | 108105 | ENGINE OIL DRAIN PLUG GASKET | 1 |
| 8 | 108485 | OIL PAN HEATER | 1 |
| NS | 108091 | SILICONE REDUCER AIR CLEANER TO TURBO | 1 |
| NS | 108092 | SILICONE AIR CLEANER TO TURBO | 1 |
| NS | 108095 | PRE-CLEANER | 1 |
| NS | 107821 | AIR CLEANER RELOCATION TUBE | 1 |
| NS | 108113 | AIR CLEANER BRACKET | 1 |
| NS | 108121 | AIR CLEANER EXTENSION TUBE | 1 |

2.2 - Rear Intake Group

SN 17-000001 and UP



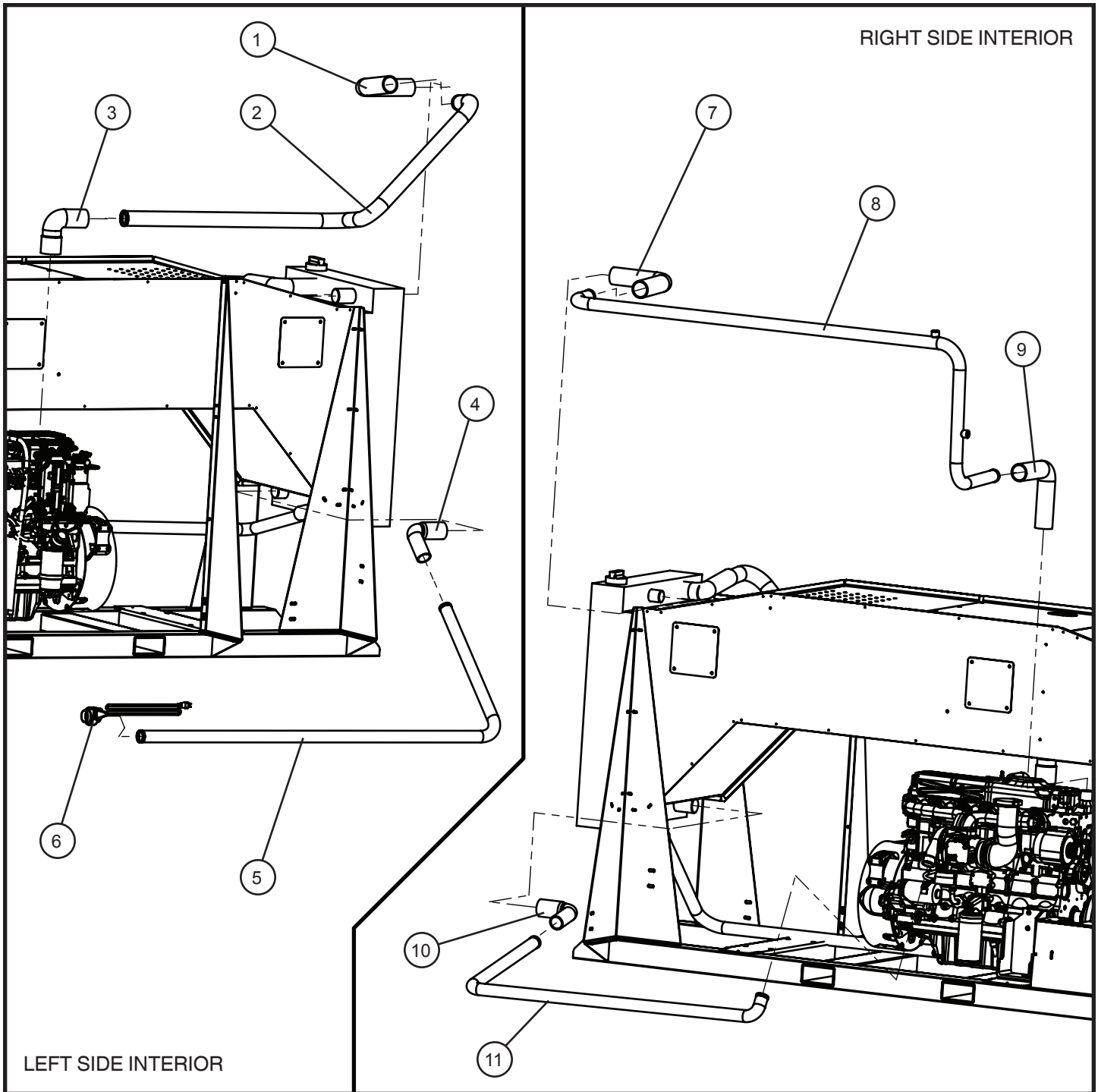
2.2 - Rear Intake Group

SN 17-000001 and UP

| Item | Part No. | Part Description | Qty. |
|------|----------|----------------------------|------|
| 1 | 107760 | RADIATOR TOP/BOTTOM SEALER | 2 |
| 2 | 107759 | RADIATOR SIDE SEALER | 2 |
| 3 | 108491 | DUCT COVER -INLET/OUTLET | 2 |
| 4 | 108498 | DUCT WORK CLAMP | 4 |
| 5 | 107838P | INLET | 1 |

2.3 - Radiator Tubing

SN 17-000001 and UP



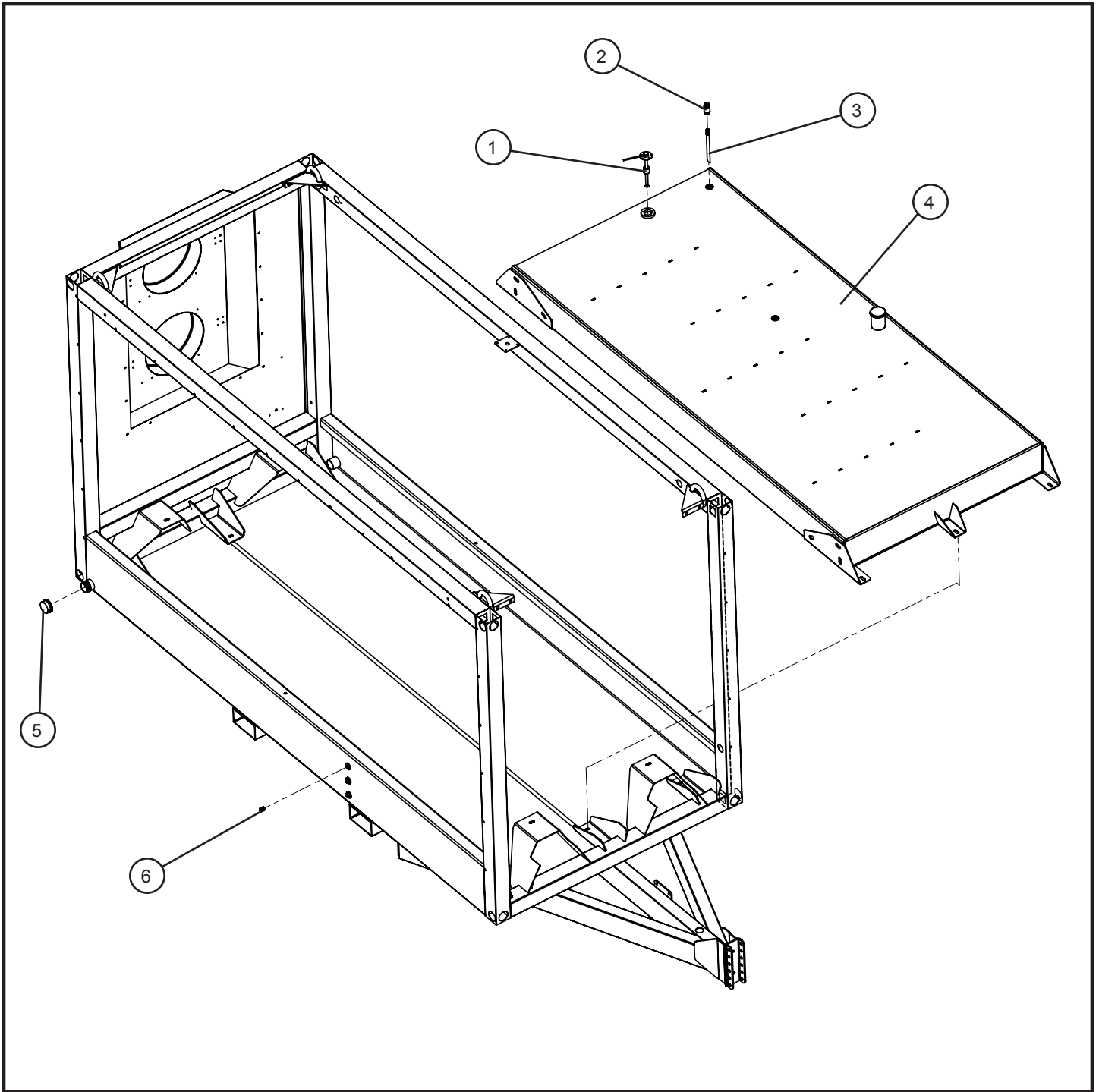
2.3 - Radiator Tubing

SN 17-000001 and UP

| Item | Part No. | Part Description | Qty. |
|------|----------|---|------|
| 1 | 108494 | 2.5" 90 DEGREE ELBOW | 1 |
| 2 | 107839 | TUBE RADIATOR SHOCKER VALVE | 1 |
| 3 | 108089 | 3" x 2.5" 90 DEGREE REDUCING ELBOW - BLUE | 1 |
| 4 | 108117 | 2" 90 DEGREE RADIATOR HOSE - BOTTOM | 1 |
| 5 | 107843 | WELDMENT TUBE RADIATOR HOSE HEATER | 1 |
| 6 | 108094 | HOSE HEATER | 1 |
| 7 | 108116 | 2" 90 DEGREE RADIATOR HOSE - TOP | 1 |
| 8 | 107844 | WELDMENT TUBE COOLANT LEVEL | 1 |
| 9 | 108112 | 2" PERKINS SILICON SLEEVE | 1 |
| 10 | 108088 | 2.5" x 2" 90 DEGREE REDUCING ELBOW - BLUE | 1 |
| 11 | 107840 | TUBE RADIATOR TURBO | 1 |
| NS | 108100 | CURVED RADIATOR HOSE | 1 |
| NS | 108099 | CURVED RADIATOR HOSE | 1 |
| NS | 108467 | TUBE GUAGE GLASS CLEAR 0.5 OD x 12.0 | 1 |

2.4 - Fuel Tank Group

SN 17-000001 and UP



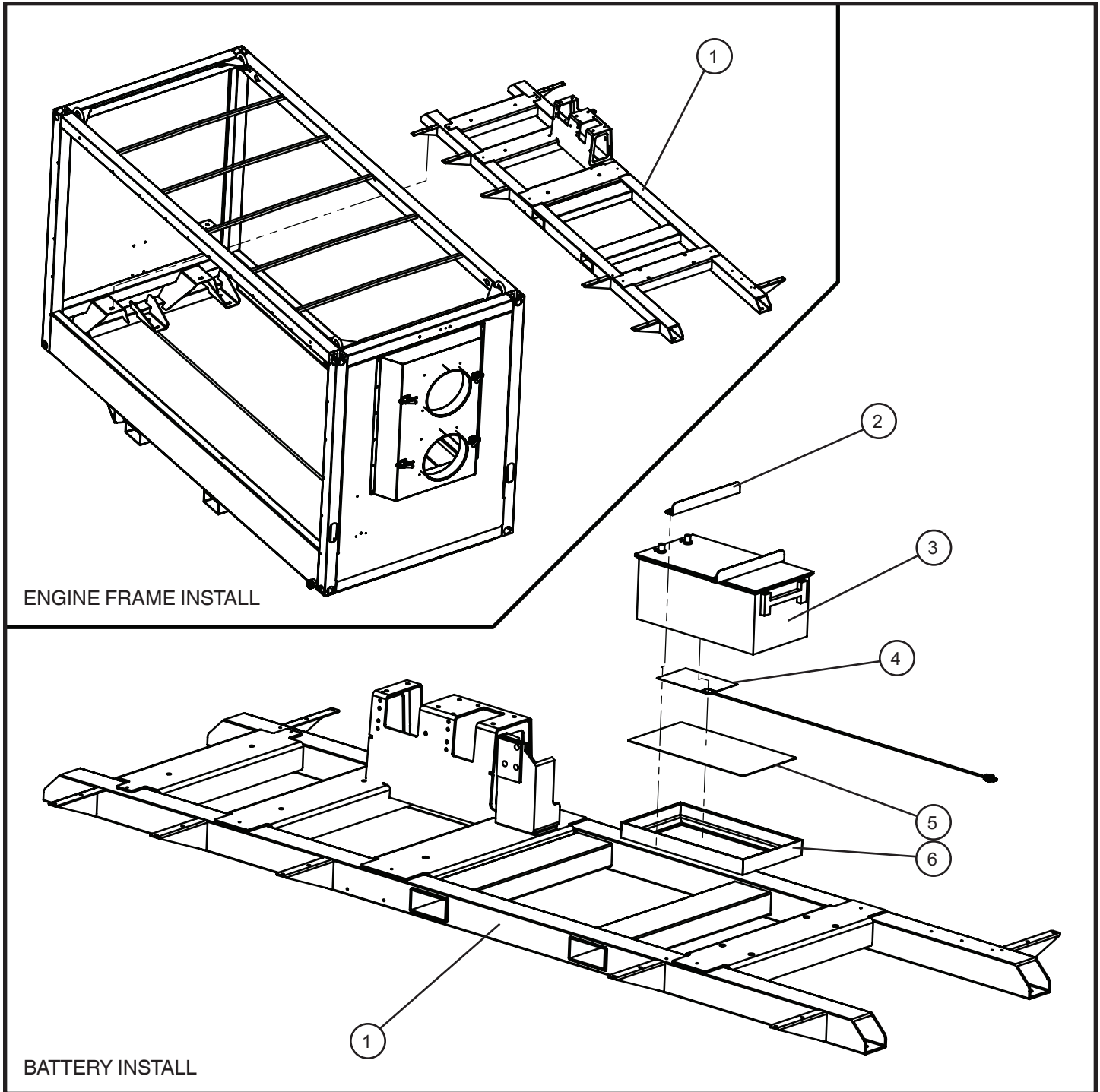
2.4 - Fuel Tank Group

SN 17-000001 and UP

| Item | Part No. | Part Description | Qty. |
|------|----------|--|------|
| 1 | 108472 | 8.5" LONG SAE 5 HOLE MOUNT 316 SST 240 - 33 OHM SENDER | 1 |
| 2 | 108090 | BRONZE SPRING CHECK VALVE 1/2" NPT | 1 |
| 3 | 108488 | PICKUP TUBE ASSEMBLY | 1 |
| 4 | 107822P | FUEL TANK PAINTED | 1 |
| 5 | 108483P | CAP PIPE 2 NPT | 2 |
| 6 | 026014 | 1/2 SQUARE PLUG GALV | 3 |
| NS | 108524 | 1/2 NPTF MALE x 1/2 FEMALE BALL VALVE | 3 |

2.5 - Engine Frame and Battery Group

SN 17-000001 and UP



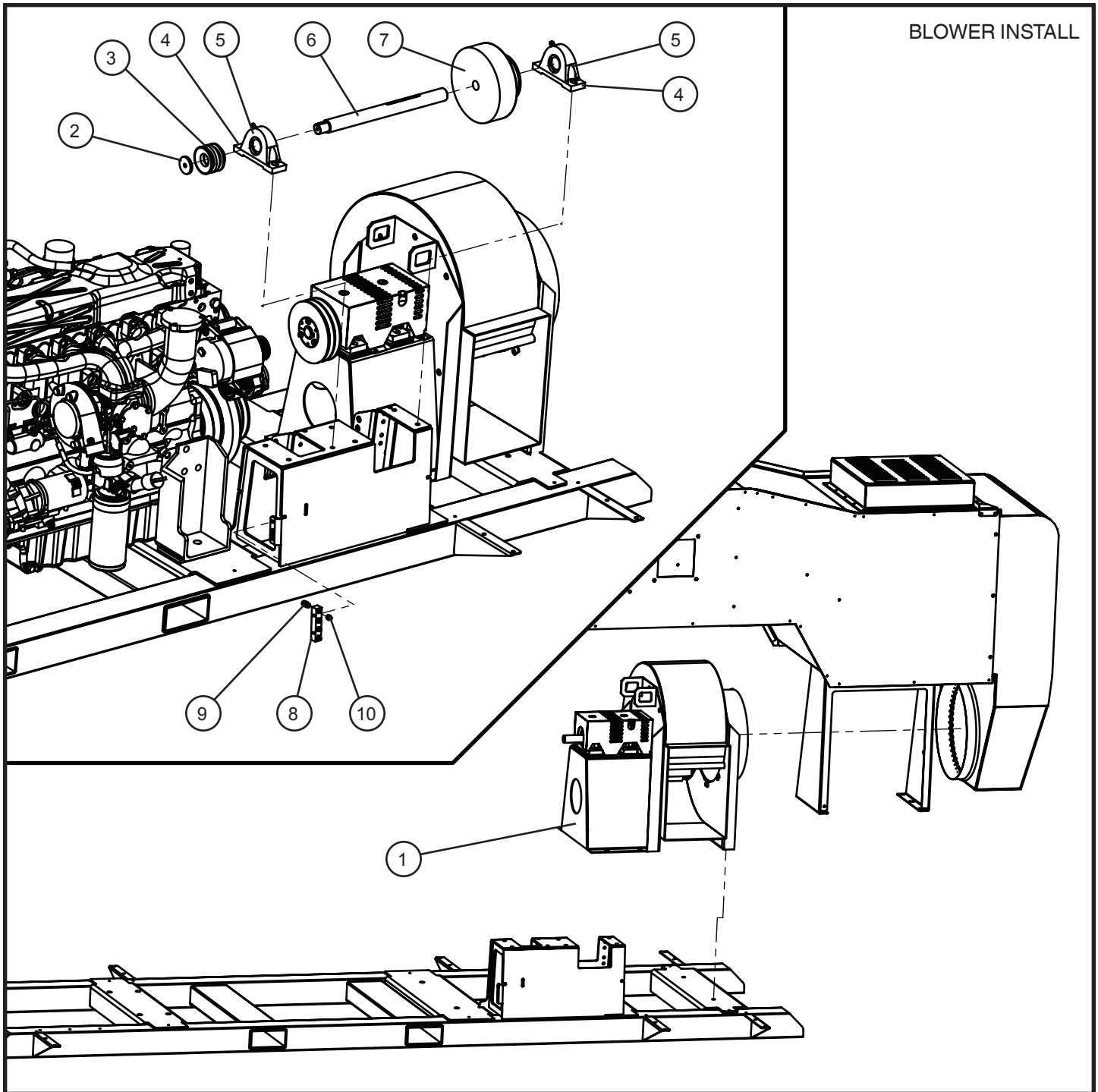
2.5 - Engine Frame and Battery Group

SN 17-000001 and UP

| Item | Part No. | Part Description | Qty. |
|------|----------|--------------------|------|
| 1 | 107837P | ENGINE BED FRAME | 1 |
| 2 | 107735P | BATTERY HOLD DOWN | 2 |
| 3 | N/A | BATTERY | 1 |
| 4 | 108484 | BATTERY PAD HEATER | 1 |
| 5 | 107814 | BATTERY BOX BOTTOM | 1 |
| 6 | 107827 | BATTERY BOX | 1 |

3.1 - Blower Fan, Shaft, and Pulley Group (1 of 2)

SN 17-00001 and UP



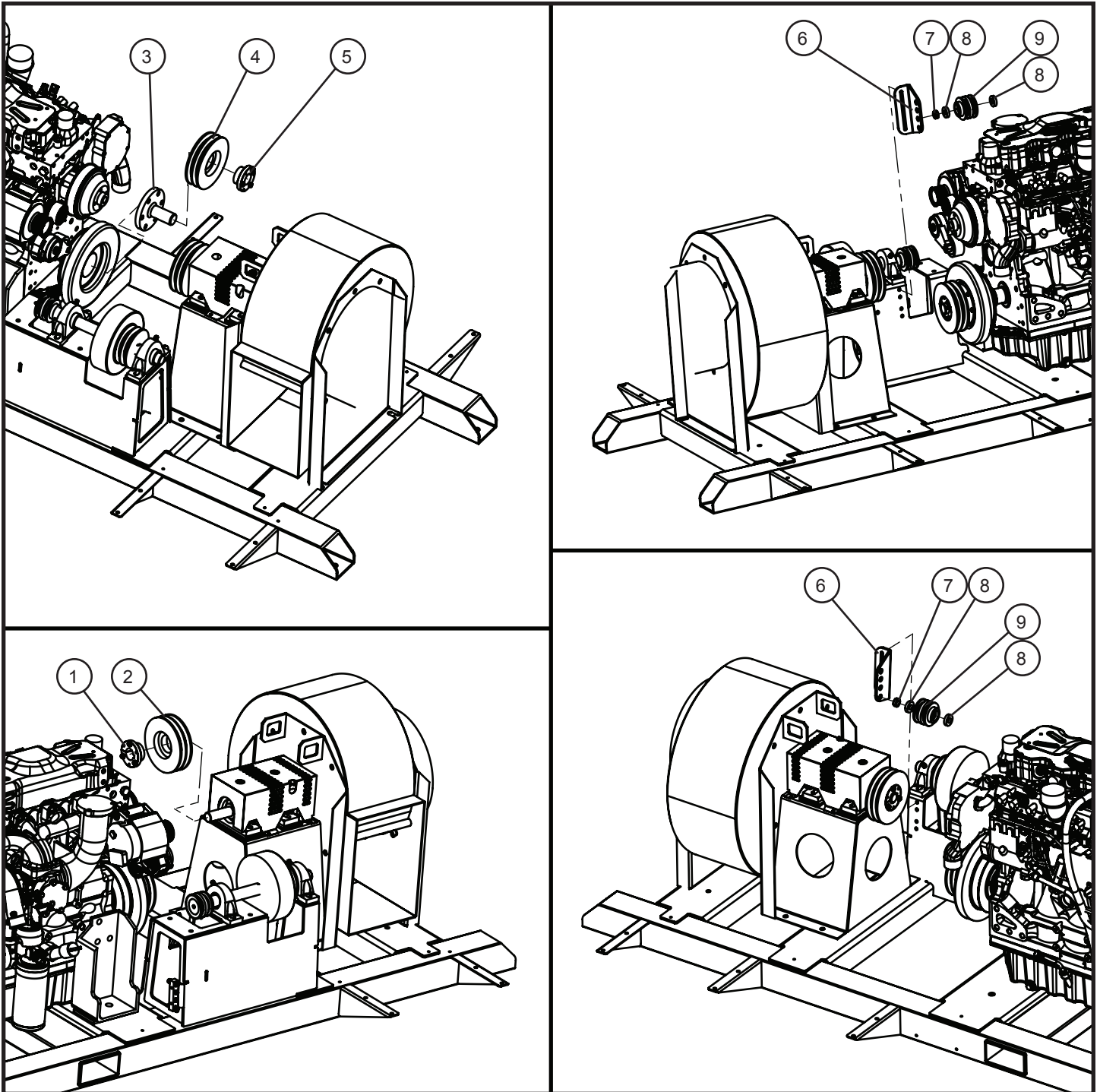
3.1 - Blower Fan, Shaft, and Pulley Group (1 of 2)

SN 17-000001 and UP

| Item | Part No. | Part Description | Qty. |
|------|----------|--|------|
| 1 | 108097 | FAN CINCINATTI CCW/BH 3600 CFM 4 INCH W.C. | 1 |
| 2 | 108130 | CAP JACKSHAFT BOLT-ON | 1 |
| 3 | 108501 | JACKSHAFT DRIVE PULLEY | 1 |
| 4 | 108079 | 1-3/8" PILLOW BLOCK | 2 |
| 5 | 108133 | 1-3/8" DOUBLE SPLIT COLLAR | 2 |
| 6 | 107784 | LARGE JACKSHAFT | 1 |
| 7 | 108473 | 3080 x 1-3/8" - 1800 IDLE CLUTCH -D10 | 1 |
| 8 | 108136 | HEADER BLOCK - 4 HOLE | 1 |
| 9 | 108109 | 1/4" TUBE STRT 252753 | 4 |
| 10 | 108098 | GREASE FITTING ZERK | 4 |
| NS | 108110 | NYLON TUBING 1/4" x 100 | 1 |
| NS | 108479 | TRI-POWER V-BELT BX41 | 1 |
| NS | 108480 | TRI-POWER V-BELT BX43 | 1 |

3.1 - Blower Fan, Shaft, and Pulley Group (2 of 2)

SN 17-000001 and UP



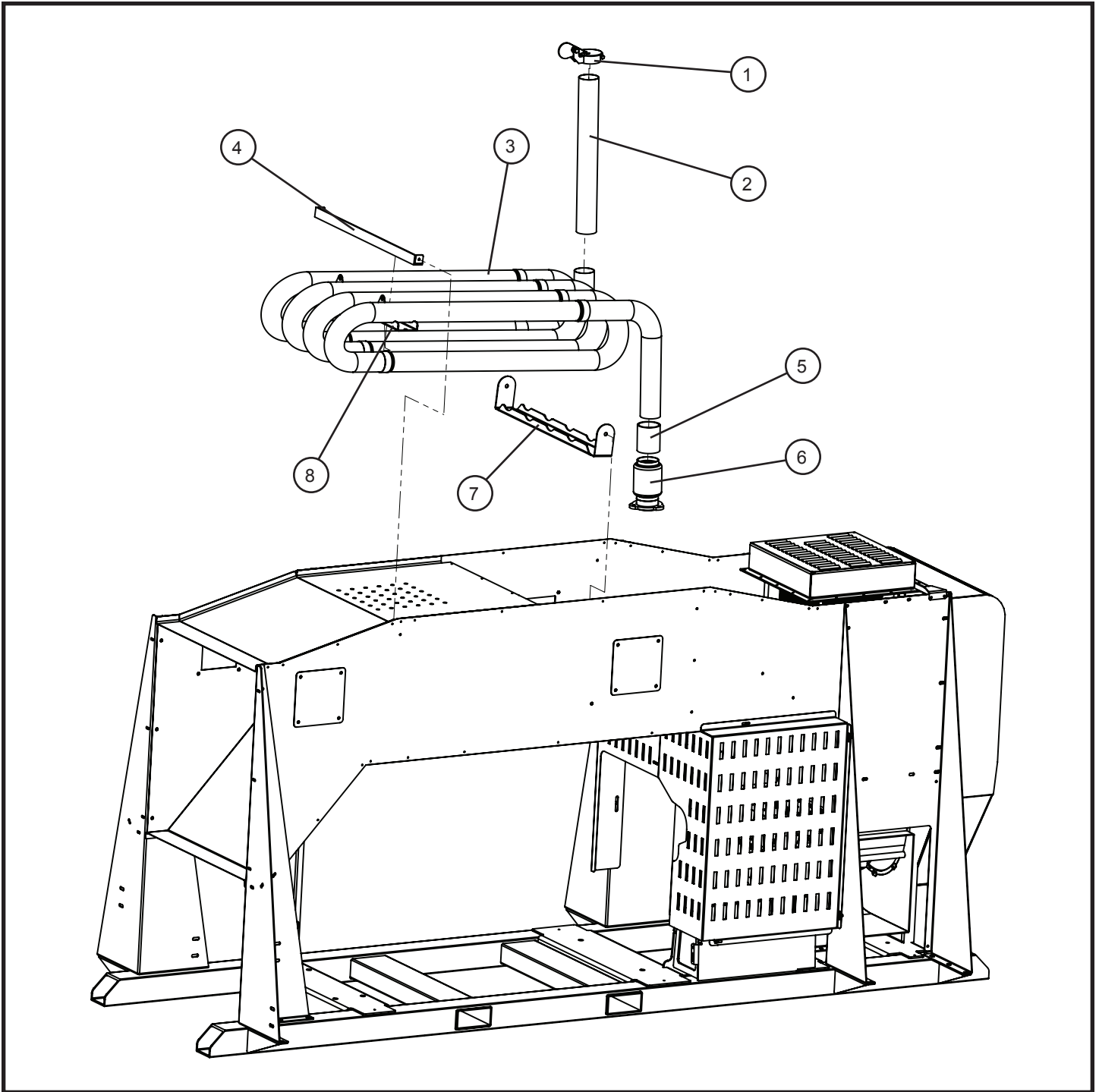
3.1 - Blower Fan, Shaft, and Pulley Group (2 of 2)

SN 17-000001 and UP

| Item | Part No. | Part Description | Qty. |
|------|----------|--------------------------------------|------|
| 1 | 108510 | 3/16 QD BUSHING - PULLEY | 1 |
| 2 | 108495 | PULLEY FAN | 1 |
| 3 | 107649 | CRANK MANDREL | 1 |
| 4 | 108496 | DRIVE PULLEY - ENGINE | 1 |
| 5 | 108602 | 7/16 QD BUSHING- ENGINE DRIVE PULLEY | 1 |
| 6 | 107689P | TENSIONER MOUNT | 2 |
| 7 | 107769 | TENSIONER BEARING SPACER | 2 |
| 8 | 108486 | BELT TIGHTENING PULLEY IDLER BEARING | 4 |
| 9 | 107836 | BELT TIGHTENING PULLEY | 2 |

3.2 - Heat Exchanger

SN 17-000001 and UP



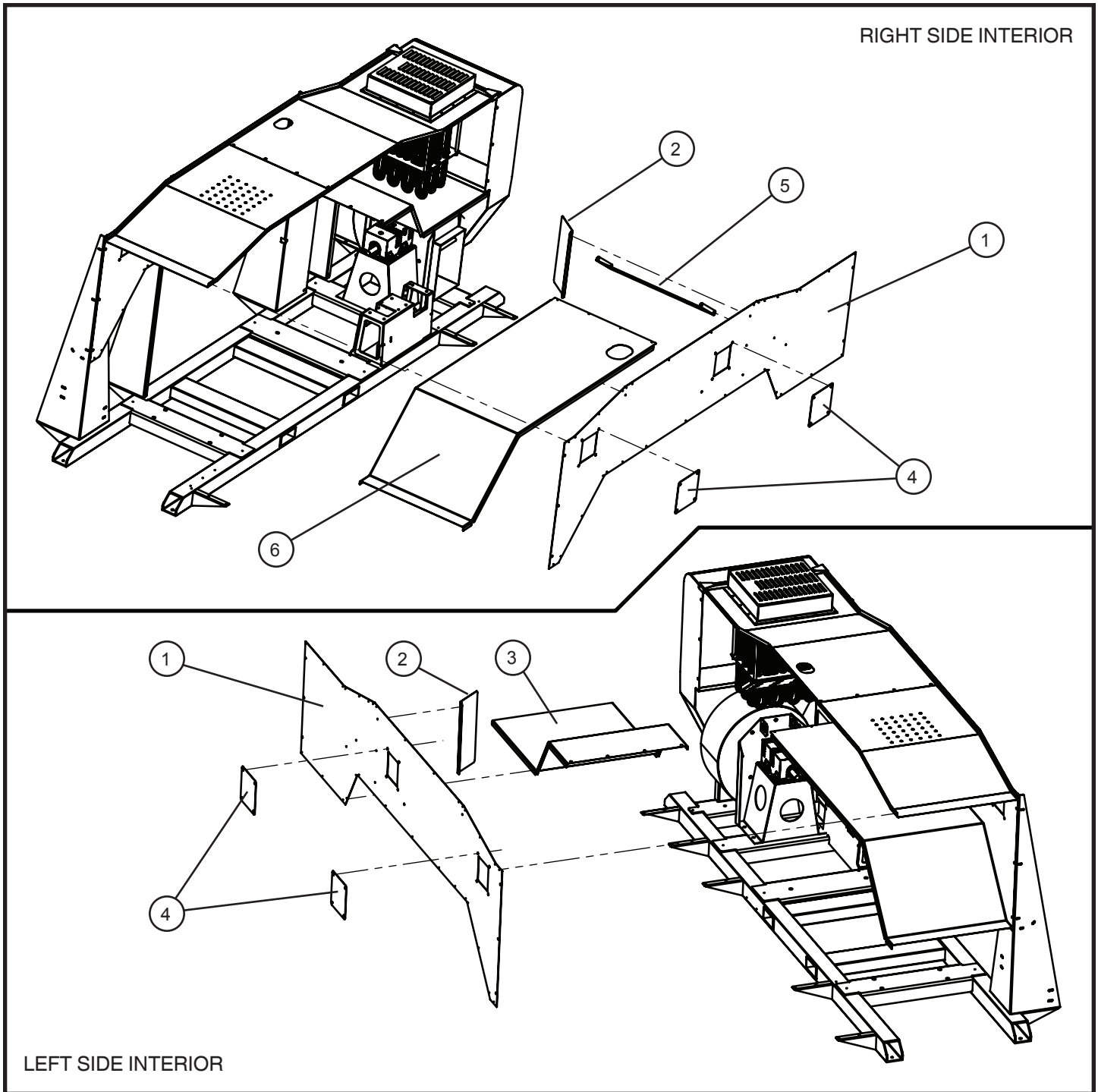
3.2 - Heat Exchanger

SN 17-000001 and UP

| Item | Part No. | Part Description | Qty. |
|------|----------|------------------------------------|------|
| 1 | 108111 | EXHAUST RAIN CAP | 1 |
| 2 | 107820 | OUTLET STACK | 1 |
| 3 | 108118 | HEAT EXCHANGER WELDMENT | 1 |
| 4 | 107830 | HEAT EXCHANGER HANGER | 1 |
| 5 | 108493 | EXHAUST - 4" HI TEMP STRAIGHT HOSE | 1 |
| 6 | 108104 | 3" FLEX COUPLER | 1 |
| 7 | 107711 | HEAT EXCHANGER BOTTOM MOUNT | 1 |
| 8 | 107710 | HEAT EXCHANGER TOP MOUNT | 1 |

3.3 - Interior Heater Ducting Group (1 of 2)

SN 17-000001 and UP



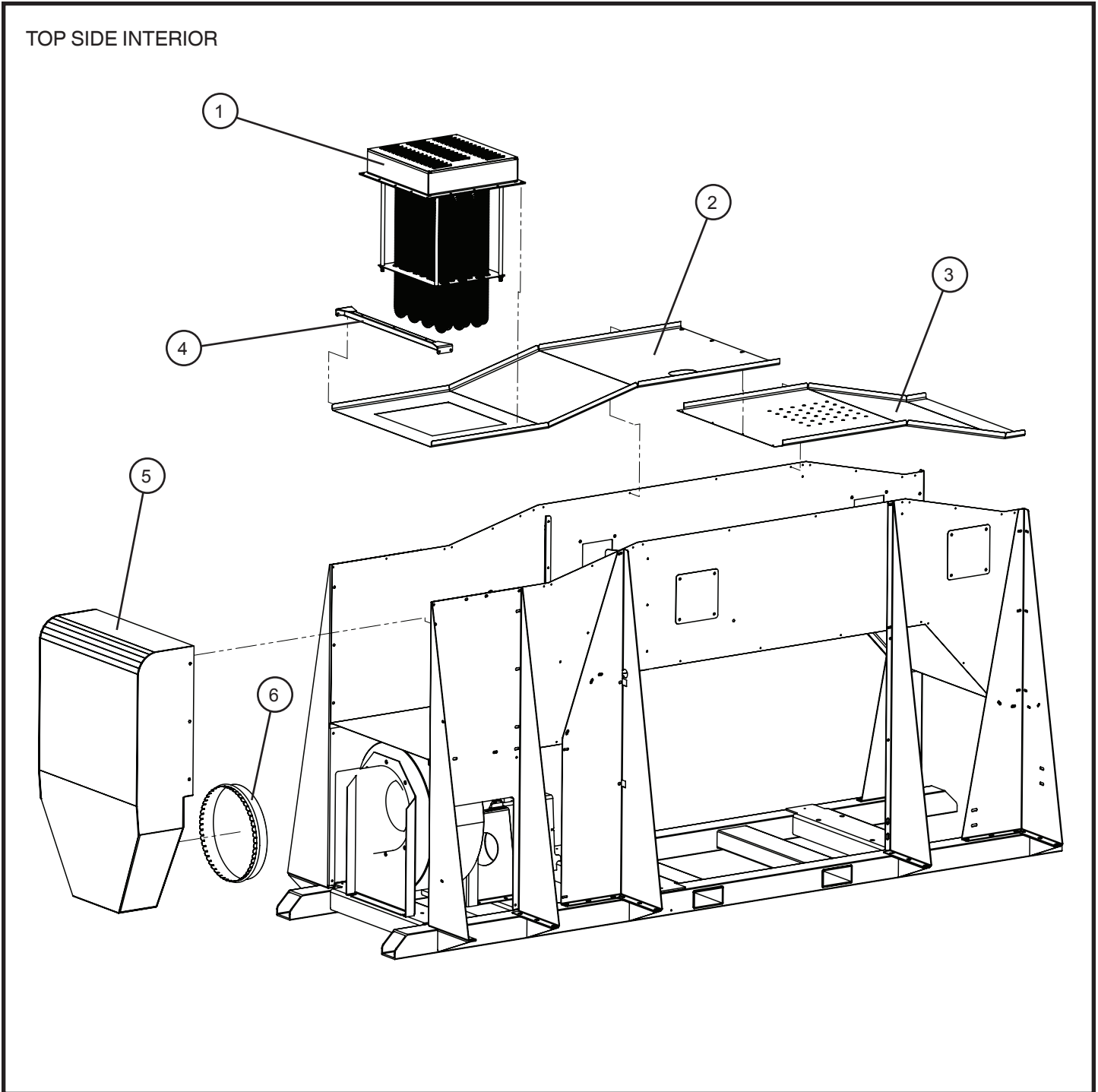
3.3 - Interior Heater Ducting Group (1 of 2)

SN 17-000001 and UP

| Item | Part No. | Part Description | Qty. |
|------|----------|--------------------------|------|
| 1 | 107651 | HEATER DUCT SIDE | 2 |
| 2 | 107758 | SIDE DEFLECTOR | 2 |
| 3 | 107724 | HEATER DUCT REAR BOTTOM | 1 |
| 4 | 107730 | HEATER DUCT COVER | 4 |
| 5 | 107757 | DEFLECTOR | 1 |
| 6 | 107653 | HEATER DUCT FRONT BOTTOM | 1 |

3.3 - Interior Heater Ducting Group (2 of 2)

SN 17-000001 and UP



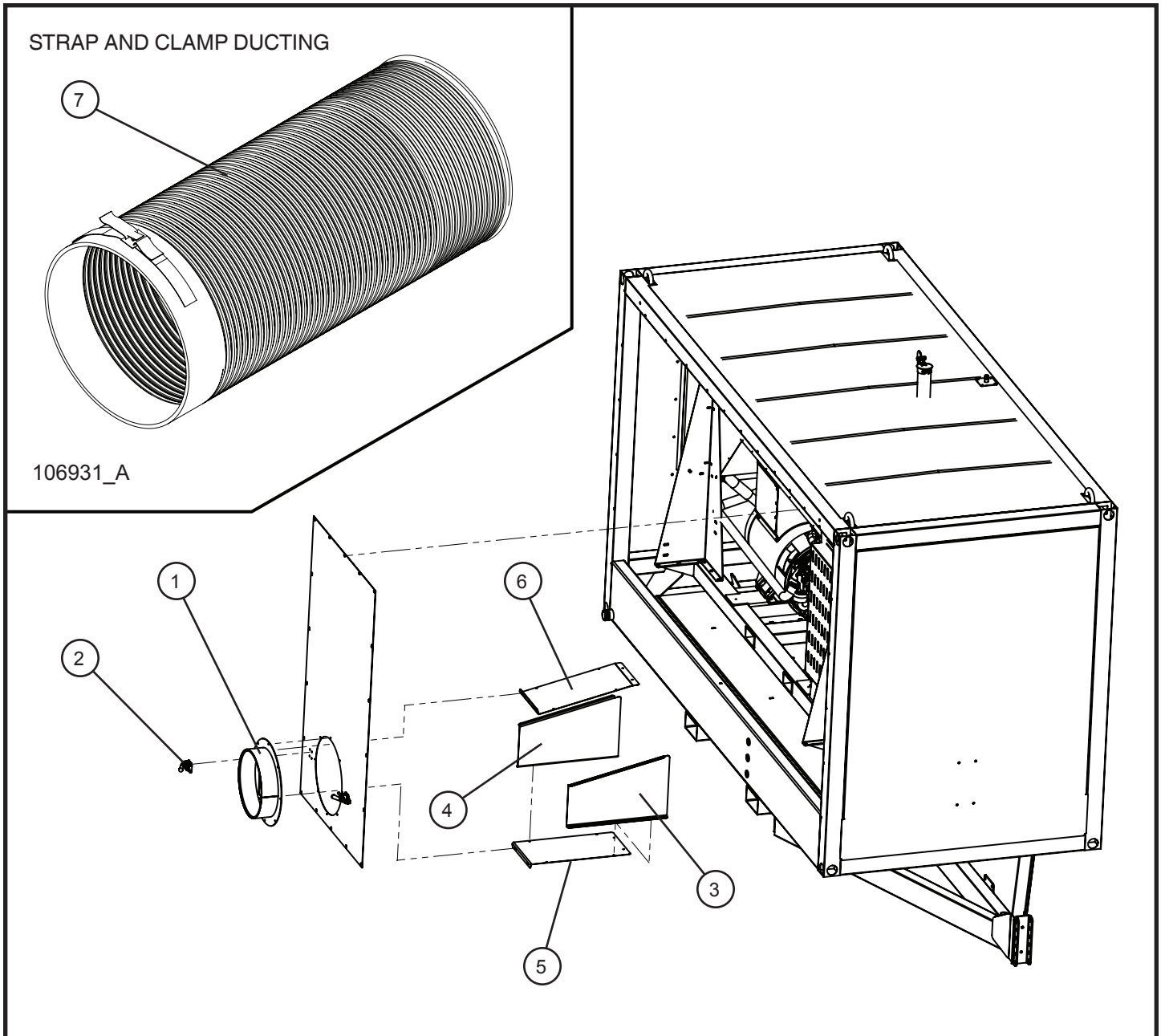
3.3 - Interior Heater Ducting Group (2 of 2)

SN 17-000001 and UP

| Item | Part No. | Part Description | Qty. |
|------|----------|---------------------------------------|------|
| 1 | 108489 | HEATING COIL 80kW/480V FINNED TUBULAR | 1 |
| 2 | 107723 | HEATER DUCT FRONT TOP | 1 |
| 3 | 107652 | HEATER DUCT REAR TOP | 1 |
| 4 | 107832 | HEATING COIL SUPPORT | 1 |
| 5 | 108093 | HEATER DUCT SUB ASSEMBLY TO FAN | 1 |
| 6 | 108502 | COLLAR DUCT 16.0 GALVANIZED FEMALE | 1 |

3.4 - Exterior Heater Ducting Group

SN 17-000001 and UP



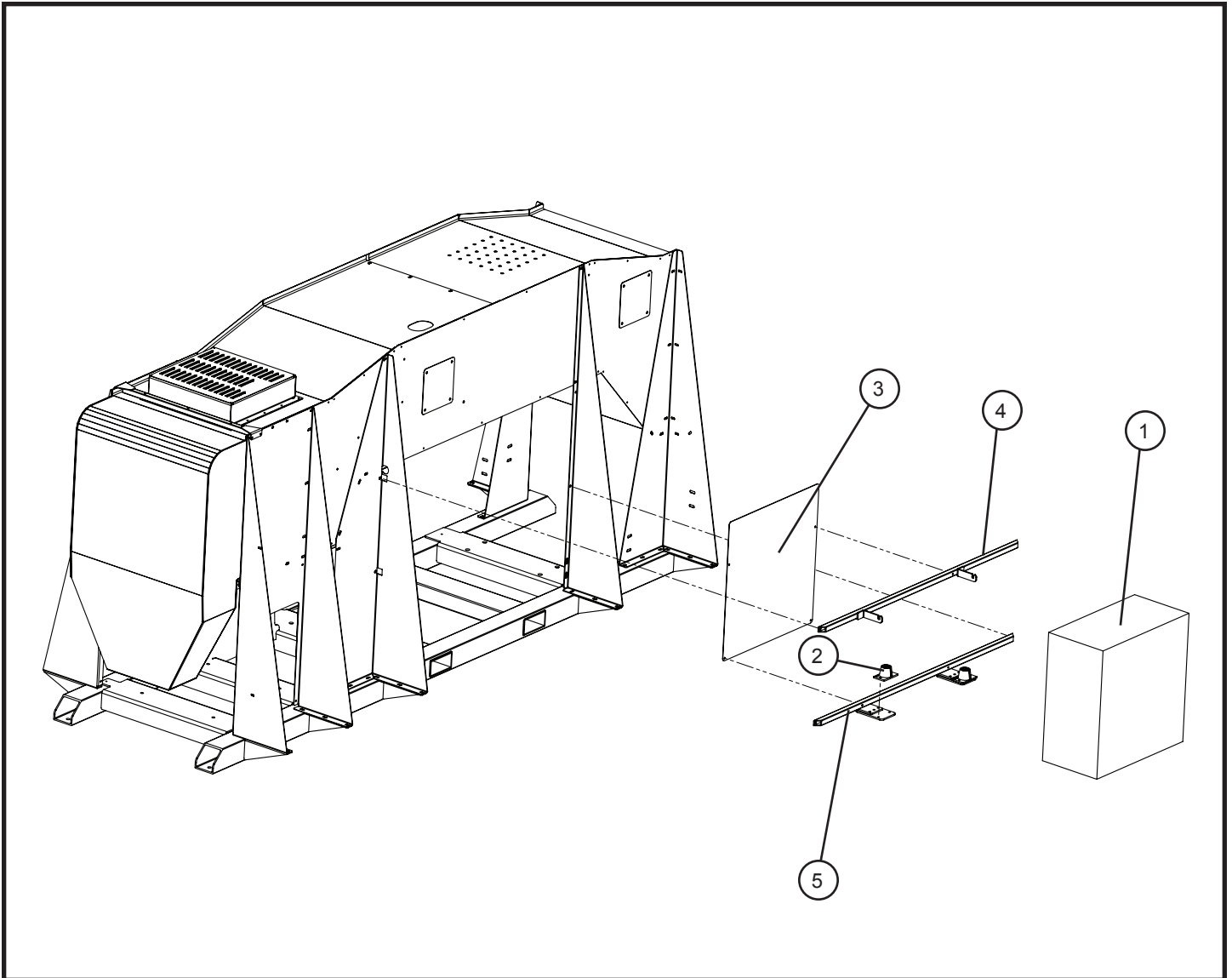
3.4 - Exterior Heater Ducting Group

SN 17-000001 and UP

| Item | Part No. | Part Description | Qty. |
|------|----------|--|------|
| 1 | 107826P | HEAT OUTLET | 1 |
| 2 | 108498 | DUCT WORK CLAMP | 1 |
| 3 | 107816 | FRONT OUTLET SHROUD | 1 |
| 4 | 107817 | REAR OUTLET SHROUD | 1 |
| 5 | 107818 | BOTTOM OUTLET SHROUD | 1 |
| 6 | 107819 | TOP OUTLET SHROUD | 1 |
| 7 | 106924 | 16" x 25' FLEXIBLE DUCTING W/ ADJUSTABLE CUFF (OPTION) | 1 |
| NS | 108491 | DUCT COVER -INLET/OUTLET | 1 |

4.1 - Control Box Install Group

SN 17-000001 and UP



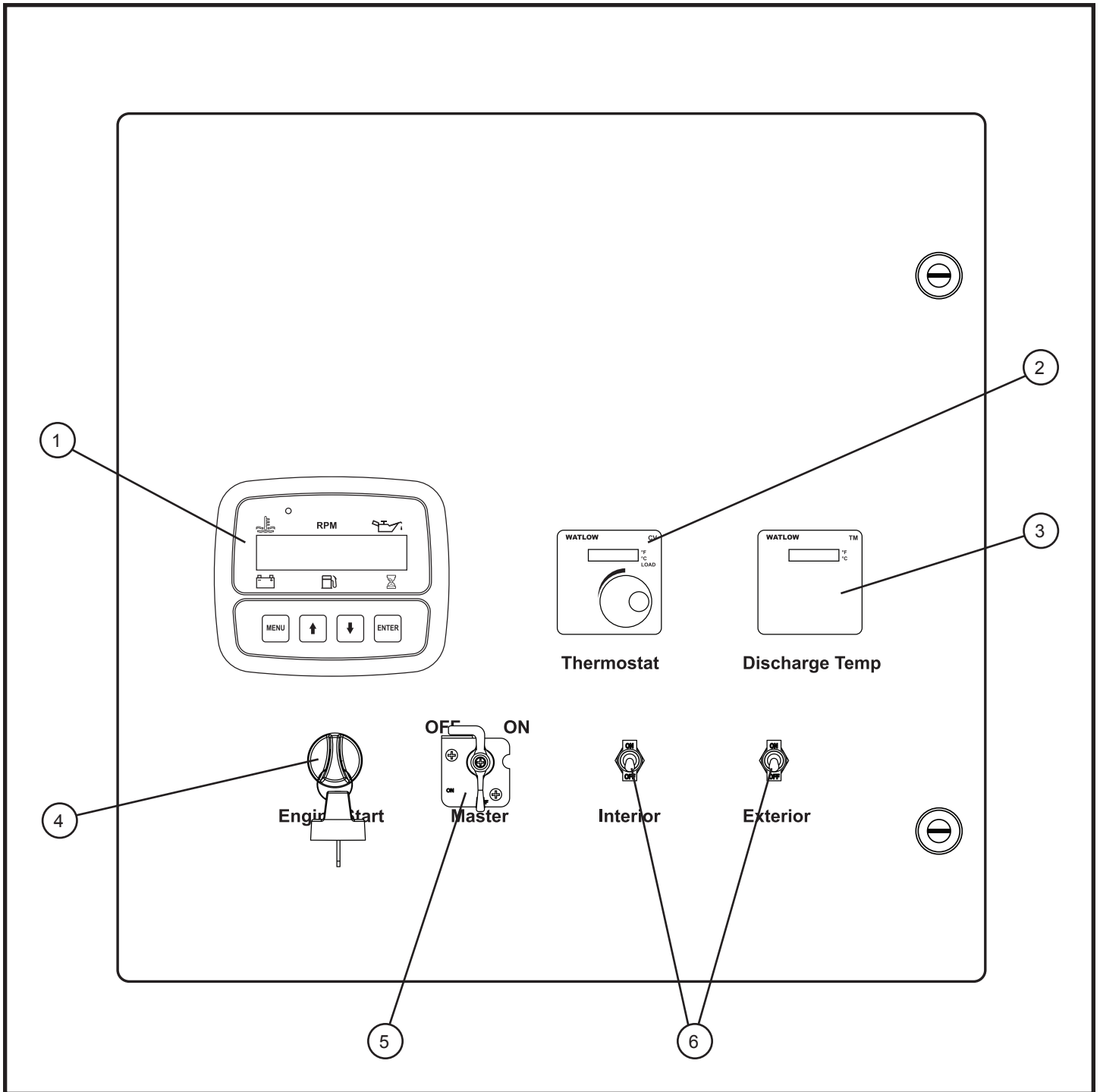
4.1 - Control Box Install Group

SN 17-000001 and UP

| Item | Part No. | Part Description | Qty. |
|------|----------|---|------|
| 1 | 108071 | CONTROL BOX COMPLETE | 1 |
| 2 | 108085 | MASON ND-B YELLOW DBL DEFLECTION NEOPRENE MOUNT | 2 |
| 3 | 107775 | HEAT SHIELD | 1 |
| 4 | 107828P | 12V CONTROL BOX TOP MOUNT | 1 |
| 5 | 107829P | 12V CONTROL BOX BOTTOM MOUNT | 1 |

4.2 - Control Box (1 of 2)

SN 17-000001 and UP



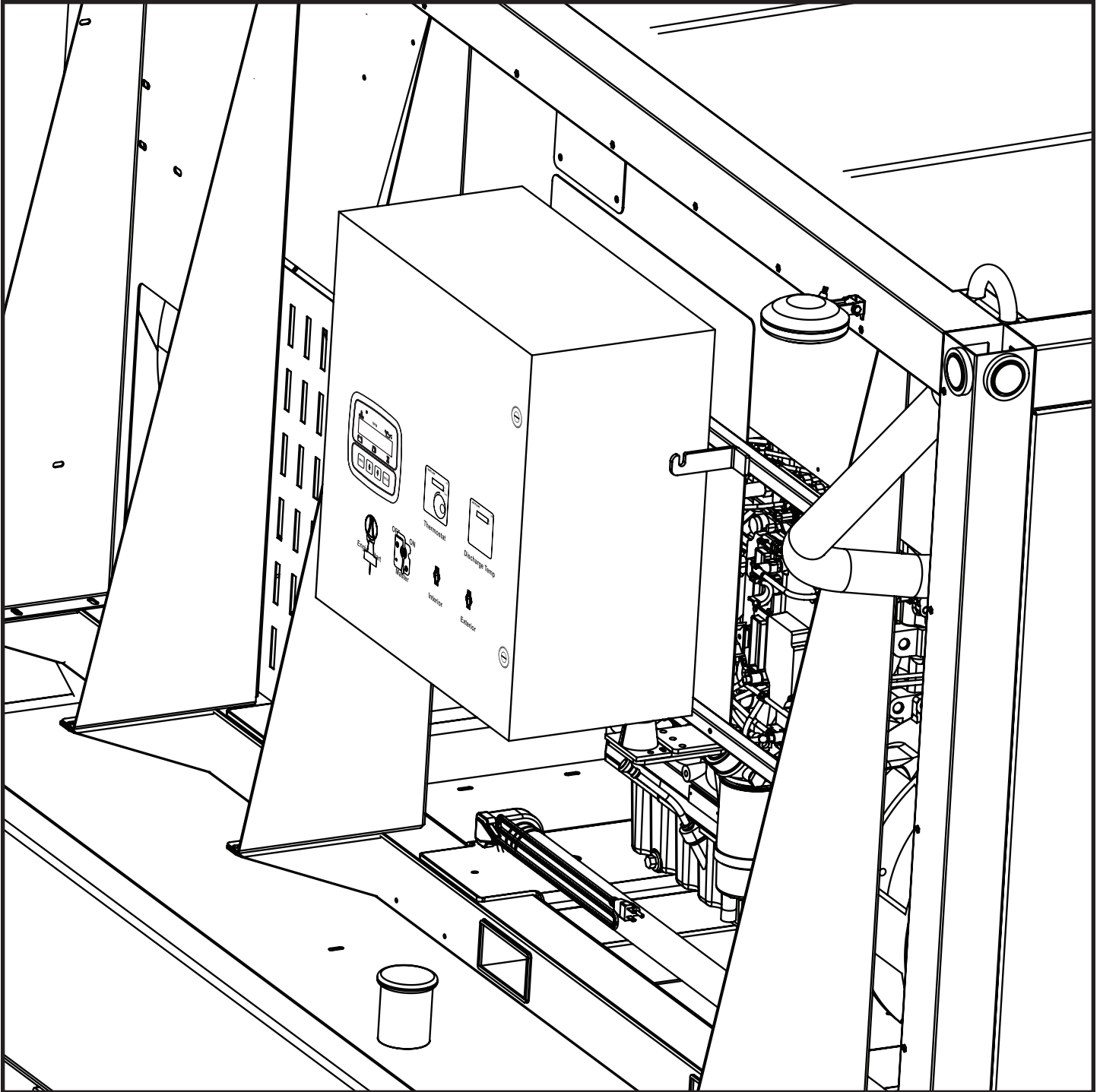
4.2 - Control Box (1 of 2)

SN 17-000001 and UP

| Item | Part No. | Part Description | Qty. |
|------|----------|---|------|
| -- | 108071 | CONTROL BOX COMPLETE | 1 |
| 1 | 108634 | ENGINE CONTROL DISPLAY | 1 |
| 2 | 108629 | WATLOW CV TEMP CONTROLLER | 1 |
| 3 | 108630 | WATLOW TM TEMP DISPLAY | 1 |
| 4 | 104310 | IGNITION KEY SWITCH W/ KEYS | 1 |
| | 106273 | IGNITION SWITCH LEVER STYLE | 1 |
| 5 | 103483 | LOCK OUT BATTERY DISCONNECT | 1 |
| 6 | 340009 | TOGGLE SWITCH 15A 125V | 2 |
| NS | 108607 | EATON EGB3125FFG 125 A MAIN DISCONNECT | 1 |
| NS | 108608 | WAGO 857-304 SMALL RELAY T-BLOCK DC 24 | 1 |
| NS | 108609 | 5412 ES242410 ENCLOSURE | 1 |
| NS | 108610 | WAGO 210-112 DIN RAIL | 1 |
| NS | 108611 | MICRON B050-2000-1 | 1 |
| NS | 108612 | EATON XTCE032C10TD CONTACTOR | 1 |
| NS | 108613 | EATON XTPR032BC1 OVERLOAD | 1 |
| NS | 108614 | EATON XTPAXTPCC MOUNTING RAIL | 1 |
| NS | 108615 | EATON TRL04 TIMERS | 1 |
| NS | 108616 | WAGO 2002-1401 SMALL T-BLOCK | 1 |
| NS | 108617 | WAGO 2002-1491 END PLATE SMALL BLOCK | 1 |
| NS | 108618 | WAGO 2002-405 5 WAY JUMPER | 1 |
| NS | 108619 | WAGO 249-116 END STOP | 1 |
| NS | 108620 | WAGO 2006-1301 LARGE T-BLOCK 3 HOLE | 1 |
| NS | 108621 | WAGO 2006-1391 LARGE T-BLOCK END PLATE | 1 |
| NS | 108622 | PLHS-YEL-1/4 HEAT TUB LABEL | 1 |
| NS | 108623 | PLHS-YEL-3/8 HEAT TUB LABEL | 1 |
| NS | 108624 | EATON 3TA125E6K 6 WAY MAIN DISCONNECT TERMINALS | 1 |
| NS | 108625 | EATON FAZ-D5/3-NA CIRCUIT BRK. | 1 |
| NS | 108626 | WAGO 282-696 AUTO FUSE T-BLOCK | 1 |
| NS | 108627 | WAGO 282-334 AUTO FUSE END PLATE | 1 |
| NS | 108628 | WATLOW CF OVER TEMP CONTROLLER | 1 |

4.2 - Control Box (2 of 2)

SN 17-000001 and UP



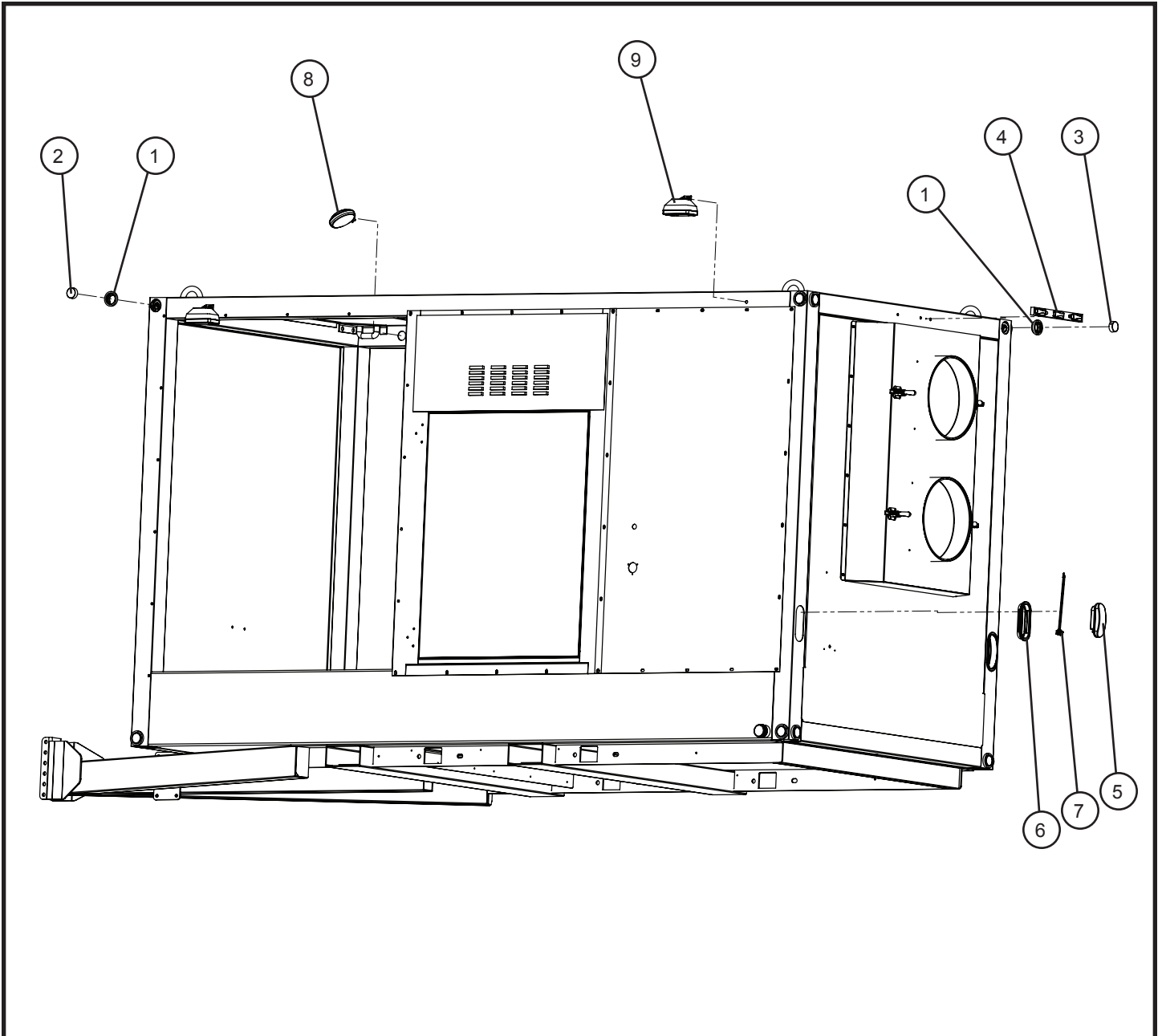
4.2 - Control Box (2 of 2)

SN 17-000001 and UP

| Item | Part No. | Part Description | Qty. |
|------|----------|--|------|
| NS | 108631 | AMPHENOL 97-3102A-14S-2S MS BASE | 1 |
| NS | 108632 | AMPHENOL 97-3106A-14S-2S MS PLUG | 1 |
| NS | 108633 | AMPHENOL 97-3057-6 CABLEL HOLDER | 1 |
| NS | 108635 | 2" STRAIGHT CONDUIT FITTING | 1 |
| NS | 108636 | 2" 90D CONDUIT FITTINGS ITEM #1819 | 1 |
| NS | 108637 | 2" CONDUIT HANGERS ITEM#2189 | 1 |
| NS | 108638 | 3/4" CONDUIT HANGERS ITEM# 2194 | 1 |
| NS | 108639 | 3/4" CONDUIT FITTING SQUEEZE | 1 |
| NS | 108640 | 3/4" CONDUIT ITEM# 1122 | 1 |
| NS | 108641 | 2" CONDUIT ITEM# 1126 | 1 |
| NS | 108642 | 10P INSERTS - SIDE ENTRY HOOD, SGL LEVER PANEL BASE | 1 |
| NS | 108643 | POWER RELAY 12V SPST 75A V23232A0001X003 | 1 |
| NS | 108644 | MIN RELAY 12V SPST 40 A V23234C1001X005 | 1 |
| NS | 108645 | 6 PIN CONNECTOR PLUG AT DT06-6S COMPATIBLE | 1 |
| NS | 108646 | HI AMP AUTO RESET 80AMP SURFACE MNT CIRCUIT BREAKER | 1 |
| NS | 108647 | SHORT STOP CIRCUIT BREAKER 25A PLASTIC RT ANG BRKT | 1 |
| NS | 108648 | SOCKET TERMINAL 16-18 GA AT 1062-16-0122 | 1 |
| NS | 108649 | SEALING PLUG SIZE 12 - 16 DEUTSCH CROSS 114017 38491 | 1 |
| NS | 108650 | WEDGE IN PLUG 38188 | 1 |
| NS | 108651 | MICRO-PACK SEALED CONNECTOR | 1 |
| NS | 108652 | TE CONNECTIVITY / AMP 776273-1 | 1 |
| NS | 108653 | TE CONNECTIVITY / AMP 770854-1 | 1 |
| NS | 108654 | 18 AWG TWISTED SHEILDED PAIR | 1 |
| NS | 108655 | PUSH-ON RELAY CONNECTOR 12-10 AWG | 1 |
| NS | 108656 | PUSH-ON RELAY CONNECTOR 16-14 AWG | 1 |
| NS | 108657 | MINI RELAY CONNECTOR 5 PIN HARNESS MOUNT | 1 |

4.3 - Trailer Lighting

SN 17-000001 and UP



4.3 - Trailer Lighting

SN 17-000001 and UP

| Item | Part No. | Part Description | Qty. |
|------|----------|-----------------------------|------|
| 1 | 108078 | MARKER LIGHT GROMMET | 16 |
| 2 | 108076 | AMBER LED MARKER LIGHT | 8 |
| 3 | 108077 | RED LED MARKER LIGHT | 8 |
| 4 | 108080 | 3 LIGHTS IDENTIFICATION BAR | 1 |
| 5 | 102826 | STOP, TAIL, TURN LAMP | 2 |
| 6 | 102825 | OVAL LAMP GROMMET | 2 |
| 7 | 102827 | ECONO 90 3-PRONG PIGTAIL | 2 |
| 8 | 108119 | INTERIOR TRAILER LIGHT | 2 |
| 9 | 108120 | EXTERIOR TRAILER LIGHT | 4 |

Allmand™

BRIGHTER. WARMER. SAFER.

Allmand Bros., Inc.
1502 West 4th Avenue
Holdrege, NE 68949
phone: (308) 995-4495 • toll free: (800) 562-1373
fax: (308) 995-5887

www.allmand.com



Reliability, performance, and integrity since 1938

13-0267