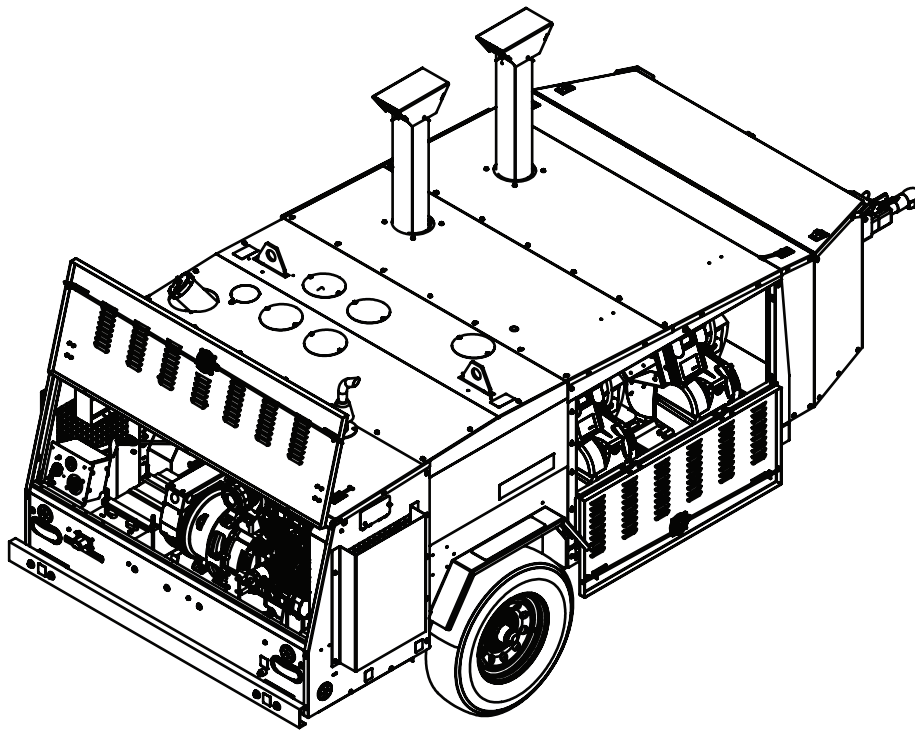


en **Parts Manual**  
**MAXI-HEAT® MH500iQ™**



## TABLE OF CONTENTS

### 1.0 TRAILER PARTS

Electric Brake Axle and Fenders .....	(1.1)
Electric Brake Breakaway .....	(1.2)
Bulldog Hitch .....	(1.3)
Trailer Base Parts Group .....	(1.4)
Old Rail Mount FCS Containment Tray Install Group .....	(1.5)
New Rail Mount FCS Containment Tray Install Group .....	(1.6)
FCS Containment Pipe Plugs .....	(1.7)
Old Rail Mount Left Door Group .....	(1.8)
New Rail Mount Left Door Group .....	(1.9)
20" Duct Left Door Group .....	(1.10)
Right Door Group .....	(1.11)
Duct Box Group .....	(1.12)

### 2.0 BATTERY/FUEL TANK/ENGINE PARTS

Battery Install Group .....	(2.1)
Non-FCS Battery Tray Install Group .....	(2.2)
Battery Disconnect .....	(2.3)
Steel Fuel Tank Group .....	(2.4)
Double Wall Steel Fuel Tank Group .....	(2.5)
Engine Isolator Mounts .....	(2.6)

### 3.0 CAT ENGINE AND GENERATOR GROUP

CAT C1.5 Engine Assembly Group .....	(3.1)
CAT C1.5 Engine Non-FCS Install Group .....	(3.2)
CAT C1.5 Engine Old Muffler FCS Install Group .....	(3.3)
CAT C1.5 Engine New Muffler FCS Install Group .....	(3.4)
CAT C1.5 Engine Fuel Filter FCS Install Group .....	(3.5)
CAT Control Box Group .....	(3.6)

# MAXI-HEAT® MH500iQ™

## TABLE OF CONTENTS

### 3.0 CAT ENGINE AND GENERATOR GROUP (CONTINUED)

CAT C1.5 Remote Oil Drain Group .....	(3.7)
CAT C1.5 Shocker Valve Group .....	(3.8)
CAT Stamford 9kW Generator .....	(3.9)

### 4.0 ISUZU ENGINE AND GENERATOR GROUP

Isuzu 3CE1 Engine Assembly Group .....	(4.1)
Isuzu 3CE1 Engine Non-FCS Install Group .....	(4.2)
Isuzu 3CE1 Engine FCS Install Group .....	(4.3)
Isuzu Control Box Group .....	(4.4)
Isuzu 3CE1 Remote Oil Drain Group .....	(4.5)
Isuzu 3CE1 Shocker Valve Group .....	(4.6)
Isuzu Stamford 9kW Generator .....	(4.7)

### 5.0 MH500iQ HEATING UNIT PARTS

MH500iQ Old Rail Mount Install Group .....	(5.1)
MH500iQ New Rail Mount Install Group .....	(5.2)
MH500iQ Fuel/Water Separator Old Rail Mount Install Group .....	(5.3)
MH500iQ Fuel/Water Separator New Rail Mount Install Group .....	(5.4)
MH500iQ Junction Box Install Group .....	(5.5)
MH500iQ Junction Box .....	(5.6)
MH500iQ Heating Unit .....	(5.7)
MH500iQ Burner .....	(5.8)
MH500iQ Control Box .....	(5.9)
MH500iQ Remote Thermostat .....	(5.10)
MH500iQ Strap and Clamp Ducting Group .....	(5.11)
MH500iQ Connecting Band Ducting Group .....	(5.12)

## TABLE OF CONTENTS

### 6.0 ELECTRICAL GROUP

Outlet Box Group .....	(6.1)
Tail Light and License Plate Bracket .....	(6.2)
Vin Package Group .....	(6.3)
Interior Work Lights .....	(6.4)
ZTR GPS System .....	(6.5)

### 7.0 MAXI-HEAT MH500iQ DECALS

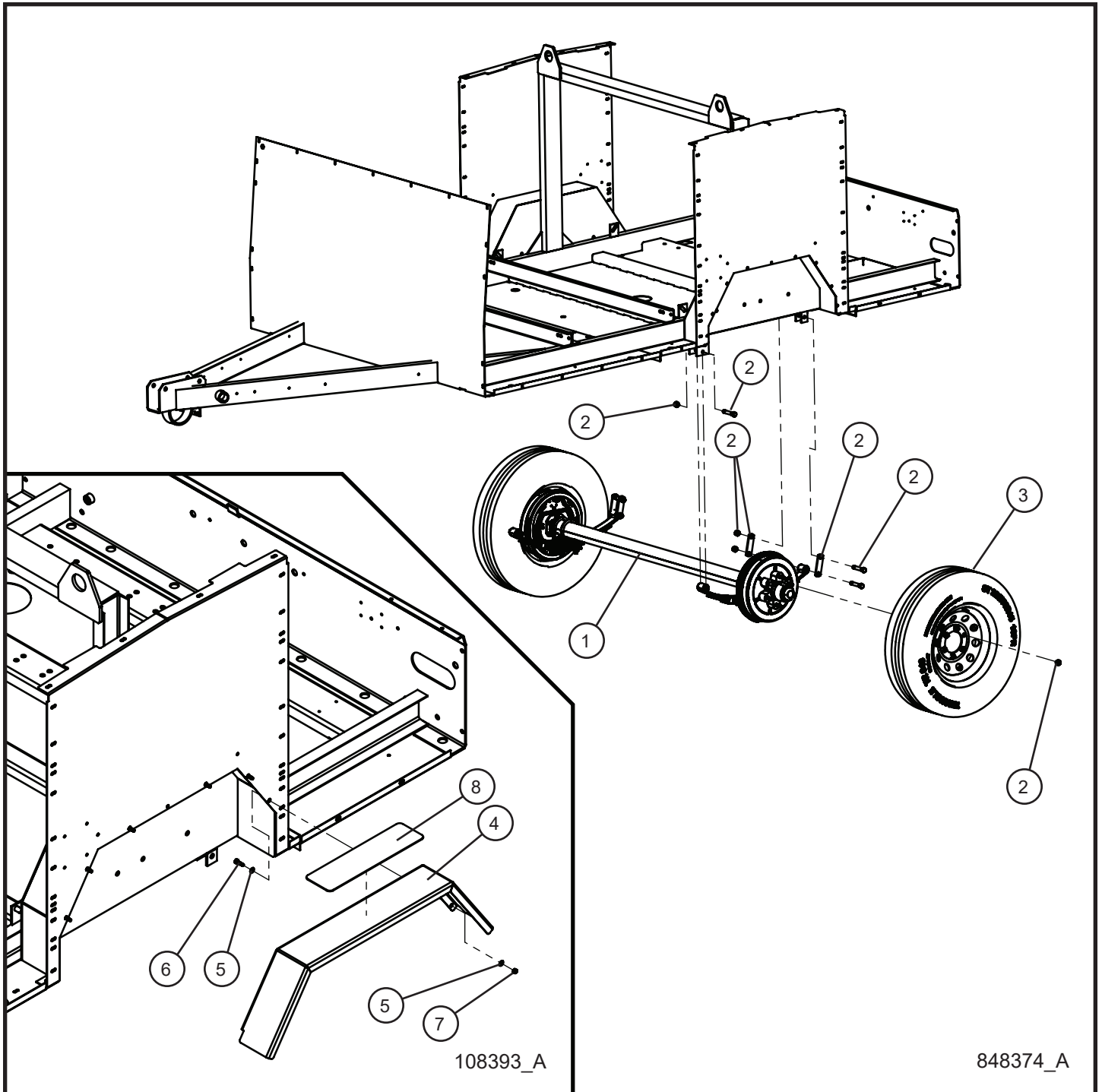
MH500iQ Right Side Decals .....	(7.1)
MH500iQ Left Side Decals .....	(7.2)
MH500iQ Roof Decals .....	(7.3)
MH500iQ Rear Decals .....	(7.4)
MH500iQ Rear Door Decals .....	(7.5)
MH500iQ Left Door Decals .....	(7.6)
MH500iQ Junction Box Decals .....	(7.7)
MH500iQ Breaker Box Decals .....	(7.8)
MH500iQ Control Box and Non-FCS Battery Decals .....	(7.9)
MH500iQ FCS Decals .....	(7.10)
MH500iQ Steel Fuel Tanks Decals .....	(7.11)
MH500iQ CSA Roof and Right Side Decals .....	(7.12)
MH500iQ CSA Rear Door Decals .....	(7.13)
MH500iQ CSA Left Door and Junction Box Decals .....	(7.14)
MH500iQ CSA Breaker Box and Battery Decals .....	(7.15)
MH500iQ Wordless Roof and Right Side Decals .....	(7.16)
MH500iQ Wordless Rear Door Decals .....	(7.17)
MH500iQ Wordless Left Door and Junction Box Decals .....	(7.18)
MH500iQ Wordless Breaker Box and Steel Tank Decals .....	(7.19)



# MAXI-HEAT® MH500iQ™

PAGE LEFT BLANK  
INTENTIONALLY

## 1.1 - Electric Brake Axle and Fenders



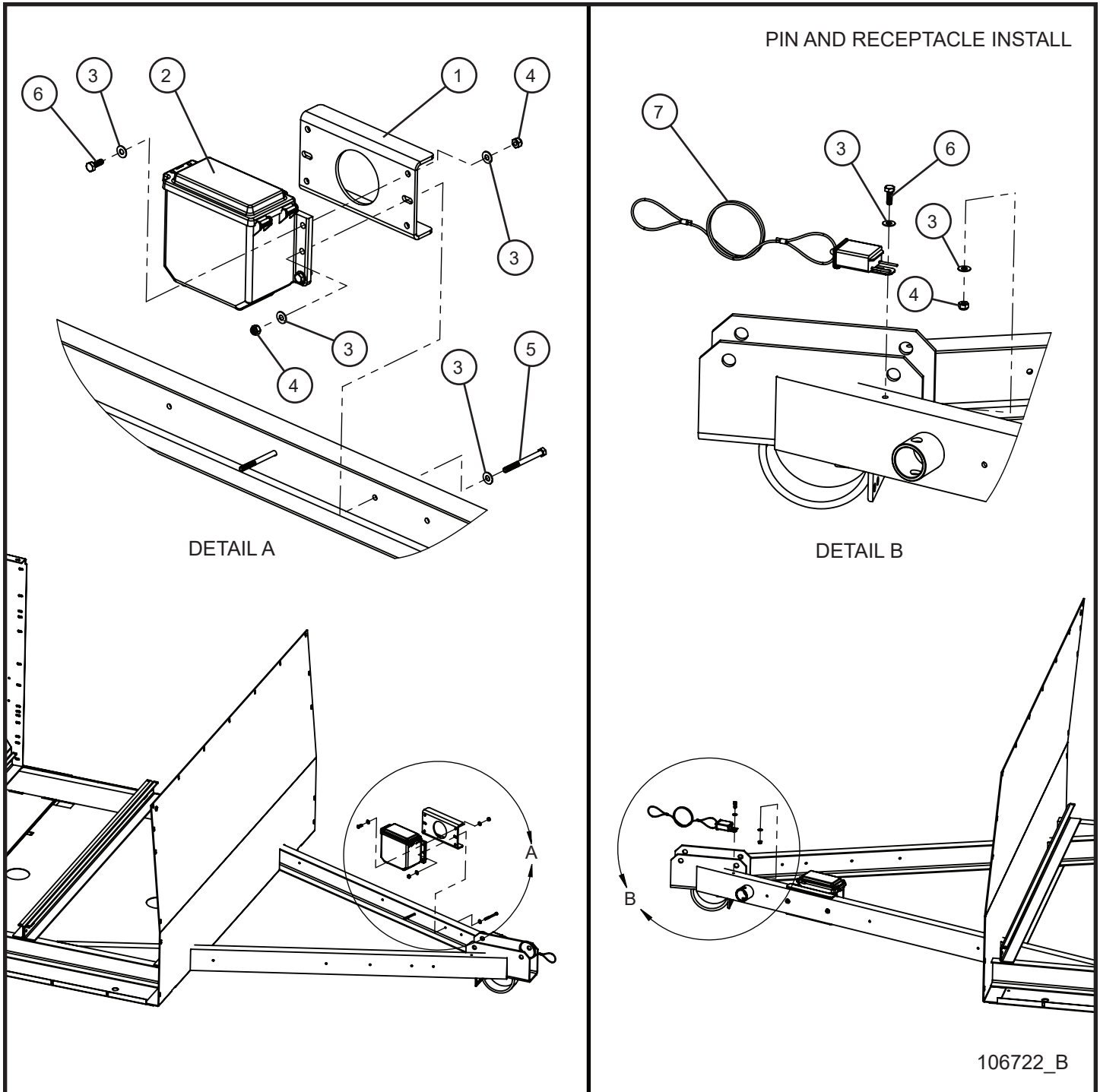
# MAXI-HEAT® MH500iQ™

SN 14-000001 and UP

## 1.1 - Electric Brake Axle and Fenders

Item	Part No.	Part Description	Qty.
1	830007	AXLE ELECTRIC BRAKE 6000 LBS. 70-7/8"/56"	1
2	102204	AXLE HARDWARE KIT	1
3	108296	16" TIRE WHEEL (FCS)	2
4	108404P	OUTER FENDER WELDMENT	2
5	047009	1/4 FLAT WASHER SAE SS	24
6	046015	1/4-20 x 1 HEX HEAD CS GR5 PL	12
7	044023	1/4-20 NYLOCK HEX NUT PL	12
8	062006	ANTI SKID TAPE DIE CUT	2

## 1.2 - Electric Brake Breakaway



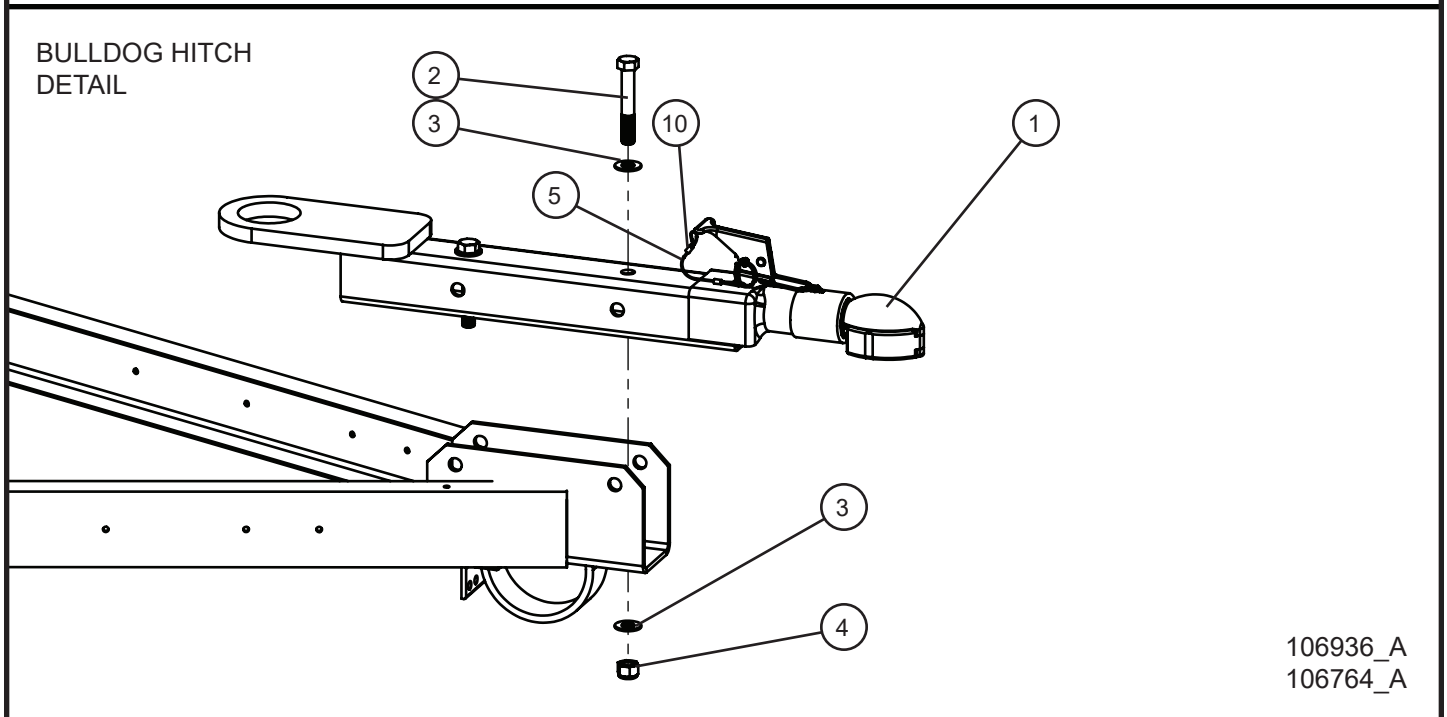
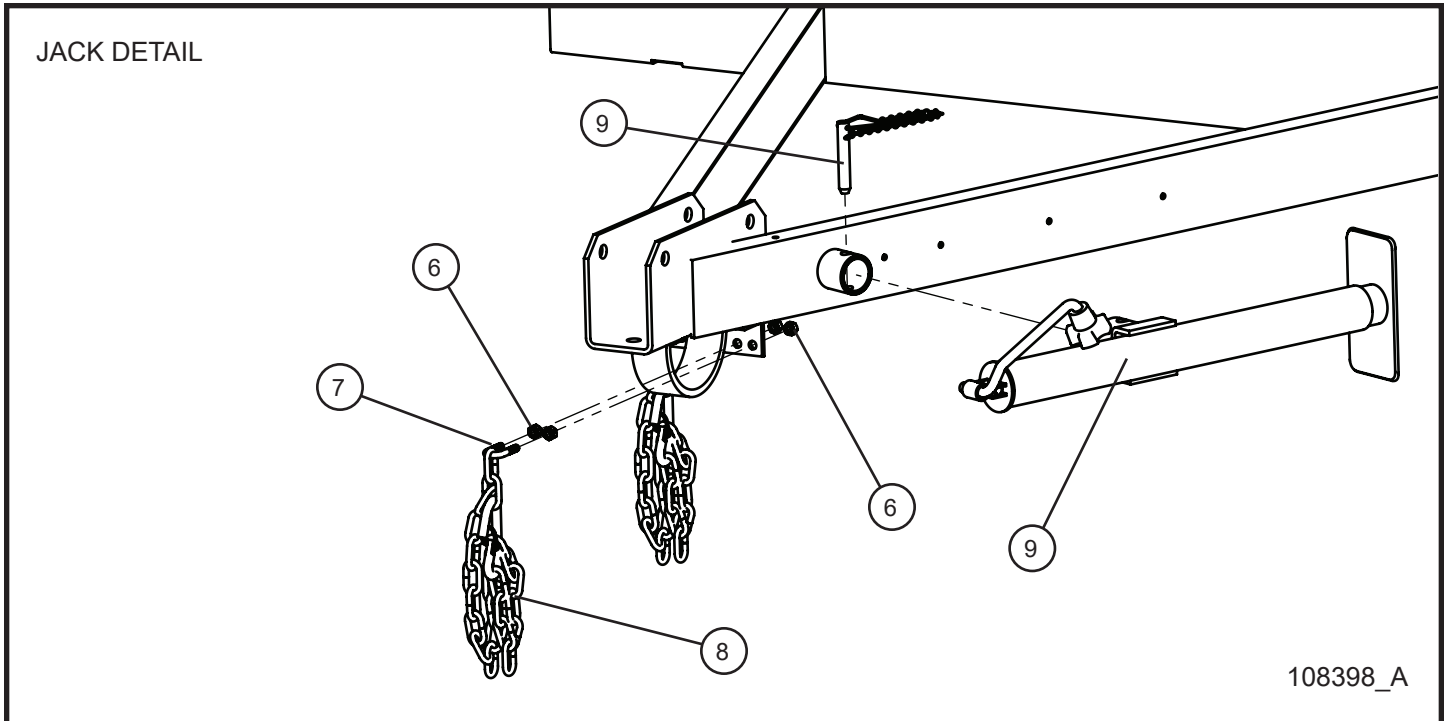
# MAXI-HEAT® MH500iQ™

SN 14-000001 and UP

## 1.2 - Electric Brake Breakaway

Item	Part No.	Part Description	Qty.
1	106723P	BRACKET BREAKAWAY	1
2	107147	BREAKAWAY KIT ASSEMBLY	1
	105847	4 PIN RECEPTACLE WEDGELOCK	1
	106578	BREAKAWAY KIT ELECTRIC BRAKES	1
3	047009	1/4 FLAT WASHER SAE SS	14
4	044023	1/4-20 NYLOCK HEX NUT PL	7
5	046037	1/4-20 x 2 3/4 HEX HEAD CS GR5 PL	2
6	046010	1/4-20 x 3/4 HEX HEAD CS GR5 SS	5
7	107103	BREAKAWAY SWITCH AND LANYARD ASSEMBLY	1

## 1.3 - Bulldog Hitch and Tube Mount Jack



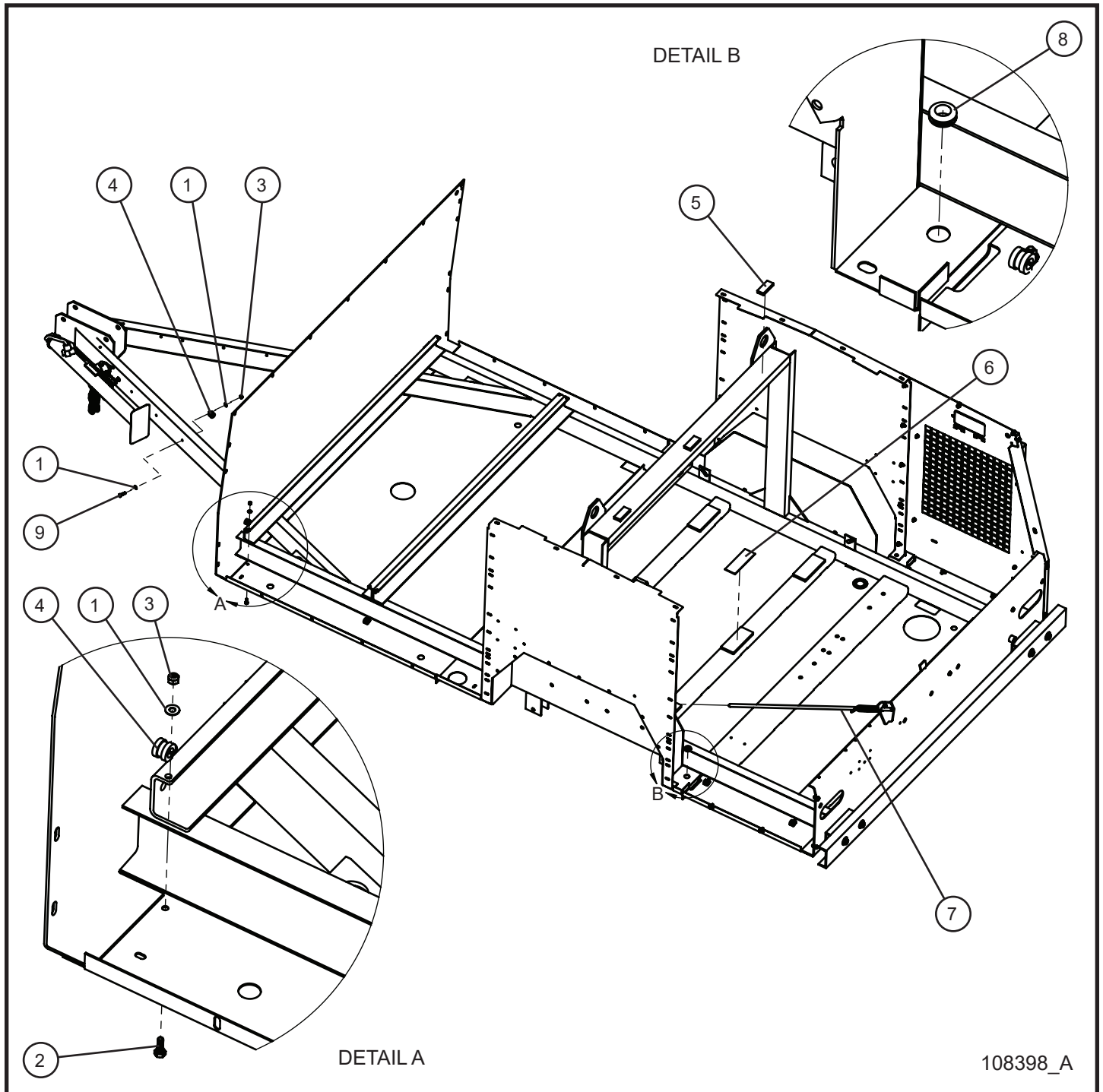
# MAXI-HEAT® MH500iQ™

SN 14-000001 and UP

## 1.3 - Bulldog Hitch and Tube Mount Jack

Item	Part No.	Part Description	Qty.
1	102693P	HITCH COMBO 2-5/16" BULLDOG	1
	330016P	HITCH COMBO 2" BULLDOG	1
2	046248	5/8-11 x 4 HEX HEAD CS GR8 PL	2
3	047030	5/8 FLAT WASHER PL	4
4	044053	5/8-11 NYLOCK HEX NUT PL	2
5	021005	STEEL CABLE 1/16 x 9.0 GALVANIZED	1
6	044035	NUT HEX 3/8-16 ZINC	8
7	045085	3/8-16 U BOLT	2
8	049038	SAFETY CHAIN SINGLE CLASS IV	2
9	108727	TOP CRANK TUBE JACK	1
10	022115	PARALLEL SPLICE NON INSULATED	2

## 1.4 - Trailer Base Parts Group (1 of 4)





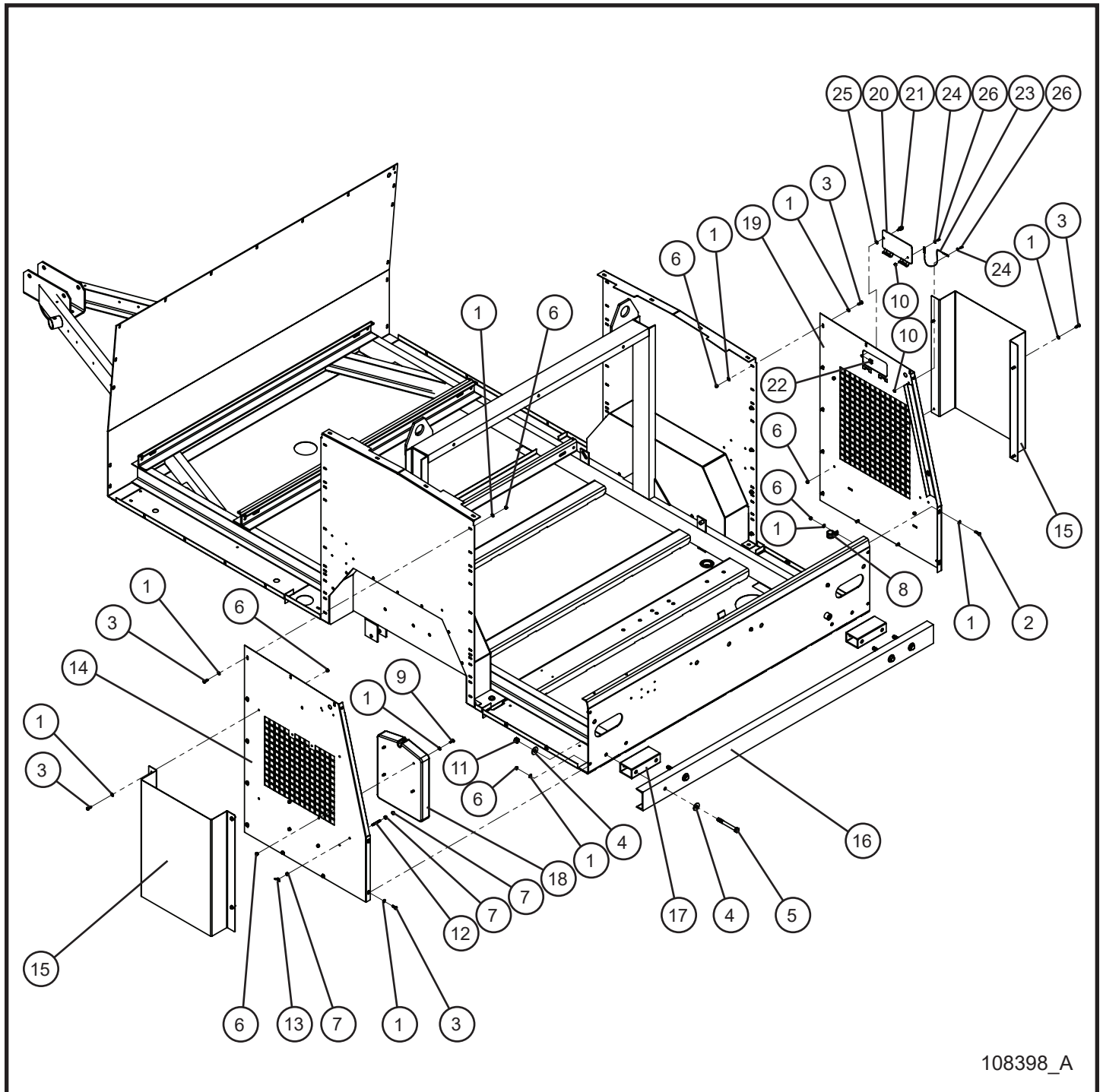
# MAXI-HEAT® MH500iQ™

SN 14-000001 and UP

## 1.4 - Trailer Base Parts Group (1 of 4)

Item	Part No.	Part Description	Qty.
1	047009	1/4 FLAT WASHER SAE	11
2	046010	1/4-20 x 3/4 HEX HEAD CS GR5 SS	5
3	044023	1/4-20 NYLOCK HEX NUT PL	8
4	310212	#10 CUSH CLAMP 1/4 HOLE	8
5	030007	FOAM RUBBER ADHESIVE TAPE x 3.0	3
6	030010	RUBBER SEAL 1/8 x 2 x 6.0	6
7	340058	GROUND ROD ASSEMBLY	1
8	711028	7/8 RUBBER GROMMET	1
9	046015	1/4-20 x 1 HEX HEAD CS GR5 PL	3

## 1.4 - Trailer Base Parts Group (2 of 4)



108398\_A

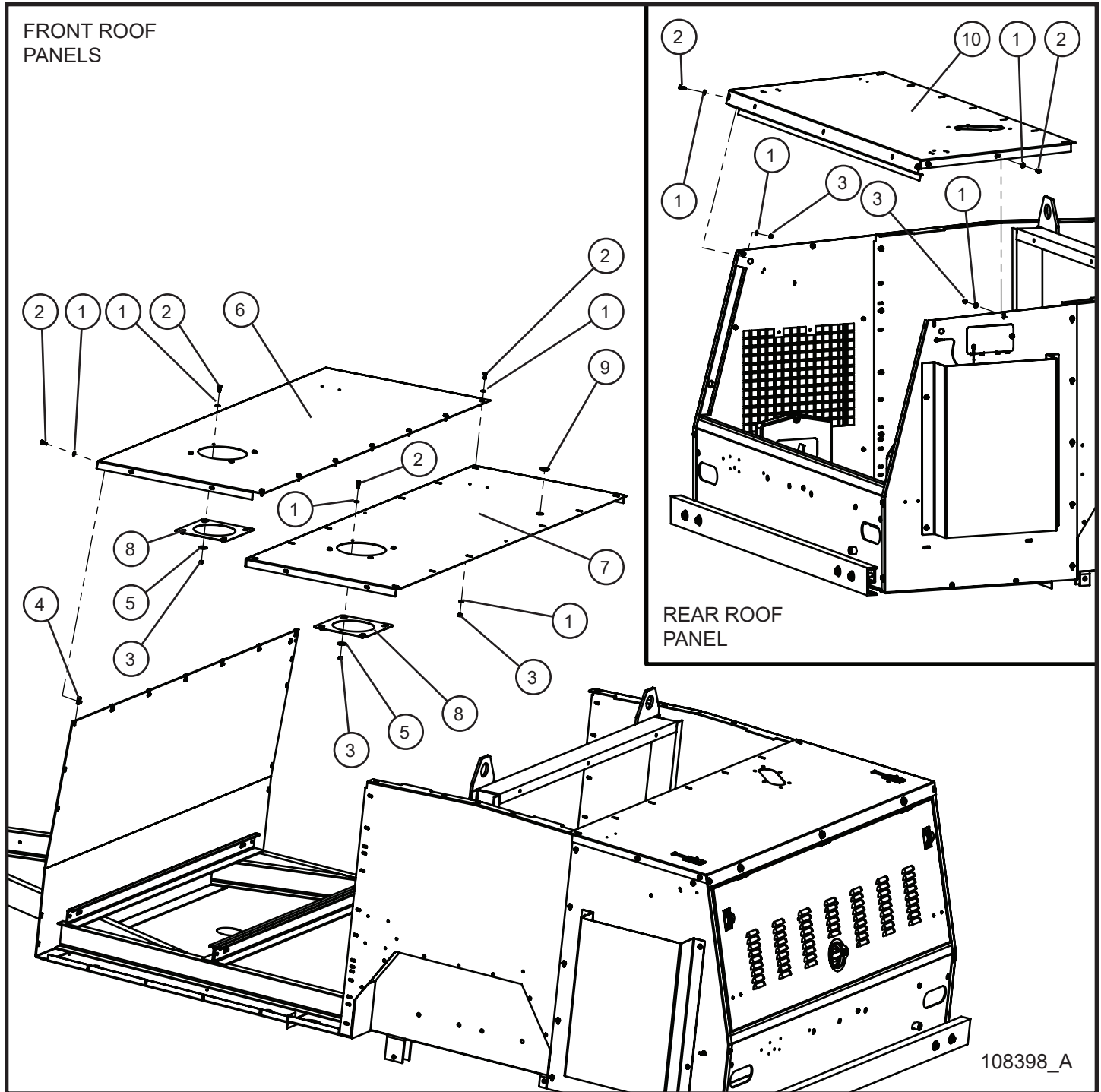
# MAXI-HEAT® MH500iQ™

SN 14-000001 and UP

## 1.4 - Trailer Base Parts Group (2 of 4)

Item	Part No.	Part Description	Qty.
1	047009	1/4 FLAT WASHER SAE SS	40
2	046015	1/4-20 x 1 HEX HEAD CS GR5 PL	1
3	046010	1/4-20 x 3/4 HEX HEAD CS GR5 SS	21
4	047102	1/2 FLAT WASHER SS	8
5	046225	1/2-13 x 4 1/2 HEX HEAD CS GR5 PL	4
6	044023	1/4-20 NYLOCK HEX NUT PL	26
7	044021	1/4-20 KEPS HEX NUT PL	3
8	022027	#16 CLAMP CUSH 1/4 HOLE	1
9	041050	1/4-20 x 3/4 PH-TRUSS HEAD MS SS MACHINE SCREW	4
10	044016	#10-24 KEPS HEX NUT PL	2
11	044049	1/2-13 NYLOCK HEX NUT SS	4
12	045004	1/4-20 x 2 STUD PL	1
13	330494	NUT WING 1/4-20 PL	1
14	800230P	LEFT REAR PANEL MAXI HEAT	1
15	800231P	AIR INTAKE COVER PANEL MAXI HEAT	2
16	830130P	BUMPER REAR MAXI HEAT	1
17	466084P	SPACER BUMPER MAXI HEAT	2
18	848412	STORAGE BOX OPS MANUAL MAXI HEAT	1
19	108401P	AIR INLET PANEL MH500iQ	1
20	104816P	ACCESS PANEL RADIATOR CAP	1
21	115244	KNOB KNURLED FAST THREAD	1
22	045216	1/4-20 TINNEMAN NUT	1
23	712061	STEEL LANYARD	1
24	047003	#10 FLAT WASHER SAE SS	2
25	115243	RETAINER PUSH ON	1
26	041021	#10-24 x 1/2 PH-ROUND HEAD MS PL	2

## 1.4 - Trailer Base Parts Group (3 of 4)



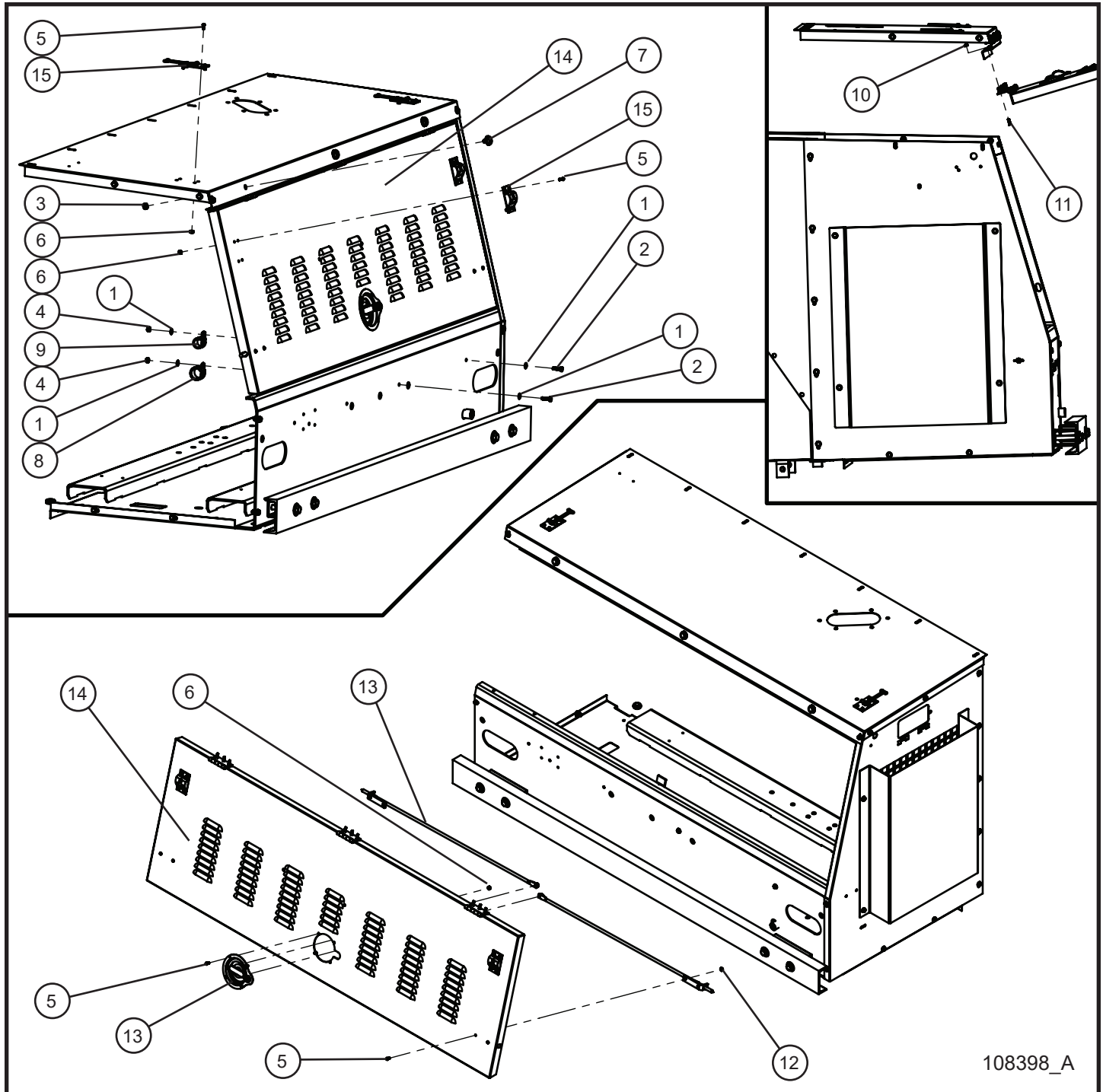
# MAXI-HEAT® MH500iQ™

SN 14-000001 and UP

## 1.4 - Trailer Base Parts Group (3 of 4)

Item	Part No.	Part Description	Qty.
1	047009	1/4 FLAT WASHER SAE SS	26
2	046010	1/4-20 x 3/4 HEX HEAD CS GR5	26
3	044023	1/4-20 NYLOCK HEX NUT PL	19
4	044106	1/4-20 TINNERMAN NUT	7
5	047007	1/4 x 1 1/4 x .056 FENDER WASHER	8
6	849054P	FRONT ROOF PANEL MAXI HEAT	1
7	849055P	MID FRONT ROOF PANEL MAXI HEAT	1
8	108405P	CHIMNEY VENT PLATE MH500iQ FCS	2
9	103948	1" PLUG FLUSH MOUNT	1
10	101239P	REAR ROOF PANEL MAXI HEAT	1
	108406P	ENGINE ROOF PANEL MH500iQ FCS	1
11	848006	FOAM RUBBER .38 x .25 x 1.50	2

## 1.4 - Trailer Base Parts Group (4 of 4)



108398\_A

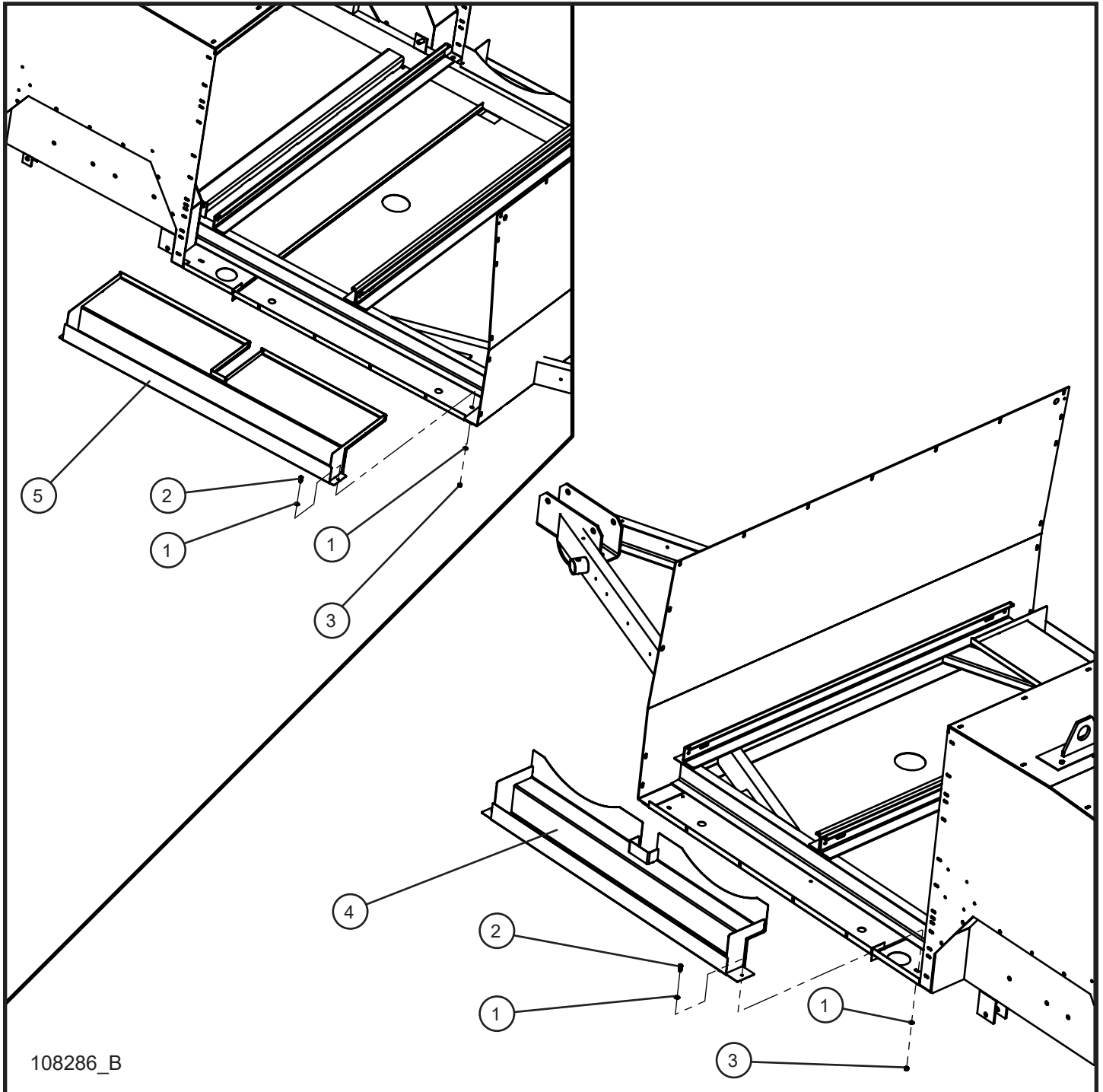
# MAXI-HEAT® MH500iQ™

SN 14-000001 and UP

## 1.4 - Trailer Base Parts Group (4 of 4)

Item	Part No.	Part Description	Qty.
1	047009	1/4 FLAT WASHER SAE SS	4
2	046015	1/4-20 x 1 HEX HEAD CS GR5 PL	2
3	044035	NUT HEX 3/8-16 ZINC	3
4	044021	1/4-20 KEPS HEX NUT	2
5	041024	#10-24 x 1/2 PH-ROUND HEAD MS SS	24
6	044019	#10-24 NYLOCK HEX NUT SS	20
7	330041	RUBBER BUMPER	3
8	920366	#16 CLAMP CUSH 3/8 HOLE	1
9	022027	#16 CLAMP CUSH 1/4 HOLE	1
10	044018	#10-24 NYLOCK HEX NUT PL	9
11	041032	#10-24 x 3/4 PHILLIPS-FLAT HEAD MS PL	9
12	044016	#10-24 KEPS HEX NUT PL	4
13	330045	DOOR LATCH	1
14	108772	REAR DOOR ASSEMBLY MH500iQ	1
	849044P	REAR DOOR MAXI HEAT (PANEL ONLY)	1
15	830155	DOOR POSITIVE MAXI HEAT	2

## 1.5 - Old Rail Mount FCS Containment Tray Install Group (1 of 2)





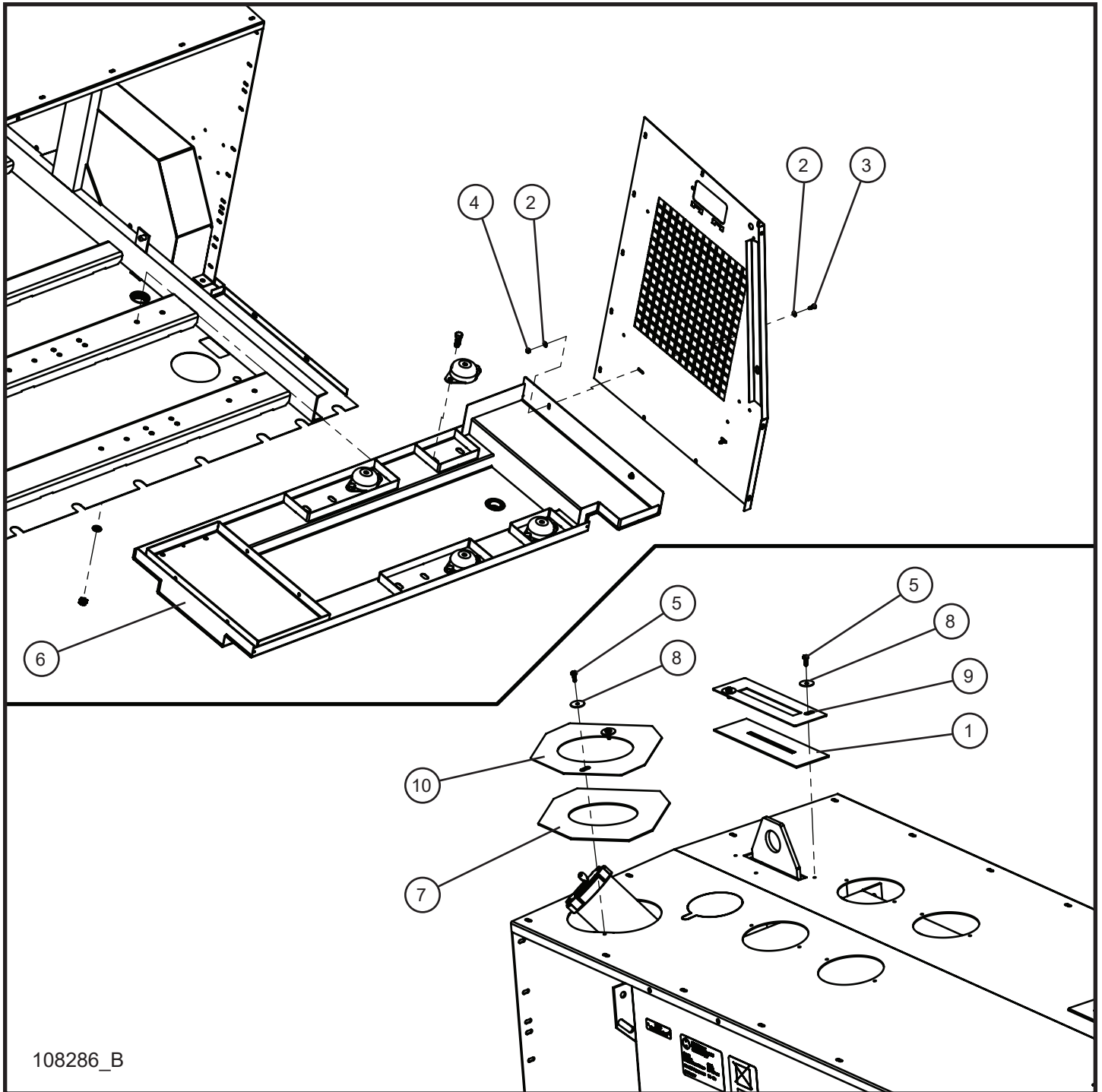
# MAXI-HEAT® MH500iQ™

SN 14-000001 to 14-000292

## 1.5 - Old Rail Mount FCS Containment Tray Install Group (1 of 2)

Item	Part No.	Part Description	Qty.
1	047009	1/4 FLAT WASHER SAE SS	8
2	046010	1/4-20 x 3/4 HEX HEAD CS GR5 SS	4
3	044023	1/4-20 NYLOCK HEX NUT PL	4
4	108278P	TRAY WELDMENT BURNER EXHAUST	1
5	108281P	TRAY WELDMENT CONTAINMENT	1

## 1.5 - Old Rail Mount FCS Containment Tray Install Group (2 of 2)



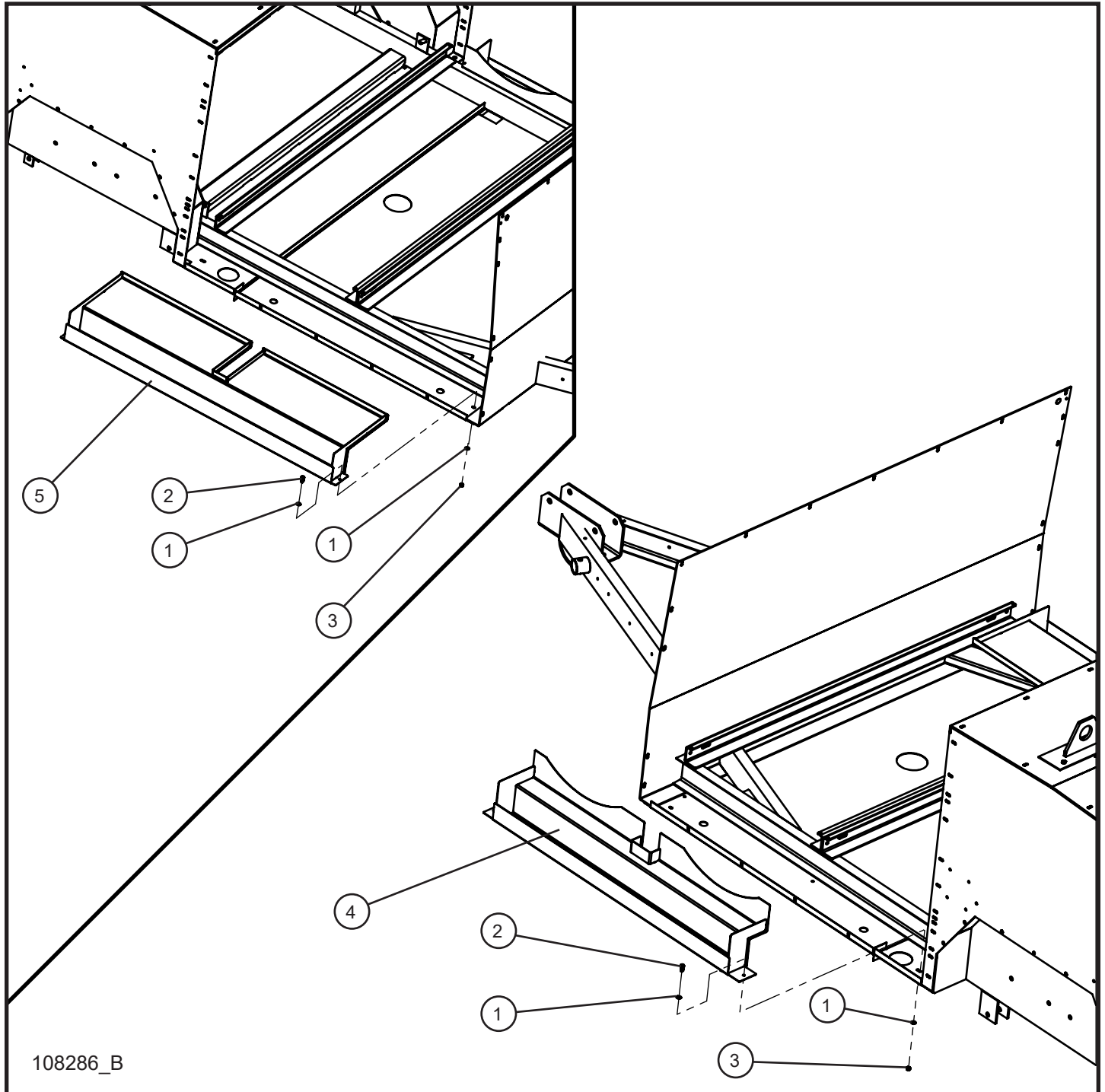
# MAXI-HEAT® MH500iQ™

SN 14-000001 to 14-000292

## 1.5 - Old Rail Mount FCS Containment Tray Install Group (2 of 2)

Item	Part No.	Part Description	Qty.
1	108409	RUBBER SEAL LIFT POINT	2
2	047009	1/4 FLAT WASHER SAE SS	4
3	046010	1/4-20 x 3/4 HEX HEAD CS GR5 SS	2
4	044023	1/4-20 NYLOCK HEX NUT PL	2
5	041070	1/4-20 x 3/4 SL-HEX WASHER HEAD MS TP F	6
6	108268P	TRAY WELDMENT FCS ENGINE CONTAINMENT	1
7	108408	RUBBER SEAL FUEL NECK	1
8	047007	1/4 x 1 1/4 x .056 FENDER WASHER	6
9	108688P	COVER SEAL LIFT POINT	2
10	108689P	COVER SEAL FUEL NECK	1

## 1.6 - New Rail Mount FCS Containment Tray Install Group (1 of 2)



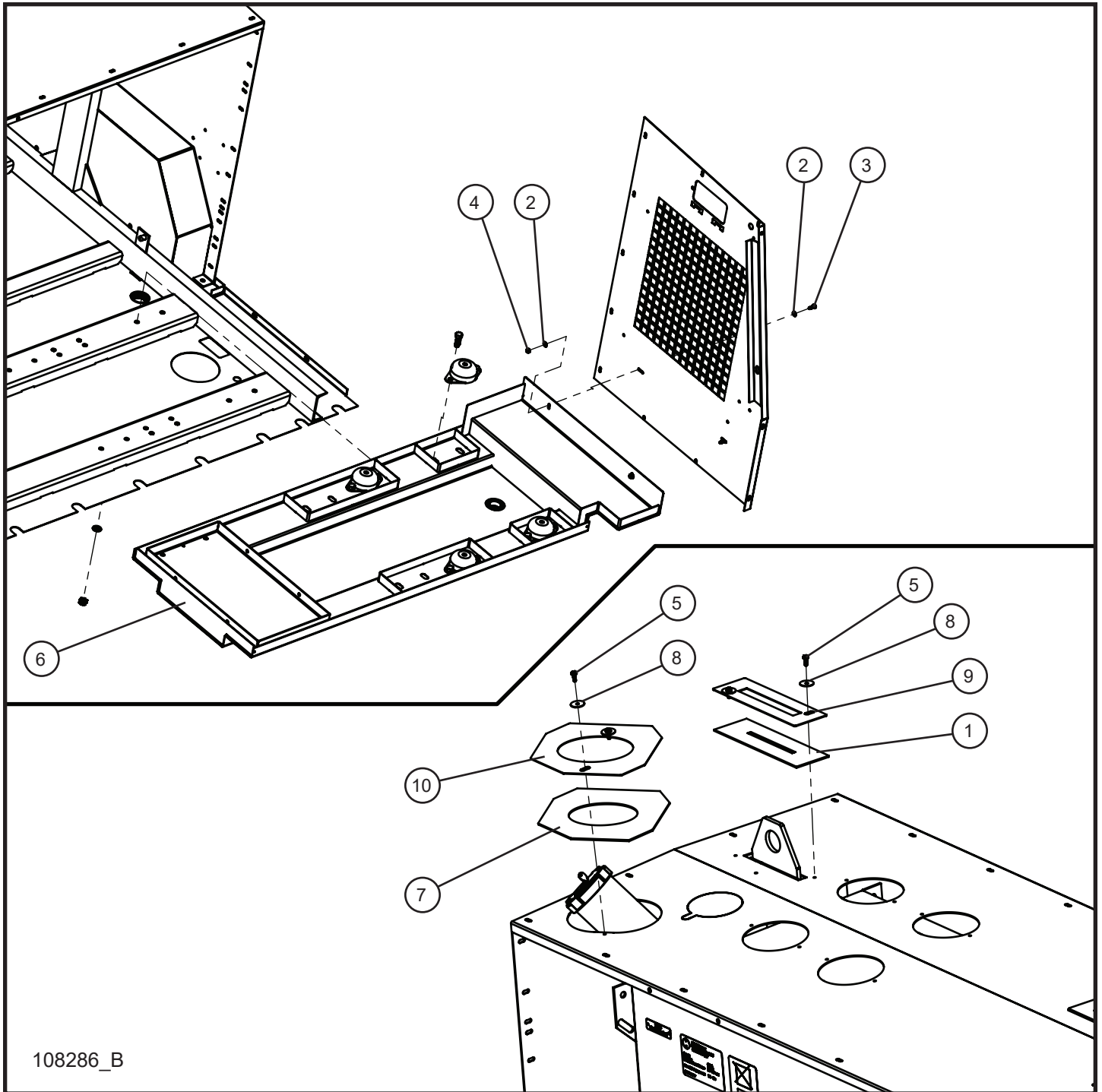
# MAXI-HEAT® MH500iQ™

SN 14-000293 and UP

## 1.6 - New Rail Mount FCS Containment Tray Install Group (1 of 2)

Item	Part No.	Part Description	Qty.
1	047009	1/4 FLAT WASHER SAE SS	8
2	046010	1/4-20 x 3/4 HEX HEAD CS GR5 SS	4
3	044023	1/4-20 NYLOCK HEX NUT PL	4
4	114048P	TRAY WELDMENT BURNER EXHAUST	1
5	108281P	TRAY WELDMENT CONTAINMENT	1

## 1.6 - New Rail Mount FCS Containment Tray Install Group (2 of 2)



108286\_B

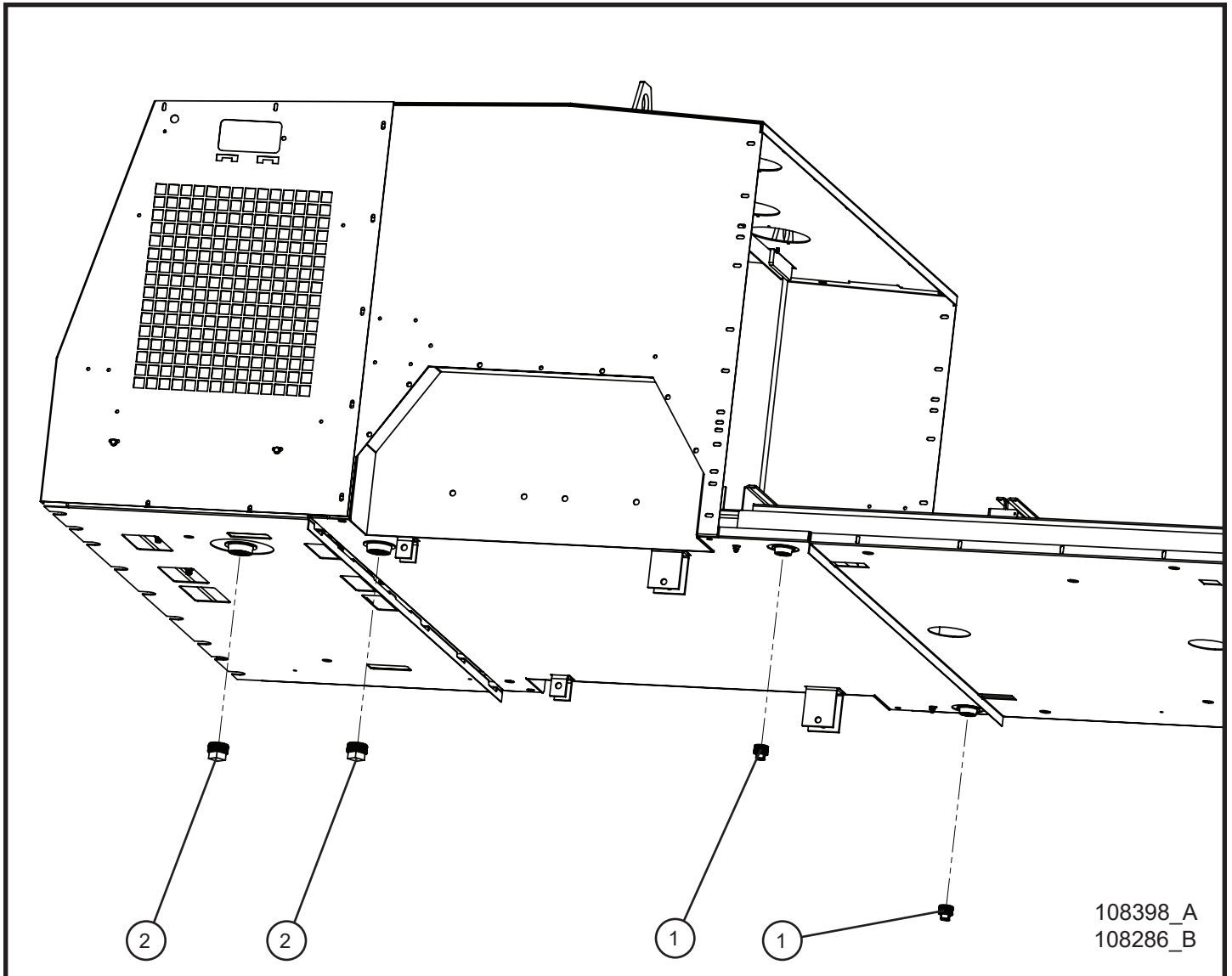
# MAXI-HEAT® MH500iQ™

SN 14-000293 and UP

## 1.6 - New Rail Mount FCS Containment Tray Install Group (2 of 2)

Item	Part No.	Part Description	Qty.
1	108409	RUBBER SEAL LIFT POINT	2
2	047009	1/4 FLAT WASHER SAE SS	4
3	046010	1/4-20 x 3/4 HEX HEAD CS GR5 SS	2
4	044023	1/4-20 NYLOCK HEX NUT PL	2
5	041070	1/4-20 x 3/4 SL-HEX WASHER HEAD MS TP F	6
6	108268P	TRAY WELDMENT FCS ENGINE CONTAINMENT	1
7	108408	RUBBER SEAL FUEL NECK	1
8	047007	1/4 x 1 1/4 x .056 FENDER WASHER	6
9	108688P	COVER SEAL LIFT POINT	2
10	108689P	COVER SEAL FUEL NECK	1

## 1.7 - FCS Containment Plugs





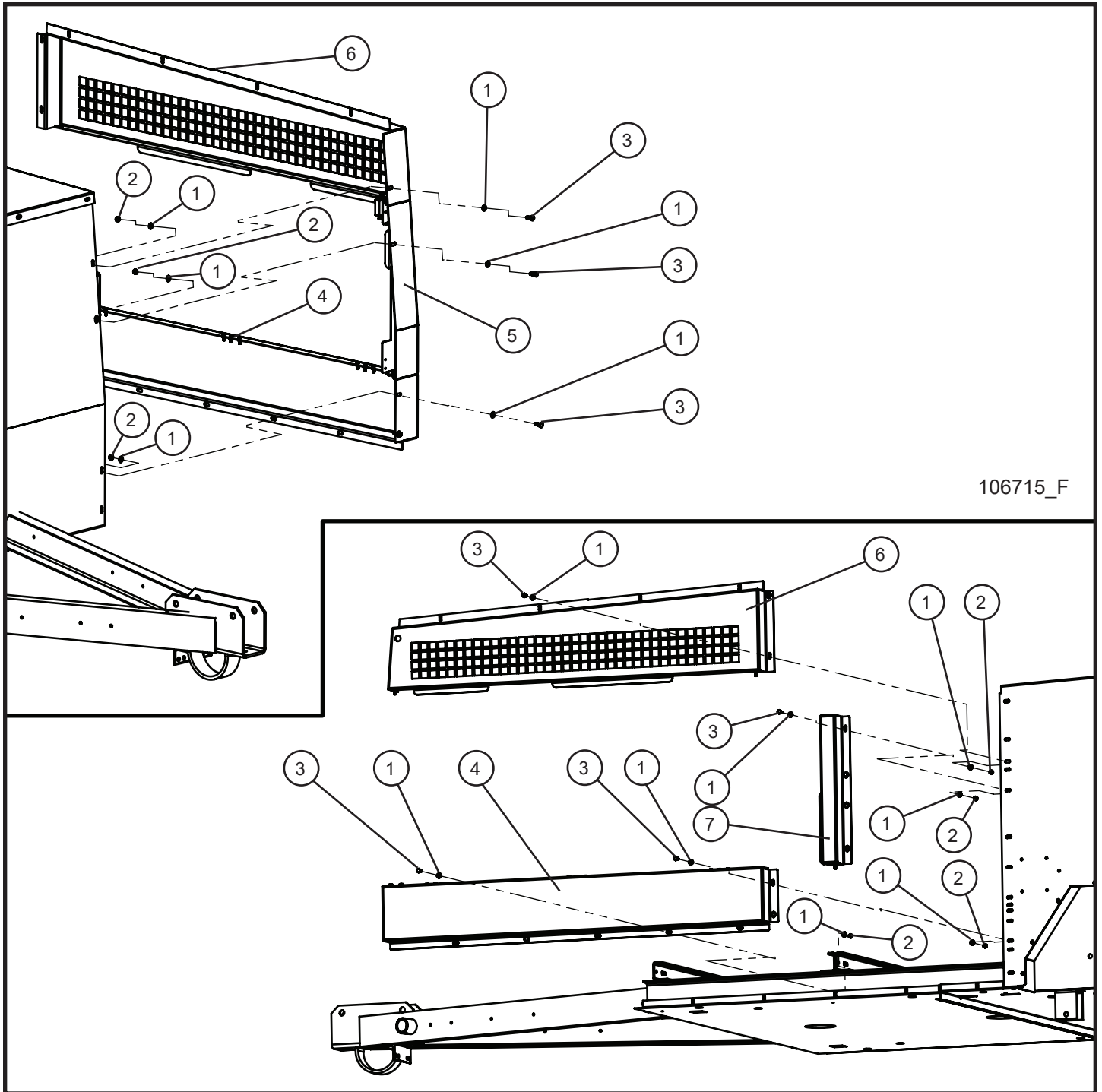
# MAXI-HEAT® MH500iQ™

SN 14-000001 and UP

## 1.7 - FCS Containment Plugs

Item	Part No.	Part Description	Qty.
1	026108	PLUG PIPE NPT	2
2	101730	PLUG PIPE 1.5 NPT	2
3	108253	TFE PASTE PIPE THREAD	1

## 1.8 - Old Rail Mount Left Door Group (1 of 3)



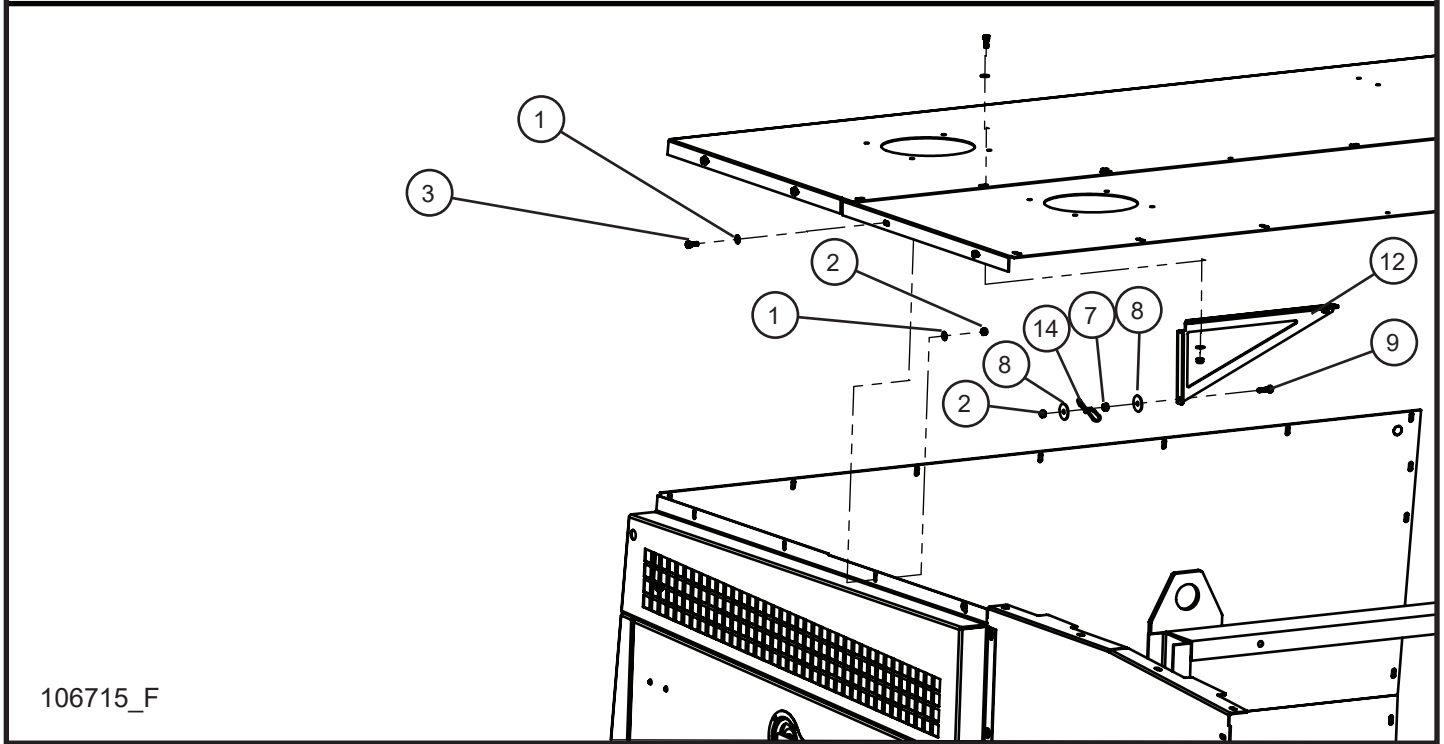
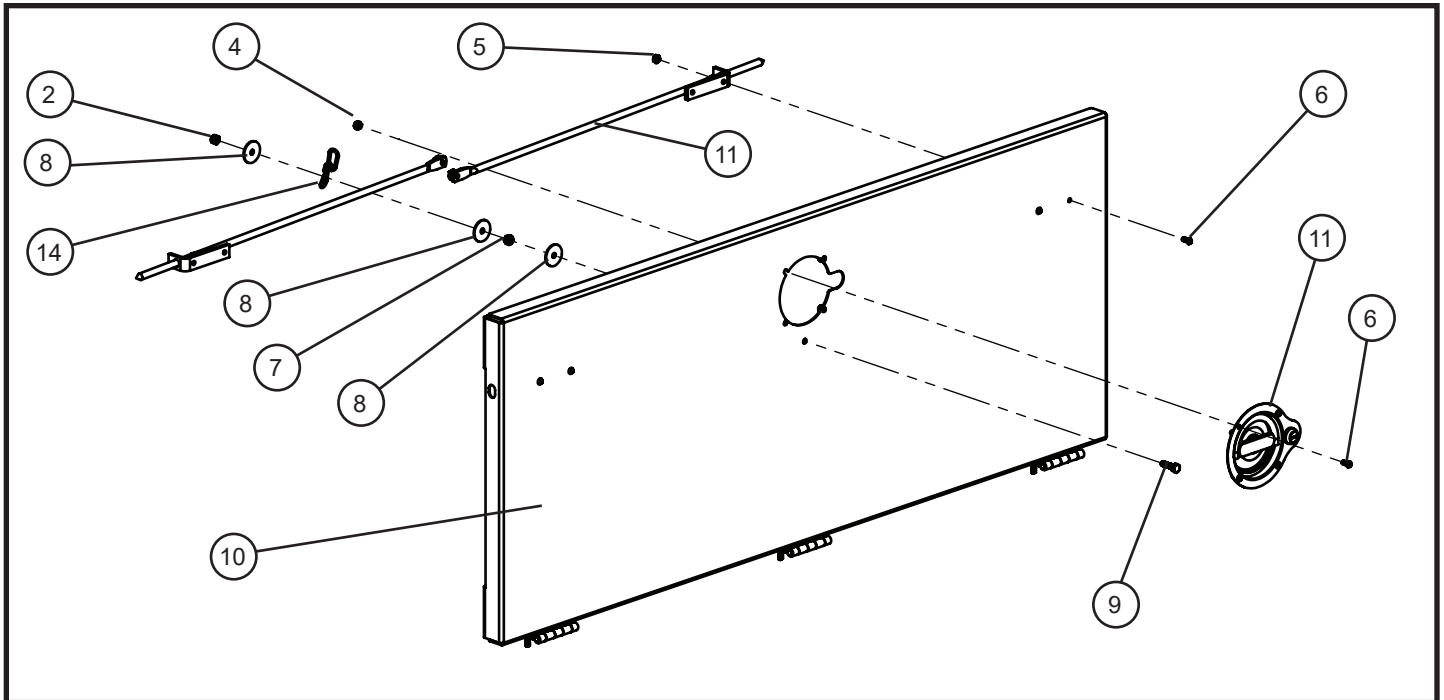
# MAXI-HEAT® MH500iQ™

SN 14-000001 to 14-000292

## 1.8 - Old Rail Mount Left Door Group (1 of 3)

Item	Part No.	Part Description	Qty.
1	047009	1/4 FLAT WASHER SAE SS	40
2	044023	1/4-20 NYLOCK HEX NUT PL	20
3	046010	1/4-20 x 3/4 HEX HEAD CS GR5 SS	20
4	106744P	LEFT SILL FRONT DOOR PANEL	1
5	106743P	PANEL FILLER FRONT LEFT EXHAUST DOOR	1
6	106742P	HEADER LEFT SIDE	1
7	106745P	PANEL FILLER REAR LEFT EXHAUST DOOR	1

## 1.8 - Old Rail Mount Left Door Group (2 of 3)



106715\_F

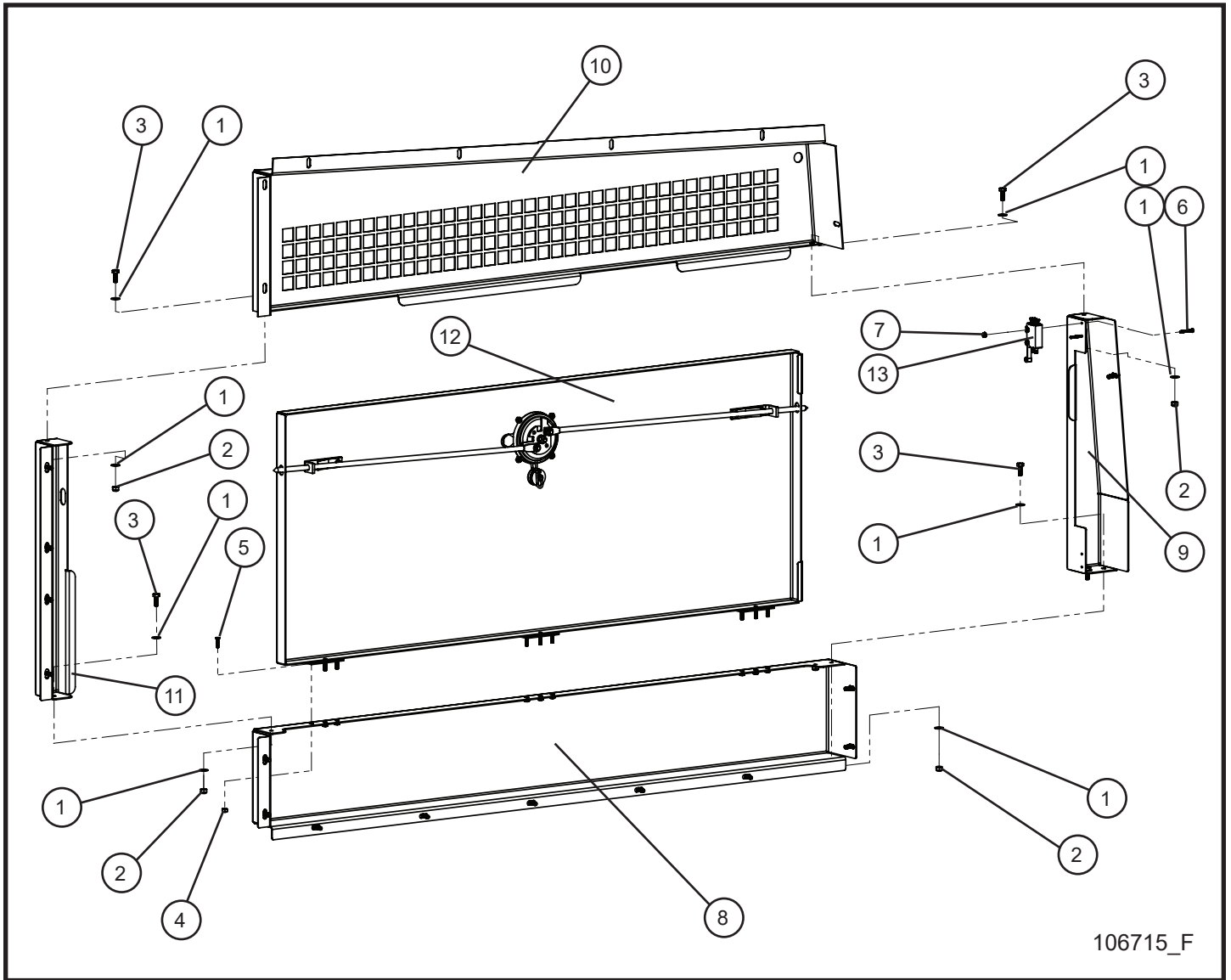
# MAXI-HEAT® MH500iQ™

SN 14-000001 to 14-000292

## 1.8 - Old Rail Mount Left Door Group (2 of 3)

Item	Part No.	Part Description	Qty.
1	047009	1/4 FLAT WASHER SAE SS	8
2	044023	1/4-20 NYLOCK HEX NUT PL	6
3	046010	1/4-20 x 3/4 HEX HEAD CS GR5 SS	4
4	044019	#10-24 NYLOCK HEX NUT SS	4
5	044016	#10-24 KEPS HEX NUT PL	4
6	041024	#10-24 x 1/2 PH-ROUND HEAD MS SS	8
7	044021	1/4-20 KEPS HEX NUT PL	2
8	047007	1/4 x 1 1/4 x .056 FENDER WASHER	5
9	046015	1/4-20 x 1 HEX HEAD CS GR5 PL	2
10	108770	LEFT DOOR ASSEMBLY MH500iQ	1
	106748P	DOOR WELDMENT EXHAUST MAXI-HEAT (PANEL ONLY)	1
11	330045	DOOR LATCH	1
12	106746P	CHAIN BRACKET	1
13	848006	FOAM RUBBER .38 x .25 x 1.50	2
14	049016	CHAIN LINK DOUBLE LOOPED x 28.0	1

## 1.8 - Old Rail Mount Left Door Group (3 of 3)



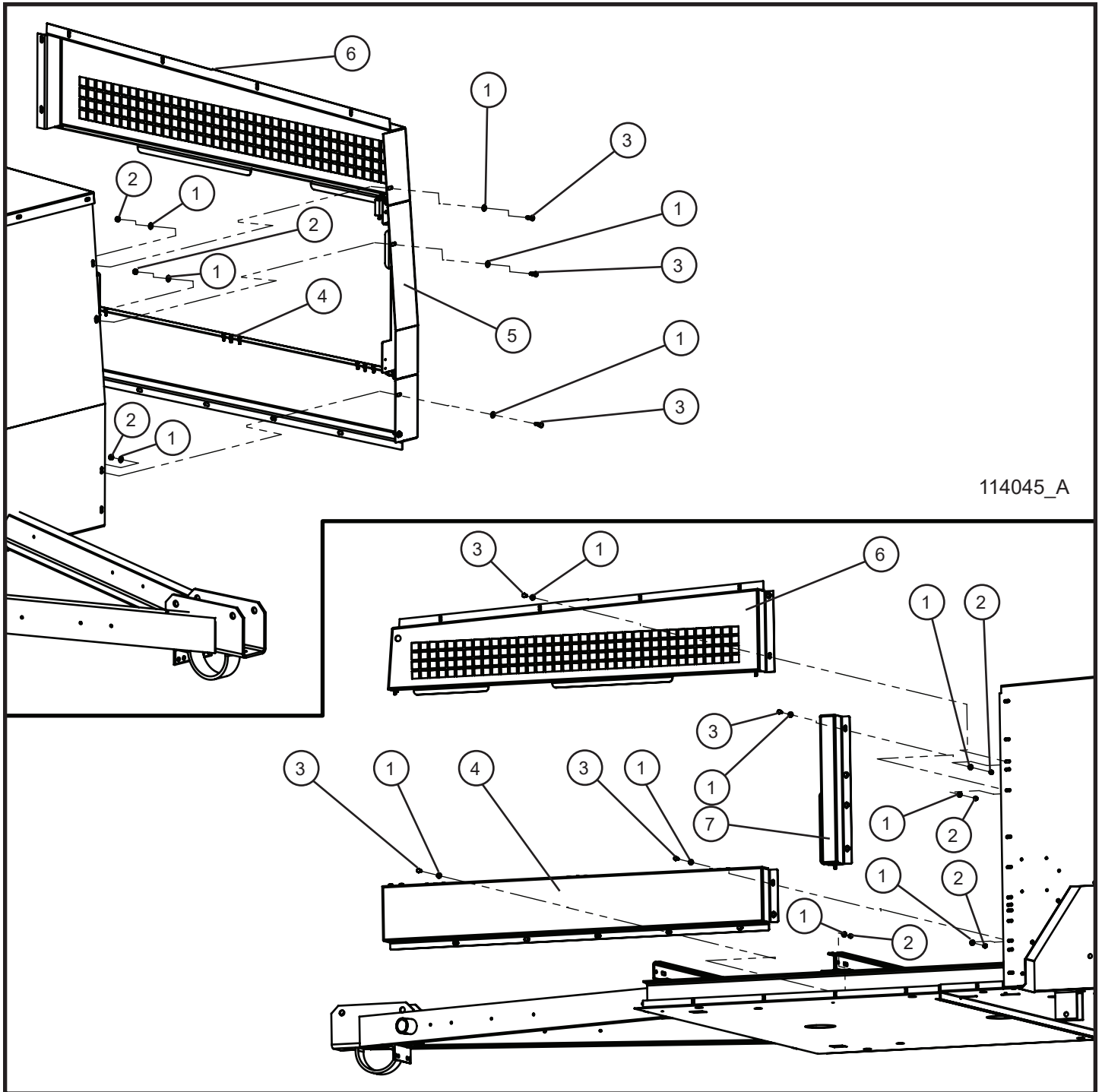
# MAXI-HEAT® MH500iQ™

SN 14-000001 to 14-000292

## 1.8 - Old Rail Mount Left Door Group (3 of 3)

Item	Part No.	Part Description	Qty.
1	047009	1/4 FLAT WASHER SAE SS	8
2	044023	1/4-20 NYLOCK HEX NUT PL	4
3	046010	1/4-20 x 3/4 HEX HEAD CS GR5 SS	4
4	044019	#10-24 NYLOCK HEX NUT SS	9
5	041026	#10-24 x 3/4 SL-FLAT HEAD MS PL MACHINE SCREW	9
6	041006	#6-32 x 1 1/4 SL-ROUND HEAD MS PL	2
7	044004	#6-32 KEPS HEX NUT PL	2
8	106744P	LEFT SILL FRONT DOOR PANEL	1
9	106743P	PANEL FILLER FRONT LEFT EXHAUST DOOR	1
10	106742P	HEADER LEFT SIDE	1
11	106745P	PANEL FILLER REAR LEFT EXHAUST DOOR	1
12	108770	LEFT DOOR ASSEMBLY MH500iQ	1
	106748P	DOOR WELDMENT EXHAUST MAXI-HEAT (PANEL ONLY)	1
13	106350	ROCKER SWITCH DOUBLE PULL	1

## 1.9 - New Rail Mount Left Door Group (1 of 3)





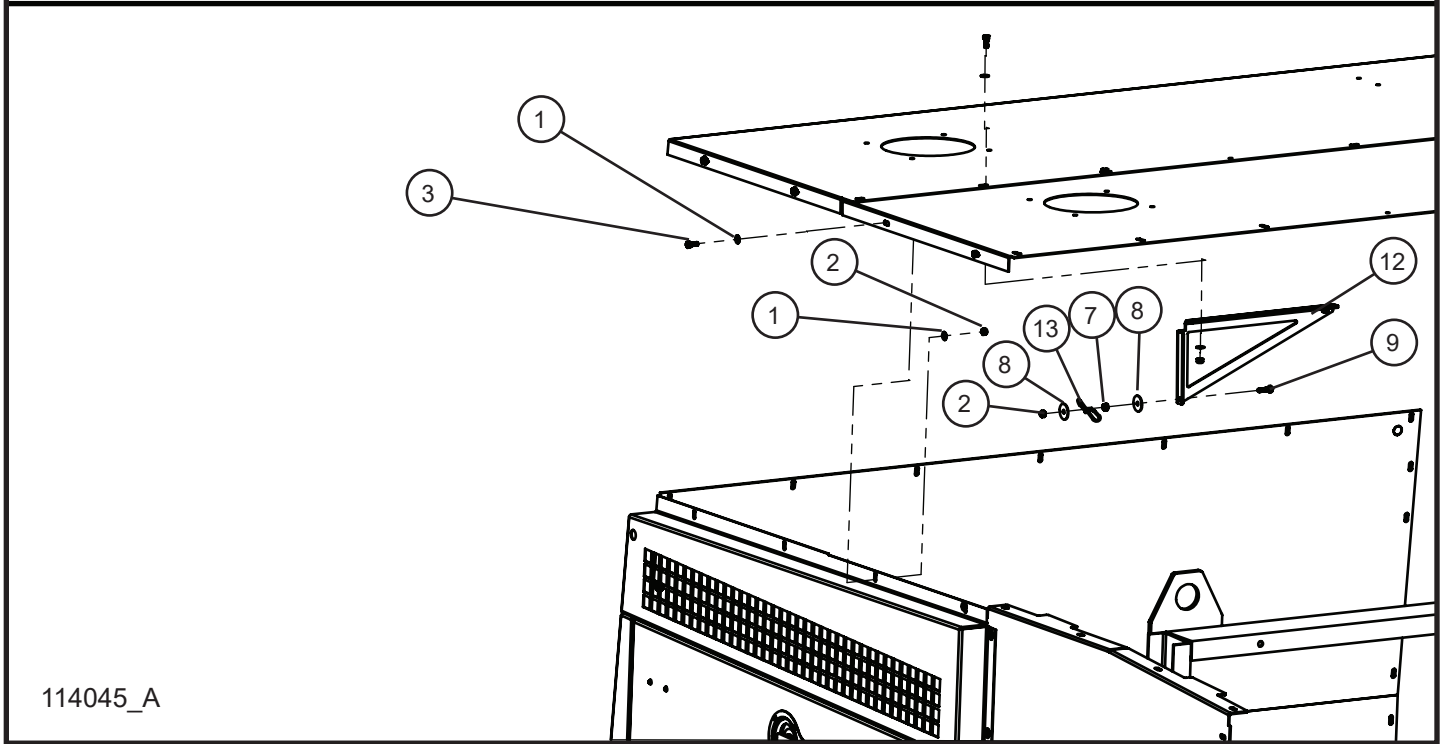
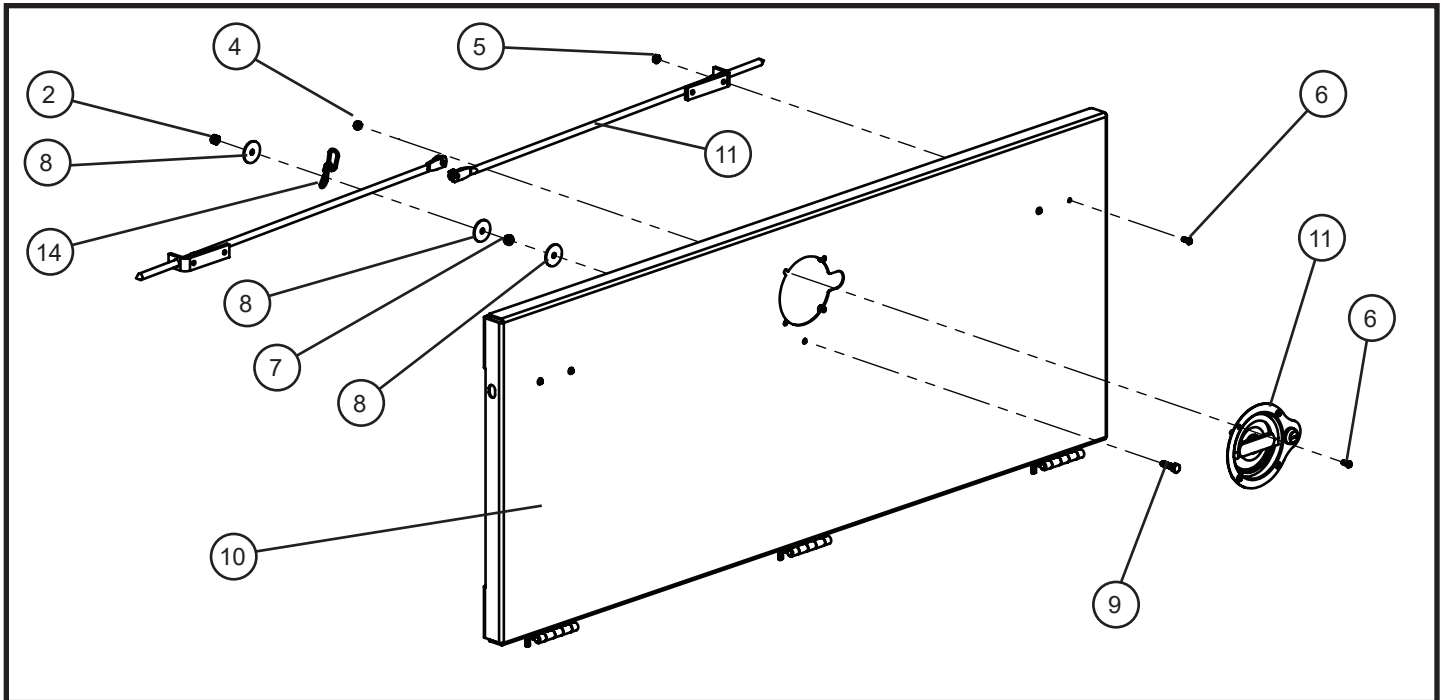
# MAXI-HEAT® MH500iQ™

SN 14-000293 and UP

## 1.9 - New Rail Mount Left Door Group (1 of 3)

Item	Part No.	Part Description	Qty.
1	047009	1/4 FLAT WASHER SAE SS	40
2	044023	1/4-20 NYLOCK HEX NUT PL	20
3	046010	1/4-20 x 3/4 HEX HEAD CS GR5 SS	20
4	114050P	LEFT SILL FRONT DOOR PANEL	1
5	114052P	PANEL FILLER FRONT LEFT EXHAUST DOOR	1
6	106742P	HEADER LEFT SIDE	1
7	114051P	PANEL FILLER REAR LEFT EXHAUST DOOR	1

## 1.9 - New Rail Mount Left Door Group (2 of 3)



114045\_A

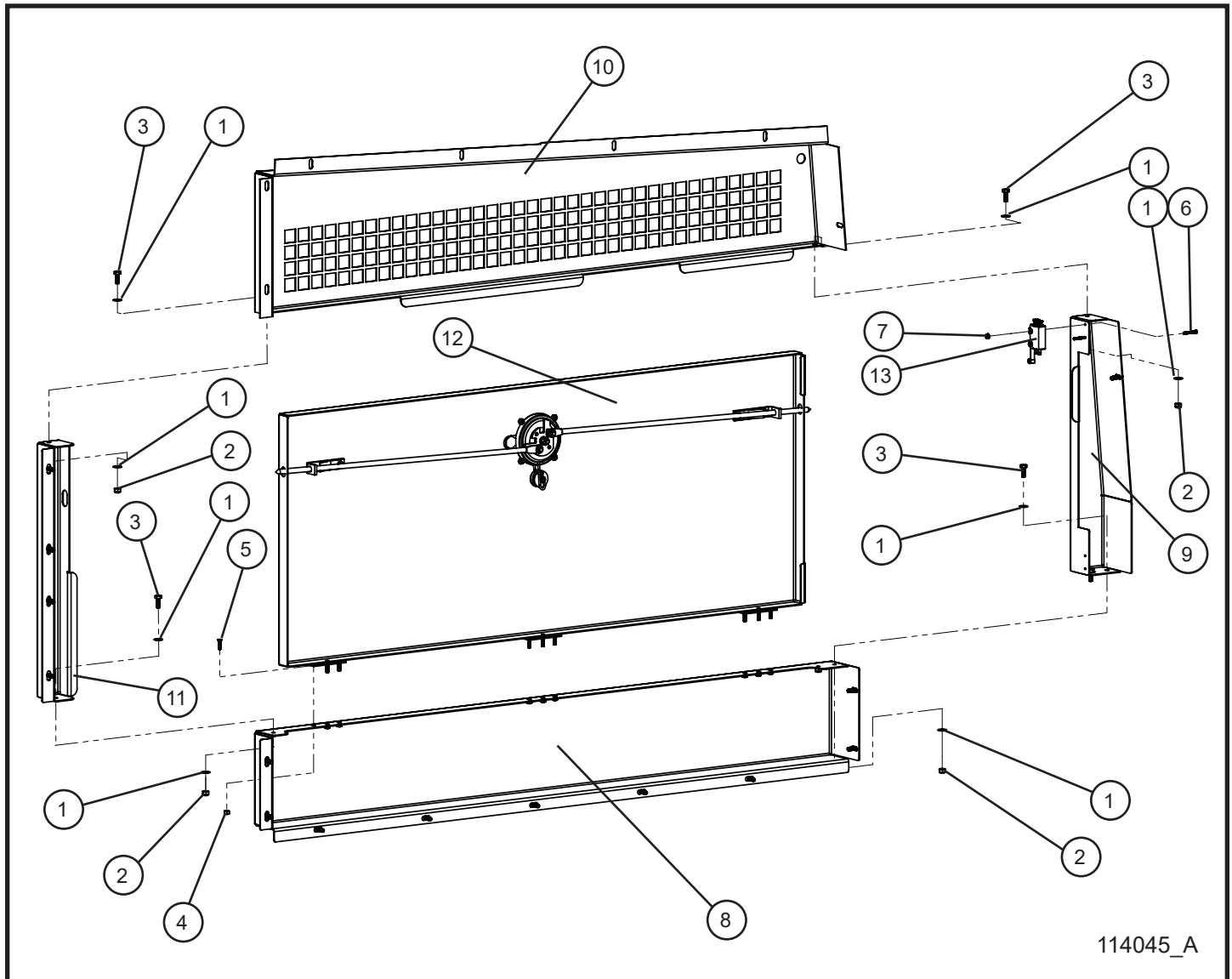
# MAXI-HEAT® MH500iQ™

SN 14-000293 and UP

## 1.9 - New Rail Mount Left Door Group (2 of 3)

Item	Part No.	Part Description	Qty.
1	047009	1/4 FLAT WASHER SAE SS	8
2	044023	1/4-20 NYLOCK HEX NUT PL	6
3	046010	1/4-20 x 3/4 HEX HEAD CS GR5 SS	4
4	044019	#10-24 NYLOCK HEX NUT SS	4
5	044016	#10-24 KEPS HEX NUT PL	4
6	041024	#10-24 x 1/2 PH-ROUND HEAD MS SS	8
7	044021	1/4-20 KEPS HEX NUT PL	2
8	047007	1/4 x 1 1/4 x .056 FENDER WASHER	5
9	046015	1/4-20 x 1 HEX HEAD CS GR5 PL	2
10	115005	LEFT DOOR ASSEMBLY (NEW RAIL MOUNT) MH500iQ	1
	114053P	DOOR WELDMENT EXHAUST MAXI-HEAT (PANEL ONLY)	1
11	330045	DOOR LATCH	1
12	106746P	CHAIN BRACKET	1
13	049016	CHAIN LINK DOUBLE LOOPED x 28.0	1
NS	848006	FOAM RUBBER .38 x .25 x 1.50	2

## 1.9 - New Rail Mount Left Door Group (3 of 3)



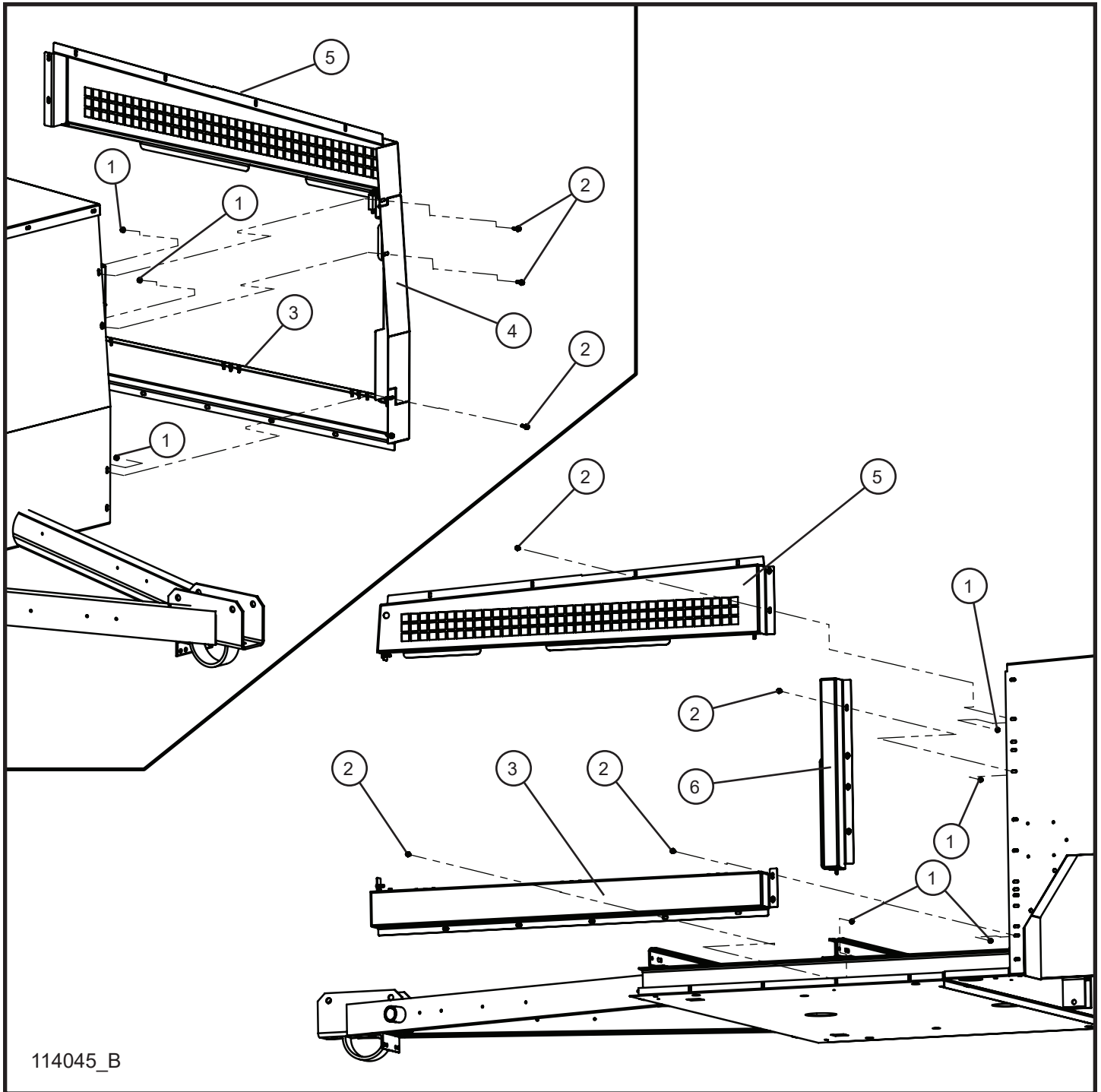
# MAXI-HEAT® MH500iQ™

SN 14-000293 and UP

## 1.9 - New Rail Mount Left Door Group (3 of 3)

Item	Part No.	Part Description	Qty.
1	047009	1/4 FLAT WASHER SAE SS	8
2	044023	1/4-20 NYLOCK HEX NUT PL	4
3	046010	1/4-20 x 3/4 HEX HEAD CS GR5 SS	4
4	044019	#10-24 NYLOCK HEX NUT SS	9
5	041026	#10-24 x 3/4 SL-FLAT HEAD MS PL MACHINE SCREW	9
6	041006	#6-32 x 1 1/4 SL-ROUND HEAD MS PL	2
7	044004	#6-32 KEPS HEX NUT PL	2
8	114050P	LEFT SILL FRONT DOOR PANEL	1
9	114052P	PANEL FILLER FRONT LEFT EXHAUST DOOR	1
10	106742P	HEADER LEFT SIDE	1
11	114051P	PANEL FILLER REAR LEFT EXHAUST DOOR	1
12	115005	LEFT DOOR ASSEMBLY (NEW RAIL MOUNT) MH500iQ	1
	114053P	DOOR WELDMENT EXHAUST MAXI-HEAT (PANEL ONLY)	1
13	106350	ROCKER SWITCH DOUBLE PULL	1

## 1.10 - 20" Duct Left Door Group (1 of 3)



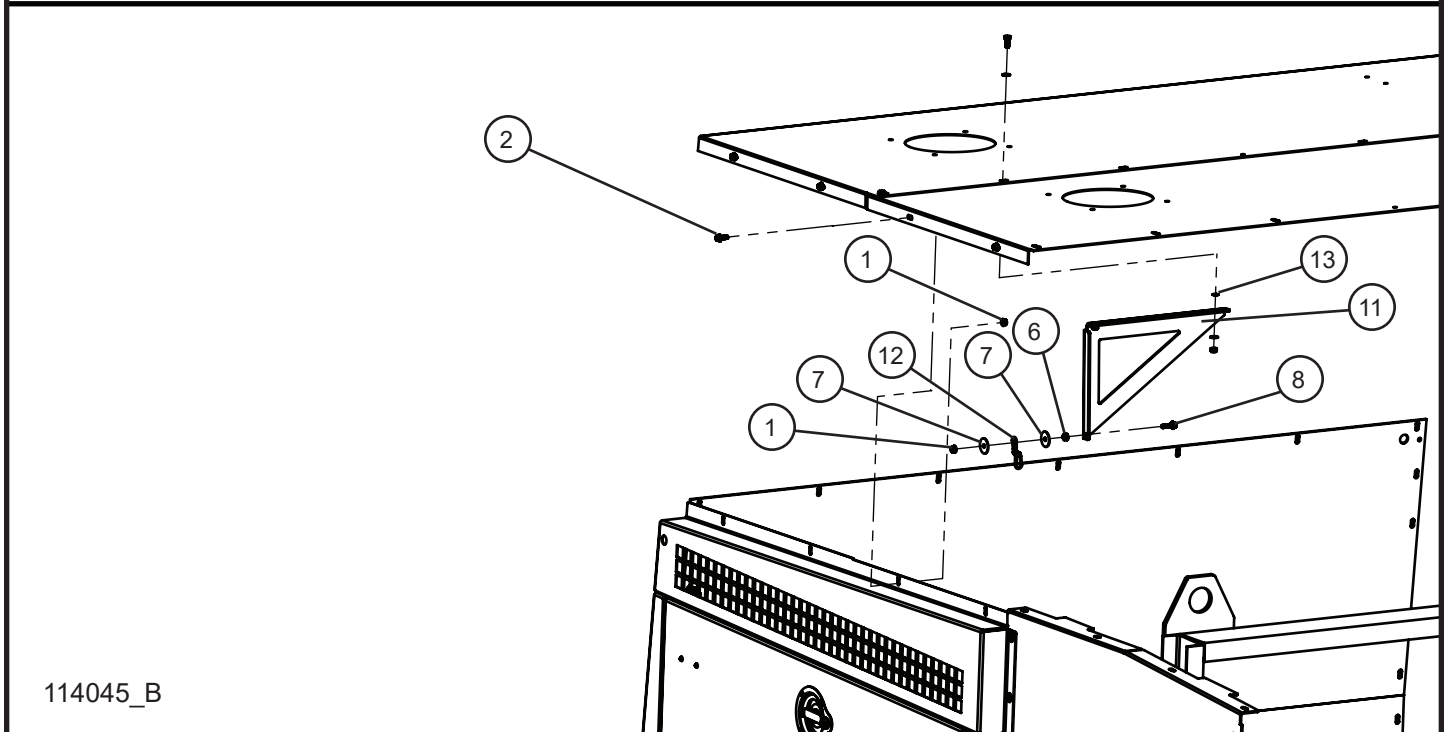
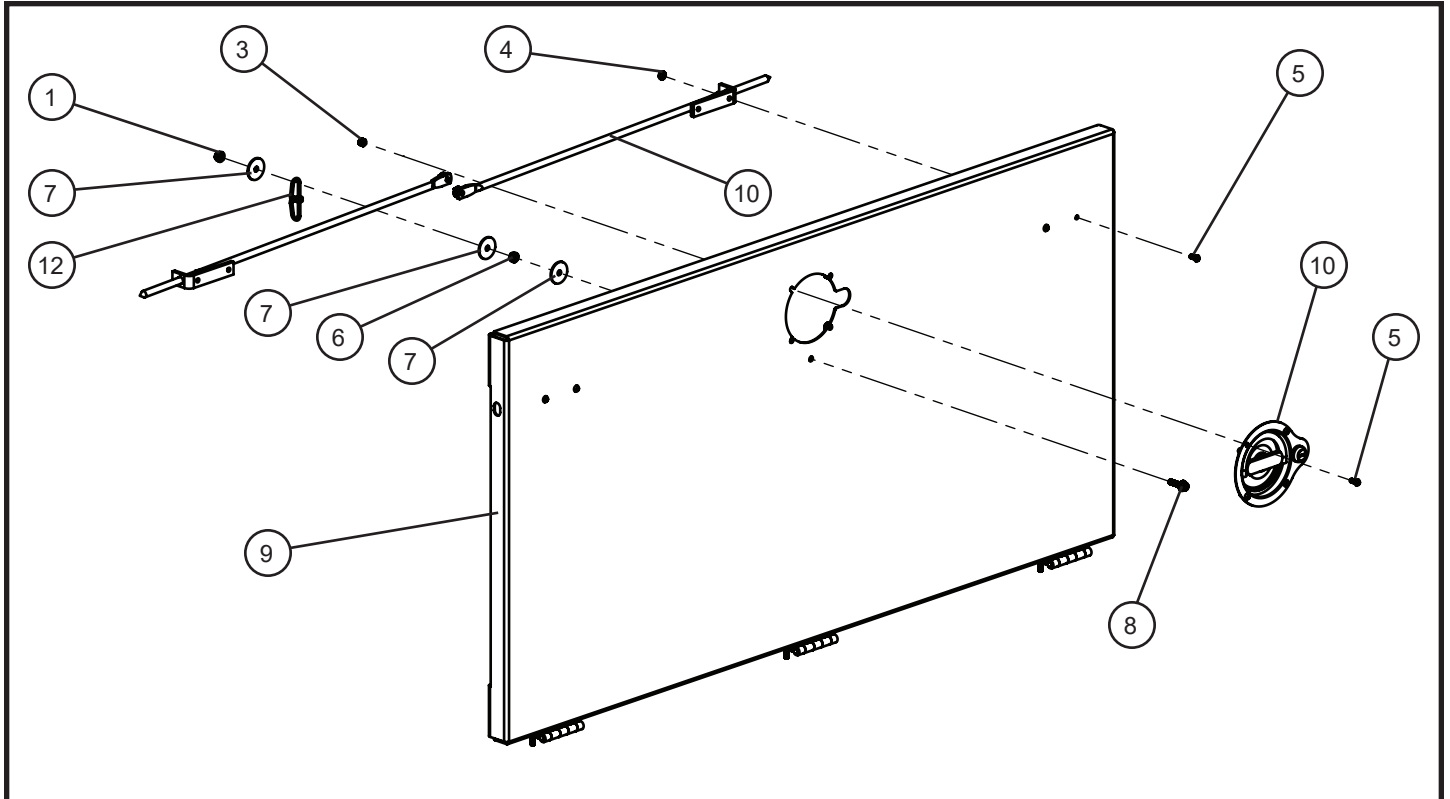
# MAXI-HEAT® MH500iQ™

SN 14-000485 and UP

## 1.10 - 20" Duct Left Door Group (1 of 3)

Item	Part No.	Part Description	Qty.
1	057001	1/4-20 HEX NYLOCK FLANGE NUT	20
2	056002	1/4-20 x 3/4 HEX SERRATED FLANGE SCREW	20
3	117074P	LEFT SILL FRONT DOOR PANEL 20" DUCT	1
4	117073P	PANEL FILLER FRONT LEFT EXHAUST DOOR 20" DUCT	1
5	117072P	HEADER LEFT SIDE 20" DUCT	1
6	117071P	PANEL FILLER REAR LEFT EXHAUST DOOR 20" DUCT	1

## 1.10 - 20" Duct Left Door Group (2 of 3)



114045\_B



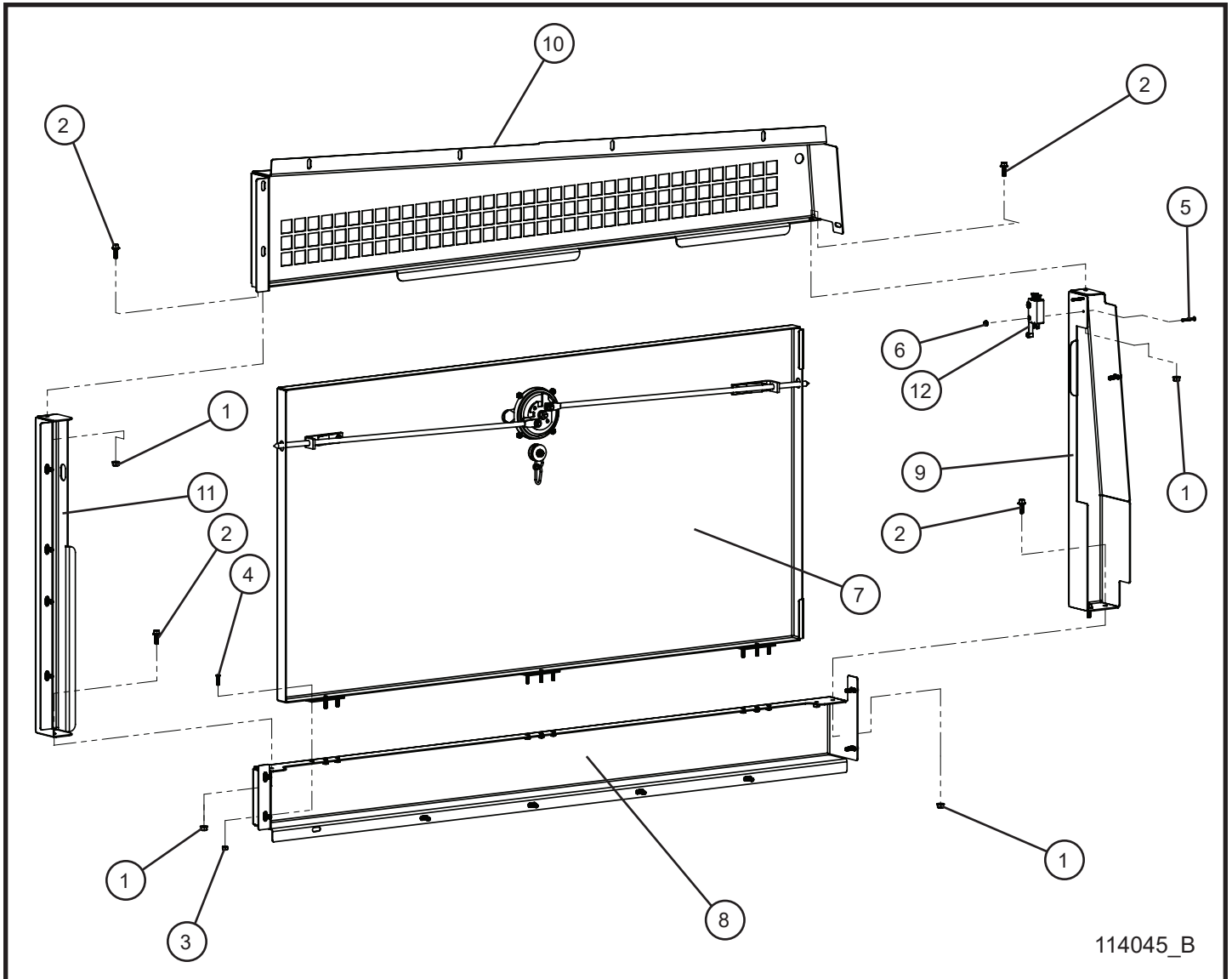
# MAXI-HEAT® MH500iQ™

SN 14-000485 and UP

## 1.10 - 20" Duct Left Door Group (2 of 3)

Item	Part No.	Part Description	Qty.
1	057001	1/4-20 HEX NYLOCK FLANGE NUT	20
2	056002	1/4-20 x 3/4 HEX SERRATED FLANGE SCREW	20
3	044019	#10-24 NYLOCK HEX NUT SS	4
4	044016	#10-24 KEPS HEX NUT PL	4
5	041024	#10-24 x 1/2 PH-ROUND HEAD MS SS	8
6	044021	1/4-20 KEPS HEX NUT PL	2
7	047007	1/4 x 1 1/4 x .056 FENDER WASHER	5
8	056017	1/4-20 x 1 SERRATED FLANGE HEX BOLT	2
9	117070P	DOOR WELDMENT EXHAUST 20" DUCT (PANEL ONLY)	1
	117068P	LEFT DOOR ASSEMBLY EXHAUST 20" DUCT	1
10	330045	DOOR LATCH	1
11	106746P	CHAIN BRACKET	1
12	049016	CHAIN LINK DOUBLE LOOPED x 28.0	1
13	101701	1/4 PUSH NUT	1
NS	848006	FOAM RUBBER .38 x .25 x 1.50	2

## 1.10 - 20" Duct Left Door Group (3 of 3)



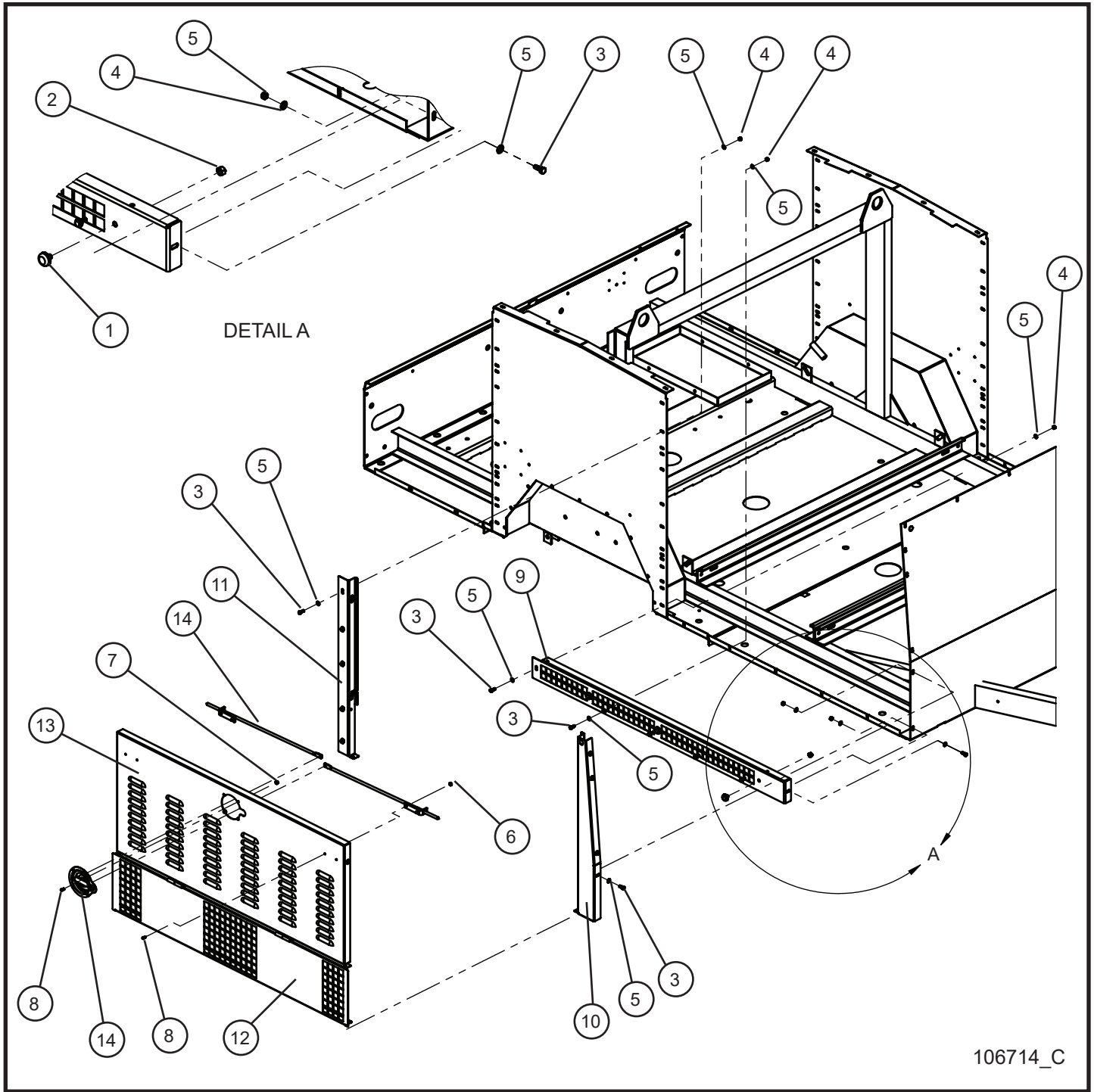
# MAXI-HEAT® MH500iQ™

SN 14-000485 and UP

## 1.10 - 20" Duct Left Door Group (3 of 3)

Item	Part No.	Part Description	Qty.
1	057001	1/4-20 HEX NYLOCK FLANGE NUT	20
2	056002	1/4-20 x 3/4 HEX SERRATED FLANGE SCREW	20
3	044019	#10-24 NYLOCK HEX NUT SS	4
4	041032	#10-24 x 3/4 PH-FLAT HEAD MS PL	8
5	041006	#6-32 x 1 1/4 SL-ROUND HEAD MS PL	2
6	044004	#6-32 KEPS HEX NUT PL	2
7	117070P	DOOR WELDMENT EXHAUST 20" DUCT (PANEL ONLY)	1
	117068P	LEFT DOOR ASSEMBLY EXHAUST 20" DUCT	1
8	117074P	LEFT SILL FRONT DOOR PANEL 20" DUCT	1
9	117073P	PANEL FILLER FRONT LEFT EXHAUST DOOR 20" DUCT	1
10	117072P	HEADER LEFT SIDE 20" DUCT	1
11	117071P	PANEL FILLER REAR LEFT EXHAUST DOOR 20" DUCT	1
12	106350	ROCKER SWITCH DOUBLE PULL	1

## 1.10 - Right Door Group (1 of 3)



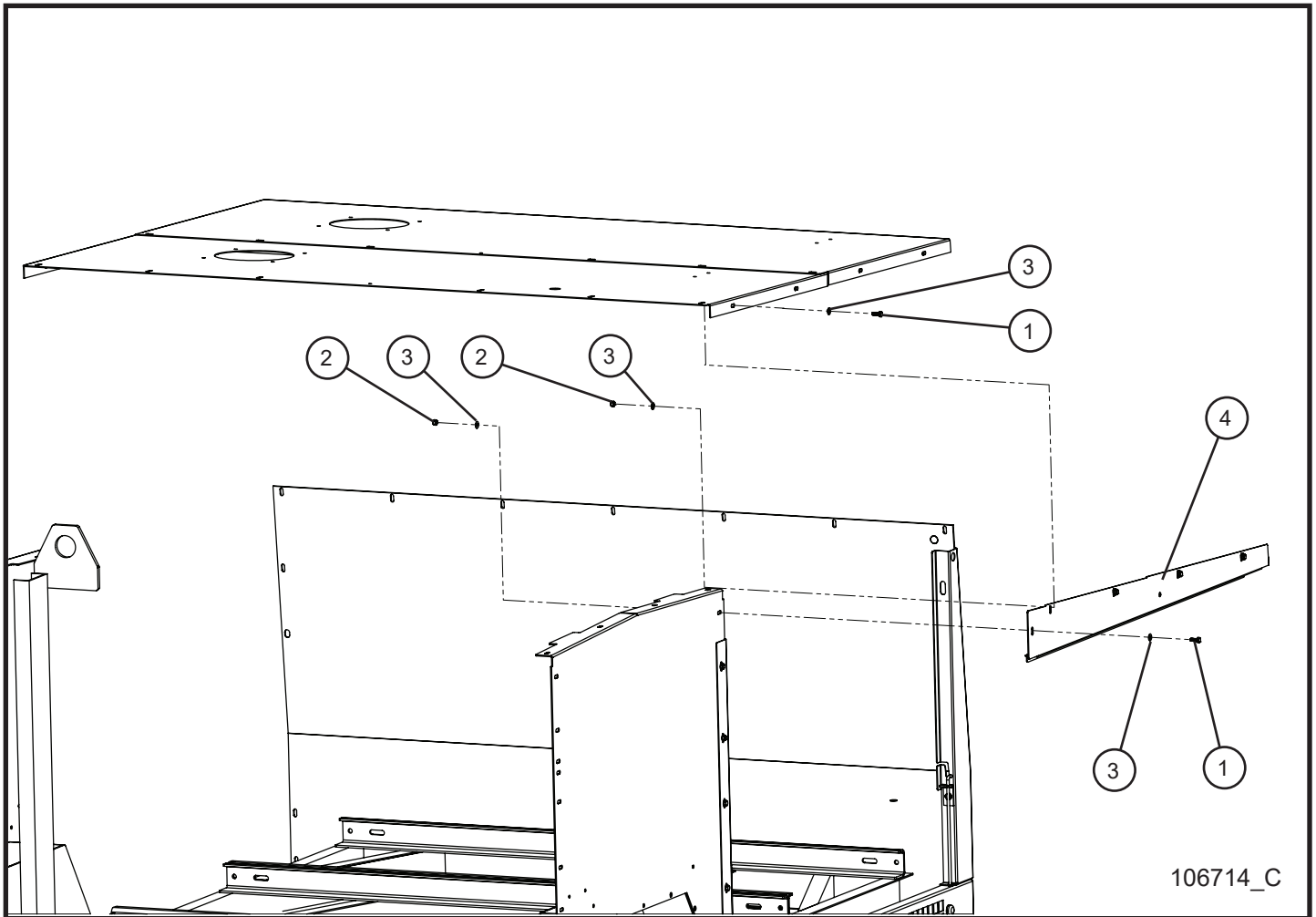
# MAXI-HEAT® MH500iQ™

SN 14-000001 and UP

## 1.10 - Right Door Group (1 of 3)

Item	Part No.	Part Description	Qty.
1	330041	RUBBER BUMPER	3
2	044035	NUT HEX 3/8-16 ZINC	3
3	046010	1/4-20 x 3/4 HEX HEAD CS GR5 SS	15
4	044023	1/4-20 NYLOCK HEX NUT PL	15
5	047009	1/4 FLAT WASHER SAE SS	30
6	044016	#10-24 KEPS HEX NUT PL	4
7	044019	#10-24 NYLOCK HEX NUT SS	4
8	041024	#10-24 x 1/2 PH-ROUND HEAD MS SS	8
9	106752P	RIGHT SILL FRONT DOOR PANEL	1
10	106749P	PANEL FILLER FRONT RIGHT BURNER DOOR	1
11	106750P	PANEL FILLER REAR RIGHT BURNER DOOR	1
12	106751P	PANEL REMOVABLE RIGHT DOOR MAXI HEAT	1
13	108771	RIGHT DOOR ASSEMBLY MH500iQ	1
	106753P	DOOR RIGHT WELDMENT FRONT (PANEL ONLY)	1
14	330045	DOOR LATCH	1

## 1.11 - Right Door Group (2 of 3)



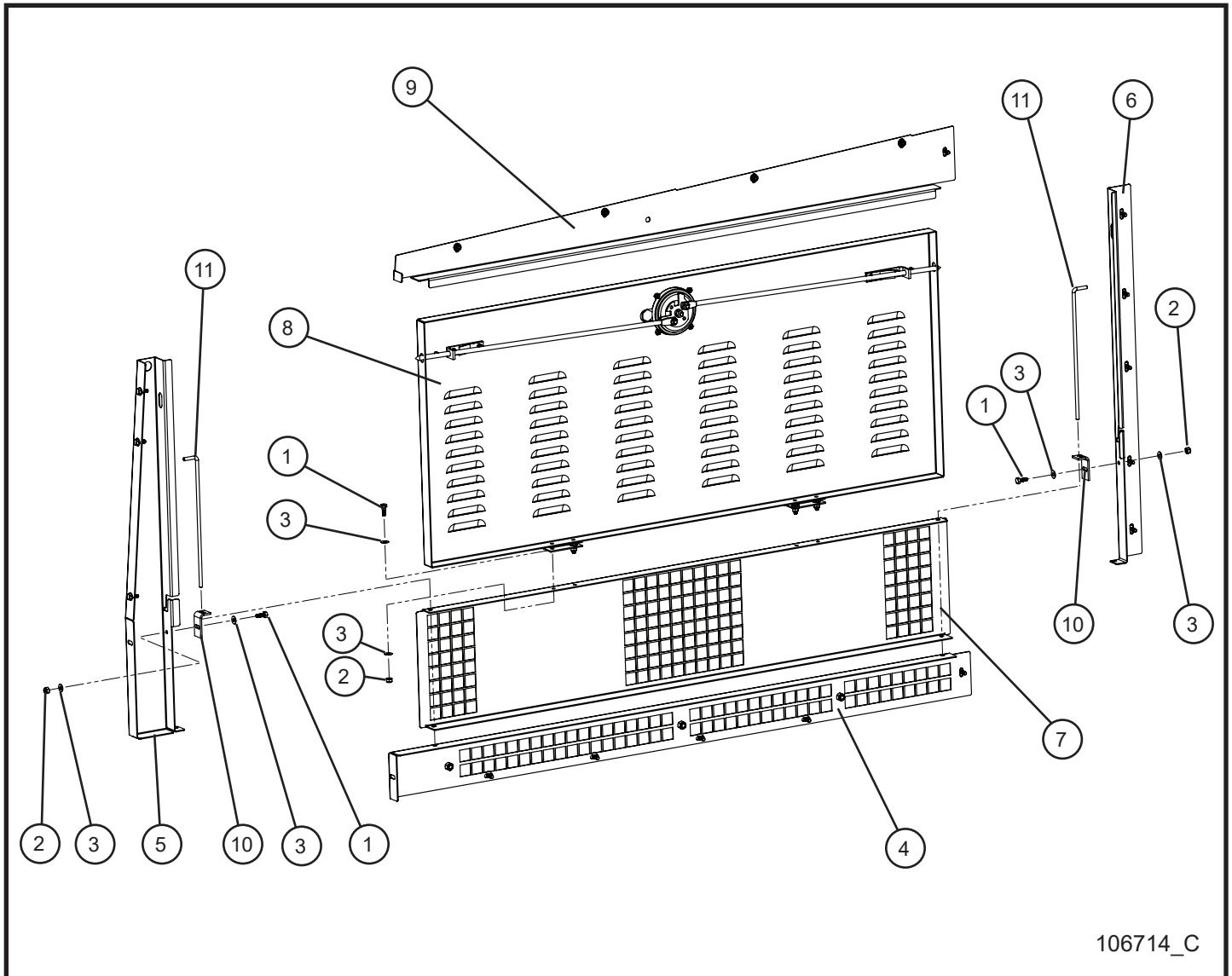
# MAXI-HEAT® MH500iQ™

SN 14-000001 and UP

## 1.11 - Right Door Group (2 of 3)

Item	Part No.	Part Description	Qty.
1	046010	1/4-20 x 3/4 HEX HEAD CS GR5 SS	5
2	044023	1/4-20 NYLOCK HEX NUT PL	5
3	047009	1/4 FLAT WASHER SAE SS	10
4	106747P	PANEL FILLER TOP RIGHT BURNER DOOR	1
5	848006	FOAM RUBBER .38 x .25 x 1.50	2

## 1.11 - Right Door Group (3 of 3)



106714\_C



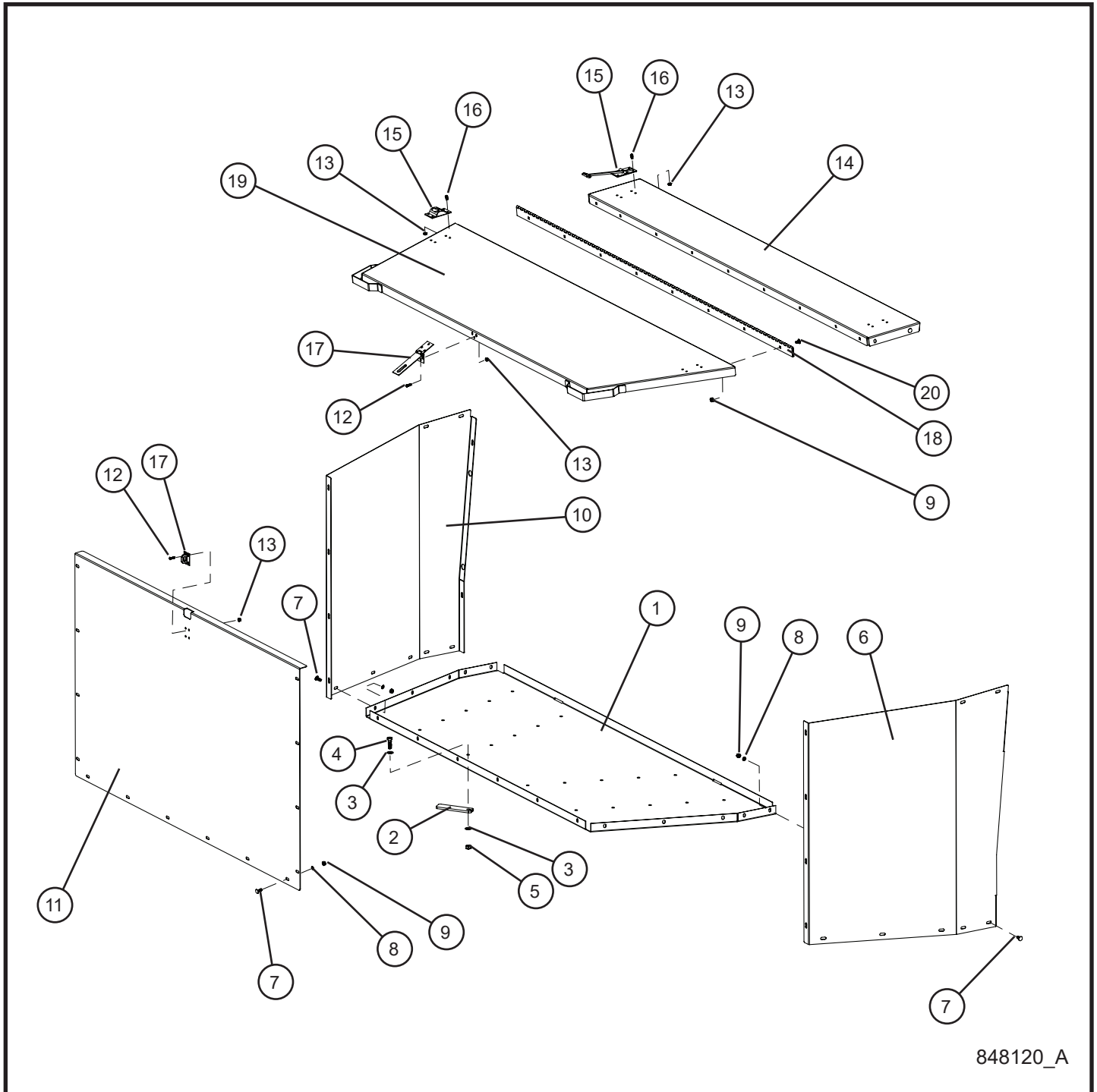
# MAXI-HEAT® MH500iQ™

SN 14-000001 and UP

## 1.11 - Right Door Group (3 of 3)

Item	Part No.	Part Description	Qty.
1	046010	1/4-20 x 3/4 HEX HEAD CS GR5 SS	6
2	044023	1/4-20 NYLOCK HEX NUT PL	6
3	047009	1/4 FLAT WASHER SAE SS	12
4	106752P	RIGHT SILL FRONT DOOR PANEL	1
5	106749P	PANEL FILLER FRONT RIGHT BURNER DOOR	1
6	106750P	PANEL FILLER REAR RIGHT BURNER DOOR	1
7	106751P	PANEL REMOVABLE RIGHT DOOR MAXI HEAT	1
8	108771	RIGHT DOOR ASSEMBLY MH500iQ	1
	106753P	DOOR RIGHT WELDMENT FRONT (PANEL ONLY)	1
9	106747P	PANEL FILLER TOP RIGHT BURNER DOOR	1
10	106755P	CLIP REMOVABLE PANEL	2
11	106717	PIN LOCK 11" 90° BEND-1/4	2

## 1.12 - Duct Box Group



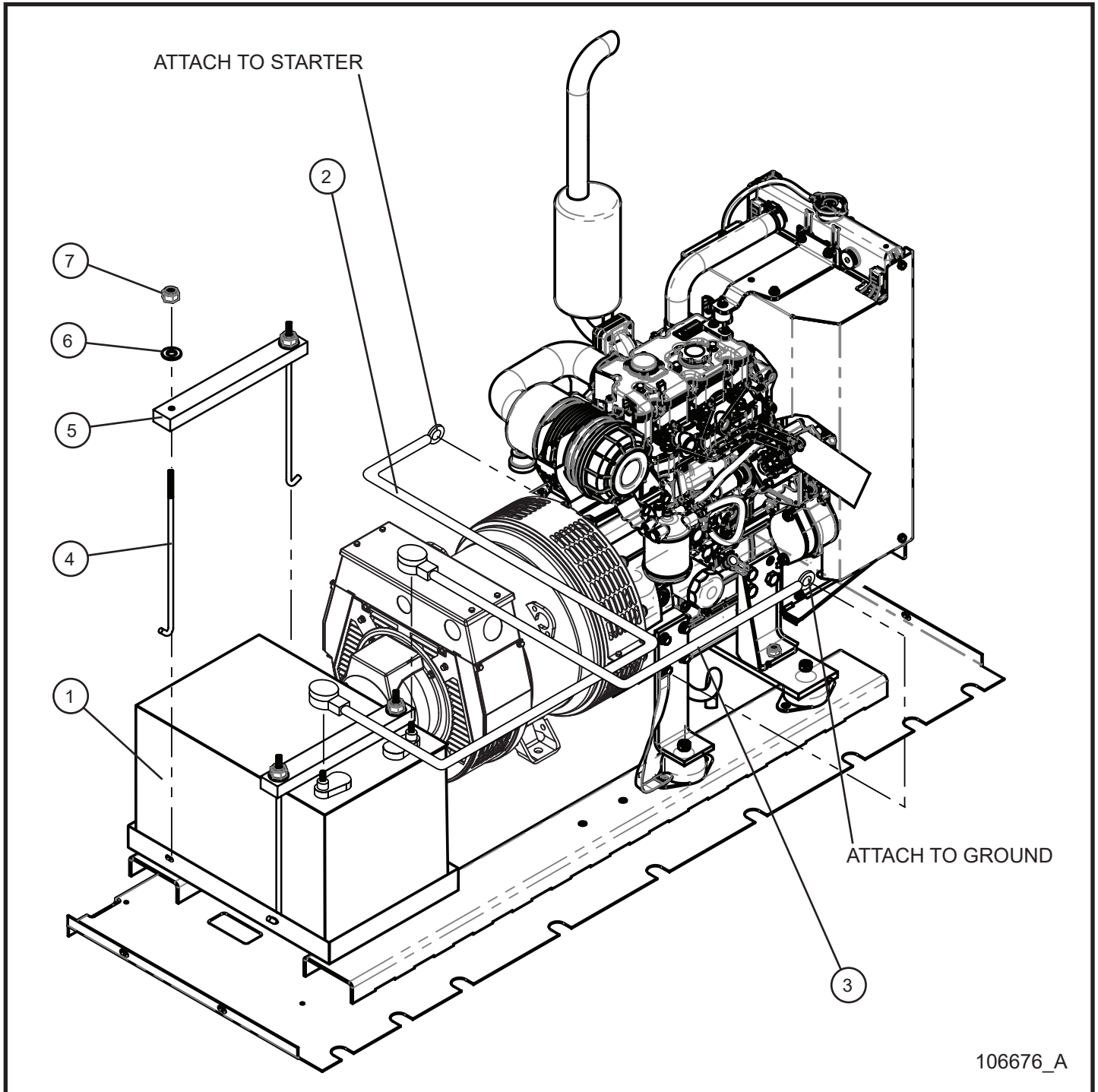
# MAXI-HEAT® MH500iQ™

SN 14-000001 and UP

## 1.12 - Duct Box Group

Item	Part No.	Part Description	Qty.
--	848120	DUCT STORAGE BOX COMPLETE	1
1	848121P	DUCT BOX BOTTOM PANEL	1
2	848954P	DUCT BOX MOUNT PLATE	4
3	047016	3/8 FLAT WASHER	8
4	046115	3/8-16 X 1-1/4 HEX HEAD CS GR5	4
5	044038	3/8-16 NYLOC HEX NUT	4
6	848124P	DUCT BOX LEFT SIDE PANEL	1
7	053006	1/4-20 X 3/4 CARRIAGE BOLT	28
8	047009	1/4 FLAT WASHER	28
9	044021	1/4-20 KEPS HEX NUT	45
10	848123P	DUCT BOX RIGHT SIDE PANEL	1
11	848122P	DUCT BOX FRONT PANEL	1
12	041026	#10-24 X 3/4 SLOTTED FLAT HEAD	7
13	044019	#10-24 NYLOC HEX NUT SS	23
14	848125P	DUCT BOX TOP PANEL	1
15	660170	DOOR HOLDER	2
16	041021	#10-24 X 1/2 PH-ROUND HEAD	16
17	830232	HASP	1
18	848129	HINGE	1
19	848128P	DUCT BOX LID	1
20	053005	1/4-20 X 1/2 CARRIAGE BOLT	17

## 2.1 - Battery Install Group



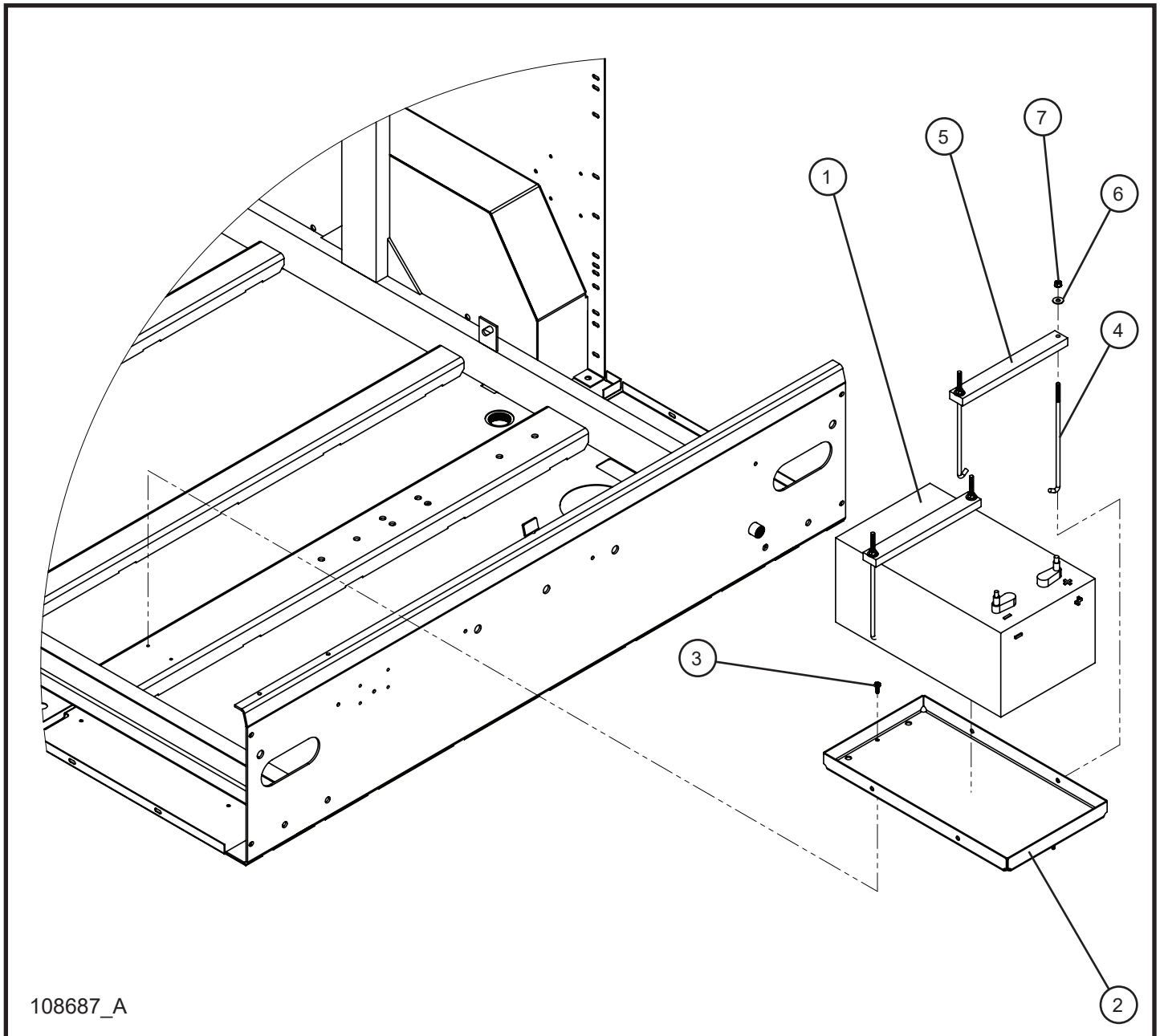
# MAXI-HEAT® MH500iQ™

SN 14-000001 and UP

## 2.1 - Battery Install Group

Item	Part No.	Part Description	Qty.
1	N/A	BATTERY 8D	1
2	027026	BATTERY CABLE 2 GA 48" POSITIVE	1
3	713098	BATTERY CABLE 2 GA 36" NEGATIVE	1
4	433507	J-BOLT BATTERY HOLD DOWN	4
5	800243	NYLON BATTERY HOLD DOWN	2
6	047010	5/16 FLAT WASHER PL	4
7	044031	5/16-18 KEPS HEX NUT PL	4

## 2.2 - Non-FCS Battery Tray Install Group



108687\_A

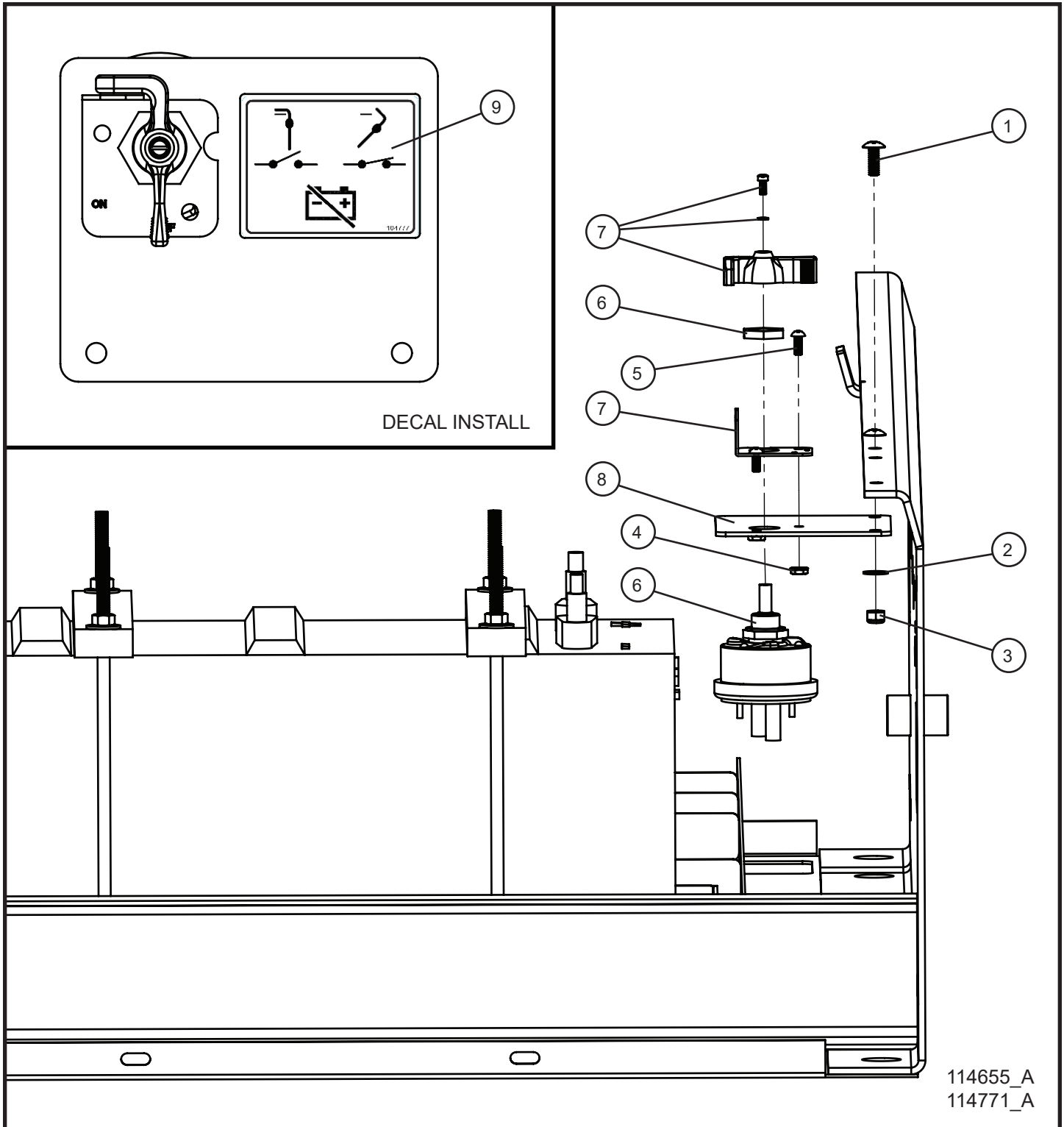
# MAXI-HEAT® MH500iQ™

SN 14-000001 and UP

## 2.2 - Non-FCS Battery Tray Install Group

Item	Part No.	Part Description	Qty.
1	N/A	BATTERY 8D	1
2	108379P	TRAY 8D BATTERY MH500iQ	1
3	041070	1/4-20 x 3/4 SL-HEX WASHER HEAD MS TP F	2
4	433507	J-BOLT BATTERY HOLD DOWN	4
5	800243	NYLON BATTERY HOLD DOWN	2
6	047010	5/16 FLAT WASHER PL	4
7	044031	5/16-18 KEPS HEX NUT PL	4

## 2.3 - Battery Disconnect





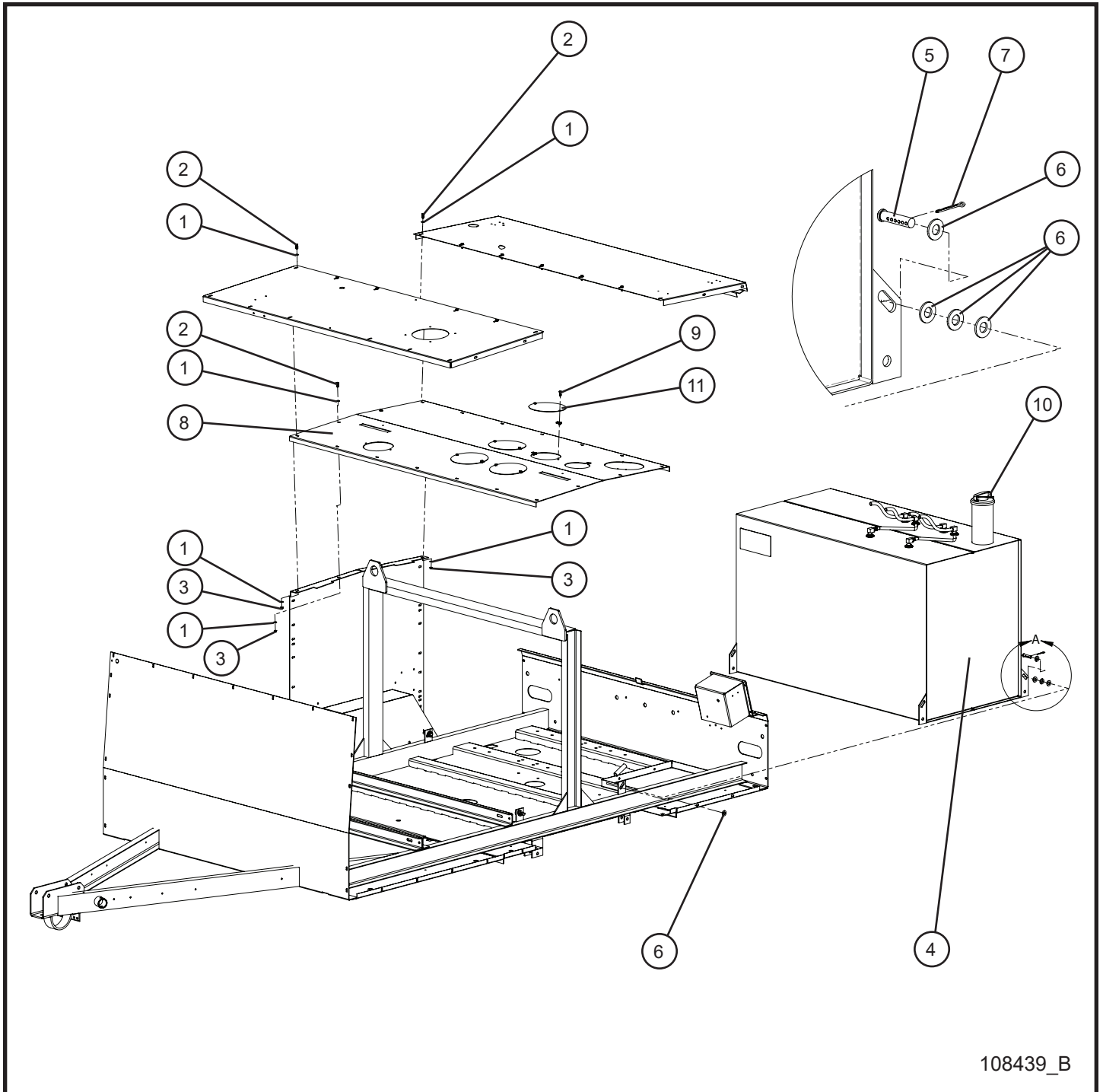
# MAXI-HEAT® MH500iQ™

SN 14-000001 and UP

## 2.3 - Battery Disconnect

Item	Part No.	Part Description	Qty.
1	041050	1/4-20 x 3/4 PHILLIPS TRUSS HEAD	2
2	047009	1/4 FLAT WASHER	2
3	044023	1/4-20 NYLOCK HEX NUT	2
4	044016	#10-24 KEPS HEX NUT	2
5	041024	#10-24 x 1/2 PHILLIPS ROUND HEAD	2
6	102534	SWITCH BATTERY DISCONNECT	1
7	103483	LOCK OUT BATTERY DISCONNECT	1
8	114658P	MOUNT BATTERY DISCONNECT	1
9	104777	BATTERY DISCONNECT DECAL	1
NS	105111	BATTERY CABLE BLACK x 42.0 BATTERY DISCONNECT	1
NS	027026	BATTERY CABLE RED 2GA 48.0	1
NS	110373	BATTERY CABLE BLACK 2GA 16.0	1

## 2.4 - Steel Fuel Tank Group (1 of 2)



108439\_B

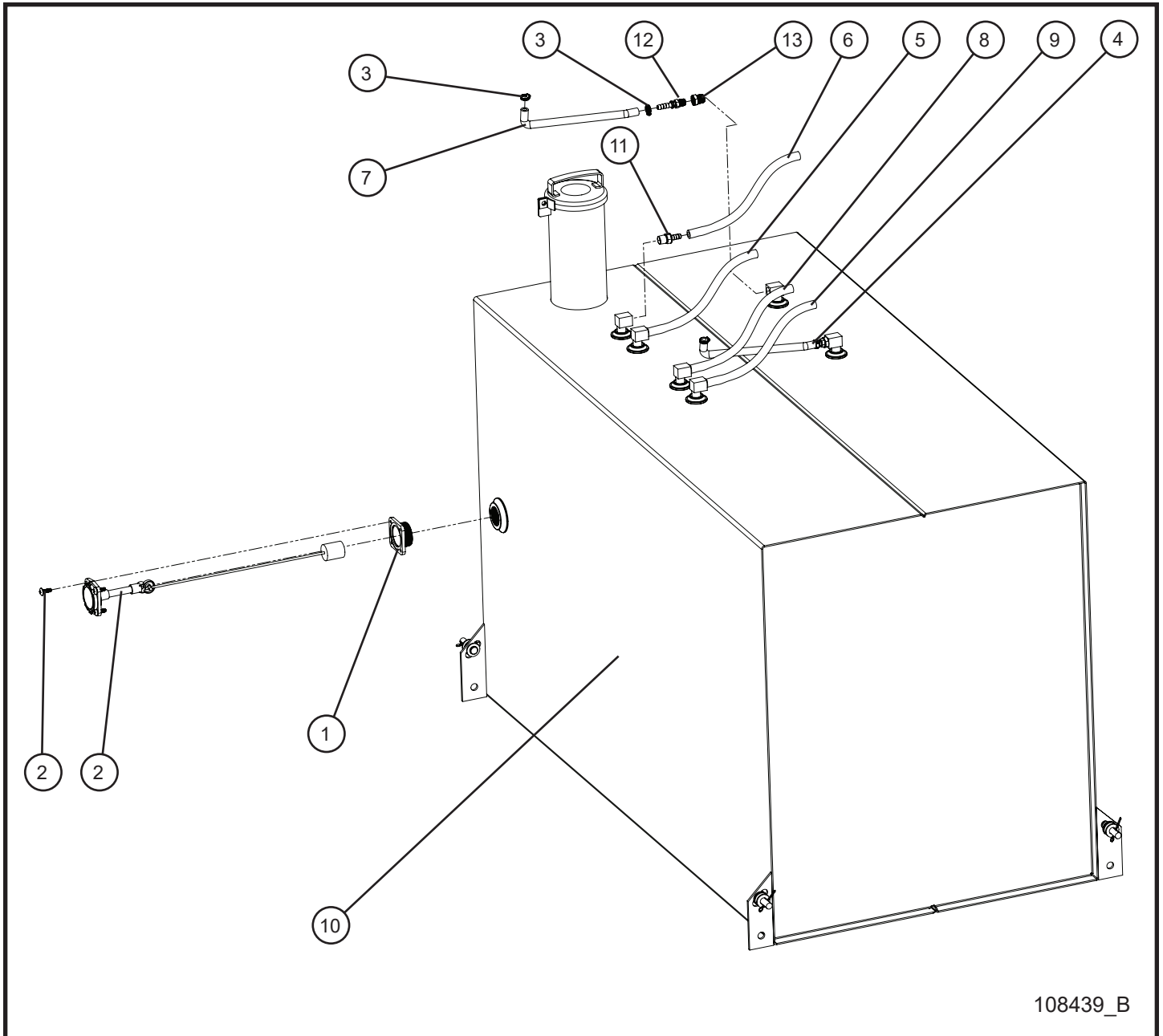
# MAXI-HEAT® MH500iQ™

SN 14-000001 and UP

## 2.4 - Steel Fuel Tank Group (1 of 2)

Item	Part No.	Part Description	Qty.
1	047009	1/4 FLAT WASHER SAE SS	36
2	046010	1/4-20 x 3/4 HEX HEAD CS GR5 SS	26
3	044023	1/4-20 NYLOCK HEX NUT PL	18
4	800244P	FUEL TANK STEEL-200 GAL MAXI HEAT	1
5	045402	1/2 x 2 CLEVIS PIN	4
6	047025	1/2 FLAT WASHER PL	20
7	045042	COTTER PIN 1/8 x 1 1/2"	4
8	108410P	ROOF PANEL MIDDLE MH500iQ FCS	1
9	041070	1/4-20 x 3/4 SL-HEX WASHER HEAD MS TP F	8
10	840042	FUEL CAP	1
11	107132P	ACCESS COVER STEEL TANK	4

## 2.4 - Steel Fuel Tank Group (2 of 2)



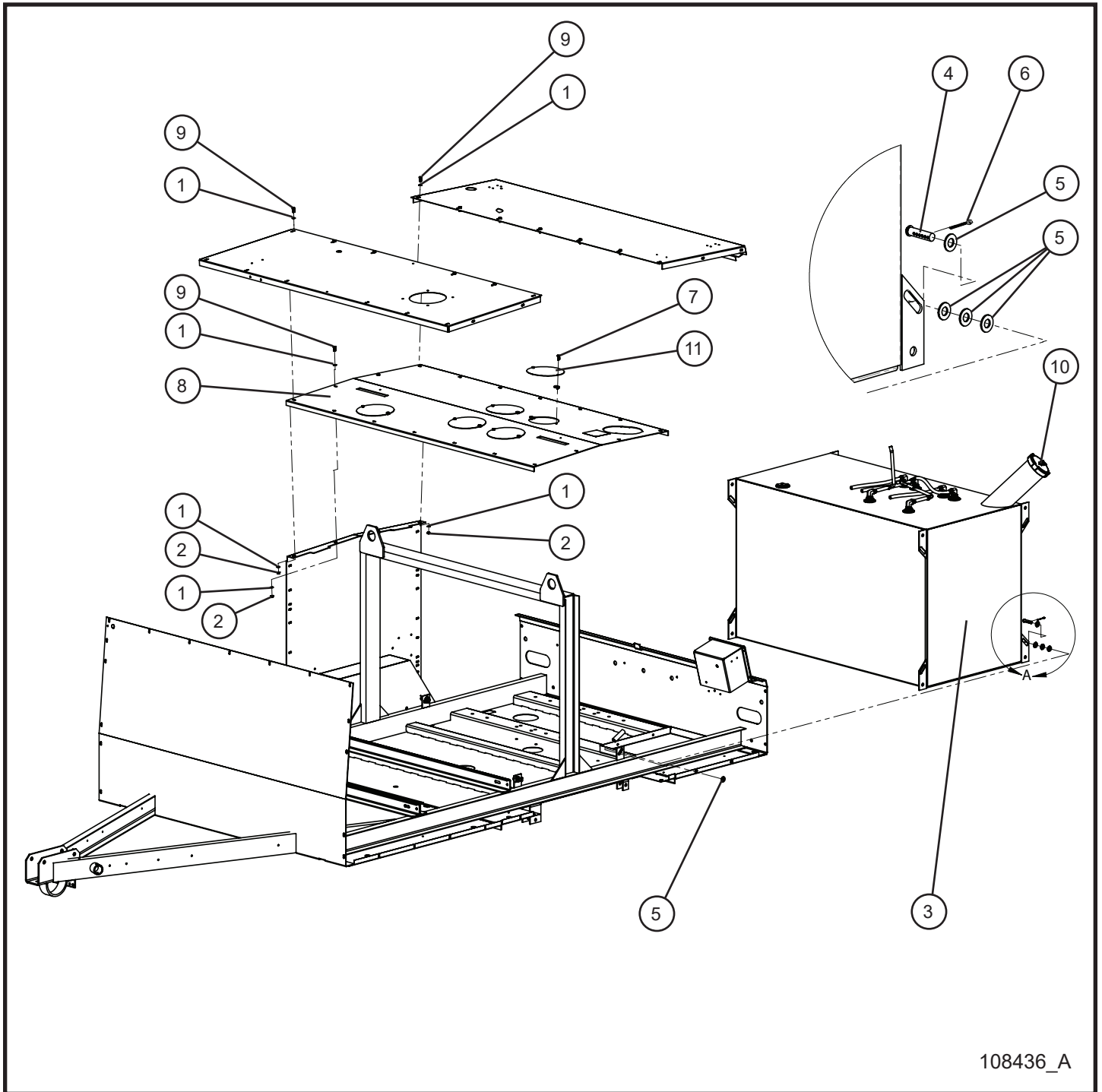
# MAXI-HEAT® MH500iQ™

SN 14-000001 and UP

## 2.4 - Steel Fuel Tank Group (2 of 2)

Item	Part No.	Part Description	Qty.
1	848967	GAUGE ADAPTER	1
2	848966	FUEL GAUGE STEEL TANK MAXI HEAT	1
3	433400	#4 HOSE CLAMP	4
4	081018	HOSE 5/16" FUEL LINE x 78.0	1
5	081017	3/8 YELLOW FUEL HOSE x 75.0	1
6	081017	3/8 YELLOW FUEL HOSE x 100.0	1
7	081018	HOSE 5/16" FUEL LINE x 64.0	1
8	101266	3/8 BLACK FUEL HOSE x 108.0	1
9	101266	3/8 BLACK FUEL HOSE x 72.0	1
10	800244P	FUEL TANK STEEL-200 GAL MAXI HEAT	1
11	106979	3/8 HOSE BARB 3/8 MALE NPTF	4
12	107163	5/16 BARB 1/4 NPT MALE HOSE FITTING	2
13	107162	3/8 MALE-1/4 FEMALE REDUCING BUSHING	2
14	108253	TFE PASTE PIPE THREAD	1

## 2.5 - Double Wall Steel Fuel Tank Group (1 of 2)



108436\_A

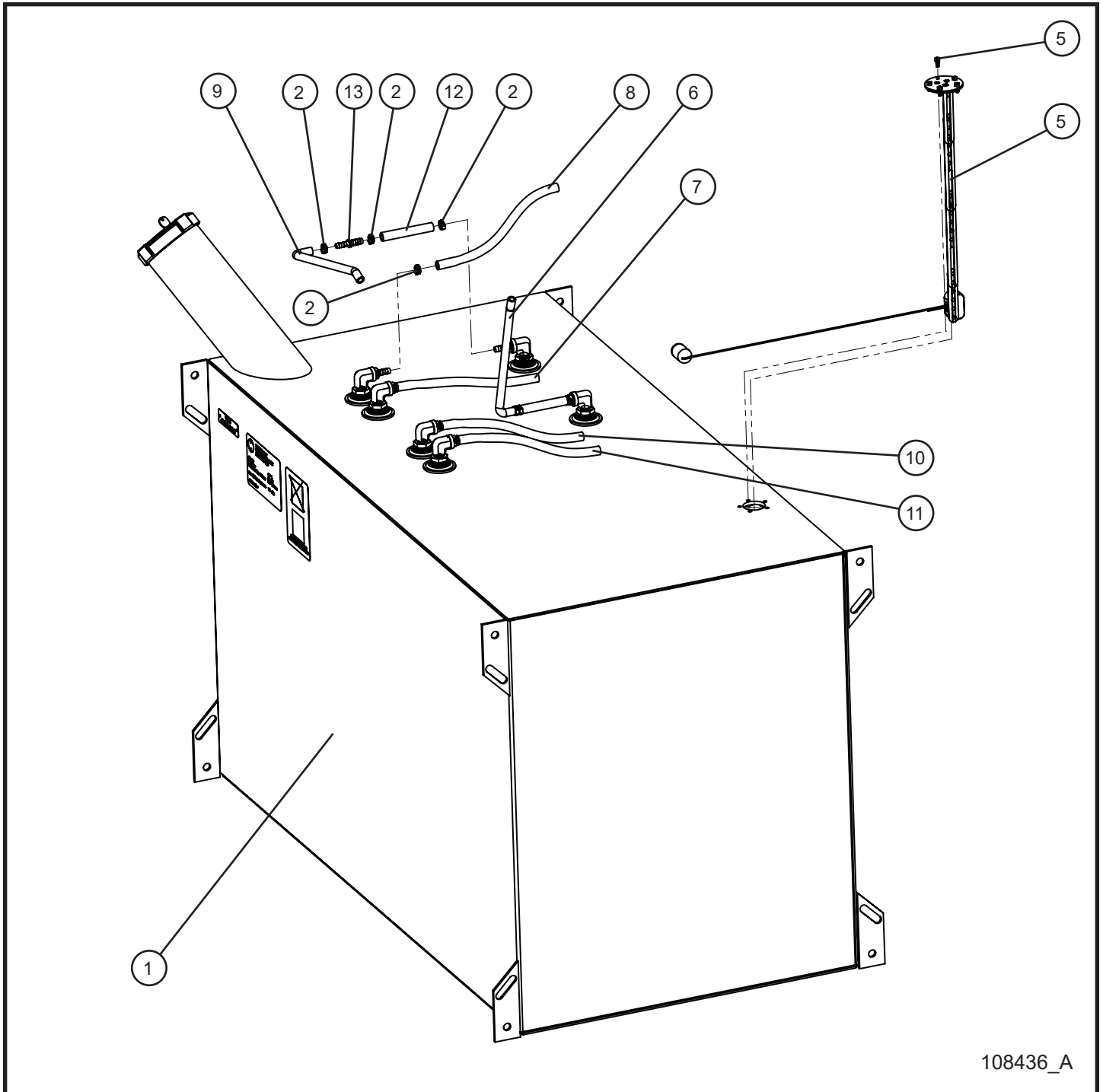
# MAXI-HEAT® MH500iQ™

SN 14-000001 and UP

## 2.5 - Double Wall Steel Fuel Tank Group (1 of 2)

Item	Part No.	Part Description	Qty.
1	047009	1/4 FLAT WASHER SAE SS	36
2	044023	1/4-20 NYLOCK HEX NUT PL	18
3	107105	DOUBLE WALL STEEL TANK	1
4	045402	1/2 x 2 CLEVIS PIN	4
5	047025	1/2 FLAT WASHER PL	20
6	045042	COTTER PIN 1/8 x 1 1/2"	4
7	041070	1/4-20 x 3/4 SL-HEX WASHER HEAD MS TP F	10
8	108410P	ROOF PANEL MIDDLE MH500iQ FCS	1
9	046010	1/4-20 x 3/4 HEX HEAD CS GR5 SS	18
10	114219	LOCKABLE DOUBLE WALL TANK FUEL CAP	1
11	107132P	ACCESS COVER STEEL TANK	5

## 2.5 - Double Wall Steel Fuel Tank Group (2 of 2)



108436\_A



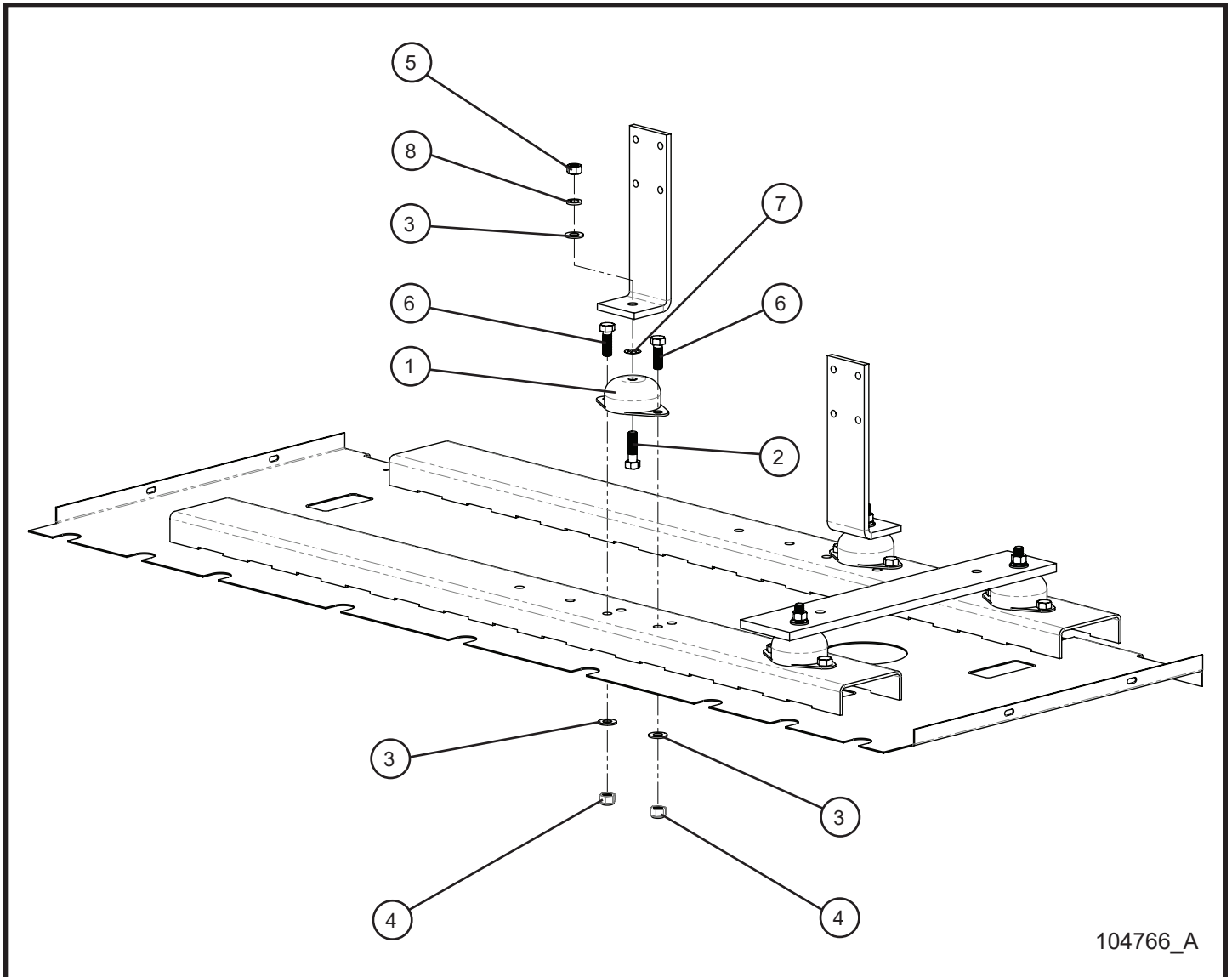
# MAXI-HEAT® MH500iQ™

SN 14-000001 and UP

## 2.5 - Double Wall Steel Fuel Tank Group (2 of 2)

Item	Part No.	Part Description	Qty.
1	107105	DOUBLE WALL STEEL TANK	1
2	433400	#4 HOSE CLAMP	10
3	107265	WIRE SCHEMATIC FUEL SENDER/GAUGE	1
4	107264	WIRE HARNESS FUEL SENDER/GAUGE	1
5	103206	FUEL SENDER ASSY MH1000 POLY	1
6	081018	HOSE 5/16" FUEL LINE x 78.0	1
7	081017	3/8 YELLOW FUEL HOSE x 75.0	1
8	081017	3/8 YELLOW FUEL HOSE x 100.0	1
9	081018	HOSE 5/16" FUEL LINE x 64.0	1
10	101266	3/8 BLACK FUEL HOSE x 108.0	1
11	101266	3/8 BLACK FUEL HOSE x 72.0	1
12	081017	3/8 BLACK FUEL HOSE x 8.00	2
13	107348	REDUCER COUPLER BARB 3/8 - 5/16	2

## 2.6 - Engine Isolator Mounts



104766\_A

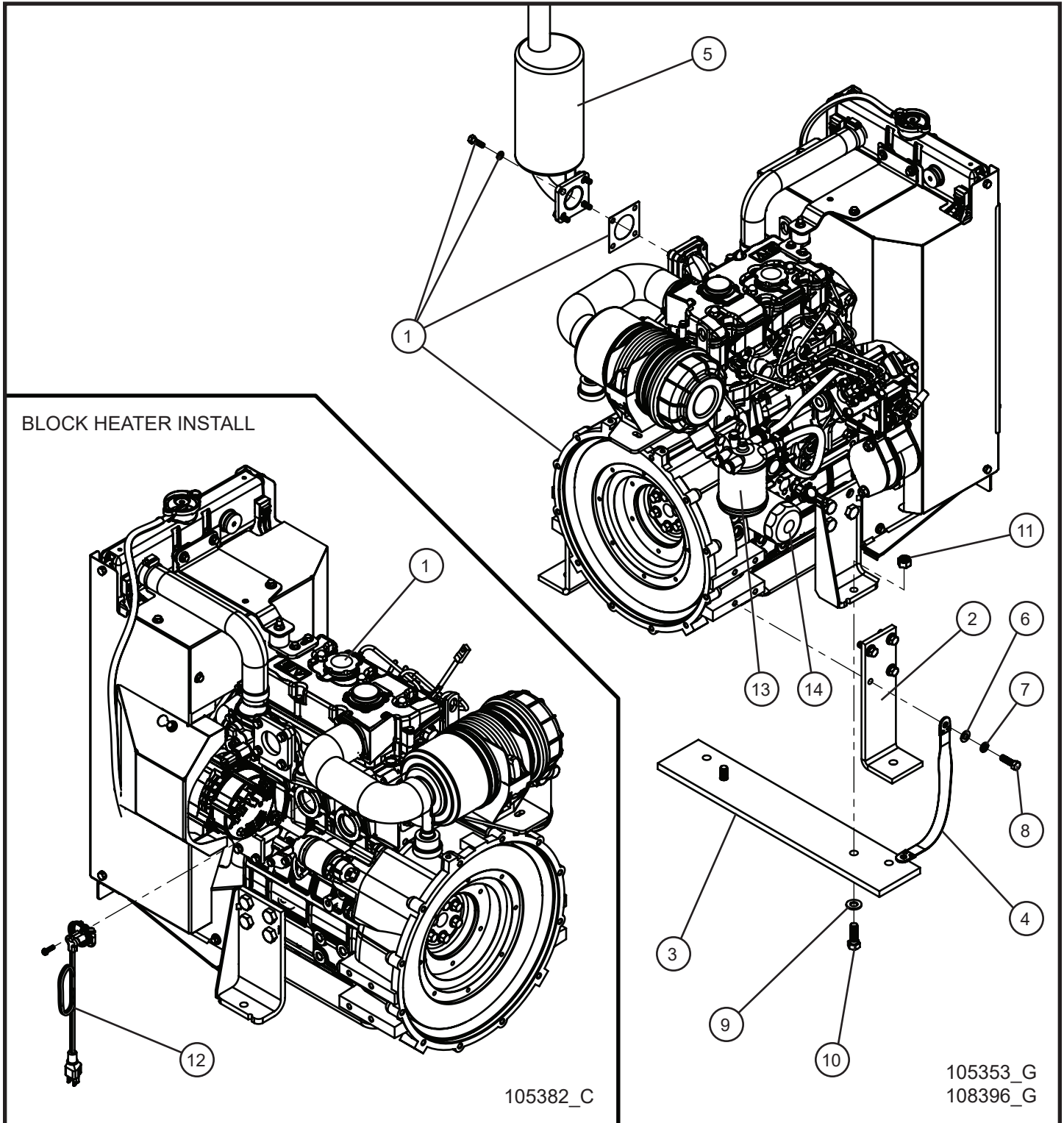
# MAXI-HEAT® MH500iQ™

SN 14-000001 and UP

## 2.6 - Engine Isolator Mounts

Item	Part No.	Part Description	Qty.
1	848973	VIBRATION ISOLATOR DURO	4
2	046439	1/2-13 x 1 3/4 HEX HEAD CS GR8	4
3	047025	1/2 FLAT WASHER PL	12
4	044048	1/2-13 NYLOCK HEX NUT PL	8
5	044045	1/2-13 HEX NUT PL	4
6	046185	1/2-13 x 1 1/2 HEX HEAD CS GR5 PL	8
7	104225	1/2 PUSH NUT	4
8	043085	1/2 SPLITLOCK WASHER PL	4

## 3.1 - CAT C1.5 Engine Assembly Group



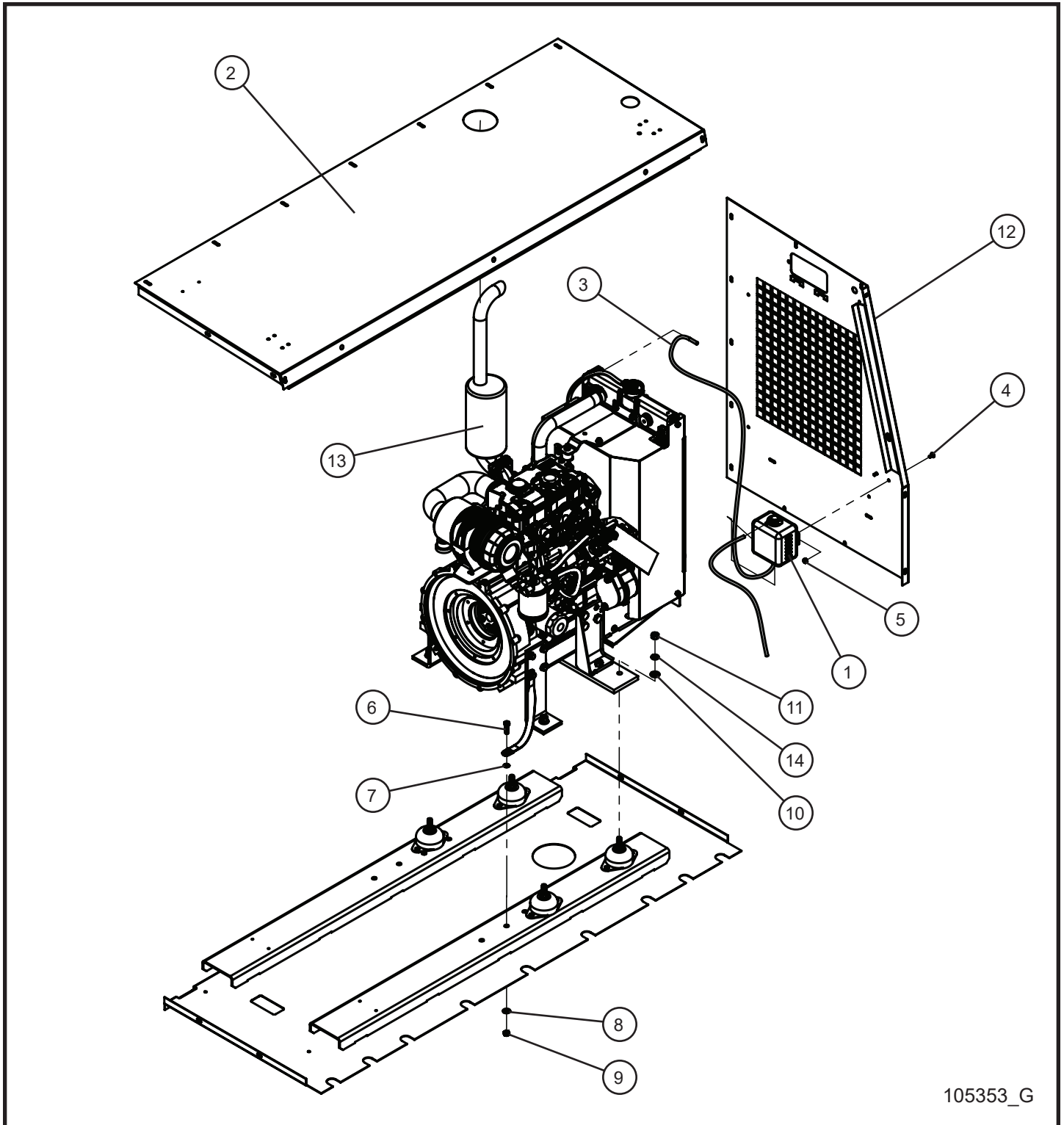
# MAXI-HEAT® MH500iQ™

SN 14-000001 and UP

## 3.1 - CAT C1.5 Engine Assembly Group

Item	Part No.	Part Description	Qty.
1	103562	CAT ENGINE C1.5 60Hz PULL FAN EPA TIER 4 FINAL	1
2	101242P	MH CAT BELL HOUSING MOUNT	2
3	101241P	MAXI HEAT CAT C1.5 BRIDGE PLATE	1
4	340105	GROUND STRAP	1
	114800	GROUND WIRE 10 AWG	1
5	104867	MUFFLER CAT C1.5	1
	108364	MUFFLER CAT C1.5 CUT DOWN	1
6	047016	3/8 FLAT WASHER SAE ZINC	8
7	043065	3/8 SPLITLOCK WASHER PL	8
8	046115	3/8-16 x 1 1/4 HEX HEAD CS GR5 PL	8
9	047025	1/2 FLAT WASHER PL	2
10	046185	1/2-13 x 1 1/2 HEX HEAD CS GR5 PL	2
11	044048	1/2-13 NYLOCK HEX NUT PL	2
12	103322	BLOCK HEATER CAT C1.5	1
13	103155	FUEL FILTER CAT C1.5	1
14	650304	OIL FILTER CAT C1.5	1
NS	102580	AIR FILTER CAT C1.5	1
NS	106710	SCHEMATIC CAT C1.5 INSTALL	1

## 3.2 - CAT C1.5 Engine Non-FCS Install Group



105353\_G

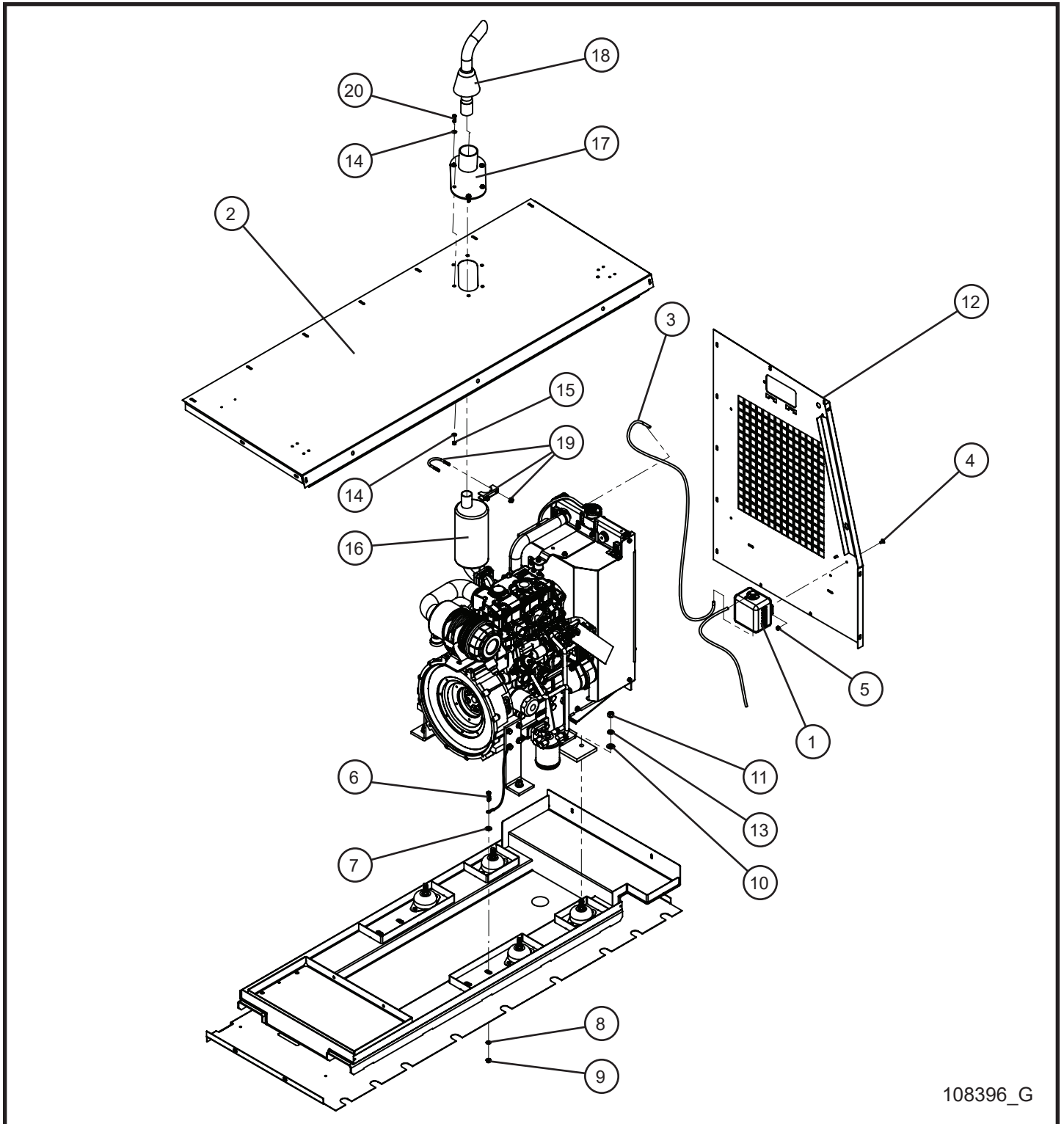
# MAXI-HEAT® MH500iQ™

SN 14-000001 and UP

## 3.2 - CAT C1.5 Engine Non-FCS Install Group

Item	Part No.	Part Description	Qty.
1	650027	COOLANT RESERVOIR WITH BRACKET	1
2	101239P	REAR ROOF PANEL MAXI HEAT	1
3	102268	HOSE 1/4" OVERFLOW COOLANT x 48.0	1
4	041078	1/4-20 x 1/2 PH-TRUSS HEAD MS SS	4
5	044021	1/4-20 KEPS HEX NUT PL	4
6	046115	3/8-16 x 1 1/4 HEX HEAD CS GR5 PL	1
7	043070	3/8 TOOTLOCK WASHER	1
8	047010	5/16 FLAT WASHER	1
9	044038	3/8-16 NYLOCK HEX NUT	1
10	047025	1/2 FLAT WASHER PL	4
11	044045	1/2-13 HEX NUT PL	4
12	108401P	AIR INLET PANEL MH500iQ	1
13	104867	MUFFLER CAT C1.5	1
14	043085	1/2 SPLITLOCK WASHER PL	4

## 3.3 - CAT C1.5 Engine FCS Old Muffler Install Group





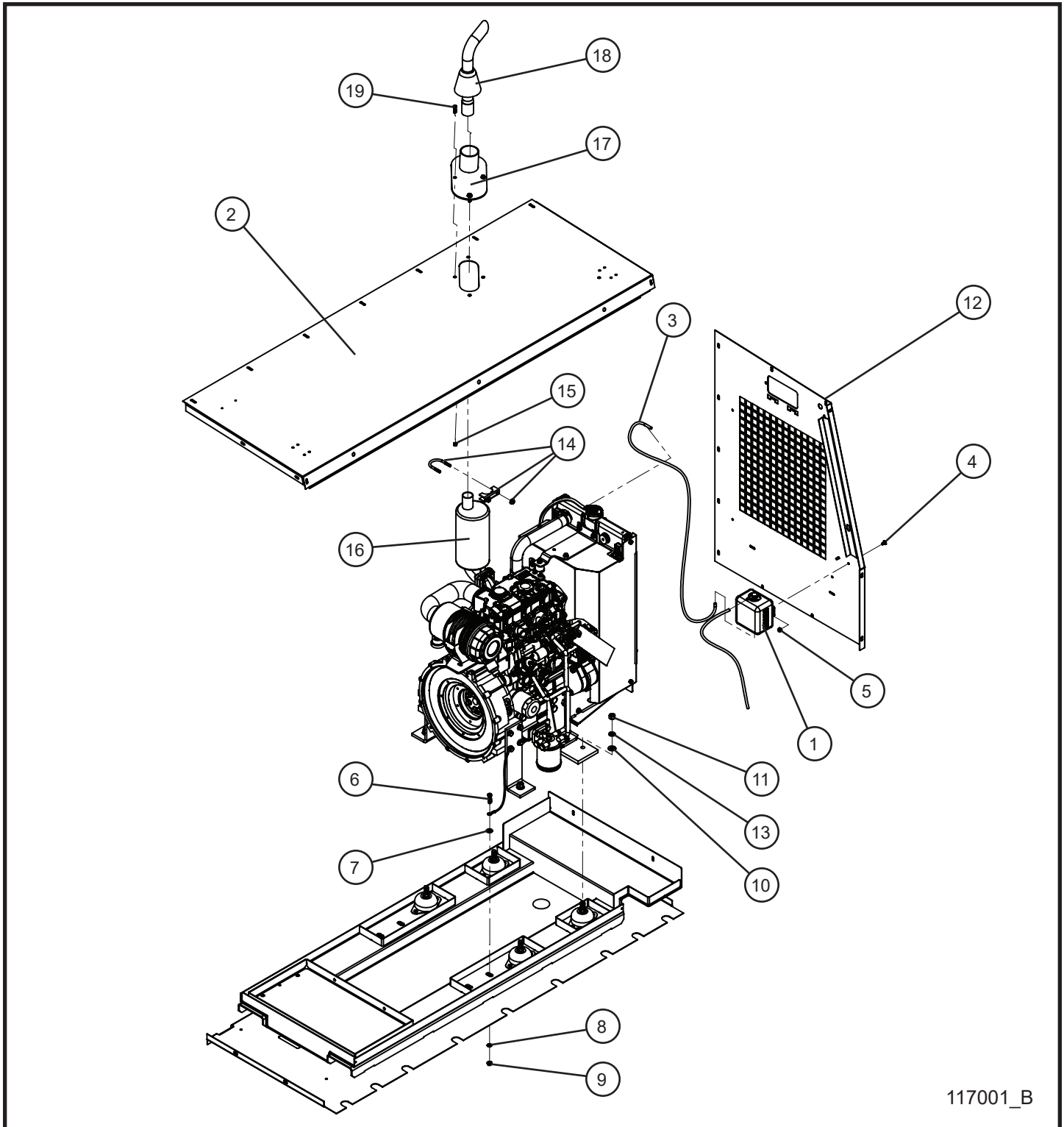
# MAXI-HEAT® MH500iQ™

SN 14-000001 and UP

## 3.3 - CAT C1.5 Engine FCS Old Muffler Install Group

Item	Part No.	Part Description	Qty.
1	650027	COOLANT RESERVOIR WITH BRACKET	1
2	108406P	ENGINE ROOF PANEL MH500iQ FCS	1
3	102268	HOSE 1/4" OVERFLOW COOLANT x 48.0	1
4	041078	1/4-20 x 1/2 PH-TRUSS HEAD MS SS	4
5	044021	1/4-20 KEPS HEX NUT PL	4
6	046115	3/8-16 x 1 1/4 HEX HEAD CS GR5 PL	1
7	043070	3/8 TOOTLOCK WASHER	1
8	047010	5/16 FLAT WASHER	1
9	044038	3/8-16 NYLOCK HEX NUT	1
10	047025	1/2 FLAT WASHER PL	4
11	044045	1/2-13 HEX NUT PL	4
12	108401P	AIR INLET PANEL MH500iQ	1
13	043085	1/2 SPLITLOCK WASHER PL	4
14	047009	1/4 FLAT WASHER SAE SS	12
15	044023	1/4-20 NYLOCK HEX NUT PL	6
16	108364	MUFFLER CAT C1.5 CUT DOWN	1
17	108427P	EXHAUST ADAPTER MH500iQ FCS	1
18	106253	TAILPIPE VERTICAL 1.5 DIA TUBE	1
19	340112	1-1/2 MUFFLER CLAMP THICK ZIEGLER	1
20	046015	1/4-20 x 1 HEX HEAD CS GR5 PL	6

## 3.4 - CAT C1.5 Engine FCS New Muffler Install Group



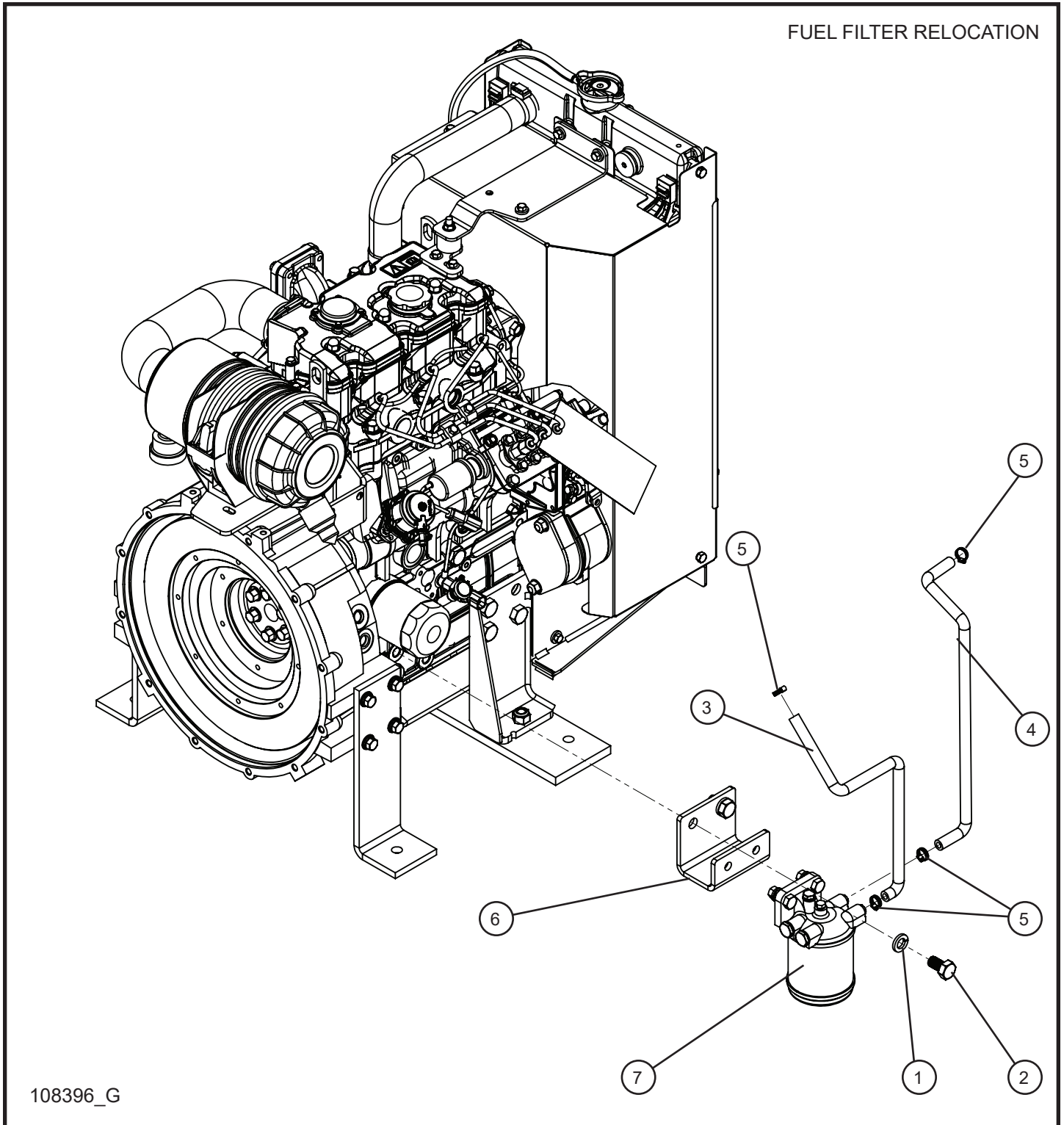
# MAXI-HEAT® MH500iQ™

SN 14-000001 and UP

## 3.4 - CAT C1.5 Engine FCS New Muffler Install Group

Item	Part No.	Part Description	Qty.
1	650027	COOLANT RESERVOIR WITH BRACKET	1
2	117000P	ENGINE UNIVERSAL ROOF PANEL MH500iQ FCS	1
3	102268	HOSE 1/4" OVERFLOW COOLANT x 48.0	1
4	041078	1/4-20 x 1/2 PH-TRUSS HEAD MS SS	4
5	044021	1/4-20 KEPS HEX NUT PL	4
6	046115	3/8-16 x 1 1/4 HEX HEAD CS GR5 PL	1
7	043070	3/8 TOOTLOCK WASHER	1
8	047010	5/16 FLAT WASHER	1
9	044038	3/8-16 NYLOCK HEX NUT	1
10	047025	1/2 FLAT WASHER PL	4
11	044045	1/2-13 HEX NUT PL	4
12	108401P	AIR INLET PANEL MH500iQ	1
13	043085	1/2 SPLITLOCK WASHER PL	4
14	340112	1-1/2 MUFFLER CLAMP THICK ZIEGLER	1
15	057001	1/4-20 HEX NYLOCK FLANGE NUT	4
16	104780	MUFFLER CAT C1.5 2.0" SPOUT	1
17	117150P	EXHAUST ADAPTER NARROW MH500iQ FCS	1
18	106253	TAILPIPE VERTICAL 1.5 DIA TUBE	1
19	056017	1/4-20 x 1 SERRATED FLANGE HEX BOLT	4

## 3.5 - CAT C1.5 Engine FCS Fuel Filter Install Group



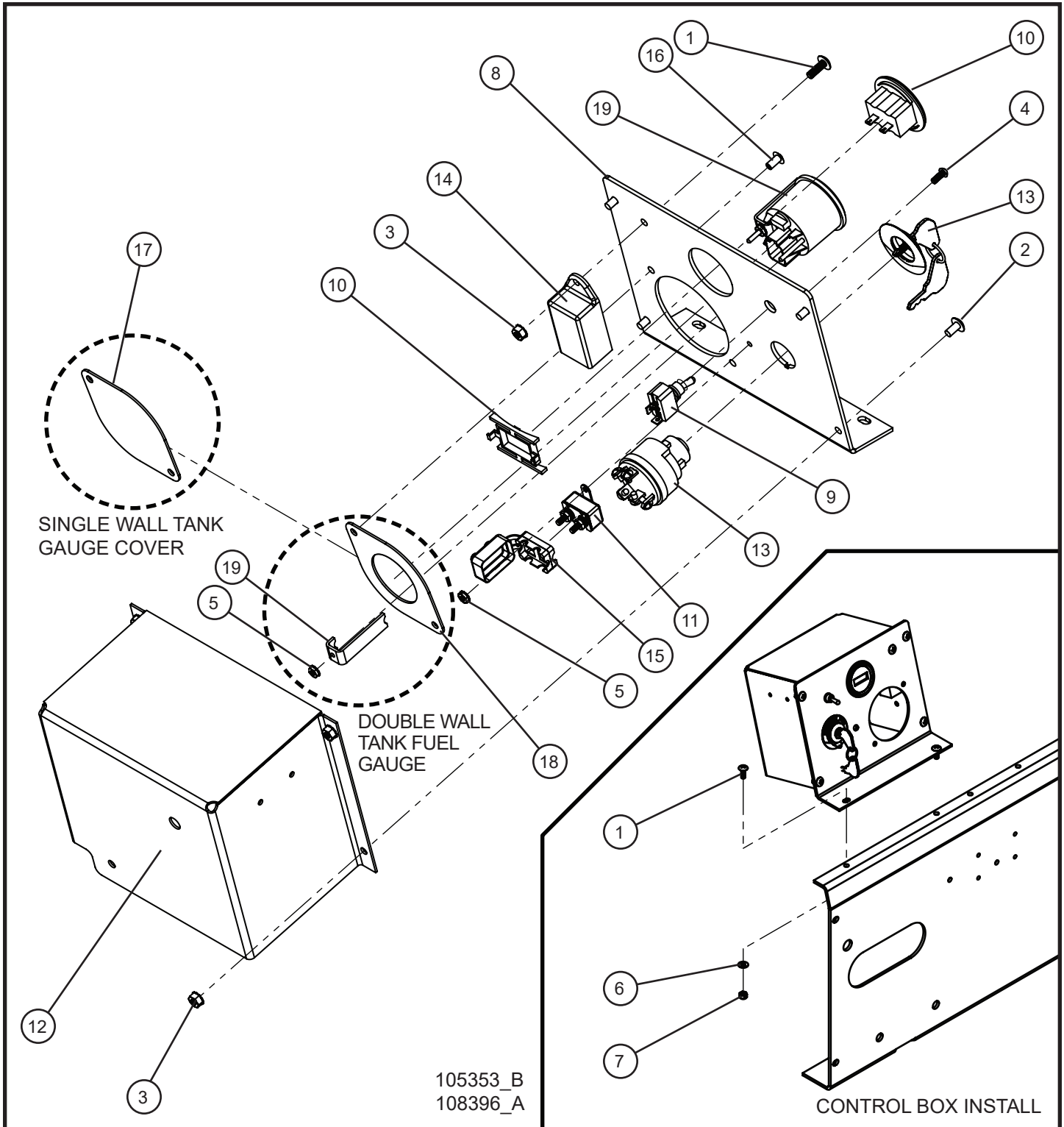
# MAXI-HEAT® MH500iQ™

SN 14-000001 and UP

## 3.5 - CAT C1.5 Engine FCS Fuel Filter Install Group

Item	Part No.	Part Description	Qty.
1	043095	9/16 SPLITLOCK WASHER PL	2
2	046430	M14 x 1.5 x 25 HEX HEAD CS GR8.8 PL	2
3	081018	HOSE 5/16 FUEL LINE x 20.0	1
4	081018	HOSE 5/16 FUEL LINE x 22.0	1
5	433400	#4 HOSE CLAMP	4
6	108285P	BRACKET FUEL FILTER ENGINE CAT	1
7	103155	FUEL FILTER CAT C1.5	1

## 3.6 - CAT Control Box Group



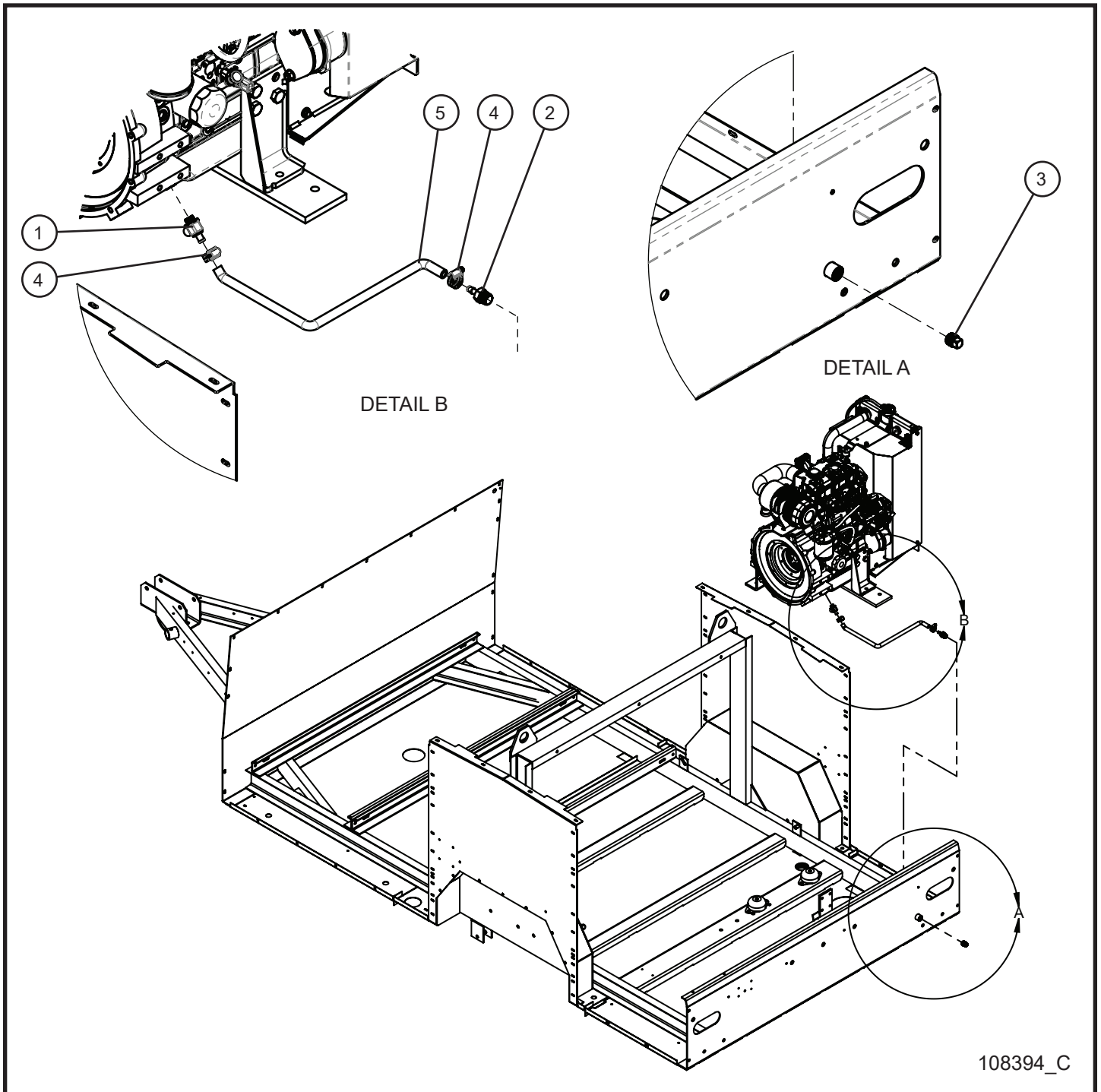
# MAXI-HEAT® MH500iQ™

SN 14-000001 and UP

## 3.6 - CAT Control Box Group

Item	Part No.	Part Description	Qty.
1	041050	1/4-20 x 3/4 PH-TRUSS HEAD MS SS	3
2	041078	1/4-20 x 1/2 PH-TRUSS HEAD MS SS	4
3	044021	1/4-20 KEPS HEX NUT PL	5
4	041024	#10-24 x 1/2 PH-ROUND HEAD MS SS	1
5	044016	#10-24 KEPS HEX NUT PL	2
6	047009	1/4 FLAT WASHER SAE SS	2
7	044023	1/4-20 NYLOCK HEX NUT PL	2
8	109936P	MAXI HEAT CAT C1.5 GAUGE PANEL	1
9	101067	SWITCH 15A	1
10	340014	HOUR METER DIGITAL	1
11	650139	CIRCUIT BREAKER 30 AMP	1
12	105815P	REAR COVER CAT CONTROL PANEL	1
13	920475	CAT IGNITION SWITCH W/ KEYS	1
	650307	CAT IGNITION KEY	1
14	650302	TIMER/AUTO SHUTDOWN	1
15	102698	RED BOOT CIRCUIT BREAKER	1
16	045118	1/4 x 1/2 RIVET	2
17	106929P	COVER HOLE FUEL GAUGE	1
18	107343P	PLATE FUEL GAUGE MOUNT	1
19	104015	GAUGE FUEL 2"	1

## 3.7 - CAT C1.5 Remote Oil Drain Group



108394\_C



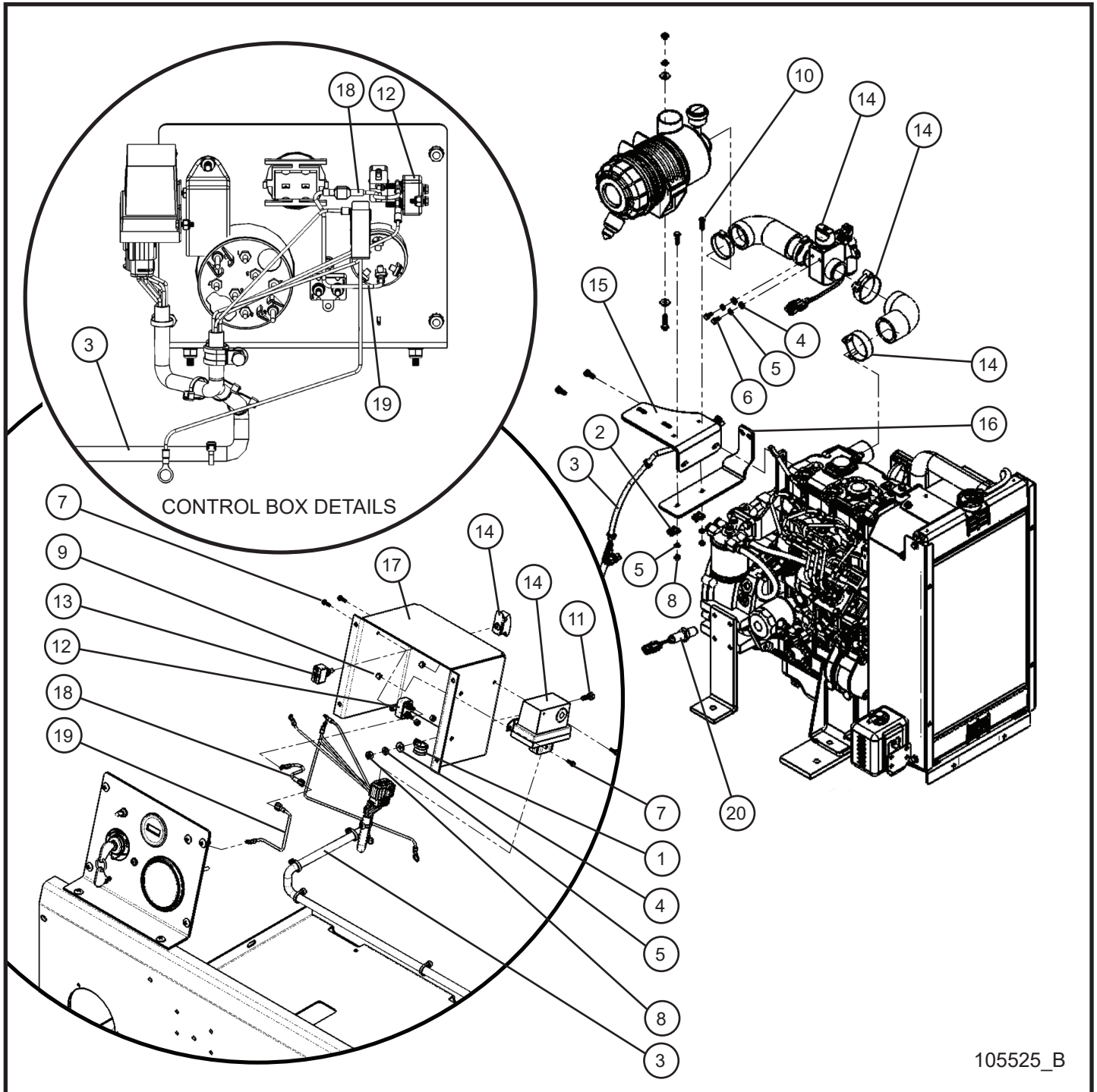
# MAXI-HEAT® MH500iQ™

SN 14-000001 and UP

## 3.7 - CAT C1.5 Remote Oil Drain Group

Item	Part No.	Part Description	Qty.
1	651193	DRAIN VALVE FUMOTO M16 x 1.5	1
2	104381	FITTING HOSE BARB 1/2 NPT - 3/8 HOSE	1
3	026106	PLUG 1/2 NPT SQUARE HEAD	1
4	045037	HOSE CLAMP #8	2
5	081017	HOSE 3/8 YELLOW x 22.0	1
6	108253	TFE PASTE PIPE THREAD	1

## 3.8 - CAT C1.5 Shocker Valve Group



105525\_B

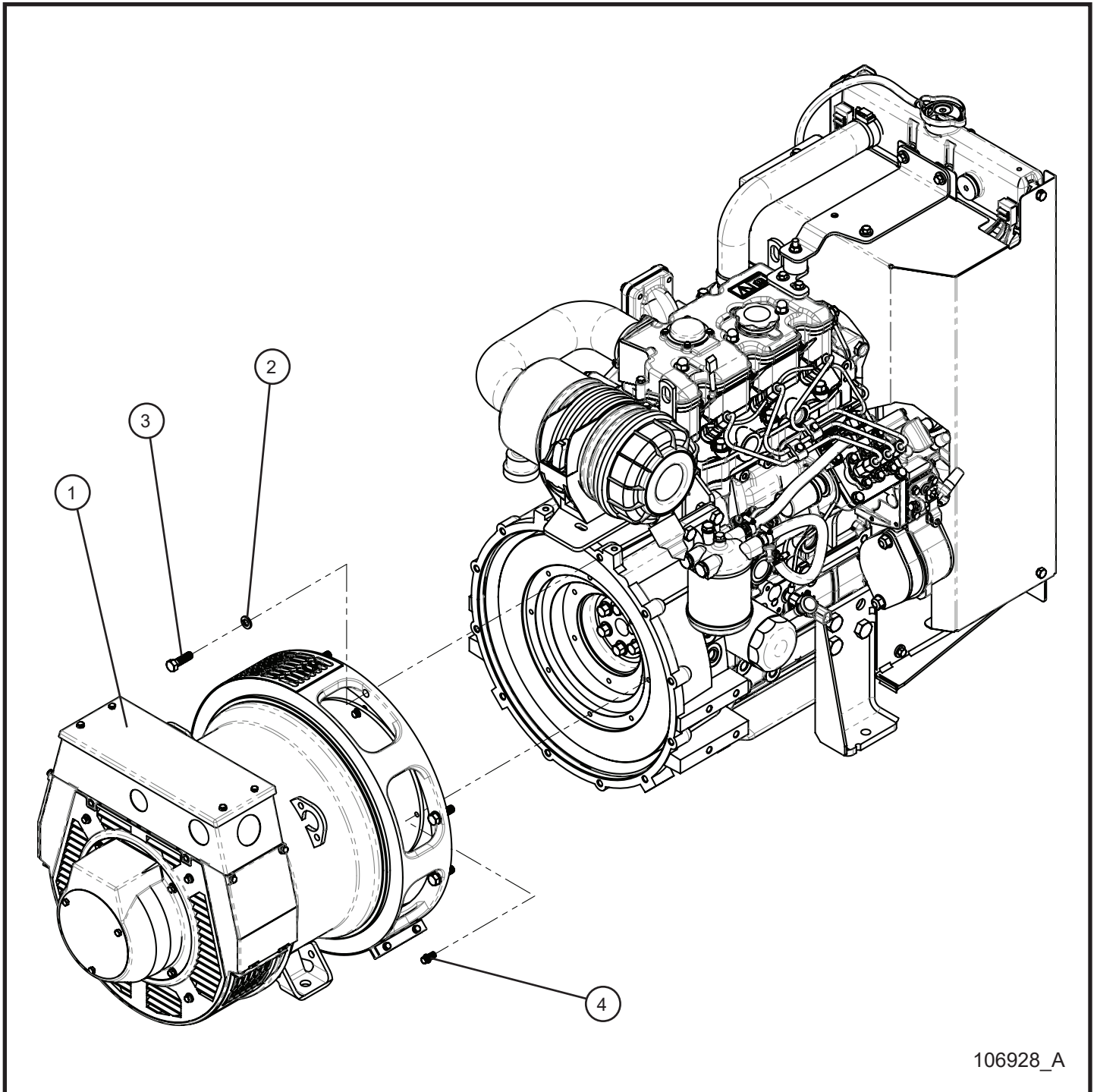
# MAXI-HEAT® MH500iQ™

SN 14-000001 and UP

## 3.8 - CAT C1.5 Shocker Valve Group

Item	Part No.	Part Description	Qty.
1	022021	#10 CLAMP CUSH	1
2	022016	#6 CUSH CLAMP 1/4 HOLE	2
3	105637	WIRING HARNESS SHOCKER VALVE MAXI HEAT	1
4	047005	1/4 FLAT WASHER PL	3
5	043020	1/4 SPLITLOCK WASHER	5
6	046006	1/4-20 x 5/8 HEX CS GR5 PL	2
7	041203	#8-32 x 3/4 HEX WASHER HEAD INDT	4
8	044020	1/4-20 HEX NUT PL	3
9	044013	#8-32 NYLOCK HEX NUT SS	4
10	046015	1/4-20 x 1 HEX HEAD CS GR5 PL	2
11	046004	1/4-28 x 3/4 HEX HEAD BOLT	1
12	105636	20 AMP BREAKER	1
13	340009	SWITCH 15A 125V	1
14	105705	SHOCKER 2" VALVE KIT	1
15	105523P	BRACKET, MOUNT AIR CLEANER/SHOCKER	1
16	105818P	BRACKET SHOCKER MOUNT	1
17	105815P	REAR COVER CAT CONTROL PANEL	1
18	105703	WIRE, POWER FEMALE SIDE	1
19	105704	WIRE, POWER MALE SIDE	1
20	105536	RPM SENSOR, 18MM x 1.5	1
NS	102698	CIRCUIT BREAKER RED BOOT COVER	1
NS	105684	SCHEMATIC SHOCKER VALVE HARNESS	1
NS	105702	SHOCKER SETUP INSTRUCTIONS	1

## 3.9 - CAT Stamford (Cummins) 9kW Generator



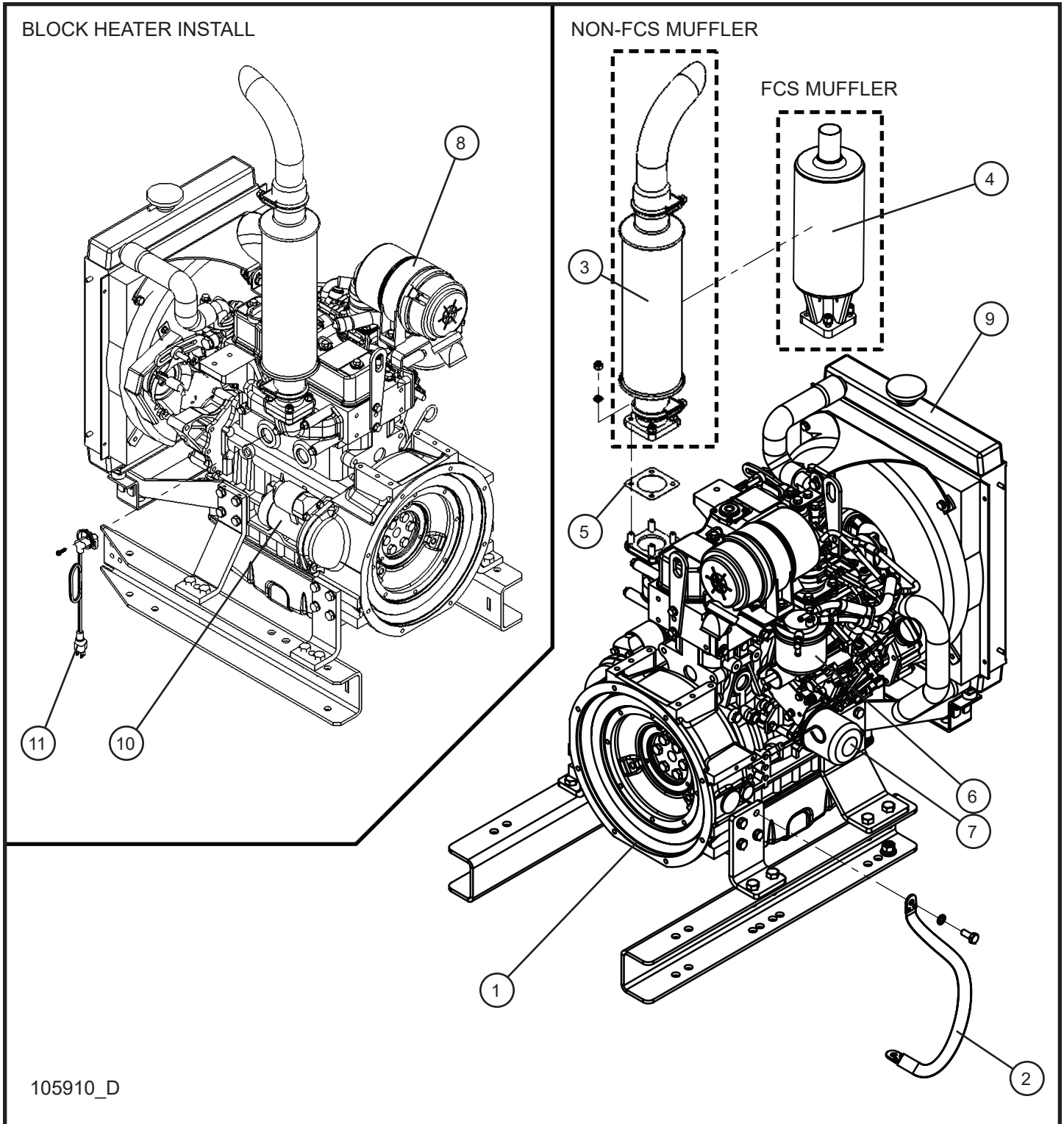
# MAXI-HEAT® MH500iQ™

SN 14-000001 and UP

## 3.9 - CAT Stamford (Cummins) 9kW Generator

Item	Part No.	Part Description	Qty.
1	102649	GENERATOR 9kW STAMFORD (CUMMINS) SAE 4/7.5 CAT	1
2	043065	3/8 SPLITLOCK WASHER PL	8
3	046115	3/8-16 x 1 1/4 HEX HEAD CS GR5 PL	8
4	046041	5/16-18 x 1/2" 12 PT FLANGE HEAD BOLT	8

## 4.1 - Isuzu 3CE1 Engine Assembly Group



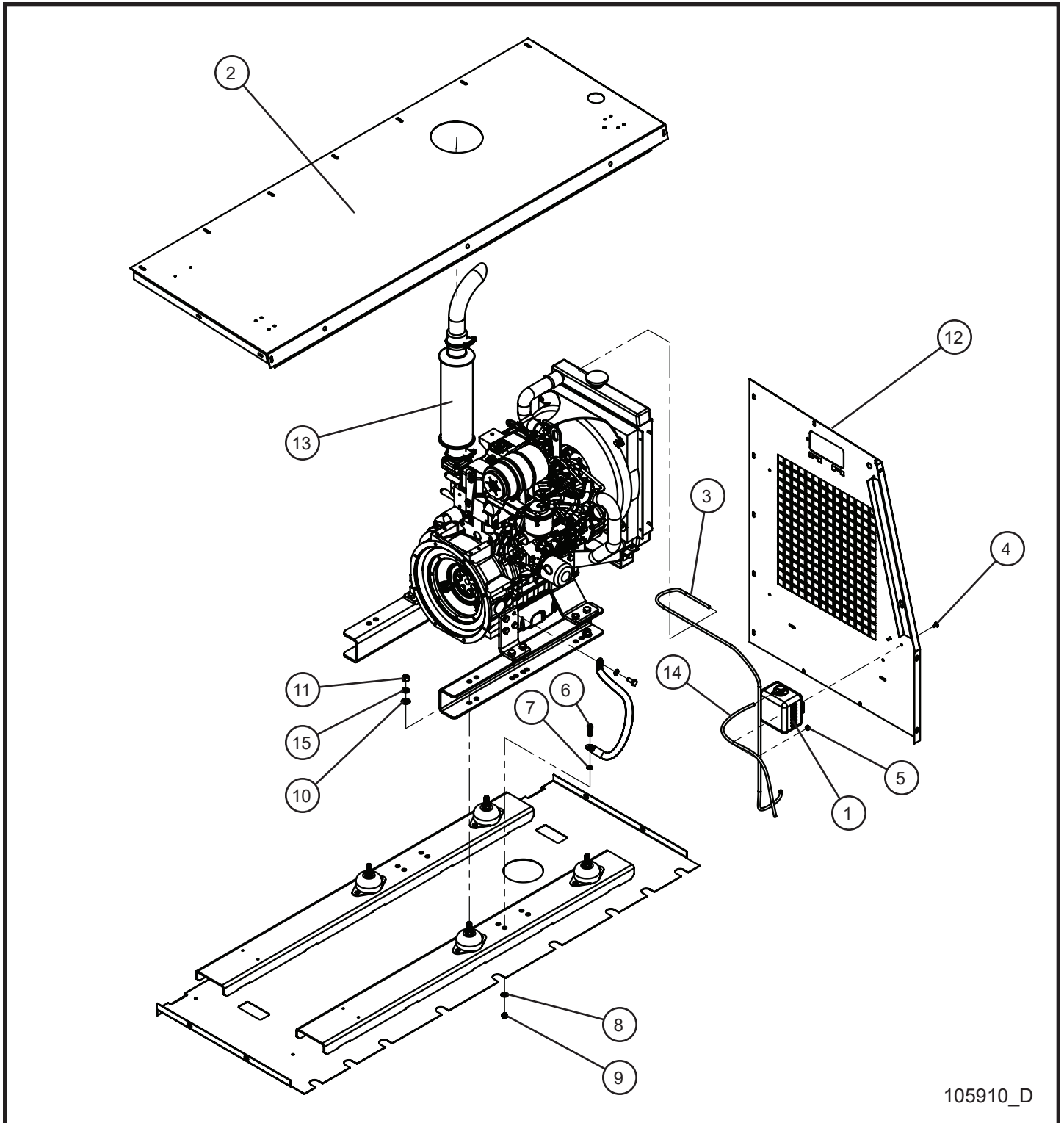
# MAXI-HEAT® MH500iQ™

SN 14-000001 and UP

## 4.1 - Isuzu 3CE1 Engine Assembly Group

Item	Part No.	Part Description	Qty.
1	105909	ENGINE ISUZU 3CE1 PULLER FAN (CONTROL BOX INCLUDED)	1
2	340105	GROUND STRAP	1
	114800	GROUND WIRE 10 AWG	1
3	849013	MUFFLER ISUZU 3CE1	1
4	108384	MUFFLER ISUZU 3CE1 FCS	1
5	849014	MUFFLER GASKET ISUZU 3CE1	1
6	22-000310	FUEL FILTER ISUZU 3CE1	1
7	22-000309	OIL FILTER ISUZU 3CE1	1
8	650262	AIR CLEANER RADIAL SEAL	1
	650290	AIR FILTER ISUZU 3CE1	1
9	22-000299	RADIATOR ISUZU 3CE1	1
10	102465	STARTER ISUZU 3CE1 (NOT SHOWN)	1
11	352469	BLOCK HEATER ISUZU	1
NS	102859	RADIATOR MOUNTING BRACKET KIT ISUZU 3CE1	1
NS	106709	WIRING SCHEMATIC ISUZU 3CE1 INSTALL	1

## 4.2 - Isuzu 3CE1 Engine Non-FCS Install Group



105910\_D



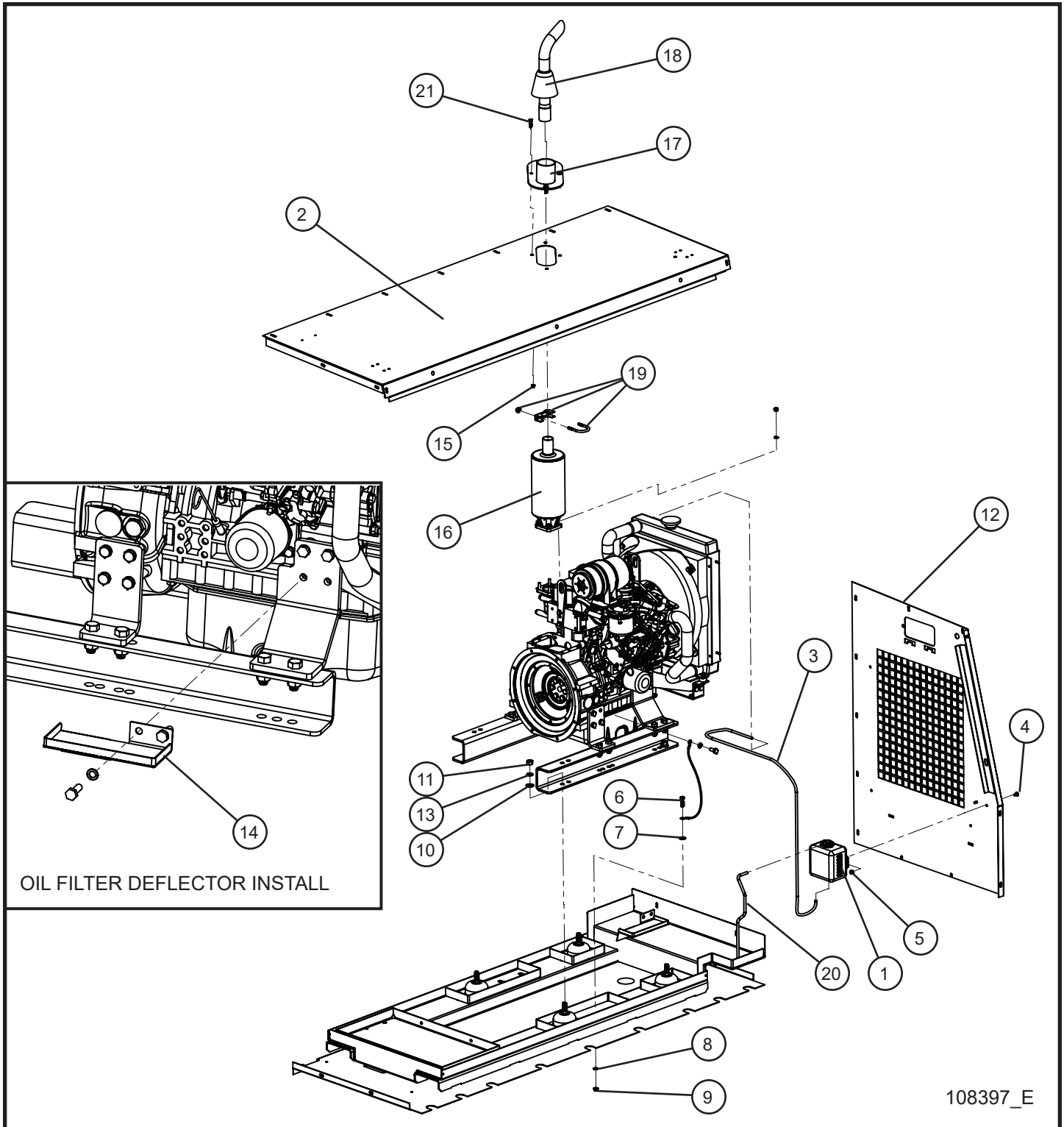
# MAXI-HEAT® MH500iQ™

SN 14-000001 and UP

## 4.2 - Isuzu 3CE1 Engine Non-FCS Install Group

Item	Part No.	Part Description	Qty.
1	650027	COOLANT RESERVOIR WITH BRACKET	1
2	101239P	REAR ROOF PANEL MAXI HEAT	1
3	102268	HOSE 1/4" OVERFLOW COOLANT x 48.0	1
4	041078	1/4-20 x 1/2 PH-TRUSS HEAD MS SS	4
5	044021	1/4-20 KEPS HEX NUT PL	4
6	046115	3/8-16 x 1 1/4 HEX HEAD CS GR5 PL	1
7	043070	3/8 TOOTLOCK WASHER	1
8	047010	5/16 FLAT WASHER	1
9	044038	3/8-16 NYLOCK HEX NUT	1
10	047025	1/2 FLAT WASHER PL	4
11	044045	1/2-13 HEX NUT PL	4
12	108401P	AIR INLET PANEL MH500iQ	1
13	849013	MUFFLER ISUZU 3CE1	1
14	102268	HOSE 1/4" OVERFLOW COOLANT x 24.0	1
15	043085	1/2 SPLITLOCK WASHER PL	4

## 4.3 - Isuzu 3CE1 Engine FCS Install Group



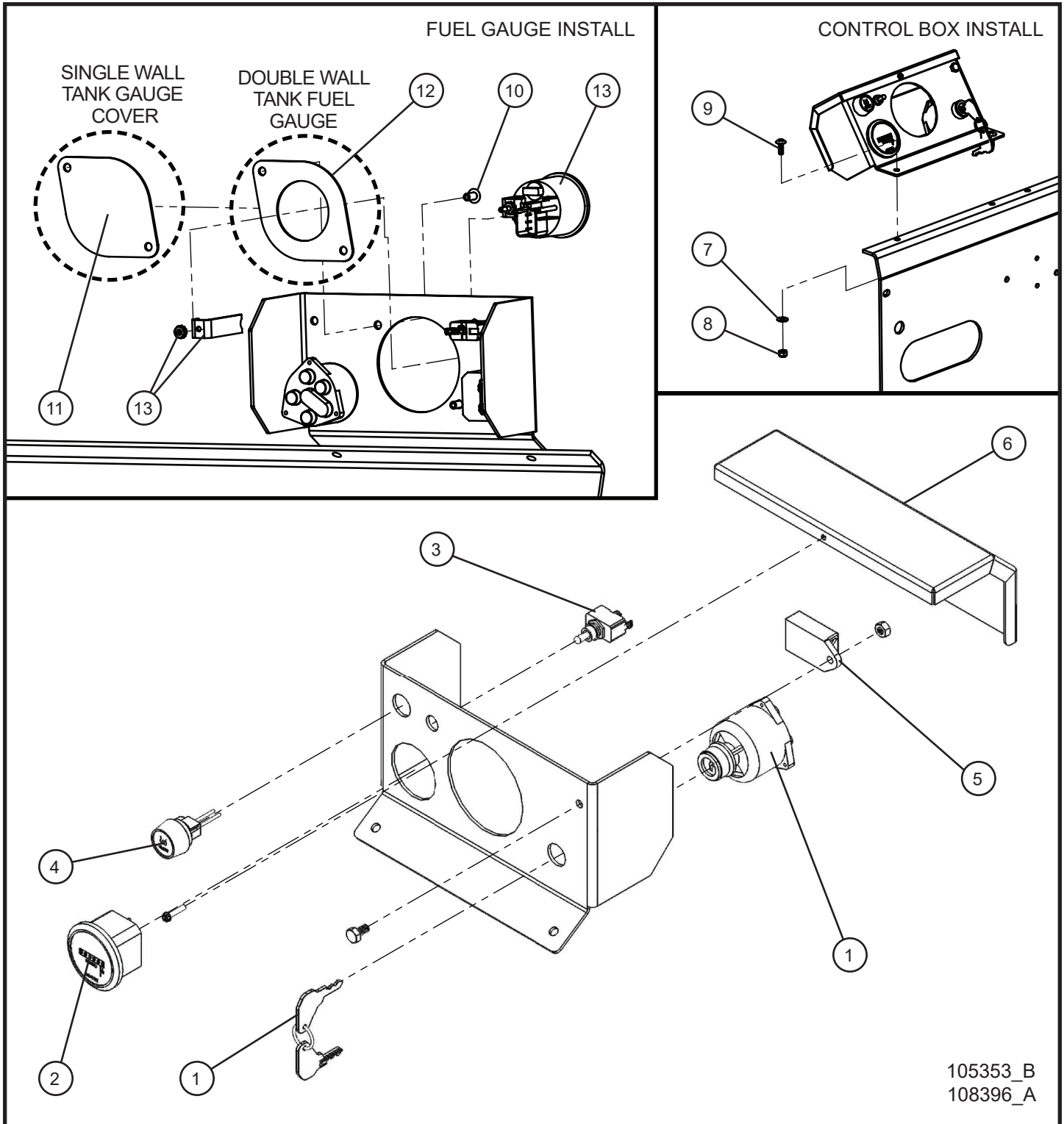
# MAXI-HEAT® MH500iQ™

SN 14-000001 and UP

## 4.3 - Isuzu 3CE1 Engine FCS Install Group

Item	Part No.	Part Description	Qty.
1	650027	COOLANT RESERVOIR WITH BRACKET	1
2	117000P	ENGINE UNIVERSAL ROOF PANEL MH500iQ FCS	1
3	102268	HOSE 1/4" OVERFLOW COOLANT x 48.0	1
4	041078	1/4-20 x 1/2 PH-TRUSS HEAD MS SS	4
5	044021	1/4-20 KEPS HEX NUT PL	4
6	046115	3/8-16 x 1 1/4 HEX HEAD CS GR5 PL	1
7	043070	3/8 TOOTLOCK WASHER	1
8	047010	5/16 FLAT WASHER	1
9	044038	3/8-16 NYLOCK HEX NUT	1
10	047025	1/2 FLAT WASHER PL	4
11	044045	1/2-13 HEX NUT PL	4
12	108401P	AIR INLET PANEL MH500iQ	1
13	043085	1/2 SPLITLOCK WASHER PL	4
14	108301P	WELDMENT DEFLECTOR ENGINE FILTER ISUZU	1
15	057001	1/4-20 HEX NYLOCK FLANGE NUT	4
16	108384	MUFFLER ISUZU 3CE1	1
17	117050P	EXHAUST ADAPTER NARROW MH500iQ FCS	1
18	106253	TAILPIPE VERTICAL 1.5 DIA TUBE	1
19	340112	1-1/2 MUFFLER CLAMP THICK ZIEGLER	1
20	102268	HOSE 1/4" OVERFLOW COOLANT x 24.0	1
21	056017	1/4-20 x 1 SERRATED FLANGE HEX BOLT	4

## 4.4 - Isuzu Control Box Group



105353\_B  
108396\_A

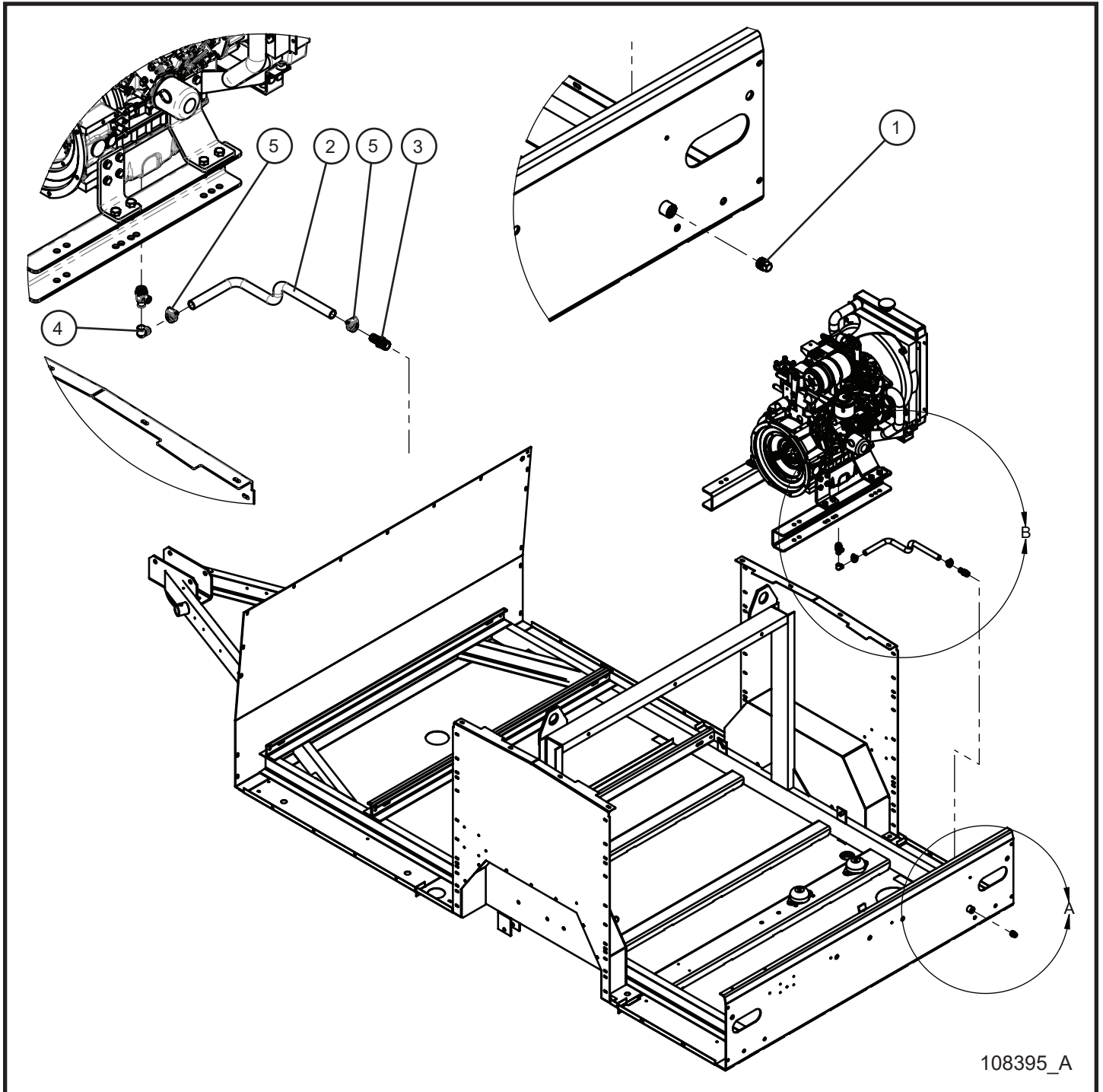
# MAXI-HEAT® MH500iQ™

SN 14-000001 and UP

## 4.4 - Isuzu Control Box Group

Item	Part No.	Part Description	Qty.
1	922004	ISUZU IGNITION SWITCH ISUZU WITHOUT TUMBLER OR KEYS	1
	922005	ISUZU IGNITION TUMBLER WITH KEYS	1
	921441	ISUZU IGNITION KEY	1
2	340014	HOUR METER	1
3	340009	TOGGLE SWITCH 15A 125V	1
4	22-000328	GLOW PLUG INDICATOR	1
5	22-000315	GLOW PLUG TIMER	1
6	800233P	ISUZU CONTROL BOX COVER	1
7	047009	1/4 FLAT WASHER SAE SS	2
8	044023	1/4-20 NYLOCK HEX NUT PL	2
9	041050	1/4-20 x 3/4 PH-TRUSS HEAD MS SS	2
10	045118	1/4 x 1/2 RIVET	2
11	106929P	COVER HOLE FUEL GAUGE	1
12	107343P	PLATE FUEL GAUGE MOUNT	1
13	104015	GAUGE FUEL 2"	1

## 4.5 - Isuzu 3CE1 Remote Oil Drain Group



108395\_A

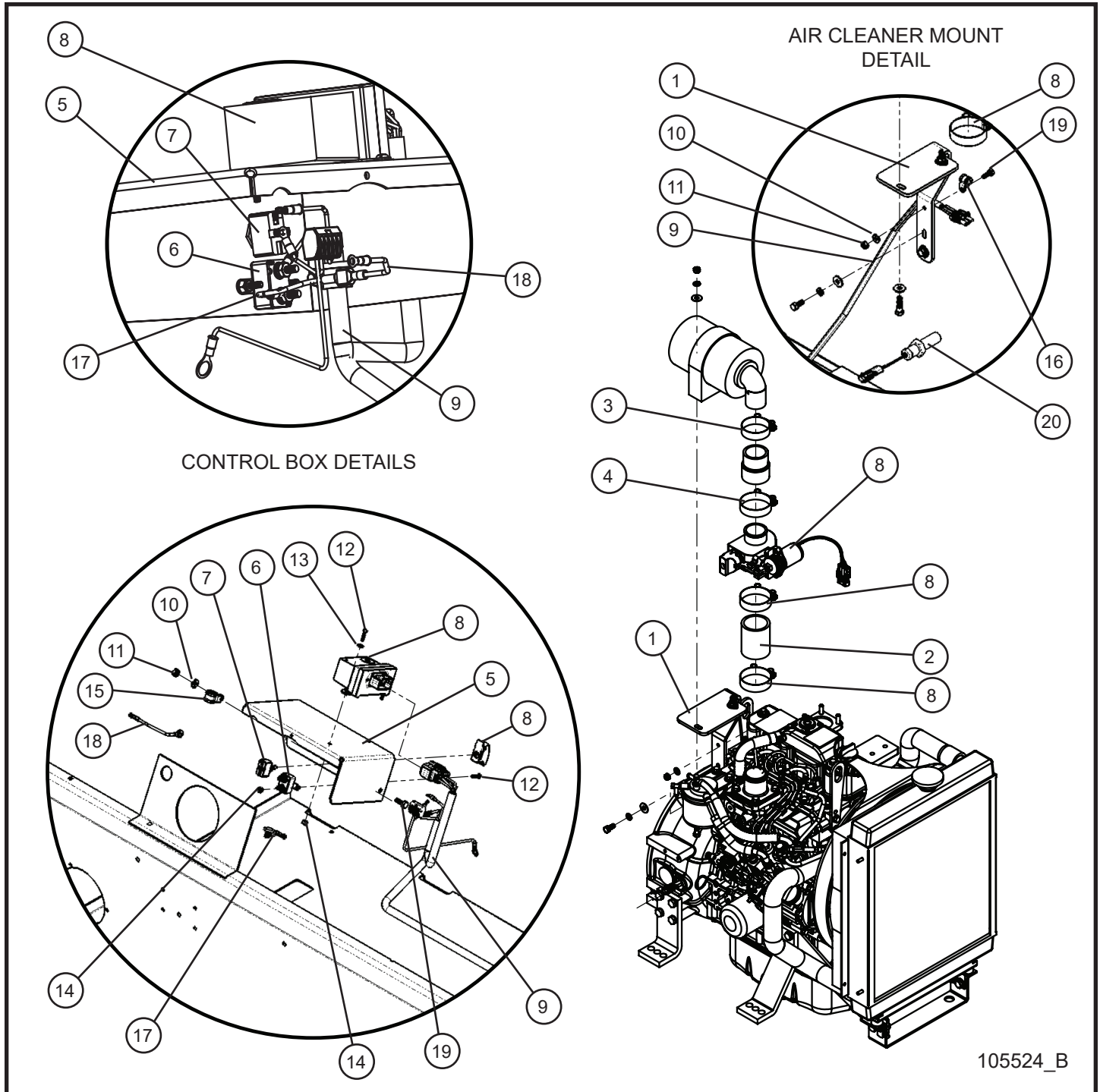
# MAXI-HEAT® MH500iQ™

SN 14-000001 and UP

## 4.5 - Isuzu 3CE1 Remote Oil Drain Group

Item	Part No.	Part Description	Qty.
1	026106	PLUG 1/2 NPT SQUARE HEAD	1
2	101266	TUBING VINYL CLEAR .63 x 19.0	1
3	108399	FITTING HOSE .5 NPT TO .63 BARB	1
4	108295	OIL DRAIN ELBOW FITTING	1
5	045037	HOSE CLAMP #8	2

## 4.6 - Isuzu 3CE1 Shocker Valve Group



105524\_B



# MAXI-HEAT® MH500iQ™

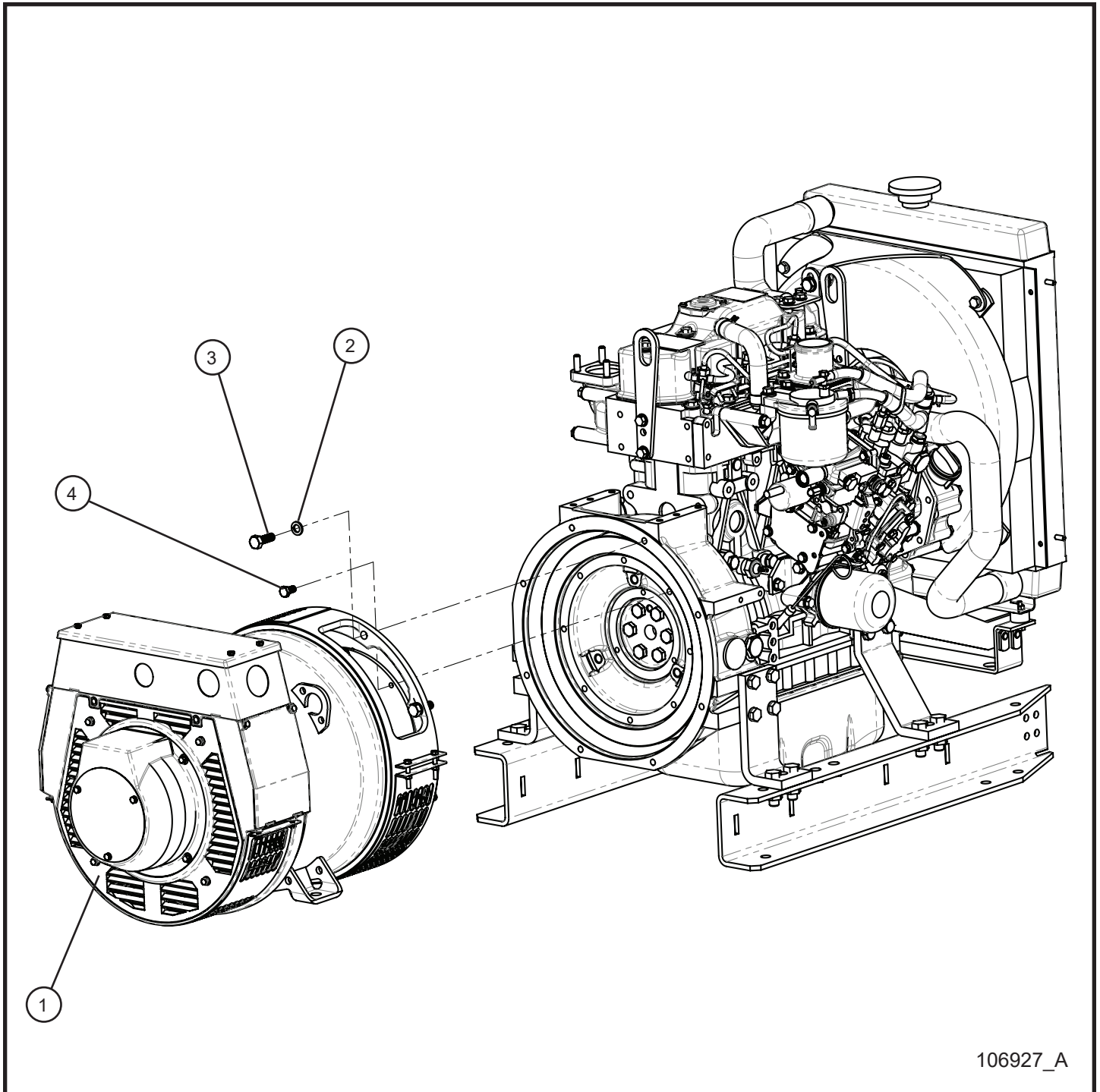
SN 14-000001 and UP

## 4.6 - Isuzu 3CE1 Shocker Valve Group

Item	Part No.	Part Description	Qty.
1	105527P	MOUNT AIR CLEANER ISUZU 3CE1	1
2	105526	HOSE RUBBER AIR SYSTEM	1
3	105648	T-BOLT CLAMP, 1-3/4" STAINLESS STEEL	1
4	105649	T-BOLT CLAMP, 2" STAINLESS STEEL	1
5	105816P	REAR COVER ISUZU CONTROL	1
6	105636	20 AMP BREAKER	1
7	340009	SWITCH 15A 125V	1
8	105705	SHOCKER 2" VALVE KIT	1
9	105637	WIRING HARNESS SHOCKER VALVE MAXI HEAT	1
10	047005	1/4 FLAT WASHER PL	2
11	044021	1/4-20 KEPS HEX NUT PL	2
12	041201	#8-32 x 3/4 SL-ROUND HEAD MS PL	4
13	047004	#8 FLAT WASHER SAE ZC	2
14	044013	#8-32 NYLOCK HEX NUT SS	4
15	022022	#8 CUSH CLAMP 1/4 HOLE	1
16	022016	#6 CUSH CLAMP 1/4 HOLE	1
17	105703	WIRE, POWER FEMALE SIDE	1
18	105704	WIRE, POWER MALE SIDE	1
19	046010	1/4 x 20-3/4 HEX HEAD CS PL	2
20	105537	MAGNETIC SENSOR 3/4" x 16 WITH PLUG	1
NS	102698	CIRCUIT BREAKER RED BOOT COVER	1
NS	105684	SCHEMATIC SHOCKER VALVE HARNESS	1
NS	105702	SHOCKER SETUP INSTRUCTIONS	1

\*NOTE: PARTS CALLED OUT IN SAME NUMBER ARE THE ASSEMBLY OF SHOCKER KIT.

## 4.7 - Isuzu Stamford (Cummins) 9kW Generator



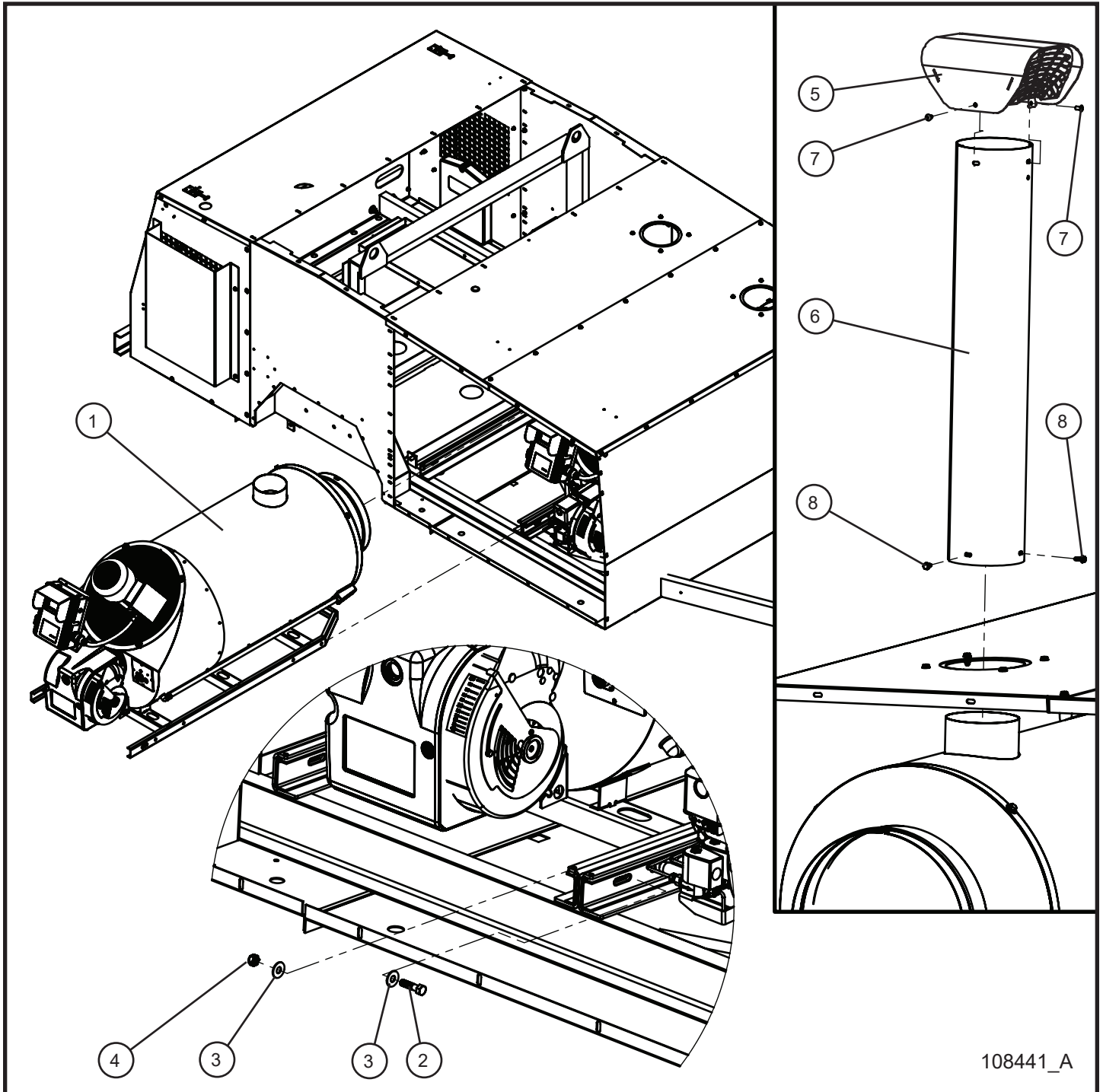
# MAXI-HEAT® MH500iQ™

SN 14-000001 and UP

## 4.7 - Isuzu Stamford (Cummins) 9kW Generator

Item	Part No.	Part Description	Qty.
1	102650	GENERATOR 9kW STAMFORD (CUMMINS) SAE 5/7.5 ISUZU	1
2	042151	M10 SPLITLOCK WASHER PL	8
3	042040	M10 x 1.5 x 30mm HEX HEAD CS GR8.8 PL	8
4	042027	M8 x 16mm x 1.25mm HEX HEAD CS GR10.9 PL	8

## 5.1 - MH500iQ Heating Unit Old Rail Mount Install Group



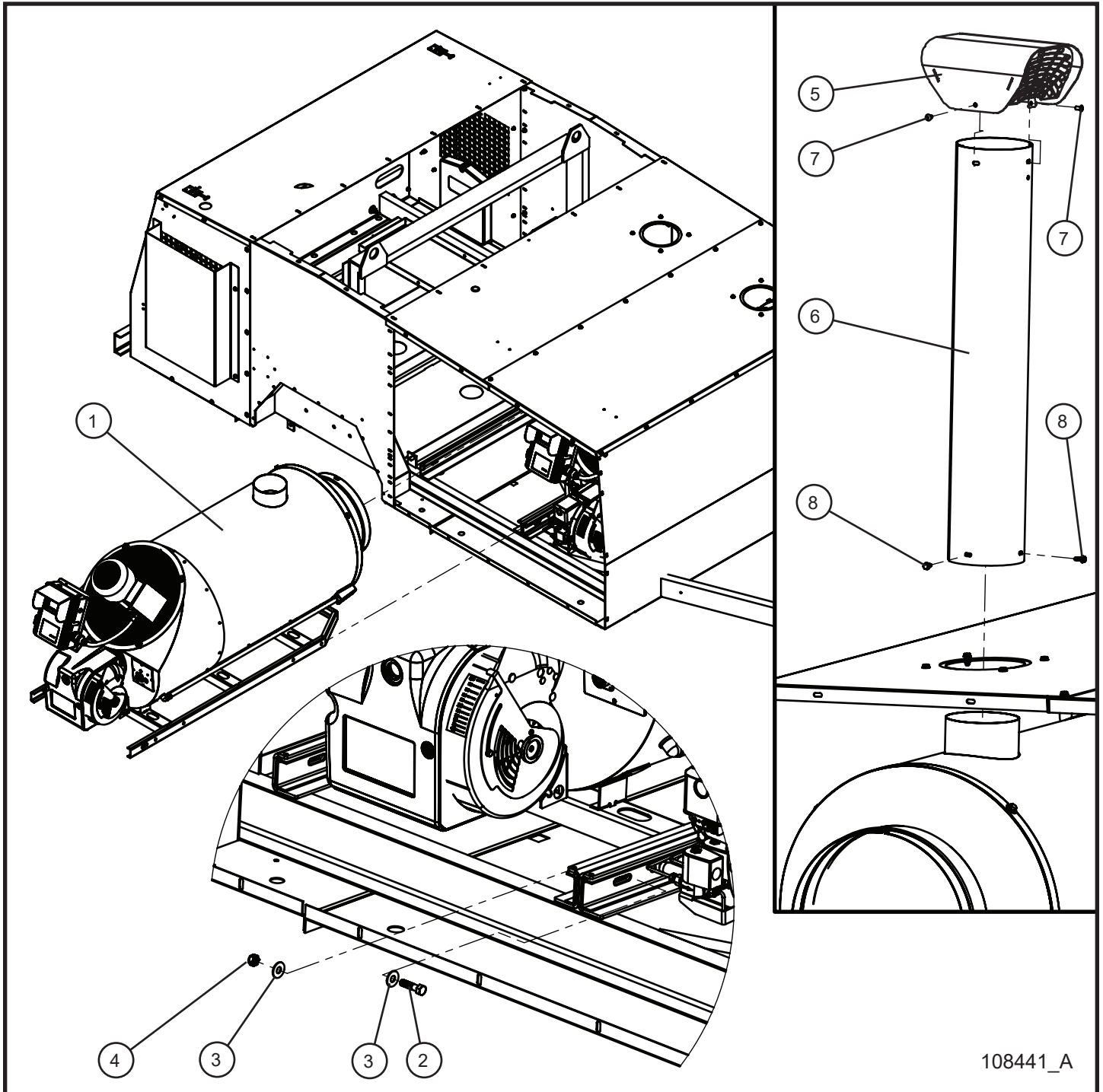
# MAXI-HEAT® MH500iQ™

SN 14-000001 to 14-000292

## 5.1 - MH500iQ Heating Unit Old Rail Mount Install Group

Item	Part No.	Part Description	Qty.
1	106422	MH500iQ HEATING UNIT COMPLETE	2
	106424	MH500iQ BURNER COMPLETE	1
	106426	MH500iQ CONTROL BOX COMPLETE	1
2	046120	3/8-16 x 1 1/2 HEX HEAD CS GR5 PL	1
3	047015	3/8 FLAT WASHER PL	2
4	044038	3/8-16 NYLOCK HEX NUT PL	1
5	116379	CHIMNEY CAP WELDMENT	2
6	101236	CHIMNEY PIPE MAXI HEAT	2
7	045118	1/4 x 1/2 RIVET	8
8	101500	#10-16 HEX WASHER SELF DRILLING SCREW TP A	4
NS	106858	WIRE SCHEMATIC PLUG-INS TO BURNERS	1

## 5.2 - MH500iQ Heating Unit New Rail Mount Install Group



108441\_A

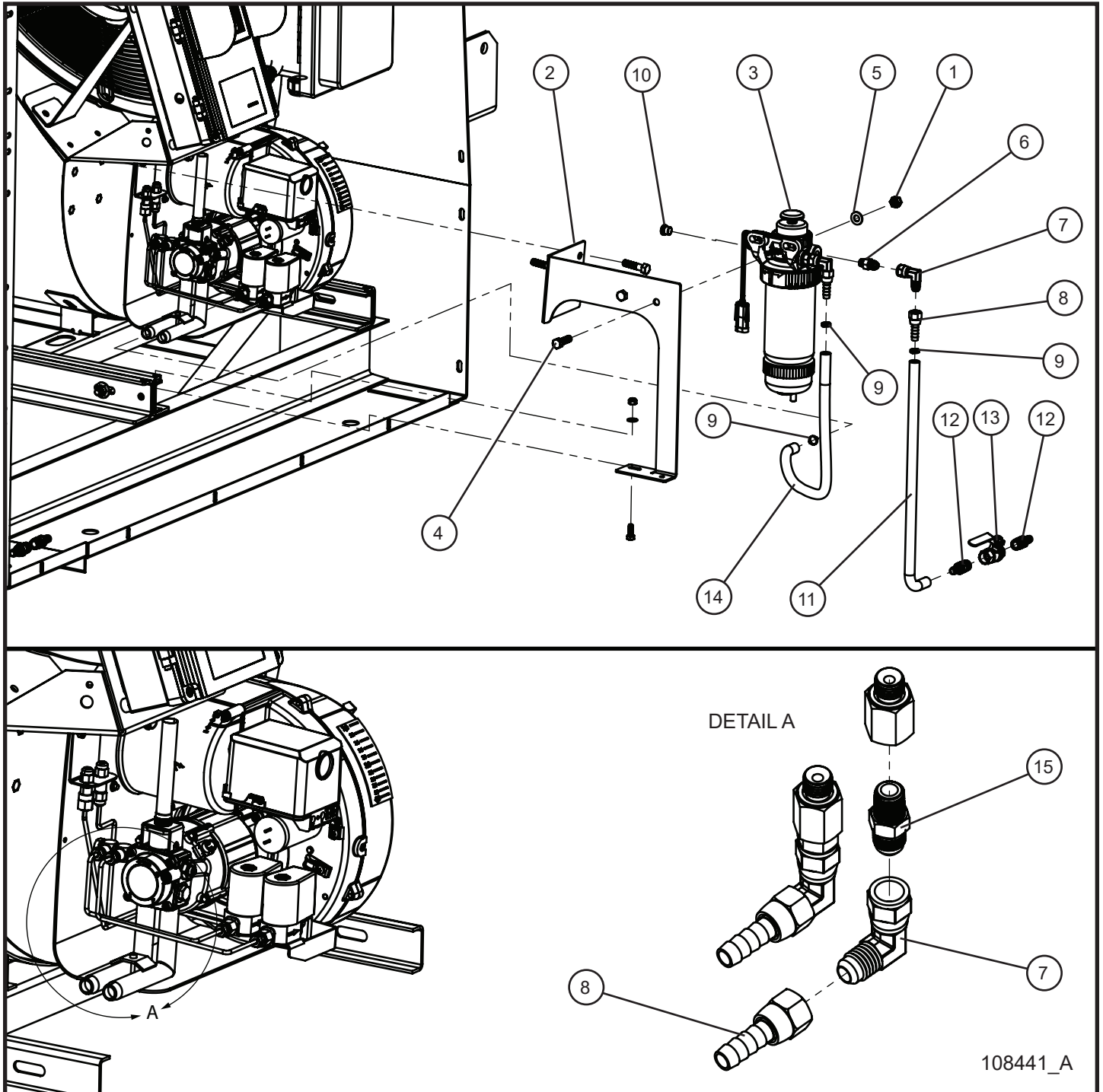
# MAXI-HEAT® MH500iQ™

SN 14-000293 and UP

## 5.2 - MH500iQ Heating Unit New Rail Mount Install Group

Item	Part No.	Part Description	Qty.
1	114042	MH500iQ HEATING UNIT COMPLETE NEW RAIL MOUNT	2
	106424	MH500iQ BURNER COMPLETE	1
	106426	MH500iQ CONTROL BOX COMPLETE	1
2	046120	3/8-16 x 1 1/2 HEX HEAD CS GR5 PL	1
3	047015	3/8 FLAT WASHER PL	2
4	044038	3/8-16 NYLOCK HEX NUT PL	1
5	116379	CHIMNEY CAP WELDMENT	2
6	101236	CHIMNEY PIPE MAXI HEAT	2
7	045118	1/4 x 1/2 RIVET	8
8	101500	#10-16 HEX WASHER SELF DRILLING SCREW TP A	4
NS	106858	WIRE SCHEMATIC PLUG-INS TO BURNERS	1

## 5.3 - MH500iQ Fuel Separator Old Rail Mount Install Group





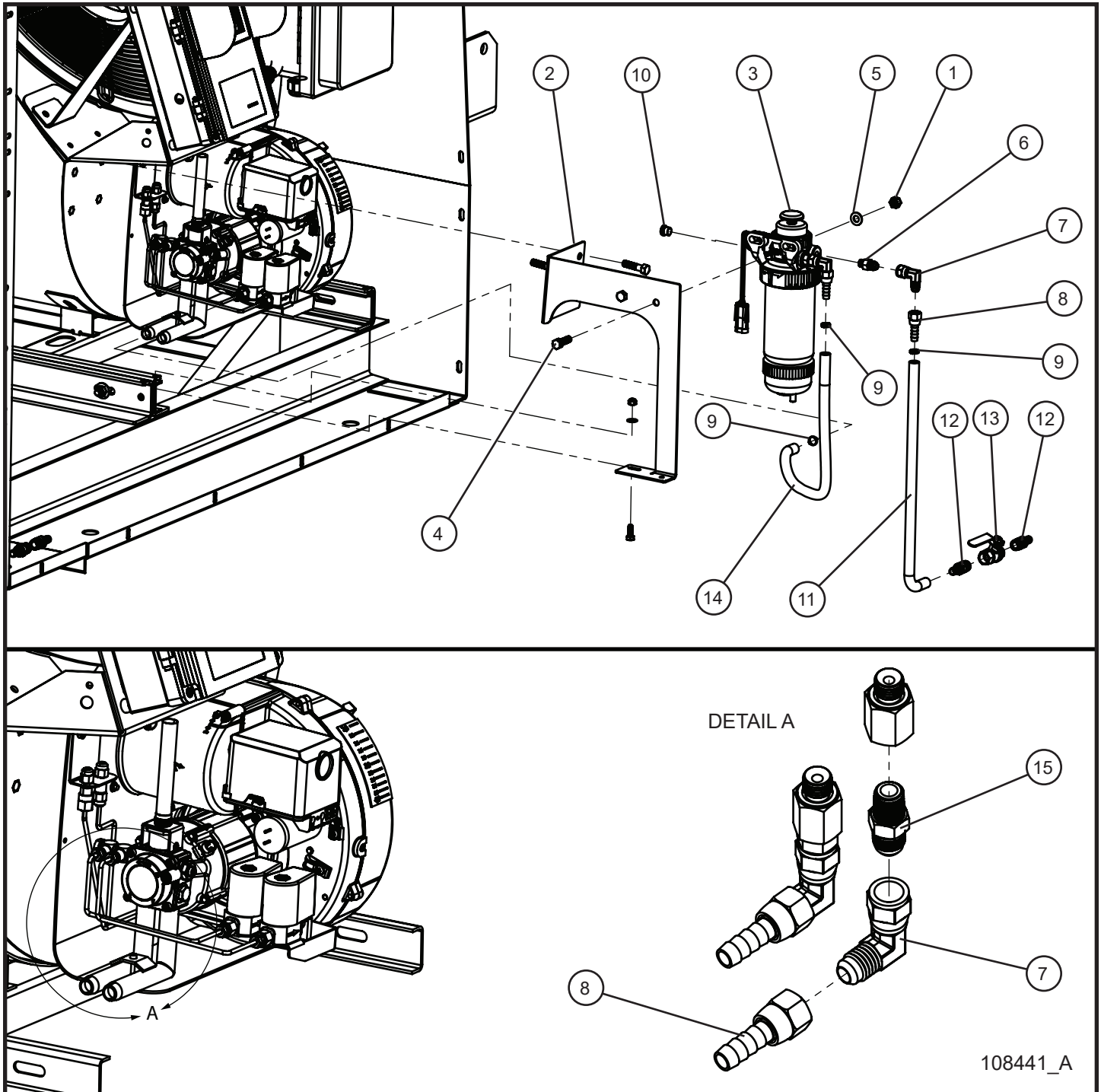
# MAXI-HEAT® MH500iQ™

SN 14-000001 to 14-000292

## 5.3 - MH500iQ Fuel Separator Old Rail Mount Install Group

Item	Part No.	Part Description	Qty.
1	044038	3/8-16 NYLOCK HEX NUT PL	4
2	108292P	MOUNT FUEL FILTER FCS	2
3	106727	FUEL/WATER SEPARATOR 35 MICRON W/ HEATER	2
	100613	HEATING ELEMENT	2
	107222	35 MICRON FUEL FILTER	2
4	046115	3/8-16 x 1 1/4 HEX HEAD CS GR5 PL	4
5	047016	3/8 FLAT WASHER SAE ZINC	4
6	100655	STRAIGHT CONNECTOR 1/2-20 x 6 JIC	4
7	101263	90° SWIVEL FITTING 6 JIC	8
8	101293	3/8 HOSE BARB x 3/8 37° JIC FEM SWIVEL	8
9	101265	3/8 30R7 HOSE PINCH CLAMP	6
10	101267	PLUG HEX 1/2-20	2
11	101266	HOSE 3/8 SAE 30R7 x 18.0	2
12	433162	3/8 NPTM PUSH-LOK HOSE BARB	4
13	101268	VALVE BALL 3/8 NPT BRASS	2
14	101266	HOSE 3/8 SAE 30R7 x 36.0	2
15	108251	FITTING ADAPTER - 6JIC / 1/4 NPTF	4
16	108253	TFE PASTE PIPE THREAD	1

## 5.4 - MH500iQ Fuel Separator New Rail Mount Install Group



108441\_A

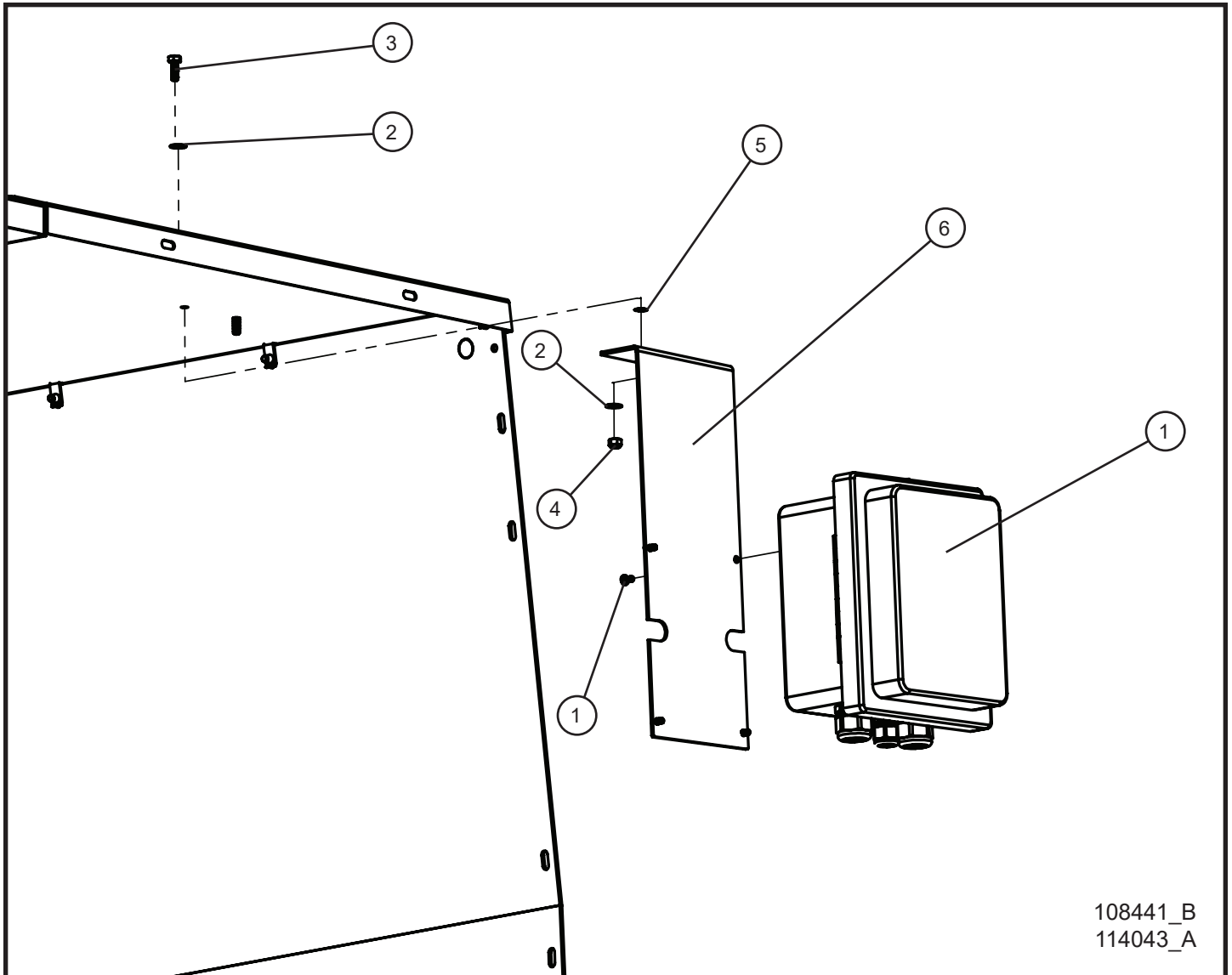
# MAXI-HEAT® MH500iQ™

SN 14-000293 and UP

## 5.4 - MH500iQ Fuel Separator New Rail Mount Install Group

Item	Part No.	Part Description	Qty.
1	044038	3/8-16 NYLOCK HEX NUT PL	4
2	114046P	MOUNT FUEL FILTER FCS NEW RAIL MOUNT	2
3	106727	FUEL/WATER SEPARATOR 35 MICRON W/ HEATER	2
	100613	HEATING ELEMENT	2
	107222	35 MICRON FUEL FILTER	2
4	046115	3/8-16 x 1 1/4 HEX HEAD CS GR5 PL	4
5	047016	3/8 FLAT WASHER SAE ZINC	4
6	100655	STRAIGHT CONNECTOR 1/2-20 x 6 JIC	4
7	101263	90° SWIVEL FITTING 6 JIC	8
8	101293	3/8 HOSE BARB x 3/8 37° JIC FEM SWIVEL	8
9	101265	3/8 30R7 HOSE PINCH CLAMP	6
10	101267	PLUG HEX 1/2-20	2
11	101266	HOSE 3/8 SAE 30R7 x 18.0	2
12	433162	3/8 NPTM PUSH-LOK HOSE BARB	4
13	101268	VALVE BALL 3/8 NPT BRASS	2
14	101266	HOSE 3/8 SAE 30R7 x 36.0	2
15	108251	FITTING ADAPTER - 6JIC / 1/4 NPTF	4
16	108253	TFE PASTE PIPE THREAD	1

## 5.5 - MH500iQ Junction Box Install Group



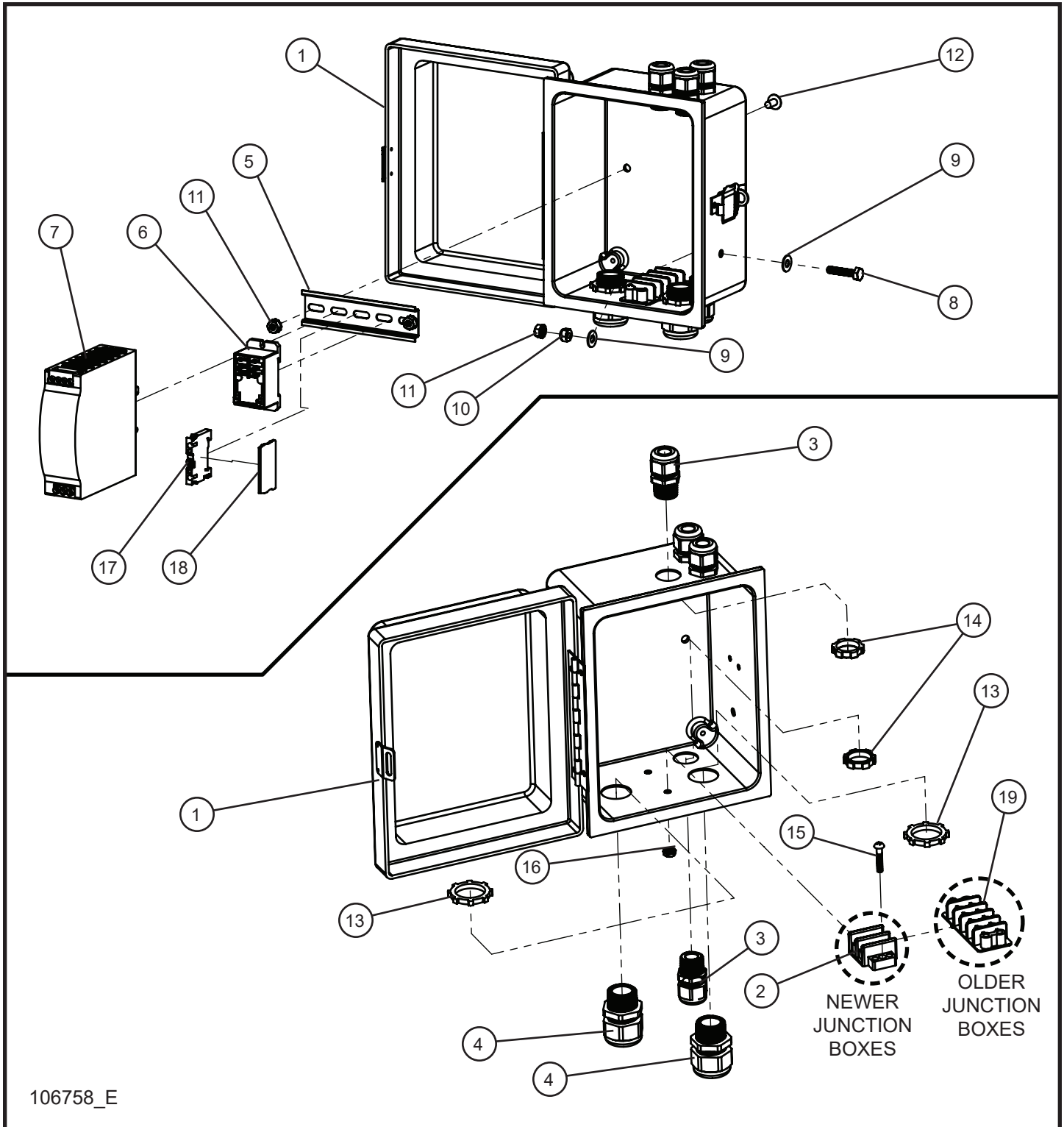
# MAXI-HEAT® MH500iQ™

SN 14-000001 and UP

## 5.5 - MH500iQ Junction Box Install Group

Item	Part No.	Part Description	Qty.
1	106758	JUNCTION BOX ASSEMBLY MH500iQ	2
2	047009	1/4 FLAT WASHER SAE SS	8
3	046010	1/4-20 x 3/4 HEX HEAD CS GR5 SS	4
4	044023	1/4-20 NYLOCK HEX NUT PL	4
5	101701	1/4 PUSH NUT	4
6	107579P	ENCLOSURE BRACKET WELDMENT	2
NS	106858	WIRE SCHEMATIC PLUG-INS TO BURNERS	1
NS	106849	12 VOLT WIRING ENCLOSURE-HEAT FUEL MH500iQ	2
NS	107394	POWER CORD ENCLOSURE IQ CONTROLLER	2
NS	106848	120 VOLT WIRING ENCLOSURE - IQ BURNER MH500iQ	2
NS	108223	12 VOLT WIRING ENCLOSURE - IQ CONT MH500iQ	2
NS	108222	EXHAUST DOOR SWITCH WIRES - FRONT MH500iQ	1
NS	108221	EXHAUST DOOR SWITCH WIRES - BACK MH500iQ	1
NS	106347	POWER SUPPLY CORD SHORE CONNECTION MH500iQ	2

## 5.6 - MH500iQ Junction Box



106758\_E

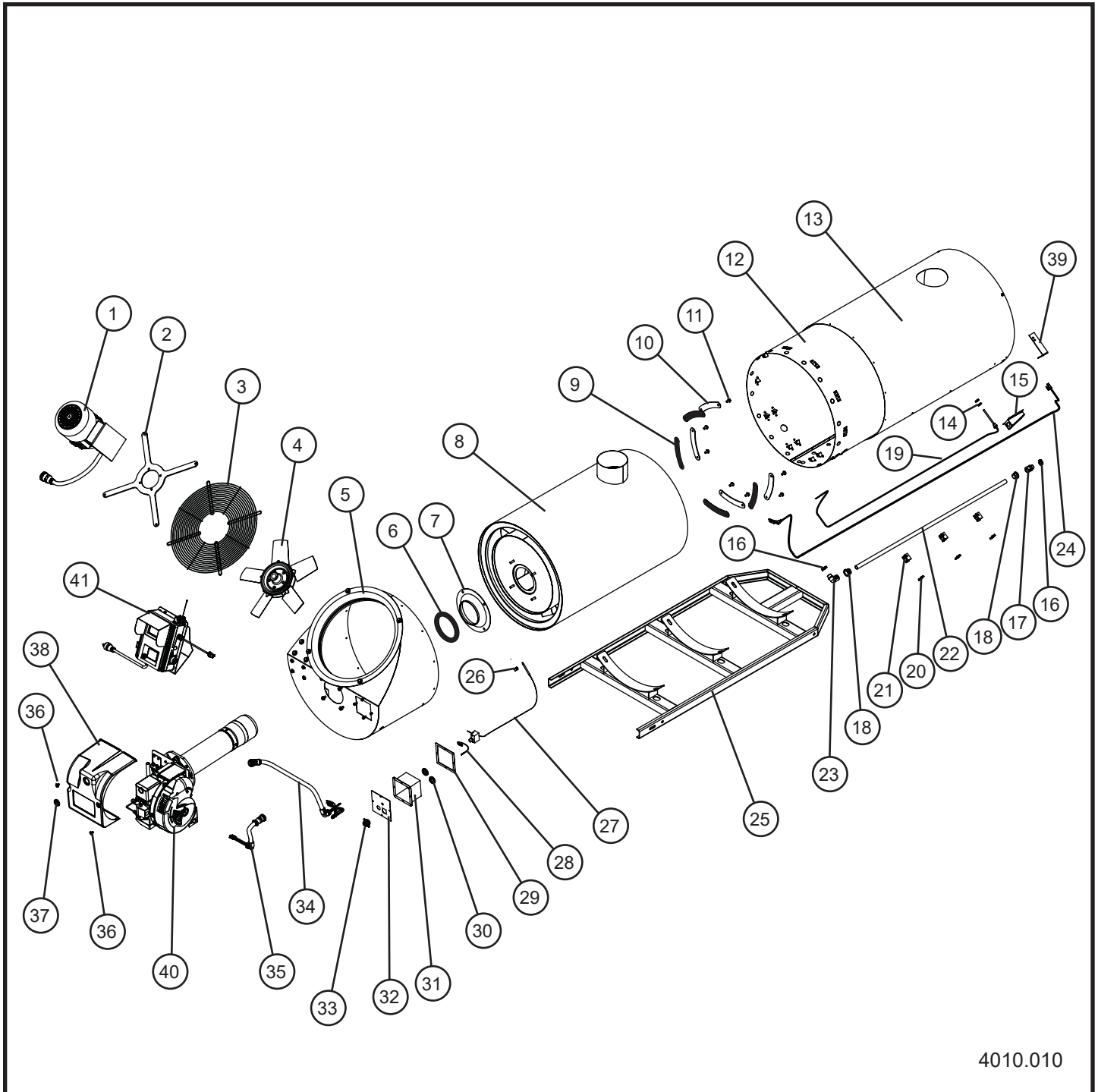
# MAXI-HEAT® MH500iQ™

SN 14-000001 and UP

## 5.6 - MH500iQ Junction Box

Item	Part No.	Part Description	Qty.
1	106736	JUNCTION BOX W/ RAISED LID	1
2	106729	SCREW TERMINAL BLOCK 2 GANG	1
3	105626	CORD GRIP 1/2" NYLON BLACK	4
4	105916	CORD GRIP 3/4" NYLON	2
5	105775	DIN RAIL 5"	1
6	101269	30 AMP AC POWER RELAY	1
7	106091	120VAC-12VDC POWER SUPPLY	1
8	046016	BOLT 1/4-20 x 1-1/4 FULLY THREADED GR5 PL	1
9	047009	1/4 FLAT WASHER SAE SS	2
10	044023	1/4-20 NYLOCK HEX NUT PL	1
11	044021	1/4-20 KEPS HEX NUT PL	3
12	041078	1/4-20 x 1/2 PH-TRUSS HEAD MS SS	2
13	022036	3/4 CORD GRIP NUT	2
14	022035	1/2 CORD GRIP NUT	4
15	041030	#10-24 x 1 PH-ROUND HEAD MS PL	2
16	044016	#10-24 KEPS HEX NUT PL	2
17	107368	SPRING TERMINAL BLOCK GREY	1
18	107376	END PLATE 24-10 AWG	1
19	106730	SCREW TERMINAL BLOCK 4 GANG	1
NS	106854	120V WIRE - POWER SUPPLY - RELAY TAB #4 MH500iQ	1
NS	106855	120V WIRE - TERM STRIP TO POWER SUPPLY MH500iQ	1
NS	106856	120V WIRE - TERM STRIP TO POWER SUPPLY MH500iQ	1
NS	106857	120V WIRE - GROUND LUG - POWER SUPPLY MH500iQ	1
NS	106849	12 VOLT WIRING ENCLOSURE-HEAT FUEL MH500iQ	2
NS	107394	POWER CORD ENCLOSURE IQ CONTROLLER	2
NS	106848	120 VOLT WIRING ENCLOSURE - IQ BURNER MH500iQ	2
NS	108223	12 VOLT WIRING ENCLOSURE - IQ CONT MH500iQ	2
NS	108222	EXHAUST DOOR SWITCH WIRES - FRONT MH500iQ	1
NS	108221	EXHAUST DOOR SWITCH WIRES - BACK MH500iQ	1
NS	106347	POWER SUPPLY CORD SHORE CONNECTION MH500iQ	2
NS	106858	WIRE SCHEMATIC PLUG-INS TO BURNERS	1

## 5.7 - MH500iQ Heating Unit



4010.010



# MAXI-HEAT® MH500iQ™

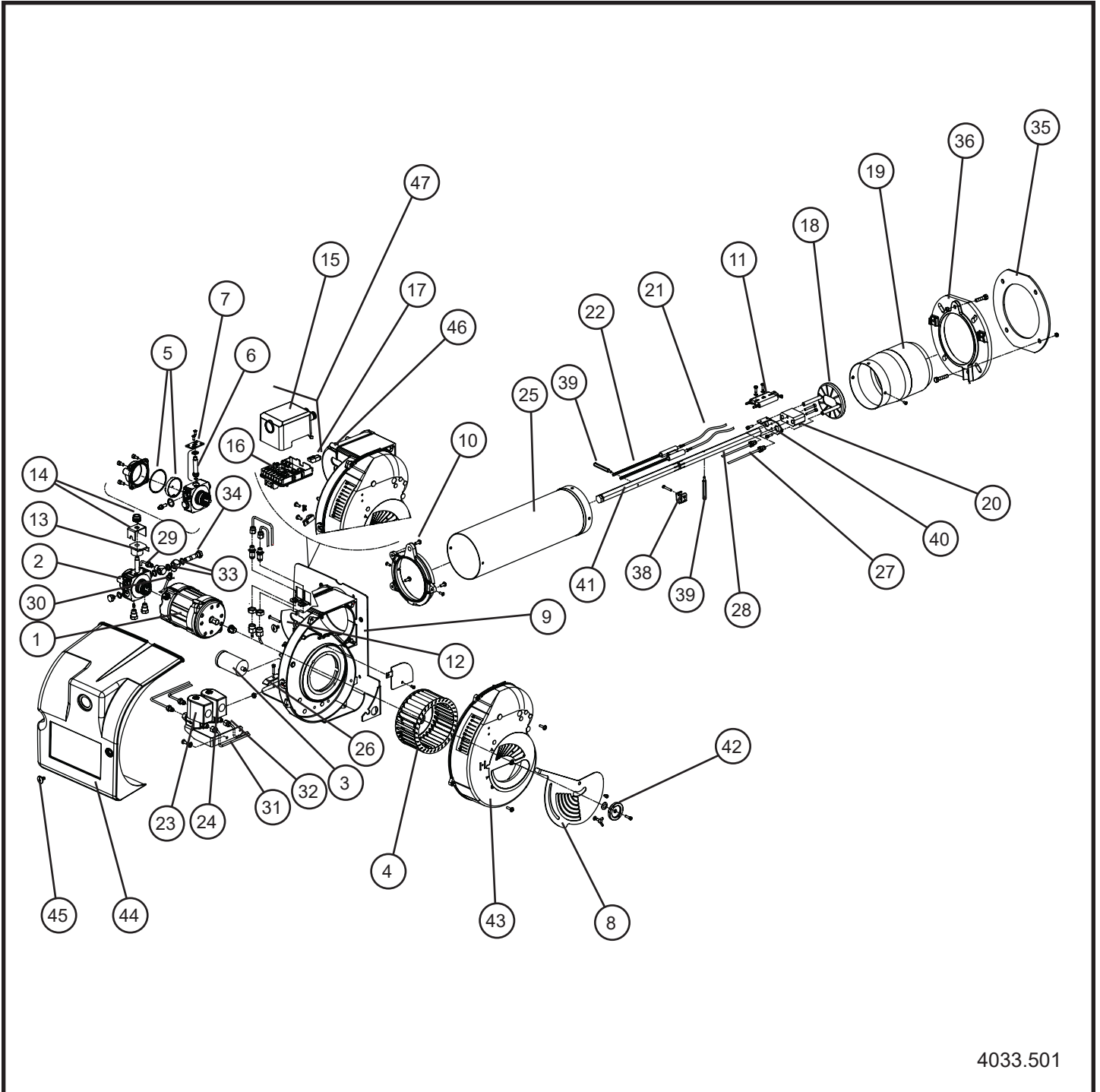
SN 14-000001 and UP

## 5.7 - MH500iQ Heating Unit

Item	Part No.	Part Description	Qty.
1	107194	MOTOR	1
2	113903	MOTOR SUPPORT FLANGE	1
3	113904	MOTOR GRID	1
4	107195	FAN	1
5	***	SUPPORT COMPLETE	1
6	107192	ROPE GASKET	1
7	107190	COMPENSATION FLANGE	1
8	***	COMBUSTION CHAMBER	1
9	107214	INSPECTION GASKET	4
10	107215	INSPECTION FLANGE	4
11	***	SCREW	7
12	***	INTERMEDIATE INSULATION CHAMBER	1
13	***	EXTERNAL VARNISHED CHAMBER	1
14	***	COCKPIT SENSOR NUT	2
15	***	SENSOR BOX	1
16	***	NUT	2
17	***	CONNECTION STRAIGHT	1
18	***	ADAPTOR	2
19	107209	TEMPERATURE SENSOR NTC	1
20	***	SUPPORT COVER	3
21	***	SUPPORT	3
22	***	PLASTIC CONDUIT	1
23	***	CONNECTION 90°	1
24	107218	LIMIT THERMOSTAT	1
25	***	GLIDE COMPLETE	1
26	***	CLIP	1
27	107210	SAFETY THERMOSTAT	1
28	***	THERMOSTAT FASE WIRE	1
29	***	THERMOSTAT BOX GASKET	1
30	***	STRAIN RELIEF	2
31	***	THERMOSTAT BOX	1
32	***	THERMOSTAT BOX PLATE	1
33	***	CONNECTOR	1
34	***	IQ BOX-PG WIRE	1
35	***	COMPLETE BURNER WIRE	1
36	***	COVER SCREW	2
37	***	COVER MEMBRANE	1
38	***	BURNER COVER	1
39	***	THERMOSTAT BRACKET	1
40	106424	MH500iQ BURNER COMPLETE	1
41	106426	MH500iQ CONTROL BOX COMPLETE	1
NS	107189	COMBUSTION CHAMBER ASSEMBLED	1
NS	107191	RIELLO BURNER	1
NS	107193	MOTOR AND FAN COMPLETE	1
NS	107196	COMMAND PANEL KIT	1
NS	107211	BOILER CONTROL BOX CABLES KIT	1
NS	107212	BURNER HOOD KIT	1
NS	107213	TP2 THERMOSTAT SERIES COMPLETE	1

NS - Not Shown. \*\*\* - Contact Allmand for part information.

## 5.8 - MH500iQ Burner



4033.501

# MAXI-HEAT® MH500iQ™

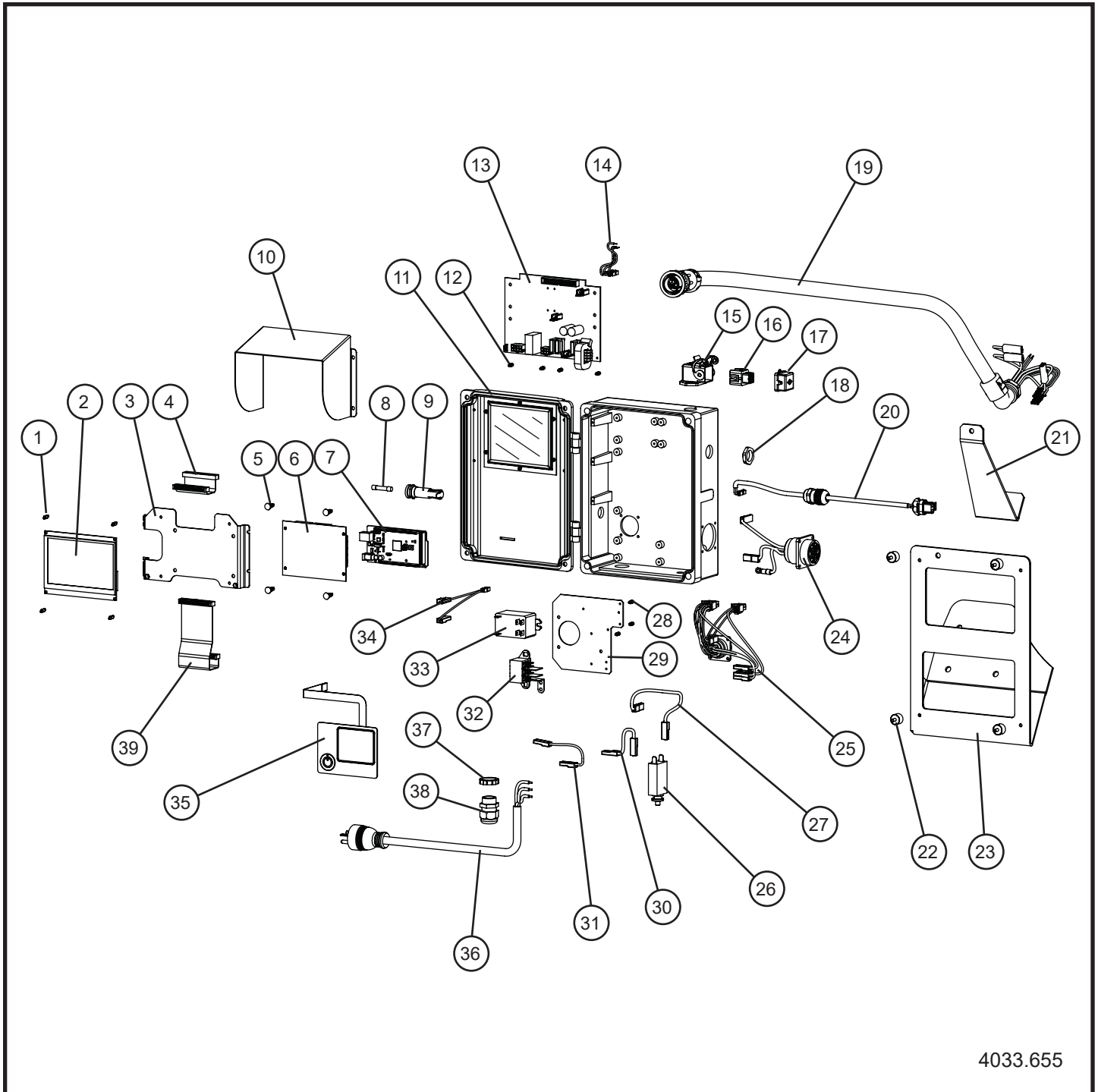
SN 14-000001 and UP

## 5.8 - MH500iQ Burner

Item	Part No.	Part Description	Qty.
1	113881	MOTOR	1
2	107219	BURNER FUEL PUMP	1
3	113884	CAPACITOR	1
4	113905	FAN	1
5	***	FILTER-O-RING	1
6	***	NEEDLE VALVE	1
7	***	PLATE	1
8	***	AIR DAMPER	1
9	***	FRONT SHIELD	1
10	***	COLLAR	1
11	113880	ELECTRODE ASSEMBLY	1
12	113898	COVER	1
13	113900	COIL	1
14	113899	SHELL AND KNOB	1
15	110319	CONTROL BOX	1
16	110317	TERMINAL BOARD	1
17	110315	PHOTOCELL	1
18	113889	END RING AND DIFFUSER DISC	1
19	113895	BLAST TUBE	1
20	113890	NOZZLE HOLDER	1
21	113882	ELECTRODE CONNECTION	2
22	113886	INSULATOR	2
23	107220	SOLENOID VALVE	1
24	107221	NEEDLE VALVE	1
25	***	END CONE	1
26	***	U BOLT	1
27	113891	TUBE	1
28	113892	TUBE	1
29	***	TUBE	1
30	***	TUBE	1
31	***	TUBE	1
32	***	TUBE	1
33	***	CONNECTOR	1
34	***	BAR	1
35	***	GASKET	1
36	***	FLANGE	1
37	***	JOINT	1
38	***	ELECTRODE BRACKET	1
39	***	SPACER	2
40	***	SUPPORT	1
41	113892	EXTENSION SLIDE BAR	1
42	113887	SUPPORT FOR AIR DAMPER	1
43	113894	AIR INTAKE	1
44	***	COVER	1
45	***	SCREW	2
46	042017	TORQUE SCREW M4 x 30	1
47	107223	IGNITOR TRANSFORMER COMPLETE (INCLUDES ITEMS 15,16, &17)	1
NS	107145	2.00 x 60A NOZZLE	1
NS	107146	1.00 x 60w NOZZLE	1

NS - Not Shown. \*\*\* - Contact Allmand for part information.

## 5.9 - MH500iQ Control Box



4033.655

# MAXI-HEAT® MH500iQ™

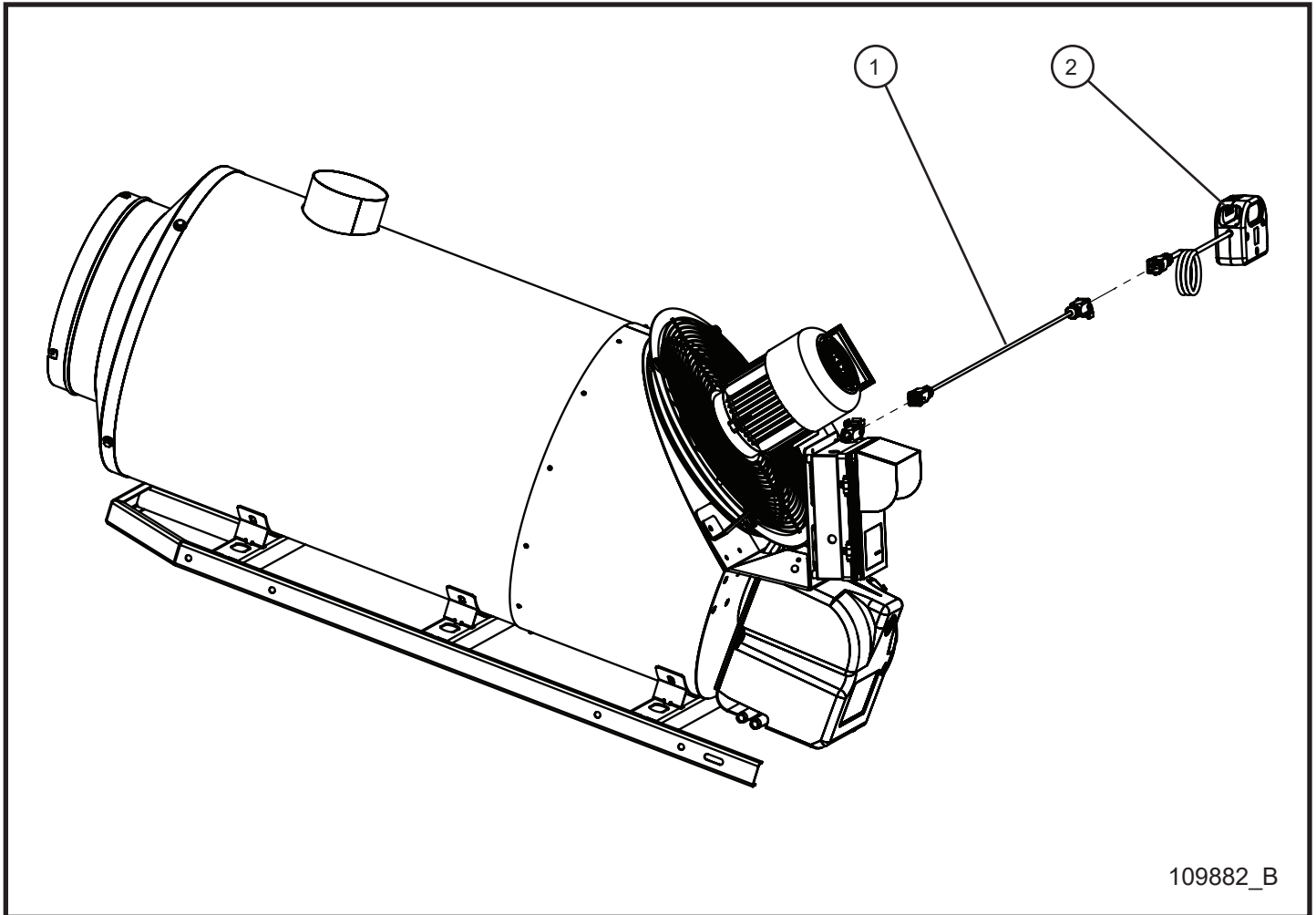
SN 14-000001 and UP

## 5.9 - MH500iQ Control Box

Item	Part No.	Part Description	Qty.
1	***	DISPLAY SPACER	4
2	107203	TFT TOUCH DISPLAY	1
3	***	DISPLAY BRACKET	1
4	***	DISPLAY WIRE	1
5	***	PC-BOARD SPACER	4
6	107205	INTERFACE BOARD	1
7	107204	MICROCONTROLLER	1
8	107202	FUSE	1
9	107199	FUSE HOUSING	1
10	***	SHADE	1
11	***	METAL BOX	1
12	***	SPACER	4
13	107208	PC-BOARD	1
14	***	AMBIENT THERMOSTAT COMPLETE WIRE	1
15	107198	THERMOSTAT 90° CONNECTION	1
16	***	THERMOSTAT PLUG	1
17	***	THERMOSTAT CAP	1
18	***	NUT	1
19	***	IQ BOX-PG WIRE	1
20	***	12V WIRE	1
21	***	SUPPORT BRACKET	1
22	***	SILENT BLOCK	4
23	***	BOX BRACKET	1
24	***	CONTROL BOX-MOTOR COMPLETE WIRE	1
25	***	CONTROL BOX-COMBUSTION CHAMBER COMPLETE WIRE	1
26	107200	MAGNETO-THERMIC INTERRUPTOR	1
27	***	CONTACTOR-INTERRUPTOR WIRE	1
28	***	SPACER	3
29	***	BOTTOM PLATE	1
30	***	TERMINAL-INTERRUPTOR WIRE	1
31	***	TERMINAL-FUSE WIRE	1
32	107206	TERMINAL PLUG	1
33	107207	RELAY	1
34	***	PC-BOARD-RELAY COMPLETE WIRE	1
35	107201	KEYBOARD LABEL	1
36	***	POWER CORD	1
37	***	NUT	1
38	***	STRAIN RELIEF	1
39	***	DISPLAY WIRE	1
NS	107197	CONTROL BOX CABLES KIT	1

NS - Not Shown. \*\*\* - Contact Allmand for part information.

## 5.10 - MH500iQ Remote Thermostat



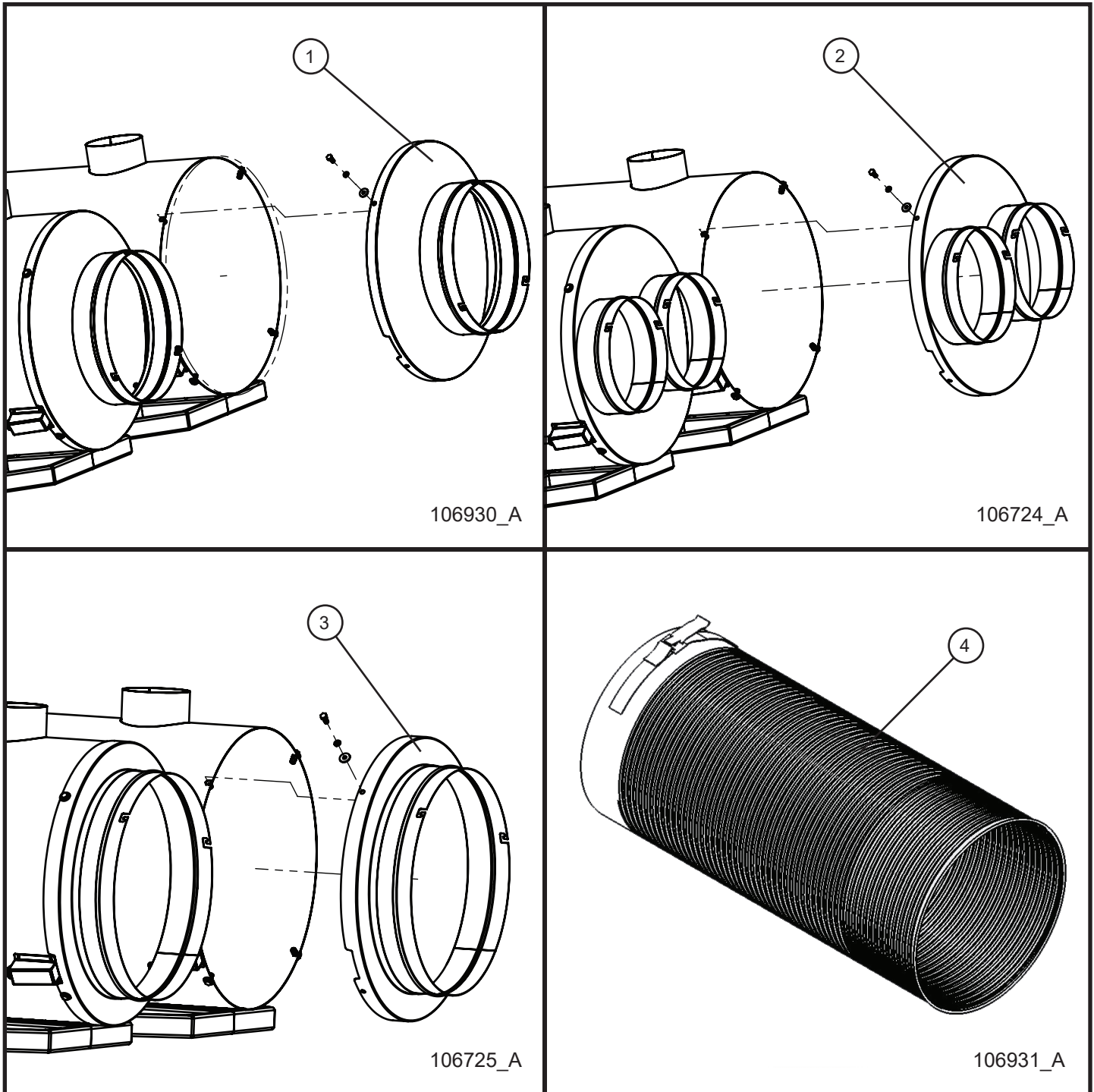
# MAXI-HEAT® MH500iQ™

SN 14-000001 and UP

## 5.10 - MH500iQ Remote Thermostat

Item	Part No.	Part Description	Qty.
--	117243	MH500iQ THERMOSTAT KIT (INCLUDES 108030 & 106552)	1
1	108030	EXTENSION CORD BURNER THERMOSTAT	1
2	106552	THERMOSTAT REMOTE 12V DC	1

## 5.11 - MH500iQ Strap and Clamp Ducting Group





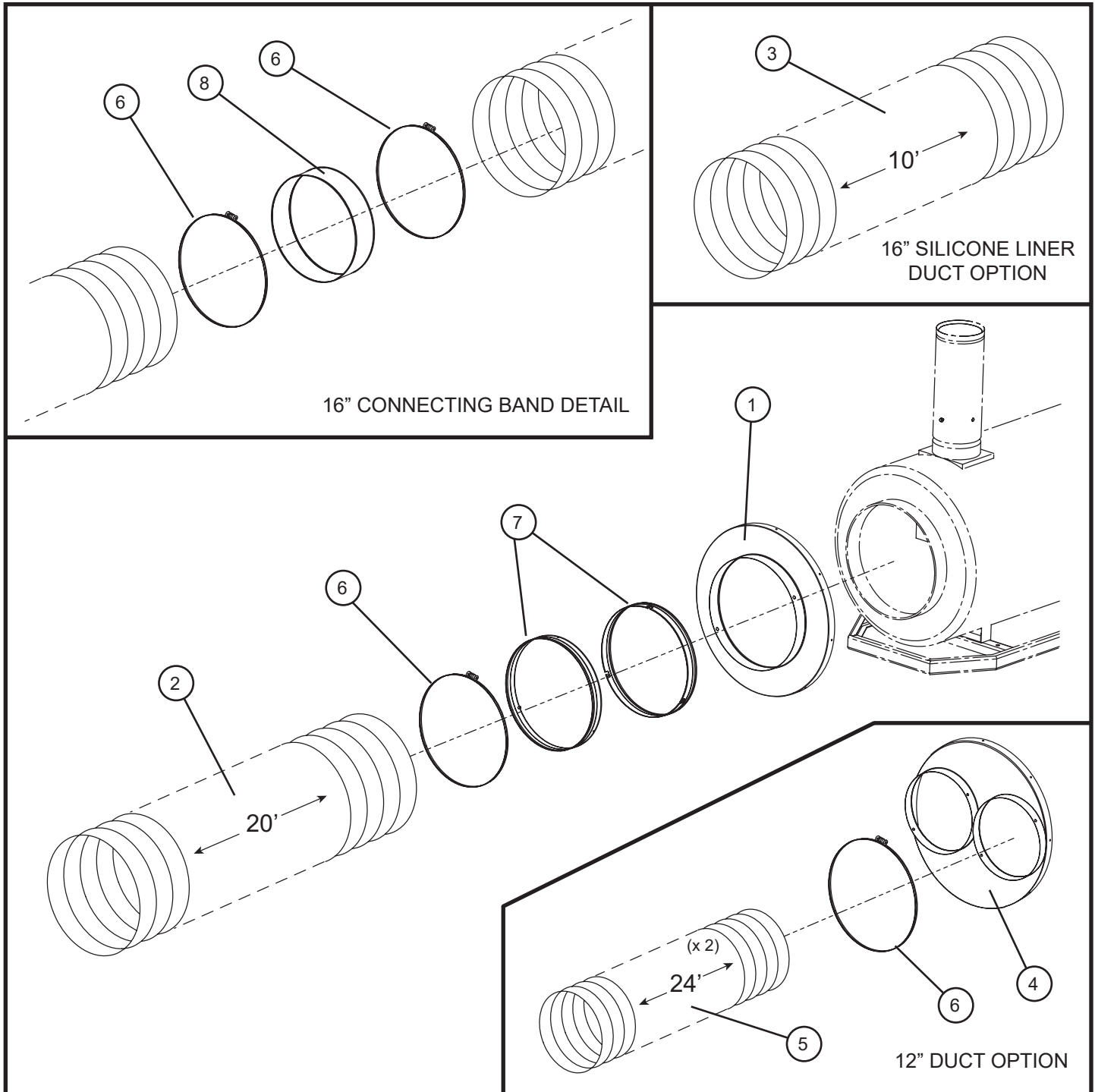
# MAXI-HEAT® MH500iQ™

SN 14-000001 and UP

## 5.11 - MH500iQ Strap and Clamp Ducting Group

Item	Part No.	Part Description	Qty.
1	106930	16" DUCT END CONE	2
2	106760	12" x 2 DUCT END CONE (OPTION)	2
3	106761	20" DUCT END CONE (OPTION)	2
4	106924	16" x 25' FLEXIBLE DUCTING W/ ADJUSTABLE CUFF (OPTION)	2
	106923	12" x 25' FLEXIBLE DUCTING W/ ADJUSTABLE CUFF (OPTION)	4
	106925	20" x 25' FLEXIBLE DUCTING W/ ADJUSTABLE CUFF (OPTION)	2

## 5.12 - MH500iQ Connecting Band Ducting Group



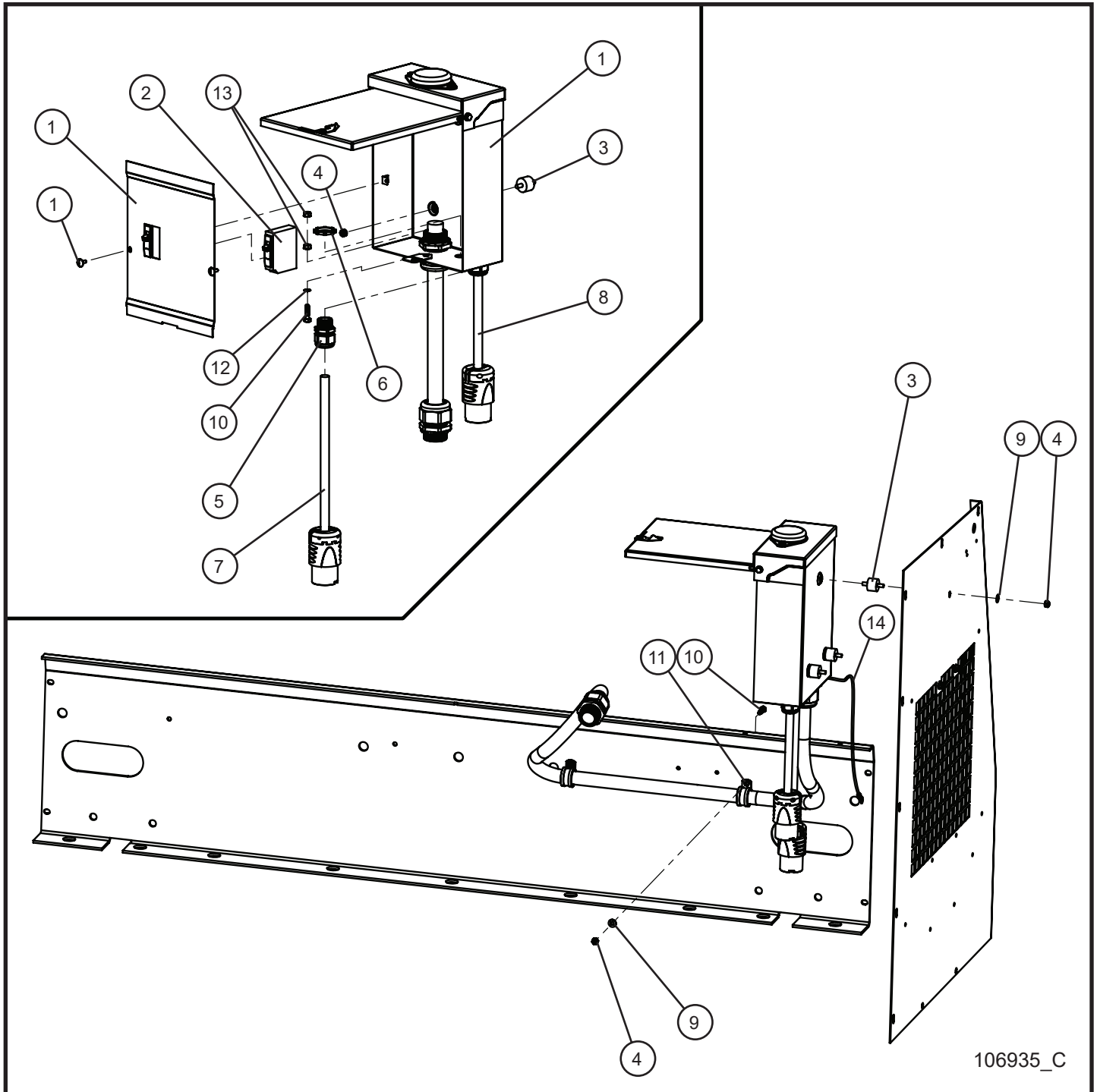
# MAXI-HEAT® MH500iQ™

SN 14-000001 and UP

## 5.12 - MH500iQ Connecting Band Ducting Group

Item	Part No.	Part Description	Qty.
1	106930	16" DUCT END CONE	1
2	848172	HEATER DUCT 16" x 20' (OPTION)	1
3	101181	HEATER DUCT 16" x 10' SILICONE LINER (OPTION)	1
4	106760	12" x 2 DUCT END CONE (OPTION)	1
5	848173	HEATER DUCT 12" x 24' (OPTION)	2
6	848176	16" SCREW CLAMP (OPTION)	1
7	848974	16" SLIP LOCK CONNECTOR (OPTION)	1
8	848976	16" CONNECTING BAND (OPTION)	1

## 6.1 - Outlet Box Group (1 of 3)



106935\_C

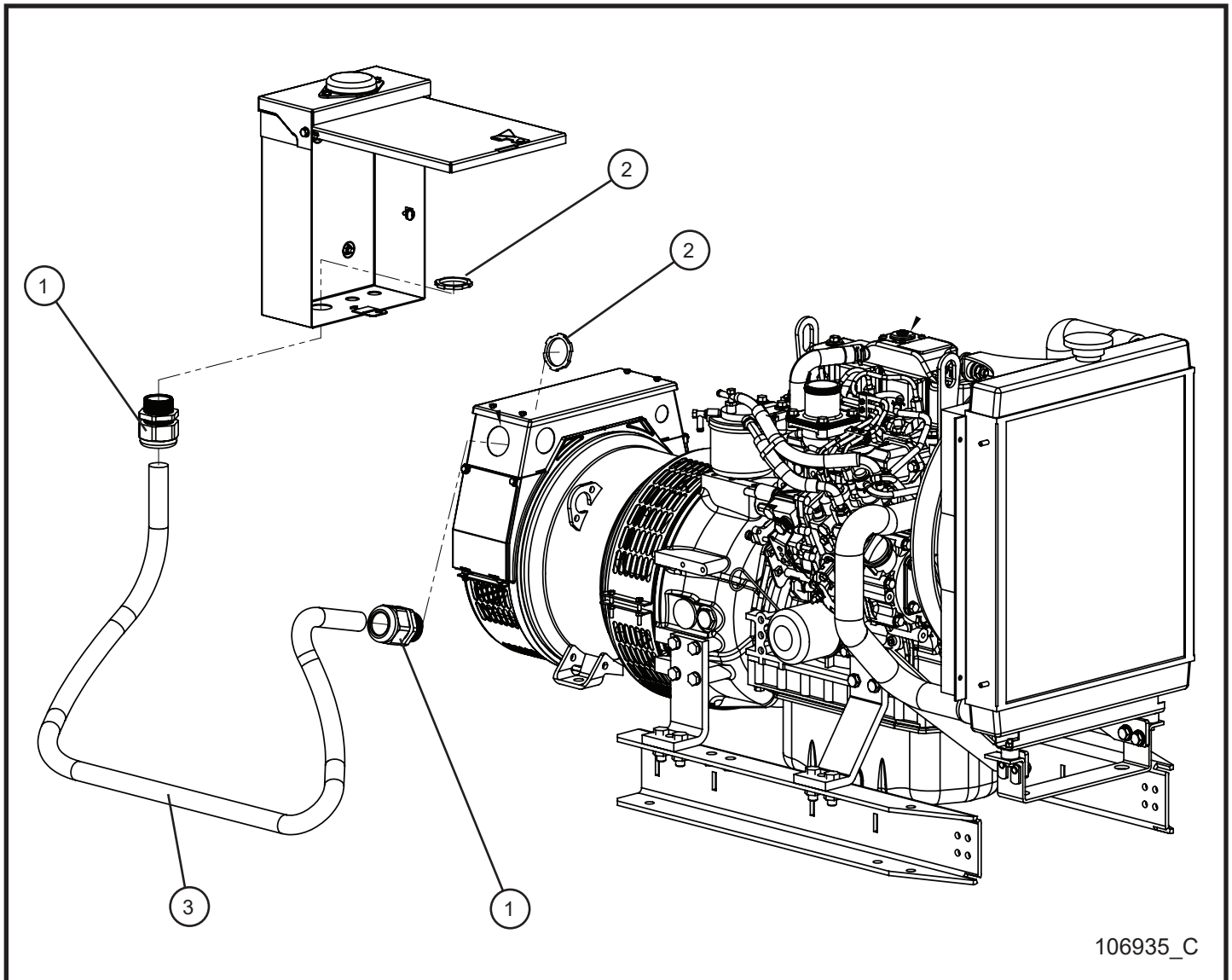
# MAXI-HEAT® MH500iQ™

SN 14-000001 and UP

## 6.1 - Outlet Box Group (1 of 3)

Item	Part No.	Part Description	Qty.
1	330055	OUTLET BOX LOAD BANK	1
2	330067	30A CIRCUIT BREAKER SP NON HID 130	2
3	330057	BOX MOUNT RUBBER	3
4	044023	1/4-20 NYLOCK HEX NUT	8
5	105916	3/4 NYLON CORD GRIP	2
6	022036	3/4 CORD GRIP NUT	2
7	106345	10/3 BURNER CORD LONG	1
8	106346	10/3 BURNER CORD SHORT	1
9	047009	1/4 FLAT WASHER SAE SS	5
10	046015	1/4-20 x 1 HEX HEAD CS GR5 PL	3
11	920366	#16 CUSH CLAMP W/ 3/8 HOLE	2
12	043050	1/4 INTL TOOTH LOCK WASHER	1
13	044021	1/4-20 KEPS HEX NUT PL	2
14	105595	WIRE GROUND	1
15	106351	WIRE SCHEMATIC GENERATOR TO NEMA PLUG-INS	1
16	848006	FOAM RUBBER .38 x .25 x 1.50 (NOT SHOWN)	1

## 6.1 - Outlet Box Group (2 of 3)



106935\_C

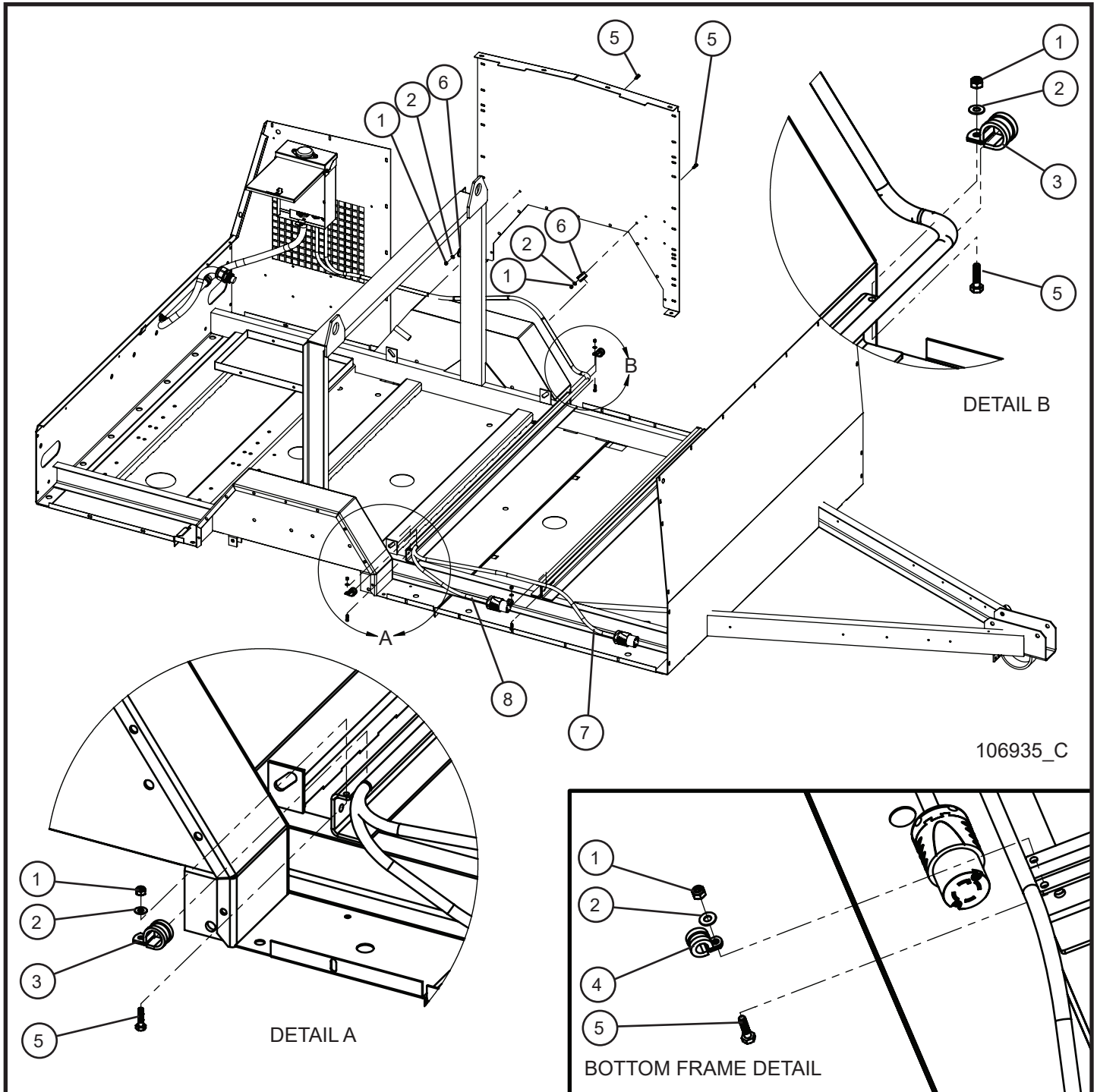
# MAXI-HEAT® MH500iQ™

SN 14-000001 and UP

## 6.1 - Outlet Box Group (2 of 3)

Item	Part No.	Part Description	Qty.
1	105628	CORD GRIP 1-1/4 NYLON BLACK	2
2	350363	1-1/4 LOCK NUT	2
3	104764	GEN CORD OUTLET BOX	1

## 6.1 - Outlet Box Group (3 of 3)





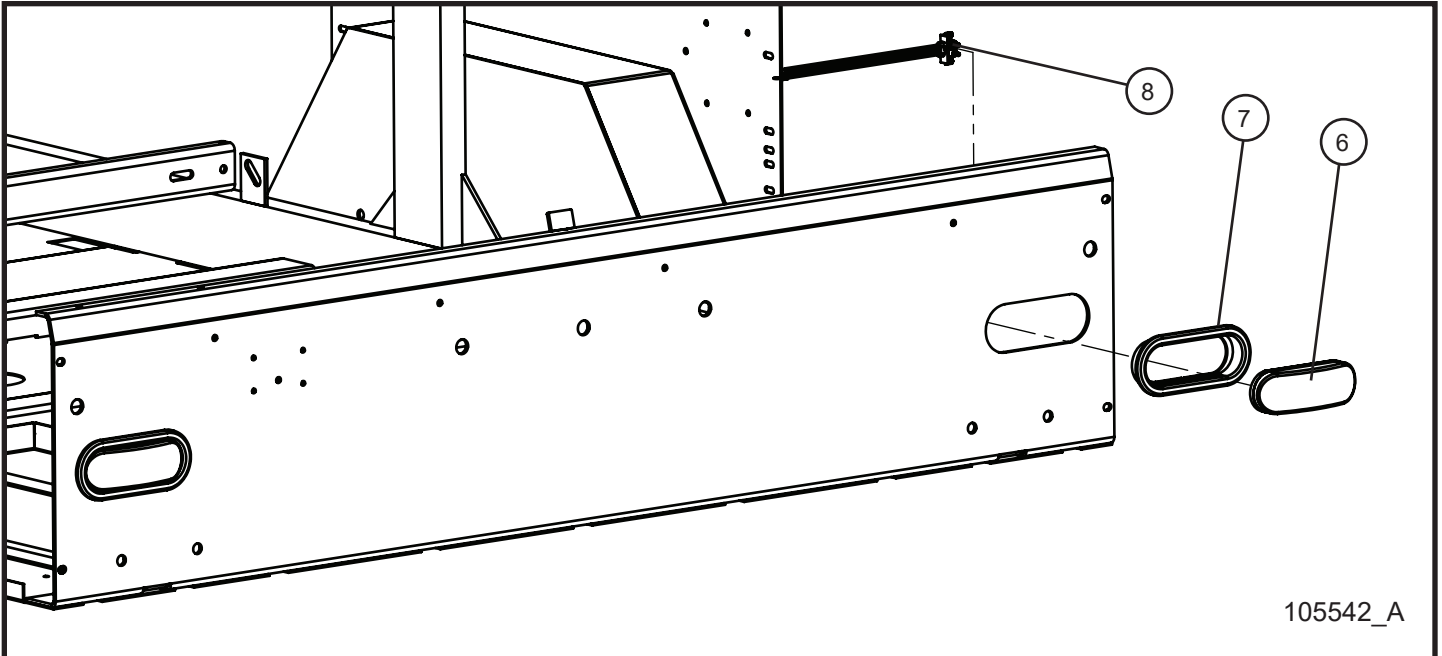
# MAXI-HEAT® MH500iQ™

SN 14-000001 and UP

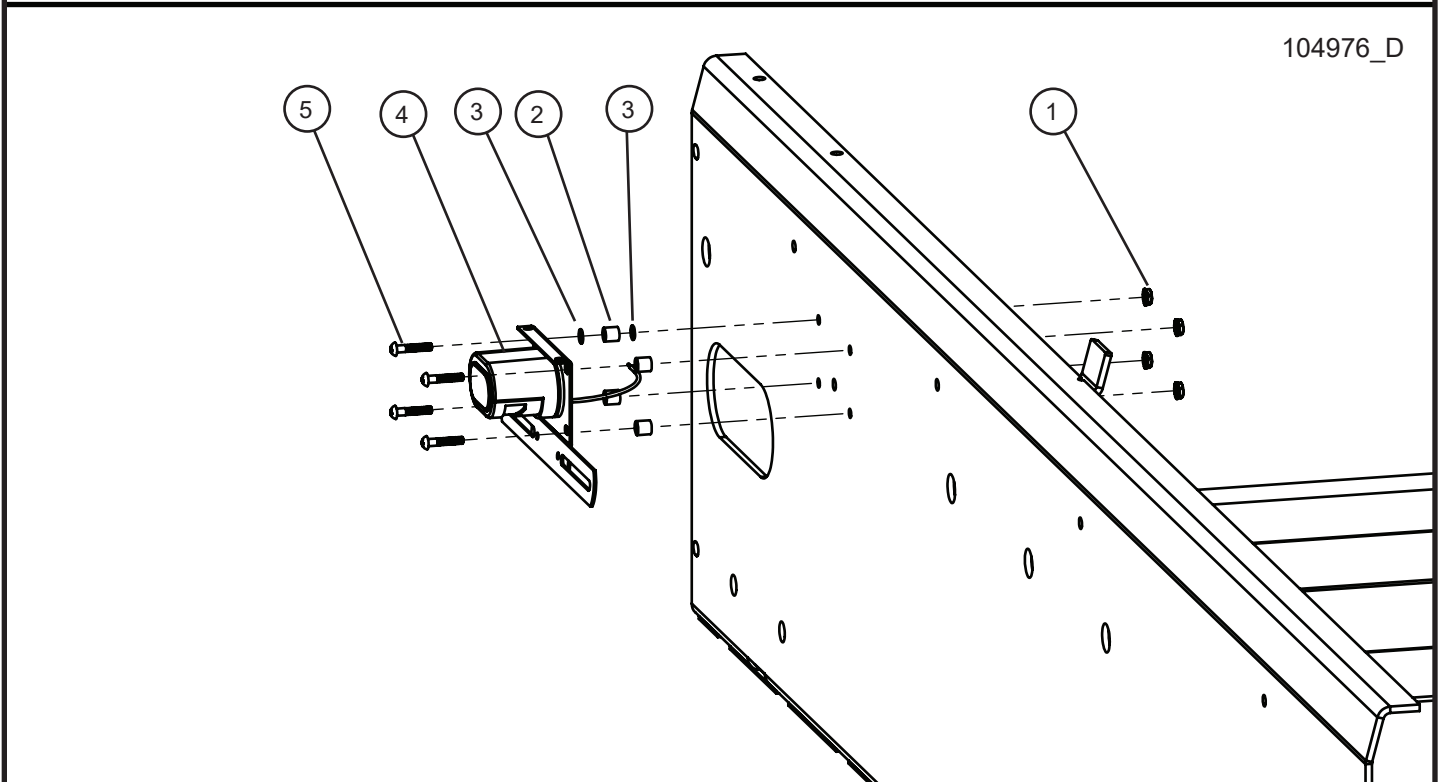
## 6.1 - Outlet Box Group (3 of 3)

Item	Part No.	Part Description	Qty.
1	044023	1/4-20 NYLOCK HEX NUT PL	5
2	047009	1/4 FLAT WASHER SAE SS	5
3	022027	#16 CUSH CLAMP 1/4 HOLE	2
4	310212	#10 CUSH CLAMP 1/4 HOLE	1
5	046015	1/4-20 x 1 HEX HEAD CS GR5 PL	5
6	920366	#16 CUSH CLAMP 3/8 HOLE	2
7	106345	BURNER CORD LONG	1
8	106346	BURNER CORD SHORT	1

## 6.2 Tail Light and License Plate Bracket



105542\_A



104976\_D

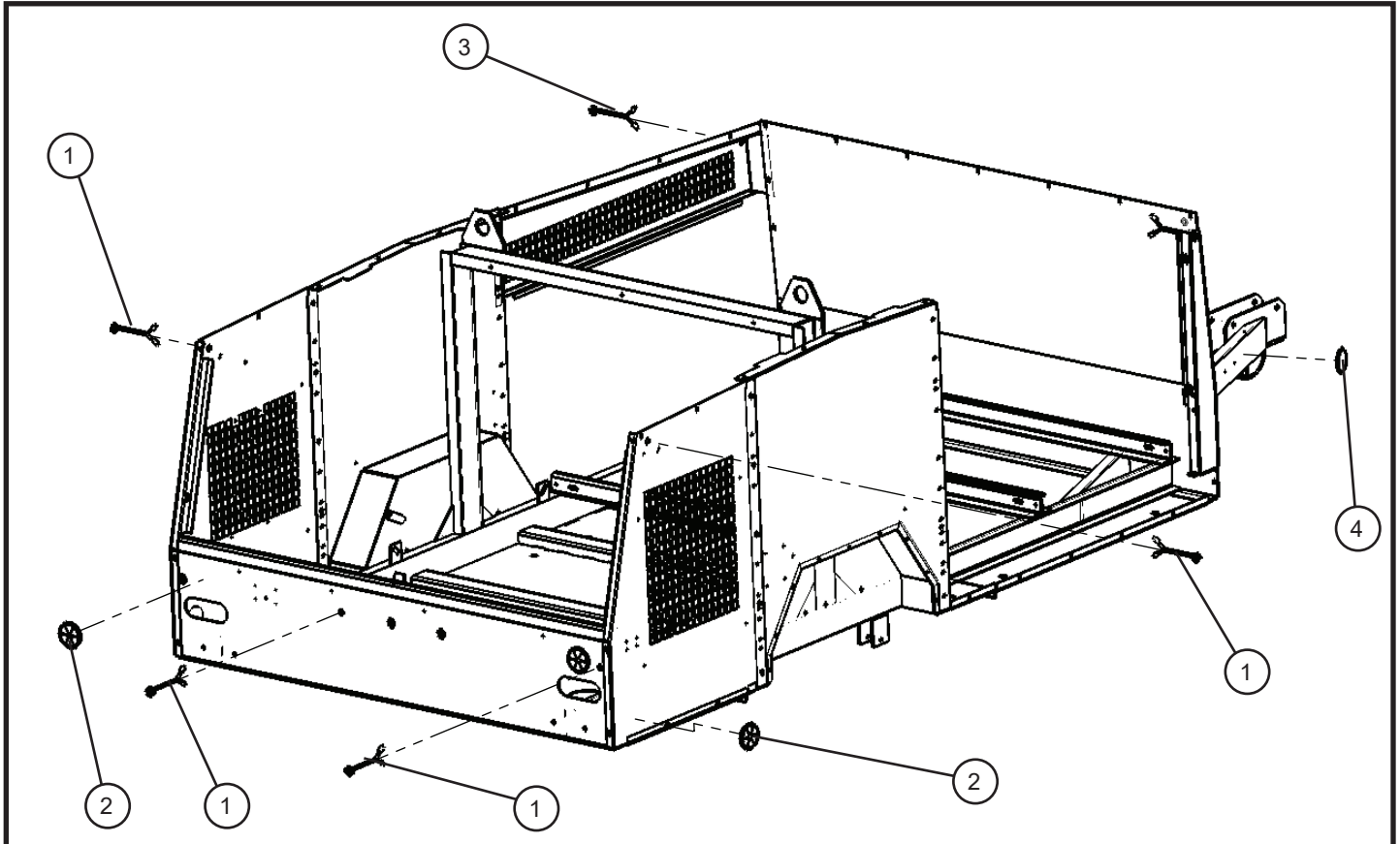
# MAXI-HEAT® MH500iQ™

SN 14-000001 and UP

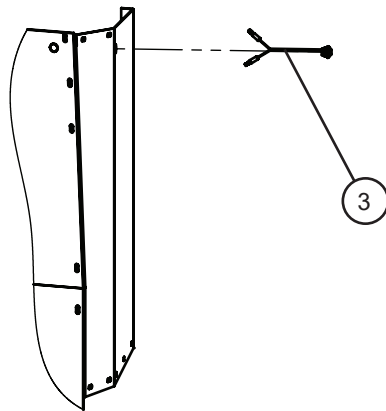
## 6.2 Tail Light and License Plate Bracket

Item	Part No.	Part Description	Qty.
1	044016	#10-24 KEPS HEX NUT PL	4
2	022180	SPACER RICOHO	4
3	043015	#10 INT'L TOOTHLOCK WASHER PL	2
4	032035	LICENSE PLATE LAMP WITH BRACKET	1
5	041030	#10-24 x 1 PH-ROUND HEAD	4
6	102826	STOP, TAIL, TURN LAMP	2
7	102825	OVAL LAMP GROMMET	2
8	102827	ECONO 90 3-PRONG PIGTAIL	2
9	105299	WIRE SCHEMATIC LICENSE PLATE (NOT SHOWN)	1
10	106343	WIRE SCHEMATIC TAIL LIGHT HARNESS (NOT SHOWN)	1
11	106342	TAIL LIGHT HARNESS MAXI HEAT (NOT SHOWN)	1

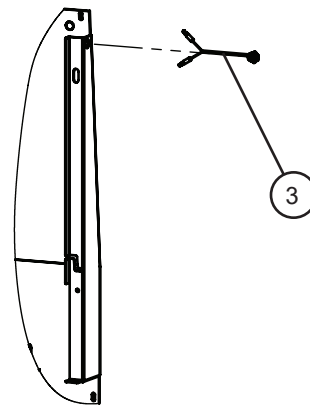
## 6.3 - VIN Package Group



RIGHT FRONT WITH DUCT BOX



RIGHT FRONT WITHOUT DUCT BOX



106687\_A

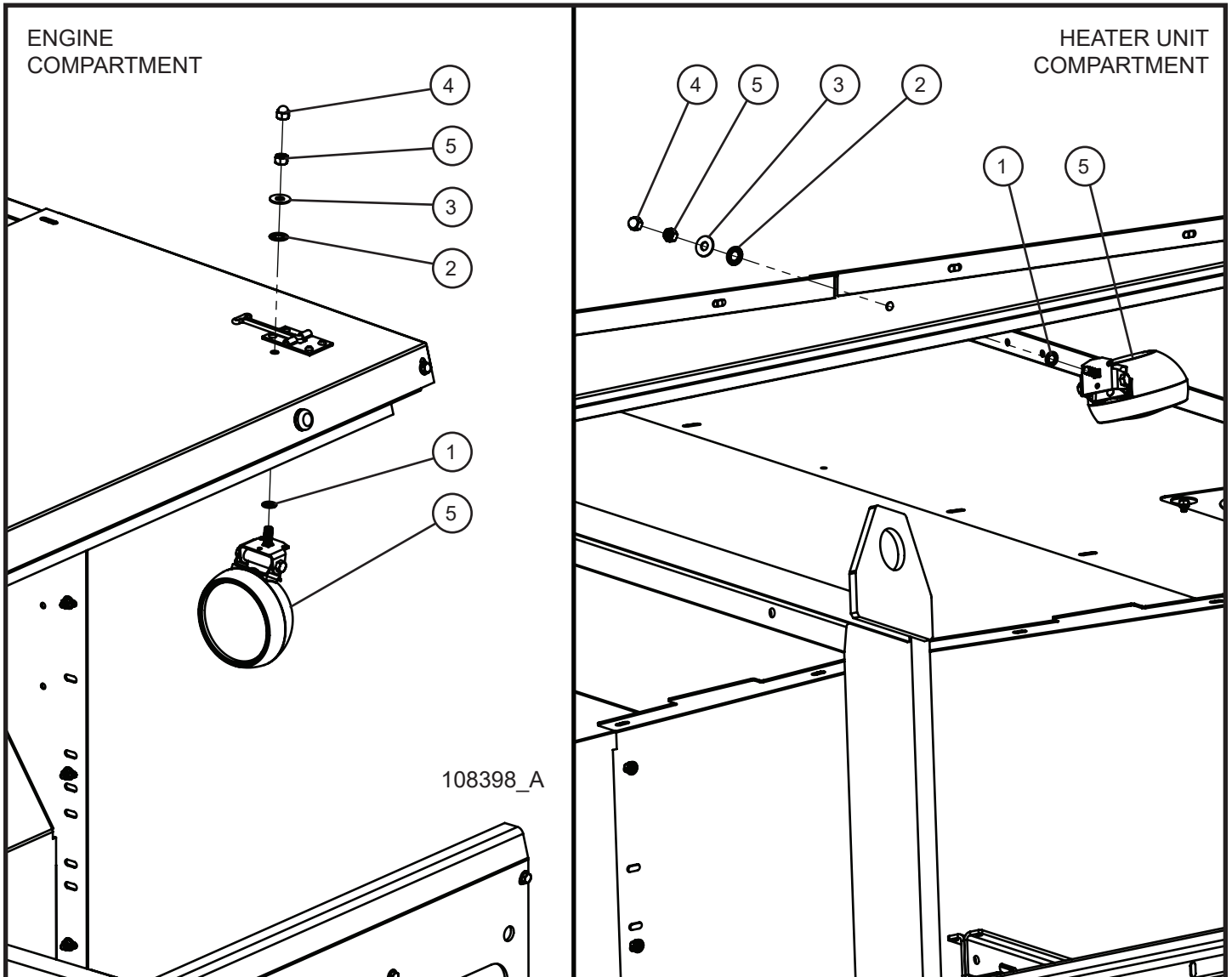
# MAXI-HEAT® MH500iQ™

SN 14-000001 and UP

## 6.3 - VIN Package Group

Item	Part No.	Part Description	Qty.
1	106211	LIGHT LED MARKER RED	7
2	330037	REFLECTOR RED 3"	4
3	106212	LIGHT LED MARKER AMBER	2
4	330039	REFLECTOR RED 3"	2

## 6.4 - Interior Work Lights



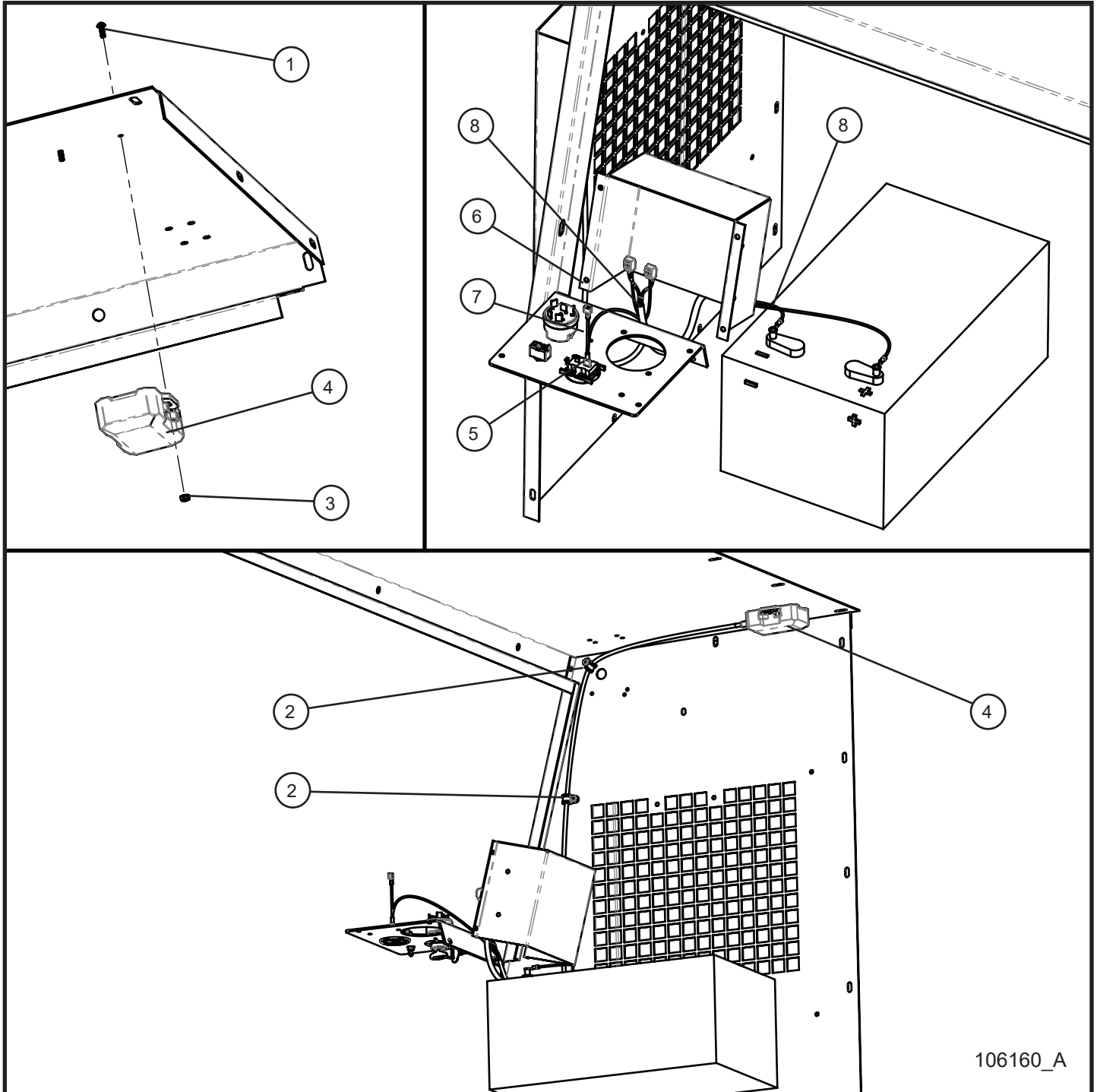
# MAXI-HEAT® MH500iQ™

SN 14-000001 and UP

## 6.4 - Interior Work Lights

Item	Part No.	Part Description	Qty.
1	043070	3/8 INT'L TOOTHLOCK WASHER PL	2
2	043090	1/2 INT'L TOOTHLOCK WASHER ZINC	2
3	047015	3/8 FLAT WASHER PL	2
4	044028	3/8-16 HEX ACORN NUT PL	2
5	352151	WORK LAMP 35 WATT / 12V	2
NS	106863	WIRE SCHEMATIC 12V WORK LIGHTS	1
NS	106343	WORK LAMP HARNESS	1

## 6.5 - ZTR GPS System



106160\_A



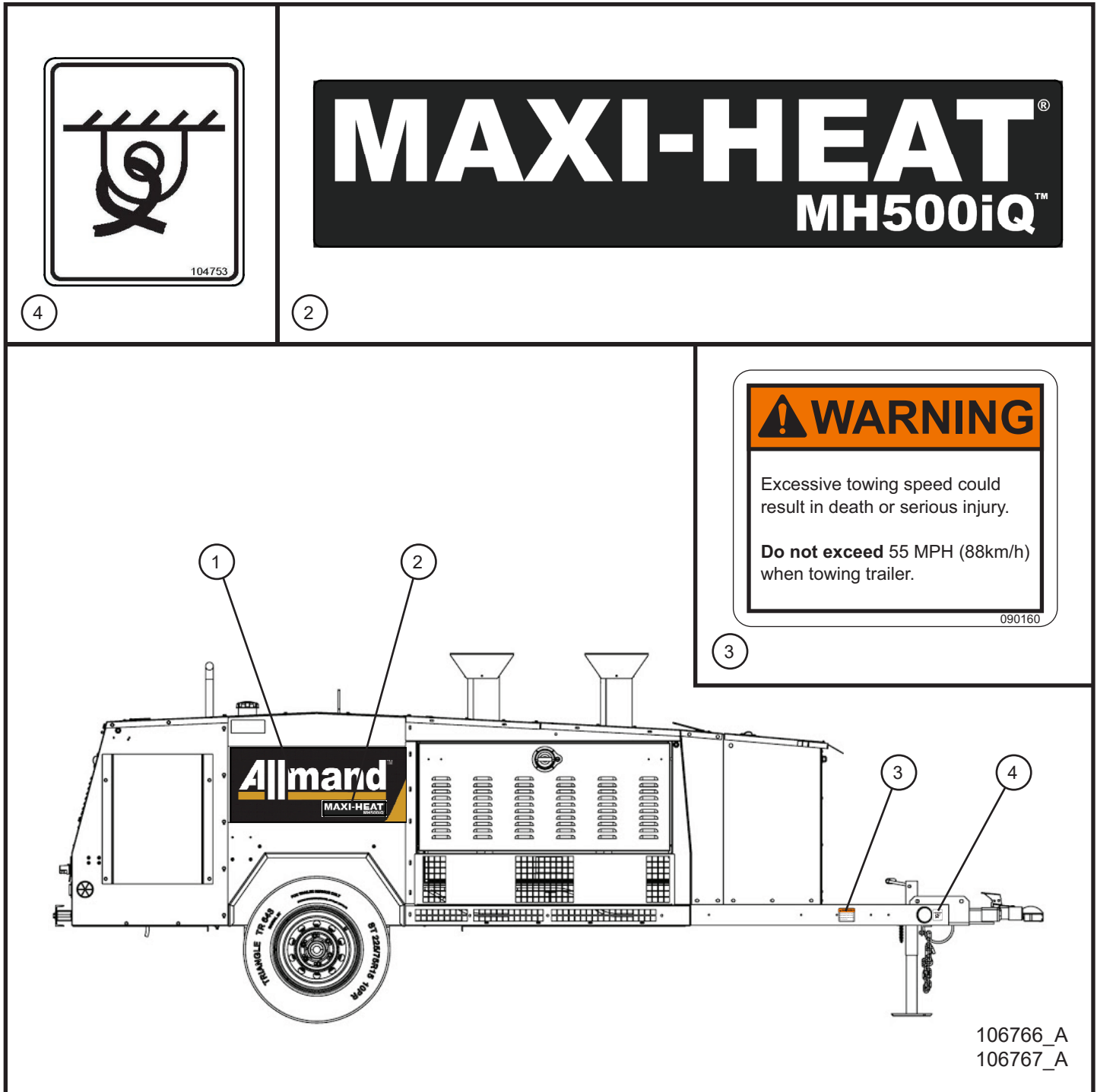
# MAXI-HEAT® MH500iQ™

SN 14-000001 and UP

## 6.5 - ZTR GPS System

Item	Part No.	Part Description	Qty.
1	041013	#8-32 x 1/2 PH-ROUND HEAD MS PL	2
2	022016	#6 CUSH CLAMP 1/4 HOLE	3
3	044003	#8-32 NC KEPS NUT	2
4	105650	ZTR GPS MODULE	1
5	022320	TERM SPADE FEMALE 14-16 AWG 1/4	1
6	022336	TERM SPADE MALE 14-16 AWB 1/4	1
7	020051	16 AWG WHITE x 3.0	1
8	106159	POWER CORD GPS MAXI HEAT	1
NS	105809	SCHEMATIC GPS ZTR SYSTEM	1

## 7.1 - MH500iQ Right Side Decals



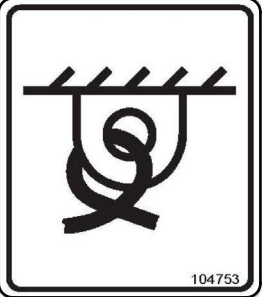
# MAXI-HEAT® MH500iQ™

SN 14-000001 and UP


## 7.1 - MH500iQ Right Side Decals

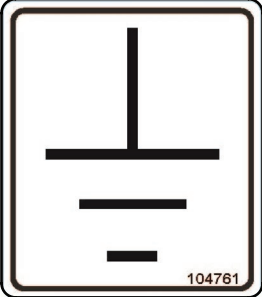
Item	Part No.	Part Description	Qty.
1	101243	LARGE ALLMAND GOLD BANNER	1
2	106827	MH500iQ DECAL	1
	108392	MH500iQ FCS DECAL	1
3	090160	EXCESS TOWING WARNING DECAL	1
4	104753	TIE DOWN POINT DECAL	1

## 7.2 - MH500iQ Left Side Decals



104753





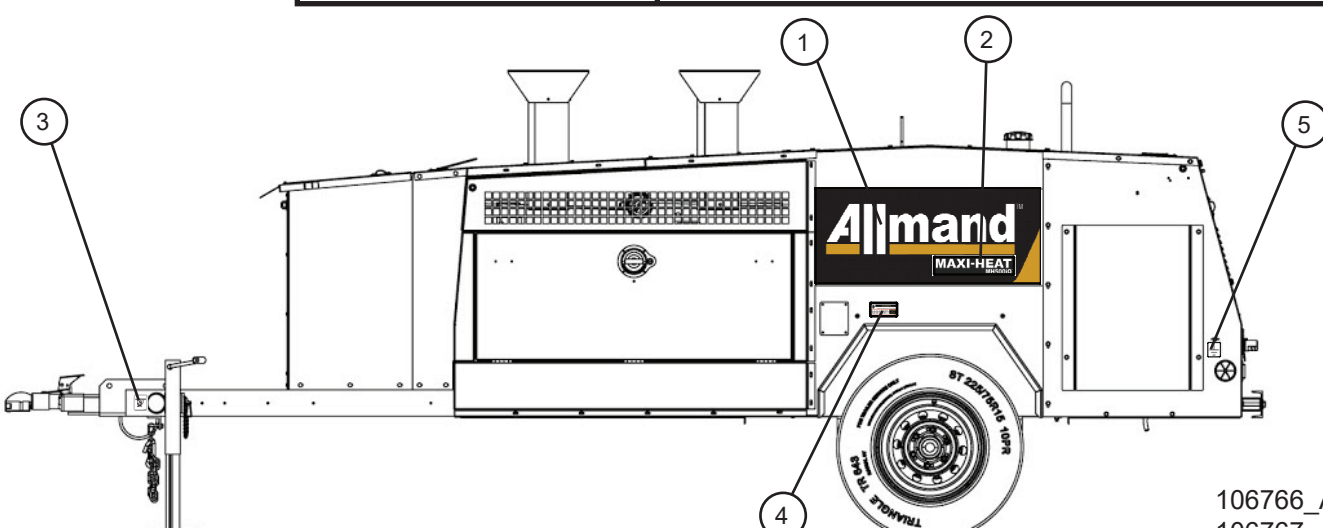
104761

TIRE INFORMATION

The weight of cargo should never exceed 2722 kg. or 5,650 lbs.

TIRE	SIZE	COLD TIRE PRESSURE	SEE OWNER'S
FRONT	ST 225/75R15E	550KPA, 80PSI	MANUAL FOR
REAR	NONE	NONE	ADDITIONAL
SPARE	NONE	NONE	INFORMATION

106805



106766\_A

106767\_A

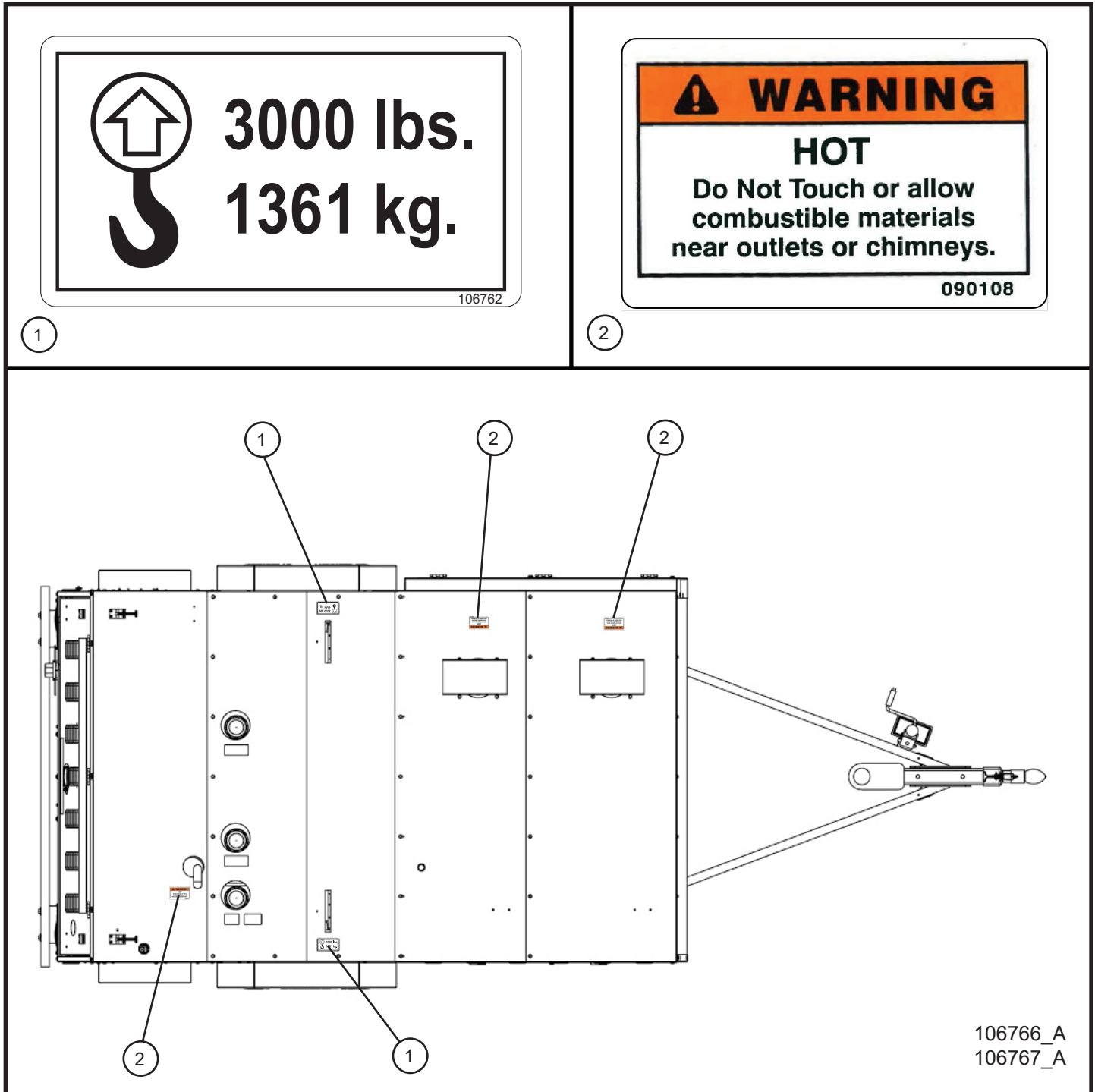
# MAXI-HEAT® MH500iQ™

SN 14-000001 and UP

## 7.2 - MH500iQ Left Side Decals

Item	Part No.	Part Description	Qty.
1	101243	LARGE ALLMAND GOLD BANNER	1
2	106827	MH500iQ DECAL	1
	108392	MH500iQ FCS DECAL	1
3	104753	TIE DOWN POINT DECAL	1
4	106805	TIRE INFORMATION DECAL	1
	108360	TIRE INFORMATION MH500iQ FCS DECAL	1
5	104761	GROUND DECAL	1

## 7.3 - MH500iQ Roof Decals



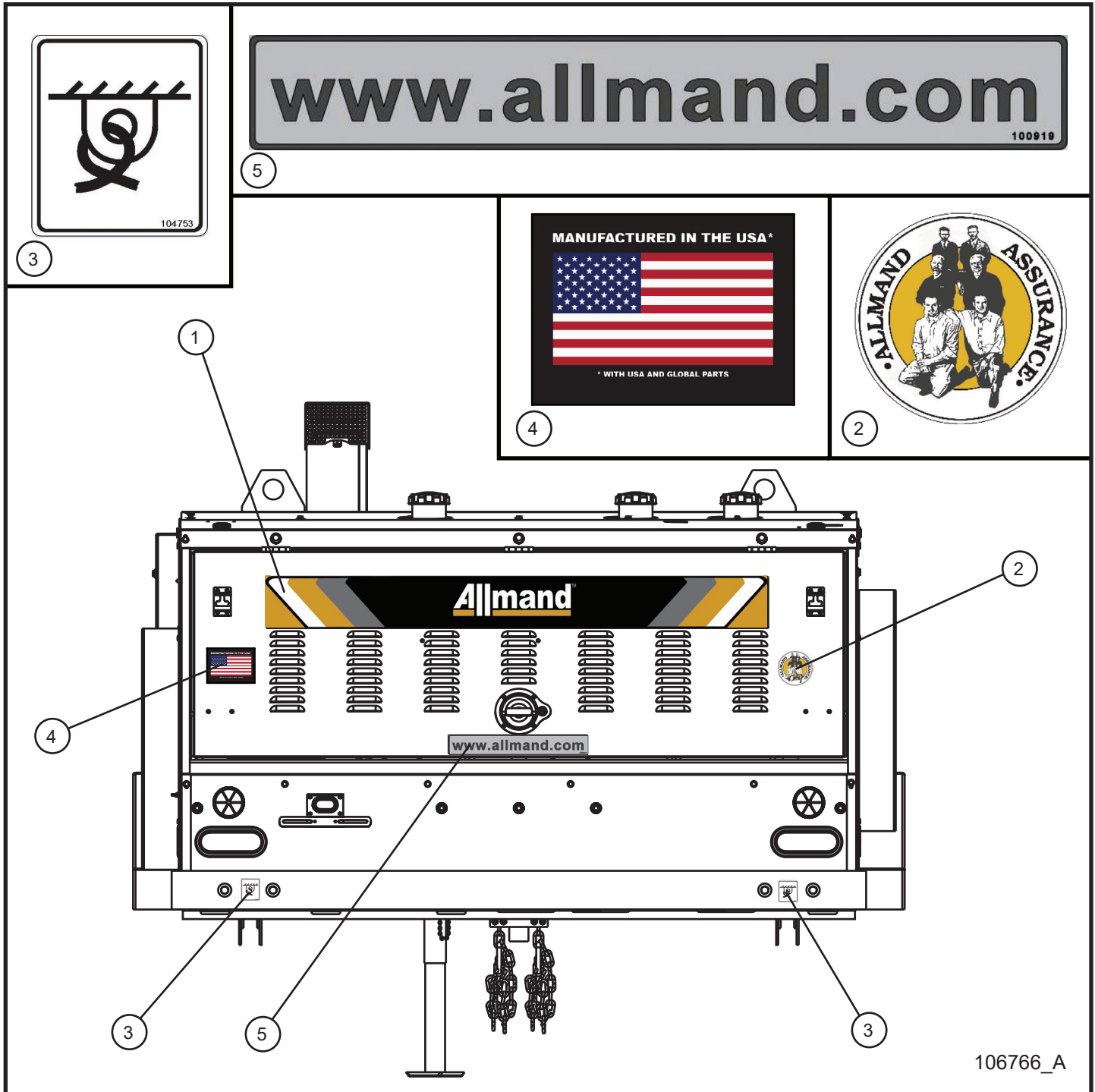
# MAXI-HEAT® MH500iQ™

SN 14-000001 and UP

## 7.3 - MH500iQ Roof Decals

Item	Part No.	Part Description	Qty.
1	106762	LIFTING WEIGHT DECAL	1
2	090108	HOT WARNING DECAL MAXI HEAT	1

## 7.4 - MH500iQ Rear Decals



106766\_A



# MAXI-HEAT® MH500iQ™

SN 14-000001 and UP

## 7.4 - MH500iQ Rear Decals

Item	Part No.	Part Description	Qty.
1	101246	REAR PANEL GOLD DECAL	1
2	102088	3 GENERATIONS ALLMAND ASSURANCE DECAL	1
3	104753	TIE DOWN POINT DECAL	2
4	105467	MANUFACTURED IN THE USA	1
5	100919	WWW.ALLMAND.COM DECAL	1

## 7.5 - MH500iQ Rear Door Decals

**⚠ WARNING**

Do not operate this unit around combustible materials. Fire may result.

090143

7


**⚠ WARNING**

- Do not start heater when excess oil has accumulated in chamber.
- Do not fill fuel tank while unit is operating.
- Do not shut off by disconnecting power supply cord.
- Do not use gasoline, crankcase oil, or heavier than no. 2 furnace oil.

106818

5

**⚠ WARNING**



To Prevent Serious Injury or Death:

- Avoid unsafe operation or maintenance.
- Do not operate or work on this machine without reading and understanding the operator's manual.
- If manual is lost, contact your nearest dealer for a new manual.

090158

2

**ENGINE STARTING PROCEDURES**

**BEFORE STARTING:**

- Fill the engine with the specified grade and quantity of lubricating oil.
- Ensure there is an adequate supply of fuel and that the fuel system is primed.
- Ensure that the air cleaner is firmly attached and air joints are properly sealed. The air filter element should be checked and replaced if necessary.
- Ensure batteries are filled to correct level, charged and have clean connections.

**STARTING ENGINE:**

- Heater switches must be in the OFF position.
- Open door for heater outlets.

**NOTE:** Engine will not start with heater outlet door closed.

- Turn switch to PREHEAT position, hold until the glow indicator goes out.
- Turn switch to START position until engine starts. Release key as soon as engine starts.
- If engine fails to start, repeat cycle.

090306

4

**⚠ WARNING**

Do not operate inside a building or partly ventilated area. This unit will produce carbon dioxide and carbon monoxide, which could lead to asphyxiation.

000142

8

**⚠ WARNING**

**HEATER OPERATING INSTRUCTIONS**

**HEATER STARTING**

- Circuit breakers for heater units must be switched to the ON position.
- Allow engine to come to full RPM and warm up before starting heater units.

**IF HEATER UNITS FAIL TO START**

- See MCS troubleshooting guide.

**HEATER SHUTDOWN**

- Press and hold ON/OFF button until control panel indicates shutdown.

*Notice:* Before turning the engine off, turn the heater unit off at the control panel. This allows the fans to complete a cool down cycle.


**ENGINE SHUTDOWN**

- Turn the key to the OFF position.

106818

1

**⚠ DANGER**



**ELECTRICAL SHOCK HAZARD**

Failure to use ground rod could cause severe injury or death.

Drive ground rod into earth and attach ground wire to grounding lug.

106924

6

**⚠ WARNING**

- The requirements of local authorities having jurisdiction shall be followed.
- Machine to be grounded in accordance with requirements as outlined by local inspection authorities.
- Do not fill the fuel tank while unit is running.
- Do not tamper with the unit. Only competent service personnel should make adjustments.

101062

1

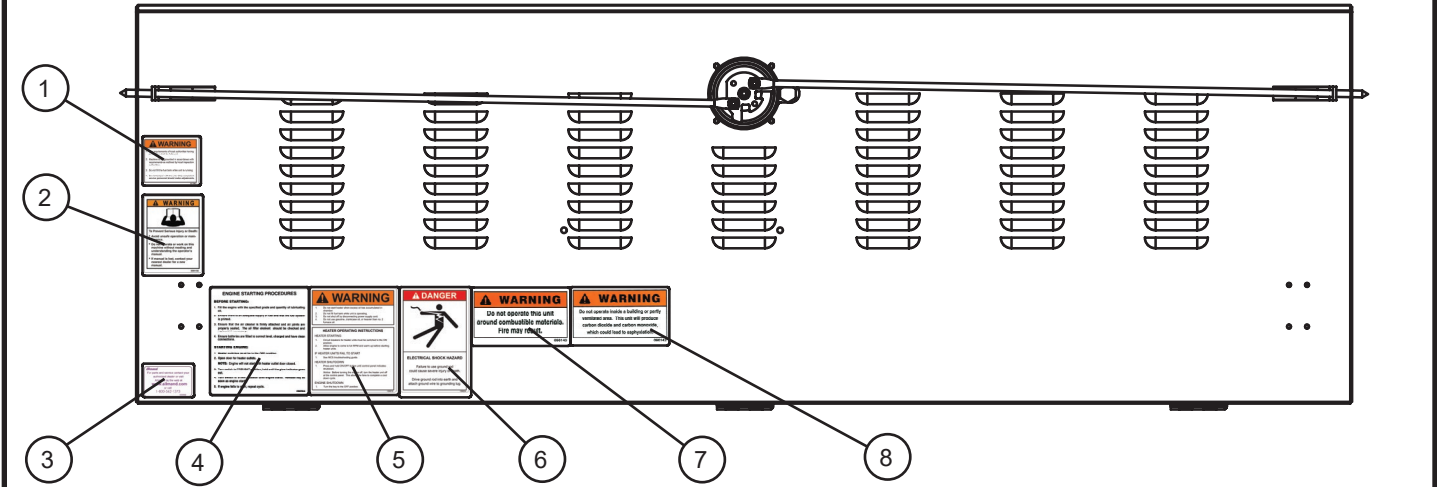
**Allmand**

For parts and service contact your authorized dealer or visit Allmand on the web at [www.allmand.com](http://www.allmand.com) or call 1-800-562-1373

090468

3

106766\_A  
106767\_A



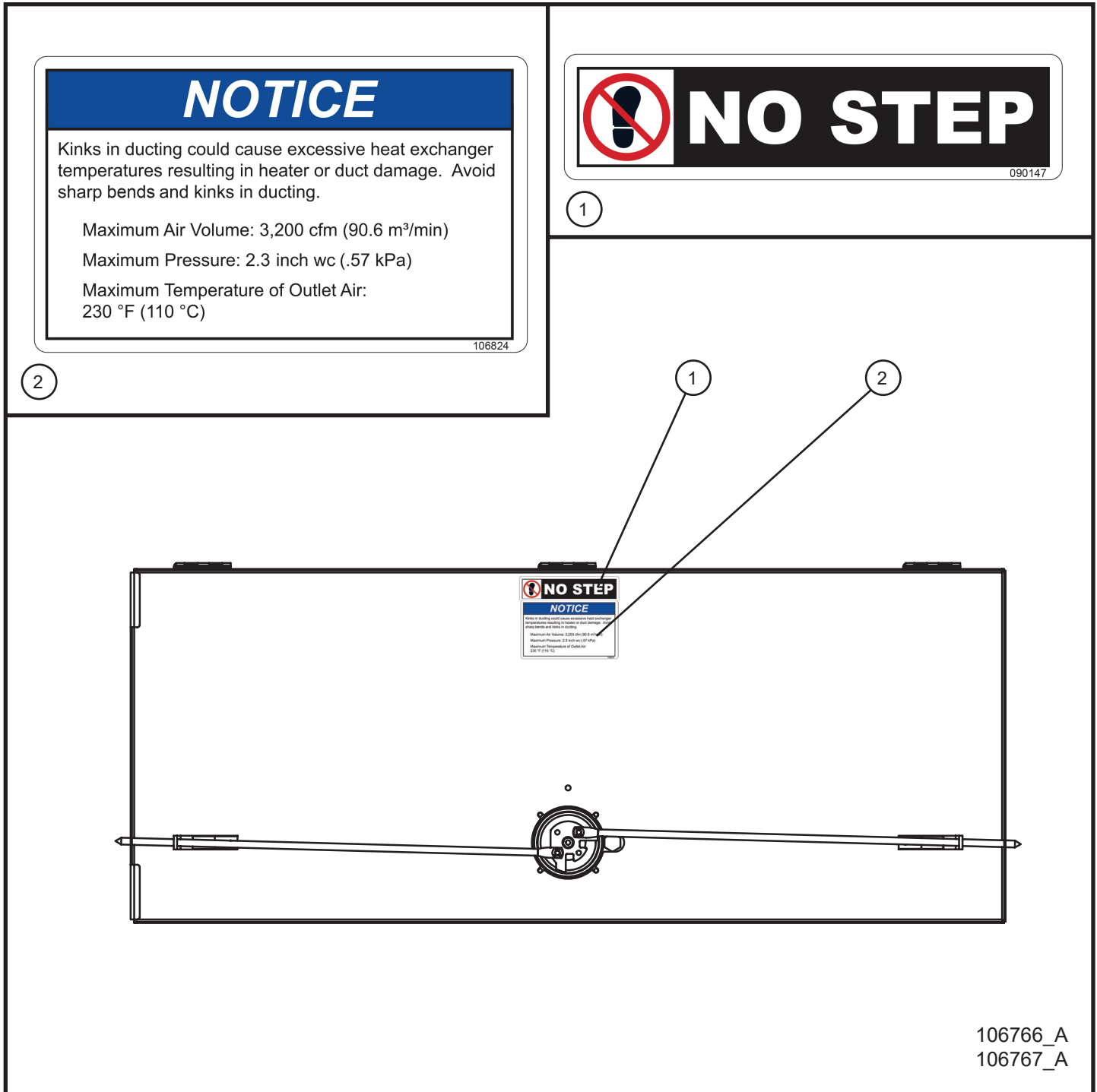
# MAXI-HEAT® MH500iQ™

SN 14-000001 and UP

## 7.5 - MH500iQ Rear Door Decals

Item	Part No.	Part Description	Qty.
1	101062	WARNING GENERAL STATEMENT DECAL	1
2	090158	OPERATOR MANUAL WARNING DECAL	1
3	090465	PARTS AND SERVICE DECAL	1
4	090304	ENGINE START PROCEDURES DECAL	1
5	106816	WARNING HEATER INSTRUCTIONS DECAL	1
6	106934	DANGER GROUND ROD FAILURE TO USE DECAL	1
7	090143	FIRE MAY RESULT WARNING DECAL	1
8	090142	ASPHYXIATION WARNING DECAL	1

## 7.6 - MH500iQ Left Door Decals



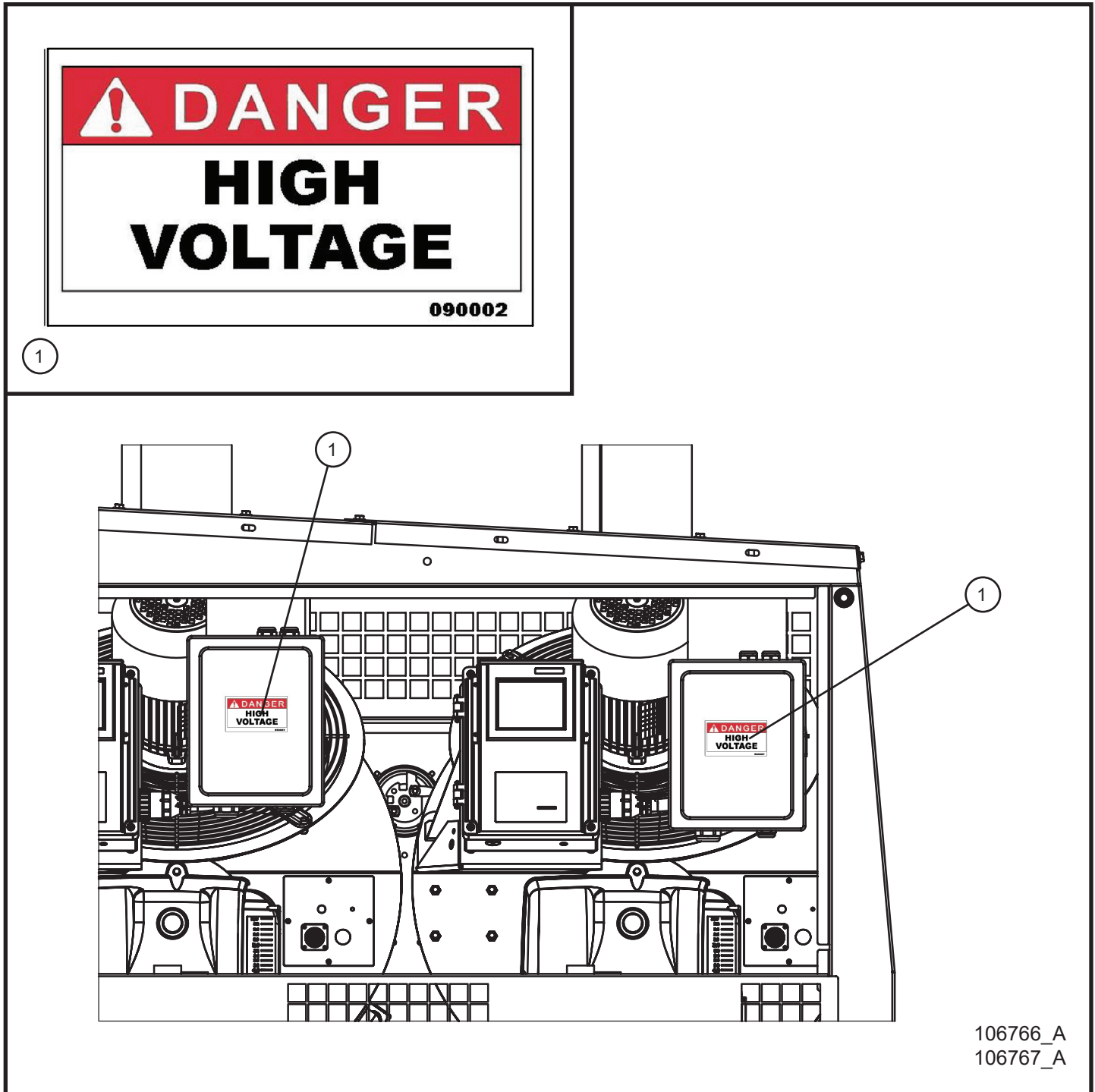
# MAXI-HEAT® MH500iQ™

SN 14-000001 and UP

## 7.6 - MH500iQ Left Door Decals

Item	Part No.	Part Description	Qty.
1	090147	NO STEP DECAL	1
2	106824	NOTICE DUCT WORK DECAL	1

## 7.7 - MH500iQ Junction Box Decals



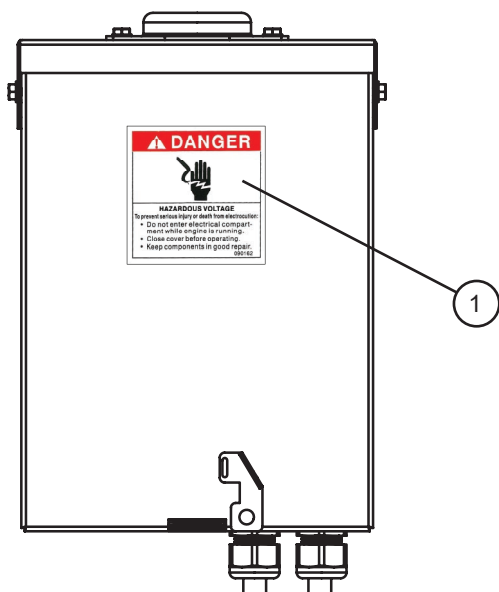
# MAXI-HEAT® MH500iQ™

SN 14-000001 and UP

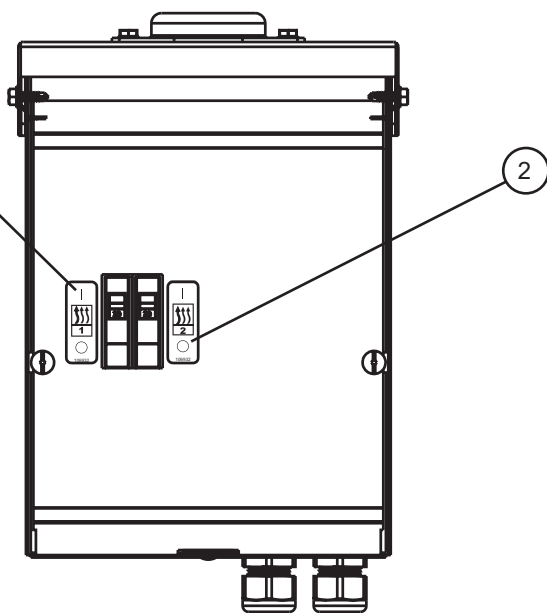
## 7.7 - MH500iQ Junction Box Decals

Item	Part No.	Part Description	Qty.
1	090002	HIGH VOLTAGE DANGER DECAL	2

## 7.8 - MH500iQ Breaker Box Decals




OUTSIDE OF BREAKER BOX



INSIDE OF BREAKER BOX

⚠ DANGER



**HAZARDOUS VOLTAGE**

To prevent serious injury or death from electrocution:

- Do not enter electrical compartment while engine is running.
- Close cover before operating.
- Keep components in good repair.

090162

①

|

↑↑↑

1

106932

|

↑↑↑

2

106932

106766\_A  
106767\_A

②



# MAXI-HEAT® MH500iQ™

SN 14-000001 and UP

## 7.8 - MH500iQ Breaker Box Decals

Item	Part No.	Part Description	Qty.
1	090162	HAZARDOUS VOLTAGE DANGER DECAL	1
2	106932	HEATER BREAKERS 1 & 2 DECAL SET	1

## 7.9 - MH500iQ Control Box and Non-FCS Battery Decals

1

ISUZU CONTROL BOX

1

CAT CONTROL BOX

1

090467

2

106766\_A  
106767\_A

NON-FCS TOP VIEW OF BATTERY

**! WARNING**

**COMBUSTIBLE GAS**  
Can Cause Severe Burns or Blindness

- Keep sparks and open flame away from batteries

090159

2

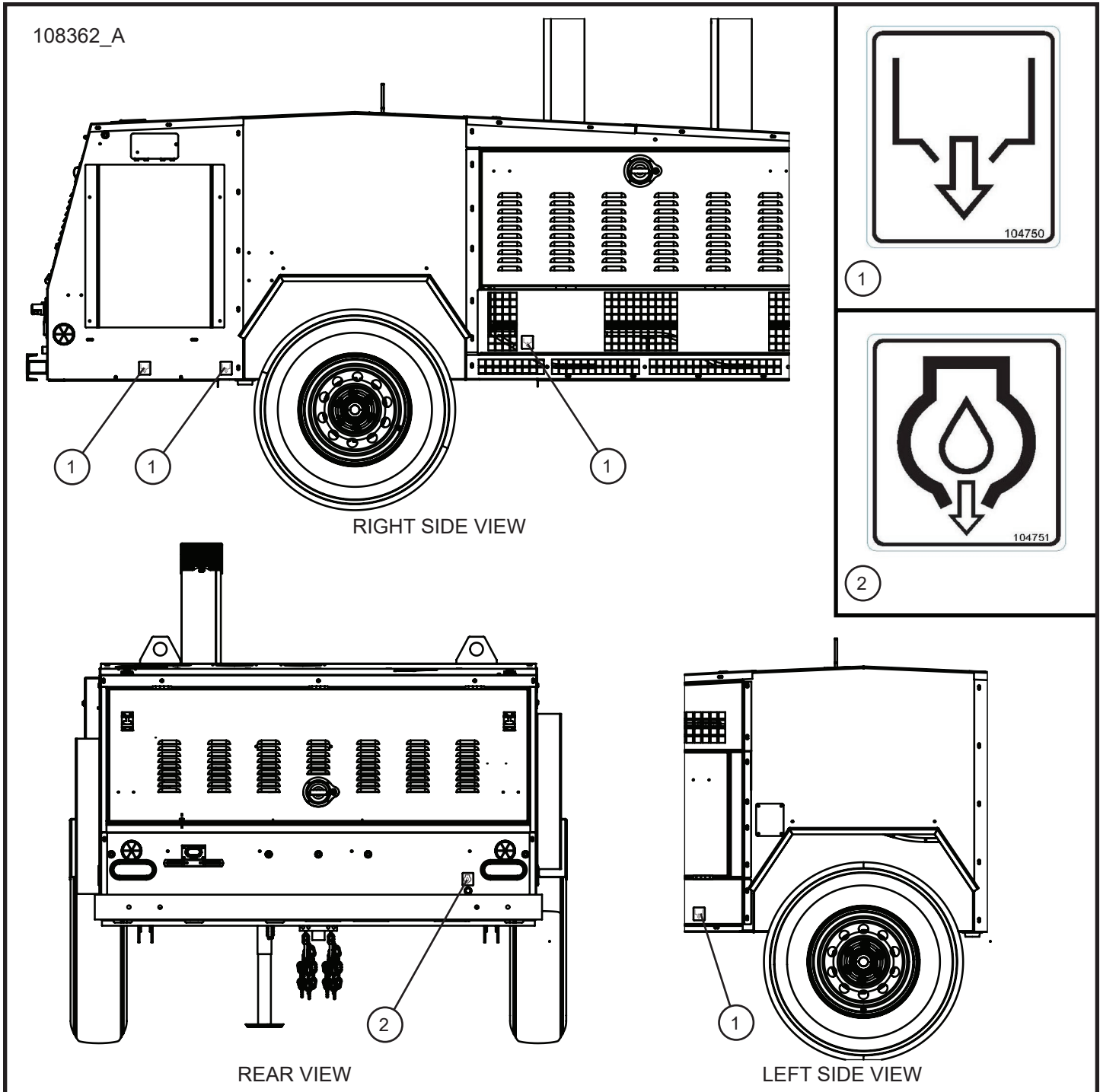
# MAXI-HEAT® MH500iQ™

SN 14-000001 and UP

## 7.9 - MH500iQ Control Box and Non-FCS Battery Decals

Item	Part No.	Part Description	Qty.
1	090467	WORK LIGHT INTERIOR DECAL	1
2	090159	COMBUSTIBLE GAS WARNING DECAL	1

## 7.10 - MH500iQ FCS Decals



# MAXI-HEAT® MH500iQ™

SN 14-000001 and UP

## 7.10 - MH500iQ FCS Decals

Item	Part No.	Part Description	Qty.
1	104750	DRAIN FLUID CONTAINMENT DECAL	1
2	104751	DRAIN ENGINE OIL DECAL	1

## 7.11 - MH500iQ Steel Fuel Tanks Decals

107045

090159

105825

ALLMAND MAXI HEAT MH500iQ	
<b>HEATING SECTION</b>	<b>SECTION CHAUFFAGE</b>
UNIT HEATERS: 2 EA MCS MH500iQ	UNITÉS DE CHAUFFAGE: 2 MCS MH500iQ
MAXIMUM FUEL CONSUMPTION: 3.7 gph (13.8 Lph)	CONSUMMATION MAXIMALE DE CARBURANT: 11,366 L/h (3 gal/h)
MAXIMUM HEATER OUTPUT/HEATER: 515,000 BTU/hr	SCRIE MAXIMALE DU CHAUFFAGE/CHAUFFAGE: 515,000 BTU/h
MAXIMUM TEMPERATURE OUTLET AIR: 230° F (110° C)	TEMPÉRATURE MAXIMALE DE LA SORTIE D'AIR: 110° C (230° F)
ELECTRICAL REQUIREMENTS: 115V AC, 50/60 Hz, 24A	TENSION ÉLECTRIQUE REQUISE: 115 V c.a., 50 Hz, 24A
<b>DIMENSIONS</b>	<b>DIMENSIONS</b>
LENGTH: 16 ft (4.88m)	LONGUEUR: 4.88 m (16 pi)
HEIGHT: 6 ft (1.83m)	HAUTEUR: 1.83 m (6 pi)
WIDTH: 6 ft 8 in (2.03m)	LARGEUR: 2.03 m (6 pi 8 po)
WEIGHT (DRY): 4130 lbs (1873 kg)	POIDS (SEC): 1873 kg (4130 lbs)
WEIGHT (WET): 5650 lbs (2563 kg)	POIDS (HUMIDE): 2563 kg (5650 lbs)
<b>POWER GENERATING</b>	<b>GÉNÉRATION D'ÉNERGIE</b>
ENGINE: CAT C1.5 DIESEL ENGINE 18.8 HP (STANDARD)	MOTEUR: MOTEUR DIESEL CAT C1.5 18.8 HP (STANDARD)
SUUI 50ci DIESEL ENGINE 19.9 HP (OPTIONAL)	MOTEUR DIESEL ISUZU 50ci 19.9 HP (EN OPTION)
FUEL CONSUMPTION (ENGINE ONLY): 1.08 gph (4.09 Lph)	CONSUMMATION DE CARBURANT (MOTEUR UNiquement): 4.09 L/h (1.08 gal/h)
AC GENERATOR: CUMMINS 9kW 60Hz, 1Ph, 1800 rpm	GÉNÉRATEUR À COURANT ALTERNATIF: CUMMINS 9kW 60Hz, 1ph, 1800 rpm
<b>CLEARANCE TO COMBUSTIBLES</b>	<b>DÉGAGEMENT DES MATÉRIAUX COMBUSTIBLES</b>
SIDES: 2 ft (0.610m) MINIMUM	CÔTES: MINIMUM DE 0.610 m (2 pi)
<b>FUEL SYSTEMS</b>	<b>CIRCUITS D'ALIMENTATION EN CARBURANT</b>
FUEL CAPACITY: 200 LUS gal (946.35 L)	CONTENANCE DU RÉSERVOIR DE CARBURANT: 200 gal (946.35 L)
TWO 100 gal (378.54 L) TANKS FOR HEATERS	DEUX RÉSERVOIRS DE 378.54 L (100 gal) POUR LES UNITÉS DE CHAUFFAGE
ONE 50 gal (189.27 L) TANK FOR ENGINE	UN RÉSERVOIR DE 189.27 L (50 gal) POUR LE MOTEUR
FUEL TYPE: NO. 1 DIESEL FUEL	TYPES DE CARBURANT: CARBURANT DIESEL N° 1

CSA FILE NO. 204930  
(800) 562-1373 • www.allmand.com

106817

\*DECALS ARE USED FOR BOTH TYPES OF STEEL FUEL TANKS

108397\_A

SIDE OF STEEL FUEL TANK

STEEL FUEL TANK ROOF PANEL

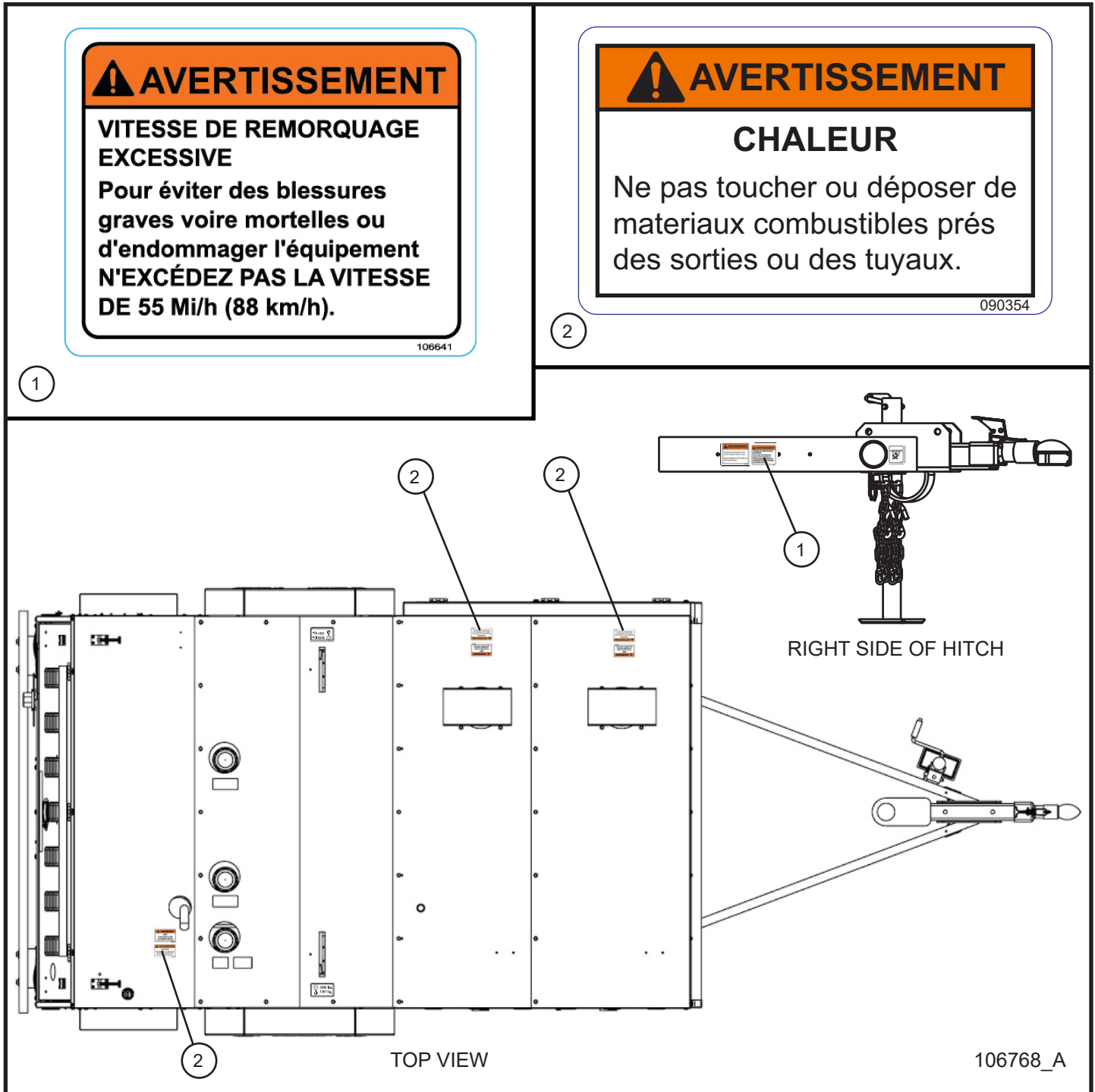
# MAXI-HEAT® MH500iQ™

SN 14-000001 and UP

## 7.11 - MH500iQ Steel Fuel Tanks Decals

Item	Part No.	Part Description	Qty.
1	107045	LOW SULFUR FUEL DECAL	1
2	090159	COMBUSTIBLE GAS WARNING DECAL	1
3	105825	COMBUSTIBLE GAS WARNING DECAL CSA (CSA ONLY)	1
4	108361	CSA RATING FCS DECAL (CSA ONLY)	1
	106817	CSA RATING NON-FCS DECAL (CSA ONLY)	1

## 7.12 - MH500iQ CSA Roof and Right Side Decals





# MAXI-HEAT® MH500iQ™


SN 14-000001 and UP

## 7.12 - MH500iQ CSA Roof and Right Side Decals

Item	Part No.	Part Description	Qty.
1	106641	EXCESS TOWING WARNING DECAL CSA	1
2	090354	HOT WARNING DECAL CSA	3

## 7.13 - MH500iQ CSA Rear Door Decals

**AVERTISSEMENT**




Pour éviter des blessures graves, voire mortelles :

- Éviter un fonctionnement ou un entretien non sécurisé.
- Ne pas faire fonctionner ou utiliser cette machine sans prendre connaissance et comprendre le Manuel de l'opérateur.
- Si le manuel est perdu, contacter le détaillant le plus proche pour en obtenir un nouveau.

106824

**DANGER**



**RISQUE DE SECOURS ELECTRIQUES**

Si vous n' utilisez pas de prise de terre, vous risquez de graves blessures ou la mort

Positionner la prise de terre dans le terrain et la connecter à la prise de terre du châssis.

096332

**INSTRUCTIONS POUR LE DEMARRAGE DU MOTEUR**

**AVANT LE DEMARRAGE**

- Ravitiller le moteur avec une qualité et une quantité correcte d'huile.
- S'assurer que le carburant arrive et que le système soit enclenché.
- S'assurer que le filtre à air soit bien serré et que les joints soient étanches. Le filtre à air, réf. 340038 doit être contrôlé et éventuellement remplacé.
- S'assurer que les batteries soient remplies au niveau correct, et que leurs attaches soient propres.

**DEMARRAGE DU MOTEUR**

- L' interrupteur doit être en position OFF.
- Ouvrir les prises pour le réchauffage.

**NOTE :** Le moteur ne démarre pas si les prises de chauffage sont fermées.

- Tourner l'interrupteur sur la position PREHEAT et le tenir jusqu'à ce que le témoin soit éteint.
- Tourner l'interrupteur sur la position START, jusqu'à ce que le moteur ait démarré. Lâcher la clé, après le démarrage.
- Si le moteur ne démarre pas, répéter le cycle.

096202

**AVERTISSEMENT**

- Ne pas allumer l'unité de chauffage si du mazout en excès s'est accumulé dans le réservoir.
- Ne pas remplir le réservoir de carburant pendant le fonctionnement de l'unité.
- Ne pas éteindre l'unité en déconnectant le cordon d'alimentation.
- Ne pas utiliser d'essence, d'huile de carter ou de mazout plus lourd que celui de catégorie n° 2.

**MODE D'EMPLOI DE L'UNITÉ DE CHAUFFAGE**

**DEMARRAGE DE L'UNITÉ DE CHAUFFAGE**

- Les disjoncteurs de l'unité de chauffage doivent être en position ON (Marche).
- Permettre au moteur d'atteindre sa vitesse maximale en tr/min et de se chauffer avant de démarrer les unités de chauffage.

**SIL LES UNITÉS DE CHAUFFAGE NE DÉMARRENT PAS**

- Voir le guide de dépannage MGS.

**ARRÊT DE L'UNITÉ DE CHAUFFAGE**

- Appuyer et maintenir enfoncé le bouton ON/OFF (Marche-Arrêt) jusqu'à ce que le panneau de commande indique que l'unité est éteinte.

**Avis:** Avant d'arrêter le moteur, arrêter l'unité de chauffage sur le panneau de commande. Cela permet aux ventilateurs de terminer leur cycle de refroidissement.

**ARRÊT DU MOTEUR**

- Mettre la clé de contact sur OFF (Arrêt).

106921

**AVERTISSEMENT**

- Les exigences des autorités locales compétentes doivent être respectées.
- La machine doit être mise à la masse conformément à la réglementation des autorités d'inspection locales.
- Ne pas remplir le réservoir de carburant pendant le fonctionnement de l'appareil.
- Ne pas altérer l'appareil. Les modifications ne peuvent être effectuées que par du personnel d'entretien compétent.

106822

**AVERTISSEMENT**

**NE PAS ACTIONNER CETTE UNITÉ EN PRESENCE DE MATÉRIAUX INFLAMMABLES. ILS POURRAIENT CAUSER DES INCENDIES.**

090558

**AVERTISSEMENT**

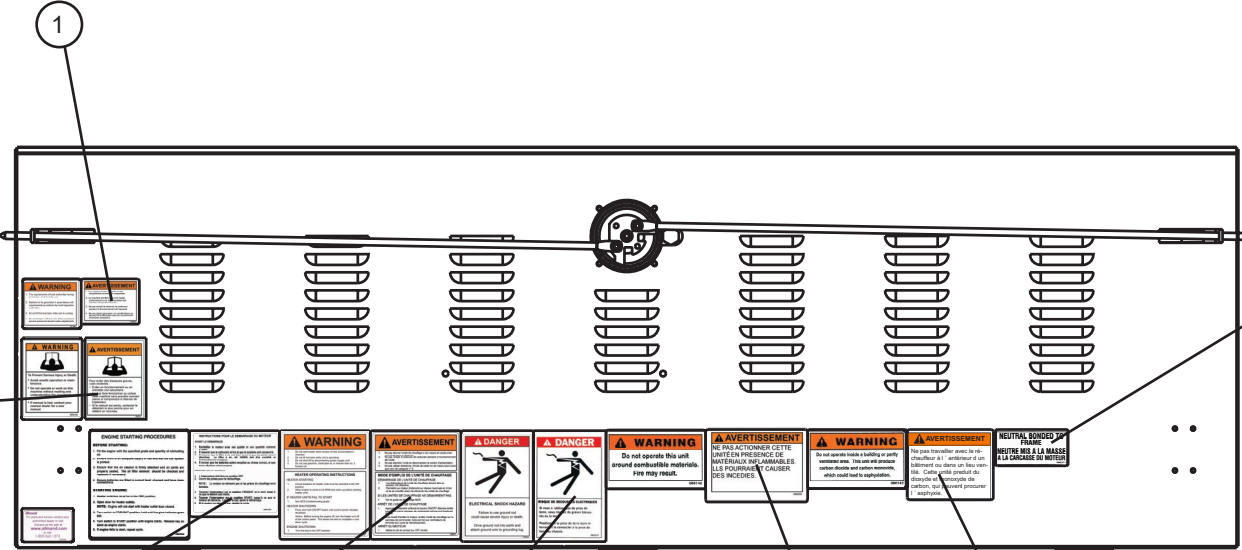
Ne pas travailler avec le réchauffeur à l' intérieur d'un bâtiment ou dans un lieu ventilé. Cette unité produit du dioxyde et monoxyde de carbone, qui peuvent procurer l' asphyxie.

090555

**NEUTRAL BONDED TO FRAME**

**NEUTRE MIS A LA MASSE A LA CARCASSE DU MOTEUR**

090371



106768\_A

# MAXI-HEAT® MH500iQ™

SN 14-000001 and UP

## 7.13 - MH500iQ CSA Rear Door Decals

Item	Part No.	Part Description	Qty.
1	106822	WARNING GENERAL STATEMENT DECAL CSA	1
2	105824	READ AND UNDERSTAND WARNING DECAL CSA	1
3	090352	ENGINE STARTING PROCEDURES DECAL CSA	1
4	106921	WARNING DECAL HEATER INSTRUCTIONS CSA	1
5	090357	ELECTRICAL SHOCK DANGER DECAL CSA	1
6	090356	WARNING DECAL FIRE MAY START CSA	1
7	090355	WARNING DECAL AXPHYXIATION CSA	1
8	090371	NEUTRAL BONDED DECAL	1

## 7.14 - MH500iQ CSA Left Door and Junction Box Decals

**INSIDE LEFT DOOR** (1)

**JUNCTION BOXES** (2)

**AVIS**

Des problèmes de torsions dans le réseau de ventilation peuvent résulter en températures excessives de l'échangeur thermique, susceptibles d'endommager le chauffage ou le réseau de ventilation. Éviter les coudes aigus et les torsions lors de l'installation du réseau de ventilation.

Volume d'air maximum : 3 200 pi<sup>3</sup>/min (90,6 m<sup>3</sup>/min)  
 Pression maximale 2,3 po wc (0,57 kPa)  
 Température maximale de la sortie d'air : 110 °C (230 °F)

106922

**! DANGER :**

**HAUTE TENSION**

105819

106768\_A

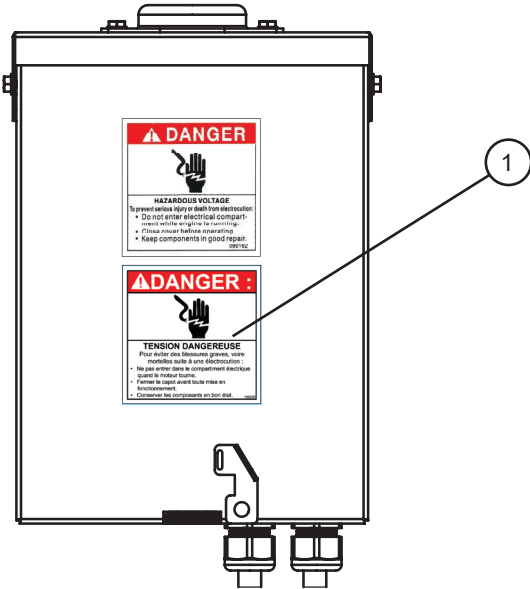
# MAXI-HEAT® MH500iQ™

SN 14-000001 and UP

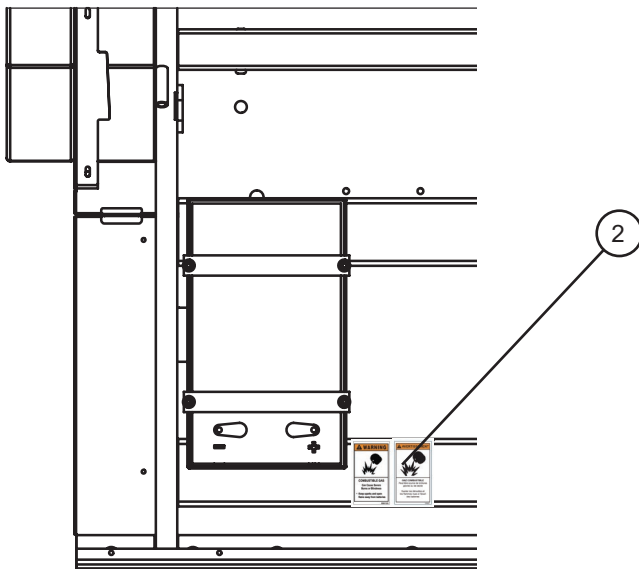
## 7.14 - MH500iQ CSA Left Door and Junction Box Decals

Item	Part No.	Part Description	Qty.
1	106922	NOTICE DECAL DUCT WORK CSA	1
2	105819	HIGH VOLTAGE DANGER DECAL CSA	1

## 7.15 - MH500iQ CSA Breaker Box and Battery Decals



OUTSIDE OF BREAKER BOX



106768\_A NON-FCS TOP VIEW OF BATTERY



1



2

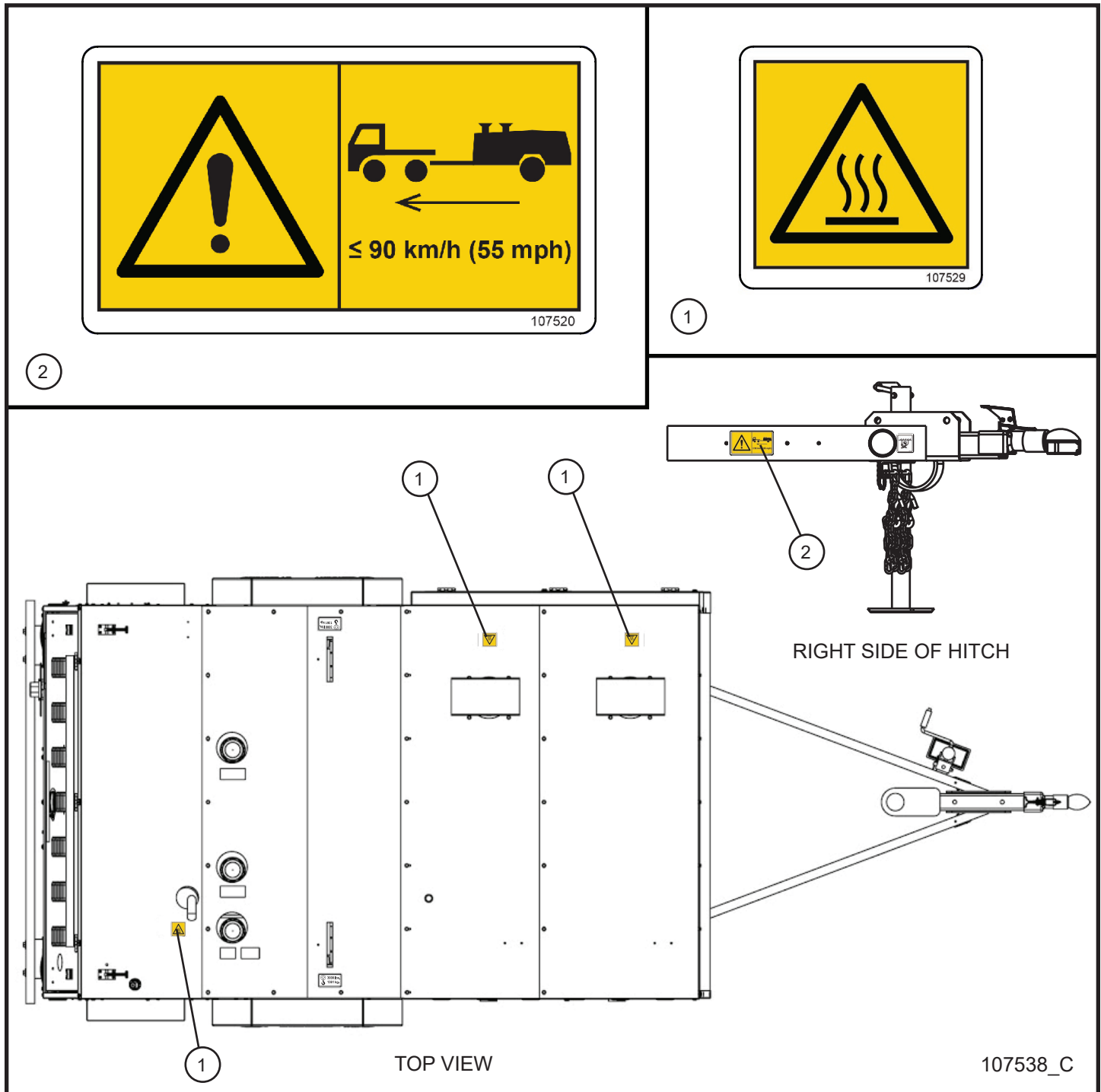
# MAXI-HEAT® MH500iQ™

SN 14-000001 and UP

## 7.15 - MH500iQ CSA Breaker Box and Battery Decals

Item	Part No.	Part Description	Qty.
1	105826	HAZARDOUS VOLTAGE DANGER DECAL CSA	1
2	105825	COMBUSTIBLE GAS WARNING DECAL CSA	1

## 7.16 - MH500iQ Wordless Roof and Right Side Decals





# MAXI-HEAT® MH500iQ™

SN 14-000001 and UP

## 7.16 - MH500iQ Wordless Roof and Right Side Decals

Item	Part No.	Part Description	Qty.
1	107529	HOT SURFACE WORDLESS WARNING DECAL	3
2	107520	TOWING SPEED WORDLESS WARNING DECAL	1

## 7.17 - MH500iQ Wordless Rear Door Decals

The diagram illustrates the placement of wordless rear door decals for the MH500iQ. It includes the following components:

- Decal Options (1-7):** Individual decal designs for fire, electrical shock, falling objects, machine operation, and general warnings.
- Decal Strip (3):** A sequence of decal strips showing the order and arrangement of the individual decals.
- Assembly View (6):** A diagram of the rear door showing the placement of the decal strips (1-7) and the spring mechanism.

107538\_C

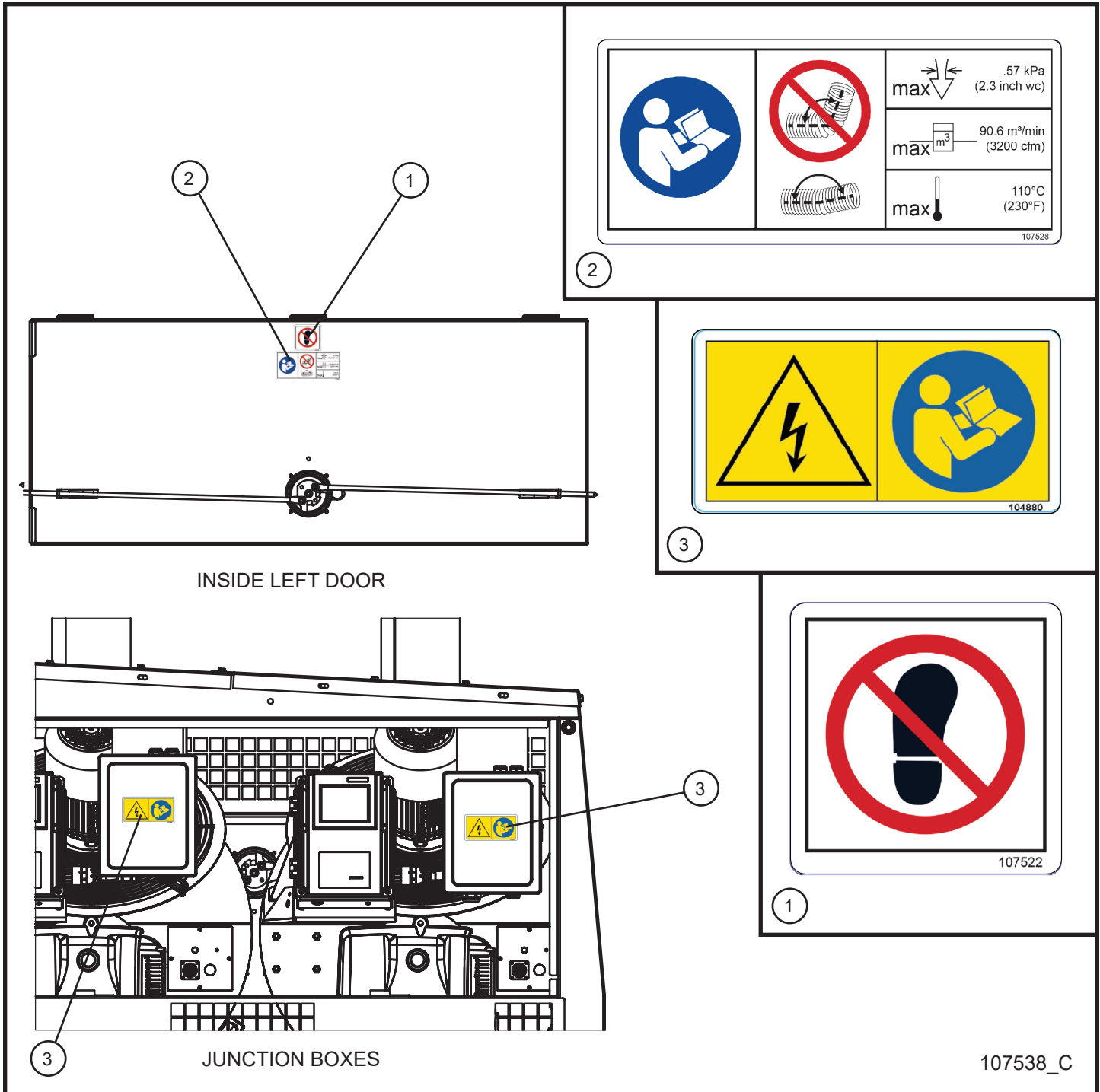
# MAXI-HEAT® MH500iQ™

SN 14-000001 and UP

## 7.17 - MH500iQ Wordless Rear Door Decals

Item	Part No.	Part Description	Qty.
1	107524	ASPHYXIATION WORDLESS WARNING DECAL	1
2	107526	COMBUSTIBLE MATERIAL WORDLESS WARNING DECAL	1
3	107521	WORDLESS OPERATOR DECAL	1
4	105508	READ MANUAL WORDLESS DECAL	1
5	107255	GROUND ROD WORDLESS WARNING DECAL	1
6	104874	FAN AND BELT WORDLESS WARNING DECAL	1
7	107258	HOT RADIATOR WORDLESS WARNING DECAL	1

## 7.18 - MH500iQ Wordless Left Door and Junction Box Decals



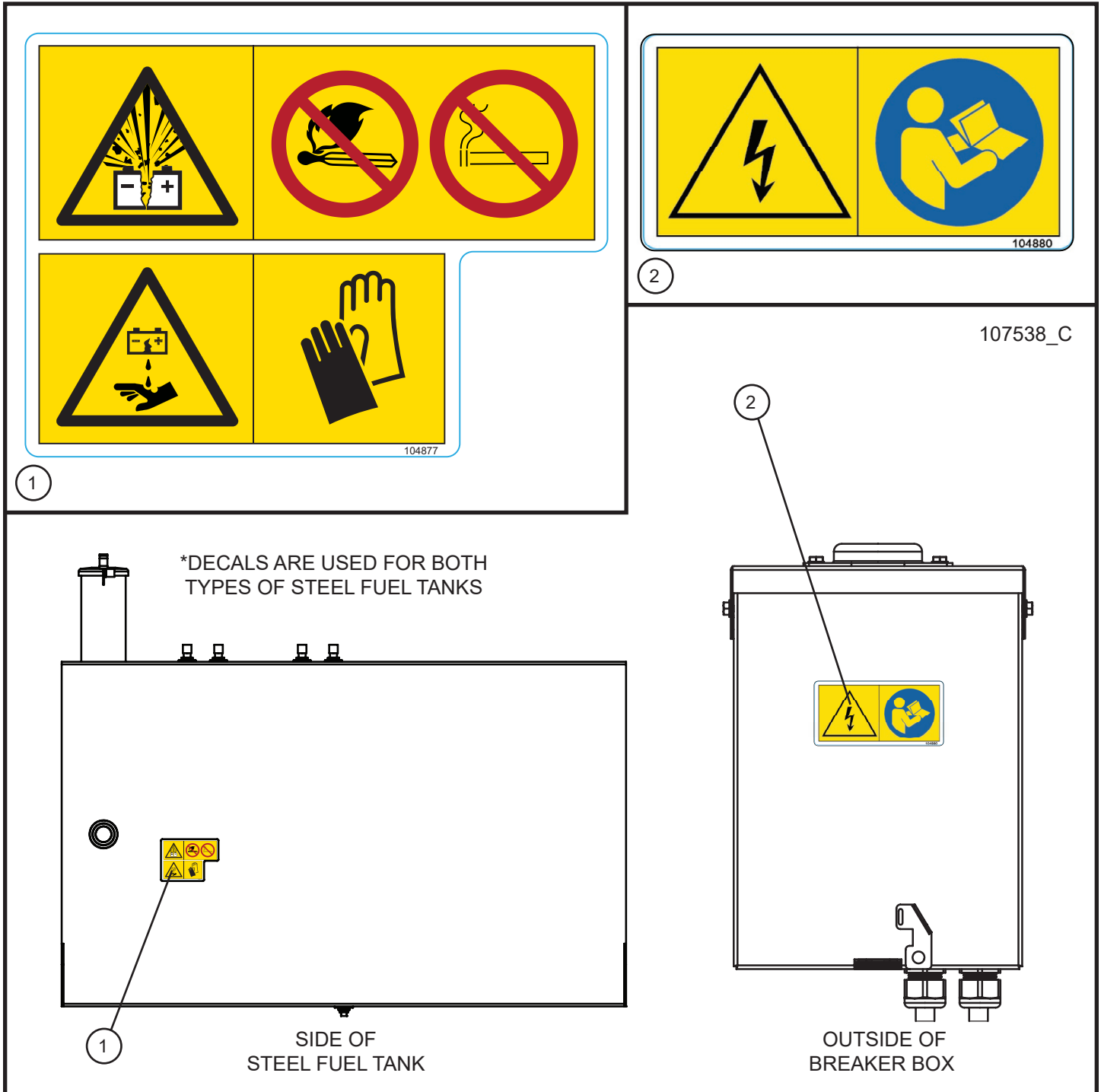
# MAXI-HEAT® MH500iQ™

SN 14-000001 and UP

## 7.18 - MH500iQ Wordless Left Door and Junction Box Decals

Item	Part No.	Part Description	Qty.
1	107522	NO STEP WORDLESS DECAL	1
2	107528	HEATER DUCT NOTICE WORDLESS DECAL	1
3	104880	HIGH VOLTAGE WORDLESS WARNING DECAL	2

## 7.19 - MH500iQ Wordless Breaker Box and Steel Tank Decals



# MAXI-HEAT® MH500iQ™

SN 14-000001 and UP

## 7.19 - MH500iQ Wordless Breaker Box and Steel Tank Decals

Item	Part No.	Part Description	Qty.
1	104877	BATTERY WORDLESS WARNING DECAL	1
2	104880	HIGH VOLTAGE WORDLESS WARNING DECAL	1

**MAXI-HEAT® MH500iQ™**



**1502 West 4th Avenue  
Holdrege, NE 68949**

**phone: (308) 995-4495 • toll free: (800) 562-1373**

**fax: (308) 995-5887**

**[www.allmand.com](http://www.allmand.com)**