

**PARTS MANUAL**

**AUGUST 2007**

**Allmand**<sup>TM</sup>  
**MAXI-HEAT® SERIES**

**MODEL MH 1000**

Beginning with Serial Number 0001MXH08

**ALLMAND BROS. INC**  
**P.O. BOX 888**  
**HOLDREGE, NE 68949**

**PHONE: 308/995-4495, 1-800/562-1373**  
**FAX: 308/995-5887**  
**PARTS FAX: 308/995-4883**

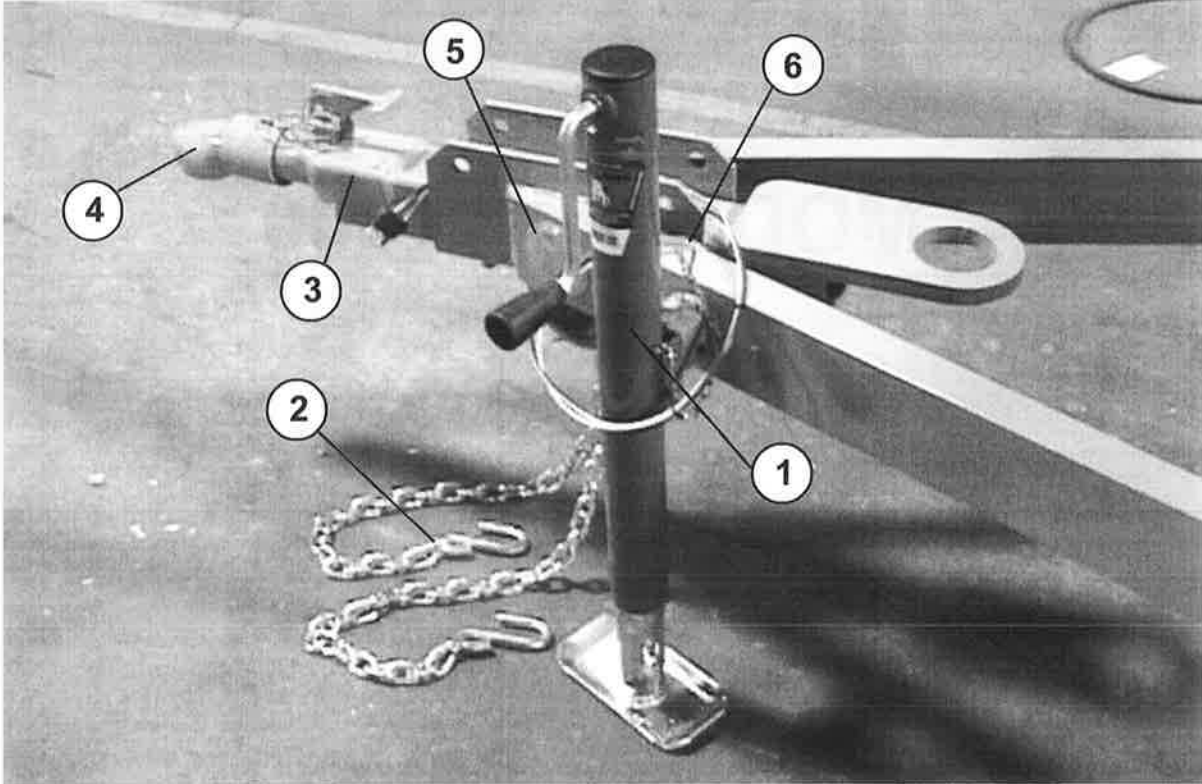
**Allmand**<sup>TM</sup> **MAXI-HEAT® SERIES**

For Parts and Updates visit Allmand on the Web at [www.allmand.com](http://www.allmand.com)

# TRAILER ASSEMBLY PARTS AND ACCESSORIES

---

A-1A



# TRAILER ASSEMBLY PARTS AND ACCESSORIES

---

---

A-1B

REF#	PART#	DESCRIPTION
1	330011	JACK SIDE CRANK
2	049036	SAFETY CHAIN KIT (2 KITS REQUIRED)
3	330016*	REVERSIBLE HITCH ASSEMBLY
4	330018*	BULLDOG HITCH ONLY
NS	330019	BULLDOG HITCH REPAIR KIT
5	330039	REFLECTOR, AMBER (2 REQUIRED)
6	330013	REPLACEMENT LOCK PIN
NS	650236	PLASTIC JACK CAP

LEGEND: NS = Not Shown

\*\* = Purchase Locally

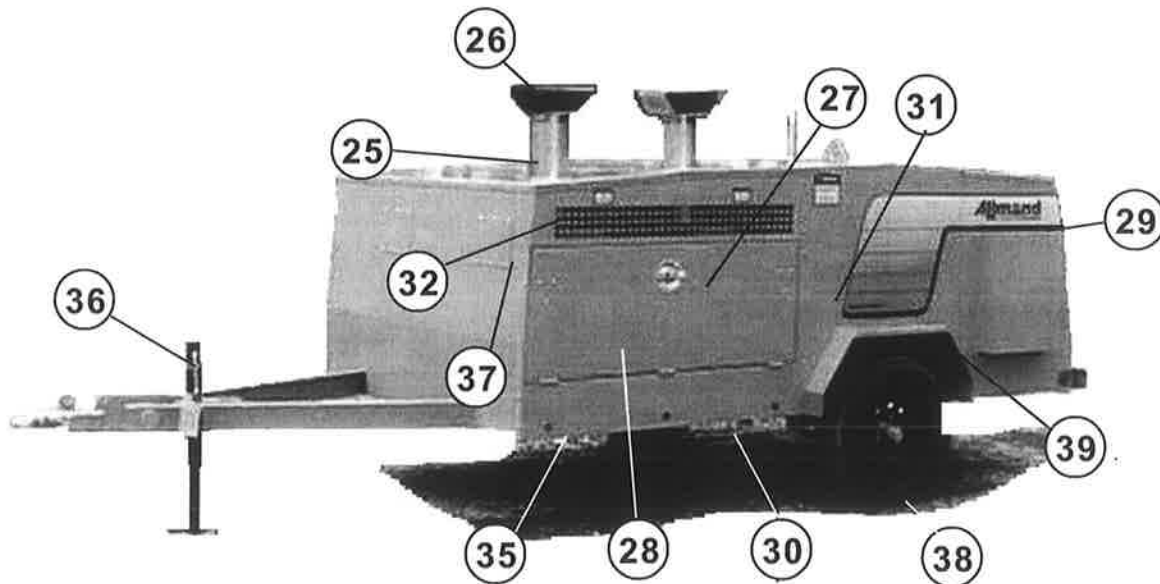
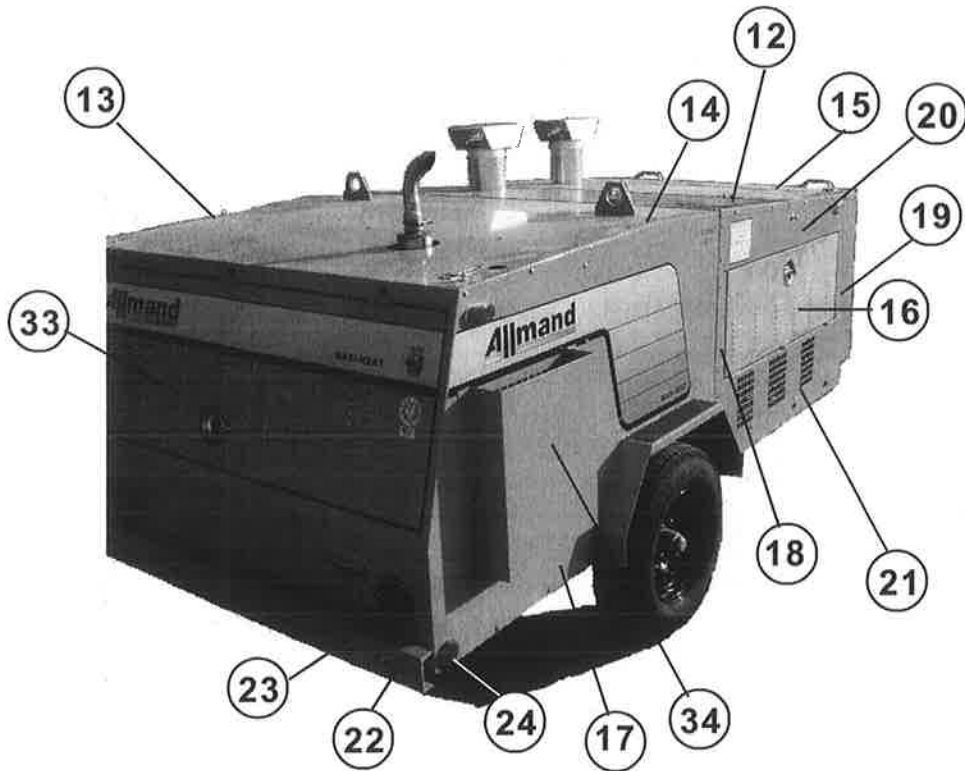
\* Use these codes to designate color needed:

06-Allmand Gold  
P-Primer Only

# TRAILER ASSEMBLY PARTS AND ACCESSORIES

---

A-2A



# TRAILER ASSEMBLY PARTS AND ACCESSORIES

---

A-2B

REF#	PART#	DESCRIPTION
NS	830030*	ROOF PANEL 2
12	849055*	ROOF PANEL 2 (AFTER 0104MXH06)
13	848403*	ROOF PANEL - REAR ISUZU
14	848610*	ROOF PANEL - CENTER ISUZU
NS	830025*	ROOF PANEL - FRONT
15	849054*	ROOF PANEL - FRONT (AFTER 0104MXH06)
16	848282*	SIDE DOOR ASSEMBLY - RIGHT
17	800229*	SIDEPANEL - RIGHT REAR ISUZU
18	830075*	SIDE REAR PANEL - RIGHT
19	830060*	SIDE FRONT PANEL - RIGHT
NS	830070*	SIDE TOP PANEL - RIGHT
20	849056*	SIDE TOP PANEL - RIGHT (AFTER 0104MXH06)
21	848383*	SIDE BOTTOM PANEL - RIGHT
22	830130*	REAR BUMPER
NS	466084*	REAR BUMPER SPACER, 2 REQ'D
23	650129	TAILLIGHT, 2 REQ'D
NS	849053	TAILLIGHT/INTERLOCK WIRE HARNESS
24	330037	REFLECTOR, RED (2 REQUIRED)
25	840080	6" X 18" CHIMNEY
848001 26	<del>840085</del>	CHIMNEY RAIN CAP
NS	840090	CHIMNEY VENT GRAB
27	330045	DOOR LATCH ASSEMBLY (INTERCHANGEABLE)
28	848283*	SIDE DOOR ASSEMBLY - LEFT (19 1/2" H)
29	800230*	SIDE PANEL - LEFT REAR ISUZU
NS	848412	MANUAL STORAGE BOX
30	830091*	SIDE BOTTOM PANEL - LEFT
31	830086*	REAR SIDE PANEL - LEFT
32	849057*	TOP HEADER - LEFT (AFTER 0104MXH06)
NS	830081	TOP HEADER - LEFT
33	848284*	REAR DOOR ASSEMBLY
34	800231*	AIR INTAKE COVER ISUZU
35	330041	DOOR STOP BUMPER
36	330011	JACK SIDE CRANK
37	848810*	FRONT ACCESS PANEL (AFTER 0001MXH07)
NS	848162*	FRONT ACCESS PANEL (0001MXH06 THRU 0216MXH06)
38	830006A	WHEEL AND TIRE ASSY 15" X 6" 6-HOLE
39	848328	OUTER FENDER
NS	830006	WHEEL ONLY 15" X 6" 6-HOLE
NS	830004	TIRE ONLY ST225/75R15BD
NS	849053	WIRING HARNESS

LEGEND: NS = Not Shown

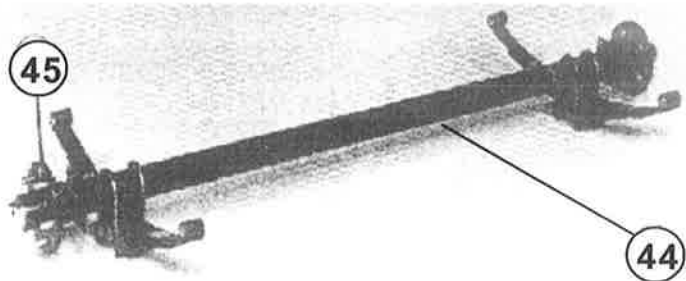
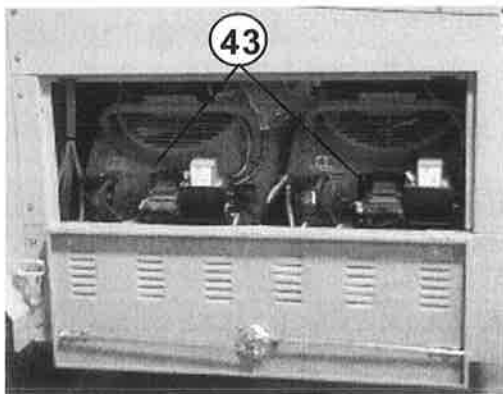
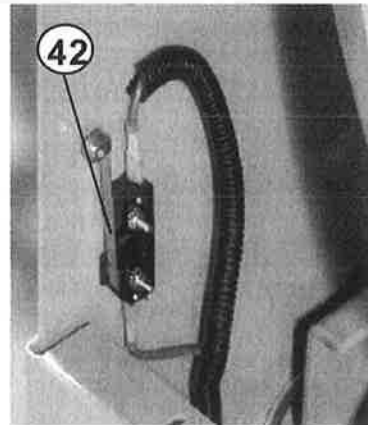
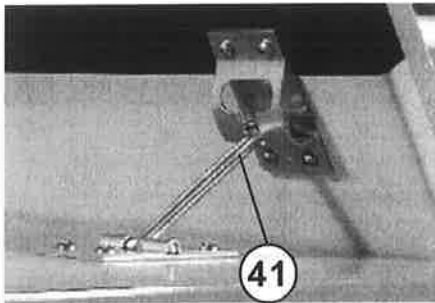
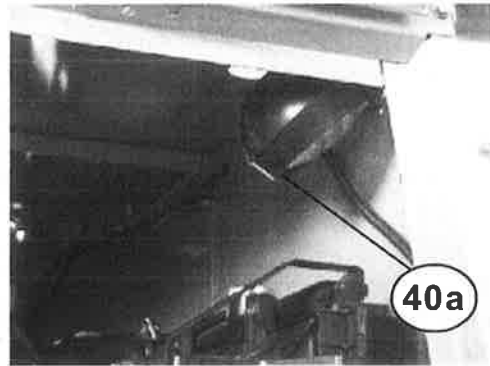
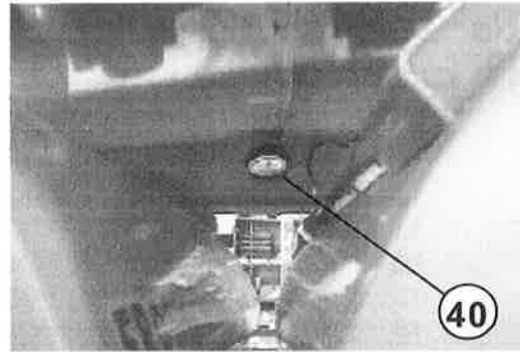
\*\* = Purchase Locally

\* Use these codes to designate color needed:

06-Allmand Gold  
P-Primer Only

# TRAILER ASSEMBLY PARTS AND ACCESSORIES

A-3A



# TRAILER ASSEMBLY PARTS AND ACCESSORIES

---

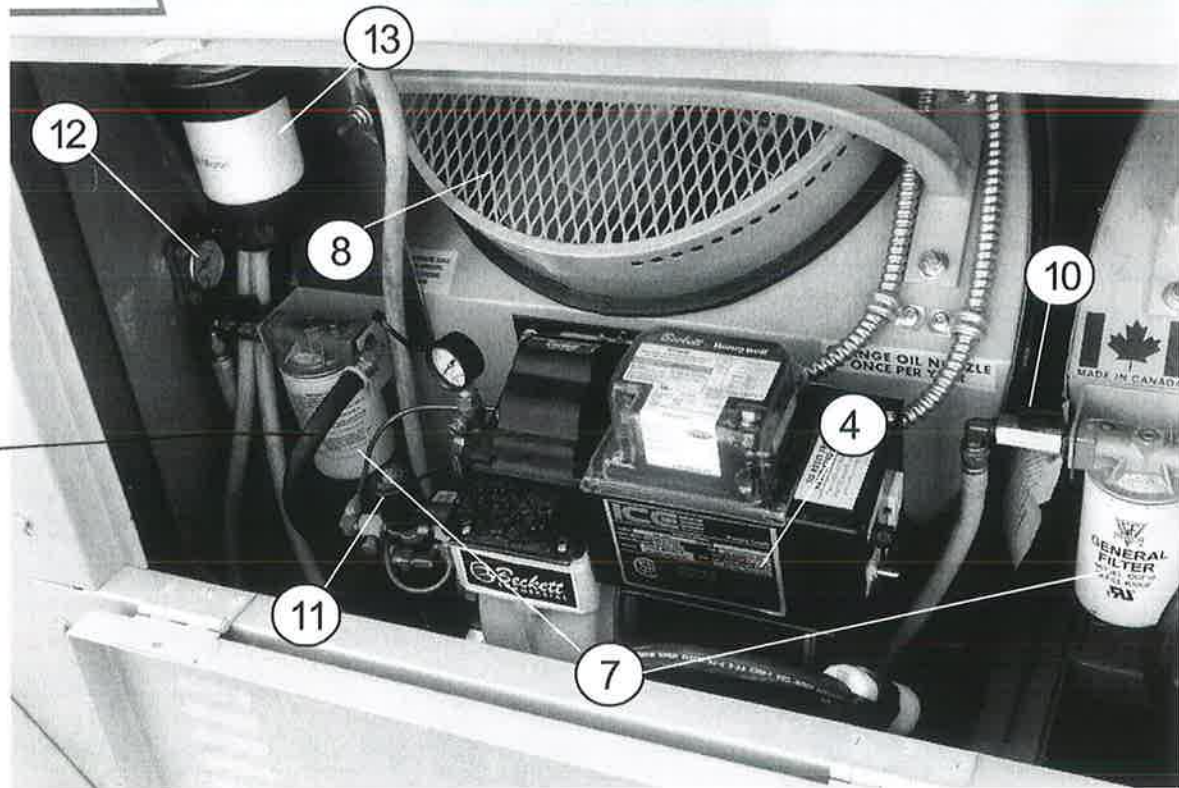
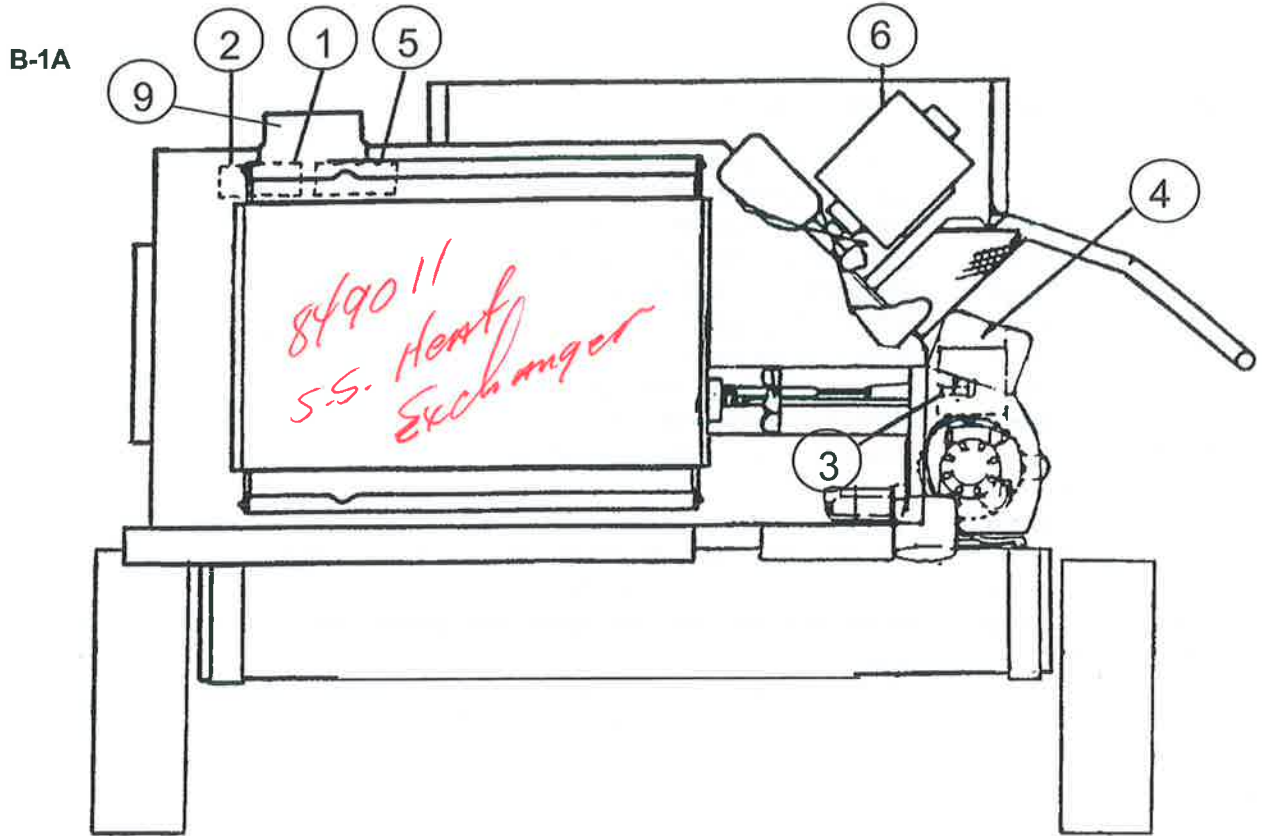
A-3B

REF#	PART#	DESCRIPTION
37	330055	OUTLET BOX ONLY
NS	330057	OUTLET BOX RUBBER MOUNT
38	330067	CIRCUIT BREAKER SP, 30 AMP
39	330067	CIRCUIT BREAKER SP, 30 AMP
40	352151	INTERIOR LAMP FIXTURE (HEATER COMPARTMENT)
40A	352151	INTERIOR LAMP FIXTURE (ENGINE COMPARTMENT)
41	830155	POSITIVE DOOR HOLDER
42	830165	INTERLOCK SAFETY SWITCH
43	100356	FROST FIGHTER HEATER (2 REQ'D)
NS	830145	POWER CABLE, REAR HEATER
NS	830140	POWER CABLE, FRONT HEATER
NS	800260	FRONT HEATER FUEL SUPPLY LINE, 081017, 81"
NS	800261	FRONT HEATER FUEL RETURN LINE, 081017, 86"
NS	800258	REAR HEATER FUEL SUPPLY LINE, 081017, 42"
NS	800259	REAR HEATER FUEL RETURN LINE, 081017, 49"
NS	847301	REMOTE THERMOSTAT
44	830002	AXLE/SPRING/HUB ASSEMBLY
45	830003	HUB/BEARING ASSEMBLY FOR 830002

LEGEND: NS = Not Shown

\*\* = Purchase Locally

# HEATER ASSEMBLY PARTS AND ACCESSORIES





# HEATER ASSEMBLY PARTS AND ACCESSORIES

B-1B

REF#	PART#	DESCRIPTION
NS	100356	HEATER ASSEMBLY
1	100629	HIGH SENSOR
2	848112	HIGH SWITCH COVER
3	848154B	CAD CELL FLAME DETECTOR
NS	848160	TOGGLE SWITCH
NS	848165	SWITCH RECEPTACLE
4	848185A	OIL PUMP PRIMARY CONTROL
NS	849011	STAINLESS STEEL HEAT EXCHANGER ASSEMBLY
5	848111B	ADJUSTABLE FAN SWITCH
NS	848171	ADJUSTABLE TEMPERATURE FEELER SWITCH
6	100622	FAN MOTOR, 1 HP
NS	100621	FAN BLADE
NS	848214	FUSE HOLDER
NS	848215	FUSE, 15 AMP
NS	848972	ADAPTER NIPPLE FOR FUEL SHUTOFF
7	848164A	SPIN ON FUEL FILTER
NS	848132A	SPIN ON FUEL FILTER AND FILTER HEAD ASSEMBLY
NS	848133A	MOUNTING BRACKET FOR 848132A
8	100625	FAN MOTOR MOUNT WITH SCREEN
9	848113	FLUE COLLAR
10	848971	FUEL SHUTOFF VALVE
11	848320	COMBU VALVE
12	848966	FUEL GAUGE
13	100611	HEATER PRE-FILTER ASSEMBLY
	100612	FILTER ELEMENT FOR 100611
	100613	HEATER ELEMENT FOR 100611
NS	848377	FUEL PRESSURE GAUGE ONLY
NS	100628	FAN MOTOR CAPACITOR (Leeson Motor)
NS	100623	16" x 1 INSULATED END CAP
NS	100624	12" x 2 INSULATED END CAP

*08 only*

*100628 capacitor  
takes 2 per motor*

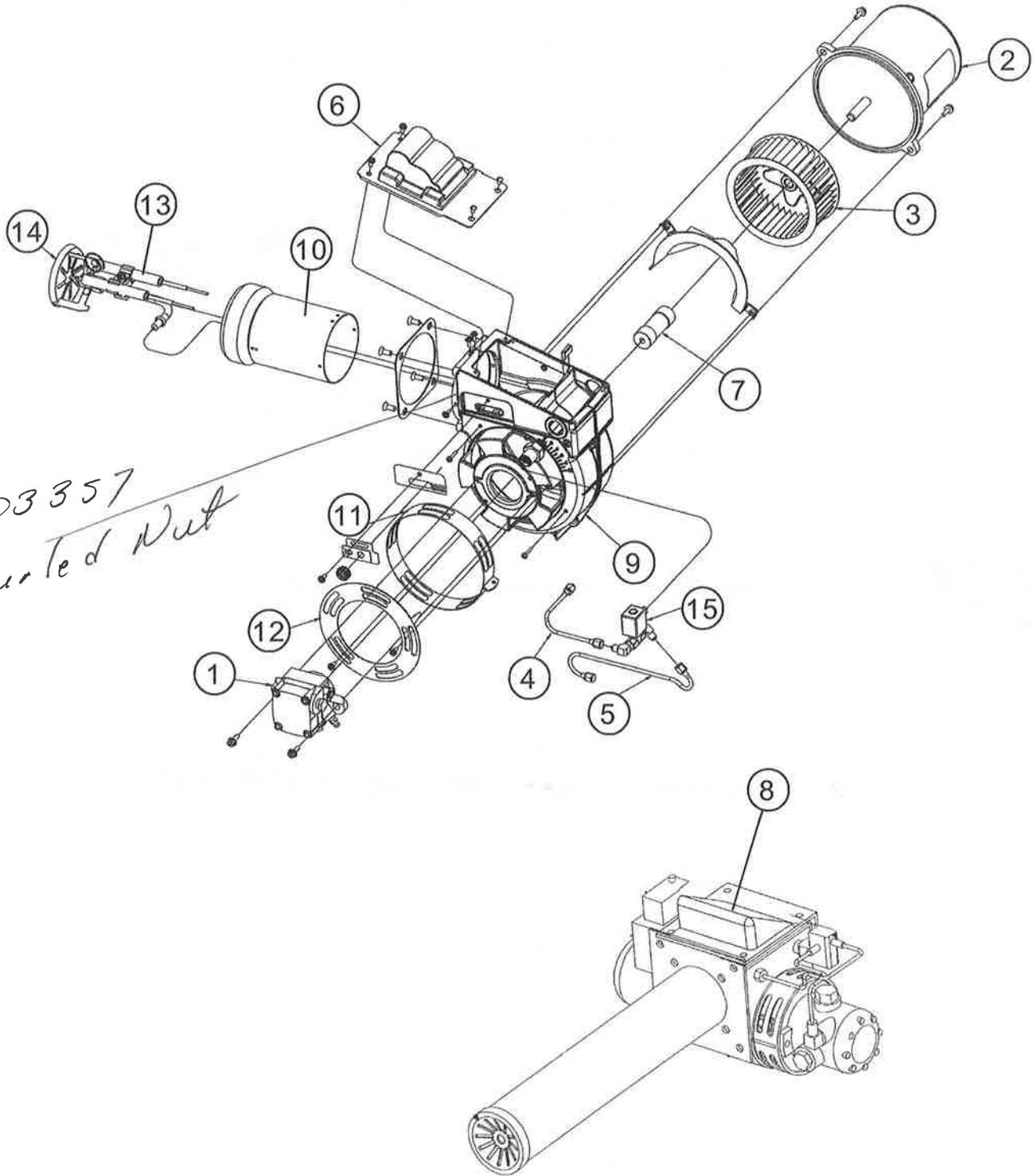
*Revised list  
100665*

*\* 102009 clear hose w/ fittings*

LEGEND: NS = Not Shown  
\*\* = Purchase Locally

# HEATER ASSEMBLY PARTS AND ACCESSORIES

B-2A



# HEATER PARTS AND ACCESSORIES

---

B-2B

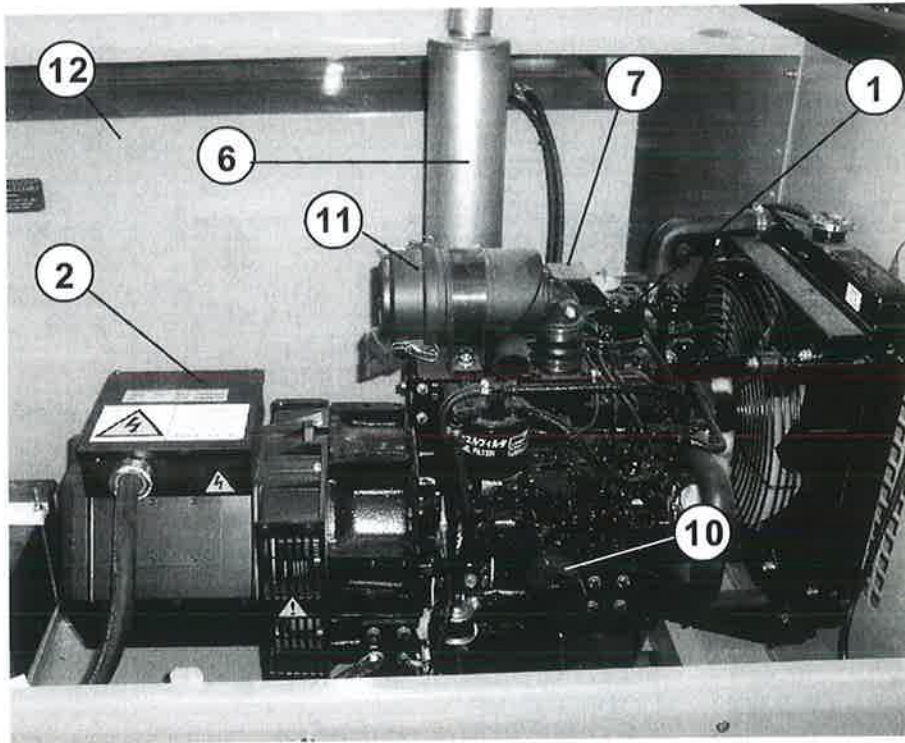
REF#	PART#	DESCRIPTION
1	848139B	"A" FUEL PUMP
2	848140	BURNER MOTOR, 1/3 HP
3	100627	BURNER/BLOWER FAN
4	848152	OIL DELIVERY TUBE 8"
5	100626	OIL DELIVERY TUBE 9-1/2"
6	848138B	BECKETT TRANSFORMER/IGNITOR
7	848187	FLEX COUPLING 2 3/4" long (1/4" and 1/2" dia. ends)
8	100618	BURNER ASSEMBLY (IDF 500, CF 800)
9	848250	HOUSING
10	100619	AIR TUBE COMBINATION (includes blast tube, electrode assy, and air diffuser)
11	849007	AIR BAND ASSEMBLY
12	848254B	AIR SHUTTER HOUSING
13	849010	ELECTRODE INSULATOR KIT
14	100620	ELECTRODE ASSEMBLY WITH END CONE
15	848320	COMBO VALVE
NS	848154B	CAD CELL FLAME DETECTOR
NS	848290	NOZZLE, 2.25 GPH
NS	848290A	NOZZLE, 2.0 GPH
NS	848290B	NOZZLE, 2.5 GPH
NS	848290C	NOZZLE, 2.75 GPH
NS	848291	NOZZLE, 3.0 GPH
NS	848291A	NOZZLE, 3.25 GPH

LEGEND: NS = Not Shown

\*\* = Purchase Locally

# ENGINE ASSEMBLY PARTS AND ACCESSORIES

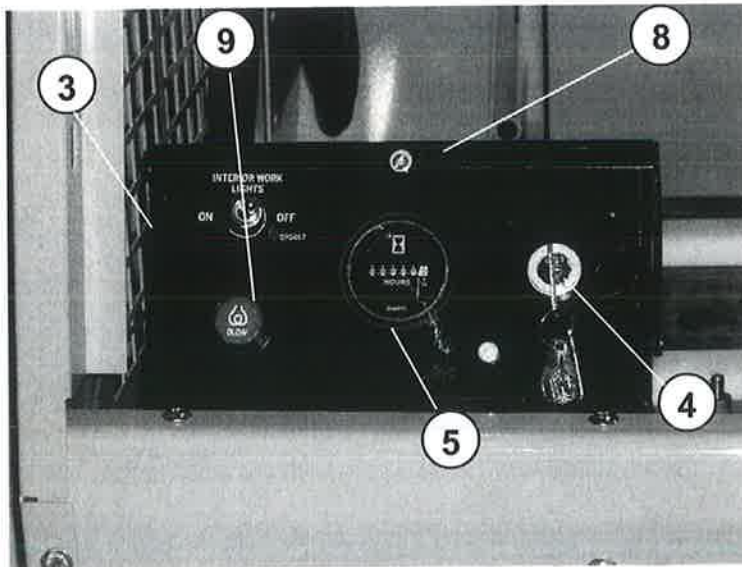
C-1A



Finger Guard  
for 3CD Eng-  
Before 4/06  
W100 Type  
X21553-009

After 4/06  
Punch Sheetmetal  
79600185

\* Husker Tent #  
HPI-50-18  
Complete Panel  
101754  
Wiring Harness  
Husker #  
HPI-50-13A



# ENGINE ASSEMBLY PARTS AND ACCESSORIES

*Radiator  
22-000299  
\* 360/CE*

*IN "09" Prod went to  
3CE1 # 101318  
C-1B*

REF#	PART#	DESCRIPTION
1	848982	ISUZU 3CD ENGINE ONLY
2	848969	GENERATOR ONLY NEWAGE
NS	848980	RECTIFIER BRIDGE ISUZU NEWAGE
3	***	INSTRUMENT PANEL ASSEMBLY, ISUZU
4	922004	IGNITION SWITCH ISUZU WITHOUT TUMBLER OR KEYS
NS	922005	IGNITION TUMBLER WITH 2 KEYS
NS	921441	IGNITION KEY ONLY ISUZU
5	340014	HOUR METER.
NS	310122	CORD CONNECTOR, 3/4"
NS	800243	NYLON BATTERY HOLD DOWN, 2 REQ'D
NS	433507	BATTERY HOLD DOWN J-BOLT
6	849013	MUFFLER, ISUZU 3CD
NS	849014	ISUZU 3CD MUFFLER GASKET
7	@@@	AIR INTAKE HOSE FOR ISUZU AIR CLEANER
8	800233	ISUZU CONTROL BOX COVER
9	22-000328	GLOW LIGHT INDICATOR
<i>NS</i>	22-000310	FUEL FILTER ISUZU
11	650262	AIR CLEANER ASSEMBLY
NS	650290	AIR FILTER ELEMENT ISUZU
NS	340105	GROUND STRAP
12	800244*	FUEL TANK, 200 GALLON
NS	800250	FUEL PICKUP TUBE (7/16 X 32.5") Qty 4 required
NS	800252	FUEL PICKUP TUBE (7/16 X 33") Qty 2 required
NS	840042	FUEL TANK CAP
NS	22-000315	GLOW PLUG TIMER
NS	650423	RELAY ASSEMBLY
NS	848308	GENERATOR MOUNT PLATE NEWAGE PERKINS
<i>10</i>	22-000309	OIL FILTER ISUZU
NS	027025	BATTERY CABLE 2 GA 48"
NS	713098	BATTERY CABLE 2GA 36"
<i>352469</i>	NS <del>848986</del>	3CD ENGINE BLOCK HEATER
<i>NS</i>	22-000326	OIL PRESSURE SWITCH
NS	22-000325	TEMPERATURE SWITCH
NS	22-000316	STOP SOLENOID
NS	22-000329	O-RING STOP SOLENOID
NS	22-000317	FUEL PUMP
NS	22-000324	ALTERNATOR DIODE

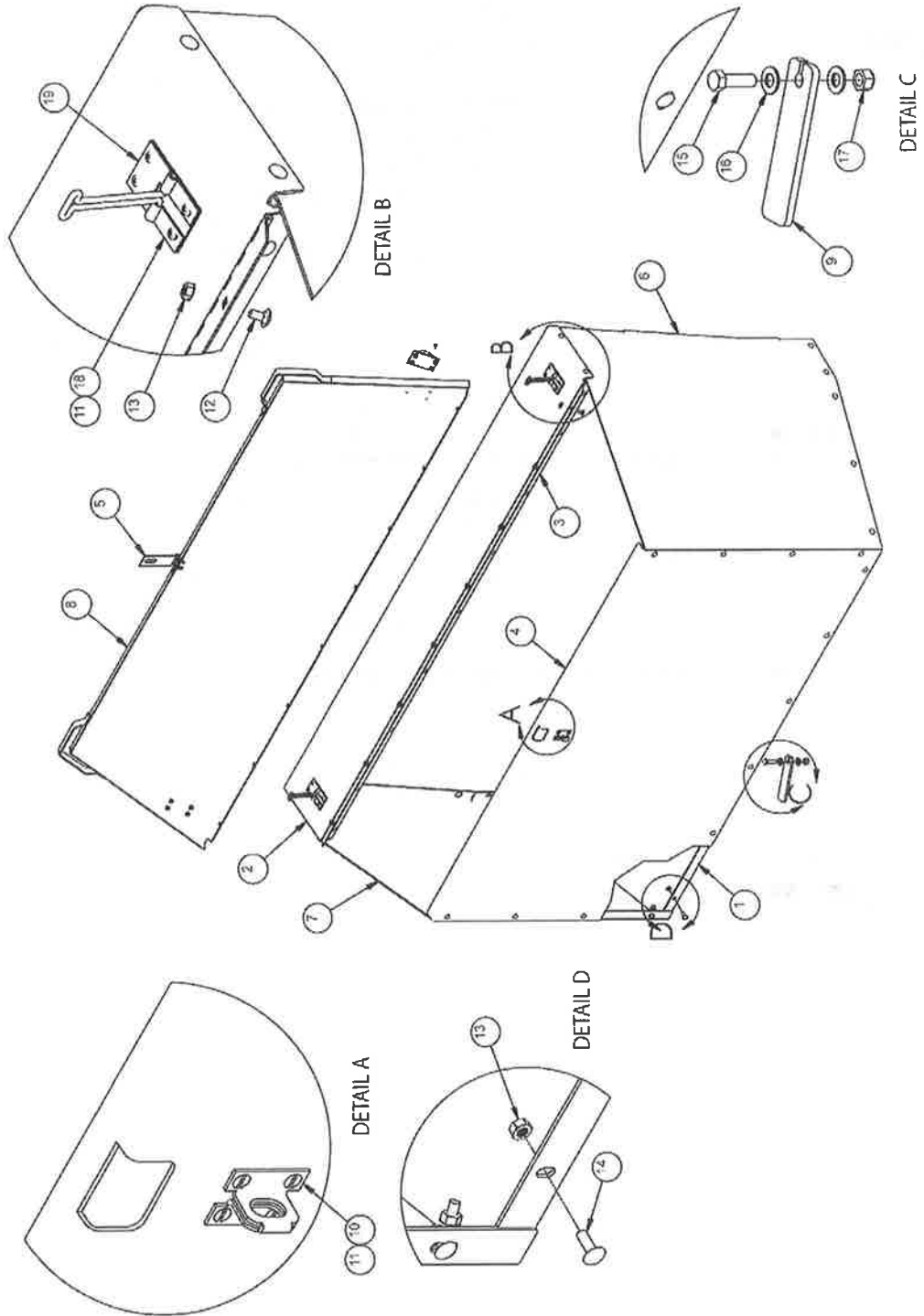
LEGEND: NS = Not Shown  
 \*\* = Purchase Locally  
 \*\*\* = Call Allmand for Information  
 @@@ = See Local Isuzu Dealer

\* Use these codes to designate color needed:

06-Allmand Gold  
 P-Primer Only

# OPTIONAL PARTS AND ACCESSORIES

D-1A



# OPTIONAL PARTS AND ACCESSORIES

---

D-1B

## PART# 848120 DUCT STORAGE BOX COMPLETE

NO.	QTY.	PART NO.	DESCRIPTION
		848120	DUCT STORAGE BOX COMPLETE
1	1	848121	PNL BOTTOM
2	1	848125P	PNL TOP
3	1	848129	HINGE
4	1	848122	PNL FRONT
5	1	830232	HASP
6	1	848124P	PNL SDE LF
7	1	848123P	PNL SIDE RT
8	1	848128P	LID WELDED
9	4	848954	MOUNT PLATE
10	7	041026	10-24 X 3/4 SL-FHMS
11	23	044019	10-24 NYLOCK NUT
12	17	053005	1/4-20 X 1/2 RHSSNBOLT
13	45	044021	1/4-20 KEPS NUT
14	28	053006	1/4-20 X 3/4 RHSSN BOLT
15	4	046115	3/8-16 X 1 1/4 HHCS
16	8	047016	3/8 SAE FLAT WASHER
17	4	044038	3/8-16 NYLOCK NUT
18	16	041021	10-24 X 1/2 RHMS
19	2	660170	DOOR HOLDER

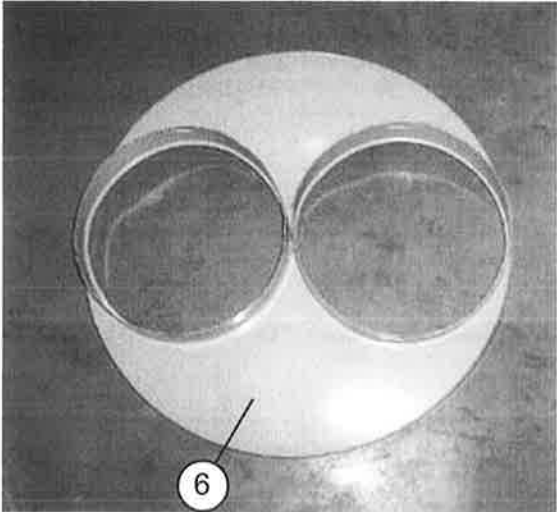
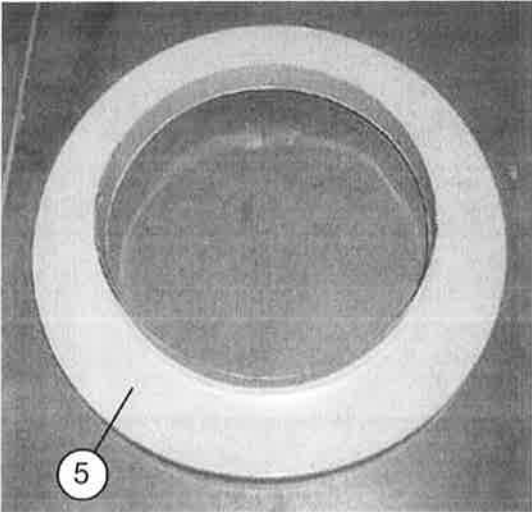
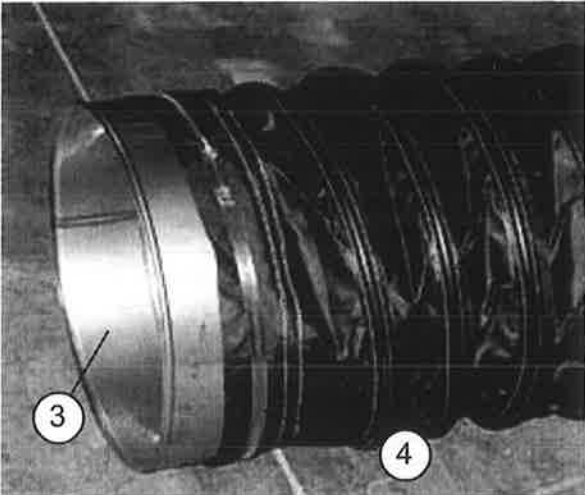
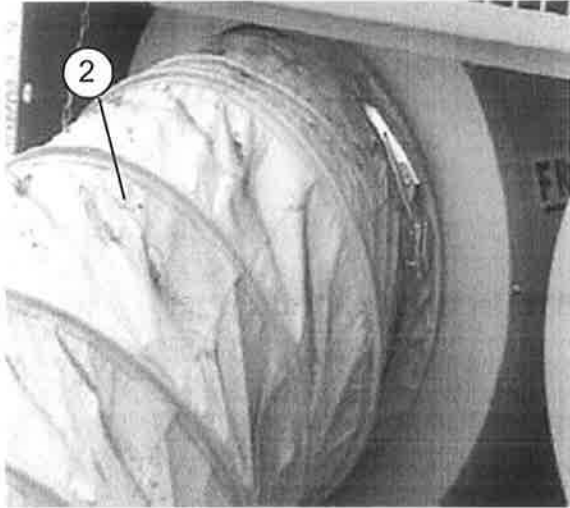
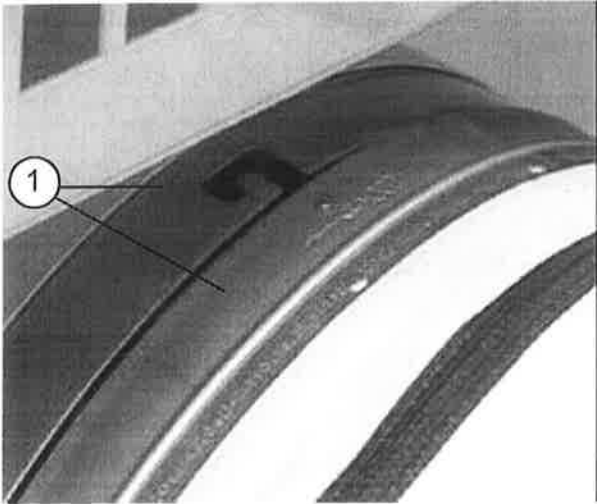
LEGEND: NS = Not Shown  
\*\* = Purchase Locally

\* Use these codes to designate color needed:

06-Allmand Gold  
P-Primer Only

# OPTIONAL PARTS AND ACCESSORIES

D-2A





# OPTIONAL PARTS AND ACCESSORIES

---

D-2B

REF#	PART#	DESCRIPTION
1	848974	16" SLIP LOCK CONNECTOR
2	848172	HEATER DUCT 16" X 20' — 16" x 25' 106924
NS	848173	HEATER DUCT 12" X 24' — 12" x 25' 106923
3	848976	16" CONNECTING BAND
4	848176	16" SCREW CLAMP
NS	848177	12" SCREW CLAMP
5	100623	16" x 1 INSULATED END CAP
6	100624	12" X 2 INSULATED END CAP } 25" O.D.

LEGEND: NS = Not Shown  
\*\* = Purchase Locally

# DECALS

---

E-1A

PART#	QTY	DESCRIPTION
848981	1	MAXI-HEAT DECAL SET, COMPLETE (INCLUDES ALL OF THE DECALS LISTED BELOW)
848970	1	MAXI-HEAT STRIPE DECAL SET, COMPLETE
090108	2	DECAL - HOT, DO NOT TOUCH
830175	2	GRIPTAPE, FENDER
090120	1	DECAL - 40' DUCT ONLY
090122	1	DECAL - DIESEL ONLY
090023	1	DECAL - WARNING, FAILURE TO USE
090107	1	DECAL - HEATER OPERATING INSTRUCTIONS
090304	1	DECAL - ENGINE START PROCEDURE
090142	1	DECAL - DO NOT OPERATE INSIDE
090143	1	DECAL- DO NOT OPERATE
090179	1	DECAL-PROPOSITION 65 DIESEL
090133	1	DECAL-GROUND LUG
090212	1	DECAL-OPERATORS MANUAL
090449	1	DECAL-ATTENTION NOZZLE SIZE
090322	1	ALLMAND ASSURANCE
090385	1	MADE IN USA
090465	1	FOR PARTS AND SERVICE CONTACT ALLMAND.COM
090163	1	ELECTRIC SHOCK HAZARD
090467	1	INTERIOR LIGHT OPERATION

LEGEND: NS = Not Shown  
\*\* = Purchase Locally

*Small-100612 IS THE ONE THAT IS ORIGINAL  
BIG - 107222*



TANK TO ENGINE FUEL LINES  
C1.5 - 105359  
3CE1 - 105360

104231 CAPACITOR  
SILVER

102015 FAN MOTOR 1.5HP  
08' only 100622 1HP FAN MOTOR

105355 FUEL LINE POLY TANK  
TO STANADYNE MH (x2)

100611 PRE-FILTER ASSEMBLY  
100612 FILTER  
100613 HEATER ELEMENT

104230 CAPACITOR  
BLACK

102009 CLEAR HOSE W/  
FITTING FUEL MH (x2)

105356 FUEL LINE  
STANADYNE TO  
HEATER MH (x2)

848377 FUEL GAUGE

848409 FUEL SHUTOFF VALVE

848164A SPIN ON FILTER  
848132A FILTER ASSEMBLY

848138B TRANSFORMER IGNITOR

848320 COMBU VALVE

848140 BURNER MOTOR 1/3hp

848185A OIL PUMP  
PRIMARY CONTROL  
*Before 2012  
1029/12  
2012 + after*

101268 SHUTOFF VALVE

848139B FUEL PUMP

105354 FUEL LINE POLY TANK  
TO HEATER RETURN(x2)

*848164A Spin on Filter (NAPA 600102)*

