

# Allmand™ Maxi-Heat® MH 1000

## PARTS CATALOG



Part No. 106807

SN 0001MXH12 and UP

PHONE (308) 995-4495, (800) 562-1373  
FAX (308) 995-5887  
PARTS DEPT. FAX (308) 995-4883  
WEB [www.allmand.com](http://www.allmand.com)



## TABLE OF CONTENTS

### 1.0 MAXI-HEAT TRAILER ASSEMBLY

Tongue Assembly .....	(1.1)
Axle .....	(1.2)
Trailer Assembly (Rear and Right) .....	(1.3)
Trailer Assembly (Front and Left) .....	(1.4)
Trailer Interior Electrical/Accessories .....	(1.5)

### 2.0 ENGINE/GENERATOR/CONTROL BOX ASSEMBLY

CAT C1.5 Engine and Generator .....	(2.1)
CAT Control Box .....	(2.2)
Isuzu T4F 3CE1 Engine and Generator (1 of 2) .....	(2.3)
Isuzu T4F 3CE1 Engine and Generator (2 of 2) .....	(2.4)
Isuzu Control Box .....	(2.5)
Battery Installation .....	(2.6)

### 3.0 POLY TANK/FROST FIGHTER ASSEMBLY

Poly Tank Assembly .....	(3.1)
Fuel Line Schematic .....	(3.2)
Frost Fighter Assembly (1 of 2) .....	(3.3)
Frost Fighter Assembly (2 of 2) .....	(3.4)
Burner Assembly .....	(3.5)
Heater Duct Assembly .....	(3.6)

### 4.0 MAXI-HEAT OPTIONS

Duct Box Assembly .....	(4.1)
Gas Monitoring System .....	(4.2)
Emergency Air Shutoff CAT C1.5 .....	(4.3)
Shocker Valve CAT C1.5 .....	(4.4)
Shocker Valve Isuzu 3CE1 .....	(4.5)

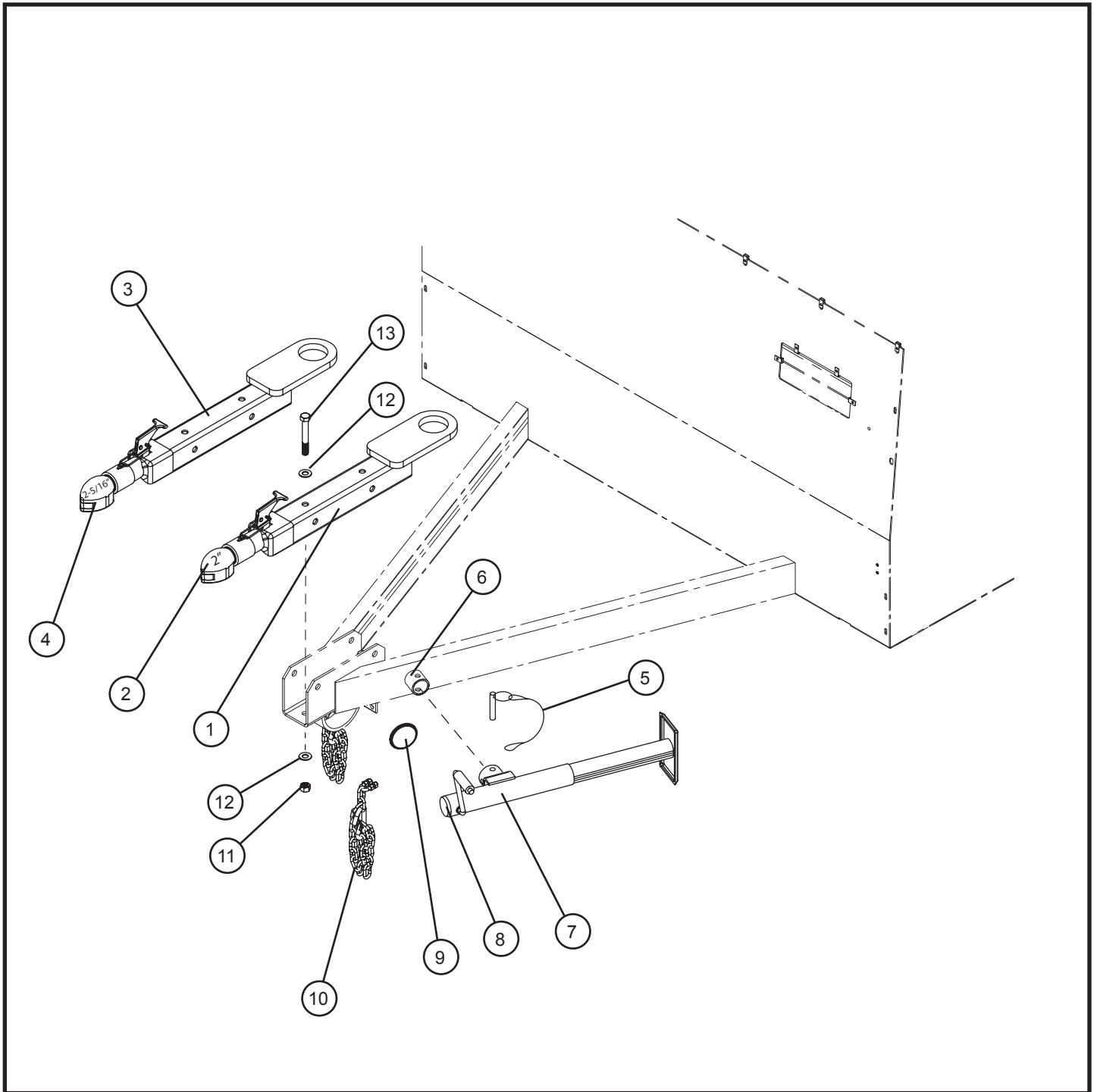
## TABLE OF CONTENTS

### 5.0 MAXI-HEAT DECALS

Maxi-Heat Decals (1 of 8) .....	(5.1)
Maxi-Heat Decals (2 of 8) .....	(5.2)
Maxi-Heat Decals (3 of 8) .....	(5.3)
Maxi-Heat Decals (4 of 8) .....	(5.4)
Maxi-Heat Decals (5 of 8) .....	(5.5)
Maxi-Heat Decals (6 of 8) .....	(5.6)
Maxi-Heat Decals (7 of 8) .....	(5.7)
Maxi-Heat Decals (8 of 8) .....	(5.8)

## 1.1 TONGUE ASSEMBLY

SN 0001MXH12 and UP



# Maxi-Heat® 1000

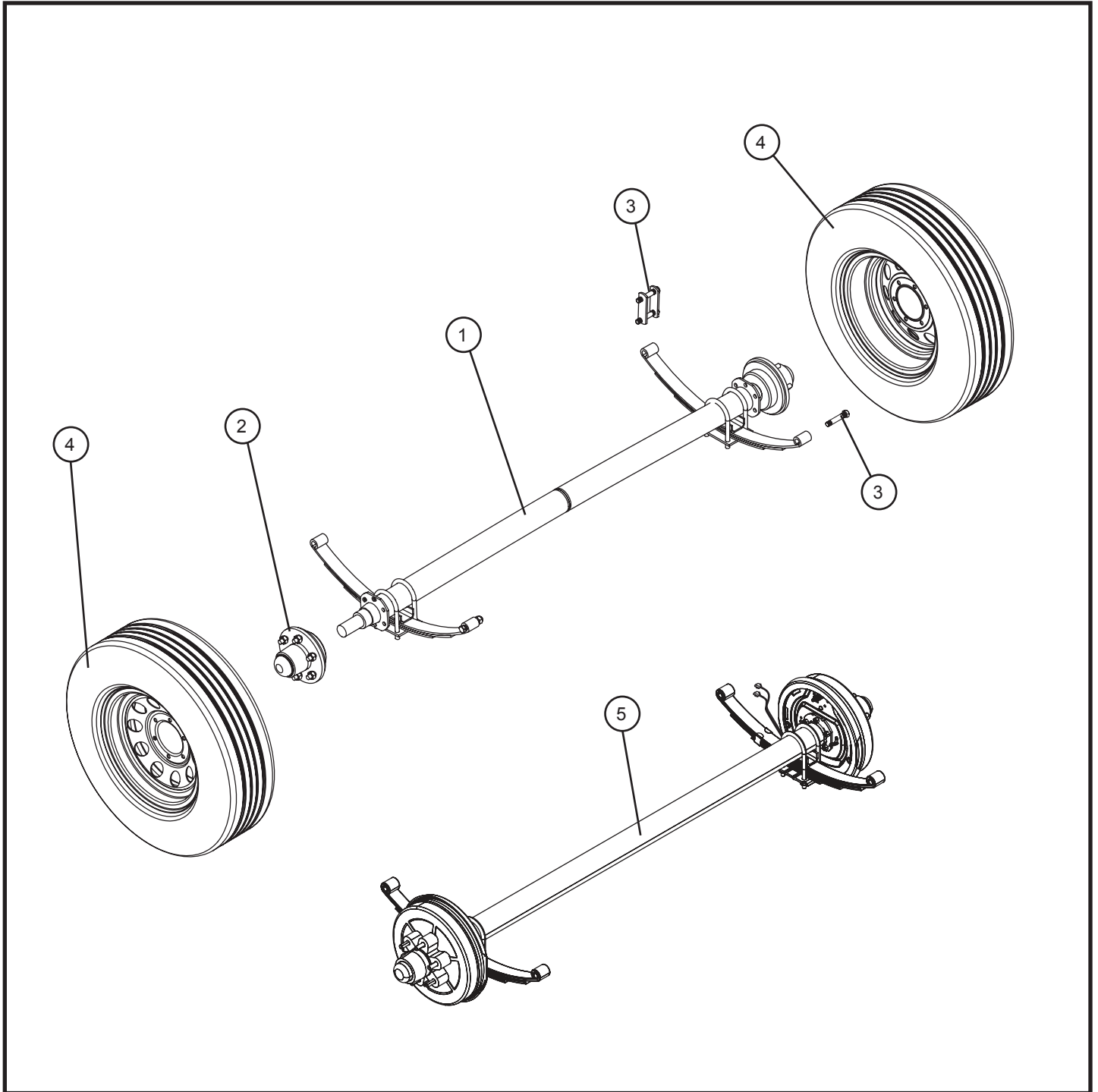
## 1.1 TONGUE ASSEMBLY

SN 0001MXH12 and UP

Item	Part No.	Part Description	Qty.
1	330016P	2" REVERSIBLE BULLDOG HITCH ASSEMBLY	1
2	330018	2" BULLDOG HITCH ONLY	1
3	102693P	2-5/16" REVERSIBLE BULLDOG HITCH ASSEMBLY (OPTIONAL)	1
4	102695	2-5/16" BULLDOG HITCH ONLY (OPTIONAL)	1
5	330013	LOCK PIN	1
6	032015	TUBE MOUNT FOR JACK (WELDED TO TRAILER)	1
7	330011	JACK SIDE CRANK	1
8	650236	PLASTIC JACK CAP	1
9	330039	3" AMBER REFLECTOR	2
10	049036	SAFETY CHAIN KIT	2
11	044061	5/8-11 TOPLOCK HEX NUT PL	2
12	047030	5/8 FLAT WASHER PL	4
13	046250	5/8-11 X 4 1/2 HEX HEAD CS GR5 PL	2

## 1.2 AXLE

SN 0001MXH12 and UP



# Maxi-Heat® 1000

---

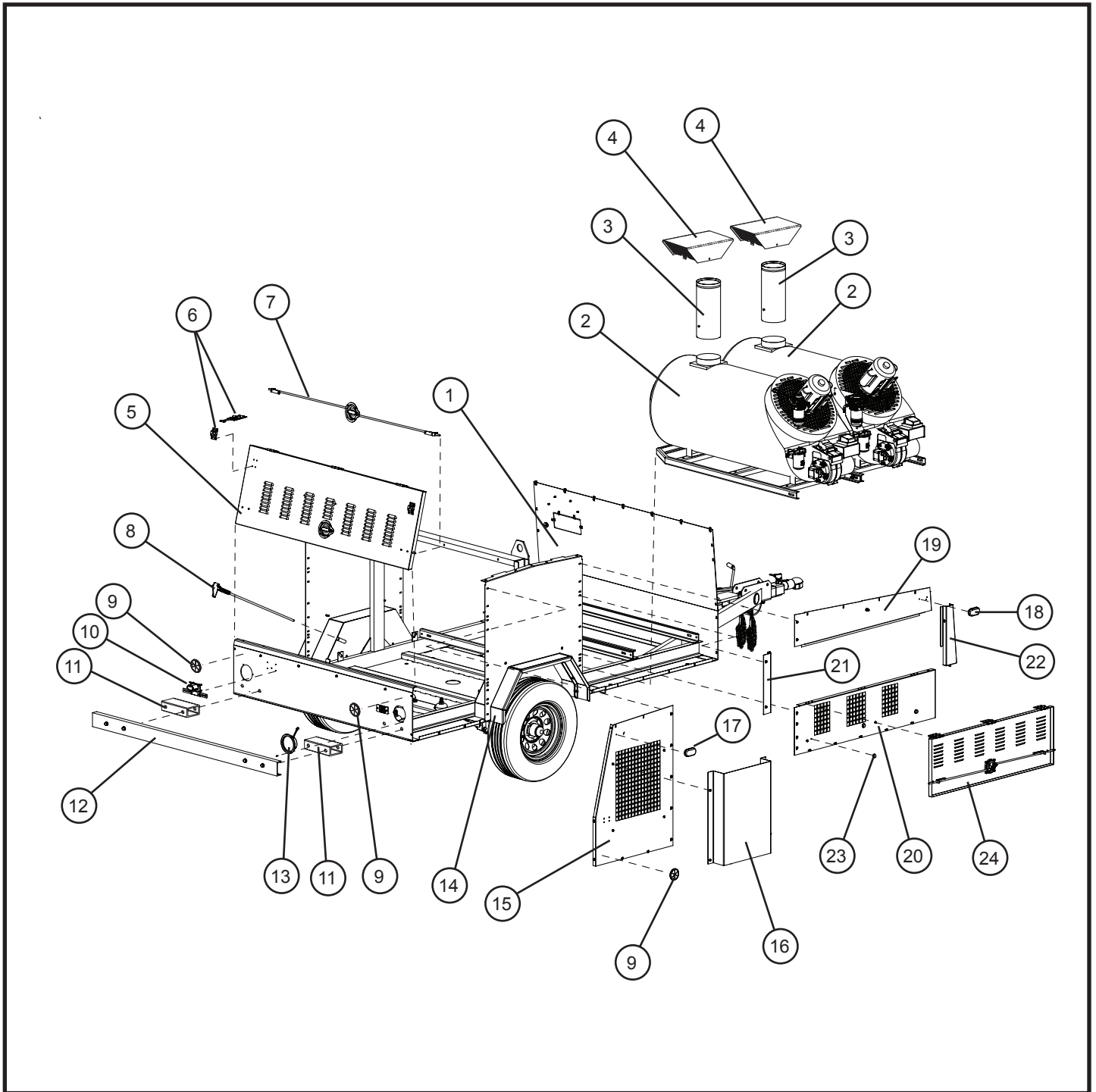
## 1.2 AXLE

SN 0001MXH12 and UP

Item	Part No.	Part Description	Qty.
1	830002	AXLE ASSEMBLY	1
2	830003	HUB & BEARING ASSEMBLY	2
3	102204	AXLE HARDWARE KIT	1
4	104925	15" WHEEL & TIRE ASSEMBLY	2
5	830007	ELECTRICAL BRAKE AXLE ASSEMBLY (OPTIONAL)	1
NS	102432	ELECTRICAL BRAKE CONVERSION KIT (OPTIONAL)	1

## 1.3 TRAILER ASSEMBLY (REAR AND RIGHT)

SN 0001MXH12 and UP





# Maxi-Heat® 1000

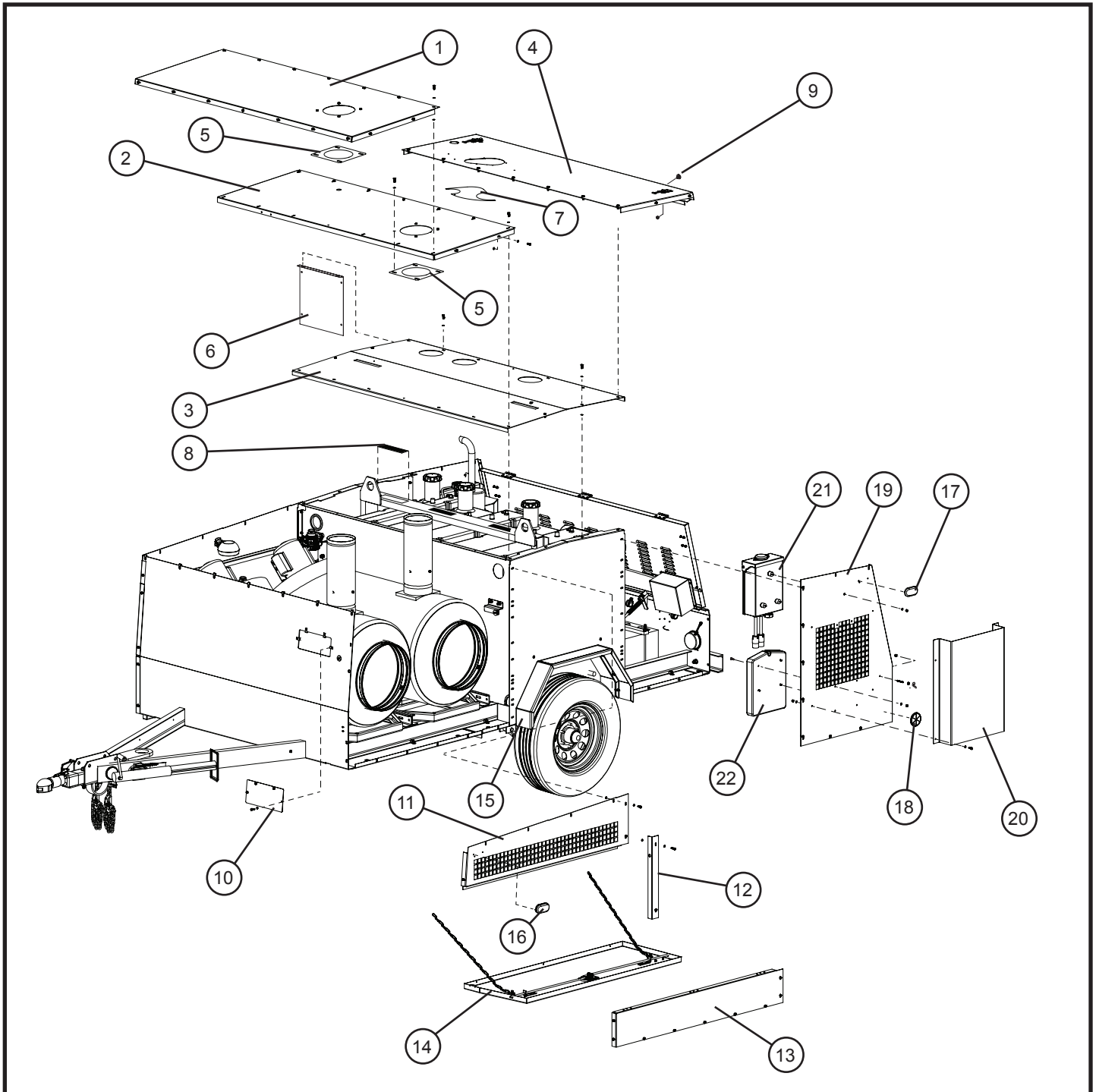
## 1.3 TRAILER ASSEMBLY (REAR AND RIGHT)

SN 0001MXH12 and UP

Item	Part No.	Part Description	Qty.
1	848300P	MAXI HEAT FRAME WELDMENT	1
2	101154	FROST FIGHTER ASSEMBLY (IDF 500)	2
3	101236	6 x 18 CHIMNEY TUBE	2
4	848001	CHIMNEY RAIN CAP	2
5	848284	REAR DOOR ASSEMBLY	1
	849044P	REAR DOOR PANEL ONLY	1
6	830155	POSITIVE DOOR HOLDER	2
7	330045	DOOR LATCH ASSEMBLY (USED FOR ALL HEATER DOORS)	3
8	340058	GROUND ROD ASSEMBLY	1
9	330037	RED REFLECTOR	4
10	032035	LICENSE PLATE LAMP WITH BRACKET	1
11	466084P	REAR BUMPER SPACER	2
12	830130P	REAR BUMPER	1
13	650129	TAIL LIGHT	2
NS	849053	TAIL LIGHT WIRING HARNESS	1
14	848328P	OUTER FENDER	1
15	101237P	RIGHT REAR SIDE PANEL	1
16	800231P	AIR INTAKE COVER	2
17	022300	RED MARKER LIGHT GLASS BULB	2
18	022301	AMBER MARKER LIGHT GLASS BULB	2
NS	848373	VIN PACKAGE - INCLUDES 032035, 330037 (2), 022300 (2), AND 022301 (2)	1
19	849056P	SIDE TOP PANEL-RIGHT	1
20	848383P	SIDE BOTTOM PANEL-RIGHT	1
21	830075P	SIDE REAR PANEL-RIGHT	1
22	830060P	SIDE FRONT PANEL-RIGHT	1
23	330041	DOOR STOP BUMPER	6
24	848282	SIDE DOOR ASSEMBLY-RIGHT	1
	849046P	SIDE DOOR PANEL ONLY-RIGHT	1

## 1.4 TRAILER ASSEMBLY (FRONT AND LEFT)

SN 0001MXH12 and UP



# Maxi-Heat® 1000

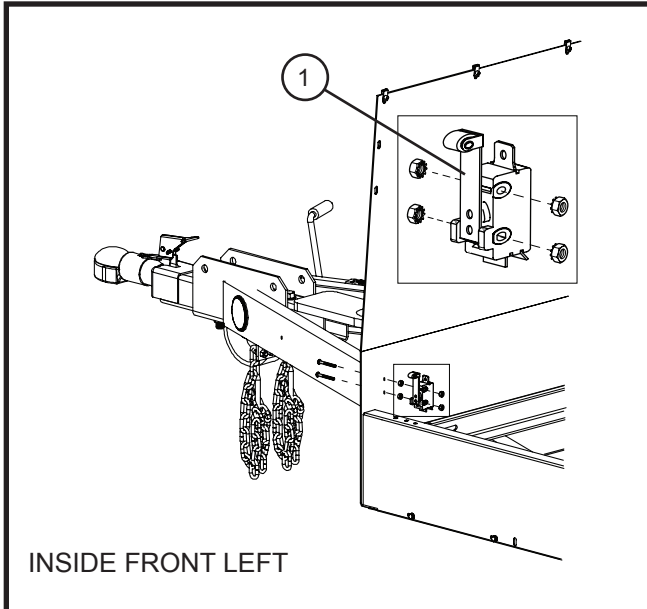
## 1.4 TRAILER ASSEMBLY (FRONT AND LEFT)

SN 0001MXH12 and UP

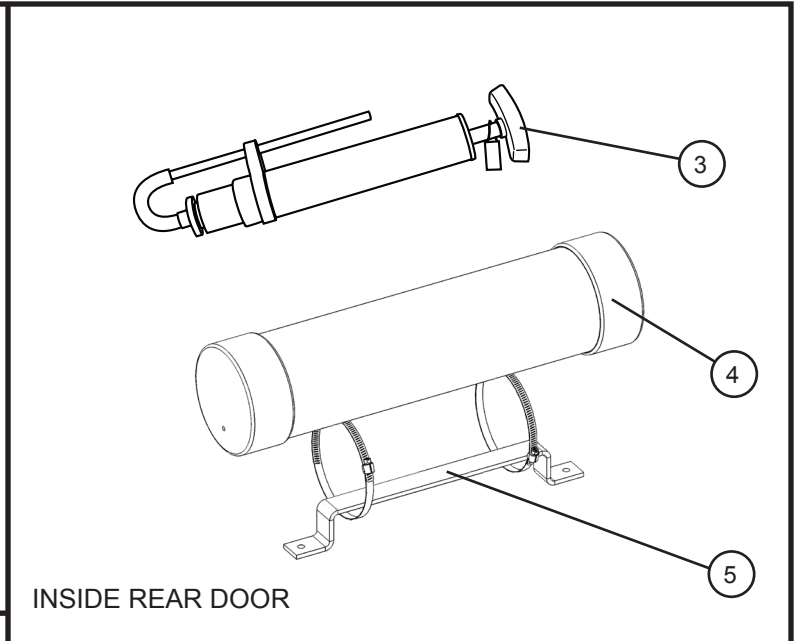
Item	Part No.	Part Description	Qty.
1	849054P	FRONT ROOF PANEL	1
2	849055P	MIDDLE FRONT ROOF PANEL	1
3	109925P	MIDDLE ROOF PANEL (POLY TANK)	1
4	101239P	REAR ROOF PANEL	1
5	104873P	CHIMNEY GRAB	2
6	109939P	MUFFLER SHIELD	1
7	104904P	EXHAUST SHIELD	1
8	030007	FOAM RUBBER	3
9	330041	DOOR STOP BUMPER	6
10	848810P	ACCESS PANEL	1
11	849057P	TOP HEADER-LEFT	1
12	830086P	DOOR FILLER-LEFT	1
13	830091P	SIDE BOTTOM PANEL-LEFT	1
14	848283	SIDE DOOR ASSEMBLY-LEFT	1
	849048P	SIDE DOOR PANEL ONLY-LEFT	1
15	848328P	OUTER FENDER	2
16	022301	AMBER MARKER LIGHT GLASS BULB	2
17	022300	RED MARKER LIGHT GLASS BULB	2
18	330037	RED REFLECTOR	4
NS	848373	VIN PACKAGE - INCLUDES 032035, 330037 (2), 022300 (2), AND 022301 (2)	1
19	800230P	LEFT REAR SIDE PANEL	1
20	800231P	AIR INTAKE COVER	2
21	830120	OUTLET BOX COMPLETE ASSEMBLY	1
22	848412	MANUAL STORAGE BOX	1

## 1.5 TRAILER INTERIOR ELECTRICAL/ACCESSORIES

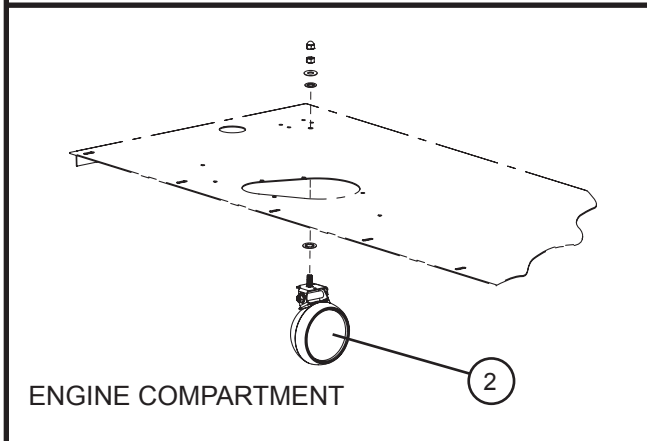
SN 0001MXH12 and UP



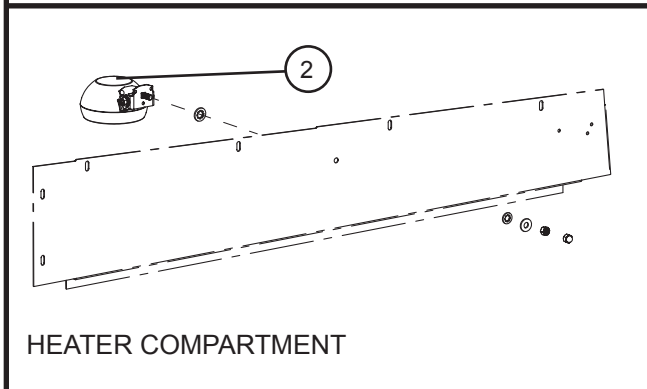
INSIDE FRONT LEFT



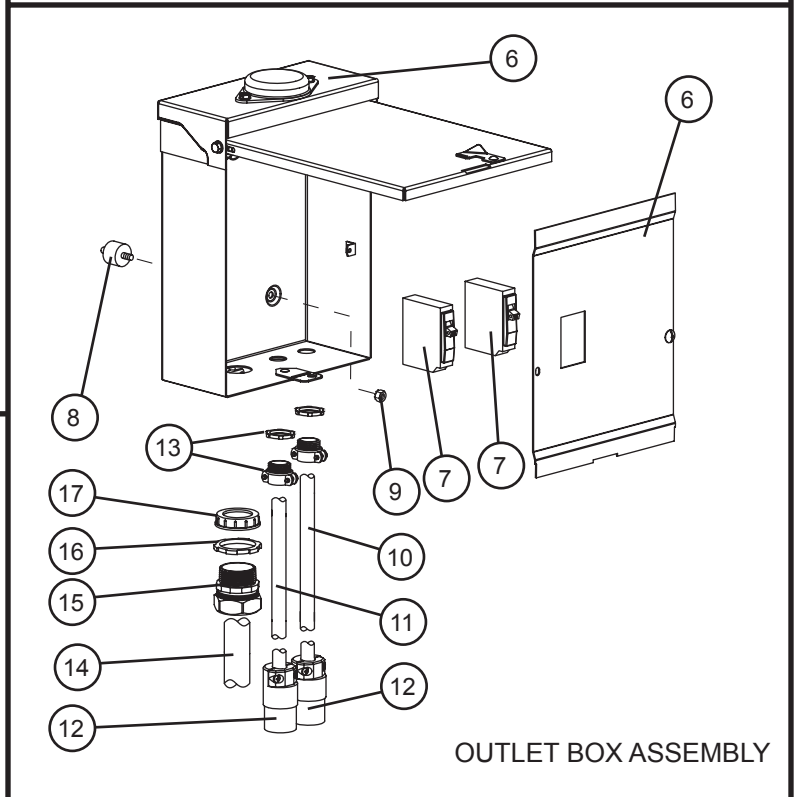
INSIDE REAR DOOR



ENGINE COMPARTMENT



HEATER COMPARTMENT



OUTLET BOX ASSEMBLY

# Maxi-Heat® 1000

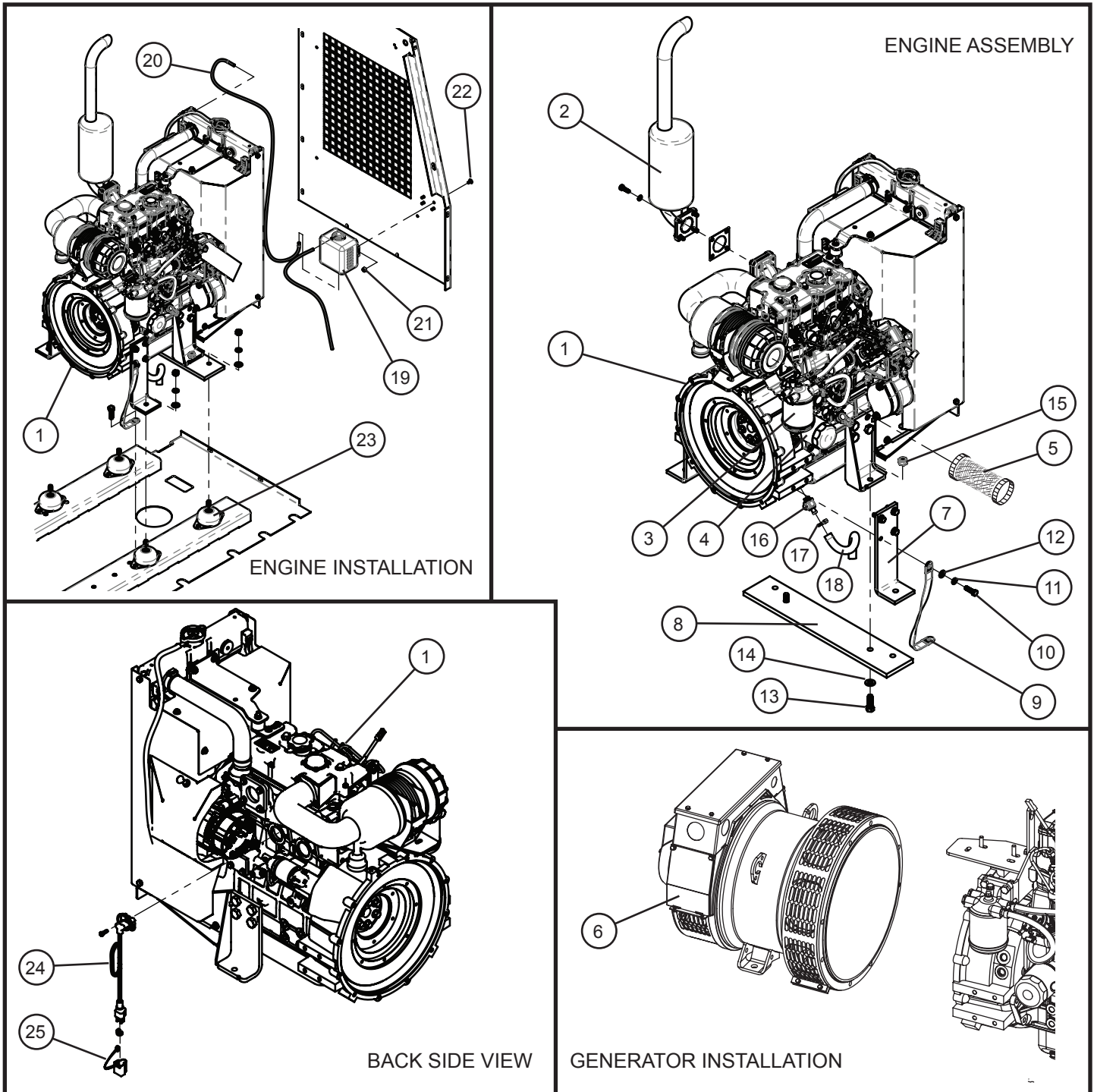
## 1.5 TRAILER INTERIOR ELECTRICAL/ACCESSORIES

SN 0001MXH12 and UP

Item	Part No.	Part Description	Qty.
1	830165	INTERLOCK SAFETY SWITCH	1
2	352151	INTERIOR LAMP FIXTURE	2
3	848977	SMOKE SPOT TESTER	1
--	103474	STORAGE SMOKE TESTER COMPLETE ASSEMBLY	1
4	104834	CANISTER SMOKE TESTER	1
5	104167P	CANISTER MOUNT SMOKE TESTER	1
--	830120	OUTLET BOX COMPLETE ASSEMBLY	1
6	330055	OUTLET BOX ONLY	1
7	330067	CIRCUIT BREAKER SP 30AMP	2
8	330057	OUTLET BOX RUBBER MOUNT	3
9	044021	1/4-20 KEPS NUT	3
10	105067	12/3 CORD (TO HEATER 1)	1
11	105068	12/3 CORD (TO HEATER 2)	1
12	830125	CONNECTOR BODY 20 AMP 120 V (ATTACHES ON HEATER END OF 12/3 CORD)	2
13	022020	3/8 2-SCREW ROMEX CLAMP	2
14	020279	6/4 GENERATOR CORD	1
15	350361	1 1/4 CORD GRIP	1
16	350363	1 1/4 LOCK NUT	1
17	022072	1 1/4 INSULATING BUSHING	1

## 2.1 CAT C1.5 ENGINE AND GENERATOR

SN 0001MXH12 and UP



# Maxi-Heat® 1000

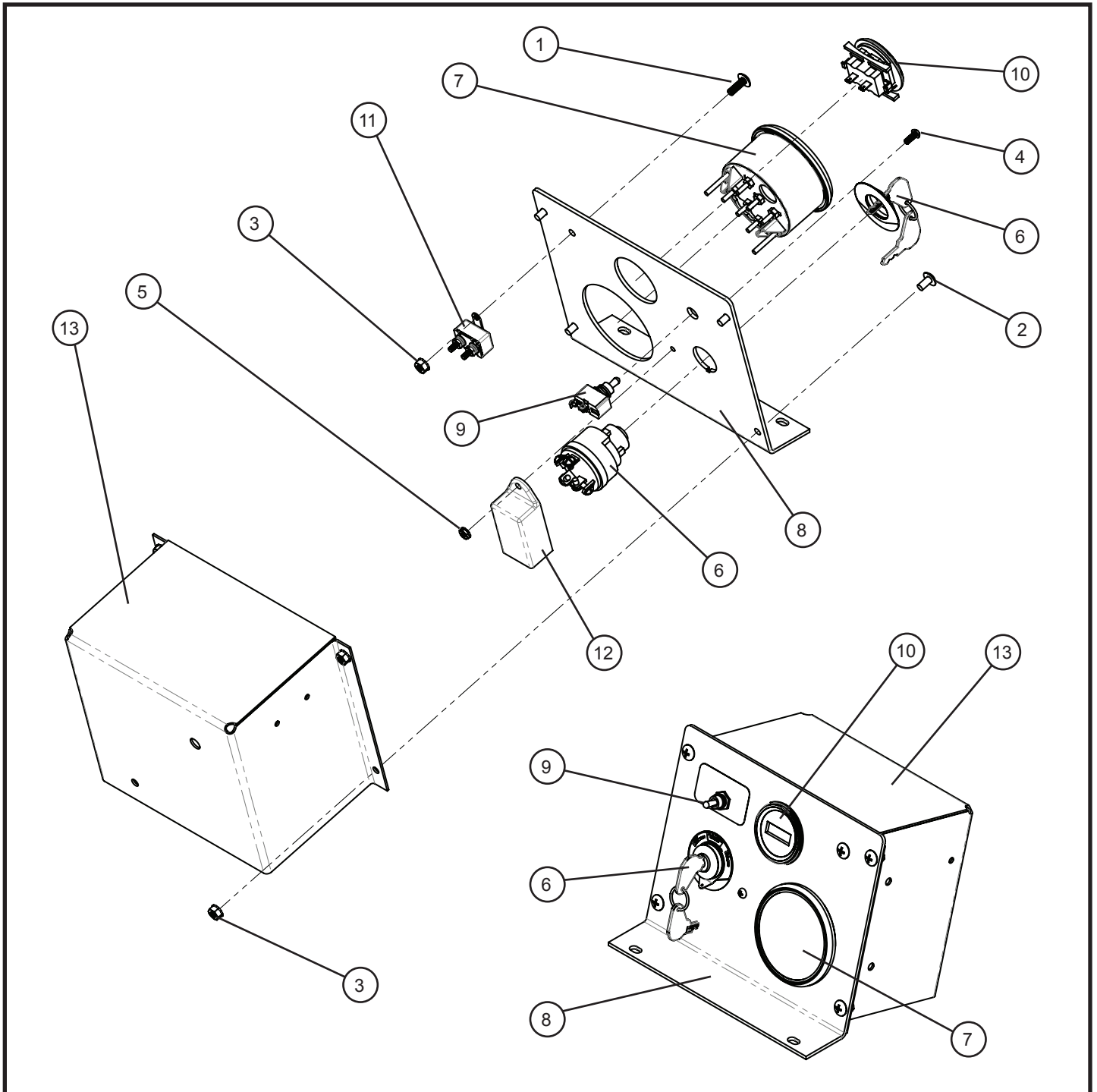
## 2.1 CAT C1.5 ENGINE AND GENERATOR

SN 0001MXH12 and UP

Item	Part No.	Part Description	Qty.
1	103562	CAT ENGINE C1.5 60Hz PULL FAN EPA TIER 4 FINAL	1
2	104867	MUFFLER CAT C1.5	1
3	103155	FUEL FILTER CAT C1.5	1
4	650304	OIL FILTER CAT C1.5	1
5	102580	AIR FILTER CAT C1.5	1
6	102649	9KW SAE 4/7.5 CUMMINS/CAT GENERATOR	1
7	101242P	CAT C1.5 ENGINE MOUNT	2
8	101241P	CAT C1.5 BRIDGE PLATE	1
9	340105	GROUND STRAP	1
10	046115	3/8-16 x 1 1/4 HEX HEAD CS GR5 PL	8
11	043065	3/8 SPLITLOCK WASHER	8
12	047016	3/8 FLAT WASHER SAE ZINC	8
13	046185	1/2-13 x 1 1/2 HEX HEAD CS GR5 PL	2
14	047025	1/2 FLAT WASHER PL	2
15	044048	1/2-13 NYLOCK HEX NUT PL	2
16	651193	DRAIN VALVE FUMOTO CAT	1
17	068090	CABLE TIE 8"	1
18	848809	TUBING VINYL CLEAR x 12.0	1
19	650027	COOLANT RECOVER TANK WITH BRACKET	1
20	102268	HOSE 1/4" OVERFLOW COOLANT x 48.0	1
21	044021	1/4-20 KEPS HEX NUT PL	4
22	041078	1/4-20 x 1/2 PH-TRUSS HEAD MS SS	4
23	848973	ENGINE ISOLATOR SHOCK MOUNT	4
24	103322	BLOCK HEATER CAT C1.5	1
25	105995	END COVER 120 VOLT CORD	1
NS	310122	CORD CONNECTOR 3/4"	1
NS	848308	GENERATOR MOUNT PLATE	1

## 2.2 CAT CONTROL BOX

SN 0001MXH12 and UP





# Maxi-Heat® 1000

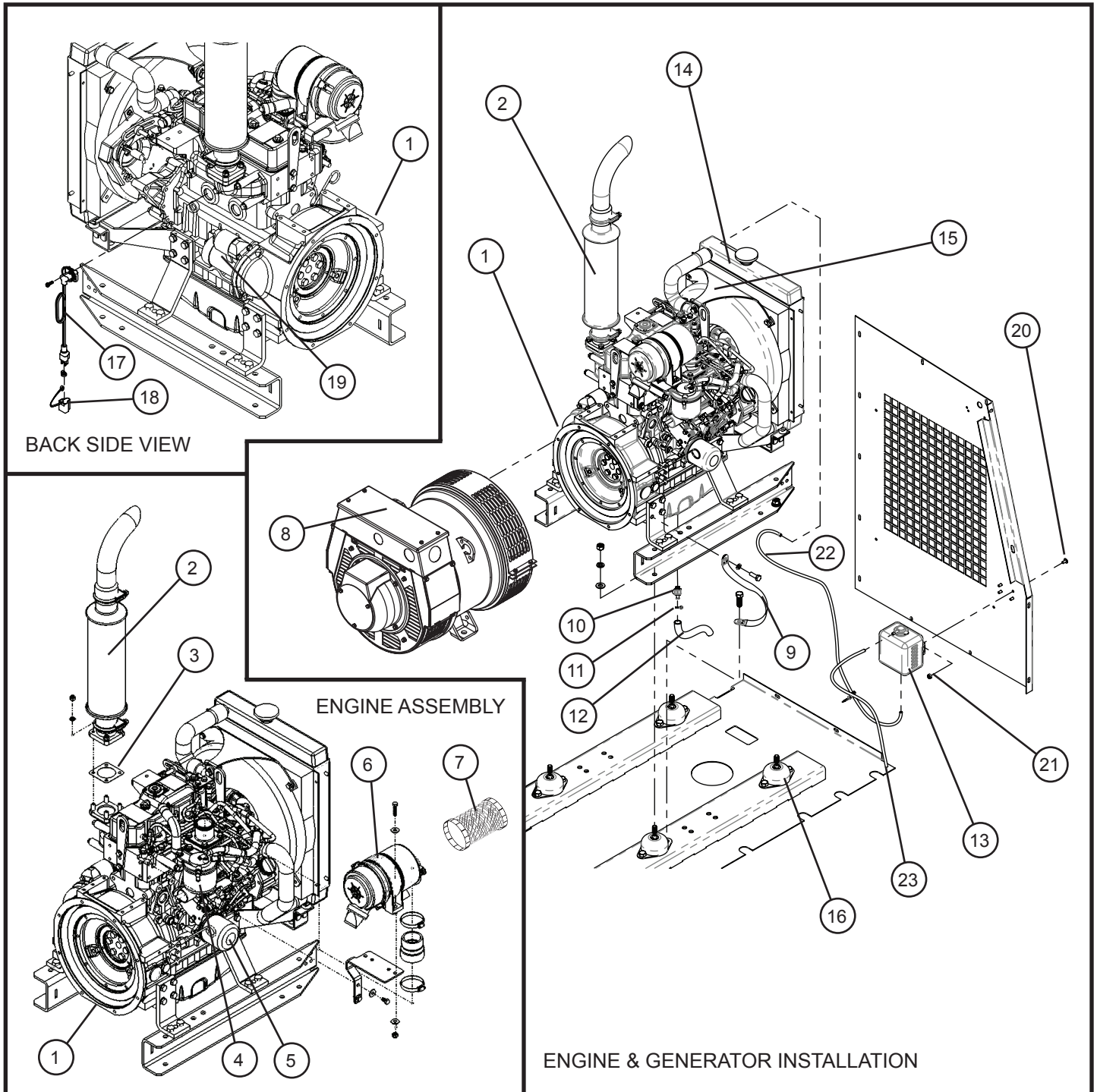
## 2.2 CAT CONTROL BOX

SN 0001MXH12 and UP

Item	Part No.	Part Description	Qty.
1	041050	1/4-20 x 3/4 PH-TRUSS HEAD MS SS	1
2	041078	1/4-20 x 1/2 PH-TRUSS HEAD MS SS	4
3	044021	1/4-20 KEPS HEX NUT PL	5
4	041024	#10-24 x 1/2 PH-ROUND HEAD MS SS	1
5	044016	#10-24 KEPS HEX NUT PL	1
6	650306	CAT IGNITION SWITCH W/ KEYS	1
	650307	CAT IGNITION KEY	1
7	103205	FUEL GUAGE 3-1 BEEDE MH-1000	1
8	109936P	CAT 1.5 CONTROL PANEL POLY TANK	1
9	340009	TOGGLE SWITCH 15A 125V	1
10	340014	HOUR METER	1
11	650139	30A BREAKER	1
12	650302	TIMER/AUTO SHUTDOWN	1
13	101240P	CONTROL PANEL COVER	1

## 2.3 ISUZU T4F 3CE1 ENGINE AND GENERATOR (1 of 2)

SN 0001MXH12 and UP



# Maxi-Heat® 1000

## 2.3 ISUZU T4F 3CE1 ENGINE AND GENERATOR (1 of 2)

SN 0001MXH12 and UP

Item	Part No.	Part Description	Qty.
1	105909	ISUZU ENGINE T4F 3CE1 PULLER FAN	1
2	849013	MUFFLER ISUZU	1
3	849014	MUFFLER GASKET ISUZU	1
4	22-000310	FUEL FILTER ISUZU	1
5	22-000309	OIL FILTER ISUZU	1
6	650262	AIR CLEANER RADIAL SEAL	1
7	650290	AIR FILTER ISUZU	1
8	102650	9kW SAE 4/7.5 CUMMINS/ISUZU GENERATOR	1
9	340105	GROUND STRAP	1
10	102628	DRAIN VALVE FOMOTO ISUZU	1
11	068090	CABLE TIE 8"	1
12	848405	TUBE OIL DRAIN 5/8 x 6.5	1
13	650027	COOLANT RECOVER TANK WITH BRACKET	1
14	22-000299	RADIATOR ISUZU	1
15	102859	RADIATOR MOUNTING BRACKET KIT ISUZU	1
16	848973	ENGINE ISOLATOR SHOCK MOUNT	4
17	352469	BLOCK HEATER ISUZU	1
18	105995	END COVER 120 VOLT CORD	1
19	102465	STARTER ISUZU	1
20	041078	1/4-20 x 1/2 PH-TRUSS HEAD MS SS	4
21	044021	1/4-20 KEPS HEX NUT PL	4
22	102268	HOSE 1/4" ID COOLANT OVERFLOW x 48.0	1
23	102268	HOSE 1/4" ID COOLANT OVERFLOW x 24.0	1
NS	310122	CORD CONNECTOR 3/4"	1
NS	103664	RADIO FREQUENCY INTERRUPT	1
NS	103665	ELECTRONIC BOOST CONTROL	1
NS	103667	ELECTRONIC BOOST SYSTEM	1
NS	848980	RECTIFIER BRIDGE ISUZU NEWAGE	1
NS	848308	GENERATOR MOUNT PLATE	1

## 2.4 ISUZU T4F 3CE1 ENGINE AND GENERATOR (2 of 2)

SN 0001MXH12 and UP



# Maxi-Heat® 1000

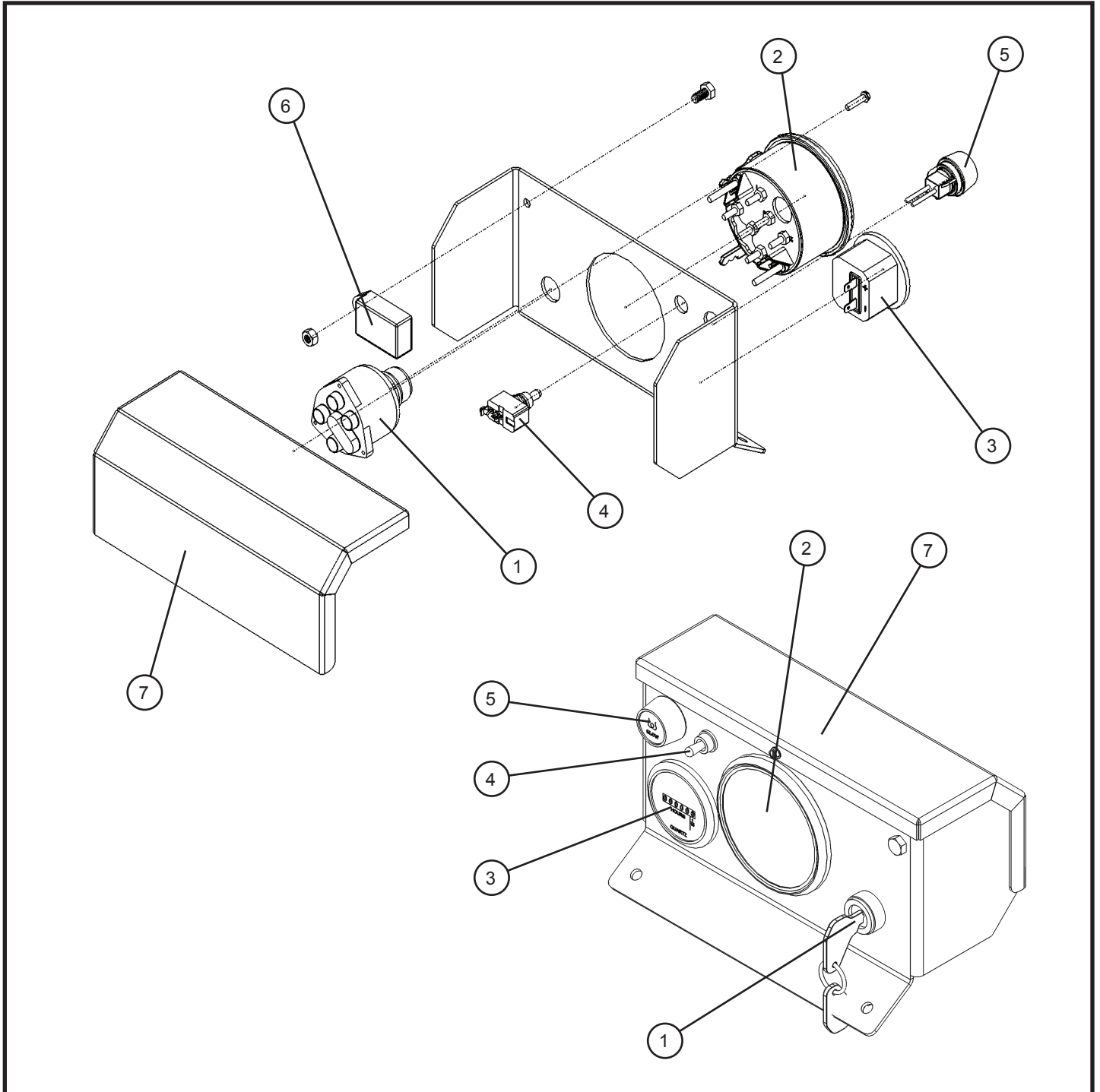
## 2.4 ISUZU T4F 3CE1 ENGINE AND GENERATOR (2 of 2)

SN 0001MXH12 and UP

Item	Part No.	Part Description	Qty.
1	102859	RADIATOR MOUNTING BRACKET KIT ISUZU	1
2	102465	STARTER ISUZU	1
3	103016	AVR BOARD	1
4	22-000316	STOP SOLENOID	1
5	22-000329	STOP SOLENOID O-RING	1
6	22-000324	ALTERNATOR DIODE	1
7	22-000325	TEMPERATURE SWITCH	1
8	22-000326	OIL PRESSURE SWITCH	1
9	650423	RELAY ASSEMBLY	1
10	22-000317	FUEL PUMP	1

## 2.5 ISUZU CONTROL BOX

SN 0001MXH12 and UP



# Maxi-Heat® 1000

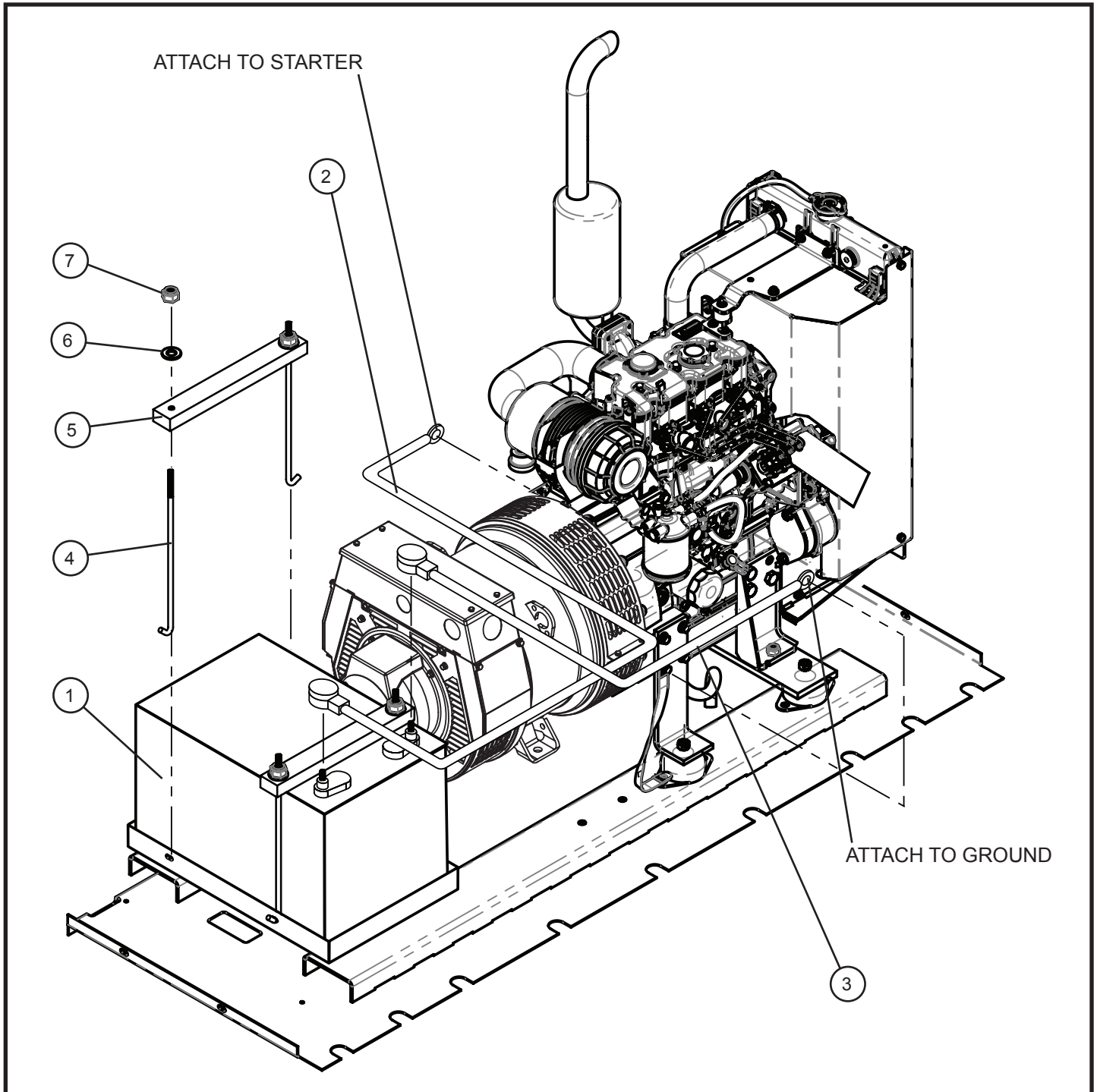
## 2.5 ISUZU CONTROL BOX

SN 0001MXH12 and UP

Item	Part No.	Part Description	Qty.
--	101754	ISUZU CONTROL BOX ASSEMBLY	1
1	922004	IGNITION SWITCH ISUZU WITHOUT TUMBLER OR KEYS	1
	922005	IGNITION TUMBLER WITH KEYS ISUZU	1
	921441	IGNITION KEY ISUZU	1
2	103205	FUEL GUAGE 3-1 BEEDE MH-1000	1
3	340014	HOUR METER	1
4	340009	TOGGLE SWITCH 15A 125V	1
5	22-000328	GLOW LIGHT INDICATOR	1
6	22-000315	GLOW PLUG TIMER	1
7	800233	ISUZU CONTROL BOX COVER	1

## 2.6 BATTERY INSTALLATION

SN 0001MXH12 and UP





# Maxi-Heat® 1000

---

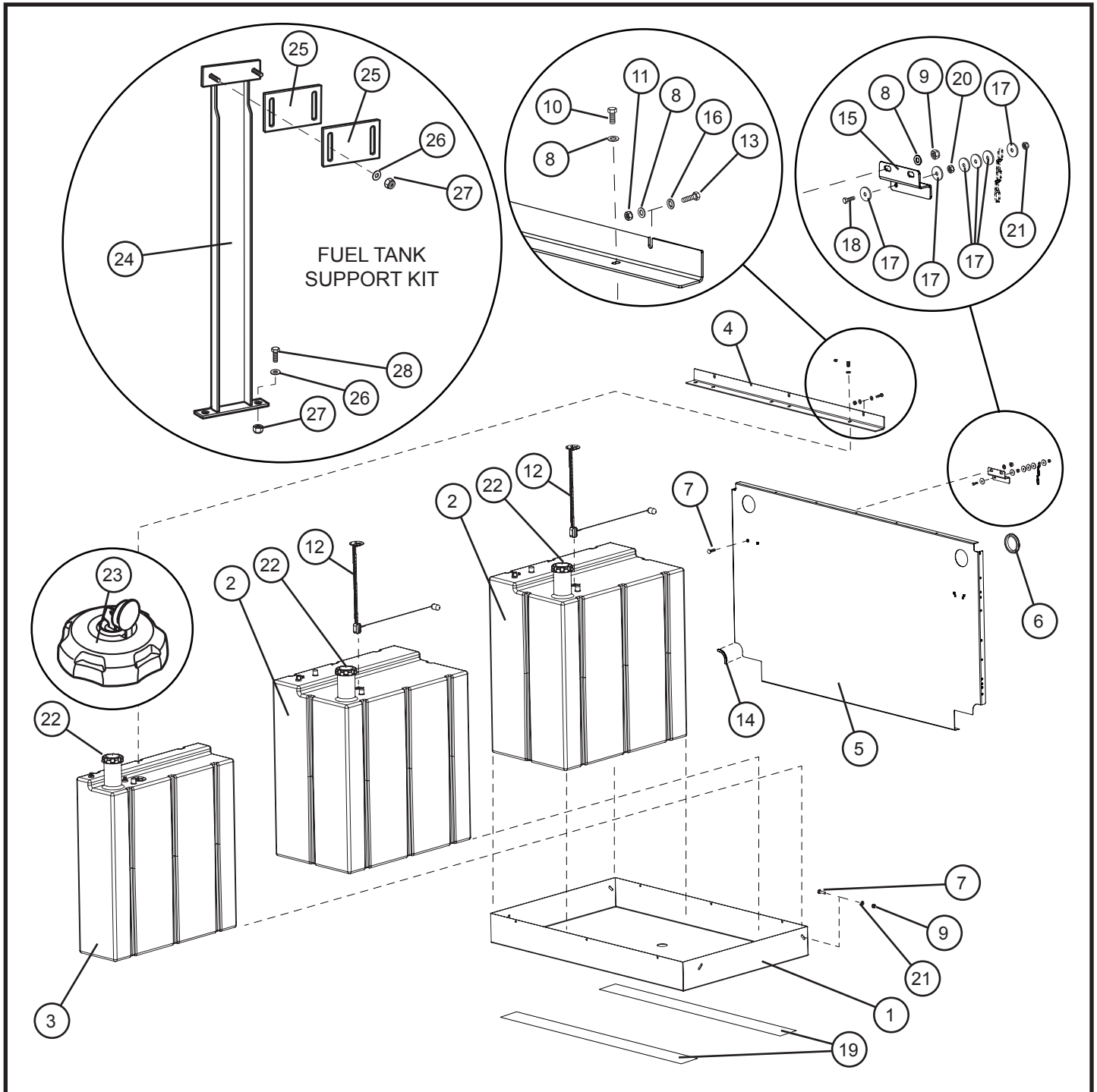
## 2.6 BATTERY INSTALLATION

SN 0001MXH12 and UP

Item	Part No.	Part Description	Qty.
1	024009	BATTERY 8D	1
2	027025	BATTERY CABLE 2 GA 48" POSITIVE	1
3	713098	BATTERY CABLE 2 GA 36" POSITIVE	1
4	433507	J-BOLT BATTERY HOLD DOWN	4
5	800243	NYLON BATTERY HOLD DOWN	2
6	047010	5/16 FLAT WASHER PL	4
7	044031	5/16-18 KEPS HEX NUT PL	4

## 3.1 POLY TANK ASSEMBLY

SN 0001MXH12 and UP



# Maxi-Heat® 1000

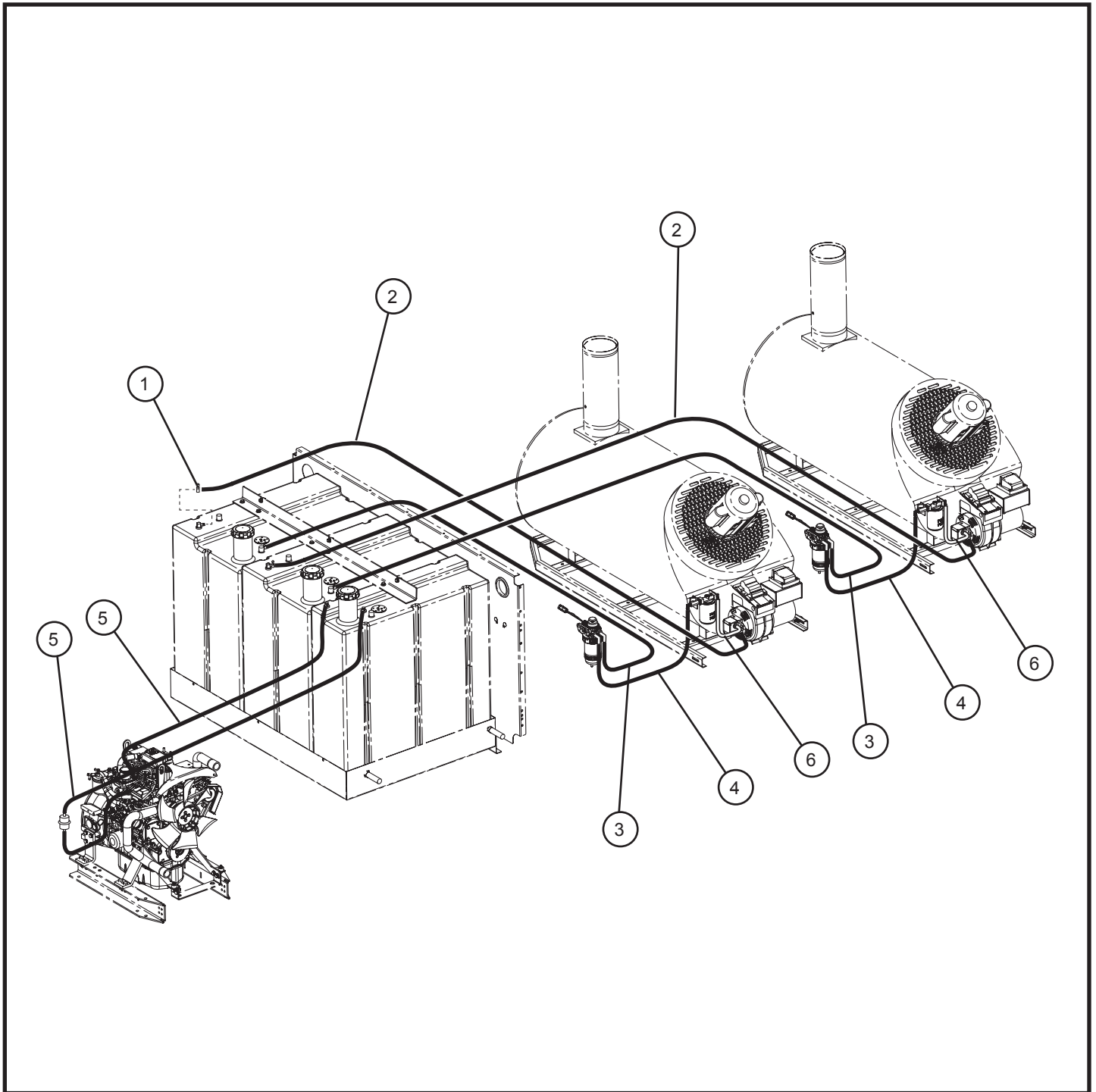
## 3.1 POLY TANK ASSEMBLY

SN 0001MXH12 and UP

Item	Part No.	Part Description	Qty.
1	109927	BOTTOM	1
2	109928	TANK POLY, HEATER	2
3	109926	TANK POLY, ENGINE	1
4	109930	HOLD-DOWN	1
5	109938	FIREWALL	1
6	100917	GROMMET	1
7	100670	3/8-16 X 1-1/4 CARRIAGE BOLT G5	8
8	047015	3/8 FLAT WASHER SAE ZINC	7
9	044038	3/8-16 NYLOCK HEX NUT PL	6
10	046111	3/8-16 X 1 HEX HEAD CS GR8 PL	5
11	044036	3/8-16 KEPS HEX NUT PL	5
12	103206	FUEL SENDER	2
13	046115	3/8-16 X 1-1/4 HEX HEAD CS GR8 PL	3
14	030053	5/64 X 7/16 TRIM LOCK	1
15	103695	CHAIN MOUNT	1
16	045218	3/8 PUSH NUT	3
17	047007	1/4 X 1-1/4 X .056 FENDER WASHER	6
18	046016	1/4-20 X 1-1/4 HEX HEAD CS GR5 PL	1
19	030010	RUBBER SEAL 48" EA.	2
20	044021	1/4-20 KEPS NUT	1
21	044023	1/4-20 NYLOCK NUT	1
22	340441	FUEL TANK CAP PLASTIC	3
23	103848	FUEL CAP, LOCKING, VENTED, W/ KEYSET (OPTIONAL)	3
--	104826	FUEL TANK SUPPORT KIT	1
24	104833	STIFFENER, POLY TANK	2
25	104832	SUPPORT CLIP, POLY TANK	4
26	047015	3/8 FLAT WASHER SAE ZINC	8
27	044038	3/8-16 NYLOCK HEX NUT PL	8
28	046115	3/8-16 X 1-1/4 HEX HEAD CS GR8 PL	4

## 3.2 FUEL LINE SCHEMATIC

SN 0001MXH12 and UP



# Maxi-Heat® 1000

---

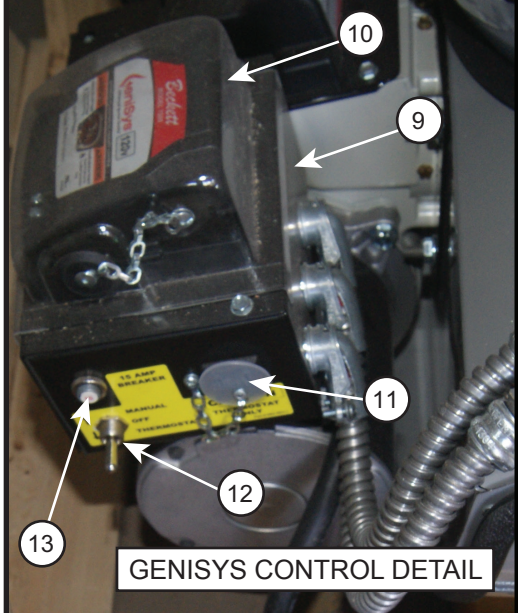
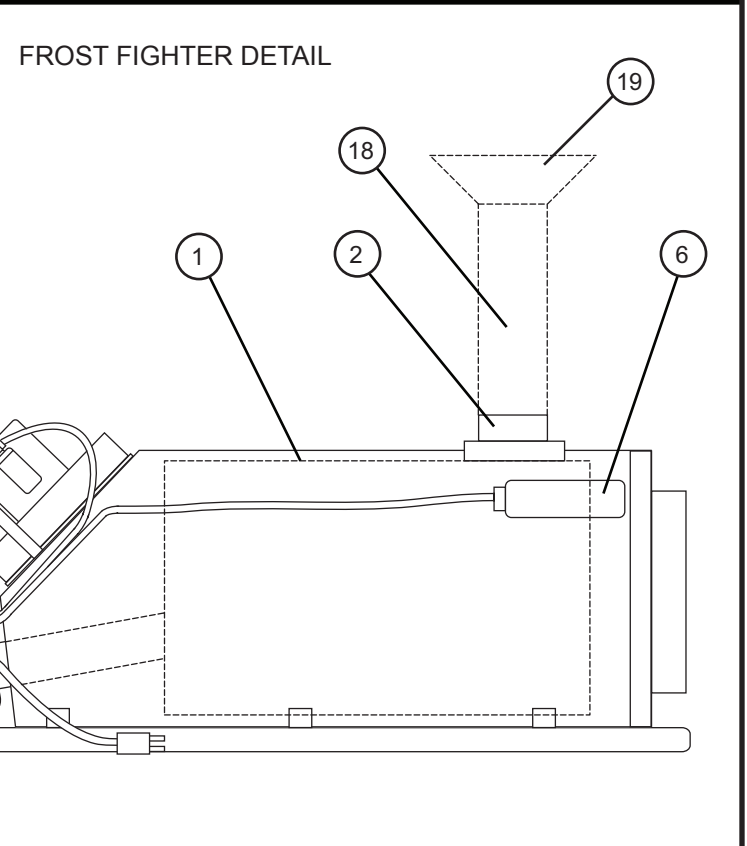
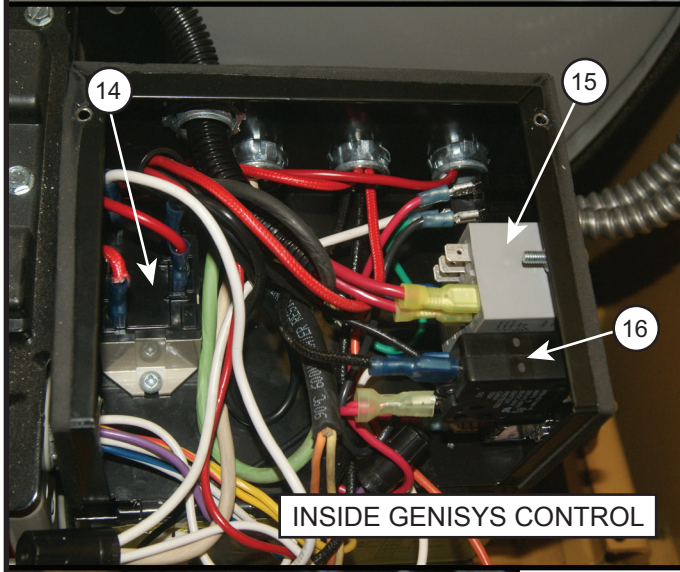
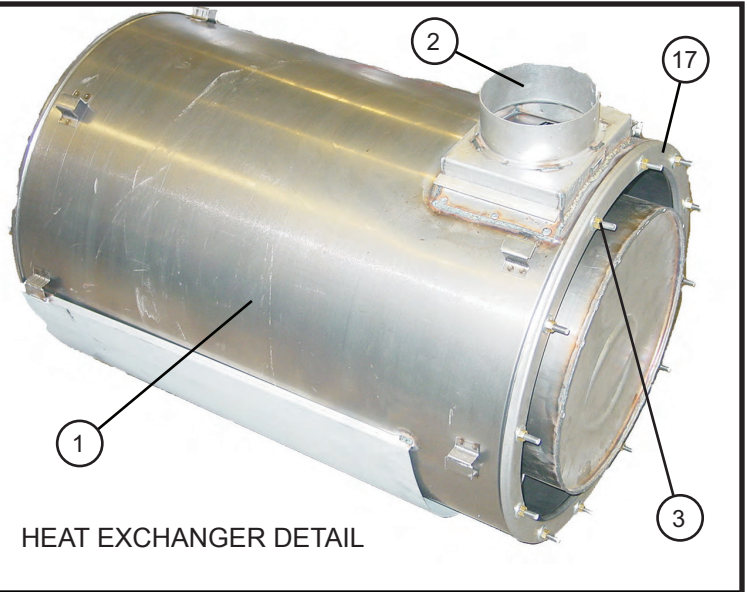
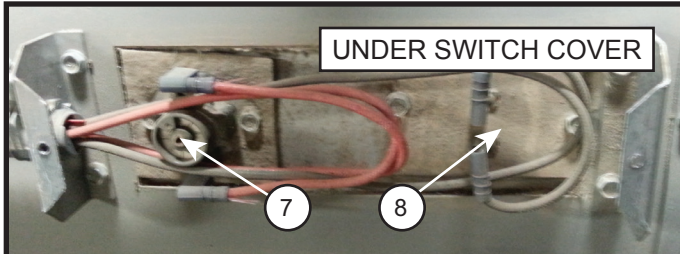
## 3.2 FUEL LINE SCHEMATIC

SN 0001MXH12 and UP

Item	Part No.	Part Description	Qty.
1	433400	HOSE SCREW CLAMP 3/8	6
2	105354	RETURN FUEL LINE	2
3	105355	SUPPLY FUEL LINE TO PRE-FILTER	2
4	105356	SUPPLY FUEL LINE PRE-FILTER TO BURNER	2
5	105359	CAT FUEL LINE KIT	1
	105360	ISUZU FUEL LINE KIT	1
6	102009	CLEAR HOSE WITH FITTING	2

## 3.3 FROST FIGHTER ASSEMBLIES (1 OF 2)

SN 0001MXH12 and UP



# Maxi-Heat® 1000

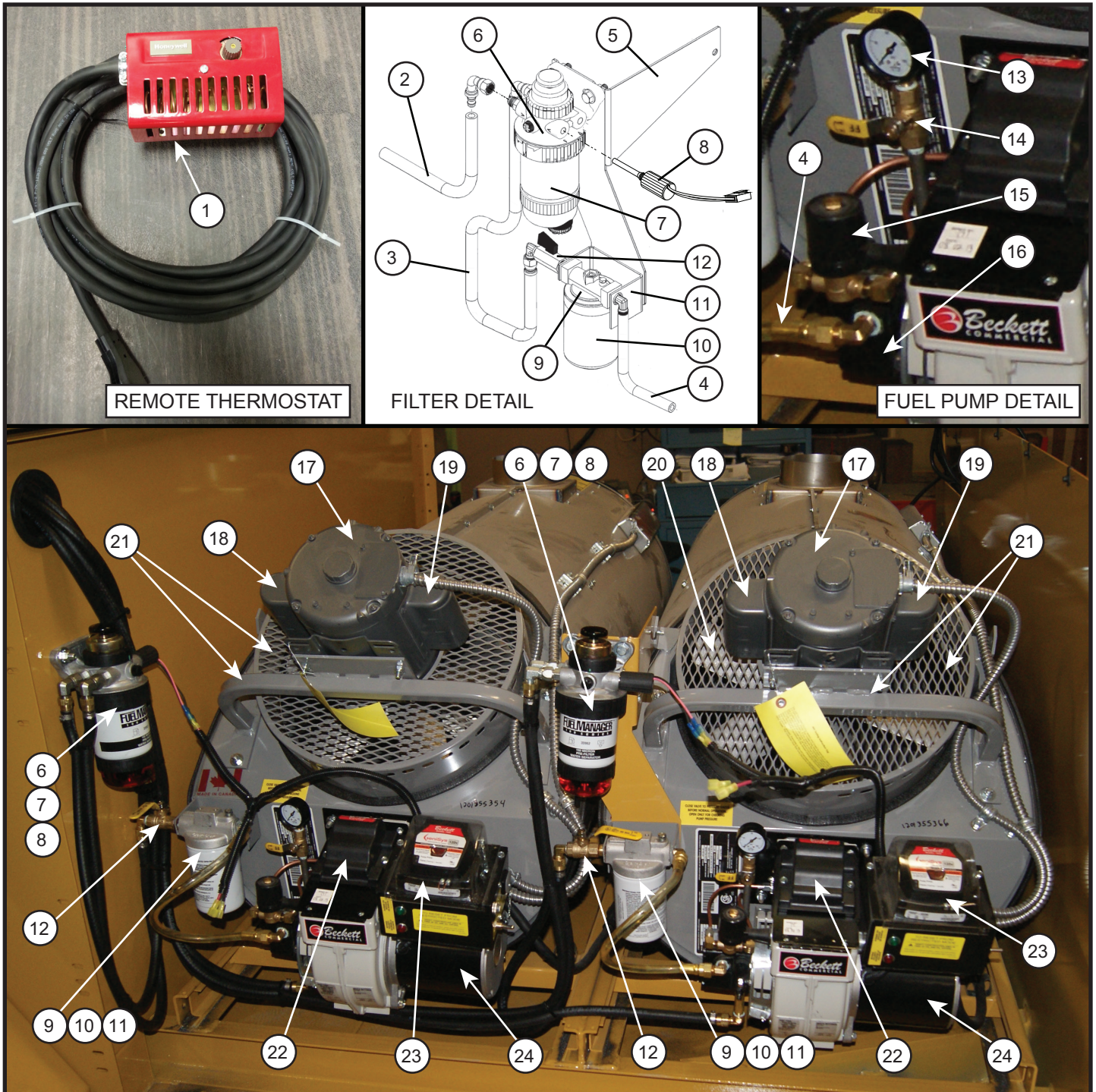
## 3.3 FROST FIGHTER ASSEMBLIES (1 OF 2)

SN 0001MXH12 and UP

Item	Part No.	Part Description	Qty.
--	101154	FROST FIGHTER ASSEMBLY (IDF 500)	--
1	849011	STAINLESS STEEL HEAT EXCHANGER ASSEMBLY	1
2	848113	FLUE COLLAR	1
3	848116	RETAINER NUT WITH WASHER SET OF 24	1
4	102015	FAN MOTOR, 1.5 HP BALDOR	1
5	100618	BURNER ASSEMBLY (IDF 500, CF 800)	1
6	848112	HIGH SWITCH COVER	1
7	848111B	ADJUSTABLE FAN SWITCH	1
	848171	ADJUSTABLE TEMPERATURE FEELER SWITCH (LOCATED UNDER 848111B)	1
8	101287	HIGH LIMIT SWITCH 200° PROBE	1
9	102912	GENISYS SYSTEM OIL PRIMARY CONTROL	1
10	103356	GENISYS CONTROL COVER PLASTIC	1
11	848165	SWITCH RECEPTACLE	1
12	848160	TOGGLE SWITCH	1
13	101289	15 AMP THERMO SWITCH	1
14	103549	FAN BLOWER RELAY	1
15	101269	30 AMP RELAY	1
16	101289	CIRCUIT BREAKER 15 AMP	1
17	848802B	FIBERGLASS SEAL	1
18	101236	6 x 18 CHIMNEY TUBE	1
19	848001	CHIMNEY RAIN CAP	1

## 3.4 FROST FIGHTER ASSEMBLIES (2 OF 2)

SN 0001MXH12 and UP





# Maxi-Heat® 1000

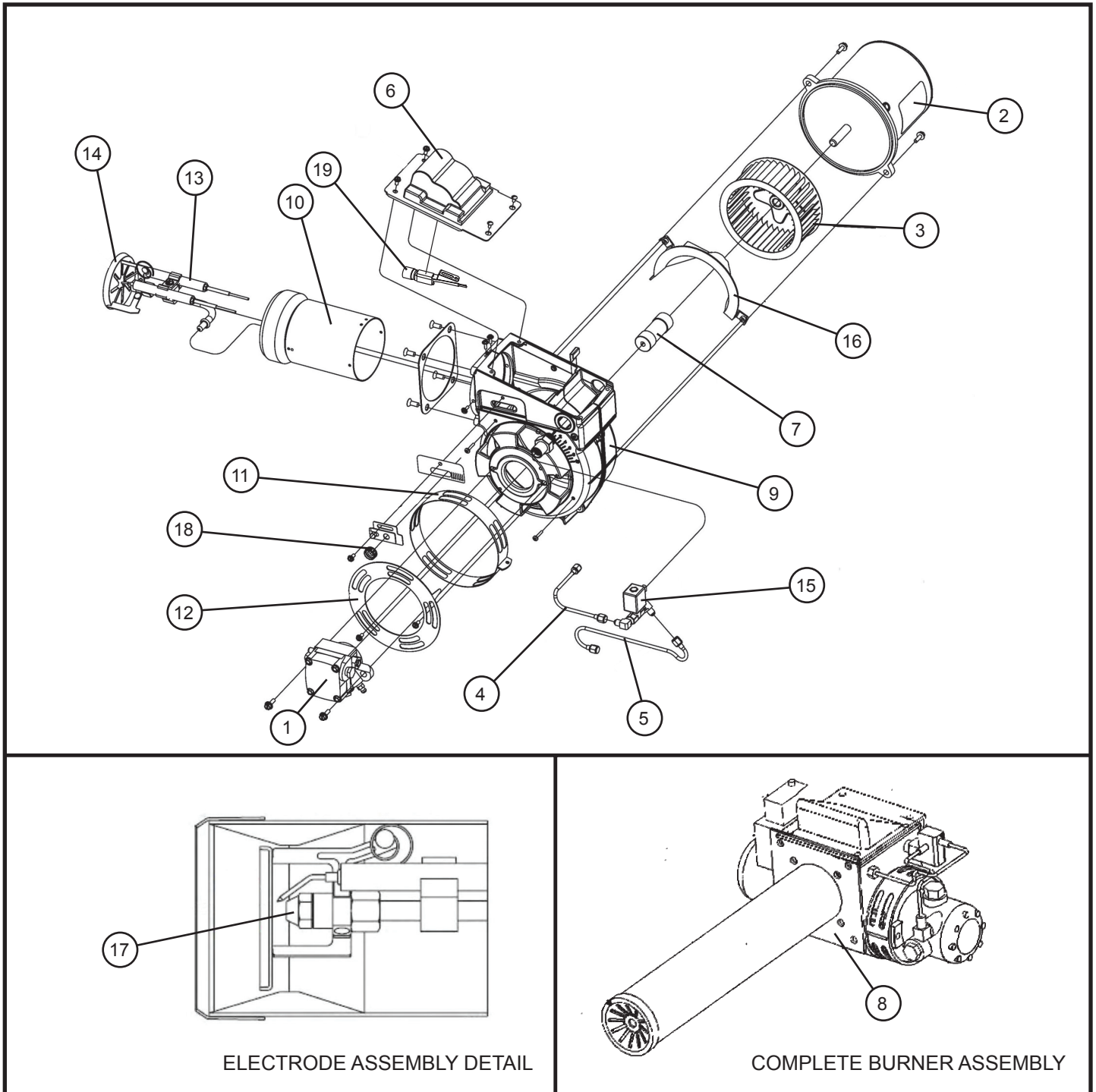
## 3.4 FROST FIGHTER ASSEMBLIES (2 OF 2)

SN 0001MXH12 and UP

Item	Part No.	Part Description	Qty.
1	847301	REMOTE THERMOSTAT	1
2	105355	SUPPLY FUEL LINE TO PRE-FILTER	2
3	105356	SUPPLY FUEL LINE PRE-FILTER TO BURNER	2
4	102009	CLEAR HOSE WITH FITTING	2
5	100657P	MOUNTING BRACKET	1
6	100611	HEATER PRE-FILTER ASSEMBLY	2
7	100612	FILTER ELEMENT (FOR 100611)	2
8	100613	HEATER ELEMENT (FOR 100611)	2
	101289	HEATER ELEMENT RELAY (ATTACHES TO 100613)	2
9	848132A	SPIN ON FUEL FILTER AND FILTER HEAD ASSEMBLY	2
10	848164A	SPIN ON FUEL FILTER	2
11	848133A	MOUNTING BRACKET (FOR 848132A)	2
12	101268	FUEL SHUTOFF VALVE	2
	848972	ADAPTER NIPPLE (FOR 101268)	2
13	848377	FUEL GAUGE	2
14	848409	FUEL SHUTOFF VALVE (FOR 848477)	2
15	848320	COMBU VALVE	2
16	848139B	FUEL PUMP	2
17	102015	FAN MOTOR, 1.5 HP BALDOR	2
18	104231	CAPACITOR SILVER	2
19	104230	CAPACITOR BLACK	2
20	101288	FAN BLADE HIGH STATIC (LOCATED UNDER SCREEN)	2
21	100625	FAN MOTOR MOUNT WITH SCREEN	2
22	848138B	BECKETT TRANSFORMER/IGNITOR	2
23	102912	GENISYS SYSTEM OIL PRIMARY CONTROL	2
24	848140	BURNER MOTOR, 1/3 HP	2
NS	101316	FROST FIGHTER HEATER WIRE HARNESS	1
NS	848337	DUAL FUEL HEATER WIRE HARNESS	1

## 3.5 BURNER ASSEMBLY

SN 0001MXH12 and UP



ELECTRODE ASSEMBLY DETAIL

COMPLETE BURNER ASSEMBLY

# Maxi-Heat® 1000

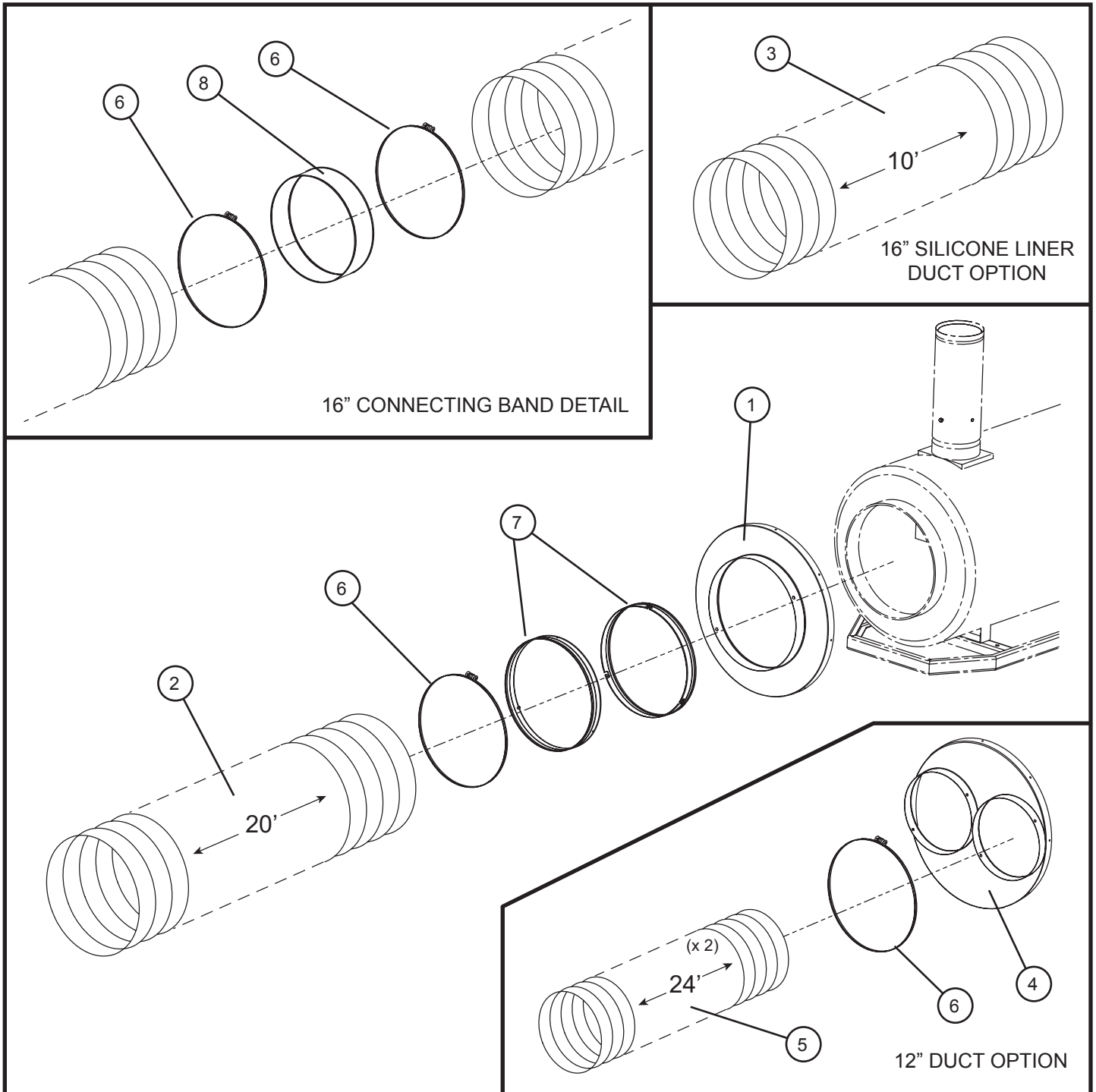
## 3.5 BURNER ASSEMBLY

SN 0001MXH12 and UP

Item	Part No.	Part Description	Qty.
1	848139B	"A" FUEL PUMP	1
2	848140	BURNER MOTOR, 1/3 HP	1
3	100627	BURNER/BLOWER FAN	1
4	848152	OIL DELIVERY TUBE 8"	1
5	100626	OIL DELIVERY TUBE 9-1/2"	1
6	848138B	BECKETT TRANSFORMER/IGNITOR	1
7	848187	FLEX COUPLING 2-3/4" LONG (1/4" AND 1/2" DIAMETER ENDS)	1
8	100618	BURNER ASSEMBLY (IDF 500, CF 800)	1
9	848250	HOUSING	1
10	100619	AIR TUBE COMBINATION (INCLUDES BLAST TUBE, ELECTRODE ASSEMBLY AND AIR DISFFUSER)	1
11	849007	AIR BAND ASSEMBLY	1
12	848254B	AIR SHUTTER HOUSING	1
13	849010	ELECTRODE INSULATOR KIT	1
14	100620	ELECTRODE ASSEMBLY WITH END CONE	1
15	848320	COMBU VALVE	1
16	102219	AIR GUIDE	1
17	848290	NOZZLE, 2.25 GPH	1
	848290A	NOZZLE, 2.0 GPH	1
	848290B	NOZZLE, 2.5 GPH	1
	848290C	NOZZLE, 2.75 GPH	1
	848291	NOZZLE, 3.0 GPH	1
	848291A	NOZZLE, 3.25 GPH	1
18	103357	KNURLED NUT	1
19	848154B	CAD CELL FLAME DETECTOR	1

## 3.6 HEATER DUCT ASSEMBLY

SN 0001MXH12 and UP



# Maxi-Heat® 1000

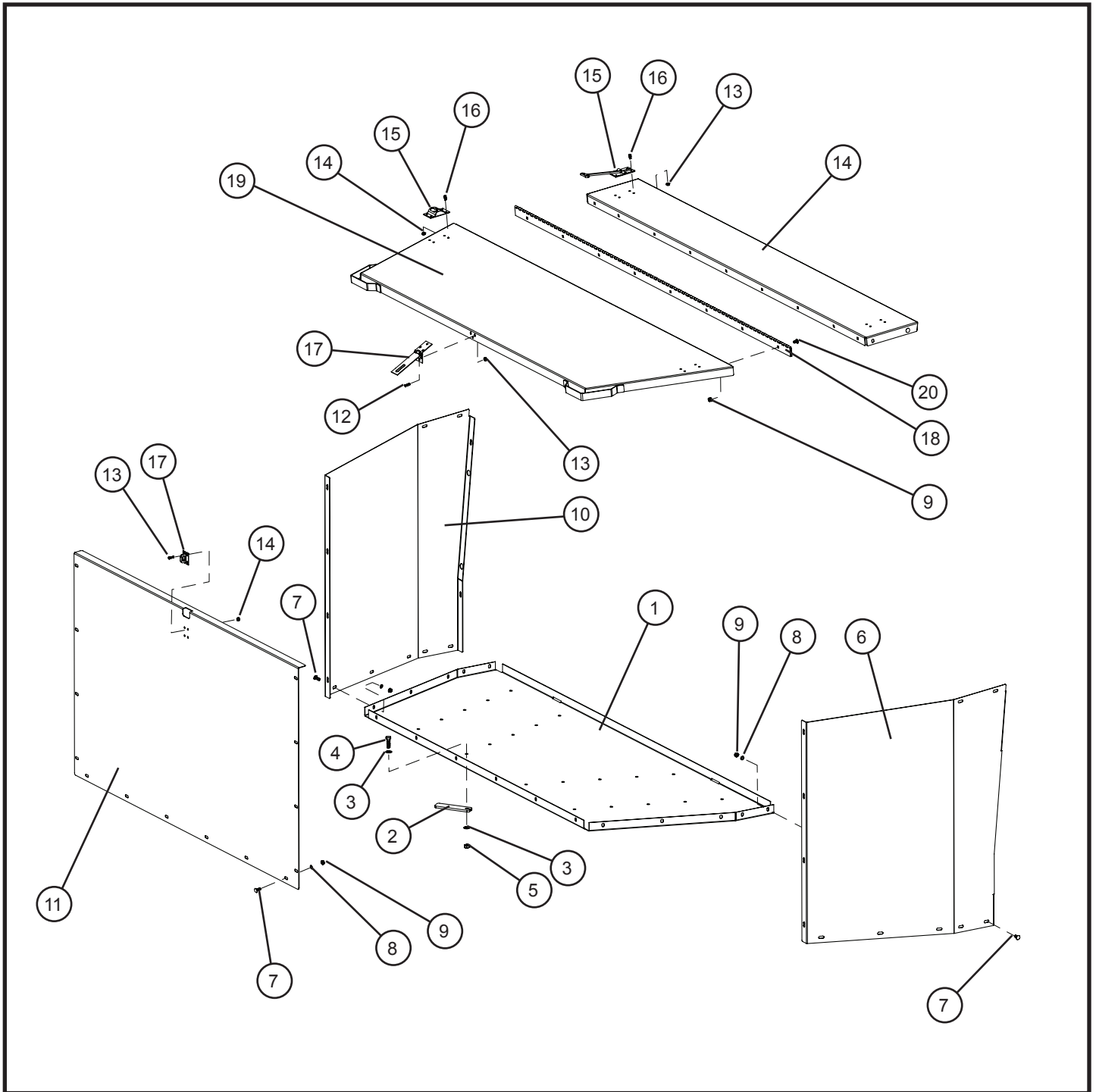
## 3.6 HEATER DUCT ASSEMBLY

SN 0001MXH12 and UP

Item	Part No.	Part Description	Qty.
1	100623	16" x 1 INSULATED END CAP	1
2	848172	HEATER DUCT 16" x 20'	1
3	101181	HEATER DUCT 16" x 10' SILICONE LINER (OPTIONAL)	1
4	100624	12" x 2 INSULATED END CAP	1
5	848173	HEATER DUCT 12" x 24'	2
6	848176	16" SCREW CLAMP	1
7	848974	16" SLIP LOCK CONNECTOR	1
8	848976	16" CONNECTING BAND	1

## 4.1 DUCT BOX ASSEMBLY

SN 0001MXH12 and UP



# Maxi-Heat® 1000

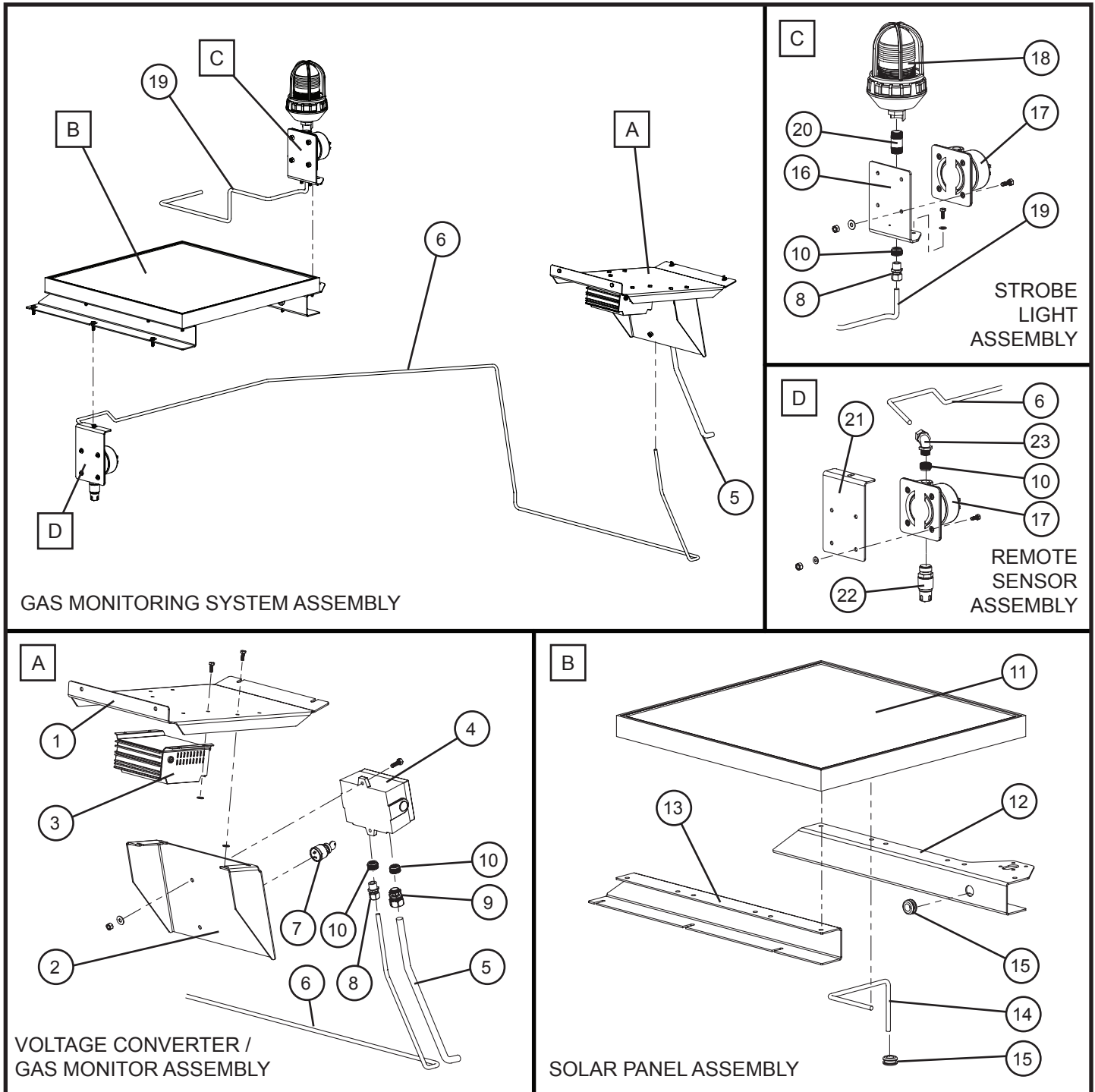
## 4.1 DUCT BOX ASSEMBLY

SN 0001MXH12 and UP

Item	Part No.	Part Description	Qty.
--	848120	DUCT STORAGE BOX COMPLETE	1
1	848121P	DUCT BOX BOTTOM PANEL	1
2	848954P	DUCT BOX MOUNT PLATE	4
3	047016	3/8 FLAT WASHER	8
4	046115	3/8-16 X 1-1/4 HEX HEAD CS GR5	4
5	044038	3/8-16 NYLOC HEX NUT	4
6	848124P	DUCT BOX LEFT SIDE PANEL	1
7	053006	1/4-20 X 3/4 CARRIAGE BOLT	28
8	047009	1/4 FLAT WASHER	28
9	044021	1/4-20 KEPS HEX NUT	45
10	848123P	DUCT BOX RIGHT SIDE PANEL	1
11	848122P	DUCT BOX FRONT PANEL	1
12	041026	#10-24 X 3/4 SLOTTED FLAT HEAD	7
13	044019	#10-24 NYLOC HEX NUT SS	23
14	848125P	DUCT BOX TOP PANEL	1
15	660170	DOOR HOLDER	2
16	041021	#10-24 X 1/2 PH-ROUND HEAD	16
17	830232	HASP	1
18	848129	HINGE	1
19	848128P	DUCT BOX LID	1
20	053005	1/4-20 X 1/2 CARRIAGE BOLT	17

## 4.2 GAS MONITORING SYSTEM

SN 0001MXH12 and UP





# Maxi-Heat® 1000

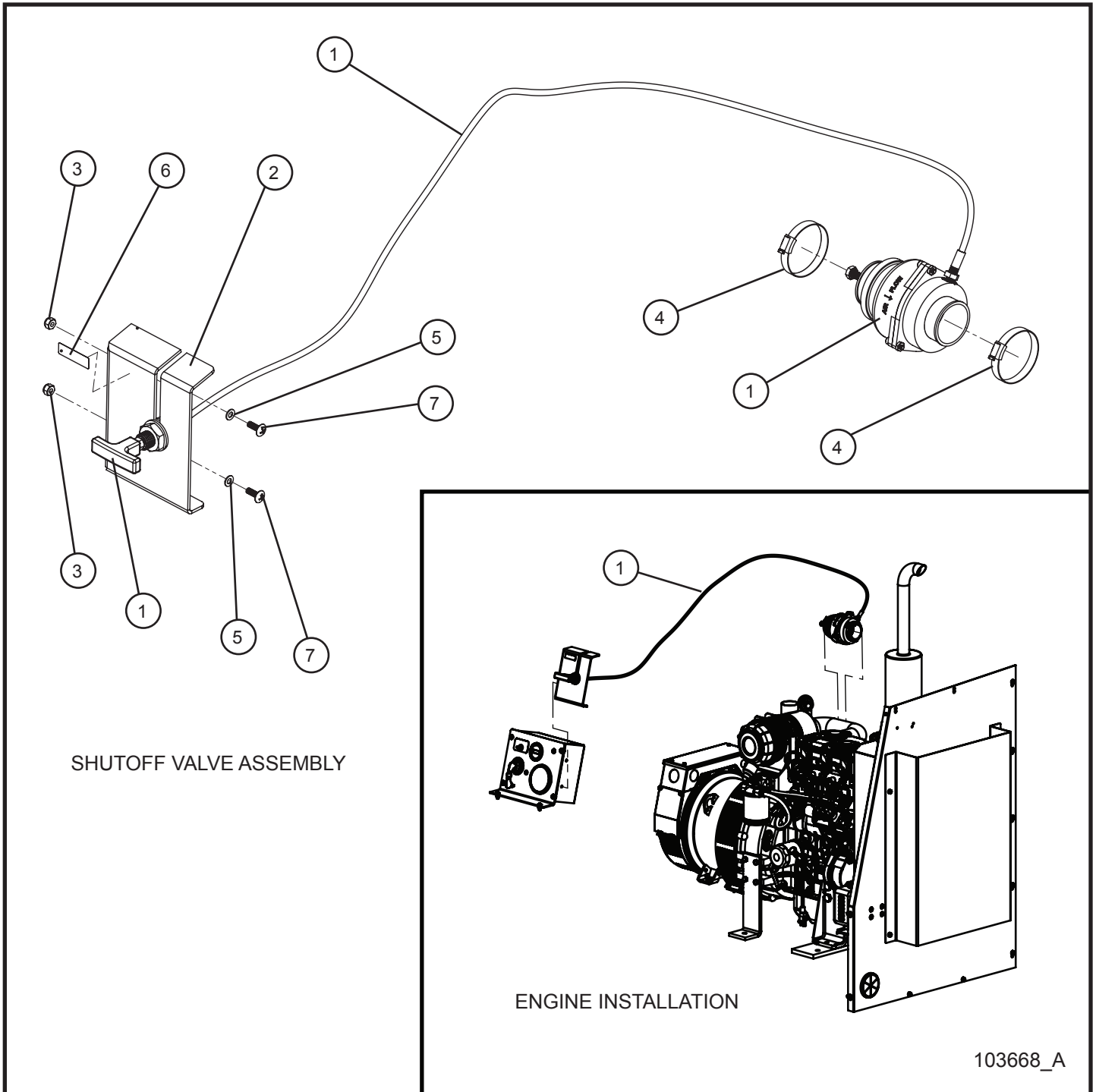
## 4.2 GAS MONITORING SYSTEM

SN 0001MXH12 and UP

Item	Part No.	Part Description	Qty.
1	104829P	ROOF MOUNT BRACKET	1
2	102168P	GAS MONITOR MOUNT BRACKET	1
3	101079	VOLTAGE CONVERTER	1
4	102156	COMBUSTIBLE GAS MONITOR	1
	102236	MONITOR WIRE HARNESS (NOT SHOWN, CONNECTS GAS MONITOR TO VOLTAGE CONVERTER)	1
5	102235	MAIN POWER WIRE HARNESS	1
6	102238	SENSOR WIRE HARNESS	1
7	102227	IGNITION SWITCH	1
8	510007	1/2 CORD GRIP (.312 ID to .437 ID)	2
9	310033	1/2 CORD GRIP (.500 ID to .625 ID)	1
10	052121	BUSHING REDUCER	4
11	711309	SOLAR PANEL 55 WATT SW-55P	1
12	102209P	REAR SOLAR PANEL BRACKET	1
13	102208P	FRONT SOLAR PANEL BRACKET	1
14	102239	SOLAR PANEL WIRE HARNESS	1
15	330463	GROMMET 11/16 ID x 10 ID	2
16	102258P	STROBE LIGHT MOUNT BRACKET	1
17	102157	UNIVERSAL HOUSING	2
18	102196	STROBE LIGHT	1
19	102237	STROBE LIGHT WIRE HARNESS	1
20	102230	NIPPLE 3/4 x 2	1
21	102166P	GAS SENSOR MOUNT BRACKET	1
22	102158	SPLASH SENSOR	1
23	100233	CORD GRIP 1/2" 90°	1

## 4.3 EMERGENCY AIR SHUTOFF CAT C1.5

SN 0001MXH12 and UP



SHUTOFF VALVE ASSEMBLY

ENGINE INSTALLATION

103668\_A

# Maxi-Heat® 1000

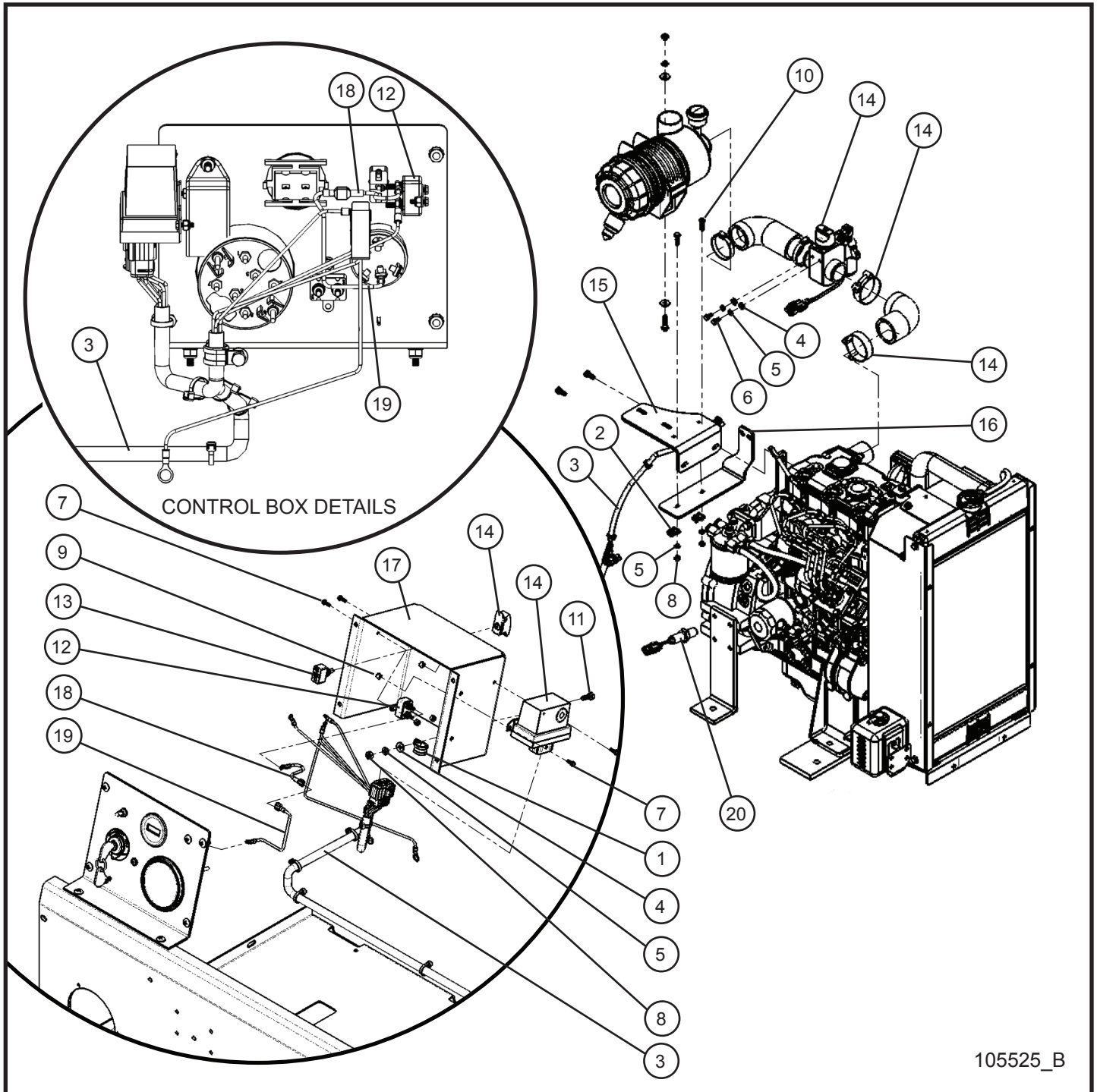
## 4.3 EMERGENCY AIR SHUTOFF CAT C1.5

SN 0001MXH12 and UP

Item	Part No.	Part Description	Qty.
--	103668	SHUTOFF VALVE ASSEMBLY	1
1	103904	SHUTOFF VALVE ISUZU 4LE/ CAT C2.2, C1.5	1
2	103900P	BRACKET T HANDLE	1
3	044023	1/4-20 NYLOCK HEX NUT PL	2
4	045038	#32 HOSE CLAMP	2
5	047009	1/4 FLAT WASHER SAE SS	2
6	104227	DECAL ENGINE SHUTDOWN TEST	1
7	041050	1/4-20 X 3/4 PH-TRUSS HEAD MS SS	2

## 4.4 SHOCKER VALVE CAT C1.5

SN 0001MXH12 and UP



105525\_B

# Maxi-Heat® 1000

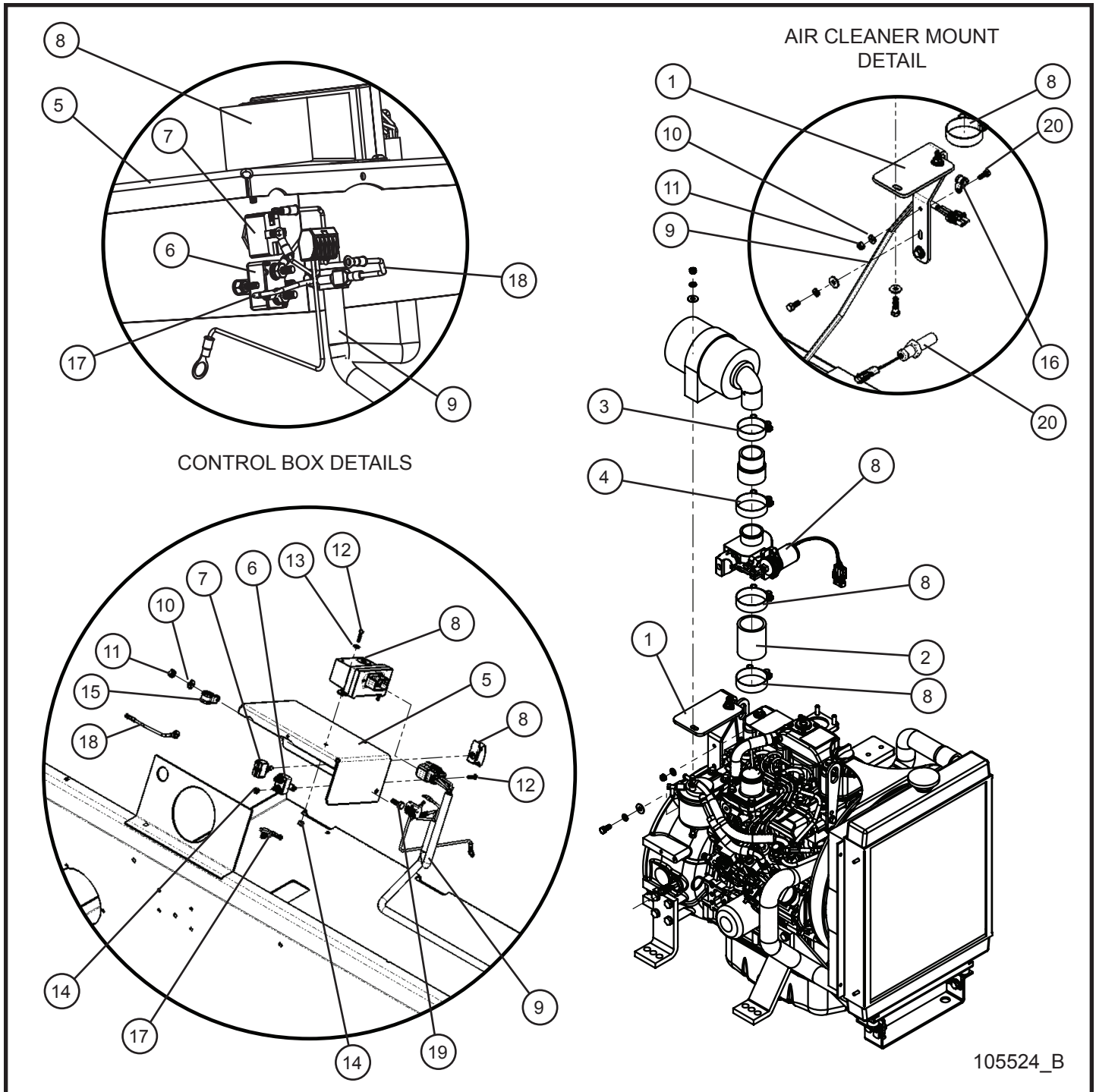
## 4.4 SHOCKER VALVE CAT C1.5

SN 0001MXH12 and UP

Item	Part No.	Part Description	Qty.
1	022021	#10 CLAMP CUSH	1
2	022016	#6 CUSH CLAMP 1/4 HOLE	2
3	105637	WIRING HARNESS SHOCKER VALVE MAXI HEAT	1
4	047005	1/4 FLAT WASHER PL	3
5	043020	1/4 SPLITLOCK WASHER	5
6	046006	1/4-20 x 5/8 HEX CS GR5 PL	2
7	041200	#8-32 x 1/2 HEX WASHER HEAD INDT	4
8	044020	1/4-20 HEX NUT PL	3
9	044013	#8-32 NYLOCK HEX NUT SS	4
10	046015	1/4-20 x 1 HEX HEAD CS GR5 PL	2
11	046004	1/4-28 x 3/4 HEX HEAD BOLT	1
12	105636	20 AMP BREAKER	1
13	340009	SWITCH 15A 125V	1
14	105705	SHOCKER 2" VALVE KIT	1
15	105523P	BRACKET, MOUNT AIR CLEANER/SHOCKER	1
16	105818P	BRACKET SHOCKER MOUNT	1
17	105815P	REAR COVER CAT CONTROL PANEL	1
18	105703	WIRE, POWER FEMALE SIDE	1
19	105704	WIRE, POWER MALE SIDE	1
20	105536	RPM SENSOR, 18MM x 1.5	1
NS	105702	SHOCKER SETUP INSTRUCTIONS	1

## 4.5 SHOCKER VALVE ISUZU T4F 3CE1

SN 0001MXH12 and UP



105524\_B

# Maxi-Heat® 1000

## 4.5 SHOCKER VALVE ISUZU T4F 3CE1

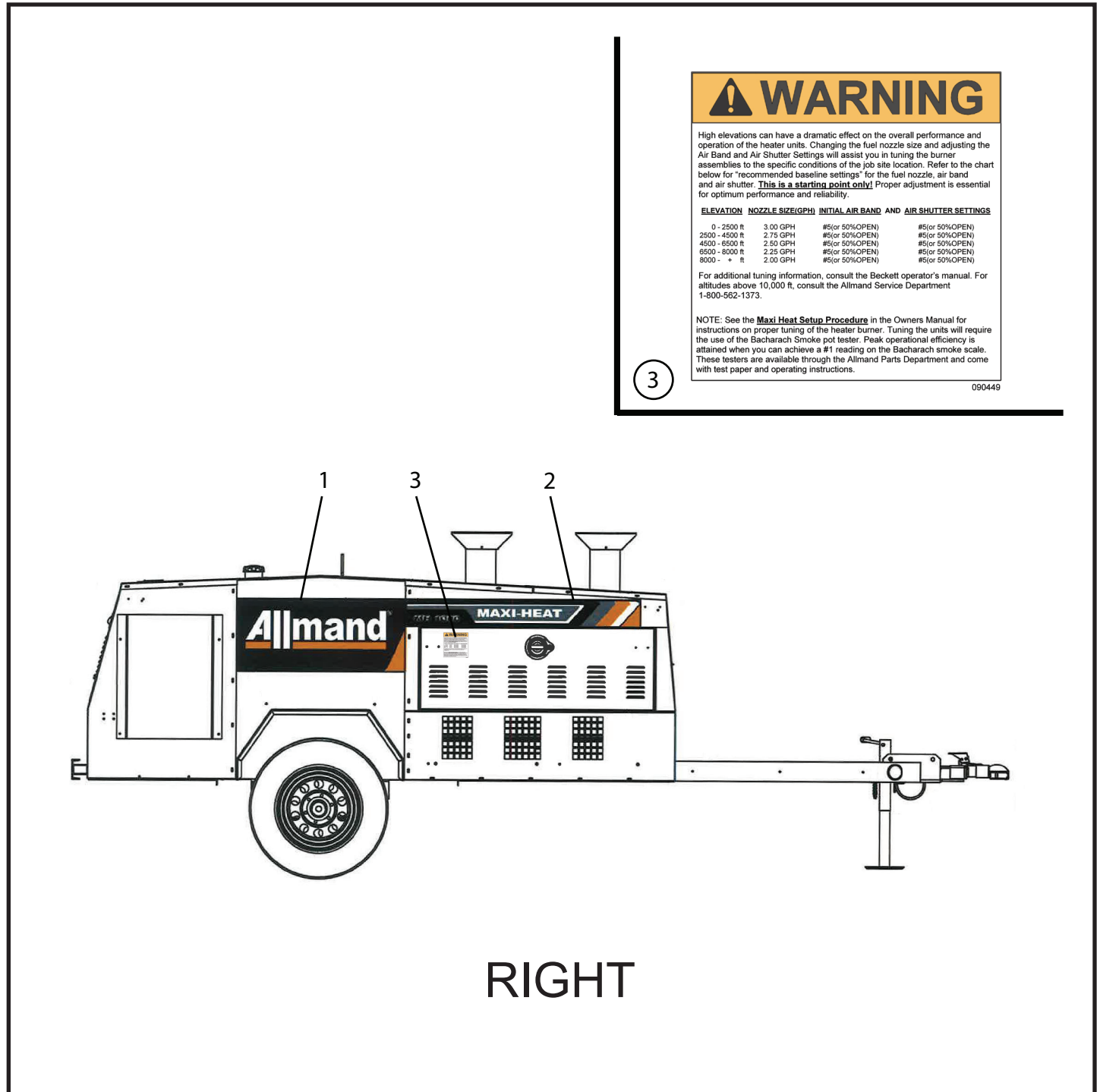
SN 0001MXH12 and UP

Item	Part No.	Part Description	Qty.
1	105527P	MOUNT AIR CLEANER ISUZU 3CE1	1
2	105526	HOSE RUBBER AIR SYSTEM	1
3	105648	T-BOLT CLAMP, 1-3/4" STAINLESS STEEL	1
4	105649	T-BOLT CLAMP, 2" STAINLESS STEEL	1
5	105816P	REAR COVER ISUZU CONTROL	1
6	105636	20 AMP BREAKER	1
7	340009	SWITCH 15A 125V	1
8	105705	SHOCKER 2" VALVE KIT	1
9	105637	WIRING HARNESS SHOCKER VALVE MAXI HEAT	1
10	047005	1/4 FLAT WASHER PL	2
11	044021	1/4-20 KEPS HEX NUT PL	2
12	041201	#8-32 x 3/4 SL-ROUND HEAD MS PL	4
13	047004	#8 FLAT WASHER SAE ZC	2
14	044013	#8-32 NYLOCK HEX NUT SS	4
15	022022	#8 CUSH CLAMP 1/4 HOLE	1
16	022016	#6 CUSH CLAMP 1/4 HOLE	1
17	105703	WIRE, POWER FEMALE SIDE	1
18	105704	WIRE, POWER MALE SIDE	1
19	046004	1/4 x 28-3/4 HEX HEAD CS PL	2
20	105537	MAGNETIC SENSOR 3/4" x 16 WITH PLUG	1
NS	105702	SHOCKER SETUP INSTRUCTIONS	1

\*NOTE: PARTS CALLED OUT IN SAME NUMBER ARE THE ASSEMBLY OF SHOCKER KIT.

## 5.1 MAXI-HEAT DECALS (1 OF 8)

SN 0001MXH12 and UP





# Maxi-Heat® 1000

---

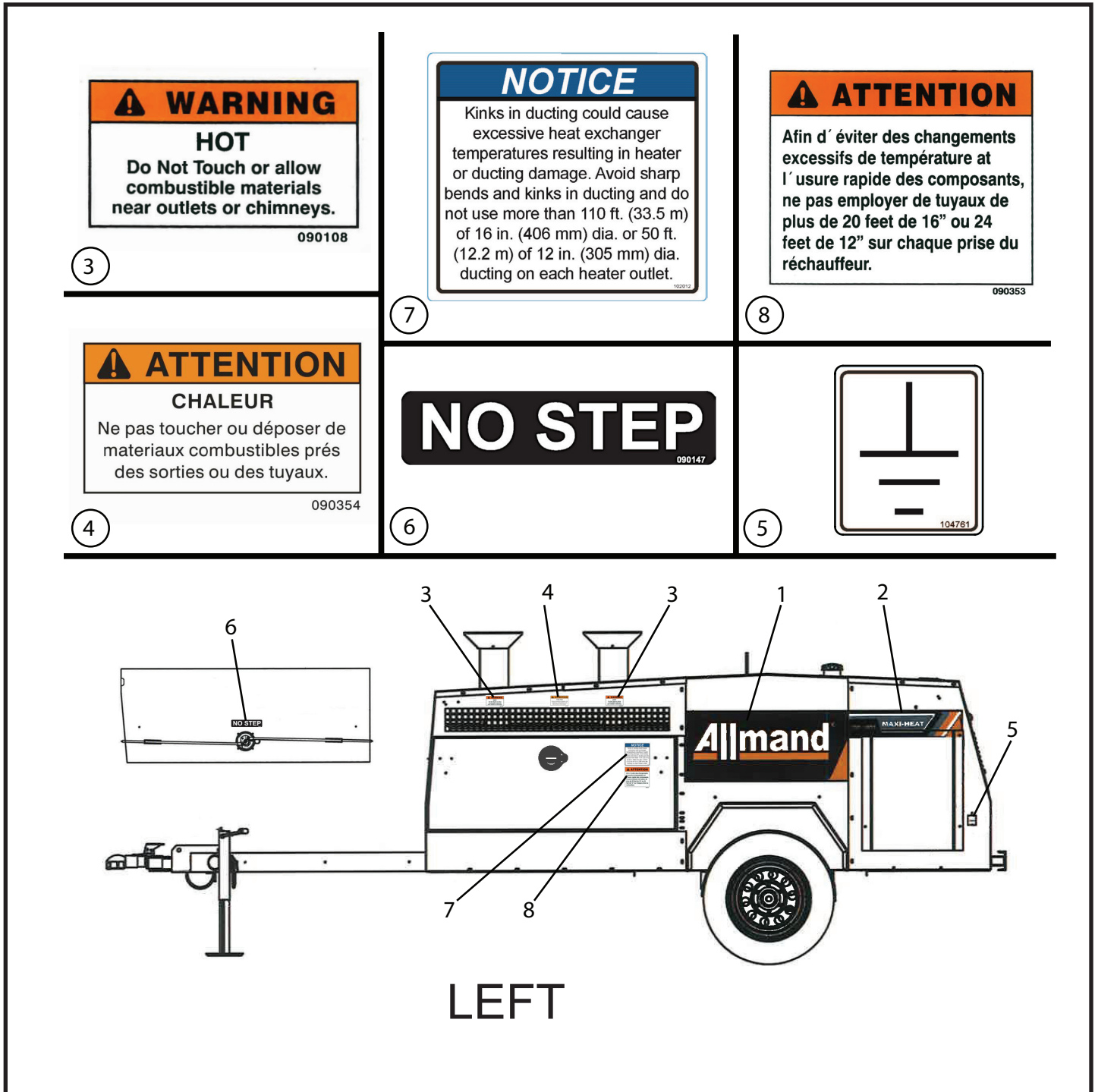
## 5.1 MAXI-HEAT DECALS (1 OF 8)

SN 0001MXH12 and UP

Item	Part No.	Part Description	Qty.
1	101243	LARGE ALLMAND BANNER GOLD STANDARD	1
2	101244	BANNER RIGHT DECAL GOLD STANDARD	1
3	090449	ELEVATION (NOZZLE) SETTING NOTICE DECAL	1

## 5.2 MAXI-HEAT DECALS (2 OF 8)

SN 0001MXH12 and UP



# Maxi-Heat® 1000

---

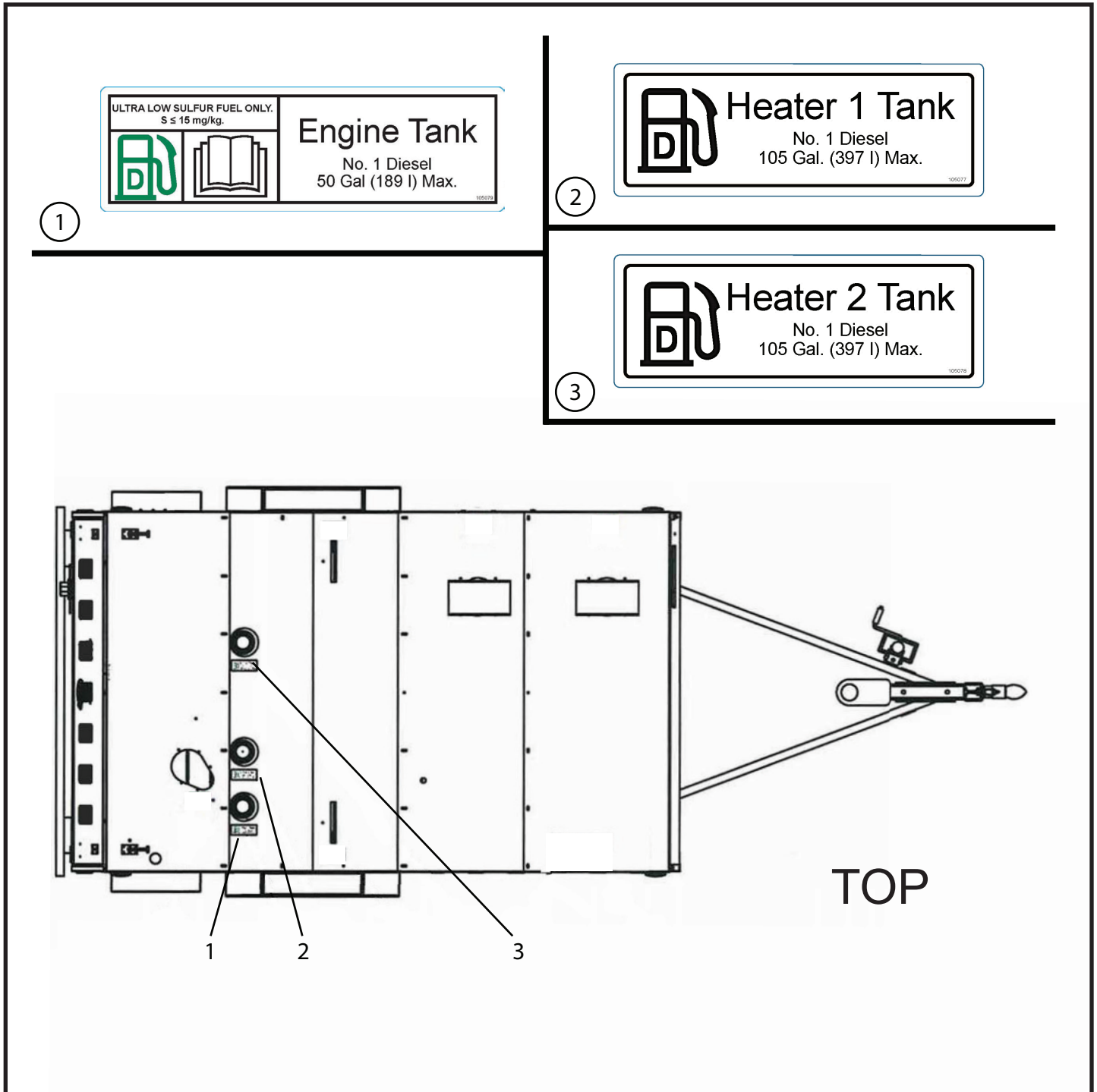
## 5.2 MAXI-HEAT DECALS (2 OF 8)

SN 0001MXH12 and UP

Item	Part No.	Part Description	Qty.
1	101243	LARGE ALLMAND BANNER GOLD STANDARD	1
2	101245	BANNER LEFT DECAL GOLD STANDARD	1
3	090108	HOT SURFACE WARNING DECAL	2
4	090354	HOT SURFACE WARNING DECAL FRENCH (CSA ONLY)	1
5	104761	GROUND DECAL	1
6	090147	NO STEP DECAL	1
7	102012	DUCT HOSE NOTICE	1
8	090353	DUCT HOSE NOTICE FRENCH (CSA ONLY)	1

## 5.3 MAXI-HEAT DECALS (3 OF 8)

SN 0001MXH12 and UP



# Maxi-Heat® 1000

---

## 5.3 MAXI-HEAT DECALS (3 OF 8)

SN 0001MXH12 and UP

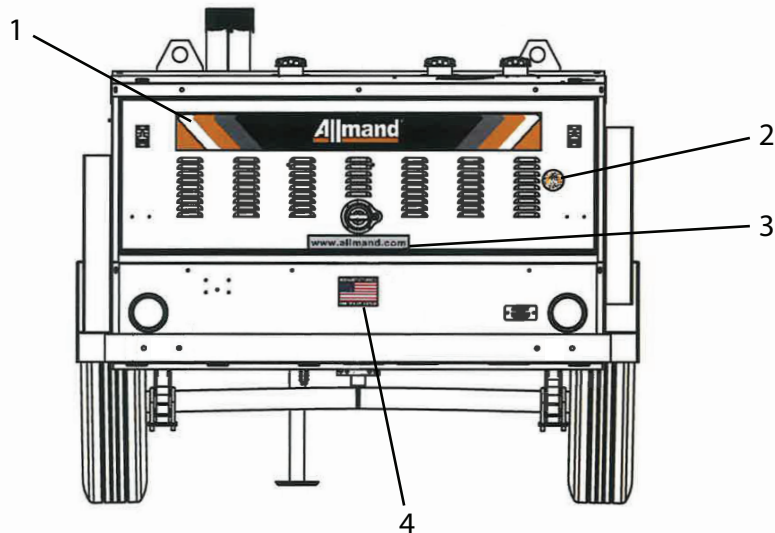
Item	Part No.	Part Description	Qty.
1	105079	DECAL HEATER ENGINE TANK	1
2	105077	DECAL HEATER 1 TANK	1
3	105078	DECAL HEATER 2 TANK	1

## 5.4 MAXI-HEAT DECALS (4 OF 8)

SN 0001MXH12 and UP

[www.allmand.com](http://www.allmand.com) 100919

3



REAR

# Maxi-Heat® 1000

---

## 5.4 MAXI-HEAT DECALS (4 OF 8)

SN 0001MXH12 and UP

Item	Part No.	Part Description	Qty.
1	101246	REAR PANEL DECAL GOLD STANDARD	1
2	102088	3 GENERATIONS DECAL ALLMAND ASSURANCE	1
3	100919	WWW.ALLMAND.COM DECAL	1
4	105467	MANUFACTURED IN THE USA DECAL	1

## 5.5 MAXI-HEAT DECALS (5 OF 8)

SN 0001MXH12 and UP

**1**

**2**

**3**

**4**

**⚠ DANGER**

**ELECTRICAL SHOCK HAZARD**

Failure to use ground rod could cause severe injury or death.

Drive ground rod into earth and attach ground wire to grounding lug on front of trailer.

090163

**⚠ DANGER**

**RISQUE DE SECOUSSES ELECTRIQUES**

Si vous n'utilisez pas de prise de terre, vous risquez de graves blessures ou la mort.

Positionner la prise de terre dans le terrain et la connecter à la prise de terre du châssis.

090357

**INTERIOR WORK LIGHTS**

ON OFF

090467

081854



# Maxi-Heat® 1000

---

## 5.5 MAXI-HEAT DECALS (5 OF 8)

SN 0001MXH12 and UP

Item	Part No.	Part Description	Qty.
1	090163	ELECTRICAL SHOCK DANGER DECAL	1
2	090357	ELECTRICAL SHOCK DANGER DECAL FRENCH (CSA ONLY)	1
3	090467	LIGHT SWITCH DECAL CONTROL PANEL	1
4	103655	DIESEL FUEL TANK DESIGNATION	1

## 5.6 MAXI-HEAT DECALS (6 OF 8)

SN 0001MXH12 and UP

**CALIFORNIA**  
**Proposition 65 Warning**

Diesel engine exhaust and some of its constituents are known to the State of California to cause cancer, birth defects, and other reproduction harm.

090179

④

**ALLMAND MAXI-HEAT MH® -1000**

<b>HEATING SECTION</b>		<b>POWER GENERATION</b>	
UNIT HEATERS: 7 EA. ICE (DF-500 INDIRECT FIRED)		ENGINE: CAT C1.5 DIESEL ENGINE (STANDARD)	
115,388 Btu/h		OR/OU 2-CYCLE DIESEL ENGINE (OPTIONAL)	
MAXIMUM FUEL CONSUMPTION/HEATER: 3gph		OUTPUT: 1.5 HP @ 1500 RPM	
MAXIMUM HEATER OUTPUT/HEATER: 60,000 BTU @ 2.5 gph (0.484 Lph)		FUEL CONSUMPTION (ENGINE ONLY): 1.08 gph (4.08 Lph)	
MAXIMUM FUEL TYPE: DIESEL #2		AC GENERATOR: CUMMINS 9-KW (60 HZ, 1-PH, 1500 RPM)	
MAXIMUM AIR FLOW/HEATER: 3,000 CFM @ 8.5" WG		ELECTRICAL REQUIREMENTS: 115V, 1-PH, 60 HZ, 20A	
MAXIMUM TEMPERATURE RISE: 180° F (80°C)			
DIMENSIONS (TYPICAL)		CLEARANCE TO COMBUSTIBLE MATERIALS	
LENGTH: 16' 0" (4.88 m)		SIDES: 2" (51.4 mm) MINIMUM	
WEIGHT (GWT): 3,588 lbs (1,627.8 kg)		TOP: 6" (152.4 mm) MINIMUM	
WEIGHT: 9' 0" (2.74 m)		FUEL SYSTEM	
WEIGHT (GWT): 2,833 lbs (1,285 kg)		FUEL CAPACITY: 250 US gal. (946.35 L)	
		Two 100 gal. (378.54 L) tanks for trailers.	
		One 50 gal. (189.27 L) tank for engine.	
		FUEL TYPE: NO. 1 DIESEL FUEL RECOMMENDED	

(800) 562-1373 • www.allmand.com

CSA FILE NO. 204930 100910

⑤

WARNING

Failure to use ground rod could lead to severe injury or death.

090023

**CAUTION**

1. NEUTRAL BONDED TO FRAME
2. MACHINE TO BE GROUNDED IN ACCORDANCE WITH REQUIREMENTS AS OUTLINED BY LOCAL INSPECTIONS AUTHORITIES
3. TURN OFF ALL POWER BEFORE SERVICING
4. THE REQUIREMENTS OF LOCAL AUTHORITIES HAVING JURISDICTION SHALL BE FOLLOWED
5. DO NOT START THE HEATER WHEN EXCESS OIL HAS ACCUMULATED IN THE CHAMBER
6. DO NOT FILL THE TANK WHILE THE UNIT IS OPERATING
7. DO NOT TAMPER WITH THE UNIT. ONLY COMPETENT SERVICEMEN SHOULD MAKE ADJUSTMENTS
8. DO NOT OPERATE THE UNIT IN CLOSE PROXIMITY TO COMBUSTIBLE SURFACES OR MATERIALS

101082

②

GROUND ROD USE INSTRUCTIONS

1. REMOVE THE GROUND ROD STORED INSIDE TRAILER (ON LEFT SIDE, NEAR ENGINE)
2. UNROLL THE ELECTRICAL WIRE LEAD FROM THE GROUND ROD
3. DRIVE THE GROUND ROD A MINIMUM OF 2-1/2 FT INTO THE EARTH FOR ADEQUATE GROUND. CONSULT LOCAL AUTHORITIES FOR MORE INFORMATION.
4. ATTACH THE GROUND ROD LEAD WIRE TO THE GROUND LUG
5. AFTER SHUTDOWN OF MACHINE, REMOVE THE LEAD CONNECTING THE GROUND ROD TO THE UNIT, REMOVE THE GROUND ROD FROM THE EARTH, AND RETURN GROUND ROD TO STORAGE LOCATION INSIDE TRAILER.

101083

⑥

**For parts and service contact your authorized dealer or visit Allmand on the web at [www.allmand.com](http://www.allmand.com) or call 1-800-562-1373**

090465

③

**REAR DOOR - 1 OF 3**

# Maxi-Heat® 1000

---

## 5.6 MAXI-HEAT DECALS (6 OF 8)

SN 0001MXH12 and UP

Item	Part No.	Part Description	Qty.
1	100910	CSA RATING DECAL (CSA)	1
2	101062	CAUTION STATEMENTS DECAL (CSA)	1
3	090465	PARTS AND SERVICE CONTACT DECAL	1
4	090179	CALIFORNIA PROPOSITION 65 WARNING DECAL	1
5	090023	GROUND ROD WARNING DECAL	1
6	101063	GROUND ROD INSTRUCTIONS DECAL (CSA)	1

## 5.7 MAXI-HEAT DECALS (7 OF 8)

SN 0001MXH12 and UP

**HEATER OPERATING INSTRUCTIONS**

**CAUTION**

- Do not start heater when excess oil has accumulated in chamber.
- Do not fill tank while unit is operating.
- Do not shut off by disconnecting supply cord.
- Do not use gasoline, crankcase oil or heavier than No. 2 furnace oil.

**HEATER STARTING**

NOTE: Circuit breakers for heaters must be switched to the ON position.

NOTE: Allow engine to come to full R.P.M. and warm up before starting heaters. With engine operating, turn toggle switch to manual position.

**IF HEATER FAILS TO START**

- Press manual reset button on burner relay.
- Check fuel level.
- Check fuel filter and suction tubing.
- Check nozzle assemble.

**HEATER SHUTDOWN**

CAUTION: Before turning the engine off, the heaters must be switched to the off position which allows the fans to complete a cool down cycle for the heat exchanger.

- Flip heater switches to OFF position.

CAUTION: Firing will stop but fan will automatically continue to cycle until unit cools down.

**ENGINE SHUTDOWN**

- Flip toggle switch to OFF position.

090107

**ENGINE STARTING PROCEDURES**

**BEFORE STARTING:**

- Fill the engine with the specified grade and quantity of lubricating oil.
- Ensure there is an adequate supply of fuel and that the fuel system is primed.
- Ensure that the air cleaner is firmly attached and air joints are properly sealed. The air filter element should be checked and replaced if necessary.
- Ensure batteries are filled to correct level, charged and have clean connections.

**STARTING ENGINE:**

- Heater switches must be in the OFF position.
- Open door for heater outlets.

NOTE: Engine will not start with heater outlet door closed.

- Turn switch to PREHEAT position, hold until the glow indicator goes out.
- Turn switch to START position until engine starts. Release key as soon as engine starts.
- If engine fails to start, repeat cycle.

090304

**WARNING**

Do not operate this unit around combustible materials. Fire may result.

090143

---

**MACHINE TO BE GROUNDED IN ACCORDANCE WITH REQUIREMENTS AS OUTLINED BY LOCAL INSPECTION AUTHORITIES**

**L'APPAREL DOIT ETRE MISA LA TERRE CONFORMEMENT AUX EXTGENCES DES SERVICES D'INSPECTION LOCAUX**

090372

**WARNING**

Do not operate inside a building or partly ventilated area. This unit will produce carbon dioxide and carbon monoxide, which could lead to asphyxiation.

090142

REAR DOOR - 2 OF 3

# Maxi-Heat® 1000

---

## 5.7 MAXI-HEAT DECALS (7 OF 8)

SN 0001MXH12 and UP

Item	Part No.	Part Description	Qty.
1	090304	ENGINE START INSTRUCTIONS DECAL	1
2	090107	OPERATOR INSTRUCTIONS DECAL	1
3	090142	CARBON DIOXIDE WARNING DECAL	1
4	090143	POSSIBILITY OF FIRE DECAL	1
5	090372	GROUND REQUIREMENT (CSA)	1

## 5.8 MAXI-HEAT DECALS (8 OF 8)

SN 0001MXH12 and UP

**INSTRUCTIONS DE FOCTIONNEMENT DU RECHAUFFEUR**

**AVIS**

- Ne pas démarrer quand il-y-a un excès accumulé dans la chambre de combustion.
- Ne pas ravitailler quand l'unité est en marche.
- Ne pas arrêter le fonctionnement en détachant le tuyau de ravitaillement.
- Ne pas employer d'essence, ni huile de carter de combustion.

**DEMARRAGE DE RECHAUFFEUR**

**NOTE :** Le circuit freinant doit être placé sur la position ON. Laisser le moteur atteindre le maximum de tours et le faire réchauffer avant de faire démarrer le réchauffeur. Après que le moteur tourne, placer l'interrupteur sur la position manuelle.

**SI LE RECHAUFFEUR NE DEMARRE PAS**

- Presser le bouton sur le relais du broieur.
- Contrôler le niveau du carburant.
- Contrôler le filtre carburant et le tuyau d'aspiration.
- Contrôler l'ensemble du giclier.

**ARRET DU RECHAUFFEUR**

**AVIS :** Avant d'arrêter le moteur, le réchauffeur doit être placé sur la position OFF, qui permet au ventilateur de compléter un cycle à froid pou l'échangeur de chaleur.

- Placer l'interrupteur sur la position OFF.

**AVIS :** L'allumage s'arrêtera mais le ventilateur marchera automatiquement jusqu'à ce que le réchauffeur soit refroidi.

**ARRET DU MOTEUR**

- Placer l'interrupteur sur la position OFF.

090351

**INSTRUCTIONS POUR LE DEMARRAGE DU MOTEUR**

**AVANT LE DEMARRAGE**

- Ravitailler le moteur avec une qualité et une quantité correcte d'huile.
- S'assurer que le carburant arrive et que le système soit enclenché.
- S'assurer que le filtre à air soit bien serré et que les joints soient étanches. Le filtre à air, réf. 340036 doit être contrôlé et éventuellement remplacé.
- S'assurer que les batteries soient remplies au niveau correct, et que leurs attaches soient propres.

**DEMARRAGE DU MOTEUR**

- L'interrupteur doit être en position OFF.
- Ouvrir les prises pour le réchauffage.

**NOTE :** Le moteur ne démarre pas si les prises de chauffage sont fermées.

- Tourner l'interrupteur sur la position PREHEAT et le tenir jusqu'à ce que le témoin soit éteint.
- Tourner l'interrupteur sur la position START, jusqu'à ce que le moteur ait démarré. Lancer la clef, après le démarrage.
- Si le moteur ne démarre pas, répéter le cycle.

090352

**ATTENTION**

Ne pas travailler avec le réchauffeur à l'antérieur d'un bâtiment ou dans un lieu ventilé. Cette unité produit du dioxyde et monoxyde de carbon, qui peuvent procurer l'asphyxie.

090355

**ATTENTION**

Ne pas actionner cette unité en présence de matériaux inflammables. Ils pourraient causer des incendies.

090356

**ALLMAND BROS. INC**

**CSA FILE NO. 204930**

**MARCH 2001**

TM-090373

**NEUTRAL BONDED TO FRAME**

**NEUTRE MIS A LA MASSE A LA CARCASSE DU MOTEUR**

090371

REAR DOOR - 3 OF 3

# Maxi-Heat® 1000

---

## 5.8 MAXI-HEAT DECALS (8 OF 8)

SN 0001MXH12 and UP

Item	Part No.	Part Description	Qty.
1	090371	NEUTRAL BOND (CSA)	1
2	090373	CSA DECAL (CSA)	1
3	090352	ENGINE START INSTRUCTIONS DECAL FRENCH (CSA ONLY)	1
4	090351	OPERATOR INSTRUCTIONS DECAL FRENCH (CSA ONLY)	1
5	090355	DO NOT OPERATE INSIDE DECAL FRENCH (CSA ONLY)	1
6	090356	DO NOT OPERATE DECAL FRENCH (CSA ONLY)	1

# Allmand™

**BRIGHTER. WARMER. SAFER.**

Allmand Bros., Inc.  
1502 West 4th Avenue  
Holdrege, NE 68949  
phone: (308) 995-4495 • toll free: (800) 562-1373  
fax: (308) 995-5887

[www.allmand.com](http://www.allmand.com)



*Reliability, performance, and integrity since 1938*

13-0267