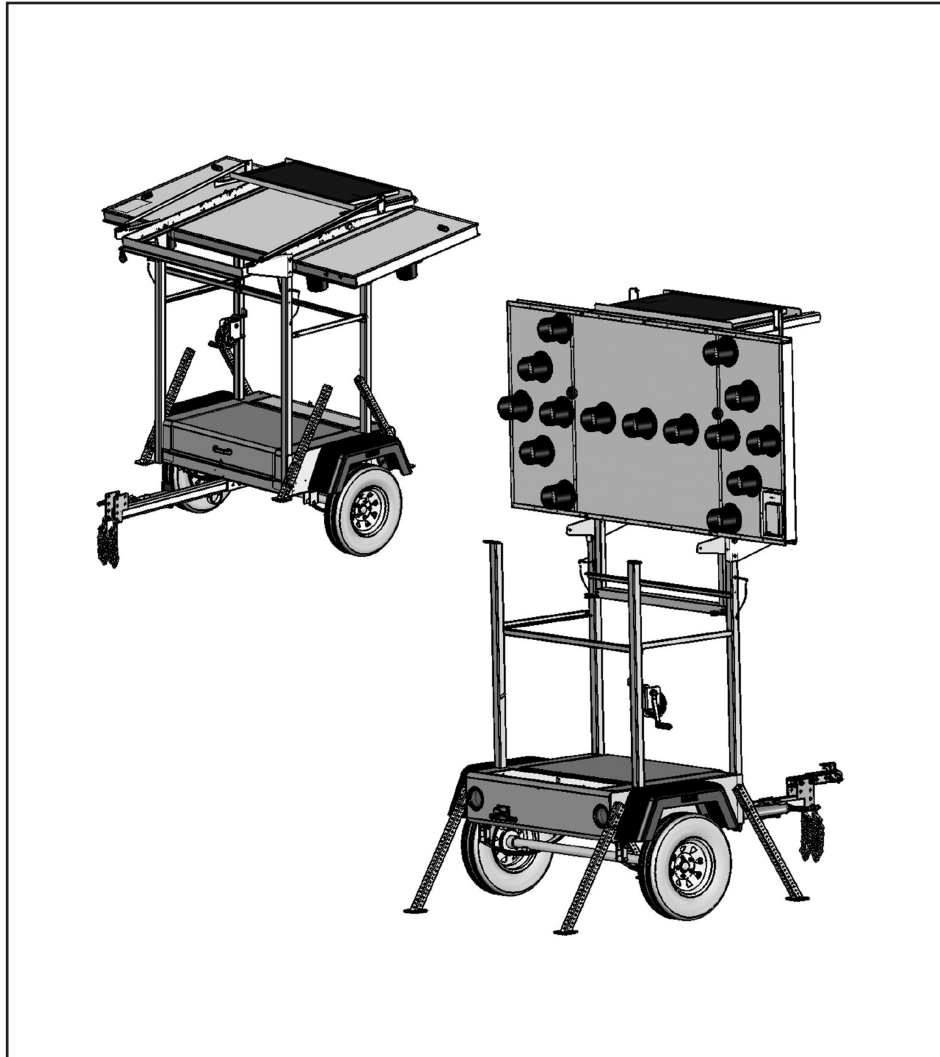


# Allmand™

# Eclipse® Arrowboard 2220/SE

## PARTS CATALOG



SN 0001AB12 and UP  
Part No. 106644

PHONE	(308) 995-4495, (800) 562-1373
FAX	(308) 995-5887
PARTS DEPT. FAX	(308) 995-4883
WEB	<a href="http://www.allmand.com">www.allmand.com</a>



## TABLE OF CONTENTS

### 1.0 AXLE/TONGUE/JACK STANDS

Axle and Wheel .....	(1.1)
Snap Ring/Tube Mount Tongue .....	(1.2)
Sliding Jack Stands .....	(1.3)
Bolt on Jack Stands (Option) .....	(1.4)

### 2.0 AB TRAILER ASSEMBLY/BASE PARTS

Fender .....	(2.1)
Battery Hood and Rear Cover .....	(2.2)
Rear Lid (Option) .....	(2.3)
Winch .....	(2.4)
Tail Light and License Plate Bracket Installation .....	(2.5)
Hood Latch and Lockpins .....	(2.6)

### 3.0 AB TRAILER INTERIOR INSTALLATIONS

One Battery Installation .....	(3.1)
Two Battery Installation (Option) .....	(3.2)
Three Battery Installation (Option) .....	(3.3)
Four Battery Installation (Option) .....	(3.4)
Battery Charger Installation .....	(3.5)
Manual Canister Installation .....	(3.6)

### 4.0 SWING ARM/SOLAR PANEL ASSEMBLY

Swing Arm Assembly .....	(4.1)
Solar Panel Lift Assembly .....	(4.2)
Single Solar Panel Adjustment Mount .....	(4.3)
Double Solar Panel Adjustment Mount (Option) .....	(4.4)

## TABLE OF CONTENTS

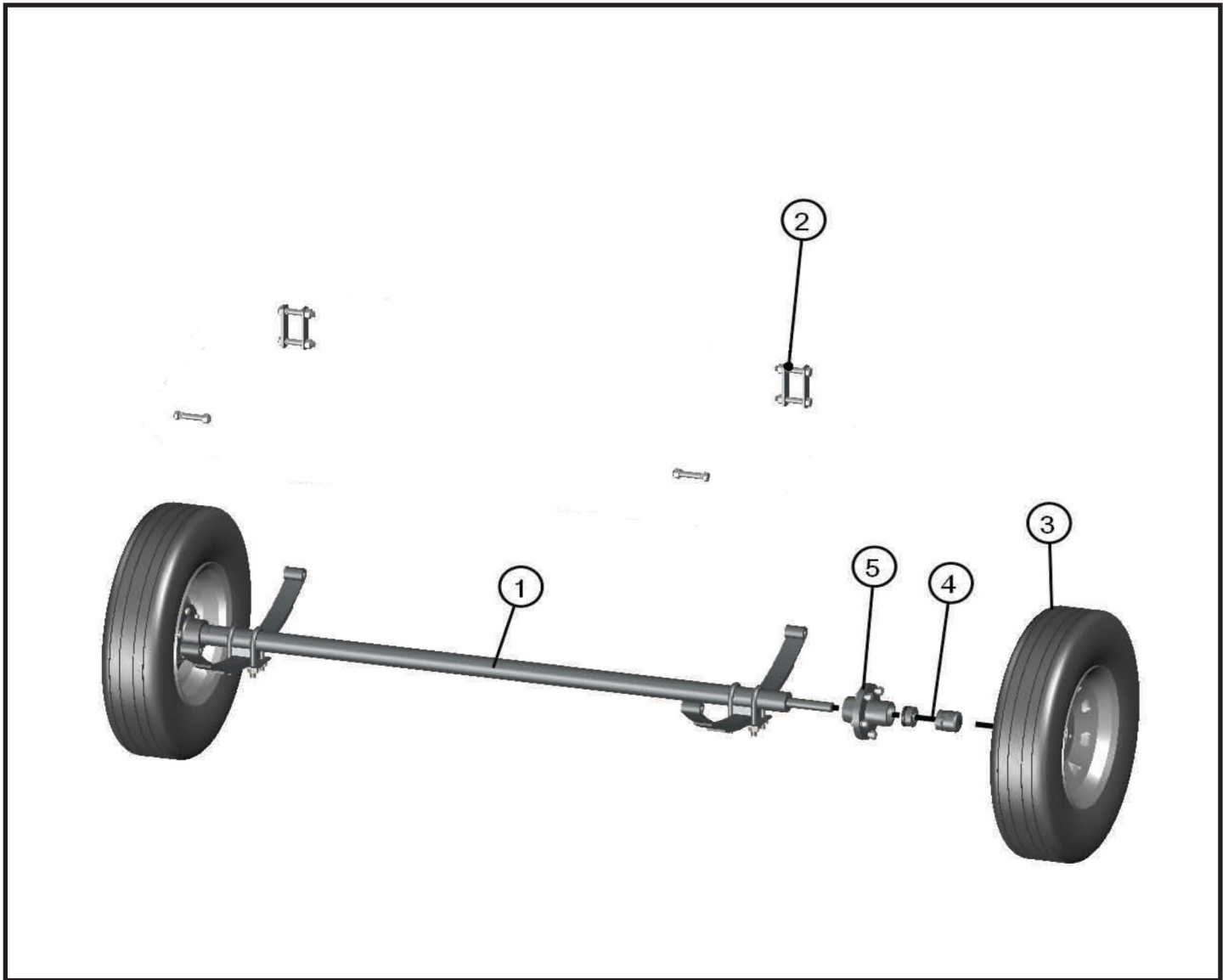
### 5.0 ARROWBOARD SIGN ASSEMBLY

15 LED Light Arrowboard Sign Assembly .....	(5.1)
25 LED Light Arrowboard Sign Assembly .....	(5.2)
Arrowboard Sign Back Cover .....	(5.3)
Arrowboard Sign Hardware .....	(5.4)

## 1.0 AXLE/TONGUE/JACK STANDS

1.1 - Axle and Wheel

SN 0001AB12 and UP



# Eclipse® AB 2220/SE

---

## 1.0 AXLE/TONGUE/JACK STANDS

1.1 - Axle and Wheel

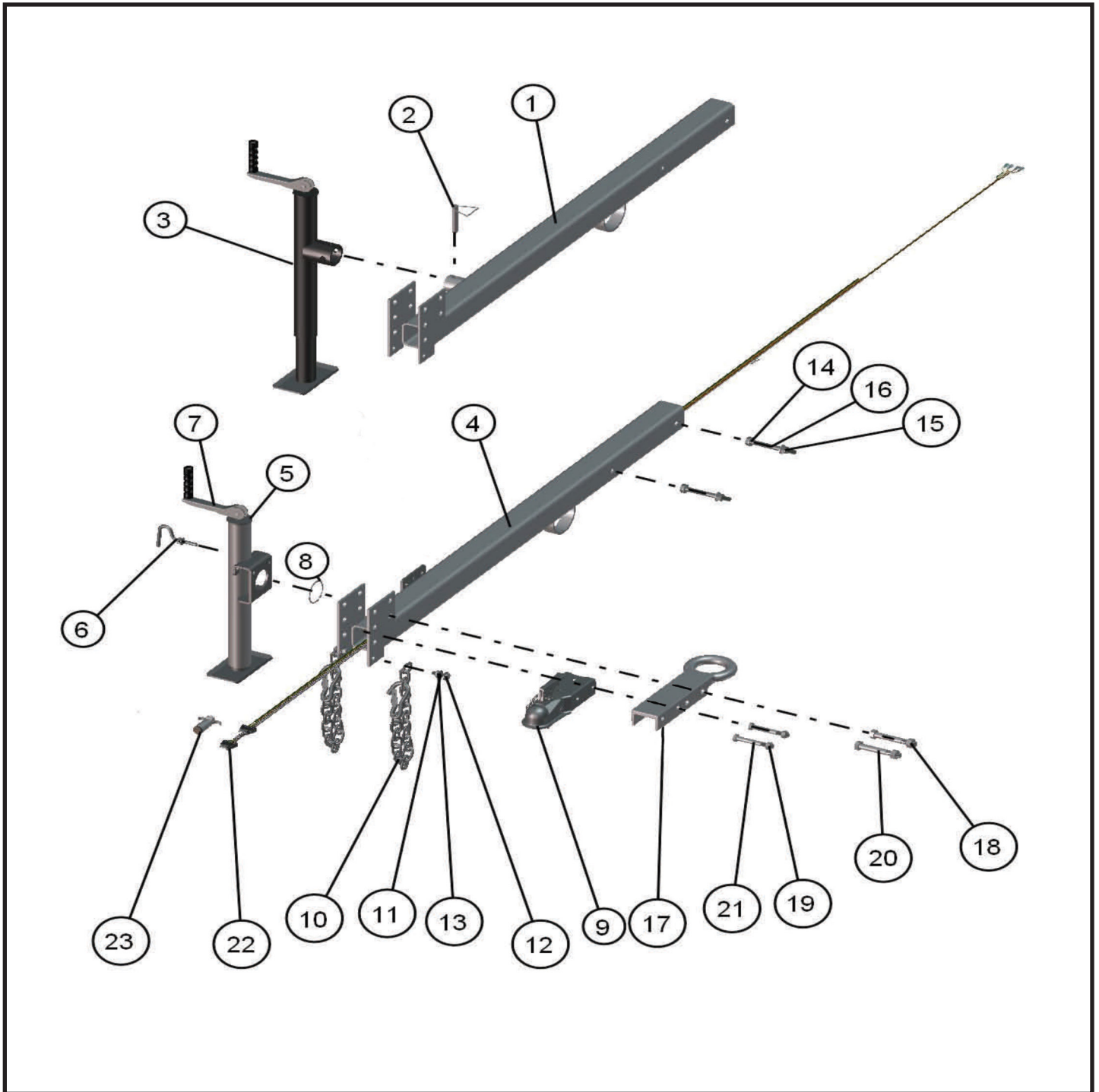
SN 0001AB12 and UP

Item	Part No.	Part Description	Qty.
1	113635	AXLE 13 IN. HUBS ARROWBOARD	1
2	102106	AXLE HARDWARE KIT (LONG)	1
3	650387	13" WHEEL TIRE ASSEMBLY	2
4	712111B	BEARING & SEAL SET	2
5	712111	13" WHEEL HUB ASSEMBLY	2

## 1.0 AXLE/TONGUE/JACK STANDS

### 1.2 - Snap Ring/Tube Mount Tongue

SN 0001AB12 and UP



# Eclipse® AB 2220/SE

## 1.0 AXLE/TONGUE/JACK STANDS

1.2 - Snap Ring/Tube Mount Tongue

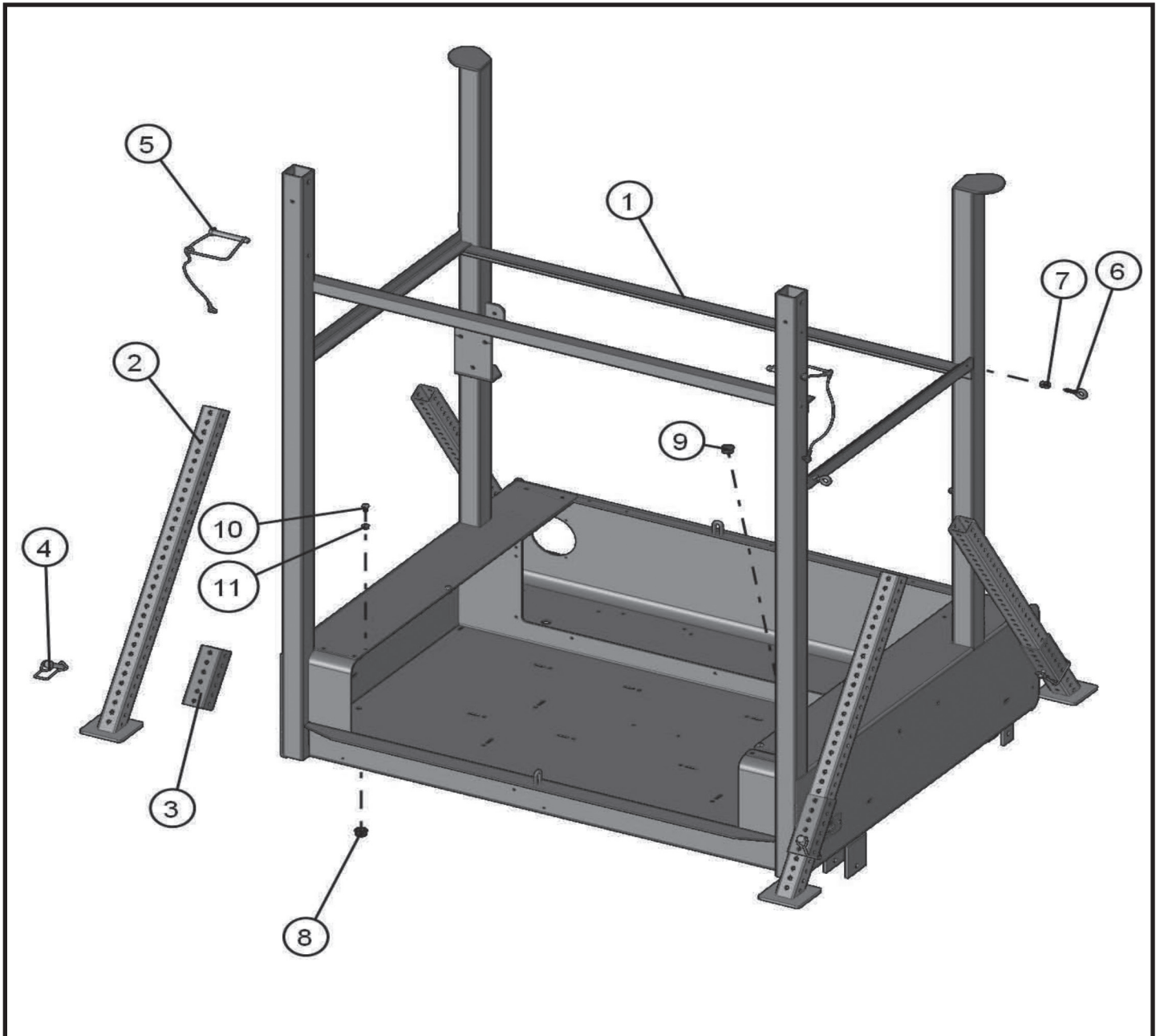
SN 0001AB12 and UP

Item	Part No.	Part Description	Qty.
1	651125P	TUBE MOUNT TONGUE (OPTION)	1
2	330013	TUBE MOUNT LOCK PIN (OPTION)	1
3	680879	TUBE MOUNT TOP CRANK JACK (OPTION)	1
4	650398P	SNAP RING MOUNT TONGUE	1
5	102089	TONGUE JACK 15"	1
6	330012A	LOCK HANDLE REPLACEMENT KIT	1
7	330012	JACK HANDLE REPLACEMENT KIT	1
8	330014	2 5/6 XT JACK SNAP RING	1
9	712021	2" BALL SAE CLASS 2	1
10	049040	SAFETY CHAIN	2
11	046160	7/16-14 x 1 1/2 HHCS GR5	2
12	047015	3/8 FLAT WASHER	4
13	044043	7/16-14 NYLOCK NUT	2
14	047025	1/2 FW PL	4
15	044048	1/2-13 NYLOCK HEX PL	2
16	046230	1/2-13 x 5 HHCS GR5 PL	2
17	712540-15	PINTLE CASTING	1
18	044061	5/8-11 LOCK NUT	2
19	044062	1/2-13 LOCK NUT	2
20	046250	5/8-11 x 4 1/2 HHCS PL	2
21	046220	1/2-13 x 4 HHCS GR5 PL	2
22	712045	TAIL LIGHT HARNESS	1
23	712046	6 POLE PLUG (OPTIONAL)	1

## 1.0 AXLE/TONGUE/JACK STANDS

### 1.3 - Jack Stands

SN 0001AB12 and UP





# Eclipse® AB 2220/SE

## 1.0 AXLE/TONGUE/JACK STANDS

1.3 - Jack Stands

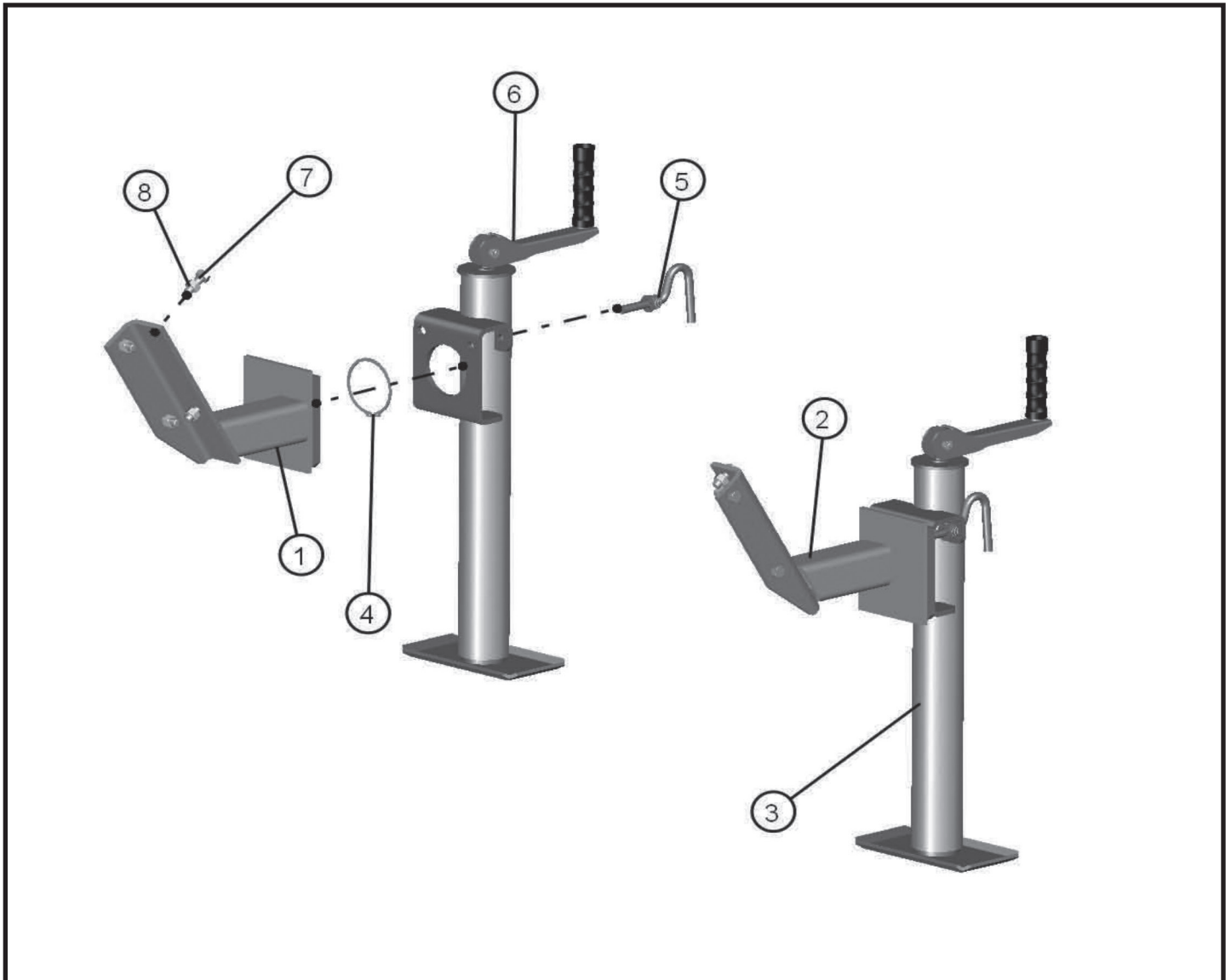
SN 0001AB12 and UP

Item	Part No.	Part Description	Qty.
1	714106P	FRAME	1
2	712012P	JACKSTAND	4
3	712583	REPLACEMENT TUBE	1
4	712016	5/16 x 2 1/2 PIN W/ LANYARD	4
5	712014	3/8 x 3 SAFETY PIN W/LANYARD	2
6	046066	1/4-20 EYE BOLT	2
7	044021	1/4-20 KEPS NUT PL	4
8	022133	#2123 BLACK SNAP BUSHING	1
9	022133	#2123 BLACK SNAP BUSHING	1
10	041250	1/4-20 x 1/2 SL-BHMS NYLON	4
11	044021	1/4-20 KEPS NUT PL	4

## 1.0 AXLE/TONGUE/JACK STANDS

1.4 - Bolt On Jack Stands (Option)

SN 0001AB12 and UP



# Eclipse® AB 2220/SE

## 1.0 AXLE/TONGUE/JACK STANDS

1.4 - Bolt On Jack Stands (Option)

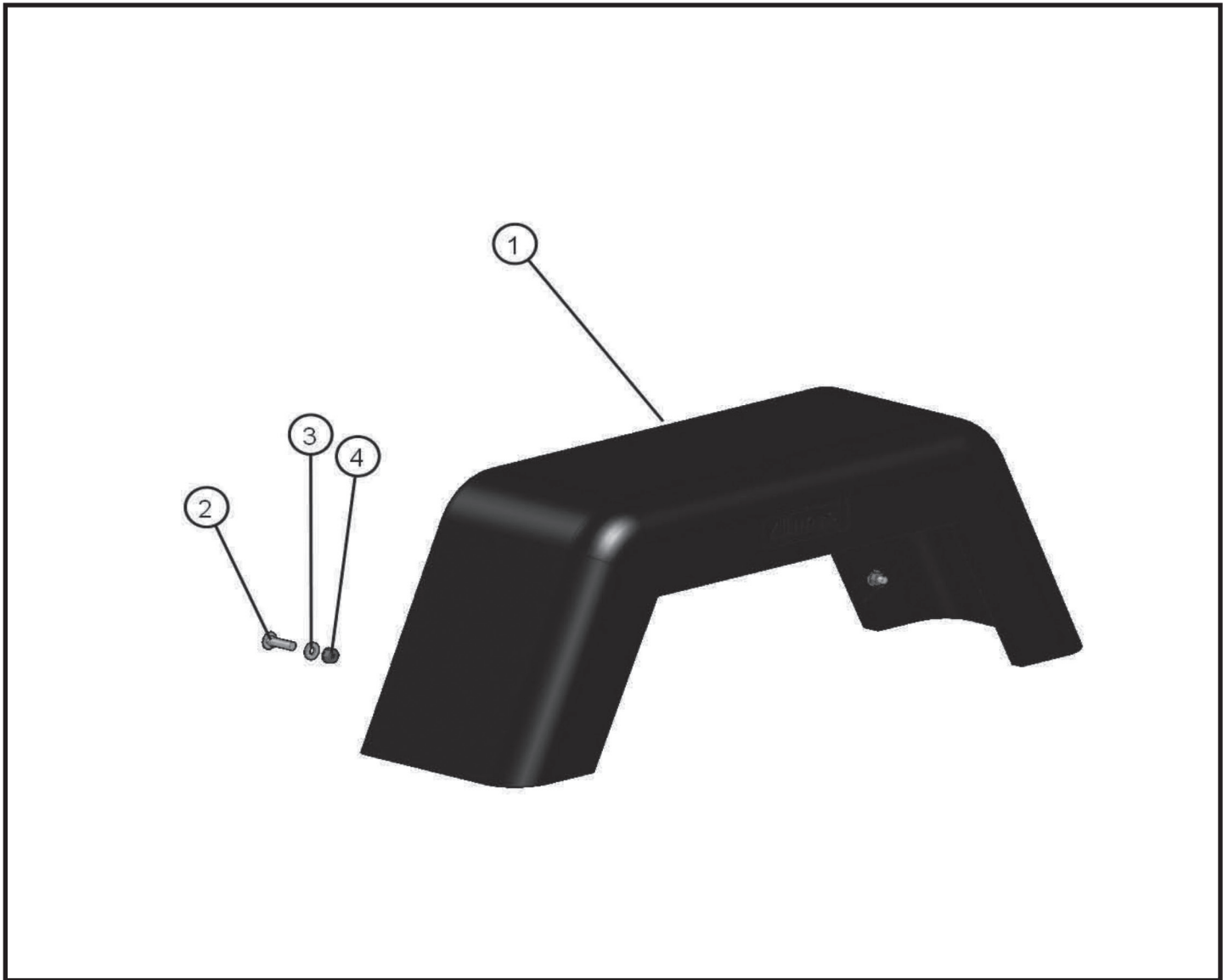
SN 0001AB12 and UP

Item	Part No.	Part Description	Qty.
1	712609P	BRACKET RR & LF	2
2	712580P	BRACKET LR & RF	2
3	330010	LONG JACK	4
4	330014	2 5/6 XT JACK SNAP RING	4
5	330012A	LOCK HANDLE REPLACEMENT KIT	1
6	330012	JACK HANDLE REPLACEMENT KIT	1
7	046407	3/8-16 x 1 HHCS SS	16
8	044035	3/8-16 HNUT PL	16

## 2.0 AB TRAILER ASSEMBLY/BASE PARTS

2.1 - Fender

SN 0001AB12 and UP



# Eclipse® AB 2220/SE

---

## 2.0 AB TRAILER ASSEMBLY/BASE PARTS

2.1 - Fender

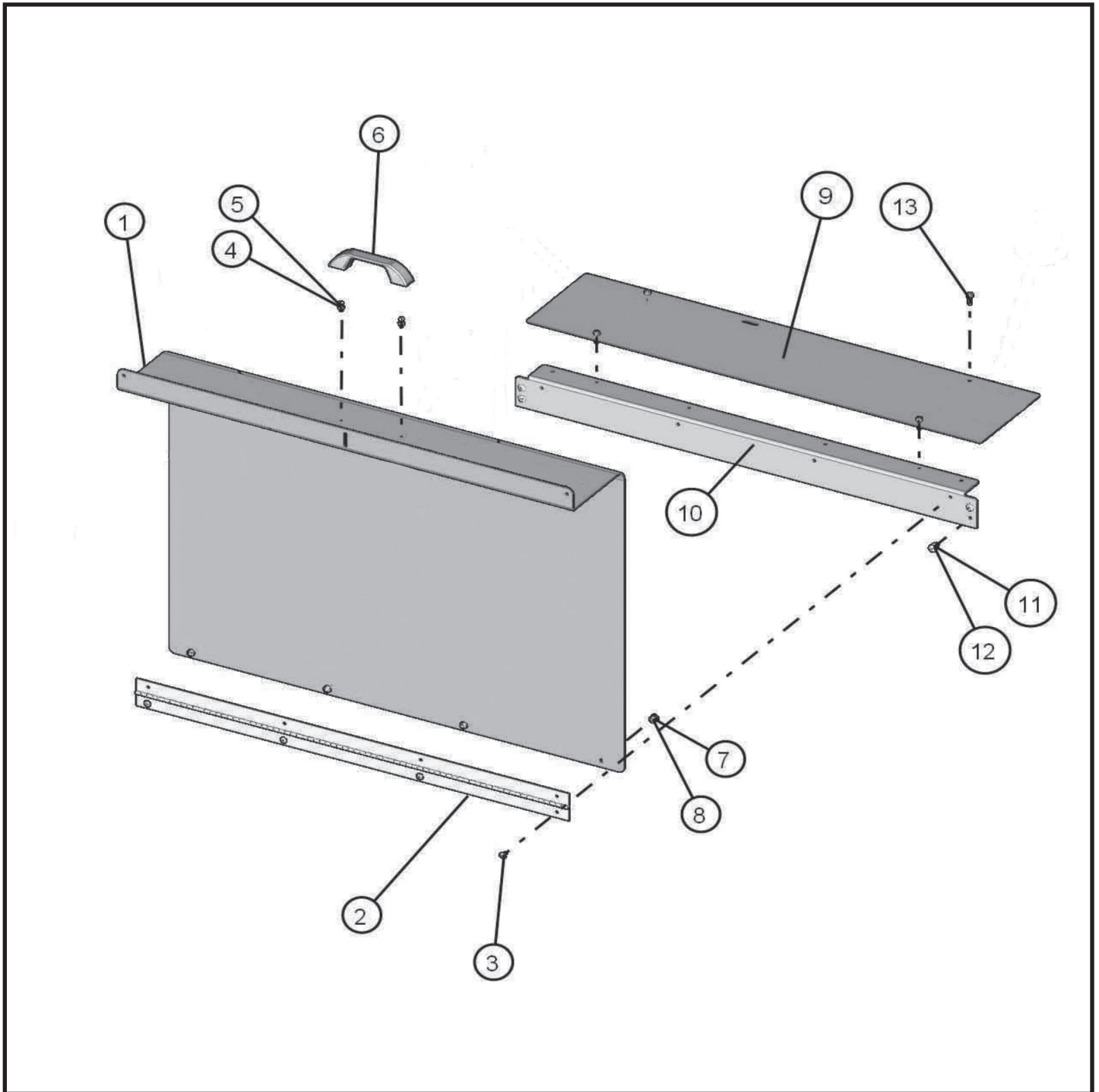
SN 0001AB12 and UP

Item	Part No.	Part Description	Qty.
1	044031	5/16-18 KEPS NUT	8
2	047010	5/16 FW PL	8
3	053022	5/16-18 x 1 1/4 CB PL GR5	8
4	650297	FENDER BLACK	2

## 2.0 AB TRAILER ASSEMBLY/BASE PARTS

### 2.2 - Battery Hood and Rear Cover

SN 0001AB12 and UP



# Eclipse® AB 2220/SE

## 2.0 AB TRAILER ASSEMBLY/BASE PARTS

2.2 - Battery Hood and Rear Cover

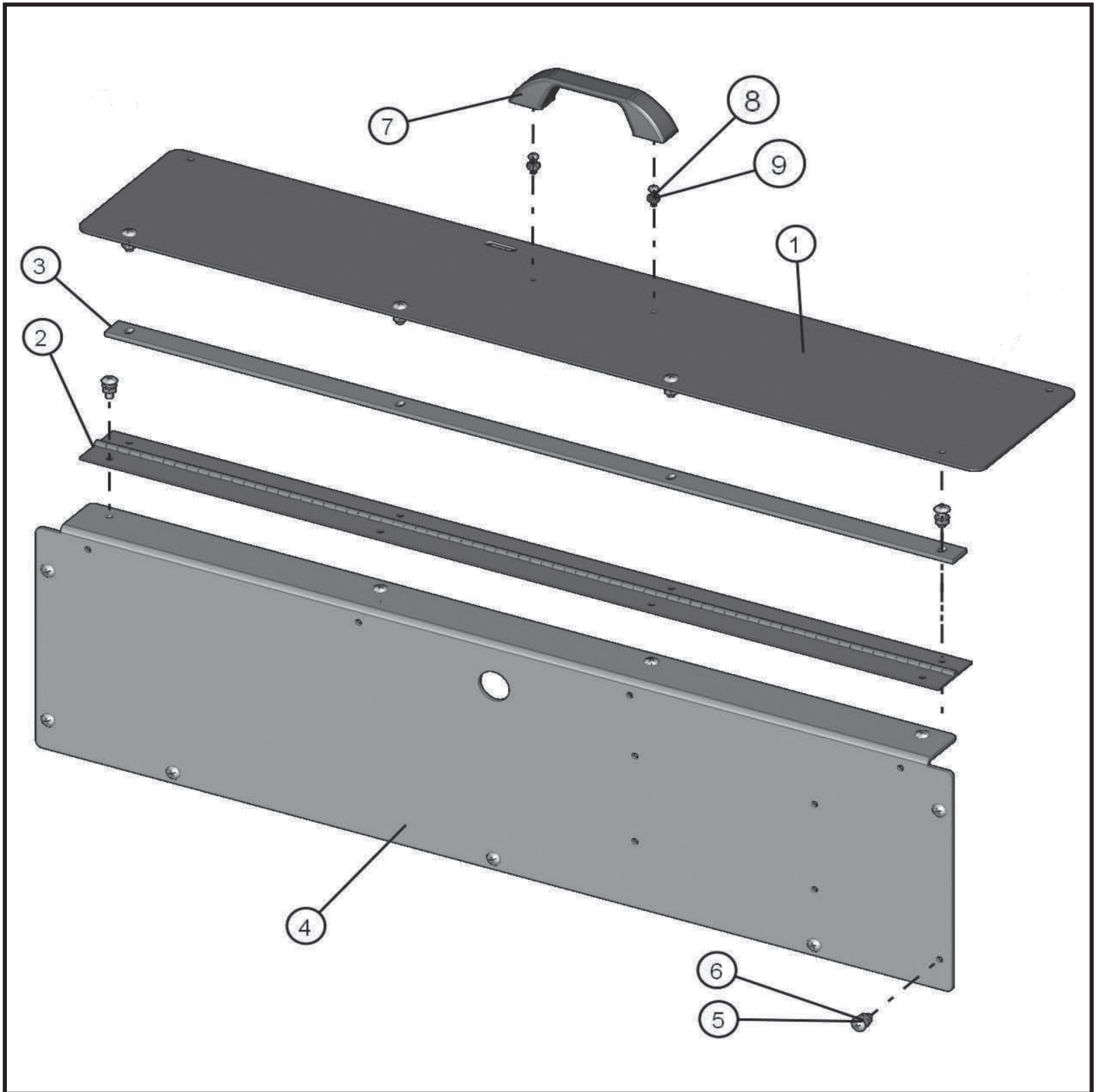
SN 0001AB12 and UP

Item	Part No.	Part Description	Qty.
1	714116P	BATTERY HOOD	1
2	714154	HINGE	1
3	045115	BLIND RIVET 3/16 x 1/2	4
4	044016	10-24 KEPS NUT PL	2
5	041027	#10-24 x 3/4 CR-RHMS	2
6	712395	HANDLE	1
7	041078	1/4-20 x 1/2 CR-THMS PL	4
8	044021	1/4-20 KEPS NUT PL	4
9	102345P	COVER	1
10	102346P	HINGE MOUNT	1
11	044021	1/4-20 KEPS NUT PL	4
12	041050	1/4-20 x 3/4 CR-THMS SS	4
13	041070	1/4-20 x 3/4 SL-SELF TAPPING SCREW	4

## 2.0 AB TRAILER ASSEMBLY/BASE PARTS

2.3 - Rear Lid (Option)

SN 0001AB12 and UP





# Eclipse® AB 2220/SE

## 2.0 AB TRAILER ASSEMBLY/BASE PARTS

2.3 - Rear Lid (Option)

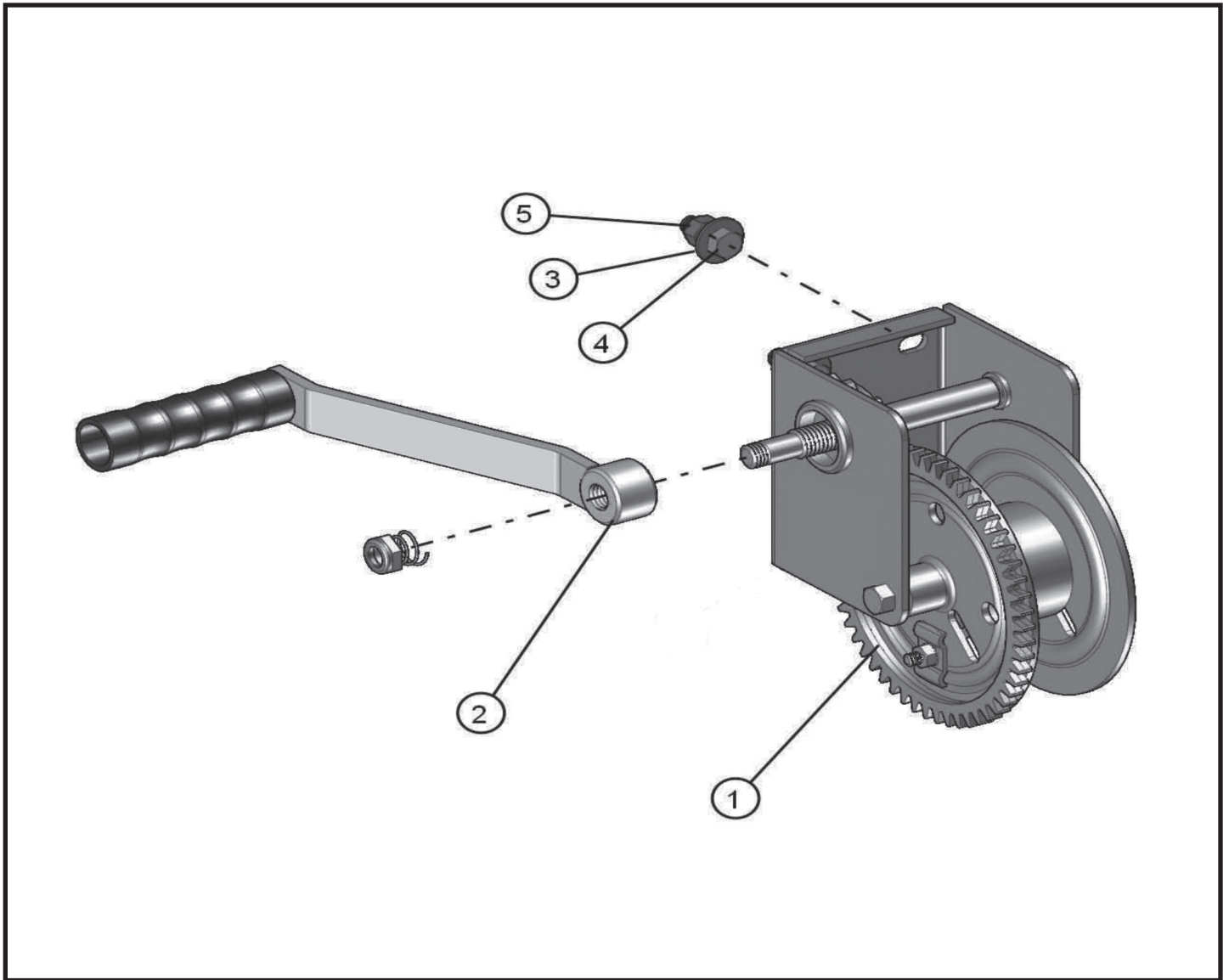
SN 0001AB12 and UP

Item	Part No.	Part Description	Qty.
1	714150P	REAR LID	1
2	714154	HINGE	1
3	714168P	SPACER	1
4	714175P	BATTERY SEPARATOR	1
5	041050	1/4-20 x 3/4 CR-THMS SS	15
6	044021	1/4-20 KEPS NUT PL	15
7	712395	HANDLE	1
8	041027	#10-24 x 3/4 CR-RHMS	2
9	044016	10-24 KEPS NUT PL	2

## 2.0 AB TRAILER ASSEMBLY/BASE PARTS

2.4 - Winch

SN 0001AB12 and UP



# Eclipse® AB 2220/SE

## 2.0 AB TRAILER ASSEMBLY/BASE PARTS

2.4 - Winch

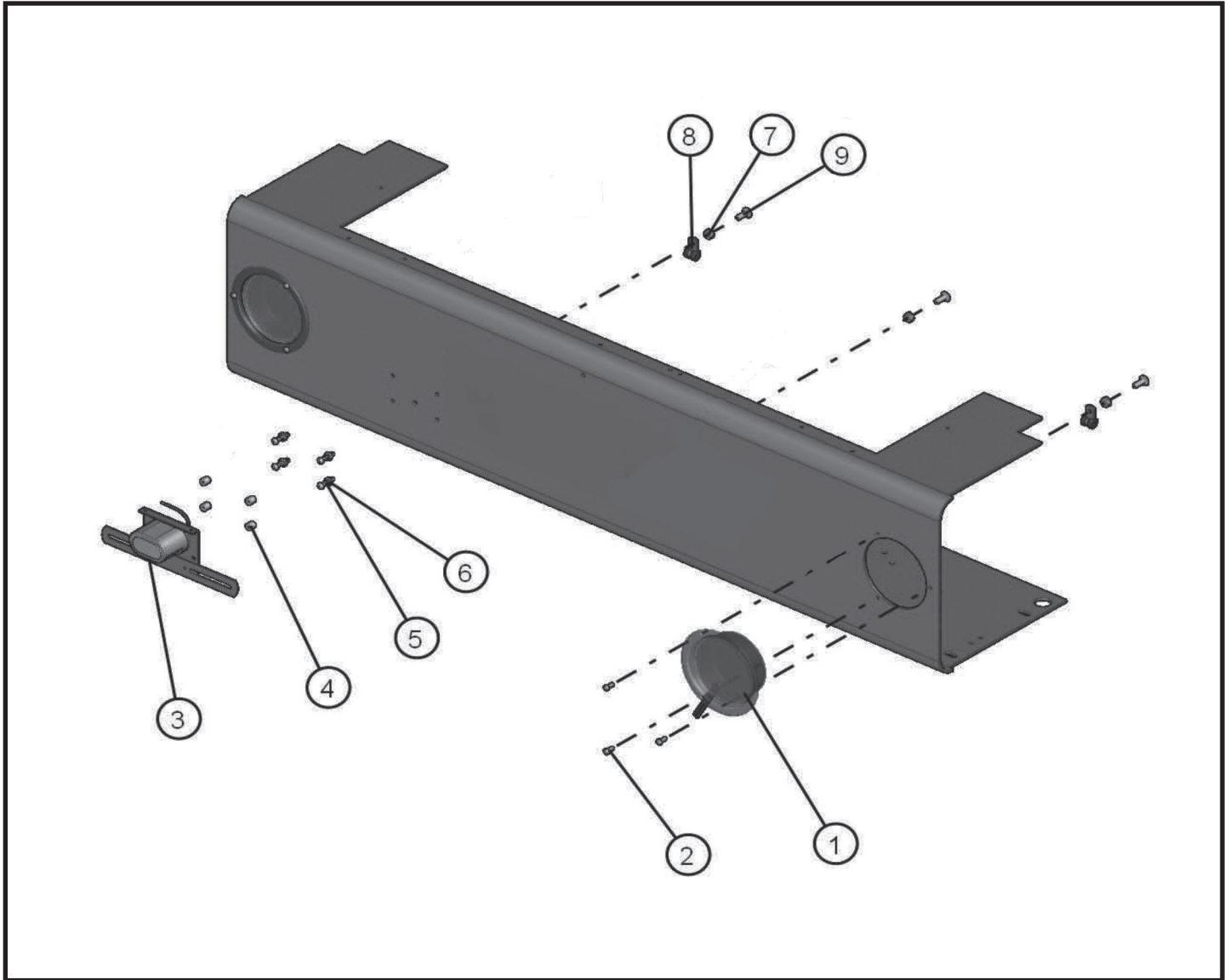
SN 0001AB12 and UP

Item	Part No.	Part Description	Qty.
1	610531	DL-1200 WINCH	1
2	712032	WINCH HANDLE	1
3	047015	3/8 FLAT WASHER	3
4	046110	3/8-16 x 1 HHCS GR5 PL	3
5	044038	3/8-16 NYLOCK HNUT	3
NS	712533	CABLE ASSEMBLY 3/16 x 180	1

## 2.0 AB TRAILER ASSEMBLY/BASE PARTS

### 2.5 - Tail Light and License Plate Bracket Installation

SN 0001AB12 and UP



## 2.0 AB TRAILER ASSEMBLY/BASE PARTS

2.5 - Tail Light and License Plate Bracket Installation

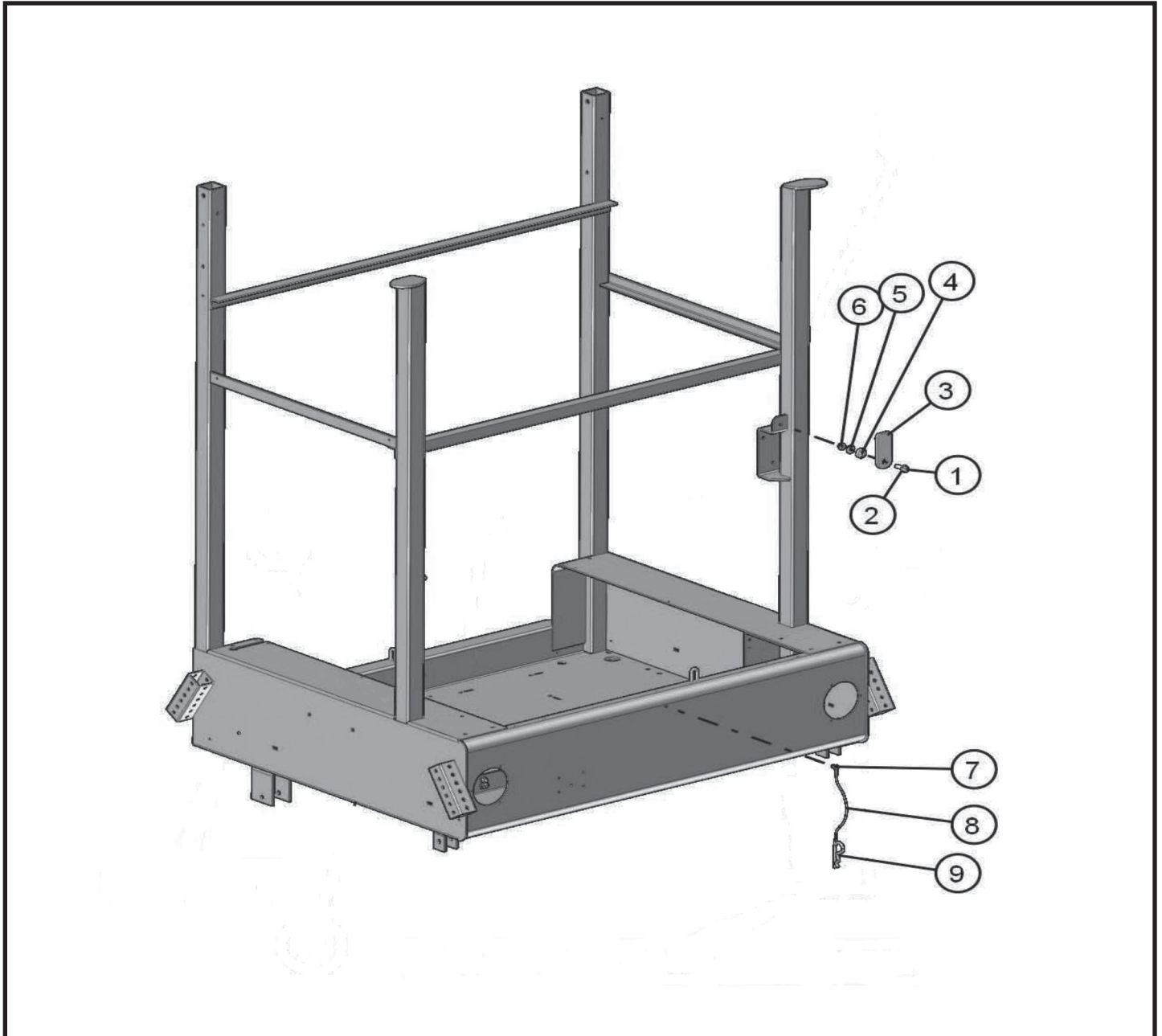
SN 0001AB12 and UP

Item	Part No.	Part Description	Qty.
1	650129	TAIL LIGHT	2
2	045110B	3/16 BLIND RIVET BLACK	6
3	032035	LICENSE PLATE LIGHT BRACKET	1
4	022180	SPACER	4
5	041030	#10-24 x 1 CR-RHMS PL	4
6	044016	10-24 KEPS NUT PL	4
7	044021	1/4-20 KEPS NUT PL	3
8	022015	#4 CUSHION CLAMP	2
9	041050	1/4-20 x 3/4 CR-THMS SS	3

## 2.0 AB TRAILER ASSEMBLY/BASE PARTS

2.6 - Hood Latch and Lockpins

SN 0001AB12 and UP



# Eclipse® AB 2220/SE

## 2.0 AB TRAILER ASSEMBLY/BASE PARTS

2.6 - Hood Latch and Lockpins

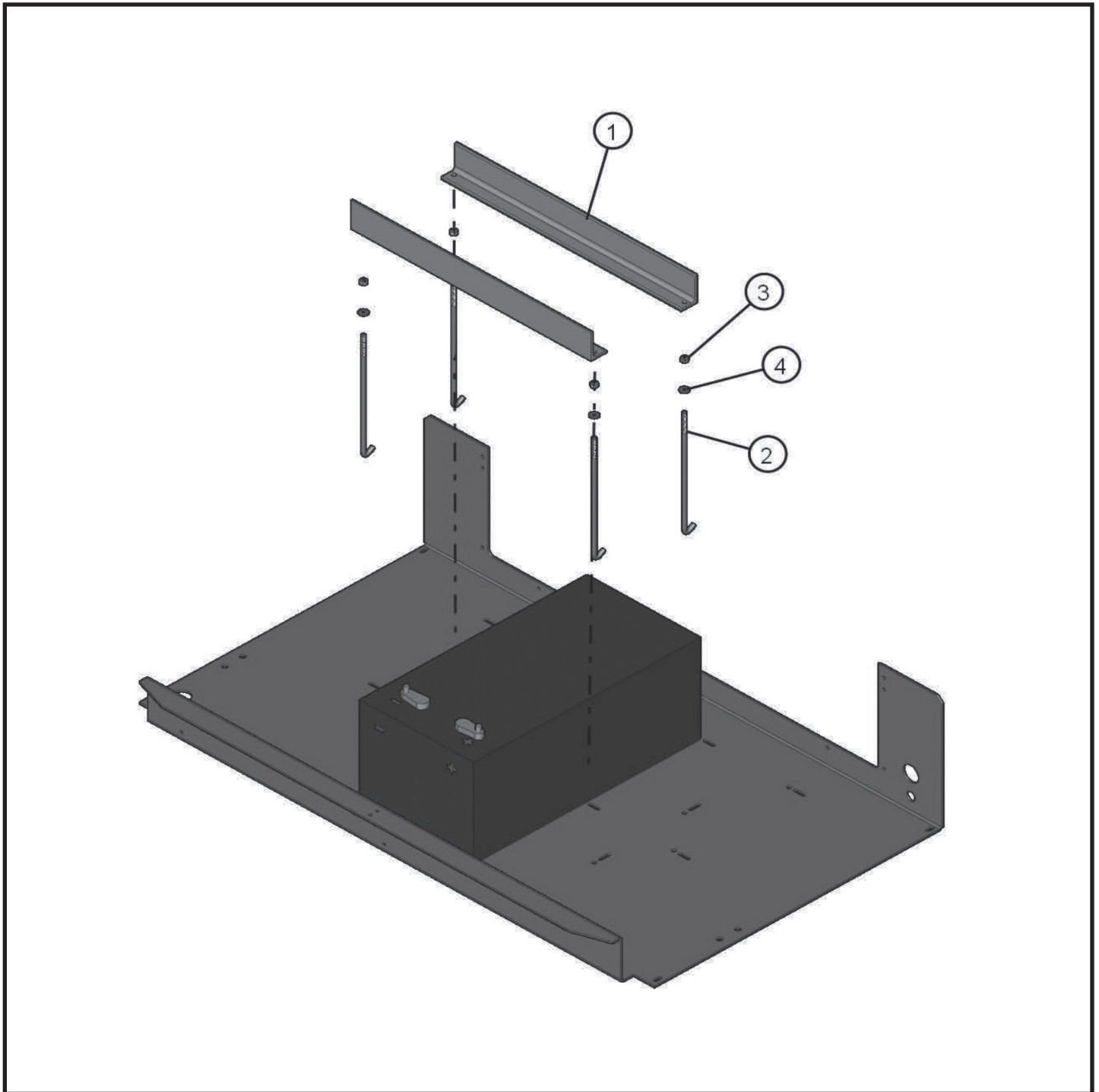
SN 0001AB12 and UP

Item	Part No.	Part Description	Qty.
1	046404	5/16-18 x 1 1/4 HHCS SS	1
2	047010	5/16 FW PL	2
3	714153P	HOOD LATCH	1
4	711037	NYLON STEP BUSHING	1
5	711036	3/8 NYLON WASHER	1
6	044033	5/16-18 NYLOCK HEX NUT	1
7	712059	PUSH LOCK RIVER (REAR LID OPTION)	1
8	712061	STEEL LANYARD (REAR LID OPTION)	1
9	045015	HITCH PIN CLIP .178 x 3.25 (REAR LID OPTION)	1

## 3.0 AB TRAILER INTERIOR INSTALLATIONS

### 3.1 - One Battery Installation

SN 0001AB12 and UP





## 3.0 AB TRAILER INTERIOR INSTALLATIONS

3.1 - One Battery Installation

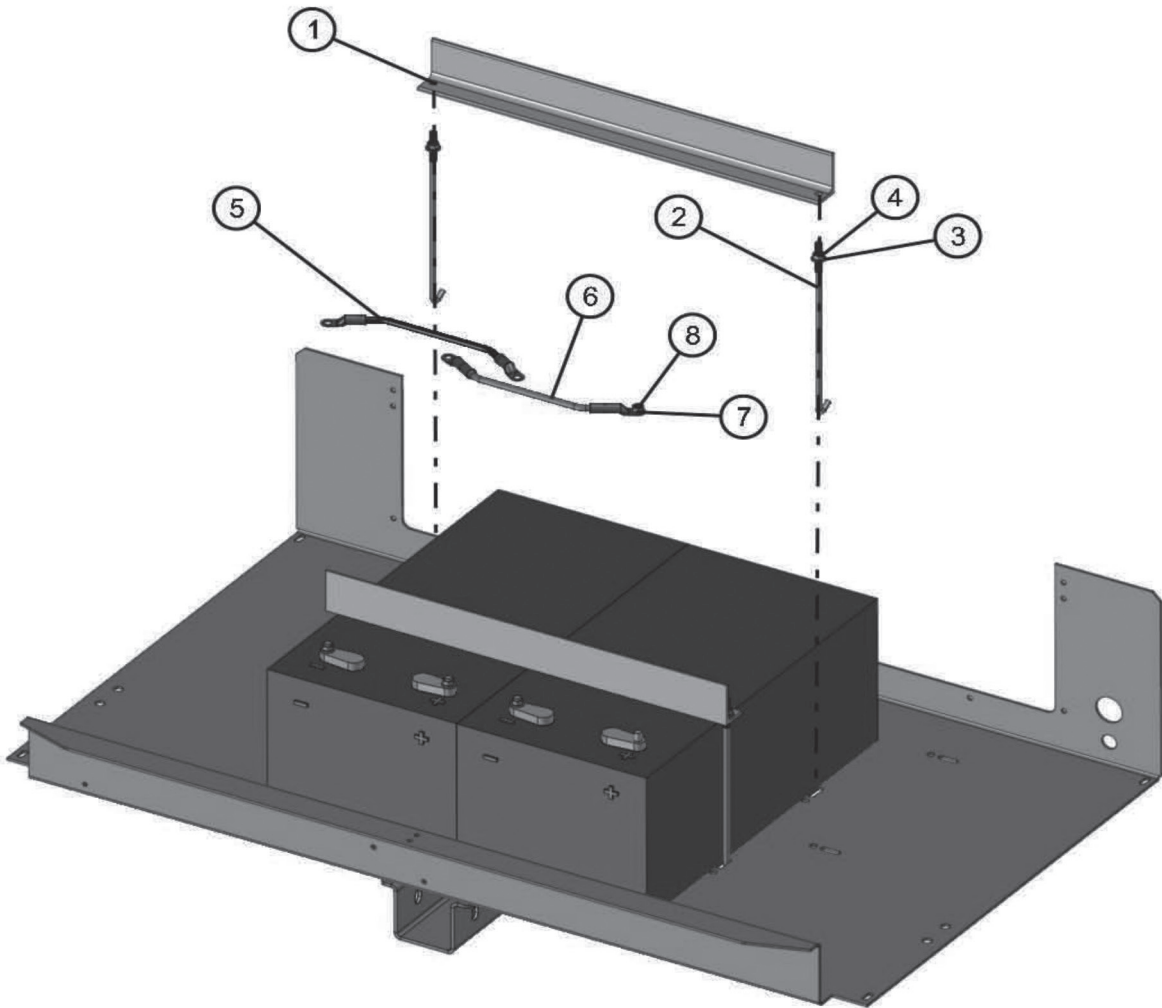
SN 0001AB12 and UP

Item	Part No.	Part Description	Qty.
1	713513P	BATTERY HOLD DOWN	2
2	433507	J BOLT 5/16-18	4
3	044033	5/16-18 NYLOCK HEX NUT	4
4	047005	1/4 FLAT WASHER	4

## 3.0 AB TRAILER INTERIOR INSTALLATIONS

3.2 - Two Battery Installation (Option)

SN 0001AB12 and UP



## 3.0 AB TRAILER INTERIOR INSTALLATIONS

3.2 - Two Battery Installation (Option)

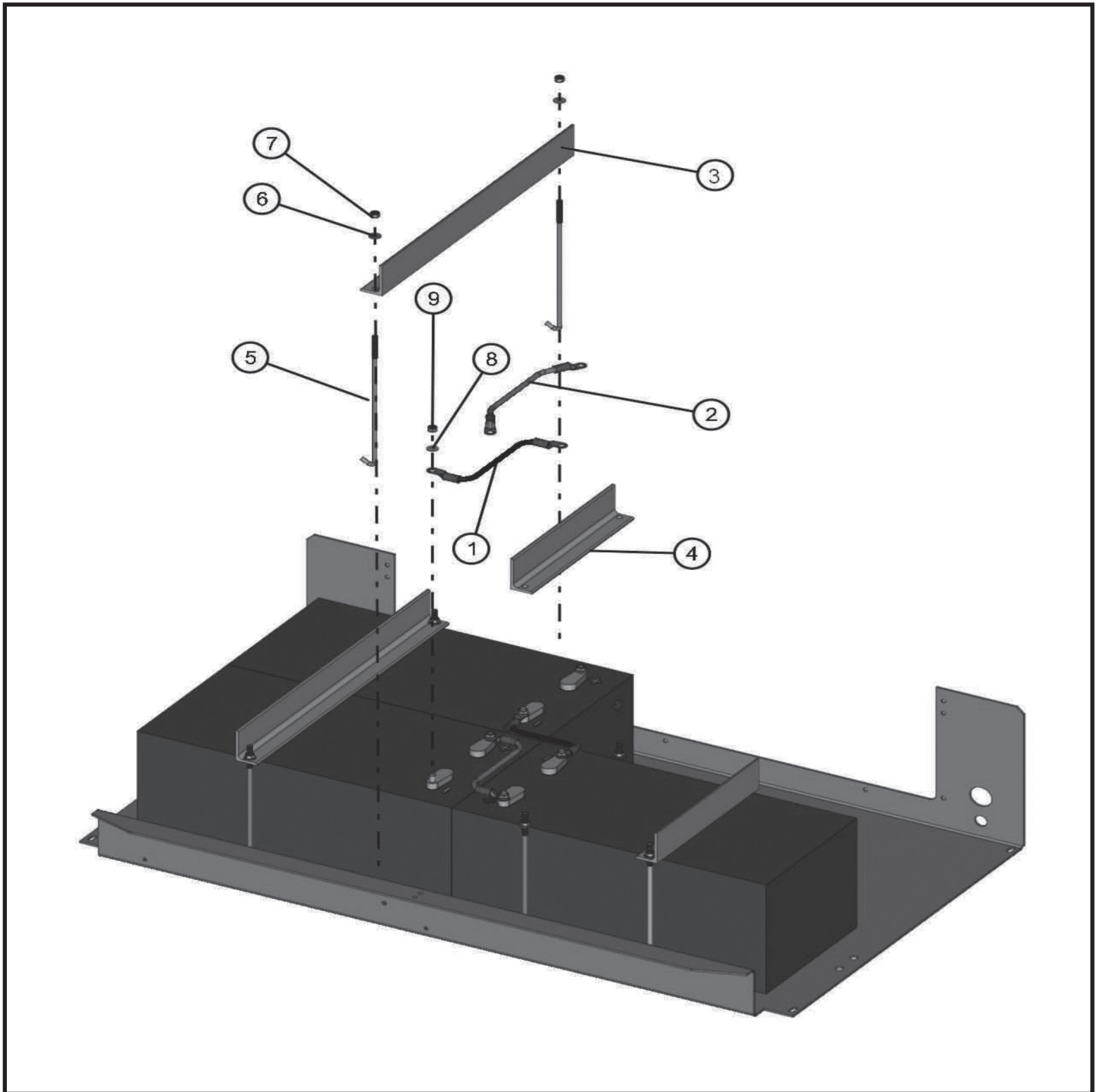
SN 0001AB12 and UP

Item	Part No.	Part Description	Qty.
1	713513P	BATTERY HOLD DOWN	2
2	433057	J BOLT 5/16-18	4
3	047005	1/4 FLAT WASHER	4
4	044033	5/16-18 NYLOCK HEX NUT	4
5	713198	BATTERY CABLE 12" NEGATIVE	1
6	713199	BATTERY CABLE 12" POSITIVE	1
7	047010	5/16 FW PL	4
8	044030	5/16-18 HEX NUT	4

## 3.0 AB TRAILER INTERIOR INSTALLATIONS

3.3 - Three Battery Installation (Option)

SN 0001AB12 and UP



## 3.0 AB TRAILER INTERIOR INSTALLATIONS

3.3 - Three Battery Installation (Option)

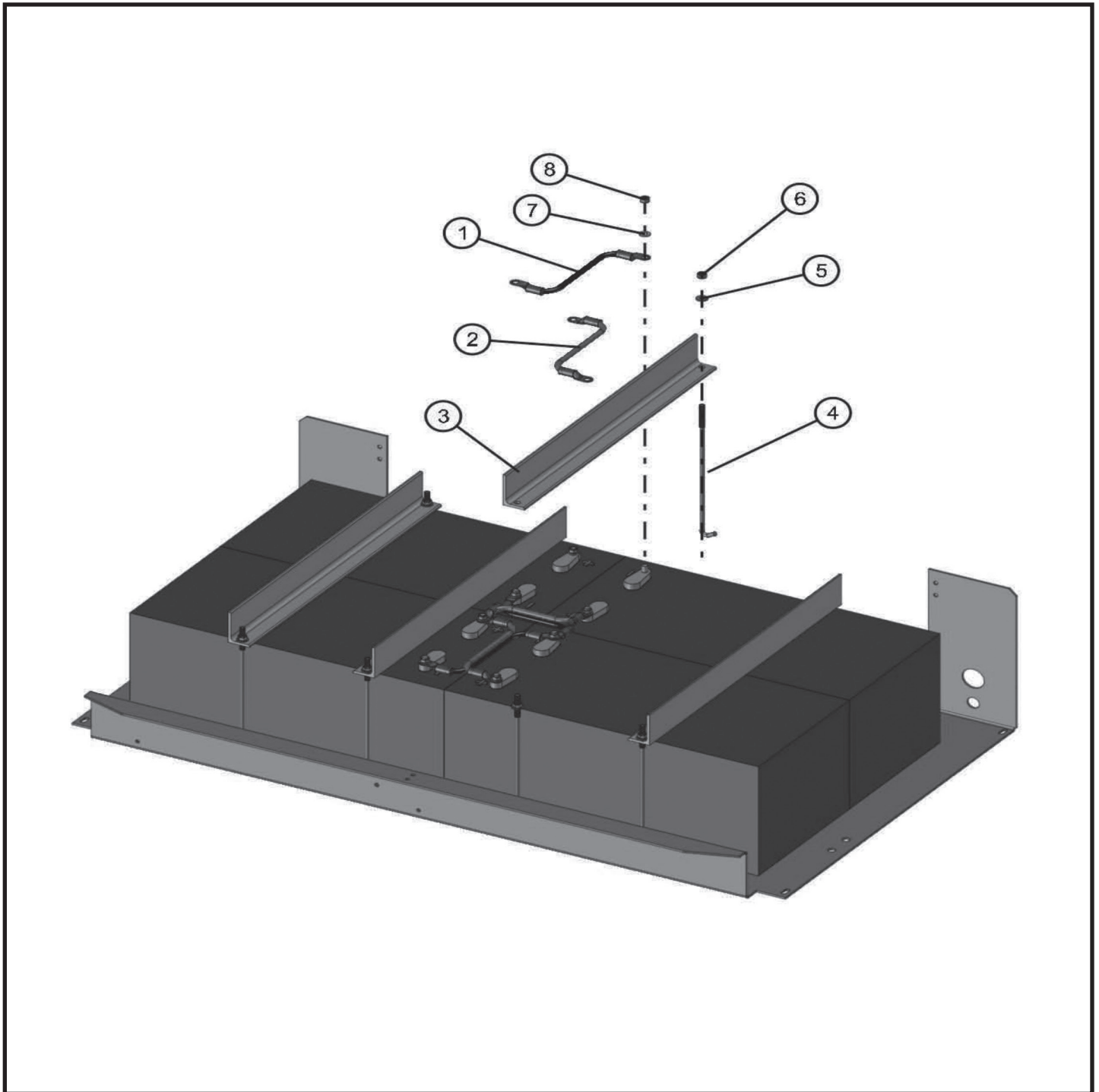
SN 0001AB12 and UP

Item	Part No.	Part Description	Qty.
1	713198	BATTERY CABLE 12" NEGATIVE	2
2	713199	BATTERY CABLE 12" POSITIVE	2
3	713513P	BATTERY HOLD DOWN	2
4	713511P	BATTERY HOLD DOWN	2
5	433507	J BOLT 5/16-18	8
6	047010	5/16 FW PL	6
7	047005	1/4 WASHER	8
8	044033	5/16-18 NYLOCK NUT	8
9	044030	5/16-18 HEX NUT	6

## 3.0 AB TRAILER INTERIOR INSTALLATIONS

3.4 - Four Battery Installation (Option)

SN 0001AB12 and UP



## 3.0 AB TRAILER INTERIOR INSTALLATIONS

3.4 - Four Battery Installation (Option)

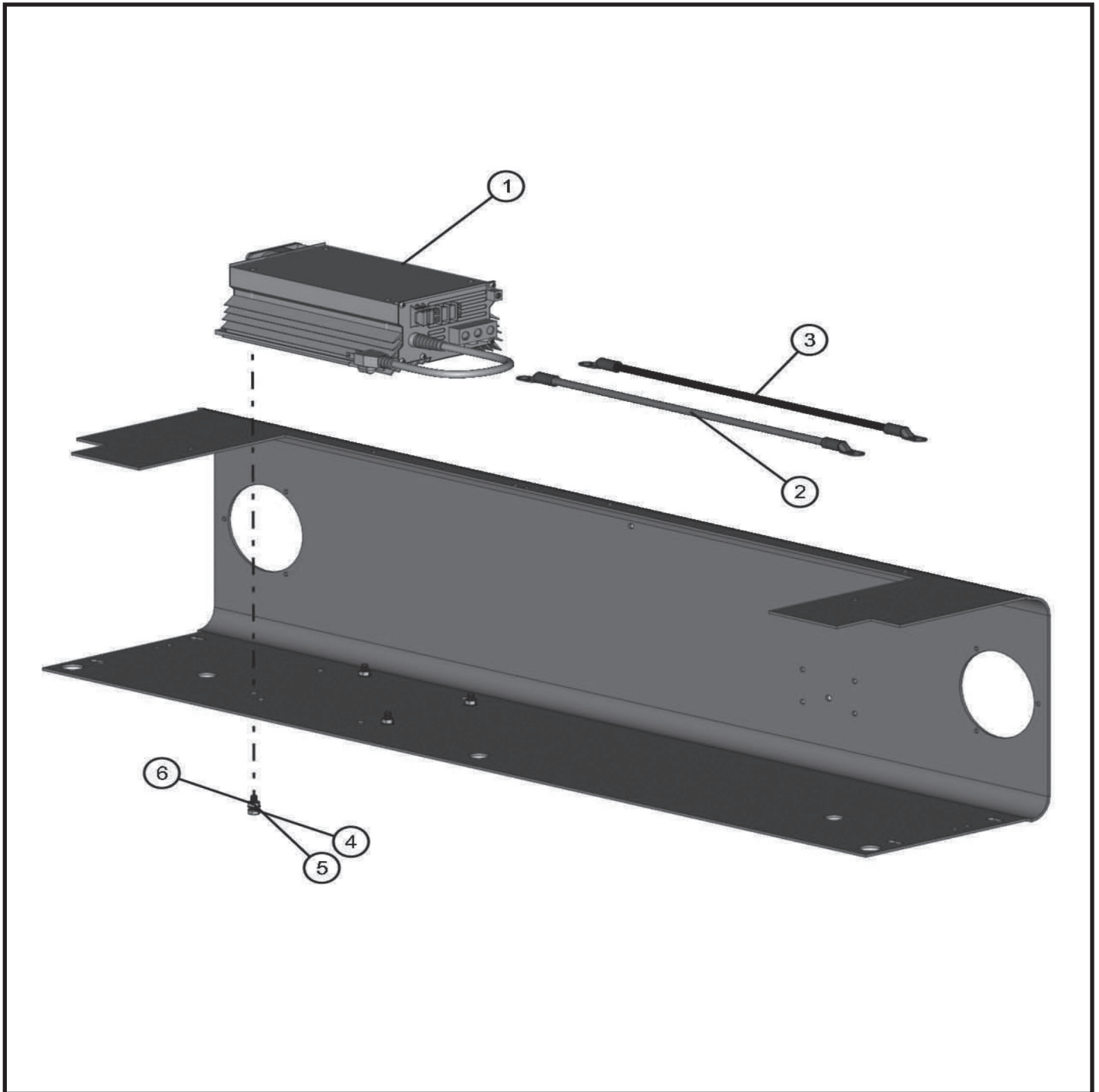
SN 0001AB12 and UP

Item	Part No.	Part Description	Qty.
1	713198	BATTERY CABLE 12" NEGATIVE	3
2	713199	BATTERY CABLE 12" POSITIVE	3
3	713513P	BATTERY HOLD DOWN	4
4	433057	J BOLT 5/16-18	8
5	047005	1/4 FLAT WASHER	8
6	044033	5/16-18 NYLOCK NUT	8
7	047010	5/16 FW PL	8
8	044030	5/16-18 HEX NUT	8

## 3.0 AB TRAILER INTERIOR INSTALLATIONS

### 3.5 - Battery Charger Installation

SN 0001AB12 and UP





## 3.0 AB TRAILER INTERIOR INSTALLATIONS

3.5 - Battery Charger Installation

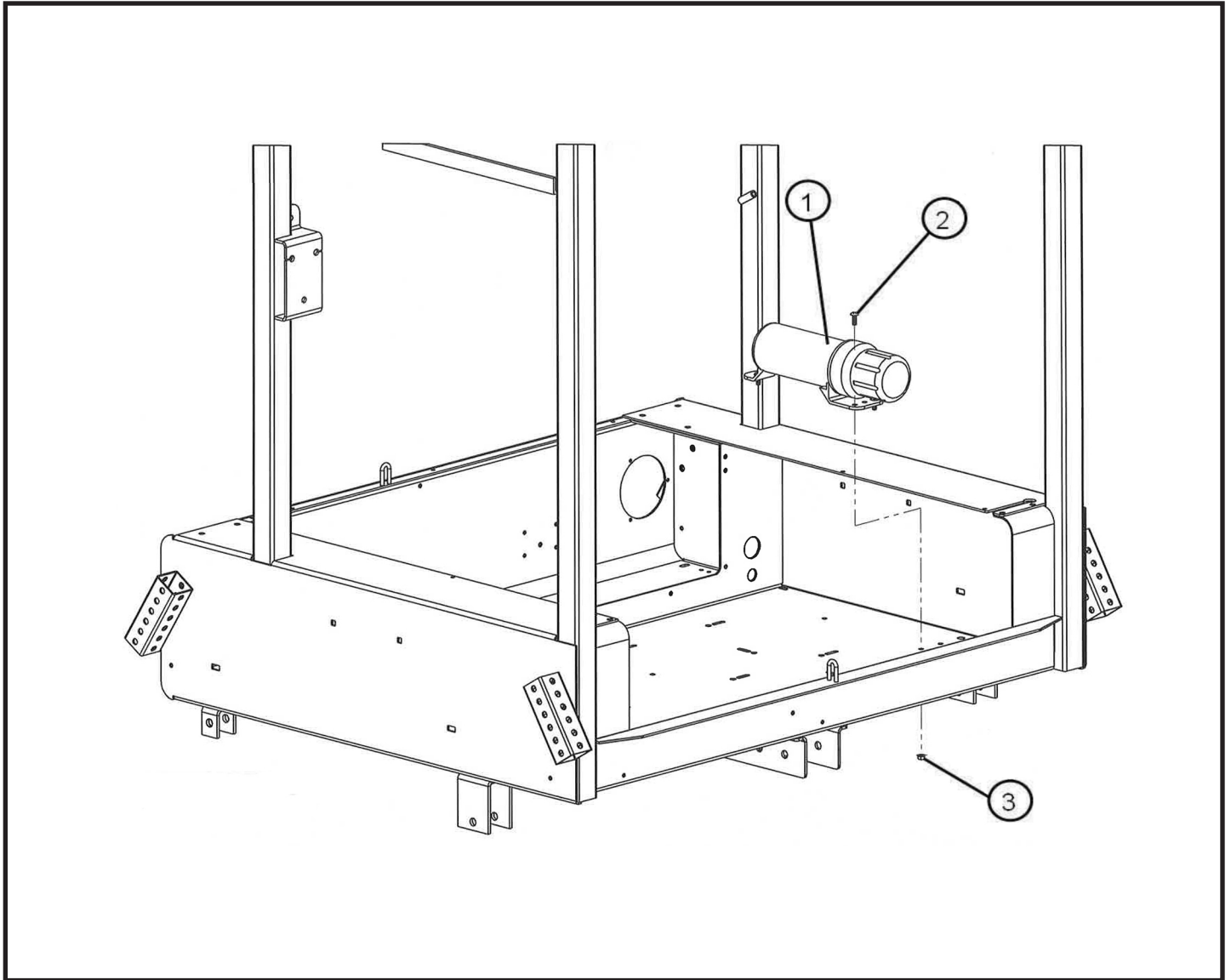
SN 0001AB12 and UP

Item	Part No.	Part Description	Qty.
1	101073	BATTERY CHARGER 55 AMP	1
2	713198	BATTERY CABLE 12" NEGATIVE	1
3	713199	BATTERY CABLE 12" POSITIVE	1
4	047009	1/4 SAE SS FW	4
5	046010	1/4-20 x 3/4 HEX BOLT SS	4
6	044021	1/4-20 KEPS NUT PL	4

## 3.0 AB TRAILER INTERIOR INSTALLATIONS

3.6 - Manual Canister Installation

SN 0001AB12 and UP



## 3.0 AB TRAILER INTERIOR INSTALLATIONS

3.6 - Battery Charger Installation

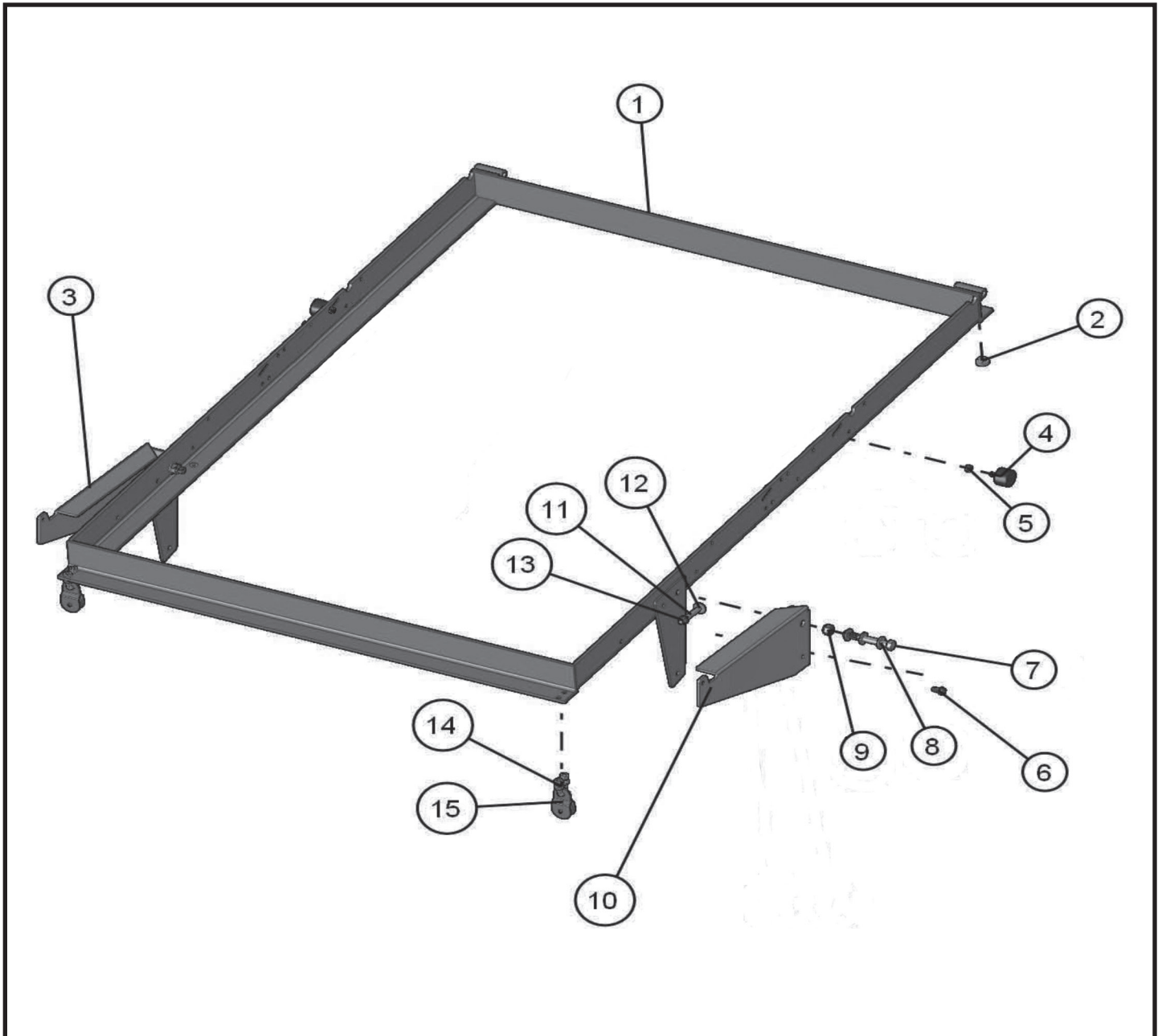
SN 0001AB12 and UP

Item	Part No.	Part Description	Qty.
1	103651	MANUAL CANISTER	1
2	041050	1/4-20 x 3/4 PH-TRUSS HEAD MS SS	3
3	044021	1/4-20 KEPS HEX NUT PL	3

## 4.0 SWING ARM/SOLAR PANEL ASSEMBLY

### 4.1 - Swing Arm Assembly

SN 0001AB12 and UP



# Eclipse® AB 2220/SE

## 4.0 SWING ARM/SOLAR PANEL ASSEMBLY

### 4.1 - Swing Arm Assembly

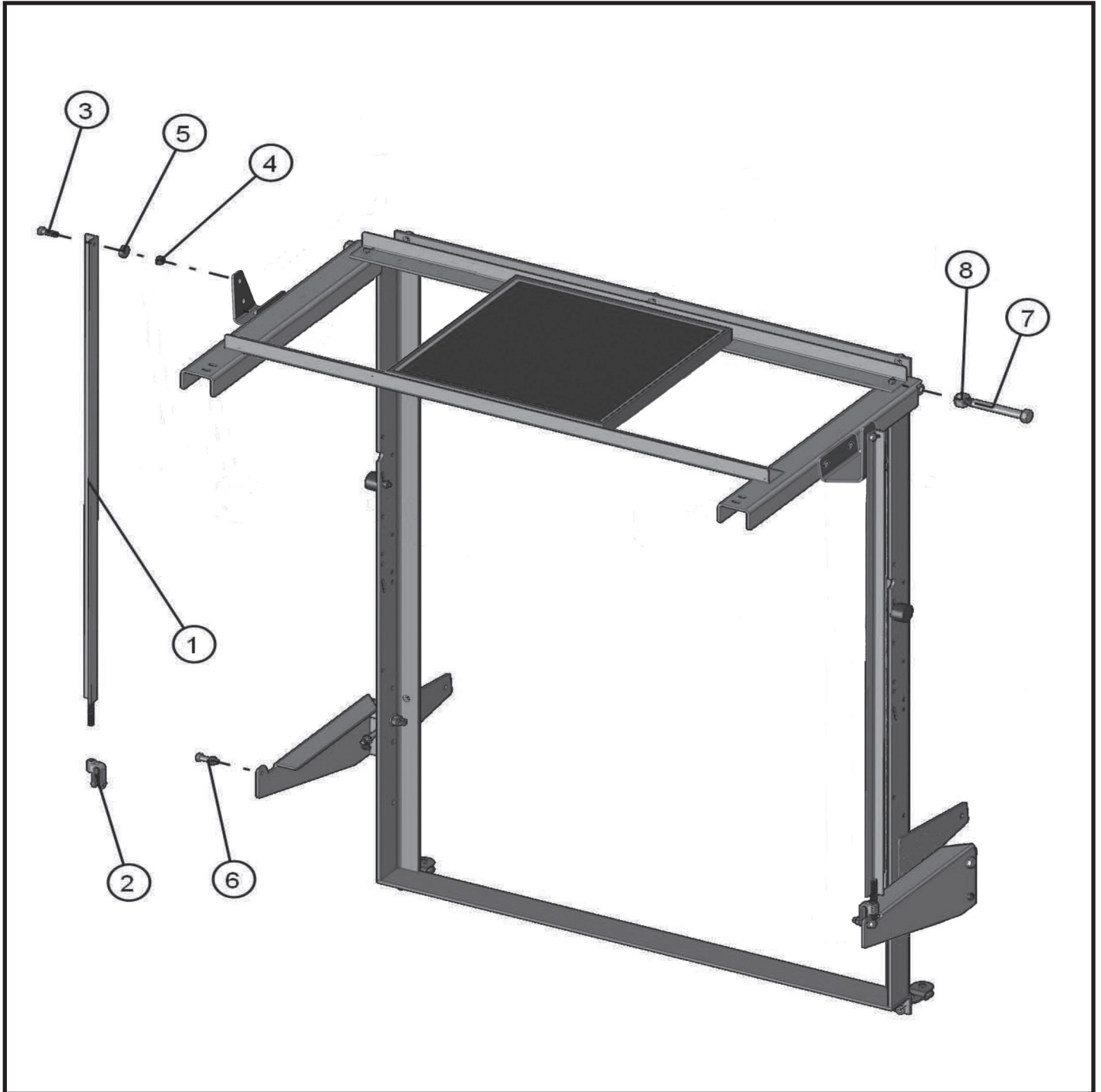
SN 0001AB12 and UP

Item	Part No.	Part Description	Qty.
1	712142P	SWING ARM	1
2	711037	NYLON STEP BUSHING	5
3	712569P	RIGHT SOLAR PANEL LIFT ARM MOUNT	1
4	713578	RUBBER BUMPER	2
5	044031	5/16-18 KEPS NUT	2
6	041075	5/16-18 x 3/4 SELF TAP SL-HHMS	2
7	046220	1/2-13 x 4 HHCS GR5 PL	2
8	047025	1/2 FW PL	6
9	044048	1/2-13 NYLOCK HEX PL	2
10	712566P	LEFT SOLAR PANEL LIFT ARM MOUNT	1
11	046137	3/8-16 x 3 HEX BOLT	2
12	047015	3/8 FLAT WASHER	2
13	044036	3/8-16 KEPS NUT	2
14	045085	3/8-16 U BOLT	2
15	712545	BLOCK PULLEY	2

## 4.0 SWING ARM/SOLAR PANEL ASSEMBLY

4.2 - Solar Panel Lift Arm Assembly

SN 0001AB12 and UP



# Eclipse® AB 2220/SE

## 4.0 SWING ARM/SOLAR PANEL ASSEMBLY

4.2 - Solar Panel Lift Arm Assembly

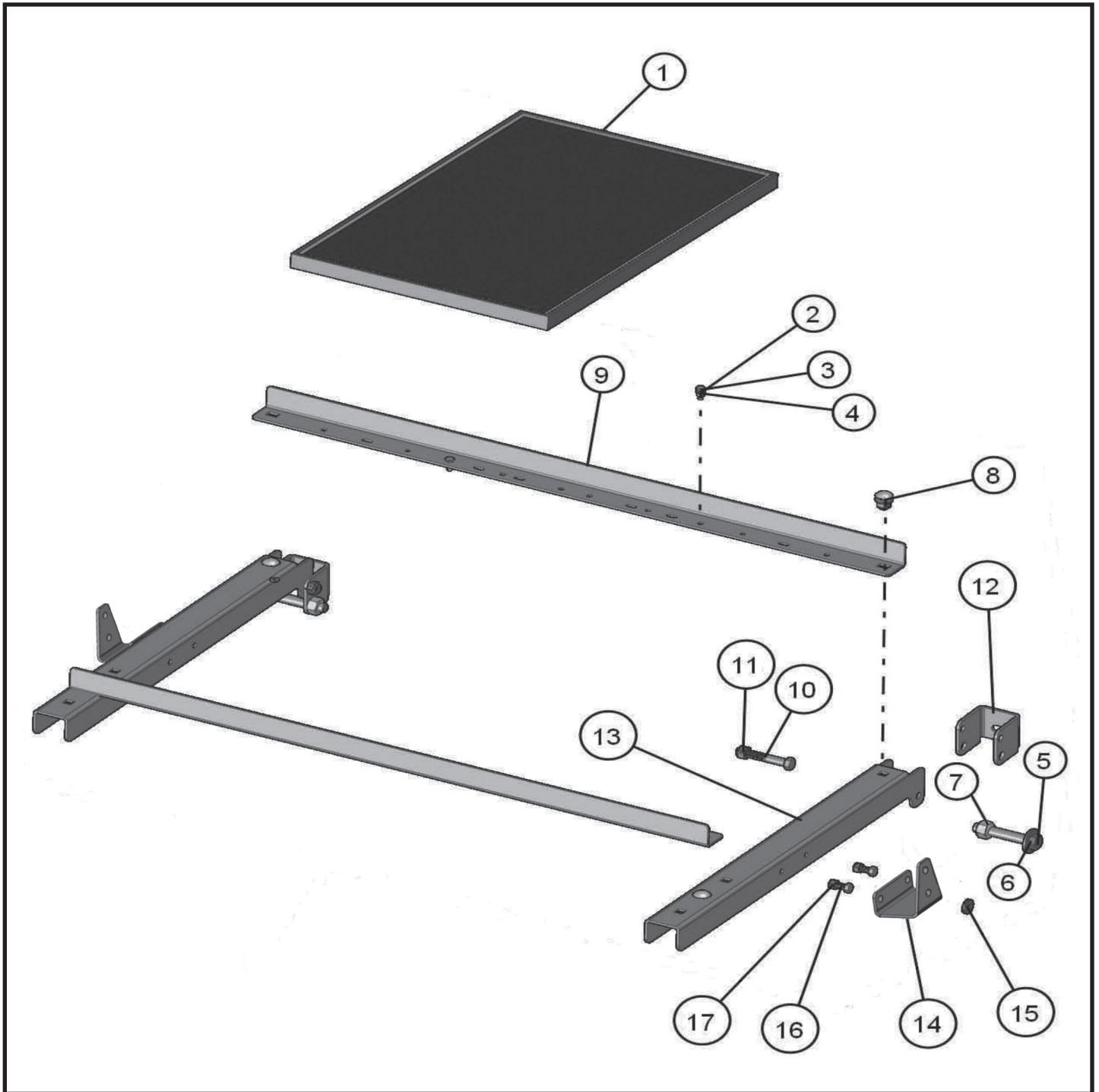
SN 0001AB12 and UP

Item	Part No.	Part Description	Qty.
1	712573P	LIFT ARM LEFT & RIGHT	2
2	712572	3/8-24 OFFSET YOKE	2
3	046115	3/8-16 x 1 1/4 HHCS	2
4	044038	3/8-16 NYLOCK HNUT	4
5	047015	3/8 FLAT WASHER	8
6	046120	3/8-16 x 1 1/2 HHCS	2
7	046248	5/8-11 x 4 HHCS GR8	2
8	044053	5/8-11 NYLOCK NUT	2

## 4.0 SWING ARM/SOLAR PANEL ASSEMBLY

4.3 - Single Solar Panel Adjustment Mount

SN 0001AB12 and UP





# Eclipse® AB 2220/SE

## 4.0 SWING ARM/SOLAR PANEL ASSEMBLY

4.3 - Single Solar Panel Adjustment Mount

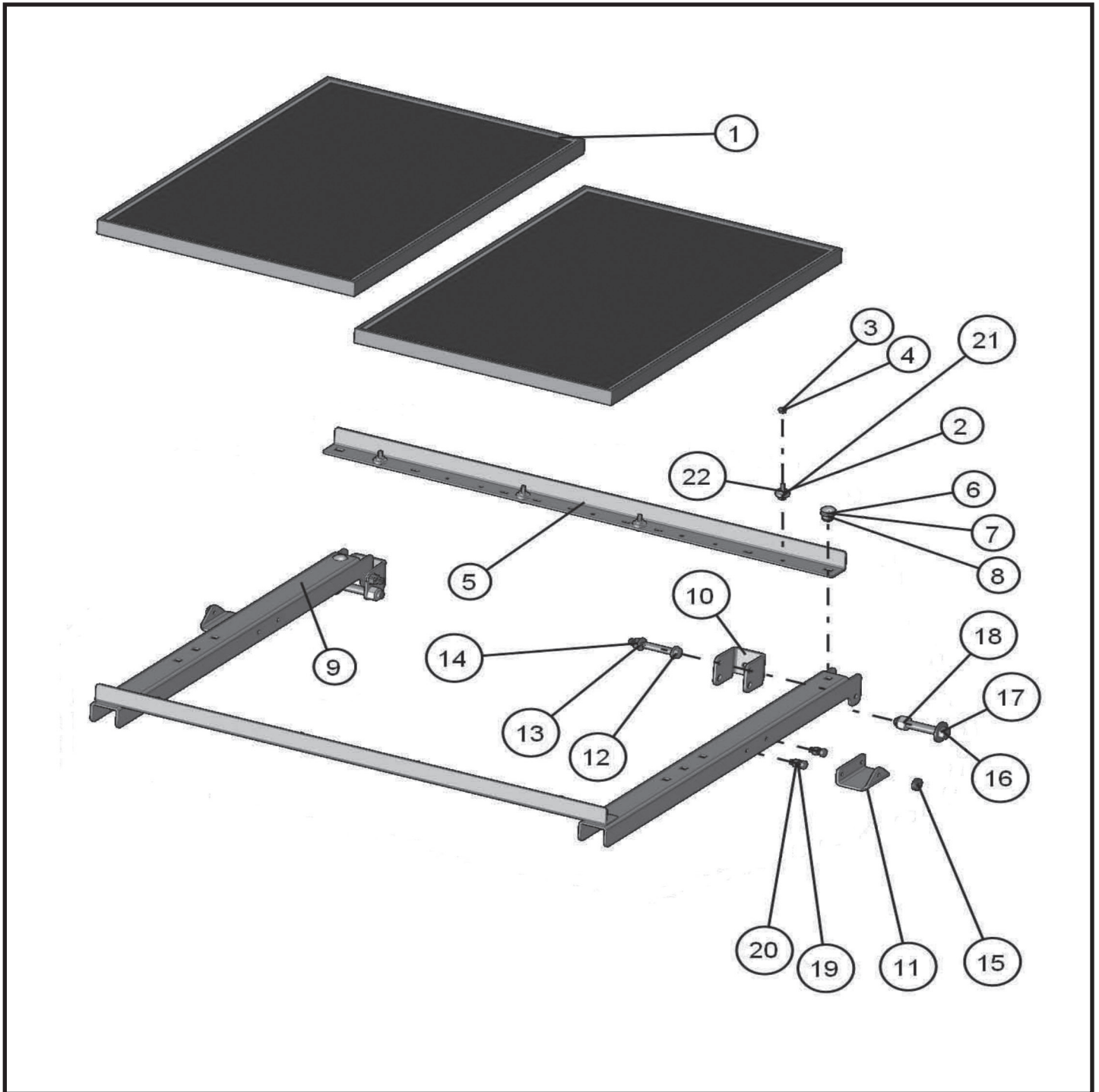
SN 0001AB12 and UP

Item	Part No.	Part Description	Qty.
1	711308	SOLAR PANEL 55 WT	1
2	046010	1/4-20 x 3/4 HEX BOLT SS	4
3	047009	1/4 SAE SS FW	4
4	044021	1/4-20 KEPS NUT PL	4
5	046248	5/8-11 x 4 HHCS GR8	2
6	047030	5/8 FLAT WASHER	2
7	044053	5/8-11 NYLOCK HNUT	2
8	053050	1/2-13 x 1 CB	4
9	109687P	ANGLE CROSSMEMBER FRONT & BACK	2
10	046215	1/2-13 x 3 1/2 HHCS	2
11	044048	1/2-13 NYLOCK HEX PL	2
12	109682P	PIVOT BRACKET LEFT & RIGHT	2
13	109683P	PIVOT ARM LEFT & RIGHT	2
14	109684P	BRACKET LEFT & RIGHT	2
15	047015	3/8 FLAT WASHER	6
16	046110	3/8-16 x 1 HHCS GR5 PL	4
17	044038	3/8-16 NYLOCK HNUT	4
←	102665	SINGLE SOLAR PANEL ADJUSTMENT MOUNT (ASSEMBLY)	1

## 4.0 SWING ARM/SOLAR PANEL ASSEMBLY

4.4 - Double Solar Panel Adjustment Mount (Option)

SN 0001AB12 and UP



# Eclipse® AB 2220/SE

## 4.0 SWING ARM/SOLAR PANEL ASSEMBLY

4.4 - Double Solar Panel Adjustment Mount (Option)

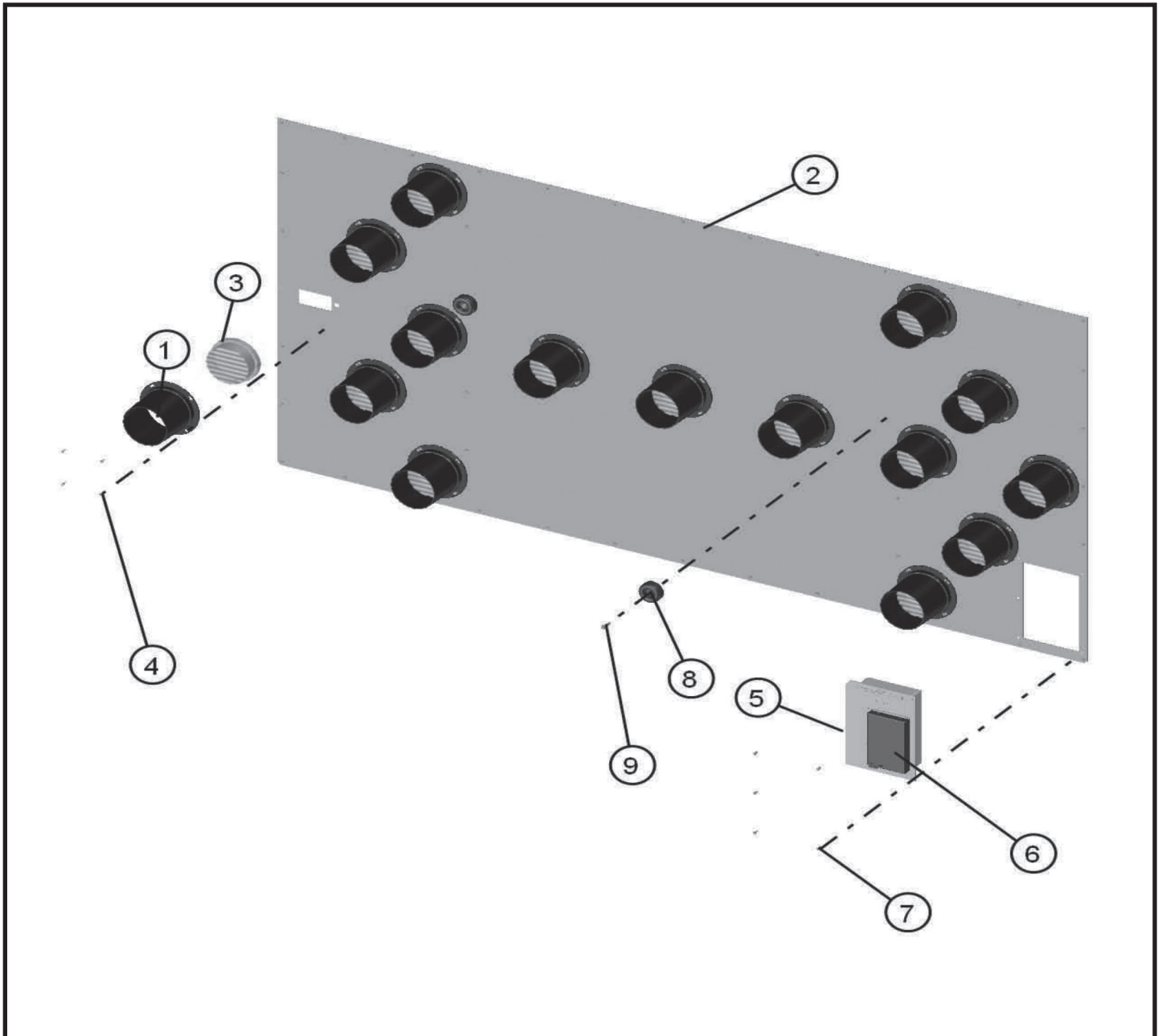
SN 0001AB12 and UP

Item	Part No.	Part Description	Qty.
1	711308	SOLAR PANEL 55 WT	2
2	711037	NYLON STEP BUSHING	8
3	047009	1/4 SAE SS FW	8
4	044021	1/4-20 KEPS NUT PL	8
5	109687P	ANGLE CROSSMEMBER FRONT & BACK	2
6	053050	1/2-13 x 1 CB	4
7	047025	1/2 FW PL	4
8	044048	1/2-13 NYLOCK HEX PL	4
9	109690P	LONG PIVOT ARM LEFT & RIGHT	2
10	109682P	PIVOT BRACKET LEFT & RIGHT	2
11	109684P	BRACKET LEFT & RIGHT	2
12	046220	1/2-13 x 4 HHCS GR5 PL	2
13	047025	1/2 FW PL	4
14	044048	1/2-13 NYLOCK HEX PL	2
15	047015	3/8 FLAT WASHER	8
16	046248	5/8-11 x 4 HHCS GR8	2
17	047030	5/8 FLAT WASHER	2
18	044053	5/8-11 NYLOCK HNUT	2
19	046110	3/8-16 x 1 HHCS GR5 PL	4
20	044038	3/8-16 NYLOCK HNUT	4
21	047009	1/4 SAE SS FW	8
22	046020	1/4-20 x 1 1/4 GR5 HEX BOLT	8
←	102667	DOUBLE SOLAR PANEL ADJUSTMENT MOUNT (ASSEMBLY)	1

## 5.0 ARROWBOARD SIGN ASSEMBLY

5.1 - 15 LED Light Arrowboard Sign Assembly

SN 0001AB12 and UP



# Eclipse® AB 2220/SE

## 5.0 ARROWBOARD SIGN ASSEMBLY

5.1 - 15 LED Light Arrowboard Sign Assembly

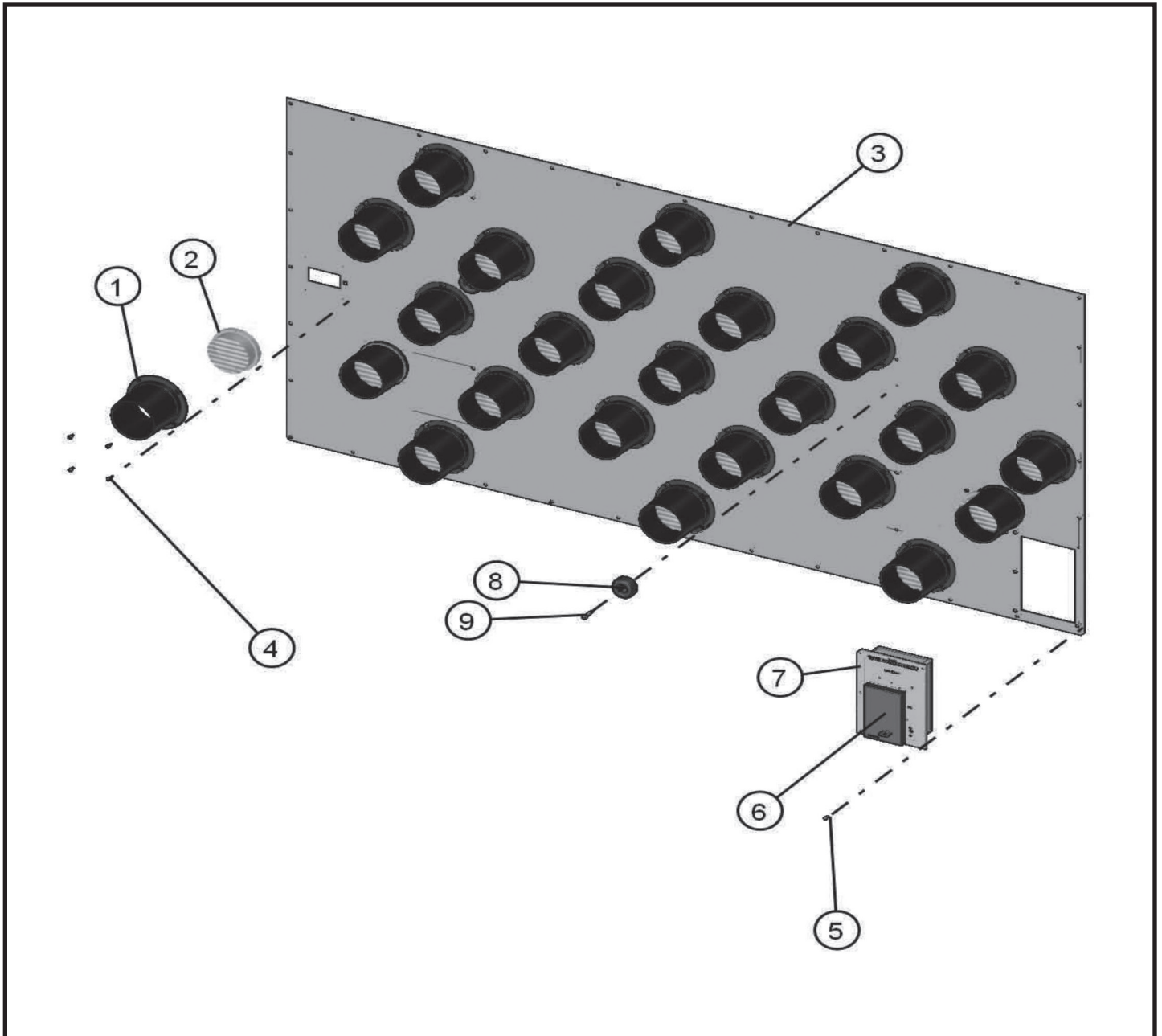
SN 0001AB12 and UP

Item	Part No.	Part Description	Qty.
1	711041	VISOR	15
2	712632	ALT FRONT PANEL	1
3	711413	LED LAMP	15
4	041015	8-18 x 5/8 HHSTMS	60
5	711453D	ALT CONTROLLER	1
6	711165	CONTROL COVER W/ HINGE	1
7	045110B	3/16 BLIND RIVET BLACK	42
8	711032	RUBBER BUMPER	2
9	041072	1/4-20 x 1 1/4 MS HEX WASHER HEAD	2

## 5.0 ARROWBOARD SIGN ASSEMBLY

5.2 - 25 LED Light Arrowboard Sign Assembly

SN 0001AB12 and UP



## 5.0 ARROWBOARD SIGN ASSEMBLY

5.2 - 25 LED Light Arrowboard Sign Assembly

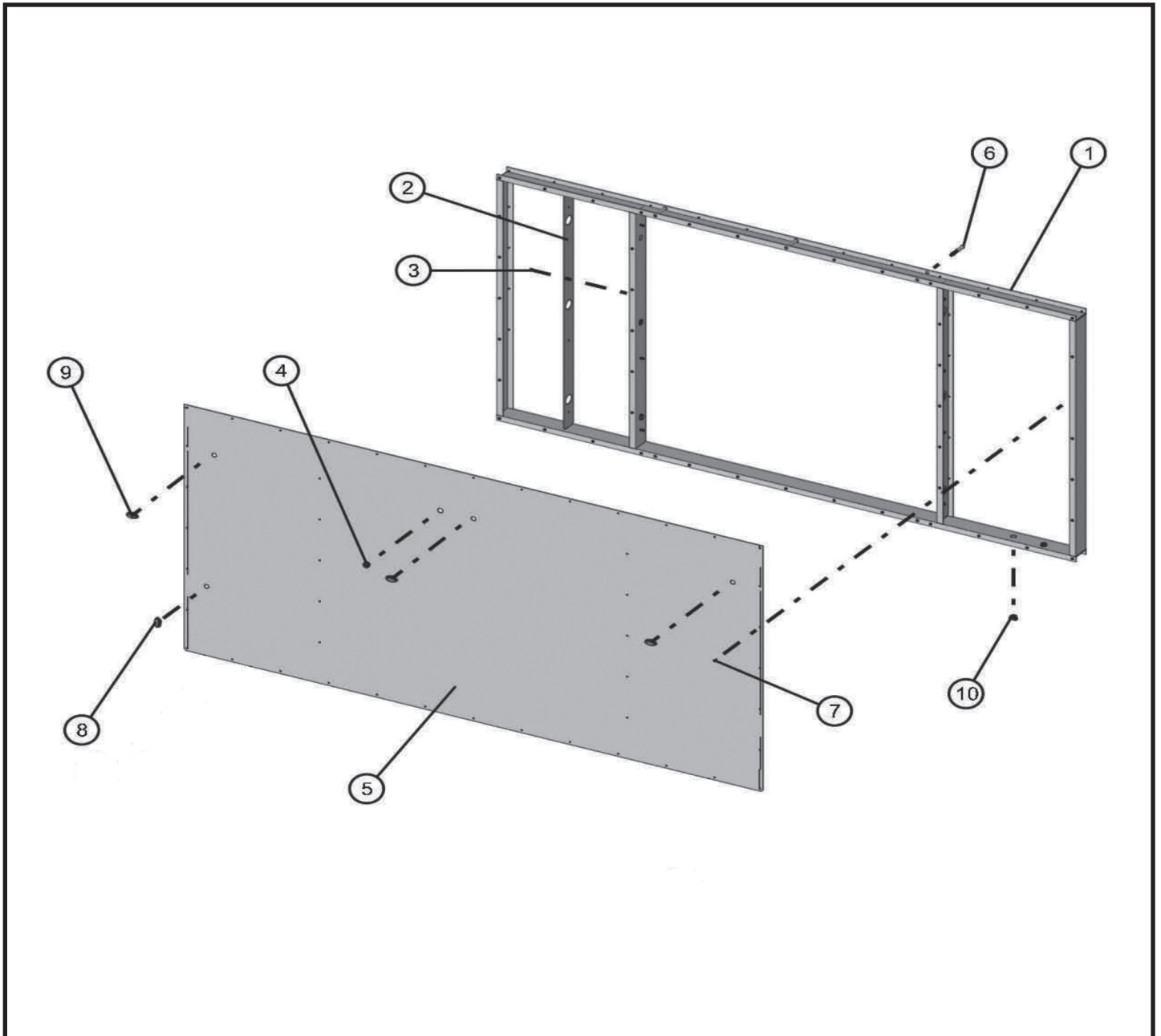
SN 0001AB12 and UP

Item	Part No.	Part Description	Qty.
1	711041	VISOR	25
2	711413	LED LAMP	25
3	712633	APF FRONT PANEL	1
4	041015	8-18 x 5/8 HHSTMS	100
5	045110B	3/16 BLIND RIVET BLACK	42
6	711165	CONTROL COVER W/ HINGE	1
7	711454D	APF CONTROLLER	1
8	711032	RUBBER BUMPER	2
9	041072	1/4-20 x 1 1/4 MS HEX WASHER HEAD	2

## 5.0 ARROWBOARD SIGN ASSEMBLY

### 5.3 - Arrowboard Sign Back Cover

SN 0001AB12 and UP





## 5.0 ARROWBOARD SIGN ASSEMBLY

5.3 - Arrowboard Sign Back Cover

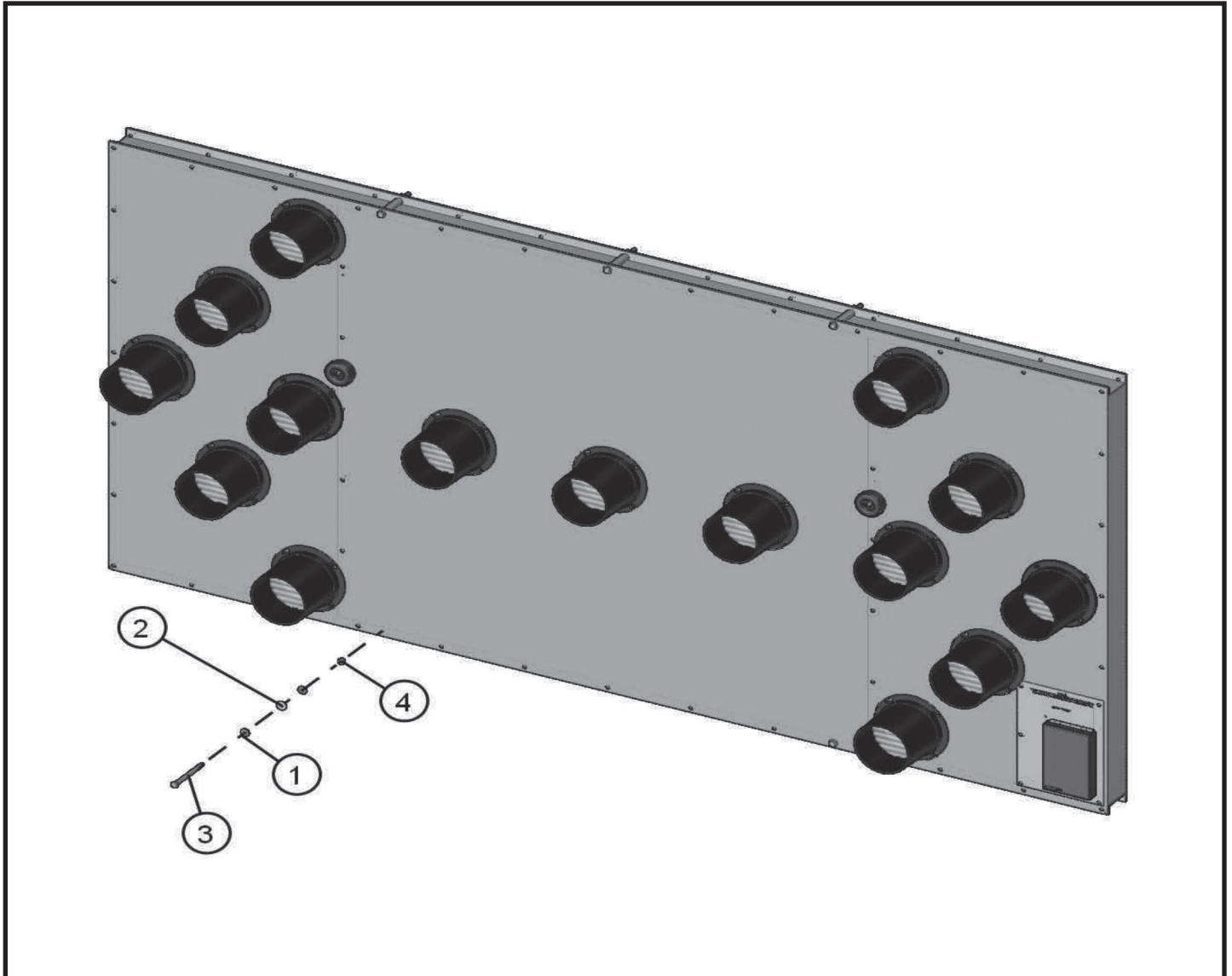
SN 0001AB12 and UP

Item	Part No.	Part Description	Qty.
1	711521P	FRAME	1
2	100891	BOARD STIFFENER (OPTION)	2
3	041070	1/4-20 x 3/4 SL-SELF TAPPING SCREW (OPTION)	8
4	022133	#2123 BLACK SNAP BUSHING	6
5	711145	BACK PANEL	1
6	711035P	SPACER TUBE	5
7	045110B	3/16 BLIND RIVET BLACK	42
8	102914	LOW VOLTAGE WARNING LIGHT RED	1
9	102913	MARKER LIGHT AMBER	3
10	022020	2 SCREW CLAMP 3/8	1

## 5.0 ARROWBOARD SIGN ASSEMBLY

5.4 - Arrowboard Sign Hardware

SN 0001AB12 and UP



## 5.0 ARROWBOARD SIGN ASSEMBLY

5.4 - Arrowboard Sign Hardware

SN 0001AB12 and UP

Item	Part No.	Part Description	Qty.
1	047005	1/4 FLAT WASHER	10
2	711036	3/8 NYLON WASHER	5
3	046080	5/16-18 x 4 1/2 HEX BOLT	5
4	044033	5/16-18 NYLOCK HEX NUT	5